

MACHINE LEVEL CONTROL RECORD

MACHINE TYPE 1626 SERIAL No. 10253 SUFFIX LEVEL A E/C 404890C

B/M No.	E/C No.	D/A No.	DESCRIPTION	INSTALLED	
				DATE	INITIAL
2165059	404890G	0A01000	C. E. Panel Corrections	9/26	CAL
2165054	404934	0A02000	Process Time Meter		
2165086	404890L		Improved Switching		
2165158	404934B		Process Time Meter - Mand		
2165227	404890N	0A04000	Plot Flag 0 & EOL CKT Revision		
2165229	404890R	0A05000	Optimized EOL Circuitry		
2165275	404984	0A06000	Power - Up Quench Imp.		
2165296	412504	0A07000	Alpha Response		

ANY SIGNIFICANT REPLACEMENT OR REMOVAL SHOULD BE NOTED AND DATED.

LOGIC TITLE OR FUNCTION	LOGIC PAGE NUMBER
CE PANEL	26.85.25.1
CE SWITCHES AND LAMPS	26.85.26.1
CONNECTOR AND VOLTAGE REF	26.00.15.1
CONVERT 1-2-4	26.85.20.1
CONVERT 8-0-EL	26.85.21.1
DELAY TIMERS	26.85.24.1
PLOTTER I/O LINES	02.84.50.1
SYNCHRONIZER	26.85.23.1
TIMING	26.10.00.1
TRANSLATOR	26.85.22.1
UNIT PLUGGING CHART	26.00.10.1
CA-- CTRL - 'P' TYPE	C.00.02.0
CB-- CTRL - 'N' TYPE	C.00.02.0
DHE- SDTRL - SINGLE SHOT	C.00.03.0

A	B	C	D	E	F
14	MX- 371661 04 26.85.22.1 26.85.22.1 26.85.22.1 26.85.22.1				
15	MX- 371661 04 26.85.22.1 26.85.22.1 26.85.22.1 26.85.23.1				
16	MH- 371661 04 26.85.23.1 26.85.23.1 26.85.23.1 26.85.23.1				
17	CO- 371629 03 26.85.23.1 26.85.23.1 26.85.22.1				
18	MX- 371661 04 26.85.23.1 26.85.23.1 26.85.23.1 26.85.23.1 26.85.23.1				
19	DHE- 0370262 02 26.85.23.1				
20	02 DHE- 0370262 02 26.85.23.1				
21	02 DHE- 0370262 02 26.85.23.1				
22	MX- 371661 04 26.85.24.1 26.85.24.1 26.85.24.1				
23	03 DHE- 0370262 02 26.85.24.1				
24	02 DHE- 0370262 02 26.85.24.1				
25	02 DHE- 0370262 02 26.85.24.1				
26	02 DHE- 0370262 02 26.85.24.1				

1B
1C
1D
1E
1F
1G
1H
1J

7A
7B
7C
7D
7E
7F
7G
7H
7J

	A	B	C	D	E	F
1	CA— #371026 03 26.85.20.1 26.85.20.1 26.85.20.1					
2	CB— #371027 03 26.85.20.1 26.85.20.1 26.85.20.1					
3	MH— 371487 04 26.85.20.1 26.85.20.1 26.85.20.1					
4	SYMB 26.85.20.1 26.85.20.1 26.85.20.1 26.85.20.1 26.85.21.1 26.85.21.1 26.85.21.1					
5	CA— #371026 03 26.85.21.1 26.85.21.1 26.85.21.1					
6	CD— #371027 03 26.85.21.1 26.85.21.1 26.85.21.1	AFR— 371943 06 26.85.24.1 26.85.24.1 26.85.24.1 26.85.24.1 26.85.24.1 26.85.24.1				
7	MX— 371661 04 26.85.20.1 26.85.20.1 26.85.21.1 26.85.24.1	MX— 371661 04 26.85.24.1 26.85.24.1 26.85.24.1 26.85.24.1				
8	MX— 371661 04 26.85.21.1 26.85.22.1 26.85.23.1 26.85.23.1 26.85.23.1	CAU— 370353 02 26.85.23.1 26.85.23.1				
9	CD— 371029 03 26.85.22.1 26.85.22.1 26.85.22.1	MX— 371661 04 26.85.23.1 26.85.23.1 26.85.23.1 26.85.23.1 26.85.23.1				
10	MX— 371661 04 26.85.22.1 26.85.22.1 26.85.22.1 26.85.22.1	MX— 371661 04 26.85.23.1 26.85.23.1 26.85.23.1 26.85.23.1				
11	MX— 371661 04 26.85.22.1 26.85.22.1 26.85.22.1 26.85.22.1					
12	MH— 371487 04 26.85.22.1 26.85.22.1 26.85.22.1 26.85.22.1					
13	MH— 371487 04 26.85.22.1 26.85.22.1 26.85.23.1 26.85.23.1					

7A

7B

7C

7D

7E

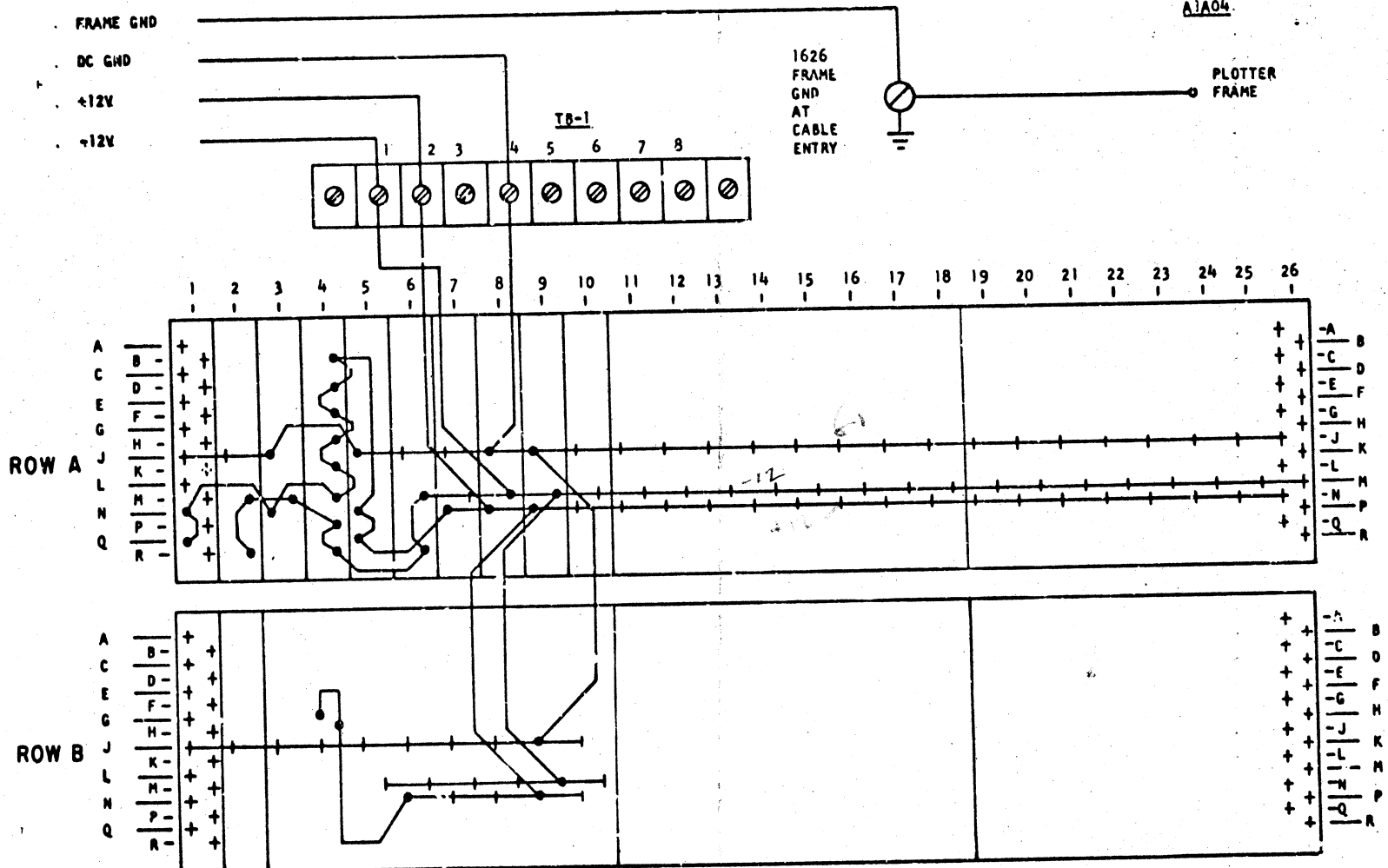
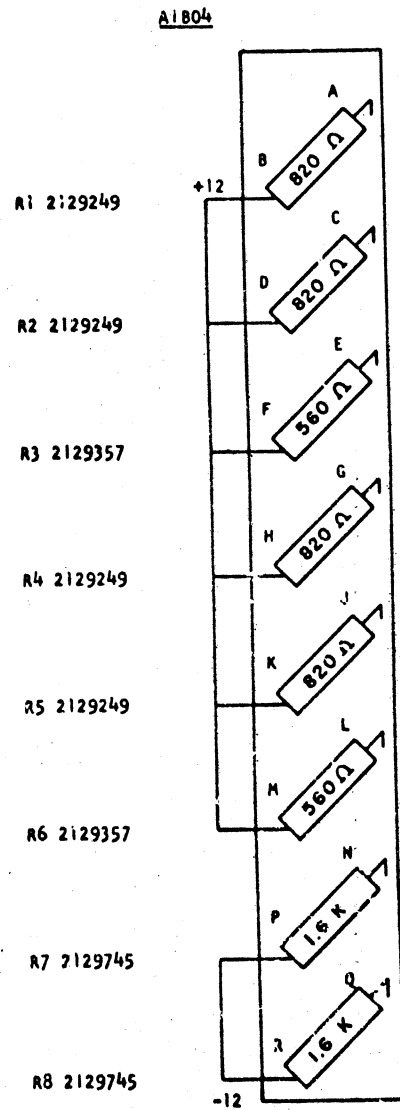
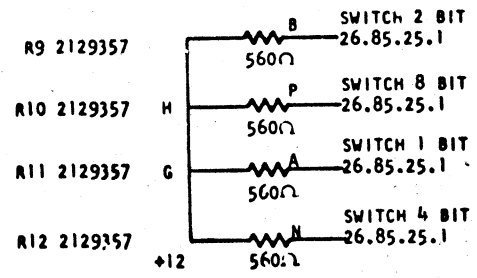
7F

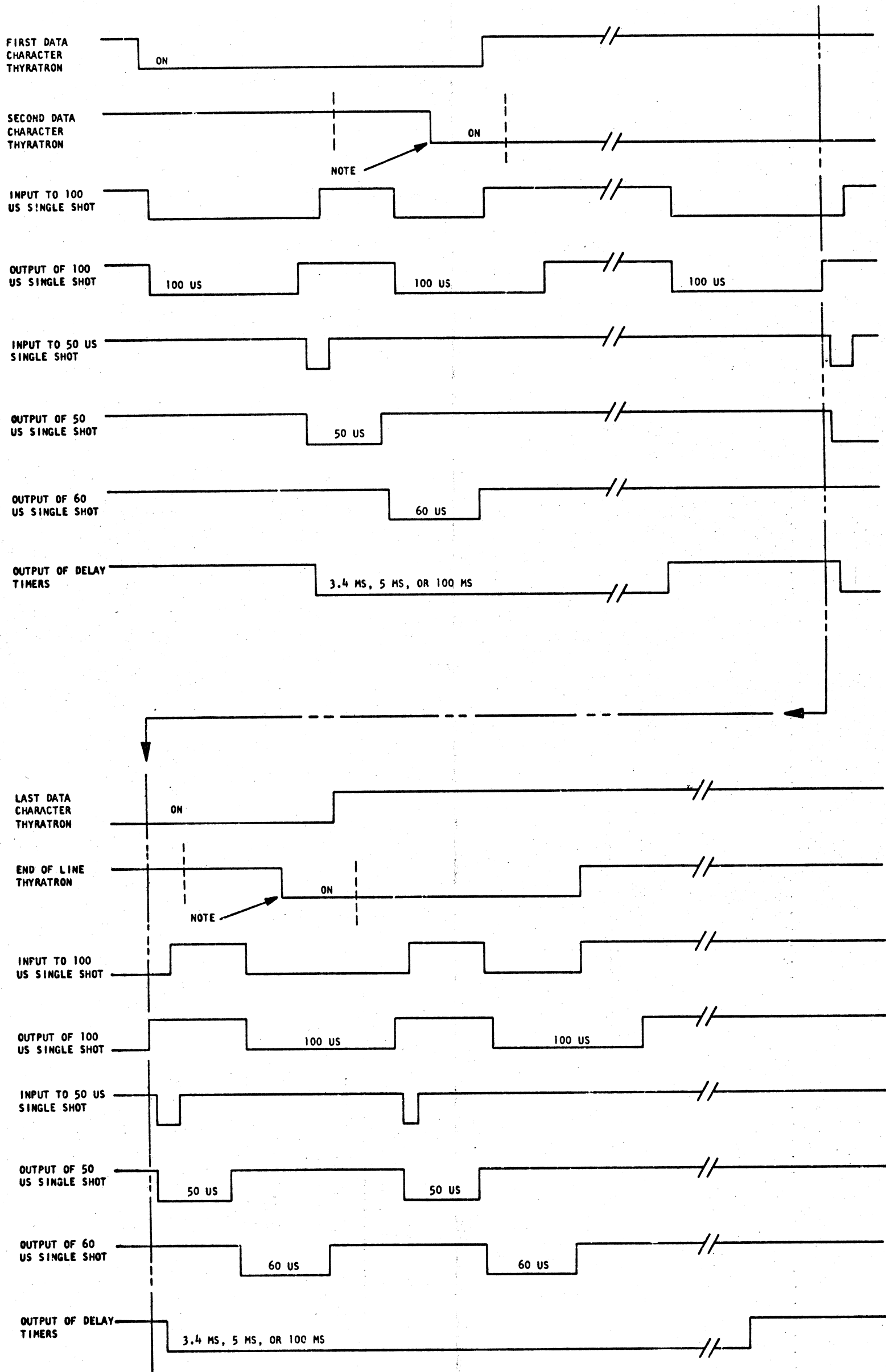
7G

7H

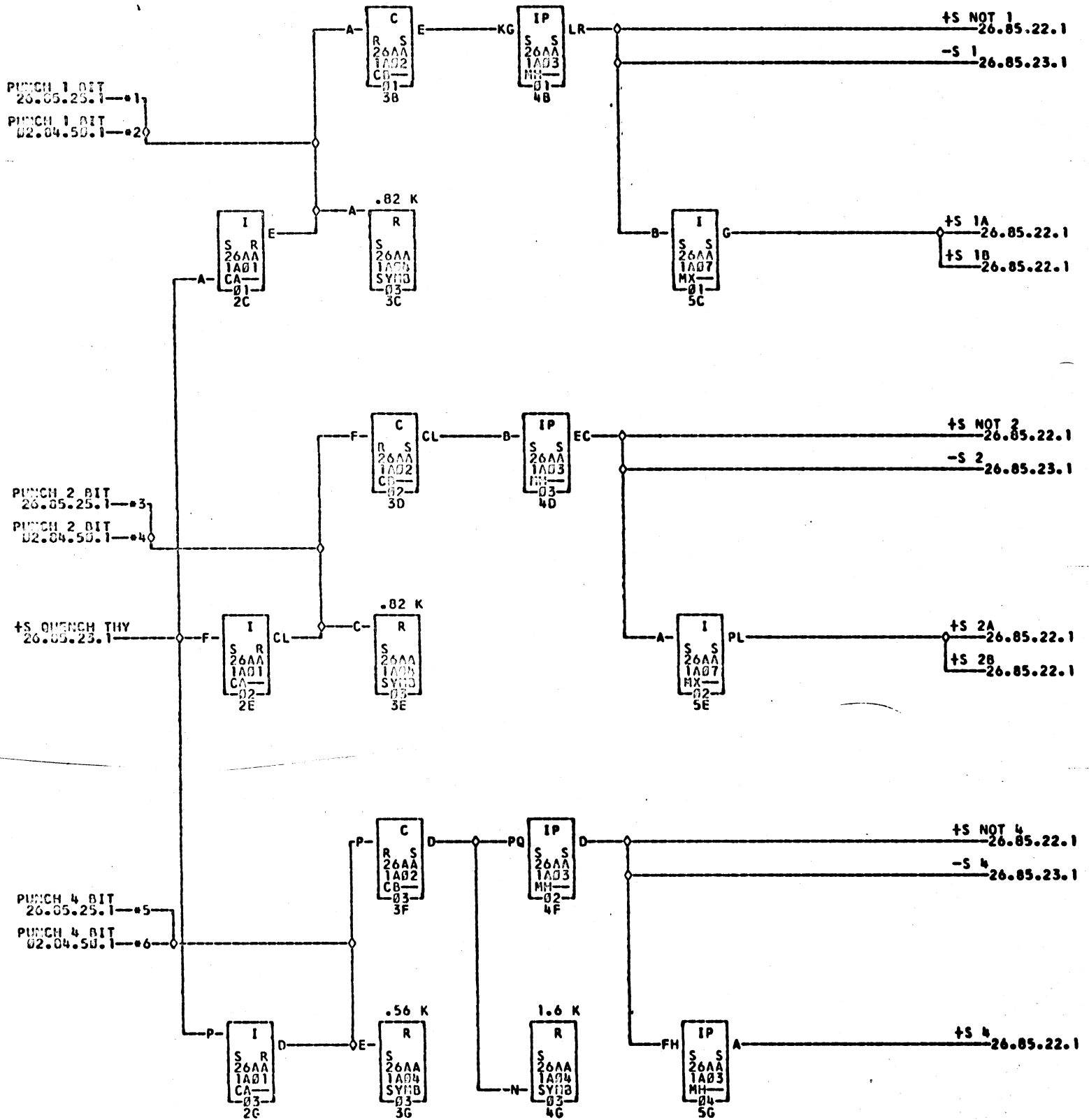
7I

1620-1		1620-11		1626	
SCA	PAGE	11D1	PAGE	NAME	26A1 PAGE
28	02.84.50.1			+S PCB1	B01A 26.85.23.1
32	02.84.50.1	A06K	02.84.50.1	+S CPU METER ON	B01C 26.85.23.1
38					B01D
39					B01E
40					B01F
23	02.84.50.1	A06G	02.84.50.1	+S TAPE TENSION	B02A 26.85.23.1
27	02.84.50.1	A06L	02.84.50.1	+S TAPE FEED	B02B 26.85.23.1
24	02.84.50.1	A06H	02.84.50.1	+S PCB3 RESPONSE	B02C 26.85.25.1
25	02.84.50.1	A.6J	02.84.50.1	+S PUNCH CHECK	B02D 26.85.23.1
13	02.84.50.1	A07K	02.84.50.1	PUNCH NO FEED P	B02E
8	02.84.50.1	A07H	02.84.50.1	PUNCH 1 BIT	B02F 26.85.20.1
5	02.84.50.1	A07E	02.84.50.1	PUNCH 8 BIT	B02G 26.85.21.1
6	02.84.50.1	A07F	02.84.50.1	PUNCH 4 BIT	B02H 26.85.20.1
					B02J
7	02.84.50.1	A07G	02.84.50.1	PUNCH 2 BIT	B02K 26.85.20.1
1	02.84.50.1	A07A	02.84.50.1	PUNCH EL	B02L 26.85.21.1
3	02.84.50.1	A07C	02.84.50.1	PUNCH X BIT	B02M 26.85.21.1
4	02.84.50.1	A07D	02.84.50.1	PUNCH O BIT	B02N 26.85.21.1
2	02.84.50.1	A07B	02.84.50.1	PUNCH C BIT	B02P 26.85.21.1
9	02.84.50.1	A07J	02.84.50.1	PUNCH FEED	B02Q
					B02R
	01.90.32.1		10.04.38.1	-12	TB1-1 26.00.15.1
	01.90.32.1		10.04.38.1	+12	TB1-2 26.00.15.1
	01.90.35.1		10.04.38.1	DC ISOL GND	TB1-4 26.00.15.1
	01.90.35.1		10.04.38.1	AC ISOL GND	TB2-1 26.85.25.1
	01.90.32.1		10.04.38.1	110V AC	TB2-4 26.85.25.1
	01.90.35.1		10.04.38.1	FRAME GND	
1627		NAME		1626	
CANNON CONNECTOR				26A1	PAGE
P5-2		+S DRUM DOWN		B03A	26.85.22.1
P5-1		+S DRUM UP		B03B	26.85.22.1
P5-3		+S CARR LEFT		B03C	26.85.22.1
P5-4		+S CARR RIGHT		B03D	26.85.22.1
P5-10		+S PEN DOWN		B03E	26.85.22.1
P5-9		+S PEN UP		B03F	26.85.22.1
P5-15		DC GND		B03J	
P5-14		FRAME GND			26.00.15.1
P5-17		110 V NEUTRAL		TB2-1	26.85.25.1
P5-18		110 V AC		TB2-3	26.85.25.1





NOTE: THE SECOND AND SUCCEEDING THYRATRON SIGNALS MAY ARRIVE AT ANOTHER TIME THAN SHOWN, BUT WITHIN THE RANGE BOUNDED BY THE DOTTED LINES. THE TIME REQUIRED BY THE CPU TO RECEIVE RESPONSE AND SET THE THYRATRONS IS DETERMINED BY THE PARTICULAR MODEL OR SUFFIX LEVEL CPU IN THE SYSTEM.



*1--26A1B05B

*2--26A1B02F

*3--26A1B05C

*4--26A1B27K

*5--26A1B05D

*6--26A1B02H

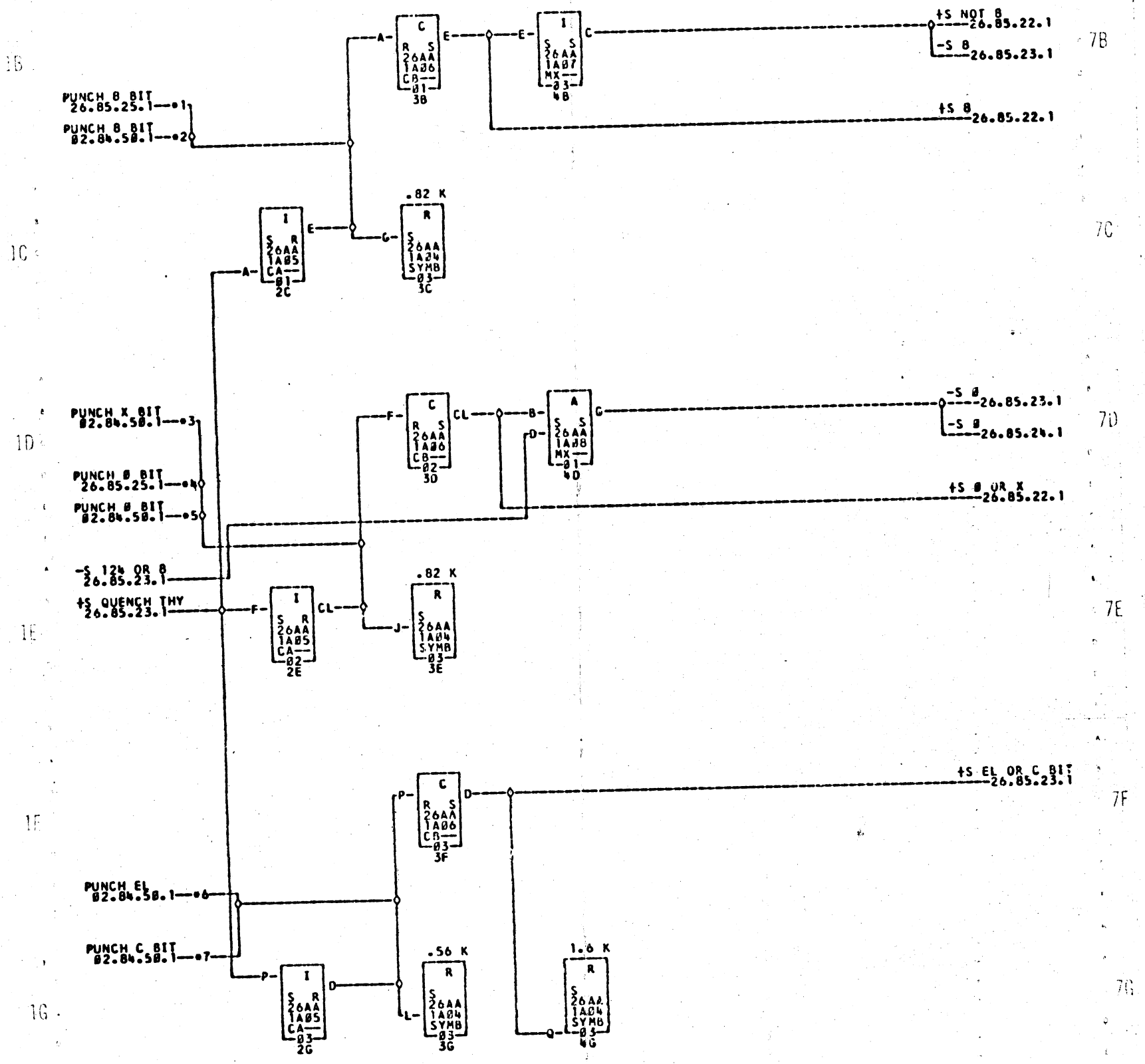
E. C. 404890C

COMMENTS

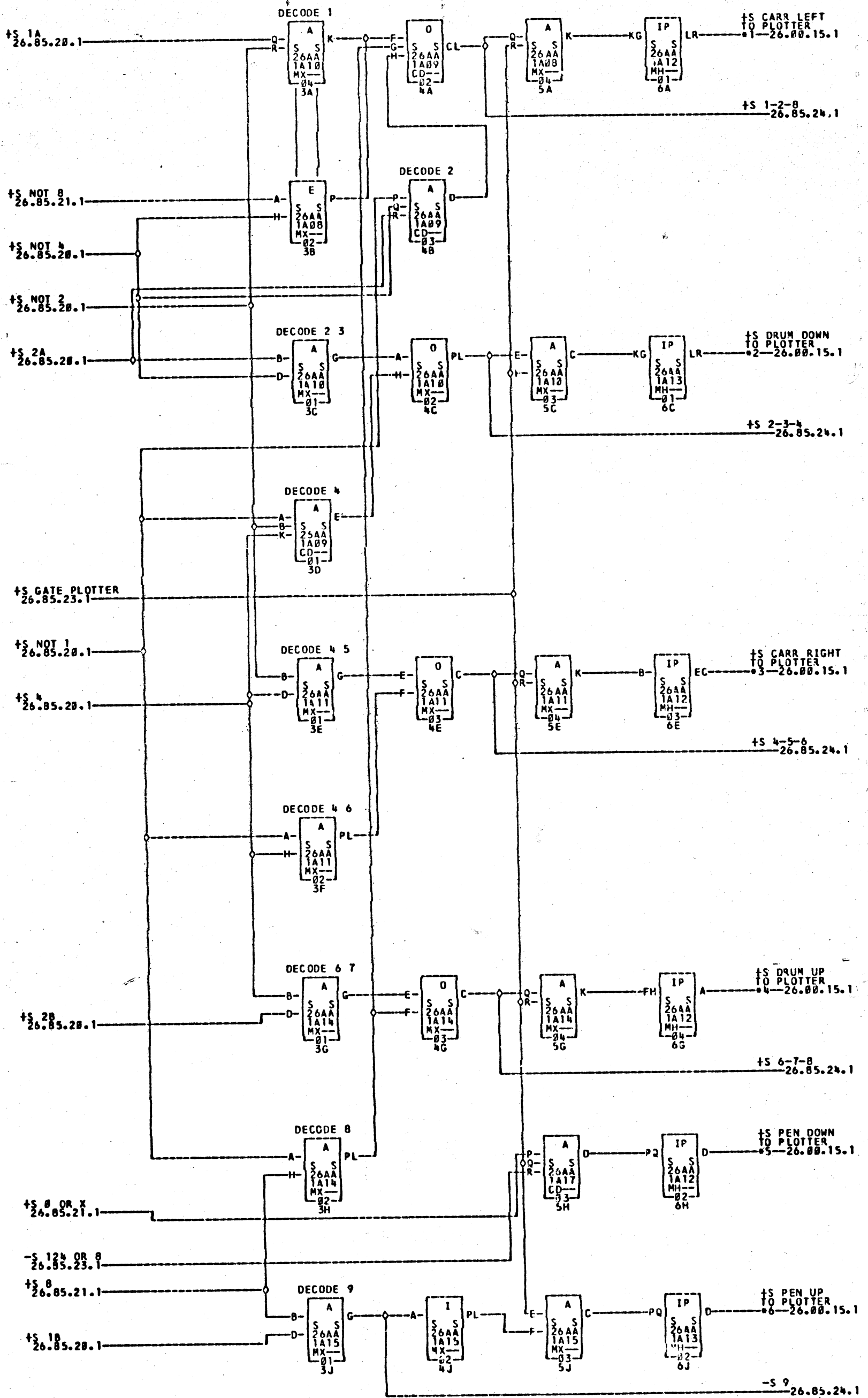
TAG DATE	D.A.NO.	TAG DATE	D.A.NO.	TAG DATE	D.A.NO.	TAG DATE	D.A.NO.
A 09-04-63	0A01000						

IBM

FORM 922 (2-55)



- 1--26A1B05E
- 2--26A1B02G
- 3--26A1B02M
- 4--26A1B05A
- 5--26A1B02N
- 6--26A1B02L
- 7--26A1B02P



*1-26A1B03C
*4-26A1B03B

-----P5-03
-----P5-01

*2-26A1B03A
*5-26A1B03E

-----P5-02
-----P5-10

*3-26A1B03D
*6-26A1B03F

-----P5-04
-----P5-09

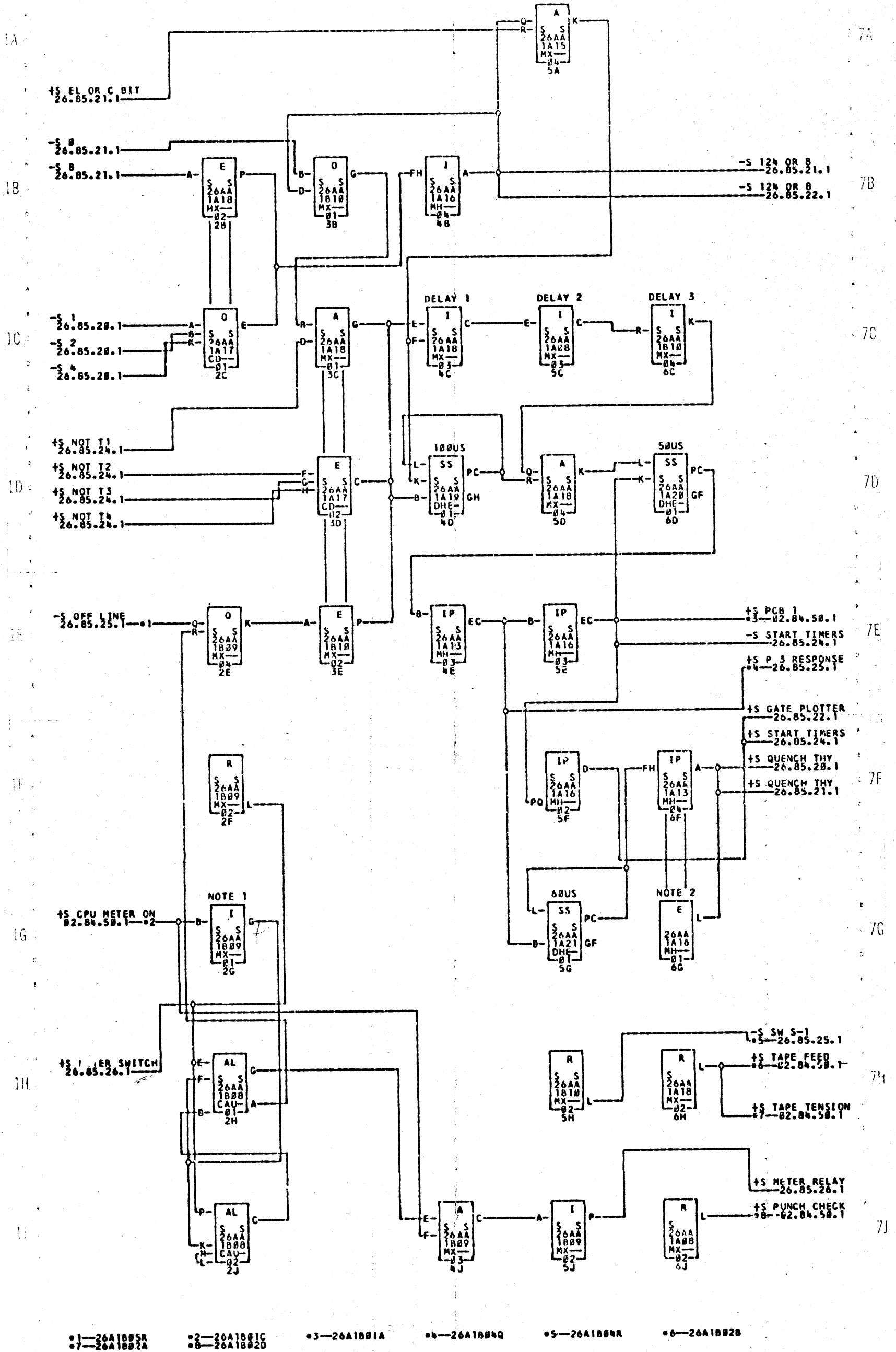
E. C. 404890R

COMMENTS

TAG DATE D.A.NO. TAG DATE D.A.NO.
A 11-23-63 0A05000

TAG DATE D.A.NO. TAG DATE D.A.NO.

TAG DATE D.A.NO. TAG DATE D.A.NO.



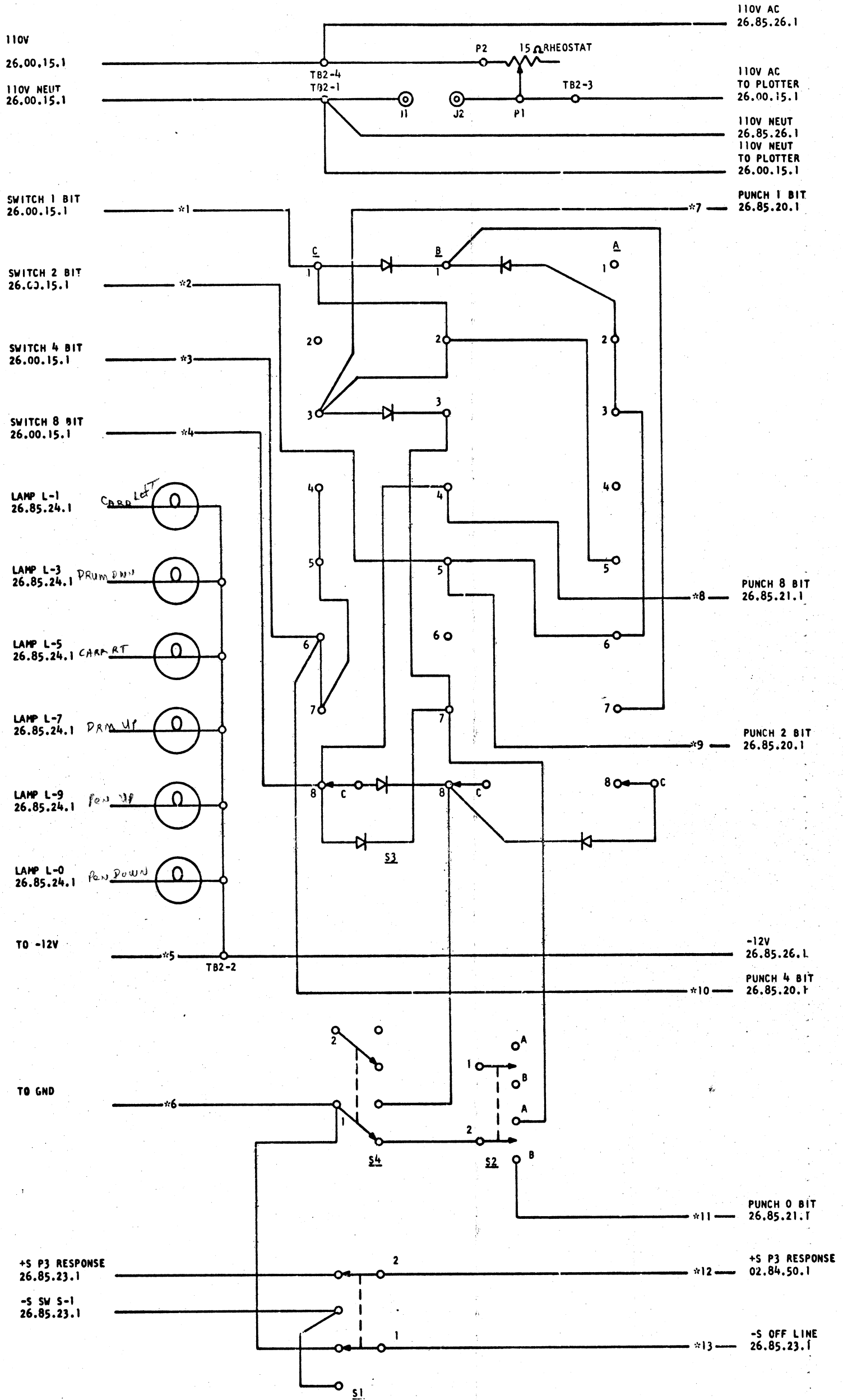
- 1-26A1B05A
- 2-26A1B01C
- 3-26A1B01A
- 4-26A1B04Q
- 5-26A1B04R
- 6-26A1B02B
- 7-26A1B02A
- 8-26A1B02D

Handwritten:
 26.05.23.1
 26.05.23.1
 26.05.23.1

COMMENTS

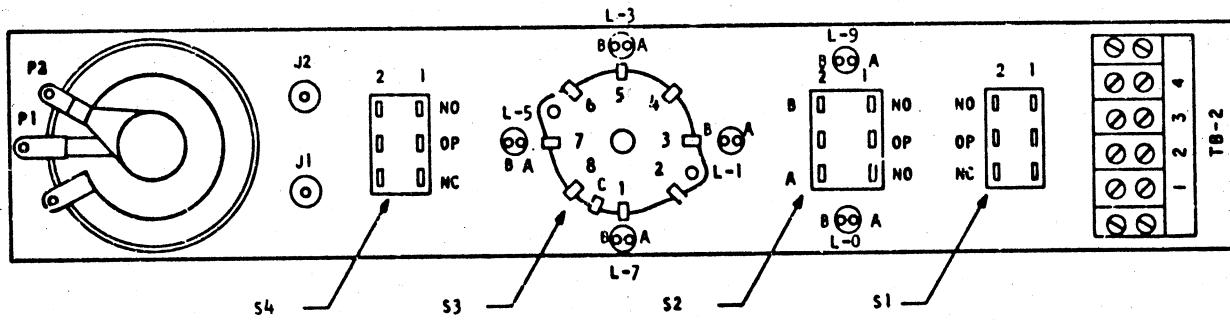
E. C. 412584
 NOTE 1: ON SYSTEMS WITHOUT CPU METER
 B01C IS WIRED TO B01J AND B09G IS
 WIRED TO B09J.
 NOTE 2: 4.7MFD CAP. CONNECTED BETWEEN
 A16K AND A16M FOR QUENCH ON POWER-UP.

TAG DATE	D.A.NO.	TAG DATE	D.A.NO.	TAG DATE	D.A.NO.	TAG DATE	D.A.NO.
A 07-27-64	B087800						



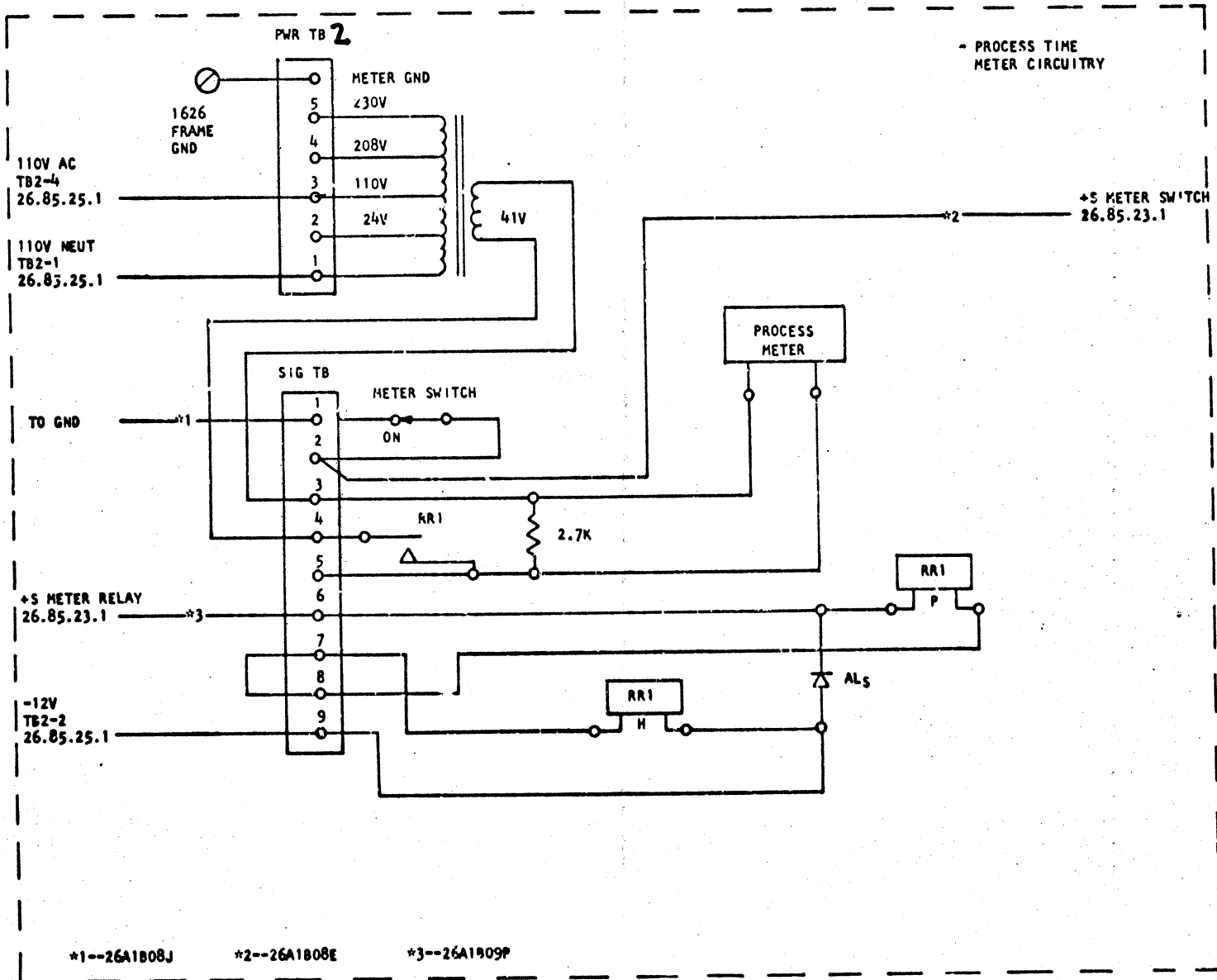
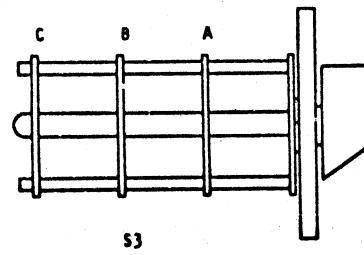
- *1--26A1B04A
- *2--26A1B04B
- *3--26A1B04N
- *4--26A1B04P
- *5--26A1B05M
- *6--26A1B05J
- *7--26A1B05B
- *8--26A1B05E
- *9--26A1B05C
- *10--26A1B05D
- *11--26A1B05A
- *12--26A1B05Q-26A1B02C
- *13--26A1B05R

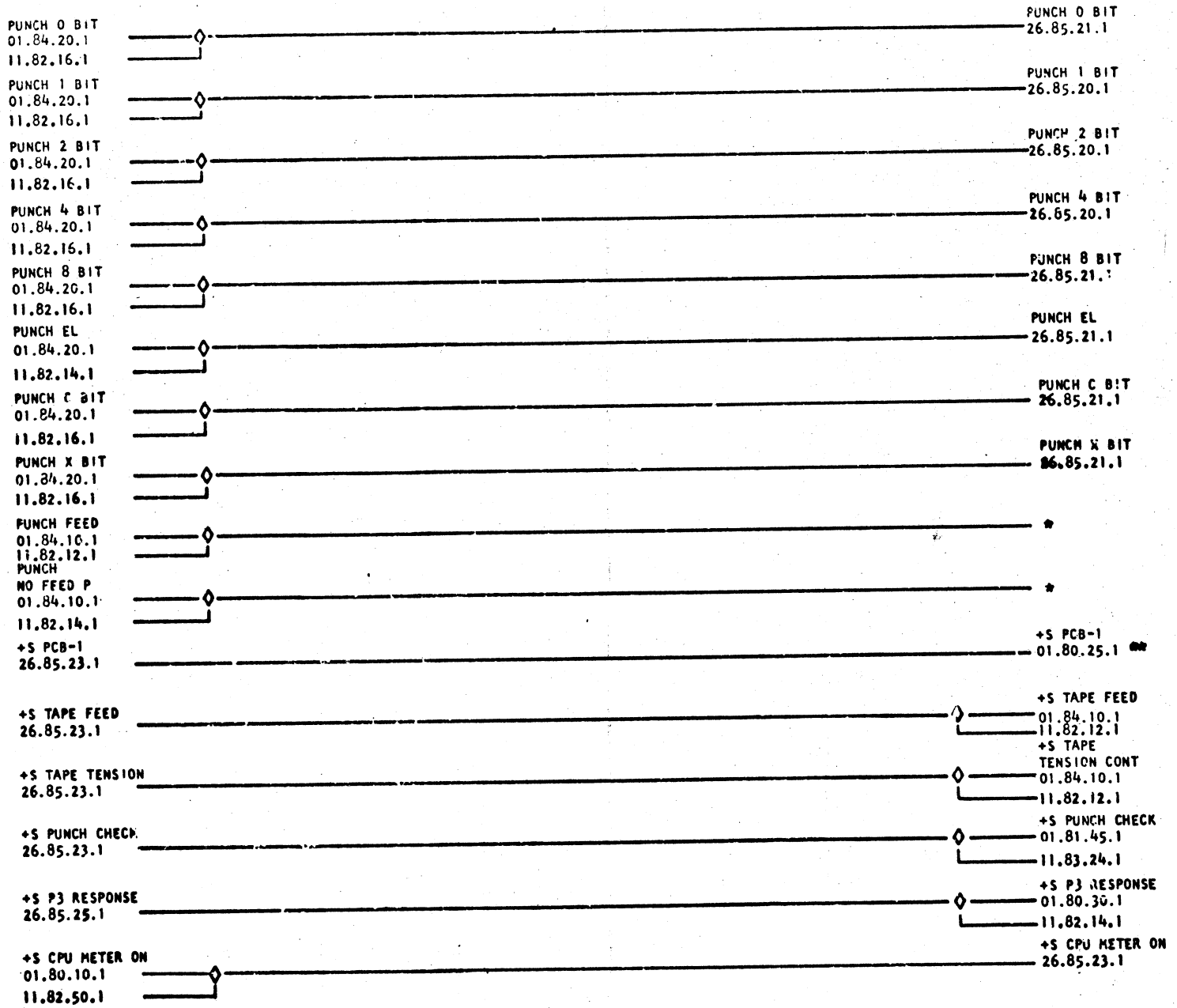
WIRING SIDE CE PANEL



SWITCH AND LAMP FUNCTIONS

NAME	FUNCTION
SWITCH S-1	ON LINE -OFF LINE
SWITCH S-2	PEN UP-PEN DOWN
SWITCH S-3	SELECT DIRECTION OF PLOTTER
SWITCH S-4	CE PLOT TO ACTIVATE PLOTTER
LAMP L-0	PEN DOWN
LAMP L-9	PEN UP
LAMP L-1	CARRIAGE LEFT
LAMP L-3	DRUM DOWN
LAMP L-5	CARRIAGE RIGHT
LAMP L-7	DRUM UP





* UNUSED WIRES
 ** PAGE NO. IS 01.80.30.1 FOR A THROUGH D SUFFIX 1620

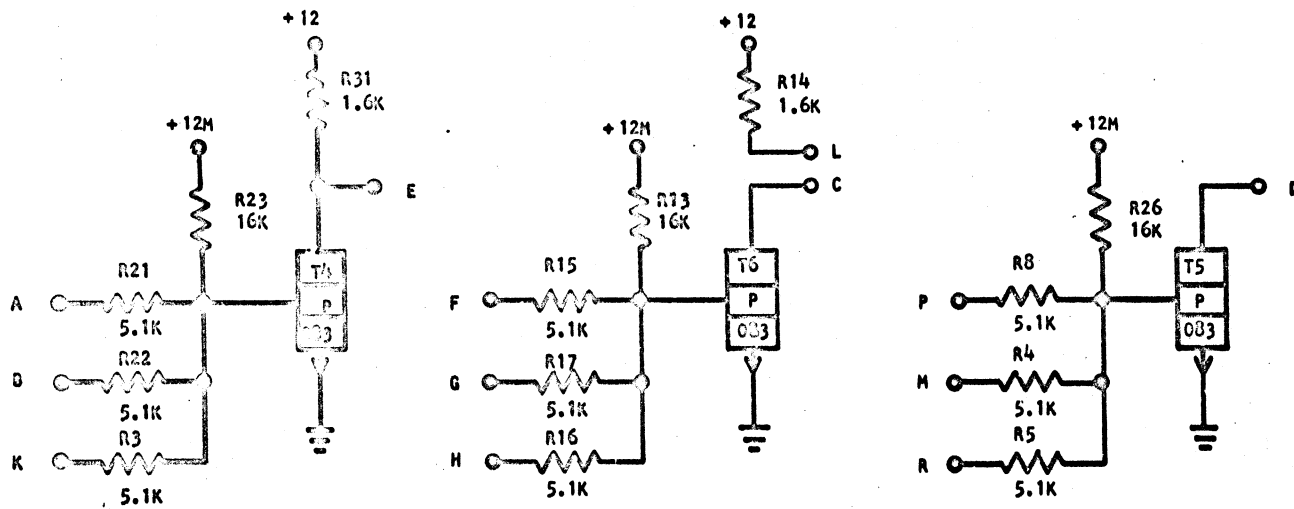
NOTE: PAGES 11.XX.XX.X ARE FOR 1620 II
 PAGES 01.XX.XX.X ARE FOR 1620 I

2162216

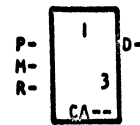
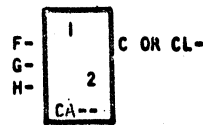
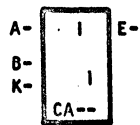
CARD SCHEMATIC
CTRL - "P" TYPE

1626

C.00.02.0
CA--



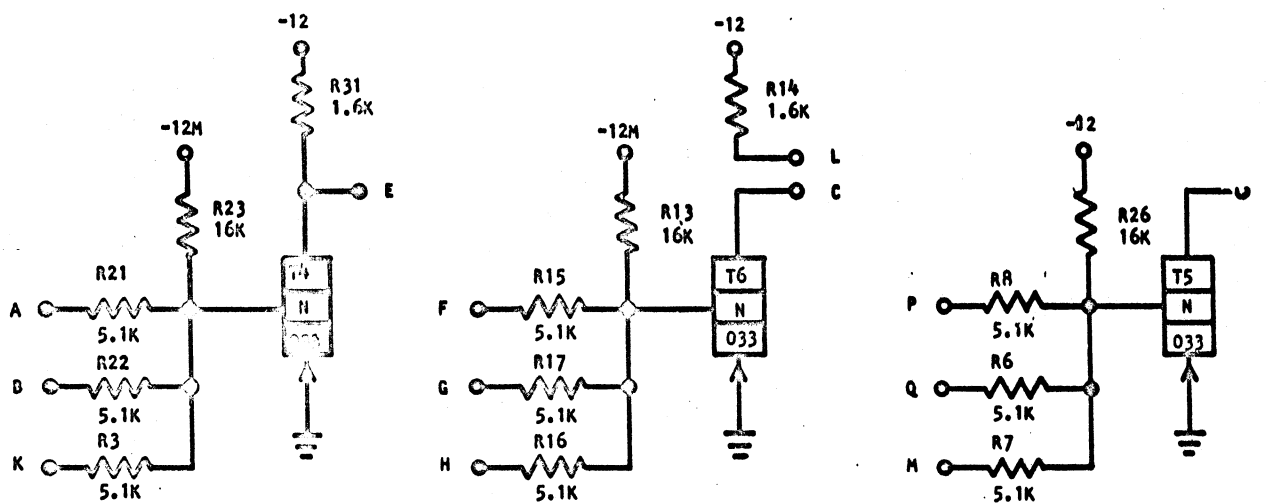
INPUT	UP LEVEL	-0.1V TO -0.4V
	DOWN LEVEL	-5.56V TO -12.48V
OUTPUT	UP LEVEL	+5.56V TO 12.48V
	DOWN LEVEL	+0.1V TO +0.4V



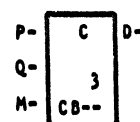
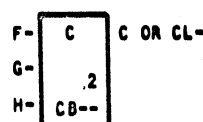
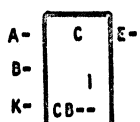
371026 REF

CTRL - "N" TYPE

CB--



INPUT	UP LEVEL	+5.56V TO +12.40V
	DOWN LEVEL	+0.1V TO +0.4V
OUTPUT	UP LEVEL	-0.1V TO -0.4V
	DOWN LEVEL	-5.56V TO -12.48V



371027 REF

2102217

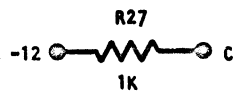
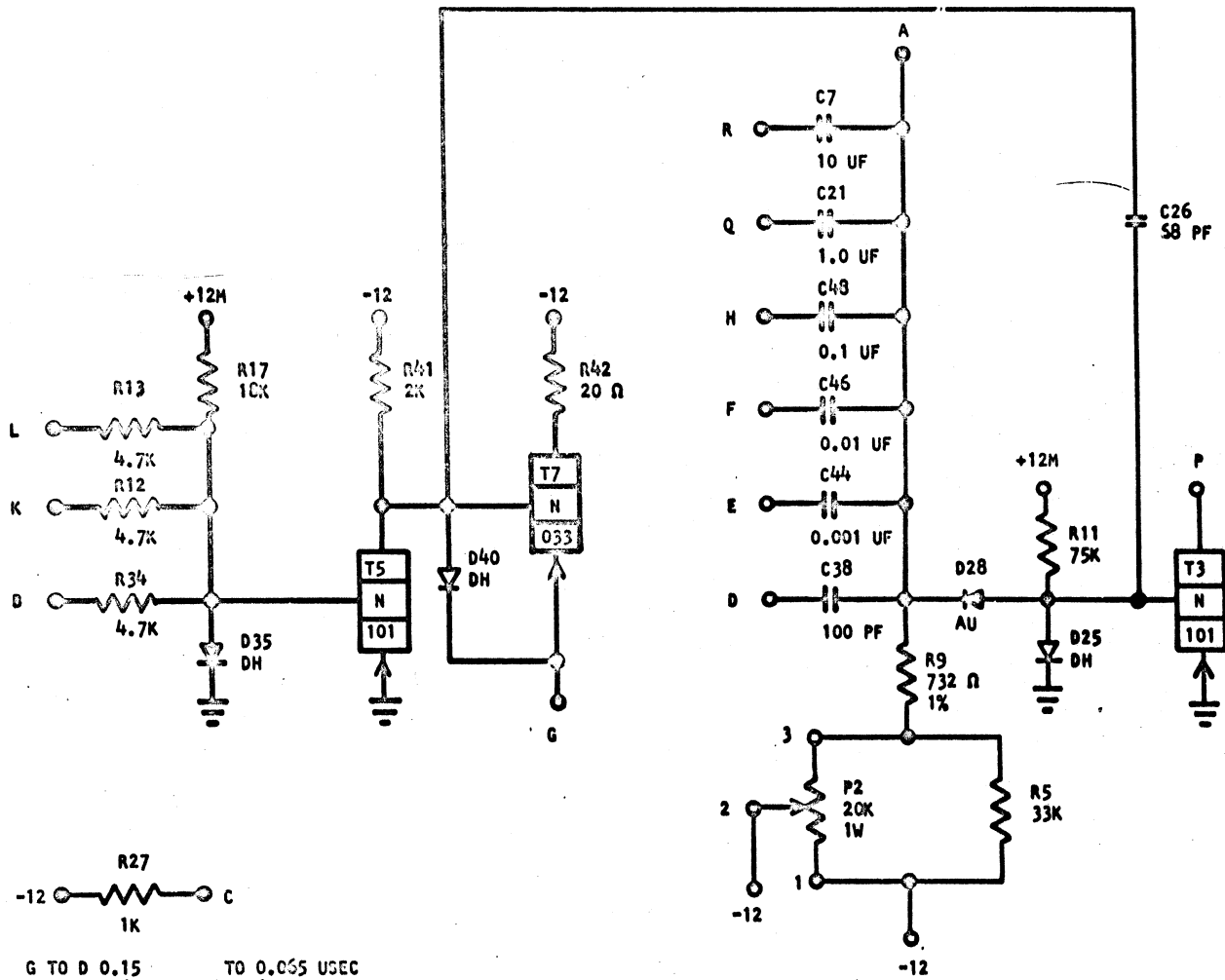
CARD SCHEMATIC

SDTRL - SINGLE SHOT
0.15 USEC TO 65 MSEC

1626

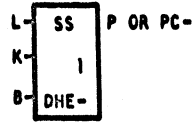
C.00.03.0

DHE-



G TO D 0.15	TO 0.055 USEC
G TO E 0.6	TO 6.5 USEC
G TO F 6	TO 65 USEC
G TO H 60	TO 650 USEC
G TO Q 600 USEC	TO 6.5 MSEC
G TO R 6 MSEC	TO 65 MSEC

370262 REF



INPUT & OUTPUT

UP LEVEL
-0.1V TO -0.6V

DOWN LEVEL
-6.87V TO -12.48V