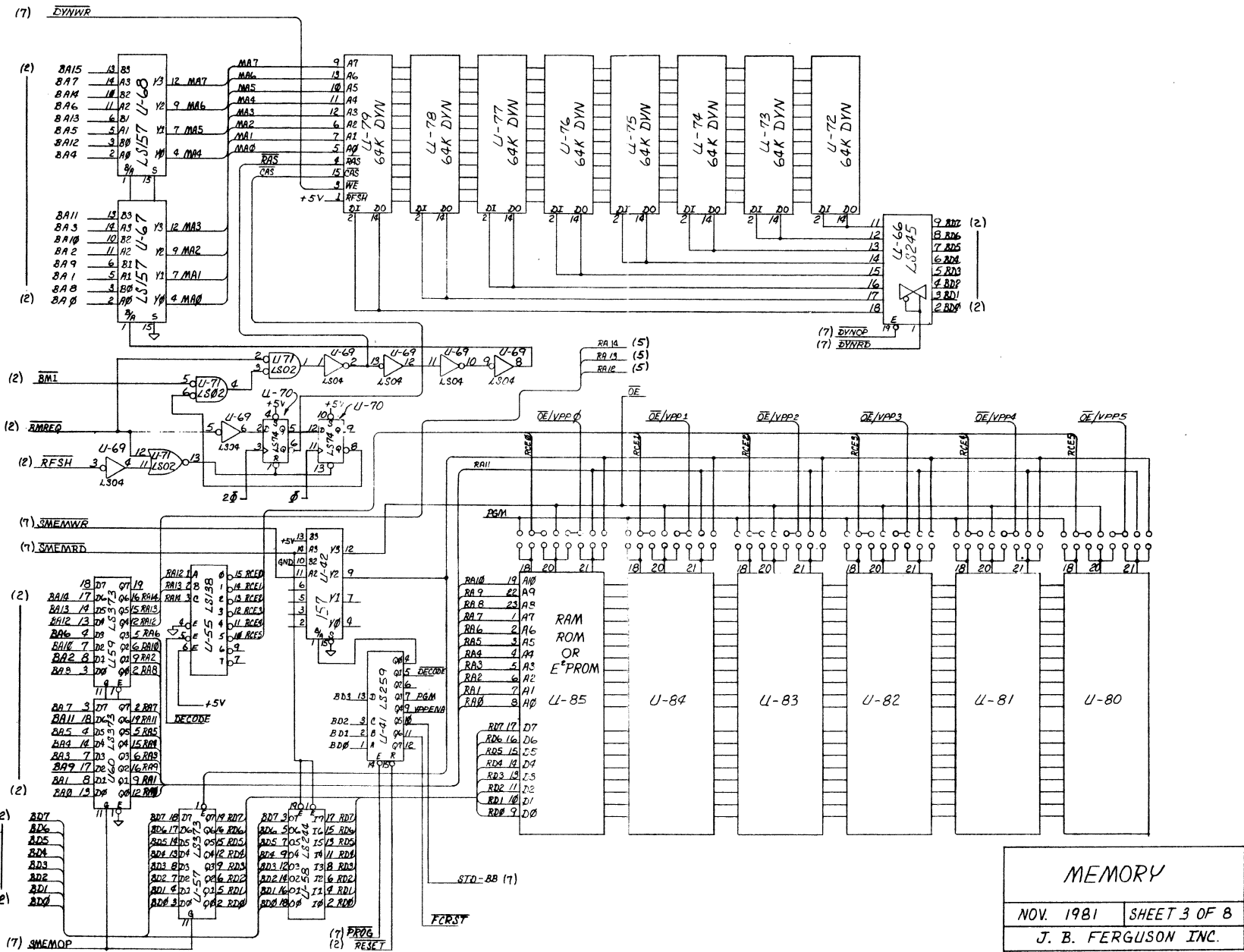
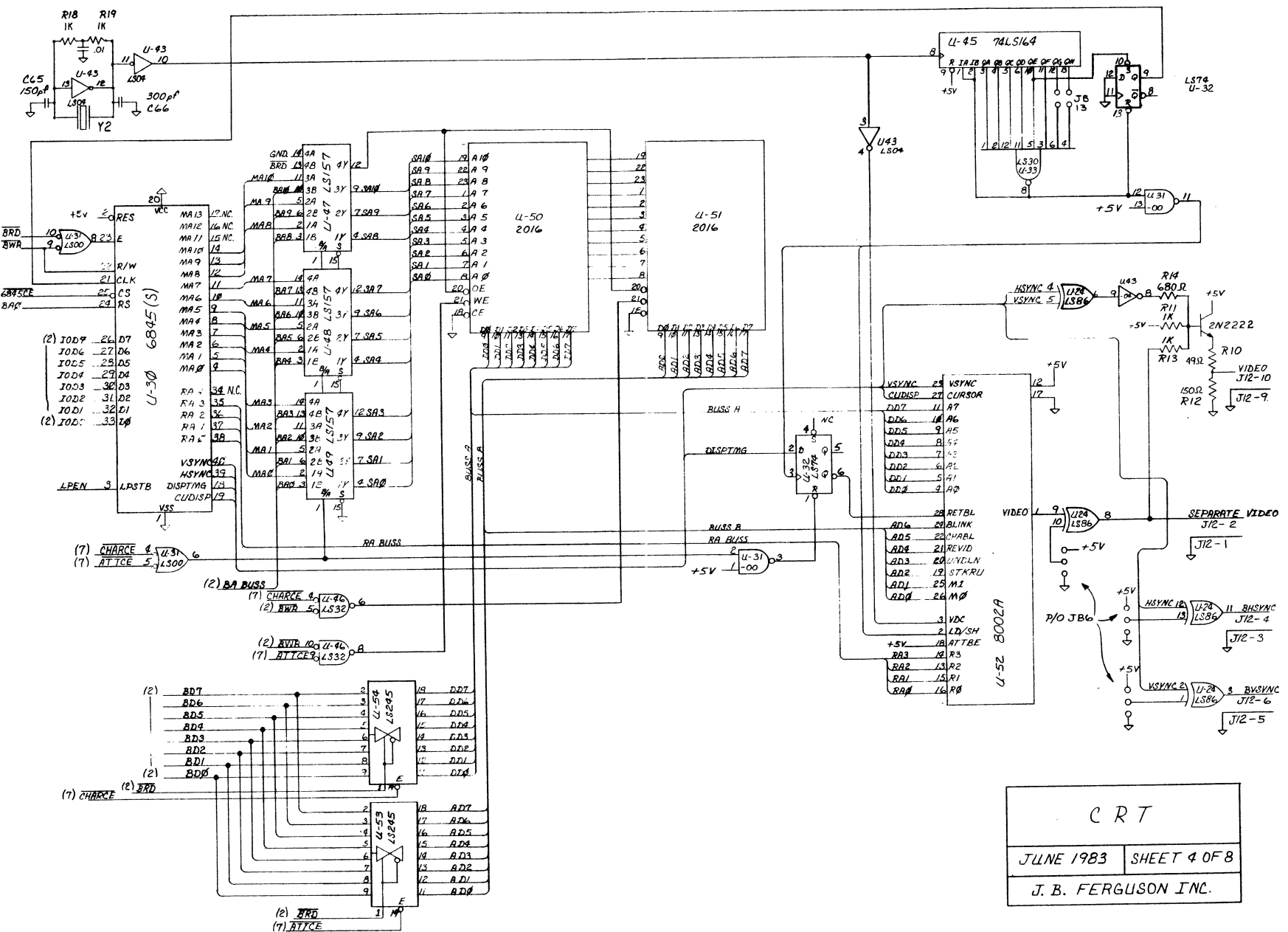


C. P. U.

JUNE '83 SHEET 2 OF 8

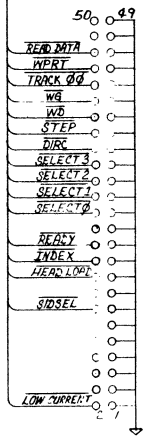
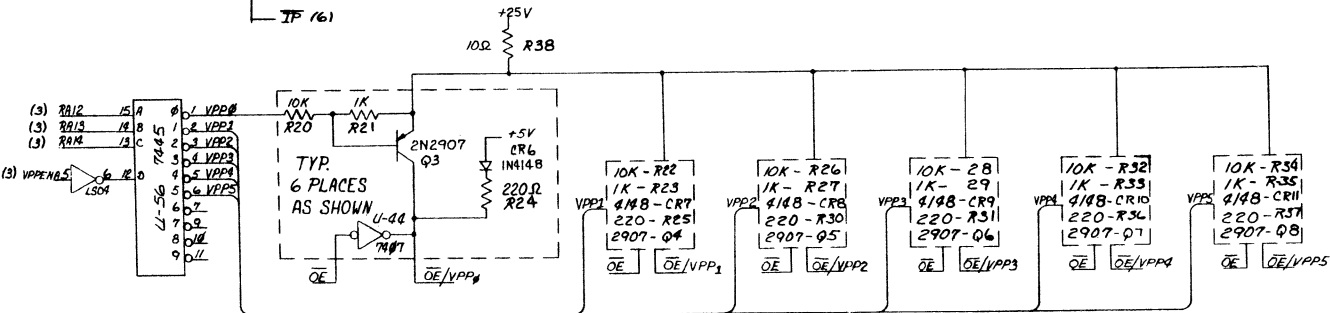
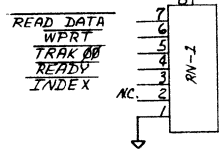
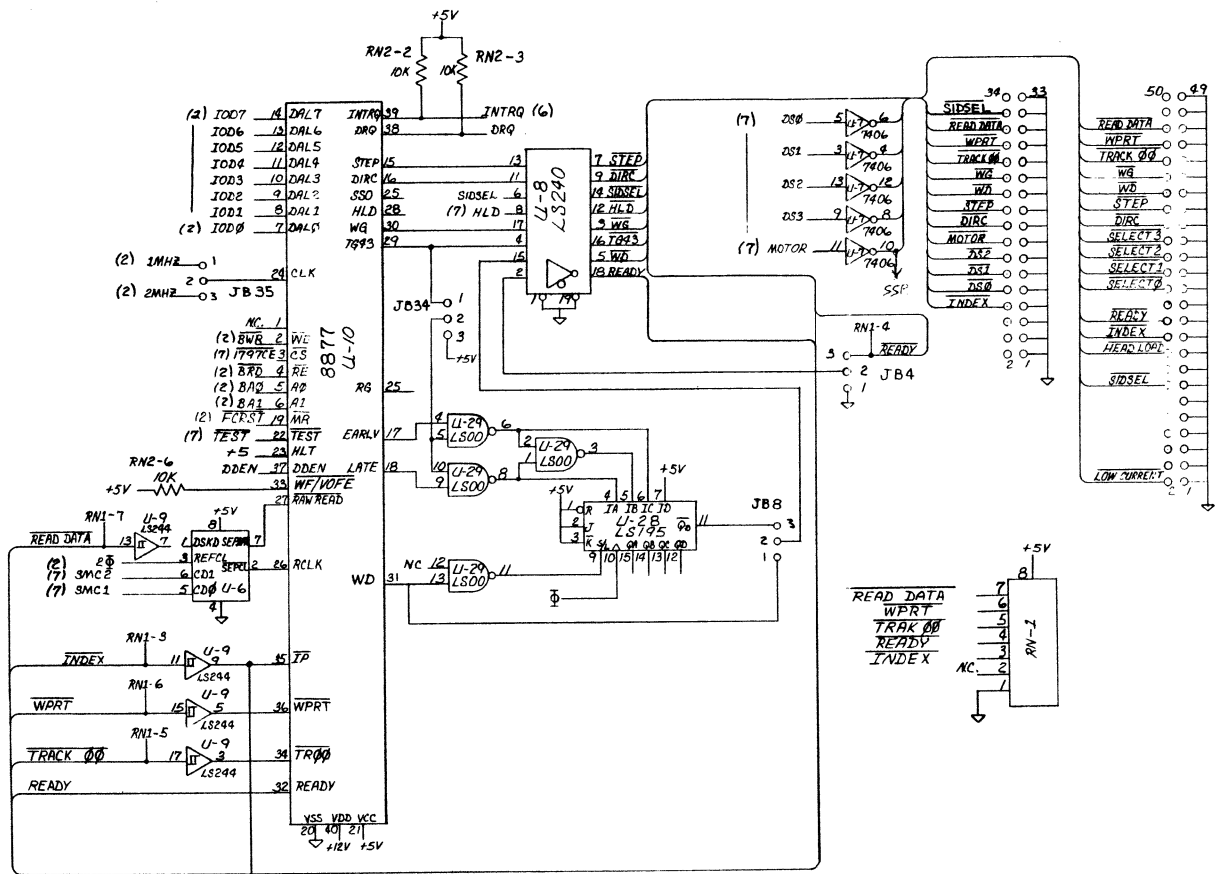
J. B. FERGLUSON INC.

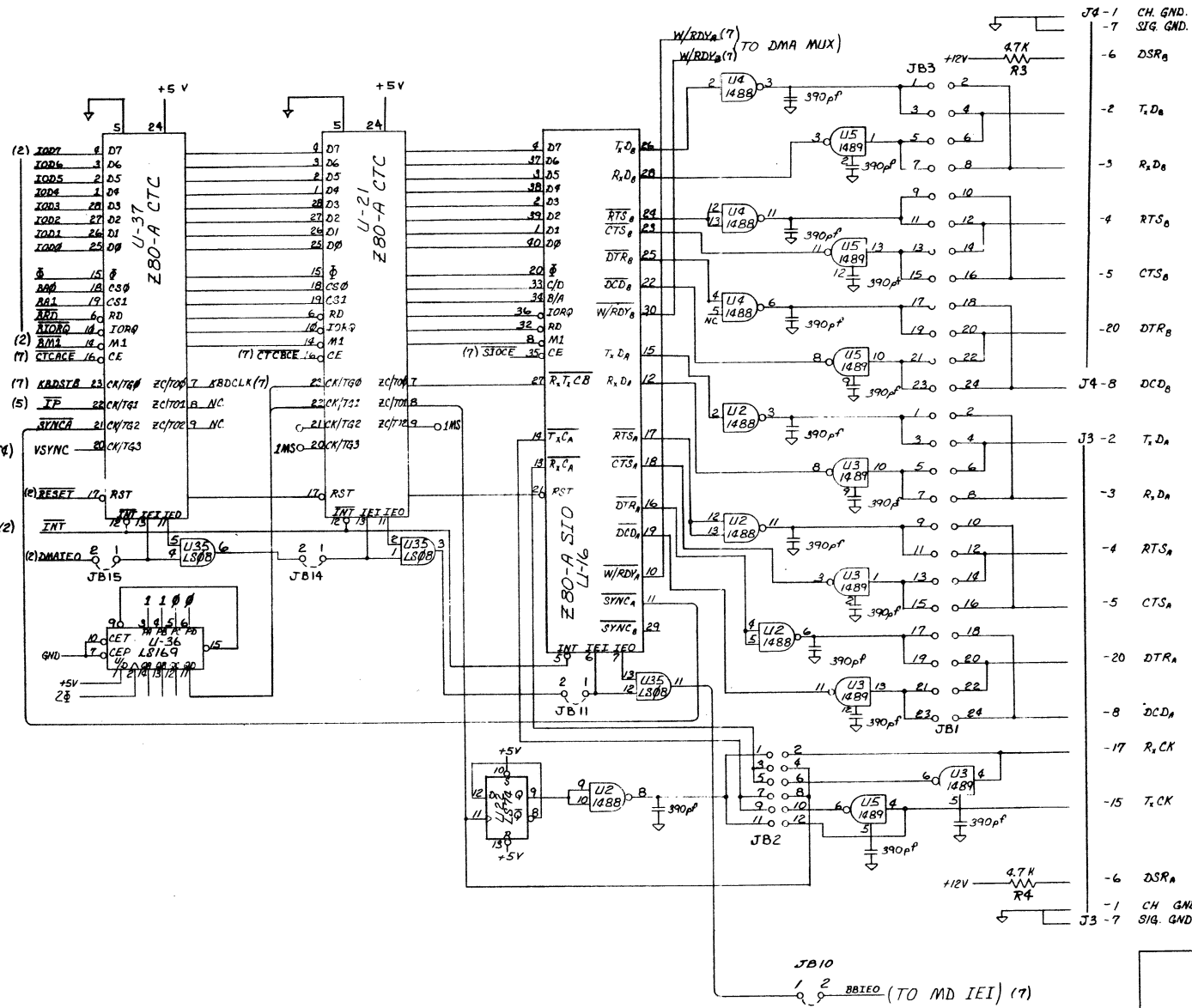




C R T

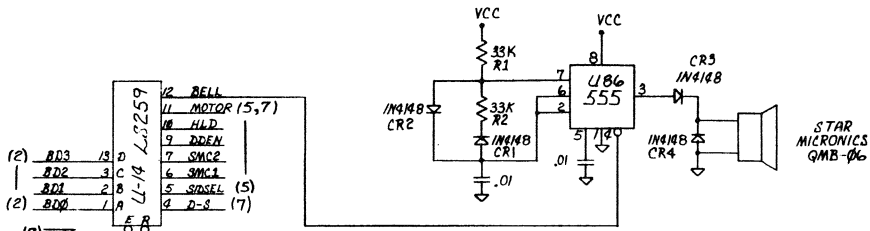
JUNE 1983	SHEET 4 OF 8
J. B. FERGUSON INC.	



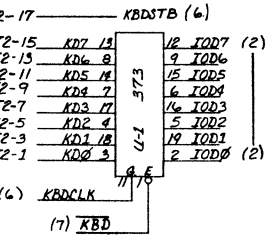
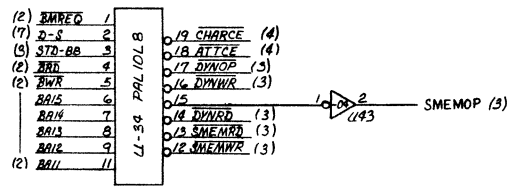
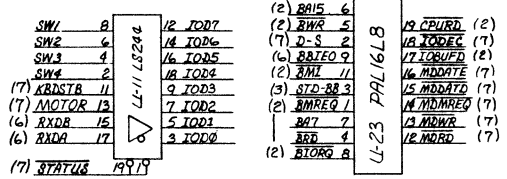
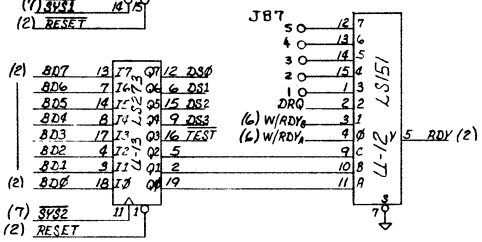


SERIAL I/O

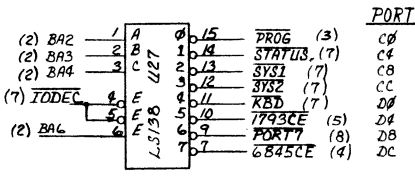
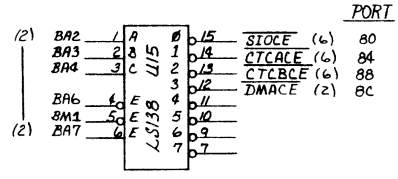
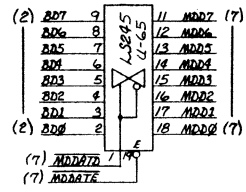
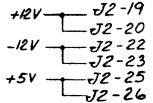
JUNE 1983	SHEET 6 OF 8
J. B. FERGUSON INC.	



STAR
MICRONICS
QMB-06



J2 PINS 2,4,6,8,10,12,14,16,18
ALL GROUND



STD BUS CONNECTOR - J1

COMPONENT SIDE		CIRCUIT SIDE	
+5V	1	+5V	2
GND	3	GND	4
-5V	5	-5V	6
MD03	7	MD07	8
MD02	9	MD06	10
MD01	11	MD05	12
MD00	13	MD04	14
BA7	15	BA15	16
BA6	17	BA14	18
BA5	19	BA13	20
BA4	21	BA12	22
BA3	23	BA11	24
BA2	25	BA10	26
BA1	27	BA9	28
BA0	29	BA8	30
MD07	31	MD03	32
MD06	33	MD02	34
MD05	35	MD01	36
MD04	37	MD00	38
MD03	39	MD07	40
MD02	41	MD06	42
MD01	43	MD05	44
MD00	45	MD04	46
BA7	47	BA15	48
BA6	49	BA14	50
BA5	51	BA13	52
BA4	53	BA12	54
BA3	55	BA11	56

PORT

PORT

CONTROL	
JUNE 1983	SHEET 7 OF 8
J. B. FERGUSON INC.	