

## Notes

- Capacitance in microfarads unless otherwise indicated.
- Keyboard manufactured by Mechanical Enterprises.
- These drawings are based on a reverse engineering of unit with serial number 002833. Components in this unit are stamped with date codes in the range 8009 to 8139.
- 2 \* 2732 EPROMS / V2.13.0 & V2.13.1 : firmware ROM  
 1 \* EA 8316E517 / CROM003 : 2048\*8 character ROM  
 1 \* Z80 : CPU  
 1 \* 6845 : CRT Controller  
 1 \* 2651 : UART  
 6 \* 2114 : RAMs  
 2 \* NEC D444C : 1024\*4 CMOS Static RAM for non-volatile memory.

## Drawing Log

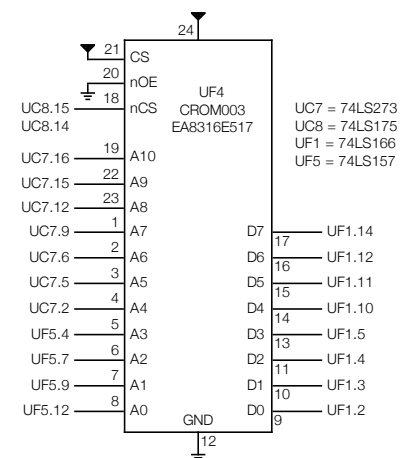
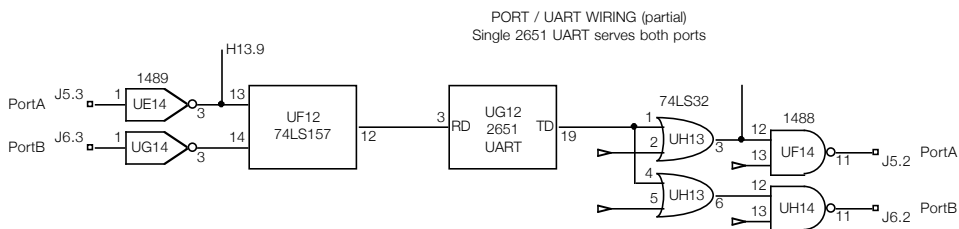
- 2012 May: Keyboard drawn / bhilpert.
- 2014 May: Video drawn / bh.

## Quick Reference

- Port A is the communications port: female-DTE, pin-2 = data out, pin-3 = data in.
- Setup: See manual pg. 31,32.
  - FCT-0 to enter setup.
  - 0 for full setup display, 1-5 for sub-sections.
  - SPACE=right, RETURN=down, LF=up, 0=off, 1=on.
  - ? FCT-0 to save non-volatile, wait for bell ?.
  - ESC to exit setup.
- Brightness adjustable with FCT-pad2 & FCT-pad8, 256 levels.

## Unit Log

- 2012 Apr: Received.
- 2012 Apr: **\*\*NOTE\*\*** NiCd cells for non-volatile memory appear to be from 1993 (0993). Might best be replaced with alkaline cells to avoid leaking problems.
- 2012 May: Keyboard does not function when first powered on. May start working some minutes after power-up.  
  
 Outputs from 4017 not correct, does not appear to be being reset. Soldering around reset circuit previously reworked, diode connection was open.  
  
 Diode replaced, and soldering redone, seems reliable. Bad 4017 other possibility if not.
- 2014 May: Horizontal width & linearity, and focus, adjusted to widen raster.
- 2014 May: Right side keys of numeric keypad not working.  
 Foil broken on PCB at U4.11, patched.
- 2014 Jun: 3 ROMs dumped.
- 2014 Jun: Qwerty-section '4' key plunger broken in fall. Glued back on and plunger moved to numeric-pad '0', which has two plungers. If glue fails, might try melting hot-wire into plastic for reinforcement.  
 Plunger/housing for RETURN key also noted to be worn, leaving key sloppy.  
 Plunger/housing swapped with SPACE key which has additional support from balancing bar.

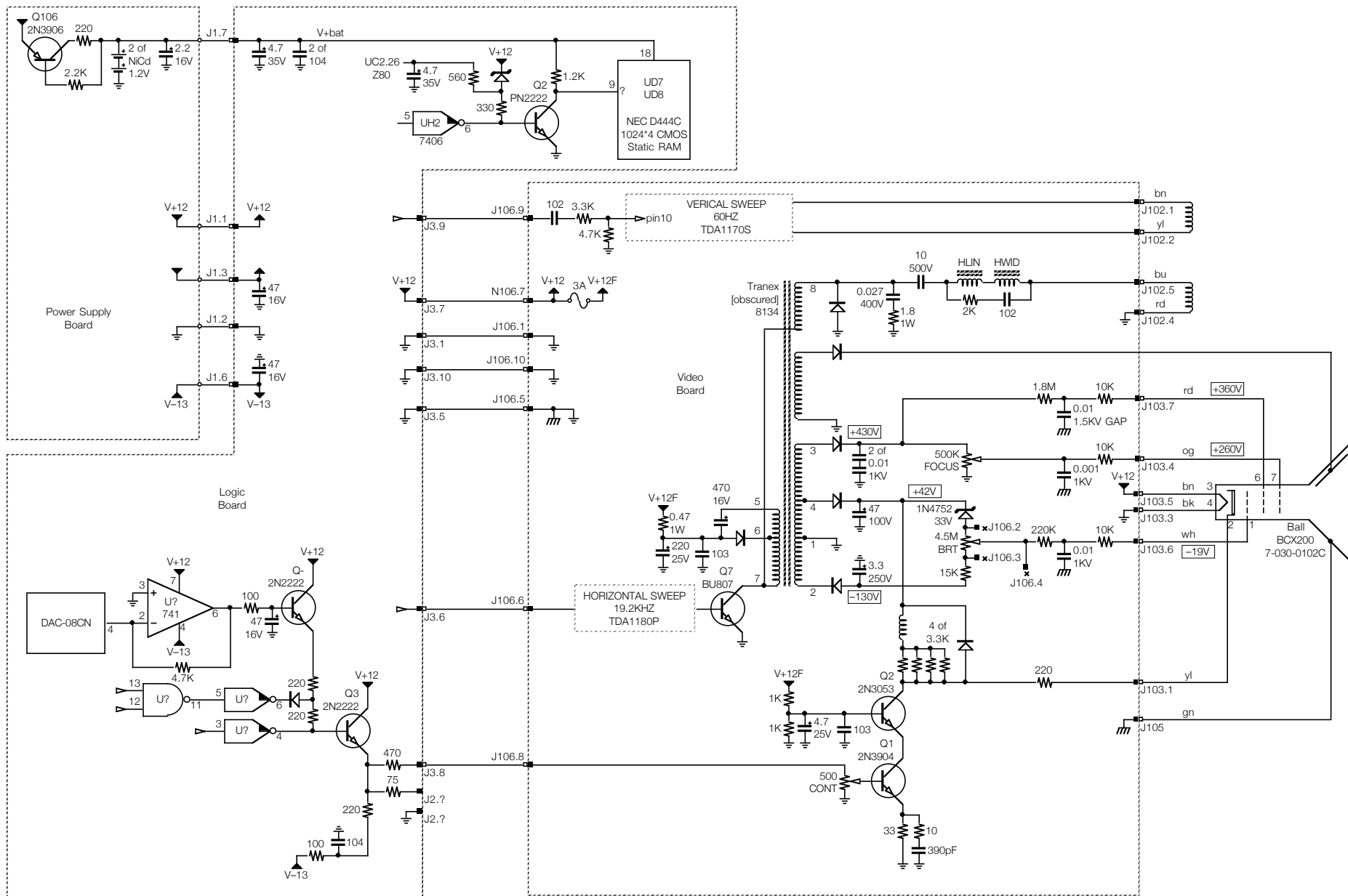


## Falco TS-1 Terminal

Section: Notes

Page: 1

Rendition: 2018 Nov 20

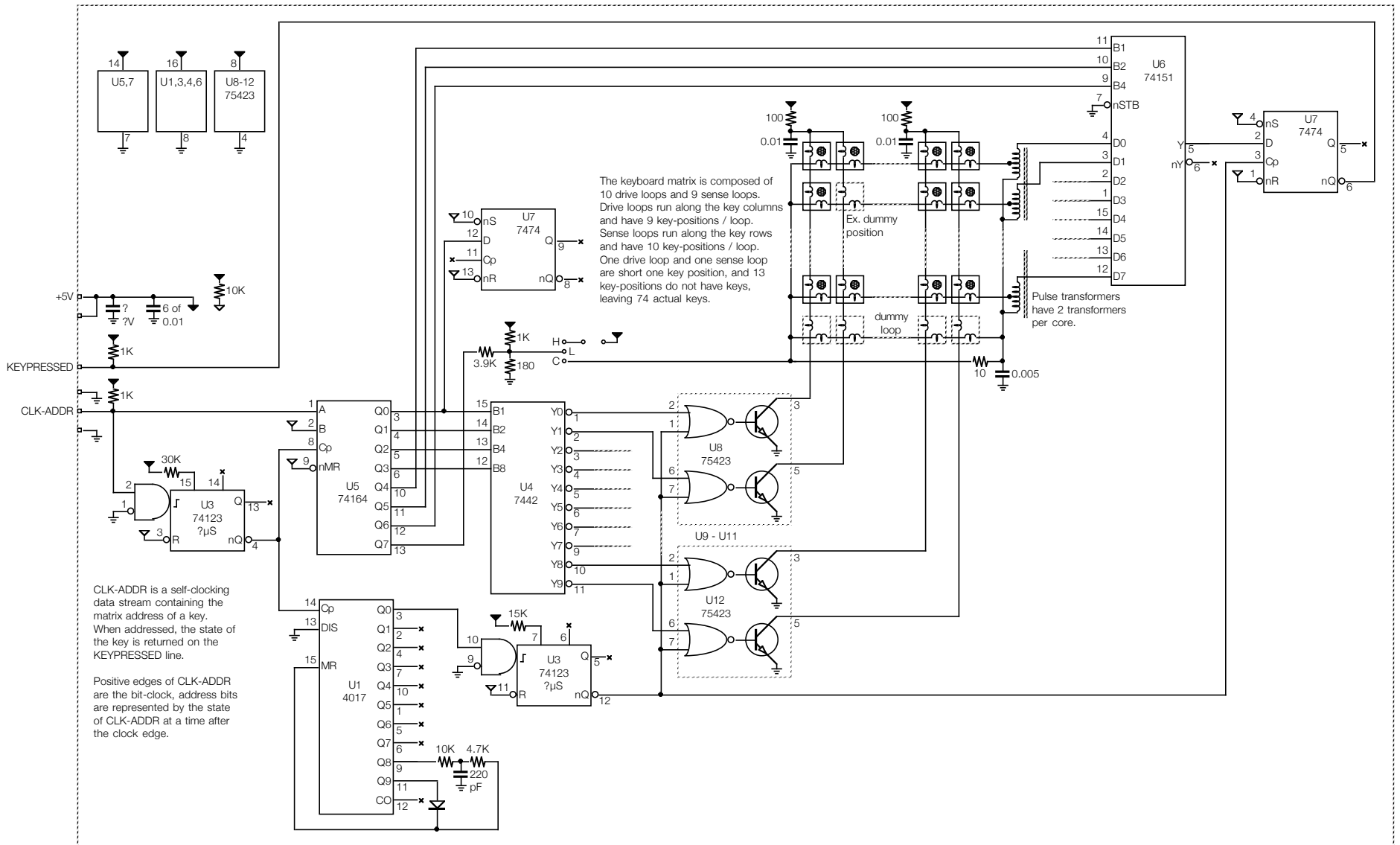


### Falco TS-1 Terminal

Section: Video (partial)

Page: 2

Rendition: 2018 Nov 20



## Falco TS-1 Terminal

Section: Keyboard

Page: 3

Rendition: 2018 Nov 20