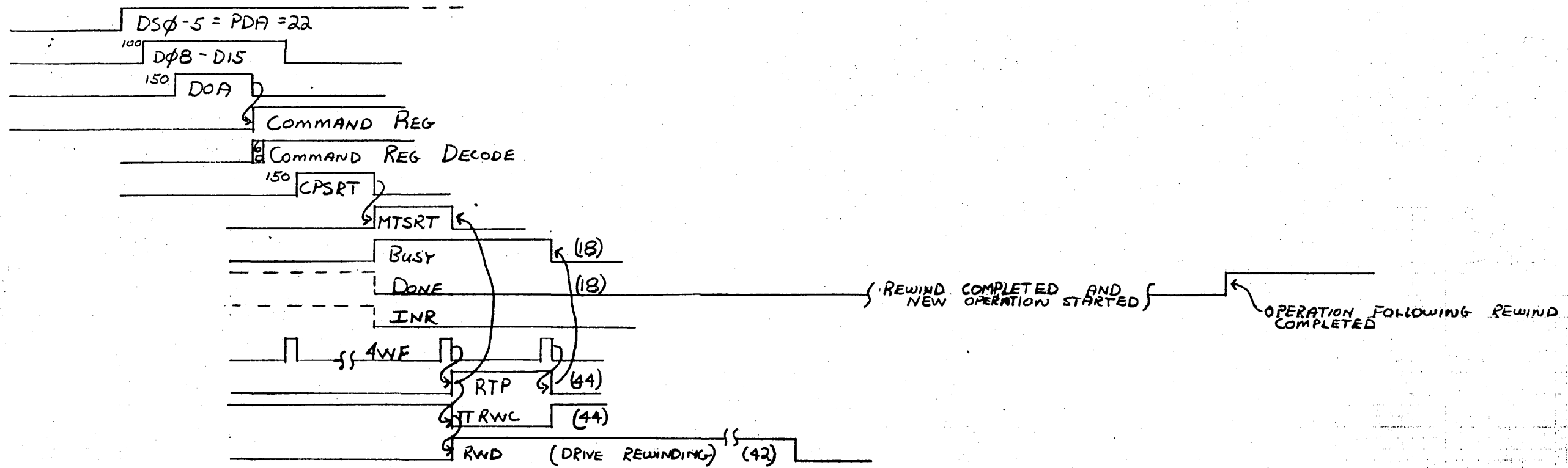
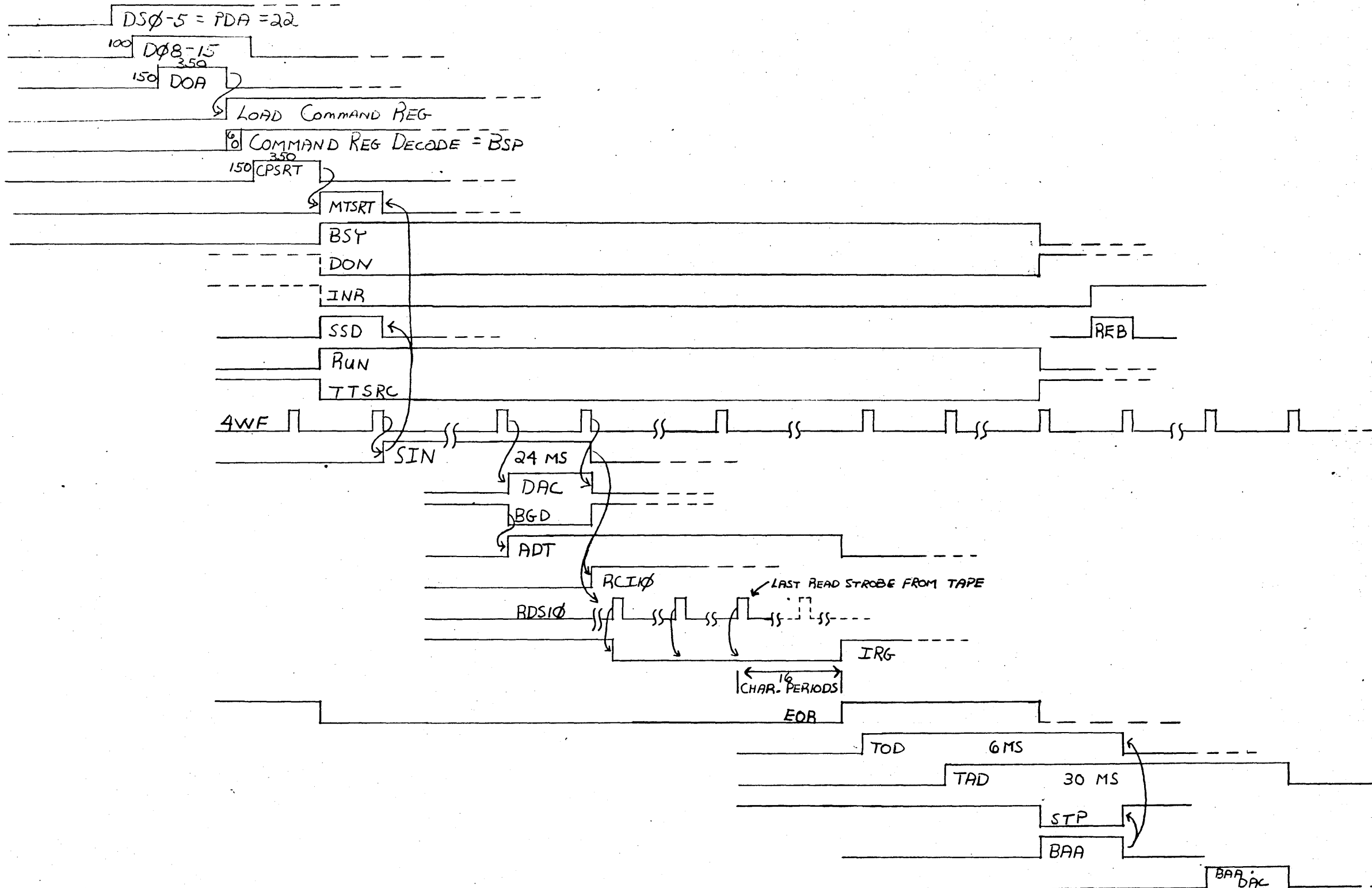


TAPE CONTROL UNIT
 BLOCK DIAGRAM.
 REV: B DSR 7/20/71
 2.75



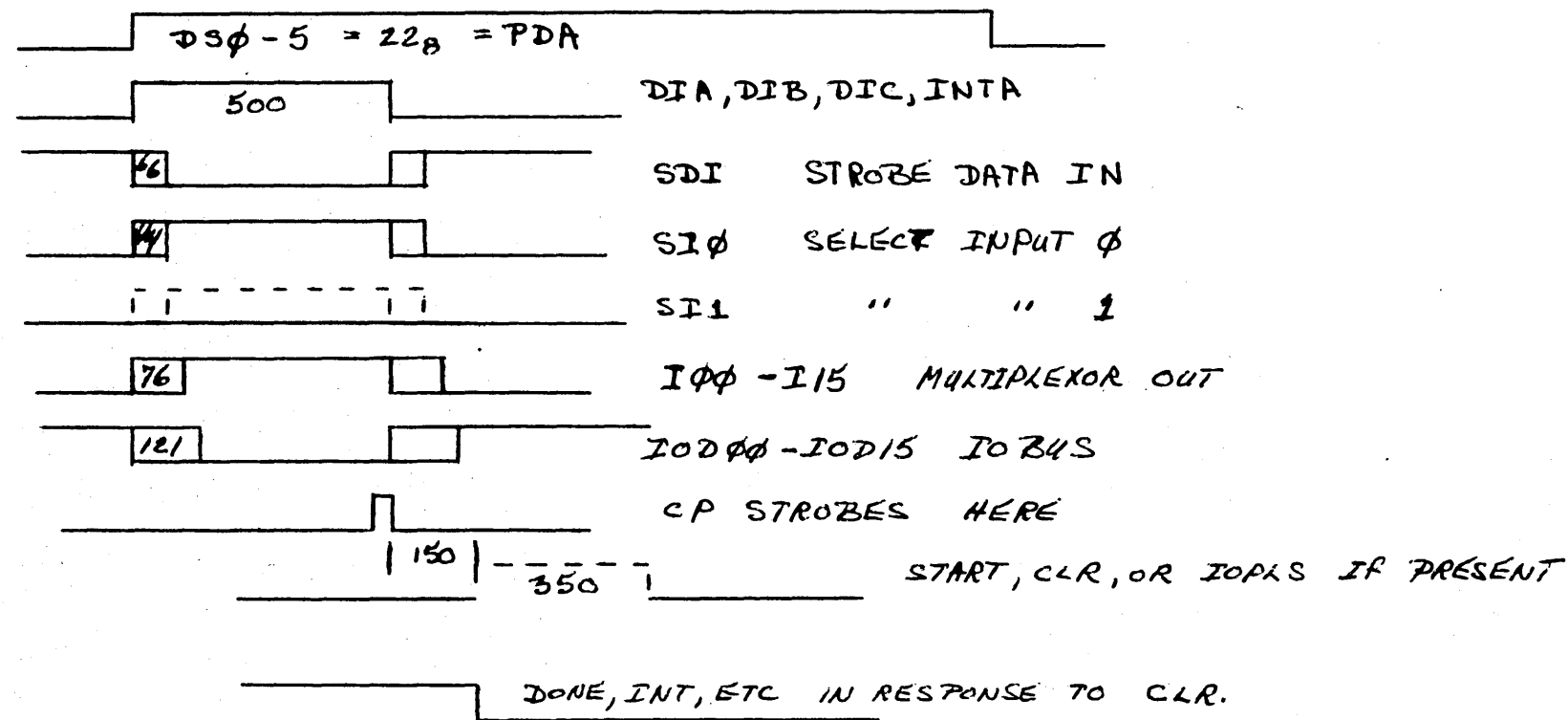
~~OBsolete per ECO 88/~~

DATE	DB 7/8	ENTREX INC.				
CHECK		168 MIDDLESEX TURNPIKE BURLINGTON MASS 01803				
APPRV		TCU TIMING DIAGRAM				
ENG		REWIND				
PROGR		SCALE	SIZE	CAT	SUB CAT	DRAWING NUMBER
						B-01070
		DO NOT SCALE PRINT			SHEET 1 OF	



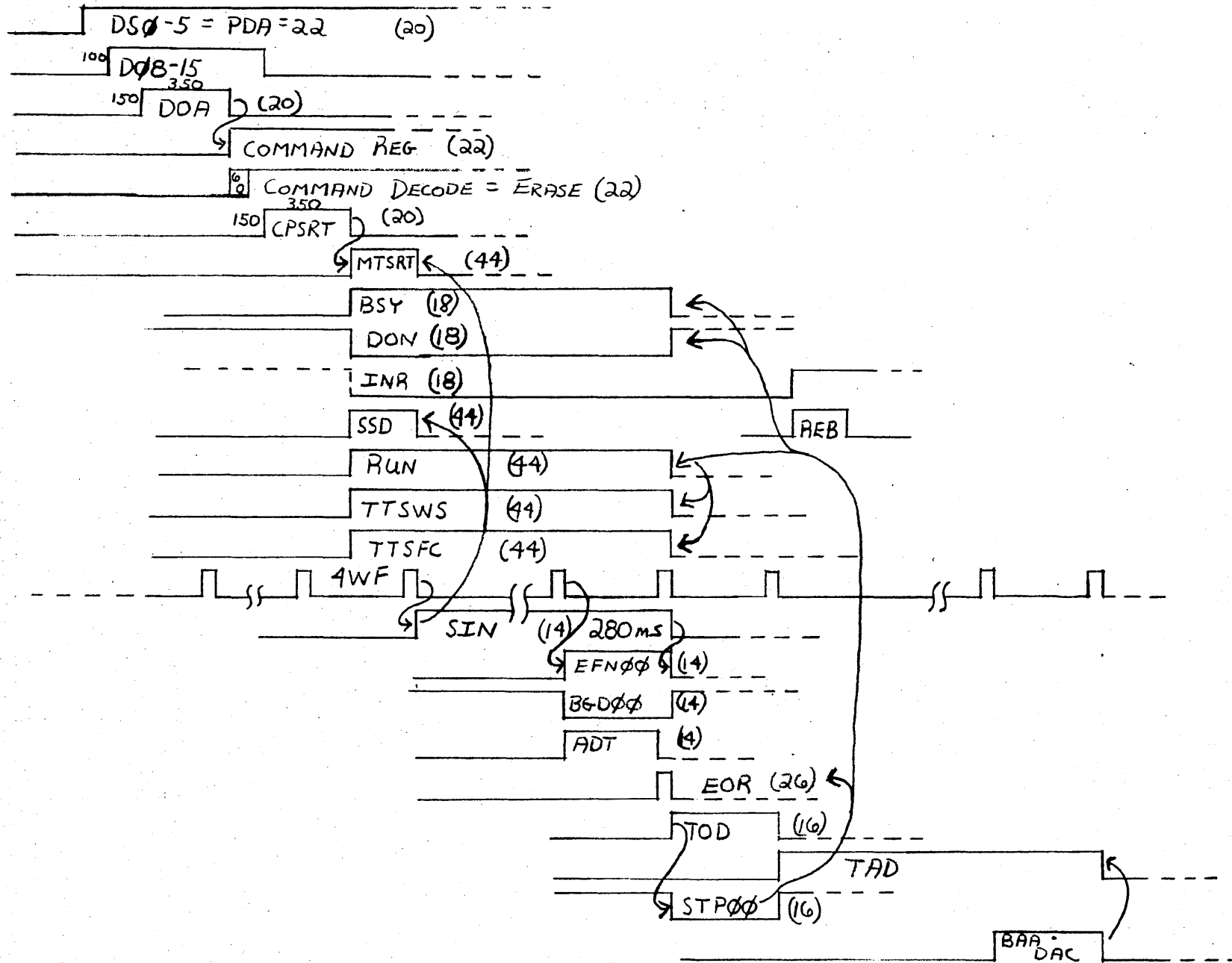
OBS

ENTREX INC. 168 MIDDLESEX TURNPIKE BURLINGTON MASS 01803		TCU TIMING DIAGRAM		BACKSPACE	
DRAWN BY DB 727	CHECK	APPRV	ENG	PROMGR	
SCALE	SIZE	CAT	SUB CAT	DRAWING NUMBER	DASH REV
				B-01070	8
DO NOT SCALE PRINT					SHEET 3 OF



OKS

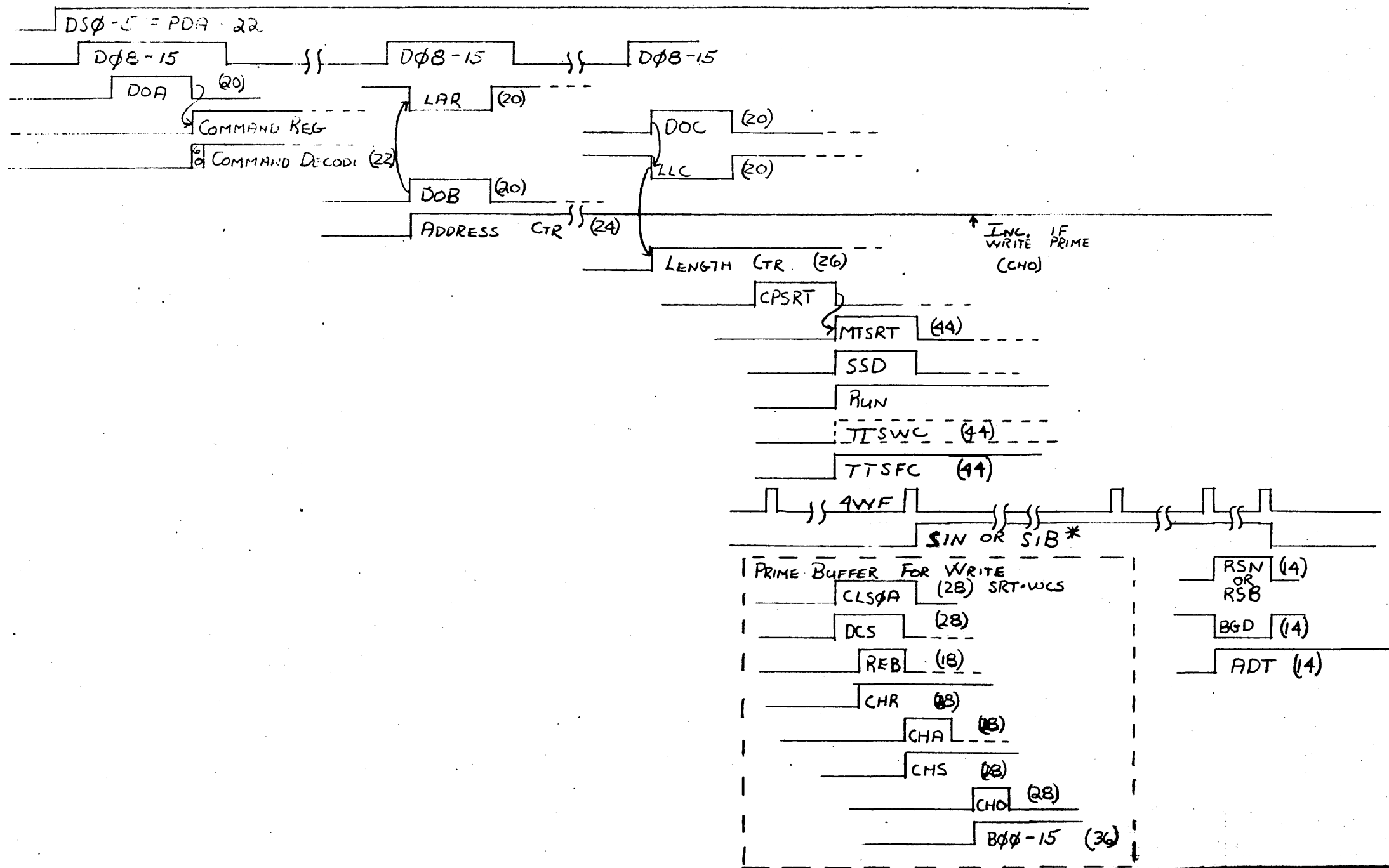
DRAWN	BY	DATE	ENTREX INC.			
CHECK			168 MIDDLESEX TURNPIKE BURLINGTON MASS 01803			
APPRV			TCU TIMING DIAG			
ENG			READ STATUS (DIA), ADDRESS (DIB), OR DIAGNOSTICS (DIC)			
PROMGR			SCALE	SIZE	CAT	REV
					B-01070	
DO NOT SCALE PRINT			SHEET 2 OF			



2.79

OBS

DRAWN	BY	DATE	ENTREX INC.			
CHECK	DB	7/26	168 MIDDLESEX TURNPIKE BURLINGTON MASS 01803			
APPRV			TCU TIMING DIAGRAM ERASE			
ENG						
PROMGR			SCALE	SIZE	CAT	REV
						B-01070
			DO NOT SCALE PRINT		SHEET 4 OF	



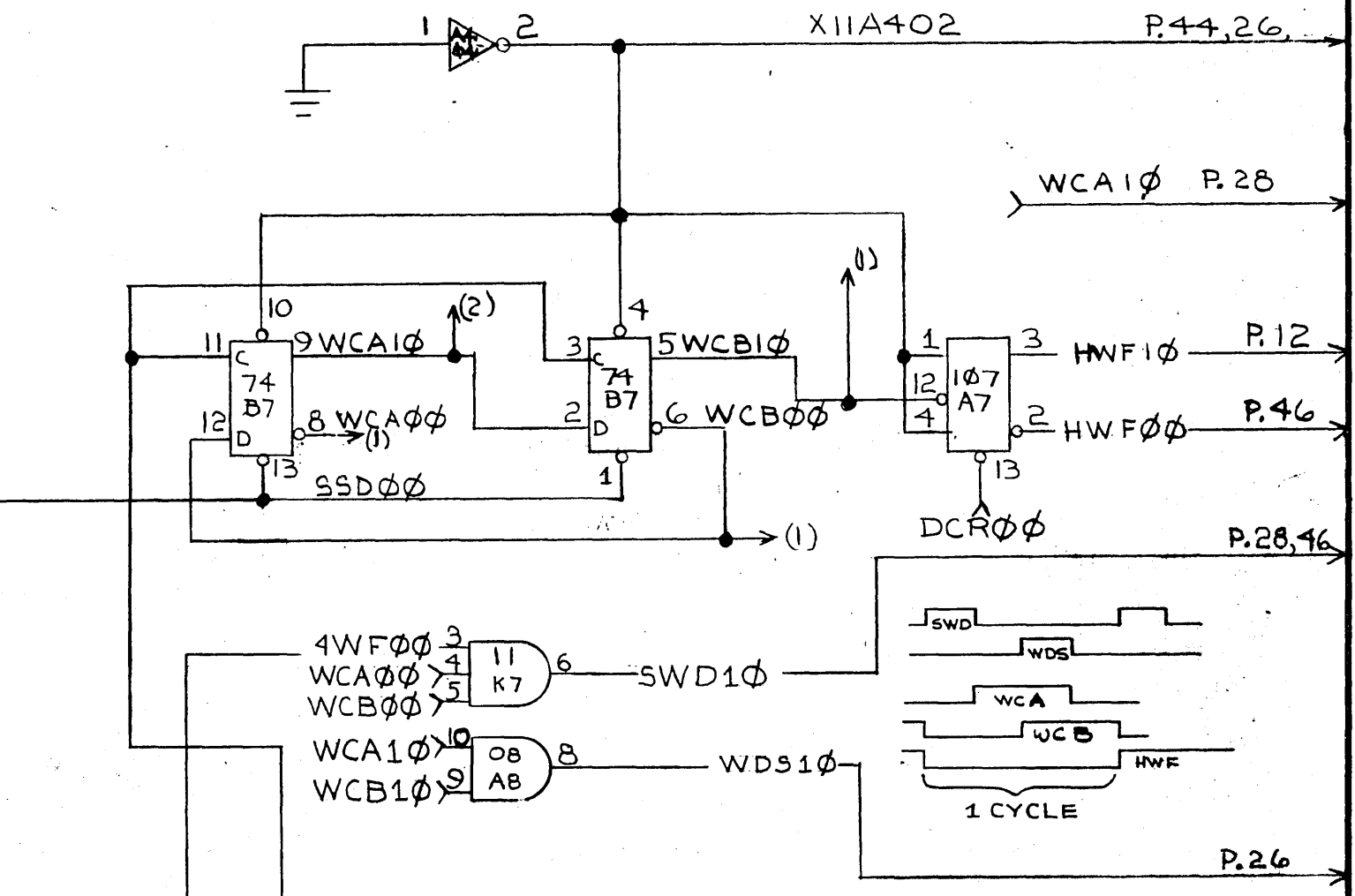
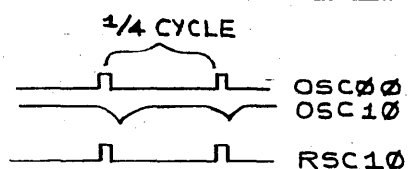
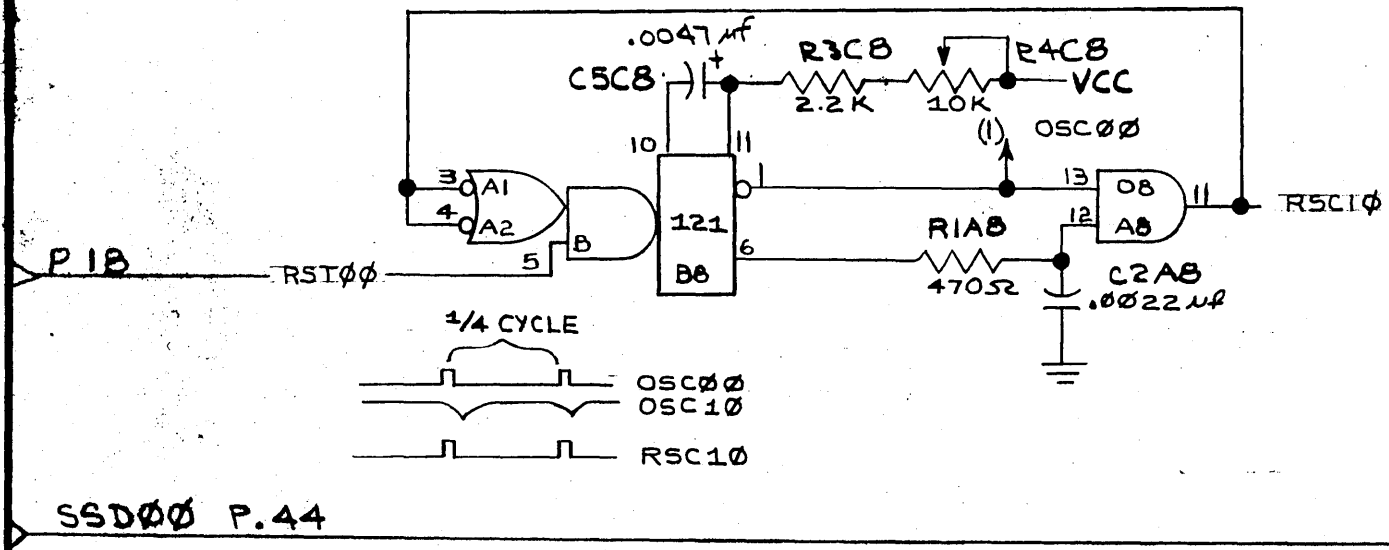
* SIN FOR READ = 24 MS
 WRITE = 46 MS
 SIB FOR READ = 120 MS
 WRITE = 280 MS

2.80

OBS

	DR 7/28	ENTREX INC.				
CHECK		168 MIDDLESEX TURNPIKE BURLINGTON MASS 01803				
APPRV		TCL TIMING DIAGRAM				
ENG		READ/WRITE INHIBIT SEQUENCE				
PRMGR		SCALE	SIZE CAT	SUB CAT	DRAWING NUMBER	DASH ++
					B-01070	8
DO NOT SCALE PRINT				SHEET 5 OF		

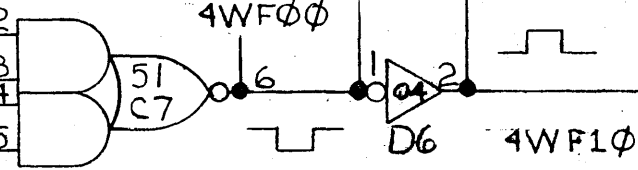
TAPE SPEED	12.5	25	37.5
TRANS RATE	10KHZ	20KHZ	30KHZ
4WF (OCS)	40	80	120
	25 μ s	12.5 μ s	8.3 μ s



P.22
P.22
P.20

DIAGNOSTIC MODE
DIAGNOSTIC MODE

OSC00
DTM00
DTM10
IOP10



OBS

P.14, 26, 16, 44

REVISIONS.	
B	REVISED SHT'S 26, 32, 44 & 58
B	ER # 35
C	ECO 225 SH P34

D	ECO 170 SH P42
E	ECO 288 SH P40
F	ECO 342 SH 44
G	ECO 363 SH 10, 14, 18, 20, 22, 48

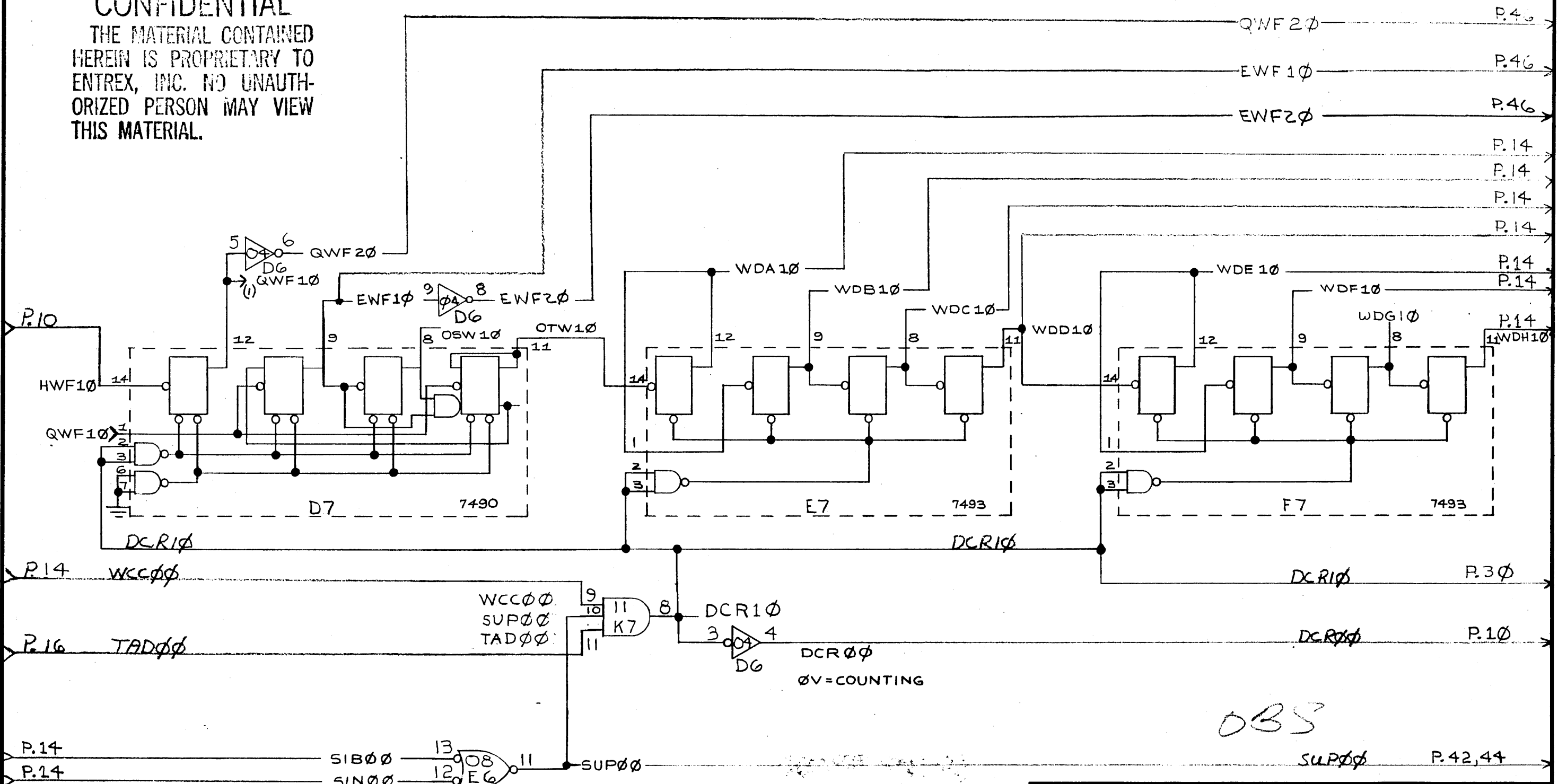
H	ECO 446 SH. P18-20-30-38-46
I	ECO 556 SH. 50
J	ECO 763 SH. 48

REVISIONS		
NO.	DATE	BY
6	ECO 363 7/1/72	DIR
2		
3		
4		
5		

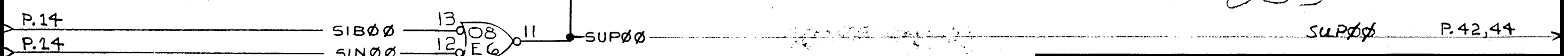
ENTREX INC. 113 HARTWELL AVE., LEXINGTON, MASS.		
TAPE CONTROLLER WRITE TIMING & MAIN OSC.		
DRAWN BY E. TOLEDO	SCALE 1:1	MATERIAL
CHK'D	DATE 8-26-70	DRAWING NO. B-01070
TRACED	APP'D D. Reed	

CONFIDENTIAL

THE MATERIAL CONTAINED
HEREIN IS PROPRIETARY TO
ENTREX, INC. NO UNAUTH-
ORIZED PERSON MAY VIEW
THIS MATERIAL.

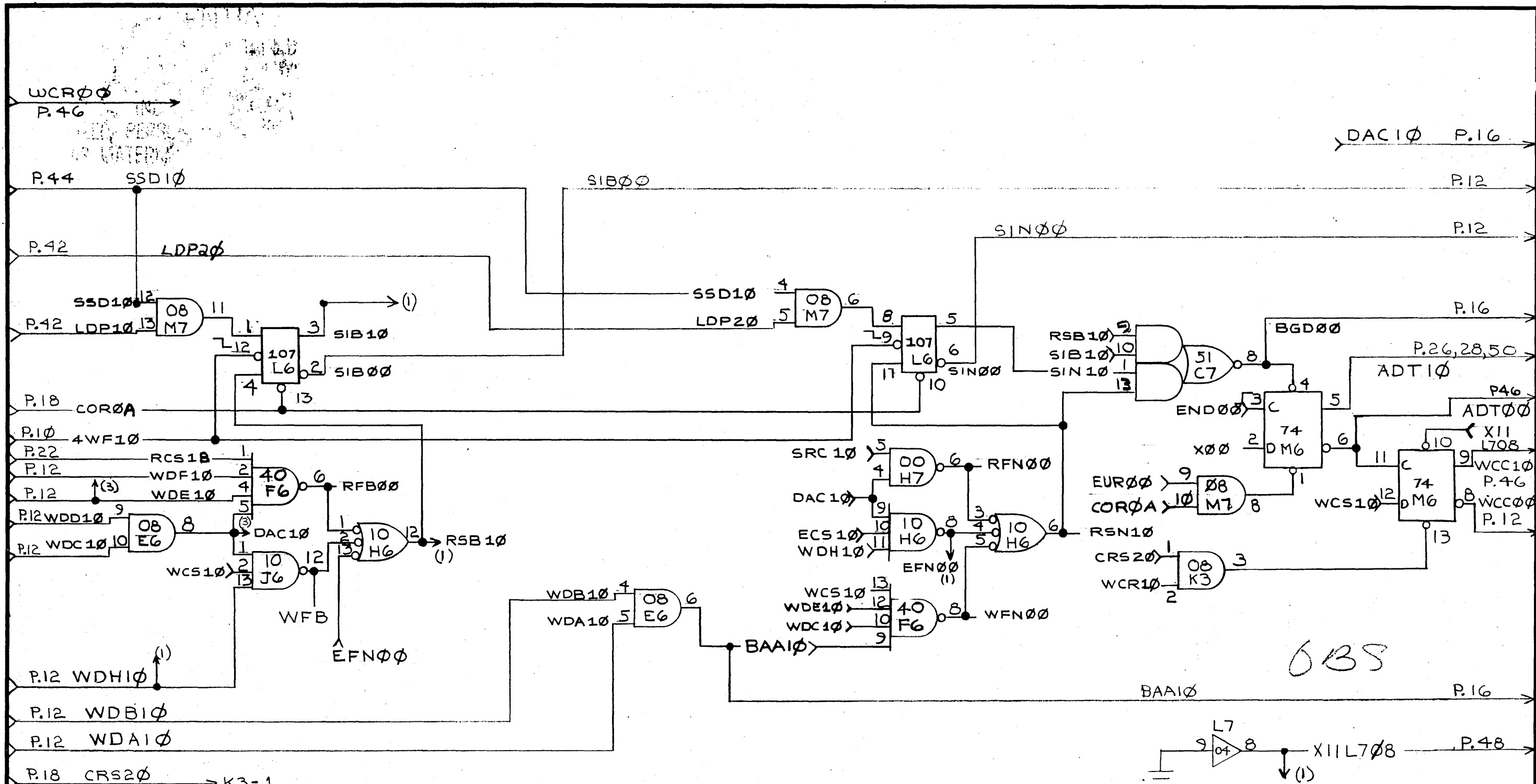


OBS



REVISIONS			ENTREX INC. 113 HARTWELL AVE., LEXINGTON, MASS.		
NO.	DATE	BY	TAPE CONTROLLER DELAY COUNTER		
1			DRAWN BY E. TOLEDO	SCALE 1/4"	MATERIAL
2			CHK'D	DATE 8-26-70	DRAWING NO. B-01070
3			TRACED	APP'D <i>[Signature]</i>	

2.82

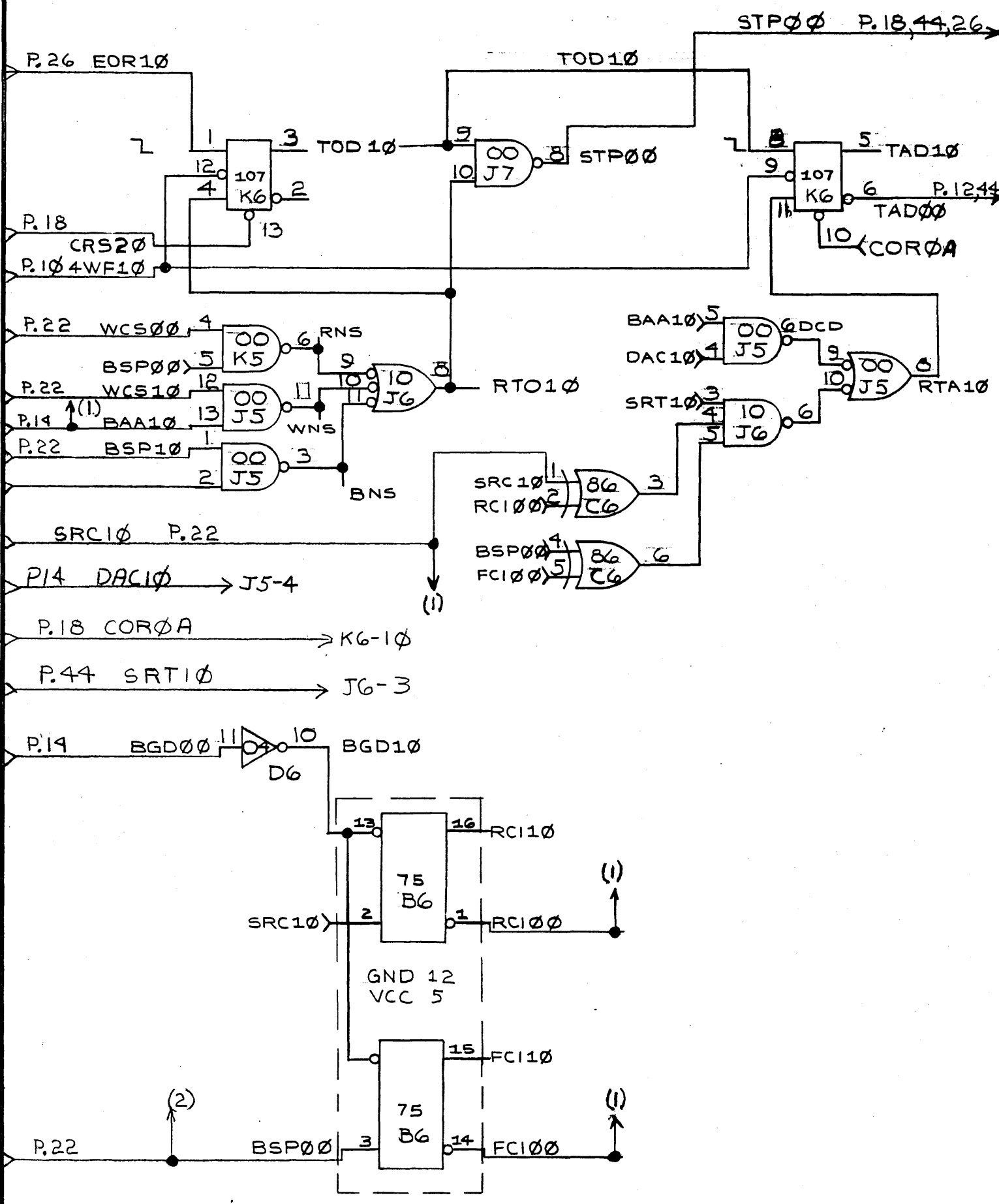


- P.18 COR0A →
- P.10 4WF10 →
- P.22 RCS10 →
- P.12 WDF10 →
- P.12 WDE10 →
- P.12 WDD10 →
- P.12 WDC10 →
- P.12 WDH10 →
- P.12 WDB10 →
- P.12 WDA10 →
- P.18 CRS20 → K3-1
- P.22 ECS10 → H6-10
- P.26 EOR00 → M6-1
- P.26 END00 → M6-3
- P.22 SRC10 → H7-5
- P.22 WCS10 → (3)

CONFIDENTIAL
 THE MATERIAL CONTAINED
 HEREIN IS PROPRIETARY TO
 ENTREX, INC. NO UNAUTH-
 ORIZED PERSON MAY VIEW
 THIS MATERIAL.

REVISIONS			ENTREX INC. 113 HARTWELL AVE., LEXINGTON, MASS.		
NO.	DATE	BY	TAPE CONTROLLER TURN ON DELAY LOGIC		
1	ECO 363 7/10/72	ASR	DRAWN BY E. TOLEDO	SCALE 1/1	MATERIAL
2			CHK'D	DATE 8-26-70	DRAWING NO. B-01070
3			TRACED	APP'D D.R.L.	

CONFIDENTIAL
 THE MATERIAL CONTAINED
 HEREIN IS PROPRIETARY TO
 ENTREX, INC. NO UNAUTH-
 ORIZED PERSON MAY VIEW
 THIS MATERIAL.



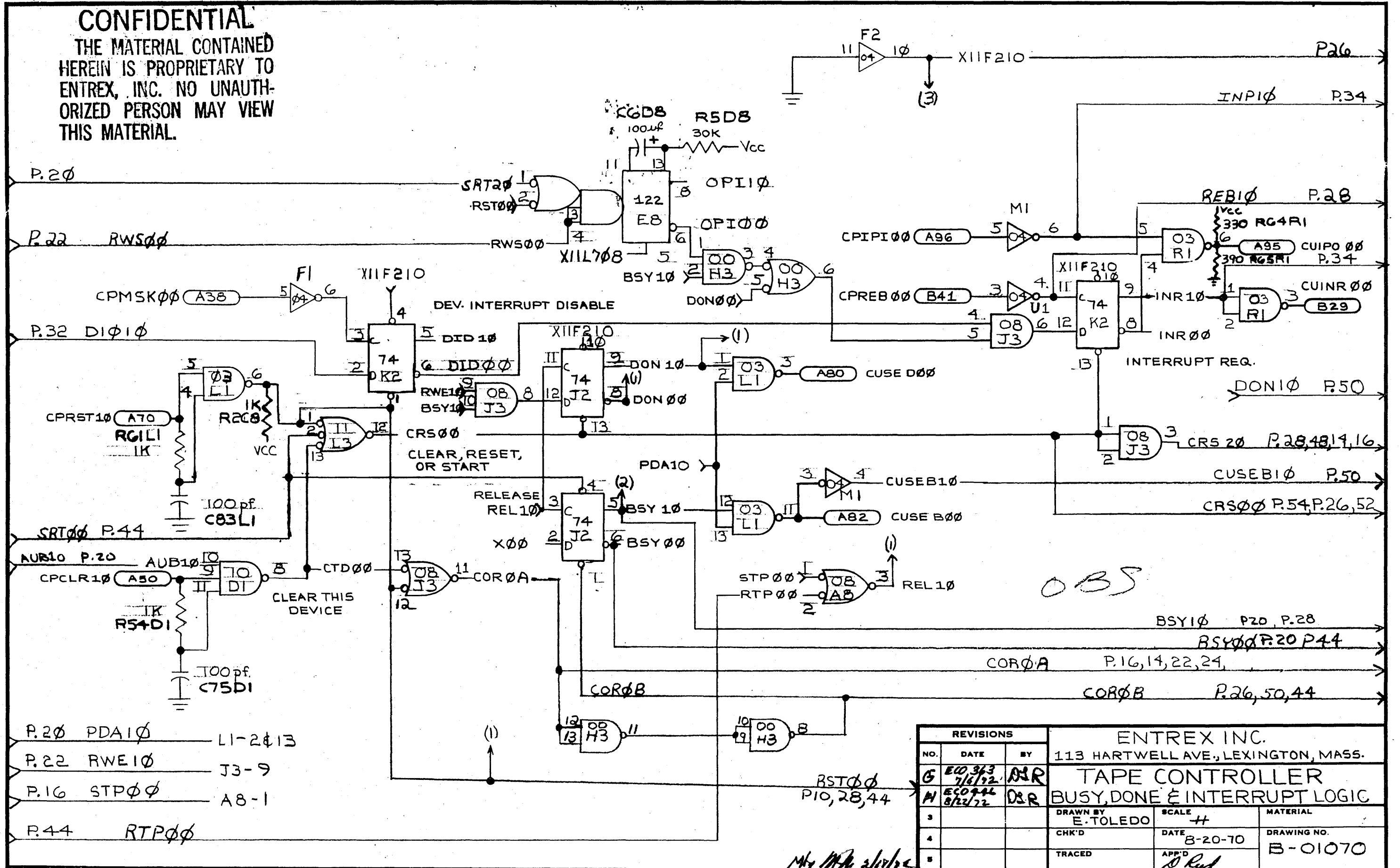
OBS

ENTREX INC. 113 HARTWELL AVE., LEXINGTON, MASS.		SCALE 1/4	MATERIAL
TAPE CONTROLLER TURN OFF DELAY LOGIC		DRAWN BY E. TOLEDO	DATE 8-25-70
NO.	BY	CHK'D	APP'D
1			<i>[Signature]</i>
2			
3			
4			
5			
		TRACED	DRAWING NO. B-01070

[Handwritten signature]

CONFIDENTIAL

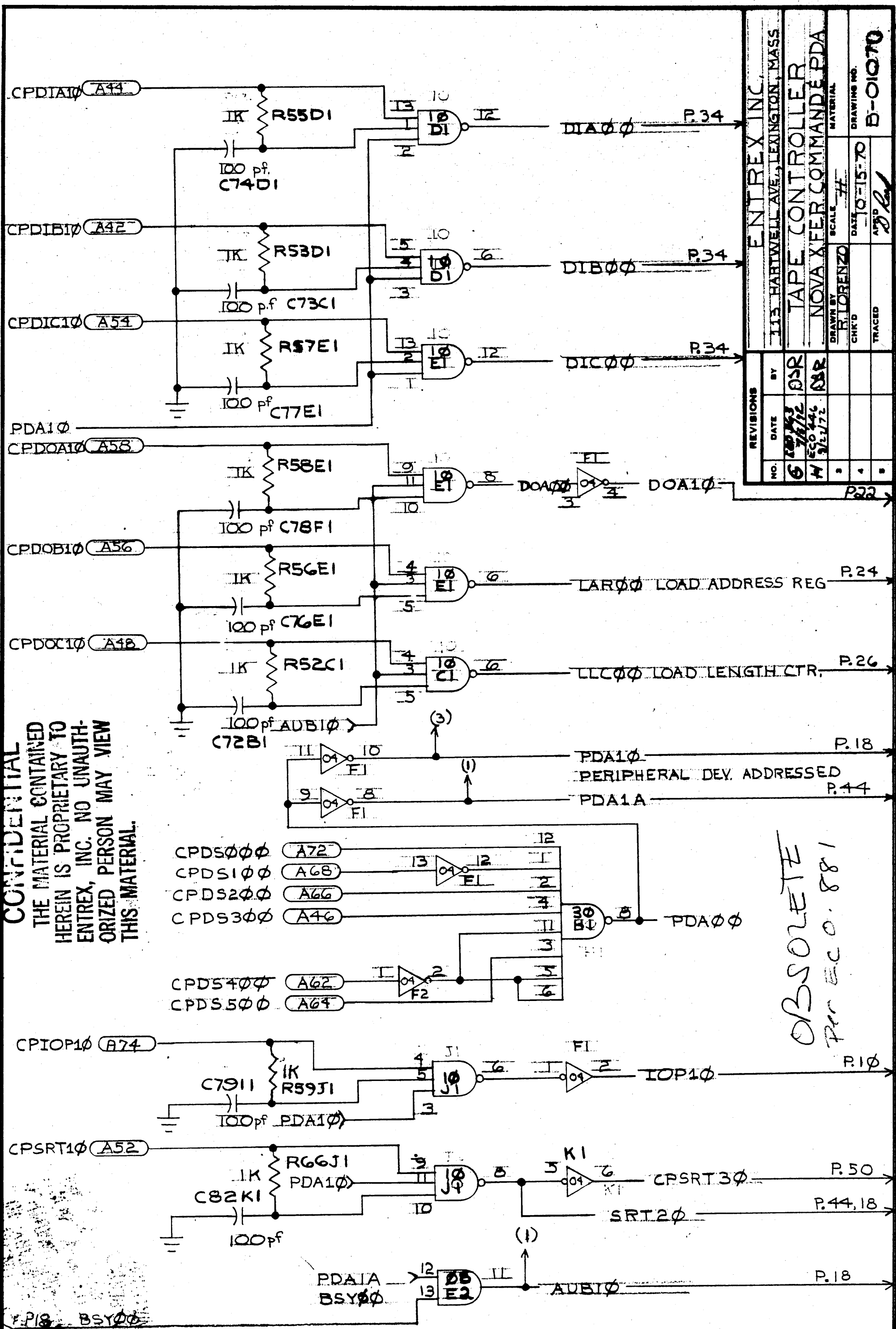
THE MATERIAL CONTAINED
HEREIN IS PROPRIETARY TO
ENTREX, INC. NO UNAUTH-
ORIZED PERSON MAY VIEW
THIS MATERIAL.



- P.20 PDA10 LI-2 & 13
- P.22 RWE10 J3-9
- P.16 STP00 A8-1
- P.44 RTP00

REVISIONS			ENTREX INC.		
NO.	DATE	BY	113 HARTWELL AVE., LEXINGTON, MASS.		
G	EC0 3/3 7/6/72	DSR	TAPE CONTROLLER		
M	EC0 4/4 8/22/72	DSR	BUSY, DONE & INTERRUPT LOGIC		
3			DRAWN BY E. TOLEDO	SCALE #	MATERIAL
4			CHK'D	DATE 8-20-70	DRAWING NO. B-01070
5			TRACED	APP'D D Red	

CONFIDENTIAL
 THE MATERIAL CONTAINED
 HEREIN IS PROPRIETARY TO
 ENTREX, INC. NO UNAUTH-
 ORIZED PERSON MAY VIEW
 THIS MATERIAL.



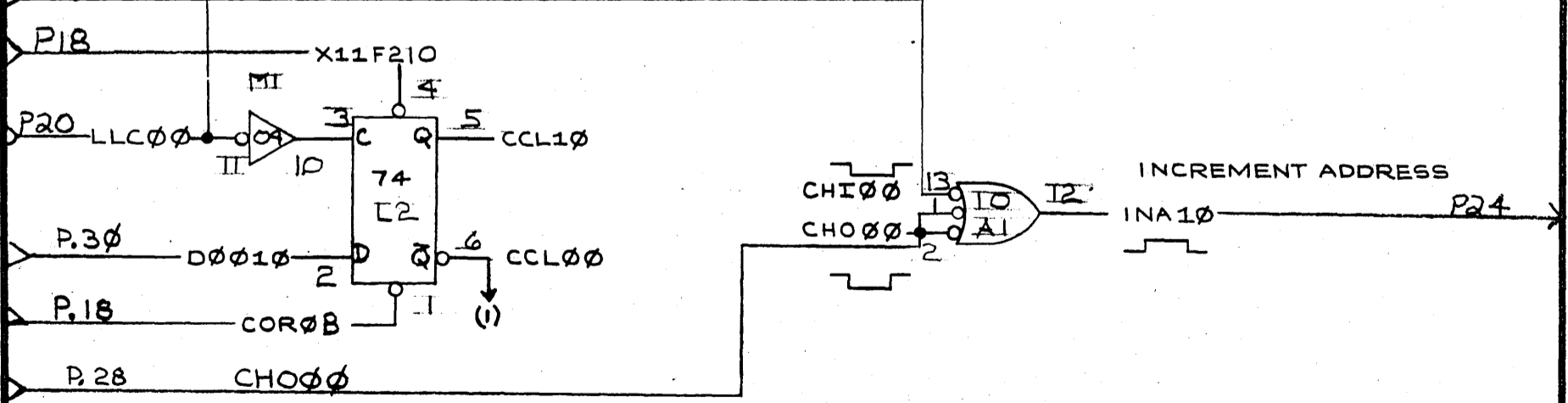
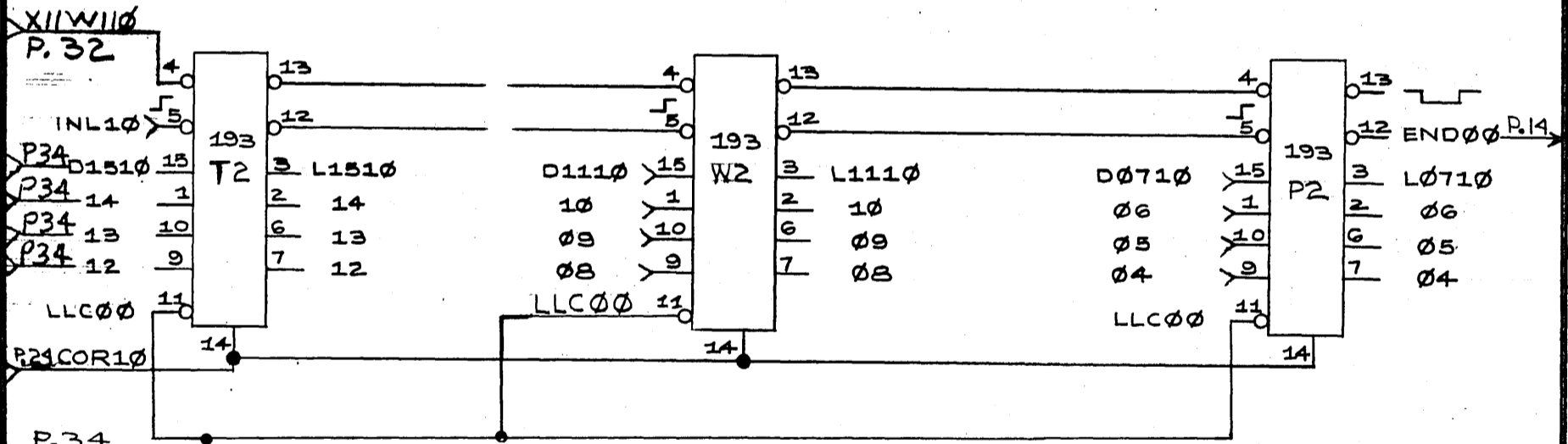
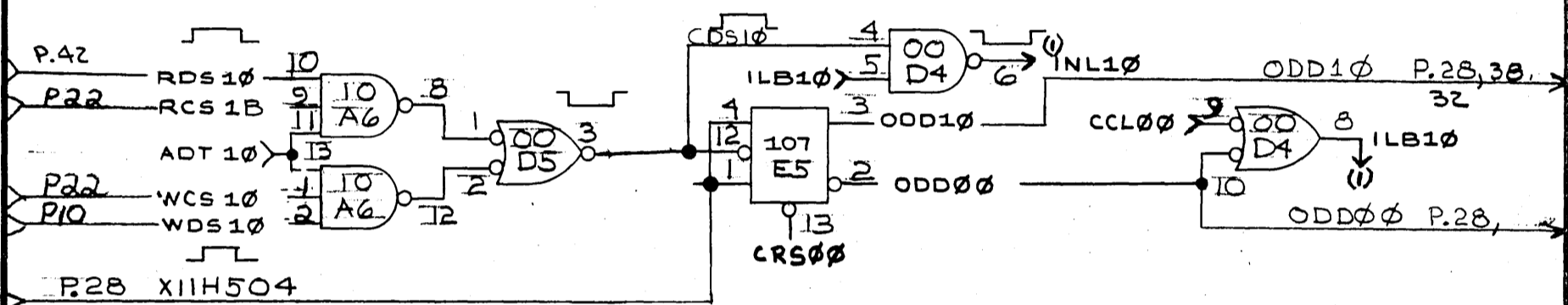
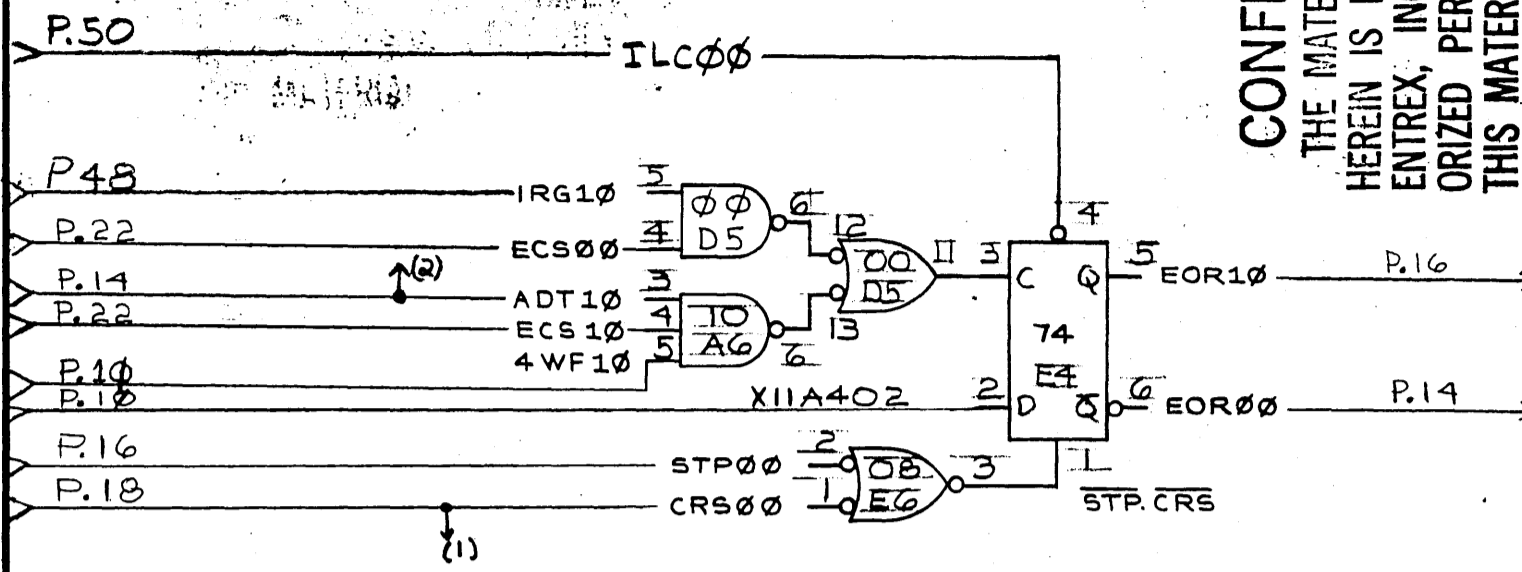
ENTREX, INC. 115 HARTWELL AVE., LEXINGTON, MASS		
TAPE CONTROLLER NOVA XFER COMMANDER PDA		
DRAWN BY R. LORENZO	SCALE 1/10	
DATE 10-15-70	DRAWING NO. B-01070	
CHK'D	TRACED	
REVISIONS		
NO.	DATE	BY
6	7/17/72	DSR
4	8/20/72	DSR
3	9/11/72	DSR
2		
1		

OBsolete
Per E.C.O. 881

CONFIDENTIAL
 THE MATERIAL CONTAINED
 HEREIN IS PROPRIETARY TO
 ENTREX, INC. NO UNAUTH-
 ORIZED PERSON MAY VIEW
 THIS MATERIAL

ENTREX INC. 113 HARTWELL AVE., LEXINGTON, MASS.		DRAWING NO. B-01070	
TAPE CONTROLLER		SCALE	DATE
LENGTH COUNTER & INC. LOGIC		4"	8-24-70
DRAWN BY	CHK'D	DATE	APP'D
E. TOLEDO			<i>P. Led</i>
TRACED			

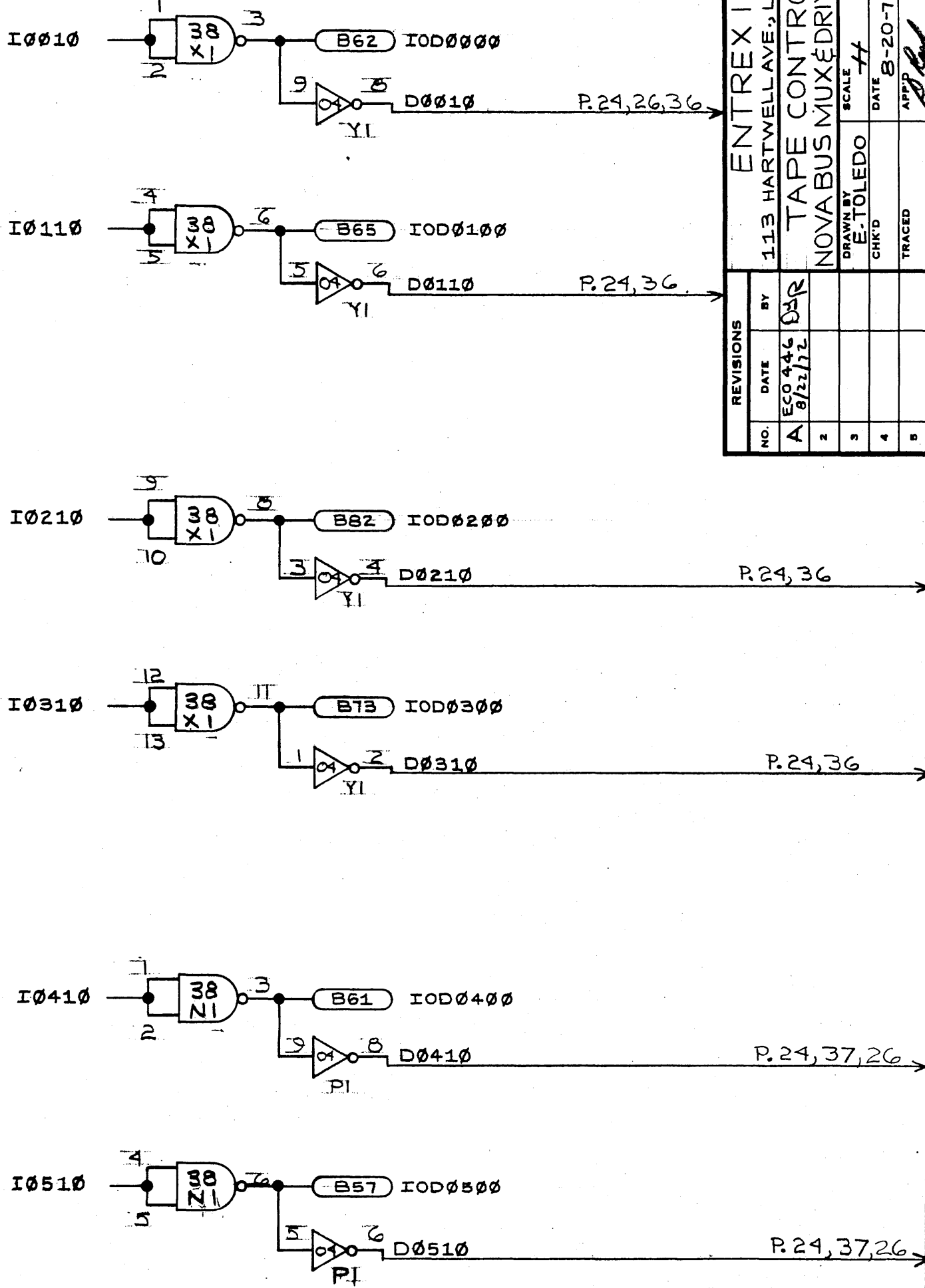
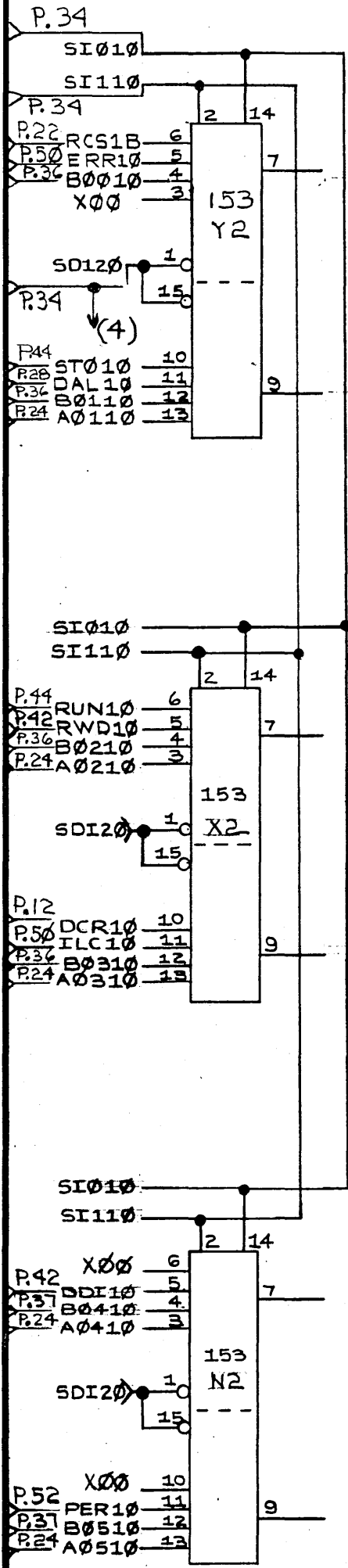
P. 20 2-89



- ~~P30 D0410~~
- ~~P30 510~~
- ~~P32 610~~
- ~~P32 710~~
- ~~P32 810~~
- ~~P32 910~~
- ~~P32 1010~~
- ~~P32 1110~~

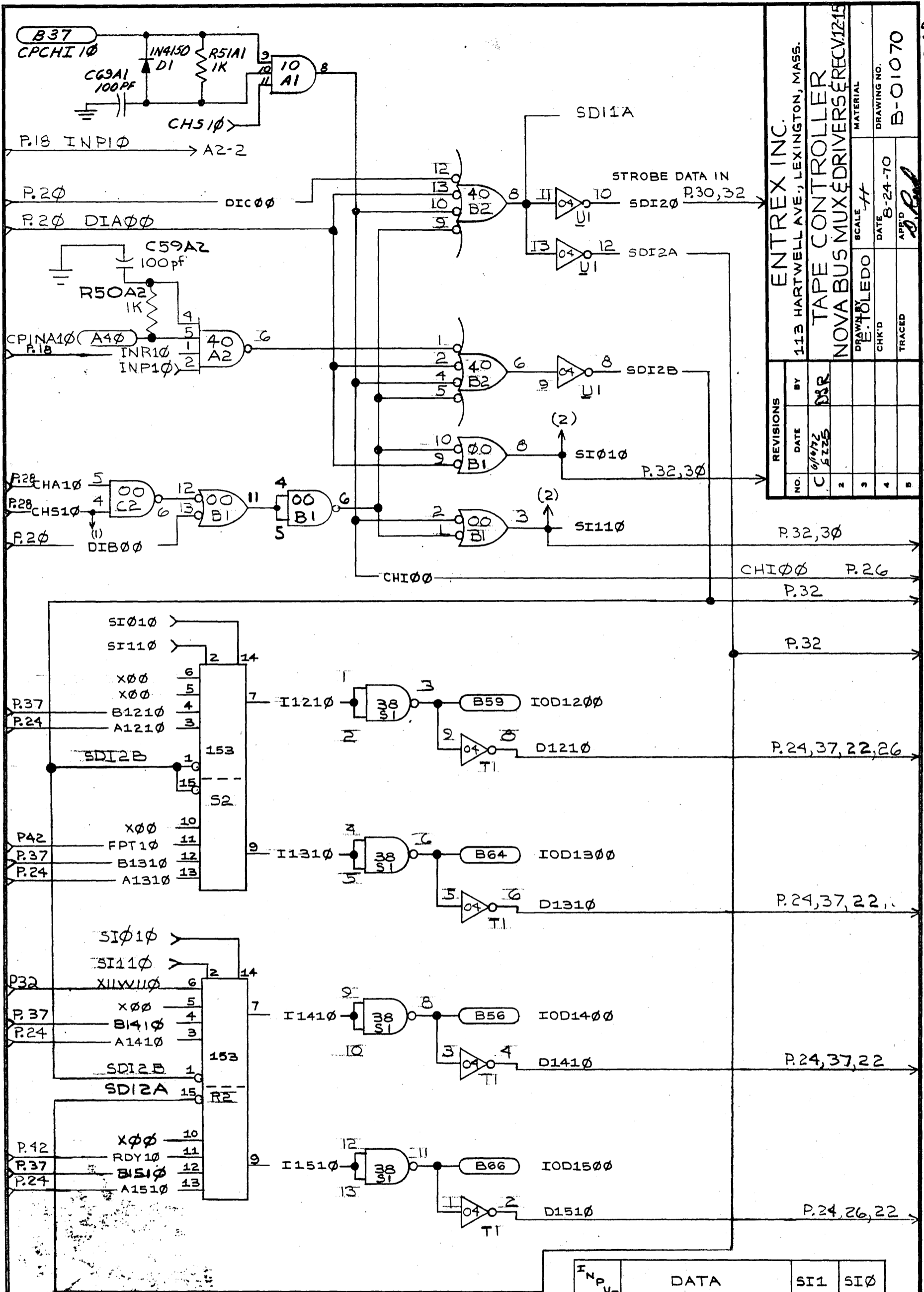
My work

CONFIDENTIAL
 THE MATERIAL CONTAINED TO
 HEREIN IS PROPRIETARY TO
 ENTREX, INC. NO UNAUTH-
 ORIZED PERSON MAY VIEW
 THIS MATERIAL.



ENTREX INC. 113 HARTWELL AVE., LEXINGTON, MASS.		NOVA BUS MUX & DRIVERS & REC V0-5	
NO.	DATE	BY	REVISIONS
A	8/22/72	DR	1
2			2
3			3
4			4
5			5
DRAWN BY E. TOLEDO		SCALE 1:1	
CHK'D		DATE 8-20-70	
TRACED		DRAWING NO. B-01070	

P.30 2.91
 My *[Signature]*



ENTREX INC.
113 HARTWELL AVE., LEXINGTON, MASS.

TAPE CONTROLLER
NOVA BUS MUX & DRIVERS & REC V12-15

REVISIONS	NO.	DATE	BY	SCALE	MATERIAL
	1	06/07/72	DSR		
	2	05/25/72			
	3				
	4				
	5				

DRAWN BY: E. TOLEDO
CHK'D: [Signature]
DATE: 8-24-70
AP'D: [Signature]

DRAWING NO. B-01070

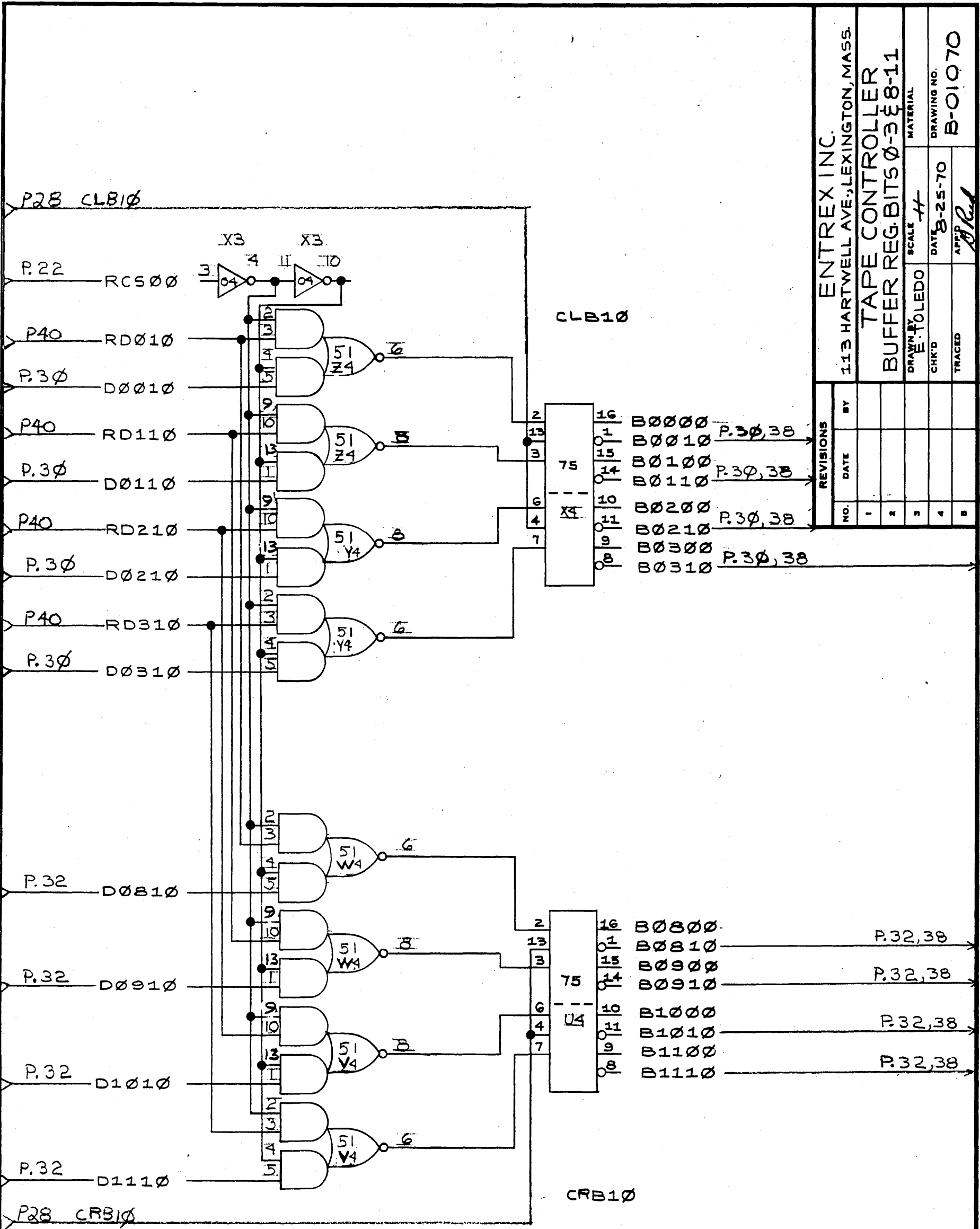
P. 34 2-93

My [Signature]

CONFIDENTIAL
THE MATERIAL CONTAINED
HEREIN IS PROPRIETARY TO
ENTREX, INC. NO UNAUTH-
ORIZED PERSON MAY VIEW
THIS MATERIAL.

INPUT	DATA	SI1	SI0
0	DEV. ADD	0	0
0	DIAG. DATA	0	0
1	STATUS	0	1
2	INPUT DATA	1	0
3	MEM. ADD	1	1
	ADD. RESIDUE	1	1

CONFIDENTIAL
 THE MATERIAL CONTAINED
 HEREIN IS PROPRIETARY TO
 ENTREX, INC. NO UNAUTH-
 ORIZED PERSON MAY VIEW
 THIS MATERIAL.

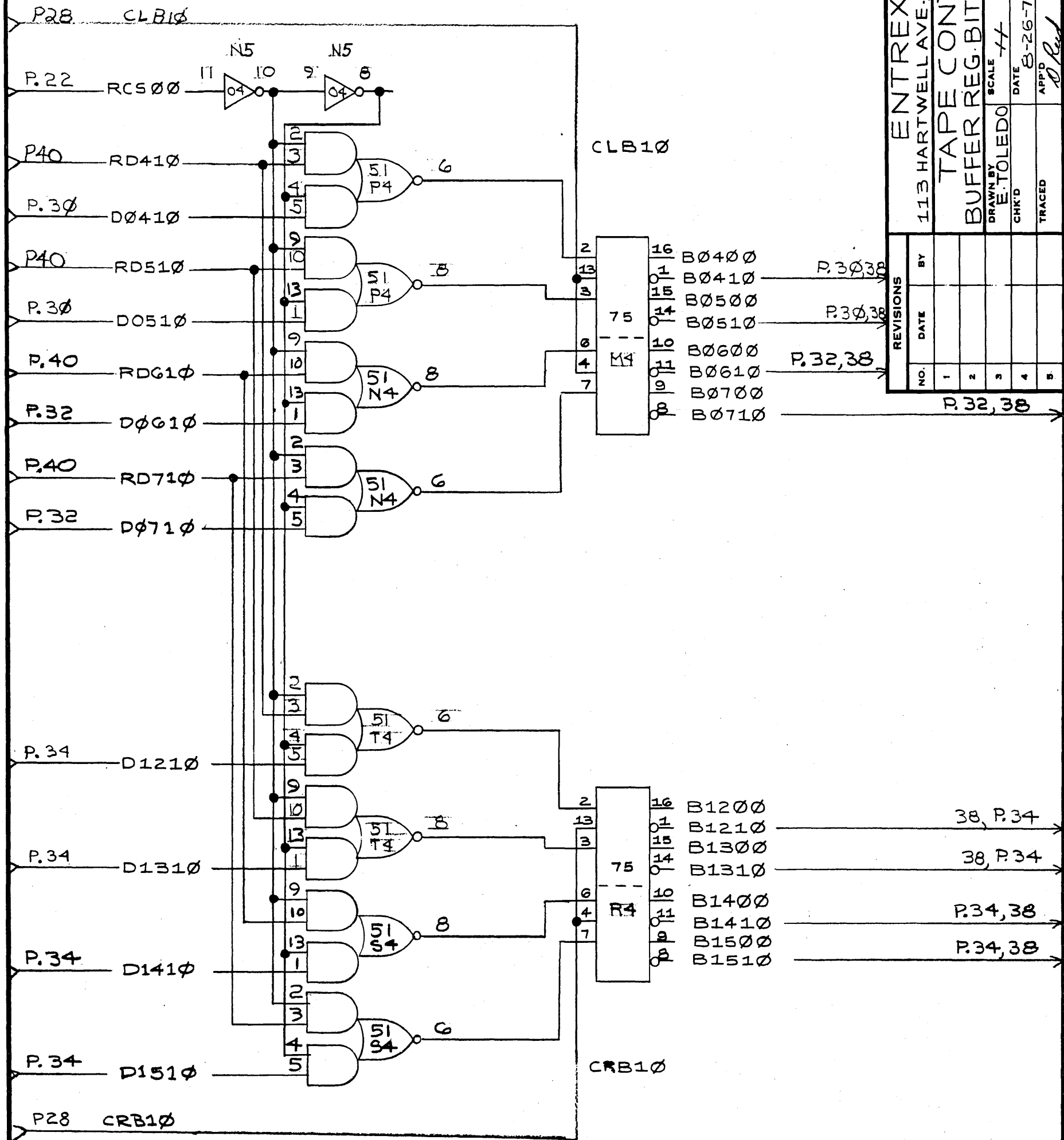


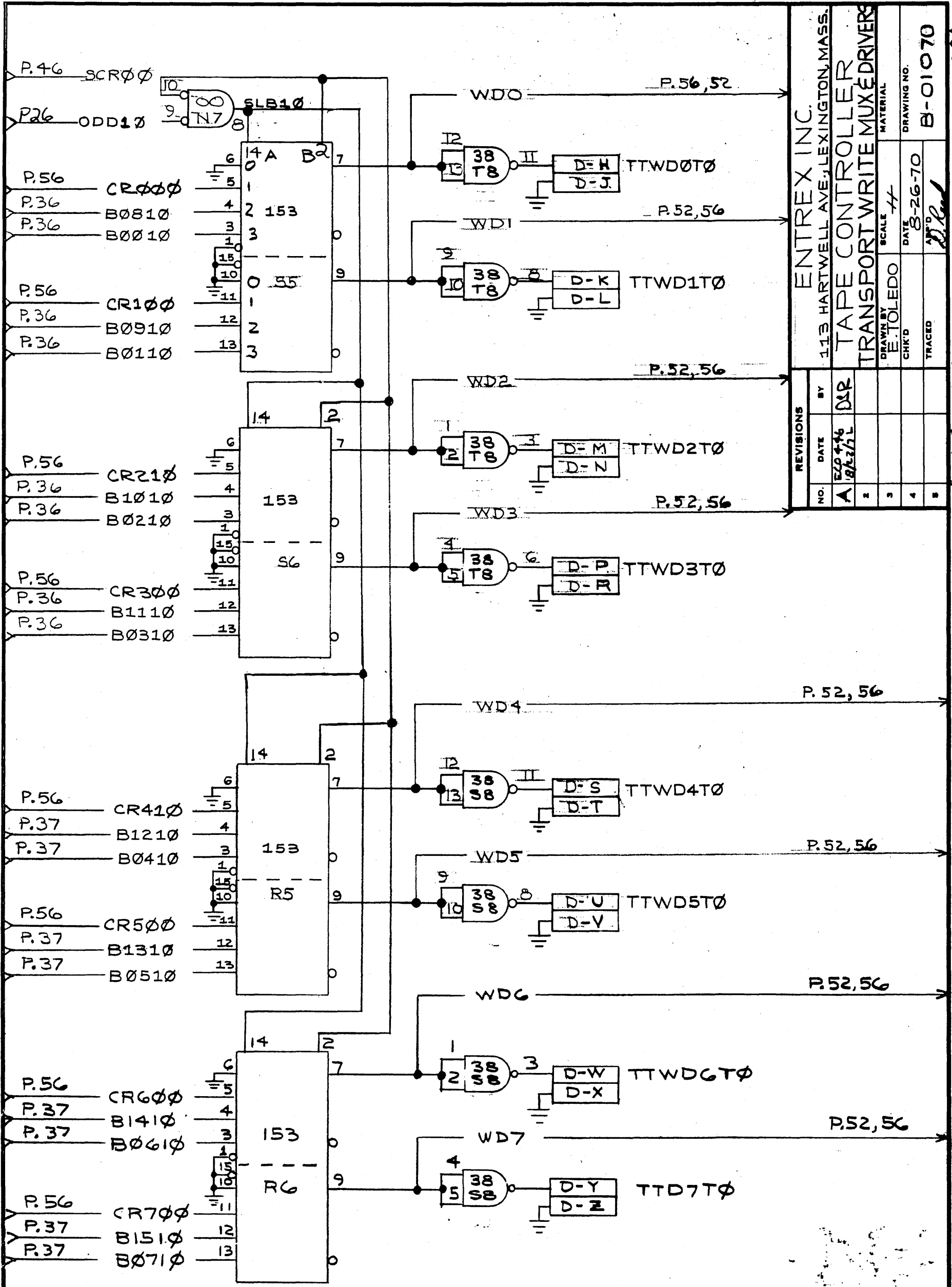
ENTREX INC. 113 HARTWELL AVE., LEXINGTON, MASS.	
TAPE CONTROLLER BUFFER REG. BITS 0-3 & 8-11	
DRAWN BY E. TOLEDO	SCALE 1:1
CHK'D	DATE 8-25-70
TRACED	APP'D <i>[Signature]</i>
DRAWING NO. B-01070	

REVISIONS	
NO.	DATE
1	
2	
3	
4	
5	

My [Signature]

CONFIDENTIAL
 THE MATERIAL CONTAINED
 HEREIN IS PROPRIETARY TO
 ENTREX, INC. NO UNAUTH-
 ORIZED PERSON MAY VIEW
 THIS MATERIAL.





ENTREX INC.
113 HARTWELL AVE., LEXINGTON, MASS.

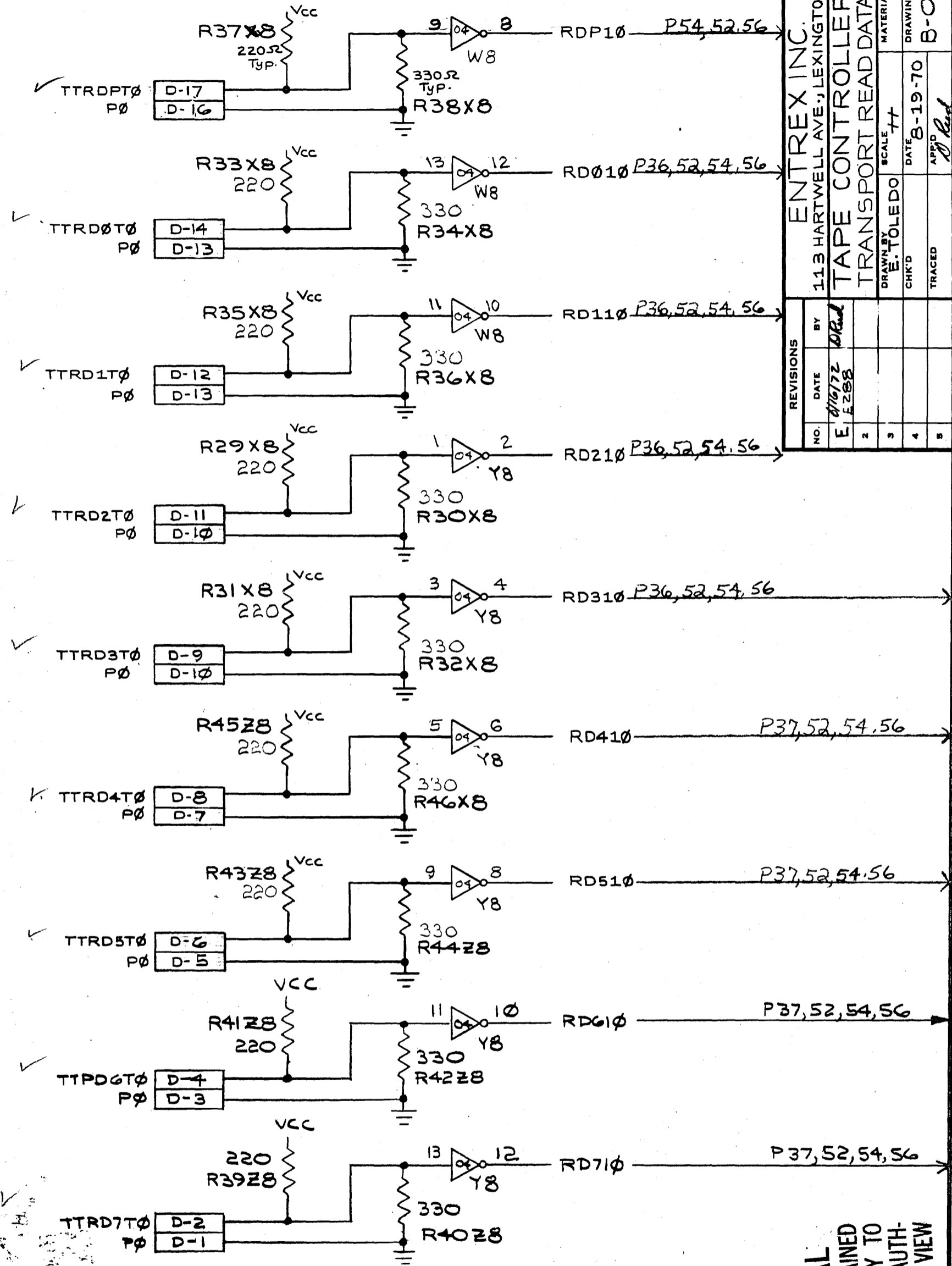
TAPE CONTROLLER
TRANSPORT WRITE MUX DRIVERS

NO.	DATE	BY	SCALE	MATERIAL	DRAWING NO.
1	8/23/70	DR	1/1		B-01070
2					
3					
4					
5					

DRAWN BY E. TOLEDO
CHK'D
TRACED

P. 38 2.96

CONFIDENTIAL
THE MATERIAL CONTAINED
HEREIN IS PROPRIETARY TO
ENTREX, INC. NO UNAUTH-
ORIZED PERSON MAY VIEW
THIS MATERIAL.



ENTREX INC.
113 HARTWELL AVE., LEXINGTON, MASS.

TAPE CONTROLLER
TRANSPORT READ DATA & REC.

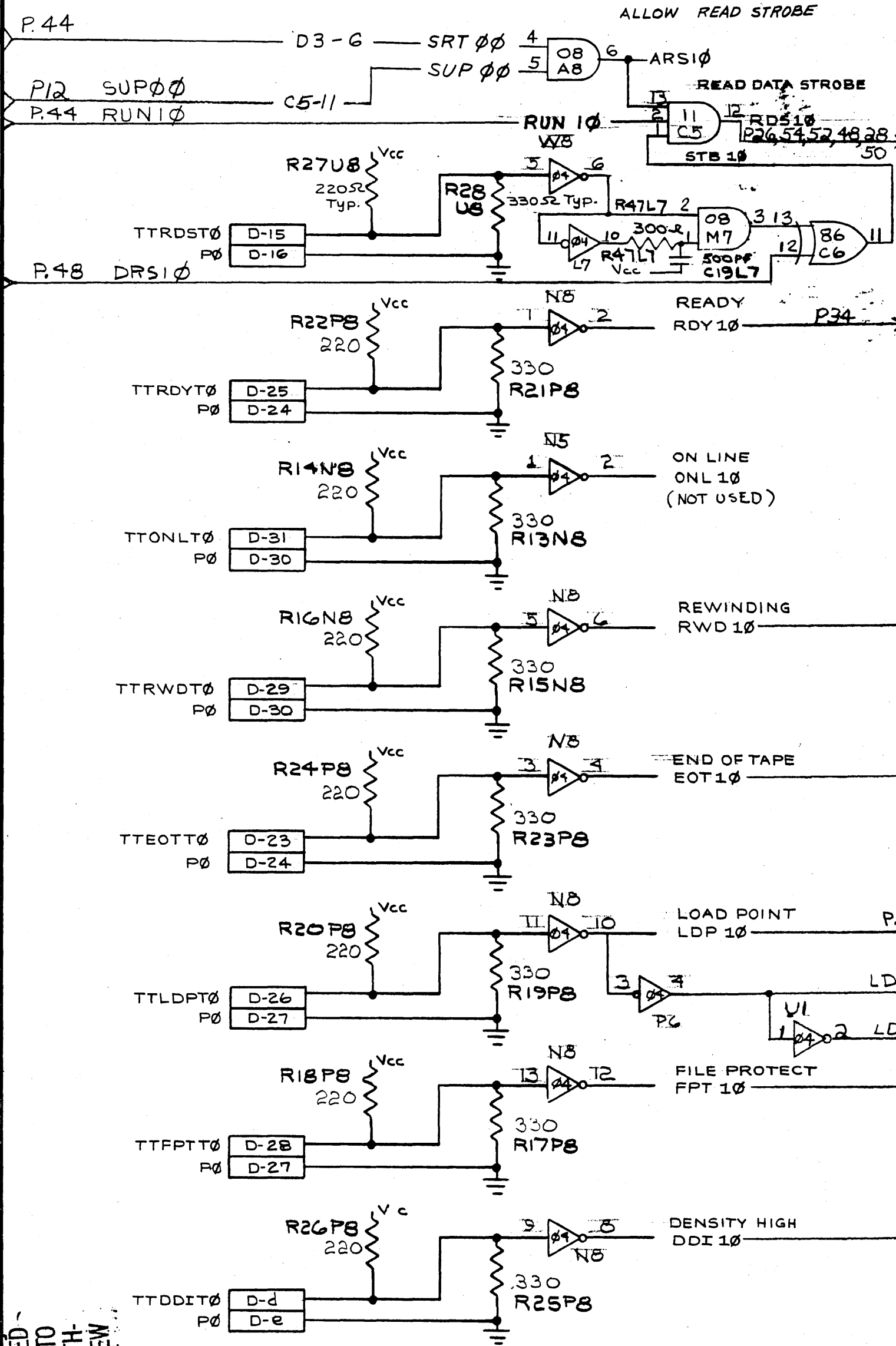
REVISIONS		DATE	BY	SCALE	MATERIAL
NO.	1	4/16/72	DRad	1:1	
2					
3					
4					
5					

DRAWN BY: E. TOLEDO
CHK'D: B-19-70
TRACED: J. Red
DATE: 8-19-70
DRAWING NO.: B-01070

CONFIDENTIAL
THE MATERIAL CONTAINED
HEREIN IS PROPRIETARY TO
ENTREX, INC. NO UNAUTH-
ORIZED PERSON MAY VIEW
THIS MATERIAL.

MA 11/11/74 P. 40 2.97

CONFIDENTIAL
 THE MATERIAL CONTAINED
 HEREIN IS PROPRIETARY TO
 ENTREX, INC. NO UNAUTH-
 ORIZED PERSON MAY VIEW
 THIS MATERIAL.



ENTREX, INC.
 113 HARTWELL AVE., LEXINGTON, MASS.

TAPE CONTROLLER
 TRANSPORT STATUS REC.

SCALE: 1:1
 DATE: 8-19-70
 DRAWN BY: E. TOLEDO
 CHK'D: [Signature]
 TRACED: [Signature]

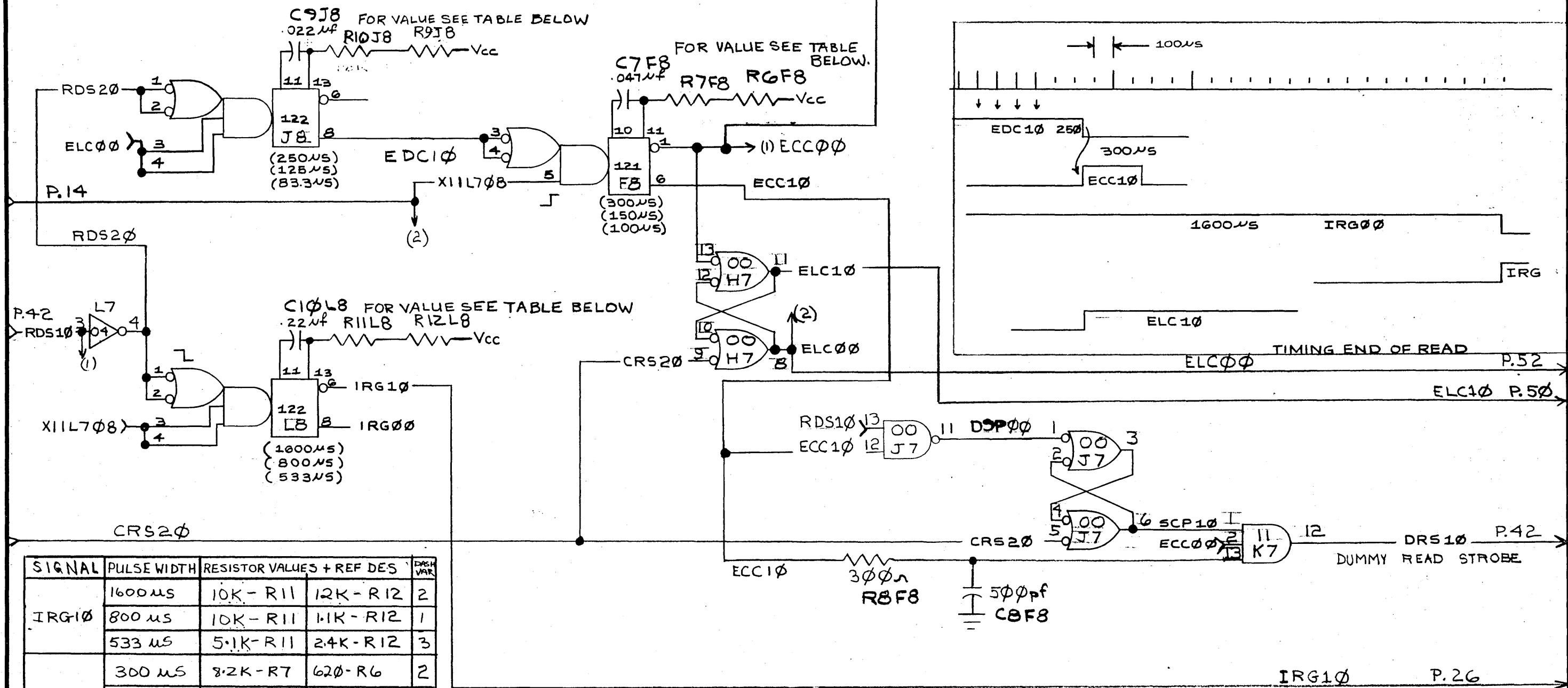
NO.	DATE	BY	MATERIAL	DRAWING NO.
1	6/18/72	E280		B-01070
2		DJR		
3				
4				
5				

P.44
 P.12 SUP00
 P.44 RUN10
 P.48 DRS10
 P.34
 P.30, 50
 P.50
 P.32, P.14, P50
 P14, 50
 P32
 P34, 50
 P30

2.98

NO. 108-1117

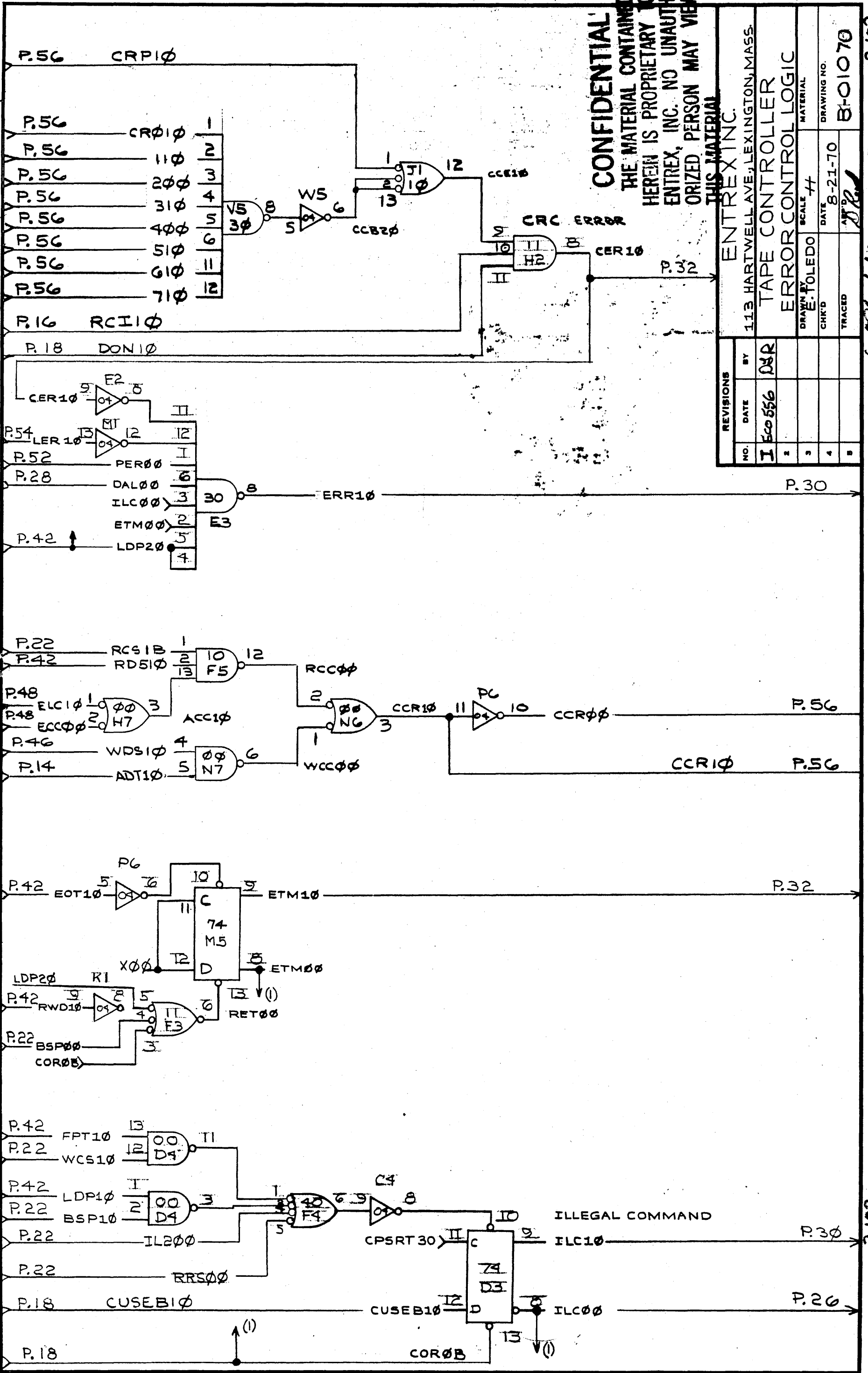
ECC00 P.50



SIGNAL	PULSE WIDTH	RESISTOR VALUES + REF DES	DASH VAR
IRG10	1600µS	10K-R11 12K-R12	2
	800µS	10K-R11 1.1K-R12	1
	533µS	5.1K-R11 2.4K-R12	3
ECC10	300µS	8.2K-R7 620-R6	2
	150µS	3.9K-R7 510-R6	1
	100µS	24K-R7 470-R6	3
EDC10	250µS	33K-R10 3K-R9	2
	125µS	16K-R10 2K-R9	1
	83.3µS	10K-R10 2K-R9	3

REVISIONS			ENTREX INC.		
NO.	DATE	BY	113 HARTWELL AVE., LEXINGTON, MASS.		
G	Eco 363 7/16/72	DSR	TAPE CONTROLLER GAP DETECTION LOGIC		
H	Eco 446 8/22/72	DSR			
I	Eco 763 1/18/73	DSR			
DRAWN BY E. TOLEDO			SCALE H	MATERIAL	
CHK'D			DATE 8-25-70	DRAWING NO. B-01070	
TRACED			APP'D D. Reed		

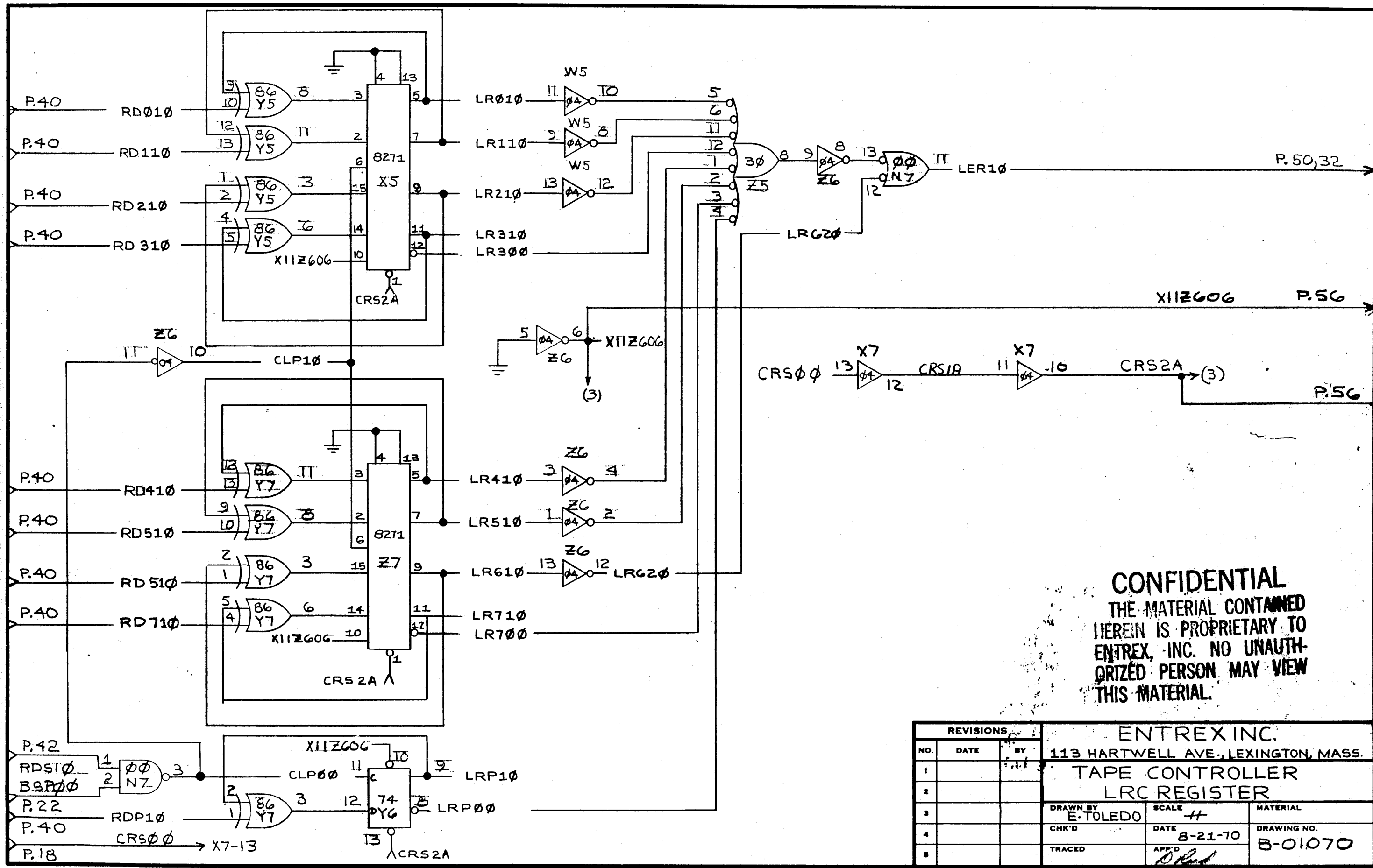
CONFIDENTIAL
 THE MATERIAL CONTAINED
 HEREIN IS PROPRIETARY TO
 ENTREX, INC. NO UNAUTH-
 ORIZED PERSON MAY VIEW
 THIS MATERIAL



REVISIONS		ENTREX INC.	
NO.	DATE	113 HARTWELL AVE., LEXINGTON, MASS.	
1	8-21-70	TAPES CONTROLLER	
2		ERROR CONTROLLER LOGIC	
3		MATERIAL	
4		DRAWN BY E. TOLEDO	
5		SCALE 44	
		DATE 8-21-70	
		CHK'D [Signature]	
		DRAWING NO. B-01070	
		TRACED	

P. 50 2.102
 My [Signature]

NO. 188-11117 2.102



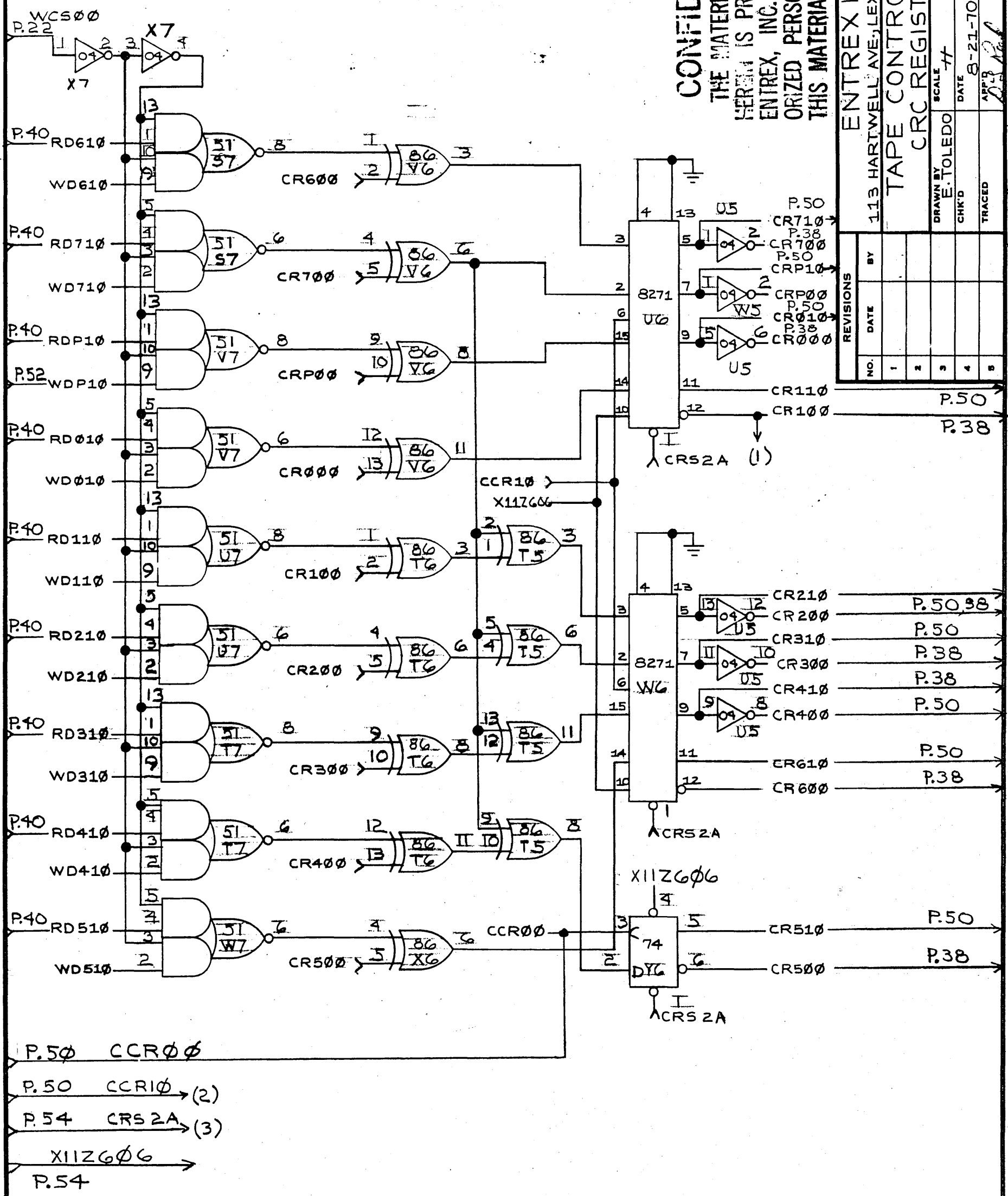
CONFIDENTIAL
 THE MATERIAL CONTAINED
 HEREIN IS PROPRIETARY TO
 ENTREX, INC. NO UNAUTH-
 ORIZED PERSON MAY VIEW
 THIS MATERIAL.

REVISIONS			ENTREX INC.		
NO.	DATE	BY	113 HARTWELL AVE., LEXINGTON, MASS.		
1			TAPE CONTROLLER		
2			LRC REGISTER		
3			DRAWN BY E. TOLEDO	SCALE #	MATERIAL
4			CHK'D	DATE 8-21-70	DRAWING NO. B-01070
5			TRACED	APP'D <i>[Signature]</i>	

CONFIDENTIAL
 THE MATERIAL CONTAINED
 HEREIN IS PROPRIETARY TO
 ENTREX, INC. NO UNAUTH-
 ORIZED PERSON MAY VIEW
 THIS MATERIAL.

ENTREX INC. 113 HARTWELL AVE., LEXINGTON, MASS.		SCALE: 1/8"		DRAWING NO. B-01070	
TAPES CONTROLLER		DATE: 8-21-70		APPROVED: [Signature]	
CRC REGISTER		MATERIAL		TRACED	
DRAWN BY: E. TOLEDO		CHK'D:		DATE: 8-21-70	
NO.		BY		DATE	
1					
2					
3					
4					
5					

My [Signature] 8/21/70 P.50



NO.	DATE	BY	REVISIONS
1			
2			
3			
4			
5			

