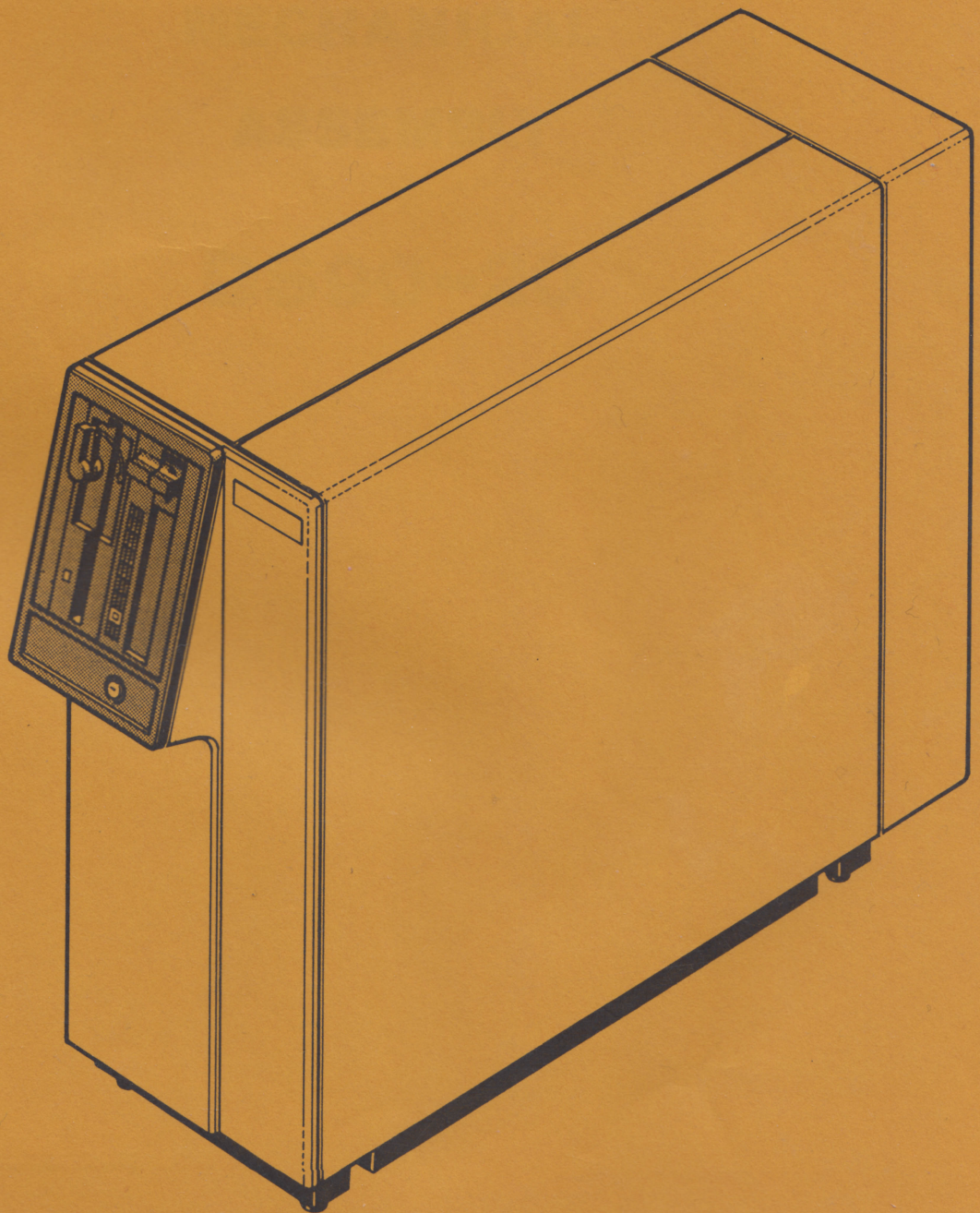


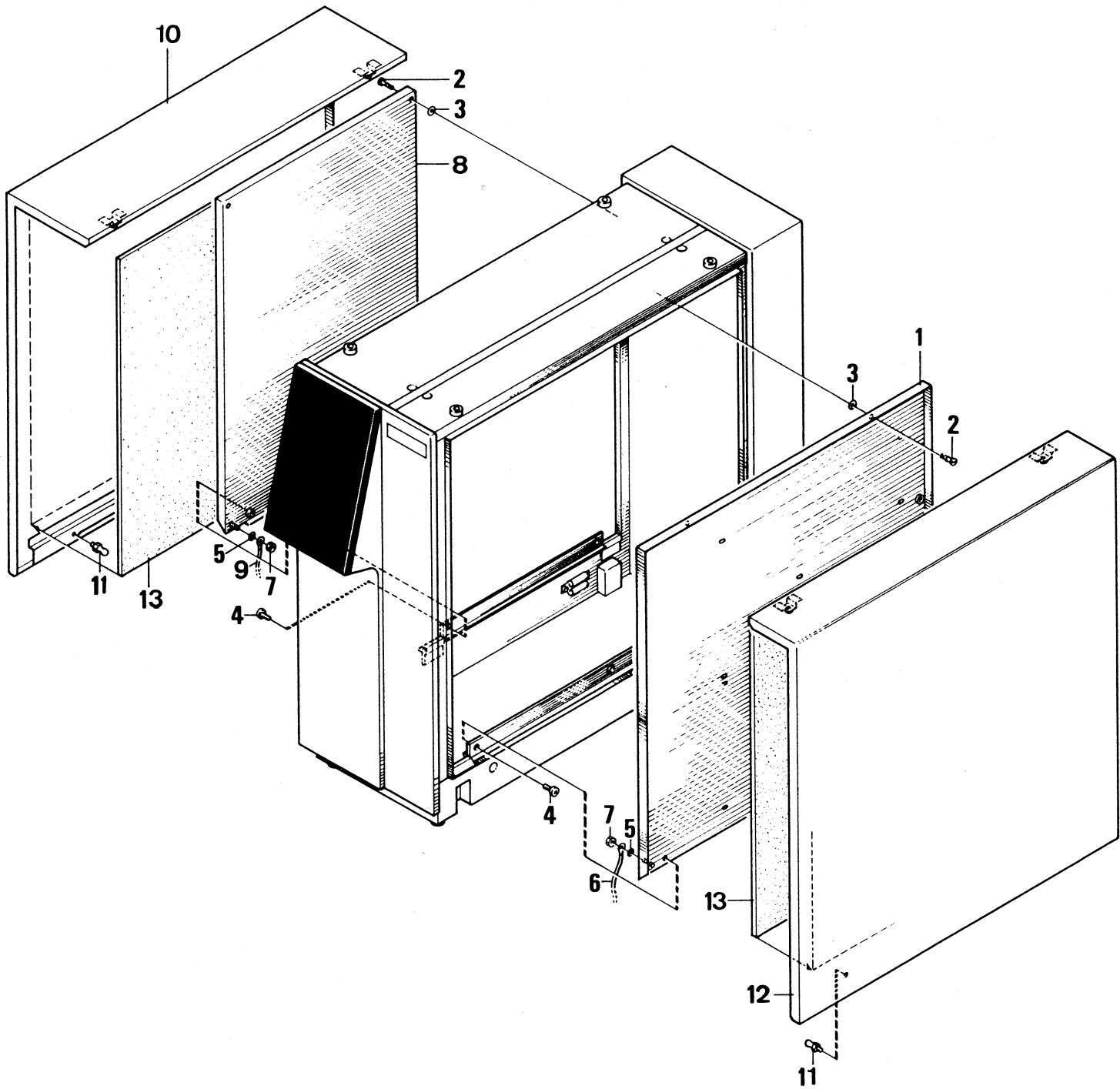
DS 90-20



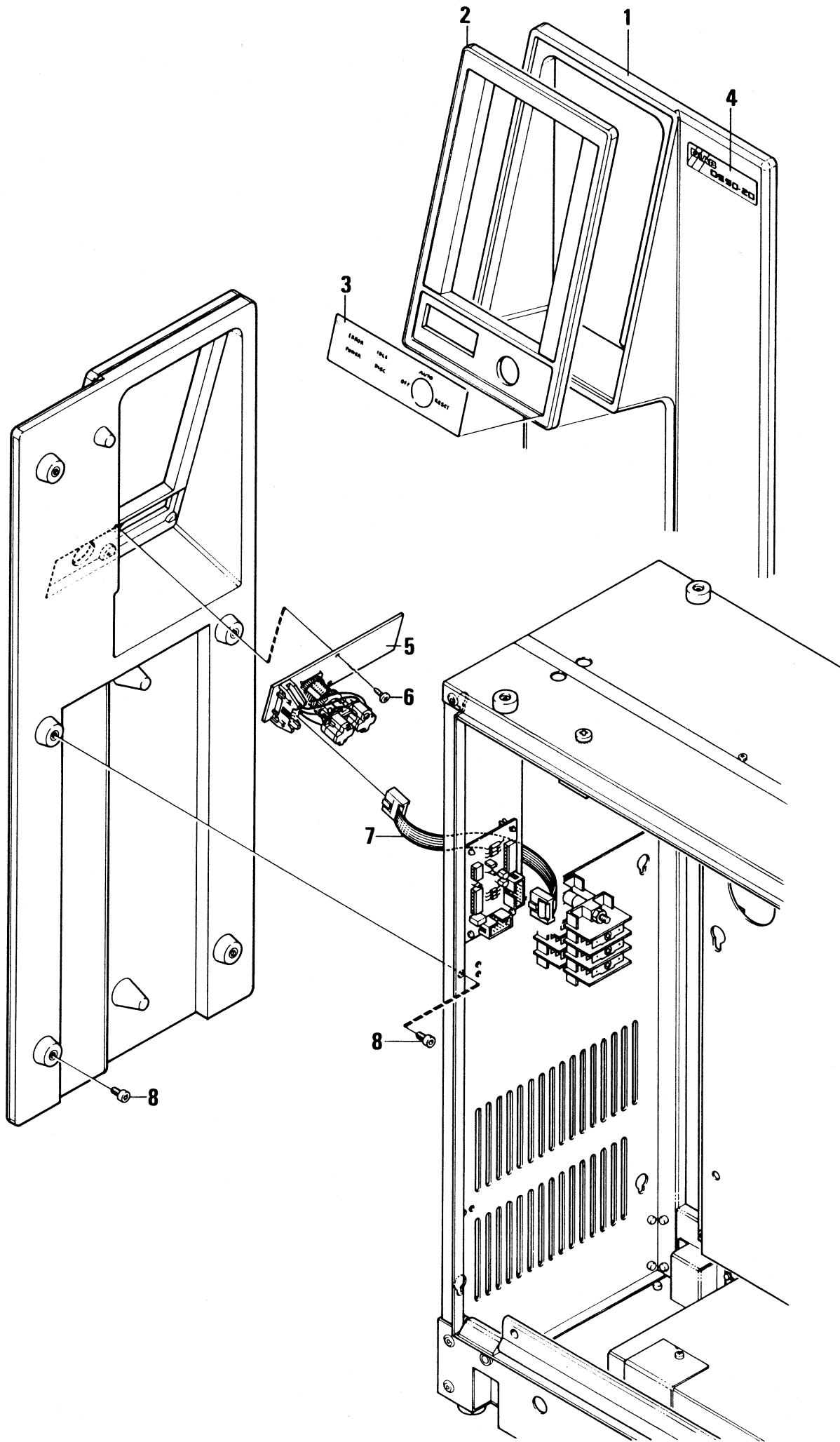
MECHANICAL

ASSEMBLY

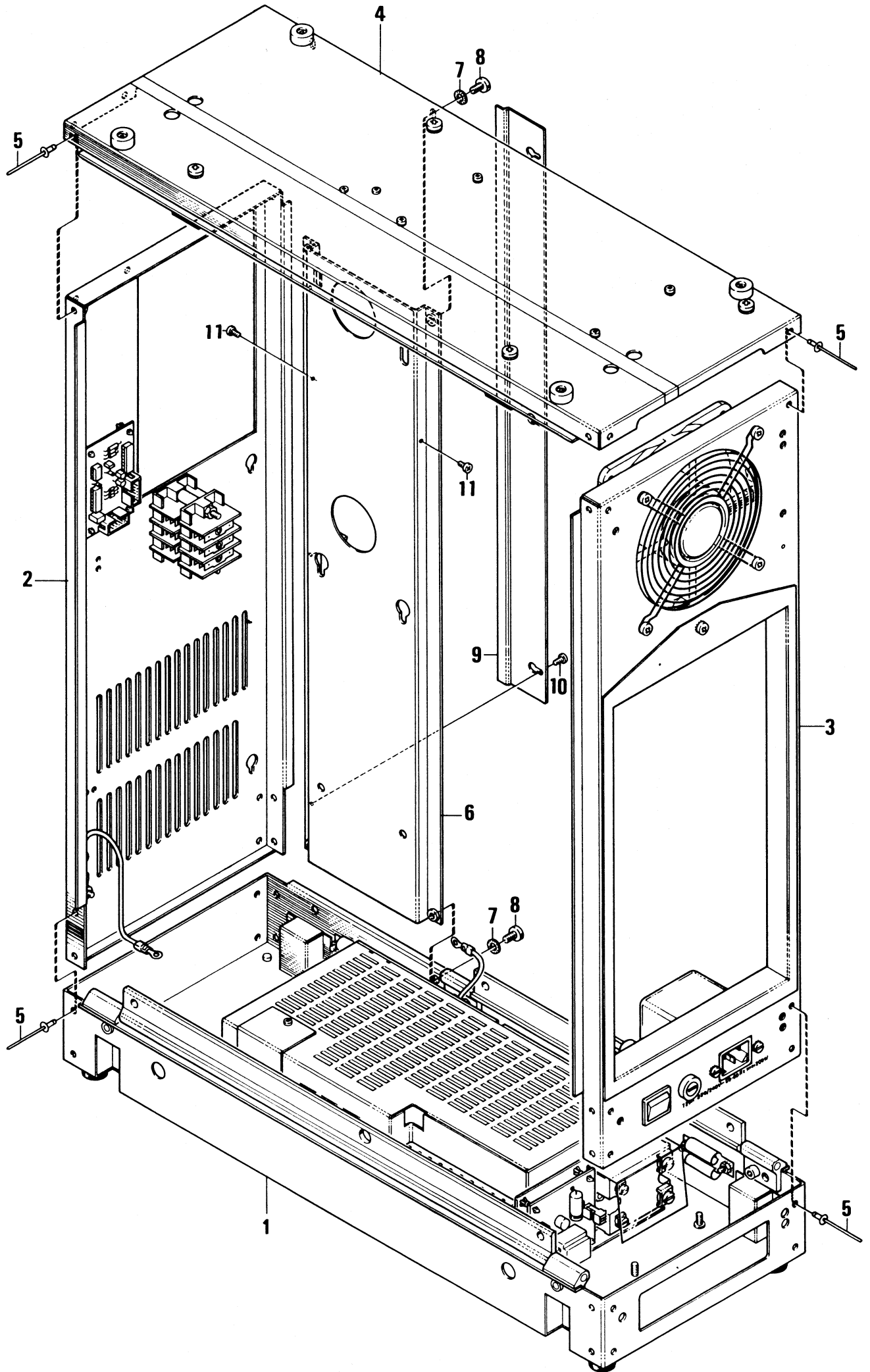
DS90-20



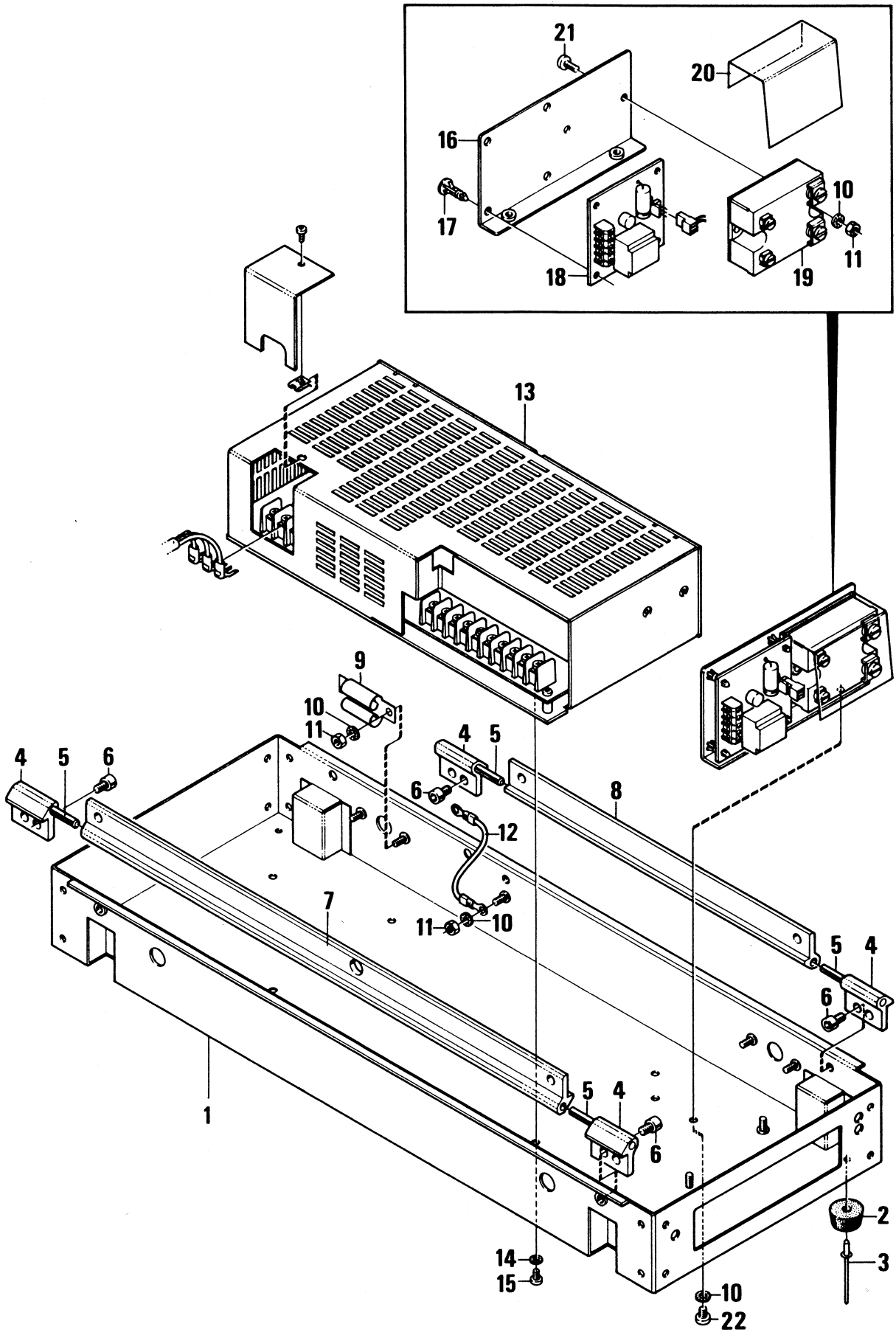
| Pos | Art.No. | Name | Specifiation |
|-----|-------------|-----------------|----------------------------|
| 1 | 044-6862-00 | Schutter-CPU | |
| 2 | 046-1900-01 | Locking stud | 314.112.190 DZUS |
| 3 | 046-1900-02 | Lock washer | 324.100.040 DZUS |
| 4 | 046-0213-05 | Screw | MRX 5x6 |
| 5 | 046-2115-18 | Washer | YT 4,3 |
| 6 | 064-6787-02 | Grounding cable | Front - Shutter CPU |
| 7 | 046-2001-03 | Nut | M6M4 |
| 8 | 044-6857-00 | Shutter | |
| 9 | 064-6787-01 | Grounding cable | Bottom-Shutter |
| 10 | 044-6704-01 | Side panel | Left B=129 mm |
| 11 | 044-6712-00 | Locking stud | |
| 12 | 044-6704-02 | Side panel | Right B=75,5 mm |
| 13 | 044-6789-00 | Absorber | 435x435 mm LDAS III T=5 mm |



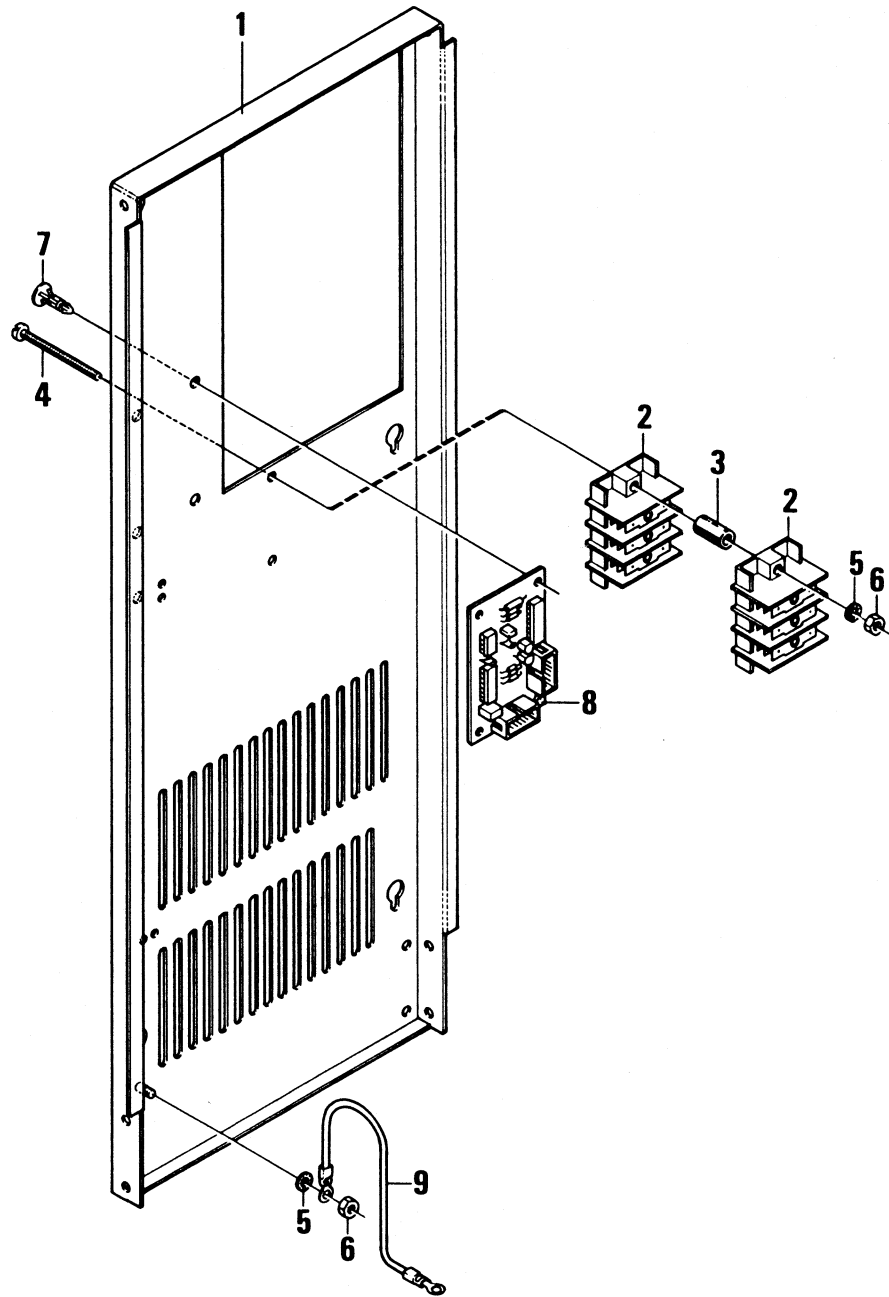
| Pos | Art.No. | Name | Specification |
|-----|-------------|---------------|------------------------------|
| 1 | 044-6724-00 | Front panel | |
| 2 | 044-6725-00 | Panel | |
| 3 | 044-6907-00 | Control panel | Screen drawing |
| 4 | 044-0129-00 | Label | DS90-20 |
| 5 | 003-5182-00 | PC-board | Control panel |
| 6 | 046-0534-05 | Screw | RXS B4x6 |
| 7 | 064-6777-00 | Data cable | Contr.panel-Contr.panel adp. |
| 8 | 046-0809-05 | Screw | MC6S 4x6 8,8 black |



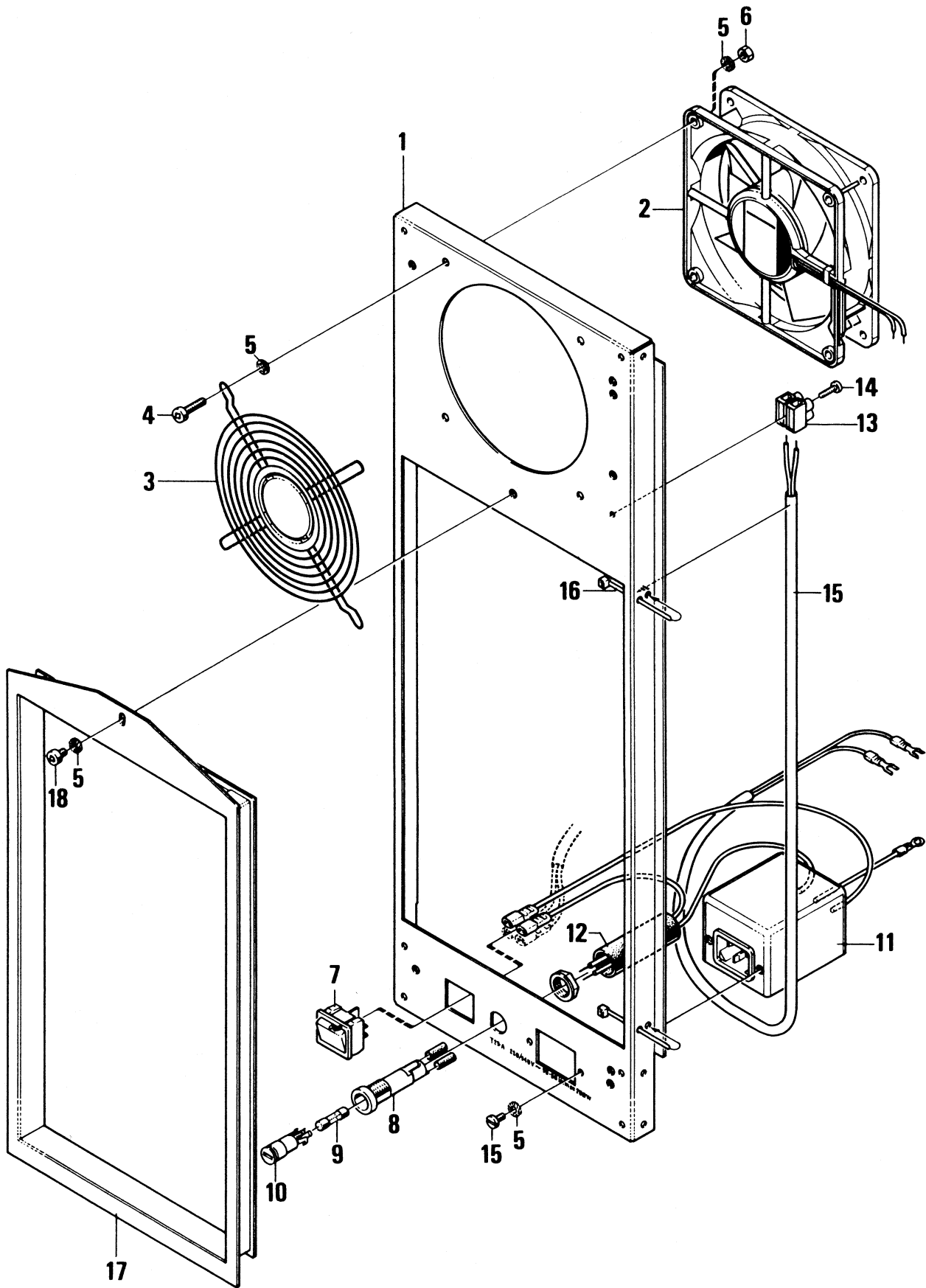
| Pos | Art.No. | Name | Specification |
|-----|-------------|--------------|-------------------|
| 1 | | Bottom | Look at page 9 |
| 2 | | Gable front | Look at page 11 |
| 3 | | Gable back | Look at page 13 |
| 4 | | Top | Look at page 15 |
| 5 | 046-3002-10 | Blind rivets | TSP/D 54 BS-black |
| 6 | 044-6687-00 | Mounting bar | |
| 7 | 046-2115-28 | Washer | YT 5,3 |
| 8 | 046-0213-00 | Washer | MRX 5x8 |
| 9 | 044-6863-00 | Shield | |
| 10 | 046-1506-05 | Screw | MRX TT 3x6 |



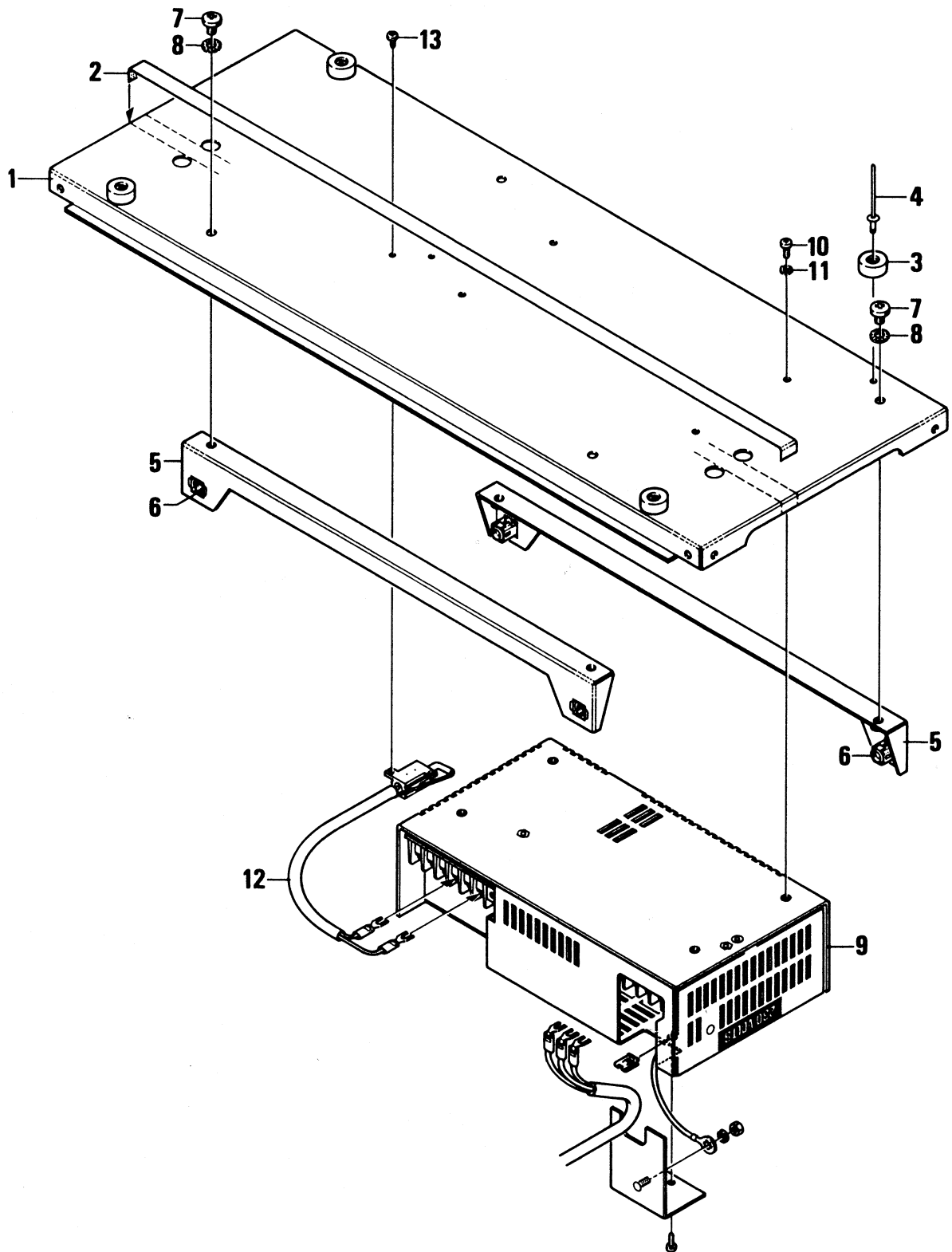
| Pos | Art.No. | Name | Specification |
|-----|-------------|-----------------|-------------------|
| 1 | 044-6865-00 | Bottom | |
| 2 | 044-6713-00 | Foot | |
| 3 | 046-3004-00 | Blind rivets | |
| 4 | 044-6858-00 | Hinge | |
| 5 | 044-6864-00 | Hinge bolt | |
| 6 | 046-0813-06 | Screw | MC6S M5x8 |
| 7 | 044-6860-00 | Hinge-CPU panel | |
| 8 | 044-6859-00 | Hinge-panel | |
| 9 | 044-6711-00 | Lock spring | |
| 10 | 046-2115-18 | Washer | YT 4,3 |
| 11 | 046-2001-03 | Nut | M6M4 |
| 12 | 064-6787-01 | Grounding cable | Bottom-Shutter |
| 13 | 048-3278-10 | Power unit | SA200-3511 Astec |
| 14 | 046-2115-05 | Washer | YT 3,2 |
| 15 | 046-0206-06 | Screw | MRX 3x8 |
| 16 | 044-6736-00 | Bracket | SSR/POW contr. |
| 17 | 045-5102-00 | Spacer-nylon | KGLS-10R KITAGAWA |
| 18 | 003-5169-00 | PC-board | Power-control |
| 19 | 041-3251-00 | Solidstaterelay | GA5-6D10 |
| 20 | 044-6823-00 | Cover | |
| 21 | 046-0209-06 | Screw | MRX 4x8 |
| 22 | 046-0209-05 | Screw | MRX 4x6 |



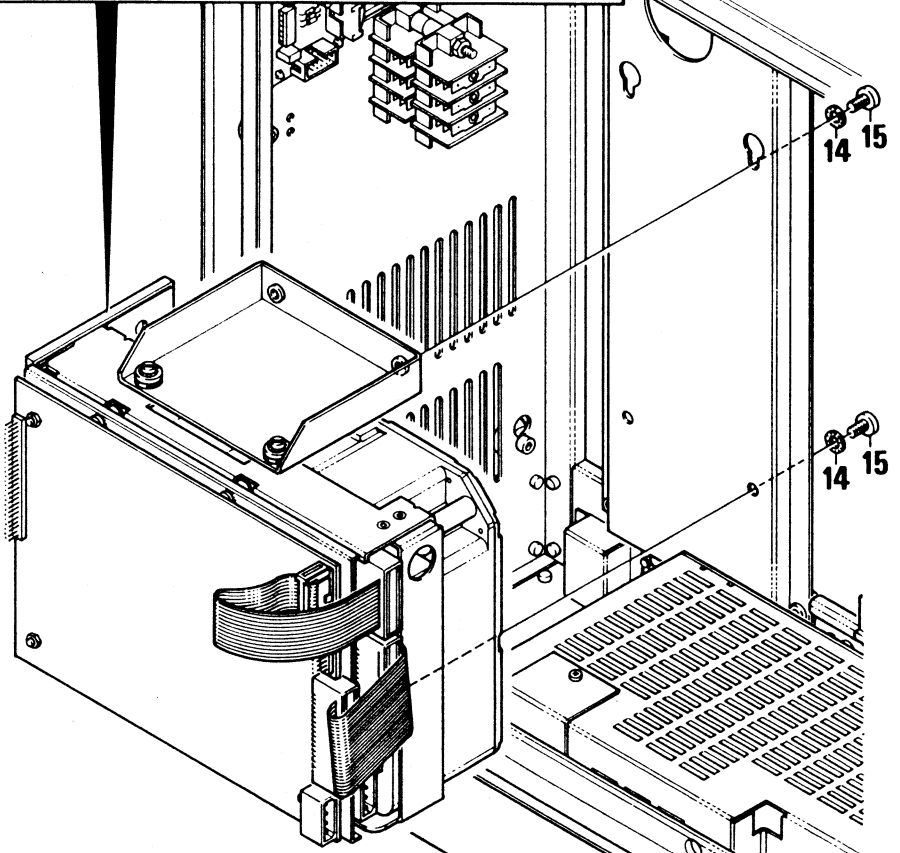
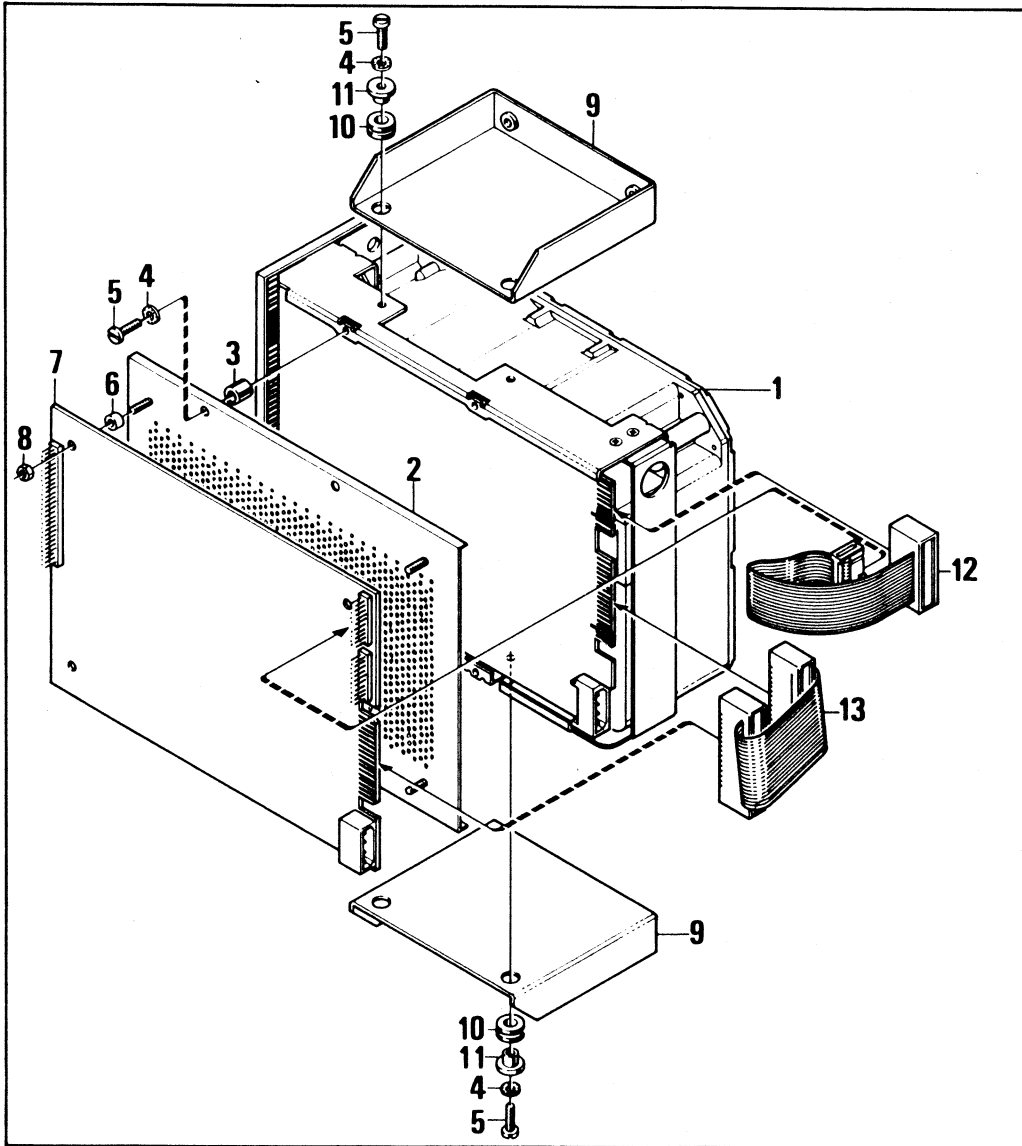
| Pos | Art.No. | Name | Specification |
|-----|-------------|----------------|-----------------------|
| 1 | 044-6699-00 | Gable-Front | |
| 2 | 037-0233-53 | Terminal block | |
| 3 | 046-2202-15 | Spacer | DMR 4380x15 BIX |
| 4 | 046-0109-18 | Screw | MCS 4x45 |
| 5 | 046-2115-18 | Washer | YT 4,3 |
| 6 | 046-2001-03 | Nut | M6M4 |
| 7 | 045-5100-00 | Spacer-nylon | KGLS-6R KITAGAWA |
| 8 | 003-5183-00 | PC-board | Control panel adapter |
| 9 | 064-6787-01 | Ground cable | |



| Pos | Art.No. | Name | Specification |
|-----|-------------|----------------|----------------------------|
| 1 | 044-6700-00 | Gable-back | |
| 2 | 044-0008-00 | Fan | 4312L 12V DC Papst. |
| 3 | 048-2019-00 | Finger-guard | |
| 4 | 046-0209-10 | Screw | MRX 4x16 |
| 5 | 046-2115-18 | Washer | YT 4,3 |
| 6 | 046-2001-03 | Nut | M6M4 |
| 7 | 041-2662-20 | Switch | 1802.1102 Marquard |
| 8 | 041-0900-00 | Fuse socket | FEU 031-1673 Schurter |
| 9 | 041-0000-32 | Fuse | 2,5 AT |
| 10 | 041-0900-01 | Fuse top | 5x20 FEK 031-1663 Schurter |
| 11 | 048-2102-00 | Net filter | STE 8-3 SAE |
| 12 | 064-6918-00 | Cable | AC-IN |
| 13 | 037-0222-02 | Terminal block | 2-pol Type E/2 DS Wieland |
| 14 | 046-1506-08 | Screw | MRX TT 3x12 |
| 15 | 064-6928-00 | DC cable | Power-Fan |
| 16 | 048-1500-19 | Cable tie | SKB-1M KITAGAWA |
| 17 | 044-6897-00 | Cover frame | |
| 18 | 046-0209-05 | Screw | MRX 4x6 |

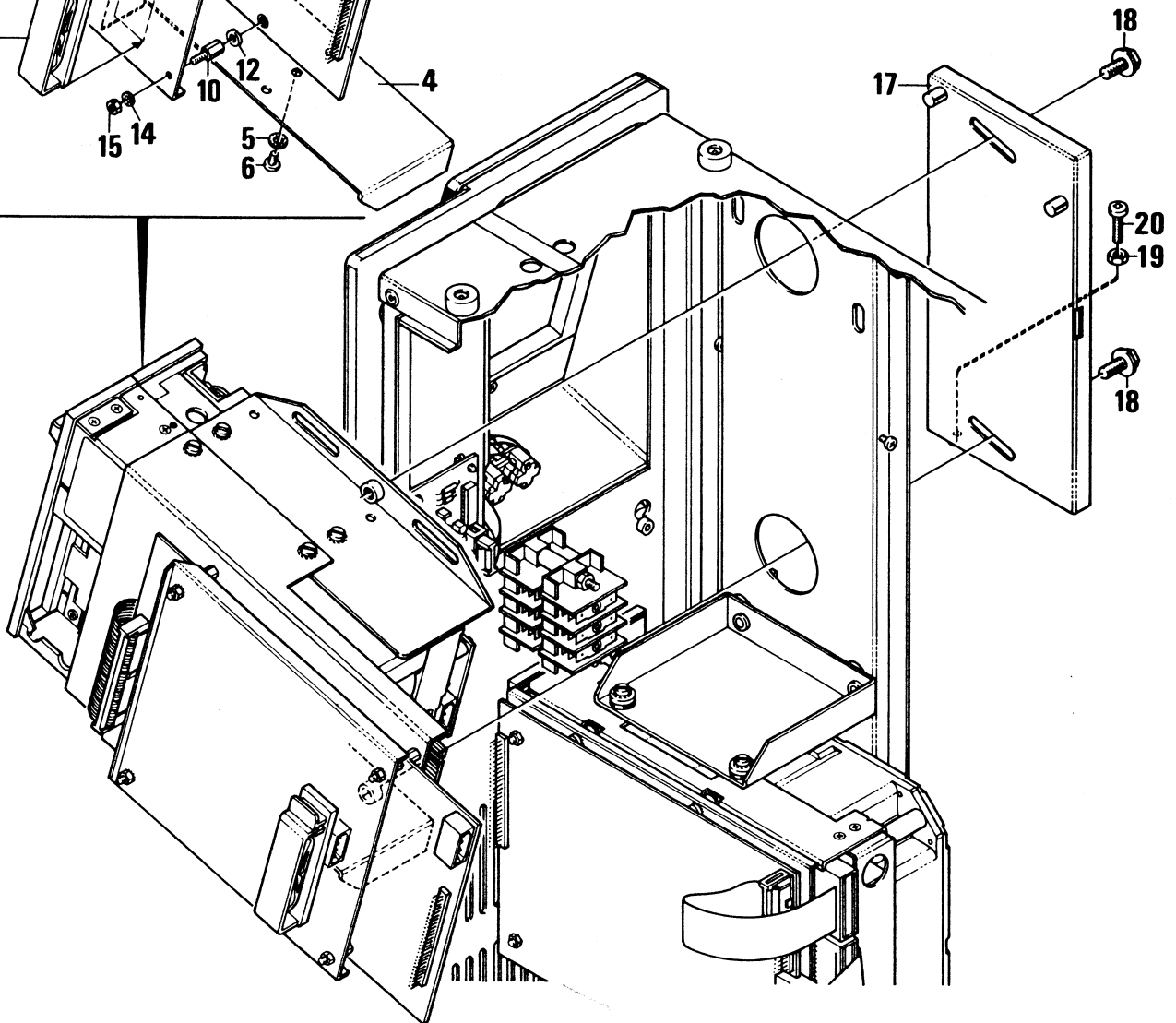
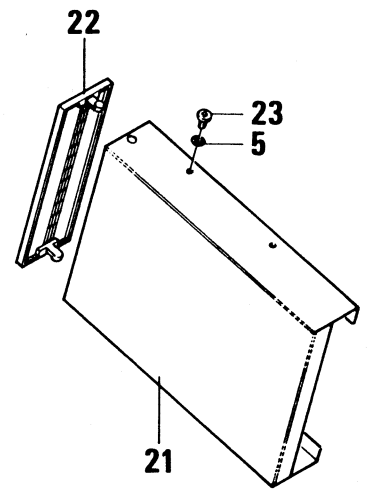
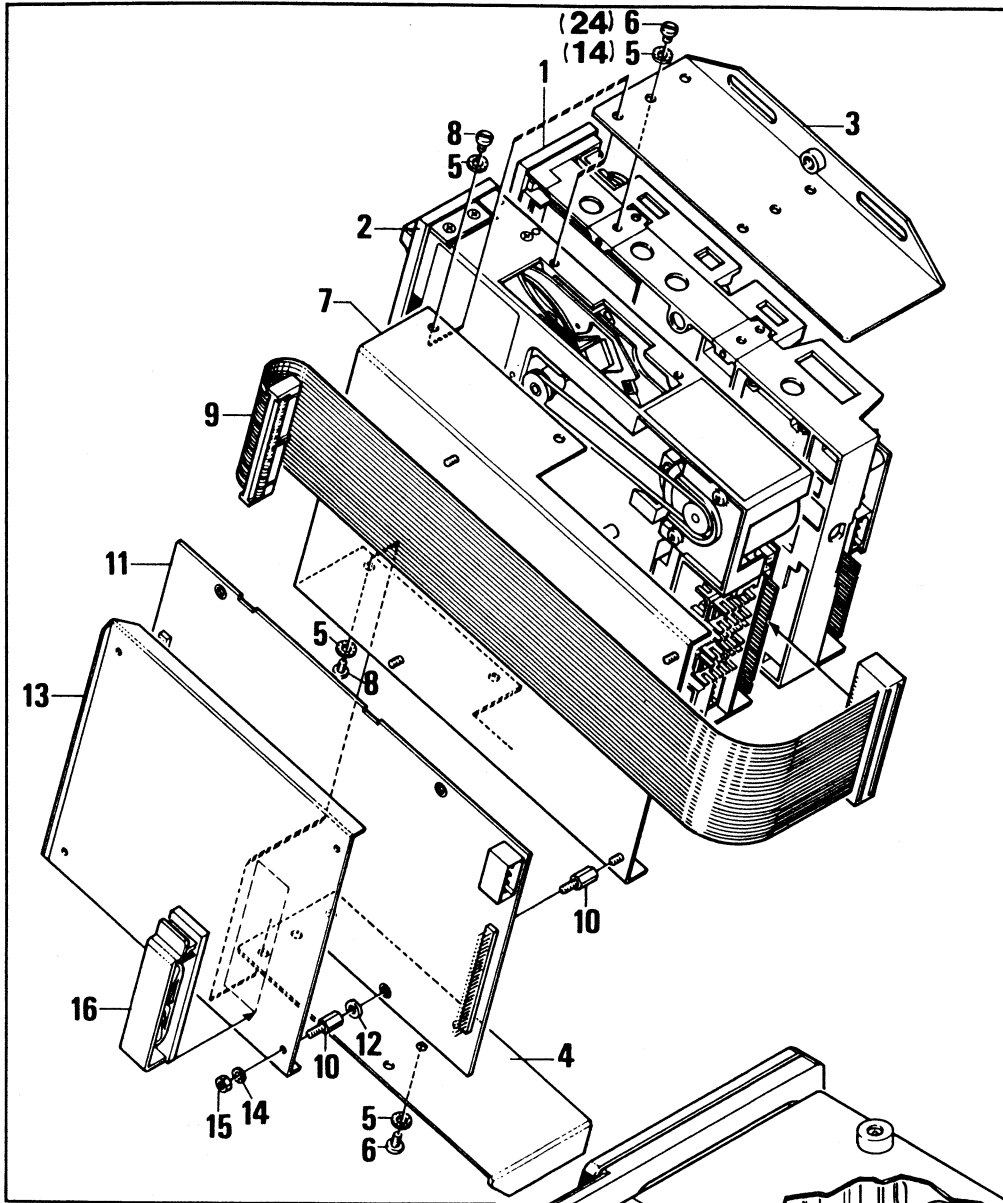


| Pos | Art.No. | Name | Specification |
|-----|-------------|--------------|-----------------------------|
| 1 | 044-6867-00 | Top | |
| 2 | | Tape | B=10 mm, L=500 mm, coloured |
| 3 | 044-6703-00 | Support | |
| 4 | 046-3003-00 | Blind rivets | TSP/D 48 BS |
| 5 | 044-6702-00 | Bracket | |
| 6 | 046-1900-00 | Lock | 334.200.190 BZUS |
| 7 | 046-0213-05 | Screw | MRX 5x6 |
| 8 | 046-2115-28 | Washer | YT 5,3 |
| 9 | 048-3258-01 | Power unit | SA 120-3405 Astec |
| 10 | 046-0206-06 | Screw | MRX 3x8 |
| 11 | 046-2115-05 | Washer | YT 3,2 |
| 12 | 064-6922-00 | Cable | Bleeder |
| 13 | 046-0534-05 | Screw | RXS-Z st 2,9x6,5 |

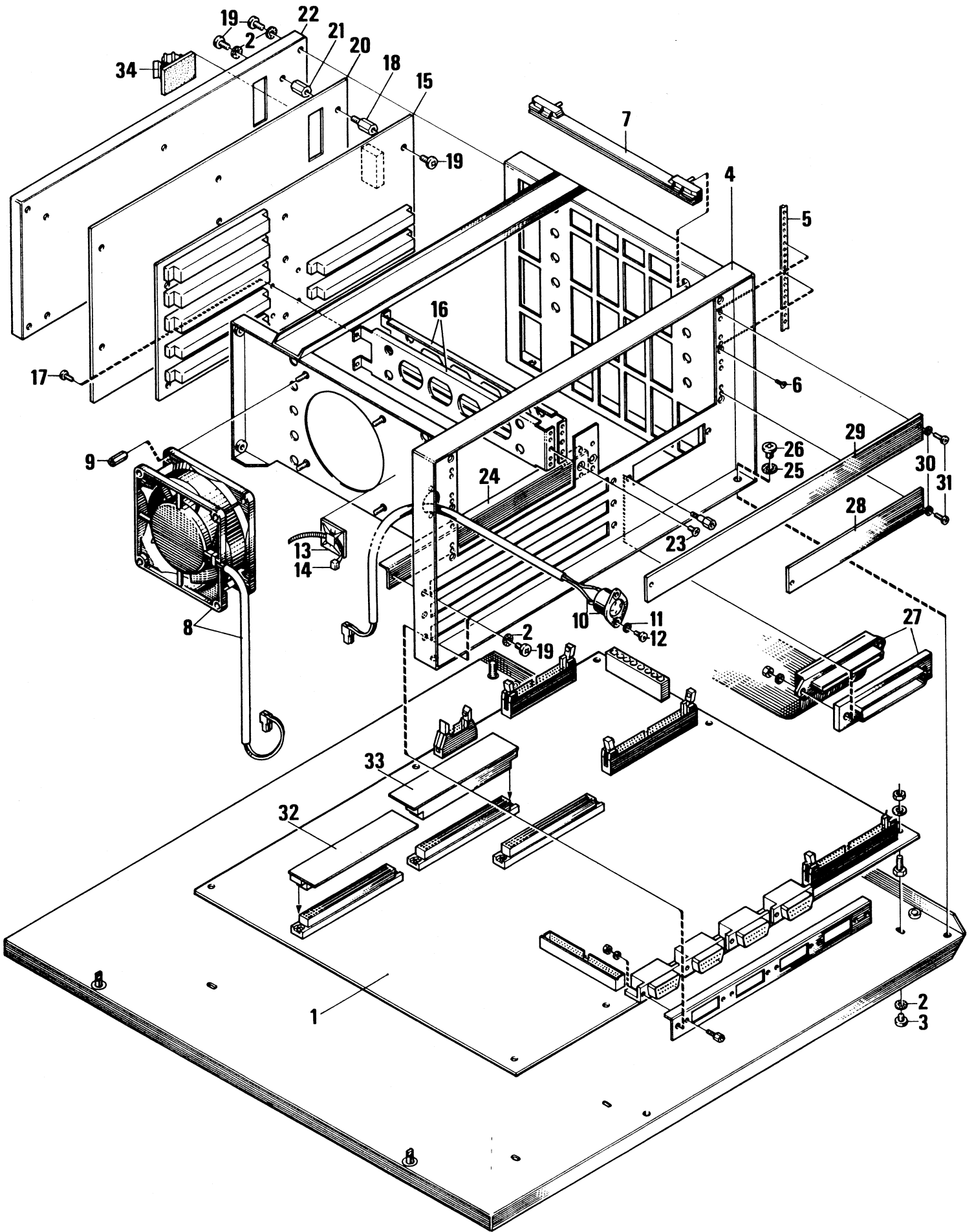


| Pos | Art.No. | Name | Specification |
|------|-------------|--------------|------------------------------|
| 1a | 042-1900-15 | Winchester | NEC D5147H 65 MB 001-7161-02 |
| 1b | 042-1314-26 | Winchester | CDC WREN 155 MB 001-7161-06 |
| 1c | 042-1314-35 | Winchester | CDC WREN 298 MB 001-7161-08 |
| 2*) | 044-6741-00 | Screen-disc | |
| 3*) | 046-2202-08 | Spacer | DRM 4380x8 |
| 4 | 046-2115-18 | Washer | YT 4,3 |
| 5 | 046-1391-09 | Screw | ULCS 6/32x13 |
| 6*) | 046-2205-04 | Spacer-nylon | DRN 3260x4 BIX |
| 7*) | 042-0602-00 | PC-board | ACB 4000A Adaptec Contr |
| 8*) | 046-2007-02 | Nut nylon | M6M3 |
| 9 | 044-6695-00 | Bracket | |
| 10 | 044-6285-00 | Inlet-rubber | F203 Kuntze |
| 11 | 044-6267-00 | Space-tube | |
| 12*) | 064-6181-00 | Intern cable | Winchester - Controller |
| 13*) | 064-6180-00 | Intern cable | Winchester - Controller |
| 14 | 046-2115-28 | Washer | YT 5,3 |
| 15 | 046-0213-06 | Screw | MRX 5x8 |

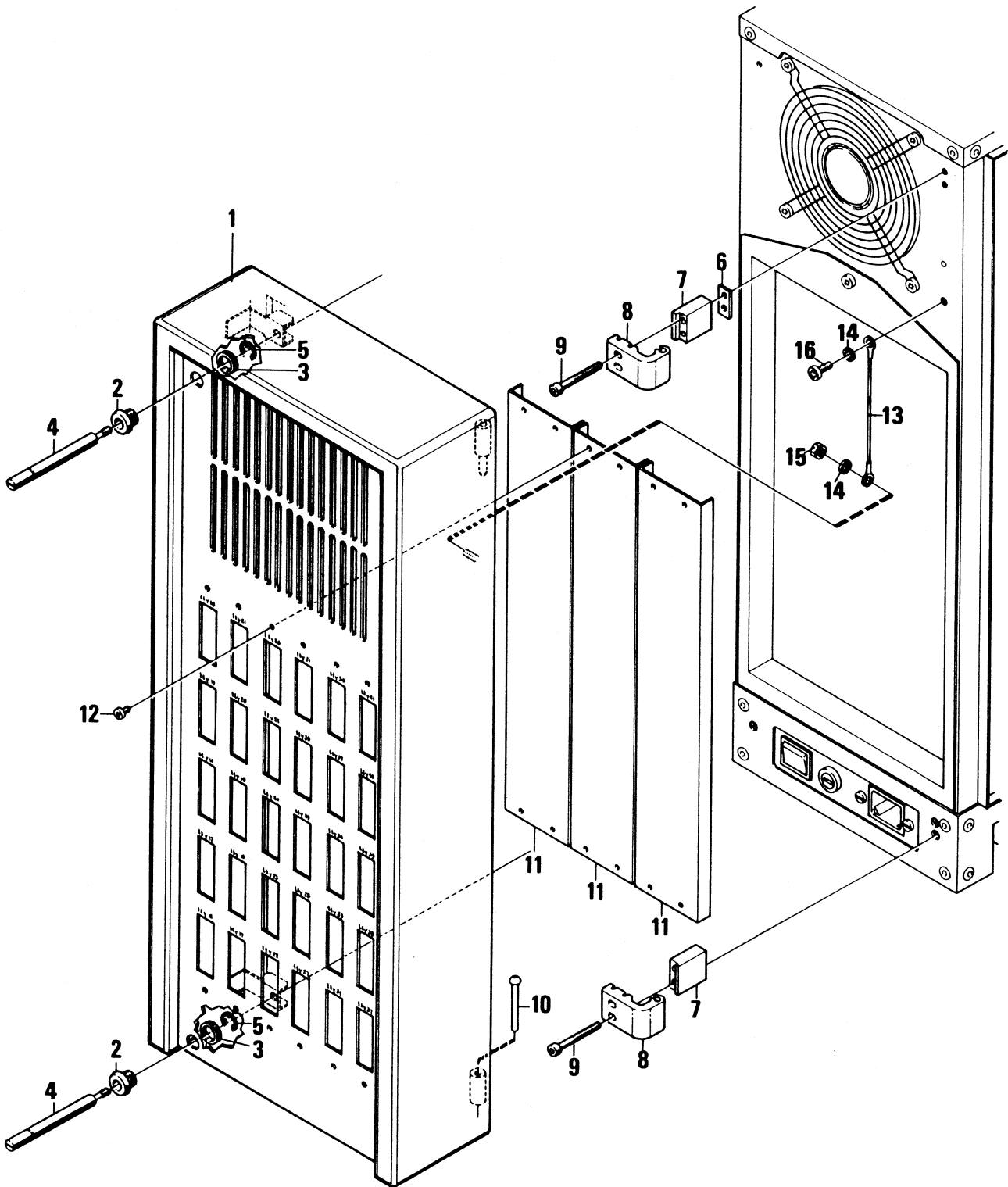
*) Not for winchester 1b and 1c



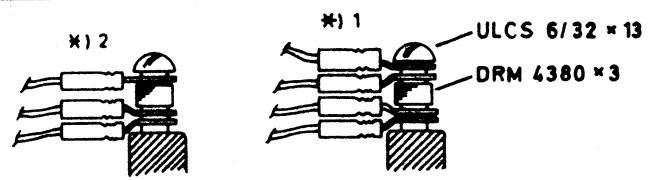
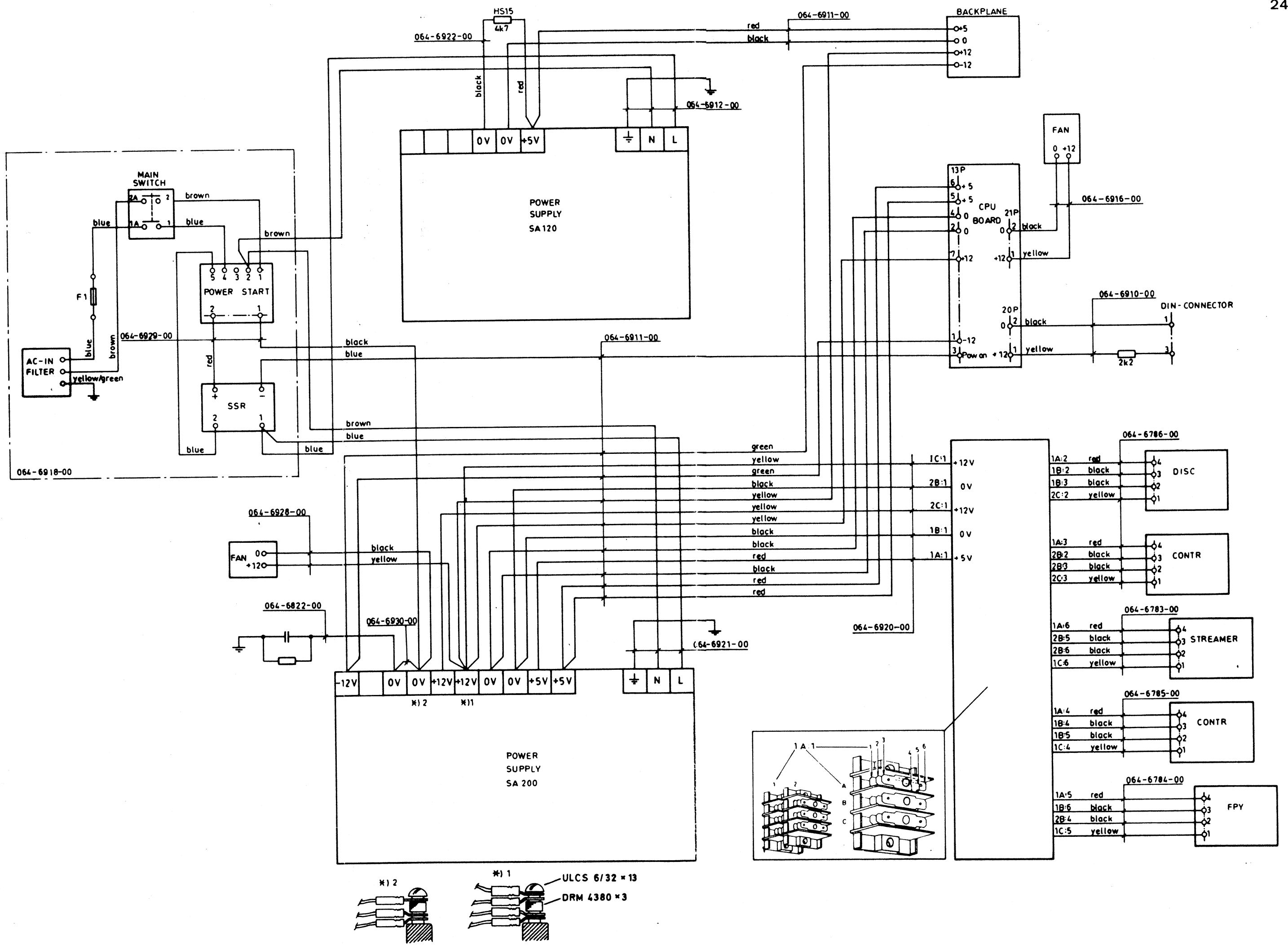
| Pos | Art.No. | Name | Specification |
|------|-------------|-----------------|-----------------------------|
| 1*) | 042-0042-60 | Floppy | FD 1155C 5 1/4" NEC |
| 2 | 042-0270-12 | Streamer | 5945C Archive |
| 3 | 044-6693-00 | Attachement | Top |
| 4 | 044-6694-00 | Attachement | Bottom |
| 5*) | 046-2115-18 | Washer | YT 4,3 |
| 6*) | 046-1391-05 | Screw | ULCS 6/32x6,5 |
| 7 | 044-6731-00 | Bracket | Controler streamer |
| 8 | 046-1391-07 | Screw | ULCS 6/32x9,5 |
| 9 | 064-6773-00 | Cable | Streamer-Controler |
| 10 | 046-2231-10 | Spacer | DSM M 3050x10 BIX |
| 11 | 042-0772-00 | PC-board | ACB 3530 Controler-Streamer |
| 12 | 046-2102-10 | Washer | BRB 3,2-nylon |
| 13 | 044-6732-00 | Shield | |
| 14 | 046-2115-05 | Washer | YT 3,2 |
| 15 | 046-2001-02 | Nut | M6M3 |
| 16 | 048-1531-00 | Flat cable clip | FCC-50M KITAGAWA |
| 17 | 044-6690-00 | Guide plate | Floppy-Streamer |
| 18 | 046-1630-00 | Screw | M6SF 6x10 |
| 19 | 046-2001-03 | Nut | M6M4 |
| 20 | 046-0209-10 | Screw | MRX 4x16 |
| 21 | 044-6792-00 | Cassette | Option |
| 22 | 044-6793-00 | Cover panel | Option |
| 23 | 046-0209-06 | Screw | Option |
| 1*) | 042-0042-60 | Floppy | FD 1157C NEC New version |
| 14*) | 046-2115-05 | Washer | YT 3,2 -" - " - |
| 24*) | 046-0206-06 | Screw | MRX 3x8 -" - " - |



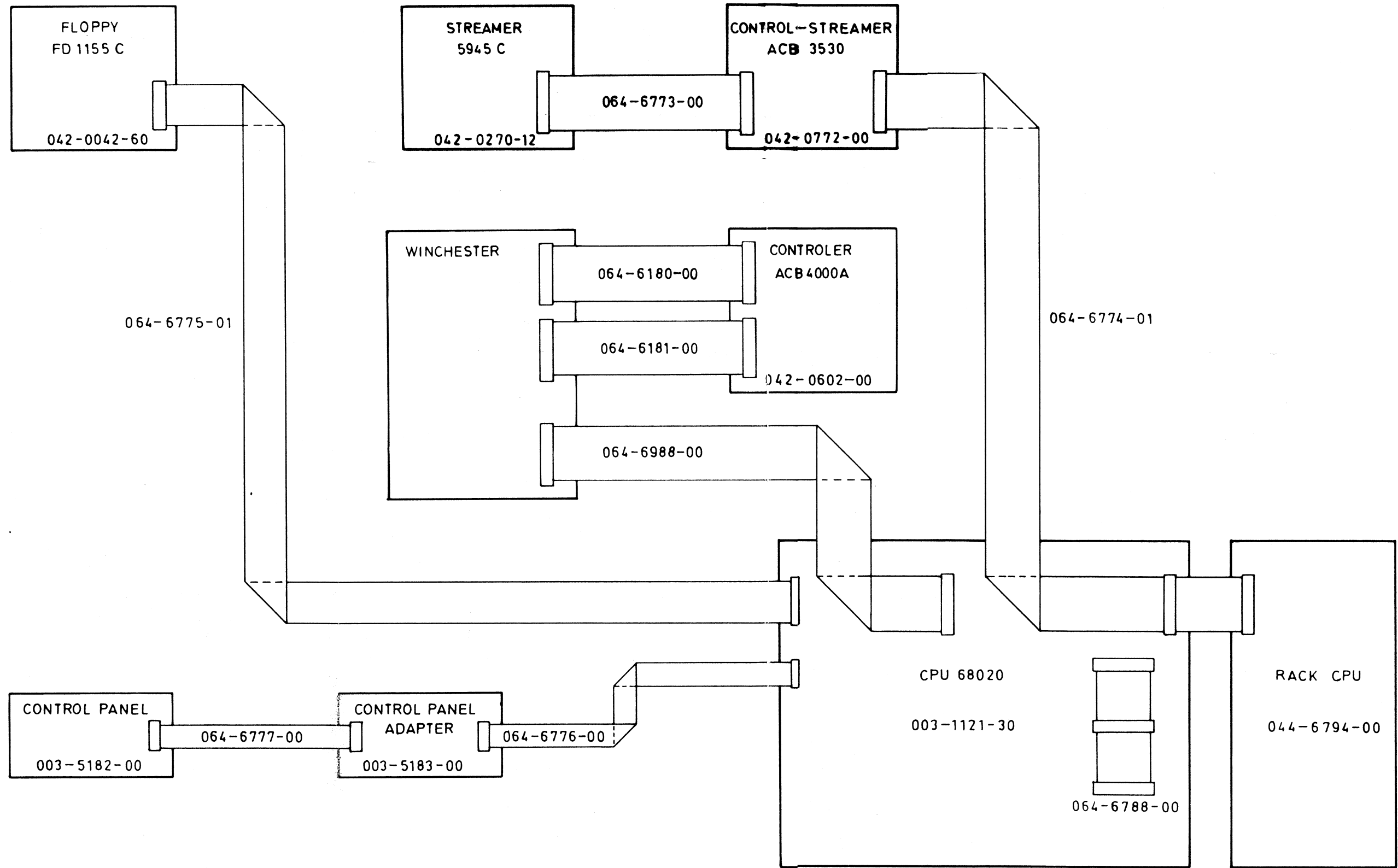
| Pos | Art.No. | Name | Specification |
|-----|-------------|-------------------|-----------------------|
| 1 | 003-1121-30 | PC-board | CPU 68020 |
| 2 | 046-2115-18 | Washer | YT 4,3 |
| 3 | 046-0209-03 | Screw | MRX 4x4 |
| 4 | 044-6794-00 | Rack CPU | |
| 5 | 044-6882-00 | Nut list | |
| 6 | 046-0403-05 | Screw | MFX 2,5x6 |
| 7 | 045-5000-00 | Card guide | 60818-001-10 Schroff |
| 8 | 064-6916-00 | Fan | |
| 9 | 046-2215-11 | Distance | DHS M 3050x12 BIX |
| 10 | 064-6910-00 | Cable | +12 ext.disc |
| 11 | 046-2115-05 | Washer | YT 3,2 |
| 12 | 046-0206-05 | Screw | MRX 3x6 |
| 13 | 060-0008-00 | Cable tie bracket | |
| 14 | 048-1500-19 | Cable tie | |
| 15 | 003-5203-20 | PC-board | Combo backplane con. |
| 16 | 044-6730-00 | Guide bar | |
| 17 | 046-1506-05 | Screw | MRX TT 3x6 |
| 18 | 046-2232-10 | Spacer | DSM M 4070x10 BIX |
| 19 | 046-0209-05 | Screw | MRX 4x6 |
| 20 | 003-5202-20 | PC-board | Combo backplane intf. |
| 21 | 046-2213-10 | Spacer | DHM M 4070x10 |
| 22 | 044-6799-00 | Backplane support | |
| 23 | 046-0406-05 | Screw | MFX 3x6 |
| 24 | 044-6825-00 | Cover panel | V24 |
| 25 | 046-2115-28 | Washer | YT 5,3 |
| 26 | 046-0213-05 | Screw | MRX 5x6 |
| 27 | 064-6774-01 | Cable | CPU-Streamer-SASI |
| 28 | 044-6824-00 | Cover panel | Data board |
| 29 | 044-6668-00 | Cover panel | VME |
| 30 | 046-2115-03 | Washer | YT 2,7 |
| 31 | 046-0203-06 | Screw | MRX 2,5x8 |
| 32 | 003-5212-00 | PC-board | Terminal board CPU |
| 33 | 003-5213-00 | PC-board | Terminal board MEM |



| Pos | Art.No | Name | Specification |
|-----|-------------|-----------------|------------------|
| 1 | 044-6850-00 | Panel | 30xV24 |
| 2 | 044-6852-00 | Bushing | |
| 3 | 046-2010-07 | Nut | No.8 3x10x13 |
| 4 | 044-6851-00 | Pinbolt | |
| 5 | 046-2140-60 | Locking washer | RS6 |
| 6 | 044-6855-00 | Washer | |
| 7 | 044-6881-00 | Pole | |
| 8 | 044-6879-00 | Hinge | |
| 9 | 046-0809-16 | Screw | MC6S M4x35 |
| 10 | 046-3005-00 | Rivet | M4x35 A2 DIN 660 |
| 11 | 044-6854-00 | Cover panel | |
| 12 | 046-0206-06 | Screw | MRX 3x8 |
| 13 | 064-6985-00 | Grounding cable | |
| 14 | 046-2115-18 | Washer | YT 4,3 |
| 15 | 046-2001-02 | Nut | M6M4 |
| 16 | 046-0209-05 | Screw | MRX 4x6 |



| Art.No. | Name | Specification | |
|-------------|-----------------|-------------------------|---------|
| 064-6783-00 | Cable | Power - Streamer | |
| 064-6784-00 | DC-cable | Power - Floppy | |
| 064-6785-00 | Cable | Power - Streamer contr. | |
| 064-6786-00 | DC-cable | Power - Winchester | |
| 064-6822-00 | Cable | RC-filter | |
| 064-6910-00 | Cable | +12 ext.disc | |
| 064-6911-00 | DC-cable | Power - CPU | |
| 064-6912-00 | Cable | AC Power rack | |
| 064-6916-00 | Cable | Fan | |
| 064-6918-00 | Cable | AC-IN | |
| 064-6920-00 | DC-cable | Power - Plint | |
| 064-6921-00 | AC-cable | SA 200 | |
| 064-6922-00 | Cable | BLEEDER | |
| 064-6928-00 | DC-cable | Power - Fan | |
| 064-6929-00 | DC-cable | | |
| 064-6930-00 | DC-cable | 0V | |
| 064-6787-01 | Grounding cable | Bottom - Shutter | page 3 |
| 064-6787-02 | Grounding cable | Front - Shutter CPU | page 3 |
| 064-6985-00 | Grounding cable | | page 25 |
| 046-2202-03 | Spacer | DRM 4380x3 | |
| 046-1391-09 | Screw | ULCS 6/32x13 | |



| Art.No. | Name | Specification |
|-------------|--------------|-------------------------------------|
| 064-6180-00 | Intern cable | Winchester - Controler |
| 064-6181-00 | Intern cable | Winchester - Controler |
| 064-6773-00 | Cable | Streamer - Controler |
| 064-6774-01 | Cable | CPU - Streamer - SASI |
| 064-6775-01 | Data cable | CPU - Floppy |
| 064-6776-00 | Data cable | CPU - Contr.panel adapter |
| 064-6777-00 | Data cable | Contr.panel - Contr.panel adapt. |
| 064-6788-00 | Data cable | Term.exp. |
| 064-6988-00 | Data cable | CPU - Winchester |