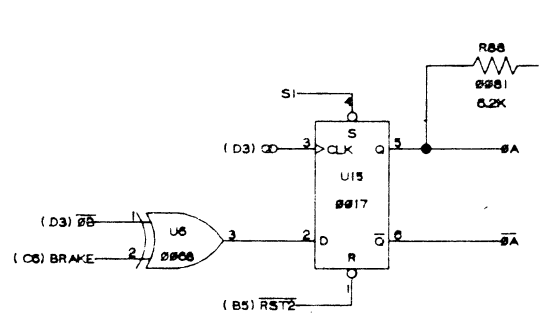
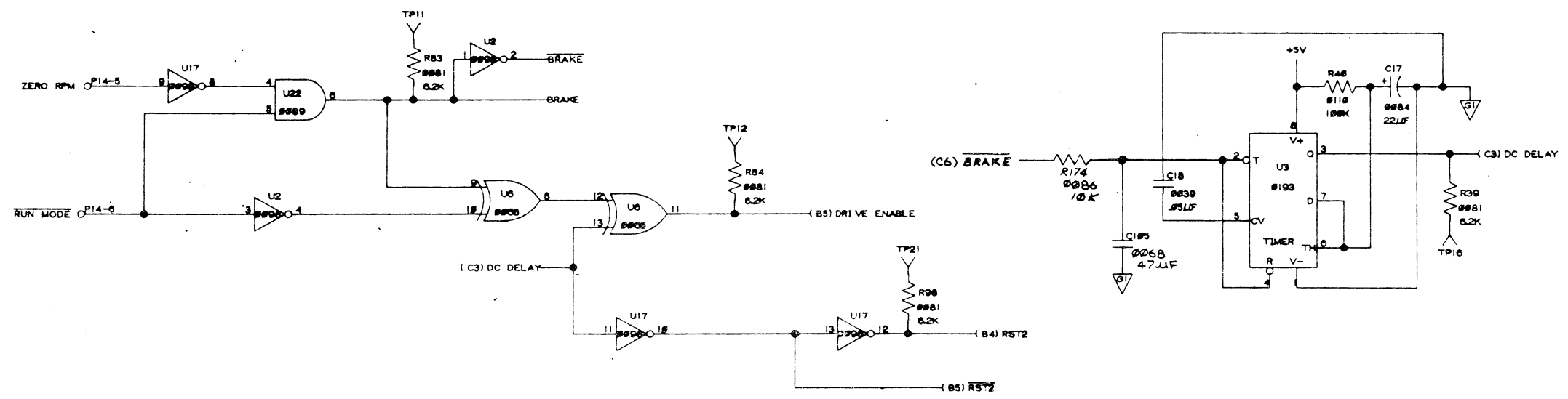
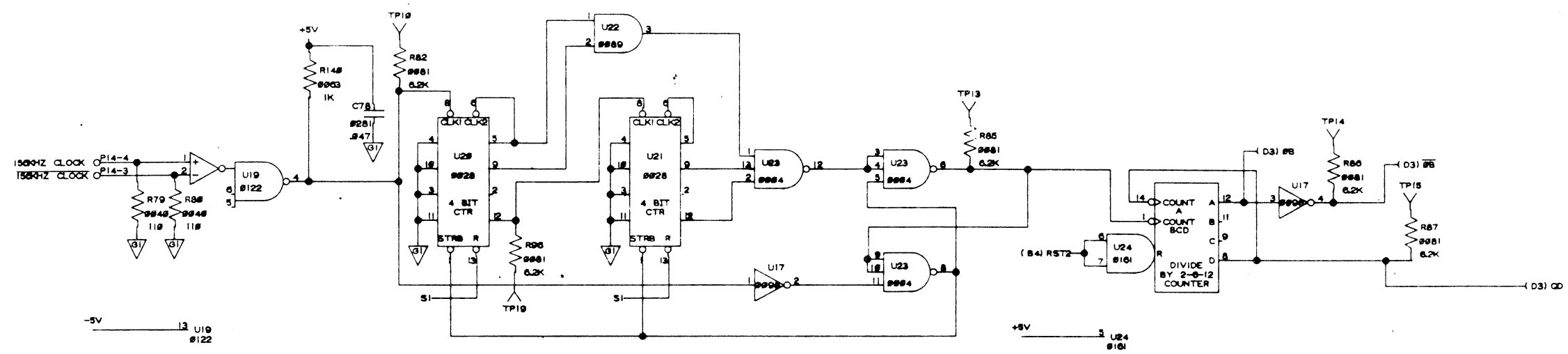


THIS DRAWING AND SPECIFICATIONS HEREIN ARE THE PROPERTY OF DATA GENERAL CORPORATION AND SHALL NOT BE REPRODUCED OR COPIED OR USED IN WHOLE OR IN PART AS THE BASIS FOR MANUFACTURE OR SALE OF ITEMS WITHOUT WRITTEN PERMISSION.

| REVISIONS |                       |       |        |        |
|-----------|-----------------------|-------|--------|--------|
| REV       | DESCRIPTION           | DRFTG | APP BY | DATE   |
| 00        | RELEASED PER ECO D813 |       |        | 4/4/76 |
| 01        | ECO D816              | DDMKA | AB     | 8-1-76 |
| 02        | PER ECO D821          | WLR   | AB     | 8-1-76 |
| 03        | PER ECO 8498          | WLR   | AB     | 8-6-76 |
|           |                       |       |        |        |
|           |                       |       |        |        |
|           |                       |       |        |        |
|           |                       |       |        |        |



- NOTES
1. UNLESS OTHERWISE SPECIFIED, ALL RESISTORS ARE 1/4W, ± 5 PER CENT.
  2. THE FOLLOWING TRANSISTORS ARE MOUNTED ON HEATSINKS, Q1-16, Q32, Q46.

SPARE GATES

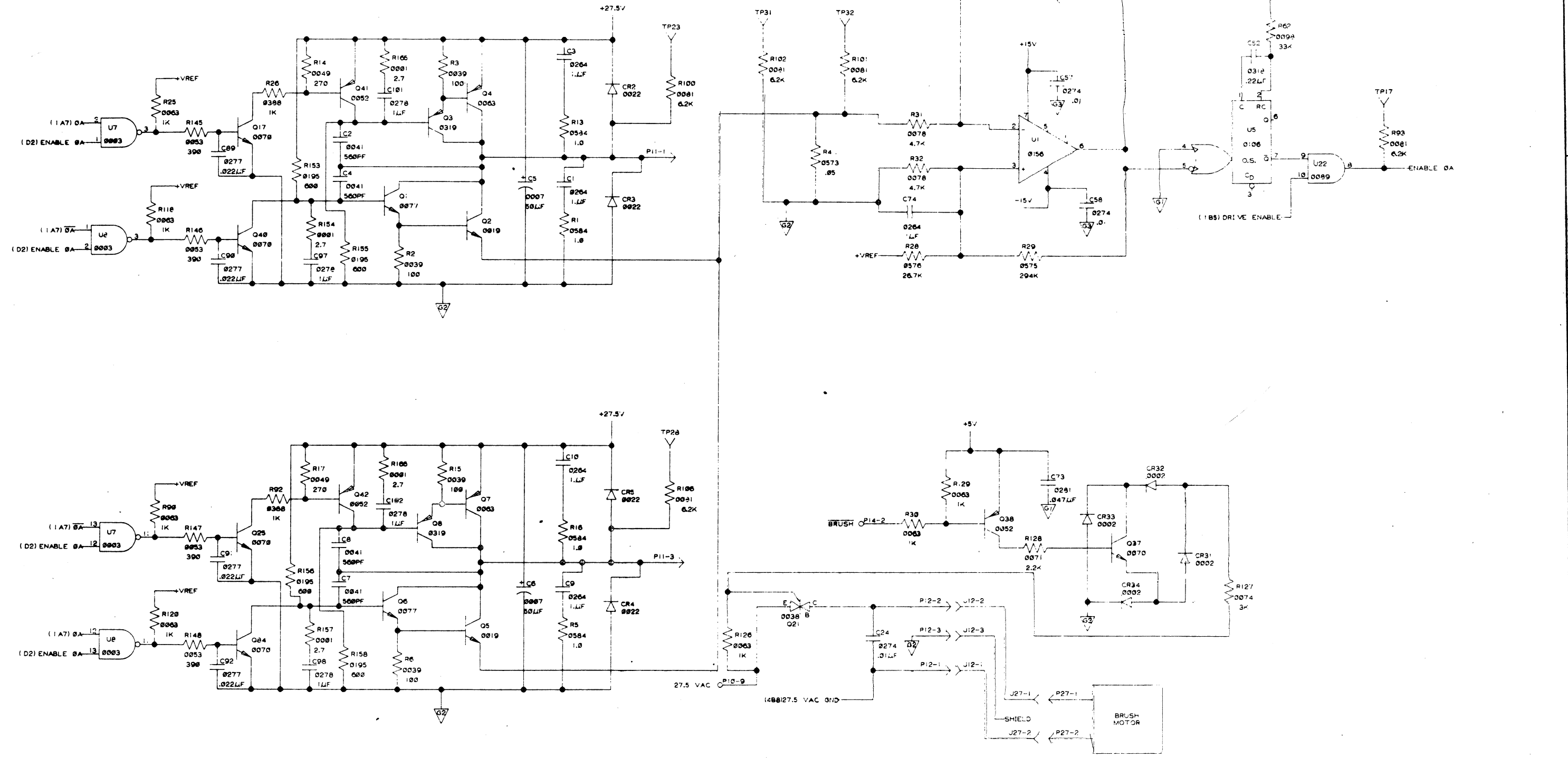
|      |     |     |
|------|-----|-----|
| 9908 | U2  | (4) |
| 9906 | U6  | (1) |
| 9154 | U11 | (1) |
| 9917 | U15 | (1) |
| 6598 | U17 | (1) |

(SPINDLE DRIVE CONTROL)

|                      |                               |  |
|----------------------|-------------------------------|--|
| ARTWORK: 107 955     | DRAWN: DIGITIZED 3-10-76      | DATA GENERAL CORPORATION<br>SOUTHBORO, MASSACHUSETTS 01772 |
| ARTWORK VS SCHEMATIC | CHECKED                       |  |
| REV SCHEMATIC REV(S) | ENGINEER: WLR 7/76            | TITLE  |
| 00 00,01,02,03       | APPROVED: [Signature] 3/10/76 | 10MB DISK<br>POWER SUPPLY                                  |
|                      | FIRST USED ON: 005-10046-U    | SIZE CODE DRAWING NUMBER REV                               |
|                      | 005-10047-T                   | D 001001529 03   |

THIS DRAWING AND SPECIFICATIONS HEREIN ARE THE PROPERTY OF DATA GENERAL CORPORATION AND SHALL NOT BE REPRODUCED OR COPIED OR USED IN WHOLE OR IN PART AS THE BASIS FOR MANUFACTURE OR SALE OF ITEMS WITHOUT WRITTEN PERMISSION.

| REVISIONS |             |       |        |      |
|-----------|-------------|-------|--------|------|
| REV       | DESCRIPTION | DRFTG | APP BY | DATE |
|           |             |       |        |      |

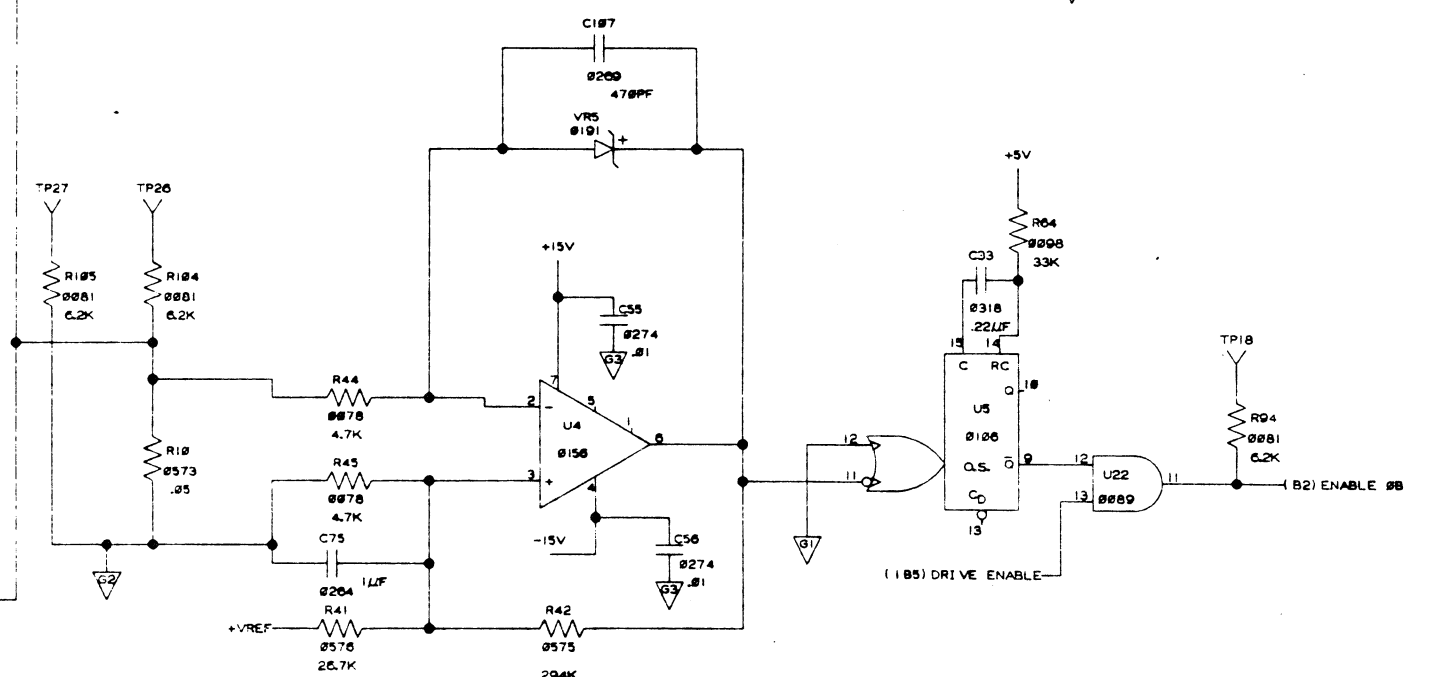
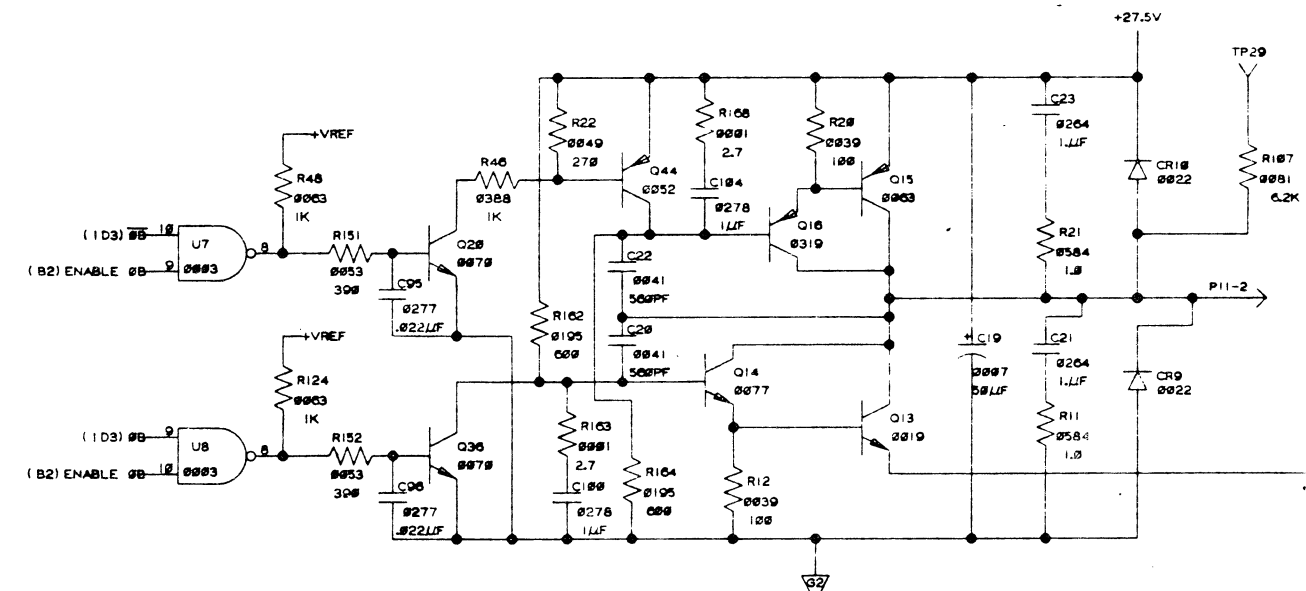
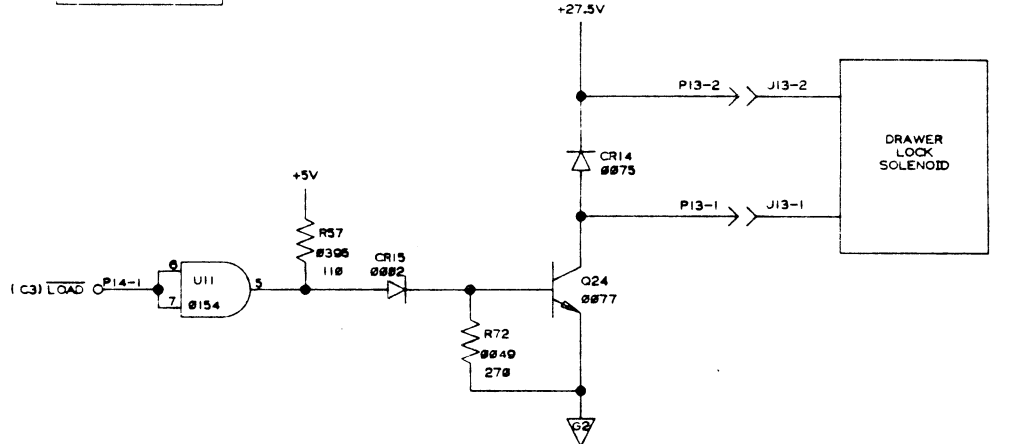
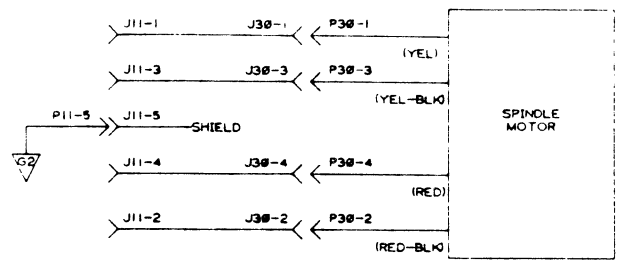
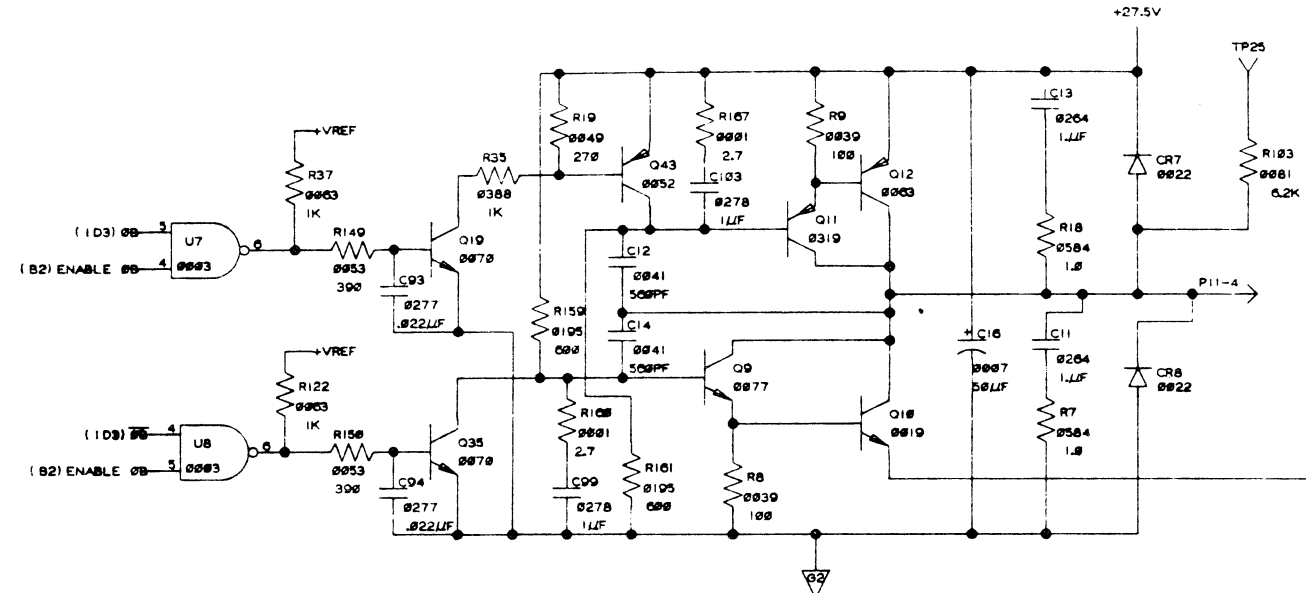


(POWER DRIVERS)

|               |           |   |
|---------------|-----------|---|
| DRAWN         |           | <b>DATA GENERAL CORPORATION</b><br>SOUTHBORO MASSACHUSETTS 01772<br>TITLE<br><b>10MB DISK<br/>         POWER SUPPLY</b> |
| CHECKED       |           |   |
| ENGINEER      |           |   |
| APPROVED      |           |   |
| FIRST USED ON |           |   |
| SIZE          | CODE      | DRAWING NO.   |
| D             | 001001529 | REV. 03   |

THIS DRAWING AND RECORD ARE HEREBY RELEASED TO THE PUBLIC BY THE BUREAU OF MANUFACTURING INFORMATION ON THE BASIS OF MANUFACTURING INFORMATION ACT OF 1975.

| REVISIONS |             |       |        |      |
|-----------|-------------|-------|--------|------|
| REV       | DESCRIPTION | DRFTG | APP BY | DATE |
|           |             |       |        |      |

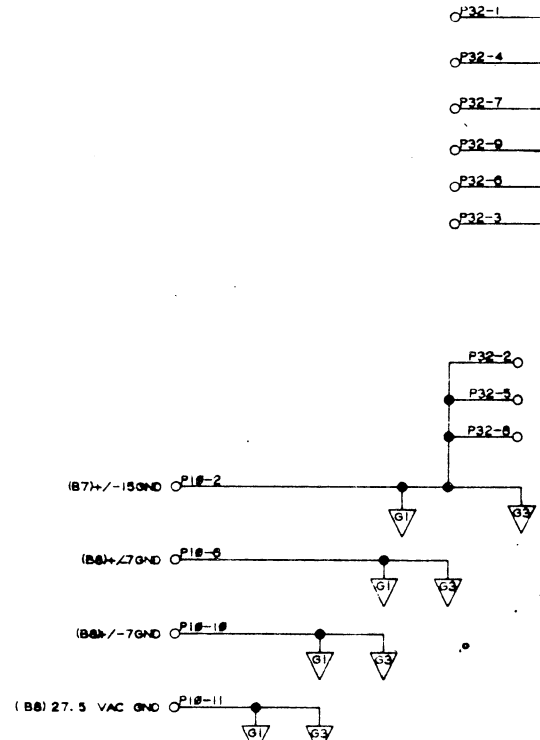
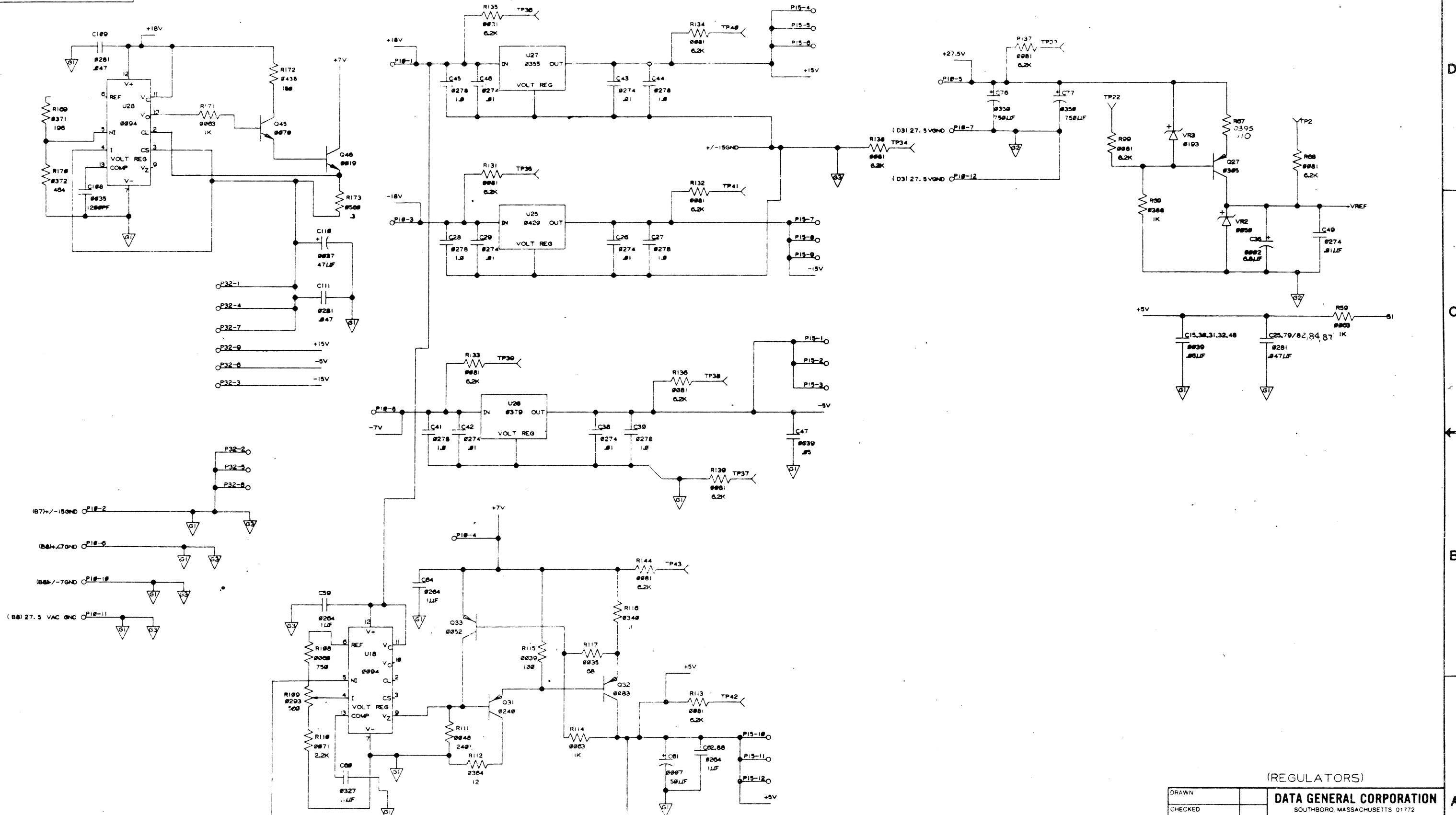


(POWER DRIVERS)

|               |      |  |     |
|---------------|------|--|-----|
| DRAWN         |      | <b>DATA GENERAL CORPORATION</b><br>SOUTHBORO MASSACHUSETTS 01772<br>TITLE<br><b>10MB DISK POWER SUPPLY</b> |     |
| CHECKED       |      |  |     |
| ENGINEER      |      |  |     |
| APPROVED      |      |  |     |
| FIRST USED ON |      |  |     |
| SIZE          | CODE | DRAWING NUMBER   | REV |
| D             |      | 001001529  | 03  |

THIS DRAWING AND SPECIFICATIONS HEREIN ARE THE PROPERTY OF DATA GENERAL CORPORATION AND SHALL NOT BE REPRODUCED OR COPIED OR USED IN WHOLE OR IN PART AS THE BASIS FOR MANUFACTURE OR SALE OF ITEMS WITHOUT WRITTEN PERMISSION.

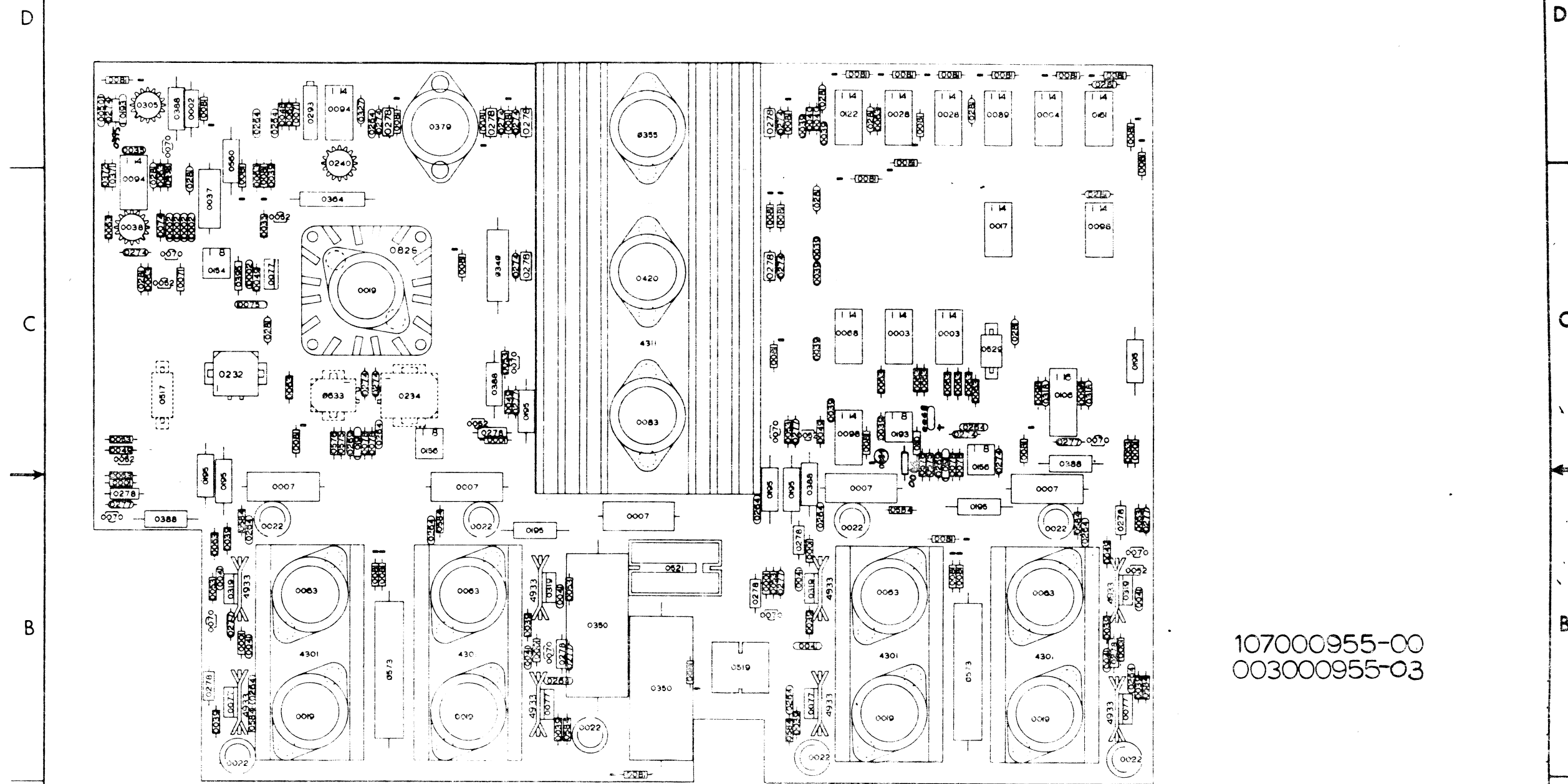
| REVISIONS |             |       |        |      |
|-----------|-------------|-------|--------|------|
| REV       | DESCRIPTION | DRFTG | APP BY | DATE |
|           |             |       |        |      |



(REGULATORS)

|               |   |  |
|---------------|---|--|
| DRAWN         |   | <b>DATA GENERAL CORPORATION</b><br>SOUTHBORO, MASSACHUSETTS 01772<br>TITLE<br><b>10MB DISK<br/>         POWER SUPPLY</b> |
| CHECKED       |   |  |
| ENGINEER      |   |  |
| APPROVED      |   |  |
| FIRST USED ON |   |  |
| SIZE          | D | CODE 001001529<br>REV 03   |

| REVISIONS |                   |       |        |         |
|-----------|-------------------|-------|--------|---------|
| REV       | DESCRIPTION       | DRFTG | APP BY | DATE    |
| 00        | PLSD PER ECO D813 | E.R.  |        | 4/7/78  |
| 01        | ECO D818          | W.N.  |        | 4-23-78 |
| 02        | ECO 8498          | WLB   | WLB    | 3-8-79  |



107000955-00  
003000955-03

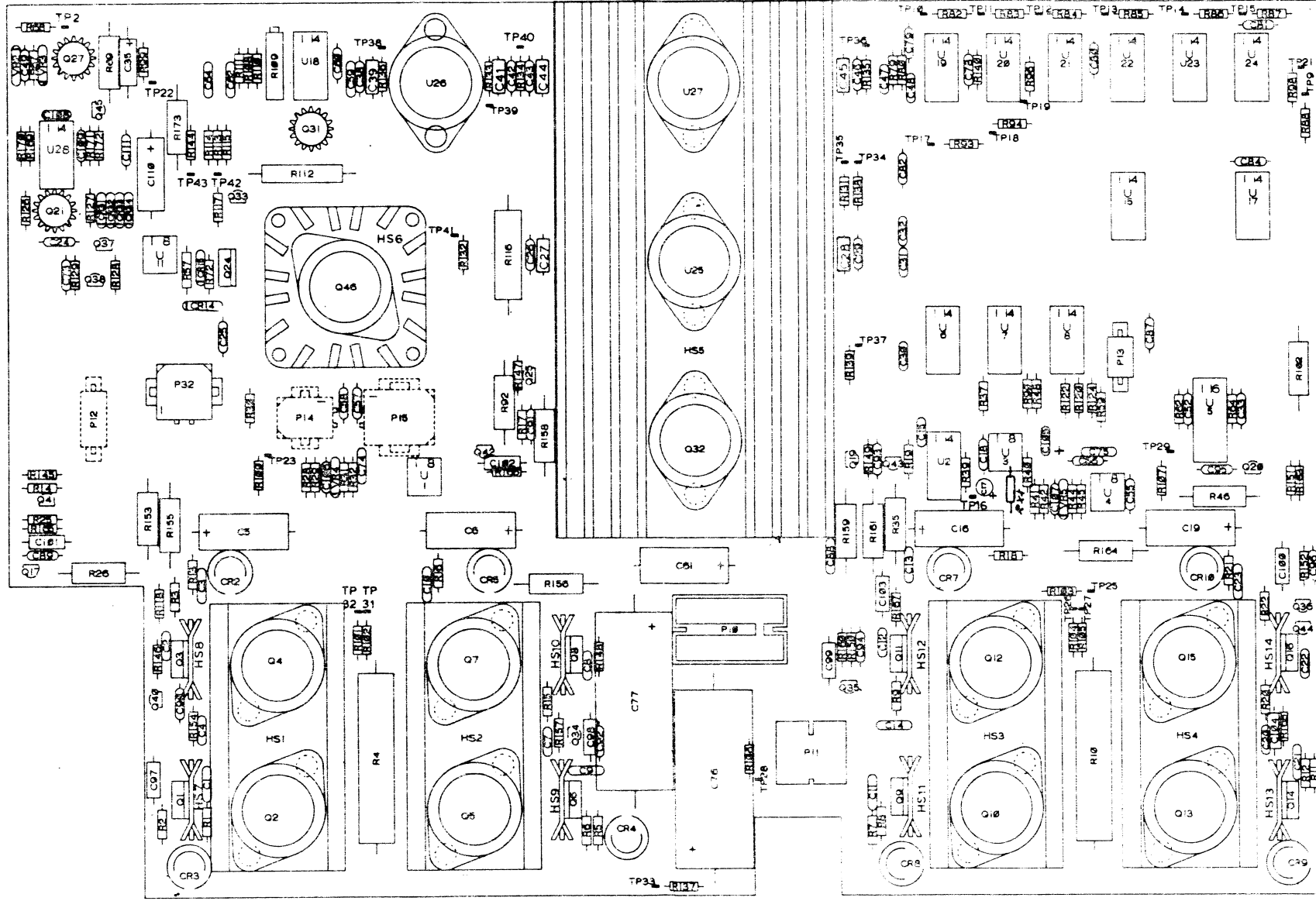
MOUNT SPACER 123 001 132 UNDER CR2,CR3,CR4,CR5,CR7,CR8,CR9&CR10  
003000955-03  
LAYER 3

| ITEM              | QTY   | DESCRIPTION | PART NO                      |
|-------------------|-------|-------------|------------------------------|
| DO NOT SEAL DRAWN |       |             |                              |
| DRAWN             | 3-70  | ADS         | 78                           |
| CHECKED           | 3-70  | E. RIDEOUT  | 78                           |
| APPROVED          |       | WLB         | 3/17/79                      |
| MATERIAL          |       | 005010046-U |                              |
| FINISH            |       | 005010047-T |                              |
|                   | 34984 | C 016       | DRAWING NUMBER 000626 REV 02 |

**DATA GENERAL CORPORATION**  
SOUTHBORO, MASS. 01772  
TITLE  
IPL  
10MB DISK  
POWER SUPPLY

THIS DRAWING AND SPECIFICATIONS HEREIN ARE THE PROPERTY OF DATA GENERAL CORPORATION AND SHALL NOT BE REPRODUCED, COPIED, OR TRANSMITTED IN ANY FORM OR BY ANY MEANS, ELECTRONIC OR MECHANICAL, INCLUDING PHOTOCOPYING, RECORDING, OR BY ANY INFORMATION STORAGE AND RETRIEVAL SYSTEM, WITHOUT WRITTEN PERMISSION.

| REVISIONS |             |       |        |      |
|-----------|-------------|-------|--------|------|
| REV       | DESCRIPTION | DRFTG | APP BY | DATE |
| ECO       |             |       |        |      |



00320095500  
LAYER 5

BRUNING 40 536 20411 2

| ITEM   | QTY  | DESCRIPTION  | PART NO        |
|--|------|--|----------------|
| DO NOT SCALE DRAWING                                   |      |  |                |
| UNLESS OTHERWISE SPECIFIED                             |      |  |                |
| USE DIMENSIONS SPECIFIED                               |      |  |                |
| FOR COOPER FOR TOLERANCES AND WORKMANSHIP REQUIREMENTS |      |  |                |
| MATERIAL   |      |  |                |
| FINISH   |      |  |                |
| DRAWN ADS 3-10-78                                      |      | DATA GENERAL CORPORATION<br>SOUTHBORO, MASS. 01772 |                |
| CHECKED E. RIDEOUT 3-10-78                             |      |  |                |
| ENGINEER [Signature]                                   |      | TITLE<br>IPL                                       |                |
| APPROVED [Signature]                                   |      | 10 MB DISK<br>POWER SUPPLY                         |                |
| FIRST USED ON 005010046-U                              |      |  |                |
| 005010047-U  |      |  |                |
| SCALE  | SIZE | CODE   | DRAWING NUMBER |
|  | C    | 016  | 000626         |
|  |      |  | REV 02         |