



"THE MATERIAL HEREIN IS FOR INFORMATION PURPOSES ONLY AND IS SUBJECT TO CHANGE WITHOUT NOTICE. DIGITAL EQUIPMENT CORPORATION ASSUMES NO RESPONSIBILITY FOR ANY ERRORS WHICH MAY APPEAR HEREIN."

\*\*\*\*\* FIELD MAINTENANCE PRINT SET \*\*\*\*\*

TABLE OF CONTENTS

E-UA-11/750-F-0	UNIT ASSY	
K-PL-11/750-F-DBP	UNIT ASSY PARTS LIST	
B-DD-11/750-F	DRAWING DIRECTORY	
D-UA-5415142-0-0	11/750 DEVICE (SID UNIT ASSY)	
D-CS-5415142-0-1	CIRCUIT SCHEMATICS (SID MODULE)	
K-DD-7019603-0	DRAWING DIRECTORY	
E-UA-7019603-0-0	CAB ASSY	
K-PL-7019603-0-DBP	CAB ASSY PARTS LIST	
E-IC-7019603-0-4	INTERCONNECT DIAGRAM	
D-AD-7016922-0-0	CABLE ASSY (FILTERED) (CONSOLE)	
K-PL-7016922-0-DBP	CABLE ASSY (FILTERED) PARTS LIST	
K-PL-7019606-0-DBP	ACCESSORY KIT (SHIP LIST)	
D-IA-7016930-0-0	CONSOLE POWER CABLE	
E-IA-7016931-0-0	TU58 CABLE ASSY	
E-IA-7016153-0-0	AC HARNESS	
K-PL-7016153-0-DBP	AC HARNESS PARTS LIST	
D-IA-7016513-0-0	CONTROL CABLE ASSY	
K-PL-7016513-0-DBP	CONTROL CABLE ASSY PARTS LIST	
E-IA-7016385-0-0	HARNESS POWER SIGNAL	
K-PL-7016385-0-DBP	HARNESS POWER SIGNAL PARTS LIST	
D-IA-7016929-0-0	CONSOLE SIGNAL CABLE	
K-PL-7016929-0-DBP	CONSOLE SIGNAL CABLE PARTS LIST	
D-IA-7016516-0-0	REMOTE SENSE CABLE	
D-IA-7016379-0-0	HARNESS 2.50/5V	
K-PL-7016379-0-DBP	HARNESS 2.50/5V PARTS LIST	
D-IA-7016928-0-0	PATCH CABLE AIR FLOW	
K-PL-7016928-0-DBP	PATCH CABLE AIR FLOW PARTS LIST	
E-IA-7016708-0-0	CARD CAGE ASSY	
K-PL-7016708-0-DBP	CARD CAGE ASSY PARTS LIST	
E-UA-5413489-0-0	SERIAL TU58	
K-PL-5413489-0-DBP	SERIAL TU58 PARTS LIST	
D-CS-5413489-0	SERIAL TU58 CIRCUIT SCHEMATIC	

UNIT VARIATIONS
11/750-FA
11/750-FB

FIELD MAINTENANCE PRINT SET  
11/750 F  
DIGITAL EQUIPMENT CORPORATION  
MP01377

USED ON OPTION/MODEL	DRN.	DATE
	R.J. RILEY	12-7-82
	CHK'D	DATE
	R.J. RILEY	12-7-82
	PROJ. ENG.	DATE
	P. GILDEA	12-7-82
	FIELD SERV.	DATE
	H. HUNTER	12-7-82
SHEET 2 OF 3		

d i g i t a l

"THIS DRAWING AND SPECIFICATIONS, HEREIN, ARE THE PROPERTY OF DIGITAL EQUIPMENT CORPORATION AND SHALL NOT BE REPRODUCED OR COPIED OR USED IN WHOLE OR IN PART AS THE BASIS FOR THE MANUFACTURE OR SALE OF ITEMS WITHOUT WRITTEN PERMISSION. COPYRIGHT © 1982 DIGITAL EQUIPMENT CORPORATION."

TITLE:  
TABLE OF CONTENTS (11/750 F)

SIZE	CODE	NUMBER	REV
K	TC	11/750-F-1	B
DIST.			

"THE MATERIAL HEREIN IS FOR INFORMATION PURPOSES ONLY AND IS SUBJECT TO CHANGE WITHOUT NOTICE. DIGITAL EQUIPMENT CORPORATION ASSUMES NO RESPONSIBILITY FOR ANY ERRORS WHICH MAY APPEAR HEREIN."

\*\*\*\*\* FIELD MAINTENANCE PRINT SET \*\*\*\*\*

TABLE OF CONTENTS

E-UA-5413822-0-0	BACKPLANE ASSY
K-PL-5413822-0-DBP	BACKPLANE ASSY PARTS LIST
C-AD-7016894-0-0	TIME OF YEAR BATTERY ASSY
C-IA-7016945-0-0	BATTERY PACK ASSY
D-IA-7015321-0-0	PANEL ASSY FRONT
K-SA-11750-F-0	SYSTEM ARRANGEMENT
K-SA-11750-F-1	SYSTEM ARRANGEMENT

UNIT VARIATIONS

FIELD MAINTENANCE  
PRINT SET  
11/750-F  
DIGITAL EQUIPMENT  
CORPORATION  
MP01377

USED ON OPTION/MODEL

DRN.	DATE
R.J. RILEY	12-7-82
CHK'D	DATE
R.J. RILEY	12-7-82
PROJ. ENG.	DATE
P. GILDEA	12-7-82
FIELD SERV.	DATE
H. HUNTER	12-7-82

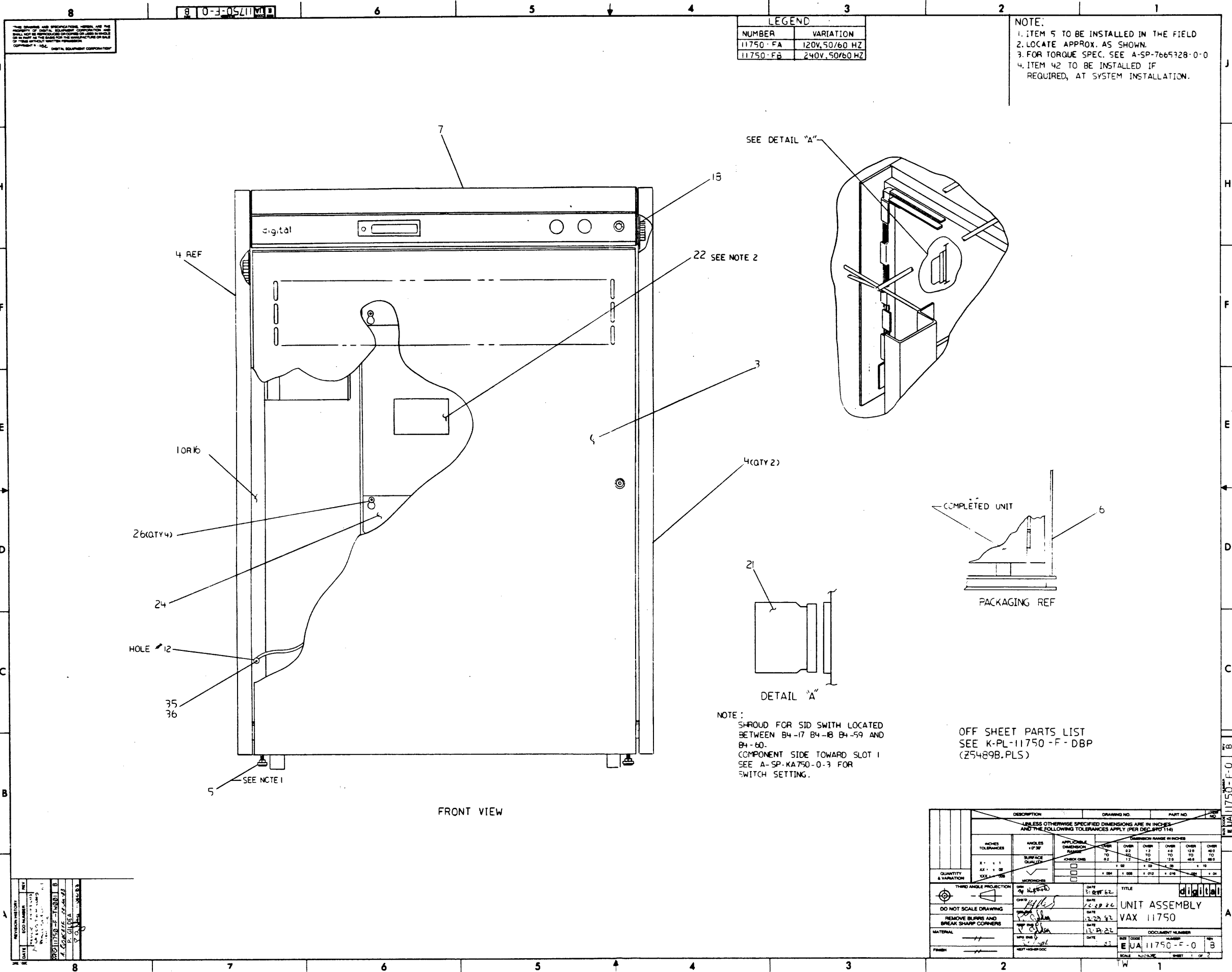
SHEET 3 OF 3

d i g i t a l

"THIS DRAWING AND SPECIFICATIONS, HEREIN, ARE THE PROPERTY OF DIGITAL EQUIPMENT CORPORATION AND SHALL NOT BE REPRODUCED OR COPIED OR USED IN WHOLE OR IN PART AS THE BASIS FOR THE MANUFACTURE OR SALE OF ITEMS WITHOUT WRITTEN PERMISSION.  
COPYRIGHT © 1982 DIGITAL EQUIPMENT CORPORATION."

TITLE:  
TABLE OF CONTENTS (11/750-F)

SIZE	CODE	NUMBER	REV
K	TC	11/750-F-1	B
DIST.			



THIS DRAWING AND SPECIFICATIONS, SERIAL AND THE PROPERTY OF THE DIGITAL EQUIPMENT CORPORATION AND SHALL NOT BE REPRODUCED OR COPIED OR USED IN WHOLE OR IN PART AT THE DISCRETION OF THE MANUFACTURER OR USER OF THIS OFFICIAL DRAWING FOR ANY PURPOSES.  
COMPONENT # 1042  
DIGITAL EQUIPMENT CORPORATION

REVISIONS  
 1. 11/17/70  
 2. 11/17/70  
 3. 11/17/70  
 4. 11/17/70  
 5. 11/17/70  
 6. 11/17/70  
 7. 11/17/70  
 8. 11/17/70

QUANTITY & VARIATION	DESCRIPTION	DRAWING NO.	PART NO.	REV. NO.
1	UNIT ASSEMBLY	VAX 11750		
1	VAX 11750			

INCHES TOLERANCES	ANGLES	APPLICABLE DIMENSION RANGE	OVER	UNDER	OVER	UNDER	OVER	UNDER
± .01	± 30'	0 - 12	± .01	± .01	12 - 30	± .01	± .01	30 - 48
± .005		12 - 30	± .005	± .005	30 - 48	± .005	± .005	48 - 120
		30 - 48	± .005	± .005	48 - 120	± .005	± .005	120 - 480
		48 - 120	± .005	± .005	120 - 480	± .005	± .005	480 - 1200

DATE	BY	DATE	BY	DATE	BY
11/17/70	W. J. GILBERT	11/17/70	W. J. GILBERT	11/17/70	W. J. GILBERT

DO NOT SCALE DRAWING  
REMOVE BLURS AND BREAK SHARP CORNERS

MATERIAL: 11  
FINISH: 11

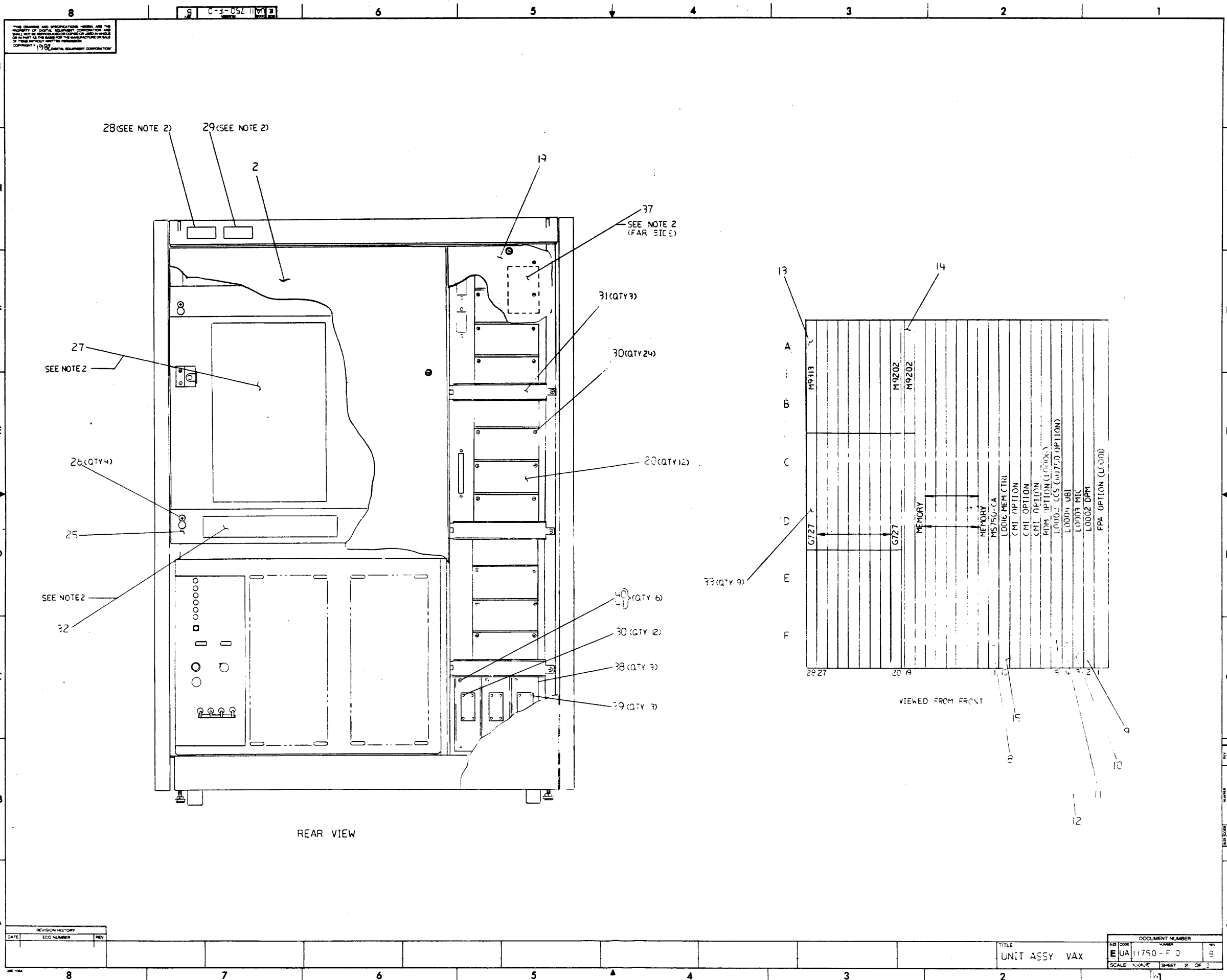
THIRD ANGLE PROJECTION

DATE: 11/17/70  
SCALE: AS SHOWN

TITLE: UNIT ASSEMBLY  
VAX 11750

DOC. NO.: EJA 11750-F-0  
REV. NO.: B

SCALE: AS SHOWN



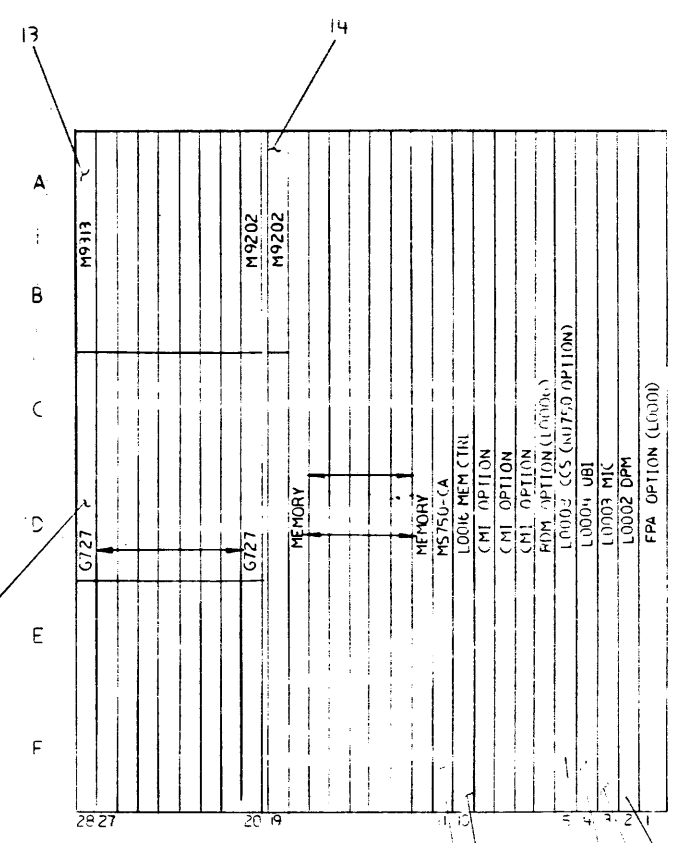
THIS DRAWING AND SPECIFICATIONS HEREBY ARE THE PROPERTY OF DIGITAL EQUIPMENT CORPORATION AND SHALL NOT BE REPRODUCED OR COPIED OR USED IN WHOLE OR IN PART AS THE BASIS FOR THE MANUFACTURE OR SALE OF ITEMS WITHOUT WRITTEN PERMISSION.  
COPYRIGHT © 1982 DIGITAL EQUIPMENT CORPORATION

REVISION HISTORY		
DATE	ECO NUMBER	REV

TITLE  
UNIT ASSY VAX

DOCUMENT NUMBER	
REV	NUMBER

SCALE NONE SHEET 2 OF 2



VIEWED FROM FRONT

A	M9202	M9202	M9202
B			
C			
D	G727	G727	
E			
F			

MEMORY  
 MEMORY  
 M5750-CA  
 LOCAL MEM CTRL  
 CMI OPTION  
 CMI OPTION  
 CMI OPTION (1600K)  
 FDM OPTION (1600K)  
 L0002-CCS (UNIT 50 OPTION)  
 L0004-UBI  
 L0003-MIC  
 L0002-DPM  
 FPA OPTION (L0000)

- 15
- 14
- 13
- 12
- 11
- 10
- 9

LINE	ITEM	DOCUMENT NUMBER	PART NUMBER	DESCRIPTION	QUANTITY PER VARIATION	
					FA	FB
1	1	E-UA-7019603-0-0	7019603-00	CAB ASSY VAX 11/750 D	1	-
2	2	E-UA-H9544-B-0	H9544-BJ	SHIELDED REAR DOOR,11750	1	1
3	3	E-UA-H9544-E-0	H9544-EJ	SHIELDED FRONT DOOR,11750	1	1
4	4	E-UA-H9544-A-0	H9544-AA	40" END PANEL, GREY, DARKBR. INL	2	2
5	5	K-PL-7019606-0-DBP		ACCESSORY KIT	1	1
6	6	A-SP-3700436-0-0	3700436-06	CAB H9645 REPLACES VAR. 03	1	1
7	7	E-UA-H9544-L-0	H9544-LJ	SHIELDED TOP COVER,40" WIDE BODY	1	1
8	8	E-UA-MS750-0-0	MS750-CA	1MB ECC EXPANSION (M8750-CA)	1	1
9	9	E-UA-L0002-0-0	L0002-00	DPM (DATA PATH & MICRO SEQUENCER	1	1
10	10	E-UA-L0003-0-0	L0003-00	MEMORY INTERFACE	1	1
11	11	E-UA-L0004-0-0	L0004-00	UNIBUS INTERFACE	1	1
12	12	E-UA-L0008-0-0	L0008-00	RENAMED L0008-YA	1	1
13	13	E-UA-M9313-0-0	M9313-00	UNIBUS EXERCIZER + TERMINATOR (U	1	1
14	14	E-UA-M9202-0-0	M9202-00	CABLE UNIBUS JUMPER	1	1
15	15	E-UA-L0016-0-0	L0016-00	64K MEMORY CONTROL,4-LAYER HEX 1	1	1
16	16	E-UA-7019603-0-0	7019603-01	CABINET ASSY VAX 11750F.(250V.)	0	1
17	17	D-UA-DMF32-0-0	DMF32-AA	8 ASYNC & 1 SYNC SLU,PARALEL INT	1	1
18	18	E-UA-H9544-A-0	H9544-AH	SHIELDING INSERT,11750 UNIQUE	1	1
19	19	E-UA-H9544-B-0	H9544-BH	SHIELDED REAR DOOR,40" WIDE BODY	1	1
20	20	C-MD-7426407-0-1	7426407-01	PANEL,SUB,DOUBLE	11	11
21	21	D-UA-5415142-0-0	5415142-00	11/750 SYSTEM REV LEVEL INPUT DE	1	1
22	22	A-PS-3621230-0-0	3621230-01	LABEL MODULE UTILIZATION	1	1
23	23	A-PS-3618307-0-0	3618307-05	ASSY,04,01	1	1
24	24	D-AD-7020272-0-0	7020272-00	COVER, CARD CAGE ASSY. FRONT	1	1
25	25	D-AD-7020271-0-0	7020271-00	COVER, CARD CAGE ASSY. REAR	1	1
26	26		9009700-00	SCREW,SEMS TRUSS PHIL 10-	8	8
27	27	A-PS-3617171-0-0	3617171-00	LABEL,BACKPLANE CABLE LOCATIONS	1	1
28	28	A-PS-3617674-0-0	3617674-01	LABEL,SERIAL & POWER W/UL & CSA	1	1
29	29	A-PS-3617880-0-0	3617880-02	LABEL,FCC CLASS A PROCESSOR	1	1
30	30		9009643-00	SCREW,SEMS PAN PHIL 4-	22	22

REVISION HISTORY			BASIC PART NO: 11750		DRN: R. J. RILEY		DATE: 02-DEC-82		D I G I T A L			
ENG	ECO NUMBER	REV	SECTION A OF A	CHK'D:	R. J. RILEY	DATE:	02-DEC-82	TITLE PARTS LIST				
	INITIAL	A	SECTION VARIATION INDEX					UNIT ASSY VAX 11750-F				
			[A] FA,FB					DOCUMENT NUMBER				
			[B]	DES.ENG.:	P. GILDEA	DATE:	02-DEC-82	SIZE CODE NUMBER REV				
			[C]	RESP.ENG.:	P. GILDEA	DATE:	02-DEC-82	K	PL	11750-F-DBP	A	
			[D]	MFG.ENG.:	R. SMITH	DATE:	02-DEC-82	ASSEMBLY NUMBER: TOP DOCUMENT NUMBER: FILE NAME: EDIT #				
			[E]					E-UA-11750-F-0 B-DD-11750-F-0 Z5489A.PLS 11				
			[F]									

"THIS DRAWING AND SPECIFICATIONS HEREIN, ARE THE PROPERTY OF DIGITAL EQUIPMENT CORPORATION AND SHALL NOT BE REPRODUCED OR COPIED OR USED IN WHOLE OR IN PART AS THE BASIS FOR THE MANUFACTURE OR SALE OF ITEMS WITHOUT WRITTEN PERMISSION. COPYRIGHT (C) 1983. DIGITAL EQUIPMENT CORPORATION "

AUTOMATED BY PRTLST.3P(44)

P A R T S L I S T

SHEET A2 OF A2

LINE	ITEM	DOCUMENT NUMBER	PART NUMBER	DESCRIPTION	QUANTITY PER VARIATION	
					FA	FB
31	31	D-MD-7427464-0-0	7427464-01	BRACE,CABLE BUNDLE	3	3
32	32	A-PS-3615087-0-0	3615087-02	LABEL,"DANGER-HIGH CURRENT"	1	1
33	33	D-UA-G727-0-0	OG727-00	SHORTS DD11 W/O PERIPH CONT	8	8
34	34		9007032-00	TIE,CABLE BUNDL.DIA 0-1-3/4"=101	3	3

D	I	G	I	T	A	L	TITLE	UNIT ASSY VAX 11750-F	SECTION A OF A	SIZE	CODE	DOCUMENT NUMBER	REV
										K	PL	11750-F-DBP	A

"THE MATERIAL HEREIN IS FOR INFORMATION PURPOSES ONLY AND IS SUBJECT TO CHANGE WITHOUT NOTICE. DIGITAL EQUIPMENT CORPORATION ASSUMES NO RESPONSIBILITY FOR ANY ERRORS WHICH MAY APPEAR HEREIN."

\*\*\* DRAWING DIRECTORY \*\*\*

UNIT VARIATIONS	
VAR	TITLE
-FA	UNIT ASSY 115V
-FB	UNIT ASSY 230V

REVISION HISTORY								USED ON OPTION/MODEL	DRN.	DATE
								11/750-FA	R.J. RILEY	11-30-82
								11/750-FB	CHK'D R.J. RILEY	DATE 11-30-82
									PROJ. ENG. P. GILDEA	DATE 11-30-82
									PROD. R. SMITH	DATE 11-30-82

SHEET 1 OF 6 digital

"THIS DRAWING AND SPECIFICATIONS, HEREIN, ARE THE PROPERTY OF DIGITAL EQUIPMENT CORPORATION AND SHALL NOT BE REPRODUCED OR COPIED OR USED IN WHOLE OR IN PART AS THE BASIS FOR THE MANUFACTURE OR SALE OF ITEMS WITHOUT WRITTEN PERMISSION. COPYRIGHT © 1982 DIGITAL EQUIPMENT CORPORATION."

TITLE: DRAWING DIRECTORY (11/750-F)			
SIZE	CODE	NUMBER	REV
K	DD	11/750-F	B
DIST.			

TW



	DRAWING NUMBER	DESCRIPTION			DRAWING NUMBER	DESCRIPTION	
1	E-UA-11/750-F-0	UNIT ASSY VAX 11/750-F	E/M				
	K-PL-11/750-F-DBP	UNIT ASSY VAX 11/750-F PART LIST					
	C-MD-7426407-0-0	PANEL, SUB, DOUBLE					
	A-PS-3618307-0-0	ASSY 04, 01					
	A-PS-3617171-0-0	LABEL, B/P		5	B-DD-H9544-L	SHIELDED, TOP COVER	M
	A-PS-3617880-0-0	LABEL, FCC					
	C-MD-7427464-0-0	BRACE, CABLE					
	A-PS-3615087-0-0	LABEL, DANGER HIGH VOLTAGE					
	A-PS-3617674-0-0	LABEL, SERIAL					
	A-PS-3621230-0-0	LABEL, M/U		6	B-DD-MS750-0	ECC EXPANSION	E
	K-SA-11750-F-0	CONFIGURATION CONTROL DOC.					
	K-SA-11750-F-1	CONFIGURATION CONTROL DOC.					
	K-PL-7019606-0-DBP	SHIP LIST 11750-F					
2	B-DD-H9544-B	SHIELD, REAR DOOR	M				
				7	B-DD-L0002-0	DPM	E
3	B-DD-H8544-E	SHIELD, FRONT DOOR	M				
				8	B-DD-L0003-0	MEMORY INTERFACE	E
4	B-DD-H9544-A	40" END PANEL	M	9	B-DD-L0004-0	UNIBUS INTERFACE	E
TYPE: E = ELECTRICAL M = MECHANICAL E/M = ELECTRO/MECHANICAL			TITLE: DRAWING DIRECTORY 11/750 F		SHEET 2 OF 6   SIZE K   CODE DD   NUMBER 11750-F		REV B

DRAWING NUMBER	DESCRIPTION		DRAWING NUMBER	DESCRIPTION		
			15	D-AD-7020272-0-0	COVER, CARD CAGE ASSY FRONT	M
				K-PL-7020272-0-DBP	COVER, CARD CAGE ASSY PARTS LIST	
				D-MD-7427929-0-0	COVER CARD CAGE	
10	B-DD-L0008-0	CONTROL STORE	E	C-MD-7423052-0-0	LATCH DOOR	
11	B-DD-M9313-0	UNIBUS TERMINATOR	E	16 D-AD-7020271-0-0	COVER, CARD CAGE ASSY REAR	M
				K-PL-7020721-0-DBP	COVER, CARD CAGE PARTS LIST	
				D-MD-7427929-0-0	COVER, CARD CAGE	
				D-MD-7427928-0-0	BRKT, DOOR LOCK	
12	B-DD-M9202-0	CABLE UNIBUS JUMPER	E			
				17 B-DD-5415142-0	11/750 SYSTEM REV INPUT	E
13	B-DD-L0016-0	64K MEMORY CONTROLLER	E	18 E-UA-7019603-0-0	CAB ASSY VAX 11/750 F	M
				K-PL-7019603-0-DBP	CAB ASSY VAX 11/750 F PARTS LIST	
				D-MD-7421648-0-0	BRKT, FAN MTG	
				D-MD-7427927-0-0	BRKT, UPPER BATTERY BACK UP	
14	B-DD-DMF32-0	8A SYNC / 1 SYNC	E	D-IA-7427926-0-0	BRKT, BATTERY BACK UP	
				B-MD-7423560-0-0	BATTERY BACK UP CONN BRKT	
				C-MD-7423562-0-0	BRKT TU58 PROTECTION	
				A-PS-3617674-0-0	LABEL SERIAL	
				B-MD-7414197-0-0	PLATE, COVER	
TYPE: E = ELECTRICAL M = MECHANICAL E/M = ELECTRO/MECHANICAL			TITLE: DRAWING DIRECTORY (11/750 F)		SHEET 3 OF 6   SIZE K   CODE DD   NUMBER 11750-F   REV B	

DRAWING NUMBER	DESCRIPTION		DRAWING NUMBER	DESCRIPTION	
19	B-DD-4H545-F	40" WIDE BODYFRAME ASSY	M		
20	B-DD-7016708-0	CARD CAGE ASSY	M	24	D-IA-7016374-0-0 WELDMENT CABLE TROUGH SIDE M
				B-MD-7422002-0-0	RAIL CABLE TROUGH
				B-MD-7422003-0-0	PLATE MOUNTING
				B-MD-7422001-0-0	CROSS BAR, SIDE
21	B-DD-7016709-0	CONTROL PANEL ASSY	E/M		
				25	B-DD-H7104C-0 7016157-0 7016157-00 (2.5V 85A) E
22	B-DD-H9544-S	SHIELDED VERTICAL BULKHEAD	M		
				26	B-DD-H7104D-0 7016156-01 7016156-00 (+5 135A) E
23	D-AD-7016944-0-0	TU58 BOARD AND BRACKET ASSY	E/M		

TYPE: E = ELECTRICAL  
M = MECHANICAL  
E/M = ELECTRO/MECHANICAL

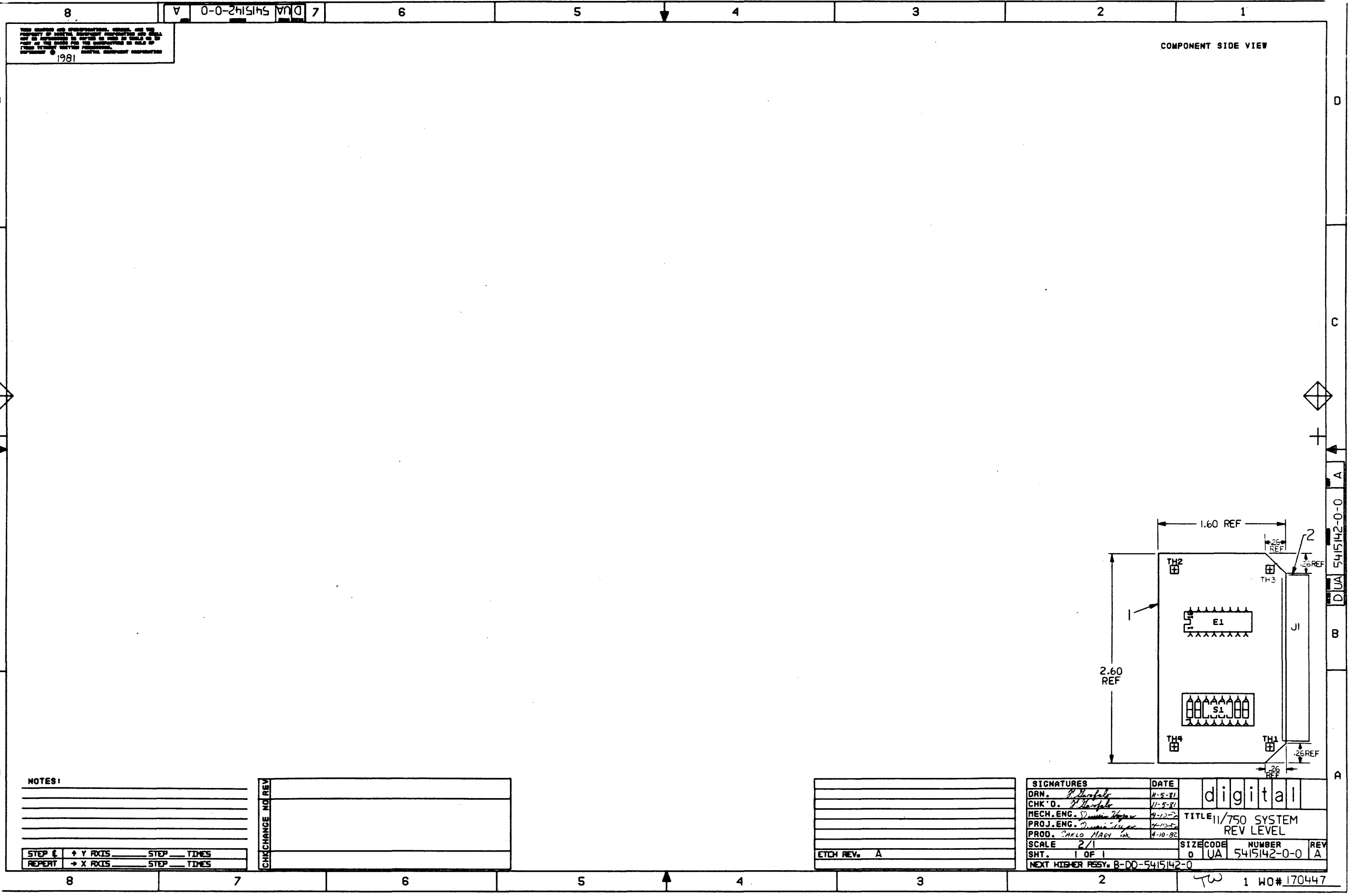
digital

TITLE:  
DRAWING DIRECTORY  
(11/750 F)

SHEET 4 OF 6	SIZE	CODE	NUMBER	REV
	K	DD	11750-F	B

DRAWING NUMBER	DESCRIPTION		DRAWING NUMBER	DESCRIPTION			
			30	C-AD-7016894-0-0	TIME OF YEAR BATTERY	E/M	
				C-MD-7422756-0-0	BRACKET TIME OF YEAR MOUNTING		
27	B-DD-875-0	POWER CONTROLLER ASSY	E				
28	E-IA-7015708-0-0	ENCLOSURE ASSY	M				
	D-IA-7420913-0-0	CHASSIS ENCLOSURE		31	B-IA-7014099-0-0	NUT PLATE ASSY	M
	B-MD-7420916-0-0	BRACKET PLENUM					
	E-MD-7421597-0-0	PLENUM POWER SUPPLY					
	D-MD-7422017-0-0	BRACKET AIR DEFLECTOR					
	B-MD-7422755-0-0	BRACKET AIR FLOW SENSOR					
				32	D-UA-7016922-0-0	FILTERED CABLE ASSY	E/M
29	D-AD-7020273-0-0	PANEL ASSY FRONT	M				
	K-PL-7020273-0-DBP	PANEL ASSY FRONT PARTS LIST		33	C-IA-7016938-0-0	POWER CABLE ASSY	E/M
	E-MD-7427930-0-0	PANEL FRONT					
	B-MD-7421122-0-0	SUPPORT BOTTOM					
	A-PS-3616590-0-0	LABEL, DANGER HIGH VOLTAGE					
				34	D-IA-7016930-0-0	CONSOLE, POWER CABLE ASSY	E/M
TYPE: E = ELECTRICAL M = MECHANICAL E/M = ELECTRO/MECHANICAL			TITLE: DRAWING DIRECTORY (11/750 F)		SHEET 5 OF 6   SIZE   CODE   NUMBER   K   DD   11750-F		REV B

	DRAWING NUMBER	DESCRIPTION			DRAWING NUMBER	DESCRIPTION		
35	E-IA-7016931-0-0	TU58 CABLE ASSY	E/M	41	D-IA-7016379-0-0	HARNESS 2.5V/5V	E/M	
36	E-IA-7016153-0-0	AC HARNESS	E/M	42	D-IA-7016909-0-0	BLOWER CORD ASSY	E/M	
37	D-IA-7016513-0-0	CONTROL CABLE ASSY	E/M	43	D-IA-7016928-0-0	PATCH CABLE AIR FLOW	E/M	
38	E-IA-7016385-0-0	HARNESS, POWER SIGNAL	E/M	44	D-IA-7014320-0-0	AIR FLOW SENSOR ASSY	E/M	
39	D-IA-7016929-0-0	CONSOLE SIGNAL CABLE ASSY	E/M	45	K-PL-7019606-0-DBP	SHIP LIST 11/750 F	E/M	
40	D-IA-7016516-0-0	REMOTE SENSE CABLE ASSY	E/M	46	D-IA-7018135-0-0	CABLE TROUGH TOP	M	
					K-PL-7018735-0-DBP	CABLE TROUGH TOP PARTS LIST		
					C-MD-7425180-0-0	SUPPORT ROD		
					C-MD-7425181-0-0	TIE ROD		
					B-MD-7425282-0-0	WIRE FORM #4		
				47	C-IA-7016945-0-0	BATTERY PACK	E	
TYPE: E = ELECTRICAL M = MECHANICAL E/M = ELECTRO/MECHANICAL				TITLE: <u>digital</u> DRAWING DIRECTORY (11/750 F)		SHEET 6 OF 6   SIZE   CODE   NUMBER   K   DD   11750-F		REV B



THIS DRAWING AND INFORMATION HEREON ARE THE PROPERTY OF DIGITAL EQUIPMENT CORPORATION AND SHALL NOT BE REPRODUCED, COPIED, IN whole or in part, OR FOR ANY PURPOSES OTHER THAN THAT OF THE ORIGINAL DRAWING WITHOUT THE WRITTEN PERMISSION OF DIGITAL EQUIPMENT CORPORATION.

1981

COMPONENT SIDE VIEW

NOTES:

\_\_\_\_\_  
 \_\_\_\_\_  
 \_\_\_\_\_

STEP #	Y AXIS	STEP	TIMES
REPORT	X AXIS	STEP	TIMES

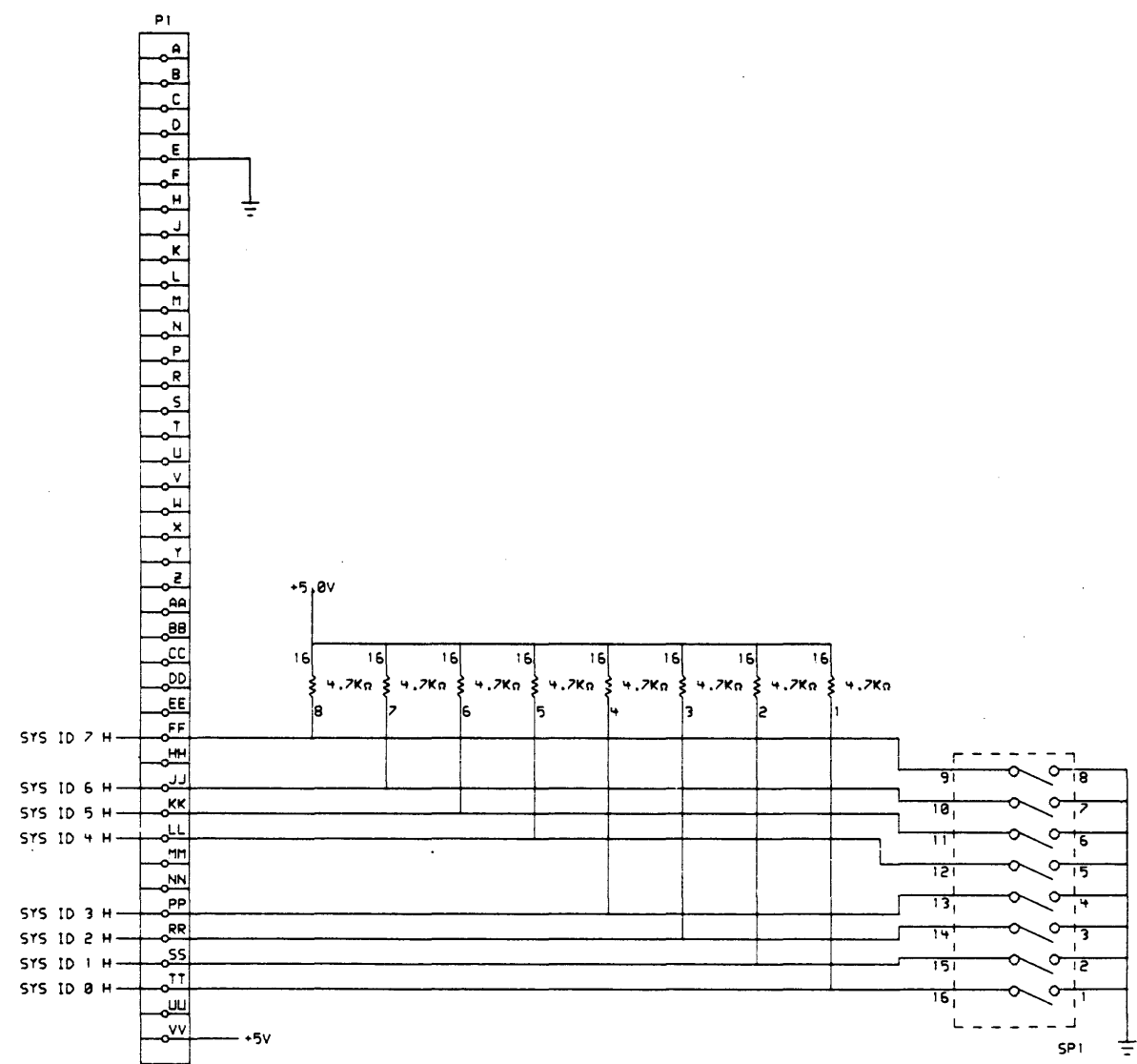
CHK	CHANGE	NO	REV

ETCH REV. A

SIGNATURES	DATE
DRN. <i>P. Starfale</i>	11-5-81
CHK'D. <i>P. Starfale</i>	11-5-81
MECH. ENG. <i>D. ...</i>	9-10-81
PROJ. ENG. <i>D. ...</i>	7-10-81
PROD. CARLO MAOY	4-10-82
SCALE 2/1	
SHT. 1 OF 1	
NEXT HIGHER REV. B-00-5415142-0	

digital		
TITLE 11/750 SYSTEM REV LEVEL		
SIZE	CODE	NUMBER
0	UA	5415142-0-0
		REV
		A

COMETCHIPS, 1160,1271,510,DRP, SCALE 2" = 1" RELEASE BOX

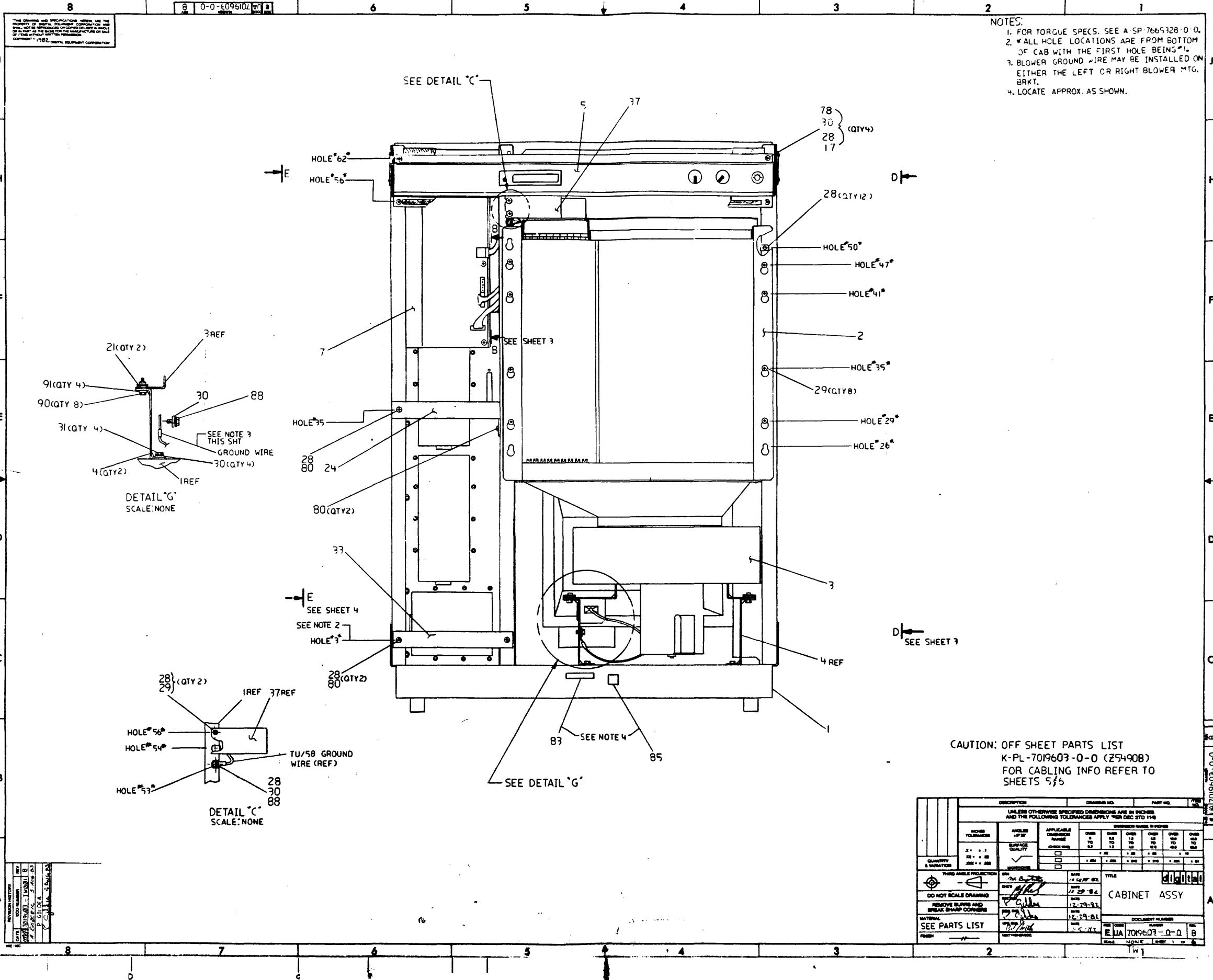


THIS DRAWING AND SPECIFICATIONS ARE THE PROPERTY OF DIGITAL EQUIPMENT CORPORATION AND SHALL NOT BE REPRODUCED OR COPIED OR USED IN WHOLE OR IN PART AS THE BASIS FOR THE MANUFACTURE OR SALE OF ITEMS WITHOUT WRITTEN PERMISSION. COPYRIGHT © 1982. DIGITAL EQUIPMENT CORPORATION.

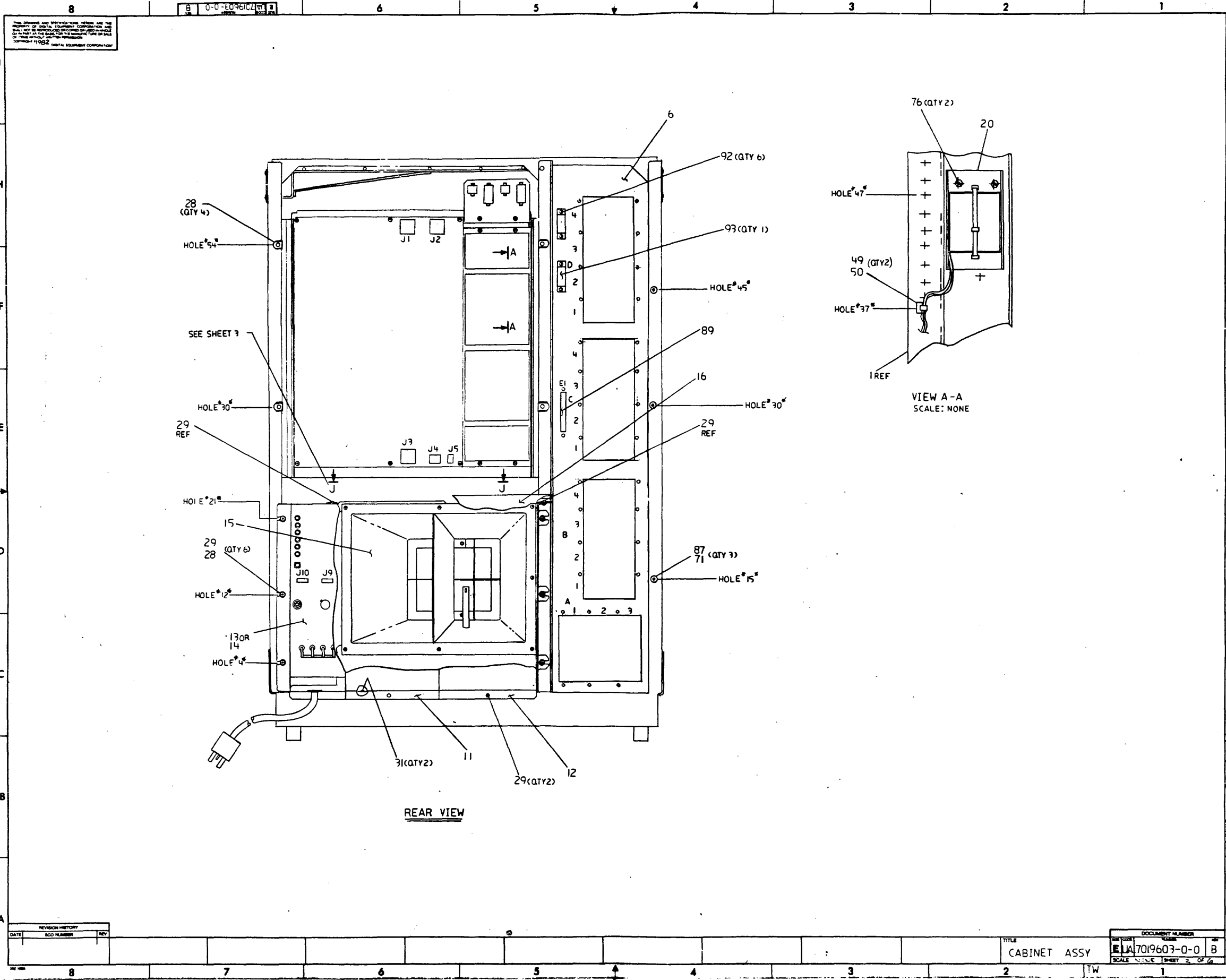
REVISIONS	
CHK	CHANGE NO. REV

digital	DRN. <i>W</i>	DATE 31-MAR-82	ENG.	DATE	TITLE: 11750 - 11751
	CHK'D.	DATE	BOARD LOCATION: B4	SHEET OF 1	SYSTEM REV LEVEL
FIRST USED ON OPTION/MODEL: 11750		31-MAR-82 15:41	NEXT HIGHER ASSEMBLY: B-00-5415142-0-0	SIZE CODE D CS	NUMBER 5414152-0-1

REV. A  
NUMBER 5414152-0-1  
SIZE CODE CS  
D







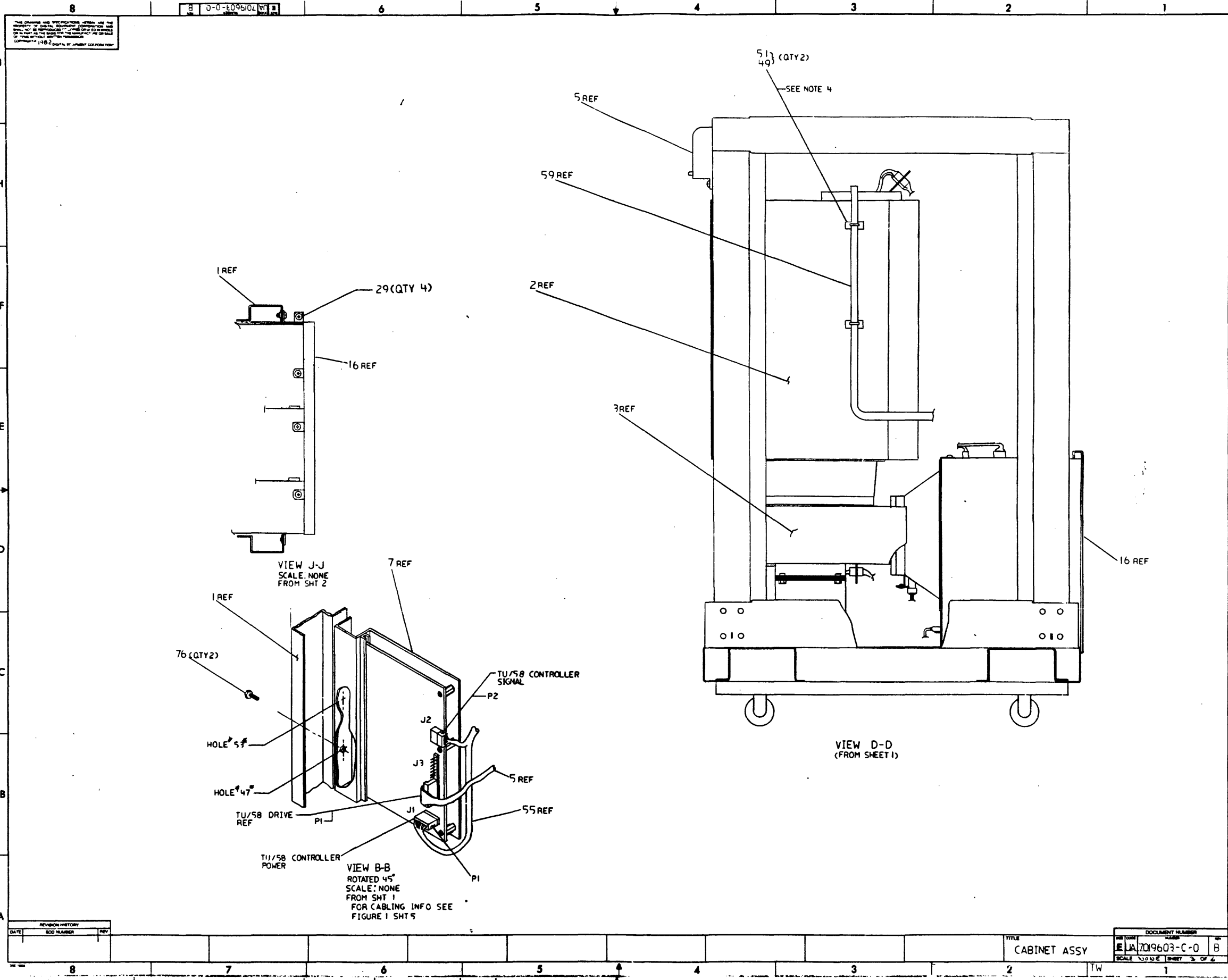
THIS DRAWING AND SPECIFICATIONS HEREBY ARE THE PROPERTY OF DATA SOURCE CORPORATION AND SHALL NOT BE REPRODUCED OR COPIED IN ANY MANNER WITHOUT THE WRITTEN PERMISSION OF DATA SOURCE CORPORATION. COPYRIGHT 1992 DATA SOURCE CORPORATION.

REVISION HISTORY		
DATE	ECO NUMBER	REV

TITLE  
CABINET ASSY

DOCUMENT NUMBER  
EJA 7019603-0-0 B

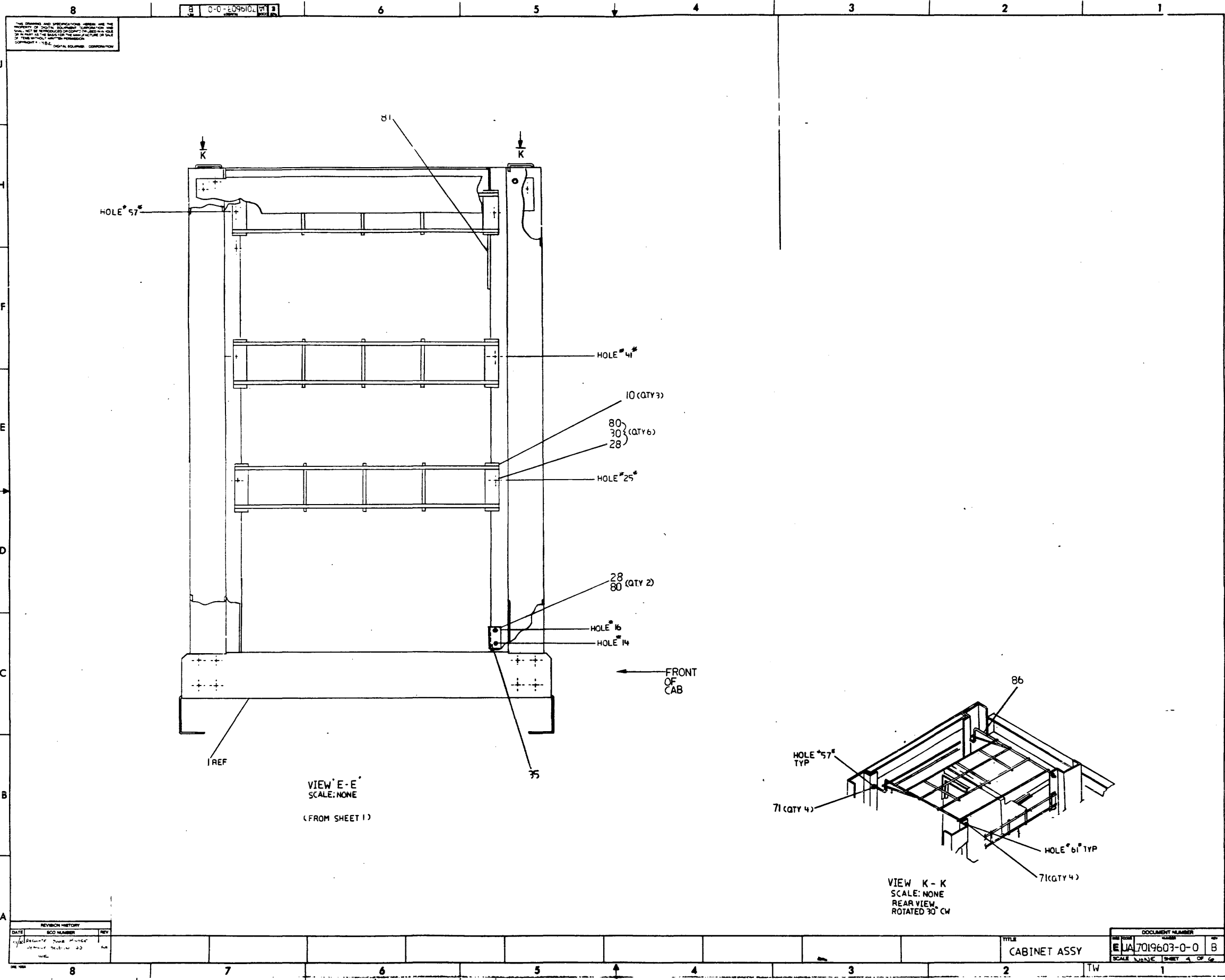
SCALE NONE SHEET 2 OF 4



REVISION HISTORY		
DATE	ECO NUMBER	REV

TITLE  
CABINET ASSY

DOCUMENT NUMBER	
FORM	REV
LA 7019603-C-0	B
SCALE: NONE SHEET 3 OF 4	



THIS DRAWING AND SPECIFICATIONS HEREBY ARE THE PROPERTY OF DIGITAL EQUIPMENT CORPORATION AND SHALL NOT BE REPRODUCED OR COPIED IN ANY MANNER WITHOUT THE WRITTEN PERMISSION OF DIGITAL EQUIPMENT CORPORATION. CONTRACT # 78C-DIGITAL EQUIPMENT CORPORATION

0-0-609610-1

VIEW E-E  
SCALE: NONE  
(FROM SHEET 1)

VIEW K-K  
SCALE: NONE  
REAR VIEW,  
ROTATED 30 CW

DATE	ECO NUMBER	REV
1/16/78	00000000	00

TITLE  
CABINET ASSY

REV	DATE	BY	CHKD	DESCRIPTION
00				

DOCUMENT NUMBER  
EJA 7019603-0-0  
SCALE: NONE SHEET 4 OF 6



THIS DRAWING AND SPECIFICATIONS HEREBY ARE THE PROPERTY OF DIGITAL EQUIPMENT CORPORATION AND WILL BE FURNISHED TO YOU UNDER THE PROVISIONS OF A LICENSE TO USE ONLY FOR THE PROJECT AND FOR THE PERIOD OF TIME SPECIFIED THEREIN. IT IS NOT TO BE REPRODUCED, COPIED, OR TRANSMITTED IN ANY FORM OR BY ANY MEANS, ELECTRONIC OR MECHANICAL, INCLUDING PHOTOCOPYING, RECORDING, OR BY ANY INFORMATION STORAGE AND RETRIEVAL SYSTEM, WITHOUT THE WRITTEN PERMISSION OF DIGITAL EQUIPMENT CORPORATION.

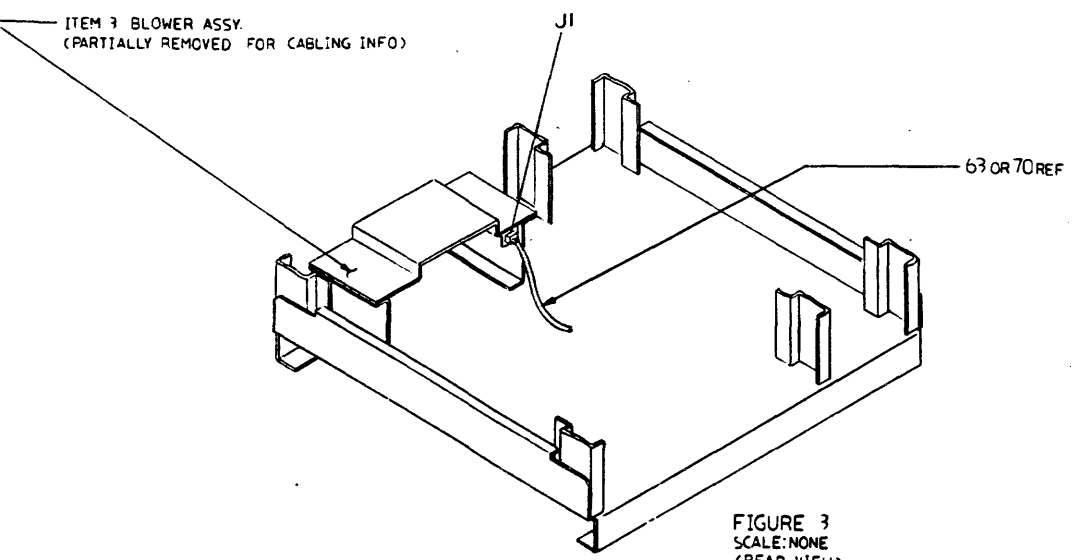


FIGURE 3  
SCALE: NONE  
(REAR VIEW)

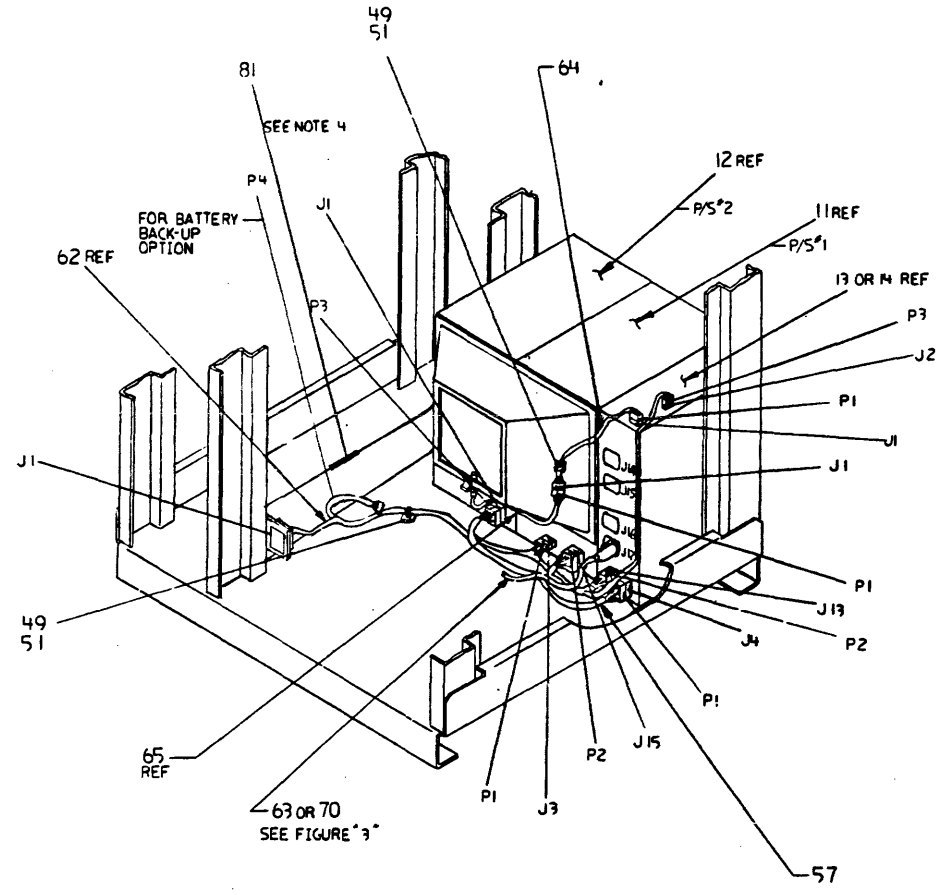


FIGURE 2  
SCALE: NONE  
(FRONT VIEW)

REVISION HISTORY		
DATE	ECO NUMBER	REV

TITLE  
CABINET ASSY

DOCUMENT NUMBER	LA 7019603-0-0
SHEET	1 OF 5

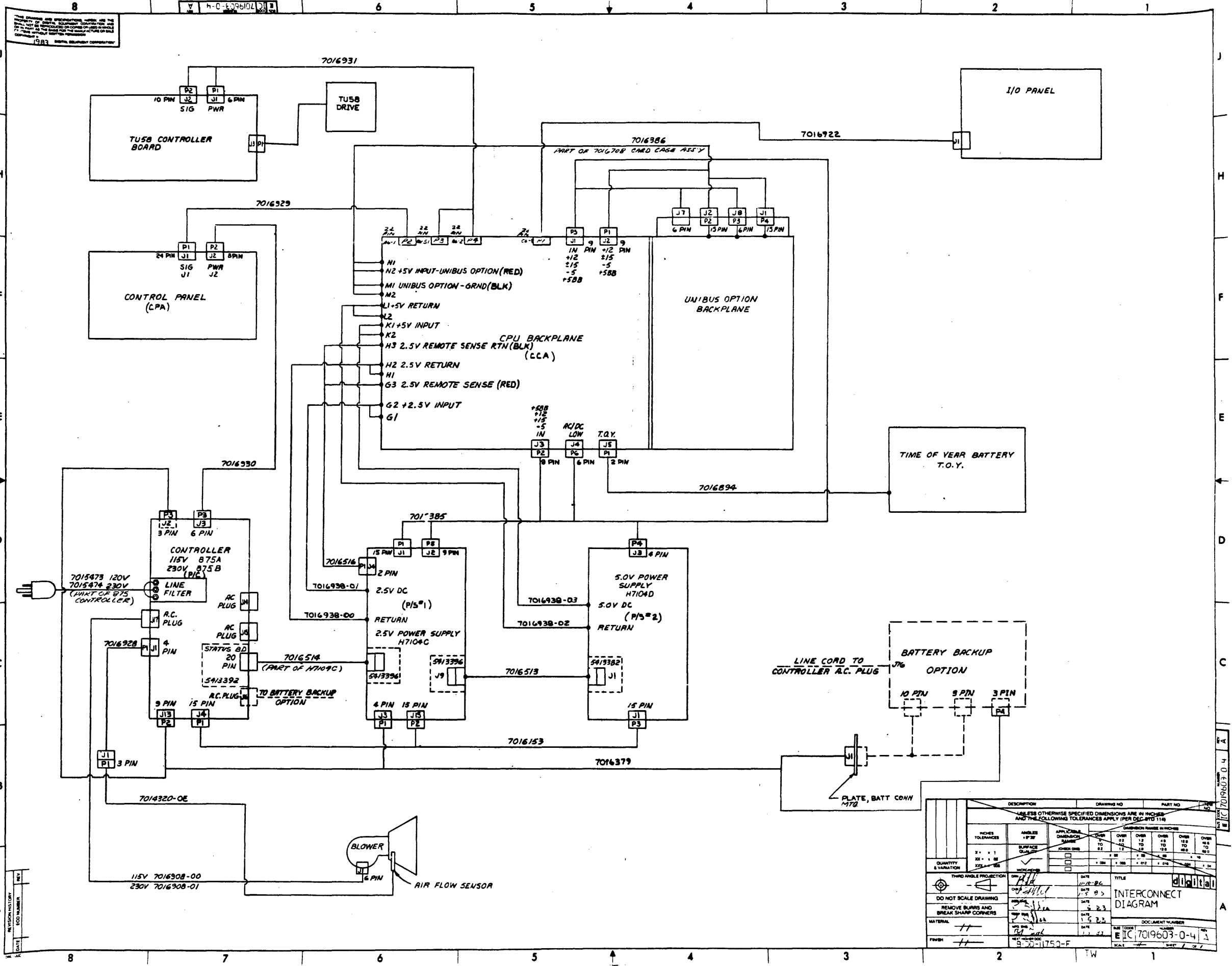
LINE	ITEM	DOCUMENT NUMBER	PART NUMBER	DESCRIPTION	QUANTITY PER VARIATION	
					00	01
1	1	B-DD-H9545-F-0	H9545-FB	40" WIDE BODY FRAME ASSEMBLED FR	1	1
2	2	E-AD-7016708-0-0	7016708-00	CARD CAGE ASSY.	1	1
3	3		1215434-00	BLOWER, FORWD CURVED 340CFM 230V	1	1
4	4	D-MD-7421648-0-0	7421648-00	BRKT. FAN MTG.	2	2
5	5	E-AD-7016709-0-0	7016709-00	CONTROL PANEL ASSY	1	1
6	6	E-UA-H9544-SE-0	H9544-SE	SHIELDED VERTICAL BULKHEAD, H9545	1	1
7	7	D-AD-7016944-0-0	7016944-00	TU58 BOARD AND BRACKET ASSY.	1	1
8	10	D-IA-7016374-0-0	7016374-00	WELDMENT, CABLE TROUGH SIDE	3	3
9	11	C-UA-H7104C-0-0	H7104-C	7016157-01: 7016157-00(2.5V 85A)	1	1
10	12	C-UA-H7404D-0-0	H7104-D	7016156-01: 7016156-00(+5V 135A)	1	1
11	13	C-UA-875-0-0	00875-A	120V 24A PC, POWER SEQUENCING, 4 S	1	0
12	14	C-UA-875-0-0	00875-B	875-A EXCEPT 240V 12A	0	1
13	15	E-IA-7015708-0-0	7015708-00	ENCLOSURE ASSY	1	1
14	16	D-AD-7020273-0-0	7020273-00	PANEL ASSY. FRONT	1	1
15	17		9006075-03	SCREW, MACH TRUSS PHIL 10-	4	4
16	20	C-AD-7016894-0-0	7016894-00	TIME OF YEAR BATTERY	1	1
17	21	B-IA-7014099-0-0	7014099-00	NUT PLATE ASSY.	2	2
18	24	D-MD-7427927-0-0	7427927-01	BRACKET, UPPER BATTERY BACK-UP	1	1
19	28		9007786-00	NUT, U-NUT RETAINER .240ID	40	40
20	29		9009700-00	SCREW, SEMS TRUSS PHIL 10-	22	22
21	30		9006664-00	WASHER, FLAT SST	20	20
22	31		9008323-00	SCREW, SEMS HEX SLOT 10-	10	10
23	33	D-IA-7427926-0-0	7427926-01	BRACKET, BATTERY BACK-UP	1	1
24	35	B-MD-7428264-0-0	7428264-01	BRACKET, BATTERY CONN MTG	1	1
25	37	C-MD-7423562-0-0	7423562-00	BRACKET TU58 PROTECTION	1	1
26	38	D-UA-7016922-0-0	7016922-00	FILTERED CABLE ASSY	1	1
27	39	E-IC-7019603-0-4		INTERCONNECTION DIAG	REF	REF
28	45	C-IA-7016938-0-0	7016938-00	POWER CABLE ASSY.	1	1
29	46		7016938-01	POWER CABLE ASSY 2.5V OUTPUT	1	1
30	47		7016938-02	POWER CABLE ASSY, 5V RTN	1	1

REVISION HISTORY		BASIC PART NO: 7019603		DRN:	R. J. RILEY	DATE:	02-DEC-82	D I G I T A L			
ENG	ECO NUMBER	REV	SECTION A OF A	CHK'D:	R. J. RILEY	DATE:	02-DEC-82	TITLE PARTS LIST			
	INITIAL	A	SECTION. VARIATION INDEX					CABINET ASSY VAX 11750			
			[A] 00,01	DES. ENG.:	P. GILDEA	DATE:	02-DEC-82	DOCUMENT NUMBER			
			[B]	RESP. ENG.:	P. GILDEA	DATE:	02-DEC-82	SIZE	CODE	NUMBER	REV
			[C]	MFG. ENG.:	R. SMITH	DATE:	02-DEC-82	K	PL	7019603-0-DBP	A
			[D]	ASSEMBLY NUMBER:	E-UA-7019603-0-0	TOP DOCUMENT NUMBER:	B-DD-7016707-0-0	FILE NAME:	Z5490A.PLS	EDIT #	14
			[E]								
			[F]								

"THIS DRAWING AND SPECIFICATIONS HEREIN, ARE THE PROPERTY OF DIGITAL EQUIPMENT CORPORATION AND SHALL NOT BE REPRODUCED OR COPIED OR USED IN WHOLE OR IN PART AS THE BASIS FOR THE MANUFACTURE OR SALE OF ITEMS WITHOUT WRITTEN PERMISSION. COPYRIGHT (C) 1983. DIGITAL EQUIPMENT CORPORATION "

LINE	ITEM	DOCUMENT NUMBER	PART NUMBER	DESCRIPTION	QUANTITY PER VARIATION	
					00	01
31	48		7016938-03	POWER CABLE ASSY,5V OUTPUT	1	1
32	49		9007032-00	TIE,CABLE BUNDL.DIA 0-1-3/4"=101	14	14
33	50		9007867-00	MOUNT, PUSH,CABLE TIE	8	8
34	51		9008264-00	MOUNT, CABLE TIE, ADHESIVE BACKE	6	6
35	52		9009228-10	SCREW,SEMS PAN PHIL 10-	12	12
36	54	D-IA-7016930-0-0	7016930-00	CONSOLE POWER CABLE ASSY.	1	1
37	55	E-IA-7016931-0-0	7016931-00	TU58 CABLE ASSY	1	1
38	57	E-IA-7016153-0-0	7016153-00	A C HARNESS	1	1
39	58	D-IA-7016513-0-0	7016513-00	CONTROL,CABLE ASSY	1	1
40	59	E-IA-7016385-0-0	7016385-00	HARNESS PWR,SIGNAL	1	1
41	60	D-IA-7016929-0-0	7016929-00	CONSOLE SIGNAL CABLE ASSY.	1	1
42	61	D-IA-7016516-0-0	7016516-00	REMOTE SENSE CABLE ASSY	1	1
43	62	D-IA-7016379-0-0	7016379-00	HARNESS, 2.5V/5.0V	1	1
44	63	D-IA-7016908-0-0	7016908-00	BLOWER CORD ASSY	1	0
45	64	D-IA-7016928-0-0	7016928-00	PATCH CABLE AIR FLOW	1	1
46	65	D-IA-7014320-0-0	7014320-0E	AIR FLOW SENSOR ASSY.	REF	REF
47	70		7016908-01	BLOWER CORD ASSY.	0	1
48	71		9006565-00	NUT,HEX EXT TOOTH LCKWSHR 10-32	19	19
49	72		9008185-00	NUT,HEX EXT TOOTH LCKWSHR 6-32	2	2
50	76		9006444-00	SCREW,SEMS HEX SLOT 10-	4	4
51	78		9007651-00	WASHER,LOCK EXTERNAL STEEL	4	4
52	80		9000049-45	SCREW,SEMS HEX SLOT 10-	13	13
53	81		9009718-04	GROMMET,STRIP STYRENE	3	3
54	83		3617674-01	LABEL,SERIAL & POWER W/UL & CSA	1	1
55	85		9008473-00	LABEL, PLAIN, PRESSURE SENSITIVE	1	1
56	86	D-IA-7018135-0-0	7018135-00	CABLE TROUGH TOP	1	1
57	87		9008841-01	STANDOFF,MALE/FEMALE HEX 10-32	3	3
58	88		9010156-00	SCREW,SEMS HEX 10-	2	2

D	I	G	I	T	A	L	TITLE	SECTION A OF A	SIZE	CODE	DOCUMENT NUMBER	REV
							CABINET ASSY VAX 11750		K	PL	7019603-0-DBP	A



DESCRIPTION		DRAWING NO.		PART NO.	
UNLESS OTHERWISE SPECIFIED DIMENSIONS ARE IN INCHES AND THE FOLLOWING TOLERANCES APPLY (PER DEC-STD 114)					
DIMENSION NAME		OVER	UNDER	OVER	UNDER
HOLE		±0.005	±0.005	±0.005	±0.005
SURFACE		±0.005	±0.005	±0.005	±0.005
QUANTITY & VARIATION		1.000 ± 0.000			
THIRD ANGLE PROJECTION		DATE: 11-23-83			
DO NOT SCALE DRAWING		DATE: 5-23-83			
REMOVE BURRS AND BREAK SHARP CORNERS		DATE: 1-5-83			
MATERIAL		DATE: 1-5-83			
FINISH		DATE: 1-5-83			
TITLE		DOCUMENT NUMBER			
INTERCONNECT DIAGRAM		E I C 7019603-0-4			
DRAWN BY: [Signature]		SCALE: 1:1			
CHECKED BY: [Signature]		SHEET: 1 OF 1			

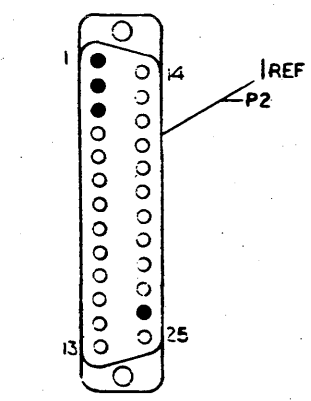
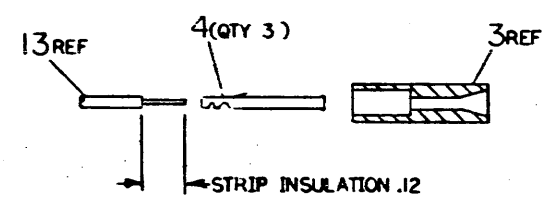
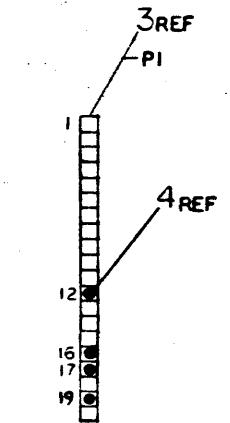
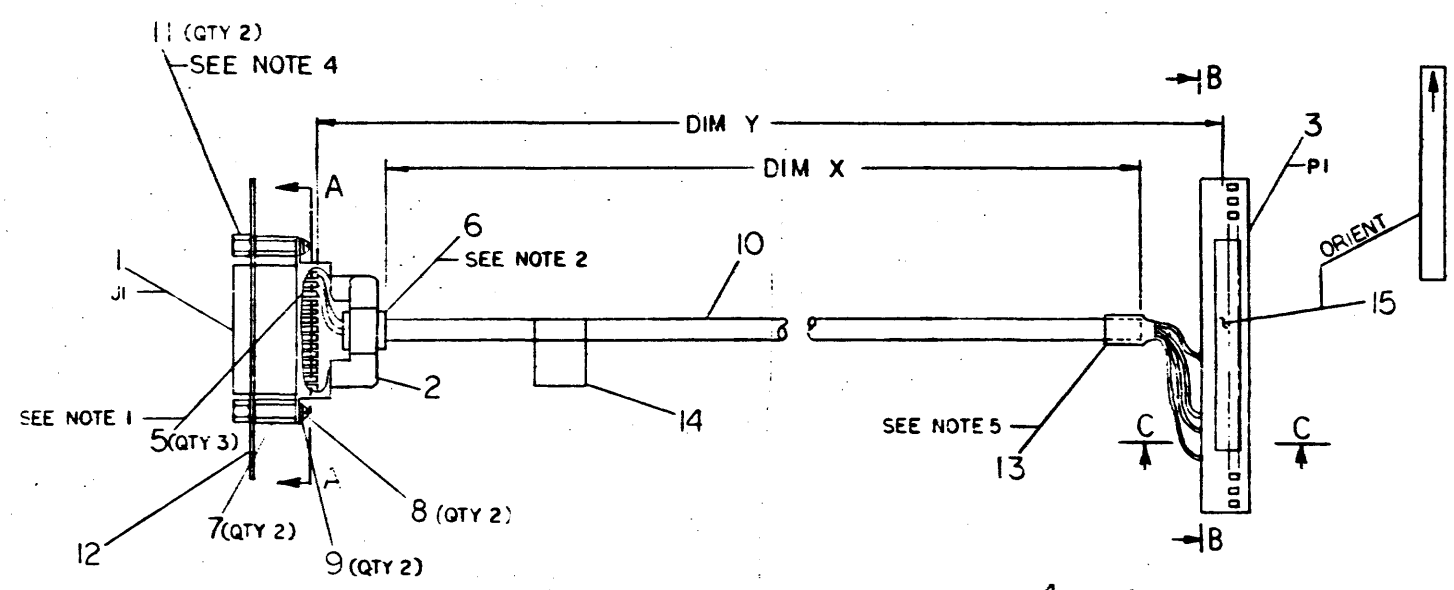


THIS DRAWING AND SPECIFICATIONS, HEREIN, ARE THE PROPERTY OF ORIGINATOR. REPRODUCTION AND USE SHALL BE RESTRICTED OR CONTROLLED BY THE ISSUING OFFICE OR THE MANUFACTURER. NO PART OF THIS DRAWING OR SPECIFICATIONS SHALL BE REPRODUCED OR TRANSMITTED IN ANY FORM OR BY ANY MEANS, ELECTRONIC OR MECHANICAL, INCLUDING PHOTOCOPYING, RECORDING, OR BY ANY INFORMATION STORAGE AND RETRIEVAL SYSTEM, WITHOUT PERMISSION IN WRITING FROM THE ISSUING OFFICE OR THE MANUFACTURER.

WIRE TABLE									
ITEM NO	DESCRIPTION	FROM			TO			REFERENCE	
		AWG	COLOR	POINT CONNECTION	WITH	POINT CONNECTION	WITH		
IC	22	BLK	—	PI-12	4	—	J1-1	SOLDER	GROUND
IC	22	GRN	—	PI-16	4	—	J1-3	SOLDER	SERIAL IN
IC	22	RED	—	PI-17	4	—	J1-2	SOLDER	SERIAL OUT
IC	22	WHT	—	PI-19	4	—	J1-24	SOLDER	F CON FST

LEGEND		
NUMBER	VARIATION	
	DIM X	DIM Y PRECUT
7016922-00	4 FT 9 IN ± 1 IN	5 FT. REF

- NOTES:
- EACH SOLDERED CONNECTION ON P2 SHALL BE INSULATED WITH A .25 IN LG PIECE OF SHRINK TUBING (ITEM 5).
  - FOR STRAIN RELIEF WRAP 5 TURNS OF TAPE (ITEM 6) AROUND WIRE (ITEMS 11-13) AS SHOWN.
  - 
  - PLACE LOCKWASHER (SUPPLIED WITH ITEM 11) BETWEEN SPACER AND CONNECTOR FLANGE. DISCARD NUT (QTY 2) SUPPLIED WITH ITEM 11.
  - END OF JACKET SHALL BE PROTECTED WITH 1.0 IN OF SHRINK TUBE AS SHOWN.



CAUTION: SEE OFF SHEET PARTS LIST K-PL-7016922-0-DBP. (Z3359B, PLS)

QTY	DESCRIPTION	DWG. PART NO.	ITEM NO.
1	LABEL, THIS END UP	A-PS-361773-0-0	15
1	LABEL, CABLE IDENT	A-FS-3616073-0-0	14
1.0	TUBING SHRINK .250 DIA	3137253-09	13
1	PLATE, CONN MTG	B-MD-7414072-0-0	12
2	SCREW LOCK ASSY	9008251-00	11
4	CABLE, 4 COND UNSHIELDED	9107706-00	10
2	WASHER, LOCK	9006688-00	9
2	SCR, PHL, PAN HD #4-40 X .65	9008301-01	8
2	SPACER, HEX, 4-40 TRD .750 LG	9000033-09	7
5.0	TAPE DOUBLE SIDED .50 WIDE	9008334-00	6
1.5	TUBING, HEAT SHRINK .12 DIA	9007255-09	5
4	CONTACT CRIMP	1217100-00	4
1	CONN, 20 POS HSG	1217099-01	3
1	HOOD, CONN	1212516-00	2
1	CONN, PLUG FILTERED	1214031-03	1

REV	DATE	BY	CHKD	DESCRIPTION
1	11/750	...	...	...

THIRD ANGLE PROJECTION

REMOVE BURRS AND BREAK SHARP CORNERS

DO NOT SCALE DWG

MATERIAL SEE PARTS LIST

FINISH

UNLESS OTHERWISE SPECIFIED DIMENSIONS ARE IN INCHES

CLASS OF ACCURACY	FRACTION	DECIMAL	MICROMETER
AS SHOWN	1/16	0.0625	0.0005
FINE	1/32	0.03125	0.0005
MEDIUM	1/64	0.015625	0.0005
COARSE	1/128	0.0078125	0.0005

QUANTITY & VARIATION

DRN: *[Signature]* 11/750

CHKD: *[Signature]* 11/750

ENGR: *[Signature]* 11/750

PROL ENG: *[Signature]* 11/750

PROD: *[Signature]* 11/750

FIRST USED ON: 11/750

TITLE: FILTERED CABLE ASSY (CONSOLE)

SIZE: D AD

NUMBER: 7016922-C-0

REV: B

SHEET 1 OF 1

DIST.

AUTOMATED BY PRT.LST.3P(44)

PARTS LIST

SHEET A1 OF A1

LINE	ITEM	DOCUMENT NUMBER	PART NUMBER	DESCRIPTION	QUANTITY PER VARIATION
1	1		1214081-03	CONN,D SUB 25PIN ASSY STRAIGHT S	1
2	2		1212516-00	CONN,D SUB 25POS CABLE CLAMP	1
3	3		1217099-01	CONN, 100 20POS HOUSING	1
4	4		1217100-00	CONTACT SNAP-IN CRIMP	4
5	5	SEE NOTE 1	9107255-03	TUBING, SHRINK 1/8 DIA. EXP UL	1
6	6	SEE NOTE 1	9007834-00	TAPE, DOUBLE COATED, 1/2" WIDE,	1
7	7		9000033-09	SPACER HEX THD'D ALUM 4-40X 3	3
8	8		9008301-01	SCREW PAN PHIL 4-40X 1/4 SS	1
9	9		9006688-00	WASHER, LOCK, S.S. #4	1
10	10	SEE NOTE 1	9107706-00	CABLE, 4 COND. 22AWG	60
11	11		9009451-00	SCREW LOCK ASSY	2
12	12	B-MD-7414072-0-0	7414072-00	PLATE CONN MTG	1
13	13	SEE NOTE 1	9107253-09	TUBING, SHRINK 1/4 DIA. EXP UL	1
14	14	A-PS-3616073-0-0	3616073-00	LABEL, CABLE IDENTIFICATION	1
15	15	A-PS-3617173-0-0	3617173-00	LABEL, "THIS END UP" FOR 11/750	1

16 NOTE: NOTE 1 ITEMS 5,6 AND 10 ARE IN INCHES.

REVISION HISTORY			BASIC PART NO: 7016922		DRN: H. DARAKJIAN		DATE: 7-DEC-81		D I G I T A L	
ENG:	ECO NUMBER	REV	SECTION A OF A	CHK'D:	T. MCCULLOUGH	DATE:	7-DEC-81	TITLE	PARTS LIST	
	INITIAL	B	SECTION. VARIATION INDEX						FILTERED CABLE ASSY (CONSOLE)	
			(A) 00						DOCUMENT NUMBER	
			(B)		DES.ENG.: R. CIESLUK	DATE:	7-DEC-81			
			(C)		RESP.ENG.: R. CIESLUK	DATE:	7-DEC-81	SIZE: CODE:	NUMBER	REV
			(D)					K	PL	7016922-0-08P
			(E)		MFG.ENG.: BOB SMITH	DATE:	7-DEC-81			8
			(F)		ASSEMBLY NUMBER:	TOP DOCUMENT NUMBER:		FILE NAME:	EDIT #	
					D-AD-7016922-0-0	E-AD-7016707-0-0		233598.PLS	6	
<p>"THIS DRAWING AND SPECIFICATIONS HEREIN, ARE THE PROPERTY OF DIGITAL EQUIPMENT CORPORATION AND SHALL NOT BE REPRODUCED OR COPIED OR USED IN WHOLE OR IN PART AS THE BASIS FOR THE MANUFACTURE OR SALE OF ITEMS WITHOUT WRITTEN PERMISSION. COPYRIGHT (C) 1981. DIGITAL EQUIPMENT CORPORATION"</p>										

AUTOMATED BY PRTLST.4Q(50)

PARTS LIST

SHEET A1 OF A1

LINE	ITEM	DOCUMENT NUMBER	PART NUMBER	DESCRIPTION	QUANTITY PER VARIATION
1	1	B-TC-H7104-C-1	MP01020-00	F.M.P.S. H7104-C	1
2	2	B-TC-H7104-D-1	MP01021-00	H7104D 50 PWR SU-PLY	1
3	3	B-TC-875-0-1	MP01022-00	875 CONTROLLER	1
4	4	B-TC-M8750-0-1	MP01398-00	F.M.P.S. MOS MEMORY ARRAY (M8750	1
5	5	B-TC-KA750-0-2	MP01024-00	F.M.P.S. KA750 FIELD MAINTAIN E	1
6	6		EKS1750-IN		1
7	7	B-TC-L0016-0-1	MP01404-00	F.M.P.S. (L0016)	1
8	8	B-TC-11750-F-1	MP01377-00	F.M.P.S. 11/750-F	1

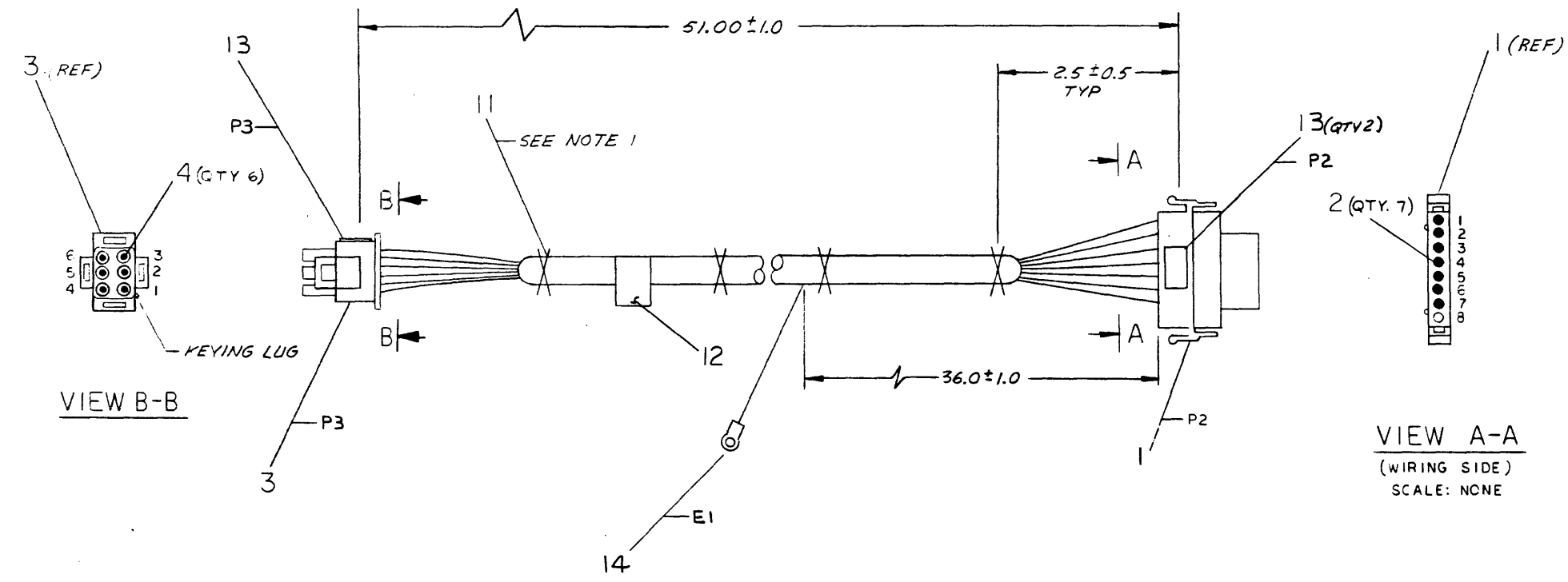
REVISION HISTORY		BASIC PART NO: 7019606		DRN: R.J. RILEY	DATE: 20-JUL-83	D I G I T A L	
ENG:	ECO NUMBER	REV	SECTION A OF A	CHK'D: R.J. RILEY	DATE: 20-JUL-83	TITLE	PARTS LIST
	INITIAL	A	SECTION VARIATION INDEX: [A] 00	DES.ENG.: S.FOOTE	DATE: 20-JUL-83	SHIP LIST 11750-F	
			[B]	RESP.ENG.: S. FOOTE	DATE: 20-JUL-83	DOCUMENT NUMBER	
			[C]	MFG.ENG.: R. SMITH	DATE: 20-JUL-83	SIZE: K	CODE: PL
			[D]	ASSEMBLY NUMBER:	TOP DOCUMENT NUMBER:	NUMBER	REV
			[E]			7019606-0-DBP	A
			[F]			FILE NAME:	EDIT #
						Z5496A.PLS	8
<p>"THIS DRAWING AND SPECIFICATIONS HEREIN, ARE THE PROPERTY OF DIGITAL EQUIPMENT CORPORATION AND SHALL NOT BE REPRODUCED OR COPIED OR USED IN WHOLE OR IN PART AS THE BASIS FOR THE MANUFACTURE OR SALE OF ITEMS WITHOUT WRITTEN PERMISSION. COPYRIGHT (C) 1983. DIGITAL EQUIPMENT CORPORATION "</p>							

PSC 882 2108

THIS DRAWING AND SPECIFICATIONS HEREIN ARE THE PROPERTY OF DIGITAL EQUIPMENT CORPORATION AND SHALL NOT BE REPRODUCED OR COPIED OR USED IN WHOLE OR IN PART AS THE BASIS FOR THE MANUFACTURE OR SALE OF ITEMS WITHOUT WRITTEN PERMISSION.  
COPYRIGHT © 1979, DIGITAL EQUIPMENT CORPORATION

ITEM NO.	AWG	COLOR	FROM		TO		REFERENCE
			CONN	WITH	CONN	WITH	
5	18	BRN	P3-1	ITEM 4	P2-5	ITEM 2	POWER OK
6	18	RED	P3-2	ITEM 4	P2-6	ITEM 2	CONSOLE LIGHT
7	18	GRN	P3-3	ITEM 4	P2-4	ITEM 2	PWR SUPPLY
8	18	YEL	P3-4	ITEM 4	P2-3	ITEM 2	REMOTE DISABLE
9	18	GRN	P3-5	ITEM 4	P2-2	ITEM 2	BBU
10	18	BLU	P3-6	ITEM 4	P2-1	ITEM 2	REMCTE DISABLE
14	14	BLK	E1	ITEM 15	P2-7	ITEM 2	GROUND

NOTES:  
1. ATTACH CABLE TIE APPROXIMATELY EVERY 4 INCHES.



VIEW B-B

VIEW A-A  
(WIRING SIDE)  
SCALE: NONE

ITEM NO.	DESCRIPTION	DWG./PART NO.	ITEM NO.
1	TERMINAL, RING	9007928-00	15
46	WIRE, 14 AWG STRD BLK	9107787-00	14
2	LABEL, PWR CON	A-DC-7909872-2-0	13
1	LABEL, CABLE IDENT	A-PS-3616073-0-0	12
A/R	TIE, CABLE	3007031-00	11
52	WIRE, 18 AWG STRD BLU	9107360-66	10
52	WIRE, 18 AWG STRD GRN	9107360-55	9
52	WIRE, 18 AWG STRD YEL	9107360-44	8
52	WIRE, 18 AWG STRD ORN	9107360-33	7
52	WIRE, 18 AWG STRD RED	9107360-22	6
52	WIRE, 18 AWG STRD BRN	9107360-11	5
6	PIN, MATE-N-LOCK, 14-20 AWG	1212169-00	4
1	HOUSING, MATE-N-LOCK, 6 PIN	1212167-06	3
7	PIN, MATE-N-LOCK, 20-14 AWG	1209378-00	2
1	HOUSING, MATE-N-LOCK, 8 PIN	1209340-01	1

DESCRIPTION	DWG./PART NO.	ITEM NO.
UNLESS OTHERWISE SPECIFIED DIMENSIONS ARE IN INCHES		
ANGLES ±0° 30'	CLASS OF ACCURACY	NOMINAL DIMENSION RANGE INCHES
SURFACE QUALITY IN	(CHECK ONE)	OVER 0 TO 1.2 ±0.004 ±0.008 ±0.012 ±0.016 ±0.024 ±0.04
QUANTITY & VARIATION	MEDIUM	OVER 1.2 TO 4.0 ±0.004 ±0.008 ±0.012 ±0.016 ±0.024 ±0.04
	PREFERRED	OVER 4.0 TO 12.0 ±0.004 ±0.008 ±0.012 ±0.016 ±0.024 ±0.04
		OVER 12.0 TO 40.0 ±0.004 ±0.008 ±0.012 ±0.016 ±0.024 ±0.04
		OVER 40.0 TO 80.0 ±0.004 ±0.008 ±0.012 ±0.016 ±0.024 ±0.04
		OVER 80.0 TO 160.0 ±0.004 ±0.008 ±0.012 ±0.016 ±0.024 ±0.04

REV.	CHG.	DATE	BY	APP.
1				
2				
3				
4				
5				
6				
7				
8				

THIRD ANGLE PROJECTION

REMOVE BURRS AND BREAK SHARP CORNERS

DO NOT SCALE DWG

MATERIAL SEE PARTS LIST

FINISH

DRN. [Signature] 2/24/79

CHK'D [Signature] 2/24/79

ENG. [Signature] 2/24/79

PROJ. ENG. [Signature] 2/24/79

PROD. [Signature] 2/24/79

NEXT HIGHER ASSY.

FIRST USED ON 11/750

TITLE CONSOLE POWER CABLE ASSY

SIZE D

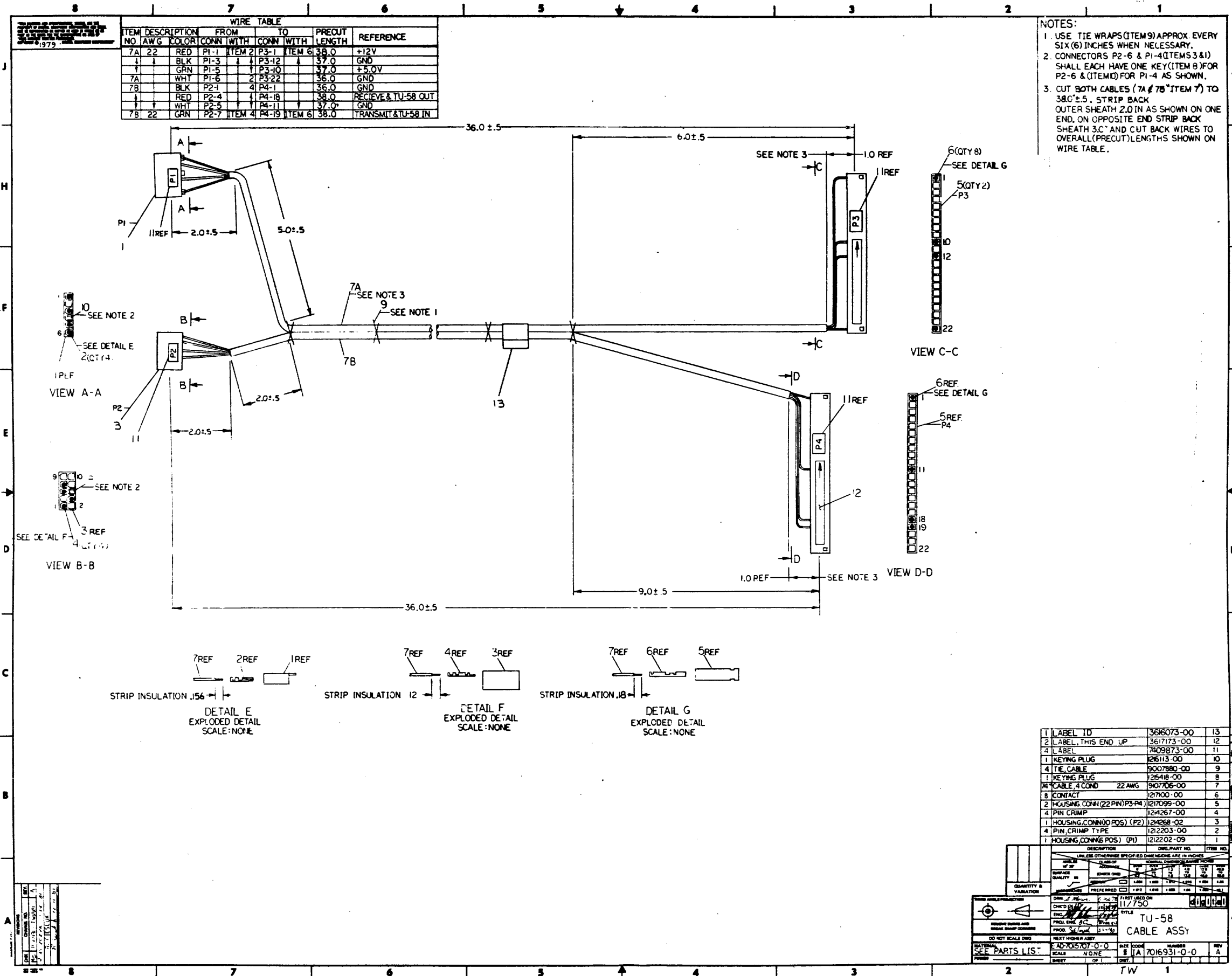
CODE 1A

NUMBER 7016930-0-0

REV. B

SHEET 1 OF 1

DIST.



WIRE TABLE								
ITEM NO.	DESCRIPTION	FROM	TO	PRECUT LENGTH	REFERENCE			
7A	22	RED	P1-1	ITEM 2	P3-1	ITEM 8	38.0	+12V
1	1	BLK	P1-3	1	P3-12	1	37.0	GND
1	1	GRN	P1-5	1	P3-10	1	37.0	+5.0V
7A	1	WHT	P1-6	2	P3-22	1	36.0	GND
7B	1	BLK	P2-1	4	P4-1	1	36.0	GND
1	1	RED	P2-4	1	P4-18	1	38.0	RECEIVE & TU-58 OUT
1	1	WHT	P2-5	1	P4-11	1	37.0	GND
7B	22	GRN	P2-7	ITEM 4	P4-19	ITEM 6	38.0	TRANSMIT & TU-58 IN

- NOTES:
- USE TIE WRAPS (ITEM 9) APPROX. EVERY SIX (6) INCHES WHEN NECESSARY.
  - CONNECTORS P2-6 & P1-4 (ITEMS 3 & 1) SHALL EACH HAVE ONE KEY (ITEM 8) FOR P2-6 & (ITEM 10) FOR P1-4 AS SHOWN.
  - CUT BOTH CABLES (7A & 7B ITEM 7) TO  $38.0 \pm 0.5$ . STRIP BACK OUTER SHEATH 2.0 IN AS SHOWN ON ONE END. ON OPPOSITE END STRIP BACK SHEATH 3.0" AND CUT BACK WIRES TO OVERALL (PRECUT) LENGTHS SHOWN ON WIRE TABLE.

ITEM NO.	DESCRIPTION	QTY	REF	ITEM NO.	DESCRIPTION	QTY	REF
1	LABEL ID	1	13	13	LABEL ID	1	13
2	LABEL, THIS END UP	1	12	12	LABEL, THIS END UP	1	12
4	LABEL	1	11	11	LABEL	1	11
1	KEYING PLUG	1	10	10	KEYING PLUG	1	10
4	TIE CABLE	1	9	9	TIE CABLE	1	9
1	KEYING PLUG	1	8	8	KEYING PLUG	1	8
4	CABLE, 4 COND	1	7	7	CABLE, 4 COND	1	7
8	CONTACT	1	6	6	CONTACT	1	6
2	HOUSING CONN (22 PIN) P3-P4	1	5	5	HOUSING CONN (22 PIN) P3-P4	1	5
4	PIN CRIMP	1	4	4	PIN CRIMP	1	4
1	HOUSING CONN (20 POS) (P2)	1	3	3	HOUSING CONN (20 POS) (P2)	1	3
4	PIN CRIMP TYPE	1	2	2	PIN CRIMP TYPE	1	2
1	HOUSING CONN (20 POS) (P1)	1	1	1	HOUSING CONN (20 POS) (P1)	1	1

QUANTITY & VARIATION	DESCRIPTION	QTY	REF
1	STRIP INSULATION .156	7	7 REF
1	STRIP INSULATION .12	4	4 REF
1	STRIP INSULATION .18	5	5 REF

DETAIL E EXPLODED DETAIL SCALE: NONE

DETAIL F EXPLODED DETAIL SCALE: NONE

DETAIL G EXPLODED DETAIL SCALE: NONE

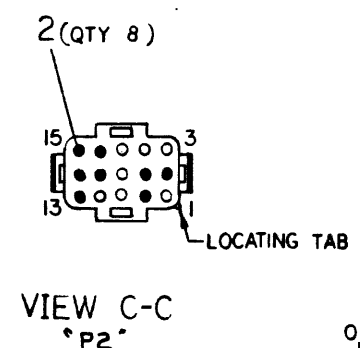
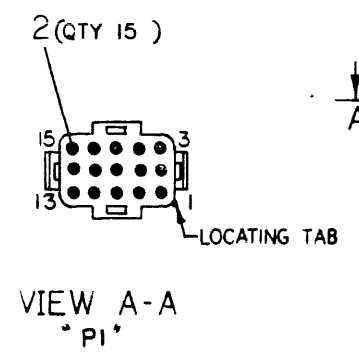
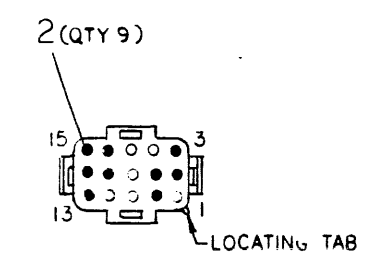
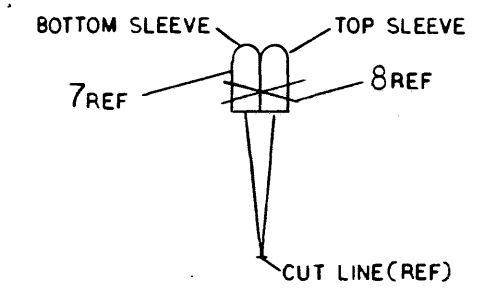
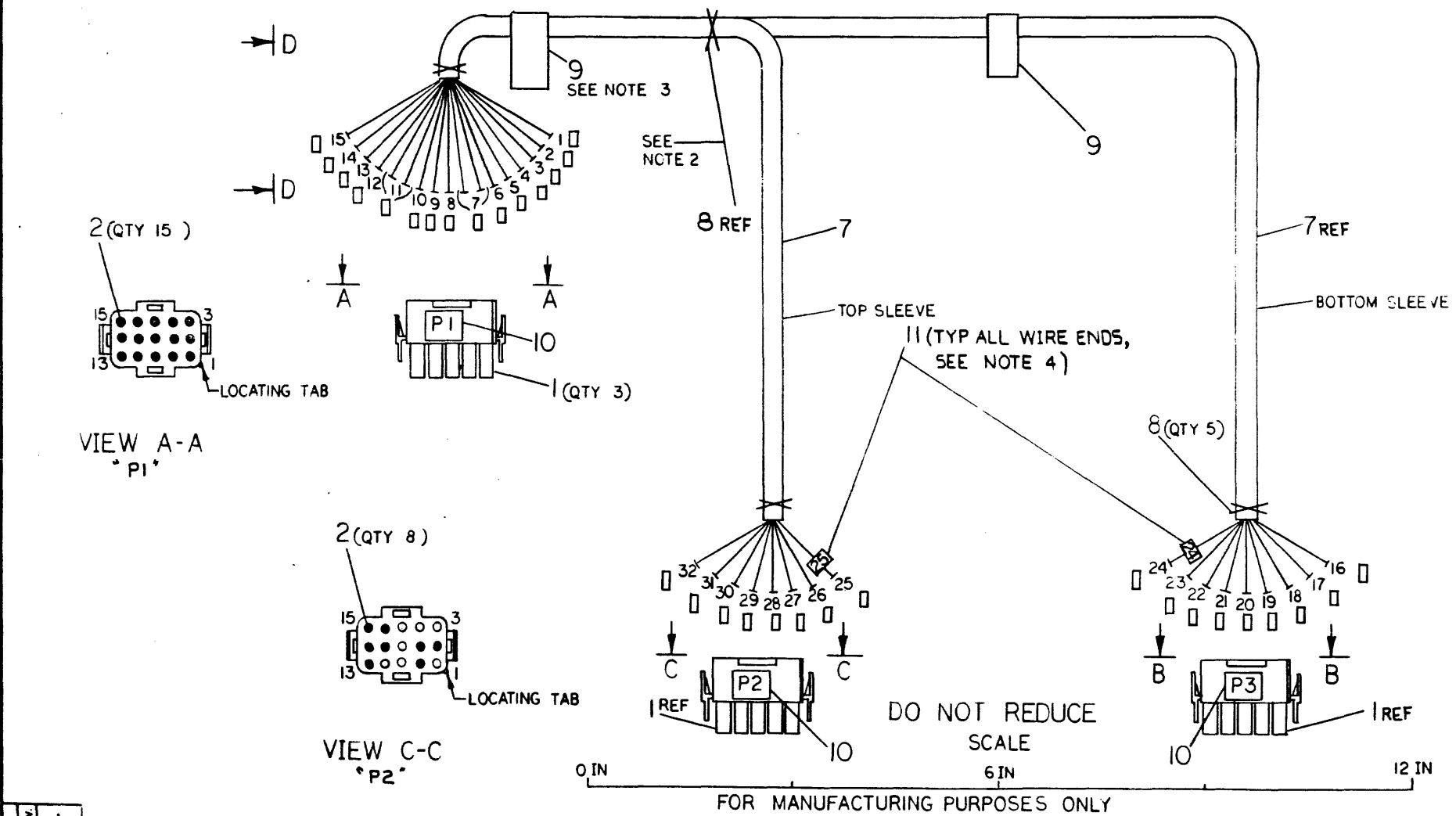
SEE PARTS LIST

REV	DATE	BY	CHKD
1	11/75	FW	

**WIRING TABLE**

ITEM NO	DESCRIPTION	FROM			TO			PRECUT LENGTH	
		AWG	COLOR	POINT	CONNECTION	TERM	POINT		CONNECTION
3	14	BRN	1	PI-1	2	16	P3-2	2	22.25 ± 0.01 IN
			2	PI-2		17	P3-3		22.25
			3	PI-3		18	P3-4		22.25
			4	PI-4		25	P2-2		15.25
3	14	BRN	5	PI-5		26	P2-4		15.25
5	14	BLU	6	PI-6		22	P3-13		22.25
6	18		7	PI-7		31	F2-14		15.25
6	18					23	P3-14		22.25
5	14		8	PI-8		24	P3-15		22.25
5	14		9	PI-9		30	P2-13		15.25
5	14		10	PI-10		32	P2-15		15.25
6	18					28	P2-11		15.25
6	18	BLU	11	PI-11		20	P3-11		22.25
4	14	WHT	12	PI-12		21	P3-12		22.25
4	14	WHT	13	PI-13		29	P2-12		15.25
3	14	BRN	14	PI-14		19	P3-5		22.25
3	14	BRN	15	PI-15	2	27	P2-5	2	15.25 ± 0.01 IN

- NOTES:**
1. ALL 22.25 INCH WIRES ARE TO BE ROUTED THROUGH TUBING (BOTTOM SLEEVE, ITEM 7) PRIOR TO ASSY TO CONN P1. REMAINING WIRES ARE TO BE ROUTED LIKEWISE TO CONN P2 THROUGH TOP SLEEVE.
  2. CABLE TIES BUNDLE TOP & BOTTOM SLEEVE.
  3. MARK ITEM 9 "CONTROLLER PLUG" AND LOCATE APPROX 2 INCHES FROM P1.
  4. APPLY WIRE MARKERS TO EACH WIRE AS NUMBERED.



CAUTION: OFF SHEET PARTS LIST  
SEE B-PL-7016153-0-0

DESCRIPTION	DRAWING NO.	PART NO.	ITEM NO.
UNLESS OTHERWISE SPECIFIED DIMENSIONS ARE IN INCHES AND THE FOLLOWING TOLERANCES APPLY (PER DEC STD 114)			
INCHES TOLERANCES	ANGLES ± 0° 30'	APPLICABLE DIMENSION RANGE	
		DIMENSION RANGE IN INCHES	
SURFACE QUALITY	MICROINCHES	OVER 0 TO 0.2	OVER 0.2 TO 1.2
		OVER 1.2 TO 4.0	OVER 4.0 TO 12.0
		OVER 12.0 TO 40.0	OVER 40.0 TO 80.0
QUANTITY & VARIATION		± 0.04	± 0.08
		± 0.12	± 0.16
		± 0.24	± 0.34
THIRD ANGLE PROJECTION	DATE 12/FEB/80	TITLE digital	
DO NOT SCALE DRAWING	DRN B. BLODGET	AC HARNESS	
REMOVE BURRS AND BREAK SHARP CORNERS	CHFD K. KNOWLES	DOCUMENT NUMBER	
MATERIAL	DES. ENG. J.B. DAVIS JR.	D IA 7016153-0-0	
SEE PARTS LIST	RESP. ENG. R. MARTEL	SCALE 1/1 SHEET OF 1	
FINISH H	MPL. ENG. C. BESSETT	REV *	
	NEXT HIGHER DOC E-UA-7016707-0-C		

**REVISION HISTORY**

DATE	REV.	DESCRIPTION
	1	ORIGINAL LOST
	2	REDRAWN NO CHG
	3	2-2-78

DRAWING NUMBER  
D IA 7016153-0-0

# DIGITAL EQUIPMENT CORPORATION PARTS LIST

MADE BY B. Blodgett	CHECKED J SULLIVAN	SECTION
DATE 12/FEB/80	DATE 12/FEB/80	+ +
ENG R MARTEL	PROD C BESSETT	ISSUED SECTION
DATE 12/FEB/80	DATE 12/FEB/80	+ +

## QUANTITY / VARIATION

NOTES:

ITEM NO.	DRAWING NO.	PART NO.	DESCRIPTION	7016158-00	SYMBOL											REF DESIGNATION				
1	A-DC-7409872-0-0	1212167-05	CONN. UNIV HOUS 15 PIN	3																
2		1212170-00	SOCKET, UNIV 14-20 AWG	32	□															
3		9107370-11	WIRE, 14 AWG STRD (BRN)	A/R																
4		9107370-99	WIRE, 14 AWG STRD (WHT)	A/R																
5		9107370-66	WIRE, 14 AWG STRD (BLU)	A/R																
6		9107360-66	WIRE, 18AWG STRD (BLU)	A/R																
7		9107246-00	TUBING, .50" EXTRUDED (BLK)	A/R																
8		9007031-00	CABLE TIE	5		X														
9		3616073-00	LABEL, CABLE IDENT.	2																
10		7409872-02	POWER HARNESS, DECAL	1																
11		9008356-01	MARKERS, WIRE #1-#48	1																

E.C.D. NO.

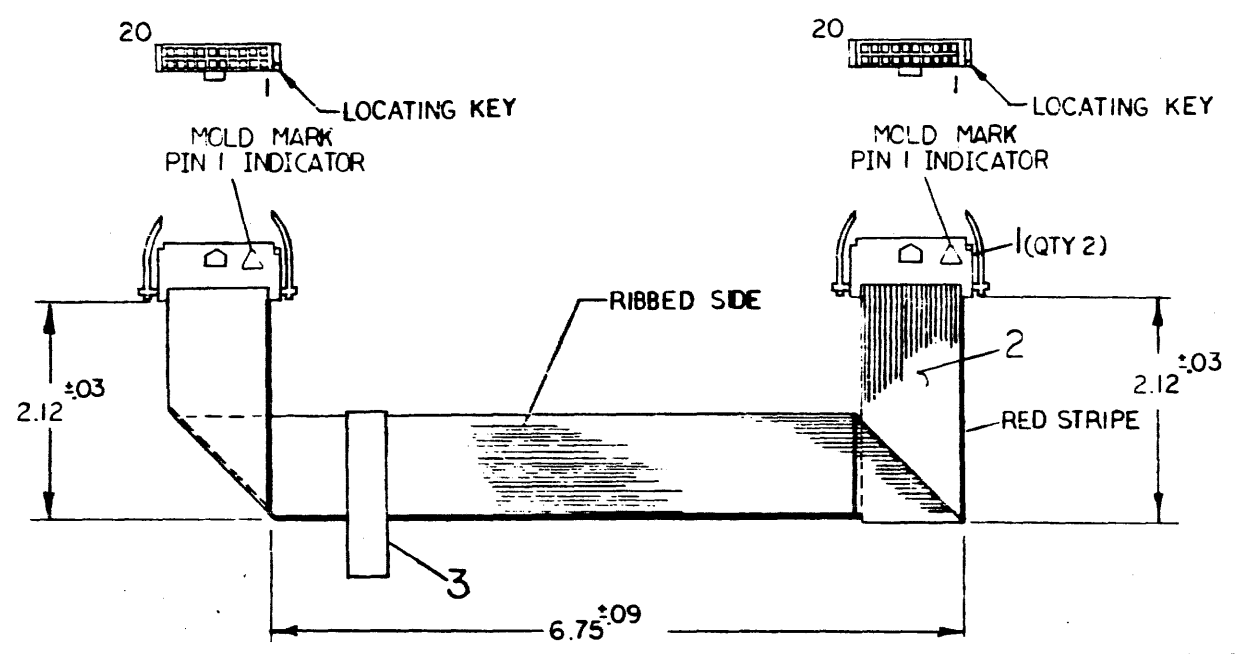
"THIS DRAWING AND SPECIFICATIONS, HEREIN, ARE THE PROPERTY OF DIGITAL EQUIPMENT CORPORATION AND SHALL NOT BE REPRODUCED OR COPIED OR USED IN WHOLE OR IN PART AS THE BASIS FOR THE MANUFACTURE OR SALE OF ITEMS WITHOUT WRITTEN PERMISSION. COPYRIGHT © DIGITAL EQUIPMENT CORPORATION"

TITLE  
AC HARNESS

ASSY NO.  
D-IA-7016153-0-0  
SHEET 1 OF 1

SIZE	CODE	NUMBER	REV.
B	PL	7016153-0-0	*
INSERTION PARTS LIST DATA BASE REV			

ALL DIMENSIONS AND SPECIFICATIONS HEREIN ARE THE PROPERTY OF DIGITAL EQUIPMENT CORPORATION AND SHALL NOT BE REPRODUCED OR COPIED OR USED IN WHOLE OR IN PART AS THE BASIS FOR THE MANUFACTURE OR SALE OF ANY EQUIPMENT WITHOUT WRITTEN PERMISSION OF DIGITAL EQUIPMENT CORPORATION



CAUTION: SEE OFF SHEET PARTS LIST  
K-PL-706513-0-DBP, (Z4477D.PLS).

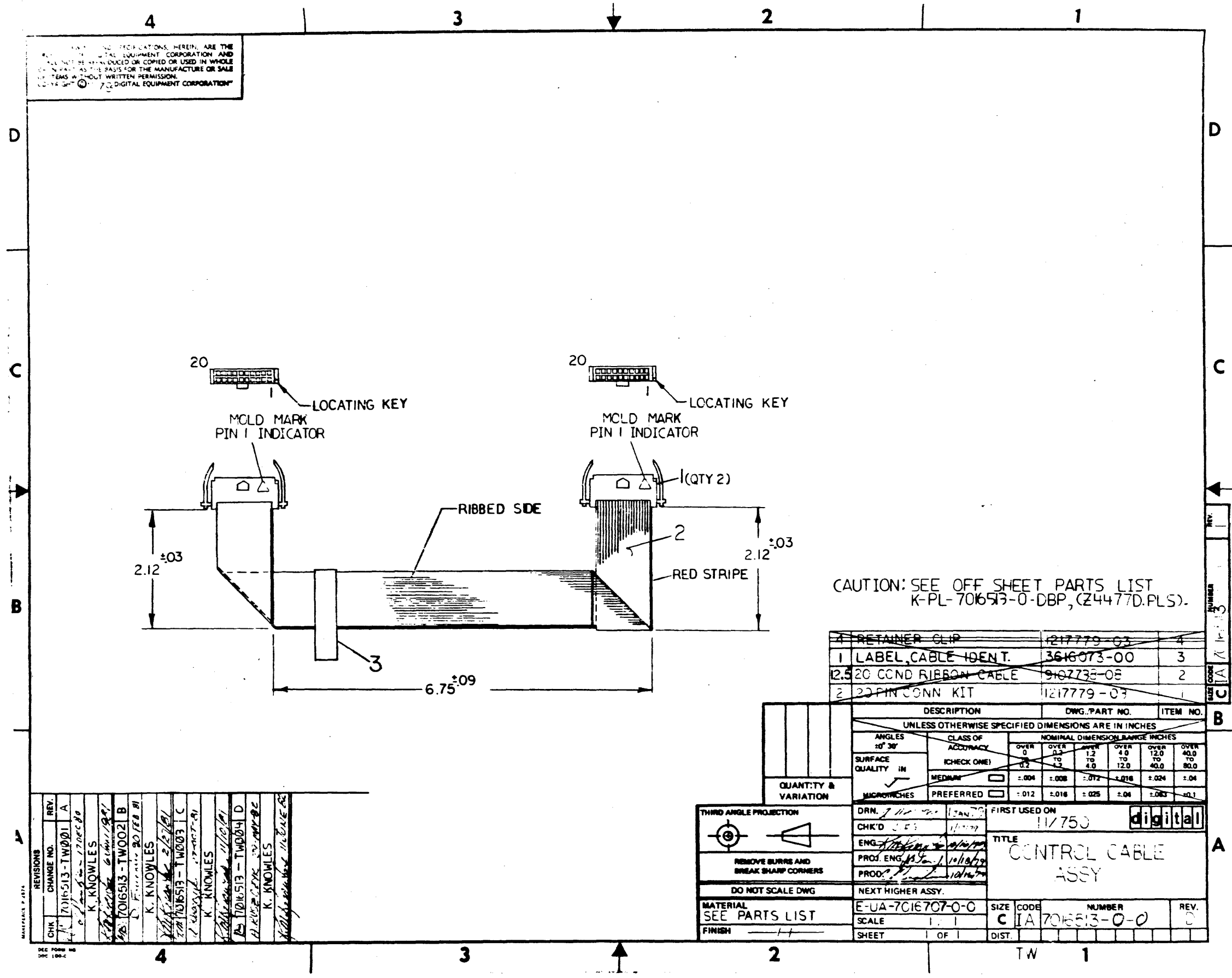
4	RETAINER CLIP	1217779-03	4
1	LABEL, CABLE IDENT.	3616073-00	3
2.5	20 COND RIBBON CABLE	9107733-08	2
2	20 PIN CONN KIT	1217779-03	1

REVISIONS	CHANGE NO.	REV.
1	7016513-TW001	A
2	7016513-TW002	B
3	7016513-TW003	C
4	7016513-TW004	D

DESCRIPTION		DWG. PART NO.	ITEM NO.
UNLESS OTHERWISE SPECIFIED DIMENSIONS ARE IN INCHES			
ANGLES 10° 30'	CLASS OF ACCURACY	NOMINAL DIMENSION RANGE INCHES	
SURFACE QUALITY IN	(CHECK ONE)	OVER 0 TO 0.2	OVER 0.2 TO 0.4
		OVER 0.4 TO 1.2	OVER 1.2 TO 4.0
MICROINCHES	PREFERRED	±.004 ±.008 ±.012 ±.016 ±.024 ±.04	±.012 ±.016 ±.025 ±.04 ±.063 ±.1
		FIRST USED ON	
THIRD ANGLE PROJECTION	DRN. 1/1/70	11/750	digital
REMOVE BURRS AND BREAK SHARP CORNERS	CHK'D JES	TITLE	
DO NOT SCALE DWG	ENG. 1/1/70	CONTROL CABLE ASSY	
MATERIAL SEE PARTS LIST	PROD. 1/1/70	NEXT HIGHER ASSY.	
FINISH	E-UA-7016707-0-0	SIZE CODE	NUMBER
	SCALE 1:1	C IA	7016513-0-0
	SHEET OF	DIST.	REV.

REC FORM 100 100

REV. 1  
NUMBER 13  
DATE CODE C IA





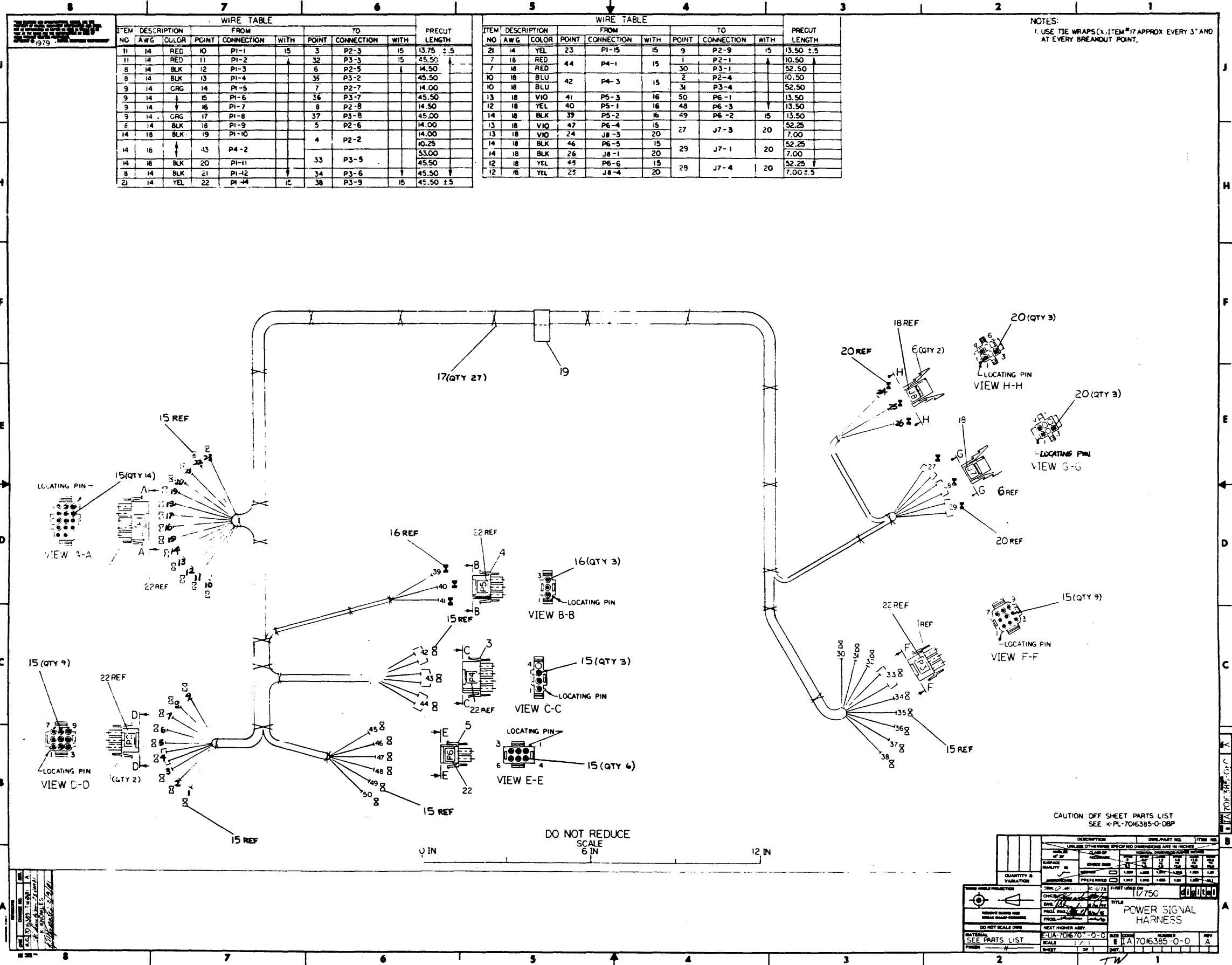
AUTOMATED BY PRTLST.3P(44)

PARTS LIST

SHEET A1 OF A1

LINE	ITEM	DOCUMENT NUMBER	PART NUMBER	DESCRIPTION	QUANTITY PER VARIATION
1	1		1217779-03	CONN. IDC RETAINER CLIP	2
3	3		9107738-08	CABLE, RIBBON BOND 20COND 28AWG	A/R
4	4	BLANK	3616073-00	LABEL, ID W/COPY VERTICAL	1
				*** THIS ITEM IS NOT USED ***	-

REVISION HISTORY		BASIC PART NO: 7016513		DRN: A.RUSZCZYK	DATE: 29-MAY-82	D I G I T A L	
ENG:	ECO NUMBER	REV	SECTION A OF A	CHK'D: T.MCCULLOUGH	DATE: 29-MAY-82	TITLE PARTS LIST	
	INITIAL	D	SECTION. VARIATION INDEX	DES.ENG.: K.KNOWLES	DATE: 29-MAY-82	CONTROL CABLE ASSY	
			(A) 00	RESP.ENG.: K.KNOWLES	DATE: 29-MAY-82	DOCUMENT NUMBER	
			(B)	MFG.ENG.: J.WOERNER	DATE: 29-MAY-82	SIZE: K	CODE: PL
			(C)	ASSEMBLY NUMBER: C-IA-7016513-0-0	TOP DOCUMENT NUMBER: E-UA-7016707-0-0	NUMBER: 7016513-0-DBP	REV: D
			(D)			FILE NAME: 24477D.PLS	EDIT #: 2
			(E)				
			(F)				
<p>"THIS DRAWING AND SPECIFICATIONS HEREIN, ARE THE PROPERTY OF DIGITAL EQUIPMENT CORPORATION AND SHALL NOT BE REPRODUCED OR COPIED OR USED IN WHOLE OR IN PART AS THE BASIS FOR THE MANUFACTURE OR SALE OF ITEMS WITHOUT WRITTEN PERMISSION. COPYRIGHT (C) 1982. DIGITAL EQUIPMENT CORPORATION"</p>							



WIRE TABLE										
ITEM NO.	DESCRIPTION	AWG	COLOR	POINT	CONNECTION	WITH	POINT	CONNECTION	WITH	PRECUT LENGTH
11	14	RED	10	PI-1	15	3	P2-3	15	13.75 ±.5	
11	14	RED	11	PI-2	32	6	P3-3	15	45.50	
8	14	BLK	12	PI-3	6	6	P2-5		14.50	
8	14	BLK	13	PI-4	35	7	P3-2		45.50	
9	14	CRG	14	PI-5	7	7	P2-7		14.00	
9	14		15	PI-6	36	8	P3-7		45.50	
9	14		16	PI-7	8	8	P2-8		14.50	
9	14	CRG	17	PI-8	37	9	P3-8		45.00	
8	14	BLK	18	PI-9	5	5	P2-6		14.00	
14	18	BLK	19	PI-10	4	4	P2-2		14.00	
14	18		23	P4-2					10.25	
14	18	BLK	20	PI-11		33	P3-5		53.00	
8	14	BLK	21	PI-12		34	P3-6		45.50	
21	14	YEL	22	PI-14	12	38	P3-9	15	45.50 ±.5	

WIRE TABLE										
ITEM NO.	DESCRIPTION	AWG	COLOR	POINT	CONNECTION	WITH	POINT	CONNECTION	WITH	PRECUT LENGTH
21	14	YEL	23	PI-15	15	9	P2-9	15	13.50 ±.5	
7	18	RED	44	P4-1	15	1	P2-1		10.50	
7	18	RED	42	P4-3	15	2	P3-1		10.50	
10	18	BLU	42	P4-3	15	34	P3-4		52.50	
13	18	VIO	47	P5-3	16	50	P6-1		13.50	
12	18	YEL	40	P5-1	16	48	P6-3		13.50	
14	18	BLK	39	P5-2	16	49	P6-2	15	13.50	
13	18	VIO	47	P6-4	15	27	J7-3	20	52.25	
13	18	VIO	24	J8-3	20	27	J7-3	20	7.00	
14	18	BLK	46	P6-5	15	29	J7-1	20	52.25	
14	18	BLK	26	J8-1	20	29	J7-1	20	7.00	
12	18	YEL	45	P6-6	15	29	J7-4	20	52.25	
12	18	YEL	25	J8-4	20	29	J7-4	20	7.00 ±.5	

NOTES:  
1. USE TIE WRAPS (X) ITEM #17 APPROX EVERY 3" AND AT EVERY BREAKOUT POINT.

DATE: 10/1/70  
BY: J. J. WILSON  
CHECKED BY: J. J. WILSON  
APPROVED BY: J. J. WILSON

DO NOT REDUCE  
SCALE  
6 IN 12 IN

CAUTION OFF SHEET PARTS LIST  
SEE K-PL-706385-0-D8P

DESCRIPTION	QTY	UNIT	ITEM NO.
POWER SIGNAL HARNESS	1	EA	706385-0-0
SCALE	1/2" = 1"		
DATE	10/1/70		
BY	J. J. WILSON		
CHECKED BY	J. J. WILSON		
APPROVED BY	J. J. WILSON		
REV	A		

LINE ITEM	DOCUMENT NUMBER	PART NUMBER	DESCRIPTION	QUANTITY PER VARIATION
1		1212167-04	MATE-N-LOK 9POS UNIV HSG,SKT	2
2		1212167-05	MATE-N-LOK 15POS UNIV HSG,SKT	1
3		1212167-01	MATE-N-LOK 4POS UNIV HSG,SKT	1
4		1212167-00	MATE-N-LOK 3POS UNIV HSG,SKT	1
5		1212167-06	MATE-N-LOK 6POS UNIV HSG,SKT	1
6		1209350-06	MATE-N-LOK 6POS COMM HSG,SKT	2
7		9107360-22	WIRE,STRND,18AWG,IPVC UL1429	A/R
8		9107370-00	WIRE,STRND,14AWG,IPVC UL1534	A/R
9		9107370-33	WIRE,STRND,14AWG,IPVC UL1534	A/R
10		9107360-66	WIRE,STRND,18AWG,IPVC UL1429	A/R
11		9107370-22	WIRE,STRND,14AWG,IPVC UL1534	A/R
12		9107360-44	WIRE,STRND,18AWG,IPVC UL1429	A/R
13		9107360-77	WIRE,STRND,18AWG,IPVC UL1429	A/R
14		9107360-00	WIRE,STRND,18AWG,IPVC UL1429	A/R
15		1212170-00	MATE-N-LOK SKT UNIV 20-14AWG REE	41
16		1213807-01	MATE-N-LOK PIN UNIV 20-14AWG STR	4
17		9007031-00	TIE,CABLE BUNDL.DIA 0- 3/4"=101	27
18	A-DC-7409873-0-0	7409873-02	DECAL PWR CONN	1
19		3616073-00	LABEL,CABLE IDENTIFICATION	1-
20		1209379-00	MATE-N-LOK SKT COMM 20-14AWG STR	6
21		9107370-44	WIRE,STRND,14AWG,IPVC UL1534	A/R
22	A-DC-7409872-0-0	7409872-02	DECAL PWR HARNESS [BLK/CLR]	1

REVISION HISTORY			BASIC PART NO: 7016385		DRN: T. ROCHA		DATE: 08-NOV-79		DIGITAL			
ENG	ECO NUMBER	REV	SECTION A OF A	CHK'D:	J. SULLIVAN	DATE:	08-NOV-79	TITLE PARTS LIST				
---	INITIAL	*	SECTION. VARIATION INDEX	DES.ENG.:	K. KNOWLES	DATE:	08-NOV-79	POWER SIGNAL HARNESS				
---	INITIAL	*	[A] 00	RESP.ENG.:	K. KNOWLES	DATE:	08-NOV-79	DOCUMENT NUMBER				
KK	7016385-TW001	A	[B]	MFG.ENG.:	J WOERNER	DATE:	08-NOV-79	SIZE!	CODE!	NUMBER	REV	
			[C]	ASSEMBLY NUMBER:	E-IA-7016385-0-0	TOP DOCUMENT NUMBER:	E-AD-7016707-0-0	K	PL	7016385-0-DBP	A	
			[D]	FILE NAME:	Z0689.PLS	EDIT #:	7					
			[E]	*THIS DRAWING AND SPECIFICATIONS HEREIN, ARE THE PROPERTY OF DIGITAL EQUIPMENT CORPORATION AND SHALL NOT BE REPRODUCED OR COPIED OR USED IN WHOLE OR IN PART AS THE BASIS FOR THE MANUFACTURE OR SALE OF ITEMS WITHOUT WRITTEN PERMISSION. COPYRIGHT (C) 1981. DIGITAL EQUIPMENT CORPORATION *								
			[F]									

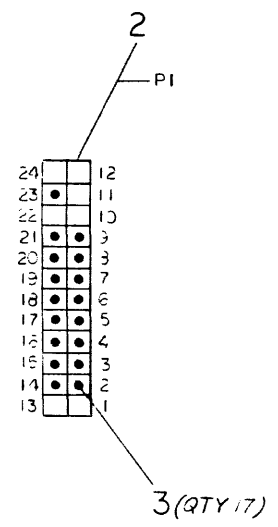
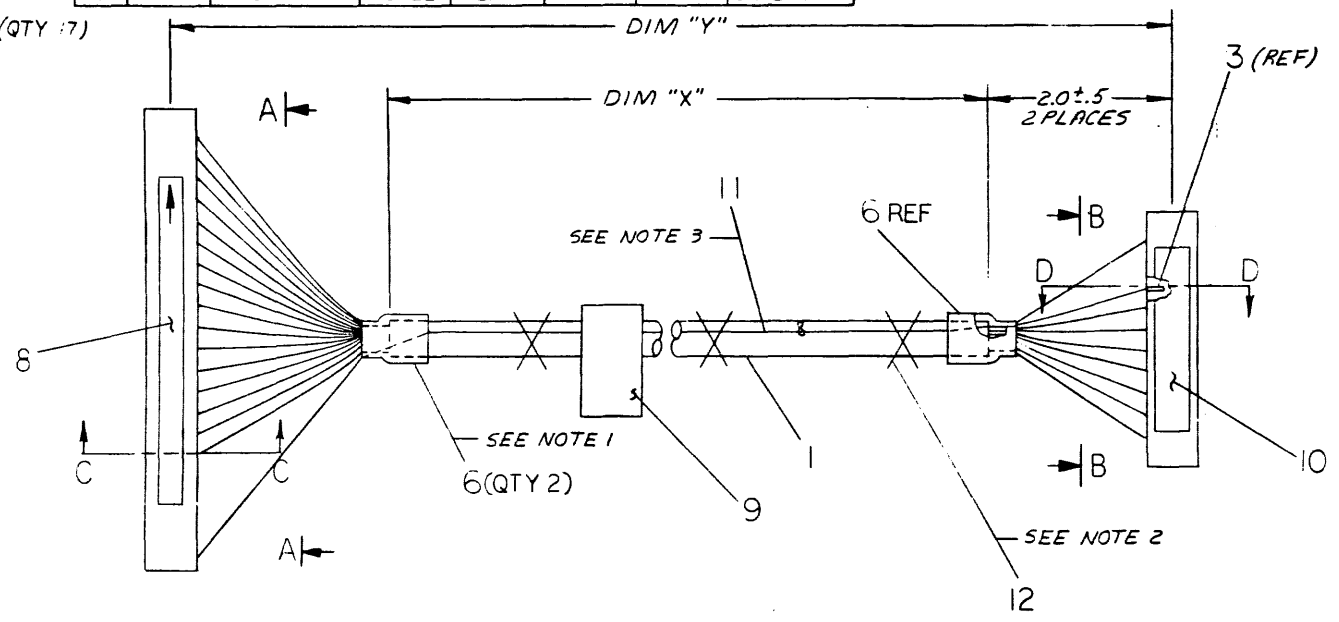
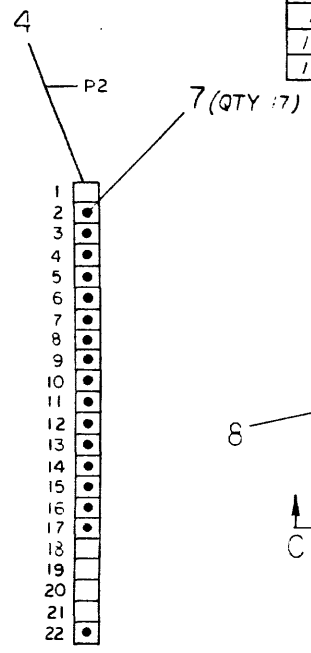
TW

"THIS DRAWING AND SPECIFICATIONS, HEREIN ARE THE PROPERTY OF DIGITAL EQUIPMENT CORPORATION AND SHALL NOT BE REPRODUCED OR COPIED OR USED IN WHOLE OR IN PART IN THE DESIGN, FABRICATION, MANUFACTURE OR SALE OF ITEMS WITHOUT WRITTEN PERMISSION. COPYRIGHT © 1979, DIGITAL EQUIPMENT CORPORATION"

WIRE TABLE						
ITEM NO.	DESCRIPTION	FROM		TO		REFERENCE
		CONN	WITH	CONN	WITH	
1	26	WHT/BLK	P2-2	ITEM 7	PI-2	ITEM 3
1	26	WHT/BRN	P2-3	ITEM 7	PI-3	ITEM 3
1	26	WHT/RED	P2-4	ITEM 7	PI-4	ITEM 3
1	26	WHT/ORN	P2-5	ITEM 7	PI-5	ITEM 3
1	26	WHT/YEL	P2-6	ITEM 7	PI-6	ITEM 3
1	26	WHT/GRN	P2-7	ITEM 7	PI-7	ITEM 3
<del>1</del>	<del>26</del>	<del>WHT/BLU</del>	<del>P2-8</del>	<del>ITEM 7</del>	<del>PI-8</del>	<del>ITEM 3</del>
1	26	WHT/VIO	P2-9	ITEM 7	PI-9	ITEM 3
1	22	RED	P2-10	ITEM 7	PI-14	ITEM 3 +5.0V
1	26	WHT/GRY	P2-11	ITEM 7	PI-15	ITEM 3
1	22	BLK	P2-12	ITEM 7	PI-16	ITEM 3 GROUND
1	26	WHT/BLK-BRN	P2-13	ITEM 7	PI-17	ITEM 3
1	26	WHT/BLK-RED	P2-14	ITEM 7	PI-18	ITEM 3
1	26	WHT/BLK-ORN	P2-15	ITEM 7	PI-19	ITEM 3
1	26	WHT/BLK-YEL	P2-16	ITEM 7	PI-20	ITEM 3
1	26	WHT/BLK-GRN	P2-17	ITEM 7	PI-21	ITEM 3
11	22	WHT	P2-8	ITEM 7	PI-8	ITEM 3
11	22	GRAY	P2-22	ITEM 7	PI-23	ITEM 3 GROUND

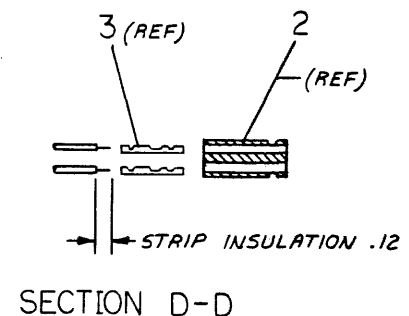
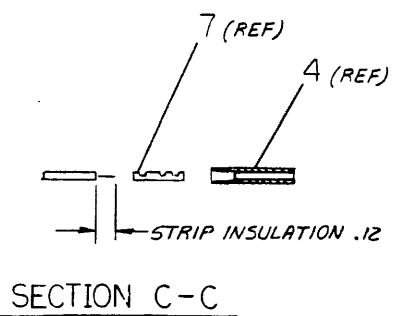
NUMBER	VARIATION	
	DIM "X"	DIM "Y" PRECUT
7016929-00	32.0 ± 1.0 IN.	36.0 IN.

- NOTES:
- BOTH ENDS OF CABLE JACKET SHALL BE PROTECTED WITH 1.0 IN. OF SHRINK TUBE (ITEM 6) AS SHOWN.
  - ATTACH CABLE TIE APPROXIMATELY EVERY 4 INCHES.
  - ROUTE TWISTED PAIR WIRE UNDER SHRINK TUBING.



VIEW A-A  
(WIRING SIDE)  
SCALE: NONE

VIEW B-B  
(WIRING SIDE)  
SCALE: NONE



CAUTION: SEE OFF SHEET PARTS LIST  
K-PL-7016929-0-DBP.  
(Z4164B.PLS)

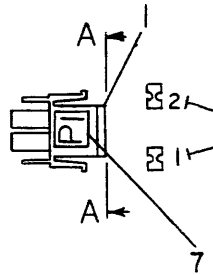
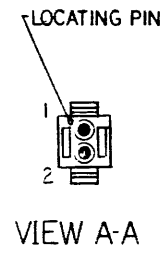
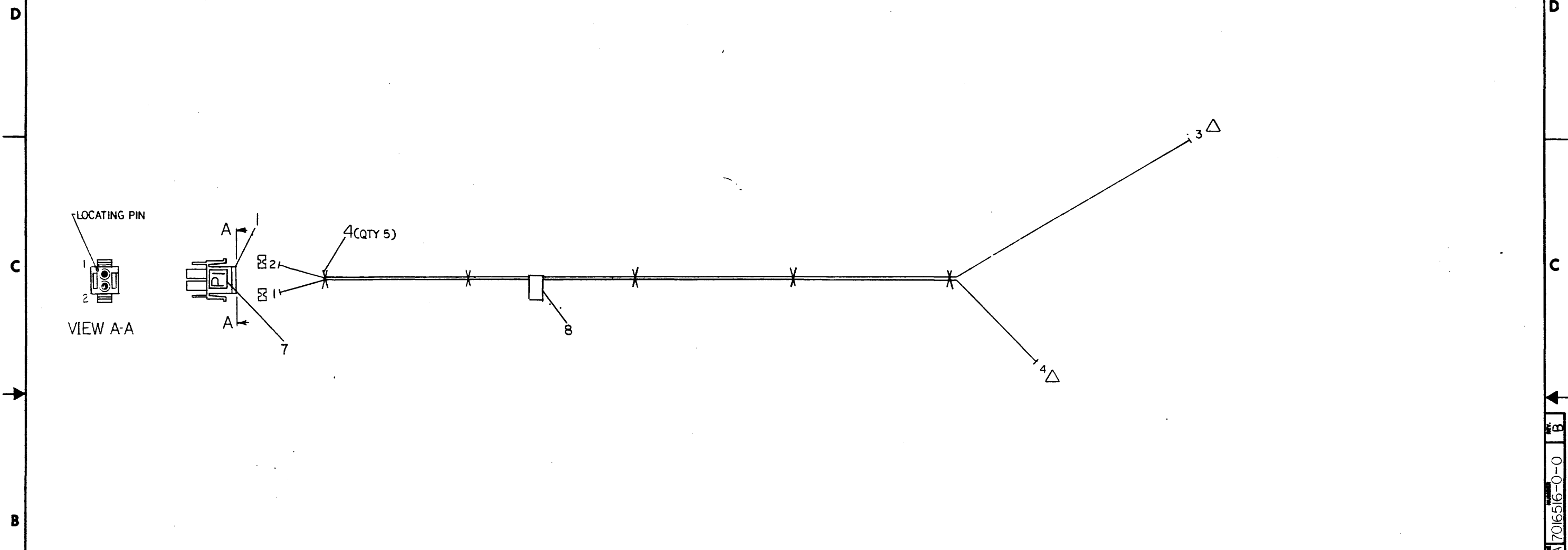
QTY	DESCRIPTION	DWG. PART NO.	ITEM NO.
1	TIE, CABLE	3007031-00	12
1	36" WIRE STRND, 22AWG IVPC	3107420-89	11
1	LABEL, THIS SIDE TOWARD	3617173-01	10
1	LABEL, CABLE IDENT	3616075-00	9
1	LABEL, THIS END UP	3617173-00	8
13	CONTACT, CRIMP, 30-26AWG	1217100-01	7
2	TUBING, SHRINK .375 ID x 2.0	3107252-09	6
4	CONTACT, CRIMP, 24-20AWG	1217100-00	5
1	CONN. HOUSING, 22 POS	1217339-00	4
17	CONTACT, SP. AP TYP REEL	1210033-07	3
1	TERM. .453 (.34 POS)	1210913-25	2
1	CABLE BOND 2, 22, 4, 24	1700190-00	1

REV.	CHG	DATE	BY	APP	DESCRIPTION
1					
2					
3					
4					
5					
6					
7					
8					

THIRD ANGLE PROJECTION	DRN: [Signature]	FIRST USED ON: 11/750	DIGITAL
REMOVE BURRS AND BREAK SHARP CORNERS	CHK'D: [Signature]	PROJ. ENG. [Signature]	TITLE: CONSOLE SIGNAL CABLE ASSY
DO NOT SCALE DWG	NEXT HIGHER ASSY.	MATERIAL: EJA-7016707-0-0	SIZE: D
MATERIAL: SEE PARTS LIST	SCALE: NONE	NUMBER: 7016929-0-0	REV: 3
FINISH: [Symbol]	SHEET 1 OF 1	DIST.	

THIS DRAWING AND SPECIFICATIONS HEREIN ARE THE PROPERTY OF DIGITAL EQUIPMENT CORPORATION AND SHALL NOT BE REPRODUCED OR COPIED OR USED IN WHOLE OR IN PART AS THE BASIS FOR THE MANUFACTURE OR SALE OF ITEMS WITHOUT WRITTEN PERMISSION.  
COPYRIGHT © 1979, DIGITAL EQUIPMENT CORPORATION

ITEM NO	DESCRIPTION		FROM			TO			PRECUT LENGTH
	AWG	COLOR	POINT	CONNECTION	TERM	POINT	CONNECTION	TERM	
5	18	RED	2	PI-2	2	4		3	12.0 ±1.0 IN
6	18	BLK	1	PI-1	2	3		3	15.0 ±1.0 IN



4 (QTY 5)

8

1	TABLE, CABLE IDENT.	3616073-00	6
1	DECAL, POWER	7409872-2	7
	20.5" WIRE 18 AWG STRD	BLK 9107360-00	6
	17.25" WIRE 18 AWG STRD	RED 9107360-22	5
X	5 CABLE TIE	9007031-00	4
△	2 RING TERM #6	RED 9007929-00	3
⊗	2 SOCKET UNIV MATE-N-LOK	1212170-03	2
1	2 PIN UNIV HSG MATE-N-LOK	1212167-02	1

SYMBOL	DESCRIPTION	DWG./PART NO.	ITEM NO.
ANGLER 30° 30'	CLASS OF ACCURACY	NOMINAL DIMENSION RANGE INCHES	
SURFACE QUALITY	(CHECK ONE)	SMOOTH	0.001
		MEDIUM	0.004
QUANTITY & VARIATION	PRECISION	0.012	0.016
	PREFERRED	0.025	0.04
		0.063	0.1

REV.	CHG.	BY	DATE
A	1	J. DAVIS	11/13/79
B	1	M. J. KNOWLES	11/22/79

THIRD ANGLE PROJECTION

REMOVE BURRS AND BREAK SHARP CORNERS

DO NOT SCALE DWG

MATERIAL SEE PARTS LIST

FINISH

DRN. 1-13-79

CHKD. 11/22/79

ENG. [Signature]

PROJ. ENG. [Signature]

PROD. [Signature]

FIRST USED ON 11/750

TITLE REMOTE 2.5 SENSE CABLE ASSY

SIZE CODE D IA 7016516-C-0

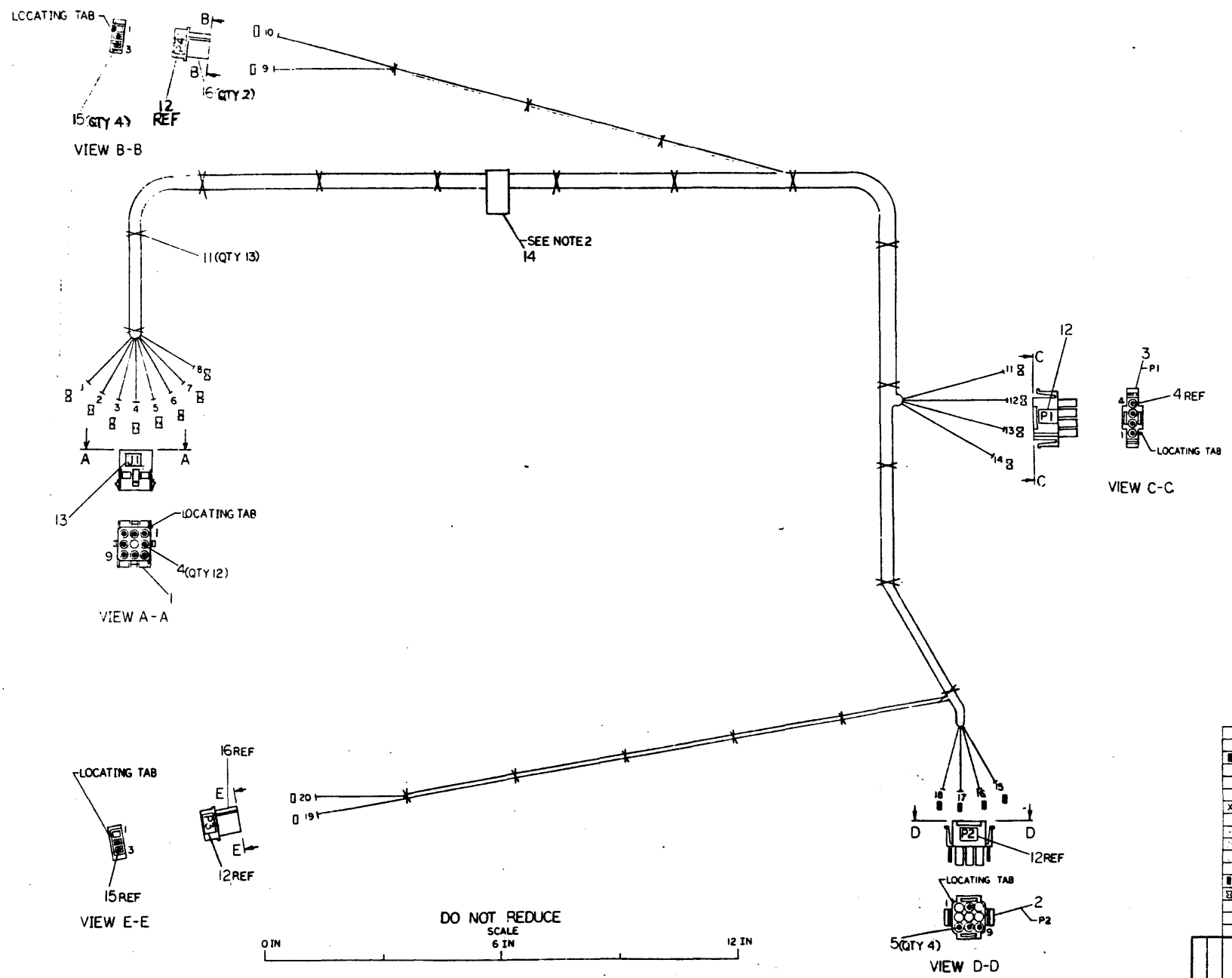
NUMBER 1

REV. B

SHEET 1 OF 1

ITEM NO	DESCRIPTION	AWG	COLOR	FROM				TO				PRECUT LENGTH
				POINT	CONNECTION	TERM	POINT	CONNECTION	TERM			
9	14	RED	8	J1-1	4	12	P1-3	4	32.5	INT 25 IN		
9	14	RED	7	J1-2	4	11	P1-4	4	32.5			
6	18	GRY	6	J1-3	4	18	P2-3	5	40.25			
7	18	YEL	5	J1-4	4	17	P2-4	5	40.25			
8	18	GRY	4	J1-6	4	16	P2-6	5	40.25			
8	14	BLK	3	J1-7	4	14	P1-1	4	32.5			
8	14	BLK	2	J1-8	4	13	P1-2	4	32.5			
10	18	BLK	1	J1-9	4	15	P2-9	5	40.25			
10	18	BLK	9	F4-3	15	19	P3-3	15	45.50			
17	18	WHT	10	F4-2	15	20	P3-2	15	45.50	IN ± .25		

NOTES:  
 1. LOCATE CABLE TIES (ITEM 14) APPROX EVERY 3 INCHES AS SHOWN.  
 2. LOCATE CABLE LABEL (ITEM 16) APPROX AS SHOWN.



ITEM NO	DESCRIPTION	QTY	UNIT	PART NO	ITEM NO
46	WIRE 18 AWG STRO	WHT		907360-99	17
2	3 PIN HOUSING MATE-N-LOC			1209351-03	16
4	PIN, MATE-N-LOC			1809378-00	15
1	LABEL, CABLE IDENT			3616073-00	14
1	LABEL, POWER HARNESS			7409872-2	13
1	PC WEP CONNECTOR DECAL			7409873-2	12
X 21	CABLE TIE			907351-33	11
41	WIRE 18 AWG STRO	BLK		907360-00	10
65	WIRE 14 AWG STRO	RED		907370-22	9
65	WIRE 14 AWG STRO	BLK		907370-00	8
41	WIRE 18 AWG STRO	YEL		907360-44	7
41	WIRE 18 AWG STRO	GRY		907360-83	6
4	4 PIN UNIV. MATE-N-LOC			12169-03	5
12	SCCKET UNIV. MATE-N-LOC			12170-00	4
1	3 PIN HOUSING MATE-N-LOC			12167-01	3
1	9 PIN HOUSING MATE-N-LOC			12167-04	2
1	9 PIN HOUSING MATE-N-LOC			12169-07	1

UNLESS OTHERWISE SPECIFIED DIMENSIONS ARE IN INCHES

DATE	1/7/75	FIRST USED ON	
DESIGNER		SCALE	1:1
CHECKED		BY	
APPROVED		DATE	

TITLE: BATTERY BACK-UP PWR BUS HARNESS

SCALE: 1:1

NUMBER: 7016379-0

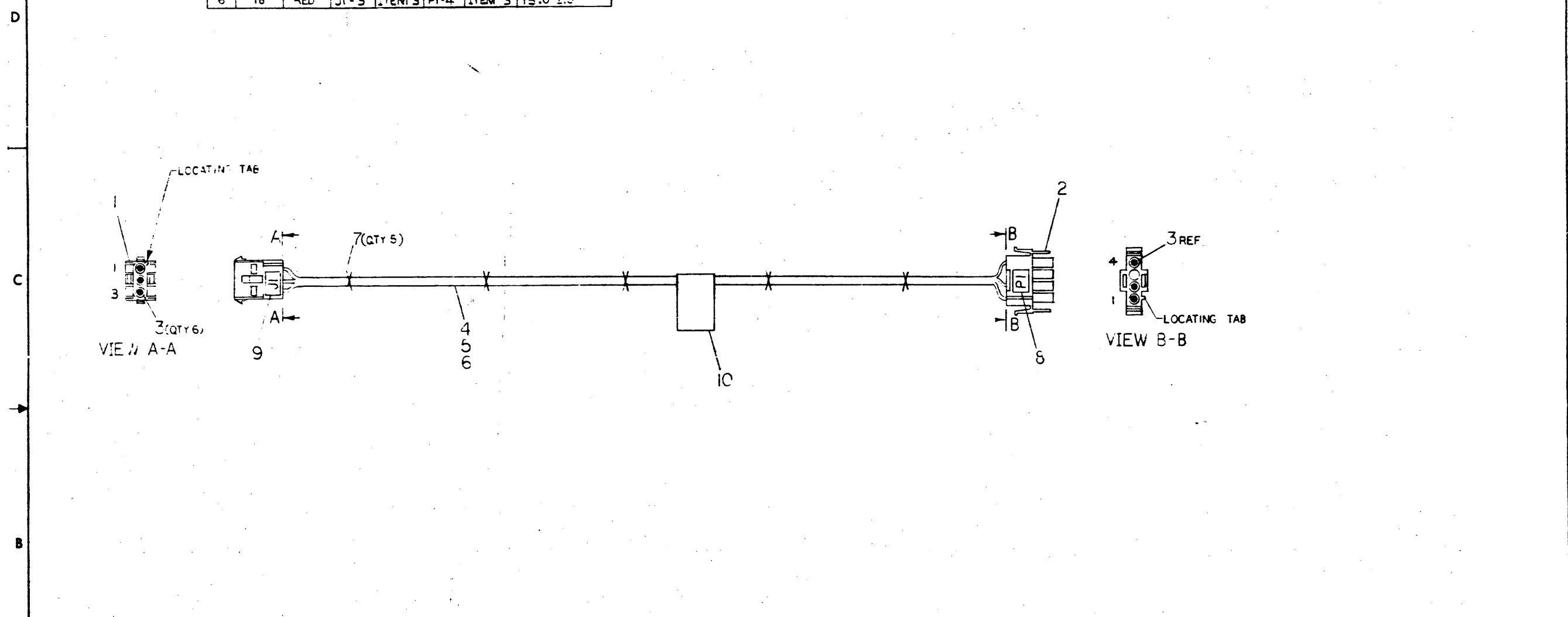
DATE: 1/7/75

BY: [Signature]

8 7 6 5 4 3 2 1

THIS DRAWING AND SPECIFICATIONS HEREIN ARE THE PROPERTY OF DIGITAL EQUIPMENT CORPORATION AND SHALL NOT BE REPRODUCED OR COPIED, IN WHOLE OR IN PART, AS THE BASIS FOR THE MANUFACTURE OR SALE OF THIS WITHOUT WRITTEN PERMISSION.  
 COPYRIGHT © 1978 DIGITAL EQUIPMENT CORPORATION

WIRE TABLE							
ITEM	DESCRIPTION	FROM	TO	PRECUT			
NO	AWG	COLOR	CONN WITH	CONN WITH	ITEM	ITEM	LENGTH
4	18	BLK	J1-1	PI-1	ITEM 3	ITEM 3	15.0" ±.3
5	18	WHT	J1-2	PI-2	ITEM 3	ITEM 3	15.0" ±.3
6	18	RED	J1-3	PI-4	ITEM 3	ITEM 3	15.0" ±.3



CAUTION: OFF SHEET PARTS LIST  
 SEE B-PL-7016928-0-0.

REVISION HISTORY	
DATE	REV
02/10/80	1
02/10/80	2
02/10/80	3
02/10/80	4
02/10/80	5
02/10/80	6
02/10/80	7
02/10/80	8
02/10/80	9

DESCRIPTION	DRAWING NO.	PART NO.	ITEM NO.
UNLESS OTHERWISE SPECIFIED DIMENSIONS ARE IN INCHES AND THE FOLLOWING TOLERANCES APPLY (PER DEC STD 114)			
INCHES TOLERANCES	ANGLES 2°/32"	APPLICABLE DIMENSION RANGE	DIMENSION RANGE IN INCHES
X ± .1		CHECK ONE	OVER 0 TO 0.2 ± .01
XX ± .05		<input type="checkbox"/>	OVER 0.2 TO 1.2 ± .005
XXX ± .01		<input type="checkbox"/>	OVER 1.2 TO 4.8 ± .002
		<input type="checkbox"/>	OVER 4.8 TO 12.0 ± .001
		<input type="checkbox"/>	OVER 12.0 TO 48.0 ± .0005
		<input type="checkbox"/>	OVER 48.0 TO 60.0 ± .0002
THIRD ANGLE PROJECTION	DATE 12/FEB/80	TITLE	digital
DO NOT SCALE DRAWINGS	DATE 12/FEB/80	PATCH CABLE AIR FLCW SENSOR	
REMOVE BURRS AND BREAK SHARP CORNERS	DATE 12/FEB/80	DOCUMENT NUMBER	
SEE PARTS LIST	DATE 12/FEB/80	DIA 7016928-0-0	
FINISH	DATE 12/FEB/80	SCALE TW	
	E-UA-7016707-0-0	SHEET 1 OF 1	

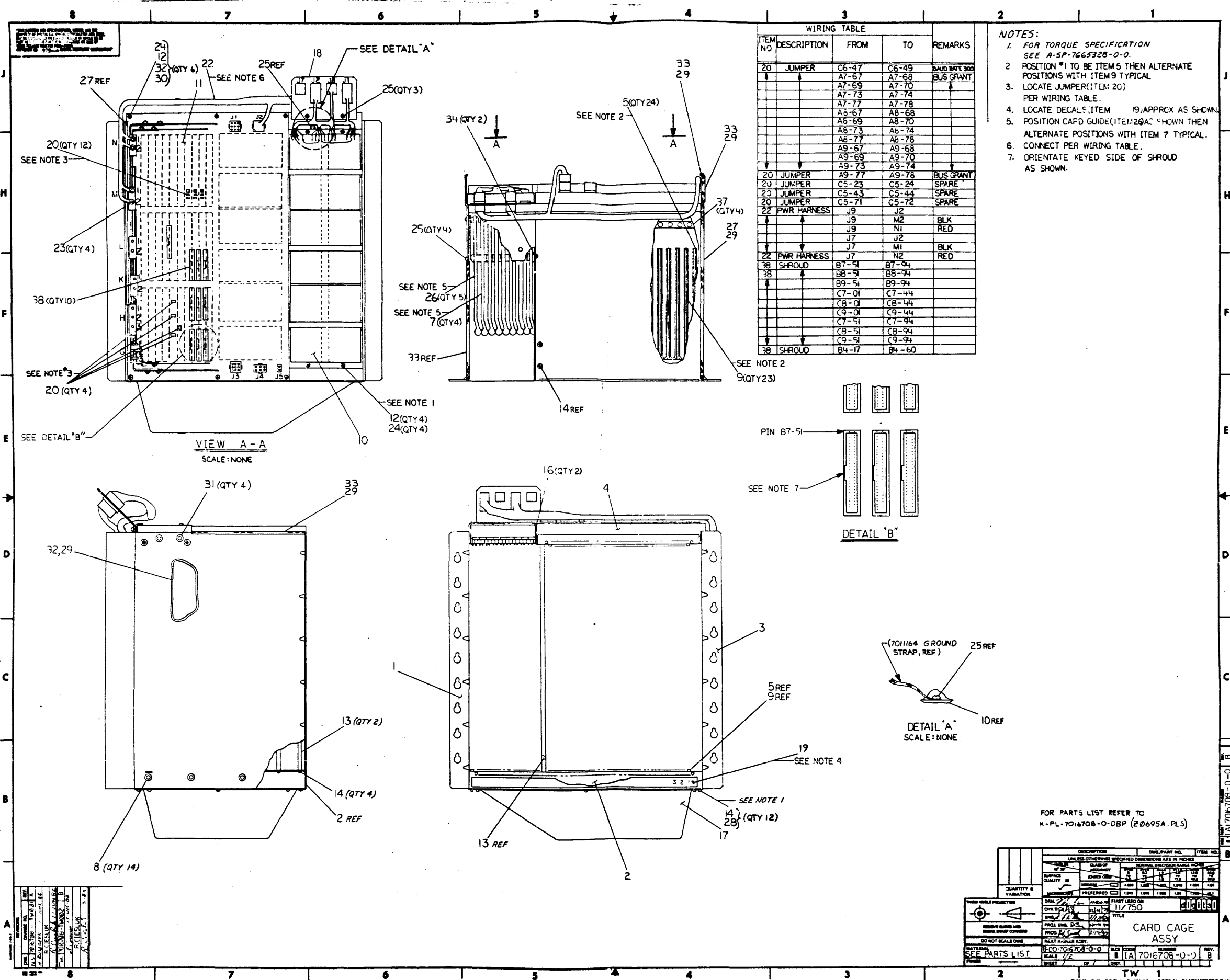
8 7 6 5 4 3 2 1

DIGITAL EQUIPMENT CORPORATION PARTS LIST				QUANTITY / VARIATION											NOTES:			
MADE BY A. MOWRY DATE 12/FEB/80		CHECKED K. KNOWLES DATE 12/FEB/80		SECTION --														
ENG R. MARTEL DATE 12/FEB/80		PROD J.P. WAERNER DATE 12/FEB/80		ISSUED SECTION --														
ITEM NO.	DRAWING NO.	PART NO.	DESCRIPTION	7016928-00														REF DESIGNATION
1		1212168-00	3 PIN CONNECTOR MATE-N-LOK	1														
2		1212167-01	4 PIN CONNECTOR MATE-N-LOK	1														
3		1212169-00	PIN UNIVERSAL MATE-N-LOK	6														
4		9107360-00	WIRE 18 AWG STRND IPVC UL1429 BLK	A/R														
5		9107360-99	WIRE 18 AWG STRND IPVC UL1429 WHT	A/R														
6		9107360-22	WIRE 18 AWG STRND IPVC UL1429 RED	A/R														
7		9007031-00	TIE WRAP	5	X													
8	A-DC-7409872-0-0	7409872-02	DECAL, POWER HARNESS	1														
9	A-DC-7409873-0-0	7409873-02	DECAL, POWER CONNECTOR	1														
10		3616073-00	LABEL, CABLE IDENT	1														

E.C.O. NO.	THIS DRAWING AND SPECIFICATIONS, HEREIN, ARE THE PROPERTY OF DIGITAL EQUIPMENT CORPORATION AND SHALL NOT BE REPRODUCED OR COPIED OR USED IN WHOLE OR IN PART AS THE BASIS FOR THE MANUFACTURE OR SALE OF ITEMS WITHOUT WRITTEN PERMISSION. COPYRIGHT © DIGITAL EQUIPMENT CORPORATION			TITLE PATCH CABLE, AIR FLOW SENSOR			ASSY NO. D-IA-7016928-0-0		SIZE B	CODE PL	NUMBER 7016928-0-0	REV. *
	SHEET 1 OF 1							INSERTION PARTS LIST DATA BASE REV				

TW

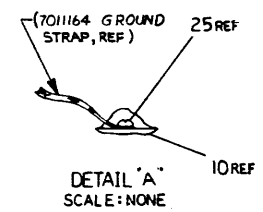
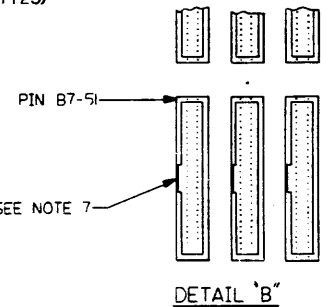




WIRING TABLE

ITEM NO	DESCRIPTION	FROM	TO	REMARKS
20	JUMPER	C6-47	C6-49	BUS GRANT
		A7-67	A7-68	BUS GRANT
		A7-69	A7-70	
		A7-73	A7-74	
		A7-77	A7-78	
		A8-67	A8-68	
		A8-69	A8-70	
		A8-73	A8-74	
		A8-77	A8-78	
		A9-67	A9-68	
		A9-69	A9-70	
		A9-73	A9-74	
20	JUMPER	A9-77	A9-76	BUS GRANT
20	JUMPER	C5-23	C5-24	SPARE
20	JUMPER	C5-43	C5-44	SPARE
20	JUMPER	C5-71	C5-72	SPARE
22	PWR HARNESS	J9	J2	
		J9	M2	BLK
		J9	N1	RED
		J7	J2	
		J7	M1	BLK
		J7	N2	RED
22	PWR HARNESS	J7	N2	RED
38	SHROUD	B7-51	B7-94	
38	SHROUD	B8-51	B8-94	
38	SHROUD	B9-51	B9-94	
		C7-01	C7-44	
		C8-01	C8-44	
		C9-01	C9-44	
		C7-51	C7-94	
		C8-51	C8-94	
		C9-51	C9-94	
38	SHROUD	B4-17	B4-60	

- NOTES:
- FOR TORQUE SPECIFICATION SEE A-SP-766532B-0-0.
  - POSITION #1 TO BE ITEM 5 THEN ALTERNATE POSITIONS WITH ITEM 9 TYPICAL
  - LOCATE JUMPER (ITEM 20) PER WIRING TABLE.
  - LOCATE DECALS (ITEM 19) APPROX AS SHOWN.
  - POSITION CAPD GUIDE (ITEM 20) AS SHOWN THEN ALTERNATE POSITIONS WITH ITEM 7 TYPICAL.
  - CONNECT PER WIRING TABLE.
  - ORIENTATE KEYED SIDE OF SHROUD AS SHOWN.



FOR PARTS LIST REFER TO X-PL-7016708-0-DBP (20695A.PLS)

DESCRIPTION: CARD CAGE ASSY

ITEM NO: 20695A

DATE: 11/750

SCALE: 1/2

REV: 1

BY: [Signature]

CHECKED: [Signature]

PROJ. ENG. [Signature]

PROD. [Signature]

DO NOT SCALE DIMS

SEE PARTS LIST

QUANTITY & VARIATION

UNLESS OTHERWISE SPECIFIED DIMENSIONS ARE IN INCHES

CLASS OF SURFACE FINISH

QUALITY

PREPARED

SCALE: 1/2

SHEET 12 OF 1

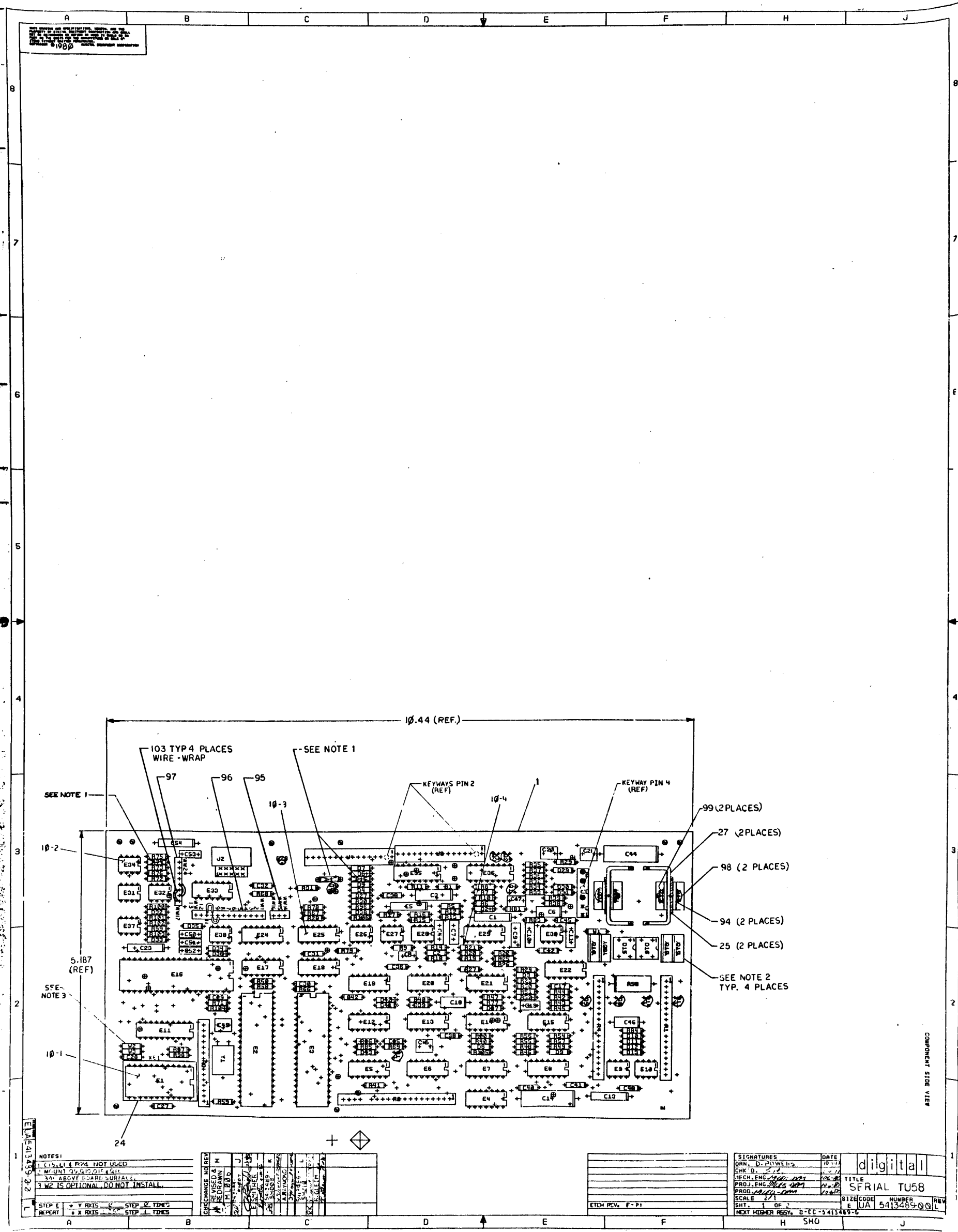
TW 1

LINE	ITEM	DOCUMENT NUMBER	PART NUMBER	DESCRIPTION	QUANTITY	PER VARIATION
1	1	E-MD-7421593-0-0	7421593-00	PLATE, SIDE, LH, CARD CAGE	1	
2	2	E-MD-7421591-0-0	7421591-00	PAN, BOTTOM, CARD CAGE	1	
3	3	E-MD-7421592-0-0	7421592-00	PLATE, SIDE, RH, CARD CAGE	1	
4	4	F-MD-7421590-0-0	7421590-00	PAN, TOP, CAGE CAGE	1	
5	5		1212405-00	CARD GUIDE, NYLON	24	
6	6		9006037-01	SCREW, PAN, PHIL 8-32X 3/8 SS	4	
7	7		1215848-00	CARD GUIDE	4	
8	8		9009241-00	RIVET, BLIND, .188 DIA X .402 LG	14	
9	9		1212405-01	CARD GUIDE, NYLON	23	
10	10	B-DD-DD11-D-1	DD11-DK	RACK PLANE ASSY	1	
11	11	B-DD-7016486-0-0	7016486-00	RACKPLANE	1	
12	12		9008905-01	SCREW, PAN, PHIL 8-32X1-1/8 SS	10	
13	13	C-MD-7423051-0-0	7423051-00	POD, SUPPORT	2	
14	14		9009701-00	SCREW, SEMS, PHILLIPS PAN HD 6-3	16	
15	15	A-PS-3617172-0-0	3617172-00	LABEL, MODULE UTILIZATION FOR VAX	1	
16	16	H-MD-7421576-0-0	7421576-00	SUPPORT CARD GUIDE	2	
17	17	D-IA-7016183-0-0	7016183-00	PLENUM ASSY CARD CAGE	1	
19	18	D-MD-7421646-0-0	7421646-00	BRKT. CONNECTOR	1	
19	19	A-SP-3617170-0-0	3617170-00	LABEL, MODULE SLOT NUMBERING FOR	1	
20	20		1214314-00	CONN 2POS JUMPER	16	
21	22	D-IA-7016380-0-0	7016380-00	HARNES, POWER	1	
22	23		9006565-00	NUT, KEP 10-32X 3/8 AF	4	
23	24		9008151-00	WASHER, LOCK, EXT. TOOTH #8	9	
24	25		9009545-00	SCREW, SEMS, PHILLIPS PAN HD., 8	3	
25	26		1215848-01	CARD GUIDE	5	
26	27		9007622-00	GROMMET, CATERPILLAR	1	
27	28		9006659-00	WASHER, FLAT, .375 O.D. X .156 I	12	
28	29		9009157-00	ADH, LIQ, RM, TEMP CURING COLORLESS	A/R	
29	30		9006711-00	WASHER, NYLON, FLAT #10 .281 OD	6	

REVISION HISTORY		BASIC PART NO: 7016708		DRN:	A. ROCHA	DATE:	02-MAY-80	I D I G I T A L			
ENG	ECO NUMBER	REV	SECTION A OF A	CHK'D:	R. J. RILEY	DATE:	02-MAY-80	TITLE PARTS LIST			
---	INITIAL	*	SECTION, VARIATION INDEX	CHK'D:	R. J. RILEY <td>DATE:</td> <td>02-MAY-80 <td colspan="4">CAPD CAGE ASSY</td> </td>	DATE:	02-MAY-80 <td colspan="4">CAPD CAGE ASSY</td>	CAPD CAGE ASSY			
			(A) 00	DES. ENG.:	P. MCMAHUS <td>DATE:</td> <td>02-MAY-80 <td colspan="4">DOCUMENT NUMBER</td> </td>	DATE:	02-MAY-80 <td colspan="4">DOCUMENT NUMBER</td>	DOCUMENT NUMBER			
			(B)	RESP. ENG.:	D. CANE <td>DATE:</td> <td>02-MAY-80 <td>SIZE:</td> <td>CODE:</td> <td>NUMBER</td> <td>REV</td> </td>	DATE:	02-MAY-80 <td>SIZE:</td> <td>CODE:</td> <td>NUMBER</td> <td>REV</td>	SIZE:	CODE:	NUMBER	REV
			(C)	IMFG. ENG.:	R. SMITH <td>DATE:</td> <td>02-MAY-80</td> <td>X</td> <td>PL</td> <td>7016708-0-DBP</td> <td>*</td>	DATE:	02-MAY-80	X	PL	7016708-0-DBP	*
			(D)	ASSEMBLY NUMBER:	E-IA-7016708-0-0	TOP DOCUMENT NUMBER:	B-DD-7016708-0-3	FILE NAME:	20696.PLS		
			(E)								
			(F)								

"THIS DRAWING AND SPECIFICATIONS HEREIN, ARE THE PROPERTY OF DIGITAL EQUIPMENT CORPORATION AND SHALL NOT BE REPRODUCED OR COPIED OR USED IN WHOLE OR IN PART AS THE BASIS FOR THE MANUFACTURE OR SALE OF ITEMS WITHOUT WRITTEN PERMISSION. COPYRIGHT (C) 1980. DIGITAL EQUIPMENT CORPORATION."

REVISIONS TO THIS DRAWING SHALL BE INDICATED BY A CIRCLED NUMBER IN THE MARGINS. THIS DRAWING IS THE PROPERTY OF THE U.S. GOVERNMENT AND IS LOANED TO YOU BY THE U.S. GOVERNMENT. IT IS TO BE RETURNED TO THE U.S. GOVERNMENT ON DEMAND.

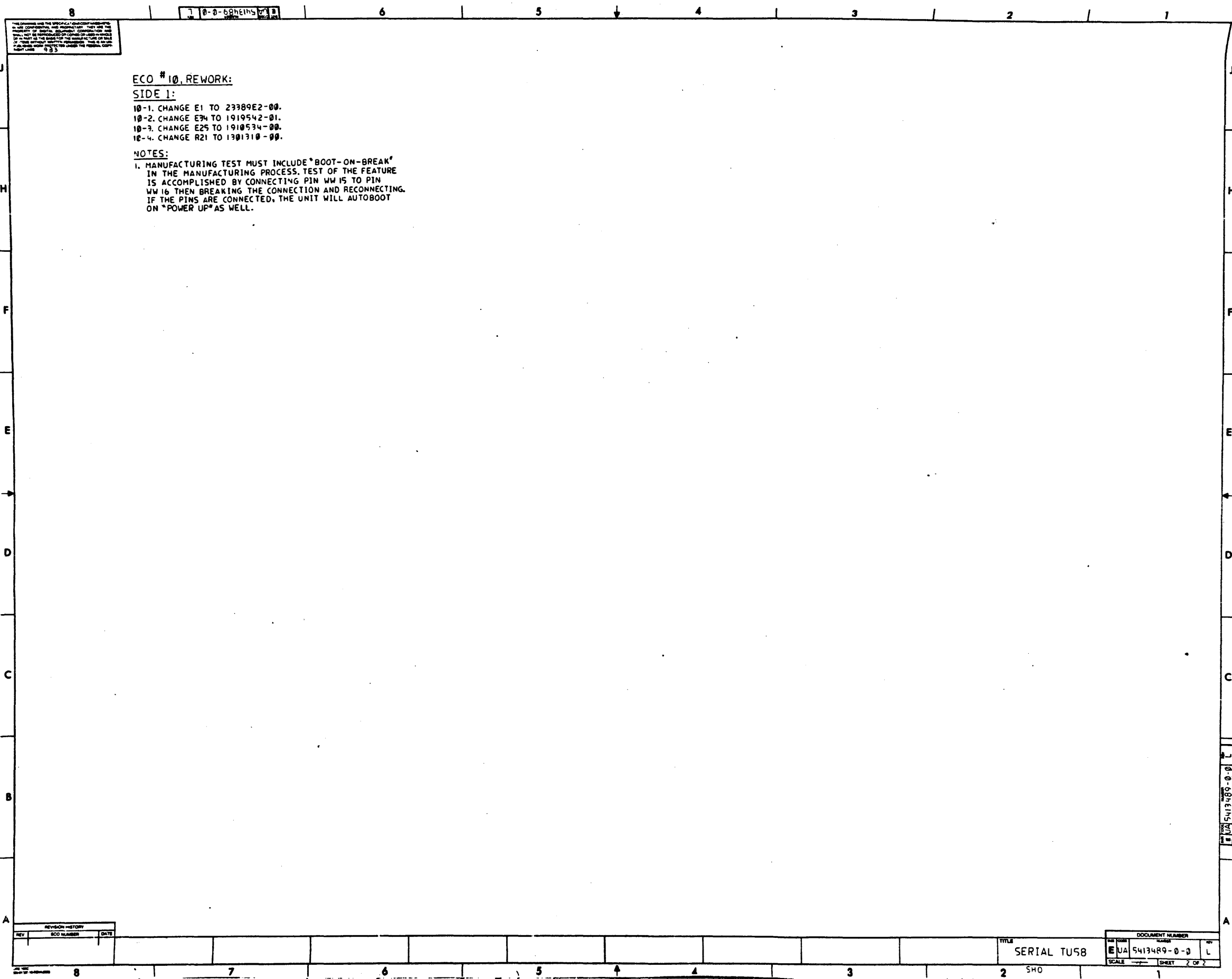


NOTES:  
 1. C15, L1 & R24 NOT USED  
 2. MOUNT OVER DRILL HOLE  
 3. ABOVE BOARD SURFACE  
 4. W2 IS OPTIONAL, DO NOT INSTALL.

NO.	DESCRIPTION	DATE
1	DESIGNED BY	
2	DRAWN BY	
3	CHECKED BY	
4	APPROVED BY	
5	DATE	
6	SCALE	
7	SHEET	
8	TOTAL SHEETS	
9	PROJECT	
10	REV.	

SIGNATURES	DATE
DRN. D. POWELL	10-17
CHK. D. ...	10-17
TECH. ENG. ...	10-28
PROJ. ENG. ...	10-28
SCALE 2/1	
SHT. 1 OF 2	
NEXT HIGHER PEGY. B-EC-5413489-G	

digital	
TITLE SERIAL TU58	
SIZE CODE	NUMBER
E UA	5413489-001
REV	



THE DRAWING AND THE SPECIFICATIONS CONTAINED HEREIN ARE THE PROPERTY OF THE COMPANY AND ARE NOT TO BE REPRODUCED OR TRANSMITTED IN ANY FORM OR BY ANY MEANS, ELECTRONIC OR MECHANICAL, INCLUDING PHOTOCOPYING, RECORDING, OR BY ANY INFORMATION STORAGE AND RETRIEVAL SYSTEM. THIS DRAWING IS UNCLASSIFIED EXCEPT WHERE SHOWN OTHERWISE. THIS IS AN UNCLASSIFIED COPY OF THE ORIGINAL DRAWING.

**ECO #10, REWORK:**  
**SIDE 1:**  
 10-1. CHANGE E1 TO 23389E2-00.  
 10-2. CHANGE E74 TO 1919542-01.  
 10-3. CHANGE E25 TO 1910534-00.  
 10-4. CHANGE R21 TO 1901310-00.

**NOTES:**  
 1. MANUFACTURING TEST MUST INCLUDE "BOOT-ON-BREAK" IN THE MANUFACTURING PROCESS. TEST OF THE FEATURE IS ACCOMPLISHED BY CONNECTING PIN WW15 TO PIN WW16 THEN BREAKING THE CONNECTION AND RECONNECTING. IF THE PINS ARE CONNECTED, THE UNIT WILL AUTOBOOT ON "POWER UP" AS WELL.

REVISION HISTORY		
REV	ECO NUMBER	DATE

TITLE		DOCUMENT NUMBER	
SERIAL TUSB		EUA	5413489-0-0
SCALE		SHEET 2 OF 2	

LINE ITEM	DOCUMENT NUMBER	PART NUMBER	DESCRIPTION	QTY PER VARIATION 00	REFERENCE DESIGNATOR	
1	1	5013488-00	TU58 ELECTRONIC SERIAL	1		
2	2	1215816-00	PCB HEADER 15PIN(1X15).100CC STR	2	J3,J4	
3	3	1000021-00	220.0 MMF 100V 5%200PPM MICA	1	C10	
4	4	1000023-00	*** THIS ITEM IS NOT USED ***	-		
5	5	1010978-36	.1 MFD 50V 10% CER	3	C8,C16,C47	
6	6	1000042-00	1000.0 MMF 100V 5%200PPM MICA	2	C9,C7	
7	7	1001610-00	.01 MFC 50V +80-20% Z5U CER	17	C2,C17,C27-C33,C35,C36,C38,C40, C41,C42,C43,C45	
8	8	1001776-00	1 MFD 35V 10% S.TANT	2	CONT C6,C46	
9	9	1002315-00	2000.0 MMF 500V 5%200PPM MICA	1	C12	
10	10	1013466-21	3.3 MMF 50V+- .5PF CER	1	C4	
11	11	1002431-00	2.2MFD 35V 10% S.TANT	2	C1,C3	
12	12	1005306-00	6.8MFD 35V 10% S.TANT	4	C5,C13,C23,C54	
13	13	1005334-00	*** THIS ITEM IS NOT USED ***	-		
14	14	1005820-00	22.0 MMF 100V 5%200PPM MICA	1	C11	
15	15	1010978-40	.22 MFD 50V 10% CER	1	C19	
16	16	1011895-00	.15 MFD 35V 10% S.TANT	1	C18	
17	17	1012312-00	*** THIS ITEM IS NOT USED ***	-		
18	18	1100101-00	*** THIS ITEM IS NOT USED ***	-		
19	19	1102808-00	VZ= 5.6 5% 400 MW 1N752A	1	D27	
20	20	1105275-00	PIV= 60 IO=300 MA -15NS	25	D1-D13,D31,D33-D43	
21	21	1110324-00	LED 1MCD@10MA PIV=3	1	D28	
22	22	1115369-00	DIODE ARRY PIV= 100 IO= 1.00A	2	D15,D16	
23	23	1213506-04	PCB HEADER 09PIN(2X05).100CC 90D	1	J2	
24	24	1212385-04	SKT,IC 24PIN DIP GOLD SOLD	1	XE1	
25	25	USED FOR Q7 & Q12	1213071-06	INSULATOR,RUBBER SILICONE	2	
26	26	1213113-01	*** THIS ITEM IS NOT USED ***	-		
27	27	1213418-01	HEAT SINKS, 1.380X1.00	2		
28	28	1300247-00	120.0 .25 W 5.0 % CF	1	R75	
29	29	1300274-00	*** THIS ITEM IS NOT USED ***	-		

REVISION HISTORY			BASIC PART NO: 5413489			D I G I T A L			
ENG	ECO NUMBER	REV	SECTION A OF A	DRN:	DATE	TITLE			
	INIT	C	SECTION VARIATION INDEX	DAN MUTNANSKY	22-MAY-78	PARTS LIST			
	5413489-ML001	D	[A] 00	P. BOSSMAN	6-JUNE-78	SERIAL TU58			
	5413489-ML003	E	[B]						
	5413489-ML004	F	[C]	MIKE LEIS	22-MAY-78				
	5413489-ML006	H	[D]						
	5413489-ML007	J	[E]	M. LEIS	6-JUNE-78	DOCUMENT NUMBER			
	5413489-SH008	K	[F]						
	5413489-SH010	L	[H]	P. BARTON	6-JUNE-78	SIZE	CODE	NUMBER	REV
			[J]			K	PL	5413489-0-DBP	L
			[K]	ASSEMBLY NUMBER:	TOP DOCUMENT NUMBER:	FILE NAME:		EDIT #	
			[L]	E-UA-5413489-0-0	TU58	Z0582L.PLS		43	
			[M]						
			[N]						

"THIS DRAWING AND SPECIFICATIONS HEREIN, ARE THE PROPERTY OF DIGITAL EQUIPMENT CORPORATION AND SHALL NOT BE REPRODUCED OR COPIED OR USED IN WHOLE OR IN PART AS THE BASIS FOR THE MANUFACTURE OR SALE OF ITEMS WITHOUT WRITTEN PERMISSION. COPYRIGHT (C) 1983. DIGITAL EQUIPMENT CORPORATION "

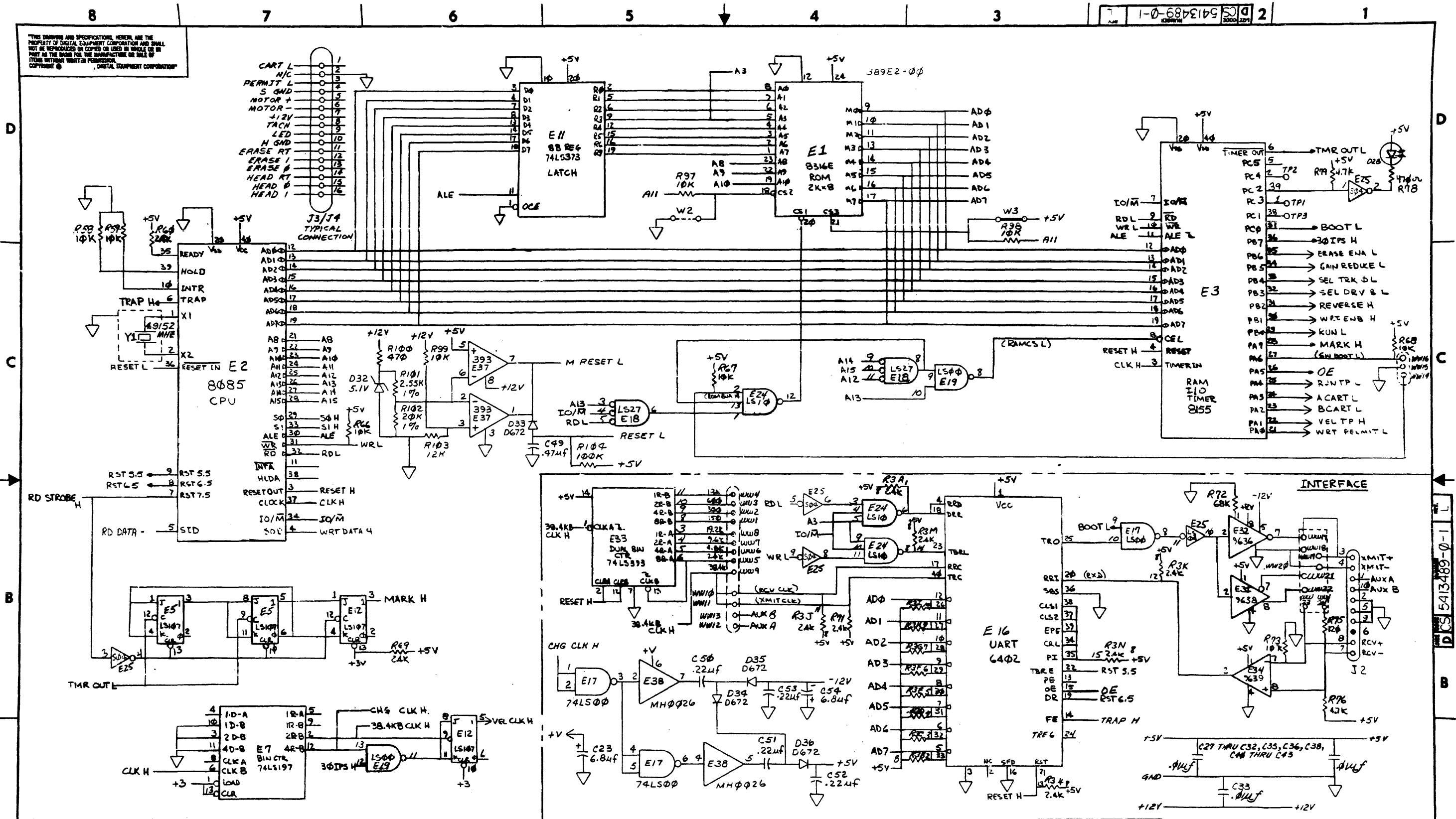
LINE	ITEM	DOCUMENT NUMBER	PART NUMBER	DESCRIPTION	QTY PER VARIATION	REFERENCE DESIGNATOR
					00	
30	30		1300316-00	470.0 .25 W 5.0 % CF	5	R5,R55,R100,R78,R84
31	31		1300365-00	1.0 K .25 W 5.0 % CF	2	R10,R18
32	32		1300295-00	*** THIS ITEM IS NOT USED ***	-	
33	33		1300447-00	4.70 K .25 W 5.0 % CF	8	R11,R19,R20,R25,R54,R79,R76,R105
34	34		1300479-00	10.0 K .25 W 5.0 % CF	21	R9,R22,R24,R26,R44,R46,R50,R58, CONT R59,R66,R67,R68,R80,R33,R36,R96, CONT R86,R73,R97-R99
35	35		1301322-00	180.0 .25 W 5.0 % CF	1	R31
36	36		1301327-00	68.0 K .25 W 5.0 % CF	1	R72
37	37		1300432-00	3.0 K .25 W 5.0 % CF	1	R6
38	38		1301969-00	22.0 .25 W 5.0 % CF	1	R29
39	39		1302092-00	220.0 K .25 W 5.0 % CF	1	R51
40	40		1302177-00	47.0 K .25 W 5.0 % CF	2	R14,R23
41	41		1302388-00	2.0 K .25 W 5.0 % CF	5	R27,R28,R34,R37,R85
42	42		1302391-00	20.0 K .25 W 5.0 % CF	1	R83
43	43		1302394-00	30.0 K .25 W 5.0 % CF	2	R52,R106
44	44		1302396-00	150.0 K .25 W 5.0 % CF	2	R8,R81
45	45		1302398-00	470.0 K .25 W 5.0 % CF	3	R7,R45,R57
46	46		1302941-00	14.70 K .25 W 1.0 % RN55D-F10	3	R13,R16,R56
47	47		1303177-00	2.40 K .25 W 5.0 % CF	8	R17,R30,R41,R42,R43,R60,R69,R71
48	48		1303312-00	10.0 K .25 W 1.0 % RN55D-F10	2	R12,R15
49	49		1305324-00	4.99 K .25 W 1.0 % RN55D-F10	4	R38,R39,R47,R49
50	50		1309386-00	5.60 M .25 W 5.0 % CF	1	R40
51	51		1001610-01	*** THIS ITEM IS NOT USED ***	-	
52	52		1311466-00	.20 2.0 W 5.0 % WW	1	R53
53	53		1313596-00	20.0 K .25 W 1.0 % RN55D-F10	2	R77,R102
54	54		1315660-00	R NETWORK 16-10K 1-4.7K 20PIN	1	R2
55	55		1315661-00	R NETWORK MULTI-VALUE	2	R1,R4
56	56		1315662-00	R NETWORK 14-2.4K 10.0 % 15PIN	1	R3
57	57		1503409-00	DEC6534D PNP 310MW SI 40 90	2	Q2,Q4
58	58		1509142-00	DEC4250 PNP 200MW SI 40250	1	Q1
59	59		1509338-00	DEC6531B NPN 310MW SI 40 90 P	6	Q3,Q5,Q8,Q11,Q14,Q17
60	60		1510421-00	D 44C8 NPN 30WT SI 60 20	4	Q6,Q7,Q12,Q13
61	61		1510598-00	DEC45C8 PNP 27WT SI 60 20 Y	4	Q9,Q10,Q15,Q16
62	62		1812396-06	XTAL 4.9152 MHZ	1	Y1
63	63		1910282-00	301AN OP AMP	1	E30
64	64		1910645-00	75452 DRIVER,PERIPH,DUAL,	4	E9,E10,E26,E27
65	65		1910741-00	7406 INVERTER GATE-HEX 1I	1	E8
66	66		1911242-00	*** THIS ITEM IS NOT USED ***	-	
67	67		1912107-00	324 OP AMP,QUAD	1	E15
68	68		1912108-00	339 VOLT CMPRTR,QUAD	1	E29
69	69		1912799-00	LS00 NAND-GATE-QUAD 2IN,P	2	E17,E19
70	70		1912801-00	LS02 NOR-GATE-QUAD 2IN	1	E13
71	71		1912803-00	LS04 INVERTER GATE,HEX	1	E6
72	72		1912807-00	LS10 NAND GATE-TRIPLE 3IN	1	E24
73	73		1912813-00	LS27 NOR GATE-TRIPLE 3IN	1	E18
74	74		1912832-00	LS107 FF-JK DUAL MASTER/SL	2	E5,E12
75	75		1912857-00	LS197 COUNTER,BINARY,PRESET	1	E7

D	I	G	I	T	A	L	TITLE	SECTION A OF A	SIZE	CODE	DOCUMENT NUMBER	REV
							SERIAL TU58		K	PL	5413489-0-DBP	L

LINE	ITEM	DOCUMENT NUMBER	PART NUMBER	DESCRIPTION	QTY PER VARIATION 00	REFERENCE DESIGNATOR
76	76		1914451-00	LS393 COUNTER,BINARY,4BIT	1	E33
77	77		1914466-00	3130E OP AMP MOS/FET IN,CM	1	E28
78	78		1915219-00	LS373 FF-D OCTAL-TRANSPARE	1	E11
79	79		1915415-00	9636 DRIVER,DUAL,EIA RS-	1	E32
80	80		1915416-00	*** THIS ITEM IS NOT USED ***	-	
81	81		1915417-00	9638 DRIVER,DUAL,EIA RS-	1	E31
82	82		2113605-00	4006B SHIFT REG,18 STAGE	1	E14
83	83		2113609-00	4013B FF-D DUAL W/SET/RESE	1	E4
84	84		2113630-00	4052B MULTIPLEXER 4CHAN DI	1	E35
85	85		2113632-00	4066B BILATERAL SWITCH-QUA	1	E22
86	86		2113634-00	4070B X-OR GATE-QUAD CMOS	1	E21
87	87		2113937-00	UART 125K BUAD	1	E16
88	88		2114663-00	MM 80C95 BUFFER-GATE-HEX TRIS	1	E36
89	89		2114963-02	8085A 8BIT N-CHANNEL	1	E2
90	90		2114964-00	RAM 2048 MOSJ-STATIC	1	E3
91	91		23089E2-00	*** THIS ITEM IS NOT USED ***	-	
92	92		1212619-07	PCB,HEADER 06PIN(1X06).156CC STR	1	J1
93	93		9009185-00	JUMPER, WIRE, INSULATED, BLACK B	2	W1,W3
94	94	USED FOR Q7 & Q12	9010057-00	WASHER, SHOULDER INSULATG PPS	2	
95	95		1215816-01	PCB HEADER 03PIN(1X15).100CC STR	1	
96	96		1215816-02	PCB HEADER 13PIN(1X13).100CC STR	1	
97	97		1215816-03	PCB HEADER 08PIN(1X08).100CC STR	1	
98	98		9006011-01	SCREW,MACH PAN PHIL 4-	2	
99	99		9006557-00	NUT,HEX EXT TOOTH LCKWSHR 4-40	2	
100	100		1100124-00	VZ= 4.7 5% 400 MW 1N750A	2	D29,D30
101	101		1301890-00	560.0 .25 W 5.0 % CF	2	R32,R35
102	102		1313840-00	4.53 K .25 W 1.0 % RN55D-F10	1	R48
103	103		9105740-55	WIRE(WRAP) 30AWG KYNAR UL14	A/R	
104	104		1012084-03	150 MFD 15V +75-10% AL EL	2	C44,C14
105	105		9107256-11	*** THIS ITEM IS NOT USED ***	-	
106	106		1910741-01	7406N BUFFER,HEX	1	E20
107	107		5414232-00	*** THIS ITEM IS NOT USED ***	-	
108	108		1310633-00	2.55 K .25 W 1.0 % RN55D-F10	1	R101
109	109		1300488-00	12.0 K .25 W 5.0 % CF	1	R103
110	110		1302466-00	100.0 K .25 W 5.0 % CF	1	R104
111	111		1105871-00	VZ= 5.15 1% 250 MW	1	D32
112	112		1914156-00	LM 393 VOLT.COMPARATOR DUAL	1	E37
113	113		1912098-00	0026 DRIVER,MOS CLOCK,2	1	E38
114	114		1010274-01	.22 MFD 50V +80-20% Z5U CER	4	C50-C53
115	115		1010279-00	.47 MFD 25V 20% CER	3	C20,C21,C49
116	116		23294E2-00	*** THIS ITEM IS NOT USED ***	-	
117	117		23389E2-00	E2-01,E2-04 ROM	1	E1
118	118		1919542-01	9639 RECEIVER,LINE,DUAL	1	E34
119	119		1910534-00	74S04 INVERTER GATE-HEX 1I	1	E25
120	120		1301310-00	270.0 K .25 W 5.0 % CF	1	R21

D	I	G	I	T	A	L	TITLE	SERIAL TU58	SECTION A OF A	SIZE	CODE	DOCUMENT NUMBER	REV
									K	PL	5413489-0-DBP	L	

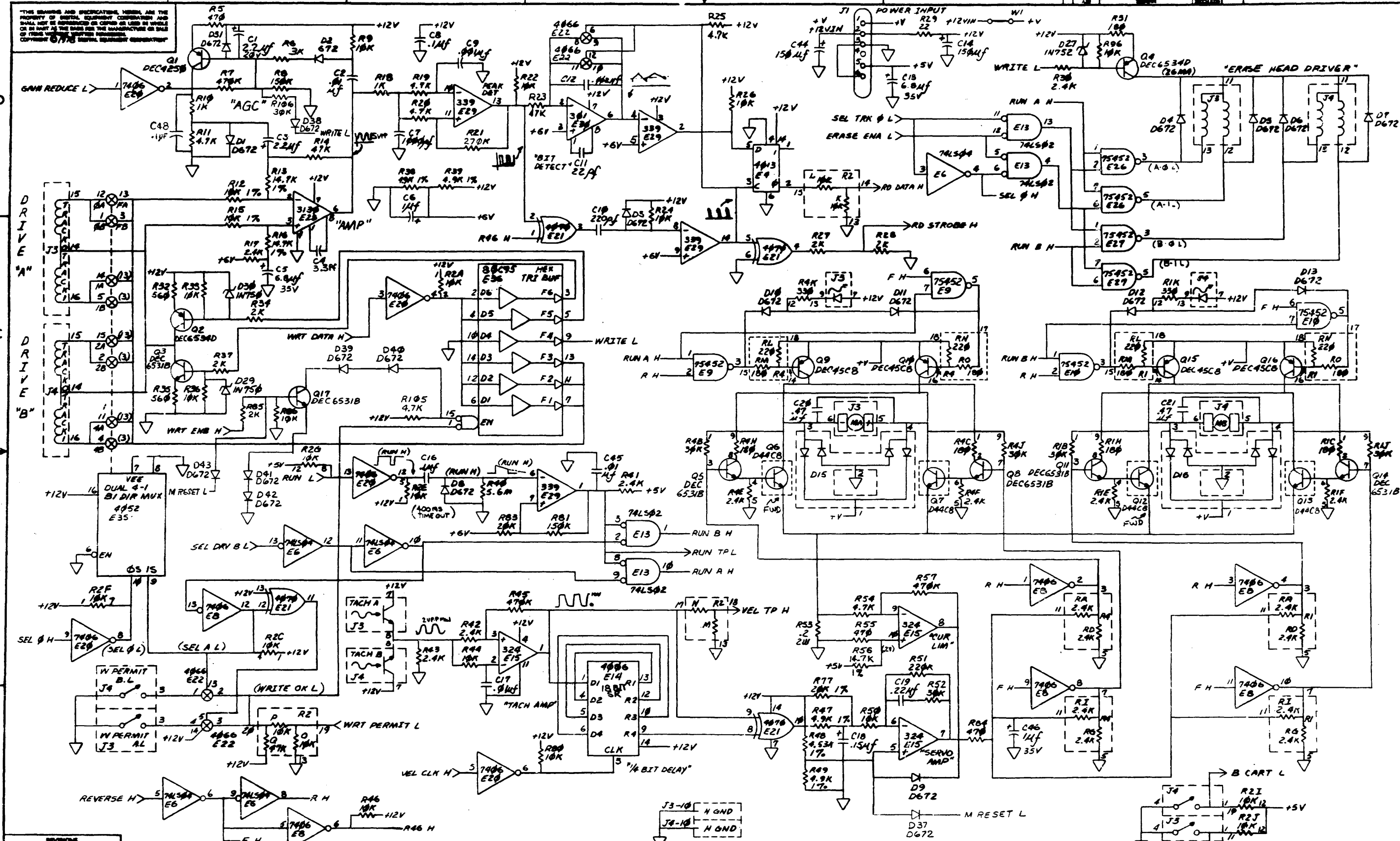
THIS DRAWING AND SPECIFICATIONS HEREBY ARE THE PROPERTY OF DIGITAL EQUIPMENT CORPORATION AND SHALL NOT BE REPRODUCED OR COPIED OR USED IN WHOLE OR IN PART AS THE BASIS FOR THE MANUFACTURE OR SALE OF ITEMS WITHOUT WRITTEN PERMISSION OF DIGITAL EQUIPMENT CORPORATION.



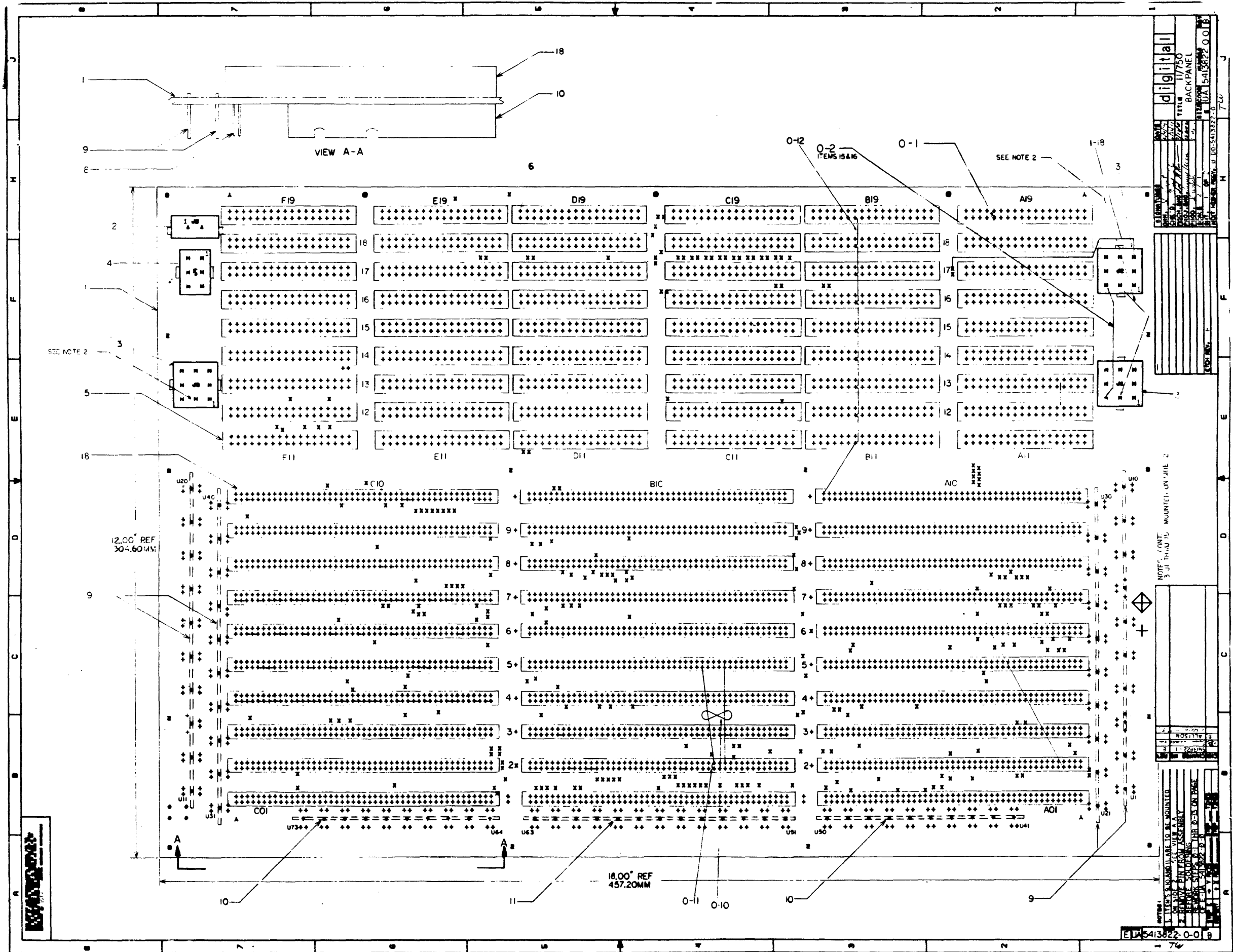
REV.	DATE	BY	CHK'D	DESCRIPTION
1		M. LEIS		INITIAL DESIGN
2		M. LEIS		REVISED FOR BOARD LAYOUT
3		M. LEIS		REVISED FOR BOARD LAYOUT
4		M. LEIS		REVISED FOR BOARD LAYOUT
5		M. LEIS		REVISED FOR BOARD LAYOUT
6		M. LEIS		REVISED FOR BOARD LAYOUT
7		M. LEIS		REVISED FOR BOARD LAYOUT
8		M. LEIS		REVISED FOR BOARD LAYOUT

DRN. M. LEIS	7-20-78	FIRST USED ON	TU58
CHK'D M. LEIS	7-20-78	TITLE	TU58 ELECTRONICS:
ENG. ROSE/LEIS	7-20-78		
PROJ. ENG. M. LEIS	8-11-78		
PROD. M. LEIS	8-11-78		
NEXT HIGHER ASSY.		SERIAL	
B-DD-5413489-0	SIZE	CODE	NUMBER
SCALE	D	CS	5413489-0-1
SHEET 1 OF 2	DIST.		





REV.	CHG.	NO.



digital  
BACKPANEL  
TITLE 11750  
EUA 5413822-0-01B

SEE NOTE 2

12.00" REF  
304.60MM

18.00" REF  
457.20MM

NOTES CONT.  
MOUNTED ON PAGE 2

NOTES:  
1. ALL DIMENSIONS UNLESS OTHERWISE SPECIFIED ARE IN INCHES.  
2. DIMENSIONS FROM CENTER OF BOARD.  
3. DIMENSIONS FROM CENTER OF BOARD.  
4. DIMENSIONS FROM CENTER OF BOARD.  
5. DIMENSIONS FROM CENTER OF BOARD.  
6. DIMENSIONS FROM CENTER OF BOARD.  
7. DIMENSIONS FROM CENTER OF BOARD.  
8. DIMENSIONS FROM CENTER OF BOARD.  
9. DIMENSIONS FROM CENTER OF BOARD.  
10. DIMENSIONS FROM CENTER OF BOARD.  
11. DIMENSIONS FROM CENTER OF BOARD.  
12. DIMENSIONS FROM CENTER OF BOARD.  
13. DIMENSIONS FROM CENTER OF BOARD.  
14. DIMENSIONS FROM CENTER OF BOARD.  
15. DIMENSIONS FROM CENTER OF BOARD.  
16. DIMENSIONS FROM CENTER OF BOARD.  
17. DIMENSIONS FROM CENTER OF BOARD.  
18. DIMENSIONS FROM CENTER OF BOARD.  
EUA 5413822-0-01

74

0-0-22 REINS V.1.1

REWORK INSTRUCTIONS

REWORK INSTRUCTIONS

0-1 REMOVE PIN A19R1 DRILL OUT HOLE TO .055  
DO NOT REPLACE PIN

WIPE ADDS SIDE 1

0-2 FROM +12V LUG ON J1  
+12V LUG ON J2

WIPE HANDWRAPPED

0-10 TWP ON LEVEL ONE ITEM 14  
B00228 TO B00531 SIG 2 IN  
B00224 TO B00524 GND

0-11 30AWG ON LEVEL TWO ITEM 12  
B10227 TO B10228 3/8 IN

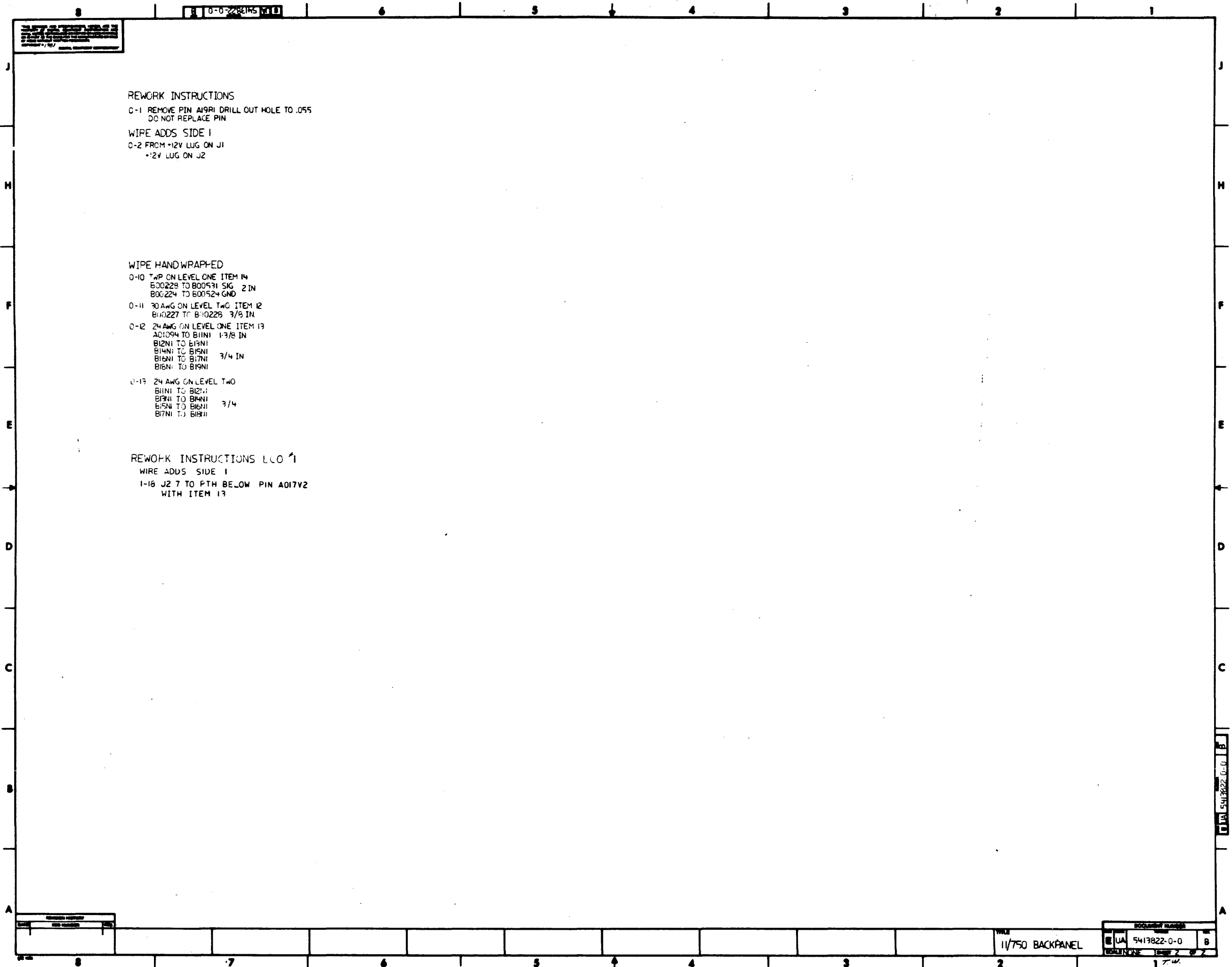
0-12 24AWG ON LEVEL ONE ITEM 13  
A01094 TO B11N1 1-3/8 IN  
B12N1 TO B13N1  
B14N1 TO B15N1 3/4 IN  
B16N1 TO B17N1  
B18N1 TO B19N1

0-13 24 AWG ON LEVEL TWO  
B11N1 TO B12N1  
B13N1 TO B14N1  
B15N1 TO B16N1 3/4  
B17N1 TO B18N1

REWORK INSTRUCTIONS ECO 1

WIPE ADDS SIDE 1

1-16 J2 7 TO PTH BELOW PIN A017V2  
WITH ITEM 13



REWORK INSTRUCTIONS

11/750 BACKPANEL

DOCUMENT NUMBER  
LA 5413822-0-0  
PAGE 2 OF 2

LA 5413822-0-0 B

LINE ITEM	DOCUMENT NUMBER	PART NUMBER	DESCRIPTION	QTY PER VARIATION	REFERENCE DESIGNATOR
				00	
1	E-MD-5013821-0-0	5013821-00	COMET BACKPANEL	1	
2		1212297-00	MATE-N-LOK 2PIN UNIV HEADER	1	J5
3		1212297-02	MATE-N-LOK 9PIN UNIV HEADER	3	J1-J3
4		1212297-05	MATE-N-LOK 6PIN UNIV HEADER	1	J4
5		1216173-00	EDGE CARD HOUSING 18 POS,DUAL	54	A11-A19,B11-B19,C11-C19,D11-D19, E11-E19,F11-F19
6	SEE NOTE	1216173-01	EDGE CARD PIN	A/R	CONT
7		1216174-00	EDGE CARD HOUSING,47POS	30	A1-A10,B1-B10,C1-C10
8	SEE NOTE	1216174-01	EDGE CARD PIN	A/R	
9		1216362-00	BUS BAR,END FOR 11/750	4	
10		1216365-00	BUS BAR,GROUND,FOR 11/750	2	
11		1216367-00	BUS BAR 13 PIN	1	
12		9105740-44	WIRE(WRAP)30AWG UL1423	A/R	
13		9107688-44	WIRE(WRAP)24AWG UL1327	A/R	
14		9107720-09	WIRE(WRAP)30AWG,TWP UL1423	A/R	
15		9107560-03	WIRE,BUSS,18AWG	A/R	
16		9107278-00	TUBING,THIN WALL,.042ID UL	A/R	

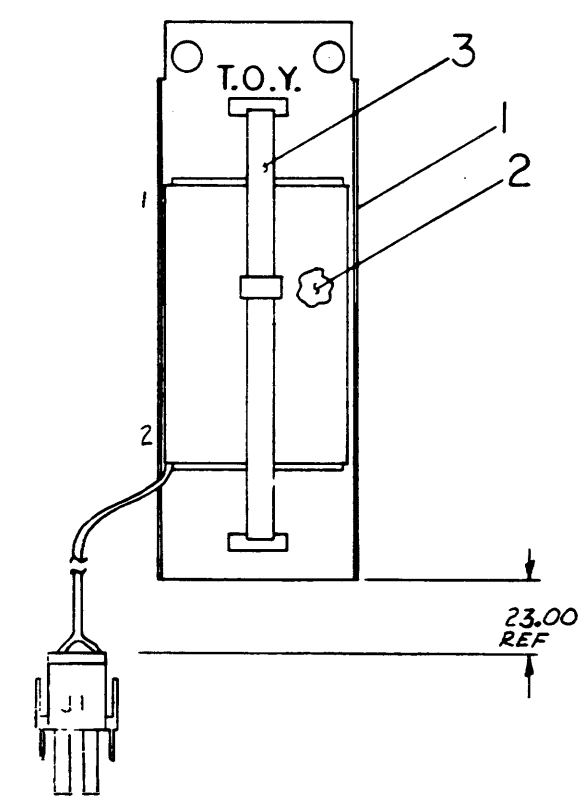
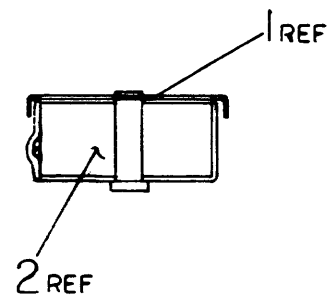
17 NOTE: ITEM #6, QUANTITY=1944.  
18 NOTE: ITEM #8, QUANTITY=2820.

REVISION HISTORY		BASIC PART NO: 5413822		DRN:	J. LENT	DATE:	05-JUN-79	D I G I T A L			
ENG	ECO NUMBER	REV	SECTION A OF A	CHK'D:	F. GERRY	DATE:	4-9-80	TITLE	PARTS LIST		
	INITIAL	A	SECTION.VARIATION INDEX					11/750 BACKPANEL			
			[A] 00								
			[B]								
			[C]	DES.ENG:	P. MCMANUS	DATE:	4-9-80				
			[D]								
			[E]					DOCUMENT NUMBER			
			[F]	RESP.ENG.:	D. CANE	DATE:	4-9-80	SIZE	CODE	NUMBER	REV
			[H]								
			[J]								
			[K]	MFG.ENG.:	C. MADY	DATE:	4-9-80	K	PL	5413822-0-DBP	A
			[L]								
			[M]	ASSEMBLY NUMBER:		TOP DOCUMENT NUMBER:		FILE NAME:	EDIT #		
			[N]	E-UA-5413822-0-0		B-DD-5413822-0-0		Z1262.FLS	7		

\*THIS DRAWING AND SPECIFICATIONS HEREIN, ARE THE PROPERTY OF DIGITAL EQUIPMENT CORPORATION AND SHALL NOT BE REPRODUCED OR COPIED OR USED IN WHOLE OR IN PART AS THE BASIS FOR THE MANUFACTURE OR SALE OF ITEMS WITHOUT WRITTEN PERMISSION. COPYRIGHT (C) 1980. DIGITAL EQUIPMENT CORPORATION \*

TW

"THIS DRAWING AND SPECIFICATIONS, HEREIN, ARE THE PROPERTY OF DIGITAL EQUIPMENT CORPORATION AND SHALL NOT BE REPRODUCED OR COPIED OR USED IN WHOLE OR IN PART AS THE BASIS FOR THE MANUFACTURE OR SALE OF ITEMS WITHOUT WRITTEN PERMISSION. COPYRIGHT © 1979, DIGITAL EQUIPMENT CORPORATION"



DESCRIPTION	DWG./PART NO.	ITEM NO.
1 CABLE TIE	9009617-00	3
1 BATTERY PACK	C-IA-7016945-0-0	2
1 BRACKET, T.O.Y. MTG	C-MD-7422756-0-0	1

UNLESS OTHERWISE SPECIFIED DIMENSIONS ARE IN INCHES							
ANGLES ±0° 30'	CLASS OF ACCURACY (CHECK ONE)	NOMINAL DIMENSION RANGE INCHES					
		OVER 0 TO 0.2	OVER 0.2 TO 1.2	OVER 1.2 TO 4.0	OVER 4.0 TO 12.0	OVER 12.0 TO 40.0	OVER 40.0 TO 80.0
SURFACE QUALITY IN MICROINCHES	MEDIUM <input type="checkbox"/>	±.004	±.008	±.012	±.016	±.024	±.04
	PREFERRED <input checked="" type="checkbox"/>	±.012	±.016	±.025	±.04	±.063	±.1

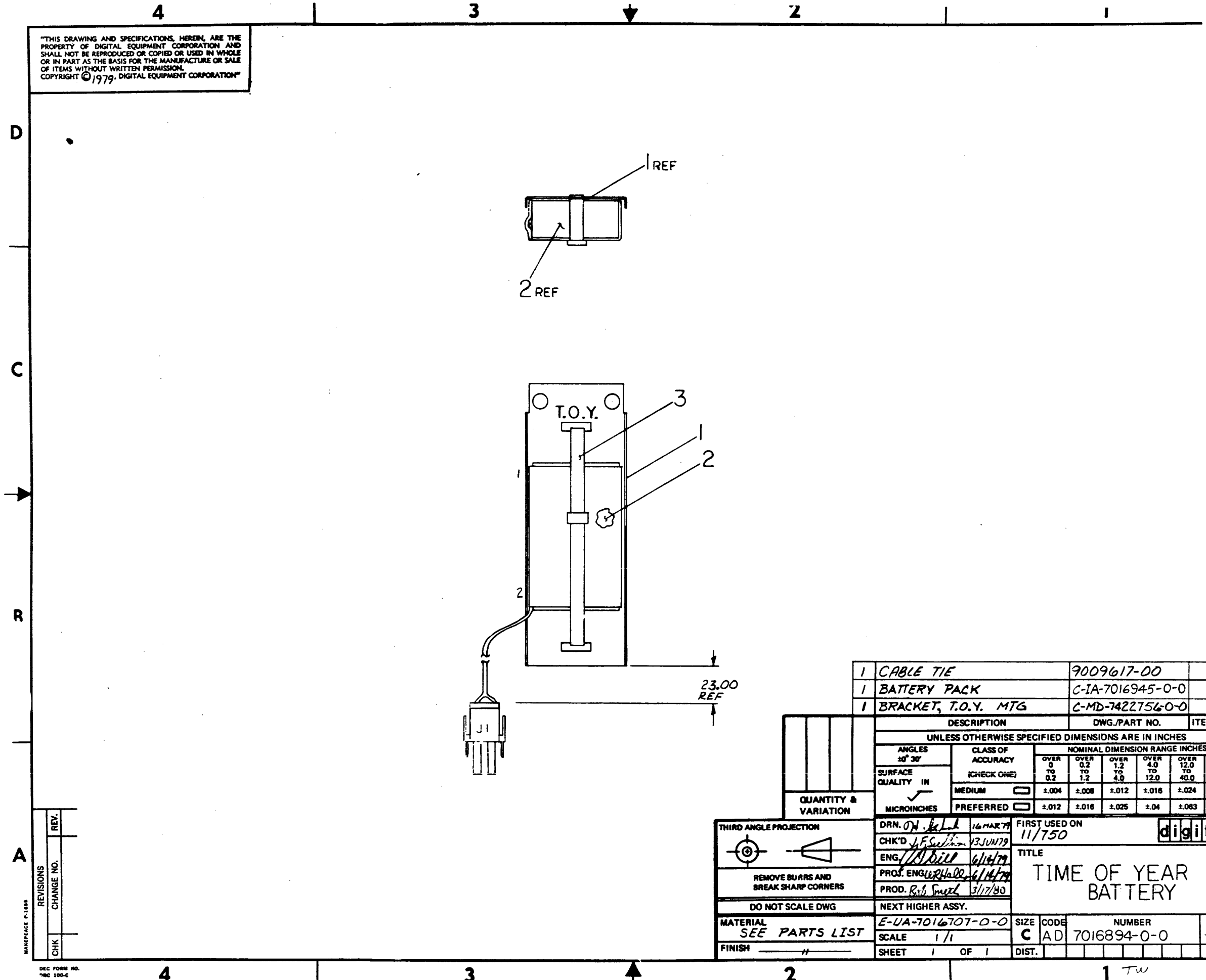
THIRD ANGLE PROJECTION	DRN. <i>D. L. L.</i> 16 MAR 79	FIRST USED ON	11/750	<b>digital</b>
REMOVE BURRS AND BREAK SHARP CORNERS	CHK'D <i>J. F. Sullivan</i> 13 JUN 79	TITLE	TIME OF YEAR BATTERY	
DO NOT SCALE DWG	ENG. <i>J. Bill</i> 6/14/79	PROF. ENG. <i>W. Hall</i> 6/14/79	PROD. <i>R. Smith</i> 3/17/80	
MATERIAL SEE PARTS LIST	E-UA-7016707-0-0	SIZE	CODE	NUMBER
FINISH	SHEET 1 OF 1	C	AD	7016894-0-0
		DIST.		REV. *

REV.	CHANGE NO.

MANUFACTURE P-1188

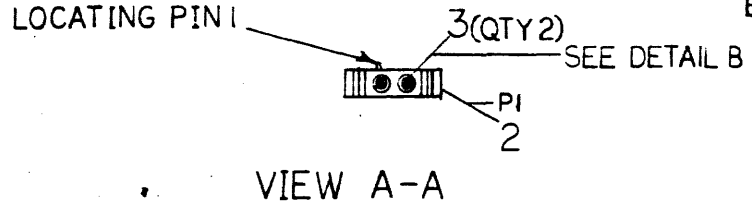
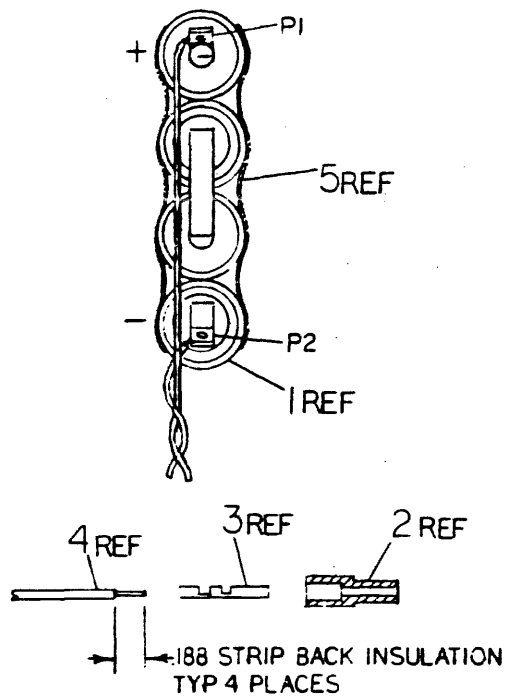
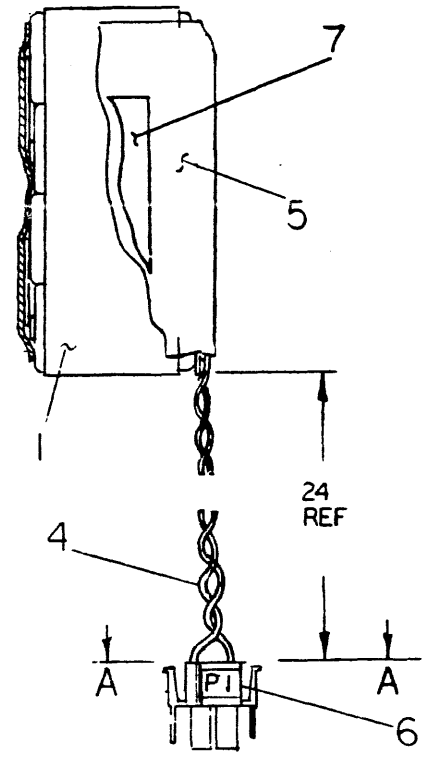
DEC FORM NO. 78C 100-C

SIZE CODE C AD NUMBER 7016894-0-0



ALL DIMENSIONS ARE THE PROPERTY OF DIGITAL EQUIPMENT CORPORATION AND WILL BE KEPT CONFIDENTIAL. THIS DRAWING IS TO BE USED AS THE BASIS FOR THE MANUFACTURE OR SALE OF THIS PRODUCT WITHOUT THE WRITTEN PERMISSION OF DIGITAL EQUIPMENT CORPORATION.

ITEM NO	DESCRIPTION	FROM		TO		PRECUT LENGTH	
		AWG	COLOR	CONN	WITH		CONN
4	22	RED	PI-1	ITEM 3	BATT P1	SOLDER	27.5±.5
		BLK	PI-2		BATT P2	SOLDER	24.5±.5



DETAIL B  
EXPLODED DETAIL  
SCALE: NONE

ITEM NO	DESCRIPTION	DRAWING NO	PART NO.	ITEM NO
1	LABEL ID		3616073-00	7
1	PWR CONN DECAL	A-DC-7409873-2-0	7409872-C2	6
3.5"	SHP;NK TUBING 1.5" I.D.		9107819-00	5
27.5"	WIRE TW/PR 22 AWG		9107420-02	4
2	PIN 18-24 AWG MATE-N-LOC		1212170-03	3
1	CONN, HSG, 2 POS, MATE-N-LOC A-PL-1212167-0-0		1212167-C2	2
1	BATTERY PACK, NI-CAD, REC A-PS-1216692-0-0		1216692-00	1

DESCRIPTION	DRAWING NO	PART NO.	ITEM NO			
UNLESS OTHERWISE SPECIFIED DIMENSIONS ARE IN INCHES AND THE FOLLOWING TOLERANCES APPLY (PER DEC STD 114)						
INCHES TOLERANCES	ANGLES ± 0° 30'	DIMENSIONS RANGE IN INCHES				
		APPLICABLE DIMENSION RANGE (CHECK ONE)	OVER TO	OVER TO	OVER TO	OVER TO
<input type="checkbox"/> X ± .12 <input type="checkbox"/> XX ± .05 <input type="checkbox"/> XXX ± .005	<input checked="" type="checkbox"/> SURFACE QUALITY <input type="checkbox"/> MICROFINISH	<input type="checkbox"/> TO 1.2 <input type="checkbox"/> TO 1.2 TO 3.0 <input type="checkbox"/> TO 3.0 TO 6.0 <input type="checkbox"/> TO 6.0 TO 12.0 <input type="checkbox"/> TO 12.0 TO 48.0 <input type="checkbox"/> TO 48.0 TO 96.0	± .02	± .03	± .05	± .10
<input type="checkbox"/> ± .004 <input type="checkbox"/> ± .008 <input type="checkbox"/> ± .012 <input type="checkbox"/> ± .016 <input type="checkbox"/> ± .020 <input type="checkbox"/> ± .030		<input type="checkbox"/> ± .004 <input type="checkbox"/> ± .008 <input type="checkbox"/> ± .012 <input type="checkbox"/> ± .016 <input type="checkbox"/> ± .020 <input type="checkbox"/> ± .030	± .04			
THIRD ANGLE PROJECTION	DESIGNED BY: <i>A. Murray</i> DATE: 10-12-78 CHECKED BY: <i>[Signature]</i> DATE: 11/1/79 DESIGNED BY: <i>[Signature]</i> DATE: 7/1/80 MATERIAL: <i>See</i> DATE: 2-7-1982 DRAWN BY: <i>[Signature]</i> DATE: 7/1-80	TITLE: <b>digital</b> <b>BATTERY PACK ASSY</b>				
DO NOT SCALE DRAWING		DOCUMENT NUMBER: <b>C-AD-7016894-0-0</b>				
REMOVE BURRS AND BREAK SHARP CORNERS		SCALE: 1/1	SHEET: 1	OF: 1		
SEE PARTS LIST						

REVISION HISTORY	REV	DATE	ECO NUMBER
	A		7016945-TW001
P. MCMANUS			

REV 10-12-78

REV A  
7016945-0-0  
SCALE C

DWG 1000

4

3

2

TW

1

GENERAL CONFIGURATION CONTROL INFORMATION FOR THE 11750-F SYSTEMS

INTRODUCTION

THIS DOCUMENT CONTAINS THE INFORMATION FOR CONFIGURING THE 11750-F SYSTEMS. THE CONFIGURATION INFORMATION CONTAINED HEREIN MUST BE ADHERED TO IN ORDER TO MAINTAIN CONFORMANCE TO DEC STANDARDS.

GENERAL CONFIGURATION RULES:

1. CABINETS SUPPORTED AS BOLT-ON COMPATIBLE WITH THE 11750-FA/-FB ARE:

H9642-FA/-FB UNIBUS EXPANDER CABINET  
 H9642-FC/-FD UNIBUS EXPANDER CABINET  
 CI750-BA/-BB COMPUTER INTERCONNECT (CABINET)

ALL OTHER SYSTEM CABINETS (E.G., DISK, TAPE) ARE FREESTANDING.

2. CPU INTERNAL OPTIONS INSTALLABLE IN THE 11750-F ARE:

FP750 FLOATING POINT  
 RH750-F MASSBUS CONTROLLER  
 DW750 SECOND UNIBUS  
 DR750-F PARALLEL INTERFACE  
 CI750 COMPUTER INTERCONNECT (INTERFACE MODULE)  
 MS750-C MEMORY  
 H7112-A/-B BATTERY BACKUP UNIT

OPTIONS INSTALLABLE IN THE 11750-F UNIBUS BACKPLANE ARE LISTED IN DOCUMENT K-SA-11750-F-1.

ECO HISTORY				DRN: R. NELSON	DATE: 6/22/83	d i g i t a l			
ENG	ECO NUMBER	REV	ENG	ECO NUMBER	REV	CHK'D: K. BANKER	DATE: 6/22/83	TITLE	CONFIGURATION CONTROL
	INIT.	A							11750-F SYSTEMS
						DES.ENG.: S. FOOTE	DATE: 6/22/83		DOCUMENT NUMBER
						RESP.ENG.: S. FOOTE	DATE: 6/22/83		
						MFG.ENG.: K. O'BRIEN	DATE: 6/22/83	SIZE	CODE
								K	SA
								11750-F-0	REV.
									A
						FILE NAME: K-SA-11750-F-DBF			
								SHEET 1	OF 7

"THIS DRAWING AND SPECIFICATIONS HEREIN, ARE THE PROPERTY OF DIGITAL EQUIPMENT CORPORATION AND SHALL NOT BE REPRODUCED OR COPIED OR USED IN WHOLE OR IN PART AS THE BASIS FOR THE MANUFACTURE OR SALE OF ITEMS WITHOUT WRITTEN PERMISSION. COPYRIGHT (C) 1983 DIGITAL EQUIPMENT CORPORATION"

*rw*

GENERAL CONFIGURATION CONTROL INFORMATION FOR THE 11750-F SYSTEMS

CMI EXPANSION:

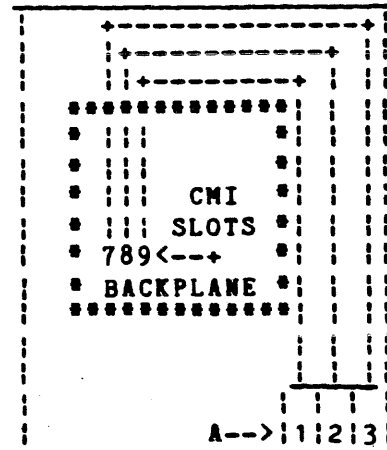


FIGURE #1 (VIEWED FROM REAR)

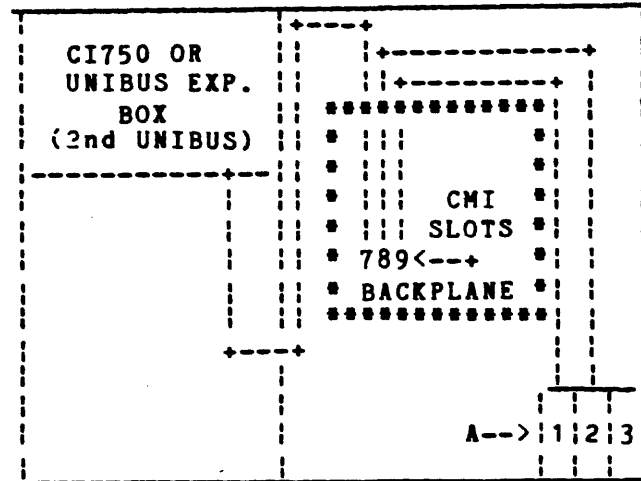


FIGURE #2 (VIEWED FROM REAR)

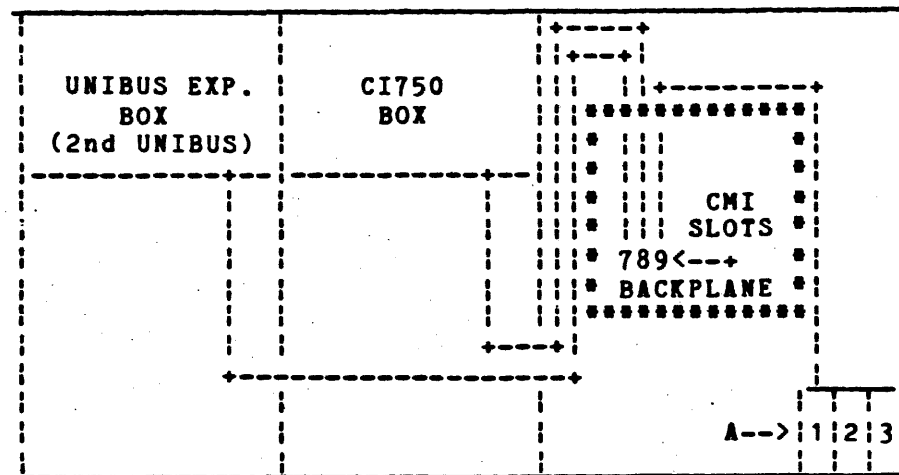


FIGURE #3 (VIEWED FROM REAR)

TABLE #1

ALLOWABLE CONFIGURATIONS OF CMI SLOTS 7, 8, & 9.

	SLOT 7	SLOT 8	SLOT 9	CABLING
1	RH750	RH750	RH750	SEE FIG. 1
2	DW750	RH750	RH750	SEE FIG. 2
3	DR750	RH750	RH750	SEE FIG. 1
4	DW750	DR750	RH750	SEE FIG. 2
5	DW750	CI750	RH750	SEE FIG. 3
6	CI750	RH750	RH750	SEE FIG. 2

NOTES:

1. COMBINATION OF DR750 AND CI750 IS NOT ALLOWED
2. ONLY ONE DR750 PER SYSTEM IS ALLOWED.
3. ONLY ONE DW750 PER SYSTEM IS ALLOWED.
4. ONLY ONE CI750 PER SYSTEM IS ALLOWED.
5. AREA (FIG. 1, 2, 3) DESIGNATED A1, A2, A3 IS COMPRISED OF THE BOTTOM THREE PANEL UNITS IN THE IN THE 11750-F CABINET BULKHEAD PANEL.

TITLE				DOCUMENT NUMBER			
d	i	g	i	t	a	l	
CONFIGURATION CONTROL				SHEET 2 OF 7			
11750-F SYSTEMS				K   SA   11750-F-0		REV.   A	

TW



GENERAL CONFIGURATION CONTROL INFORMATION FOR THE 11750-F SYSTEMS

UNIBUS EXPANSION:

1. UNIBUS EXPANDER CABINETS SUPPORTED ON THE 11750-F ARE:  
 H9642-FA/-FB  
 H9642-FC/-FD
2. A MAXIMUM OF TWO EXPANDER BOXES (ONE PER CABINET) IS ALLOWABLE ON EACH 11750-F UNIBUS.
3. UNIBUS EXPANDER CABINETS ALWAYS BOLT TO THE CPU CABINET OR TO ADJACENT UNIBUS EXPANDER OR CI750 CABINET.
4. PREFERRED DIRECTION OF SYSTEM EXPANSION IS TO THE LEFT OF THE CPU CABINET (AS VIEWED FROM THE FRONT) FOR EXPANSION OF THE FIRST UNIBUS (UBA #0), AND TO THE RIGHT OF THE CPU CABINET FOR THE SECOND UNIBUS (UBA #1). SEE FIGURE #4 FOR CABINET CONFIGURATION.
5. ALL UNSHIELDED UNIBUS CABLES, E.G. BC11A, MUST BE ROUTED INTERNAL TO THE OVERALL ENCLOSURE, THROUGH THE CABLE PORTS PROVIDED IN THE SHIELD INSERTS OF EACH CABINET.
6. AT TIME OF INITIAL FIELD INSTALLATION OF THE EXPANDER CABINETS, BOTH KNOCKOUTS IN THE INSERTS OF THE MATING SIDES OF THE CABINETS TO BE JOINED SHOULD BE REMOVED, AND BOTH FEEDTHROUGH DUCTS INSTALLED. THIS IS FOR EASE OF FUTURE EXPANSION.
7. DO NOT REMOVE KNOCKOUTS FROM INSERTS OF NON-EXPANSION SIDES OF EITHER CABINET.
8. REFER TO K-SA-H9642-F DOCUMENTS FOR ADDITIONAL UNIBUS CABINET EXPANSION INFORMATION.

CABINET CONFIGURATION FOR MAXIMUM UNIBUS EXPANSION:

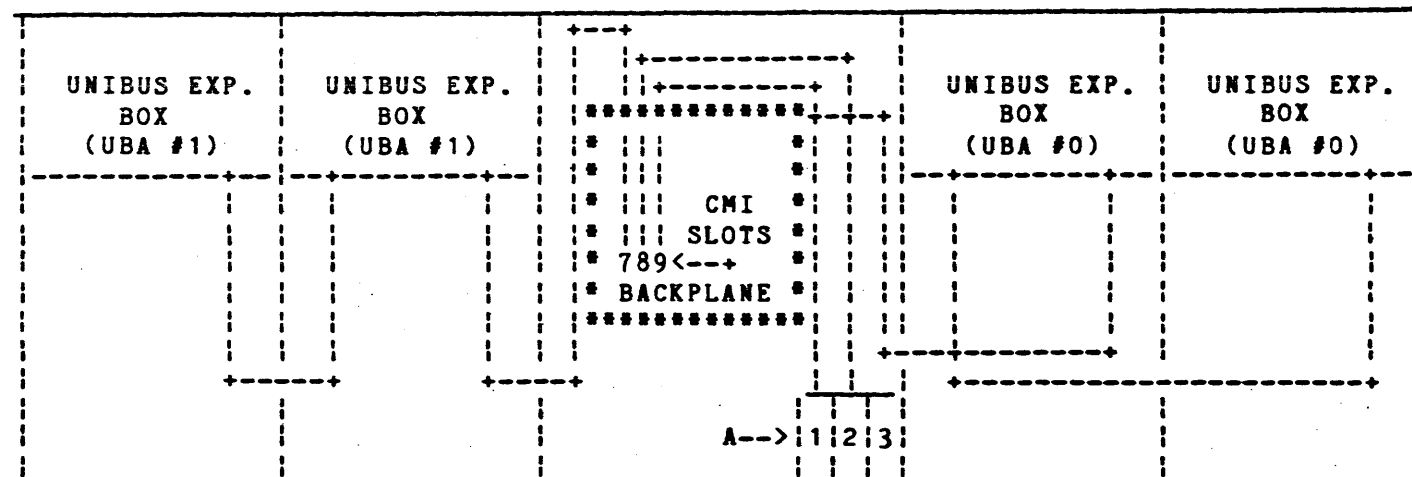


FIGURE #4  
(VIEWED FROM REAR)

! ! ! ! ! ! ! !	! TITLE	! ! ! ! ! ! ! !	! DOCUMENT NUMBER
! d ! i ! g ! i ! t ! a ! l !	! CONFIGURATION CONTROL	! ! ! ! ! ! ! !	! ! ! ! ! ! ! !
! ! ! ! ! ! ! !	! 11750-F SYSTEMS	! SHEET 3 OF 7	! ! ! ! ! ! ! !
! ! ! ! ! ! ! !	! ! ! ! ! ! ! !	! ! ! ! ! ! ! !	! ! ! ! ! ! ! !

TW

GENERAL CONFIGURATION CONTROL INFORMATION FOR THE 11750-F SYSTEMS

11750-F I/O BULKHEAD PANEL:

1. PANEL UNITS IN ZONES A1-A3 ARE TO BE USED FOR INSTALLATION OF PANEL INSERTS FOR RH750 OR DR750. INSTALLATION OF THE UDA50 BULKHEAD ASSY. IS ALSO PREFERRED IN ZONE A3 IF SPACE IS NOT ALREADY UTILIZED.
2. BULKHEAD AREA E1 IS RESERVED FOR INSTALLATION OF THE RL211 CONTROLLER/DISK BULKHEAD ASSY. ON SYSTEMS IN WHICH THE RL11 CONTROLLER IS TO BE INSTALLED IN THE CPU UNIBUS BACKPLANE, DISCARD THE BLANK COVER ON THE BULKHEAD AT "E1", DISCARD THE PANEL INSERT PROVIDED WITH THE RL211 OPTION, AND INSTALL THE 40 PIN CONNECTOR AND SHIELD RECEPTACLE DIRECTLY TO THE 11750-F BULKHEAD PANEL.
3. ALL OTHER UNIBUS OPTIONS WHICH INCLUDE PANEL INSERTS MOUNT IN ZONES B1-B4, C1-C4, D1-D4. THE BULKHEAD PANEL SHOULD BE POPULATED FROM THE BOTTOM UP, TO EASE FUTURE EXPANSION.
4. ALL UNUSED PANEL UNITS MUST BE LEFT COVERED WITH BLANK PANEL INSERTS.

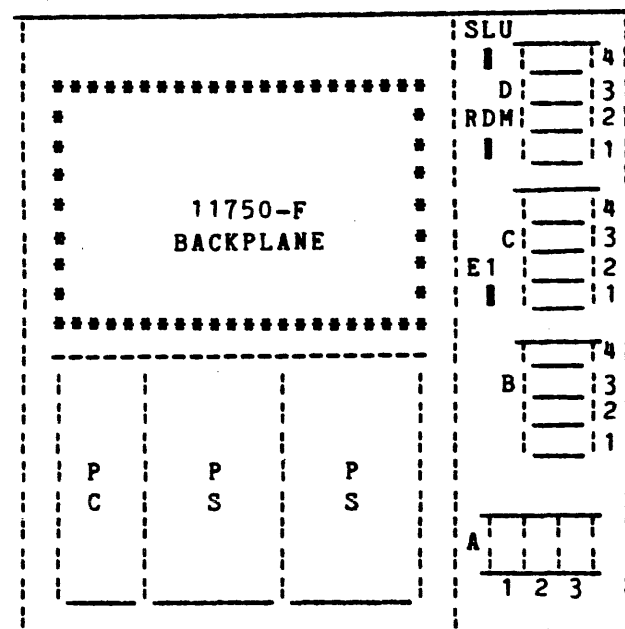


FIGURE #5 (VIEWED FROM REAR)

11750-F I/O BULKHEAD PANEL LAYOUT

TITLE		DOCUMENT NUMBER	
CONFIGURATION CONTROL			
11750-F SYSTEMS		SHEET 4 OF 7	
		SIZE CODE NUMBER	
		K SA 11750-F-0	
		REV. A	

TW

GENERAL CONFIGURATION CONTROL INFORMATION FOR THE 11750-F SYSTEMS

DEC POWER CONTROL BUS CABLING:

TABLE #2

CABINET	FROM	TO	REMARKS
UBA#0-CAB 1	875 NORMAL-CPU	877 J8-CAB 1	SEE NOTES 1&2
UBA#0-CAB 2	877 J9-CAB 1	877 J8-CAB 2	
CI750	875 DELAYED-CPU	877 J8-CI750	SEE NOTE 1
UBA#1-CAB 1	875 DELAYED-CPU OR 877 J9-CI750	877 J8-CAB 1	SEE NOTE 1
UBA#1-CAB 2	877 J9-CAB 1	877 J8-CAB 2	

NOTES:

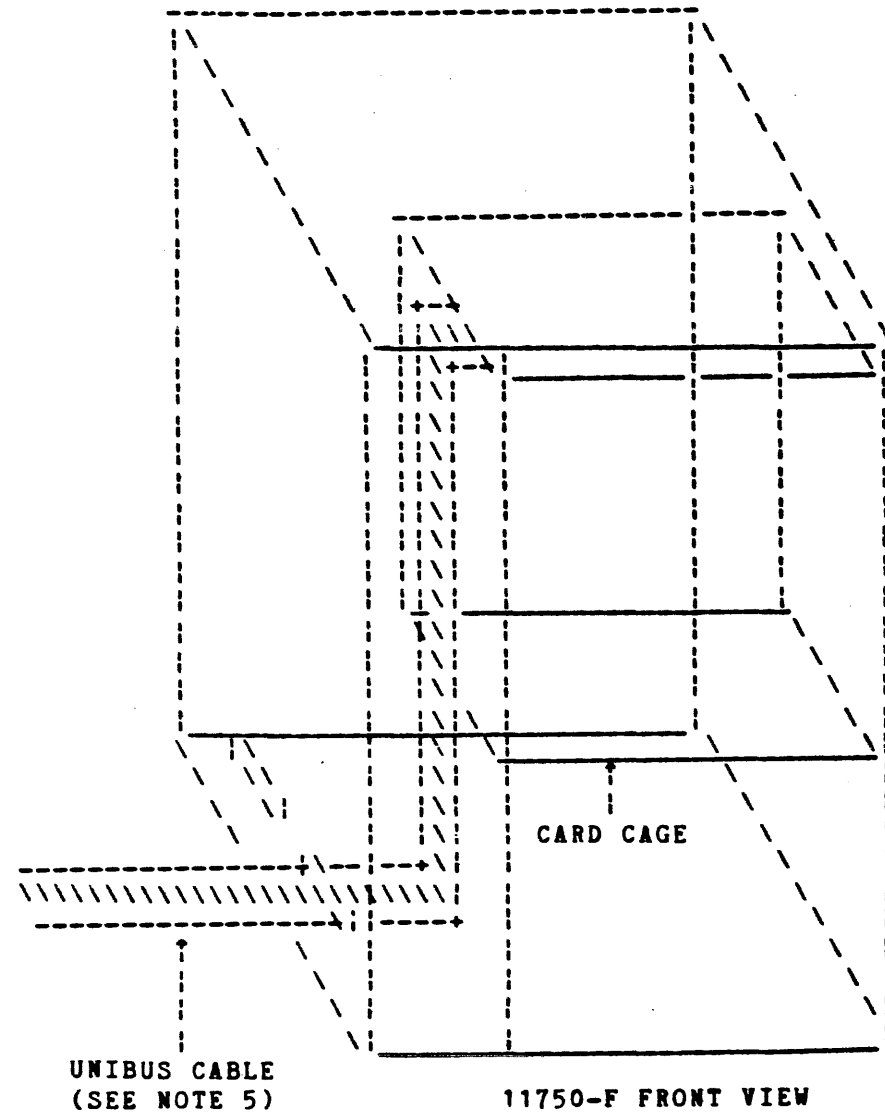
1. THE POWER CONTROL BUS CABLE(S) CONNECTED TO THE 875 POWER CONTROLLER MUST BE ROUTED INSIDE THE ENCLOSURES.
2. THE 6' CABLE PROVIDED WITH THE 11750-F IS TO BE USED FOR CONTINUATION OF THE POWER CONTROL BUS TO THE FIRST EXPANDER CABINET MOUNTED TO THE LEFT OF THE CPU.

! ! ! ! ! ! ! !	TITLE	! ! ! ! ! ! ! !	DOCUMENT NUMBER
! d ! i ! g ! i ! t ! a ! l !	CONFIGURATION CONTROL	! ! ! ! ! ! ! !	! ! ! ! ! ! ! !
! ! ! ! ! ! ! !	11750-F SYSTEMS	SHEET 5 OF 7	! ! ! ! ! ! ! !
! ! ! ! ! ! ! !			! ! ! ! ! ! ! !
! ! ! ! ! ! ! !			! ! ! ! ! ! ! !
! ! ! ! ! ! ! !			! ! ! ! ! ! ! !

TW

GENERAL CONFIGURATION CONTROL INFORMATION FOR THE 11750-F SYSTEMS

UNIBUS CABLE ROUTING - EXPANDED SYSTEM:



1. REMOVE TERMINATOR MODULE FROM SLOT 9 OF DD11-DK.
2. INSTALL UNIBUS CABLE (PROVIDED WITH EXPANDER BOX) IN SLOT 9-A&B OF DD11-DK.
3. ROUTE CABLE BEHIND THE CABLE MANAGEMENT BRACKETS TO BASE OF CABINET PASS THE CABLE THROUGH THE FRONT CABLE DUCT (SEE FIG. #6) TO THE EXPANDER CABINET. INSTALL IN SLOT 1-A&B OF THE FIRST DD11-DK IN IN THE EXPANDER BOX.
4. INSTALL THE TERMINATOR IN THE LAST SLOT OF THE LAST DD11 IN THE EXPANDER BOX.
5. REFERENCE H9642-F DOCUMENTATION FOR EXPANDER CABINET INSTALLATION AND CABLE ROUTING.

FIGURE #6

TITLE		DOCUMENT NUMBER	
d	11750-F SYSTEMS	SHEET 6 OF 7	11750-F-0
g			
i			
t			
a			
l			

TW



GENERAL CONFIGURATION CONTROL INFORMATION FOR THE 11750-F SYSTEMS

INTRODUCTION:

TABLES #1 AND #2 LIST THE SUPPORTED INTRA CPU UNIBUS BACKPLANE CONTROLLER / INTERFACES. THE CONFIGURATION OF THESE CONTROLLERS / INTERFACES WITHIN THE 11750-F CABINET AND ITS I/O BULKHEAD PANEL IS CONTROLLED BY THE XCON PROGRAM. TABLE #1 LISTS INTRA BACKPLANE CONTROLLERS (E.G. RLO2, UDA50, ETC.). TABLE #2 LISTS THE COMMUNICATION TYPE CONTROLLERS (E.G. DZ11, DMF32, ETC.).

TABLE #1

NAME	DESCRIPTION	MOUNTING INFORMATION		REMARKS
		QTY & MODULE SIZE	I/O BULKHEAD PANEL INSERT SIZE	
UDA50-A	DISC CONTROLLER	2 HEX	2 INCH	SEE NOTE 1
RL11	RLO2 DISC CONTROLLER	1 HEX	2 INCH	
TU80	TAPE CONTROLLER	1 QUAD	2 INCH	SEE NOTE 1
LP11	LINE PRINTER CONTROLLER	1 QUAD	2 INCH	
VS100	VAX STATION INTERFACE	1 HEX	2 INCH	

NOTES:

1. THE OPTION MUST INCORPORATE THE I/O BULKHEAD PANEL INSERT. EARLIER UNITS NOT INCORPORATING THIS HARDWARE ARE NOT SUPPORTED.

ECO HISTORY				IDRN: R. NELSON	!DATE: 6/22/83	! d ! i ! g ! i ! t ! a ! l !			
! ENG!	ECO NUMBER	! REV!	! ENG!	! CHK'D: K. BANKER	! DATE: 6/22/83	! TITLE	! CONFIGURATION CONTROL		
! !	! INIT.	! A !	! !	! !	! !	! !	! 11750-F SYSTEMS		
! !	! !	! !	! !	! DES.ENG.: S. FOOTE	! DATE: 6/22/83	! DOCUMENT NUMBER			
! !	! !	! !	! !	! RESP.ENG.: S. FOOTE	! DATE: 6/22/83	! SIZE!	! CODE!	! NUMBER	
! !	! !	! !	! !	! MFG.ENG.: K. O'BRIEN	! DATE: 6/22/83	! K !	! SA !	! 11750-F-1	
! !	! !	! !	! !	! FILE NAME: K-SA-11750-F-DBF	! !	! !	! !	! SHEET 1 OF 2	
! !	! !	! !	! !	! THIS DRAWING AND SPECIFICATIONS HEREIN, ARE THE PROPERTY OF DIGITAL EQUIPMENT CORPORATION AND SHALL NOT BE REPRODUCED				! !	! !
! !	! !	! !	! !	! OR COPIED OR USED IN WHOLE OR IN PART AS THE BASIS FOR THE MANUFACTURE OR SALE OF ITEMS WITHOUT WRITTEN PERMISSION.				! !	! !
! !	! !	! !	! !	! COPYRIGHT (C) 1983 DIGITAL EQUIPMENT CORPORATION				! !	! !

TW

GENERAL CONFIGURATION CONTROL INFORMATION FOR THE 11750-F SYSTEMS

TABLE #2

NAME	DESCRIPTION	MOUNTING INFORMATION		REMARKS
		QTY & MODULE SIZE	I/O BULKHEAD PANEL INSERT SIZE	
DEUNA	ETHERNET INTERCONNECT	2 HEX	4 INCH	
DMF32-LP	COMM OPTION	1 HEX	8 INCH	
DMP11-AP	EIA	2 HEX	2 INCH	
DMP11-BP	V.35 OPTION	2 HEX	2 INCH	
DMP11-CP	INTEGRAL MODEM	2 HEX	4 INCH	
DMP11-EP	RS422 OPTION	2 HEX	2 INCH	
DMP11-FP	RS423 OPTION	2 HEX	4 INCH	
DMR11-AP	RS232 W/ MDM CTRL	2 HEX	2 INCH	
DMR11-BP	V.35 OPTION	2 HEX	2 INCH	
DMR11-CP	INTEGRAL MODEM	2 HEX	4 INCH	
DMR11-EP	RS422 OPTION	2 HEX	2 INCH	
DMR11-FP	RS423 OPTION	2 HEX	4 INCH	
DUP11-AP	DUP11 SINGLE	1 HEX	2 INCH	
DYK2D-AM	LINE PROGRAMABLE SYNC INTER. DEC DATAWAY 11750	4HEX	2 - 2 INCH	SEE NOTE 1
DZ11-DP	RS232 8 LINE DBL BUF ASYNC	1 HEX	8 INCH	
DZ11-HP	20 MA 8 LINE MUX	1 HEX	8 INCH	
DZ32-AP	EIA 8 LINE UPROC MUX	1 HEX	8 INCH	
DZS11-EA	TERMINAL CONCENTRATOR	1 HEX	2 INCH	SEE NOTE 1

NOTES:

1. THE OPTION MUST INCORPORATE THE I/O BULKHEAD PANEL INSERT. EARLIER UNITS NOT INCORPORATING THIS HARDWARE ARE NOT SUPPORTED.

! ! ! ! ! ! ! !	! TITLE	! ! ! ! ! ! ! !	! ! ! ! ! ! ! !	! ! ! ! ! ! ! !	! ! ! ! ! ! ! !	! ! ! ! ! ! ! !	! ! ! ! ! ! ! !
! ! ! ! ! ! ! !	! ! ! ! ! ! ! !	! ! ! ! ! ! ! !	! ! ! ! ! ! ! !	! ! ! ! ! ! ! !	! ! ! ! ! ! ! !	! ! ! ! ! ! ! !	! ! ! ! ! ! ! !
! ! ! ! ! ! ! !	! ! ! ! ! ! ! !	! ! ! ! ! ! ! !	! ! ! ! ! ! ! !	! ! ! ! ! ! ! !	! ! ! ! ! ! ! !	! ! ! ! ! ! ! !	! ! ! ! ! ! ! !
! ! ! ! ! ! ! !	! ! ! ! ! ! ! !	! ! ! ! ! ! ! !	! ! ! ! ! ! ! !	! ! ! ! ! ! ! !	! ! ! ! ! ! ! !	! ! ! ! ! ! ! !	! ! ! ! ! ! ! !

TW

