

FIND NO.	DRAWING NO.	DESCRIPTION	TYPE	FIND NO.	DRAWING NO.	DESCRIPTION	TYPE
1	B-TC-RH750-0-1 E-UA-RH750-0-0	MP# 01045		8	D-IA-70C9490-0-0	POWER SEQUENCE JUMPER ASSY	
	K-PL-RH750-0-DBP	PARTS LIST UNIT ASSY					
	D-BD-RH750-0-2	BLOCK DIAGRAM					
	D-FL-RH750-0-3	FLOW DIAGRAMS					
	K-BD-RH750-0-DBS	BLOCK DIAGRAM SUDS DATA BASE					
	K-FL-RH750-0-DBS	FLOW DIAGRAM SUDS DATA BASE		9	C-IA-7412847-0-0	GROUND STRAP	
2	E-AD-7018509-0-0 A-PS-3616073-0-0	CABLE ASSY DECAL					
3	D-UA-BC16A-0-0	FLAT CABLE		10	E-UA-10007-0-0	MASS ADAPTER	
4	E-UA-BC067-0-0 A-PS-3616073-0-0 A-PS-3617951-0-0	CABLE MASS BUS LABEL CABLE IDENT LABEL		11	A-SP-3700630-0-0	PACKAGING INSTRUCTIONS	
5	D-AD-7009938-0-0 A-DC-7412208-0-0	TERMINATOR ASSY DECAL					
6	D-AD-7009861-0-0	RECPT HOUSING ASSY RPGA					
7	C-IA-7C08288-0-0	CABLE ASSY					

TYPE E ELECTRICAL
M MECHANICAL
E/M ELECTRO/MECHANICAL



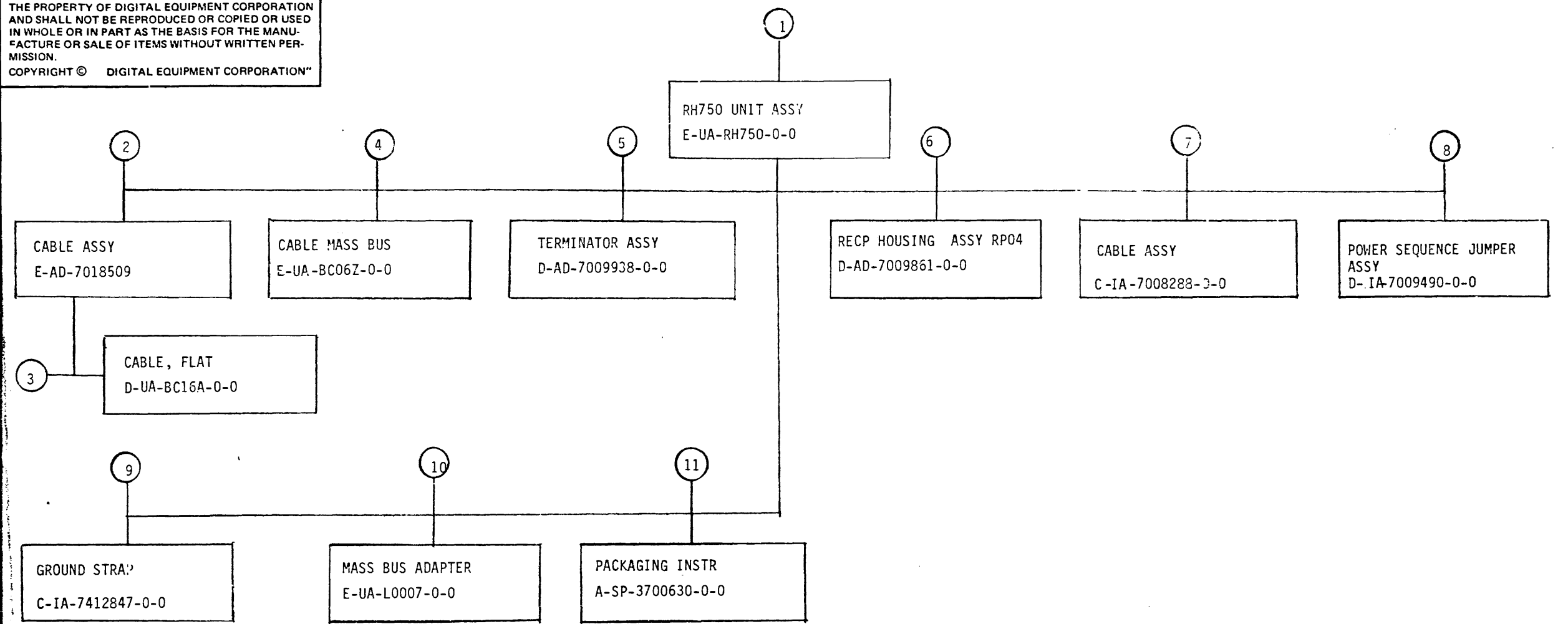
TITLE
DRAWING DIRECTORY RH750

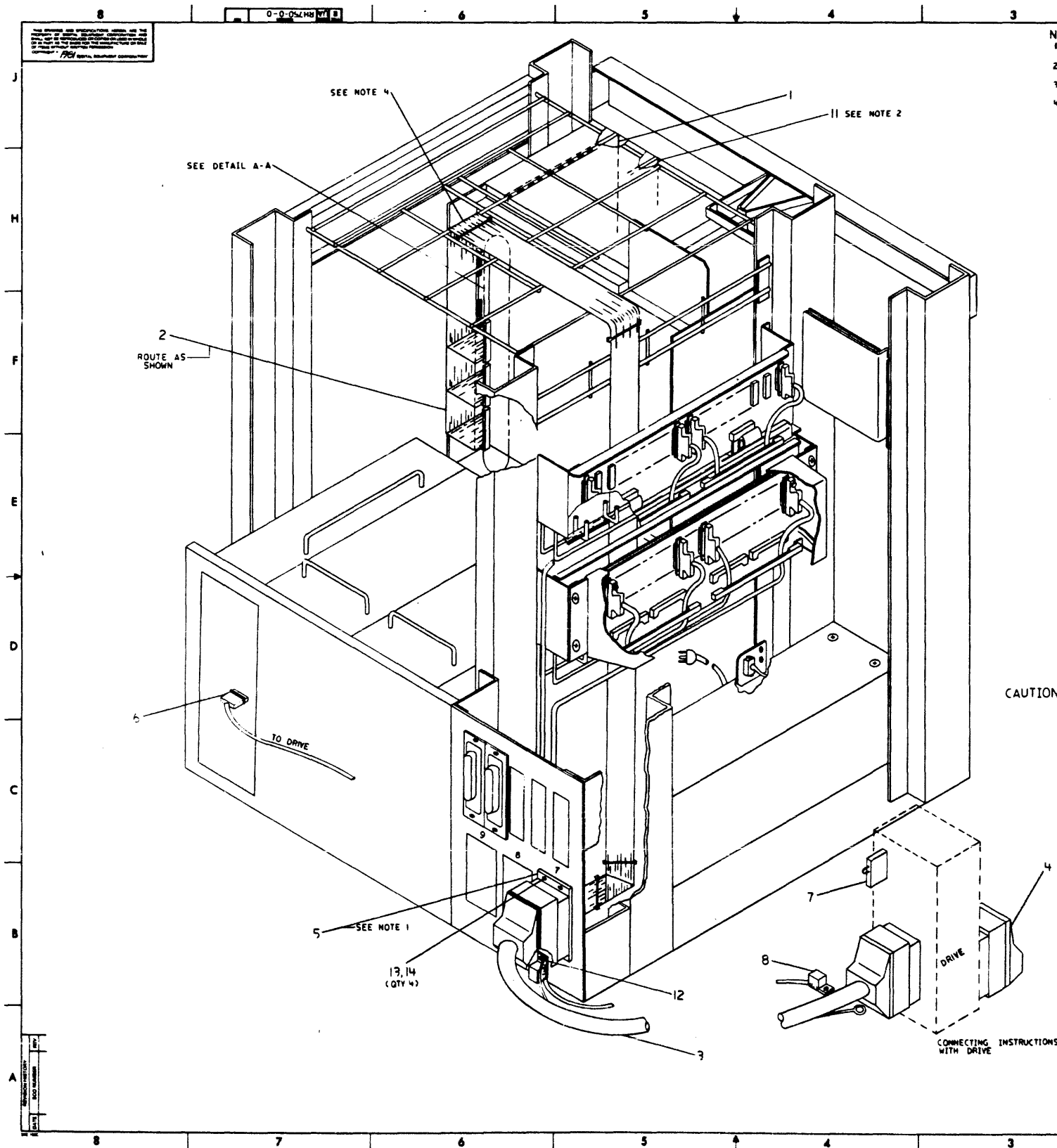
SHEET 2 OF 3

SIZE CODE NUMBER
B DD RH750-0-0

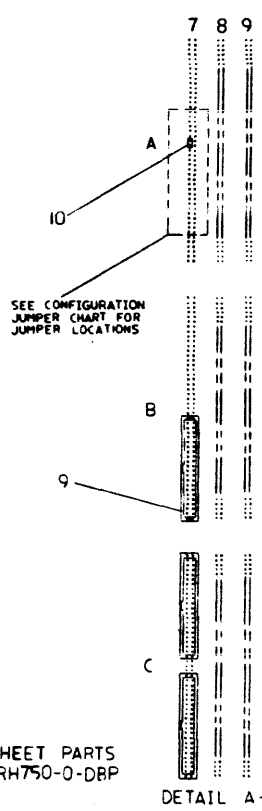
REV
A

"THIS DRAWING AND SPECIFICATIONS, HEREIN, ARE THE PROPERTY OF DIGITAL EQUIPMENT CORPORATION AND SHALL NOT BE REPRODUCED OR COPIED OR USED IN WHOLE OR IN PART AS THE BASIS FOR THE MANUFACTURE OR SALE OF ITEMS WITHOUT WRITTEN PERMISSION.
COPYRIGHT © DIGITAL EQUIPMENT CORPORATION"





- NOTES:**
1. PRIOR TO INSTALLING ITEM 5, REMOVE COVER PLATE AND HARDWARE, AND DISCARD.
 2. THE MASSBUS DEVICE BOOT ROM ITEM 11 (90BA9) SHOULD BE INSTALLED IN SOCKET ED4 ON MEMORY CONTROLLER (L001).
 3. UNIBUS BG JUMPERS A67-A68, A69-A70, A73-A74, AND A77-A78 SHOULD BE REMOVED WHEN L001 IS INSTALLED.
 4. IN MULTIPLE RH750 CONFIGURATIONS, CABLES FOR SLOT 7 SHOULD BE ON TOP AND SLOT 9 ON BOTTOM.



CAUTION: SEE OFF SHEET PARTS LIST K-PL-RH750-0-DBP

DETAIL A-A

RH SELECT	BASE ADDRESS	JUMPERS
A	F28000	A51 - A53 A52 - A54
B	F2A000	A51 - A53 A52 - A54
C	F2C000	A52 - A54
ARBITRATION LEVEL		JUMPERS
3		A62 - A64 A60 - A62 A63 - A64
2		A50 - A62 A64 - A66 A61 - A63
1		A50 - A62 A64 - A66 A61 - A63
SLOD FILL RATE		JUMPER
NORMAL		A43 - A45

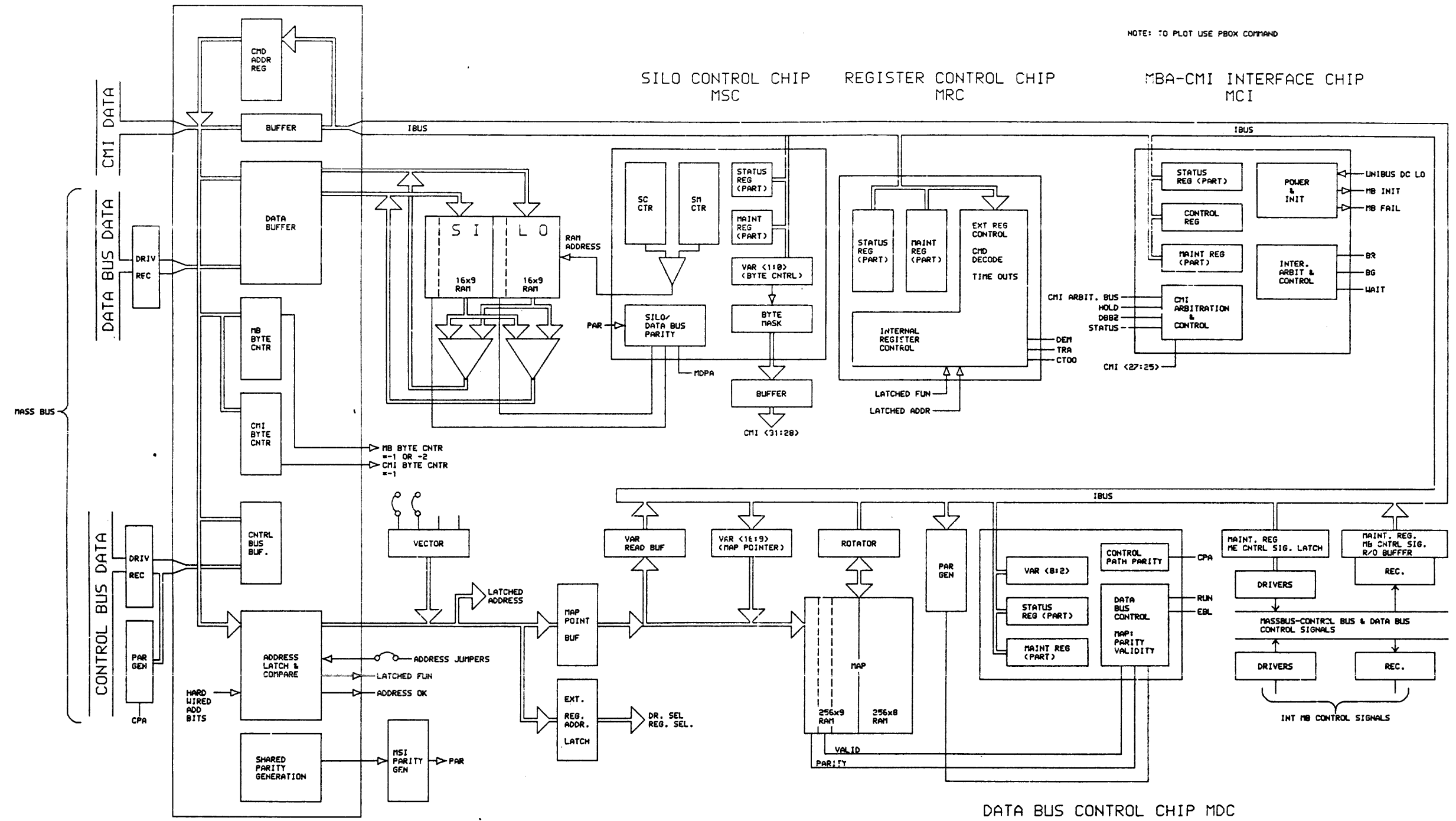
DESCRIPTION	DRAWING NO.	PART NO.
UNLESS OTHERWISE SPECIFIED DIMENSIONS ARE IN INCHES AND THE FOLLOWING TOLERANCES APPLY UNLESS NOTED OTHERWISE		
FINISH	APPLICABLE DIMENSION	APPLICABLE TOLERANCE
ASSEMBLY	DATE	BY
QUANTITY	DATE	BY
REVISIONS	DATE	BY
1	12-81	E. CATE
2	12-81	E. CATE
3	12-81	E. CATE
4	12-81	E. CATE
5	12-81	E. CATE
6	12-81	E. CATE
7	12-81	E. CATE
8	12-81	E. CATE
9	12-81	E. CATE
10	12-81	E. CATE
11	12-81	E. CATE
12	12-81	E. CATE
13	12-81	E. CATE
14	12-81	E. CATE
15	12-81	E. CATE
16	12-81	E. CATE
17	12-81	E. CATE
18	12-81	E. CATE
19	12-81	E. CATE
20	12-81	E. CATE
21	12-81	E. CATE
22	12-81	E. CATE
23	12-81	E. CATE
24	12-81	E. CATE
25	12-81	E. CATE
26	12-81	E. CATE
27	12-81	E. CATE
28	12-81	E. CATE
29	12-81	E. CATE
30	12-81	E. CATE
31	12-81	E. CATE
32	12-81	E. CATE
33	12-81	E. CATE
34	12-81	E. CATE
35	12-81	E. CATE
36	12-81	E. CATE
37	12-81	E. CATE
38	12-81	E. CATE
39	12-81	E. CATE
40	12-81	E. CATE
41	12-81	E. CATE
42	12-81	E. CATE
43	12-81	E. CATE
44	12-81	E. CATE
45	12-81	E. CATE
46	12-81	E. CATE
47	12-81	E. CATE
48	12-81	E. CATE
49	12-81	E. CATE
50	12-81	E. CATE
51	12-81	E. CATE
52	12-81	E. CATE
53	12-81	E. CATE
54	12-81	E. CATE
55	12-81	E. CATE
56	12-81	E. CATE
57	12-81	E. CATE
58	12-81	E. CATE
59	12-81	E. CATE
60	12-81	E. CATE
61	12-81	E. CATE
62	12-81	E. CATE
63	12-81	E. CATE
64	12-81	E. CATE
65	12-81	E. CATE
66	12-81	E. CATE
67	12-81	E. CATE
68	12-81	E. CATE
69	12-81	E. CATE
70	12-81	E. CATE
71	12-81	E. CATE
72	12-81	E. CATE
73	12-81	E. CATE
74	12-81	E. CATE
75	12-81	E. CATE
76	12-81	E. CATE
77	12-81	E. CATE
78	12-81	E. CATE
79	12-81	E. CATE
80	12-81	E. CATE
81	12-81	E. CATE
82	12-81	E. CATE
83	12-81	E. CATE
84	12-81	E. CATE
85	12-81	E. CATE
86	12-81	E. CATE
87	12-81	E. CATE
88	12-81	E. CATE
89	12-81	E. CATE
90	12-81	E. CATE
91	12-81	E. CATE
92	12-81	E. CATE
93	12-81	E. CATE
94	12-81	E. CATE
95	12-81	E. CATE
96	12-81	E. CATE
97	12-81	E. CATE
98	12-81	E. CATE
99	12-81	E. CATE
100	12-81	E. CATE

LINE	ITEM	DOCUMENT NUMBER	PART NUMBER	DESCRIPTION	QUANTITY PER VARIATION
					00
1	1	E-UA-L0007-0-0	L0007-00	MASS BUS ADAPTOR	1
2	2	E-AD-7018509-0-0	7018509-00	CABLE ASSY. RH750	1
3	3	E-UA-BC062-0-0	RC062-25	CABLE, MASSBUS, 45 DEG/90 DEG ENTR	1
4	4	D-AD-7009938-0-0	7009938-00	TERMINATOR ASSEMBLY (80-RJP04)	1
5	5	D-AD-7009861-0-0	7009861-00	RECEPT HOUSING ASSY-RP04	1
6	6	C-IA-7008288-0-0	7008288-30	CABLE ASSY.	1
7	7	D-IA-7009490-0-0	7009490-00	POWER SEQUENCE JUMPER ASSEMBLY	1
8	8	C-IA-7412847-0-0	7412827-25	GND STRAP	1
9	9		1216821-00	HOUSING, BACKPLANE CONN, .1 X .1	3
10	10		1214314-00	CONN 2POS JUMPER	5
11	11		23908A9-00	A9-01	1
12	12		9009988-00	SCREW, SEMS, SLOTTED HEX HD 1/4-	1
13	13		9006011-01	SCREW, PAN, PHIL 4-40X 3/8 SS	4
14	14		9006688-00	WASHER, LOCK, S.S. #4	4

REVISION HISTORY			BASIC PART NO: RH750		DRN: R, J, RILEY		DATE: 23-JAN-81		D I G I T A L	
ENG	ECO NUMBER	REV	SECTION A OF A	CHK'D:	R, J, RILEY	DATE:	23-JAN-81	TITLE	PARTS LIST	
---	INITIAL	A	SECTION, VARIATION INDEX	CHK'D:	R, J, RILEY	DATE:	23-JAN-81	RH750 UNIT ASSEMBLY		
			[A] 00	DES. ENG.:	R, CIESLUK	DATE:	23-JAN-81			
			[B]	RESP. ENG.:	T, KRAUS	DATE:			DOCUMENT NUMBER	
			[C]					SIZE	CODE	NUMBER
			[D]	MFG. ENG.:	K, O'BRIEN	DATE:		K	PL	RH750-0-DBP
			[E]	ASSEMBLY NUMBER:		TOP DOCUMENT NUMBER:		FILE NAME:	EDIT #	
			[F]	E-UA-RH750-0-0		B-DD-11750-0-0		Z1858.PLS	5	

"THIS DRAWING AND SPECIFICATIONS HEREIN, ARE THE PROPERTY OF DIGITAL EQUIPMENT CORPORATION AND SHALL NOT BE REPRODUCED OR COPIED OR USED IN WHOLE OR IN PART AS THE BASIS FOR THE MANUFACTURE OR SALE OF ITEMS WITHOUT WRITTEN PERMISSION. COPYRIGHT (C) 1981, DIGITAL EQUIPMENT CORPORATION."

NOTE: TO PLOT USE PBOX COMMAND



THIS DRAWING AND SPECIFICATIONS ARE THE PROPERTY OF DIGITAL EQUIPMENT CORPORATION AND SHALL NOT BE REPRODUCED OR COPIED OR USED IN WHOLE OR IN PART AS THE BASIS FOR THE MANUFACTURE OR SALE OF ITEMS WITHOUT WRITTEN PERMISSION. COPYRIGHT © 1981, DIGITAL EQUIPMENT CORPORATION.

REVISIONS	
CHK	CHANGE NO. REV

digital	DRN.	DATE	ENG.	DATE	TITLE:
	CHK'D <i>g. Pyle</i>	17-FEB-81		17-FEB-81	RH750 BLOCK DIAGRAM
FIRST USED ON OPTION/MODEL: RH750		NEXT HIGHER ASSEMBLY: B-DD-RH750-0		SIZE	CODE
				D	BD
				NUMBER	REV.
				RH750-0-2	A

REV. A
 NUMBER
 RH750-0-2
 SIZE
 CODE
 D BD
 NUMBER
 REV.
 A

8

7

6

5

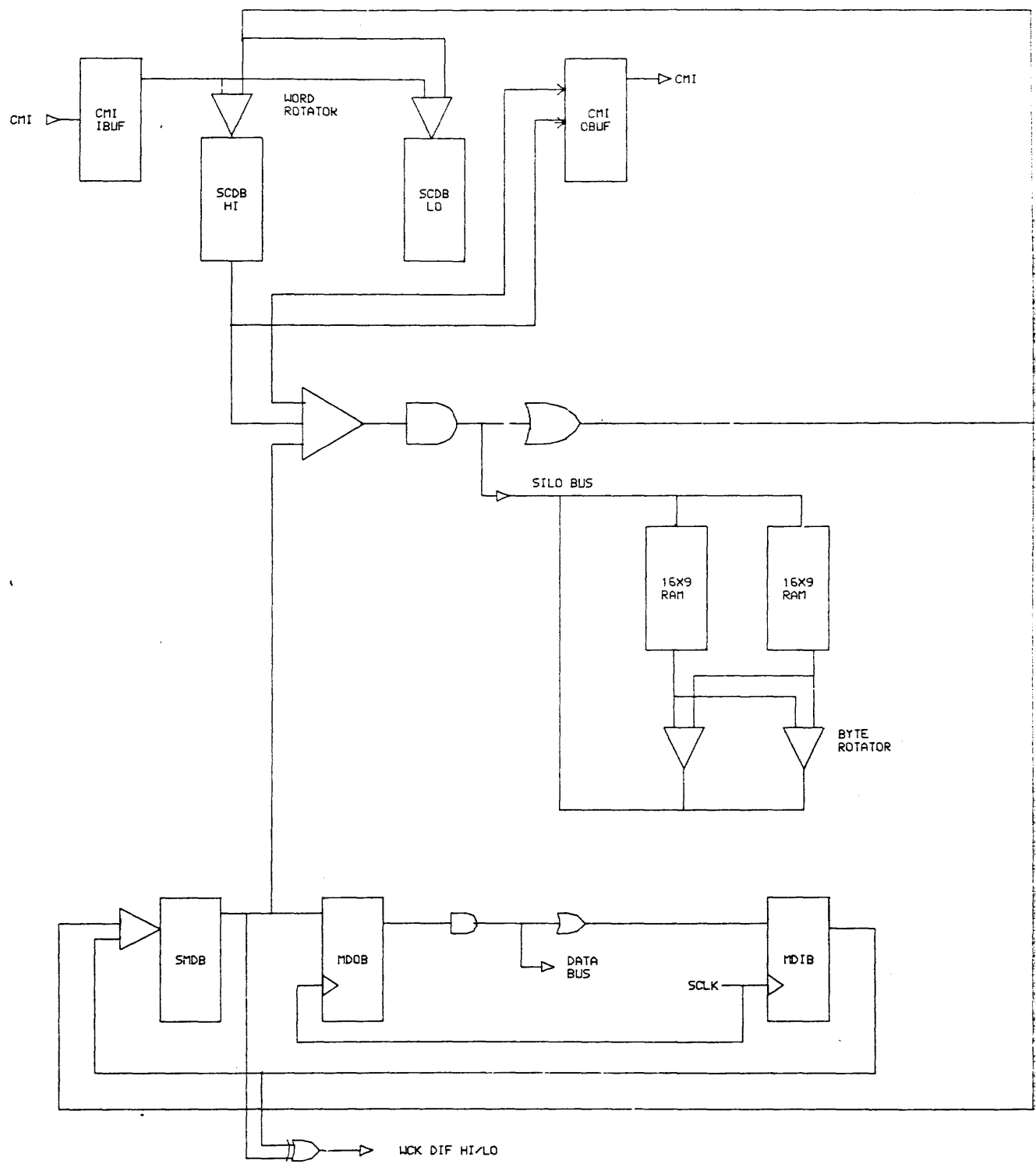
4

3

2

1

SIZE	CODE	NUMBER
D	BD	RH750-0-2
REV	A	



REV	A
NUMBER	RH750-0-2
SIZE	CODE
D	BD

D

THIS DRAWING AND SPECIFICATIONS ARE THE PROPERTY OF DIGITAL EQUIPMENT CORPORATION AND SHALL NOT BE REPRODUCED OR COPIED OR USED IN WHOLE OR IN PART AS THE BASIS FOR THE MANUFACTURE OR SALE OF ITEMS WITHOUT WRITTEN PERMISSION. COPYRIGHT © 1981. DIGITAL EQUIPMENT CORPORATION.

REVISIONS	
CHK	CHANGE NO. REV

digital	DRN.	DATE	ENG.	DATE	TITLE:
	CHK'D <i>J. P. ...</i>	11-FEB-81	<i>J. P. ...</i>	11-FEB-81	RH750 DATA BUFFER
C160,1271 MBABD2, DRW		11-FEB-81 17:21	NEXT HIGHER ASSEMBLY:		SIZE CODE
FIRST USED ON OPTION/MODEL: RH750		B-DD-RH750-0	NUMBER		REV.
			D BD RH750-0-2		A
		TW			

8

7

6

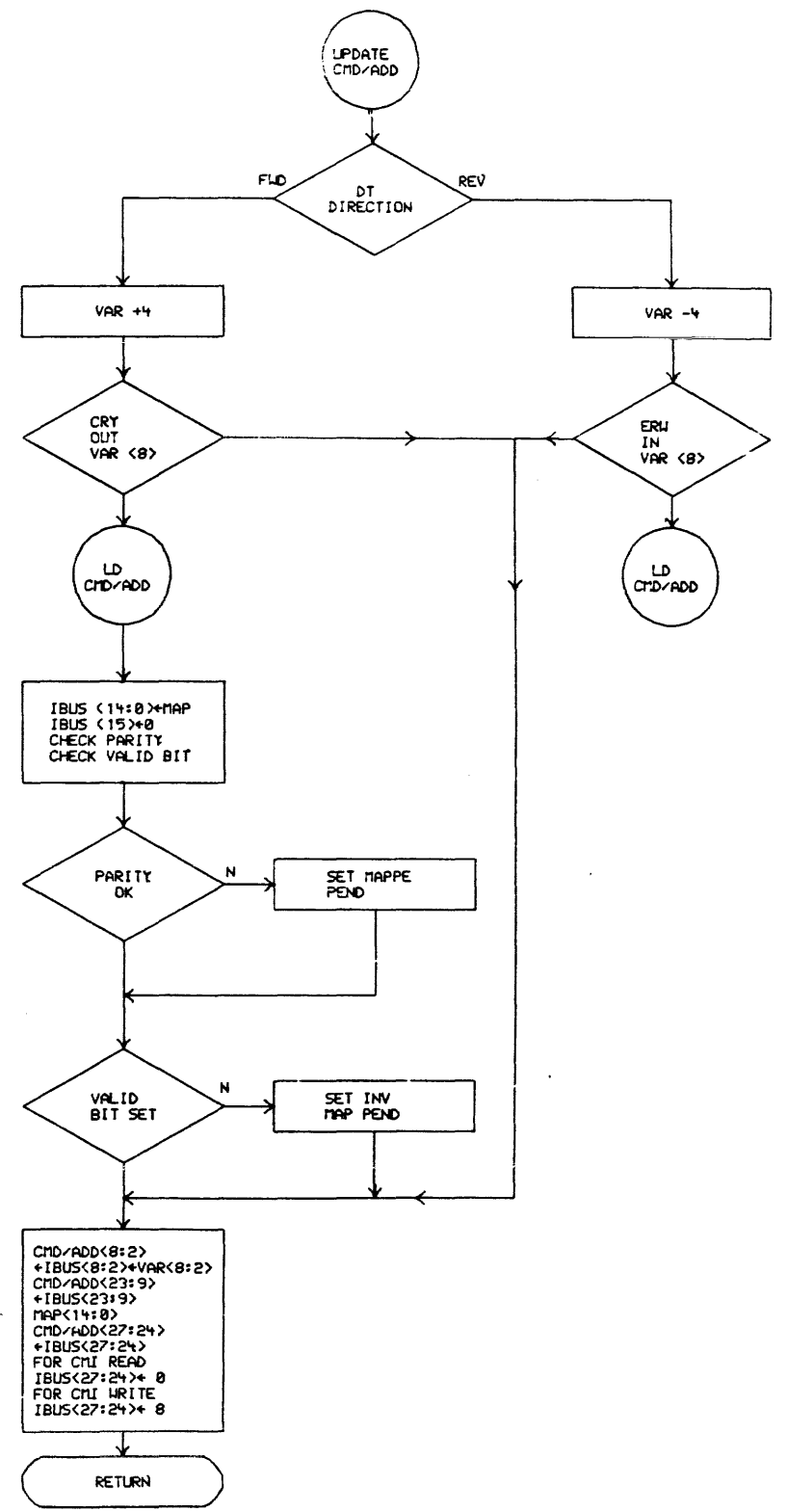
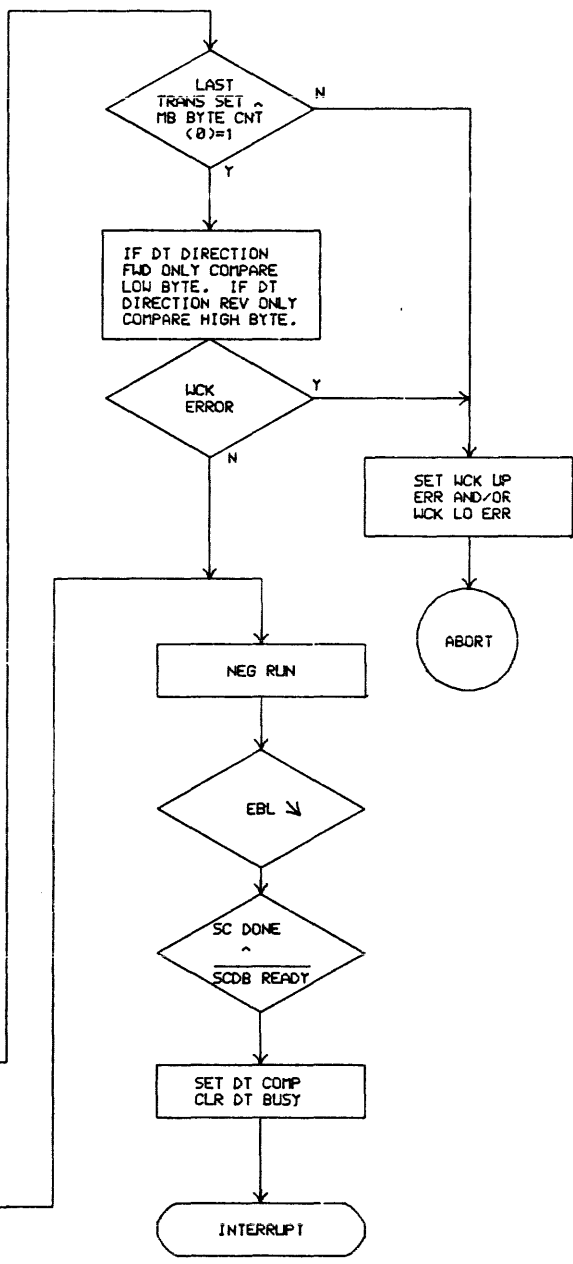
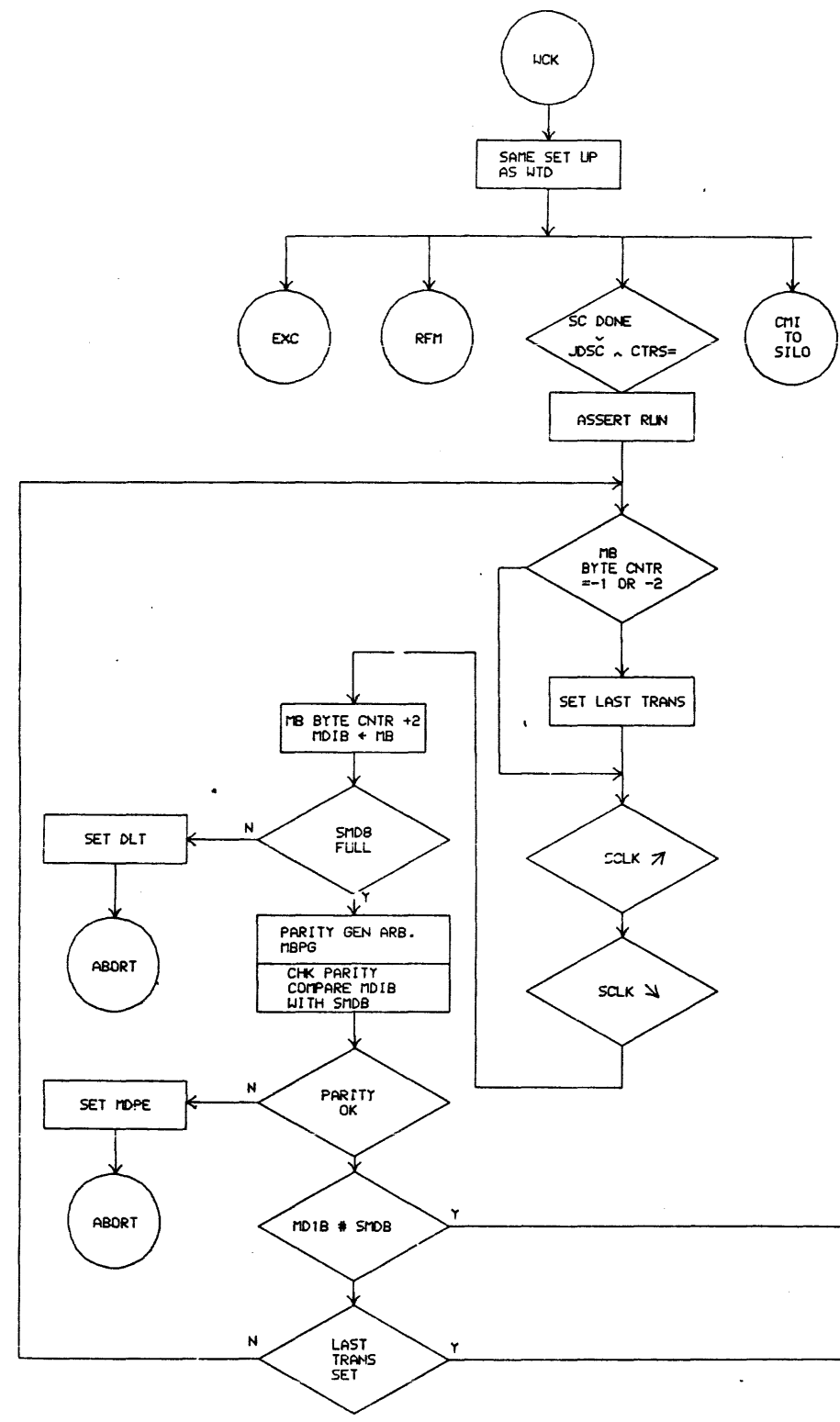
5

4

3

2

1



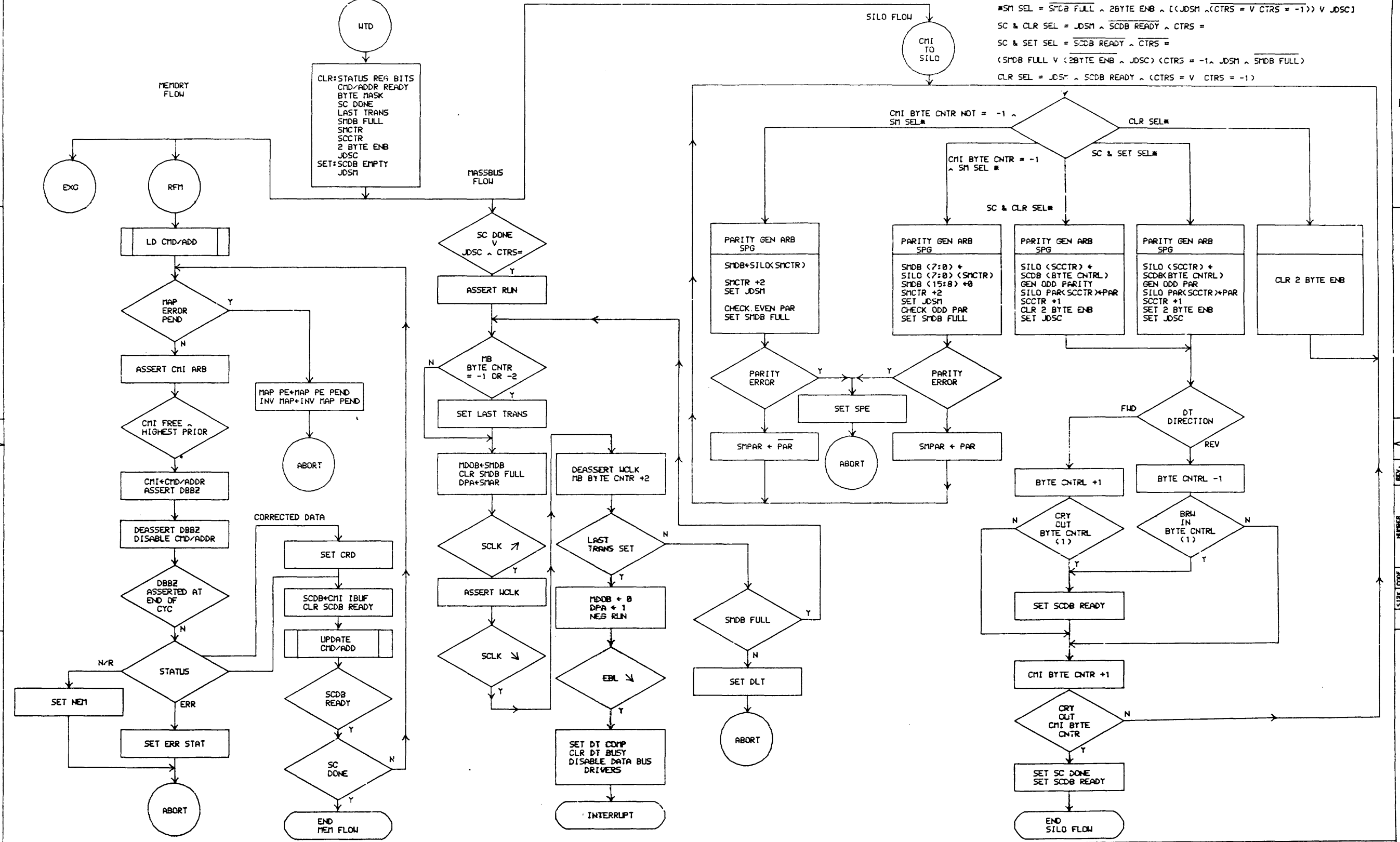
THIS DRAWING AND SPECIFICATIONS HEREIN ARE THE PROPERTY OF DIGITAL EQUIPMENT CORPORATION AND SHALL NOT BE REPRODUCED OR COPIED OR USED IN WHOLE OR IN PART AS THE BASIS FOR THE MANUFACTURE OR SALE OF ITEMS WITHOUT WRITTEN PERMISSION. COPYRIGHT © 1981, DIGITAL EQUIPMENT CORPORATION.

REVISIONS	
CHK	CHANGE NO. REV

digital	DRN.	DATE ENG.	DATE	TITLE:
	CHK'D <i>J.P. Doyle</i>	13-FEB-81		RH750 FLOWS WRITE CHECK
		DATE RECD LOCATION:		
		13-FEB-81		
			OF 6	
	FIRST USED ON OPTION/MODEL: RH750	NEXT FISHER ASSEMBLY:		
		B-DD-RH750-0		

SIZE	CODE	NUMBER	REV.
D	FD	RH750-0-3	A

TW



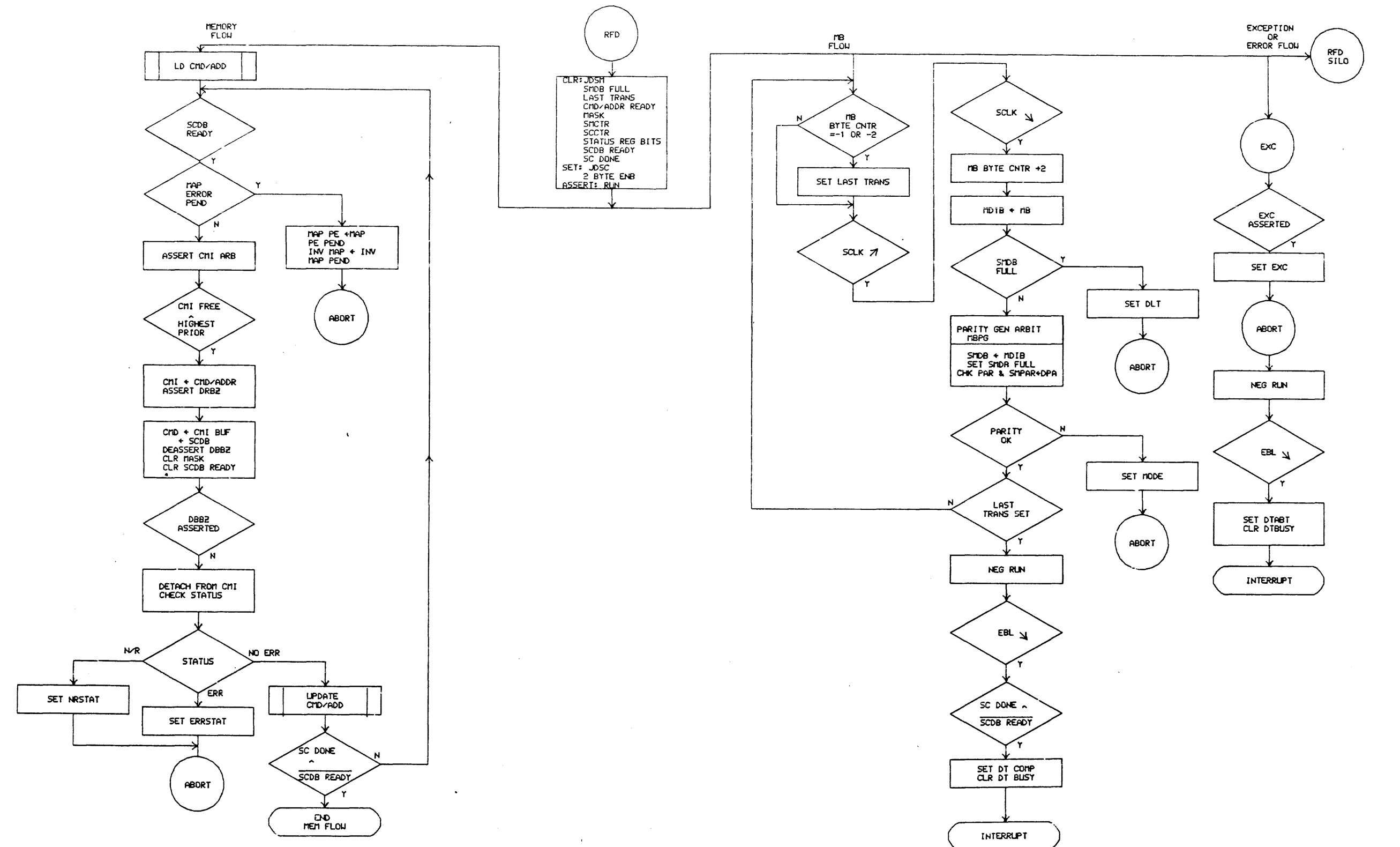
*SM SEL = SPCB FULL ^ 2BYTE ENB ^ ((JDSM ^ (CTRS = V CTRS = -1)) V JOSC)
 SC & CLR SEL = JDSM ^ SCDB READY ^ CTRS =
 SC & SET SEL = SCDB READY ^ CTRS =
 (SMDB FULL V (2BYTE ENB ^ JOSC) (CTRS = -1 ^ JDSM ^ SMDB FULL))
 CLR SEL = JDSM ^ SCDB READY ^ (CTRS = V CTRS = -1)

THIS DRAWING AND SPECIFICATIONS
HEREIN ARE THE PROPERTY OF
DIGITAL EQUIPMENT CORPORATION AND
SHALL NOT BE REPRODUCED OR
COPIED OR USED IN WHOLE OR IN PART
AS THE BASIS FOR THE MANUFACTURE OR
SALE OF ITEMS WITHOUT WRITTEN
PERMISSION. COPYRIGHT © 1981
DIGITAL EQUIPMENT CORPORATION

REVISIONS	
CHK	CHANGE NO. REV

DATE	ENG.	DATE	TITLE:
13-FEB-81			RH750 FLOWS
DATE	SCAD LOCATION:	SHEET	2 OF 6
13-FEB-81			
C160,1271 JMBFL2.DRW	13-FEB-81 08:32	AT HIGHER ASSEMBLY:	
FIRST USED ON OPTION/MODEL:	RH750	B-DD-RH750-0	

SIZE CODE	NUMBER	REV
D FD	RH750-0-3	A



THIS DRAWING AND SPECIFICATIONS HEREIN ARE THE PROPERTY OF DIGITAL EQUIPMENT CORPORATION AND SHALL NOT BE REPRODUCED OR COPIED OR USED IN WHOLE OR IN PART AS THE BASIS FOR THE MANUFACTURE OR SALE OF ITEMS WITHOUT WRITTEN PERMISSION. COPYRIGHT © 1981, DIGITAL EQUIPMENT CORPORATION.

REVISIONS	
CHK	CHANGE NO. REV

digital	DRN.	DATE	ENG.	DATE	TITLE:
	CHK: D. P. Doyle	16-FEB-81		16-FEB-81	RH750 FLOWS READ FROM DRIVE 1/2
C160,1271 JMBFL3.DRW		113-FEB-81 17:27	NEXT HIGHER ASSEMBLY:	SIZE CODE	NUMBER
FIRST USED ON OPTION/MODEL: RH750		B-DD-RH750-0		D FD	RH750-0-3
					REV. A

TW 1

8

7

6

5

4

3

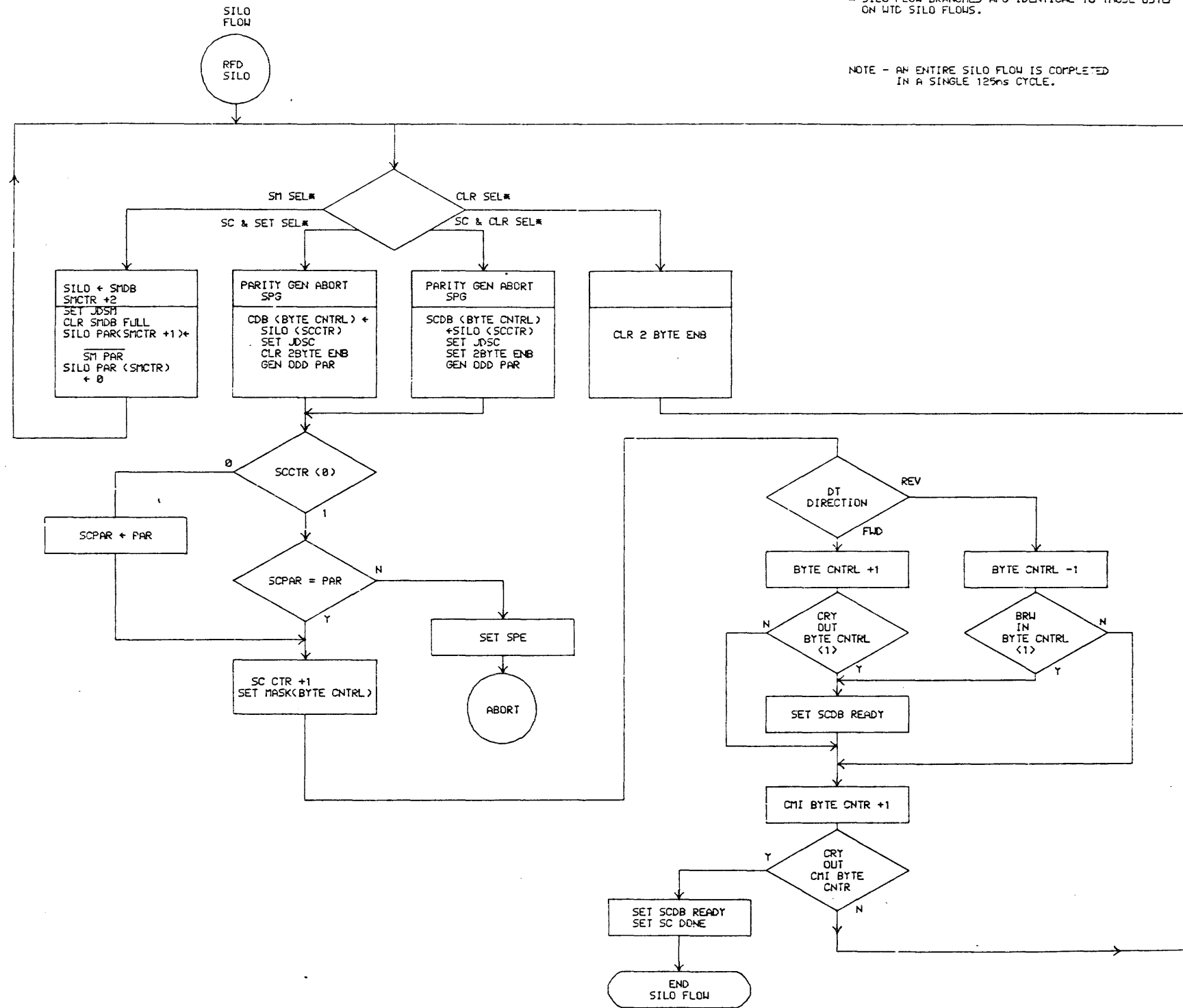
2

1

SIZE CODE D FD R750-3
NUMBER 3000 3215

SILO FLOW BRANCHES ARE IDENTICAL TO THOSE USED UPON WTC SILO FLOWS.

NOTE - AN ENTIRE SILO FLOW IS COMPLETED IN A SINGLE 125ns CYCLE.



REV. A
NUMBER R750-0-3
SIZE CODE D FD

THIS DRAWING AND SPECIFICATIONS HEREIN ARE THE PROPERTY OF DIGITAL EQUIPMENT CORPORATION AND SHALL NOT BE REPRODUCED OR COPIED OR USED IN WHOLE OR IN PART AS THE BASIS FOR THE MANUFACTURE OR SALE OF ITEMS WITHOUT WRITTEN PERMISSION. COPYRIGHT © 1981. DIGITAL EQUIPMENT CORPORATION

REVISIONS		
CHK	CHANGE NO.	REV

160,1271 JMB/FL4.DRW	113-FEB-81 17:28	NEXT FISHER ASSEMBLY:	B-DD-RH750-0
FIRST USED ON OPTION/MODEL: RH750		DATE ENG. 16-FEB-81	DATE 16-FEB-81
		DATE 16-FEB-81	DATE 16-FEB-81
		DATE 16-FEB-81	DATE 16-FEB-81

TITLE: RH750 FLOWS		DATE 16-FEB-81	DATE 16-FEB-81
READ FROM DRIVE 2/2		DATE 16-FEB-81	DATE 16-FEB-81
SIZE CODE D FD	NUMBER R750-0-3	DATE 16-FEB-81	DATE 16-FEB-81
REV. A		DATE 16-FEB-81	DATE 16-FEB-81

8

7

6

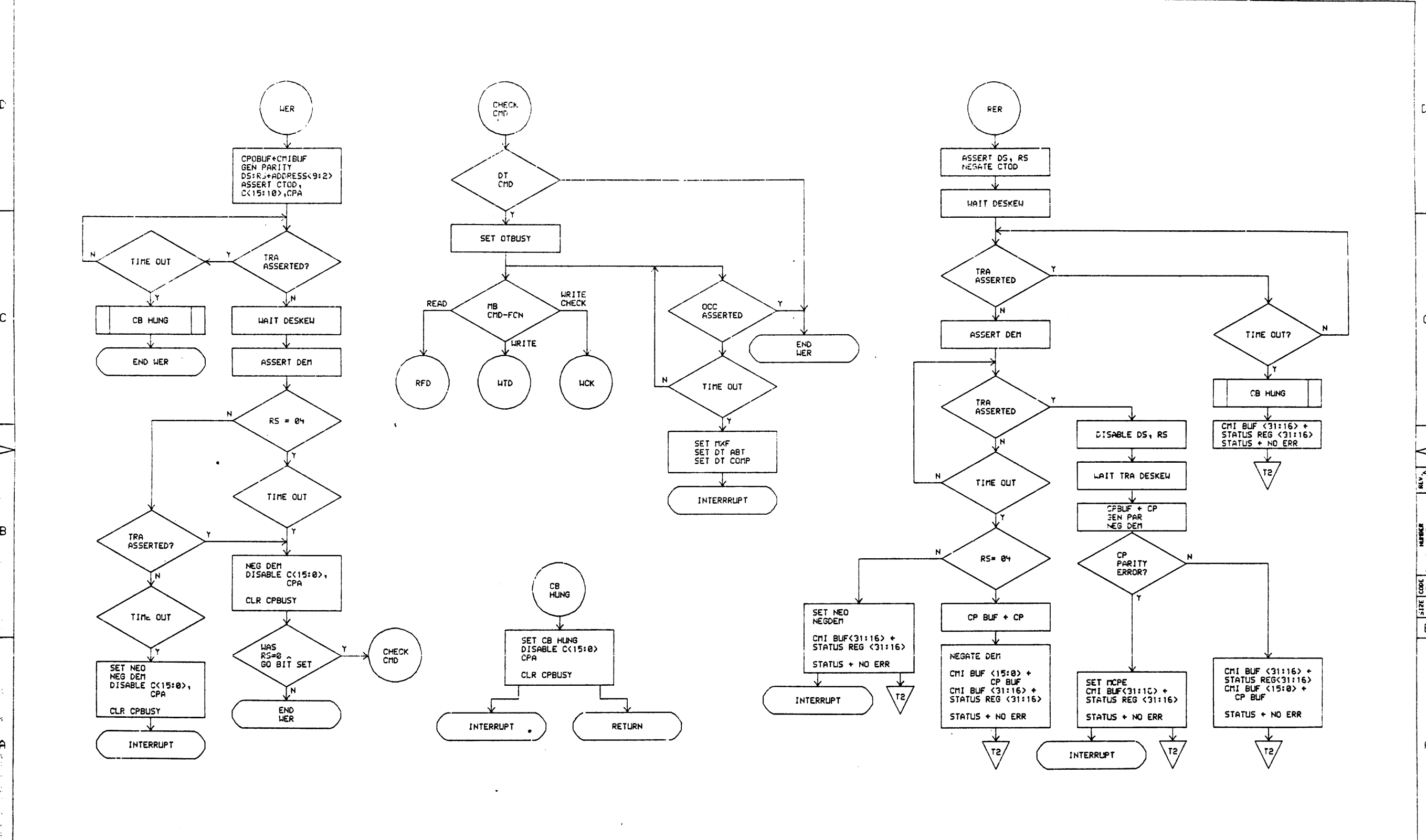
5

4

3

2

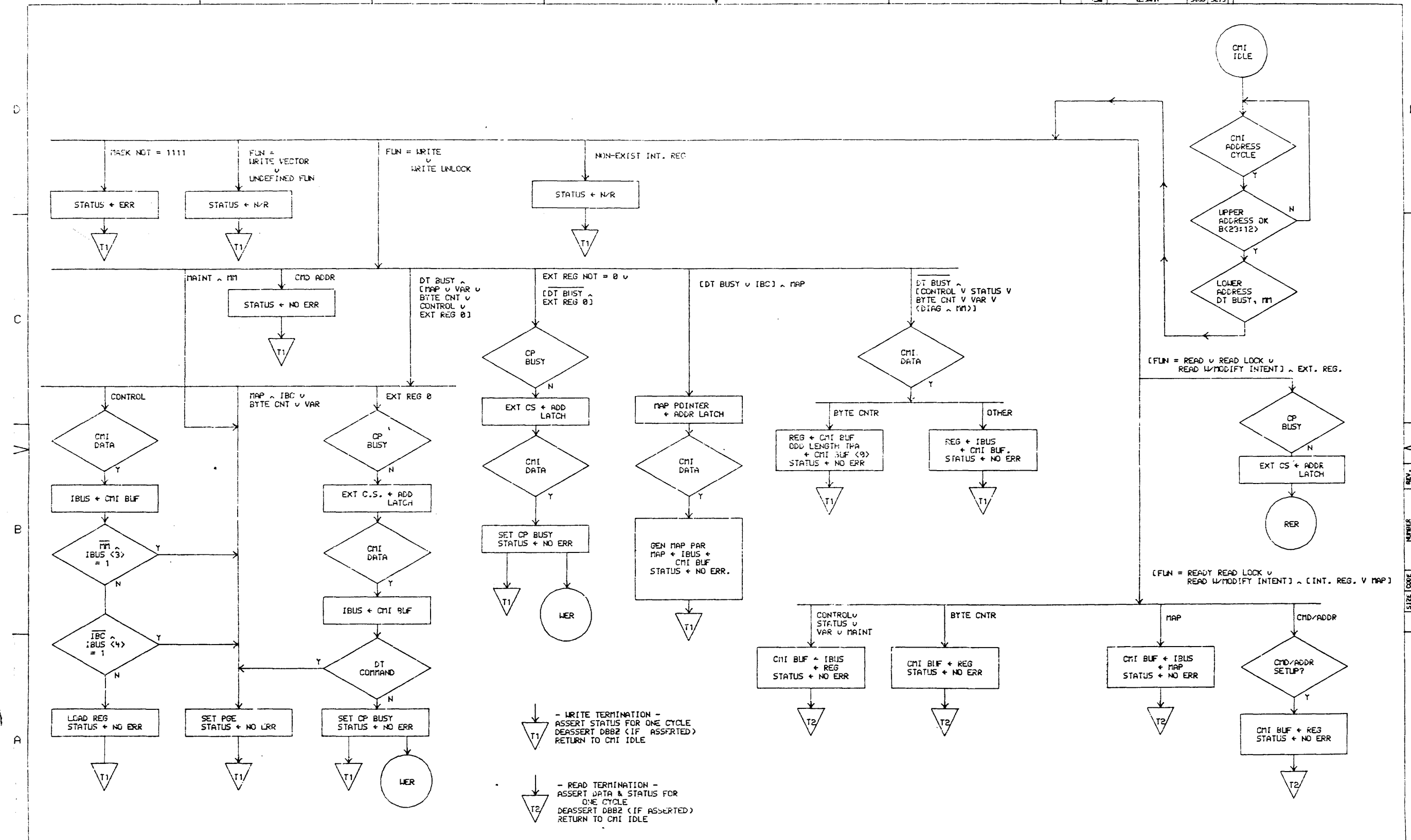
1



THIS DRAWING AND SPECIFICATIONS HEREIN ARE THE PROPERTY OF DIGITAL EQUIPMENT CORPORATION AND SHALL NOT BE REPRODUCED OR COPIED OR USED IN WHOLE OR IN PART AS THE BASIS FOR THE MANUFACTURE OR SALE OF ITEMS WITHOUT WRITTEN PERMISSION. COPYRIGHT © 1981. DIGITAL EQUIPMENT CORPORATION.

REVISIONS	
CHK	CHANGE NO. REV

digital	DRN.	DATE	ENG.	DATE	TITLE:
	CHK'D <i>G. Poye</i>	17-FEB-81			RH750 FLOWS EXTERNAL REGS
C150,1271 MEAF15.DRW		13-FEB-81 12:31	NEXT HIGHER ASSEMBLY:	SIZE CODE	NUMBER
FIRST USED ON OPTION/MODEL: RH750		B-DC-RH750-0		D FD	RH750-0-3
					REV. 1



T1 - WRITE TERMINATION - ASSERT STATUS FOR ONE CYCLE DEASSERT DBB2 (IF ASSERTED) RETURN TO CMI IDLE.

T2 - READ TERMINATION - ASSERT DATA & STATUS FOR ONE CYCLE DEASSERT DBB2 (IF ASSERTED) RETURN TO CMI IDLE.

THIS DRAWING AND SPECIFICATIONS HEREIN ARE THE PROPERTY OF DIGITAL EQUIPMENT CORPORATION AND SHALL NOT BE REPRODUCED OR COPIED OR USED IN WHOLE OR IN PART AS THE BASIS FOR THE MANUFACTURE OR SALE OF ITEMS WITHOUT WRITTEN PERMISSION. COPYRIGHT © 1981, DIGITAL EQUIPMENT CORPORATION.

REVISIONS	
CHK	CHANGE NO. REV

digital	DRN.	DATE	ENG.	DATE	TITLE:
	CHK'D <i>G.P. Lloyd</i>	13-FEB-81	13-FEB-81	13-FEB-81	RH750 FLOWS CMI SLAVE
E160,1271JRAFLS.DRW		113-FEB-81 08:46	NEXT - OTHER ASSEMBLY:	SIZE CODE	NUMBER
FIRST USED ON OPTION/MODEL: RH750		B-CC-RH750-0	D	FD	RH750-0-3
8	7	6	5	4	3
					2
					1

REV. D


NUMBER 0-2007 L0007-0

SIZE B
CODE DD

DRAWING NO.	NO. OF SHTS.	PART NO.	DESCRIPTION	REVISIONS															
				A	B	B	B												
			MODULE REVISION	A	B	B	B												
R-DD-L0007-0	1		MBA DRAWING DIRECTORY	A	B	C	D												
E-UA-L0007-0-0	2		MBA UNIT ASSEMBLY	A	B	B	C												
K-PL-L0007-0-DBP	3		MBA PARTS LIST	A	B	B	C												
E-MD-5013863-0-0	5		MBA DRILL & ETCH DRAWING	A	B	B	B												
		5013863	ETCHED BOARD	C	D	D	D												
K-PC-L0007-0-DBI	-		MBA DESIGN DATA BASE IDEA	C	D	D	D												
E-EC-5013863-0-0	3		MBA ETCHED CUT DRAWING	A	B	B	B												
K-CS-L0007-0-DBS	-		MBA DESIGN DATA BASE SUDS	A	B	B	C												
D-CS-L0007-0-1	1	*	MAP REG (11:Ø)	A	B	A	A												
D-CS-L0007-0-2	1	*	MAP (31:12) & PAR	A	A	A	A												
D-CS-L0007-0-3	1	*	VAR & CLK CONTROL	A	A	A	A												
D-CS-L0007-0-4	1	*	INTER CONT & MISC	A	A	A	A												
D-CS-L0007-0-5	1	*	DATA SILO	A	A	A	A												
D-CS-L0007-0-6	1	*	MASSBUS TRANSCEIVERS	A	A	A	A												
D-CS-L0007-0-7	1	*	MASSBUS TRANSCEIVERS	A	A	A	A												
D-CS-L0007-0-8	1	*	MASSBUS TRANSCEIVERS	A	A	A	A												
D-CS-L0007-0-9	1	*	MASSBUS TRANSCEIVERS	A	A	A	A												
D-CS-L0007-0-10	1	**	MASSBUS TRANSCEIVERS	A	A	A	A												
D-CS-L0007-0-11	1	*	MAINT REG & MISC	A	B	B	C												
D-CS-L0007-0-12	1	*	CONTROL CHIPS	A	A	A	A												
D-CS-L0007-0-13	1	*	VECTOR & SILO CONTROL	A	A	A	A												
D-CS-L0007-0-14	1	*	DATA PATH - UPPER	A	A	A	A												
D-CS-L0007-0-15	1	*	DATA PATH - LOWER	A	A	A	A												
D-CS-L0007-0-16	1	*	CB, PAR, MASK, MB7 BITS	A	A	A	A												
D-CS-L0007-0-17	1	*	PWR - GND, DECOUPLING	A	A	A	A												

DATE	CHG NO.	REV.	REVISIONS			
			B	C	D	
9/81	TW001					
4/82	TW002					
9-82	TW003					

* CONTROL SOURCE IS THE SUDS DATA BASE NO CONTROLLED PAPER ORIGINALS EXIST	USED ON OPTION/MODEL	DRN. J. CASEY	1-13-81	TITLE MBA
	RH750	CHK'D J. CASEY	1-13-81	
		ENG. T. KRAUS	1-13-81	
		PROD. W. PARKER	1-22-81	

"THIS DRAWING AND SPECIFICATIONS, HEREIN, ARE THE PROPERTY OF DIGITAL EQUIPMENT CORPORATION AND SHALL NOT BE REPRODUCED OR COPIED OR USED IN WHOLE OR IN PART AS THE BASIS FOR THE MANUFACTURE OR SALE OF ITEMS WITHOUT WRITTEN PERMISSION. COPYRIGHT© 1980 DIGITAL EQUIPMENT CORPORATION		SIZE B CODE DD NUMBER L0007-0 REV. D	SHEET 1 OF 3
--	---	---	--------------

DRAWING NO.	NO. OF SHTS.	PART NO.	DESCRIPTION	REVISIONS															
D-CS-L0007-0-18	1	*	FORWARD REFERENCE	A	A	A	A												
D-CS-L0007-0-19	1	*	FORWARD REFERENCE	A	A	A	A												
D-CS-L0007-0-20	1	*	FORWARD REFERENCE	A	B	B	C												
D-CS-L0007-0-21	1	*	FORWARD REFERENCE	A	A	A	A												

NOTES:
 * CONTROL SOURCE IS THE SUDS DATA BASE
 NO CONTROLLED PAPER ORIGINALS EXIST

REVISIONS	DATE	CHG NO.	REV.

"THIS DRAWING AND SPECIFICATIONS, HEREIN, ARE THE PROPERTY OF DIGITAL EQUIPMENT CORPORATION AND SHALL NOT BE REPRODUCED OR COPIED OR USED IN WHOLE OR IN PART AS THE BASIS FOR THE MANUFACTURE OR SALE OF ITEMS WITHOUT WRITTEN PERMISSION.
 COPYRIGHT© 1980 DIGITAL EQUIPMENT CORPORATION



USED ON OPTION/MODEL	DRN.	DATE
RH750	J. CASEY	1-13-81
	CHK'D J. CASEY	1-13-81
	ENG. T. KRAUS	1-13-81
	PROD. W. PARKER	1-22-81

TITLE MBA			
SIZE	CODE	NUMBER	REV
B	DD	L0007-0	D
SHEET 2 OF 3			

REV. D	NUMBER 0-2007-0	CODE DD	SIZE B
-----------	--------------------	------------	-----------

DRAWING NO.	NO. OF SHTS.	PART NO.	DESCRIPTION	REVISIONS																					
			MODULE REVISION	A1	A1																				
E-UA-L0007-0-0	2		MBA UNIT ASSEMBLY	A1	A1																				
B-PL-L0007-0-0	3		MBA PARTS LIST	A1	A1																				
E-EC-5013863-0-0	3		MBA ETCH CUT DRAWINGS	A1	A1																				
		5013863	ETCHED BOARD	c	D																				

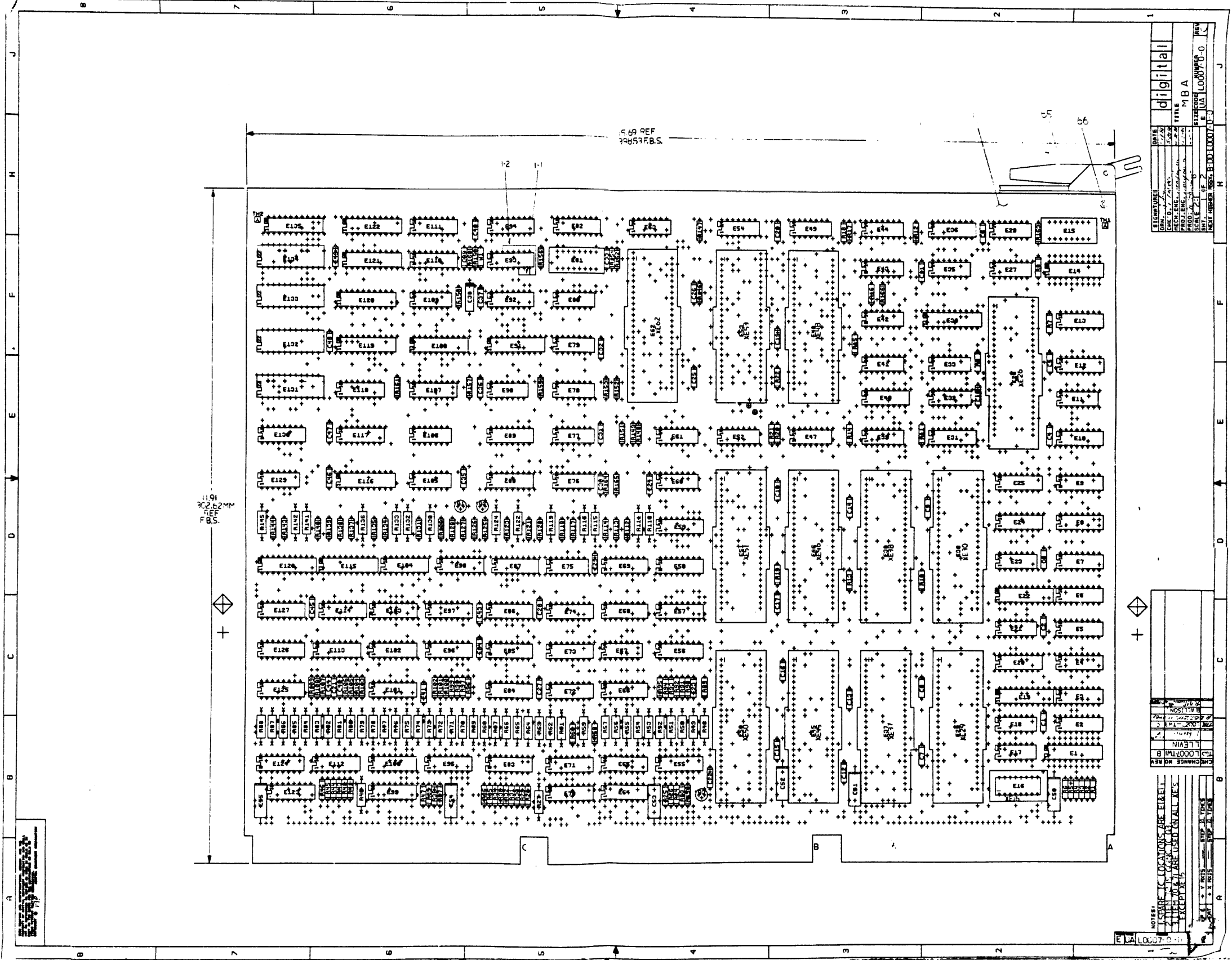
NOTES:

REVISIONS		CHG NO.	REV.
DATE			

"THIS DRAWING AND SPECIFICATIONS, HEREIN, ARE THE PROPERTY OF DIGITAL EQUIPMENT CORPORATION AND SHALL NOT BE REPRODUCED OR COPIED OR USED IN WHOLE OR IN PART AS THE BASIS FOR THE MANUFACTURE OR SALE OF ITEMS WITHOUT WRITTEN PERMISSION.
 COPYRIGHT © 1982 DIGITAL EQUIPMENT CORPORATION



USED ON OPTION/MODEL RH750		DRN. J. CASEY 4-20-82	TITLE MBA
		CHK'D J. CASEY 4-20-82	
		ENG. T. KRAUS 4-20-82	SIZE CODE B DD
		PROD. W. PARKER 4-20-82	NUMBER L0007-0
		REV. D	
		SHEET 3 OF 3	



DATE	1/7/78	TITLE	digital
CHK'D BY	...	PROJ. NO.	...
DESIGNED BY	...	SCALE	1:85
DRAWN BY	...	SHEET NO.	10007-0-1
REV. NO.	...	REV. BY	...

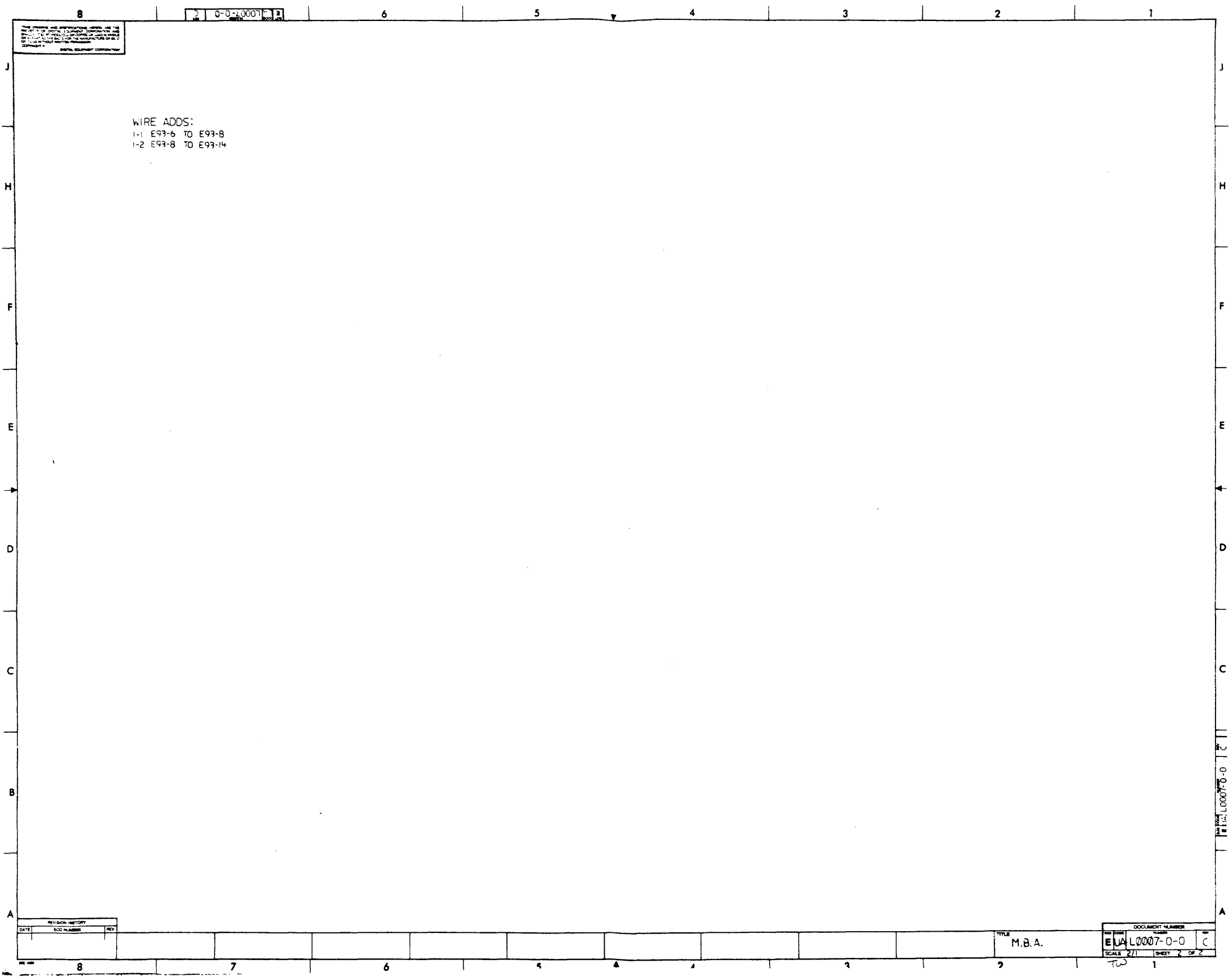
NO.	DESCRIPTION	DATE
1
2
3

NOTES:
 1. ALL ROOM LOCATIONS ARE IDENTIFIED BY ALPHANUMERIC CODES.
 2. ALL ROOMS ARE TO BE USED IN ALL CASES.
 3. ALL ROOMS ARE TO BE USED IN ALL CASES.

1:191
 302.62MM
 1:85

58159
 305159

E LA 10007-0-1



This drawing and specifications shall be the property of the U.S. Government and shall not be distributed, reproduced, or used in any manner without the express written permission of the U.S. Government.

WIRE ADDS:
 1-1 E93-6 TO E93-8
 1-2 E93-8 TO E93-14

DATE	REVISION HISTORY	ECO NUMBER	REV

TITLE
 M.B.A.

DOCUMENT NUMBER
 EULA0007-0-0 C
 SCALE 2/1 SHEET 2 OF 2

LINE ITEM	DOCUMENT NUMBER	PART NUMBER	DESCRIPTION	QTY PER VARIATION	REFERENCE DESIGNATOR
1	E-MD-5013863-0-0	5013863-00	MBA	1	
2		1012784-00	.047 MFD 50V +80-20% CER	46	C1-C37,C40-C43,C45-C49
3		1011895-00	.15 MFD 35V 10% S.TANT	1	C38
4		1013466-00	100.0 MMF 50V 5% CER	1	C39
5		1100114-00	D 664 QS\75PCB PIV= 25V SP	1	D1
6		1209838-00	SOCKET 16PIN	1	XE16
7		1300229-00	100.0 .25 W 5.0 % CC	5	R1,R3-R5,R161
8		1300271-00	220.0 .25 W 5.0 % CC	2	R8,R154
9		1300316-00	470.0 .25 W 5.0 % CC	5	R120,R121,R143,R151,R158
10		1300365-00	1.0 K .25 W 5.0 % CC	10	R2,R6,R13,R19,R127,R128,R131, CONT R148,R153,R155
11		1300488-00	12.0 K .25 W 5.0 % CC	1	R159
12		1300496-00	15.0 K .25 W 5.0 % CC	1	R160
13		1301477-00	82.0 .25 W 5.0 % CC	55	R23-R26,R28-R39,R41-R47,R58,R60, CONT R90-R109,R112-R114,R117,R125, CONT R126,R129,R134,R135,R144
14		1301781-00	82.0 .50 W 5.0 % CC	55	R27,R40,R48-R57,R59,R61-R88, CONT R110,R111,R115,R116,R119,R122, CONT R124,R130,R132,R133,R136,R141, CONT R142,R145
15		1301972-00	270.0 .25 W 5.0 % CC	26	R7,R9-R12,R14-R18,R20-R22,R89, CONT R118,R123,R137-R140,R146,R147, CONT R149,R152,R156,R157
16		1302379-00	75.0 .25 W 5.0 % CC	3	R150,R162,R166
17		1305125-00	383.0 .25 W 1.0 % RN55D-F10	1	R164
18		1503014-00	DFC 3646 NPN 200MW SI 15 5 30	2	Q1,Q2
19		1503121-00	2N 2369 NPN 350MW SI N	1	Q3
20		1610033-00	DELAY= 10-100NS,10TAPS	2	E15,E81
21		1909705-00	DEC 8881 NAND GATE-QUAD 2IN 0	2	E18,E28
22		1910436-00	DEC 74123 ONE SHOT-DUAL,RETRIG	1	E93

REVISION HISTORY		BASIC PART NO:	L0007	DRN:	D,SIREEN	DATE:	01-AUG-80	D I G I T A L			
ENG:	ECO NUMBER	REV	SECTION A OF A	CHK'D:	E,T,GERRY	DATE:	01-AUG-80	TITLE	PARTS LIST		
---	INITIAL	A	SECTION,VARIATION INDEX					MBA			
			[A] 00								
			[B]								
			[C]	DES.ENG:	T,KRAUS	DATE:	01-AUG-80				
			[D]								
			[E]	RESP.ENG.:	T,KRAUS	DATE:	01-AUG-80		DOCUMENT NUMBER		
			[F]								
			[H]					SIZE:CODE:	NUMBER	REV	
			[J]								
			[K]	MFG.ENG.:	V,PARKER	DATE:	01-AUG-80	K	PL	L0007-0-DBP	A
			[L]								
			[M]	ASSEMBLY NUMBER:		TOP DOCUMENT NUMBER:		FILE NAME:	EDIT #		
			[N]	E-UA-L0007-0-0				Z1200A,PLS	9		

"THIS DRAWING AND SPECIFICATIONS HEREIN, ARE THE PROPERTY OF DIGITAL EQUIPMENT CORPORATION AND SHALL NOT BE REPRODUCED OR COPIED OR USED IN WHOLE OR IN PART AS THE BASIS FOR THE MANUFACTURE OR SALE OF ITEMS WITHOUT WRITTEN PERMISSION. COPYRIGHT (C) 1981, DIGITAL EQUIPMENT CORPORATION"

TW

LINE ITEM	DOCUMENT NUMBER	PART NUMBER	DESCRIPTION	QTY PER VARIATION	REFERENCE DESIGNATOR
				00	
23	23	1910532-00	74S00 NAND GATE-QUAD 2IN	3	E33,E44,E61
24	24	1910533-00	74S03 NAND GATE-QUAD 2IN,0	1	E54
25	25	1910534-00	74S04 INVERTER GATE-HEX 1I	2	E41,E76
26	26	1910535-00	74S05 INVERTER GATE-HEX 1	2	E39,E47
27	27	1910536-00	74S10 NAND GATE-TRIPLE 3IN	1	E27
28	28	1910537-00	74S11 AND GATE-TRIPLE 3INP	2	E42,E52
29	29	1910544-00	74S74 FF-D DUAL,EDGE TRIGG	7	E32,E43,E63,E77-E80
30	30	1910545-00	74S112 FF-JK DUAL,EDGE TRIG	1	E31
31	31	1910546-00	74S140 NAND GATE-DUAL 4INPU	1	E106
32	32	1910547-00	74S153 MUX 1 OF 4 (DUAL)	1	E10
33	33	1910550-00	74S174 FF-D HEX	1	E92
34	34	1910957-00	74S175 FF-D QUAD COMMON CLO	1	E40
35	35	1911341-00	75113 DRIVER,LINE,DUAL,MA	26	E55,E56,E58,E59,E64,E65,E71-E74, CONT E86-E89,E95-E97,E99-E101,E103, CONT E112-E114,E123,E127
36	36	1911469-00	DEC 8640 RECEIVER,BUS,QUAD,U	1	E105
37	37	1911573-00	74S280 PARITY GEN/CHKR,9BIT	5	E23,E67,E75,E109,E129
38	38	1911675-00	74S138 DECODER/DEMUX 3-8 LIN	2	E82,E94
39	39	1912096-00	DEC 74S86 XOR GATE,QUAD 2IN	1	E21
40	40	1912125-00	74S135 XOR/NOR GATE-QUAD 2I	1	E117
41	41	1912388-00	74S02 NOR GATE-QUAD 2IN,PO	1	E35
42	42	1912389-00	74S08 AND GATE-QUAD 2IN,PO	1	E49
43	43	1912649-00	LS75 LATCH 4BIT,BISTABLE	1	E13
44	44	1912661-00	74S189 MEMORY READ/WRITE	6	E4-E7,E9,E20
45	45	1912746-00	DEC 74S37 NAND GATE-QUAD 2IN	1	E60
46	46	1912833-00	LS109 FF-JK DUAL,POS EDGE	1	E36
47	47	1912851-00	LS169 COUNTER,SYNCH,UP/DO	3	E25,E110,E111
48	48	1913340-00	74S32 OR GATE-QUAD 2IN	2	E11,E90
49	49	1913462-00	74S240 OCTAL BUFFER,INVERTI	3	E19,E116,E128
50	50	1913671-00	74S374 FF-D OCTAL TRISTATE	1	E115
51	51	1913887-00	74S258 MUX 1 OF 2(QUAD)TRI	6	E2,E3,E8,E24,E107,E118
52	52	1914086-00	74S30 NAND GATE-POS 8IN	1	E17
53	53	1914214-00	LS374 FF-D OCTAL EDGE TRIG	1	E108
54	54	1914719-00	DC 645 BIPOLAR,LS,400-GATE	8	E29,E30,E37,E38,E45,E46,E50,E51
55	55	1914720-00	DC 646 BIPOLAR,LS,400-GATE	1	E26
56	56	1914721-00	DC 647 BIPOLAP,LS,400-GATE	1	E48
57	57	1914722-00	DC 648 BIPOLAR,LS,400-GATE	1	E62
58	58	1914723-00	DC 649 BIPOLAR,LE,400-GATE	1	E53
59	59	1914972-00	3450 RECEIVER,LINE,QUAD,	14	E57,E66,E68-E70,E83-E85,E98, CONT E102,E104,E124-E126
60	60	1915193-00	LS244 DRIVER,LINE,OCTAL,T	8	E22,E34,E91,E119-E122,E135
61	61	1915697-00	PAM 256X4 TRI-STATE	4	E131-E134
62	62	1916310-00	PAM,256X1,TRI STATE	1	E130
63	63	23909A9-00	A9-01	1	E12
64	64	1311422-00	178.0 .25 W 1.0 & RN55D-F10	2	R163,R165
65	65	1216988-02	HANDLE,MODULE,HEX TWO EJECTORS	1	
66	66	9000024-01	EYELET,ROLLED FLANGE,.121 OD X	12	
67	67	1017472-00	10 MFD .35V +50-10% AL EL	6	C50-C55

D	I	G	I	T	A	L	TITLE	MBA	SECTION A	OF A	SIZE	CODE	DOCUMENT NUMBER	REV
											K	PL	L0007-0-DBP	A

TW

AUTOMATED BY PRTLST,3P(44)

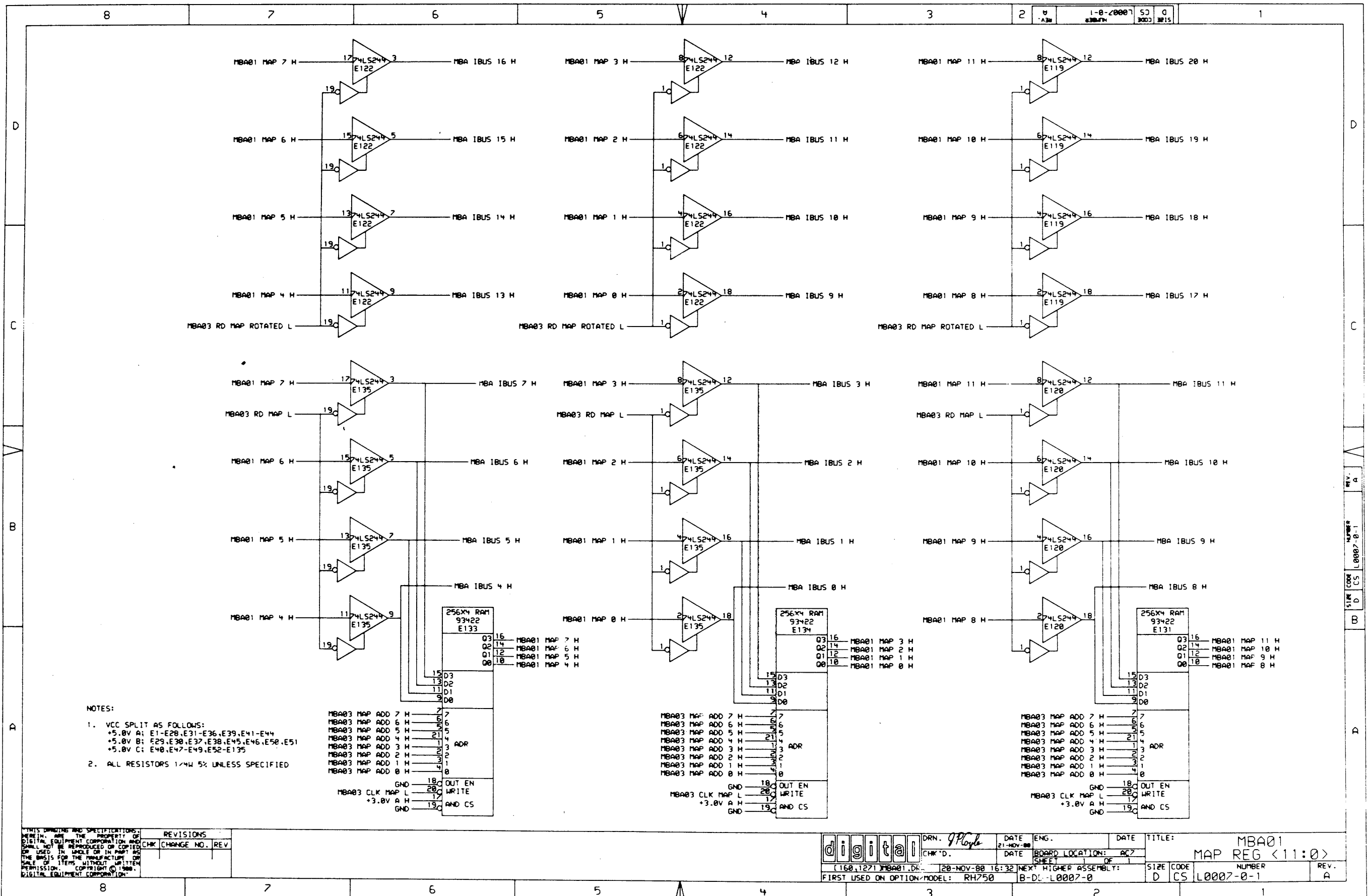
P A R T S L I S T

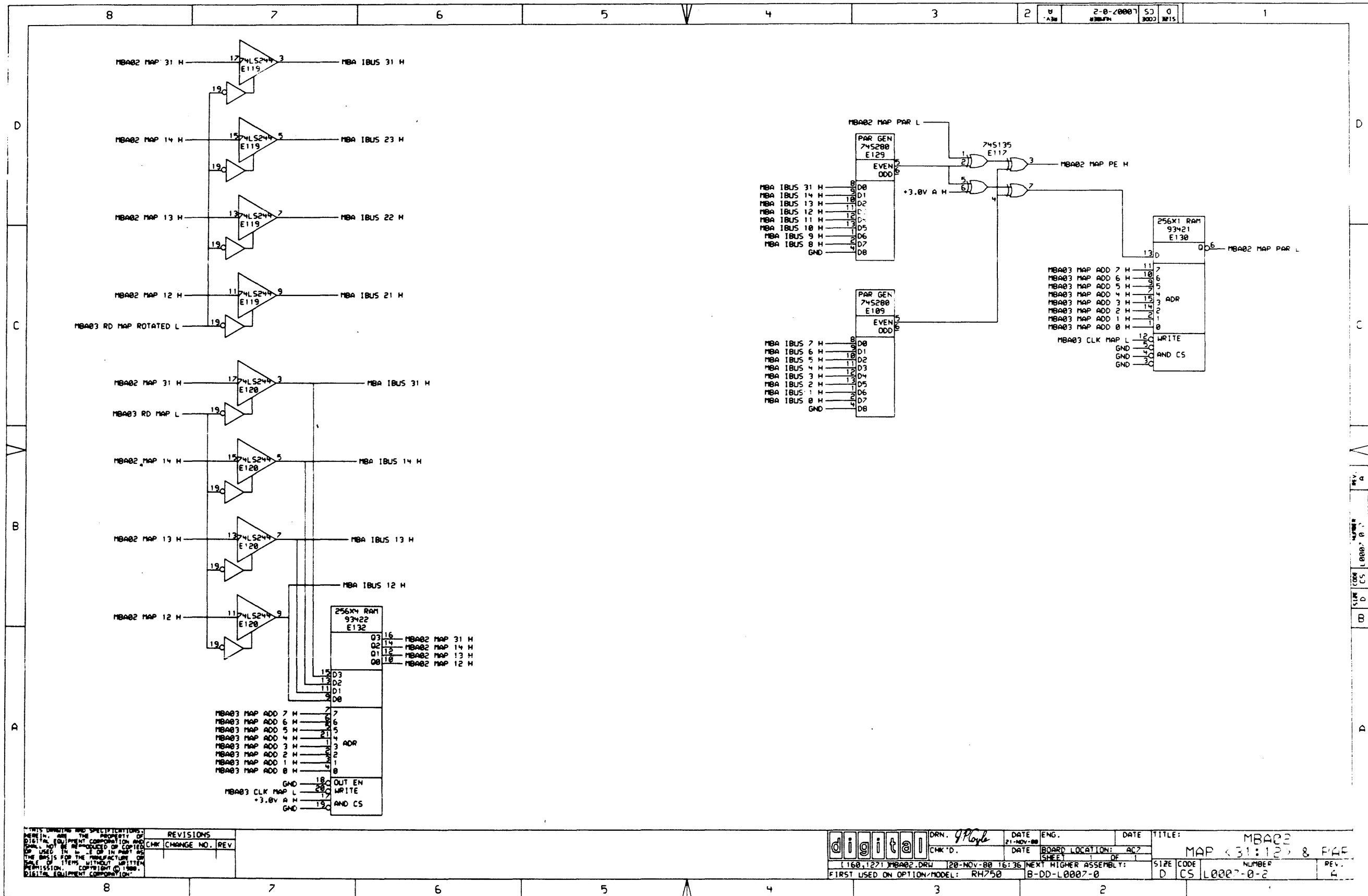
SHEET A3 OF A3

LINE ITEM	DOCUMENT NUMBER	PART NUMBER	DESCRIPTION	QTY PER VARIATION 00	REFERENCE DESIGNATOR
68	68	5408778-00	PLUG PRIORITY	1	E16
69	69	1215924-00	SOCKET IC W/METAL CONT	12	XE26, XE29, XE30, XE37, XE38, XE45,
70	70	1215935-00	GASKET, THERMAL .50"X.80"	12	CONT XE46, XE48, XE50, XE51, XE53, XE62
71	71	1215936-00	HEAT SINK, FORCED CONVECTION	12	

D	I	G	I	T	A	L	TITLE	MBA	SECTION A OF A	SIZE	CODE	DOCUMENT NUMBER	REV
										K	PL	L0007-0-DBP	A

TW

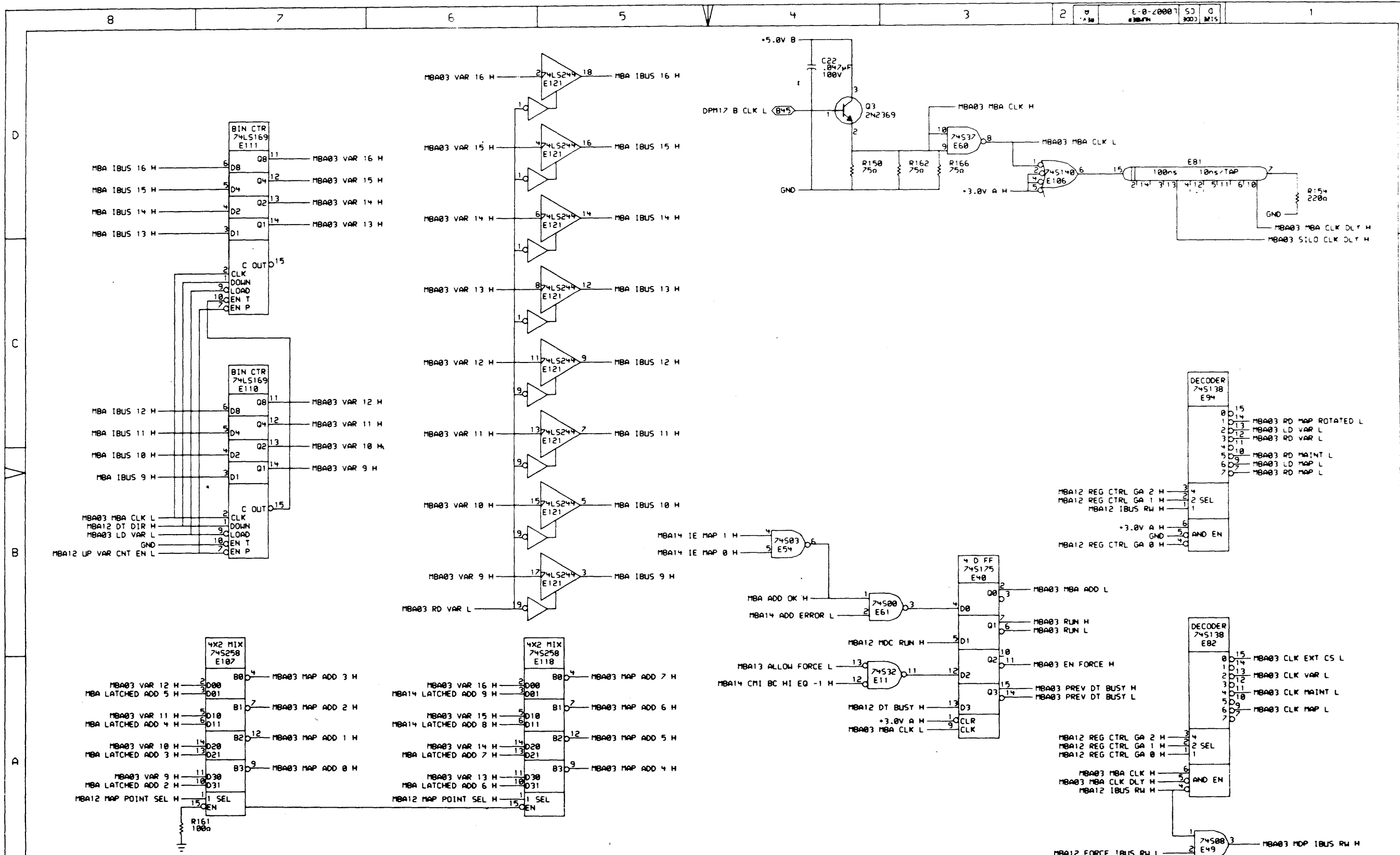




THIS DRAWING AND SPECIFICATIONS ARE THE PROPERTY OF DIGITAL EQUIPMENT CORPORATION AND SHALL NOT BE REPRODUCED OR COPIED IN ANY MANNER WITHOUT WRITTEN PERMISSION. COPYRIGHT © 1980, DIGITAL EQUIPMENT CORPORATION.

REVISIONS		
CHK	CHANGE NO.	REV

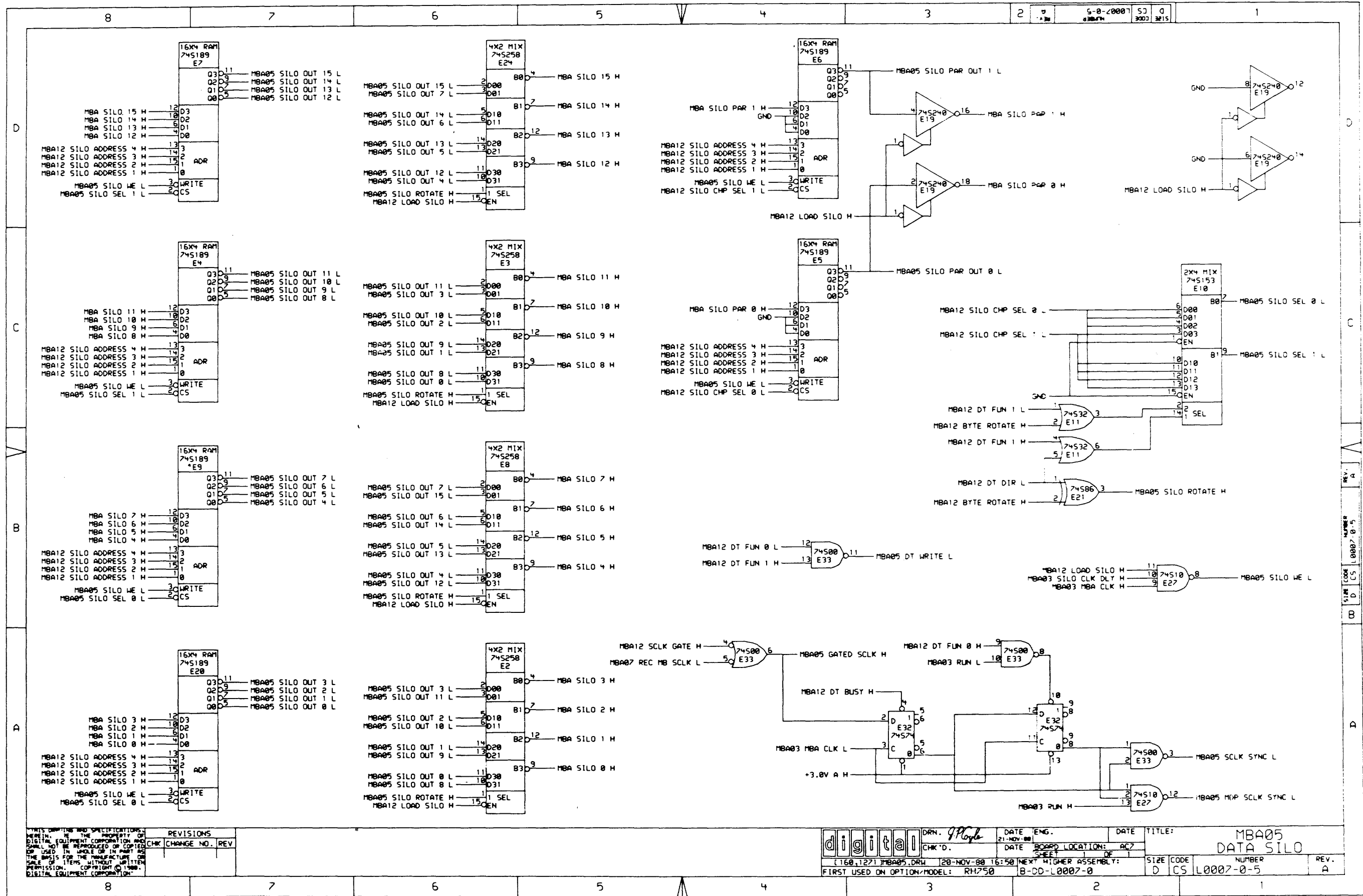
digital	DRN. <i>Y. Ployle</i>	DATE 21-NOV-80	ENG.	DATE	TITLE: MBAB2
	CHK'D.	DATE	BOARD LOCATION: AC2	SHEET	MAP <31:12> & F4F
(160,127) MBAB2.DRW		20-NOV-80 16:36	NEXT HIGHER ASSEMBLY:	SIZE CODE D CS	NUMBER L0007-0-2
FIRST USED ON OPTION/MODEL: RH750		B-DD-L0007-0		REV. 4	



THIS DRAWING AND SPECIFICATIONS HEREIN ARE THE PROPERTY OF DIGITAL EQUIPMENT CORPORATION AND SHALL NOT BE REPRODUCED OR COPIED OR USED IN WHOLE OR IN PART AS THE BASIS FOR THE MANUFACTURE OR SALE OF ITEMS WITHOUT WRITTEN PERMISSION. COPYRIGHT © 1981 DIGITAL EQUIPMENT CORPORATION

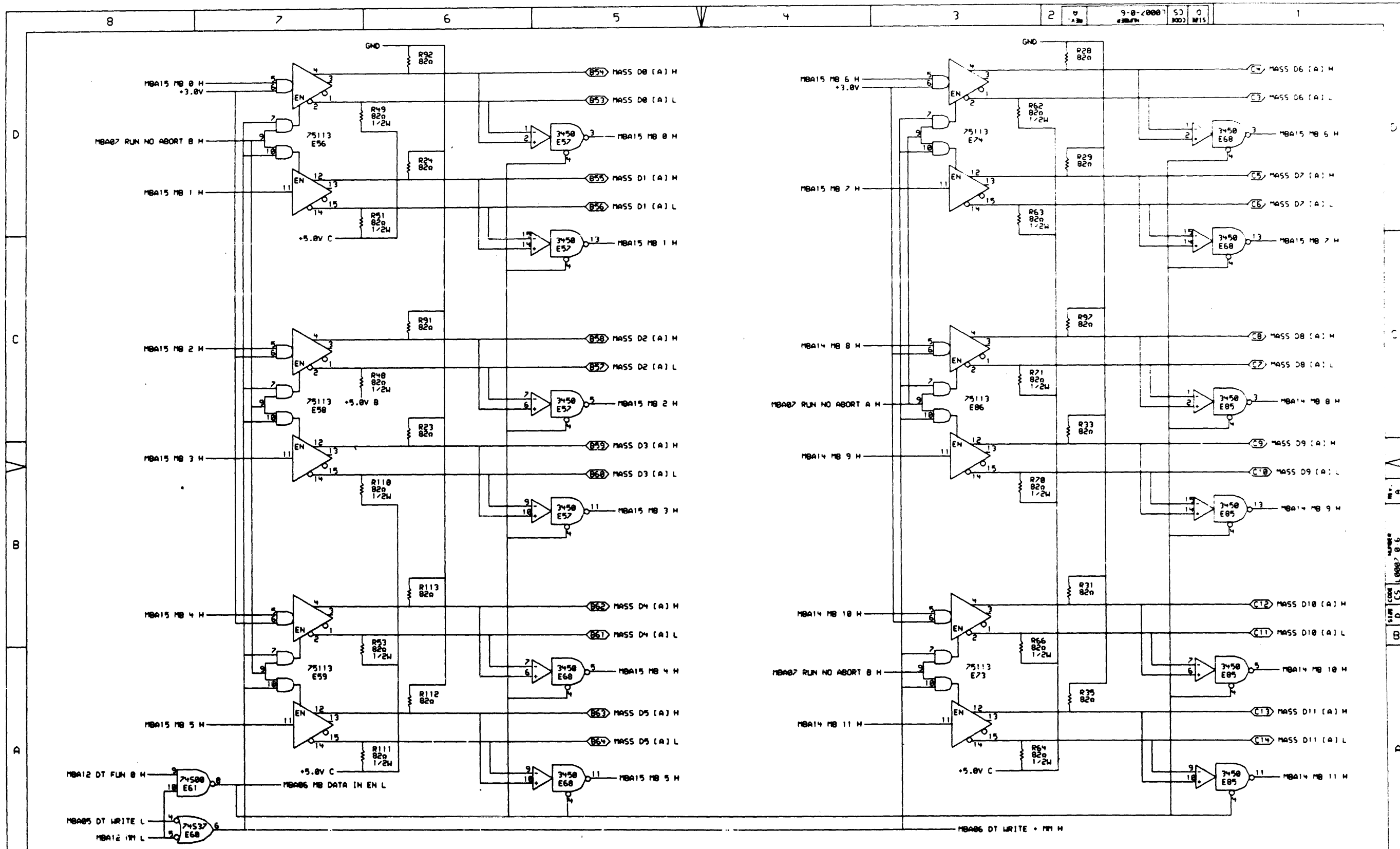
REVISIONS	CHK	CHANGE NO.	REV

digital	DRN. <i>J. P. G.</i>	DATE 06-FEB-81	ENG.	DATE	TITLE: MBO3 VAR & CLK CONTROL
	CHK'D.	DATE	BOARD LOCATION: A2	SHEET	SIZE CODE D CS L0007-0-3
FIRST USED ON OPTION/MODEL: RH750			NEXT HIGHER ASSEMBLY: B-DD-L0007-0		REV. A



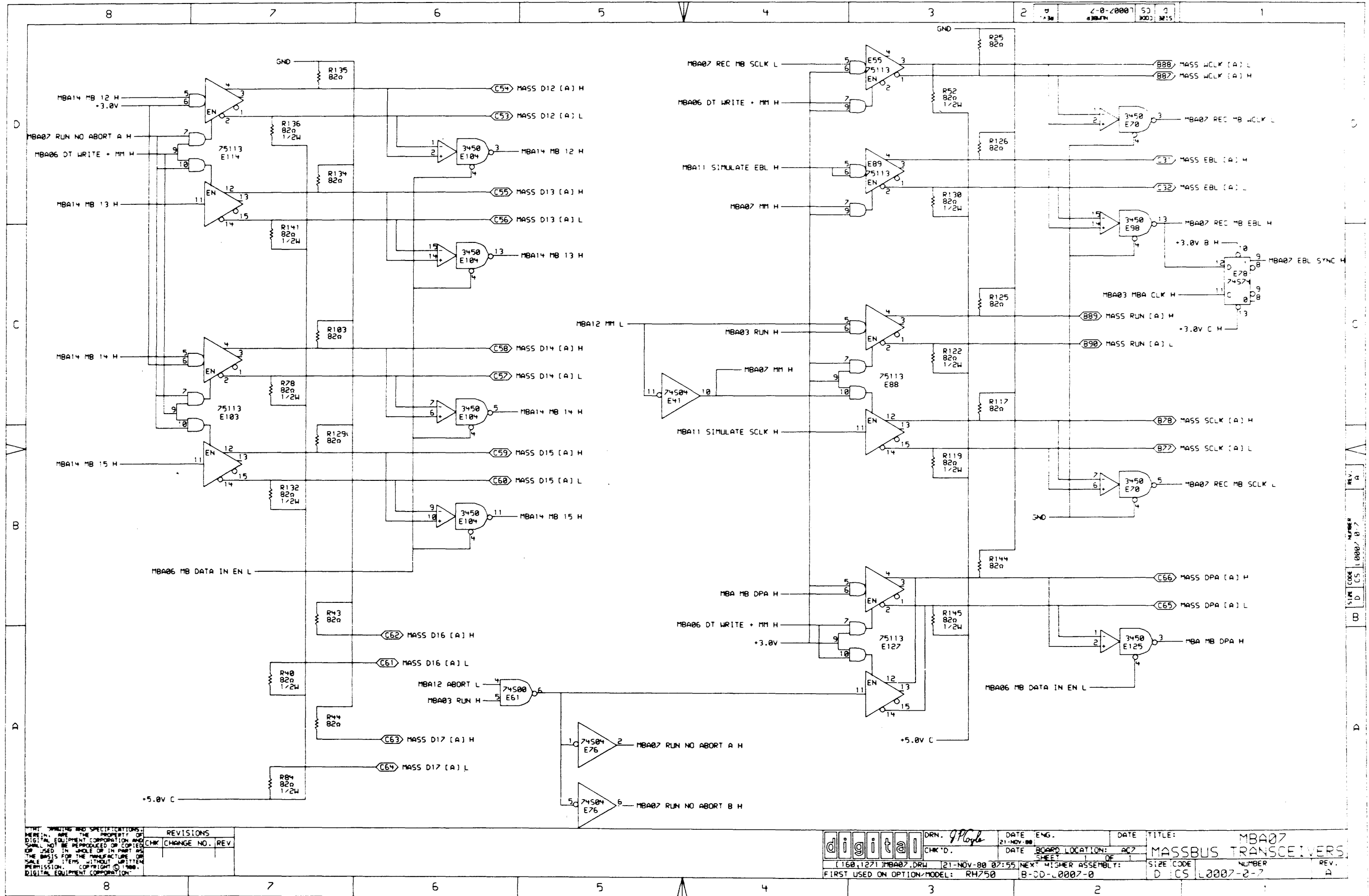
REV.	DATE	DESCRIPTION
1		INITIAL DESIGN
2		REVISED FOR MANUFACTURE

DRN. <i>J.P. Galt</i>	DATE <i>21-NOV-88</i>	ENG.	DATE	TITLE: MBA05 DATA SILO
CHK'D.	DATE	BOARD LOCATION: <i>AC7</i>	SIZE	CODE
[160,1271] MBA05.DRW	[20-NOV-88 16:50] NEXT HIGHER ASSEMBLY:	SIZE	CODE	NUMBER
FIRST USED ON OPTION/MODEL: <i>RH750</i>	<i>B-DD-L0007-0</i>	D	CS	L0007-0-5
				REV. <i>A</i>



REVISIONS	
CHK	CHANGE NO. REV

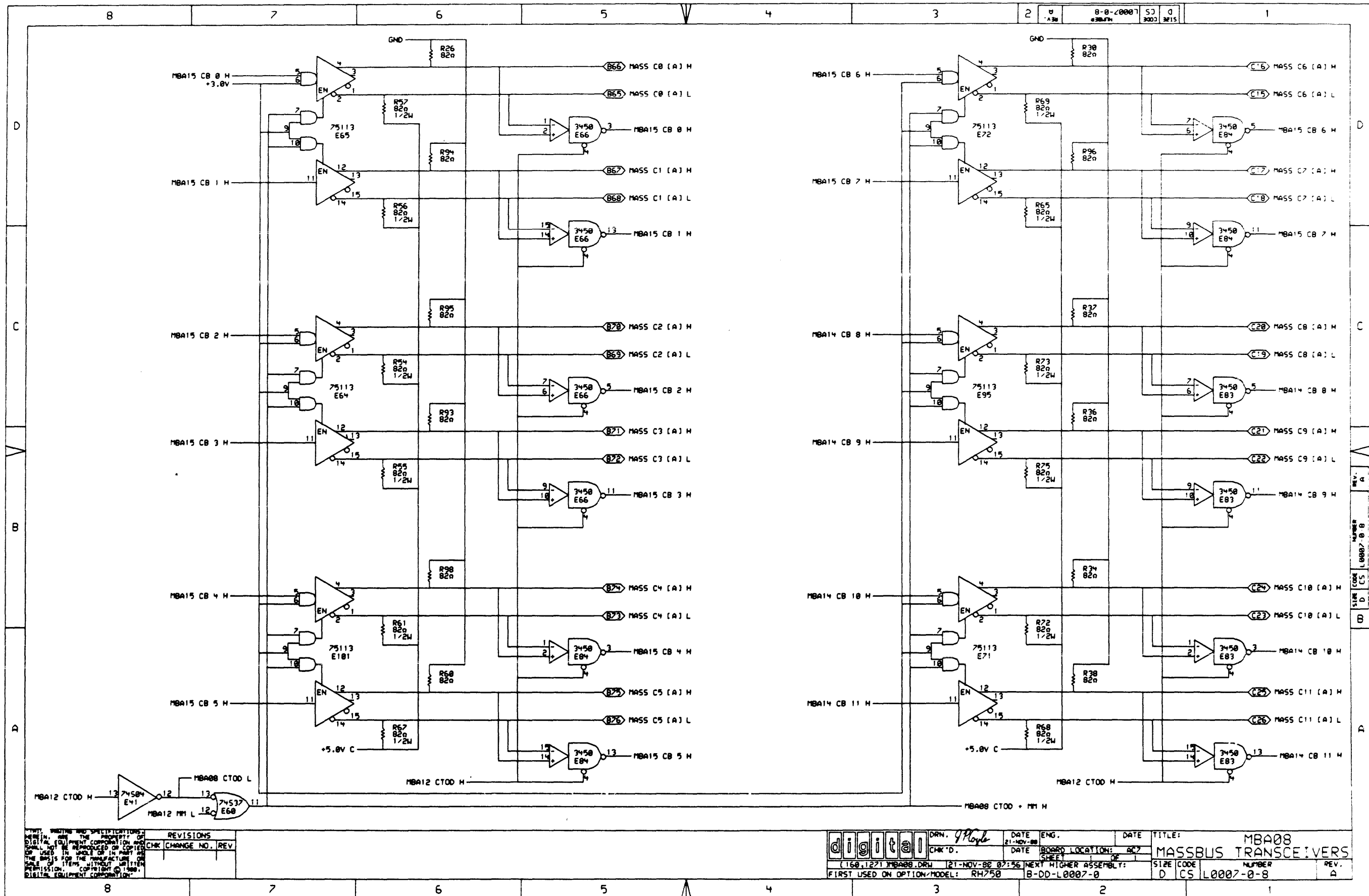
digital	DRN. <i>9/10/6</i>	DATE 21-NOV-88	ENG.	DATE	TITLE: MBO6
	CHK'D.	DATE	BOARD LOCATION: A7		MASSBUS TRANSCEIVERS
FIRST USED ON OPTION/MODEL: RH750					SIZE CODE D CS
NEXT HIGHER ASSEMBLY: B-DD-L0007-0					NUMBER L0007-0-6
					REV. A



THESE DRAWINGS AND SPECIFICATIONS ARE THE PROPERTY OF DIGITAL EQUIPMENT CORPORATION AND SHALL NOT BE REPRODUCED OR COPIED OR USED IN WHOLE OR IN PART AS THE BASIS FOR THE MANUFACTURE OR SALE OF ITEMS WITHOUT WRITTEN PERMISSION. COPYRIGHT © 1980 DIGITAL EQUIPMENT CORPORATION.

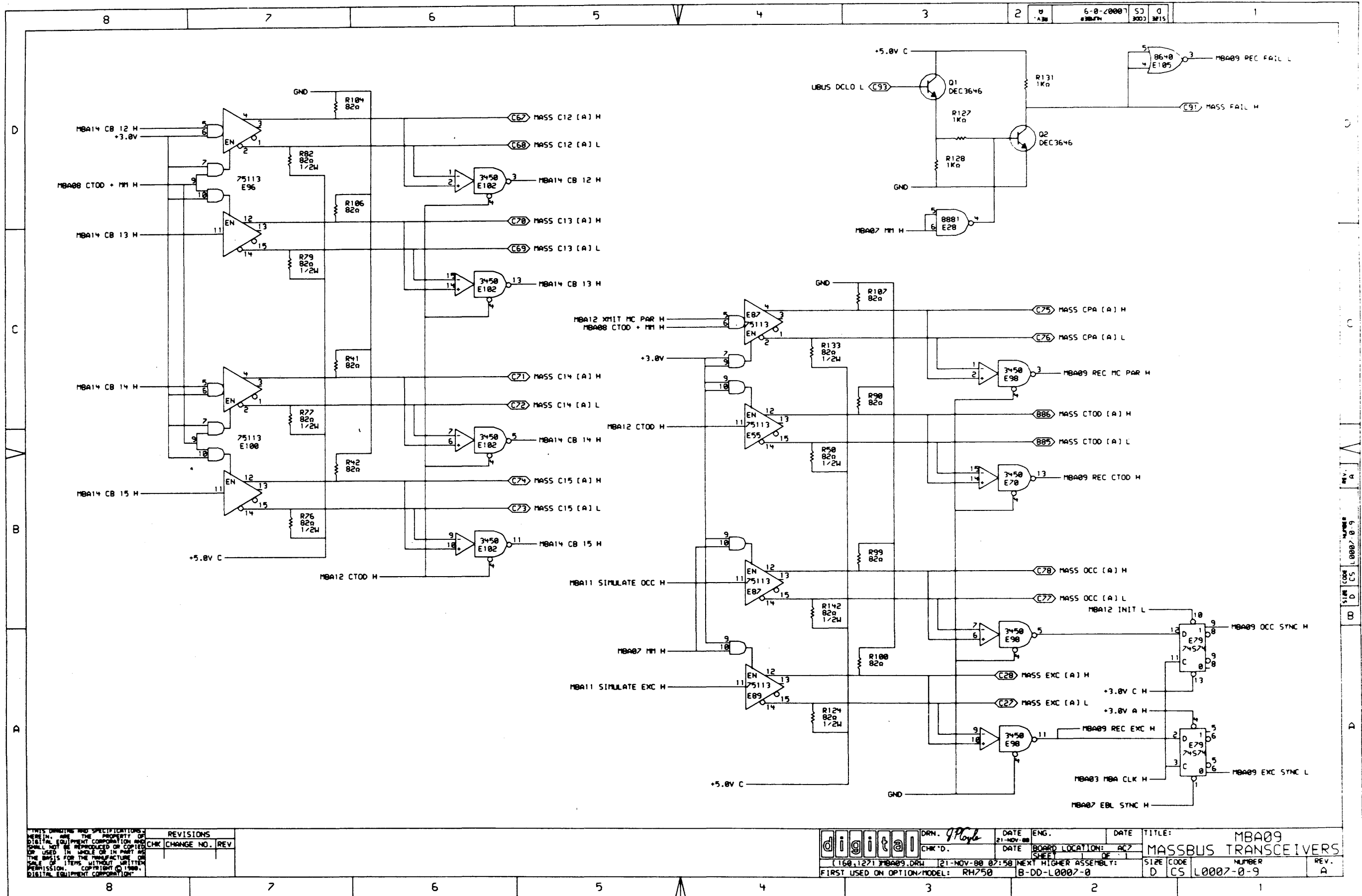
REVISIONS	
CHK	CHANGE NO. REV

	DRN. <i>J.P. Doyle</i>	DATE ENG. 21-NOV-80	DATE	TITLE: MBA07 MASSBUS TRANSCEIVERS
	CHK'D.	DATE BOARD LOCATION: AC2	SHEET 1 OF 1	SIZE CODE NUMBER REV. D CS L0007-2-7 A
FIRST USED ON OPTION/MODEL: RH750		NEXT WISHER ASSEMBLY: B-00-L0007-0		



REVISIONS	
CHK	CHANGE NO. REV

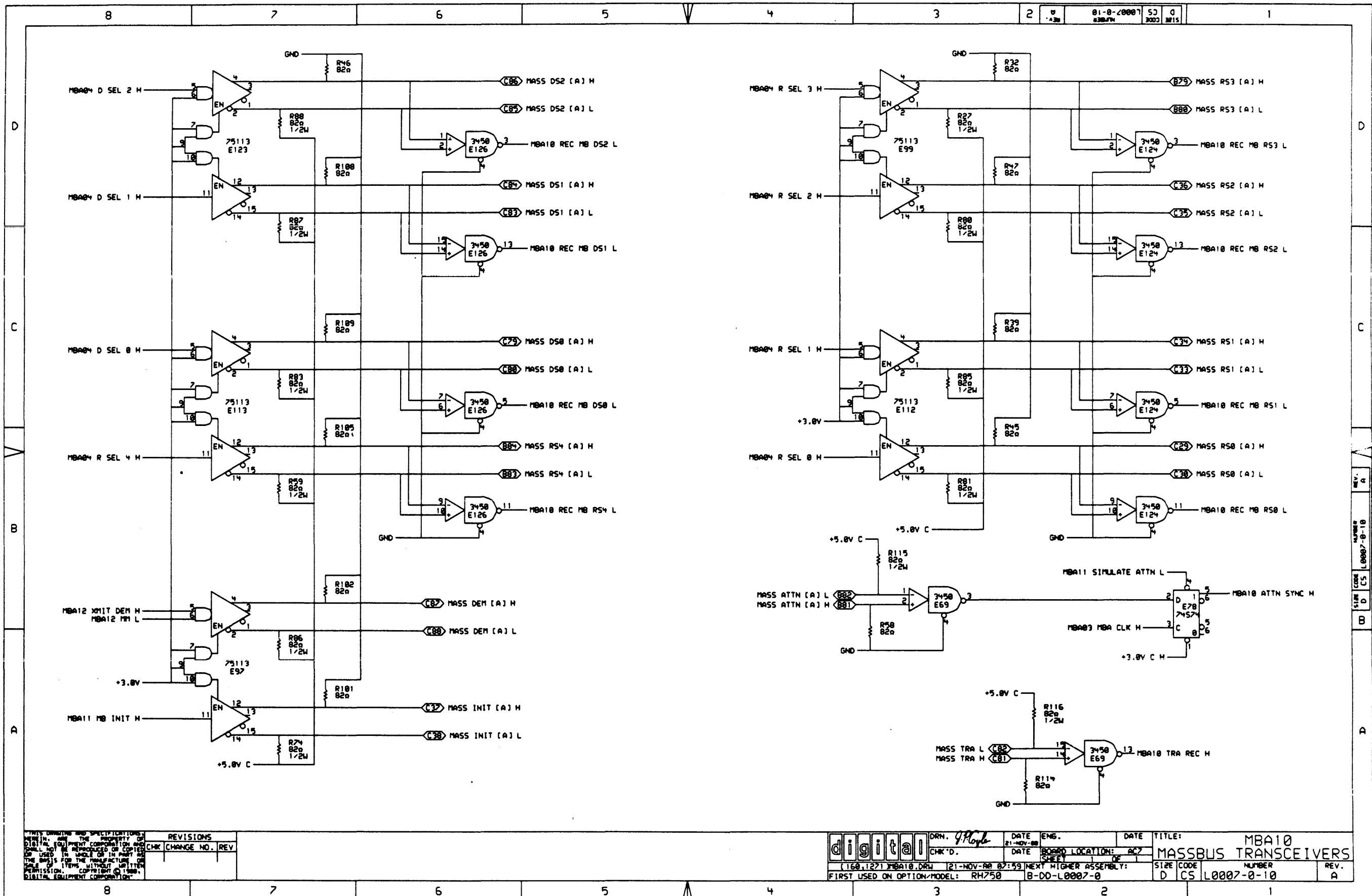
digital	DRN. <i>J. Ployle</i>	DATE 21-NOV-88	ENG.	DATE	TITLE: MB08 MASSBUS TRANSCEIVERS
	CHK'D.	DATE	BOARD LOCATION: BC2	SHEET	REV. A
FIRST USED ON OPTION/MODEL: RH750		NEXT HIGHER ASSEMBLY: B-DD-L0007-0		SIZE CODE D CS	NUMBER L0007-0-8



THIS DRAWING AND SPECIFICATIONS ARE THE PROPERTY OF DIGITAL EQUIPMENT CORPORATION AND SHALL NOT BE REPRODUCED OR COPIED IN WHOLE OR IN PART AS THE BASIS FOR THE MANUFACTURE OR SALE OF ITEMS WITHOUT WRITTEN PERMISSION. COPYRIGHT © 1988 DIGITAL EQUIPMENT CORPORATION.

REVISIONS	
CHK	CHANGE NO. REV

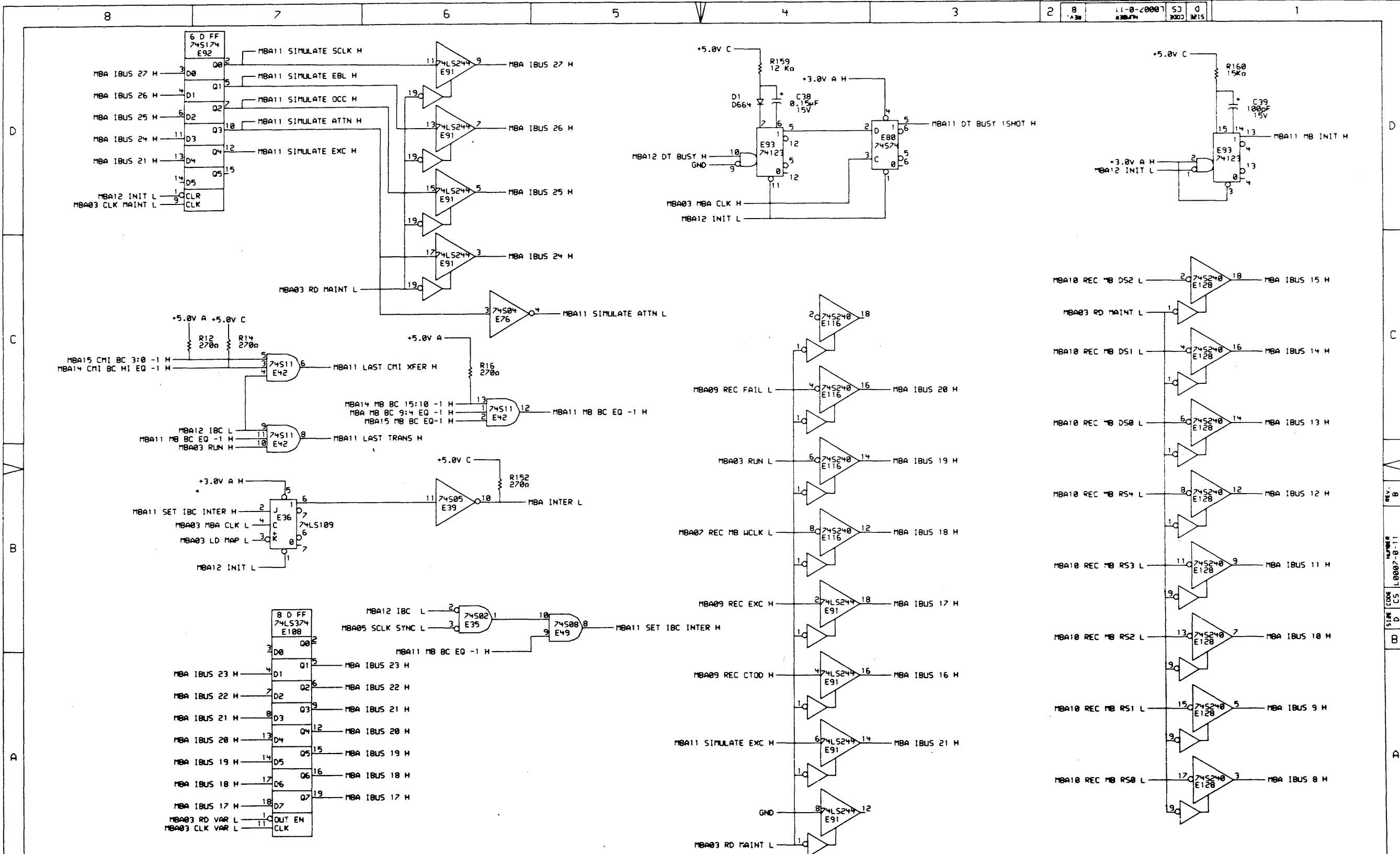
	DRW. <i>9/Play</i>	DATE ENG. 21-NOV-88	DATE	TITLE: MBA09 MASSBUS TRANSCEIVERS
	CHK'D.	DATE BOARD LOCATION: AC7		SIZE CODE NUMBER REV. D CS L0007-0-9 A
FIRST USED ON OPTION/MODEL: RH750		NEXT HIGHER ASSEMBLY: B-DD-L0007-0		



THIS DRAWING AND SPECIFICATIONS ARE THE PROPERTY OF DIGITAL EQUIPMENT CORPORATION AND SHALL NOT BE REPRODUCED OR COPIED IN WHOLE OR IN PART OR USED IN THE MANUFACTURE OR SALE OF ITEMS WITHOUT WRITTEN PERMISSION. COPYRIGHT © 1988, DIGITAL EQUIPMENT CORPORATION.

REV.	CHANGE NO.	REV.

DRN. <i>J.P. Gyle</i>	DATE 21-NOV-88	ENG.	DATE	TITLE: MBA10 MASSBUS TRANSCIEVERS
CHK'D.	DATE	BOARD LOCATION: AC7	DE	SIZE CODE NUMBER REV. D CS L0007-0-10 A
(160.1271) MBA10.DPL	21-NOV-88 02:59	NEXT HIGHER ASSEMBLY: B-DD-L0007-0	DE	
FIRST USED ON OPTION/MODEL: RH750				

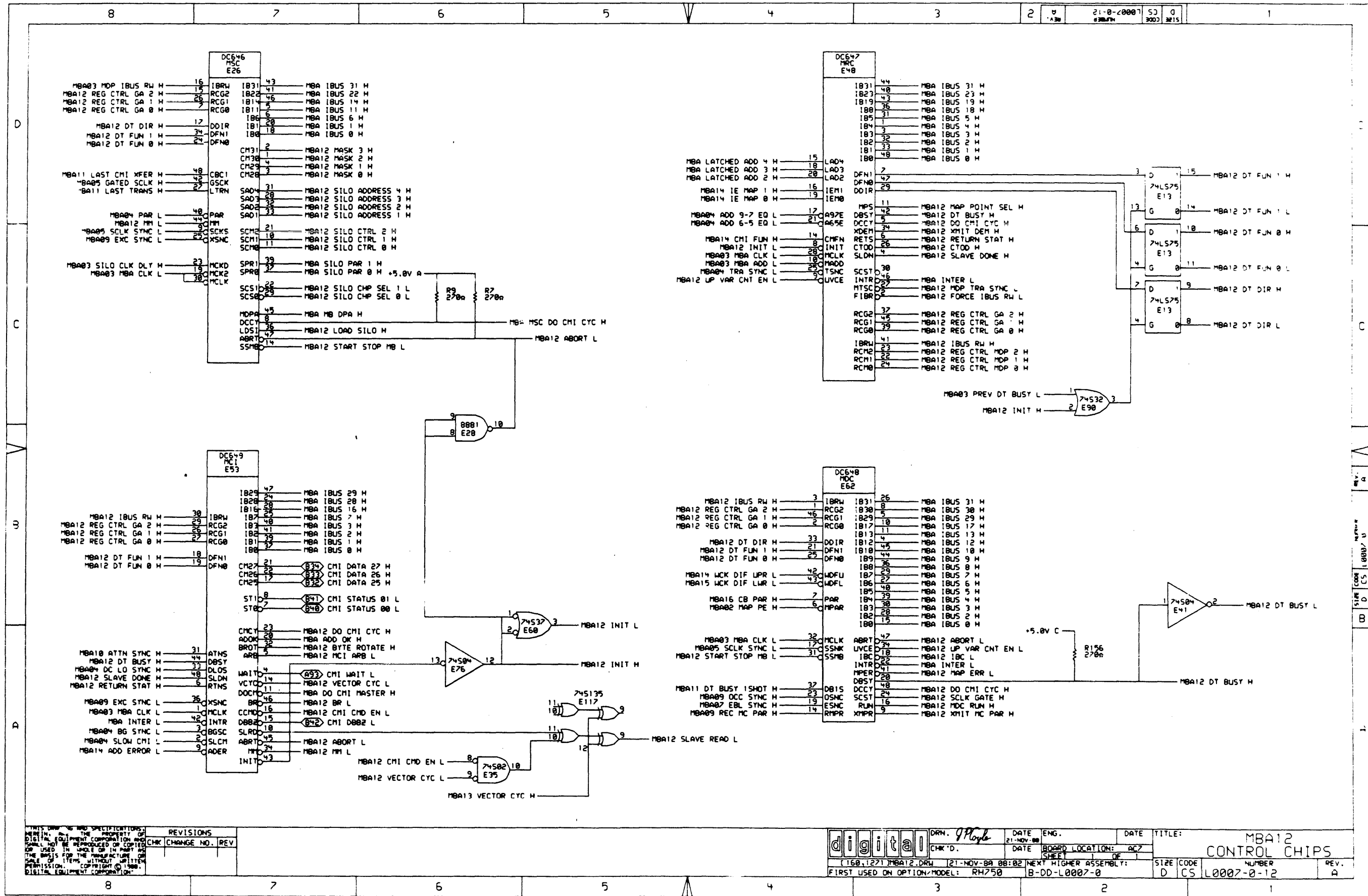


ALL DRAWINGS AND SPECIFICATIONS ARE THE PROPERTY OF DIGITAL EQUIPMENT CORPORATION AND SHALL NOT BE REPRODUCED OR COPIED OR USED IN WHOLE OR IN PART AS THE BASIS FOR THE MANUFACTURE OR SALE OF ITEMS WITHOUT WRITTEN PERMISSION. COPYRIGHT © 1981, DIGITAL EQUIPMENT CORPORATION.

REV.	CHANGE NO.	REV.

REV.	CHANGE NO.	REV.

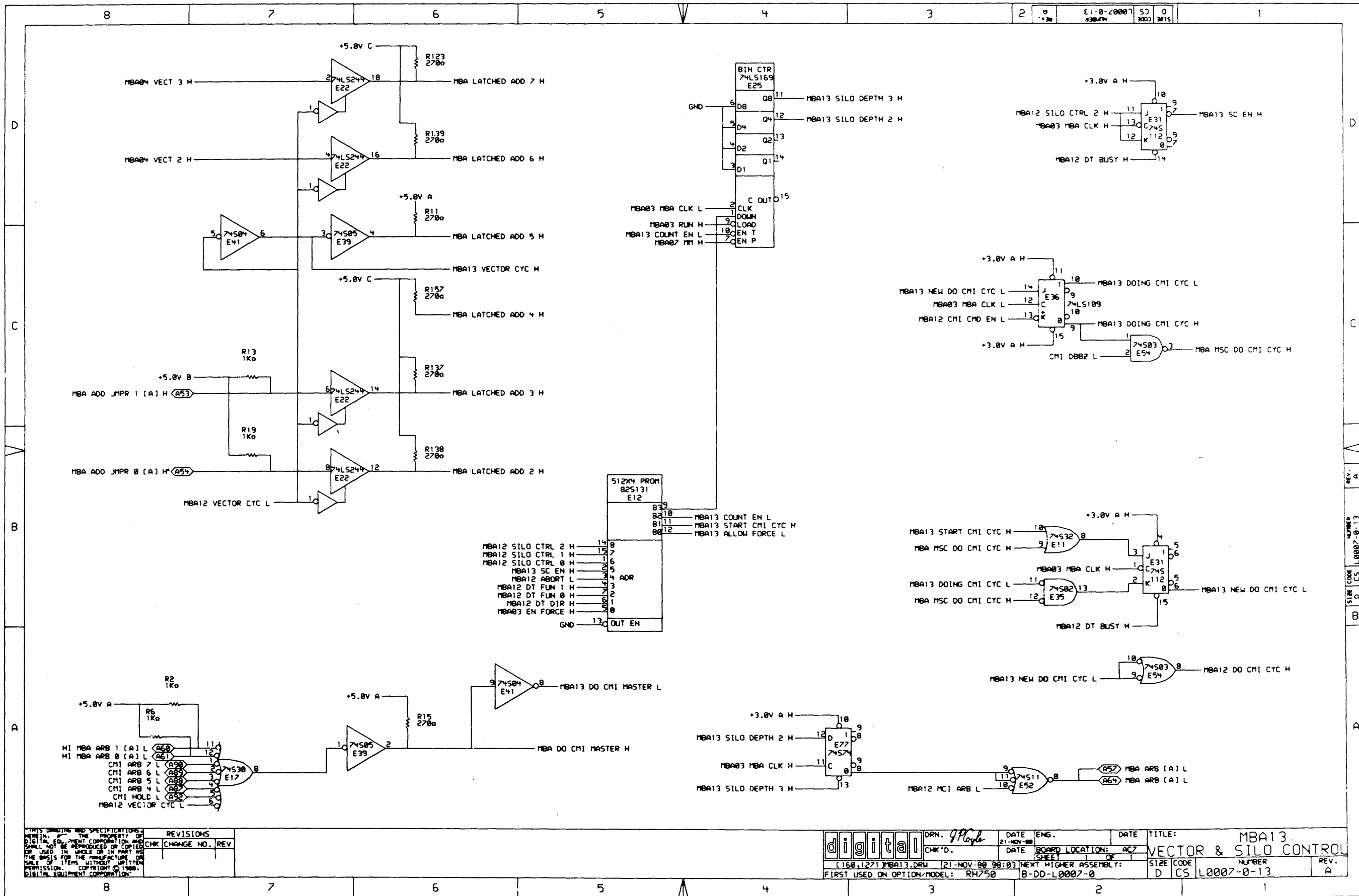
DRN. <i>J.P. Boyle</i>	DATE 17-SEP-81	ENG.	DATE	TITLE: MBA11 MAINT REG & MISC
CHK'D.	DATE	BOARD LOCATION: AC7	SHEET 1 OF 1	SIZE CODE NUMBER REV. D CS L0007-0-11 B
(160,1271)MBA11.DRW	113-MAR-81 11:23	NEXT HIGHER ASSEMBLY: B-DD-L0007-0		
FIRST USED ON OPTION/MODEL: RH250				



PRINTS DRAWING AND SPECIFICATIONS ARE THE PROPERTY OF DIGITAL EQUIPMENT CORPORATION AND SHALL NOT BE REPRODUCED OR COPIED IN WHOLE OR IN PART AS THE BASIS FOR THE MANUFACTURE OR SALE OF ITEMS WITHOUT WRITTEN PERMISSION. COPYRIGHT © 1980 DIGITAL EQUIPMENT CORPORATION.

REV.	CHANGE NO.	REV.

digital	DRW. J. P. Doyle	DATE 21-NOV-80	ENG.	DATE	TITLE: MBA12 CONTROL CHIPS
	CHK'D.	DATE	BOARD LOCATION: AC2	SHEET	OF
FIRST USED ON OPTION/MODEL: RH750		NEXT HIGHER ASSEMBLY: B-DD-L0007-0		SIZE CODE D CS	NUMBER L0007-0-12
REV. A					

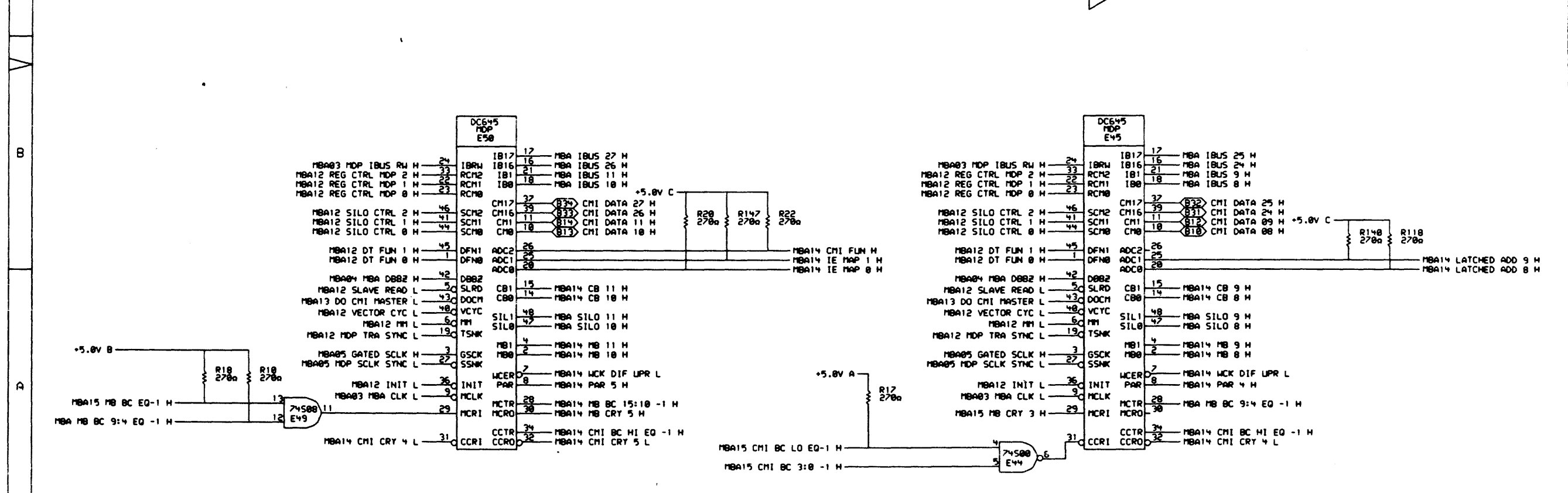
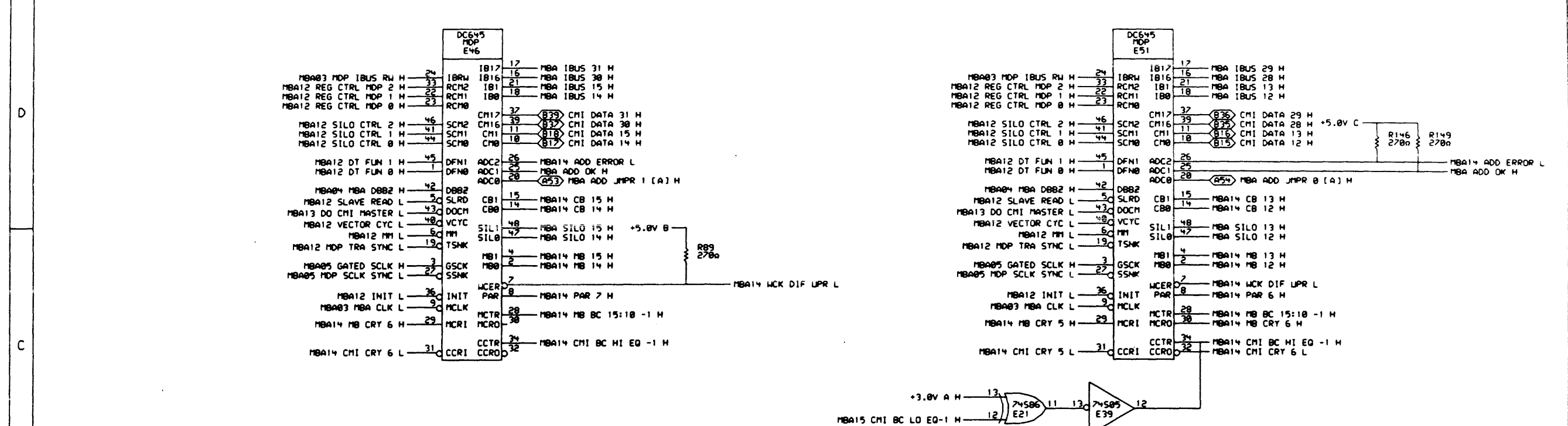


THIS DRAWING AND SPECIFICATIONS ARE THE PROPERTY OF DIGITAL EQUIPMENT CORPORATION AND SHALL NOT BE REPRODUCED OR COPIED OR USED IN WHOLE OR IN PART AS THE BASIS FOR THE MANUFACTURE OR SALE OF ITEMS WITHOUT WRITTEN PERMISSION. COPYRIGHT © 1980, DIGITAL EQUIPMENT CORPORATION.

REV.	DATE	DESCRIPTION
1		

REV.	DATE	DESCRIPTION
1		

digital	DRN. J. P. K.	DATE 21-NOV-88	ENG.	DATE	TITLE: MBA13 VECTOR & SILO CONTROL
	CHK'D.	DATE	BOARD LOCATION: AC7	SHEET	SIZE CODE NUMBER REV. D CS L0007-0-13 A
FIRST USED ON OPTION/MODEL: RH750		NEXT HIGHER ASSEMBLY: B-DD-L0007-0			



REVISIONS		
CHK	CHANGE NO.	REV.

digital DRN. J. P. G. DATE ENG. DATE TITLE: MBA14 DATA PATH - UPPER

CHK'D. DATE BOARD LOCATION: AC7

(160,127) MBA14.DRW 21-NOV-80 00:05 NEXT HIGHER ASSEMBLY: SIZE CODE NUMBER REV. D CS L0007-0-14 A

FIRST USED ON OPTION MODEL: RH750 B-DD-L0007-0

8

7

6

5

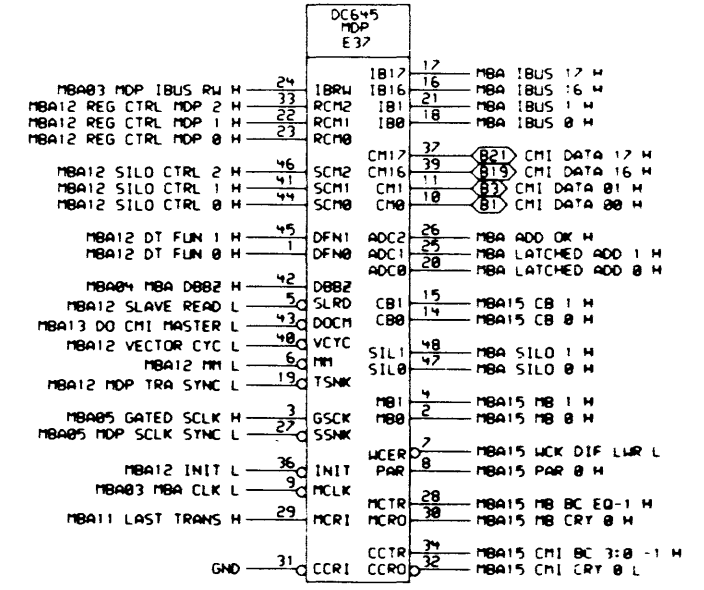
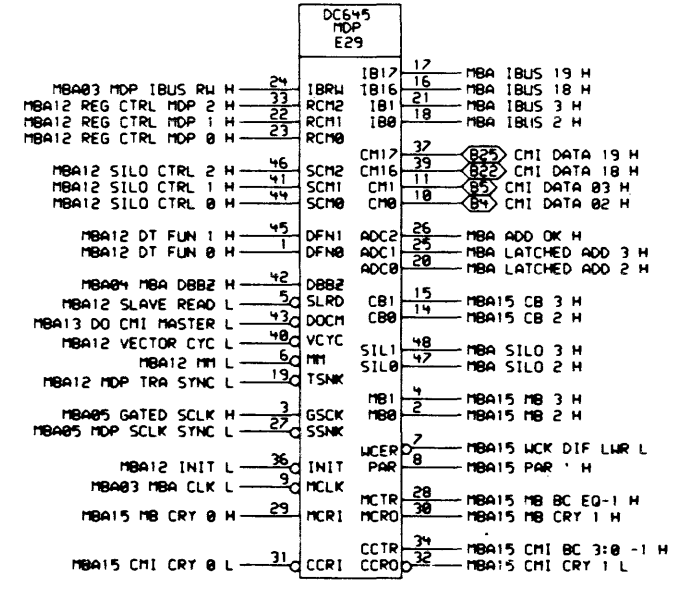
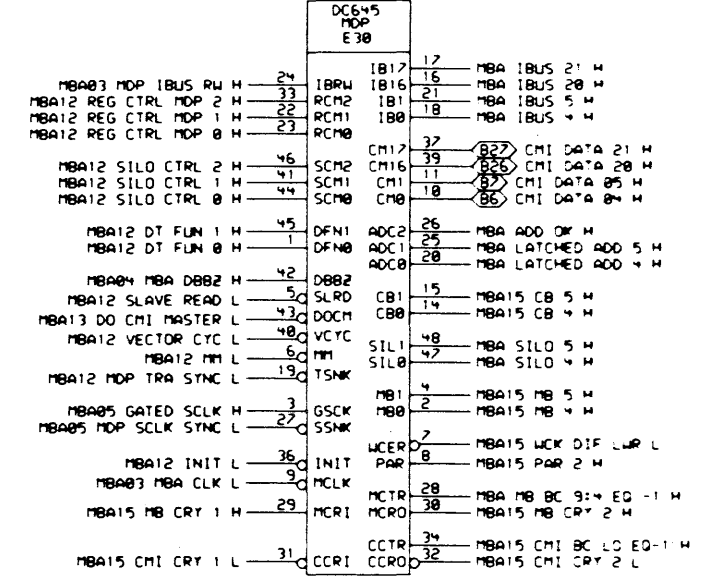
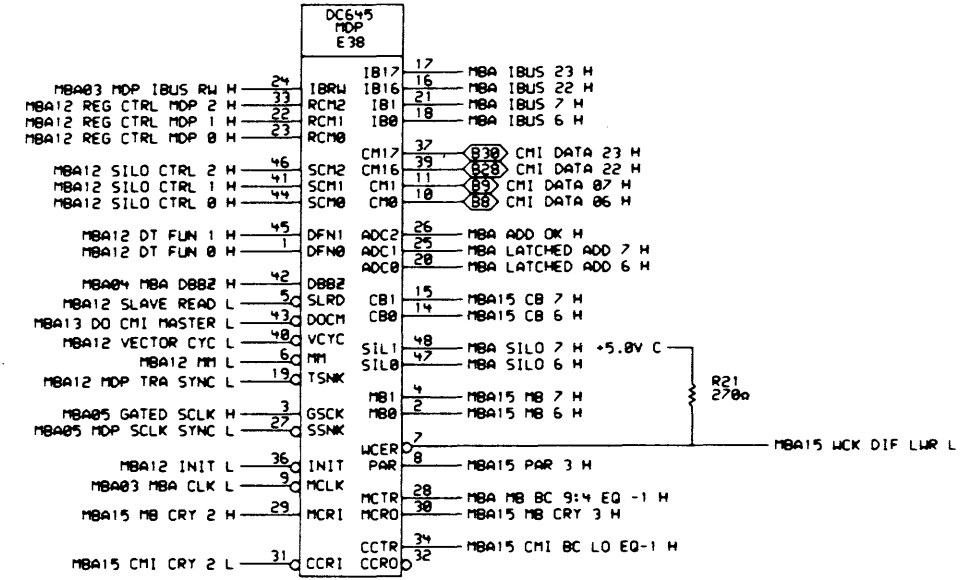
4

3

2

1

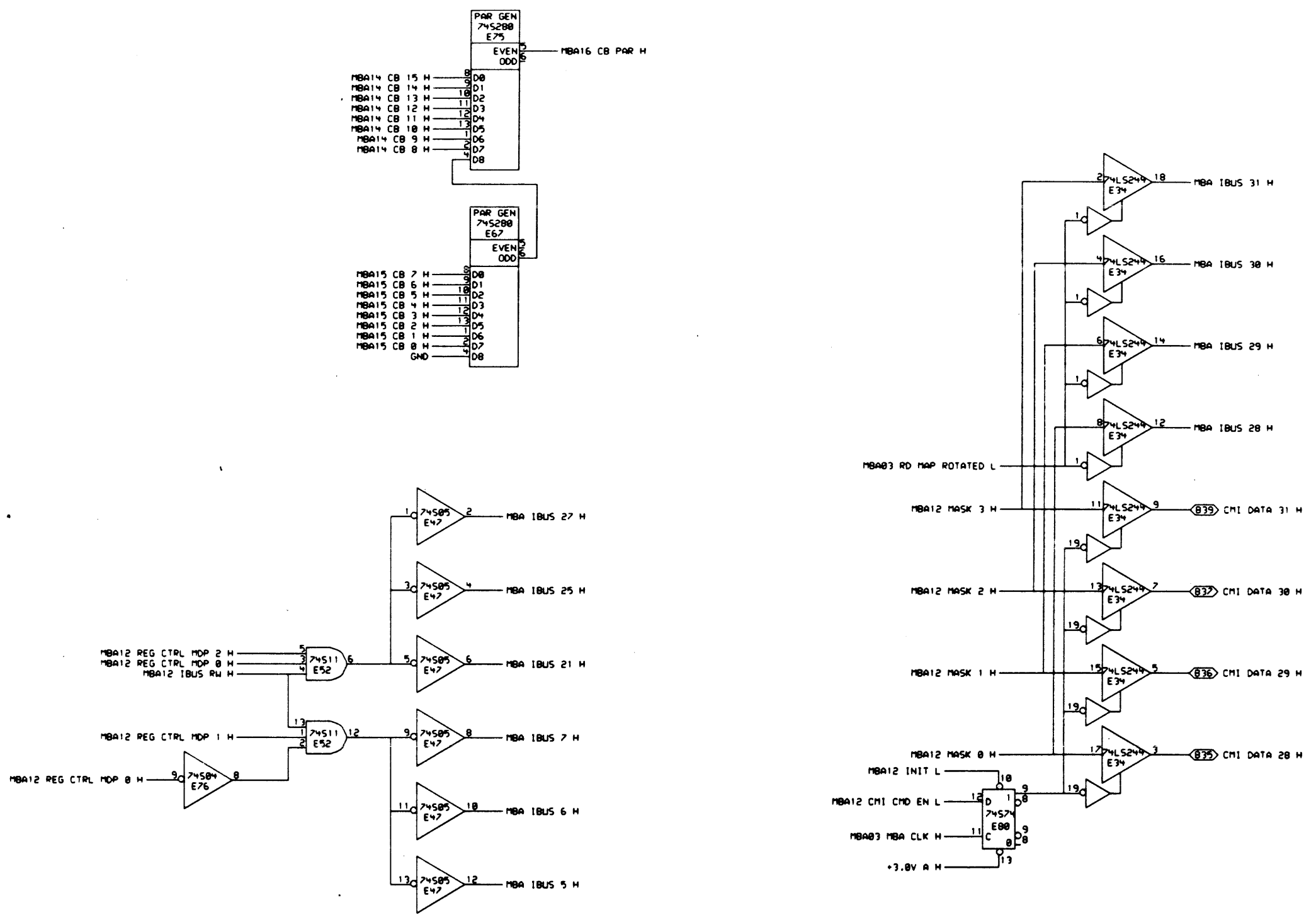
51-0-0007
3003 3/15



THIS DRAWING AND SPECIFICATIONS ARE THE PROPERTY OF DIGITAL EQUIPMENT CORPORATION AND SHALL NOT BE REPRODUCED OR COPIED OR USED IN WHOLE OR IN PART AS THE BASIS FOR THE MANUFACTURE OR SALE OF ITEMS WITHOUT WRITTEN PERMISSION. COPYRIGHT © 1988, DIGITAL EQUIPMENT CORPORATION.

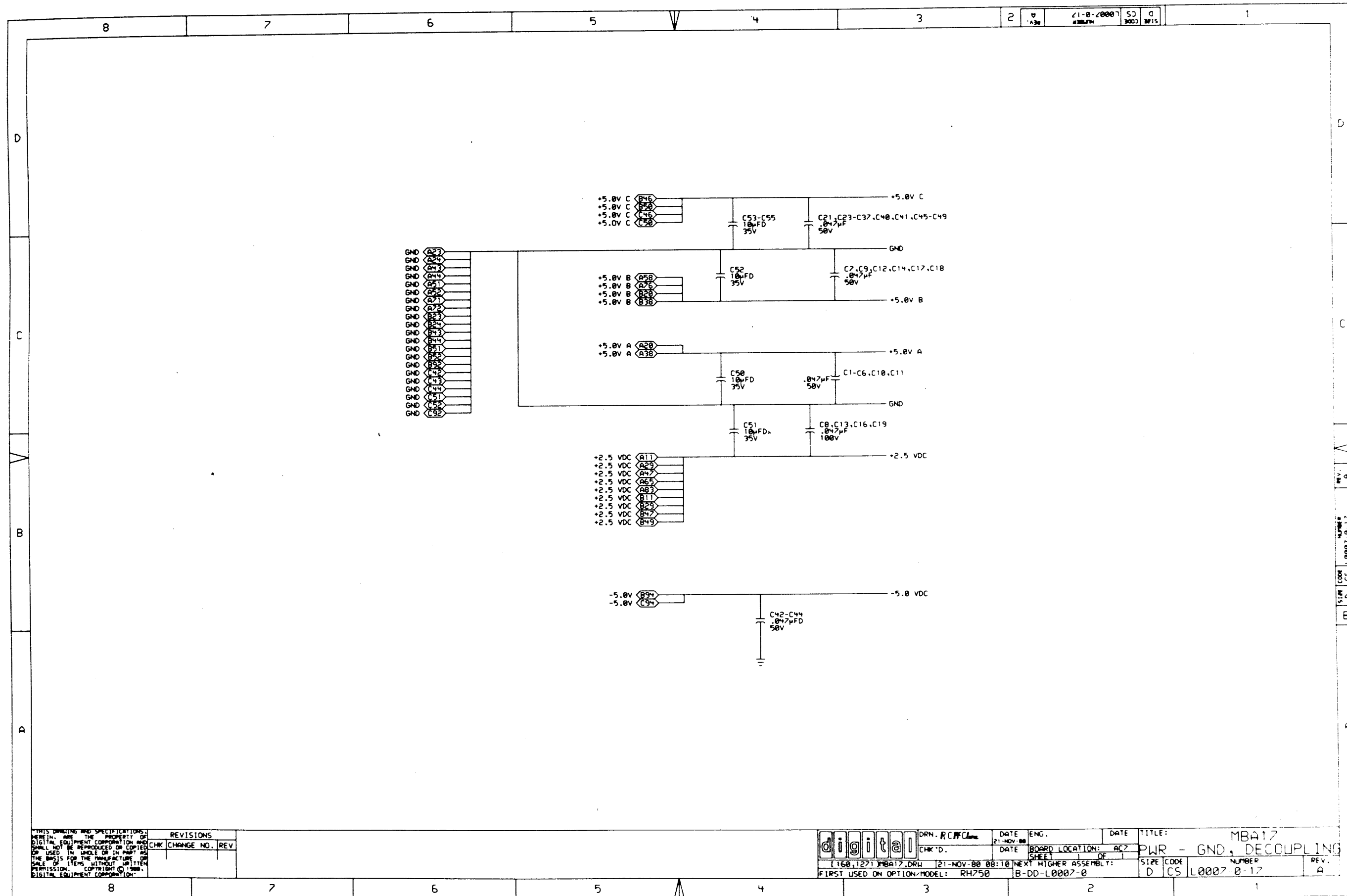
REVISIONS		
CHK	CHANGE NO.	REV.

digital	DRN. 9P04	DATE 21-NOV-88	ENG.	DATE	TITLE: MBA15
	CHK'D.	DATE	BOARD LOCATION: AC7		DATA PATH - LOWER
160.1271 MBA15.DRW		21-NOV-88 08:08	NEXT HIGHER ASSEMBLY:	SIZE CODE D CS	NUMBER L0007-0-15
FIRST USED ON OPTION/MODEL: RH750		B-DD-L0007-0		REV. A	



REVISIONS
 CHK CHANGE NO. REV

digital DRN. *J.P. Pyle* DATE 21-NOV-88 ENG. DATE TITLE: MBA16
 CHK'D. DATE BOARD LOCATION: AC2 CB PAR, MASK, MBZ BITS
 (160,127) MBA16.DRW 21-NOV-88 08:00 NEXT HIGHER ASSEMBLY: SIZE CODE NUMBER REV.
 FIRST USED ON OPTION/MODEL: RH750 B-DD-L0007-0 D CS L0007-0-16 A



REV. A
 NUMBER L0007-0-17
 CS
 D
 CD

REV. A
 NUMBER L0007-0-17
 CS
 D
 CD

REVISIONS	
CHK	CHANGE NO. REV

digital	DRN. R.C.F. <i>Chen</i>	DATE 21-NOV-88	ENG.	DATE	TITLE: MBA17
	CHK'D.	DATE	BOARD LOCATION: AC7	OF SHEET	PWR - GND, DECOUPLING
FIRST USED ON OPTION/MODEL: RH750		NEXT HIGHER ASSEMBLY: B-DD-L0007-0		SIZE CODE D CS	NUMBER L0007-0-17

SIGNAL NAME	PAGE NUMBER(S)
CHI ARB 4 L	13
CHI ARB 5 L	13
CHI ARB 6 L	13
CHI ARB 7 L	13
CHI DATA 00 H	15
CHI DATA 01 H	15
CHI DATA 02 H	15
CHI DATA 03 H	15
CHI DATA 04 H	15
CHI DATA 05 H	15
CHI DATA 06 H	15
CHI DATA 07 H	15
CHI DATA 08 H	14
CHI DATA 09 H	14
CHI DATA 10 H	14
CHI DATA 11 H	14
CHI DATA 12 H	14
CHI DATA 13 H	14
CHI DATA 14 H	14
CHI DATA 15 H	14
CHI DATA 16 H	15
CHI DATA 17 H	15
CHI DATA 18 H	15
CHI DATA 19 H	15
CHI DATA 20 H	15
CHI DATA 21 H	15
CHI DATA 22 H	15
CHI DATA 23 H	15
CHI DATA 24 H	14
CHI DATA 25 H	14,12
CHI DATA 26 H	14,12
CHI DATA 27 H	14,12
CHI DATA 28 H	16,14
CHI DATA 29 H	16,14
CHI DATA 30 H	16,14
CHI DATA 31 H	16,14
CHI DBB2 L	12,13,4
CHI HOLD L	13
CHI STATUS 00 L	12
CHI STATUS 01 L	12
CHI WAIT L	12
DPM17 B CLK L	3
MI MBA ARB 0 [A] L	13
MI MBA ARB 1 [A] L	13
MASS ATTN [A] H	10
MASS ATTN [A] L	10
MASS C0 [A] H	8
MASS C0 [A] L	8
MASS C1 [A] H	8
MASS C1 [A] L	8

SIGNAL NAME	PAGE NUMBER(S)
MASS C10 [A] H	8
MASS C10 [A] L	8
MASS C11 [A] H	8
MASS C11 [A] L	8
MASS C12 [A] H	9
MASS C12 [A] L	9
MASS C13 [A] H	9
MASS C13 [A] L	9
MASS C14 [A] H	9
MASS C14 [A] L	9
MASS C15 [A] H	9
MASS C15 [A] L	9
MASS C2 [A] H	8
MASS C2 [A] L	8
MASS C3 [A] H	8
MASS C3 [A] L	8
MASS C4 [A] H	8
MASS C4 [A] L	8
MASS C5 [A] H	8
MASS C5 [A] L	8
MASS C6 [A] H	8
MASS C6 [A] L	8
MASS C7 [A] H	8
MASS C7 [A] L	8
MASS C8 [A] H	8
MASS C8 [A] L	8
MASS C9 [A] H	8
MASS C9 [A] L	8
MASS CPA [A] H	9
MASS CPA [A] L	9
MASS CT00 [A] H	9
MASS CT00 [A] L	9
MASS D0 [A] H	6
MASS D0 [A] L	6
MASS D1 [A] H	6
MASS D1 [A] L	6
MASS D10 [A] H	6
MASS D10 [A] L	6
MASS D11 [A] H	6
MASS D11 [A] L	6
MASS D12 [A] H	7
MASS D12 [A] L	7
MASS D13 [A] H	7
MASS D13 [A] L	7
MASS D14 [A] H	7
MASS D14 [A] L	7
MASS D15 [A] H	7
MASS D15 [A] L	7
MASS D16 [A] H	7
MASS D16 [A] L	7

SIGNAL NAME	PAGE NUMBER(S)
MASS D17 [A] H	7
MASS D17 [A] L	7
MASS D2 [A] H	6
MASS D2 [A] L	6
MASS D3 [A] H	6
MASS D3 [A] L	6
MASS D4 [A] H	6
MASS D4 [A] L	6
MASS D5 [A] H	6
MASS D5 [A] L	6
MASS D6 [A] H	6
MASS D6 [A] L	6
MASS D7 [A] H	6
MASS D7 [A] L	6
MASS D8 [A] H	6
MASS D8 [A] L	6
MASS D9 [A] H	6
MASS D9 [A] L	6
MASS DEM [A] H	10
MASS DEM [A] L	10
MASS DPA [A] H	7
MASS DPA [A] L	7
MASS DS0 [A] H	10
MASS DS0 [A] L	10
MASS DS1 [A] H	10
MASS DS1 [A] L	10
MASS DS2 [A] H	10
MASS DS2 [A] L	10
MASS EBL [A] H	7
MASS EBL [A] L	7
MASS EXC [A] H	9
MASS EXC [A] L	9
MASS FAIL H	9
MASS INIT [A] H	10
MASS INIT [A] L	10
MASS OCC [A] H	9
MASS OCC [A] L	9
MASS RS0 [A] H	10
MASS RS0 [A] L	10
MASS RS1 [A] H	10
MASS RS1 [A] L	10
MASS RS2 [A] H	10
MASS RS2 [A] L	10
MASS RS3 [A] H	10
MASS RS3 [A] L	10
MASS RS4 [A] H	10
MASS RS4 [A] L	10
MASS RUN [A] H	7
MASS RUN [A] L	7
MASS SCLK [A] H	7
MASS SCLK [A] L	7

NOTES:
1. THIS PAGE LISTS THE SCHEMATIC PAGE NUMBER(S) WHERE A SIGNAL NAME IS REFERENCED.

REVISIONS
CHK CHANGE NO. REV

--	--	--	--	--	--	--	--	--	--

digital	DRW. <i>DL</i>	DATE <i>05-DEC-88</i>	ENG.	DATE	TITLE: MBA18 FORWARD REFERENCE
	CHK'D.	DATE	BOARD LOCATION: <i>AC2</i>	SHEET	REV. <i>A</i>
(160,127) MBA18.DRW		(05-DEC-88) 13:13	NEXT HIGHER ASSEMBLY:	SIZE CODE	NUMBER
FIRST USED ON OPTION/MODEL: <i>RH750</i>		<i>B-DD-L0007-0</i>		<i>D</i>	<i>CS L0007-0-18</i>

SIGNAL NAME	PAGE NUMBER(S)	SIGNAL NAME	PAGE NUMBER(S)	SIGNAL NAME	PAGE NUMBER(S)
MASS SCLK [A] L	7	MBA LATCHED ADD 7 H	13,15,4,3	MBA03 MAP ADD 3 H	3,2,1
MASS TRA H	10	MBA MB BC 9:4 EQ -1 H	15,11,14	MBA03 MAP ADD 4 H	3,2,1
MASS TRA L	10	MBA MB DPA H	12,7	MBA03 MAP ADD 5 H	3,2,1
MASS WCLK [A] H	7	MBA MSC DO CMI CYC H	13,12	MBA03 MAP ADD 6 H	3,2,1
MASS WCLK [A] L	7	MBA SILO 0 H	5,15	MBA03 MAP ADD 7 H	3,2,1
MBA ADD JMPR 0 [A] H	13,14	MBA SILO 1 H	5,15	MBA03 MBA ADD L	3,12
MBA ADD JMPR 1 [A] H	13,14	MBA SILO 10 H	5,14	MBA03 MBA CLK DLY H	3
MBA ADD OK H	15,14,12,3	MBA SILO 11 H	5,14	MBA03 MBA CLK H	5,13,4,3,10,7,9,11,16
MBA ARB [A] L	13	MBA SILO 12 H	5,14	MBA03 MBA CLK L	13,12,15,5,11,3,14,4
MBA DO CMI MASTER H	13,12	MBA SILO 13 H	5,14	MBA03 MDP IBUS RW H	12,15,14,3
MBA IBUS 0 H	12,15,4,2,1	MBA SILO 14 H	5,14	MBA03 PREV DT BUST H	0
MBA IBUS 1 H	12,15,2,1	MBA SILO 15 H	5,14	MBA03 PREV DT BUST L	3,12
MBA IBUS 10 H	14,12,3,1,11,2	MBA SILO 2 H	5,15	MBA03 RD MAINT L	11,3
MBA IBUS 11 H	12,4,14,3,1,11,2	MBA SILO 3 H	5,15	MBA03 RD MAP L	3,1,2
MBA IBUS 12 H	14,12,3,2,1,11	MBA SILO 4 H	5,15	MBA03 RD MAP ROTATED L	4,16,3,1,2
MBA IBUS 13 H	14,12,3,2,1,11	MBA SILO 5 H	5,15	MBA03 RD VAR L	3,11
MBA IBUS 14 H	12,14,3,2,1,11,4	MBA SILO 6 H	5,15	MBA03 RUN H	13,5,3,11,7
MBA IBUS 15 H	14,3,1,11,4	MBA SILO 7 H	5,15	MBA03 RUN L	5,3,4,11
MBA IBUS 16 H	15,12,11,3,1	MBA SILO 8 H	5,14	MBA03 SILO CLK DLY H	12,5,3
MBA IBUS 17 H	15,12,11,1	MBA SILO 9 H	5,14	MBA03 VAR 10 H	3
MBA IBUS 18 H	15,12,11,1	MBA SILO PAR 0 H	5,12	MBA03 VAR 11 H	3
MBA IBUS 19 H	15,12,11,1	MBA SILO PAR 1 H	5,12	MBA03 VAR 12 H	3
MBA IBUS 2 H	15,12,2,1	MBA01 MAP 0 H	1	MBA03 VAR 13 H	3
MBA IBUS 20 H	15,11,1	MBA01 MAP 1 H	1	MBA03 VAR 14 H	3
MBA IBUS 21 H	15,4,16,11,2	MBA01 MAP 10 H	1	MBA03 VAR 15 H	3
MBA IBUS 22 H	12,15,11,2	MBA01 MAP 11 H	1	MBA03 VAR 16 H	3
MBA IBUS 23 H	15,12,11,2	MBA01 MAP 2 H	1	MBA03 VAR 9 H	3
MBA IBUS 24 H	14,11	MBA01 MAP 3 H	1	MBA04 ADD 6-5 EQ L	4,12
MBA IBUS 25 H	4,14,16,11	MBA01 MAP 4 H	1	MBA04 ADD 9-7 EQ L	12,4
MBA IBUS 26 H	4,14,11	MBA01 MAP 5 H	1	MBA04 BG IN H	4
MBA IBUS 27 H	4,16,14,11	MBA01 MAP 6 H	1	MBA04 BG OUT H	4
MBA IBUS 28 H	16,14,12	MBA01 MAP 7 H	1	MBA04 BG OUT L	4
MBA IBUS 29 H	16,14,12	MBA01 MAP 8 H	1	MBA04 BG SYNC H	1
MBA IBUS 3 H	15,12,2,1	MBA01 MAP 9 H	1	MBA04 BG SYNC L	4,12
MBA IBUS 30 H	16,14,12	MBA02 MAP 12 H	2	MBA04 BR H	4
MBA IBUS 31 H	12,16,14,2	MBA02 MAP 13 H	2	MBA04 D SEL 0 H	10,4
MBA IBUS 4 H	15,12,2,1	MBA02 MAP 14 H	2	MBA04 D SEL 1 H	4,10
MBA IBUS 5 H	15,16,12,4,2,1	MBA02 MAP 31 H	2	MBA04 D SEL 2 H	4,10
MBA IBUS 6 H	12,15,16,2,1	MBA02 MAP PAR L	2	MBA04 DC LO SYNC H	12,4
MBA IBUS 7 H	15,16,12,2,1	MBA02 MAP PE H	12,2	MBA04 MBA DBBZ H	15,14,4
MBA IBUS 8 H	14,12,1,11,2	MBA03 CLK EXT CS L	3,4	MBA04 PAR H	0
MBA IBUS 9 H	14,12,3,1,11,2	MBA03 CLK MAINT L	3,11	MBA04 PAR L	4,12
MBA INTER L	11,12	MBA03 CLK MAP L	3,2,1	MBA04 R SEL 0 H	10,4
MBA LATCHED ADD 0 H	1	MBA03 CLK VAR L	3,11	MBA04 R SEL 1 H	10,4
MBA LATCHED ADD 1 H	1	MBA03 EN FORCE H	13,3	MBA04 R SEL 2 H	10,4
MBA LATCHED ADD 2 H	13,15,12,3,4	MBA03 LD MAP L	11,3	MBA04 R SEL 3 H	10,4
MBA LATCHED ADD 3 H	13,15,12,3,4	MBA03 LD VAR L	3	MBA04 R SEL 4 H	10,4
MBA LATCHED ADD 4 H	15,12,3,4,13	MBA03 MAP ADD 0 H	3,2,1	MBA04 SLOW CMI L	12,4
MBA LATCHED ADD 5 H	15,4,13,3	MBA03 MAP ADD 1 H	3,2,1	MBA04 TRA SYNC L	12,4
MBA LATCHED ADD 6 H	13,4,15,3	MBA03 MAP ADD 2 H	3,2,1	MBA04 VECT 2 H	4,13

NOTES:
 1. THIS PAGE LISTS THE SCHEMATIC PAGE NUMBER(S) WHERE A SIGNAL NAME IS REFERENCED.

THIS DRAWING AND SPECIFICATIONS HEREIN ARE THE PROPERTY OF DIGITAL EQUIPMENT CORPORATION AND SHALL NOT BE REPRODUCED OR COPIED OR USED IN WHOLE OR IN PART AS THE BASIS FOR THE MANUFACTURE OR SALE OF ITEMS WITHOUT WRITTEN PERMISSION. COPYRIGHT © 1988, DIGITAL EQUIPMENT CORPORATION.	REVISIONS CHK CHANGE NO. REV		digital DRN. <i>DE</i> DATE ENG. DATE 09-DEC-88 BOARD LOCATION: AC7 SHEET OF	TITLE: MBA19 FORWARD REFERENCE	
	FIRST USED ON OPTION/MODEL: RH750			SIZE CODE NUMBER REV. D CS L0007-0-19 A	
	NEXT HIGHER ASSEMBLY: B-DD-L0007-0				

SIGNAL NAME	PAGE NUMBER(S)	SIGNAL NAME	PAGE NUMBER(S)	SIGNAL NAME	PAGE NUMBER(S)
MBA04 VECT 3 H	4,13	MBA10 REC MB RS2 L	10,11	MBA12 REG CTRL MDP 2 H	15,14,12,16
MBA05 DT WRITE L	5,6	MBA10 REC MB RS3 L	10,11	MBA12 RETURN STAT H	12
MBA05 GATED SCLK H	12,15,5,14	MBA10 REC MB RS4 L	10,11	MBA12 SCLK GATE H	5,12
MBA05 MDP SCLK SYNC L	5,15,14	MBA10 TRA REC H	4,10	MBA12 SILO ADDRESS 1 H	5,12
MBA05 SCLK SYNC L	12,5	MBA11 DT BUSY 1SHOT H	12,11	MBA12 SILO ADDRESS 2 H	5,12
MBA05 SILO OUT 0 L	5	MBA11 LAST CMI XFER H	12,11	MBA12 SILO ADDRESS 3 H	5,12
MBA05 SILO OUT 1 L	5	MBA11 LAST TRANS H	12,15,11	MBA12 SILO ADDRESS 4 H	5,12
MBA05 SILO OUT 10 L	5	MBA11 MB BC EQ -1 H	11	MBA12 SILO CHP SEL 0 L	5,12
MBA05 SILO OUT 11 L	5	MBA11 MB INIT H	11,10	MBA12 SILO CHP SEL 1 L	5,12
MBA05 SILO OUT 12 L	5	MBA11 SET IBC INTER H	11	MBA12 SILO CTRL 0 H	13,12,15,14
MBA05 SILO OUT 13 L	5	MBA11 SIMULATE ATTN H	11	MBA12 SILO CTRL 1 H	13,12,15,14
MBA05 SILO OUT 14 L	5	MBA11 SIMULATE ATTN L	11,10	MBA12 SILO CTRL 2 H	13,12,15,14
MBA05 SILO OUT 15 L	5	MBA11 SIMULATE EBL H	7,11	MBA12 SLAVE DONE H	12
MBA05 SILO OUT 2 L	5	MBA11 SIMULATE EXC H	9,11	MBA12 SLAVE READ L	15,14,12
MBA05 SILO OUT 3 L	5	MBA11 SIMULATE OCC H	9,11	MBA12 START STOP MB L	12
MBA05 SILO OUT 4 L	5	MBA11 SIMULATE SCLK H	7,11	MBA12 UP VAR CNT EN L	12,3
MBA05 SILO OUT 5 L	5	MBA12 ABORT L	13,12,7	MBA12 VECTOR CYC L	13,15,12,14
MBA05 SILO OUT 6 L	5	MBA12 BR L	4,12	MBA12 XMIT DEM H	4,12,10
MBA05 SILO OUT 7 L	5	MBA12 BYTE ROTATE H	5,12	MBA12 XMIT MC PAR H	12,9
MBA05 SILO OUT 8 L	5	MBA12 CMI CMD EN L	12,13,16	MBA13 ALLOW FORCE L	3,13
MBA05 SILO OUT 9 L	5	MBA12 CTOD H	8,12,9	MBA13 COUNT EN L	13
MBA05 SILO PAR OUT 0 L	5	MBA12 DO CMI CYC H	12,13	MBA13 DO CMI MASTER L	15,13,14
MBA05 SILO PAR OUT 1 L	5	MBA12 DT BUSY H	13,5,3,12,11	MBA13 DOING CMI CYC H	13
MBA05 SILO ROTATE H	5	MBA12 DT BUSY L	1	MBA13 DOING CMI CYC L	13
MBA05 SILO SEL 0 L	5	MBA12 DT DIR H	13,12,3	MBA13 NEW DO CMI CYC L	13
MBA05 SILO SEL 1 L	5	MBA12 DT DIR L	5,12	MBA13 SC EN H	13
MBA05 SILO WE L	5	MBA12 DT FUN 0 H	13,12,15,5,14,6	MBA13 SILO DEPTH 2 H	13
MBA06 DT WRITE + MM H	7,6	MBA12 DT FUN 0 L	12,5	MBA13 SILO DEPTH 3 H	13
MBA06 MB DATA IN EN L	6,7	MBA12 DT FUN 1 H	5,13,12,4,15,14	MBA13 START CMI CYC H	13
MBA07 EBL SYNC H	12,7,9	MBA12 DT FUN 1 L	5,12	MBA13 VECTOR CYC H	1
MBA07 MM H	13,9,7,4	MBA12 FORCE IBUS RW L	12,3	MBA14 ADD ERROR L	14,12,3
MBA07 REC MB EBL H	7	MBA12 IBC L	11,12	MBA14 CB 10 H	14,8,16
MBA07 REC MB SCLK L	5,7	MBA12 IBUS RW H	12,3,16	MBA14 CB 11 H	14,8,16
MBA07 REC MB WCLK L	7,11	MBA12 INIT H	12,4	MBA14 CB 12 H	14,16,9
MBA07 RUN NO ABORT A H	6,7	MBA12 INIT L	15,11,4,14,12,9,16	MBA14 CB 13 H	14,16,9
MBA07 RUN NO ABORT B H	6,7	MBA12 LOAD SILO H	5,12	MBA14 CB 14 H	14,16,9
MBA08 CTOD + MM H	8,9	MBA12 MAP ERR L	1	MBA14 CB 15 H	14,16,9
MBA08 CTOD L	8	MBA12 MAP POINT SEL H	12,3	MBA14 CB 0 H	14,16,8
MBA09 EXC SYNC L	12,9	MBA12 MASK 0 H	12,16	MBA14 CB 9 H	14,16,8
MBA09 OCC SYNC H	12,9	MBA12 MASK 1 H	12,16	MBA14 CMI BC MI EQ -1 H	3,14,11
MBA09 REC CTOD H	9,11	MBA12 MASK 2 H	12,16	MBA14 CMI CRY 4 L	14
MBA09 REC EXC H	9,11	MBA12 MASK 3 H	12,16	MBA14 CMI CRY 5 L	14
MBA09 REC FAIL L	9,11	MBA12 MCI ARB L	13,12	MBA14 CMI CRY 6 L	14
MBA09 REC MC PAR H	12,9	MBA12 MDC RUN H	3,12	MBA14 CMI FUN H	12,14
MBA10 ATTN SYNC H	12,10	MBA12 MDP TRA SYNC L	15,14,12,4	MBA14 IE MAP 0 H	12,14,3
MBA10 REC MB DS0 L	10,11	MBA12 MM L	12,15,7,14,6,8,10	MBA14 IE MAP 1 H	12,14,3
MBA10 REC MB DS1 L	10,11	MBA12 REG CTRL GA 0 H	12,3	MBA14 LATCHED ADD 0 H	14,4,3
MBA10 REC MB DS2 L	10,11	MBA12 REG CTRL GA 1 H	12,3	MBA14 LATCHED ADD 9 H	14,4,3
MBA10 REC MB RS0 L	10,11	MBA12 REG CTRL GA 2 H	12,3	MBA14 MB 10 H	14,6
MBA10 REC MB RS1 L	10,11	MBA12 REG CTRL MDP 0 H	15,14,12,16	MBA14 MB 11 H	14,6
		MBA12 REG CTRL MDP 1 H	15,14,12,16		

NOTES:
1. THIS PAGE LISTS THE SCHEMATIC PAGE NUMBER(S) WHERE A SIGNAL NAME IS REFERENCED.

REV. B
L0007-0-20
CS
D

THIS DRAWING AND SPECIFICATIONS ARE THE PROPERTY OF DIGITAL EQUIPMENT CORPORATION AND SHALL NOT BE REPRODUCED OR COPIED IN WHOLE OR IN PART AS THE BASIS FOR THE MANUFACTURE OR SALE OF ITEMS WITHOUT WRITTEN PERMISSION. COPYRIGHT © 1981, DIGITAL EQUIPMENT CORPORATION.

REVISIONS
CHK CHANGE NO. REV

digital	DRN. <i>DE</i>	DATE 17-SEP-81	ENG.	DATE	TITLE: MBA20 FORWARD REFERENCE
	CHK'D.	DATE	BOARD LOCATION: AC7	SHEET	OF
(160,1271) MBA20.DRW		17-SEP-81 09:10	NEXT HIGHER ASSEMBLY: B-DD-L0007-0	SIZE CODE D CS	NUMBER L0007-0-20
FIRST USED ON OPTION/MODEL: RH750				REV. B	

D
C
B
A

D
C
B
A

SIGNAL NAME	PAGE NUMBER(S)
MBA14 MB 12 H	14,7
MBA14 MB 13 H	14,7
MBA14 MB 14 H	14,7
MBA14 MB 15 H	14,7
MBA14 MB 8 H	14,6
MBA14 MB 9 H	14,6
MBA14 MB BC 15:10 -1 H	11,14
MBA14 MB CRY 5 H	14
MBA14 MB CRY 6 H	14
MBA14 PAR 4 H	4,14
MBA14 PAR 5 H	4,14
MBA14 PAR 6 H	4,14
MBA14 PAR 7 H	4,14
MBA14 WCK DIF UPR L	14,12
MBA15 CB 0 H	15,8,16
MBA15 CB 1 H	15,8,16
MBA15 CB 2 H	15,8,16
MBA15 CB 3 H	15,8,16
MBA15 CB 4 H	15,16,8
MBA15 CB 5 H	15,16,8
MBA15 CB 6 H	15,16,8
MBA15 CB 7 H	15,16,8
MBA15 CMI BC 3:0 -1 H	15,11,14
MBA15 CMI BC LO EQ-1 H	14,15
MBA15 CMI CRY 0 L	15
MBA15 CMI CRY 1 L	15
MBA15 CMI CRY 2 L	15
MBA15 MB 0 H	15,6
MBA15 MB 1 H	15,6
MBA15 MB 2 H	15,6
MBA15 MB 3 H	15,6
MBA15 MB 4 H	15,6
MBA15 MB 5 H	15,6
MBA15 MB 6 H	15,6
MBA15 MB 7 H	15,6
MBA15 MB BC EQ-1 H	15,11,14
MBA15 MB CRY 0 H	15
MBA15 MB CRY 1 H	15
MBA15 MB CRY 2 H	15
MBA15 MB CRY 3 H	15,14
MBA15 PAR 0 H	4,15
MBA15 PAR 1 H	4,15
MBA15 PAR 2 H	4,15
MBA15 PAR 3 H	4,15
MBA15 WCK DIF LWR L	15,12
MBA16 CB PAR H	12,16
SLOW CMI ENB (A) H	4
UBUS BG4 (A+1) H	4
UBUS BG4 (A) H	4
UBUS BG5 (A+1) H	4

SIGNAL NAME	PAGE NUMBER(S)
UBUS BG5 (A) H	4
UBUS BG6 (A+1) H	4
UBUS BG6 (A) H	4
UBUS BG7 (A+1) H	4
UBUS BG7 (A) H	4
UBUS BR4 L	4
UBUS BR5 L	4
UBUS BR6 L	4
UBUS BR7 L	4
UBUS DCLO L	4,9

SIGNAL NAME	PAGE NUMBER(S)
-------------	----------------

NOTES:
1. THIS PAGE LISTS THE SCHEMATIC PAGE NUMBER(S) WHERE A SIGNAL NAME IS REFERENCED.

THIS DRAWING AND SPECIFICATIONS
HEREIN ARE THE PROPERTY OF
DIGITAL EQUIPMENT CORPORATION AND
SHALL NOT BE REPRODUCED OR COPIED
OR USED IN WHOLE OR IN PART AS
THE BASIS FOR THE MANUFACTURE OR
SALE OF ITEMS WITHOUT WRITTEN
PERMISSION. COPYRIGHT © 1980,
DIGITAL EQUIPMENT CORPORATION.

REVISIONS
CHK CHANGE NO. REV

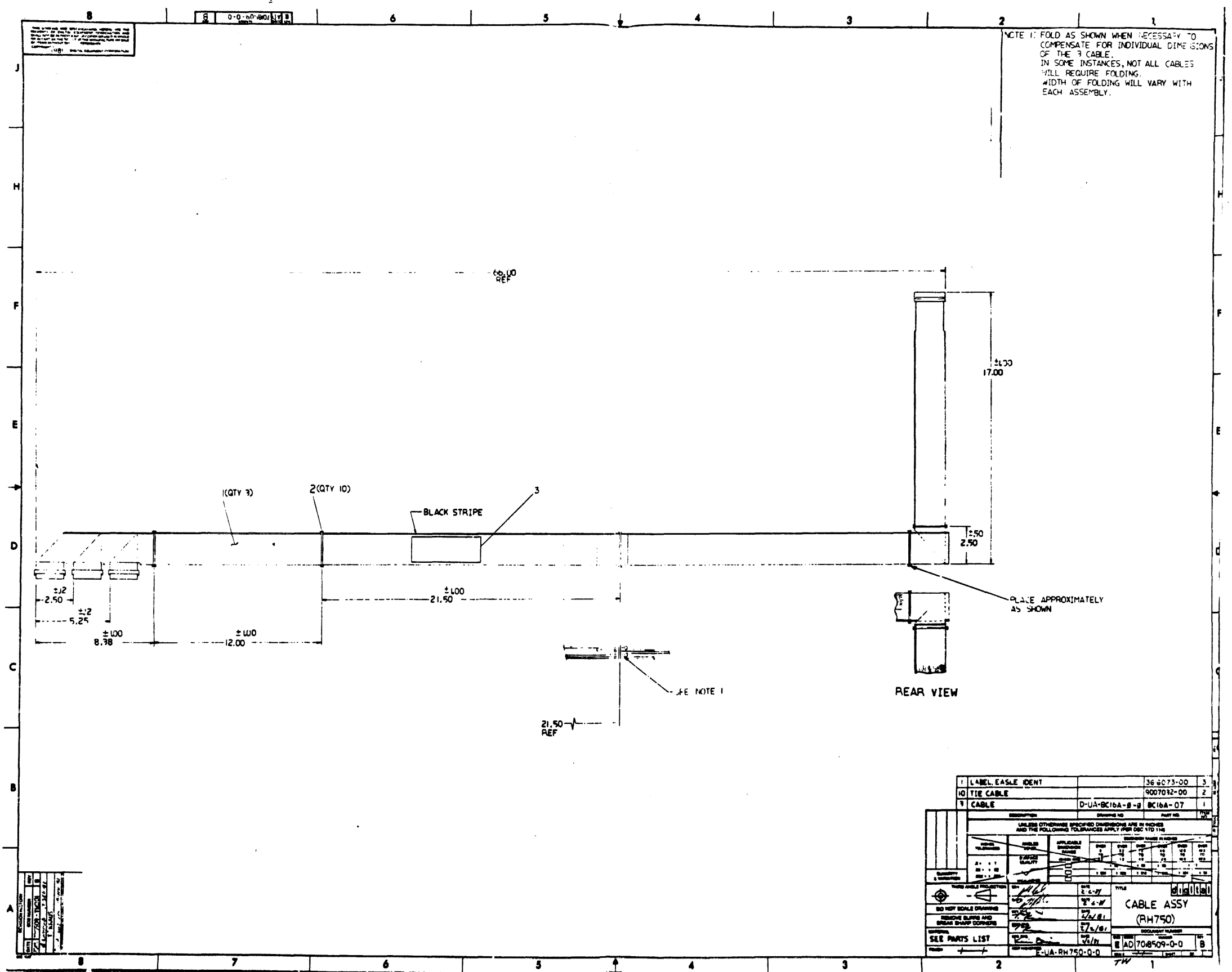
digital

DRN. *DE* DATE ENG. DATE
CHK'D. DATE BOARD LOCATION: ACZ
SHEET OF

TITLE: MBA21 FORWARD REFERENCE

(160,1271)MBA21.DRW 105-DEC-80 13:21 NEXT HIGHER ASSEMBLY:
FIRST USED ON OPTION/MODEL: RH750 B-DD-L0007-0

SIZE CODE NUMBER REV.
D CS L0007-0-21 A



1 LABEL EASLE IDENT	36 5073-00	3
10 TIE CABLE	9007012-00	2
3 CABLE	D-UA-BC16A-B-8 BC16A-07	1

UNLESS OTHERWISE SPECIFIED DIMENSIONS ARE IN INCHES AND THE FOLLOWING TOLERANCES APPLY (PER ASST STD 118)	
SIZE	TOLERANCE
0.005	±0.0005
0.005 - 0.009	±0.0005
0.010 - 0.024	±0.0005
0.025 - 0.049	±0.0010
0.050 - 0.099	±0.0015
0.100 - 0.249	±0.0020
0.250 - 0.499	±0.0030
0.500 - 0.999	±0.0040
1.000 - 4.999	±0.0050
5.000 - 9.999	±0.0060
10.000 - 49.999	±0.0075
50.000 - 99.999	±0.0090
100.000 - 499.999	±0.0120
500.000 - 999.999	±0.0150
1000.000 - 4999.999	±0.0200
5000.000 - 9999.999	±0.0250
10000.000 - 49999.999	±0.0300
50000.000 - 99999.999	±0.0400
100000.000 - 499999.999	±0.0500
500000.000 - 999999.999	±0.0600
1000000.000 - 4999999.999	±0.0750
5000000.000 - 9999999.999	±0.1000
10000000.000 - 49999999.999	±0.1250
50000000.000 - 99999999.999	±0.1500
100000000.000 - 499999999.999	±0.2000
500000000.000 - 999999999.999	±0.2500
1000000000.000 - 4999999999.999	±0.3000
5000000000.000 - 9999999999.999	±0.4000
10000000000.000 - 49999999999.999	±0.5000
50000000000.000 - 99999999999.999	±0.6000
100000000000.000 - 499999999999.999	±0.7500
500000000000.000 - 999999999999.999	±0.9000
1000000000000.000 - 4999999999999.999	±1.0000
5000000000000.000 - 9999999999999.999	±1.2000
10000000000000.000 - 49999999999999.999	±1.5000
50000000000000.000 - 99999999999999.999	±1.8000
100000000000000.000 - 499999999999999.999	±2.0000
500000000000000.000 - 999999999999999.999	±2.5000
1000000000000000.000 - 4999999999999999.999	±3.0000
5000000000000000.000 - 9999999999999999.999	±4.0000
10000000000000000.000 - 49999999999999999.999	±5.0000
50000000000000000.000 - 99999999999999999.999	±6.0000
100000000000000000.000 - 499999999999999999.999	±7.5000
500000000000000000.000 - 999999999999999999.999	±9.0000
1000000000000000000.000 - 4999999999999999999.999	±10.0000
5000000000000000000.000 - 9999999999999999999.999	±12.0000
10000000000000000000.000 - 49999999999999999999.999	±15.0000
50000000000000000000.000 - 99999999999999999999.999	±18.0000
100000000000000000000.000 - 499999999999999999999.999	±20.0000

DATE	BY	CHECKED	APPROVED	TITLE
5/2/81	[Signature]	[Signature]	[Signature]	CABLE ASSY (RH750)
SEE PARTS LIST		E-UA-RH750-Q-0		