





|                          | DRAWING NUMBER     | DESCRIPTION                       |                               |    | DRAWING NUMBER   | DESCRIPTION                |        |         |                  |       |
|--------------------------|--------------------|-----------------------------------|-------------------------------|----|------------------|----------------------------|--------|---------|------------------|-------|
| 1                        | D-AD-7017646-0-0   | HARDWARE CONFIGURATION PKG. NO.76 | E/M                           | 5  | B-DD-RL02-F      | RL02 DISK DRIVE            | E/M    |         |                  |       |
|                          | K-PL-7017646-0-DBP | HARDWARE CONFIG. PKG NO. 76 P/L   | E/M                           |    |                  |                            |        |         |                  |       |
|                          | A-PS-3700436-0-0   | PKG CAB H9642/H9645/H9646         | E/M                           | 6  | B-DD-R80-0       | DISK DRIVE ASSY            | E/M    |         |                  |       |
|                          | C-MD-7419856-0-0   | BRACKET, RLO1 SHIPPING BLACK      | M                             |    |                  |                            |        |         |                  |       |
|                          | A-PS-3618384-0-0   | LABEL, CAUTION STABILIZER FOOT    | M                             | 7  | B-DD-H9542-F     | H9542-F 40 INCH FRAME ASSY | M      |         |                  |       |
|                          | A-PS-3617830-0-0   | LABEL, FCC CLASS A PROCESSOR      | M                             |    |                  |                            |        |         |                  |       |
|                          | A-PS-3617674-0-0   | LABEL SERIAL & POWER W/UL & CSA   | M                             | 8  | B-DD-H9544-A     | END PANEL ASSY             | M      |         |                  |       |
|                          | D-PS-1213686-0-0   | CHASSIS SLIDE SET                 | M                             |    |                  |                            |        |         |                  |       |
|                          | D-MD-7419261-0-0   | BRACKET, CHASSIS SLIDE            | M                             | 9  | B-DD-H9544-B     | H9544-B REAR DOOR          | M      |         |                  |       |
|                          | B-MD-7425167-0-0   | SPACER, SLIDE MOUNT               | M                             |    |                  |                            |        |         |                  |       |
|                          | B-MD-7425168-0-0   | BAR, NUT                          | M                             | 10 | B-DD-H9544-C     | H9544-C TRIM KIT           | M      |         |                  |       |
|                          | A-PS-1213756-0-0   | GROUND STRAP                      | E                             |    |                  |                            |        |         |                  |       |
|                          | B-MD-7426823-0-0   | CLAMP CABLE                       | M                             | 11 | B-DD-H9544-D     | H9544-D BEZEL ASSY         | M      |         |                  |       |
|                          | C-MD-7426824-0-0   | BAR, CABLE SUPPORT                | M                             |    |                  |                            |        |         |                  |       |
|                          | D-MD-7426825-0-0   | BRACKET, CABLE SUPPORT            | M                             | 12 | B-DD-H9544-H     | CABINET ACCESSORY KIT      | M      |         |                  |       |
|                          | A-PS-3618058-0-0   | LABEL, CAUTION STABILITY 11V23-WA | M                             |    |                  |                            |        |         |                  |       |
|                          | A-PS-3618057-0-0   | LABEL, CAUT. SERV. INTERLOCK 11V  | M                             | 13 | B-DD-H026-0      | RL RETRACTOR ASSY          | M      |         |                  |       |
| 2                        | E-UA-11730-Z-0     | 11730-Z UNIT ASSY                 | E/M                           | 14 | B-DD-DMF32-A     | DMF32 OPTION               | E/M    |         |                  |       |
| 3                        | B-DD-874-0         | 874 POWER CONTROL                 | E/M                           | 15 | D-IA-7012293-0-0 | TERMINATOR ASSY            | E/M    |         |                  |       |
|                          |                    |                                   |                               |    | A-DC-7416678-0-0 | TERMINATOR LOGO            | E/M    |         |                  |       |
| 4                        | B-DD-M8388-0       | IDC                               | E/M                           |    |                  |                            |        |         |                  |       |
| TYPE: E = ELECTRICAL     |                    |                                   | TITLE: HARDWARE CONFIGURATION |    | SHEET 2 OF 3     |                            | SIZE B | CODE DD | NUMBER 7017647-0 | REV A |
| M = MECHANICAL           |                    |                                   | PACKAGE NO. 76                |    |                  |                            |        |         |                  |       |
| E/M = ELECTRO/MECHANICAL |                    |                                   |                               |    |                  |                            |        |         |                  |       |

TW



| LINE ITEM | DOCUMENT NUMBER | PART NUMBER      | DESCRIPTION | QUANTITY PER VARIATION           |       |
|-----------|-----------------|------------------|-------------|----------------------------------|-------|
|           |                 |                  |             | 00                               | 01    |
| 1         | 1               | E-UA-11730-Z-0   | 11730-ZA    | KA730-A,BA11-ZA,2 TU58,MS730-CA, | 1 1   |
| 2         | 2               | A-PS-3700436-0-0 | 3700436-08  | CAB H9642 REPLACES VAR. 00, 01,  | 1 1   |
| 3         | 3               | E-UA-874-0-0     | 00874-D     | 120V 24A FILTERED POWER CONT,6 S | 1 0   |
| 4         | 4               | E-UA-874-0-0     | 00874-B     | 220-240V 12A FILTERED PWR CONT,6 | 0 1   |
| 5         | 5               | D-UA-M8388-0-0   | M8388-00    | RB730 IDC (INTEGRATED DISK CONTR | 1 1   |
| 6         | 6               | E-UA-RL02-0-0    | ORL02-FK    | RL02-F + RL02K-DC,120V/240V      | 1 1   |
| 7         | 7               | E-UA-R80-0-0     | 00R80-AE    | 124MB 4-PLATTER FIXED DISK DRIVE | 1 0   |
| 8         | 8               | E-UA-H9542-0-0   | H9542-FB    | 40" 10.5" TOP LOADING CAB FRAME  | 1 1   |
| 9         | 9               | D-UA-H9544-A-0   | H9544-AA    | 40"END PANEL,GREY FRAME,DARK BRO | 2 2   |
| 10        | 10              | D-UA-H9544-B-0   | H9544-BK    | EXTENDED DEPTH REAR DOOR FOR H96 | 1 1   |
| 11        | 11              | D-UA-H9544-C-0   | H9544-CA    | RL01/RL02 TRIM FILLER STRIP KIT  | 1 1   |
| 12        | 12              | D-UA-H9544-D-0   | H9544-DA    | 1.75" BEZEL ASSY FOR H9642       | 1 1   |
| 13        | 13              | D-UA-H9544-D-0   | H9544-DB    | 6"X19" FRONT COVER FOR BOTTOM OF | 1 1   |
| 14        | 14              | E-UA-H9544-H-0   | H9544-HA    | KIT OF 4 LEVELERS,1 PULL-OUT STA | 1 1   |
| 15        | 15              | D-UA-H026-0-0    | OH026-00    | CABLE RETRACTOR FOR RL01,RL02    | 1 1   |
| 16        | 16              | C-MD-7419856-0-0 | 7419856-01  | BRKT,RL01 SHIPPING BLACK         | 1 1   |
| 17        | 17              | D-UA-DMF32-A-0   | DMF32-AA    | 8 EIA ASYNC SLU,SYNC SLU,PARALLE | 1 1   |
| 18        | 18              |                  | 9009700-00  | SCREW,TRUS,PHIL,SEMS10-32X .500L | 18 18 |
| 19        | 19              |                  | 9007032-00  | TIE,CABLE BUNDL.DIA 0-1-3/4"=101 | 10 10 |
| 20        | 20              |                  | 9009636-00  | CLAMP, CABLE, FOR FLAT CABLE     | 1 1   |
| 21        | 21              |                  | 9007867-00  | MOUNT, PUSH,CABLE TIE            | 10 10 |
| 22        | 22              | A-PS-1218912-0-0 | 1218912-01  | CLIP,CABLE 3/4                   | 2 2   |
| 23        | 23              |                  | 9007786-00  | RETAINER, U-NUT, 10-32           | 5 5   |
| 24        | 24              | A-PS-3618384-0-0 | 3618384-01  | LABEL,CAUTION STABILIZER FOOT    | 1 1   |
| 25        | 25              | D-IA-7012293-0-0 | 7012293-00  | TERMINATOR ASSEMBLY              | 1 1   |
| 26        | 26              | A-PS-3617880-0-0 | 3617880-02  | LABEL,FCC CLASS A PROCESSOR      | 1 1   |
| 27        | 27              | C-MD-7425757-0-0 | 7425757-01  | BRACKET, (R80)                   | 1 1   |
| 28        | 28              | A-PS-3617674-0-0 | 3617674-01  | LABEL,SERIAL & POWER W/UL & CSA  | 1 1   |
| 29        | 29              | D-UA-BC06R-0-0   | BC06R-8F    | I/O CABLE                        | 1 1   |
| 30        | 30              | D-PS-1213686-0-0 | 1213686-00  | CHASSIS SLIDE SET INCLUDED 1 L.H | 1 1   |

| REVISION HISTORY |            | BASIC PART NO: 7017647 |                          | DRN:             | P. TOUSIGNANT  | DATE: 24-FEB-82      | DIGITAL                      |            |               |     |  |
|------------------|------------|------------------------|--------------------------|------------------|----------------|----------------------|------------------------------|------------|---------------|-----|--|
| ENG              | ECD NUMBER | REV                    | SECTION A OF A           | CHK'D:           | S. DUNCANSON   | DATE: 24-FEB-82      | TITLE                        | PARTS LIST |               |     |  |
|                  | INITIAL    | X00                    | SECTION. VARIATION INDEX |                  |                |                      | HARDWARE CONFIG. PKG. NO. 76 |            |               |     |  |
|                  |            |                        | [AJ 00,01                |                  |                |                      |                              |            |               |     |  |
|                  |            |                        | [BJ                      | DES.ENG.:        | D. CARLSON     | DATE: 24-FEB-82      |                              |            |               |     |  |
|                  |            |                        | [CJ                      |                  |                |                      | DOCUMENT NUMBER              |            |               |     |  |
|                  |            |                        | [DJ                      | RESP.ENG.:       | D. CARLSON     | DATE: 24-FEB-82      | SIZE                         | CODE       | NUMBER        | REV |  |
|                  |            |                        | [EJ                      | MFG.ENG.:        | S. CASTIGLIONE | DATE: 24-FEB-82      | K                            | PL         | 7017647-0-DBP | X00 |  |
|                  |            |                        | [FJ                      | ASSEMBLY NUMBER: |                | TCP DOCUMENT NUMBER: | FILE NAME:                   |            | EDIT #        |     |  |
|                  |            |                        |                          | D-AD-7017647-0-0 |                | B-DD-7017647-0-0     | Z3336A.PLS                   |            | 17            |     |  |

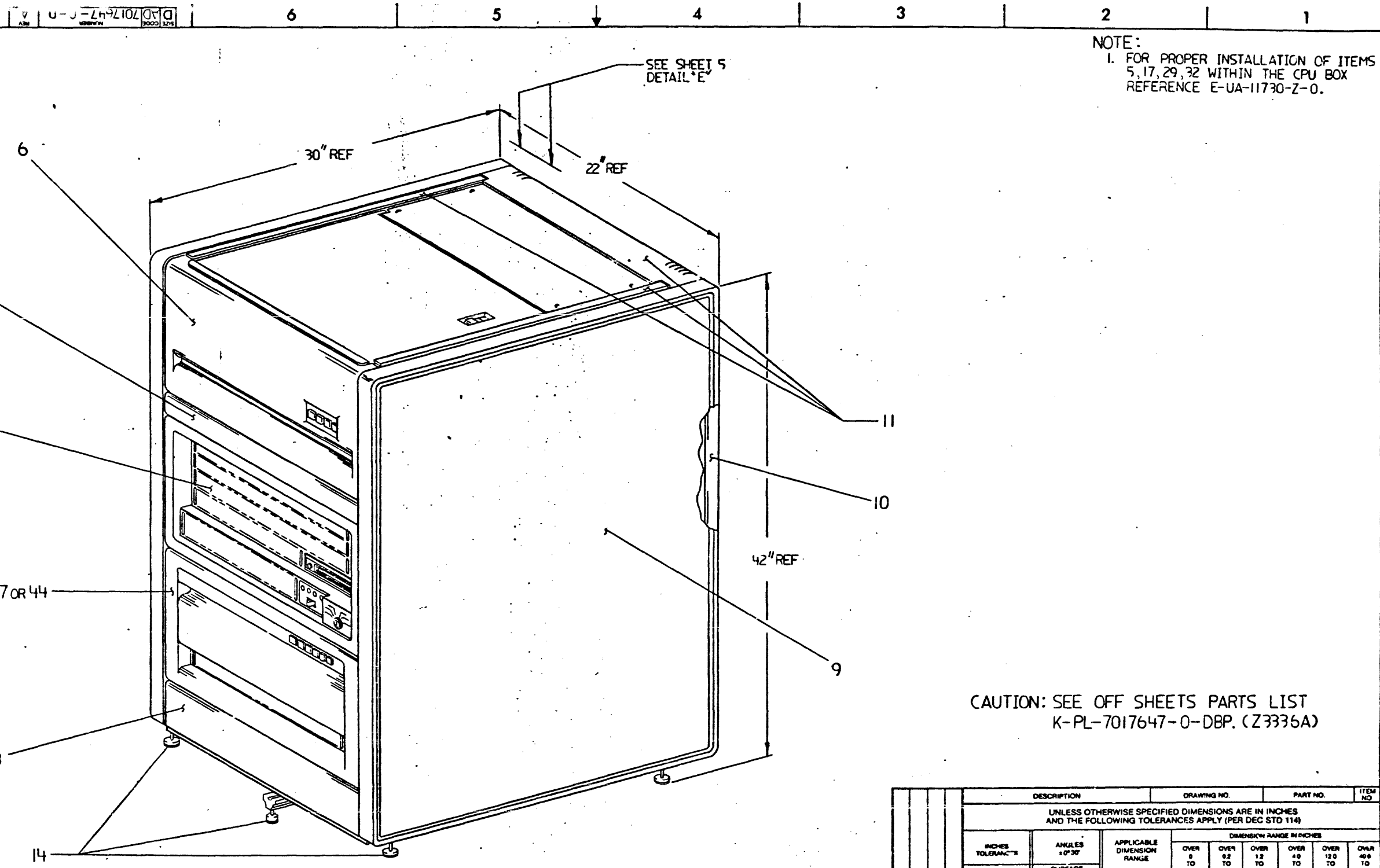
THIS DRAWING AND SPECIFICATIONS HEREIN, ARE THE PROPERTY OF DIGITAL EQUIPMENT CORPORATION AND SHALL NOT BE REPRODUCED OR COPIED OR USED IN WHOLE OR IN PART AS THE BASIS FOR THE MANUFACTURE OR SALE OF ITEMS WITHOUT WRITTEN PERMISSION. COPYRIGHT (C) 1982. DIGITAL EQUIPMENT CORPORATION

| LINE | ITEM | DOCUMENT NUMBER  | PART NUMBER | DESCRIPTION                      | QUANTITY PER VARIATION |    |
|------|------|------------------|-------------|----------------------------------|------------------------|----|
|      |      |                  |             |                                  | 00                     | 01 |
| 31   | 31   | D-MD-7419261-0-0 | 7419261-00  | BRACKET CHASSIS SLIDE            | 4                      | 4  |
| 32   | 32   | D-IA-7018783-0-0 | 7018783-00  | I/O CABLE ASSY (R80)             | 1                      | 1  |
| 33   | 33   |                  | 9007083-00  | CLAMP,CABLE,SCREW MTD. 3/8 "     | 1                      | 2  |
| 34   | 34   | B-MD-7425167-0-0 | 7425167-01  | SPACER, SLIDE MOUNT              | 2                      | 2  |
| 35   | 35   | D-PS-1213686-0-0 | 1213686-01  | MOUNTING RAIL FOR 12-13686-00    | 1                      | 1  |
| 36   | 36   | A-PS-1218912-0-0 | 1218912-00  | CLIP,CABLE 1/2                   | 1                      | 1  |
| 37   | 37   |                  | 9006039-04  | SCREW,BIND,SLOT 8-32X 1/2 SS     | 12                     | 12 |
| 38   | 38   | A-PL-7012938-0-0 | 7012938-00  | 70-12938 UNIT SELECT PLUG KIT    | 1                      | 1  |
| 39   | 39   |                  | 9006565-00  | NUT,KEP 10-32X 3/8 AF            | 2                      | 2  |
| 40   | 40   |                  | 9006563-00  | NUT,KEP 8-32X 11/13AF            | 10                     | 10 |
| 41   | 42   | B-MD-7425168-0-0 | 7425168-01  | BAR, NUT                         | 4                      | 4  |
| 42   | 43   | C-IA-7008288-0-0 | 7008288-06  | CABLE ASSY                       | 1                      | 1  |
| 43   | 44   | E-UA-R80-0-0     | 00R80-AJ    | 124MB 4-PLATTER FIXED DISK DRIVE | 0                      | 1  |
| 44   | 45   | E-UA-BC21Z-0-0   | BC21Z-06    | SHIELDED I/O CABLE,RL01/RL02,PAS | 1                      | 1  |
| 45   | 46   |                  | BC22D-25    | 25FT CABLE,ASYNC,NULL MODEM,6 WI | 1                      | 1  |
| 46   | 47   | B-UA-BC22D-0-0   | 9007087-00  | CLAMP,CABLE,SCREW MTD. 5/8 "     | 1                      | 0  |
| 47   | 48   | A-PS-1213756-0-0 | 1213756-12  | GROUND STRAP                     | 1                      | 1  |
| 48   | 49   |                  | 9107673-03  | PWR CORD,TERM. 3FT,14-3,115V 15  | 1                      | 0  |
| 49   | 50   |                  | 9009545-01  | SCREW,PAN,PHIL,SEMS 8-32X .50 L  | 1                      | 1  |
| 50   | 51   | B-MD-7426823-0-0 | 7426823-01  | CLAMP,CABLE                      | 1                      | 1  |
| 51   | 52   | C-MD-7426824-0-0 | 7426824-01  | BAR,CABLE SUPPORT                | 1                      | 1  |
| 52   | 53   | D-MD-7426825-0-0 | 7426825-01  | BRACKET,CABLE SUPPORT,R.H.       | 1                      | 1  |
| 53   | 54   | D-MD-7426825-0-0 | 7426825-02  | BRACKET,CABLE SUPPORT,L.H.       | 1                      | 1  |
| 54   | 55   | D-IA-7014308-0-0 | 7014308-03  | POWER CORD ASSY 230V             | 0                      | 1  |
| 55   | 56   | A-PS-3618058-0-0 | 3618058-01  | LABEL,CAUTION STABILITY 11V23-WA | 1                      | 1  |
| 56   | 57   | A-PS-3618057-0-0 | 3618057-01  | LABEL,CAUTION SERV.INTERLOCK 11V | 4                      | 4  |

\*\*\*\*\* RELEASABLE \*\*\*\*\*

|   |   |   |   |   |   |   |       |                              |                |      |      |                 |     |
|---|---|---|---|---|---|---|-------|------------------------------|----------------|------|------|-----------------|-----|
| D | I | G | I | T | A | L | TITLE | HARDWARE CONFIG. PKG. NO. 76 | SECTION A OF A | SIZE | CODE | DOCUMENT NUMBER | REV |
|   |   |   |   |   |   |   |       |                              |                | K    | PL   | 7017647-0-DBP   | X00 |

THIS DRAWING AND SPECIFICATIONS HEREIN ARE THE PROPERTY OF DIGITAL EQUIPMENT CORPORATION AND SHALL NOT BE REPRODUCED OR COPIED OR USED IN WHOLE OR IN PART AS THE BASIS FOR THE MANUFACTURE OR SALE OF ITEMS WITHOUT WRITTEN PERMISSION  
 COPYRIGHT © 1971 DIGITAL EQUIPMENT CORPORATION



NOTE:  
 1. FOR PROPER INSTALLATION OF ITEMS 5, 17, 29, 32 WITHIN THE CPU BOX REFERENCE E-UA-11730-Z-0.

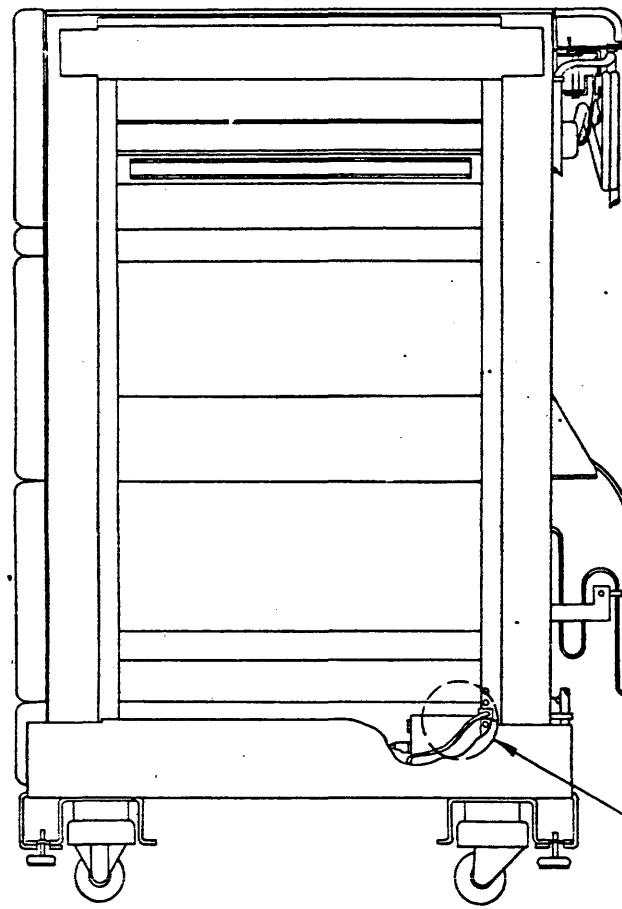
CAUTION: SEE OFF SHEETS PARTS LIST  
 K-PL-7017647-0-DBP. (Z3336A)

| REV. | DATE | ECO NUMBER | REVISION HISTORY |
|------|------|------------|------------------|
|      |      |            |                  |

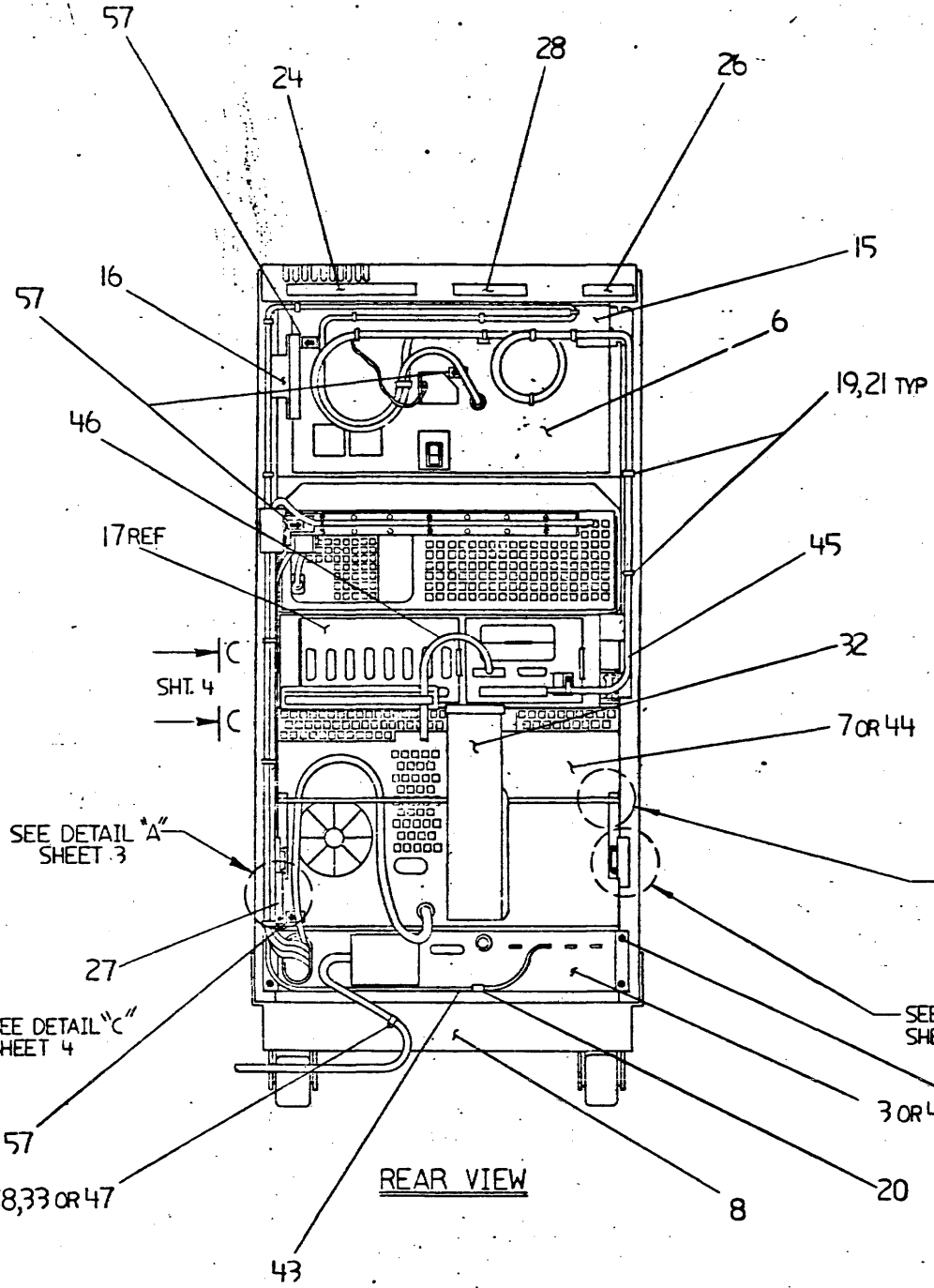
| DESCRIPTION  | DRAWING NO.                       | PART NO.                               | ITEM NO.                  |  |                 |                  |                   |
|--|-----------------------------------|--|---------------------------|--|-----------------|------------------|-------------------|
| UNLESS OTHERWISE SPECIFIED DIMENSIONS ARE IN INCHES AND THE FOLLOWING TOLERANCES APPLY (PER DEC STD 114) |                                   |  |                           |  |                 |                  |                   |
| INCHES TOLERANCE   | ANGLES ± 0° 30'                   | APPLICABLE DIMENSION RANGE (CHECK ONE) | DIMENSION RANGE IN INCHES |  |                 |                  |                   |
|  |                                   |  | OVER 0 TO 0.2             | OVER 0.2 TO 1.2                            | OVER 1.2 TO 4.0 | OVER 4.0 TO 12.0 | OVER 12.0 TO 40.0 |
| X = ± 1  | SURFACE QUALITY                   | <input type="checkbox"/>               | ± .02                     | ± .03                                      | ± .05           | ± .10            | ± .15             |
| XX = ± .02   |                                   | <input type="checkbox"/>               | ± .004                    | ± .005                                     | ± .012          | ± .016           | ± .024            |
| XXX = ± .005   |                                   | <input type="checkbox"/>               | MICRONS                   |  |                 |                  |                   |
| THIRD ANGLE PROJECTION   | DRW <i>Phil Toussaint</i>         | DATE <i>4/16/71</i>                    | TITLE                     | digital<br>HARDWARE CONFIG. PACKAGE NO. 76 |                 |                  |                   |
| DO NOT SCALE DRAWING   | CHK'D <i>Alvin L. Deane</i>       | DATE <i>2/16/72</i>                    | DOC NUMBER                |  |                 |                  |                   |
| REMOVE BURRS AND BREAK SHARP CORNERS   | DES. ENG. <i>John G. Carlson</i>  | DATE <i>2/16/72</i>                    | SCALE                     | 1  |                 |                  |                   |
| MATERIAL   | DES. INSP. <i>John G. Carlson</i> | DATE <i>2/16/72</i>                    | SHEET                     | 1 OF 5                                     |                 |                  |                   |
| SEE PARTS LIST   | WFO BY <i>Carlson</i>             | DATE <i>2/16/72</i>                    | FINISH                    | TW   |                 |                  |                   |
| FINISH   | NEXT HIGH-PER DOC                 | B-DD-7017647-0-0                       |                           |  |                 |                  |                   |

DRAWING NUMBER  
 D AD 7017647-0-0

THIS DRAWING AND SPECIFICATIONS HEREIN ARE THE PROPERTY OF DIGITAL EQUIPMENT CORPORATION AND SHALL NOT BE REPRODUCED OR COPIED OR USED IN WHOLE OR IN PART AS THE BASIS FOR THE MANUFACTURE OR SALE OF ITEMS WITHOUT WRITTEN PERMISSION. COPYRIGHT © 1981 DIGITAL EQUIPMENT CORPORATION



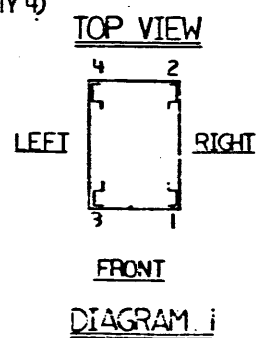
RIGHT SIDE VIEW



REAR VIEW

| DESCRIPTION                                  | PL ITEM NO'S | LOCATION       |      |   |   | MOUNTING HARDWARE |              | REMARKS        |   |
|--|--------------|----------------|------|---|---|-------------------|--------------|----------------|---|
|  |              | HOLE NO'S      | RAIL |   |   |                   | PL ITEM NO'S |                | QTY                                     |
|  |              |                | 1    | 2 | 3 | 4                 |              |                |   |
| 11730 (FRONT) (REAR)                         | 1,2          | 26,27<br>26,27 | E    | E | E | E                 | SWI          | NA             | SEE E-UA-11730-Z-0<br>SEE E-UA-BA11-0-0 |
| RL02 (DRIVE 1)                               | 6            | 48,52          | E    | E | E | E                 | SWI          | NA             | SEE D-UA-RL02-FK-0                      |
| R80-AA DRIVE 0                               | 7,44         | 9,13           | E    | E | E | E                 | SWI          | NA             |   |
| POWER CONTROL, 874,<br>MOUNTING GND STRAP    | 3,4          | 2,5,<br>6      | E    | S | E | S                 | E            | 23,18<br>23,18 | 4<br>1                                  |
| RESTRAIN BRKT.(DRIVE 1)                      | 16           | 53,55          | E    |   |   |                   | SWI          | NA             | SEE D-UA-RL02-FK-0                      |
| RETRACTOR ASSY (DRIVE 1)                     | 15           | 57,59          |      |   | E |                   | SWI          | NA             | SEE D-UA-H026-0-0                       |
| R80 ESD BRACKET                              | 27           | 10,12          | E    |   |   |                   | SWI          |                | SEE D-UA-7425757-0-0                    |
| BEZEL, 6.00"                                 | 13           |                | E    | E |   |                   | SWI          | NA             | SEE D-UA-H9544-D-0                      |
| BEZEL, 1.75"                                 | 12           | 44             | E    | E |   |                   | SWI          | NA             | SEE D-UA-H9544-D-0                      |
| END PANEL, LEFT GND STRAP<br>RIGHT GND STRAP | 9            | 44<br>44       | S    |   |   | S                 | SWI          | NA             | SEE D-UA-H9544-A-0                      |
| RL02 TRIM/FILLER                             | 11           | 62             | E    | E |   |                   | SWI          | NA             | SEE D-UA-H9544-C-0                      |
| REAR DOOR, DOOR STOPS<br>GND STRAP           | 10<br>48     | 7,54<br>15     | S    |   | E |                   | SWI          | NA             | SEE D-UA-H9544-B-0                      |

\*ALL LOCATIONS ARE REFERENCED FROM DIAGRAMS 1 & 2;  
NA=NOT APPLICABLE; SWI= SUPPLIED WITH ITEM.



TOP VIEW

DIAGRAM 1

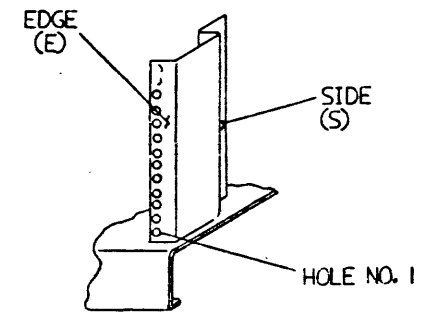


DIAGRAM 2

| REVISION HISTORY |            |      |
|------------------|------------|------|
| DATE             | ECO NUMBER | REV. |
|                  |            |      |

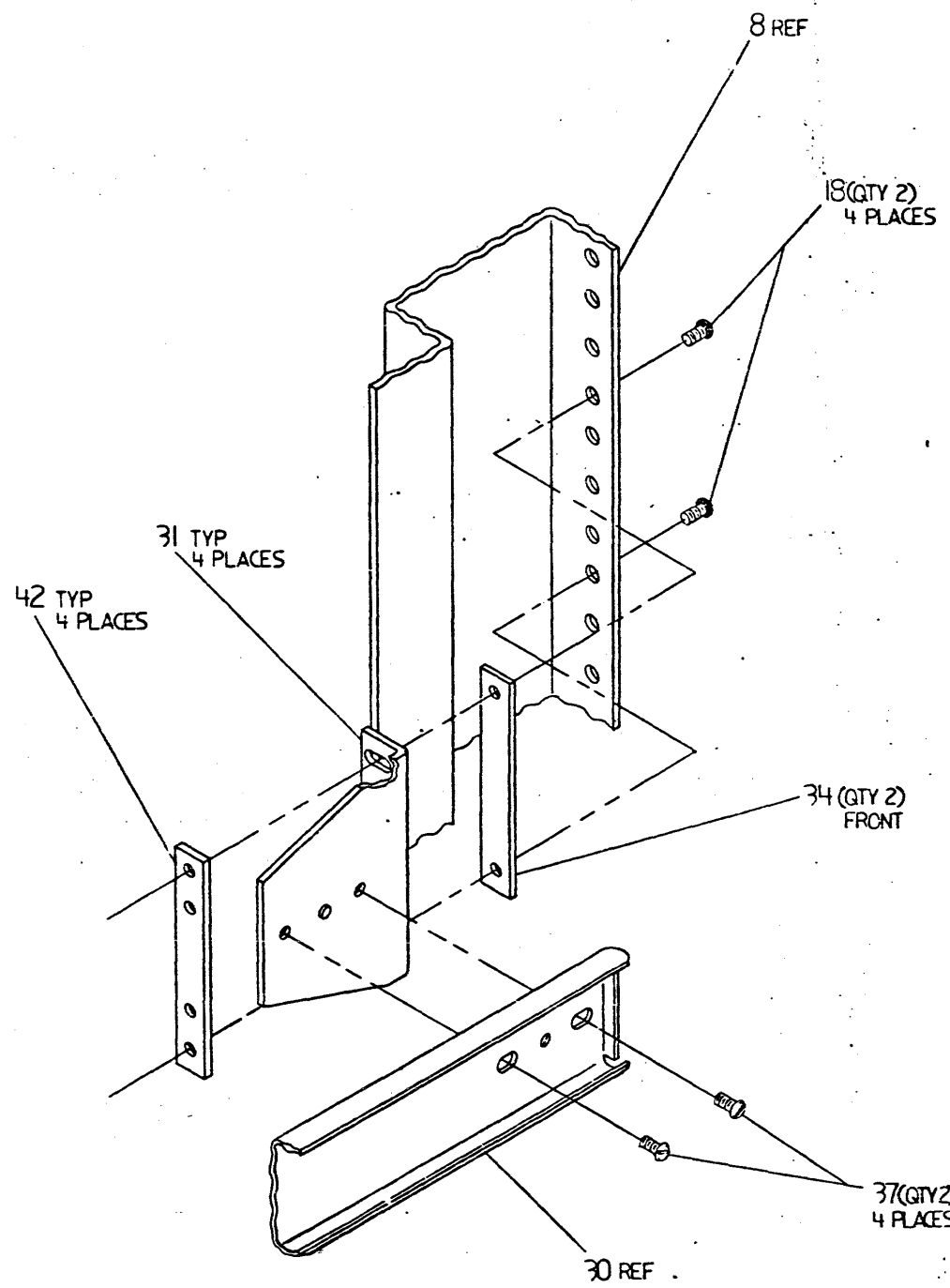
TITLE HARDWARE CONFIG.  
PACKAGE NO. 76

| DOCUMENT NUMBER |                |      |
|-----------------|----------------|------|
| SIZE CODE       | NUMBER         | REV. |
| D               | AD 7017647-0-0 | A    |
| SCALE           | SHEET 2 OF 5   |      |



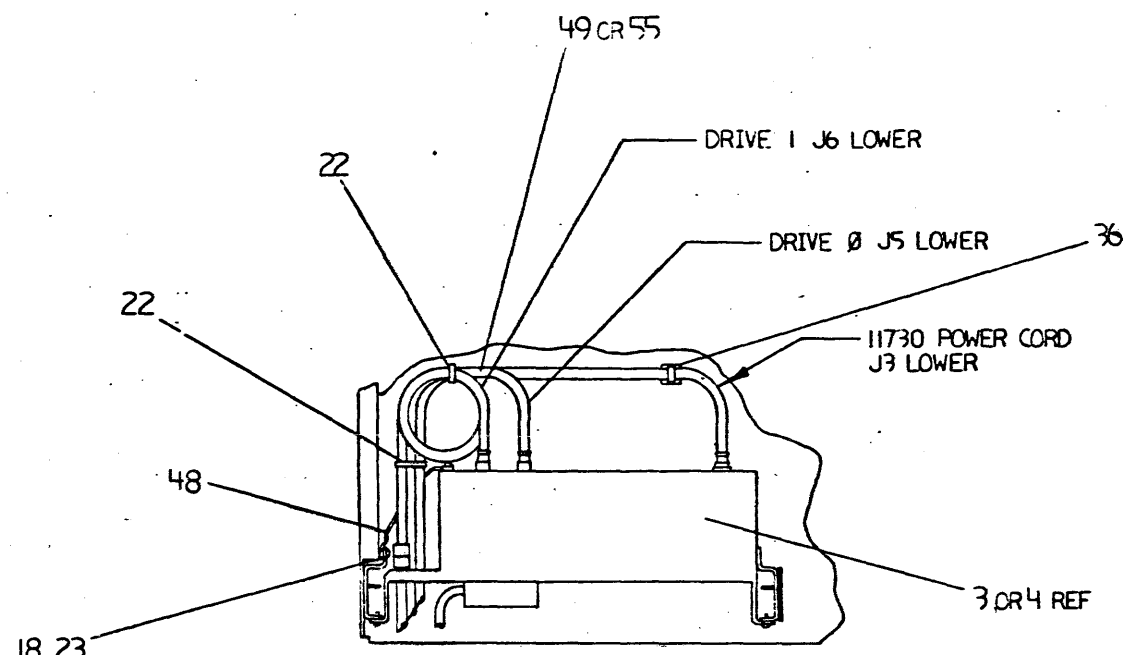


THIS DRAWING AND SPECIFICATIONS HEREIN ARE THE PROPERTY OF DIGITAL EQUIPMENT CORPORATION AND SHALL NOT BE REPRODUCED OR COPIED OR USED IN WHOLE OR IN PART AS THE BASIS FOR THE MANUFACTURE OR SALE OF ITEMS WITHOUT WRITTEN PERMISSION  
 DIGITAL EQUIPMENT CORPORATION  
 COPYRIGHT © 1976

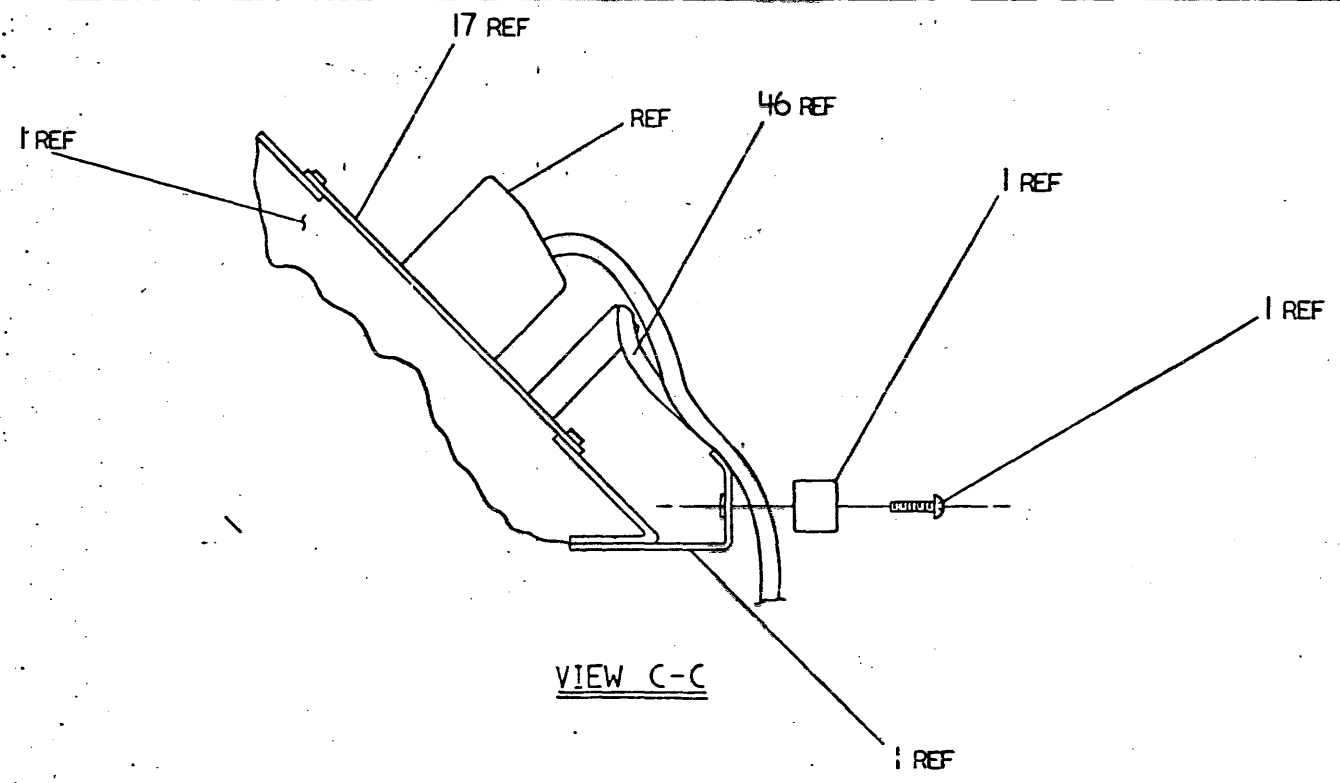


DETAIL B

SCALE: NONE  
 REAR SLIDES MOUNTING POSITION TO CAB FRONT  
 TYP BUT REAR WITHOUT ITEM 37



DETAIL C



VIEW C-C

| REVISION HISTORY |            |     |
|------------------|------------|-----|
| DATE             | ECO NUMBER | REV |
|                  |            |     |

TITLE HARDWARE CONFIG.  
 PACKAGE NO. 76

| DOCUMENT NUMBER |                |      |
|-----------------|----------------|------|
| SIZE CODE       | NUMBER         | REV. |
| D               | AD 7017647-0-0 | A    |

SCALE TW SHEET 4 OF 5

DIA D 7017647-0-0  
 REV. A

8

V 0-0-749101 DAD  
#33.W 11730-75

6

5

4

3

2

1

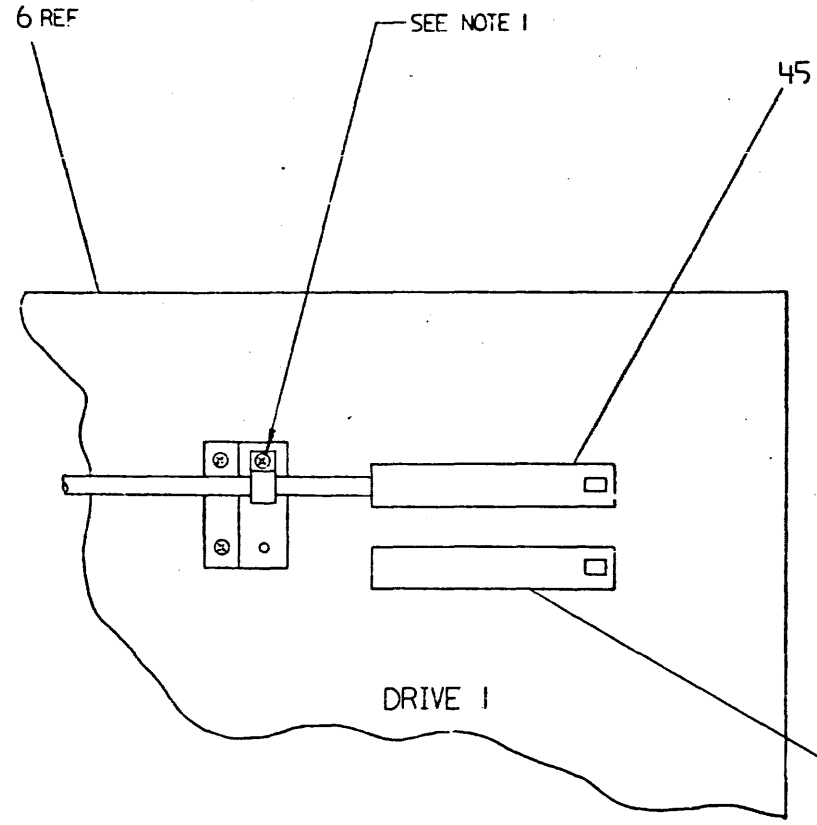
THIS DRAWING AND SPECIFICATIONS HEREIN ARE THE PROPERTY OF DIGITAL EQUIPMENT CORPORATION AND SHALL NOT BE REPRODUCED OR FOR ANY LIMITED PURPOSE OR IN PART AS THE BASIS FOR THE MANUFACTURE OR SALE OF ITEMS WITHOUT WRITTEN PERMISSION. COPYRIGHT © 1971 DIGITAL EQUIPMENT CORPORATION.

D

C

B

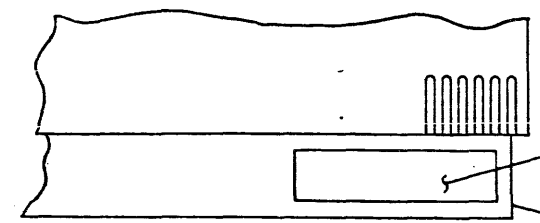
A



DETAIL D

REAR VIEW OF RLO2

NOTE: 1. ATTACH BC21Z SHIELD WITH HARDWARE SUPPLIED WITH ITEM TYP DRIVE 1 & 11730-ZA.



DETAIL E

| REVISION HISTORY |            |     |
|------------------|------------|-----|
| DATE             | ECO NUMBER | REV |
|                  |            |     |
|                  |            |     |
|                  |            |     |
|                  |            |     |
|                  |            |     |
|                  |            |     |
|                  |            |     |
|                  |            |     |
|                  |            |     |

TITLE HARDWARE CONFIG.  
PACKAGE NO. 75

| DOCUMENT NUMBER |              |     |
|-----------------|--------------|-----|
| SIZE CODE       | NUMBER       | REV |
| DAD             | 7017647-0-0  | A   |
| SCALE           | SHEET 5 OF 5 |     |

8

7

6

5

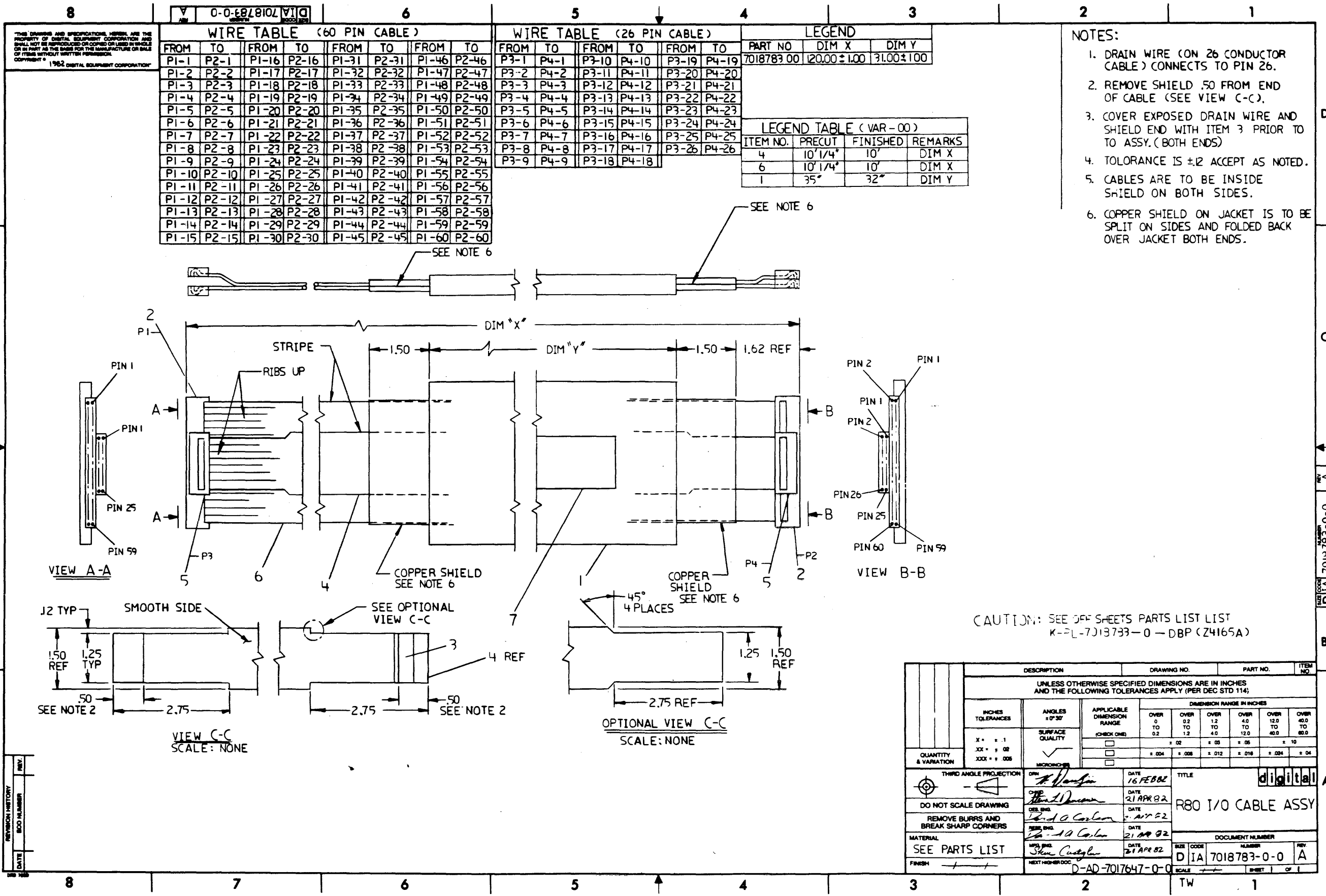
4

3

2

TW

1



| REV. | DATE | DESCRIPTION |
|------|------|-------------|
|      |      |             |

| DESCRIPTION   | DRAWING NO.            | PART NO.                   | ITEM NO.           |                 |                  |                   |                   |       |
|---|------------------------|----------------------------|--------------------|-----------------|------------------|-------------------|-------------------|-------|
| UNLESS OTHERWISE SPECIFIED DIMENSIONS ARE IN INCHES AND THE FOLLOWING TOLERANCES APPLY (PER DEC STD 114): |                        |                            |                    |                 |                  |                   |                   |       |
| INCHES TOLERANCES   | ANGLES ± OF 90°        | APPLICABLE DIMENSION RANGE |                    |                 |                  |                   |                   |       |
| X ± .1  | SURFACE QUALITY        | DIMENSION RANGE IN INCHES  |                    |                 |                  |                   |                   |       |
| XX ± .02  |                        | OVER 0 TO 0.2              | OVER 0.2 TO 1.2    | OVER 1.2 TO 4.0 | OVER 4.0 TO 12.0 | OVER 12.0 TO 40.0 | OVER 40.0 TO 60.0 |       |
| XXX ± .005  | ✓                      | (CHECK ONE)                | ± .004             | ± .008          | ± .012           | ± .016            | ± .024            | ± .04 |
| QUANTITY & VARIATION  | THIRD ANGLE PROJECTION | DATE                       | TITLE              |                 |                  |                   |                   |       |
|   |                        | 16 FEB 82                  | R80 I/O CABLE ASSY |                 |                  |                   |                   |       |
| DO NOT SCALE DRAWING  | DATE                   | 21 APR 82                  |                    |                 |                  |                   |                   |       |
| REMOVE BURRS AND BREAK SHARP CORNERS  | DATE                   | 21 APR 82                  |                    |                 |                  |                   |                   |       |
| MATERIAL  | DATE                   | 21 APR 82                  |                    |                 |                  |                   |                   |       |
| SEE PARTS LIST  | DATE                   | 21 APR 82                  |                    |                 |                  |                   |                   |       |
| FINISH  | DATE                   | 21 APR 82                  |                    |                 |                  |                   |                   |       |
|   |                        |                            |                    |                 |                  |                   |                   |       |

DIA 7018783-0-0

| LINE ITEM | DOCUMENT NUMBER | PART NUMBER | DESCRIPTION                      | QUANTITY PER VARIATION |
|-----------|-----------------|-------------|----------------------------------|------------------------|
|           |                 |             |                                  | 00                     |
| 1         | 1               | 1220013-01  | JACKET,SHIELDED,RIBBON CABLE     | 35                     |
| 2         | 2               | 1211206-05  | CONN,IDC 60SKT(2X30).100CC GOL   | 2                      |
| 3         | 3               | 3612511-00  | TAPE,VINYL ELECTRICAL,1/2"X20'   | 2                      |
| 4         | 4               | 1700034-02  | CABLE,FLAT,26 COND,30AWG,SHIELDE | 121                    |
| 5         | 5               | 1211206-04  | CONN,IDC 26SKT(2X13).100CC GOL   | 2                      |
| 6         | 6               | 9107738-06  | CABLE,FLAT 60COND 28AWG          | 121                    |
| 7         | 7               | 3616073-00  | LABEL,ID W/COPY VERTICAL         | 1                      |

8 NOTE: ITEMS 1,3,4 & 6 ARE IN INCHES

| REVISION HISTORY |            | BASIC PART NO: 7018783 |                          | DRN: H. DARAKJIAN |                  | DATE: 22-APR-82      |                  | DIGITAL                |                 |
|------------------|------------|------------------------|--------------------------|-------------------|------------------|----------------------|------------------|------------------------|-----------------|
| ENG              | ECO NUMBER | REV                    | SECTION A OF A           | CHK'D:            | R.J. RILEY       | DATE:                | 22-APR-82        | TITLE                  | PARTS LIST      |
| ---              | INITIAL    | A                      | SECTION. VARIATION INDEX |                   |                  |                      |                  | R80 I/O CABLE ASSEMBLY |                 |
|                  |            |                        | [AJ] 00                  | DES.ENG.:         | D. CARLSON       | DATE:                | 22-APR-82        |                        |                 |
|                  |            |                        | [B]                      | RESP.ENG.:        | D. CARLSON       | DATE:                | 22-APR-82        |                        | DOCUMENT NUMBER |
|                  |            |                        | [C]                      | MFG.ENG.:         | S. CASTIGLIONE   | DATE:                | 22-APR-82        | SIZE                   | CODE            |
|                  |            |                        | [D]                      | ASSEMBLY NUMBER:  | D-IA-7018783-0-0 | TOP DOCUMENT NUMBER: | D-AD-7017647-0-0 | NUMBER                 | REV             |
|                  |            |                        | [E]                      |                   |                  |                      |                  | K                      | PL              |
|                  |            |                        | [F]                      |                   |                  |                      |                  | 7018783-0-DBP          | A               |
|                  |            |                        |                          |                   |                  |                      |                  | FILE NAME:             | EDIT #          |
|                  |            |                        |                          |                   |                  |                      |                  | Z4165A.PLS             | 6               |

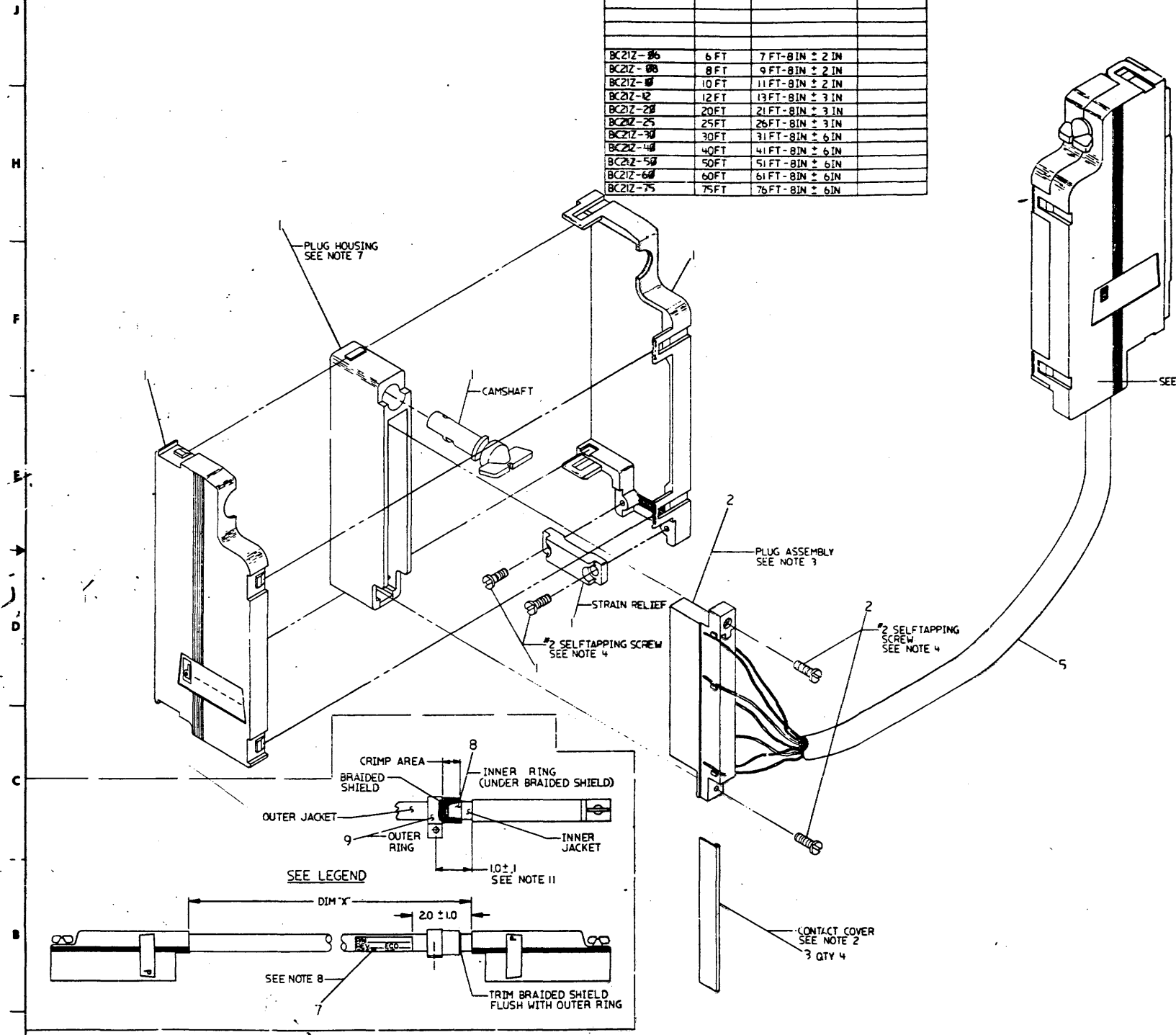
\* THIS DRAWING AND SPECIFICATIONS HEREIN, ARE THE PROPERTY OF DIGITAL EQUIPMENT CORPORATION AND SHALL NOT BE REPRODUCED OR COPIED OR USED IN WHOLE OR IN PART AS THE BASIS FOR THE MANUFACTURE OR SALE OF ITEMS WITHOUT WRITTEN PERMISSION. COPYRIGHT (C) 1982. DIGITAL EQUIPMENT CORPORATION \*

1. THIS DRAWING IS THE PROPERTY OF THE U.S. GOVERNMENT AND IS TO BE RELEASED TO THE PUBLIC AS AUTHORIZED BY THE NATIONAL ARCHIVES AND RECORDS ADMINISTRATION.

| LEGEND   |         |                   |         |
|----------|---------|-------------------|---------|
| NUMBER   | DIM 'X' | PRE-CUT LENGTH    | REMARKS |
| BC21Z-86 | 6 FT    | 7 FT-8 IN ± 2 IN  |         |
| BC21Z-88 | 8 FT    | 9 FT-8 IN ± 2 IN  |         |
| BC21Z-89 | 10 FT   | 11 FT-8 IN ± 2 IN |         |
| BC21Z-12 | 12 FT   | 13 FT-8 IN ± 3 IN |         |
| BC21Z-20 | 20 FT   | 21 FT-8 IN ± 3 IN |         |
| BC21Z-25 | 25 FT   | 26 FT-8 IN ± 3 IN |         |
| BC21Z-30 | 30 FT   | 31 FT-8 IN ± 6 IN |         |
| BC21Z-40 | 40 FT   | 41 FT-8 IN ± 6 IN |         |
| BC21Z-50 | 50 FT   | 51 FT-8 IN ± 6 IN |         |
| BC21Z-60 | 60 FT   | 61 FT-8 IN ± 6 IN |         |
| BC21Z-75 | 75 FT   | 76 FT-8 IN ± 6 IN |         |

**NOTES:**

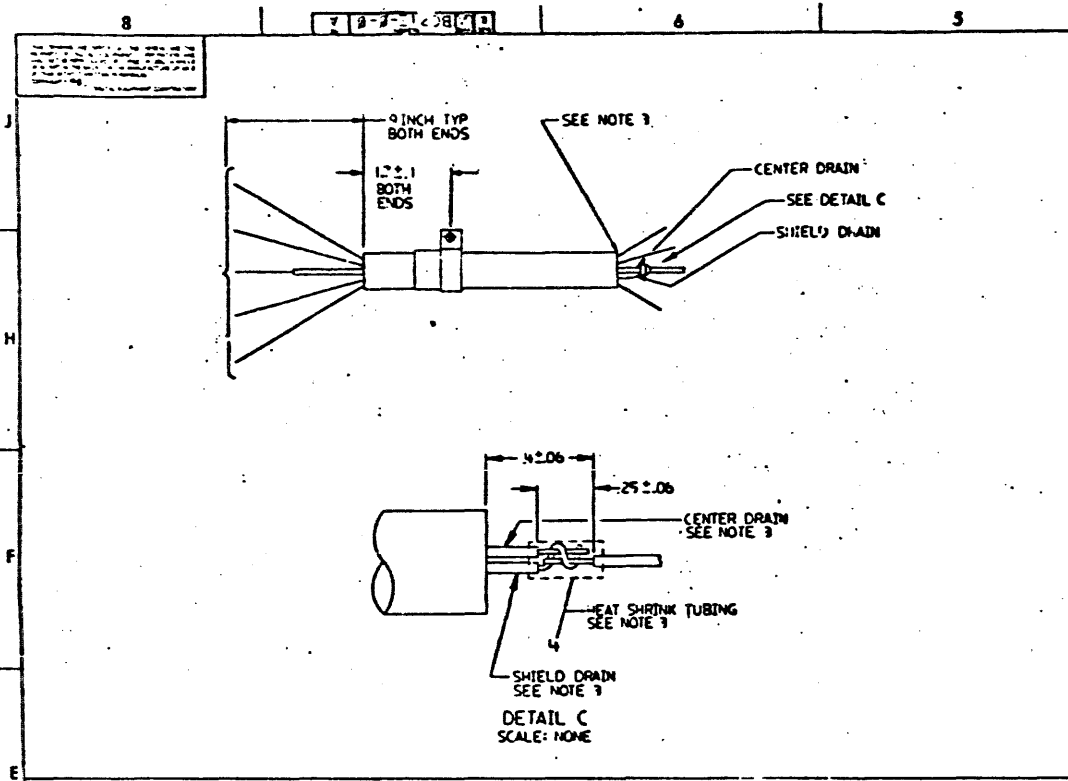
- "CUT AND REMOVE 0.0 ± .15 INCHES OF THE OUTER CABLE JACKET FROM BOTH ENDS OF CABLE. CAUTION: DO NOT CUT OR PEEL BRAID WIRE UNDER OUTER JACKET. REMOVE THE NYLON WRAP AND ALUMINUM SHIELD FLUSH TO JACKET."
- "WIP SEMI-AUTOMATIC INSERTION MACHINES (COMPONENT OR CHAMPNOTIC) MUST BE USED TO TERMINATE THE LEADS TO PLUG ASSEMBLY ITEM 2. THE STANDARD CABLE CLAMP SUPPLIED WITH THE WIP MACHINES MAY REQUIRE MODIFYING TO POSITION CABLE. ITEM 5, TO PLUG ASSEMBLY, ITEM 2, PER DETAIL B. WITH ASSEMBLY OF WIRES TO PLUG, INSTALL COVER, ITEM 5, TO EACH SIDE OF PLUG."
- "THE BRAID WIRE AND INNER 1/2 INCH WIRE MUST BE PREPARED AS FOLLOWS BEFORE TERMINATING CABLE TO PLUG. THESE PROCEDURES ARE DESCRIBED IN DEC ASSEMBLY PROCESSES FOR THIS ASSEMBLY. A SIGNED DISCLOSURE STATEMENT IS REQUIRED TO OBTAIN COPIES OF ANY DEC PROCESS SPECIFICATION."
1. "CUT BACK THE CENTER BLACK GND WIRE .4 ± .1 INCH ABOVE JACKET. STRIP END .25 ± .06 INCH."
- 1.1 "FIND AND SEPARATE THE SOLID WHITE AND YELLOW PAIRED WIRES. CUT THE WHITE WIRE FLUSH WITH JACKET. STRIP END OF LOOSE WHITE WIRE .25 ± .06 INCH."
- 1.2 "POSITION STRIPPED END OF WHITE WIRE PARALLEL TO THE STRIPPED END OF THE BLACK GND WIRE. WRAP THE BRAID WIRE AROUND THE STRIPPED END OF THE BLACK AND WHITE WIRE 2-4 TIMES. SOLDER WIRE SPLICE AND CUT OFF END OF BRAID FLUSH WITH SPLICE."
- 1.3 "COVER SPLICE WITH 0.5 ± .06 INCH OF SHRINKING TUBING. ITEM 9. THISTLE THE WHITE AND YELLOW WIRES (PREVIOUSLY SEPARATED BACK TOGETHER FOR APPROXIMATELY (3) THREE INCHES.)"
- "SCREWS (2 X .31 S.S.T.) ARE PART OF ITEM 1. TORQUE SCREWS TO 2.5 ± .5 IN/INCH TORQUE. CABLE CLAMP SHOULD BE CLAMPED IN POSITION BEFORE INSTALLING SCREWS. CABLE CLAMP MUST BE FLUSH TO HOUSING BOTH SIDES."
- "ACTIVE CONTACT (DEC 1221591-27) AND BLACK 28 GAG WIRE (DEC 9107769-00) IS FOR PRODUCTION REPAIR ONLY. REF APP CONTACT 160555-3 (P. 3) WIND CRIMP TOOL (82029-1) EXTRACTION TOOL (91111-1)."
- "TAG, ITEM 8, TO BE INSTALLED OVER EACH CONNECTOR AND SECURED AFTER COMPLETION OF ASSEMBLY."
- "PRIOR TO SHAPING SIDES OF HOUSING TOGETHER, ASSURE THAT ALL WIRES ARE WELL WITHIN HOUSING."
- "TAG, ITEM 9, TO CONTAIN:  
ASSEMBLY P/N  
REVISION (LEVEL)  
P/N (PLACE OF BUILD) DATE (OF PFD)  
TEST (STAMP) (IMP. (STAMP))"
- "DEC STANDARD 116 (NONPARSHIP) APPLIED TO THIS ASSEMBLY."
- "WIND SHIPPING CONTAINER AS TO:  
ASSEMBLY NO.  
REVISION (LEVEL)  
P/N  
DATE  
QTY"
- CONN. GROUNDING SHEATH/STRAIN RELIEF (ITEM 9) TO BE PLACED AT RIGHT ANGLE (± 20°) TO CONN. ZIF (ITEMS 1, 2, 3) AS SHOWN (BOTH ENDS).



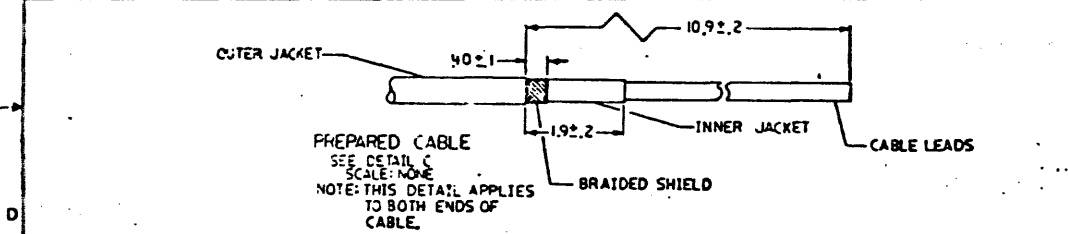
CAUTION: OFF SHEET PARTS LIST EXISTS. SEE K-PL-BC21Z-0-DBP (Z2929)

| QUANTITY & VARIATION |   | DESCRIPTION       |             | DRAWING NO. |     | ITEM NO. |     |
|----------------------|---|-------------------|-------------|-------------|-----|----------|-----|
| 1                    | 1 | PLUG HOUSING      | BC21Z-0-DBP | 100         | 1   | 1        | 1   |
| 1                    | 1 | PLUG ASSEMBLY     | BC21Z-0-DBP | 100         | 2   | 2        | 2   |
| 1                    | 1 | CONTACT COVER     | BC21Z-0-DBP | 100         | 3   | 3        | 3   |
| 1                    | 1 | STRAIN RELIEF     | BC21Z-0-DBP | 100         | 4   | 4        | 4   |
| 1                    | 1 | SELFTAPPING SCREW | BC21Z-0-DBP | 100         | 5   | 5        | 5   |
| 1                    | 1 | SELFTAPPING SCREW | BC21Z-0-DBP | 100         | 6   | 6        | 6   |
| 1                    | 1 | CONTACT COVER     | BC21Z-0-DBP | 100         | 7   | 7        | 7   |
| 1                    | 1 | SELFTAPPING SCREW | BC21Z-0-DBP | 100         | 8   | 8        | 8   |
| 1                    | 1 | SELFTAPPING SCREW | BC21Z-0-DBP | 100         | 9   | 9        | 9   |
| 1                    | 1 | SELFTAPPING SCREW | BC21Z-0-DBP | 100         | 10  | 10       | 10  |
| 1                    | 1 | SELFTAPPING SCREW | BC21Z-0-DBP | 100         | 11  | 11       | 11  |
| 1                    | 1 | SELFTAPPING SCREW | BC21Z-0-DBP | 100         | 12  | 12       | 12  |
| 1                    | 1 | SELFTAPPING SCREW | BC21Z-0-DBP | 100         | 13  | 13       | 13  |
| 1                    | 1 | SELFTAPPING SCREW | BC21Z-0-DBP | 100         | 14  | 14       | 14  |
| 1                    | 1 | SELFTAPPING SCREW | BC21Z-0-DBP | 100         | 15  | 15       | 15  |
| 1                    | 1 | SELFTAPPING SCREW | BC21Z-0-DBP | 100         | 16  | 16       | 16  |
| 1                    | 1 | SELFTAPPING SCREW | BC21Z-0-DBP | 100         | 17  | 17       | 17  |
| 1                    | 1 | SELFTAPPING SCREW | BC21Z-0-DBP | 100         | 18  | 18       | 18  |
| 1                    | 1 | SELFTAPPING SCREW | BC21Z-0-DBP | 100         | 19  | 19       | 19  |
| 1                    | 1 | SELFTAPPING SCREW | BC21Z-0-DBP | 100         | 20  | 20       | 20  |
| 1                    | 1 | SELFTAPPING SCREW | BC21Z-0-DBP | 100         | 21  | 21       | 21  |
| 1                    | 1 | SELFTAPPING SCREW | BC21Z-0-DBP | 100         | 22  | 22       | 22  |
| 1                    | 1 | SELFTAPPING SCREW | BC21Z-0-DBP | 100         | 23  | 23       | 23  |
| 1                    | 1 | SELFTAPPING SCREW | BC21Z-0-DBP | 100         | 24  | 24       | 24  |
| 1                    | 1 | SELFTAPPING SCREW | BC21Z-0-DBP | 100         | 25  | 25       | 25  |
| 1                    | 1 | SELFTAPPING SCREW | BC21Z-0-DBP | 100         | 26  | 26       | 26  |
| 1                    | 1 | SELFTAPPING SCREW | BC21Z-0-DBP | 100         | 27  | 27       | 27  |
| 1                    | 1 | SELFTAPPING SCREW | BC21Z-0-DBP | 100         | 28  | 28       | 28  |
| 1                    | 1 | SELFTAPPING SCREW | BC21Z-0-DBP | 100         | 29  | 29       | 29  |
| 1                    | 1 | SELFTAPPING SCREW | BC21Z-0-DBP | 100         | 30  | 30       | 30  |
| 1                    | 1 | SELFTAPPING SCREW | BC21Z-0-DBP | 100         | 31  | 31       | 31  |
| 1                    | 1 | SELFTAPPING SCREW | BC21Z-0-DBP | 100         | 32  | 32       | 32  |
| 1                    | 1 | SELFTAPPING SCREW | BC21Z-0-DBP | 100         | 33  | 33       | 33  |
| 1                    | 1 | SELFTAPPING SCREW | BC21Z-0-DBP | 100         | 34  | 34       | 34  |
| 1                    | 1 | SELFTAPPING SCREW | BC21Z-0-DBP | 100         | 35  | 35       | 35  |
| 1                    | 1 | SELFTAPPING SCREW | BC21Z-0-DBP | 100         | 36  | 36       | 36  |
| 1                    | 1 | SELFTAPPING SCREW | BC21Z-0-DBP | 100         | 37  | 37       | 37  |
| 1                    | 1 | SELFTAPPING SCREW | BC21Z-0-DBP | 100         | 38  | 38       | 38  |
| 1                    | 1 | SELFTAPPING SCREW | BC21Z-0-DBP | 100         | 39  | 39       | 39  |
| 1                    | 1 | SELFTAPPING SCREW | BC21Z-0-DBP | 100         | 40  | 40       | 40  |
| 1                    | 1 | SELFTAPPING SCREW | BC21Z-0-DBP | 100         | 41  | 41       | 41  |
| 1                    | 1 | SELFTAPPING SCREW | BC21Z-0-DBP | 100         | 42  | 42       | 42  |
| 1                    | 1 | SELFTAPPING SCREW | BC21Z-0-DBP | 100         | 43  | 43       | 43  |
| 1                    | 1 | SELFTAPPING SCREW | BC21Z-0-DBP | 100         | 44  | 44       | 44  |
| 1                    | 1 | SELFTAPPING SCREW | BC21Z-0-DBP | 100         | 45  | 45       | 45  |
| 1                    | 1 | SELFTAPPING SCREW | BC21Z-0-DBP | 100         | 46  | 46       | 46  |
| 1                    | 1 | SELFTAPPING SCREW | BC21Z-0-DBP | 100         | 47  | 47       | 47  |
| 1                    | 1 | SELFTAPPING SCREW | BC21Z-0-DBP | 100         | 48  | 48       | 48  |
| 1                    | 1 | SELFTAPPING SCREW | BC21Z-0-DBP | 100         | 49  | 49       | 49  |
| 1                    | 1 | SELFTAPPING SCREW | BC21Z-0-DBP | 100         | 50  | 50       | 50  |
| 1                    | 1 | SELFTAPPING SCREW | BC21Z-0-DBP | 100         | 51  | 51       | 51  |
| 1                    | 1 | SELFTAPPING SCREW | BC21Z-0-DBP | 100         | 52  | 52       | 52  |
| 1                    | 1 | SELFTAPPING SCREW | BC21Z-0-DBP | 100         | 53  | 53       | 53  |
| 1                    | 1 | SELFTAPPING SCREW | BC21Z-0-DBP | 100         | 54  | 54       | 54  |
| 1                    | 1 | SELFTAPPING SCREW | BC21Z-0-DBP | 100         | 55  | 55       | 55  |
| 1                    | 1 | SELFTAPPING SCREW | BC21Z-0-DBP | 100         | 56  | 56       | 56  |
| 1                    | 1 | SELFTAPPING SCREW | BC21Z-0-DBP | 100         | 57  | 57       | 57  |
| 1                    | 1 | SELFTAPPING SCREW | BC21Z-0-DBP | 100         | 58  | 58       | 58  |
| 1                    | 1 | SELFTAPPING SCREW | BC21Z-0-DBP | 100         | 59  | 59       | 59  |
| 1                    | 1 | SELFTAPPING SCREW | BC21Z-0-DBP | 100         | 60  | 60       | 60  |
| 1                    | 1 | SELFTAPPING SCREW | BC21Z-0-DBP | 100         | 61  | 61       | 61  |
| 1                    | 1 | SELFTAPPING SCREW | BC21Z-0-DBP | 100         | 62  | 62       | 62  |
| 1                    | 1 | SELFTAPPING SCREW | BC21Z-0-DBP | 100         | 63  | 63       | 63  |
| 1                    | 1 | SELFTAPPING SCREW | BC21Z-0-DBP | 100         | 64  | 64       | 64  |
| 1                    | 1 | SELFTAPPING SCREW | BC21Z-0-DBP | 100         | 65  | 65       | 65  |
| 1                    | 1 | SELFTAPPING SCREW | BC21Z-0-DBP | 100         | 66  | 66       | 66  |
| 1                    | 1 | SELFTAPPING SCREW | BC21Z-0-DBP | 100         | 67  | 67       | 67  |
| 1                    | 1 | SELFTAPPING SCREW | BC21Z-0-DBP | 100         | 68  | 68       | 68  |
| 1                    | 1 | SELFTAPPING SCREW | BC21Z-0-DBP | 100         | 69  | 69       | 69  |
| 1                    | 1 | SELFTAPPING SCREW | BC21Z-0-DBP | 100         | 70  | 70       | 70  |
| 1                    | 1 | SELFTAPPING SCREW | BC21Z-0-DBP | 100         | 71  | 71       | 71  |
| 1                    | 1 | SELFTAPPING SCREW | BC21Z-0-DBP | 100         | 72  | 72       | 72  |
| 1                    | 1 | SELFTAPPING SCREW | BC21Z-0-DBP | 100         | 73  | 73       | 73  |
| 1                    | 1 | SELFTAPPING SCREW | BC21Z-0-DBP | 100         | 74  | 74       | 74  |
| 1                    | 1 | SELFTAPPING SCREW | BC21Z-0-DBP | 100         | 75  | 75       | 75  |
| 1                    | 1 | SELFTAPPING SCREW | BC21Z-0-DBP | 100         | 76  | 76       | 76  |
| 1                    | 1 | SELFTAPPING SCREW | BC21Z-0-DBP | 100         | 77  | 77       | 77  |
| 1                    | 1 | SELFTAPPING SCREW | BC21Z-0-DBP | 100         | 78  | 78       | 78  |
| 1                    | 1 | SELFTAPPING SCREW | BC21Z-0-DBP | 100         | 79  | 79       | 79  |
| 1                    | 1 | SELFTAPPING SCREW | BC21Z-0-DBP | 100         | 80  | 80       | 80  |
| 1                    | 1 | SELFTAPPING SCREW | BC21Z-0-DBP | 100         | 81  | 81       | 81  |
| 1                    | 1 | SELFTAPPING SCREW | BC21Z-0-DBP | 100         | 82  | 82       | 82  |
| 1                    | 1 | SELFTAPPING SCREW | BC21Z-0-DBP | 100         | 83  | 83       | 83  |
| 1                    | 1 | SELFTAPPING SCREW | BC21Z-0-DBP | 100         | 84  | 84       | 84  |
| 1                    | 1 | SELFTAPPING SCREW | BC21Z-0-DBP | 100         | 85  | 85       | 85  |
| 1                    | 1 | SELFTAPPING SCREW | BC21Z-0-DBP | 100         | 86  | 86       | 86  |
| 1                    | 1 | SELFTAPPING SCREW | BC21Z-0-DBP | 100         | 87  | 87       | 87  |
| 1                    | 1 | SELFTAPPING SCREW | BC21Z-0-DBP | 100         | 88  | 88       | 88  |
| 1                    | 1 | SELFTAPPING SCREW | BC21Z-0-DBP | 100         | 89  | 89       | 89  |
| 1                    | 1 | SELFTAPPING SCREW | BC21Z-0-DBP | 100         | 90  | 90       | 90  |
| 1                    | 1 | SELFTAPPING SCREW | BC21Z-0-DBP | 100         | 91  | 91       | 91  |
| 1                    | 1 | SELFTAPPING SCREW | BC21Z-0-DBP | 100         | 92  | 92       | 92  |
| 1                    | 1 | SELFTAPPING SCREW | BC21Z-0-DBP | 100         | 93  | 93       | 93  |
| 1                    | 1 | SELFTAPPING SCREW | BC21Z-0-DBP | 100         | 94  | 94       | 94  |
| 1                    | 1 | SELFTAPPING SCREW | BC21Z-0-DBP | 100         | 95  | 95       | 95  |
| 1                    | 1 | SELFTAPPING SCREW | BC21Z-0-DBP | 100         | 96  | 96       | 96  |
| 1                    | 1 | SELFTAPPING SCREW | BC21Z-0-DBP | 100         | 97  | 97       | 97  |
| 1                    | 1 | SELFTAPPING SCREW | BC21Z-0-DBP | 100         | 98  | 98       | 98  |
| 1                    | 1 | SELFTAPPING SCREW | BC21Z-0-DBP | 100         | 99  | 99       | 99  |
| 1                    | 1 | SELFTAPPING SCREW | BC21Z-0-DBP | 100         | 100 | 100      | 100 |

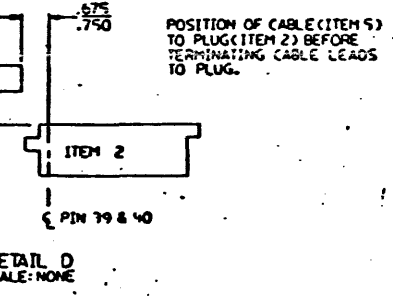
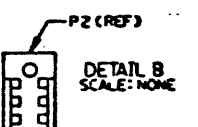
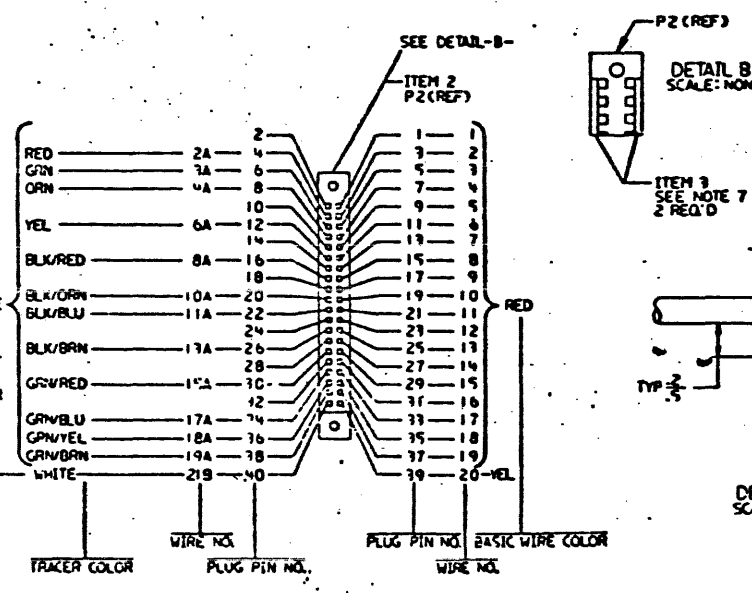
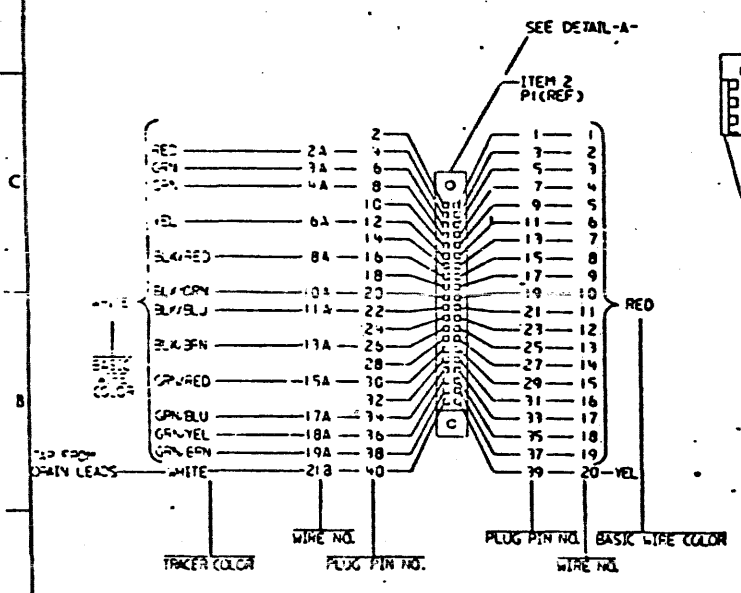
1. THIS DRAWING IS THE PROPERTY OF THE U.S. GOVERNMENT AND IS TO BE RELEASED TO THE PUBLIC AS AUTHORIZED BY THE NATIONAL ARCHIVES AND RECORDS ADMINISTRATION.



| WIRE TABLE |                     |              |                  |                   |                   |              |                   |
|------------|---------------------|--------------|------------------|-------------------|-------------------|--------------|-------------------|
| WIRE NO.   | FROM CONNECTOR PLUG | PLUG PIN NO. | BASIC WIRE COLOR | WITH TRACER COLOR | TO CONNECTOR PLUG | PLUG PIN NO. | REMARKS           |
| 1          |                     |              |                  |                   |                   |              | TWISTED PAIR      |
| 1A         |                     |              |                  |                   |                   |              |                   |
| 2          | P1                  | 3            | RED              |                   | P2                | 3            |                   |
| 2A         |                     | 4            | WHT              | RED               |                   | 4            |                   |
| 3          |                     | 5            | RED              |                   |                   | 5            |                   |
| 3A         |                     | 6            | WHT              | GRN               |                   | 6            |                   |
| 4          |                     | 7            | RED              |                   |                   | 7            |                   |
| 4A         |                     | 8            | WHT              | ORN               |                   | 8            |                   |
| 5          |                     |              |                  |                   |                   |              |                   |
| 5A         |                     |              |                  |                   |                   |              |                   |
| 6          |                     | 11           | RED              |                   |                   | 11           |                   |
| 6A         |                     | 12           | WHT              | YEL               |                   | 12           |                   |
| 7          |                     |              |                  |                   |                   |              |                   |
| 7A         |                     |              |                  |                   |                   |              |                   |
| 8          |                     | 15           | RED              |                   |                   | 15           |                   |
| 8A         |                     | 16           | WHT              | BLK/RED           |                   | 16           |                   |
| 9          |                     |              |                  |                   |                   |              |                   |
| 9A         |                     |              |                  |                   |                   |              |                   |
| 10         |                     | 19           | RED              |                   |                   | 19           |                   |
| 10A        |                     | 20           | WHT              | BLK/ORN           |                   | 20           |                   |
| 11         |                     | 21           | RED              |                   |                   | 21           |                   |
| 11A        |                     | 22           | WHT              | BLK/BLU           |                   | 22           |                   |
| 12         |                     |              |                  |                   |                   |              |                   |
| 12A        |                     |              |                  |                   |                   |              |                   |
| 13         |                     | 25           | RED              |                   |                   | 25           |                   |
| 13A        |                     | 26           | WHT              | BLK/ORN           |                   | 26           |                   |
| 14         |                     |              |                  |                   |                   |              |                   |
| 14A        |                     |              |                  |                   |                   |              |                   |
| 15         |                     | 29           | RED              |                   |                   | 29           |                   |
| 15A        |                     | 30           | WHT              | GRN/RED           |                   | 30           |                   |
| 16         |                     |              |                  |                   |                   |              |                   |
| 16A        |                     |              |                  |                   |                   |              |                   |
| 17         |                     | 33           | RED              |                   |                   | 33           |                   |
| 17A        |                     | 34           | WHT              | GRN/BLU           |                   | 34           |                   |
| 18         |                     | 35           | RED              |                   |                   | 35           |                   |
| 18A        |                     | 36           | WHT              | GRN/YEL           |                   | 36           |                   |
| 19         |                     | 37           | RED              |                   |                   | 37           | TWISTED PAIR      |
| 19A        |                     | 38           | WHT              | GRN/BRN           |                   | 38           |                   |
| 20         |                     | 39           | YEL              |                   |                   | 39           |                   |
| 20A        |                     |              |                  |                   |                   |              |                   |
| 21         | P1                  | SEE 21B      | WHT              |                   | P2                | SEE 21B      | SHIELD DRAIN      |
| 21A        |                     |              |                  |                   |                   |              | CENTER DRAIN WIRE |
| 21B        | P1                  | 40           | WHT              |                   | P2                | 40           | GND WIRE          |



CUT WIRE NO. 20A OFF AT JACKET (SEE NOTE 3)  
 JUMP SHIELD & CENTER DRAIN TOGETHER PER DETAIL-C & TERMINATE WHT WIRE (21B) IN PIN 40.



| LINE ITEM | DOCUMENT NUMBER | PART NUMBER | DESCRIPTION                      | QUANTITY PER VARIATION |     |     |     |     |     |     |     |     |     |     |     |     |
|-----------|-----------------|-------------|----------------------------------|------------------------|-----|-----|-----|-----|-----|-----|-----|-----|-----|-----|-----|-----|
|           |                 |             |                                  | 06                     | 08  | 10  | 12  | 20  | 25  | 30  | 40  | 50  | 60  | 75  |     |     |
| 1         | 1               | 1211591-52  | CONN.ZIF 40PIN PLUG/STRAIN REL   | 2                      | 2   | 2   | 2   | 2   | 2   | 2   | 2   | 2   | 2   | 2   | 2   | 2   |
| 2         | 2               | 1211591-07  | CONN.ZIF 40PIN PLUG              | 2                      | 2   | 2   | 2   | 2   | 2   | 2   | 2   | 2   | 2   | 2   | 2   | 2   |
| 3         | 3               | 1211591-11  | CONN.ZIF COVER,CONTACT DISPLATI  | 4                      | 4   | 4   | 4   | 4   | 4   | 4   | 4   | 4   | 4   | 4   | 4   | 4   |
| 4         | 4               | 9107255-00  | TUBING,SHRINK 1/8 DIA.EXP UL     | A/R                    | A/R | A/R | A/R | A/R | A/R | A/R | A/R | A/R | A/R | A/R | A/R | A/R |
| 5         | 5               | 1700051-03  | CABLE, 26 COND. 28AUG.TWP,SHIELD | A/R                    | A/R | A/R | A/R | A/R | A/R | A/R | A/R | A/R | A/R | A/R | A/R | A/R |
| 6         | 6               | 9905012-04  | ENVELOPE-MAILITE,SHIPPING        | 2                      | 2   | 2   | 2   | 2   | 2   | 2   | 2   | 2   | 2   | 2   | 2   | 2   |
| 7         | 7               | 3616073-00  | LABEL,CABLE IDENTIFICATION       | 1                      | 1   | 1   | 1   | 1   | 1   | 1   | 1   | 1   | 1   | 1   | 1   | 1   |
| 8         | 8               | 1219082-01  | CONN.GROUNDING SHEATH,INNER RING | 2                      | 2   | 2   | 2   | 2   | 2   | 2   | 2   | 2   | 2   | 2   | 2   | 2   |
| 9         | 9               | 1219145-01  | CONN.GROUNDING SHEATH/STRAIN REL | 2                      | 2   | 2   | 2   | 2   | 2   | 2   | 2   | 2   | 2   | 2   | 2   | 2   |

- 10 NOTE: - LEGEND
- |   |                              |
|---|------------------------------|
| 11 NOTE: - PART NUMBER VARIATION        | LEGEND                       |
| 12 NOTE: - BC21Z-06 I/O CABLE ASSY,6FT  | PART NUMBER VARIATION        |
| 13 NOTE: - BC21Z-08 I/O CABLE ASSY,8FT  | BC21Z-30 I/O CABLE ASSY,30FT |
| 14 NOTE: - BC21Z-10 I/O CABLE ASSY,10FT | BC21Z-40 I/O CABLE ASSY,40FT |
| 15 NOTE: - BC21Z-12 I/O CABLE ASSY,12FT | BC21Z-50 I/O CABLE ASSY,50FT |
| 16 NOTE: - BC21Z-20 I/O CABLE ASSY,20FT | BC21Z-60 I/O CABLE ASSY,60FT |
| 17 NOTE: - BC21Z-25 I/O CABLE ASSY,25FT | BC21Z-75 I/O CABLE ASSY,75FT |

| REVISION HISTORY |            | BASIC PART NO: BC21Z |  | DRN:             | K. DAVIS       | DATE: 12-OCT-81      | D I G I T A L      |                       |
|------------------|------------|----------------------|--|------------------|----------------|----------------------|--------------------|-----------------------|
| ENG              | ECO NUMBER | REV                  | SECTION A OF A                           | CHK'D:           | B. MILLER      | DATE: 13-OCT-81      | TITLE              | PARTS LIST            |
| 312              |            | A                    | SECTION. VARIATION INDEX                 | CHK'D:           | S. HAND        | DATE: 13-OCT-81      | I/O CABLE ASSEMBLY |                       |
|                  |            |                      | [A] 06,08,10,12,20,25,<br>30,40,50,60,75 | DES.ENG.:        | S. HAND        | DATE: 13-OCT-81      |                    |                       |
|                  |            |                      | [B]                                      | RESP.ENG.:       | V. HARDER      | DATE: 13-OCT-81      | DOCUMENT NUMBER    |                       |
|                  |            |                      | [C]                                      | MFG.ENG.:        | R. PAYETTE     | DATE: 13-OCT-81      | SIZE CODE NUMBER   | REV                   |
|                  |            |                      | [D]                                      | ASSEMBLY NUMBER: | E-UA-BC21Z-0-0 | TOP DOCUMENT NUMBER: | KB-DD-RL01-0       | FILE NAME: Z2929A.PLS |
|                  |            |                      | [E]                                      |                  |                |                      |                    | EDIT #                |
|                  |            |                      | [F]                                      |                  |                |                      |                    |                       |

"THIS DRAWING AND SPECIFICATIONS HEREIN, ARE THE PROPERTY OF DIGITAL EQUIPMENT CORPORATION AND SHALL NOT BE REPRODUCED OR COPIED OR USED IN WHOLE OR IN PART AS THE BASIS FOR THE MANUFACTURE OR SALE OF ITEMS WITHOUT WRITTEN PERMISSION. COPYRIGHT (C) 1981. DIGITAL EQUIPMENT CORPORATION"



THIS DRAWING AND SPECIFICATIONS, HEREIN, ARE THE PROPERTY OF DIGITAL EQUIPMENT CORPORATION AND SHALL NOT BE REPRODUCED OR COPIED OR USED IN WHOLE OR IN PART AS THE BASIS FOR THE MANUFACTURE OR SALE OF ITEMS WITHOUT WRITTEN PERMISSION.  
 COPYRIGHT © 1982 DIGITAL EQUIPMENT CORPORATION

REV. A 0-0-02228 110 1 B UA BC22D-0-0 21 1

NOTES:  
 1. FOR CABLE CONFIGURATION REFER TO A-PS-1700313-0-0.

LEGEND

| NUMBER   | VARIATION  | DIM "X" | DIM "Y" REF |
|----------|------------|---------|-------------|
| BC22D-10 | 1700313-01 | 10 FT.  |             |
| BC22D-25 | 1700313-02 | 25 FT.  |             |
| BC22D-35 | 1700313-03 | 35 FT.  |             |
| BC22D-50 | 1700313-04 | 50 FT.  |             |
| BC22D-75 | 1700313-05 | 75 FT.  |             |
| BC22D-A0 | 1700313-06 | 100 FT. |             |
| BC22D-A5 | 1700313-07 | 150 FT. |             |
| BC22D-B0 | 1700313-08 | 200 FT. |             |
| BC22D-B5 | 1700313-09 | 250 FT. |             |

WIRE TABLE

| ITEM NO.        | PAIR NO. | DESCRIPTION |       | TO    |          | FROM  |          | REMARKS |
|-----------------|----------|-------------|-------|-------|----------|-------|----------|---------|
|                 |          | AWG         | COLOR | CONN  | WITH     | CONN  | WITH     |         |
| 2<br>THRU<br>10 |          |             | BLK   | PI-1  |          | P2-1  |          |         |
|                 |          |             | BRN   | PI-2  |          | P2-3  |          |         |
|                 |          |             | RED   | PI-3  |          | P2-2  |          |         |
|                 |          |             | ORN   | PI-6  |          | P2-20 |          |         |
|                 |          |             | YEL   | PI-7  |          | P2-7  |          |         |
|                 |          |             | GRN   | PI-20 |          | P2-6  |          |         |
|                 |          |             |       |       | PI-SHELL |       | P2-SHELL |         |

| DESCRIPTION   | DWG/PART NO.                       | ITEM NO.                       |
|---|------------------------------------|--------------------------------|
| UNLESS OTHERWISE SPECIFIED DIMENSIONS ARE IN INCHES |                                    |                                |
| ANGLES ± 0° 30'                                     | CLASS OF ACCURACY (CHECK ONE)      | NOMINAL DIMENSION RANGE INCHES |
| SURFACE QUALITY IN MICROINCHES                      | MEDIUM <input type="checkbox"/>    | 0.000 TO 0.250                 |
|   | PREFERRED <input type="checkbox"/> | 0.250 TO 0.500                 |
|   |                                    | 0.500 TO 1.000                 |
|   |                                    | 1.000 TO 2.000                 |
|   |                                    | 2.000 TO 4.000                 |
|   |                                    | 4.000 TO 8.000                 |
|   |                                    | 8.000 TO 16.000                |
|   |                                    | 16.000 TO 32.000               |

|            |            |
|------------|------------|
| REVISIONS  | REV. A     |
| CHANGE NO. | ORIGINATED |
| CHK        |            |

THIRD ANGLE PROJECTION

REMOVE BURRS AND BREAK SHARP CORNERS

DO NOT SCALE DWG

MATERIAL

FINISH

DRN. S. Hildebrand

CHK'D BY H. A. ...

ENG. ...

PROJ. ENG. ...

PROD. NEXT HIGHER ASSY.

B-DD-BC22D-0

SCALE NONE

SHEET OF

FIRST USED ON

digital

TITLE

CABLE, NULL MODEM

SIZE CODE NUMBER REV.

B UA BC22D-0-0 A



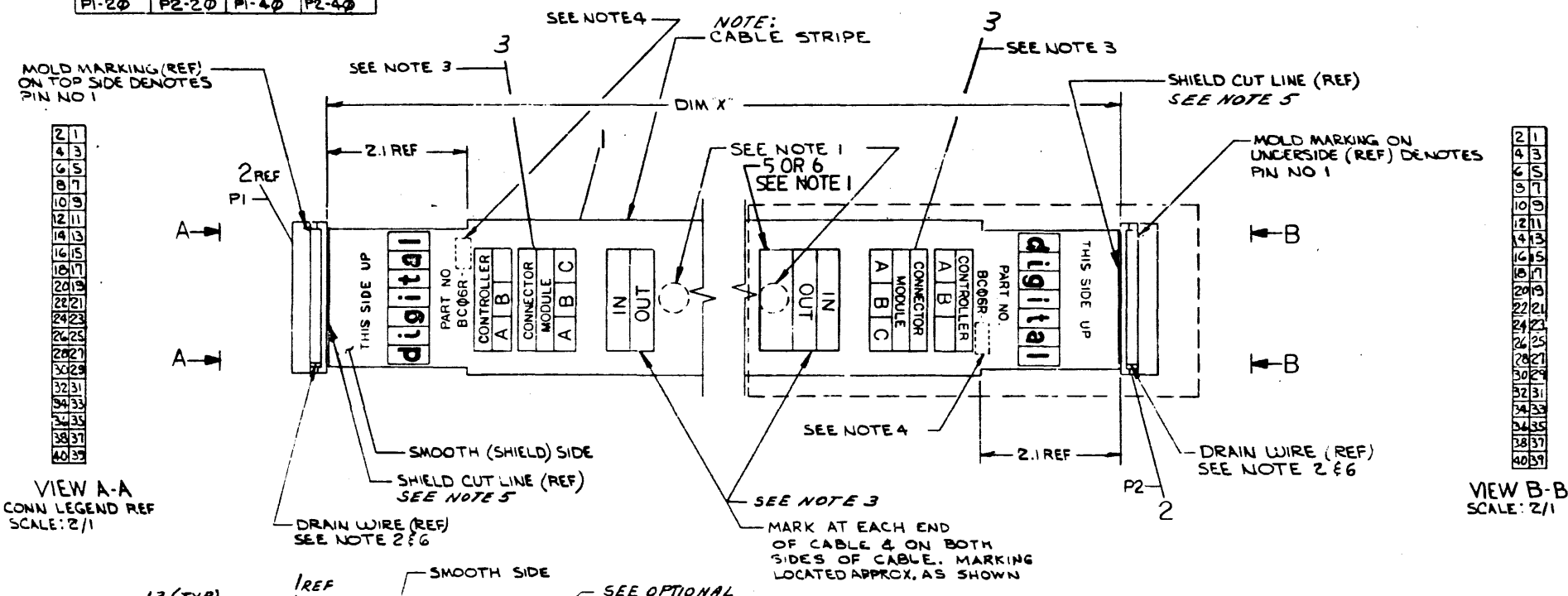
**WIRE TABLE**

| FROM  | TO    | FROM  | TO    |
|-------|-------|-------|-------|
| P1-1  | P2-1  | P1-21 | P2-21 |
| P1-2  | P2-2  | P1-22 | P2-22 |
| P1-3  | P2-3  | P1-23 | P2-23 |
| P1-4  | P2-4  | P1-24 | P2-24 |
| P1-5  | P2-5  | P1-25 | P2-25 |
| P1-6  | P2-6  | P1-26 | P2-26 |
| P1-7  | P2-7  | P1-27 | P2-27 |
| P1-8  | P2-8  | P1-28 | P2-28 |
| P1-9  | P2-9  | P1-29 | P2-29 |
| P1-10 | P2-10 | P1-30 | P2-30 |
| P1-11 | P2-11 | P1-31 | P2-31 |
| P1-12 | P2-12 | P1-32 | P2-32 |
| P1-13 | P2-13 | P1-33 | P2-33 |
| P1-14 | P2-14 | P1-34 | P2-34 |
| P1-15 | P2-15 | P1-35 | P2-35 |
| P1-16 | P2-16 | P1-36 | P2-36 |
| P1-17 | P2-17 | P1-37 | P2-37 |
| P1-18 | P2-18 | P1-38 | P2-38 |
| P1-19 | P2-19 | P1-39 | P2-39 |
| P1-20 | P2-20 | P1-40 | P2-40 |

**LEGEND**

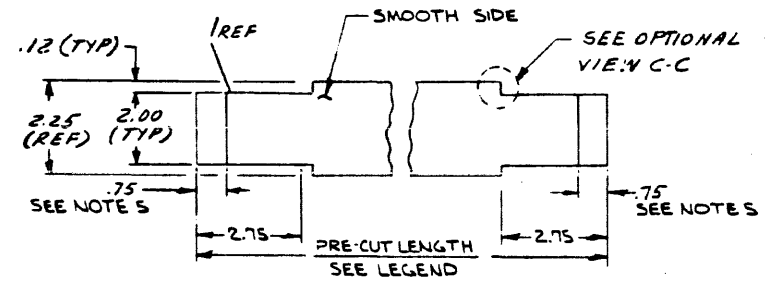
| NUMBER     | DIM X     | PRECUT LENGTH        | REMARKS              |
|------------|-----------|----------------------|----------------------|
| BC06R-01   | 1 FT      | 1 FT 1.5 IN ± 1 IN   | SEE PRE-CUT VIEW C-C |
| BC06R-02   | 2 FT      | 2 FT 1.5 IN ± 1 IN   |                      |
| BC06R-03   | 3 FT      | 3 FT 1.5 IN ± 1 IN   |                      |
| BC06R-04   | 4 FT      | 4 FT 1.5 IN ± 1 IN   |                      |
| * BC06R-05 | 4 FT 6 IN | 4 FT 7.5 IN ± 1.5 IN | SEE NOTE 7           |
| BC06R-06   | 6 FT      | 6 FT 1.5 IN ± 2 IN   |                      |
| BC06R-08   | 8 FT      | 8 FT 1.5 IN ± 2 IN   |                      |
| BC06R-10   | 10 FT     | 10 FT 1.5 IN ± 2 IN  |                      |
| BC06R-12   | 12 FT     | 12 FT 1.5 IN ± 3 IN  |                      |
| BC06R-20   | 20 FT     | 20 FT 1.5 IN ± 3 IN  |                      |
| BC06R-25   | 25 FT     | 25 FT 1.5 IN ± 3 IN  |                      |
| BC06R-30   | 30 FT     | 30 FT 1.5 IN ± 6 IN  |                      |
| BC06R-50   | 50 FT     | 50 FT 1.5 IN ± 10 FT |                      |
| BC06R-60   | 60 FT     | 60 FT 1.5 IN ± 12 FT |                      |
| BC06R-75   | 75 FT     | 75 FT 1.5 IN ± 15 FT |                      |
| BC06R-A0   | 10 FT     | 10 FT 1.5 IN ± 2 FT  |                      |
| BC06R-07   | 7 FT      | 7 FT 1.5 IN ± 2 IN   |                      |
| BC06R-08   | 8 FT 6 IN | 8 FT 7.5 IN ± 1 IN   | SEE PRE-CUT VIEW C-C |
| BC06R-15   | 15 FT     | 15 FT 1.5 IN ± 3 IN  |                      |

- NOTES:**
- LABEL (ITEMS 5 OR 6 CAN BE USED) TO CONTAIN:  
PART NO.  
REV.  
DATE (OF BUILD)  
MFG (STAMP) TEST (STAMP)  
INSP (STAMP)  
AFFIX LABEL AROUND CABLE IN APPROX CENTER.
  - DRAIN WIRE CONNECTS TO PIN NO 40.
  - RUBBER STAMP INFORMATION SHOWN USING INK (ITEM 3) & ARTWORK DEC NO A-DC-741699-0-0.
  - STAMP APPLICABLE OPTION DASH NO. ACCORDING TO LENGTH.
  - REMOVE SHIELD .75 FROM END OF PRECUT CABLE (SEE VIEW C-C).
  - COVER EXPOSED DRAIN WIRE WITH ITEM 4 PRIOR TO ASSY (BOTH ENDS).
  - \* FOR RP04, RP05, RP06 USE WRAP AROUND VINYL LABEL. SEE VARIATIONS ON DRAWING NUMBER A-PS-365389-0-0. ALSO SEE NEXT HIGHER ASSEMBLY E-IA-7 J07-0-0 AND E-IA-7009808-0-0.

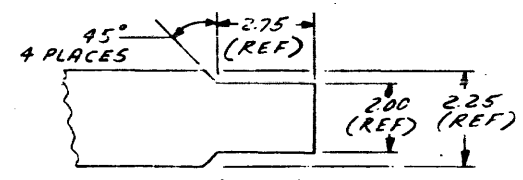


**VIEW A-A**  
CONN LEGEND REF  
SCALE: 2/1

**VIEW B-B**  
SCALE: 2/1



**VIEW C-C**  
PRE-CUT VIEW  
SCALE: NONE



**OPTIONAL VIEW C-C**  
PRE-CUT VIEW  
SCALE: NONE

(CX ONLY) SEE NOTE 1  
SEE NOTE 1

| QTY. | DESCRIPTION                  | PART NO.    | ITEM NO. |
|------|------------------------------|-------------|----------|
| 1    | LABEL I.D.                   | 3616989-0-0 | 6        |
| 1    | LABEL I.D.                   | 3616073-0-0 | 5        |
| A/R  | PLASTIC TAPE                 | 3612511-0   | 4        |
| A/R  | INK                          | 4901150     | 3        |
| 2    | CONNECTOR, 40 SOCKET         | 1211206     | 2        |
| A/R  | CABLE, 40 COND FLAT W/SHIELD | 17-00034    | 1        |

**PARTS LIST**

|                            |                                      |                          |           |
|----------------------------|--------------------------------------|--------------------------|-----------|
| DRN<br>S. D. C.            | DATE<br>2-22-74                      | EQUIPMENT CORPORATION    |           |
| CHKD<br>C. H.              | DATE<br>3-2-74                       | TITLE<br>BC06R I/O CABLE |           |
| ENG<br>D. P.               | DATE<br>1/17/74                      | REV.<br>F                |           |
| PROF-ENG<br>D. L.          | DATE<br>1/17/74                      | SIZE CODE<br>DUAB06R-0-0 |           |
| MATERIAL<br>SEE PARTS LIST | NEXT HIGHER ASSY<br>E-IA-7009807-0-0 | NUMBER<br>DUAB06R-0-0    | REV.<br>F |
| FINISH<br>11               | SCALE<br>NONE                        | SHEET<br>1 OF 1          | QTY<br>1  |

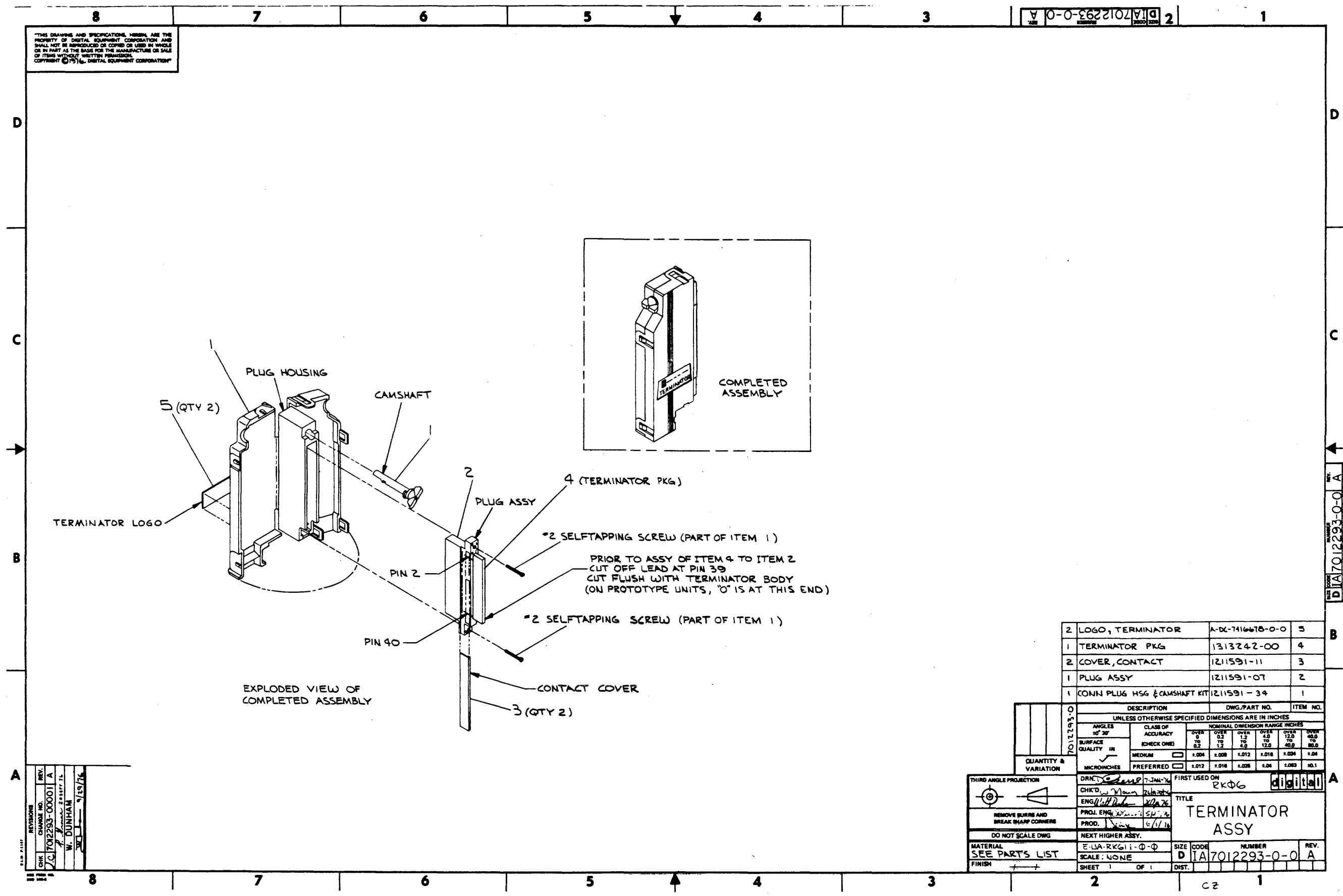
REVISIONS

| REV | CHANGE NO | BY              | DATE    | DESCRIPTION |
|-----|-----------|-----------------|---------|-------------|
| 1   | 1         | W. DUNN         | 1/17/74 | INITIALS    |
| 2   | 2         | J. J. BROWNE    | 2-7-75  | CONDON      |
| 3   | 3         | J. J. BROWNE    | 4/1/75  | C           |
| 4   | 4         | C. J. VANDERKAM | 6-17-75 | D           |
| 5   | 5         | R. C. BROWN     | 2/15/77 | D           |
| 6   | 6         | L. B. LUTHEAL   | 3/1/77  | F           |
| 7   | 7         | J. J. BROWNE    | 3/1/77  | F           |
| 8   | 8         | J. J. BROWNE    | 3/1/77  | F           |

Copyright © 1975  
DIGITAL EQUIP CORP.

THIS DRAWING AND SPECIFICATIONS HEREIN ARE THE PROPERTY OF DIGITAL EQUIPMENT CORPORATION AND SHALL NOT BE REPRODUCED OR COPIED OR USED IN WHOLE OR IN PART AS THE BASIS FOR THE MANUFACTURE OR SALE OF ITEMS WITHOUT WRITTEN PERMISSION. COPYRIGHT © 1976, DIGITAL EQUIPMENT CORPORATION.

DIA7012293-0-0 2



|               |         |
|---------------|---------|
| REV.          | REV.    |
| 1             | A       |
| W. DUNHAM     | 1/25/76 |
| 7012293-00001 | A       |
| 7012293-00001 | A       |

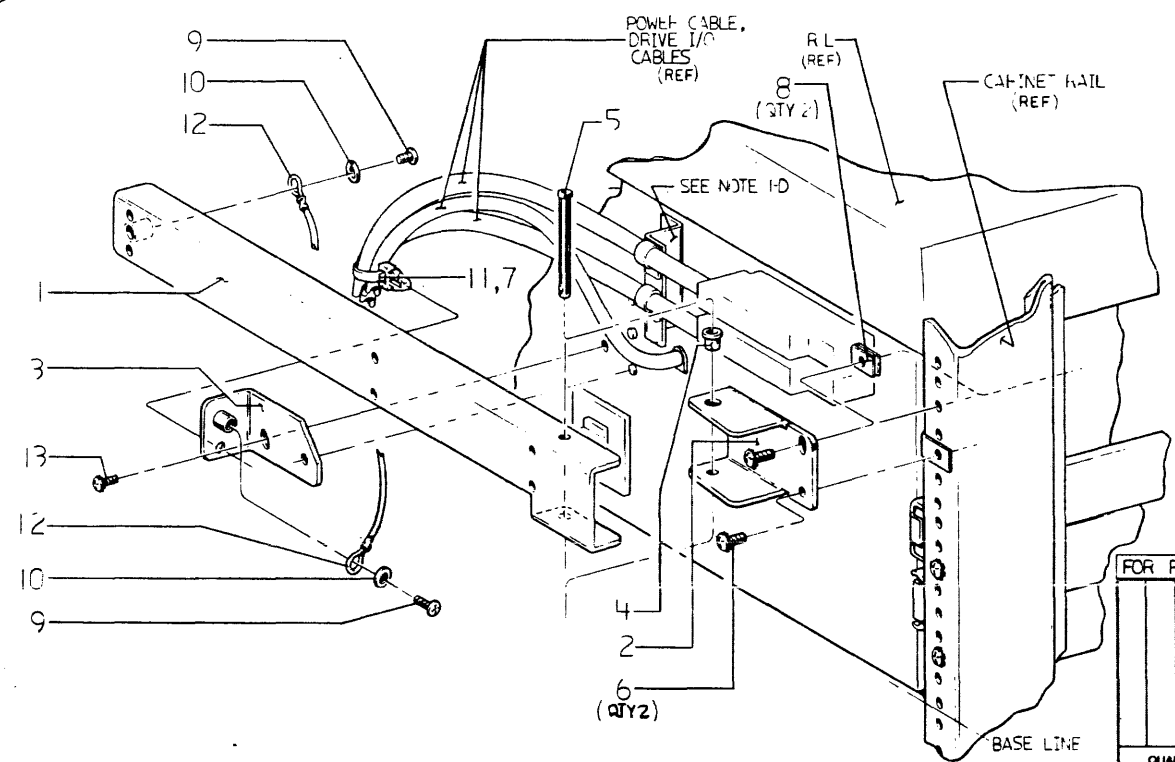
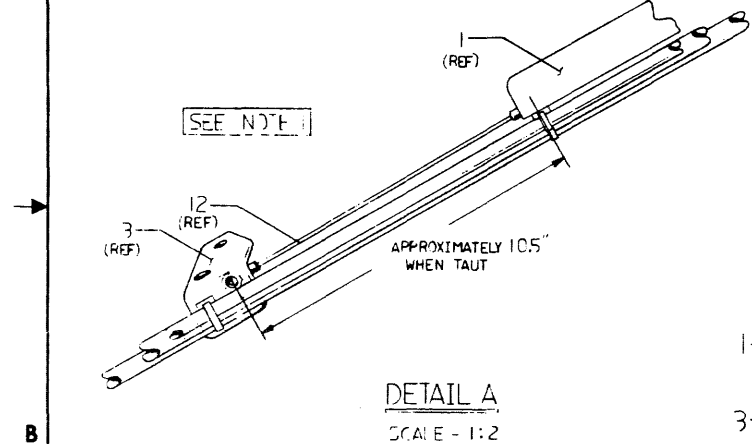
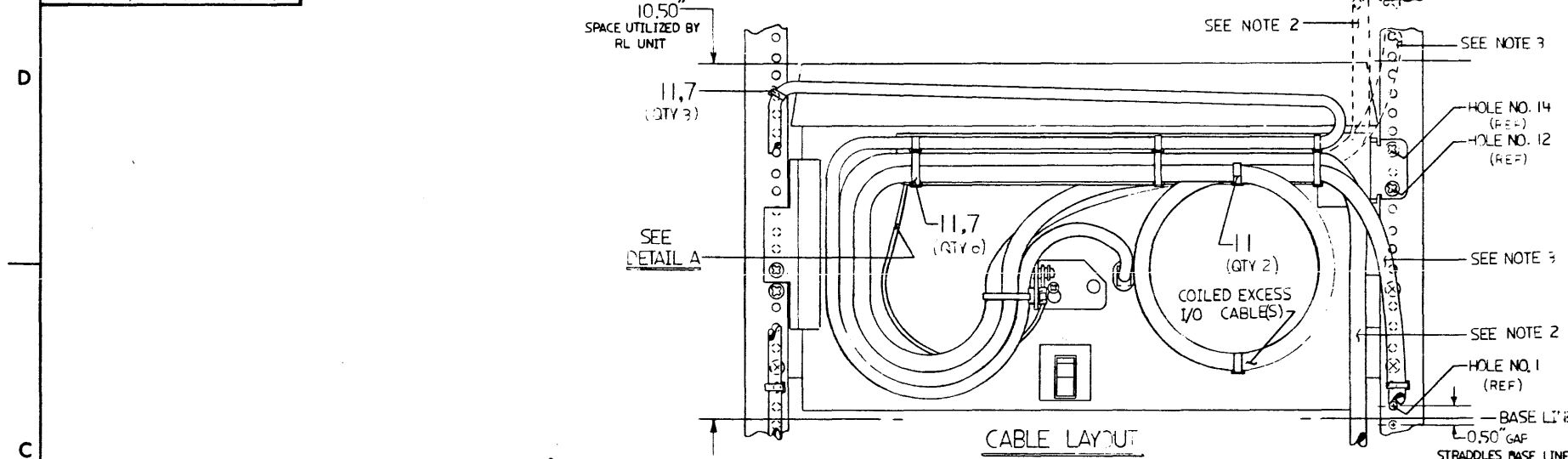
|   |                              |                  |   |
|---|------------------------------|------------------|---|
| 2 | LOGO, TERMINATOR             | A-DX-7416678-0-0 | 5 |
| 1 | TERMINATOR PKG               | 1313242-00       | 4 |
| 2 | COVER, CONTACT               | 1211591-11       | 3 |
| 1 | PLUG ASSY                    | 1211591-07       | 2 |
| 1 | CONN PLUG HSG & CAMSHAFT KIT | 1211591-34       | 1 |

|   |                      |                                |
|---|----------------------|--------------------------------|
| DESCRIPTION   | DWG./PART NO.        | ITEM NO.                       |
| UNLESS OTHERWISE SPECIFIED DIMENSIONS ARE IN INCHES |                      |                                |
| ANGLES<br>30° 30'                                   | CLASS OF<br>ACCURACY | NOMINAL DIMENSION RANGE INCHES |
| SURFACE<br>QUALITY IN                               | (CHECK ONE)          | OVER 0 TO 0.25                 |
| QUANTITY & VARIATION                                | MEDIUM               | 0.25 TO 0.50                   |
|   | PREFERRED            | 0.50 TO 1.00                   |
|   |                      | 1.00 TO 2.00                   |
|   |                      | 2.00 TO 4.00                   |
|   |                      | 4.00 TO 8.00                   |
|   |                      | 8.00 TO 16.00                  |
|   |                      | 16.00 TO 32.00                 |
|   |                      | 32.00 TO 64.00                 |
|   |                      | 64.00 TO 128.00                |
|   |                      | 128.00 TO 256.00               |
|   |                      | 256.00 TO 512.00               |
|   |                      | 512.00 TO 1024.00              |

|                                      |                                |                 |       |             |
|--------------------------------------|--------------------------------|-----------------|-------|-------------|
| THIRD ANGLE PROJECTION               | DRN: <i>Clamp</i> 7-JAN-76     | FIRST USED ON   | RK06  | Digital     |
| REMOVE BURRS AND BREAK SHARP CORNERS | CHK'D: <i>Man</i> 2/18/76      | TITLE           |       |             |
| DO NOT SCALE DWG                     | ENG: <i>W.D.</i> 2/18/76       | TERMINATOR ASSY |       |             |
| MATERIAL                             | PROJ. ENG: <i>W.D.</i> 2/18/76 | SIZE            | CODE  | NUMBER      |
| SEE PARTS LIST                       | PROD. <i>W.D.</i> 2/18/76      | E-LA-RK061-0-0  | D     | 7012293-0-0 |
| FINISH                               | NEXT HIGHER ASSY.              | SCALE: NONE     | DIST. | REV.        |
|                                      |                                | SHEET 1 OF 1    |       | A           |

THIS DRAWING AND SPECIFICATIONS HEREIN ARE THE PROPERTY OF DIGITAL EQUIPMENT CORPORATION AND SHALL NOT BE REPRODUCED OR COPIED OR USED IN WHOLE OR IN PART AS THE BASIS FOR THE MANUFACTURE OR SALE OF ITEMS WITHOUT WRITTEN PERMISSION.  
 COPYRIGHT © 1980 DIGITAL EQUIPMENT CORPORATION

7-7-922H VNO  
 3000 3275



**NOTES:**

1. INSTALLATION PROCEDURE:
  - A. MOUNT RETRACTOR MOUNTING BRACKET (ITEM 2) TO RAIL AS SHOWN.
  - B. INSTALL TETHER CABLE (ITEM 12) BETWEEN TETHER RELEASE (ITEM 3) AND RETRACTOR ARM (ITEM 1) AS SHOWN. POSITION PIERCES AS SHOWN IN DETAIL A.
  - C. ATTACH RETRACTOR ARM (ITEM 1) TO MOUNTING BRACKET (ITEM 2) AS SHOWN. DON'T ATTACH TETHER RELEASE (ITEM 3) AT THIS TIME.
  - D. ATTACH I/O CABLE(S) TO REAR OF DRIVE MAKING SURE THE DRIVE'S CABLE CLAMPING BRACKET IS POSITIONED AS SHOWN.
  - E. SLIDE DRIVE OUT TO SERVICE POSITION. IF CABINET HAS STABILIZER(S), PLACE IN SERVICE POSITION.
  - F. PULL DRIVE CABLES (I/O AND POWER) GENTLY BACK TO RETRACTOR ARM (ITEM 1) AND CLAMP TO END HOLES AS SHOWN USING ITEMS 7, 11.
  - G. ATTACH TETHER RELEASE (ITEM 3) TO CABLES AS SHOWN IN "DETAIL A". MAKE SURE TETHER IS TAUT AND CABLES ARE SLIGHTLY SLACK BEFORE SECURING TO THE RELEASE BRACKET.
  - H. RETURN DRIVE TO THE CUSTOMER LOADING POSITION AND ATTACH RELEASE BRACKET (ITEM 3) TO DRIVE AS SHOWN.
  - I. RETURN DRIVE TO NORMAL OPERATING POSITION.
  - J. ROUTE CABLES TO THEIR DESTINATIONS, COIL ANY EXCESS I/O CABLE AND THEN INSTALL THE REMAINING CABLE TIES (ITEM 11) AND PUSHMOUNTS (ITEM 7) AS SHOWN IN CABLE LAYOUT.
2. I/O CABLE ROUTING TO DRIVE DIRECTLY ABOVE OR BELOW.
3. I/O CABLE ROUTING TO TRANSITION BRACKET OR ADDITIONAL DRIVE NOT MOUNTED DIRECTLY ABOVE OR BELOW. NOTE THE MINIMUM 2 RAIL HOLES BETWEEN THE RETRACTOR MOUNTING SCREW AND THE FIRST RAIL MOUNTED CABLE TIE.
4. THERE ARE THREE SPARE CABLE TIES AND PUSH MOUNTS (ITEMS 7, 11)

FOR PARTS LIST SEE K-PL-H026-2-DBP.

| DESCRIPTION  | DRAWING NO.     | PART NO.                   | ITEM NO.          |
|--|-----------------|----------------------------|-------------------|
| UNLESS OTHERWISE SPECIFIED DIMENSIONS ARE IN INCHES AND THE FOLLOWING TOLERANCES APPLY (PER DEC STD 114) |                 |                            |                   |
| INCHES TOLERANCES  | ANGLES ± 0° 30' | APPLICABLE DIMENSION RANGE | OVER 0.2          |
|  |                 |                            | OVER 0.2 TO 1.2   |
| SURFACE QUALITY  | CHECK ONE       | APPLICABLE DIMENSION RANGE | OVER 1.2 TO 4.0   |
|  |                 |                            | OVER 4.0 TO 12.0  |
| MICROINCHES  | CHECK ONE       | APPLICABLE DIMENSION RANGE | OVER 12.0 TO 40.0 |
|  |                 |                            | OVER 40.0 TO 80.0 |
| QUANTITY & VARIATION   |                 |                            |                   |
| THIRD ANGLE PROJECTION   | DATE 12-19-80   | TITLE digital              |                   |
| DO NOT SCALE DRAWING   | DATE 1-9-81     | RL CABLE RETRACTOR ASSY.   |                   |
| REMOVE BURRS AND BREAK SHARP CORNERS   | DATE 1-9-81     | DOCUMENT NUMBER            |                   |
| MATERIAL SEE PARTS LIST  | DATE 1-9-81     | SIZE D                     | NUMBER H026-0-0   |
| FINISH H   | DATE 7-30-81    | SCALE 1/2                  | SHEET 1 OF 1      |

|                  |        |
|------------------|--------|
| REVISION HISTORY | REV. A |
| ECO NUMBER       |        |
| DATE             | INIT.  |

| LINE | ITEM | DOCUMENT NUMBER  | PART NUMBER | DESCRIPTION                      | QUANTITY PER VARIATION |
|------|------|------------------|-------------|----------------------------------|------------------------|
| 1    | 1    | D-IA-7424557-0-0 | 7424557-00  | ARM CABLE CARRIER                | 1                      |
| 2    | 2    | C-MD-7424556-0-0 | 7424556-00  | BRKT MTG CABLE CARRIER           | 1                      |
| 3    | 3    | B-IA-7424555-0-0 | 7424555-00  | BRKT CABLE TEATHER REL.          | 1                      |
| 4    | 4    |                  | 9008111-00  | BUSHING,SNAP,NYLON 3/8 MGTHOLE   | 1                      |
| 5    | 5    | A-PS-1217870-0-0 | 1217870-00  | FIN,CLEVIS 2.50 X .25            | 1                      |
| 6    | 6    |                  | 9009700-00  | SCREW,TRUS,PHIL,SEMS10-32X 1/2   | 2                      |
| 7    | 7    |                  | 9007867-00  | MOUNT, PUSH,CABLE TIE            | 11                     |
| 8    | 8    |                  | 9007786-00  | RETAINER, U-NUT, 10-32           | 2                      |
| 9    | 9    |                  | 9009642-00  | SCREW,PAN,PHIL,SEMS 8-32X 1/4    | 2                      |
| 10   | 10   |                  | 9006662-00  | WASHER, FLAT, .500 O.D. X .187 I | 2                      |
| 11   | 11   |                  | 9007032-00  | TIE,CABLE BUNDL.DIA 0-1-3/4"=101 | 13                     |
| 12   | 12   |                  | 1215700-04  | CABLE ASSY,NYLON,11"LG           | 1                      |
| 13   | 13   |                  | 9009984-00  | SCREW, SEMS, PHILLIPS PAN HD. 6- | 1                      |

| REVISION HISTORY |            | BASIC PART NO: CH026 |                          | DRN:             | A. J. ROCHA <i>HR</i>     | DATE:                | 09-OCT-80     | D I G I T A L     |           |            |     |
|------------------|------------|----------------------|--------------------------|------------------|---------------------------|----------------------|---------------|-------------------|-----------|------------|-----|
| ENG              | ECD NUMBER | REV                  | SECTION A OF A           | CHK'D:           | R. A. NELSON <i>RA</i>    | DATE:                | 01-JAN-81     | TITLE PARTS LIST  |           |            |     |
| ---              | INIT       | A                    | SECTION. VARIATION INDEX | [A] 00           |                           |                      |               | RL RETRACTOR ASSY |           |            |     |
|                  |            |                      | [B]                      | DES.ENG.:        | R. A. NELSON <i>RA</i>    | DATE:                | 01-JAN-81     |                   |           |            |     |
|                  |            |                      | [C]                      | RESP.ENG.:       | R. A. NELSON <i>RA</i>    | DATE:                | 01-JAN-81     | DOCUMENT NUMBER   |           |            |     |
|                  |            |                      | [D]                      |                  |                           |                      |               | SIZE              | CODE      | NUMBER     | REV |
|                  |            |                      | [E]                      | MFG.ENG.:        | J. HESS <i>W. J. Hess</i> | DATE:                | 01-JAN-81     | K                 | PL        | H026-0-DBP | A   |
|                  |            |                      | [F]                      | ASSEMBLY NUMBER: | D-UA-H026-0-00-0          | TOP DOCUMENT NUMBER: | B-DD-H026-0-0 | FILE NAME:        | Z0701.PLS | EDIT #     | 11  |

\*THIS DRAWING AND SPECIFICATIONS HEREIN, ARE THE PROPERTY OF DIGITAL EQUIPMENT CORPORATION AND SHALL NOT BE REPRODUCED OR COPIED OR USED IN WHOLE OR IN PART AS THE BASIS FOR THE MANUFACTURE OR SALE OF ITEMS WITHOUT WRITTEN PERMISSION. COPYRIGHT (C) 1981. DIGITAL EQUIPMENT CORPORATION \*

*TW*

This drawing and specifications, herein, are the property of Digital Equipment Corporation and shall not be reproduced or copied or used in whole or in part as the basis for the manufacture or sale of items without written permission.

### WIRE TABLE

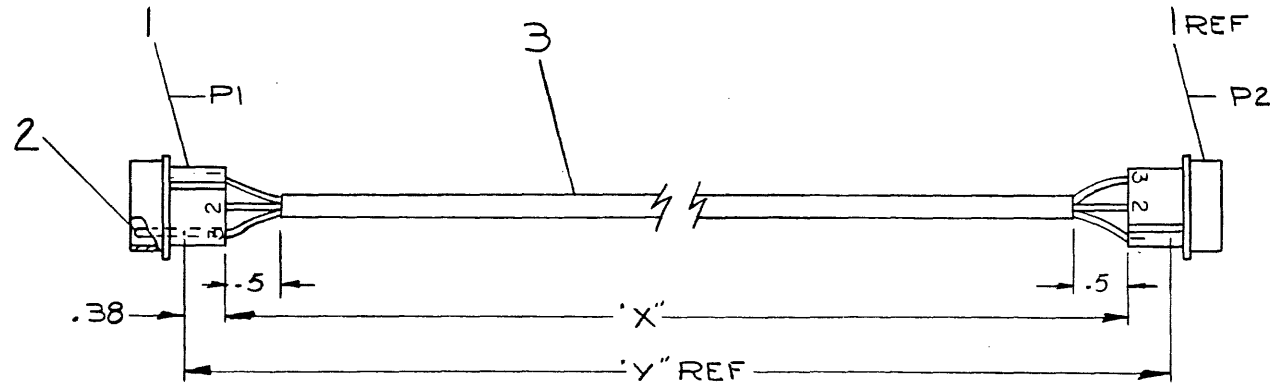
| ITEM NO | DESCRIPTION |       | FROM       |      | TO         |      |
|---------|-------------|-------|------------|------|------------|------|
|         | AWG         | COLOR | CONNECTION | WITH | CONNECTION | WITH |
| 3       | 22          | RED   | PI-1       | 2    | P2-1       | 2    |
| 3       | 22          | BLK   | PI-2       | 2    | P2-2       | 2    |
| 3       | 22          | GRN   | PI-3       | 2    | P2-3       | 2    |

### LEGEND

| NUMBER     | DIM'X VARIATION  | DIM'Y (PRECUT) REF    |
|------------|------------------|-----------------------|
| 7008288-3F | 3FT. 6IN ± 1 IN. | 3FT. 6.8 IN ± 1 IN.   |
| 7008288-8F | 8FT. 6IN ± 2 IN. | 8FT. 6.8 IN ± 2 IN.   |
| 7008288-06 | 6FT. ± 2 IN.     | 6FT. 0.8 IN ± 2 IN.   |
| 7008288-12 | 12FT. ± 3 IN.    | 12FT. 0.8 IN ± 3 IN.  |
| 7008288-05 | 5FT. ± 1 IN.     | 5FT. 0.8 IN ± 2 IN.   |
| 7008288-10 | 10FT. ± 2 IN.    | 10FT. 0.8 IN ± 3 IN.  |
| 7008288-15 | 15FT. ± 3 IN.    | 15FT. 0.8 IN ± 3 IN.  |
| 7008288-08 | 8FT. ± 2 IN.     | 8FT. 0.8 IN ± 2 IN.   |
| 7008288-30 | 30FT. ± 7 IN.    | 30FT. 0.8 IN ± 7 IN.  |
| 7008288-40 | 40FT. ± 10 IN.   | 40FT. 0.8 IN ± 10 IN. |
| 7008288-25 | 25FT. ± 10 IN.   | 25FT. 0.8 IN ± 10 IN. |

### NOTES

THE REMAINING BLK WIRE IS TO BE CUT BACK AT JACKET (BOTH ENDS)



| REV. | CHANGE NO.    | REV. |
|------|---------------|------|
| A    | 1008288-00001 | A    |
| B    | 1008288-00002 | B    |
| C    | 1008288-00003 | C    |
| D    | 1008288-00004 | D    |
| E    | 1008288-00005 | E    |
| F    | 1008288-00006 | F    |
| G    | 1008288-00007 | G    |
| H    | 1008288-00008 | H    |
| J    | 1008288-00009 | J    |

FIRST USED ON OPTION/MODEL  
PDP/11

|                                      |                               |              |
|--------------------------------------|-------------------------------|--------------|
| UNLESS OTHERWISE SPECIFIED           | DRN. <i>[Signature]</i>       | DATE 3/20/71 |
| UNLESS OTHERWISE SPECIFIED           | CHK'D <i>[Signature]</i>      | DATE 3-31-71 |
| DIMENSION IN INCHES                  | ENG. <i>[Signature]</i>       | DATE 4-2-71  |
| TOLERANCES                           | PROJ. ENG. <i>[Signature]</i> | DATE 4-7-71  |
| DECIMALS FRACTIONS ANGLES            | PROD. <i>[Signature]</i>      | DATE 3-24-71 |
| ±.008 ±.004 ±.030                    |                               |              |
| FINAL SURFACE QUALITY                |                               |              |
| REMOVE BURRS AND BREAK SHARP CORNERS |                               |              |
| MATERIAL                             |                               |              |
| SEE PARTS LIST                       |                               |              |
| FINISH                               |                               |              |

| QTY. | DESCRIPTION               | PART NO.   | ITEM NO. |
|------|---------------------------|------------|----------|
|      | A/R WIRE, 3 COND #22AWG   | 9107756    | 3        |
|      | 6 PIN MALE #60620-1       | 1209378-03 | 2        |
|      | 2 PIN HOUSING #1-480305-0 | 1209351-03 | 1        |

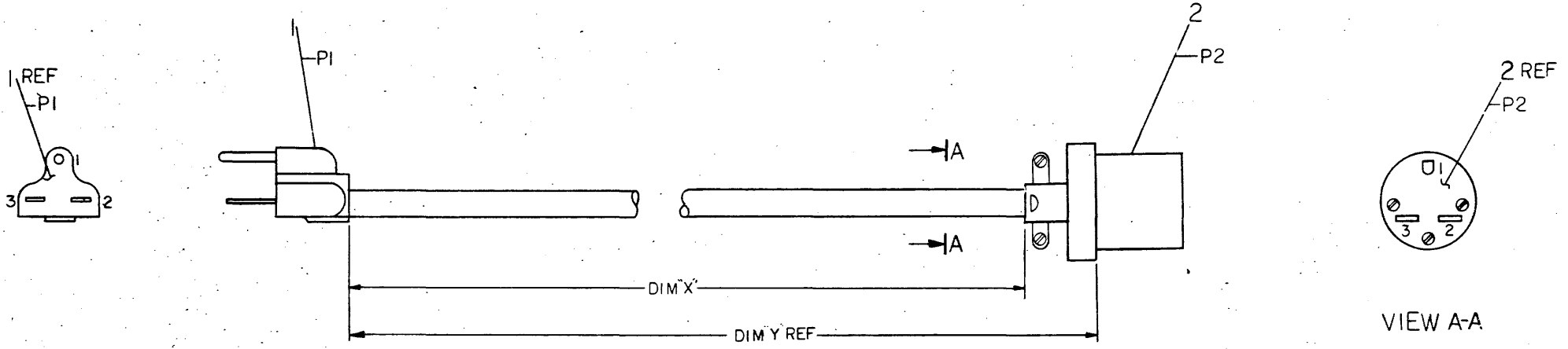
  

|                               |              |  |  |
|-------------------------------|--------------|--|--|
| UNLESS OTHERWISE SPECIFIED    |              | PARTS LIST   |  |
| DRN. <i>[Signature]</i>       | DATE 3/20/71 | <br><b>digital</b> EQUIPMENT CORPORATION<br>MAYNARD, MASSACHUSETTS |  |
| CHK'D <i>[Signature]</i>      | DATE 3-31-71 |  |  |
| ENG. <i>[Signature]</i>       | DATE 4-2-71  |  |  |
| PROJ. ENG. <i>[Signature]</i> | DATE 4-7-71  |  |  |
| PROD. <i>[Signature]</i>      | DATE 3-24-71 |  |  |
| MATERIAL                      |              | TITLE  |  |
| SEE PARTS LIST                |              | CABLE ASSY   |  |
| FINISH                        |              | NEXT HIGHER .755"V   |  |
| SCALE                         |              | D-UA-RK02-0-0  |  |
| SHEET 1 OF 1                  |              | SIZE CODE NUMBER REV.  |  |
|                               |              | CIA 7008288-0-0 J  |  |

SIZE CODE NUMBER REV.  
CIA 7008288-0-0 J

| WIRE TABLE |             |      |      |         |            | LEGEND          |                     |  |
|------------|-------------|------|------|---------|------------|-----------------|---------------------|--|
| ITEM NO    | DESCRIPTION | FROM | TO   | REMARKS | NUMBER     | DIM X VARIATION | DIM Y (PRE CUT) REF |  |
| 1          | 18 GRN/YEL  | PI-1 | P2-1 | 2       | 7014308-03 | 3' 0" ±.25"     | 3' 1.5" ±.25"       |  |
|            | 18 BROWN    | PI-2 | P2-2 | 2       | 7014308-06 | 6' 0" ±.25"     | 6' 1.5" ±.25"       |  |
|            | 18 BLUE     | PI-3 | P2-3 | 2       | 7014308-09 | 9' 0" ±.25"     | 9' 1.5" ±.25"       |  |

THIS DRAWING AND SPECIFICATION ARE THE PROPERTY OF DIGITAL EQUIPMENT CORPORATION AND SHALL NOT BE REPRODUCED OR COPIED IN WHOLE OR IN PART AS THE BASIS FOR THE MANUFACTURE OR SALE OF ITEMS WITHOUT WRITTEN PERMISSION OF DIGITAL EQUIPMENT CORPORATION © 1977.



|   |             |            |   |
|---|-------------|------------|---|
| 2 | TIE CABLE   | 9067031    | 4 |
| 1 | CABLE LABEL | 9009532    | 3 |
| 1 | CONNECTOR   | 9008855-00 | 2 |
| 1 | POWER CORD  | 1700043-00 | 1 |

| DESCRIPTION   | DWG./PART NO.     | ITEM NO.                           |
|---|-------------------|------------------------------------|
| UNLESS OTHERWISE SPECIFIED DIMENSIONS ARE IN INCHES |                   |                                    |
| ANGLES<br>OF 30°                                    | CLASS OF ACCURACY | NOMINAL DIMENSIONS RANGE IN INCHES |
| SURFACE QUALITY                                     | CHECK ONE         | OVER 0 TO 1.2                      |
| IN  | MEDIUM            | 1.2 TO 4.0                         |
| MICROMETRES   | PREFERRED         | 4.0 TO 12.0                        |
|   |                   | 12.0 TO 40.0                       |
|   |                   | 40.0 TO 80.0                       |
|   |                   | 80.0 TO 160.0                      |
|   |                   | 160.0 TO 320.0                     |
|   |                   | 320.0 TO 640.0                     |
|   |                   | 640.0 TO 1280.0                    |
|   |                   | 1280.0 TO 2560.0                   |
|   |                   | 2560.0 TO 5120.0                   |
|   |                   | 5120.0 TO 10240.0                  |

THIRD ANGLE PROJECTION

REMOVE BLURS AND BREAK SHARP CORNERS

DO NOT SCALE DWG

MATERIAL SEE PARTS LIST

FINISH

DRN: *[Signature]*

CHK: *[Signature]*

ENG: *[Signature]*

PROJ. ENG. *[Signature]*

PROD. *[Signature]*

NEXT HIGHER ASSY.

E-UA-11770-0-0

SCALE NONE

SHEET OF DIST.

DESCRIPTION

DWG./PART NO.

ITEM NO.

UNLESS OTHERWISE SPECIFIED DIMENSIONS ARE IN INCHES

ANGLES OF 30°

CLASS OF ACCURACY

NOMINAL DIMENSIONS RANGE IN INCHES

SURFACE QUALITY

IN

MEDIUM

MICROMETRES

PREFERRED

QUANTITY & VARIATION

FIRST USED ON

11780

TITLE

POWER CORD ASSEMBLY

SIZE CODE

D IA

NUMBER

7014308-0-0

REV.

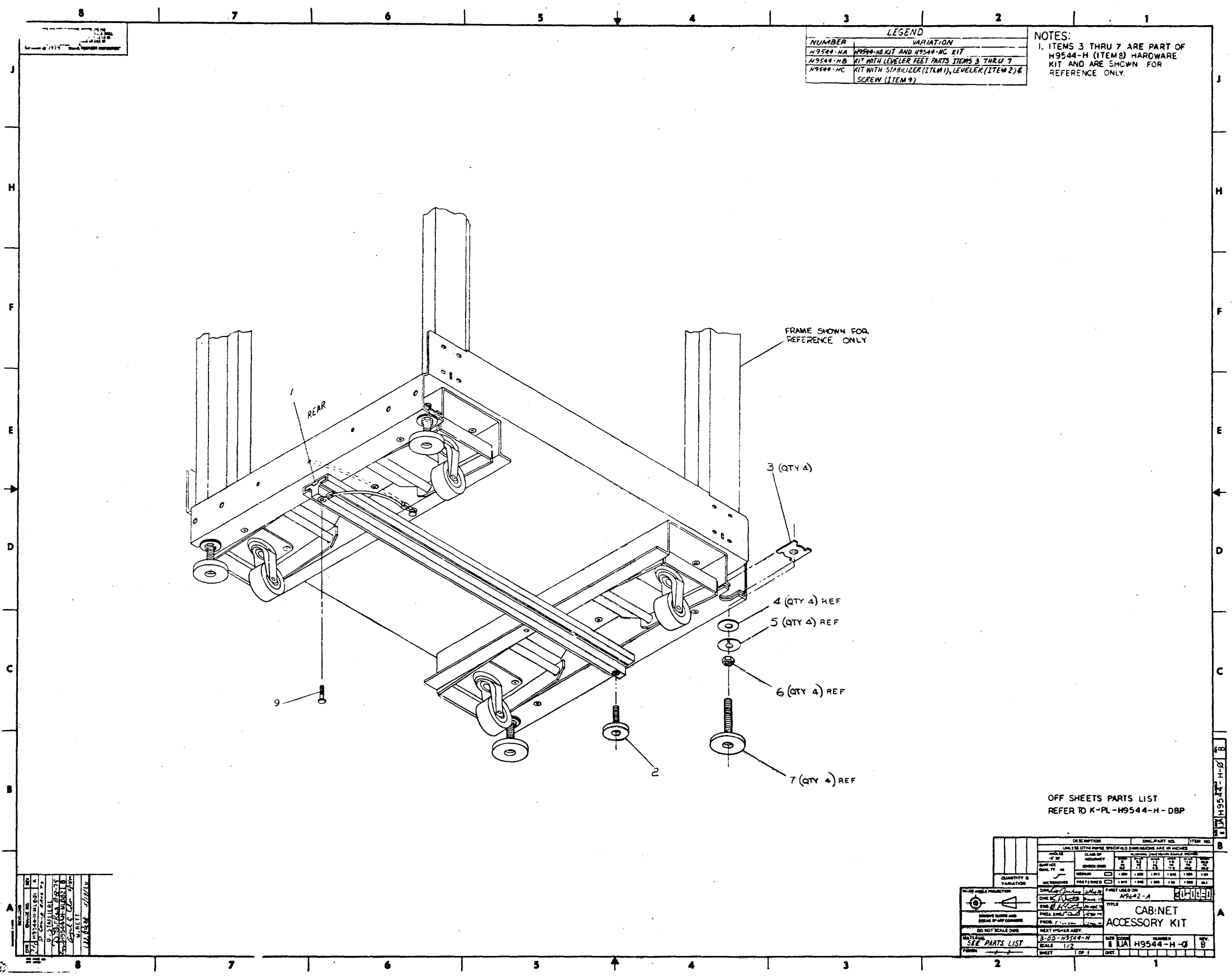
A

|      |      |
|------|------|
| REV. | REV. |
| 1    | A    |
| 2    | B    |
| 3    | C    |
| 4    | D    |
| 5    | E    |
| 6    | F    |
| 7    | G    |
| 8    | H    |









| LEGEND   |   |
|----------|---|
| NUMBER   | VARIATION   |
| H9544-HA | H9544-HB KIT AND H9544-HC KIT                                   |
| H9544-HB | KIT WITH LEVELER FEET PARTS ITEMS 3 THRU 7                      |
| H9544-HC | KIT WITH STABILIZER (ITEM 1), LEVELER (ITEM 2) & SCREW (ITEM 9) |

NOTES:  
 1. ITEMS 3 THRU 7 ARE PART OF H9544-H (ITEM B) HARDWARE KIT AND ARE SHOWN FOR REFERENCE ONLY.

|     |          |           |      |
|-----|----------|-----------|------|
| REV | DATE     | BY        | CHKD |
| 1   | 11/18/54 | W. J. ... | ...  |
| 2   | ...      | ...       | ...  |
| 3   | ...      | ...       | ...  |
| 4   | ...      | ...       | ...  |
| 5   | ...      | ...       | ...  |
| 6   | ...      | ...       | ...  |
| 7   | ...      | ...       | ...  |
| 8   | ...      | ...       | ...  |

OFF SHEETS PARTS LIST  
 REFER TO K-PL-H9544-H-DBP

| DESCRIPTION | QTY | PART NO. | ITEM NO. |
|-------------|-----|----------|----------|
| ROLLER      | 4   | ...      | ...      |
| LEVELER     | 4   | ...      | ...      |
| STABILIZER  | 1   | ...      | ...      |
| SCREW       | 4   | ...      | ...      |

|       |          |       |           |
|-------|----------|-------|-----------|
| DATE  | 11/18/54 | BY    | W. J. ... |
| CHKD  | ...      | DATE  | ...       |
| SCALE | 1/2"     | SHEET | 1 OF 1    |

| LINE | ITEM | DOCUMENT NUMBER  | PART NUMBER | DESCRIPTION                      | QUANTITY PER VARIATION |     |    |
|------|------|------------------|-------------|----------------------------------|------------------------|-----|----|
|      |      |                  |             |                                  | HA                     | HB  | HC |
| 1    | 1    | C-MD-7422204-0-0 | 7422204-00  | EXT FOOT (METAL)                 | -                      | -   | 1  |
| 2    | 2    |                  | 1216373-02  | FOOT,LEVELER 1-3/8 BASE DIA 5/16 | -                      | -   | 1  |
| 3    | 3    |                  | 9008878-00  | NUT,TEE,IRR,BASE 1/2-13 S/ZIN    | -                      | 4   | -  |
| 4    | 4    |                  | 9009026-00  | WASHER, FLAT, .875 O.D. X .515 I | -                      | 4   | -  |
| 5    | 5    |                  | 9009895-00  | WASHER, LOCK, SPLIT, .518 ID X . | -                      | 4   | -  |
| 6    | 6    |                  | 9006596-00  | NUT,HEX , 1/2-13X3/4 AF X 7/     | -                      | 4   | -  |
| 7    | 7    |                  | 9007601-01  | FOOT, LEVELER, CUSHION, 1/2-13,  | -                      | 4   | -  |
| 8    | 8    |                  | 2200022-00  | HARDWARE KIT FOR H9544-H         | -                      | REF | -  |
| 9    | 9    | B-MD-7424417-0-0 | 7424417-00  | SCREW, HEX HEAD                  | -                      | -   | 1  |
| 10   | 10   |                  | H9544-HB    | KIT OF 4 LEVELERS                | 1                      | -   | -  |
| 11   | 11   |                  | H9544-HC    | KIT OF 1 STABILIZER LEG WITH LEV | 1                      | -   | -  |

12 NOTE: ITEMS 3 THRU 7 ARE PART OF H9544-H HARDWARE KIT AND ARE

13 NOTE: LISTED FOR REFERENCE ONLY

| REVISION HISTORY |               |     | BASIC PART NO: H9544     |  | DRN:             | LISE GRAHAM    | DATE: 02-MAR-79      | D I G I T A L         |      |             |     |
|------------------|---------------|-----|--------------------------|--|------------------|----------------|----------------------|-----------------------|------|-------------|-----|
| ENG              | ECO NUMBER    | REV | SECTION A OF A           |  | CHK'D:           | S. ROBERTS     | DATE: 02-MAR-79      | TITLE PARTS LIST      |      |             |     |
| ---              | INITIAL       | *   | SECTION, VARIATION INDEX |  |                  |                |                      | CABINET ACCESSORY KIT |      |             |     |
| DS               | H9544-H-ML001 | A   | [A] HA,HB,HC             |  |                  |                |                      |                       |      |             |     |
| WR               | H9544-H-ML002 | B   | [B]                      |  | DES.ENG.:        | W.F. MC CARTHY | DATE: 02-MAR-79      |                       |      |             |     |
|                  |               |     | [C]                      |  | RESP.ENG.:       | P. DUBE        | DATE: 02-MAR-79      | DOCUMENT NUMBER       |      |             |     |
|                  |               |     | [D]                      |  |                  |                |                      | SIZE                  | CCDE | NUMBER      | REV |
|                  |               |     | [E]                      |  | MFG.ENG.:        | R. CARRIER     | DATE: 02-MAR-79      | K                     | PL   | H9544-H-DBP | B   |
|                  |               |     | [F]                      |  | ASSEMBLY NUMBER: |                | TOP DOCUMENT NUMBER: | FILE NAME:            |      | EDIT #      |     |
|                  |               |     |                          |  | E-UA-H9544-H-0   |                |                      | Z0241B.PLS            |      | 10          |     |

"THIS DRAWING AND SPECIFICATIONS HEREIN, ARE THE PROPERTY OF DIGITAL EQUIPMENT CORPORATION AND SHALL NOT BE REPRODUCED OR COPIED OR USED IN WHOLE OR IN PART AS THE BASIS FOR THE MANUFACTURE OR SALE OF ITEMS WITHOUT WRITTEN PERMISSION. COPYRIGHT (C) 1980. DIGITAL EQUIPMENT CORPORATION"