

THIS DRAWING AND THE SPECIFICATIONS CONTAINED HEREIN ARE CONFIDENTIAL AND PROPRIETARY. THEY ARE THE PROPERTY OF DIGITAL EQUIPMENT CORPORATION AND SHALL NOT BE REPRODUCED OR COPIED OR USED IN WHOLE OR IN PART AS THE BASIS FOR MANUFACTURING OR SALE OF ITEMS WITHOUT WRITTEN PERMISSION. THIS IS AN UNPUBLISHED WORK PROTECTED UNDER THE FEDERAL COPYRIGHT LAWS.

COPYRIGHT 1989
FIELD MAINTENANCE PRINT SET

TABLE OF CONTENTS

		UNIT VARIATIONS COVERED BY THIS PRINT SET		
K-TC-650QS-0-0	650QS PEDESTAL BA213 (TC)			
B-IB-650QS-0-0	I.B. FOR 650QS PEDESTAL SYSTEMS	650QS-A2	FIELD MAINTENANCE PRINT SET	
B-IB-BA213-0-0	I.B. FOR BA213 ENCLOSURE	650QS-A3		
B-IB-RD53A-0-0	I.B. FOR RD53-A DISK DRIVE	650QS-B2		
B-IB-RD54A-0-0	I.B. FOR RD54-A DISK DRIVE	650QS-B3		
B-IB-RA70A-0-0	I.B. FOR RA70-A DISK DRIVE	650QS-C2		
B-IB-OTK50-0-0	I.B. FOR TK50 TAPE DRIVE	650QS-C3		
B-IB-TK70A-0-0	I.B. FOR TK70-A TAPE DRIVE	650QS-D2		DIGITAL EQUIPMENT CORPORATION
K-DD-650QS-0-0	650QS PEDESTAL BA213 (DD TOP DOC)	650QS-D3		PRINT SET ORDER NO .
K-DD-5417016-0-0	H3600 CONSOLE SLU MODULE (DD ONLY)	650QS-E2		MP-02538-01 REV D1
D-UA-5417016-0-0	H3600 CONSOLE SLU MODULE	650QS-E3		
K-PL-5417016-0-DBP	H3600 CONSOLE MODULE (PL)	650QS-F2		
K-CS-5417016-0-DBX	H3600 CONSOLE SLU MODULE	650QS-F3		
K-DD-5417079-0-0	EMI FILTER BOARD (DD ONLY)	650QS-H2		
D-UA-5417079-0-0	EMI FILTER BOARD	650QS-H3		
K-PL-5417079-0-DBP	EMI FILTER BOARD (PL)	650QS-J2		
K-CS-5417079-0-DBX	EMI FILTER BOARD	650QS-J3		
K-DD-5416791-0-0	BA213 BACKPLANE (DD ONLY)	650QS-K2		
E-UA-5416791-0-0	BA213 BACKPLANE	650QS-K3		
K-PL-5416791-0-DBP	BA213 BACKPLANE (PL)	650QS-L2		
D-CS-5416791-0-1	BA213 BACKPLANE	650QS-L3		
K-DD-M7620-0-0	KA650 (DD ONLY)	650QS-M2		
D-UA-M7620-0-0	KA650	650QS-M3		
K-PL-M7620-0-DBP	KA650 (PL)	650QS-N2		
A-PS-1701360-0-0	CABLE ASSY, 18 AWG, W/FEMALE FAN CONNECTORS	650QS-N3		
A-PS-1701898-0-0	CABLE ASSY, 50 COND			
B-DD-H7868-0-0	S-BOX POWER SUPPLY (DD ONLY)			
B-DD-MS650-AA	8 MB ECC MOS MEMORY (DD ONLY)			
K-PL-MS650-AA-DBP	8 MB ECC MOS MEMORY (PL)			

REVISION HISTORY			CONT. REVISION HISTORY			MADE BY : J. CORMIER	DIGITAL				TM			
REV	ECO NUMBER	DATE	REV	ECO NUMBER	DATE	DATE : 17-APR-87	d	i	g	i	t	a	l	TM
A	INITIAL	- -				CHECKED BY : D. HEALY	TITLE: FIELD MAINTENANCE PRINT SET							
B	CTS002	05-MAY-88				DATE : 24-AUG-87	650QS PEDESTAL							
C	CTS003	18-OCT-88				PROJECT ENGR : G. LIDINGTON	BA213							
D	MK004	27-FEB-89				DATE : 24-AUG-87								
E	MK005	08-AUG-89				RSPBLE ENGR : G. LIDINGTON	SIZE CODE DOCUMENT NUMBER REV.							
F	MK007	11-OCT-89				DATE : 24-AUG-87	K TC 650QS-0-0 F							
						FIELD SERVICE : W. ANDREWS	SHEET 1 OF 1 EDIT : 7							
						DATE : 24-AUG-87								

THIS DRAWING AND SPECIFICATIONS HEREIN ARE THE PROPERTY OF DIGITAL EQUIPMENT CORPORATION AND SHALL NOT BE REPRODUCED OR COPIED OR USED IN WHOLE OR IN PART AS THE BASIS FOR THE MANUFACTURE OR SALE OF ITEMS WITHOUT WRITTEN PERMISSION. COPYRIGHT © DIGITAL EQUIPMENT CORPORATION

NOTES:



ILLUSTRATED PARTS BREAKDOWN

650QS PEDESTAL SYSTEM

HOW TO USE THE IPB

GENERAL

This IPB is compiled following the organization and nomenclature of the engineering drawing structure.

MAJOR ASSEMBLY LOCATOR (When Applicable)

The Major Assembly Locator (first illustration) is an index that provides a description and a figure reference for all illustrations used in this manual.

INDENTED PARTS LIST

This manual identifies each assembly being broken down (figure reference callout), and all parts of that assembly. Further breakdown of an assembly is shown by an asterisk (*) preceding the item callouts in the Description Column. The number of asterisks preceding an item is used to denote the subordination of that item with respect to the Major Assembly. A single asterisk preceding an item description indicates that the item is part of the major assembly being illustrated. Items that are subordinate to single asterisks items, are denoted by two asterisks (**) and immediately follow the related single asterisk item. This system of part identification provides a means for the user to identify the next higher assembly item and make alternate selections for parts when the required replacement part of assembly is not immediately available.

COLUMN CALLOUT DESCRIPTION

Figure and Item - Indicates the figure number and item number of each part.

Description - Lists the name of the part and pertinent specifications (when required). Asterisks preceding the description denote the subordination of the part to the next higher assembly.

DEC Part No. - Lists the Digital part ordering number. A blank in this column indicates a Digital part number was not assigned at the time of publication.

ECO Cut-In - The notation at the top of this column indicates the ECO level of the system (option), at which the IPB was initially prepared. Subsequent ECO level designations, that modify existing parts or add new parts to the device, are inserted in the ECO Cut-In column next to the part that is added or modified.

Used On Code - Letters in this column correspond to the variation codes assigned in Figure 1. Parts with an Alpha notation(s) are used only in those option variations. A blank indicates that the part is used on all option variations.

Ref Fig No. - A cross reference between illustrations. For each Major Assembly, the number in this column denotes the figure of the next higher assembly.

For all subassemblies, the number in this column denotes the figure showing additional detailed breakdown.

PART NUMBER/PART DESCRIPTION SORT SECTION
Parts are sorted both numerically and alphabetically by description, referenced to a location within the IPB, by figure number and item number.

REVISION HISTORY

PRINTING	ECO LEVEL		DATE	OTHER IPB MANUALS REFERENCED
3rd Printing	650QS	00000-00007	04-DEC-89	EK-BA213-IP
	70-24227	00002-00002		
	70-23988	00000-00001		
	70-24046	00001-00002		
	70-24037	00001-00003		
	70-24041	00000-00000		

Digital Equipment Corporation reserves the right, without notice, to make substitutions and modifications in the specifications of products documented in this manual and further reserves the right to withdraw any of these products from the market without notice.

Digital Equipment Corporation is not responsible for errors which may appear in the technical description (including illustrations and photographs) of the products covered by this manual.

None of the descriptions contained in this manual imply the granting of any license whatsoever to make, use or sell equipment constructed in accordance therewith.

Copyright © 1989 by Digital Equipment Corporation. All rights reserved.

The following are trademarks of Digital Equipment Corporation :



DEC
DECUS
MicroVAX
MicroVAX 3500
MS650-AA
MS650-BA
PDP
rvVAX 3500
TK
UNIBUS
VAX
VAXserver 3500

Printed in U.S.A.

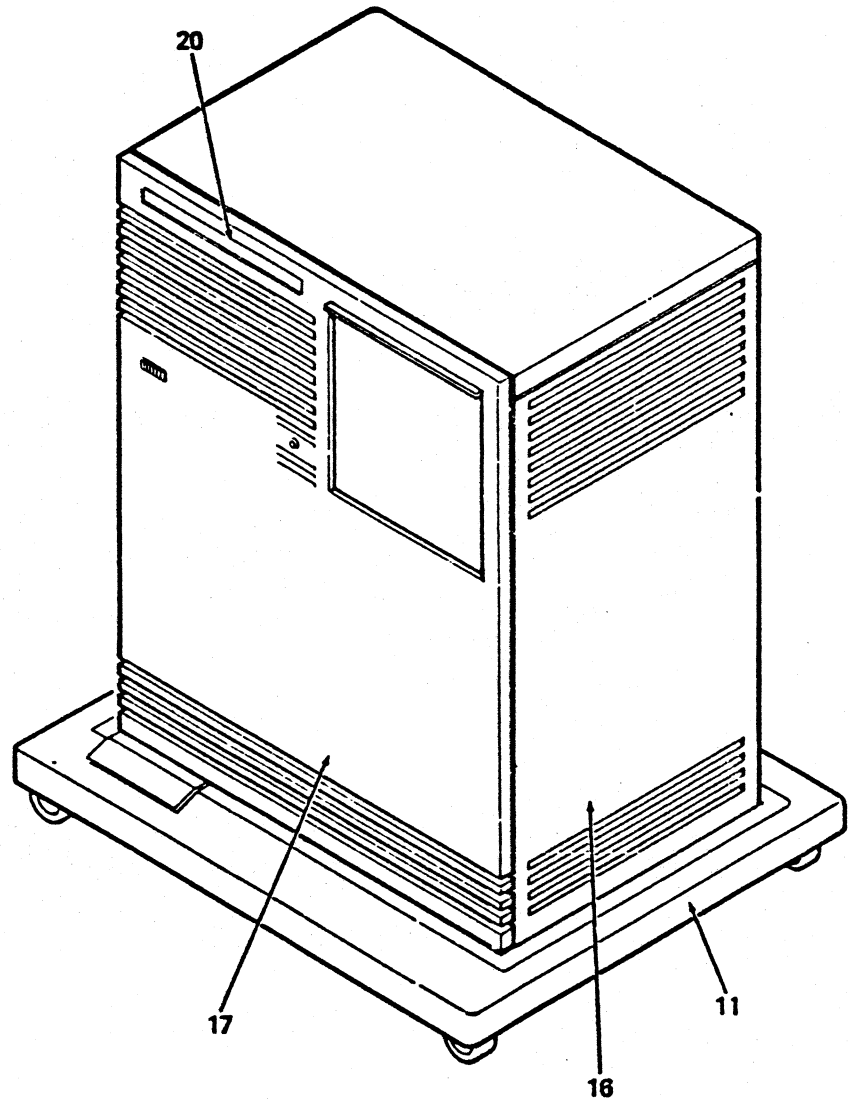
REVISION HISTORY	REV	C
ECO NUMBER	B-1B-650QS	LJ0001
DATE	12-89	

IPB WRITER	D. RYAN	DATE	5-27-88	TITLE	ILLUSTRATED
CHK'D	R. CHRISTENSEN	DATE	5-27-88		BREAKDOWN FOR
ENGINEERING	R. LIGENZA	DATE	5-27-88		650QS PEDESTAL SYSTEM
CSSE		DATE		DOCUMENT NUMBER	
OTHER		DATE			
NEXT HIGHER DOC				SCALE	1/1
				SHEET	1 OF 17

THESE DRAWINGS AND THE SPECIFICATIONS CONTAINED HEREIN ARE CONFIDENTIAL AND PROPRIETARY. THEY ARE THE PROPERTY OF DIGITAL EQUIPMENT CORPORATION AND SHALL NOT BE REPRODUCED OR COPIED OR USED IN WHOLE OR IN PART AS THE BASIS FOR THE MANUFACTURE OR SALE OF ITEMS WITHOUT WRITTEN PERMISSION. THIS IS AN UNPUBLISHED WORK PROTECTED UNDER THE FEDERAL COPYRIGHT LAWS. 1988

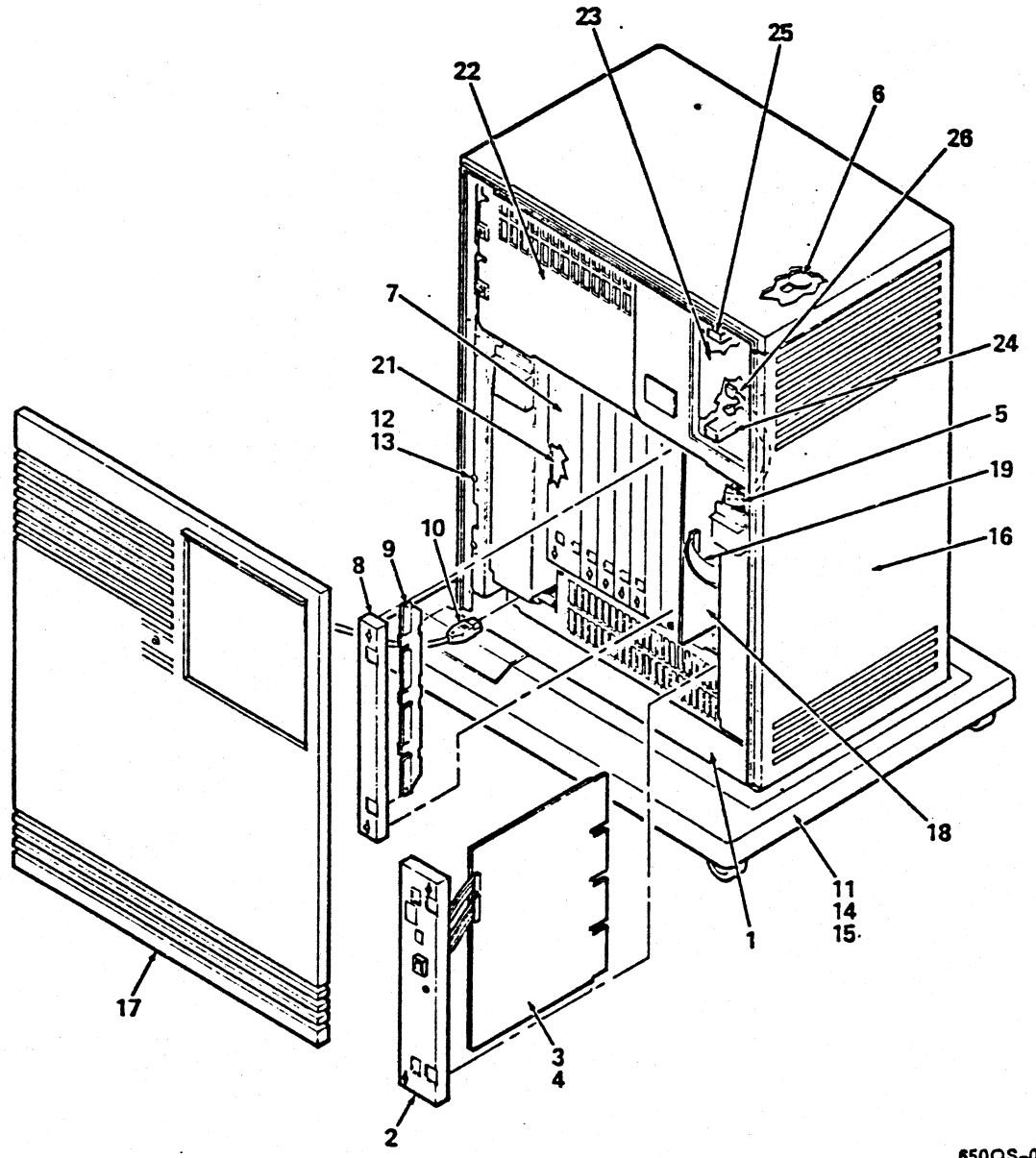
PARTS LIST

PARTS LIST



650QS-01-BD

Figure 1. 650QS Pedestal System (Sheet 1 of 2)



650QS-01A-BD

Figure 1. 650QS Pedestal System (Sheet 2 of 2)

TITLE	ILLUSTRATED BREAKDOWN	SIZE	CODE	NUMBER	REV
	FOR 650QS PEDESTAL SYSTEM	B	IB	650QS-0-0	C
SCALE	1/1	SHEET	2 OF 17	DIST	

THIS DRAWING AND THE SPECIFICATIONS CONTAINED HEREIN ARE CONFIDENTIAL AND PROPRIETARY. THEY ARE THE PROPERTY OF DIGITAL EQUIPMENT CORPORATION AND SHALL NOT BE REPRODUCED OR COPIED OR USED IN WHOLE OR IN PART AS THE BASIS FOR THE MANUFACTURE OR SALE OF ITEMS WITHOUT WRITTEN PERMISSION. THIS IS AN UNPUBLISHED WORK PROTECTED UNDER THE FEDERAL COPYRIGHT LAWS. 1989

FIG. & ITEM NO.	DESCRIPTION	DEC PART NO.	ECO CUT-IN 650QS 00000	USED ON CODE	REF FIG NO.
1-	650QS PEDESTAL SYSTEM				
	Code A - Used on 650QS-A2 120V (Timeshare, w/o Skins)	650QS-A2		A	
	Code B - Used on 650QS-A3 240V (Timeshare, w/o Skins)	650QS-A3		B	
	Code C - Used on 650QS-B2 120V (Timeshare, w/Skins)	650QS-B2		C	
	Code D - Used on 650QS-B3 240V (Timeshare, w/Skins)	650QS-B3		D	
	Code E - Used on 650QS-C2 120V (Timeshare, w/o Skins, Rack Kit)	650QS-C2		E	
	Code F - Used on 650QS-C3 240V (Timeshare, w/o Skins, Rack Kit)	650QS-C3		F	
	Code G - Used on 650QS-D2 120V (Timeshare, w/o Skins, Wall Kit)	650QS-D2		G	
	Code H - Used on 650QS-D3 240V (Timeshare, w/o Skins, Wall Kit)	650QS-D3		H	
	Code J - Used on 650QS-E2 120V (Server, w/o Skins)	650QS-E2		J	
	Code K - Used on 650QS-E3 240V (Server, w/o Skins)	650QS-E3		K	
	Code L - Used on 650QS-F2 120V (Server, w/Skins)	650QS-F2		L	
	Code M - Used on 650QS-F3 240V (Server, w/Skins)	650QS-F3		M	
	Code N - Used on 650QS-H2 120V (Server, w/o Skins, Rack Kit)	650QS-H2		N	
	Code P - Used on 650QS-H3 240V (Server, w/o Skins, Rack Kit)	650QS-H3		P	
	Code Q - Used on 650QS-J2 120V (Server, w/o Skins, Wall Kit)	650QS-J2		Q	
	Code R - Used on 650QS-J3 240V (Server, w/o Skins, Wall Kit)	650QS-J3		R	
	Code S - Used on 650QS-K2 120V (Timeshare/ 8 Meg. Memory, w/Skins) (added)	650QS-K2	00002	S	
	Code T - Used on 650QS-K3 240V (Timeshare/ 8 Meg. Memory, w/Skins) (added)	650QS-K3	00002	T	
	Code U - Used on 650QS-L2 120V (Timeshare/ 16 Meg. Memory, w/Skins) (added)	650QS-L2	00004	U	
	Code V - Used on 650QS-L3 240V (Timeshare/ 16 Meg. Memory, w/Skins) (added)	650QS-L3	00004	V	
	Code W - Used on 650QS-M2 120V (Server/ 16 Meg. Memory, w/Skins) (added)	650QS-M2	00004	W	

FIG. & ITEM NO.	DESCRIPTION	DEC PART NO.	ECO CUT-IN 650QS 00000	USED ON CODE	REF FIG NO.
1-	Code X - Used on 650QS-M3 240V (Server/ 16 Meg. Memory, w/Skins) (added)	650QS-M3	00004	X	
	Code Y - Used on 650QS-N2 120V (Server/8 Meg. Memory, w/Skins) (added)	650QS-N2	00004	Y	
	Code Z - Used on 650QS-N3 240V (Server/8 Meg. Memory, w/Skins) (added)	650QS-N3	00004	Z	
1	*ENCLOSURE ASSEMBLY, BA213 2 PS 120V	70-24227-03		ACEGJL NQSUWY	1A
	*ENCLOSURE ASSEMBLY, BA213 2 PS 120V	70-24227-04		BDFHKM PRTVXZ	1A
2	*BULKHEAD ASSEMBLY, H3600 MODULE	70-23988-01			2
3	*Module, MVAX CPU	M7620-AA		A-H, S-V	
4	*Module, MVAX CPU, (w/Mod ROM Code)	M7620-BA		J-R, W-Z	
5	*Frame, Switch	74-35417-01		CDLM S-Z	
6	*Plug, Button	90-07064-00		AB, E-K N-R	
7	*Bulkhead Assembly, Front Dual	70-23982-02			
8	*Bulkhead Assembly, Front	70-23981-01			
9	*Panel Assembly, Gap Filler	70-24071-01			
10	*Cord, Power	17-00083-43		ACEGJL NQSUWY	
11	*BASE ASSEMBLY	70-24046-01			3
12	*Screw, Self-Tap Phi Pan Hd No. 8-16 x 1/2	90-09800-08		CDLM S-Z	
13	*Washer, Flat	90-06661-00		CDLM S-Z	
14	*Screw, Sems Phi Pan Hd No. 10-32 x 15/16 (Also shown on Fig 3, as Item 9 for Clarity)	90-09282-00		CDLM S-Z	
15	*Fastener, Turn (Also shown on Fig 3, as Item 8 for Clarity)	74-33854-01		CDLM S-Z	
16	*ENCLOSURE ASSEMBLY, SHELL	70-24037-01		CDLM S-Z	4
17	*PANEL ASSEMBLY, FRONT	70-24041-01		CDLM S-Z	5
18	*Module, 8 Meg RAM Memory	MS650-AA		STYZ	
	*Module, 16 Meg RAM Memory	MS650-BA		U-X	

TITLE ILLUSTRATED BREAKDOWN FOR 650QS PEDESTAL SYSTEM B|B NUMBER 650QS-0-0 REV C
SCALE 1/1 SHEET 3 OF 17 DIST

THIS DRAWING AND THE SPECIFICATIONS CONTAINED HEREIN ARE CONFIDENTIAL AND PROPRIETARY. THEY ARE THE PROPERTY OF DIGITAL EQUIPMENT CORPORATION AND SHALL NOT BE REPRODUCED OR COPIED OR USED IN WHOLE OR IN PART AS THE BASIS FOR THE MANUFACTURE OR SALE OF ITEMS WITHOUT WRITTEN PERMISSION. THIS IS AN UNPUBLISHED WORK PROTECTED UNDER THE FEDERAL COPYRIGHT LAWS. 1989

FIG. & ITEM NO.	DESCRIPTION	DEC PART NO.	ECO CUT-IN 650QS 00000	USED ON CODE	REF FIG NO.
1-19	*Cable Assembly, 50 Cond Flat	17-01898-01		S-Z	
	*Cable Assembly, 50 Cond Flat	17-01898-02		S-Z	
	*Cable Assembly, 50 Cond Flat	17-01898-03		S-Z	
20	*Nameplate, MicroVAX 3500	74-34425-07		S-V	
	*Nameplate, VAXserver 3500	74-34425-09		W-Z	
	*Nameplate, rtVAX 3500	74-34425-14		W-Z	
21	*Module, Load	M9060-YA			
22	*Panel, Front (See Notes 1 and 2)	70-23995-04		S-Z	
23	*Panel, 5 1/4" Tape Drive Filler (See Note 1)	74-36425-01		S-Z	
24	*Mount Assembly, Bottom Shock (See Note 1) (Replaces 70-23997-01)	70-25452-03	00007		
25	*Mount Assembly, Top Shock (See Note 1) (Replaces 70-23997-02)	70-25452-04	00007		
26	*Harness Assembly, (See Notes 1 and 2)	17-01362-01		S-Z	
	NOTE 1: These items installed on diskless tapeless systems.				
	NOTE 2: These items installed on systems which contain a tape drive, but do not include a disk controller				

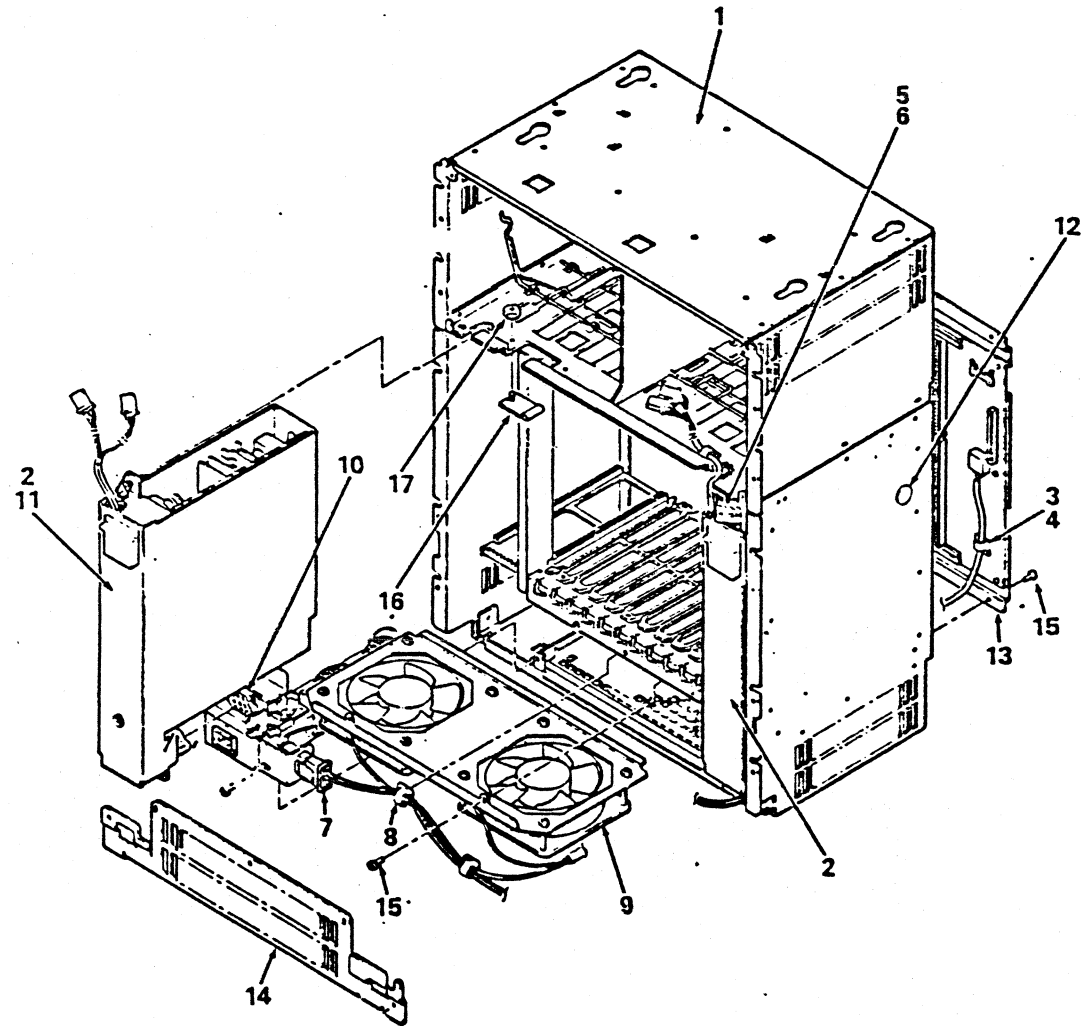
FIG. & ITEM NO.	DESCRIPTION	DEC PART NO.	ECO CUT-IN 650QS 00000	USED ON CODE	REF FIG NO.
1-	KITS (Not Shown)				
	*KIT, BIZ ACCESSORIES (w/o Skins)	70-24316-01		AEGJNQ	
	**Cable Assembly	17-00811-02			
	**Connector, Adaptor	12-23599-01			
	**Screwdriver, Flat Blade	47-00042-01			
	**Label, "S-Box, Module Utilization"	36-27923-01			
	*KIT, BIZ ACCESSORIES (w/Skins)	70-24316-02		CLSUWY	
	**Key, Plastic	12-17119-01			
	**Cable Assembly	17-00811-02			
	**Connector, Adaptor	12-23599-01			
	**Screwdriver, Flat Blade	47-00042-01			
	**Label, "S-Box, Module Utilization"	36-27923-01			
	*KIT, BIZ ACCESSORIES(w/o Skins)(added)	70-24316-03	00001	BFHKPR	
	**Cable Assembly	17-01364-02			
	**Connector, Adaptor	12-23599-01			
	**Connector, Adaptor	12-23599-05			
	**Screwdriver, Flat Blade	47-00042-01			
	**Label, "S-Box, Module Utilization"	36-27923-01			
	*KIT, BIZ ACCESSORIES(w/o Skins)(added)	70-24316-04	00001	DMTVXZ	
	**Key, Plastic	12-17119-01			
	**Connector, Adaptor	12-23599-01			
	**Connector, Adaptor	12-23599-01			
	**Cable Assembly	17-01364-02			
	**Screwdriver, Flat Blade	47-00042-01			
	**Label, "S-Box, Module Utilization"	36-27923-01			
	*KIT, BA213 LARGE S-BOX RACK MOUNT	BA213-RA		EFNP	
	**Guide, Rack Mount Installation	EK-213RA-IN			
	**Hardware, Rack Mount	70-24263-02			
	***Support, Mounting	74-34638-01			
	***Screw, Sems Phi Pan Hd No.10-32 x 1/2	90-09700-00			
	***U-Nut, Retainer	90-07786-00			
	*KIT, BA213 LARGE S-BOX WALL MOUNT	BA213-WA		GHQR	
	**Guide, Wall Mount Installation	EK-213WA-IN			
	**Hardware, Wall Mount	70-24263-01			
	**Bracket, Wall Mount	74-34432-01			
	***Screw, Sems Phi Pan Hd No. 10-32 x 3/8	90-09228-10			

THESE DIMENSIONS AND THE SPECIFICATIONS CONTAINED HEREIN ARE CONFIDENTIAL AND PROPRIETARY. THEY ARE THE PROPERTY OF DIGITAL EQUIPMENT CORPORATION AND SHALL NOT BE REPRODUCED OR COPIED OR USED IN WHOLE OR IN PART AS THE BASIS FOR THE MANUFACTURE OR SALE OF ITEMS WITHOUT WRITTEN PERMISSION. THIS IS AN UNPUBLISHED WORK PROTECTED UNDER THE FEDERAL COPYRIGHT LAWS. 1989

FIG. & ITEM NO.	DESCRIPTION	DEC PART NO.	ECO CUT-IN 650QS 00000	USED ON CODE	REF FIG NO.
1-	LABELS (Not Shown)				
	*Label, "Module Number M7620-AA"	36-26883-44		A-H,S-V	
	*Label, "Module Number M7620-BA"	36-26883-56		J-R,W-Z	
	*Label, "Module Number M7621-A"	36-26883-42		STYZ	
	*Label, "Module Number M7622-A"	36-26883-43		U-X	
	*Label, "Module Number M9060-YA"	36-26883-17			
	*Label, "Postcard FTZ"	36-21232-52		BDFHJM PRTVXZ	
	*Label, "Warning Equipment Rating 100-120V"	36-17905-16		ACEGJL NQSUWY	
	*Label, "Warning Equipment Rating 220-240V"	36-17905-17		BDFHKM PRTVXZ	
	*Label, "Serial/Model, 100V Made in USA"	36-27329-01		ACEGJL NQSUWY	
	*Label, "Serial/Model 100V Made in UK"	36-27329-02		ACEGJL NRSUWY	
	*Label, "Serial/Model 220V Made in USA"	36-27329-03		BDFHKM PRTVXZ	
	*Label, "Serial/Model 220V Made in UK"	36-27329-04		BDFHKM PRTVXZ	
	*Label, "Pedestal, USA, 100V"	36-27838-01		CLSUWY	
	*Label, "Pedestal, UK, 100V"	36-27838-02		DMTVXZ	
	*Label, "Pedestal, USA 220V"	36-27838-03		DMTVXZ	
	*Label, "Pedestal, UK, 220V"	36-27838-04		CLSUWY	
	*Label, "Caution S-Box Shipping"	36-27924-01			
	*Label, "MicroVAX 3500"	36-27354-12		E-H	
	*Label, "VAXserver 3500"	36-27354-14		N-R	
	*Label, "rtVAX 3500"	36-27354-22		N-R	
	*Label, "MicroVAX 3500, DSSI"	36-27354-29		E-H	
	*Label, "VAXserver 3500, DSSI"	36-27354-30		N-R	
	*Label, "rtVAX 3500, DSSI"	36-27354-31		N-R	
	*Label, "BA2XX" (added)	36-29163-07	00007		

THIS DRAWING AND THE SPECIFICATIONS CONTAINED HEREIN ARE CONFIDENTIAL AND PROPRIETARY. THEY ARE THE PROPERTY OF DIGITAL EQUIPMENT CORPORATION AND SHALL NOT BE REPRODUCED OR COPIED OR USED IN WHOLE OR IN PART AS THE BASIS FOR THE MANUFACTURE OR SALE OF ITEMS WITHOUT WRITTEN PERMISSION. THIS IS AN UNPUBLISHED WORK PROTECTED UNDER THE FEDERAL COPYRIGHT LAWS. 1988

PARTS LIST



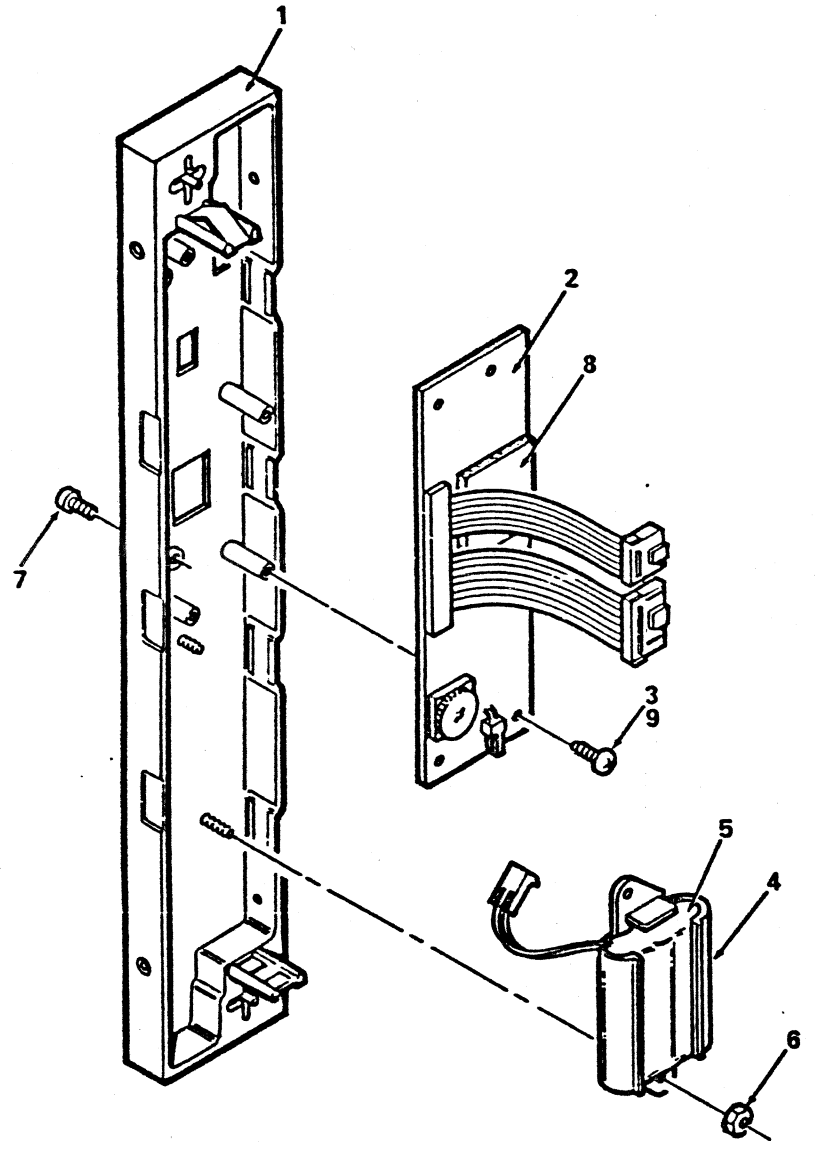
650QS-01B-BD

Figure 1A. Enclosure Assembly, BA213

FIG. & ITEM NO.	DESCRIPTION	DEC PART NO.	ECO CUT-IN 70-24227 00002	USED ON CODE	REF FIG NO.
1A-	ENCLOSURE ASSEMBLY, BA213 2 PS 120V	70-24227-0C		AC	1
	ENCLOSURE ASSEMBLY, BA213 2 PS 240V	70-24227-04		BD	1
1	*Frame Assembly, BA213 (See IPB Manual EK-BA213-IP)	70-24255-01			
2	*Power Supply Assembly, H7868-A 100/120V	H7868-A		AC	
	*Power Supply Assembly, H7868-B 220/240V (See IPB Manual EK-BA213-IP)	H7868-B		BD	
3	*Clamp, Cable (deleted)	90-08264-00	00007		
4	*Tie, Cable (deleted)	90-07032-00	00007		
5	*Switch Assembly (See IPB Manual EK-BA213-IP)	70-23999-01			
6	*Nut, Kep No. 6-32	90-08185-00			
7	*Cable Assembly	17-01360-01			
8	*Clip, Wire Routing	12-21249-04			
9	*Fan Assembly (See IPB Manual EK-BA213-IP)	70-23998-01			
10	*Input Assembly, Filter (See IPB Manual EK-BA213-IP)	70-23769-01			
11	*Filler, Power Supply Assembly	70-23996-01			
12	*Plug, Button (added)	90-07064-00	00007		
13	*Backplane Assembly, BA213 (See IPB Manual EK-BA213-IP)	70-23712-01			
14	*Panel Assembly, Access	70-25721-01			
15	*Screw, Self Tap Truss Hd No. 6 x 5/16	90-00063-78			
16	*Plate, Cover (added)	74-37040-01	00003		
17	*Nut, Kep No. 6-32 (added)	90-08185-00	00003		

THIS DRAWING AND THE SPECIFICATIONS CONTAINED HEREIN ARE CONFIDENTIAL AND PROPRIETARY. THEY ARE THE PROPERTY OF DIGITAL EQUIPMENT CORPORATION AND SHALL NOT BE REPRODUCED OR COPIED OR USED IN WHOLE OR IN PART AS THE BASIS FOR THE MANUFACTURE OR SALE OF ITEMS WITHOUT WRITTEN PERMISSION. THIS IS AN UNCLASSIFIED WORK PROTECTED UNDER THE FEDERAL COPYRIGHT LAWS. 1988

PARTS LIST



650QS-02-BD

Figure 2. Bulkhead Assembly, H3600 Module

FIG. & ITEM NO.	DESCRIPTION	DEC PART NO.	ECO CUT-IN 70-23988 00000	USED ON CODE	REF FIG NO.
2-	BULKHEAD ASSEMBLY, H3600 MODULE	70-23988-01			1
1	*Bulkhead, Front Dual Assembly	70-23982-03			
2	*Module, SLU Console	54-17016-01			
3	*Screw, Sems Phi Pan Hd No. 6-32 x 5/16 (deleted)	90-09984-07	00002		
4	*Holder, Battery Pack	74-33477-01			
5	*Battery, 3 Cell	12-19245-01			
6	*Nut, Kep No. 4-40	90-06557-00			
7	*Screw, Sems Phi Pan Hd No. 4-40 x 3/8	90-09643-00			
8	*Tape, Foam	90-08228-00			
9	*Screw, Self-Tap Truss Hd No. 6-32 x 5/16 (added)	90-00063-78	00001		
LABELS (Not Shown)					
	*Label, "Baud Select"	36-26584-01			
	*Label, "Blank, Paper, Pin Feed" (deleted)	36-23593-01	00002		
	*Label, "International" (added)	36-20560-54	00001		
	*Label, "International" (added)	36-20560-53	00001		
	*Label, "Kapton Blank"	36-27920-01	00002		
	*Label, "Over Laminate Polyimide"	36-27921-01	00002		
	*Label, "Black"	36-27922-01	00002		
	*Label, "Direct Thermal"	36-28231-08			

THIS DRAWING AND THE SPECIFICATIONS CONTAINED HEREIN ARE CONFIDENTIAL AND PROPRIETARY. THEY ARE THE PROPERTY OF DIGITAL EQUIPMENT CORPORATION AND SHALL NOT BE REPRODUCED OR COPIED OR USED IN WHOLE OR IN PART AS THE BASIS FOR THE MANUFACTURE OR SALE OF ITEMS WITHOUT WRITTEN PERMISSION. THIS IS AN UNPUBLISHED WORK PROTECTED UNDER THE FEDERAL COPYRIGHT LAWS. 1989

FIG. & ITEM NO.	DESCRIPTION	DEC PART NO.	ECO CUT-IN 70-24046 00001	USED ON CODE	REF FIG NO.
3-	BASE ASSEMBLY	70-24046-01		CD	1
1	*Base, Lower	74-33650-01			
2	*Wheel, Base	74-34068-01			
3	*Shaft, Wheel	74-34069-01			
4	*Pin, Roll	90-09385-00			
5	*Screw, Thread Rolling Shoulder	12-26868-01			
6	*Support, Label	74-34846-01			
7	*Screw, Self-Tap Phi Pan Hd No. 6-19 x 3/8	90-09800-06			
8	*Fastener, Turn (See Note)	74-33854-01			
9	*Screw, Sems Phi Pan Hd No. 10-32 x 15/16 (See Note)	90-09282-00			

Note : Item part of Figure 1. Shown here for clarity.

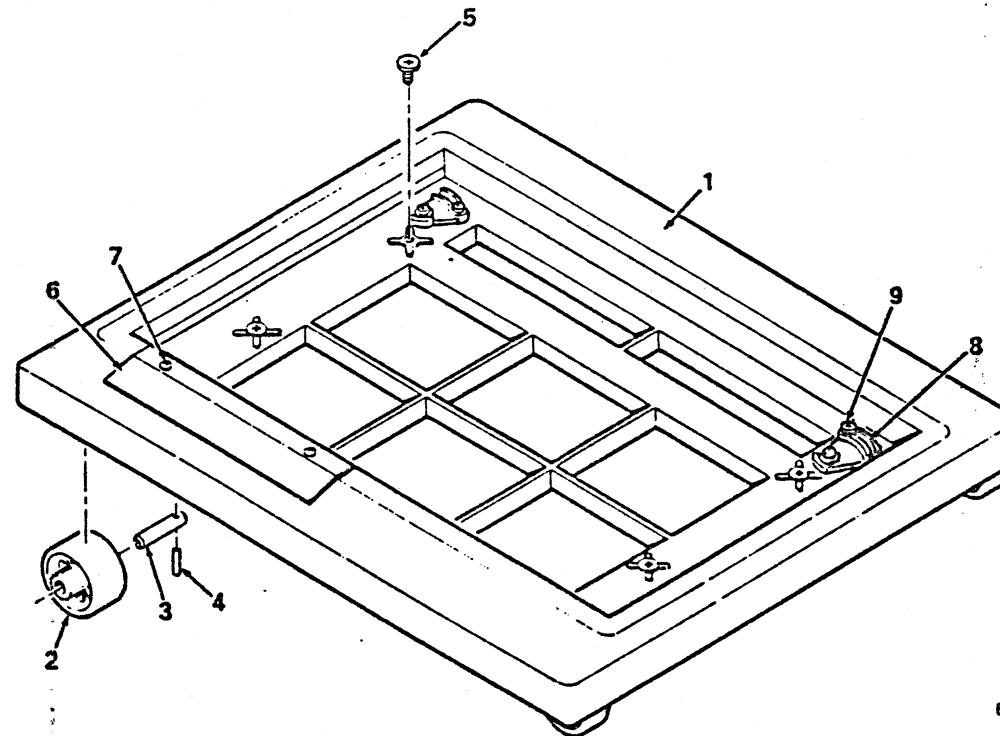
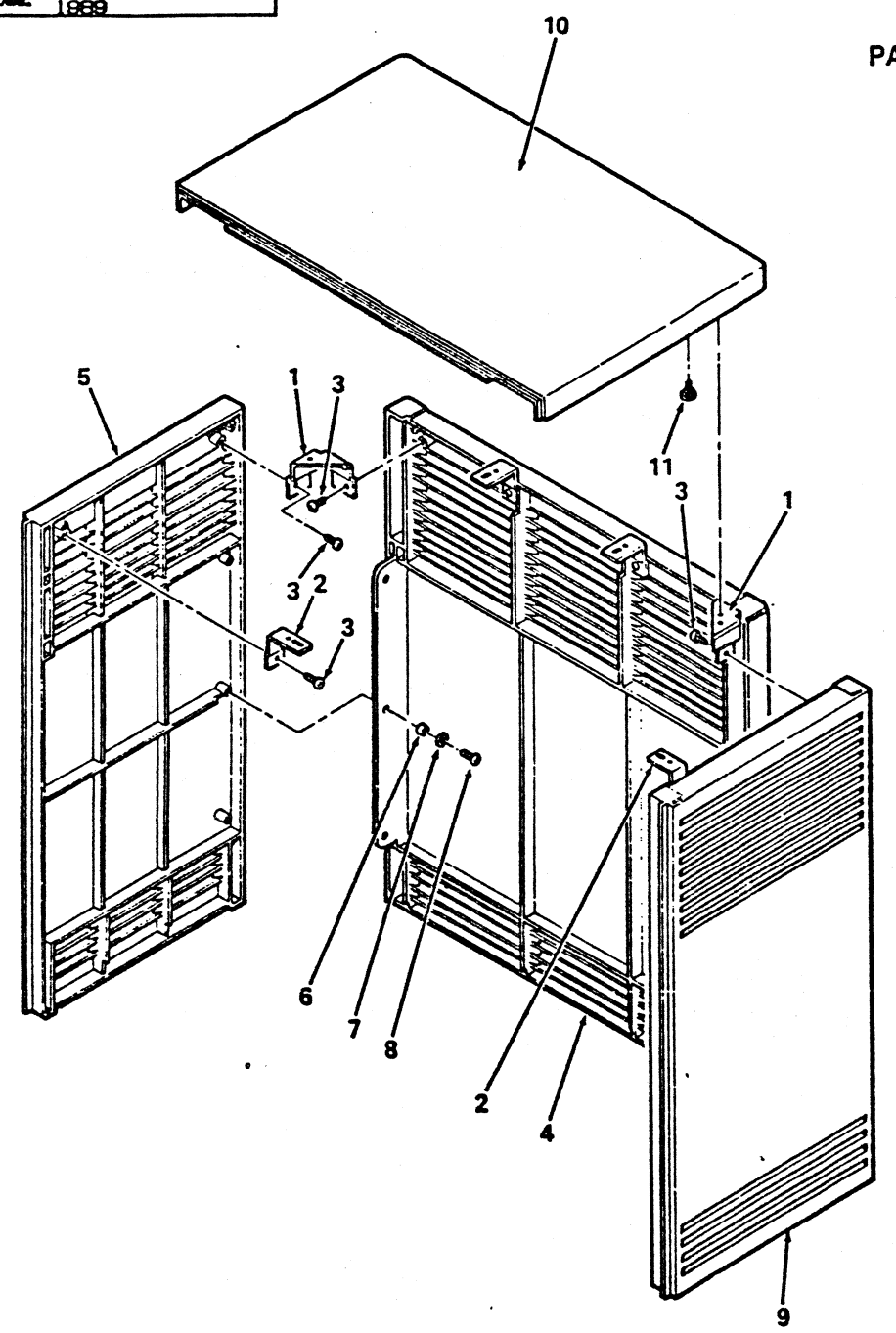


Figure 3. Base Assembly

TITLE ILLUSTRATED BREAKDOWN SIZE CODE B|B NAME 650QS-0-0 REV C
 SCALE 1/1 SHEET 8 OF 17 DIST

THIS DRAWING AND THE SPECIFICATIONS CONTAINED HEREIN ARE CONFIDENTIAL AND PROPRIETARY. THEY ARE THE PROPERTY OF DIGITAL EQUIPMENT CORPORATION AND SHALL NOT BE REPRODUCED OR COPIED OR USED IN WHOLE OR IN PART AS THE BASIS FOR THE MANUFACTURE OR SALE OF ITEMS WITHOUT WRITTEN PERMISSION. THIS IS AN UNPUBLISHED WORK PROTECTED UNDER THE FEDERAL COPYRIGHT LAWS, 1969.

PARTS LIST



650QS-04-BD

Figure 4. Enclosure Assembly, Shell

FIG. & ITEM NO.	DESCRIPTION	DEC PART NO.	ECO CUT-IN 70-24037 00001	USED ON CODE	REF FIG NO.
4-	ENCLOSURE ASSEMBLY, SHELL	70-24037-J1			1
1	*Bracket, Corner	74-34125-01			
2	*Bracket, Side	74-34125-01			
3	*Screw, Self-Tap Phi Pan Hd No. 8-16 x 3/8	90-09800-04			
4	*Panel, Rear	74-33651-01			
5	*Panel, Left Side	74-33694-01			
6	*Sleeve	74-34424-01			
7	*Washer, Flat	90-06661-00			
8	*Screw, Self-Tap Phi Hd No. 8-16 x 1/2	90-09800-08			
9	*Panel, Right Side	74-33647-01			
10	*Cover, Top	74-33646-01			
11	*Screw, Thread Rolling Shoulder	12-26868-01			

THIS DRAWING AND THE SPECIFICATIONS CONTAINED HEREIN ARE CONFIDENTIAL AND PROPRIETARY. THEY ARE THE PROPERTY OF DIGITAL EQUIPMENT CORPORATION AND SHALL NOT BE REPRODUCED OR COPIED OR USED IN WHOLE OR IN PART AS THE BASIS FOR THE MANUFACTURE OR SALE OF ITEMS WITHOUT WRITTEN PERMISSION. THIS IS AN UNPUBLISHED WORK PROTECTED UNDER THE FEDERAL COPYRIGHT LAWS. 1989

PARTS LIST

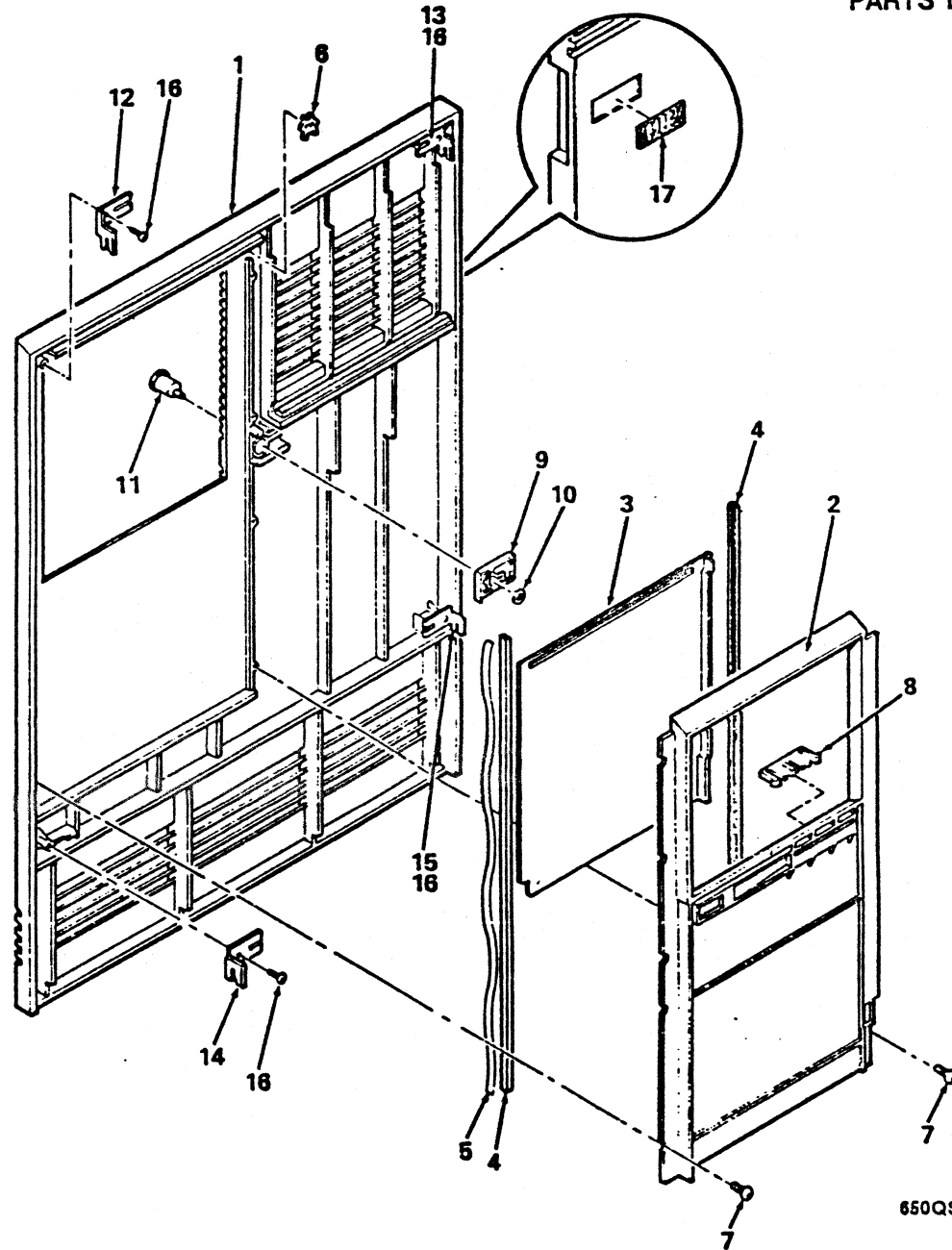


Figure 5. Panel Assembly, Front

FIG. & ITEM NO.	DESCRIPTION	DEC PART NO.	ECO CUT-IN 70-24041 00000	USED ON CODE	REF FIG NO.
5-	PANEL ASSEMBLY, FRONT	70-24041-01			1
1	*Panel, Front	74-33648-01			
2	*Bezel, Switch	74-34067-01			
3	*Door	74-34061-01			
4	*Channel (Front Panel)	74-34062-01			
5	*Spring, Channel	74-34066-01			
6	*Stop, Door Position	74-34363-01			
7	*Screw, Phi Pan Hd No. 6-19 x 3/8	90-09800-06			
8	*Latch, Pull	74-34064-01			
9	*Latch, Slide	74-34065-01			
10	*Ring, Retainer	90-09257-05			
11	*Tumbler	74-34063-01			
12	*Bracket, Top Right	74-34123-01			
13	*Bracket, Top Left	74-34123-02			
14	*Bracket, Bottom Right	74-34124-01			
15	*Bracket, Bottom Left	74-34124-02			
16	*Screw, Self-Tap Phi Pan Hd No. 8-16 x 3/8	90-09800-04			
17	*Logo	74-34426-01			

THIS DRAWING AND THE SPECIFICATIONS CONTAINED HEREIN ARE CONFIDENTIAL AND PROPRIETARY. THEY ARE THE PROPERTY OF DIGITAL EQUIPMENT CORPORATION AND SHALL NOT BE REPRODUCED OR COPIED OR USED IN WHOLE OR IN PART AS THE BASIS FOR THE MANUFACTURE OR SALE OF ITEMS WITHOUT WRITTEN PERMISSION. THIS IS AN UNPUBLISHED WORK PROTECTED UNDER THE FEDERAL COPYRIGHT LAWS. 1989

PART NUMBER/DESCRIPTION INDEX

TITLE	ILLUSTRATED BREAKDOWN	SIZE	CODES	NUMBER	REV
	FOR 650QS PEDESTAL SYSTEM	B	B	650QS-0-0	C
SCALE	1/1	SHEET	11 OF 17	DIST	

THIS DRAWING AND THE SPECIFICATIONS CONTAINED HEREIN ARE CONFIDENTIAL AND PROPRIETARY. THEY ARE THE PROPERTY OF DIGITAL EQUIPMENT CORPORATION AND SHALL NOT BE REPRODUCED OR COPIED OR USED IN WHOLE OR IN PART AS THE BASIS FOR THE MANUFACTURE OR SALE OF ITEMS WITHOUT WRITTEN PERMISSION. THIS IS AN UNPUBLISHED WORK PROTECTED UNDER THE FEDERAL COPYRIGHT LAWS. 1989

NOTE: When the description includes "added" or "deleted", ALWAYS refer to the figure parts list for the latest related part description.

650QS PEDESTAL SYSTEM INDEX BY DEC PART NUMBER

PART NO.	DESCRIPTION	FIG NO.	ITEM NO.
12-17119-01	Key, Plastic	1	Not Shown
12-19245-01	Battery, 3 Cell	2	5
12-21249-04	Clip, Wire Routing	1A	8
12-23599-01	Connector, Adaptor	1	Not Shown
12-26868-01	Screw, Thread Rolling Shoulder	3	5
12-26868-01	Screw, Thread Rolling Shoulder	4	11
17-00083-43	Cord, Power	1	10
17-00811-02	Cable Assembly	1	Not Shown
17-01360-01	Cable Assembly	1A	7
17-01362-01	Harness Assembly	1	26
17-01364-02	Cable Assembly	1	Not Shown
17-01898-01	Cable Assembly, 50 Cond Flat	1	19
17-01898-02	Cable Assembly, 50 Cond Flat	1	19
17-01898-03	Cable Assembly, 50 Cond Flat	1	19
36-17905-16	Label, "Warning Equipment Rating 100-120V"	1	Not Shown
36-17905-17	Label, "Warning Equipment Rating 220-240V"	1	Not Shown
36-20560-53	Label, "International" (added)	2	Not Shown
36-20560-54	Label, "International" (added)	2	Not Shown
36-21232-52	Label, "Postcard FTZ#"	1	Not Shown
36-23593-01	Label, "Blank, Paper, Pin Feed" (deleted)	2	Not Shown
36-26584-01	Label, "Baud Select"	2	Not Shown
36-26883-17	Label, "Module Number M9060-YA"	1	Not Shown
36-26883-42	Label, "Module Number M7621-A"	1	Not Shown
36-26883-43	Label, "Module Number M7622-A"	1	Not Shown
36-26883-44	Label, "Module Number M7620-AA"	1	Not Shown
36-26883-56	Label, "Module Number M7620-BA"	1	Not Shown
36-27329-01	Label, "Serial/Model, 100V, Made In USA"	1	Not Shown
36-27329-02	Label, "Serial/Model, 100V, Made In UK"	1	Not Shown
36-27329-03	Label, "Serial/Model, 220V, Made In USA"	1	Not Shown
36-27329-04	Label, "Serial/Model, 220V, Made In UK"	1	Not Shown
36-27354-12	Label, "MicroVAX 3500"	1	Not Shown
36-27354-14	Label, "VAXserver 3500"	1	Not Shown
36-27354-22	Label, "rtVAX 3500"	1	Not Shown
36-27354-29	Label, "MicroVAX 3500, DSSI"	1	Not Shown
36-27354-30	Label, "VAXserver 3500, DSSI"	1	Not Shown
36-27354-31	Label, "rtVAX 3500, DSSI"	1	Not Shown
36-27838-01	Label, "Pedestal, USA, 100V"	1	Not Shown
36-27838-02	Label, "Pedestal, UK, 100V"	1	Not Shown
36-27838-03	Label, "Pedestal, USA, 220V"	1	Not Shown
36-27838-04	Label, "Pedestal, UK, 220V"	1	Not Shown
36-27920-01	Label, "Kapton Blank"	2	Not Shown
36-27921-01	Label, "Over Laminate Polyimide"	2	Not Shown

650QS PEDESTAL SYSTEM INDEX BY DEC PART NUMBER

PART NO.	DESCRIPTION	FIG NO.	ITEM NO.
36-27922-01	Label, "Black"	2	Not Shown
36-27923-01	Label, "S-Box, Module Utilization"	1	Not Shown
36-27923-01	Label, "S-Box, Module Utilization"	1	Not Shown
36-27924-01	Label, "Caution S-Box Shipping"	1	Not Shown
36-28231-08	Label, "Direct Thermal"	2	Not Shown
36-29163-07	Label, "BA2XX" (added)	1	Not Shown
47-00042-01	Screwdriver, Flat Blade	1	Not Shown
54-17016-01	Module, SLU Console	2	2
650QS-A2	650QS-A2 120V (Timeshare, w/o Skins)	1	N/A
650QS-A3	650QS-A3 240V (Timeshare, w/o Skins)	1	N/A
650QS-B2	650QS-B2 120V (Timeshare, w/Skins)	1	N/A
650QS-B3	650QS-B3 240V (Timeshare, w/Skins)	1	N/A
650QS-C2	650QS-C2 120V (Timeshare, w/o Skins, Rack Kit)	1	N/A
650QS-C3	650QS-C3 240V (Timeshare, w/o Skins, Rack Kit)	1	N/A
650QS-D2	650QS-D2 120V (Timeshare, w/o Skins, Wall Kit)	1	N/A
650QS-D3	650QS-D3 240V (Timeshare, w/o Skins, Wall Kit)	1	N/A
650QS-E2	650QS-E2 120V (Server, w/o Skins)	1	N/A
650QS-E3	650QS-E3 240V (Server, w/o Skins)	1	N/A
650QS-F2	650QS-F2 120V (Server, w/Skins)	1	N/A
650QS-F3	650QS-F3 240V (Server, w/Skins)	1	N/A
650QS-H2	650QS-H2 120V (Server, w/o Skins, Rack Kit)	1	N/A
650QS-H3	650QS-H3 240V (Server, w/o Skins, Rack Kit)	1	N/A
650QS-J2	650QS-J2 120V (Server, w/o Skins, Wall Kit)	1	N/A
650QS-J3	650QS-J3 240V (Server, w/o Skins, Wall Kit)	1	N/A
650QS-K2	650QS-K2 120V (Timeshare/8 Meg. Memory, w/Skins) (added)	1	N/A
650QS-K3	650QS-K3 240V (Timeshare/8 Meg. Memory, w/Skins) (added)	1	N/A
650QS-L3	650QS-L3 240V (Timeshare/16 Meg. Memory, w/Skins) (added)	1	N/A
650QS-M2	650QS-M2 120V (Server/16 Meg. Memory, w/Skins) (added)	1	N/A
650QS-M3	650QS-M3 240V (Server/16 Meg. Memory, w/Skins) (added)	1	N/A
650QS-N2	650QS-N2 120V (Server/8 Meg. Memory, w/Skins) (added)	1	N/A
650QS-N3	650QS-N3 240V (Server/8 Meg. Memory, w/Skins) (added)	1	N/A
650QS-L2	650QS-L2 120V (Timeshare/16 Meg. Memory, w/Skins) (added)	1	N/A

TITLE ILLUSTRATED BREAKDOWN FOR 650QS PEDESTAL SYSTEM B|B 650QS-0-0 C
SCALE 1/1 SHEET 12 OF 17 DIST

THIS DRAWING AND THE SPECIFICATIONS CONTAINED HEREIN ARE CONFIDENTIAL AND PROPRIETARY. THEY ARE THE PROPERTY OF DIGITAL EQUIPMENT CORPORATION AND SHALL NOT BE REPRODUCED OR COPIED OR USED IN WHOLE OR IN PART AS THE BASIS FOR THE MANUFACTURE OR SALE OF ITEMS WITHOUT WRITTEN PERMISSION. THIS IS AN UNPUBLISHED WORK PROTECTED UNDER THE FEDERAL COPYRIGHT LAWS. 1989

NOTE : When the description includes "added" or "deleted", ALWAYS refer to the figure parts list for the latest related part description.

650QS PEDESTAL SYSTEM INDEX BY DEC PART NUMBER

PART NO.	DESCRIPTION	FIG NO.	ITEM NO.
70-23712-01	Backplane Assembly, BA213	1A	13
70-23769-01	Input Assembly, Filter	1A	10
70-23981-01	Bulkhead Assembly, Front	1	8
70-23982-02	Bulkhead Assembly, Front Dual	1	7
70-23982-03	Bulkhead, Front Dual Assembly	2	1
70-23988-01	BULKHEAD ASSEMBLY, H3600 MODULE	1	2
70-23988-01	BULKHEAD ASSEMBLY, H3600 MODULE	2	N/A
70-23995-04	Panel, Front	1	22
70-23996-01	Filler, Power Supply Assembly	1A	11
70-23998-01	Fan Assembly	1A	9
70-23999-01	Switch Assembly	1A	5
70-24037-01	ENCLOSURE ASSEMBLY, SHELL	1	16
70-24037-01	ENCLOSURE ASSEMBLY, SHELL	4	N/A
70-24041-01	PANEL ASSEMBLY, FRONT	5	N/A
70-24041-01	PANEL ASSEMBLY, FRONT	1	17
70-24046-01	BASE ASSEMBLY	1	11
70-24046-01	BASE ASSEMBLY	3	N/A
70-24071-01	Panel Assembly, Gap Filler	1	9
70-24227-03	ENCLOSURE ASSEMBLY, BA213 2 PS 120V	1	1
70-24227-03	ENCLOSURE ASSEMBLY, BA213 2 PS 120V	1A	N/A
70-24227-04	ENCLOSURE ASSEMBLY, BA213 2 PS 240V	1A	N/A
70-24227-04	ENCLOSURE ASSEMBLY, BA213 2 PS 240V	1	1
70-24255-01	Frame Assembly, BA213	1A	1
70-24263-01	Hardware, Wall Mount	1	Not Shown
70-24263-02	Hardware, Rack Mount	1	Not Shown
70-24316-01	KIT, BIZ ACCESSORIES (w/o Skins)	1	Not Shown
70-24316-02	KIT, BIZ ACCESSORIES (w/Skins)	1	Not Shown
70-24316-03	KIT, BIZ ACCESSORIES (w/o Skins) (added)	1	Not Shown
70-24316-04	KIT, BIZ ACCESSORIES (w/o Skins) (added)	1	Not Shown
70-25452-03	Mount Assembly, Bottom Shock (Replaces 70-23997-01)	1	24
70-25452-04	Mount Assembly, Top Shock (Replaces 70-23997-02)	1	25
70-25721-01	Panel Assembly, Access	1A	14
74-33477-01	Holder, Battery Pack	2	4
74-33646-01	Cover, Top	4	10
74-33647-01	Panel, Right Side	4	9
74-33648-01	Panel, Front	5	1
74-33650-01	Base, Lower	3	1
74-33651-01	Panel, Rear	4	4
74-33694-01	Panel, Left Side	4	5
74-33854-01	Fastener, Turn	1	15
74-33854-01	Fastener, Turn	3	8
74-34061-01	Door	5	3

650QS PEDESTAL SYSTEM INDEX BY DEC PART NUMBER

PART NO.	DESCRIPTION	FIG NO.	ITEM NO.
74-34062-01	Channel (Front Panel)	5	4
74-34063-01	Tumbler	5	11
74-34064-01	Latch, Pull	5	8
74-34065-01	Latch, Slide	5	9
74-34066-01	Spring, Channel	5	5
74-34067-01	Bezel, Switch	5	2
74-34068-01	Wheel, Base	3	2
74-34069-01	Shaft, Wheel	3	3
74-34123-01	Bracket, Top Right	5	12
74-34123-02	Bracket, Top Left	5	13
74-34124-01	Bracket, Bottom Right	5	14
74-34124-02	Bracket, Bottom Left	5	15
74-34125-01	Bracket, Side	4	2
74-34126-01	Bracket, Corner	4	1
74-34363-01	Stop, Door Position	5	6
74-34424-01	Sleeve	4	6
74-34425-07	Nameplate, MicroVAX 3500	1	20
74-34425-09	Nameplate, VAXserver 3500	1	20
74-34425-14	Nameplate, rtVAX 3500	1	20
74-34426-01	Logo	5	17
74-34432-01	Bracket, Wall Mount	1	Not Shown
74-34638-01	Support, Mounting	1	Not Shown
74-34846-01	Support, Label	3	6
74-35417-01	Frame, Switch	1	5
74-36425-01	Panel, 5-1/4" Tape Drive Filler	1	23
74-37040-01	Plate, Cover (added)	1A	16
90-00063-78	Screw, Self-Tap Truss Hd No. 6 x 5/16 (added)	2	9
90-00063-78	Screw, Self-Tap Truss Hd No. 6 x 5/16	1A	15
90-06557-00	Nut, Kep No. 4-40	2	6
90-06661-00	Washer, Flat	4	7
90-06661-00	Washer, Flat	1	13
90-07032-00	Tie, Cable (deleted)	1A	4
90-07064-00	Plug, Button (added)	1A	12
90-07064-00	Plug, Button	1	6
90-07786-00	U-Nut, Retainer	1	Not Shown
90-08185-00	Nut, Kep No. 6-32 (added)	1A	17
90-08185-00	Nut, Kep No. 6-32	1A	6
90-08228-00	Tape, Foam	2	8
90-08264-00	Clamp, Cable (deleted)	1A	3
90-09228-10	Screw, Sems Phi Pan Hd No. 10-32 x 3/8	1	Not Shown
90-09257-05	Ring, Retainer	5	10

TITLE	ILLUSTRATED BREAKDOWN	SIZE CODE	NUMBER	REV
	FOR 650QS PEDESTAL SYSTEM	BIB	650QS-0-0	C
SCALE	1/1	SHEET	13 OF 17	DIST

THIS DRAWING AND THE SPECIFICATIONS CONTAINED HEREIN ARE CONFIDENTIAL AND PROPRIETARY. THEY ARE THE PROPERTY OF DIGITAL EQUIPMENT CORPORATION AND SHALL NOT BE REPRODUCED OR COPIED OR USED IN WHOLE OR IN PART AS THE BASIS FOR THE MANUFACTURE OR SALE OF ITEMS WITHOUT WRITTEN PERMISSION. THIS IS AN UNPUBLISHED WORK PROTECTED UNDER THE FEDERAL COPYRIGHT LAWS. 1989

NOTE : When the description includes "added" or "deleted", ALWAYS refer to the figure parts list for the latest related part description.

650QS PEDESTAL SYSTEM INDEX BY DEC PART NUMBER

PART NO.	DESCRIPTION	FIG NO.	ITEM NO.
90-09282-00	Screw, Sems Phi Pan Hd No. 10-32 x 15/16	3	9
90-09282-00	Screw, Sems Phi Pan Hd No. 10-32 x 15/16	1	14
90-09385-00	Pin, Roll	3	4
90-09643-00	Screw, Sems Phi Pan Hd No. 4-40 x 3/8	2	7
90-09700-00	Screw, Sems Phi Pan Hd No. 10-32 x 1/2	1	Not Shown
90-09800-04	Screw, Self-Tap Phi Pan Hd No. 8-16 x 3/8	5	18
90-09800-04	Screw, Self-Tap Phi Pan Hd No. 8-16 x 3/8	4	3
90-09800-06	Screw, Self-Tap Phi Pan Hd No. 6-19 x 3/8	5	7
90-09800-06	Screw, Self-Tap Phi Pan Hd No. 6-19 x 3/8	3	7
90-09800-08	Screw, Self-Tap Phi Pan Hd No. 8-16 x 1/2	1	12
90-09800-08	Screw, Self-Tap Phi Pan Hd No. 8-16 x 1/2	4	8
90-09984-07	Screw, Sems Phi Pan Hd No. 6-32 x 5/16 (deleted)	2	3
BA213-RA	KIT, BA213 LARGE S-BOX RACK MOUNT	1	Not Shown
BA213-WA	KIT, BA213 LARGE S-BOX WALL MOUNT	1	Not Shown
EK-213RA-IN	Guide, Rack Mount Installation	1	Not Shown
EK-213WA-IN	Guide, Wall Mount Installation	1	Not Shown
H7868-A	Power Supply Assembly, H7868-A, 100/120V	1A	2
H7868-B	Power Supply Assembly, H7868-B, 220/240V	1A	2
M7620-AA	Module, MVAX CPU	1	3
M7620-BA	Module, MVAX CPU, (w/Mod ROM Code)	1	4
M9060-YA	Module, Load	1	21
MS650-AA	Module, 8 Meg RAM Memory	1	18
MS650-BA	Module, 16 Meg RAM Memory	1	18
N/A	650QS PEDESTAL SYSTEM	1	N/A

"THIS DRAWING AND THE SPECIFICATIONS CONTAINED HEREIN ARE CONFIDENTIAL AND PROPRIETARY. THEY ARE THE PROPERTY OF DIGITAL EQUIPMENT CORPORATION AND SHALL NOT BE REPRODUCED OR COPIED OR USED IN WHOLE OR IN PART AS THE BASIS FOR THE MANUFACTURE OR SALE OF ITEMS WITHOUT WRITTEN PERMISSION. THIS IS AN UNPUBLISHED WORK PROTECTED UNDER THE FEDERAL COPYRIGHT LAWS. 1989

NOTE : When the description includes "added" or "deleted", ALWAYS refer to the figure parts list for the latest related part description.

650QS PEDESTAL SYSTEM INDEX BY DEC PART DESCRIPTION

DESCRIPTION	DEC PART NO.	FIG. NO.	ITEM NO.
650QS PEDESTAL SYSTEM	N/A	1	N/A
650QS-A2 120V (Timeshare, w/o Skins)	650QS-A2	1	N/A
650QS-A3 240V (Timeshare, w/o Skins)	650QS-A3	1	N/A
650QS-B2 120V (Timeshare, w/Skins)	650QS-B2	1	N/A
650QS-B3 240V (Timeshare, w/Skins)	650QS-B3	1	N/A
650QS-C2 120V (Timeshare, w/o Skins, Rack Kit)	650QS-C2	1	N/A
650QS-C3 240V (Timeshare, w/o Skins, Rack Kit)	650QS-C3	1	N/A
650QS-D2 120V (Timeshare, w/o Skins, Wall Kit)	650QS-D2	1	N/A
650QS-D3 240V (Timeshare, w/o Skins, Wall Kit)	650QS-D3	1	N/A
650QS-E2 120V (Server, w/o Skins)	650QS-E2	1	N/A
650QS-E3 240V (Server, w/o Skins)	650QS-E3	1	N/A
650QS-F2 120V (Server, w/Skins)	650QS-F2	1	N/A
650QS-F3 240V (Server, w/Skins)	650QS-F3	1	N/A
650QS-H2 120V (Server, w/o Skins, Rack Kit)	650QS-H2	1	N/A
650QS-H3 240V (Server, w/o Skins, Rack Kit)	650QS-H3	1	N/A
650QS-J2 120V (Server, w/o Skins, Wall Kit)	650QS-J2	1	N/A
650QS-J3 240V (Server, w/o Skins, Wall Kit)	650QS-J3	1	N/A
650QS-K2 120V (Timeshare/8 Meg. Memory, w/Skins) (added)	650QS-K2	1	N/A
650QS-K3 240V (Timeshare/8 Meg. Memory, w/Skins) (added)	650QS-K3	1	N/A
650QS-L2 120V (Timeshare/16 Meg. Memory, w/Skins) (added)	650QS-L2	1	N/A
650QS-L3 240V (Timeshare/16 Meg. Memory, w/Skins) (added)	650QS-L3	1	N/A
650QS-M2 120V (Server/16 Meg. Memory, w/Skins) (added)	650QS-M2	1	N/A
650QS-M3 240V (Server/16 Meg. Memory, w/Skins) (added)	650QS-M3	1	N/A
650QS-N2 120V (Server/8 Meg. Memory, w/Skins) (added)	650QS-N2	1	N/A
650QS-N3 240V (Server/8 Meg. Memory, w/Skins) (added)	650QS-N3	1	N/A
Backplane Assembly, BA213	70-23712-01	1A	13
BASE ASSEMBLY	70-24046-01	1	11
BASE ASSEMBLY	70-24046-01	3	N/A
Base, Lower	74-33650-01	3	1
Battery, 3 Cell	12-19245-01	2	5
Bezel, Switch	74-34067-01	5	2
Bracket, Bottom Left	74-34124-02	5	15
Bracket, Bottom Right	74-34124-01	5	14
Bracket, Corner	74-34126-01	4	1
Bracket, Side	74-34125-01	4	2

650QS PEDESTAL SYSTEM INDEX BY DEC PART DESCRIPTION

DESCRIPTION	DEC PART NO.	FIG. NO.	ITEM NO.
Bracket, Top Left	74-34123-02	5	13
Bracket, Top Right	74-34123-01	5	12
Bracket, Wall Mount	74-34432-01	1	Not Shown
Bulkhead Assembly, Front	70-23981-01	1	8
Bulkhead Assembly, Front Dual	70-23982-02	1	7
BULKHEAD ASSEMBLY, H3600 MODULE	70-23988-01	1	2
BULKHEAD ASSEMBLY, H3600 MODULE	70-23988-01	2	1
Bulkhead, Front Dual Assembly	70-23982-03	2	1
Cable Assembly	17-00811-02	1	Not Shown
Cable Assembly	17-01364-02	1	Not Shown
Cable Assembly	17-01360-01	1A	7
Cable Assembly, 50 Cond Flat	17-01898-01	1	19
Cable Assembly, 50 Cond Flat	17-01898-02	1	19
Cable Assembly, 50 Cond Flat	17-01898-03	1	19
Channel (Front Panel)	74-34062-01	5	4
Clamp, Cable (deleted)	9C-08264-00	1A	3
Clip, Wire Routing	12-21249-04	1A	8
Connector, Adaptor	12-23599-01	1	Not Shown
Connector, Adaptor	12-23599-05	1	Not Shown
Cord, Power	17-00083-43	1	10
Cover, Top	74-33646-01	4	10
Door	74-34061-01	5	3
ENCLOSURE ASSEMBLY, BA213 2 PS 120V	70-24227-03	1	1
ENCLOSURE ASSEMBLY, BA213 2 PS 240V	70-24227-04	1	1
ENCLOSURE ASSEMBLY, BA213 2 PS 120V	70-24227-03	1A	N/A
ENCLOSURE ASSEMBLY, BA213 2 PS 240V	70-24227-04	1A	N/A
ENCLOSURE ASSEMBLY, SHELL	70-24037-01	1	16
ENCLOSURE ASSEMBLY, SHELL	70-24037-01	4	N/A
Fan Assembly	70-23998-01	1A	9
Fastener, Turn	74-33854-01	1	15
Fastener, Turn	74-33854-01	3	8
Filler, Power Supply Assembly	70-23996-01	1A	11
Frame Assembly, BA213	70-24255-01	1A	1
Frame, Switch	74-35417-01	1	5
Guide, Rack Mount Installation	EK-213RA-IN	1	Not Shown
Guide, Wall Mount Installation	EK-213WA-IN	1	Not Shown
Hardware, Rack Mount	70-24263-02	1	Not Shown
Hardware, Wall Mount	70-24263-01	1	Not Shown
Harness Assembly	17-01362-01	1	26
Holder, Battery Pack	74-33477-01	2	4

TITLE ILLUSTRATED BREAKDOWN FOR 650QS PEDESTAL SYSTEM
 SCALE 1/1 SHEET 15 OF 17 DIST
 650QS-0-0
 REV C

THIS DRAWING AND THE SPECIFICATIONS CONTAINED HEREIN ARE CONFIDENTIAL AND PROPRIETARY. THEY ARE THE PROPERTY OF DIGITAL EQUIPMENT CORPORATION AND SHALL NOT BE REPRODUCED OR COPIED OR USED IN WHOLE OR IN PART AS THE BASIS FOR THE MANUFACTURE OR SALE OF ITEMS WITHOUT WRITTEN PERMISSION. THIS IS AN UNPUBLISHED WORK PROTECTED UNDER THE FEDERAL COPYRIGHT LAW. 1989

NOTE : When the description includes "added" or "deleted", ALWAYS refer to the figure parts list for the latest related part description.

650QS PEDESTAL SYSTEM INDEX BY DEC PART DESCRIPTION

650QS PEDESTAL SYSTEM INDEX BY DEC PART DESCRIPTION

DESCRIPTION	DEC PART NO.	FIG. NO.	ITEM NO.
Input Assembly, Filter	70-23789-01	1A	10
Key, Plastic	12-17119-01	1	Not Shown
KIT, BA213 LARGE S-BOX RACK MOUNT	BA213-RA	1	Not Shown
KIT, BA213 LARGE S-BOX WALL MOUNT	BA213-WA	1	Not Shown
KIT, BIZ ACCESSORIES (w/o Skins)	70-24316-01	1	Not Shown
KIT, BIZ ACCESSORIES (w/o Skins) (added)	70-24316-03	1	Not Shown
KIT, BIZ ACCESSORIES (w/o Skins) (added)	70-24316-04	1	Not Shown
KIT, BIZ ACCESSORIES (w/Skins)	70-24316-02	1	Not Shown
Label, "BA2XX" (added)	36-29163-07	1	Not Shown
Label, "Baud Select"	36-26584-01	2	Not Shown
Label, "Black"	36-27922-01	2	Not Shown
Label, "Blank, Paper, Pin Feed" (deleted)	36-23593-01	2	Not Shown
Label, "Caution S-Box Shipping"	36-27924-01	1	Not Shown
Label, "Direct Thermal"	36-28231-08	2	Not Shown
Label, "International" (added)	36-20560-53	2	Not Shown
Label, "International" (added)	36-20560-54	2	Not Shown
Label, "Kapton Blank"	36-27920-01	2	Not Shown
Label, "MicroVAX 3500"	36-27354-12	1	Not Shown
Label, "MicroVAX 3500, DSSI"	36-27354-29	1	Not Shown
Label, "Module Number M7620-AA"	36-26883-44	1	Not Shown
Label, "Module Number M7620-BA"	36-26883-56	1	Not Shown
Label, "Module Number M7621-A"	36-26883-42	1	Not Shown
Label, "Module Number M7622-A"	36-26883-43	1	Not Shown
Label, "Module Number M9060-YA"	36-26883-17	1	Not Shown
Label, "Over Laminate Polyimide"	36-27921-01	2	Not Shown
Label, "Pedestal, UK, 100V"	36-27838-02	1	Not Shown
Label, "Pedestal, UK, 220V"	36-27838-04	1	Not Shown
Label, "Pedestal, USA, 100V"	36-27838-01	1	Not Shown
Label, "Pedestal, USA, 220V"	36-27838-03	1	Not Shown
Label, "Postcard FTZ#"	36-21232-52	1	Not Shown
Label, "rtVAX 3500"	36-27354-22	1	Not Shown
Label, "rtVAX 3500, DSSI"	36-27354-31	1	Not Shown
Label, "S-Box, Module Utilization"	36-27923-01	1	Not Shown
Label, "S-Box, Module Utilization"	36-27923-01	1	Not Shown
Label, "Serial/Model, 100V, Made In UK"	36-27329-02	1	Not Shown
Label, "Serial/Model, 100V, Made In USA"	36-27329-01	1	Not Shown
Label, "Serial/Model, 220V, Made In UK"	36-27329-04	1	Not Shown
Label, "Serial/Model, 220V, Made In USA"	36-27329-03	1	Not Shown
Label, "VAXserver 3500"	36-27354-14	1	Not Shown
Label, "VAXserver 3500, DSSI"	36-27354-30	1	Not Shown
Label, "Warning Equipment Rating 100-120V"	36-17905-10	1	Not Shown
Label, "Warning Equipment Rating 220-240V"	36-17905-17	1	Not Shown
Latch, Pull	74-34064-01	5	8
Latch, Slide	74-34065-01	5	9
Logo	74-34426-01	5	1

DESCRIPTION	DEC PART NO.	FIG. NO.	ITEM NO.
Module, 16 Meg RAM Memory	MS650-BA	1	18
Module, 8 Meg RAM Memory	MS650-AA	1	18
Module, Load	M9060-YA	1	21
Module, MVAX CPU	M7620-AA	1	3
Module, MVAX CPU, (w/Mod ROM Code)	M7620-BA	1	4
Module, SLU Console	54-17016-01	2	2
Mount Assembly, Bottom Shock	70-25452-03	1	24
(Replaces 70-23997-01)			
Mount Assembly, Top Shock	70-25452-04	1	25
(Replaces 70-23997-02)			
Nameplate, MicroVAX 3500	74-34425-07	1	20
Nameplate, rtVAX 3500	74-34425-14	1	20
Nameplate, VAXserver 3500	74-34425-09	1	20
Nut, Kep No. 4-40	90-06557-00	2	6
Nut, Kep No. 6-32	90-08185-00	1A	6
Nut, Kep No. 6-32 (added)	90-08185-00	1A	17
Panel Assembly, Access	70-25721-01	1A	14
PANEL ASSEMBLY, FRONT	70-24041-01	1	17
PANEL ASSEMBLY, FRONT	70-24041-01	5	N/A
Panel Assembly, Gap Filler	70-24071-01	1	9
Panel, 5-1/4" Tape Drive Filler	74-36425-01	1	23
Panel, Front	70-23995-04	1	22
Panel, Front	74-33648-01	5	1
Panel, Left Side	74-33694-01	4	5
Panel, Rear	74-33651-01	4	4
Panel, Right Side	74-33647-01	4	9
Pin, Roll	90-09385-00	3	4
Plate, Cover (added)	74-37040-01	1A	16
Plug, Button	90-07064-00	1	6
Plug, Button (added)	90-07064-00	1A	12
Power Supply Assembly, H7868-A, 100/120V	H7868-A	1A	2
Power Supply Assembly, H7868-B, 220/240V	H7868-B	1A	2
Ring, Retainer	90-09257-05	5	10
Screw, Self-Tap Phi Pan Hd No. 6-19 x 3/8	90-09800-06	5	7
Screw, Self-Tap Phi Pan Hd No. 8-16 x 1/2	90-09800-08	4	8
Screw, Self-Tap Phi Pan Hd No. 8-16 x 1/2	90-09800-08	1	12
Screw, Self-Tap Phi Pan Hd No. 6-19 x 3/8	90-09800-06	3	7
Screw, Self-Tap Phi Pan Hd No. 8-16 x 3/8	90-09800-C4	5	16
Screw, Self-Tap Phi Pan Hd No. 8-16 x 3/8	90-09800-04	4	3
Screw, Self-Tap Truss Hd No. 6 x 5/16	90-00063-78	1A	15
Screw, Self-Tap Truss Hd No. 8 x 5/16 (added)	90-00063-78	2	9
Screw, Sems Phi Pan Hd No. 10-32 x 1/2	90-09700-00	1	Not Shown
Screw, Sems Phi Pan Hd No. 10-32 x 15/16	90-09282-00	1	14
Screw, Sems Phi Pan Hd No. 10-32 x 3/8	90-09228-10	1	Not Shown
Screw, Sems Phi Pan Hd No. 10-32 x 15/16	90-09282-00	3	9

TITLE	ILLUSTRATED BREAKDOWN	SIZE	SCALE	REVISION
FOR 650QS PEDESTAL SYSTEM	BIB	650QS-0-0		C
SCALE 1/1	SHEET 16 OF 17	DIST		

THIS DRAWING AND THE SPECIFICATIONS CONTAINED HEREIN ARE CONFIDENTIAL AND PROPRIETARY. THEY ARE THE PROPERTY OF DIGITAL EQUIPMENT CORPORATION AND SHALL NOT BE REPRODUCED OR COPIED OR USED IN WHOLE OR IN PART AS THE BASIS FOR THE MANUFACTURE OR SALE OF ITEMS WITHOUT WRITTEN PERMISSION. THIS IS AN UNPUBLISHED WORK PROTECTED UNDER THE FEDERAL COPYRIGHT LAWS. 1989

NOTE : When the description includes "added" or "deleted", ALWAYS refer to the figure parts list for the latest related part description.

650QS PEDESTAL SYSTEM INDEX BY DEC PART DESCRIPTION

DESCRIPTION	DEC PART NO.	FIG. NO.	ITEM NO.
Screw, Sems Phi Pan Hd No. 4-40 x 3/8	90-09643-00	2	7
Screw, Sems Phi Pan Hd No. 6-32 x 5/16 (deleted)	90-09984-07	2	3
Screw, Thread Rolling Shoulder	12-26868-01	3	5
Screw, Thread Rolling Shoulder	12-26868-01	4	11
Screwdriver, Flat Blade	47-00042-01	1	Not Shown
Shaft, Wheel	74-34069-01	3	3
Sleeve	74-34424-01	4	6
Spring, Channel	74-34066-01	5	5
Stop, Door Position	74-34363-01	5	6
Support, Label	74-34846-01	3	6
Support, Mounting	74-34638-01	1	Not Shown
Switch Assembly	70-23999-01	1A	5
Tape, Foam	90-08228-00	2	8
Tie, Cable (deleted)	90-07032-00	1A	4
Tumbler	74-34063-01	5	11
U-Nut, Retainer	90-07786-00	1	Not Shown
Washer, Flat	90-06661-00	4	7
Washer, Flat	90-06661-00	1	13
Wheel, Base	74-34068-01	3	2

THIS DRAWING AND SPECIFICATIONS HEREIN ARE THE PROPERTY OF DIGITAL EQUIPMENT CORPORATION AND SHALL NOT BE REPRODUCED OR COPIED OR USED IN WHOLE OR IN PART AS THE BASIS FOR THE MANUFACTURE OR SALE OF ITEMS WITHOUT WRITTEN PERMISSION.
 COPYRIGHT © DIGITAL EQUIPMENT CORPORATION

NOTES:



ILLUSTRATED PARTS BREAKDOWN

BA213 ENCLOSURE

HOW TO USE THE IPB

GENERAL

This IPB is compiled following the organization and nomenclature of the engineering drawing structure.

MAJOR ASSEMBLY LOCATOR (When Applicable)

The Major Assembly Locator (first illustration) is an index that provides a description and a figure reference for all illustrations used in this manual.

INDENTED PARTS LIST

This manual identifies each assembly being broken down (figure reference callout), and all parts of that assembly. Further breakdown of an assembly is shown by an asterisk (*) preceding the item callouts in the Description Column. The number of asterisks preceding an item is used to denote the subordination of that item with respect to the Major Assembly. A single asterisk preceding an item description indicates that the item is part of the major assembly being illustrated. Items that are subordinate to single asterisks items, are denoted by two asterisks (**) and immediately follow the related single asterisk item. This system of part identification provides a means for the user to identify the next higher assembly item and make alternate selections for parts when the required replacement part of assembly is not immediately available.

COLUMN CALLOUT DESCRIPTION

Figure and Item - Indicates the figure number and item number of each part.

Description - Lists the name of the part and pertinent specifications (when required). Asterisks preceding the description denote the subordination of the part to the next higher assembly.

DEC Part No. - Lists the Digital part ordering number. A blank in this column indicates a Digital part number was not assigned at the time of publication.

ECO Cut-In - The notation at the top of this column indicates the ECO level of the system (option), at which the IPB was initially prepared. Subsequent ECO level designations, that modify existing parts or add new parts to the device, are inserted in the ECO Cut-In column next to the part that is added or modified.

Used On Code - Letters in this column correspond to the variation codes assigned in Figure 1. Parts with an Alpha notation(s) are used only in those option variations. A blank indicates that the part is used on all option variations.

Ref Fig No. - A cross reference between illustrations. For each Major Assembly, the number in this column denotes the figure of the next higher assembly. For all subassemblies, the number in this column denotes the figure showing additional detailed breakdown.

PART NUMBER/PART DESCRIPTION INDEX SECTION
 Parts are sorted both numerically and alphabetically by description, referenced to a location within the IPB, by figure number and item number.

REVISION HISTORY

PRINTING	ECO LEVEL				DATE	OTHER IPB MANUALS REFERENCED
4th Printing	BA213	00003-00004	RQDX3-SA	00000-00001	17-AUG-90	EK-RD53A-IP
	70-24227	00002-00008	RD53A-SA	00000-00001		EK-RD54A-IP
	70-24255	00000-00003	RD54A-SA	00000-00000		EK-RA70A-IP
	H7868	00002-00006	KDA50-SA	00000-00013		EK-0TK50-IP
	70-23769	00003-00002	RA70E-SA	00000-00001		EK-TK70A-IP
	70-23999	00000-00001	TQK50-SA	00000-00002		
	70-23998	00000-00001	TK50E-SA	00000-00008		
	70-23712	00000-00005	TQK70-SA	00000-00002		
	70-23366	00000-00001	TK70E-SA	00000-00002		
	70-24037	00000-00004	KFQSA-SA	00002-00002		
	70-24041	00000-00000	RF30E-SA	00000-00000		
	70-24046	00001-00002	RF71E-SA	00001-00001		

Digital Equipment Corporation reserves the right, without notice, to make substitutions and modifications in the specifications of products documented in this manual and further reserves the right to withdraw any of these products from the market without notice.

Digital Equipment Corporation is not responsible for errors which may appear in the technical description (including illustrations and photographs) of the products covered by this manual.

None of the descriptions contained in this manual imply the granting of any license whatsoever to make, use or sell equipment constructed in accordance therewith.

Restricted Rights: Use, duplication or disclosure by the U.S. Government is subject to restrictions as set forth in subparagraph (c) (1) (ii) of the Rights in Technical Data and Computer Software clause at DFARS 252.227-2713.

Copyright © 1988, 1989, 1990 by Digital Equipment Corporation. All rights reserved.

The following are trademarks of Digital Equipment Corporation:



- DEC
- DECUS
- PDP
- RA70
- RD53
- RD54
- RF30
- RF71
- TK50
- TK70
- UNIBUS
- VAX

Printed in U.S.A.

REV	ECO NUMBER	B	C	D
00	BA213 CTS06			
11	B-1B-BA213-0-0 LJO001			
06	B-1B-BA213-0-0 LJO002			

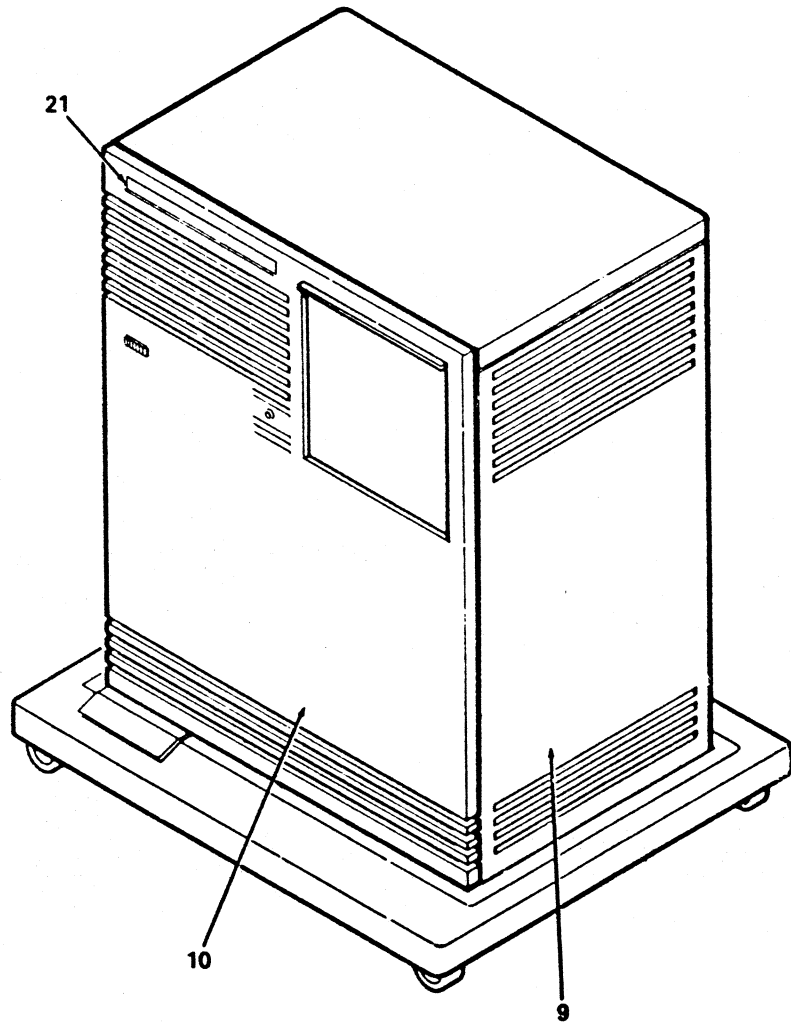
IPB WRITER	R. CARDONI	DATE	17-AUG-90	TITLE ILLUSTRATED BREAKDOWN FOR BA213 ENCLOSURE
CHK'D	R. CHRISTENSEN	DATE	17-AUG-90	
ENGINEERING	R. LIGENZA	DATE	17-AUG-90	
CSSE		DATE		
OTHER		DATE		DOCUMENT NUMBER
NEXT HIGHER DOC				BIB BA213-0-0 D

SCALE: 1/1 SHEET 1 OF 29

THIS DRAWING AND THE SPECIFICATIONS CONTAINED HEREIN ARE CONFIDENTIAL AND PROPRIETARY. THEY ARE THE PROPERTY OF DELTA EQUIPMENT CORPORATION AND SHALL NOT BE REPRODUCED OR COPIED OR LEFT IN SUCH OR IN PART IN THE HANDS FOR THE MANUFACTURE OR SALE OF THIS EQUIPMENT WITHOUT PERMISSION. THIS IS AN UNCLASSIFIED WORK PROTECTED UNDER THE FEDERAL COPYRIGHT LAWS, 1990

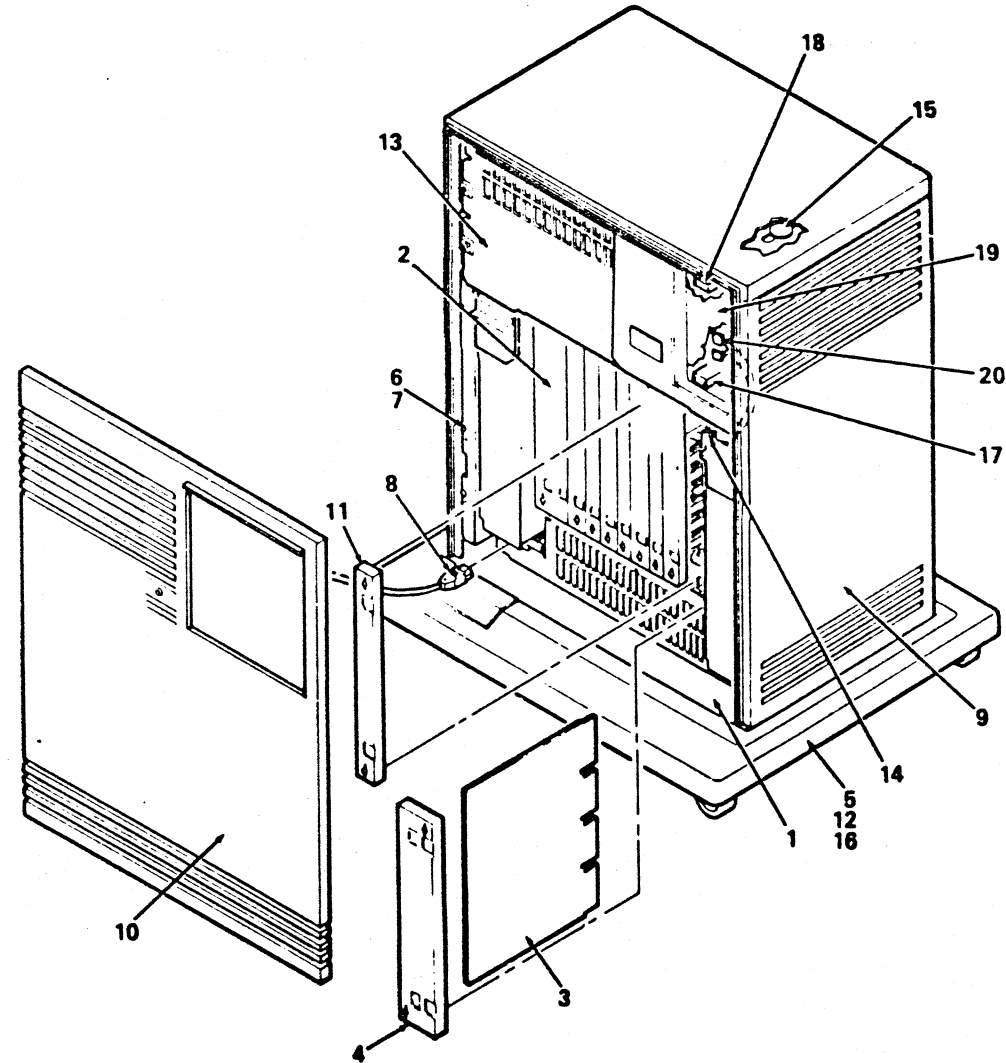
PARTS LIST

PARTS LIST



BA213-01-BD

Figure 1. Enclosure Assembly, BA213 (Sheet 1 of 2)



BA213-01A-BD

Figure 1. Enclosure Assembly, BA213 (Sheet 2 of 2)

TITLE	ILLUSTRATED BREAKDOWN FOR BA213 ENCLOSURE	SIZE CODE	BIB	MAKER	BA213-0-0	REV	D
SCALE	1/1	SHEET	2 OF 29	DIST			

THIS DRAWING AND THE SPECIFICATIONS CONTAINED HEREIN ARE CONFIDENTIAL AND PROPRIETARY. THEY ARE THE PROPERTY OF DIGITAL EQUIPMENT CORPORATION AND SHALL NOT BE REPRODUCED OR COPIED IN ANY MANNER OR IN ANY MEDIUM WITHOUT THE WRITTEN PERMISSION OF DIGITAL EQUIPMENT CORPORATION. THIS IS AN UNCLASSIFIED DOCUMENT RELEASED UNDER THE FEDERAL GOVERNMENT LIAISON ACT, 1980.

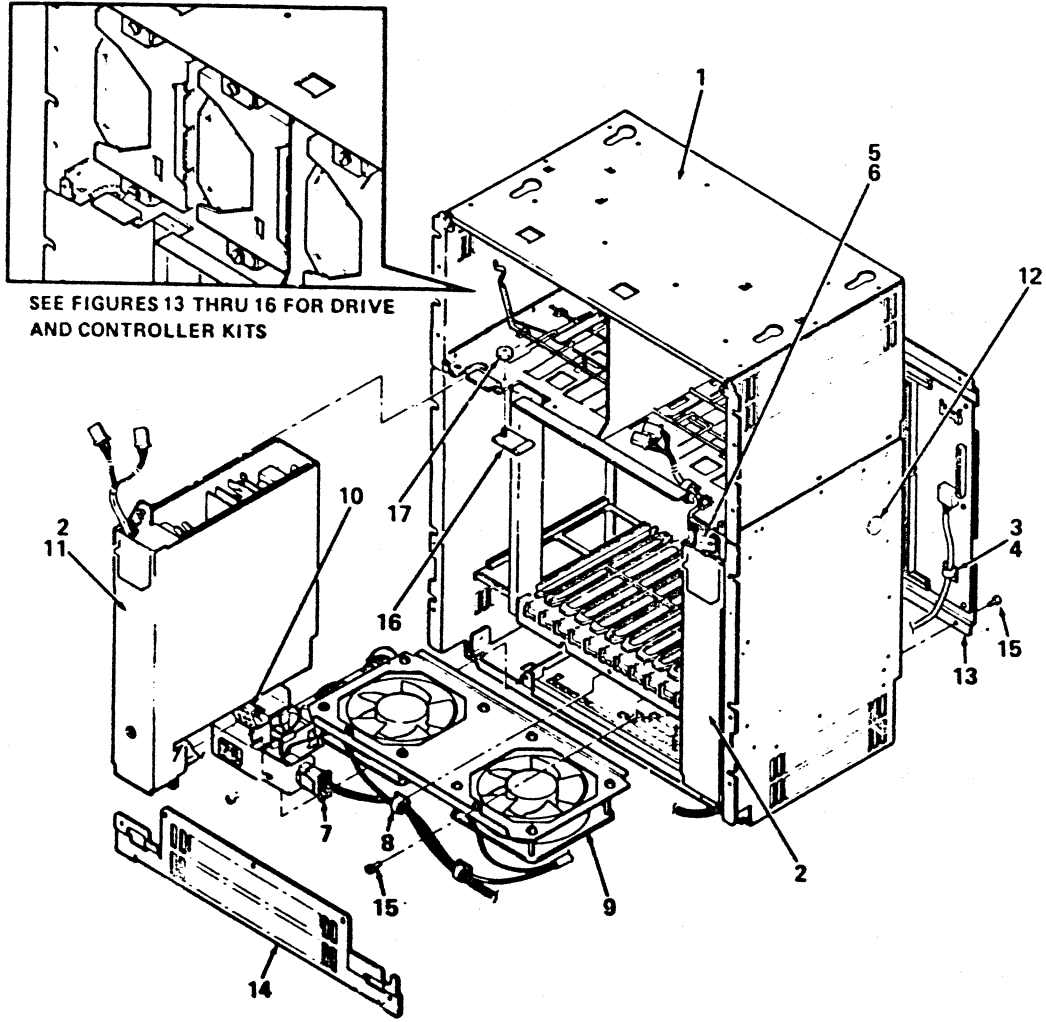
FIG. & ITEM NO.	DESCRIPTION	DEC PART NO.	ECO CUT-IN BA213 00003	USED ON CODE	REF FIG NO.
1-	ENCLOSURE ASSEMBLY, BA213				
	Code A - Used on BA213-A2 1 PS 120V w/o Skins	BA213-A2		A	
	Code B - Used on BA213-A3 1 PS 240V w/o Skins	BA213-A3		B	
	Code C - Used on BA213-B2 2 PS 120V w/o Skins	BA213-B2		C	
	Code D - Used on BA213-B3 2 PS 240V w/o Skins	BA213-B3		D	
	Code E - Used on BA213-EA 1 PS 120V w/Skins	BA213-EA		E	
	Code F - Used on BA213-E3 2 PS 240V w/Skins	BA213-E3		F	
	Code G - Used on BA213-FA 2 PS 240V w/o Skins Rack Mount/ Wall Mount Kit	BA213-FA		G	
	Code H - Used on BA213-F3 2 PS 240V w/o Skins Rack Mount/ Wall Mount Kit	BA213-F3		H	
1	*ENCLOSURE ASSEMBLY, BA213 1 PS 120V	70-24227-01		A	2
	*ENCLOSURE ASSEMBLY, BA213 1 PS 240V	70-24227-02		B	2
	*ENCLOSURE ASSEMBLY, BA213 2 PS 120V	70-24227-03		CEG	2
	*ENCLOSURE ASSEMBLY, BA213 2 PS 240V	70-24227-04		DFH	2
2	*Bulkhead Assembly, Front Dual	70-23982-02		E-H	
3	*Module, Load	M9060-YA		E-H	
4	*Bulkhead Assembly, Front Dual	70-23982-01		E-H	
5	*BASE ASSEMBLY	70-24046-01		EF	12
6	*Screw, Self-Tap Phi Pan Hd No. 8-16 x 1/2	90-09800-08		EF	
7	*Washer, Flat	90-06561-00		EF	
8	*Cord, Power	17-00083-43		EG	
9	*ENCLOSURE ASSEMBLY, SHELL	70-24037-01		EF	10
10	*PANEL ASSEMBLY, FRONT	70-24041-01		EF	11
11	*Bulkhead Assembly, Front	70-23981-01		E-H	
12	*Screw, Sems Phi Pan Hd No. 10-32 x 15/16	90-09282-00		EF	
13	*Panel Assembly, Front	70-23995-04		E-H	
14	*Switch, Frame	74-35417-01		EF	
15	*Plug, Button	90-07064-00		GH	
16	*Fastener, Turn	74-33854-01		EF	
17	*Mount Assembly, Bottom Shock (Replaces 70-23997-01)	70-25452-03	00004	E-H	
18	*Mount Assembly, Top Shock (Replaces 70-23997-02)	70-25452-04	00004	E-H	

FIG. & ITEM NO.	DESCRIPTION	DEC PART NO.	ECO CUT-IN BA213 00003	USED ON CODE	REF FIG NO.
1-					
19	*Panel, 5 1/4" Tape Drive Filler	74-36425-01		E-H	
20	*Harness Assembly	17-01362-01		E-H	
21	*Nameplate, BA213	74-34425-30		EF	
	KITS (Not Shown)				
	*KIT, RACK MOUNT BA213 LARGE S-BOX	BA213-RA		GH	
	**Guide, Rack Mount Installation	EK-BA200-IN			
	**Hardware, Rack Mount	70-24263-02			
	***Support, Mounting	74-34638-01			
	***Screw, Sems Phi Pan Hd No. 10-32 x 1/2	90-09700-00			
	***U-Nut, Retainer	90-07786-00			
	*KIT, WALL MOUNT BA213 LARGE S-BOX	BA213-WA		GH	
	**Guide, Wall Mount Installation	EK-BA200-IN			
	**Hardware, Wall Mount	70-24263-01			
	**Bracket, Wall Mount	74-34432-01			
	***Screw, Sems Phi Pan Hd No. 10-32 x 3/8	90-09228-10			
	*KIT, BIZ ACCESSORIES	70-24316-06		E-H	
	**Key, Plastic	12-17119-01			
	**Screwdriver, Flat Blade	47-00042-01			
	**Label, "S-Box MU"	36-27923-01			
	LABELS (Not Shown)				
	*Label, "Module Number M9060-YA"	36-26883-17		E-H	
	*Label, "Warning Equipment Rating 100-120V"	36-17905-16		EG	
	*Label, "Warning Equipment Rating 220-240V"	36-17905-17		FH	
	*Label, "Serial/Model 100V Made in USA"	36-27329-01		EG	
	*Label, "Serial/Model 100V Made in UK"	36-27329-02		EG	
	*Label, "Serial/Model 220V Made in USA"	36-27329-03		FH	
	*Label, "Serial/Model 220V Made in UK"	36-27329-04		FH	
	*Label, "Pedestal, USA 100V"	36-27838-31		E	
	*Label, "Pedestal, UK 100V"	36-27838-30		E	
	*Label, "Pedestal, USA 220V"	36-27838-28		F	
	*Label, "Pedestal, UK 220V"	36-27838-29		F	
	*Label, "Logo Model"	36-27354-25		GH	

TITLE ILLUSTRATED BREAKDOWN FOR BA213 ENCLOSURE B I B CLASSIFICATION BA213-0-0 REV D
SCALE 1/1 SHEET 3 OF 29 DIST

THIS DRAWING AND THE SPECIFICATIONS CONTAINED HEREIN ARE CONFIDENTIAL AND PROPRIETARY. THEY ARE THE PROPERTY OF DIGITAL EQUIPMENT CORPORATION AND SHALL NOT BE REPRODUCED OR COPIED IN ANY MANNER OR IN ANY MEDIUM WITHOUT THE WRITTEN PERMISSION OF DIGITAL EQUIPMENT CORPORATION. THIS IS AN UNCLASSIFIED DOCUMENT. THE FEDERAL COPYRIGHT LAW OF 1980 PROTECTS THIS DOCUMENT.

PARTS LIST



BA213-02-BD

Figure 2. Enclosure Assembly, BA213

FIC. & ITEM NO.	DESCRIPTION	DEC PART NO.	ECO CUT-IN 70-24227 00002	USED ON CODE	REF FIG NO.
2-	ENCLOSURE ASSEMBLY, BA213 1 PS 120V	70-24227-01		A	1
	ENCLOSURE ASSEMBLY, BA213 1 PS 240V	70-24227-02		B	1
	ENCLOSURE ASSEMBLY, BA213 2 PS 120V	70-24227-03		CEG	1
	ENCLOSURE ASSEMBLY, BA213 2 PS 240V	70-24227-04		DFH	1
1	*FRAME ASSEMBLY, BA213	70-24255-01			3
2	*POWER SUPPLY ASSEMBLY, H7868 100/120V	H7868-A		ACEG	4
	*POWER SUPPLY ASSEMBLY, H7868 220/240V	H7868-B		BDFH	4
3	*Clamp, Cable (deleted)	90-08264-00	00007		
4	*Tie, Cable (deleted)	90-07032-00	00007		
5	*SWITCH ASSEMBLY	70-23999-01			6
6	*Nut, Kep No. 6-32	90-08185-00			
7	*Cable Assembly	17-01360-01			
8	*Clip, Wire Routing (Replaces 12-21249-04)	12-21249-06	00007		
9	*FAN ASSEMBLY	70-23998-01			7
10	*INPUT ASSEMBLY, FILTER	70-23769-01			5
11	*Filler, Power Supply Assembly	70-23996-01		AB	
12	*Plug, Button (added)	90-07064-00	00007		
13	*BACKPLANE ASSEMBLY, BA213	70-23712-01			8, 8A
14	*Panel Assembly, Access	70-25721-01			
15	*Screw, Self Tap Truss Hd No. 6 x 5/16	90-00063-78			
16	*Plate, Cover (added)	74-37040-01	00003		
17	*Nut, Kep No. 6-32 x 1/4 (added)	90-08185-00	00003		

THIS DRAWING AND THE SPECIFICATIONS CONTAINED HEREIN ARE CONFIDENTIAL AND PROPRIETARY. THEY ARE THE PROPERTY OF DIGITAL EQUIPMENT CORPORATION AND SHALL NOT BE REPRODUCED OR COPIED OR LENT IN WHOLE OR IN PART AS THE BASIS FOR THE MANUFACTURE OR SALE OF ITEMS WITHOUT WRITTEN PERMISSION. THIS IS AN UNPUBLISHED WORK PROTECTED UNDER THE FEDERAL COPYRIGHT LAWS, 1980

PARTS LIST

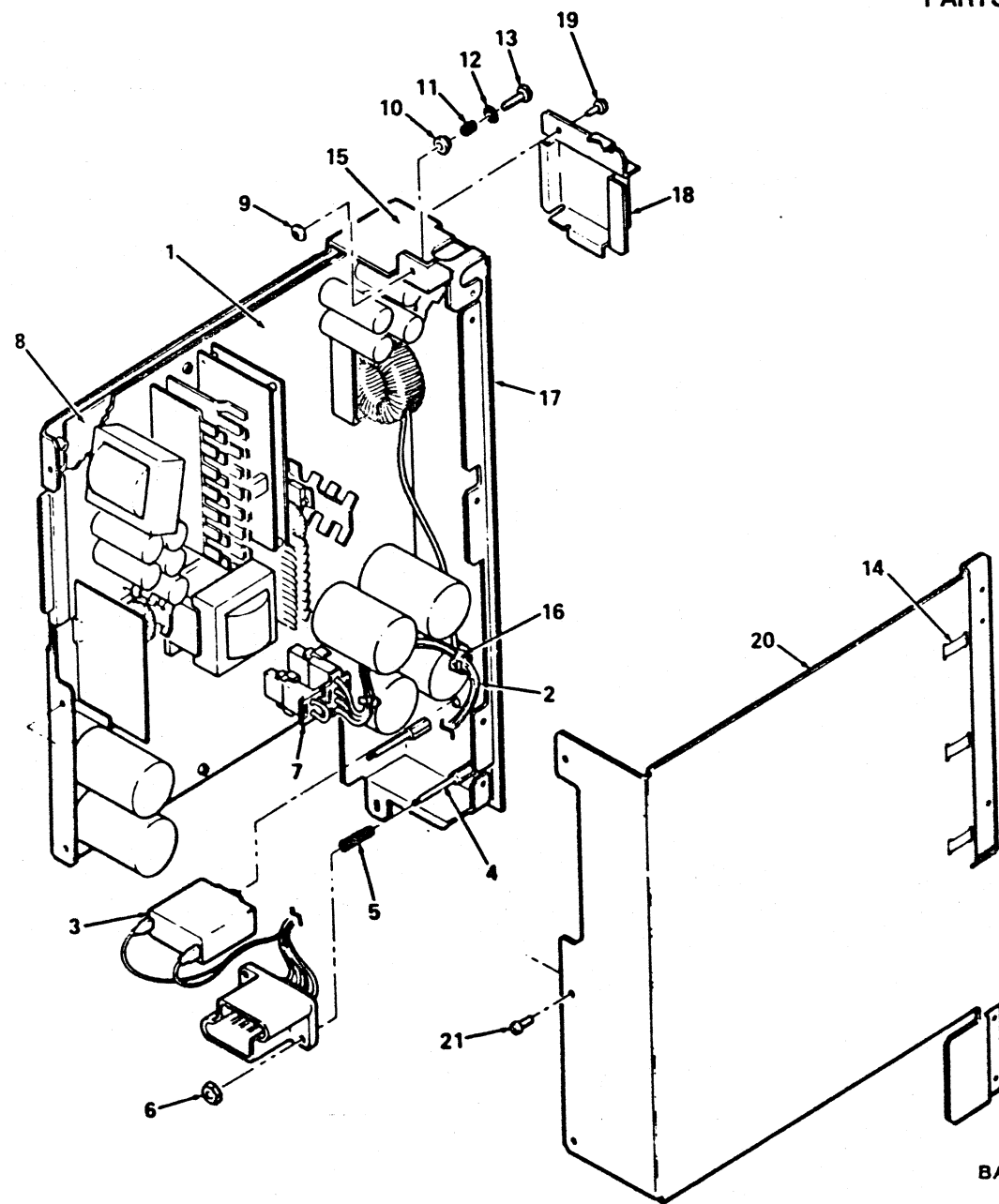
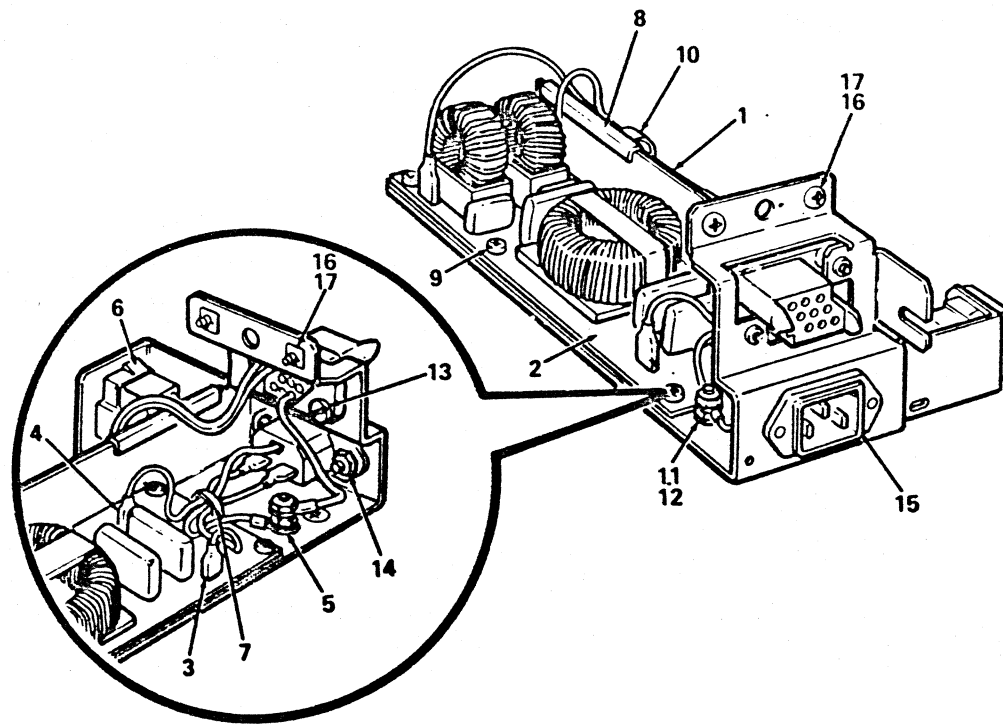


Figure 4. Power Supply Assembly, H7868

FIG. & ITEM NO.	DESCRIPTION	DEC PART NO.	ECO CUT-IN H7868 00002	USED ON CODE	REF FIG NO.
4-	POWER SUPPLY ASSEMBLY, H7868 100/120V POWER SUPPLY ASSEMBLY, H7868 220/240V	H7868-A H7868-B		ACEG BDFH	2 2
1	*Module, Power Supply	54-16879-01			
2	*HARNES ASSEMBLY, H7868	70-23366-01			9
3	*Circuit Breaker	12-19912-06			
4	*Support, Spring	74-34431-01			
5	*Spring, Compression	12-27235-02			
6	*Nut, Kep No. 6-32	90-08055-00			
7	*Jumper Assembly, 2-Pin Mate-N-Lock, 120V	70-23770-01		ACEG	
8	*Pad, Insulator	74-33418-01			
9	*Washer, Retaining (Replaces 12-27764-01)	12-30421-01	00004		
10	*Bushing, Captive Screw	12-27446-01			
11	*Spring, Compression	12-27445-01			
12	*Washer, External Tooth Lock No. 6	90-07649-00			
13	*Screw, Shoulder No. 6-32 x 1/2 (Replaces 12-27771-01)	12-27772-01	00004		
14	*Finger, Grounding	12-26922-01			
15	*Bracket, Power Supply (deleted)	74-36556-01	00004		
16	*Tie, Cable (deleted)	90-07031-00	00004		
17	*Enclosure, Power Supply (Replaces 74-33416-01)	74-33416-02	00004		
18	*COVER ASSEMBLY, TOP POWER SUPPLY (Replaces 74-33976-01)	70-22808-01	00004		
	**Cover, Top Power Supply (added)	74-33976-02	00004		
	**Screw, Captive No. 6-32 (added)	12-30239-01	00004		
	**Washer, Retaining (added)	12-30421-01	00004		
19	*Screw, Sems Phi Pan Hd No. 4-40 x 3/8 (deleted)	90-09843-00	00004		
20	*Cover, Power Supply	74-33417-01			
21	*Screw, Sems Phi Pan Hd No. 6-32 x 5/16	90-09984-07			
	LABELS (Not Shown)				
	*Label, "Power Supply H7868-A"	36-26511-01		ACEG	
	*Label, "Power Supply H7868-B"	36-26511-02		BDFH	
	*Label, "Blank Bar Code"	36-18460-05			
	*Label, "H7868-A"	36-27463-01		ACEG	
	*Label, "H7868-B"	36-27463-02		BDFH	
	*Label, "Danger High Voltage"	36-10267-02			
	*Label, "BA2XX Rev" (Rolled) (added)	36-29163-05	00004		

THIS DRAWING AND THE SPECIFICATIONS CONTAINED HEREIN ARE CONFIDENTIAL AND PROPRIETARY. THEY ARE THE PROPERTY OF DECISION EQUIPMENT CORPORATION AND SHALL NOT BE REPRODUCED OR COPIED IN WHOLE OR IN PART IN ANY MANNER WITHOUT THE WRITTEN PERMISSION OF DECISION EQUIPMENT CORPORATION. THIS IS AN UNCLASSIFIED DOCUMENT PROTECTED UNDER THE FEDERAL COPYRIGHT LAWS. 1980

PARTS LIST



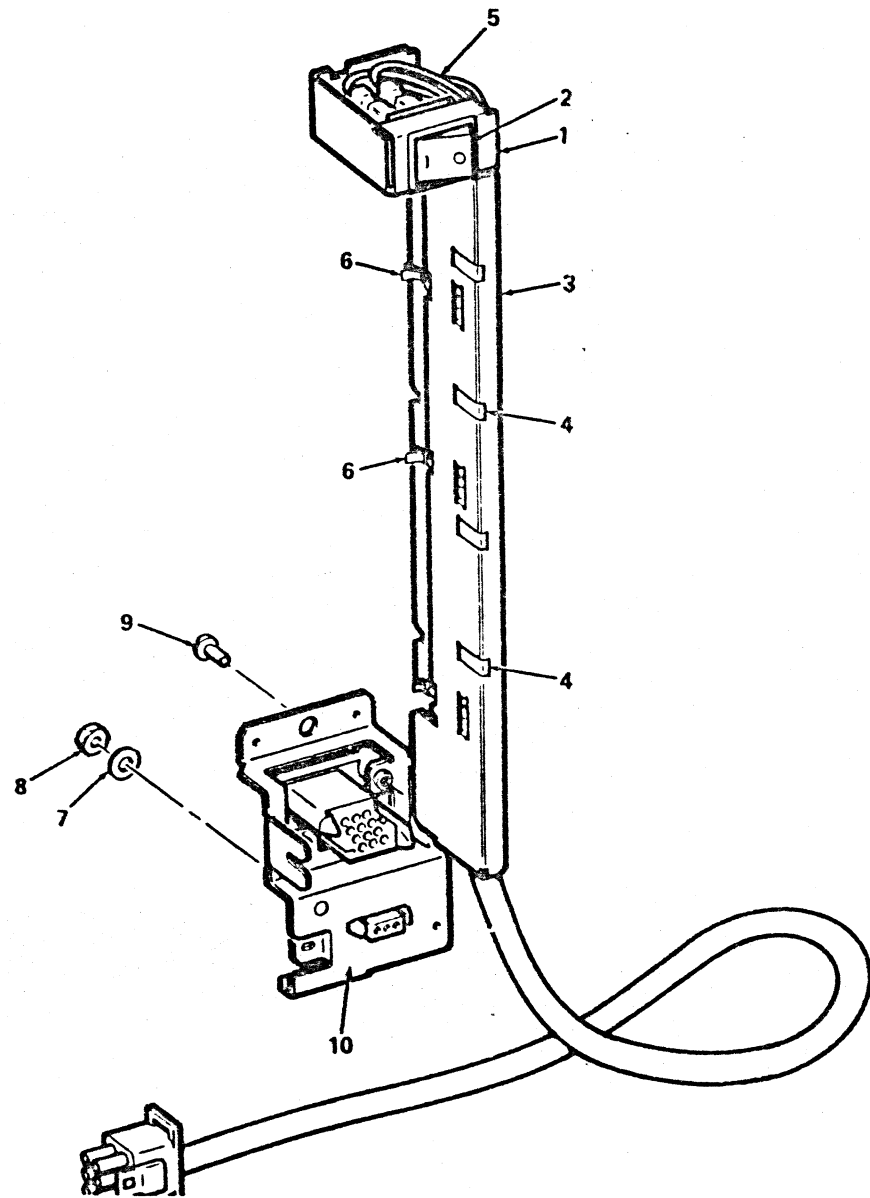
BA213-05-BD

Figure 5. Filter Assembly, Input

FIG. & ITEM NO.	DESCRIPTION	DEC PART NO.	ECO CUT-IN 70-23769 00000	USED ON CODE	REF FIG NO.
5-	FILTER ASSEMBLY, INPUT	70-23769-01			2
1	*Support, AC Filter	74-33962-01			
2	*Module, Dual Power Supply EMI Filter	54-17079-01			
3	*Jumper, AC Input	70-24004-01			
4	*Jumper, AC Input	70-24004-02			
5	*Jumper, AC Input Ground	70-24007-01			
6	*Wiring Assembly, Filter	70-24001-01			
7	*Tie, Cable	90-07031-00			
8	*Grommet	12-25469-04			
9	*Screw, Sems Phi Pan Hd No. 6-32 x 5/16	90-09984-07			
10	*Clip, Wire Routing	12-21249-04			
11	*Washer, Flat	90-06664-00			
12	*Nut, Kep No. 10-32	90-06565-00			
13	*Screw, Shoulder No. 8-32	12-27034-01			
14	*Nut, Kep No. 4-40	90-06557-00			
15	*Connector, (J3) 3-Pin Power Receptacle 10A, 250V	12-17874-02			
16	*Screw, Mach Phi Truss Hd No. 6 x 5/16 (Replace 90-00063-78)	90-10971-01	00002		
17	*Washer, Retaining (Replaces 12-27764-01)	12-30421-01	00002		
	LABELS (Not Shown)				
	*Label, "Ground Symbol"	36-12680-00			
	*Label, "Ground Symbol w/Circle"	36-12680-02			
	*Label, "Blank Bar Code"	36-18460-05			

THIS DRAWING AND THE SPECIFICATIONS CONTAINED HEREIN ARE CONFIDENTIAL AND PROPRIETARY. THEY ARE THE PROPERTY OF DIGITAL EQUIPMENT CORPORATION AND SHALL NOT BE REPRODUCED OR COPIED OR USED IN FULL OR IN PART AS THE BASIS FOR THE MANUFACTURE OR SALE OF ITEMS WITHOUT WRITTEN PERMISSION. THIS IS AN UNCLASSIFIED WORK PROTECTED UNDER THE FEDERAL COPYRIGHT LAWS, 1980.

PARTS LIST



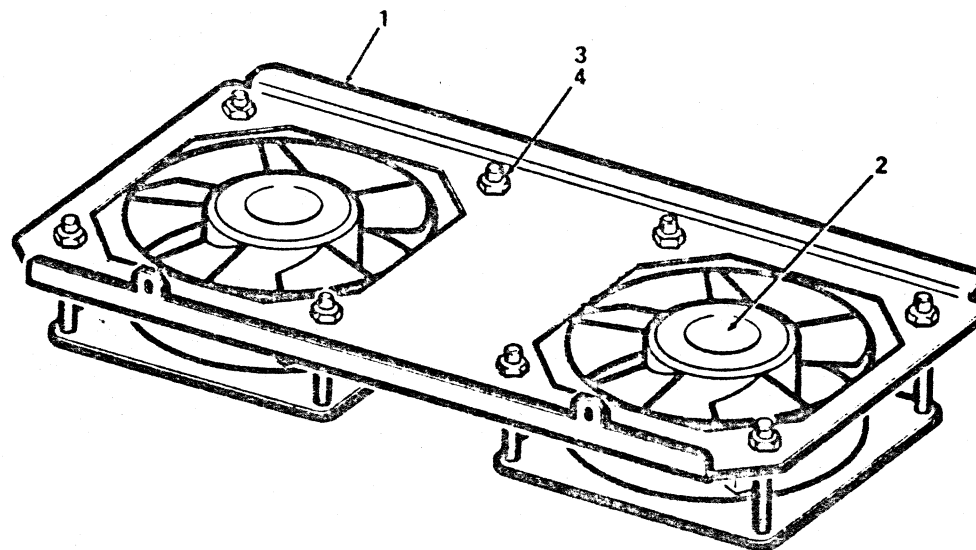
BA213-06-BD

Figure 6. Switch Assembly

FIG. & ITEM NO.	DESCRIPTION	DEC PART NO.	ECO CUT-IN 70-23999 00000	USED ON CODE	REF FIG NO.
6-	SWITCH ASSEMBLY	70-23999-01			2
1	*Box, Switch	74-33966-01			
2	*Switch, Rocker	12-21262-05			
3	*Channel, A/C Right (Replaces 70-24234-01)	74-33975-01	00001		
4	*Finger, Grounding	12-26922-01			
5	*Harness Assembly, Wire	17-01469-01			
6	*Tie, Cable	90-07031-00			
7	*Washer, Flat	90-06664-00			
8	*Nut, Kep No. 10-32	90-06565-00			
9	*Screw, Shoulder No. 8-32	12 27034-01			
10	*Cover, A/C Right (Replaces 70-24234-01)	74-33963-01	00001		

THESE DIMENSIONS AND THE SPECIFICATIONS CONTAINED HEREIN ARE CONFIDENTIAL AND PROPRIETARY. THEY ARE THE PROPERTY OF DIGITAL EQUIPMENT CORPORATION AND SHALL NOT BE REPRODUCED OR COPIED OR USED IN TRADE OR IN ANY MANNER FOR THE MANUFACTURE OR SALE OF ITEMS WITHOUT WRITTEN PERMISSION. THIS IS AN UNCLASSIFIED WORK PROTECTED UNDER THE FEDERAL COPYRIGHT LAWS, 1990

FIG. & ITEM NO.	DESCRIPTION	DEC PART NO.	ECO CUT-IN 70-23998 00000	USED ON CODE	REF FIG NO.
7-	FAN ASSEMBLY	70-23998-01			2
1	*Bracket, Fan	74-33565-01			
2	*Fan, Tube Axial 4 1/2 inch	12-23609-04			
3	*Nut, Well No. 6-32	90-10115-00			
4	*Screw, Phi Pan Hd No. 6-32 x 2	90-06032-01			



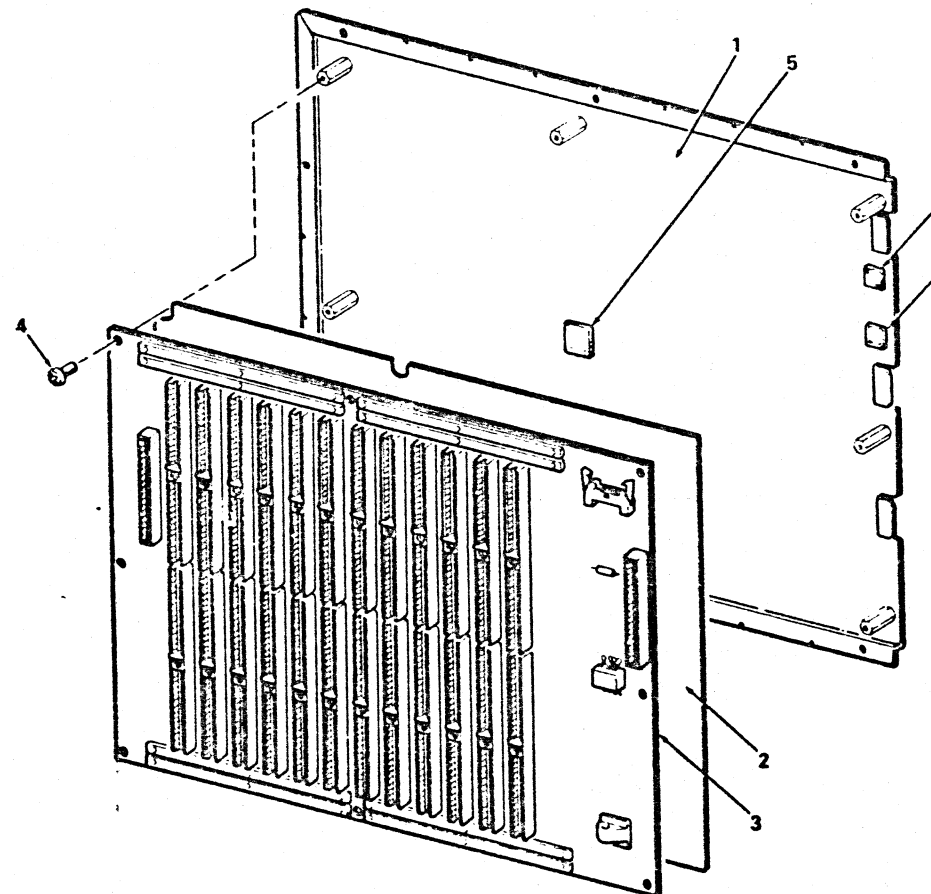
BA213-07-BD

Figure 7. Fan Assembly

TITLE	ILLUSTRATED BREAKDOWN FOR BA213 ENCLOSURE	SIZE	B18	MANUFACTURER	BA213-0-0	REV	D
SCALE	1/1	SHEET	9 OF 29	DIST			

THIS DRAWING AND THE SPECIFICATIONS CONTAINED HEREIN ARE CONFIDENTIAL AND PROPRIETARY. THEY ARE THE PROPERTY OF DIGITAL EQUIPMENT CORPORATION AND SHALL NOT BE REPRODUCED OR COPIED OR USED IN WHOLE OR IN PART FOR THE PURPOSE OF THE MANUFACTURE OR SALE OF ITEMS WITHOUT WRITTEN PERMISSION. THIS IS AN UNCLASSIFIED BUT PROTECTED UNDER THE PATENT COPYRIGHT LAWS, 1990

FIG. & ITEM NO.	DESCRIPTION	DEC PART NO.	ECO CUT-IN 70-23712 00000	USED ON CODE	REF FIG NO.
8-	BACKPLANE ASSEMBLY	70-23712-01			2
1	*Panel, Backplane Support	74-33568-01			
2	*Insulator, Backplane	74-33980-01			
3	*Backplane, 12 Slot Q-Bus	54-16791-01			
4	*Screw, Self-Tap Truss Hd No. 6 x 5/16	90-00063-78			
5	*Bumper, Square Rubber	90-08525-01			



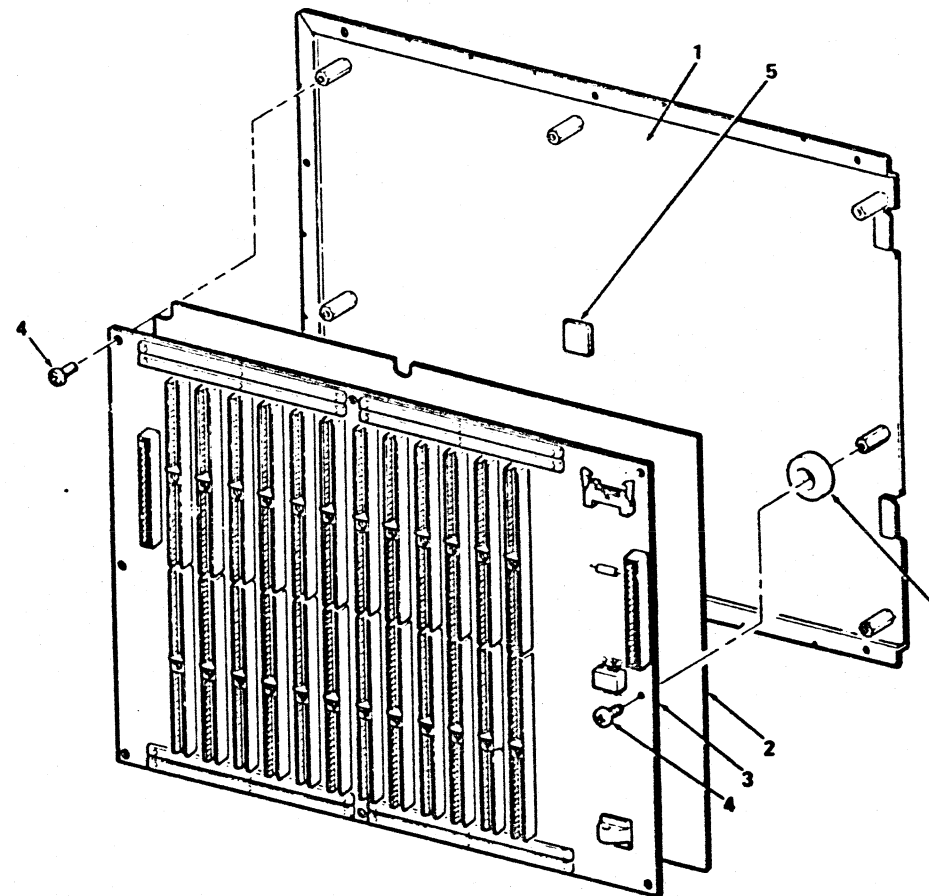
BA213-08-BD

Figure 8. Backplane Assembly, BA213

TITLE	ILLUSTRATED BREAKDOWN FOR BA213 ENCLOSURE	SIZE	BIB	MAPPER	BA213-0-0	REV	D
SCALE	1/1	SHEET	10 OF 29	DIST			

THIS DRAWING AND THE SPECIFICATIONS CONTAINED HEREIN ARE CONFIDENTIAL AND PROPRIETARY. THEY ARE THE PROPERTY OF DIGITAL EQUIPMENT CORPORATION AND SHALL NOT BE REPRODUCED OR COPIED OR USED IN ANY MANNER WITHOUT THE WRITTEN PERMISSION OF DIGITAL EQUIPMENT CORPORATION. THIS DRAWING IS UNCLASSIFIED AND IS NOT PROTECTED UNDER THE FEDERAL COPYRIGHT LAWS. 1980

FIG. & ITEM NO.	DESCRIPTION	DEC PART NO.	ECO CUT-IN 70-23712 00005	USED ON CODE	REF FIG NO.
8A-	BACKPLANE ASSEMBLY, BA213	70-23712-01			2
1	*Panel, Backplane Support	74-39626-01			
2	*Insulator, Backplane	74-33980-01			
3	*Backplane, 12 Slot Q-Bus	54-16791-01			
4	*Screw, Self-Tap Truss Hd No. 6 x 5/16	90-00063-78			
5	*Bumper, Square Rubber	90-08525-01			
6	*Washer, Shoulder	74-39818-01			



BA213-08A-BD

Figure 8A. Backplane Assembly, BA213

TITLE	ILLUSTRATED BREAKDOWN FOR BA213 ENCLOSURE	SIZE CODE	BIB	NUMBER	BA213-0-0	REV	D
SCALE	1/1	SHEET	11 OF 29	DIST			

THIS DRAWING AND THE SPECIFICATIONS CONTAINED HEREIN ARE CONFIDENTIAL AND PROPRIETARY. THEY ARE THE PROPERTY OF DIGITAL EQUIPMENT CORPORATION AND SHALL NOT BE REPRODUCED OR COPIED OR USED IN WHOLE OR IN PART AS THE BASIS FOR THE MANUFACTURE OR SALE OF ITEMS WITHOUT WRITTEN PERMISSION. THIS IS AN UNPUBLISHED WORK PROTECTED UNDER THE FEDERAL COPYRIGHT LAWS, 1980

FIG. & ITEM NO.	DESCRIPTION	DEC PART NO.	ECO CUT-IN 70-23366 00000	USED ON CODE	REF FIG NO.
9-	HARNESS ASSEMBLY, H7868	70-23366-01			4
1	*Connector, (P3) Power Receptacle	12-25571-01			
2	*Terminal, (P3) Pin Contact	12-26858-02			
3	*Terminal, (P3) Power	12-25867-01			
4	*Terminal, (P3), 24-Pin 20AWG	12-26858-01			
5	*Connector, (P1) Universal Socket Mate-N-Lok	12-12167-01			
6	*Terminal, (P1) Socket Contact Mate-N-Lok	12-12170-00			
7	*Connector, (P2) IDC	12-15815-00			
8	*Terminal, Faston	12-26555-01			
9	*Wire, Strand Brown, 18AWG	91-07786-11			
	*Wire, Strand Blue, 18AWG	91-07786-66			
	*Wire, Strand Yellow/Green, 18AWG	91-07828-54			
	*Wire, Strand White, 22AWG	91-07796-99			
	*Wire, Strand Orange, 22AWG	91-07796-33			
	*Wire, Strand Black, 18AWG	91-07786-00			
10	*Tie, Cable	90-07031-00			
11	*Label, "ID"	36-16073-00			

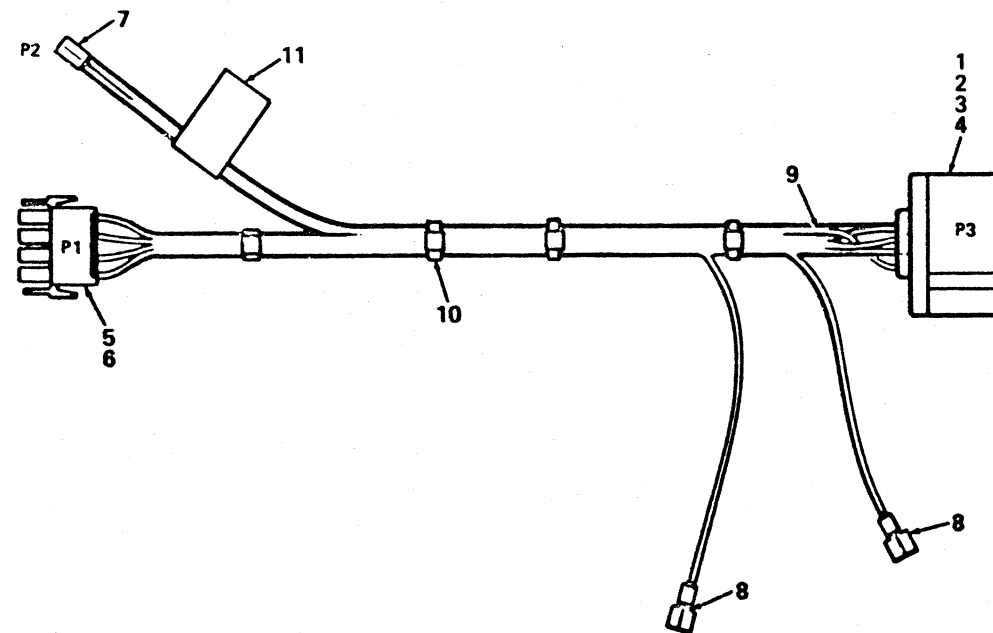
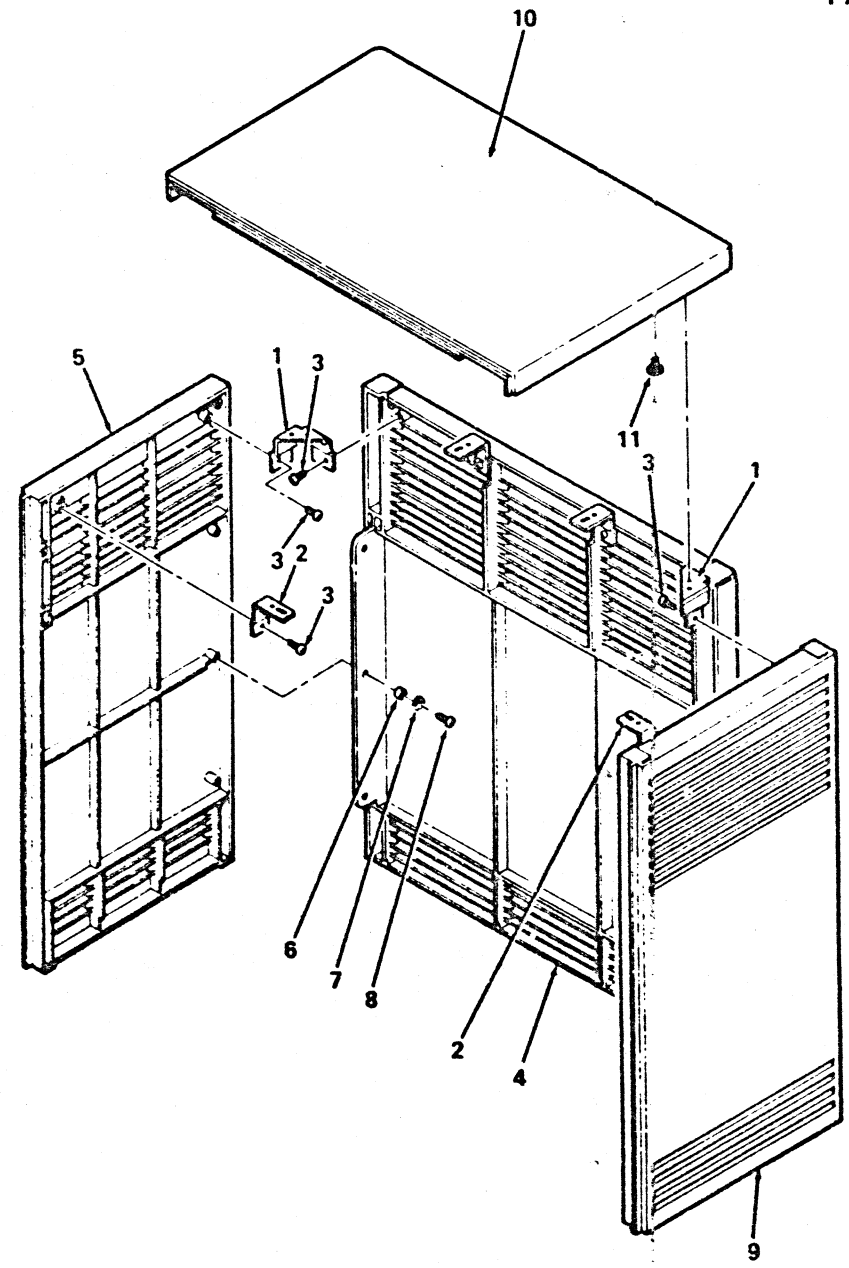


Figure 9. Harness Assembly, H7868

TITLE	ILLUSTRATED BREAKDOWN FOR BA213 ENCLOSURE	SIZE	BIB	MACTN	BA213-0-0	REV	D
SCALE	1/1	SHEET	12 OF 20	DIST			

THIS DRAWING AND THE SPECIFICATIONS CONTAINED HEREIN ARE CONFIDENTIAL AND PROPRIETARY. THEY ARE THE PROPERTY OF DIGITAL EQUIPMENT CORPORATION AND SHALL NOT BE REPRODUCED OR COPIED IN ANY MANNER OR IN ANY MEDIUM WITHOUT THE WRITTEN PERMISSION OF DIGITAL EQUIPMENT CORPORATION. THIS IS AN UNCLASSIFIED WORK PROTECTED UNDER THE FEDERAL COPYRIGHT LAWS. 1980

PARTS LIST



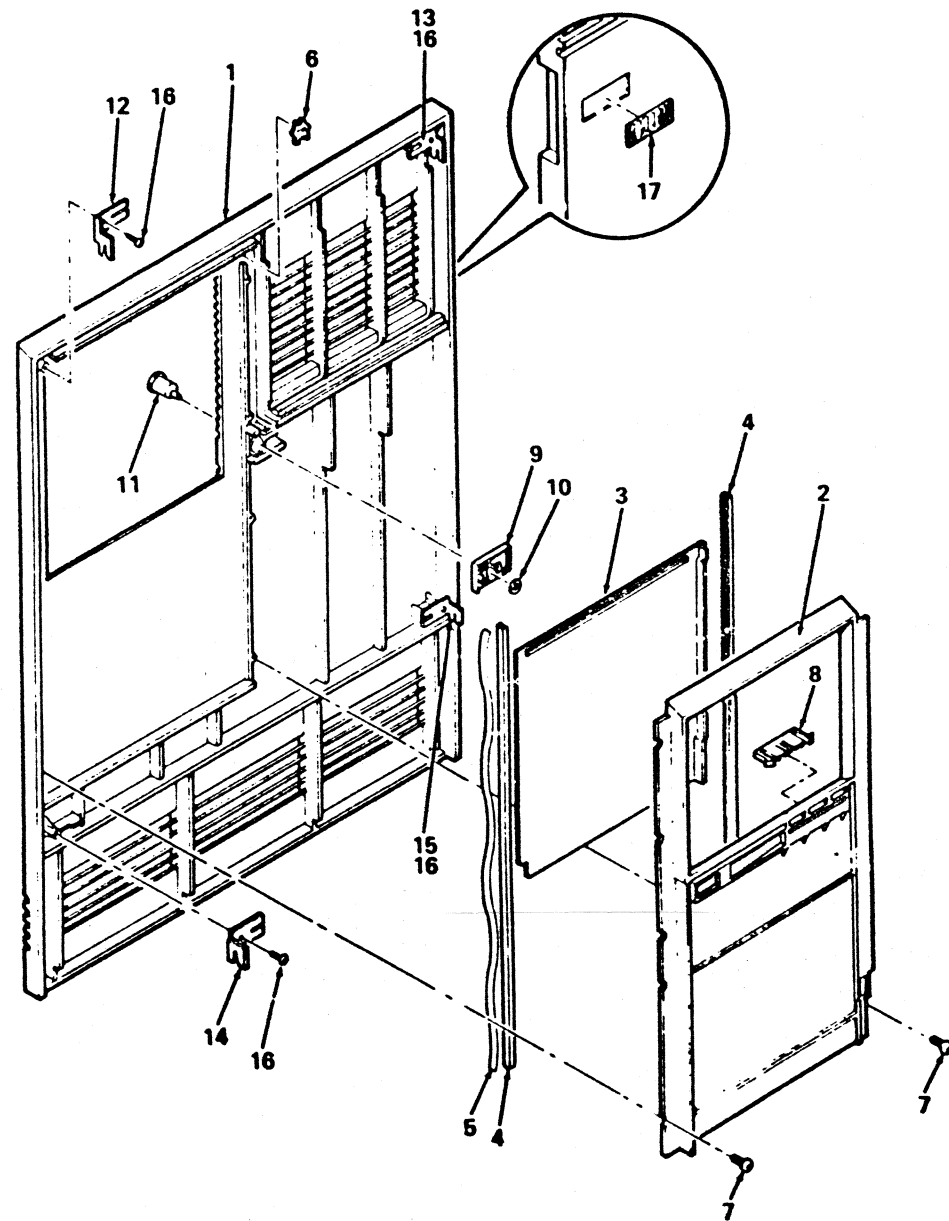
BA213-10-BD

Figure 10. Enclosure Assembly, Shell

FIG. & ITEM NO.	DESCRIPTION	DEC PART NO.	ECO CUT-IN 70-24037 00000	USED ON CODE	REF FIG NO.
10-	ENCLOSURE ASSEMBLY, SHELL	70-24037-01			1
1	*Bracket, Corner	74-34126-01			
2	*Bracket, Side	74-34125-01			
3	*Screw, Self-Tap Phi Pan Hd No. 8-16 x 3/8	90-09800-04			
4	*Panel, Rear	74-33651-01			
5	*Panel, Left Side	74-33694-01			
6	*Sleeve	74-34424-01			
7	*Washer, Flat	90-06661-00			
8	*Screw, Self-Tap Phi Pan Hd No. 8-16 x 1/2	90-09800-08			
9	*Panel, Right Side	74-33647-01			
10	*Cover, Top	74-33646-01			
11	*Screw, Thread Rolling Shoulder	12-26868-01			

THIS DRAWING AND THE SPECIFICATIONS CONTAINED HEREIN ARE CONFIDENTIAL AND PROPRIETARY. THEY ARE THE PROPERTY OF DIGITAL EQUIPMENT CORPORATION AND SHALL NOT BE REPRODUCED OR TRANSMITTED IN ANY FORM OR BY ANY MEANS, ELECTRONIC OR MECHANICAL, INCLUDING PHOTOCOPYING, RECORDING, OR BY ANY INFORMATION STORAGE AND RETRIEVAL SYSTEM, WITHOUT WRITTEN PERMISSION. THIS IS AN UNCLASSIFIED DRAWING PROTECTED UNDER THE FOLLOWING COPYRIGHT LABEL: 1980

PARTS LIST



BA213-11-BD

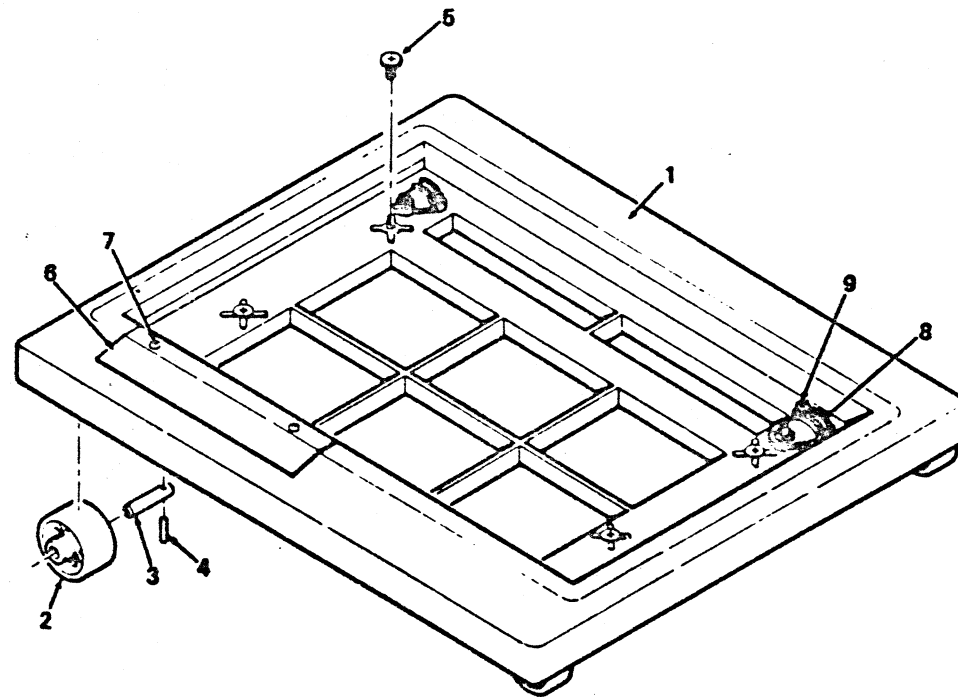
Figure 11. Panel Assembly, Front

FIG. & ITEM NO.	DESCRIPTION	DEC PART NO.	ECO CUT-IN 70-24041 00000	USED ON CODE	REF FIG NO.
11-	PANEL ASSEMBLY, FRONT	70-24041-01		EF	1
1	*Panel, Front	74-33648-01			
2	*Bezel, Switch	74-34067-01			
3	*Door	74-34061-01			
4	*Channel, Front Panel	74-34062-01			
5	*Spring, Channel	74-34066-01			
6	*Stop, Door Position	74-34363-01			
7	*Screw, Phi Pan Hd No. 6-19 x 3/8	90-09800-06			
8	*Latch, Pull	74-34064-01			
9	*Latch, Slide	74-34065-01			
10	*Ring, Retainer	90-09257-05			
11	*Tumbler	74-34063-01			
12	*Bracket, Top Right Hand	74-34123-01			
13	*Bracket, Top Left Hand	74-34123-02			
14	*Bracket, Bottom Right Hand	74-34124-01			
15	*Bracket, Bottom Left Hand	74-34124-02			
16	*Screw, Self-Tap Phi Pan Hd No. 8-16 x 3/8	90-09800-04			
17	*Logo	74-34426-01			

THIS DRAWING AND THE SPECIFICATIONS CONTAINED HEREIN ARE CONFIDENTIAL AND PROPRIETARY. THEY ARE THE PROPERTY OF DYNALIFE EQUIPMENT CORPORATION AND SHALL NOT BE REPRODUCED OR COPIED OR USED IN ANY MANNER WITHOUT THE WRITTEN PERMISSION OF DYNALIFE EQUIPMENT CORPORATION. THIS DRAWING IS UNCLASSIFIED AND CONTROLLED UNDER THE FEDERAL ACQUISITION REGULATION, 1980.

FIG. & ITEM NO.	DESCRIPTION	DEC PART NO.	ECO CUT-IN 70-24046 00001	USED ON CODE	REF FIG NO.
12-	BASE ASSEMBLY	70-24046-01		EF	1
1	*Base, Lower	74-33650-01			
2	*Wheel, Base	74-34068-01			
3	*Shaft, Wheel	74-34069-01			
4	*Pin, Roll	90-09385-00			
5	*Screw, Thread Rolling Shoulder	12-26868-01			
6	*Support, Label	74-34646-01			
7	*Screw, Phi Pan Hd Self-Tap No. 6-19 x 3/8	90-09800-06			
8	*Fastener, Turn (See Note)	74-33854-01			
9	*Screw, Sems Phi Pan Hd No. 10-32 x 5/16 (See Note)	90-09282-00			

Note: Item part of Figure 1.
Shown here for clarity.



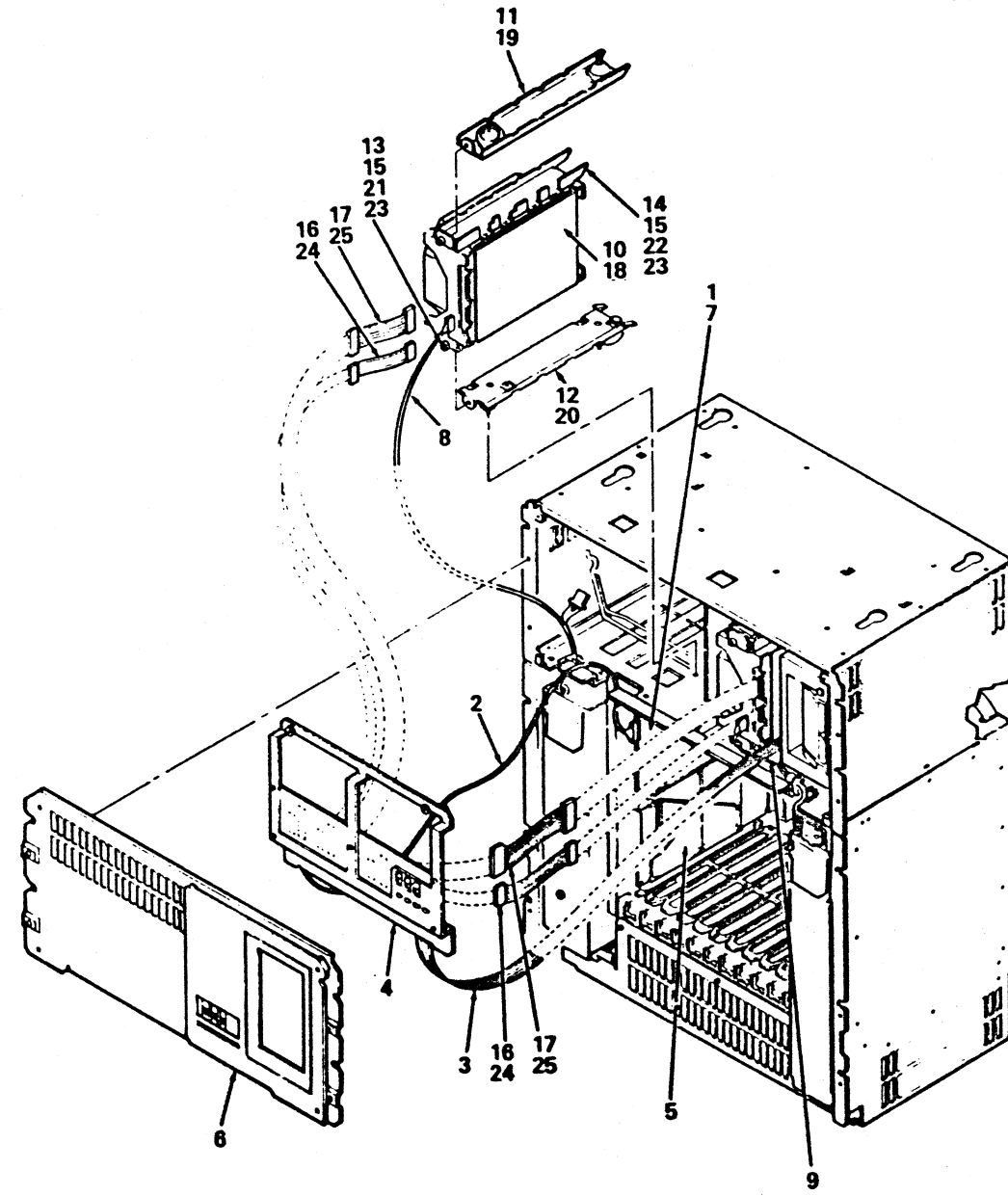
BA213-12-BD

Figure 12. Base Assembly

TITLE	ILLUSTRATED BREAKDOWN FOR BA213 ENCLOSURE	REV	B	B	PLANNED	BA213-0-0	REV	D
SCALE	1/1	SHEET	15 OF 29	DIST				

THIS DESIGN AND THE SPECIFICATIONS CONTAINED HEREIN ARE CONFIDENTIAL AND PROPRIETARY. THEY ARE THE PROPERTY OF DIGITAL EQUIPMENT CORPORATION AND SHALL NOT BE REPRODUCED OR COPIED IN ANY MANNER OR IN PART OR THE WHOLE FOR THE MANUFACTURE OF ANY TYPE OF ITEM WITHOUT THE WRITTEN PERMISSION OF DIGITAL EQUIPMENT CORPORATION. THIS IS AN UNCLASSIFIED DOCUMENT UNDER THE PATENT COPYRIGHT LABEL 1980

PARTS LIST



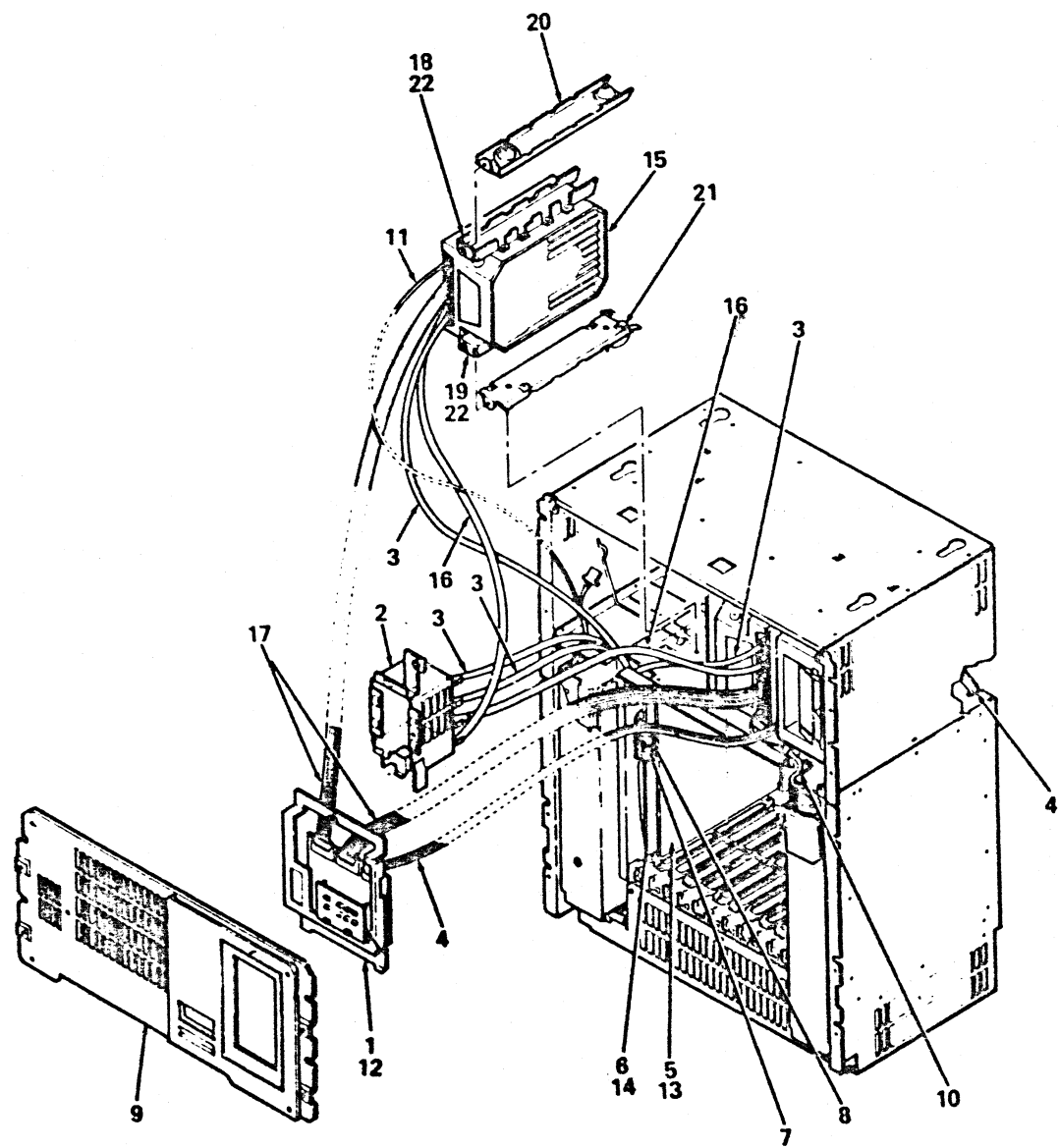
BA213-13-BD

Figure 13. Kit, Controller and Disk Drive Mounting

FIG. & ITEM NO.	DESCRIPTION	DEC PART NO.	ECO CUT-IN	USED ON CODE	REF FIG NO.
13-	KITS, CONTROLLER and DISK DRIVE MOUNTING				
13A	*KIT, RQDX3-S Q-bus CONTROLLER	RQDX3-SA			
1	**Module, RD/RX Controller	RQDX3-00			
2	**Cable Assembly, Round, 50 Conductor	17-01361-01			
3	**Cable Assembly, Flat Ribbon, 10 Conductor	17-01641-01			
4	**SDB Assembly	70-24249-01			
5	**Panel, Blank Dual	74-33507-01			
6	**Panel, Front Assembly	70-23995-01			
7	**Label, "Module Number" (See Note)	36-26883-10			
8	**Harness Assembly, Left Power	17-01362-02			
9	**Harness Assembly, Right Power	17-01362-01			
.....					
13B	*KIT, RD53A DISK DRIVE MOUNTING W/CABLES	RD53A-SA			
10	**DISK DRIVE, 5.25 inch w/No Skid Plate (See IPB Manual EK-RD53A-IP)	RD53-EA			
11	**Shock Assembly, Top	70-25452-03			
12	**Shock Assembly, Bottom	70-25452-04			
13	**Bracket, Bottom Drive	74-33573-02			
14	**Bracket, Top Drive	74-33573-01			
15	***Screw, Slotted Shoulder Hd No. 6-32 x 1/2	12-27771-01			
	***Screw, Mach Flat Phi Hd No. 6-32 x 5/16	90-08404-02			
16	**Cable Assembly, Flat Ribbon, 20 Conductor	17-00282-03			
17	**Cable Assembly, Flat Ribbon, 34 Conductor	17-00286-03			
.....					
13C	*KIT, RD54A DISK DRIVE MOUNTING W/CABLES	RD54A-SA			
18	**DISK DRIVE, 5.25 Inch w/No Skid Plate (See IPB Manual EK-RD54A-IP)	RD54-EA			
19	**Shock Assembly, Top	70-23997-03			
20	**Shock Assembly, Bottom	70-23997-04			
21	**Bracket, Bottom Drive	74-33573-02			
22	**Bracket, Top Drive	74-33573-01			
23	***Screw, Slotted Shoulder Hd No. 6-32 x 1/2	12-27771-01			
	***Screw, Mach Flat Phi Hd No. 6-32 x 5/16	90-08404-02			
24	**Cable Assembly, Flat Ribbon, 20 Conductor	17-00282-03			
25	**Cable Assembly, Flat Ribbon, 34 Conductor	17-00286-C3			
Note: Label placement is on Module Bulkhead.					

THIS DRAWING AND THE SPECIFICATIONS CONTAINED HEREIN ARE CONFIDENTIAL AND PROPRIETARY. THEY ARE THE PROPERTY OF DIGITAL EQUIPMENT CORPORATION AND SHALL NOT BE REPRODUCED OR COPIED IN ANY MANNER OR BY ANY MEANS FOR THE WHOLE OR PART THEREOF WITHOUT THE WRITTEN PERMISSION OF DIGITAL EQUIPMENT CORPORATION. THIS IS AN UNCLASSIFIED WORK PROTECTED UNDER THE FEDERAL COPYRIGHT LAWS, 1980.

PARTS LIST



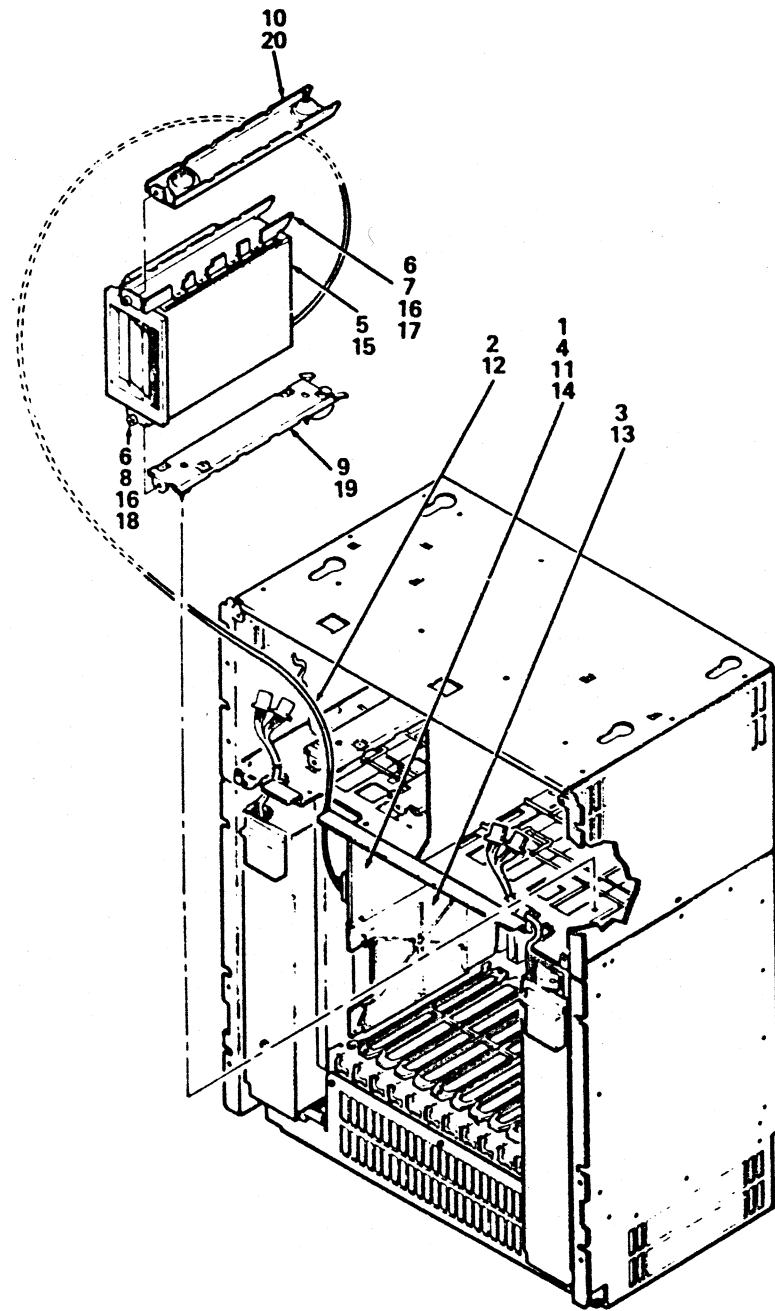
BA213-14-BD

Figure 14. Kits, SDI Controller and Disk Drive Mounting

FIG. & ITEM NO.	DESCRIPTION	DEC PART NO.	ECO CUT-IN	USED ON CODE	REF FIG NO.
14-	KIT, SDI CONTROLLER and DISK DRIVE MOUNTING				
14A	*KIT, SDI CONTROLLER	KDA50-SA			
1	**OCP Assembly	70-24538-01			
2	**Distribution Assembly, Cable	70-24546-01			
3	**Cable Assembly, SI Shielded Coax	17-00951-03			
4	**Cable Assembly, Flat Ribbon, 10 Conductor	17-01641-01			
5	**Module, QDA Processor, Quad	M7164-00			
6	**Module, QDA, SDA, Quad	M7165-00			
7	**Cable Assembly, Flat Ribbon, 40 Pin	70-18447-00			
8	**Cable Assembly, Flat Ribbon, 50 Pin	70-18448-00			
9	**Panel Assembly, Front	70-24534-01			
10	**Harness Assembly, Right Power	17-01362-01			
11	**Harness Assembly, Left Power	17-01362-02			
12	**Label, "RA70 OCP"	36-28130-01			
13	**Label, "Module Number (M7164)" (See Note)	36-26883-46			
14	**Label, "Module Number (M7165)" (See Note)	36-26883-47			
.....					
14B	*KIT, RA70E DISK DRIVE MOUNTING	RA70E-SA			
15	**DISK DRIVE, 280 MB 5.25 inch WINCHESTER (See IPB Manual EK-RA70A-IP)	RA70-A			
16	**Cable Assembly, Flat, 04 Conductor	17-01503-01			
17	**Cable Assembly, Flat, 20 Conductor	17-00847-06			
18	**Bracket, Top Drive	70-24559-01			
19	**Bracket, Bottom Drive	70-24559-02			
20	**Shock Assembly, Top	70-23997-05			
21	**Shock Assembly, Bottom	70-23997-06			
22	***Screw, Sems Phi Pan Hd No. 6-32 x 5/16	90-10155-00			
	***Screw, Sems Slotted Shoulder Hd No. 6-32 x 1/2	12-27771-01			
Note: Label placement is on Module Bulkhead.					

THIS DRAWING AND THE SPECIFICATIONS CONTAINED HEREIN ARE CONFIDENTIAL AND PROPRIETARY. THEY ARE THE PROPERTY OF DIGITAL EQUIPMENT CORPORATION AND SHALL NOT BE REPRODUCED OR COPIED IN ANY MANNER OR IN ANY MEDIUM WITHOUT THE WRITTEN PERMISSION OF DIGITAL EQUIPMENT CORPORATION. THIS DRAWING IS UNCLASSIFIED AND NOT PROTECTED UNDER THE FEDERAL COPYRIGHT LAWS. 1980

PARTS LIST



BA213-15-BD

Figure 15. Kits, Q-Bus Controller and Tape Drive Mounting

FIG. & ITEM NO.	DESCRIPTION	DEC PART NO.	ECO CUT-IN	USED ON CODE	REF FIG NO.
15-	KITS, Q-bus CONTROLLER and TAPE DRIVE MOUNTING				
15A	*KIT, Q-bus CONTROLLER	TQK50-SA			
1	**Module, Q-bus Tape Controller	M7546-00			
2	**Cable Assembly	17-01363-01			
3	**Panel, Blank Dual	74-33507-01			
4	**Label, "Module Number" (See Note)	36-26883-11			
	**Label, "BA2XX Rev" (Rolled) (Not Shown)	36-29163-07			
15B	*KIT, TK50 TAPE DRIVE MOUNTING	TK50E-SA			
5	**Tape Drive TK50 w/o Skid Plate (See IPB Manual EK-OTK50-IP)	TK50-EA			
6	**Screw, Mach Flat Phi Hd No. 6-32 x 5/16	90-08404-02			
	**Screw, Slotted Shoulder Hd No. 6-32 x 1/2	12-27771-01			
7	**Bracket, Top Drive	74-33573-01			
8	**Bracket, Bottom Drive	74-33573-02			
9	**Shock Assembly, Bottom	70-25452-03			
10	**Shock Assembly, Top	70-25452-04			
	**Label, "Warning" (Not Shown)	36-29342-01			
15C	*KIT, Q-bus CONTROLLER	TQK70-SA			
11	**Module, Tape Controller	M7559-00			
12	**Cable Assembly	17-01363-01			
13	**Panel, Blank Dual	74-33507-01			
14	**Label, "Module Number" (See Note)	36-26883-45			
	**Label, "BA2XX Rev" (Rolled) (Not Shown)	36-29163-07			
15D	*KIT, TK70 TAPE DRIVE MOUNTING	TK70E-SA			
15	**Tape Drive TK70 w/o Skid Plate (See IPB Manual EK-TK70A-IP)	TK70-EA			
16	**Screw, Phi Flat Hd No. 6-32 x 5/16	90-08404-02			
	**Screw, Slotted Shoulder Hd No. 6-32 x 1/2	12-27771-01			
17	**Bracket, Top Drive	74-33573-01			
18	**Bracket, Bottom Drive	74-33573-02			
19	**Shock Assembly, Bottom	70-25452-03			
20	**Shock Assembly, Top	70-25452-04			
21	**Label, "S-Box TK Cartridge Removal" (Not Shown)	36-28182-01			
	**Label, "Warning" (Not Shown)	36-29342-01			

Note: Label placement is on Module Bulkhead.

THIS DRAWING AND THE SPECIFICATIONS CONTAINED HEREIN ARE CONFIDENTIAL AND PROPRIETARY. THEY ARE THE PROPERTY OF ORIGINATING AGENCY AND SHALL NOT BE REPRODUCED OR TRANSMITTED IN ANY FORM OR BY ANY MEANS, ELECTRONIC OR MECHANICAL, INCLUDING PHOTOCOPYING, RECORDING, OR BY ANY INFORMATION STORAGE AND RETRIEVAL SYSTEM, WITHOUT PERMISSION. THIS IS AN UNCLASSIFIED AND UNCONTROLLED DOCUMENT UNDER THE FEDERAL COPYRIGHT LAW, 1990

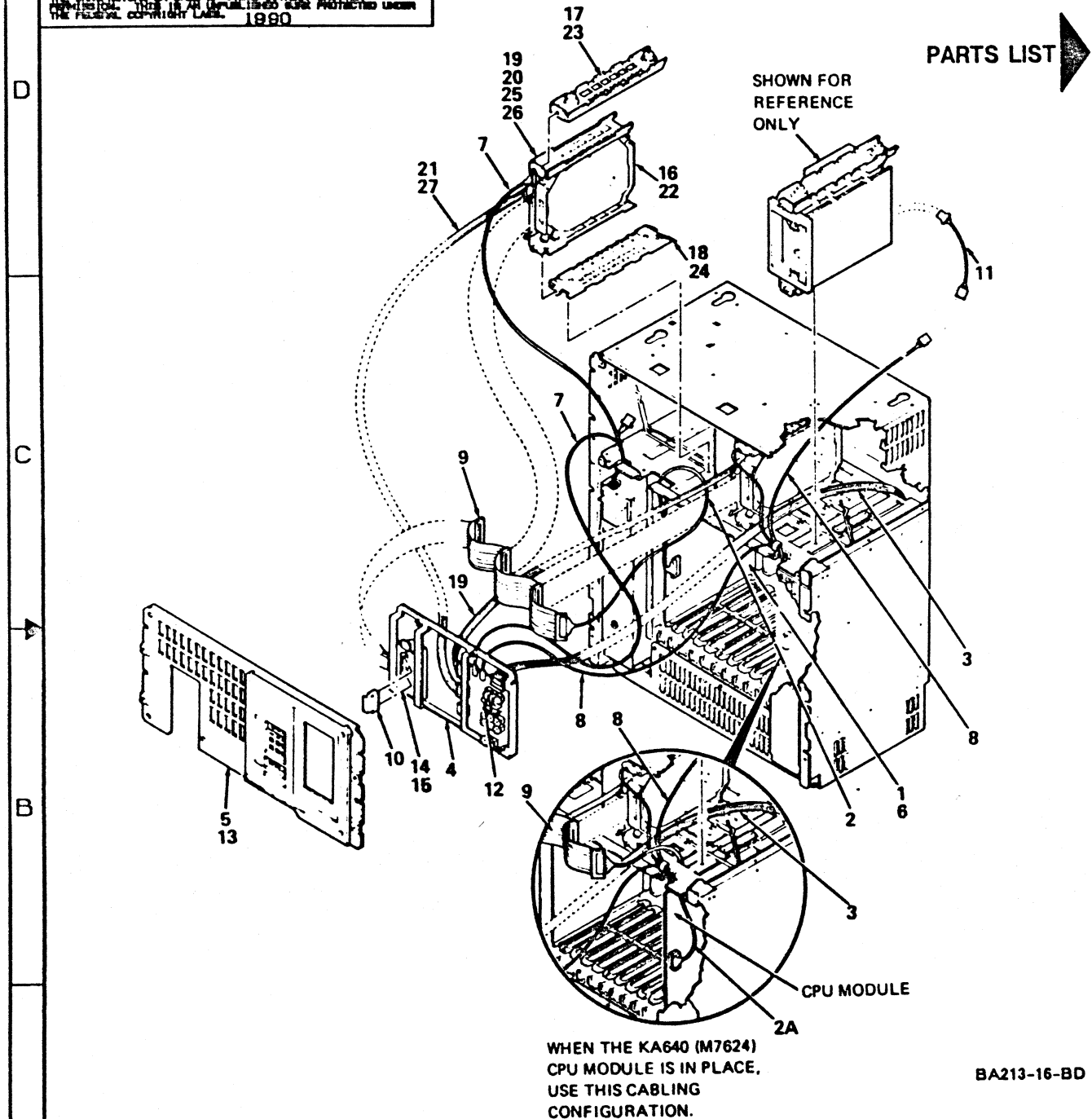


Figure 16. Kit, Controller and QA-Bus Mounting

FIG. & ITEM NO.	DESCRIPTION	DEC PART NO.	ECO CUT-IN	USED ON CODE	REF FIG NO.
16-	KIT, CONTROLLER and DISK DRIVE MOUNTING				
16A	*KIT, KFQSA-S DSSI Q-BUS CONTROLLER	KFQSA-SA			
1	**Module, DSSI Controller RF and TF	M7769-00			
2	**Cable Assembly, Round, 50 Conductor	17-01931-01			
2A	**Cable Assembly, Round, 50 Conductor	17-02059-01			
3	**Cable Assembly, Flat Ribbon, 10 Conductor	17-01984-01			
	**Tie, Cable (Not Shown)	90-07032-00			
4	**OCP Assembly	70-25752-01			
5	**Panel Assembly, Front (DSSI)	70-25750-01			
6	**Label, "Module Number" (See Note)	36-26883-57			
7	**Harness Assembly, Left Power	17-01989-01			
8	**Harness Assembly, Right Power	17-01990-01			
9	**Cable Assembly, Flat Ribbon, 50 Pin Daisy Chain	17-01836-01			
10	**Plug, External Terminator	12-29258-01			
11	**Cable Assembly, TK Power 5 Pin to 4 Pin	17-01937-01			
12	**Lens, Encoder Set	12-28766-19			
13	**Label, "Control Panel"	36-29341-01			
14	**Plate Assembly, Connector	70-26206-01			
15	**Screw, Mach Flat Hd (Metric No. 02.5 x .08)	90-10917-01			
16B	*KIT, RF30 DISK DRIVE MOUNTING w/CABLES	RF30E-SA			
16	**DISK DRIVE, HALF HEIGHT w/o SKID PLATE	RF30-EA			
	**Module, Drive	54-18247-01			
	**Mechanics, Drive	70-23536-01			
17	**Shock Assembly, Top	70-25452-02			
18	**Shock Assembly, Bottom	70-25452-01			
19	**Bracket, Bottom and Top Drive	74-36498-01			
20	**Screw, Slotted Shoulder Hd No. 6-32 x 1/2	12-27771-01			
	**Screw, Mach Flat Hd No. 6-32 x 5/32	90-00039-28			
21	**Cable Assembly, Flat Ribbon, 10 Conductor	17-01936-01			
16C	*KIT, RF71 DISK DRIVE MOUNTING w/CABLE	RF71E-SA			
22	**DISK DRIVE, w/o SKID PLATE	RF71-EA			
	**Module, Drive	54-18316-02			
	**Mechanics, Drive	70-23537-01			
23	**Shock Assembly, Top	70-25452-04			
24	**Shock Assembly, Bottom	70-25452-03			
25	**Bracket, Bottom and Top Drive	74-36498-01			
26	**Screw, Slotted Shoulder Hd No. 6-32 x 1/2	12-27771-01			
	**Screw, Mach Flat Hd No. 6-32 x 5/32	90-00039-28			
27	**Cable Assembly, Flat Ribbon, 10 Conductor	17-01936-01			

Note: Label placement is on Module Bulkhead.

Ω

THIS DRAWING AND THE SPECIFICATIONS CONTAINED HEREIN ARE CONFIDENTIAL AND PROPRIETARY. THEY ARE THE PROPERTY OF DIGITAL EQUIPMENT CORPORATION AND SHALL NOT BE REPRODUCED OR TRANSMITTED IN ANY FORM OR BY ANY MEANS, ELECTRONIC OR MECHANICAL, INCLUDING PHOTOCOPYING, RECORDING, OR BY ANY INFORMATION STORAGE AND RETRIEVAL SYSTEM. THIS IS AN UNPUBLISHED WORK PROTECTED UNDER THE PATENT COPYRIGHT LAWS. 1990

PART NUMBER/DESCRIPTION INDEX

TITLE	ILLUSTRATED BREAKDOWN FOR BA213 ENCLOSURE	SIZE	BIB	REV	BA213-0-0	REV	U
SCALE	1/1	SHEET	20 OF 29	DIST			

THIS DRAWING AND THE SPECIFICATIONS CONTAINED HEREIN ARE CONFIDENTIAL AND PROPRIETARY. THEY ARE THE PROPERTY OF DIGITAL EQUIPMENT CORPORATION AND SHALL NOT BE REPRODUCED OR USED IN ANY MANNER OR BY ANY MEANS WITHOUT THE WRITTEN PERMISSION OF DIGITAL EQUIPMENT CORPORATION. THIS IS AN UNCLASSIFIED BUT PROTECTED UNDER THE FEDERAL COPYRIGHT LAWS. 1990

BA213 ENCLOSURE INDEX BY DEC PART NUMBER

PART NO.	DESCRIPTION	FIG NO.	ITEM NO.
12-12167-01	Connector, (P1) Universal Socket Mate-N-Lok	9	5
12-12170-00	Terminal, (P1) Socket Contact Mate-N-Lok	9	6
12-15815-00	Connector, (P2) IDC	9	7
12-17119-01	Key, Plastic	1	Not Shown
12-17874-02	Connector, (J3) 3-Pin Power Receptacle 10A, 250V	5	15
12-19912-06	Circuit Breaker	4	3
12-21249-04	Clip, Wire Routing	5	10
12-21249-06	Clip, Wire Routing (Replaces 12-21249-04)	2	8
12-21262-05	Switch, Rocker	6	2
12-23609-04	Fan, Tube Axial 4 1/2 inch	7	2
12-25469-03	Grommet	3	7
12-25469-04	Grommet	5	8
12-25571-01	Connector, (P3) Power Receptacle	9	1
12-25867-01	Terminal, (P3) Power	9	3
12-26555-01	Terminal, Faston	9	8
12-26858-01	Terminal, (P3), 24-Pin 20AWG	9	4
12-26858-02	Terminal, (P3) Pin Contact	9	2
12-26868-01	Screw, Thread Rolling Shoulder	10	11
12-26868-01	Screw, Thread Rolling Shoulder	12	5
12-26912-01	Card Guide	3	6
12-26922-01	Finger, Grounding	3	10
12-26922-01	Finger, Grounding	6	4
12-26922-01	Finger, Grounding	4	14
12-27034-01	Screw, Shoulder No. 8-32	6	9
12-27034-01	Screw, Shoulder No. 8-32	5	13
12-27235-02	Spring, Compression	4	5
12-27445-01	Spring, Compression	4	11
12-27446-01	Bushing, Captive Screw	4	10
12-27451-01	Screw, Slotted Filister Hd No. 6-32 x 5/16	3	14
12-27771-01	Screw, Slotted Shoulder Hd No. 6-32 x 1/2	16	20
12-27771-01	Screw, Slotted Shoulder Hd No. 6-32 x 1/2	15	6
12-27771-01	Screw, Slotted Shoulder Hd No. 6-32 x 1/2	14	22
12-27771-01	Screw, Slotted Shoulder Hd No. 6-32 x 1/2	16	26
12-27771-01	Screw, Slotted Shoulder Hd No. 6-32 x 1/2	13	15
12-27771-01	Screw, Slotted Shoulder Hd No. 6-32 x 1/2	15	18
12-27771-01	Screw, Slotted Shoulder Hd No. 6-32 x 1/2	13	23
12-27771-01	Screw, Shoulder No. 8-32 x 1/2 (Replaces 12-27771-01)	4	13
12-28766-19	Lens, Encoder Set	16	12
12-29258-01	Plug, External Terminator	16	10
12-30239-01	Screw, Captive No. 8-32 (added)	4	18
12-30421-01	Washer, Retaining (Replaces 12-27764-01)	5	17
12-30421-01	Washer, Retaining (added)	4	18
12-30421-01	Washer, Retaining (Replaces 12-27764-01)	4	9
17-00083-43	Cord, Power	1	8
17-00282-03	Cable Assembly, Flat Ribbon, 20 Conductor	13	16
17-00282-03	Cable Assembly, Flat Ribbon, 20 Conductor	13	24
17-00286-03	Cable Assembly, Flat Ribbon, 34 Conductor	13	25
17-00286-03	Cable Assembly, Flat Ribbon, 34 Conductor	13	17

BA213 ENCLOSURE INDEX BY DEC PART NUMBER

PART NO.	DESCRIPTION	FIG NO.	ITEM NO.
17-00847-06	Cable Assembly, Flat, 20 Conductor	14	17
17-00951-03	Cable Assembly, SI Shielded Coax	14	3
17-01360-01	Cable Assembly	2	7
17-01361-01	Cable Assembly, Round, 50 Conductor	13	2
17-01362-01	Harness Assembly, Right Power	14	10
17-01362-01	Harness Assembly	1	20
17-01362-01	Harness Assembly, Right Power	13	9
17-01362-02	Harness Assembly, Left Power	14	11
17-01362-02	Harness Assembly, Left Power	13	8
17-01363-01	Cable Assembly	15	12
17-01363-01	Cable Assembly	15	2
17-01469-01	Harness Assembly, Wire	6	5
17-01503-01	Cable Assembly, Flat, 04 Conductor	14	16
17-01641-01	Cable Assembly, Flat Ribbon, 10 Conductor	14	4
17-01641-01	Cable Assembly, Flat Ribbon, 10 Conductor	13	3
17-01836-01	Cable Assembly, Flat Ribbon, 50 Pin Daisy Chain	16	9
17-01931-01	Cable Assembly, Round, 50 Conductor	16	2
17-01936-01	Cable Assembly, Flat Ribbon, 10 Conductor	16	21
17-01936-01	Cable Assembly, Flat Ribbon, 10 Conductor	16	27
17-01937-01	Cable Assembly, TK Power 5 Pin to 4 Pin	16	11
17-01964-01	Cable Assembly, Flat Ribbon, 10 Conductor	16	3
17-01989-01	Harness Assembly, Left Power	16	7
17-01990-01	Harness Assembly, Right Power	16	8
17-02059-01	Cable Assembly, Round, 50 Conductor	16	2A
36-10267-02	Label, "Danger High Voltage"	4	Not Shown
36-12680-00	Label, "Ground Symbol"	5	Not Shown
36-12680-02	Label, "Ground Symbol w/Circle"	5	Not Shown
36-16073-00	Label, "ID"	9	11
36-17905-16	Label, "Warning Equipment Rating 100-120V"	1	Not Shown
36-17905-17	Label, "Warning Equipment Rating 220-240V"	1	Not Shown
36-18460-05	Label, "Blank Bar Code"	5	Not Shown
36-18460-05	Label, "Blank Bar Code"	4	Not Shown
36-26511-01	Label, "Power Supply H7868-A"	4	Not Shown
36-26511-02	Label, "Power Supply H7868-B"	4	Not Shown
36-26883-10	Label, "Module Number"	13	7
36-26883-11	Label, "Module Number"	15	4
36-26883-17	Label, "Module Number M9080-YA"	1	Not Shown
36-26883-45	Label, "Module Number"	15	14
36-26883-46	Label, "Module Number (M7164)"	14	13
36-26883-47	Label, "Module Number (M7165)"	14	14
36-26883-57	Label, "Module Number"	16	6
36-27329-01	Label, "Serial/Model 100V Made in USA"	1	Not Shown
36-27329-02	Label, "Serial/Model 100V Made in UK"	1	Not Shown
36-27329-03	Label, "Serial/Model 220V Made in USA"	1	Not Shown
36-27329-04	Label, "Serial/Model 220V Made in UK"	1	Not Shown
36-27354-25	Label, "Logo Model"	1	Not Shown
36-27463-01	Label, "H7868-A"	4	Not Shown
36-27463-02	Label, "H7868-B"	4	Not Shown

TITLE	ILLUSTRATED BREAKDOWN FOR BA213 ENCLOSURE	SIZE	BIB	NUMBER	BA213-0-0	REV	D
SCALE	1/1	SHEET	21 OF 29	DIST			

THIS DRAWING AND THE SPECIFICATIONS CONTAINED HEREIN ARE CONFIDENTIAL AND PROPRIETARY. THEY ARE THE PROPERTY OF DIGITAL EQUIPMENT CORPORATION AND SHALL NOT BE REPRODUCED OR COPIED IN ANY MANNER OR IN ANY MANNER FOR THE MANUFACTURE OF ANY PRODUCT WITHOUT THE WRITTEN PERMISSION OF DIGITAL EQUIPMENT CORPORATION. THIS IS AN UNCLASSIFIED DOCUMENT PROTECTED UNDER THE FEDERAL COPYRIGHT LAWS, 1990

BA213 ENCLOSURE INDEX BY DEC PART NUMBER

PART NO.	DESCRIPTION	FIG NO.	ITEM NO.
36-27338-28	Label, "Pedestal, USA 220V"	1	Not Shown
36-27838-29	Label, "Pedestal, UK 220V"	1	Not Shown
36-27838-30	Label, "Pedestal, UK 100V"	1	Not Shown
36-27838-31	Label, "Pedestal, USA 100V"	1	Not Shown
36-27923-01	Label, "S-Box MU"	1	Not Shown
36-28130-01	Label, "RA70 OCP"	14	12
36-28182-01	Label, "S-Box TK Cartridge Removal" (Not Shown)	15	21
36-29163-05	Label, "BA2XX Rev" (Rolled) (added)	4	Not Shown
36-29163-07	Label, "BA2XX Rev" (Rolled) (Not Shown)	15	Not Shown
36-29163-07	Label, "BA2XX Rev" (Rolled) (Not Shown)	15	Not Shown
36-29341-01	Label, "Control Panel"	16	13
36-29342-01	Label, "Warning" (Not Shown)	15	Not Shown
36-29342-01	Label, "Warning" (Not Shown)	15	Not Shown
47-00042-01	Screwdriver, Flat Blade	1	Not Shown
54-16791-01	Backplane, 12 Slot Q-Bus	8A	3
54-16791-01	Backplane, 12 Slot Q-Bus	8	3
54-16791-02	Backplane, 12 Slot BA200 (added)	8A	4
54-16879-01	Module, Power Supply	4	1
54-17079-01	Module, Dual Power Supply EMI Filter	5	2
54-18247-01	Module, Drive	16	16
54-18316-02	Module, Drive	16	22
70-18447-00	Cable Assembly, Flat Ribbon, 40 Pin	14	7
70-18448-00	Cable Assembly, Flat Ribbon, 50 Pin	14	8
70-22808-01	COVER ASSEMBLY, TOP POWER SUPPLY (Replaces 74-33976-01)	4	18
70-23366-01	HARNESS ASSEMBLY, H7868	9	N/A
70-23366-01	HARNESS ASSEMBLY, H7868	4	2
70-23536-01	Mechanics, Drive	16	16
70-23537-01	Mechanics, Drive	16	22
70-23712-01	BACKPLANE ASSEMBLY, BA213	8	N/A
70-23712-01	BACKPLANE ASSEMBLY, BA213	2	13
70-23712-01	BACKPLANE ASSEMBLY, BA213	8A	N/A
70-23712-02	BACKPLANE ASSEMBLY, BA213	8A	N/A
70-23769-01	INPUT ASSEMBLY, FILTER	2	10
70-23769-01	FILTER ASSEMBLY, INPUT	5	N/A
70-23770-01	Jumper Assembly, 2-Pin Mate-N-Lock, 120V	4	7
70-23974-C1	Weldment Assembly, Top	3	15
70-23981-01	Bulkhead Assembly, Front	1	11
70-23982-01	Bulkhead Assembly, Front Dual	1	4
70-23982-02	Bulkhead Assembly, Front Dual	1	2
70-23995-01	Panel, Front Assembly	13	6
70-23995-04	Panel Assembly, Front	1	13
70-23996-01	Filler, Power Supply Assembly	2	11
70-23997-03	Shock Assembly, Top	13	19
70-23997-04	Shock Assembly, Bottom	13	20
70-23997-05	Shock Assembly, Top	14	20

BA213 ENCLOSURE INDEX BY DEC PART NUMBER

PART NO.	DESCRIPTION	FIG NO.	ITEM NO.
70-23997-06	Shock Assembly, Bottom	14	21
70-23998-01	FAN ASSEMBLY	7	N/A
70-23998-01	FAN ASSEMBLY	2	9
70-23999-01	SWITCH ASSEMBLY	6	N/A
70-23999-01	SWITCH ASSEMBLY	2	5
70-24001-01	Wiring Assembly, Filter	5	6
70-24004-01	Jumper, AC Input	5	3
70-24004-02	Jumper, AC Input	5	4
70-24007-01	Jumper, AC Input Ground	5	5
70-24037-01	ENCLOSURE ASSEMBLY, SHELL	10	N/A
70-24037-01	ENCLOSURE ASSEMBLY, SHELL	1	9
70-24041-01	PANEL ASSEMBLY, FRONT	11	N/A
70-24041-01	PANEL ASSEMBLY, FRONT	1	10
70-24046-01	BASE ASSEMBLY	12	N/A
70-24046-01	BASE ASSEMBLY	1	5
70-24047-01	Weldment, Bottom Pan	3	1
70-24054-01	Bracket Assembly, Shipping	3	13
70-24227-01	ENCLOSURE ASSEMBLY, BA213 1 PS 120V	2	N/A
70-24227-01	ENCLOSURE ASSEMBLY, BA213 1 PS 120V	1	1
70-24227-02	ENCLOSURE ASSEMBLY, BA213 1 PS 240V	2	N/A
70-24227-02	ENCLOSURE ASSEMBLY, BA213 1 PS 240V	1	1
70-24227-03	ENCLOSURE ASSEMBLY, BA213 2 PS 120V	2	N/A
70-24227-03	ENCLOSURE ASSEMBLY, BA213 2 PS 120V	1	1
70-24227-04	ENCLOSURE ASSEMBLY, BA213 2 PS 240V	1	1
70-24227-04	ENCLOSURE ASSEMBLY, BA213 2 PS 240V	2	N/A
70-24249-01	SDB Assembly	13	4
70-24255-01	FRAME ASSEMBLY, BA213	3	N/A
70-24255-01	FRAME ASSEMBLY, BA213	2	1
70-24263-01	Hardware, Wall Mount	1	Not Shown
70-24263-02	Hardware, Rack Mount	1	Not Shown
70-24316-06	KIT, BIZ ACCESSORIES	1	Not Shown
70-24534-01	Panel Assembly, Front	14	9
70-24538-01	OCP Assembly	14	1
70-24546-01	Distribution Assembly, Cable	14	2
70-24559-01	Bracket, Top Drive	14	18
70-24559-02	Bracket, Bottom Drive	14	19
70-25452-01	Shock Assembly, Bottom	16	18
70-25452-02	Shock Assembly, Top	16	17
70-25452-03	Shock Assembly, Bottom	15	19
70-25452-03	Shock Assembly, Bottom	16	24
70-25452-03	Mount Assembly, Bottom Shock (Replaces 70-23997-01)	1	17
70-25452-03	Shock Assembly, Top	13	11
70-25452-03	Shock Assembly, Bottom	15	8
70-25452-04	Shock Assembly, Top	15	10
70-25452-04	Shock Assembly, Top	16	23
70-25452-04	Mount Assembly, Top Shock (Replaces 70-23997-02)	1	18

THIS DRAWING AND THE SPECIFICATIONS CONTAINED HEREIN ARE CONFIDENTIAL AND PROPRIETARY. THEY ARE THE PROPERTY OF DIGITAL EQUIPMENT CORPORATION AND SHALL NOT BE REPRODUCED OR COPIED OR USED IN ANY MANNER WITHOUT WRITTEN PERMISSION. THIS IS AN UNCLASSIFIED WORK PROTECTED UNDER THE FEDERAL COPYRIGHT LAW, 1950

BA213 ENCLOSURE INDEX BY DEC PART NUMBER

PART NO.	DESCRIPTION	FIG NO.	ITEM NO.
70-25452-04	Shock Assembly, Bottom	13	12
70-25452-04	Shock Assembly, Top	15	20
70-25721-01	Panel Assembly, Access	2	14
70-25750-01	Panel Assembly, Front (DSSI)	16	5
70-25752-01	OCP Assembly	16	4
70-26206-01	Plate Assembly, Connector	16	14
74-33416-02	Enclosure, Power Supply (Replaces 74-33416-01)	4	17
74-33417-01	Cover, Power Supply	4	20
74-33418-01	Pad, Insulator	4	8
74-33507-01	Panel, Blank Dual	15	13
74-33507-01	Panel, Blank Dual	15	3
74-33507-01	Panel, Blank Dual	13	5
74-33564-01	Card Guide, 6 Slot	3	5
74-33565-01	Bracket, Fan	7	1
74-33566-01	Panel, Backplane Support	8	1
74-33569-01	Enclosure, Side	3	22
74-33571-01	Cover, Top	3	25
74-33573-01	Bracket, Top Drive	15	17
74-33573-01	Bracket, Top Drive	13	22
74-33573-01	Bracket, Top Drive	15	7
74-33573-01	Bracket, Top Drive	13	14
74-33573-02	Bracket, Bottom Drive	15	18
74-33573-02	Bracket, Bottom Drive	15	8
74-33573-02	Bracket, Bottom Drive	13	21
74-33573-02	Bracket, Bottom Drive	13	13
74-33575-01	Pan. Bottom	3	12
74-33646-01	Cover, Top	10	10
74-33647-01	Panel, Right Side	10	9
74-33648-01	Panel, Front	11	1
74-33650-01	Base, Lower	12	1
74-33651-01	Panel, Rear	10	4
74-33694-01	Panel, Left Side	10	5
74-33854-01	Fastener, Turn	12	8
74-33854-01	Fastener, Turn	1	16
74-33962-01	Support, AC Filter	5	1
74-33963-01	Cover, A/C Right (Replaces 70-24234-01)	6	10
74-33966-01	Box, Switch	6	1
74-33971-01	Filler, Gap	3	9
74-33973-01	Support, Center	3	16
74-33974-01	Tray, AC Filter	3	2
74-33975-01	Channel, A/C Right (Replaces 70-24234-01)	6	3
74-33976-02	Cover, Top Power Supply (added)	4	18
74-33977-01	Foam, Top	3	18
74-33977-02	Foam, Top Right	3	19
74-33977-03	Foam, Top	3	20
74-33977-04	Foam, Top	3	21
74-33978-01	Foam, Back	3	17

BA213 ENCLOSURE INDEX BY DEC PART NUMBER

PART NO.	DESCRIPTION	FIG NO.	ITEM NO.
74-33980-01	Insulator, Backplane	9A	2
74-33980-01	Insulator, Backplane	8	2
74-34061-01	Door	11	3
74-34062-01	Channel, Front Panel	11	4
74-34063-01	Tumbler	11	11
74-34064-01	Latch, Pull	11	8
74-34065-01	Latch, Slide	11	9
74-34066-01	Spring, Channel	11	5
74-34067-01	Bezel, Switch	11	2
74-34068-01	Wheel, Base	12	2
74-34069-01	Shaft, Wheel	12	3
74-34123-01	Bracket, Top Right Hand	11	12
74-34123-02	Bracket, Top Left Hand	11	13
74-34124-01	Bracket, Bottom Right Hand	11	14
74-34124-02	Bracket, Bottom Left Hand	11	15
74-34125-01	Bracket, Side	10	2
74-34126-01	Bracket, Corner	10	1
74-34363-01	Stop, Door Position	11	6
74-34424-01	Sleeve	10	6
74-34425-30	Nameplate, BA213	1	21
74-34426-01	Logo	11	17
74-34431-01	Support, Spring	4	4
74-34432-01	Bracket, Wall Mount	1	Not Shown
74-34638-01	Support, Mounting	1	Not Shown
74-34846-01	Support, Label	12	8
74-35417-01	Switch, Frame	1	14
74-36425-01	Panel, 5 1/4" Tape Drive Filler	1	19
74-36498-01	Bracket, Bottom and Top Drive	16	25
74-36498-01	Bracket, Bottom and Top Drive	16	19
74-36556-01	Bracket, Power Supply (deleted)	4	15
74-37040-01	Plate, Cover (added)	2	16
74-39621-01	Support, Top Card Cage (Replaces 74-33560-01)	3	11
74-39622-01	Card Cage, Bottom (Replaces 74-33561-01)	3	3
74-39623-01	Panel, Left Side (Replaces 74-33559-01)	3	24
74-39624-01	Panel, Right Side (Replaces 74-33558-01)	3	23
74-39625-01	Support, Fan (Replaces 74-33562-01)	3	4
74-39626-01	Panel, Backplane Support	8A	1
74-39818-01	Washer, Shoulder	8A	7
90-00030-40	Rivet	3	8
90-00039-28	Screw, Mach Flat Hd No. 6-32 x 5/32	16	28
90-00039-28	Screw, Mach Flat Hd No. 6-32 x 5/32	16	20
90-00063-78	Screw, Self Tap Truss Hd No. 6 x 5/16	8	4
90-00063-78	Screw, Self Tap Truss Hd No. 6 x 5/16	2	15
90-00063-78	Screw, Self-Tap Truss Hd No. 6 x 5/16	8A	5
90-06032-01	Screw, Phl Pan Hd No. 6-32 x 2	7	4
90-06557-00	Nut, Kep No. 4-40	5	14
90-06565-00	Nut, Kep No. 10-32	5	12
90-06565-00	Nut, Kep No. 10-32	6	8

TITLE	ILLUSTRATED BREAKDOWN FOR BA213 ENCLOSURE	REV	B	DATE		NUMBER	BA213-0-0	REV	D
SCALE	1/1	SHEET	23	OF	29	DIST			

THIS DESIGN AND THE SPECIFICATIONS CONTAINED HEREIN ARE CONFIDENTIAL AND PROPRIETARY. THEY ARE THE PROPERTY OF DECILIN, EQUIPMENT CORPORATION AND SHALL NOT BE REPRODUCED OR TRANSMITTED IN ANY FORM OR BY ANY MEANS, ELECTRONIC OR MECHANICAL, INCLUDING PHOTOCOPYING, RECORDING, OR BY ANY INFORMATION STORAGE AND RETRIEVAL SYSTEM, WITHOUT WRITTEN PERMISSION OF DECILIN, EQUIPMENT CORPORATION. THIS DESIGN IS PROTECTED UNDER THE FEDERAL COPYRIGHT LAWS, 1990

BA213 ENCLOSURE INDEX BY DEC PART NUMBER

PART NO.	DESCRIPTION	FIG NO.	ITEM NO.
90-06661-00	Washer, Flat	1	7
90-06661-00	Washer, Flat	10	7
90-06664-00	Washer, Flat	5	11
90-06664-00	Washer, Flat	6	7
90-07031-00	Tie, Cable	6	6
90-07031-00	Tie, Cable	5	7
90-07031-00	Tie, Cable	9	10
90-07031-00	Tie, Cable (deleted)	4	16
90-07032-00	Tie, Cable (Not Shown)	16	Not Shown
90-07032-00	Tie, Cable (deleted)	2	4
90-07064-00	Plug, Button (added)	2	12
90-07064-00	Plug, Button	1	15
90-07649-00	Washer, External Tooth Lock No. 6	4	12
90-07786-00	U-Nut, Retainer	1	Not Shown
90-08055-00	Nut, Kep No. 6-32	4	6
90-08185-00	Nut, Kep No. 6-32	2	6
90-08185-00	Nut, Kep No. 6-32 x 1/4 (added)	2	17
90-08264-00	Clamp, Cable (deleted)	2	3
90-08404-02	Screw, Mach Flat Phi Hd No. 6-32 x 5/16	15	6
90-08404-02	Screw, Mach Flat Phi Hd No. 6-32 x 5/16	13	15
90-08404-02	Screw, Phi Flat Hd No. 6-32 x 5/16	15	16
90-08404-02	Screw, Mach Flat Phi Hd No. 6-32 x 5/16	13	23
90-08525-01	Bumper, Square Rubber	8A	6
90-08525-01	Bumper, Square Rubber	8	5
90-09228-10	Screw, Sems Phi Pan Hd No. 10-32 x 3/8	1	Not Shown
90-09257-05	Ring, Retainer	11	10
90-09282-00	Screw, Sems Phi Pan Hd No. 10-32 x 15/16	1	12
90-09282-00	Screw, Sems Phi Pan Hd No. 10-32 x 5/16	12	9
90-09385-00	Pin, Roll	12	4
90-09643-00	Screw, Sems Phi Pan Hd No. 4-40 x 3/8 (deleted)	4	19
90-09700-00	Screw, Sems Phi Pan Hd No. 10-32 x 1/2	1	Not Shown
90-09800-04	Screw, Self-Tap Phi Pan Hd No. 8-16 x 3/8	11	16
90-09800-04	Screw, Self-Tap Phi Pan Hd No. 8-16 x 3/8	10	3
90-09800-06	Screw, Phi Pan Hd Self-Tap No. 6-19 x 3/8	12	7
90-09800-06	Screw, Phi Pan Hd No. 6-19 x 3/8	11	7
90-09800-08	Screw, Self-Tap Phi Pan Hd No. 8-16 x 1/2	1	6
90-09800-08	Screw, Self-Tap Phi Pan Hd No. 8-16 x 1/2	10	8
90-09984-07	Screw, Sems Phi Pan Hd No. 6-32 x 5/16	4	21
90-09984-07	Screw, Sems Phi Pan Hd No. 6-32 x 5/16	5	9
90-10115-00	Nut, Well No. 6-32	7	3
90-10155-00	Screw, Sems Phi Pan Hd No. 6-32 x 5/16	14	22
90-10917-01	Screw, Mach Flat Hd (Metric No. 02.5 x .08)	16	15
90-10971-01	Screw, Mach Phi Truss Hd No. 6 x 5/16 (Replaces 90-00063-78)	5	16
91-07786-00	Wire, Strand Black, 18AWG	9	9
91-07786-11	Wire, Strand Brown, 18AWG	9	9
91-07786-66	Wire, Strand Blue, 18AWG	9	9
91-07796-33	Wire, Strand Orange, 22AWG	9	9
91-07796-99	Wire, Strand White, 22AWG	9	9
91-07828-54	Wire, Strand Yellow/Green, 18AWG	9	9

BA213 ENCLOSURE INDEX BY DEC PART NUMBER

PART NO.	DESCRIPTION	FIG NO.	ITEM NO.
BA213-A2	BA213-A2 1 PS 120V w/o Skins	1	N/A
BA213-A3	BA213-A3 1 PS 240V w/o Skins	1	N/A
BA213-B2	BA213-B2 2 PS 120V w/o Skins	1	N/A
BA213-B3	BA213-B3 2 PS 240V w/o Skins	1	N/A
BA213-E3	BA213-E3 2 PS 240V w/Skins	1	N/A
BA213-EA	BA213-EA 1 PS 120V w/Skins	1	N/A
BA213-F3	BA213-F3 2 PS 240V w/o Skins Rack Mount/ Wall Mount Kit	1	N/A
BA213-FA	BA213-FA 2 PS 240V w/o Skins Rack Mount/ Wall Mount Kit	1	N/A
BA213-RA	KIT, RACK MOUNT BA213 LARGE S-BOX	1	Not Shown
BA213-WA	KIT, WALL MOUNT BA213 LARGE S-BOX	1	Not Shown
EK-BA200-IN	Guide, Rack Mount Installation	1	Not Shown
EK-BA200-IN	Guide, Wall Mount Installation	1	Not Shown
H7868-A	POWER SUPPLY ASSEMBLY, H7868 100/120V	2	2
H7868-A	POWER SUPPLY ASSEMBLY, H7868 100/120V	4	N/A
H7868-B	POWER SUPPLY ASSEMBLY, H7868 220/240V	2	2
H7868-B	POWER SUPPLY ASSEMBLY, H7868 220/240V	4	N/A
KDA50-SA	KIT, SDI CONTROLLER	14	N/A
KFQSA-SA	KIT, KFQSA-SA DSSI Q-BUS CONTROLLER	16	N/A
M7164-00	Module, QDA Processor, Quad	14	5
M7165-00	Module, QDA, SDA, Quad	14	6
M7546-00	Module, Q-bus Tape Controller	15	1
M7559-00	Module, Tape Controller	15	11
M7769-00	Module, DSSI Controller RF and TF	16	1
M9060-YA	Module, Load	1	3
RA70-A	DISK DRIVE, 280 MB 5.25 inch WINCHESTER	14	15
RA70E-SA	KIT, RA70E DISK DRIVE MOUNTING	14	N/A
RD53-EA	DISK DRIVE, 5.25 inch w/No Skid Plate	13	10
RD53A-SA	KIT, RD53A DISK DRIVE MOUNTING W/CABLES	13	N/A
RD54-EA	DISK DRIVE, 5.25 inch w/No Skid Plate	13	18
RD54A-SA	KIT, RD54A DISK DRIVE MOUNTING W/CABLES	13	N/A
RF30-EA	DISK DRIVE, HALF HEIGHT w/o SKID PLATE	16	16
RF30E-SA	KIT, RF30 DISK DRIVE MOUNTING w/CABLES	16	N/A
RF71-EA	DISK DRIVE, w/o SKID PLATE	16	22
RF71E-SA	KIT, RF71 DISK DRIVE MOUNTING w/CABLE	16	N/A
RQDX3-00	Module, RD/RX Controller	13	1
RQDX3-SA	KIT, RQDX3-S Q-Bus CONTROLLER	13	N/A
TK50-EA	Tape Drive TK50 w/o Skid Plate	15	5
TK50E-SA	KIT, TK50 TAPE DRIVE MOUNTING	15	N/A
TK70-EA	Tape Drive TK70 w/o Skid Plate	15	15
TK70E-SA	KIT, TK70 TAPE DRIVE MOUNTING	15	N/A
TQK50-SA	KIT, Q-bus CONTROLLER	15	N/A
TQK70-SA	KIT, Q-bus CONTROLLER	15	N/A

THIS DRAWING AND THE SPECIFICATIONS CONTAINED HEREIN ARE CONFIDENTIAL AND PROPRIETARY. THEY ARE THE PROPERTY OF DIGITAL EQUIPMENT CORPORATION AND SHALL NOT BE REPRODUCED OR COPIED IN ANY MANNER OR IN ANY MEDIUM WITHOUT THE WRITTEN CONSENT OF DIGITAL EQUIPMENT CORPORATION. THIS IS AN UNCLASSIFIED WORK PROTECTED UNDER THE FEDERAL COPYRIGHT LAWS, 1990

BA213 ENCLOSURE INDEX BY DEC PART DESCRIPTION

DESCRIPTION	DEC PART NO.	FIG. NO.	ITEM NO.
BA213-A2 1 PS 120V w/o Skins	BA213-A2	1	N/A
BA213-A3 1 PS 120V w/o Skins	BA213-A3	1	N/A
BA213-B2 2 PS 120V w/o Skins	BA213-B2	1	N/A
BA213-B3 2 PS 240V w/c Skins	BA213-B3	1	N/A
BA213-E3 2 PS 240V w/Skins	BA213-E3	1	N/A
BA213-EA 1 PS 120V w/Skins	BA213-EA	1	N/A
BA213-F3 2 PS 240V w/o Skins Rack Mount/ Wall Mount Kit	BA213-F3	1	N/A
BA213-FA 2 PS 240V w/o Skins Rack Mount/ Wall Mount Kit	BA213-FA	1	N/A
BACKPLANE ASSEMBLY, BA213	70-23712-01	2	13
BACKPLANE ASSEMBLY, BA213	70-23712-02	8A	N/A
BACKPLANE ASSEMBLY, BA213	70-23712-01	8	N/A
BACKPLANE ASSEMBLY, BA213	70-23712-01	8A	N/A
Backplane, 12 Slot BA200 (added)	54-16791-02	8A	4
Backplane, 12 Slot Q-Bus	54-16791-01	8	3
Backplane, 12 Slot Q-Bus	54-16791-01	8A	3
BASE ASSEMBLY	70-24046-01	12	N/A
BASE ASSEMBLY	70-24046-01	1	5
Base, Lower	74-33650-01	12	1
Bezel, Switch	74-34067-01	11	2
Box, Switch	74-33966-01	6	1
Bracket Assembly, Shipping	70-24054-01	3	13
Bracket, Bottom and Top Drive	74-36498-01	16	25
Bracket, Bottom and Top Drive	74-36498-01	16	19
Bracket, Bottom Drive	74-33573-02	15	8
Bracket, Bottom Drive	74-33573-02	15	18
Bracket, Bottom Drive	74-33573-02	13	13
Bracket, Bottom Drive	70-24559-02	14	19
Bracket, Bottom Drive	74-33573-02	13	21
Bracket, Bottom Left Hand	74-34124-02	11	15
Bracket, Bottom Right Hand	74-34124-01	11	14
Bracket, Corner	74-34126-01	10	1
Bracket, Fan	74-33565-01	7	1
Bracket, Power Supply (deleted)	74-36556-01	4	15
Bracket, Side	74-34125-01	10	2
Bracket, Top Drive	74-33573-01	13	14
Bracket, Top Drive	74-33573-01	15	17
Bracket, Top Drive	74-33573-01	13	22
Bracket, Top Drive	74-33573-01	15	7
Bracket, Top Drive	70-24559-01	14	18
Bracket, Top Left Hand	74-34123-02	11	13
Bracket, Top Right Hand	74-34123-01	11	12
Bracket, Wall Mount	74-34432-01	1	Not Shown
Bulkhead Assembly, Front	70-23981-01	1	11
Bulkhead Assembly, Front Dual	70-23982-01	1	4
Bulkhead Assembly, Front Dual	70-23982-02	1	2
Bumper, Square Rubber	90-08525-01	8A	6
Bumper, Square Rubber	90-08525-01	8	5
Bushing, Captive Screw	12-27446-01	4	10

BA213 ENCLOSURE INDEX BY DEC PART DESCRIPTION

DESCRIPTION	DEC PART NO.	FIG. NO.	ITEM NO.
Cable Assembly	17-01363-01	15	2
Cable Assembly	17-01363-01	15	12
Cable Assembly	17-01360-01	2	7
Cable Assembly, Flat Ribbon, 10 Conductor	17-01964-01	16	3
Cable Assembly, Flat Ribbon, 10 Conductor	17-01936-01	16	21
Cable Assembly, Flat Ribbon, 10 Conductor	17-01841-01	13	3
Cable Assembly, Flat Ribbon, 10 Conductor	17-01641-01	14	4
Cable Assembly, Flat Ribbon, 10 Conductor	17-01936-01	16	27
Cable Assembly, Flat Ribbon, 20 Conductor	17-00282-03	13	16
Cable Assembly, Flat Ribbon, 20 Conductor	17-00282-03	13	24
Cable Assembly, Flat Ribbon, 34 Conductor	17-00286-03	13	25
Cable Assembly, Flat Ribbon, 34 Conductor	17-00286-03	13	17
Cable Assembly, Flat Ribbon, 40 Pin	70-18447-00	14	7
Cable Assembly, Flat Ribbon, 50 Pin	70-18448-00	14	8
Cable Assembly, Flat Ribbon, 50 Pin Daisy Chain	17-01836-01	16	9
Cable Assembly, Flat, 04 Conductor	17-01503-01	14	16
Cable Assembly, Flat, 20 Conductor	17-00847-06	14	17
Cable Assembly, Round, 50 Conductor	17-01361-01	13	2
Cable Assembly, Round, 50 Conductor	17-01931-01	16	2
Cable Assembly, Round, 50 Conductor	17-02059-01	16	2A
Cable Assembly, SI Shielded Coax	17-00951-03	14	3
Cable Assembly, TK Power 5 Pin to 4 Pin	17-01937-01	16	11
Card Cage, Bottom (Replaces 74-33561-01)	74-39622-01	3	3
Card Guide	12-26912-01	3	6
Card Guide, 6 Slot	74-33564-01	3	5
Channel, A/C Right (Replaces 70-24234-01)	74-33975-01	6	3
Channel, Front Panel	74-34062-01	11	4
Circuit Breaker	12-19912-06	4	3
Clamp, Cable (deleted)	90-08264-00	2	3
Clip, Wire Routing	12-21249-04	5	10
Clip, Wire Routing (Replaces 12-21249-04)	12-21249-06	2	8
Connector, (J3) 3-Pin Power Receptacle 10A, 250V	12-17874-02	5	15
Connector, (P1) Universal Socket Mate-N-Lok	12-12167-01	9	5
Connector, (P2) IDC	12-15815-00	9	7
Connector, (P3) Power Receptacle	12-25571-01	9	1
Cord, Power	17-00083-43	1	8
COVER ASSEMBLY, TOP POWER SUPPLY (Replaces 74-33976-01)	70-22808-01	4	18
Cover, A/C Right (Replaces 70-24234-01)	74-33963-01	6	10
Cover, Power Supply	74-33417-01	4	20
Cover, Top	74-33571-01	3	25
Cover, Top	74-33646-01	10	10
Cover, Top Power Supply (added)	74-33976-02	4	18
DISK DRIVE, 280 MB 5.25 inch WINCHESTER	RA70-A	14	15
DISK DRIVE, 5.25 inch w/No Skid Plate	RD53-EA	13	10
DISK DRIVE, 5.25 inch w/No Skid Plate	RD54-EA	13	18
DISK DRIVE, HALF HEIGHT w/o SKID PLATE	RF30-EA	16	16

THIS DRAWING AND THE SPECIFICATIONS CONTAINED HEREIN ARE CONFIDENTIAL AND PROPRIETARY. THEY ARE THE PROPERTY OF DIGITAL EQUIPMENT CORPORATION AND SHALL NOT BE REPRODUCED OR COPIED OR USED IN WHOLE OR IN PART AS THE BASIS FOR THE MANUFACTURE OR SALE OF ITEMS WITHOUT WRITTEN PERMISSION. THIS IS AN UNPUBLISHED WORK PROTECTED UNDER THE FEDERAL COPYRIGHT LAWS, 1990

BA213 ENCLOSURE INDEX BY DEC PART DESCRIPTION

DESCRIPTION	DEC PART NO.	FIG. NO.	ITEM NO.
DISK DRIVE, w/o SKID PLATE	RF71-EA	16	22
Distribution Assembly, Cable	70-24546-01	14	2
Door	74-34061-01	11	3
ENCLOSURE ASSEMBLY, BA213	N/A	1	N/A
ENCLOSURE ASSEMBLY, BA213 1 PS 120V	70-24227-01	1	1
ENCLOSURE ASSEMBLY, BA213 1 PS 120V	70-24227-01	2	N/A
ENCLOSURE ASSEMBLY, BA213 1 PS 240V	70-24227-02	1	1
ENCLOSURE ASSEMBLY, BA213 1 PS 240V	70-24227-02	2	N/A
ENCLOSURE ASSEMBLY, BA213 2 PS 120V	70-24227-03	2	N/A
ENCLOSURE ASSEMBLY, BA213 2 PS 120V	70-24227-03	1	1
ENCLOSURE ASSEMBLY, BA213 2 PS 240V	70-24227-04	1	1
ENCLOSURE ASSEMBLY, BA213 2 PS 240V	70-24227-04	2	N/A
ENCLOSURE ASSEMBLY, SHELL	70-24037-01	1	9
ENCLOSURE ASSEMBLY, SHELL	70-24037-01	10	N/A
Enclosure, Power Supply (Replaces 74-33416-01)	74-33416-02	4	17
Enclosure, Side	74-33569-01	3	22
FAN ASSEMBLY	70-23998-01	7	N/A
FAN ASSEMBLY	70-23998-01	2	9
Fan, Tube Axial 4 1/2 inch	12-23609-04	7	2
Fastener, Turn	74-33854-01	12	8
Fastener, Turn	74-33854-01	1	16
Filler, Gap	74-33971-01	3	9
Filler, Power Supply Assembly	70-23996-01	2	11
FILTER ASSEMBLY, INPUT	70-23769-01	5	N/A
Finger, Grounding	12-26922-01	6	4
Finger, Grounding	12-26922-01	4	14
Finger, Grounding	12-26922-01	3	10
Foam, Back	74-33978-01	3	17
Foam, Top	74-33977-04	3	21
Foam, Top	74-33977-01	3	18
Foam, Top	74-33977-03	3	20
Foam, Top Right	74-33977-02	3	19
FRAME ASSEMBLY, BA213	70-24255-01	3	N/A
FRAME ASSEMBLY, BA213	70-24255-01	2	1
Grommet	12-25469-03	3	7
Grommet	12-25469-04	5	8
Guide, Rack Mount Installation	EK-BA200-IN	1	Not Shown
Guide, Wall Mount Installation	EK-BA200-IN	1	Not Shown
Hardware, Rack Mount	70-24263-02	1	Not Shown
Hardware, Wall Mount	70-24263-01	1	Not Shown
Harness Assembly	17-01362-01	1	20
HARNESS ASSEMBLY, H7868	70-23366-01	9	N/A
HARNESS ASSEMBLY, H7868	70-23366-01	4	2
Harness Assembly, Left Power	17-01362-02	13	8
Harness Assembly, Left Power	17-01989-01	16	7
Harness Assembly, Left Power	17-01362-02	14	11
Harness Assembly, Right Power	17-01990-01	16	8

BA213 ENCLOSURE INDEX BY DEC PART DESCRIPTION

DESCRIPTION	DEC PART NO.	FIG. NO.	ITEM NO.
Harness Assembly, Right Power	17-01362-01	13	9
Harness Assembly, Right Power	17-01362-01	14	10
Harness Assembly, Wire	17-01469-01	6	5
INPUT ASSEMBLY, FILTER	70-23769-01	2	10
Insulator, Backplane	74-33980-01	8	2
Insulator, Backplane	74-33980-01	8A	2
Jumper Assembly, 2-Pin Mate-N-Lock, 120V	70-23770-01	4	7
Jumper, AC Input	70-24004-02	5	4
Jumper, AC Input	70-24004-01	5	3
Jumper, AC Input Ground	70-24007-01	5	5
Key, Plastic	12-17119-01	1	Not Shown
KIT, BIZ ACCESSORIES	70-24316-06	1	Not Shown
KIT, CONTROLLER and DISK DRIVE MOUNTING	N/A	16	N/A
KIT, KFQSA-SA DSSI Q-BUS CONTROLLER	KFQSA-SA	16	N/A
KIT, Q-bus CONTROLLER	TQK70-SA	15	N/A
KIT, Q-bus CONTROLLER	TQK50-SA	15	N/A
KIT, RA70E DISK DRIVE MOUNTING	RA70E-SA	14	N/A
KIT, RACK MOUNT BA213 LARGE S-BOX	BA213-RA	1	Not Shown
KIT, RD53A DISK DRIVE MOUNTING W/CABLES	RD53A-SA	13	N/A
KIT, RD54A DISK DRIVE MOUNTING W/CABLES	RD54A-SA	13	N/A
KIT, RF30 DISK DRIVE MOUNTING w/CABLES	RF30E-SA	16	N/A
KIT, RF71 DISK DRIVE MOUNTING w/CABLE	RF71E-SA	16	N/A
KIT, RQDX3-S Q-Bus CONTROLLER	RQDX3-SA	13	N/A
KIT, SDI CONTROLLER	KDA50-SA	14	N/A
KIT, SDI CONTROLLER and DISK DRIVE MOUNTING	N/A	14	N/A
KIT, TK50 TAPE DRIVE MOUNTING	TK50E-SA	15	N/A
KIT, TK70 TAPE DRIVE MOUNTING	TK70E-SA	15	N/A
KIT, WALL MOUNT BA213 LARGE S-BOX	BA213-WA	1	Not Shown
KITS, CONTROLLER and DISK DRIVE MOUNTING	N/A	13	N/A
KITS, Q-bus CONTROLLER and TAPE DRIVE MOUNTING	N/A	15	N/A
Label, "BA2XX Rev" (Rolled) (added)	36-29163-05	4	Not Shown
Label, "BA2XX Rev" (Rolled) (Not Shown)	36-29163-07	15	Not Shown
Label, "BA2XX Rev" (Rolled) (Not Shown)	36-29163-07	15	Not Shown
Label, "Blank Bar Code"	36-18460-05	4	Not Shown
Label, "Blank Bar Code"	36-18460-05	5	Not Shown
Label, "Control Panel"	36-29341-01	16	13
Label, "Danger High Voltage"	36-10267-02	4	Not Shown
Label, "Ground Synt.ol w/Circle"	36-12690-02	5	Not Shown
Label, "Ground Symbol"	36-12680-00	5	Not Shown
Label, "H7868-A"	36-27463-01	4	Not Shown
Label, "H7868-B"	36-27463-02	4	Not Shown
Label, "ID"	36-16073-00	9	11
Label, "Logo Model"	36-27354-25	1	Not Shown
Label, "Module Number (M7164)"	36-26883-46	14	13
Label, "Module Number (M7165)"	36-26883-47	14	14
Label, "Module Number M9060-YA"	36-26883-17	1	Not Shown
Label, "Module Number"	36-26883-11	15	4

TITLE	ILLUSTRATED BREAKDOWN FOR BA213 ENCLOSURE	SIZE	B	DATE	B	NUMBER	BA213-0-0	REV	D
SCALE	1/1	SHEET	26 OF 29	DIST					

THIS DRAWING AND THE SPECIFICATIONS CONTAINED HEREIN ARE CONFIDENTIAL AND PROPRIETARY. THEY ARE THE PROPERTY OF DIGITAL EQUIPMENT CORPORATION AND SHALL NOT BE REPRODUCED OR COPIED IN ANY MANNER OR IN ANY MEDIUM WITHOUT THE WRITTEN PERMISSION OF DIGITAL EQUIPMENT CORPORATION. THIS IS AN UNCLASSIFIED ITEM PROTECTED UNDER THE FEDERAL COPYRIGHT LAW, 1980.

BA213 ENCLOSURE INDEX BY DEC PART DESCRIPTION

DESCRIPTION	DEC PART NO.	FIG. NO.	ITEM NO.
Label, "Module Number"	36-26883-45	15	14
Label, "Module Number"	36-26883-57	16	6
Label, "Module Number"	36-26883-10	13	7
Label, "Pedestal, UK 100V"	36-27838-30	1	Not Shown
Label, "Pedestal, UK 220V"	36-27838-29	1	Not Shown
Label, "Pedestal, USA 100V"	36-27838-31	1	Not Shown
Label, "Pedestal, USA 220V"	36-27838-28	1	Not Shown
Label, "Power Supply H7868-A"	36-26511-01	4	Not Shown
Label, "Power Supply H7868-B"	36-26511-02	4	Not Shown
Label, "RA70 OCP"	36-28130-01	14	12
Label, "S-Box MU"	36-27923-01	1	Not Shown
Label, "S-Box TK Cartridge Removal" (Not Shown)	36-28182-01	15	21
Label, "Serial/Model 100V Made in UK"	36-27329-02	1	Not Shown
Label, "Serial/Model 100V Made in USA"	36-27329-01	1	Not Shown
Label, "Serial/Model 220V Made in UK"	36-27329-04	1	Not Shown
Label, "Serial/Model 220V Made in USA"	36-27329-03	1	Not Shown
Label, "Warning Equipment Rating 100-120V"	36-17905-16	1	Not Shown
Label, "Warning Equipment Rating 220-240V"	36-17905-17	1	Not Shown
Label, "Warning" (Not Shown)	36-29342-01	15	Not Shown
Label, "Warning" (Not Shown)	36-29342-01	15	Not Shown
Latch, Pull	74-34064-01	11	8
Latch, Slide	74-34065-01	11	9
Lens, Encoder Set	12-28766-19	16	12
Logo	74-34426-01	11	17
Mechanics, Drive	70-23537-01	16	22
Mechanics, Drive	70-23536-01	16	16
Module, Drive	54-18316-02	16	22
Module, Drive	54-18247-01	16	16
Module, DSSI Controller RF and TF	M7769-00	16	1
Module, Dual Power Supply EMI Filter	54-17079-01	5	2
Module, Load	M9060-YA	1	3
Module, Power Supply	54-16879-01	4	1
Module, Q-bus Tape Controller	M7546-00	15	1
Module, QDA Processor, Quad	M7164-00	14	5
Module, QDA, SDA, Quad	M7165-00	14	6
Module, RD/RX Controller	RQDX3-00	13	1
Module, Tape Controller	M7559-00	15	11
Mount Assembly, Bottom Shock (Replaces 70-23997-01)	70-25452-03	1	17
Mount Assembly, Top Shock (Replaces 70-23997-02)	70-25452-04	1	18
Nameplate, BA213	74-34425-30	1	21
Nut, Kep No. 10-32	90-06565-00	5	12
Nut, Kep No. 10-32	90-06565-00	6	8
Nut, Kep No. 4-40	90-06557-00	5	14
Nut, Kep No. 6-32	90-08185-00	2	6
Nut, Kep No. 6-32	90-08055-00	4	6

BA213 ENCLOSURE INDEX BY DEC PART DESCRIPTION

DESCRIPTION	DEC PART NO.	FIG. NO.	ITEM NO.
Nut, Kep No. 6-32 x 1/4 (added)	90-08185-00	2	17
Nut, Well No. 6-32	90-10115-00	7	3
OCP Assembly	70-25752-01	16	4
OCP Assembly	70-24538-01	14	1
Pad, Insulator	74-33418-01	4	8
Pan, Bottom	74-33575-01	3	12
Panel Assembly, Access	70-25721-01	2	14
Panel Assembly, Front	70-24534-01	14	9
PANEL ASSEMBLY, FRONT	70-24041-01	11	N/A
Panel Assembly, Front	70-23995-04	1	13
PANEL ASSEMBLY, FRONT	70-24041-01	1	10
Panel Assembly, Front (DSSI)	70-25750-01	16	5
Panel, 5 1/4" Tape Drive Filler	74-36425-01	1	19
Panel, Backplane Support	74-39626-01	8A	1
Panel, Backplane Support	74-33566-01	8	1
Panel, Blank Dual	74-33507-01	15	3
Panel, Blank Dual	74-33507-01	15	13
Panel, Blank Dual	74-33507-01	13	5
Panel, Front	74-33648-01	11	1
Panel, Front Assembly	70-23995-01	13	6
Panel, Left Side	74-33694-01	10	5
Panel, Left Side (Replaces 74-33559-01)	74-39623-01	3	24
Panel, Rear	74-33651-01	10	4
Panel, Right Side	74-33647-01	10	9
Panel, Right Side (Replaces 74-33558-01)	74-39624-01	3	23
Pin, Roll	90-09385-00	12	4
Plate Assembly, Connector	70-26206-01	16	14
Plate, Cover (added)	74-37040-01	2	16
Plug, Button	90-07064-00	1	15
Plug, Button (added)	90-07064-00	2	12
Plug, External Terminator	12-29258-01	18	10
POWER SUPPLY ASSEMBLY, H7868 100/120V	H7868-A	4	N/A
POWER SUPPLY ASSEMBLY, H7868 220/240V	H7868-B	4	N/A
POWER SUPPLY ASSEMBLY, H7868 100/120V	H7868-A	2	2
POWER SUPPLY ASSEMBLY, H7868 220/240V	H7868-B	2	2
Ring, Retainer	90-09257-05	11	10
Rivet	90-00030-40	3	8
Screw, Captive No. 6-32 (added)	12-30239-01	4	18
Screw, Mach Flat Hd (Metric No. 02.5 x .08)	90-10917-01	16	15
Screw, Mach Flat Hd No. 6-32 x 5/32	90-00039-28	16	20
Screw, Mach Flat Hd No. 6-32 x 5/32	90-00039-28	16	26
Screw, Mach Flat Phi Hd No. 6-32 x 5/16	90-08404-02	13	15
Screw, Mach Flat Phi Hd No. 6-32 x 5/16	90-08404-02	13	23
Screw, Mach Phi Truss Hd No. 6 x 5/16 (Replaces 90-00063-78)	90-08404-02	15	6

TITLE	ILLUSTRATED BREAKDOWN FOR BA213 ENCLOSURE	SIZE	BIB	NUMBER	BA213-0-0	REV	D
SCALE	1/1	SHEET	27 OF 29	DIST			

THIS DRAWING AND THE SPECIFICATIONS CONTAINED HEREIN ARE CONFIDENTIAL AND PROPRIETARY. THEY ARE THE PROPERTY OF DIGITAL EQUIPMENT CORPORATION AND SHALL NOT BE REPRODUCED OR TRANSMITTED IN ANY FORM OR BY ANY MEANS, ELECTRONIC OR MECHANICAL, INCLUDING PHOTOCOPYING, RECORDING, OR BY ANY INFORMATION STORAGE AND RETRIEVAL SYSTEM, WITHOUT WRITTEN PERMISSION FROM DIGITAL EQUIPMENT CORPORATION. U.S. PATENT OFFICE. 1980

BA213 ENCLOSURE INDEX BY DEC PART DESCRIPTION

DESCRIPTION	DEC PART NO.	FIG. NO.	ITEM NO.
Screw, Phi Flat Hd No. 6-32 x 5/16	90-08404-02	15	16
Screw, Phi Pan Hd No. 6-19 x 3/8	90-09800-06	11	7
Screw, Phi Pan Hd No. 6-32 x 2	90-06032-01	7	4
Screw, Phi Pan Hd Self-Tap No. 6-19 x 3/8	90-09800-06	12	7
Screw, Self Tap Truss Hd No. 6 x 5/16	90-00063-78	2	15
Screw, Self Tap Truss Hd No. 6 x 5/16	90-00063-78	8	4
Screw, Self-Tap Phi Pan Hd No. 8-16 x 3/8	90-09800-04	11	16
Screw, Self-Tap Phi Pan Hd No. 8-16 x 1/2	90-09800-08	10	8
Screw, Self-Tap Phi Pan Hd No. 8-16 x 1/2	90-09800-08	1	6
Screw, Self-Tap Phi Pan Hd No. 8-16 x 3/8	90-09800-04	10	3
Screw, Self-Tap Truss Hd No. 6 x 5/16	90-00063-78	8A	5
Screw, Sems Phi Pan Hd No. 10-32 x 1/2	90-09700-00	1	Not Shown
Screw, Sems Phi Pan Hd No. 10-32 x 3/8	90-09228-10	1	Not Shown
Screw, Sems Phi Pan Hd No. 10-32 x 5/16	90-09282-00	12	9
Screw, Sems Phi Pan Hd No. 4-40 x 3/8 (deleted)	90-09643-00	4	19
Screw, Sems Phi Pan Hd No. 6-32 x 5/16	90-10155-00	14	22
Screw, Sems Phi Pan Hd No. 6-32 x 5/16	90-09984-07	4	21
Screw, Sems Phi Pan Hd No. 6-32 x 5/16	90-09984-07	5	9
Screw, Sems Phi Pan Hd No. 10-32 x 15/16	90-09282-00	1	12
Screw, Sems Slotted Shoulder Hd No. 6-32 x 1/2	12-27771-01	14	22
Screw, Shoulder No. 6-32 x 1/2 (Replaces 12-27771-01)	12-27772-01	4	13
Screw, Shoulder No. 8-32	12-27034-01	5	13
Screw, Shoulder No. 8-32	12-27034-01	6	9
Screw, Slotted Filister Hd No. 6-32 x 5/16	12-27451-01	3	14
Screw, Slotted Shoulder Hd No. 6-32 x 1/2	12-27771-01	15	6
Screw, Slotted Shoulder Hd No. 6-32 x 1/2	12-27771-01	15	16
Screw, Slotted Shoulder Hd No. 6-32 x 1/2	12-27771-01	13	23
Screw, Slotted Shoulder Hd No. 6-32 x 1/2	12-27771-01	16	20
Screw, Slotted Shoulder Hd No. 6-32 x 1/2	12-27771-01	16	26
Screw, Slotted Shoulder Hd No. 6-32 x 1/2	12-27771-01	13	15
Screw, Thread Rolling Shoulder	12-26868-01	12	5
Screw, Thread Rolling Shoulder	12-26868-01	10	11
Screwdriver, Flat Blade	47-00042-01	1	Not Shown
SDB Assembly	70-24249-01	13	4
Shaft, Wheel	74-34069-01	12	3
Shock Assembly, Bottom	70-23997-06	14	21
Shock Assembly, Bottom	70-25452-03	15	9
Shock Assembly, Bottom	70-25452-04	13	12
Shock Assembly, Bottom	70-25452-03	15	19
Shock Assembly, Bottom	70-23997-04	13	20
Shock Assembly, Bottom	70-25452-03	16	24
Shock Assembly, Bottom	70-25452-01	18	18
Shock Assembly, Top	70-25452-04	15	10
Shock Assembly, Top	70-25452-02	16	17
Shock Assembly, Top	70-23997-03	13	19
Shock Assembly, Top	70-23997-05	14	20
Shock Assembly, Top	70-25452-03	13	11
Shock Assembly, Top	70-25452-04	16	23

BA213 ENCLOSURE INDEX BY DEC PART DESCRIPTION

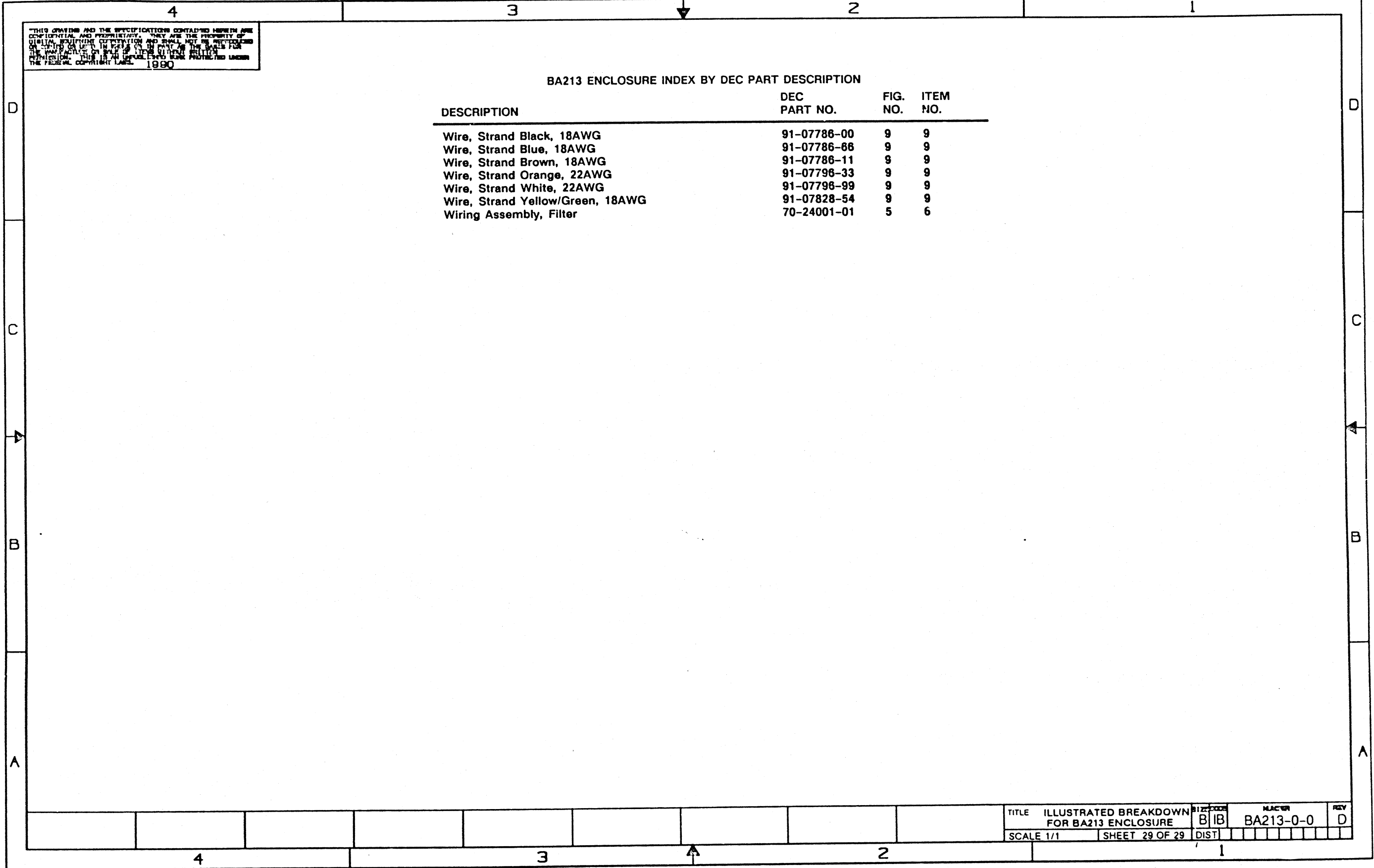
DESCRIPTION	DEC PART NO.	FIG. NO.	ITEM NO.
Shock Assembly, Top	70-25452-04	15	20
Sleeve	74-34424-01	10	6
Spring, Channel	74-34066-01	11	5
Spring, Compression	12-27235-02	4	5
Spring, Compression	12-27445-01	4	11
Stop, Door Position	74-34363-01	11	6
Support, AC Filter	74-33962-01	5	1
Support, Center	74-33973-01	3	16
Support, Fan (Replaces 74-33562-01)	74-39625-01	3	4
Support, Label	74-34846-01	12	6
Support, Mounting	74-34638-01	1	Not Shown
Support, Spring	74-34431-01	4	4
Support, Top Card Cage (Replaces 74-33560-01)	74-39621-01	3	11
SWITCH ASSEMBLY	70-23999-01	2	5
SWITCH ASSEMBLY	70-23999-01	6	N/A
Switch, Frame	74-35417-01	1	14
Switch, Rocker	12-21262-05	6	2
Tape Drive TK50 w/o Skid Plate	TK50-EA	15	5
Tape Drive TK70 w/o Skid Plate	TK70-EA	15	15
Terminal, (P1) Socket Contact Mate-N-Lok	12-12170-00	9	6
Terminal, (P3) Pin Contact	12-26858-02	9	2
Terminal, (P3) Power	12-25867-01	9	3
Terminal, (P3), 24-Pin 20AWG	12-26858-01	9	4
Terminal, Faston	12-26555-01	9	8
Tie, Cable	90-07031-00	9	10
Tie, Cable	90-07031-00	5	7
Tie, Cable	90-07031-00	6	6
Tie, Cable (deleted)	90-07032-00	2	4
Tie, Cable (deleted)	90-07031-00	4	16
Tie, Cable (Not Shown)	90-07032-00	16	Not Shown
Tray, AC Filter	74-33974-01	3	2
Tumbler	74-34063-01	11	11
U-Nut, Retainer	90-07726-00	1	Not Shown
Washer, External Tooth Lock No. 6	90-07649-00	4	12
Washer, Flat	90-06684-00	5	11
Washer, Flat	90-06681-00	10	7
Washer, Flat	90-06684-00	6	7
Washer, Flat	90-06681-00	1	7
Washer, Retaining (Replaces 12-27764-01)	12-30421-01	4	9
Washer, Retaining (Replaces 12-27764-01)	12-30421-01	5	17
Washer, Retaining (added)	12-30421-01	4	18
Washer, Shoulder	74-39818-01	8A	7
Weldment Assembly, Top	70-23974-01	3	15
Weldment, Bottom Pan	70-24047-01	3	1
Wheel, Base	74-34068-01	12	2

TITLE	ILLUSTRATED BREAKDOWN FOR BA213 ENCLOSURE	REV	B	DATE	11/80	NAME	BA213-0-0	REV	D
SCALE	1/1	SHEET	28 OF 29	DIST					

THIS DRAWING AND THE SPECIFICATIONS CONTAINED HEREIN ARE CONFIDENTIAL AND PROPRIETARY. THEY ARE THE PROPERTY OF DIGITAL EQUIPMENT CORPORATION AND SHALL NOT BE REPRODUCED OR COPIED OR USED IN WHOLE OR IN PART AS THE BASIS FOR THE MANUFACTURE OR SALE OF ITEMS WITHOUT WRITTEN PERMISSION. THIS IS AN UNCLASSIFIED AND UNRESTRICTED DOCUMENT UNDER THE FEDERAL COPYRIGHT LABEL 1990

BA213 ENCLOSURE INDEX BY DEC PART DESCRIPTION

DESCRIPTION	DEC PART NO.	FIG. NO.	ITEM NO.
Wire, Strand Black, 18AWG	91-07786-00	9	9
Wire, Strand Blue, 18AWG	91-07786-66	9	9
Wire, Strand Brown, 18AWG	91-07786-11	9	9
Wire, Strand Orange, 22AWG	91-07796-33	9	9
Wire, Strand White, 22AWG	91-07796-99	9	9
Wire, Strand Yellow/Green, 18AWG	91-07828-54	9	9
Wiring Assembly, Filter	70-24001-01	5	6



TITLE	ILLUSTRATED BREAKDOWN FOR BA213 ENCLOSURE	SIZE	BIB	NUMBER	BA213-0-0	REV	D
SCALE	1/1	SHEET	29 OF 29	DIST			

THIS DRAWING AND SPECIFICATIONS HEREAFTER ARE THE PROPERTY OF DIGITAL EQUIPMENT CORPORATION AND SHALL NOT BE REPRODUCED OR COPIED OR USED IN WHOLE OR IN PART AS THE BASIS FOR THE MANUFACTURE OR SALE OF ITEMS WITHOUT WRITTEN PERMISSION
 COMPANY B
 DIGITAL EQUIPMENT CORPORATION

0-0-0-0390W B I B
 RD53A-0-0

EK-RD53A-IP-001

ILLUSTRATED PARTS BREAKDOWN

RD53-A DISK DRIVE

HOW TO USE THE IPB

GENERAL
 This IPB is compiled following the organization and nomenclature of the engineering drawing structure.

MAJOR ASSEMBLY LOCATOR
 The Major Assembly Locator (first illustration) is an index that provides a description and a figure reference for all illustrations used in this manual.

INDENTED PARTS LIST
 This manual identifies each assembly being broken down (figure reference callout), and all parts of that assembly. Further breakdown of an assembly is shown by an asterisk (*) preceding the item callouts in the Description Column. The number of asterisks preceding an item is used to denote the subordination of that item with respect to the Major Assembly. A single asterisk preceding an item description indicates that the item is part of the major assembly being illustrated. Items that are subordinate to single asterisks items, are denoted by two asterisks (**) and immediately follow the related single asterisk item. Additional asterisks are used, as required, to denote further subordination. This system of part identification, provides a means for the user to identify the next higher assembly item and make alternate selections for parts when the required replacement part or assembly is not immediately available.

COLUMN CALLOUT DESCRIPTION

Figure & Item - Indicates the figure number and item number of each part.

Description - Lists the name of the part and pertinent specifications (when required). Asterisks preceding the description denote the subordination of the part to the next higher assembly.

DEC Part No. - Lists the DEC part ordering number. A blank in this column indicates a DEC part number was not assigned at the time of publication.

ECO Cut-In - The notation at the top of this column indicates the ECO level of the system (option), at which the IPB was initially prepared. Subsequent ECO level designations, that modify existing parts or add new parts to the device, are inserted in the ECO Cut-In column next to the part that is added or modified. A bracket ([]) preceding the item description is used to indicate the parts affected by ECO's.

Vendor Code/Part No. - Indicates vendor parts that are not stocked by DEC. Refer to the Field Service Spares Catalog (vendor part number to DEC part number) for the vendor code cross-reference.

Used On Code - Letters in this column correspond to the variation codes assigned in Figure 1. Parts with an Alpha notation(s) are used only in those option variations. A blank indicates that the part is used on all option variations.

Ref Fig No. - A cross reference between illustrations. For each Major Assembly, the number in this column denotes the figure of the next higher assembly. For all subassemblies, the number in this column denotes the figure showing additional detailed breakdown.

SYMBOL USAGE

Hardware Designators - Alpha designators for screws (S), washers (W), nuts (N), and retaining rings (R) are inserted after the item number callouts on the illustration when stacked item numbers are used.

Attaching Hardware - The @ symbol is inserted before any part that is used as attaching hardware. Attaching hardware is denoted as those parts that are not an integral part of the referenced assembly.

INFRI (Not Field Repairable) - The INFRI symbol is inserted after any assembly that is not to be field dismantled.

Other Symbols - Any other symbols that are required for kits, accessories, etc., will be explained and appear as part of the item description.

REVISION HISTORY			DATE	OTHER IPB MANUALS REQUIRED TO SUPPORT THIS OPTION.....
PRINTING	ECO LEVEL			
1st Printing	RD53-A 00000-00000		4-22-85	N/A

REVISION HISTORY
 DATE
 REC NUMBER
 REV

DESIGNED BY	NOV 1988	DATE	6-7-88	TITLE	digital
CHECKED BY	NOV 1988	DATE	6-7-88	ILLUSTRATED BREAKDOWN FOR RD53-A DISK DRIVE	
ENGINEERED BY	JUL 1988	DATE	6-7-88	DOCUMENT NUMBER	
DESIGNED BY	JUL 1988	DATE	6-7-88	B I B RD53A-0-0 A	
OTHER	JUL 1988	DATE	6-7-88	SCALE 1 ~ 4	

RD53A-0-0 A
 B I B

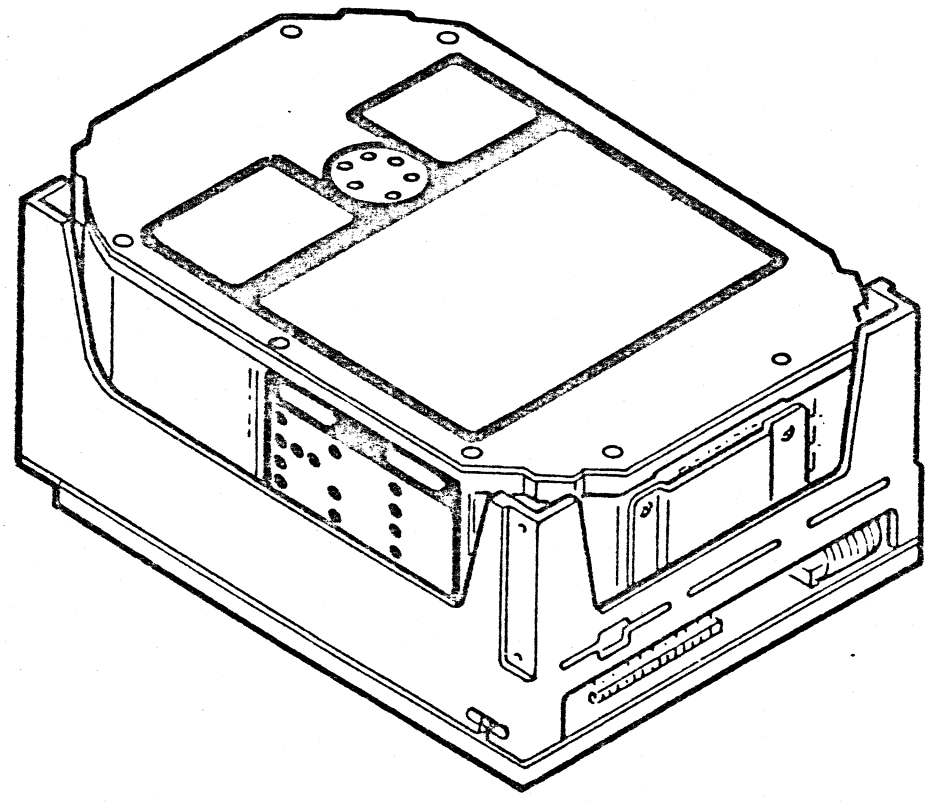
8 7 6 5 4 3 2 1

THIS DRAWING AND SPECIFICATIONS HEREIN ARE THE PROPERTY OF DIGITAL EQUIPMENT CORPORATION AND SHALL NOT BE REPRODUCED, COPIED, EITHER WHOLLY OR IN PART, AT THE DISCRETION OF THE MANUFACTURER OR SALE OF THIS DRAWING WITHOUT WRITTEN PERMISSION OF DIGITAL EQUIPMENT CORPORATION.

B 1 B RD53A-0-0 A

D
C
B
A

D
C
B
A



RD53-00

RD53-A DISK DRIVE

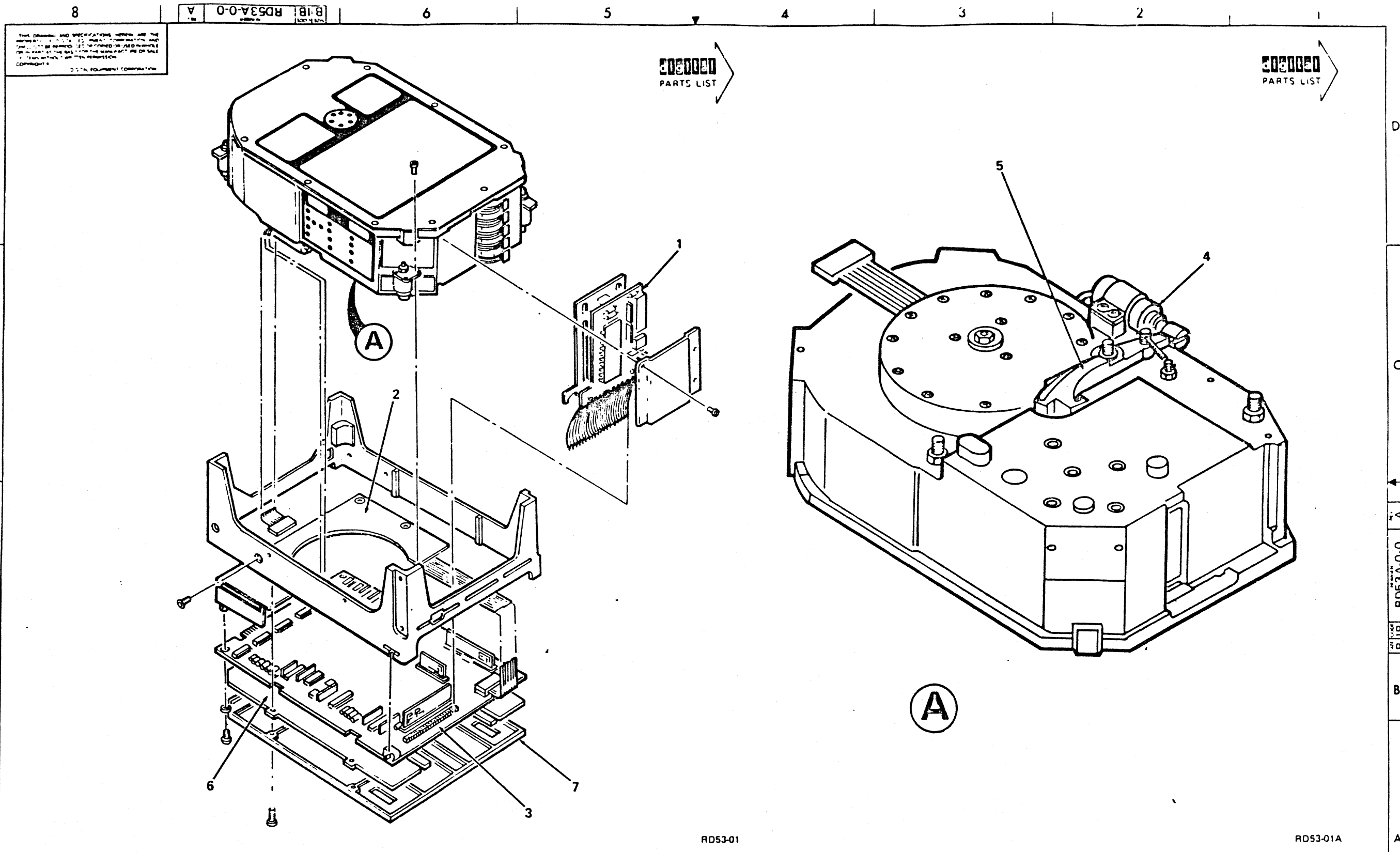
REVISION HISTORY		
REV.	DESCRIPTION	DATE

8 7 6 5 4 3 2 1

TITLE
ILLUSTRATED BREAKDOWN
FOR RD53-A DISK DRIVE

DOCUMENT NUMBER		
SIZE	CODE	REV.
B	1 B	A

B 1 B RD53A-0-0 A



THIS DRAWING AND SPECIFICATIONS HEREBY ARE THE PROPERTY OF THE COMPANY. IT IS TO BE USED ONLY FOR THE PURPOSES FOR WHICH IT IS DESIGNED. IT IS TO BE KEPT IN CONFIDENCE AND NOT TO BE REPRODUCED OR TRANSMITTED IN ANY FORM OR BY ANY MEANS, ELECTRONIC OR MECHANICAL, INCLUDING PHOTOCOPYING, RECORDING, OR BY ANY INFORMATION STORAGE AND RETRIEVAL SYSTEM, WITHOUT THE WRITTEN PERMISSION OF THE COMPANY.

DIGITAL EQUIPMENT CORPORATION

REV. 1
RD53A-0-0
A

Figure 1. RD53-A Disk Drive Assembly (Sheet 1 Of 2)

Figure 1. RD53-A Disk Drive Assembly (Sheet 2 Of 2)

REVISIONS		
DATE	BY	DESCRIPTION

TITLE
ILLUSTRATED BREAKDOWN
FOR RD53-A DISK DRIVE

DOCUMENT NUMBER		
SIZE CODE	NUMBER	REV.
BIB	RD53A-0-0	A
SCALE		SHEET 3 OF 4

This drawing and specifications herein are the property of Digital Equipment Corporation and shall not be reproduced or copied in whole or in part for the manufacture or sale of items without written permission. Copyright © Digital Equipment Corporation.

0-0-V-508 B1B RD54A-0-0

EK-RD54A-IP-001

ILLUSTRATED PARTS BREAKDOWN

RD54-A DISK DRIVE

HOW TO USE THE IPB

GENERAL

This IPB is compiled following the organization and nomenclature of the engineering drawing structure.

MAJOR ASSEMBLY LOCATOR (When Applicable)

The Major Assembly Locator (first illustration) is an index that provides a description and a figure reference for all illustrations used in this manual.

INDENTED PARTS LIST

This manual identifies each assembly being broken down (figure reference callout), and all parts of that assembly. Further breakdown of an assembly is shown by an asterisk (*) preceding the item callouts in the Description Column. The number of asterisks preceding an item is used to denote the subordination of that item with respect to the Major Assembly. A single asterisk preceding an item description indicates that the item is part of the major assembly being illustrated. Items that are subordinate to single asterisks items, are denoted by two asterisks (**) and immediately follow the related single asterisk item. Additional asterisks are used, as required, to denote further subordination. This system of part identification, provides a means for the user to identify the next higher assembly item and make alternate selections for parts when the required replacement part of assembly is not immediately available.

Description - Lists the name of the part, and pertinent specifications (when required). Asterisks preceding the description denote the subordination of the part to the next higher assembly.

DEC Part No. - Lists the Digital part ordering number. A blank in this column indicates a Digital part number was not assigned at the time of publication.

ECO Cut-In - The notation at the top of this column indicates the ECO level of the system (option), at which the IPB was initially prepared. Subsequent ECO level designations, that modify existing parts or add new parts to the device, are inserted in the ECO Cut-In column next to the part that is added or modified.

Used On Code - Letters in this column correspond to the variation codes assigned in Figure 1. Parts with an Alpha notation(s) are used only in those option variations. A blank indicates that the part is used on all option variations.

Ref Fig No. - A cross reference between illustrations. For each Major Assembly, the number in this column denotes the figure of the next higher assembly. For all subassemblies, the number in this column denotes the figure showing additional detailed breakdown.

COLUMN CALLOUT DESCRIPTION

Figure and Item - Indicates the figure number and item number of each part.

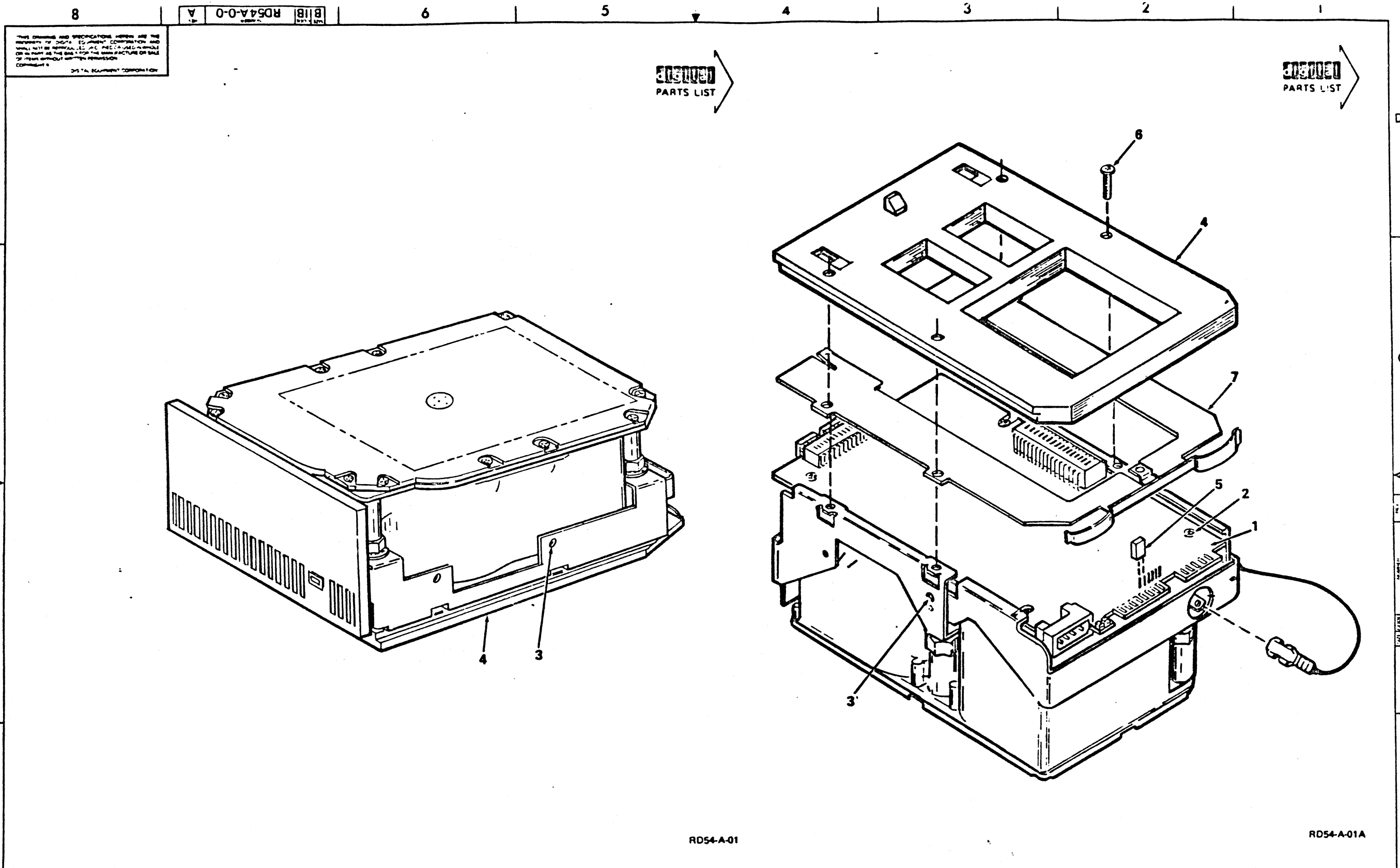
PART NUMBER/PART DESCRIPTION SORT SECTION

Parts are sorted both numerically and alphabetically by description, referenced to a location within the IPB, by figure number and item number.

REVISION HISTORY				OTHER IPB MANUALS REQUIRED TO SUPPORT THIS OPTION.....
PRINTING	ECO LEVEL		DATE	
1st Printing	RD54-A	00000-00000	26-Mar-87	N/A

REV	
ECO NUMBER	
DATE	

DESIGNED BY	BOB ASTAPOFF	DATE	6-7-88	TITLE digital ILLUSTRATED BREAKDOWN FOR RD54-A DISK DRIVE
CHECKED BY	ROY CHRISTENSEN	DATE	6-7-88	
ENGINEERING	JIM NEWMAN	DATE	6-7-88	
DATE	JIM NEWMAN	DATE	6-7-88	
OTHER		DATE	6-7-88	DOCUMENT NUMBER B1B RD54A-0-0 A



THIS DRAWING AND SPECIFICATIONS HEREBY ARE THE PROPERTY OF DIGITAL EQUIPMENT CORPORATION AND SHALL NOT BE REPRODUCED, IN WHOLE OR IN PART, OR BY ANY MEANS, WITHOUT THE EXPRESS WRITTEN PERMISSION OF DIGITAL EQUIPMENT CORPORATION.

RD54A-0-0
BIB

PARTS LIST

PARTS LIST

Figure 1. RD54-A Disk Drive (Sheet 1 of 2)

Figure 1. RD54-A Disk Drive (Sheet 2 of 2)

REVISION HISTORY		
DATE	ECO NUMBER	REV.

DOCUMENT NUMBER			
SIZE	CODE	NUMBER	REV.
B	BIB	RD54A-0-0	A
TITLE			SCALE
ILLUSTRATED BREAKDOWN FOR RD54-A DISK DRIVE			SHEET 2 OF 3

8 7 6 5 4 3 2 1

RD54A-0-0
BIB

RD54-A-01A

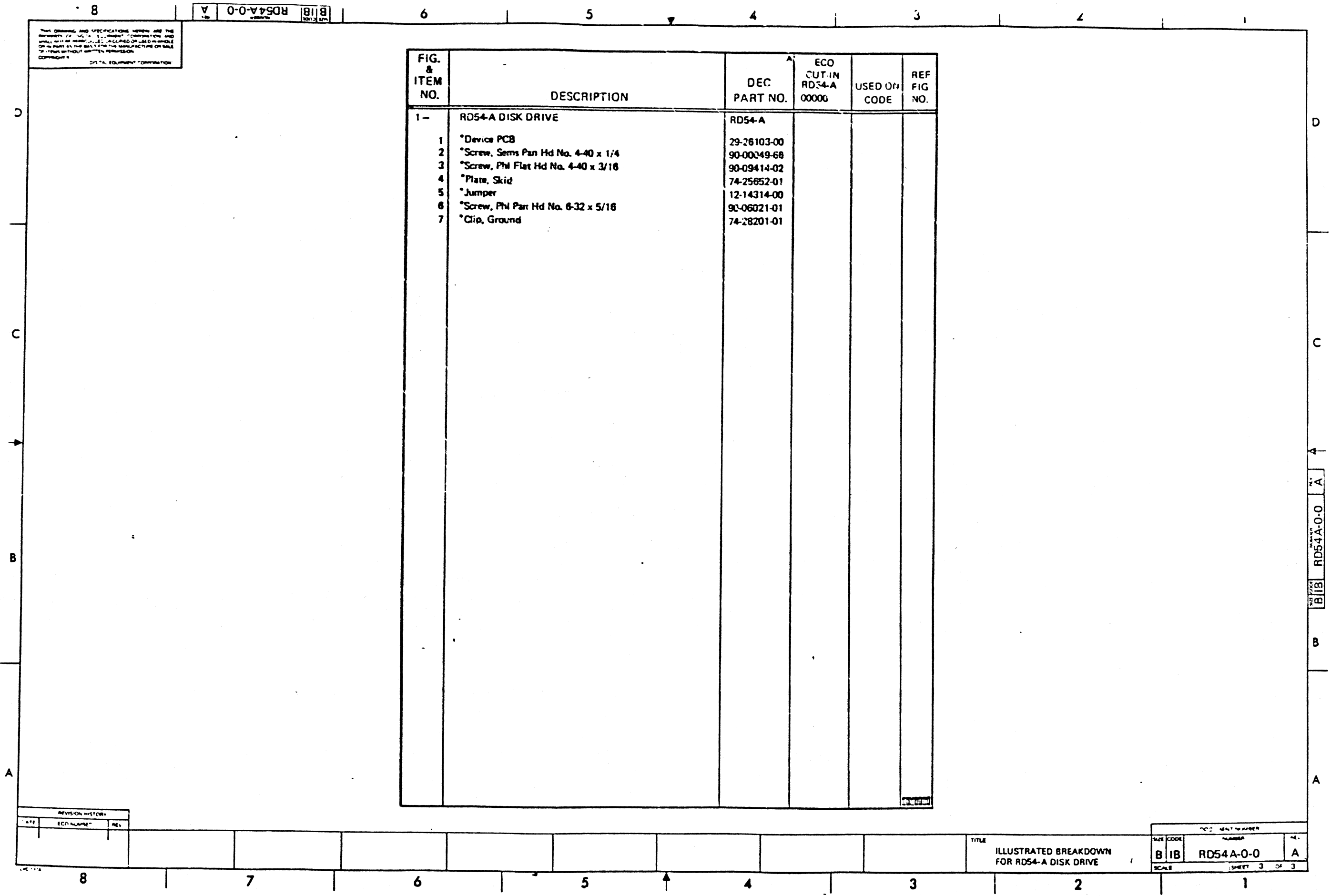
THIS DRAWING AND SPECIFICATIONS HEREBY USE THE
 PROPERTY OF THE U.S. GOVERNMENT. REPRODUCTION AND
 DISTRIBUTION IS UNLIMITED. IT IS TO BE USED IN WHOLE
 OR IN PART AS THE BASIS FOR THE MANUFACTURE OR SALE
 OF ITEMS OR THE PERFORMANCE OF SERVICES.
 CONTRACT NO. DA-20-000-AM-00000

RD54A-0-0 BIB

FIG. & ITEM NO.	DESCRIPTION	DEC PART NO.	ECO CUT-IN RD54-A 00000	USED ON CODE	REF FIG NO.
1-	RD54-A DISK DRIVE	RD54-A			
1	*Device PCB	29-26103-00			
2	*Screw, Sems Pan Hd No. 4-40 x 1/4	90-00049-68			
3	*Screw, Phi Flat Hd No. 4-40 x 3/16	90-09414-02			
4	*Plate, Skid	74-25652-01			
5	*Jumper	12-14314-00			
6	*Screw, Phi Pan Hd No. 6-32 x 5/16	90-06021-01			
7	*Clip, Ground	74-28201-01			

REVISION HISTORY		
DATE	ECO NAME	REL

TITLE		ECO PART NUMBER	
ILLUSTRATED BREAKDOWN FOR RD54-A DISK DRIVE		SCALE	SHEET 3 OF 3
BIB	RD54A-0-0	A	A



EK-RA70A-IP-001

ILLUSTRATED PARTS BREAKDOWN RA70-A DISK DRIVE ASSEMBLY

HOW TO USE THE IPB

GENERAL

This IPB is compiled following the organization and nomenclature of the engineering drawing structure.

MAJOR ASSEMBLY LOCATOR (When Applicable)

The Major Assembly Locator (first illustration) is an index that provides a description and a figure reference for all illustrations used in this manual.

INDENTED PARTS LIST

This manual identifies each assembly being broken down (figure reference callout), and all parts of that assembly. Further breakdown of an assembly is shown by an asterisk (*) preceding the item callouts in the Description Column. The number of asterisks preceding an item is used to denote the subordination of that item with respect to the Major Assembly. A single asterisk preceding an item description indicates that the item is part of the major assembly being illustrated. Items that are subordinate to single asterisk items, are denoted by two asterisks (**) and immediately follow the related single asterisk item. Additional asterisks are used, as required, to denote further subordination. This system of part identification, provides a means for the user to identify the next higher assembly item and make alternate selections for parts when the required replacement part of assembly is not immediately available.

Description - Lists the name of the part and pertinent specifications (when required). Asterisks preceding the description denote the subordination of the part to the next higher assembly.

DEC Part No. - Lists the Digital part ordering number. A blank in this column indicates a Digital part number was not assigned at the time of publication.

ECO Cut-In - The notation at the top of this column indicates the ECO level of the system (option), at which the IPB was initially prepared. Subsequent ECO level designations, that modify existing parts or add new parts to the device, are inserted in the ECO Cut-In column next to the part that is added or modified.

Used On Code - Letters in this column correspond to the variation codes assigned in Figure 1. Parts with an Alpha notation(s) are used only in those option variations. A blank indicates that the part is used on all option variations.

Ref Fig No. - A cross reference between illustrations. For each Major Assembly, the number in this column denotes the figure of the next higher assembly. For all subassemblies, the number in this column denotes the figure showing additional detailed breakdown.

COLUMN CALLOUT DESCRIPTION

Figure and Item - Indicates the figure number and item number of each part.

PART NUMBER/PART DESCRIPTION SORT SECTION

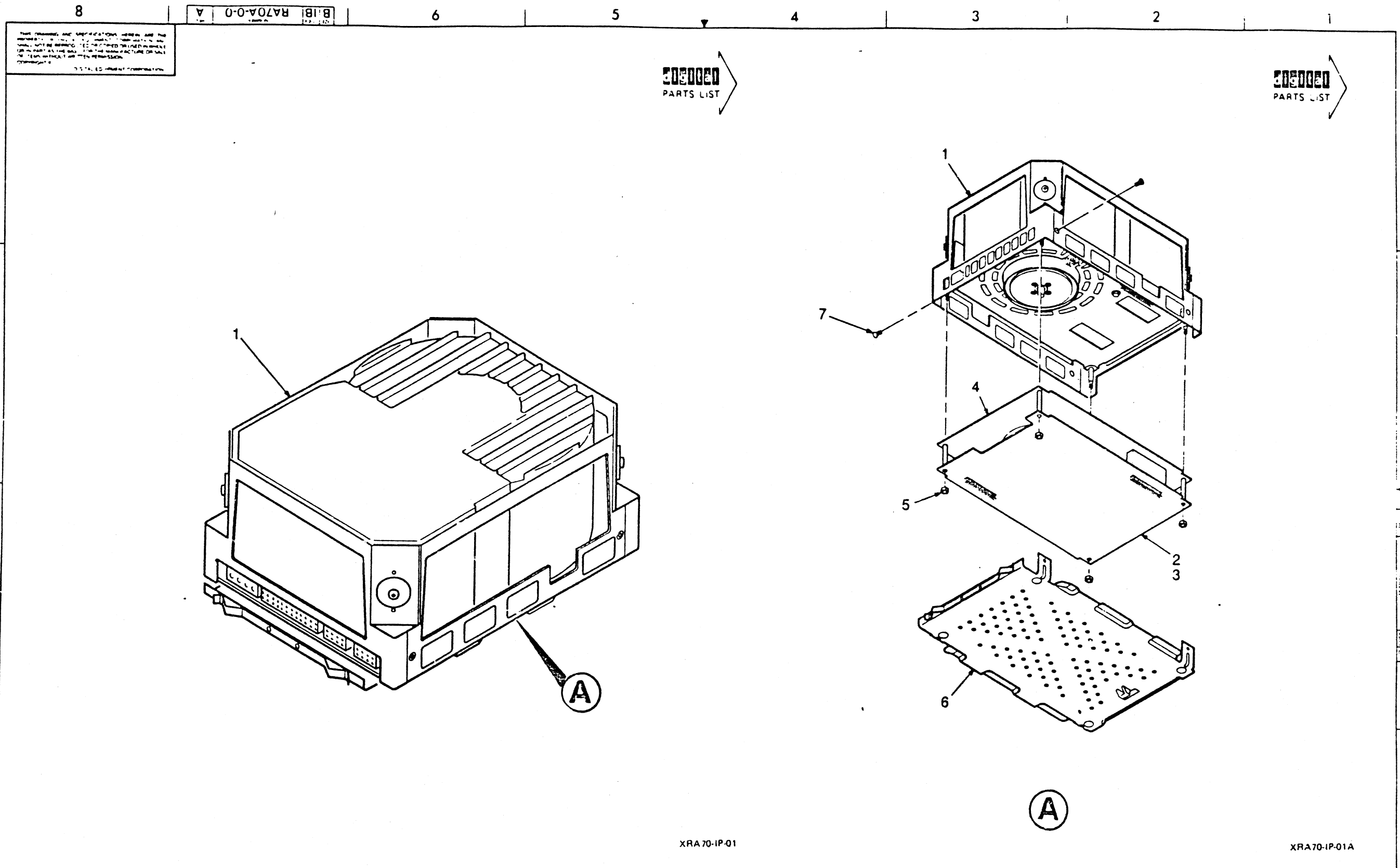
Parts are sorted both numerically and alphabetically by description, referenced to a location within the IPB, by figure number and item number.

REVISION HISTORY			DATE	OTHER IPB MANUALS REQUIRED TO SUPPORT THIS OPTION.....
PRINTING	ECO LEVEL			
1st Printing	70-25688	00002-00002	1-MAR-88	N/A

DATE	6-7-88	FILE	digital
REV	5-7-88	ILLUSTRATED BREAKDOWN FOR RA70-A DISK DRIVE	
ENGIN	6-7-88		
DES	6-7-88		
DATE	6-7-88	DOCUMENT NUMBER	
REV	6-7-88	B IB RA70A-0-0 A	

D
C
B
A

D
C
B
A



THIS DRAWING AND SPECIFICATIONS HEREBY ARE THE PROPERTY OF THE U.S. GOVERNMENT. IT IS TO BE USED ONLY FOR THE PURPOSES AUTHORIZED BY THE U.S. GOVERNMENT. IT IS TO BE REPRODUCED OR TRANSMITTED IN ANY FORM OR BY ANY MEANS, ELECTRONIC OR MECHANICAL, INCLUDING PHOTOCOPYING, RECORDING, OR BY ANY INFORMATION STORAGE AND RETRIEVAL SYSTEM, WITHOUT PERMISSION IN WRITING FROM THE U.S. GOVERNMENT. U.S. GOVERNMENT PRINTING OFFICE: 1974 O-230-000

REV. 10-73
 RA70A-0-0
 B 1 B

Figure 1. Disk Drive Assembly (Sheet 1 of 2)

Figure 1. Disk Drive Assembly (Sheet 2 of 2)

REV.	DESCRIPTION	DATE

TITLE
 ILLUSTRATED BREAKDOWN
 FOR RA70-A DISK DRIVE

REV. 10-73
 RA70A-0-0
 B 1 B

8 7 6 5 4 3 2 1

8 7 6 5 4 3 2 1

THIS DRAWING AND THE INFORMATION HEREON ARE THE PROPERTY OF THE UNITED STATES GOVERNMENT AND ARE TO BE REPRODUCED AND TRANSMITTED IN ANY FORM AND BY ANY MEANS, ELECTRONIC OR MECHANICAL, INCLUDING PHOTOCOPYING, RECORDING, OR BY ANY INFORMATION STORAGE AND RETRIEVAL SYSTEM, WITHOUT PERMISSION IN WRITING FROM THE ASSISTANT SECRETARY FOR MANAGEMENT AND ADMINISTRATION, DEPARTMENT OF DEFENSE, WASHINGTON, D.C. 20301.

A B I B RA70A-0-0

FIG. & ITEM NO.	DESCRIPTION	DEC PART NO.	ECO CUT-IN 70-25688 00002	USED ON CODE	REF FIG NO.
1-	DISK DRIVE ASSEMBLY (5-1/4)	70-25688-01			
1	*Head/Disk Assembly	70-21946-01			
2	*MODULE ASSEMBLY	70-22494-01			
3	**Module, Servo	54-17773-01			
4	**Module, R/W	54-17775-01			
5	*Nut, Kep No. 4-40	90-06557-00			
6	*Shoe Plate Assembly	70-22474-01			
7	*Screw, Phi Flat Hd No. 6-32 x 5/16	90-06021-02			

D
C
B
A

D
C
B
A

A B I B RA70A-0-0

8 7 6 5 4 3 2 1

ILLUSTRATED BREAKDOWN FOR RA70-A DISK DRIVE
B I B RA70A-0-0 A

THIS DRAWING AND SPECIFICATIONS HEREBY ARE THE PROPERTY OF DIGITAL EQUIPMENT CORPORATION AND SHALL NOT BE REPRODUCED OR COPIED FOR USE IN WHOLE OR IN PART AS THE BASIS FOR THE MANUFACTURE OR SALE OF ITEMS WITHOUT WRITTEN PERMISSION OF DIGITAL EQUIPMENT CORPORATION.

TK50-0-0
BIB

ILLUSTRATED PARTS BREAKDOWN

TK50 TAPE DRIVE

HOW TO USE THE IPB

GENERAL
This IPB is compiled following the organization and nomenclature of the engineering drawing structure.

MAJOR ASSEMBLY LOCATOR
The Major Assembly Locator (first illustration) is an index that provides a description and a figure reference for all illustrations used in this manual.

INDENTED PARTS LIST
This manual identifies each assembly being broken down (figure reference callout), and all parts of that assembly. Further breakdown of an assembly is shown by an asterisk (*) preceding the item callouts in the Description Column. The number of asterisks preceding an item is used to denote the subordination of that item with respect to the Major Assembly. A single asterisk preceding an item description indicates that the item is part of the major assembly being illustrated. Items that are subordinate to single asterisk items, are denoted by two asterisks (**) and immediately follow the related single asterisk item. Additional asterisks are used, as required, to denote further subordination. This system of part identification, provides a means for the user to identify the next higher assembly item and make alternate selections for parts when the required replacement part or assembly is not immediately available.

COLUMN CALLOUT DESCRIPTION
Figure & Item - Indicates the figure number and item number of each part.
Description - Lists the name of the part and pertinent specifications (when required). Asterisks preceding the description denote the subordination of the part to the next higher assembly.
DEC Part No. - Lists the DEC part ordering number. A blank in this column indicates a DEC part number was not assigned at the time of publication.

ECO Cut-In - The notation at the top of this column indicates the ECO level of the system (option), at which the IPB was initially prepared. Subsequent ECO level designations, that modify existing parts or add new parts to the device, are inserted in the ECO Cut-In column next to the part that is added or modified. A bracket ([]) preceding the item description is used to indicate the parts affected by ECO's.

Vendor Code/Part No. - Indicates vendor parts that are not stocked by DEC. Refer to the Field Service Spares Catalog (vendor part number to DEC part number) for the vendor code cross-reference.

Used On Code - Letters in this column correspond to the variation codes assigned in Figure 1. Parts with an Alpha notation(s) are used only in those option variations. A blank indicates that the part is used on all option variations.

Ref Fig No. - A cross reference between illustrations. For each Major Assembly, the number in this column denotes the figure of the next higher assembly. For all subassemblies, the number in this column denotes the figure showing additional detailed breakdown.

SYMBOL USAGE
Hardware Designators - Alpha designators for screws (S), washers (W), nuts (N), and retaining rings (R) are inserted after the item number callouts on the illustration when stacked item numbers are used.

Attaching Hardware - The @ symbol is inserted before any part that is used as attaching hardware. Attaching hardware is denoted as those parts that are not an integral part of the referenced assembly.

(NFR) Not Field Repairable - The (NFR) symbol is inserted after any assembly that is not to be field dismantled.

Other Symbols - Any other symbols that are required for kits, accessories, etc., will be explained and appear as part of the item description.

REVISION HISTORY				OTHER IPB MANUALS REQUIRED TO SUPPORT THIS OPTION.....
PRINTING	ECO LEVEL		DATE	
2nd Printing	TK50	00001-00008	12/30/85	N/A
	70-21738	TK50 00008		
	70-21085	TK50 00004		
	70-21814	TK50 00004		
	70-21738	00000-00000		
	70-21087	00000-00000		
	70-21088	TK50 00008		
	70-21818	TK50 00008		

REV	
ECO NUMBER	
DATE	

IPB WRITER	BOB ASTAPOVICH	DATE	6-7-88	TITLE digital ILLUSTRATED BREAKDOWN FOR TK50 TAPE DRIVE
CHK'D	BOY CHRISTENSEN	DATE	6-7-88	
ENGINEER	JOE McMULLIN	DATE	6-7-88	
CS&E	JIM CLARKE	DATE	6-7-88	
OTHER		DATE	6-7-88	
DOCUMENT NUMBER				
	BIB	TK50-0-0	A	
SHEET 1 OF 13				

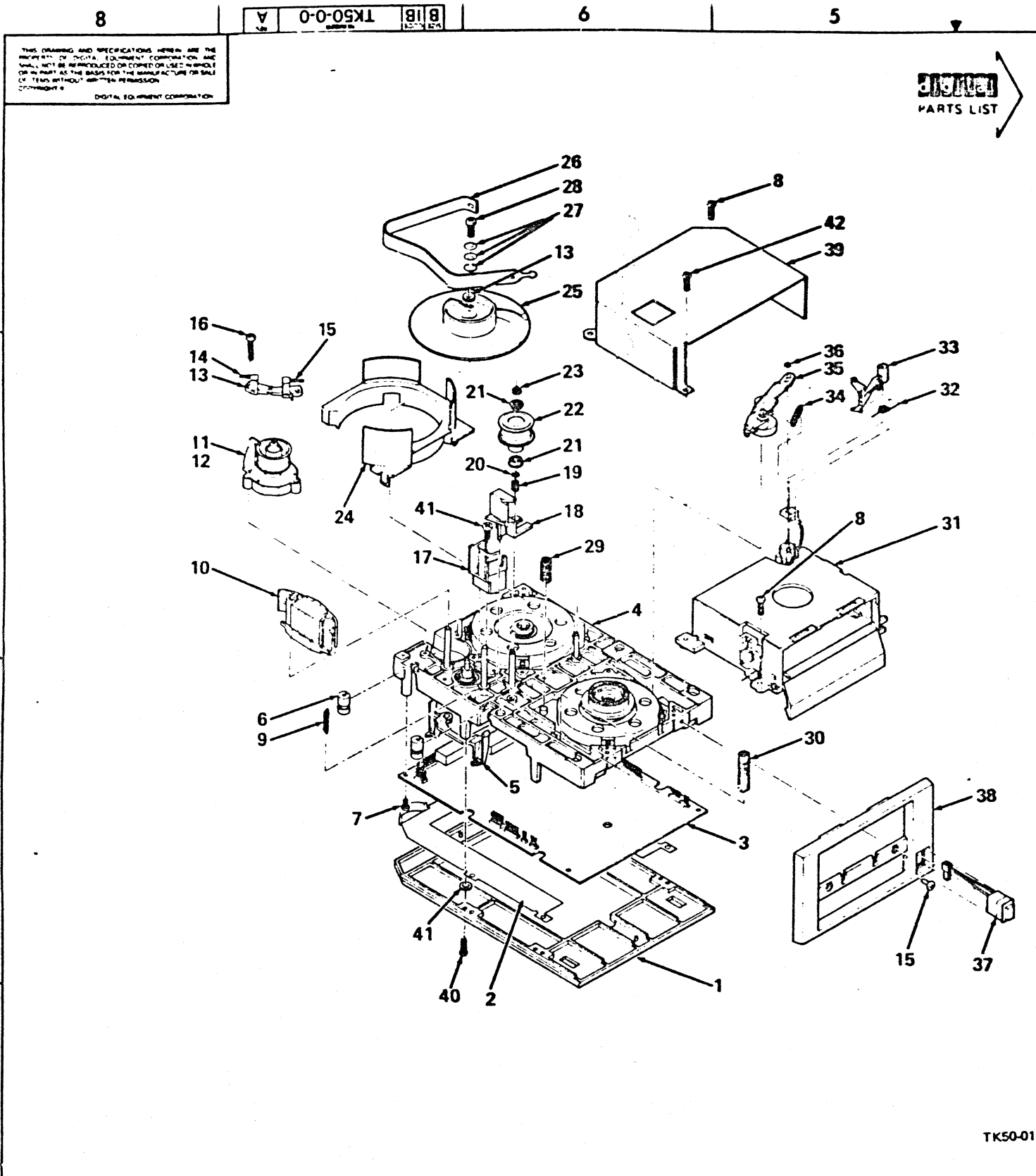


FIG. & ITEM NO.	DESCRIPTION	DEC PART NO.	ECO CUT-IN TK50 00001	USED ON CODE	REF FIG NO.
1-	TK50 TAPE DRIVE	TK50-00			
1	*Plate Skid Assembly (deleted)	70-21750-01			
	*Plate, Skid	74-32696-01	00005		
2	*Insulator Assembly	70-21765-01			
3	*TK50 Drive Module	54-15660-00			
4	*MOTOR and BASEPLATE ASSEMBLY	70-21736-01			2
5	*Bracket, Head Spring	74-30728-01			
6	*Strain Relief, Head	74-29585-01			
7	*Screw, Phi Pan Hd Self Tap No. 6-32 x 1/4	90-09905-00			
8	*Screw, Phi Pan Hd Self Tap No. 6-32 x 1/2	90-10089-03			
9	*Spring, Head Bracket Extension	12-22895-01			
10	*Bracket, Head Assembly	70-21142-01			
11	*TACHOMETER ASSEMBLY (deleted)	70-21086-01			6
	*TACHOMETER ASSEMBLY (added)	70-21818-01	00006		6A
12	*Screw, Phi Pan Hd No. 6-32 x 5/8	90-10109-00			
13	*Washer, Flat	12-24692-02			
14	*EOT/BOT LED-Photo Assembly	11-23276-01			
15	*Screw, Sems Phi Pan Hd No. 6-32 x 5/8	90-00049-01			
16	*Screw, Phi Pan Hd No. 6-32 x 5/16	90-00049-57			
17	*External Shield Assembly	70-21141-01			
18	*Guard, Tape (deleted)	74-29297-01			
	*Guard, Tape (added)	74-32344-01	00006		
19	*Spring, Compression (deleted)	12-13656-03			
	*Spring, Compression (added)	12-13656-05	00006		
20	*Retainer, Spring (deleted)	74-30863-01			
	*Washer, Flat (added)	12-24692-03	00003		
21	*Ball Bearing, Flanged	12-22788-01			
22	*Capstan (deleted)	74-27695-01			
	*Capstan, Tachometer (added)	74-32346-01	00006		
23	*Nut, Nylon Self Lock No. 4-40	90-08054-00			
24	*Constraint, Tape	74-29616-01			
25	*Reel, Take-up	74-27668-01			
26	*Leader, Cartridge (Take-up)	74-28268-01			
27	*Washer, Spring	90-10506-01			
28	*Screw, Phi Fillister Hd No. 8-32 x 1/2	90-07641-06			
29	*Spring, Compression	12-12912-01			
30	*Spring, Compression	12-22357-01			
31	*RECEIVER ASSEMBLY (deleted)	70-21085-01			3
	*RECEIVER ASSEMBLY (added)	70-21814-01	00004		3A
32	*Spring, Torsion	12-23742-01			
33	*Link, Buckling	74-30916-01			
34	*Spring, Compression	12-22358-01			

Figure 1. TK50 Tape Drive

REVISION HISTORY		
DATE	ECO NUMBER	REV

DOCUMENT NUMBER		
SIZE CODE	NUMBER	REV
B IB	TK50-0-0	A
SCALE		SHEET 2 OF 13

TK50-0-0
B IB

THIS DRAWING AND SPECIFICATIONS HEREBY ARE THE PROPERTY OF DIGITAL EQUIPMENT CORPORATION AND SHALL NOT BE REPRODUCED OR COPIED OR USED IN WHOLE OR IN PART AS THE BASIS FOR THE MANUFACTURE OR SALE OF ANY PRODUCT WITHOUT THE WRITTEN PERMISSION OF DIGITAL EQUIPMENT CORPORATION.

TK50-0-0 B IB

D
C
B
A

D
C
B
A

FIG. & ITEM NO.	DESCRIPTION	DEC PART NO.	ECO CUT-IN TK50 00001	USED ON CODE	REF FIG NO.
1-					
35	*LEADER LATCH ASSEMBLY	70-21087-01			5
36	*Retaining Ring, External	90-09257-04			
37	*Switch, Push Button	12-21464-08			
38	*Bezel Assembly	70-21812-01			
39	*Enclosure, Partial Weldment (deleted)	70-21762-01			
	*Enclosure (added)	74-32363-01	00005		
40	*Screw, Phi Pan Hd No. 6-32 x 9/16	90-06022-01			
41	*Washer, Internal Tooth Lock No. 6	90-09882-00			
42	*Screw, Sems, External Tooth, Phi Pan Hd No. 6-32 x 1/2 (added)	90-10174-03	00002		
43	*Screw, Self Tap, Phi Pan Hd No. 6-32 x 1/2 (added)	90-00049-36	00002		

TK50-0-0 B IB

REVISION HISTORY		
DATE	ECO NUMBER	REV

DOCUMENT NUMBER		
SIZE CODE	NUMBER	REV
B IB	TK50-0-0	A
SCALE		SHEET 3 OF 13

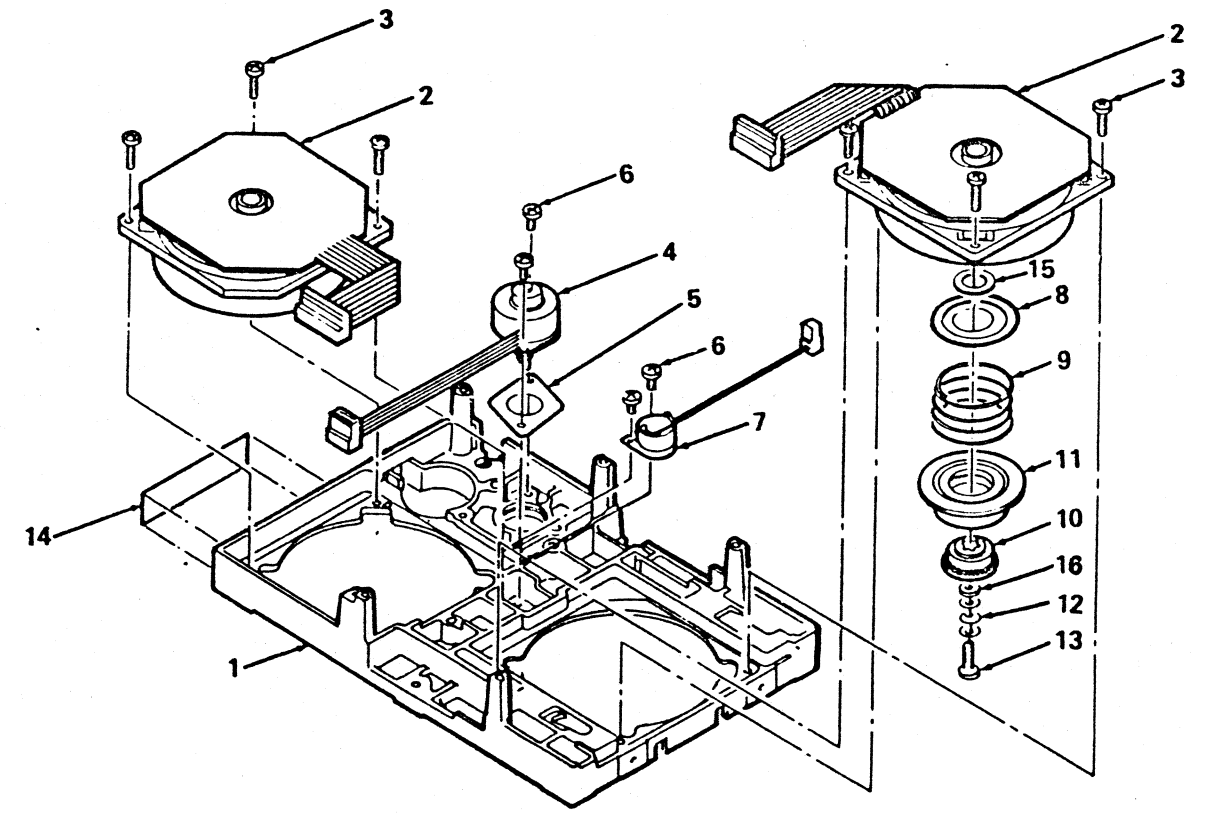
ILLUSTRATED BREAKDOWN FOR TK50 TAPE DRIVE

THIS DRAWING AND SPECIFICATIONS HEREIN ARE THE PROPERTY OF DIGITAL EQUIPMENT CORPORATION AND SHALL NOT BE REPRODUCED OR COPIED OR USED IN WHOLE OR IN PART AS THE BASIS FOR THE MANUFACTURE OR SALE OF ANY PRODUCT WITHOUT WRITTEN PERMISSION FROM DIGITAL EQUIPMENT CORPORATION.

TK50-0-0 B IB

EXPLODED
PARTS LIST

D
C
B
A



TK50-02

FIG. & ITEM NO.	DESCRIPTION	DEC PART NO.	ECO CUT-IN 70-21736 00000	USED ON CODE	REF FIG NO.
2-	MOTOR and BASEPLATE ASSEMBLY	70-21736-01			1
1	*Baseplate Assembly	70-21732-01			
2	*Motor, Brushless	12-22681-01			
3	*Screw, Phi Pan Hd No. 6-32 x 5/16	90-10089-03			
4	*Actuator, Digital Linear	12-21497-01			
5	*Shield, Actuator	74-29607-01			
6	*Screw, Phi Pan Hd No. 6-32 x 7/16	90-09905-01			
7	*Switch, Thermal	12-22958-02			
8	*Plate, Spring	74-31657-01			
9	*Spring, Compression	12-22356-02			
10	*Drive Hub	74-27691-01			
11	*Driver Reel	74-27688-01			
12	*Washer, Spring	90-10506-01			
13	*Screw, Phi Fil Hd No. 8-32 x 1/2	90-07641-06			
14	*Label, "S/N, TK50"	36-19833-02			
15	*Shim, Plastic (deleted)	12-24328-01	TK50 00006		
16	*Washer, Flat	12-24692-02			

D
C
B
A

TK50-0-0 B IB

Figure 2 Motor and Baseplate Assembly

REVISION HISTORY		
DATE	ECO NUMBER	REV

DOCUMENT NUMBER			
SIZE	CODE	NUMBER	REV
B	IB	TK50-0-0	A
SCALE			SHEET 4 OF 13

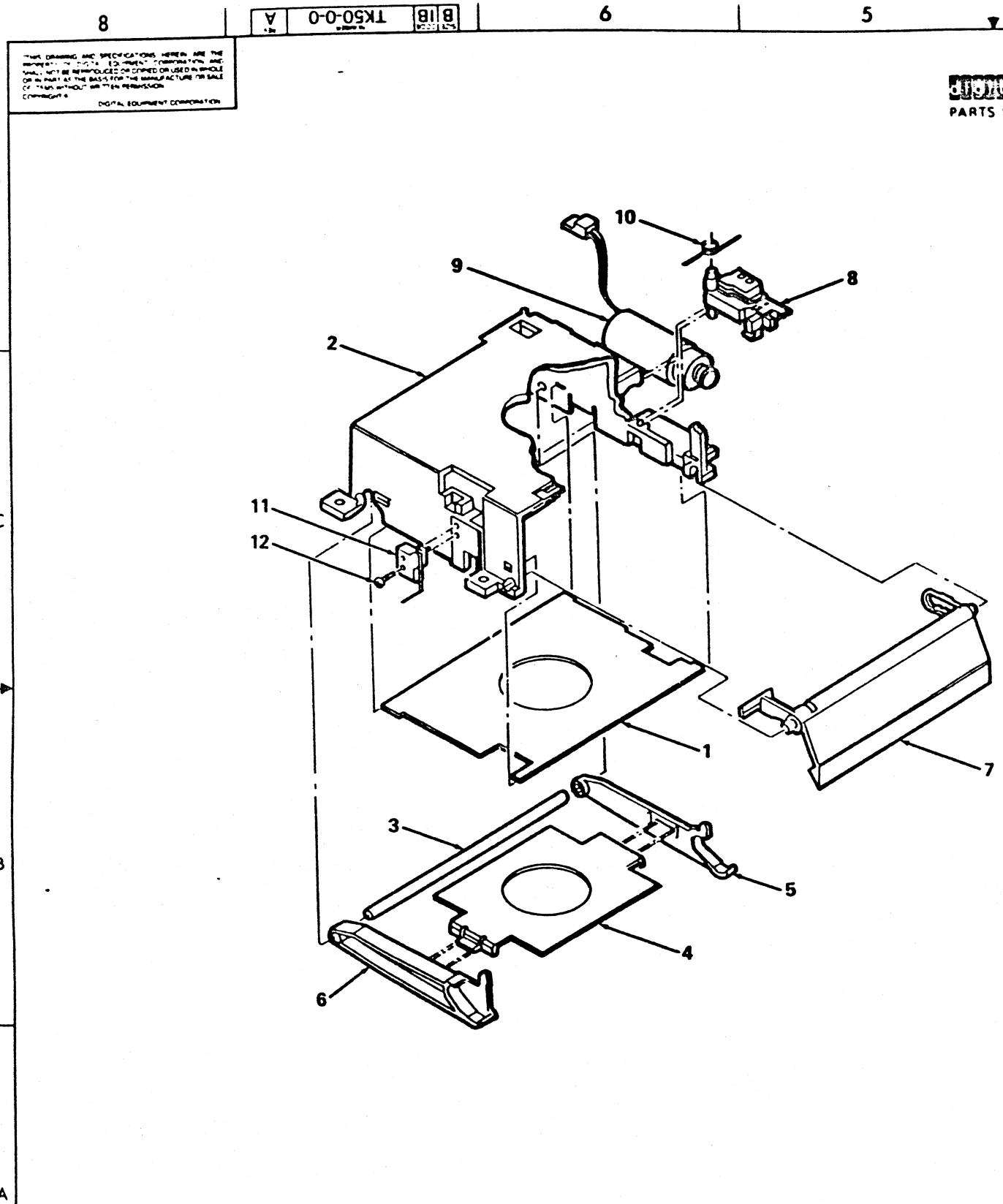


FIG. & ITEM NO.	DESCRIPTION	DEC PART NO.	ECO CUY-IN 70-21085 00000	USEC ON CODE	REF FIG NO.
3-	RECEIVER ASSEMBLY (deleted) (See Figure 3A)	70-21085-01	TK50 00004		1
1	*Floor, Receiver	74-29212-01			
2	*Receiver	74-29217-01			
3	*Shaft, Pivot Link	74-29216-01			
4	*Plate, Clutch	74-29211-01			
5	*Link, Right Link	74-29213-01			
6	*Link, Left Link	74-29214-01			
7	*Handle, Engaging	74-27678-01			
8	*INTERPOSER ASSEMBLY	70-21738-01			4
9	*Solenoid, Tubular	12-22089-01			
10	*Spring, Torsion	12-22538-01			
11	*Switch, Micro	12-22274-03			
12	*Screw, Phl Pan Hd No. 2 x 3/8	90-10500-01			

REVISION HISTORY		
DATE	ECO NUMBER	REV

Figure 3. Receiver Assembly

TITLE
ILLUSTRATED BREAKDOWN
FOR TK50 TAPE DRIVE

DOCUMENT NUMBER		
SIZE CODE	ALIAS	REV
B IB	TK50-0-0	A
SCALE		SHEET 5 OF 13

8 A 0-0-05X1 B1B

THIS DRAWING AND SPECIFICATIONS HEREON ARE THE PROPERTY OF DIGITAL EQUIPMENT CORPORATION AND SHALL NOT BE REPRODUCED OR COPIED OR USED IN WHOLE OR IN PART AS THE BASIS FOR THE MANUFACTURE OR SALE OF ITEMS WITHOUT WRITTEN PERMISSION OF DIGITAL EQUIPMENT CORPORATION.

DIGITAL EQUIPMENT CORPORATION

3181001
PARTS LIST

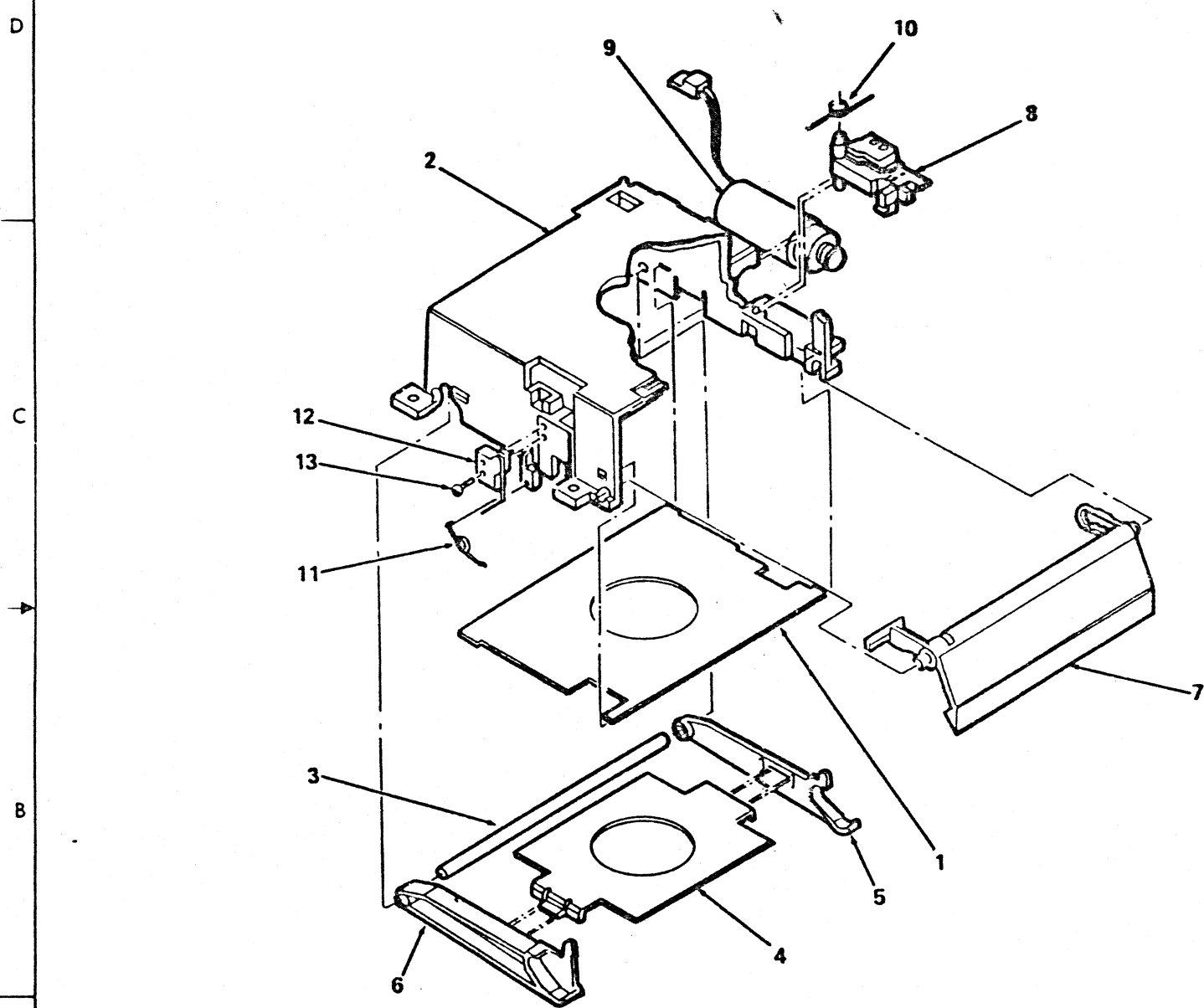


FIG. & ITEM NO.	DESCRIPTION	DEC PART NO.	ECO CUT-IN TK50 00004	USED ON CODE	REF FIG NO.
3A-	RECEIVER ASSEMBLY (added)	70-21814-01	00004		1
1	*Floor, Receiver	74-29212-01			
2	*Receiver	74-32530-01			
3	*Shaft, Pivot Link	74-29216-01			
4	*Plate, Clutch	74-29211-01			
5	*Link, Right Clutch	74-32532-01			
6	*Link, Left Clutch	74-32531-01			
7	*Handle, Engaging	74-32529-01			
8	*INTERPOSER ASSEMBLY	70-21738-01			4
9	*Solenoid, Tubular, 10.5 VDC	12-22089-01			
10	*Spring, Torsion	12-22538-01			
11	*Spring, Handle Torsion	12-25200-01			
12	*Switch Assembly	12-25332-02			
13	*Screw, Phl Pan Hd No. 2-56 x 3/8	90-10500-01			

Figure 3A. Receiver Assembly

REVISION HISTORY		
DATE	ECO NUMBER	REV

TITLE
ILLUSTRATED BREAKDOWN
FOR TK50 TAPE DRIVE

DOCUMENT NUMBER		
SIZE CODE	NUMBER	REV
B 1B	TK50-0-0	A
SCALE		SHEET 6 OF 13

THIS DRAWING AND SPECIFICATIONS HEREAFTER ARE THE PROPERTY OF DIGITAL EQUIPMENT CORPORATION AND SHALL NOT BE REPRODUCED OR COPIED OR USED IN WHOLE OR IN PART AS THE BASIS FOR THE MANUFACTURE FOR SALE OF ITEMS WITHOUT WRITTEN PERMISSION.
 DIGITAL EQUIPMENT CORPORATION

TK50-0-0 B I B

EXPLANATION
 PARTS LIST

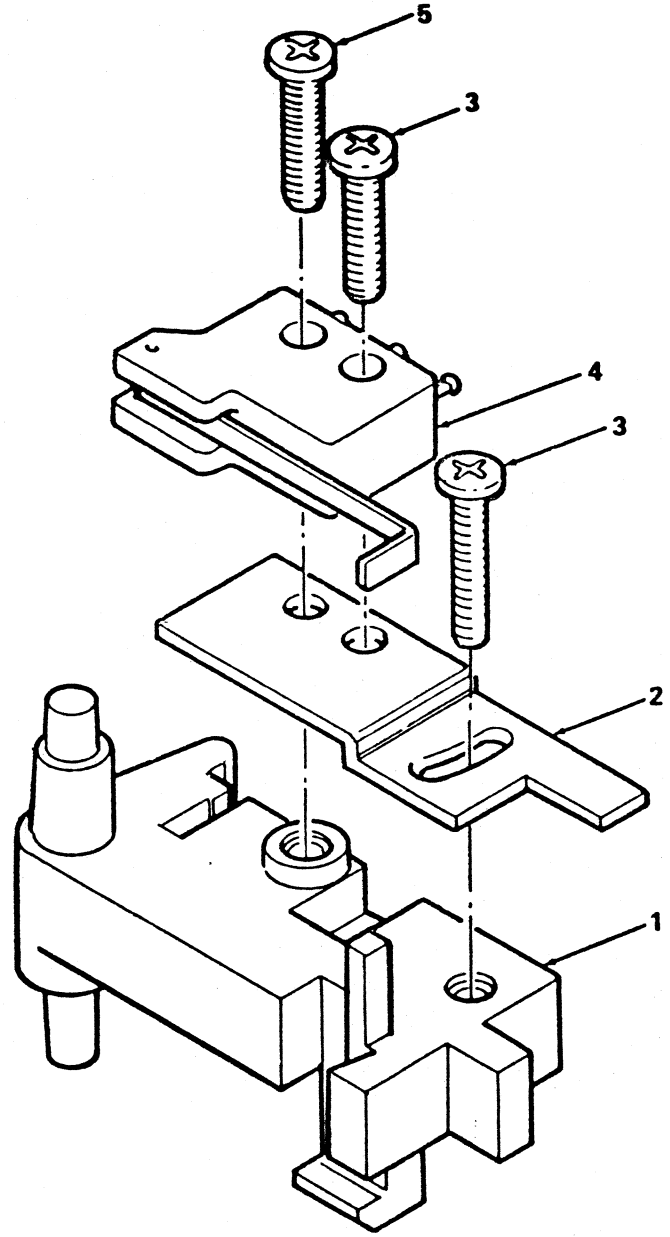


FIG. & ITEM NO.	DESCRIPTION	DEC PART NO.	ECO CUT-IN 70-21738 00000	USED JN CODE	REF FIG NO.
4-	INTERPOSER ASSEMBLY	70-21738-01			3,3A
1	*Interposer	74-29215-01			
2	*Mount, Switch	74-29218-01			
3	*Screw, Phil Pan Hd No. 2-56 x 1/4	90-06004-01			
4	*Switch, Micro	12-22274-04			
5	*Screw, Phil Pan Hd No. 2-56 x 3/8	90-10500-01			

TK50-04

Figure 4. Interposer Assembly

REVISION HISTORY		
DATE	ECO NUMBER	REV

TITLE
 ILLUSTRATED BREAKDOWN
 FOR TK50 TAPE DRIVE

DOCUMENT NUMBER		
SHEET CODE	NUMBER	REV
B I B	TK50-0-0	A
SCALE		SHEET 7 OF 13

THIS DRAWING AND SPECIFICATIONS HEREBY ARE THE PROPERTY OF THE MANUFACTURER. REPRODUCTION OR TRANSMISSION OF ANY PART OF THE DRAWING FOR THE MANUFACTURE OF THE SAME WITHOUT THE WRITTEN PERMISSION OF THE MANUFACTURER IS PROHIBITED.

Illustrated
PARTS LIST

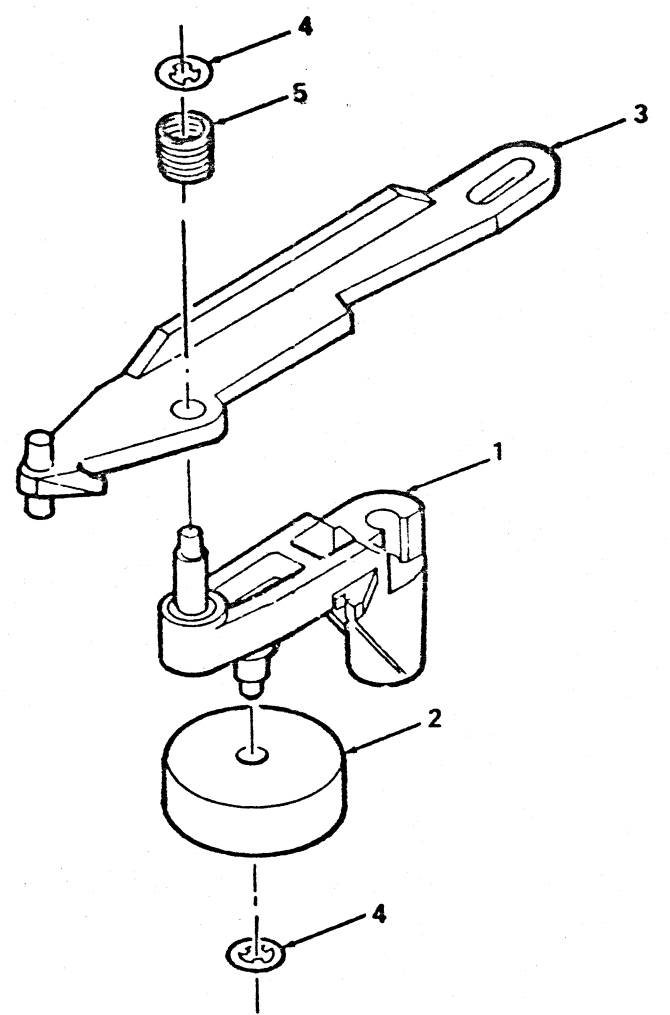


FIG. & ITEM NO.	DESCRIPTION	DEC PART NO.	ECO CUT-IN 70-21087 00000	USED ON CODE	REF FIG NO.
5-	LEADER LATCH ASSEMBLY	70-21087-01			1
1	*Driver, Link	74-27835-01			
2	*Roller, Link	74-27836-01			
3	*Arm, Buckling	74-29223-01			
4	*Retaining Ring	90-09257-04			
5	*Spring, Compression	12-19097-01			

TK50-05

Figure 5. Leader Latch Assembly

REVISION HISTORY		
DATE	ECO NUMBER	REV

TITLE
ILLUSTRATED BREAKDOWN
FOR TK50 TAPE DRIVE

DOCUMENT NUMBER		
SIZE	CODE	NUMBER
B	IB	TK50-0-0
SCALE		SHEET 8 OF 13

THIS DRAWING AND SPECIFICATIONS HEREOF ARE THE PROPERTY OF DIGITAL EQUIPMENT CORPORATION AND SHALL NOT BE REPRODUCED OR COPIED IN WHOLE OR IN PART BY THE BUYER FOR THE MANUFACTURE OR SALE OF ITEMS WITHOUT WRITTEN PERMISSION OF DIGITAL EQUIPMENT CORPORATION.

TK50-0-0 B IB

Parts List

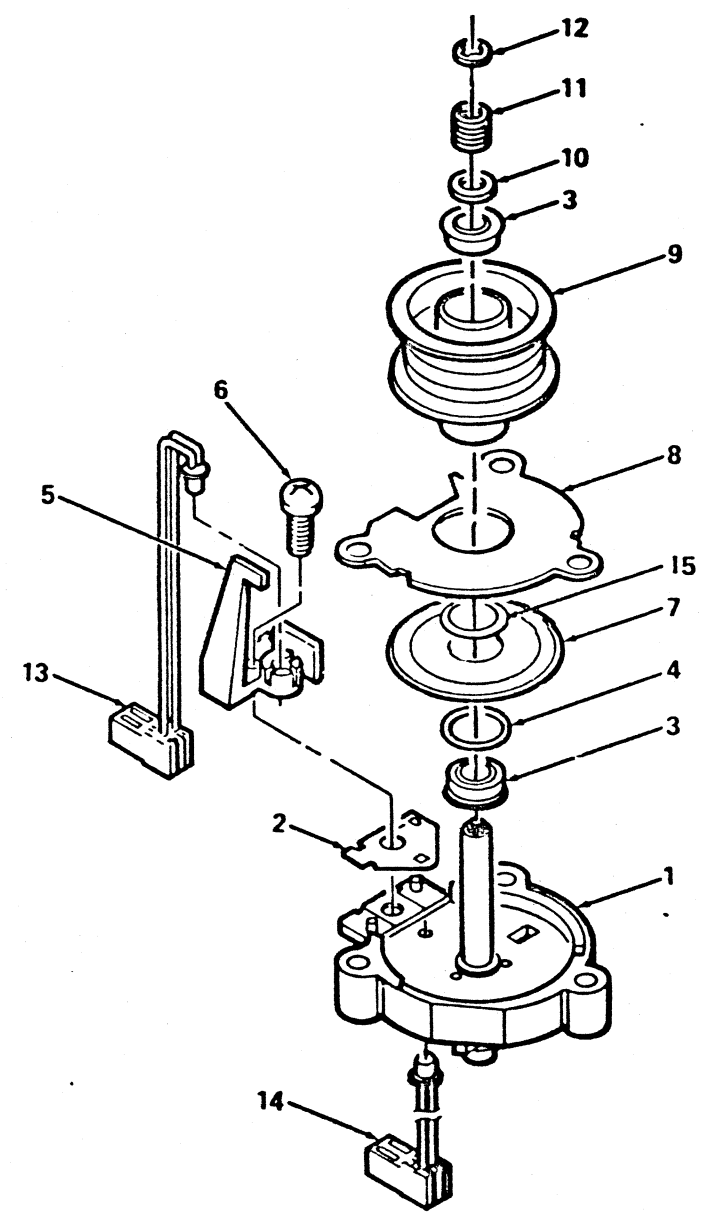


FIG. & ITEM NO.	DESCRIPTION	DEC PART NO.	ECO CUT-IN 70-21086 00001	USED ON CODE	REF FIG NO.
6-	TACHOMETER ASSEMBLY (deleted) (See Figure 6A)	70-21086-01	TK50 00006		1
1	*Body, Tachometer	74-29219-01			
2	*Mask, Encoder	74-29220-01			
3	*Bearing, Flanged Ball	12-22788-01			
4	*Washer, Flat Tachometer	90-10499-01			
5	*Guide, Tachometer	74-29222-01			
6	*Screw, Self Tap Phi Pan Hd No. 6 x 1/2	90-09800-00			
7	*Disk, Tachometer Encoder	74-27698-01			
8	*Plate, Tachometer	74-29221-01			
9	*Capstan	74-27695-01			
10	*Retainer, Spring (deleted)	74-30863-01	TK50 00003		
	*Washer, Flat (added)	12-24692-03			
11	*Spring, Compression	12-13656-04			
12	*Retaining Ring	90-09257-04			
13	*I.R. LED w/Cable	11-23634-02			
14	*Phototransistor w/Cable	15-23633-02			
15	*Shim, Plastic	12-24328-02			

TK50-08

Figure 6. Tachometer Assembly

REVISION HISTORY		
DATE	ECO NUMBER	REV

TITLE
ILLUSTRATED BREAKDOWN
FOR TK50 TAPE DRIVE

DOCUMENT NUMBER		
SIZE	CODE	NUMBER
B	IB	TK50-0-0
SCALE		SHEET 9 OF 13

THIS DRAWING AND SPECIFICATIONS HEREIN ARE THE PROPERTY OF DIGITAL EQUIPMENT CORPORATION AND SHALL NOT BE REPRODUCED OR COPIED OR USED IN WHOLE OR IN PART AS THE BASIS FOR THE MANUFACTURE OR SALE OF ANY EQUIPMENT WITHOUT WRITTEN PERMISSION OF DIGITAL EQUIPMENT CORPORATION.

0-0-05XL B1B

Illustrated
PARTS LIST

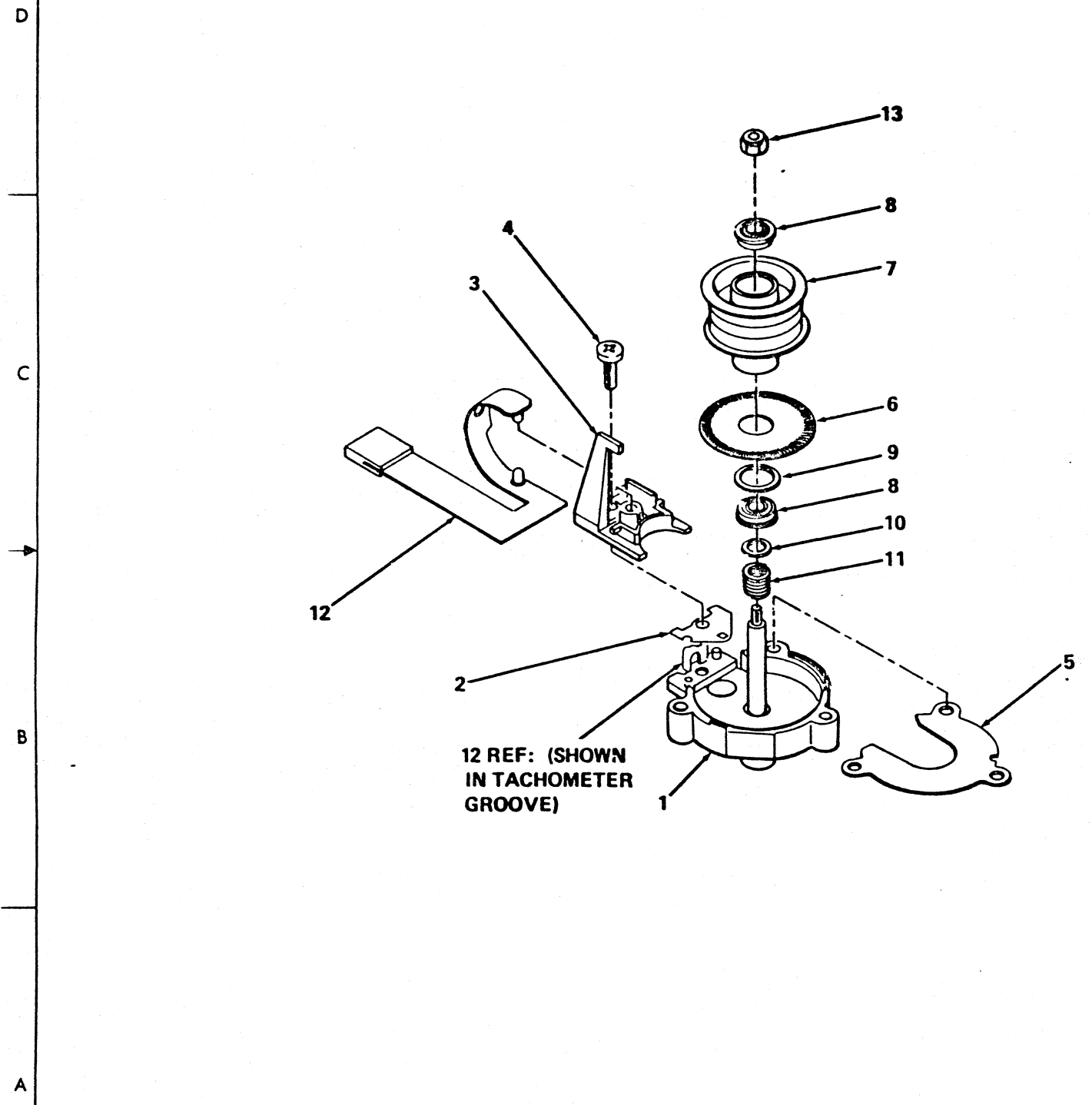


FIG. & ITEM NO.	DESCRIPTION	DEC PART NO.	ECO CUT-IN 70-21818 00000	USEJ ON CODE	REF FIG NO.
6A-	TACHOMETER ASSEMBLY (added)	70-21818-01	TK50 00006		1
1	*Body, Tachometer	74-32341-01			
2	*Mask, Encoder	74-29220-01			
3	*Guide, Tachometer	74-32343-01			
4	*Screw, Self Tap Phi Pan Hd No. 6 x 1/2	90-09800-00			
5	*Plate, Tachometer Cover	74-32342-01			
6	*Disk, Encoder	74-31488-02			
7	*Capstan, Tachometer	74-32346-01			
8	*Bearing, Flanged Ball	12-22788-01			
9	*Ring, Capstan Support	74-31389-01			
10	*Retainer, Spring	74-30863-01			
11	*Spring, Compression	12-13656-05			
12	*Flex Circuit Assembly	17-01088-01			
13	*Nut, Kep, Self Locking, No. 4-40 x 1/4	90-08054-00			

REVISION HISTORY		
DATE	ECO NUMBER	REV

Figure 6A. Tachometer Assembly

8

0-0-0SK1 B B

6

5

4

3

2

1

THIS DRAWING AND SPECIFICATIONS HEREOF ARE THE PROPERTY OF DIGITAL EQUIPMENT CORPORATION AND SHALL NOT BE REPRODUCED OR COPIED OR USED IN WHOLE OR IN PART AS THE BASIS FOR THE MANUFACTURE OR SALE OF EQUIPMENT WITHOUT WRITTEN PERMISSION FROM DIGITAL EQUIPMENT CORPORATION

TK50 SORTED BY PART NUMBER

D
C
B
A

PART NUMBER/DESCRIPTION SORT



PART NO.	DESCRIPTION	FIG. NO.	ITEM
11-23276-01	EOT/BOT LED-Photo Assembly	1	14
11-23634-02	I.R. LED w/Cable	6	13
12-12912-01	Spring, Compression	1	29
12-13656-03	Spring, Compression	1	19
12-13656-04	Spring, Compression	6	11
12-19097-01	Spring, Compression	5	5
12-21464-08	Switch, Push Button	1	37
12-21497-01	Actuator, Digital Linear	2	4
12-22089-01	Solenoid, Tubular	3	9
12-22274-03	Switch, Micro	3	11
12-22274-04	Switch, Micro	4	4
12-22356-02	Spring, Compression	2	9
12-22357-01	Spring, Compression	1	30
12-22358-01	Spring, Compression	1	34
12-22538-01	Spring, Torsion	3	10
12-22681-01	Motor, Brushless	2	2
12-22788-01	Ball Bearing, Flanged	1	21
12-22788-01	Bearing, Flanged Ball	6	3
12-22895-01	Spring, Head Bracket Extension	1	9
12-22958-02	Switch, Thermal	2	7
12-23742-01	Spring, Torsion	1	32
12-24328-01	Shim, Plastic	2	15
12-24328-02	Shim, Plastic	6	15
12-24692-02	Washer, Flat	2	15
12-24692-02	Washer, Flat	1	13
15-23633-02	Phototransistor w/Cable	6	14
36-19833-02	Label, "S/N, TK50"	2	14
54-15660-00	TK50 Drive Module	1	3
70-21085-01	RECEIVER ASSEMBLY	3	0
70-21085-01	RECEIVER ASSEMBLY	1	31
70-21086	TACHOMETER ASSEMBLY	6	0
70-21086-01	TACHOMETER ASSEMBLY	1	11
70-21087-01	LEADER LATCH ASSEMBLY	1	35
70-21087-01	LEADER LATCH ASSEMBLY	5	0
70-21141-01	External Shield Assembly	1	17
70-21142-01	Bracket, Head Assembly	1	10
70-21732-01	Baseplate Assembly	2	1
70-21736-01	MOTOR and BASEPLATE ASSEMBLY	2	0
70-21736-01	MOTOR and BASEPLATE ASSEMBLY	1	4
70-21738-01	INTERPOSER ASSEMBLY	3	8
70-21738-01	INTERPOSER ASSEMBLY	4	0
70-21750-01	Plate Skid Assembly	1	1
70-21762-01	Enclosure, Partial Weldment	1	39
70-21764-01	Bezel Assembly	1	39
70-21765-01	Insulator Assembly	1	2
74-27668-01	Reel, Take-up	1	25
74-27678-01	Handle, Engaging	3	7
74-27688-01	Driver Reel	2	11

TK50-0-0 B B

REVISION HISTORY		
DATE	ECO NUMBER	REV

TITLE
ILLUSTRATED BREAKDOWN
FOR TK50 TAPE DRIVE

DOCUMENT NUMBER			
SIZE	CODE	NUMBER	REV
B	IB	TK50-0-0	A
SCALE			SHEET 11 OF 13

8

7

6

5

4

3

2

1

8

V 0-0-05K1 B B

6

5

4

3

2

1

THIS DRAWING AND SPECIFICATIONS HEREBY ARE THE PROPERTY OF THE MANUFACTURER AND SHALL NOT BE REPRODUCED OR COPIED OR USED IN WHOLE OR IN PART WITHOUT THE WRITTEN PERMISSION OF THE MANUFACTURER.

TK50 SORTED BY PART NUMBER

TK50 SORTED BY DESCRIPTION

PART NO.	DESCRIPTION	FIG. NO.	ITEM	DESCRIPTION	PART NO.	FIG. NO.	ITEM
74-27691-01	Drive Hub	2	10	Actuator, Digital Linear	12-21497-01	2	4
74-27695-01	Capstan	1	22	Arm, Buckling	74-29223-01	5	3
74-27695-01	Capstan	6	9				
74-27698-01	Disk, Tachometer Encoder	6	7	Ball Bearing, Flanged	12-22788-01	1	21
74-27835-01	Driver, Link	5	1	Baseplate Assembly	70-21732-01	2	1
74-27836-01	Roller, Link	5	2	Bearing, Flanged Ball	12-22788-01	6	3
74-28286-01	Leader, Cartridge (Take-up)	1	26	Bezel Assembly	70-21764-01	1	38
74-29211-01	Plate, Clutch	3	4	Body, Tachometer	74-29219-01	6	1
74-29212-01	Floor, Receiver	3	1	Bracket, Head Assembly	70-21142-01	1	10
74-29213-01	Link, Right Link	3	5	Bracket, Head Spring	74-30728-01	1	5
74-29214-01	Link, Left Link	3	6				
74-29215-01	Interposer	4	1	Capstan	74-27695-01	1	22
74-29216-01	Shaft, Pivot Link	3	3	Capstan	74-27695-01	6	9
74-29217-01	Receiver	3	2	Constraint, Tape	74-29616-01	1	24
74-29218-01	Mount, Switch	4	2				
74-29219-01	Body, Tachometer	6	1	Disk, Tachometer Encoder	74-27698-01	6	7
74-29220-01	Mask, Encoder	6	2	Drive Hub	74-27691-01	2	10
74-29221-01	Plate, Tachometer	6	8	Driver Reel	74-27688-01	2	11
74-29222-01	Guide, Tachometer	6	5	Driver, Link	74-27835-01	5	1
74-29223-01	Arm, Buckling	5	3				
74-29297-01	Guard, Tape	1	18	Enclosure, Partial Weldment	70-21762-01	1	39
74-29585-01	Strain Relief, Head	1	6	EOT/BOT LED-Photo Assembly	11-23276-01	1	14
74-29607-01	Shield, Actuator	2	5	External Shield Assembly	70-21141-01	1	17
74-29616-01	Constraint, Tape	1	24				
74-30728-01	Bracket, Head Spring	1	5	Floor, Receiver	74-29212-01	3	1
74-30863-01	Retainer, Spring	6	10				
74-30863-01	Retainer, Spring	1	20	Guard, Tape	74-29297-01	1	18
74-30916-01	Link, Buckling	1	33	Guide, Tachometer	74-29222-01	6	5
74-31657-01	Plate, Spring	2	8				
90-00049-01	Screw, Sems Phl Pan Hd No. 6-32 x 5/8	1	15	Handle, Engaging	74-27678-01	3	7
90-00049-57	Screw, Phl Pan Hd No. 6-32 x 5/16	1	16				
90-06004-01	Screw, Phl Pan Hd No. 2-56 x 1/4	4	3	I.R. LED w/Cable	11-23634-02	6	13
90-06022-01	Screw, Phl Pan Hd No. 6-32 x 9/16	1	40	Insulator Assembly	70-21765-01	1	2
90-07641-06	Screw, Fillister Hd No. 8-32 x 1/2	2	13	Interposer	74-29215-01	4	1
90-07641-06	Screw, Fillister Hd No. 8-32 x 1/2	1	28	INTERPOSER ASSEMBLY	70-21738-01	4	0
90-08054-00	Nut, Nylon Self Lock No. 4-40	1	23	INTERPOSER ASSEMBLY	70-21738-01	3	8
90-09257-04	Retaining Ring, External	1	36				
90-09257-04	Retaining Ring	6	12	Label, "S/N, TK50"	36-19833-02	2	14
90-09257-04	Retaining Ring	5	4	LEADER LATCH ASSEMBLY	70-21087-01	5	0
90-09800-00	Screw, Self Tap No. 6 x 3/8	6	6	LEADER LATCH ASSEMBLY	70-21087-01	1	35
90-09882-00	Washer, Internal Tooth Lock No. 6	1	41	Leader, Cartridge (Take-up)	74-28286-01	1	26
90-09905-00	Screw, Phl Pan Hd Self Tap No. 6-32 x 1/4	1	7	Link, Buckling	74-30916-01	1	33
90-09905-01	Screw, Phl Pan Hd No. 6-32 x 7/16	2	6	Link, Left Link	74-29214-01	3	6
90-10089-03	Screw, Phl Pan Hd Self Tap No. 6-32 x 1/2	1	8	Link, Right Link	74-29213-01	3	5
90-10089-03	Screw, Phl Pan Hd No. 6-32 x 5/16	2	3				
90-10109-00	Screw, Phl Pan Hd No. 6-32 x 5/8	1	12	Mask, Encoder	74-29220-01	6	2
90-10499-01	Washer, Flat Tachometer	6	4	MOTOR and BASEPLATE ASSEMBLY	70-21736-01	1	4
90-10500-01	Screw, Phl Pan Hd No. 2-56 x 3/8	3	12	MOTOR and BASEPLATE ASSEMBLY	70-21736-01	2	0
90-10500-01	Screw, Phl Pan Hd No. 2-56 x 3/8	4	5	Motor, Brushless	12-22681-01	2	2
90-10506-01	Washer, Spring	1	27	Mount, Switch	74-29218-01	4	2
90-10506-01	Washer, Spring	2	12				
TK50-00	TK50 TAPE DRIVE	1	0	Nut, Nylon Self Lock No. 4-40	90-08054-00	1	23

REVISION HISTORY		
DATE	ECO NUMBER	REV

DOCUMENT NUMBER		
SIZE CODE	NAME	REV
B IB	TK50-0-0	A
SCALE		SHEET 12 OF 13

8

V

0-0-05X1

BIB

6

5

4

3

2

1

ALL DIMENSIONS AND SPECIFICATIONS HEREIN ARE THE PROPERTY OF DIGITAL EQUIPMENT CORPORATION AND SHALL NOT BE REPRODUCED OR TRANSMITTED IN ANY FORM OR BY ANY MEANS WITHOUT THE WRITTEN PERMISSION OF DIGITAL EQUIPMENT CORPORATION.

TK50 SORTED BY DESCRIPTION

TK50 SORTED BY DESCRIPTION

D

DESCRIPTION	PART NO.	FIG. NO.	ITEM
Phototransistor w/Cable	15-23633-02	6	14
Plate Skid Assembly	70-21750-01	1	1
Plate, Clutch	74-29211-01	3	4
Plate, Spring	74-31657-01	2	8
Plate, Tachometer	74-29221-01	6	8
Receiver	74-29217-01	3	2
RECEIVER ASSEMBLY	70-21085-01	3	0
RECEIVER ASSEMBLY	70-21085-01	1	31
Reel, Take-up	74-27668-01	1	25
Retainer, Spring	74-30863-01	1	20
Retainer, Spring	74-30863-01	6	10
Retaining Ring	90-09257-04	5	4
Retaining Ring	90-09257-04	6	12
Retaining Ring, External	90-09257-04	1	36
Roller, Link	74-27836-01	5	2
Screw, Fillister Hd No. 8-32 x 1/2	90-07641-06	1	28
Screw, Fillister Hd No. 8-32 x 1/2	90-07641-06	2	13
Screw, Phl Pan Hd No. 2-56 x 1/4	90-06004-01	4	3
Screw, Phl Pan Hd No. 2-56 x 3/8	90-10500-01	4	5
Screw, Phl Pan Hd No. 2-56 x 3/8	90-10500-01	3	12
Screw, Phl Pan Hd No. 6-32 x 5/16	90-10089-03	2	3
Screw, Phl Pan Hd No. 6-32 x 5/16	90-00049-57	1	16
Screw, Phl Pan Hd No. 6-32 x 5/8	90-10109-00	1	12
Screw, Phl Pan Hd No. 6-32 x 7/16	90-09905-01	2	6
Screw, Phl Pan Hd No. 6-32 x 9/16	90-06022-01	1	40
Screw, Phl Pan Hd Self Tap No. 6-32 x 1/2	90-10089-03	1	8
Screw, Phl Pan Hd Self Tap No. 6-32 x 1/4	90-09905-00	1	7
Screw, Self Tap No. 6 x 3/8	90-09800-00	6	6
Screw, Sems Phl Pan Hd No. 6-32 x 5/8	90-00049-01	1	15
Shaft, Pivot Link	74-29216-01	3	3
Shield, Actuator	74-29607-01	2	5
Shim, Plastic	12-24323-02	6	15
Shim, Plastic	12-24328-01	2	15
Solenoid, Tubular	12-22089-01	3	9
Spring, Compression	12-22356-02	2	9
Spring, Compression	12-13656-03	1	19
Spring, Compression	12-22357-01	1	30
Spring, Compression	12-13656-04	6	11
Spring, Compression	12-19097-01	5	5
Spring, Compression	12-22358-01	1	34
Spring, Compression	12-12912-01	1	29
Spring, Head Bracket Extension	12-22895-01	1	9
Spring, Torsion	12-22538-01	3	10
Spring, Torsion	12-23742-01	1	32
Strain Relief, Head	74-29585-01	1	6
Switch, Micro	12-22274-03	3	11
Switch, Micro	12-22274-04	4	4
Switch, Push Button	12-21464-08	1	37
Switch, Thermal	12-22958-02	2	7

C

B

A

D

DESCRIPTION	PART NO.	FIG. NO.	ITEM
TACHOMETER ASSEMBLY	70-21086-01	1	11
TACHOMETER ASSEMBLY	70-21086	5	0
TK50 Drive Module	54-15660-00	1	3
TK50 TAPE DRIVE	TK50-00	1	0
Washer, Flat	12-24692-02	1	13
Washer, Flat	12-24692-02	2	16
Washer, Flat Tachometer	90-10499-01	6	4
Washer, Internal Tooth Lock No. 6	90-09382-00	1	41
Washer, Spring	90-10506-01	1	27
Washer, Spring	90-10506-01	2	12

C

A

B

B

A

REVISION HISTORY		
DATE	ISS NUMBER	REV

DOCUMENT NUMBER		
SIZE	CODE	NUMBER
B	IB	TK50-0-0
SCALE	SHEET 13 OF 13	

8

7

6

5

4

3

2

1

TITLE
ILLUSTRATED BREAKDOWN
FOR TK50 TAPE DRIVE

THIS MANUAL AND SPECIFICATIONS HEREIN ARE THE PROPERTY OF DIGITAL EQUIPMENT CORPORATION AND SHALL NOT BE REPRODUCED OR COPIED IN WHOLE OR IN PART AS THE BASIS FOR THE MANUFACTURE OR SALE OF ITEMS WITHOUT WRITTEN PERMISSION OF DIGITAL EQUIPMENT CORPORATION

EK-TK70A-IP-001

ILLUSTRATED PARTS BREAKDOWN

TK70 TAPE DRIVE

HOW TO USE THE IPB

GENERAL

This IPB is compiled following the organization and nomenclature of the engineering drawing structure.

MAJOR ASSEMBLY LOCATOR (When Applicable)

The Major Assembly Locator (first illustration) is an index that provides a description and a figure reference for all illustrations used in this manual.

INDENTED PARTS LIST

This manual identifies each assembly being broken down (figure reference callout), and all parts of that assembly. Further breakdown of an assembly is shown by an asterisk (*) preceding the item callouts in the Description Column. The number of asterisks preceding an item is used to denote the subordination of that item with respect to the Major Assembly. A single asterisk preceding an item description indicates that the item is part of the major assembly being illustrated. Items that are subordinate to single asterisks items, are denoted by two asterisks (**) and immediately follow the related single asterisk item. Additional asterisks are used, as required, to denote further subordination. This system of part identification provides a means for the user to identify the next higher assembly item and make alternate selections for parts when the required replacement part of assembly is not immediately available.

Description - Lists the name of the part and pertinent specifications (when required). Asterisks preceding the description denote the subordination of the part to the next higher assembly.

DEC Part No. - Lists the Digital part ordering number. A blank in this column indicates a Digital part number was not assigned at the time of publication.

ECO Cut-In - The notation at the top of this column indicates the ECO level of the system (option), at which the IPB was initially prepared. Subsequent ECO level designations, that modify existing parts or add new parts to the device, are inserted in the ECO Cut-In column next to the part that is added or modified.

Used On Code - Letters in this column correspond to the variation codes assigned in Figure 1. Parts with an Alpha notation(s) are used only in those option variations. A blank indicates that the part is used on all option variations.

Ref Fig No. - A cross reference between illustrations. For each Major Assembly, the number in this column denotes the figure of the next higher assembly. For all subassemblies, the number in this column denotes the figure showing additional detailed breakdown.

COLUMN CALLOUT DESCRIPTION

Figure and Item - Indicates the figure number and item number of each part.

PART NUMBER/PART DESCRIPTION SORT SECTION

Parts are sorted both numerically and alphabetically by description, referenced to a location within the IPB, by figure number and item number.

REVISION HISTORY

PRINTING	ECO LEVEL	DATE
1st Printing	TK70 00000-00000	1-OCT-87
	70-21736 00003-00003	
	70-23497 00000-00000	
	70-21738 00001-00001	
	70-23517 00000-00000	
	70-24659 00000-00000	

OTHER IPB MANUALS REQUIRED TO SUPPORT THIS OPTION

N/A

REV	DATE	ECO NUMBER

IPB WRITER	DATE	TITLE
BOB ASTAPOFF	6-7-87	ILLUSTRATED BREAKDOWN FOR TK70A TAPE DRIVE
ROY CHESTNUT	6-7-88	
JOE MCNEAL	6-7-88	
JOE KEARNEY	5-7-88	
	6-7-88	DOCUMENT NUMBER
BIB		TK70A-0-0 A

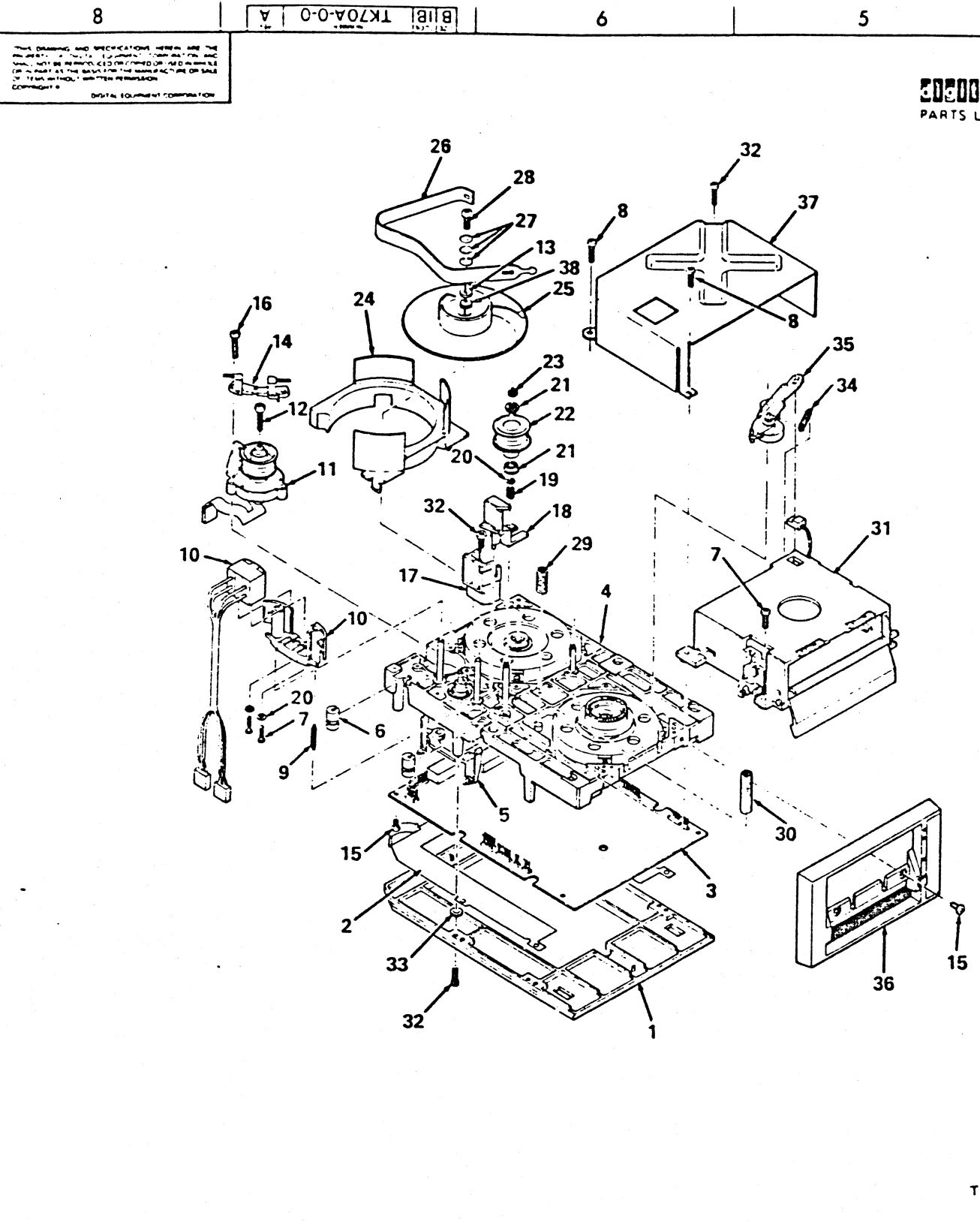


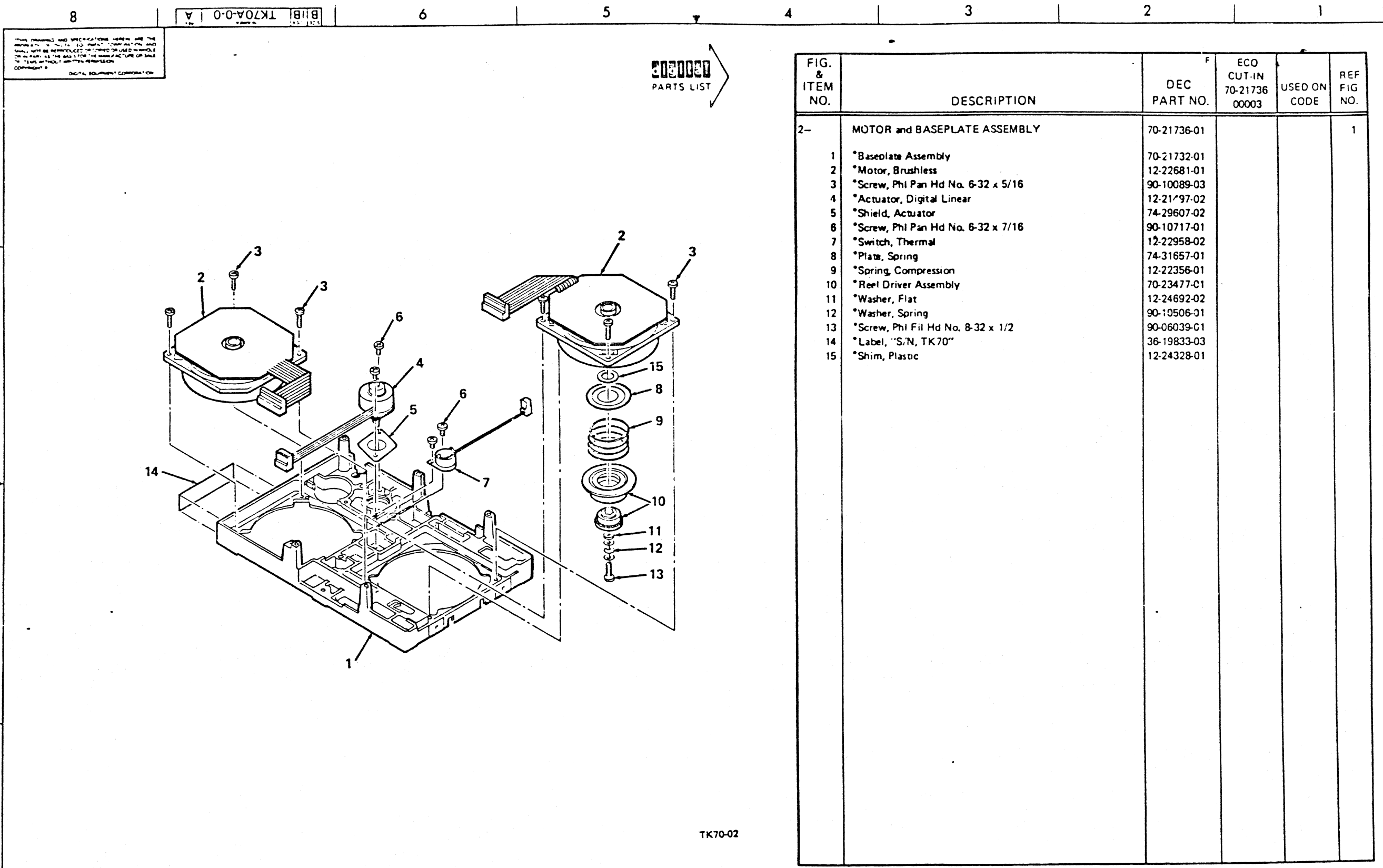
FIG. & ITEM NO.	DESCRIPTION	DEC PART NO.	ECO CUT-IN TK70 00000	USED ON CODE	REF FIG NO.
1-	TK70 TAPE DRIVE W/SKID PLATE TK70 TAPE DRIVE W/O SKID PLATE	TK70-01 TK70-02		A B	
1	*Plate, Skid	74-25652-01		A	
2	*Insulator Assembly	70-21765-01		A	
3	*Module, TK70 Drive	54-17637-01		A	
4	*MOTOR AND BASEPLATE ASSEMBLY	70-21736-01			2
5	*Bracket, Head Spring	74-30728-01			
6	*Strain Relief, Head	74-29585-01			
7	*Screw, Sems Phi Pan Hd No. 6-32 x 1/2	90-10174-03			
8	*Screw, Phi Self-Tap No. 6-32 x 1/2	90-00049-36			
9	*Spring, Head Bracket	12-22895-01			
10	*Head, Recording	70-23482-01			
11	*TACHOMETER ASSEMBLY	70-24659-01			6
12	*Screw, Phi Pan Hd No. 6-32 x 5/8	90-10109-00			
13	*Retainer, Damper	74-35724-01			
14	*EOT/BOT LED-Photo Assembly	11-23276-01			
15	*Screw, Sems Phi Pan Hd No. 6-32 x 5/8	90-10717-01			
16	*Screw, Phi Pan Hd No. 6-32 x 5/16	90-00049-58			
17	*Shield Assembly, External	70-21141-01			
18	*Guard, Tape	12-13656-01			
19	*Spring, Compression	12-13656-05			
20	*Washer, Flat	12-24692-03			
21	*Ball Bearing, Flanged	12-22788-01			
22	*Capstan, Tachometer	74-34038-01			
23	*Nut, Nylon Self-Lock No. 4-40	90-08054-00			
24	*Constraint, Tape	74-29616-01			
25	*Reel, Take-up	74-27663-01			
26	*Leader, Cartridge (Take-up)	74-28286-01			
27	*Washer, Spring	90-10506-01			
28	*Screw, Phi Fill Hd No. 8-32 x 1-1/2	90-00038-21			
29	*Spring, Compression	12-12912-01			
30	*Spring, Compression	12-22357-01			
31	*RECEIVER ASSEMBLY	70-23497-01			3
32	*Screw, Phi Pan Hd No. 6-32 x 9/18	90-06022-01		A	
33	*Washer, Internal Tooth Lock No. 6	90-09882-00		A	
34	*Spring, Compression	12-22358-01			
35	*Latch Leader Assembly	70-23544-01			
36	*BEZEL ASSEMBLY	70-23517-01			5
37	*Enclosure	74-32363-01			
38	*Damper, Vibration	74-35725-01			

Figure 1. TK70 Tape Drive

REVISION HISTORY		
DATE	ECO NUMBER	REV

TITLE
ILLUSTRATED BREAKDOWN
FOR TK70A TAPE DRIVE

DOCUMENT NUMBER		
SIZE CODE	NUMBER	REV
B IB	TK70A-0-0	A
SCALE		SHEET 2 OF 11





 PARTS LIST

FIG. & ITEM NO.	DESCRIPTION	DEC PART NO.	ECO CUT-IN 70-21736 00003	USED ON CODE	REF FIG NO.
2-	MOTOR and BASEPLATE ASSEMBLY	70-21736-01			1
1	*Baseplate Assembly	70-21732-01			
2	*Motor, Brushless	12-22681-01			
3	*Screw, Phi Pan Hd No. 6-32 x 5/16	90-10089-03			
4	*Actuator, Digital Linear	12-21197-02			
5	*Shield, Actuator	74-29607-02			
6	*Screw, Phi Pan Hd No. 6-32 x 7/16	90-10717-01			
7	*Switch, Thermal	12-22958-02			
8	*Plate, Spring	74-31657-01			
9	*Spring, Compression	12-22356-01			
10	*Reel Driver Assembly	70-23477-01			
11	*Washer, Flat	12-24692-02			
12	*Washer, Spring	90-10506-01			
13	*Screw, Phi Fil Hd No. 8-32 x 1/2	90-06039-01			
14	*Label, "S/N, TK70"	36-19833-03			
15	*Shim, Plastic	12-24328-01			

Figure 2. Motor and Baseplate Assembly

REVISION HISTORY		
DATE	ECO NUMBER	REV

TITLE		DOCUMENT NUMBER	
SCALE	NUMBER	REV.	REV.
	TK70A-0-0	A	
	SHEET 3	OF 11	

THIS DRAWING AND SPECIFICATIONS HEREON ARE THE PROPERTY OF DIGITAL EQUIPMENT CORPORATION AND SHALL NOT BE REPRODUCED OR COPIED OR USED IN WHOLE OR IN PART AS THE BASIS FOR THE MANUFACTURE OR SALE OF ITEMS WITHOUT WRITTEN PERMISSION.
 DIGITAL EQUIPMENT CORPORATION
 COPYRIGHT ©

000000
 PARTS LIST

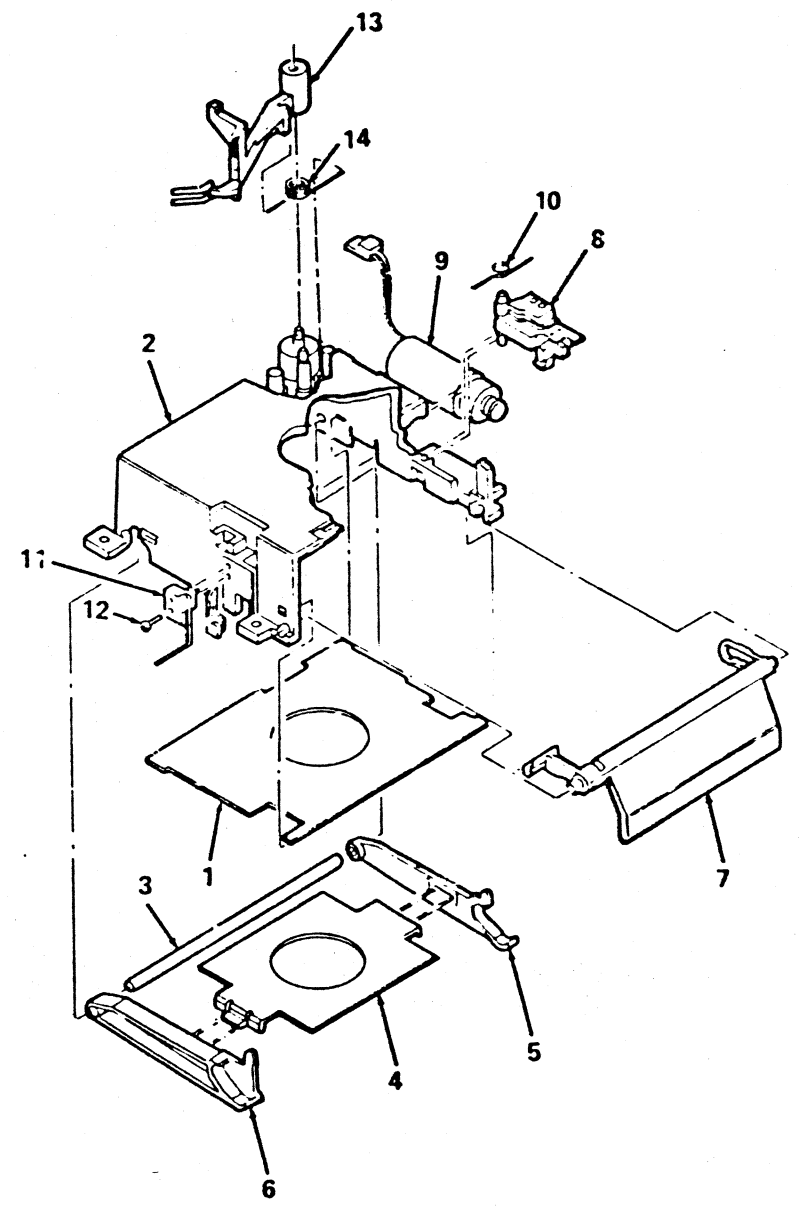


FIG. & ITEM NO.	DESCRIPTION	DEC PART NO.	ECO CUT-IN 70-23497 00000	USED ON CODE	REF FIG NO.
3-	RECEIVER ASSEMBLY	70-23497-01			1
1	*Floor, Receiver	74-29212-01			
2	*Receiver	74-32530-01			
3	*Shaft, Pivot Link	74-29216-01			
4	*Plate, Clutch	74-29211-01			
5	*Link, Right Clutch	74-29213-01			
6	*Link, Left Clutch	74-29214-01			
7	*Handle, Engaging	70-24656-01			
8	*INTERPOSER ASSEMBLY	70-21738-01			4
9	*Solenoid, Tubular (10.5 Vdc)	12-22089-01			
10	*Spring, Torsion	12-22538-01			
11	*Switch Assembly (No Snap Action)	12-25332-02			
12	*Screw, Phi Pan Hd No. 2-56 x 3/8	90-10500-01			
13	*Link, Buckling	74-34496-01			
14	*Spring, Torsion	12-23742-01			

TK70-03

Figure 3. Receiver Assembly

REVISION HISTORY		
DATE	ECO NUMBER	REV

TITLE
 ILLUSTRATED BREAKDOWN
 FOR TK70A TAPE DRIVE

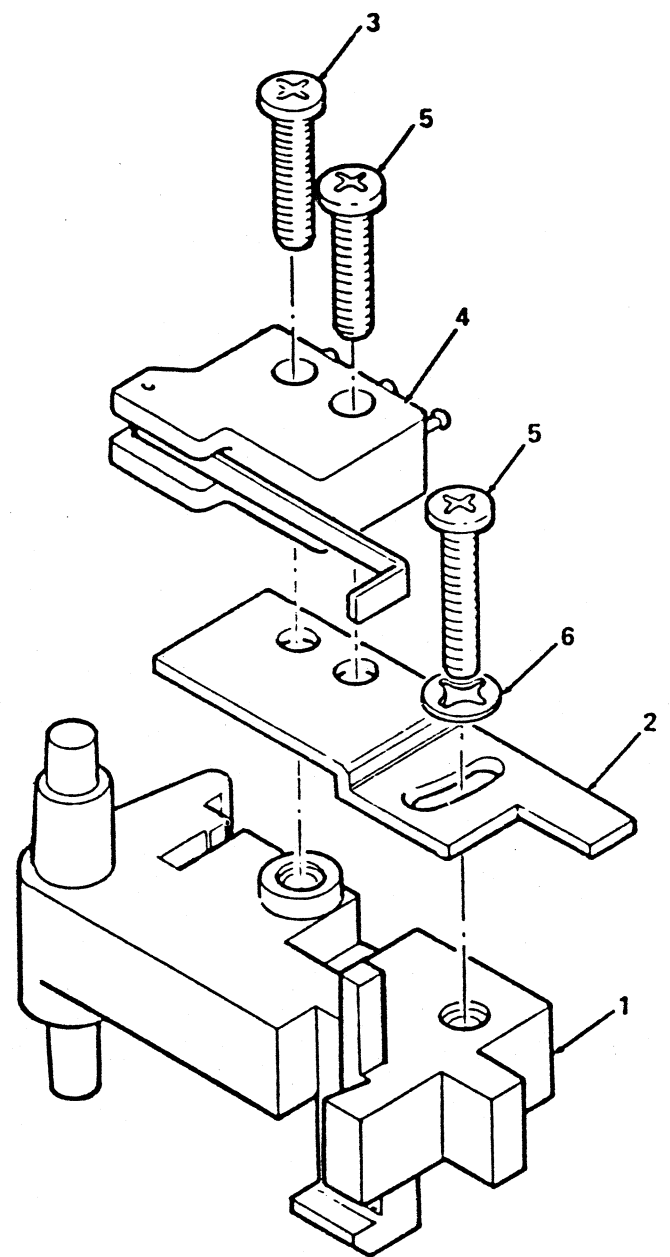
DOCUMENT NUMBER		
SIZE	CODE	NUMBER
B	IB	TK70A-0-0
SCALE		SHEET 4 OF 11

THIS DRAWING AND SPECIFICATIONS HEREIN ARE THE PROPERTY OF DEC, INC. AND SHALL NOT BE REPRODUCED OR COPIED OR USED IN WHOLE OR IN PART AS THE BASIS FOR THE MANUFACTURE OR SALE OF ITEMS WITHOUT WRITTEN PERMISSION OF DEC, INC. DIGITAL EQUIPMENT CORPORATION

BIB TK70A-0-0 A

PARTS LIST

D
C
B
A



TK70-04

FIG. & ITEM NO.	DESCRIPTION	DEC PART NO.	ECO CUT-IN 70-21738 00001	USED ON CODE	REF FIG NO.
4-	INTERPOSER ASSEMBLY	70-21738-01			3
1	*Interposer	74-29215-01			
2	*Mount, Switch	74-29218-01			
3	*Screw, Phi Pan Hd No. 2-56 x 1/4	90-06004-01			
4	*Switch, Micro	12-22274-04			
5	*Screw, Phi Pan Hd No. 2-56 x 3/8	90-10500-01			
6	*Washer, Internal Tooth Lock No. 2	90-06631-00			

D
C
B
A

BIB TK70A-0-0 A

Figure 4. Interposer Assembly

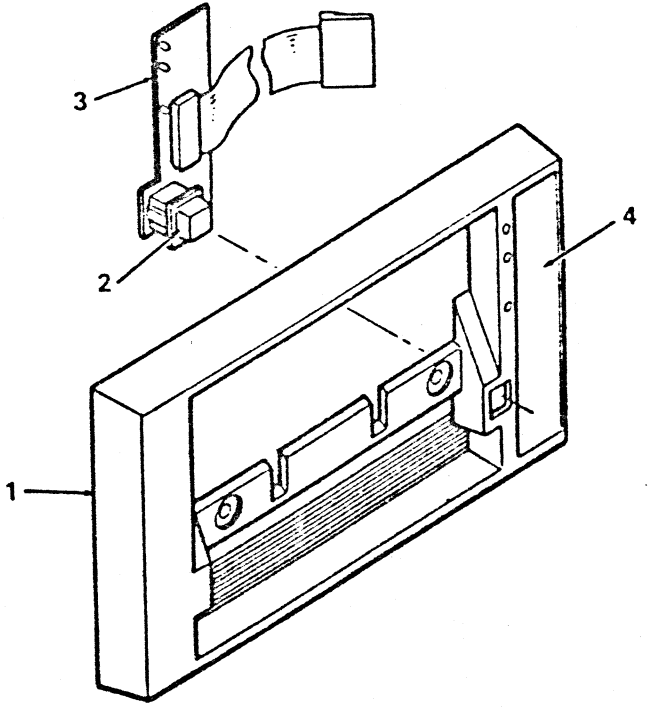
REVISION HISTORY		
LATE	ECO NUMBER	REV

							DOCUMENT NUMBER	
							SCALE	REV
							BIB	A
							TITLE	SHEET 5 OF 11
							ILLUSTRATED BREAKDOWN FOR TK70A TAPE DRIVE	

THIS DRAWING AND SPECIFICATION HEREIN ARE THE PROPERTY OF DIGITAL EQUIPMENT CORPORATION AND SHALL NOT BE REPRODUCED OR COPIED FOR USE IN WHOLE OR IN PART FOR THE MANUFACTURE OR SALE OF THIS OR OTHER PRODUCTS WITHOUT WRITTEN PERMISSION OF DIGITAL EQUIPMENT CORPORATION.

BIB TK70A-0-0

FIG. & ITEM NO.	DESCRIPTION	DEC PART NO.	ECO CUT-IN 70-23517 00000	USED ON CODE	REF FIG NO.
5-	BEZEL ASSEMBLY	70-23517-01			1
1	*Bezel	74-34041-01			
2	*Button, Push	74-34166-01			
3	*Module, Switch/LED Assembly	54-18272-01			
4	*Label, "TK70"	36-27465-01			



TK70-05

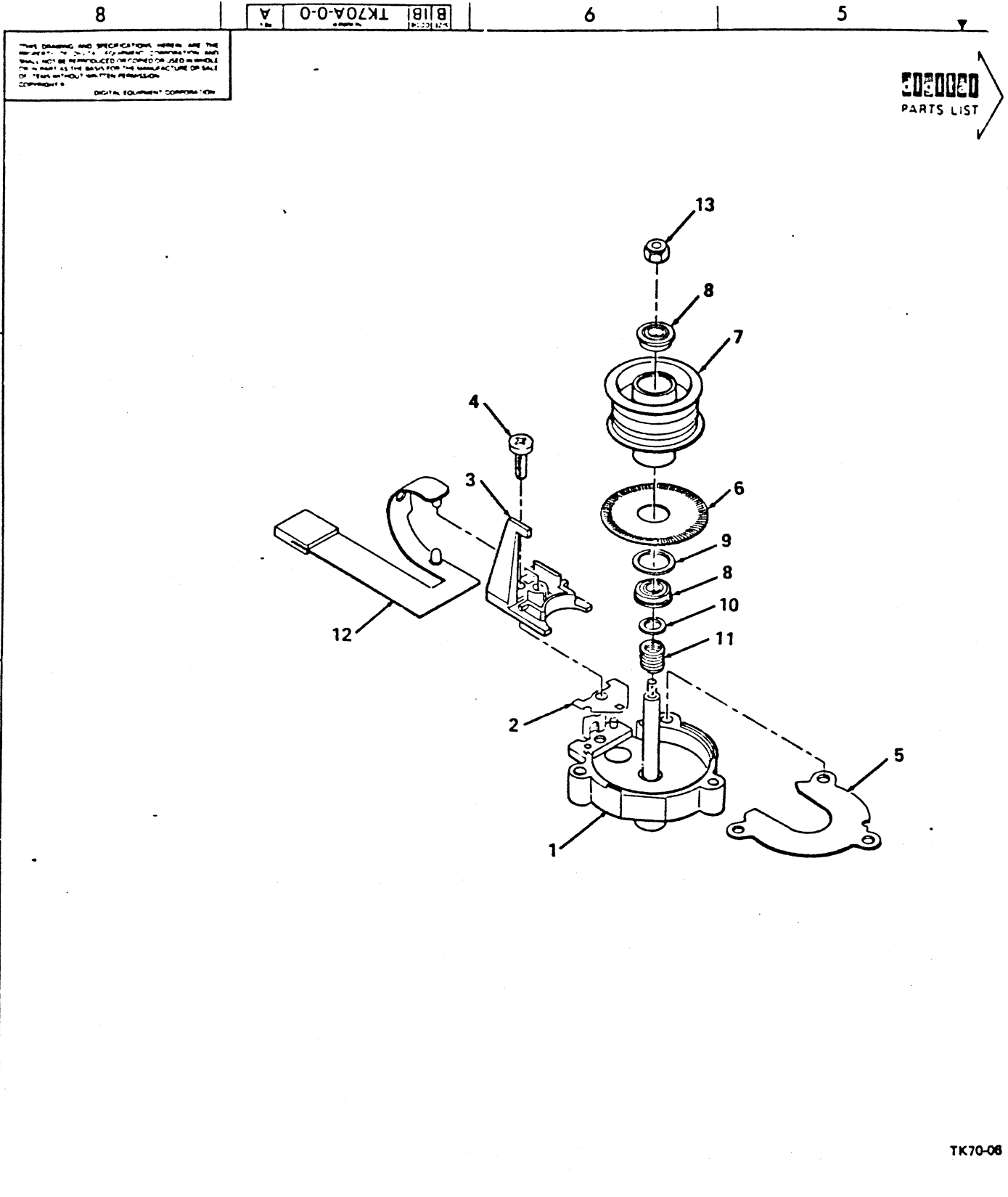
Figure 5. Bezel Assembly

REVISION HISTORY		
DATE	ECO NUMBER	REV

TITLE
ILLUSTRATED BREAKDOWN
FOR TK70A TAPE DRIVE

DOCUMENT NUMBER		
SIZE CODE	NUMBER	REV
BIB	TK70A-0-0	A

BIB TK70A-0-0




 PARTS LIST

FIG. & ITEM NO.	DESCRIPTION	DEC PART NO.	ECO CUT-IN 70-24659 00000	USED ON CODE	REF FIG NO.
6-	TACHOMETER ASSEMBLY	70-24659-01			1
1	*Body, Tachometer	74-32341-01			
2	*Mask, Encoder	74-29220-01			
3	*Guide, Tachometer	74-32343-01			
4	*Screw, Phi Flat Hd Self-Tap No. 6 x 1/2	90-09800-00			
5	*Plate, Tachometer Cover	74-32342-01			
6	*Disk, Encoder	74-27698-01			
7	*Capstan	74-34038-01			
8	*Bearing, Flanged Ball	12-22788-01			
9	*Ring, Support	74-31389-01			
10	*Washer, Flat	12-24692-03			
11	*Spring, Compression	12-13656-05			
12	*Cable Assembly, Flex	17-01088-01			
13	*Nut, Hex Self Lock Nylon No. 4-40	90-08054-00			

TK70-08

Figure 6. Tachometer Assembly

REVISION HISTORY		
DATE	ECO NUMBER	REV

TITLE
 ILLUSTRATED BREAKDOWN
 FOR TK70A TAPE DRIVE

DOCUMENT NUMBER			
SIZE	CODE	NUMBER	REV
B	IB	TK70A-0-0	A

8	7	6	5	4	3	2	1
THIS DRAWING AND SPECIFICATIONS HEREBY ARE THE PROPERTY OF DEC. IT IS TO BE USED ONLY FOR THE PURPOSES AND QUANTITIES SPECIFIED IN THE ORDER. IT IS TO BE RETURNED TO DEC OR DESTROYED AT THE USER'S OPTION. NO PARTS ARE TO BE MANUFACTURED OR SOLD WITHOUT WRITTEN PERMISSION FROM DEC. COMMENT: ORIGINAL EQUIPMENT CONSTRUCTION.		TK70 TAPE DRIVE SORT BY DEC PART NUMBER					
		PART NO. DESCRIPTION				FIG. NO.	ITEM
		11-23276-01	EOT/BOT LED-Photo Assembly			1	14
		12-12912-01	Spring, Compression			1	29
		12-13656-01	Guard, Tape			1	18
		12-13656-05	Spring, Compression			6	11
		12-13656-05	Spring, Compression			1	19
		12-21497-02	Actuator, Digital Linear			2	4
		12-22089-01	Solenoid, Tubular (10.5 Vdc)			3	9
		12-22274-04	Switch, Micro			4	4
		12-22356-01	Spring, Compression			2	9
		12-22357-01	Spring, Compression			1	30
		12-22358-01	Spring, Compression			1	34
		12-22538-01	Spring, Torsion			3	10
		12-22681-01	Motor, Brushless			2	2
		12-22788-01	Ball Bearing, Flanged			1	21
		12-22788-01	Bearing, Flanged Ball			6	8
		12-22895-01	Spring, Head Bracket			1	9
		12-22958-02	Switch, Thermal			2	7
		12-23742-01	Spring, Torsion			3	14
		12-24328-01	Shim, Plastic			2	15
		12-24692-02	Washer, Flat			2	11
		12-24692-03	Washer, Flat			6	10
		12-24692-03	Washer, Flat			1	20
		12-25332-02	Switch Assembly (No Snap Action)			3	11
		17-01088-01	Cable Assembly, Flex			6	12
		36-19833-03	Label, "S/N, TK70"			2	14
		36-27465-01	Label, "TK70"			5	4
		54-17637-01	Module, TK70 Drive			1	3
		54-18272-01	Module, Switch/LED Assembly			5	3
		70-21141-01	Shield Assembly, External			1	17
		70-21732-01	Baseplate Assembly			2	1
		70-21736-01	MOTOR AND BASEPLATE ASSEMBLY			2	N/A
		70-21736-01	MOTOR AND BASEPLATE ASSEMBLY			1	4
		70-21738-01	INTERPOSER ASSEMBLY			4	N/A
		70-21738-01	INTERPOSER ASSEMBLY			3	8
		70-21765-01	Insulator Assembly			1	2
		70-23477-01	Reel Driver Assembly			2	10
		70-23482-01	Head, Recording			1	10
		70-23497-01	RECEIVER ASSEMBLY			3	N/A
		70-23497-01	RECEIVER ASSEMBLY			1	31
		70-23517-01	BEZEL ASSEMBLY			1	36
		70-23517-01	BEZEL ASSEMBLY			5	N/A
		70-23544-01	Latch Leader Assembly			1	35
		70-24656-01	Handle, Engaging			3	7
		70-24659-01	TACHOMETER ASSEMBLY			6	N/A
		70-24659-01	TACHOMETER ASSEMBLY			1	11
PART NUMBER/DESCRIPTION SORT							
						TITLE	DOCUMENT NUMBER
						ILLUSTRATED BREAKDOWN FOR TK70A TAPE DRIVE	B IB TK70A-0-0 A
						SCALE	REV
						1	A

REVISION HISTORY		
DATE	ECO NUMBER	REV

TK70A-0-0 A B IB

8

TK70A-0-0

6

5

4

3

2

1

THIS DRAWING AND SPECIFICATIONS HEREIN ARE THE PROPERTY OF DIGITAL EQUIPMENT CORPORATION AND SHALL NOT BE REPRODUCED OR COPIED OR USED IN WHOLE OR IN PART AS THE BASIS FOR THE MANUFACTURE OR SALE OF ITEMS WITHOUT WRITTEN PERMISSION OF DIGITAL EQUIPMENT CORPORATION

TK70 TAPE DRIVE SORT BY DEC PART NUMBER

TK70 TAPE DRIVE SORT BY DEC PART NUMBER

PART NO.	DESCRIPTION	FIG. NO.	ITEM
74-25652-01	Plate, Skid	1	1
74-27668-01	Reel, Take-up	1	25
74-27698-01	Disk, Encoder	6	6
74-28286-01	Leader, Cartridge (Take-up)	1	26
74-29211-01	Plate, Clutch	3	4
74-29212-01	Floor, Receiver	3	1
74-29213-01	Link, Right Clutch	3	5
74-29214-01	Link, Left Clutch	3	6
74-29215-01	Interposer	4	1
74-29216-01	Shaft, Pivot Link	3	3
74-29218-01	Mount, Switch	4	2
74-29220-01	Mask, Encoder	6	2
74-29585-01	Strain Relief, Head	1	6
74-29607-02	Shield, Actuator	2	5
74-29616-01	Constraint, Tape	1	24
74-30728-01	Bracket, Head Spring	1	5
74-31389-01	Ring, Support	6	9
74-31657-01	Plate, Spring	2	8
74-32341-01	Body, Tachometer	6	1
74-32342-01	Plate, Tachometer Cover	6	5
74-32343-01	Guide, Tachometer	6	3
74-32363-01	Enclosure	1	37
74-32530-01	Receiver	3	2
74-34038-01	Capstan	6	7
74-34038-01	Capstan, Tachometer	1	22
74-34041-01	Bezel	5	1
74-34166-01	Button, Push	5	2
74-34496-01	Link, Buckling	3	13
74-35724-01	Retainer, Damper	1	13
74-35725-01	Damper, Vibration	1	38
90-00038-21	Screw, Phl Fill Hd No. 8-32 x 1 1/2	1	28
90-00049-36	Screw, Phl Self-Tap No. 6-32 x 1/2	1	8
90-00049-58	Screw, Phl Pan Hd No. 6-32 x 5/16	1	16
90-06004-01	Screw, Phl Pan Hd No. 2-56 x 1/4	4	3
90-06022-01	Screw, Phl Pan Hd No. 6-32 x 9/16	1	32
90-06039-01	Screw, Phl Fill Hd No. 8-32 x 1/2	2	13
90-06631-00	Washer, Internal Tooth Lock No. 2	4	6
90-08054-00	Nut, Hex Self Lock Nylon No. 4-40	6	13
90-08054-00	Nut, Nylon Self Lock No. 4-40	1	23
90-09800-00	Screw, Phl Flat Hd Self-Tap No. 6 x 1/2	6	4
90-09882-00	Washer, Internal Tooth Lock No. 6	1	33
90-10089-03	Screw, Phl Pan Hd No. 6-32 x 5/16	2	3
90-10109-00	Screw, Phl Pan Hd No. 6-32 x 5/8	1	12
90-10174-03	Screw, Sems Phl Pan Hd No. 6-32 x 1/2	1	7
90-10500-01	Screw, Phl Pan Hd No. 2-56 x 3/8	4	5
90-10500-01	Screw, Phl Pan Hd No. 2-56 x 3/8	3	12
90-10506-01	Washer, Spring	1	27
90-10506-01	Washer, Spring	2	12
90-10717-01	Screw, Phl Pan Hd No. 6-32 x 7/16	2	6

PART NO.	DESCRIPTION	FIG. NO.	ITEM
90-10717-01	Screw, Sems Phl Pan Hd No. 6-32 x 5/8	1	15
TK70-01	TK70 TAPE DRIVE W/SKID PLATE	1	N/A
TK70-02	TK70 TAPE DRIVE WO/SKID PLATE	1	N/A

DATE	REV. NUMBER	REV.

TITLE ILLUSTRATED BREAKDOWN FOR TK70A TAPE DRIVE

SCALE	DOCUMENT NUMBER	REV
	B I B TK70A-0-0	A

8

7

6

5

4

3

2

1

TK70A-0-0

B

A

TK70 TAPE DRIVE SORTED BY DEC PART DESCRIPTION				TK70 TAPE DRIVE SORTED BY DEC PART DESCRIPTION			
DESCRIPTION	DEC PART NO.	FIG. NO.	ITEM	DESCRIPTION	DEC PART NO.	FIG. NO.	ITEM
Actuator, Digital Linear	12-21497-02	2	4	Mount, Switch-	74-29218-01	4	2
Ball Bearing, Flanged	12-22788-01	1	21	Nut, Hex Self Lock Nylon No. 4-40	90-08054-00	6	13
Baseplate Assembly	70-21732-01	2	1	Nut, Nylon Self Lock No. 4-40	90-08054-00	1	23
Bearing, Flanged Ball	12-22788-01	6	8	Plate, Clutch	74-29211-01	3	4
Bezel	74-34041-01	5	1	Plate, Skid	74-25652-01	1	1
BEZEL ASSEMBLY	70-23517-01	5	N/A	Plate, Spring	74-31657-01	2	8
BEZEL ASSEMBLY	70-23517-01	1	36	Plate, Tachometer Cover	74-32342-01	6	5
Body, Tachometer	74-32341-01	6	1	Receiver	74-32530-01	3	2
Bracket, Head Spring	74-30728-01	1	5	RECEIVER ASSEMBLY	70-23497-01	3	N/A
Button, Push	74-34166-01	5	2	RECEIVER ASSEMBLY	70-23497-01	1	31
Cable Assembly, Flex	17-01088-01	6	12	Reel Driver Assembly	70-23477-01	2	10
Capstan	74-34038-01	6	7	Reel, Take-up	74-27668-01	1	25
Capstan, Tachometer	74-34038-01	1	22	Retainer, Damper	74-35724-01	1	13
Constraint, Tape	74-29616-01	1	24	Ring, Support	74-31389-01	6	9
Damper, Vibration	74-35725-01	1	38	Screw, Phl Fill Hd No. 8-32 x 1 1/2	90-00038-21	1	28
Disk, Encoder	74-27698-01	6	6	Screw, Phl Fill Hd No. 8-32 x 1/2	90-06039-01	2	13
Enclosure	74-32363-01	1	37	Screw, Phl Flat Hd Self-Tap No. 6 x 1/2	90-09800-00	6	4
EOT/BOT LED-Photo Assembly	11-23276-01	1	14	Screw, Phl Pan Hd No. 2-56 x 1/4	90-06004-01	4	3
Floor, Receiver	74-29212-01	3	1	Screw, Phl Pan Hd No. 2-56 x 3/8	90-10500-01	4	5
Guard, Tape	12-13656-01	1	18	Screw, Phl Pan Hd No. 2-56 x 3/8	90-10500-01	3	12
Guide, Tachometer	74-32343-01	6	3	Screw, Phl Pan Hd No. 6-32 x 5/16	90-10089-03	2	3
Handle, Engaging	70-24656-01	3	7	Screw, Phl Pan Hd No. 6-32 x 5/16	90-00049-58	1	16
Head, Recording	70-23482-01	1	10	Screw, Phl Pan Hd No. 6-32 x 5/8	90-10109-00	1	12
Insulator Assembly	70-21765-01	1	2	Screw, Phl Pan Hd No. 6-32 x 7/16	90-10717-01	2	6
Interposer	74-29215-01	4	1	Screw, Phl Pan Hd No. 6-32 x 9/16	90-06022-01	1	32
INTERPOSER ASSEMBLY	70-21733-01	3	8	Screw, Phl Self-Tap No. 6-32 x 1/2	90-00049-36	1	8
INTERPOSER ASSEMBLY	70-21738-01	4	N/A	Screw, Sems Phl Pan Hd No. 6-32 x 1/2	90-10174-03	1	7
Label, "S/N, TK70"	36-19833-03	2	14	Screw, Sems Phl Pan Hd No. 6-32 x 5/8	90-10717-01	1	15
Label, "TK70"	36-27465-01	5	4	Shaft, Pivot Link	74-29216-01	3	3
Latch Leader Assembly	70-23544-01	1	35	Shield Assembly, External	70-21141-01	1	17
Leader, Cartridge (Take-up)	74-28286-01	1	26	Shield, Actuator	74-29607-02	2	5
Link, Buckling	74-34496-01	3	13	Shim, Plastic	12-24328-01	2	15
Link, Left Clutch	74-29214-01	3	6	Solenoid, Tubular (10.5 Vdc)	12-22089-01	3	9
Link, Right Clutch	74-29213-01	3	5	Spring, Compression	12-13656-05	6	11
Mask, Encoder	74-29220-01	6	2	Spring, Compression	12-12912-01	1	29
Module, Switch/LED Assembly	54-18272-01	5	3	Spring, Compression	12-22357-01	1	30
Module, TK70 Drive	54-17637-01	1	3	Spring, Compression	12-13656-05	1	19
MOTOR AND BASEPLATE ASSEMBLY	70-21736-01	1	4	Spring, Compression	12-22356-01	2	9
MOTOR and BASEPLATE ASSEMBLY	70-21736-01	2	N/A	Spring, Compression	12-22358-01	1	34
Motor, Brushless	12-22681-01	2	2	Spring, Head Bracket	12-22895-01	1	9
				Spring, Torsion	12-22538-01	3	10
				Spring, Torsion	12-23742-01	3	14
				Strain Relief, Head	74-29535-01	1	6
				Switch Assembly (No Snap Action)	12-25332-02	3	11
				Switch, Micro	12-22274-04	4	4
				Switch, Thermal	12-22958-02	2	7

REVISION HISTORY		
DATE	ECO NUMBER	REV

DOCUMENT NUMBER		
SIZE CODE	NUMBER	REV
B IB	TK70A-0-0	A
SCALE		(SHEET 10 OF 11)

THIS DRAWING AND SPECIFICATIONS HEREIN ARE THE PROPERTY OF DEC. NO PART OF THIS DRAWING OR SPECIFICATIONS SHALL BE REPRODUCED OR COPIED OR USED IN WHOLE OR IN PART AS THE BASIS FOR THE MANUFACTURE OR SALE OF ITEMS WITHOUT THE WRITTEN PERMISSION OF DEC. DIGITAL EQUIPMENT CORPORATION

REV. 11
BIB TK70A-0-0

TK70 TAPE DRIVE SORTED BY DEC PART DESCRIPTION

DESCRIPTION	DEC PART NO.	FIG. NO.	ITEM
TACHOMETER ASSEMBLY	70-24659-01	1	11
TACHOMETER ASSEMBLY	70-24659-01	6	N/A
TK70 TAPE DRIVE W/SKID PLATE	TK70-01	1	N/A
TK70 TAPE DRIVE WO/SKID PLATE	TK70-02	1	N/A
Washer, Flat	12-24692-03	1	20
Washer, Flat	12-24692-03	6	10
Washer, Flat	12-24692-02	2	11
Washer, Internal Tooth Lock No. 2	90-06631-00	4	6
Washer, Internal Tooth Lock No. 6	90-09882-00	1	33
Washer, Spring	90-10506-01	1	27
Washer, Spring	90-10506-01	2	12

REVISION HISTORY		
DATE	ECO NUMBER	REV.

TITLE
ILLUSTRATED BREAKDOWN
FOR TK70A TAPE DRIVE

DOCUMENT NUMBER
REV. 11
BIB TK70A-0-0 A
SCALE 11 OF 11

DRAWING NO.	NO. SHTS	PART NO.	DESCRIPTION	REVISIONS
		650QS-A2	BA213 BOX, M7620-AA, 2 PS, 120V	A1 A1 A1 A1 A2 A3 A3 A3
		650QS-A3	BA213 BOX, M7620-AA, 2 PS, 240V	A1 A1 A1 A1 A2 A3 A3 A3
		650QS-B2	BA213 BOX, M7602-AA, 2PS, 120V, W/SKIN	A1 A1 A1 A1 A2 A3 A3 A3
		650QS-B3	BA213 BOX, M7602-AA, 2PS, 240V, W/SKIN	A1 A1 A1 A1 A2 A3 A3 A3
		650QS-C2	650QS-A2 & RACK MOUNT	A1 A1 A1 A1 A2 A3 A3 A3
		650QS-C3	650QS-A3 & RACK MOUNT	A1 A1 A1 A1 A2 A3 A3 A3
		650QS-D2	650QS-A2 & WALL MOUNT	A1 A1 A1 A1 A2 A3 A3 A3
		650QS-D3	650QS-A3 & WALL MOUNT	A1 A1 A1 A1 A2 A3 A3 A3
		650QS-E2	BA213 BOX, M7620-BA, 2 PS, 120V	A1 A1 A1 A1 A2 A3 A3 A3
		650QS-E3	BA213 BOX, M7620-BA, 2 PS, 240V	A1 A1 A1 A1 A2 A3 A3 A3
		650QS-F2	BA213 BOX, M7620-BA, 2PS, 120V, W/SKIN	A1 A1 A1 A1 A2 A3 A3 A3
		650QS-F3	BA213 BOX, M7620-BA, 2PS, 240V, W/SKIN	A1 A1 A1 A1 A2 A3 A3 A3
		650QS-H2	650QS-E2 & RACK MOUNT	A1 A1 A1 A1 A2 A3 A3 A3
		650QS-H3	650QS-E3 & RACK MOUNT	A1 A1 A1 A1 A2 A3 A3 A3
		650QS-J2	650QS-E2 & WALL MOUNT	A1 A1 A1 A1 A2 A3 A3 A3
		650QS-J3	650QS-E3 & WALL MOUNT	A1 A1 A1 A1 A2 A3 A3 A3
		650QS-K2	18 MEG TIMESHARE SBB 120V	- - A1 A1 A2 A3 A3 A4
		650QS-K3	18 MEG TIMESHARE SBB 120V	- - A1 A1 A2 A3 A3 A4

NOTES:

	A	B	C	D	E	F	H	J
R								
E								
V								
R								
E								
V								
I								
S								
I								
O								
N								
D								
A								
T								
E								

THIS DRAWING AND THE SPECIFICATIONS CONTAINED HEREIN ARE CONFIDENTIAL AND PROPRIETARY. THEY ARE THE PROPERTY OF DIGITAL EQUIPMENT CORPORATION AND SHALL NOT BE REPRODUCED OR COPIED OR USED IN WHOLE OR IN PART AS THE BASIS FOR THE MANUFACTURE OR SALE OF ITEMS WITHOUT WRITTEN PERMISSION. THIS IS AN UNPUBLISHED WORK PROTECTED UNDER THE FEDERAL COPYRIGHT LAWS. COPYRIGHT 1989

DRN: J. CORMIER	DATE: 17-APR-87	d i g i t a l T M
CHK'D: D. HEALY	DATE: 24-AUG-87	TITLE 650QS PEDESTAL BA213
DES.ENG.: G. LIDINGTON	DATE: 24-AUG-87	SHEET 1 OF 2 EDIT: 9
RESP.ENG.: G. LIDINGTON	DATE: 24-AUG-87	DOCUMENT NUMBER
		DD FILENAME: 650QSJ.DDF
MFG.ENG.: M. MAI	DATE: 24-AUG-87	SIZE CODE NUMBER REV K DD 650QS-0-0 J

DRAWING NO.	NO. SHTS	PART NO.	DESCRIPTION	REVISIONS
		650QS-L2	16 MEG TIMESHARE SBB 120V	- - - - A1 A2 A2 A3
		650QS-L3	16 MEG TIMESHARE SBB 120V	- - - - A1 A2 A2 A3
		650QS-M2	16 MEG SERVER SBB, 120V	- - - - A1 A2 A2 A3
		650QS-M3	16 MEG SERVER SBB, 240V	- - - - A1 A2 A2 A3
		650QS-N2	8 MEG SERVER SBB, 120V	- - - - A1 A2 A2 A3
		650QS-N3	8 MEG SERVER SBB, 240V	- - - - A1 A2 A2 A3
B-DD-650QS-0-DBU	9		650QS PEDESTAL BA213 (DD)	A B C D E IN IN IN
E-UA-650QS-0-DBU	2		650QS PEDESTAL BA213 (UA)	A B C C D E E F
K-PL-650QS-0-DBP	6		650QS PEDESTAL BA213 (PL)	A B C C D E E F
B-TC-650QS-0-DBU	1		650QS PEDESTAL BA213 (TC)	A A B C IN IN IN IN
K-TC-650QS-0-DBU	1		650QS PEDESTAL BA213 (TC)	- - - - D E E F
		MP02538-01	PRINT SET, 650QS (MP)	A1 A1 A1 A1 B1 C1 C1 C1
B-GL-BA213-0-DBU			UL REGULATORY INFO	- A A A B B B B
B-IB-650QS-0-0			I.B. FOR 650QS PEDESTAL SYSTEMS	A A A A A A B B
B-IB-BA213-0-0			I.B. FOR BA213 ENCLOSURE	A A B B B B B B
B-IB-RD53A-0-0			I.B. FOR RD53-A DISK DRIVE	A A A A A A A A
B-IB-RD54A-0-0			I.B. FOR RD54-A DISK DRIVE	A A A A A A A A
B-IB-RA70A-0-0			I.B. FOR RA70-A DISK DRIVE	A A A A A A A A
B-IB-OTK50-0-0			I.B. FOR TK50 TAPE DRIVE	A A A A A A A A
B-IB-TK70A-0-0			I.B. FOR TK70-A TAPE DRIVE	A A A A A A A A

DRAWING NO.	NO. SHTS	PART NO.	DESCRIPTION	REVISIONS			
D-UA-5417016-0-0	1	5417016-01	H3600 CONSOLE-SLU MODULE	A1	B1	B2	C2
K-PL-5417016-0-DBP	1		H3600 UNIT ASSEMBLY	A	B	C	D
K-CS-5417016-0-DBX	1		H3600 PARTS LIST	A	B	C	D
K-PC-5417016-0-DBJ	1		H3600 SCHEMATIC DATABASE	A	B	B	C
		5017015-01	H3600 P.C. DESIGN DATABASE	E	E	E	F
K-DD-5017015-0-0	1		ETCHED CIRCUIT BOARD	E1	E1	E1	F1
			E.C.B. DRAWING DIRECTORY	A	A	A	B

NOTES:

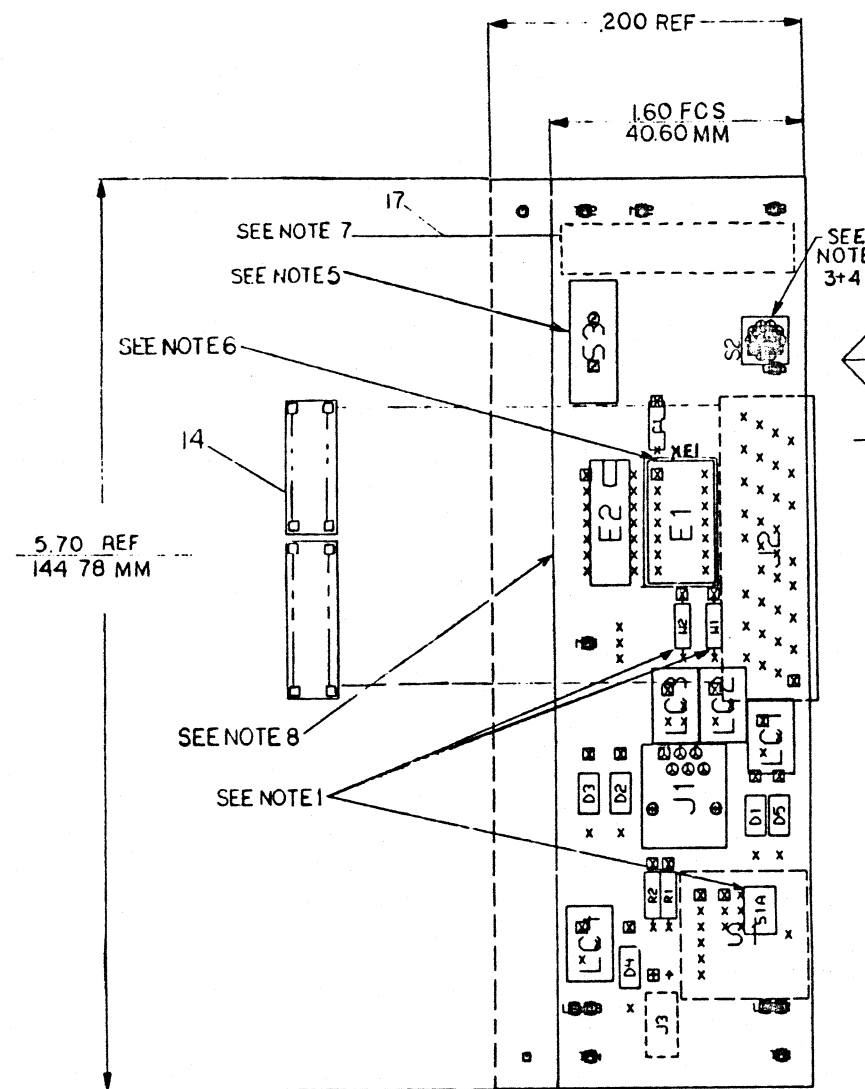
1) NEXT HIGHER ASSEMBLY; D-UA-7023988-0-DBU

		A	B	C	D
R E V I S I O N Y	R E V I S I O N Y				
	H I S T O R Y	E I N T O N O	M L O 1	M K O 2	M K O 3
	D A T E	0 9 /	0 6 /	0 7 /	0 1 /
		8 16	8 7	8 8	8 9

THIS DRAWING AND THE SPECIFICATIONS CONTAINED HEREIN ARE CONFIDENTIAL AND PROPRIETARY. THEY ARE THE PROPERTY OF DIGITAL EQUIPMENT CORPORATION AND SHALL NOT BE REPRODUCED OR COPIED OR USED IN WHOLE OR IN PART AS THE BASIS FOR THE MANUFACTURE OR SALE OF ITEMS WITHOUT WRITTEN PERMISSION. THIS IS AN UNPUBLISHED WORK PROTECTED UNDER THE FEDERAL COPYRIGHT LAWS.

DRN: BLAISE DITOMMASO	DATE: 16SEPT86	d i g i t a l	
CHK'D: DAVE DROZD	DATE: 16SEPT86	TITLE	
		H3600 CONSOLE-SLU MODULE	
DES.ENG.: WILL KERCHNER	DATE: 16SEPT86	SHEET 1 OF 1	EDIT: 5
RESP.ENG.: JAUN ARAUJO	DATE: 16SEPT86	DOCUMENT NUMBER	
		DD FILENAME: 5417016D.DDF	
MFG.ENG.: BOB LINKLETTER	DATE: 30SEPT86	SIZE CODE NUMBER REV	
		K DD 5417016-0-0 D	

THIS DRAWING AND SPECIFICATIONS, HEREIN, ARE THE PROPERTY OF DIGITAL EQUIPMENT CORPORATION AND SHALL NOT BE REPRODUCED OR COPIED IN WHOLE OR IN PART AS THE BASIS FOR THE CONSTRUCTION OF SUCH A DEVICE WITHOUT WRITTEN PERMISSION FROM DIGITAL EQUIPMENT CORPORATION.



- NOTES:
1. M1 AND M2 AND S1A ARE NOT INSTALLED.
 2. J2, J3 AND S1 ARE MOUNTED ON SIDE 2.
 3. POSITION TERMINAL #2 TOWARDS SWITCH MARKING "2".
 4. ENSURE THAT SWITCH IS CIRCUMFERENTIALLY VERTICAL TO BOARD WHEN SOLDERING.
 5. POSITION SWITCH MARKING "0" TOWARDS TH2.
 6. DOUBLE NOTCHED END OF S1 IS TOWARDS C1.
 7. LABEL TO BE PRINTED WITH ASSEMBLY PART NUMBER AND REVISION. AFFIX TO SIDE 2 IN AREA SHOWN.
 8. ALL COMPONENT LEADS DIRECTLY UNDER THE CABLE (ITEM 14) MUST BE BENT OVER FLUSH TO CIRCUIT BOARD BEFORE SOLDERING.

STEP	Y AXIS	STEP	TIMES
REPRT	X AXIS	STEP	TIMES

CHECKCHANGE NO	REV	DATE	BY	CHK
1	D		J. ARAUJO	
2			J. Araujo	

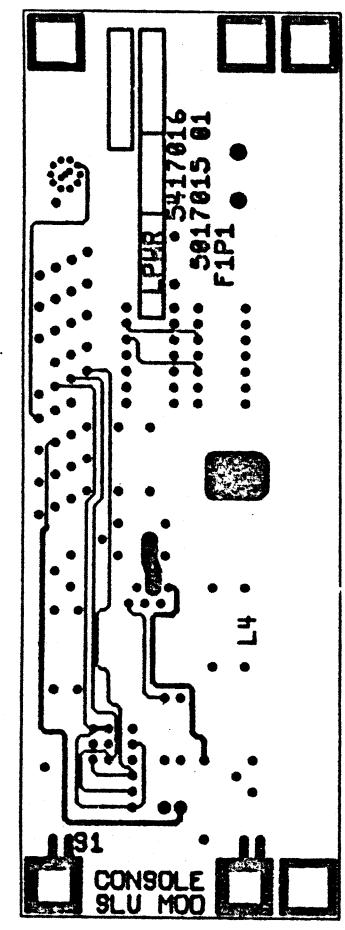
ETCH REV.	FIPI
-----------	------

SIGNATURES	DATE	digital
DRN. D. DIPERRI	Nov 21 68	
CHK. D. B. Quill	Nov 21 68	
MECH. ENG. J. Araujo	Nov 21 68	
PROJ. ENG. J. Araujo	Nov 21 68	
TITLE		HS600 CONSOLE
SCALE 2/1	SIZE CODE	NUMBER
SHT. 1 OF 2	D LA	5417016-0-0
NEXT HIGHER ASSY. K-00-5417016-0-0		REV D

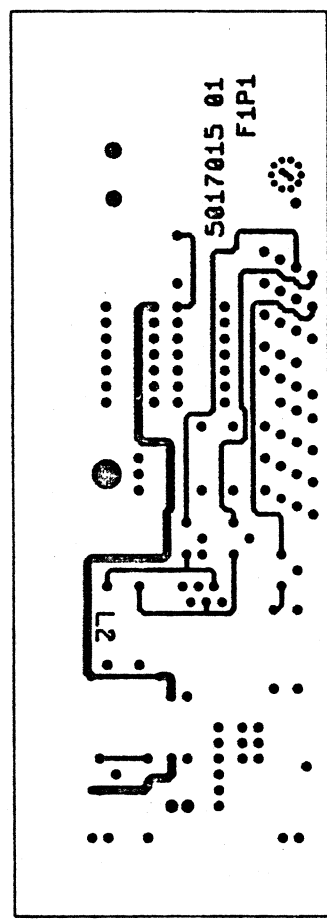
8 6 5 4 3 2 1

THIS DRAWING AND SPECIFICATIONS HEREON ARE THE PROPERTY OF DIGITAL EQUIPMENT CORPORATION AND SHALL NOT BE REPRODUCED OR COPIED OR USED IN WHOLE OR IN PART AS THE BASIS FOR THE MANUFACTURE OR SALE OF ITEMS WITHOUT WRITTEN PERMISSION.
 COPYRIGHT © 1970 DIGITAL EQUIPMENT CORPORATION

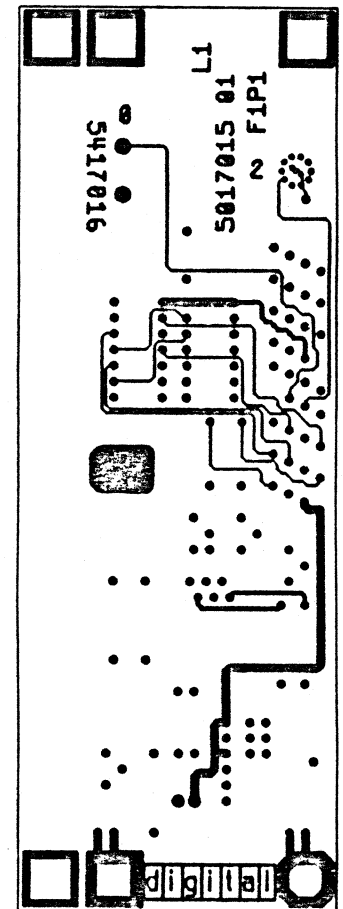
VIEWED FROM SIDE 2



VIEWED FROM SIDE 1



VIEWED FROM SIDE 1



REVISION HISTORY		
DATE	DOC NUMBER	REV.

DOCUMENT NUMBER		
SIZE CODE	NUMBER	REV.
DUA	5417016-0-0	D
SCALE		SHEET 2 OF 2

8 7 6 5 4 3 2 1

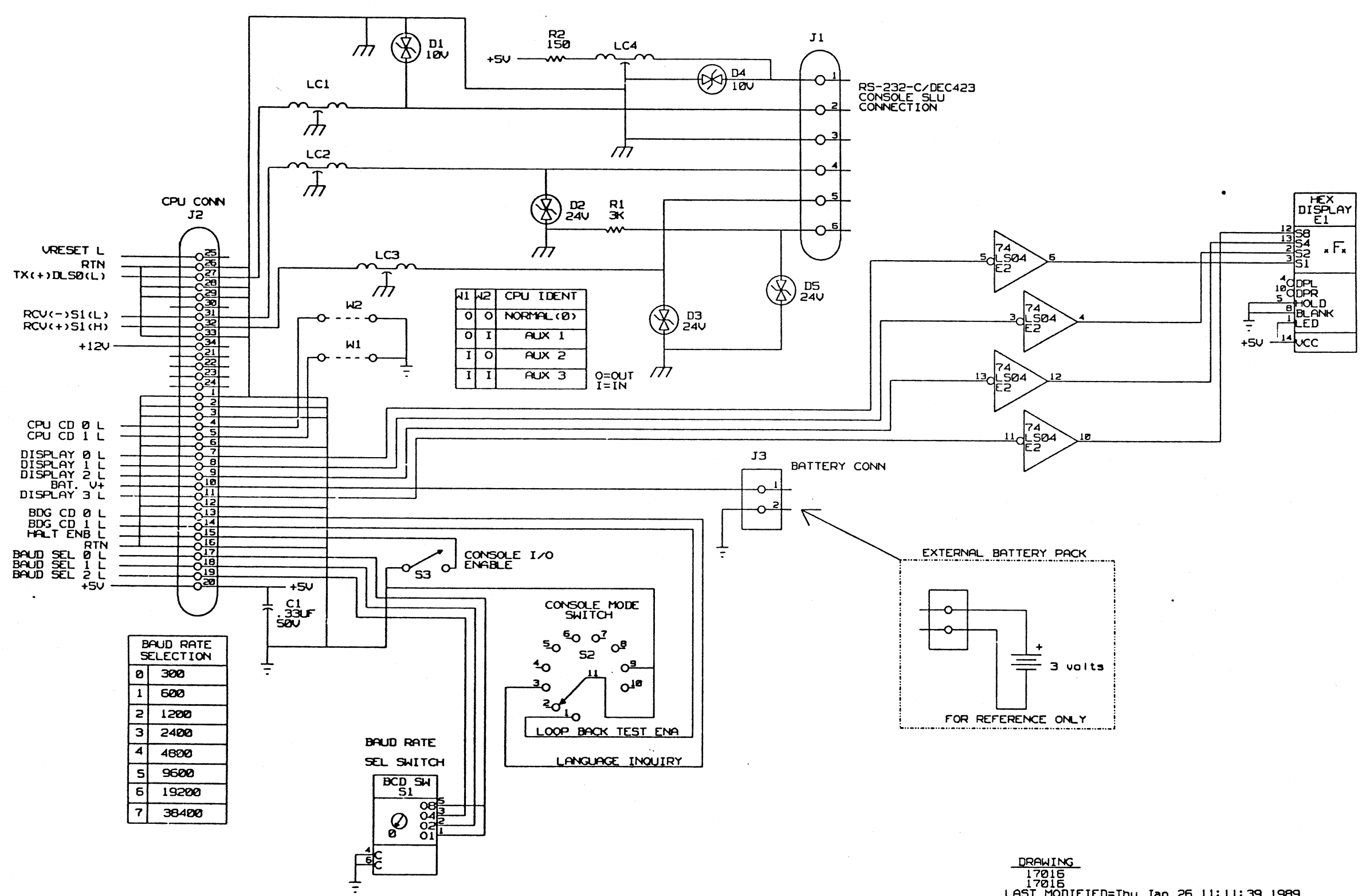
D C B A

DUA 5417016-0-0 D

LINE ITEM	TOP DOCUMENT	PART NUMBER	MIN REV	DESCRIPTION	QTY PER VAR/REV	REFERENCE DESIGNATORS
					01 C2	
1	D-ID-5017015-0-0	50-17015-01		CIRCUIT DRILL AND ETCH	1	
2		10-14265-02		0.33 MFD 50V +80/-20% Z5U C	1	C1
3		11-26762-01		TRANS SUPP,BIPOLAR 500W VR=24V	3	D2,D3,D5
4		11-27181-01		TRANS SUPP BIPOLAR VR=1	2	D1,D4
5		12-16565-04		SKT,IC 14POS ELEV	1	XE1
6		12-19196-03		PCB HEADER 02POS(1X02).100CC 90D	1	J3
7		12-23338-02		SW,THBWL 1P08POS 125MA28VDC	1	S1
8		12-23433-01		CONN,LAN JAC 06 POS	1	J1
9		12-25861-01		SW,ROT 1P03POS 30VDC/200MA	1	S2
10		12-25863-04 A		SW,SLIDE SPST MAINTAINED 1A	1	S3
11		12-26320-01		FILTER,EMI	4	LC1-LC4
12		13-00250-00		150.0 .25 W 5.0 % CF	1	R2
13		13-00432-00		3.0 K .25 W 5.0 % CF	1	R1
14		17-01357-01		CABLE ASSY,30COND,FLAT,28AWG DIP	1	J2
15		19-12803-00		LS04 INVERTER GATE,HEX	1	E2
16		19-16921-00		HEXADECIMAL DISPLAY W/DECODER	1	E1
17		36-27920-01 A		LABEL,KAPTON,BLANK	1	
18		90-09185-00		*** THIS ITEM IS NOT USED ***	-	
19		36-27921-01 A		LABEL,OVER LAMINATE POLYIMIDE	1	
20		36-27922-01 A		LABEL,DRY INK FOIL,BLACK	1	

REVISION HISTORY			KPL MODULE FORMAT		SECTION A OF A	DRN: B. DITOMMASO	DIGITAL				
ENG	ECO NUMBER	REV	SECTION/VARIATION INDEX		DATE: 11-SEP-86	TITLE PARTS LIST					
---	INITIAL	A	[A]	01	[M]	CHK'D: D. DROZD	H3600 CONSOLE-SLU MODULE				
WK	5417016-ML001	B	[B]		[N]	DATE: 11-SEP-86					
JA	5417016-MK002	C	[C]		[P]	DES.ENG: W. KERCHNER					
JA	5417016-MK003	D	[D]		[Q]	DATE: 11-SEP-86	DOCUMENT NUMBER				
			[E]		[R]	RESP.ENG.: W. KERCHNER	SIZE	CODE	NUMBER	REV	
			[F]		[S]	DATE: 11-SEP-86	K	PL	5417016-0-DBP	D	
			[H]		[T]	MFG.ENG: F. CULLEN	RELEASE DATE: 20-JAN-89				
			[J]		[V]	DATE: 26-SEP-86	RELEASE STATUS: RELEASED				
			[K]		[W]	BASIC PART NUMBER:		ASSEMBLY NUMBER:		TOP DOCUMENT NUMBER:	EDIT #
			[L]		[Y]	5417016		D-UA-5417016-0-0		K-DD-5417016-0-0	3
						FILE NAME: GH875D.PLS					

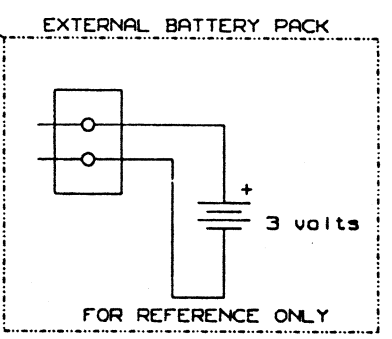
"THIS DRAWING AND THE SPECIFICATIONS CONTAINED HEREIN ARE CONFIDENTIAL AND PROPRIETARY. THEY ARE THE PROPERTY OF DIGITAL EQUIPMENT CORPORATION AND SHALL NOT BE REPRODUCED OR COPIED OR USED IN WHOLE OR IN PART AS THE BASIS FOR THE MANUFACTURE OR SALE OF ITEMS WITHOUT WRITTEN PERMISSION. THIS IS AN UNPUBLISHED WORK PROTECTED UNDER THE FEDERAL COPYRIGHT LAWS."



W1	W2	CPU IDENT
0	0	NORMAL (0)
0	I	AUX 1
I	0	AUX 2
I	I	AUX 3

0=OUT
I=IN

BAUD RATE SELECTION	
0	300
1	600
2	1200
3	2400
4	4800
5	9600
6	19200
7	38400



DRAWING
17015
17015
LAST_MODIFIED=Thu Jan 26 11:11:39 1989

THIS DRAWING AND THE SPECIFICATIONS CONTAINED HEREIN ARE CONFIDENTIAL AND PROPRIETARY. THEY ARE THE PROPERTY OF DIGITAL EQUIPMENT CORP. AND SHALL NOT BE REPRODUCED OR COPIED OR USED IN WHOLE OR IN PART AS THE BASIS FOR THE MANUFACTURE OR SALE OF ITEMS WITHOUT WRITTEN PERMISSION. THIS IS AN UNPUBLISHED WORK PROTECTED UNDER THE FEDERAL COPYRIGHT LAWS. COPYRIGHT © 1988 DIGITAL EQUIPMENT CORPORATION.

CHK	CHANGE NO.	REV	CHK	CHANGE NO.	REV
KG	5417016-ML001	B	KG	5417016-ML003	C
	K GLEEZEN			K GLEEZEN	

REV	DATE	BY	CHK	DATE	BY
1	3/10/86	W KEPCHNER	1	3/10/86	K GLEEZEN
2	3/10/86	R GLEEZEN	2	3/10/86	R GLEEZEN

digital	DATE	3/10/86	DATE	3/10/86	TITLE:	H3500 CONSOLE-SLU MODULE
	BY	K GLEEZEN	BY	W KEPCHNER	BOARD LOCATION	
REV	1	REV	1	SHEET	1	
TOP DOCUMENT NUMBER	K-DD-5417016-0-0		SIZE	K	CODE	CS
FIRST USED ON OPTIUM MODEL			NUMBER	5417016-0-DBX	REV.	C

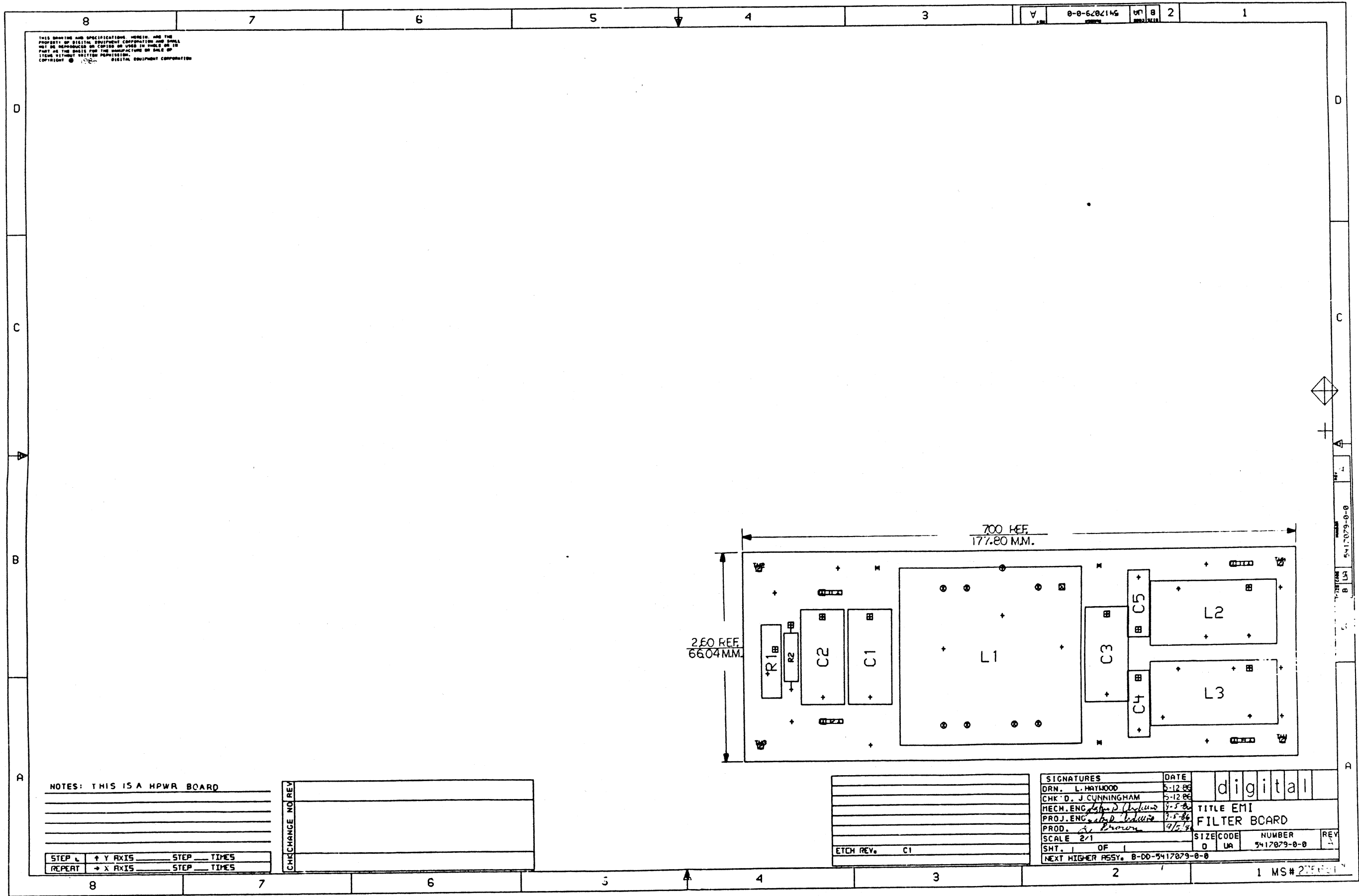
DRAWING NO.	NO. SHTS	PART NO.	DESCRIPTION	REVISIONS
D-UA-5417079-0-0	1	5417079-01	EMI FILTER BOARD	A1
B-CS-5417079-0-1	1		EMI UNIT ASSEMBLY	A
K-PL-5417079-0-08P	1		EMI CIRCUIT SCHEMATIC	A
K-PC-5417079-0-08J	1		EMI PARTS LIST	A
K-CS-5417079-0-08K	1		EMI P.C. DESIGN DATABASE	C
			EMI SCHEMATIC DATABASE	A
K-DD-5017078-0-0	1	5017078-01	ETCHED CIRCUIT BOARD	C1
			E.C.B. DRAWING DIRECTORY	A

NOTES:

R
 E H E I I
 V I C I N
 I S O I:
 S T I T
 I O N I
 O R I O
 N Y
 D 19
 A
 T 18
 E 16

THIS DRAWING AND THE SPECIFICATIONS CONTAINED HEREIN ARE CONFIDENTIAL AND PROPRIETARY. THEY ARE THE PROPERTY OF DIGITAL EQUIPMENT CORPORATION AND SHALL NOT BE REPRODUCED OR COPIED OR USED IN WHOLE OR IN PART AS THE BASIS FOR THE MANUFACTURE OR SALE OF ITEMS WITHOUT WRITTEN PERMISSION. THIS IS AN UNPUBLISHED WORK PROTECTED UNDER THE FEDERAL COPYRIGHT LAWS.

DRN: BLAISE DITOMMASO	DATE: 05SEPT86	d i g i t a l		
CHK'D: JIM CUNNINGHAM	DATE: 05SEPT86	TITLE EMI FILTER BOARD		
DES.ENG.: JOHN ARDUINO	DATE: 05SEPT86	SHEET 1 OF 1	EDIT: 1	
RESP.ENG.: JOHN ARDUINO	DATE: 05SEPT86	DOCUMENT NUMBER DD FILENAME: 5417079A.DDF		
MFG.ENG.: LEV BROWN	DATE: 05SEPT86	SIZE: K	CODE: DD	NUMBER: 5417079-0-0 REV: A



THIS DRAWING AND SPECIFICATIONS HEREBY ARE THE PROPERTY OF DIGITAL EQUIPMENT CORPORATION AND SHALL NOT BE REPRODUCED OR COPIED OR USED IN WHOLE OR IN PART AS THE BASIS FOR THE MANUFACTURE OR SALE OF ITEMS WITHOUT WRITTEN PERMISSION. COPYRIGHT © 1985 DIGITAL EQUIPMENT CORPORATION

NOTES: THIS IS A HPWR BOARD

STEP	↓ Y AXIS	STEP	TIMES
REPEAT	→ X AXIS	STEP	TIMES

CHANGE NO	REV

ETCH REV.	C1

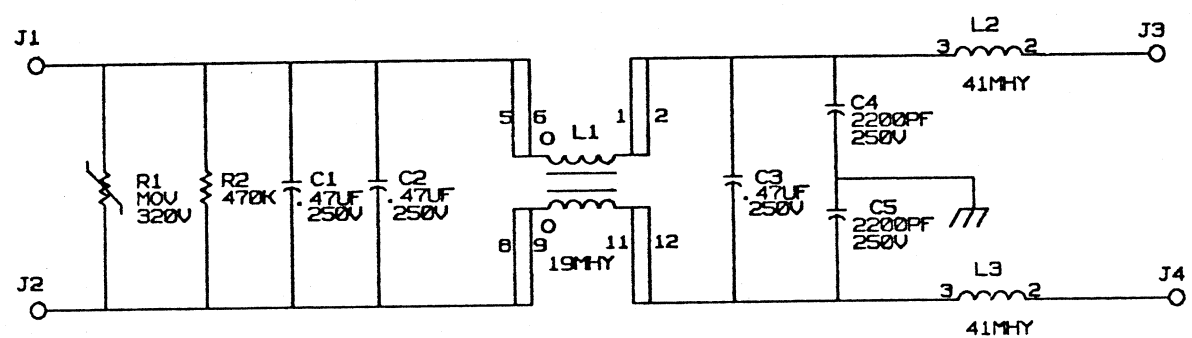
SIGNATURES		DATE	digital
DRN.	L. HAYWOOD	5-12-86	
CHK'D.	J. CUNNINGHAM	5-12-86	
MECH. ENG.	[Signature]	5-12-86	
PROJ. ENG.	[Signature]	5-12-86	
PROD.	[Signature]	5/15/86	TITLE EMI FILTER BOARD
SCALE	2/1	SIZE CODE	D UA
SHT.	1 OF 1	NUMBER	5417079-0-0
NEXT HIGHER ASSY.		B-00-5417079-0-0	REV. A

1 MS# 2075

LINE ITEM	TOP DOCUMENT	PART NUMBER	MIN REV	DESCRIPTION	QTY PER VAR/REV	REFERENCE DESIGNATORS
1	D-MD-5017078-01-0	50-17078-01		CIRCUIT DRILL & ETCH	1	
2		10-24317-02		0.47 MFD 250VAC +/-20% LIN	3	C1-C3
3		10-24375-01		2200 PFD 250VAC +/-20% LIN	2	C4,C5
4		12-20563-01		TER,TAB .250TAB PC MNT	4	J1-J4
5		13-19470-92		470.0 K 1.0 W 5.0 % M.OXIDE	1	R2
6		13-22505-01		VARISTOR 540VAC VOLT TRANS SUP	1	R1
7		16-26569-01		INDUCER,TORROID 19MH 12F	1	L1
8		16-26573-01		INDUCER,TORROID 12A	2	L2,L3

REVISION HISTORY			KPL MODULE FORMAT		SECTION A OF A		DRN: K.LEE		D I G I T A L			
ENG	ECO NUMBER	REV	SECTION/VARIATION INDEX		DATE:	CHK'D:	TITLE		PARTS LIST			
---	INITIAL	A	[A]	01	[M]	09-APR-86	D.DROZD	EMI FILTER BOARD				
			[B]		[N]	09-APR-86						
			[C]		[P]		J. ARDUINO					
			[D]		[Q]	03-JUL-86		DOCUMENT NUMBER				
			[E]		[R]			SIZE	CODE	NUMBER	REV	
			[F]		[S]		J. ADRUINO	K	PL	5417079-0-DBP	A	
			[H]		[I]							
			[J]		[V]							
			[K]		[W]		L. BROWN	RELEASE DATE: 22-SEP-86				
			[L]		[Y]	03-JUL-86		RELEASE STATUS: RELEASED				
			BASIC PART NUMBER:		ASSEMBLY NUMBER:		TOP DOCUMENT NUMBER:		FILE NAME:		EDIT #	
			5417079		D-UA-5417079-0-0		B-DD-5417079-0-0		MLA0191A.PLS		21	

"THIS DRAWING AND THE SPECIFICATIONS CONTAINED HEREIN ARE CONFIDENTIAL AND PROPRIETARY. THEY ARE THE PROPERTY OF DIGITAL EQUIPMENT CORPORATION AND SHALL NOT BE REPRODUCED OR COPIED OR USED IN WHOLE OR IN PART AS THE BASIS FOR THE MANUFACTURE OR SALE OF ITEMS WITHOUT WRITTEN PERMISSION. THIS IS AN UNPUBLISHED WORK PROTECTED UNDER THE FEDERAL COPYRIGHT LAWS."



DRAWING
17079
17079

LAST_MODIFIED=Fri Aug 29 15:18:53 1986

THIS DRAWING AND SPECIFICATIONS
HEREIN ARE THE PROPERTY OF
DIGITAL EQUIPMENT CORPORATION
AND ARE TO BE USED FOR THE
SOLE PURPOSE FOR WHICH THEY
WAS OR THEY WERE PREPARED.
NO PART OF THIS DRAWING OR
SPECIFICATIONS IS TO BE
REPRODUCED OR TRANSMITTED
IN ANY FORM OR BY ANY
MEANS, ELECTRONIC OR
MECHANICAL, INCLUDING
PHOTOCOPYING, RECORDING,
OR BY ANY INFORMATION
STORAGE AND RETRIEVAL
SYSTEM, WITHOUT PERMISSION
IN WRITING FROM DIGITAL
EQUIPMENT CORPORATION.

CHK	CHY	3E	NO.	REV.

REVISION	

digital	CHK	E. LANDRY	DATE	4/16/86
	CHK	E. LANDRY	DATE	4/16/86

ENR	J. CROSS	DATE	4/16/86
DATE LOCATIONS			
TOP DOCUMENT NUMBER	B-DD-5417079-0-0		

TITLE		EMI FILTER BOARD	
SIZE	CODE	NUMBER	REV.
K	CS	5417079-0-1	A

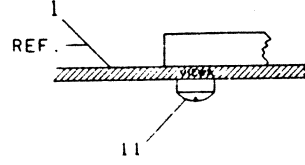
DRAWING NO.	NO. SHTS	PART NO.	DESCRIPTION	REVISIONS				
E-UA-5416791-0-0	1	5416791-01	BA213 BACKPLANE	A1	A2	B2	C2	
D-CS-5416791-0-1	2		BA213 BACKPLANE	A	A	A		
K-PL-5416791-0-DBP	1		BA213 BACKPLANE	A	B	C	D	
K-PC-5416791-0-DBA			P.C. DESIGN DATA BASE	A	A	A		
K-DD-5016790-0-0	1	5016790-01	ETCHED CIRCUIT BOARD	P1	P1	P1		
			DRAWING DIRECTORY	A	B	B	C	
E-UA-5416791-1-0	3	5416791-02	BA213 BACKPLANE	A1	B1	B2	C2	D2
D-CS-5416791-1-1	2		BA213 BACKPLANE		B	B	C	
K-PC-5416791-1-DBA			BA213 BACKPLANE		B	B	C	
			P.C. DESIGN DATA BASE		B	B	B	
K-SP-5416791-0-0	13	5016790-01	ETCHED CIRCUIT BOARD		R1	R1	R2	S1
K-PC-5416791-2-DBA			ENGINEERING SPECIFICATION		A	A	B	C
K-PL-5416791-2-DBP	1		P.C. DESIGN DATA BASE					B
D-CS-5416791-2-0	2		BA213 BACKPLANE					E
E-UA-5416791-2-0	3		CA213 BACKPLANE					D
			BA213 BACKPLANE					D

NOTES:
E.C.O. 5416791-CTS003 WAS CANCELLED
P1 ETCH WILL NOT SUPPORT MICROVAX MEMORY.
P1 ETCH NOT RECOMMENDED FOR UPDATES.

	A	B	C	D	E
R					
E					
V					
R					
E					
V					
H					
I					
S					
T					
O					
R					
I					
O					
N					
Y					
D	10	1	0	0	1
A	16	1	5	7	0
T	/	/	/	/	/
E	18	8	8	8	8
	16	6	7	8	8

THIS DRAWING AND THE SPECIFICATIONS CONTAINED
HEREIN ARE CONFIDENTIAL AND PROPRIETARY. THEY
ARE THE PROPERTY OF DIGITAL EQUIPMENT CORPOR-
ATION AND SHALL NOT BE REPRODUCED OR COPIED
OR USED IN WHOLE OR IN PART AS THE BASIS FOR
THE MANUFACTURE OR SALE OF ITEMS WITHOUT WRIT-
TEN PERMISSION. THIS IS AN UNPUBLISHED WORK
PROTECTED UNDER THE FEDERAL COPYRIGHT LAWS.

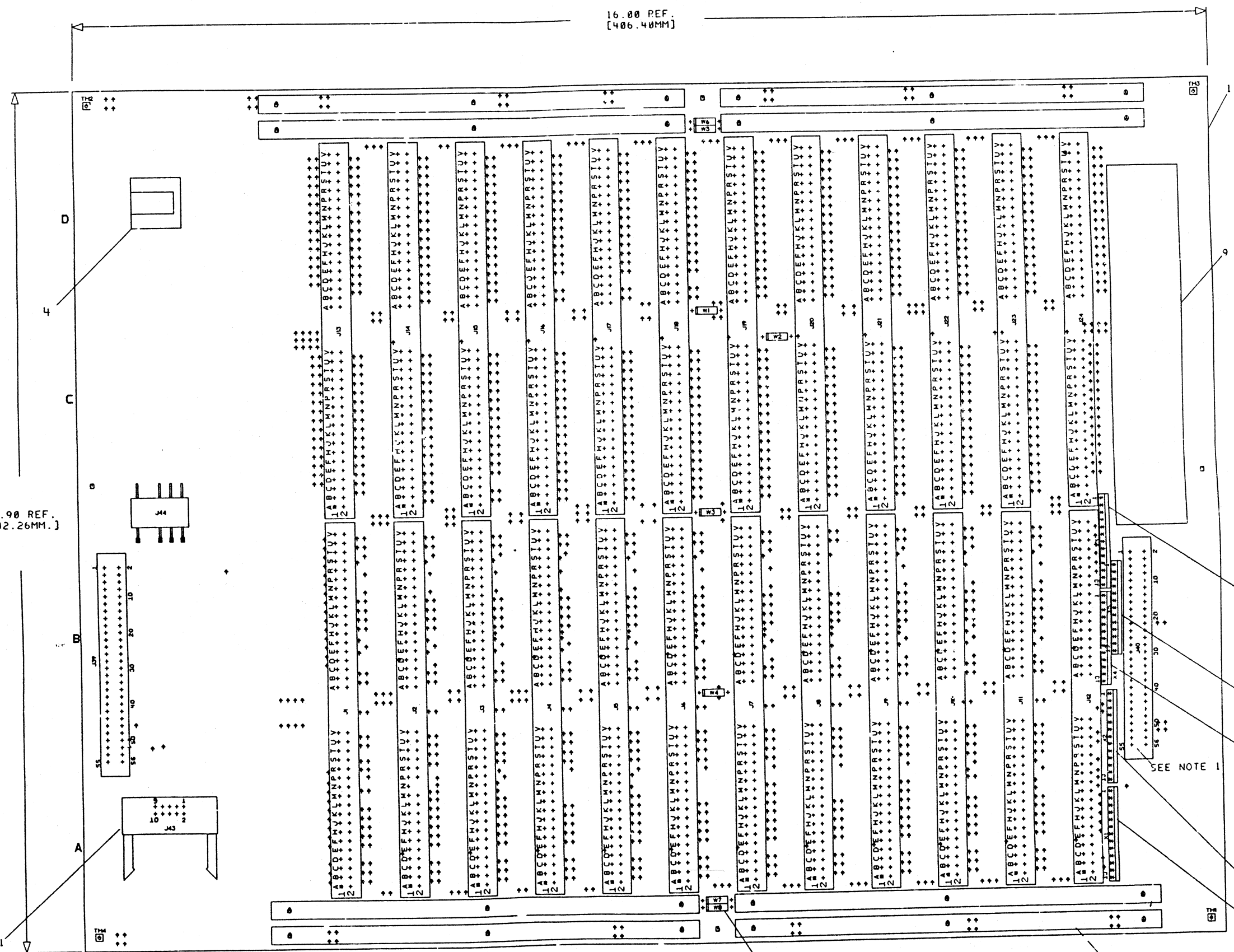
DRN: P.LENNON	DATE: 20-JUN-86	d i g i t a l		
CHK'D: D. BARRIERE	DATE: 20-JUN-86	TITLE		
		BA213 BACKPLANE		
DES.ENG.: D.MILLER	DATE: 20-JUN-86	SHEET 1 OF 1	EDIT: 15	
RESP.ENG.: D.MILLER	DATE: 20-JUN-86	DOCUMENT NUMBER		
		DD FILENAME: 5416791E.DDF		
MFG.ENG.: F.CULLEN	DATE: 20-JUN-86	SIZE	CODE	NUMBER
		K	DD	5416791-0-0
				REV E



VIEW A-A
24 PLACES

16.00 REF.
[406.40MM]

11.90 REF.
[302.26MM.]



SEE NOTE 1

SEE NOTE 2

18 (8 PLACES)

COMPONENT SIDE VIEW

ALL DIMENSIONS ARE UNLESS OTHERWISE SPECIFIED IN MILLIMETERS
TOLERANCES UNLESS OTHERWISE SPECIFIED:
FRACTIONS DECIMALS ANGLES
0.25 0.125 0.25 0.125 0.25
0.5 0.25 0.5 0.25 0.5

SIGNATURES	DATE	digital
DESIGNER	DATE	
CHECKED	DATE	
PROJECT ENG. Z1/11		TITLE BACKPLANE
PROJ. ENG. 11		BACKPLANE
SCALE 2:1		NUMBER 11E
SHT. 1 OF 1		SITE CODE E JA 1 818791-0-0
TOP DOC. NO. 00-316791-0-0		J. N. S. B.N.S.

NOTES:
1. JAG AND J31 NOT INSTALLED ON -02.
2. INSTALL WIRELESS ON -02 ONLY.

STEP 1 - Y AXIS STEP 2 - TOP'S
REPRT + X AXIS STEP 3 - TIPS

CHK	DESIGNED BY	CHANGE NO.	DATE	REV.	CHK	DESIGNED BY	CHANGE NO.	DATE	REV.

ZX2 Z2

ZX4 Z4

ZX5 Z5

ZX3 Z3

Z1 Z1

Z2 Z2

Z3 Z3

Z4 Z4

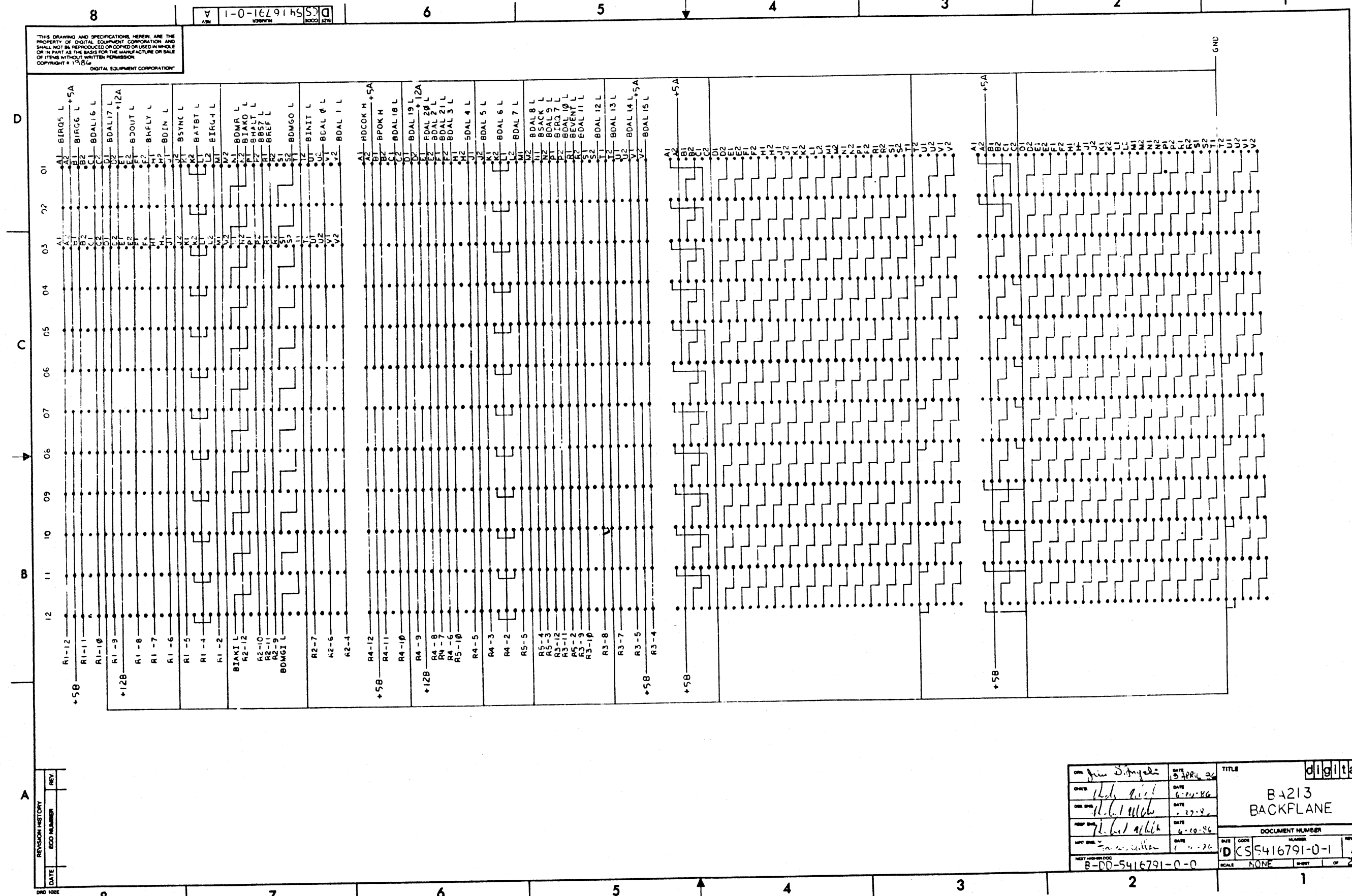
LINE ITEM	TOP DOCUMENT	PART NUMBER	MIN REV	DESCRIPTION	QTY PER VAR/REV		REFERENCE DESIGNATORS
					01 B2	02 C2	
1	1	D-MD-5016790-0-0		50-16790-01			
2	2			12-17535-14			
3	3			12-09941-15			
4	4			12-21249-04			
5	5			12-27346-01			J44
6	6			12-23962-01			
7	7			12-26157-01			J1-J24
8	8			13-23505-01			Z1-Z5
9	9			36-22147-08			
10	10			74-33567-01			
11	11			90-00062-01			
12	12			90-09185-00			W1-W8
13	13			90-00062-02			
14	14			12-16832-07			J43
15	15			91-05740-55			
16	16			12-29473-01			J39, J40
17	17			12-17535-16			ZX1-ZX5

1 GEN: NOTE: D-MD-5016790-1-0 IS FOR THE R1 ETCH REVISION

REVISION HISTORY			KPL MODULE FORMAT		SECTION A OF A		DRN: MIKE FUNARO		DIGITAL			
ENG	ECO NUMBER	REV	SECTION/VARIATION INDEX				DATE: 28-MAY-86					
DM	INITIAL	A	[A]	01,02	[M]		CHK'D:	DICK BARRIERE	TITLE PARTS LIST			
DM	5416791-ML001	B	[B]		[N]		DATE:	28-MAY-86	BA213 BACKPLANE			
AD	5416791-ML002	C	[C]		[P]		DES.ENG:	DICK MILLER				
JS	5416791-CTS004	D	[D]		[Q]		DATE:	30-JUN-86	DOCUMENT NUMBER			
			[E]		[R]				SIZE	CODE	NUMBER	REV
			[F]		[S]		RESP.ENG.:	DICK MILLER	K	PL	5416791-0-DBP	D
			[H]		[T]		DATE:	30-JUN-86	RELEASE DATE: 17-OCT-88			
			[J]		[V]				RELEASE STATUS: RELEASED			
			[K]		[W]		MFG.ENG:	FRANCIS CULLEN				
			[L]		[Y]		DATE:	30-JUN-86				
			BASIC PART NUMBER:		ASSEMBLY NUMBER:		TOP DOCUMENT NUMBER:		EDIT #			
			5416791		E-UA-5416791-0-0		B-DD-5416791-0-0		7			
			FILE NAME: ML998D.PLS									

"THIS DRAWING AND THE SPECIFICATIONS CONTAINED HEREIN ARE CONFIDENTIAL AND PROPRIETARY. THEY ARE THE PROPERTY OF DIGITAL EQUIPMENT CORPORATION AND SHALL NOT BE REPRODUCED OR COPIED OR USED IN WHOLE OR IN PART AS THE BASIS FOR THE MANUFACTURE OR SALE OF ITEMS WITHOUT WRITTEN PERMISSION. THIS IS AN UNPUBLISHED WORK PROTECTED UNDER THE FEDERAL COPYRIGHT LAWS."

THIS DRAWING AND SPECIFICATIONS HEREIN ARE THE PROPERTY OF DIGITAL EQUIPMENT CORPORATION AND SHALL NOT BE REPRODUCED OR COPIED OR USED IN WHOLE OR IN PART AS THE BASIS FOR THE MANUFACTURE OR SALE OF ITEMS WITHOUT WRITTEN PERMISSION.
 COPYRIGHT © 1976
 DIGITAL EQUIPMENT CORPORATION



DATE	REVISION HISTORY	ECO NUMBER	REV.

DESIGNER <i>Jim S. Ayala</i>	DATE 5 APR 86	TITLE digital
CHECKER <i>John G. Hill</i>	DATE 6-20-86	B4213 BACKFLANE
DESIGNER <i>H. L. Hill</i>	DATE 6-27-86	
REVISION <i>H. L. Hill</i>	DATE 6-20-86	DOCUMENT NUMBER
DATE 6-20-86	SCALE NONE	REV. A
NEXT DRAWING B-00-5416791-0-0		OF 2

D
C
B
A

8 7 6 5 4 3 2 1

8 7 6 5 4 3 2 1

D
C
B
A

8 7 6 5 4 3 2 1

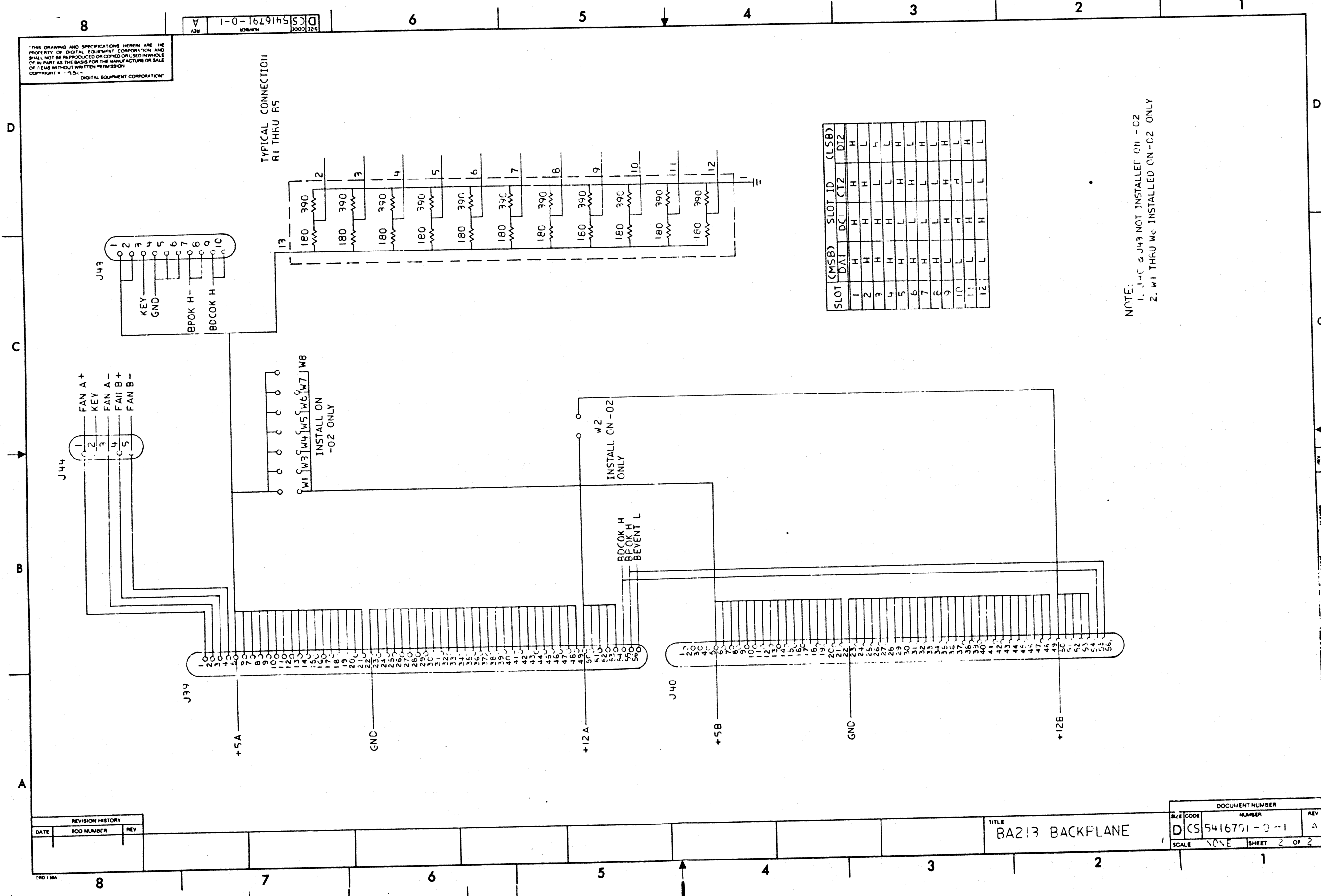
D
C
B
A

8 7 6 5 4 3 2 1

D
C
B
A

THIS DRAWING AND SPECIFICATIONS HEREIN ARE THE PROPERTY OF DIGITAL EQUIPMENT CORPORATION AND SHALL NOT BE REPRODUCED OR COPIED OR USED IN WHOLE OR IN PART AS THE BASIS FOR THE MANUFACTURE OR SALE OF ITEMS WITHOUT WRITTEN PERMISSION.
 COPYRIGHT © 1968 DIGITAL EQUIPMENT CORPORATION

SIZE CODE DCS 5416791-0-1
 NUMBER 838
 REV A



SLOT	SLOT ID (LSB)	
	DCI	CT2
1	H	H
2	H	H
3	H	H
4	H	H
5	H	H
6	H	H
7	H	H
8	H	H
9	L	H
10	L	H
11	L	H
12	L	H

NOTE:
 1. J40 & J43 NOT INSTALLED ON -02
 2. W1 THRU W6 INSTALLED ON -02 ONLY

REVISION HISTORY		
DATE	ECO NUMBER	REV.

TITLE
 BA213 BACKPLANE

DOCUMENT NUMBER		REV
SIZE CODE	NUMBER	
DCS	5416791-0-1	A
SCALE	NOTE	SHEET 2 OF 2

DWG 136A

REV A
 NUMBER 5416791-0-1

DRAWING NO.	NO. SHTS	PART NO.	DESCRIPTION	REVISIONS									
				C1	D1	E1	F1	H1	H2	J2	K2	K3	K3
		M7620-AA	KA650-AA	C1	D1	E1	F1	H1	H2	J2	K2	K3	K3
		M7620-BA	KA650-BA	C1	D1	E1	F1	H1	H2	J2	K2	K3	K3
D-UA-M7620-0-0	5		KA650 UNIT ASSEMBLY	B	B	B	B	B	B	B	B	B	B
K-CS-M7620-0-1	1		KA650 SYS FUNCTIONAL DRAWING TREE	A	A	A	A	A	A	A	A	A	A
K-CS-M7620-0-2	1		KA650 SYS FUNCT. TOP LEVEL VIEW	A	A	A	A	A	A	A	A	A	A
K-CS-M7620-0-3	1		KA650 SYS FUNCT. TOP LEVEL VIEW	A	A	A	A	A	A	A	A	A	A
K-CS-M7620-0-4	1		KA650 SYS FUNCT. CPU/FPA SUBSYSTEM	A	A	A	A	A	A	A	A	A	A
K-CS-M7620-0-5	1		KA650 SYS FUNCT. MEM CONTROLLER	A	A	A	A	A	A	A	A	A	A
K-CS-M7620-0-6	1		KA650 SYS FUNCT. Q22-BUS INTERFACE	A	A	A	A	A	A	A	A	A	A
K-CS-M7620-0-7	1		KA650 SYS FUNCT. ADDRESS LATCH	A	A	A	A	A	A	A	A	A	A
K-CS-M7620-0-8	1		KA650 SYS FUNCT. CDAL/BCDAL BUFFER	A	A	A	A	A	A	A	A	A	A
K-CS-M7620-0-9	1		KA650 SYS FUNCT. 2ND LEVEL CACHE	A	A	A	A	A	A	A	A	A	A
K-CS-M7620-0-10	1		KA650 SYS FUNCT. DATA STORE	A	A	A	A	A	A	A	A	A	A
K-CS-M7620-0-11	1		KA650 SYS FUNCT. TAG STORE	A	A	A	A	A	A	A	A	A	A
K-CS-M7620-0-12	1		KA650 SYS FUNCT. CNTRL STATE MACH.	A	A	A	A	A	A	A	A	A	A
K-CS-M7620-0-13	1		KA650 SYS FUNCT. CACHE STATE	A	A	A	A	A	A	A	A	A	A
K-CS-M7620-0-14	1		KA650 SYS FUNCT. DSCONTINUE STATE	A	A	A	A	A	A	A	A	A	A

NOTES:

	B	C	D	E	F	H	J	K	L	M		
R E V												
R E V I S I O N	H I S T O R Y	E M L O N O	M L O 2	C T O 3	C T O 4	C T O 5	C T O 6	C T O 7	C T O 8	C T O 9		
		D A T E	0 2 /	0 8 /	0 8 /	1 1 /	1 2 /	1 2 /	0 3 /	0 5 /	0 6 /	1 0 /
			8 8	8 8	8 8	8 8	8 8	8 9	8 9	8 9	8 9	9 9

THIS DRAWING AND THE SPECIFICATIONS CONTAINED HEREIN ARE CONFIDENTIAL AND PROPRIETARY. THEY ARE THE PROPERTY OF DIGITAL EQUIPMENT CORPORATION AND SHALL NOT BE REPRODUCED OR COPIED OR USED IN WHOLE OR IN PART AS THE BASIS FOR THE MANUFACTURE OR SALE OF ITEMS WITHOUT WRITTEN PERMISSION. THIS IS AN UNPUBLISHED WORK PROTECTED UNDER THE FEDERAL COPYRIGHT LAWS.

DRN: B. CORMIER

DATE: 04/22/87

d i g i t a l

CHK'D: J. CUNNINGHAM

DATE: 04/22/87

TITLE

KA650

DES.ENG.: C. DEVANE

DATE: 04/22/87

SHEET 1 OF 3

EDIT:
19

RESP.ENG.: D. FIELDS

DATE: 04/22/87

DOCUMENT NUMBER

DD FILENAME: M7620M.DDF

MFG.ENG.: T. CAVANAUGH

DATE: 07/15/87

SIZE | CODE | NUMBER | REV
K | DD | M7620-0-0 | M

DRAWING NO.	NO. SHTS	PART NO.	DESCRIPTION	REVISIONS										
K-CS-M7620-0-16	1		KA650 SYS FUNCT. CONTROL FLOW DIAG	A	A	A	A	A	A	A	A	A	A	A
K-CS-M7620-0-17	1		KA650 SYS FUNCT. CONTROL FLOW DIAG	A	A	A	A	A	A	A	A	A	A	A
K-CS-M7620-0-18	1		KA650 SYS FUNCT. CONTRL STATE DIAG	A	A	A	A	A	A	A	A	A	A	A
K-CS-M7620-0-19	1		KA650 SYS FUNCT. CONTRL STATE DIAG	A	A	A	A	A	A	A	A	A	A	A
K-CS-M7620-0-20	1		KA650 SYS FUNCT. CONTRL STATE DIAG	A	A	A	A	A	A	A	A	A	A	A
K-CS-M7620-0-21	1		KA650 SYS FUNCT. CACHE CNTRL REG.	A	A	A	A	A	A	A	A	A	A	A
K-CS-M7620-0-22	1		KA650 SYS FUNCT. CLOCK SUBSYSTEM	A	A	A	A	A	A	A	A	A	A	A
K-CS-M7620-0-23	1		KA650 SYS FUNCT. SYS SUPPORT FUNCT	A	A	A	A	A	A	A	A	A	A	A
K-CS-M7620-0-24	1		KA650 SYS FUNCT. BOOT/DIAGNOSTIC	A	A	A	A	A	A	A	A	A	A	A
K-CS-M7620-0-25	1		CPU/FPA SUBSYSTEM CLOCK SUBSYSTEM	A	A	A	A	A	A	A	A	A	A	A
K-CS-M7620-0-26	1		MEMORY CONTROLLER SUBSYSTEM	A	A	A	A	A	A	A	A	A	A	A
K-CS-M7620-0-27	1		Q22-BUS INTERFACE SUBSYSTEM	A	A	A	A	A	A	A	A	A	A	B
K-CS-M7620-0-28	1		ADDRESS LATCH SUBSYSTEM	A	A	A	A	A	A	A	A	A	A	A
K-CS-M7620-0-29	1		CDAL TO BCDAL BUFFER SUBSYSTEM	A	A	A	A	A	A	A	A	A	A	A
K-CS-M7620-0-30	1		DATA STORE RAMS CACHE SUBSYSTEM	A	A	A	A	A	A	A	A	A	A	A
K-CS-M7620-0-31	1		DATA STORE TRANSCEIVERS CACHE	A	A	A	A	A	A	A	A	A	A	A
K-CS-M7620-0-32	1		TAG STORE 2ND LEVEL CACHE SUBSYS.	A	A	A								
K-CS-M7620-0-34	1		CACHE CONTROL REG. 2ND LEVEL CACHE	A	A	A	A	A	A	A	A	A	A	A
K-CS-M7620-0-35	1		SYSTEM SUPPORT FUNCTIONS	A	A	A	A	A	A	A	A	A	A	A
K-CS-M7620-0-36	1		BATTERY CIRCUITS RS232 INTERFACE	B	B	B	B	B	B	B	B	B	B	B
K-CS-M7620-0-37	1		BOOT AND DIAGNOSTIC ROMS	A	A	A	A	A	A	A	A	A	A	A
K-CS-M7620-0-38	1		BYPASS CAPACITORS	B	B	B	B	B	B	B	B	B	B	B
K-CS-M7620-0-39	1		KA650 PAL CODE PAL 1	A	A	A	A	A	A	A	A	A	A	A
K-CS-M7620-0-40	1		KA650 PAL CODE PAL 2	A	A	A	A	A	A	A	A	A	A	A
K-CS-M7620-0-41	1		KA650 PAL CODE PAL 3	A	A	A	A	A	A	A	A	A	A	A
K-CS-M7620-0-42	1		KA650 PAL CODE PAL 4	A	A	A	A	A	A	A	A	A	A	A
K-CS-M7620-0-43	1		KA650 PAL CODE PAL 5	A	A	A	A	A	A	A	A	A	A	A
K-CS-M7620-0-44	1		KA650 PAL CODE PAL 6	A	A	A	A	A	A	A	A	A	A	A
K-CS-M7620-0-45	1		KA650 PAL CODE PAL 7	A	A	A	A	A	A	A	A	A	A	A
K-CS-M7620-0-46	1		CPU, FPU FOOTPRINT	A	A	A	A	A	A	A	A	A	A	A
K-CS-M7620-0-47	1		CMCTL FOOTPRINT	A	A	A	A	A	A	A	A	A	A	A
K-CS-M7620-0-48	1		CQBIC FOOTPRINT	A	A	A	A	A	A	A	A	A	A	A
K-CS-M7620-0-49	1		SSC, CLK FOOTPRINT	A	A	A	A	A	A	A	A	A	A	A
K-CS-M7620-0-50	1		SSC, CLK FOOTPRINT	A	A	A								
K-PL-M7620-0-DBP	3		KA650 PARTS LIST	A	B	C	D	E	F	H	J	K		
K-CS-M7620-0-DBX	1		INVALID SCHEMATIC DATA BASE	A	B	B	B	B	B	B	B	B	B	C
K-PC-M7620-0-DBJ	1		IP. C. DATA BASE	K	K	K	K	K	K	K	K	K	K	F
K-CS-M7620-C-DBX	1		EXTERNAL CUST. SCHEMATIC DATA BASE		A	A	A	A	A	A	A	A	A	B
K-CS-M7620-C-1	1		KA650 SYS FUNCTIONAL DRAWING TREE		A	A	A	A	A	A	A	A	A	A
K-CS-M7620-C-2	1		KA650 SYS FUNCT. TOP LEVEL VIEW		A	A	A	A	A	A	A	A	A	A
K-CS-M7620-C-3	1		KA650 SYS FUNCT. TOP LEVEL VIEW		A	A	A	A	A	A	A	A	A	A
K-CS-M7620-C-4	1		KA650 SYS FUNCT. CPU/FPA SUBSYSTEM		A	A	A	A	A	A	A	A	A	A
K-CS-M7620-C-5	1		KA650 SYS FUNCT. MEM CONTROLLER		A	A	A	A	A	A	A	A	A	A
K-CS-M7620-C-6	1		KA650 SYS FUNCT. Q22-BUS INTERFACE		A	A	A	A	A	A	A	A	A	A
K-CS-M7620-C-7	1		KA650 SYS FUNCT. ADDRESS LATCH		A	A	A	A	A	A	A	A	A	A
A-CS-M7620-C-8	1		KA650 SYS FUNCT. CDAL/BCDAL BUFFER		A	A	A	A	A	A	A	A	A	A
A-CS-M7620-C-9	1		KA650 SYS FUNCT. 2ND LEVEL CACHE		A	A	A	A	A	A	A	A	A	A
A-CS-M7620-C-10	1		KA650 SYS FUNCT. DATA STORE		A	A	A	A	A	A	A	A	A	A
A-CS-M7620-C-11	1		KA650 SYS FUNCT. TAG STORE		A	A	A	A	A	A	A	A	A	A
A-CS-M7620-C-12	1		KA650 SYS FUNCT. CNTRL STATE MACH.		A	A	A	A	A	A	A	A	A	A
A-CS-M7620-C-13	1		KA650 SYS FUNCT. CACHESTB STATE		A	A	A	A	A	A	A	A	A	A
A-CS-M7620-C-14	1		KA650 SYS FUNCT. DSCONTINUE STATE		A	A	A	A	A	A	A	A	A	A
K-CS-M7620-C-16	1		KA650 SYS FUNCT. CONTROL FLOW DIAG		A	A	A	A	A	A	A	A	A	A
A-CS-M7620-C-17	1		KA650 SYS FUNCT. CONTROL FLOW DIAG		A	A	A	A	A	A	A	A	A	A

DRAWING NO.	NO. SHTS	PART NO.	DESCRIPTION	REVISIONS										
A-CS-M7620-C-18	1		KA650 SYS FUNCT. CONTRL STATE DIAG	A	A	A	A	A	A	A	A	A	A	A
A-CS-M7620-C-19	1		KA650 SYS FUNCT. CLOCK SUBSYSTEM	A	A	A	A	A	A	A	A	A	A	A
K-CS-M7620-C-20	1		KA650 SYS FUNCT. SYS SUPPORT FUNCT	A	A	A	A	A	A	A	A	A	A	A
A-CS-M7620-C-21	1		KA650 SYS FUNCT. BOOT/DIAGNOSTIC	A	A	A	A	A	A	A	A	A	A	A
K-CS-M7620-C-22	1		CFU/FPA SUBSYSTEM CLOCK SUBSYSTEM	A	A	A	A	A	A	A	A	A	A	A
K-CS-M7620-C-23	1		MEMORY CONTROLLER SUBSYSTEM	A	A	A	A	A	A	A	A	A	A	A
K-CS-M7620-C-24	1		Q22-BUS INTERFACE SUBSYSTEM	A	A	A	A	A	A	A	A	A	A	B
K-CS-M7620-C-25	1		ADDRESS LATCH SUBSYSTEM	A	A	A	A	A	A	A	A	A	A	A
K-CS-M7620-C-26	1		CDAL TO BCDAL BUFFER SUBSYSTEM	A	A	A	A	A	A	A	A	A	A	A
K-CS-M7620-C-27	1		DATA STORE RAMS CACHE SUBSYSTEM	A	A	A	A	A	A	A	A	A	A	A
K-CS-M7620-C-28	1		DATA STORE TRANSCEIVERS CACHE	A	A	A	A	A	A	A	A	A	A	A
A-CS-M7620-C-29	1		TAG STORE 2ND LEVEL CACHE SUBSYS.	A	A	A	A	A	A	A	A	A	A	A
A-CS-M7620-C-30	1		CONTROL STAGE MACHINE CACHE SUBSYS	A	A	A	A	A	A	A	A	A	A	A
A-CS-M7620-C-31	1		CACHE CONTROL REG. 2ND LEVEL CACHE	A	A	A	A	A	A	A	A	A	A	A
K-CS-M7620-C-32	1		SYSTEM SUPPORT FUNCTIONS	A	A	A	A	A	A	A	A	A	A	A
K-CS-M7620-C-34	1		BOOT AND DIAGNOSTIC ROMS	A	A	A	A	A	A	A	A	A	A	A
A-CS-M7620-C-35	1		BYPASS CAPACITORS	A	A	A	A	A	A	A	A	A	A	A
K-CS-M7620-C-36	1		CPU, FPU FOOTPRINT	A	A	A	A	A	A	A	A	A	A	A
A-CS-M7620-C-37	1		CMCTL FOOTPRINT	A	A	A	A	A	A	A	A	A	A	A
A-CS-M7620-C-38	1		COBIC FOOTPRINT	A	A	A	A	A	A	A	A	A	A	A
K-CS-M7620-C-39	1		SSC, CLK FOOTPRINT	A	A	A	A	A	A	A	A	A	A	A
A-CS-M7620-C-40	1		SSC, CLK FOOTPRINT	A	A	A	A	A	A	A	A	A	A	A
A		5017073-01	ETCHED CIRCUIT BOARD	K1	K1	K1	K1	K1	K1	K1	K1	K1	K1	K1
K-DD-5017073-0-0	1		DRAWING DIRECTORY	A	B	B	B	B	B	B	B	B	B	B

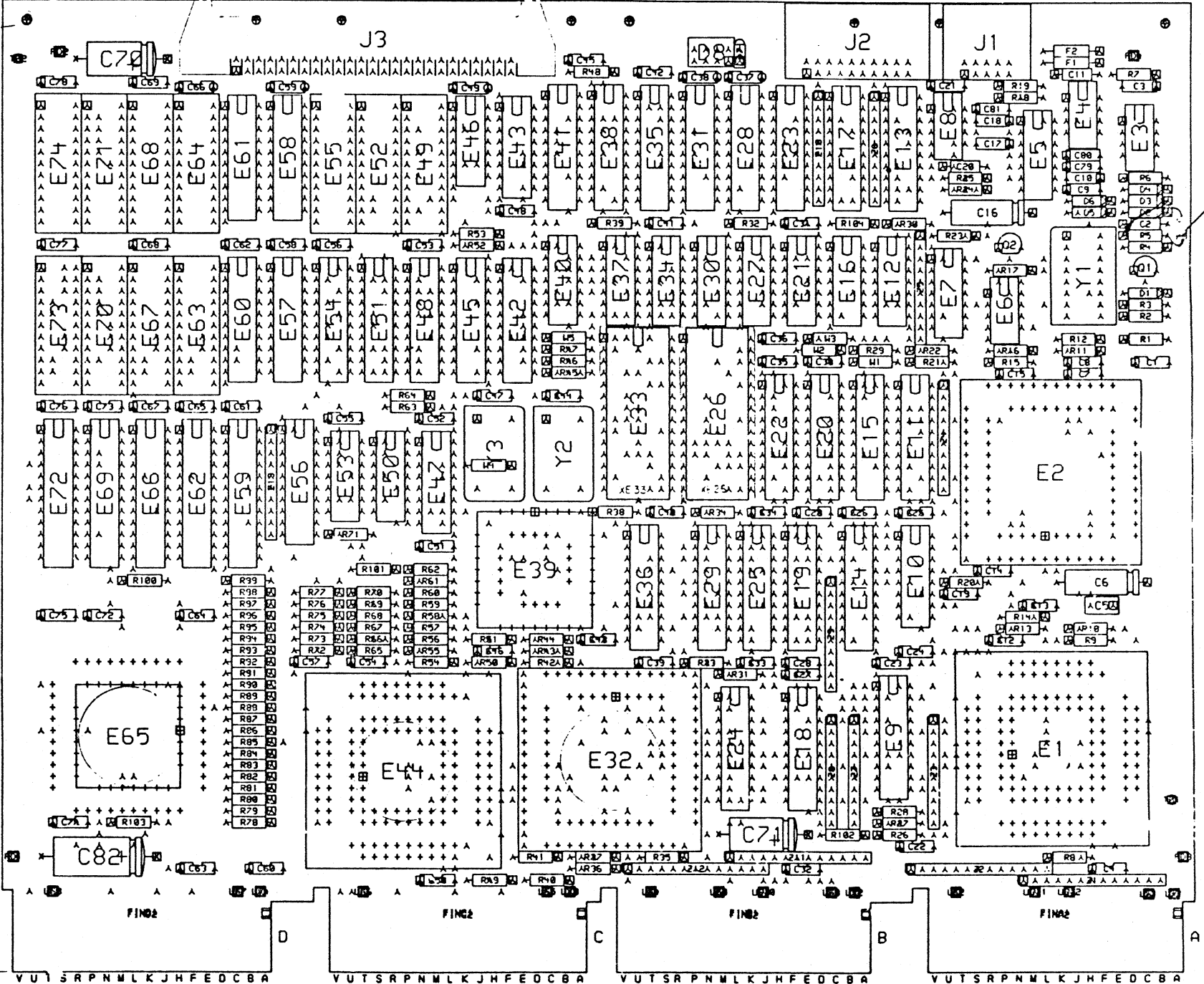
THIS DRAWING AND SPECIFICATIONS, HEREIN, AND THE PROPERTY OF BICSI, EQUIPMENT CORPORATION AND SHALL NOT BE REPRODUCED OR COPIED IN WHOLE OR IN PART AS THE BASIS FOR THE MANUFACTURE OR SALE OF ITEMS WITHOUT WRITTEN PERMISSION. BICSI, EQUIPMENT CORPORATION. COPYRIGHT ©

REWORK INSTRUCTION (ECO# M7620-ML001)
 COMPONENT ACDS SIDE I (AS SHOWN)
 O-1 ADD (P/N 1117166-CO) D9 FIN I TO R5 FIN 2
 AND L9 FIN 2 TO R5 FIN I.

91 (H.F.S.)

10436 REF
 25547 M

COMPONENT SIDE VIEW



11351 M

NOTES:

1. W3, W4 AND C2 ARE NOT IN L-1-12.

STEP	Y AXIS	STEP	TIMES
REPEAT	X AXIS	STEP	TIMES

CHANGE NO	REV
INIT	A
11351 M	B
11351 M	C
11351 M	D

ETCH REV.	K1
-----------	----

SIGNATURES	DATE	TITLE	SIZE	CODE	NUMBER	REV
DRN. R. KIRBALL		digital	D	UA	M7620-0-0	B
CHK D.						
MECH. ENC.						
PROJ. ENG.						
PROD. MGR.						
SCALE 2/1						
SHT. 1 OF 5						
NEXT HIGHER ASSY. K-00-M7620-0-0						

8 6 5 4 3 2 1

THIS DRAWING AND SPECIFICATIONS HEREIN ARE THE PROPERTY OF DIGITAL EQUIPMENT CORPORATION AND SHALL NOT BE REPRODUCED OR COPIED OR USED IN WHOLE OR IN PART AS THE BASIS FOR THE MANUFACTURE OR SALE OF ITEMS WITHOUT WRITTEN PERMISSION OF DIGITAL EQUIPMENT CORPORATION. © 1977

VIEW FROM SIDE 1

digital

5017073 01 K1 L1 M7620

D
C
A
B
A

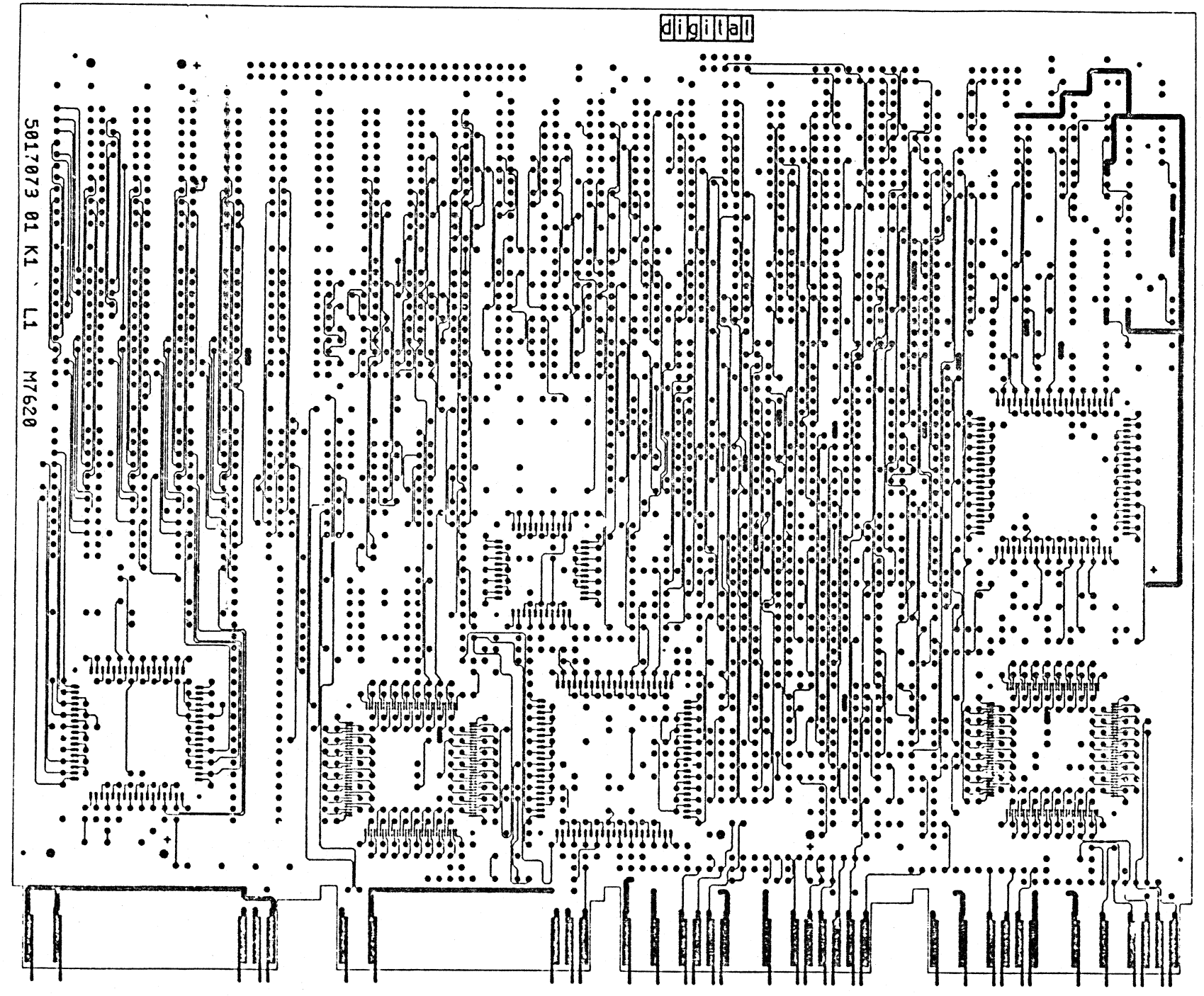
D
C
A
B
A

REVISION HISTORY		
DATE	ECO NUMBER	REV

TITLE
KA650

DOCUMENT NUMBER		
SIZE CODE	NUMBER	REV
D JA	M7620-0-0	B
SCALE		SHEET 2 OF 5

8 7 6 5 4 3 2 1



8

DUA M7620-0-0

6

5

4

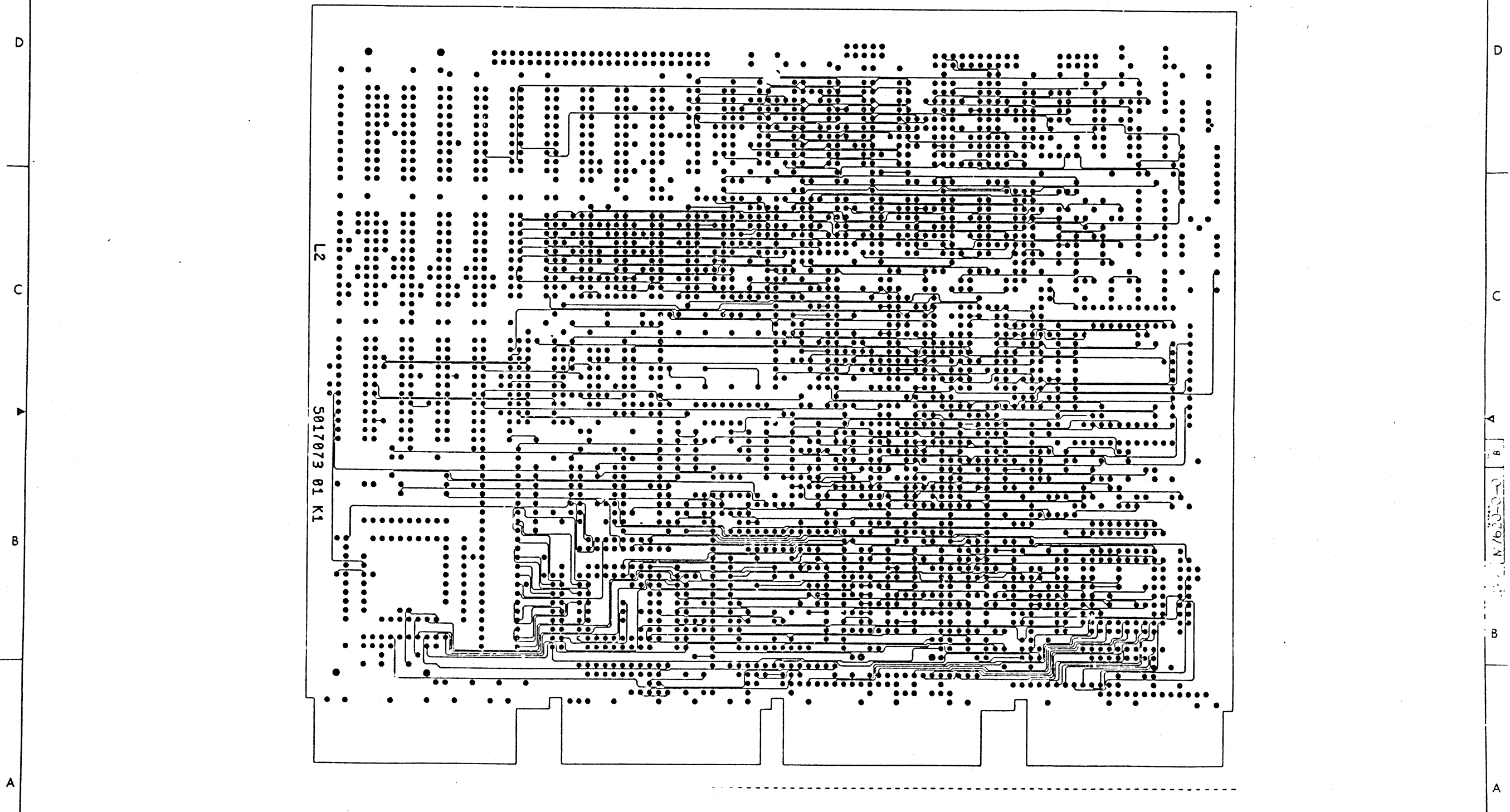
3

2

1

THIS DRAWING AND SPECIFICATIONS HEREIN ARE THE PROPERTY OF DIGITAL EQUIPMENT CORPORATION AND SHALL NOT BE REPRODUCED, COPIED OR IN ANY MANNER TRANSMITTED IN ANY FORM OR BY ANY MEANS WITHOUT WRITTEN PERMISSION OF DIGITAL EQUIPMENT CORPORATION.

VIEW FROM SIDE 1



REVISION HISTORY		
DATE	ECO NUMBER	REV

8

7

6

5

4

3

2

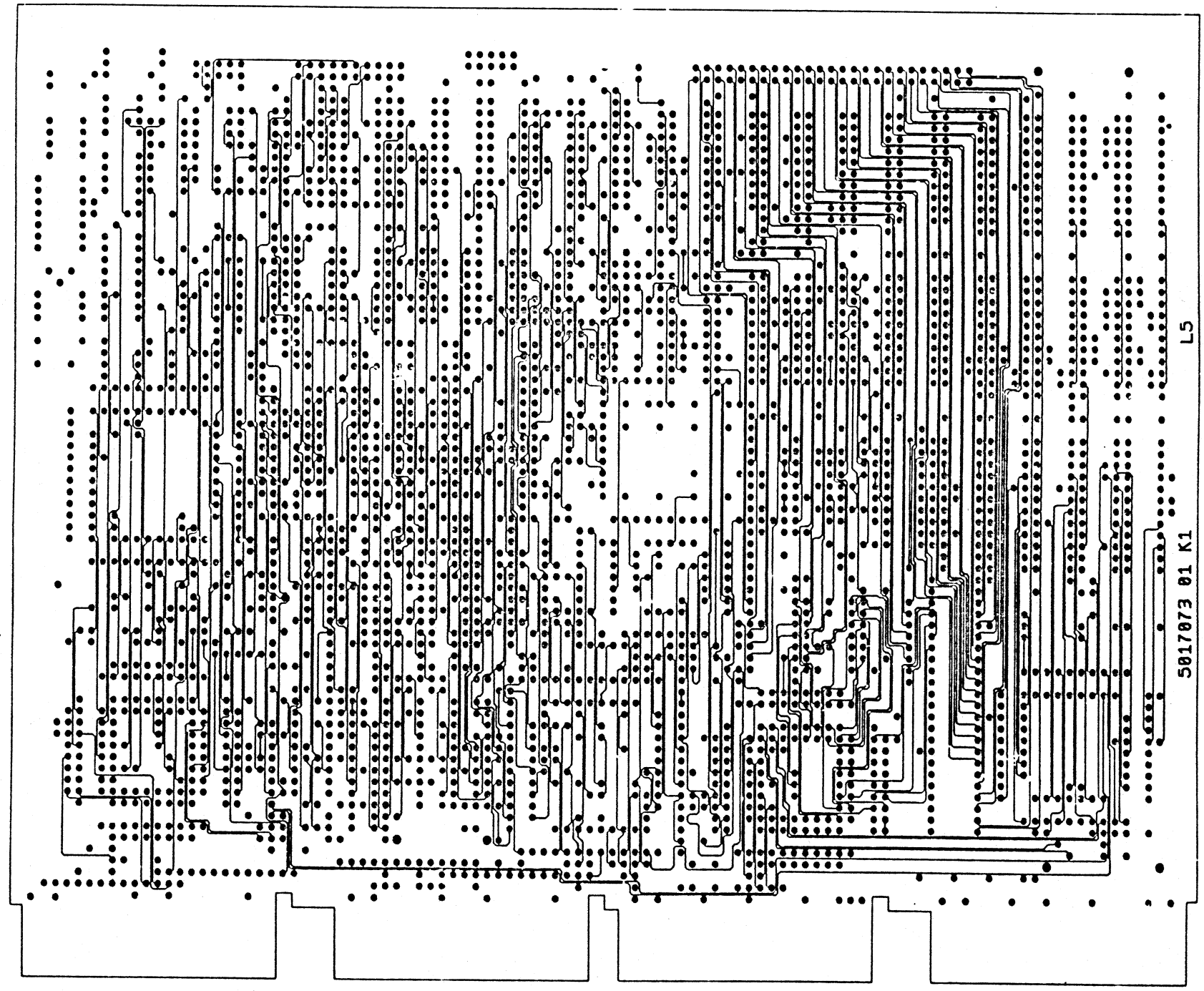
1

TITLE		DOCUMENT NUMBER	
KA650		SCALE	REV
		2:1	E
		SHEET 3	OF 5

DUA M7620-0-0

THIS DRAWING AND SPECIFICATIONS HEREIN ARE THE PROPERTY OF DIGITAL EQUIPMENT CORPORATION AND SHALL NOT BE REPRODUCED OR COPIED OR USED IN WHOLE OR IN PART AS THE BASIS FOR THE MANUFACTURE OR SALE OF ITEMS WITHOUT THE WRITTEN PERMISSION OF DIGITAL EQUIPMENT CORPORATION.
 COPYRIGHT © 1988

D
C
B
A

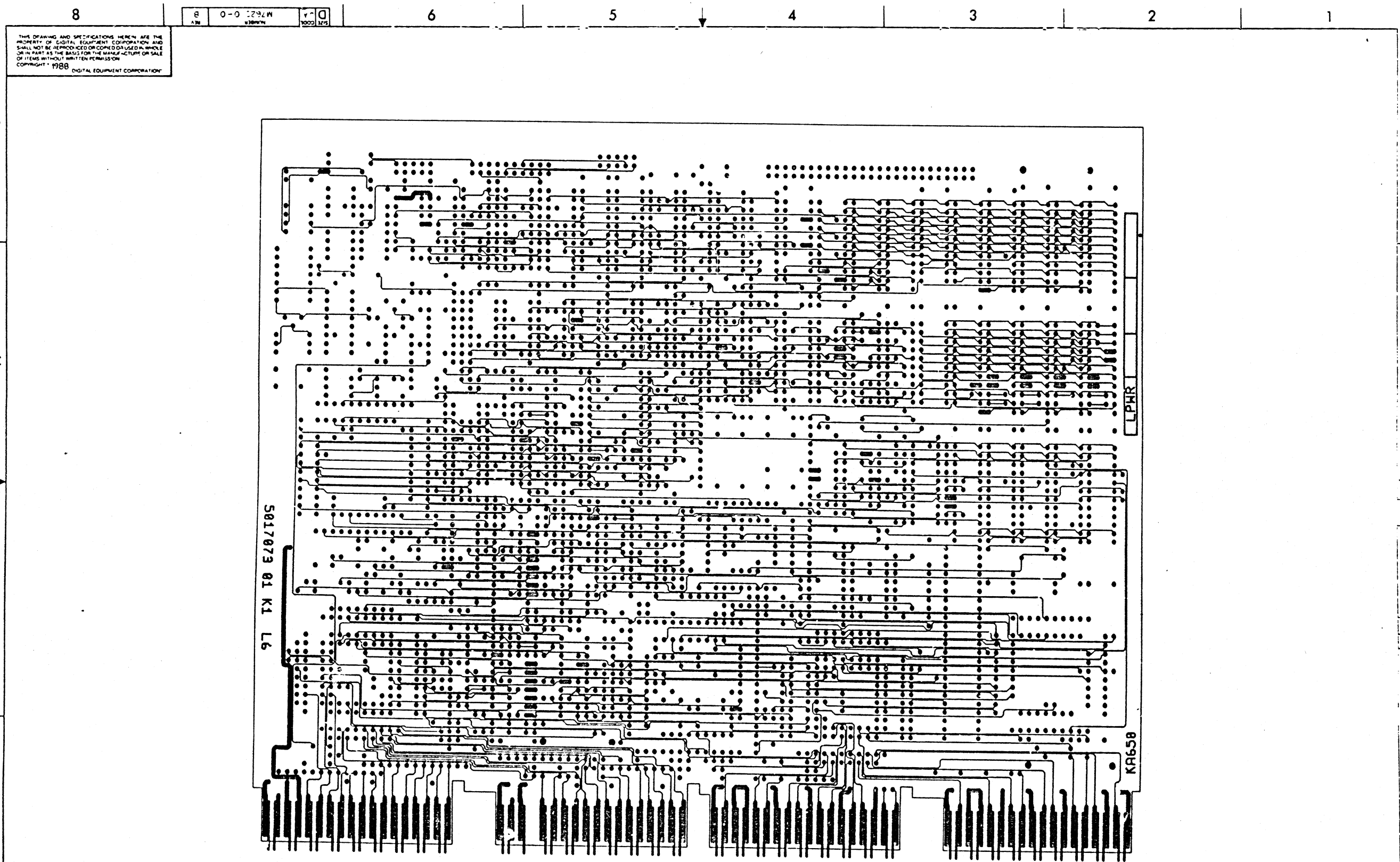


L5

5017073 01 K1

REVISION HISTORY		
DATE	ECO NUMBER	REV

M7620-0-0



THIS DRAWING AND SPECIFICATIONS HEREIN ARE THE PROPERTY OF DIGITAL EQUIPMENT CORPORATION AND SHALL NOT BE REPRODUCED OR COPIED OR USED IN WHOLE OR IN PART AS THE BASIS FOR THE MANUFACTURE OR SALE OF ITEMS WITHOUT WRITTEN PERMISSION. COPYRIGHT © 1988 DIGITAL EQUIPMENT CORPORATION.

REVISION HISTORY		
DATE	ECO NUMBER	REV

LINE ITEM	TOP DOCUMENT	PART NUMBER	MIN REV	DESCRIPTION	AA K03	BA K03	REFERENCE DESIGNATORS
1	1	K-DD-5017073-0-0		CIRCUIT DRILL AND ETCH BOARD	1	1	
2	2	50-17073-01 A		0.010MFD 50V +80/-20% Z5U C	13	13	C13,C15,C24,C26,C27,C34,C36, CONT C42,C54,C58,C65,C69,C73
3	3	10-10274-02		1.0 MFD 50V +80/-20% Z5U C	1	1	C5
4	4	10-10279-01		0.47 MFD 25V +/-20% Z5U C	5	5	C3,C9,C10,C17,C18
5	5	10-13466-05		56 PFD 50V +/- 5% NPO C	1	1	C11
6	6	10-13466-07		220 PFD 50V +/- 5% NPO C	1	1	C20
7	7	SEE NOTE 4		0.33 MFD 50V +80/-20% Z5U C	55	55	C1,C4,C7,C8,C12,C14,C19, CONT C21-C23,C25,C28-C33,C35, CONT C37-C41,C43-C53,C55-C57, CONT C59-C64,C66-C68,C72,C74-C81
8	8	10-17472-00		10 MFD 35V +75/-10% 85	2	2	C6,C16
9	9	10-20446-05		22 MFD 16V +50/-20% 85	2	2	C70,C71
10	10	10-20446-07		100 MFD 16V +50/-20% 85	1	1	C82
11	11	11-03441-00		VZ= 8.2 5% 400 MW 1N756A	1	1	D3
12	12	11-05275-00		PIV= 60 IO=300 MA -15NS	3	3	D4-D6
13	13	11-14117-00		PIV= 40 IO= 75 A -4NS 1N4152	2	2	D1,D2
14	14	11-14136-02		LED 6.7MA 5V .2MCD GREEN	1	1	D7
15	15	11-20964-01		LED ASSY 4 RED 5V 8MA	1	1	D8
16	16	12-10929-02		FUSE PICO 1.0 A 125V AXIAL LEA	2	2	F1,F2
17	17	12-13113-03		HANDLE,MODULE	1	1	
18	18	12-13506-04		PCB HEADER 09PIN(2X05).100CC 90D	1	1	J1
19	19	12-13506-10		PCB HEADER 20PIN(2X10).100CC 90D	1	1	J2
20	20	12-21545-03		PCB HEADER 50PIN(2X25).100CC 90D	1	1	J3
21	21	12-15006-17		SKT,IC 28PIN DIP TIN SOLD	2	2	XE26,XE33
22	22	13-00197-00		33.0 .25 W 5.0 % CF	2	2	R50,R51
23	23	13-00202-00		47.0 .25 W 5.0 % CF	59	59	R2,R10,R13,R14,R30-R32,R36-R38, CONT R40,R42,R43,R45,R46,R48,R52, CONT R53,R55-R60,R65-R70,R72-R99, CONT R102

REVISION HISTORY			KPL MODULE FORMAT		SECTION A OF A		DRN: J. CUNNINGHAM		DIGIT A			
ENG	ECO NUMBER	REV	SECTION/VARIATION INDEX		DATE: 11-FEB-87		CHK'D: B. DITOMMASO		TITLE		PARTS LIST	
---	INITIAL	A	[A]	AA,BA	[M]	DATE: 23-MAR-87		DES.ENG: C. DEVANE		DOCUMENT NUMBER		
CD	M7620-ML001	B	[B]		[N]	DATE: 23-MAR-87		RESP.ENG.: C. DEVANE		NUMBER		REV
JK	M7620-CTS002	C	[C]		[P]	DATE: 17-SEP-87		MFG.ENG: K. RYAN		M7620-0-DBP		M
JK	M7620-CTS003	D	[D]		[Q]	DATE: 17-SEP-87		RELEASE DATE: 23-OCT-89		RELEASE STATUS: RELEASED		
JA	M7620-CTS004	E	[E]		[R]	DATE: 17-SEP-87		TOP DOCUMENT NUMBER:		K-DD-M7620-0-0		EDIT #
JA	M7620-CTS005	F	[F]		[S]	DATE: 17-SEP-87		ASSEMBLY NUMBER:		D-UA-M7620-0-0		2
JA	M7620-CTS006	H	[H]		[T]	DATE: 17-SEP-87		FILE NAME: M7620		MLA0178M.PLS		
MP	M7620-CTS007	J	[J]		[V]	DATE: 17-SEP-87						
MP	M7620-CTS008	K	[K]		[W]	DATE: 17-SEP-87						
MP	M7620-CTS009	L	[L]		[Y]	DATE: 17-SEP-87						
MP	M7620-BXC010	M	[M]			DATE: 17-SEP-87						

"THIS DRAWING AND THE SPECIFICATIONS CONTAINED HEREIN ARE CONFIDENTIAL AND PROPRIETARY. THEY ARE THE PROPERTY OF DIGITAL EQUIPMENT CORPORATION AND SHALL NOT BE REPRODUCED OR COPIED OR USED IN WHOLE OR IN PART AS THE BASIS FOR THE MANUFACTURE OR SALE OF ANY EQUIPMENT. THIS IS AN UNCLASSIFIED WORK PROTECTED UNDER THE FEDERAL COPYRIGHT LAWS."

LINE	ITEM	TOP DOCUMENT	PART NUMBER	MIN REV	DESCRIPTION	AA K03	BA K03	REFERENCE DESIGNATORS
24	24		13-00219-00	68.0	.25 W 5.0 % CF	2	2	R33,R34
25	25		13-00271-00	220.0	.25 W 5.0 % CF	9	9	R18-R20,R61,R62,R71,R100,R103, CONT R104
26	26		13-00365-00	1.0	K .25 W 5.0 % CF	4	4	R1,R12,R21,R29
27	27		13-00447-00	4.70	K .25 W 5.0 % CF	3	3	R7,R27,R28
28	28		13-00479-00	10.0	K .25 W 5.0 % CF	4	4	R4,R15-R17
29	29		13-01317-00	10.0	.25 W 5.0 % CF	1	1	R49
30	30		13-01522-00	27.0	.25 W 5.0 % CF	4	4	R39,R54,R63,R64
31	31		13-01808-00	22.0	K .25 W 5.0 % CF	1	1	R25
32	32		13-01969-00	22.0	.25 W 5.0 % CF	2	2	R41,R101
33	33		13-02377-00	39.0	.25 W 5.0 % CF	1	1	R9
34	34		13-02751-00	30.0	.25 W 5.0 % CF	1	1	R44
35	35		13-04837-00	24.0	K .25 W 5.0 % CF	1	1	R6
36	36		13-05128-00	5.62	K .25 W 1.0 % RN55D-F10	1	1	R8
37	37		13-13469-00	240.0	.25 W 5.0 % CF	3	3	R3,R5,R26
38	38		13-16395-00	R. NET	4.7K- 9 2.0	7	7	Z3,Z4,Z6-Z10
39	39		13-16395-02	R. NET	1.0K- 9 2.0	2	2	Z5,Z13
40	40		13-18110-00	R. NET	330.0 -11 680.0 -11 5.0	4	4	Z1,Z2,Z11,Z12
41	41		13-18247-00	510.0	.25 W 5.0 % CF	1	1	R35
42	42		13-19610-01	750.0	K .25 W 0.1 % RN55E-B 2	1	1	R24
43	43		13-19645-01	487.0	K .25 W 0.1 % RN55E-B 2	1	1	R23
44	44		15-10705-00	XA 05	NPN 500MW SI 60 50 P	1	1	Q1
45	45		18-28789-01		OSCILLATOR, XTAL 44.4444 MHZ	1	1	Y3
46	46		18-28789-02		OSCILLATOR, XTAL 40.00 MHZ	1	1	Y2
47	47	SEE NOTE 7	18-28790-02		OSCILLATOR, XTAL 25.6 KHZ	1	1	Y1
48	48		19-13777-B0		LS240 BURNED-IN DRIVER,LIN	2	2	E13,E17
49	49		19-14140-B1		211P BURNED-IN VOLT COMPR	1	1	E6
50	50		19-14451-B0		LS393 BURNED-IN COUNTER,BI	1	1	E5
51	51		19-15415-B0		9636 BURNED-IN DRIVER,DUA	1	1	E8
52	52		19-16028-B1		9643 BURNED-IN DRIVER,TTL	1	1	E4
53	53		19-18868-B0		LS26 NAND GATE,2-IN,HIGH	1	1	E7
54	54		19-19542-B1		9639 RECEIVER,LINE,DUAL,P	1	1	E3
55	55		19-19684-01		*** THIS ITEM IS NOT USED ***	-	-	
56	56		19-20441-B1		74F245 TRANSCEIVER,BI-DIREC	4	4	E9,E15,E18,E19
57	57		19-20442-B1		74F374 FF-D,OCTAL,TRI-STATE	1	1	E41
58	58		19-20572-B1		74F244 BUFFER/LINE DRIVER,0	4	4	E11,E25,E42,E54
59	59		19-21008-B1		74F240 BUFFER/LINE DRIVER,0	2	2	E20,E45
60	60		19-21010-B1		74F373 OCTAL TRANSPARENT LA	4	4	E24,E29,E36,E56
61	61		19-21305-B1		74F00 NAND GATE,QUAD,2-IN,	1	1	E37
62	62		19-21306-B1		74F02 NOR GATE,QUAD,2-IN,B	1	1	E21
63	63		19-21307-B1		74F04 HEX INVERTER,BURNED	1	1	E16
64	64		19-21313-B1		74F64 AND OR INVERT GATE,4	2	2	E12,E27
65	65		19-21314-B1		74F74 FF-D,DUAL,BURNED-IN	2	2	E30,E34
66	66		19-21315-B1		74F86 EXCLUSIVE OR GATE,QU	2	2	E46,E53
67	67		19-21323-B1		74F174 FF-D,HEX,BURNED-IN	2	2	E10,E43
68	68		19-21330-B1		74F257 MUX,QUAD,2-IN,BURNED	1	1	E47
69	69		19-21332-B2		74F280A PARITY GEN/CHECK,9-B	2	2	E40,E50
70	70		19-21417-B1		74F521 COMPARATOR,IDENTITY,	2	2	E48,E51
71	71		19-22481-B1		74F544 OCTAL REG TRANSCEIVE	5	5	E59,E62,E66,E69,E72
72	72		21-18054-07		*** THIS ITEM IS NOT USED ***	-	-	

LINE	ITEM	TOP DOCUMENT	PART NUMBER	MIN REV	DESCRIPTION	AA K03	BA K03	REFERENCE DESIGNATORS
73	73	SEE NOTE 8	21-24673-01		DC509 CVAX CLOCK CHIP	1	1	E39
74	74		21-24674-09		*** THIS ITEM IS NOT USED ***	-	-	
75	75		21-24942-01		*** THIS ITEM IS NOT USED ***	-	-	
76	76		21-25091-01		DC357 MEMORY CONTROLLER CVAX	1	1	E44
77	77		21-25972-01		*** THIS ITEM IS NOT USED ***	-	-	
78	78		21-26266-04		*** THIS ITEM IS NOT USED ***	-	-	
79	79	SEE NOTE 2	21-26604-02		DC513 CFPA CMOS FPU 90NS	1	1	E65
80	80		23-55E7 -00		*** THIS ITEM IS NOT USED ***	-	-	
81	81		23-56E7 -00		*** THIS ITEM IS NOT USED ***	-	-	
82	82		23-379J5-00		J5-07 PAL	1	1	E23
83	83		23-37E7 -00		*** THIS ITEM IS NOT USED ***	-	-	
84	84		23-380J5-00		J5-07 PAL	1	1	E28
85	85		23-381J5-00		J5-07 PAL	1	1	E31
86	86		23-382J5-00		J5-07 PAL	1	1	E35
87	87		23-383J5-00		J5-07 PAL	1	1	E38
88	88		23-384J5-00		J5-07 PAL	1	1	E22
89	89		23-385J5-00		J5-07 PAL	1	1	E14
90	90		23-38E7 -00		*** THIS ITEM IS NOT USED ***	-	-	
91	91		90-00024-01		EYELET,ROLLED 0.1210DX0.192	4	4	
92	92		90-09185-00		JUMPER, WIRE, INSULATED, BLACK B	2	2	W1,W5
93	93		99-07004-06		CARTON,DIE CUT,B,200PSI W/ARTWOR	1	1	
94	94		99-07025-06		BAG,ANTISTATIC BUBBLE	1	1	
95	95		99-07092-04		BAG,TRANSLUCENT,ESD PROTECTIVE	1	1	
96	96		19-19684-B1		385BZ PREC VOLT REF PRECON	1	1	Q2
97	97		21-24942-02		*** THIS ITEM IS NOT USED ***	-	-	
98	98		23-70E7 -00		*** THIS ITEM IS NOT USED ***	-	-	
99	99		23-71E7 -00		*** THIS ITEM IS NOT USED ***	-	-	
100	100		23-68E7 -00		*** THIS ITEM IS NOT USED ***	-	-	
101	101		23-69E7 -00		*** THIS ITEM IS NOT USED ***	-	-	
102	102		11-17166-00		PIV= 20 IO= 1.00A D0-35	1	1	D9
103	103		21-24674-11		*** THIS ITEM IS NOT USED ***	-	-	
104	104	SEE NOTE 10	21-24942-03 A		DC511 MICROVAX SYSTEM SUPPORT CH	1	1	E2
105	105	SEE NOTE 6	21-24674-13		DC341 CVAX 90 NS W/ POLYX INSTR	1	1	E32
106	106				*** THIS ITEM IS NOT USED ***	-	-	
107	107				*** THIS ITEM IS NOT USED ***	-	-	
108	108				*** THIS ITEM IS NOT USED ***	-	-	
109	109				*** THIS ITEM IS NOT USED ***	-	-	
110	110		21-26266-06		RAM,STATIC 16KX4 35N	11	11	E49,E52,E55,E63,E64,E67,E68, CONT E70,E71,E73,E74
111	111		23-194E7-00	E7-01		U	1	E33
112	112		23-195E7-00	E7-01		U	1	E26
113	113		23-192E7-00	E7-01		U	1	E33
114	114		23-193E7-00	E7-01		U	1	E26
115	115		21-25972-02		DC527 BUS CONTROLLER INTER	1	1	E1
116	116	SEE NOTE 9	21-18054-08		16K MOS RAM 35NS	4	4	E57,E58,E60,E61

2 GEN: THE -03,-06,-07 AND -04 VARIATIONS OF PART# 21-26604-02 MAY BE USED IN PLACE OF THE -02 VARIATION ITEM # 79.
4 GEN: 10-29563-01 MAY BE USED IN PLACE OF ITEM #7, 10-14265-02.

LINE ITEM

TOP DOCUMENT

PART NUMBER

MIN
REV

DESCRIPTION

AA BA
K03 K03

REFERENCE DESIGNATORS

- 5 GEN: PREVIOUS REV DOCUMENTATION WAS FOR FIELD SERVICE
- 6 GEN: THE -14,-15 AND -16 VARIATIONS OF 21-24674 MAY BE USED IN PLACE OF THE -13 VARIATION ITEM #105.
- 7 GEN: 18-18800-03 MAY BE USED IN PLACE OF 18-28790-02 IN ITEM 47.
- 8 GEN: THE -02 VARIATION OF 21-24673 MAY BE USED IN PLACE OF THE -01 VARIATION ITEM #73.
- 9 GEN: THE -08 VAR. OF 21-18054 ITEM 116 MAY BE USED IN PLACE OF -07 VAR., WHICH WAS BEING SCREENED TO MEET SPEC.
- 10 GEN: 02 VAR. OF 21-24942-00 ITEM 104 MAY BE USED IN PLACE OF C^.,AS LONG AS D9(11-17166-00)IS IN PLACE ACROSS R5(13-13469-00).

DIGITAL
DIGITAL EQUIPMENT CORPORATION

PURCHASE SPECIFICATIONS

TITLE: CABLE ASSEMBLY, 18 AWG, N/FEMALE FAN CONNECTORS, 5 POSITION KEYED FEMALE CONNECTOR

Proprietary Information:

This document contains proprietary information of Digital Equipment Corporation. This document and the information it contains may only be used in the design, production, or manufacture of products for Digital Equipment Corporation.

This is an Unpublished Work which contains Confidential and Secret Information which is protected under the copyright laws. The existence of the copyright notice is not to be construed as an admission or presumption that publication has occurred. Unauthorized copying is strictly prohibited; reasonable copying is permitted in performance of the above. All Rights Reserved.

Default Tolerances:
Unless otherwise specified, dimensions are in inches. Fractional inch tolerance is +1/64. Decimal inch tolerances are: three place ±0.005, two place ±0.02, one place +0.1. Angle Tolerance is +0°30'.

Approved Vendor:
Approved vendors are designated in Digital's Qualified Vendor Listing.

Document Approvals and Date:

Design Engineer	Component Engineer	Writer	Release Date
M. Serating	M. Griffith	K. Gagne	15 SEP 86

Document Revision History:

Approval Name	ECO No.	Doc. Rev	Approval Date
R. Yedavalli	00001B	B	25 NOV 87
R. DiSalvo	00002	C	21 JUN 90
M. Griffith	00003	D	13 AUG 90

SIZE	CODE	NUMBER	REV.
A	PS	1701360-0-0	D

PAGE 1 OF 7

DIGITAL
DIGITAL EQUIPMENT CORPORATION

PURCHASE SPECIFICATIONS

DIGITAL PART NUMBER	REV	DIGITAL PART NUMBER	REV	DIGITAL PART NUMBER	REV
17-01360-01	B01	17-01360-02	A01	17-01360-03	INA

1. GENERAL DESCRIPTION:

This specification defines the detail requirements of an 18 AWG, cable assembly, with two female fan connectors, and one single row keyed female connector with locking ramp.

2. APPLICABLE DOCUMENTS (Per latest revision on date of order):

Digital Equipment Corporation (Digital)

- A-PS-1210283-0-0 Plug-Cord Assembly
- A-PS-1225786-0-0 Contact, Crimp, High Force, Female
- A-PS-1226013-0-0 Housing, Connector, Female, Single Row, With Locking Ramp
- A-PS-3616073-0-0 Label, Identification

Underwriters' Laboratories, Inc

UL-STD-94 Tests For Flammability of Plastic Materials for Parts in Devices and Appliances

Canadian Standards Association

C22.2 No. 154 Data Processing Equipment

SIZE	CODE	NUMBER	REV.
A	PS	1701360-0-0	D

PAGE 2 OF 7

DIGITAL
DIGITAL EQUIPMENT CORPORATION

PURCHASE SPECIFICATIONS

TITLE: CABLE ASSEMBLY, 18 AWG, N/FEMALE FAN CONNECTORS, 5 POSITION KEYED FEMALE CONNECTOR

Proprietary Information:

This document contains proprietary information of Digital Equipment Corporation. This document and the information it contains may only be used in the design, production, or manufacture of products for Digital Equipment Corporation.

This is an Unpublished Work which contains Confidential and Secret Information which is protected under the copyright laws. The existence of the copyright notice is not to be construed as an admission or presumption that publication has occurred. Unauthorized copying is strictly prohibited; reasonable copying is permitted in performance of the above. All Rights Reserved.

Default Tolerances:
Unless otherwise specified, dimensions are in inches. Fractional inch tolerance is +1/64. Decimal inch tolerances are: three place ±0.005, two place ±0.02, one place +0.1. Angle Tolerance is +0°30'.

Approved Vendor:
Approved vendors are designated in Digital's Qualified Vendor Listing.

Document Approvals and Date:

Design Engineer	Component Engineer	Writer	Release Date
M. Serating	M. Griffith	K. Gagne	15 SEP 86

Document Revision History:

Approval Name	ECO No.	Doc. Rev	Approval Date
R. Yedavalli	00001B	B	25 NOV 87
R. DiSalvo	00002	C	21 JUN 90
M. Griffith	00003	D	13 AUG 90

SIZE	CODE	NUMBER	REV.
A	PS	1701360-0-0	D

PAGE 1 OF 7

DIGITAL
DIGITAL EQUIPMENT CORPORATION

PURCHASE SPECIFICATIONS

DIGITAL PART NUMBER	REV	DIGITAL PART NUMBER	REV	DIGITAL PART NUMBER	REV
17-01360-01	B01	17-01360-02	A01	17-01360-03	INA

1. GENERAL DESCRIPTION:

This specification defines the detail requirements of an 18 AWG, cable assembly, with two female fan connectors, and one single row keyed female connector with locking ramp.

2. APPLICABLE DOCUMENTS (Per latest revision on date of order):

Digital Equipment Corporation (Digital)

- A-PS-1210283-0-0 Plug-Cord Assembly
- A-PS-1225786-0-0 Contact, Crimp, High Force, Female
- A-PS-1226013-0-0 Housing, Connector, Female, Single Row, With Locking Ramp
- A-PS-3616073-0-0 Label, Identification

Underwriters' Laboratories, Inc

UL-STD-94 Tests For Flammability of Plastic Materials for Parts in Devices and Appliances

Canadian Standards Association

C22.2 No. 154 Data Processing Equipment

SIZE	CODE	NUMBER	REV.
A	PS	1701360-0-0	D

PAGE 2 OF 7

DIGITAL
DIGITAL EQUIPMENT CORPORATION

PURCHASE SPECIFICATIONS

3. REQUIREMENTS:

- 3.1 **Mechanical:**
 - 3.1.1 **Material/Finish:**
 - 3.1.1.1 Jacket: Polyvinyl chloride (PVC), color black.
 - 3.1.1.2 Female Fan Connector with Cord (J1 and J2): Per 12-10283-00 of A-PS-1210283-0-0.
 - 3.1.1.3 Female Connector W/Locking Ramp (J3):
 - A. Housing: Per 12-26013-05 of A-PS-1226013-0-0.
 - B. Female Crimp Contacts: Per 12-25786-01 of A-PS-1225786-0-0.
 - 3.1.2 Cable Construction: Per 12-10283-00 of A-PS-1210283-0-0. In addition, the individual cables are covered with an external jacket, as shown in Figure 1.
 - 3.1.3 Configuration/Dimensions: Per Figure 1.
 - 3.1.4 Wiring: Per Table I.
 - 3.1.5 Item Identification: Per Table II.
- 3.2 **Electrical:** Voltage Rating: 300 VRMS
- 3.3 **Environmental Temperature Rating:** +85°C.
- 3.4 **Laboratory Approvals/Flammability:**
 - 3.4.1 Laboratory Approvals: All subcontracted items shall be UL recognized per UL Guide ZPPW2. In addition, all subcontracted items shall be assembled by a UL certified (per UL subject 764) wire harness manufacturer.
 - A person (within Digital) authorized by CSA shall examine all subcontracted items for CSA requirements in the intended application.
 - 3.4.2 Flammability: Plastic material used in the construction of this item shall be rated V-2 or better, per UL-STD-94, and CSA Standard C22.2 NO. 154, CL.6.10.4.

SIZE	CODE	NUMBER	REV.
A	PS	1701360-0-0	D

PAGE 3 OF 7

DIGITAL
DIGITAL EQUIPMENT CORPORATION

PURCHASE SPECIFICATIONS

3.5 Marking:

- 3.5.1 Female Fan Connector W/Cord (J1 and J2): Per 12-10283-00 of A-PS-1210283-0-0.
 - 3.5.2 Female Connector W/Locking Ramp (J3): Per 12-26013-05 of A-PS-1226013-0-0.
 - 3.5.3 Cable Assembly: Shall be individually labeled with 36-16073-00 of A-PS-3616073-0-0 and in accordance with UL subject 764, as agreed to between the manufacture and UL.
 - 3.6 **Workmanship:** Item shall be uniform in quality and be free from defects that adversely affect life, serviceability, performance, or appearance.
 - 3.7 **Packaging and shipping:** The item shall be properly packaged to prevent damage in handling, transit, and storage. Minimum marking data on container shall include the vendor name or symbol, vendor part number, Digital Equipment Corporation part number, Digital Part Revision, Purchase Order number and quantity.
- 4. QUALITY ASSURANCE PROVISIONS:**
- 4.1 **Approval:** Items submitted shall have been initially approved by Digital Equipment Corporation. Approval shall be given only after samples representative of the vendors normal production run have been examined, tested and found to meet the requirements of this specification.
 - 4.2 **Construction Changes:** Approved vendors who desire at any time to make a change in the design materials, process control which impact any requirement, shall submit a written request describing in detail the changes requested. Also evidence to justify such changes. The user will then submit this request to the proper Engineering Department and Component Engineering Group for consideration. No changes shall be incorporated until written approval has been received from the group or groups authorized by the user.
- Failure to comply, shall be sufficient cause for removal as "Qualified Source" with complete requalification required before product is deemed acceptable.

SIZE	CODE	NUMBER	REV.
A	PS	1701360-0-0	D

PAGE 4 OF 7



DIGITAL EQUIPMENT CORPORATION

PURCHASE SPECIFICATIONS

TABLE I

WIRING

FROM CONN	TO CONN
J1-1	J3-3
J1-2	J3-1
J2-1	J3-5
J2-2	J3-4

DOCUMENT NUMBER			
SIZE	CODE	NUMBER	REV.
A	PS	1701360-0-0	D

PAGE 5 OF 7



DIGITAL EQUIPMENT CORPORATION

PURCHASE SPECIFICATIONS

TABLE II

ITEM IDENTIFICATION

DIGITAL PART NUMBER	DIMENSIONS	
	A	B
17-01360-01	18.00	24.00
17-01360-02	42.00	48.00
17-01360-03	INACTIVATE REPLACED BY 17-01360-02	

DOCUMENT NUMBER			
SIZE	CODE	NUMBER	REV.
A	PS	1701360-0-0	D

PAGE 6 OF 7

4

3

2

1

NOTE: RIBBED SIDE DD ZIP CORD FROM J1-2 TO J3-1 AND J2-2 TO J3-4.

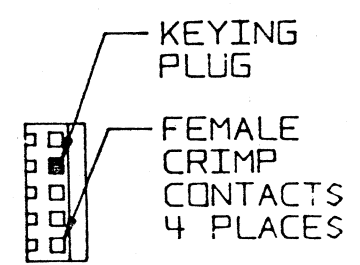
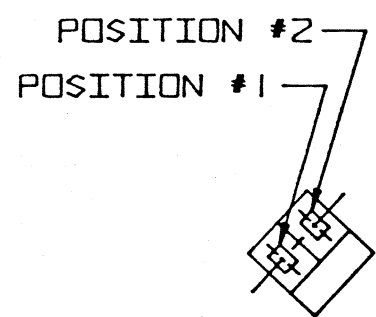
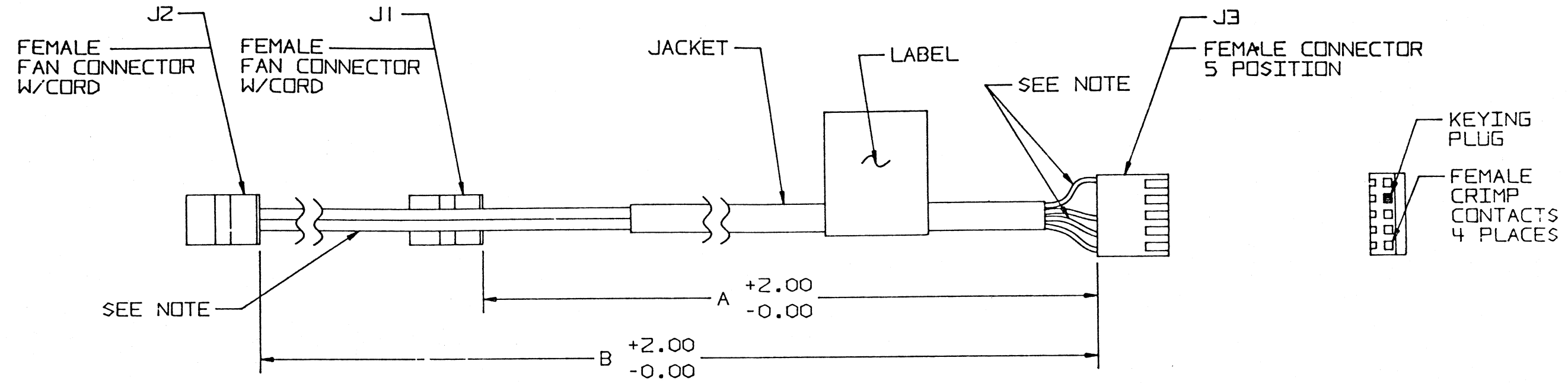


FIGURE 1 CONFIGURATION/DIMENSIONS

LAYER 1/B
PLOT AT 1.000
08/01/90 PJB, JJC

DOCUMENT NUMBER			
SIZE	CODE	NUMBER	REV.
B	PS	1701360-0-0	0
PAGE		7 of 7	

4

3

2

1



DIGITAL EQUIPMENT CORPORATION

PURCHASE SPECIFICATIONS

TITLE: CABLE ASSEMBLY, FLAT, 28 AWG, 50 CONDUCTOR, IDC POLARIZED CONNECTORS

Proprietary Information:

This document contains proprietary information of Digital Equipment Corporation. This document and the information it contains may only be used in the design, production, or manufacture of products for Digital Equipment Corporation.

Default Tolerances:
Unless otherwise specified, dimensions are in inches. Fractional inch tolerance is $\pm 1/64$. Decimal inch tolerances are: three place ± 0.005 , two place ± 0.02 , one place ± 0.1 . Angle tolerance is $\pm 0.30^\circ$.

Approved Vendor:

Approved vendors are designated in Digital's Qualified Vendor Listing.

Document Approvals and Date:

Design Engineer	Component Engineer	Writer	Release Date
M. Collins	J. Doyer	K. Gagne	13 JAN 88

Document Revision History:

Approval Name	ECO No.	Doc. Rev	Approval Date

DOCUMENT NUMBER		REV.
SIZE	CODE	NUMBER
A	PS	1701898-0-0
		A

PAGE 1 OF 9



DIGITAL EQUIPMENT CORPORATION

PURCHASE SPECIFICATIONS

DIGITAL PART NUMBER		DIGITAL PART REV		DIGITAL PART NUMBER		DIGITAL PART REV	
REV	NO	REV	NO	REV	NO	REV	NO
17-01898-01	A01	17-01898-02	A01	17-01898-03	A01	17-01898-04	A01

1. GENERAL DESCRIPTION:

This specification defines the detail requirements for a 50 conductor, 28 AWG stranded ribbon cable with multiple IDC type polarized female connectors.

2. APPLICABLE DOCUMENTS (Per latest revision on date of order):

Digital Equipment Corporation (Digital)

A-PS-1218562-0-0 Tab, Full, Plastic

A-PS-1223995-0-0 Connector, Polarized, Center, With Strain Relief

A-PS-1701037-0-0 Cable Ribbon, Flat, 50 Conductor

A-PS-3616073-0-0 Label, Identification

Underwriters' Laboratories, Inc.

UL-STD-94

Tests for Flammability of Plastic Materials for Parts in Devices and Appliances

Canadian Standards Association (CSA)

C22.2 No. 154 Data Processing Equipment

3. REQUIREMENTS:

3.1 Mechanical:

3.1.1 Material and Finish:

3.1.1.1 Cable: Per 17-01037-01 of A-PS-1701037-0-0.

3.1.1.2 Female IDC Type Polarized Connectors (J1 thru J5): Per 12-23995-05 of A-PS-1223995-0-0.

DOCUMENT NUMBER		REV.
SIZE	CODE	NUMBER
A	PS	1701898-0-0
		A

PAGE 2 OF 9



DIGITAL EQUIPMENT CORPORATION

PURCHASE SPECIFICATIONS

3.5 Marking: Cable assembly shall be individually labeled per 36-16073-00 of A-PS-3616073-0-0. In addition, cable shall be marked in accordance with UL subject 764, as agreed to between the manufacture and Underwriters Laboratories.

3.6 Workmanship: Item shall be uniform in quality and be free from defects that adversely affect life, serviceability, performance, or appearance.

3.7 Packaging and Shipping: Item shall be properly packaged to prevent damage in handling, transit, and storage. Minimum marking data on container shall include vendor name or symbol, vendor part number, Digital Equipment Corporation part number, Purchase Order number and quantity.

4. QUALITY ASSURANCE PROVISIONS:

4.1 Approval: Items submitted shall have been initially approved by Digital Equipment Corporation. Approval shall be given only after samples representative of the vendors normal production run have been examined, tested and found to meet the requirements of this specification.

4.2 Construction Changes: Approved vendors who desire at any time to make a change in the design, materials, process control which impact any requirement, shall submit a written request describing in detail the changes requested. Also evidence to justify such changes. The user will then submit this request to the proper Engineering Department and Component Engineering Group for consideration. No changes shall be incorporated until written approval has been received from the group or groups authorized by the user.

Failure to comply, shall be sufficient cause for removal as "Qualified Source" with complete requalification required before product is deemed acceptable.

DOCUMENT NUMBER		REV.
SIZE	CODE	NUMBER
A	PS	1701898-0-0
		A

PAGE 4 OF 9



DIGITAL EQUIPMENT CORPORATION

PURCHASE SPECIFICATIONS

3.1.2 Cable Construction: Per 17-01037-01 of A-PS-1701037-0-0.

3.1.3 Number of Conductors: 50

3.1.4 Number of Positions/Contacts (J1 thru J5): 50

3.1.5 Cable Retention: When a pull force of 10 pounds is applied in any direction, from 0° to 45° normal, for 1 minute, there shall be no evidence of damage to the conductors.

3.1.6 Configuration/Dimensions: Per Table I.

3.1.7 Wiring: All variations shall be wired position 1 to position 1.

3.2 Electrical:

3.2.1 Assembly Voltage Rating: 150 Volts DC maximum.

3.2.2 Dielectric Withstanding Voltage: Cable assembly shall withstand 1000 volts DC for 3 seconds.

3.2.3 Intermittent, Shorting and Continuity Test: Shall be performed on complete assembly at 12 volts, 0.5 amps and on 100% of the product.

3.3 Environmental:

3.3.1 Operating Temperature: 0°C to 60°C.

3.3.2 Storage Temperature: -40°C to +80°C.

3.4 Laboratory Approvals/Flammability:

3.4.1 Laboratory Approvals: All subcontracted items shall be UL recognized per UL Guide 2PPW2. In addition, all subcontracted items shall be assembled by a UL certified (per UL subject 764) wire harness manufacturer.

A person (within Digital) authorized by CSA shall examine all subcontracted items for CSA requirements in the intended application.

3.4.2 Flammability: Plastic material used in the construction of this item shall be rated V-2 or better, per UL-STD-94 and CSA Standard, C22.2 No. 154, CL.6.10.4.

DOCUMENT NUMBER		REV.
SIZE	CODE	NUMBER
A	PS	1701898-0-0
		A

PAGE 3 OF 9

TABLE I
ITEM IDENTIFICATION

DIGITAL PART NUMBER	CONFIGURATION/ DIMENSIONS
17-01898-01	PER FIGURE 1
17-01898-02	PER FIGURE 2
17-01898-03	PER FIGURE 3
17-01898-04	PER FIGURE 4

DOCUMENT NUMBER			
SIZE	CODE	NUMBER	REV.
A	PS	1701898-0-0	A
PAGE 5 OF 9			

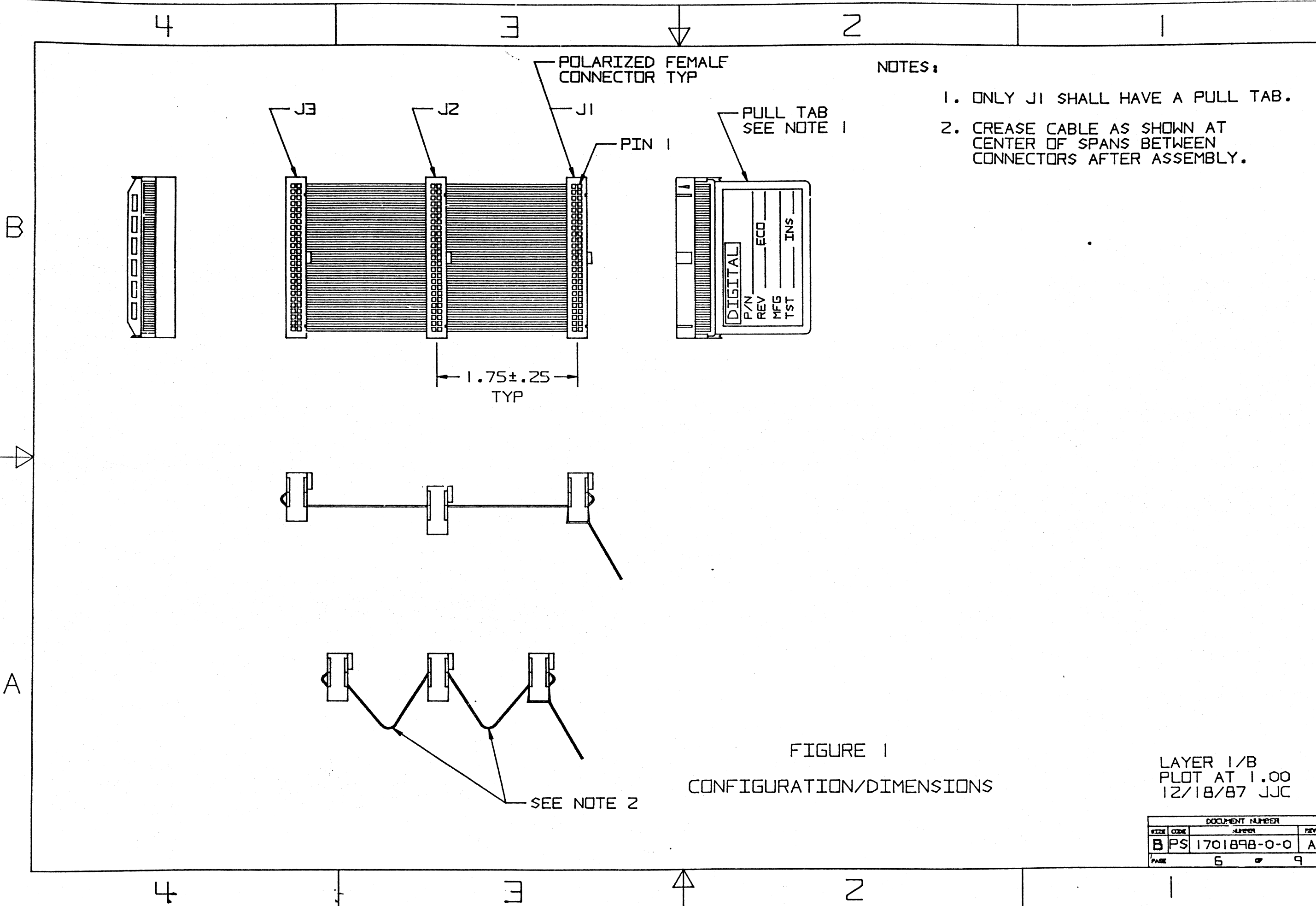


FIGURE 1
CONFIGURATION/DIMENSIONS

LAYER 1/B
PLOT AT 1.00
12/18/87 JJC

DOCUMENT NUMBER			
SIZE	CODE	NUMBER	REV.
B	PS	1701898-0-0	A
PAGE		6	OF 9

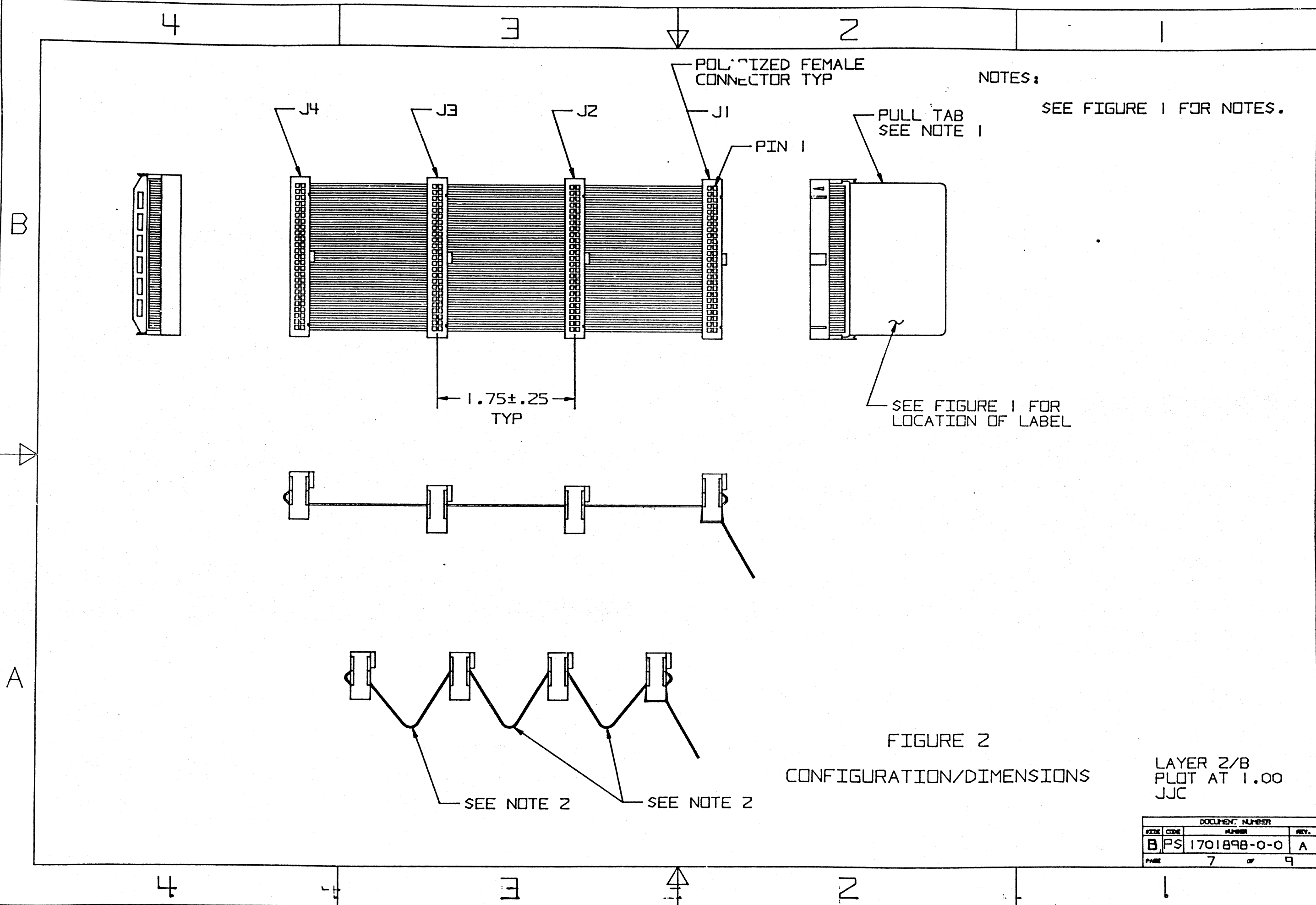


FIGURE 2
CONFIGURATION/DIMENSIONS

LAYER 2/B
PLOT AT 1.00
JJC

DOCUMENT NUMBER			
SIZE	CODE	NUMBER	REV.
B	PS	1701898-0-0	A
PAGE	7 of 9		

NOTES:

SEE FIGURE 1 FOR NOTES.

POLARIZED FEMALE
CONNECTOR TYP

PULL TAB
SEE NOTE 1

PIN 1

SEE FIGURE 1 FOR
LOCATION OF LABEL

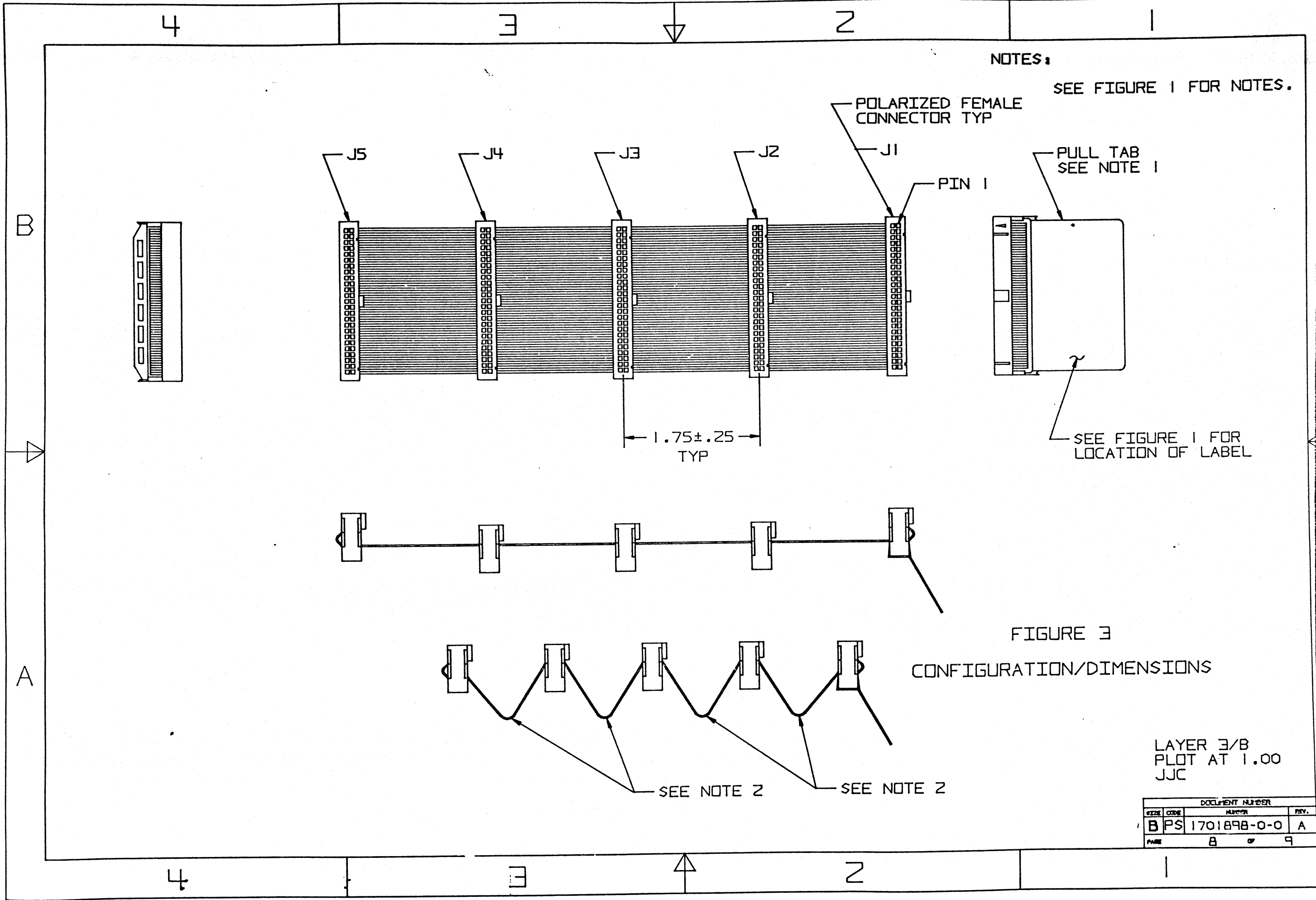
1.75 ± .25
TYP

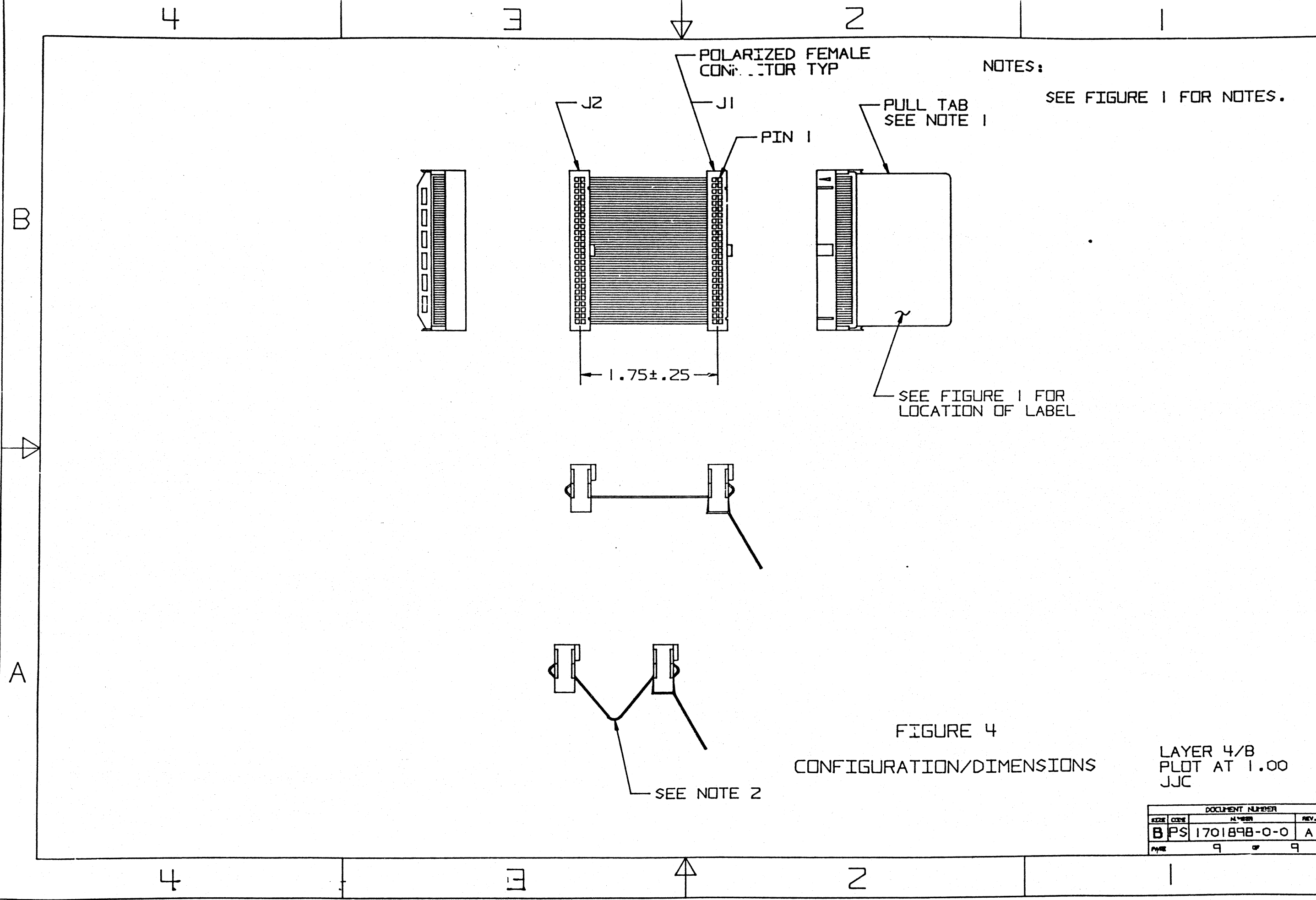
FIGURE 3

CONFIGURATION/DIMENSIONS

LAYER 3/B
PLOT AT 1.00
JJC

DOCUMENT NUMBER			
SIZE	CODE	NUMBER	REV.
B	PS	1701898-0-0	A
PAGE		8	of 9



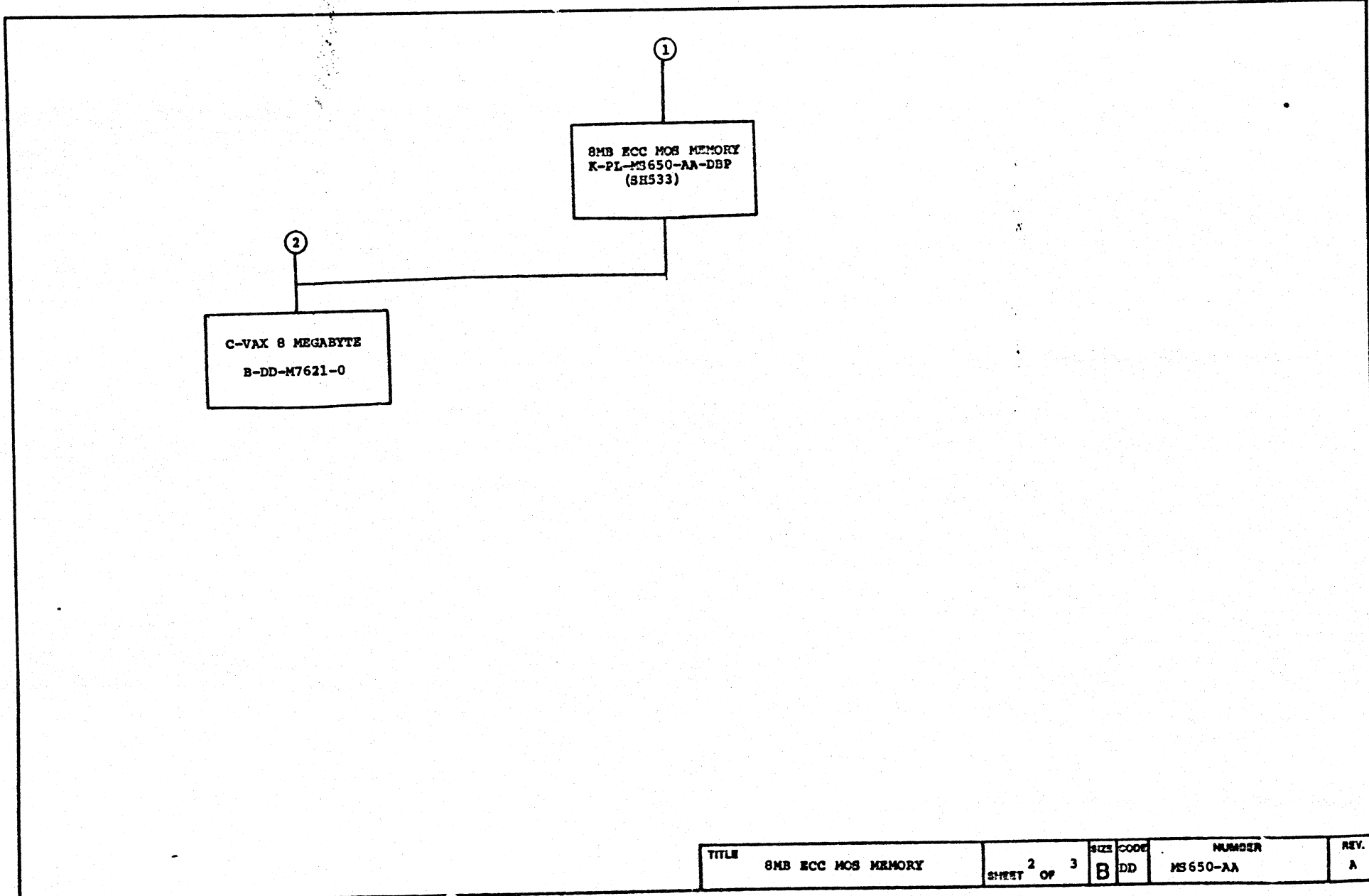


DRAWING NO.	NO. SHTS	PART NO.	DESCRIPTION	REVISIONS
		H7868-A	S-BOX P. SUPPLY, 120V	B1 C1 D1 E1 E2 E2
		H7868-B	S-BOX P. SUPPLY, 240V	B1 C1 D1 E1 E2 E2
		H7868-C	S-BOX P. SUPPLY, 120V	- - - - - A1
		H7868-D	S-BOX P. SUPPLY, 240V	- - - - - A1
D-UA-H7868-0-DBU	2		H7868 UNIT ASSY (UA)	A B C D D E
K-PL-H7868-0-DBP	2		H7868 UNIT ASSY (PL)	B C D E F H
D-IC-H7868-0-DBU	1		H7868 INTERCONNECT DWG.	A A A B B C
B-TC-H7868-0-DBU	1		H7868 UNIT ASSY (TC)	A A A IN IN IN
K-TC-H7868-0-0	1		H7868 UNIT ASSY (TC)	- - - B C D
K-SP-H7868-0-DBF	40		S-BOX P.S. (ENG.SPEC.)	A A B B B C
		MP-02511-01	FIELD MAINT. PRINT SET (H7868)	RE RE RE RE RE RE
C-UA-7022808-0-DBU	1		COVER ASSY TOP P/S	- - - A A A
K-PL-7022808-0-DBP	1		COVER ASSY TOP P/S	- - - A A A
B-DD-H7868-0-DBU	3		H7868 UNIT ASSY	A B C IN IN IN

NOTES:

REV	A	B	C	D	E	F	
R E V							
R E V I S I O N	H I S T O R Y	E C O N O	R E L O O 2	M L O O 0	C S O 0 4	M K K 0 0 5	M K K 0 0 6
D A T E		0 4 /	1 0 /	0 6 /	0 3 /	0 5 /	1 1 /
		8 7	8 7	8 8	8 9	8 9	8 9

THIS DRAWING AND THE SPECIFICATIONS CONTAINED HEREIN ARE CONFIDENTIAL AND PROPRIETARY. THEY ARE THE PROPERTY OF DIGITAL EQUIPMENT CORPORATION AND SHALL NOT BE REPRODUCED OR COPIED OR USED IN WHOLE OR IN PART AS THE BASIS FOR THE MANUFACTURE OR SALE OF ITEMS WITHOUT WRITTEN PERMISSION. THIS IS AN UNPUBLISHED WORK PROTECTED UNDER THE FEDERAL COPYRIGHT LAWS. COPYRIGHT 1989	DRN: F. WIGGINS	DATE: 27-APR-87	d i g i t a l T M	
	CHK'D: D. HEALY	DATE: 27-APR-87	TITLE H7868 UNIT ASSY	
	DES.ENG.: J. CROSS	DATE: 27-APR-87	SHEET 1 OF 1	EDIT: 7
	RESP.ENG.: J. CROSS	DATE: 27-APR-87	DOCUMENT NUMBER	
			DD FILENAME: H7868F.DDF	
	MFG.ENG.: M. SHILO	DATE: 27-APR-87	SIZE CODE NUMBER REV	K DD H7868-0-0 F



DWG 107A
EN-61237-16-REV A (208)

AUTOMATED BY VAXKPL (V1.3)

P A R T S L I S T

SHEET A1 OF A1

LINE ITEM	TOP DOCUMENT	PART NUMBER	MIN REV	DESCRIPTION	AA A1	QUANTITY PER VARIATION/REVISION
1	B-DD-M7621-0	M7621-AA		8MB 256K CHIP RAM ARRAY = M7621-AF		1

REVISION HISTORY		KPL MATRIX FORMAT		SECTION A OF A	DRN: ROBERT KOPPENAL	D I G I T A L				
ENG	ECO NUMBER	REV	SECTION/VARIATION INDEX		DATE: 18-DEC-87	TITLE		PARTS LIST		
---	INITIAL	A	[A]	AA	CHK'D: ROBERT KOPPENAL	8MB ECC MOS MEMORY				
			[B]		DATE: 18-DEC-87					
			[C]		DES.ENG: J. GROOMS			DOCUMENT NUMBER		
			[D]		DATE: 18-DEC-87	SIZE	CODE	NUMBER	REV	
			[E]		RESP.ENG.: J. GROOMS	K	PL	MS650-AA-DBP	A	
			[F]		DATE: 18-DEC-87			RELEASE DATE: 18-DEC-87		
			[H]		MFG.ENG: P. COHEN			RELEASE STATUS: RELEASED		
			[J]		DATE: 18-DEC-87					
		BASIC PART NUMBER:		ASSEMBLY NUMBER:	TOP DOCUMENT NUMBER:	FILE NAME:		EDIT #		
		MS650			B-DD-MS650-AA	SH533A.PLS		5		

"THIS DRAWING AND THE SPECIFICATIONS CONTAINED HEREIN ARE CONFIDENTIAL AND PROPRIETARY. THEY ARE THE PROPERTY OF DIGITAL EQUIPMENT CORPORATION AND SHALL NOT BE REPRODUCED OR COPIED OR USED IN WHOLE OR IN PART AS THE BASIS FOR THE MANUFACTURE OR SALE OF ITEMS WITHOUT WRITTEN PERMISSION. THIS IS AN UNPUBLISHED WORK PROTECTED UNDER THE FEDERAL COPYRIGHT LAWS."