

DRAWING NO.	NO. OF SHTS.	PART NO.	DESCRIPTION	REVISIONS															
				A1	A1	A1	A1												
		6500S-A2	BA213 BOX, M7620-AA, 2 PS, 120V	A1	A1	A1	A1												
		6500S-A3	BA213 BOX, M7620-AA, 2 PS, 240V	A1	A1	A1	A1												
		6500S-B2	BA213 BOX, M7602-AA, 2 PS, 120V W/SKINS	A1	A1	A1	A1												
		6500S-B3	BA213 BOX, M7620-AA, 2 PS, 240V W/SKINS	A1	A1	A1	A1												
		6500S-C2	6500S-A2 & RACK MOUNT	A1	A1	A1	A1												
		6500S-C3	6500S-A3 & RACK MOUNT	A1	A1	A1	A1												
		6500S-D2	6500S-A2 & WALL MOUNT	A1	A1	A1	A1												
		6500S-D3	6500S-A3 & WALL MOUNT	A1	A1	A1	A1												
		6500S-E2	BA213 BOX, M7620-BA, 2 PS, 120V	A1	A1	A1	A1												
		6500S-E3	BA213 BOX, M7620-BA, 2 PS, 240V	A1	A1	A1	A1												
		6500S-F2	BA213 BOX, M7620-BA, 2 PS, 120V W/SKINS	A1	A1	A1	A1												
		6500S-F3	BA213 BOX, M7620-BA, 2 PS, 240V W/SKINS	A1	A1	A1	A1												
		6500S-H2	6500S-E2 & RACK MOUNT	A1	A1	A1	A1												
		6500S-H3	6500S-E3 & RACK MOUNT	A1	A1	A1	A1												
		6500S-J2	6500S-E2 & WALL MOUNT	A1	A1	A1	A1												
		6500S-J3	6500S-E3 & WALL MOUNT	A1	A1	A1	A1												
		6500S-K2	6500S-A2 W/B MEG MEM (SBB) 120V	-	-	-	A1	A1											
		6500S-K3	6500S-A3 W/B MEG MEM (SBB) 240V	-	-	-	A1	A1											
E-UA-6500S-0-DBU	2		6500S PEDESTAL BA213 (UA)	A	B	C	C												
K-PL-6500S-0-DBP	4		6500S PEDESTAL BA213 (PL)	A	B	C	C												
B-TC-6500S-0-DBU	1		6500S PEDESTAL BA213 (TC)	A	A	B	C												

NOTES:

FILE NAME: DD-6500S-0-DBUD

DATE	ECO NO.	REV.	INITIAL	DATE	ECO NO.	REV.	INITIAL
09-FEB-88		A				A	
	6500S-CTS001	B				B	
	6500S-CTS002	C				C	
18-OCT-88	6500S-CTS003	C				C	

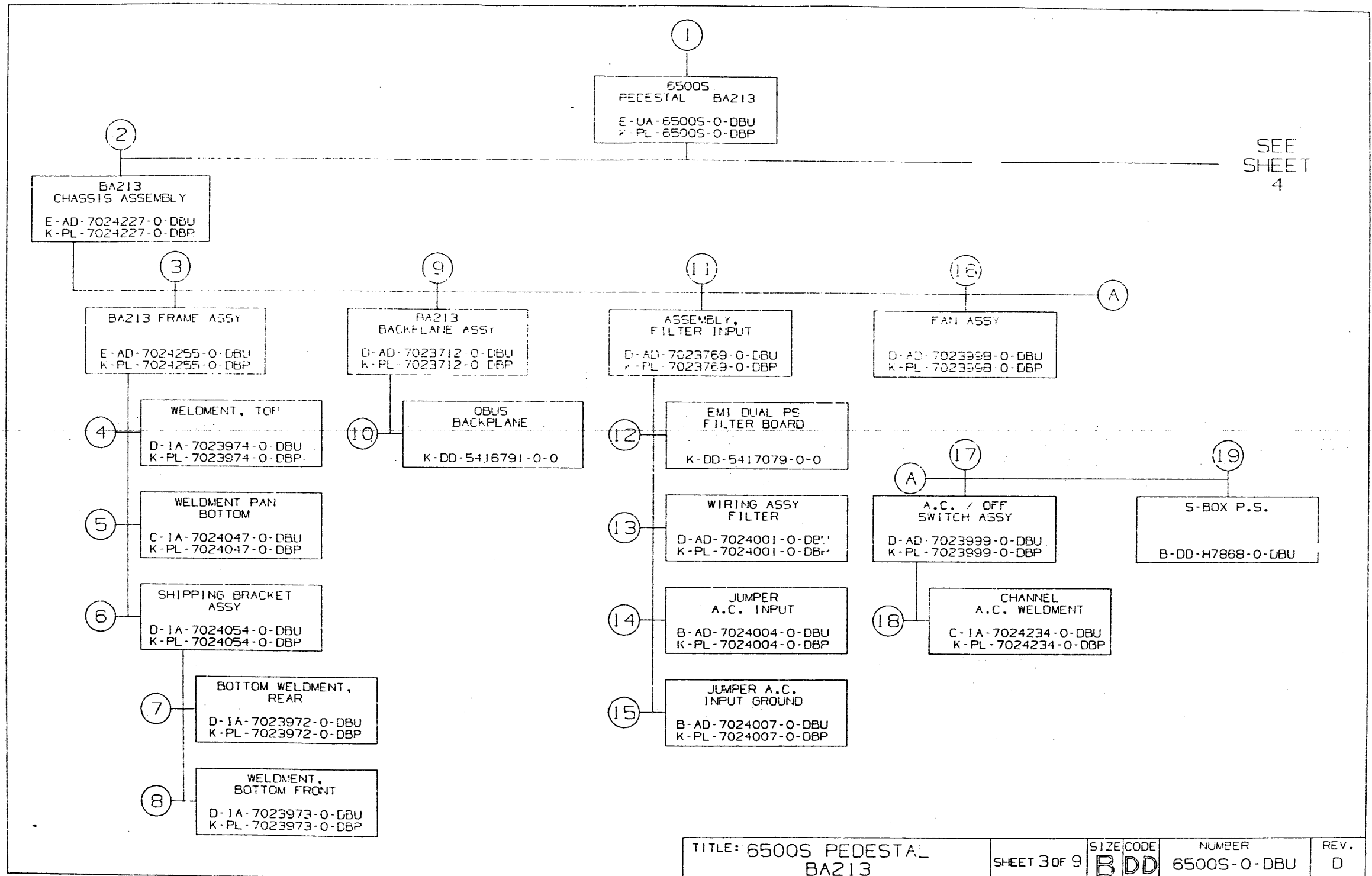
THIS DRAWING AND THE SPECIFICATIONS CONTAINED HEREIN ARE CONFIDENTIAL AND PROPRIETARY. THEY ARE THE PROPERTY OF DIGITAL EQUIPMENT CORPORATION AND SHALL NOT BE REPRODUCED OR COPIED OR USED IN WHOLE OR IN PART AS THE BASIS FOR THE MANUFACTURE OR SALE OF ITEMS WITHOUT WRITTEN PERMISSION. THIS IS AN UNPUBLISHED WORK PROTECTED UNDER THE FEDERAL COPYRIGHT LAWS.



DRN.	JEFF CORMIER	DATE	17-APR-87
CHK'D	D. HEALY	DATE	24-AUG-87
DES. ENG.	G. LIDINGTON	DATE	24-AUG-87
RESP. ENG.	G. LIDINGTON	DATE	24-AUG-87
MFG. ENG.	M. MAI	DATE	24-AUG-87

TITLE			
6500S PEDESTAL BA213			
SIZE CODE	NUMBER	REV.	
BDD	6500S-0-DBU	D	
			SHEET 1 OF 9

DRB 126C EN-01242-10-REVA(386)



SEE SHEET 4

TITLE: 6500S PEDESTAL BA213	SHEET 3 OF 9	SIZE CODE BDD	NUMBER 6500S-0-DBU	REV. D
--------------------------------	--------------	-------------------------	-----------------------	-----------

MLO1

CONT
SHEET
3

20

H3600 BULKHEAD
MODULE ASSY
D-UA-7023988-0-DBU
K-PL-7023988-0-DBP

21

BULKHEAD FRONT
DUAL ASSY
D-AD-7023982-0-DBU
K-PL-7023982-0-DBP

22

H3600 CONSOLE
SLU MODULE
K-DD-5417016-0-0

21

BULKHEAD FRONT
DUAL ASSY
D-AD-7023982-0-DBU
K-PL-7023982-0-DBP

23

BIZ ACCESSORIES
KIT
K-PL-7024316-0-DBP

24

BASE ASSY
D-AD-7024046-0-DBU
K-PL-7024046-0-DBP

SEE
SHEET
5

TITLE: 6500S PEDESTAL BA213	SHEET 4 OF 9	SIZE CODE BDD	NUMBER 6500S-0-DBU	REV. D
--------------------------------	--------------	------------------	-----------------------	-----------

MLO1

CONT SHEET
4

(25)

SHELL ENCLOSURE ASSY
E-AD-7024037-0-DBU
K-PL-7024037-0-DBP

(26)

PANEL ASSY, FRONT
E-AD-7024041-0-DBU
K-PL-7024041-0-DBP

(27)

KA650
B-ED-M7620-0-0

(28)

PKG CPU BA223
A-PA-3700506-0-0
K-PL-3700906-0-DBP

(29)

BA213 WALLMOUNT KIT
K-PL-BA213-W-DBP

(B)

(30) WALL MOUNT HARDWARE
F-PL-7024263-0-DBP

(31) PKG BRACKET BA213 WALL MT KIT
A-PA-3700954-0-0
K-PL-3700954-0-DBP

(B)

(32)

BA213 RACKMOUNT KIT
K-PL-BA213-R-DBP

(33)

BULKHEAD FRONT ASSY
D-AD-7023981-0-DBU
K-PL-7023981-0-DBP

(34)

PANEL GAP FILLER ASSY
C-AD-7024071-0-DBU
K-PL-7024071-0-DBP

(35)

8 MB ECC MOS MEMORY
B-DD-MS650-AA

(30) RACKMOUNT HARDWARE
K-PL-7024263-0-DBP

(31) PKG BRACKET BA213 RACK MT KIT
A-PA-3700954-0-0
K-PL-3700954-0-DBP

TITLE: 6500S PEDESTAL
BA213

SHEET 5 OF 9

SIZE CODE
B DD

NUMBER
6500S-0-DBU

REV.
D

MLO1

FIND NO.	DRAWING NO.	DESCRIPTION	TYPE	FIND NO.	DRAWING NO.	DESCRIPTION	TYPE
	K-PL-7023973-0-DBP	WELDMENT, BOTTOM FRONT (PL)	M				
	C-MD-7433961-0-DBU	WIREFORM, BOTTOM FRONT	M				
	B-MD-7433577-0-DBU	BRACKET, SHIPPING, BOTTOM	M				
9	D-AD-7023712-0-DBU	BA213 BACKPLANE ASSY	E/M	16	D-AD-7023998-0-DBU	FAN ASSEMBLY	M
	K-PL-7023712-0-DBP	BA213 BACKPLANE ASSY (PL)	E/M		K-PL-7023998-0-DBP	FAN ASSEMBLY (PL)	M
	D-1A-7433566-0-DBU	PANEL, BACKPLANE SUPPORT	M		D-MD-7433565-0-DBU	BRACKET, FAN	M
	K-PL-7433566-0-DBP	PANEL, BACKPLANE SUPPORT (PL)	M				
	C-MD-7433980-0-DBU	INSULATOR, BACKPLANE	M	17	D-AD-7023999-0-DBU	A.C./OFF SWITCH ASSY	E/M
					K-PL-7023999-0-DBP	A.C./OFF SWITCH ASSY (PL)	E/M
					C-MD-7433966-0-DBU	BOX, SWITCH	M
					A-PS-1701469-0-0	WIRE HARNESS ASSY	E/M
10	K-DD-5416791-0-0	OBUS BACKPLANE	E/M				
11	D-AD-7023769-0-DBU	ASSY, FILTER INPUT	E/M	18	C-1A-7024234-0-DBU	CHANNEL WELDMENT, A/C	M
	K-PL-7023769-0-DBP	ASSY, FILTER INPUT (PL)	E/M		K-PL-7024234-0-DBP	CHANNEL WELDMENT, A/C (PL)	M
	E-1A-7433962-0-DBU	SUPPORT, AC FILTER	M		D-MD-7433975-0-DBU	CHANNEL, A/C RIGHT	M
	K-PL-7433962-0-DBP	SUPPORT, AC FILTER (PL)	M		D-1A-7433963-0-DBU	COVER, A/C RIGHT	M
					K-PL-7433963-0-DBP	COVER, A/C RIGHT (PL)	M
12	K-DD-5417179-0-0	EMI DUAL PS FILTER BOARD	E/M	19	B-DD-H7868-0-DBU	S-BOX PS	E/M
13	D-1A-7024001-0-DBU	WIRING ASSEMBLY, FILTER	E/M	20	D-UA-7023988-0-DBU	H3600 BULKHEAD MODULE ASSY	E/M
	K-PL-7024001-0-DBP	WIRING ASSEMBLY, FILTER (PL)	E/M		K-PL-7023988-0-DBP	H3600 BULKHEAD MODULE ASSY (PL)	E/M
					C-MD-7433477-0-DBU	HOLDER, BATTERY PACK	M
					A-PS-3626584-0-0	LABEL, BAUD SELECT H3600	M
					A-PS-3623593-0-0	LABEL, BLANK, PAPER, PIN FEED	M
14	D-1A-7024004-0-DBU	JUMPER, A/C INPUT	E/M				
	K-PL-7024004-0-DBP	JUMPER, A/C INPUT (PL)	E/M	21	D-AD-7023982-0-DBU	BULKHEAD FRONT DUAL ASSY	M
					K-PL-7023982-0-DBP	BULKHEAD FRONT DUAL ASSY (PL)	M
					E-1A-7433637-0-DBU	BULKHEAD, FRONT, DUAL	M
					K-PL-7433637-0-DBP	BULKHEAD, FRONT, DUAL	M
15	B-1A-7024007-0-DBU	JUMPER, A/C INPUT, GROUND	E/M				
	K-PL-7024007-0-DBP	JUMPER, A/C INPUT, GROUND (PL)	E/M				

TYPE: E ELECTRICAL
M MECHANICAL
E/M ELECTRO/MECHANICAL



TITLE: 6500S PEDESTAL
BA213

SHEET 7 OF 9
SIZE CODE BDD
NUMBER 6500S-0-DBU
REV. D

FIND NO.	DRAWING NO.	DESCRIPTION	TYPE	FIND NO.	DRAWING NO.	DESCRIPTION	TYPE
					C-MD-7434062-0-DBU	CHANNEL (FRONT PANEL)	M
					C-MD-7434065-0-DBU	SPRING, CHANNEL	M
22	K-CD-5417016-0-0	43000 CONTROL SLU MODULE	E/M		C-MD-7434123-0-DBU	BRACKET, T	M
					C-MD-7434124-0-DBU	BRACKET, L OM	M
					D-MD-7434065-0-DBU	LATCH, SLIDE	M
					D-MD-7434063-0-DBU	TUMBLER	M
23	K-PL-7024316-0-DBP	BIZ ACCESSORIES KIT (PL)	E/M		D-MD-7434064-0-DBU	LATCH, PULL	M
	A-PS-1700811-0-0	CABLE ASSY, 6 COND, OVAL	E/M		C-MD-7434363-0-DBU	STOP, DOOR POSITION	M
	A-PS-3627923-0-0	LABEL, S-BOX	M		C-MD-7434426-0-DBU	LOGO, BA213	M
				27	B-CD-M7E20-0-0	KA250	E/M
24	D-AD-7024046-0-DBU	BASE ASSEMBLY	M				
	K-PL-7024046-0-DBP	BASE ASSEMBLY (PL)	M				
	E-1A-7433650-0-DBU	BASE, LOWER	M				
	K-PL-7433650-0-DBP	BASE, LOWER (PL)	M				
	B-MD-7434068-0-DBU	WHEEL, BASE	M	28	A-PA-3700906-0-0	PKG CPU BA223	M
	B-MD-7434069-0-DBU	SHAFT, WHEEL	M		K-PL-3700906-0-DBP	PKG CPU BA223 (PL)	M
	C-MD-7423357-0-DBU	KEY, BUTTON	M				
	C-MD-7434846-0-DBU	SUPPORT, LABEL	M				
				29	K-PL-BA213-W-DBP	BA213 WALLMOUNT KIT (PL)	M
25	E-AD-7024037-0-DBU	SHELL ENCLOSURE ASSY	M				
	K-PL-7024037-0-DBP	SHELL ENCLOSURE ASSY (PL)	M				
	E-MD-7433646-0-DBU	COVER, TOP	M				
	E-1A-7433694-0-DBU	PANEL, SIDE, LEFT	M	30	K-PL-7024263-0-DBP	BA213 MOUNTING HARDWARE (PL)	M
	K-PL-7433694-0-DBP	PANEL, SIDE, LEFT (PL)	M		D-MD-7434432-0-DBU	BRACKET, WALL MOUNT	M
	E-1A-7433647-0-DBU	PANEL, SIDE	M				
	K-PL-7433647-0-DBP	PANEL, SIDE (PL)	M				
	E-1A-7433651-0-DBU	PANEL, REAR	M				
	K-PL-7433651-0-DBP	PANEL, REAR (PL)	M				
	C-MD-7434126-0-DBU	BRACKET, CORNER	M	31	A-PA-3700954-0-0	PKG BRACKET, BA213 MOUNTING KIT	M
	C-MD-7434125-0-DBU	BRACKET, SIDE	M		K-PL-3700954-0-DBP	PKG BRACKET, BA213 MOUNTING KIT (PL)	M
	C-MD-7423357-0-DBU	KEY BUTTON	M				
	B-MD-7434424-0-DBU	SLEEVE	M				
				32	K-PL-BA213-R-DBP	BA213 RACKMOUNT KIT (PL)	M
26	E-AD-7024041-0-DBU	PANEL ASSY, FRONT	M				
	K-PL-7024041-0-DBP	PANEL ASSY, FRONT (PL)	M				
	E-MD-7433648-0-DBU	PANEL, FRONT	M	33	D-AD-7023981-0-DBU	BULKHEAD FRONT ASSY	M
	E-MD-7434067-0-DBU	BEZEL, SWITCH	M		K-PL-7023981-0-DBP	BULKHEAD FRONT ASSY (PL)	M
	E-MD-7434061-0-DBU	DOOR	M		E-MD-7433635-0-DBU	BULKHEAD FRONT	M

TYPE: E ELECTRICAL
M MECHANICAL
E/M ELECTRO/MECHANICAL

digital

TITLE: 6500S PEDESTAL
BA213

SHEET 8 OF 9

SIZE CODE
BDD

NUMBER
6500S-0-DBU

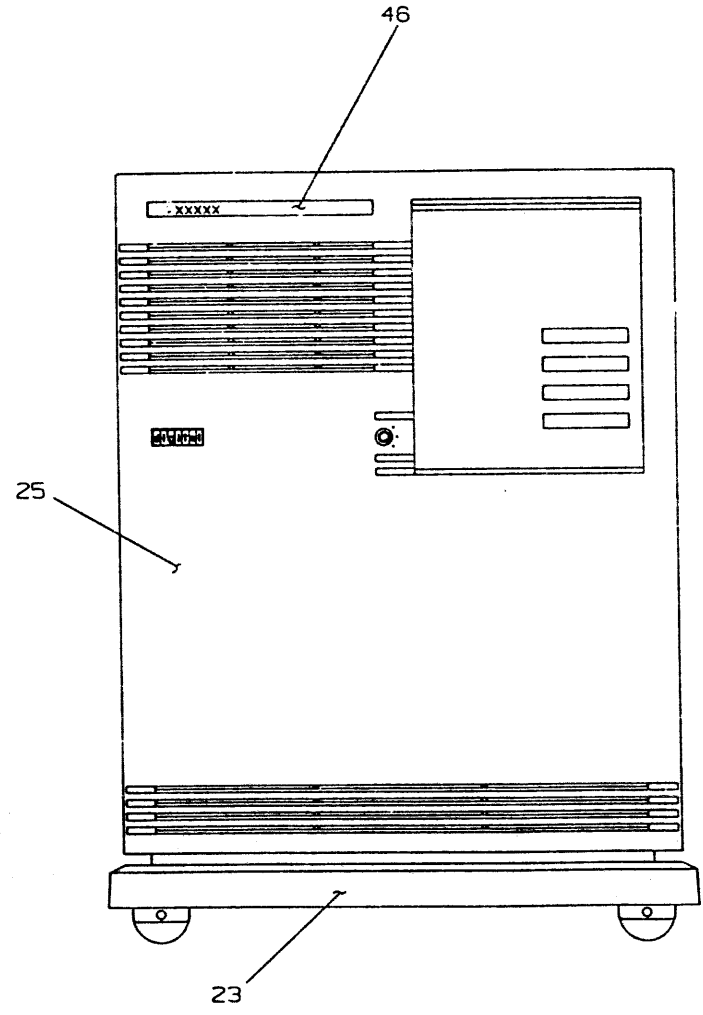
REV.
D

DRB 108A

MLOJ

THIS DRAWING AND THE SPECIFICATIONS CONTAINED HEREIN ARE THE PROPERTY OF THE UNITED STATES GOVERNMENT AND SHALL BE REPRODUCED IN WHOLE OR IN PART BY ANY PERSON OR ORGANIZATION WITHOUT PERMISSION. THIS IS AN UNCLASSIFIED DOCUMENT. THE FEDERAL CONTRACT NUMBER IS 1587.

PART NO.	REV	VARIATION
6500S-A2	A1	NO SKINS, 120V
6500S-A3	A1	NO SKINS, 240V
6500S-B2	A1	SKINS, 120V
6500S-B3	A1	SKINS, 240V
6500S-C2	A1	NO SKINS, 120V, RACK MT
6500S-C3	A1	NO SKINS, 240V, RACK MT
6500S-D2	A1	NO SKINS, 120V, WALL MT
6500S-D3	A1	NO SKINS, 240V, WALL MT
6500S-E2	A1	NO SKINS, 120V
6500S-E3	A1	NO SKINS, 240V
6500S-F2	A1	SKINS, 120V
6500S-F3	A1	SKINS, 240V
6500S-H2	A1	NO SKINS, 120V, RACK MT
6500S-H3	A1	NO SKINS, 240V, RACK MT
6500S-J2	A1	NO SKINS, 120V, WALL MT
6500S-J3	A1	NO SKINS, 240V, WALL MT
6500S-K2	A1	6500S-A2 W/B MEG MEM (588) 120V
6500S-K3	A1	6500S-A3 W/B MEG MEM (588) 240V

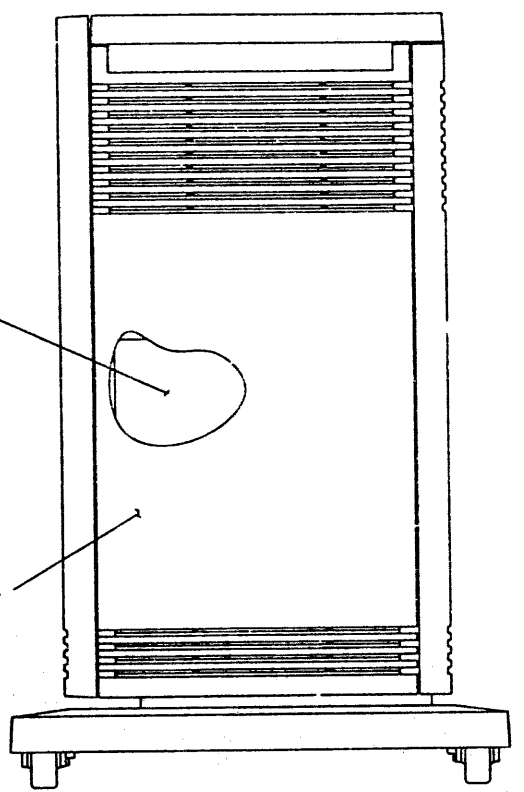


A ←

→ B

A ←

→ B



SEE SHEET 2

VIEW A-A

PLOT AT .5000
 FILE NAME: 6500S-0-DBUC
 CAUTION: OFF SHEET PARTS LIST EXISTS
 SEE K-PL-6500S-0-DBP
 (MLA1838)

REV	DATE	BY	CHKD	DESCRIPTION
A	24-AUG-87	G. HEALY	G. LIDINGTON	INITIAL
B	24-AUG-87	G. LIDINGTON	G. LIDINGTON	REVISED
C	24-AUG-87	G. LIDINGTON	G. LIDINGTON	REVISED

DESCRIPTION	DRAWING NO.	PART NO.	REV																				
6500S PEDESTAL BA213	8-DD-6500S-0-DBU		1																				
<table border="1"> <thead> <tr> <th>TOLERANCE</th> <th>FINISH</th> <th>PLATING</th> <th>WELDING</th> <th>THREADS</th> <th>SPRINGS</th> <th>COILS</th> <th>WELDS</th> <th>OTHER</th> </tr> </thead> <tbody> <tr> <td>±.005</td> <td>AS-BUILT</td> <td>AS-BUILT</td> <td>AS-BUILT</td> <td>AS-BUILT</td> <td>AS-BUILT</td> <td>AS-BUILT</td> <td>AS-BUILT</td> <td>AS-BUILT</td> </tr> </tbody> </table>				TOLERANCE	FINISH	PLATING	WELDING	THREADS	SPRINGS	COILS	WELDS	OTHER	±.005	AS-BUILT	AS-BUILT	AS-BUILT	AS-BUILT	AS-BUILT	AS-BUILT	AS-BUILT	AS-BUILT		
TOLERANCE	FINISH	PLATING	WELDING	THREADS	SPRINGS	COILS	WELDS	OTHER															
±.005	AS-BUILT	AS-BUILT	AS-BUILT	AS-BUILT	AS-BUILT	AS-BUILT	AS-BUILT	AS-BUILT															
<table border="1"> <thead> <tr> <th>QUANTITY</th> <th>DESCRIPTION</th> <th>UNIT</th> <th>REVISION</th> </tr> </thead> <tbody> <tr> <td>1</td> <td>6500S PEDESTAL</td> <td>EA</td> <td>1</td> </tr> </tbody> </table>				QUANTITY	DESCRIPTION	UNIT	REVISION	1	6500S PEDESTAL	EA	1												
QUANTITY	DESCRIPTION	UNIT	REVISION																				
1	6500S PEDESTAL	EA	1																				
<table border="1"> <thead> <tr> <th>DATE</th> <th>BY</th> <th>CHKD</th> <th>TITLE</th> </tr> </thead> <tbody> <tr> <td>08-FEB-87</td> <td>J. JEFF CORNER</td> <td></td> <td>6500S PEDESTAL</td> </tr> <tr> <td>24-AUG-87</td> <td>G. HEALY</td> <td>G. LIDINGTON</td> <td>6500S PEDESTAL</td> </tr> <tr> <td>24-AUG-87</td> <td>G. LIDINGTON</td> <td>G. LIDINGTON</td> <td>6500S PEDESTAL</td> </tr> <tr> <td>24-AUG-87</td> <td>G. LIDINGTON</td> <td>G. LIDINGTON</td> <td>6500S PEDESTAL</td> </tr> </tbody> </table>				DATE	BY	CHKD	TITLE	08-FEB-87	J. JEFF CORNER		6500S PEDESTAL	24-AUG-87	G. HEALY	G. LIDINGTON	6500S PEDESTAL	24-AUG-87	G. LIDINGTON	G. LIDINGTON	6500S PEDESTAL	24-AUG-87	G. LIDINGTON	G. LIDINGTON	6500S PEDESTAL
DATE	BY	CHKD	TITLE																				
08-FEB-87	J. JEFF CORNER		6500S PEDESTAL																				
24-AUG-87	G. HEALY	G. LIDINGTON	6500S PEDESTAL																				
24-AUG-87	G. LIDINGTON	G. LIDINGTON	6500S PEDESTAL																				
24-AUG-87	G. LIDINGTON	G. LIDINGTON	6500S PEDESTAL																				
<table border="1"> <thead> <tr> <th>FORMAL</th> <th>DATE</th> <th>BY</th> <th>CHKD</th> <th>TITLE</th> </tr> </thead> <tbody> <tr> <td>1</td> <td>24-AUG-87</td> <td>M. MAI</td> <td>E. LIA</td> <td>6500S-0-DBU</td> </tr> </tbody> </table>				FORMAL	DATE	BY	CHKD	TITLE	1	24-AUG-87	M. MAI	E. LIA	6500S-0-DBU										
FORMAL	DATE	BY	CHKD	TITLE																			
1	24-AUG-87	M. MAI	E. LIA	6500S-0-DBU																			
<table border="1"> <thead> <tr> <th>FORMAL</th> <th>DATE</th> <th>BY</th> <th>CHKD</th> <th>TITLE</th> </tr> </thead> <tbody> <tr> <td>1</td> <td>24-AUG-87</td> <td>M. MAI</td> <td>E. LIA</td> <td>6500S-0-DBU</td> </tr> </tbody> </table>				FORMAL	DATE	BY	CHKD	TITLE	1	24-AUG-87	M. MAI	E. LIA	6500S-0-DBU										
FORMAL	DATE	BY	CHKD	TITLE																			
1	24-AUG-87	M. MAI	E. LIA	6500S-0-DBU																			

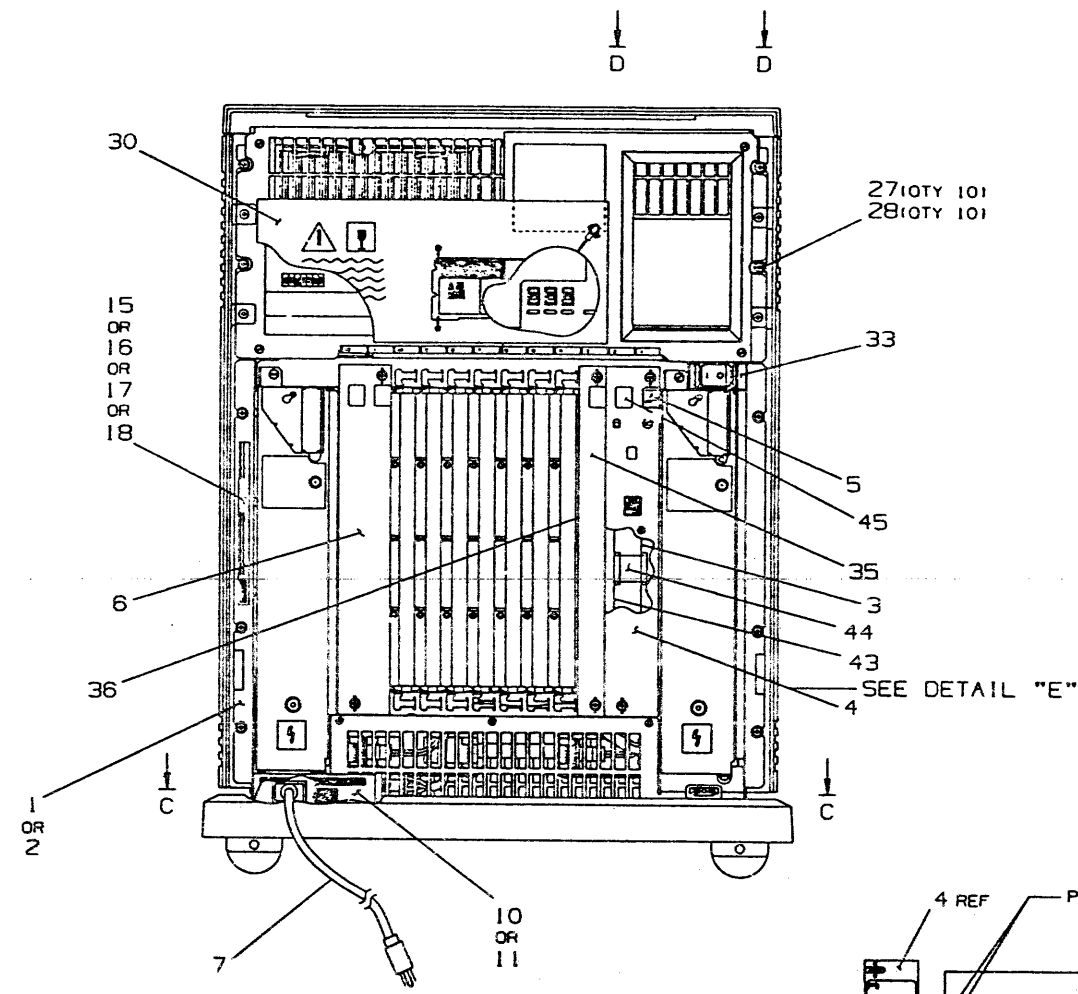
MLO1

THE DESIGN AND THE SPECIFICATIONS CONTAINED HEREIN ARE THE PROPERTY OF THE UNITED STATES GOVERNMENT. THEY ARE THE PROPERTY OF THE UNITED STATES GOVERNMENT AND ARE NOT TO BE REPRODUCED OR COPIED OR USED IN ANY MANNER WITHOUT THE EXPRESS WRITTEN PERMISSION OF THE UNITED STATES GOVERNMENT. THIS IS AN UNCLASSIFIED DOCUMENT AND IS NOT PROTECTED UNDER THE FEDERAL COPYRIGHT LAWS.

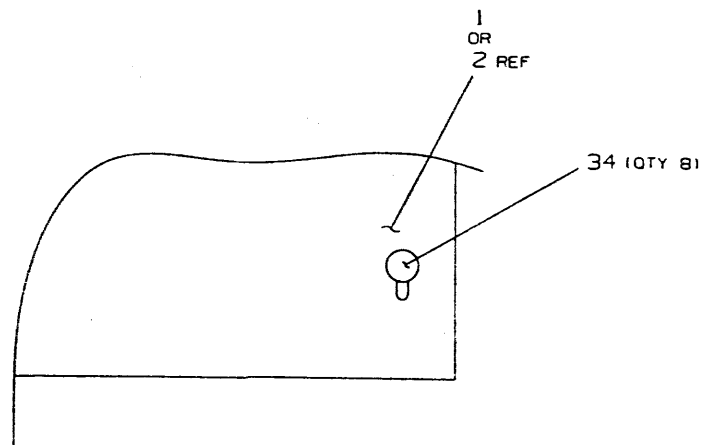
85005-0-000

NOTES:

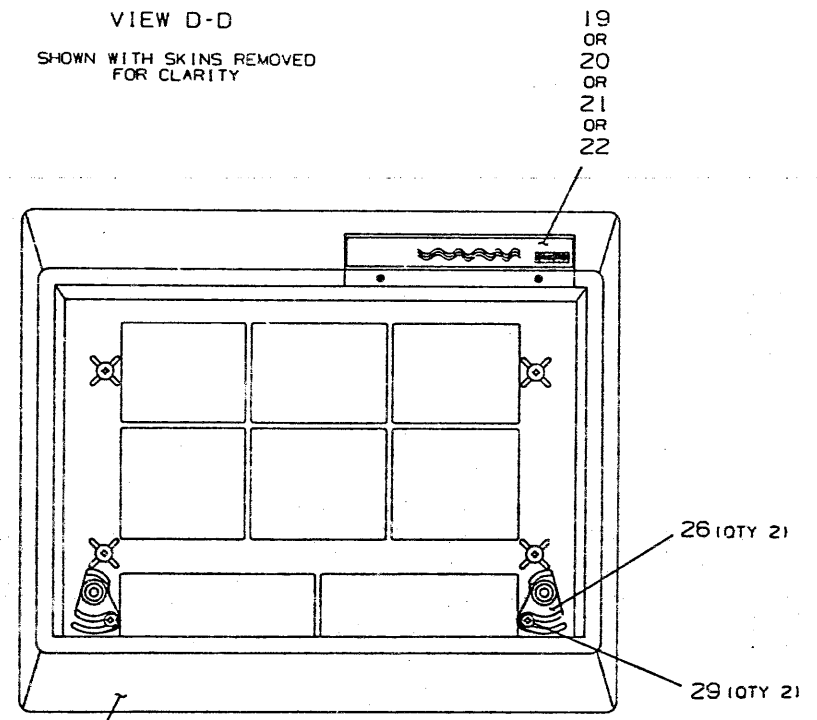
1. ITEMS 12,15,16,17,18 ARE FOR MFG USE ONLY.



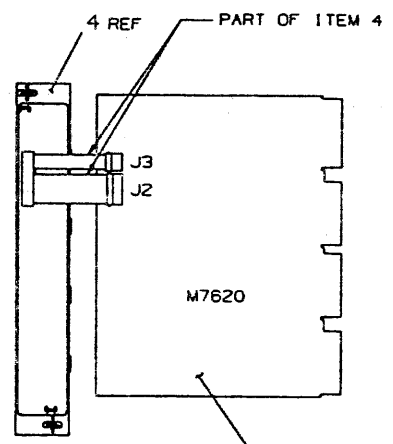
VIEW B-B
SHOWN WITH FRONT PANEL
(ITEM 25) REMOVED



VIEW D-D
SHOWN WITH SKINS REMOVED
FOR CLARITY



VIEW C-C
SHOWING ONLY BASE ASSY (ITEM 23)
AND RELATED ITEMS



DETAIL "E"
(REAR VIEW OF ITEM 4)

REVISION HISTORY		
DATE	REV	DESCRIPTION

TITLE
85005 PEDESTAL
BA213

DOCUMENT NUMBER
85005-0-000
SCALE 1/2"=1'-0"
SHEET 2 OF 2
MLO1

PLOT AT .5000

PARTS LIST

LINE	ITEM	TOP DOCUMENT	PART NUMBER	MIN REV	DESCRIPTION	QUANTITY PER VARIATION/REVISION											
						A2 A1	A3 A1	B2 A1	B3 A1	C2 A1	C3 A1	D2 A1	D3 A1	E2 A1	E3 A1		
1		E-AD-7024227-0-DBU	70-24227-03		EA213 BOX, 2 PS-120V, 12 SLOT BIZ	1											
2		E-AD-7024227-0-DBU	70-24227-04		EA213 BOX, 2 PS-240V, 12 SLOT BIZ			1		1							
3		E-DD-N7620-0-0	N7620-AA		CVAY 90MS CPU MOD, 2 LEVEL 64KB CAC						1						
4		D-UA-7023988-0-DBU	70-23988-01		H3600 BULKHEAD MODULE ASSY					1	1						
5		A-PS-3626883-0-0	36-26883-44		LABEL, MODULE NUMBER N7620-AA					1	1						
6		D-AD-7023982-0-DBU	70-23982-02		BULKHEAD FRONT PANEL ASSY					1	1						
7		SEE NOTE 1	17-00083-43		PWR CORD, TERM 16-35FT 120V												
8		K-PL-7024316-0-DBP	70-24316-01		BIZ ACCESSORIES KIT FOR 0 SKINS					1	1						
9		K-PL-7024316-0-DBP	70-24316-02		BIZ ACCESSORIES												
10		A-PS-3617905-0-0	36-17905-16		LABEL, WARNING EQUIP. RATING, 100-12												
11		A-PS-3617905-0-0	36-17905-17		LABEL, WARNING EQUIP. RATING, 220-24					1							
12		A-PS-3618460-0-0	36-18460-06		LABEL, BAR CODE BLANK .50 X 4.0		1				1						
13		A-PA-3700906-0-0	37-00906-02		PKG CPU BA223 (PAL)	4	4	4	4	4	4	4	4	4	4	4	4
14		A-PA-3700906-0-0	37-00906-04		PALLETIZED												
15		SEE NOTE 2	36-27329-01		LABEL, SERIAL/MODEL 100V	1				1							
16		SEE NOTE 3	36-27329-02		LABEL, SERIAL/MODEL 100V	A/R				A/R		A/R			A/R		
17		SEE NOTE 2	36-27329-03		LABEL, SERIAL/MODEL 220V	A/R				A/R		A/R			A/R		
18		SEE NOTE 3	36-27329-04		LABEL, SERIAL/MODEL 220V		A/R					A/R			A/R		A/R
19		SEE NOTE 2	36-27838-01		LABEL, PEDESTAL 11/83 USA, 100V							A/R			A/R		A/R
20		SEE NOTE 3	36-27838-04		LABEL, PEDESTAL 11/83 UK, 100V							A/R			A/R		A/R
21		SEE NOTE 2	36-27838-02		LABEL, PEDESTAL 6500S USA, 200V							A/R			A/R		A/R
22		SEE NOTE 3	36-27838-03		LABEL, PEDESTAL 6500S UK, 220V							A/R			A/R		A/R
23		D-AD-7024046-0-DBU	70-24046-01		BASE ASSY							A/R			A/R		A/R
24		E-AD-7024037-0-DBU	70-24037-01		SHELL ENCLOSURE ASSY												
25		E-AD-7024041-0-DBU	70-24041-01		PANEL ASSY, FRONT												
26		D-MD-7433854-0-DBU	74-33854-01		FASTENER, TURN												
27			90-06661-00		WASHER, FLAT SST			2	2								
28			90-09800-08		SCREW, THD RL, PAN PHIL F/PLAS			10	10								
29			90-09282-00		SCREW, SEMS PAN PHIL 10-32			10	10								
30		A-PS-3627924-0-0	36-27924-01		LABEL, CAUTION S-BOX SHIPPING			2	2								

REVISION HISTORY			KPL MATRIX FORMAT: SECTION A OF B		DRN: JEFF CORMIER	
ENG	ECO NUMBER	REV	SECTION/VARIATION INDEX		DATE: 14-JAN-87	D I G I T A L
	INITIAL	A	(A)	A2, A3, B2, B3, C2, C3, D2, D3, E2, E3	CHK'D: D. HEALY	TITLE PARTS LIST
GL	6500S-CTS001	B	(B)	F2, F3, H2, H3, J2, J3, K2, K3	DATE: 18-SEP-87	6500S PEDESTAL
RE	6500S-CTS002	C	(C)			BA213
			(D)		DES. ENG: G. LIDINGTON	
			(E)		DATE: 18-SEP-87	DOCUMENT NUMBER
			(F)		RESP. ENG.: G. LIDINGTON	SIZE: CODE: NUMBER REV
			(H)		DATE: 18-SEP-87	K PL 6500S-0-DBP C
			(J)		MFG. ENG: M. MAI	RELEASE DATE: 01-JUN-88
					DATE: 18-SEP-87	RELEASE STATUS: RELEASED
			BASIC PART NUMBER: 6500S		ASSEMBLY NUMBER: E-UA-6500S-0-DBU	TOP DOCUMENT NUMBER: B-DD-6500S-0-DBU
			FILE NAME: MLA1838C.PLS			EDIT # 3

"THIS DRAWING AND THE SPECIFICATIONS CONTAINED HEREIN ARE CONFIDENTIAL AND PROPRIETARY. THEY ARE THE PROPERTY OF DIGITAL EQUIPMENT CORPORATION AND SHALL NOT BE REPRODUCED OR COPIED OR USED IN WHOLE OR IN PART AS THE BASIS FOR THE MANUFACTURE OR SALE OF ITEMS WITHOUT WRITTEN PERMISSION. THIS IS AN UNPUBLISHED WORK PROTECTED UNDER THE FEDERAL COPYRIGHT LAWS."

PARTS LIST

LINE	ITEM	TOP DOCUMENT	PART NUMBER	MIN REV	DESCRIPTION	QUANTITY PER VARIATION/REVISION									
						A2 A1	A3 A1	B2 A1	B3 A1	C2 A1	C3 A1	D2 A1	D3 A1	E2 A1	E3 A1
31	31	K-PL-BA213-R-DEP	BA213-RA		BA213 LARGE S-BOX BACKMOUNT KIT	-	-	-	-	1	1	-	-	-	-
32	32	K-PL-BA213-W-DEP	BA213-WA		BA213 LARGE S-BOX WALL MOUNT KIT	-	-	-	-	-	-	1	1	-	-
33	33	C-MD-7435417-0-DEU	74-35417-01		FRAME, SWITCH	-	-	1	1	-	-	-	-	-	-
34	34		90-07064-00		PLUG, BUTTON 0.375 DIA 1010 STEEL	8	8	-	-	8	8	8	8	8	8
35	35	D-AD-7023981-0-DEU	70-23981-01		BULKHEAD FRONT ASSY	A/R	A/R	A/R	A/R	A/R	A/R	A/R	A/R	A/R	A/R
36	36	C-AD-7024071-0-DEU	70-24071-01		PANEL, GAP FILLER ASSY	A/R	A/R	A/R	A/R	A/R	A/R	A/R	A/R	A/R	A/R
37	37	B-DD-M7620-0-0	M7620-BA		M7620-AA W/MOD ROM CODE FOR SINGLE LABEL, MODULE NUMBER M7620-BA	-	-	-	-	-	-	-	-	1	1
38	38	A-PS-3626883-0-0	36-26883-86		LABEL, LOGO/MODEL, 6500S MICROVAX 35	-	-	-	-	-	-	-	-	1	1
39	39	A-PS-3627354-0-0	36-27354-12		LABEL, LOGO/MODEL, 6500S VAXSERVER 3	-	-	-	-	1	1	1	1	-	-
40	40	A-PS-3627354-0-0	36-27354-14		LABEL, LOGO/MODEL, 6500S VAXSERVER 3	-	-	-	-	-	-	-	-	-	-
41	41	K-PL-7024316-0-DEP	70-24316-03		BIZ ACCESSORY KIT (W/O SPINE) 240V	-	1	-	-	-	-	-	-	-	-
42	42	K-PL-7024316-0-DEP	70-24316-04		BIZ ACCESSORY KIT (W/O SPINE) 240V	-	-	-	1	-	-	-	-	-	1
43	43	B-DD-MS650-AA	MS650-AA		8MB RAM MEMORY ARRAY FOR KA650 (M7	-	-	-	-	-	-	-	-	-	-
44	44	A-PS-1701898-0-0	17-01898-01		CABLE ASSY, 50 COND, FLAT, 50' 2x25 IRE	-	-	-	-	-	-	-	-	-	-
45	45	A-PS-3626883-0-0	36-26883-42		LABEL, MODULE NUMBER M7621-A,	-	-	-	-	-	-	-	-	-	-
46	46	C-MD-7434425-0-DEU	74-34425-07		NAMEPLATE, MICROVAX 3500	-	-	-	-	-	-	-	-	-	-
47	47	B-DD-6500S-0-DEU	6500S-B2		KA650-AA, BA213, BA213-PA SPINE, 120V	-	-	-	-	-	-	-	-	-	-
48	48	B-DD-6500S-0-DEU	6500S-B3		KA650-AA, BA213, BA213-PA SPINE, 240V	-	-	-	-	-	-	-	-	-	-

- 1 GEN: 1. PLACE INSIDE ACCESSORY KIT (ITEM 8 OR 9) AT PACKAGING.
- 2 GEN: 2. USE THIS LABEL WHEN MFG IN USA.
- 3 GEN: 3. USE THIS LABEL WHEN MFG IN UK.

D	I	G	I	T	A	L	TITLE	SECTION A OF B	SIZE	CODE	DOCUMENT NUMBER	REV
							6500S PEDESTAL BA213		K	PL	6500S-0-DEP	C

LINE	ITEM	TOP DOCUMENT	PART NUMBER	MIN REV	DESCRIPTION	QUANTITY PER VARIATION/REVISION							
						F2 A1	F3 A1	H2 A1	H3 A1	J2 A1	J3 A1	K2 A1	K3 A1
1	1	E-AD-7024227-0-DBU	70-24227-03		BA213 BOX, 2 PS-120V, 12 SLOT BIZ	1	-	1	-	1	-	-	-
2	2	E-AD-7024227-0-DBU	70-24227-04		BA213 BOX, 2 PS-240V, 12 SLOT BIZ	-	1	-	1	-	1	-	-
3	3	B-DD-M7620-0-0	M7620-AA		CVAX 90NE CPU MOD, 2 LEVEL 64KB CAC	-	-	-	-	-	-	-	-
4	4	D-UA-7023988-0-DBU	70-23988-01		H3600 BULKHEAD MODULE ASSY	1	1	1	1	1	1	-	-
5	5	A-PS-3626888-0-0	36-26888-44		LABEL, MODULE NUMBER M7620-AA	-	-	-	-	-	-	-	-
6	6	D-AD-7023988-0-DBU	70-23988-02		BULKHEAD FRONT DUAL ASSY	1	1	1	1	1	1	-	-
7	7	SEE NOTE 1	17-00088-43		PWR CORD, TERM 16-35 FT 120V	1	-	1	-	1	-	-	-
8	8	K-PL-7024316-0-DBP	70-24316-01		BIZ ACCESSORIES KIT (W/O SKINS)	-	-	1	-	1	-	-	-
9	9	K-PL-7024316-0-DBP	70-24316-02		BIZ ACCESSORIES	1	-	-	-	-	-	-	-
10	10	A-PS-3617905-0-0	36-17905-16		LABEL, WARNING EQUIP. RATING, 100-12	1	-	1	-	1	-	-	-
11	11	A-PS-3617905-0-0	36-17905-17		LABEL, WARNING EQUIP. RATING, 220-24	-	1	-	1	-	1	-	-
12	12	A-PS-3618460-0-0	36-18460-06		LABEL, BAR CODE BLANK .50 X4.0	4	4	4	4	4	4	-	-
13	13	A-PA-3700906-0-0	37-00906-02		PKG CPU BA223 (PAL)	1	1	-	-	-	-	-	-
14	14	A-PA-3700906-0-0	37-00906-04		PALLETIZED	-	-	-	1	1	1	-	-
15	15	SEE NOTE 2	36-27329-01		LABEL, SERIAL/MODEL 100V	A/R	-	A/R	-	A/R	-	-	-
16	16	SEE NOTE 3	36-27329-02		LABEL, SERIAL/MODEL 100V	A/R	-	A/R	-	A/R	-	-	-
17	17	SEE NOTE 2	36-27329-03		LABEL, SERIAL/MODEL 220V	-	A/R	-	A/R	-	A/R	-	-
18	18	SEE NOTE 3	36-27329-04		LABEL, SERIAL/MODEL 220V	-	A/R	-	A/R	-	A/R	-	-
19	19	SEE NOTE 2	36-27838-01		LABEL, PEDESTAL 11/53 USA, 100V	A/R	-	A/R	-	A/R	-	-	-
20	20	SEE NOTE 3	36-27838-04		LABEL, PEDESTAL 11/53 UR, 100V	A/R	-	A/R	-	A/R	-	-	-
21	21	SEE NOTE 2	36-27838-02		LABEL, PEDESTAL 6500S USA, 220V	-	A/R	-	A/R	-	A/R	-	-
22	22	SEE NOTE 3	36-27838-03		LABEL, PEDESTAL 6500S UR, 220V	-	A/R	-	A/R	-	A/R	-	-
23	23	D-AD-7024046-0-DBU	70-24046-01		BASE ASSY	1	1	-	-	-	-	-	-
24	24	E-AD-7024037-0-DBU	70-24037-01		SHELL ENCLOSURE ASSY	1	1	-	-	-	-	-	-
25	25	E-AD-7024041-0-DBU	70-24041-01		PANEL ASSY, FRONT	1	1	-	-	-	-	-	-
26	26	D-MD-7433854-0-DBU	74-33854-01		FASTENER, TURN	2	2	-	-	-	-	-	-
27	27		90-06661-00		WASHER, FLAT SST	10	10	-	-	-	-	-	-
28	28		90-09800-08		SCREW, THD RL, PAN PHIL F/PLAS	10	10	-	-	-	-	-	-
29	29		90-09282-00		SCREW, SEMS PAN PHIL 10-32	2	2	-	-	-	-	-	-
30	30	A-PS-3627924-0-0	36-27924-01		LABEL, CAUTION S-BOX SHIPPING	1	1	1	1	1	1	-	-

REVISION HISTORY		KPL MATRIX FORMAT: SECTION B OF B:DRN: JEFF CORMIER		DATE: 14-JAN-87		DIGITAL	
ENG:	ECO NUMBER	REV	SECTION/VARIATION INDEX	CHK'D:	D. HEALY	TITLE PARTS LIST	
---	INITIAL	A	(A) A2,A3,B2,B3,C2,C3,D2,D3,E2,E3	DATE:	18-SEP-87	6500S PEDESTAL	
GL	6500S-CTS001	B	(B) F2,F3,H2,H3,J2,J3,K2,K3	DES.ENG:	G. LIDINGTON	BA213	
RB	6500S-CTS002	C	(C)	DATE:	18-SEP-87	DOCUMENT NUMBER	
			(D)	RESP.ENG.:	G. LIDINGTON	SIZE: CODE:	NUMBER
			(E)	DATE:	18-SEP-87	K	PL
			(F)	MFG.ENG.:	M. MAI	6500S-0-DBP	
			(H)	DATE:	18-SEP-87	C	
			(J)	RELEASE DATE:	01-JUN-88	RELEASE STATUS: RELEASED	
				DATE:	18-SEP-87	RELEASE STATUS: RELEASED	
		BASIC PART NUMBER:		ASSEMBLY NUMBER:		TOP DOCUMENT NUMBER:	
		6500S		E-UA-6500S-0-DBU		E-DD-6500S-0-DBU	
		FILE NAME: MLA1838C.PLS				EDIT #	
						3	

"THIS DRAWING AND THE SPECIFICATIONS CONTAINED HEREIN ARE CONFIDENTIAL AND PROPRIETARY. THEY ARE THE PROPERTY OF DIGITAL EQUIPMENT CORPORATION AND SHALL NOT BE REPRODUCED OR COPIED OR USED IN WHOLE OR IN PART AS THE BASIS FOR THE MANUFACTURE OR SALE OF ITEMS WITHOUT WRITTEN PERMISSION. THIS IS AN UNPUBLISHED WORK PROTECTED UNDER THE FEDERAL COPYRIGHT LAWS."

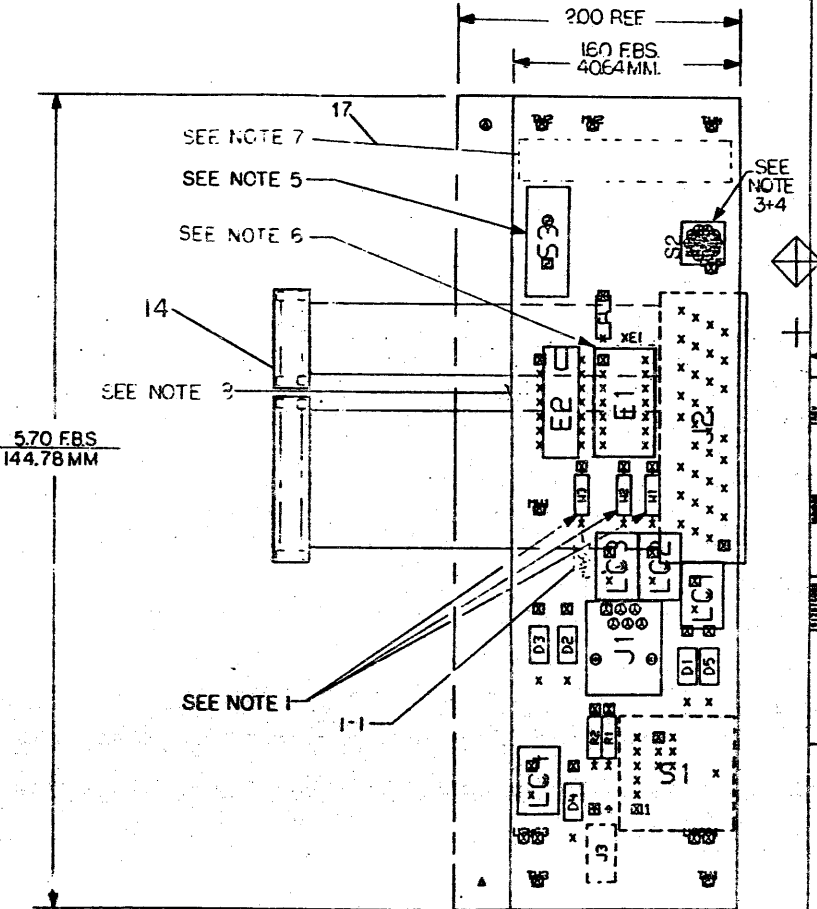
LINE	ITEM	TOP DOCUMENT	PART NUMBER	MIN REV	DESCRIPTION	QUANTITY PER VARIATION/REVISION							
						F2 A1	F3 A1	H2 A1	H3 A1	J2 A1	J3 A1	K2 A1	K3 A1
31	31	K-PL-EA213-R-DEF	EA213-RA		EA213 LARGE 3-BOX BACK MOUNT KIT	-	-	-	-	-	-	-	-
32	32	K-PL-EA213-W-DEF	EA213-WA		EA213 LARGE 3-BOX WALL MOUNT KIT	-	-	-	-	-	-	-	-
33	33	C-MD-7435417-0-DEU	74-35417-01		FRAME, SWITCH	1	1	-	-	-	-	-	-
34	34		90-07064-00		PLUG, BUTTON 3/16 DIA HOLE 1/8 DIA STEEL	-	-	8	8	8	8	-	-
35	35	D-AD-702391-1-0-DEU	70-23981-01		BULKHEAD FRONT ASSY	A/R	A/R	A/R	A/R	A/R	A/R	-	-
36	36	C-AD-7024071-0-DEU	70-24071-01		PANEL, GAP FILLER ASSY	A/R	A/R	A/R	A/R	A/R	A/R	-	-
37	37	B-DD-M7620-0-0	M7620-BA		M7620-AA W/MOD FOR INTR FOR SINGLE	1	1	1	1	1	1	-	-
38	38	A-PS-3626883-0-0	36-26883-36		LABEL, MODULE NUMBER M7620-BA	1	1	1	1	1	1	-	-
39	39	A-PS-3627354-0-0	36-27354-12		LABEL, LOGO MODEL, 6500S MICROVAX 36	-	-	-	-	-	-	-	-
40	40	A-PS-3627354-0-0	36-27354-14		LABEL, LOGO MODEL, 6500S MICROVAX 36	-	-	-	-	-	-	-	-
41	41	K-PL-7024316-0-DEF	70-24316-03		BIC ACCESSORY KIT W/O EXCISE 240V	-	-	-	1	-	-	-	-
42	42	K-PL-7024316-0-DEF	70-24316-04		BIC ACCESSORY KIT W/O EXCISE 240V	-	-	-	-	1	-	-	-
43	43	B-DD-MS650-AA	MS650-AA		SME RAM MEMORY ARRAY FOR KA650 IN7	-	-	-	-	-	-	-	-
44	44	A-PS-1701898-0-0	17-01898-01		CABLE ASSY, 50 COND, FLAT, 50 2x25-RE	-	-	-	-	-	-	-	-
45	45	A-PS-3626883-0-0	36-26883-42		LABEL, MODULE NUMBER M7621-A.	-	-	-	-	-	-	-	-
46	46	C-MD-7434425-0-DEU	74-34425-07		NAMEPLATE, MICROVAX 3600	-	-	-	-	-	-	-	-
47	47	B-DD-6500S-0-DEU	6500S-B2		KA650-AA, EA213, EA213-RA EXCISE, 120V	-	-	-	-	-	-	-	-
48	48	B-DD-6500S-0-DEU	6500S-B3		KA650-AA, EA213, EA213-RA EXCISE, 240V	-	-	-	-	-	-	-	-

- 1 GEN: 1. PLACE INSIDE ACCESSORY KIT (ITEM 8 OR 9) AT PACKAGING.
- 2 GEN: 2. USE THIS LABEL WHEN MFG IN USA.
- 3 GEN: 3. USE THIS LABEL WHEN MFG IN UK.

D	I	G	I	T	A	L	TITLE	SECTION B OF B	SIZE	CODE	DOCUMENT NUMBER	REV
							6500S PEDESTAL BA213		K	PL	6500S-0-DEF	C

THIS DRAWING AND SPECIFICATIONS REMAIN THE PROPERTY OF DIGITAL EQUIPMENT CORPORATION AND SHALL NOT BE REPRODUCED OR TRANSMITTED IN ANY FORM OR BY ANY MEANS, ELECTRONIC OR MECHANICAL, INCLUDING PHOTOCOPYING, RECORDING, OR BY ANY INFORMATION STORAGE AND RETRIEVAL SYSTEM, WITHOUT PERMISSION IN WRITING FROM DIGITAL EQUIPMENT CORPORATION. COPYRIGHT © 1986 DIGITAL EQUIPMENT CORPORATION

LEGEND	
PART NUMBER	REVISION
54-17016-01	B2



NOTES:

1. M1, M2 ARE NOT INSTALLED.
2. J1, J2, J3 AND S1 ARE MOUNTED ON SIDE 2.
3. POSITION TERMINAL "2" TOWARDS ETCH MARKING "2".
4. ENSURE THAT SWITCH IS CIRCUMFERENTIALLY VERTICAL TO BOARD WHEN SOLDERING.
5. POSITION SWITCH MARKING "O" TOWARDS THE
STEP E → Y AXIS STEP TIMES
REPEAT → X AXIS STEP TIMES

CHANGE NO	REV	DESCRIPTION
	A	
	B	
	C	
	D	
	E	
	F	
	G	
	H	
	I	
	J	
	K	
	L	
	M	
	N	
	O	
	P	
	Q	
	R	
	S	
	T	
	U	
	V	
	W	
	X	
	Y	
	Z	

NOTES CONT:

6. DOUBLE-NOTCHED END OF E1 IS TOWARDS C1
 7. LABEL TO BE PRINTED WITH ASSEMBLY PART NUMBER AND REVISION; AFFIX TO SIDE 2 IN AREA SHOWN.
 8. ALL COMPONENT LEADS DIRECTLY UNDER THE CABLE (ITEM 14) MUST BE BENT OVER FLUSH TO CIRCUIT BOARD BEFORE SOLDERING.

ETCH REV.	E1

SIGNATURES	DATE
DRN. B. CORNIER	5-2-86
CHK'D. L. MAYWOOD	5-2-86
RECH. ENG. W. K. ANDERSON	5-2-86
PROD. J. P. (MCM)	5-2-86

digital

TITLE H3600
 CONSOLE SLU MODULE

SCALE 2/1
 SHT. 1 OF 2
 NEXT HIGH-ER REVISION: K-DD-5417016-0-0

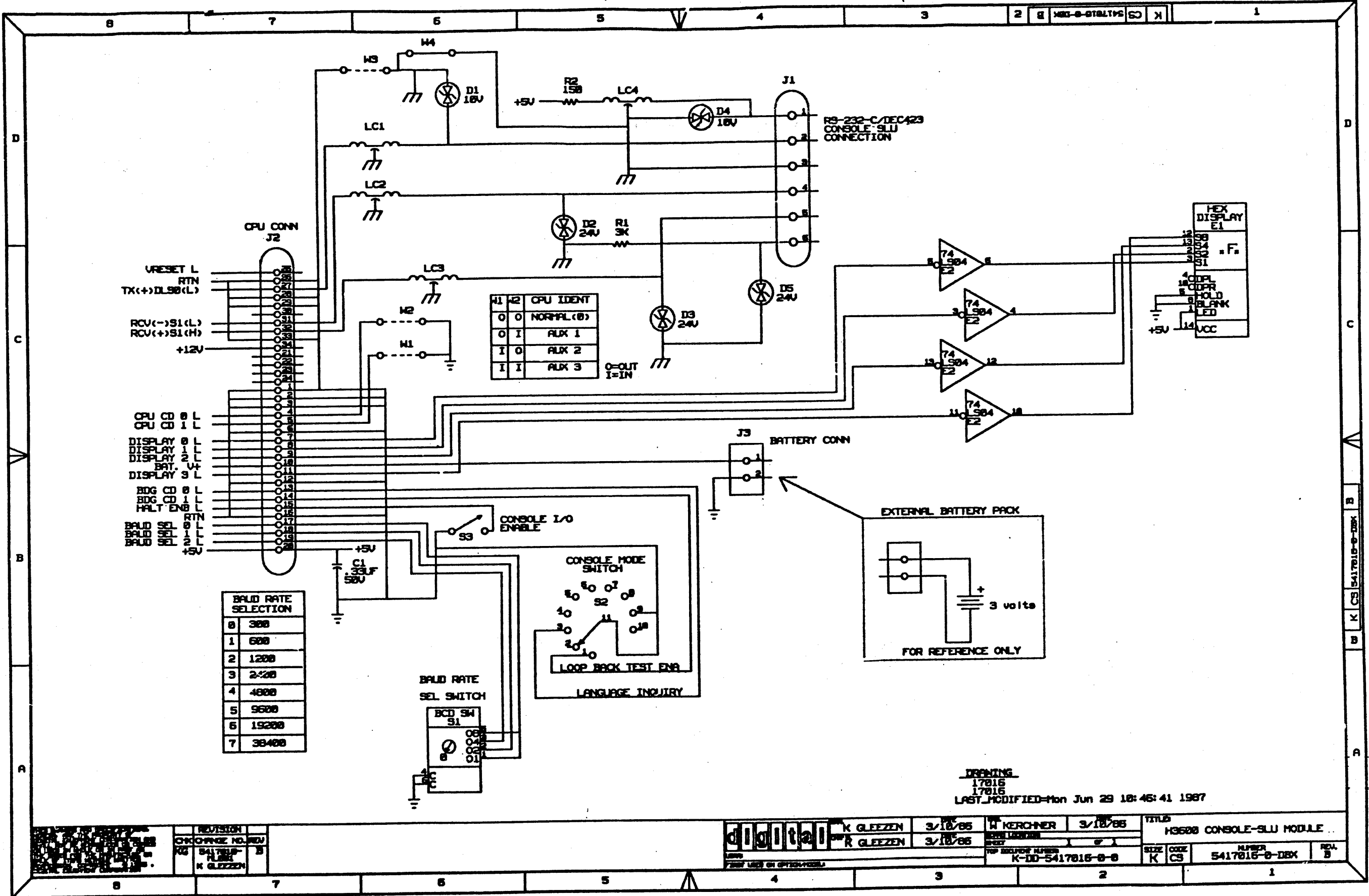
SIZE CODE NUMBER REV
 D UA 5417016-0-0

MKO 1 #2341

LINE	ITEM	TOP DOCUMENT	PART NUMBER	MIN REV	DESCRIPTION	QTY PER VAR/REV	REFERENCE DESIGNATORS
						01 B2	
1	1	D-MD-5017015-0-0	50-17015-01		CIRCUIT DRILL AND ETCH	1	
2	2		10-14265-02		0.33 MFD 50V +80/-20% Z5U C	1	C1
3	3		11-26762-01		TRANS SUPP,BIPOLAR 500W VR=24V	3	D2,D3,D5
4	4		11-27181-01		TRANS SUPP BIPOLAR VR=1	2	D1,D4
5	5		12-16565-04		SKT,IC 14POS ELEV	1	XE1
6	6		12-19196-03		PCB HEADER 02POS(1X02).100CC 90D	1	J3
7	7		12-23338-02		SW,THBWL 1P08POS 125MA28VDC	1	S1
8	8		12-23433-01		CONN,LAN JACK 06 POS	1	J1
9	9		12-25861-01		SW,ROT 1P03POS 30VDC/200MA	1	S2
10	10		12-25863-04		SW,SLIDE SPST MAINTAINED 1A	1	S3
11	11		12-26320-01		FILTER,EMI	4	LC1-LC4
12	12		13-00250-00		150.0 .25 W 5.0 % CF	1	R2
13	13		13-00432-00		3.0 K .25 W 5.0 % CF	1	R1
14	14		17-01357-01		CABLE ASSY,30COND,FLAT,28AWG DIP	1	J2
15	15		19-12803-00		LS04 INVERTER GATE,HEX	1	E2
16	16		19-16921-00		HEXADECIMAL DISPLAY W/DECODER	1	E1
17	17		36-23593-01		LABEL,BLANK,PAPER,PIN FEED	1	
18	18		90-09185-00		JUMPER, WIRE, INSULATED, BLACK B	1	W4

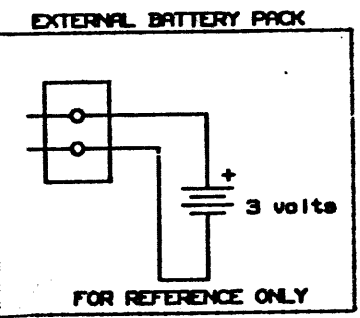
REVISION HISTORY			KPL MODULE FORMAT		SECTION A OF A		DRN: B. DITOMMASO		D I G I T A L		
ENG	ECO NUMBER	REV	SECTION/VARIATION INDEX		DATE:	CHK'D:	TITLE	DOCUMENT NUMBER	SIZE	CODE	REV
--	INITIAL	A	[A]	01	[M]	DATE: 11-SEP-86	D. DROZD	H3600 CONSOLE-SLU MODULE			
WK	5417016-ML001	B	[B]		[N]	DATE: 11-SEP-86					
RM	5417016-MK002	C	[C]		[P]	DES.ENG: W. KERCHNER					
			[D]		[Q]	DATE: 11-SEP-86					
			[E]		[R]	RESP.ENG.: W. KERCHNER					
			[F]		[S]	DATE: 11-SEP-86					
			[H]		[T]	MFG.ENG: F. CULLEN					
			[J]		[V]	DATE: 26-SEP-86					
			[K]		[W]						
			[L]		[Y]						
			BASIC PART NUMBER:		ASSEMBLY NUMBER:		TOP DOCUMENT NUMBER:		EDIT #		
			5417016		D-UA-5417016-0-0		K-DD-5417016-0-0		2		
FILE NAME: 5417016C.PLS											

"THIS DRAWING AND THE SPECIFICATIONS CONTAINED HEREIN ARE CONFIDENTIAL AND PROPRIETARY. THEY ARE THE PROPERTY OF DIGITAL EQUIPMENT CORPORATION AND SHALL NOT BE REPRODUCED OR COPIED OR USED IN WHOLE OR IN PART AS THE BASIS FOR THE MANUFACTURE OR SALE OF ITEMS WITHOUT WRITTEN PERMISSION. THIS IS AN UNPUBLISHED WORK PROTECTED UNDER THE FEDERAL COPYRIGHT LAWS."



A1	A2	CPU IDENT
0	0	NORMAL (0)
0	1	ALX 1
1	0	ALX 2
1	1	ALX 3

BAUD RATE SELECTION	BAUD RATE
0	300
1	600
2	1200
3	2400
4	4800
5	9600
6	19200
7	38400



DRAWING
17816
17816
LAST MODIFIED Mon Jun 29 18:45:41 1987

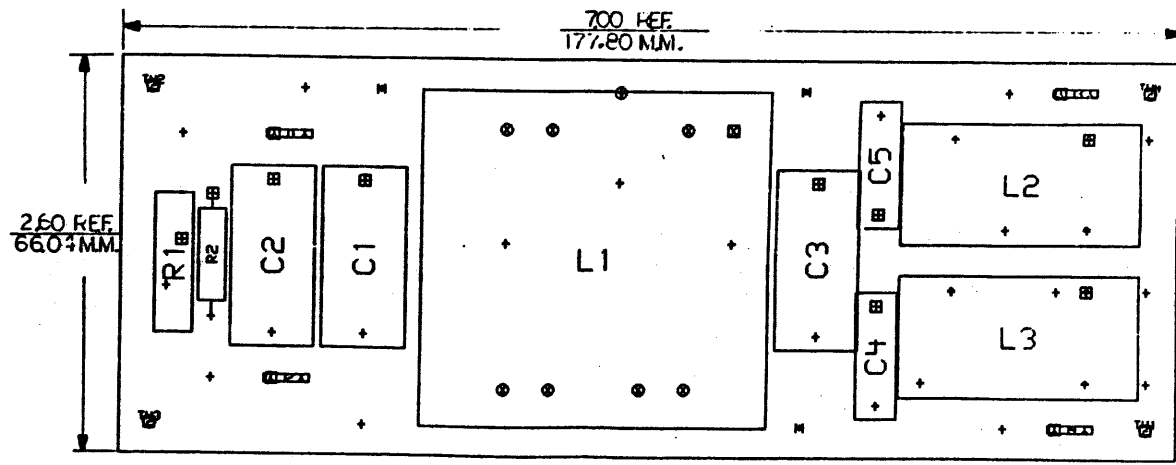
REV	DATE	BY	CHKD	REVISION
01	03/18/85	K GLEZEN		

	K GLEZEN	3/18/85	M KERCHNER	3/18/85	TITLE	H3600 CONSOLE-SLU MODULE	
	R GLEZEN	3/18/85			SIZE	K	
TOP BOARD NUMBER				K-ID-5417816-0-0		CODE	CS
NUMBER				5417816-0-DBX		REV.	B

DRAWING NO.	NO. SHTS	PART NO.	DESCRIPTION	REVISIONS
D-UA-5417079-0-0	1	5417079-01	EMI FILTER BOARD	A1
B-CS-5417079-0-1	1		EMI UNIT ASSEMBLY	A
K-PL-5417079-0-DBP	1		EMI CIRCUIT SCHEMATIC	A
K-PC-5417079-0-DBJ	1		EMI PARTS LIST	A
K-CS-5417079-0-DBX	1		EMI P.C. DESIGN DATABASE	C
		5017078-01	EMI SCHEMATIC DATABASE	A
K-DD-5017078-0-0	1		ETCHED CIRCUIT BOARD	C1
			E.C.B. DRAWING DIRECTORY	A
NOTES:				
R E V I S I O N S T I T U T I O N O R I O N Y D 19 A T 18 E 16				
THIS DRAWING AND THE SPECIFICATIONS CONTAINED HEREIN ARE CONFIDENTIAL AND PROPRIETARY. THEY ARE THE PROPERTY OF DIGITAL EQUIPMENT CORPORATION AND SHALL NOT BE REPRODUCED OR COPIED OR USED IN WHOLE OR IN PART AS THE BASIS FOR THE MANUFACTURE OR SALE OF ITEMS WITHOUT WRITTEN PERMISSION. THIS IS AN UNPUBLISHED WORK PROTECTED UNDER THE FEDERAL COPYRIGHT LAWS.				
DRN: BLAISE DITOMASO		DATE: 05SEPT86		digital
CHK'D: JIM CUNNINGHAM		DATE: 05SEPT86		TITLE
				EMI FILTER BOARD
DES.ENG.: JOHN ARDUINO		DATE: 05SEPT86		SHEET 1 OF 1 EDIT: 1
RESP.ENG.: JOHN ARDUINO		DATE: 05SEPT86		DOCUMENT NUMBER
				DD FILENAME: 5417079A.DDF
MFG.ENG.: LEV BROWN		DATE: 05SEPT86		SIZE CODE NUMBER REV K DD 5417079-0-0 A

THIS DRAWING AND SPECIFICATIONS HEREBY ARE THE PROPERTY OF DIGITAL EQUIPMENT CORPORATION AND SHALL NOT BE REPRODUCED OR COPIED IN WHOLE OR IN PART OR THE BASIS FOR THE MANUFACTURE OF ANY OF THE EQUIPMENT WITHOUT PERMISSION. COPYRIGHT © 1978 DIGITAL EQUIPMENT CORPORATION

5417079-0-0 2 B LA



NOTES: THIS IS A HPWR BOARD

STEP E	+ Y AXIS	STEP	TIMES
REPRT	+ X AXIS	STEP	TIMES

CHK CHANGE NO	REV

ETCH REV.	C1

SIGNATURES	DATE
DRN. L. HAYWOOD	5-12-88
CHK'D. J. CUNNINGHAM	5-12-88
MECH. ENG. <i>[Signature]</i>	7-8-88
PROJ. ENG. <i>[Signature]</i>	7-8-88
PROD. <i>[Signature]</i>	7/8/88

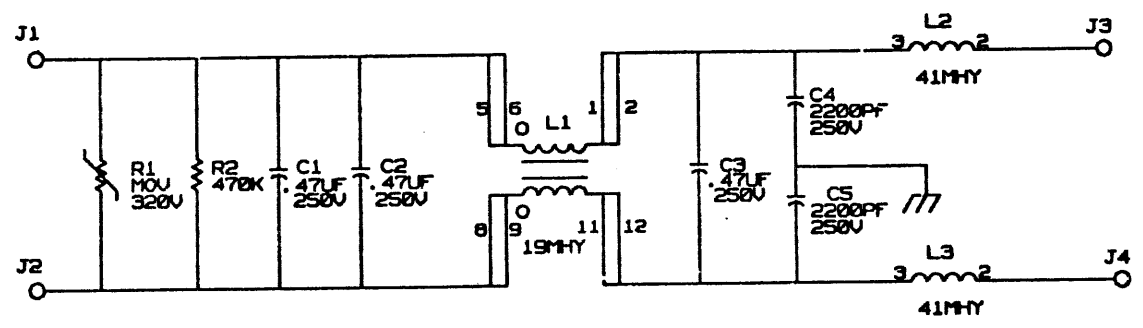
digital			
TITLE EMI			
FILTER BOARD			
SCALE 2/1	SIZE CODE	NUMBER	REV
SHT. 1 OF 1	D LA	5417079-0-0	A
NEXT HIGHER ASSY. B-00-5417079-0-0			

LINE	ITEM	TOP DOCUMENT	PART NUMBER	MIN REV	DESCRIPTION	QTY PER VAR/REV	REFERENCE DESIGNATORS
1	1	D-MD-5017078-01-0	50-17078-01		CIRCUIT DRILL & ETCH	1	
2	2		10-24317-02		0.47 MFD 250VAC +/-20% LIN	3	C1-C3
3	3		10-24375-01		2200 PFD 250VAC +/-20% LIN	2	C4,C5
4	4		12-20563-01		TER,TAB .250TAB PC MNT	4	J1-J4
5	5		13-19470-92		470.0 K 1.0 W 5.0 % M.OXIDE	1	R2
6	6		13-22505-01		VARISTOR 540VAC VOLT TRANS SUP	1	R1
7	7		16-26569-01		INDUCER,TORROID 19MH 12A	1	L1
8	8		16-26573-01		INDUCER,TORROID 12A	2	L2,L3

REVISION HISTORY		KPL MODULE FORMAT		SECTION A OF A		DRN: K.LEE		DIGITAL	
ENG	ECO NUMBER	REV	SECTION/VARIATION INDEX	DATE: 09-APR-86	CHK'D: D.DROZD	TITLE PARTS LIST			
---	INITIAL	A	[A] 01 [M]	DATE: 09-APR-86	DATE: 09-APR-86	EMI FILTER BOARD			
			[B] [N]	DES.ENG: J. ARDUINO	DATE: 03-JUL-86	DOCUMENT NUMBER			
			[C] [P]	DATE: 03-JUL-86	RESP.ENG.: J. ADRUINO	SIZE: K	CODE: PL	NUMBER: 5417079-0-DBP	REV: A
			[D] [Q]	DATE: 03-JUL-86	DATE: 03-JUL-86	RELEASE DATE: 22-SEP-86			
			[E] [R]	MFG.ENG: L. BROWN	DATE: 03-JUL-86	RELEASE STATUS: RELEASED			
			[F] [S]	BASIC PART NUMBER: 5417079	ASSEMBLY NUMBER: D-UA-5417079-0-0	TOP DOCUMENT NUMBER: B-DD-5417079-0-0	FILE NAME: MLA0191A.PLS	EDIT #: 21	
			[H] [T]						
			[J] [V]						
			[K] [W]						
			[L] [Y]						

"THIS DRAWING AND THE SPECIFICATIONS CONTAINED HEREIN ARE CONFIDENTIAL AND PROPRIETARY. THEY ARE THE PROPERTY OF DIGITAL EQUIPMENT CORPORATION AND SHALL NOT BE REPRODUCED OR COPIED OR USED IN WHOLE OR IN PART AS THE BASIS FOR THE MANUFACTURE OR SALE OF ITEMS WITHOUT WRITTEN PERMISSION. THIS IS AN UNPUBLISHED WORK PROTECTED UNDER THE FEDERAL COPYRIGHT LAWS."

8 7 6 5 4 3 2 1 K CS 5417079-0-1 A



DRAWING
17079
17079
LAST_MODIFIED=Fri Aug 29 15:18:53 1986

THIS DRAWING AND SPECIFICATIONS ARE THE PROPERTY OF DIGITAL EQUIPMENT CORPORATION AND ARE TO BE USED IN WHOLE OR IN PART FOR THE DESIGN OR CONSTRUCTION OF ANY EQUIPMENT OR SYSTEM WITHOUT THE WRITTEN PERMISSION OF DIGITAL EQUIPMENT CORPORATION.

REVISION	
CHK	CHANGE NO. REV

digital	DRG E. LANDRY	DATE 4/16/86	DRG J. CROSS	DATE 4/16/86
	CHK E. LANDRY	DATE 4/16/86		

TITLE	EMI FILTER BOARD		
TOP DOCUMENT NUMBER	B-DD-5417079-0-0	SIZE	K CS
NUMBER	5417079-0-1	REV.	A

8 7 6 5 4 3 2 1

A B C D K CS 5417079-0-1 A

DRAWING NO.	NO. SHTS	PART NO.	DESCRIPTION	REVISIONS
E-UA-5416791-0-0	1	5416791-01	BA213 BACKPLANE	A1 A2 B2
D-CS-5416791-0-1	2		BA213 BACKPLANE	A A A
K-PL-5416791-0-DBP	1		BA213 BACKPLANE	A B C D
K-PC-5416791-0-DBA			P.C. DESIGN DATA BASE	A A A
K-DD-5016790-0-0	1	5016790-01	ETCHED CIRCUIT BOARD	P1 P1 P1
			DRAWING DIRECTORY	A B B C
E-UA-5416791-1-0	3	5416791-02	BA213 BACKPLANE	A1 B1 B2 C2
D-CS-5416791-1-1	2		BA213 BACKPLANE	B B C
K-PC-5416791-A-DBA			BA213 BACKPLANE	B B C
			P.C. DESIGN DATA BASE	B B B
K-SP-5416791-0-0	13	5016790-01	ETCHED CIRCUIT BOARD	R1 R1 R2
			ENGINEERING SPECIFICATION	A A B

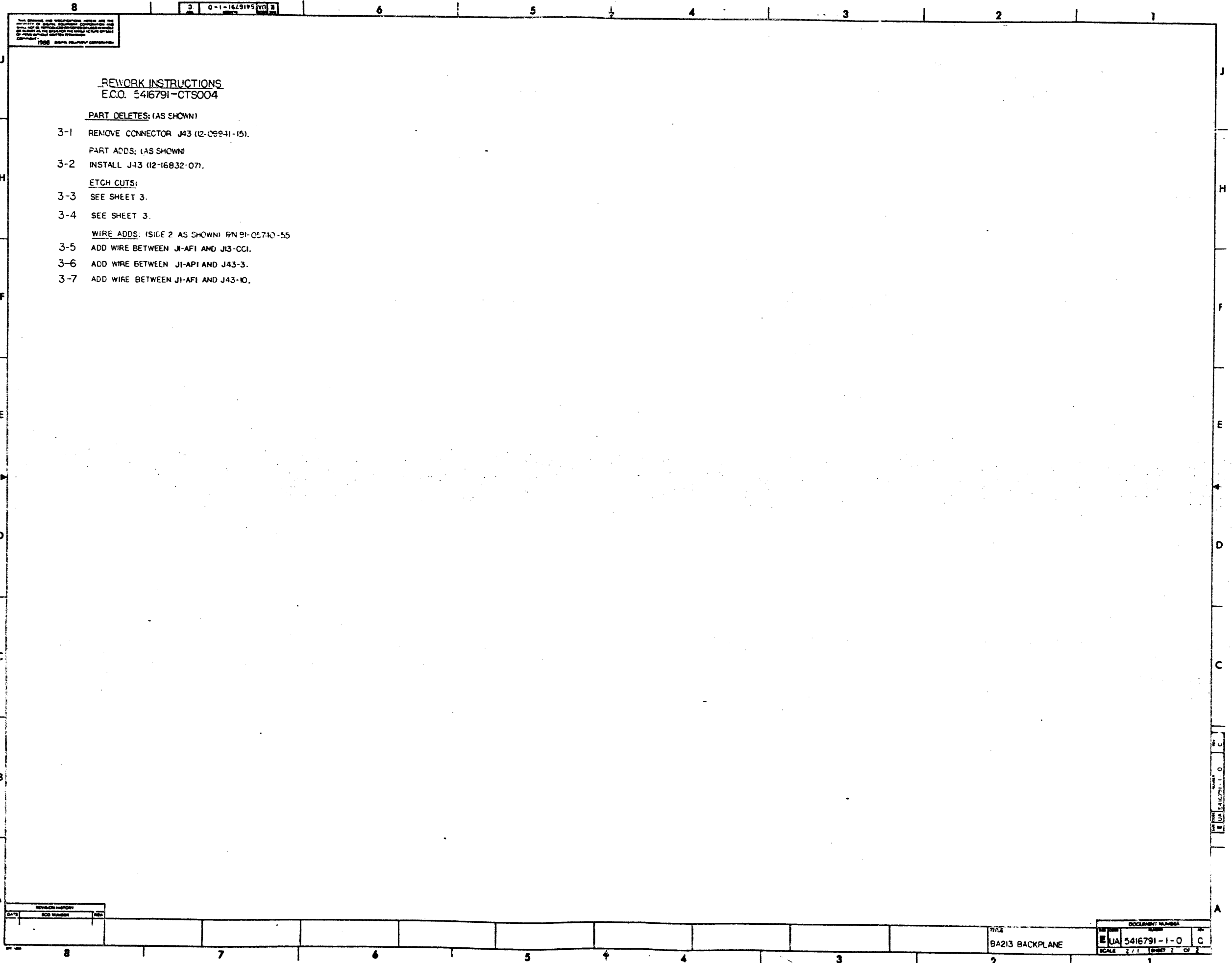
NOTES:

E.C.O. 5416791-CTS003 WAS CANCELLED
P1 ETCH WILL NOT SUPPORT MICROVAX MEMORY.
P1 ETCH NOT RECOMMENDED FOR UPDATES.

	A	B	C	D
R				
E				
V				
R				
E				
V				
H				
I				
S				
T				
O				
R				
O				
N				
Y				
D	0	1	0	0
A	16	1	5	7
T	/	/	/	/
E	18	8	8	8
	16	6	7	8

THIS DRAWING AND THE SPECIFICATIONS CONTAINED HEREIN ARE CONFIDENTIAL AND PROPRIETARY. THEY ARE THE PROPERTY OF DIGITAL EQUIPMENT CORPORATION AND SHALL NOT BE REPRODUCED OR COPIED OR USED IN WHOLE OR IN PART AS THE BASIS FOR THE MANUFACTURE OR SALE OF ITEMS WITHOUT WRITTEN PERMISSION. THIS IS AN UNPUBLISHED WORK PROTECTED UNDER THE FEDERAL COPYRIGHT LAWS.

DRN: P.LENNON	DATE: 20-JUN-86	d i g i t a l	
CHK'D: D. BARRIERE	DATE: 20-JUN-86	TITLE	
		BA213 BACKPLANE	
DES.ENG.: D.MILLER	DATE: 20-JUN-86	SHEET 1 OF 1	EDIT: 9
RESP.ENG.: D.MILLER	DATE: 20-JUN-86	DOCUMENT NUMBER	
		DD FILENAME: 5416791D.DDF	
MFG.ENG.: F.CULLEN	DATE: 20-JUN-86	SIZE CODE	NUMBER REV
		K DD	5416791-0-0 D



THIS DRAWING AND INFORMATION CONTAINED HEREIN ARE UNCLASSIFIED EXCEPT WHERE SHOWN OTHERWISE. DATE 08-14-2013 BY 60322 UCBAW/STP/STP

3 0-1-1629195 V0 1

REWORK INSTRUCTIONS
E.C.O. 5416791-CTS004

PART DELETES: (AS SHOWN)

3-1 REMOVE CONNECTOR J43 (12-09941-15).

PART ADDS: (AS SHOWN)

3-2 INSTALL J43 (12-16832-07).

ETCH CUTS:

3-3 SEE SHEET 3.

3-4 SEE SHEET 3.

WIRE ADDS: (SIDE 2 AS SHOWN) FN 91-05740-55

3-5 ADD WIRE BETWEEN J1-AF1 AND J13-CC1.

3-6 ADD WIRE BETWEEN J1-API AND J43-3.

3-7 ADD WIRE BETWEEN J1-AF1 AND J43-10.

REVISION HISTORY	
DATE	DESCRIPTION

TITLE
BA213 BACKPLANE

DOCUMENT NUMBER
UJA 5416791-1-0 C
SCALE 2/1 SHEET 2 OF 2

AUTOMATED BY VAXKPL (V2.0)

PARTS LIST

SHEET A1 OF A1

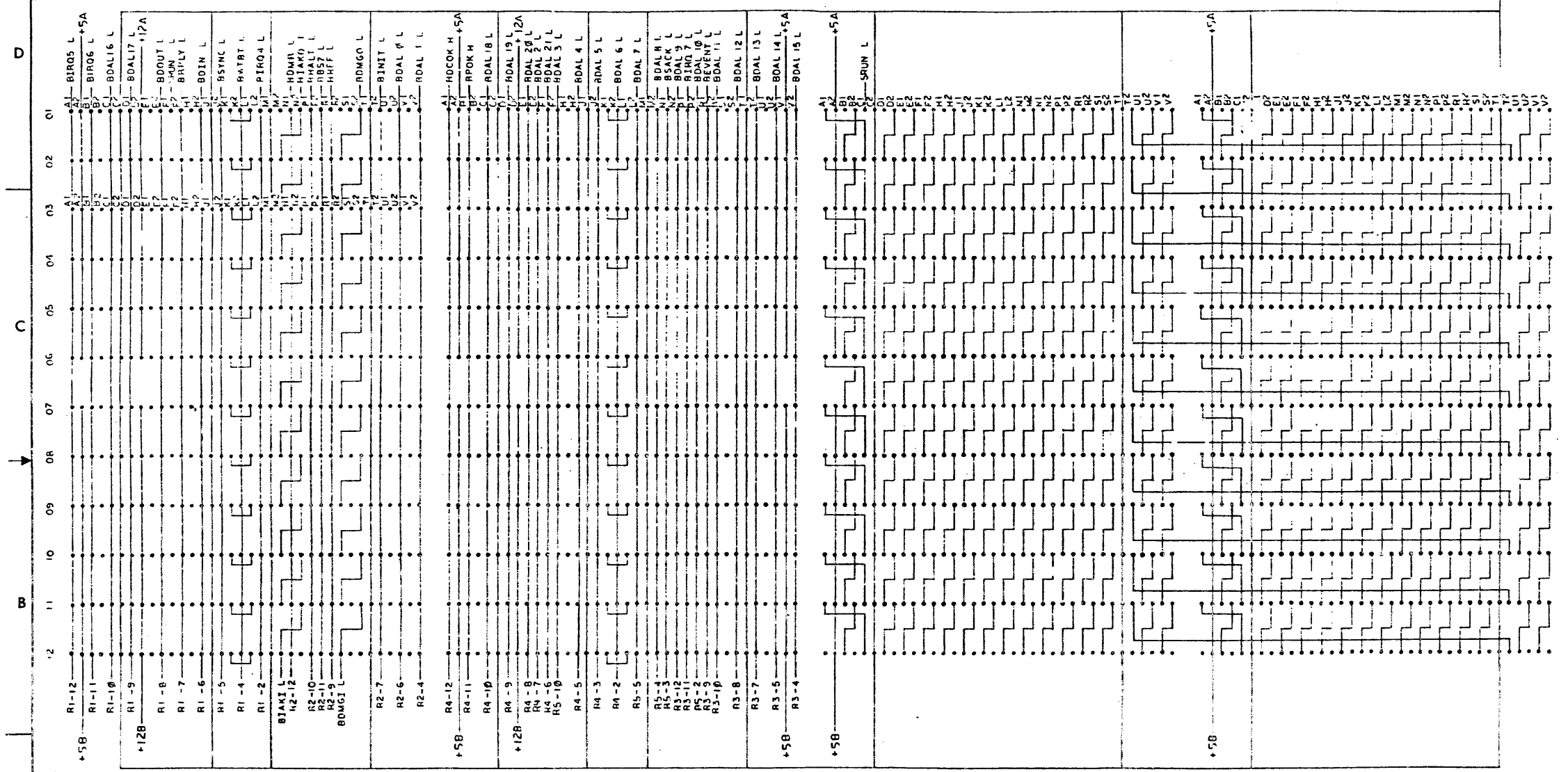
LINE	ITEM	TOP DOCUMENT	PART NUMBER	MIN REV	DESCRIPTION	QTY PER VAR/REV		REFERENCE DESIGNATORS
						01 B2	02 C2	
1	1	D-MD-5016790-0-0	50-16790-01		CIRCUIT DRILL AND ETCH	1	1	
2	2		12-17535-14		*** THIS ITEM IS NOT USED ***	-	-	
3	3		12-09941-15		*** THIS ITEM IS NOT USED ***	-	-	
4	4		12-21249-04		CLIP,WIRE ROUTING W/ACRYLIC ADH	1	1	
5	5		12-27346-01		PCB HEADER 05POS(1X05).156CC 90D	1	1	J44
6	6		12-23962-01		*** THIS ITEM IS NOT USED ***	-	-	
7	7		12-26157-01		CARD EDGE,72PIN(2X36).125CC STR	24	24	J1-J24
8	8		13-23505-01		R. NET 180.0 -11 390.0 -11 2.0	5	5	Z1-Z5
9	9		36-22147-08		LABEL,BAR CODE,THERMAL 1.00 X 5	1	1	
10	10		74-33567-01		BAR, BUSS	8	8	
11	11		90-00062-01		*** THIS ITEM IS NOT USED ***	-	-	
12	12		90-09185-00		JUMPER, WIRE, INSULATED, BLACK B	-	8	W1-W8
13	13		90-00062-02		SCREW,THD RL, PAN,SERATD,F/MET	24	24	
14	14		12-16832-07		PCB,HEADER 10POS(2X05).100CC 90D	1	-	J43
15	15		91-05740-55		WIRE(WRAP) 30AWG KYNAR UL14	A/R	-	
16	16		12-29473-01		CARD EDGE 56POS(2X28) STR	2	2	J39,J40
17	17		12-17535-16		SKT,IC 13PIN SIP TIN SOLD	5	5	ZX1-ZX5

1 GEN: NOTE: D-MD-5016790-1-0 IS FOR THE R1 ETCH REVISION

REVISION HISTORY			KPL MODULE FORMAT		SECTION A OF A		DRN: Mike FUNARO		DIGITAL				
ENG	ECO NUMBER	REV	SECTION/VARIATION INDEX		DATE: 28-MAY-86		CHK'D: DICK BARRIERE		TITLE: PARTS LIST				
DM	INITIAL	A	[A]	01,02	[M]	DATE: 28-MAY-86		DATE: 28-MAY-86		BA213 BACKPLANE			
DM	5416791-ML001	B	[B]		[N]	DES.ENG: DICK MILLER		DATE: 30-JUN-86		DOCUMENT NUMBER			
AD	5416791-ML002	C	[C]		[P]	RESP.ENG.: DICK MILLER		DATE: 30-JUN-86		SIZE	CODE	NUMBER	REV
JS	5416791-CTS004	D	[D]		[Q]	MFG.ENG: FRANCIS CULLEN		DATE: 30-JUN-86		K	PL	5416791-0-DBP	D
			[E]		[R]	DATE: 30-JUN-86		RELEASE DATE: 17-OCT-88		RELEASE STATUS: RELEASED			
			[F]		[S]	BASIC PART NUMBER:		ASSEMBLY NUMBER:		TOP DOCUMENT NUMBER:		EDIT #	
			[H]		[T]	5416791		E-UA-5416791-0-0		B-DD-5416791-0-0		7	
			[J]		[V]	FILE NAME: ML998D.PLS							
			[K]		[W]								
			[L]		[Y]								

"THIS DRAWING AND THE SPECIFICATIONS CONTAINED HEREIN ARE CONFIDENTIAL AND PROPRIETARY. THEY ARE THE PROPERTY OF DIGITAL EQUIPMENT CORPORATION AND SHALL NOT BE REPRODUCED OR COPIED OR USED IN WHOLE OR IN PART AS THE BASIS FOR THE MANUFACTURE OR SALE OF ITEMS WITHOUT WRITTEN PERMISSION. THIS IS AN UNPUBLISHED WORK PROTECTED UNDER THE FEDERAL COPYRIGHT LAWS."

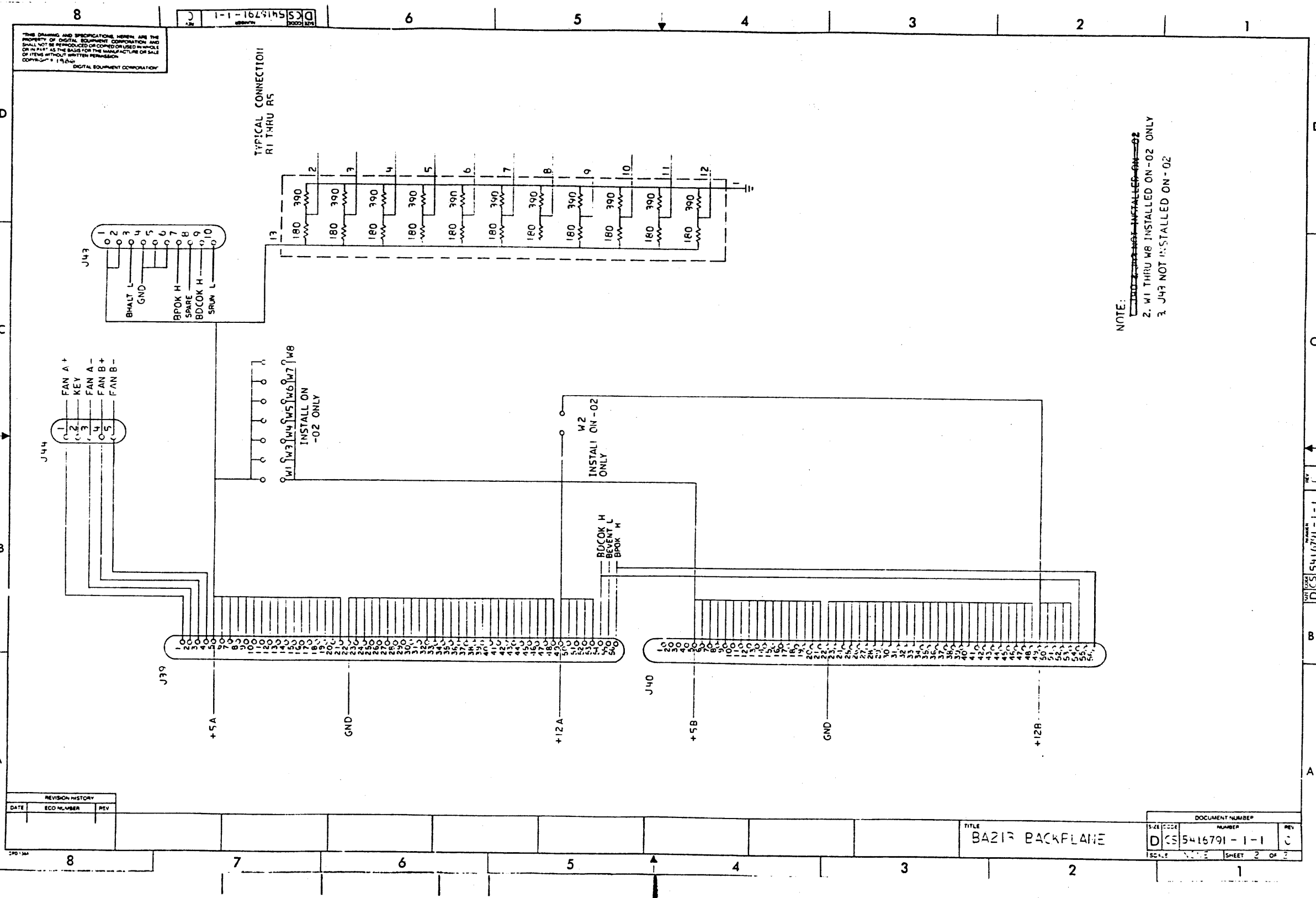
THIS DRAWING AND SPECIFICATIONS HEREIN ARE THE PROPERTY OF DIGITAL EQUIPMENT CORPORATION AND SHALL NOT BE REPRODUCED OR COPIED OR USED IN WHOLE OR IN PART AS THE BASIS FOR THE MANUFACTURE OR SALE OF ITEMS WITHOUT WRITTEN PERMISSION. COPYRIGHT © 1978 DIGITAL EQUIPMENT CORPORATION



REVISION HISTORY	REV
DATE	5/16/79
ECO NUMBER	M1001 B
DESIGNED BY	DICK MILLER
CHECKED BY	
DATE	
APPROVED BY	
DATE	

DESIGNED BY	DATE	TITLE	digital
DESIGNED BY	DATE	BA213	BACKPLANE
DESIGNED BY	DATE	DOCUMENT NUMBER	
DESIGNED BY	DATE	D 5416791-1-1	10
DESIGNED BY	DATE	1 of 2	

D C B A
DLS 5416791-1-1 C



REVISION HISTORY		
DATE	ECO NUMBER	REV

TITLE		DOCUMENT NUMBER	
BAZIR BACKPLANE		D	5416791-1-1
SCALE	NOTE	SHEET	2 OF 2

D5416791-1-1

DRAWING NO.	NO. SHTS	PART NO.	DESCRIPTION	REVISIONS			
		M7620-AA	KA650-AA	A1	C1	D1	E1
		M7620-BA	KA650-BA		C1	D1	E1
D-UA-M7620-0-0	5		KA650 UNIT ASSEMBLY	A	B	B	B
K-CS-M7620-0-1	1		KA650 SYS FUNCTIONAL DRAWING TREE	A	A	A	A
K-CS-M7620-0-2	1		KA650 SYS FUNCT. TOP LEVEL VIEW	A	A	A	A
K-CS-M7620-0-3	1		KA650 SYS FUNCT. TOP LEVEL VIEW	A	A	A	A
K-CS-M7620-0-4	1		KA650 SYS FUNCT. CPU/FPA SUBSYSTEM	A	A	A	A
K-CS-M7620-0-5	1		KA650 SYS FUNCT. MEM CONTROLLER	A	A	A	A
K-CS-M7620-0-6	1		KA650 SYS FUNCT. Q22-BUS INTERFACE	A	A	A	A
K-CS-M7620-0-7	1		KA650 SYS FUNCT. ADDRESS LATCH	A	A	A	A
K-CS-M7620-0-8	1		KA650 SYS FUNCT. CDAL/BCDAL BUFFER	A	A	A	A
K-CS-M7620-0-9	1		KA650 SYS FUNCT. 2ND LEVEL CACHE	A	A	A	A
K-CS-M7620-0-10	1		KA650 SYS FUNCT. DATA STORE	A	A	A	A
K-CS-M7620-0-11	1		KA650 SYS FUNCT. TAG STORE	A	A	A	A
K-CS-M7620-0-12	1		KA650 SYS FUNCT. CNTRL STATE MACH.	A	A	A	A
K-CS-M7620-0-13	1		KA650 SYS FUNCT. CACHE STATE	A	A	A	A
K-CS-M7620-0-14	1		KA650 SYS FUNCT. DSCONTINUE STATE	A	A	A	A
K-CS-M7620-0-15	1		KA650 SYS FUNCT. CONTROL FLOW DIAG	A	A	A	A

NOTES:

				A	B	C	D
				R			
				E			
				V			
R							
E	H	E	I	M	C	C	
V	I	C	N	L	T	T	
I	S	O	I	O	S	S	
S	T	T		0	0	0	
I	O	N		1	0	0	
O	R	O			2	3	
N	Y						
		D	0	0	0	0	
		A	4	2	8	8	
		T	/	/	/	/	
		E	18	8	8	8	
			17	8	8	8	

THIS DRAWING AND THE SPECIFICATIONS CONTAINED HEREIN ARE CONFIDENTIAL AND PROPRIETARY. THEY ARE THE PROPERTY OF DIGITAL EQUIPMENT CORPORATION AND SHALL NOT BE REPRODUCED OR COPIED OR USED IN WHOLE OR IN PART AS THE BASIS FOR THE MANUFACTURE OR SALE OF ITEMS WITHOUT WRITTEN PERMISSION. THIS IS AN UNPUBLISHED WORK PROTECTED UNDER THE FEDERAL COPYRIGHT LAWS.

DRN: B. CORMIER	DATE: 04/22/87	d i g i t a l			
CHK'D: J. CUNNINGHAM	DATE: 04/22/87	TITLE			
		KA650			
DES.ENG.: C. DEVANE	DATE: 04/22/87	SHEET	1	OF	3
		EDIT: 17			
RESP.ENG.: D. FIELDS	DATE: 04/22/87	DOCUMENT NUMBER			
		DD FILENAME: M7620_1.DDF			
MFG.ENG.: T. CAVANAUGH	DATE: 07/15/87	SIZE	CODE	NUMBER	REV
		K	DD	M7620-0-0	D

DRAWING NO.	NO. SHTS	PART NO.	DESCRIPTION	REVISIONS		
K-CS-M7620-0-16	1		KA650 SYS FUNCT. CONTROL FLOW DIAG A	A	A	A
K-CS-M7620-0-17	1		KA650 SYS FUNCT. CONTROL FLOW DIAG A	A	A	A
K-CS-M7620-0-18	1		KA650 SYS FUNCT. CONTRL STATE DIAG A	A	A	A
K-CS-M7620-0-19	1		KA650 SYS FUNCT. CONTRL STATE DIAG A	A	A	A
K-CS-M7620-0-20	1		KA650 SYS FUNCT. CONTRL STATE DIAG A	A	A	A
K-CS-M7620-0-21	1		KA650 SYS FUNCT. CACHE CNTRL REG. A	A	A	A
K-CS-M7620-0-22	1		KA650 SYS FUNCT. CLOCK SUBSYSTEM A	A	A	A
K-CS-M7620-0-23	1		KA650 SYS FUNCT. SYS SUPPORT FUNCT A	A	A	A
K-CS-M7620-0-24	1		KA650 SYS FUNCT. BOOT/DIAGNOSTIC A	A	A	A
K-CS-M7620-0-25	1		CPU/FPA SUBSYSTEM CLOCK SUBSYSTEM A	A	A	A
K-CS-M7620-0-26	1		MEMORY CONTROLLER SUBSYSTEM A	A	A	A
K-CS-M7620-0-27	1		Q22-BUS INTERFACE SUBSYSTEM A	A	A	A
K-CS-M7620-0-28	1		ADDRESS LATCH SUBSYSTEM A	A	A	A
K-CS-M7620-0-29	1		CDAL TO BCDAL BUFFER SUBSYSTEM A	A	A	A
K-CS-M7620-0-30	1		DATA STORE RAMS CACHE SUBSYSTEM A	A	A	A
K-CS-M7620-0-31	1		DATA STORE TRANSCEIVERS CACHE A	A	A	A
K-CS-M7620-0-32	1		TAG STORE 2ND LEVEL CACHE SUBSYS. A	A	A	A
K-CS-M7620-0-33	1		CONTROL STAGE MACHINE CACHE SUBSYS A	A	A	A
K-CS-M7620-0-34	1		CACHE CONTROL REG. 2ND LEVEL CACHE A	A	A	A
K-CS-M7620-0-35	1		SYSTEM SUPPORT FUNCTIONS A	A	A	A
K-CS-M7620-0-36	1		PATTERY CIRCUITS RS232 INTERFACE A	B	B	B
K-CS-M7620-0-37	1		BOOT AND DIAGNOSTIC ROMS A	A	A	A
K-CS-M7620-0-38	1		BYPASS CAPACITORS A	B	B	B
K-CS-M7620-0-39	1		KA650 PAL CODE PAL 1 A	A	A	A
K-CS-M7620-0-40	1		KA650 PAL CODE PAL 2 A	A	A	A
K-CS-M7620-0-41	1		KA650 PAL CODE PAL 3 A	A	A	A
K-CS-M7620-0-42	1		KA650 PAL CODE PAL 4 A	A	A	A
K-CS-M7620-0-43	1		KA650 PAL CODE PAL 5 A	A	A	A
K-CS-M7620-0-44	1		KA650 PAL CODE PAL 6 A	A	A	A
K-CS-M7620-0-45	1		KA650 PAL CODE PAL 7 A	A	A	A
K-CS-M7620-0-46	1		CPU, FPU FOOTPRINT A	A	A	A
K-CS-M7620-0-47	1		CMCTL FOOTPRINT A	A	A	A
K-CS-M7620-0-48	1		CQBIC FOOTPRINT A	A	A	A
K-CS-M7620-0-49	1		SSC, CLK FOOTPRINT A	A	A	A
K-CS-M7620-0-50	1		SSC, CLK FOOTPRINT A	A	A	A
K-PL-M7620-0-DBP	3		KA650 PARTS LIST A	B	C	D
K-CS-M7620-0-DBX	1		INVALID SCHEMATIC DATA BASE A	B	B	B
K-PC-M7620-0-DBJ	1		P. C. DATA BASE K	K	K	K
K-CS-M7620-C-DBX	1		EXTERNAL CUST. SCHEMATIC DATA BASE			A
K-CS-M7620-C-1	1		KA650 SYS FUNCTIONAL DRAWING TREE			A
K-CS-M7620-C-2	1		KA650 SYS FUNCT. TOP LEVEL VIEW			A
K-CS-M7620-C-3	1		KA650 SYS FUNCT. TOP LEVEL VIEW			A
K-CS-M7620-C-4	1		KA650 SYS FUNCT. CPU/FPA SUBSYSTEM			A
K-CS-M7620-C-5	1		KA650 SYS FUNCT. MEM CONTROLLER			A
K-CS-M7620-C-6	1		KA650 SYS FUNCT. Q22-BUS INTERFACE			A
K-CS-M7620-C-7	1		KA650 SYS FUNCT. ADDRESS LATCH			A
K-CS-M7620-C-8	1		KA650 SYS FUNCT. CDAL/BCDAL BUFFER			A
K-CS-M7620-C-9	1		KA650 SYS FUNCT. 2ND LEVEL CACHE			A
K-CS-M7620-C-10	1		KA650 SYS FUNCT. DATA STORE			A
K-CS-M7620-C-11	1		KA650 SYS FUNCT. TAG STORE			A
K-CS-M7620-C-12	1		KA650 SYS FUNCT. CNTRL STATE MACH.			A
K-CS-M7620-C-13	1		KA650 SYS FUNCT. CACHE STATE			A
K-CS-M7620-C-14	1		KA650 SYS FUNCT. DSCONTINUE STATE			A
K-CS-M7620-C-15	1		KA650 SYS FUNCT. CONTROL FLOW DIAG			A

d i g i t a l	TITLE	SHEET 2 OF 3	SIZE CODE	DOCUMENT NUMBER	REV
	KA650		K DD	M7620-0-0	D

DRAWING NO.	NO. SHTS	PART NO.	DESCRIPTION	REVISIONS
K-CS-M7620-C-16	1		KA650 SYS FUNCT. CONTROL FLOW DIAG	A
K-CS-M7620-C-17	1		KA650 SYS FUNCT. CONTROL FLOW DIAG	A
K-CS-M7620-C-18	1		KA650 SYS FUNCT. CONTRL STATE DIAG	A
K-CS-M7620-C-19	1		KA650 SYS FUNCT. CLOCK SUBSYSTEM	A
K-CS-M7620-C-20	1		KA650 SYS FUNCT. SYS SUPPORT FUNCT	A
K-CS-M7620-C-21	1		KA650 SYS FUNCT. BOOT/DIAGNOSTIC	A
K-CS-M7620-C-22	1		CPU/FPA SUBSYSTEM CLOCK SUBSYSTEM	A
K-CS-M7620-C-23	1		MEMORY CONTROLLER SUBSYSTEM	A
K-CS-M7620-C-24	1		Q22-BUS INTERFACE SUBSYSTEM	A
K-CS-M7620-C-25	1		ADDRESS LATCH SUBSYSTEM	A
K-CS-M7620-C-26	1		CDAL TO BCDAL BUFFER SUBSYSTEM	A
K-CS-M7620-C-27	1		DATA STORE RAMS CACHE SUBSYSTEM	A
K-CS-M7620-C-28	1		DATA STORE TRANSCEIVERS CACHE	A
K-CS-M7620-C-29	1		TAG STORE 2ND LEVEL CACHE SUBSYS	A
K-CS-M7620-C-30	1		CONTROL STAGE MACHINE CACHE SUBSYS	A
K-CS-M7620-C-31	1		CACHE CONTROL REG. 2ND LEVEL CACHE	A
K-CS-M7620-C-32	1		SYSTEM SUPPORT FUNCTIONS	A
K-CS-M7620-C-33	1		BATTERY CIRCUITS RS232 INTERFACE	A
K-CS-M7620-C-34	1		BOOT AND DIAGNOSTIC ROMS	A
K-CS-M7620-C-35	1		BYPASS CAPACITORS	A
K-CS-M7620-C-36	1		CPU, FPU FOOTPRINT	A
K-CS-M7620-C-37	1		CMCTL FOOTPRINT	A
K-CS-M7620-C-38	1		QBIC FOOTPRINT	A
K-CS-M7620-C-39	1		SSC, CLK FOOTPRINT	A
K-CS-M7620-C-40	1		SSC, CLK FOOTPRINT	A
K-DD-5017073-0-0	1	5017073-01	ETCHED CIRCUIT BOARD DRAWING DIRECTORY	K1 K1 K1 K1 A B B B

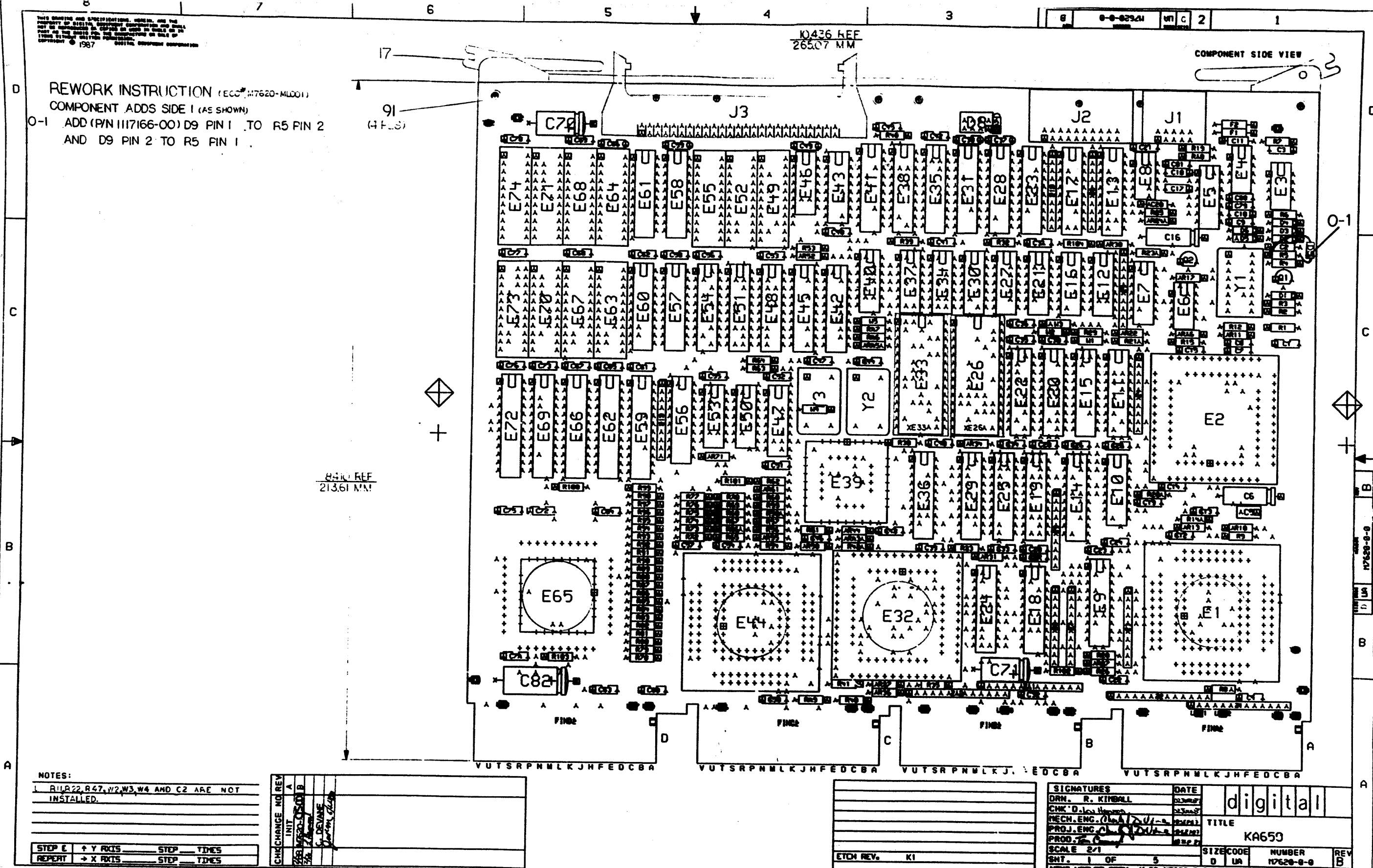
THIS DRAWING AND SPECIFICATIONS, HEREIN, ARE THE PROPERTY OF DIGITAL. SUPPORTING INFORMATION AND SHALL NOT BE REPRODUCED IN ANY MANNER OR USED IN WHOLE OR IN PART FOR THE DESIGN OR THE MANUFACTURE OF ANY OF THESE ITEMS WITHOUT WRITTEN PERMISSION. DIGITAL EQUIPMENT CORPORATION. COPYRIGHT © 1987

REWORK INSTRUCTION (ECC# 117620-ML001)
 COMPONENT ADDS SIDE I (AS SHOWN)
 O-1 ADD (P/N 1117166-00) D9 PIN 1 TO R5 PIN 2
 AND D9 PIN 2 TO R5 PIN 1.

R510 REF
 213.61 MM

K0436 REF
 265.07 MM

COMPONENT SIDE VIEW



NOTES:
 1. R1, R2, R47, W2, W3, W4 AND C2 ARE NOT INSTALLED.

STEP E → Y RXTS STEP TIMES
 REPEAT → X RXTS STEP TIMES

CHG	NO	REV	INIT	DATE
A	1			
B	1			
C	1			
D	1			

ETCH REV.	K1
-----------	----

SIGNATURES		DATE
DRN. R. KINBALL		02/28/87
CHK'D. J. HARRIS		02/28/87
MECH. ENG. (SIGNED)		02/28/87
PROJ. ENG. (SIGNED)		02/28/87
PROD. (SIGNED)		02/28/87

TITLE
 KA659

SCALE	2/1
SHT.	1 OF 5
NEXT HIGHER REV.	K-00-117620-0-0

SIZE	CODE	NUMBER	REV
D	UA	117620-0-0	B

1 MS#275E4E

8

8 0-0-0292W 1000 22/5

6

5

4

3

2

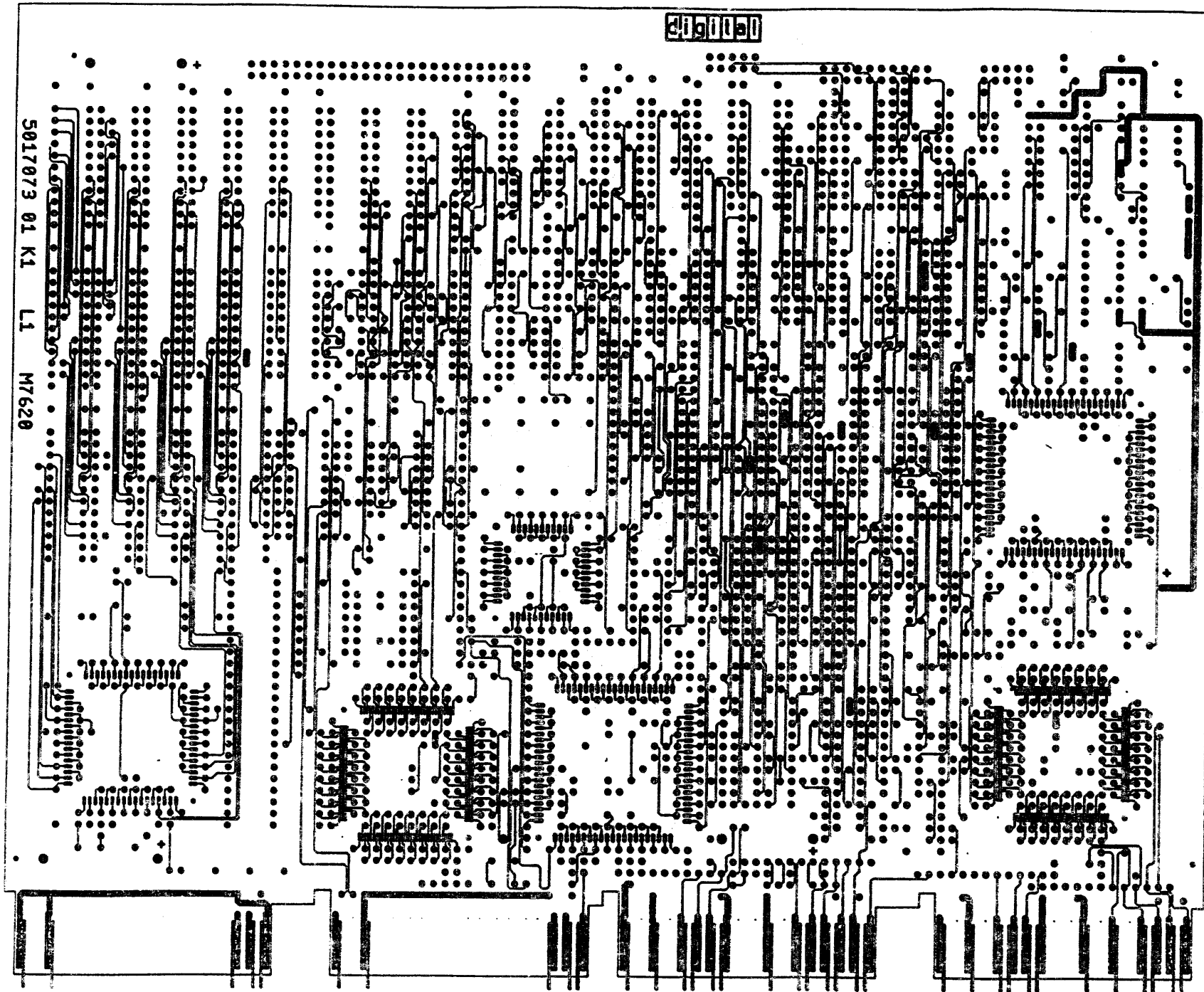
1

THIS DRAWING AND SPECIFICATIONS HEREIN ARE THE PROPERTY OF DIGITAL EQUIPMENT CORPORATION AND SHALL NOT BE REPRODUCED OR COPIED OR USED IN WHOLE OR IN PART AS THE BASIS FOR THE MANUFACTURE OR SALE OF ITEMS WITHOUT WRITTEN PERMISSION. COPYRIGHT © 1987 DIGITAL EQUIPMENT CORPORATION.

VIEW FROM SIDE 1

digital

5017073 01 K1 L1 M7620



D

D

C

C

B

B

A

A

DJA M7620-0-0 B

REVISION HISTORY		
DATE	ECO NUMBER	REV.

TITLE KA650

DOCUMENT NUMBER		
SIZE CODE	NUMBER	REV.
DJA	M7620-0-0	B
SCALE 2/1	SHEET 2	OF 5

8

7

6

5

4

3

2

1

8

8 0-0-0292W DUA

6

5

4

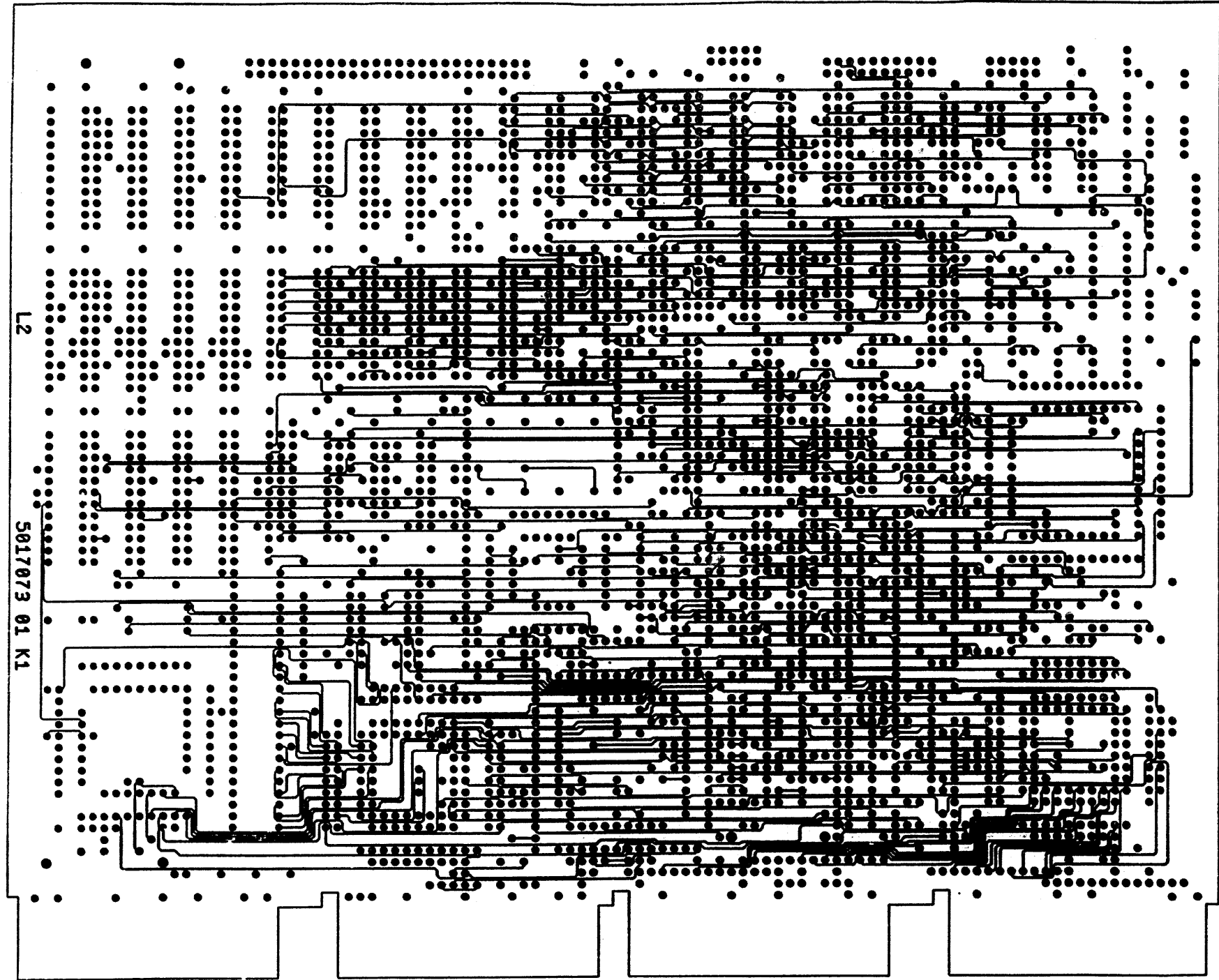
3

2

1

THE DRAWING AND SPECIFICATIONS HEREIN ARE THE PROPERTY OF DIGITAL EQUIPMENT CORPORATION AND SHALL NOT BE REPRODUCED OR COPIED OR USED IN WHOLE OR IN PART AS THE BASIS FOR THE MANUFACTURE OR SALE OF ITEMS WITHOUT WRITTEN PERMISSION.
COPYRIGHT 1967 DIGITAL EQUIPMENT CORPORATION

VIEW FROM SIDE I



L2
5017073 01 K1

D

C

B

A

D

C

B

B

A

DUA M7620-0-0

REVISION HISTORY		
DATE	ECO NUMBER	REV

TITLE
KA650

DOCUMENT NUMBER			
SIZE	CODE	NUMBER	REV
D	JA	M7620-0-0	B
SCALE 2/1		SHEET 3 OF 5	

8

7

6

5

4

3

2

1

DRD 130A

8

8 0-0 029W DJA
A3M NUMBER

6

5

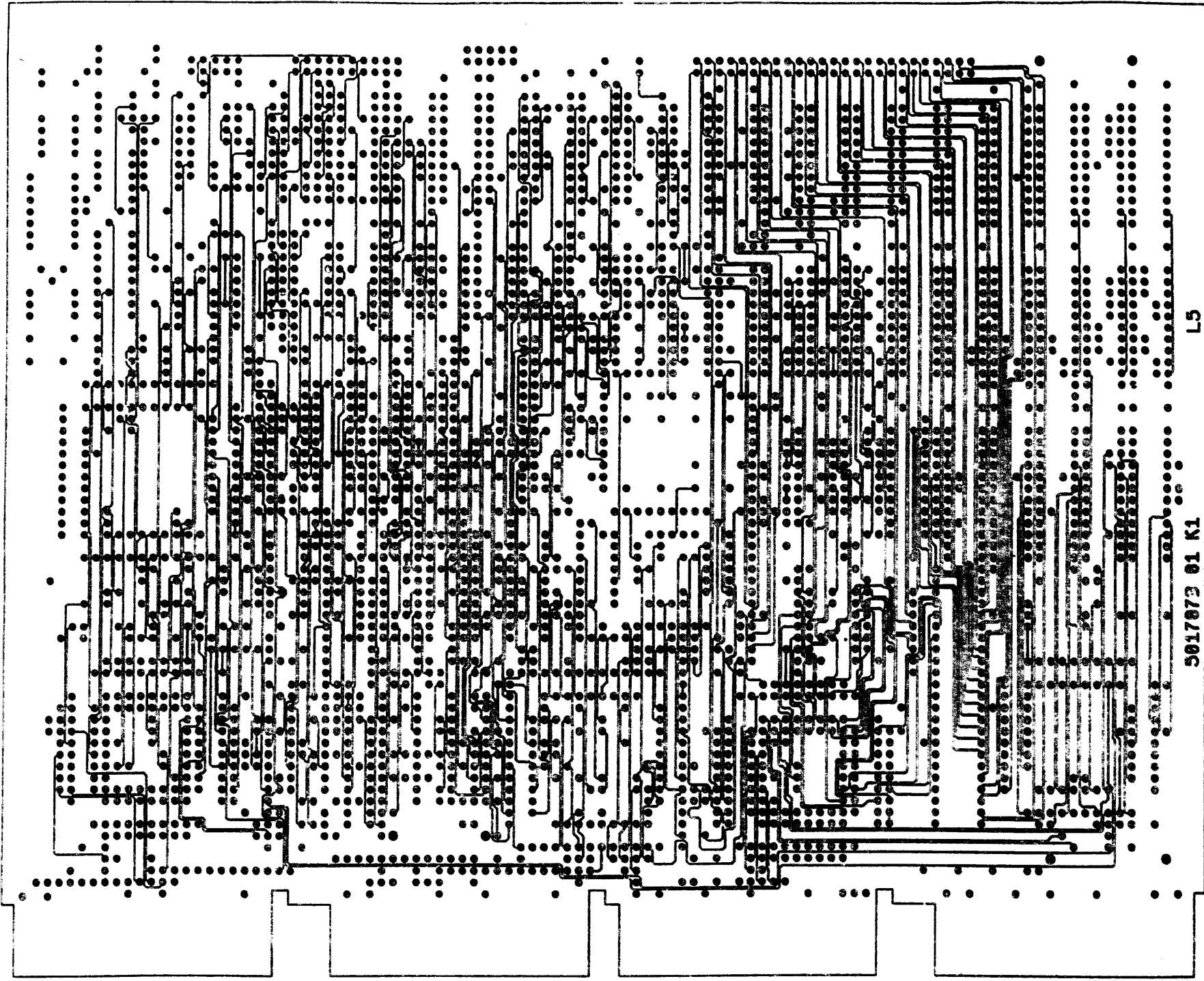
4

3

2

1

THIS DRAWING AND SPECIFICATIONS HEREIN ARE THE PROPERTY OF DIGITAL EQUIPMENT CORPORATION AND SHALL NOT BE REPRODUCED OR COPIED OR USED IN WHOLE OR IN PART AS THE BASIS FOR THE MANUFACTURE OR SALE OF ITEMS WITHOUT WRITTEN PERMISSION OF DIGITAL EQUIPMENT CORPORATION.
COPYRIGHT © 1988 DIGITAL EQUIPMENT CORPORATION



L5

5017073 01 K1

D

C

B

A

A

B

A

DJA M7620-0-0

REVISION HISTORY		
DATE	ECO NUMBER	REV.

TITLE
KA650

DOCUMENT NUMBER		
DJA	M7620 -0-0	B
SCALE 2/1	SHEET 4	OF 5

8

7

6

5

4

3

2

8

8 0-0 0292W M7620-0-0

6

5

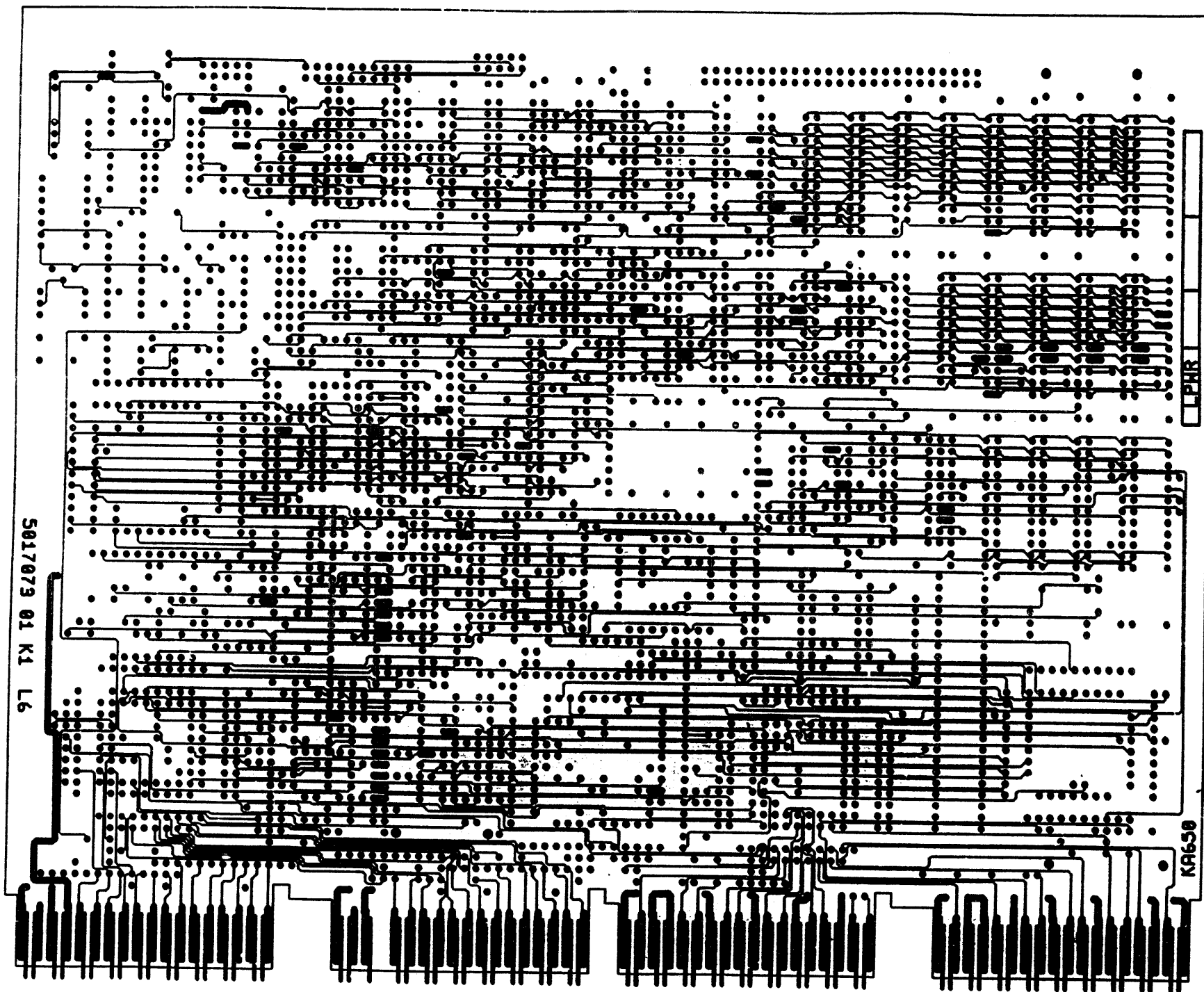
4

3

2

1

THIS DRAWING AND SPECIFICATIONS HEREIN ARE THE PROPERTY OF DIGITAL EQUIPMENT CORPORATION AND SHALL NOT BE REPRODUCED OR COPIED OR USED IN WHOLE OR IN PART AS THE BASIS FOR THE MANUFACTURE OR SALE OF ITEMS WITHOUT WRITTEN PERMISSION
 COPYRIGHT © 1968 DIGITAL EQUIPMENT CORPORATION



5817879 01 K1 L6

PHR

KA650

REVISION HISTORY		
DATE	ECO NUMBER	REV.

LINE	ITEM	TOP DOCUMENT	PART NUMBER	MIN REV	DESCRIPTION	QTY PER VAR/REV		REFERENCE DESIGNATORS
						AA E1	BA E1	
1	1	K-DD-5017073-0-0	50-17073-01	A	CIRCUIT DRILL AND ETCH BOARD	1	1	
2	2		10-01610-00		0.010MFD 50V +80/-20% Z5U C	13	13	C13,C15,C24,C26,C27,C34,C36, CONT C42,C54,C58,C65,C69,C73
3	3		10-10274-02		1.0 MFD 50V +80/-20% Z5U C	1	1	C5
4	4		10-10279-01		0.47 MFD 25V +/-20% Z5U C	5	5	C3,C9,C10,C17,C18
5	5		10-13466-05		56 PFD 50V +/- 5% NPO C	1	1	C11
6	6		10-13466-07		220 PFD 50V +/- 5% NPO C	1	1	C20
7	7	SEE NOTE 4	10-14265-02		0.33 MFD 50V +80/-20% Z5U C	55	55	C1,C4,C7,C8,C12,C14,C19, CONT C2-C23,C25,C28-C33,C35, CONT C37-C41,C43-C53,C55-C57, CONT C59-C64,C66-C68,C72,C74-C81
8	8		10-17472-00		10 MFD 35V +75/-10% ALU	2	2	C6,C16
9	9		10-20446-05		22 MFD 16V +50/-20% ALU	2	2	C70,C71
10	10		10-20446-07		100 MFD 16V +50/-20% ALU	1	1	C82
11	11		11-03441-00		VZ= 8.2 5% 400 MW 1N756A	1	1	D3
12	12		11-05275-00		PIV= 60 IO=300 MA -15NS	3	3	D4-D6
13	13		11-14117-00		PIV= 40 IO= 75 A -4NS 1N4152	2	2	D1,D2
14	14		11-14136-02		LED 6.7MA 5V .2MCD GREEN	1	1	D7
15	15		11-20964-01		LED ASSY 4 RED 5V 8MA	1	1	D8
16	16		12-10929-02		FUSE PICO 1.0 A 125V AXIAL LEA	2	2	F1,F2
17	17		12-13113-03		HANDLE,MODULE	1	1	
18	18		12-13506-04		PCB HEADER 09PIN(2X05).100CC 90D	1	1	J1
19	19		12-13506-10		PCB HEADER 20PIN(2X10).100CC 90D	1	1	J2
20	20		12-21545-03		PCB HEADER 50PIN(2X25).100CC 90D	1	1	J3
21	21		12-15006-17		SKT,IC 28PIN DIP TIN SOLD	2	2	XE26,XE33
22	22		13-00197-00		33.0 .25 W 5.0 % CF	2	2	R50,R51
23	23		13-00202-00		47.0 .25 W 5.0 % CF	59	59	R2,R10,R13,R14,R30-R32,R36-R38, CONT R40,R42,R43,R45,R46,R48,R52, CONT R53,R55-R60,R65-R70,R72-R99, CONT R102

REVISION HISTORY			KPL MODULE FORMAT		SECTION A OF A	DRN: J. CUNNINGHAM	DIGITAL			
ENG	ECO NUMBER	REV	SECTION/VARIATION INDEX			DATE: 11-FEB-87				
---	INITIAL	A	[A]	AA,BA	[M]	CHK'D: B. DITOMMASO	TITLE PARTS LIST			
CD	M7620-ML001	B	[B]		[N]	DATE: 23-MAR-87	KA650			
JK	M7620-CTS002	C	[C]		[P]	DES.ENG: C. DEVANE				
JK	M7620-CTS003	D	[D]		[Q]	DATE: 23-MAR-87	DOCUMENT NUMBER			
			[E]		[R]		SIZE	CODE	NUMBER	REV
			[F]		[S]	RESP.ENG.: C. DEVANE	K	PL	M7620-0-DBP	D
			[H]		[T]	DATE: 17-SEP-87	RELEASE DATE: 16-AUG-88			
			[J]		[V]	MFG.ENG: K. RYAN	RELEASE STATUS: RELEASED			
			[K]		[W]	DATE: 17-SEP-87				
			[L]		[Y]					
			BASIC PART NUMBER:		ASSEMBLY NUMBER:	TOP DOCUMENT NUMBER:		EDIT #		
			M7620		D-UA-M7620-0-0	K-DD-M7620-0-0		6		
FILE NAME: MLAO178D.PLS										

"THIS DRAWING AND THE SPECIFICATIONS CONTAINED HEREIN ARE CONFIDENTIAL AND PROPRIETARY. THEY ARE THE PROPERTY OF DIGITAL EQUIPMENT CORPORATION AND SHALL NOT BE REPRODUCED OR COPIED OR USED IN WHOLE OR IN PART AS THE BASIS FOR THE MANUFACTURE OR SALE OF ITEMS WITHOUT WRITTEN PERMISSION. THIS IS AN UNPUBLISHED WORK PROTECTED UNDER THE FEDERAL COPYRIGHT LAWS."

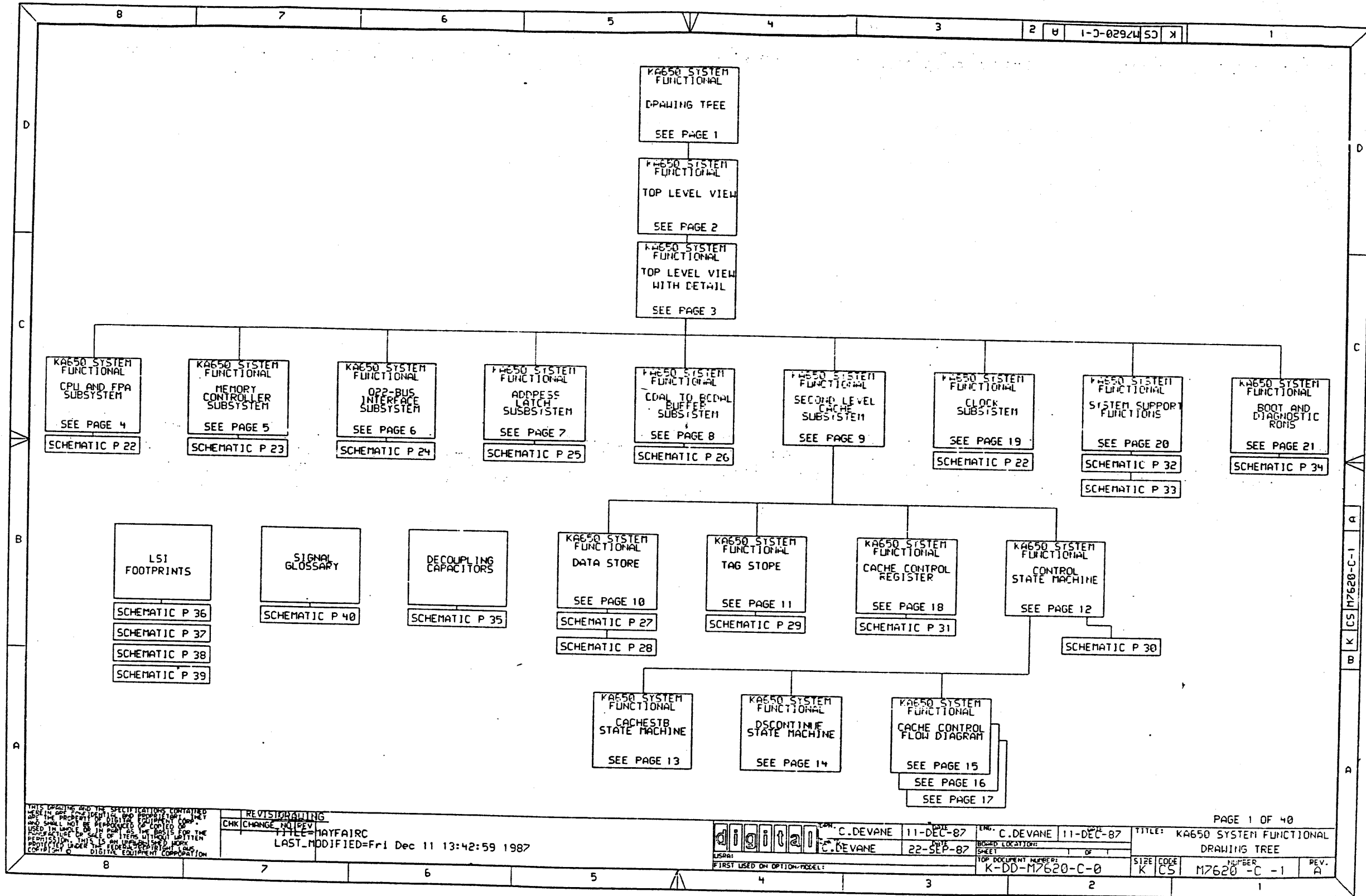
LINE	ITEM	TOP DOCUMENT	PART NUMBER	MIN REV	DESCRIPTION	QTY AA	PER BA	VAR/REV	REFERENCE DESIGNATORS
						E1	E1		
24	24		13-00219-00	68.0	.25 W 5.0 % CF	2	2		R33,R34
25	25		13-00271-00	220.0	.25 W 5.0 % CF	9	9		R18-R20,R61,R62,R71,R100,R103, R104
26	26		13-00365-00	1.0 K	.25 W 5.0 % CF	4	4	CONT	R1,R12,R21,R29
27	27		13-00447-00	4.70 K	.25 W 5.0 % CF	3	3		R7,R27,R28
28	28		13-00479-00	10.0 K	.25 W 5.0 % CF	4	4		R4,R15-R17
29	29		13-01317-00	10.0	.25 W 5.0 % CF	1	1		R49
30	30		13-01522-00	27.0	.25 W 5.0 % CF	4	4		R39,R54,R63,R64
31	31		13-01808-00	22.0 K	.25 W 5.0 % CF	1	1		R25
32	32		13-01969-00	22.0	.25 W 5.0 % CF	2	2		R41,R101
33	33		13-02377-00	39.0	.25 W 5.0 % CF	1	1		R9
34	34		13-02751-00	30.0	.25 W 5.0 % CF	1	1		R44
35	35		13-04837-00	24.0 K	.25 W 5.0 % CF	1	1		R6
36	36		13-05128-00	5.62 K	.25 W 1.0 % RN55D-F10	1	1		R8
37	37		13-13469-00	240.0	.25 W 5.0 % CF	3	3		R3,R5,R26
38	38		13-16395-00	R. NET	4.7K- 9 2.0	7	7		Z3,Z4,Z6-Z10
39	39		13-16395-02	R. NET	1.0K- 9 2.0	2	2		Z5,Z13
40	40		13-18110-00	R. NET	330.0 -11 680.0 -11 5.0	4	4		Z1,Z2,Z11,Z12
41	41		13-18247-00	510.0	.25 W 5.0 % CF	1	1		R35
42	42		13-19610-01	750.0 K	.25 W 0.1 % RN55E-B 2	1	1		R24
43	43		13-19645-01	487.0 K	.25 W 0.1 % RN55E-B 2	1	1		R23
44	44		15-10705-00	XA 05	NPN 500MW SI 60 50 P	1	1		Q1
45	45		18-28789-01		OSCILLATOR, XTAL 44.4444 MHZ	1	1		Y3
46	46		18-28789-02		OSCILLATOR, XTAL 40.00 MHZ	1	1		Y2
47	47		18-28790-02		OSCILLATOR, XTAL 25.6 KHZ	1	1		Y1
48	48		19-13777-B0		LS240 BURNED-IN DRIVER,LIN	2	2		E13,E17
49	49		19-14140-B1		211P BURNED-IN VOLT COMPR	1	1		E6
50	50		19-14451-B0		LS393 BURNED-IN COUNTER,BI	1	1		E5
51	51		19-15415-B0		9636 BURNED-IN DRIVER,DUA	1	1		E8
52	52		19-16028-B1		9643 BURNED-IN DRIVER,TTL	1	1		E4
53	53		19-18868-BC		LS26 NAND GATE,2-IN,HIGH	1	1		E7
54	54		19-19542-B1		9639 RECEIVER,LINE,DUAL,P	1	1		E3
55	55		19-19684-01		*** THIS ITEM IS NOT USED ***	-	-		
56	56		19-20441-B1		74F245 TRANSCEIVER,BI-DIREC	4	4		E9,E15,E18,E19
57	57		19-20442-B1		74F374 FF-D,OCTAL,TRI-STATE	1	1		E41
58	58		19-20572-B1		74F244 BUFFER/LINE DRIVER,0	4	4		E11,E25,E42,E54
59	59		19-21008-B1		74F240 BUFFER/LINE DRIVER,0	2	2		E20,E45
60	60		19-21010-B1		74F373 OCTAL TRANSPARENT LA	4	4		E24,E29,E36,E56
61	61		19-21305-B1		74F00 NAND GATE,QUAD,2-IN,	1	1		E37
62	62		19-21306-B1		74F02 NOR GATE,QUAD,2-IN,B	1	1		E21
63	63		19-21307-B1		74F04 HEX INVERTER,BURNED	1	1		E16
64	64		19-21313-B1		74F64 AND OR INVERT GATE,4	2	2		E12,E27
65	65		19-21314-B1		74F74 FF-D,DUAL,BURNED-IN	2	2		E30,E34
66	66		19-21315-B1		74F86 EXCLUSIVE OR GATE,QU	2	2		E46,E53
67	67		19-21323-B1		74F174 FF-D,HEX,BURNED-IN	2	2		E10,E43
68	68		19-21330-B1		74F257 MUX,QUAD,2-IN,BURNED	1	1		E47
69	69		19-21332-B2		74F280A PARITY GEN/CHECK,9-B	2	2		E40,E50
70	70		19-21417-B1		74F521 COMPARATOR,IDENTITY,	2	2		E48,E51
71	71		19-22481-B1		74F544 OCTAL REG TRANSCEIVE	5	5		E59,E62,E66,E69,E72
72	72		21-18054-07		16K MOS RAM 35NS S	4	4		E57,E58,E60,E61

D	I	G	I	T	A	L	TITLE	KA650	SECTION A OF A	SIZE	CODE	DOCUMENT NUMBER	REV
										K	PL	M7620-0-DBP	D

LINE	ITEM	TOP DOCUMENT	PART NUMBER	MIN REV	DESCRIPTION	QTY	PER	VAR/REV	REFERENCE DESIGNATORS
						AA	BA		
						E1	E1		
73	73		21-24673-01		DC509 CVAX CLOCK CHIP	1	1		E39
74	74	SEE NOTE 1	21-24674-09		*** THIS ITEM IS NOT USED ***	-	-		
75	75		21-24942-01		*** THIS ITEM IS NOT USED ***	-	-		
76	76		21-25091-01		DC357 MEMORY CONTROLLER CVAX	1	1		E44
77	77		21-25972-01		BUS CONTROLLER INTER	1	1		E1
78	78		21-26266-04		RAM,STATIC 16KX4 35N	11	11		E49,E52,E55,E63,E64,E67,E68, CONT E70,E71,E73,E74
79	79	SEE NOTE 2	21-26604-02		DC513 CFPA CMOS FPU 90NS	1	1		E65
80	80		23-55E7 -00		*** THIS ITEM IS NOT USED ***	-	-		
81	81		23-56E7 -00		*** THIS ITEM IS NOT USED ***	-	-		
82	82		23-379J5-00		J5-07 PAL	1	1		E23
83	83		23-37E7 -00		*** THIS ITEM IS NOT USED ***	-	-		
84	84		23-380J5-00		J5-07 PAL	1	1		E28
85	85		23-381J5-00		J5-07 PAL	1	1		E31
86	86		23-382J5-00		J5-07 PAL	1	1		E35
87	87		23-383J5-00		J5-07 PAL	1	1		E38
88	88		23-384J5-00		J5-07 PAL	1	1		E22
89	89		23-385J5-00		J5-07 PAL	1	1		E14
90	90		23-38E7 -00		*** THIS ITEM IS NOT USED ***	-	-		
91	91		90-00024-01		EYELET,ROLLED 0.1210GX0.192	4	4		
92	92		90-09185-00		JUMPER, WIRE, INSULATED, BLACK B	2	2		W1,W5
93	93		99-07004-06		CARTON,DIE CUT,B,200PSI W/ARTWOR	1	1		
94	94		99-07025-06		BAG,ANTISTATIC BUBBLE	1	1		
95	95		99-07092-04		BAG,TRANSLUCENT,ESD PROTECTIVE	1	1		
96	96		19-19684-B1		385BZ PREC VOLT REF PRECON	1	1		Q2
97	97		21-24942-02		*** THIS ITEM IS NOT USED ***	-	-		
98	98		23-70E7 -00		E7-01,E7-04		1		E33
99	99		23-71E7 -00		E7-01,E7-04		1		E26
100	100		23-68E7 -00		E701,E7-04	1	-		E33
101	101		23-69E7 -00		E7-01,E7-04	1	-		E26
102	102		11-17166-00		PIV= 20 IO= 1.00A DO-35	1	1		D9
103	103		21-24674-11		*** THIS ITEM IS NOT USED ***	-	-		
104	104		21-24942-03 A		DC511 MICROVAX SYSTEM SUPPORT CH	1	1		E2
105	106		21-24674-13		DC341 CVAX 90 NS W/ POLYX INSTR	1	1		E32

- 1 GEN: THE -10 VARIATION OF PART# 21-24674-09 MAY BE USED IN PLACE OF THE -09 VARIATION ON THE M7620-AA AND -BA MODULES.
- 2 GEN: THE -03 AND -04 VARIATIONS OF PART# 21-26604-02 MAY BE USED IN PLACE OF THE -02 VARIATION ON THE M7620-AA AND -BA MODULES
- 3 GEN: THE -12 VARIATION OF PART #21-24674- , MAY BE USED IN PLACE OF THE -11 VARIATION.
- 4 GEN: 10-29563-01 MAY BE USED IN PLACE OF ITEM #7, 10-14265-02.

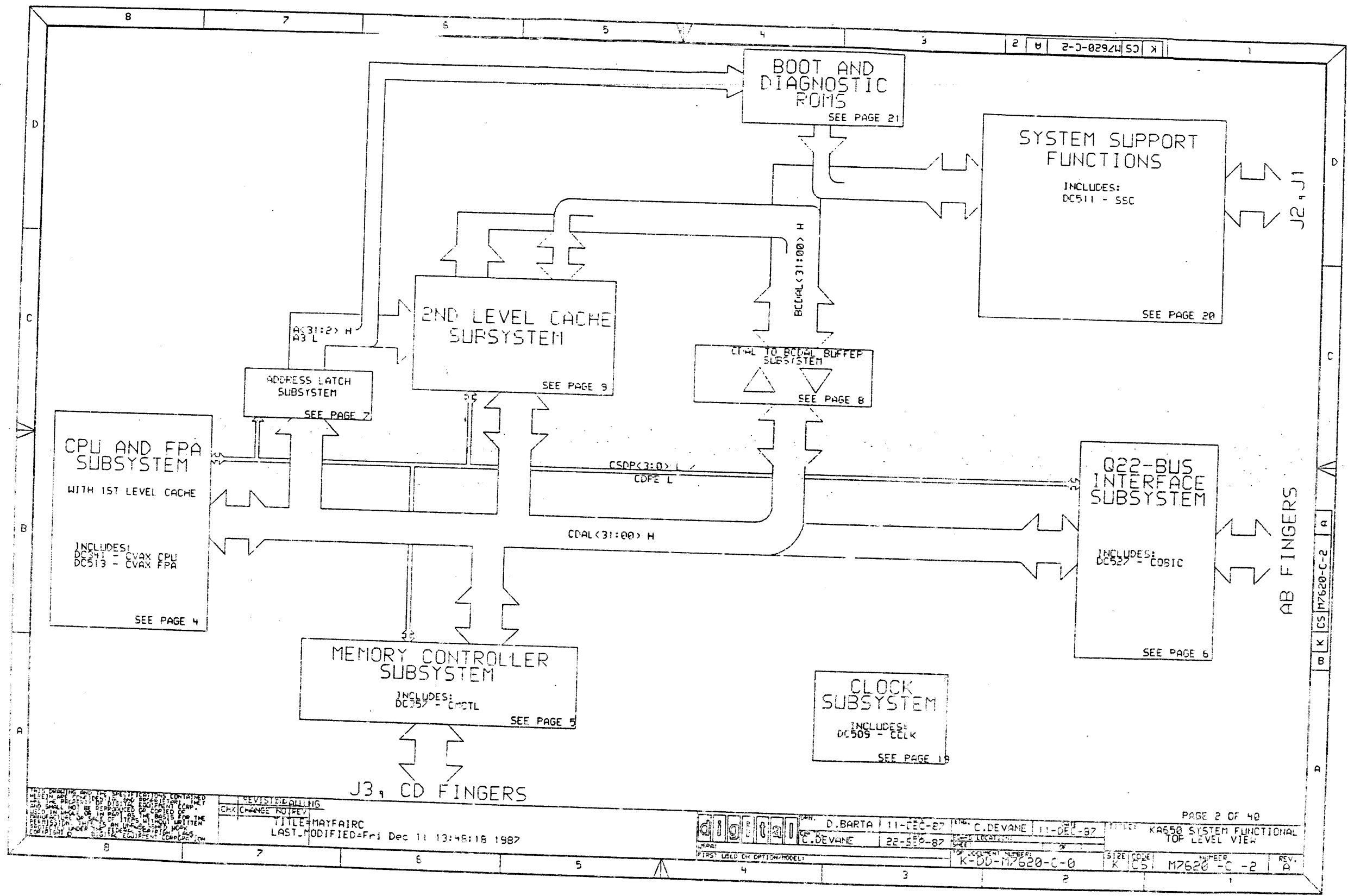
D	I	G	I	T	A	L	TITLE	KA650	SECTION A OF A	SIZE	CODE	DOCUMENT NUMBER	REV
										K	PL	M7620-0-DBP	0



THIS DRAWING AND THE SPECIFICATIONS CONTAINED HEREIN ARE THE PROPERTY OF DIGITAL EQUIPMENT CORPORATION AND SHALL NOT BE REPRODUCED OR TRANSMITTED IN ANY FORM OR BY ANY MEANS, ELECTRONIC OR MECHANICAL, INCLUDING PHOTOCOPYING, RECORDING, OR BY ANY INFORMATION STORAGE AND RETRIEVAL SYSTEM, WITHOUT PERMISSION IN WRITING FROM DIGITAL EQUIPMENT CORPORATION.

REVISIONS
 CHK CHANGE NO REV
 TITLE: MAYFAIRC
 LAST MODIFIED: Fri Dec 11 13:42:59 1987

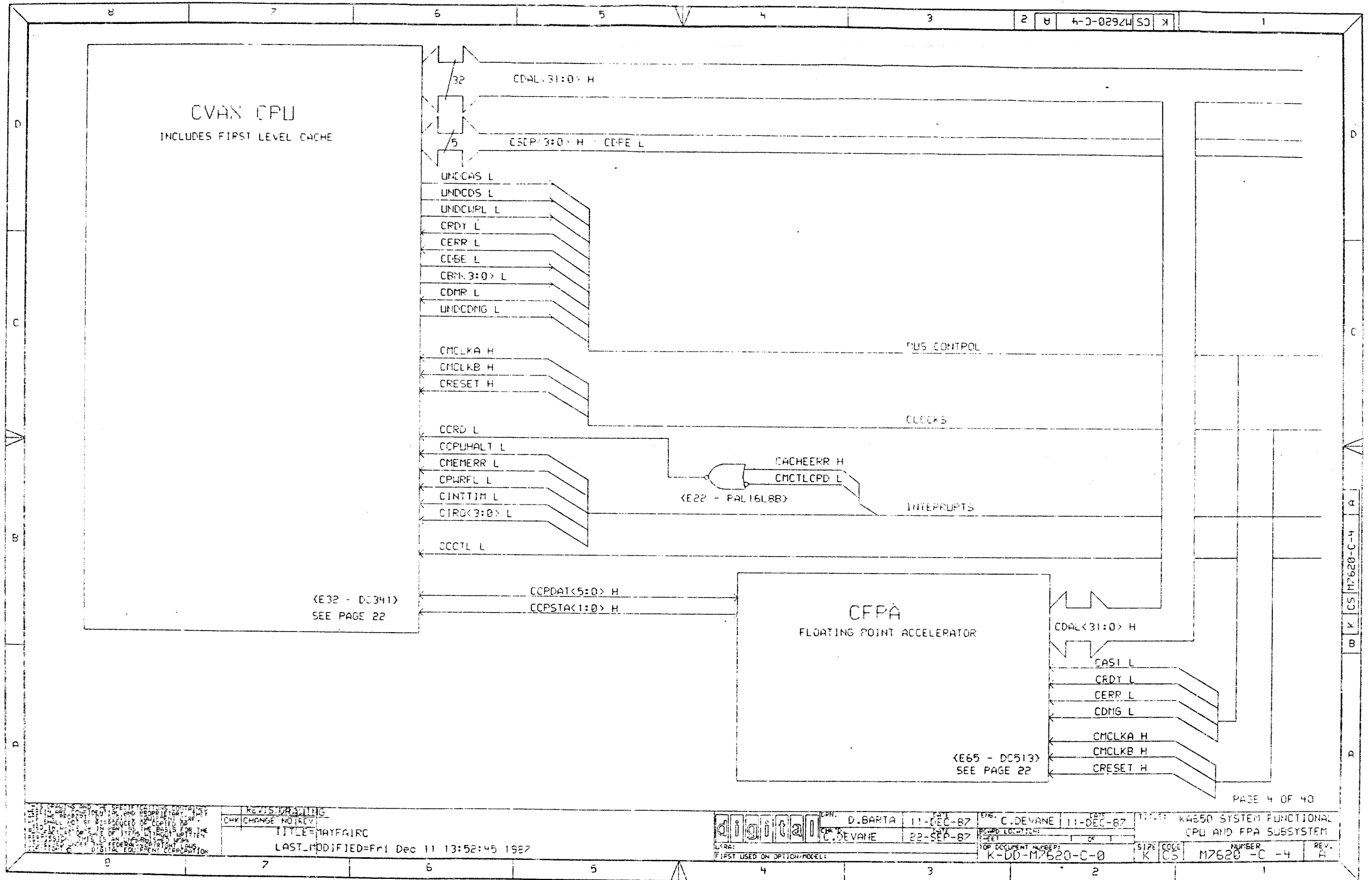
PAGE 1 OF 40
 TITLE: KA650 SYSTEM FUNCTIONAL DRAWING TREE
 C.DEVANE 11-DEC-87
 C.DEVANE 22-SEP-87
 BOARD LOCATION: DE 1
 TOP DOCUMENT NUMBER: K-DD-M7620-C-0
 SIZE CODE: K ICS
 NUMBER: M7620 -C -1
 REV: A



ALL INFORMATION AND THE SPECIFICATIONS CONTAINED HEREIN ARE UNCLASSIFIED EXCEPT WHERE SHOWN OTHERWISE. THIS DOCUMENT IS UNCLASSIFIED EXCEPT WHERE SHOWN OTHERWISE. THIS DOCUMENT IS UNCLASSIFIED EXCEPT WHERE SHOWN OTHERWISE.

REVISIONS
 TITLE: MAYFAIRC
 LAST MODIFIED: Fri Dec 11 13:48:18 1987

DIGITAL	DESIGNED BY: D. BARTA	DATE: 11-DEC-87	DESIGNED BY: C. DEVANE	DATE: 11-DEC-87	PAGE 2 OF 40 KA650 SYSTEM FUNCTIONAL TOP LEVEL VIEW
	CHECKED BY: C. DEVANE	DATE: 22-SEP-87	CHECKED BY:	DATE:	
FIRST USED OR OPTION/MODEL:			DOCUMENT NUMBER:	SIZE:	REV.:
			K-00-17620-C-0	K CS	M7620-C-2 A



THIS DOCUMENT CONTAINS UNCLASSIFIED INFORMATION EXCEPT WHERE SHOWN OTHERWISE. IT IS THE PROPERTY OF THE FEDERAL BUREAU OF INVESTIGATION AND IS LOANED TO YOUR AGENCY. IT AND ITS CONTENTS ARE NOT TO BE DISTRIBUTED OUTSIDE YOUR AGENCY.

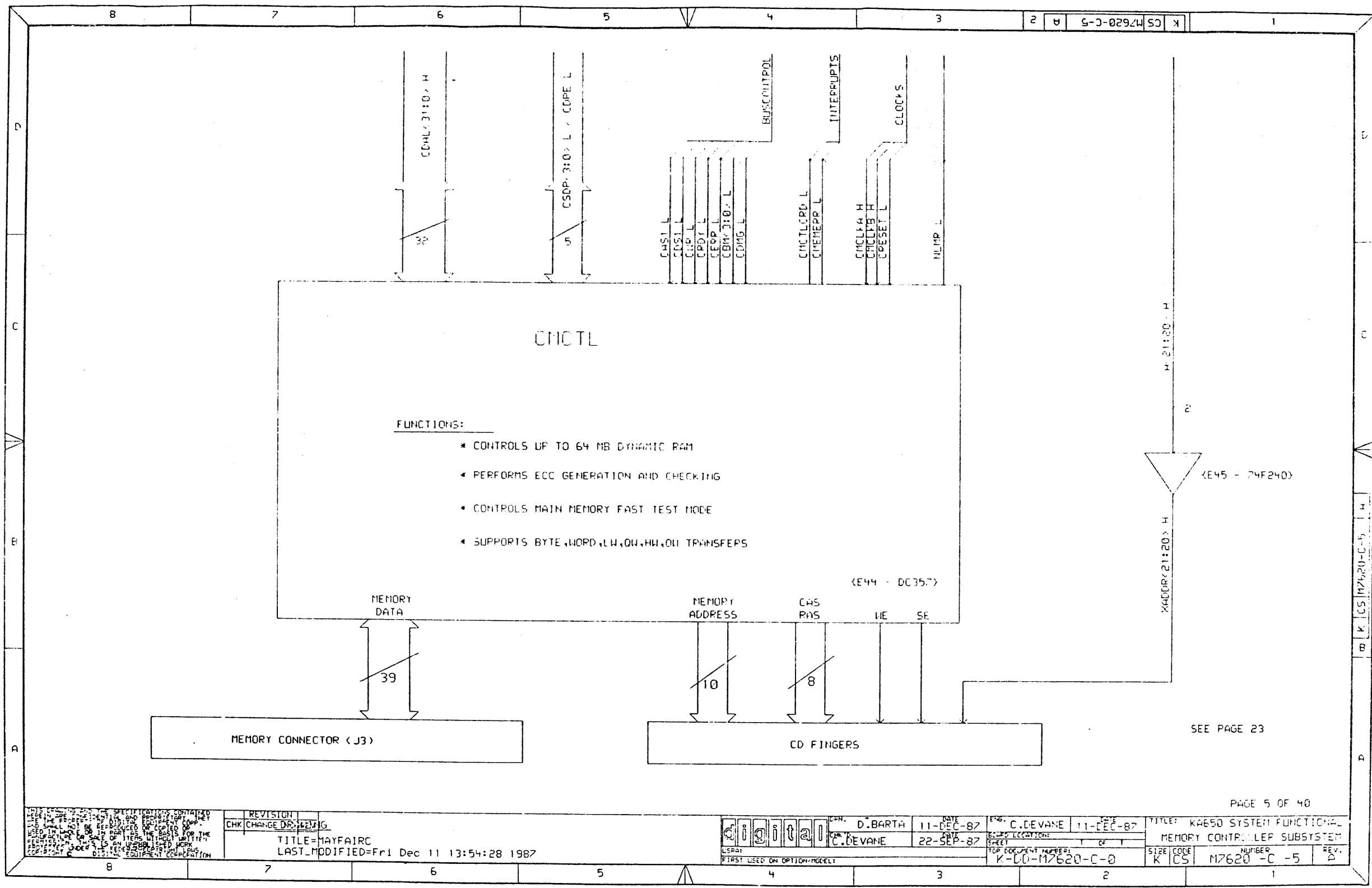
REVISED DURING
CHK CHANGE NOT REV.
TITLE: MAYFAIRC
LAST MODIFIED: Fri Dec 11 13:52:45 1987

digital
FIRST USED ON OPTION MODEL:

DESIGNED BY: D. BARTA
DATE: 11-DEC-87
CHECKED BY: C. DEVANE
DATE: 22-SEP-87

ESTD BY: C. DEVANE
DATE: 11-DEC-87
TOP DOCUMENT NUMBER:
K-DD-M7620-C-0

TITLE: KAS50 SYSTEM FUNCTIONAL
CPU AND FPA SUBSYSTEM
SIZE: K CS
NUMBER: M7620 -C -4
REV: A



FUNCTIONS:

- * CONTROLS UP TO 64 MB DYNAMIC RAM
- * PERFORMS ECC GENERATION AND CHECKING
- * CONTROLS MAIN MEMORY FAST TEST MODE
- * SUPPORTS BYTE,WORD,LW,OW,HW,OW TRANSFERS

MEMORY DATA

39

MEMORY CONNECTOR (J3)

MEMORY ADDRESS

10

CAS PAS

8

WE

SE

CD FINGERS

(E44 - DC357)

XADDR<21:20> H

(E45 - 74F240)

SEE PAGE 23

ALL INFORMATION CONTAINED HEREIN IS UNCLASSIFIED EXCEPT WHERE SHOWN OTHERWISE. IT IS THE POLICY OF THE FEDERAL BUREAU OF INVESTIGATION TO MAKE ALL INFORMATION CONTAINED HEREIN AVAILABLE TO THE PUBLIC UNLESS IT IS DETERMINED THAT DISCLOSURE OF THIS INFORMATION COULD BE DETERMINED TO BE DETRIMENTAL TO THE NATIONAL DEFENSE. DATE OF REVIEW: 11-11-2011 BY: 60322 UCBAW/STP

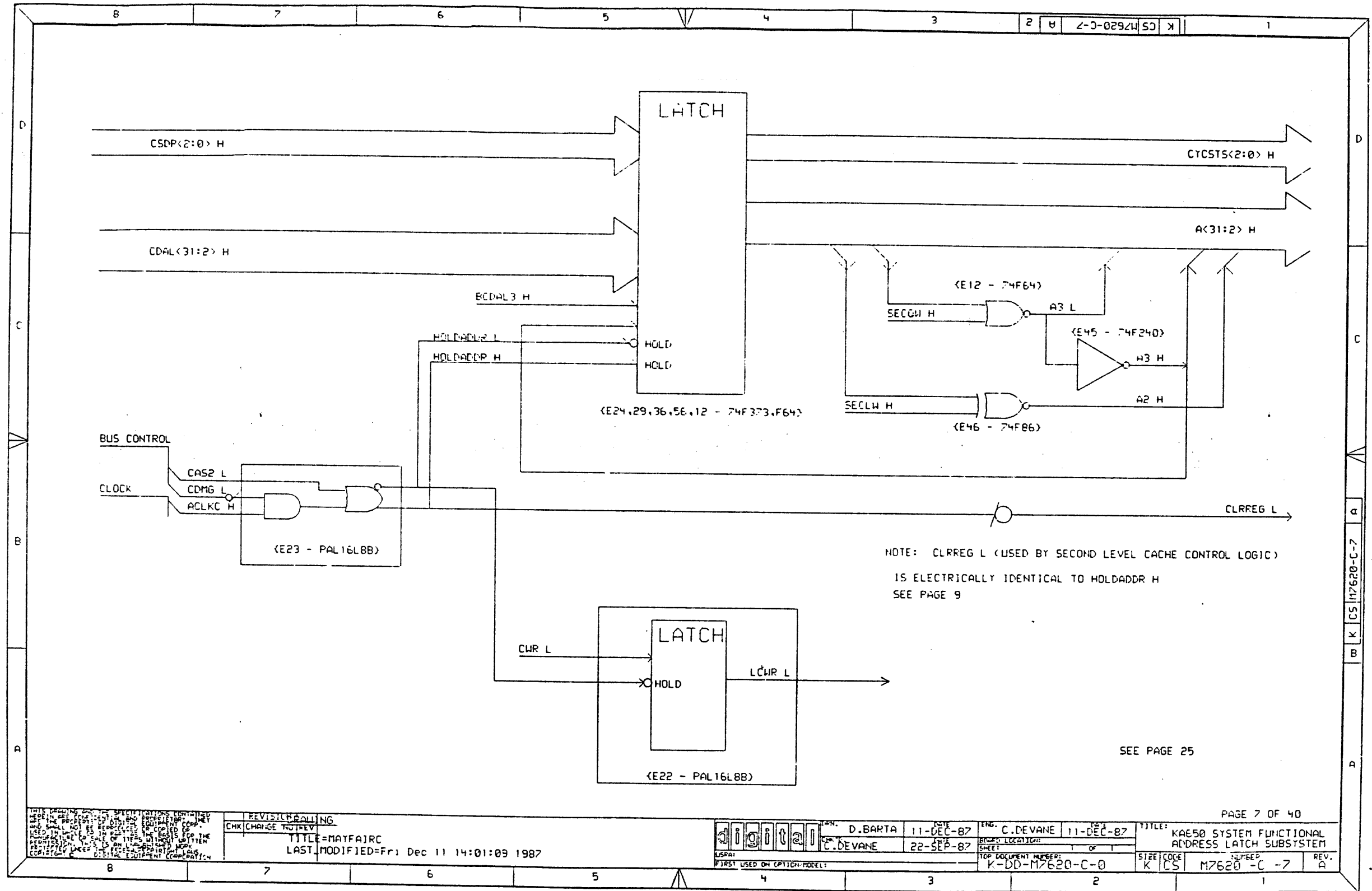
REV	DESCRIPTION
1	INITIAL RELEASE
2	CHG CHANGE DR. REV. 11-11-2011

TITLE=MAYFAIRC
LAST_MODIFIED=Fri Dec 11 13:54:28 1987

Digital	DESIGNED BY	D.BARTH	DATE	11-DEC-87
	DESIGNED BY	C.DEVANE	DATE	22-SEP-87

ENGINEER	C.DEVANE	DATE	11-DEC-87
SCALE	1:1	SHEET	1 OF 1
TOP DOCUMENT NUMBER	K-00-M7620-C-0		

TITLE	KAB50 SYSTEM FUNCTIONAL MEMORY CONTROLLER SUBSYSTEM		
SIZE	CODE	NUMBER	REV.
K	CS	M7620 -C -5	2



NOTE: CLRREG L (USED BY SECOND LEVEL CACHE CONTROL LOGIC)
 IS ELECTRICALLY IDENTICAL TO HOLDADDR H
 SEE PAGE 9

SEE PAGE 25

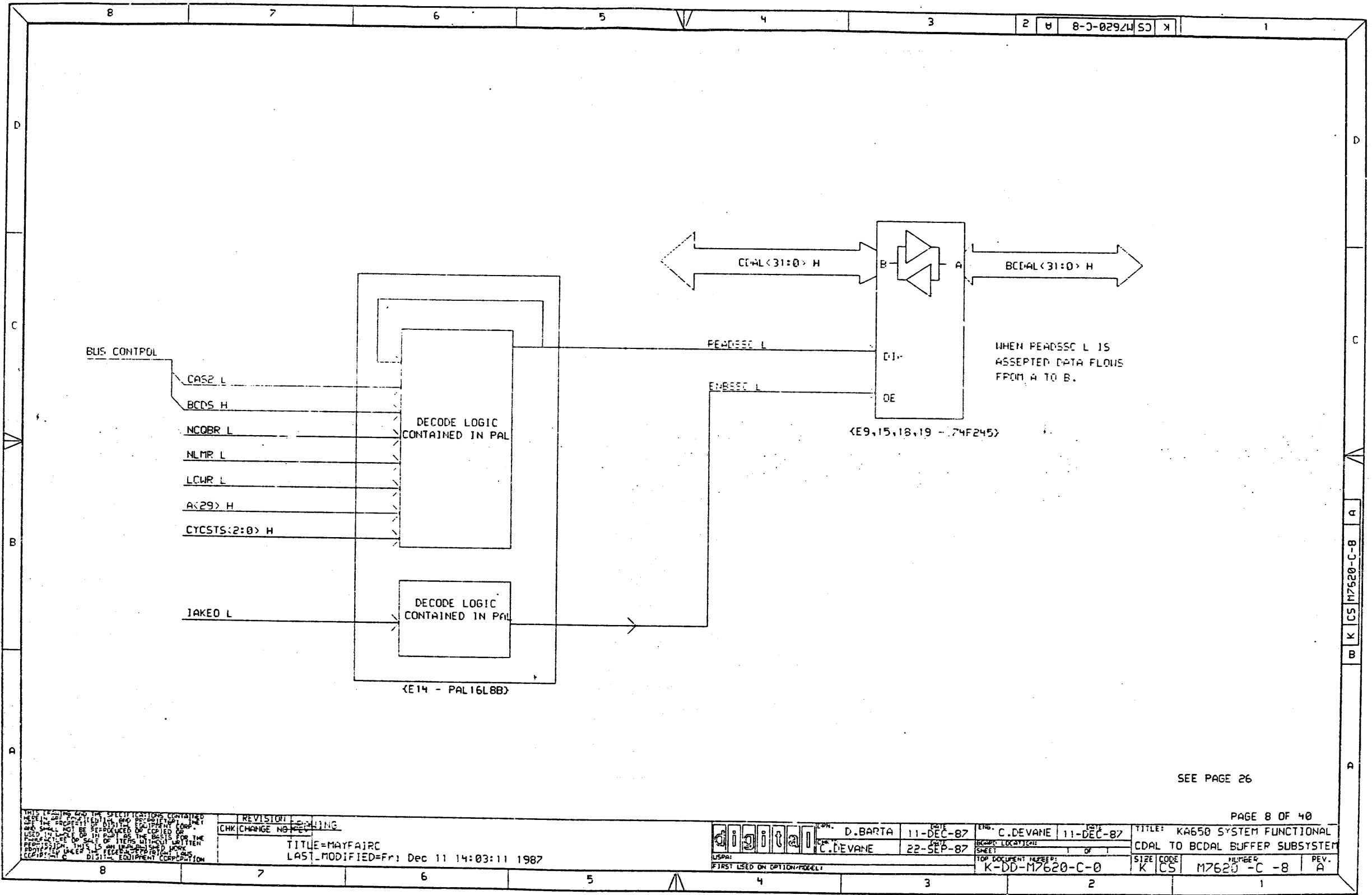
THIS DRAWING AND THE SPECIFICATIONS CONTAINED
 HEREIN ARE UNCLASSIFIED AND FOR PUBLIC USE.
 AND SHALL NOT BE REPRODUCED OR COPIED FOR
 DISTRIBUTION TO THE PUBLIC WITHOUT THE
 AUTHORITY OF THE U.S. GOVERNMENT.
 COPYRIGHT © 1987 BY DIGITAL EQUIPMENT CORPORATION

REVISIONS
 CHK CHANGE TO REV
 TITLE=MATFAJRC
 LAST MODIFIED=Fri Dec 11 14:01:09 1987

digital
 D.BARTA 11-DEC-87
 C.DEVANE 22-SEP-87

ENG. C.DEVANE 11-DEC-87
 SHEET 2 OF 2
 TOP DOCUMENT NUMBER:
 K-DD-M7620-C-0

TITLE: KAE50 SYSTEM FUNCTIONAL
 ADDRESS LATCH SUBSYSTEM
 SIZE CODE K CS M7620-C-7
 REV. A



SEE PAGE 26

THIS DRAWING AND THE SPECIFICATIONS CONTAINED HEREIN ARE THE PROPERTY OF DIGITAL EQUIPMENT CORPORATION AND SHALL NOT BE REPRODUCED OR COPIED OR USED IN ANY MANNER OR IN ANY MEDIUM FOR THE REPRODUCTION OF ANY PARTS OR ITEMS UNLESS WRITTEN PERMISSION IS OBTAINED FROM DIGITAL EQUIPMENT CORPORATION.

REVISION	1	DATE	11-DEC-87
CHK CHANGE NO	1	DATE	22-SEP-87

TITLE=MAYFAIRC
LAST_MODIFIED=Fri Dec 11 14:03:11 1987

digital

DESIGNED BY: D.BARTA
CHECKED BY: C.DEVANE

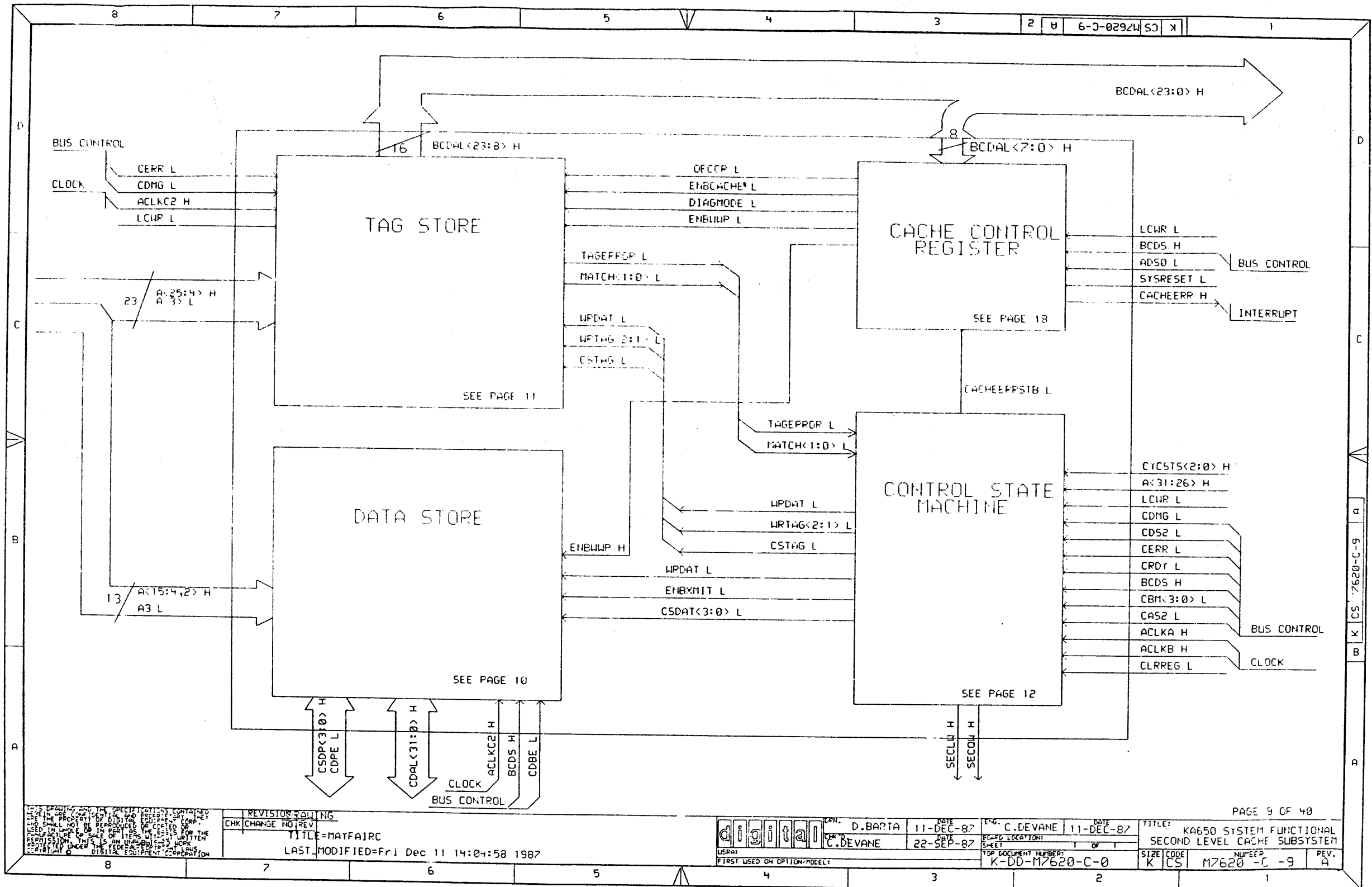
DATE: 11-DEC-87
DATE: 22-SEP-87

ENGINEER: C.DEVANE
DATE: 11-DEC-87

TITLE: KA650 SYSTEM FUNCTIONAL
CDAL TO BCDAL BUFFER SUBSYSTEM

SIZE: K CS
NUMBER: M7620-C-8
REV: A

TOP DOCUMENT NUMBER: K-DD-M7620-C-0



THIS DRAWING AND THE SPECIFICATIONS CONTAINED HEREIN ARE THE PROPERTY OF DIGITAL EQUIPMENT CORPORATION AND SHALL NOT BE REPRODUCED OR COPIED OR USED IN ANY MANNER IN VIOLATION OF THE RIGHTS OF DIGITAL EQUIPMENT CORPORATION. THIS DRAWING IS THE PROPERTY OF DIGITAL EQUIPMENT CORPORATION.

REVISIONS LISTING	
CHK	CHANGE NO/REV
	TITLE=MAYFAIRC
	LAST MODIFIED=Fri Dec 11 14:04:58 1987

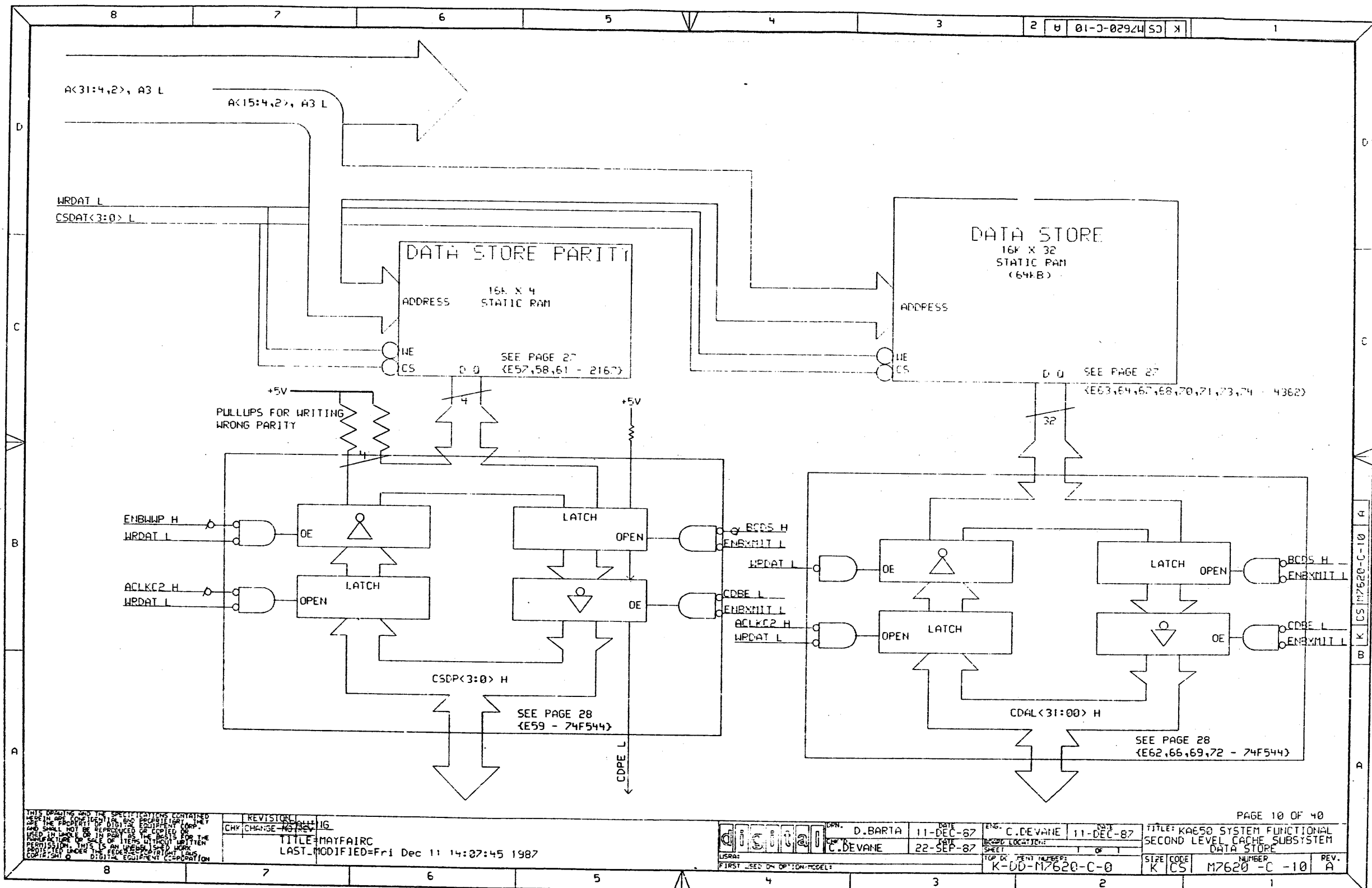
digital
FIRST USED ON OPTION/MODEL:

DESIGNER: D.BARTA
DATE: 11-DEC-87
DRAWN: C.DEVANE
DATE: 22-SEP-87

ENGR: C.DEVANE
DATE: 11-DEC-87

TITLE: KA650 SYSTEM FUNCTIONAL SECOND LEVEL CACHE SUBSYSTEM

TOP DOCUMENT NUMBER: K-DD-M7620-C-0
SIZE: K CS
M7620-C-9
REV: A



THIS DRAWING AND THE SPECIFICATIONS CONTAINED HEREIN ARE CONFIDENTIAL AND PROPRIETARY. THEY ARE THE PROPERTY OF DIGITAL EQUIPMENT CORP. AND SHALL NOT BE REPRODUCED OR COPIED, OR USED IN WHOLE OR IN PART, BY ANY OTHER PARTY WITHOUT THE WRITTEN PERMISSION OF DIGITAL EQUIPMENT CORP. THIS IS AN UNCLASSIFIED WORK PRODUCT UNDER THE FEDERAL GOVERNMENT ACQUISITION REGULATIONS OF THE FEDERAL ACQUISITION REGULATION (FAR) PART 27.104-1.

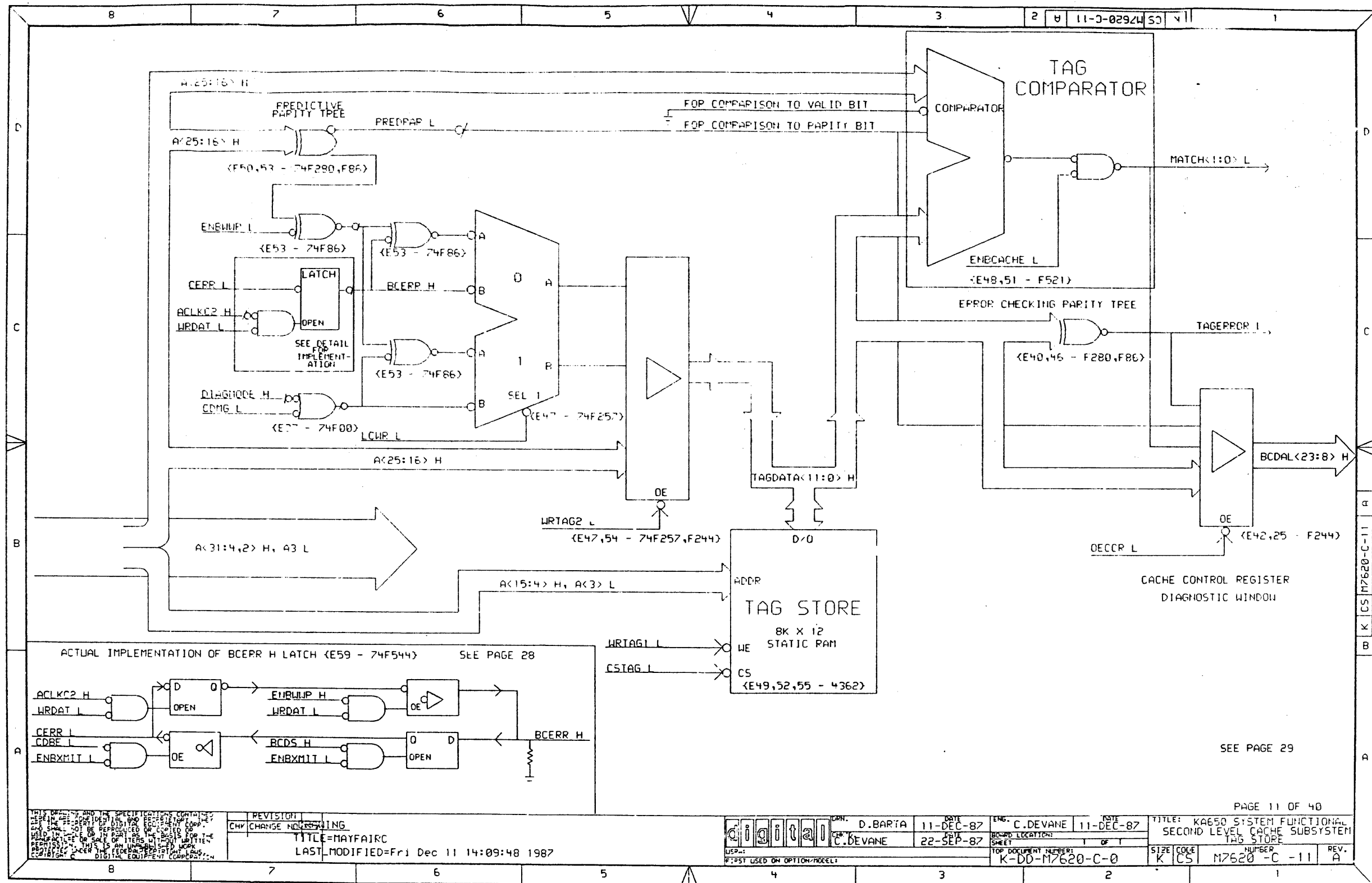
REVISION	ALL	FIG
CHKY	CHANGE	NO REV
TITLE: MAYFAIRC		
LAST MODIFIED: Fri Dec 11 14:07:45 1987		

USRA: FIRST USED ON OPTION MODEL:

DESIGNED BY	D. BARTA	DATE	11-DEC-87
DESIGNED BY	C. DEVANE	DATE	22-SEP-87

ENGINEER	C. DEVANE	DATE	11-DEC-87
CHECKED BY		DATE	

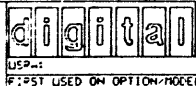
PAGE 10 OF 40			
TITLE: KAE50 SYSTEM FUNCTIONAL SECOND LEVEL CACHE SUBSYSTEM DATA STORE			
SIZE	CODE	NUMBER	REV.
K	CS	M7620-C-10	A



THIS DRAWING AND THE SPECIFICATIONS CONTAINED HEREIN ARE UNCLASSIFIED AND PUBLIC DOMAIN. IT IS THE POLICY OF THE FEDERAL BUREAU OF INVESTIGATION TO MAKE AVAILABLE TO THE PUBLIC INFORMATION THAT IS NOT RELATED TO THE NATIONAL DEFENSE. THIS INFORMATION IS BEING MADE AVAILABLE TO THE PUBLIC ON THE BASIS OF THE AUTHORITY OF 5 U.S.C. 552 AND 28 U.S.C. 1702. THIS INFORMATION IS BEING MADE AVAILABLE TO THE PUBLIC ON THE BASIS OF THE AUTHORITY OF 5 U.S.C. 552 AND 28 U.S.C. 1702. THIS INFORMATION IS BEING MADE AVAILABLE TO THE PUBLIC ON THE BASIS OF THE AUTHORITY OF 5 U.S.C. 552 AND 28 U.S.C. 1702.

REVISION	DATE	BY	DESCRIPTION
1	11-DEC-87	C.DEVANE	INITIAL DESIGN
2	22-SEP-87	C.DEVANE	REVISED FOR MANUFACTURE

TITLE=MAYFAIRC
 LAST MODIFIED=Fri Dec 11 14:09:48 1987

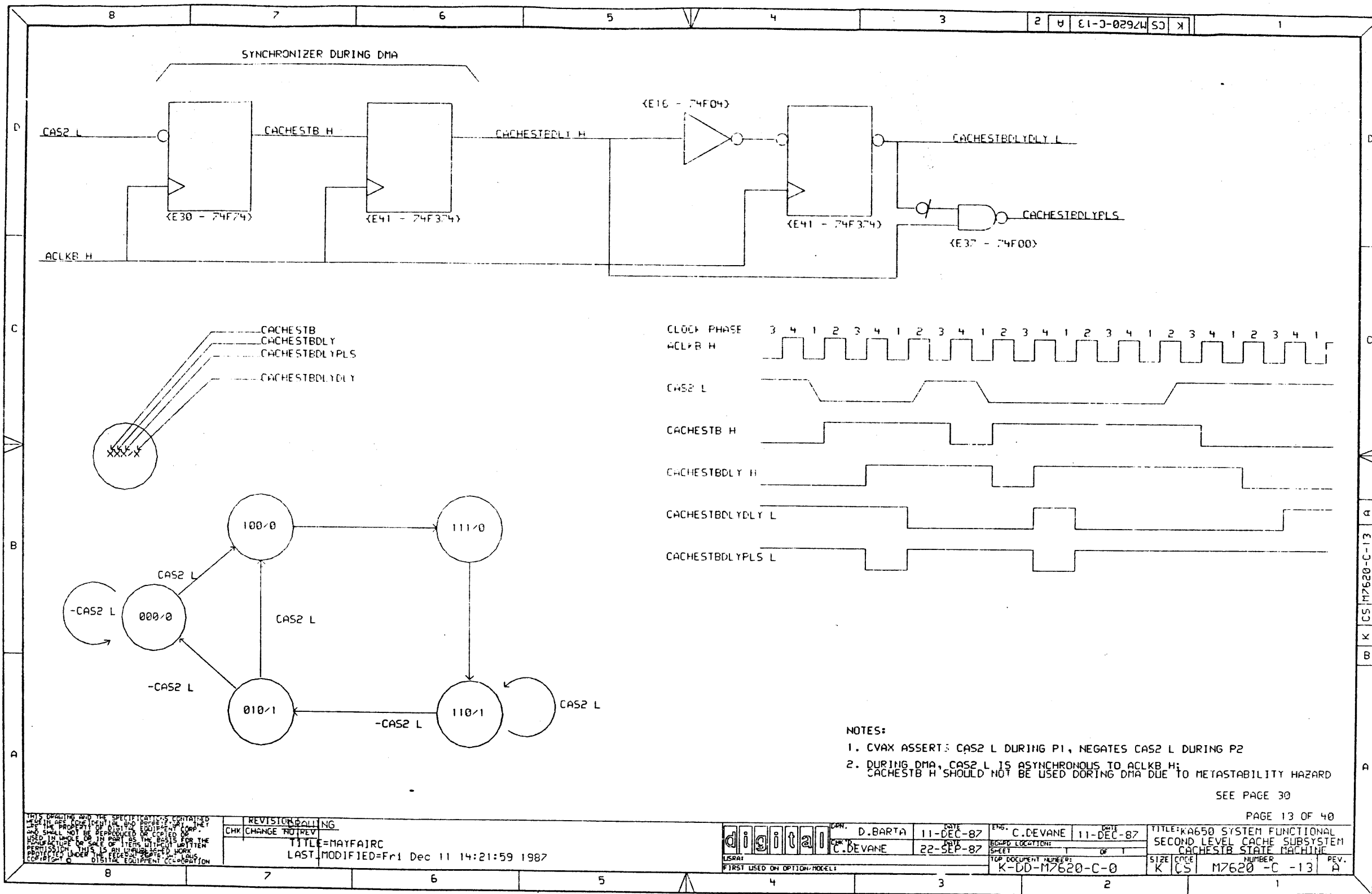


DRN: D.BARTA 11-DEC-87
 DATE: 11-DEC-87
 ENG: C.DEVANE 11-DEC-87
 DATE: 22-SEP-87

TOP DOCUMENT NUMBER:
 K-DD-M7620-C-0

TITLE: KA650 SYSTEM FUNCTIONAL SECOND LEVEL CACHE SUBSYSTEM TAG STORE
 SHEET: 1 OF 1
 SIZE: K CS
 NUMBER: M7620-C-11
 REV: A

SEE PAGE 29



NOTES:
 1. CVAX ASSERTS CAS2 L DURING P1, NEGATES CAS2 L DURING P2
 2. DURING DMA, CAS2 L IS ASYNCHRONOUS TO ACLKB H;
 CACHESTB H SHOULD NOT BE USED DURING DMA DUE TO METASTABILITY HAZARD

SEE PAGE 30
 PAGE 13 OF 40

THIS DRAWING AND THE SPECIFICATIONS CONTAINED HEREIN ARE THE PROPERTY OF DIGITAL EQUIPMENT CORPORATION. THE INFORMATION CONTAINED HEREIN IS UNCLASSIFIED EXCEPT WHERE SHOWN OTHERWISE. IT IS TO BE CONTAINED IN CONFIDENTIALITY AND SHALL NOT BE REPRODUCED OR COPIED OR USED IN WHOLE OR IN PART FOR THE PURPOSES OF SALE OR OTHER UNAUTHORIZED DISSEMINATION. THIS IS AN UNCLASSIFIED WORK PRODUCT UNDER THE FEDERAL ACQUISITION REGULATIONS. DIGITAL EQUIPMENT CORPORATION

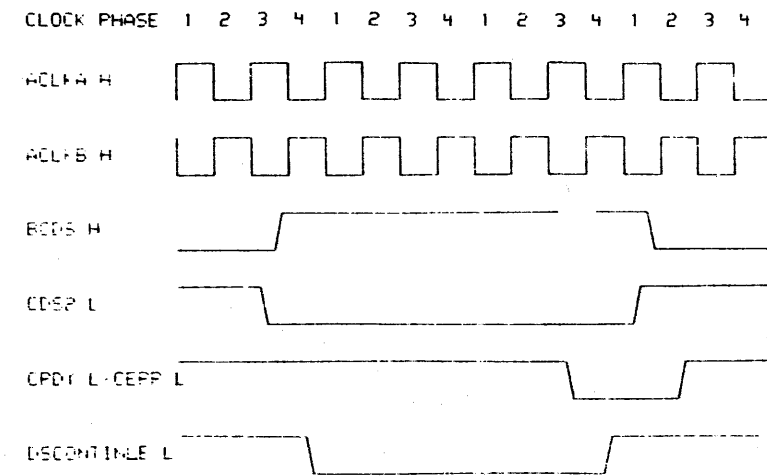
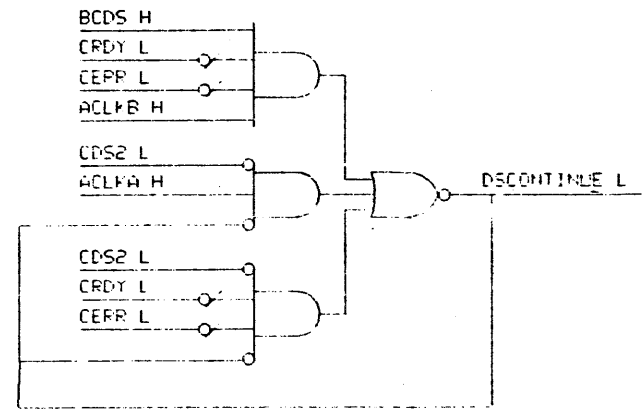
REVISIONS	CALLING
CHK CHANGE	NO REV
TITLE=MAYFAIRC	
LAST MODIFIED=Fri Dec 11 14:21:59 1987	

digital
 FIRST USED ON OPTION-MODELS

DESIGNED BY	D.BARTA	DATE	11-DEC-87
DESIGNED BY	C.DEVANE	DATE	22-SEP-87

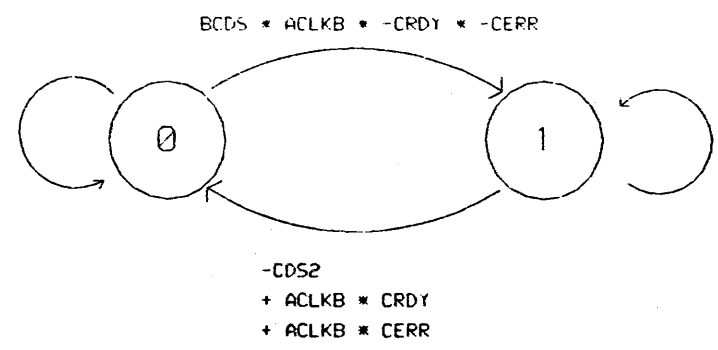
DESIGNED BY	C.DEVANE	DATE	11-DEC-87
DESIGNED BY	C.DEVANE	DATE	11-DEC-87

TITLE:KA650 SYSTEM FUNCTIONAL	
SECOND LEVEL CACHE SUBSYSTEM	
CACHESTB STATE MACHINE	
SIZE	NUMBER
K CS	M7620 -C -13
REV.	A



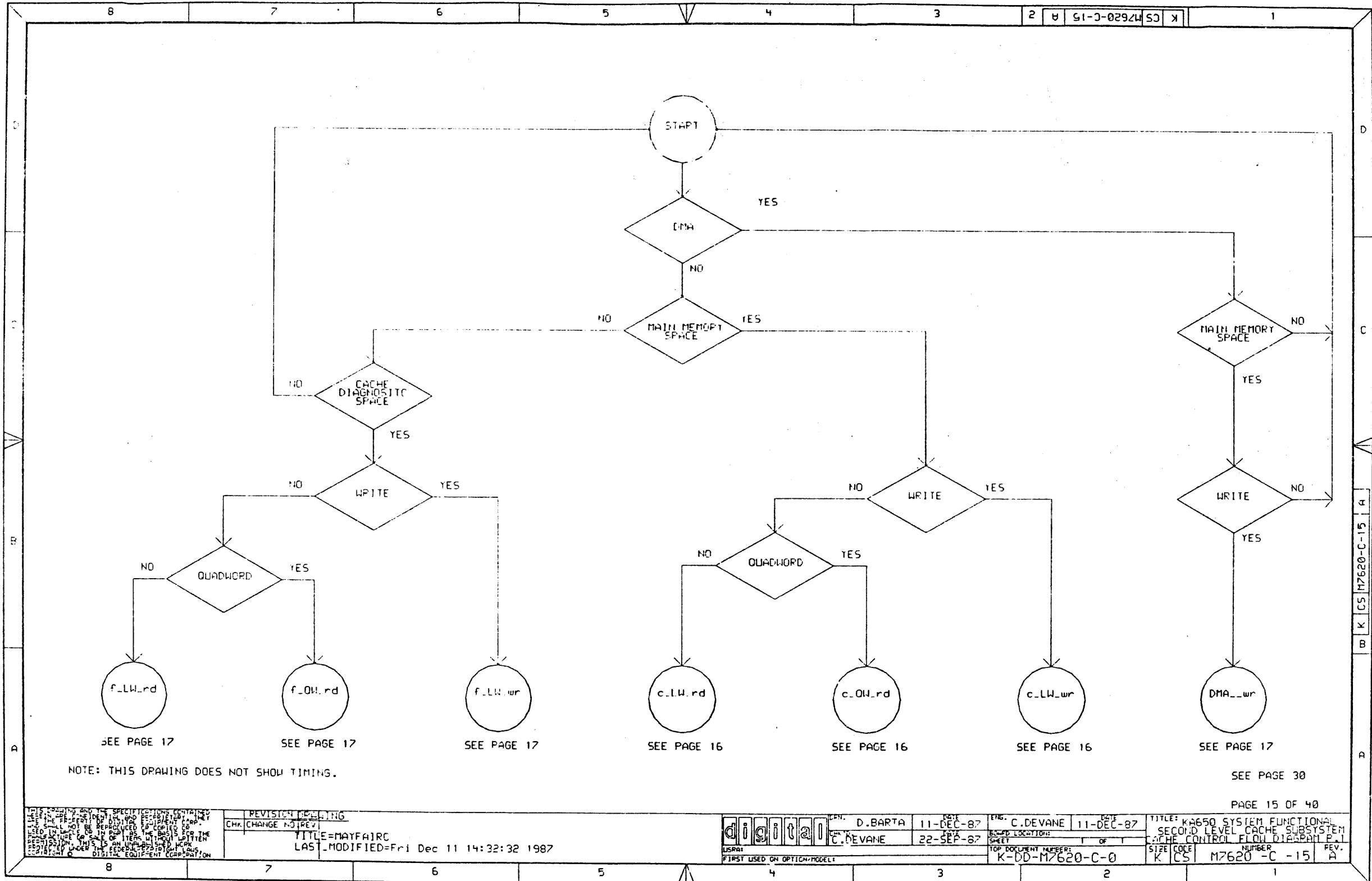
DSCONTINUE

SYNCHRONOUSLY ASSERTS WITH CDS2
 SYNCHRONOUSLY NEGATES WITH CRDY + CERR



SEE PAGE 30

<small>THIS DRAWING AND THE SPECIFICATIONS CONTAINED HEREIN ARE UNCLASSIFIED AND IS BEING RELEASED TO THE PUBLIC. ALL RIGHTS ARE RESERVED BY THE U.S. GOVERNMENT. THIS DRAWING IS NOT TO BE REPRODUCED OR TRANSMITTED IN ANY FORM OR BY ANY MEANS, ELECTRONIC OR MECHANICAL, INCLUDING PHOTOCOPYING, RECORDING, OR BY ANY INFORMATION STORAGE AND RETRIEVAL SYSTEM, WITHOUT PERMISSION IN WRITING FROM THE U.S. GOVERNMENT. THIS IS AN UNCLASSIFIED WORK PRODUCT UNDER THE EXECUTIVE ORDER ON PRIVACY AND INFORMATION CONTROLS. DIGITAL EQUIPMENT CORPORATION</small>	REVISION CHK CHANGE NO. DRAWING	D.BARTA 11-DEC-87	C.DEVANE 11-DEC-87	TITLE: KA650 SYSTEM FUNCTIONAL SECOND LEVEL CACHE SUBSYSTEM DSCONTINUE STATE MACHINE
	TITLE=MAYFAIRC LAST_MODIFIED=Fri Dec 11 14:29:41 1987	C.DEVANE 22-SEP-87	SHEET 1 OF 1	SIZE CODE NUMBER REV. K CS M7620-C-14 A

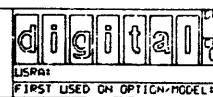


NOTE: THIS DRAWING DOES NOT SHOW TIMING.

THIS DRAWING AND THE SPECIFICATIONS CONTAINED HEREIN ARE UNCLASSIFIED AND UNCONTROLLED. THEY ARE THE PROPERTY OF DIGITAL EQUIPMENT CORP. AND SHALL NOT BE REPRODUCED OR COPIED OR USED IN ANY MANNER IN ANY MANNER WITHOUT THE WRITTEN PERMISSION OF THE FEDERAL BUREAU OF INVESTIGATION. THIS IS AN UNCLASSIFIED WORK PRODUCT OF THE FEDERAL BUREAU OF INVESTIGATION. DIGITAL EQUIPMENT CORPORATION

REVISIONS	
CHK	CHANGE
	1-3 (REV)

TITLE=MAYFAIRC
 LAST_MODIFIED=Fri Dec 11 14:32:32 1987

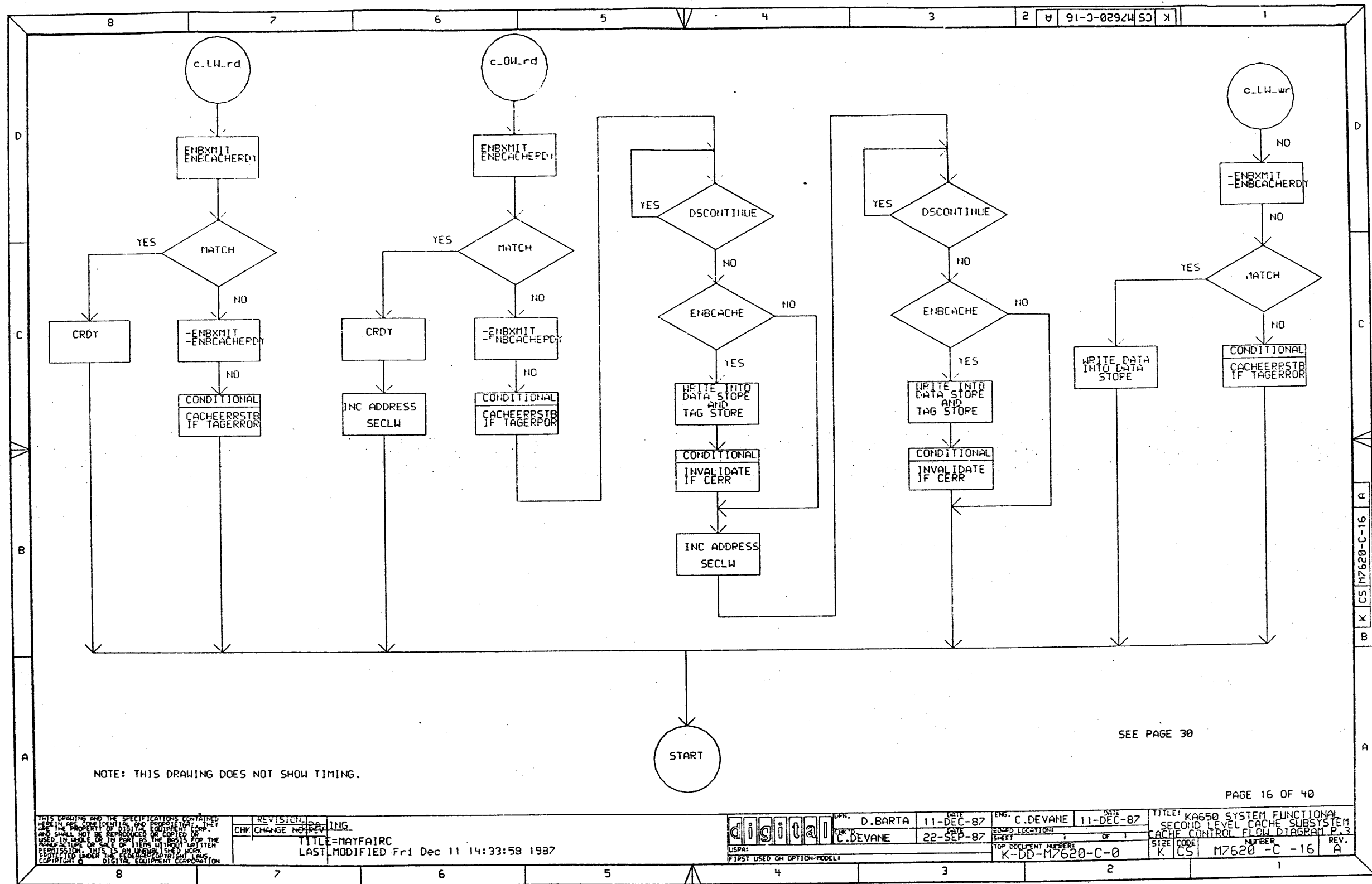


DESIGNED BY: D.BARTA
 DATE: 11-DEC-87
 CHECKED BY: C.DEVANE
 DATE: 22-SEP-87

ENGR: C.DEVANE
 DATE: 11-DEC-87
 SHEET: 1 OF 1
 TOP DOCUMENT NUMBER: K-DD-M7620-C-0

TITLE: KA650 SYSTEM FUNCTIONAL SECOND LEVEL CACHE SUBSYSTEM CACHE CONTROL FLOW DIAGRAM P.1
 SIZE: K CS
 NUMBER: M7620 -C -15
 REV: A

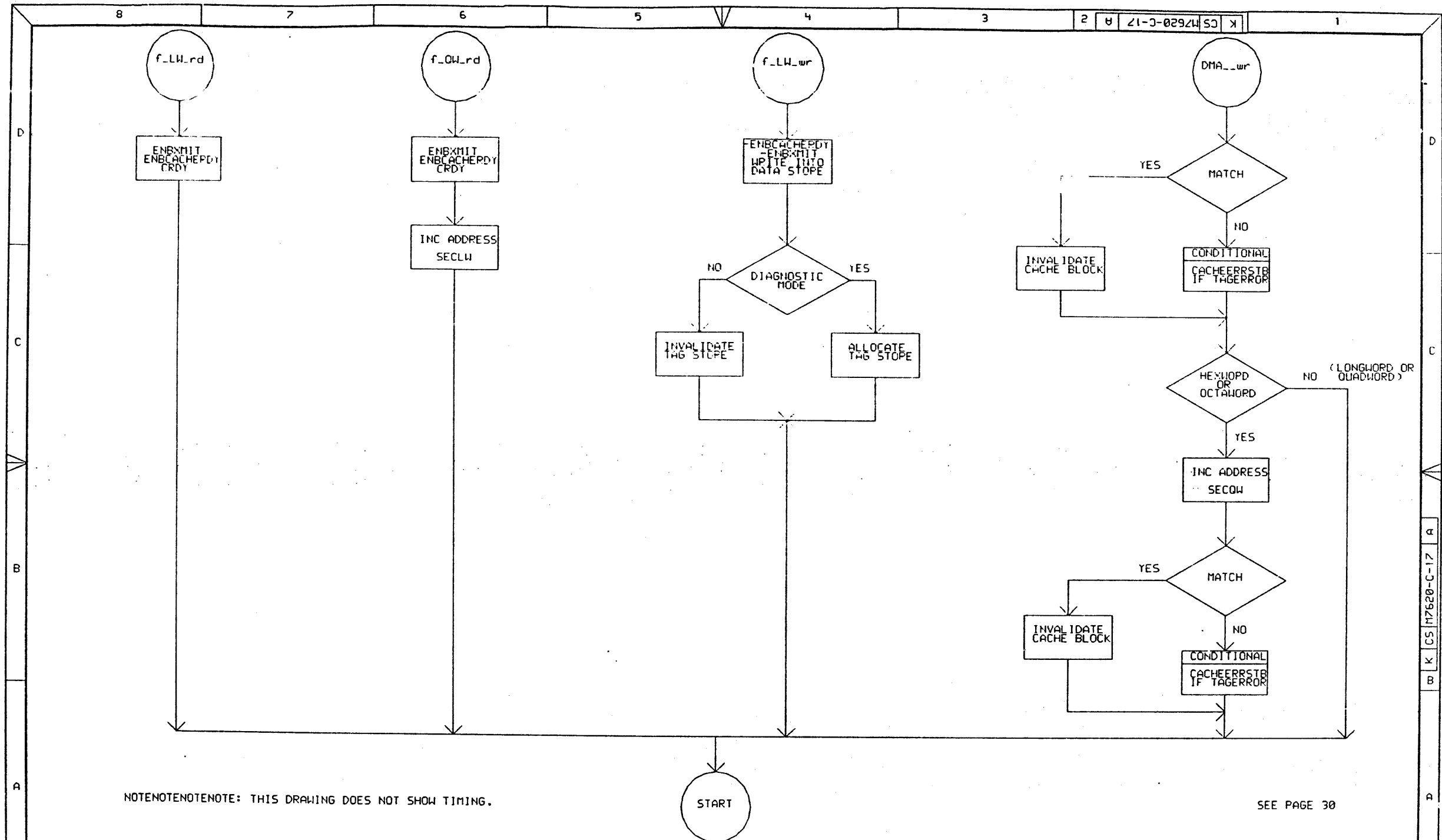
8 7 6 5 4 3 2 1
 A B K CS M7620-C-15 A
 B K CS M7620-C-15 A
 B K CS M7620-C-15 A
 A

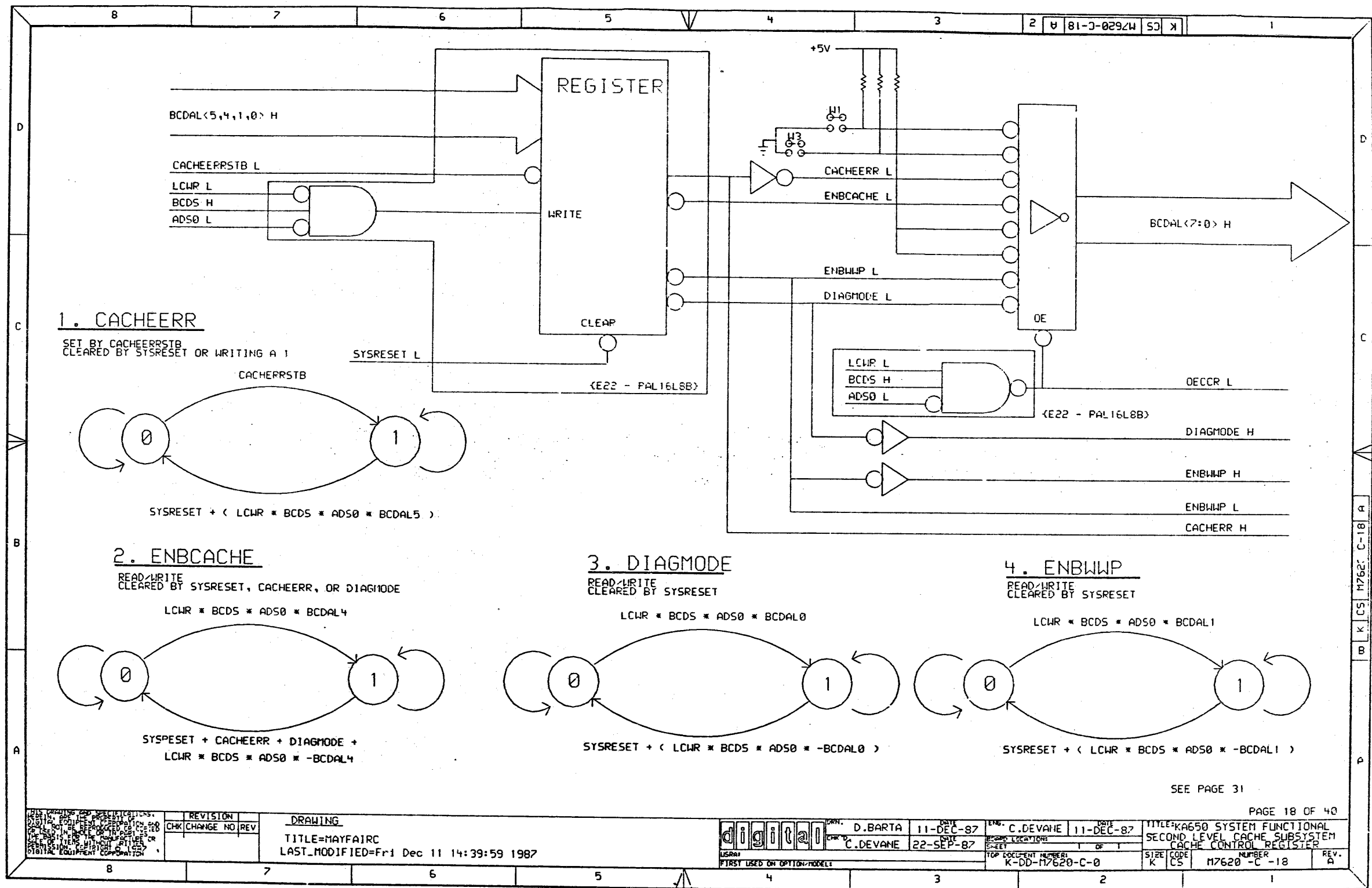


NOTE: THIS DRAWING DOES NOT SHOW TIMING.

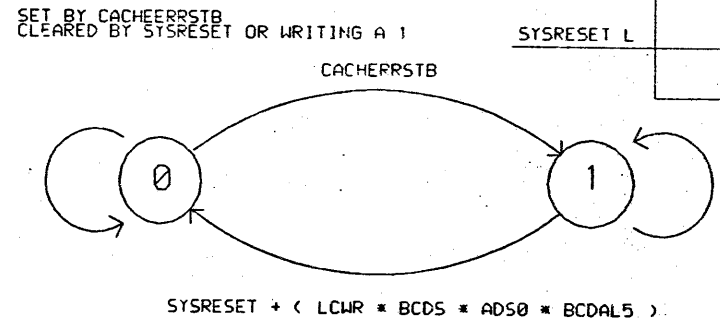
SEE PAGE 30

<small>THIS DRAWING AND THE SPECIFICATIONS CONTAINED HEREIN ARE THE PROPERTY OF DIGITAL EQUIPMENT CORPORATION AND SHALL NOT BE REPRODUCED OR COPIED OR USED IN WHOLE OR IN PART AS THE BASIS FOR THE DESIGN, CONSTRUCTION OR SALE OF ITEMS WITHOUT WRITTEN PERMISSION. THIS IS AN UNCLASSIFIED WORK. REPRODUCED UNDER THE FEDERAL GOVERNMENT WORKS COPYRIGHT © DIGITAL EQUIPMENT CORPORATION</small>	REVISION: <u>1</u> CHG CHANGE NUMBER: <u>ING</u>	D.D. BARTA 11-DEC-87 C. DEVANE 22-SEP-87	ENG. C. DEVANE 11-DEC-87 DESIGNS LOCATION: <u>1</u> SHEET <u>1</u> OF <u>1</u>	TITLE: K650 SYSTEM FUNCTIONAL SECOND LEVEL CACHE SUBSYSTEM CACHE CONTROL FLOW DIAGRAM P. 3	SIZE: <u>K</u> <u>CS</u> NUMBER: <u>M7620 -C -16</u> REV. <u>A</u>
	TITLE: MAYFAIR LAST MODIFIED: Fri Dec 11 14:33:58 1987				

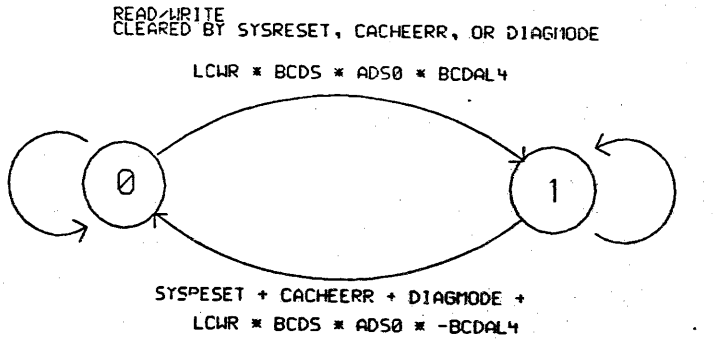




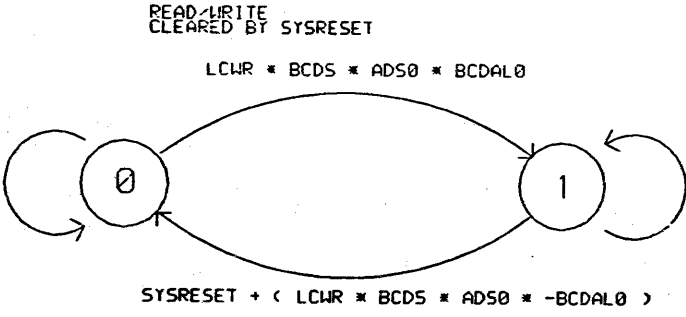
1. CACHEERR



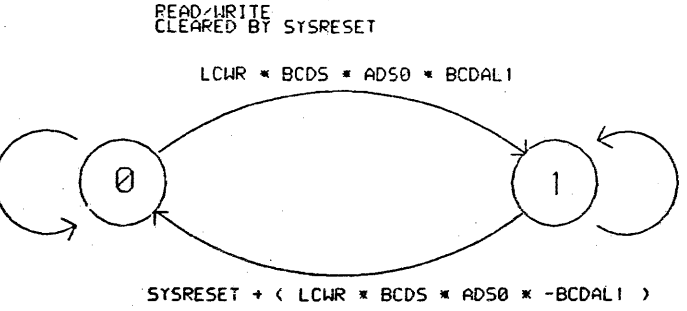
2. ENBCACHE



3. DIAGMODE

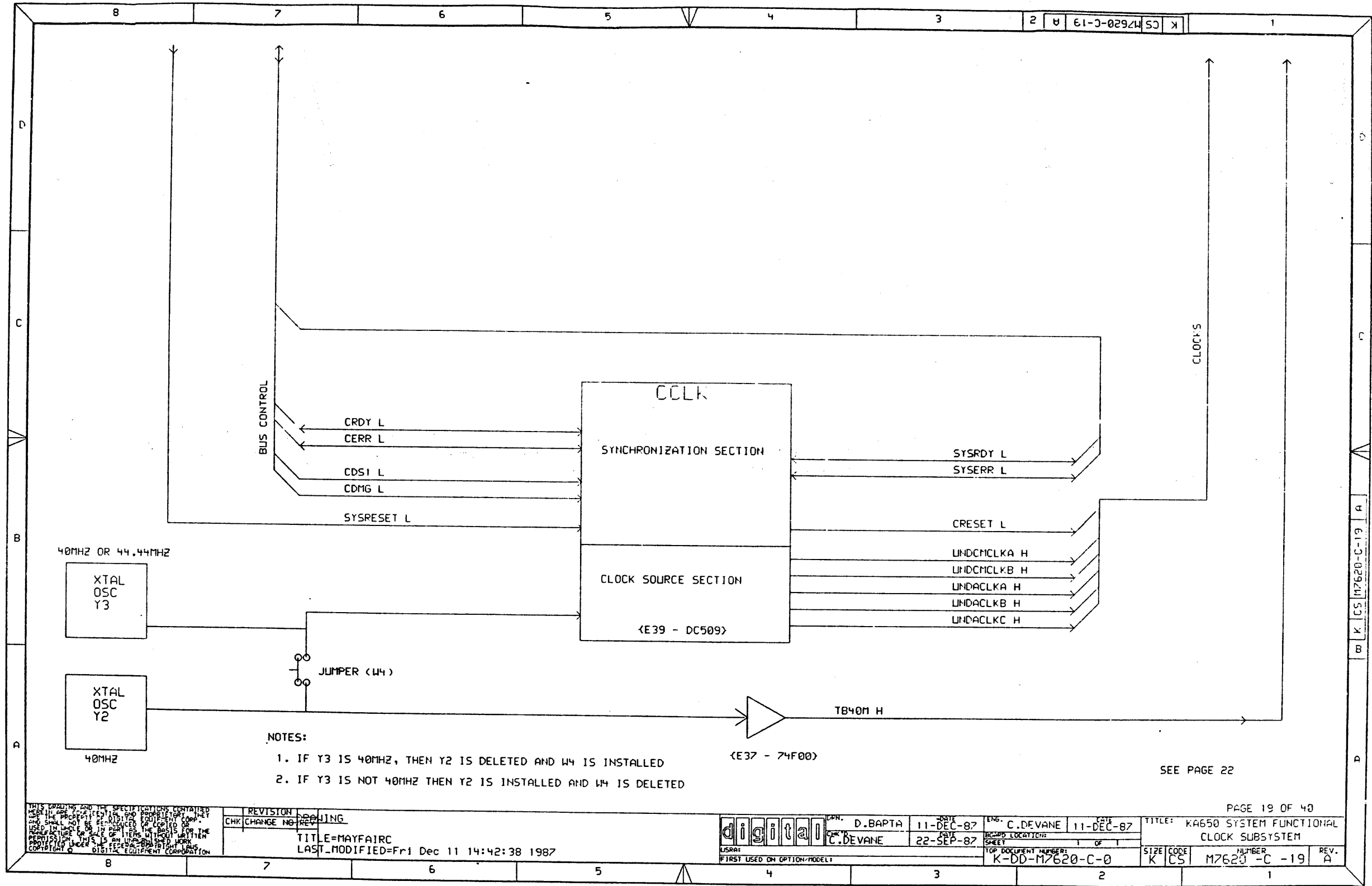


4. ENBWLP



SEE PAGE 31

<small>THIS DRAWING AND SPECIFICATIONS ARE THE PROPERTY OF DIGITAL EQUIPMENT CORPORATION. NO PARTS THEREOF ARE TO BE REPRODUCED OR TRANSMITTED IN ANY FORM OR BY ANY MEANS, ELECTRONIC OR MECHANICAL, INCLUDING PHOTOCOPYING, RECORDING, OR BY ANY INFORMATION STORAGE AND RETRIEVAL SYSTEM, WITHOUT PERMISSION IN WRITING FROM DIGITAL EQUIPMENT CORPORATION.</small>	REVISION CHK CHANGE NO REV	DRAWING TITLE=MAYFAIRC LAST_MODIFIED=Fri Dec 11 14:39:59 1987		DESIGNED BY: D.BARTA DATE: 11-DEC-87	ENGR: C.DEVANE DATE: 11-DEC-87	TITLE: KA650 SYSTEM FUNCTIONAL SECOND LEVEL CACHE SUBSYSTEM CACHE CONTROL REGISTER	SIZE: K CODE: CS	NUMBER: M7620 -C -18	REV: A
	FIRST USED ON OPTION: MODEL:	TOP DOCUMENT NUMBER: K-DD-M7620-C-0	SHEET: 1 OF 1	BENCH LOCATION:	E-SET:	NUMBER:	REV:		



- NOTES:
1. IF Y3 IS 40MHZ, THEN Y2 IS DELETED AND W4 IS INSTALLED
 2. IF Y3 IS NOT 40MHZ THEN Y2 IS INSTALLED AND W4 IS DELETED

SEE PAGE 22

THIS DRAWING AND THE SPECIFICATIONS CONTAINED HEREIN ARE THE PROPERTY OF DIGITAL EQUIPMENT CORPORATION. NO PARTS THEREOF ARE TO BE REPRODUCED OR TRANSMITTED IN ANY FORM OR BY ANY MEANS, ELECTRONIC OR MECHANICAL, INCLUDING PHOTOCOPYING, RECORDING, OR BY ANY INFORMATION STORAGE AND RETRIEVAL SYSTEM, WITHOUT PERMISSION IN WRITING FROM DIGITAL EQUIPMENT CORPORATION.

REV	REVISION	DATE
1	INITIAL	

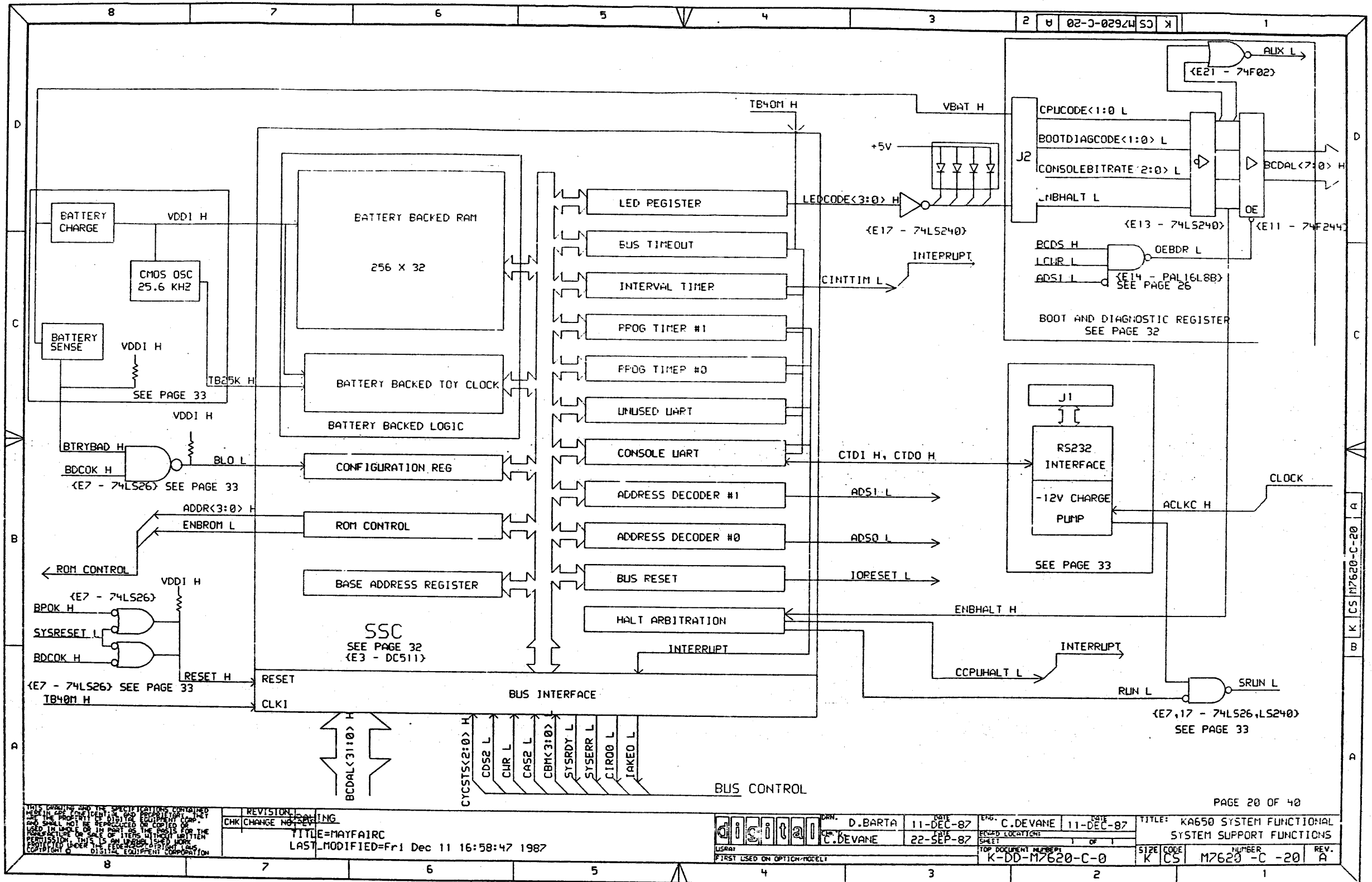
TITLE=MAYFAIRC
LAST_MODIFIED=Fri Dec 11 14:42:38 1987

digital
FIRST USED ON OPTION/MODEL:

DESIGNED BY	D.BAPTA	DATE	11-DEC-87
CHECKED BY	C.DEVANE	DATE	22-SEP-87

ENGINEER	C.DEVANE	DATE	11-DEC-87
DESIGN LOCATION	SHEET 1 OF 1		
TOP DOCUMENT NUMBER	K-DD-M7620-C-0		

PAGE 19 OF 40			
TITLE: KA650 SYSTEM FUNCTIONAL CLOCK SUBSYSTEM			
SIZE	CODE	NUMBER	REV.
K	CS	M7620-C-19	A

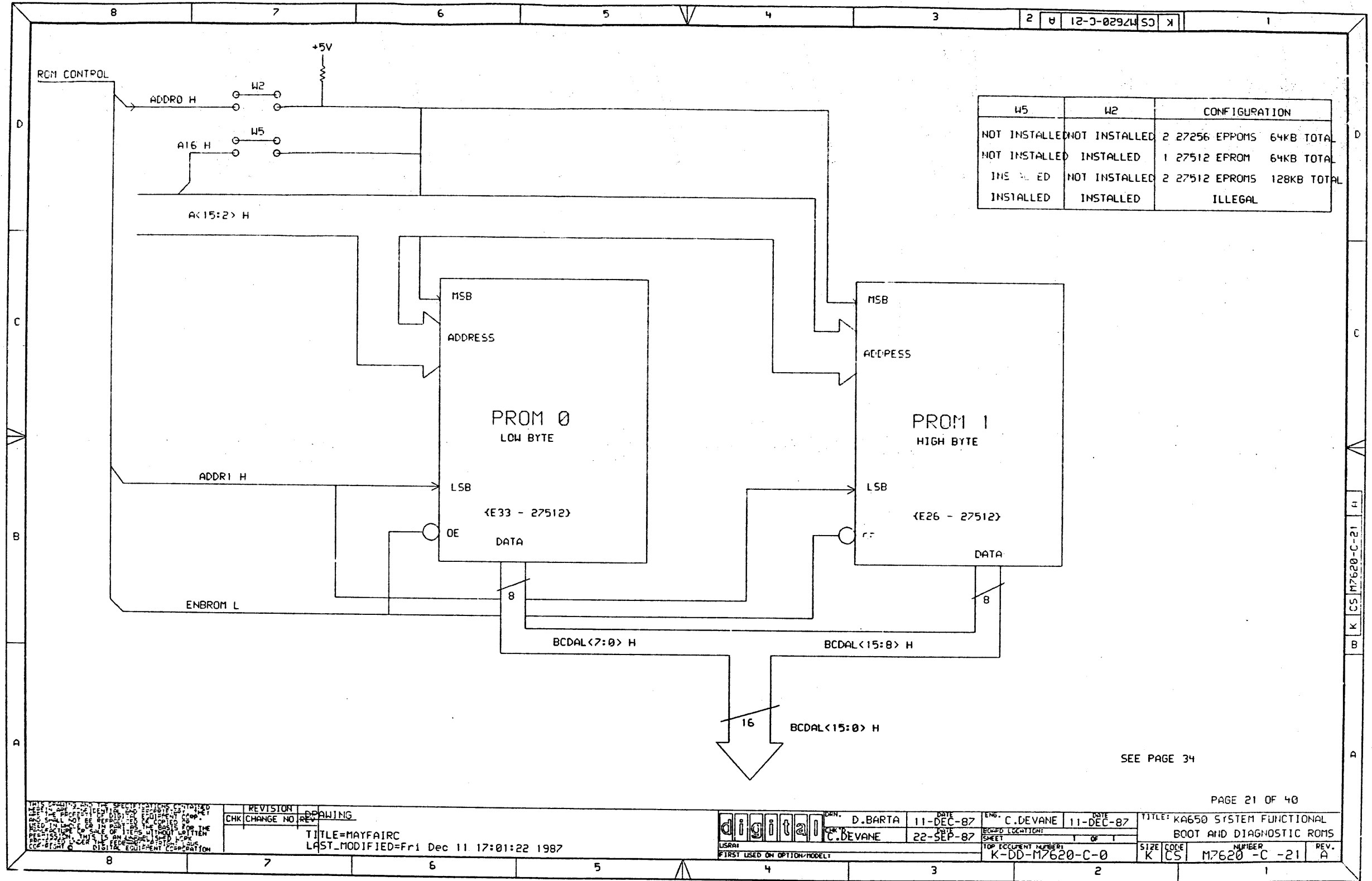


THIS DRAWING AND THE SPECIFICATIONS CONTAINED HEREIN ARE UNCLASSIFIED AND EQUIPMENT COMPANY AND SHALL NOT BE REPRODUCED OR COPIED OR USED IN WORK OR IN PART OR THE RESULTS FOR THE MANUFACTURE OF SALES OF ITEMS IN THIS DRAWING WITHOUT THE WRITTEN PERMISSION OF THE EQUIPMENT COMPANY. EQUIPMENT COMPANY 013112



REVISION	DATE	BY	CHK/CHANGE NO.
1	11-DEC-87	D.BARTA	
2	22-SEP-87	C.DEVANE	

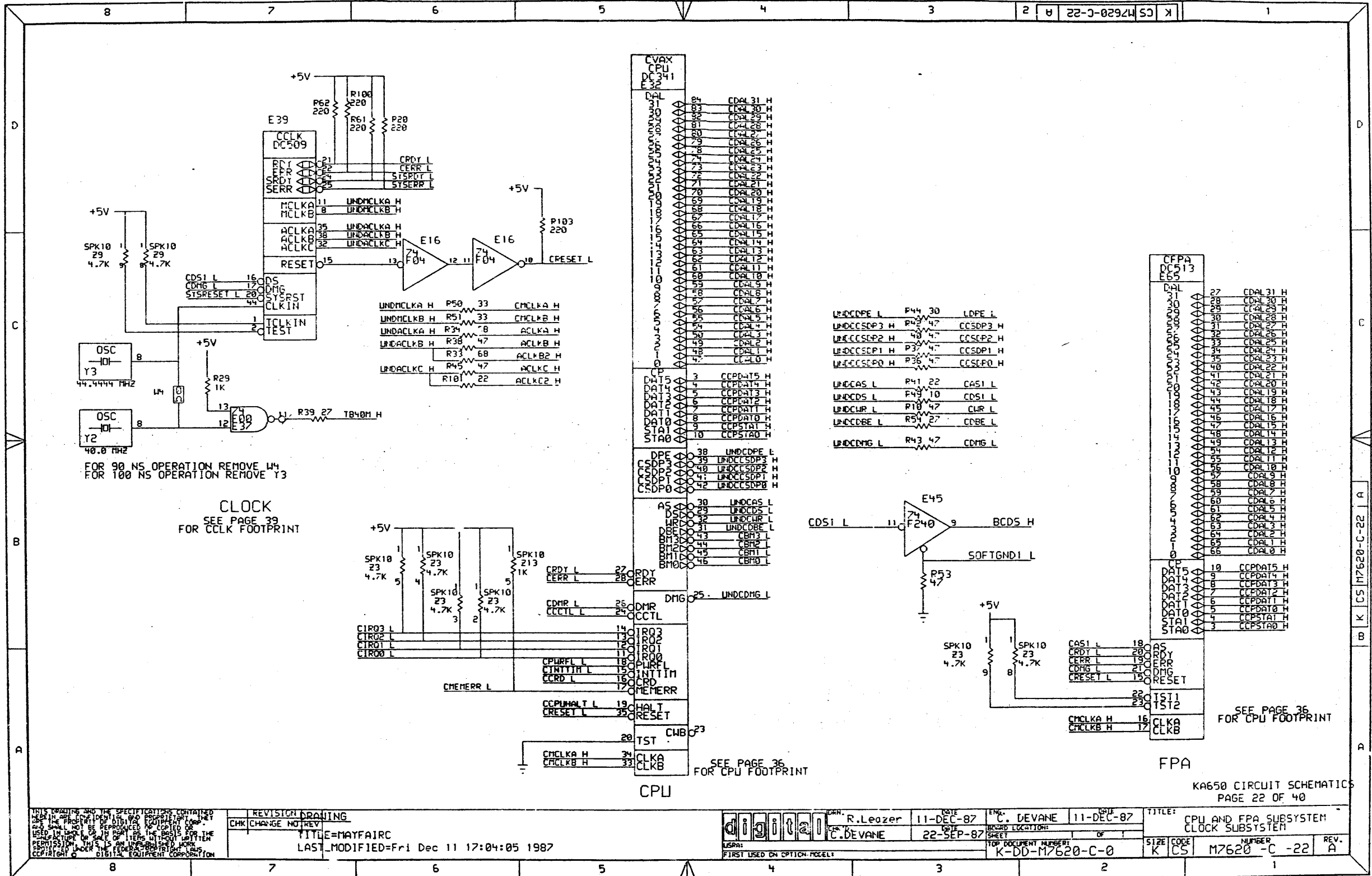
TITLE=MAYFAIRC
LAST_MODIFIED=Fri Dec 11 16:58:47 1987

	D.BARTA C.DEVANE	11-DEC-87 22-SEP-87	C.DEVANE 11-DEC-87	TITLE: KA650 SYSTEM FUNCTIONAL SYSTEM SUPPORT FUNCTIONS
K DD M7620-C-0	K CS	M7620-C-20	REV. A	PAGE 20 OF 40



SEE PAGE 34

<small>THIS DRAWING CONTAINS SPECIFICATIONS CONTAINED IN THE PROJECT DESCRIPTION AND EQUIPMENT COMPANY. THIS DRAWING IS NOT TO BE REPRODUCED OR TRANSMITTED IN ANY FORM OR BY ANY MEANS, ELECTRONIC OR MECHANICAL, INCLUDING PHOTOCOPYING, RECORDING, OR BY ANY INFORMATION STORAGE AND RETRIEVAL SYSTEM, WITHOUT PERMISSION IN WRITING FROM THE PROJECT MANAGER OR THE EQUIPMENT COMPANY.</small>	REVISION CHK CHANGE NO REV	DRAWING TITLE=MAYFAIRC LAST_MODIFIED=Fri Dec 11 17:01:22 1987		DRN. D.BARTA DATE 11-DEC-87 C.DEVANE DATE 22-SEP-87	ENG. C.DEVANE DATE 11-DEC-87 SHEET LOCATION: 1 OF 1 SHEET	TITLE: KA650 SYSTEM FUNCTIONAL BOOT AND DIAGNOSTIC ROMS	TOP EQUIPMENT NUMBER: K-DD-M7620-C-0	SIZE CODE K CS	NUMBER M7620 -C -21	REV. A
	<small>USE THIS DRAWING FOR THE SPECIFICATIONS CONTAINED IN THE PROJECT DESCRIPTION AND EQUIPMENT COMPANY. THIS DRAWING IS NOT TO BE REPRODUCED OR TRANSMITTED IN ANY FORM OR BY ANY MEANS, ELECTRONIC OR MECHANICAL, INCLUDING PHOTOCOPYING, RECORDING, OR BY ANY INFORMATION STORAGE AND RETRIEVAL SYSTEM, WITHOUT PERMISSION IN WRITING FROM THE PROJECT MANAGER OR THE EQUIPMENT COMPANY.</small>		TITLE=MAYFAIRC LAST_MODIFIED=Fri Dec 11 17:01:22 1987		DRN. D.BARTA DATE 11-DEC-87 C.DEVANE DATE 22-SEP-87	ENG. C.DEVANE DATE 11-DEC-87 SHEET LOCATION: 1 OF 1 SHEET	TITLE: KA650 SYSTEM FUNCTIONAL BOOT AND DIAGNOSTIC ROMS	TOP EQUIPMENT NUMBER: K-DD-M7620-C-0	SIZE CODE K CS	NUMBER M7620 -C -21



FOR 90 NS OPERATION REMOVE W4
FOR 100 NS OPERATION REMOVE Y3

CLOCK
SEE PAGE 39
FOR CCLK FOOTPRINT

SEE PAGE 36
FOR CPU FOOTPRINT

SEE PAGE 36
FOR CPU FOOTPRINT

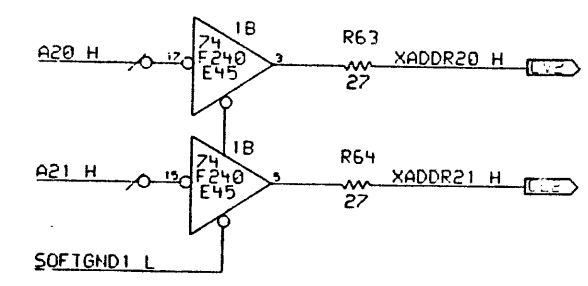
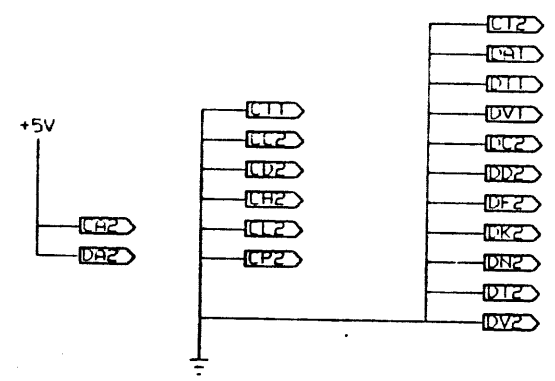
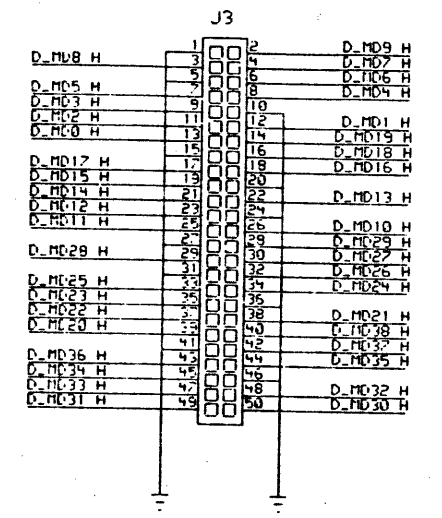
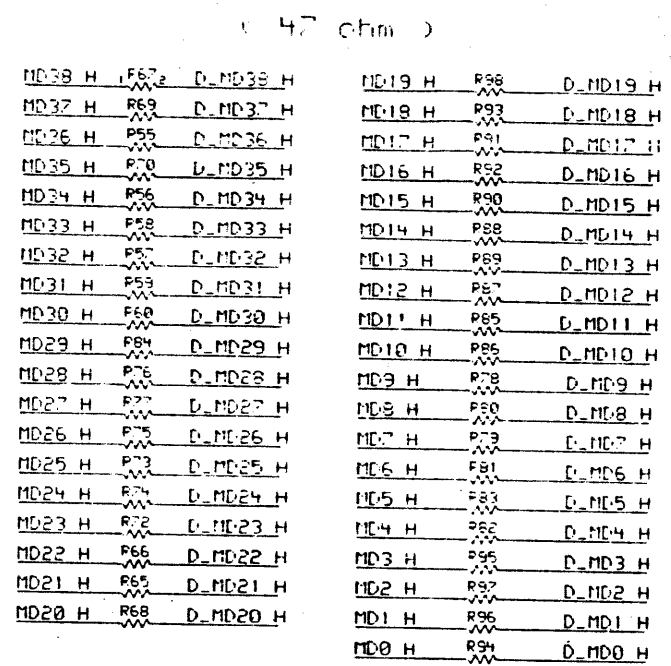
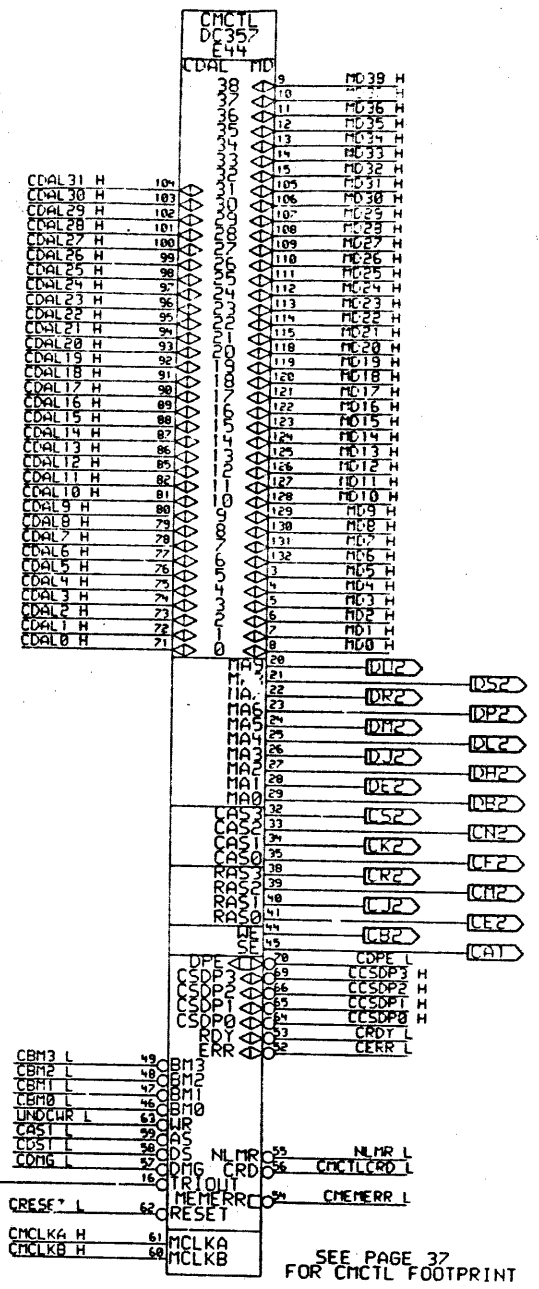
FPA

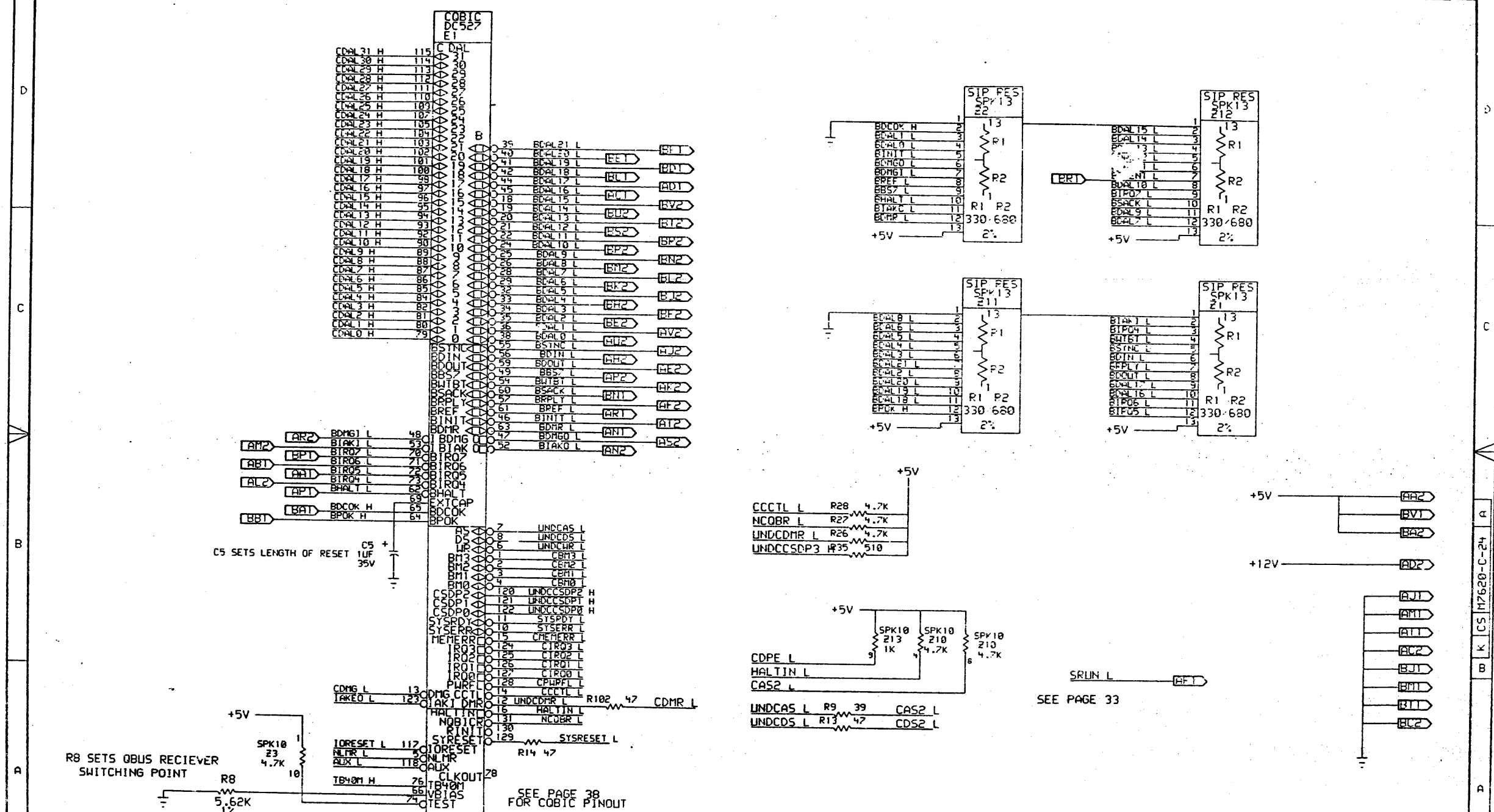
KA650 CIRCUIT SCHEMATICS
PAGE 22 OF 40

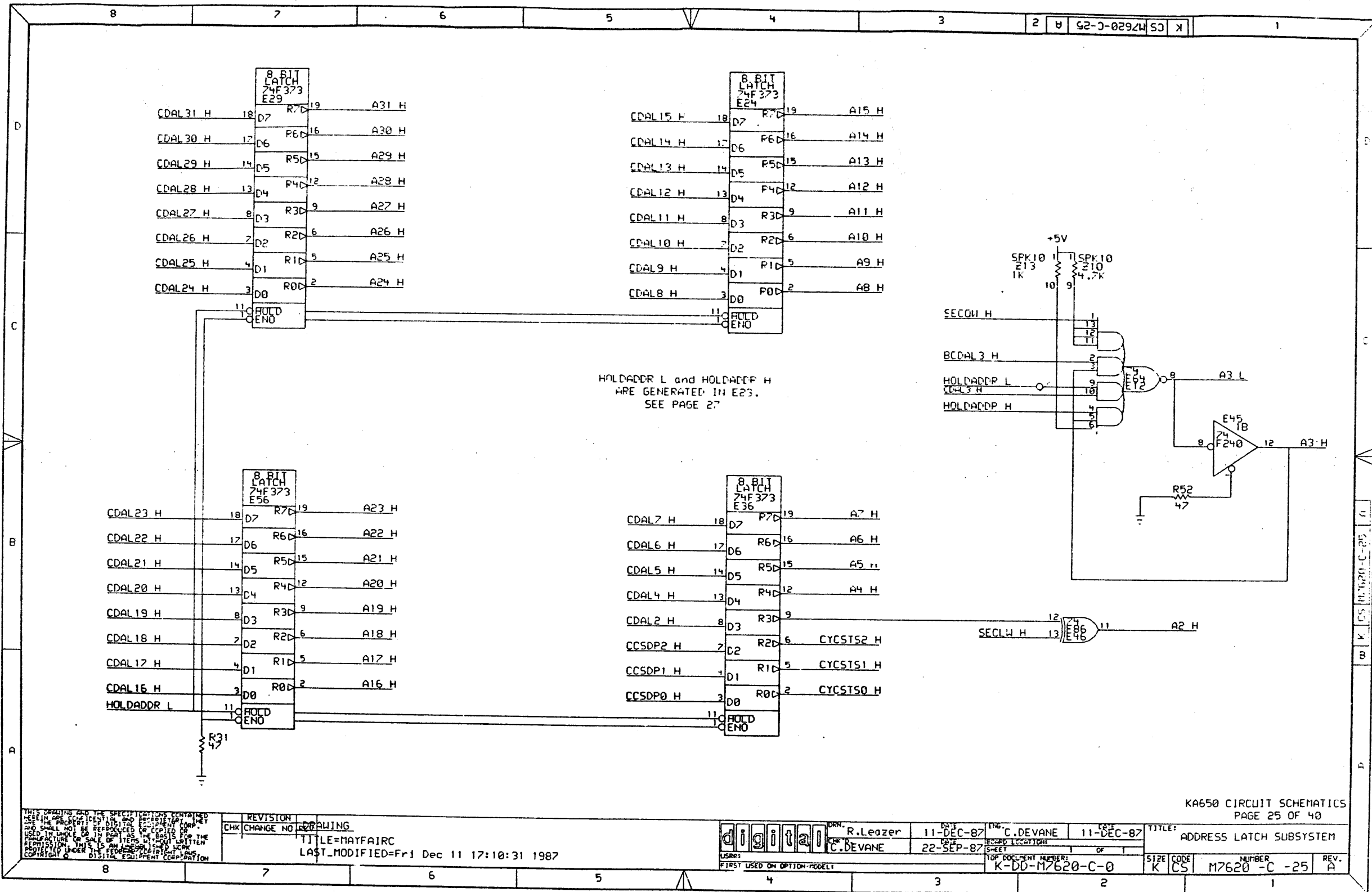
THIS DRAWING AND THE SPECIFICATIONS CONTAINED
HEREIN ARE THE PROPERTY OF DIGITAL EQUIPMENT CORPORATION
AND SHALL NOT BE REPRODUCED OR COPIED OR
USED IN ANY MANNER WITHOUT THE WRITTEN
PERMISSION OF DIGITAL EQUIPMENT CORPORATION.
COPYRIGHT © 1987 DIGITAL EQUIPMENT CORPORATION

REVISION DRAWING
CHK CHANGE NO REV
TITLE=MAYFAIRC
LAST MODIFIED=Fri Dec 11 17:04:05 1987

digital	DESIGNED BY	R. Leazer	DATE	11-DEC-87	ENGR.	C. DEVANE	DATE	11-DEC-87	TITLE	CPU AND FPA SUBSYSTEM	
	DESIGNED BY	C. DEVANE	DATE	22-SEP-87	ENGR.	C. DEVANE	DATE	11-DEC-87	TITLE	CLOCK SUBSYSTEM	
FIRST USED ON OPTION MODEL		TOP DOCUMENT NUMBER		K-DD-M7620-C-0		SIZE	CODE	NUMBER	M7620	REV.	A







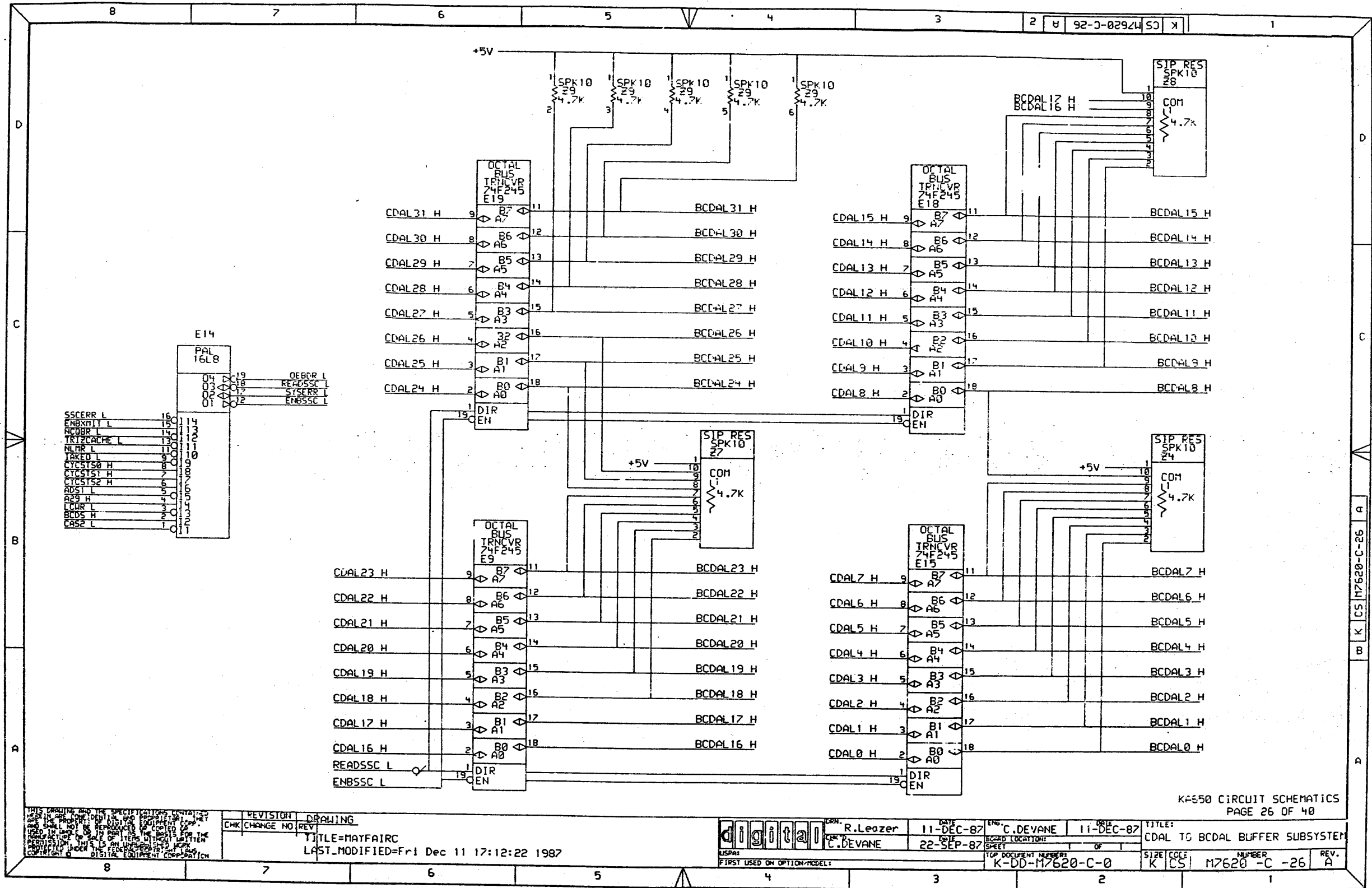
THESE DRAWINGS AND THE SPECIFICATIONS CONTAINED HEREIN ARE THE PROPERTY OF DIGITAL EQUIPMENT CORPORATION AND SHALL NOT BE REPRODUCED OR COPIED OR USED IN ANY MANNER WITHOUT THE WRITTEN PERMISSION OF DIGITAL EQUIPMENT CORPORATION. THIS IS AN UNCLASSIFIED WORK PROTECTED UNDER THE FEDERAL ACQUISITION INFORMATION PROTECTION ACT.

REVISION	CHK	CHANGE NO.	DRAWING
TITLE=MAYFAIRC			
LAST_MODIFIED=Fri Dec 11 17:10:31 1987			

digital
 DRN: R.Leazer
 11-DEC-87
 C.DEVANE
 22-SEP-87

ENG: C.DEVANE
 11-DEC-87
 SHEET LOCATION:
 SHEET

KA650 CIRCUIT SCHEMATICS
 PAGE 25 OF 40
 TITLE: ADDRESS LATCH SUBSYSTEM
 TOP DOCUMENT NUMBER: K-DD-M7620-C-0
 SIZE: K CS
 NUMBER: M7620-C-25
 REV: A



KA550 CIRCUIT SCHEMATICS
PAGE 26 OF 40

THIS DRAWING AND THE SPECIFICATIONS CONTAINED HEREIN ARE THE PROPERTY OF DIGITAL EQUIPMENT CORPORATION. NO PART OF THIS DRAWING OR SPECIFICATIONS MAY BE REPRODUCED OR TRANSMITTED IN ANY FORM OR BY ANY MEANS, ELECTRONIC OR MECHANICAL, INCLUDING PHOTOCOPYING, RECORDING, OR BY ANY INFORMATION STORAGE AND RETRIEVAL SYSTEM, WITHOUT PERMISSION IN WRITING FROM DIGITAL EQUIPMENT CORPORATION.

REV	DATE	BY	CHK	CHANGE NO	DESCRIPTION
1	11-DEC-87	C.DEVANE			
2	22-SEP-87	C.DEVANE			

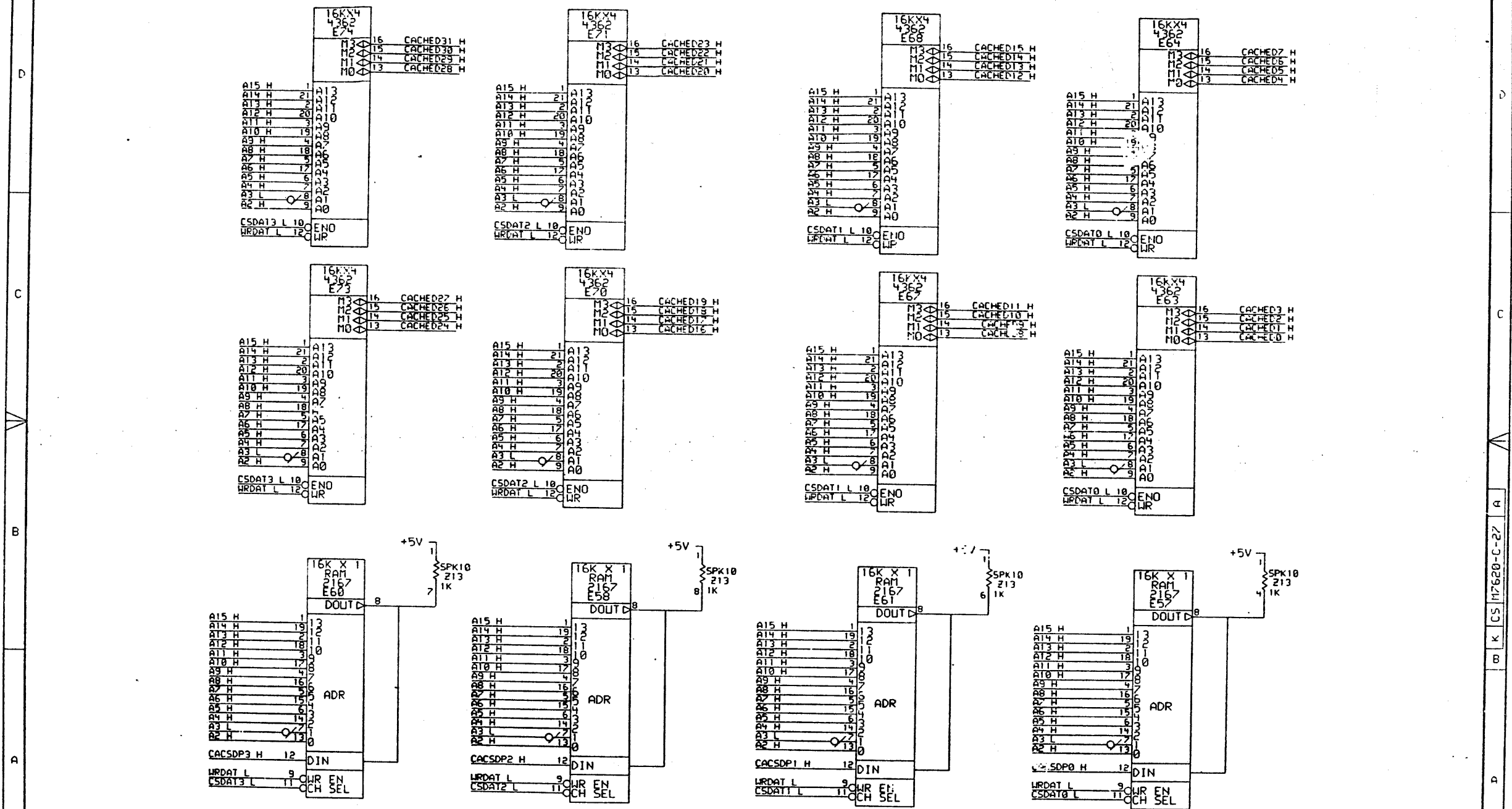
TITLE=MAYFAIRC
 LAST_MODIFIED=Fri Dec 11 17:12:22 1987

digital
FIRST USED ON OPTION MODEL:

R.Leazer
 11-DEC-87
 C.DEVANE
 22-SEP-87
 SHEET 1 OF 1
 TOP DOCUMENT NUMBER:
 K-DD-M7620-C-0

TITLE:
 CDAL TO BCDAL BUFFER SUBSYSTEM
 SIZE: K | CS |
 NUMBER: M7620-C-26
 REV: A

A B K CS M7620-C-26



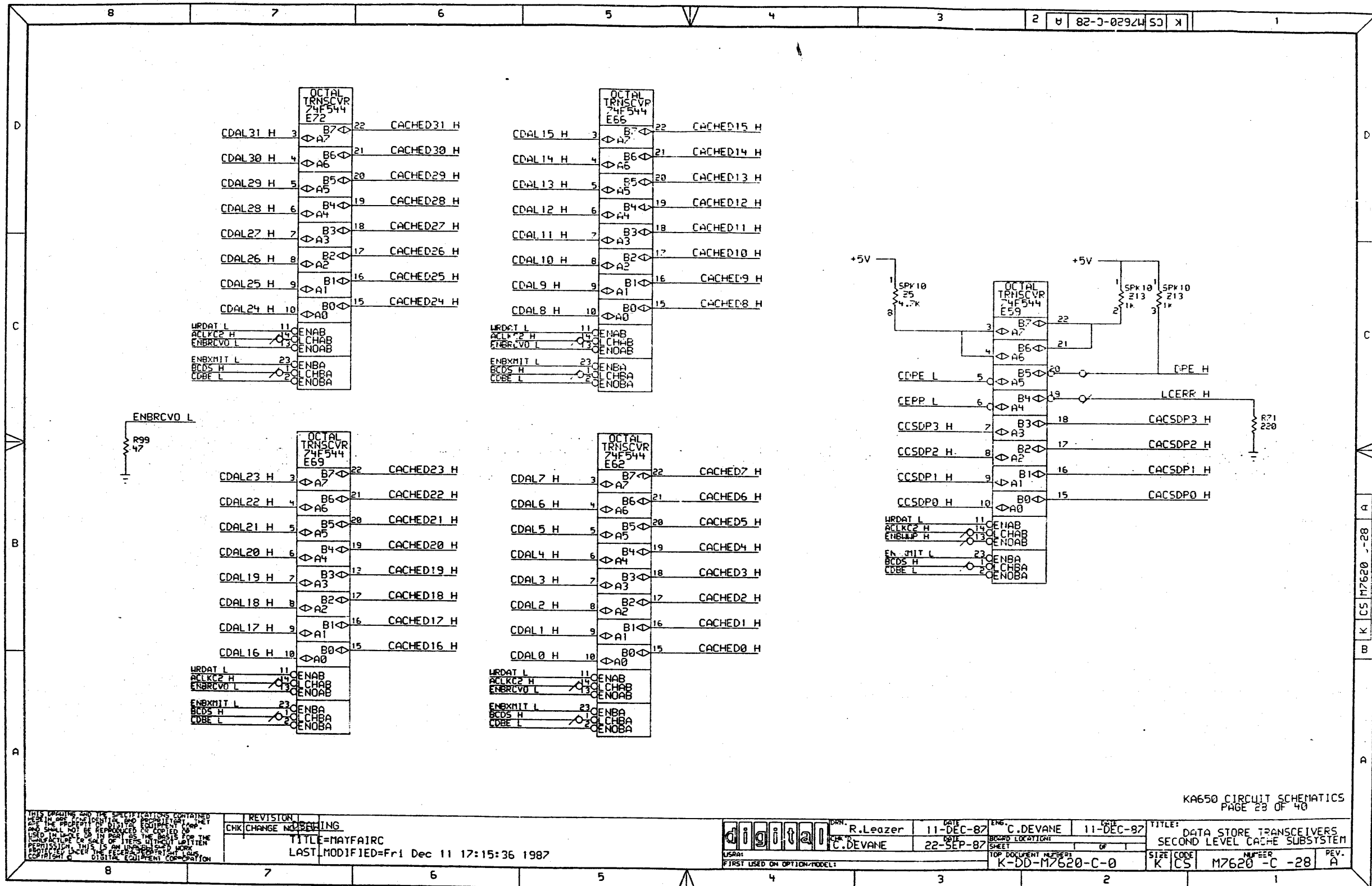
THIS DRAWING AND THE SPECIFICATIONS CONTAINED HEREIN ARE THE PROPERTY OF DIGITAL EQUIPMENT CORPORATION AND SHALL NOT BE REPRODUCED OR COPIED IN ANY FORM OR BY ANY MEANS WITHOUT THE WRITTEN PERMISSION OF DIGITAL EQUIPMENT CORPORATION. COPYRIGHT © DIGITAL EQUIPMENT CORPORATION

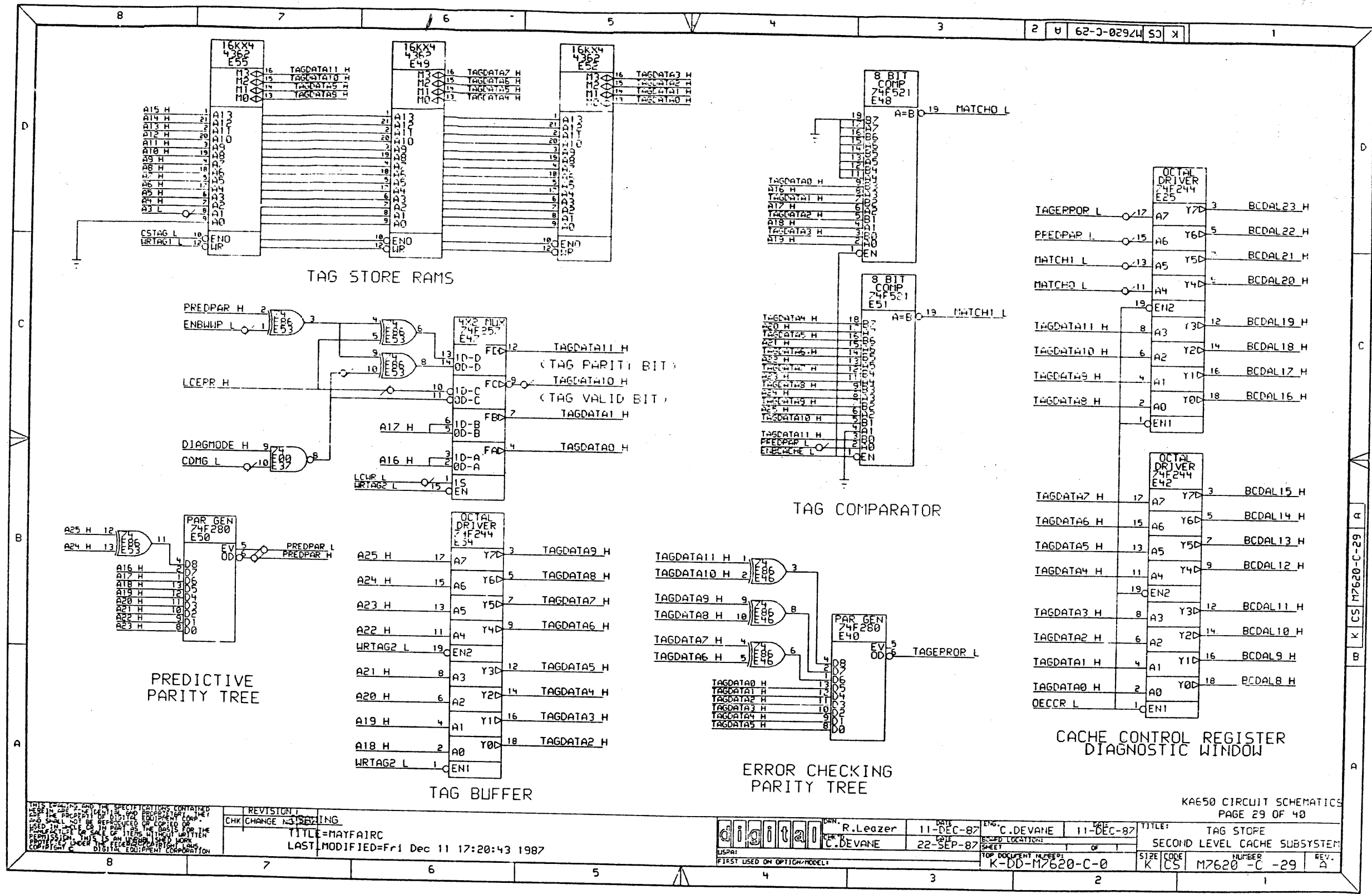
REVISION	1
CHK CHANGE NO.	1
TITLE	MAYFAIRC
LAST MODIFIED	Fri Dec 11 17:14:01 1987



DESIGNER	R. Leazer	DATE	11-DEC-87	ENGINEER	C. DEVANE	DATE	11-DEC-87
CHECKER	C. DEVANE	DATE	22-SEP-87	DESIGN LOCATION			
USPSA	FIRST USED ON OPTION/MODEL		TOP DOCUMENT NUMBER		K-DD-M7620-C-0		

TITLE: DATA STORE RAMS SECOND LEVEL CACHE SUBSYSTEM			
SIZE	CODE	NUMBER	REV.
K	CS	M7620-C-27	A



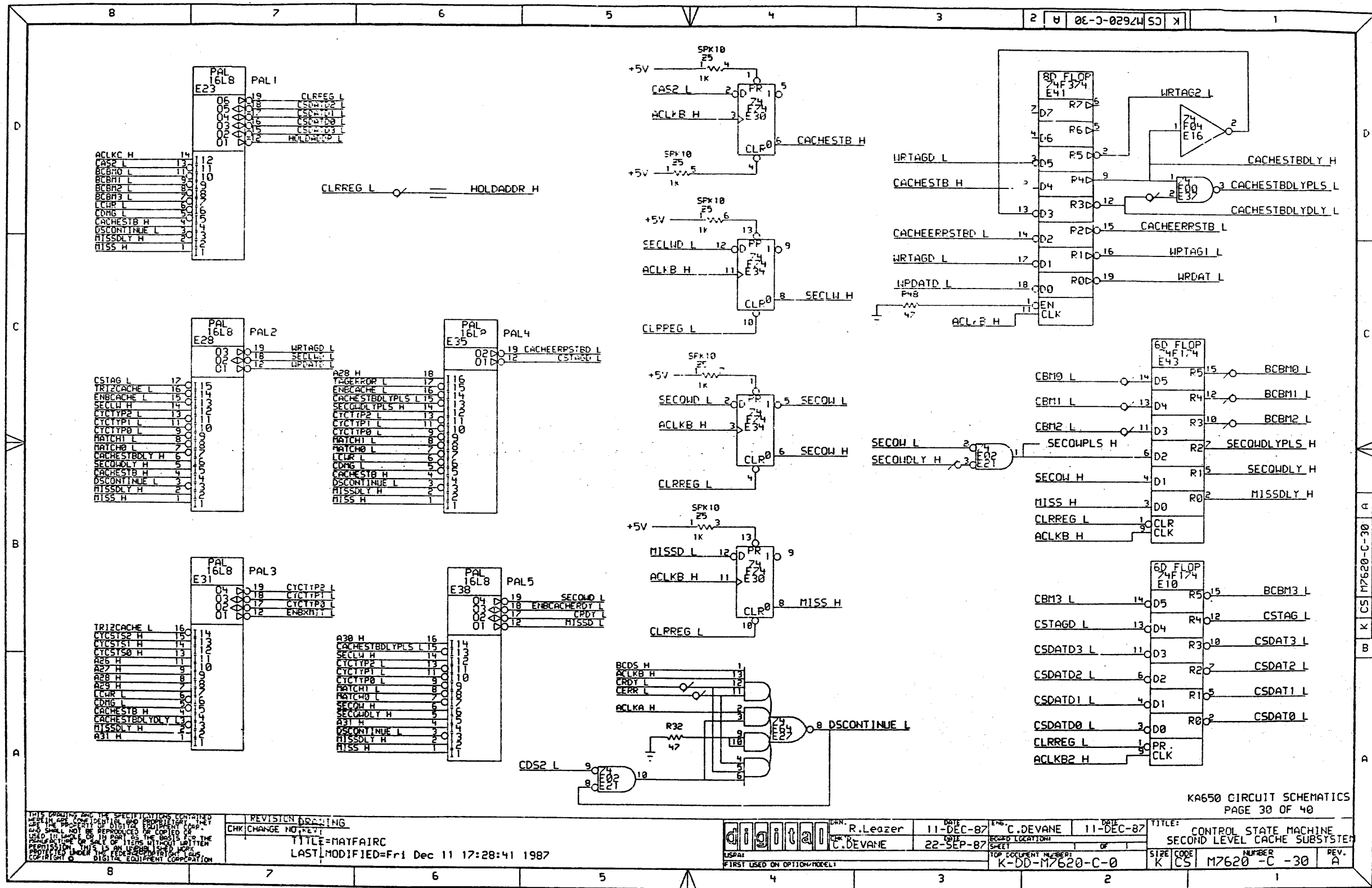


THIS DRAWING AND THE SPECIFICATIONS CONTAINED HEREIN ARE THE PROPERTY OF DIGITAL EQUIPMENT CORPORATION. NO PART OF THIS DRAWING OR SPECIFICATIONS SHALL BE REPRODUCED OR COPIED OR USED IN ANY MANNER IN CONNECTION WITH THE PROMOTION, SALE OF ITEMS, OR THE PERFORMANCE OF SERVICES BY DIGITAL EQUIPMENT CORPORATION.

REVISTION 1	CHK CHANGE N3 SEIZING
TITLE=MAYFAIRC	
LAST MODIFIED=Fri Dec 11 17:20:43 1987	

digital DRN. R.Leazer
 C. BEVANE
 DATE 11-DEC-87
 DATE 22-SEP-87
 ENG. C.DEVANE
 DATE 11-DEC-87
 SHEET LOCATION: OF 1
 TOP DOCUMENT NUMBER: K-DD-M7620-C-0

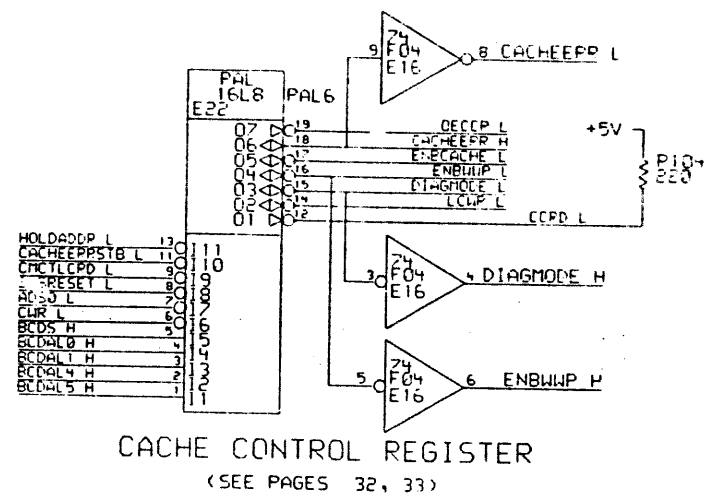
KAE50 CIRCUIT SCHEMATICS		PAGE 29 OF 40	
TITLE: TAG STOPE		SECOND LEVEL CACHE SUBSYSTEM	
SIZE CODE	NUMBER	REV.	
K CS	M7620 -C -29	A	



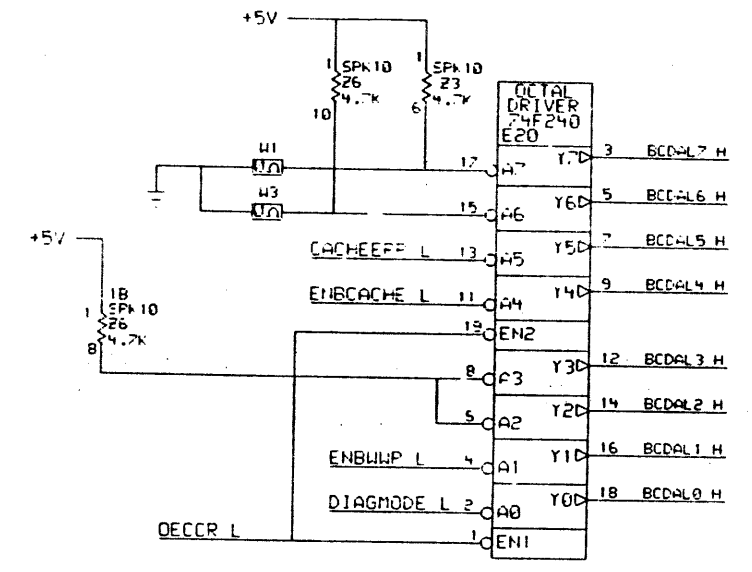
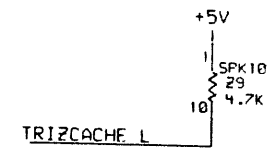
THIS DRAWING AND THE SPECIFICATIONS CONTAINED HEREIN ARE UNCLASSIFIED AND EXCLUDED FROM AUTOMATIC DOWNGRADING AND DECLASSIFICATION. USE OF THIS DRAWING IS UNLIMITED.

REVISION	DRAWING
CHK	CHANGE NO. REV.
TITLE=MATFAIRC	
LAST MODIFIED=Fri Dec 11 17:28:41 1987	

	ENGR.	R. Leazer	DATE	11-DEC-87	ENGR.	C. DEVANE	DATE	11-DEC-87	TITLE:	CONTROL STATE MACHINE	
	DESIGNER	C. DEVANE	DATE	22-SEP-87	RECORD LOCATION		SHEET	OF	1	SECOND LEVEL CACHE SUBSYSTEM	
USUAL FIRST USED ON OPTION MODEL:		TOP EQUIPMENT NUMBER:		K-DD-M7620-C-0		SIZE	CODE	NUMBER	M7620 -C -30	REV.	A



CACHE CONTROL REGISTER
(SEE PAGES 32, 33)



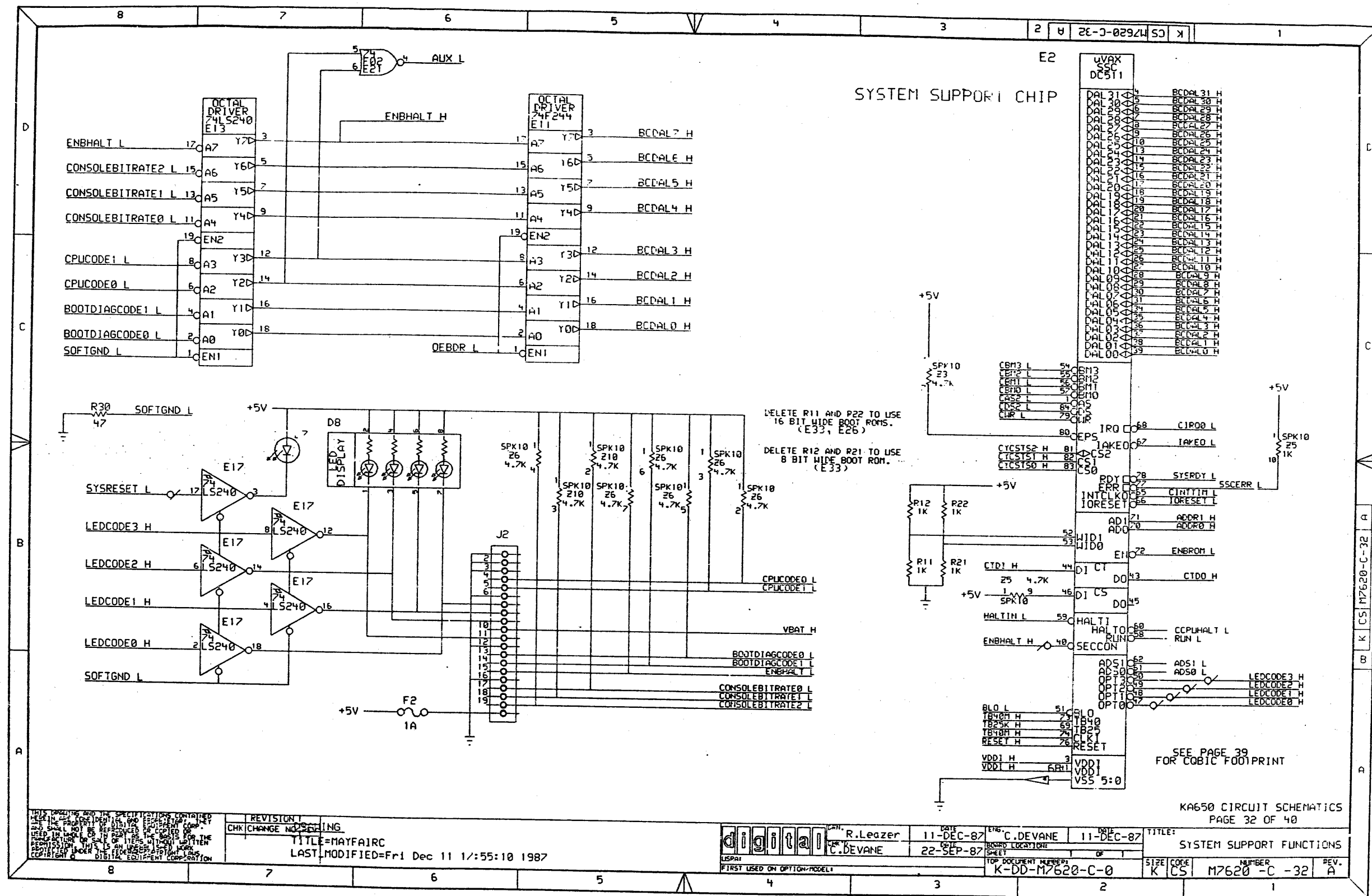
THE DRAWING AND THE SPECIFICATIONS CONTAINED HEREIN ARE THE PROPERTY OF DIGITAL EQUIPMENT CORPORATION AND SHALL NOT BE REPRODUCED OR COPIED OR USED IN ANY MANNER BY ANY PERSON WITHOUT THE WRITTEN PERMISSION OF DIGITAL EQUIPMENT CORPORATION. THIS IS AN UNCLASSIFIED DOCUMENT.

REVISED	NO	DATE	BY
CHK	CHANGE	NO	DATE
TITLE=MAYFAIRC			
LAST MODIFIED=Fri Dec 11 17:34:43 1987			

digital
FIRST USED ON OPTION/PROCESS

DESIGNED BY	DATE	DESIGNED BY	DATE
R.Leazer	11-DEC-87	C.DEVANE	11-DEC-87
C.DEVANE	22-SEP-87		

TITLE:		PAGE 31 OF 40	
CACHE CONTROL REGISTER		SECOND LEVEL CACHE	
SIZE	CODE	NUMBER	REV.
K	CS	M7620 -C -31	A



SYSTEM SUPPORT CHIP

E2
U/VAX
DC511

- DAL31 H BCDAL31 H
- DAL30 H BCDAL30 H
- DAL29 H BCDAL29 H
- DAL28 H BCDAL28 H
- DAL27 H BCDAL27 H
- DAL26 H BCDAL26 H
- DAL25 H BCDAL25 H
- DAL24 H BCDAL24 H
- DAL23 H BCDAL23 H
- DAL22 H BCDAL22 H
- DAL21 H BCDAL21 H
- DAL20 H BCDAL20 H
- DAL19 H BCDAL19 H
- DAL18 H BCDAL18 H
- DAL17 H BCDAL17 H
- DAL16 H BCDAL16 H
- DAL15 H BCDAL15 H
- DAL14 H BCDAL14 H
- DAL13 H BCDAL13 H
- DAL12 H BCDAL12 H
- DAL11 H BCDAL11 H
- DAL10 H BCDAL10 H
- DAL09 H BCDAL09 H
- DAL08 H BCDAL08 H
- DAL07 H BCDAL07 H
- DAL06 H BCDAL06 H
- DAL05 H BCDAL05 H
- DAL04 H BCDAL04 H
- DAL03 H BCDAL03 H
- DAL02 H BCDAL02 H
- DAL01 H BCDAL01 H
- DAL00 H BCDAL00 H

DELETE R11 AND R22 TO USE
16 BIT WIDE BOOT ROMS.
(E33, E26)

DELETE R12 AND R21 TO USE
8 BIT WIDE BOOT ROMS.
(E33)

SEE PAGE 39
FOR COBIC FOOTPRINT

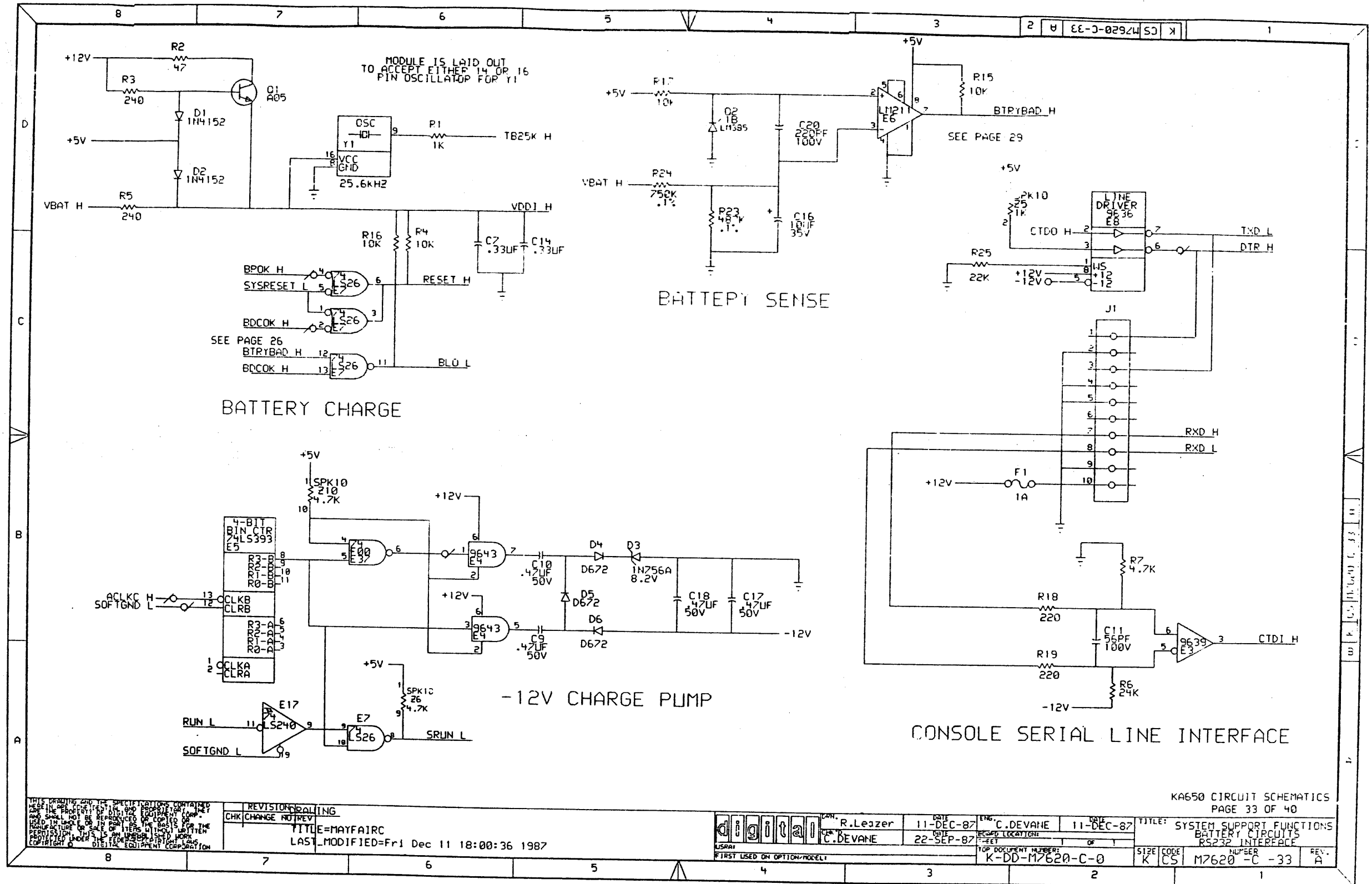
THIS DRAWING AND THE SPECIFICATIONS CONTAINED
HEREIN ARE THE PROPERTY OF DIGITAL EQUIPMENT CORPORATION
AND SHALL NOT BE REPRODUCED OR COPIED IN ANY
MANNER WITHOUT THE WRITTEN PERMISSION OF DIGITAL EQUIPMENT CORPORATION.
COPYRIGHT © 1987 DIGITAL EQUIPMENT CORPORATION

REVISION 1	CHK CHANGE NO. 1	ING
TITLE=MAYFAIRC		
LAST MODIFIED=Fri Dec 11 12:55:10 1987		

digital R.Leazer
C.DEVANE
DATE 11-DEC-87
DATE 22-SEP-87

DATE 11-DEC-87
DATE 11-DEC-87
C.DEVANE
C.DEVANE
TOP DOCUMENT NUMBER: K-DD-M7620-C-0

TITLE: SYSTEM SUPPORT FUNCTIONS
SIZE CODE: K CS
NUMBER: M7620 -C -32
REV. A

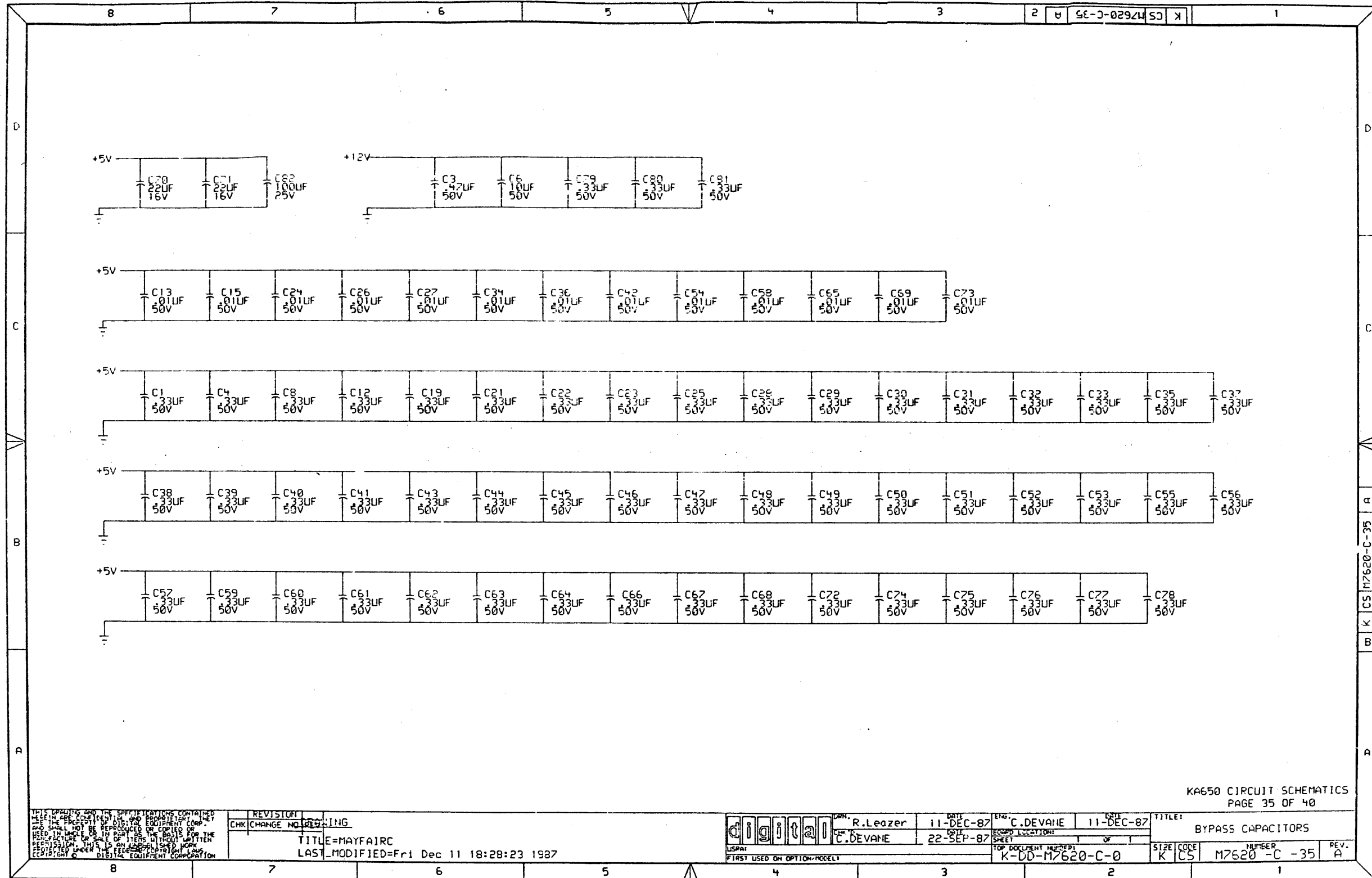


THIS DRAWING AND THE SPECIFICATIONS CONTAINED HEREIN ARE THE PROPERTY OF DIGITAL EQUIPMENT CORPORATION AND SHALL NOT BE REPRODUCED OR COPIED IN ANY MANNER OR IN ANY MEDIUM WITHOUT THE WRITTEN PERMISSION OF DIGITAL EQUIPMENT CORPORATION. COPYRIGHT © 1987 DIGITAL EQUIPMENT CORPORATION.

REVISION CONTROL	
CHK	CHANGE

TITLE=MAYFAIRC
LAST_MODIFIED=Fri Dec 11 18:00:36 1987

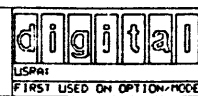
digital	CON. R.Leazer	DATE 11-DEC-87	ENG. C.DEVANE	DATE 11-DEC-87	TITLE: SYSTEM SUPPORT FUNCTIONS
	CON. C.DEVANE	DATE 22-SEP-87	REC'D LOCATION:	OF 1	BATTERY CIRCUITS
USRA#	TOP DOCUMENT NUMBER:	K-DD-M7620-C-0		SIZE CODE	M7620 -C -33
FIRST USED ON OPTION/MODEL:				NUMBER	REV. A



KA650 CIRCUIT SCHEMATICS
PAGE 35 OF 40

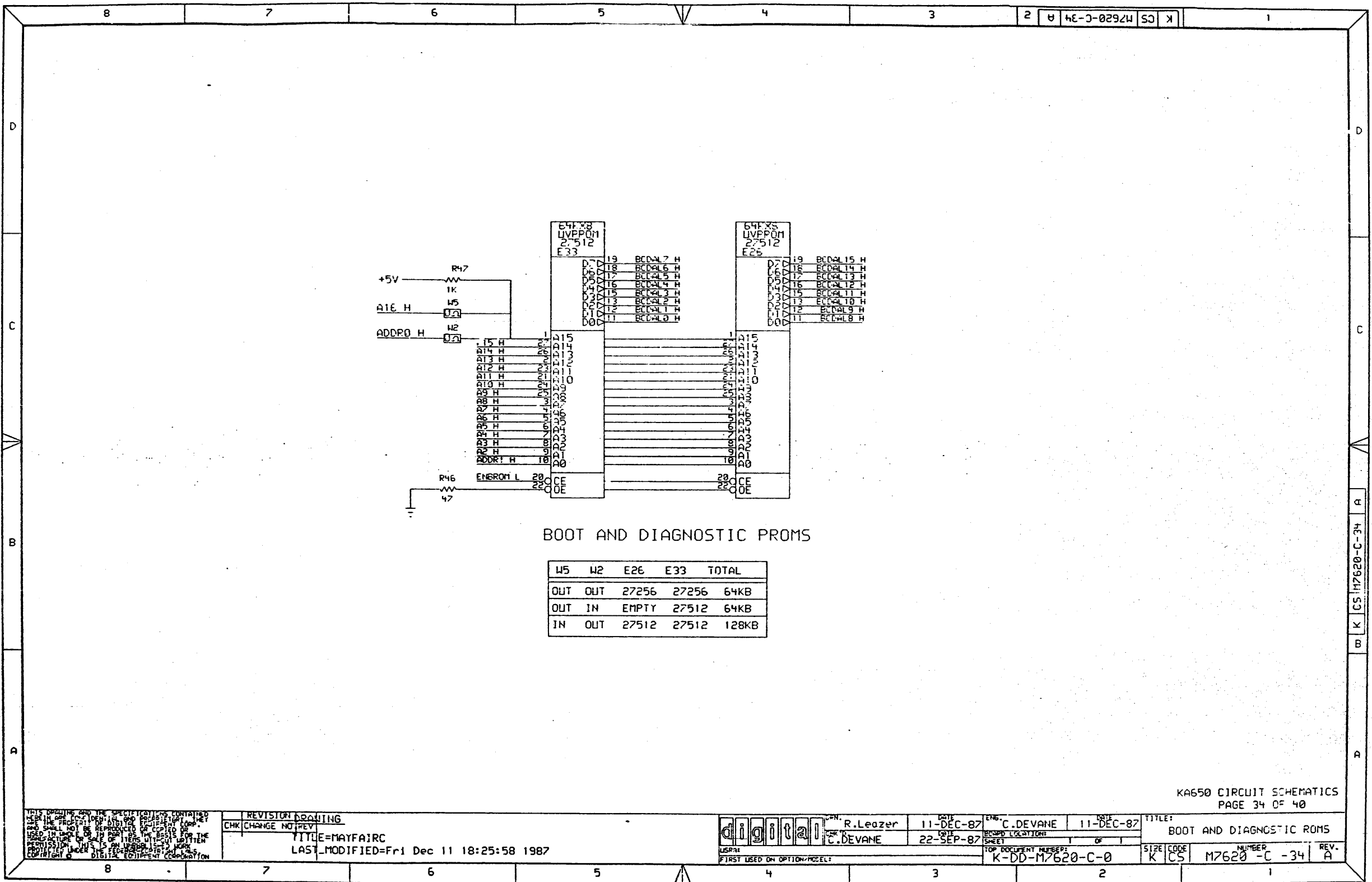
THIS DOCUMENT AND THE SPECIFICATIONS CONTAINED
HEREIN ARE UNCLASSIFIED AND PROPRIETARY. THEY
ARE THE PROPERTY OF DIGITAL EQUIPMENT CORP.
AND SHALL NOT BE REPRODUCED OR COPIED OR
USED IN ANY MANNER OR IN ANY MEDIUM FOR THE
PUBLICATION OR SALE OF ITEMS WITHOUT WRITTEN
PERMISSION. THIS IS AN UNCLASSIFIED WORK
PRODUCED UNDER THE FEDERAL GOVERNMENT'S
COPYRIGHT © DIGITAL EQUIPMENT CORPORATION

REV	REVISION	DATE
1	CHK CHANGE NO. 1299-1111G	
TITLE=MAYFAIRC		
LAST_MODIFIED=Fri Dec 11 18:28:23 1987		



DESIGNED BY	R. Leazer	DATE	11-DEC-87	ENGR	C.DEVANE	DATE	11-DEC-87
CHECKED BY	C.DEVANE	DATE	22-SEP-87	SECOND ELECTION			
SHEET		OF		TOP DOCUMENT NUMBER			
K		CS		K-DD-M7620-C-0			

SIZE	CODE	NUMBER	REV.
K	CS	M7620 -C -35	A



BOOT AND DIAGNOSTIC PROMS

U5	U2	E26	E33	TOTAL
OUT	OUT	27256	27256	64KB
OUT	IN	EMPTY	27512	64KB
IN	OUT	27512	27512	128KB

THIS DRAWING AND THE SPECIFICATIONS CONTAINED HEREIN ARE THE PROPERTY OF DIGITAL EQUIPMENT CORP. AND SHALL NOT BE REPRODUCED OR COPIED OR USED IN ANY MANNER WITHOUT THE WRITTEN PERMISSION OF DIGITAL EQUIPMENT CORP. PROPRIETARY UNDER THE TRADE SECRET ACTS. COPYRIGHT © DIGITAL EQUIPMENT CORPORATION

REVISION DRAWING
CHK CHANGE NOT REV
TITLE=MAYFAIRC
LAST_MODIFIED=Fri Dec 11 18:25:58 1987

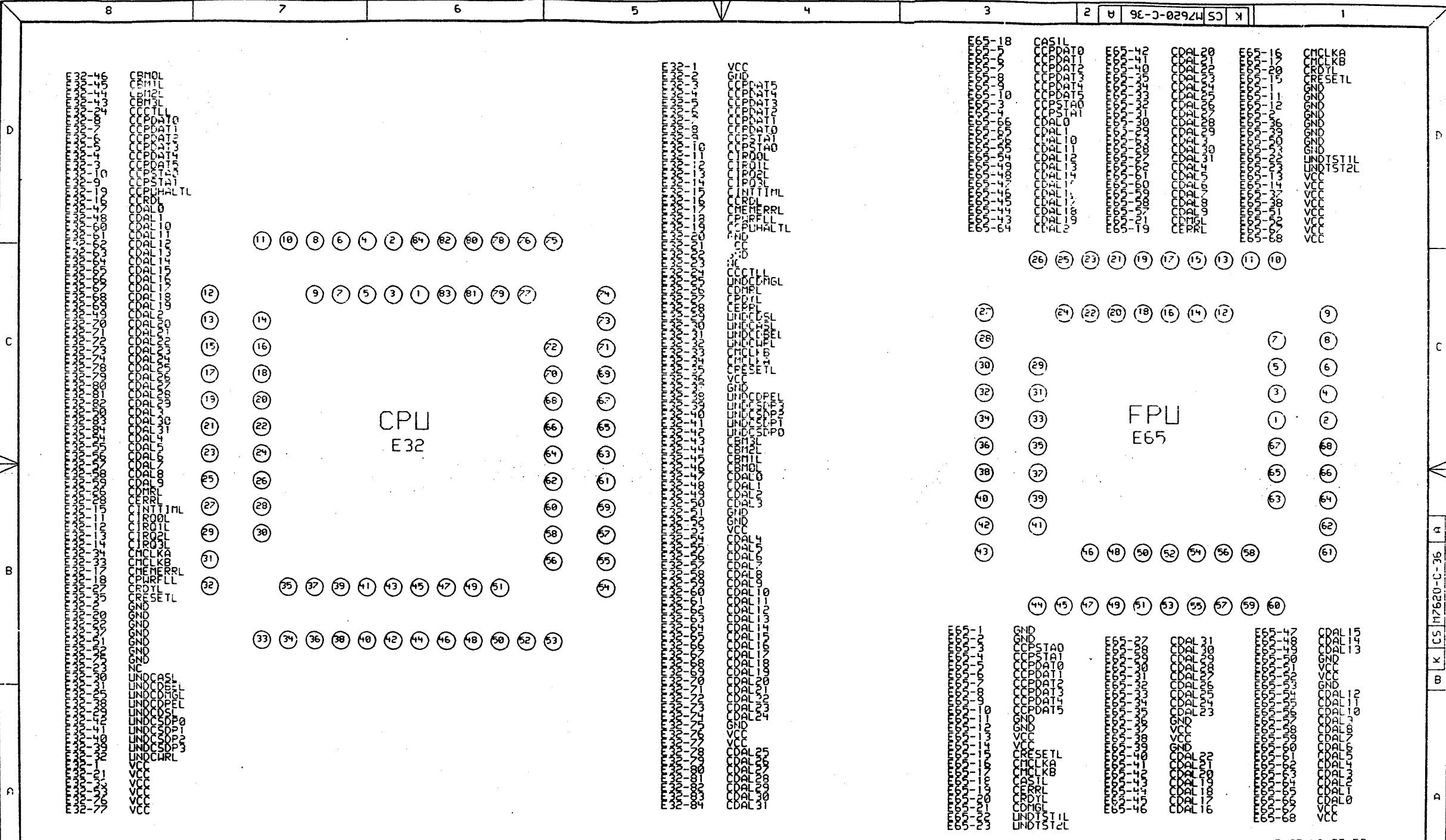
digital
FIRST USED ON OPTION/MODEL:

DESIGNED BY: R.Leazer
DATE: 11-DEC-87
CHECKED BY: C.DEVANE
DATE: 22-SEP-87

ENGINEER: C.DEVANE
DATE: 11-DEC-87
SHEET LOCATION: OF
TOP DOCUMENT NUMBER: K-DD-M7620-C-0

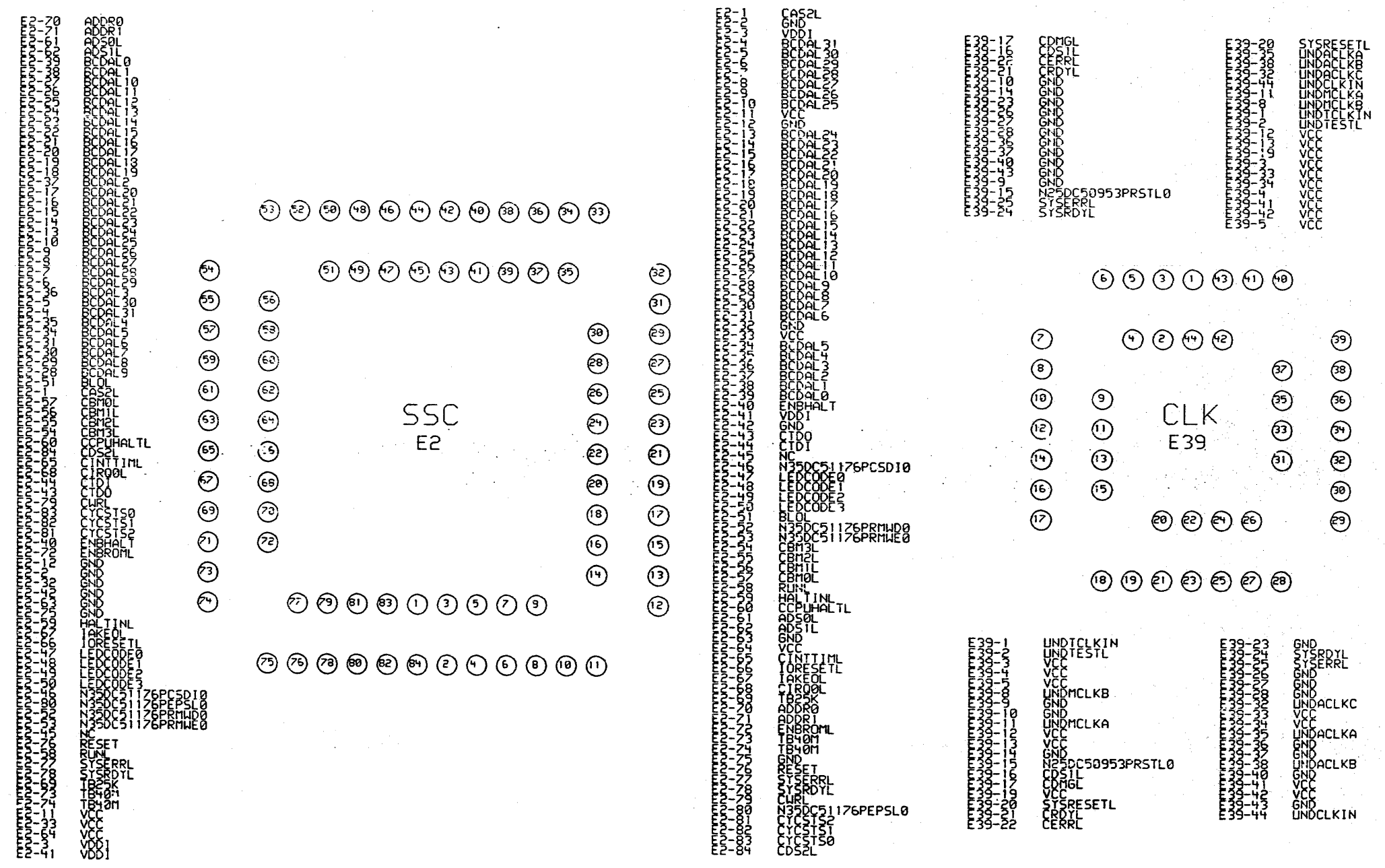
TITLE: BOOT AND DIAGNOSTIC ROMS
SIZE CODE: K CS
NUMBER: M7620 -C -34
REV: A

A B C D K CS M7620-C-34



NOTE: use grid 02 5; when editing.

<p>REVISION DRAWING CHK CHANGE NOT REV TITLE=MAYFAIRC LAST MODIFIED=Fri Dec 11 18:40:08 1987</p>	<p>digital R. LEAZER C. DEVANE</p>	<p>DATE 11-DEC-87 22-SEP-87</p>	<p>ENG C. DEVANE C. DEVANE</p>	<p>DATE 11-DEC-87</p>	<p>TITLE: CPU, FPU FOOTPRINT</p>	<p>SHEET 1 OF 1</p>	<p>SIZE CS</p>	<p>NUMBER M7620 -C -36</p>	<p>REV. A</p>
-----------------------------------------------------------------------------------------------------------------------------------------	--------------------------------------------------------------	-----------------------------------------------------------	----------------------------------------------------------	------------------------------------	-----------------------------------------------	----------------------------------	-----------------------------	-----------------------------------------	----------------------------



NOTE: use grid 02 5; when editing.

<small>THIS DRAWING AND THE SPECIFICATIONS CONTAINED HEREIN ARE THE PROPERTY OF DIGITAL EQUIPMENT CORPORATION. NO PART OF THIS DRAWING OR SPECIFICATIONS MAY BE REPRODUCED OR TRANSMITTED IN ANY FORM OR BY ANY MEANS, ELECTRONIC OR MECHANICAL, INCLUDING PHOTOCOPYING, RECORDING, OR BY ANY INFORMATION STORAGE AND RETRIEVAL SYSTEM, WITHOUT PERMISSION IN WRITING FROM DIGITAL EQUIPMENT CORPORATION.</small>	REVISION: <u> </u> CHK CHANGE: <u> </u>	DATE: <u> </u> BY: <u> </u>	DATE: <u> </u> BY: <u> </u>	TITLE: <u> </u>
	TITLE: MAYFAIRC LAST MODIFIED: Thu Sep 22 11:37:16 1988	R. LAZER C. DEVANE	11-DEC-87 22-SEP-87	C. DEVANE C. DEVANE
USA: <u> </u> FIRST USED ON OPTION: <u> </u>	TOP DOCUMENT NUMBER: <u> </u> SHEET: <u> </u> OF <u> </u>	K-00-M7620-C-0	SIZE CODE: <u> </u> NUMBER: <u> </u>	REV.: <u> </u>

8 7 6 5 4 3 2 1

04-C-02924 CS K

A<31:2> - Address: address lines latched from CDAL<31:2>.
 ACLKA - Auxiliary Clock A: logically identical to MCLKA.
 ACLKB - Auxiliary Clock B: logically identical to MCLKB.
 ACLKC - Auxiliary Clock C: half frequency clock, high during P1 and P2.
 ADDR<1:0> - rom ADDRESS: address bits from SSC used to unpack the ROM.
 ADS0 - Address Decode Strobe: decode from SSC used to select Cache Control Register.
 ADS1 - Address Decode Strobe: decode from SSC used to select Boot and Diagnostic Register.
 AUX - AUXiliary: derived from CPUCODE<1:0> and asserted when processor is not 0 arb'ed.
 BCDAL<31:0> - Buffered Cvax Data/Address Lines: used for transactions in I/O pag
 BCDS - Buffered Cvax Data Strobe: asserted to transfer data on CDAL/BCDAL bus.
 LCERR - Latched Cvax Error: latched version of CERR L used for VALID bit generat
 second level cache.
 BDCOK - Bus DC OK: Q22 bus signal asserted by power supply to indicate at least
 reserve DC power.
 BLO - Battery Low: asserted at power-up when battery voltage is too low.
 BOOTDIAGCODE<1:0> - BOOT/DIAGNOSTIC CODE: code set by switch on FCC cutout, can
 from Boot/Diagnostic Register.
 BPOK - Bus Power OK: Q22 bus signal asserted by power supply to indicate at leas
 reserve DC power.
 CACHEERR - CACHE ERROR: asserted when the second level cache tag store detects a
 error; can be read from Cache Control Register.
 CACHEERRSTB - CACHE ERROR STROBE: asserted by second level cache control logic t
 CACHEERR.
 CALHESTB - CACHE Strobe: output of first rank of address strobe synchronizer in
 control logic.
 CACHESTBDLY - CACHE Strobe Delay: output of second rank of address strobe synchr
 cache control logic.
 CACHESTBDLYDLY - CACHE Strobe Delay Delay: output of third rank of address strob
 synchronizer in cache control logic.
 CACHESTBDLYPLS - CACHE Strobe Delay Pulse: asserts simultaneously with CACHESTBD
 is only one clock tick wide.
 CAS - Cvax Address Strobe: assertion indicates a valid address on CDAL<31:2>.
 CBM<3:0> - Cvax Byte Mask: asserted to select bytes of addressed longword.
 CCTIL - Cvax Cache Control: asserted by COBIC to invalidate entries in the first
 cache.
 CCPDAT<5:0> - Cvax Co-Processor DATA lines: used for communication between CVAX
 CCPSTA<1:0> - Cvax Co-Processor STATUS lines: used for communication between CVA
 CFPA.
 CCPUHALT - Cvax CPU HALT: when asserted forces processor to begin executing code
 address 20040000 (hex).
 CCRD - Cvax Correctable Read Data interrupt: the OR of CMCTLCRD and CACHEERR.
 CDAL<31:0> - Cvax Data/Address Lines: main processor bus.
 CDBE - Cvax Data Buffer Enable: when asserted together with ENBXMIT L, enables c
 on the CDAL bus.
 CDMG - Cvax DMA Grant: asserted by CVAX to grant mastership of the CDAL bus to C
 CDMR - Cvax DMA Request: asserted by COBIC to request mastership of the CDAL bus.
 CDPE - Cvax Data Parity Enable: asserted when CCSDP<3:0> contain valid parity fo
 on CDAL<31:0>.
 CDS - Cvax Data Strobe: asserted to transfer data on the CDAL bus.
 CERR - Cvax Error: asserted by CDAL slave to abort or (when together with CRDY)
 a CDAL bus cycle.
 CFPA - Cvax Floating Point Accelerator chip.
 CINTIM - Cvax Interrupt Timer interrupt: asserted by the SSC once every 10 ms.
 CIRQ<3:0> - Cvax Interrupt Request: asserted by COBIC or SSC.
 CLRREG - Clear REGisters: asserted to initialize state and output registers in t
 control logic. Same signal as HOLDADDR H.
 CMCAS<3:0> - CMctI Column Address Strobe: used by dynamic RAMs in main memory.
 CMLKA - Cvax Mos Clock A: 22.222 MHz clock to CVAX.
 CMLKB - Cvax Mos Clock B: clock to CVAX, CFPA, CMCTI. High during P1 and P3.
 CMLKC - Cvax Mos Clock C: 180 degrees out-of-phase from CMLKA.
 CMLKB - Cvax Mos Clock B: clock to CVAX, CFPA, CMCTI. High during P2 and P4.
 CMCTI - Cvax Memory Controller chip.
 CMCTLCRD - CMCTI Correctable Read Data interrupt: CRD interrupt from CMCTI.
 CMEMERR - Cvax MEMORY ERROR: interrupt asserted by CMCTI and COBIC.
 CMRAS<3:0> - CMctI Row Address Strobe: used by dynamic RAMs in main memory.
 CMSE - CMctI Signature Enable: used by memory boards to gate identification info
 on to MD bus.
 CMWE - CMctI Write Enable: write signal used by dynamic RAMs in main memory.
 CONSOLEBTRATE<2:0>: code set by switch in FCC cutout, can be read from Boot/Dia
 Register.
 CPUCODE<1:0>: code received from FCC cutout, can be read from Boot/Diagnostic Re
 gister.
 CPWFEL - Cvax POWER Fail: interrupt asserted by COBIC.
 COBIC - CVAX Q22 Bus Interface Chip.
 CRDY - Cvax READY: asserted to terminate or (when asserted together with CERR)
 CDAL bus cycle.
 CRESET - Cvax RESET: synchronized version of SYSRESET.
 CSDAT<3:0> - Chip Select Data store: chip select lines for second level cache dat
 RAM chips; one line for each byte.
 CCSDP<3:0> - Cvax Cycle Status/Data Parity: during data portion of bus cycle CCS
 contains parity for the data on CDAL<7:0>, CCSDP1 contains parity for
 CDAL<15:8>, etc. During address portion of CDAL bus cycle, CCSDP<2:0>
 with CWR L indicate the type of bus transaction according to the tabl
 COBIC uses codes 7 (write) and F (read) for all transactions.

CWR CCSDP<2:0> (HEX)

L	L	L	reserved
L	L	L	reserved
L	L	L	external IPR write
L	L	L	reserved
L	L	L	reserved
L	L	L	write unlock
L	L	L	reserved
L	L	L	write (no unlock)
L	L	L	request D-stream read
L	L	L	reserved
L	L	L	external IPR read
L	L	L	interrupt acknowledge
L	L	L	request I-stream read
L	L	L	demand D-stream read lock
L	L	L	demand D-stream read modify intent
L	L	L	demand D-stream read (no lock or modify intent)

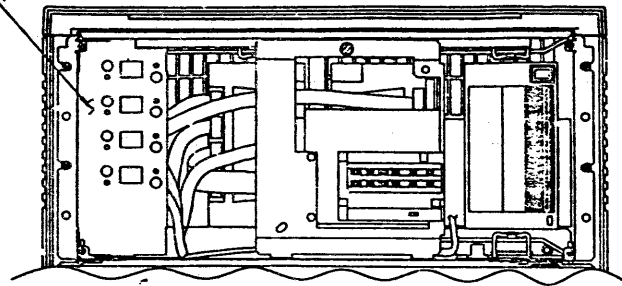
CSTAG - Chip Select TAG store: chip select lines for second level cache tag stor
 chips.
 CTDI - Console Terminal Data Input: input to console serial line unit.
 CTD0 - Console Terminal Data Output: output from console serial line unit.
 CVAX - Cmos VAX.
 CWR - Cvax Write: determines whether the current bus cycle is a read or write.
 CYSTS<2:0> - Cycle STATUS: latched from CCSDP<2:0>.
 CYTIP<2:0> - Cycle TYPE: second level cache encoding of bus cycle type.
 DIAGMODE - DIAGNOSTIC MODE: control bit in cache control register.
 DM<38:0> - Damped Memory Data bus: data path of interconnect between CMCTI and
 memory.
 DSCONTINUE - Data Strobe CONTINUE: tells second level cache when to latch data d
 allocation.
 DTP - Data Terminal Ready: Signal available for use by RS232 console device.
 ENBCACHE - ENABLE CACHE: control bit in cache control register.
 ENBCACHEFDY - ENABLE CACHE RDY: enables second level cache's FDY tristate outpu
 only inside PAL4, nowhere else on board.
 ENEHALT - ENABLE HALT: when negated prevents console break or control/P from hal
 CVAX.
 ENBPOM - ENABLE POM: asserted by SSC during ROM unpacking.
 ENBSSC - ENABLE SSC: enables BCAL bus transceivers.
 ENBWRP - ENABLE Write Wrong Parity: bit in cache control register.
 ENBXMIT - ENABLE trans(X)MIT: enables second level cache transceivers to drive o
 bus.
 HALTIN - HALT Input: Asserted by COBIC to halt CVAX (arbitrated by SSC).
 HOLDADDR - HOLD Address: closes address latch.
 IAFEO - Interrupt Acknowledge Enable Output: asserted by SSC to allow COBIC to r
 interrupt acknowledge cycles.
 IOPSET - Input/Output RESET: asserted by SSC in response to a write to IPR 55.
 IPR - Internal Processor Register.
 LCHWR - Latched Cvax Write: latched (de-glitched) version of CWR.
 LEDCODE<3:0> - LED CODE: drives diagnostic LEDs.
 MA<3:0> - Memory Address: multiplexed address from CMCTI for use by memory board
 MATCH<1:0> - MATCH: asserted by second level cache tag store to indicate a cache
 MD<38:0> - Memory Data bus: data path of interconnect between CMCTI and main mem
 MISS: asserted during second level cache miss, except during DMA when it is ass
 during a cache hit.
 NCOBR - Not COBIC Reference: asserted when a bus cycle address is not for the CO
 NLHR - Not Local Memory Reference: asserted when a bus cycle address is not for
 CMCTI.
 DEBDR - Output Enable Boot/Diagnostic Register: enables boot/diagnostic register
 reading.
 DECCR - Output Enable Cache Control Register: enables cache control register for
 PREDPAR - PREDICTIVE PARITY: output of parity tree used to speed up tag checks.
 READSSC - READ SSC: control's direction of BCAL transceivers. When asserted, th
 transceivers drive from BCDAL to CDAL.
 RESET: asserted to reset the SSC chip.
 RUN: asserted by SSC when CVAX is not executing out of halt protected ROM space.
 SECLW - Second LongWord: asserted by the second level cache to toggle A2 H durin
 second half of a CVAX quadword read.
 SECOW - Second QuadWord: asserted by the second level cache to assert A3 during
 second half of a hexword or octaword DMA write.
 SSC - System Support Chip.
 SYSERR - SYSTEM ERROR: asynchronous error, asserted to abort or (when asserted t
 with SYSRDY L) retry a CDAL bus cycle.
 SYSRDY - SYSTEM READY: asynchronous ready, asserted to terminate or (when assert
 together with SYSERR L) retry a CDAL bus cycle.
 SYSRESET - SYSTEM RESET: asserted by COBIC to reset the entire board. Length of
 is set by timing capacitor C1. Synchronized by CCLK to form CRESET L.
 TAGDATA<11:0> - data bus inside the second level cache tag store. TAGDATA<10> is
 valid bit, TAGDATA<11> is the parity bit.
 TAGERR - output of second level cache parity checking tree.
 TBCLK - Time Base 25.6Khz: 25.6 KHz time base for time-of-year clock.
 TB40M - Time Base 40Mhz: 40MHz time base for timers, console serial line, etc.,
 as SSC bus interface, and COBIC.
 TRIZCACHE: tristates PAL outputs when asserted.
 VBAT - Voltage (Battery): connection to external battery.
 VBIAS - Voltage (BIAS): voltage to set internal bias in COBIC Obus transceivers.
 VDDI - Voltage (Drain) Internal: battery-backed power supply for SSC.
 WRDAT - Write DATA store: write line for second level cache data store RAM chips
 WRTAG - Write TAG store: write line for second level cache tag store RAM chips.
 XADDR<21:20> - extended ADDRESS: extra address lines used by 8MB memory boards.

THIS DRAWING AND THE SPECIFICATIONS CONTAINED HEREIN ARE THE PROPERTY OF DEC. IT IS TO BE USED FOR THE DESIGN AND CONSTRUCTION OF THE SYSTEM ONLY. IT IS NOT TO BE REPRODUCED OR TRANSMITTED IN ANY FORM OR BY ANY MEANS, ELECTRONIC OR MECHANICAL, INCLUDING PHOTOCOPYING, RECORDING, OR BY ANY INFORMATION STORAGE AND RETRIEVAL SYSTEM, WITHOUT PERMISSION IN WRITING FROM DEC.

LEGEND		
PART NO.	REV	VARIATION
DV350T1-A2	A1	SEE PARTS LIST
DV350T1-A3	A1	SEE PARTS LIST
DV350T1-A4	A1	SEE PARTS LIST
DV350T1-A5	A1	SEE PARTS LIST
DV350T1-AA	A1	SEE PARTS LIST
DV350T1-AE	A1	SEE PARTS LIST

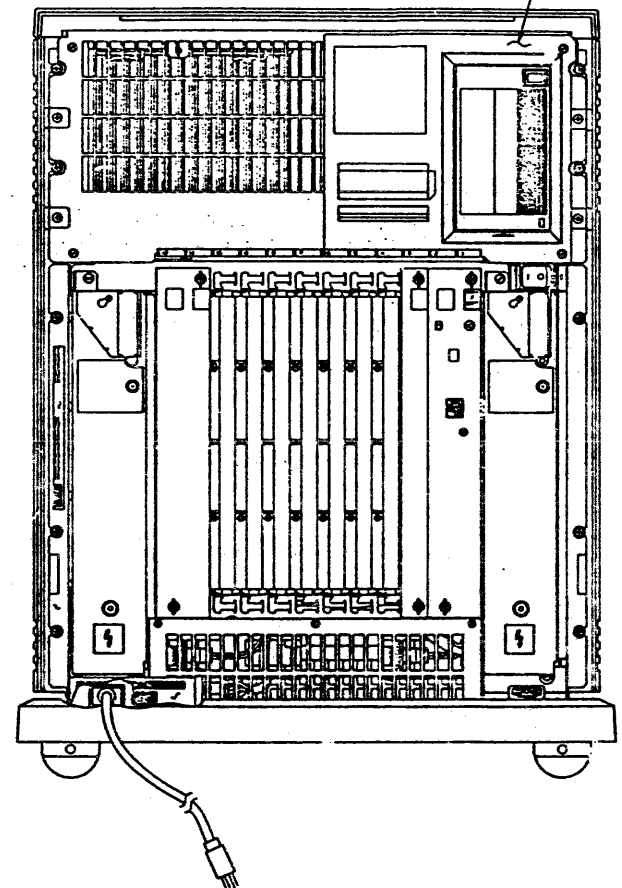
- NOTES:
1. MODULE PLACEMENT/CONFIGURATION SHOWN IS FOR BASE (KERNEL) SYSTEM ONLY. ACTUAL MODULE PLACEMENT IS DEPENDENT ON CUSTOMER CONFIGURATION.
 2. UNLESS OTHERWISE INDICATED, ROUTING OF CABLES, LOCATION OF AND NUMBER OF CABLE CLAMPS IS LEFT UP TO MFG DISCRETION.
 3. DEPENDENT ON CUSTOMER CONFIGURATION IF SLOTS 6-12 HAVE LESS THAN 6.5 AMP LOAD THEN A M9060-YA MUST BE INSTALLED IN SLOT 12.
 4. TOK70 CONTROLLER SHOULD BE LOCATED IN THE LOWEST SLOT NUMBER AVAILABLE AND THE KDA50-SA CONT. WOULD BE LOCATED IN THE NEXT AVAILABLE SLOT. (EXAMPLE: WITH SLOTS 1-4 TAKEN UP THE TOK70 CONTROLLER WOULD GO IN SLOT 5 AND THE KDA50-SA IN SLOT 6 AND 7.)
 5. IN TRANSITION BETWEEN FLUSH AND RECESSED HANDLES A FILLER PANEL (17024071-01) MUST BE USED (SEE SHEET 3)
 6. ALL UNUSED SLOTS AND MODULES WITHOUT S-BOX TYPE HANDLES MUST BE COVERED WITH A SINGLE WIDTH BLANK MODULE COVER.
 7. DISTRIBUTION BRACKET IS MOUNTED IN HOLES A1 & A4 WITHIN REAR OF CPU CABINET.

DIST. PANEL
PART OF KDA50-SA
ITEM #9

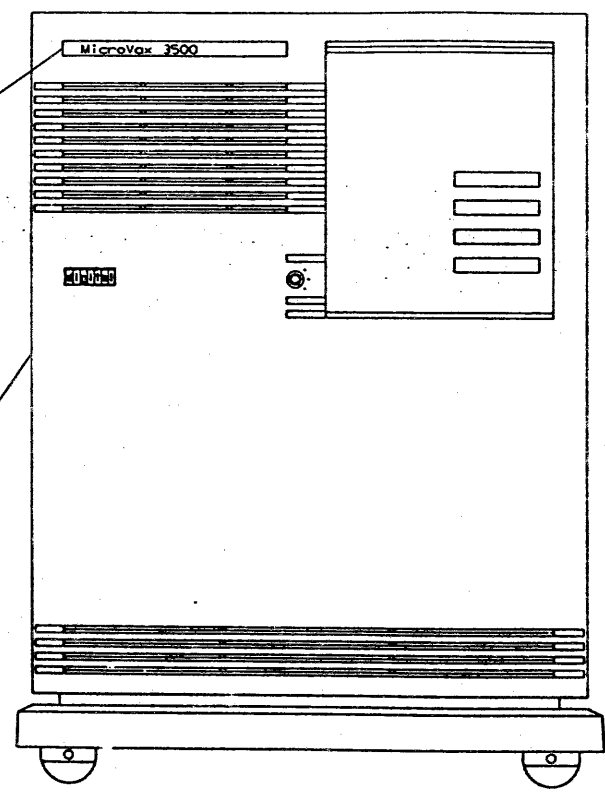
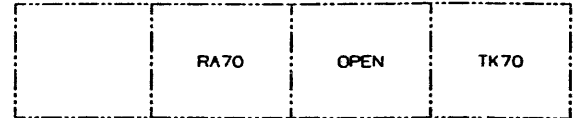


VIEW WITH FRONT PANEL REMOVED

FRONT PANEL
PART OF KDA50-SA
ITEM #9



VIEW WITH FRONT DOOR REMOVED



20

0 9 0

PLOT AT .5000
FILE NAME: DV350T1-0-DBUC

CAUTION: OFF SHEET PARTS LIST EXISTS
SEE K-PL-DV350T1-0-DBP
(MLA1945)

REV	DATE	BY	CHKD	DESCRIPTION
A				INITIAL
B				REVISED
C				REVISED
D				REVISED
E				REVISED
F				REVISED
G				REVISED
H				REVISED
I				REVISED
J				REVISED

DESCRIPTION	DRAWING NO.	PART NO.	REV
UNLESS OTHERWISE SPECIFIED DIMENSIONS ARE IN INCHES AND USE FOLLOWING TOLERANCES APPLY (PER DEC STD-141)			
DIMENSIONS UNLESS OTHERWISE SPECIFIED			
FINISH	AS MANUFACTURED		
QUANTITY	1		
DATE	29-JA-87		
BY	P. GARDNER		
CHKD	D. HEALY		
DATE	30-OCT-87		
BY	D. LIDINGTON		
CHKD	D. LIDINGTON		
DATE	30-OCT-87		
BY	M. MALI		
CHKD	M. MALI		
DATE	30-OCT-87		
BY	E-LA-DV350T1-0-DBU		
CHKD	E-LA-DV350T1-0-DBU		
DATE	1/22		
BY			
CHKD			
DATE			

TITLE
MICROVAX 3500
STD PED SYSTEM
(VMS)

DOCUMENT NUMBER
E LA DV350T1-0-DBU C

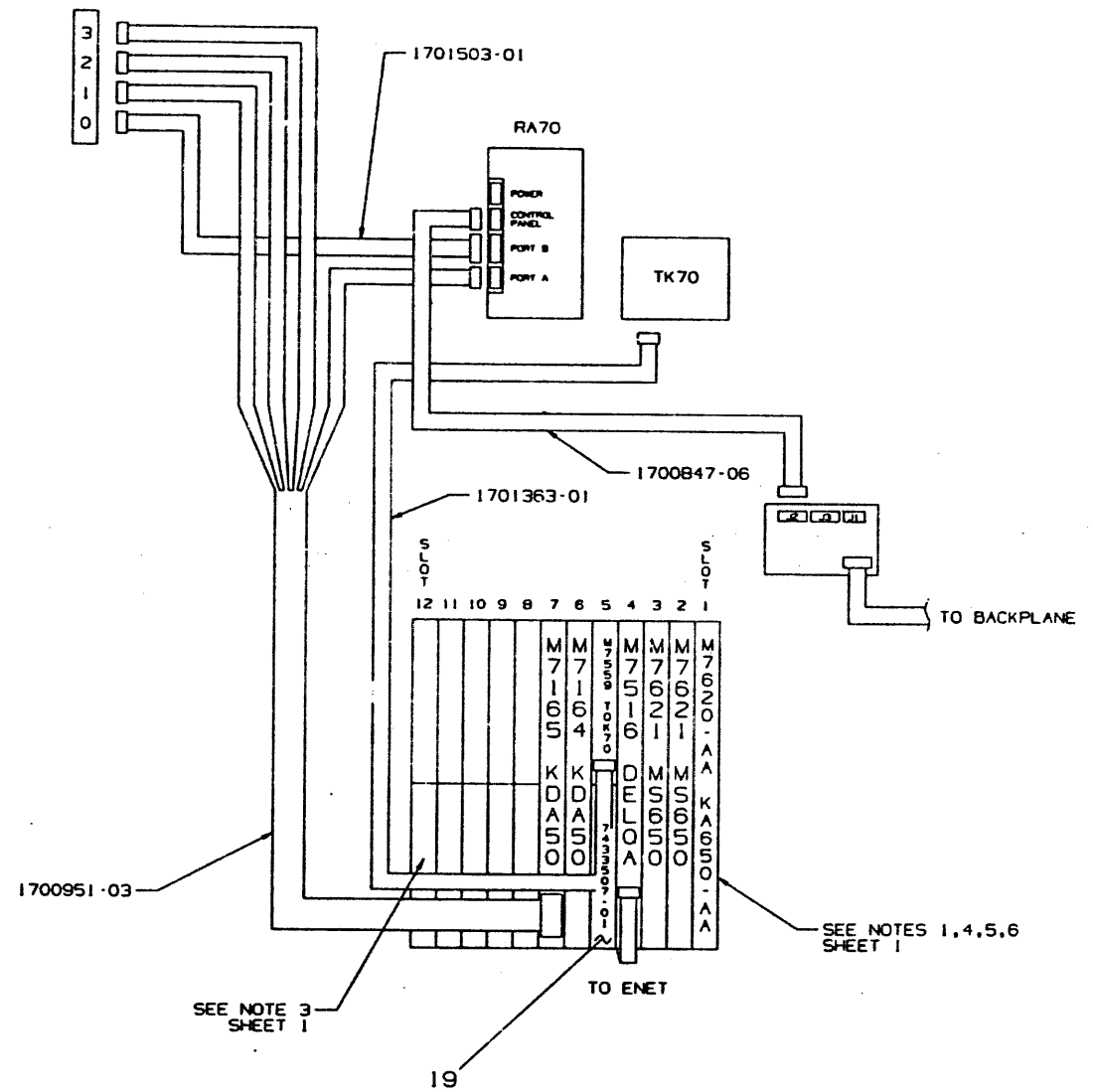
ML01

THIS DRAWING AND THE SPECIFICATIONS CONTAINED HEREIN ARE CONFIDENTIAL AND PROPRIETARY. THEY ARE THE PROPERTY OF BULLFINCH SYSTEMS CORPORATION AND SHALL BE REPRODUCED OR TRANSMITTED IN ANY FORM OR BY ANY MEANS, ELECTRONIC OR MECHANICAL, INCLUDING PHOTOCOPYING, RECORDING, OR BY ANY INFORMATION STORAGE AND RETRIEVAL SYSTEM, WITHOUT THE WRITTEN PERMISSION OF BULLFINCH SYSTEMS CORPORATION. THIS IS UNLAWFUL AND IS PROTECTED UNDER THE FEDERAL COPYRIGHT LAWS. 1987

EVA/DV350T1-0-DBU | C

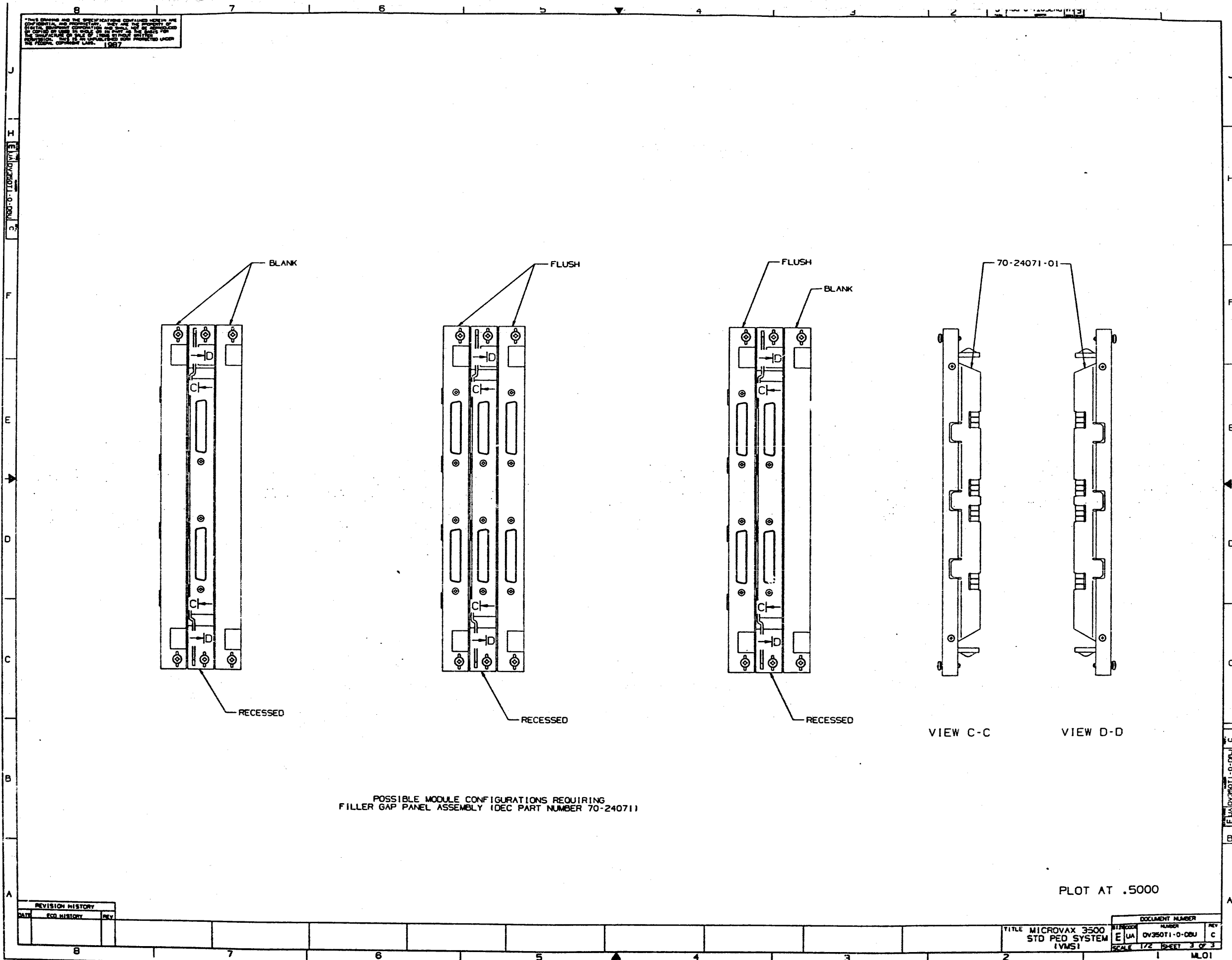
	A-B	C-D
SLOT 1	O-BUS (11)	C D
2	O-BUS (12)	C D
3	O-BUS (13)	C D
4	O-BUS (14)	C D
5	O-BUS (15)	C D
6	O-BUS (16)	C D
7	O-BUS (17)	C D
8	O-BUS (18)	C D
9	O-BUS (19)	C D
10	O-BUS (10)	C D
11	O-BUS (11)	C D
SLOT 12	O-BUS (12)	C D

BACKPLANE
MODULE SIDE



REVISION HISTORY		
DATE	REV. HISTORY	REV.

THIS DESIGN AND THE SPECIFICATIONS CONTAINED HEREIN ARE THE PROPERTY OF DEC AND ARE TO BE KEPT IN CONFIDENTIALITY. NO PART OF THIS DESIGN OR SPECIFICATIONS MAY BE REPRODUCED OR TRANSMITTED IN ANY FORM OR BY ANY MEANS, ELECTRONIC OR MECHANICAL, INCLUDING PHOTOCOPYING, RECORDING, OR BY ANY INFORMATION STORAGE AND RETRIEVAL SYSTEM, WITHOUT PERMISSION IN WRITING FROM DEC. © 1987



POSSIBLE MODULE CONFIGURATIONS REQUIRING FILLER GAP PANEL ASSEMBLY (DEC PART NUMBER 70-24071)

PLOT AT .5000

REVISION HISTORY		
DATE	ECO HISTORY	BY

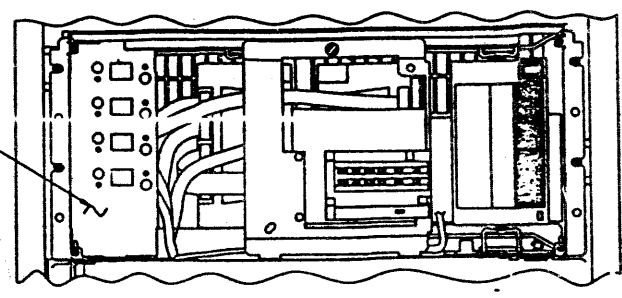
TITLE	MICROVAX 3500 STD PED SYSTEM (VMS)	DESIGN EUA	NUMBER DV350T1-0-08J	REV C
SCALE			1/2"	SHEET 3 OF 3
MLO1				

THIS DRAWING AND THE SPECIFICATIONS CONTAINED HEREIN ARE CONFIDENTIAL AND PROPRIETARY. ANY DISCLOSURE TO A THIRD PARTY, OR REPRODUCTION IN ANY MANNER, WITHOUT THE WRITTEN PERMISSION OF THE COMPANY IS STRICTLY PROHIBITED. THIS DRAWING IS THE PROPERTY OF THE COMPANY AND IS TO BE KEPT IN CONFIDENCE. IT IS TO BE USED ONLY FOR THE PURPOSES SPECIFIED HEREIN. IT IS NOT TO BE REPRODUCED OR TRANSMITTED IN ANY FORM OR BY ANY MEANS, ELECTRONIC OR MECHANICAL, INCLUDING PHOTOCOPYING, RECORDING, OR BY ANY INFORMATION STORAGE AND RETRIEVAL SYSTEM. © 1982

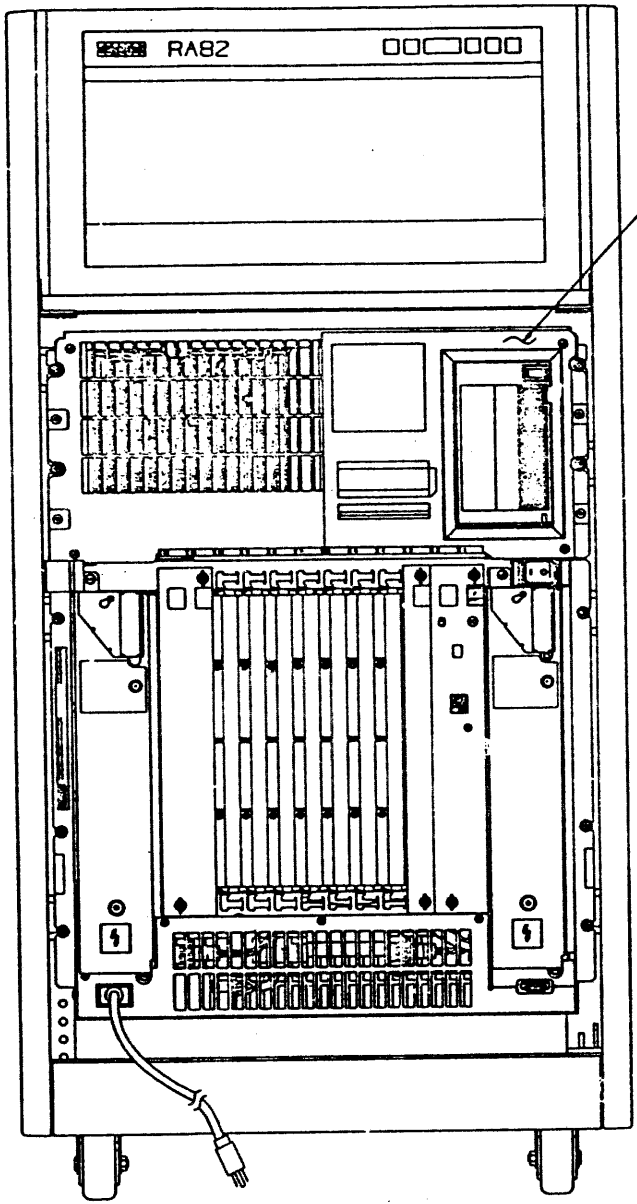
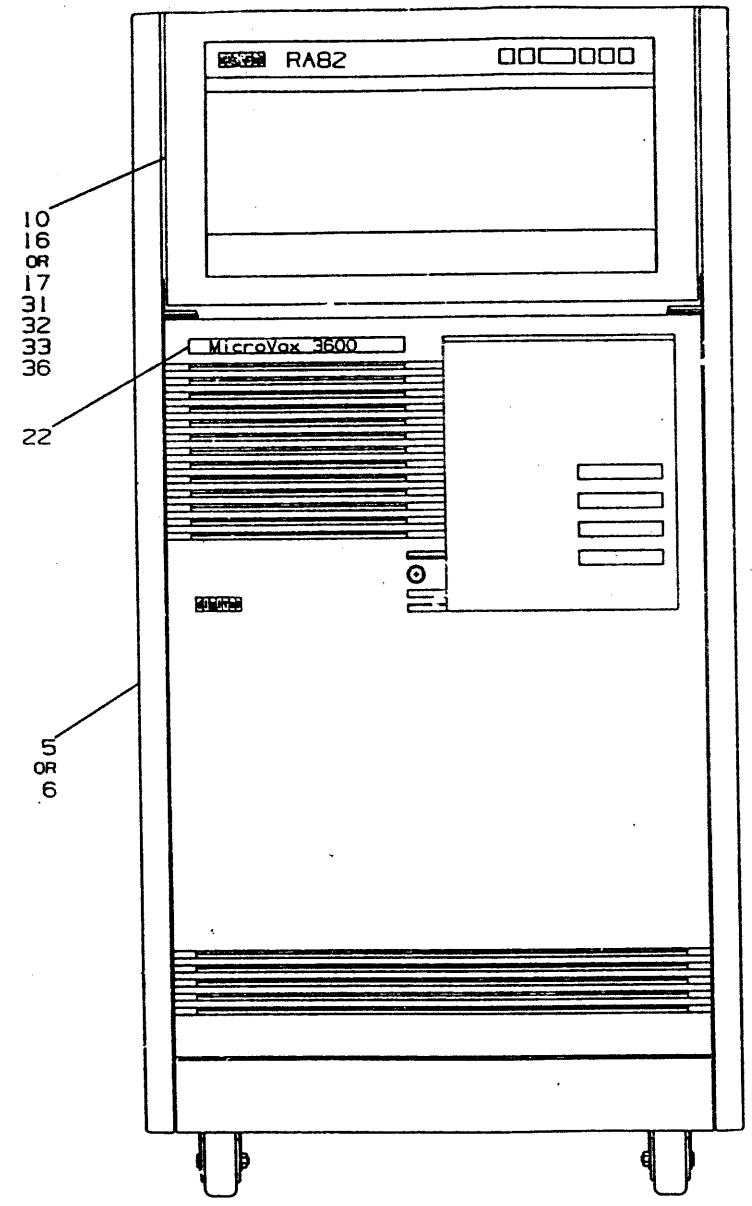
PART NO.	REV.	VARIATION
DV360T1-A2	A1	SEE PARTS LIST
DV360T1-A3	A1	SEE PARTS LIST
DV360T1-A4	A1	SEE PARTS LIST
DV360T1-A5	A1	SEE PARTS LIST
DV360T1-AA	A1	SEE PARTS LIST
DV360T1-AE	A1	SEE PARTS LIST

1. MODULE PLACEMENT/CONFIGURATION SHOWN IS FOR BASE (KERNAL) SYSTEM ONLY. ACTUAL MODULE PLACEMENT IS DEPENDENT ON CUSTOMER CONFIGURATION.
2. UNLESS OTHERWISE INDICATED, ROUTING OF CABLES, LOCATION OF AND NUMBER OF CABLE CLAMPS IS LEFT UP TO MFG DISCRETION.
3. DEPENDENT ON CUSTOMER CONFIGURATION IF SLOTS 6-12 HAVE LESS THAN 6.5 AMP LOAD THEN A M9060-YA MUST BE INSTALLED IN SLOT 12.
4. TOK70 CONTROLLER SHOULD BE LOCATED IN THE LOWEST SLOT NUMBER AVAILABLE AND THE KDA50-SA CONT. WOULD BE LOCATED IN THE NEXT AVAILABLE SLOT. (EXAMPLE: WITH SLOTS 1-4 TAKEN UP THE TOK70 CONTROLLER WOULD GO IN SLOT 5 AND THE KDA50-SA IN SLOT 6 AND 7.)
5. IN TRANSITION BETWEEN FLUSH AND RECESSED HANDLES A FILLER PANEL (7024071-01) MUST BE USED (SEE SHEET 3)
6. ALL UNUSED SLOTS AND MODULES WITHOUT S-BOX TYPE HANDLES MUST BE COVERED WITH A SINGLE WIDTH BLANK MODULE COVER.
7. DISTRIBUTION BRACKET IS MOUNTED IN HOLES A1 & A4 WITHIN REAR OF CPU CABINET.

DIST. PANEL
PART OF KDA50-SA
ITEM #10



VIEW WITH FRONT PANEL REMOVED



FRONT PANEL
PART OF
KDA50-SA
ITEM #10

VIEW WITH FRONT DOOR REMOVED

PLOT AT: .500
FILE NAME: DV360T1-0-DBUC

CAUTION: OFF SHEET PARTS LIST EXISTS
REFER TO K-PL-DV360T1-0-DBP
(MLA19511)

REV.	DATE	BY	CHKD
1			
2			
3			
4			
5			
6			
7			

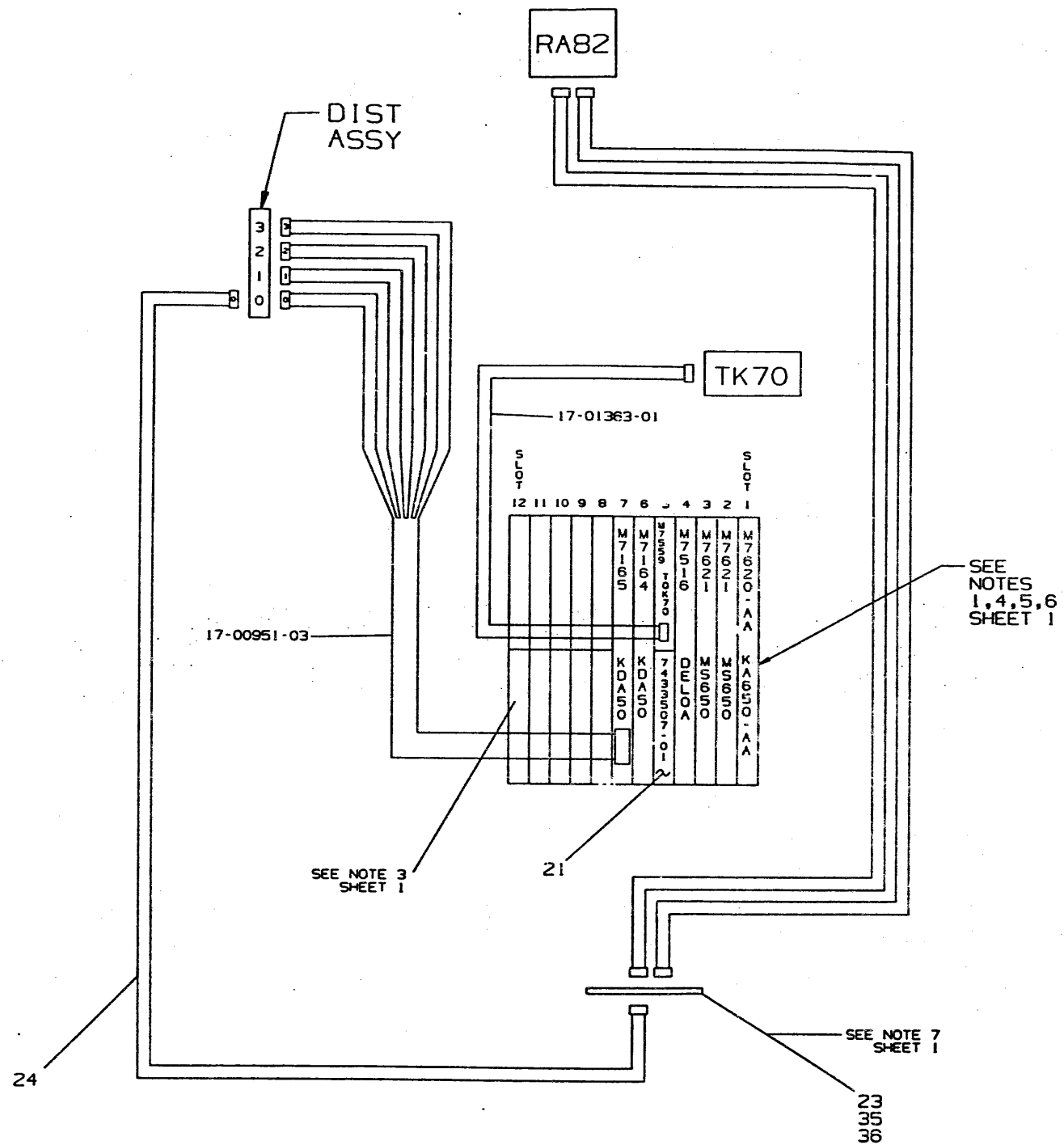
DESCRIPTION	DRAWING NO.	PART NO.	REV.
UNLESS OTHERWISE SPECIFIED DIMENSIONS ARE IN INCHES AND THE FOLLOWING TOLERANCES APPLY (PER DEC STD-113)			
FINISH			
QUANTITY & VARIATION			
DO NOT SCALE DRAWING			
REMOVE BURRS AND BREAK SHARP CORNERS			
SEE PARTS LIST			
FINISH NONE			

J
H
F
E
D
C
B
A
7
6
5
4
3
2
1
MLO1

This drawing and the information contained herein are the property of the Boeing Company. They are to be controlled and used only by the Boeing Company and its authorized agents. No part of this drawing is to be reproduced or transmitted in any form or by any means electronic, mechanical, photocopying, recording, or by any information storage and retrieval system without the prior written permission of Boeing Company, Inc. 1987

	A-B	C-D
SLOT 1	O-BUS (11)	C D
2	O-BUS (2)	C D
3	O-BUS (3)	C D
4	O-BUS (4)	C D
5	O-BUS (5)	C D
6	O-BUS (6)	C D
7	O-BUS (7)	C D
8	O-BUS (8)	C D
9	O-BUS (9)	C D
10	O-BUS (10)	C D
11	O-BUS (11)	C D
SLOT 12	O-BUS (12)	C D

BACKPLANE
MODULE SIDE



PLOT AT .5000

REVISION HISTORY	
DATE	REV

TITLE
MICROVAX 3600
STD CAB SYS (VMS)

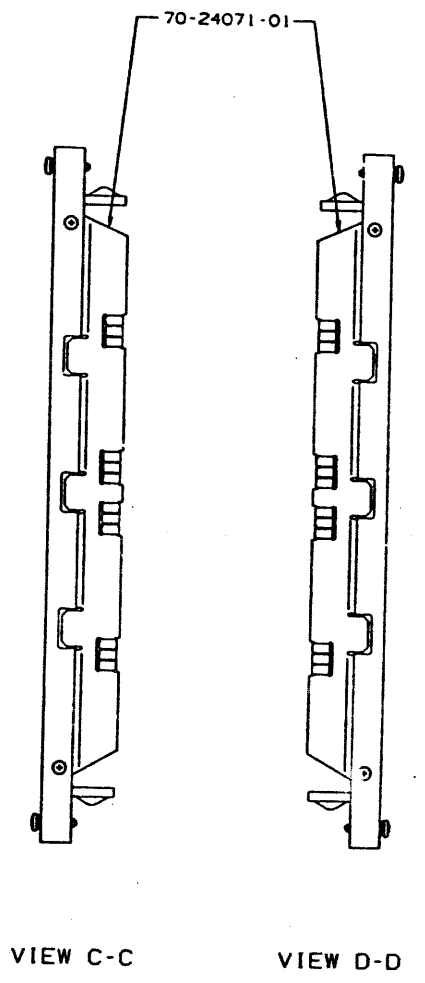
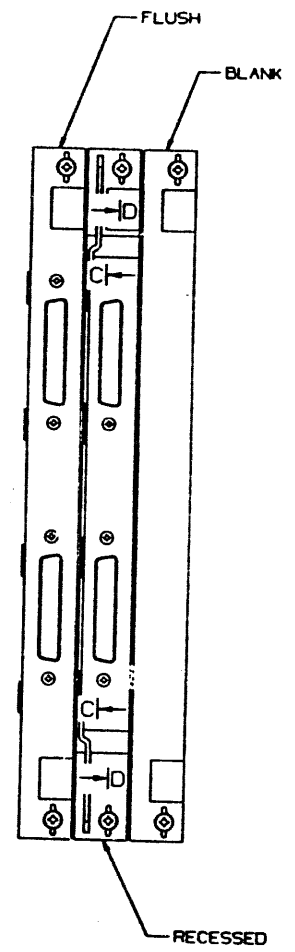
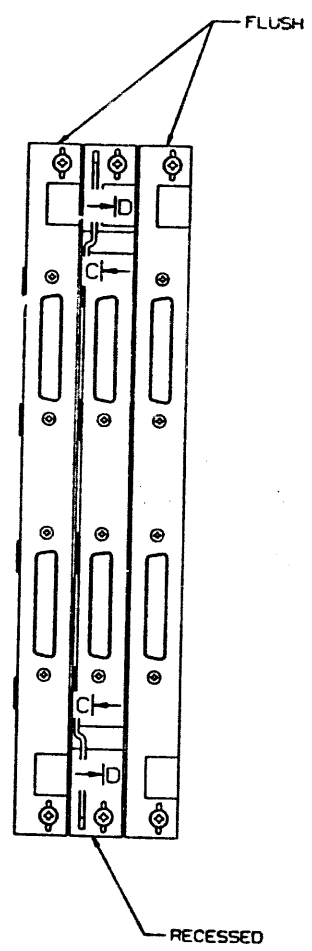
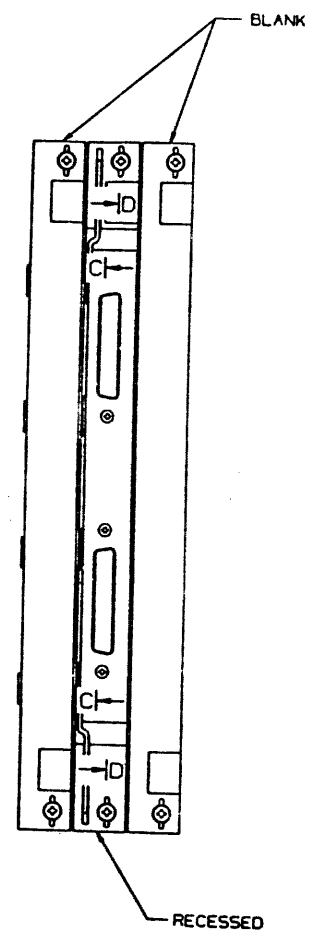
DOCUMENT NUMBER	
NUMBER	REV
0V360T1-0-DBU	C
SCALE	SHEET 2 OF 3

M.O.I

THIS DRAWING AND THE SPECIFICATIONS CONTAINED HEREIN ARE THE PROPERTY OF DEC AND ARE TO BE USED ONLY FOR THE PURPOSES SPECIFIED. ANY REPRODUCTION OR TRANSMISSION OF THIS DRAWING OR THE INFORMATION CONTAINED HEREIN WITHOUT THE WRITTEN PERMISSION OF DEC IS PROHIBITED UNDER THE PENALTY OF FEDERAL LAWS, 1987.

J
I
H
G
F
E
D
C
B
A

J
H
F
E
D
C
A



POSSIBLE MODULE CONFIGURATIONS REQUIRING
FILLER GAP PANEL ASSEMBLY (DEC PART NUMBER 70-24071)

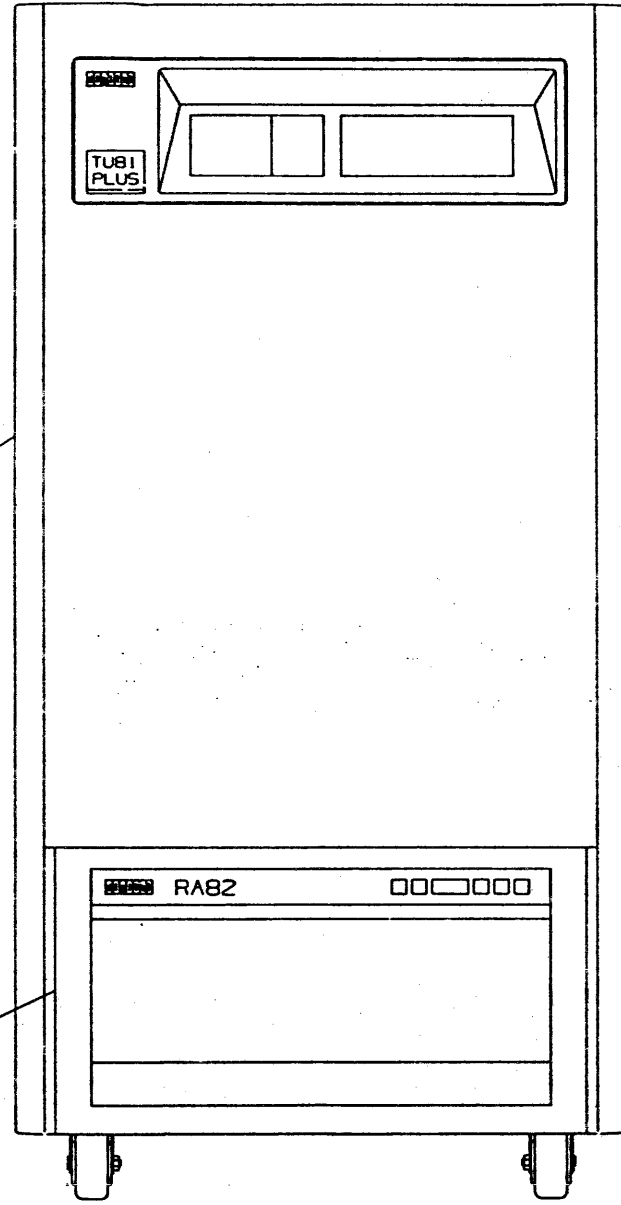
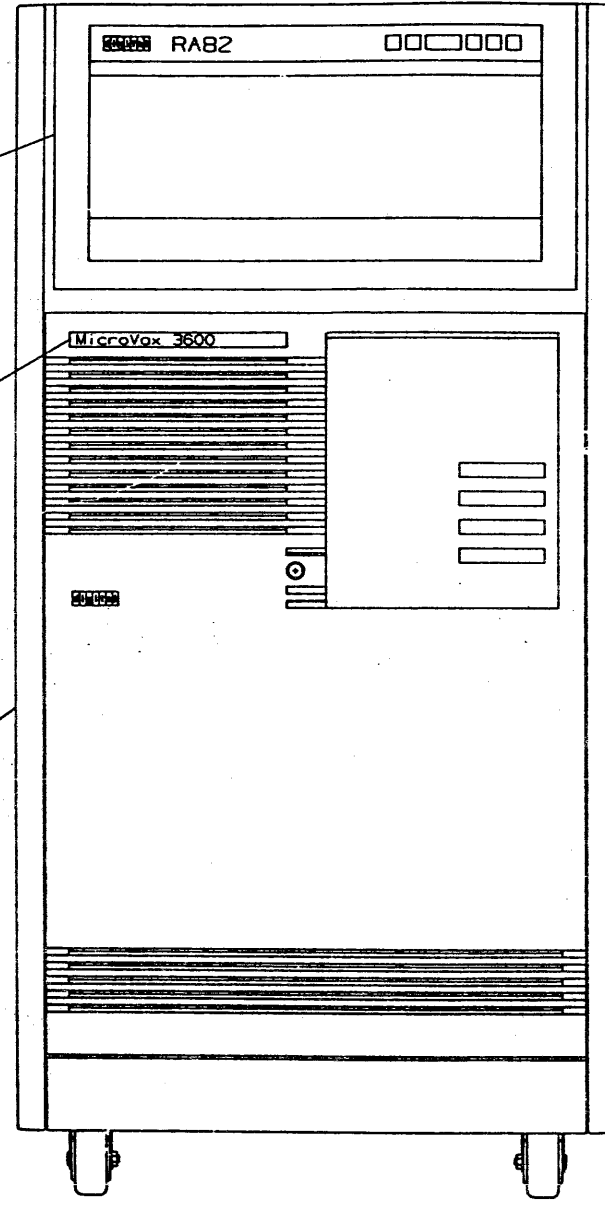
REVISION HISTORY		
DATE	ECO HISTORY	REV

PLOT AT .5000

THIS DRAWING AND THE SPECIFICATIONS CONTAINED HEREIN ARE THE PROPERTY OF THE UNITED STATES GOVERNMENT AND ARE LOANED TO YOU BY THE UNITED STATES GOVERNMENT. IT IS TO BE USED ONLY FOR THE PURPOSES AND IN THE MANNER AND UNDER THE CONDITIONS SPECIFIED IN THE CONTRACT DOCUMENTS. THIS DRAWING IS NOT TO BE REPRODUCED OR TRANSMITTED IN ANY FORM OR BY ANY MEANS, ELECTRONIC OR MECHANICAL, INCLUDING PHOTOCOPYING, RECORDING, OR BY ANY INFORMATION STORAGE AND RETRIEVAL SYSTEM, WITHOUT PERMISSION IN WRITING FROM THE UNITED STATES GOVERNMENT. 1987

LEGEND		
PART NO.	REV	VARIATION
DV360T2-A2	A1	SEE PARTS LIST
DV360T2-A3	A1	SEE PARTS LIST
DV360T2-A4	A1	SEE PARTS LIST
DV360T2-A5	A1	SEE PARTS LIST
DV360T2-AA	A1	SEE PARTS LIST
DV360T2-AE	A1	SEE PARTS LIST

- NOTES:
1. MODULE PLACEMENT/CONFIGURATION SHOWN IS FOR BASE (KERNAL) SYSTEM ONLY. ACTUAL MODULE PLACEMENT IS DEPENDENT ON CUSTOMER CONFIGURATION.
 2. UNLESS OTHERWISE INDICATED, ROUTING OF CABLES, LOCATION OF AND NUMBER OF CABLE CLAMPS IS LEFT UP TO MFG DISCRETION.
 3. DEPENDENT ON CUSTOMER CONFIGURATION IF SLOTS 6-12 HAVE LESS THAN 6.5 AMP LOAD THEN A M9060-YA MUST BE INSTALLED IN SLOT 12.
 4. TOK70 CONTROLLER SHOULD BE LOCATED IN THE LOWEST SLOT NUMBER AVAILABLE AND THE KDA50-SA CONT. WOULD BE LOCATED IN THE NEXT AVAILABLE SLOT. (EXAMPLE: WITH SLOTS 1-4 TAKEN UP THE TOK70 CONTROLLER WOULD GO IN SLOT 5 AND THE KDA50-SA IN SLOTS 6 AND 7.)
 5. IN TRANSITION BETWEEN FLUSH AND RECESSED HANDLES A FILLER PANEL (70240/1-01) MUST BE USED (SEE SHEET 4)
 6. ALL UNUSED SLOTS AND MODULES WITHOUT S-BOX TYPE HANDLES MUST BE COVERED WITH A SINGLE WIDTH BLANK MODULE COVER.
 7. DISTRIBUTION BRACKET IS MOUNTED IN HOLES A1 & A4 WITHIN REAR OF CPU CABINET.



REV	DATE	BY	CHKD	DESCRIPTION
1				INITIAL
2				REVISION
3				REVISION
4				REVISION

PLOT AT .5000
 FILE NAME: DV360T2-0-DBUC

CAUTION: OFF SHEET PARTS LIST EXIST
 SEE K-PL-DV360T2-0-DBP
 (MLA1953)

DESCRIPTION	DRAWING NO.	PART NO.	REV.
UNLESS OTHERWISE SPECIFIED DIMENSIONS ARE IN INCHES AND THE FOLLOWING TOLERANCES APPLY (PER DEC 510-111)			
DIMENSION IN INCHES			
FRONT VIEW	±.015	±.010	±.005
VERTICAL	±.005	±.003	±.002
DIAGONAL	±.010	±.005	±.003
ROUNDNESS	±.005	±.003	±.002
FLATNESS	±.005	±.003	±.002
CHAMFER	±.005	±.003	±.002
DRILL HOLE PROJECTION	±.005	±.003	±.002
DO NOT SCALE DRAWING			
REMOVE BURRS AND BREAK SHARP CORNERS			
SEE PARTS LIST			
FINISH NONE			

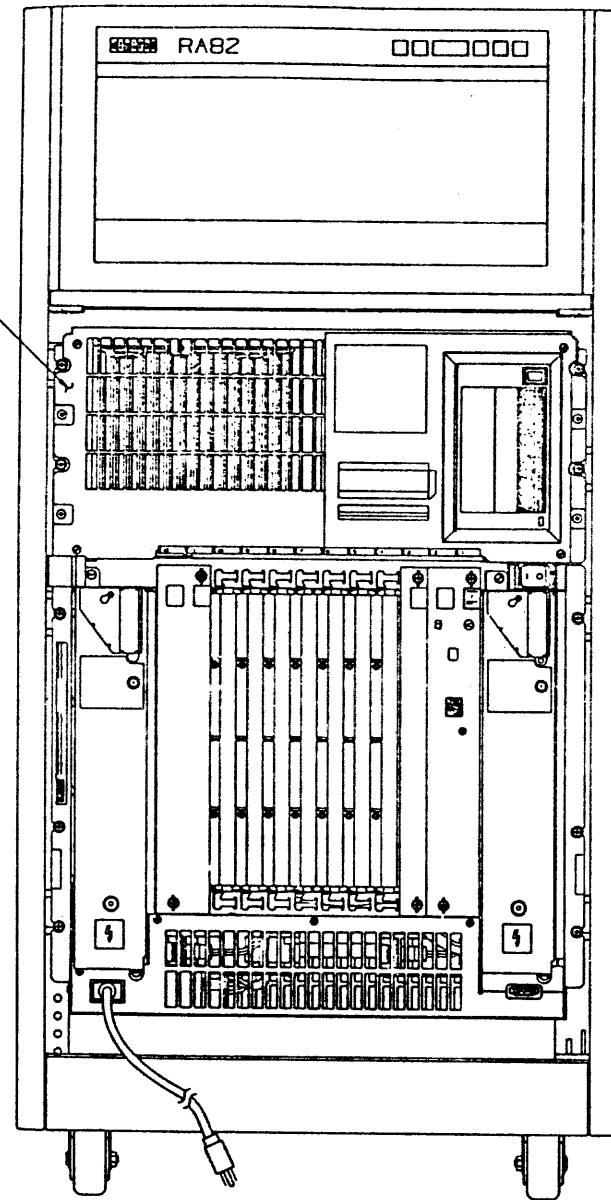
DATE	BY	TITLE
31-JUL-87	PAUL SAGHE	MICROVAX 3600 EXP CAB SYS (VMS)
20-OCT-87	D. NEALY	
20-OCT-87	S. LIDINGTON	
20-OCT-87	S. LIDINGTON	

REV	DATE	BY	CHKD	DESCRIPTION
1				INITIAL
2				REVISION
3				REVISION
4				REVISION

THIS DRAWING AND THE SPECIFICATIONS CONTAINED HEREIN ARE CONFIDENTIAL AND PROPRIETARY. THEY ARE THE PROPERTY OF DIGITAL CORPORATION AND SHALL NOT BE REPRODUCED OR COPIED IN ANY MANNER OR IN ANY MEDIUM WITHOUT THE WRITTEN PERMISSION OF DIGITAL CORPORATION. THIS IS AN UNCLASSIFIED DOCUMENT UNDER THE FREEDOM OF INFORMATION ACT, 1987.

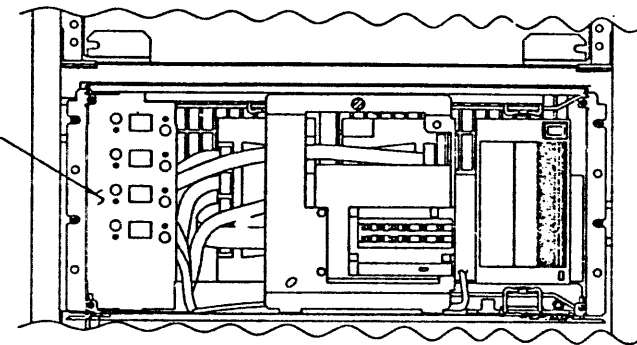
EUA DV36072-0-DBU C

FRONT PANEL
PART OF KDA50-SA
ITEM #10



VIEW WITH FRONT DOOR REMOVED

DIST. PANEL
PART OF KDA50-SA
ITEM #10



VIEW WITH FRONT PANEL REMOVED

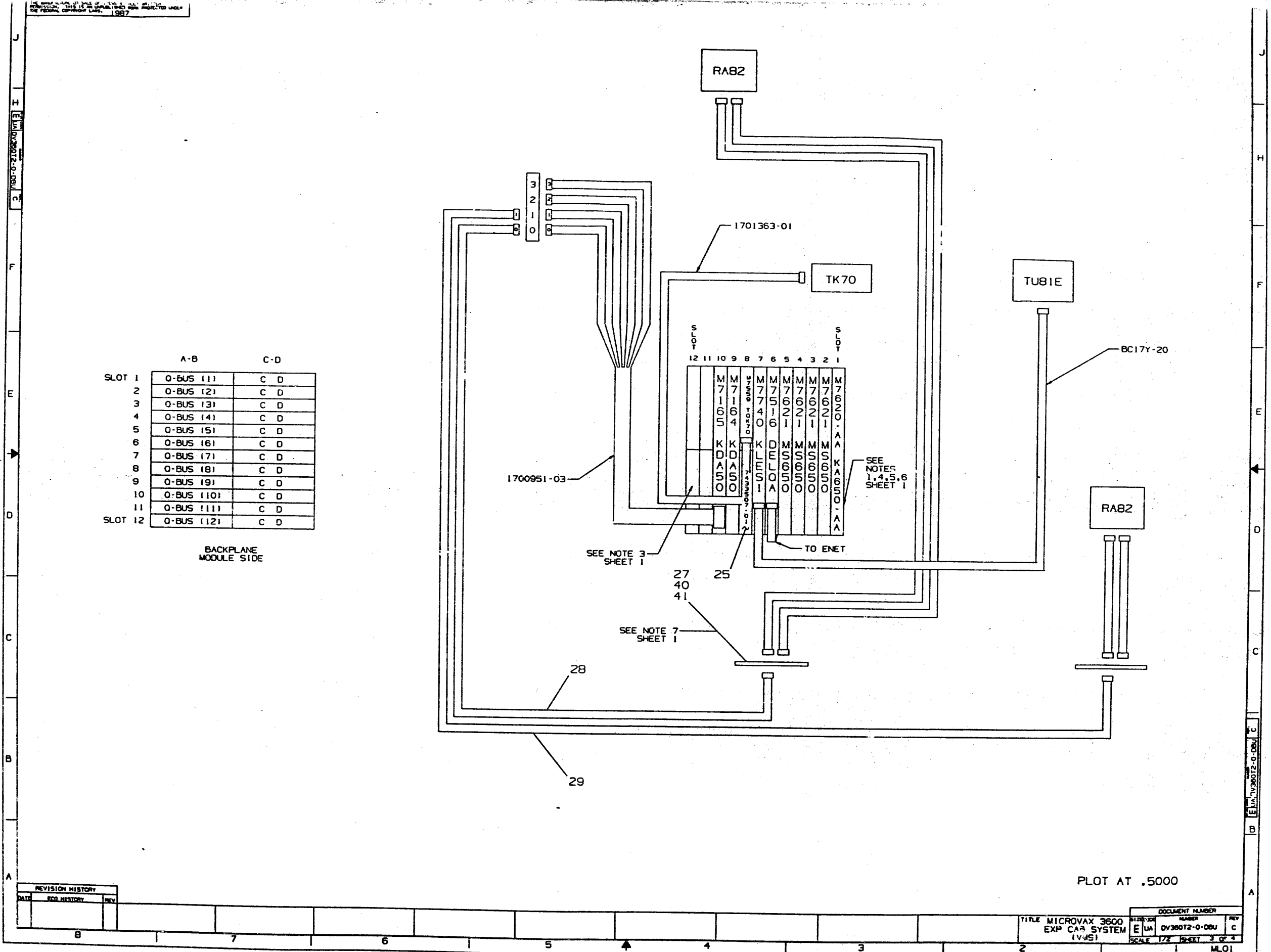
PLOT AT .5000

REVISION HISTORY		
DATE	REV	DESCRIPTION

TITLE MICROVAX 3600 EXP CAB SYSTEM (VMS)		DOCUMENT NUMBER	
EUA	DV36072-0-DBU	REV	C
SCALE 1/2" = 1'-0"		SHEET 2 OF 4	

EUA DV36072-0-DBU C

8 7 6 5 4 3 2 1 MLO1



	A-B	C-D
SLOT 1	O-BUS (1)	C D
2	O-BUS (2)	C D
3	O-BUS (3)	C D
4	O-BUS (4)	C D
5	O-BUS (5)	C D
6	O-BUS (6)	C D
7	O-BUS (7)	C D
8	O-BUS (8)	C D
9	O-BUS (9)	C D
10	O-BUS (10)	C D
11	O-BUS (11)	C D
SLOT 12	O-BUS (12)	C D

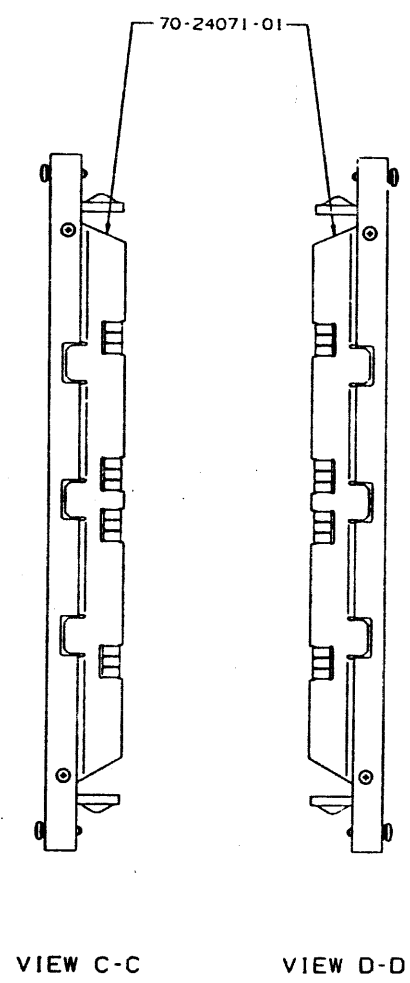
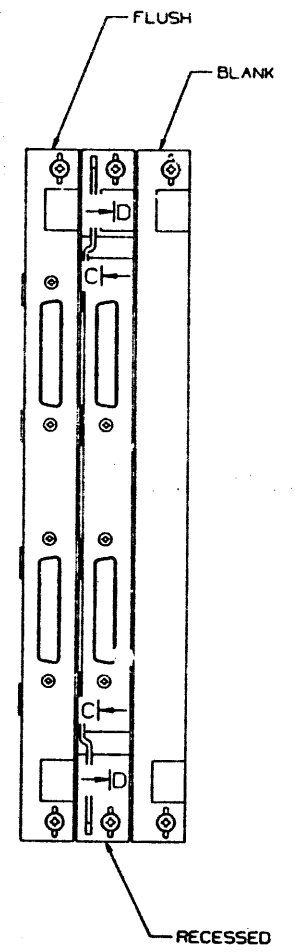
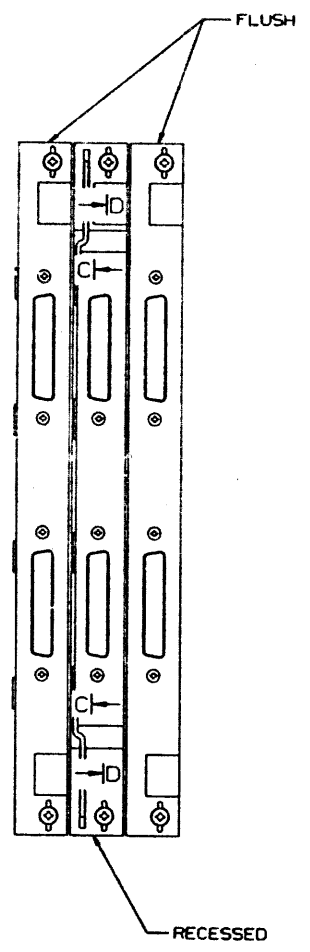
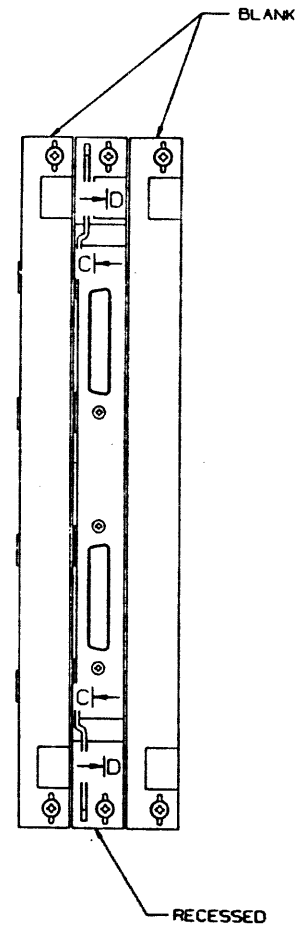
BACKPLANE
MODULE SIDE

PLOT AT .5000

REVISION HISTORY		
DATE	ECO HISTORY	REV

THIS DRAWING AND THE SPECIFICATIONS CONTAINED HEREIN ARE CONFIDENTIAL AND UNCLASSIFIED. THEY ARE THE PROPERTY OF THE UNITED STATES GOVERNMENT AND SHALL BE REPRODUCED IN WHOLE OR IN PART BY ANY PERSON OR ORGANIZATION WITHOUT THE WRITTEN PERMISSION OF THE SECRETARY OF DEFENSE. THIS IS AN UNCLASSIFIED WORK PROTECTED UNDER THE FEDERAL COPYRIGHT LAWS, 1987.

I E J A D V 3 6 0 7 2 - 0 - 0 0 0 U C
 7
 F
 M
 D
 C
 B
 A



POSSIBLE MODULE CONFIGURATIONS REQUIRING
 FILLER GAP PANEL ASSEMBLY (DEC PART NUMBER 70-240711)

PLOT AT .5000

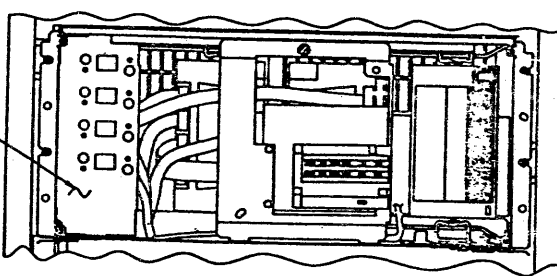
REVISION HISTORY		
DATE	FOR HISTORY	REV

TITLE		DOCUMENT NUMBER	
MICROVAX 3600	NUMBER		REV
EXP CAB SYSTEM	E UA	DV36072-0-00U	C
(VMS)	SCALE	1/2	SHEET 4 OF 4
		MLO1	

I E J A D V 3 6 0 7 2 - 0 - 0 0 0 U C
 B
 A

THIS DRAWING AND THE SPECIFICATIONS DESCRIBED HEREIN ARE THE PROPERTY OF THE UNITED STATES GOVERNMENT AND ARE TO BE USED FOR THE PURPOSES SPECIFIED THEREIN. THE UNITED STATES GOVERNMENT MAKES NO WARRANTY, EXPRESS OR IMPLIED, FOR THE MERCHANTABILITY OR FITNESS FOR A PARTICULAR PURPOSE OF THE INFORMATION CONTAINED HEREIN. DATE: 1987

DIST. PANEL
PART OF KDA50-SA
ITEM #10



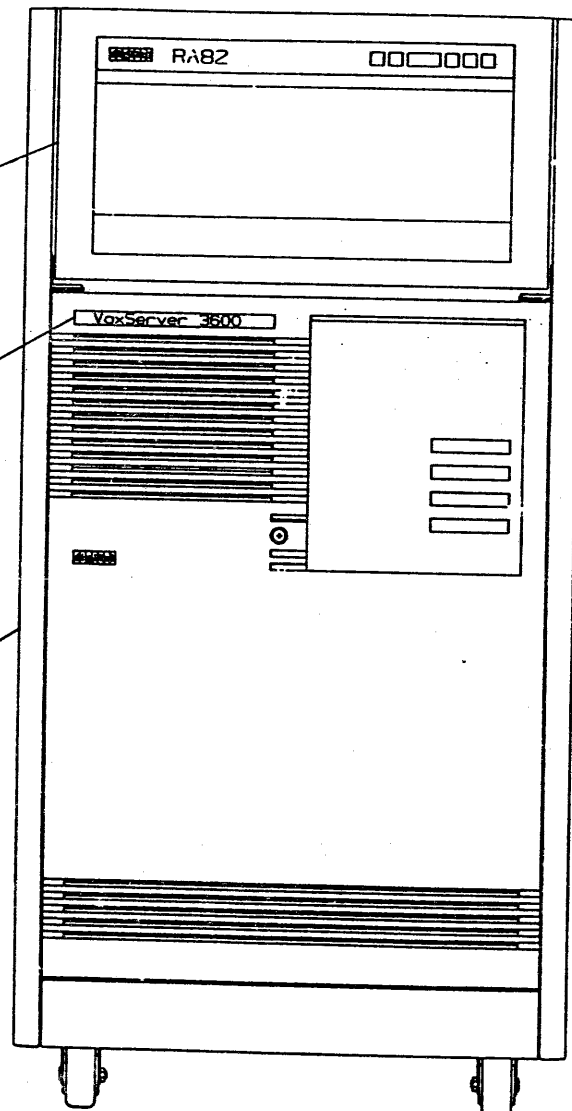
VIEW WITH FRONT PANEL REMOVED

LEGEND		
PART NO.	REV.	VARIATION
DV360SI-A2	A1	SEE PARTS LIST
DV360SI-A3	A1	SEE PARTS LIST
DV360SI-A4	A1	SEE PARTS LIST
DV360SI-A5	A1	SEE PARTS LIST
DV360SI-AA	A1	SEE PARTS LIST
DV360SI-AE	A1	SEE PARTS LIST

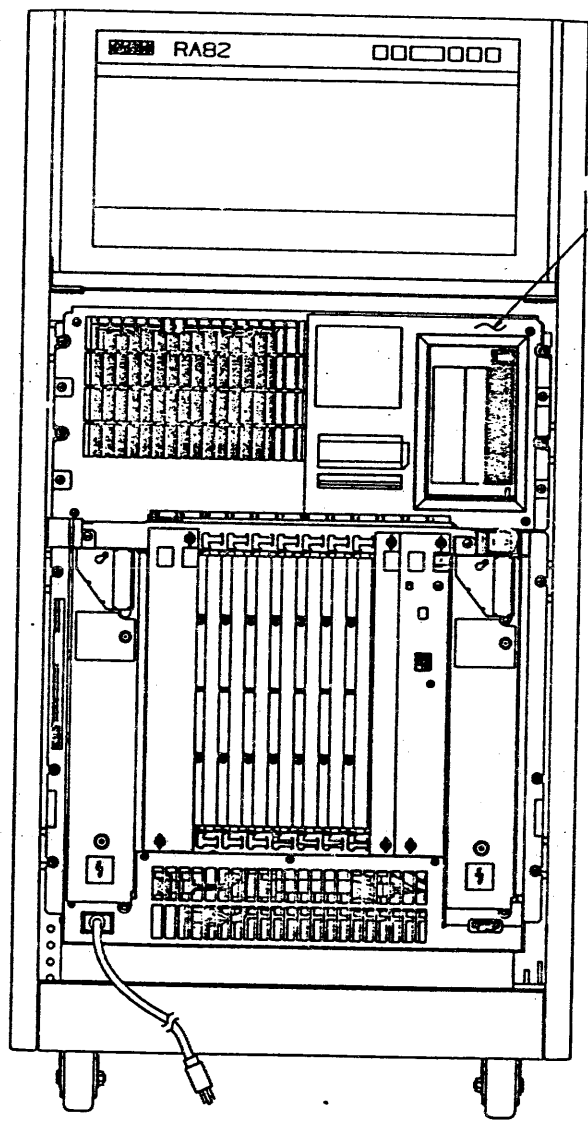
- NOTES:**
1. MODULE PLACEMENT/CONFIGURATION SHOWN IS FOR BASE (KERNAL) SYSTEM ONLY. ACTUAL MODULE PLACEMENT IS DEPENDENT ON CUSTOMER CONFIGURATION.
 2. UNLESS OTHERWISE INDICATED, ROUTING OF CABLES, LOCATION OF AND NUMBER OF CABLE CLAMPS IS LEFT UP TO MFG DISCRETION.
 3. DEPENDENT ON CUSTOMER CONFIGURATION IF SLOTS 6-12 HAVE LESS THAN 8.5 AMP LOAD THEN A M9060-YA MUST BE INSTALLED IN SLOT 12.
 4. TOK70 CONTROLLER SHOULD BE LOCATED IN THE LOWEST SLOT NUMBER AVAILABLE AND THE KDA50-SA CONT. WOULD BE LOCATED IN THE NEXT AVAILABLE SLOT. (EXAMPLE: WITH SLOTS 1-4 TAKEN UP THE TOK70 CONTROLLER WOULD GO IN SLOT 5 AND THE KDA50-SA IN SLOT 6 AND 7.)
 5. IN TRANSITION BETWEEN FLUSH AND RECESSED HANDLES A FILLER PANEL 1702-J71-011 MUST BE USED (SEE SHEET 3)
 6. ALL UNUSED SLOTS AND MODULES WITHOUT S-BOX TYPE HANDLES MUST BE COVERED WITH A SINGLE WIDTH BLANK MODULE COVER.
 7. DISTRIBUTION BRACKET IS MOUNTED IN HOLES A1 & A4 WITHIN REAR OF CPU CABINET.

16
17
18
19
20
21
22

6
5



FRONT PANEL
PART OF
KDA50-SA
ITEM #10



VIEW WITH FRONT DOOR REMOVED

PLOT AT: .500
FILE NAME: DV360SI-0-DBUB

CAUTION: OFF SHEET PARTS LIST-EXISTS
REFER TO K-PL-DV360SI-0-DBP
(MLA1947)

REV.	DESCRIPTION	DATE
1	INITIAL	
2	BY M. J. STONE	
3	BY M. J. STONE	
4	BY M. J. STONE	
5	BY M. J. STONE	
6	BY M. J. STONE	

DESCRIPTION	DRAWING NO.	PART NO.	REV.
VAXSERVER 3800 (VMS)	DV360SI-0-DBUB	DV360SI-0-DBUB	1

REV.	DESCRIPTION	DATE
1	INITIAL	
2	BY M. J. STONE	
3	BY M. J. STONE	
4	BY M. J. STONE	
5	BY M. J. STONE	
6	BY M. J. STONE	

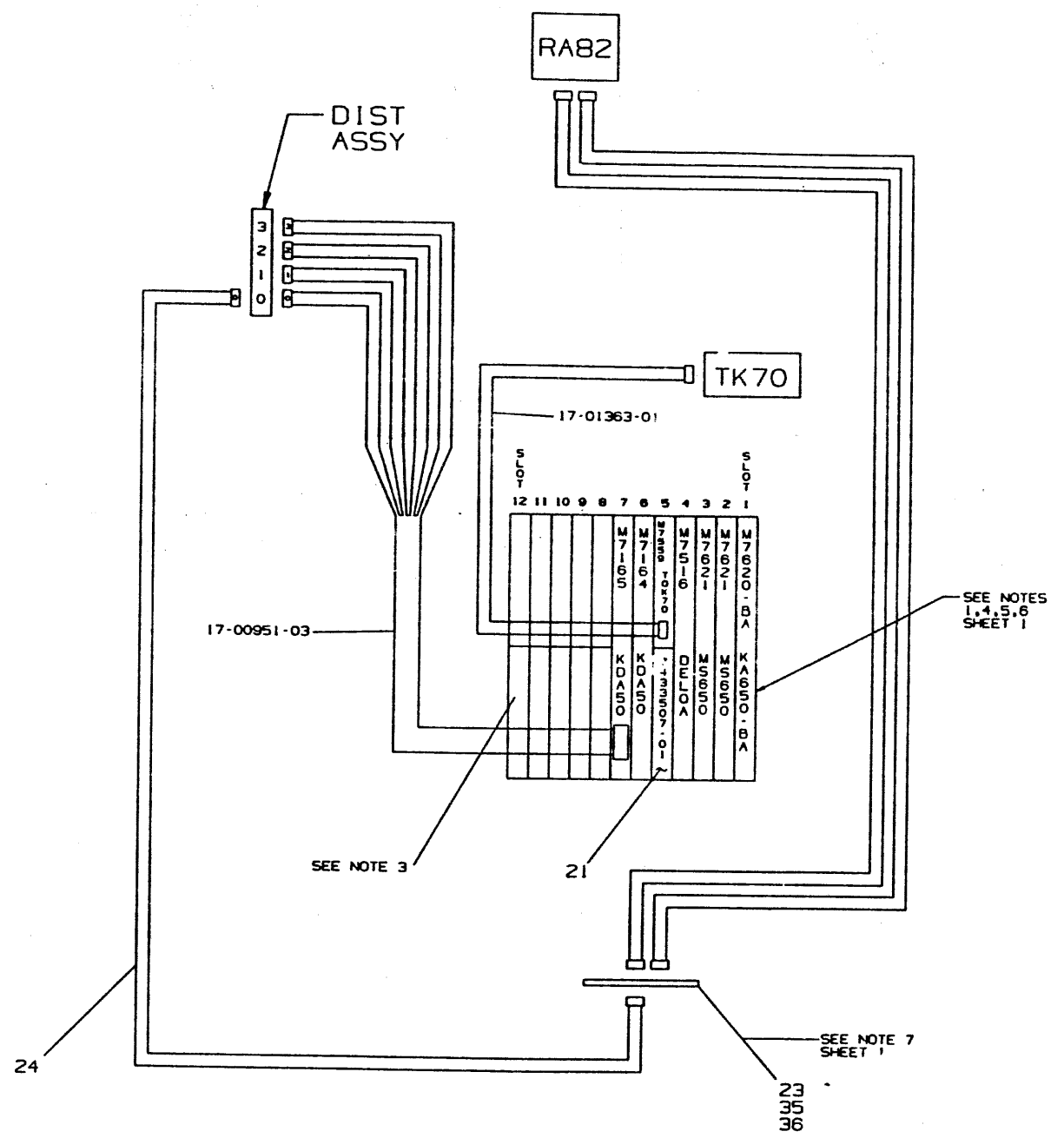
REV.	DESCRIPTION	DATE
1	INITIAL	
2	BY M. J. STONE	
3	BY M. J. STONE	
4	BY M. J. STONE	
5	BY M. J. STONE	
6	BY M. J. STONE	

THIS DRAWING AND THE SPECIFICATIONS CONTAINED HEREIN ARE THE PROPERTY OF THE UNITED STATES GOVERNMENT AND ARE LOANED TO YOU BY THE NATIONAL BUREAU OF STANDARDS. IT IS TO BE USED FOR THE PURPOSES SPECIFIED IN THE ORDER AND IS NOT TO BE REPRODUCED OR TRANSMITTED IN ANY FORM OR BY ANY MEANS, ELECTRONIC OR MECHANICAL, INCLUDING PHOTOCOPYING, RECORDING, OR BY ANY INFORMATION STORAGE AND RETRIEVAL SYSTEM, WITHOUT PERMISSION IN WRITING FROM THE NATIONAL BUREAU OF STANDARDS. COPYRIGHT LAW, 1987.

9 170-0-15026A(1) [3]

	A-B	C-D
SLOT 1	O-BUS (11)	C D
2	O-BUS (21)	C D
3	O-BUS (31)	C D
4	O-BUS (41)	C D
5	O-BUS (51)	C D
6	O-BUS (61)	C D
7	O-BUS (71)	C D
8	O-BUS (81)	C D
9	O-BUS (91)	C D
10	O-BUS (101)	C D
11	O-BUS (111)	C D
SLOT 12	O-BUS (121)	C D

BACKPLANE
MODULE SIDE



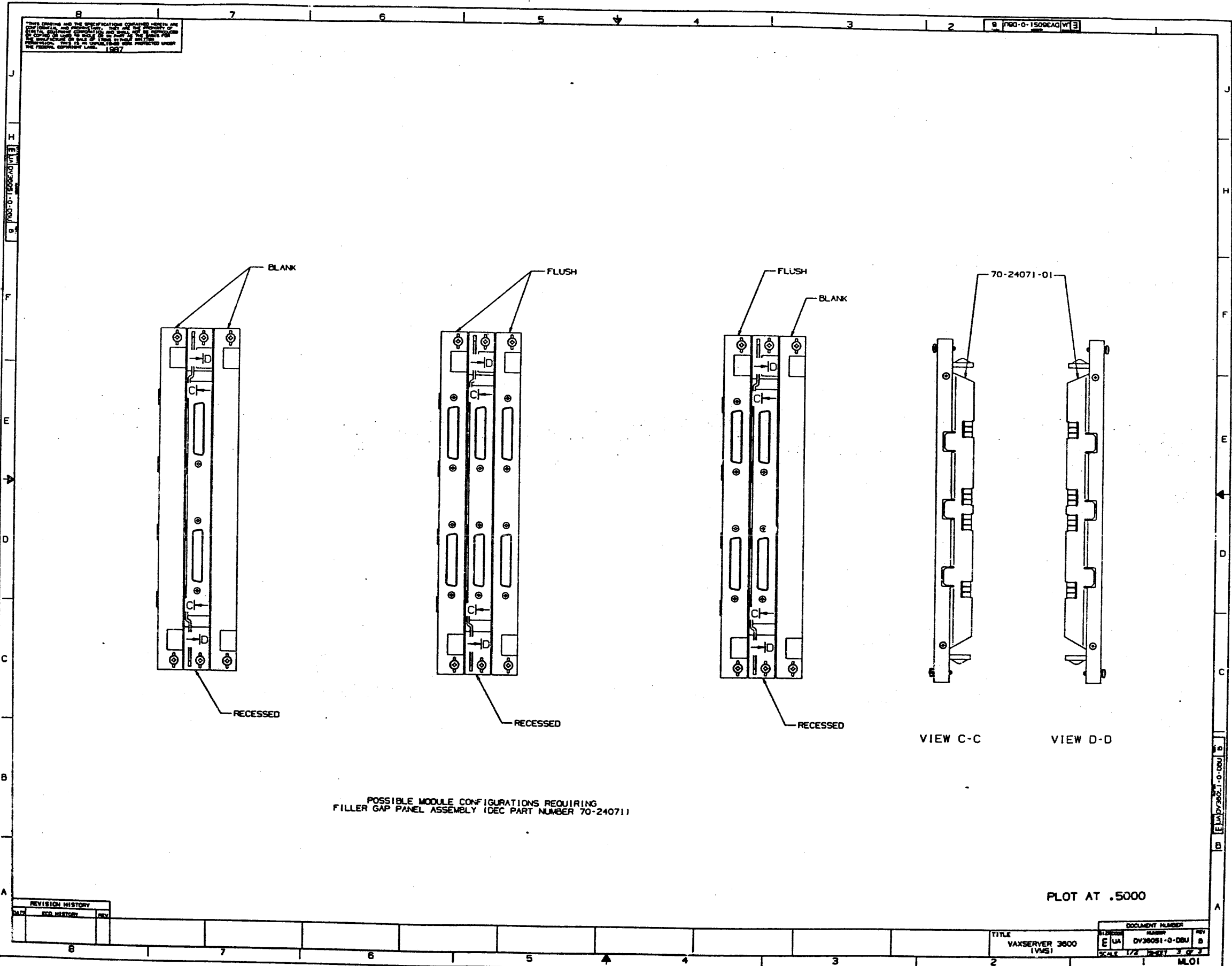
REVISION HISTORY		
DATE	REV	DESCRIPTION

PLOT AT .5000

TITLE		DOCUMENT NUMBER	
VAXSERVER 3600	(VMS)	17-00951-0-000	8
SCALE 1/2" = 1"		MLO1	

THIS DRAWING AND THE SPECIFICATIONS CONTAINED HEREIN ARE THE PROPERTY OF DEC. IT IS TO BE USED ONLY FOR THE PURPOSES SPECIFICALLY STATED HEREIN. IT IS TO BE RETURNED TO DEC AT THE END OF THE PROJECT. IT IS TO BE DESTROYED AT THE END OF THE PROJECT. IT IS TO BE KEPT IN A SECURE PLACE AT ALL TIMES. IT IS TO BE KEPT IN A SECURE PLACE AT ALL TIMES. 1967

9 700-0-1509EAQ W/E



POSSIBLE MODULE CONFIGURATIONS REQUIRING
FILLER GAP PANEL ASSEMBLY (DEC PART NUMBER 70-24071)

PLOT AT .5000

REVISION HISTORY		
DATE	BY	REVISION

TITLE			DOCUMENT NUMBER		
NO.	DATE	REV.	NO.	DATE	REV.

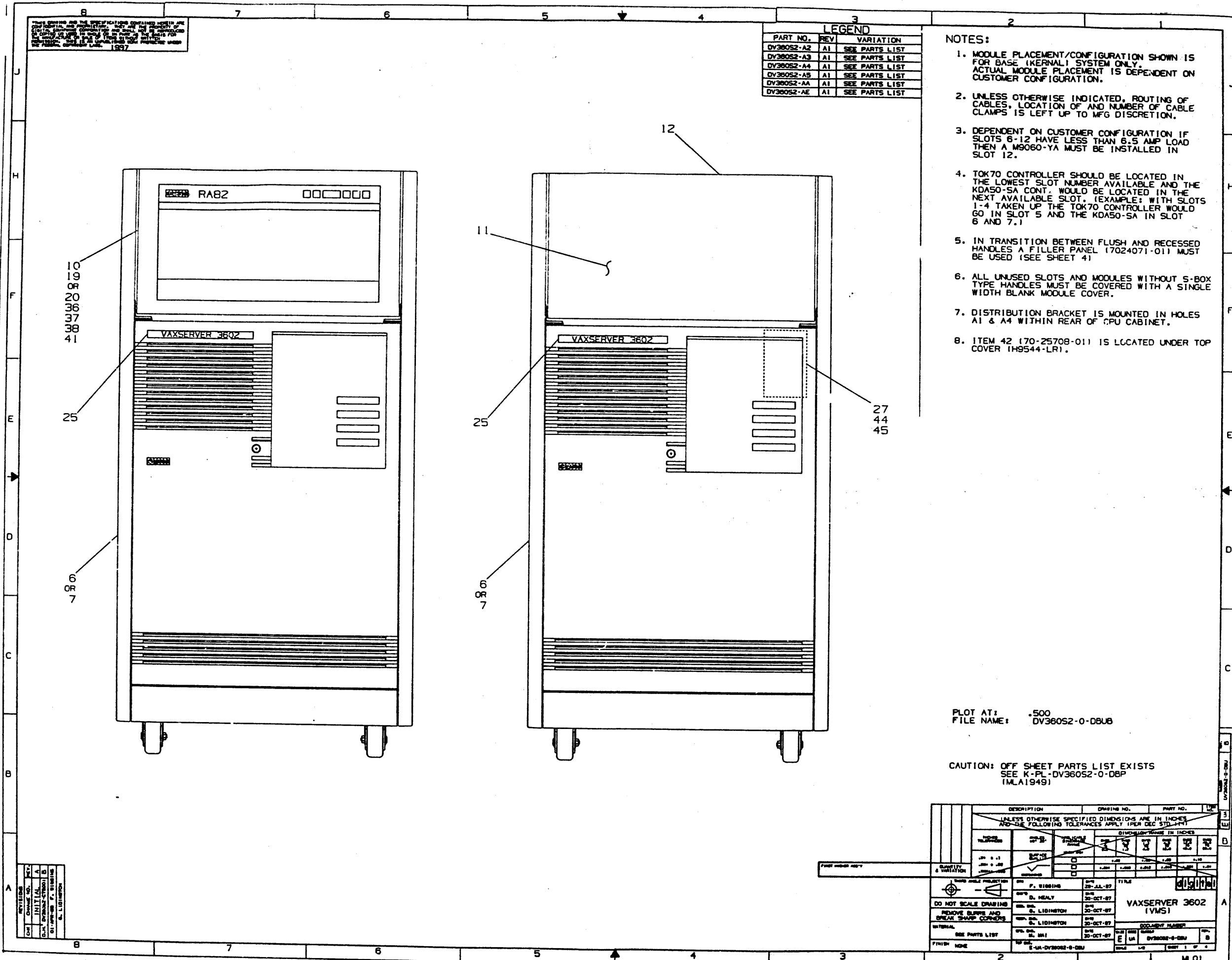
VAXSERVER 3800 (VMS)
SCALE 1/2" = 1'-0" 3 OF 3
MLO1

THIS DRAWING AND THE SPECIFICATIONS CONTAINED HEREIN ARE THE PROPERTY OF THE COMPANY AND ARE NOT TO BE REPRODUCED OR TRANSMITTED IN ANY FORM OR BY ANY MEANS, ELECTRONIC OR MECHANICAL, INCLUDING PHOTOCOPYING, RECORDING, OR BY ANY INFORMATION STORAGE AND RETRIEVAL SYSTEM. WITHOUT THE WRITTEN PERMISSION OF THE COMPANY, 1987

LEGEND		
PART NO.	REV.	VARIATION
DV380S2-A2	A1	SEE PARTS LIST
DV380S2-A3	A1	SEE PARTS LIST
DV380S2-A4	A1	SEE PARTS LIST
DV380S2-A5	A1	SEE PARTS LIST
DV380S2-AA	A1	SEE PARTS LIST
DV380S2-AE	A1	SEE PARTS LIST

NOTES:

- MODULE PLACEMENT/CONFIGURATION SHOWN IS FOR BASE (KERNAL) SYSTEM ONLY. ACTUAL MODULE PLACEMENT IS DEPENDENT ON CUSTOMER CONFIGURATION.
- UNLESS OTHERWISE INDICATED, ROUTING OF CABLES, LOCATION OF AND NUMBER OF CABLE CLAMPS IS LEFT UP TO MFG DISCRETION.
- DEPENDENT ON CUSTOMER CONFIGURATION IF SLOTS 6-12 HAVE LESS THAN 6.5 AMP LOAD THEN A M9060-YA MUST BE INSTALLED IN SLOT 12.
- TOK70 CONTROLLER SHOULD BE LOCATED IN THE LOWEST SLOT NUMBER AVAILABLE AND THE KDA50-SA CONT. WOULD BE LOCATED IN THE NEXT AVAILABLE SLOT. (EXAMPLE: WITH SLOTS 1-4 TAKEN UP THE TOK70 CONTROLLER WOULD GO IN SLOT 5 AND THE KDA50-SA IN SLOT 6 AND 7.)
- IN TRANSITION BETWEEN FLUSH AND RECESSED HANDLES A FILLER PANEL 17024071-011 MUST BE USED (SEE SHEET 4)
- ALL UNUSED SLOTS AND MODULES WITHOUT S-BOX TYPE HANDLES MUST BE COVERED WITH A SINGLE WIDTH BLANK MODULE COVER.
- DISTRIBUTION BRACKET IS MOUNTED IN HOLES A1 & A4 WITHIN REAR OF CPU CABINET.
- ITEM 42 170-25708-011 IS LOCATED UNDER TOP COVER IH9544-LR1.



PLOT AT: .500
FILE NAME: DV380S2-0-DBUB

CAUTION: OFF SHEET PARTS LIST EXISTS
SEE K-PL-DV380S2-0-DBP
(MLA1949)

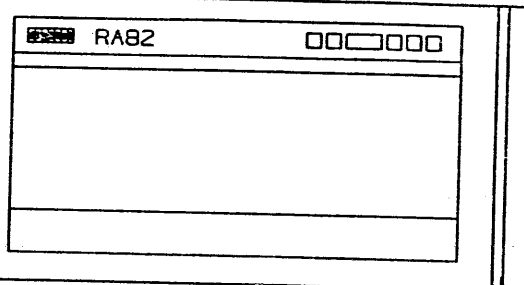
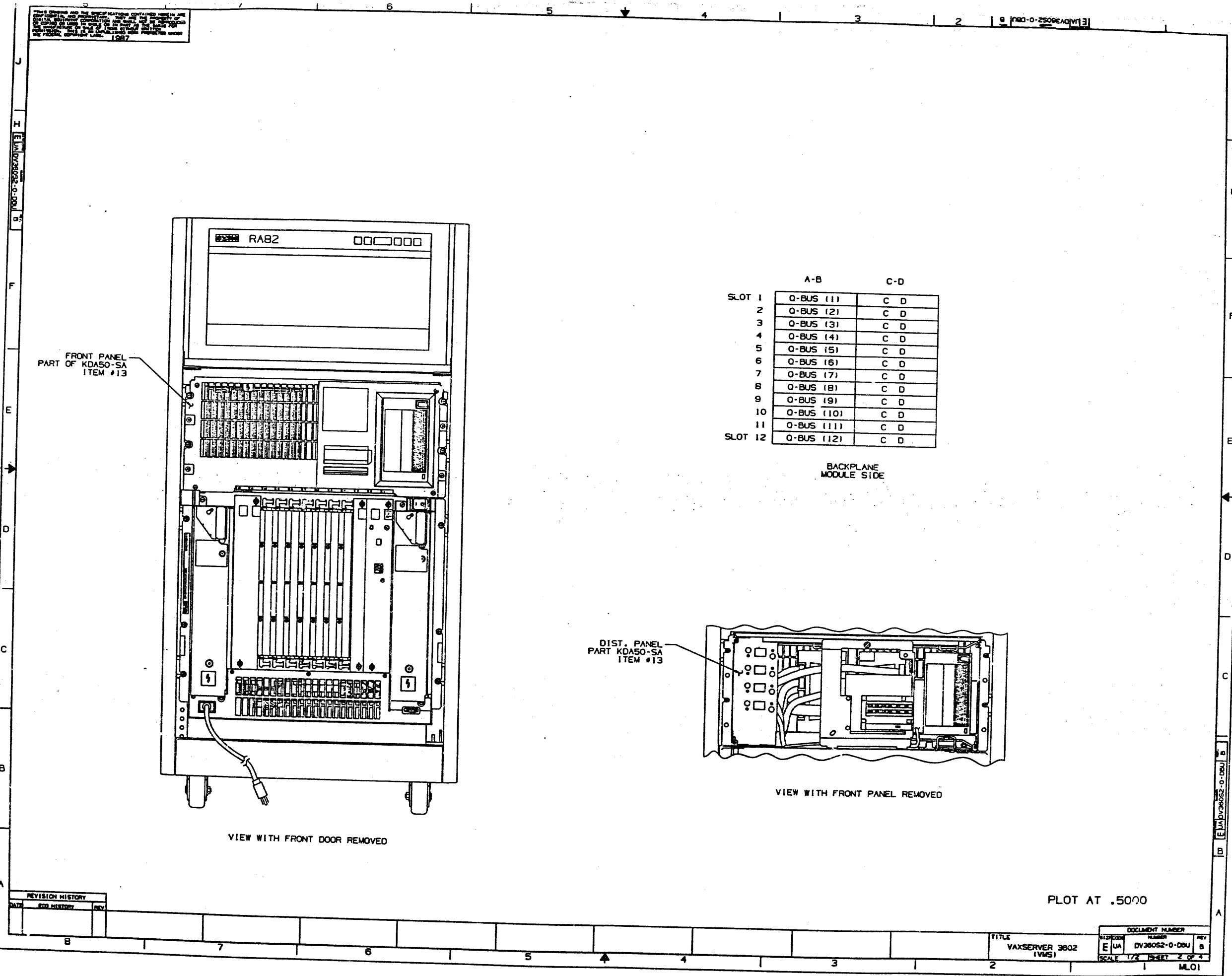
REV.	DATE	BY	CHKD.	DESCRIPTION
1				

DESCRIPTION	DRAWING NO.	PART NO.	REV.
UNLESS OTHERWISE SPECIFIED DIMENSIONS ARE IN INCHES AND THE FOLLOWING TOLERANCES APPLY (PER DEC STD 1-11)			
FINISH	QUANTITY & VARIATION	DIMENSIONS IN INCHES	
		±.000	±.005
		±.001	±.002
		±.002	±.003
		±.003	±.004
		±.004	±.005
		±.005	±.006
		±.006	±.007
		±.007	±.008
		±.008	±.009
		±.009	±.010
		±.010	±.011
		±.011	±.012
		±.012	±.013
		±.013	±.014
		±.014	±.015
		±.015	±.016
		±.016	±.017
		±.017	±.018
		±.018	±.019
		±.019	±.020
		±.020	±.021
		±.021	±.022
		±.022	±.023
		±.023	±.024
		±.024	±.025
		±.025	±.026
		±.026	±.027
		±.027	±.028
		±.028	±.029
		±.029	±.030
		±.030	±.031
		±.031	±.032
		±.032	±.033
		±.033	±.034
		±.034	±.035
		±.035	±.036
		±.036	±.037
		±.037	±.038
		±.038	±.039
		±.039	±.040
		±.040	±.041
		±.041	±.042
		±.042	±.043
		±.043	±.044
		±.044	±.045
		±.045	±.046
		±.046	±.047
		±.047	±.048
		±.048	±.049
		±.049	±.050
		±.050	±.051
		±.051	±.052
		±.052	±.053
		±.053	±.054
		±.054	±.055
		±.055	±.056
		±.056	±.057
		±.057	±.058
		±.058	±.059
		±.059	±.060
		±.060	±.061
		±.061	±.062
		±.062	±.063
		±.063	±.064
		±.064	±.065
		±.065	±.066
		±.066	±.067
		±.067	±.068
		±.068	±.069
		±.069	±.070
		±.070	±.071
		±.071	±.072
		±.072	±.073
		±.073	±.074
		±.074	±.075
		±.075	±.076
		±.076	±.077
		±.077	±.078
		±.078	±.079
		±.079	±.080
		±.080	±.081
		±.081	±.082
		±.082	±.083
		±.083	±.084
		±.084	±.085
		±.085	±.086
		±.086	±.087
		±.087	±.088
		±.088	±.089
		±.089	±.090
		±.090	±.091
		±.091	±.092
		±.092	±.093
		±.093	±.094
		±.094	±.095
		±.095	±.096
		±.096	±.097
		±.097	±.098
		±.098	±.099
		±.099	±.100

DV380S2-0-DBUB
M.L.O.1

THIS DRAWING AND THE CONTENTS HEREON CONTAIN INFORMATION OF A CONFIDENTIAL NATURE. IT IS TO BE KEPT SECRET AND NOT DISCLOSED TO ANY OTHER PERSON OR ORGANIZATION WITHOUT THE WRITTEN AUTHORIZATION OF THE OFFICE OF THE SECRETARY OF DEFENSE. DATE OF COMPLETION: 1987

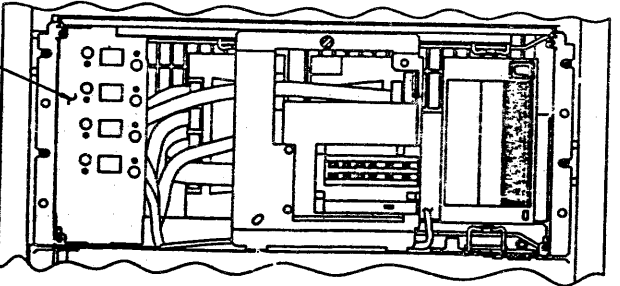
EUA DV38052-0-DBU B



FRONT PANEL
PART OF KDA50-SA
ITEM #13

	A-B	C-D
SLOT 1	O-BUS (1)	C D
2	O-BUS (2)	C D
3	O-BUS (3)	C D
4	O-BUS (4)	C D
5	O-BUS (5)	C D
6	O-BUS (6)	C D
7	O-BUS (7)	C D
8	O-BUS (8)	C D
9	O-BUS (9)	C D
10	O-BUS (10)	C D
11	O-BUS (11)	C D
SLOT 12	O-BUS (12)	C D

BACKPLANE
MODULE SIDE



DIST. PANEL
PART KDA50-SA
ITEM #13

VIEW WITH FRONT PANEL REMOVED

VIEW WITH FRONT DOOR REMOVED

REVISION HISTORY		
DATE	BY	REV

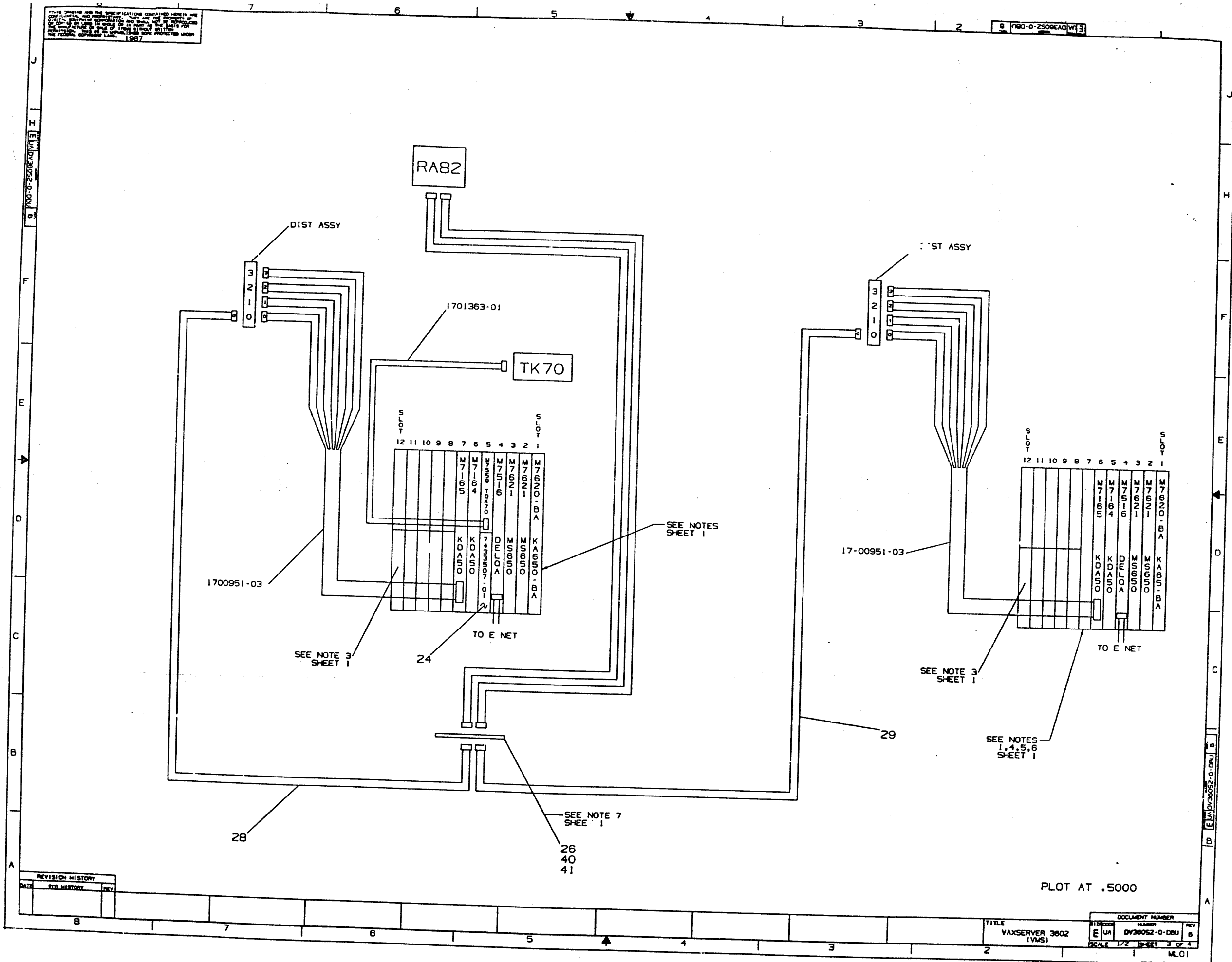
PLOT AT .5000

TITLE	VAXSERVER 3602 (VMS)	DOCUMENT NUMBER	EUA DV38052-0-DBU B
SCALE	1/2	INSERT	2 OF 4

MLO1

THIS DRAWING AND THE SPECIFICATIONS CONTAINED HEREIN ARE THE PROPERTY OF THE UNITED STATES GOVERNMENT AND ARE TO BE USED FOR THE PURPOSES SPECIFIED IN THE CONTRACT. THIS DRAWING IS NOT TO BE REPRODUCED OR TRANSMITTED IN ANY FORM OR BY ANY MEANS, ELECTRONIC OR MECHANICAL, INCLUDING PHOTOCOPYING, RECORDING, OR BY ANY INFORMATION STORAGE AND RETRIEVAL SYSTEM, WITHOUT PERMISSION IN WRITING FROM THE UNITED STATES GOVERNMENT. 1987

17-00951-03



REVISION HISTORY		
DATE	ECO HISTORY	REV

TITLE	DOCUMENT NUMBER
VAXSERVER 3602 (VMS)	17-00951-03
SCALE 1/2" = 1'-0"	REV 8
DATE 12-19-87	3 OF 4
	ML01

PLOT AT .5000

SEE NOTE 7 SHEET 1
26
40
41

SEE NOTES 1, 4, 5, 6 SHEET 1

SEE NOTE 3 SHEET 1

17-00951-03

SEE NOTES SHEET 1

TO E NET

TO E NET

SEE NOTE 3 SHEET 1

1700951-03

24

29

28

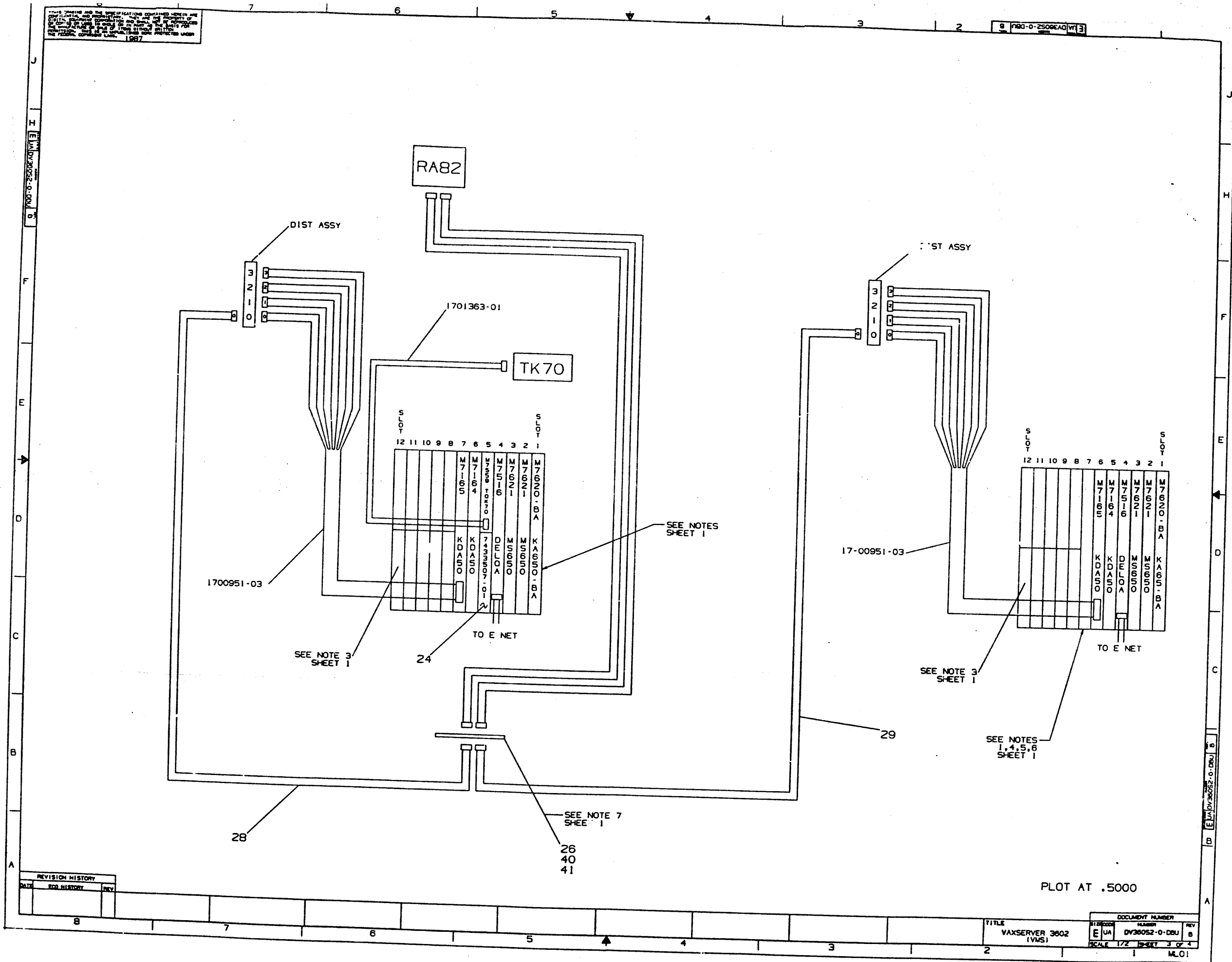
1701363-01

TK70

RAB2

DIST ASSY

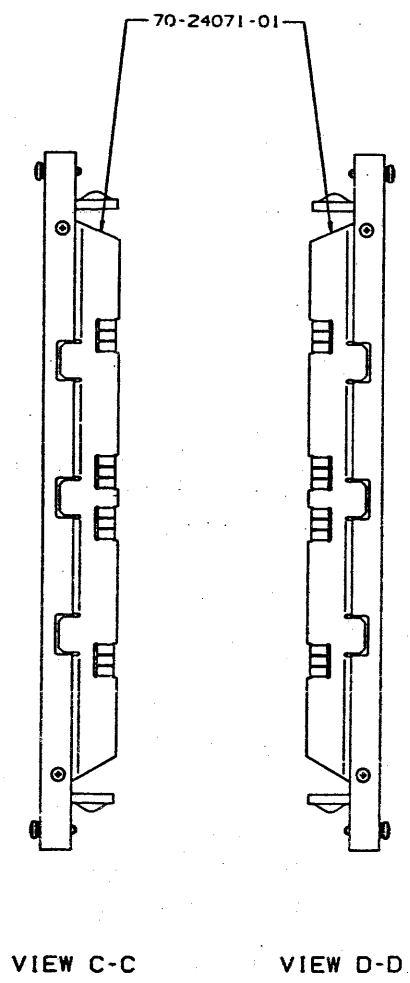
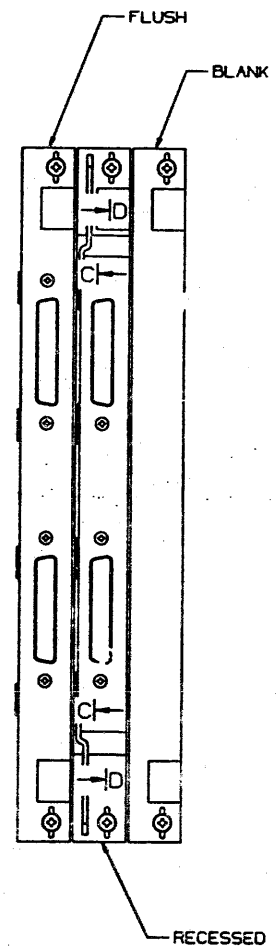
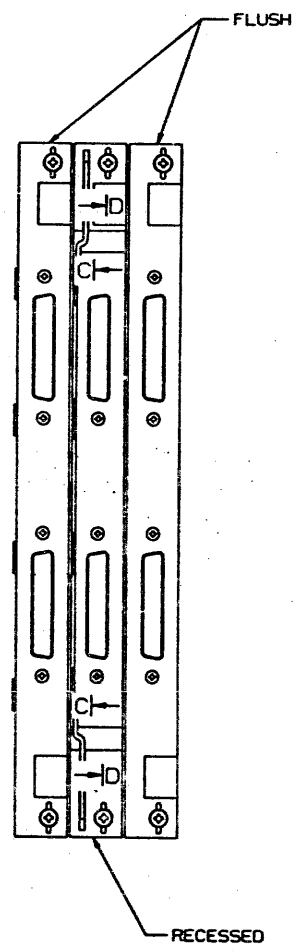
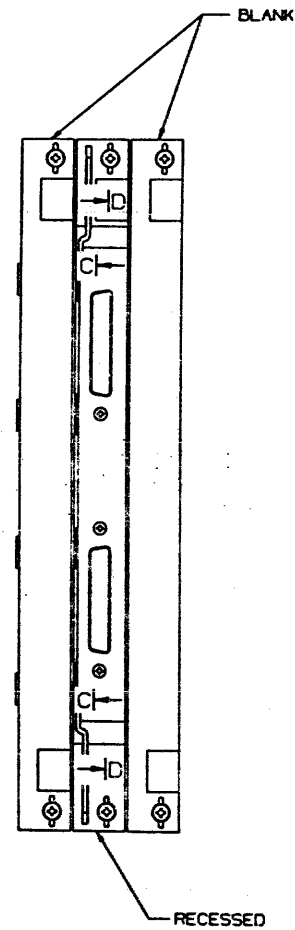
DIST ASSY



THIS DRAWING AND THE SPECIFICATIONS THEREON ARE THE PROPERTY OF DEC AND ARE TO BE KEPT IN CONFIDENTIALITY. IT IS TO BE USED ONLY FOR THE PURPOSES SPECIFIED HEREIN. IT IS TO BE RETURNED TO DEC UPON REQUEST. THIS IS AN UNCLASSIFIED DOCUMENT UNDER THE FOIA, EXEMPT LIA, 1987

J
I
H
G
F
E
D
C
B
A

J
I
H
G
F
E
D
C
B
A



POSSIBLE MODULE CONFIGURATIONS REQUIRING
FILLER GAP PANEL ASSEMBLY (DEC PART NUMBER 70-24071)

PLOT AT .5000

REVISION HISTORY	
DATE	REV

TITLE
VAXSERVER 3802
(VMS)

DOCUMENT NUMBER
E LA DV38052-0-DBU B
SCALE 1/2 IS-SKT 4 OF 4
MLO1

8 7 6 5 4 3 2 1

AUTOMATED BY VAXKPL (V1.3)

PARTS LIST

SHEET A1 OF A1
 QUANTITY PER VARIATION/REVISION

LINE ITEM	TOP DOCUMENT	PART NUMBER	MIN REV	DESCRIPTION	AA
1	B-DD-M7621-0	M7621-AA		8MB 256K CHIP RAM ARRAY = M7621-AF	1

REVISION HISTORY		KPL MATRIX FORMAT		SECTION A OF A	DRN: ROBERT KOPPENAL	DIGITAL			
ENG	ECO NUMBER	REV	SECTION/VARIATION INDEX		DATE: 18-DEC-87	TITLE		PARTS LIST	
---	INITIAL	A	[A]	AA	CHK'D: ROBERT KOPPENAL	8MB ECC MOS MEMORY			
			[B]		DATE: 18-DEC-87				
			[C]		DES. ENG: J. GROOMS				
			[D]		DATE: 18-DEC-87	DOCUMENT NUMBER			
			[E]		RESP. ENG.: J. GROOMS	SIZE	CODE	NUMBER	REV
			[F]		DATE: 18-DEC-87	K	PL	MS650-AA-DBP	A
			[H]		MFG. ENG: P. COHEN	RELEASE DATE: 18-DEC-87			
			[J]		DATE: 18-DEC-87	RELEASE STATUS: RELEASED			
		BASIC PART NUMBER:		ASSEMBLY NUMBER:	TOP DOCUMENT NUMBER:	FILE NAME:		EDIT #	
		MS650			B-DD-MS650-AA	SH533A.PLS		5	

"THIS DRAWING AND THE SPECIFICATIONS CONTAINED HEREIN ARE CONFIDENTIAL AND PROPRIETARY. THEY ARE THE PROPERTY OF DIGITAL EQUIPMENT CORPORATION AND SHALL NOT BE REPRODUCED OR COPIED OR USED IN WHOLE OR IN PART AS THE BASIS FOR THE MANUFACTURE OR SALE OF ITEMS WITHOUT WRITTEN PERMISSION. THIS IS AN UNPUBLISHED WORK PROTECTED UNDER THE FEDERAL COPYRIGHT LAWS."

C REV. H7868-0-DBU B DD B SIZE CODE

DRAWING NO.	NO. OF SHTS.	PART NO.	DESCRIPTION	REVISIONS												
				B1	C1	D1										
		H7868-A	S-BOX P. SUPPLY, 120V	B1	C1	D1										
		H7868-B	S-BOX P. SUPPLY, 240V	B1	C1	D1										
B-TC-H7868-0-DBU	1		H7868 UNIT ASSY (TC)	A	A	A										
D-UA-H7868-0-DBU	2		H7868 UNIT ASSY (UA)	A	B	E										
K-PL-H7868-0-DBP	1		H7868 UNIT ASSY (PL)	B	C	C										
D-IC-H7868-0-DBU	1		H7868 INTER CONNECT DWG	A	A	A										
K-SP-H7868-0-DBF	40		S-BOX P.S. (ENG SPEC)	A	A	B										
		MP-02511-01	PRINT SET H7868	REF	REF	REF										

NOTES:

FILE NAME: B-DD-H7868-0-DBUC

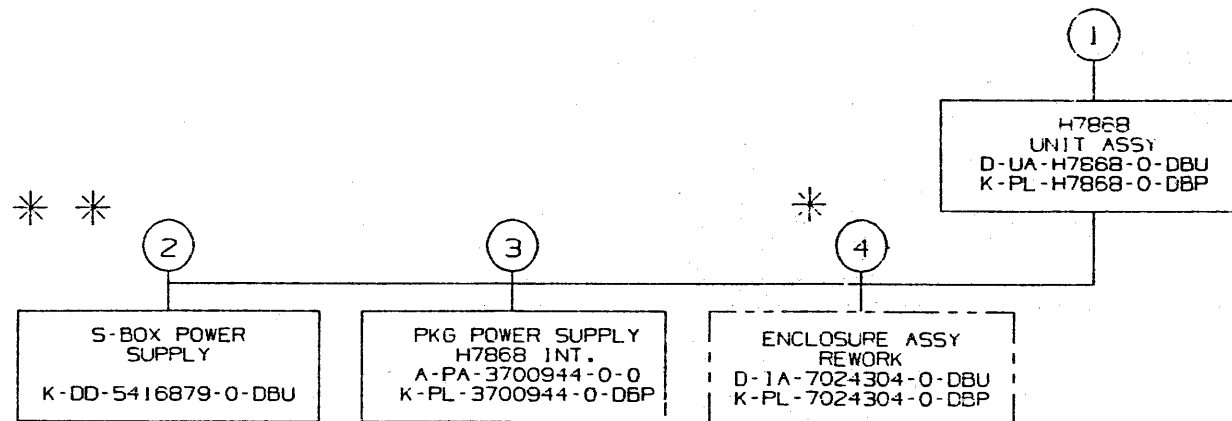
DATE	ECO NO.	REV.	REVISION HISTORY		
			A	B	C
	INITIAL				
10/87	H7868-ML002				
06/88	H7868-CTS003				

THIS DRAWING AND THE SPECIFICATIONS CONTAINED HEREIN ARE CONFIDENTIAL AND PROPRIETARY. THEY ARE THE PROPERTY OF DIGITAL EQUIPMENT CORPORATION AND SHALL NOT BE REPRODUCED OR COPIED OR USED IN WHOLE OR IN PART AS THE BASIS FOR THE MANUFACTURE OR SALE OF ITEMS WITHOUT WRITTEN PERMISSION. THIS IS AN UNPUBLISHED WORK PROTECTED UNDER THE FEDERAL COPYRIGHT LAWS.



DRN. F. WIGGINS	DATE 27APR87	TITLE
CHK'D D. HEALY	DATE 27APR87	H7868 UNIT ASSY
DES. ENG. J. CROSS	DATE 27APR87	
RESP. ENG. J. CROSS	DATE 27APR87	
MFG. ENG. M. SHILO	DATE 27APR87	
	SIZE CODE B DD	NUMBER H7868-0-DBU REV. C
		SHEET 1 OF 3

EN-01242-16-REV A (3/86)



* ASSY INDICATED IS AN ACCEPTABLE
SHORT TERM SUBSTITUTE
FOR D-1A-7433416-0-DBU,
CALLED OUT IN FIND 1 OF
SHEET 3 OF 3

* * ALSO INCLUDED FOLLOWING
PC BOARDS:
K-DD-5416877-0-0 (SIGNAL SEQUENCER)
K-DD-5416875-0-0 (FAN SPEED CONTROLLER)
K-DD-5416913-0-0 (OVER CURRENT & OVER TEMP. CTRL.)

TITLE:	SIZE CODE	NUMBER	REV.
H7868 UNIT ASSEMBLY	BDD	H7868-0-DBU	C

SHEET 2 OF 3

MLO1

FIND NO.	DRAWING NO.	DESCRIPTION	TYPE	FIND NO.	DRAWING NO.	DESCRIPTION	TYPE
	MP-02511-01	H7868 UNIT ASSY (MPI)	-				
	B-TC-H7868-0-DBU	H7868 UNIT ASSY (TC)	-				
1	D-UA-H7868-0-DBU	H7868 UNIT ASSY	-				
	K-PL-H7868-0-DBP	H7868 UNIT ASSY (PL)	E/M				
	D-IC-H7868-0-DBU	H7868 INTERCONNECT DWG.	E/M				
	K-SP-H7868-0-DBF	S-BOX POWER SUPPLY (ENG SPEC)	E				
	D-1A-7433416-0-DBU	ENCLOSURE POWER SUPPLY	E/M				
	K-PL-7433416-0-DBP	ENCLOSURE POWER SUPPLY (PL)	M				
	D-MD-7433417-0-DBU	COVER POWER SUPPLY	M				
	D-MD-7433418-0-DBU	PAD, INSULATOR	M				
	C-MD-7433976-0-DBU	COVER, TOP POWER SUPPLY	M				
	B-MD-7434431-0-DBU	SUPPORT, SPRING	M				
	A-PS-3626511-0-0	LABEL, PWR S. H7868-A	M				
	A-PS-3618460-0-0	LABEL, BAR CODE BLANK	M				
	A-PS-3627463-0-0	LABEL, P.S. ID/REV H7868-A	M				
	A-PS-3610267-0-0	LABEL, DANGER HIGH VOLT.	M				
	B-1A-7023770-0-DBU	JUMPER, 120V	M				
	K-PL-7023770-0-DBP	JUMPER 120V (PL)	M				
	D-1A-7023366-0-DBU	WIRE HARNESS H7868	E/M				
	K-PL-7023366-0-DBP	WIRE HARNESS H7868 (PL)	E/M				
	C-MD-7436556-0-DBU	BRACKET, POWER SUPPLY	M				
	A-PS-3628945-0-0	LABEL, REV PATCH	M				
2	B-DD-5416879-0-0	S-BOX POWER SUPPLY	E/M				
3	A-PA-3700944-0-0	PKG POWER SUPPLY H7868 INT.	M				
	K-PL-3700944-0-DBP	PKG POWER SUPPLY H7868 INT. (PL)	M				

TYPE: E ELECTRICAL
M MECHANICAL
E/M ELECTRO/MECHANICAL

DRB 108A



TITLE: H7868 UNIT ASSEMBLY

SHEET 3 OF 3	SIZE CODE BDD	NUMBER H7868-0-DBU	REV. C
--------------	------------------	-----------------------	-----------

DRAWING NO.	NO. OF SHTS.	PART NO.	DESCRIPTION	REVISIONS																
				REV	DATE	BY	CHK'D	DATE	BY	CHK'D	DATE	BY	CHK'D	DATE	BY	CHK'D				
		MS650-AA	8MB ECC MOS MEMORY	A																
K-PL-MS650-AA-DBP	1		PARTS LIST (SH533)	A																
B-PL-MS650-AA-0	1		SHIPPING LIST	A																

NOTES:

THIS DRAWING AND THE SPECIFICATIONS CONTAINED HEREIN ARE CONFIDENTIAL AND PROPRIETARY. THEY ARE THE PROPERTY OF DIGITAL EQUIPMENT CORPORATION AND SHALL NOT BE REPRODUCED OR COPIED OR USED IN WHOLE OR IN PART AS THE BASIS FOR THE MANUFACTURE OR SALE OF ITEMS WITHOUT WRITTEN PERMISSION. THIS IS AN UNPUBLISHED WORK PROTECTED UNDER THE FEDERAL COPYRIGHT LAWS.

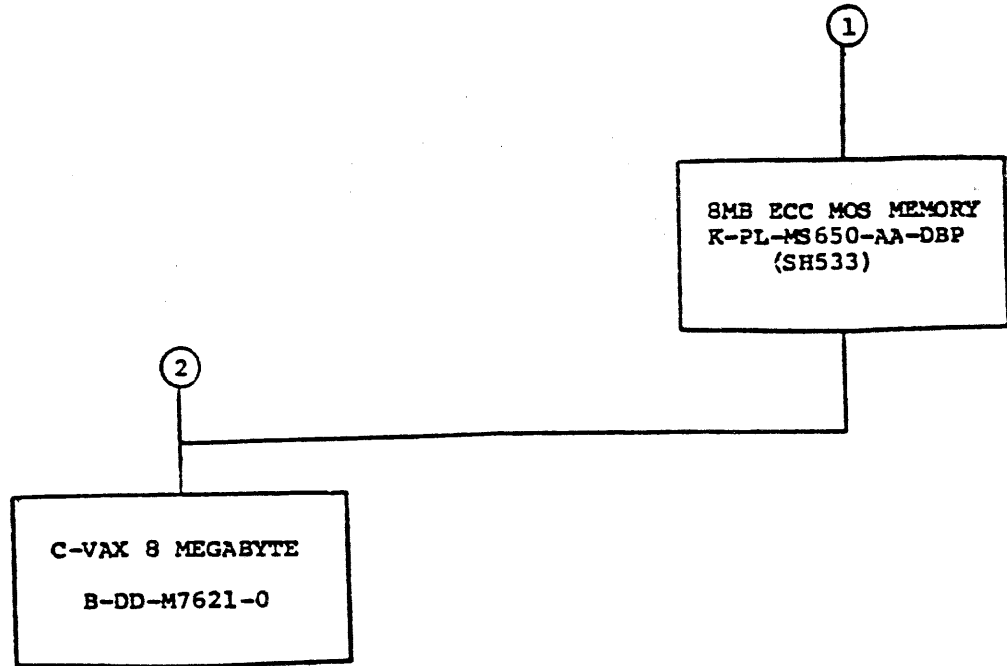
1987



REVISION HISTORY

DATE	ECO NO.	INIT	REV
12/87		INIT	A

DRN. R. KOPPENAL	DATE 18 DEC. 87	TITLE	8MB ECC MOS MEMORY	
CHK'D. R. KOPPENAL	DATE 18 DEC. 87	DOCUMENT NUMBER	MS650-AA	
DES. ENG. J. GROOMS	DATE 18 DEC. 87	SIZE	00	PER A
RESP. ENG. J. GROOMS	DATE 18 DEC. 87	NUMBER	MS650-AA	
MFG. ENG. P. COBBY	DATE 18 DEC. 87	SHEET	1	OF 3



TITLE	SHEET	OF	SIZE	CODE	NUMBER	REV.
8MB ECC MOS MEMORY	2	3	B	DD	MS650-AA	A

