

**RK11-C  
moving head  
disk drive controller  
engineering drawings**

DIGITAL EQUIPMENT CORPORATION • MAYNARD, MASSACHUSETTS

## ENGINEERING DRAWINGS

Drawing No.	Title	Drawing No.	Title
D-UA-RK11-C-0	Disk Control	D-IC-RK11-C-22	Unibus Connectors
A-PL-RK11-C-0	Disk Control	D-IC-RK11-C-23	RK11-C Indicator Connections
D-DI-RK11-C-25	Drawing Index List (RK11-C)	K-WL-RK11-C-24	Wire List (complete)
D-AD-7008305-0-0	Wired Assy	B-CS-G736-0-1	Circuit Schematic
A-PL-7008305-0-0	Wired Assy	C-CS-G740-0-1	Circuit Schematic
D-MU-RK11-C-01	Module Utilization	B-CS-M116-0-1	Circuit Schematic
A-PL-RK11-C-01	Module Utilization	B-CS-M149-0-1	Circuit Schematic
D-BS-RK11-C-02	Basic Timing	B-CS-M163-0-1	Circuit Schematic
D-BS-RK11-C-03	RKCS and Control	B-CS-M205-0-1	Circuit Schematic
D-BS-RK11-C-04	Major States	C-CS-M214-0-1	Circuit Schematic
D-BS-RK11-C-05	MSR Control	B-CS-M216-0-1	Circuit Schematic
D-BS-RK11-C-06	DSB and Disk Selection	B-CS-M238-0-1	Circuit Schematic
D-BS-RK11-C-07	Drive RD WR and Seek Control	B-CS-M239-0-1	Circuit Schematic
D-BS-RK11-C-08	RKDA and Control	C-CS-M304-0-1	Circuit Schematic
D-BS-RK11-C-09	Bit Counter and Internal WC	B-CS-M307-0-1	Circuit Schematic
D-BS-RK11-C-10	RKDB and Control	B-CS-M611-0-1	Circuit Schematic
D-BS-RK11-C-11	Reg Sel, NPR & INT Control	D-CS-M797-0-1	Circuit Schematic
D-BS-RK11-C-12	Hardware Pole	B-CS-H734-0-1	Circuit Schematic
D-BS-RK11-C-13	Adder Control	D-CS-W130-0-1	Circuit Schematic
D-BS-RK11-C-14	Adders	D-CS-W131-0-1	Circuit Schematic
D-BS-RK11-C-15	RKBA RKWC RKMR	C-CS-M161-0-1	Circuit Schematic
D-BS-RK11-C-16	Errors	C-CS-M208-0-1	Circuit Schematic
D-BS-RK11-C-17	Cable Drivers and Receivers	C-CS-M236-0-1	Circuit Schematic
D-BS-RK11-C-18	Disk Cable and Termination	C-CS-M105-0-1	Circuit Schematic
D-BS-RK11-C-19	Bus "D" RCVRS and RDVRS	C-CS-M782-0-1	Circuit Schematic
D-BS-RK11-C-20	Internal Bus 00→07, 08→15	D-CS-M796-0-1	Circuit Schematic
D-BS-RK11-C-21	RKDB Data Paths	D-CS-M795-0-0	Circuit Schematic

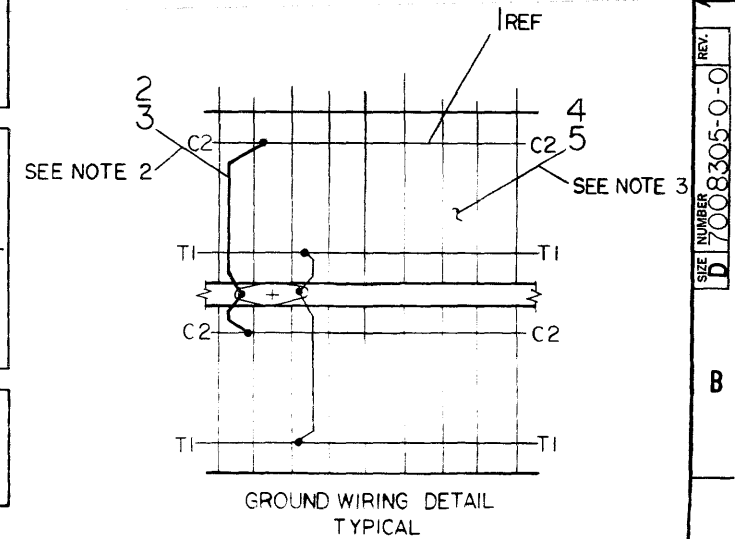
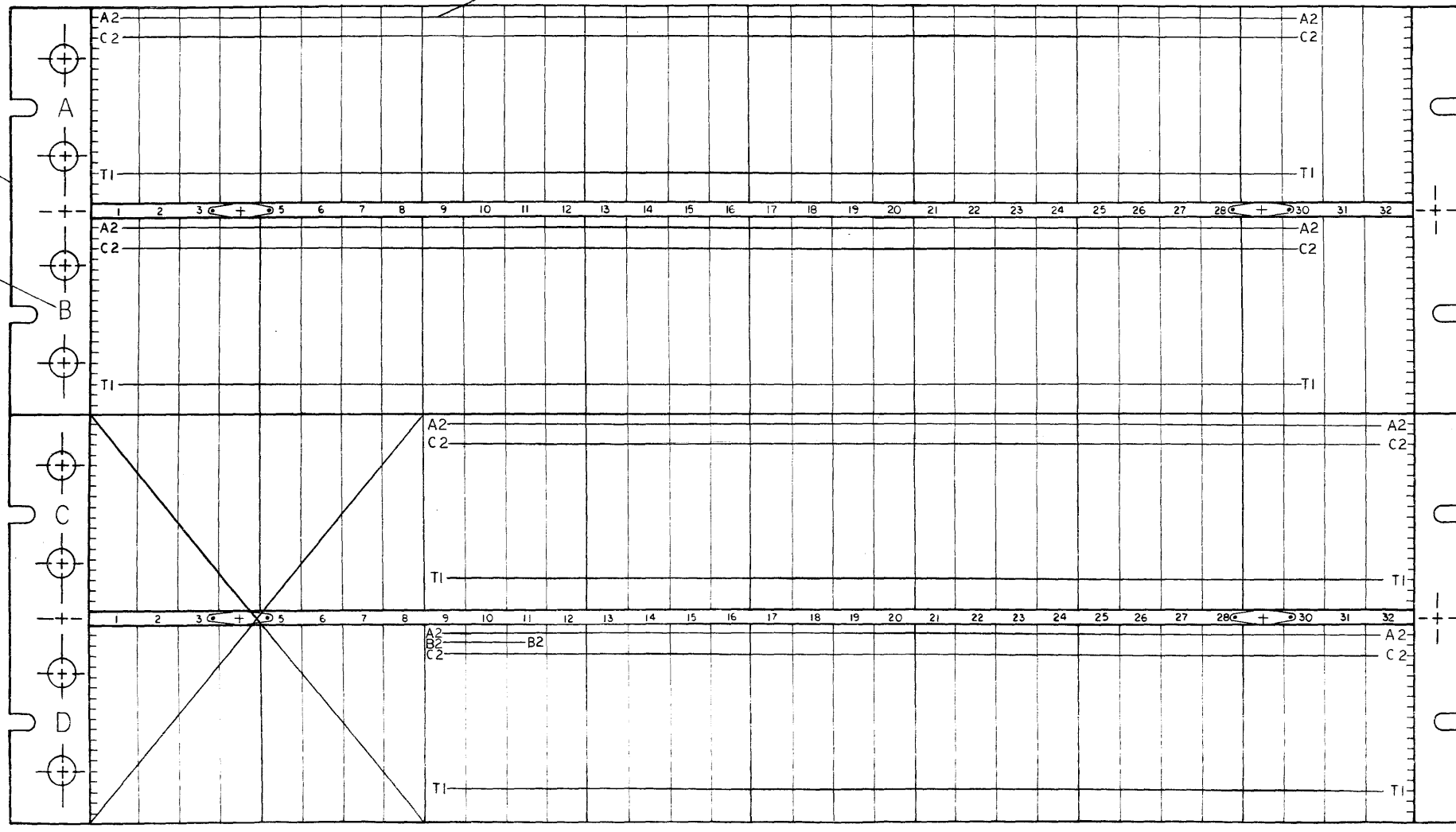
DIGITAL EQUIPMENT CORPORATION MAYNARD, MASSACHUSETTS					QUANTITY / VARIATION																
PARTS LIST																					
MADE BY M. MACKENZIE		CHECKED M. MACKENZIE		SECTION																	
DATE 2-19-71		DATE 2-19-71		1																	
ENG <i>T. Don</i>		PROD <i>D. Call</i>		ISSUED SECT.																	
DATE 2/19/71		DATE 2/23/71		1																	
ITEM NO.	DWG NO. / PART NO.	DESCRIPTION																			
1	1205541	BUS STRIP				A/R															
2	9107560-1	22 AWG BUS WIRE				A/R															
3	9107265	#22 TUBING, TEFLON, WHITE				A/R															
4	9105740-5	30 AWG SOLID TEF INS. WIRE, YELLOW				A/R															
5	9105740-7	30 AWG SOLID TEF INS. WIRE, BLUE				A/R															
6	A-DC-7406371-0-0	LOGIC FRAME DECALS				A/R															
7	D-AD-5404491-0-0	H911 MTG PANEL				1															
8	D-AD-5302483-0-0	CASTING ASSY (1943)				1															
9	E-SC-1205348-0-0	288 PIN BLOCK TYPE H803				6															
10	9006120	SCR FIL HD POZIDRIVE #8-32 X 5/8 LG				12															
11	9006035-1	SCF PHL HD PAN #8-32 X 1/4 LG				2															
12	9008072	WASH EXT TOOTH LOCK #8				2															
13	9007597	TERM #2116-08-00 SHAKEPROOF				2															
REF	K-WL-RK11-C-24	WIRE LIST				1															
TITLE					ASSY NO.					SIZE CODE		NUMBER				REV.		ECO NO.			
WIRED ASSY					D-AD-7008305-0-0					A PL		7008305-0-0									
					SHEET 1 OF 1					DIST.											

DEC FORM NO.  
DRA 110A

This drawing and specifications, herein, are the property of Digital Equipment Corporation and shall not be reproduced or copied in whole or in part as the basis for the manufacture or sale of items without written permission.

WIRE TABLE					
ITEM NO	DESCRIPTION	FROM CONNECTION	TO CONNECTION		
8	18 RED	A01A2	B01A2		
8	18 RED	C09A2	D09A2		
9	18 BLACK	A01C2	B01C2		
9	18 BLACK	C09C2	D09C2		
10	22 ORANGE	A30B1	B30B1		

- NOTES:
- CONNECTIONS ON ITEM NUMBER 1#2 TO BE LOCATED AND SOLDERED AT MINIMUM PRACTICAL HEIGHT ABOVE BLOCKS.
  - ALL CONNECTOR BLOCKS TO BE GROUNDED TO GROUND LUGS AS SHOWN, 7 PLACES
  - USE YELLOW WIRE (ITEM#4) FOR MACHINE WRAPPED AND BLUE WIRE (ITEM#5) FOR HAND WRAPPED WIRING.



REV. CHANGE NO.	REV.
CHK	

FIRST USED ON OPTION/MODEL PDP-11	QTY.	DESCRIPTION	PART NO	ITEM NO.
DO NOT SCALE DRAWING	DRN. <i>Wabe</i>	DATE <i>2/16/72</i>	PARTS LIST	
UNLESS OTHERWISE SPECIFIED DIMENSION IN INCHES	CHK'D. <i>Wabe</i>	DATE <i>2/16/72</i>	digital EQUIPMENT CORPORATION MAYNARD MASSACHUSETTS	
TOLERANCES: DECIMALS FRACTIONS ANGLES	ENG. <i>Wabe</i>	DATE <i>2/16/72</i>	TITLE WIRED ASSY	
± .005 ± .004 ± 0°30'	PRG. ENG.	DATE <i>2/16/72</i>		
FINAL SURFACE QUALITY: REMOVE BURRS AND BREAK CHAMFERS	PROD. <i>Wabe</i>	DATE <i>2/16/72</i>		
MATERIAL	NEXT HIGHER ASSY			
FINISH	C-UA-HK11-C-C			
SCALE NONE	SIZE CODE	NUMBER	REV.	
SHEET	D AD	7008305-0-0		



DIGITAL EQUIPMENT CORPORATION MAYNARD, MASSACHUSETTS <b>PARTS LIST</b>					QUANTITY / VARIATION															
MADE BY W. MCCARTHY		CHECKED R. COOK		SECTION	RK11-CA (115V)	RK11-CB (230V)														
DATE 12-16-70		DATE 3-23-71		1																
ENG <i>W. Minor</i>		PROD <i>D. Call</i>		ISSUED SECT.																
DATE 4-1-71		DATE 4/5/71		1																
ITEM NO.	DWG NO. / PART NO.	DESCRIPTION																		
1	C-PL-7006501-23-0	BASIC CABINET ASSY, 19"			1	1														
2	D-AD-7008312-0-0	LOGIC ASSY (RK11-C)			1	1														
3	D-UA-H72Ø-C-Ø	H72Ø-C POWER SUPPLY(115V)			1	0														
4	D-UA-H72Ø-D-Ø	H72Ø-D POWER SUPPLY(230V)			0	1														
5	9007786	NUT, TINNEMAN, #10-32			18	18														
6	9006074-3	SCR PHL HD TRUSS #10-32 X .62 LG			18	18														
7	D-IA-7007251-2-0	POWER HARNESS			1	1														
8	9008264	TIE WRAP MOUNT, PANDUIT #ABMS-A-C			A	RA	R													
9	9007032	TIE WRAP, PANDUIT #SST-2M			A	RA	R													
10	9006902	BARRIER TERMINAL STRIP #4-541			1	1														
11	9006560	NUT, KEPS #6-32			4	4														
12	9007928	SOLDERLESS CONN, ARKLESS, #503634			4	6														
13	D-IA-7407836-1-0	PANEL LOGO			1	1														
14	9007794-1	SCR, PHL PAN ED #6-32 X .68 LG			4	4														
15	D-UA-854-B-Ø	854-B POWER CONTROL			-	A	R													
16	9107440-09	WIRE #14 AWG TWP BLK/WHT			A	RA	R													
17	C-MD-7407607-0-0	PLATE, JONES STRIP			1	1														
18	D-UA-854-0-0	854 POWER CONTROL			A	R	-													
19	E-UA-860-0-0	860-A POWER CONTROL			1	-														
20	E-UA-860-0-0	860-B POWER CONTROL			-	1														
21	7008853-1	AC STRIP 110 VOLT			2	-														
REF	D-MU-RK11-C-Ø1	MODULE UTILIZATION			-	-														
TITLE DISK CONTROL (RK11-C)				ASSY NO. D-UA-RK11-C-Ø	SIZE A	CODE PL	NUMBER RK11-C-Ø				REV. B	ECO NO. RK11C-00012								
				SHEET 1 OF 2	DIST.	G														

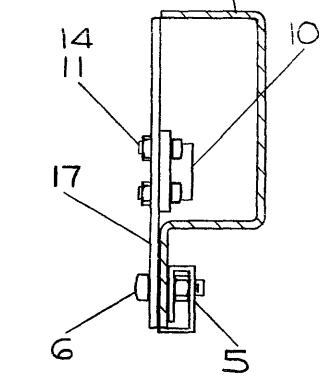
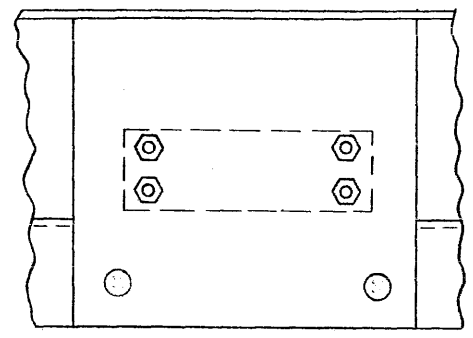
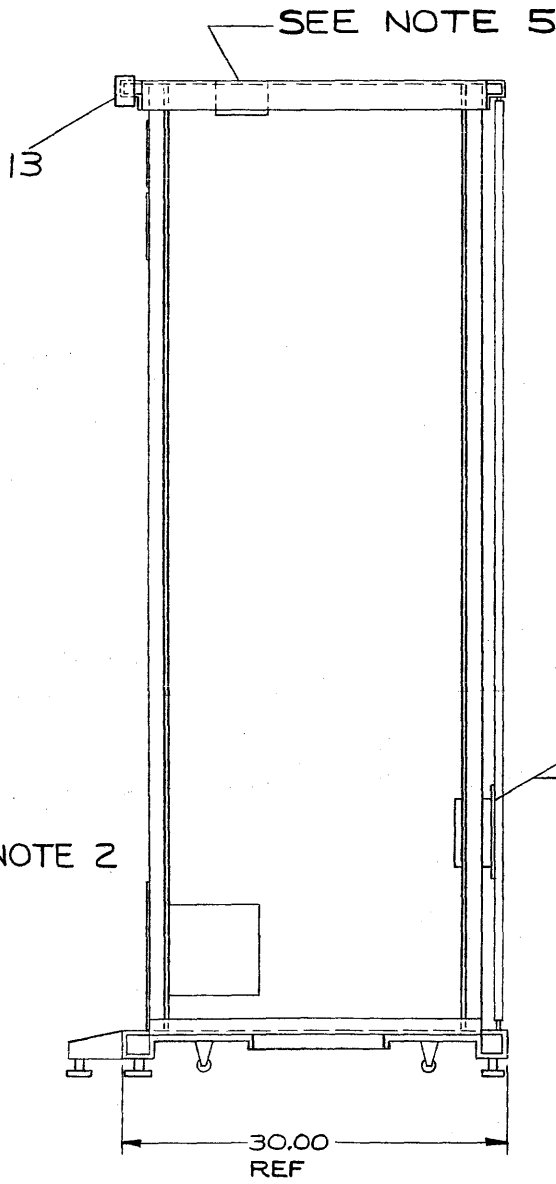
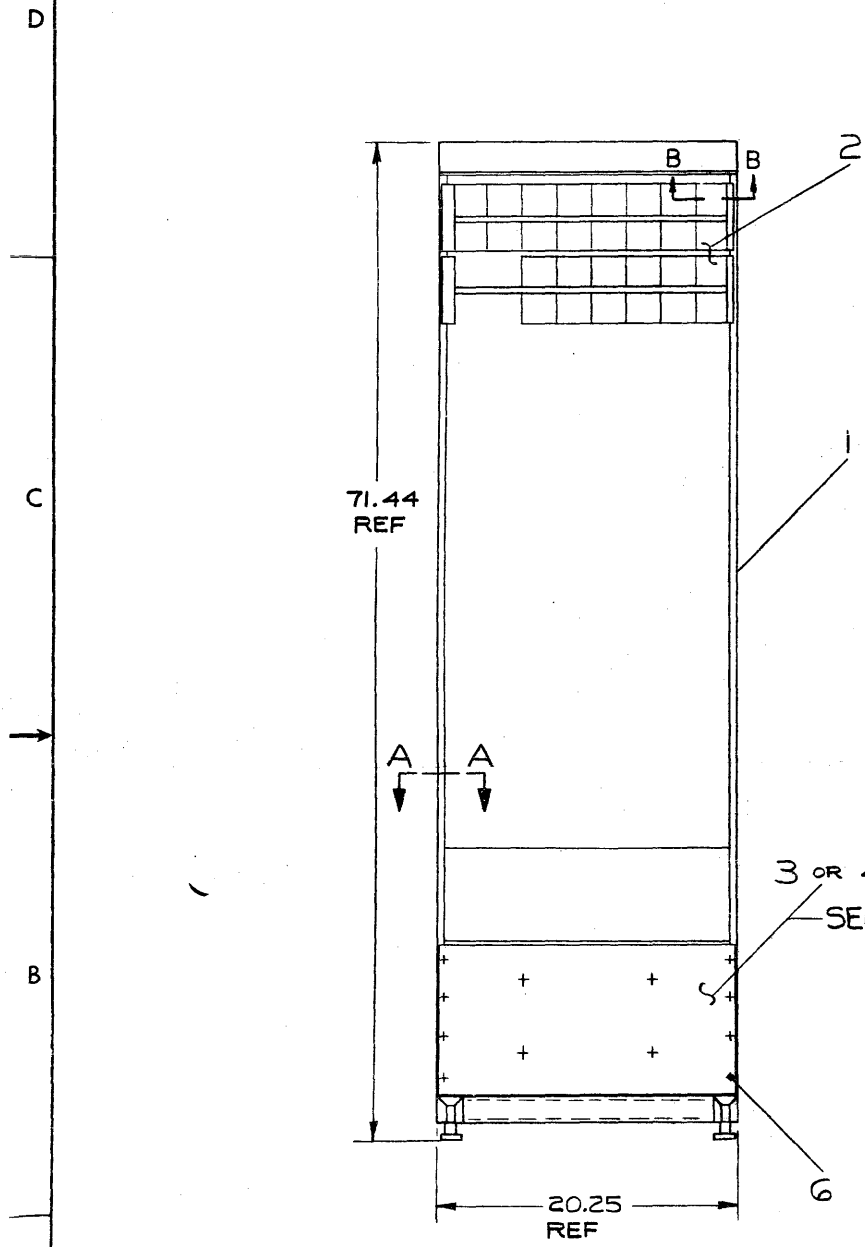
DIGITAL EQUIPMENT CORPORATION MAYNARD, MASSACHUSETTS <b>PARTS LIST</b>					QUANTITY / VARIATION															
MADE BY T. ORR		CHECKED R. COOK		SECTION	RK11-CA (115V)	RK11-CB (230V)														
DATE 4/28/72		DATE 3-23-71		1																
ENG W. MINOR		PROD D. CALL		ISSUED SECT.																
DATE 4-1-71		DATE 4-5-71		1																
ITEM NO.	DWG NO. / PART NO.	DESCRIPTION																		
22	7008853-2	AC STRIP 220V			-	2														
23	B-MD-7409275-0-0	BKT AC RECEPTACLE MTG.			4	4														
24	9107673-09	POWER CORD 9 FT.			1	2														
TITLE DISK CONTROL (RK11-C)				ASSY NO. D-UA-RK11-C-Ø	SIZE A	CODE PL	NUMBER RK11-C-Ø				REV. B	ECO NO.								
				SHEET 2 OF 2	DIST.															

This drawing and specifications, herein, are the property of Digital Equipment Corporation and shall not be reproduced or copied or used in whole or in part as the basis for the manufacture or sale of items without written permission.

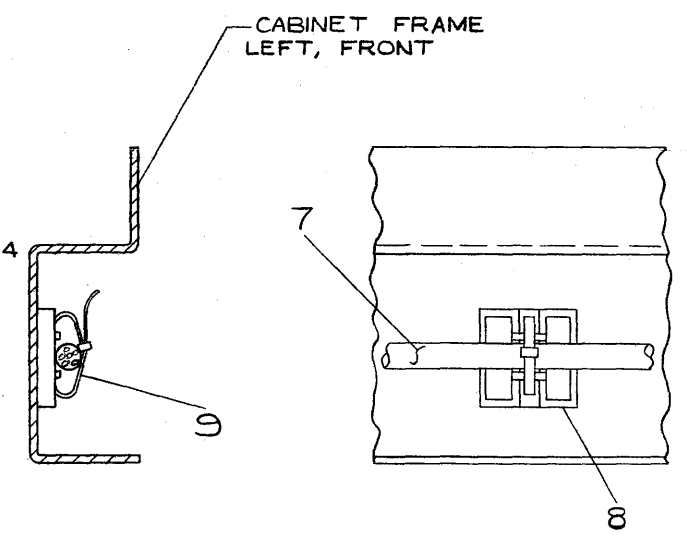
LEGEND	
NUMBER	VARIATION
RKII-CA	115 V, 50/60 HZ
RKII-CB	230 V, 50/60 HZ

NOTES:

- FOR DRAWING INDEX LIST REFER TO: D-DI-RKII-C-25.
- FOR 115 V SYSTEM USE H720-C POWER SUPPLY (ITEM #3). FOR 230 V SYSTEM USE H720-D POWER SUPPLY (ITEM #4).
- FOR MOUNTING RKII LOGIC (ITEM #2) AND H720 C OR D POWER SUPPLY (ITEM #3 OR 4) ON THE CABINET FRAME, INSTALL TINNEMAN NUTS (ITEM #5) IN FRONT RIGHT FRONT LEFT HOLES (COUNTING FROM BOTTOM UP) #3, 7, 12, 16, 93, 97, 102, #106.
- THE H720-C (115 V) (ITEM #3) USING THE H720-A ELECTRONICS OR THE H720-D (230 V) (ITEM #4) USING THE H720-B ELECTRONICS REQUIRES THE USE OF AN 854 (115 V) (ITEM #18) OR AN 854-B (230 V) (ITEM #15) POWER CONTROL. THE H720-C USING THE H720-E ELECTRONICS OR THE H720-D USING THE H720-F ELECTRONICS DOES NOT REQUIRE A POWER CONTROL. WHEN MOUNTING AN 854 OR 854-B POWER CONTROL ON THE H950-DA MOUNTING PANEL DOOR, INSTALL WITH 4 TINNEMAN NUTS (ITEM #5) AND 4 #10 TRUSS HEAD SCREWS (ITEM #6) IN RIGHT FRONT LEFT HOLES (COUNTING FROM BOTTOM UP) #21 #28. WHEN A POWER CONTROL IS USED, USE "WIRING DIAGRAM B". WHEN A POWER CONTROL IS NOT USED, USE "WIRING DIAGRAM A".
- THE H952-C FAN SHOULD BE LOCATED IN THE FRONT OF THE CABINET AS SHOWN.
- FOR MOUNTING JONES STRIP PLATE (ITEM #17) INSTALL TINNEMAN NUTS (ITEM #5) IN HOLES (COUNTING FROM BOTTOM UP) #103 & #108.
- REMOVE FEMALE END FROM POWER CORD (ITEM 24) AND REPLACE WITH SOLDERLESS CONN (ITEM 12) ON WHT AND BLK WIRES. GRN WIRE IS CUT BACK FLUSH WITH CORD JACKET.



SECTION B-B



SECTION A-A

FIRST USED ON OPTION/MODEL	QTY.	DESCRIPTION	PART NO.	ITEM NO.
RK02				
PARTS LIST				
UNLESS OTHERWISE SPECIFIED				
DIMENSION IN INCHES				
TOLERANCES				
DECIMALS	FRACTIONS	ANGLES		
± .005	± 1/64	± 0'30"		
FINAL SURFACE QUALITY				
REMOVE BURRS AND BREAK SHARP CORNERS				
MATERIAL				
SEE PARTS LIST				
FINISH				
NEXT HIGHER ASSY				
SCALE NONE				
SHEET 1 OF 3				
D-UA-RK02-0-0				
DUARKII-C-0				
REV B				

REV	DATE	DESCRIPTION
A	10/17/72	REVISED TO 115V SYSTEM
B	10/17/72	REVISED TO 230V SYSTEM
C	10/17/72	REVISED TO 115V SYSTEM
D	10/17/72	REVISED TO 230V SYSTEM

This drawing and specifications herein are the property of Digital Equipment Corporation and shall not be reproduced or copied or used in whole or in part as the basis for the manufacture or sale of items without written permission.

**WIRE TABLE #1A 110V SYS.**

ITEM NO.	DESCRIPTION	COLOR	FROM		TO		REMARKS
			CONNECTION	TERM	CONNECTION	TERM	
1 REF	14	BLK	P1-1	---	J4-1	12	
1 REF	14	BLK	P1-2	---	J4-2	12	
24	14	BLK	J4-1	12	J3-SW AC#1	---	SEE NOTE 7
		WHT	J4-2	12			

**WIRE TABLE #2**

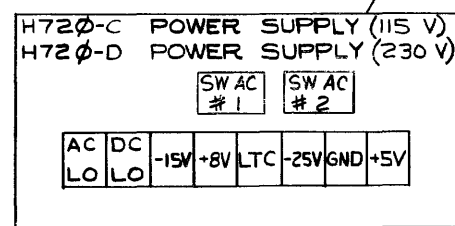
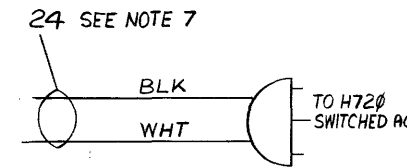
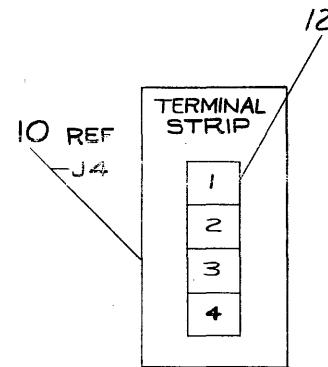
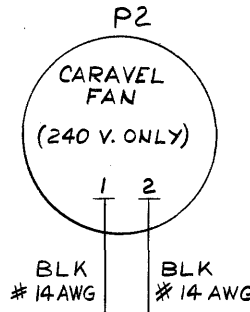
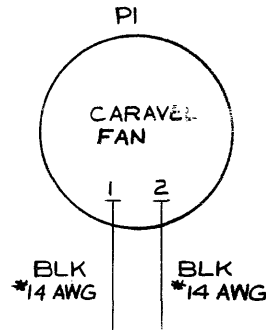
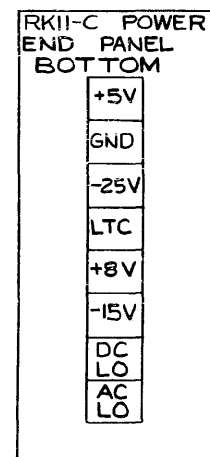
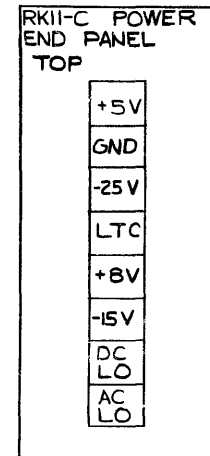
ITEM NO.	DESCRIPTION	FROM HARNESS	TO RKII-C	REMARKS
NO.	AWG	COLOR	NUMBER	UNIT LOCATION
7	14	BLU	1	J2--15V
	14	BLK	2	GND
	14	ORN	3	+8V
	14	RED	4	+5V
	22	VIO	5	DC LO
	22	YEL	6	J2- AC LO
	14	BLU	7	J3- -15V
	14	BLK	8	GND
	14	ORN	9	+8V
	14	RED	10	+5V
	22	VIO	11	DC LO
	22	YEL	12	J3- AC LO

**WIRE TABLE #1B 240V. SYS. USING 110V FANS.**

ITEM NO.	DESCRIPTION	COLOR	FROM		TO		REMARKS
			CONNECTION	TERM	CONNECTION	TERM	
1 REF	14	BLK	P1-1	---	J4-1	12	
1 REF	14	BLK	P1-2	---	J4-2	12	
1 REF	14	BLK	P2-1	---	J4-2	12	
1 REF	14	BLK	P2-2	---	J4-3	12	
24	14	BLK	J4-1	12	J3 SW AC#1	---	SEE NOTE 7
24	14	WHT	J4-3	12	J3 SW AC#1	---	SEE NOTE 7

**WIRE TABLE #1C 240V. SYS. USING 240V FANS**

ITEM NO.	DESCRIPTION	COLOR	FROM		TO		REMARKS
			CONNECTION	TERM	CONNECTION	TERM	
1 REF	14	BLK	P1-1	---	J4-1	12	
1 REF	14	BLK	P1-2	---	J4-2	12	
1 REF	14	BLK	P2-1	---	J4-3	12	
1 REF	14	BLK	P2-2	---	J4-4	12	
24	14	BLK	J4-1	12	J3 SW AC#1	---	SEE NOTE 7
24	14	WHT	J4-2	12	J3 SW AC#1	---	SEE NOTE 7
24	14	BLK	J4-3	12	J3 SW AC#2	---	SEE NOTE 7
24	14	WHT	J4-4	12	J3 SW AC#2	---	SEE NOTE 7



NOTE: H720-E USING H720-A ELECTRONICS  
H720-F USING H720-B ELECTRONICS

**WIRING DIAGRAM A**  
(USED WITHOUT 854 OR 854-B POWER CONTROL)

REV	CHANGE NO.

QTY.	DESCRIPTION	PART NO.	ITEM NO.
PARTS LIST			
UNLESS OTHERWISE SPECIFIED			
DIMENSION IN INCHES			
TOLERANCES			
DECIMALS	FRACTIONS	ANGLES	
± .005	± 1/64	± 0°30'	
FINAL SURFACE QUALITY			
REMOVE BURRS AND BREAK SHARP CORNERS.			
MATERIAL	FINISH	FIRST USED ON	SCALE
UNLESS OTHERWISE SPECIFIED		DATE	DATE
CHK'D	DATE	DATE	DATE
ENG	DATE	DATE	DATE
PROJ. ENG.	DATE	DATE	DATE
PRG'D.	DATE	DATE	DATE
FIRST USED ON		SCALE	SHEET
			2 OF 3
MATERIAL		FINISH	FIRST USED ON
UNLESS OTHERWISE SPECIFIED		DATE	DATE
CHK'D	DATE	DATE	DATE
ENG	DATE	DATE	DATE
PROJ. ENG.	DATE	DATE	DATE
PRG'D.	DATE	DATE	DATE
FIRST USED ON		SCALE	SHEET
			2 OF 3
UNLESS OTHERWISE SPECIFIED		DATE	DATE
CHK'D	DATE	DATE	DATE
ENG	DATE	DATE	DATE
PROJ. ENG.	DATE	DATE	DATE
PRG'D.	DATE	DATE	DATE
FIRST USED ON		SCALE	SHEET
			2 OF 3

**digital EQUIPMENT CORPORATION**  
MAYNARD MASSACHUSETTS

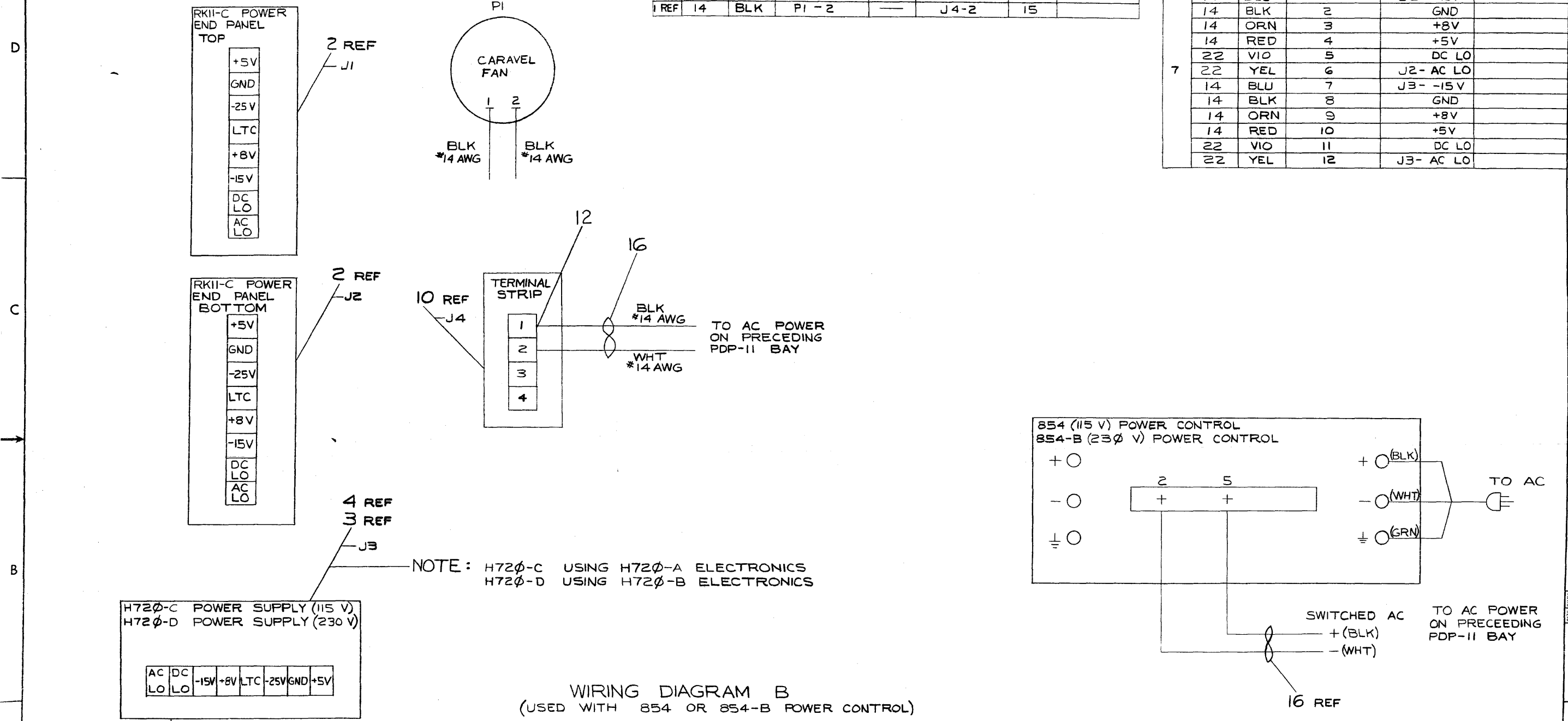
**DISK CONTROL (RKII-C)**

SIZE CODE NUMBER REV.  
DUARKII-C-0 B

This drawing and specifications, herein, are the property of Digital Equipment Corporation and shall not be reproduced or copied or used in whole or in part as the basis for the manufacture or sale of items without written permission.

WIRE TABLE						
ITEM NO.	DESCRIPTION	FROM	TO	CONNECTION	TERM	REMARKS
1 REF	14 BLK	PI - 1	J4 - 1	---	15	
1 REF	14 BLK	PI - 2	J4 - 2	---	15	

WIRE TABLE					
ITEM NO.	DESCRIPTION	FROM HARNESS	TO RKII-C	UNIT LOCATION	REMARKS
7	14 BLU	1	J2 - -15V		
	14 BLK	2	GND		
	14 ORN	3	+8V		
	14 RED	4	+5V		
	22 VIO	5	DC LO		
	22 YEL	6	J2 - AC LO		
	14 BLU	7	J3 - -15V		
	14 BLK	8	GND		
	14 ORN	9	+8V		
	14 RED	10	+5V		
	22 VIO	11	DC LO		
	22 YEL	12	J3 - AC LO		



QTY.	DESCRIPTION	PART NO.	ITEM NO.
PARTS LIST			
UNLESS OTHERWISE SPECIFIED			
DIMENSION IN INCHES			
TOLERANCES			
DECIMALS	FRACTIONS	ANGLES	
± .005	± 1/64	± 0°30'	
FINAL SURFACE QUALITY			
REMOVE BURRS AND BREAK SHARP CORNERS			
MATERIAL	FIRST USED ON		
FINISH	SCALE		
	SHEET	3 OF 3	
DATE		DATE	
2-1-71		12-1-71	
DATE		DATE	
4-1-71		7-2-71	
DATE		DATE	
12-1-71		12-1-71	
DIGITAL EQUIPMENT CORPORATION MAINE, MASSACHUSETTS			
DISK CONTROL (RKII-C)			
SIZE CODE	NUMBER	REV.	
DJARKII-C-0		B	

REV.	CHG.	NO.

DIGITAL EQUIPMENT CORPORATION MAYNARD, MASSACHUSETTS <b>PARTS LIST</b>				QTY/VAR								
MADE BY KAREN KRYSIAK		CHECKED M. MACKENZIE		SECTION 1								
DATE 1/27/71		DATE 2/23/71		ISSUED SECT. 1								
ENG <i>Tom Egan</i>		PROD <i>W. Cull</i>		DATE 3/18/71								
ITEM NO.	DWG NO. / PART NO. CL BASIC VAR.	DESCRIPTION			UNIT COST	UNIT QUANTITY	QUANTITY ISSUED					
	G736	JUMPER MODULE	1									
	G740	DISK SELECTION CARD	1									
	M000	LOGIC 1 SOURCE	1									
	M105	ADDRESS SELECTOR MODULE REV C OR BEYOND	1									
	M111	INVERTER	2									
	M112	NOR GATE	5									
	M113	TEN 2-INPUT NAND GATES	7									
	M115	EIGHT 3-INPUT NAND GATES	3									
	M116	4-INPUT NOR GATES	3									
	M117	SIX 4-INPUT NAND GATES	3									
	M119	THREE 8-INPUT NAND GATES	2									
	M121	AND/NOR GATE	3									
	M141	NAND/OR GATES	2									
	M149	9X2 NAND WIRED OR MATRIX	10									
	M161	BINARY TO OCTAL/DECIMAL DECODER	1									
	M163	DUAL BINARY TO DECIMAL DECODER	1									
	M203	8 R/S FLIP-FLOP	4									
	M205	5 "D" FLIP-FLOPS	3									
	M207	GENERAL PURPOSE FLIP-FLOP	1									
	M208	8-BIT BOFFER/SHIFT REGISTER	2									
	M214	DATA STORAGE REGISTER REV B OR BEYOND	3									
	M216	SIX FLIP-FLOPS	5									
TITLE MODULE UTILIZATION			ASSY NO. D-MU-RK11-C-01		SIZE CODE A PL		NUMBER RK11-C-01		REV. B		ECO NO. RK11C-00006	
			SHEET 1 OF 2		DIST.							

DIGITAL EQUIPMENT CORPORATION MAYNARD, MASSACHUSETTS <b>PARTS LIST</b>				QTY/VAR								
MADE BY KAREN KRYSIAK		CHECKED M. MACKENZIE		SECTION 1								
DATE 1/27/71		DATE 2/23/71		ISSUED SECT. 1								
ENG <i>Tom Egan</i>		PROD <i>W. Cull</i>		DATE 3/18/71								
ITEM NO.	DWG NO. / PART NO. CL BASIC VAR.	DESCRIPTION			UNIT COST	UNIT QUANTITY	QUANTITY ISSUED					
	M236	12 BIT SYNCHRONOUS UP/DOWN COUNTER	1									
	M238	UP/DOWN COUNTER	1									
	M239	THREE 4-BIT COUNTER/REGISTER	2									
	M304	ONE SHOT DELAY	3									
	M307	INTERGRATING ONE SHOT	3									
	M405	CRYSTAL CLOCK	1									
	M611	DIODE INVERTER	1									
	M617	FOUR INPUT POWER NAND GATE	1									
	M623	BUS DRIVER	3									
	M782/M782C/M782I	INTERRUPT CONTROL MODULE	1									
	M784	UNIBUS RECEIVER MODULE	3									
	M795	WORD COUNT & CURRENT MEM ADDRESS	1									
	M796	UNIBUS MASTER CONTROL	1									
	M797	REGISTER SELECT MODULE	1									
	M798	UNIBUS DRIVERS	1									
	M930	BUS TERMINATORS	2									
	5408778	PRIORITY JUMPER LEVEL 5	1									
TITLE MODULE UTILIZATION			ASSY NO. D-MU-RK11-C-01		SIZE CODE A PL		NUMBER RK11 C-01		REV. B		ECO NO.	
			SHEET 2 OF 2		DIST.							

This drawing and specifications, herein, are the property of Digital Equipment Corporation and are to be reproduced in whole or in part as the basis for the manufacture or sale of items without written permission.

REV. B  
 SIZE CODE NUMBER  
 DMURKII-C-01

	1	2	3	4	5	6	7	8	9	10	11	12	13	14	15	16	17	18	19	20	21	22	
USAGE	BC11-A	BC11-A			M195	M782	M795	M784		BC11-A		BC11-A	M798	M149	M149	M149	M239	M239	M214	M208	M203	M149	
D					BUS SYN IN	ADD DEC AND MSYN	BG OUT	BUS D 2	INIT				BUS D 15	BUS D 06	INT BUS 15	INT BUS 13	INT BUS 15	INT BUS 13	MAINT (1)	INT FUN 2	ADD 04(1)	RKDB 13	RKDB 15
A					OUT L	BUS D 5	BUS D 4	BUS D 3	BUS ADD REGISTER				BUS D 14	BUS D 05	INT BUS 14	INT BUS 11	INT BUS 14	INT BUS 11	EX MEMB1 (1)	INT FUN 0	ADD 03(1)	RKDB 12	RKDB 14
B													BUS D 13	BUS D 04	INT BUS 12	INT BUS 11	INT BUS 12	INT BUS 11	EX MEMB0 (1)	GATE BUS	ADD 02(1)	RKDB 11	RKDB 13
C													BUS D 12	BUS D 03	INT BUS 11	INT BUS 10	INT BUS 11	INT BUS 10	EX MEMB0 (1)	INT FUN 0	ADD 01(1)	RKDB 10	RKDB 12
													BUS D 11	BUS D 02	INT BUS 10	INT BUS 09	INT BUS 10	INT BUS 09	EX MEMB0 (1)	INT FUN 0	ADD 01(1)	RKDB 09	RKDB 11
													BUS D 10	BUS D 01	INT BUS 09	INT BUS 08	INT BUS 09	INT BUS 08	EX MEMB0 (1)	INT FUN 0	ADD 01(1)	RKDB 08	RKDB 10
													BUS D 09	BUS D 00	INT BUS 08	INT BUS 07	INT BUS 08	INT BUS 07	EX MEMB0 (1)	INT FUN 0	ADD 01(1)	RKDB 07	RKDB 09
													BUS D 08	BUS D 00	INT BUS 07	INT BUS 06	INT BUS 07	INT BUS 06	EX MEMB0 (1)	INT FUN 0	ADD 01(1)	RKDB 06	RKDB 08
													BUS D 07	BUS D 00	INT BUS 06	INT BUS 05	INT BUS 06	INT BUS 05	EX MEMB0 (1)	INT FUN 0	ADD 01(1)	RKDB 05	RKDB 07

	23	24	25	26	27	28	29	30	31	32	33	34	35	36	37	38	39	40	41	42	43	44
USAGE	M149	M121	M216	M141	M384	M236	M285	M138	6775	6775												
A	1-RKDB 15	1-RKDB 14	1-RKDB 12	1-RKDB 11	1-RKDB 10	1-RKDB 09	1-RKDB 08	1-RKDB 07	1-RKDB 06	1-RKDB 05	1-RKDB 04	1-RKDB 03	1-RKDB 02	1-RKDB 01	1-RKDB 00	1-RKDB 00	1-RKDB 00	1-RKDB 00	1-RKDB 00	1-RKDB 00	1-RKDB 00	1-RKDB 00
B	MAINT LOG ADD	INTELS																				

REV	1	2	3	4	5	6	7	8
CHK								
CHANGE N.								
DATE								
BY								

FIRST USED ON OPTION/ MODEL  
 PDP-11

NOTE:  
 \* IF PDP-11 IS LAST DEVICE ON THE UNIBUS AN M93B IS INSERTED INTO THIS SLOT  
 \* EACH DISK BUS REQUIRES AN M93B INSERTED ON THE LAST DISK ON EACH DISK BUS  
 \* IF NO DISK EXISTS ON A BUS, AN M93B IS INSERTED HERE INSTEAD OF THE BC11-A.  
 \*\*\* MAY ALSO USE M782C, M782I.

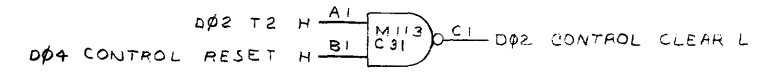
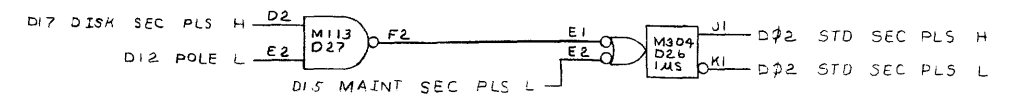
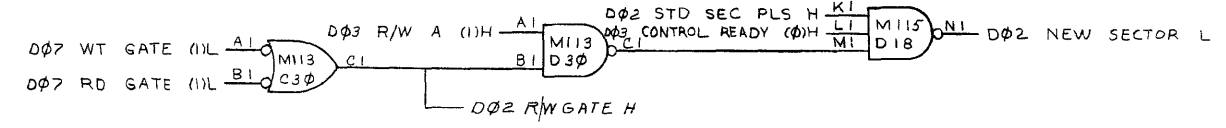
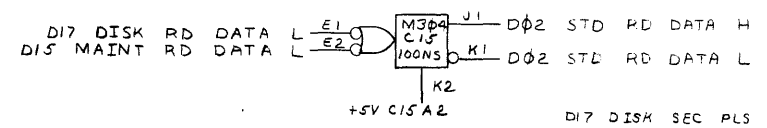
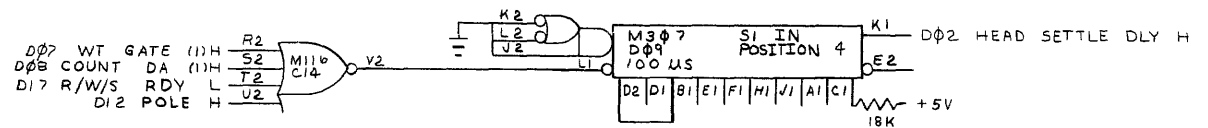
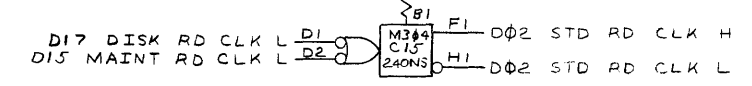
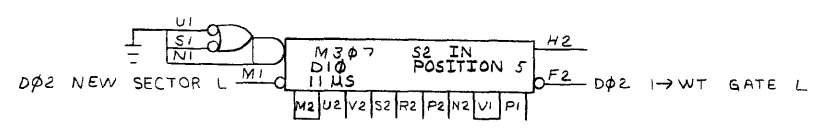
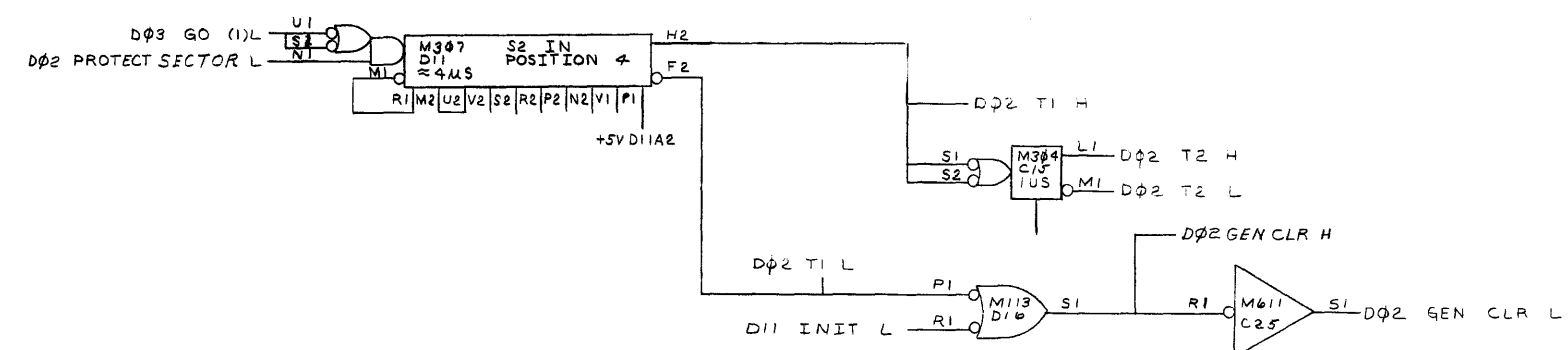
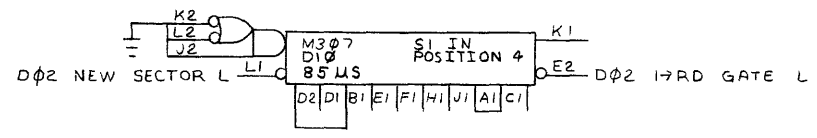
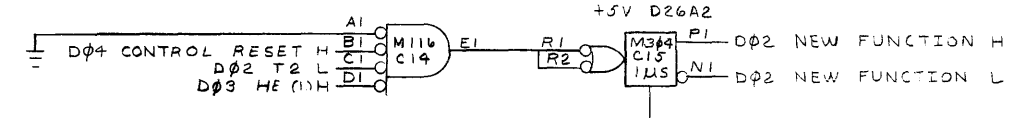
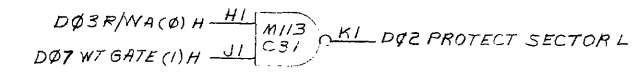
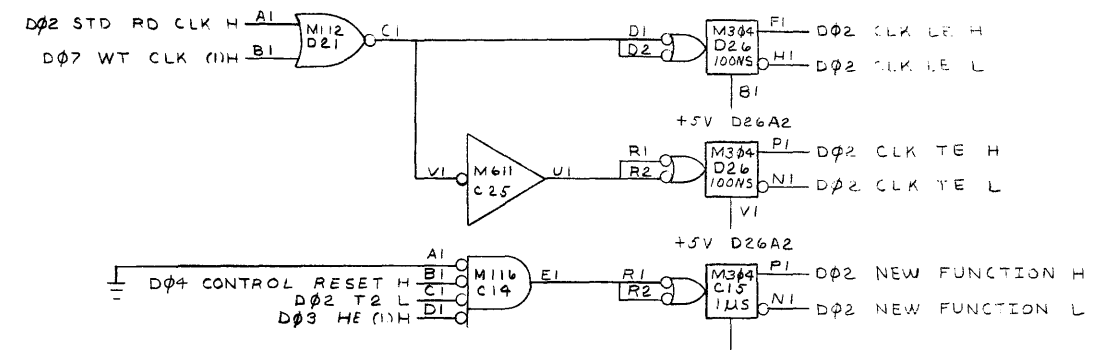
DO NOT SCALE DRAWING	DRN.	DATE	digital EQUIPMENT CORPORATION
UNLESS OTHERWISE SPECIFIED DIMENSION IN INCHES	CHK'D	DATE	
TOLERANCES DECIMALS FRACTIONS ANGLES .005 .016 .030	ENG.	DATE	MODULE UTILIZATION
FINAL SURFACE QUALITY REMOVE BURRS AND BREAK SHARP CORNERS	PROD. ENG.	DATE	
MATERIAL	PROD.	DATE	
FINISH	NEXT HIGHER ASSY		
	A-ML-RKII-C	SCALE	SIZE CODE NUMBER
	SHEET 1 OF 2	DIST.	DMURKII-C-01

REV. B  
 SIZE CODE NUMBER  
 DMURKII-C-01





This drawing and specifications, herein, are the property of Digital Equipment Corporation and shall not be reproduced or copied or used in whole or in part as the basis for the manufacture or sale of items without written permission.



REVISIONS	CHANGE NO.	REV
CHK	PKIIC-0002	A
TOM ORR		

FIRST USED ON OPTION/MODEL	QTY.	DESCRIPTION	PART NO.	ITEM NO.
PDP-11				
PARTS LIST				
UNLESS OTHERWISE SPECIFIED	DRN.	DATE	digital EQUIPMENT CORPORATION MAYNARD MASSACHUSETTS	
UNLESS OTHERWISE SPECIFIED	CHK'D	DATE	TITLE	
DIMENSION IN INCHES	DATE	DATE	BASIC TIMING	
TOLERANCES	ENG.	DATE		
DECIMALS FRACTIONS ANGLES	PROJ. ENG. C.	DATE		
± .005 ± .1/64 ± 0°30'	PROD.	DATE		
FINAL SURFACE QUALITY / REMOVE BURRS AND BREAK SHARP CORNERS	DATE	DATE		
MATERIAL	NEXT HIGHER ASSY			
FINISH	A-ML-RKII-C	SIZE CODE	NUMBER	REV
	SCALE	DBS	RKII-C-02	A
SHEET	OF	DIST.		



This drawing and specifications, herein, are the property of Digital Equipment Corporation and shall not be reproduced or copied or used in whole or in part as the basis for the manufacture or sale of items without written permission.

D

C

B

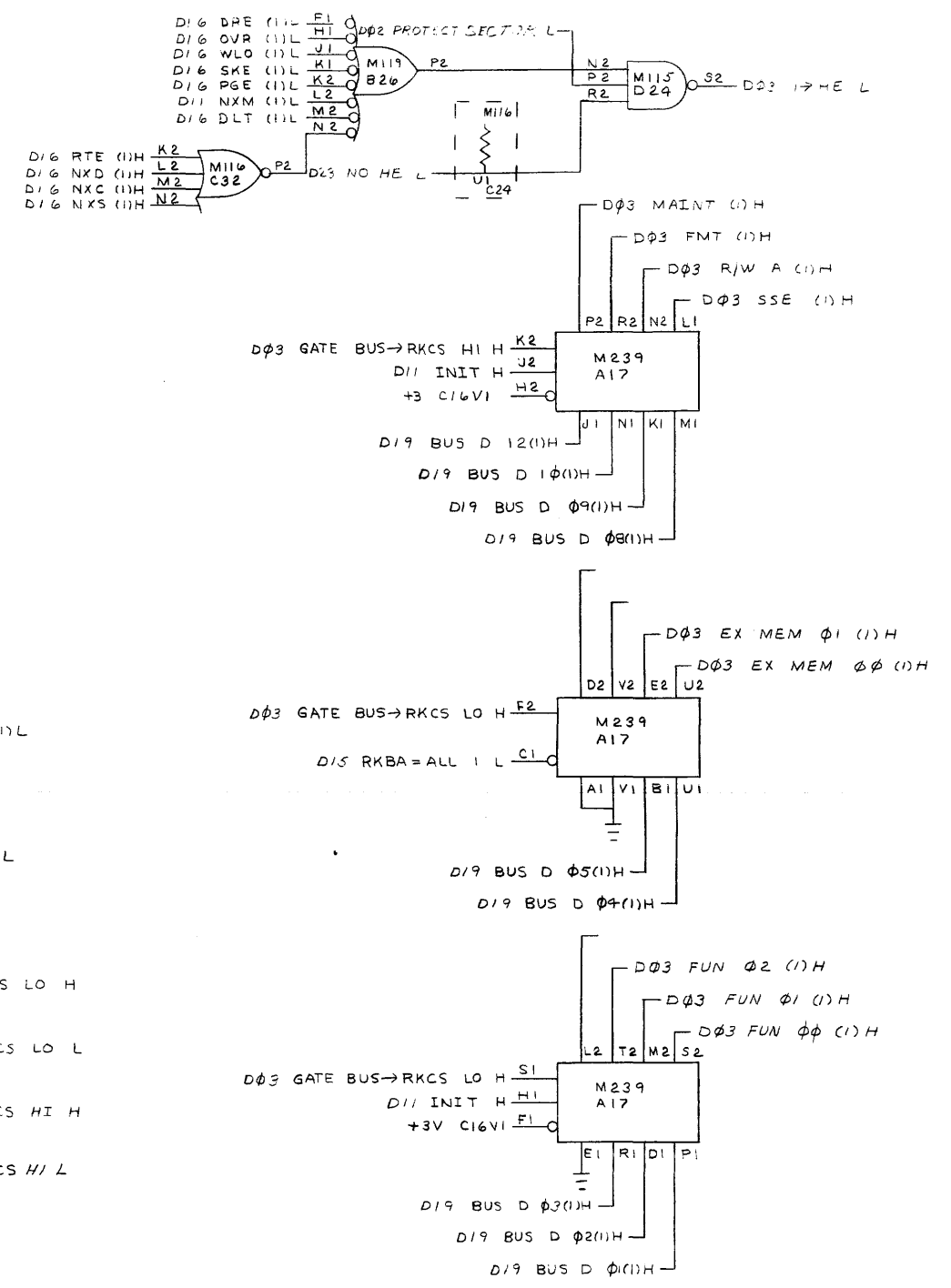
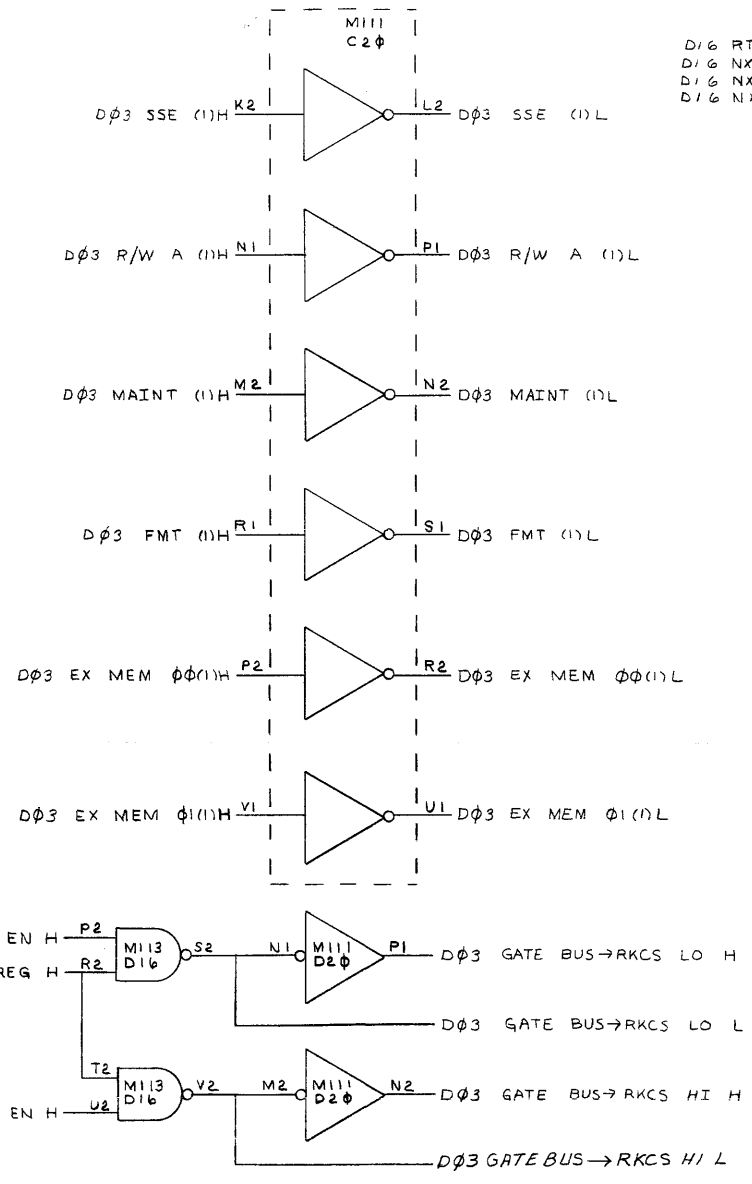
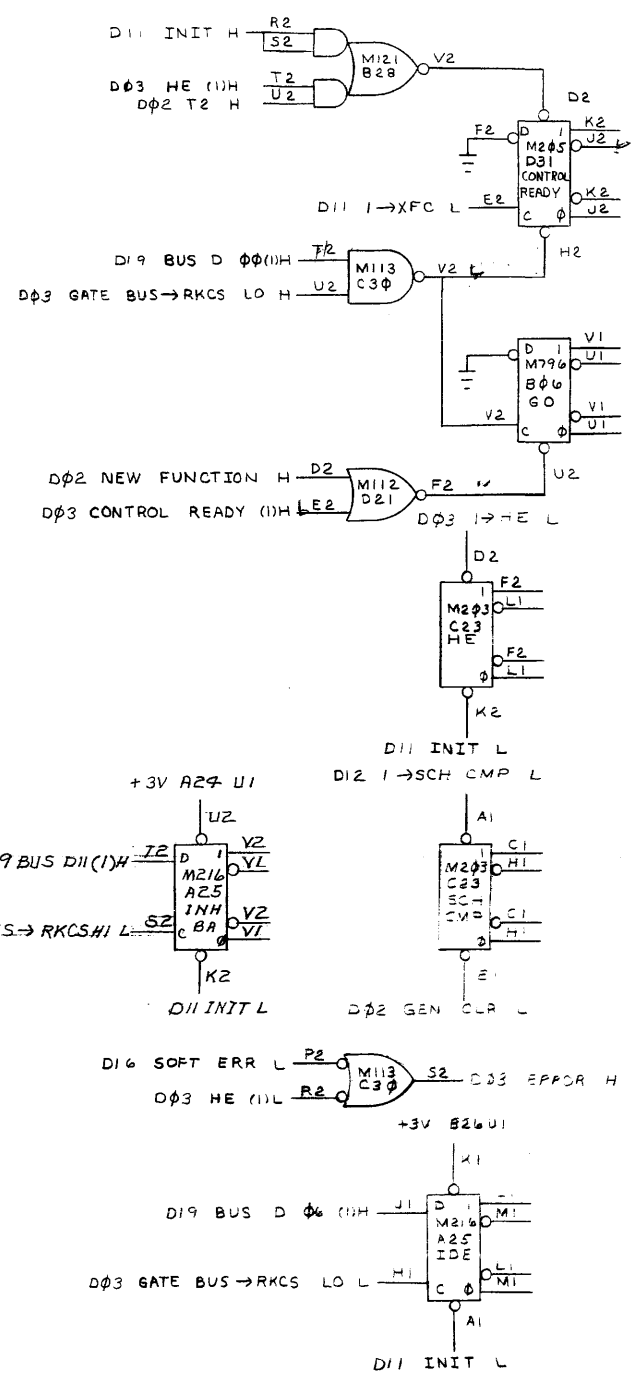
A

D

C

B

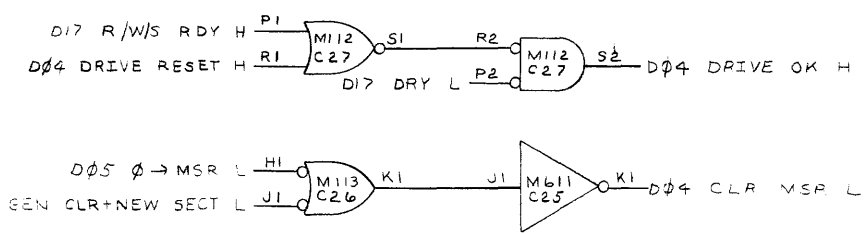
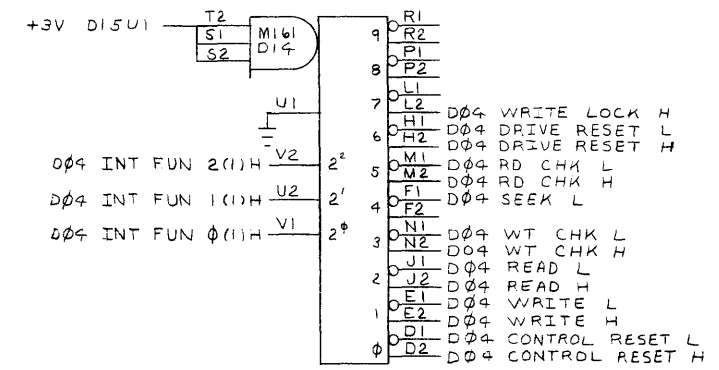
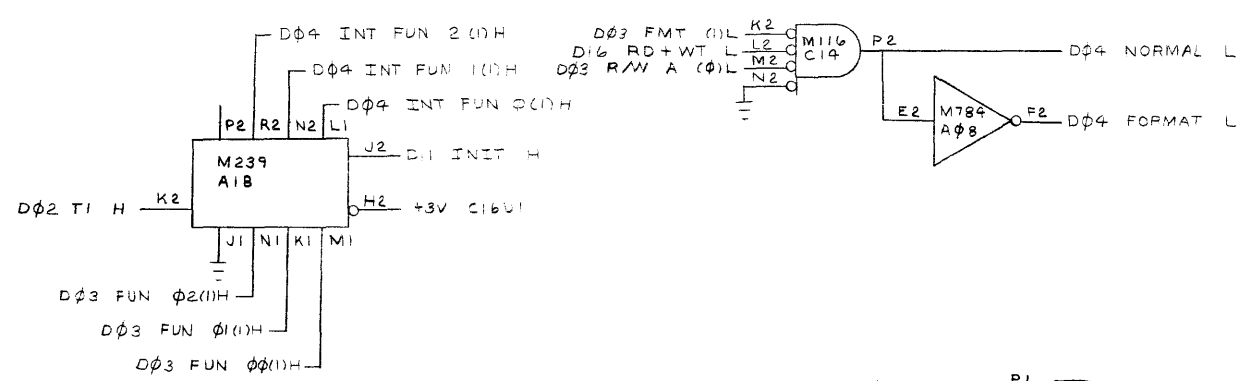
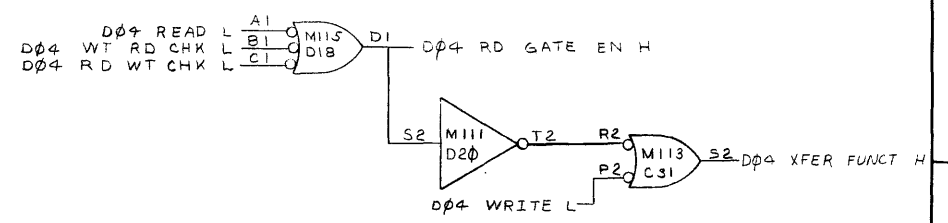
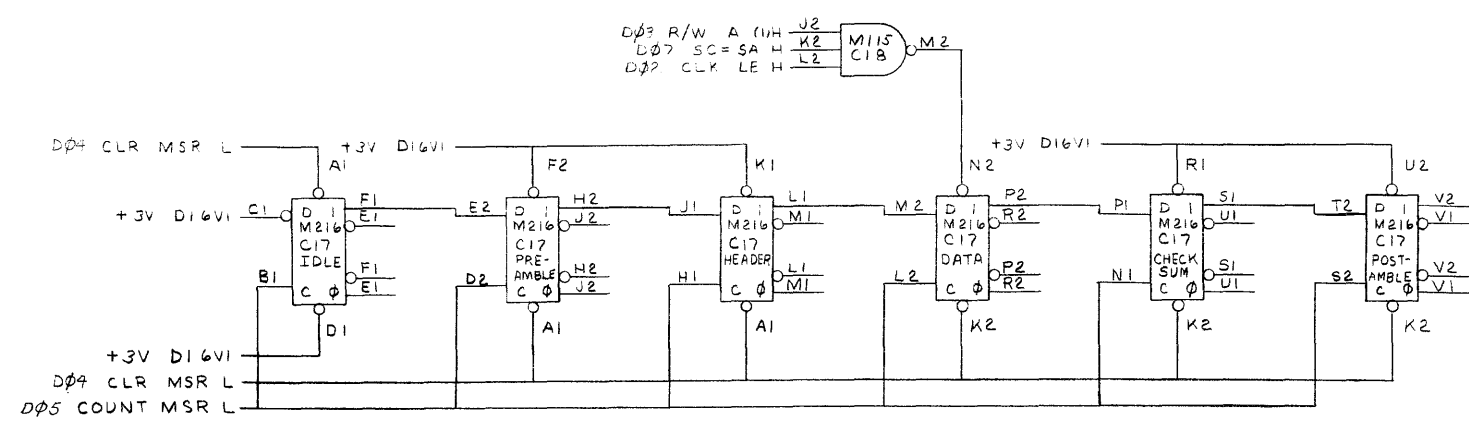
A



REV	DATE	BY	CHK
1	10/20/71	JK	JK
2	11/10/71	JK	JK
3	11/10/71	JK	JK
4	11/10/71	JK	JK
5	11/10/71	JK	JK
6	11/10/71	JK	JK
7	11/10/71	JK	JK
8	11/10/71	JK	JK

FIRST USED ON OPTION/MODEL PDP-11	QTY.	DESCRIPTION	PART NO.	ITEM NO.
PARTS LIST				
UNLESS OTHERWISE SPECIFIED	DRN	DATE	DIGITAL EQUIPMENT CORPORATION	
UNLESS OTHERWISE SPECIFIED	CHK'D	DATE	TITLE	
DIMENSION IN INCHES	ENG	DATE	RKCS AND CONTROL	
TOLERANCES	PROJ ENG	DATE	MATERIAL	
± .005 = 1.64 ± 0.30	PROD	DATE	FINISH	
FINAL SURFACE QUALITY	NEXT HIGHER ASSY			
REMOVE BURRS AND BREAK SHARP CORNERS	A-ML-RK11-C			
	SCALE	NUMBER		REV
	1 OF 1	DBS RK11-C-03		A
		DIST.		

This drawing and specifications, herein, are the property of Digital Equipment Corporation and shall not be reproduced or copied or used in whole or in part as the basis for the manufacture or sale of items without written permission.

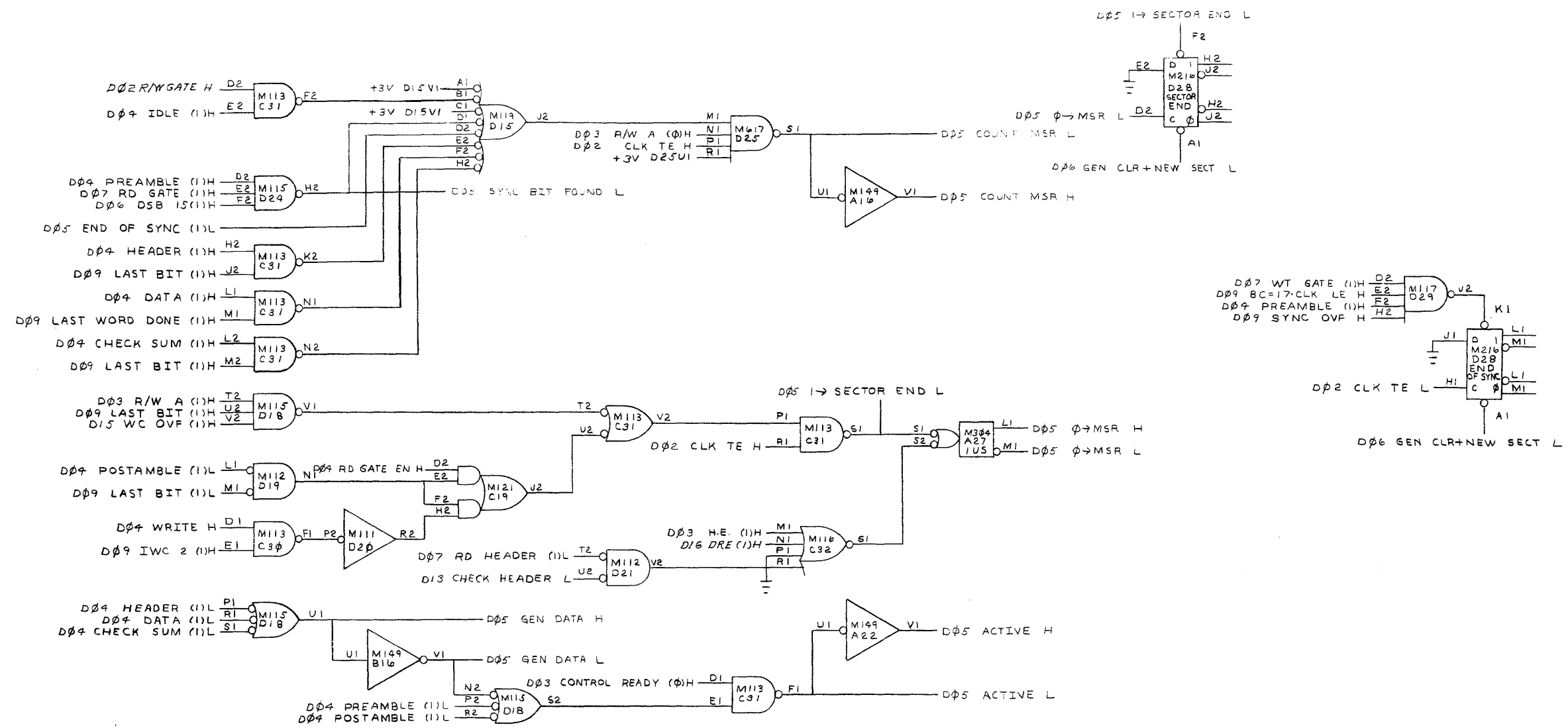


REV. NUMBER DBS RKII-C-Ø4

REV.	
CHANGE NO.	
CHK	

FIRST USED ON OPTION/MODEL	QTY.	DESCRIPTION	PART NO.	ITEM NO.
PDP-11				
PARTS LIST				
UNLESS OTHERWISE SPECIFIED	DRN	DATE	digital EQUIPMENT CORPORATION WATYARD, MASSACHUSETTS	
UNLESS OTHERWISE SPECIFIED	CHK'D	DATE	TITLE	
DIMENSION IN INCHES	M.S. ENGIN	3/16/71	MAJOR STATES	
TOLERANCES	ENG.	DATE		
DECIMALS FRACTIONS ANGLES	PROJ. ENG.	DATE		
± .005 ± 1/64 ± 0°30'	PROD.	DATE		
FINAL SURFACE QUALITY		DATE		
REMOVE BURS AND BREAK SHARP CORNERS		DATE		
MATERIAL	NEXT HIGHER ASSY			
FINISH	A-ML-RKII-C			
	SCALE		SIZE CODE DBS RKII-C-Ø4	NUMBER
	SHEET	OF	DIST.	REV.

This drawing and specifications, herein are the property of Digital Equipment Corporation and shall not be reproduced or copied or used in whole or in part as the basis for the manufacture or sale of items without written permission.



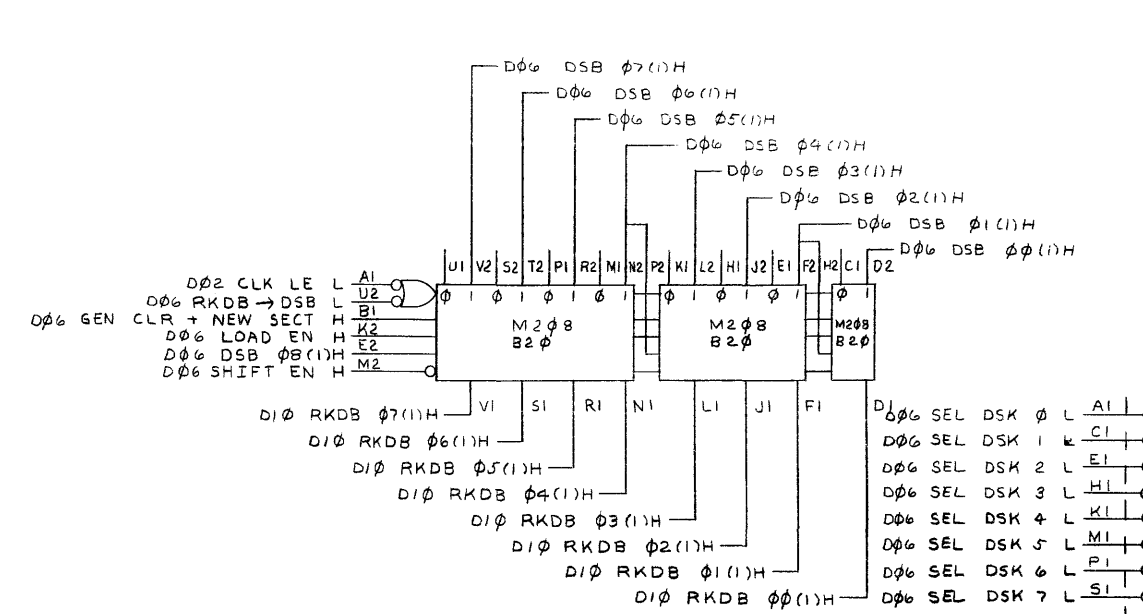
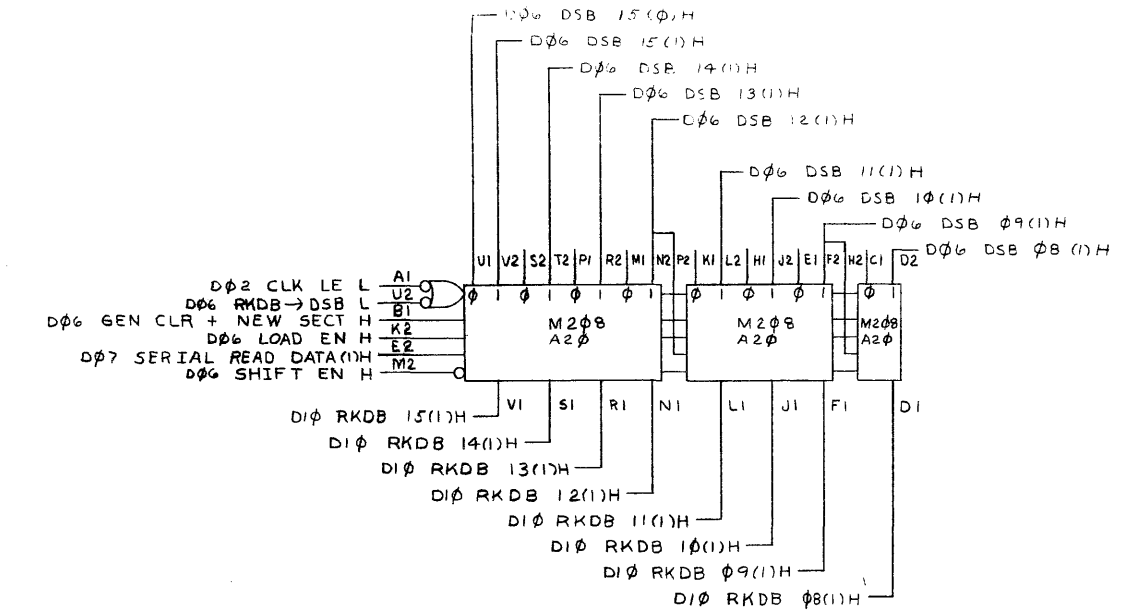
REV	DATE	BY	CHK
A	10/22	...	...
B	11/22	...	...
C	12/22	...	...
D	1/23	...	...
E	2/23	...	...

FIRST USED ON OPTION/MODEL	QTY.	DESCRIPTION	PART NO	ITEM NO.
PDP-11				
PARTS LIST				
UNLESS OTHERWISE SPECIFIED: DRN. DATE 11-6-70				
UNLESS OTHERWISE SPECIFIED: DIMENSION IN INCHES: CHK'D. DATE 1/16/71				
TOLERANCES: ENG. DATE 1/27/71				
DECIMALS FRACTIONS ANGLES: = .005 ± 1/64 ± 0°30' DATE 1/27/71				
PROJ. ENG. DATE 1/27/71				
FINAL SURFACE Q.A.T. DATE 3/18/71				
REMOVE BURNING AND BREAK SHARP CORNERS: PROD. DATE 3/18/71				
MATERIAL: NEXT HIGHER ASSY				
FINISH: A-ML-RK11-C				
SCALE: 1 OF 1			SIZE CODE: DBS RK11-C-05	REV: A
SHEET			DIST.	

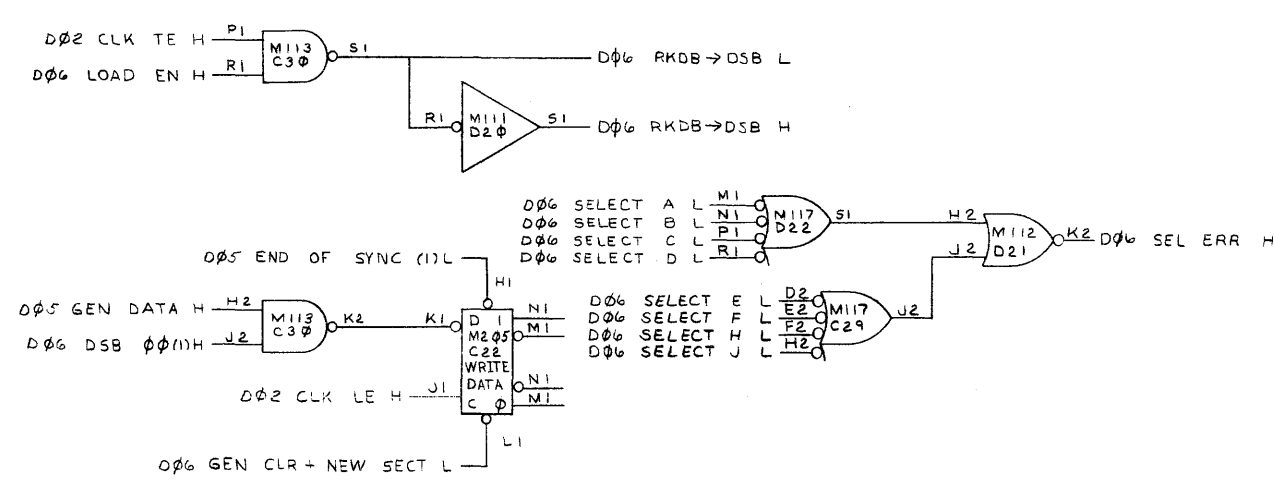
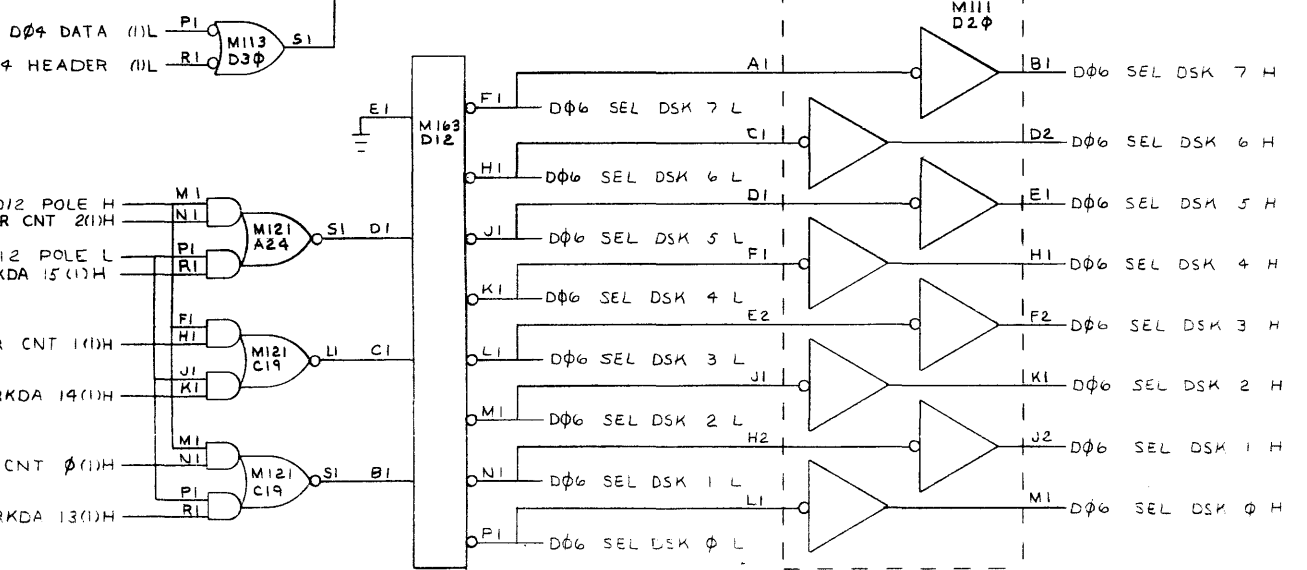
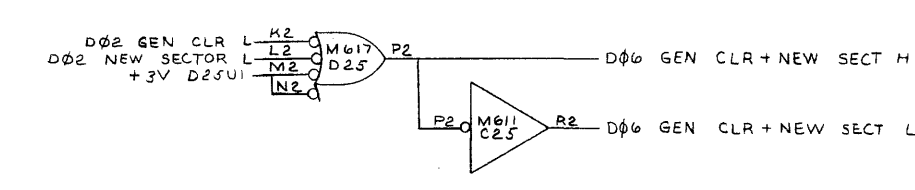
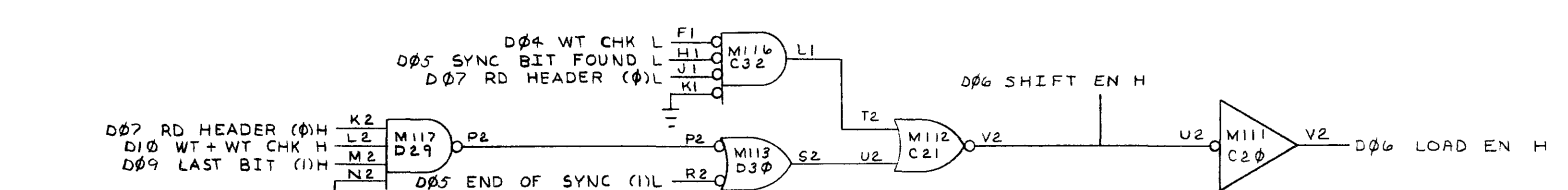
This drawing and specifications herein are the property of Digital Equipment Corporation and shall not be reproduced or copied or used in whole or in part as the basis for the manufacture or sale of items without written permission.

REV. NO. 2  
 SIZE CODE DBS  
 NUMBER RK11-C-06

8 7 6 5 4 3 2 1



- 0-I02 D06 SELECT A L
- 0-F2 D06 SELECT B L
- 0-J2 D06 SELECT C L
- 0-L2 D06 SELECT D L
- 0-N2 D06 SELECT E L
- 0-S2 D06 SELECT F L
- 0-T2 D06 SELECT H L
- 0-V2 D06 SELECT J L



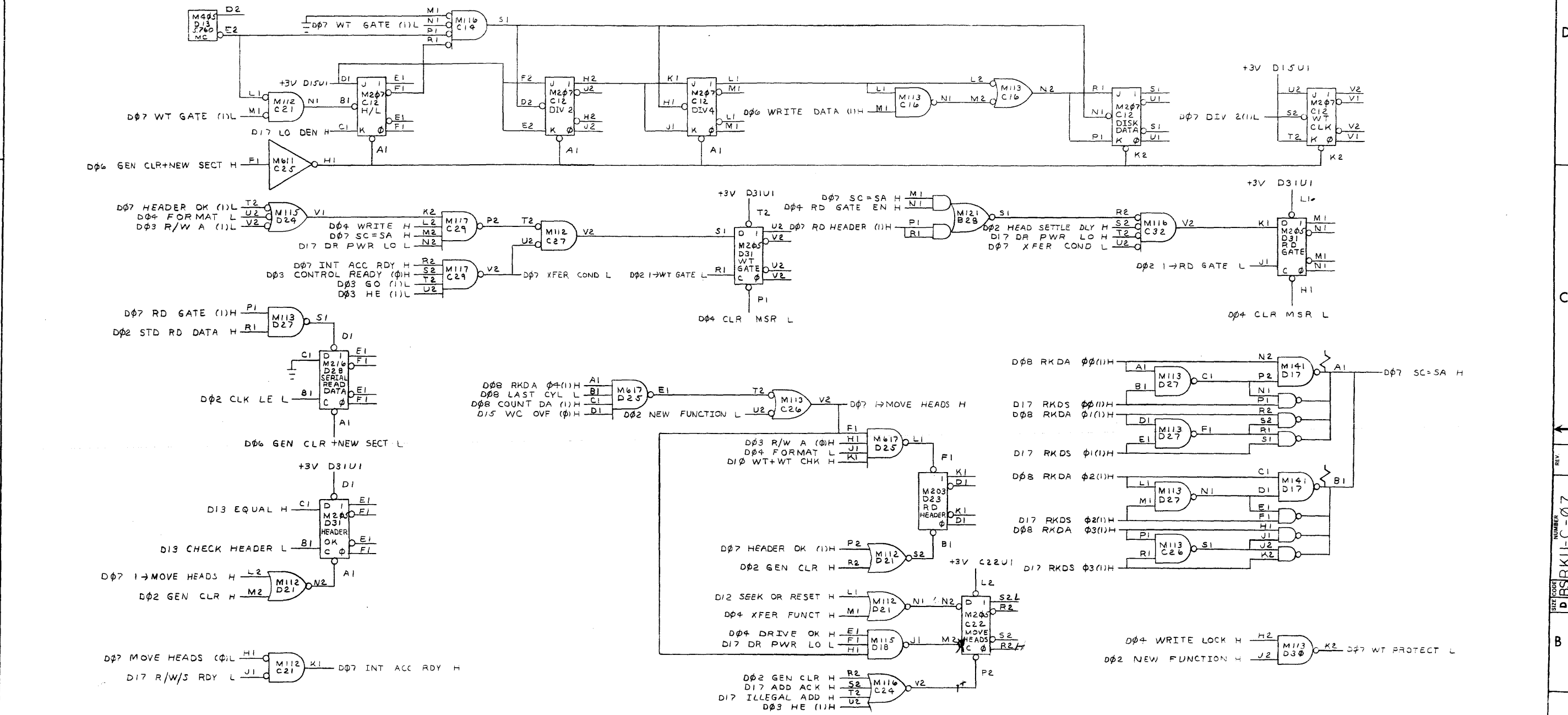
REV	NO.

DEC FORM NO. 020 102A

FIRST USED ON OPTION MODEL PDP-11	QTY.	DESCRIPTION	PART NO.	ITEM NO.
PARTS LIST				
UNLESS OTHERWISE SPECIFIED DIMENSION IN INCHES TOLERANCES DECIMALS FRACTIONS ANGLES ± .005 ± 1/64 ± 0°30'	DRN <i>[Signature]</i>	DATE 11-2-70	DIGITAL EQUIPMENT CORPORATION MAYNARD, MASSACHUSETTS	
FINAL SURFACE QUALITY REMOVE BURRS AND BREAK SHARP CORNERS	CHK'D. <i>[Signature]</i>	DATE 3/10/71	TITLE DSB AND DISK SELECTION	
MATERIAL + / +	ENG. <i>[Signature]</i>	DATE 7/17/71	MATERIAL NEXT HIGHER ASSY	
FINISH + / +	PROJ. ENG. <i>[Signature]</i>	DATE 5/17/71	MATERIAL A-M-L-RK11-C	
	PROD. <i>[Signature]</i>	DATE 3/18/71	MATERIAL A-M-L-RK11-C	
			SCALE + / +	NUMBER RK11-C-06
			SHEET OF	REV. 

8 7 6 5 4 3 2 1

This drawing and specifications herein are the property of Digital Equipment Corporation and shall not be reproduced or copied in whole or in part as the basis for the manufacture or sale of items without written permission.



FIRST USED ON OPTION MODEL	QTY.	DESCRIPTION	PART NO.	ITEM NO.
PDP-11				
UNLESS OTHERWISE SPECIFIED		PARTS LIST		
UNLESS OTHERWISE SPECIFIED		digital EQUIPMENT CORPORATION		
DIMENSION IN INCHES		TITLE		
TOLERANCES		DATE		
DECIMALS FRACTIONS ANGLES		DATE		
± .005 ± .004 ± .030		DATE		
FINAL SURFACE QUALITY		DATE		
REMOVE BURRS AND BREAK CHISEL CORNERS		DATE		
MATERIAL		DATE		
NEXT HIGHER ASSY		DATE		
FINISH		DATE		
SCALE		DATE		
SHEET 1 OF 1		DATE		
A-ML-RKII-0		DRIVE RD WR AND SEEK CONTROL		
SIZE CODE		NUMBER		
DIST		REV		
DBS RKII-C-07				

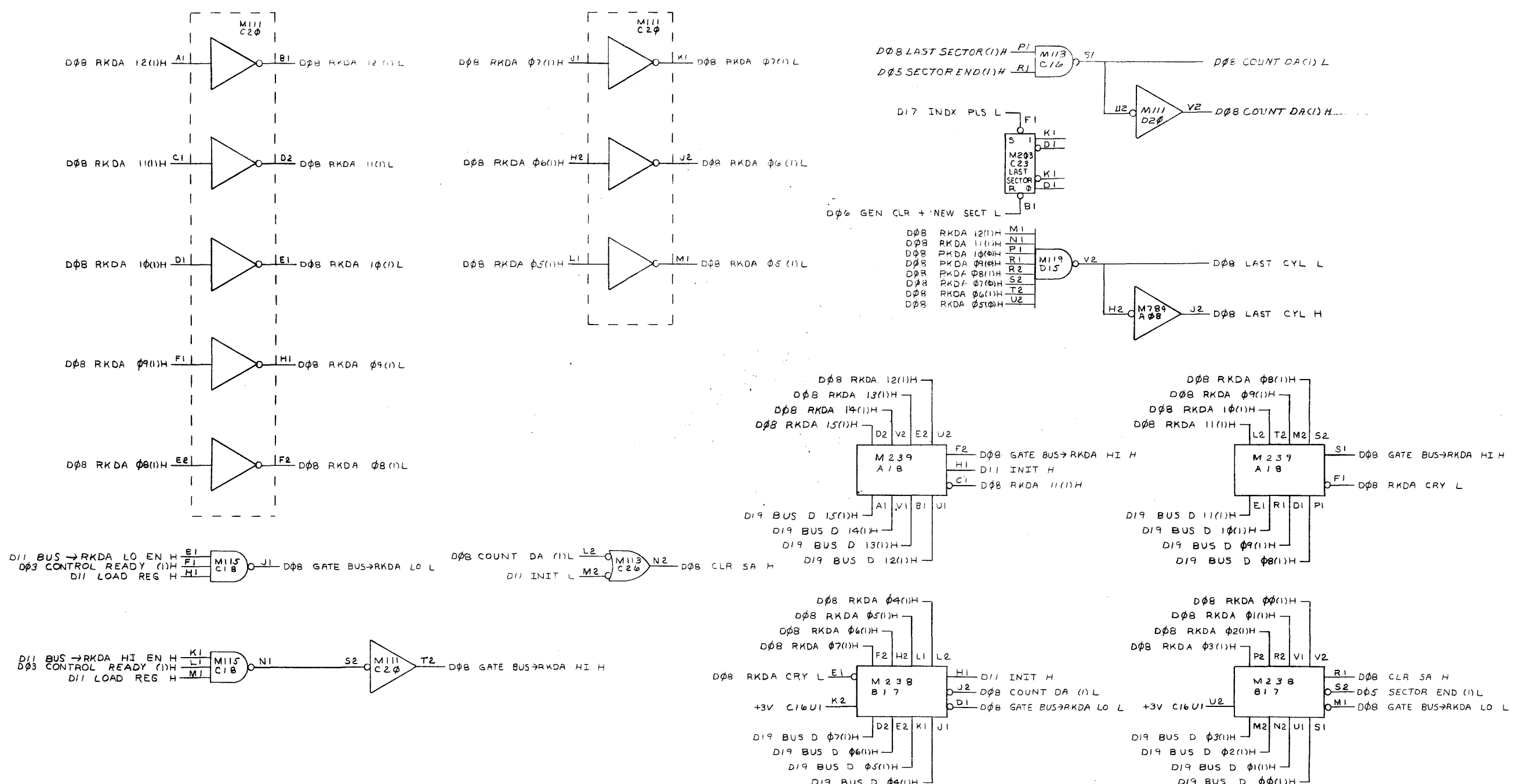
REVISIONS (CHANGE NO.)

REV	DESCRIPTION
1	
2	
3	
4	
5	
6	
7	
8	

DEC FORM NO. DRU 102A

REV. NUMBERS DBSRKII-C-07

This drawing and specifications, herein, are the property of Digital Equipment Corporation and shall not be reproduced or copied or used in whole or in part as the basis for the manufacture or sale of items without written permission.



FIRST USED ON OPTION	MODEL	QTY.	DESCRIPTION	PART NO.	ITEM NO.
PDP-11					
UNLESS OTHERWISE SPECIFIED					
DRN.	DATE	PARTS LIST			
CHK'D	DATE	digital EQUIPMENT CORPORATION			
ENG.	DATE	MAYNARD, MASSACHUSETTS			
PROJ. ENG.	DATE	TITLE			
PROD.	DATE	RKDA AND CONTROL			
MATERIAL					
NEXT HIGHER ASSY					
A-ML-RKII-C					
FINISH					
SCALE					
SHEET 1 OF 1					
SIZE CODE		NUMBER		REV.	
DBS		RKII-C-08		A	
DIST.					

REV	CHANGE NO.	CHK	DATE
A	0002		

REVISIONS

CHK: *[Signature]* DATE: *[Date]*

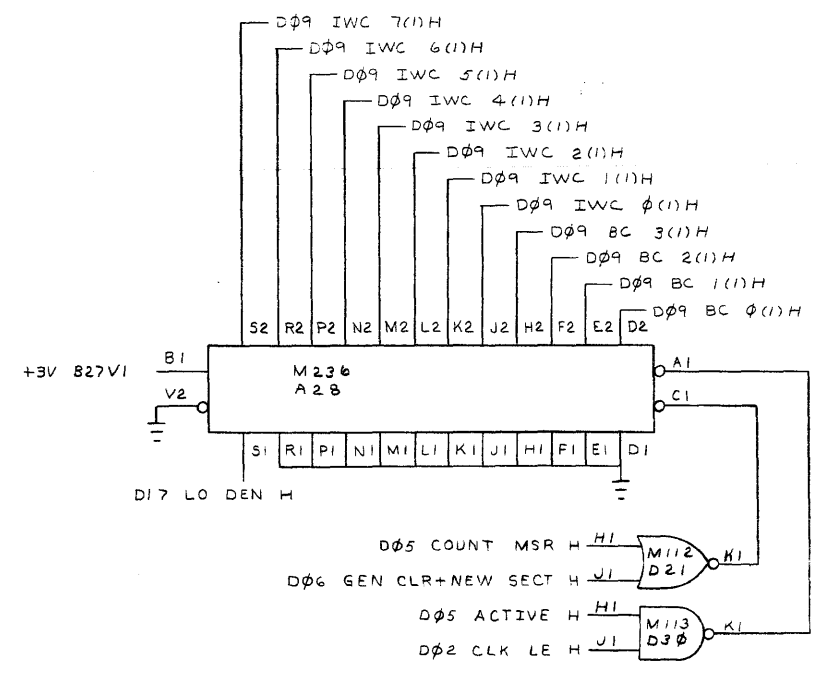
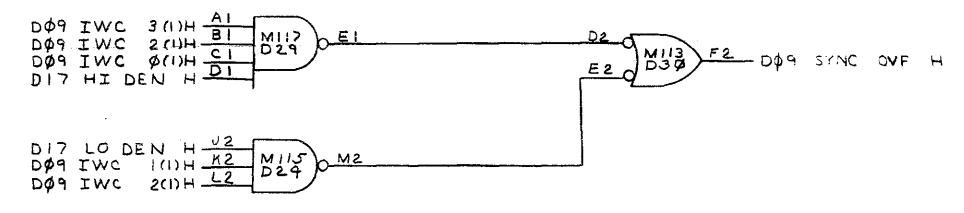
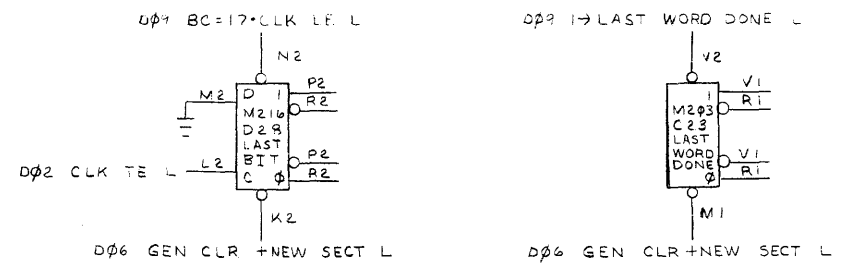
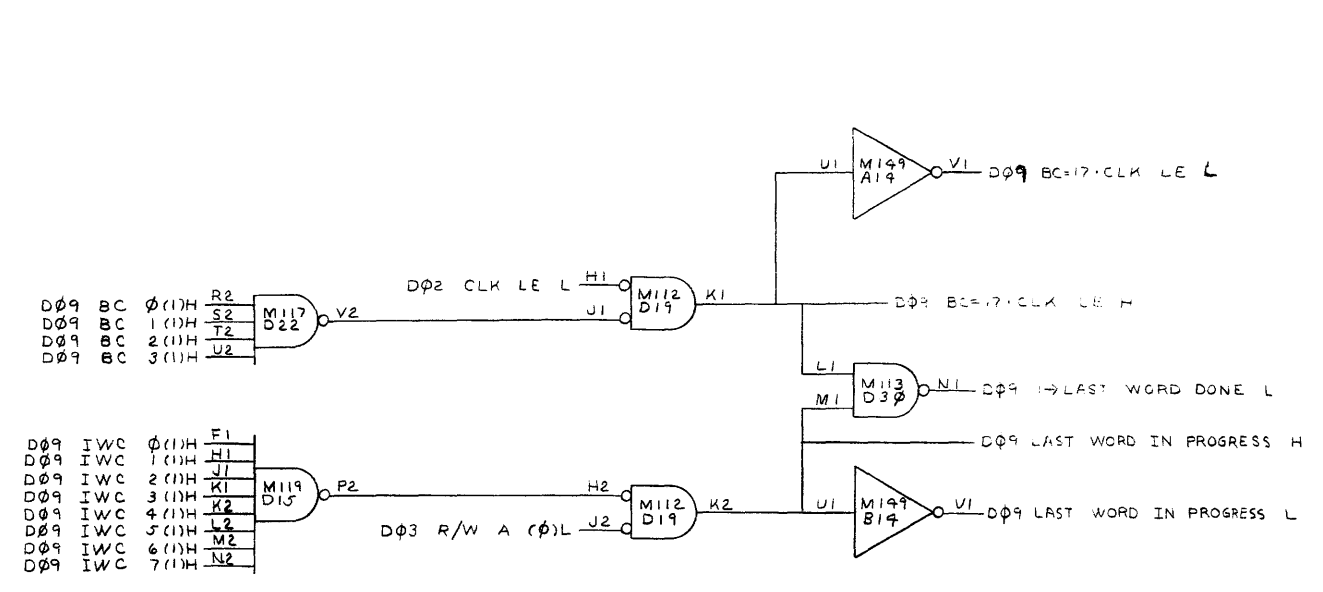
CHG: *[Signature]* DATE: *[Date]*

DESIGN: *[Signature]* DATE: *[Date]*

TOM ORR

*[Signature]* *[Date]*

This drawing and specifications, herein, are the property of Digital Equipment Corporation and shall not be reproduced or copied or used in whole or in part as the basis for the manufacture or sale of items without written permission.



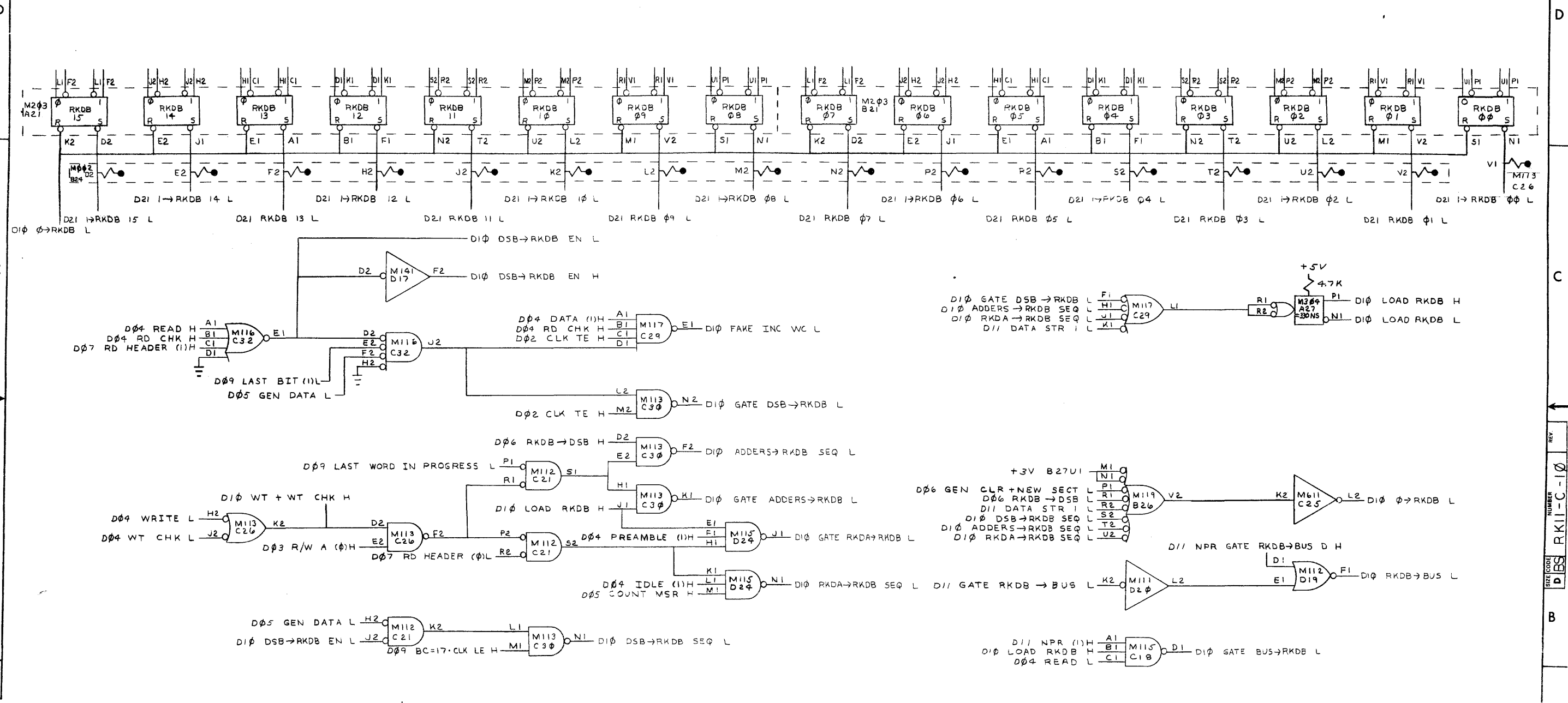
D  
C  
B  
A

D  
C  
B  
A

FIRST USED ON OPTION MODEL	QTY.	DESCRIPTION	PART NO.	ITEM NO.
PDP-11				
PARTS LIST				
UNLESS OTHERWISE SPECIFIED	DRN	DATE	<b>digital</b> EQUIPMENT CORPORATION MAYNARD, MASSACHUSETTS	
UNLESS OTHERWISE SPECIFIED	CHK'D	DATE		
DIMENSION IN INCHES		28/28	3/16/71	BIT COUNTER AND INTERNAL WC
TOLERANCES		ENG.	DATE	
DECIMALS FRACTIONS ANGLES	± .005 ± .004 ± .030	PROT. ENG.	DATE	
REMOVE BURRS AND BREAK SHARP	PROD.	DATE		
MATERIAL	NEXT HIGHER ASSY			
FINISH	A-ML-RK11-C		SIZE/CODE	REV.
	SCALE		DBS	RK11-C-09
	SHEET		DIST.	

REV.	CHANGE NO.

This drawing and specifications, herein, are the property of Digital Equipment Corporation and shall not be reproduced or copied or used in whole or in part as the basis for the manufacture or sale of items without written permission.



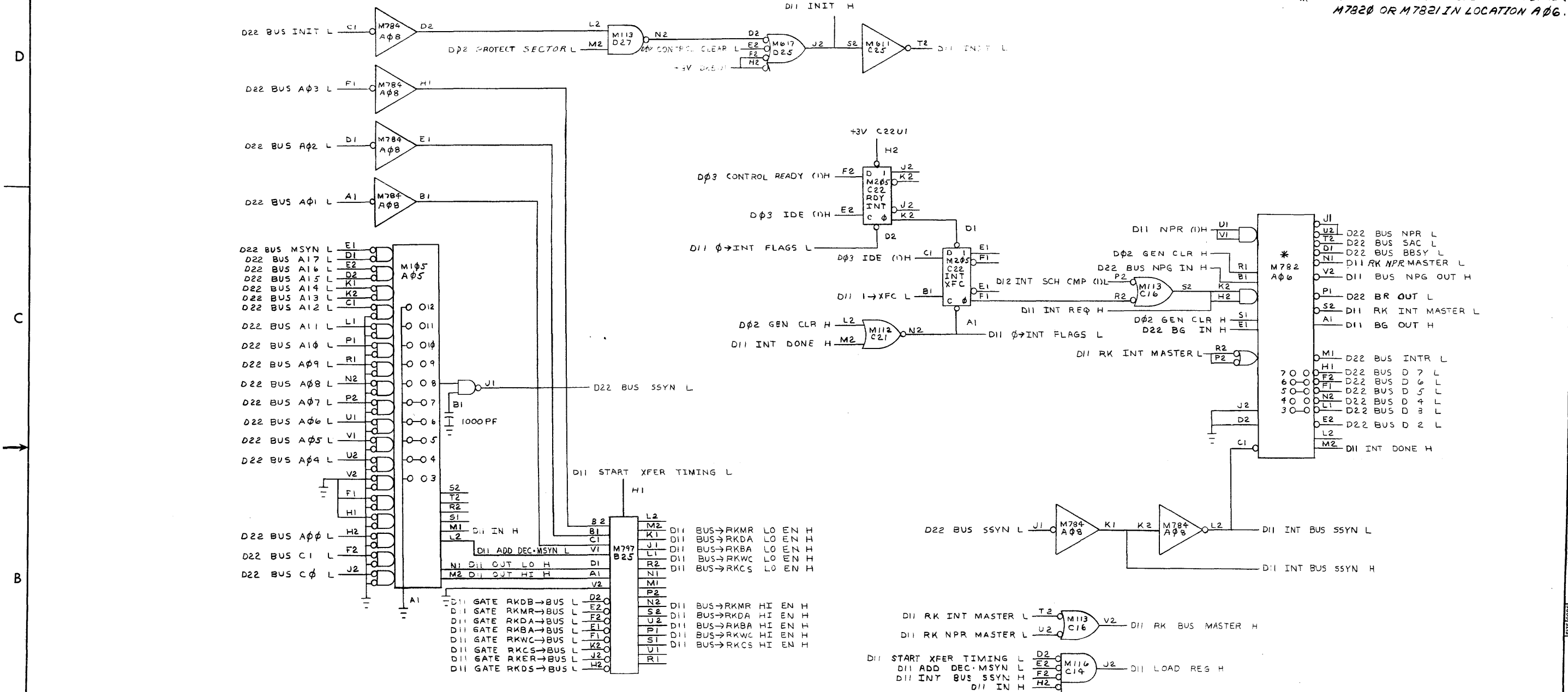
REV.	NO.

FIRST USED ON OPTION MODEL	QTY.	DESCRIPTION	PART NO.	ITEM NO.
PDP-11				
PARTS LIST				
UNLESS OTHERWISE SPECIFIED DRN. DATE 11-3-70				
UNLESS OTHERWISE SPECIFIED CHK'D. DATE 3/16/71				
DIMENSION IN INCHES				
TOLERANCES				
DECIMALS FRACTIONS ANGLES				
± .005 ± 1/64 ± 0°30'				
FINAL SURFACE QUALITY				
REMOVE BURRS AND BREAK SHARP CORNERS				
MATERIAL				
FINISH				
NEXT HIGHER ASSY				
A-ML-RK11-C				
SCALE				
SHEET 1 OF 1				
TITLE				
RKDB AND CONTROL				
SIZE CODE NUMBER				
D BS RK11-C-10				
REV.				



This drawing and specifications, herein, are the property of Digital Equipment Corporation and shall not be reproduced or copied or used in whole or in part as the basis for the manufacture or sale of items without written permission.

NOTES:  
 \* M782 CAN BE REPLACED WITH EITHER M7820 OR M7821 IN LOCATION A06.

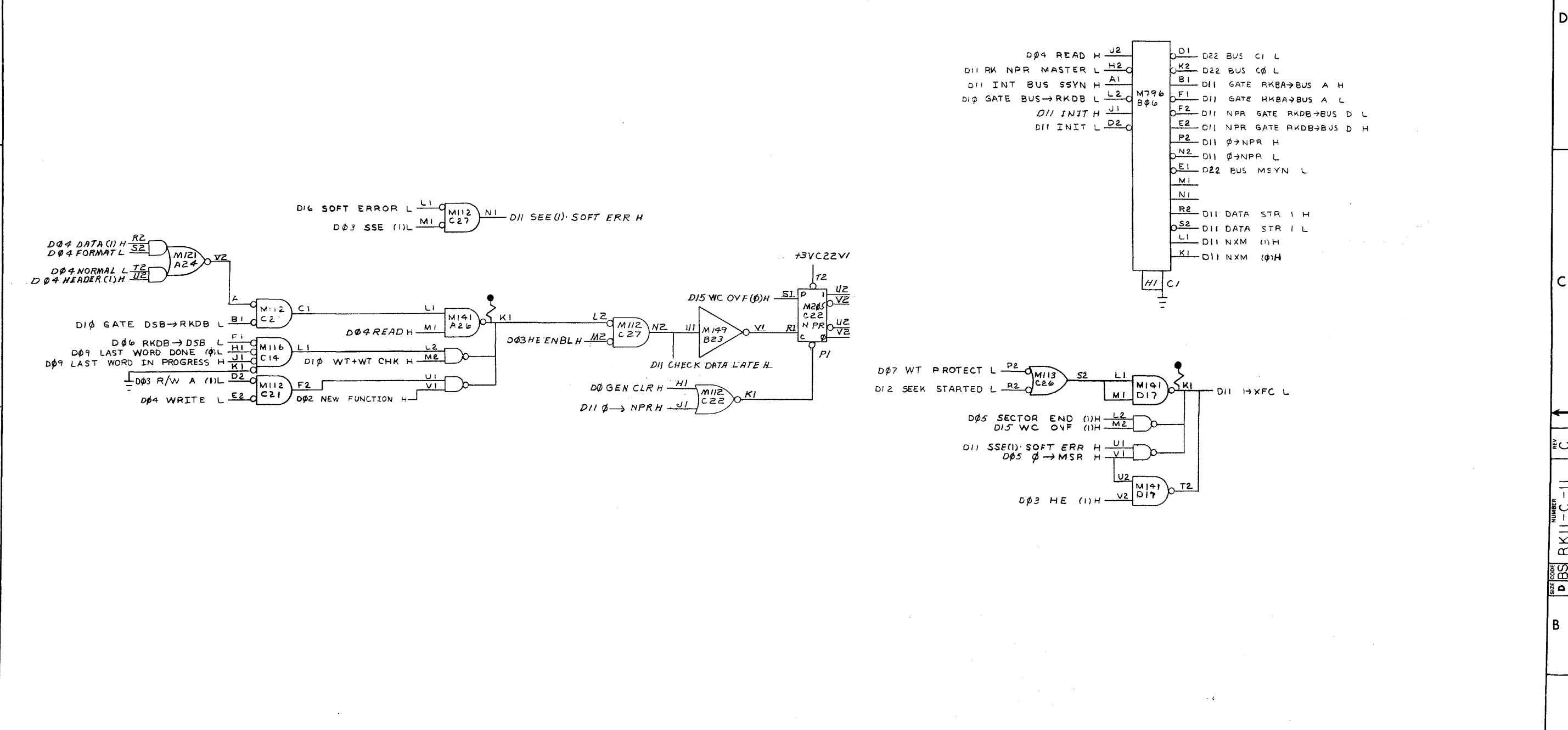


REV.	CHG. NO.	DATE	BY	CHK.
A	0000	12-29-70		
B	0004	1/10/71		
C	0006	1-1-71		

DEC FORM NO. DRD 102A

FIRST USED ON OPTION MODEL	QTY.	DESCRIPTION	PART NO.	ITEM NO.
PDP-11				
PARTS LIST				
UNLESS OTHERWISE SPECIFIED				
DIMENSION IN INCHES		digital CORPORATION		
TOLERANCES		MAYNARD, MASSACHUSETTS		
DECIMALS	FRACTIONS	ANGLES	REG SEL, NPR & INT CONTROL	
± .005	± 1/64	± 0°30'		
REMOVE BURRS AND BREAK SHARP CORNERS				
MATERIAL				
NEXT HIGHER ASSY				
FINISH				
SCALE		SIZE CODE		REV.
SHEET 1 OF 2		DBS RKII-C-11		C

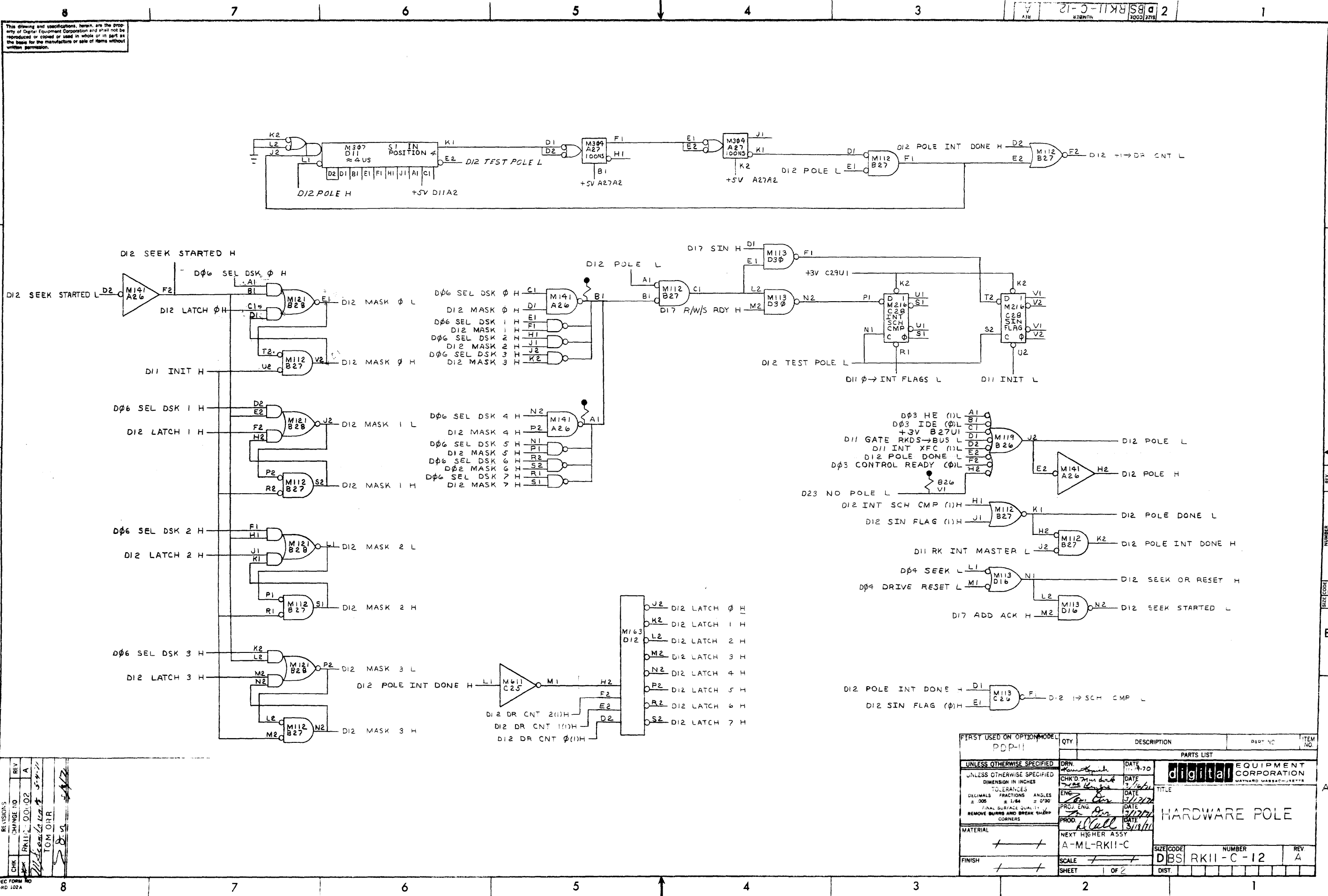
This drawing and specifications, herein, are the property of Digital Equipment Corporation and shall not be reproduced or copied or used in whole or in part as the basis for the manufacture or sale of items without written permission.



REV	NO.
CHK	

FIRST USED ON OPTION/MODEL PDP-11	QTY.	DESCRIPTION	PART NO.	ITEM NO.
PARTS LIST				
UNLESS OTHERWISE SPECIFIED DRN. <i>From Spec</i> DATE 11-17-70	 <b>digital</b> EQUIPMENT CORPORATION MAYNARD, MASSACHUSETTS  <b>REG SEL NPR &amp; INT CONTROL</b>			
UNLESS OTHERWISE SPECIFIED DIMENSION IN INCHES TOLERANCES DECIMALS FRACTIONS ANGLES = .005 = 1/64 = 0°30'				
CHK'D. <i>M. J. Clark</i> DATE 3/16/71				
EDG. <i>W. J. Clark</i> DATE 3/17/71				
PROL. ENG. <i>W. J. Clark</i> DATE 3/17/71				
FINAL SURFACE QUALITY / REMOVE BURRS AND BREAK SHARP CORNERS PROD. <i>W. J. Clark</i> DATE 3/18/71	NEXT HIGHER ASSY A-ML-RK11-C			
MATERIAL / /	SCALE / /	SHEET 2 OF 2	SIZE CODE DBS	NUMBER RK11-C-11
FINISH / /	DIST.		REV. C	

This drawing and specifications, herein, are the property of Digital Equipment Corporation and shall not be reproduced or copied or used in whole or in part as the basis for the manufacture or sale of items without written permission.



FIRST USED ON OPTION MODEL	QTY	DESCRIPTION	PART NO	ITEM NO
PDP-11				
PARTS LIST				
UNLESS OTHERWISE SPECIFIED		DRN.	DATE	digital EQUIPMENT CORPORATION MAYNARD MASSACHUSETTS
UNLESS OTHERWISE SPECIFIED		CHK'D	DATE	
DIMENSION IN INCHES		ENG.	DATE	TITLE
TOLERANCES		PROJ. ENG.	DATE	
DECIMALS FRACTIONS ANGLES		PROD.	DATE	HARDWARE POLE
± .005 ± 1/64 ± 0'30"				
FINAL SURFACE QUALITY				
REMOVE BURRS AND BREAK SHARP CORNERS				
MATERIAL		NEXT HIGHER ASSY		
FINISH		A-ML-RK11-C		
SCALE		SIZE CODE	NUMBER	REV
SHEET 1 OF 2		DBS RK11-C-12		A
		DIST.		

REV	CHG	NO	DATE	BY
1		001	02-11-70	A
2		002	03-11-70	A

REVISIONS

CHK'D: *[Signature]*

DESIGNED BY: *[Signature]*

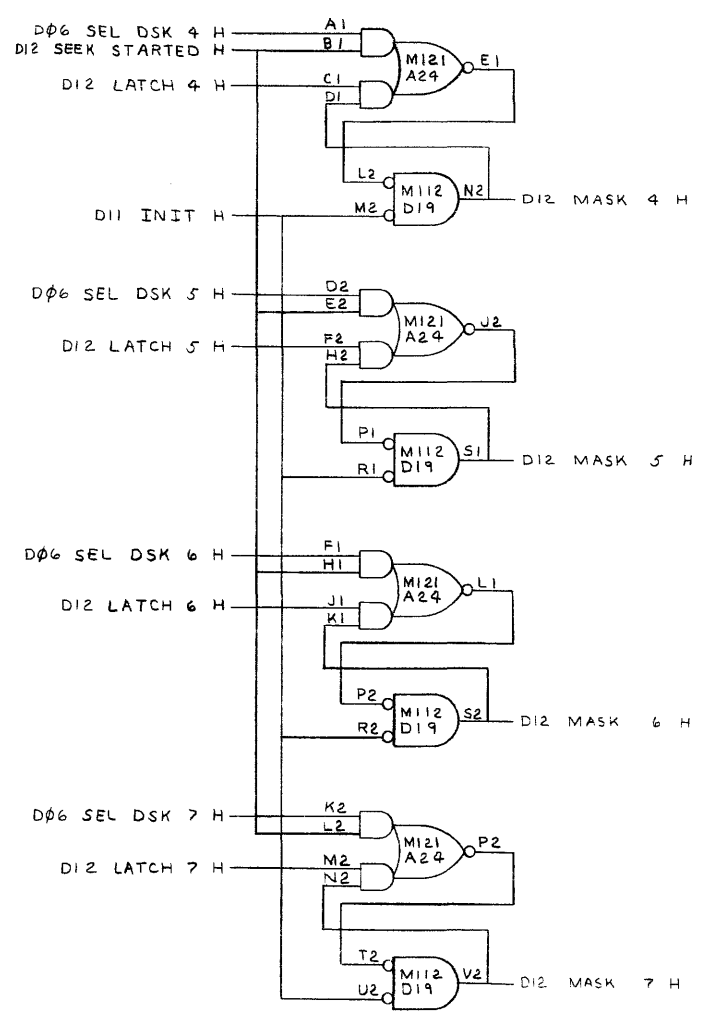
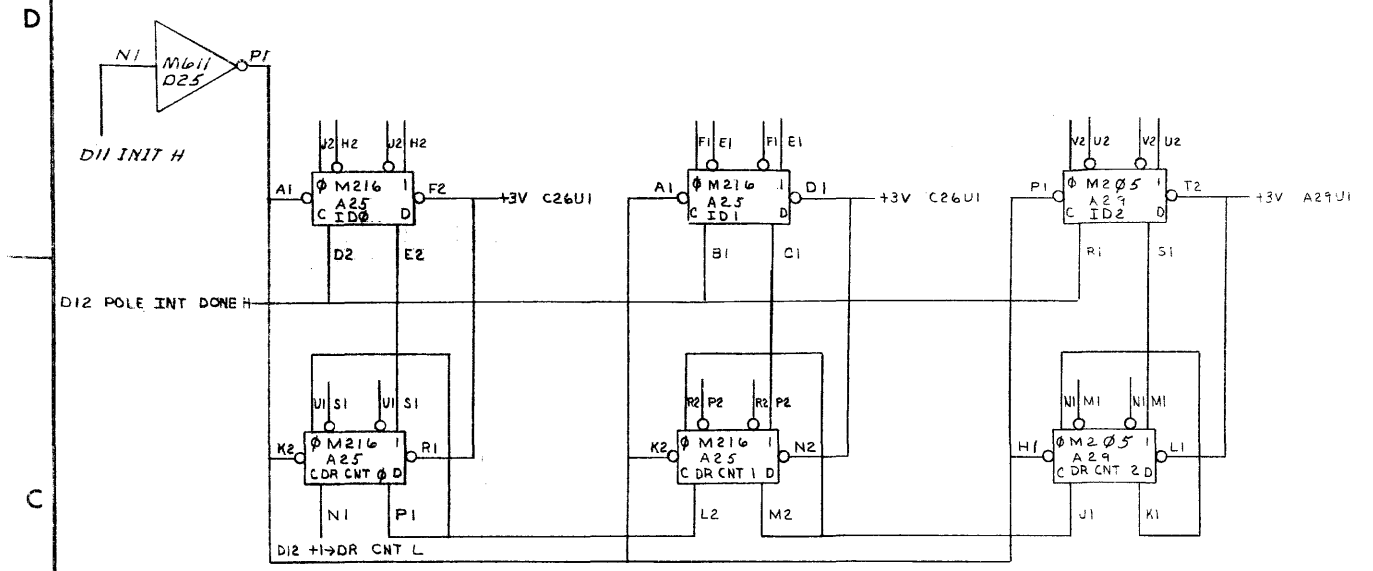
DRAWN BY: *[Signature]*

CHECKED BY: *[Signature]*

APPROVED BY: *[Signature]*

TOM ORR

This drawing and specifications, herein, are the property of Digital Equipment Corporation and shall not be reproduced or copied or used in whole or in part as the basis for the manufacture or sale of items without written permission.

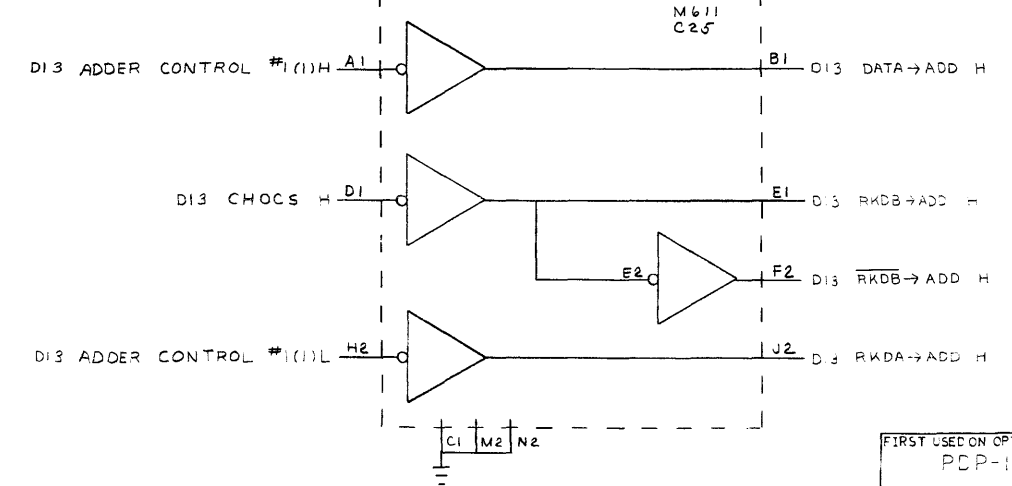
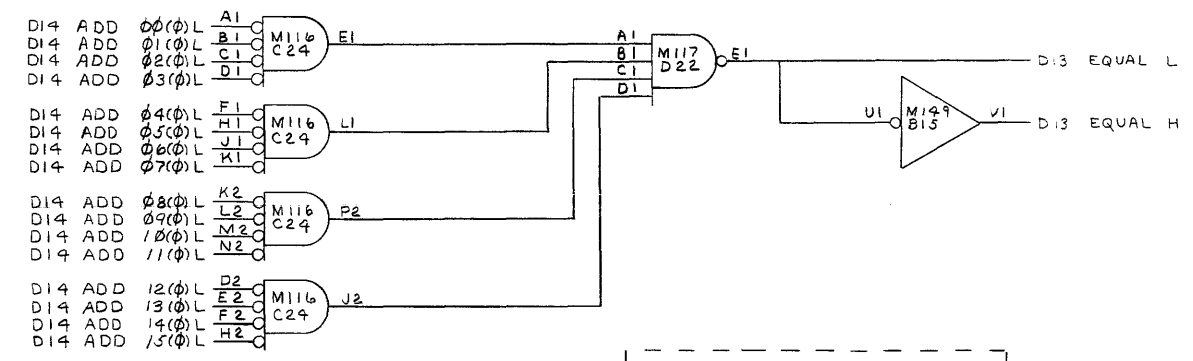
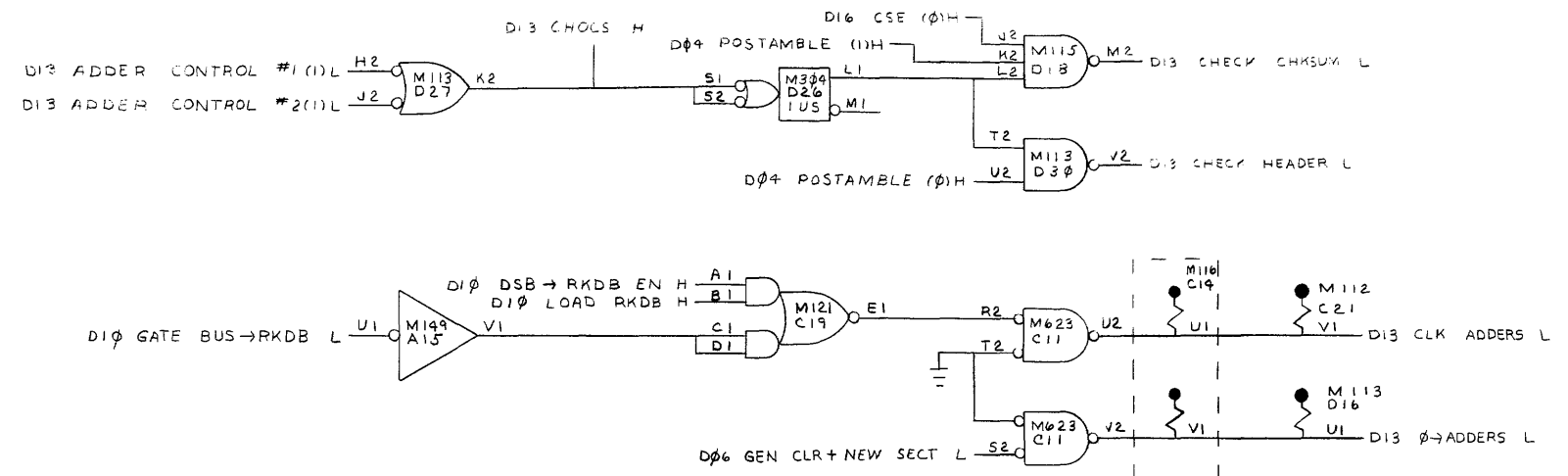
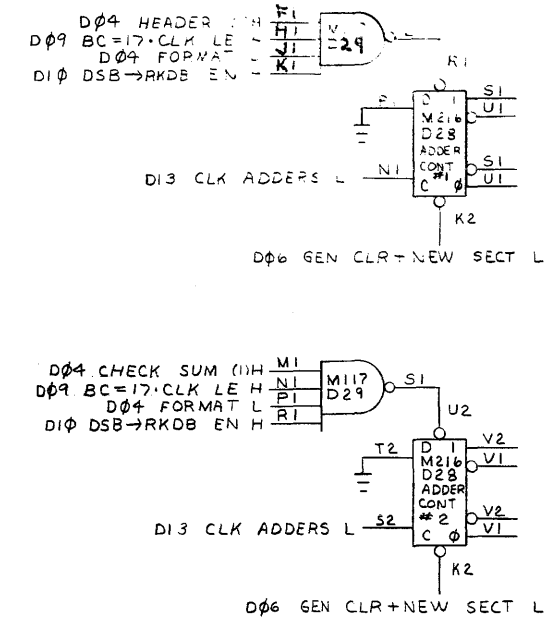


REV	
CHANGE NO	
CHK	

DEC FORM NO. 102A

FIRST USED ON OPTION/MODEL PDP-11	QTY.	DESCRIPTION	PART NO.	ITEM NO.
PARTS LIST				
UNLESS OTHERWISE SPECIFIED	DRN	DATE	digital CORPORATION MAYNARD, MASSACHUSETTS	
UNLESS OTHERWISE SPECIFIED	CHK'D.	DATE	TITLE	
TOLERANCES	ENG.	DATE	HARDWARE POLE	
DECIMALS FRACTIONS ANGLES	PROJ. ENG.	DATE	NEXT HIGHER ASSY	
± 0.05 ± 1/64 ± 0°30'	PROD.	DATE	A-ML-RKII-C	
FINAL SURFACE QUALITY REMOVE BURRS AND BREAK SHARP CORNERS			SIZE CODE	NUMBER
			DBS	RKII-C-12
			SCALE	REV.
			+	A
			SHEET	2 OF 2
			DIST.	

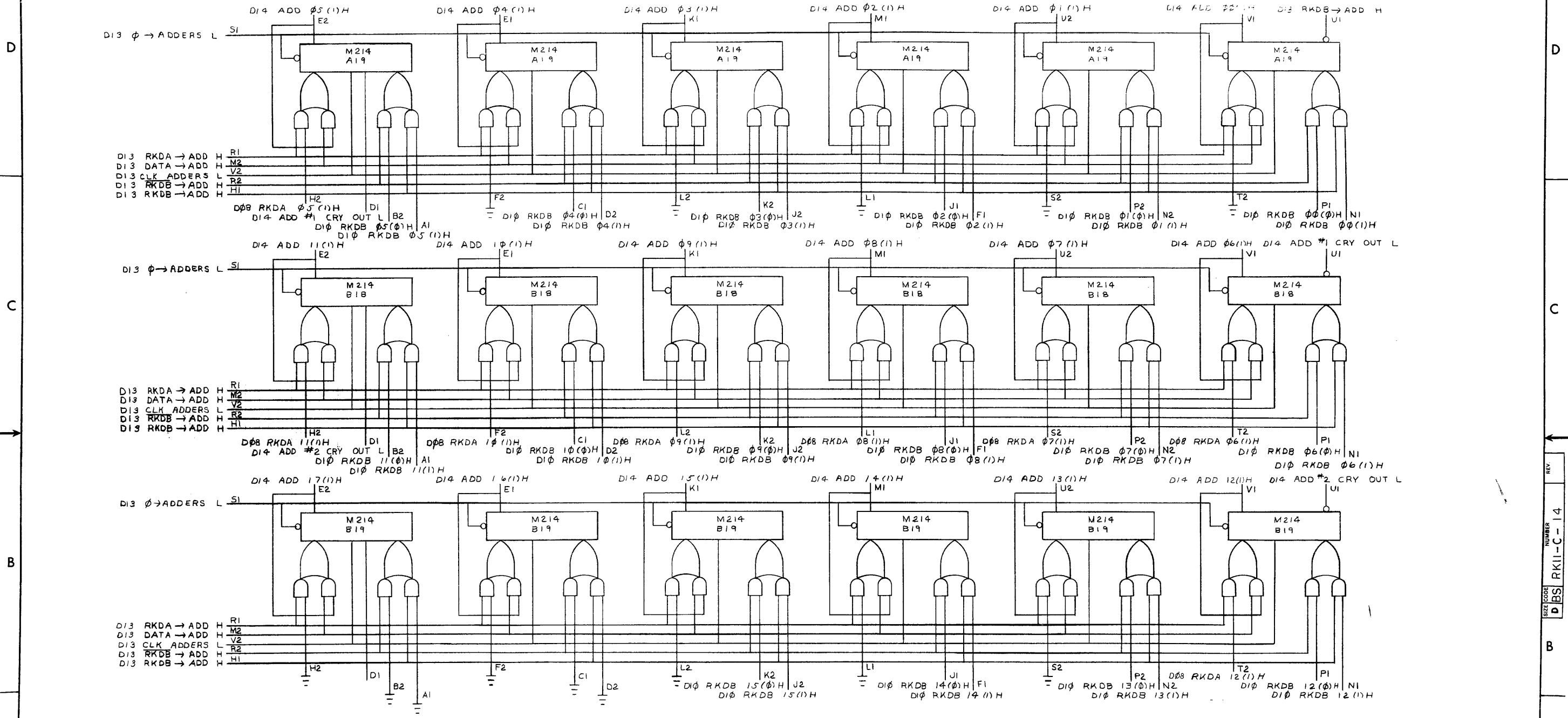
This drawing and specifications, herein, are the property of Digital Equipment Corporation and shall not be reproduced or copied or used in whole or in part as the basis for the manufacture or sale of items without written permission.



FIRST USED ON OPTION MODEL	QTY.	DESCRIPTION	PART NO.	ITEM NO.
PCP-11				
PARTS LIST				
UNLESS OTHERWISE SPECIFIED	DRN	DATE	digital EQUIPMENT CORPORATION MAYNARD, MASSACHUSETTS	
UNLESS OTHERWISE SPECIFIED	CHK'D	DATE	TITLE	
DIMENSION IN INCHES	ENG.	DATE	ADDER CONTROL	
TOLERANCES	PROJ. ENG.	DATE		
DECIMALS FRACTIONS ANGLES	PROD.	DATE		
± .005 ± 1/64 ± 0°30'				
FINAL SURFACE QUALITY				
REMOVE BURRS AND BREAK SHARP CORNERS				
MATERIAL	NEXT HIGHER ASSY			
FINISH	A-ML-RK11-C			
SCALE	SIZE CODE NUMBER REV.			
SHEET 1 OF 1	D BS RK11-C-13			
	DIST.			

REV.	CHG.	NO.

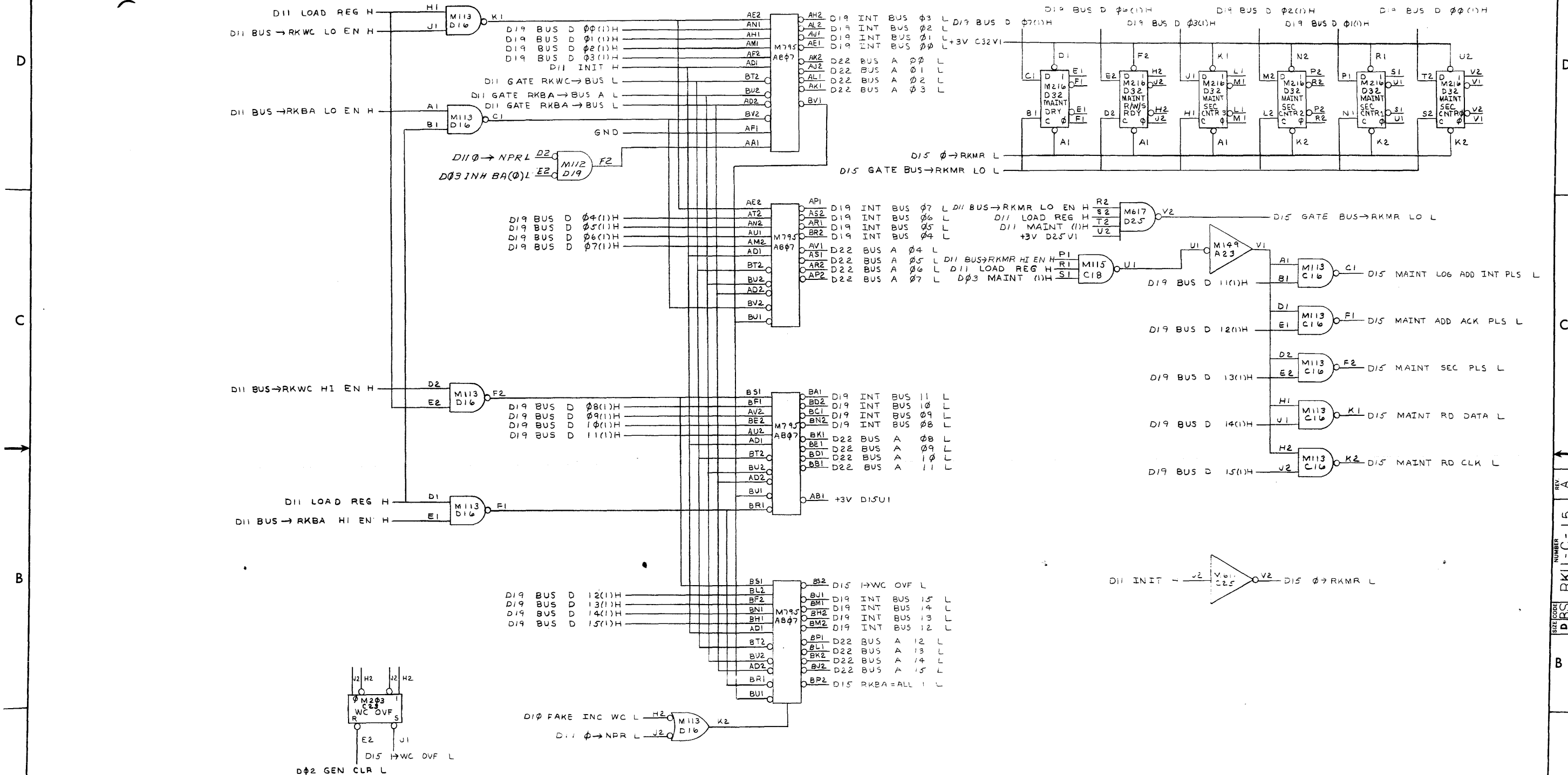
This drawing and specifications, herein, are the property of Digital Equipment Corporation and shall not be reproduced or copied or used in whole or in part as the basis for the manufacture or sale of items without written permission.



REV.	
CHANGE NO.	
CHK	

FIRST USED ON OPTION MODEL PDP-11	QTY.	DESCRIPTION	PART NO.	ITEM NO.
PARTS LIST				
UNLESS OTHERWISE SPECIFIED	DRN. <i>John O'Connell</i>	DATE 11-27-70	<b>digital</b> EQUIPMENT CORPORATION MAYNARD, MASSACHUSETTS	
UNLESS OTHERWISE SPECIFIED	CHK'D. <i>Wendell</i>	DATE 3/16/71		
UNLESS OTHERWISE SPECIFIED	ENG. <i>Tom O'Connell</i>	DATE 3/17/71	TITLE <b>ADDERS</b>	
TOLERANCES DIMENSION IN INCHES	PROJ. ENG. <i>Tom O'Connell</i>	DATE 3/17/71		
DECIMALS ± .005	PROD. <i>W. O'Connell</i>	DATE 3/18/71	SIZE CODE <b>DBS RK11-C-14</b>	
FRACTIONS ± 1/64				
ANGLES ± 0°30'			NUMBER <b>14</b>	
FINAL SURFACE QUALITY REMOVE BURRS AND BREAK SHARP CORNERS				
MATERIAL + / +	NEXT HIGHER ASSY A-ML-RK11-C		REV.	
FINISH + / +	SCALE SHEET 2 OF 2			

This drawing and specifications, herein, are the property of Digital Equipment Corporation and shall not be reproduced or copied or used in whole or in part as the basis for the manufacture or sale of items without written permission.

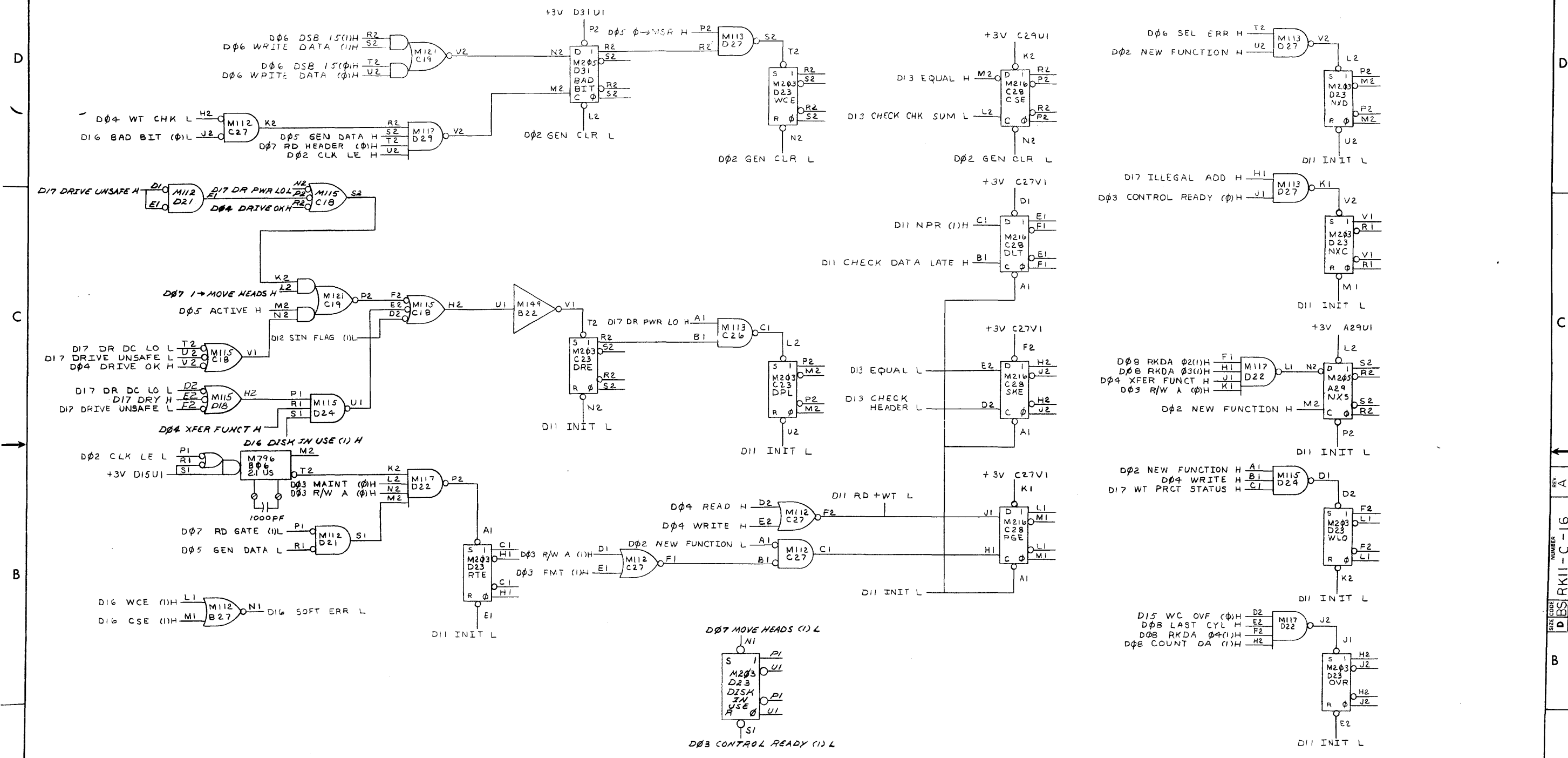


REV.	CHG.	NO.	DATE	BY
A		2	11-4-70	
		1	3/1/71	
		1	3/1/71	

REVISIONS: TOM LORIK

FIRST USED ON OPTION/MODEL	QTY.	DESCRIPTION	PART NO.	ITEM NO.
PDP-11				
PARTS LIST				
UNLESS OTHERWISE SPECIFIED				
DIMENSION IN INCHES				
TOLERANCES				
DECIMALS FRACTIONS ANGLES				
± .005 ± 1/64 ± 0'30"				
FINAL SURFACE QUALITY				
REMOVE BURRS AND BREAK SHARP CORNERS				
MATERIAL				
NEXT HIGHER ASSY				
A-ML-RKII-C				
FINISH				
SCALE				
SHEET OF				
SIZE CODE NUMBER REV				
DBS RKII-C-15 A				

This drawing and specifications, herein, are the property of Digital Equipment Corporation and shall not be reproduced or copied or used in whole or in part as the basis for the manufacture or sale of items without written permission.



REV. A	DATE 11-13-70	BY <i>[Signature]</i>
REV. B	DATE 3/16/71	BY <i>[Signature]</i>
REV. C	DATE 7/12/72	BY <i>[Signature]</i>
REV. D	DATE 7/12/72	BY <i>[Signature]</i>
REV. E	DATE 1/12/73	BY <i>[Signature]</i>
REV. F	DATE 1/12/73	BY <i>[Signature]</i>
REV. G	DATE 1/12/73	BY <i>[Signature]</i>
REV. H	DATE 1/12/73	BY <i>[Signature]</i>
REV. I	DATE 1/12/73	BY <i>[Signature]</i>
REV. J	DATE 1/12/73	BY <i>[Signature]</i>
REV. K	DATE 1/12/73	BY <i>[Signature]</i>
REV. L	DATE 1/12/73	BY <i>[Signature]</i>
REV. M	DATE 1/12/73	BY <i>[Signature]</i>
REV. N	DATE 1/12/73	BY <i>[Signature]</i>
REV. O	DATE 1/12/73	BY <i>[Signature]</i>
REV. P	DATE 1/12/73	BY <i>[Signature]</i>
REV. Q	DATE 1/12/73	BY <i>[Signature]</i>
REV. R	DATE 1/12/73	BY <i>[Signature]</i>
REV. S	DATE 1/12/73	BY <i>[Signature]</i>
REV. T	DATE 1/12/73	BY <i>[Signature]</i>
REV. U	DATE 1/12/73	BY <i>[Signature]</i>
REV. V	DATE 1/12/73	BY <i>[Signature]</i>
REV. W	DATE 1/12/73	BY <i>[Signature]</i>
REV. X	DATE 1/12/73	BY <i>[Signature]</i>
REV. Y	DATE 1/12/73	BY <i>[Signature]</i>
REV. Z	DATE 1/12/73	BY <i>[Signature]</i>

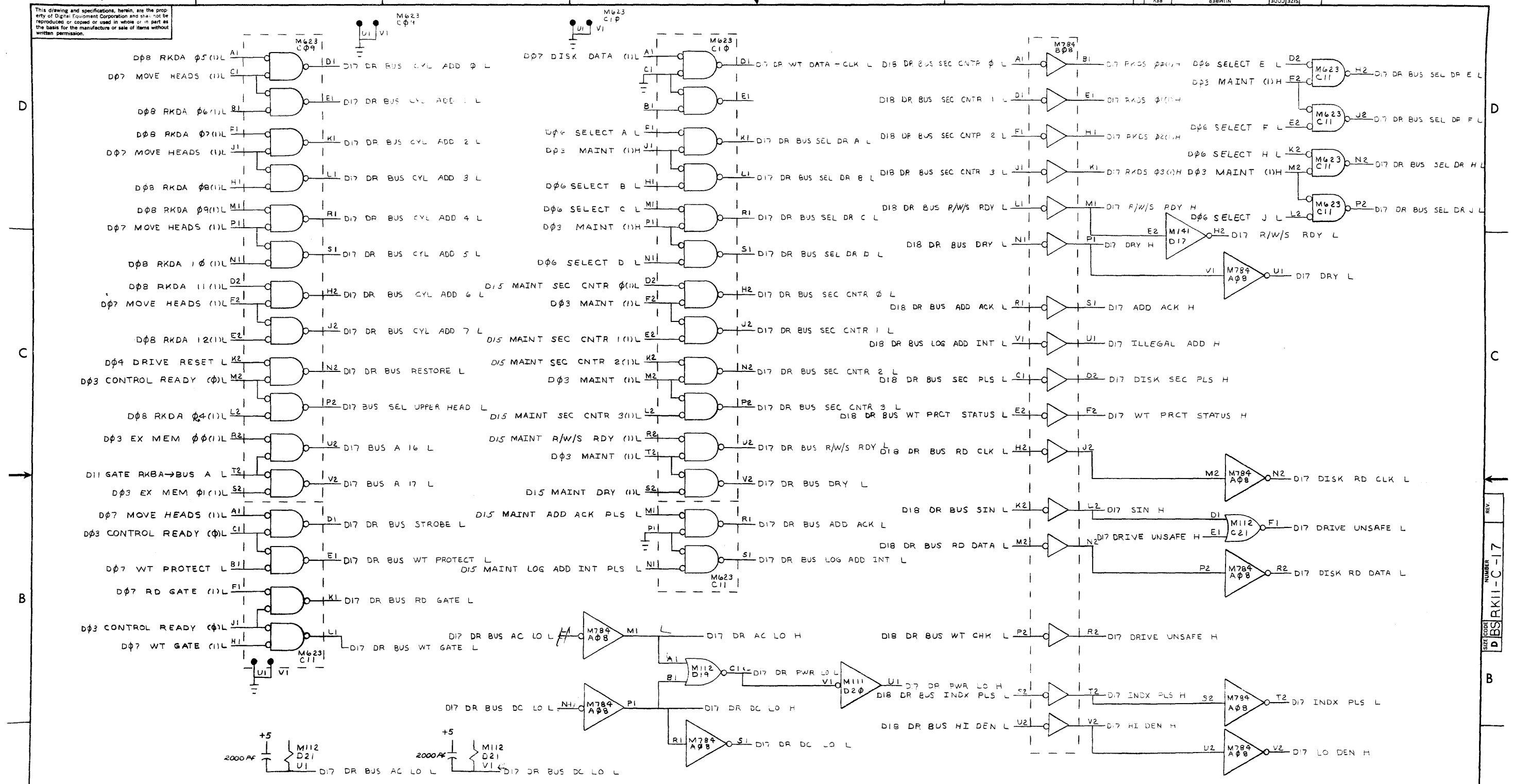
FIRST USED ON OPTION MODEL	QTY.	DESCRIPTION	PART NO.	ITEM NO.
PDP-11				
PARTS LIST				
UNLESS OTHERWISE SPECIFIED	DRN. <i>[Signature]</i>	DATE 11-13-70	digital EQUIPMENT CORPORATION MAYNARD, MASSACHUSETTS	
UNLESS OTHERWISE SPECIFIED	CHK'D. <i>[Signature]</i>	DATE 3/16/71	TITLE	
DIMENSION IN INCHES	ENG. <i>[Signature]</i>	DATE 7/12/72	ERRORS	
TOLERANCES	PROJ. ENG. <i>[Signature]</i>	DATE 7/12/72	NEXT HIGHER ASSY	
DECIMALS FRACTIONS ANGLES	PROD. <i>[Signature]</i>	DATE 1/12/73	A-ML-RK11-C	
± 0.05 ± 1/64 ± 0°30'			SCALE	
FINAL SURFACE QUALITY			SHEET 1 OF 1	
REMOVE BURRS AND BREAK SHARP CORNERS			DIST.	
MATERIAL			SIZE CODE NUMBER REV.	
			DBS RK11-C-16 A	
FINISH				

REV. A  
REV. B  
REV. C  
REV. D  
REV. E  
REV. F  
REV. G  
REV. H  
REV. I  
REV. J  
REV. K  
REV. L  
REV. M  
REV. N  
REV. O  
REV. P  
REV. Q  
REV. R  
REV. S  
REV. T  
REV. U  
REV. V  
REV. W  
REV. X  
REV. Y  
REV. Z



This drawing and specifications, herein, are the property of Digital Equipment Corporation and shall not be reproduced or copied or used in whole or in part as the basis for the manufacture or sale of items without written permission.

21-C-17  
 DBS  
 NUMBER  
 CODE  
 SIZE  
 2



REVISIONS:  
 CHANGE NO.  
 CHK

DEC FORM NO  
 DRD 102A

FIRST USED ON OPTION MODEL	QTY.	DESCRIPTION	PART NO.	ITEM NO.
PDP-11				
PARTS LIST				
UNLESS OTHERWISE SPECIFIED	DRN	DATE	digital EQUIPMENT CORPORATION WATFORD, MASSACHUSETTS	
UNLESS OTHERWISE SPECIFIED	CHK'D	DATE	TITLE	
DIMENSION IN INCHES	ENG	DATE	CABLE DRIVERS AND RECEIVERS	
TOLERANCES	PROJ. ENG.	DATE	SIZE CODE NUMBER REV	
DECIMALS FRACTIONS ANGLES	PROD.	DATE	DBS RKII-C-17	
= 006 ± 1/64 ± 0/30			SCALE	
REMOVE BURRS AND BREAK SHARP CORNERS			SHEET OF	
MATERIAL	NEXT HIGHER ASSY		DIST.	
FINISH	A-ML-RKII-C			

REV. NUMBER  
 DBS RKII-C-17

This drawing and specifications, herein, are the property of Digital Equipment Corporation and shall not be reproduced or copied or used in whole or in part as the basis for the manufacture or sale of items without written permission.

SIZE CODE DBS RKII-C-18 2

D

C

B

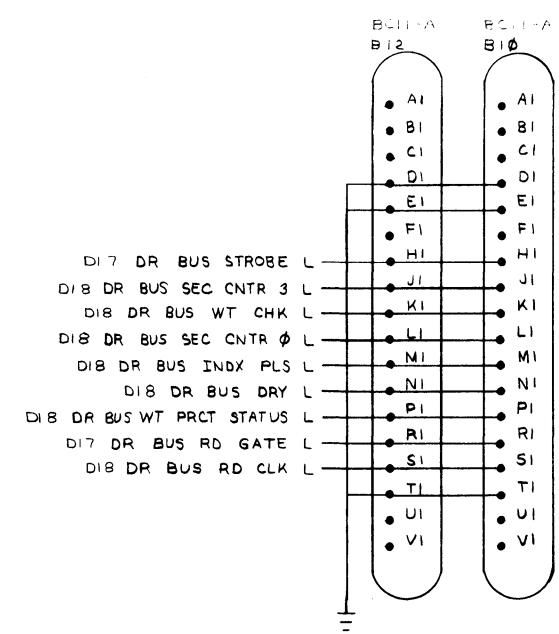
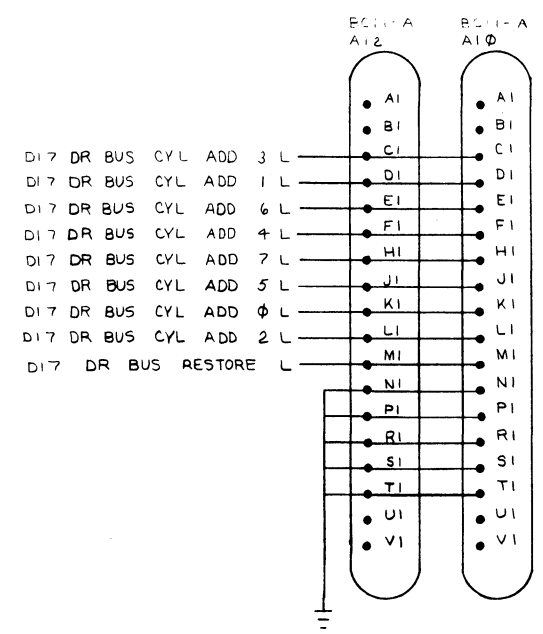
A

D

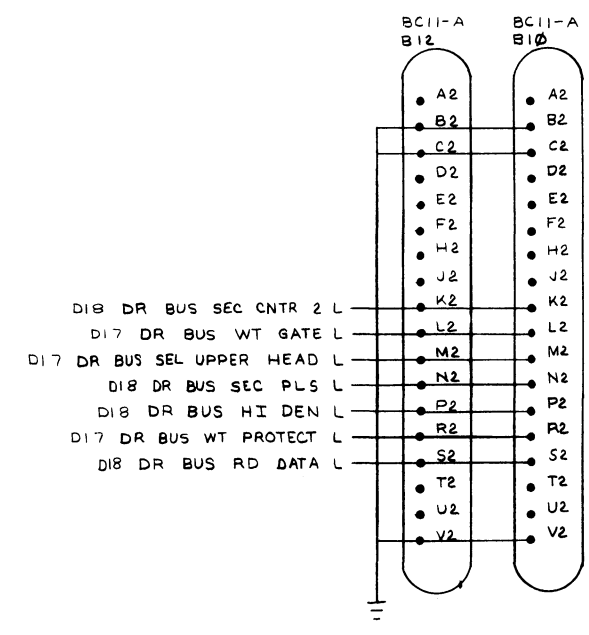
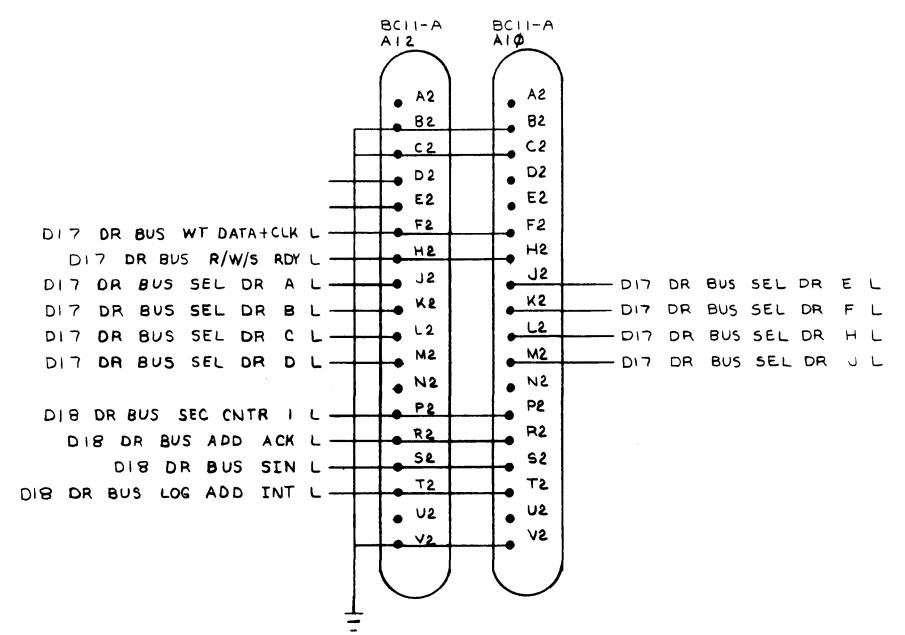
C

B

A



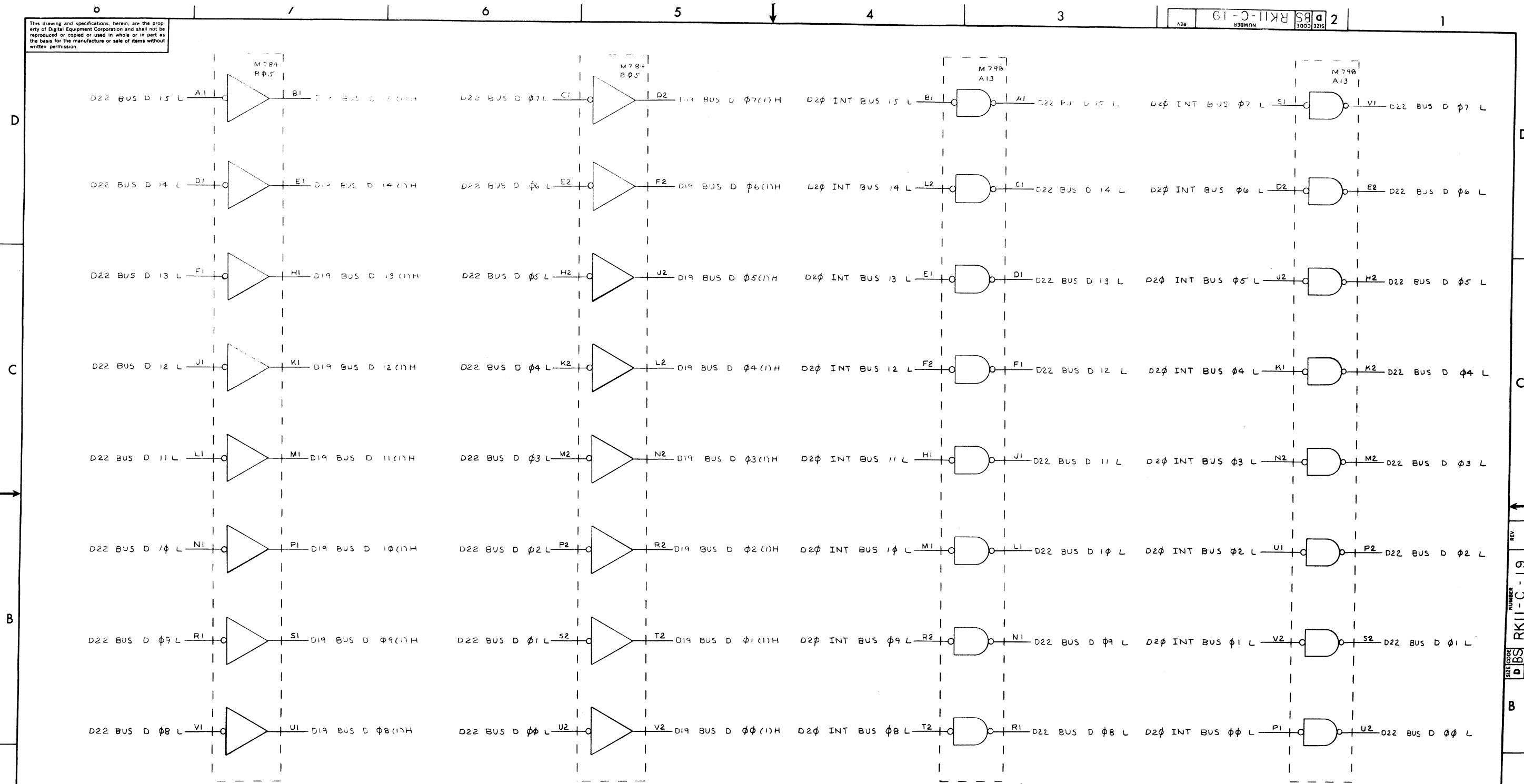
NOTE:  
BC11-A  
IS A DOUBLE HEIGHT  
MODULE.



REV	
CHANGE NO.	
CHK	

FIRST USED ON OPTION MODEL PDP-11	QTY.	DESCRIPTION	PART NO.	ITEM NO.
PARTS LIST				
UNLESS OTHERWISE SPECIFIED DIMENSION IN INCHES	DRN. <i>Kenn. Kengul</i>	DATE 11-25-70	digital EQUIPMENT CORPORATION MAYNARD, MASSACHUSETTS	
UNLESS OTHERWISE SPECIFIED TOLERANCES	CHK'D. <i>M. Kengul</i>	DATE 3/16/71	TITLE DISK CABLE AND TERMINATION	
DECIMALS ± 0.05	ENG. <i>Ken. Ken</i>	DATE 1/27/71	SIZE CODE DBS RKII-C-18	
FRACTIONS ± 1/64	PROJ. ENG. <i>Ken. Ken</i>	DATE 3/16/71	NUMBER	
ANGLES ± 0°30'	PROD. <i>W. Call</i>	DATE 3/16/71	REV	
FINAL SURFACE QUALITY REMOVE BURRS AND BREAK SHARP CORNERS	MATERIAL + +	NEXT HIGHER ASSY A-ML-RKII-C	SHEET OF	
	FINISH + +	SCALE 1 OF 1	DIST.	

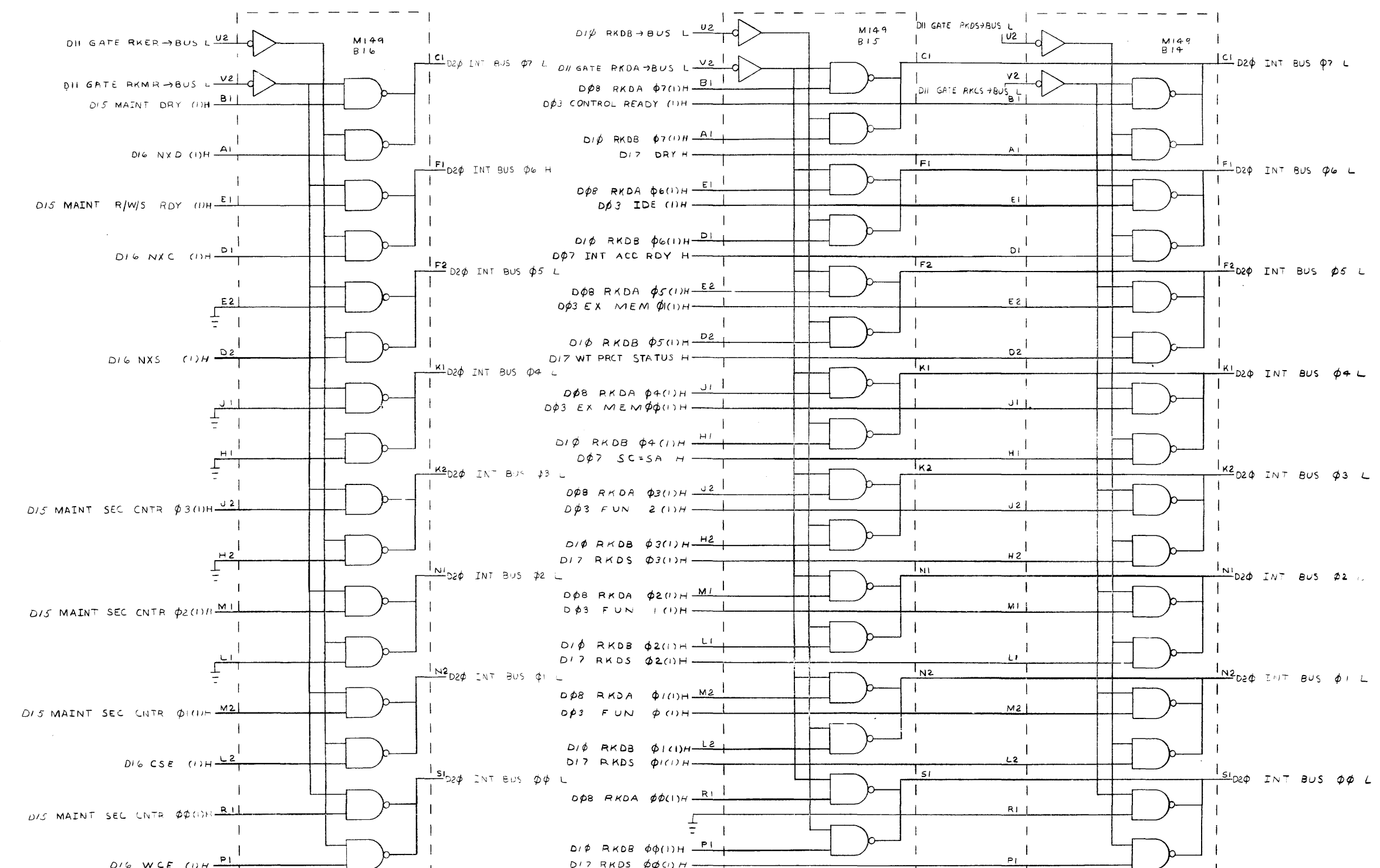
This drawing and specifications, herein, are the property of Digital Equipment Corporation and shall not be reproduced or copied or used in whole or in part as the basis for the manufacture or sale of items without written permission.



REV	
CHANGE NO	
CHK	

FIRST USED ON OPTION	MODEL	QTY.	DESCRIPTION	PART NO.	ITEM NO.
	PDP-11				
PARTS LIST					
UNLESS OTHERWISE SPECIFIED		DRN	DATE	 <b>digital</b> EQUIPMENT CORPORATION <small>MAYNARD, MASSACHUSETTS</small>	
UNLESS OTHERWISE SPECIFIED		CHK'D	DATE		
TOLERANCES		ENG	DATE		
DECIMALS FRACTIONS ANGLES		PROJ. ENG	DATE		
± .005 ± 1/64 ± 0°30'		PROD.	DATE	TITLE <b>BUS "D" RCVRS AND DRVRS</b>	
FINAL SURFACE QUALITY REMOVE BURRS AND BREAK SHARP CORNERS					
MATERIAL		NEXT HIGHER ASSY			
FINISH		A-ML-RKII-C			
SCALE		SIZE CODE DBS NUMBER RKII-C-19			
SHEET		REV.			

This drawing and specifications, herein, are the property of Digital Equipment Corporation and shall not be reproduced or copied or used in whole or in part as the basis for the manufacture or sale of items without written permission.



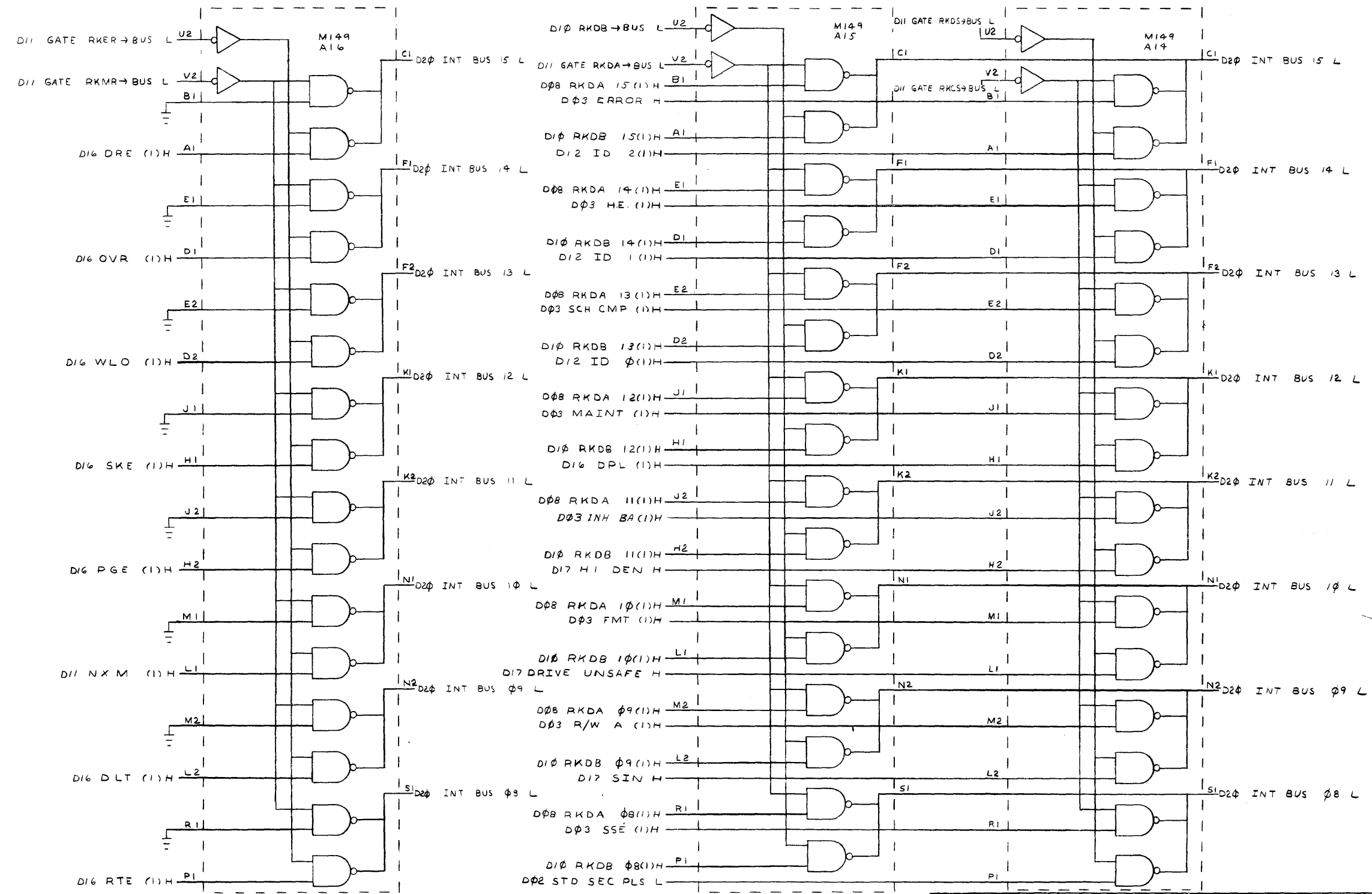
REV.	CHG. NO.	CHK.
A	0002	JK
5-4-71		
TOMORR		
JK		

FIRST USED ON OPTION/MODEL PDP-11	QTY.	DESCRIPTION	PART NO.	ITEM NO.
UNLESS OTHERWISE SPECIFIED	DRN.	DATE	PARTS LIST.	
UNLESS OTHERWISE SPECIFIED	CHK'D	DATE	digital EQUIPMENT CORPORATION MAYNARD, MASSACHUSETTS	
DIMENSION IN INCHES	ENG.	DATE	TITLE	
TOLERANCES	PROJ. ENG.	DATE	INTERNAL BUS	
DECIMALS = .005	PROD.	DATE	00-07	
FRACTIONS = 1/64				
ANGLES = 0°30'				
FINAL SURFACE QUALITY				
REMOVE BURRS AND BREAK SHARP CORNERS				
MATERIAL	NEXT HIGHER ASSY			
FINISH	A ML RK11-C		SIZE CODE	NUMBER
	SCALE		DBS	RK11-C-20
	SHEET	1 OF 2	DIST.	

REV. A  
NUMBER  
DBS RK11-C-20

This drawing and specifications, herein, are the property of Digital Equipment Corporation and shall not be reproduced or copied or used in whole or in part as the basis for the manufacture or sale of items without written permission.

SIZE CODE DBS  
 NUMBER RK11-C-20  
 REV. A



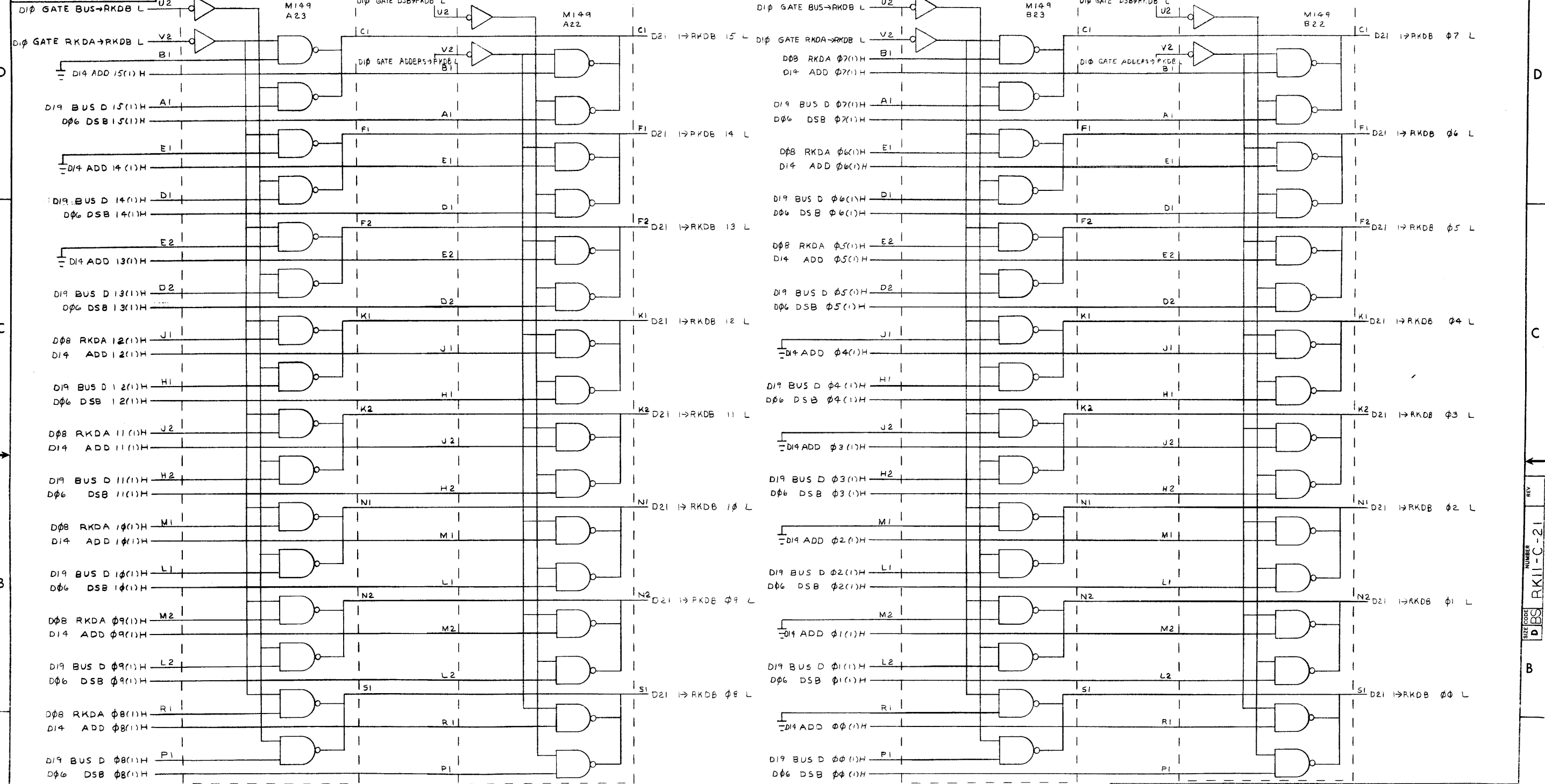
REV.	
CHG.	
NO.	

DEC FORM NO 010 1024

FIRST USED ON OPTION MODEL POP 11	QTY.	DESCRIPTION	PART NO.	ITEM NO.
UNLESS OTHERWISE SPECIFIED DIMENSION IN INCHES TOLERANCES DECIMALS FRACTIONS ANGLES ± .005 ± 1/64 ± .030 FINAL SURFACE QUALITY REMOVE BURRS AND BREAK SHARP CORNERS	DRN. CHKD. ENG. PROJ. ENG. PROD.	DATE DATE DATE DATE DATE	PARTS LIST	
MATERIAL	NEXT HIGHER ASSY		digital EQUIPMENT CORPORATION MAYNARD, MASSACHUSETTS	
FINISH	A-ML-RK11-C		TITLE INTERNAL BUS 08-15	
SCALE	SHEET 2 OF 2		SIZE CODE DBS RK11-C-20	
			NUMBER REV. A	

SIZE CODE DBS  
 NUMBER RK11-C-20  
 REV. A

This drawing and specifications, herein, are the property of Digital Equipment Corporation and shall not be reproduced or copied or used in whole or in part as the basis for the manufacture or sale of items without written permission.



REV	
CHANGE NO.	
CHK	

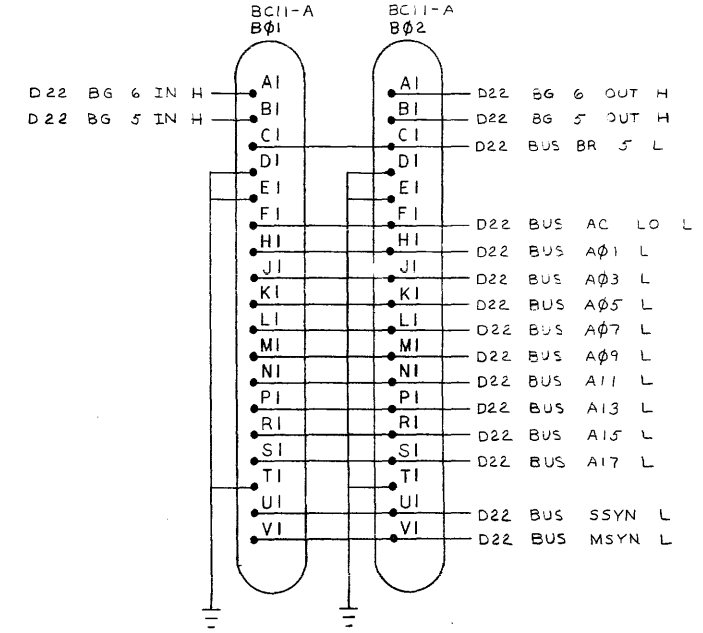
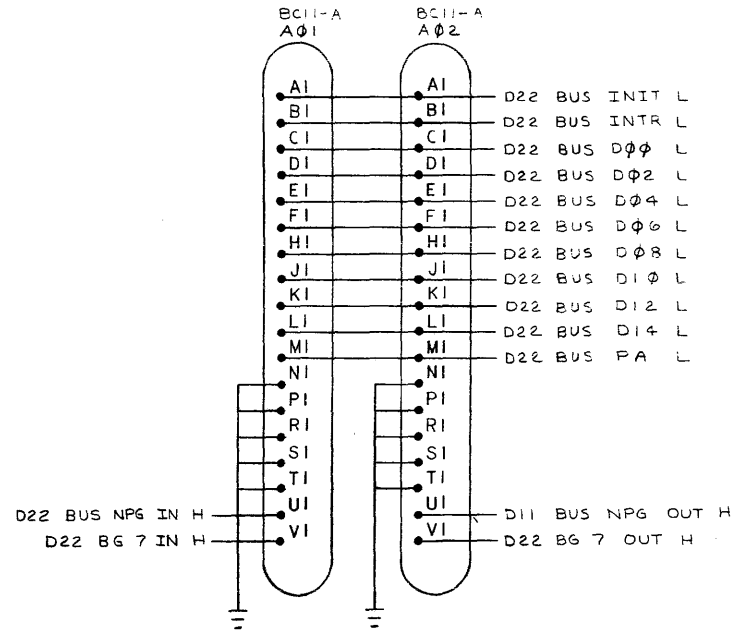
DEC FORM NO DFD 102A

FIRST USED ON OPTION MODEL	QTY.	DESCRIPTION	PART NO.	ITEM NO.
PDP-11				
UNLESS OTHERWISE SPECIFIED		DRN	DATE	
UNLESS OTHERWISE SPECIFIED		CHK'D	DATE	
DIMENSION IN INCHES		ENG	DATE	
TOLERANCES		PROJ. ENG.	DATE	
DECIMALS FRACTIONS ANGLES		PROD.	DATE	
± .005 ± 1/64 ± 0°30'				
FINAL SURFACE QUALITY				
REMOVE BURRS AND BREAK SHARP CORNERS				
MATERIAL		NEXT HIGHER ASSY		
FINISH		A-ML-RK11-C		
		SCALE	SIZE CODE	NUMBER
		SHEET	DBS	RK11-C-21
		OF	DIST.	REV.

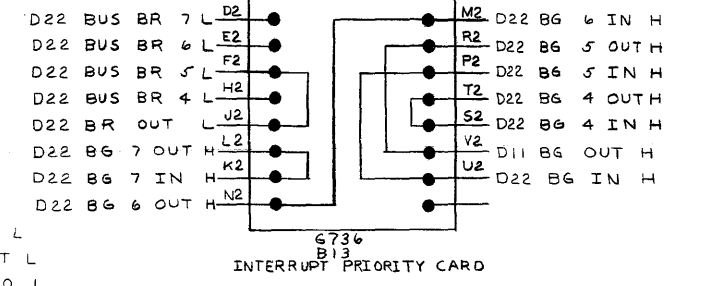
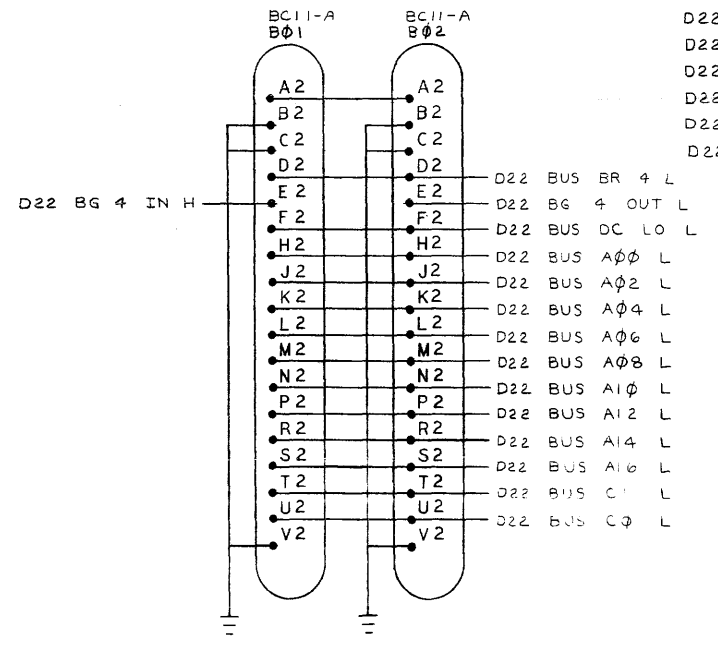
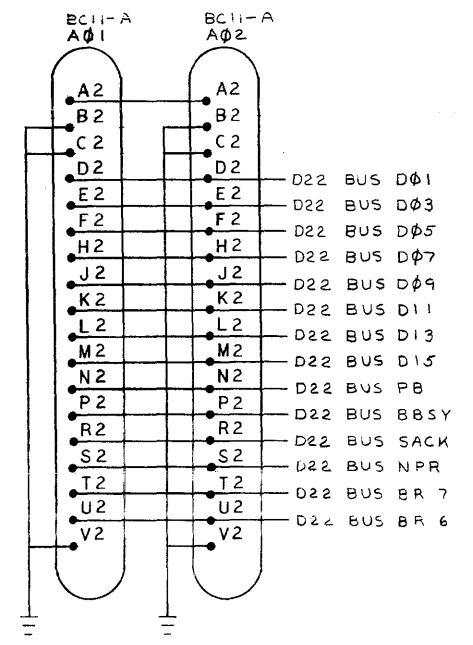
**digital** EQUIPMENT CORPORATION  
WAYNARD, MASSACHUSETTS  
TITLE: RKDB DATA PATHS

SIZE CODE DBS NUMBER RK11-C-21

This drawing and specifications, herein, are the property of Digital Equipment Corporation and shall not be reproduced or copied or used in whole or in part as the basis for the manufacture or sale of items without written permission.



NOTES:  
THE UNIBUS CONNECTOR IS A DOUBLE HEIGHT MODULE.



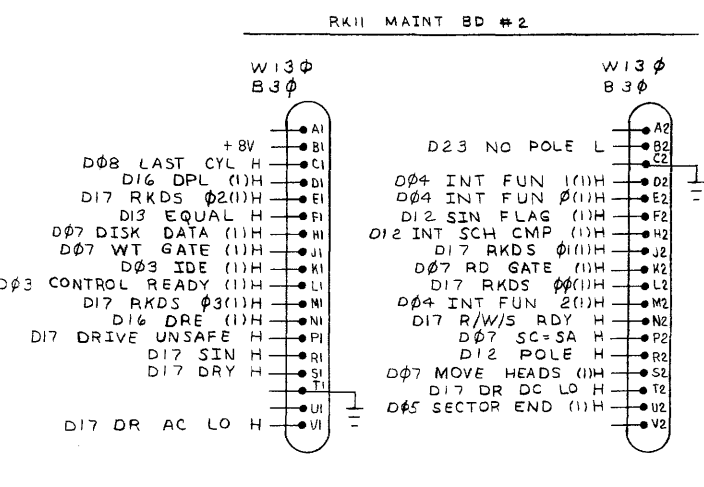
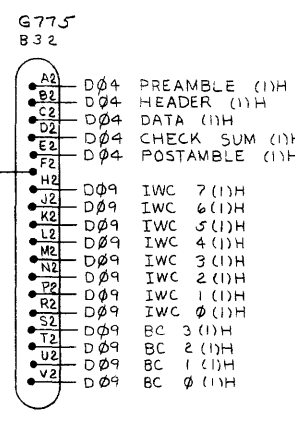
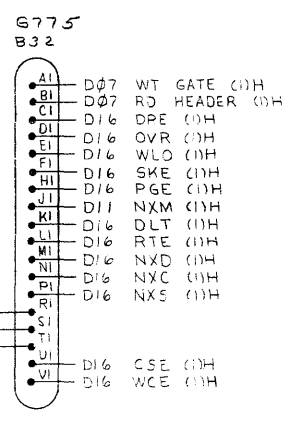
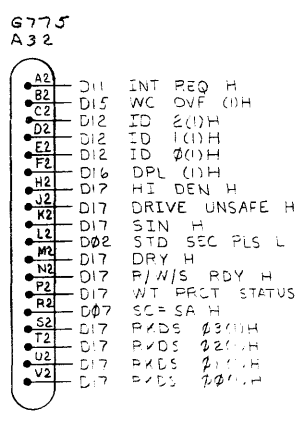
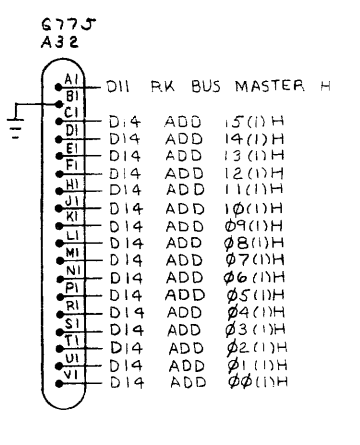
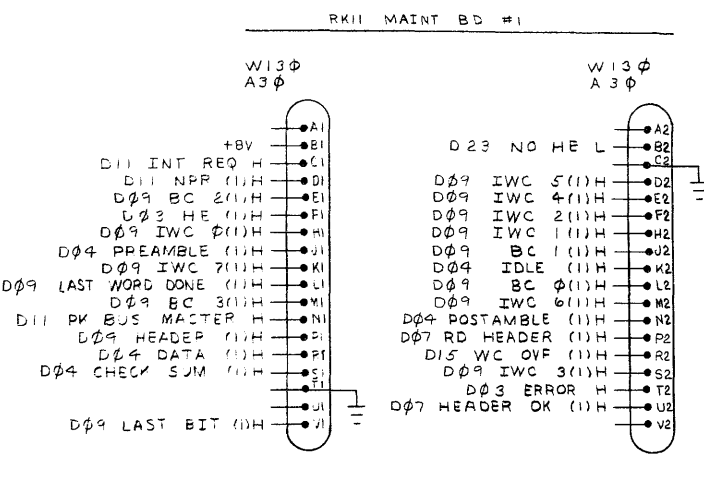
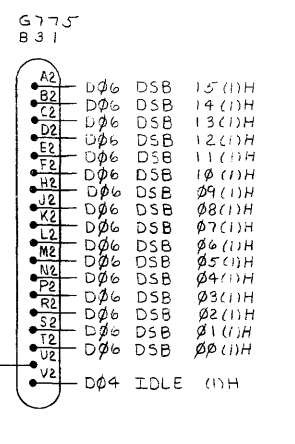
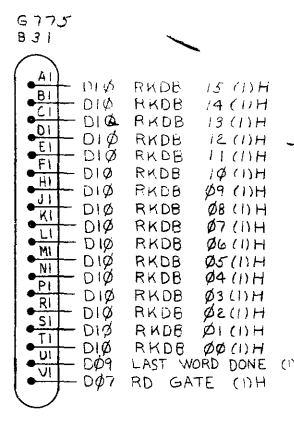
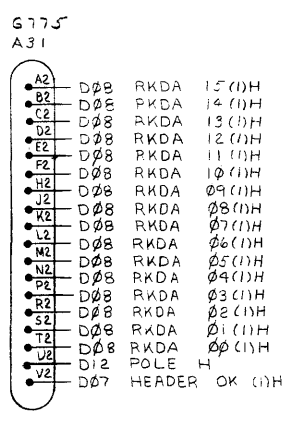
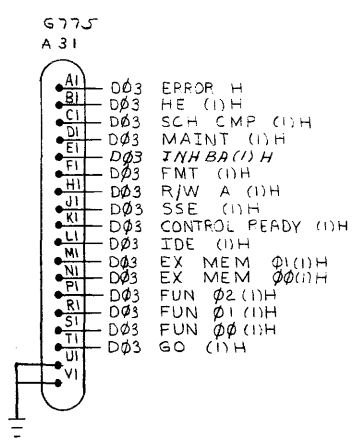
REVISIONS	REV.
CHANGE NO.	
CHK	

FIRST USED ON OPTION/MODEL PDP-11	QTY.	DESCRIPTION	PART NO.	ITEM NO.
PARTS LIST				
UNLESS OTHERWISE SPECIFIED DIMENSION IN INCHES TOLERANCES DECIMALS FRACTIONS ANGLES = .005 = 1/64 = 0°30' FINAL SURFACE QUALITY / REMOVE BURRS AND BREAK SHARP CORNERS	DRN <i>John T. ...</i> DATE 10-26-70	CHK'D <i>W. ...</i> DATE 3/16/71	digital EQUIPMENT CORPORATION	
MATERIAL + +	PROJ. ENG. <i>W. ...</i> DATE 3/17/71	PROD. <i>W. ...</i> DATE 3/18/71	TITLE UNIBUS CONNECTORS	
FINISH + +	NEXT HIGHER ASSY A-ML-RKII-C		SIZE CODE D I C	NUMBER R K I I - C - 2 2
	SCALE SHEET 1 OF 1	REV.		

REV. NUMBER D I C R K I I - C - 2 2

This drawing and specifications, herein, are the property of Digital Equipment Corporation and shall not be reproduced or copied or used in whole or in part as the basis for the manufacture or sale of items without written permission.

SIZE CODE NUMBER D I C RKII - C - 23



REV	A
CHANGE NO.	0002
CHK	Tomorr
DATE	5-4-71
BY	Tomorr


FIRST USED ON OPTION MODEL	PDP-11	QTY.		DESCRIPTION		PART NO.		ITEM NO.	
UNLESS OTHERWISE SPECIFIED	DRN		DATE	11-20-70	PARTS LIST				
UNLESS OTHERWISE SPECIFIED	CHK'D		DATE	3/16/71	digital EQUIPMENT CORPORATION MAYNARD, MASSACHUSETTS				
DIMENSION IN INCHES	ENG		DATE	3/23/71	TITLE				
TOLERANCES	PROJ. ENG.		DATE	3/17/71	RKII-C INDICATOR CONNECTIONS				
DECIMALS ± .005	PROD.		DATE	3/18/71	SIZE CODE NUMBER REV				
FRACTIONS ± 1/64					D I C RKII - C - 23 A				
ANGLES ± 0°30'					SCALE SHEET OF DIST.				
FINAL SURFACE QUALITY REMOVE BURRS AND BREAK SHARP CORNERS									
MATERIAL					NEXT HIGHER ASSY				
					A-ML-RKII-C				
FINISH									

REV A  
NUMBER D I C RKII - C - 23



DRWG NO	REVLTR
K-WL-RKII-C-24	E

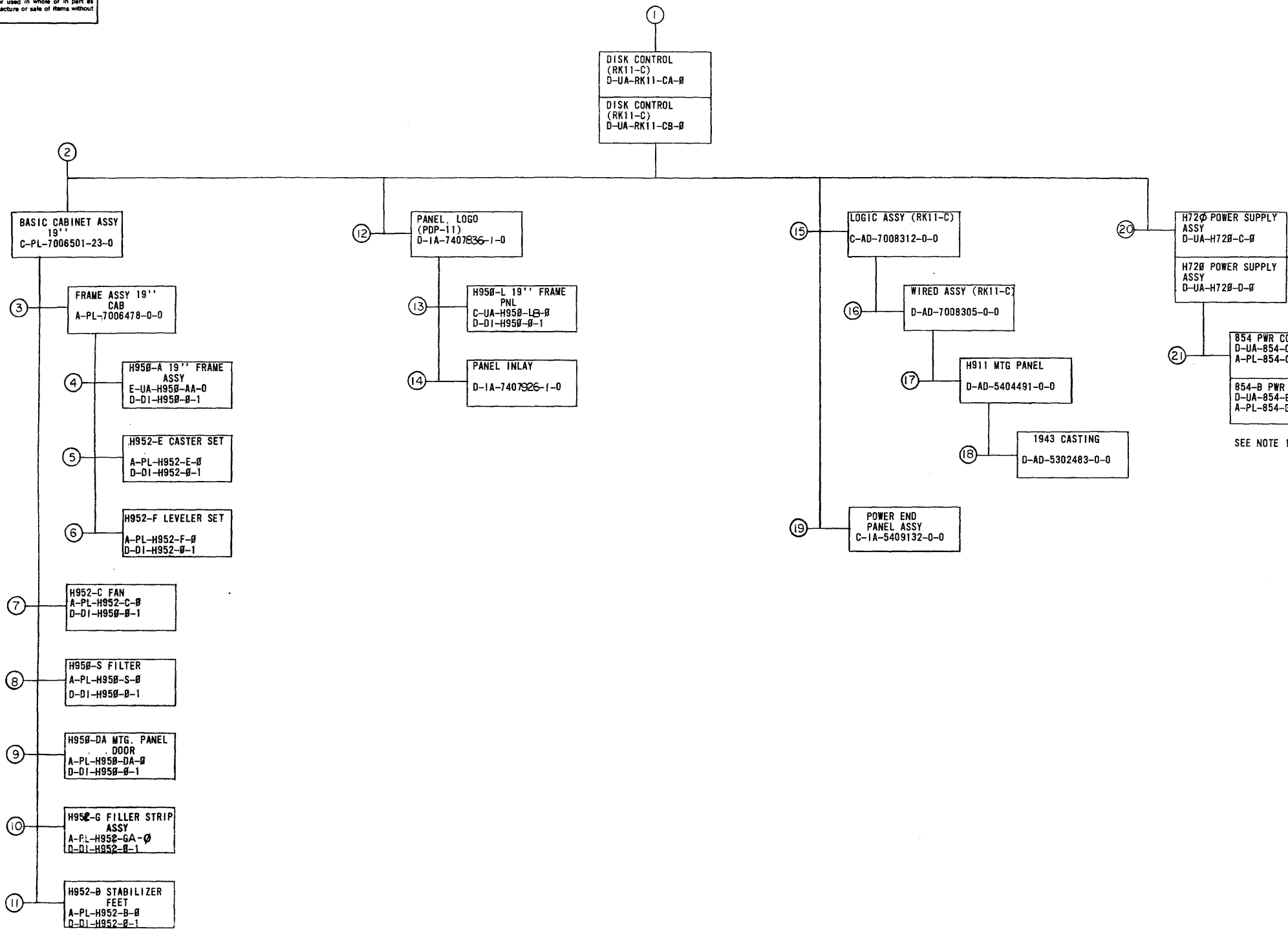
REVISIONS			
REV LTR	ECO NO	DATE	ENG
A	RKII-C-00001	4-3-71	<i>[Signature]</i>
B	RKII-C-00002	5-6-71	<i>[Signature]</i>
C	RKII-C-00004	6-4-71	<i>[Signature]</i>
D	RKII-C-00006	10-1-71	<i>[Signature]</i>
E	RKII-C-00008	3-28-72	<i>[Signature]</i>

DRAWN <i>[Signature]</i>	DATE 1-22-71		TITLE WIRE LIST		
CHECKED <i>[Signature]</i>	DATE 2/19/71		FOR TAPE # FILE #		
ENG <i>[Signature]</i>	DATE 2/19/71		SIZE K	CODE WL	DWG. NO. RKII-C-24
PROJECT ENG <i>[Signature]</i>	DATE 2/19/71		ASSY NO D-AD-7008305-0-0	SCALE	SHEET 1 OF 1
DRW <i>[Signature]</i>	DATE 2/25/71			DIST.	
				REV LTR E	

The drawing and specifications, herein, are the property of Digital Equipment Corporation and shall not be reproduced or copied or used in whole or in part as the basis for the manufacture or sale of items without written permission.

2 DIRK11-C-25  
REV B

NOTES:  
1. SEE NOTE #4 ON DRAWING D-UA-RK11-C-B



CHK	REVISION	CHANGE NO.	REV
		RK11-C-00074	A
			B
			C
			D

FIRST USED ON OPTION/MODEL	QTY.	DESCRIPTION	PART NO	ITEM NO.
RK02 - RK03				
PARTS LIST				
UNLESS OTHERWISE SPECIFIED				
UNLESS OTHERWISE SPECIFIED	DRN	DATE	digital EQUIPMENT CORPORATION	
DIMENSION IN INCHES	CHK'D	DATE	WATNARD, MASSACHUSETTS	
TOLERANCES	ENG.	DATE	DRAWING	
DECIMALS FRACTIONS ANGLES	PROJ. ENG.	DATE	INDEX LIST	
= .005 = 1/64 = 0°30'	PROD.	DATE	(RK11-C)	
FINAL SURFACE QUALITY			SIZE CODE NUMBER REV	
REMOVE BURRS AND BREAK SHARP CORNERS			DIRK11-C-25 B	
MATERIAL	NEXT HIGHER ASSY		SCALE	
	A-ML-RK11-C		1 OF 2	
FINISH			SHEET	
			DIST.	

This drawing and specifications herein are the property of Digital Equipment Corporation and shall not be reproduced or copied in whole or in part as the basis for the manufacture or sale of items without written permission.

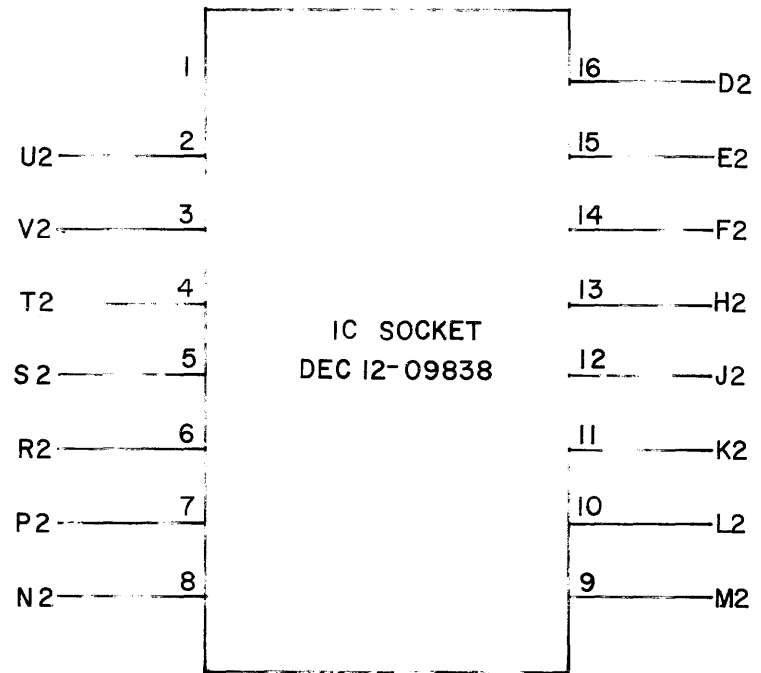
MECHANICAL					MECHANICAL					ELECTRICAL																
DEPT USAGE					DEPT USAGE					DEPT USAGE					DEPT USAGE											
FIND NO.	DESCRIPTION	PART NO.	PROD	CUST	F/C	FIND NO.	DESCRIPTION	PART NO.	PROD	CUST	F/C	FIND NO.	DESCRIPTION	PART NO.	PROD	CUST	F/C	FIND NO.	DESCRIPTION	PART NO.	PROD	CUST	F/C			
1	DISK CONTROL (RK11-C) DISK CONTROL (RK11-C)(PL) DISK CONTROL (RK11-C) DISK CONTROL (RK11-C)(PL) POWER HARNESS COVER TERMINAL STRIP (141 & 541)	D-UA-RK11-CA-0 A-PL-RK11-CA-0 D-UA-RK11-CB-0 A-PL-RK11-CB-0 D-1A-7407251-2-0 C-MD-7408463-4-0				17	H911 MTG PANEL H911 MTG PANEL (PL) 288 PIN CONN BLOCK TYPE #H803	D-AD-5404491-0-0 A-PL-5404491-0-0 E-SC-1205348-0-0					DISK CONTROL (RK11-C) MODULE UTILIZATION MODULE UTILIZATION (PL) BASIC TIMING RKCS AND CONTROL MAJOR STATES MSR CONTROL DSB AND DISK SELECTION DRIVE RD WR AND SEEK CONTROL RKDA AND CONTROL BIT COUNTER AND INTERNAL WC RKDB AND CONTROL PEB SEL, NPR & INT CONTROL HARDWARE POLE ADDER CONTROL ADDER RKBA - RKWC - RMR ERRORS CABLE DRIVERS AND RECEIVERS DISK CABLE AND TERMINATION BUS * D' RCVRs AND DRVS INTERNAL BUS RKDB DATA PATHS UNIBUS CONNECTORS RK11-C INDICATOR CONNECTIONS WIRE LIST	A-ML-RK11-C D-MU-RK11-C-01 A-PL-RK11-C-01 D-BS-RK11-C-02 D-BS-RK11-C-03 D-BS-RK11-C-04 D-BS-RK11-C-05 D-BS-RK11-C-06 D-BS-RK11-C-07 D-BS-RK11-C-08 D-BS-RK11-C-09 D-BS-RK11-C-10 D-BS-RK11-C-11 D-BS-RK11-C-12 D-BS-RK11-C-13 D-BS-RK11-C-14 D-BS-RK11-C-15 D-BS-RK11-C-16 D-BS-RK11-C-17 D-BS-RK11-C-18 D-BS-RK11-C-19 D-BS-RK11-C-20 D-BS-RK11-C-21 D-BS-RK11-C-22 D-BS-RK11-C-23 K-WL-RK11-C-24												
2	BASIC CABINET ASSY 19'' KICK PLATE	C-PL-7006501-23-0 C-MD-7406782-0-0				18	1943 CASTING ASSY 1943 CASTING ASSY (PL) 1943 FRAME CASTING	D-AD-5302483-0-0 A-PL-5302483-0-0 E-MD-1202885-0-0																		
3	FRAME ASSY 19'' CAB	A-PL-7006478-0-0				19	POWER END PANEL ASSY PANEL, LEFT END	C-1A-5409132-0-0 C-MD-5509177-0-0																		
4	H950-A 19'' FRAME ASSY H950-A 19'' FRAME ASSY (PL) DWG INDEX LIST H950	E-UA-H950-AA-0 A-PL-H950-AA-0 D-D1-H950-A-1				20	H720 POWER SUPPLY ASSY H720 POWER SUPPLY ASSY (PL) H720 POWER SUPPLY ASSY H720 POWER SUPPLY ASSY (PL)	D-UA-H720-C-0 A-PL-H720-C-0 D-UA-H720-D-0 A-PL-H720-D-0																		
5	H952-E CASTER SET DWG INDEX KIST H952	A-PL-H952-E-0 D-D1-H952-E-1				21	854 POWER CONTROL 854 POWER CONTROL (PL) 854-B POWER CONTROL 854-B POWER CONTROL (PL)	D-UA-854-0-0 A-PL-854-0-0 D-UA-854-B-0 A-PL-854-B-0																		
6	H952-F LEVELER SET DWG INDEX LIST H952	A-PL-H952-F-0 D-D1-H952-F-1				REF	MAINTENANCE PANEL OVERLAYS RKII-C # 1 RKII-C # 2	A-SS-5509081-0-3 A-SS-5509081-0-4																		
7	H952-C FAN DWG INDEX LIST H952	A-PL-H952-C-0 D-D1-H952-C-1																								
8	H950-S FILTER DWG INDEX LIST H950	A-PL-H950-S-0 D-D1-H950-S-2																								
9	H950-DA MTG PANEL DOOR DWG INDEX LIST H950	A-PL-H950-DA-0 D-D1-H950-DA-1																								
10	H952-G FILLER STRIP ASSY DWG INDEX LIST H952	A-PL-H952-GA-0 D-D1-H952-GA-1																								
11	H952-B STABILIZER FEET DWG INDEX LIST H952	A-PL-H952-B-0 D-D1-H952-B-1																								
12	PANEL LOGO	D-1A-7407836-1-0																								
13	H950-L 19'' FRAME PANEL H950-L 19'' FRAME PANEL (PL) DWG INDEX LIST H950	C-UA-H950-LB-0 A-PL-H950-LB-0 D-D1-H950-LB-1																								
14	PANEL INLAY SILK SCREEN SILK SCREEN SILK SCREEN	D-1A-7407926-1-0 C-SS-7407926-0-1 C-SS-7407926-0-2 C-SS-7407926-0-3																								
15	LOGIC ASSY (RK11-C) LOGIC ASSY (RK11-C)(PL) RIGHT END PANEL	C-AD-7008312-0-0 A-PL-7008312-0-0 C-MD-5302486-0-0																								
16	WIRED ASSY (RK11-C) WIRED ASSY (RK11-C)(PL)	D-AD-7008305-0-0 A-PL-7008305-0-0																								

A	REV.																							
	CHG																							
	REV.																							
	CHG																							
	REV.																							

FIRST USED ON OPTION/MODEL		DRN	DATE	<p>digital EQUIPMENT CORPORATION MAYNARD, MASSACHUSETTS</p>
RK02 - RK03		CHK'D	DATE	
		ENG.	DATE	
		PROJ. ENG.	DATE	
		PROD.	DATE	
		NEXT HIGHER ASSY		
		D-UA-RKII-C-0		
		SCALE		
		SHEET		

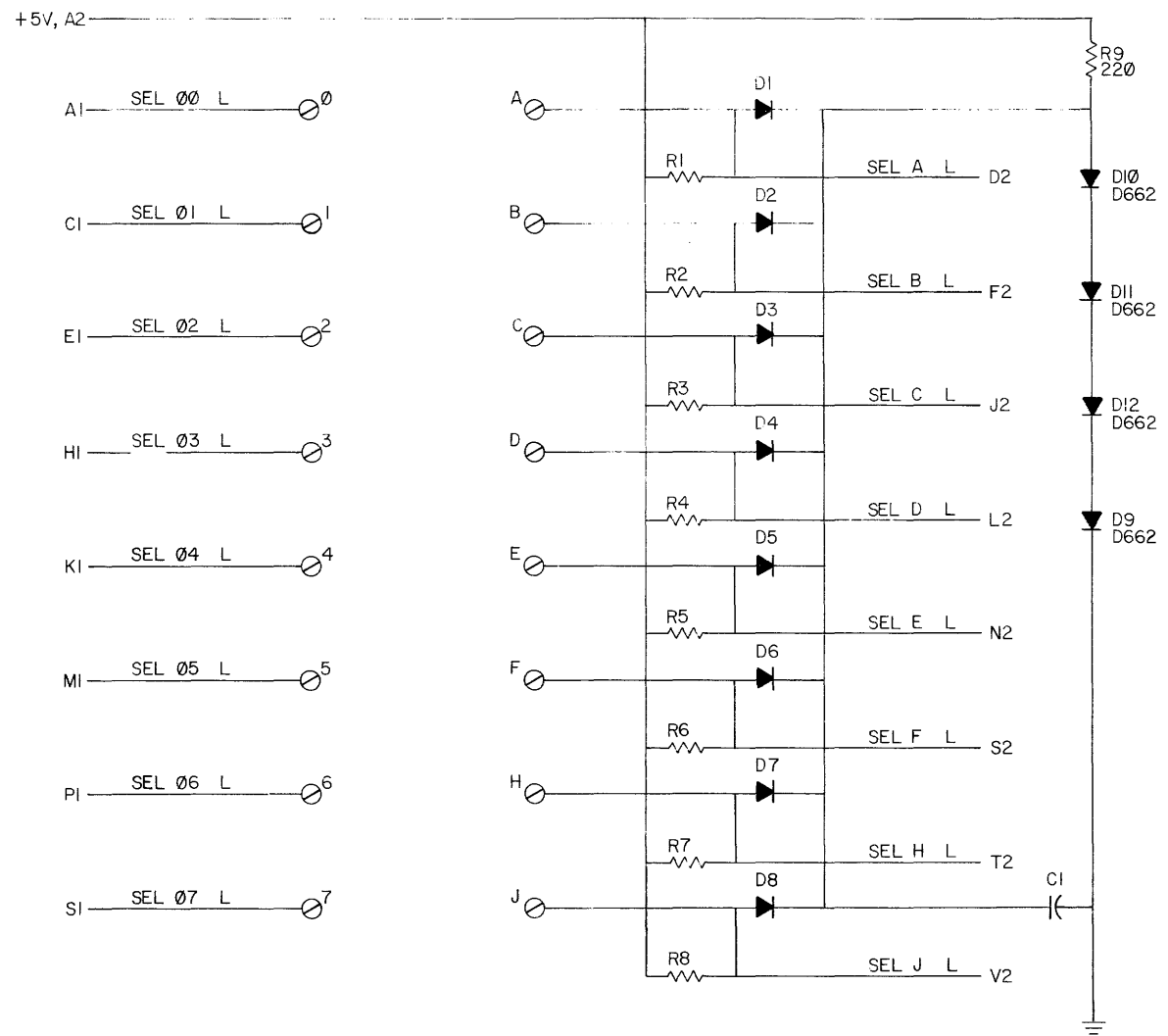
TITLE	DRAWING INDEX LIST (RKII-C)
SIZE CODE	D
NUMBER	25
REV.	B
DIST.	C

THIS SCHEMATIC IS FURNISHED ONLY FOR TEST AND MAINTENANCE PURPOSES. THE CIRCUITS ARE PROPRIETARY IN NATURE AND SHOULD BE TREATED ACCORDINGLY. COPYRIGHT 1970 BY DIGITAL EQUIPMENT CORPORATION



REVISIONS HK CHG NO. REV.	DRN. <i>George C. Lynn</i>	DATE <i>8/20/70</i>	TRANSISTOR & DIODE CONVERSION CHART				<b>digital</b> EQUIPMENT CORPORATION MAYNARD, MASSACHUSETTS	TITLE JUMPER MODULE G736			
	CHK'D <i>R. Williams</i>	DATE <i>8/24/70</i>	DEC	EIA	DEC	EIA		SIZE	CODE	NUMBER	REV.
	ENG.	DATE <i>9/1/70</i>						B	CS	G736-0-1	
	PROD <i>R. Williams</i>	DATE <i>10/20/70</i>						PRINTED CIRCUIT REV.			A

THIS SCHEMATIC IS FURNISHED UNDER A LICENSE AND IS THE PROPERTY OF DIGITAL EQUIPMENT CORPORATION. THE CIRCUITS ARE PROPRIETARY IN NATURE AND SHOULD BE TREATED ACCORDINGLY. COPYRIGHT 1970 BY DIGITAL EQUIPMENT CORPORATION.



UNLESS OTHERWISE INDICATED:  
 RESISTORS ARE 10K, 1/4W, 5%  
 CAPACITORS ARE .01UF, 100V, 20%  
 DIODES ARE D664  
 ⊙ = SPLIT LUG  
 GND= C2, T1

REV. 1  
 NUMBER G740-0-1  
 SIZE CODE C CS

REVISIONS CHK   CHG NO   REV	DRN jeanne french	DATE 8/27/70	TRANSISTOR & DIODE CONVERSION CHART				<b>digital</b> EQUIPMENT CORPORATION MAYNARD, MASSACHUSETTS	TITLE DISK SELECTION G740		
	CHK'D Oraway	DATE 9/22/70	DEC D664	EIA IN3606	DEC D662	EIA IN645		SIZE C	CODE CS	NUMBER G740-0-1
	ENG E. S. S. S.	DATE 1/24/71						PRINTED CIRCUIT REV. A	REV.	
	PROD. J. H. H.	DATE								

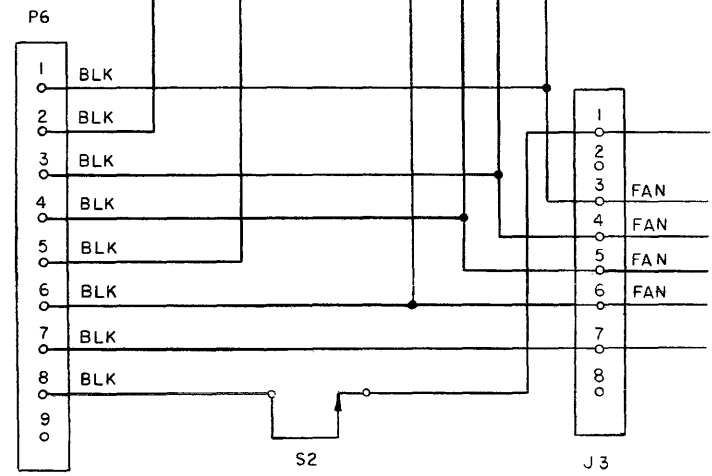
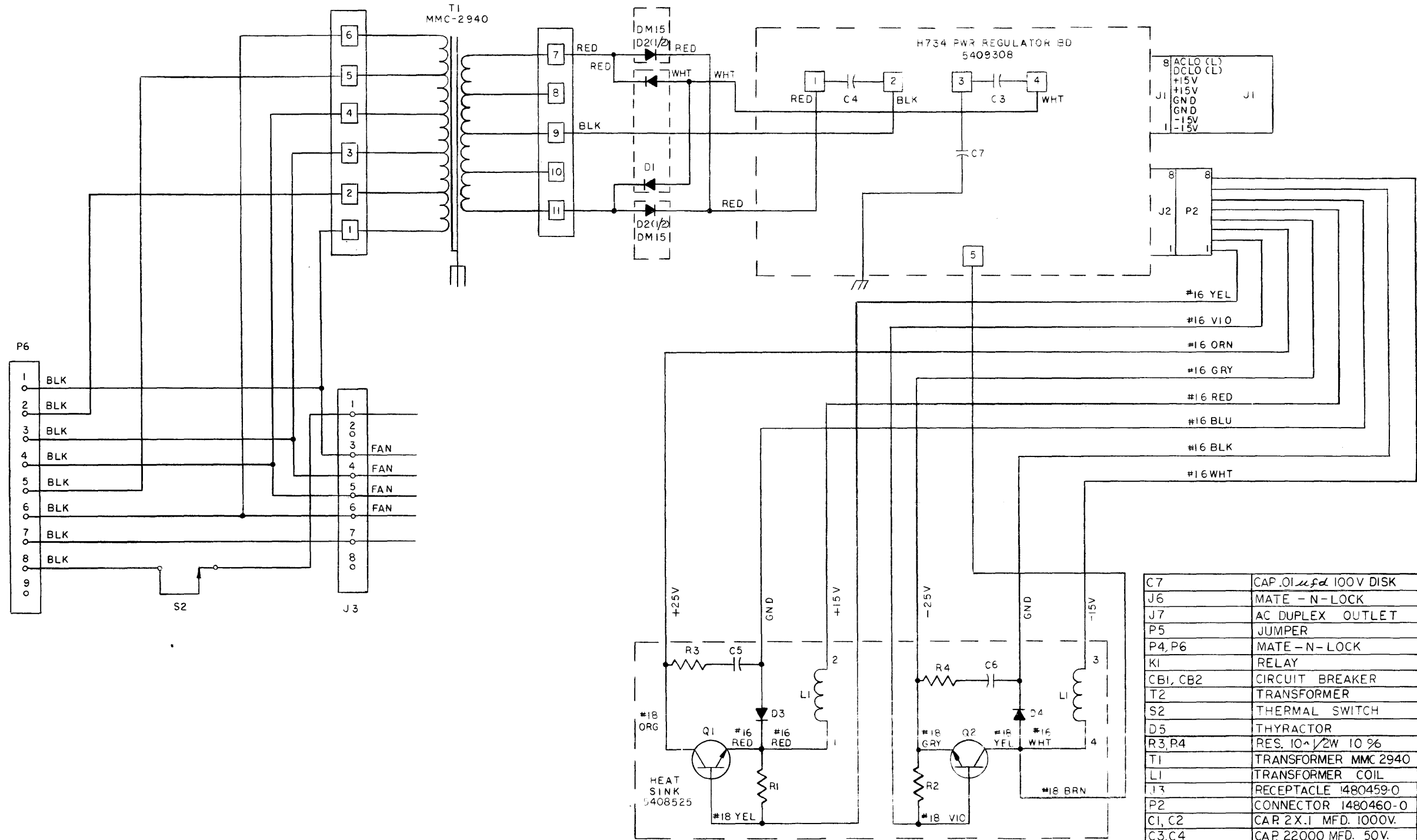
DEC FORM NO. DRC 102

DIST. 5044/04/1373 5 PINK

THIS SCHEMATIC IS FURNISHED ONLY FOR TEST AND MAINTENANCE PURPOSES. THE CIRCUITS ARE PROPRIETARY IN NATURE AND SHOULD BE TREATED ACCORDINGLY. COPYRIGHT 1969 BY DIGITAL EQUIPMENT CORPORATION.

FOR CIRCUIT SCHEMATIC  
SEE DWG. NO. J-CS-5409308-0-1

REV. 1-0-1 H734-0-1 CS D 3000 5215



REF DESIGNATION	DESCRIPTION	PART NO.
C7	CAP. 0.01 $\mu$ fd 100V DISK	1001610
J6	MATE - N-LOCK	1209350-9
J7	AC DUPLEX OUTLET	1205351-9
P5	JUMPER	7007006-1
P4, P6	MATE - N-LOCK	1209351-9
K1	RELAY	1210277
CB1, CB2	CIRCUIT BREAKER	1210191-0
T2	TRANSFORMER	1610150-0
S2	THERMAL SWITCH	1210199
D5	THYRACITOR	
R3, R4	RES. 10 $\Omega$ 1/2W 10%	1300168
T1	TRANSFORMER MMC 2940	1610284
L1	TRANSFORMER COIL	1609762
J3	RECEPTACLE 1480459-0	120934000
P2	CONNECTOR 1480460-0	120934001
C1, C2	CAP 2X.1 MFD. 1000V.	1002153
C3, C4	CAP 22000 MFD. 50V.	1009189
C5, C6	CAP 1 MFD. 150V	1000063
P1, P2	RES. 27 $\Omega$ 1/4W 5% CC	1302558
Q1, Q2	TRANSISTOR 2N5301	1509737
D1, D2	DIODE BRIDGE DM15	1105789
D3, D4	DIODE 1N3899	1109781
HEAT SINK	HEAT SINK	5408525
H734PWR.REG.BD.	H734 PWR. REG. BD.	5409308

UNLESS OTHERWISE SPECIFIED  
WIRE IS #14 GAUGE (STRANDED)

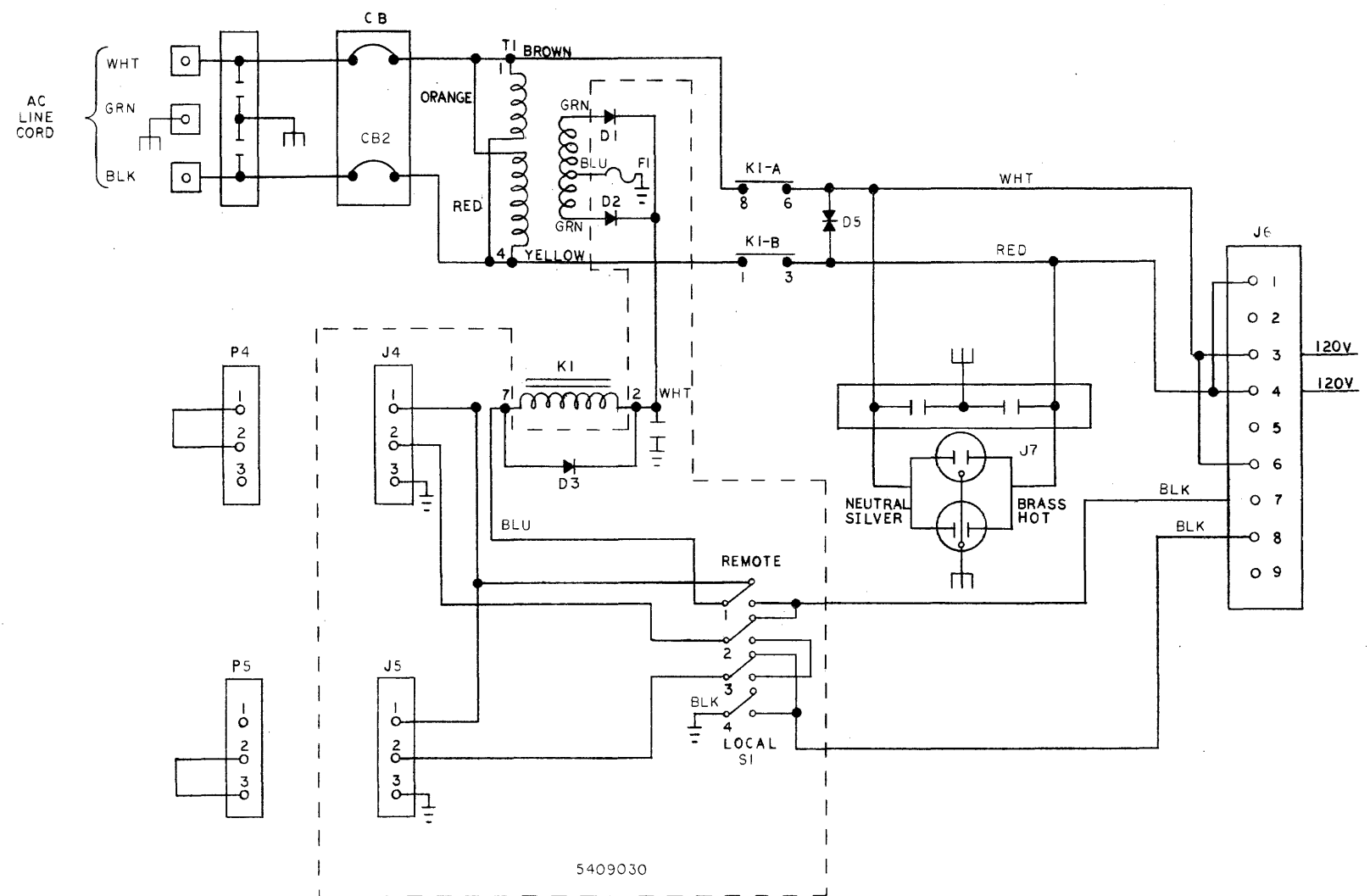
SHEET 1 OF 3

REVISIONS	DATE	BY	DESCRIPTION
1	12/27/69	JCS	TRANSISTOR & DIODE CONVERSION CHART
2	1/30/71	JCS	2N5301 SAME
3	7/8/71	JCS	1N3899 SAME

DATE	12/27/69	BY	JCS	TITLE	TRANSISTOR & DIODE CONVERSION CHART
DATE	1/30/71	BY	JCS	SIZE	D
DATE	7/8/71	BY	JCS	CODE	CS
DATE		BY		NUMBER	H734-0-1
DATE		BY		REV	1

digital	PWR SUPPLY H734
EQUIPMENT CORPORATION	PRINTED CIRCUIT REV

THIS SCHEMATIC IS FURNISHED ONLY FOR TEST AND MAINTENANCE PURPOSES. THE CIRCUITS ARE PROPRIETARY IN NATURE AND SHOULD BE TREATED ACCORDINGLY. COPYRIGHT 1969 BY DIGITAL EQUIPMENT CORPORATION.



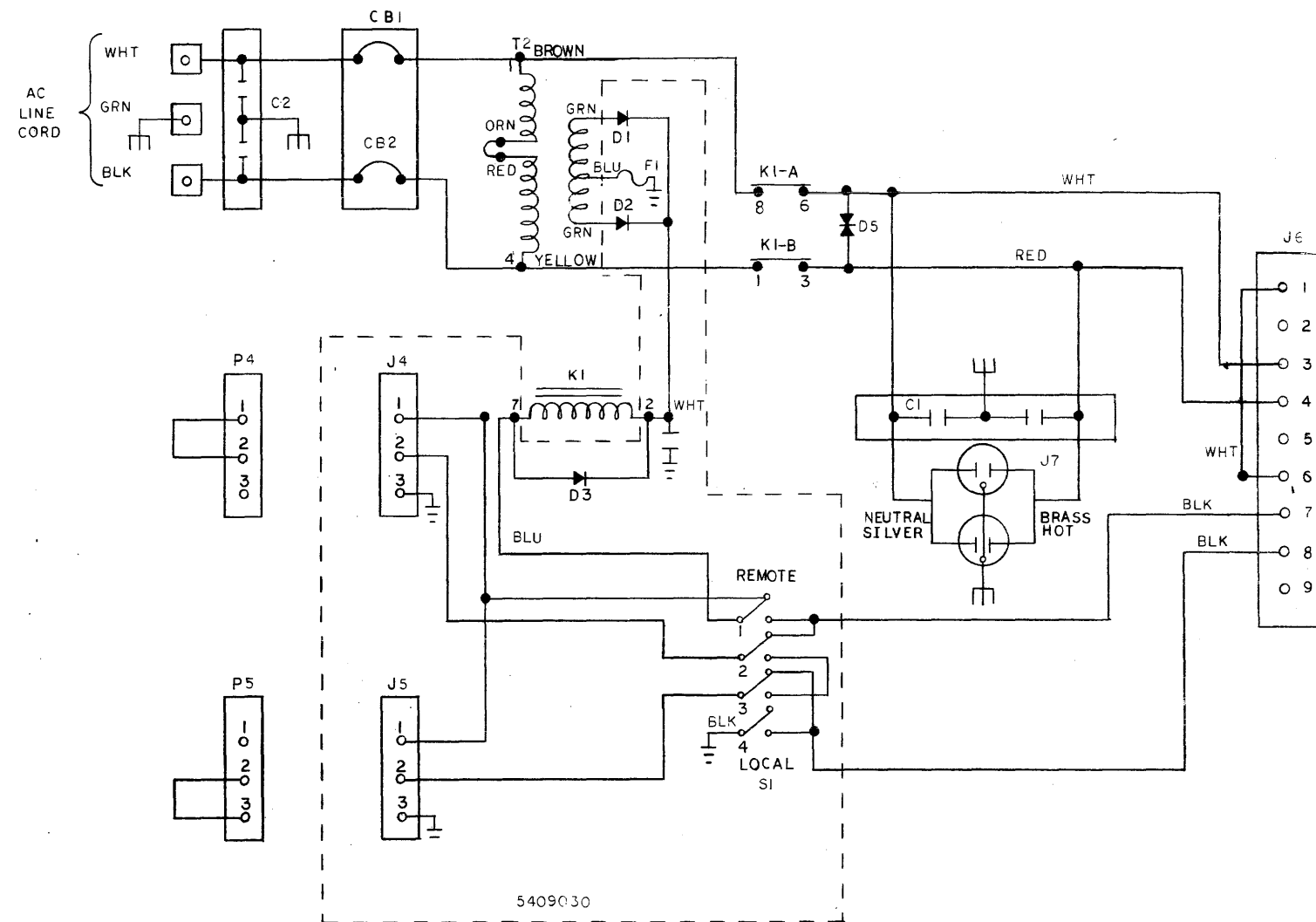
FOR CIRCUIT SCHEMATIC  
SEE DWG B-CS-5409030-0-1

REV. NUMBER H734-0-1 D CS 3215

REVISIONS CHKD (DATE) BY (REV)	DESIGNED: <i>J. DeWitt</i> DATE: 5-6-71	TRANSISTOR & DIODE CONVERSION CHART				digital EQUIPMENT CORPORATION MAYNARD, MASSACHUSETTS	TITLE: AC CONT POWER SUPPLY (120V)
	CHECKED: <i>R. Coof</i> DATE: 7-1-71	DEC 7N5301 SAME	EIA SAME	DEC	EVA		SIZE: D CS
	ENG: <i>J. DeWitt</i> DATE: 10-11	IN 3859 SAME	DEC	DEC	EVA		NUMBER: H734-0-1
	PROD: <i>J. DeWitt</i> DATE: 10-11	DEC	DEC	DEC	EVA		PRINTED CIRCUIT REV.

THIS SCHEMATIC IS FURNISHED ONLY FOR TEST AND MAINTENANCE PURPOSES. THE CIRCUITS ARE PROPRIETARY IN NATURE AND SHOULD BE TREATED ACCORDINGLY. COPYRIGHT 1969 BY DIGITAL EQUIPMENT CORPORATION

1-0-PSZH  
# 20000  
A3M



FOR CIRCUIT SCHEMATIC  
SEE DWG B-CS-5409030-0-1

NOTE: J6 SHOWN WIRED FOR 240V INPUT, FOR 233V  $\pm 10\%$  INPUT TAKE JUMPER FROM J6-6 AND INSERT IT INTO J6-5, FOR 225V  $\pm 10\%$  INPUT TAKE JUMPER FROM J6-6 AND INSERT IT INTO J6-5 AND TAKE JUMPER J6-1 AND INSERT IT INTO J6-2, FOR 218  $\pm 10\%$  TAKE JUMPER FROM J6-1 AND INSERT INTO J6-2 THEN TAKE JUMPER FROM J6-6 AND INSERT INTO J6-5

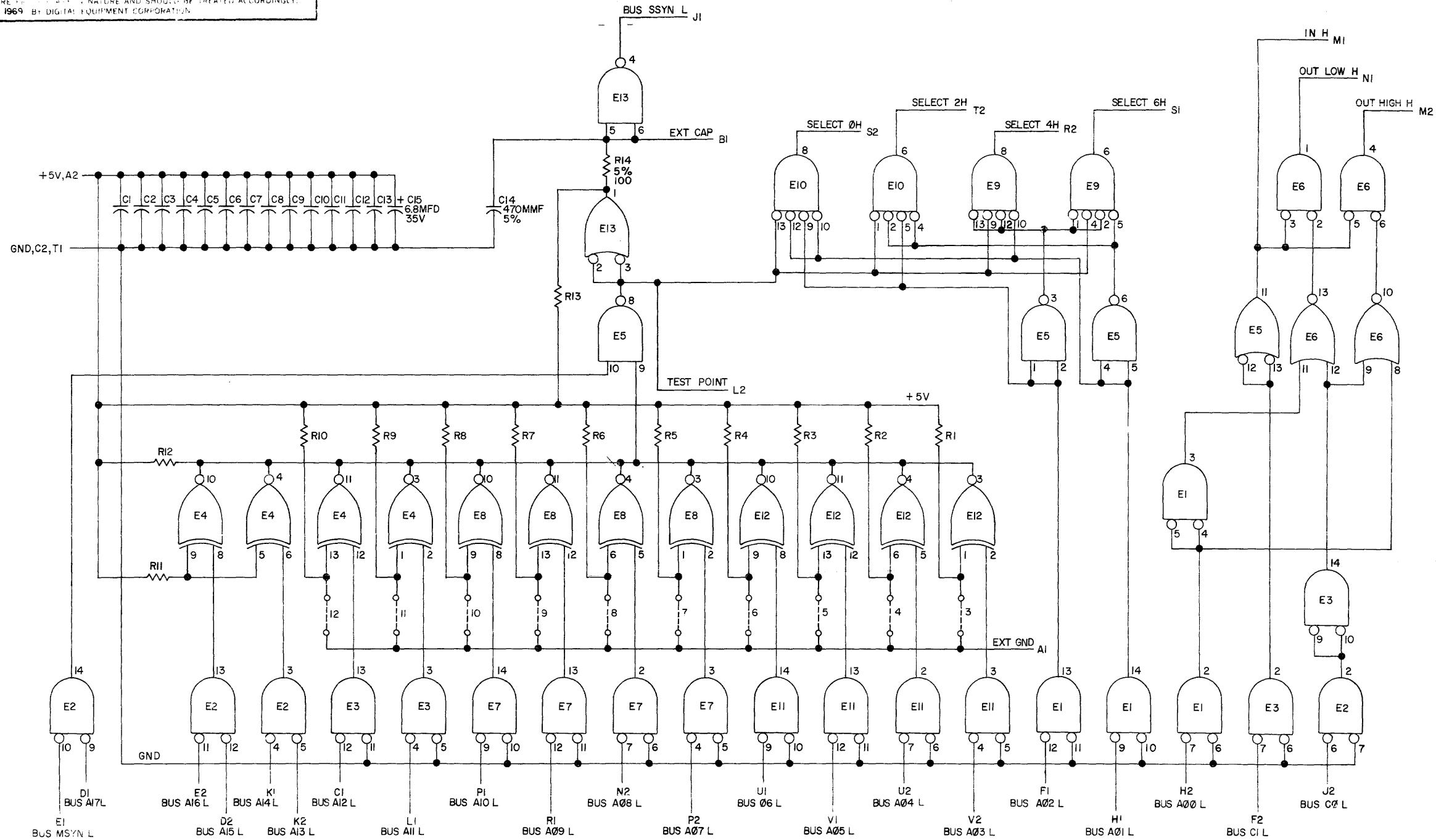
SHEET 3 OF 3

REVISIONS CHK ENG REV	DATE	TRANSISTOR & DIODE CONVERSION CHART				digital EQUIPMENT CORPORATION MAYNARD, MASSACHUSETTS	TITLE AC CONT POWER SUPPLY (240V)	SIZE D	CODE CS	NUMBER H734-0-1	REV
	DRN	DEC	EIA	DEC	EIA						
	CHKD	2/5/301	SAME								
	ENG	1/3/899	SAME								

REV  
H734-0-1



THIS SCHEMATIC IS FURNISHED ONLY FOR TEST AND MAINTENANCE PURPOSES. THE CIRCUITS ARE OF A PROPRIETARY NATURE AND SHOULD BE TREATED ACCORDINGLY. COPYRIGHT 1969 BY DIGITAL EQUIPMENT CORPORATION.



UNLESS OTHERWISE INDICATED:  
 O---O INDICATES JUMPERS  
 RESISTORS ARE 1K, 1/4W, 5%  
 CAPACITORS ARE .01MFD, 100V, 20%  
 E1, E2, E3, E7, E11 ARE DEC380  
 E4, E8, E12 ARE DEC8242  
 E9, E10 ARE DEC8815  
 E5 IS DEC74H00  
 E6 IS DEC7402  
 E13 IS DEC8881  
 PIN 1 ON E1, E2, E3, E7, E11 = GND  
 PIN 8 ON E1, E2, E3, E7, E11 = +5V  
 PIN 7 ON E4, E5, E6, E8, E9, E10, E12, E13 = GND  
 PIN 14 ON E4, E5, E6, E8, E9, E10, E12, E13 = +5V

REV	NO	DATE	BY
1	00002		

DRN	DATE
<i>B. Patey</i>	11-26-69
CHK'D	DATE
ENG	DATE
PROD	DATE

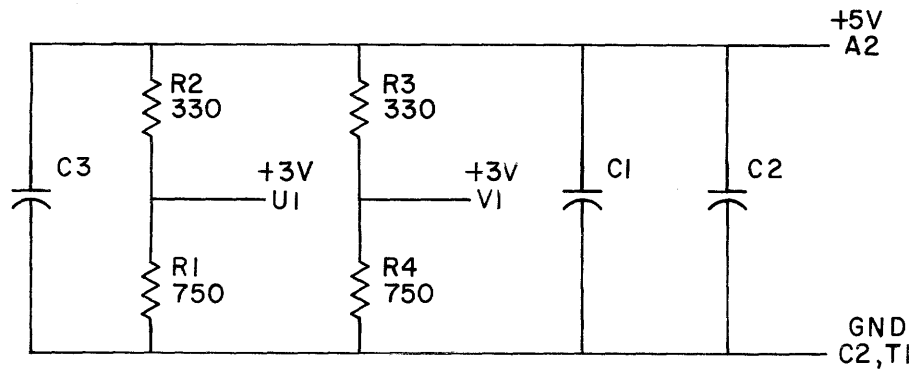
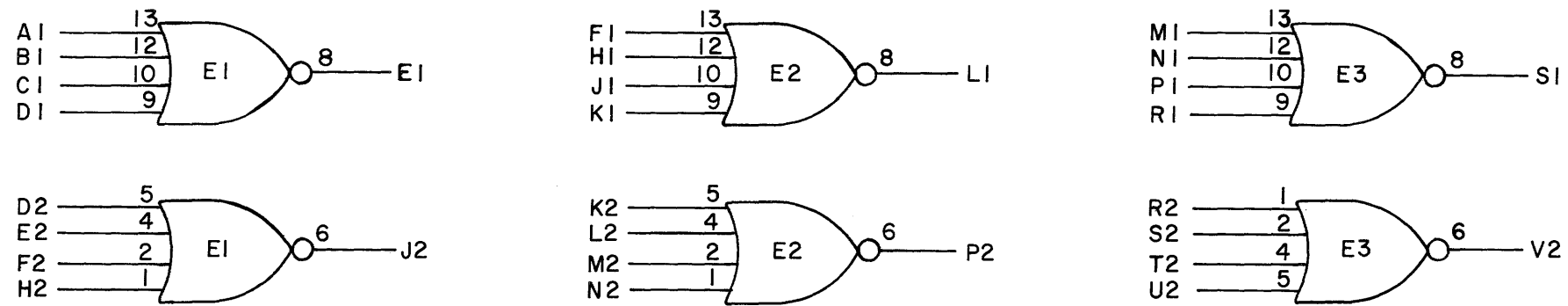
TRANSISTOR & DIODE CONVERSION CHART			
DEC	EIA	DEC	EIA



ADDRESS SELECTOR MI05			
SIZE	CODE	NUMBER	REV
C	CS	MI05-0-1	B
PRINTED CIRCUIT REV.			
C			

REV. B  
 NUMBER MI05-0-1  
 SIZE CODE C CS

THIS SCHEMATIC IS FURNISHED ONLY FOR TEST AND MAINTENANCE PURPOSES. THE CIRCUITS ARE PROPRIETARY IN NATURE AND SHOULD BE TREATED ACCORDINGLY. COPYRIGHT 1970 BY DIGITAL EQUIPMENT CORPORATION



UNLESS OTHERWISE INDICATED:  
 RESISTORS ARE 1/4W, 5%  
 CAPACITORS ARE .01UF, 100V, 20%  
 IC'S ARE DEC 8815  
 PIN 7 = GND  
 PIN 14 = +5V ON EACH IC

REVISIONS	CHK	CHG NO.	REV
		100001	A
D.J. Hall 9-20-72			
D. BAKER			

DRN.	DATE
S. Cooper	12-7-70
CHK'D	DATE
D. Smith	12-7-70
ENG'D	DATE
W. DeLag	3-1-71
PROD.	DATE

TRANSISTOR & DIODE CONVERSION CHART			
DEC	EIA	DEC	EIA

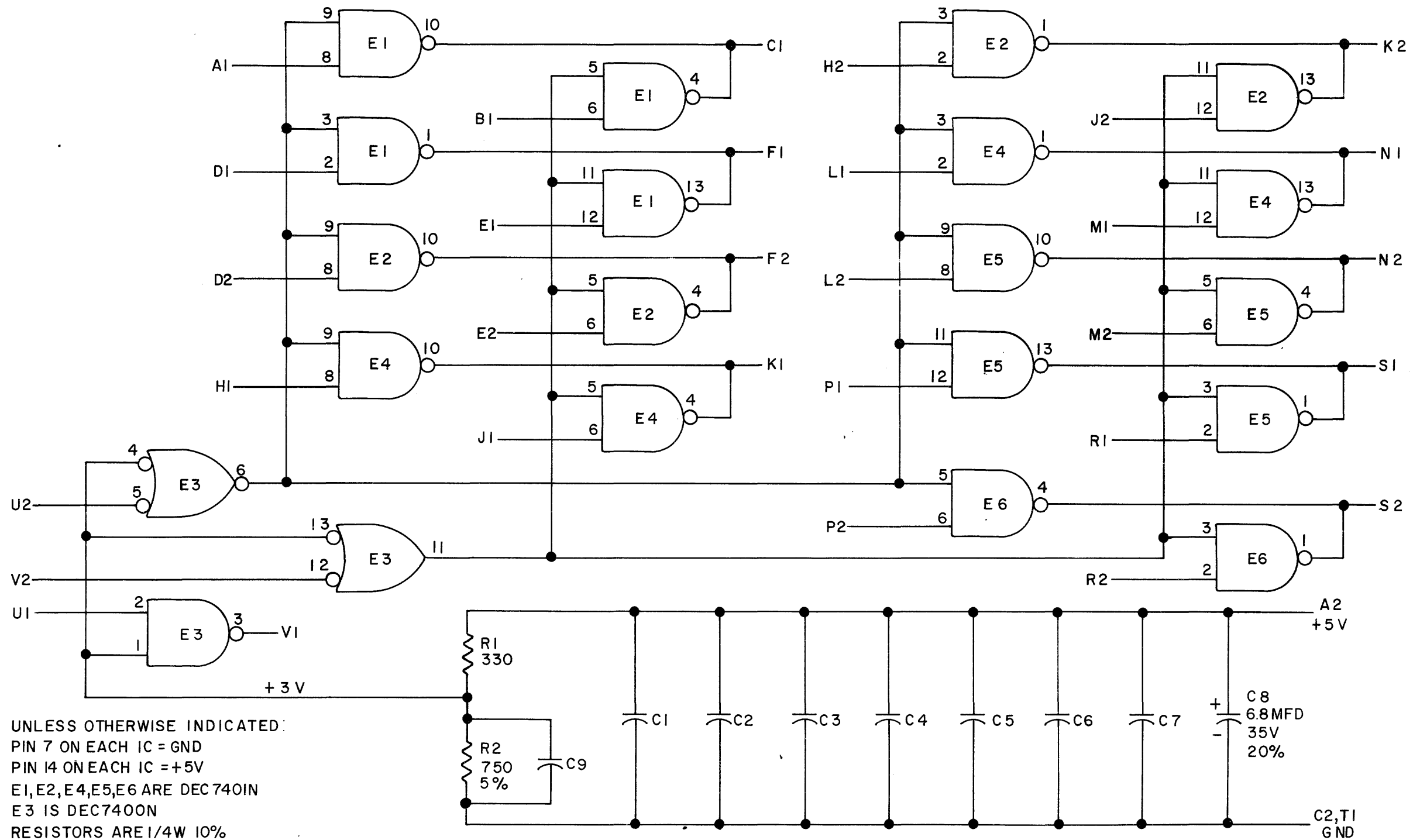
**digital**  
 EQUIPMENT CORPORATION  
 MAYNARD, MASSACHUSETTS

TITLE: 6-QUAD NORGATE MI16

SIZE	CODE	NUMBER	REV
B	CS	MI16-0-1	A

PRINTED CIRCUIT REV: A

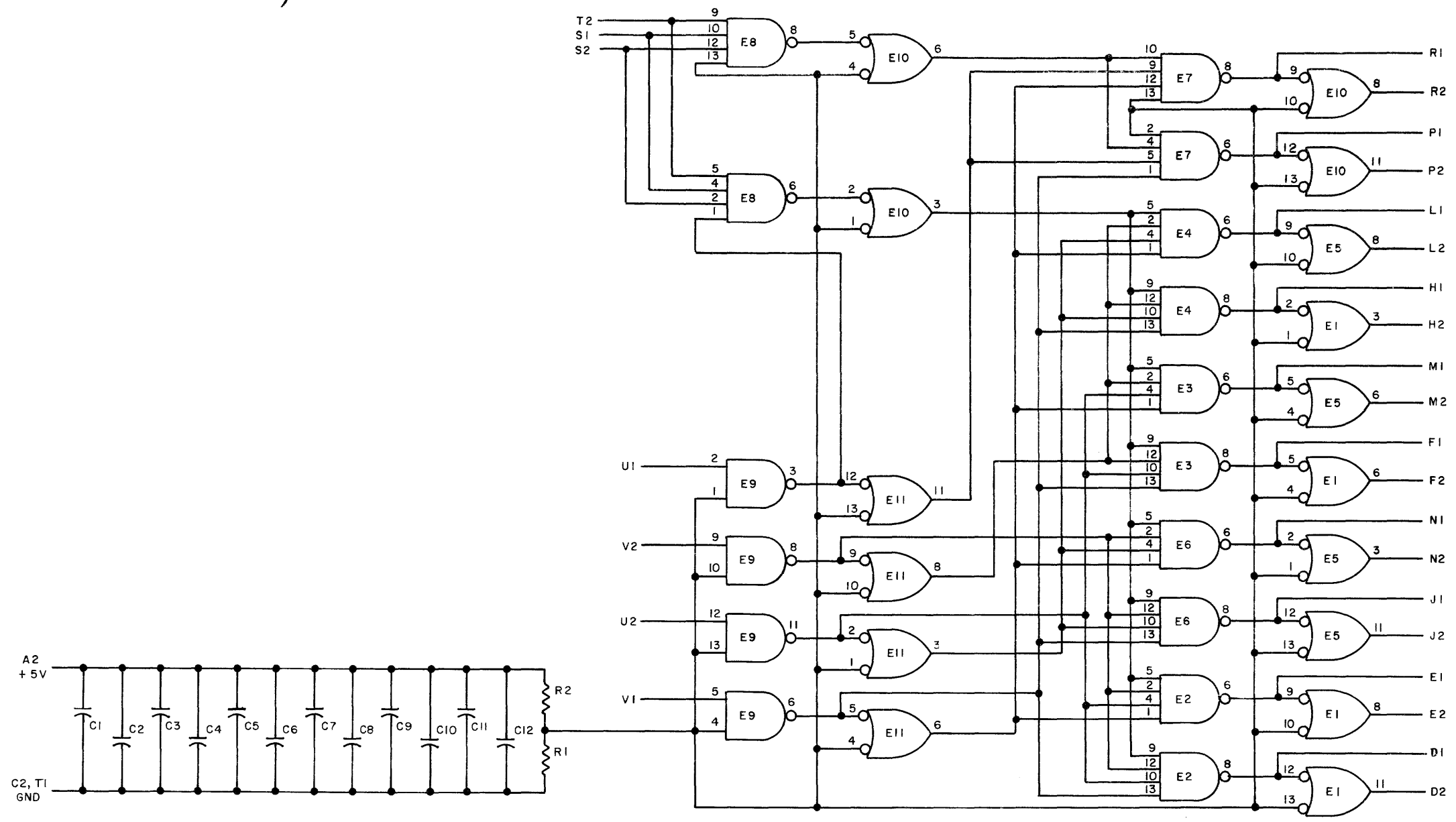
THIS SCHEMATIC IS FURNISHED ONLY FOR TEST AND MAINTENANCE PURPOSES. THE CIRCUITS ARE PROPRIETARY IN NATURE AND SHOULD BE TREATED ACCORDINGLY. COPYRIGHT 1969 BY DIGITAL EQUIPMENT CORPORATION



UNLESS OTHERWISE INDICATED:  
 PIN 7 ON EACH IC = GND  
 PIN 14 ON EACH IC = +5V  
 E1, E2, E4, E5, E6 ARE DEC 7401N  
 E3 IS DEC 7400N  
 RESISTORS ARE 1/4W 10%  
 CAPACITORS ARE .01MFD, 100V, 20%

REVISIONS CHK CHG NO. REV. 00001 B	DRN. <i>Spafford</i>	DATE 3-26-69	TRANSISTOR & DIODE CONVERSION CHART					TITLE 9X2 NAND WIRED OR MATRIX M149			
	CHK'D <i>G. Young</i>	DATE 3-28-69	DEC	EIA	DEC	EIA		SIZE B	CODE CS	NUMBER M149-0-1	REV. B
	ENG. <i>F. Demore</i>	DATE 4/23/69									
	PROD.	DATE									

THIS SCHEMATIC IS FURNISHED ONLY FOR TEST AND MAINTENANCE PURPOSES. THE CIRCUITS ARE PROPRIETARY IN NATURE AND SHOULD BE TREATED ACCORDINGLY. COPYRIGHT 1967 BY DIGITAL EQUIPMENT CORPORATION



PIN 7 ON EACH IC = GND  
PIN 14 ON EACH IC = +5V

E1, E5, E9, E10, E11	INTEGRATED CKT. DEC7400N	1905575
E2, E3, E4, E6, E7, E8	INTEGRATED CKT. DEC7420N	1905577
R2	RES. 330 1/4W 10% CC	1300293
R1	RES. 750 1/4W 5% CC	1301401
C1 THRU C12	CAP. .01MFD 100V 20% DISC	1001610
PARTS LIST		A-PL-MI61-0-0
REFERENCE DESIGNATION	DESCRIPTION	PART NO.

REV.	NO.	DATE	BY
A	1	5/12/67	M. Waller
B	1		

DRN.	DATE
CHK'D	DATE
ENG.	DATE
PROD.	DATE

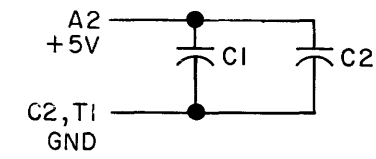
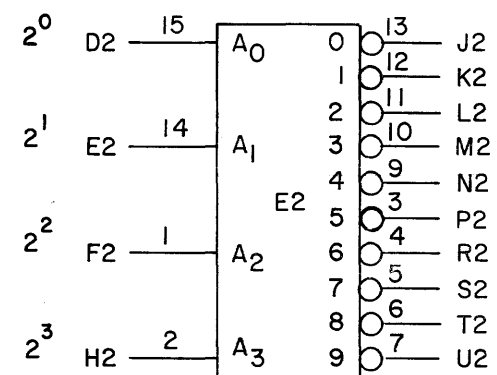
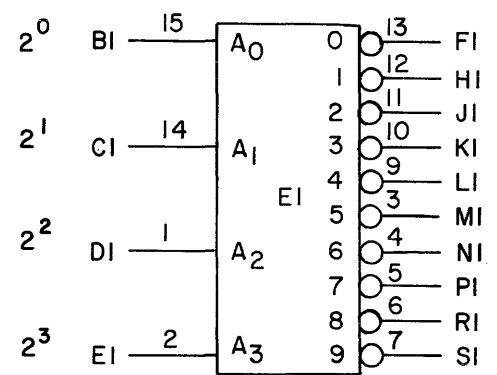
TRANSISTOR & DIODE CONVERSION CHART			
DEC	EIA	DEC	EIA



TITLE			
BINARY TO OCTAL/DECIMAL DECODER MI61			
SIZE	CODE	NUMBER	REV.
C	CS	MI61-0-1	B
PRINTED CIRCUIT REV.			

REV. B  
NUMBER CS MI61-0-1  
SIZE C

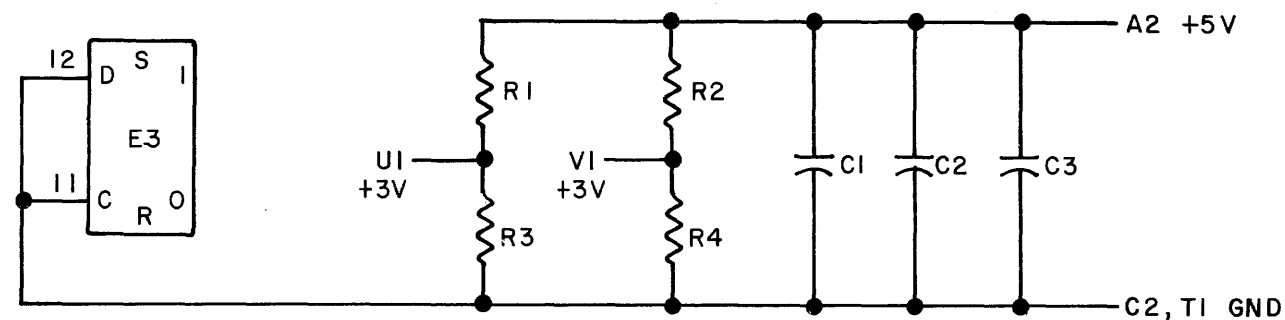
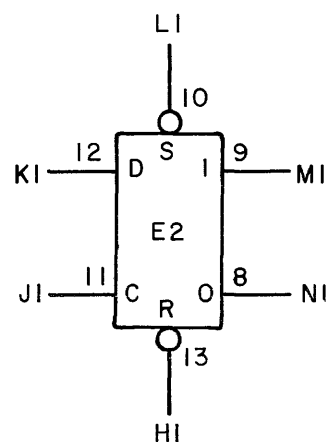
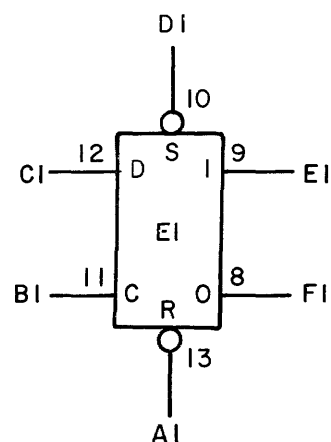
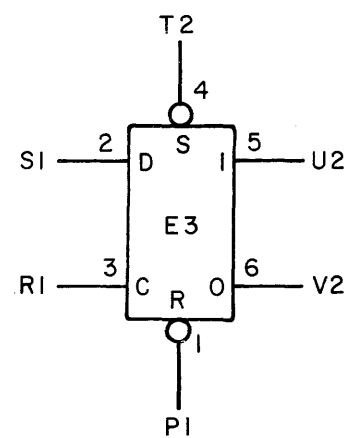
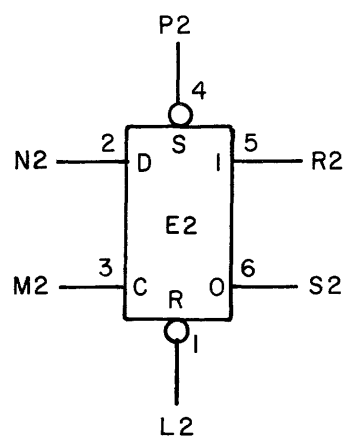
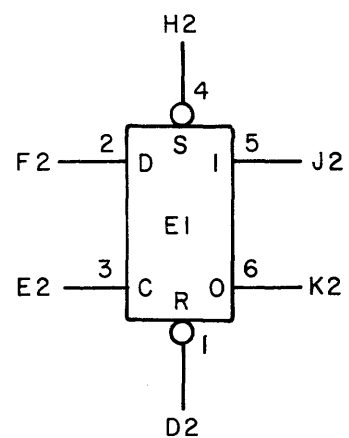
THIS SCHEMATIC IS FURNISHED ONLY FOR TEST AND MAINTENANCE PURPOSES. THE CIRCUITS ARE PROPRIETARY IN NATURE AND SHOULD BE TREATED ACCORDINGLY. COPYRIGHT 1969 BY DIGITAL EQUIPMENT CORPORATION



UNLESS OTHERWISE INDICATED:  
 PIN 8 ON EACH IC = GND  
 PIN 16 ON EACH IC = +5V  
 EI AND E2 ARE FAIRCHILD 9301  
 CAPACITORS ARE .01MFD

REVISIONS CHK   CHG NO.   REV A   00001   A	DPN Britec	DATE 7/29/69	TRANSISTOR & DIODE CONVERSION CHART				<b>digital</b> EQUIPMENT CORPORATION MAYNARD, MASSACHUSETTS	TITLE DUAL BINARY TO DECIMAL DECODER M163			
	CHK'D [Signature]	DATE 7/29/69	DEC	EIA	DEC	EIA		SIZE B	CODE CS	NUMBER M163-0-1	REV. A
	ENG. A. Chastote	DATE 6/27/69						PRINTED CIRCUIT REV. A			
	PROD.	DATE									

THIS SCHEMATIC IS FURNISHED ONLY FOR TEST AND MAINTENANCE PURPOSES. THE CIRCUITS ARE PROPRIETARY IN NATURE AND SHOULD BE TREATED ACCORDINGLY. COPYRIGHT 1969 BY DIGITAL EQUIPMENT CORPORATION



NOTES:  
PIN 7 ON EACH IC = GND  
PIN 14 ON EACH IC = +5V

REFERENCE DESIGNATION	DESCRIPTION	PART NO.
E1, E2, E3	INTEGRATED CKT. DEC7474N	1905547
R3, R4	RES. 750 1/4W 5% CC	1301401
R1, R2	RES. 330 1/4W 5% CC	1300295
C1, C2, C3	CAP. .01MFD 100V 20% DISC	1001610
PARTS LIST		A-PL-M205-0-0

REVISIONS	CHK	CHG NO.	REV.
		00001	B

DRN. <i>M. Haller</i>	DATE 2-17-69
CHK'D <i>R. Schreiner</i>	DATE 3/13/69
ENGR <i>F. C. DeMunn</i>	DATE 4/17/69
PROD.	DATE

TRANSISTOR & DIODE CONVERSION CHART			
DEC	EIA	DEC	EIA

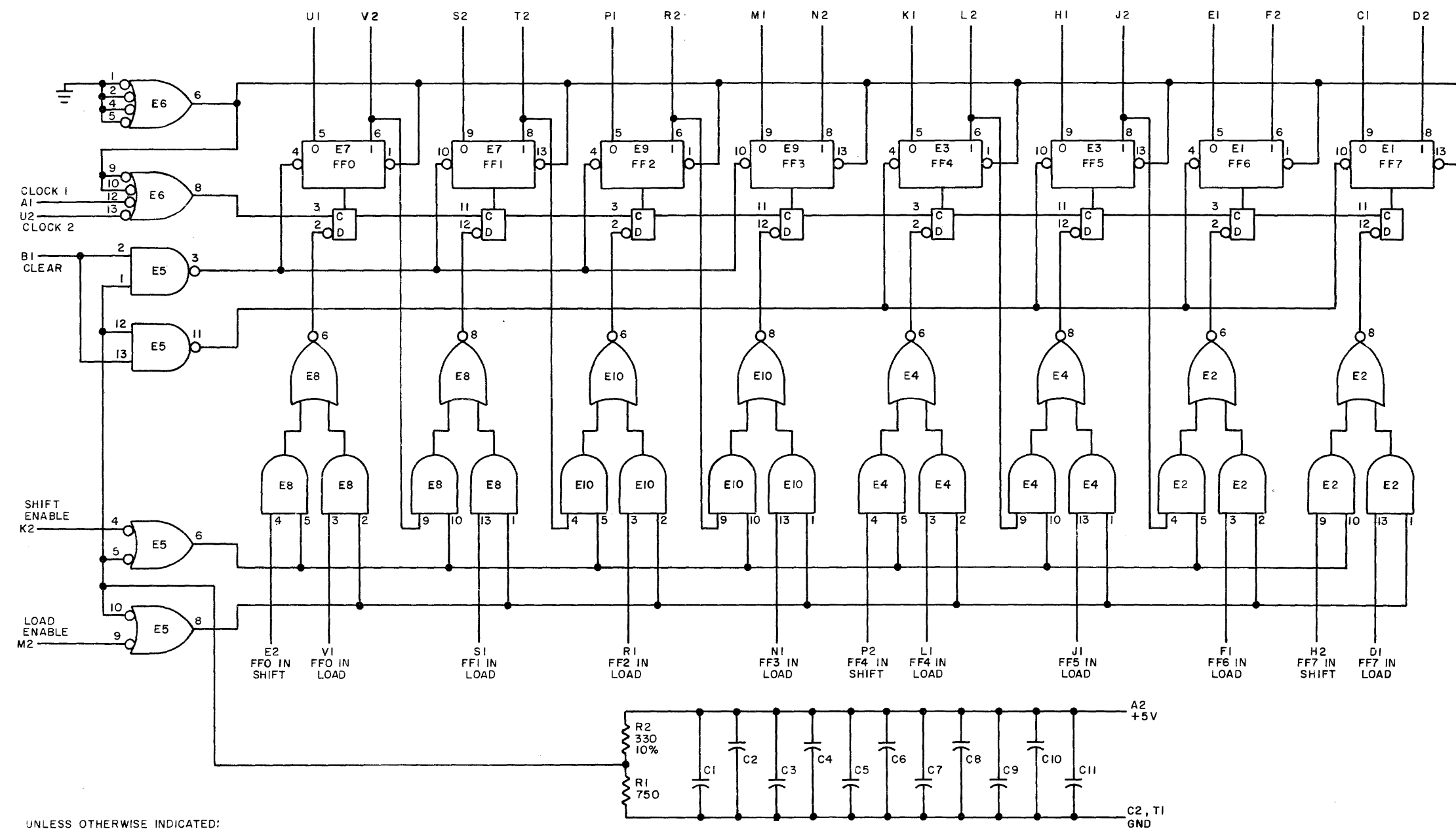
**digital**  
EQUIPMENT CORPORATION  
MAYNARD, MASSACHUSETTS

TITLE  
5 "D" FLIP FLOPS M205

SIZE B	CODE CS	NUMBER M205-0-1	REV. B
-----------	------------	--------------------	-----------

PRINTED CIRCUIT REV. A

THIS SCHEMATIC IS FURNISHED ONLY FOR TEST AND MAINTENANCE PURPOSES. THE  
 CIRCUIT IS IN NATURE AND SHOULD BE TREATED ACCORDINGLY.  
 COPYRIGHT 1967 BY DIGITAL EQUIPMENT CORPORATION



UNLESS OTHERWISE INDICATED:  
 CAPACITORS ARE .01 MFD  
 RESISTORS ARE 1/4 W, 5%  
 E6 IS DEC74H40N  
 E5 IS DEC7400N  
 E2, E4, E8, & E10 ARE DEC7450N  
 E1, E3, E7, & E9 ARE DEC7474N  
 PIN 7 ON EACH IC = GND  
 PIN 14 ON EACH IC = +5V

REV. B  
 NUMBER  
 M208-0-1  
 SIZE CODE  
 C CS

REVISIONS	CHK	CHG	NO	REV.
	6511		A	
	00001		B	

DRN.	DATE
Mr. Wallen	5-11-67
CHK'D.	DATE
ENG.	DATE
PROD.	DATE

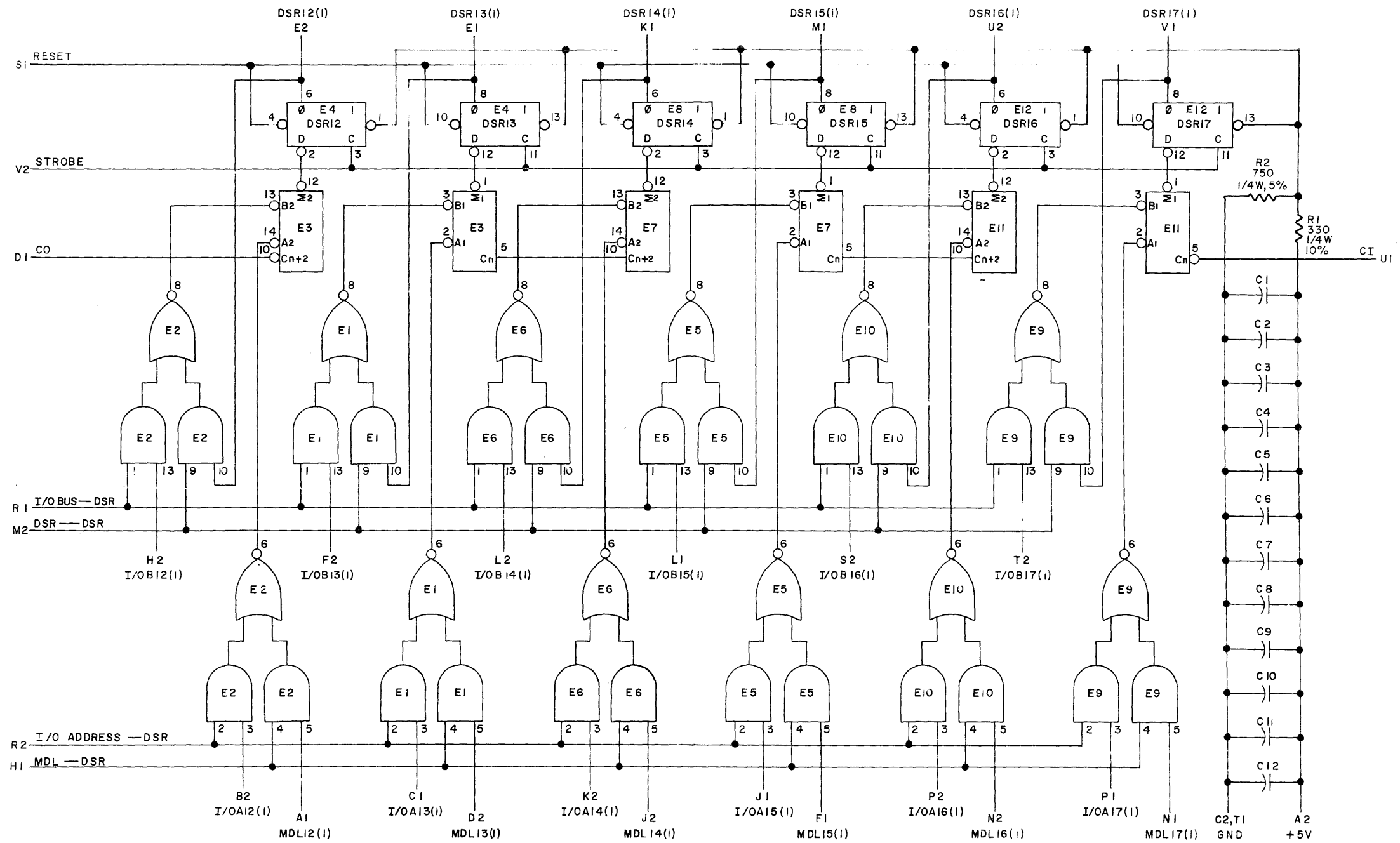
TRANSISTOR & DIODE CONVERSION CHART			
DEC	EIA	DEC	EIA

**digital**  
 EQUIPMENT CORPORATION  
 MAYNARD, MASSACHUSETTS

TITLE			
BUFFER-SHIFT REGISTER M208			
SIZE	CODE	NUMBER	REV
C	CS	M208-0-1	B
PRINTED CIRCUIT REV.			C

ELL FORM NO. DRG 102

THIS SCHEMATIC IS FURNISHED ONLY FOR TEST AND MAINTENANCE PURPOSES. THE CIRCUITS ARE PROPRIETARY IN NATURE AND SHOULD BE TREATED ACCORDINGLY. COPYRIGHT 1969 BY DIGITAL EQUIPMENT CORPORATION



UNLESS OTHERWISE INDICATED:  
 PIN 7 ON EACH IC (EXCEPT E3, E7, E11) = GND  
 PIN 14 ON EACH IC (EXCEPT E3, E7, E11) = +5V  
 PIN 4 ON E3, E7, E11 = +5V  
 PIN 11 ON E3, E7, E11 = GND  
 E4, E8, E12 ARE DEC7474  
 E3, E7, E11 ARE DEC7482  
 E1, E2, E5, E6, E9, E10 ARE DEC 7450  
 CAPACITORS ARE .01µf, 100V, 20%

REV	CHG	NO	REV	BY

DRN	DATE
CHK'D	DATE
ENG	DATE
PROD	DATE

TRANSISTOR & DIODE CONVERSION CHART			
DEC	EIA	DEC	EIA

**digital** EQUIPMENT CORPORATION  
 MAYNARD, MASSACHUSETTS

TITLE: DATA STORAGE REGISTER  
 M214

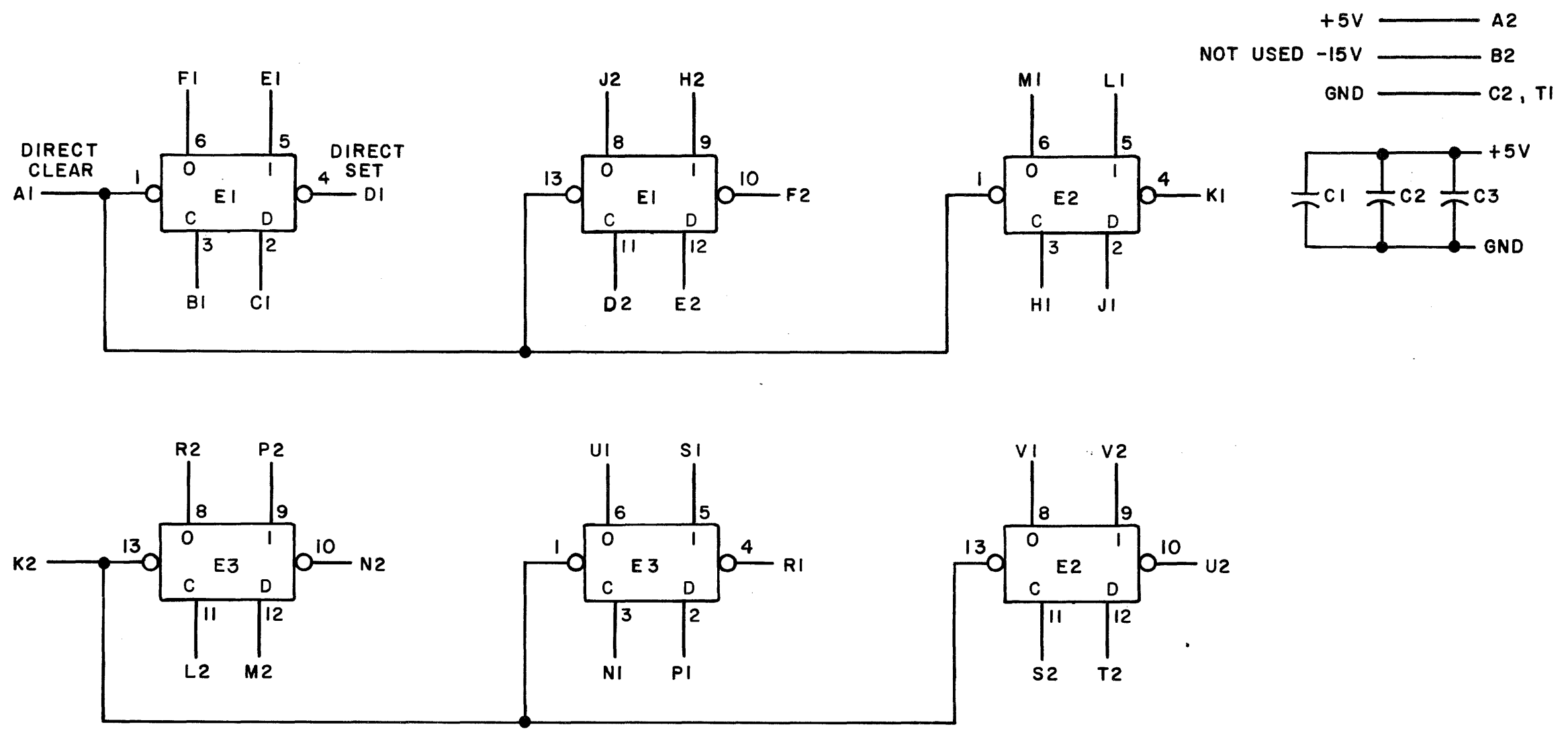
SIZE	CODE	NUMBER	REV
C	CS	M214-0-1	B

PRINTED CIRCUIT REV. B

REV. B  
 NUMBER M214-0-1  
 SIZE CODE C CS



THIS SCHEMATIC IS FURNISHED ONLY FOR TEST AND MAINTENANCE PURPOSES. THE CIRCUITS ARE PROPRIETARY IN NATURE AND SHOULD BE TREATED ACCORDINGLY. COPYRIGHT 1967 BY DIGITAL EQUIPMENT CORPORATION

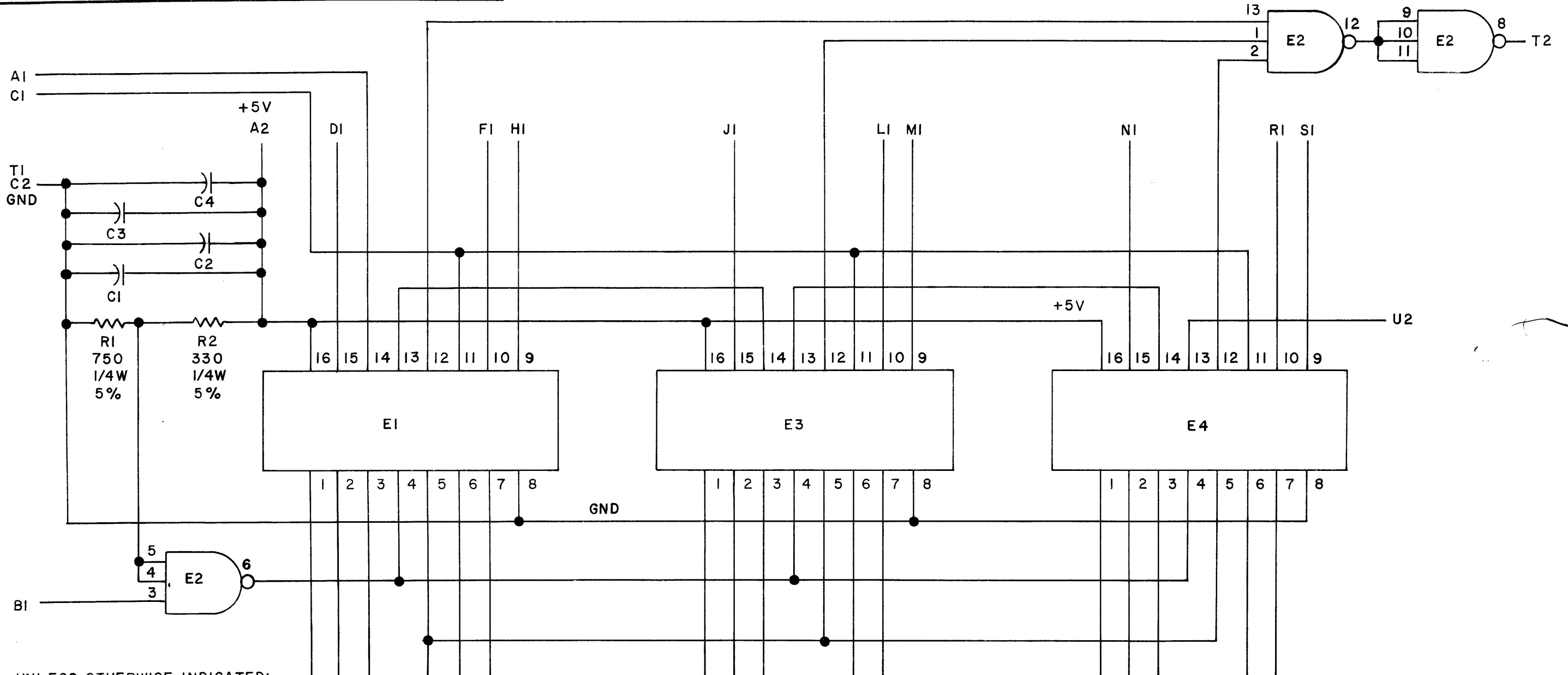


NOTES:  
 PIN 7 ON EACH IC = GND  
 PIN 14 ON EACH IC = +5V

E1 THRU E3	INTEGRATED CKT. DEC7474N	1905547
C1 THRU C3	CAP. .01 MFD 100V 20% DISC	1001610
	PARTS LIST	A-PL-M216-0-0
REFERENCE DESIGNATION	DESCRIPTION	PART NO.

REVISIONS	CHK CHG NO. REV.	6806 A	M: 00001 B	DRN. <i>M. Haller</i>	DATE 4-15-67	TRANSISTOR & DIODE CONVERSION CHART <table border="1" style="width: 100%; border-collapse: collapse;"> <tr> <td>DEC</td><td>EIA</td><td>DEC</td><td>EIA</td></tr> <tr><td> </td><td> </td><td> </td><td> </td></tr> <tr><td> </td><td> </td><td> </td><td> </td></tr> <tr><td> </td><td> </td><td> </td><td> </td></tr> <tr><td> </td><td> </td><td> </td><td> </td></tr> </table>	DEC	EIA	DEC	EIA																	<b>digital</b> EQUIPMENT CORPORATION MAYNARD, MASSACHUSETTS	TITLE SIX FLIP-FLOPS M216		
	DEC	EIA	DEC	EIA																										
SIZE	CODE	NUMBER	REV.																											
B	CS	M216-0-1	B																											
PRINTED CIRCUIT REV.			C																											

THIS SCHEMATIC IS FURNISHED ONLY FOR TEST AND MAINTENANCE PURPOSES. THE CIRCUITS ARE PROPRIETARY IN NATURE AND SHOULD BE TREATED ACCORDINGLY. COPYRIGHT 1970 BY DIGITAL EQUIPMENT CORPORATION

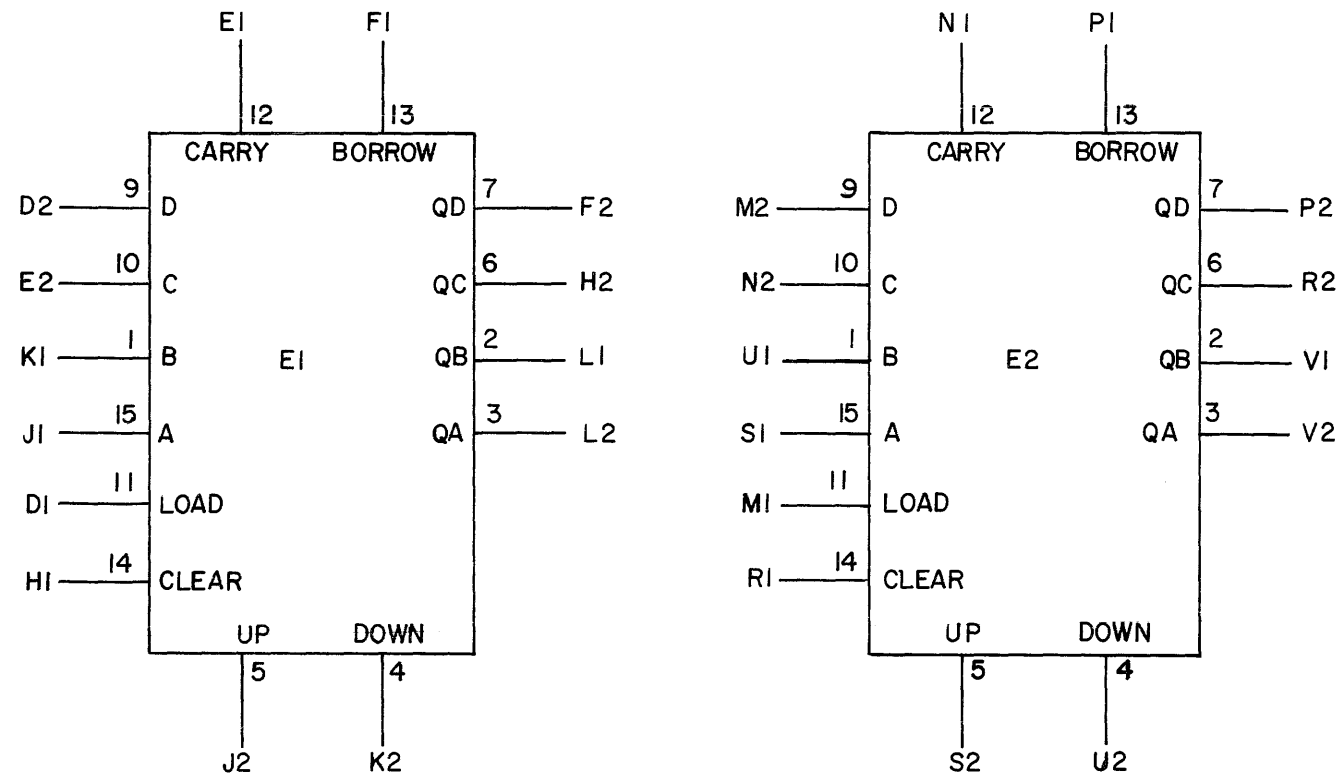


UNLESS OTHERWISE INDICATED:  
 CAPACITORS ARE .01uF, 100V, 20%  
 PIN 7 ON E2 = GND  
 PIN 14 ON E2 = +5V  
 E2 IS DEC7410  
 E1, E3, E4, ARE DEC74191

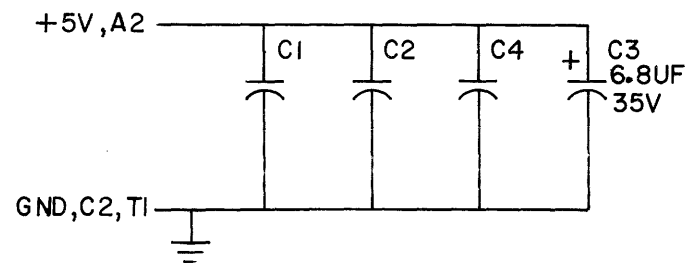
REVISIONS CHK CHG NO. REV.	DRN. <i>Nancy Moore</i> DATE <i>2/20/70</i>	TRANSISTOR & DIODE CONVERSION CHART				digital EQUIPMENT CORPORATION MAYNARD, MASSACHUSETTS	TITLE 12 BIT BINARY UP/DOWN COUNTER M236			
	CHK'D <i>P. Walsh</i> DATE <i>10/27/70</i>	DEC	EIA	DEC	EIA		SIZE B	CODE CS	NUMBER M236-0-1	REV. A
	ENG. <i>Joe Orsini</i> DATE <i>10/27/70</i>						PRINTED CIRCUIT REV. B			
	PROD. DATE									

*Dist. 324,434,4353 5 PINK*

THIS SCHEMATIC IS FURNISHED ONLY FOR TEST AND MAINTENANCE PURPOSES. THE CIRCUITS ARE PROPRIETARY IN NATURE AND SHOULD BE TREATED ACCORDINGLY. COPYRIGHT 1970 BY DIGITAL EQUIPMENT CORPORATION

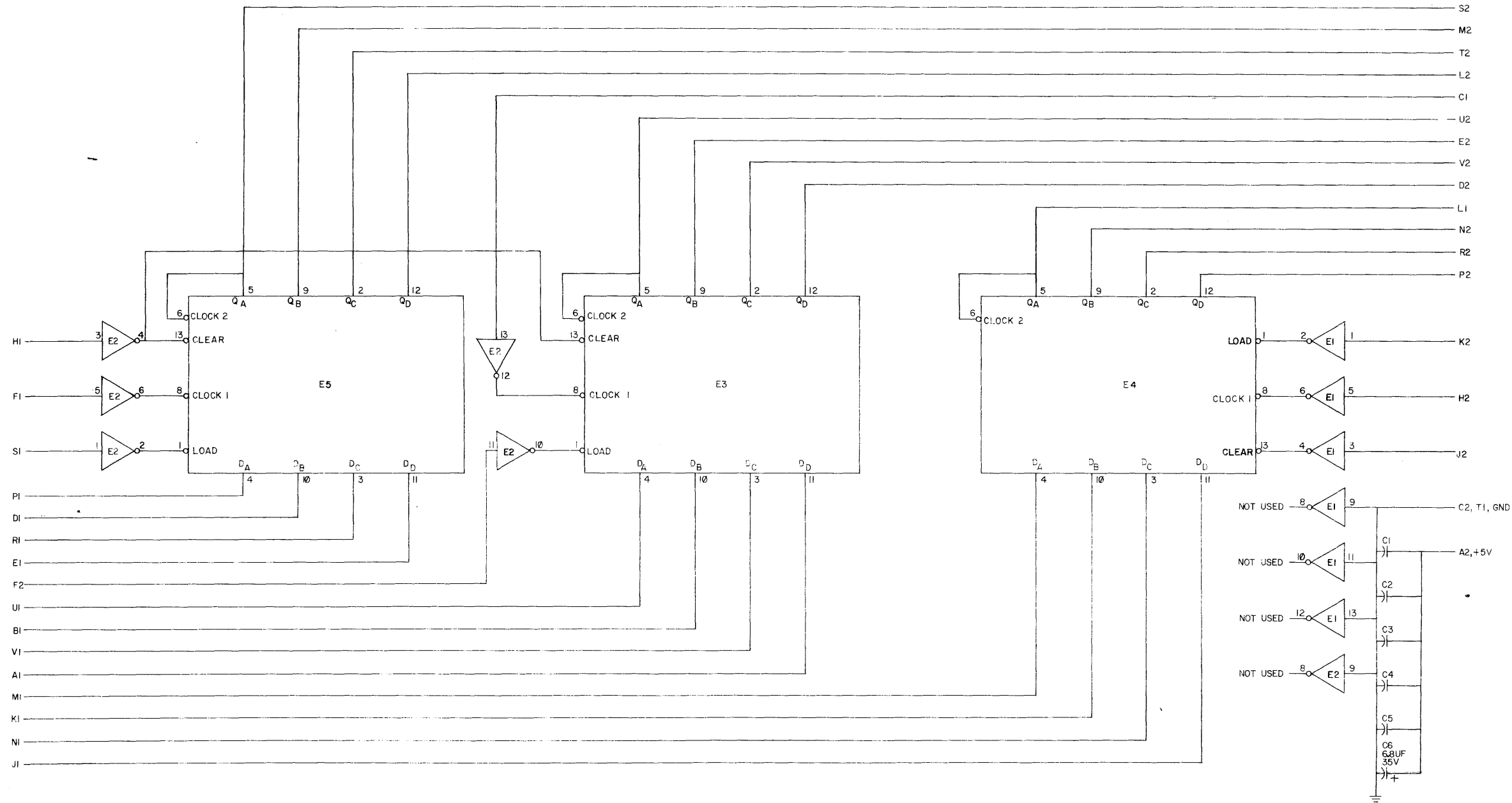


UNLESS OTHERWISE INDICATED:  
 E1, E2 ARE DEC74193  
 PIN 8 = GND ON E1, E2  
 PIN 16 = +5V  
 CAPACITORS ARE .01UF, 100V, 20%



REVISIONS CHK CHG NO REV C 00001 C	DRN.	DATE	TRANSISTOR & DIODE CONVERSION CHART				<b>digital</b> EQUIPMENT CORPORATION MAYNARD, MASSACHUSETTS	TITLE 2-SYNCHRONOUS 4 BIT UP/DOWN CONVERTERS M238			
	NANCY MOORE	8/21/70	DEC	EIA	DEC	EIA		SIZE	CODE	NUMBER	REV
	CHK'D	DATE						B	CS	M238-0-1	C
	ENG.	DATE									
	PROD.	DATE									

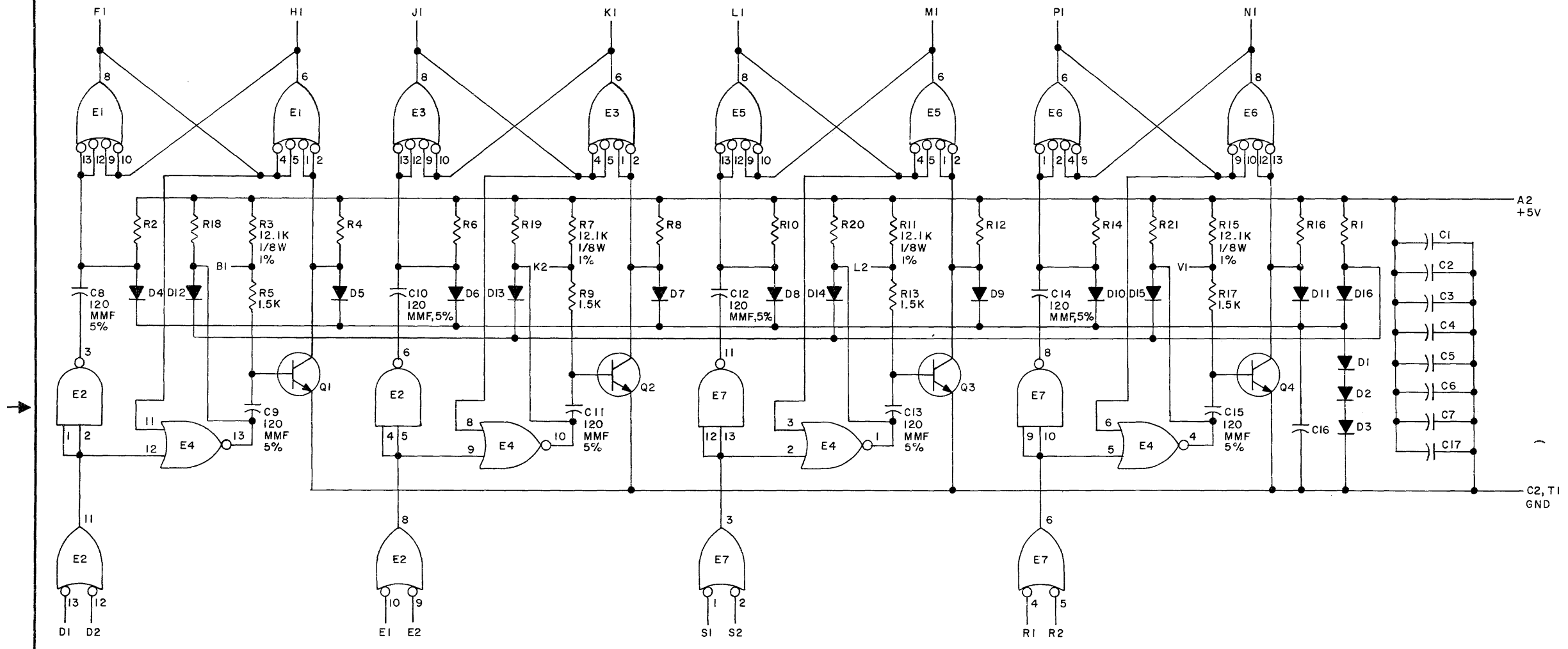
THIS SCHEMATIC IS FURNISHED ONLY FOR TEST AND MAINTENANCE PURPOSES. THE CIRCUITS ARE PROPRIETARY IN NATURE AND SHOULD BE TREATED ACCORDINGLY. COPYRIGHT 1969 BY DIGITAL EQUIPMENT CORPORATION



UNLESS OTHERWISE INDICATED:  
 CAPACITORS ARE .01UF, 100V, 20%  
 E3, E4, E5 ARE DEC74197  
 E1, E2 ARE DEC74H04  
 ON ALL IC'S PIN 14 = +5V, PIN 7 = GND

REVISIONS CHG NO REV 0001 A	DRN jeanne french DATE 8/25/70	TRANSISTOR & DIODE CONVERSION CHART				digital EQUIPMENT CORPORATION MAYNARD, MASSACHUSETTS	TITLE THREE 4-BIT COUNTER/ REGISTER M239		
	CHW/D DATE	DEC EIA DEC EIA			SIZE D CS		NUMBER M239-0-1	REV A	
	ENG DATE						PRINTED CIRCUIT REV A		
	PROD DATE								

THIS SCHEMATIC IS FURNISHED ONLY FOR TEST AND MAINTENANCE PURPOSES. THE CIRCUITS ARE PROPRIETARY IN NATURE AND SHOULD BE TREATED ACCORDINGLY. COPYRIGHT 1969 BY DIGITAL EQUIPMENT CORPORATION



UNLESS OTHERWISE INDICATED:  
 RESISTORS ARE 1K  
 RESISTORS ARE 1/4W, 5%  
 TRANSISTORS ARE DEC3009B  
 E1, E3, E5, E6 ARE DEC7440  
 E2, E7 ARE DEC7400  
 E4 IS DEC7402  
 PIN 7 ON EACH IC = GND  
 PIN 14 ON EACH IC = +5V  
 DIODES ARE D664  
 CAPACITORS ARE .01 MFD, 100V, 20%

REV. B  
 NUMBER M304-0-1  
 SIZE CODE C

REVISIONS:

CHK	CHG	NO.	REV.
00001	A		
00002	B		

DRN: <i>M. Haller</i>	DATE: 4-22-69
CHK'D: <i>M. M...</i>	DATE: 4-23-69
ENG.:	DATE:
PROD:	DATE:

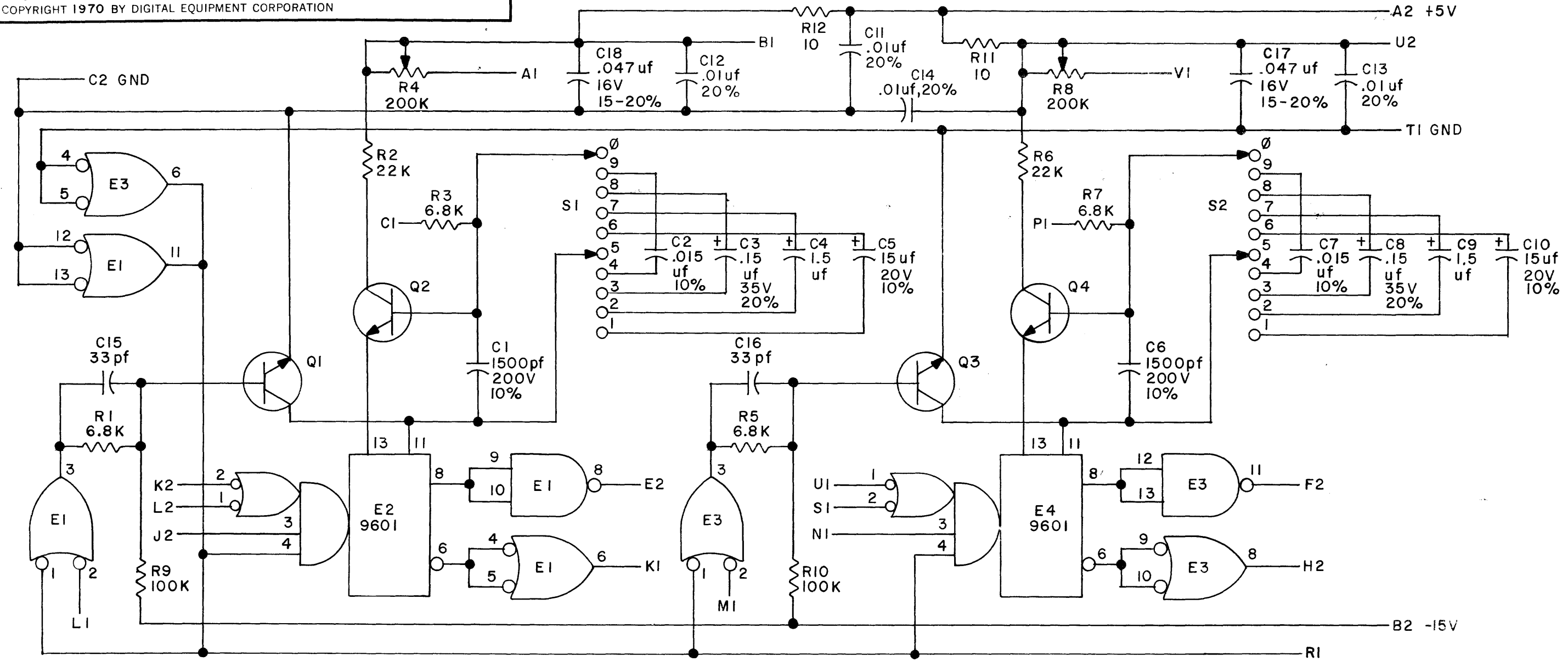
TRANSISTOR & DIODE CONVERSION CHART			
DEC	EIA	DEC	EIA
D664	IN3606		
DEC3009B	2N3009		

**digital** EQUIPMENT CORPORATION  
 MAYNARD, MASSACHUSETTS

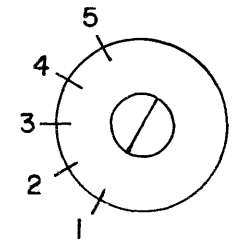
TITLE: ONE SHOT DELAY M304

SIZE CODE C	CS	NUMBER M304-0-1	REV. B
PRINTED CIRCUIT REV. B			

THIS SCHEMATIC IS FURNISHED ONLY FOR TEST AND MAINTENANCE PURPOSES. THE CIRCUITS ARE PROPRIETARY IN NATURE AND SHOULD BE TREATED ACCORDINGLY. COPYRIGHT 1970 BY DIGITAL EQUIPMENT CORPORATION



UNLESS OTHERWISE INDICATED:  
 TRANSISTORS ARE DEC3009B  
 RESISTORS ARE 1/4W, 5%  
 CAPACITORS ARE 100V, 5%  
 R4 & R8 ARE 78PR POTS  
 SWITCHES ARE 2 POLE, 5 POSITION SPECTROL  
 E1, E3 ARE DEC7400  
 PIN 7 ON EACH IC = GND  
 PIN 14 ON E1, E3 = +5V  
 PIN 14 ON E2 = VCC, PIN B1  
 PIN 14 ON E4 = VCC, PIN U2



RANGE 5	5 μsec. — 50 μsec.
4	50 μsec. — 500 μsec.
3	500 μsec. — 5 msec.
2	5 msec. — 50 msec.
1	50 msec. — 500 msec.

REVISIONS	CHK	CHG NO.	REV.
A	MH	00001	
B	REV. & REDR.	00002	
C		00003	

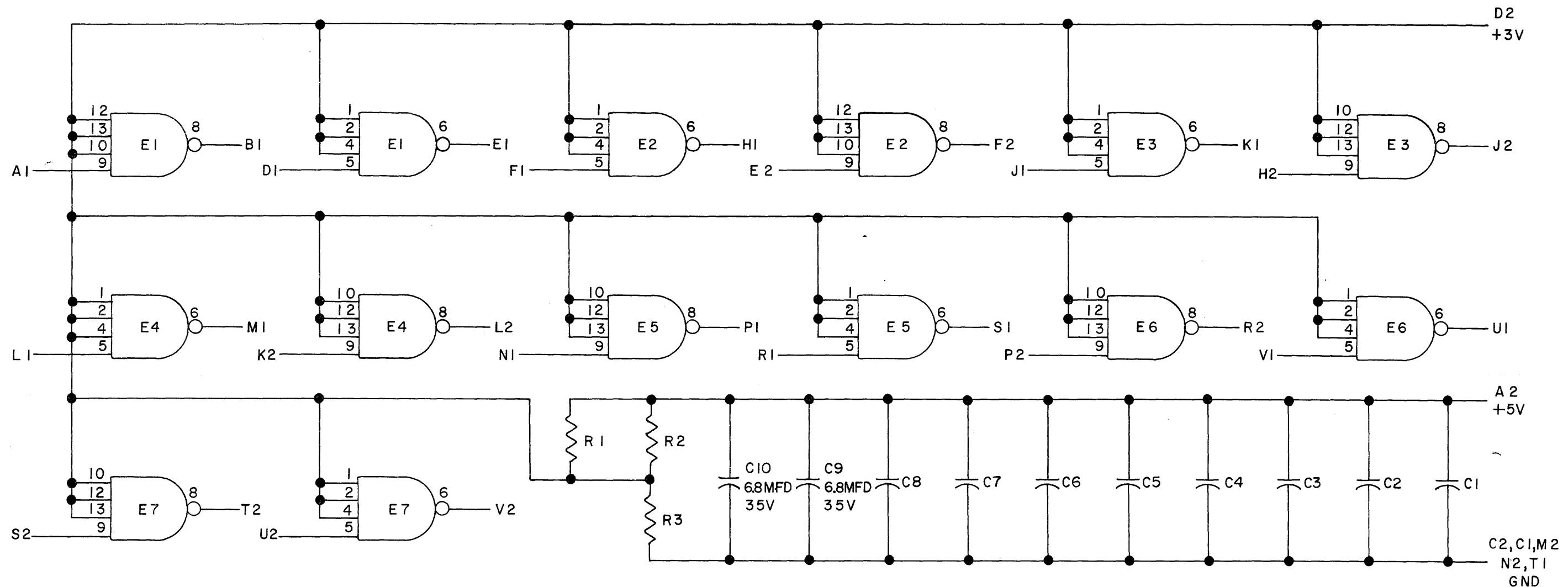
DRN. M. HALLER	DATE 9-3-69
CHK'D A. YAUGA	DATE 9-3-69
ENG. R. SCHWEGLER	DATE 9-4-69
PROD. R. SCHWEGLER	DATE 9-4-69

TRANSISTOR & DIODE CONVERSION CHART			
DEC	EIA	DEC	EIA
DEC 3009B	2N3009		

**digital**  
 EQUIPMENT CORPORATION  
 MAYNARD, MASSACHUSETTS

TITLE INTEGRATING ONE SHOT M307			
SIZE B	CODE CS	NUMBER M307-0-1	REV. C
PRINTED CIRCUIT REV. B			

THIS SCHEMATIC IS FURNISHED ONLY FOR TEST AND MAINTENANCE PURPOSES. THE CIRCUITS ARE PROPRIETARY IN NATURE AND SHOULD BE TREATED ACCORDINGLY. COPYRIGHT 1969 BY DIGITAL EQUIPMENT CORPORATION



UNLESS OTHERWISE INDICATED  
 PIN 7 ON EACH IC = GND  
 PIN 14 ON EACH IC = +5V  
 IC'S ARE DEC74H40  
 CAPACITORS ARE .01MFD 100V  
 RESISTORS ARE 220 1/4W 10%

REVISIONS	REV	B
CHK	NO	00001

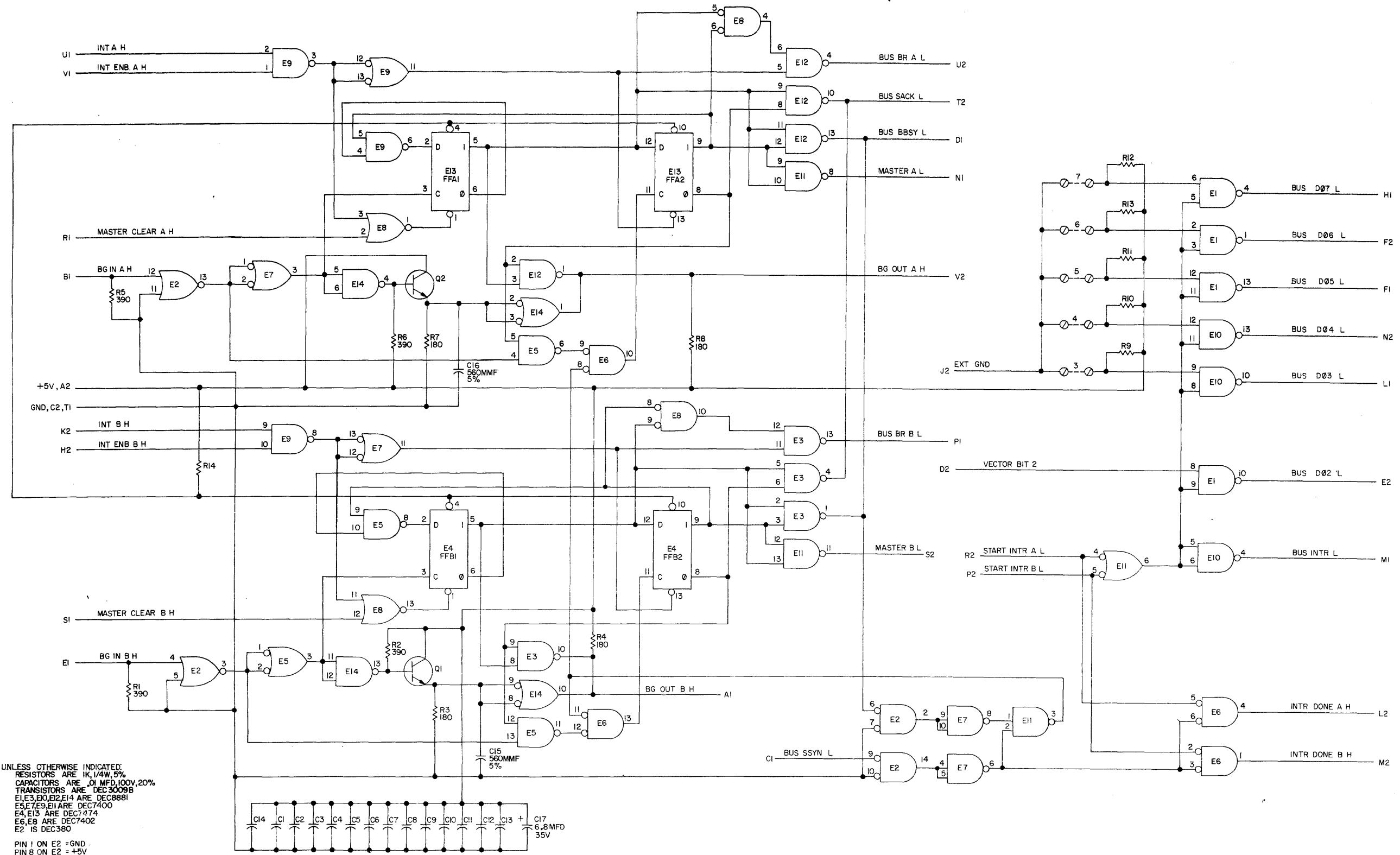
DRN.	DATE
<i>Butler</i>	5-7-69
CHK'D	DATE
<i>A. Young</i>	5-8-69
ENG.	DATE
<i>R. E. ...</i>	6-16-69
PROD.	DATE

TRANSISTOR & DIODE CONVERSION CHART			
DEC	EIA	DEC	EIA

**digital**  
 EQUIPMENT CORPORATION  
 MAYNARD, MASSACHUSETTS

TITLE			
HIGH SPEED POWER INVERTER			
M611			
SIZE	CODE	NUMBER	REV.
B	CS	M611-0-1	B
PRINTED CIRCUIT REV.			A

THIS SCHEMATIC IS FURNISHED ONLY FOR TEST AND MAINTENANCE PURPOSES. THE CIRCUITS ARE PROPRIETARY IN NATURE AND SHOULD BE TREATED ACCORDINGLY. COPYRIGHT 1970 BY DIGITAL EQUIPMENT CORPORATION.



UNLESS OTHERWISE INDICATED:  
 RESISTORS ARE 1K, 1/4W, 5%  
 CAPACITORS ARE .01 MFD, 100V, 20%  
 TRANSISTORS ARE DEC3009B  
 E1, E3, E10, E12, E14 ARE DEC8881  
 E5, E7, E9, E11 ARE DEC7400  
 E4, E13 ARE DEC1474  
 E6, E8 ARE DEC7402  
 E2 IS DEC380  
 PIN 1 ON E2 = GND  
 PIN 8 ON E2 = +5V  
 PIN 7 ON E1, E3 - E14 = GND  
 PIN 14 ON E1, E3 - E14 = +5V  
 ⊗ = SPLIT LUGS  
 --- = JUMPERS

REV	DESCRIPTION	DATE
1	INITIAL DESIGN	1-5-70
2	REVISION	1-5-70
3	REVISION	1-5-70
4	REVISION	1-5-70

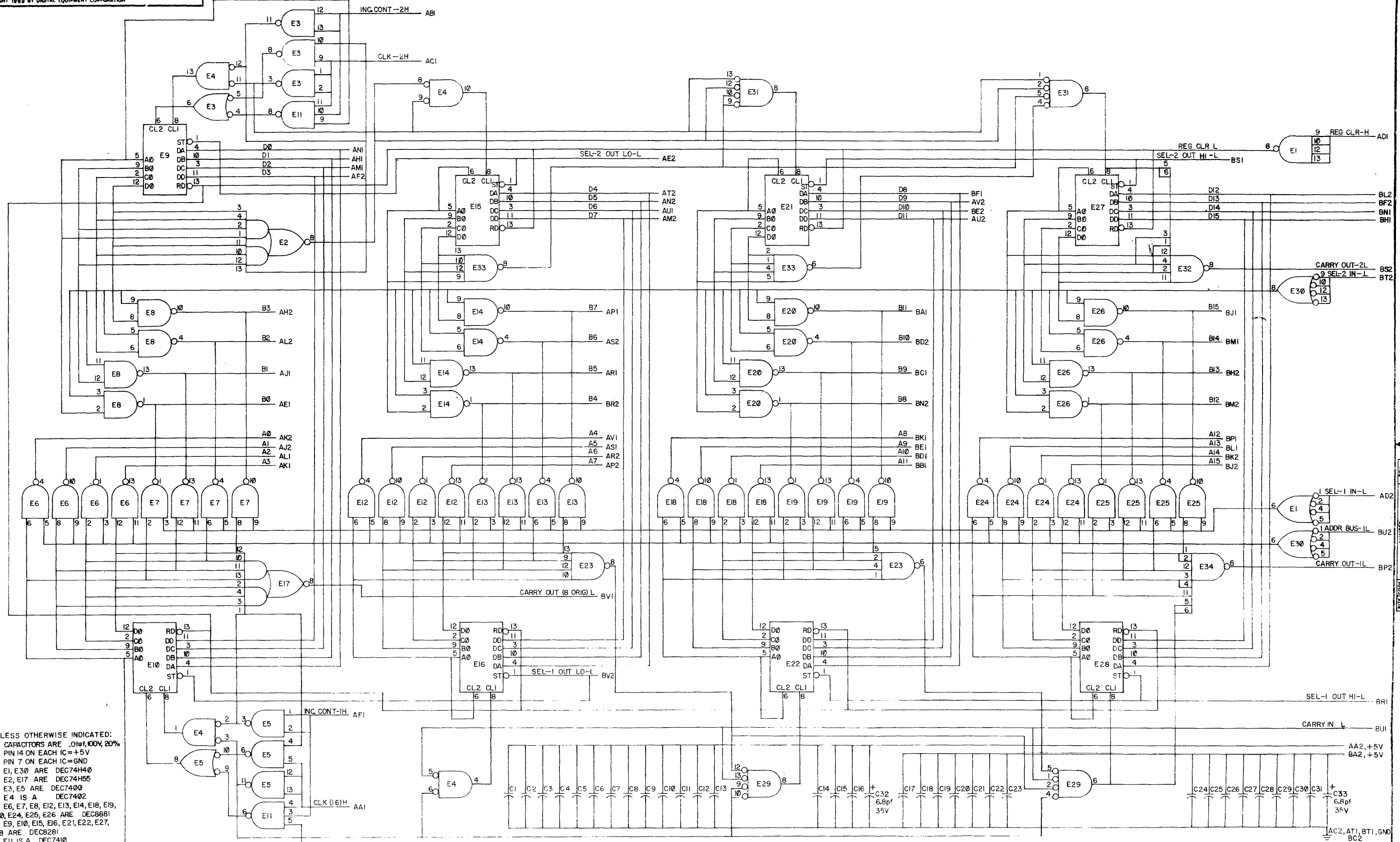
DATE	DESIGNER	CHECKED	DATE
1-5-70	ALLAN RITCEY		
1-5-70			
1-5-70			

TRANSISTOR & DIODE CONVERSION CHART		TITLE	
DEC	EIA	DEC	EIA
		digital INTERRUPT CONTROL M782	
		EQUIPMENT CORPORATION	
		SIZE D	CODE CS
		NUMBER M782-0-1	REV D
		MAYNARD, MASSACHUSETTS	
		PRINTED CIRCUIT REV. DIE	

REV D  
 NUMBER M782-0-1  
 SIZE CODE D CS



THIS SCHEMATIC IS FURNISHED ONLY FOR TEST AND MAINTENANCE PURPOSES. THE CIRCUITS ARE PROPRIETARY IN NATURE AND SHOULD BE TREATED ACCORDINGLY. COPYRIGHT 1969 BY DIGITAL EQUIPMENT CORPORATION



UNLESS OTHERWISE INDICATED:  
 CAPACITORS ARE .01uF, 100V, 20%  
 PIN 14 ON EACH IC = +5V  
 PIN 7 ON EACH IC = GND  
 E1, E30 ARE DEC74H40  
 E2, E17 ARE DEC74H55  
 E3, E5 ARE DEC7400  
 E4 IS A DEC7402  
 E6, E7, E8, E12, E13, E14, E18, E19,  
 E20, E24, E25, E26 ARE DEC8881  
 E9, E10, E15, E16, E21, E22, E27,  
 E28 ARE DEC8281  
 E11 IS A DEC7410  
 E33, E23 ARE DEC7420  
 E29, E31 ARE DEC8815  
 E32, E34 ARE DEC7430

REV	CHG	NO	REV
00001	A	1	
00002	B	1	

CHK'D	DATE	DEC	EIA
jeanne french	7-9-70		
DATE			
DATE			

TRANSISTOR & DIODE CONVERSION CHART	
DEC	EIA

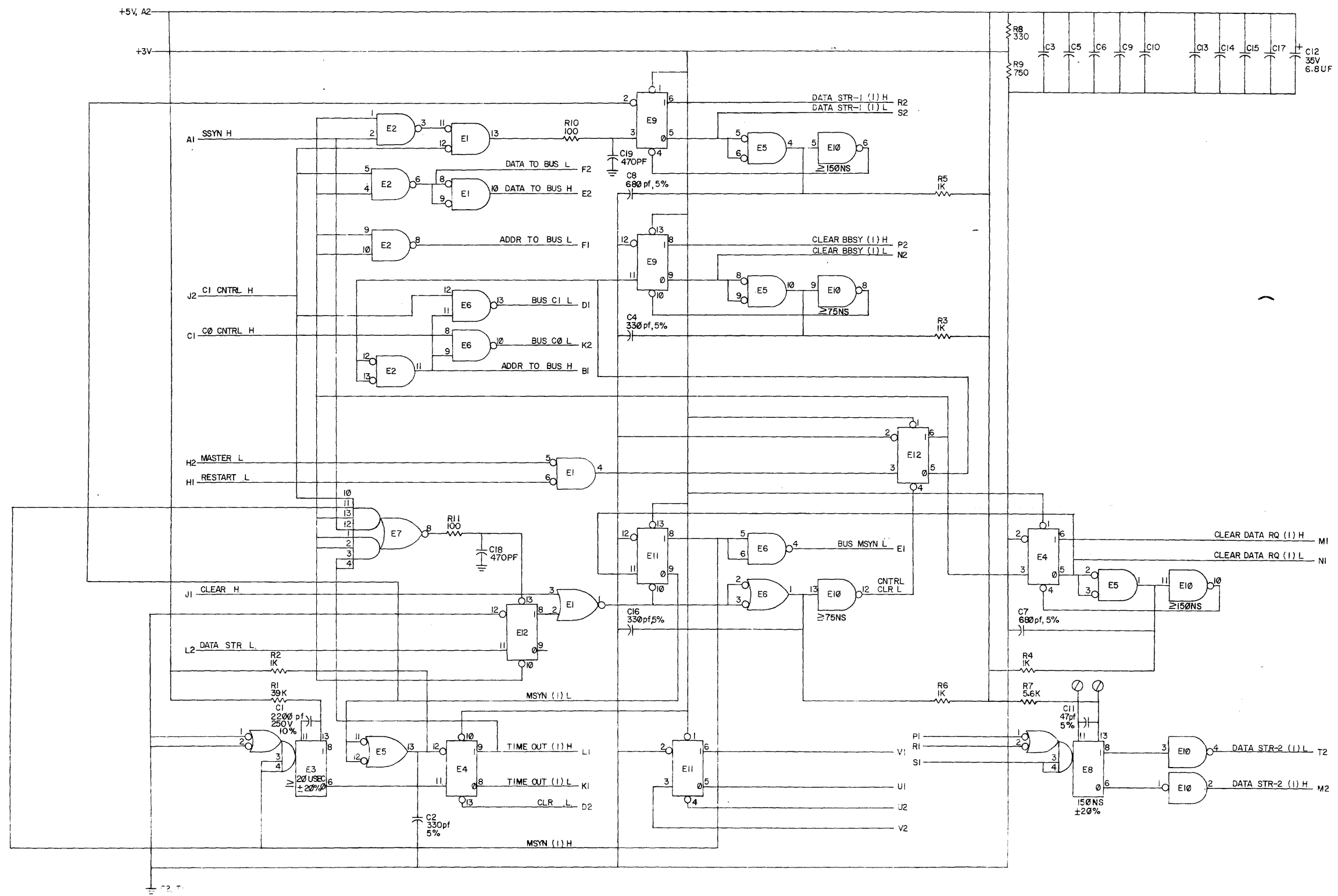
**digital** EQUIPMENT CORPORATION  
 WALTHAM, MASSACHUSETTS

WC AND CMA MODULE  
 M795

SIZE CODE NUMBER  
 D CS M795-0-1

PRINTED CIRCUIT REV  
 A B C

THIS SCHEMATIC IS FURNISHED ONLY FOR TEST AND MAINTENANCE PURPOSES. THE CIRCUITS ARE PROPRIETARY IN NATURE AND SHOULD BE KEPT SECRET ACCORDINGLY. COPYRIGHT 1970 BY DIGITAL EQUIPMENT CORPORATION.



UNLESS OTHERWISE INDICATED:  
 RESISTORS ARE 1/4W, 5%  
 CAPACITORS ARE .01uf, 100V, 20%  
 E1 IS DEC7402  
 E2 IS DEC7400  
 E3, E8 ARE DEC9601  
 E4, E9, E11, E12 ARE DEC7474  
 E5 IS DEC7401  
 E6 IS DEC8881  
 E7 IS DEC74H55  
 E10 IS DE7404  
 ⊕ SPLIT LUGS

SIZE CODE D CS  
 NUMBER M796-0-1  
 REV C

REV	DATE	BY	CHKD
1	7-28-68	J. JENKINS	
2	8-21-70		

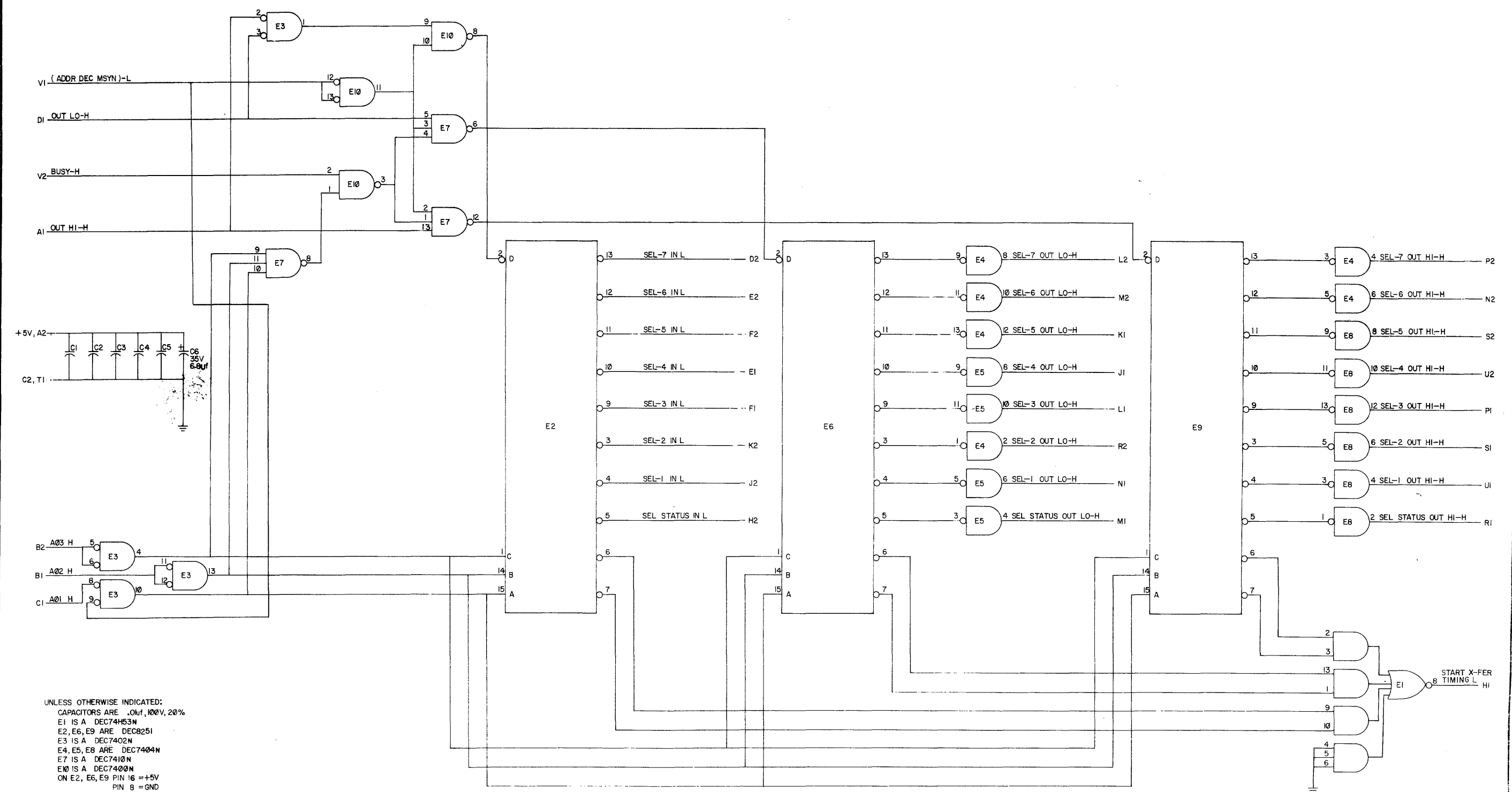
DATE	BY
6/29/70	
7-28-68	
8-21-70	

TRANSISTOR & DIODE CONVERSION CHART			
DEC	EIA	DEC	EIA

<b>digital</b>		TITLE UNIBUS MASTER CONTROL M796	
EQUIPMENT CORPORATION		SIZE D	CODE CS
MAYNARD, MASSACHUSETTS		NUMBER M796-0-1	REV C
PRINTED CIRCUIT REV. C			

THIS SCHEMATIC IS FURNISHED ONLY FOR TEST AND MAINTENANCE PURPOSES THE CIRCUITS ARE PROPRIETARY IN NATURE AND SHOULD BE TREATED ACCORDINGLY COPYRIGHT 1970 BY DIGITAL EQUIPMENT CORPORATION

115 239



UNLESS OTHERWISE INDICATED:  
 CAPACITORS ARE .01µf, 100V, 20%  
 E1 IS A DEC74H53N  
 E2, E6, E9 ARE DEC8251  
 E3 IS A DEC7402N  
 E4, E5, E8 ARE DEC7404N  
 E7 IS A DEC7410N  
 E10 IS A DEC7400N  
 ON E2, E6, E9 PIN 16 = +5V  
 PIN 8 = GND  
 ON ALL OTHER IC'S PIN 14 = +5V  
 PIN 7 = GND

REV A  
 M797-0-1  
 CS

REV	DATE	BY
1	7/11/70	SCHEMATIC

TRANSISTOR & DIODE CONVERSION CHART			
DEC	EIA	DEC	EIA

**digital**  
 EQUIPMENT CORPORATION  
 MAYNARD, MASSACHUSETTS

TITLE REGISTER SELECT MODULE  
 M797

SIZE D CODE CS NUMBER M797-0-1 REV A  
 PRINTED CIRCUIT REV B

THIS SCHEMATIC IS FURNISHED ONLY FOR TEST AND MAINTENANCE PURPOSES. THE CIRCUITS ARE PROPRIETARY IN NATURE AND SHOULD BE TREATED ACCORDINGLY. COPYRIGHT 1969 BY DIGITAL EQUIPMENT CORPORATION.

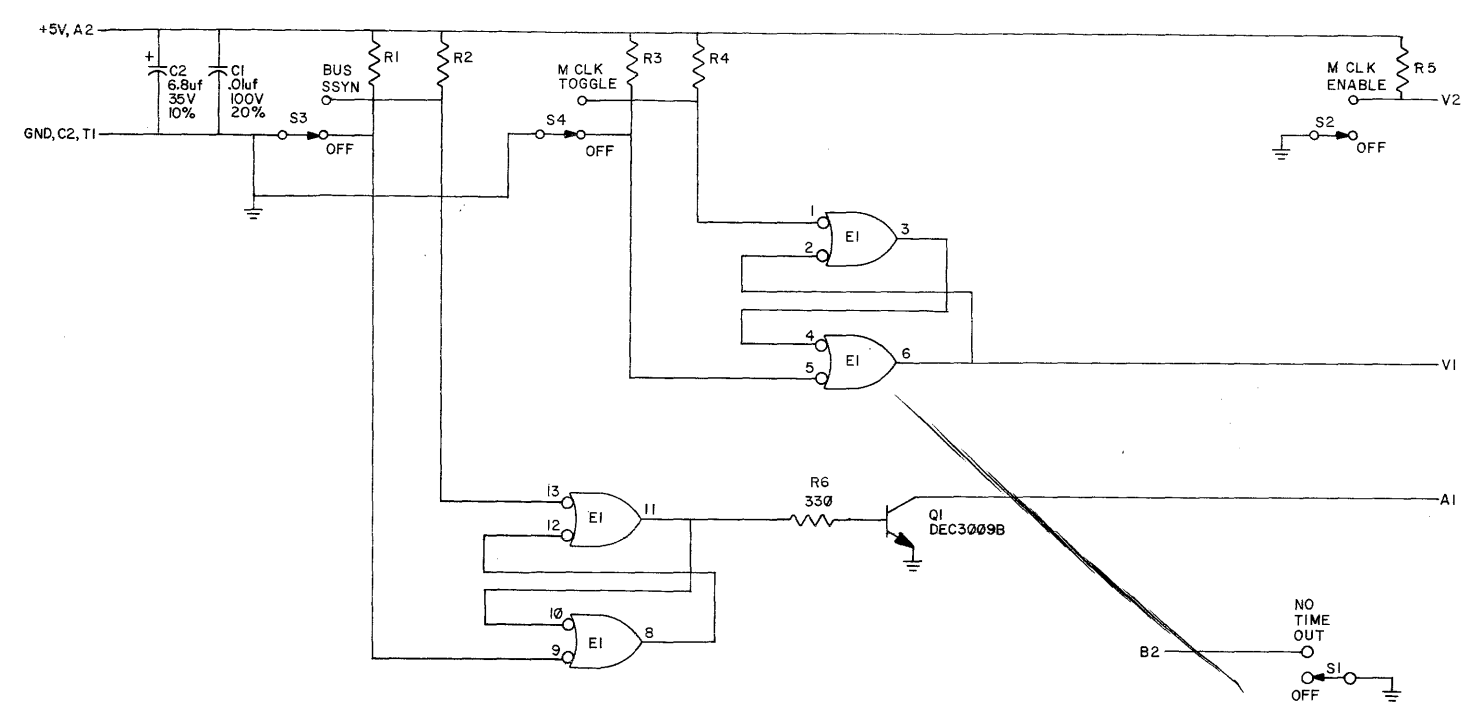
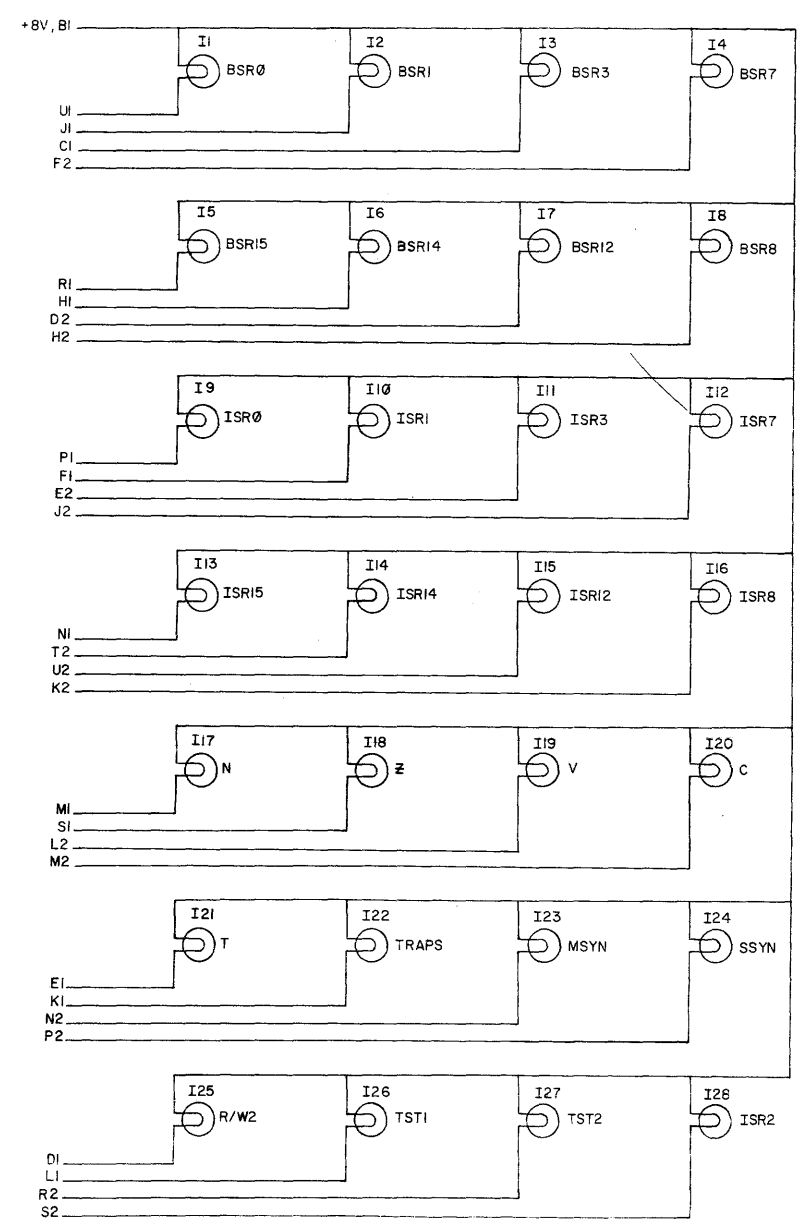


UNLESS OTHERWISE INDICATED:  
 TRANSISTORS ARE DEC3009B  
 RESISTORS ARE 1/4W, 10%

REV. A  
 NUMBER W130-0-1  
 CS  
 D

REVISIONS		DATE		TRANSISTOR & DIODE CONVERSION CHART				TITLE	
CHG	NO	REV		DEC	EIA	DEC	EIA	MAINTENANCE BOARD I	
1	0001	A	3-18-70	DEC	EIA	DEC	EIA	W130	
DRN BUTLER		DATE 3-18-70		EQUIPMENT CORPORATION				SIZE CODE NUMBER REV.	
CHND		DATE 3-24-70		MAYNARD, MASSACHUSETTS				D CS W130-0-1 A	
ENG		DATE		PRINTED CIRCUIT REV.				A B	
PROD.		DATE							

THIS SCHEMATIC IS FURNISHED ONLY FOR TEST AND MAINTENANCE PURPOSES. THE CIRCUITS ARE PROPRIETARY IN NATURE AND SHOULD BE REPRODUCED ACCORDINGLY. COPYRIGHT 1970 BY DIGITAL EQUIPMENT CORPORATION.



UNLESS OTHERWISE INDICATED, RESISTORS ARE 3K, 1/4W, 5%. E1 IS DEC7400. PIN 7-GND. PIN 14-+5V.

<b>REVISIONS</b> CHG NO. REV. DATE BY 1 1000011 B 3/18/70 2 000003 C 4/13/70 B. WEEKS		<b>TRANSISTOR &amp; DIODE CONVERSION CHART</b> DEC EIA DEC EIA DEC3009B 2N3009B		<b>digital</b> <b>EQUIPMENT CORPORATION</b> MAYNARD, MASSACHUSETTS		TITLE: MAINTENANCE BOARD(2) W131	
DRN: Nancy Moore CHND: [blank] DES: [blank] PRG: [blank]	DATE: 3/18/70 DATE: [blank] DATE: 4/13/70	SIZE: [blank] CODE: D CS NUMBER: W131-0-1 PRINTED CIRCUIT REV: B C	REV: C	5 PINK			

REV C  
NUMBER W131-0-1  
D CS

RK11C.E RUN NAME	HND288.V15(15) 01/28/72				Q	DRAW	RV	PG	Y	X	Z	REMARKS	30-MAR-72 LENGTH	18125 EXCEPTIONS	PAGE 1 RUN NUMBER
	A/P	PIN NAME	ORDER PIN	BAY - ORDER											
+1 TO DR CNT	L	A25N1		1-01 *							1				1
+1 TO DR CNT	L	B27F2		1-02 *											1
+1 TO DR CNT				1									5-0/8		1
+3V A24U1		A24U1		1-01 *				I			1				2
+3V A24U1		A25U2		1-02 *				I							2
+3V A24U1				1									3-0/8		2
+3V A29U1		A29L1		1-01 *							1				3
+3V A29U1		A29L2		1-02 *							2				3
+3V A29U1		A29T2		1-03 *							1				3
+3V A29U1		A29U1		1-04 *											3
+3V A29U1				1									8-2/8		3
+3V B26U1		A25K1		1-01 *							1				4
+3V B26U1		B26U1		1-02 *											4
+3V B26U1				1									6-2/8		4
+3V B27U1		B27U1		1-01 *							2				5
+3V B27U1		B26N1		1-02 *							1				5
+3V B27U1		B26M1		1-03 *							2				5
+3V B27U1		B26C1		1-04 *											5
+3V B27U1				1									9-0/8		5
+3V B27V1		A28B1		1-01 *							1				6
+3V B27V1		B27V1		1-02 *											6
+3V B27V1				1									7-2/8		6
+3V C16U1		A18H2		1-01 *							1				7
+3V C16U1		B17K2		1-02 *							2				7
+3V C16U1		B17U2		1-03 *							1				7
+3V C16U1		C16U1		1-04 *											7
+3V C16U1				1									14-0/8		7
+3V C16V1		A17F1		1-01 *							1				8
+3V C16V1		A17H2		1-02 *							2				8
+3V C16V1		C16V1		1-03 *											8
+3V C16V1				1									11-6/8		8
+3V C22U1		C22H2		1-01 *							1				9
+3V C22U1		C22L2		1-02 *							2				9
+3V C22U1		C22U1		1-03 *											9
+3V C22U1				1									6-2/8		9
+3V C22V1		C22T2		1-01 *							1				10
+3V C22V1		C22V1		1-02 *							I				10
+3V C22V1				1									2-6/8		10

RK11C.E RUN NAME	HND288.V15(15) 01/28/72				Q	DRAW	RV	PG	Y	X	Z	REMARKS	30-MAR-72 LENGTH	18125 EXCEPTIONS	PAGE 2 RUN NUMBER
	A/P	PIN NAME	ORDER PIN	BAY - ORDER											
+3V C26U1		A25D1		1-01 *							1				11
+3V C26U1		A25F2		1-02 *							2				11
+3V C26U1		A25N2		1-03 *							1				11
+3V C26U1		A25R1		1-04 *							2				11
+3V C26U1		C26U1		1-05 *											11
+3V C26U1				1									16-6/8		11
+3V C27V1		C28D1		1-01 *							2				12
+3V C27V1		C28F2		1-02 *							1				12
+3V C27V1		C28K1		1-03 *							2				12
+3V C27V1		C27V1		1-04 *											12
+3V C27V1				1									9-4/8		12
+3V C29U1		C28K2		1-01 *							1				13
+3V C29U1		C29U1		1-02 *											13
+3V C29U1				1									3-4/8		13
+3V C32V1		C32V1		1-01 *							2				14
+3V C32V1		D32D1		1-02 *							1				14
+3V C32V1		D32F2		1-03 *							2				14
+3V C32V1		D32K1		1-04 *							1				14
+3V C32V1		D32N2		1-05 *							2				14
+3V C32V1		D32R1		1-06 *							1				14
+3V C32V1		D32U2		1-07 *											14
+3V C32V1				1									17-4/8		14
+3V D15U1		A07B1		1-01 *							1				15
+3V D15U1		B06R1		1-02 *							2				15
+3V D15U1		B06S1		1-03 *							1				15
+3V D15U1		C12D1		1-04 *							2				15
+3V D15U1		C12E2		1-05 *							1				15
+3V D15U1		C12F2		1-06 *							2				15
+3V D15U1		C12T2		1-07 *							1				15
+3V D15U1		C12U2		1-08 *							2				15
+3V D15U1		D14S1		1-09 *							1				15
+3V D15U1		D14S2		1-10 *							2				15
+3V D15U1		D14T2		1-11 *							1				15
+3V D15U1		D15U1		1-12 *											15
+3V D15U1				1									39-0/8		15
+3V D15V1		D15C1		1-01 *							1				16
+3V D15V1		D15A1		1-02 *							R1				16
+3V D15V1		D15V1		1-03 *							R1				16
+3V D15V1				1									7-0/8		16

RK11C.E RUN NAME	A/P	HND288.V15(15) PIN NAME	ORDER PIN	01/28/72 BAY - ORDER	Q	DRAW	RV	PG	Y	X	Z	REMARKS	30-MAR-72 LENGTH	18125 EXCEPTIONS	PAGE 3 RUN NUMBER
+3V D16V1		C17C1		1-01 *							1				17
+3V D16V1		C17D1		1-02 *							2				17
+3V D16V1		C17F2		1-03 *							1				17
+3V D16V1		C17K1		1-04 *							2				17
+3V D16V1		C17R1		1-05 *							1				17
+3V D16V1		C17U2		1-06 *							2				17
+3V D16V1		D16V1		1-07 *							1				17
+3V D16V1				1									19-4/8		17
+3V D19V1		D19V1												1-PIN RUN	18
+3V D25U1		D25F2		1-01 *							1				19
+3V D25U1		D25H2		1-02 *							2				19
+3V D25U1		D25M2		1-03 *							1				19
+3V D25U1		D25N2		1-04 *							2				19
+3V D25U1		D25U1		1-05 *							1				19
+3V D25U1				1									11-0/8		19
+3V D25V1		D25V1		1-01 *							1				20
+3V D25V1		D25U2		1-02 *							2				20
+3V D25V1		D25R1		1-03 *							1				20
+3V D25V1				1									5-2/8		20
+3V D31U1		D31U1		1-01 *					R1		1				21
+3V D31U1		D31T2		1-02 *					R1		2				21
+3V D31U1		D31P2		1-03 *					R1		1				21
+3V D31U1		D31L1		1-04 *					R1		2				21
+3V D31U1		D31D1		1-05 *					I		1				21
+3V D31U1				1									11-2/8		21
+5V A27A2		A27A2		1-01 *							1				22
+5V A27A2		A27B1		1-02 *							2				22
+5V A27A2		A27K2		1-03 *							1				22
+5V A27A2				1									5-6/8		22
+5V C15A2		C15A2		1-01 *							1				23
+5V C15A2		C15K2		1-02 *							1				23
+5V C15A2				1									3-2/8		23
+5V D11A2		D11A2		1-01 *							1				24
+5V D11A2		D11C1		1-02 *							2				24
+5V D11A2		D11P1		1-03 *							1				24
+5V D11A2				1									6-2/8		24

RK11C.E RUN NAME	A/P	HND288.V15(15) PIN NAME	ORDER PIN	01/28/72 BAY - ORDER	Q	DRAW	RV	PG	Y	X	Z	REMARKS	30-MAR-72 LENGTH	18125 EXCEPTIONS	PAGE 4 RUN NUMBER
+5V D26A2		D26A2		1-01 *							1				25
+5V D26A2		D26B1		1-02 *							2				25
+5V D26A2		D26V1		1-03 *							1				25
+5V D26A2				1									6-6/8		25
0 TO ADDERS	L	A19S1		1-01 *							1				26
0 TO ADDERS	L	B19S1		1-02 *							2				26
0 TO ADDERS	L	B18S1		1-03 *							1				26
0 TO ADDERS	L	C11V2		1-04 *							2				26
0 TO ADDERS	L	C14V1		1-05 *							1				26
0 TO ADDERS	L	D16U1		1-06 *							1				26
0 TO ADDERS				1									23-2/8		26
0 TO INT FLAGS	L	C22A1		1-01 *							1				27
0 TO INT FLAGS	L	C22D2		1-02 *							2				27
0 TO INT FLAGS	L	C21N2		1-03 *							1				27
0 TO INT FLAGS	L	C28R1		1-04 *							1				27
0 TO INT FLAGS				1									12-2/8		27
0 TO MSR	H	A27L1		1-01 *							1				28
0 TO MSR	H	D27P2		1-02 *							2				28
0 TO MSR	H	D17U2		1-03 *							1				28
0 TO MSR	H	D17V1		1-04 *							1				28
0 TO MSR				1									20-6/8		28
0 TO MSR	L	A27M1		1-01 *							1				29
0 TO MSR	L	C26H1		1-02 *							2				29
0 TO MSR	L	D28D2		1-03 *							1				29
0 TO MSR				1									12-4/8		29
0 TO NPR	H	B06P2		1-01 *						R1	1				30
0 TO NPR	H	C27J1		1-02 *						R1	1				30
0 TO NPR				1									13-4/8		30
0 TO NPR	L	B06N2		1-01 *						R1	1				31
0 TO NPR	L	D16J2		1-02 *						R1	2				31
0 TO NPR	L	D19D2		1-03 *						I	1				31
0 TO NPR				1									13-2/8		31

RK11C.E RUN NAME	A/P	HND288.V15(15) PIN NAME	ORDER PIN	01/28/72 BAY - ORDER	Q	DRAW	RV	PG	Y	X	Z	REMARKS	30-MAR-72 LENGTH	18125 EXCEPTIONS	PAGE 5 RUN NUMBER
0 TO RKDB	L	A21B1		1-01 *							2				32
0 TO RKDB	L	A21E2		1-02 *							1				32
0 TO RKDB	L	A21E1		1-03 *							2				32
0 TO RKDB	L	A21K2		1-04 *							1				32
0 TO RKDB	L	A21M1		1-05 *							2				32
0 TO RKDB	L	A21N2		1-06 *							1				32
0 TO RKDB	L	A21S1		1-07 *							2				32
0 TO RKDB	L	A21U2		1-08 *							1				32
0 TO RKDB	L	B21B1		1-09 *							2				32
0 TO RKDB	L	B21E2		1-10 *							1				32
0 TO RKDB	L	B21E1		1-11 *							2				32
0 TO RKDB	L	B21K2		1-12 *							1				32
0 TO RKDB	L	B21M1		1-13 *							2				32
0 TO RKDB	L	B21N2		1-14 *							1				32
0 TO RKDB	L	B21S1		1-15 *							2				32
0 TO RKDB	L	B21U2		1-16 *							1				32
0 TO RKDB	L	C25L2		1-17 *							1				32
				1									47-4/8		32
0 TO RKMR	L	C23V2		1-01 *							1				33
0 TO RKMR	L	D32A1		1-02 *							2				33
0 TO RKMR	L	D32K2		1-03 *							1				33
				1									9-2/8		33
1 TO HE	L	C23D2		1-01 *							1				34
1 TO HE	L	D24S2		1-02 *							1				34
1 TO HE				1									6-6/8		34
1 TO LAST WORD DONE	L	C23V2		1-01 *							1				35
1 TO LAST WORD DONE	L	D30N1		1-02 *							1				35
1 TO LAST WORD DONE				1									6-4/8		35
1 TO MOVE HEADS	H	C26V2		1-01 *							2				36
1 TO MOVE HEADS	H	D25F1		1-02 *							1				36
1 TO MOVE HEADS	H	D21L2		1-03 *							2				36
1 TO MOVE HEADS	H	D18H1		1-04 *							1				36
1 TO MOVE HEADS	H	C19L2		1-05 *							1				36
				1									17-6/8		36
1 TO RD GATE	L	D10E2		1-01 *							1				37
1 TO RD GATE	L	D31J1		1-02 *							1				37
1 TO RD GATE				1									13-0/8		37

RK11C.E RUN NAME	A/P	HND288.V15(15) PIN NAME	ORDER PIN	01/28/72 BAY - ORDER	Q	DRAW	RV	PG	Y	X	Z	REMARKS	30-MAR-72 LENGTH	18125 EXCEPTIONS	PAGE 6 RUN NUMBER
1 TO RKDB 00	L	B21N1		1-01 *							1				38
1 TO RKDB 00	L	B22S1		1-02 *							2				38
1 TO RKDB 00	L	B23S1		1-03 *							1				38
1 TO RKDB 00	L	C26V1		1-04 *							1				38
1 TO RKDB 00				1									11-6/8		38
1 TO RKDB 01	L	B24V2		1-01 *							1				39
1 TO RKDB 01	L	B23N2		1-02 *							2				39
1 TO RKDB 01	L	B22N2		1-03 *							1				39
1 TO RKDB 01	L	B21V2		1-04 *							1				39
1 TO RKDB 01				1									9-2/8		39
1 TO RKDB 02	L	B21L2		1-01 *							1				40
1 TO RKDB 02	L	B22N1		1-02 *							2				40
1 TO RKDB 02	L	B23N1		1-03 *							1				40
1 TO RKDB 02	L	B24U2		1-04 *							1				40
1 TO RKDB 02				1									8-6/8		40
1 TO RKDB 03	L	B21Y2		1-01 *							1				41
1 TO RKDB 03	L	B23K2		1-02 *							2				41
1 TO RKDB 03	L	B22K2		1-03 *							1				41
1 TO RKDB 03	L	B24Y2		1-04 *							1				41
1 TO RKDB 03				1									10-0/8		41
1 TO RKDB 04	L	B21F1		1-01 *							1				42
1 TO RKDB 04	L	B22K1		1-02 *							2				42
1 TO RKDB 04	L	B23K1		1-03 *							1				42
1 TO RKDB 04	L	B24S2		1-04 *							1				42
1 TO RKDB 04				1									9-2/8		42
1 TO RKDB 05	L	B24R2		1-01 *							1				43
1 TO RKDB 05	L	B23F2		1-02 *							2				43
1 TO RKDB 05	L	B22F2		1-03 *							1				43
1 TO RKDB 05	L	B21A1		1-04 *							1				43
1 TO RKDB 05				1									9-6/8		43
1 TO RKDB 06	L	B21J1		1-01 *							1				44
1 TO RKDB 06	L	B22F1		1-02 *							2				44
1 TO RKDB 06	L	B23F1		1-03 *							1				44
1 TO RKDB 06	L	B24P2		1-04 *							1				44
1 TO RKDB 06				1									9-2/8		44
1 TO RKDB 07	L	B21O2		1-01 *							1				45
1 TO RKDB 07	L	B22C1		1-02 *							2				45
1 TO RKDB 07	L	B23C1		1-03 *							1				45
1 TO RKDB 07	L	B24N2		1-04 *							1				45
1 TO RKDB 07				1									9-0/8		45



RK11C,E RUN NAME	A/P	HND288.V15(15) PIN NAME	01/28/72 ORDER PIN	BAY - ORDER	Q	DRAW	RV	PG	Y	X	Z	REMARKS	30-MAR-72 LENGTH	18125 EXCEPTIONS	PAGE 7 RUN NUMBER
1 TO RKDB 08	L	A21N1		1-01 *							1				46
1 TO RKDB 08	L	A22S1		1-02 *							2				46
1 TO RKDB 08	L	A23S1		1-03 *							1				46
1 TO RKDB 08	L	B24H2		1-04 *											46
1 TO RKDB 08				1									10-6/8		46
1 TO RKDB 09	L	A23N2		1-01 *							1				47
1 TO RKDB 09	L	A22N2		1-02 *							2				47
1 TO RKDB 09	L	A21V2		1-03 *							1				47
1 TO RKDB 09	L	B24L2		1-04 *											47
1 TO RKDB 09				1									10-6/8		47
1 TO RKDB 10	L	A21L2		1-01 *							1				48
1 TO RKDB 10	L	A22N1		1-02 *							2				48
1 TO RKDB 10	L	A23N1		1-03 *							1				48
1 TO RKDB 10	L	B24K2		1-04 *											48
1 TO RKDB 10				1									10-4/8		48
1 TO RKDB 11	L	A22K2		1-01 *							2				49
1 TO RKDB 11	L	A23K2		1-02 *							1				49
1 TO RKDB 11	L	A21T2		1-03 *							2				49
1 TO RKDB 11	L	B24J2		1-04 *											49
1 TO RKDB 11				1									11-0/8		49
1 TO RKDB 12	L	A21F1		1-01 *							1				50
1 TO RKDB 12	L	A22K1		1-02 *							2				50
1 TO RKDB 12	L	A23K1		1-03 *							1				50
1 TO RKDB 12	L	B24H2		1-04 *											50
1 TO RKDB 12				1									11-0/8		50
1 TO RKDB 13	L	A21A1		1-01 *							1				51
1 TO RKDB 13	L	A22F2		1-02 *							2				51
1 TO RKDB 13	L	A23F2		1-03 *							1				51
1 TO RKDB 13	L	B24F2		1-04 *											51
1 TO RKDB 13				1									11-4/8		51
1 TO RKDB 14	L	A21J1		1-01 *							1				52
1 TO RKDB 14	L	A22F1		1-02 *							2				52
1 TO RKDB 14	L	A23F1		1-03 *							1				52
1 TO RKDB 14	L	B24E2		1-04 *											52
1 TO RKDB 14				1									11-0/8		52
1 TO RKDB 15	L	A21O2		1-01 *							1				53
1 TO RKDB 15	L	A22C1		1-02 *							2				53
1 TO RKDB 15	L	A23C1		1-03 *							1				53
1 TO RKDB 15	L	B24O2		1-04 *											53
1 TO RKDB 15				1									10-6/8		53

RK11C,E RUN NAME	A/P	HND288.V15(15) PIN NAME	01/28/72 ORDER PIN	BAY - ORDER	Q	DRAW	RV	PG	Y	X	Z	REMARKS	30-MAR-72 LENGTH	18125 EXCEPTIONS	PAGE 8 RUN NUMBER
1 TO SCH CMP	L	C23A1		1-01 *							1				54
1 TO SCH CMP	L	C26F1		1-02 *											54
1 TO SCH CMP				1									4-2/8		54
1 TO SECTOR END	L	A27S1		1-01 *					R1		1				55
1 TO SECTOR END	L	C31S1		1-02 *					R1		2				55
1 TO SECTOR END	L	D28F2		1-03 *					R1						55
1 TO SECTOR END				1									13-0/8		55
1 TO WC OVF	L	B07S2		1-01 *							1				56
1 TO WC OVF	L	C23J1		1-02 *											56
1 TO WC OVF				1									11-0/8		56
1 TO WT GATE	L	D10F2		1-01 *							1				57
1 TO WT GATE	L	D31R1		1-02 *											57
1 TO WT GATE				1									13-0/8		57
1 TO XFC	L	D17T2		1-01 *							2				58
1 TO XFC	L	D17K1		1-02 *							1				58
1 TO XFC	L	C22B1		1-03 *							2				58
1 TO XFC	L	D31E2		1-04 *											58
1 TO XFC				1									18-6/8		58
A07C1		A07C1		1-01 *							1				59
A07C1		D16K2		1-02 *											59
A07C1				1									13-0/8		59
A07E2		A07E2		1-01 *							1				60
A07E2		D16K1		1-02 *											60
A07E2				1									12-6/8		60
A08B1		A08B1		1-01 *							1				61
A08B1		B23C1		1-02 *											61
A08B1				1									12-0/8		61
A08D2		A08D2		1-01 *					R1		1				62
A08D2		D27L2		1-02 *					R1						62
A08D2				1									15-4/8		62
A08E1		A08E1		1-01 *							1				63
A08E1		B25B1		1-02 *											63
A08E1				1									12-0/8		63
A08H1		A08H1		1-01 *							1				64
A08H1		B25B2		1-02 *											64
A08H1				1									12-2/8		64



RK11C.E RUN NAME	A/P	HND288.V15(15) PIN NAME	01/28/72 ORDER PIN	BAY - ORDER	Q	DRAW	RV	PG	Y	X	Z	REMARKS	30-MAR-72 LENGTH	18:25 EXCEPTIONS	PAGE 11 RUN NUMBER
ADD 03 (1)	H	A32S1		1-01 *							1				84
ADD 03 (1)	H	C24D1		1-02 *							2				84
ADD 03 (1)	H	B22J2		1-03 *							1				84
ADD 03 (1)	H	A19K1		1-04 *											84
ADD 03 (1)				1									18-2/8		84
ADD 04 (1)	H	A32R1		1-01 *							1				85
ADD 04 (1)	H	C24F1		1-02 *							2				85
ADD 04 (1)	H	B22J1		1-03 *							1				85
ADD 04 (1)	H	A19E1		1-04 *											85
ADD 04 (1)				1									19-4/8		85
ADD 05 (1)	H	A32P1		1-01 *	C						1			CABLE	86
ADD 05 (1)	H	C24H1		1-02 *							2				86
ADD 05 (1)	H	B22E2		1-03 *							1				86
ADD 05 (1)	H	A19E2		1-04 *										TERM HERE?	86
ADD 05 (1)				1									19-6/8		86
ADD 06 (1)	H	A32N1		1-01 *	C						1			CABLE	87
ADD 06 (1)	H	C24J1		1-02 *							2				87
ADD 06 (1)	H	B22E1		1-03 *							1				87
ADD 06 (1)	H	B18V1		1-04 *										TERM HERE?	87
ADD 06 (1)				1									19-4/8		87
ADD 07 (1)	H	A32M1		1-01 *	C						1			CABLE	88
ADD 07 (1)	H	B22B1		1-02 *							2				88
ADD 07 (1)	H	B18U2		1-03 *							1				88
ADD 07 (1)	H	C24K1		1-04 *										TERM HERE?	88
ADD 07 (1)				1									18-6/8		88
ADD 08 (1)	H	A32L1		1-01 *	C						1			CABLE	89
ADD 08 (1)	H	A22R1		1-02 *							2				89
ADD 08 (1)	H	B18M1		1-03 *							1				89
ADD 08 (1)	H	C24K2		1-04 *										TERM HERE?	89
ADD 08 (1)				1									19-6/8		89
ADD 09 (1)	H	A32K1		1-01 *	C						1			CABLE	90
ADD 09 (1)	H	A22M2		1-02 *							2				90
ADD 09 (1)	H	B18K1		1-03 *							1				90
ADD 09 (1)	H	C24L2		1-04 *										TERM HERE?	90
ADD 09 (1)				1									19-6/8		90
ADD 10 (1)	H	A32J1		1-01 *	C						1			CABLE	91
ADD 10 (1)	H	A22M1		1-02 *							2				91
ADD 10 (1)	H	B18E1		1-03 *							1				91
ADD 10 (1)	H	C24M2		1-04 *										TERM HERE?	91
ADD 10 (1)				1									20-0/8		91

RK11C.E RUN NAME	A/P	HND288.V15(15) PIN NAME	01/28/72 ORDER PIN	BAY - ORDER	Q	DRAW	RV	PG	Y	X	Z	REMARKS	30-MAR-72 LENGTH	18:25 EXCEPTIONS	PAGE 12 RUN NUMBER
ADD 11 (1)	H	A32H1		1-01 *	C						1			CABLE	92
ADD 11 (1)	H	A22J2		1-02 *							2				92
ADD 11 (1)	H	B18E2		1-03 *							1				92
ADD 11 (1)	H	C24N2		1-04 *										TERM HERE?	92
ADD 11 (1)				1									19-6/8		92
ADD 12 (1)	H	A32F1		1-01 *	C						2			CABLE	93
ADD 12 (1)	H	A22J1		1-02 *							1				93
ADD 12 (1)	H	B19V1		1-03 *							2				93
ADD 12 (1)	H	C24D2		1-04 *										TERM HERE?	93
ADD 12 (1)				1									20-0/8		93
ADD 13 (1)	H	A32E1		1-01 *	C						2			CABLE	94
ADD 13 (1)	H	A22E2		1-02 *							1				94
ADD 13 (1)	H	B19U2		1-03 *							2				94
ADD 13 (1)	H	C24E2		1-04 *										TERM HERE?	94
ADD 13 (1)				1									19-4/8		94
ADD 14 (1)	H	A32D1		1-01 *	C						1			CABLE	95
ADD 14 (1)	H	A22E1		1-02 *							2				95
ADD 14 (1)	H	B19M1		1-03 *							1				95
ADD 14 (1)	H	C24F2		1-04 *										TERM HERE?	95
ADD 14 (1)				1									20-0/8		95
ADD 15 (1)	H	A32C1		1-01 *	C						2			CABLE	96
ADD 15 (1)	H	A22B1		1-02 *							1				96
ADD 15 (1)	H	B19K1		1-03 *							2				96
ADD 15 (1)	H	C24H2		1-04 *										TERM HERE?	96
ADD 15 (1)				1									20-0/8		96
ADD 16 (1)	H	B19E1												1-PIN RUN	97
ADD 17 (1)	H	B19E2												1-PIN RUN	98
ADD #1 CRY OUT	L	A19D1		1-01 *							1				99
ADD #1 CRY OUT	L	B18U1		1-02 *											99
ADD #1 CRY OUT				1									7-0/8		99
ADD #2 CRY OUT	L	B18D1		1-01 *							1				100
ADD #2 CRY OUT	L	B19U1		1-02 *											100
ADD #2 CRY OUT				1									4-2/8		100
ADD ACK	H	B08S1		1-01 *							1				101
ADD ACK	H	D16M2		1-02 *							2				101
ADD ACK	H	C24S2		1-03 *											101
ADD ACK				1									16-2/8		101

RK11C.F RUN NAME	A/P	HND288,V15(15) PIN NAME	ORDER PIN	01/28/72 BAY - ORDER	Q	DRAW	RV	PG	Y	X	Z	REMARKS	30-MAR-72 LENGTH	18:25 EXCEPTIONS	PAGE 13 RUN NUMBER
ADD DEC MSYN	L	A05L2		1-01 *							1				102
ADD DEC MSYN	L	C14E2		1-02 *							2				102
ADD DEC MSYN	L	B25V1		1-03 *											102
ADD DEC MSYN				1									16-6/8		102
ADDER CONTROL #1 (0)	H	C25H2		1-01 *							1				103
ADDER CONTROL #1 (0)	H	D27H2		1-02 *							2				103
ADDER CONTROL #1 (0)	H	D28U1		1-03 *											103
ADDER CONTROL #1 (0)				1									9-2/8		103
ADDER CONTROL #1 (1)	H	C25A1		1-01 *							1				104
ADDER CONTROL #1 (1)	H	D28S1		1-02 *											104
ADDER CONTROL #1 (1)				1									7-4/8		104
ADDER CONTROL #2 (0)	H	D27J2		1-01 *							1				105
ADDER CONTROL #2 (0)	H	D28V1		1-02 *											105
ADDER CONTROL #2 (0)				1									3-6/8		105
ADDER CONTROL #2 (1)	H	D28V2												1-PIN RUN	106
ADDERS TO RKDB SEQ	L	B26T2		1-01 *							1				107
ADDERS TO RKDB SEQ	L	C29H1		1-02 *							2				107
ADDERS TO RKDB SEQ	L	C30F2		1-03 *											107
ADDERS TO RKDB SEQ				1									7-4/8		107
R06T2		B06T2		1-01 *							1				108
R06T2		D22K2		1-02 *											108
R06T2				1									12-0/8		108
R07R1		B07R1		1-01 *							1				109
R07R1		D16F1		1-02 *											109
R07R1				1									8-6/8		109
R07S1		B07S1		1-01 *							1				110
R07S1		D16F2		1-02 *											110
R07S1				1									9-0/8		110
R07V1		B07U1		1-01 *							1				111
R07V1		B07V1		1-02 *											111
R07V1				1									2-4/8		111
R07V2		B07V2		1-01 *							1				112
R07V2		D16C1		1-02 *											112
R07V2				1									8-0/8		112

RK11C.E RUN NAME	A/P	HND288,V15(15) PIN NAME	ORDER PIN	01/28/72 BAY - ORDER	Q	DRAW	RV	PG	Y	X	Z	REMARKS	30-MAR-72 LENGTH	18:25 EXCEPTIONS	PAGE 14 RUN NUMBER
R08J2		A08M2		1-01 *							1				113
R08J2		B08J2		1-02 *											113
R08J2				1									4-6/8		113
R08N2		A08P2		1-01 *							1				114
R08N2		B08N2		1-02 *											114
R08N2				1									5-0/8		114
R22V1		B22V1		1-01 *							1				115
R22V1		C23T2		1-02 *											115
R22V1				1									5-0/8		115
R23V1		C22R1		1-01 *					I		1				116
R23V1		B23V1		1-02 *					I						116
R23V1				1									4-4/8		116
R26V2		B26V2		1-01 *							1				117
R26V2		C25K2		1-02 *											117
R26V2				1									4-0/8		117
R27C1		B27C1		1-01 *							1				118
R27C1		D30E1		1-02 *							2				118
R27C1		D30L2		1-03 *											118
R27C1				1									11-6/8		118
R27F1		B27E2		1-01 *							1				119
R27F1		B27F1		1-02 *							2				119
R27F1		D11J2		1-03 *											119
R27F1				1									15-0/8		119
R28E1		B27T2		1-01 *							1				120
R28E1		R28E1		1-02 *											120
R28E1				1									3-6/8		120
R28J2		B27P2		1-01 *							1				121
R28J2		R28J2		1-02 *											121
R28J2				1									3-2/8		121
R28L1		B27P1		1-01 *							1				122
R28L1		R28L1		1-02 *											122
R28L1				1									3-2/8		122
R28P2		B27L2		1-01 *							1				123
R28P2		R28P2		1-02 *											123
R28P2				1									3-0/8		123

RK11C.F RUN NAME	A/P	HND288.V15(15) PIN NAME	01/28/72 ORDER PIN	BAY - ORDER	Q	DRAW	RV	PG	Y	X	Z	REMARKS	30-MAR-72 LENGTH	18:25 EXCEPTIONS	PAGE 15 RUN NUMBER
R28S1		B28S1		1-01 *							1				124
R28S1		C32R2		1-02 *											124
R28S1				1									5-6/8		124
BAD BIT (0)	H	D31S2												1-PIN RUN	125
BAD BIT (1)	H	C27J2		1-01 *							1				126
BAD BIT (1)	H	D27R2		1-02 *							2				126
BAD BIT (1)	H	D31R2		1-03 *											126
BAD BIT (1)				1									10-0/8		126
RC 00 (1)	H	A28D2		1-01 *							1			TERM HERE?	127
RC 00 (1)	H	A30L2		1-02 *							2			CABLE	127
RC 00 (1)	H	B32V2		1-03 *							1			CABLE	127
RC 00 (1)	H	D22R2		1-04 *										TERM HERE?	127
RC 00 (1)				1									19-4/8		127
RC 01 (1)	H	A28E2		1-01 *							1			TERM HERE?	128
RC 01 (1)	H	A30J2		1-02 *							2			CABLE	128
RC 01 (1)	H	B32U2		1-03 *							1			CABLE	128
RC 01 (1)	H	D22S2		1-04 *										TERM HERE?	128
RC 01 (1)				1									19-6/8		128
RC 02 (1)	H	A28F2		1-01 *							2			TERM HERE?	129
RC 02 (1)	H	A30E1		1-02 *							1				129
RC 02 (1)	H	B32T2		1-03 *							2			CABLE	129
RC 02 (1)	H	D22T2		1-04 *										TERM HERE?	129
RC 02 (1)				1									19-6/8		129
RC 03 (1)	H	A28H2		1-01 *							1			TERM HERE?	130
RC 03 (1)	H	A30M1		1-02 *							2			CABLE	130
RC 03 (1)	H	B32S2		1-03 *							1			CABLE	130
RC 03 (1)	H	D22U2		1-04 *										TERM HERE?	130
RC 03 (1)				1									19-4/8		130
RC EQ 17 CLK LE	H	A14U1		1-01 *							1				131
RC EQ 17 CLK LE	H	D19K1		1-02 *							2				131
RC EQ 17 CLK LE	H	D29H1		1-03 *							1				131
RC EQ 17 CLK LE	H	D29E2		1-04 *							2				131
RC EQ 17 CLK LE	H	D29N1		1-05 *							1				131
RC EQ 17 CLK LE	H	D30L1		1-06 *							2				131
RC EQ 17 CLK LE	H	C30M1		1-07 *											131
RC EQ 17 CLK LE				1									32-0/8		131
RC EQ 17 CLK LE	L	A14V1		1-01 *							1				132
RC EQ 17 CLK LE	L	D28N2		1-02 *											132
RC EQ 17 CLK LE				1									12-6/8		132

RK11C.F RUN NAME	A/P	HND288.V15(15) PIN NAME	01/28/72 ORDER PIN	BAY - ORDER	Q	DRAW	RV	PG	Y	X	Z	REMARKS	30-MAR-72 LENGTH	18:25 EXCEPTIONS	PAGE 16 RUN NUMBER
RG IN	H	A06E1		1-01 *							1				133
RG IN	H	B13U2		1-02 *											133
RG IN				1									8-2/8		133
RG OUT	H	A06A1		1-01 *							1				134
RG OUT	H	B13V2		1-02 *											134
RG OUT				1									8-6/8		134
RG4 IN	H	B01E2		1-01 *							1			CABLE	135
RG4 IN	H	B13S2		1-02 *										TERM HERE?	135
RG4 IN				1									9-0/8		135
RG4 OUT	H	B02E2		1-01 *							1			CABLE	136
RG4 OUT	H	B13T2		1-02 *										TERM HERE?	136
RG4 OUT				1									8-4/8		136
RG5 IN	H	B01B1		1-01 *							1			CABLE	137
RG5 IN	H	B13P2		1-02 *										TERM HERE?	137
RG5 IN				1									9-0/8		137
RG5 OUT	H	B02B1		1-01 *							1			CABLE	138
RG5 OUT	H	B13R2		1-02 *										TERM HERE?	138
RG5 OUT				1									8-6/8		138
RG6 IN	H	B01A1		1-01 *							1			CABLE	139
RG6 IN	H	B13M2		1-02 *										TERM HERE?	139
RG6 IN				1									9-2/8		139
RG6 OUT	H	B02A1		1-01 *							1			CABLE	140
RG6 OUT	H	B13N2		1-02 *										TERM HERE?	140
RG6 OUT				1									8-6/8		140
RG7 IN	H	A01V1		1-01 *							1			CABLE	141
RG7 IN	H	B13K2		1-02 *										TERM HERE?	141
RG7 IN				1									9-2/8		141
RG7 OUT	H	A02V1		1-01 *							1			CABLE	142
RG7 OUT	H	B13L2		1-02 *										TERM HERE?	142
RG7 OUT				1									8-6/8		142
RR OUT	L	A06P1		1-01 *							1				143
RR OUT	L	B13J2		1-02 *											143
RR OUT				1									7-2/8		143

RK11C,F RUN NAME	A/P	HND288,V15(15) PIN NAME	ORDER PIN	01/28/72 BAY - ORDER	Q	DRAW RV PG Y X Z	REMARKS	30-MAR-72 LENGTH	18125 EXCEPTIONS	PAGE 17 RUN NUMBER
BUS A00	L	A05H2		1-01 *					TERM HERE?	144
BUS A00	L	A07K2		1-02 *						144
BUS A00	L	B02H2		1-03 * C					CABLE	144
BUS A00	L	B01H2		1-04 * C					CABLE	144
BUS A00				1				12-2/8		144
BUS A01	L	A08A1		1-01 *					TERM HERE?	145
BUS A01	L	A07J2		1-02 *						145
BUS A01	L	B02H1		1-03 * C					CABLE	145
BUS A01	L	B01H1		1-04 * C					CABLE	145
BUS A01				1				12-2/8		145
BUS A02	L	A08D1		1-01 *					TERM HERE?	146
BUS A02	L	A07L1		1-02 *						146
BUS A02	L	B02J2		1-03 * C					CABLE	146
BUS A02	L	B01J2		1-04 * C					CABLE	146
BUS A02				1				11-6/8		146
BUS A03	L	A08F1		1-01 *					TERM HERE?	147
BUS A03	L	A07K1		1-02 *						147
BUS A03	L	B02J1		1-03 * C					CABLE	147
BUS A03	L	B01J1		1-04 * C					CABLE	147
BUS A03				1				12-0/8		147
BUS A04	L	A07V1		1-01 *					TERM HERE?	148
BUS A04	L	A05U2		1-02 *						148
BUS A04	L	B02K2		1-03 * C					CABLE	148
BUS A04	L	B01K2		1-04 * C					CABLE	148
BUS A04				1				10-6/8		148
BUS A05	L	A07S1		1-01 *					TERM HERE?	149
BUS A05	L	A05V1		1-02 *						149
BUS A05	L	B02K1		1-03 * C					CABLE	149
BUS A05	L	B01K1		1-04 * C					CABLE	149
BUS A05				1				11-0/8		149
BUS A06	L	A07R2		1-01 *					TERM HERE?	150
BUS A06	L	A05U1		1-02 *						150
BUS A06	L	B01L2		1-03 * C					CABLE	150
BUS A06	L	B02L2		1-04 * C					CABLE	150
BUS A06				1				11-6/8		150
BUS A07	L	A07P2		1-01 *					TERM HERE?	151
BUS A07	L	A05P2		1-02 *						151
BUS A07	L	B01L1		1-03 * C					CABLE	151
BUS A07	L	B02L1		1-04 * C					CABLE	151
BUS A07				1				11-6/8		151

RK11C,F RUN NAME	A/P	HND288,V15(15) PIN NAME	ORDER PIN	01/28/72 BAY - ORDER	Q	DRAW RV PG Y X Z	REMARKS	30-MAR-72 LENGTH	18125 EXCEPTIONS	PAGE 18 RUN NUMBER
BUS A08	L	A05N2		1-01 *					TERM HERE?	152
BUS A08	L	B07K1		1-02 *						152
BUS A08	L	B02M2		1-03 * C					CABLE	152
BUS A08	L	B01M2		1-04 * C					CABLE	152
BUS A08				1				12-4/8		152
BUS A09	L	A05R1		1-01 *					TERM HERE?	153
BUS A09	L	B07E1		1-02 *						153
BUS A09	L	B02M1		1-03 * C					CABLE	153
BUS A09	L	B01M1		1-04 * C					CABLE	153
BUS A09				1				12-2/8		153
BUS A10	L	A05P1		1-01 *					TERM HERE?	154
BUS A10	L	B07D1		1-02 *						154
BUS A10	L	B02N2		1-03 * C					CABLE	154
BUS A10	L	B01N2		1-04 * C					CABLE	154
BUS A10				1				12-2/8		154
BUS A11	L	A05L1		1-01 *					TERM HERE?	155
BUS A11	L	B07B1		1-02 *						155
BUS A11	L	B02N1		1-03 * C					CABLE	155
BUS A11	L	B01N1		1-04 * C					CABLE	155
BUS A11				1				12-6/8		155
BUS A12	L	A05C1		1-01 *					TERM HERE?	156
BUS A12	L	B07P1		1-02 *						156
BUS A12	L	B02P2		1-03 * C					CABLE	156
BUS A12	L	B01P2		1-04 * C					CABLE	156
BUS A12				1				14-0/8		156
BUS A13	L	A05K2		1-01 *					TERM HERE?	157
BUS A13	L	B07L1		1-02 *						157
BUS A13	L	B02P1		1-03 * C					CABLE	157
BUS A13	L	B01P1		1-04 * C					CABLE	157
BUS A13				1				13-4/8		157
BUS A14	L	A05K1		1-01 *					TERM HERE?	158
BUS A14	L	B07K2		1-02 *						158
BUS A14	L	B02R2		1-03 * C					CABLE	158
BUS A14	L	B01R2		1-04 * C					CABLE	158
BUS A14				1				13-4/8		158
BUS A15	L	A05D2		1-01 *					TERM HERE?	159
BUS A15	L	B07J2		1-02 *						159
BUS A15	L	B02R1		1-03 * C					CABLE	159
BUS A15	L	B01R1		1-04 * C					CABLE	159
BUS A15				1				14-2/8		159

RK11C,E RUN NAME	A/P	HND288,V15(15) PIN NAME	01/28/72 ORDER PIN	BAY - ORDER	Q	DRAW RV PG Y	X	Z	REMARKS	30-MAR-72 LENGTH	18:25 EXCEPTIONS	PAGE 19 RUN NUMBER
BUS A16	L	A05E2		1-01 *				1			TERM HERE?	160
BUS A16	L	B01S2		1-02 *	C			2			CABLE	160
BUS A16	L	B02S2		1-03 *	C			1			CABLE	160
BUS A16	L	C09U2		1-04 *							TERM HERE?	160
BUS A16				1						17-0/8		160
BUS A17	L	A05D1		1-01 *				1			TERM HERE?	161
BUS A17	L	B01S1		1-02 *	C			2			CABLE	161
BUS A17	L	B02S1		1-03 *	C			1			CABLE	161
BUS A17	L	C09V2		1-04 *							TERM HERE?	161
BUS A17				1						17-6/8		161
BUS AC LD	L	B01F1		1-01 *	C			1			CABLE	162
BUS AC LD	L	B02F1		1-02 *	C						CABLE	162
BUS AC LD				1						2-6/8		162
BUS BBSY	L	A01P2		1-01 *	C			2			CABLE	163
BUS BBSY	L	A02P2		1-02 *	C			1			CABLE	163
BUS BBSY	L	A06D1		1-03 *							TERM HERE?	163
BUS BBSY				1						7-4/8		163
BUS BR 04	L	B01D2		1-01 *				2				164
BUS BR 04	L	B02D2		1-02 *				1				164
BUS BR 04	L	B13H2		1-03 *								164
BUS BR 04				1						10-6/8		164
BUS BR 05	L	B01C1		1-01 *	C			2			CABLE	165
BUS BR 05	L	B02C1		1-02 *	C			1			CABLE	165
BUS BR 05	L	B13F2		1-03 *							TERM HERE?	165
BUS BR 05				1						11-2/8		165
BUS BR 06	L	A01U2		1-01 *	C			2			CABLE	166
BUS BR 06	L	A02U2		1-02 *	C			1			CABLE	166
BUS BR 06	L	B13E2		1-03 *							TERM HERE?	166
BUS BR 06				1						11-2/8		166
BUS BR 07	L	A01T2		1-01 *	C			2			CABLE	167
BUS BR 07	L	A02T2		1-02 *	C			1			CABLE	167
BUS BR 07	L	B13D2		1-03 *							TERM HERE?	167
BUS BR 07				1						11-2/8		167
BUS CO	L	A05J2		1-01 *				2			TERM HERE?	168
BUS CO	L	B06K2		1-02 *				1				168
BUS CO	L	B02U2		1-03 *	C			2			CABLE	168
BUS CO	L	B01U2		1-04 *	C						CABLE	168
BUS CO				1						13-0/8		168

RK11C,E RUN NAME	A/P	HND288,V15(15) PIN NAME	01/28/72 ORDER PIN	BAY - ORDER	Q	DRAW RV PG Y	X	Z	REMARKS	30-MAR-72 LENGTH	18:25 EXCEPTIONS	PAGE 20 RUN NUMBER
BUS C1	L	A05F2		1-01 *				2			TERM HERE?	169
BUS C1	L	B06D1		1-02 *				1				169
BUS C1	L	B02T2		1-03 *	C			2			CABLE	169
BUS C1	L	B01T2		1-04 *	C						CABLE	169
BUS C1				1						12-4/8		169
BUS D00	L	A01C1		1-01 *	C			2			CABLE	170
BUS D00	L	A02C1		1-02 *	C			1			CABLE	170
BUS D00	L	B05U2		1-03 *				2				170
BUS D00	L	A13U2		1-04 *							TERM HERE?	170
BUS D00				1						17-6/8		170
BUS D00 (1)	H	A07N1		1-01 *				2				171
BUS D00 (1)	H	B05V2		1-02 *				1				171
BUS D00 (1)	H	B17S1		1-03 *				2				171
BUS D00 (1)	H	B23P1		1-04 *				1				171
BUS D00 (1)	H	C30T2		1-05 *				2				171
BUS D00 (1)	H	D32T2		1-06 *								171
BUS D00 (1)				1						33-0/8		171
BUS D01	L	A01D2		1-01 *	C			2			CABLE	172
BUS D01	L	A02D2		1-02 *	C			1			CABLE	172
BUS D01	L	B05S2		1-03 *				2				172
BUS D01	L	A13S2		1-04 *							TERM HERE?	172
BUS D01				1						17-2/8		172
BUS D01 (1)	H	B05T2		1-01 *				1				173
BUS D01 (1)	H	A07H1		1-02 *				2				173
BUS D01 (1)	H	A17P1		1-03 *				1				173
BUS D01 (1)	H	B17U1		1-04 *				2				173
BUS D01 (1)	H	B23L2		1-05 *				1				173
BUS D01 (1)	H	D32P1		1-06 *								173
BUS D01 (1)				1						35-4/8		173
BUS D02	L	A13P2		1-01 *				2			TERM HERE?	174
BUS D02	L	A06E2		1-02 *				1				174
BUS D02	L	A02D1		1-03 *	C			2			CABLE	174
BUS D02	L	A01D1		1-04 *	C			1			CABLE	174
BUS D02	L	B05P2		1-05 *							TERM HERE?	174
BUS D02				1						20-6/8		174

RK11C,F RUN NAME	A/P	HND288.V15(15) PIN NAME	01/28/72 ORDER PIN	BAY - ORDER	Q	DRAW	RV	PG	Y	X	Z	REMARKS	30-MAR-72 LENGTH	18:25 EXCEPTIONS	PAGE 21 RUN NUMBER
BUS D02 (1)	H	B05R2		1-01 *							1				175
BUS D02 (1)	H	A07M1		1-02 *							2				175
BUS D02 (1)	H	A17D1		1-03 *							1				175
BUS D02 (1)	H	B17N2		1-04 *							2				175
BUS D02 (1)	H	B23L1		1-05 *							1				175
BUS D02 (1)	H	D32M2		1-06 *							1				175
BUS D02 (1)				1									34-6/8		175
BUS D03	L	A13M2		1-01 *							2			TERM HERE?	176
BUS D03	L	A06L1		1-02 *							1				176
BUS D03	L	A02E2		1-03 *							2			CABLE	176
BUS D03	L	A01E2		1-04 *							1			CABLE	176
BUS D03	L	B05M2		1-05 *							1			TERM HERE?	176
BUS D03				1									20-0/8		176
BUS D03 (1)	H	B05N2		1-01 *							1				177
BUS D03 (1)	H	A07F2		1-02 *							2				177
BUS D03 (1)	H	A17R1		1-03 *							1				177
BUS D03 (1)	H	B17M2		1-04 *							2				177
BUS D03 (1)	H	B23H2		1-05 *							1				177
BUS D03 (1)	H	D32J1		1-06 *							1				177
BUS D03 (1)				1									33-4/8		177
BUS D04	L	A01E1		1-01 *							2			CABLE	178
BUS D04	L	A02E1		1-02 *							1			CABLE	178
BUS D04	L	B05K2		1-03 *							2				178
BUS D04	L	A06N2		1-04 *							1				178
BUS D04	L	A13K2		1-05 *							1			TERM HERE?	178
BUS D04				1									20-0/8		178
BUS D04 (1)	H	B05L2		1-01 *							2				179
BUS D04 (1)	H	A07T2		1-02 *							1				179
BUS D04 (1)	H	A17U1		1-03 *							2				179
BUS D04 (1)	H	B17J1		1-04 *							1				179
BUS D04 (1)	H	B23H1		1-05 *							1				179
BUS D04 (1)				1									21-0/8		179
BUS D05	L	A13M2		1-01 *							2			TERM HERE?	180
BUS D05	L	A06F1		1-02 *							1				180
BUS D05	L	A02F2		1-03 *							2			CABLE	180
BUS D05	L	A01F2		1-04 *							1			CABLE	180
BUS D05	L	B05H2		1-05 *							1			TERM HERE?	180
BUS D05				1									18-6/8		180

RK11C,F RUN NAME	A/P	HND288.V15(15) PIN NAME	01/28/72 ORDER PIN	BAY - ORDER	Q	DRAW	RV	PG	Y	X	Z	REMARKS	30-MAR-72 LENGTH	18:25 EXCEPTIONS	PAGE 22 RUN NUMBER
BUS D05 (1)	H	B05J2		1-01 *							2				181
BUS D05 (1)	H	A07N2		1-02 *							1				181
BUS D05 (1)	H	A17B1		1-03 *							2				181
BUS D05 (1)	H	B17K1		1-04 *							1				181
BUS D05 (1)	H	B23D2		1-05 *							1				181
BUS D05 (1)				1									24-6/8		181
BUS D06	L	A13E2		1-01 *							2			TERM HERE?	182
BUS D06	L	A06F2		1-02 *							1				182
BUS D06	L	A02F1		1-03 *							2			CABLE	182
BUS D06	L	A01F1		1-04 *							1			CABLE	182
BUS D06	L	B05E2		1-05 *							1			TERM HERE?	182
BUS D06				1									19-0/8		182
BUS D06 (1)	H	A07U1		1-01 *							1				183
BUS D06 (1)	H	B05F2		1-02 *							2				183
BUS D06 (1)	H	B17E2		1-03 *							1				183
BUS D06 (1)	H	A23J1		1-04 *							2				183
BUS D06 (1)	H	B23D1		1-05 *							1				183
BUS D06 (1)	H	D32E2		1-06 *							1				183
BUS D06 (1)				1									34-2/8		183
BUS D07	L	A01H2		1-01 *							2			CABLE	184
BUS D07	L	A02H2		1-02 *							1			CABLE	184
BUS D07	L	A06H1		1-03 *							2				184
BUS D07	L	B05C1		1-04 *							1				184
BUS D07	L	A13V1		1-05 *							1			TERM HERE?	184
BUS D07				1									18-2/8		184
BUS D07 (1)	H	A07M2		1-01 *							2				185
BUS D07 (1)	H	B05D2		1-02 *							1				185
BUS D07 (1)	H	B17D2		1-03 *							2				185
BUS D07 (1)	H	B23A1		1-04 *							1				185
BUS D07 (1)	H	D32C1		1-05 *							1				185
BUS D07 (1)				1									27-6/8		185
BUS D08	L	A01H1		1-01 *							2			CABLE	186
BUS D08	L	A02H1		1-02 *							1			CABLE	186
BUS D08	L	B05V1		1-03 *							2				186
BUS D08	L	A13R1		1-04 *							1			TERM HERE?	186
BUS D08				1									17-6/8		186



RK11C.E RUN NAME	A/P	HND288.V15(15) PIN NAME	ORDER PIN	01/28/72 BAY - ORDER	Q	DRAW	RV	PG	Y	X	Z	REMARKS	30-MAR-72 LENGTH	18:25 EXCEPTIONS	PAGE 23 RUN NUMBER
BUS D08 (1)	H	A23P1		1-01 *							1				187
BUS D08 (1)	H	A18P1		1-02 *							2				187
BUS D08 (1)	H	A17M1		1-03 *							1				187
BUS D08 (1)	H	B07F1		1-04 *							2				187
BUS D08 (1)	H	B05U1		1-05 *											187
BUS D08 (1)				1									20-2/8		187
BUS D09	L	A01J2		1-01 *	C						1			CABLE	188
BUS D09	L	A02J2		1-02 *	C						2			CABLE	188
BUS D09	L	B05R1		1-03 *							1				188
BUS D09	L	A13N1		1-04 *										TERM HERE?	188
BUS D09				1									16-6/8		188
BUS D09 (1)	H	A23L2		1-01 *							1				189
BUS D09 (1)	H	A18D1		1-02 *							2				189
BUS D09 (1)	H	A17K1		1-03 *							1				189
BUS D09 (1)	H	A07V2		1-04 *							2				189
BUS D09 (1)	H	B05S1		1-05 *											189
BUS D09 (1)				1									21-4/8		189
BUS D10	L	A01J1		1-01 *	C						1			CABLE	190
BUS D10	L	A02J1		1-02 *	C						2			CABLE	190
BUS D10	L	B05N1		1-03 *							1				190
BUS D10	L	A13L1		1-04 *										TERM HERE?	190
BUS D10				1									16-4/8		190
BUS D10 (1)	H	A23L1		1-01 *							1				191
BUS D10 (1)	H	A18R1		1-02 *							2				191
BUS D10 (1)	H	A17N1		1-03 *							1				191
BUS D10 (1)	H	B07E2		1-04 *							2				191
BUS D10 (1)	H	B05P1		1-05 *											191
BUS D10 (1)				1									20-0/8		191
BUS D11	L	A13J1		1-01 *							1			TERM HERE?	192
BUS D11	L	A02K2		1-02 *	C						2			CABLE	192
BUS D11	L	A01K2		1-03 *	C						1			CABLE	192
BUS D11	L	B05L1		1-04 *										TERM HERE?	192
BUS D11				1									16-4/8		192
BUS D11 (1)	H	A07U2		1-01 *			R1				2				193
BUS D11 (1)	H	B05M1		1-02 *			R1				1				193
BUS D11 (1)	H	C16B1		1-03 *			R1				2				193
BUS D11 (1)	H	A18E1		1-04 *			R1				1				193
BUS D11 (1)	H	A23H2		1-05 *			R1				2				193
BUS D11 (1)	H	A25T2		1-06 *			I								193
BUS D11 (1)				1									30-2/8		193

RK11C.E RUN NAME	A/P	HND288.V15(15) PIN NAME	ORDER PIN	01/28/72 BAY - ORDER	Q	DRAW	RV	PG	Y	X	Z	REMARKS	30-MAR-72 LENGTH	18:25 EXCEPTIONS	PAGE 24 RUN NUMBER
BUS D12	L	A13F1		1-01 *							1			TERM HERE?	194
BUS D12	L	A02K1		1-02 *	C						2			CABLE	194
BUS D12	L	A01K1		1-03 *	C						1			CABLE	194
BUS D12	L	B05J1		1-04 *										TERM HERE?	194
BUS D12				1									17-0/8		194
BUS D12 (1)	H	A23H1		1-01 *							2				195
BUS D12 (1)	H	A17J1		1-02 *							1				195
BUS D12 (1)	H	A18U1		1-03 *							2				195
BUS D12 (1)	H	C16E1		1-04 *							1				195
BUS D12 (1)	H	B07L2		1-05 *							2				195
BUS D12 (1)	H	B05K1		1-06 *											195
BUS D12 (1)				1									26-4/8		195
BUS D13	L	A13D1		1-01 *							1			TERM HERE?	196
BUS D13	L	A02L2		1-02 *	C						2			CABLE	196
BUS D13	L	A01L2		1-03 *	C						1			CABLE	196
BUS D13	L	B05F1		1-04 *										TERM HERE?	196
BUS D13				1									16-0/8		196
BUS D13 (1)	H	A23D2		1-01 *							1				197
BUS D13 (1)	H	A18B1		1-02 *							2				197
BUS D13 (1)	H	C16E2		1-03 *							1				197
BUS D13 (1)	H	B07F2		1-04 *							2				197
BUS D13 (1)	H	B05H1		1-05 *											197
BUS D13 (1)				1									25-0/8		197
BUS D14	L	A02L1		1-01 *	C						1			CABLE	198
BUS D14	L	A01L1		1-02 *	C						2			CABLE	198
BUS D14	L	B05D1		1-03 *							1				198
BUS D14	L	A13C1		1-04 *										TERM HERE?	198
BUS D14				1									15-4/8		198
BUS D14 (1)	H	A23D1		1-01 *							1				199
BUS D14 (1)	H	A18V1		1-02 *							2				199
BUS D14 (1)	H	C16J1		1-03 *							1				199
BUS D14 (1)	H	B07N1		1-04 *							2				199
BUS D14 (1)	H	B05E1		1-05 *											199
BUS D14 (1)				1									23-6/8		199
BUS D15	L	A01M2		1-01 *	C						1			CABLE	200
BUS D15	L	A02M2		1-02 *	C						2			CABLE	200
BUS D15	L	B05A1		1-03 *							1				200
BUS D15	L	A13A1		1-04 *										TERM HERE?	200
BUS D15				1									14-6/8		200



RK11C.E RUN NAME	HND288.V15(15) 01/28/72 A/P PIN ORDER BAY - NAME PIN ORDER	Q	DRAW	RV	PG	Y	X	Z	REMARKS	30-MAR-72 LENGTH	18:25 EXCEPTIONS	PAGE 27 RUN NUMBER
BUS TO RKWC HI EN	H B25P1							1				221
BUS TO RKWC HI EN	H D16D2											221
BUS TO RKWC HI EN								1		8-2/8		221
BUS TO RKWC LO EN	H B25L1							1				222
BUS TO RKWC LO EN	H D16J1											222
BUS TO RKWC LO EN								1		9-2/8		222
C14E1	C15R1							1				223
C14E1	C15R2							2				223
C14E1	C14E1											223
C14E1								1		6-2/8		223
C14L1	A26L2							1				224
C14L1	C14L1											224
C14L1								1		10-6/8		224
C14S1	C12D2							1				225
C14S1	C12H1							2				225
C14S1	C12N1							1				225
C14S1	C14S1											225
C14S1								1		9-4/8		225
C14V2	C14V2							1				226
C14V2	D09L1											226
C14V2								1		5-6/8		226
C16N1	C16M2							1				227
C16N1	C16N1											227
C16N1								1		2-4/8		227
C16N2	C12P1							1				228
C16N2	C12R1							2				228
C16N2	C16N2											228
C16N2								1		7-2/8		228
C18H2	B22U1							1				229
C18H2	C18H2											229
C18H2								1		4-6/8		229
C18M2	C17N2							1				230
C18M2	C18M2											230
C18M2								1		2-6/8		230
C18N1	C18N1							1				231
C18N1	C20S2											231
C18N1								1		3-6/8		231

RK11C.E RUN NAME	HND288.V15(15) 01/28/72 A/P PIN ORDER BAY - NAME PIN ORDER	Q	DRAW	RV	PG	Y	X	Z	REMARKS	30-MAR-72 LENGTH	18:25 EXCEPTIONS	PAGE 28 RUN NUMBER
C18S2	C18S2							1				232
C18S2	C19K2											232
C18S2								1		3-2/8		232
C18U1	A23U1							1				233
C18U1	C18U1											233
C18U1								1		8-6/8		233
C18V1	C18V1							1				234
C18V1	C19N2											234
C18V1								1		3-4/8		234
C19E1	C11R2							1				235
C19E1	C19E1											235
C19E1								1		6-4/8		235
C19J2	C19J2							1				236
C19J2	C31U2											236
C19J2								1		8-6/8		236
C19L1	C19L1							1				237
C19L1	D12C1											237
C19L1								1		6-6/8		237
C19P2	C18F2							1				238
C19P2	C19P2											238
C19P2								1		3-4/8		238
C19S1	C19S1							1				239
C19S1	D12B1											239
C19S1								1		6-2/8		239
C19V2	C19V2							1				240
C19V2	D31N2											240
C19V2								1		9-2/8		240
C21C1	A26L1							1				241
C21C1	C21C1											241
C21C1								1		7-6/8		241
C21F2	A26U1							1				242
C21F2	C21F2											242
C21F2								1		7-2/8		242
C21K2	C21K2							1				243
C21K2	C30L1											243
C21K2								1		6-6/8		243

RK11C.E RUN NAME	HND288.V15(15) 01/28/72 A/P PIN ORDER BAY - NAME PIN ORDER	Q	DRAW	RV	PG	Y	X	Z	REMARKS	30-MAR-72 LENGTH	18125 EXCEPTIONS	PAGE 29 RUN NUMBER
C21N1	C12B1							1				244
C21N1	C21N1											244
C21N1										7-4/8		244
C21S1	C30E2							1				245
C21S1	C30H1							2				245
C21S1	C21S1									10-0/8		245
C21S1												245
C21S2	C21S2							2				246
C21S2	D24H1							1				246
C21S2	D24K1									7-2/8		246
C21S2												246
C22P1	C22P1							1				247
C22P1	C27K1											247
C22P1										5-0/8		247
C24E1	C24E1							1				248
C24E1	D22A1											248
C24E1										5-0/8		248
C24J2	C24J2							1				249
C24J2	D22D1											249
C24J2										5-2/8		249
C24L1	C24L1							1				250
C24L1	D22B1											250
C24L1										4-4/8		250
C24P2	C24P2							1				251
C24P2	D22C1											251
C24P2										4-4/8		251
C24V2	C22P2							1				252
C24V2	C24V2											252
C24V2										3-6/8		252
C25H1	C12A1							2				253
C25H1	C12K2							1				253
C25H1	C25H1											253
C25H1										12-2/8		253
C25M1	C25M1							1				254
C25M1	D12H2											254
C25M1										9-4/8		254

RK11C.E RUN NAME	HND288.V15(15) 01/28/72 A/P PIN ORDER BAY - NAME PIN ORDER	Q	DRAW	RV	PG	Y	X	Z	REMARKS	30-MAR-72 LENGTH	18125 EXCEPTIONS	PAGE 30 RUN NUMBER
C25P1	A25A1							2				255
C25P1	A25K2							1				255
C25P1	A29H1							2				255
C25P1	A29P1							1				255
C25P1	C25P1											255
C25P1										19-2/8		255
C25U1	C25U1							2				256
C25U1	D26R1							1				256
C25U1	D26R2											256
C25U1										7-4/8		256
C26C1	C23L2							1				257
C26C1	C26C1											257
C26C1										3-6/8		257
C26F2	C21R1							1				258
C26F2	C21P2							2				258
C26F2	C26F2											258
C26F2										7-6/8		258
C26K1	C25J1							1				259
C26K1	C26K1											259
C26K1										2-6/8		259
C26S1	C26S1							2				260
C26S1	D17J2							1				260
C26S1	D17J1											260
C26S1										9-6/8		260
C26S2	C26S2							2				261
C26S2	D17L1							1				261
C26S2	D17M1											261
C26S2										10-4/8		261
C27C1	C27C1							1				262
C27C1	C28H1											262
C27C1										3-0/8		262
C27F1	C27B1							1				263
C27F1	C27F1											263
C27F1										2-6/8		263
C27K2	C27K2							1				264
C27K2	D29R2											264
C27K2										6-2/8		264

RK11C.F RUN NAME	HND288.V15(15) 01/28/72 A/P PIN ORDER BAY - NAME PIN ORDER	Q	DRAW	RV	PG	Y	X	Z	REMARKS	30-MAR-72 LENGTH	18125 EXCEPTIONS	PAGE 31 RUN NUMBER
C27S1	C27R2							1				265
C27S1	C27S1											265
C27S1										2-6/8		265
C27V2	C27V2							1				266
C27V2	D31S1											266
C27V2								1		5-4/8		266
C29J2	C29J2							1				267
C29J2	D21J2											267
C29J2								1		7-4/8		267
C29L1	A27R1							1				268
C29L1	A27R2							2				268
C29L1	C29L1											268
C29L1								1		10-0/8		268
C29P2	C27T2							1				269
C29P2	C29P2											269
C29P2								1		3-4/8		269
C30F1	C30F1							1				270
C30F1	D20P2											270
C30F1								1		8-6/8		270
C30K2	C22K1							1				271
C30K2	C30K2											271
C30K2								1		6-4/8		271
C30V2	B06V2							1				272
C30V2	C30V2							2				272
C30V2	D31H2											272
C30V2								1		19-4/8		272
C31F2	C31F2							1				273
C31F2	D15B1											273
C31F2								1		11-4/8		273
C31K2	C31K2							1				274
C31K2	D15E2											274
C31K2								1		11-2/8		274
C31N1	C31N1							1				275
C31N1	D15F2											275
C31N1								1		11-0/8		275

RK11C.F RUN NAME	HND288.V15(15) 01/28/72 A/P PIN ORDER BAY - NAME PIN ORDER	Q	DRAW	RV	PG	Y	X	Z	REMARKS	30-MAR-72 LENGTH	18125 EXCEPTIONS	PAGE 32 RUN NUMBER
C31N2	C31N2							1				276
C31N2	D15H2											276
C31N2								1		11-4/8		276
C31V2	C31P1							1				277
C31V2	C31V2											277
C31V2								1		3-2/8		277
C32J2	C29D1							2				278
C32J2	C30L2							1				278
C32J2	C32J2											278
C32J2								1		7-0/8		278
C32L1	C21T2							1				279
C32L1	C32L1											279
C32L1								1		8-0/8		279
C32P2	B26N2							1				280
C32P2	C32P2											280
C32P2								1		6-2/8		280
C32S1	A27S2							1				281
C32S1	C32S1											281
C32S1								1		8-4/8		281
C32V2	C32V2							1				282
C32V2	D31K1											282
C32V2								1		4-2/8		282
CHECK CHK SUM	L C28L2							1				283
CHECK CHK SUM	L D18M2											283
CHECK CHK SUM								1		8-6/8		283
CHECK DATA LATE	H B23U1							1	I			284
CHECK DATA LATE	H C27N2							2	R1			284
CHECK DATA LATE	H C28B1								R1			284
CHECK DATA LATE								1		9-2/8		284
CHECK HEADER	L C28D2							1				285
CHECK HEADER	L D31B1							2				285
CHECK HEADER	L D30V2							1				285
CHECK HEADER	L D21U2											285
CHECK HEADER								1		17-0/8		285
CHECK SUM (O)	H C17U1							1				286
CHECK SUM (O)	H D18S1											286
CHECK SUM (O)								1		5-0/8		286

RK11C.F RUN NAME	A/P	HND288.V15(15) PIN NAME	01/28/72 ORDER PIN	BAY - ORDER	Q	DRAW	RV	PG	Y	X	Z	REMARKS	30-MAR-72 LENGTH	18:25 EXCEPTIONS	PAGE 33 RUN NUMBER
CHECK SUM (1)	H	A30S1		1-01 *							1				287
CHECK SUM (1)	H	B3202		1-02 *							2			CABLE	287
CHECK SUM (1)	H	C31L2		1-03 *							1			CABLE	287
CHECK SUM (1)	H	D29M1		1-04 *							2				287
CHECK SUM (1)	H	C17T2		1-05 *							1				287
CHECK SUM (1)	H	C17S1		1-06 *										TERM HERE?	287
CHECK SUM (1)				1									27-4/8		287
CHDCS	H	C2501		1-01 *							1				288
CHDCS	H	D27K2		1-02 *							2				288
CHDCS	H	D26S1		1-03 *							1				288
CHDCS	H	D26S2		1-04 *											288
CHDCS				1									12-2/8		288
CLK ADDERS	L	A19V2		1-01 *							1				289
CLK ADDERS	L	B19V2		1-02 *							2				289
CLK ADDERS	L	B18V2		1-03 *							1				289
CLK ADDERS	L	C14U1		1-04 *							2				289
CLK ADDERS	L	C11U2		1-05 *							1				289
CLK ADDERS	L	C21V1		1-06 *							2				289
CLK ADDERS	L	D28N1		1-07 *							1				289
CLK ADDERS	L	D28S2		1-08 *											289
CLK ADDERS				1									33-6/8		289
CLK LE	H	C18L2		1-01 *							2				290
CLK LE	H	C22J1		1-02 *							1				290
CLK LE	H	D26F1		1-03 *							2				290
CLK LE	H	D29U2		1-04 *							1				290
CLK LE	H	D30J1		1-05 *											290
CLK LE				1									18-2/8		290
CLK LE	L	B06P1		1-01 *							1				291
CLK LE	L	A20A1		1-02 *							2				291
CLK LE	L	B20A1		1-03 *							1				291
CLK LE	L	D19H1		1-04 *							2				291
CLK LE	L	D26H1		1-05 *							1				291
CLK LE	L	D28B1		1-06 *											291
CLK LE				1									34-2/8		291
CLK TE	H	C29C1		1-01 *							2				292
CLK TE	H	C30P1		1-02 *							1				292
CLK TE	H	C30M2		1-03 *							2				292
CLK TE	H	C31R1		1-04 *							1				292
CLK TE	H	D26P1		1-05 *							2				292
CLK TE	H	D25P1		1-06 *											292
CLK TE				1									18-2/8		292

RK11C.F RUN NAME	A/P	HND288.V15(15) PIN NAME	01/28/72 ORDER PIN	BAY - ORDER	Q	DRAW	RV	PG	Y	X	Z	REMARKS	30-MAR-72 LENGTH	18:25 EXCEPTIONS	PAGE 34 RUN NUMBER
CLK TE	L	D28L2		1-01 *							1				293
CLK TE	L	D28H1		1-02 *							2				293
CLK TE	L	D26N1		1-03 *											293
CLK TE				1									6-4/8		293
CLR MSR	L	C17A1		1-01 *							1				294
CLR MSR	L	C17K2		1-02 *							2				294
CLR MSR	L	C25K1		1-03 *							1				294
CLR MSR	L	D31P1		1-04 *							2				294
CLR MSR	L	D31H1		1-05 *											294
CLR MSR				1									19-2/8		294
CLR SA	H	B17R1		1-01 *							1				295
CLR SA	H	C26N2		1-02 *											295
CLR SA				1									8-0/8		295
CONTROL CLEAR	L	C31C1		1-01 *							1				296
CONTROL CLEAR	L	D25E2		1-02 *											296
CONTROL CLEAR				1									6-4/8		296
CONTROL READY (0)	H	C29S2		1-01 *							2				297
CONTROL READY (0)	H	C31D1		1-02 *							1				297
CONTROL READY (0)	H	D31J2		1-03 *							2				297
CONTROL READY (0)	H	D27J1		1-04 *							1				297
CONTROL READY (0)	H	D23S1		1-05 *							2				297
CONTROL READY (0)	H	D18L1		1-06 *											297
CONTROL READY (0)				1									24-0/8		297
CONTROL READY (1)	H	A31K1		1-01 *							2			CABLE	298
CONTROL READY (1)	H	B26F2		1-02 *							1				298
CONTROL READY (1)	H	B30L1		1-03 *							2			CABLE	298
CONTROL READY (1)	H	D31K2		1-04 *							1				298
CONTROL READY (1)	H	D21E2		1-05 *							2				298
CONTROL READY (1)	H	C22F2		1-06 *							1				298
CONTROL READY (1)	H	C18F1		1-07 *							2				298
CONTROL READY (1)	H	C18L1		1-08 *							1				298
CONTROL READY (1)	H	C11J1		1-09 *							2				298
CONTROL READY (1)	H	C09M2		1-10 *							1				298
CONTROL READY (1)	H	C11C1		1-11 *							2				298
CONTROL READY (1)	H	B14B1		1-12 *										TERM HERE?	298
CONTROL READY (1)				1									56-6/8		298
CONTROL RESET	H	C31B1		1-01 *							1				299
CONTROL RESET	H	C14B1		1-02 *							2				299
CONTROL RESET	H	D14D2		1-03 *											299
CONTROL RESET				1									16-2/8		299

PK11C.E RUN NAME	A/P	HND288.V15(15) PIN NAME	01/28/72 ORDER PIN	BAY - ORDER	Q	DRAW	RV	PG	Y	X	Z	REMARKS	30-MAR-72 LENGTH	18125 EXCEPTIONS	PAGE 35 RUN NUMBER
CONTROL RESET	L	D1401												1-PIN RUN	300
COUNT DA (0)	H	B17J2		1-01 *								R1			301
COUNT DA (0)	H	C16S1		1-02 *								R1			301
COUNT DA (0)	H	D20U2		1-03 *								R1			301
COUNT DA (0)	H	C26L2		1-04 *								I			301
COUNT DA (0)				1									19-4/8		301
COUNT DA (1)	H	D20V2		1-01 *								R1			302
COUNT DA (1)	H	D25C1		1-02 *								R1			302
COUNT DA (1)	H	D22H2		1-03 *								R1			302
COUNT DA (1)	H	C14S2		1-04 *								R1			302
COUNT DA (1)				1									16-0/8		302
COUNT MSR	H	A16V1		1-01 *											303
COUNT MSR	H	D21H1		1-02 *											303
COUNT MSR	H	D24H1		1-03 *											303
COUNT MSR				1									14-0/8		303
COUNT MSR	L	A16U1		1-01 *											304
COUNT MSR	L	C17B1		1-02 *											304
COUNT MSR	L	C17D2		1-03 *											304
COUNT MSR	L	C17H1		1-04 *											304
COUNT MSR	L	C17L2		1-05 *											304
COUNT MSR	L	C17N1		1-06 *											304
COUNT MSR	L	C17S2		1-07 *											304
COUNT MSR	L	D25S1		1-08 *											304
COUNT MSR				1									27-4/8		304
CSE (0)	H	C28P2		1-01 *											305
CSE (0)	H	D18J2		1-02 *											305
CSE (0)				1									8-2/8		305
CSE (1)	H	B16L2		1-01 *											306
CSE (1)	H	B27M1		1-02 *										TERM HERE?	306
CSE (1)	H	B32U1		1-03 *										CABLE	306
CSE (1)	H	C28R2		1-04 *										TERM HERE?	306
CSE (1)				1									18-0/8		306
D09B1		D09B1		1-01 *											307
D09B1		D09D2		1-02 *											307
D09B1				1									2-6/8		307
D10B1		D10B1		1-01 *											308
D10B1		D10Q2		1-02 *											308
D10B1				1									2-6/8		308

PK11C.F RUN NAME	A/P	HND288.V15(15) PIN NAME	01/28/72 ORDER PIN	BAY - ORDER	Q	DRAW	RV	PG	Y	X	Z	REMARKS	30-MAR-72 LENGTH	18125 EXCEPTIONS	PAGE 36 RUN NUMBER
D10C1		D10A1		1-01 *											309
D10C1		D10C1		1-02 *											309
D10C1				1									2-4/8		309
D10P1		D10P1		1-01 *											310
D10P1		D10V1		1-02 *											310
D10P1				1									3-0/8		310
D10U2		D10M2		1-01 *											311
D10U2		D10U2		1-02 *											311
D10U2				1									3-0/8		311
D11D1		D11D1		1-01 *											312
D11D1		D11D2		1-02 *											312
D11D1				1									2-4/8		312
D11K1		A27D1		1-01 *											313
D11K1		A27D2		1-02 *											313
D11K1		D11K1		1-03 *											313
D11K1				1									17-0/8		313
D11M2		D11M2		1-01 *											314
D11M2		D11U2		1-02 *											314
D11M2				1									3-0/8		314
D11R1		D11M1		1-01 *											315
D11R1		D11R1		1-02 *											315
D11R1				1									2-6/8		315
D13E2		C21L1		1-01 *											316
D13E2		C14P1		1-02 *											316
D13E2		D13E2		1-03 *											316
D13E2				1									10-4/8		316
D15J2		D15J2		1-01 *											317
D15J2		D25M1		1-02 *											317
D15J2				1									7-2/8		317
D15P2		D15P2		1-01 *											318
D15P2		D19H2		1-02 *											318
D15P2				1									4-6/8		318
D18H2		D24P1		1-01 *											319
D18H2		D18H2		1-02 *											319
D18H2				1									5-4/8		319

RK11C.E RUN NAME	HND288.V15(15) 01/28/72 A/P PIN ORDER BAY - NAME PIN ORDER	Q	DRAW	RV	PG	Y	X	Z	REMARKS	30-MAR-72 LENGTH	18:25 EXCEPTIONS	PAGE 37 RUN NUMBER
D18J1	C22M2							1				320
D18J1	D18J1											320
D18J1								1		5-6/8		320
D18S2	C31E1							1				321
D18S2	D18S2											321
D18S2								1		10-2/8		321
D18V1	C31T2							1				322
D18V1	D18V1											322
D18V1								1		10-2/8		322
D19F2	A07A1								I			323
D19F2	D19F2								I			323
D19F2								1		13-6/8		323
D19N1	C19E2											324
D19N1	C19F2							1				324
D19N1	D19N1							2				324
D19N1								1		8-4/8		324
D20L2	D19E1											325
D20L2	D20L2							1				325
D20L2								1		3-4/8		325
D20R2	C19H2											326
D20R2	D20R2							1				326
D20R2								1		6-2/8		326
D20T2	C31R2											327
D20T2	D20T2							1				327
D20T2								1		9-0/8		327
D21C1	C25V1											328
D21C1	D26D2							2				328
D21C1	D26D1							1				328
D21C1	D21C1							2				328
D21C1								1		11-2/8		328
D21F1	D21F1											329
D21F1	C18P2							1				329
D21F1								1		4-6/8		329
D21F2	B06U2											330
D21F2	D21F2							1				330
D21F2								1		11-4/8		330

RK11C.E RUN NAME	HND288.V15(15) 01/28/72 A/P PIN ORDER BAY - NAME PIN ORDER	Q	DRAW	RV	PG	Y	X	Z	REMARKS	30-MAR-72 LENGTH	18:25 EXCEPTIONS	PAGE 38 RUN NUMBER
D21N1	C22N2											331
D21N1	D21N1							1				331
D21N1								1		5-4/8		331
D21N2	D21N2											332
D21N2	D31A1							1				332
D21N2								1		7-4/8		332
D21S1	D21S1											333
D21S1	D22M2							1				333
D21S1								1		3-2/8		333
D21S2	D21S2											334
D21S2	D23B1							1				334
D21S2								1		4-2/8		334
D21V2	C32R1											335
D21V2	D21V2							1				335
D21V2								1		9-0/8		335
D22L1	A29N2											336
D22L1	D22L1							1				336
D22L1								1		11-6/8		336
D22P2	D22P2											337
D22P2	D23A1							1				337
D22P2								1		4-0/8		337
D22S1	D21H2											338
D22S1	D22S1							1				338
D22S1								1		3-4/8		338
D22V2	D19J1											339
D22V2	D22V2							1				339
D22V2								1		4-6/8		339
D23D2	D23D2											340
D23D2	D24D1							1				340
D23D2								1		2-4/8		340
D23F1	D23F1											341
D23F1	D25L1							1				341
D23F1								1		3-4/8		341
D23J1	D22J2											342
D23J1	D23J1							1				342
D23J1								1		2-4/8		342



RK11C.E RUN NAME	HND288.V15(15) 01/28/72 A/P PIN ORDER BAY - NAME PIN ORDER	Q	DRAW	RV	PG	Y	X	Z	REMARKS	30-MAR-72 LENGTH	18125 EXCEPTIONS	PAGE 39 RUN NUMBER
D23T2	D23T2							1				343
D23T2	D27S2											343
D23T2										4-2/8		343
D24M2	D24M2							1				344
D24M2	D30E2											344
D24M2										5-6/8		344
D24U1	C18E2							1				345
D24U1	D24U1											345
D24U1										7-6/8		345
D24V1	C29K2							1				346
D24V1	D24V1											346
D24V1										7-2/8		346
D25E1	C26T2							1				347
D25E1	D25E1											347
D25E1										4-0/8		347
D26L1	D30T2							2				348
D26L1	D26L1							1				348
D26L1	D18L2											348
D26L1										11-0/8		348
D27C1	D17N1							1				349
D27C1	D17P2							2				349
D27C1	D27C1											349
D27C1										10-2/8		349
D27F1	D17R1							1				350
D27F1	D17S2							2				350
D27F1	D27F1											350
D27F1										10-2/8		350
D27F2	D26E1							1				351
D27F2	D27F2											351
D27F2										3-2/8		351
D27K1	D23V2							1				352
D27K1	D27K1											352
D27K1										4-4/8		352
D27N1	D17D1							1				353
D27N1	D17E1							2				353
D27N1	D27N1											353
D27N1										10-2/8		353

RK11C.E RUN NAME	HND288.V15(15) 01/28/72 A/P PIN ORDER BAY - NAME PIN ORDER	Q	DRAW	RV	PG	Y	X	Z	REMARKS	30-MAR-72 LENGTH	18125 EXCEPTIONS	PAGE 40 RUN NUMBER
D27N2	D25D2							1				354
D27N2	D27N2											354
D27N2										3-6/8		354
D27S1	D27S1							1				355
D27S1	D28D1											355
D27S1										4-0/8		355
D27V2	D23L2							1				356
D27V2	D27V2											356
D27V2										4-6/8		356
D28K1	D28K1							1				357
D28K1	D29J2											357
D28K1										3-2/8		357
D29E1	D29E1							1				358
D29E1	D30D2											358
D29E1										3-2/8		358
D29L1	D28R1							1				359
D29L1	D29L1											359
D29L1										3-0/8		359
D29P2	D29P2							1				360
D29P2	D30P2											360
D29P2										2-6/8		360
D29S1	D28U2							1				361
D29S1	D29S1											361
D29S1										2-6/8		361
D29V2	D29V2							1				362
D29V2	D31M2											362
D29V2										3-4/8		362
D30C1	D18M1							1				363
D30C1	D30C1											363
D30C1										8-6/8		363
D30F1	C28T2							1				364
D30F1	D30F1											364
D30F1										4-2/8		364
D30N2	C28P1							1				365
D30N2	D30N2											365
D30N2										5-4/8		365

RK11C.E RUN NAME	HND288.V15(15) 01/28/72 A/P PIN ORDER BAY - NAME PIN ORDER	Q	DRAW	RV	PG	Y	X	Z	REMARKS	30-MAR-72 LENGTH	18:25 EXCEPTIONS	PAGE 41 RUN NUMBER
D30S1	D29N2							1				366
D30S1	D30S1											366
D30S1										2-6/8		366
D30S2	C21U2							1				367
D30S2	D30S2											367
D30S2										8-0/8		367
D31D2	B28V2							1				368
D31D2	D31D2											368
D31D2										6-4/8		368
DATA (0)	D18R1	H					R1	2				369
DATA (0)	C17R2	H					R1	1				369
DATA (0)	D30P1	H					R1					369
DATA (0)										14-6/8		369
DATA (1)	A24R2	H					R1	2			TERM HERE?	370
DATA (1)	A30R1	H					R1	1	C		CABLE	370
DATA (1)	B32C2	H					R1	2	C		CABLE	370
DATA (1)	C31L1	H					R1	1				370
DATA (1)	C29A1	H					R1	2				370
DATA (1)	C17P2	H					R1	1				370
DATA (1)	C17P1	H					I				TERM HERE?	370
DATA (1)										30-4/8		370
DATA STR 01	B06R2	H									1-PIN RUN	371
DATA STR 01	B06S2	L						1				372
DATA STR 01	B26R2	L						2				372
DATA STR 01	C29K1	L										372
DATA STR 01										17-2/8		372
DATA TO ADD	A19M2	H						1				373
DATA TO ADD	B19M2	H						2				373
DATA TO ADD	B18M2	H						1				373
DATA TO ADD	C25B1	H										373
DATA TO ADD										14-0/8		373
DISK DATA (0)	C10A1	H						1				374
DISK DATA (0)	C12U1	H										374
DISK DATA (0)										4-6/8		374
DISK DATA (1)	B30H1	H						1	C		CABLE	375
DISK DATA (1)	C12S1	H									TERM HERE?	375
DISK DATA (1)										12-6/8		375

RK11C.E RUN NAME	HND288.V15(15) 01/28/72 A/P PIN ORDER BAY - NAME PIN ORDER	Q	DRAW	RV	PG	Y	X	Z	REMARKS	30-MAR-72 LENGTH	18:25 EXCEPTIONS	PAGE 42 RUN NUMBER
DISK IN USE (1)	D23P1	H						1				376
DISK IN USE (1)	D24S1	H										376
DISK IN USE (1)										3-0/8		376
DISK RD CLK	A08N2	L						1				377
DISK RD CLK	C15D1	L										377
DISK RD CLK										8-0/8		377
DISK RD DATA	A08R2	L						1				378
DISK RD DATA	C15E1	L										378
DISK RD DATA										7-6/8		378
DISK SEC PLS	B08D2	H						1				379
DISK SEC PLS	D27D2	H										379
DISK SEC PLS										14-0/8		379
DIV 02 (0)	C12J2	H						1				380
DIV 02 (0)	C12S2	H										380
DIV 02 (0)										3-2/8		380
DIV 02 (1)	C12H2	H						2				381
DIV 02 (1)	C12J1	H						1				381
DIV 02 (1)	C12K1	H										381
DIV 02 (1)										5-0/8		381
DIV 04 (0)	C12M1	H									1-PIN RUN	382
DIV 04 (1)	C16L2	H						1				383
DIV 04 (1)	C16L1	H						2				383
DIV 04 (1)	C12L1	H										383
DIV 04 (1)										6-6/8		383
DLT (0)	C28F1	H					R1	1				384
DLT (0)	B26M2	H					R1					384
DLT (0)										4-4/8		384
DLT (1)	A16L2	H					R1	1				385
DLT (1)	C28E1	H					R1	2				385
DLT (1)	B32K1	H					R1					385
DLT (1)										15-2/8		385
DPL (0)	C23M2	H									1-PIN RUN	386

RK11C,E RUN NAME	A/P	HND288.V15(15) PIN NAME	ORDER PIN	01/28/72 BAY - ORDER	Q	DRAW RV PG Y	X	Z	REMARKS	30-MAR-72 LENGTH	18:25 EXCEPTIONS	PAGE 43 RUN NUMBER
DPL (1)	H	A32F2		1-01 *	C			1			CABLE	387
DPL (1)	H	B30D1		1-02 *	C			2			CABLE	387
DPL (1)	H	C23P2		1-03 *				1				387
DPL (1)	H	A14H1		1-04 *							TERM HERE?	387
DPL (1)				1						23-2/8		387
DR AC LO	H	A08M1		1-01 *				1			TERM HERE?	388
DR AC LO	H	D19A1		1-02 *				2				388
DR AC LO	H	B30V1		1-03 *	C						CABLE	388
DR AC LO				1						20-6/8		388
DR BUS AC LO	L	B12F1	B10F1	1-01 *				1				389
DR BUS AC LO	L	B10F1		1-02 *				2				389
DR BUS AC LO	L	A08L1		1-03 *				1				389
DR BUS AC LO	L	D21U1		1-04 *								389
DR BUS AC LO				1						22-2/8		389
DR BUS ADD ACK	L	A10R2		1-01 *				2			TERM HERE?	390
DR BUS ADD ACK	L	A12R2		1-02 *	C			1			CABLE	390
DR BUS ADD ACK	L	B08R1		1-03 *				2				390
DR BUS ADD ACK	L	C11R1		1-04 *							TERM HERE?	390
DR BUS ADD ACK				1						14-6/8		390
DR BUS CYL ADD 00	L	A12K1		1-01 *	C			2			CABLE	391
DR BUS CYL ADD 00	L	A10K1		1-02 *				1				391
DR BUS CYL ADD 00	L	C09D1		1-03 *							TERM HERE?	391
DR BUS CYL ADD 00				1						10-4/8		391
DR BUS CYL ADD 01	L	A12D1		1-01 *				2				392
DR BUS CYL ADD 01	L	A10D1		1-02 *				1				392
DR BUS CYL ADD 01	L	C09E1		1-03 *								392
DR BUS CYL ADD 01				1						11-2/8		392
DR BUS CYL ADD 02	L	A12L1		1-01 *	C			2			CABLE	393
DR BUS CYL ADD 02	L	A10L1		1-02 *				1				393
DR BUS CYL ADD 02	L	C09K1		1-03 *							TERM HERE?	393
DR BUS CYL ADD 02				1						11-0/8		393
DR BUS CYL ADD 03	L	A12C1		1-01 *	C			2			CABLE	394
DR BUS CYL ADD 03	L	A10C1		1-02 *				1				394
DR BUS CYL ADD 03	L	C09L1		1-03 *							TERM HERE?	394
DR BUS CYL ADD 03				1						12-0/8		394
DR BUS CYL ADD 04	L	A12F1		1-01 *	C			2			CABLE	395
DR BUS CYL ADD 04	L	A10F1		1-02 *				1				395
DR BUS CYL ADD 04	L	C09R1		1-03 *							TERM HERE?	395
DR BUS CYL ADD 04				1						12-0/8		395

RK11C,E RUN NAME	A/P	HND288.V15(15) PIN NAME	ORDER PIN	01/28/72 BAY - ORDER	Q	DRAW RV PG Y	X	Z	REMARKS	30-MAR-72 LENGTH	18:25 EXCEPTIONS	PAGE 44 RUN NUMBER
DR BUS CYL ADD 05	L	A12J1		1-01 *	C			2			CABLE	396
DR BUS CYL ADD 05	L	A10J1		1-02 *				1				396
DR BUS CYL ADD 05	L	C09S1		1-03 *							TERM HERE?	396
DR BUS CYL ADD 05				1						12-0/8		396
DR BUS CYL ADD 06	L	A12E1		1-01 *				2				397
DR BUS CYL ADD 06	L	A10E1		1-02 *				1				397
DR BUS CYL ADD 06	L	C09H2		1-03 *								397
DR BUS CYL ADD 06				1						11-2/8		397
DR BUS CYL ADD 07	L	A12H1		1-01 *	C			2			CABLE	398
DR BUS CYL ADD 07	L	A10H1		1-02 *				1				398
DR BUS CYL ADD 07	L	C09J2		1-03 *							TERM HERE?	398
DR BUS CYL ADD 07				1						11-0/8		398
DR BUS DC LO	L	B12F2	B10F2	1-01 *				1				399
DR BUS DC LO	L	B10F2		1-02 *				2				399
DR BUS DC LO	L	A08N1		1-03 *				1				399
DR BUS DC LO	L	D21V1		1-04 *								399
DR BUS DC LO				1						22-0/8		399
DR BUS DRY	L	B08N1		1-01 *				1			TERM HERE?	400
DR BUS DRY	L	B10N1		1-02 *				2				400
DR BUS DRY	L	B12N1		1-03 *	C			1			CABLE	400
DR BUS DRY	L	C10V2		1-04 *							TERM HERE?	400
DR BUS DRY				1						12-4/8		400
DR BUS HI DEN	L	B12P2		1-01 *				2				401
DR BUS HI DEN	L	B10P2		1-02 *				1				401
DR BUS HI DEN	L	B08U2		1-03 *								401
DR BUS HI DEN				1						6-6/8		401
DR BUS INDX PLS	L	B08S2		1-01 *				2			TERM HERE?	402
DR BUS INDX PLS	L	B10M1		1-02 *				1				402
DR BUS INDX PLS	L	B12M1		1-03 *	C						CABLE	402
DR BUS INDX PLS				1						6-4/8		402
DR BUS LOG ADD INT	L	A12T2		1-01 *	C			2			CABLE	403
DR BUS LOG ADD INT	L	A10T2		1-02 *				1				403
DR BUS LOG ADD INT	L	B08V1		1-03 *				2				403
DR BUS LOG ADD INT	L	C11S1		1-04 *							TERM HERE?	403
DR BUS LOG ADD INT				1						14-2/8		403

RK11C,F RUN NAME	A/P	HND288,V15(15) PIN NAME	ORDER PIN	01/28/72 BAY - ORDER	Q	DRAW RV PG Y	X	Z	REMARKS	30-MAR-72 LENGTH	18:25 EXCEPTIONS	PAGE 45 RUN NUMBER
DR BUS R/W/S RDY	L	A12H2		1-01 *	C			2			CABLE	404
DR BUS R/W/S RDY	L	A10H2		1-02 *				1				404
DR BUS R/W/S RDY	L	B08L1		1-03 *				2				404
DR BUS R/W/S RDY	L	C10U2		1-04 *							TERM HERE?	404
DR BUS R/W/S RDY	L			1						15-4/8		404
DR BUS RD CLK	L	B12S1		1-01 *	C			2			CABLE	405
DR BUS RD CLK	L	B10S1		1-02 *				1				405
DR BUS RD CLK	L	B08H2		1-03 *							TERM HERE?	405
DR BUS RD CLK	L			1						7-0/8		405
DR BUS RD DATA	L	B12S2		1-01 *	C			2			CABLE	406
DR BUS RD DATA	L	B10S2		1-02 *				1				406
DR BUS RD DATA	L	B08H2		1-03 *							TERM HERE?	406
DR BUS RD DATA	L			1						6-6/8		406
DR BUS RD GATE	L	B12R1		1-01 *	C			2			CABLE	407
DR BUS RD GATE	L	B10R1		1-02 *				1				407
DR BUS RD GATE	L	C11K1		1-03 *							TERM HERE?	407
DR BUS RD GATE	L			1						7-6/8		407
DR BUS RESTORE	L	A12M1		1-01 *	C			2			CABLE	408
DR BUS RESTORE	L	A10M1		1-02 *				1				408
DR BUS RESTORE	L	C09N2		1-03 *							TERM HERE?	408
DR BUS RESTORE	L			1						11-0/8		408
DR BUS SEC CNTR 00	L	B08A1		1-01 *				1				409
DR BUS SEC CNTR 00	L	B10L1		1-02 *				2				409
DR BUS SEC CNTR 00	L	B12L1		1-03 *				1				409
DR BUS SEC CNTR 00	L	C10H2		1-04 *								409
DR BUS SEC CNTR 00	L			1						12-0/8		409
DR BUS SEC CNTR 01	L	A12P2		1-01 *	C			1			CABLE	410
DR BUS SEC CNTR 01	L	A10P2		1-02 *				2				410
DR BUS SEC CNTR 01	L	B08D1		1-03 *				1				410
DR BUS SEC CNTR 01	L	C10J2		1-04 *							TERM HERE?	410
DR BUS SEC CNTR 01	L			1						13-6/8		410
DR BUS SEC CNTR 02	L	B08F1		1-01 *				1			TERM HERE?	411
DR BUS SEC CNTR 02	L	B10K2		1-02 *				2				411
DR BUS SEC CNTR 02	L	B12K2		1-03 *	C			1			CABLE	411
DR BUS SEC CNTR 02	L	C10N2		1-04 *							TERM HERE?	411
DR BUS SEC CNTR 02	L			1						12-4/8		411

RK11C,E RUN NAME	A/P	HND288,V15(15) PIN NAME	ORDER PIN	01/28/72 BAY - ORDER	Q	DRAW RV PG Y	X	Z	REMARKS	30-MAR-72 LENGTH	18:25 EXCEPTIONS	PAGE 46 RUN NUMBER
DR BUS SEC CNTR 03	L	B08J1		1-01 *				1			TERM HERE?	412
DR BUS SEC CNTR 03	L	B10J1		1-02 *				2				412
DR BUS SEC CNTR 03	L	B12J1		1-03 *	C			1			CABLE	412
DR BUS SEC CNTR 03	L	C10P2		1-04 *							TERM HERE?	412
DR BUS SEC CNTR 03	L			1						12-2/8		412
DR BUS SEC PLS	L	B12N2		1-01 *	C			2			CABLE	413
DR BUS SEC PLS	L	B10N2		1-02 *				1				413
DR BUS SEC PLS	L	B08C1		1-03 *							TERM HERE?	413
DR BUS SEC PLS	L			1						7-4/8		413
DR BUS SEL DR A	L	A12J2		1-01 *	C			1			CABLE	414
DR BUS SEL DR A	L	C10K1		1-02 *							TERM HERE?	414
DR BUS SEL DR A	L			1						8-2/8		414
DR BUS SEL DR B	L	A12K2		1-01 *	C			1			CABLE	415
DR BUS SEL DR B	L	C10L1		1-02 *							TERM HERE?	415
DR BUS SEL DR B	L			1						8-2/8		415
DR BUS SEL DR C	L	A12L2		1-01 *	C			1			CABLE	416
DR BUS SEL DR C	L	C10R1		1-02 *							TERM HERE?	416
DR BUS SEL DR C	L			1						8-6/8		416
DR BUS SEL DR D	L	A12M2		1-01 *	C			1			CABLE	417
DR BUS SEL DR D	L	C10S1		1-02 *							TERM HERE?	417
DR BUS SEL DR D	L			1						8-6/8		417
DR BUS SEL DR E	L	A10J2		1-01 *				1				418
DR BUS SEL DR E	L	C11H2		1-02 *								418
DR BUS SEL DR E	L			1						7-6/8		418
DR BUS SEL DR F	L	A10K2		1-01 *				1				419
DR BUS SEL DR F	L	C11J2		1-02 *								419
DR BUS SEL DR F	L			1						7-6/8		419
DR BUS SEL DR H	L	A10L2		1-01 *				1				420
DR BUS SEL DR H	L	C11N2		1-02 *								420
DR BUS SEL DR H	L			1						8-0/8		420
DR BUS SEL DR J	L	A10M2		1-01 *				1				421
DR BUS SEL DR J	L	C11P2		1-02 *								421
DR BUS SEL DR J	L			1						8-0/8		421
DR BUS SEL UPPER HEAD	L	B12M2		1-01 *	C			2			CABLE	422
DR BUS SEL UPPER HEAD	L	B10M2		1-02 *				1				422
DR BUS SEL UPPER HEAD	L	C09P2		1-03 *							TERM HERE?	422
DR BUS SEL UPPER HEAD	L			1						8-4/8		422

PK11C.E RUN NAME	A/P	HND288,V15(15) PIN NAME	01/28/72 ORDER PIN	BAY - ORDER	Q	DRAW RV PG Y	X	Z	REMARKS	30-MAR-72 LENGTH	18:25 EXCEPTIONS	PAGE 47 RUN NUMBER
DR BUS SIN	L	A10S2		1-01 *				2			TERM HERE?	423
DR BUS SIN	L	A12S2		1-02 *	C			1			CABLE	423
DR BUS SIN	L	B08K2		1-03 *							TERM HERE?	423
DR BUS SIN				1						8-4/8		423
DR BUS STROBE	L	B10H1		1-01 *				2			TERM HERE?	424
DR BUS STROBE	L	B12H1		1-02 *	C			1			CABLE	424
DR BUS STROBE	L	C11Q1		1-03 *							TERM HERE?	424
DR BUS STROBE				1						8-0/8		424
DR BUS WT CHK	L	B08P2		1-01 *				2			TERM HERE?	425
DR BUS WT CHK	L	B10K1		1-02 *				1				425
DR BUS WT CHK	L	B12K1		1-03 *	C						CABLE	425
DR BUS WT CHK				1						6-4/8		425
DR BUS WT DATA + CLK	L	A12F2		1-01 *	C			2			CABLE	426
DR BUS WT DATA + CLK	L	A10F2		1-02 *				1				426
DR BUS WT DATA + CLK	L	C10D1		1-03 *							TERM HERE?	426
DR BUS WT DATA + CLK				1						10-6/8		426
DR BUS WT GATE	L	B12L2		1-01 *	C			2			CABLE	427
DR BUS WT GATE	L	B10L2		1-02 *				1				427
DR BUS WT GATE	L	C11L1		1-03 *							TERM HERE?	427
DR BUS WT GATE				1						8-2/8		427
DR BUS WT PRCT STATUS	L	B12P1		1-01 *	C			2			CABLE	428
DR BUS WT PRCT STATUS	L	B10P1		1-02 *				1				428
DR BUS WT PRCT STATUS	L	B08E2		1-03 *							TERM HERE?	428
DR BUS WT PRCT STATUS				1						7-0/8		428
DR BUS WT PROTECT	L	B12R2		1-01 *	C			2			CABLE	429
DR BUS WT PROTECT	L	B10R2		1-02 *				1				429
DR BUS WT PROTECT	L	C11E1		1-03 *							TERM HERE?	429
DR BUS WT PROTECT				1						7-0/8		429
DR CNT 00 (0)	H	A25L2		1-01 *				1				430
DR CNT 00 (0)	H	A25P1		1-02 *				2				430
DR CNT 00 (0)	H	A25U1		1-03 *								430
DR CNT 00 (0)				1						5-6/8		430
DR CNT 00 (1)	H	A25E2		1-01 *				2				431
DR CNT 00 (1)	H	A25S1		1-02 *				1				431
DR CNT 00 (1)	H	C19N1		1-03 *				2				431
DR CNT 00 (1)	H	D12Q2		1-04 *								431
DR CNT 00 (1)				1						18-4/8		431

PK11C.E RUN NAME	A/P	HND288,V15(15) PIN NAME	01/28/72 ORDER PIN	BAY - ORDER	Q	DRAW RV PG Y	X	Z	REMARKS	30-MAR-72 LENGTH	18:25 EXCEPTIONS	PAGE 48 RUN NUMBER
DR CNT 01 (0)	H	A25R2		1-01 *				1				432
DR CNT 01 (0)	H	A25M2		1-02 *				2				432
DR CNT 01 (0)	H	A29J1		1-03 *								432
DR CNT 01 (0)				1						7-2/8		432
DR CNT 01 (1)	H	A25C1		1-01 *				2				433
DR CNT 01 (1)	H	A25P2		1-02 *				1				433
DR CNT 01 (1)	H	C19H1		1-03 *				2				433
DR CNT 01 (1)	H	D12E2		1-04 *								433
DR CNT 01 (1)				1						18-6/8		433
DR CNT 02 (0)	H	A29K1		1-01 *				1				434
DR CNT 02 (0)	H	A29N1		1-02 *								434
DR CNT 02 (0)				1						2-6/8		434
DR CNT 02 (1)	H	A29S1		1-01 *				1				435
DR CNT 02 (1)	H	A29M1		1-02 *				2				435
DR CNT 02 (1)	H	A24N1		1-03 *				1				435
DR CNT 02 (1)	H	D12F2		1-04 *								435
DR CNT 02 (1)				1						19-4/8		435
DR DC LO	H	A08P1		1-01 *				1			TERM HERE?	436
DR DC LO	H	A08R1		1-02 *				2				436
DR DC LO	H	D19B1		1-03 *				1				436
DR DC LO	H	B30T2		1-04 *	C						CABLE	436
DR DC LO				1						23-2/8		436
DR DC LO	L	A08S1		1-01 *		R1		1				437
DR DC LO	L	C18T2		1-02 *		R1		2				437
DR DC LO	L	D18Q2		1-03 *		R1						437
DR DC LO				1						13-4/8		437
DR PWR LO	H	C32T2		1-01 *				2				438
DR PWR LO	H	C26A1		1-02 *				1				438
DR PWR LO	H	D20U1		1-03 *								438
DR PWR LO				1						14-6/8		438
DR PWR LO	L	C29N2		1-01 *				1				439
DR PWR LO	L	C18N2		1-02 *				2				439
DR PWR LO	L	D19C1		1-03 *				1				439
DR PWR LO	L	D18F1		1-04 *				2				439
DR PWR LO	L	D20V1		1-05 *								439
DR PWR LO				1						19-0/8		439
DR E (0)	H	B26F1		1-01 *				1				440
DR E (0)	H	C23S2		1-02 *								440
DR E (0)				1						6-4/8		440

RK11C.E RUN NAME	A/P	HND288.V15(15) PIN NAME	01/28/72 ORDER PIN	BAY - ORDER	Q	DRAW	RV	PG	Y	X	Z	REMARKS	30-MAR-72 LENGTH	18125 EXCEPTIONS	PAGE 49 RUN NUMBER
DRE (1)	H	A16A1		1-01 *							R1	1			441
DRE (1)	H	C23R2		1-02 *							R1	2			441
DRE (1)	H	C26B1		1-03 *							R1	1			441
DRE (1)	H	B30N1		1-04 *							R1	2			441
DRE (1)	H	B32C1		1-05 *							R1	1			441
DRE (1)	H	C32N1		1-06 *							I				441
DRE (1)				1									30-0/8		441
DRIVE OK	H	C27S2		1-01 *								1			442
DRIVE OK	H	C18R2		1-02 *								2			442
DRIVE OK	H	C18V2		1-03 *								1			442
DRIVE OK	H	D18E1		1-04 *											442
DRIVE OK				1									13-2/8		442
DRIVE RESET	H	C27R1		1-01 *								1			443
DRIVE RESET	H	D14H2		1-02 *											443
DRIVE RESET				1									9-4/8		443
DRIVE RESET	L	C09K2		1-01 *								1			444
DRIVE RESET	L	D14H1		1-02 *								2			444
DRIVE RESET	L	D16M1		1-03 *											444
DRIVE RESET				1									9-2/8		444
DRIVE UNSAFE	H	A14L1		1-01 *								2		TERM HERE?	445
DRIVE UNSAFE	H	B08R2		1-02 *								1			445
DRIVE UNSAFE	H	C21E1		1-03 *								2			445
DRIVE UNSAFE	H	B30P1		1-04 *							C	1		CABLE	445
DRIVE UNSAFE	H	A32J2		1-05 *							C	2		CABLE	445
DRIVE UNSAFE	H	D21D1		1-06 *								1			445
DRIVE UNSAFE	H	D21E1		1-07 *										TERM HERE?	445
DRIVE UNSAFE				1									44-2/8		445
DRIVE UNSAFE	L	D18F2		1-01 *							R1	2			446
DRIVE UNSAFE	L	C18U2		1-02 *							R1	1			446
DRIVE UNSAFE	L	C21F1		1-03 *							R1				446
DRIVE UNSAFE				1									8-0/8		446
DRY	H	D18E2		1-01 *							R1	1			447
DRY	H	A32M2		1-02 *							R1	2			447
DRY	H	B30S1		1-03 *							R1	1			447
DRY	H	B14A1		1-04 *							R1	2			447
DRY	H	A08V1		1-05 *							R1	1			447
DRY	H	B08P1		1-06 *							I				447
DRY				1									39-6/8		447

RK11C.E RUN NAME	A/P	HND288.V15(15) PIN NAME	01/28/72 ORDER PIN	BAY - ORDER	Q	DRAW	RV	PG	Y	X	Z	REMARKS	30-MAR-72 LENGTH	18125 EXCEPTIONS	PAGE 50 RUN NUMBER
DRY	L	A08U1		1-01 *								1			448
DRY	L	C27P2		1-02 *											448
DRY				1									14-0/8		448
DSB 00 (1)	H	B20D2		1-01 *								2		TERM HERE?	449
DSB 00 (1)	H	B22P1		1-02 *								1			449
DSB 00 (1)	H	B31T2		1-03 *							C	2		CABLE	449
DSB 00 (1)	H	C30J2		1-04 *										TERM HERE?	449
DSB 00 (1)				1									15-2/8		449
DSB 01 (1)	H	B20F2		1-01 *								1		TERM HERE?	450
DSB 01 (1)	H	B20H2		1-02 *								2			450
DSB 01 (1)	H	B22L2		1-03 *								1			450
DSB 01 (1)	H	B31S2		1-04 *							C			CABLE	450
DSB 01 (1)				1									13-2/8		450
DSB 02 (1)	H	B20J2		1-01 *								2		TERM HERE?	451
DSB 02 (1)	H	B22L1		1-02 *								1			451
DSB 02 (1)	H	B31R2		1-03 *							C			CABLE	451
DSB 02 (1)				1									10-4/8		451
DSB 03 (1)	H	B20L2		1-01 *								2		TERM HERE?	452
DSB 03 (1)	H	B22H2		1-02 *								1			452
DSB 03 (1)	H	B31P2		1-03 *							C			CABLE	452
DSB 03 (1)				1									10-6/8		452
DSB 04 (1)	H	B20P2		1-01 *								1		TERM HERE?	453
DSB 04 (1)	H	B20K2		1-02 *								2			453
DSB 04 (1)	H	B22M1		1-03 *								1			453
DSB 04 (1)	H	B31, 2		1-04 *							C			CABLE	453
DSB 04 (1)				1									13-2/8		453
DSB 05 (1)	H	B20R2		1-01 *								2		TERM HERE?	454
DSB 05 (1)	H	B22D2		1-02 *								1			454
DSB 05 (1)	H	B31M2		1-03 *							C			CABLE	454
DSB 05 (1)				1									11-0/8		454
DSB 06 (1)	H	B20T2		1-01 *								2		TERM HERE?	455
DSB 06 (1)	H	B22D1		1-02 *								1			455
DSB 06 (1)	H	B31L2		1-03 *							C			CABLE	455
DSB 06 (1)				1									11-6/8		455
DSB 07 (1)	H	B20V2		1-01 *								2		TERM HERE?	456
DSB 07 (1)	H	B22A1		1-02 *								1			456
DSB 07 (1)	H	B31K2		1-03 *							C			CABLE	456
DSB 07 (1)				1									12-2/8		456

IN11C.E BLN NAME	A/P	HND288.V15(15) PIN NAME	01/28/72 ORDER PIN	BAY - ORDER	Q	DRAW RV PG Y	X	Z	REMARKS	30-MAR-72 LENGTH	18:25 EXCEPTIONS	PAGE 51 RUN NUMBER
DSB 08 (1)	H	A20D2		1-01 *				1			TERM HERE?	457
DSB 08 (1)	H	A22P1		1-02 *				2				457
DSB 08 (1)	H	B20E2		1-03 *				1				457
DSB 08 (1)	H	B31J2		1-04 *	C						CABLE	457
DSB 08 (1)				1						16-4/8		457
DSB 09 (1)	H	A20F2		1-01 *				1			TERM HERE?	458
DSB 09 (1)	H	A20H2		1-02 *				2				458
DSB 09 (1)	H	A22L2		1-03 *				1				458
DSB 09 (1)	H	B31H2		1-04 *	C						CABLE	458
DSB 09 (1)				1						14-0/8		458
DSB 10 (1)	H	A20J2		1-01 *				2			TERM HERE?	459
DSB 10 (1)	H	A22L1		1-02 *				1				459
DSB 10 (1)	H	B31F2		1-03 *	C						CABLE	459
DSB 10 (1)				1						11-2/8		459
DSB 11 (1)	H	A20L2		1-01 *				2			TERM HERE?	460
DSB 11 (1)	H	A22H2		1-02 *				1				460
DSB 11 (1)	H	B31E2		1-03 *	C						CABLE	460
DSB 11 (1)				1						11-4/8		460
DSB 12 (1)	H	A20P2		1-01 *				1			TERM HERE?	461
DSB 12 (1)	H	A20N2		1-02 *				2				461
DSB 12 (1)	H	A22H1		1-03 *				1				461
DSB 12 (1)	H	B31D2		1-04 *	C						CABLE	461
DSB 12 (1)				1						14-0/8		461
DSB 13 (1)	H	A22D2		1-01 *				2			TERM HERE?	462
DSB 13 (1)	H	A20R2		1-02 *				1				462
DSB 13 (1)	H	B31C2		1-03 *	C						CABLE	462
DSB 13 (1)				1						12-2/8		462
DSB 14 (1)	H	A22D1		1-01 *				2			TERM HERE?	463
DSB 14 (1)	H	A20T2		1-02 *				1				463
DSB 14 (1)	H	B31B2		1-03 *	C						CABLE	463
DSB 14 (1)				1						12-4/8		463
DSB 15 (0)	H	A20U1		1-01 *				1				464
DSB 15 (0)	H	C19T2		1-02 *								464
DSB 15 (0)				1						7-4/8		464

IN11C.E BLN NAME	A/P	HND288.V15(15) PIN NAME	01/28/72 ORDER PIN	BAY - ORDER	Q	DRAW RV PG Y	X	Z	REMARKS	30-MAR-72 LENGTH	18:25 EXCEPTIONS	PAGE 52 RUN NUMBER
DSB 15 (1)	H	B31A2		1-01 *	C			1			CABLE	465
DSB 15 (1)	H	A22A1		1-02 *				2				465
DSB 15 (1)	H	A20V2		1-03 *				1				465
DSB 15 (1)	H	C19R2		1-04 *				2				465
DSB 15 (1)	H	D24F2		1-05 *							TERM HERE?	465
DSB 15 (1)				1						25-6/8		465
DSB TO RKDB EN	H	C19A1		1-01 *				2				466
DSB TO RKDB EN	H	D17F2		1-02 *				1				466
DSB TO RKDB EN	H	D29K1		1-03 *				2				466
DSB TO RKDB EN	H	D29R1		1-04 *								466
DSB TO RKDB EN				1						17-2/8		466
DSB TO RKDB EN	L	C32D2		1-01 *				1				467
DSB TO RKDB EN	L	C32E1		1-02 *				2				467
DSB TO RKDB EN	L	C21J2		1-03 *				1				467
DSB TO RKDB EN	L	D17D2		1-04 *								467
DSB TO RKDB EN				1						16-0/8		467
DSB TO RKDB SEQ	L	B26S2		1-01 *				1				468
DSB TO RKDB SEQ	L	C30N1		1-02 *								468
DSB TO RKDB SEQ				1						5-2/8		468
END OF SYNC (0)	H	D15D2		1-01 *				2				469
END OF SYNC (0)	H	C22H1		1-02 *				1				469
END OF SYNC (0)	H	D28H1		1-03 *				2				469
END OF SYNC (0)	H	D30R2		1-04 *								469
END OF SYNC (0)				1						17-2/8		469
END OF SYNC (1)	H	D28L1									1-PIN RUN	470
EQUAL	H	B15V1		1-01 *				1			TERM HERE?	471
EQUAL	H	B30F1		1-02 *	C			2			CABLE	471
EQUAL	H	C28M2		1-03 *				1				471
EQUAL	H	D31C1		1-04 *							TERM HERE?	471
EQUAL				1						21-0/8		471
EQUAL	L	B15U1		1-01 *				1				472
EQUAL	L	D22E1		1-02 *				2				472
EQUAL	L	C28E2		1-03 *								472
EQUAL				1						14-2/8		472
ERROR	H	A14B1		1-01 *				1			TERM HERE?	473
ERROR	H	A31A1		1-02 *	C			2			CABLE	473
ERROR	H	A30T2		1-03 *	C			1			CABLE	473
ERROR	H	C30S2		1-04 *							TERM HERE?	473
ERROR				1						22-4/8		473





*K11C.E RUN NAME	A/P	HND288, V15(15) PIN NAME	01/28/72 ORDER PIN	BAY - ORDER	Q	DRAW	RV	PG	Y	X	Z	REMARKS	30-MAR-72 LENGTH	18:25 EXCEPTIONS	PAGE 55 RUN NUMBER
GATE BUS TO RKDA LO	L	B17D1		1-01 *							2				491
GATE BUS TO RKDA LO	L	B17M1		1-02 *							1				491
GATE BUS TO RKDA LO	L	C18J1		1-03 *											491
GATE BUS TO RKDA LO				1									8-0/8		491
GATE BUS TO RKDB	L	B06L2		1-01 *							1				492
GATE BUS TO RKDB	L	A15U1		1-02 *							2				492
GATE BUS TO RKDB	L	A23U2		1-03 *							1				492
GATE BUS TO RKDB	L	B23U2		1-04 *							2				492
GATE BUS TO RKDB	L	C18D1		1-05 *											492
GATE BUS TO RKDB				1									24-0/8		492
GATE BUS TO RKMR LO	L	D32B1		1-01 *							1				493
GATE BUS TO RKMR LO	L	D32D2		1-02 *							2				493
GATE BUS TO RKMR LO	L	D32H1		1-03 *							1				493
GATE BUS TO RKMR LO	L	D32L2		1-04 *							2				493
GATE BUS TO RKMR LO	L	D32N1		1-05 *							1				493
GATE BUS TO RKMR LO	L	D32S2		1-06 *							2				493
GATE BUS TO RKMR LO	L	D25V2		1-07 *											493
GATE BUS TO RKMR LO				1									20-2/8		493
GATE DSB TO RKDB	L	A22U2		1-01 *							1				494
GATE DSB TO RKDB	L	B22U2		1-02 *							2				494
GATE DSB TO RKDB	L	C21B1		1-03 *							1				494
GATE DSB TO RKDB	L	C29F1		1-04 *							2				494
GATE DSB TO RKDB	L	C30N2		1-05 *											494
GATE DSB TO RKDB				1									18-2/8		494
GATE RKBA TO BUS	L	A07D2		1-01 *							1				495
GATE RKBA TO BUS	L	B25E1		1-02 *											495
GATE RKBA TO BUS				1										12-2/8	495
GATE RKBA TO BUS A	H	B06B1												1-PIN RUN	496
GATE RKBA TO BUS A	L	B06F1		1-01 *							2				497
GATE RKBA TO BUS A	L	B07U2		1-02 *							1				497
GATE RKBA TO BUS A	L	C09T2		1-03 *											497
GATE RKBA TO BUS A				1										9-2/8	497
GATE RKCS TO BUS	L	A14V2		1-01 *							2				498
GATE RKCS TO BUS	L	B14V2		1-02 *							1				498
GATE RKCS TO BUS	L	B25K2		1-03 *											498
GATE RKCS TO BUS				1										13-2/8	498

*K11C.E RUN NAME	A/P	HND288, V15(15) PIN NAME	01/28/72 ORDER PIN	BAY - ORDER	Q	DRAW	RV	PG	Y	X	Z	REMARKS	30-MAR-72 LENGTH	18:25 EXCEPTIONS	PAGE 56 RUN NUMBER	
GATE RKDA TO BUS	L	B15V2		1-01 *							2				499	
GATE RKDA TO BUS	L	A15V2		1-02 *							1				499	
GATE RKDA TO BUS	L	B25F2		1-03 *											499	
GATE RKDA TO BUS				1										13-0/8	499	
GATE RKDA TO RKDB	L	A23V2		1-01 *							2				500	
GATE RKDA TO RKDB	L	B23V2		1-02 *							1				500	
GATE RKDA TO RKDB	L	D24J1		1-03 *											500	
GATE RKDA TO RKDB				1										11-4/8	500	
GATE RKDB TO BUS	L	B25D2		1-01 *							1				501	
GATE RKDB TO BUS	L	D20K2		1-02 *											501	
GATE RKDB TO BUS				1										9-2/8	501	
GATE RKDS TO BUS	L	A14U2		1-01 *							1				502	
GATE RKDS TO BUS	L	B14U2		1-02 *							2				502	
GATE RKDS TO BUS	L	B25H2		1-03 *							1				502	
GATE RKDS TO BUS	L	B26D1		1-04 *											502	
GATE RKDS TO BUS				1										16-4/8	502	
GATE RKER TO BUS	L	A16U2		1-01 *							2				503	
GATE RKER TO BUS	L	B16U2		1-02 *							1				503	
GATE RKER TO BUS	L	B25J2		1-03 *											503	
GATE RKER TO BUS				1										12-4/8	503	
GATE RKMR TO BUS	L	B16V2		1-01 *							2				504	
GATE RKMR TO BUS	L	A16V2		1-02 *							1				504	
GATE RKMR TO BUS	L	B25E2		1-03 *											504	
GATE RKMR TO BUS				1										12-2/8	504	
GATE RKWC TO BUS	L	B07T2		1-01 *							1				505	
GATE RKWC TO BUS	L	B25F1		1-02 *											505	
GATE RKWC TO BUS				1										11-6/8	505	
GEN CLR	H	A06R1		1-01 *											506	
GEN CLR	H	A06S1		1-02 *											506	
GEN CLR	H	C27H1		1-03 *											506	
GEN CLR	H	C25R1		1-04 *											506	
GEN CLR	H	C24R2		1-05 *											506	
GEN CLR	H	C21L2		1-06 *											506	
GEN CLR	H	D21H2		1-07 *											506	
GEN CLR	H	D21R2		1-08 *											506	
GEN CLR	H	D16S1		1-09 *											506	
GEN CLR				1											40-4/8	506

RK11C.E RUN NAME	A/P	HND288.V15(15) PIN NAME	ORDER PIN	01/28/72 BAY - ORDER	Q	DRAW	RV	PG	Y	X	Z	REMARKS	30-MAR-72 LENGTH	18125 EXCEPTIONS	PAGE 57 RUN NUMBER
GEN CLR	L	C23E2		1-01 *							1				507
GEN CLR	L	C23E1		1-02 *							2				507
GEN CLR	L	C23S1		1-03 *							1				507
GEN CLR	L	C23N2		1-04 *							2				507
GEN CLR	L	D23N2		1-05 *							1				507
GEN CLR	L	D23K2		1-06 *							2				507
GEN CLR	L	D31L2		1-07 *											507
GEN CLR				1									26-2/8		507
GEN CLR + NEW SECT	H	A20B1		1-01 *							2				508
GEN CLR + NEW SECT	H	B20B1		1-02 *							1				508
GEN CLR + NEW SECT	H	C23F1		1-03 *							2				508
GEN CLR + NEW SECT	H	C23P2		1-04 *							1				508
GEN CLR + NEW SECT	H	D23P2		1-05 *							2				508
GEN CLR + NEW SECT	H	D21J1		1-06 *											508
GEN CLR + NEW SECT				1									24-4/8		508
GEN CLR + NEW SECT	L	C11S2		1-01 *							2				509
GEN CLR + NEW SECT	L	C22L1		1-02 *							1				509
GEN CLR + NEW SECT	L	C23M1		1-03 *							2				509
GEN CLR + NEW SECT	L	C23B1		1-04 *							1				509
GEN CLR + NEW SECT	L	B26P1		1-05 *							2				509
GEN CLR + NEW SECT	L	C26J1		1-06 *							1				509
GEN CLR + NEW SECT	L	C23R2		1-07 *							2				509
GEN CLR + NEW SECT	L	D28A1		1-08 *							1				509
GEN CLR + NEW SECT	L	D28K2		1-09 *											509
GEN CLR + NEW SECT				1									33-4/8		509
GEN DATA	H	B16U1		1-01 *							2				510
GEN DATA	H	D18U1		1-02 *							1				510
GEN DATA	H	D29S2		1-03 *							2				510
GEN DATA	H	C30H2		1-04 *											510
GEN DATA				1									22-4/8		510
GEN DATA	L	C32F2		1-01 *							1				511
GEN DATA	L	C21H2		1-02 *							2				511
GEN DATA	L	B16V1		1-03 *							1				511
GEN DATA	L	D18N2		1-04 *							2				511
GEN DATA	L	D21R1		1-05 *											511
GEN DATA				1									24-6/8		511

RK11C.E RUN NAME	A/P	HND288.V15(15) PIN NAME	ORDER PIN	01/28/72 BAY - ORDER	Q	DRAW	RV	PG	Y	X	Z	REMARKS	30-MAR-72 LENGTH	18125 EXCEPTIONS	PAGE 58 RUN NUMBER
GND 01		A01B2		1-01 *							1				512
GND 01		A01C2		1-02 *							2				512
GND 01		A01N1		1-03 *							1				512
GND 01		A01P1		1-04 *							2				512
GND 01		A01R1		1-05 *							1				512
GND 01		A01S1		1-06 *							2				512
GND 01		A01T1		1-07 *							1				512
GND 01		A01V2		1-08 *							2				512
GND 01		B01B2		1-09 *							1				512
GND 01		B01C2		1-10 *							2				512
GND 01		B01D1		1-11 *							1				512
GND 01		B01E1		1-12 *							2				512
GND 01		B01T1		1-13 *							1				512
GND 01		B01V2		1-14 *											512
GND 01				1									35-6/8		512
GND 02		A02B2		1-01 *							1				513
GND 02		A02C2		1-02 *							2				513
GND 02		A02N1		1-03 *							1				513
GND 02		A02P1		1-04 *							2				513
GND 02		A02R1		1-05 *							1				513
GND 02		A02S1		1-06 *							2				513
GND 02		A02T1		1-07 *							1				513
GND 02		A02V2		1-08 *							2				513
GND 02		B02B2		1-09 *							1				513
GND 02		B02C2		1-10 *							2				513
GND 02		B02D1		1-11 *							1				513
GND 02		B02E1		1-12 *							2				513
GND 02		B02T1		1-13 *							1				513
GND 02		B02V2		1-14 *											513
GND 02				1									35-6/8		513
GND 03		A03C2		1-01 *							1				514
GND 03		A03T1		1-02 *							2				514
GND 03		B03C2		1-03 *							1				514
GND 03		B03T1		1-04 *											514
GND 03				1									11-4/8		514
GND 04		A04C2		1-01 *							1				515
GND 04		A04T1		1-02 *							2				515
GND 04		B04C2		1-03 *							1				515
GND 04		B04T1		1-04 *											515
GND 04				1									11-4/8		515

RK11C.E RUN NAME	HND288.V15(15) 01/28/72 A/P PIN ORDER BAY - NAME PIN ORDER	Q	DRAW	RV	PG	Y	X	Z	REMARKS	30-MAR-72 LENGTH	18:25 EXCEPTIONS	PAGE 63 RUN NUMBER
GND 18	A18C2							2				529
GND 18	A18J1							1				529
GND 18	A18T1							2				529
GND 18	B18C2							1				529
GND 18	B18T1							2				529
GND 18	C18C2							1				529
GND 18	C18T1							2				529
GND 18	D18C2							1				529
GND 18	D18T1							1				529
GND 18										28-4/8		529
GND 19	A19C2							1				530
GND 19	A19F2							2				530
GND 19	A19L2							1				530
GND 19	A19L1							2				530
GND 19	A19T1							1				530
GND 19	A19S2							2				530
GND 19	A19T2							1				530
GND 19	B19A1							2				530
GND 19	B19C1							1				530
GND 19	B19B2							2				530
GND 19	B19C2							1				530
GND 19	B19D2							2				530
GND 19	B19F2							1				530
GND 19	B19H2							2				530
GND 19	B19L2							1				530
GND 19	B19L1							2				530
GND 19	B19T1							1				530
GND 19	B19S2							2				530
GND 19	C19C2							1				530
GND 19	C19T1							2				530
GND 19	D19C2							1				530
GND 19	D19T1							1				530
GND 19										60-2/8		530
GND 20	A20C2							1				531
GND 20	A20T1							2				531
GND 20	B20C2							1				531
GND 20	B20T1							2				531
GND 20	C20C2							1				531
GND 20	C20T1							2				531
GND 20	D20C2							1				531
GND 20	D20T1							1				531
GND 20										26-2/8		531

RK11C.E RUN NAME	HND288.V15(15) 01/28/72 A/P PIN ORDER BAY - NAME PIN ORDER	Q	DRAW	RV	PG	Y	X	Z	REMARKS	30-MAR-72 LENGTH	18:25 EXCEPTIONS	PAGE 64 RUN NUMBER
GND 21	A21C2							1				532
GND 21	A21T1							2				532
GND 21	B21C2							1				532
GND 21	B21T1							2				532
GND 21	C21C2							1				532
GND 21	C21T1							2				532
GND 21	D21C2							1				532
GND 21	D21T1							1				532
GND 21										26-2/8		532
GND 22	A22C2							1				533
GND 22	A22T1							2				533
GND 22	B22C2							1				533
GND 22	B22T1							2				533
GND 22	C22C2							1				533
GND 22	C22T1							2				533
GND 22	D22C2							1				533
GND 22	D22T1							1				533
GND 22										26-2/8		533
GND 23	A23B1							1				534
GND 23	A23C2							2				534
GND 23	A23E2							1				534
GND 23	A23E1							2				534
GND 23	A23T1							1				534
GND 23	B23C2							2				534
GND 23	B23J2							1				534
GND 23	B23J1							2				534
GND 23	B23M2							1				534
GND 23	B23M1							2				534
GND 23	B23R1							1				534
GND 23	B23T1							2				534
GND 23	C23C2							1				534
GND 23	C23T1							2				534
GND 23	D23C2							1				534
GND 23	D23T1							1				534
GND 23										45-4/8		534
GND 24	A24C2							1				535
GND 24	A24T1							2				535
GND 24	B24C2							1				535
GND 24	B24T1							2				535
GND 24	C24C2							1				535
GND 24	C24T1							2				535
GND 24	D24C2							1				535
GND 24	D24T1							1				535
GND 24										26-2/8		535

RK110.E RUN NAME	HND288.V15(15) 01/28/72				Q	DRAW	RV	PG	Y	X	Z	REMARKS	30-MAR-72 LENGTH	18125 EXCEPTIONS	PAGE 65 RUN NUMBER
	A/P	PIN NAME	ORDER PIN	BAY - ORDER											
GND 25		A25C2		1-01 *							2				536
GND 25		A25T1		1-02 *							1				536
GND 25		B25C2		1-03 *							2				536
GND 25		B25T1		1-04 *							1				536
GND 25		B25V2		1-05 *							2				536
GND 25		C25C1		1-06 *							1				536
GND 25		C25C2		1-07 *							2				536
GND 25		C25M2		1-08 *							1				536
GND 25		C25N2		1-09 *							2				536
GND 25		C25T1		1-10 *							1				536
GND 25		D25C2		1-11 *							2				536
GND 25		D25T1		1-12 *							1				536
GND 25				1									36-2/8		536
GND 26		A26C2		1-01 *							1				537
GND 26		A26T1		1-02 *							2				537
GND 26		B26C2		1-03 *							1				537
GND 26		B26T1		1-04 *							2				537
GND 26		C26C2		1-05 *							1				537
GND 26		C26T1		1-06 *							2				537
GND 26		D26C2		1-07 *							1				537
GND 26		D26T1		1-08 *											537
GND 26				1									26-2/8		537
GND 27		A27C2		1-01 *							1				538
GND 27		A27T1		1-02 *							2				538
GND 27		B27C2		1-03 *							1				538
GND 27		B27T1		1-04 *							2				538
GND 27		C27C2		1-05 *							1				538
GND 27		C27T1		1-06 *							2				538
GND 27		D27C2		1-07 *							1				538
GND 27		D27T1		1-08 *											538
GND 27				1									26-2/8		538

RK110.E RUN NAME	HND288.V15(15) 01/28/72				Q	DRAW	RV	PG	Y	X	Z	REMARKS	30-MAR-72 LENGTH	18125 EXCEPTIONS	PAGE 66 RUN NUMBER
	A/P	PIN NAME	ORDER PIN	BAY - ORDER											
GND 28		A28C2		1-01 *							1				539
GND 28		A28D1		1-02 *							2				539
GND 28		A28E1		1-03 *							1				539
GND 28		A28F1		1-04 *							2				539
GND 28		A28H1		1-05 *							1				539
GND 28		A28J1		1-06 *							2				539
GND 28		A28K1		1-07 *							1				539
GND 28		A28L1		1-08 *							2				539
GND 28		A28M1		1-09 *							1				539
GND 28		A28N1		1-10 *							2				539
GND 28		A28P1		1-11 *							1				539
GND 28		A28R1		1-12 *							2				539
GND 28		A28T1		1-13 *							1				539
GND 28		A28V2		1-14 *							2				539
GND 28		B28C2		1-15 *							1				539
GND 28		B28T1		1-16 *							2				539
GND 28		C28C2		1-17 *							1				539
GND 28		C28T1		1-18 *							2				539
GND 28		D28C2		1-19 *							1				539
GND 28		D28C1		1-20 *							2				539
GND 28		D28E2		1-21 *							1				539
GND 28		D28J1		1-22 *							2				539
GND 28		D28M2		1-23 *							1				539
GND 28		D28P1		1-24 *							2				539
GND 28		D28T2		1-25 *							1				539
GND 28		D28T1		1-26 *											539
GND 28				1									69-6/8		539
GND 29		A29C2		1-01 *							1				540
GND 29		A29T1		1-02 *							2				540
GND 29		B29C2		1-03 *							1				540
GND 29		B29T1		1-04 *							2				540
GND 29		C29C2		1-05 *							1				540
GND 29		C29T1		1-06 *							2				540
GND 29		D29C2		1-07 *							1				540
GND 29		D29T1		1-08 *											540
GND 29				1									26-2/8		540
GND 30		A30C2		1-01 *							1				541
GND 30		A30T1		1-02 *							2				541
GND 30		B30C2		1-03 *							1				541
GND 30		B30T1		1-04 *							2				541
GND 30		C30C2		1-05 *							1				541
GND 30		C30T1		1-06 *							2				541
GND 30		D30C2		1-07 *							1				541
GND 30		D30T1		1-08 *											541
GND 30				1									26-2/8		541

RK11C.E RUN NAME	HND288.V15(15) 01/28/72					Q	DRAW	RV	PG	Y	X	Z	REMARKS	30-MAR-72 LENGTH	18125 EXCEPTIONS	PAGE 67 RUN NUMBER
	A/P	PIN NAME	ORDER PIN	BAY - ORDER												
GND 31		A31U1		1-01 *							2				542	
GND 31		A31V1		1-02 *							1				542	
GND 31		B31U2		1-03 *							2				542	
GND 31		C31C2		1-04 *							1				542	
GND 31		C31T1		1-05 *							2				542	
GND 31		D31C2		1-06 *							1				542	
GND 31		D31F2		1-07 *							2				542	
GND 31		D31T1		1-08 *											542	
GND 31				1									24-4/8		542	
GND 32		A32B1		1-01 *							2			TERM HERE?	543	
GND 32		B32F2		1-02 *							1				543	
GND 32		B32R1		1-03 *	C						2			CABLE	543	
GND 32		B32S1		1-04 *							1				543	
GND 32		B32T1		1-05 *							2				543	
GND 32		C32C2		1-06 *							1				543	
GND 32		C32D1		1-07 *							2				543	
GND 32		C32H2		1-08 *							1				543	
GND 32		C32K1		1-09 *							2				543	
GND 32		C32P1		1-10 *					R1		1				543	
GND 32		C32T1		1-11 *							2				543	
GND 32		D32C2		1-12 *							1				543	
GND 32		D32T1		1-13 *										TERM HERE?	543	
GND 32				1									38-4/8		543	
GD (0)	H	B06U1		1-01 *							2				544	
GD (0)	H	D11S1		1-02 *							1				544	
GD (0)	H	D11U1		1-03 *							2				544	
GD (0)	H	C29T2		1-04 *											544	
GD (0)				1									24-0/8		544	
GD (1)	H	A31T1		1-01 *					R1		1				545	
GD (1)	H	B06V1		1-02 *					R2						545	
GD (1)				1									16-0/8		545	
H/L (0)	H	C12F1		1-01 *							1				546	
H/L (0)	H	C14R1		1-02 *											546	
H/L (0)				1									3-6/8		546	
H/L (1)	H	C12E1												1-PIN RUN	547	
HE (0)	H	B26A1		1-01 *							2				548	
HE (0)	H	C23L1		1-02 *							1				548	
HE (0)	H	C29U2		1-03 *							2				548	
HE (0)	H	C30R2		1-04 *											548	
HE (0)				1									15-4/8		548	

RK11C.E RUN NAME	HND288.V15(15) 01/28/72					Q	DRAW	RV	PG	Y	X	Z	REMARKS	30-MAR-72 LENGTH	18125 EXCEPTIONS	PAGE 68 RUN NUMBER
	A/P	PIN NAME	ORDER PIN	BAY - ORDER												
HE (1)	H	A31B1		1-01 *					R1		1				549	
HE (1)	H	A30F1		1-02 *					R1		2				549	
HE (1)	H	B28T2		1-03 *					R1		1				549	
HE (1)	H	C32M1		1-04 *					R1		2				549	
HE (1)	H	C23F2		1-05 *					R1		1				549	
HE (1)	H	C24U2		1-06 *					R1		2				549	
HE (1)	H	D17V2		1-07 *					R1		1				549	
HE (1)	H	C14D1		1-08 *					R1		2				549	
HE (1)	H	A14E1		1-09 *					R1						549	
HE (1)				1									47-4/8		549	
HE ENBL	H	C27M2		1-01 *					R1		2				550	
HE ENBL	H	B26P2		1-02 *					I		1				550	
HE ENBL	H	D24N2		1-03 *					I						550	
HE ENBL				1									12-4/8		550	
HEAD SETTLE DLY	H	C32S2		1-01 *							1				551	
HEAD SETTLE DLY	H	D09K1		1-02 *											551	
HEAD SETTLE DLY				1									15-0/8		551	
HEADER (0)	H	C17M1		1-01 *							2				552	
HEADER (0)	H	D18P1		1-02 *							1				552	
HEADER (0)	H	D30R1		1-03 *											552	
HEADER (0)				1									14-0/8		552	
HEADER (1)	H	A24U2		1-01 *					I		2				553	
HEADER (1)	H	A30P1		1-02 *					R1		1				553	
HEADER (1)	H	B32B2		1-03 *					R1		2				553	
HEADER (1)	H	C31H2		1-04 *					R1		1				553	
HEADER (1)	H	D29F1		1-05 *					R1		2				553	
HEADER (1)	H	C17M2		1-06 *					R1		1				553	
HEADER (1)	H	C17L1		1-07 *					R1						553	
HEADER (1)				1									32-4/8		553	
HEADER OK (0)	H	D24T2		1-01 *							1				554	
HEADER OK (0)	H	D31F1		1-02 *											554	
HEADER OK (0)				1									6-2/8		554	
HEADER OK (1)	H	A30U2		1-01 *	C						2			CABLE	555	
HEADER OK (1)	H	A31V2		1-02 *	C						1			CABLE	555	
HEADER OK (1)	H	D31E1		1-03 *							2				555	
HEADER OK (1)	H	D21P2		1-04 *										TERM HERE?	555	
HEADER OK (1)				1									19-4/8		555	

RK110.E RUN NAME	A/P	HND288.V15(15) PIN NAME	01/28/72 ORDER PIN	BAY - ORDER	Q	DRAW	RV	PG	Y	X	Z	REMARKS	30-MAR-72 LENGTH	18125 EXCEPTIONS	PAGE 69 RUN NUMBER
HI DEN	H	B08V2		1-01 *							2			TERM HERE?	556
HI DEN	H	A08U2		1-02 *							1				556
HI DEN	H	A14H2		1-03 *							2				556
HI DEN	H	A32H2		1-04 *	C						1			CABLE	556
HI DEN	H	D29D1		1-05 *										TERM HERE?	556
HI DEN				1									33-2/8		556
ID 00 (0)	H	A25U2												1-PIN RUN	557
ID 00 (1)	H	A32E2		1-01 *							2				558
ID 00 (1)	H	A25H2		1-02 *							1				558
ID 00 (1)	H	A14D2		1-03 *											558
ID 00 (1)				1									14-0/8		558
ID 01 (0)	H	A25F1												1-PIN RUN	559
ID 01 (1)	H	A32D2		1-01 *							2				560
ID 01 (1)	H	A25E1		1-02 *							1				560
ID 01 (1)	H	A14D1		1-03 *											560
ID 01 (1)				1									14-0/8		560
ID 02 (0)	H	A29V2												1-PIN RUN	561
ID 02 (1)	H	A29U2		1-01 *							2				562
ID 02 (1)	H	A32C2		1-02 *							1				562
ID 02 (1)	H	A14A1		1-03 *											562
ID 02 (1)				1									16-4/8		562
IDE (0)	H	A25M1												1-PIN RUN	563
IDE (1)	H	B30K1		1-01 *	C						1			CABLE	564
IDE (1)	H	A31L1		1-02 *	C						2			CABLE	564
IDE (1)	H	A25L1		1-03 *							1				564
IDE (1)	H	B26B1		1-04 *							2				564
IDE (1)	H	C22C1		1-05 *							1				564
IDE (1)	H	C22E2		1-06 *							2				564
IDE (1)	H	B14E1		1-07 *										TERM HERE?	564
IDE (1)				1									31-2/8		564
IDLE (0)	H	C17E1												1-PIN RUN	565

RK110.E RUN NAME	A/P	HND288.V15(15) PIN NAME	01/28/72 ORDER PIN	BAY - ORDER	Q	DRAW	RV	PG	Y	X	Z	REMARKS	30-MAR-72 LENGTH	18125 EXCEPTIONS	PAGE 70 RUN NUMBER
IDLE (1)	H	A30K2		1-01 *	C									CABLE	566
IDLE (1)	H	B31V2		1-02 *							R1				566
IDLE (1)	H	C31E2		1-03 *							R1				566
IDLE (1)	H	D24L1		1-04 *							R1				566
IDLE (1)	H	C17F1		1-05 *							R1				566
IDLE (1)	H	C17E2		1-06 *										TERM HERE?	566
IDLE (1)				1									27-0/8		566
ILLEGAL ADD	H	B08U1		1-01 *							I				567
ILLEGAL ADD	H	C24T2		1-02 *											567
ILLEGAL ADD	H	D27H1		1-03 *											567
ILLEGAL ADD				1									16-2/8		567
IN	H	A05M1		1-01 *											568
IN	H	C14H2		1-02 *											568
IN				1									9-0/8		568
INDX PLS	H	A08S2		1-01 *											569
INDX PLS	H	B08T2		1-02 *											569
INDX PLS				1									5-2/8		569
INDX PLS	L	A08T2		1-01 *											570
INDX PLS	L	C23F1		1-02 *											570
INDX PLS				1									11-2/8		570
INH BA (1)	H	A31E1		1-01 *							I				571
INH BA (1)	H	A25V2		1-02 *							I				571
INH BA (1)	H	A14J2		1-03 *							I				571
INH BA (1)	H	D19E2		1-04 *							I				571
INH BA (1)				1									25-2/8		571

RK11C.E RUN NAME	A/P	HND288.V15(15) PIN NAME	ORDER PIN	01/28/72 BAY - ORDER	Q	DRAW	RV	PG	Y	X	Z	REMARKS	30-MAR-72 LENGTH	18125 EXCEPTIONS	PAGE 71 RUN NUMBER
INIT	H	B06J1		1-01 *							2				572
INIT	H	A07D1		1-02 *							1				572
INIT	H	A18J2		1-03 *							2				572
INIT	H	A18H1		1-04 *							1				572
INIT	H	A17J2		1-05 *							2				572
INIT	H	A17H1		1-06 *							1				572
INIT	H	B17H1		1-07 *							2				572
INIT	H	B27M2		1-08 *							1				572
INIT	H	B27R2		1-09 *							2				572
INIT	H	B28S2		1-10 *							1				572
INIT	H	B28R2		1-11 *							2				572
INIT	H	B27R1		1-12 *							1				572
INIT	H	B27U2		1-13 *							2				572
INIT	H	C25S2		1-14 *							1				572
INIT	H	C25U2		1-15 *							2				572
INIT	H	D25J2		1-16 *							1				572
INIT	H	C25N1		1-17 *							2				572
INIT	H	D19M2		1-18 *							1				572
INIT	H	D19R2		1-19 *							2				572
INIT	H	D19R1		1-20 *							1				572
INIT	H	D19U2		1-21 *											572
INIT				1									79-0/8		572
INIT	L	A29P2		1-01 *							1				573
INIT	L	C28A1		1-02 *							2				573
INIT	L	C28U2		1-03 *							1				573
INIT	L	C25T2		1-04 *							2				573
INIT	L	C26M2		1-05 *							1				573
INIT	L	C23K2		1-06 *							2				573
INIT	L	C23N2		1-07 *							1				573
INIT	L	C23U2		1-08 *							2				573
INIT	L	D23E1		1-09 *							1				573
INIT	L	D23E2		1-10 *							2				573
INIT	L	D23K2		1-11 *							1				573
INIT	L	D23M1		1-12 *							2				573
INIT	L	D23U2		1-13 *							1				573
INIT	L	D16R1		1-14 *							2				573
INIT	L	B06D2		1-15 *											573
INIT				1									59-6/8		573
INT ACC RDY	H	C21K1		1-01 *							1				574
INT ACC RDY	H	C29R2		1-02 *											574
INT ACC RDY				1									7-0/8		574

RK11C.E RUN NAME	A/P	HND288.V15(15) PIN NAME	ORDER PIN	01/28/72 BAY - ORDER	Q	DRAW	RV	PG	Y	X	Z	REMARKS	30-MAR-72 LENGTH	18125 EXCEPTIONS	PAGE 72 RUN NUMBER
INT BUS 00	L	A07E1		1-01 *							1				575
INT BUS 00	L	A13P1		1-02 *							2				575
INT BUS 00	L	B14S1		1-03 *							1				575
INT BUS 00	L	B15S1		1-04 *							2				575
INT BUS 00	L	B16S1		1-05 *											575
INT BUS 00				1									16-6/8		575
INT BUS 01	L	A07J1		1-01 *							1				576
INT BUS 01	L	A13V2		1-02 *							2				576
INT BUS 01	L	B14N2		1-03 *							1				576
INT BUS 01	L	B15N2		1-04 *							2				576
INT BUS 01	L	B16N2		1-05 *											576
INT BUS 01				1									16-2/8		576
INT BUS 02	L	A07L2		1-01 *							1				577
INT BUS 02	L	A13U1		1-02 *							2				577
INT BUS 02	L	B14N1		1-03 *							1				577
INT BUS 02	L	B15N1		1-04 *							2				577
INT BUS 02	L	B16N1		1-05 *											577
INT BUS 02				1									15-4/8		577
INT BUS 03	L	A07H2		1-01 *							1				578
INT BUS 03	L	A13N2		1-02 *							2				578
INT BUS 03	L	B14K2		1-03 *							1				578
INT BUS 03	L	B15K2		1-04 *							2				578
INT BUS 03	L	B16K2		1-05 *											578
INT BUS 03				1									16-2/8		578
INT BUS 04	L	A13K1		1-01 *							2				579
INT BUS 04	L	B14K1		1-02 *							1				579
INT BUS 04	L	B15K1		1-03 *							2				579
INT BUS 04	L	B16K1		1-04 *							1				579
INT BUS 04	L	B07R2		1-05 *											579
INT BUS 04				1									17-4/8		579
INT BUS 05	L	A07R1		1-01 *							1				580
INT BUS 05	L	A13J2		1-02 *							2				580
INT BUS 05	L	B14F2		1-03 *							1				580
INT BUS 05	L	B15F2		1-04 *							2				580
INT BUS 05	L	B16F2		1-05 *											580
INT BUS 05				1									16-4/8		580

RK11C.E RUN NAME	A/P	HND288.V15(15) PIN NAME	01/28/72 ORDER PIN	BAY - ORDER	Q	DRAW	RV	PG	Y	X	Z	REMARKS	30-MAR-72 LENGTH	18125 EXCEPTIONS	PAGE 73 RUN NUMBER
INT BUS 06	L	A07S2		1-01 *							1				581
INT BUS 06	L	A13D2		1-02 *							2				581
INT BUS 06	L	B14F1		1-03 *							1				581
INT BUS 06	L	B15F1		1-04 *							2				581
INT BUS 06	L	B16F1		1-05 *											581
INT BUS 06				1									17-0/8		581
INT BUS 07	L	A07P1		1-01 *							1				582
INT BUS 07	L	A13S1		1-02 *							2				582
INT BUS 07	L	B14C1		1-03 *							1				582
INT BUS 07	L	B15C1		1-04 *							2				582
INT BUS 07	L	B16C1		1-05 *											582
INT BUS 07				1									14-6/8		582
INT BUS 08	L	A16S1		1-01 *							1				583
INT BUS 08	L	A15S1		1-02 *							2				583
INT BUS 08	L	A14S1		1-03 *							1				583
INT BUS 08	L	A13T2		1-04 *							2				583
INT BUS 08	L	B07N2		1-05 *											583
INT BUS 08				1									14-2/8		583
INT BUS 09	L	A16N2		1-01 *							2				584
INT BUS 09	L	A15N2		1-02 *							1				584
INT BUS 09	L	A14N2		1-03 *							2				584
INT BUS 09	L	A13R2		1-04 *							1				584
INT BUS 09	L	B07C1		1-05 *											584
INT BUS 09				1									14-6/8		584
INT BUS 10	L	A16N1		1-01 *							2				585
INT BUS 10	L	A15N1		1-02 *							1				585
INT BUS 10	L	A14N1		1-03 *							2				585
INT BUS 10	L	A13M1		1-04 *							1				585
INT BUS 10	L	B07D2		1-05 *											585
INT BUS 10				1									14-2/8		585
INT BUS 11	L	A16K2		1-01 *							2				586
INT BUS 11	L	A15K2		1-02 *							1				586
INT BUS 11	L	A14K2		1-03 *							2				586
INT BUS 11	L	A13H1		1-04 *							1				586
INT BUS 11	L	B07A1		1-05 *											586
INT BUS 11				1									15-0/8		586

RK11C.E RUN NAME	A/P	HND288.V15(15) PIN NAME	01/28/72 ORDER PIN	BAY - ORDER	Q	DRAW	RV	PG	Y	X	Z	REMARKS	30-MAR-72 LENGTH	18125 EXCEPTIONS	PAGE 74 RUN NUMBER
INT BUS 12	L	A16K1		1-01 *							1				587
INT BUS 12	L	A15K1		1-02 *							2				587
INT BUS 12	L	A14K1		1-03 *							1				587
INT BUS 12	L	A13F2		1-04 *							2				587
INT BUS 12	L	B07M2		1-05 *											587
INT BUS 12				1									15-2/8		587
INT BUS 13	L	A16F2		1-01 *							2				588
INT BUS 13	L	A15F2		1-02 *							1				588
INT BUS 13	L	A14F2		1-03 *							2				588
INT BUS 13	L	A13E1		1-04 *							1				588
INT BUS 13	L	B07H2		1-05 *											588
INT BUS 13				1									15-2/8		588
INT BUS 14	L	A16F1		1-01 *							2				589
INT BUS 14	L	A15F1		1-02 *							1				589
INT BUS 14	L	A14F1		1-03 *							2				589
INT BUS 14	L	A13L2		1-04 *							1				589
INT BUS 14	L	B07M1		1-05 *											589
INT BUS 14				1									15-4/8		589
INT BUS 15	L	A16C1		1-01 *							1				590
INT BUS 15	L	A15C1		1-02 *							2				590
INT BUS 15	L	A14C1		1-03 *							1				590
INT BUS 15	L	A13B1		1-04 *							2				590
INT BUS 15	L	B07J1		1-05 *											590
INT BUS 15				1									15-2/8		590
INT BUS SSYN	H	A08K1		1-01 *							1				591
INT BUS SSYN	H	A08K2		1-02 *							2				591
INT BUS SSYN	H	B06A1		1-03 *							1				591
INT BUS SSYN	H	C14F2		1-04 *											591
INT BUS SSYN				1									15-2/8		591
INT BUS SSYN	L	A06C1		1-01 *							1				592
INT BUS SSYN	L	A08L2		1-02 *											592
INT BUS SSYN				1									4-0/8		592
INT DONE	H	A06M2		1-01 *							1				593
INT DONE	H	C21M2		1-02 *											593
INT DONE				1									12-0/8		593
INT FUN 00 (1)	H	B30E2		1-01 *							2				594
INT FUN 00 (1)	H	A18L1		1-02 *							1			CABLE	594
INT FUN 00 (1)	H	D14V1		1-03 *										TERM HERE?	594
INT FUN 00 (1)				1									21-6/8		594



RK11C,E RUN NAME	A/P	HND288,V15(15) PIN NAME	01/28/72 ORDER PIN	BAY - ORDER	Q	DRAW	RV	PG	Y	X	Z	REMARKS	30-MAR-72 LENGTH	18:25 EXCEPTIONS	PAGE 79 RUN NUMBER
LOAD REG	H	C14J2		1-01 *							1				628
LOAD REG	H	C18H1		1-02 *							2				628
LOAD REG	H	C18M1		1-03 *							1				628
LOAD REG	H	C18R1		1-04 *							2				628
LOAD REG	H	D16B1		1-05 *							1				628
LOAD REG	H	D16Q1		1-06 *							2				628
LOAD REG	H	D16E2		1-07 *							1				628
LOAD REG	H	D16H1		1-08 *							2				628
LOAD REG	H	D16R2		1-09 *							1				628
LOAD REG	H	D16T2		1-10 *							2				628
LOAD REG	H	D25S2		1-11 *											628
LOAD REG				1									34-0/8		628
LOAD RKDB	H	A27P1		1-01 *							1				629
LOAD RKDB	H	C19B1		1-02 *							2				629
LOAD RKDB	H	C18B1		1-03 *							1				629
LOAD RKDB	H	D24E1		1-04 *							2				629
LOAD RKDB	H	C30J1		1-05 *											629
LOAD RKDB				1									23-6/8		629
LOAD RKDB	L	A27N1												1-PIN RUN	630
MAINT (0)	H	C10F2		1-01 *							1				631
MAINT (0)	H	C10M2		1-02 *							2				631
MAINT (0)	H	C10T2		1-03 *							1				631
MAINT (0)	H	C20N2		1-04 *							2				631
MAINT (0)	H	D22L2		1-05 *											631
MAINT (0)				1									18-6/8		631
MAINT (1)	H	A31D1		1-01 *	C						1			CABLE	632
MAINT (1)	H	A17P2		1-02 *							2				632
MAINT (1)	H	A14J1		1-03 *							1				632
MAINT (1)	H	C11F2		1-04 *							2				632
MAINT (1)	H	C10P1		1-05 *							1				632
MAINT (1)	H	C10J1		1-06 *							2				632
MAINT (1)	H	C11M2		1-07 *							1				632
MAINT (1)	H	C18S1		1-08 *							2				632
MAINT (1)	H	C20M2		1-09 *							1				632
MAINT (1)	H	D25T2		1-10 *										TERM HERE?	632
MAINT (1)				1									48-0/8		632
MAINT ADD ACK PLS	L	C11M1		1-01 *							1				633
MAINT ADD ACK PLS	L	C16F1		1-02 *											633
MAINT ADD ACK PLS				1									5-2/8		633

RK11C,E RUN NAME	A/P	HND288,V15(15) PIN NAME	01/28/72 ORDER PIN	BAY - ORDER	Q	DRAW	RV	PG	Y	X	Z	REMARKS	30-MAR-72 LENGTH	18:25 EXCEPTIONS	PAGE 80 RUN NUMBER
MAINT DRY (0)	H	C10S2		1-01 *							1				634
MAINT DRY (0)	H	D32F1		1-02 *											634
MAINT DRY (0)				1									14-0/8		634
MAINT DRY (1)	H	B16B1		1-01 *							1				635
MAINT DRY (1)	H	D32E1		1-02 *											635
MAINT DRY (1)				1									12-4/8		635
MAINT LOG ADD INT PLS	L	C11N1		1-01 *							1				636
MAINT LOG ADD INT PLS	L	C16C1		1-02 *											636
MAINT LOG ADD INT PLS				1									5-2/8		636
MAINT R/W/S RDY (0)	H	C10R2		1-01 *							1				637
MAINT R/W/S RDY (0)	H	D32J2		1-02 *											637
MAINT R/W/S RDY (0)				1									14-2/8		637
MAINT R/W/S RDY (1)	H	B16E1		1-01 *							1				638
MAINT R/W/S RDY (1)	H	D32H2		1-02 *											638
MAINT R/W/S RDY (1)				1									13-0/8		638
MAINT RD CLK	L	C15D2		1-01 *							1				639
MAINT RD CLK	L	C16K2		1-02 *											639
MAINT RD CLK				1									3-2/8		639
MAINT RD DATA	L	C15E2		1-01 *							1				640
MAINT RD DATA	L	C16K1		1-02 *											640
MAINT RD DATA				1									3-0/8		640
MAINT SEC CNTR 00 (0)	H	C10D2		1-01 *							1				641
MAINT SEC CNTR 00 (0)	H	D32V1		1-02 *											641
MAINT SEC CNTR 00 (0)				1									15-0/8		641
MAINT SEC CNTR 00 (1)	H	B16R1		1-01 *							1				642
MAINT SEC CNTR 00 (1)	H	D32V2		1-02 *											642
MAINT SEC CNTR 00 (1)				1									13-0/8		642
MAINT SEC CNTR 01 (0)	H	C10E2		1-01 *							1				643
MAINT SEC CNTR 01 (0)	H	D32U1		1-02 *											643
MAINT SEC CNTR 01 (0)				1									15-0/8		643
MAINT SEC CNTR 01 (1)	H	B16M2		1-01 *							1				644
MAINT SEC CNTR 01 (1)	H	D32S1		1-02 *											644
MAINT SEC CNTR 01 (1)				1									12-4/8		644
MAINT SEC CNTR 02 (0)	H	C10K2		1-01 *							1				645
MAINT SEC CNTR 02 (0)	H	D32R2		1-02 *											645
MAINT SEC CNTR 02 (0)				1									15-0/8		645

RK11C,E RUN NAME	A/P	HND288.V15(15) PIN NAME	01/28/72 ORDER PIN	BAY - ORDER	Q	DRAW	RV	PG	Y	X	Z	REMARKS	30-MAR-72 LENGTH	18125 EXCEPTIONS	PAGE 81 RUN NUMBER
MAINT SEC CNTR 02 (1)	H	B16M1		1-01 *							1				646
MAINT SEC CNTR 02 (1)	H	D32P2		1-02 *											646
MAINT SEC CNTR 02 (1)				1									13-0/8		646
MAINT SEC CNTR 03 (0)	H	C10L2		1-01 *							1				647
MAINT SEC CNTR 03 (0)	H	D32M1		1-02 *											647
MAINT SEC CNTR 03 (0)				1									14-2/8		647
MAINT SEC CNTR 03 (1)	H	B16J2		1-01 *							1				648
MAINT SEC CNTR 03 (1)	H	D32L1		1-02 *											648
MAINT SEC CNTR 03 (1)				1									12-4/8		648
MAINT SEC PLS	L	C16F2		1-01 *							1				649
MAINT SEC PLS	L	D26E2		1-02 *											649
MAINT SEC PLS				1									8-2/8		649
MASK 00	H	A26D1		1-01 *							1				650
MASK 00	H	B28D1		1-02 *							2				650
MASK 00	H	B27V2		1-03 *											650
MASK 00				1									9-6/8		650
MASK 01	H	A26F1		1-01 *							1				651
MASK 01	H	B28H2		1-02 *							2				651
MASK 01	H	B27S2		1-03 *											651
MASK 01				1									9-2/8		651
MASK 02	H	A26J1		1-01 *							1				652
MASK 02	H	B28K1		1-02 *							2				652
MASK 02	H	B27S1		1-03 *											652
MASK 02				1									8-6/8		652
MASK 03	H	A26K2		1-01 *							1				653
MASK 03	H	B27N2		1-02 *							2				653
MASK 03	H	B28N2		1-03 *											653
MASK 03				1									8-4/8		653
MASK 04	H	A24D1		1-01 *							2				654
MASK 04	H	A26P2		1-02 *							1				654
MASK 04	H	D19N2		1-03 *											654
MASK 04				1									15-6/8		654
MASK 05	H	A24H2		1-01 *							2				655
MASK 05	H	A26P1		1-02 *							1				655
MASK 05	H	D19S1		1-03 *											655
MASK 05				1									15-4/8		655

RK11C,E RUN NAME	A/P	HND288.V15(15) PIN NAME	01/28/72 ORDER PIN	BAY - ORDER	Q	DRAW	RV	PG	Y	X	Z	REMARKS	30-MAR-72 LENGTH	18125 EXCEPTIONS	PAGE 82 RUN NUMBER
MASK 06	H	A26S2		1-01 *							2				656
MASK 06	H	A24K1		1-02 *							1				656
MASK 06	H	D19S2		1-03 *											656
MASK 06				1									16-0/8		656
MASK 07	H	A26S1		1-01 *							2				657
MASK 07	H	A24N2		1-02 *							1				657
MASK 07	H	D19V2		1-03 *											657
MASK 07				1									15-4/8		657
MOVE HEADS (0)	H	C11A1		1-01 *							2				658
MOVE HEADS (0)	H	C09F2		1-02 *							1				658
MOVE HEADS (0)	H	C09C1		1-03 *							2				658
MOVE HEADS (0)	H	C09J1		1-04 *							1				658
MOVE HEADS (0)	H	C09P1		1-05 *							2				658
MOVE HEADS (0)	H	C22R2		1-06 *							1				658
MOVE HEADS (0)	H	D23N1		1-07 *											658
MOVE HEADS (0)				1									26-4/8		658
MOVE HEADS (1)	H	B30S2		1-01 *					R1		1				659
MOVE HEADS (1)	H	C22S2		1-02 *					R1		2				659
MOVE HEADS (1)	H	C21H1		1-03 *					R2						659
MOVE HEADS (1)				1									11-2/8		659
NEW FUNCTION	H	A26V1		1-01 *							2				660
NEW FUNCTION	H	A29M2		1-02 *							1				660
NEW FUNCTION	H	D30J2		1-03 *							2				660
NEW FUNCTION	H	D27U2		1-04 *							1				660
NEW FUNCTION	H	D24A1		1-05 *							2				660
NEW FUNCTION	H	D21D2		1-06 *							1				660
NEW FUNCTION	H	C15P1		1-07 *											660
NEW FUNCTION				1									34-2/8		660
NEW FUNCTION	L	C27A1		1-01 *							2				661
NEW FUNCTION	L	C26U2		1-02 *							1				661
NEW FUNCTION	L	C15N1		1-03 *											661
NEW FUNCTION				1									12-6/8		661
NEW SECTOR	L	D10M1		1-01 *					R1		1				662
NEW SECTOR	L	D10L1		1-02 *					R1		2				662
NEW SECTOR	L	D18N1		1-03 *					R1		1				662
NEW SECTOR	L	D25L2		1-04 *					R1						662
NEW SECTOR				1									15-2/8		662

RK11C,E RUN NAME	A/P	HND288.V15(15) PIN NAME	01/28/72 ORDER PIN	BAY - ORDER	Q	DRAW RV PG Y	X	Z	REMARKS	30-MAR-72 LENGTH	18125 EXCEPTIONS	PAGE 83 RUN NUMBER
NO HE	L	A30B2		1-01 *				1				663
NO HE	L	C24U1		1-02 *				2			CABLE	663
NO HE	L	D24R2		1-03 *							TERM HERE?	663
NO HE				1						16-0/8		663
NO POLE	L	B26V1		1-01 *				2			TERM HERE?	664
NO POLE	L	B26H2		1-02 *				1				664
NO POLE	L	B30B2		1-03 *							CABLE	664
NO POLE				1						8-4/8		664
NORMAL	L	A08E2		1-01 *				1	R1			665
NORMAL	L	C14P2		1-02 *				2	R1			665
NORMAL	L	A24T2		1-03 *					R1			665
NORMAL				1						19-2/8		665
NPR (0)	H	C22V2									1-PIN RUN	666
NPR (1)	H	A30D1		1-01 *				1	R1			667
NPR (1)	H	C28C1		1-02 *				2	R1			667
NPR (1)	H	C22U2		1-03 *				1	R1			667
NPR (1)	H	C18A1		1-04 *				2	R1			667
NPR (1)	H	A06U1		1-05 *				1	R1			667
NPR (1)	H	A06V1		1-06 *					I			667
NPR (1)				1						31-4/8		667
NPR GATE RKOB TO BUS D	H	B06E2		1-01 *				1				668
NPR GATE RKOB TO BUS D	H	D19D1		1-02 *								668
NPR GATE RKOB TO BUS D				1						10-6/8		668
NPR GATE RKOB TO BUS D	L	B06F2									1-PIN RUN	669
NXC (0)	H	D23R1									1-PIN RUN	670
NXC (1)	H	B16D1		1-01 *				1			TERM HERE?	671
NXC (1)	H	B32N1		1-02 *				2	C		CABLE	671
NXC (1)	H	C32M2		1-03 *				1				671
NXC (1)	H	D23V1		1-04 *							TERM HERE?	671
NXC (1)				1						24-0/8		671
NXD (0)	H	D23M2									1-PIN RUN	672
NXD (1)	H	B16A1		1-01 *				1			TERM HERE?	673
NXD (1)	H	B32M1		1-02 *				2	C		CABLE	673
NXD (1)	H	C32L2		1-03 *				1				673
NXD (1)	H	D23P2		1-04 *							TERM HERE?	673
NXD (1)				1						24-2/8		673

RK11C,E RUN NAME	A/P	HND288.V15(15) PIN NAME	01/28/72 ORDER PIN	BAY - ORDER	Q	DRAW RV PG Y	X	Z	REMARKS	30-MAR-72 LENGTH	18125 EXCEPTIONS	PAGE 84 RUN NUMBER
NXM (0)	H	B06K1		1-01 *				1				674
NXM (0)	H	B26L2		1-02 *								674
NXM (0)				1						12-6/8		674
NXM (1)	H	B06L1		1-01 *				2			TERM HERE?	675
NXM (1)	H	A16L1		1-02 *				1				675
NXM (1)	H	B32J1		1-03 *					C		CABLE	675
NXM (1)				1						20-0/8		675
NXS (1)	H	B16D2		1-01 *				1			TERM HERE?	676
NXS (1)	H	A29S2		1-02 *				2				676
NXS (1)	H	B32P1		1-03 *				1	C		CABLE	676
NXS (1)	H	C32N2		1-04 *							TERM HERE?	676
NXS (1)				1						19-6/8		676
OUT HI	H	A05M2		1-01 *				1				677
OUT HI	H	B25A1		1-02 *								677
OUT HI				1						12-6/8		677
OUT LO	H	A05N1		1-01 *				1				678
OUT LO	H	B25D1		1-02 *								678
OUT LO				1						13-0/8		678
OVR (0)	H	B26H1		1-01 *				1				679
OVR (0)	H	D23J2		1-02 *								679
OVR (0)				1						8-2/8		679
OVR (1)	H	A16D1		1-01 *				1				680
OVR (1)	H	B32D1		1-02 *				2				680
OVR (1)	H	D23H2		1-03 *								680
OVR (1)				1						21-2/8		680
PGE (0)	H	B26K2		1-01 *				1				681
PGE (0)	H	C28M1		1-02 *								681
PGE (0)				1						5-4/8		681
PGE (1)	H	A16H2		1-01 *				1			TERM HERE?	682
PGE (1)	H	C28L1		1-02 *				2				682
PGE (1)	H	B32H1		1-03 *					C		CABLE	682
PGE (1)				1						16-4/8		682

PK110.E RUN NAME	A/P	HND288.V15(15) PIN NAME	01/28/72 ORDER PIN	BAY - ORDER	Q	DRAW	RV	PG	Y	X	Z	REMARKS	30-MAR-72 LENGTH	18125 EXCEPTIONS	PAGE 85 RUN NUMBER
POLE	H	B30R2		1-01 *							2				683
POLE	H	A31U2		1-02 *	C						1			CABLE	683
POLE	H	A26H2		1-03 *							2				683
POLE	H	A24M1		1-04 *							1				683
POLE	H	C19F1		1-05 *							2				683
POLE	H	C19M1		1-06 *							1				683
POLE	H	C14U2		1-07 *							2				683
POLE	H	D11L1		1-08 *										TERM HERE?	683
POLE				1									35-2/8		683
POLE	L	A26E2		1-01 *							2				684
POLE	L	A24P1		1-02 *							1				684
POLE	L	B27A1		1-03 *							2				684
POLE	L	B27E1		1-04 *							1				684
POLE	L	B26J2		1-05 *							2				684
POLE	L	D27E2		1-06 *							1				684
POLE	L	C19P1		1-07 *							2				684
POLE	L	C19J1		1-08 *											684
POLE				1									31-6/8		684
POLE DONE	C	B27H2		1-01 *							1				685
POLE DONE	C	B27K1		1-02 *							2				685
POLE DONE	C	B26E2		1-03 *											685
POLE DONE				1									5-6/8		685
POLE INT DONE	H	A25B1		1-01 *							1				686
POLE INT DONE	H	A25D2		1-02 *							2				686
POLE INT DONE	H	A29R1		1-03 *							1				686
POLE INT DONE	H	B27D2		1-04 *							2				686
POLE INT DONE	H	B27K2		1-05 *							1				686
POLE INT DONE	H	C26D1		1-06 *							2				686
POLE INT DONE	H	C25L1		1-07 *											686
POLE INT DONE				1									22-4/8		686
POSTAMBLE (0)	H	C17V1		1-01 *							1				687
POSTAMBLE (0)	H	D19L1		1-02 *							2				687
POSTAMBLE (0)	H	D18R2		1-03 *							1				687
POSTAMBLE (0)	H	D30U2		1-04 *											687
POSTAMBLE (0)				1									16-0/8		687
POSTAMBLE (1)	H	B32E2		1-01 *	C						2			CABLE	688
POSTAMBLE (1)	H	A30N2		1-02 *	C						1			CABLE	688
POSTAMBLE (1)	H	C17V2		1-03 *							2				688
POSTAMBLE (1)	H	D18K2		1-04 *										TERM HERE?	688
POSTAMBLE (1)				1									20-0/8		688

PK110.E RUN NAME	A/P	HND288.V15(15) PIN NAME	01/28/72 ORDER PIN	BAY - ORDER	Q	DRAW	RV	PG	Y	X	Z	REMARKS	30-MAR-72 LENGTH	18125 EXCEPTIONS	PAGE 86 RUN NUMBER
PREAMBLE (0)	H	C17J2		1-01 *							1				689
PREAMBLE (0)	H	D18P2		1-02 *											689
PREAMBLE (0)				1									6-0/8		689
PREAMBLE (1)	H	A30J1		1-01 *	C						2			CABLE	690
PREAMBLE (1)	H	B32A2		1-02 *	C						1			CABLE	690
PREAMBLE (1)	H	D29F2		1-03 *							2				690
PREAMBLE (1)	H	D24D2		1-04 *							1				690
PREAMBLE (1)	H	D24F1		1-05 *							2				690
PREAMBLE (1)	H	C17H2		1-06 *							1				690
PREAMBLE (1)	H	C17J1		1-07 *										TERM HERE?	690
PREAMBLE (1)				1									30-4/8		690
PROTECT SECTOR	L	D11N1		1-01 *							I				691
PROTECT SECTOR	L	D24P2		1-02 *							I				691
PROTECT SECTOR	L	D27M2		1-03 *							I				691
PROTECT SECTOR	L	C31K1		1-04 *							I				691
PROTECT SECTOR				1									19-0/8		691
R/W A (0)	H	C31H1		1-01 *							R1				692
R/W A (0)	H	C26E2		1-02 *							R1				692
R/W A (0)	H	C21D2		1-03 *							R1				692
R/W A (0)	H	C20P1		1-04 *							R1				692
R/W A (0)	H	D22K1		1-05 *							R1				692
R/W A (0)	H	D22N2		1-06 *							R1				692
R/W A (0)	H	D25H1		1-07 *							R1				692
R/W A (0)	H	D25N1		1-08 *							R1				692
R/W A (0)	H	D24V2		1-09 *							I				692
R/W A (0)				1									31-2/8		692
R/W A (1)	H	A31H1		1-01 *	C						1			CABLE	693
R/W A (1)	H	A17N2		1-02 *							2				693
R/W A (1)	H	A14M2		1-03 *							1				693
R/W A (1)	H	C14H2		1-04 *							2				693
R/W A (1)	H	C18J2		1-05 *							1				693
R/W A (1)	H	C20N1		1-06 *							2				693
R/W A (1)	H	D19J2		1-07 *							1				693
R/W A (1)	H	D18T2		1-08 *							2				693
R/W A (1)	H	C27D1		1-09 *							1				693
R/W A (1)	H	D30A1		1-10 *										TERM HERE?	693
R/W A (1)				1									50-6/8		693
R/W GATE	H	C30C1		1-01 *							I				694
R/W GATE	H	C31D2		1-02 *							I				694
R/W GATE	H	D30B1		1-03 *							I				694
R/W GATE				1									8-4/8		694

RK11C.E RUN NAME	A/P	HND288, V15(15) PIN NAME	01/28/72 ORDER PIN	BAY - ORDER	Q	DRAW	RV	PG	Y	X	Z	REMARKS	30-MAR-72 LENGTH	18125 EXCEPTIONS	PAGE 87 RUN NUMBER
R/W/S RDY	H	A32N2		1-01 *							2				695
R/W/S RDY	H	B30N2		1-02 *							1			CABLE	695
R/W/S RDY	H	C27P1		1-03 *							2			CABLE	695
R/W/S RDY	H	D30M2		1-04 *							1				695
R/W/S RDY	H	D17E2		1-05 *							2				695
R/W/S RDY	H	B08M1		1-06 *							1				695
R/W/S RDY	H	B14D1		1-07 *							1			TERM HERE?	695
R/W/S RDY				1									40-6/8		695
R/W/S RDY	L	C14T2		1-01 *							2				696
R/W/S RDY	L	D17H2		1-02 *							1				696
R/W/S RDY	L	G21J1		1-03 *											696
R/W/S RDY				1									10-2/8		696
RD + WT	L	C27F2		1-01 *							1				697
RD + WT	L	C28J1		1-02 *							2				697
RD + WT	L	C14L2		1-03 *											697
RD + WT				1									12-0/8		697
RD CHK	H	C32B1		1-01 *							2				698
RD CHK	H	C29B1		1-02 *							1				698
RD CHK	H	D14M2		1-03 *											698
RD CHK				1									15-0/8		698
RD CHK	L	D14M1		1-01 *							1				699
RD CHK	L	D18C1		1-02 *											699
RD CHK				1									4-6/8		699
RD GATE (0)	H	C30B1		1-01 *							1				700
RD GATE (0)	H	D31N1		1-02 *							2				700
RD GATE (0)	H	D21P1		1-03 *							1				700
RD GATE (0)	H	C11F1		1-04 *											700
RD GATE (0)				1									22-6/8		700
RD GATE (1)	H	B30K2		1-01 *					R1		2			CABLE	701
RD GATE (1)	H	B31V1		1-02 *					R1		1			CABLE	701
RD GATE (1)	H	D31M1		1-03 *					R1		2				701
RD GATE (1)	H	D27P1		1-04 *					R1		1				701
RD GATE (1)	H	D24E2		1-05 *					R1					TERM HERE?	701
RD GATE (1)				1									19-0/8		701
RD GATE EN	H	B28N1		1-01 *							1				702
RD GATE EN	H	C19D2		1-02 *							2				702
RD GATE EN	H	D18D1		1-03 *							1				702
RD GATE EN	H	D20S2		1-04 *											702
RD GATE EN				1									17-0/8		702

RK11C.E RUN NAME	A/P	HND288, V15(15) PIN NAME	01/28/72 ORDER PIN	BAY - ORDER	Q	DRAW	RV	PG	Y	X	Z	REMARKS	30-MAR-72 LENGTH	18125 EXCEPTIONS	PAGE 88 RUN NUMBER
RD HEADER (0)	H	D21T2		1-01 *							2				703
RD HEADER (0)	H	D23D1		1-02 *							1				703
RD HEADER (0)	H	D29K2		1-03 *							2				703
RD HEADER (0)	H	D29T2		1-04 *											703
RD HEADER (0)				1									13-2/8		703
RD HEADER (1)	H	A30P2		1-01 *							1			CABLE	704
RD HEADER (1)	H	B32B1		1-02 *							2				704
RD HEADER (1)	H	C32C1		1-03 *							1				704
RD HEADER (1)	H	C32J1		1-04 *							2				704
RD HEADER (1)	H	B28R1		1-05 *							1				704
RD HEADER (1)	H	B28P1		1-06 *							2				704
RD HEADER (1)	H	C21R2		1-07 *							1				704
RD HEADER (1)	H	D23K1		1-08 *										TERM HERE?	704
RD HEADER (1)				1									30-6/8		704
RDY INT (0)	H	C22K2		1-01 *							1				705
RDY INT (0)	H	C22D1		1-02 *											705
RDY INT (0)				1									3-0/8		705
RDY INT (1)	H	C22J2												1-PIN RUN	706
READ	H	B06J2		1-01 *					R1		2				707
READ	H	D14J2		1-02 *					R1		1				707
READ	H	C27D2		1-03 *					R1		2				707
READ	H	C32A1		1-04 *					R1		1				707
READ	H	A26M1		1-05 *					I						707
READ				1									31-6/8		707
READ	L	C18C1		1-01 *					R1		2				708
READ	L	D18A1		1-02 *					R1		1				708
READ	L	D14J1		1-03 *					R1						708
READ				1									9-2/8		708
RK BUS MASTER	H	A32A1		1-01 *							2			CABLE	709
RK BUS MASTER	H	A30N1		1-02 *							1			CABLE	709
RK BUS MASTER	H	C16V2		1-03 *										TERM HERE?	709
RK BUS MASTER				1									15-4/8		709
RK INT MASTER	L	A06P2		1-01 *							2				710
RK INT MASTER	L	A06R2		1-02 *							1				710
RK INT MASTER	L	A06S2		1-03 *							2				710
RK INT MASTER	L	C16T2		1-04 *							1				710
RK INT MASTER	L	B27J2		1-05 *											710
RK INT MASTER				1									24-0/8		710

RK11G,E RUN NAME	A/P	HND288.V15(15) PIN NAME	01/28/72 ORDER PIN	BAY - ORDER	Q	DRAM	RV	PG	Y	X	Z	REMARKS	30-MAR-72 LENGTH	18125 EXCEPTIONS	PAGE 89 RUN NUMBER
RK NPR MASTER	L	A06N1		1-01 *							2				711
RK NPR MASTER	L	B06H2		1-02 *							1				711
RK NPR MASTER	L	C16U2		1-03 *											711
RK NPR MASTER				1									13-4/8		711
RKBA EG ALL 1	L	A17C1		1-01 *							1				712
RKBA EG ALL 1	L	B07P2		1-02 *											712
RKBA EG ALL 1				1									8-6/8		712
RKDA 00 (1)	H	A31T2		1-01 *	C						1			CABLE	713
RKDA 00 (1)	H	D27A1		1-02 *							2				713
RKDA 00 (1)	H	D17N2		1-03 *							1				713
RKDA 00 (1)	H	B17V2		1-04 *							2				713
RKDA 00 (1)	H	B15R1		1-05 *										TERM HERE?	713
RKDA 00 (1)				1									27-4/8		713
RKDA 01 (1)	H	A31S2		1-01 *	C						1			CABLE	714
RKDA 01 (1)	H	D27D1		1-02 *							2				714
RKDA 01 (1)	H	D17R2		1-03 *							1				714
RKDA 01 (1)	H	B17V1		1-04 *							2				714
RKDA 01 (1)	H	B15M2		1-05 *										TERM HERE?	714
RKDA 01 (1)				1									28-4/8		714
RKDA 02 (1)	H	A31R2		1-01 *	C						1			CABLE	715
RKDA 02 (1)	H	D27L1		1-02 *							2				715
RKDA 02 (1)	H	D22F1		1-03 *							1				715
RKDA 02 (1)	H	D17C1		1-04 *							2				715
RKDA 02 (1)	H	B17R2		1-05 *							1				715
RKDA 02 (1)	H	B15M1		1-06 *										TERM HERE?	715
RKDA 02 (1)				1									31-4/8		715
RKDA 03 (1)	H	A31P2		1-01 *	C						1			CABLE	716
RKDA 03 (1)	H	C26P1		1-02 *							2				716
RKDA 03 (1)	H	D22H1		1-03 *							1				716
RKDA 03 (1)	H	D17H1		1-04 *							2				716
RKDA 03 (1)	H	B17P2		1-05 *							1				716
RKDA 03 (1)	H	B15J2		1-06 *										TERM HERE?	716
RKDA 03 (1)				1									29-2/8		716
RKDA 04 (1)	H	A31N2		1-01 *	C						1			CABLE	717
RKDA 04 (1)	H	D25A1		1-02 *							2				717
RKDA 04 (1)	H	D22F2		1-03 *							1				717
RKDA 04 (1)	H	B17L2		1-04 *							2				717
RKDA 04 (1)	H	B15J1		1-05 *							1				717
RKDA 04 (1)	H	C09L2		1-06 *										TERM HERE?	717
RKDA 04 (1)				1									32-4/8		717

RK11C,E RUN NAME	A/P	HND288.V15(15) PIN NAME	01/28/72 ORDER PIN	BAY - ORDER	Q	DRAM	RV	PG	Y	X	Z	REMARKS	30-MAR-72 LENGTH	18125 EXCEPTIONS	PAGE 90 RUN NUMBER
RKDA 05 (0)	H	C09A1		1-01 *							1				718
RKDA 05 (0)	H	C20M1		1-02 *							2				718
RKDA 05 (0)	H	D15U2		1-03 *											718
RKDA 05 (0)				1									15-2/8		718
RKDA 05 (1)	H	A31M2		1-01 *	C						1			CABLE	719
RKDA 05 (1)	H	B23E2		1-02 *							2				719
RKDA 05 (1)	H	A19H2		1-03 *							1				719
RKDA 05 (1)	H	B15E2		1-04 *							2				719
RKDA 05 (1)	H	B17L1		1-05 *							1				719
RKDA 05 (1)	H	C20L1		1-06 *										TERM HERE?	719
RKDA 05 (1)				1									27-6/8		719
RKDA 06 (0)	H	C09B1		1-01 *							1				720
RKDA 06 (0)	H	C20J2		1-02 *											720
RKDA 06 (0)				1									8-4/8		720
RKDA 06 (1)	H	A31L2		1-01 *	C						1			CABLE	721
RKDA 06 (1)	H	B23E1		1-02 *							2				721
RKDA 06 (1)	H	B15E1		1-03 *							1				721
RKDA 06 (1)	H	B17H2		1-04 *							2				721
RKDA 06 (1)	H	B18T2		1-05 *							1				721
RKDA 06 (1)	H	C20H2		1-06 *							2				721
RKDA 06 (1)	H	D15T2		1-07 *										TERM HERE?	721
RKDA 06 (1)				1									32-6/8		721
RKDA 07 (0)	H	C09F1		1-01 *							2				722
RKDA 07 (0)	H	C20K1		1-02 *							1				722
RKDA 07 (0)	H	D15S2		1-03 *											722
RKDA 07 (0)				1									14-6/8		722
RKDA 07 (1)	H	A31K2		1-01 *	C						1			CABLE	723
RKDA 07 (1)	H	B23B1		1-02 *							2				723
RKDA 07 (1)	H	B17F2		1-03 *							1				723
RKDA 07 (1)	H	B15B1		1-04 *							2				723
RKDA 07 (1)	H	B18S2		1-05 *							1				723
RKDA 07 (1)	H	C20J1		1-06 *										TERM HERE?	723
RKDA 07 (1)				1									25-2/8		723
RKDA 08 (0)	H	C09H1		1-01 *							1				724
RKDA 08 (0)	H	C20F2		1-02 *											724
RKDA 08 (0)				1									8-2/8		724

RK11C.E RUN NAME	A/P	HND288.V15(15) PIN NAME	01/28/72 ORDER PIN	BAY - ORDER	Q	DRAW	RV	PG	Y	X	Z	REMARKS	30-MAR-72 LENGTH	18125 EXCEPTIONS	PAGE 91 RUN NUMBER
RKDA 08 (1)	H	A31J2		1-01 *	C						2			CABLE	725
RKDA 08 (1)	H	A23R1		1-02 *							1				725
RKDA 08 (1)	H	A18S2		1-03 *							2				725
RKDA 08 (1)	H	A15R1		1-04 *							1				725
RKDA 08 (1)	H	B18L1		1-05 *							2				725
RKDA 08 (1)	H	C20E2		1-06 *							1				725
RKDA 08 (1)	H	D15R2		1-07 *							1			TERM HERE?	725
RKDA 08 (1)				1									33-0/8		725
RKDA 09 (0)	H	C09M1		1-01 *							2				726
RKDA 09 (0)	H	D15R1		1-02 *							1				726
RKDA 09 (0)	H	C20H1		1-03 *							1				726
RKDA 09 (0)				1									13-6/8		726
RKDA 09 (1)	H	A31H2		1-01 *	C						2			CABLE	727
RKDA 09 (1)	H	A23M2		1-02 *							1				727
RKDA 09 (1)	H	A15M2		1-03 *							2				727
RKDA 09 (1)	H	A18M2		1-04 *							1				727
RKDA 09 (1)	H	B18L2		1-05 *							2				727
RKDA 09 (1)	H	C20F1		1-06 *							1			TERM HERE?	727
RKDA 09 (1)				1									26-2/8		727
RKDA 10 (0)	H	C09N1		1-01 *							2				728
RKDA 10 (0)	H	D15P1		1-02 *							1				728
RKDA 10 (0)	H	C20E1		1-03 *							1				728
RKDA 10 (0)				1									13-6/8		728
RKDA 10 (1)	H	A31F2		1-01 *	C						1			CABLE	729
RKDA 10 (1)	H	A23M1		1-02 *							2				729
RKDA 10 (1)	H	A15M1		1-03 *							1				729
RKDA 10 (1)	H	A18T2		1-04 *							2				729
RKDA 10 (1)	H	B18F2		1-05 *							1				729
RKDA 10 (1)	H	C20D1		1-06 *							1			TERM HERE?	729
RKDA 10 (1)				1									26-4/8		729
RKDA 11 (0)	H	A18C1		1-01 *							1				730
RKDA 11 (0)	H	C20D2		1-02 *							2				730
RKDA 11 (0)	H	C09D2		1-03 *							1				730
RKDA 11 (0)				1									16-0/8		730

RK11C.E RUN NAME	A/P	HND288.V15(15) PIN NAME	01/28/72 ORDER PIN	BAY - ORDER	Q	DRAW	RV	PG	Y	X	Z	REMARKS	30-MAR-72 LENGTH	18125 EXCEPTIONS	PAGE 92 RUN NUMBER
RKDA 11 (1)	H	A31E2		1-01 *	C						2			CABLE	731
RKDA 11 (1)	H	A23J2		1-02 *							1				731
RKDA 11 (1)	H	A15J2		1-03 *							2				731
RKDA 11 (1)	H	A18L2		1-04 *							1				731
RKDA 11 (1)	H	B18H2		1-05 *							2				731
RKDA 11 (1)	H	C20C1		1-06 *							1				731
RKDA 11 (1)	H	D15N1		1-07 *							1			TERM HERE?	731
RKDA 11 (1)				1									33-4/8		731
RKDA 12 (0)	H	C09E2		1-01 *							1				732
RKDA 12 (0)	H	C20B1		1-02 *							1				732
RKDA 12 (0)				1									8-0/8		732
RKDA 12 (1)	H	A31D2		1-01 *	C						2			CABLE	733
RKDA 12 (1)	H	A23J1		1-02 *							1				733
RKDA 12 (1)	H	A15J1		1-03 *							2				733
RKDA 12 (1)	H	A18U2		1-04 *							1				733
RKDA 12 (1)	H	B19T2		1-05 *							2				733
RKDA 12 (1)	H	C20A1		1-06 *							1				733
RKDA 12 (1)	H	D15M1		1-07 *							1			TERM HERE?	733
RKDA 12 (1)				1									33-2/8		733
RKDA 13 (1)	H	A31C2		1-01 *	C						1			CABLE	734
RKDA 13 (1)	H	A15E2		1-02 *							2				734
RKDA 13 (1)	H	A18E2		1-03 *							1				734
RKDA 13 (1)	H	C19R1		1-04 *							1			TERM HERE?	734
RKDA 13 (1)				1									23-2/8		734
RKDA 14 (1)	H	A31B2		1-01 *	C						1			CABLE	735
RKDA 14 (1)	H	A15E1		1-02 *							2				735
RKDA 14 (1)	H	A18V2		1-03 *							1				735
RKDA 14 (1)	H	C19K1		1-04 *							1			TERM HERE?	735
RKDA 14 (1)				1									22-4/8		735
RKDA 15 (1)	H	A15B1		1-01 *							1			TERM HERE?	736
RKDA 15 (1)	H	A18D2		1-02 *							2				736
RKDA 15 (1)	H	A24R1		1-03 *							1				736
RKDA 15 (1)	H	A31A2		1-04 *	C						1			CABLE	736
RKDA 15 (1)				1									16-6/8		736
RKDA CRY	L	A18F1		1-01 *							1				737
RKDA CRY	L	B17E1		1-02 *							1				737
RKDA CRY				1									5-2/8		737

RK11C.E RUN NAME	A/P	HND288.V15(15) PIN NAME	ORDER PIN	01/28/72 BAY - ORDER	Q	DRAW	RV	PG	Y	X	Z	REMARKS	30-MAR-72 LENGTH	18125 EXCEPTIONS	PAGE 93 RUN NUMBER
RKDA TO ADD	H	A19R1		1-01 *							1				738
RKDA TO ADD	H	B19R1		1-02 *							2				738
RKDA TO ADD	H	B18R1		1-03 *							1				738
RKDA TO ADD	H	C23J2		1-04 *											738
RKDA TO ADD				1									14-4/8		738
RKDA TO RKDB SEQ	L	B26U2		1-01 *							2				739
RKDA TO RKDB SEQ	L	C29J1		1-02 *							1				739
RKDA TO RKDB SEQ	L	D24N1		1-03 *											739
RKDA TO RKDB SEQ				1									11-0/8		739
RKDB 00 (0)	H	A19P1		1-01 *							1				740
RKDB 00 (0)	H	B21U1		1-02 *											740
RKDB 00 (0)				1									6-0/8		740
RKDB 00 (1)	H	B15P1		1-01 *							2			TERM HERE?	741
RKDB 00 (1)	H	A19N1		1-02 *							1				741
RKDB 00 (1)	H	B20D1		1-03 *							2				741
RKDB 00 (1)	H	B21P1		1-04 *							1				741
RKDB 00 (1)	H	B31T1		1-05 * C										CABLE	741
RKDB 00 (1)				1									22-0/8		741
RKDB 01 (0)	H	A19P2		1-01 *							1				742
RKDB 01 (0)	H	B21R1		1-02 *											742
RKDB 01 (0)				1									5-4/8		742
RKDB 01 (1)	H	B15L2		1-01 *							2			TERM HERE?	743
RKDB 01 (1)	H	A19N2		1-02 *							1				743
RKDB 01 (1)	H	B20F1		1-03 *							2				743
RKDB 01 (1)	H	B21V1		1-04 *							1				743
RKDB 01 (1)	H	B31S1		1-05 * C										CABLE	743
RKDB 01 (1)				1									21-6/8		743
RKDB 02 (0)	H	A19J1		1-01 *							1				744
RKDB 02 (0)	H	B21M2		1-02 *											744
RKDB 02 (0)				1									6-0/8		744
RKDB 02 (1)	H	A19F1		1-01 *							1			TERM HERE?	745
RKDB 02 (1)	H	B15L1		1-02 *							2				745
RKDB 02 (1)	H	B20J1		1-03 *							1				745
RKDB 02 (1)	H	B21P2		1-04 *							2				745
RKDB 02 (1)	H	B31R1		1-05 * C										CABLE	745
RKDB 02 (1)				1									22-0/8		745
RKDB 03 (0)	H	A19K2		1-01 *							1				746
RKDB 03 (0)	H	B21S2		1-02 *											746
RKDB 03 (0)				1									6-2/8		746

RK11C.E RUN NAME	A/P	HND288.V15(15) PIN NAME	ORDER PIN	01/28/72 BAY - ORDER	Q	DRAW	RV	PG	Y	X	Z	REMARKS	30-MAR-72 LENGTH	18125 EXCEPTIONS	PAGE 94 RUN NUMBER
RKDB 03 (1)	H	A19J2		1-01 *							2			TERM HERE?	747
RKDB 03 (1)	H	B15H2		1-02 *							1				747
RKDB 03 (1)	H	B20L1		1-03 *							2				747
RKDB 03 (1)	H	B21R2		1-04 *							1				747
RKDB 03 (1)	H	B31P1		1-05 * C										CABLE	747
RKDB 03 (1)				1									21-2/8		747
RKDB 04 (0)	H	A19C1		1-01 *							1				748
RKDB 04 (0)	H	B21D1		1-02 *											748
RKDB 04 (0)				1									5-6/8		748
RKDB 04 (1)	H	A19D2		1-01 *							1			TERM HERE?	749
RKDB 04 (1)	H	B15H1		1-02 *							2				749
RKDB 04 (1)	H	B21K1		1-03 *							1				749
RKDB 04 (1)	H	B20N1		1-04 *							2				749
RKDB 04 (1)	H	B31N1		1-05 * C										CABLE	749
RKDB 04 (1)				1									22-6/8		749
RKDB 05 (0)	H	A19B2		1-01 *							1				750
RKDB 05 (0)	H	B21H1		1-02 *											750
RKDB 05 (0)				1									6-0/8		750
RKDB 05 (1)	H	A19A1		1-01 *							2			TERM HERE?	751
RKDB 05 (1)	H	B15D2		1-02 *							1				751
RKDB 05 (1)	H	B21C1		1-03 *							2				751
RKDB 05 (1)	H	B20R1		1-04 *							1				751
RKDB 05 (1)	H	B31M1		1-05 * C										CABLE	751
RKDB 05 (1)				1									23-2/8		751
RKDB 06 (0)	H	B18P1		1-01 *							1				752
RKDB 06 (0)	H	B21J2		1-02 *											752
RKDB 06 (0)				1									4-4/8		752
RKDB 06 (1)	H	B15D1		1-01 *							2			TERM HERE?	753
RKDB 06 (1)	H	B18N1		1-02 *							1				753
RKDB 06 (1)	H	B20S1		1-03 *							2				753
RKDB 06 (1)	H	B21H2		1-04 *							1				753
RKDB 06 (1)	H	B31L1		1-05 * C										CABLE	753
RKDB 06 (1)				1									19-0/8		753
RKDB 07 (0)	H	B18P2		1-01 *							1				754
RKDB 07 (0)	H	B21L1		1-02 *											754
RKDB 07 (0)				1									4-0/8		754





RKDB 15 (1)	H	A15A1	1-01 *						2				TERM HERE?	771
RKDB 15 (1)	H	A21F2	1-02 *						1					771
RKDB 15 (1)	H	A20V1	1-03 *						2					771
RKDB 15 (1)	H	B19J2	1-04 *						1					771
RKDB 15 (1)	H	B31A1	1-05 *	C									CABLE	771
RKDB 15 (1)			1								22-4/8			771
RKDB TO ADD	H	A19H1	1-01 *						1					772
RKDB TO ADD	H	A19U1	1-02 *						2					772
RKDB TO ADD	H	B18H1	1-03 *						1					772
RKDB TO ADD	H	B19H1	1-04 *						2					772
RKDB TO ADD	H	C23E1	1-05 *						1					772
RKDB TO ADD	H	C23E2	1-06 *						1					772
RKDB TO ADD			1								19-0/8			772
RKDB TO ADD	L	A19R2	1-01 *						1					773
RKDB TO ADD	L	B19R2	1-02 *						2					773
RKDB TO ADD	L	B18R2	1-03 *						1					773
RKDB TO ADD	L	C23F2	1-04 *						1					773
RKDB TO ADD			1								14-2/8			773
RKDB TO BUS	L	A15U2	1-01 *						2					774
RKDB TO BUS	L	B15U2	1-02 *						1					774
RKDB TO BUS	L	D19F1	1-03 *											774
RKDB TO BUS			1								12-0/8			774
RKDB TO DSB	H	C30D2	1-01 *						1					775
RKDB TO DSB	H	D20S1	1-02 *											775
RKDB TO DSB			1								9-4/8			775
RKDB TO DSB	L	C30S1	1-01 *						1					776
RKDB TO DSB	L	B26R1	1-02 *						2					776
RKDB TO DSB	L	A20U2	1-03 *						1					776
RKDB TO DSB	L	B20U2	1-04 *						2					776
RKDB TO DSB	L	C14F1	1-05 *						1					776
RKDB TO DSB	L	D20R1	1-06 *											776
RKDB TO DSB			1								30-2/8			776
RKDS 00 (1)	H	A32V2	1-01 *	C					2				CABLE	777
RKDS 00 (1)	H	B30L2	1-02 *	C					1				CABLE	777
RKDS 00 (1)	H	D27B1	1-03 *						2					777
RKDS 00 (1)	H	D17P1	1-04 *						1					777
RKDS 00 (1)	H	B14P1	1-05 *						2					777
RKDS 00 (1)	H	B08B1	1-06 *										TERM HERE?	777
RKDS 00 (1)			1								33-6/8			777

RKDS 01 (1)	H	A32U2	1-01 *	C					2				CABLE	778
RKDS 01 (1)	H	B30J2	1-02 *						1					778
RKDS 01 (1)	H	D27E1	1-03 *						2					778
RKDS 01 (1)	H	D17S1	1-04 *						1					778
RKDS 01 (1)	H	B14L2	1-05 *						2					778
RKDS 01 (1)	H	B08E1	1-06 *										TERM HERE?	778
RKDS 01 (1)			1								35-0/8			778
RKDS 02 (1)	H	A32T2	1-01 *	C					2				CABLE	779
RKDS 02 (1)	H	B30E1	1-02 *	C					1				CABLE	779
RKDS 02 (1)	H	D27M1	1-03 *						2					779
RKDS 02 (1)	H	D17F1	1-04 *						1					779
RKDS 02 (1)	H	B14L1	1-05 *						2					779
RKDS 02 (1)	H	B08H1	1-06 *										TERM HERE?	779
RKDS 02 (1)			1								34-2/8			779
RKDS 03 (1)	H	A32S2	1-01 *	C					2				CABLE	780
RKDS 03 (1)	H	B30M1	1-02 *	C					1				CABLE	780
RKDS 03 (1)	H	C26R1	1-03 *						2					780
RKDS 03 (1)	H	D17K2	1-04 *						1					780
RKDS 03 (1)	H	B14H2	1-05 *						2					780
RKDS 03 (1)	H	B08K1	1-06 *										TERM HERE?	780
RKDS 03 (1)			1								33-2/8			780
RTE (0)	H	D23H1											1-PIN RUN	781
RTE (1)	H	A16P1	1-01 *						1				TERM HERE?	782
RTE (1)	H	D23C1	1-02 *						2					782
RTE (1)	H	B32L1	1-03 *	C					1				CABLE	782
RTE (1)	H	C32K2	1-04 *										TERM HERE?	782
RTE (1)			1								24-0/8			782
SC EO SA	H	A32R2	1-01 *						2				TERM HERE?	783
SC EO SA	H	B28M1	1-02 *						1					783
SC EO SA	H	B30P2	1-03 *	C					2				CABLE	783
SC EO SA	H	C29M2	1-04 *						1					783
SC EO SA	H	C18K2	1-05 *						2					783
SC EO SA	H	D17B1	1-06 *						1					783
SC EO SA	H	D17A1	1-07 *						2					783
SC EO SA	H	B14H1	1-08 *										TERM HERE?	783
SC EO SA			1								36-6/8			783
SCH CMP (0)	H	C23H1											1-PIN RUN	784



RK11C.E RUN NAME	A/P	HND288.V15(15) PIN NAME	01/28/72 ORDER PIN	BAY - ORDER	Q	DRAW	RV	PG	Y	X	Z	REMARKS	30-MAR-72 LENGTH	18125 EXCEPTIONS	PAGE 101 RUN NUMBER
SEL DSK 05	H	A24D2		1-01 *							2				802
SEL DSK 05	H	A26N1		1-02 *							1				802
SEL DSK 05	H	D20E1		1-03 *											802
SEL DSK 05				1									14-4/8		802
SEL DSK 05	L	C13M1		1-01 *							2				803
SEL DSK 05	L	D12J1		1-02 *							1				803
SEL DSK 05	L	D20D1		1-03 *											803
SEL DSK 05				1									11-4/8		803
SEL DSK 06	H	A26R2		1-01 *							2				804
SEL DSK 06	H	A24F1		1-02 *							1				804
SEL DSK 06	H	D20D2		1-03 *											804
SEL DSK 06				1									14-6/8		804
SEL DSK 06	L	C13P1		1-01 *							2				805
SEL DSK 06	L	D12H1		1-02 *							1				805
SEL DSK 06	L	D20C1		1-03 *											805
SEL DSK 06				1									11-0/8		805
SEL DSK 07	H	A26R1		1-01 *							2				806
SEL DSK 07	H	A24K2		1-02 *							1				806
SEL DSK 07	H	D20B1		1-03 *											806
SEL DSK 07				1									14-0/8		806
SEL DSK 07	L	C13S1		1-01 *							2				807
SEL DSK 07	L	D12F1		1-02 *							1				807
SEL DSK 07	L	D20A1		1-03 *											807
SEL DSK 07				1									10-6/8		807
SEL ERR	H	D21K2		1-01 *							1				808
SEL ERR	H	D27T2		1-02 *											808
SEL ERR				1									5-6/8		808
SELECT A	L	C10F1		1-01 *							2				809
SELECT A	L	C13D2		1-02 *							1				809
SELECT A	L	D22M1		1-03 *											809
SELECT A				1									12-2/8		809
SELECT B	L	C10H1		1-01 *							2				810
SELECT B	L	C13F2		1-02 *							1				810
SELECT B	L	D22N1		1-03 *											810
SELECT B				1									12-2/8		810

RK11C.E RUN NAME	A/P	HND288.V15(15) PIN NAME	01/28/72 ORDER PIN	BAY - ORDER	Q	DRAW	RV	PG	Y	X	Z	REMARKS	30-MAR-72 LENGTH	18125 EXCEPTIONS	PAGE 102 RUN NUMBER
SELECT C	L	C10M1		1-01 *							2				811
SELECT C	L	C13J2		1-02 *							1				811
SELECT C	L	D22P1		1-03 *											811
SELECT C				1									12-4/8		811
SELECT D	L	C10N1		1-01 *							2				812
SELECT D	L	C13L2		1-02 *							1				812
SELECT D	L	D22R1		1-03 *											812
SELECT D				1									12-2/8		812
SELECT E	L	C11D2		1-01 *							2				813
SELECT E	L	C13N2		1-02 *							1				813
SELECT E	L	C29D2		1-03 *											813
SELECT E				1									14-4/8		813
SELECT F	L	C13S2		1-01 *							2				814
SELECT F	L	C11E2		1-02 *							1				814
SELECT F	L	C29E2		1-03 *											814
SELECT F				1									15-2/8		814
SELECT H	L	C11K2		1-01 *							2				815
SELECT H	L	C13T2		1-02 *							1				815
SELECT H	L	C29F2		1-03 *											815
SELECT H				1									14-6/8		815
SELECT J	L	C11L2		1-01 *							2				816
SELECT J	L	C13V2		1-02 *							1				816
SELECT J	L	C29H2		1-03 *											816
SELECT J				1									14-4/8		816
SERIAL READ DATA (1)	H	A20E2		1-01 *							1				817
SERIAL READ DATA (1)	H	D28E1		1-02 *											817
SERIAL READ DATA (1)				1									12-0/8		817
SHIFT EN	H	A20M2		1-01 *							2				818
SHIFT EN	H	B20M2		1-02 *							1				818
SHIFT EN	H	C20U2		1-03 *							2				818
SHIFT EN	H	C21V2		1-04 *											818
SHIFT EN				1									13-4/8		818
SIN	H	A32K2		1-01 *	C						2			CABLE	819
SIN	H	B30R1		1-02 *	C						1			CABLE	819
SIN	H	D30D1		1-03 *							2				819
SIN	H	C21D1		1-04 *							1				819
SIN	H	A14L2		1-05 *							2				819
SIN	H	B08L2		1-06 *										TERM HERE?	819
SIN				1									35-2/8		819

WT GATE (1)	A/P	PIN NAME	ORDER PIN	BAY - ORDER	Q	DRAW	RV	PG	Y	X	Z	REMARKS	30-MAR-72 LENGTH	18125 EXCEPTIONS	PAGE 107 RUN NUMBER
WT GATE (1)	H	B32A1		1-01 *							1				860
WT GATE (1)	H	B30J1		1-02 *							2			CABLE	860
WT GATE (1)	H	C31J1		1-03 *							1			CABLE	860
WT GATE (1)	H	D31U2		1-04 *							2				860
WT GATE (1)	H	D29D2		1-05 *							1				860
WT GATE (1)	H	C14R2		1-06 *										TERM HERE?	860
WT GATE (1)				1									29-4/8		860
WT PRCT STATUS	H	A32P2		1-01 *							1				861
WT PRCT STATUS	H	D24C1		1-02 *							2				861
WT PRCT STATUS	H	B14D2		1-03 *							1				861
WT PRCT STATUS	H	B08F2		1-04 *											861
WT PRCT STATUS				1									26-0/8		861
WT PROTECT	L	C11B1		1-01 *							1				862
WT PROTECT	L	C26P2		1-02 *							2				862
WT PROTECT	L	D30K2		1-03 *											862
WT PROTECT				1									16-0/8		862
XFER COND	L	C27U2		1-01 *							2				863
XFER COND	L	C29V2		1-02 *							1				863
XFER COND	L	C32U2		1-03 *											863
XFER COND				1									7-2/8		863
XFER FUNCT	H	C31S2		1-01 *							1				864
XFER FUNCT	H	D22J1		1-02 *							2				864
XFER FUNCT	H	D21M1		1-03 *							1				864
XFER FUNCT	H	D24R1		1-04 *											864
XFER FUNCT				1									15-2/8		864

ERROR LISTING

WIRE WRAP RUN NAME	A/P	PIN NAME	ORDER PIN	BAY - ORDER	Q	DRAW	RV	PG	Y	X	Z	REMARKS	30-MAR-72 LENGTH	18125 EXCEPTIONS	PAGE 1 RUN NUMBER
+3V D19V1		D19V1												1-PIN RUN	18
ADD 16 (1)	H	B19E1												1-PIN RUN	97
ADD 17 (1)	H	B19E2												1-PIN RUN	98
ADDER CONTROL #2 (1)	H	D28V2												1-PIN RUN	106
BAD BIT (0)	H	D31S2												1-PIN RUN	125
CONTROL RESET	L	D14D1												1-PIN RUN	300
DATA STR 01	H	B06R2												1-PIN RUN	371
DIV 04 (0)	H	C12M1												1-PIN RUN	382
DPL (0)	H	C23M2												1-PIN RUN	386
END OF SYNC (.)	H	D28L1												1-PIN RUN	470
GATE RKBA TO BUS A	H	B06B1												1-PIN RUN	496
H/L (1)	H	C12E1												1-PIN RUN	547
ID 00 (0)	H	A25J2												1-PIN RUN	557
ID 01 (0)	H	A25F1												1-PIN RUN	559
ID 02 (0)	H	A29V2												1-PIN RUN	561
IDE (0)	H	A29M1												1-PIN RUN	563
IDLE (0)	H	C17E1												1-PIN RUN	565
INT XFC (1)	H	D22E1												1-PIN RUN	601
LOAD RKDR	L	A27N1												1-PIN RUN	630
NPR (0)	H	C22V2												1-PIN RUN	666
NPR GATE RKDB TO BUS D	L	B06F2												1-PIN RUN	669
NXC (0)	H	D23R1												1-PIN RUN	670
NXD (0)	H	D23M2												1-PIN RUN	672
RDY INT (1)	H	C22J2												1-PIN RUN	706
RTE (0)	H	D23H1												1-PIN RUN	781
SCH CMP (0)	H	C23H1												1-PIN RUN	784
STD RD CLK	L	C15M1												1-PIN RUN	830
STD RD DATA	L	C15K1												1-PIN RUN	832
WCE (0)	H	D23S2												1-PIN RUN	844
WRITE LOCK	L	D14L1												1-PIN RUN	853
WT CHK	H	D14N2												1-PIN RUN	855
WT CLK (0)	H	C12V1												1-PIN RUN	857