

digital

RHII

Engineering Drawings

Digital Equipment Corporation

The material herein is for information purposes only and is subject to change without notice. Digital Equipment Corporation assumes no responsibility for any errors which may appear herein.

These drawings and specifications herein are the property of Digital Equipment Corporation and shall not be reproduced or copied or used in whole or in part as the basis for the manufacture or sale of items without written permission.

Copyright © 1975, Digital Equipment Corporation

CUSTOMER PRINT SET		ELECTRICAL						CUSTOMER PRINT SET		MECHANICAL					
RH11-0	MFG. SET	FIND NO.	DRAWING NO.	REV	NO OF SHT	DESCRIPTION	OPTION NO./FILE DATE	RH11-0	MFG. SET	FIND NO.	DRAWING NO.	REV	NO OF SHT	DESCRIPTION	OPTION NO./FILE DATE
X		1	D-UA-RH11-0-0	C	1	RH11 UNIT ASSEMBLY		X		1	D-UA-RH11-0-0	A	1	RH11 UNIT ASSEMBLY	
X			D-MU-RH11-0-01	B	1	MODULE UTILIZATION		X			D-IA-7009570-0-0	#	1	RH11 POWER HARNESS (15 PIN)	
X			D-BS-RH11-0-02	B	3	MASSBUS TRANSCIEVER		X			D-IA-7009563-0-0	#	1	POWER HARNESS (15 PIN)	
X			D-IC-RH11-0-03	*	1	UNIBUS A CABLE DIAGRAM					A-PL-H850-0-0		1	HANDLE EXTENDER	
X			D-IC-RH11-0-04	*	1	UNIBUS B CABLE DIAGRAM					D-IA-7009571-0-0		1	RH11 POWER HARNESS (9 PIN)	
X			D-TD-RH11-0-05	A	1	WRITE UNIBUS (TIMING DIAGRAM)					D-IA-7009099-0-0		1	POWER HARNESS (9 PIN)	
X			D-TD-RH11-0-06	A	1	READ + WRITE CHECK UNIBUS (TIMING DIAGRAM)									
X			D-TD-RH11-0-07	*	1	WRITE MASSBUS (TIMING DIAGRAM)									
X			D-TD-RH11-0-08	*	1	READ + WRITE CHECK MASSBUS (TIMING DIAGRAM)									
X			D-FD-RH11-0-09	A	1	WRITE COMMAND FLOW DIAGRAM									
X			D-FD-RH11-0-10	A	1	READ COMMAND FLOW DIAGRAM									
X			D-FD-RH11-0-11	A	1	WRITE CHECK COMMAND FLOW DIAGRAM									
X			D-CS-M7295-0-1	#	10	BUS CONTROL									
X			D-CS-M7296-0-1	#	3	CONTROL & STATUS REG									
X			D-CS-M7294-0-1	#	9	DATA BUFFER & CONTROL									
X			D-CS-M7297-0-1	#	2	PARITY CONTROL									
X			D-CS-M9300-0-1	#	2	UNIBUS TERMINATOR (BUS B)									
X			D-CS-M5904-0-1	#	2	CONTROLLER TRANSCIEVER									
X			B-CS-G727-0-1	#	1	GRANT CONTINUITY									
X			D-CS-M870-0-1	#	2	MASSBUS TERMINATOR									
X			C-CS-M920-0-1	#	1	UNIBUS CONNECTOR				2	D-AD-7009397-0-0	F	1	WIRED ASSEMBLY (RH11)	
X			D-CS-M688-0-1	#	2	POWER FAIL DRIVER					D-8C-1210258-0-0		1	CONN. BLOCK 288 PIN	
											A/D-PS-1211425-0		3	CONN. BLOCK 72 PIN	
											E-PS-1211439-0		1	11/05 LOGIC FRAME	
											A-88-7407846-0-0		1	LOGIC SERIAL NO. LABELS	
											A-DC-7411881-0-1		1	DECAL LOGIC ASSY	
											A-PI-3700040-0-0			PACKAGING INSTRUCTION	
X		2	D-AD-7009397-0-0	H	1	WIRED ASSEMBLY (RH11)				3	D-CS-5410506-0-1	#	1	CIRCUIT SCHEMATIC	
X			K-WL-RH11-0-12	C	1	WIRE LIST					K-CO-5410506-0-4		1	X-Y COORDINATE HOLE LOCATION	
X			A-WT-7009397-0	E	1	AWT REVISION STATUS					D-AH-5410506-0-5		1	ASSY DRILLING HOLE LAYOUT	
											B-MH-5410506-0-6		1	MODULE ECO HISTORY	
											5010505		1	ETCHED CIRCUIT BOARD	
X		3	D-CS-5410506-0-1	#	1	CIRCUIT SCHEMATIC									

CUSTOMER PRINT SET CODES
X = PRINT OF DOCUMENT INCLUDED IN PRINT SET
C = INCLUDES ALL PRINTS INDICATED ON DOCUMENT
S = CONFIDENTIAL AUTHORIZED SIGNATURE REQUIRED

TITLE
DRAWING DIRECTORY
(RH11)

SHEET 2 OF 2

SIZE CODE
B DD

NUMBER
RH11-0

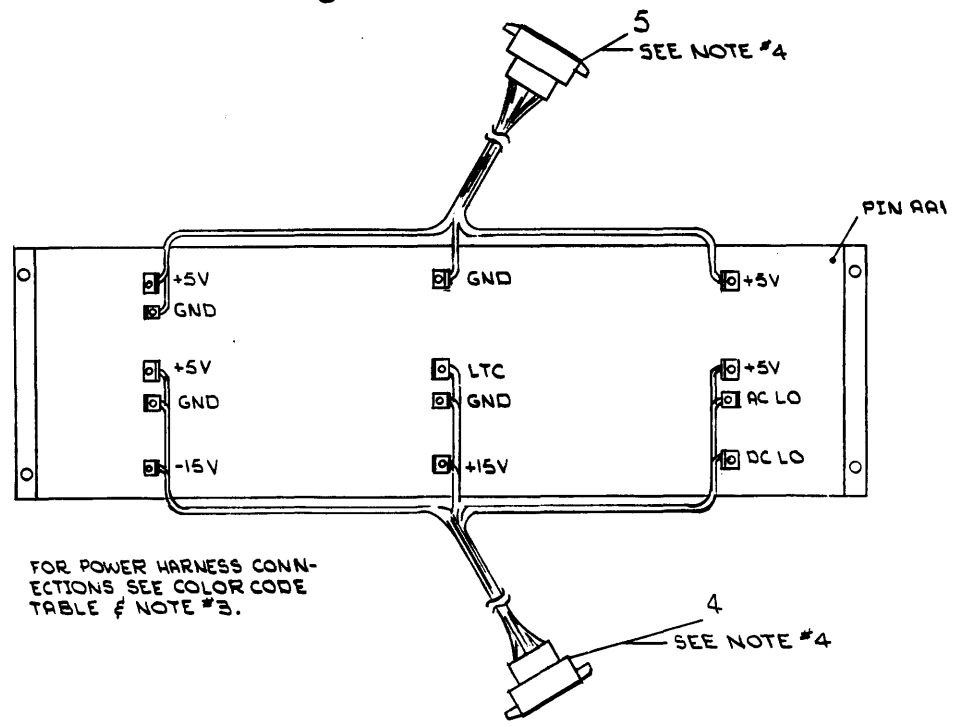
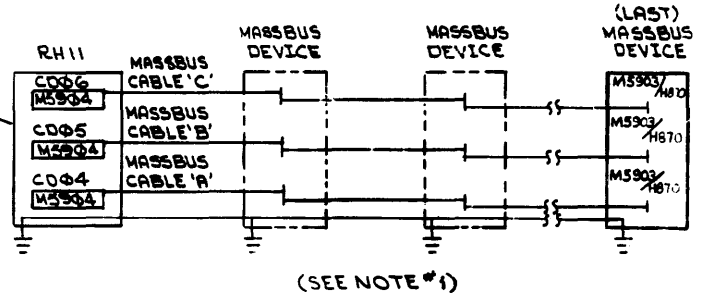
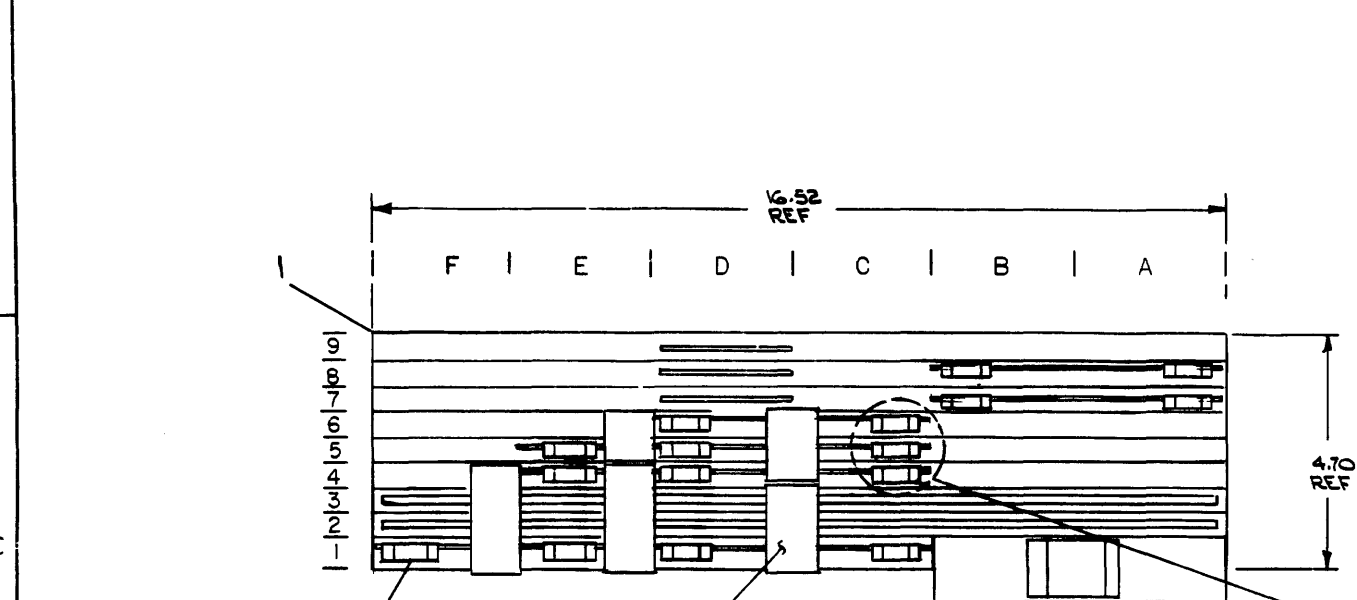
REV
K

THIS DRAWING AND SPECIFICATIONS HEREIN ARE THE PROPERTY OF DIGITAL EQUIPMENT CORPORATION AND SHALL NOT BE REPRODUCED OR COPIED OR USED IN WHOLE OR IN PART AS THE BASIS FOR THE MANUFACTURE OR SALE OF ITEMS WITHOUT WRITTEN PERMISSION FROM DIGITAL EQUIPMENT CORPORATION ©1975 DIGITAL EQUIPMENT CORPORATION

LEGEND	
VARIATION	DESCRIPTION
RHII-AB	DUAL UNIBUS PORT CONTROLLER FOR MASSBUS

POWER HARNESS COLOR CODE TABLE	
WIRE COLOR	TAB CONN.
RED	+5V
BLK	GND
BLU	-15V
YEL	AC LO
VIO	DC LO
GRY	+15V
BRN	LTC

- NOTES:**
1. INSERT ONE H870 MASSBUS TERMINATOR MODULE IN J2 (ETCH SIDE OF H870 TO COMPONENT SIDE OF M5903) OF EACH OF THE M5903 MASSBUS TRANSCEIVER MODULES IN THE LAST MASSBUS DRIVE.
 2. FOR MODULE LOCATION REFER TO: D-MU-RHII-0-01.
 3. USE CAUTION WHEN ATTACHING POWER HARNESS CABLES AS NOT TO PINCH WIRES ON THE WIRED ASSY. OR SHORT POWER TABS TO WIRE WRAP PINS.
 4. FOR 9 PIN POWER DISTRIBUTION SYSTEMS USE POWER HARNESSES D-IA-1009571-0-0 & D-IA-1009099-0-0 IN PLACE OF ITEMS #4 & 5.
 5. COLORED EDGE OF MASSBUS CABLES SHOULD BE FACING MODULE HANDLE OF M5904 & M5903-YA.
 6. ROMS IN PARTS LIST, ITEMS 7, 8 & 9 SHOULD BE SHIPPED IN BOX, ITEM #6.



FOR POWER HARNESS CONNECTIONS SEE COLOR CODE TABLE & NOTE #3.

REV.	DATE	BY	CHKD.	DESCRIPTION
1	1-6-75	S. JENKINS		INITIAL DESIGN
2	1-7-75	S. JENKINS		REVISED FOR MANUFACTURE
3	1-29-75	S. JENKINS		REVISED FOR MANUFACTURE
4	1-29-75	S. JENKINS		REVISED FOR MANUFACTURE
5	1-29-75	S. JENKINS		REVISED FOR MANUFACTURE
6	1-29-75	S. JENKINS		REVISED FOR MANUFACTURE
7	1-29-75	S. JENKINS		REVISED FOR MANUFACTURE
8	1-29-75	S. JENKINS		REVISED FOR MANUFACTURE

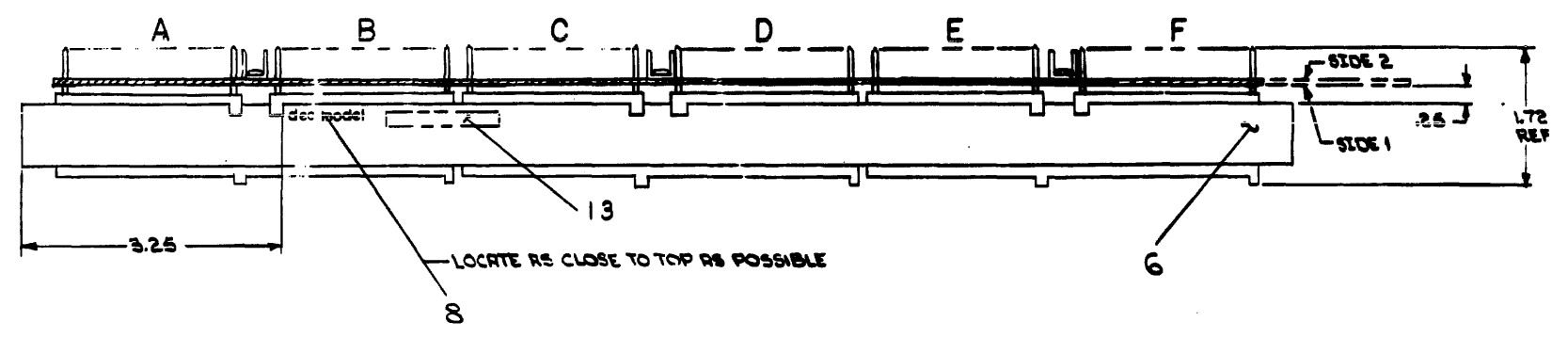
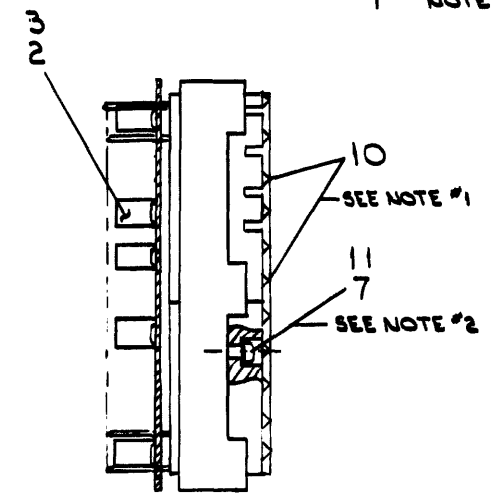
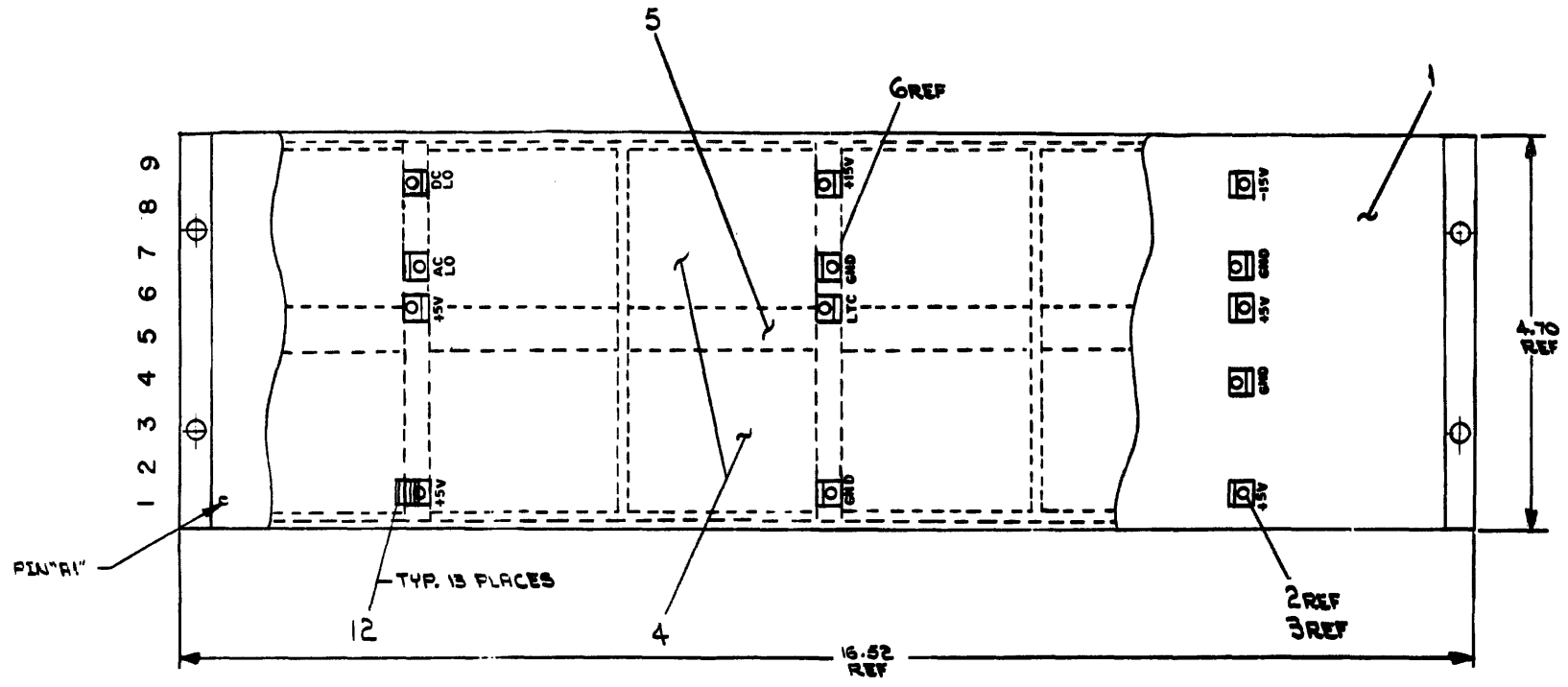
QTY.	DESCRIPTION	PART NO.	ITEM NO.
1	ROM FOR RS03/04	23759A9	9
1	ROM FOR TU16, TM02, TU17, TM03	23757A9	8
1	ROM FOR RP04, RS06, RM02, 03	23755A9	7
1	BOX	9906228	6
1	POWER HARNESS (9 PIN)	D-IA-1009099-0-0	REF
1	RHII POWER HARN. (9 PIN)	D-IA-1009571-0-0	REF
1	RHII POWER HARN. (13 PIN)	D-IA-1009570-0-0	5
1	POWER HARNESS (13 PIN)	D-IA-1009563-0-0	4
5	MODULE HOLDER	1209856	3
1	MODULE UTILIZATION	D-MU-RHII-0-01	2
1	WIRED ASSY (RHII)	D-AD-1009397-0-0	1

FIRST USED ON OPTION MODEL		PARTS LIST	
RHII		TITLE	
UNLESS OTHERWISE SPECIFIED DIMENSION IN INCHES		digital EQUIPMENT CORPORATION	
TOLERANCES		RHII UNIT ASSEMBLY	
DECIMALS	ANGLES	SIZE CODE	
.XX 005	0 30'	DUA RHII-0-0	
.XX -02		NUMBER	
		REV.	
REMOVE BUMP AND BREAK SHARP CORNERS SURFACE QUALITY 1		DIST.	
MATERIAL		SHEET OF	
NEXT HIGHER ASSY.		REV. C	
FINISH		SCALE NONE	
		SHEET OF	

THIS DRAWING AND SPECIFICATIONS HEREIN ARE THE PROPERTY OF DIGITAL EQUIPMENT CORPORATION AND SHALL NOT BE REPRODUCED OR COPIED OR USED IN WHOLE OR IN PART AS THE BASIS FOR THE MANUFACTURE OR SALE OF ITEMS WITHOUT WRITTEN PERMISSION.
 © 1973 DIGITAL EQUIPMENT CORPORATION

H 0-0-269600Z (REV) 2

NOTES:
 1. CUT ITEM #10 (CARD GUIDE), ON 6 SLOTS, DOWN TO 3 WITH 4 SLOTS & 3 WITH 5 SLOTS.
 2. AFTER WAVE SOLDER PROCEDURE, REPLACE ITEM #7 (SCREWS) WITH ITEM #11 (SPECIAL SCREWS) WHEN INSTALLING ITEM #10 (CARD GUIDES) CUT TO SPECIFICATIONS IN NOTE #1.

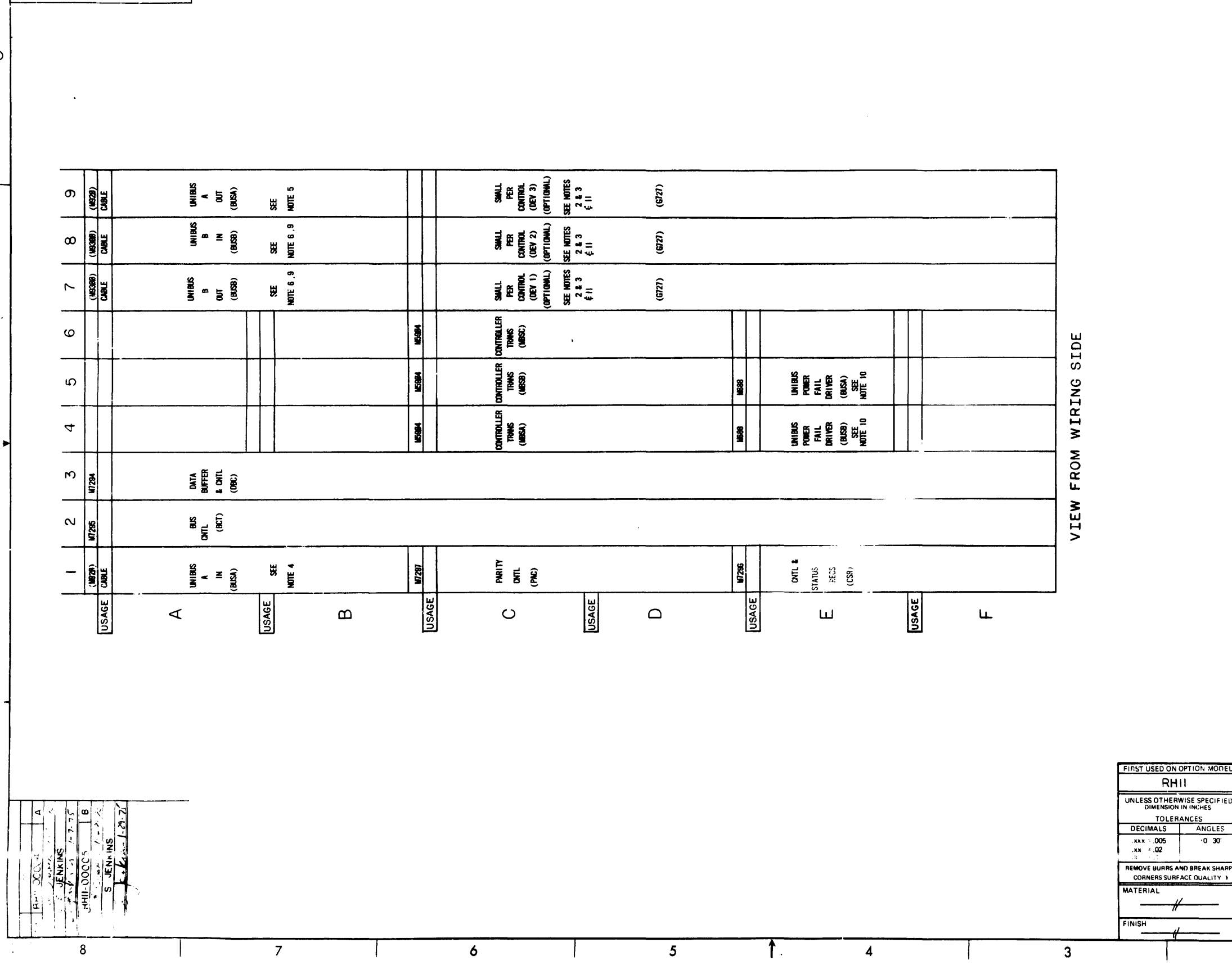


A/R	WIRE #30 TWP BLK & WHT	9107720-09	16
A/R	COMPRESS-O-CARTON	9905016-4	15
REF	PACKAGING INSTRUCTIONS	A-PI-370X13-0	14
1	DECAL LOGIC ASSY	A-DC-7411831-0-1	13
X	AWT REVISION STATUS	A-WT-7009397-0	REF
X	RHII BACK PANEL	D-65-5410506-0	REF
X	WIRE LIST	W-L-RHII-0-12	REF
13	WIRE SHIELD	90C9526	12
12	SCR, SELF TAPPING PHL SPECIAL HD. #8-32 x .810 LG	9009070-2	11
6	CARD GUIDE CENTER	1210698	10
A/R	WIRE #30 W/SOLD KVARR, VEL	9103740-44	9
1	LOGIC SERIAL NO. LABELS	990707046-0-0	8
15	SCR, PHL HD POSITIVE #8-32 x .810 LG	9006120-0	7
1	11/65 FRAME	1211439-0	6
3	CONN. BLOCK #2 PIN	1211425-0	5
6	CONN. BLOCK 288 PIN	0-56210258-0-0	4
13	EVELET	9009070	3
13	TRB, RIGHT ANGLE	9008218	2
1	ETCH CKT BOARD	5010505	1

FIRST USED ON OPTION/MODEL		PARTS LIST	
RHII		TITLE	
UNLESS OTHERWISE SPECIFIED DIMENSION IN INCHES		digital EQUIPMENT CORPORATION MAYNARD MASSACHUSETTS	
DECIMALS	ANGLES	TITLE	
.XX = .005	.0 30'	WIRED ASSY (RHII)	
.XX = .02		D-UA-RHII-0-0	
X = .1		DAD 7009397-0-0 H	
REMOVE BURRS AND BREAK SHARP CORNERS SURFACE QUALITY 1		SCALE NONE	
MATERIAL		SHEET OF	
NEXT HIGHER ASSY.		DIST.	
FINISH		REV.	

LINK	CHANGE NO.	DATE
P. J. RHII-00001	A	11-20-72
S. JENKINS	B	5-11-73
S. JENKINS	C	2-27-74
S. JENKINS	D	7-30-74
S. JENKINS	E	1-6-75
S. JENKINS	F	7-7-77
S. JENKINS	G	12-14-77
S. JENKINS	H	1-25-78
S. JENKINS	I	6-17-77
S. JENKINS	J	1-16-77
S. JENKINS	K	1-16-77
S. JENKINS	L	1-16-77
S. JENKINS	M	1-16-77
S. JENKINS	N	1-16-77
S. JENKINS	O	1-16-77
S. JENKINS	P	1-16-77
S. JENKINS	Q	1-16-77
S. JENKINS	R	1-16-77
S. JENKINS	S	1-16-77
S. JENKINS	T	1-16-77
S. JENKINS	U	1-16-77
S. JENKINS	V	1-16-77
S. JENKINS	W	1-16-77
S. JENKINS	X	1-16-77
S. JENKINS	Y	1-16-77
S. JENKINS	Z	1-16-77

ALL DIMENSIONS ARE IN INCHES UNLESS OTHERWISE SPECIFIED. DIMENSIONS IN PARENTHESES ARE FOR REFERENCE ONLY. MATERIAL SPECIFICATIONS ARE TO BE OBTAINED FROM THE MANUFACTURER'S CATALOGS. DATE: 1-29-77



VIEW FROM WIRING SIDE

- NOTES:**
- VIEW OF LOGIC PANEL IS FROM WIRING SIDE.
 - THE SMALL PERIPHERAL CONTROLLER SLOTS MAY CONTAIN A VARIETY OF POP 11 OPTIONS. THE OPTION MAY CONSIST OF A SINGLE QUAD MODULE BOARD (SLOTS C, D, E, & F) OR A DOUBLE HEIGHT CONTROLLER BOARD (SLOTS C & D) WITH AN M105 ADDRESS SELECTOR MODULE (SLOT E) AND AN M7821 INTERRUPT CONTROL MODULE (SLOT F).
 - IF NO OPTION IS PRESENT IN THE SMALL PERIPHERAL CONTROLLER SLOTS, G727 GRANT CONTINUITY MODULE(S) MUST BE INSERTED IN SLOTS D.
 - MAY BE EITHER M528 (CONNECTION FROM ADJACENT DEVICE) OR BC11A CABLE (CONNECTION FROM ANOTHER BOX OR NON-ADJACENT DEVICE).
 - MAY BE M528 (CONNECTION TO ADJACENT DEVICE), M538 (TERMINATION AT END OF UNIBUS A), OR BC11A CABLE (CONNECTION TO NEXT BOX OR NON-ADJACENT DEVICE).
 - MAY BE M538 (TERMINATION AT BEGINNING OR END OF UNIBUS B) OR BC11A CABLE (CONNECTION TO OTHER BUS B DEVICES).
 - FOR DIAGNOSTIC CHECKOUT AN M528 CONNECTOR MODULE MAY BE PLACED IN SLOTS A, B 88 & 89, AN M538 OR BC11A CABLE IS THEN USED IN SLOT A, B 87.
 - THE M470 MODULE WILL BE INSERTED IN J2 OF EACH OF THE M5903 MODULES IN THE LAST DRIVE UNIT ATTACHED TO THE MASSBUS CARLES ORIGINATING FROM THE M5904(S) IN THE RHII CONTROLLER BACKPLANE, WHEN BUILDING A MASSBUS SYSTEM.
 - IF NO UNIBUS B CABLE IS CONNECTED TO THE RHII ONLY ONE M538 MODULE SHOULD BE USED IN SLOT A808.
 - IF ANOTHER DEVICE ATTACHED TO THE SAME POWER SUPPLY AS THE RHII HAS UNIBUS POWER FAIL SIGNALS WIRED TO THE UNIBUS REMOVE THE M688 MODULE FOR THAT BUS.
 - SMALL PER CONTROL SLOTS FOR MANUFACTURING USE ONLY.
 - ONE M870 MODULE WILL BE INSERTED IN J1 (COMPONENT SIDE OUT) OF EACH OF THE 3 M5904 MODULES FOR SHIPMENT ONLY!

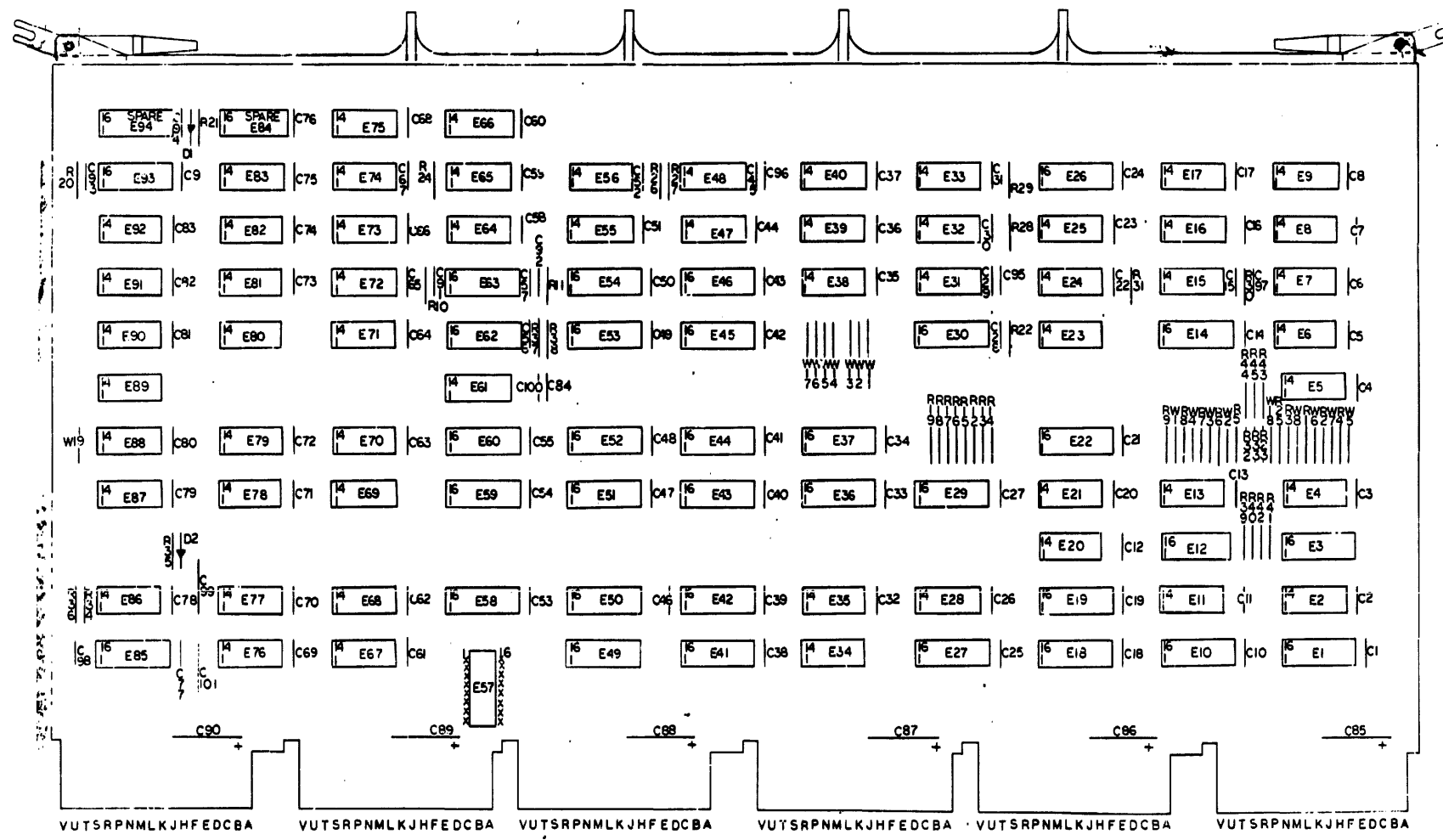
1	BUS CTRL	D-CS-M7288-B-1	1
3	GRANT CONTINUITY	B-CS-G727-B-1	2
3	MASS BUS TERMINATOR	D-CS-M870-0-1	3
1	PARITY CTRL	D-CS-M7287-B-1	4
1	CTRL & STATUS REG	D-CS-M7294-B-1	5
1	DATA BUFFER & CONTROL	D-CS-M7294-0-4	6
3	CONTROLLER TRANSCEIVER	D-CS-M5904-B-1	7
2	UNIBUS TERMINATOR (BUS B)	D-CS-M5380-B-1	8
1	UNIBUS CONNECTOR	C-CS-M528-B-1	9
2	POWER FAIL DRIVER	D-CS-M688-B-1	10
2	HANDLE EXTENDER	A-PL-M850-B-B	11

APPROVED: JENKINS
 DATE: 1-29-77
 S. JENKINS

FIRST USED ON OPTION MODEL	QTY.	DESCRIPTION	PART NO.	ITEM NO.
RHII PARTS LIST				
UNLESS OTHERWISE SPECIFIED DIMENSION IN INCHES				
TOLERANCES				
DECIMALS	ANGLES	DATE	TITLE	
.xxx ± .005	0° 30'	DATE	MODULE UTILIZATION	
.xx ± .02		DATE	D MU RHII-0-01	
REMOVE BURRS AND BREAK SHARP CORNERS SURFACE QUALITY 1				
MATERIAL				
NEXT HIGHER ASSY.				
FINISH				
SCALE NONE				
SHEET OF				
DIST.				

This drawing and specifications, herein, are the property of Digital Equipment Corporation and shall not be reproduced or copied or used in whole or in part as the basis for the manufacture or sale of items without written permission. COPYRIGHT © 1973
DIGITAL EQUIP. CORP.

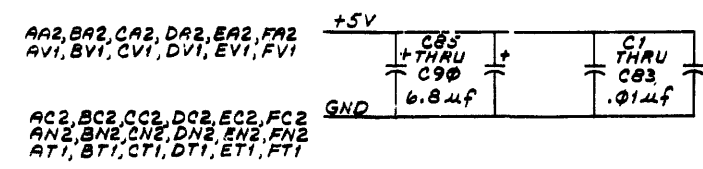
NOTES:



DEC 8223 PROM.	8	16
DEC 8234	8	16
DEC 8641	8	16
DEC 8640	1	8
DEC 745157	8	16
DEC 74123	8	16
DEC 74193	8	16
DEL 7485	8	16
IC TYPE	GND	+5V

GND AND 5V ARE USUALLY PIN 7 AND 14 RESPECTIVELY. EXCEPTIONS ARE STATED ABOVE.

IC PIN LOCATIONS

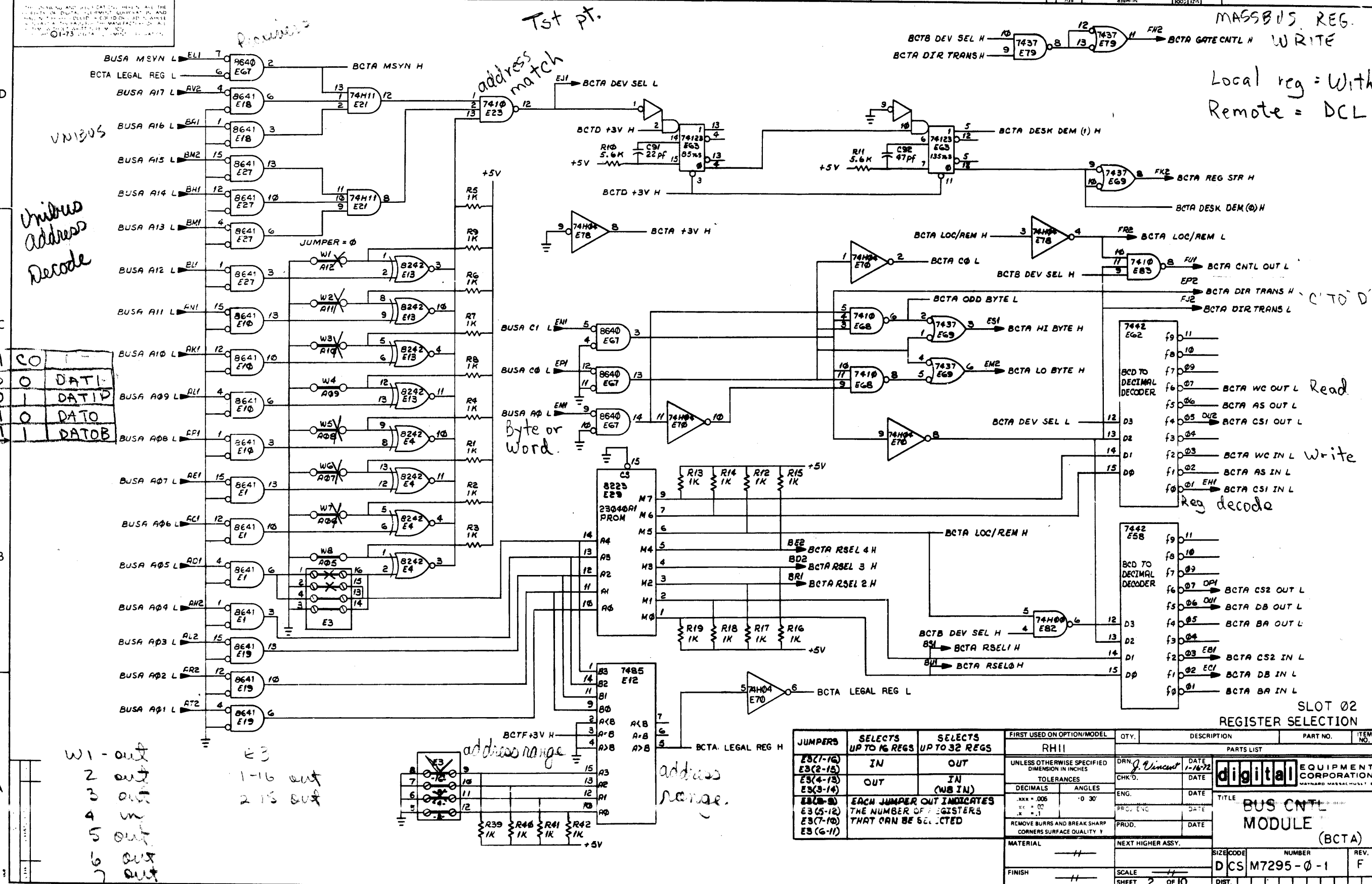


P. SCHNOOR	7/2/73
P. SCHNOOR	6 JULY 73
4.7 M7295-00005	F
9/17/73	
L. CONDON	
16 SEP-75	
M7295-00004	E
6-2-75	
S. JENKINS	
10-2-74	
M7295-00003	D
2-14-74	
S. JENKINS	
2/1/74	
M7295-00002	C
9-17-73	
STEVE JENKINS	
9-12-73	
M7295-1	B
M7295-1	A

REF	REF DESIGNATION	DESCRIPTION	PART NO	ITEM NO
REF		X Y COORDINATE HOLE LOCATION	K-00-47295-B-4	1
REF		ASSY DRILLING HOLE LAYOUT	D-MH-47295-B-5	2
REF		MODULE ECO HISTORY	B-MH-47295-B-6	3
1	C82	ETCHED CIRCUIT BOARD	5000428	4
2	C83 C85	CAP 47 PF 5% 100V	1000011	5
1	C88	CAP 100 PF 5% 300V	1000017	6
1	C84	CAP 180 PF 5% 100V	1000020	7
2	C88, C97	CAP 220 PF 5% 100V	1000021	8
1	E12	CAP 330 PF 5% 100V	1000023	9
2	C84, C100	I.C. DEC 7425	1000043	10
1	C99	CAP .001 UF 20% 250V	1000043	11
83	C1 THRU C83	CAP 39 UF 10% 10V S TANT	1000076	12
8	C85 THRU C80	CAP 01 UF 20% 50V DISK	1001610	13
1	C81	CAP 6.6 UF 10% 35V S TANT	1000336	14
2	D1, D2	CAP 22 PF 5% 100V	1005820	15
2	R28, R30	DIODE 7664	1100114	16
5	R23, R32, R33, R37, R38	RES 47 5% 1 4W	1300202	17
25	R1 THRU R8, R12 THRU R19, R22, R25, R27, R36, R39 THRU R42, R43, R44, R45	RES 390 5% 1 4W	1300308	18
6	R44, R28, R29, R43, R44, R45	RES 1K 5% 1 4W	1300365	19
4	R10, R11, R20, R34	RES 180 5% 1 4W	1301322	20
2	R21, R25	RES 5.6K 5% 1 4W	1301874	21
3	E88, E74, E66	RES 27K 5% 1 4W	1505340	22
7	E7, E23, E68, E73, E60, E83, E89	I.C. DEC 7474	1905547	23
4	E12, E75, E77, E81	I.C. DEC 7410	1905576	24
5	E5, E17, E47, E82, E87	I.C. DEC 7402	1905704	25
3	E21, E25, E81	I.C. DEC 7400	1909056	26
6	E9, E56, E71, E30, E92, E6	I.C. DEC 74H11	1909287	27
10	E2, E11, E24, E28, E33, E34, E35, E40, E56, E65	I.C. DEC 74H74	1909867	28
2	E4, E13	I.C. DEC 8081	1907305	29
1	E31	I.C. DEC 8242	1911711	30
1	E38	I.C. DEC 74H01	1909849	31
5	E8, E64, E70, E72, E78	I.C. DEC 7405	1909830	32
13	E14, E22, E30, E36, E37, E42, E47, E45, E46, E50, E51, E57, E54	I.C. DEC 74H04	1909831	33
2	E58, E82	I.C. DEC 74H04	1909831	34
2	E86, E79	I.C. DEC 7442	1910046	35
3	E75, E46, E88	I.C. DEC 7437	1910081	36
3	E83, E85, E93	I.C. DEC 7408	1910156	37
1	E26	I.C. DEC 74123	1910438	38
2	E20, E81	I.C. DEC 74S157	1910548	39
4	E16, E39, E87, E78	I.C. DEC 7427	1910878	40
5	E1, E10, E18, E18, E27	I.C. DEC 8640	1911489	41
6	E41, E44, E49, E52, E59, E60	I.C. DEC 8640	1911489	42
1	F29	I.C. DEC 8640	1911489	43
1	(FOR E57)	I.C. DEC 8233 PROM	230400A1	44
1	E3	I.C. SOCKET	1288838	45
1	E3	I.C. COMPONENT CARRIER	1211323	46
1	E57	HANDLE	1210711-2	47
1	E57	PRIORITY JUMPER LEVEL #6	9408778	48
12	WH-WE, WII-WIP	EYELET	9888732	49
17	WH-WE, WII-WIP	INSULATED JUMPER	1009185	50

FIRST USED ON OPTION MODEL		PARTS LIST	
RH11	ETCH BOARD REV	C	
DEC NO.		DEC NO.	EIA NO.
SEMICONDUCTOR CONVERSION CHART		SCALE NOTE	
D664		IN3606	
NEXT HIGHER ASSY		DICS M7295-Q-1	
EQUIPMENT CORPORATION		MAYNARD MASSACHUSETTS	
BUS CNTL MODULE (BCT)		NUMBER	
DATE		REV.	
7/20/73		F	

BRUNING 40-52 1469V
DEC FORM NO
D9D 135A



READ	0	0	DAT1
READ	0	1	DAT1P
WRITE	1	0	DAT0
WRITE	1	1	DAT0B

W1 - out
 2 out
 3 out
 4 in
 5 out
 6 out

E3
 1-16 out
 2 15 out

JUMPERS	SELECTS UP TO 16 REGS	SELECTS UP TO 32 REGS
E3(1-16)	IN	OUT
E3(2-15)		
E3(4-13)	OUT	IN (WB IN)
E3(3-14)		
E3(5-12)	EACH JUMPER OUT INDICATES THE NUMBER OF REGISTERS THAT CAN BE SELECTED	
E3(7-10)		
E3(6-11)		

FIRST USED ON OPTION/MODEL		QTY.	DESCRIPTION	PART NO.	ITEM NO.
RH11					
UNLESS OTHERWISE SPECIFIED DIMENSION IN INCHES					
TOLERANCES					
DECIMALS	ANGLES				
.XXX - .005	.0 30'				
.XX - .00					
.X - .1					
REMOVE BURRS AND BREAK SHARP CORNERS SURFACE QUALITY 1					
MATERIAL					
FINISH					
NEXT HIGHER ASSY.					
SCALE					
SHEET 2 OF 10					
TITLE					
BUS CNTL MODULE (BCTA)					
SIZE CODE					
NUMBER					
REV.					
DCS M7295-0-1					
DIST.					

MASSBUS REG. WRITE

Local reg = Within RH11
 Remote = DCL

C TO D LINE

Reg decode

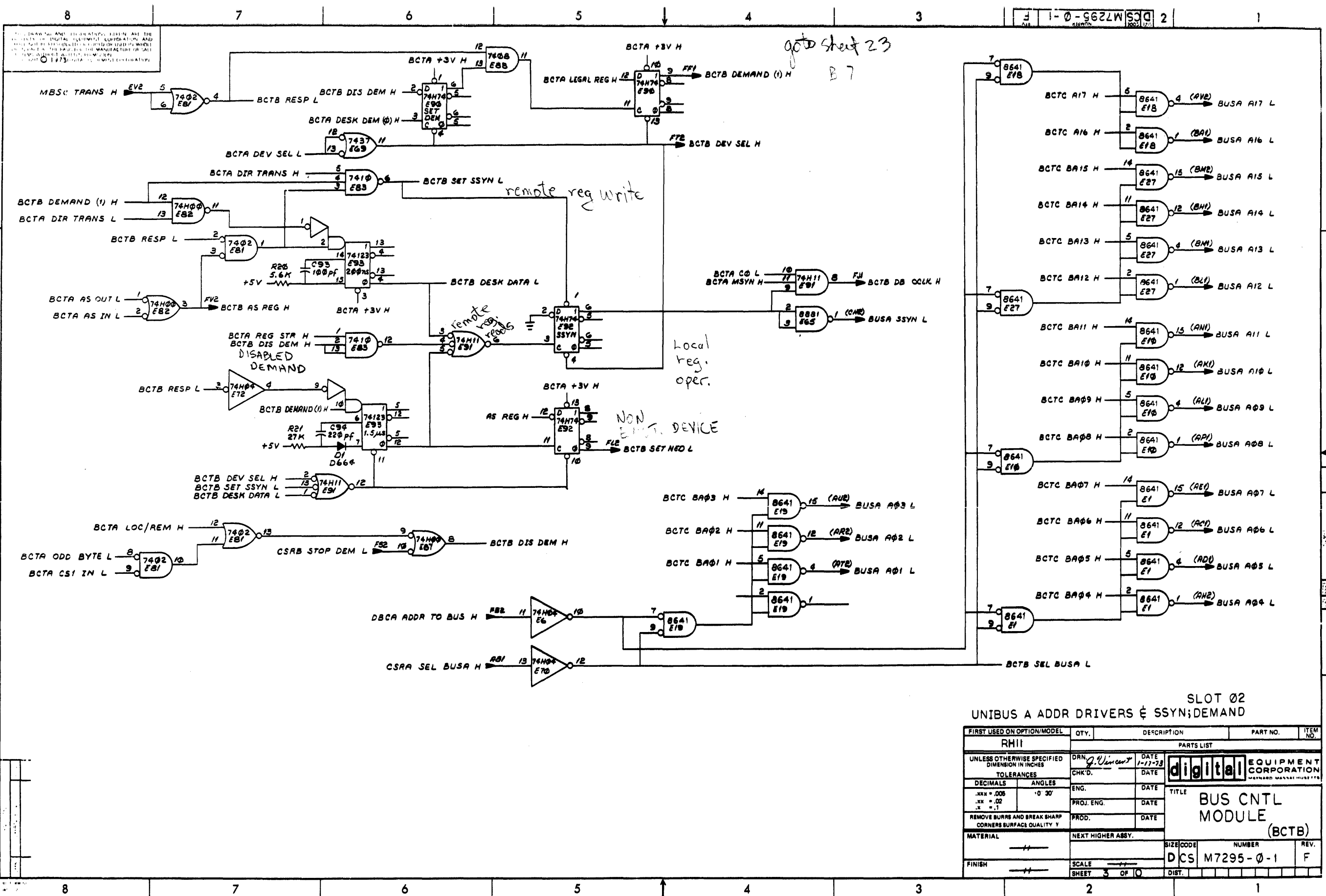
SLOT 02 REGISTER SELECTION

digital EQUIPMENT CORPORATION

BUS CNTL MODULE (BCTA)

DCS M7295-0-1 F

1

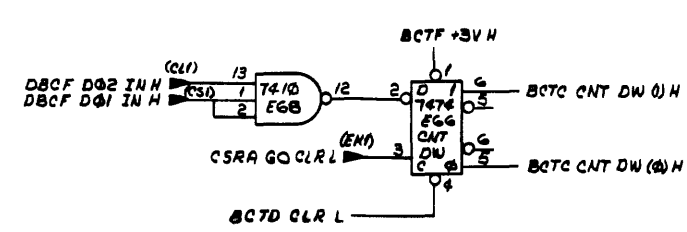
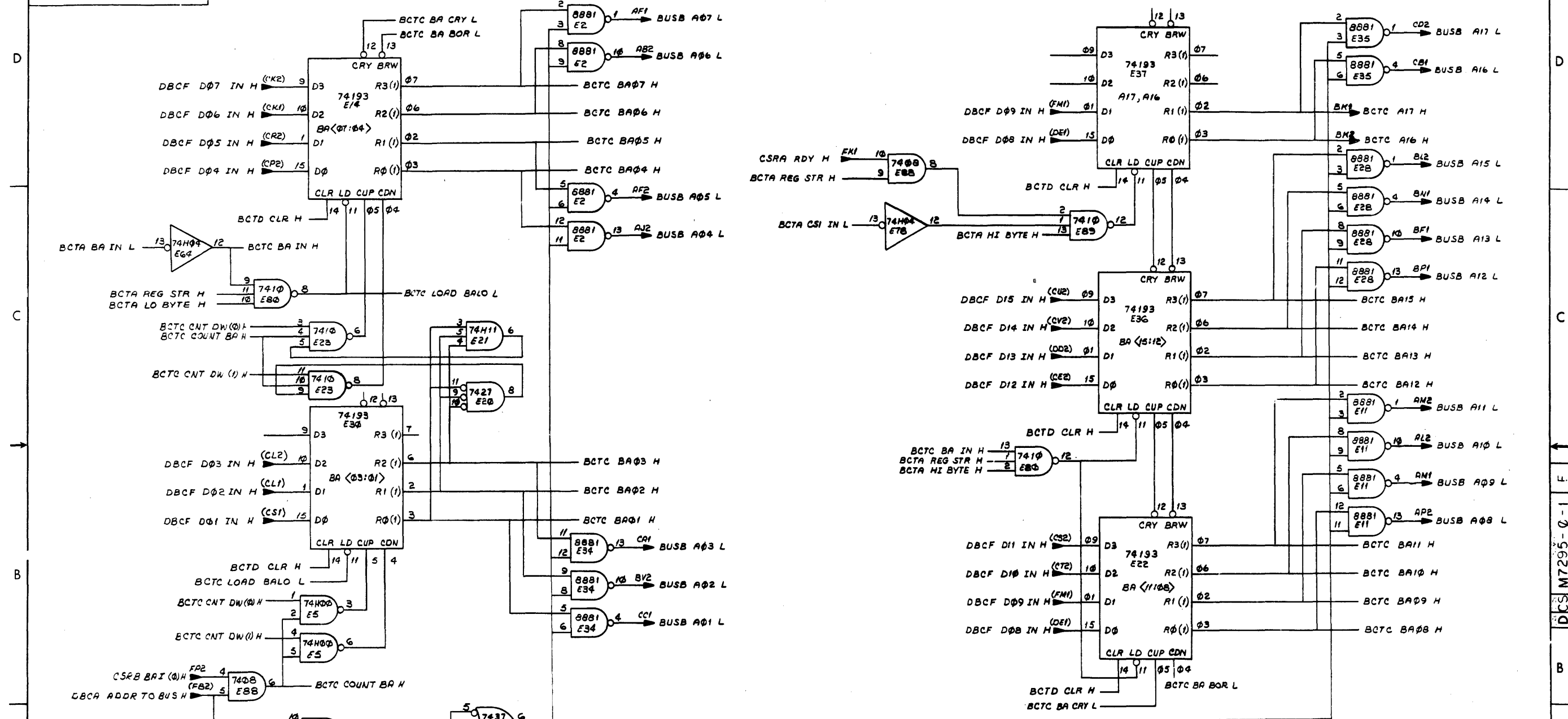


SLOT 02
UNIBUS A ADDR DRIVERS & SSYN; DEMAND

FIRST USED ON OPTION/MODEL	QTY.	DESCRIPTION	PART NO.	ITEM NO.
RH11		PARTS LIST		
UNLESS OTHERWISE SPECIFIED DIMENSION IN INCHES		DRN. <i>J. Vincent</i> DATE 1-17-73		
TOLERANCES		CHK'D. DATE		
DECIMALS	ANGLES	ENG. DATE	TITLE BUS CNTL MODULE (BCTB)	
.XX = .005	.0' 30'	PROJ. ENG. DATE		
.X = .02		PROD. DATE		
REMOVE BURRS AND BREAK SHARP CORNERS SURFACE QUALITY Y		MATERIAL		
NEXT HIGHER ASSY.		SIZE CODE		
FINISH		SCALE		NUMBER
		SHEET 3 OF 10		REV. F
		DIST.		

BCTB
2

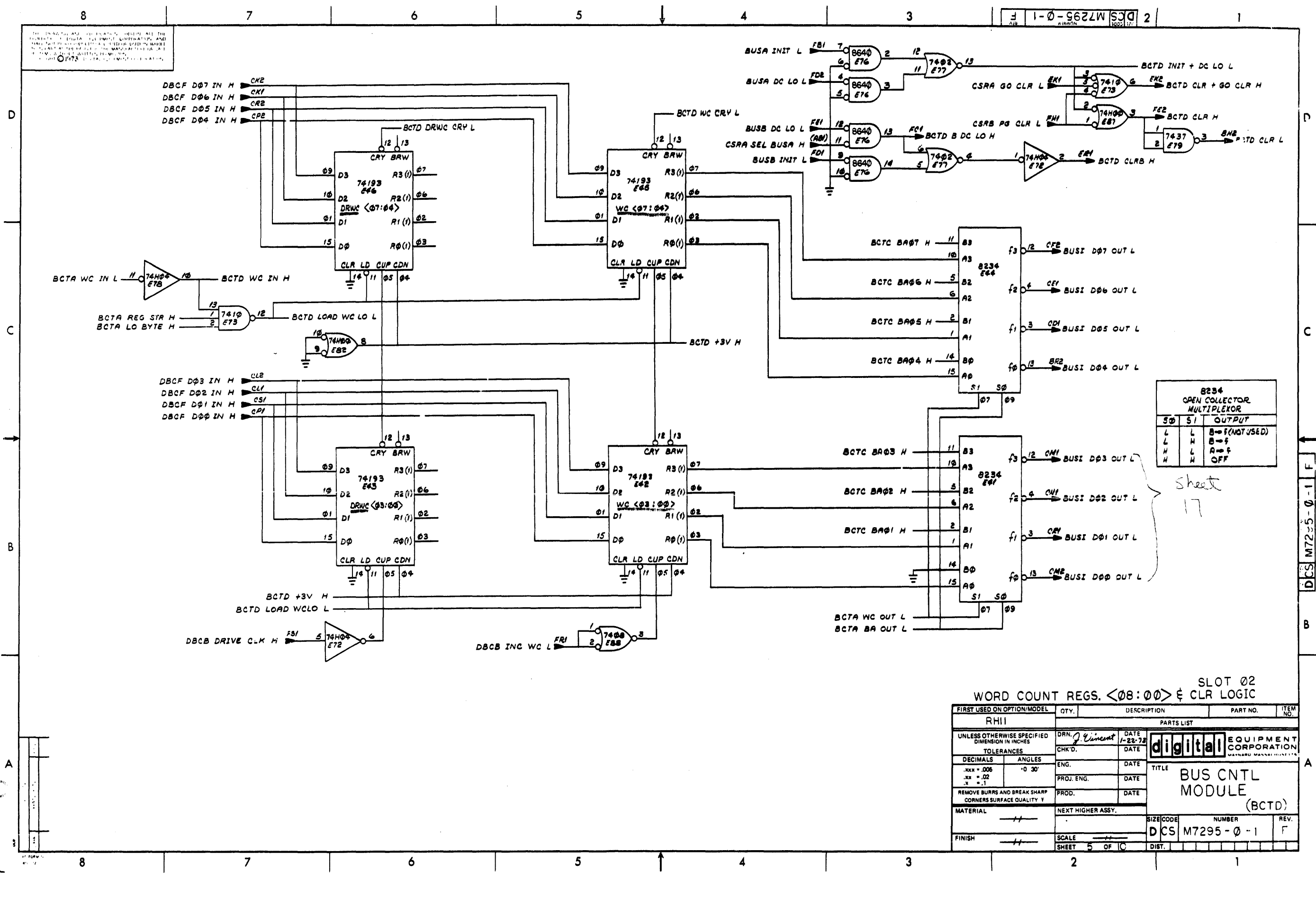
ALL DIMENSIONS AND TOLERANCES UNLESS OTHERWISE SPECIFIED ARE IN INCHES. DIMENSIONS IN PARENTHESES ARE FOR INFORMATION ONLY. THIS DRAWING IS THE PROPERTY OF DIGITAL EQUIPMENT CORPORATION AND IS NOT TO BE REPRODUCED OR TRANSMITTED IN ANY FORM OR BY ANY MEANS, ELECTRONIC OR MECHANICAL, INCLUDING PHOTOCOPYING, RECORDING, OR BY ANY INFORMATION STORAGE AND RETRIEVAL SYSTEM. © 1973



SLOT 02
BUS ADDR REG

FIRST USED ON OPTION/MODEL	QTY.	DESCRIPTION	PART NO.	ITEM NO.
RH11				
PARTS LIST				
UNLESS OTHERWISE SPECIFIED DIMENSION IN INCHES		DRN. <i>J. Vincent</i>	DATE 1-19-73	digital EQUIPMENT CORPORATION
TOLERANCES		CHK'D.	DATE	
DECIMALS .xxx ± .006	ANGLES ° 0' 30"	ENG.	DATE	TITLE BUS CNTL MODULE (BCTC)
REMOVE BURRS AND BREAK SHARP CORNERS SURFACE QUALITY V		PROJ ENG	DATE	
MATERIAL	NEXT HIGHER ASSY.	PROD.	DATE	SIZE CODE NUMBER DCS M7295-0-1
FINISH	SCALE	SHEET 4 OF 10	DIST.	

DCS M7295-0-1 F



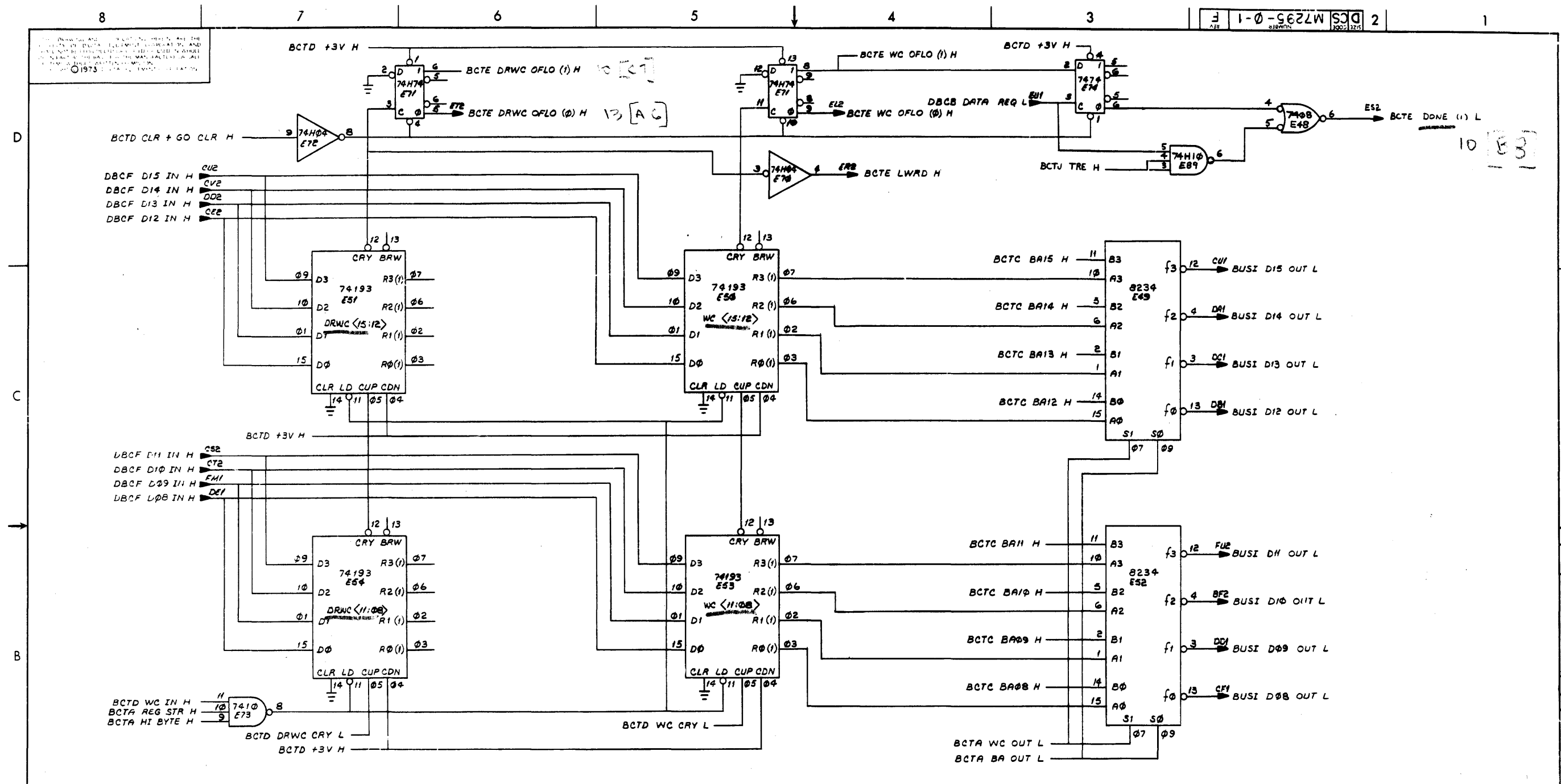
8234 OPEN COLLECTOR MULTIPLEXOR		
S0	S1	OUTPUT
L	L	B=f (NOT USED)
L	H	B=f
H	L	A=f
H	H	OFF

Sheet
17

SLOT 02
WORD COUNT REGS. <08:00> & CLR LOGIC

FIRST USED ON OPTION/MODEL	QTY.	DESCRIPTION	PART NO.	ITEM NO.
RH11		PARTS LIST		
UNLESS OTHERWISE SPECIFIED DIMENSION IN INCHES		DRN. J. Vincent	DATE 1-23-78	digital EQUIPMENT CORPORATION MAYNARD, MASSACHUSETTS
TOLERANCES		CHK'D.	DATE	
DECIMALS .xxx = .006	ANGLES '0 30'	ENG.	DATE	TITLE BUS CNTL MODULE (BCTD)
.xx = .02	.x = .1	PROJ. ENG.	DATE	
REMOVE BURRS AND BREAK SHARP CORNERS SURFACE QUALITY Y		PROD.	DATE	MATERIAL ---//--- NEXT HIGHER ASSY.
FINISH ---//---		SCALE ---//---	SHEET 5 OF 10	
		SIZE CODE NUMBER REV.		
		DCS M7295-0-1 F		
		DISTR.		

BCTD
4

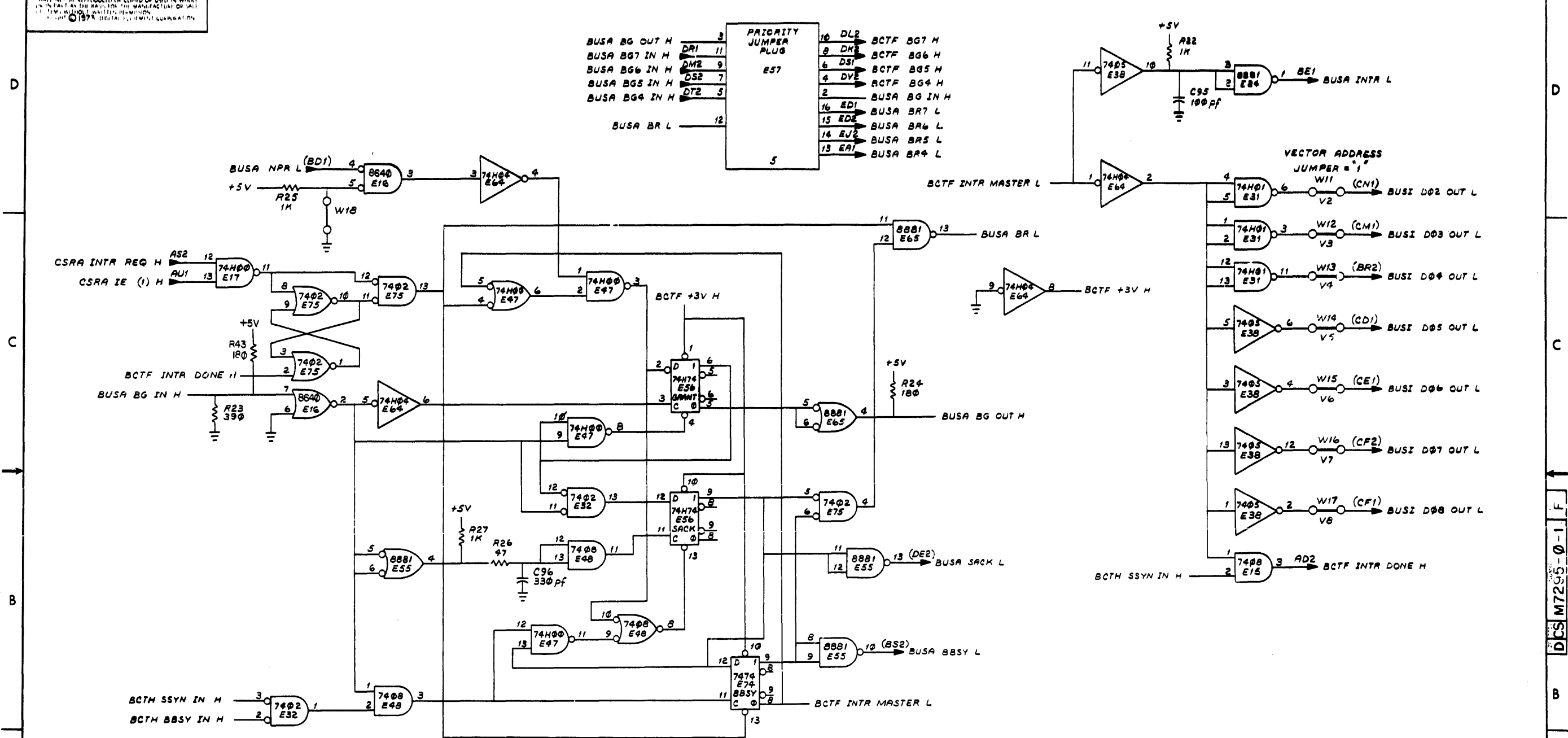


SLOT 02
WORD COUNT REGS. <15:08>

FIRST USED ON OPTION/MODEL	QTY.	DESCRIPTION	PART NO.	ITEM NO.
RHII				
PARTS LIST				
UNLESS OTHERWISE SPECIFIED DIMENSION IN INCHES		DRN. <i>J. Vincent</i>	DATE 1-23-73	
TOLERANCES		CHK'D.	DATE	
DECIMALS	ANGLES	ENG.	DATE	TITLE BUS CNTL MODULE (BCTE)
.XXX ± .005	° 0' 30"	PROJ. ENG.	DATE	
REMOVE BURRS AND BREAK SHARP CORNERS SURFACE QUALITY 1		PROD.	DATE	SIZE CODE D CS M7295-0-1
MATERIAL		NEXT HIGHER ASSY.		
FINISH		SCALE		NUMBER F
		SHEET 6 OF 10	DIST.	

DCS M7295-0-1

THIS DRAWING AND SPECIFICATIONS HEREIN ARE THE PROPERTY OF DIGITAL EQUIPMENT CORPORATION AND SHALL NOT BE REPRODUCED OR COPIED OR USED IN WHOLE OR IN PART IN THE MANUFACTURE OF ANY EQUIPMENT WITHOUT WRITTEN PERMISSION FROM DIGITAL EQUIPMENT CORPORATION.

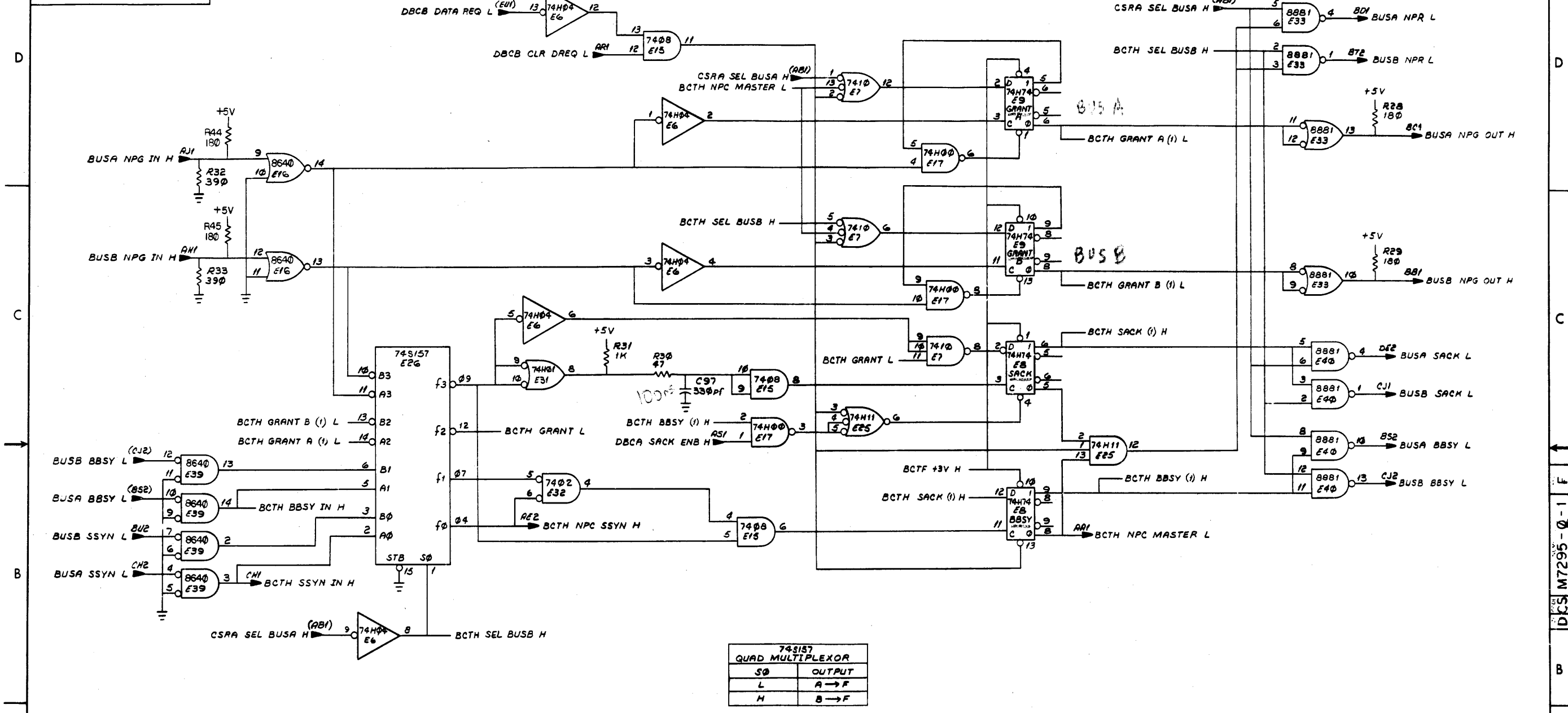


SLOT 02
INTERRUPT CNTL

FIRST USED ON OPTION MODEL	QTY.	DESCRIPTION	PART NO.	ITEM NO.
RH11				
PARTS LIST				
UNLESS OTHERWISE SPECIFIED (1) DIMENSION IN INCHES:		DRN. J. Vincent	DATE 1-24-73	
TOLERANCES		CHK D.	DATE	
DECIMALS	ANGLES	ENG.	DATE	TITLE BUS CNTL MODULE (BCTF)
.xxx .005	.0 30	PROJ. ENG.	DATE	
.xx .02	.1	PROD.	DATE	
REMOVE BURRS AND HRAK W/HAEP CORNERS SURFACE QUALITY Y				
MATERIAL	NEXT HIGHER ASSY.		SIZE CODE	NUMBER
FINISH	SCALE		DCS M7295-0-1	RFV.
	SHEET 7 OF 0		DIST.	F

DCS M7295-0-1 F

THIS DRAWING AND SPECIFICATIONS HEREIN ARE THE PROPERTY OF DIGITAL EQUIPMENT CORPORATION AND SHALL NOT BE REPRODUCED OR LOANED OR USED IN WHOLE OR IN PART AS THE BASIS FOR THE MANUFACTURE OF ANY ITEM, WITHOUT WRITTEN PERMISSION.
 © 1973 DIGITAL EQUIPMENT CORPORATION



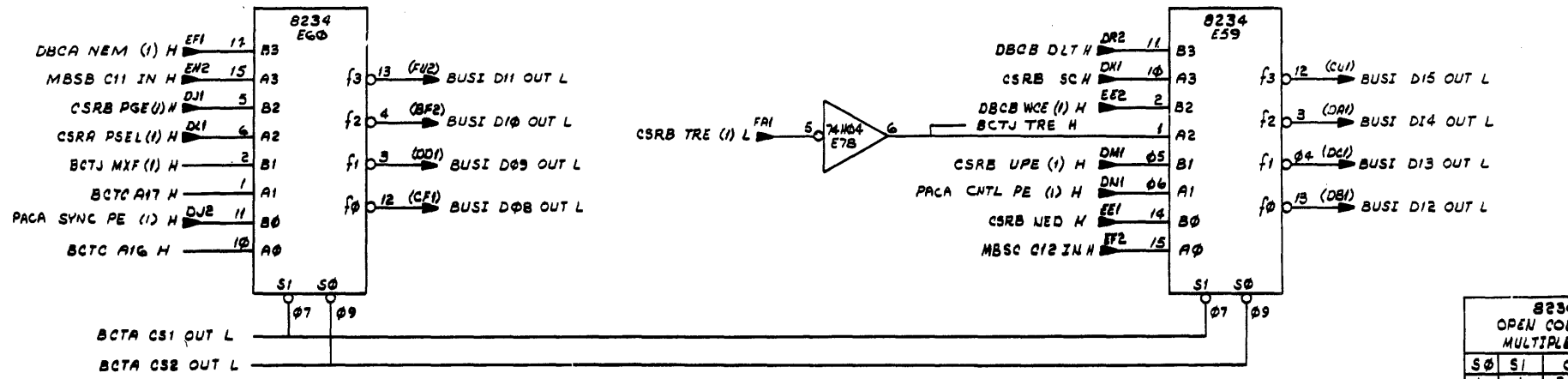
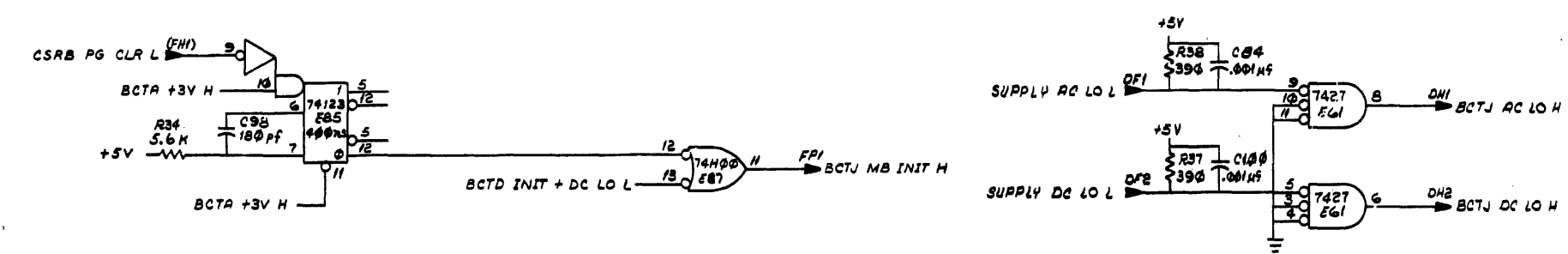
74S157 QUAD MULTIPLEXOR	
S0	OUTPUT
L	A → F
H	B → F

SLOT 02
NPR CNTL

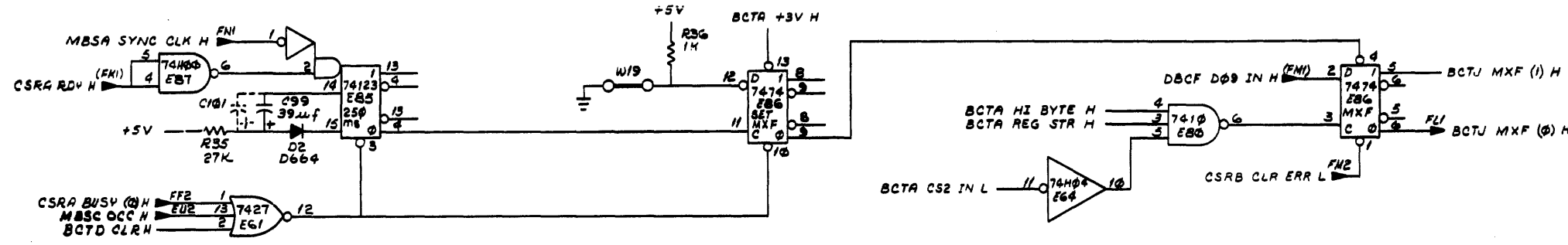
FIRST USED ON OPTION/MODEL	QTY.	DESCRIPTION	PART NO.	ITEM NO.
RH11				
PARTS LIST				
UNLESS OTHERWISE SPECIFIED DIMENSION IN INCHES	DRN. <i>J. Vincent</i>	DATE 1-29-73		
TOLERANCES	CHK'D.	DATE		
DECIMALS ANGLES	ENG.	DATE		
.xxx = .005 .xx = .02	PROJ. ENG.	DATE		
REMOVE BURRS AND BRFAK SHARP CORNERS SURFACE QUALITY 1	PROD.	DATE	TITLE BUS CNTL MODULE (BCTH)	
MATERIAL	NEXT HIGHER ASSY.			
FINISH	SCALE			
	SHEET 8 OF 10	DIST.	SIZE CODE	NUMBER
			DCS	M7295-0-1
				REV. F

DCS M7295-0-1 F

THIS DRAWING AND SPECIFICATIONS HEREIN ARE THE PROPERTY OF DIGITAL EQUIPMENT CORPORATION AND SHALL NOT BE REPRODUCED OR COPIED OR USED IN WHOLE OR IN PART AS THE BASIS FOR THE MANUFACTURE OR SALE OF ITEMS WITHOUT WRITTEN PERMISSION.
 COPYRIGHT © 1973 DIGITAL EQUIPMENT CORPORATION



S0	S1	OUTPUT
L	L	B → f (NOT USED)
L	H	B → f
H	L	A → f
H	H	OFF



SLOT 02
 MXF; DATA OUT MPX; MB INIT

FIRST USED ON OPTION/MODEL	QTY.	DESCRIPTION	PART NO.	ITEM NO.
RH II				
PARTS LIST				
UNLESS OTHERWISE SPECIFIED DIMENSION IN INCHES	DRN. <i>J. Vincent</i>	DATE <i>1-30-73</i>	digital EQUIPMENT CORPORATION MAYNARD MASSACHUSETTS	
TOLERANCES	CHK'D.	DATE		
DECIMALS	ANGLES	ENG.	DATE	TITLE BUS CNTL MODULE (BCTJ)
.XX ± .005	'0 30'	PROJ. ENG.	DATE	
.X ± .02		PROD.	DATE	
REMOVE BURRS AND BREAK SHARP CORNERS SURFACE QUALITY 1				
MATERIAL	NEXT HIGHER ASSY.		SIZE CODE	NUMBER
FINISH	SCALE		DCS	M7295-0-1
	SHEET 9 OF 10		DIST.	REV. F

THE DRAWING AND SPECIFICATIONS HEREIN ARE THE PROPERTY OF DIGITAL EQUIPMENT CORPORATION AND SHALL NOT BE REPRODUCED OR COPIED OR USED IN WHOLE OR IN PART AS THE BASIS FOR THE MANUFACTURE OR SALE OF ITEMS WITHOUT THE WRITTEN PERMISSION OF DIGITAL EQUIPMENT CORPORATION.

REGISTER SELECT PROM - 23040A1 (8223)

OCTAL ADDR	LOC/REM							
	M7	M6	M5	M4	M3	M2	M1	M0
00	L	L	L	L	L	L	L	L
01	H	L	H	L	L	L	H	H
02	H	H	H	L	L	L	L	L
03	H	H	L	L	L	H	L	H
04	H	H	H	L	L	L	H	L
05	H	H	L	L	L	L	L	H
06	H	H	L	L	L	L	H	L
07	L	H	L	L	L	H	L	L
10	H	H	L	L	L	H	H	H
11	H	H	H	L	L	L	L	H
12	H	H	L	L	L	L	H	H
13	H	H	L	L	L	H	H	L
14	H	H	L	L	H	L	L	L
15	H	H	L	L	H	L	L	H
16	H	H	L	L	H	L	H	L
17	H	H	L	L	H	L	H	H
20	H	H	L	L	H	H	L	L
21	H	H	L	L	H	H	L	H
22	H	H	L	L	H	H	H	L
23	H	H	L	L	H	H	H	H
24	H	H	L	H	L	L	L	L
25	H	H	L	H	L	L	L	H
26	H	H	L	H	L	L	H	L
27	H	H	L	H	L	L	H	H
30	H	H	L	H	L	H	L	L
31	H	H	L	H	L	H	L	H
32	H	H	L	H	L	H	H	L
33	H	H	L	H	L	H	H	H
34	H	H	L	H	H	L	L	L
35	H	H	L	H	H	L	L	H
36	H	H	L	H	H	L	H	L
37	H	H	L	H	H	L	H	H

REGISTER SELECTED

RHCS1 & MASSBUS (00)
RHWC
RHBA
MASSBUS (05)
RHCS2
MASSBUS (01)
MASSBUS (02)
MASSBUS (04)
MASSBUS (07)
RHDB
MASSBUS (03)
MASSBUS (06)
MASSBUS (10)
MASSBUS (11)
MASSBUS (12)
MASSBUS (13)
MASSBUS (14)
MASSBUS (15)
MASSBUS (16)
MASSBUS (17)
MASSBUS (20)
MASSBUS (21)
MASSBUS (22)
MASSBUS (23)
MASSBUS (24)
MASSBUS (25)
MASSBUS (26)
MASSBUS (27)
MASSBUS (30)
MASSBUS (31)
MASSBUS (32)
MASSBUS (33)

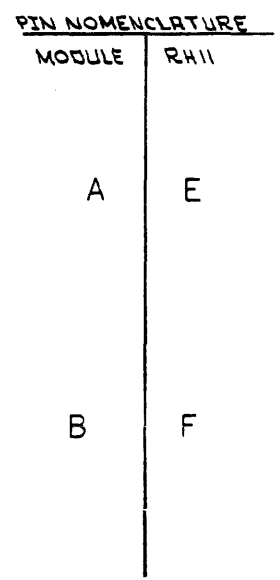
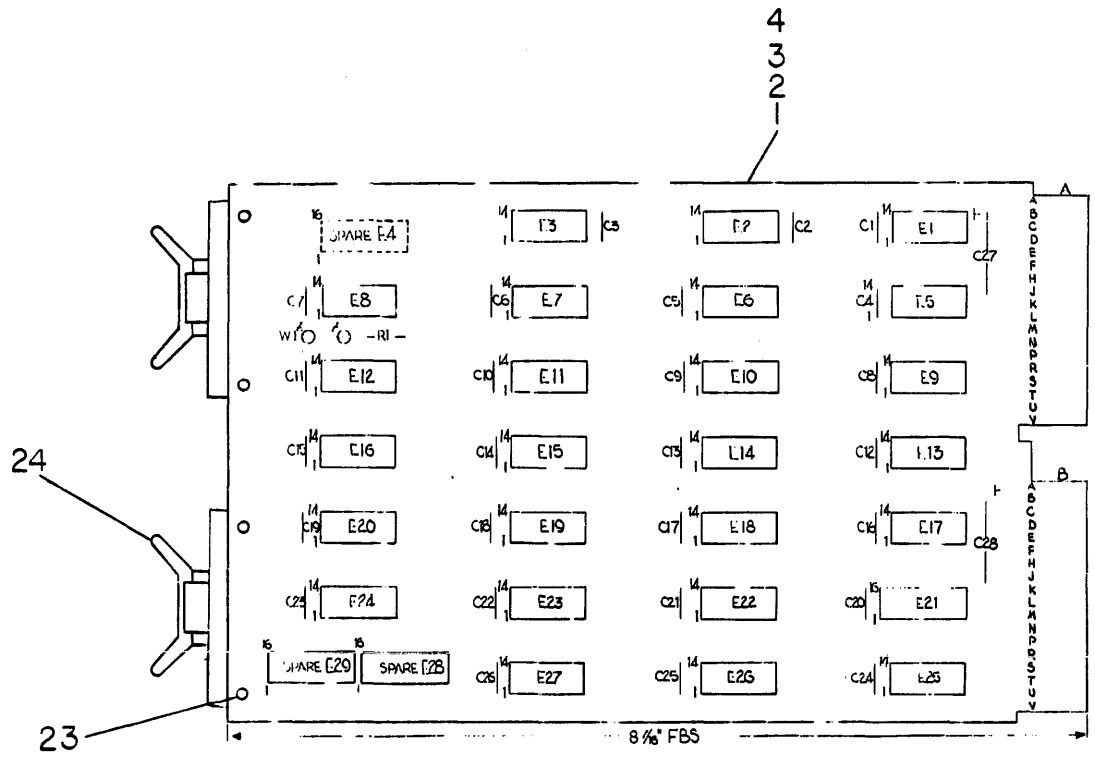
PROM TRUTH TABLE

FIRST USED ON OPTION/MODEL RH11	QTY.	DESCRIPTION	PART NO.	ITEM NO.
PARTS LIST				
UNLESS OTHERWISE SPECIFIED DIMENSION IN INCHES	CHK'D. <i>R. J. [Signature]</i>	DATE <i>22/11/73</i>	digital EQUIPMENT CORPORATION MAYNARD, MASSACHUSETTS	
TOLERANCES	ENG.	DATE		
DECIMALS .xxx = .006 xx = .02 x = .1	ANGLES '0 '30'	PROD. ENG.	TITLE BUS CNTL MODULE (BCTK)	
REMOVE BURRS AND BREAK SHARP CORNERS SURFACE QUALITY Y	PROD.	DATE		
MATERIAL	NEXT HIGHER ASSY.		SIZE CODE	NUMBER
FINISH	SCALE NONE	SHEET 0 OF 10	D C S M7295-0-1	REV. F

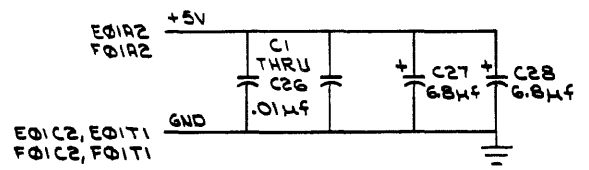
This drawing and specifications, herein, are the property of Digital Equipment Corporation and shall not be reproduced or used in whole or in part as the basis for the manufacture or sale of any product without written permission. COPYRIGHT © 1973

NOTES:
 1. PIN NOTATION THROUGHOUT IS ORDERED UPON MODULE PLACEMENT IN THE RHII. MODULE PIN REFERENCE ALONE IS OBTAINED BY DELETING THE NUMBER (SLOT LOCATION) AFTER THE FIRST LETTER AND CONVERTING THE FIRST LETTER ACCORDING TO THE PIN NOMENCLATURE CHART AT RIGHT.

DIGITAL EQUIP CORP



QTY	REF DESIGNATION	DESCRIPTION	PART NO.	ITEM NO.
2		HANDLE, FLIP CHIP	9008337-6	24
4		EYELET	9006732	13
2		SPLIT LUG	9006735	21
1	E21	IC DEC 74175	1910651	21
2	E8, E11	IC DEC 7408	1910155	20
1	E5	IC DEC 7437	1910091	9
3	E10, E13, E26	IC DEC 74H04	1909931	18
3	E3, E24, E25	IC DEC 74H74	1909667	17
3	E16, E23, E27	IC DEC 74H11	1909267	16
1	E22	IC DEC 74H30	1909054	15
1	E6	IC DEC 74H10	1909057	4
1	E9	IC DEC 74H00	1909056	13
1	E20	IC DEC 7402	1909004	12
1	E19	IC DEC 7420	1905577	11
1	E14	IC DEC 7410	1905576	10
3	E1, E2, E17	IC DEC 7400	1905575	9
4	E12, E15, E7, E18	IC DEC 7474	1905547	8
1	R1	RESISTOR 1K 1/4W 5%	1300365	7
2	C27, C28	CAP 6.8uF 35V 10% TANT	1005306	6
26	C1 THRU C26	CAP .01uF 50V 20% AXIAL GER	1001610	5
1		ETCHED CIRCUIT BOARD	5010429	4
REF		MODULE ECO HISTORY	B-MH-M7296-B-6	3
REF		ASSY/DRILLING HOLE LAYOUT	D-AH-M7296-B-5	2
REF		XY COORDINATE HOLE LOCATION	X-CO-M7296-B-4	1



DEC NO.	IC TYPE	IC PIN LOCATIONS
DEC 74175	8	16
	GND	+5V

GND AND 5V ARE USUALLY PIN 7 AND 14 RESPECTIVELY. EXCEPTIONS ARE STATED ABOVE.

SEMICONDUCTOR CONVERSION CHART

DEC NO.	EIA NO.	DEC NO.	EIA NO.

PARTS LIST

QTY	REF DESIGNATION	DESCRIPTION	PART NO.	ITEM NO.

REVISIONS

CHG	CHANGE NO.	REV	DATE	BY

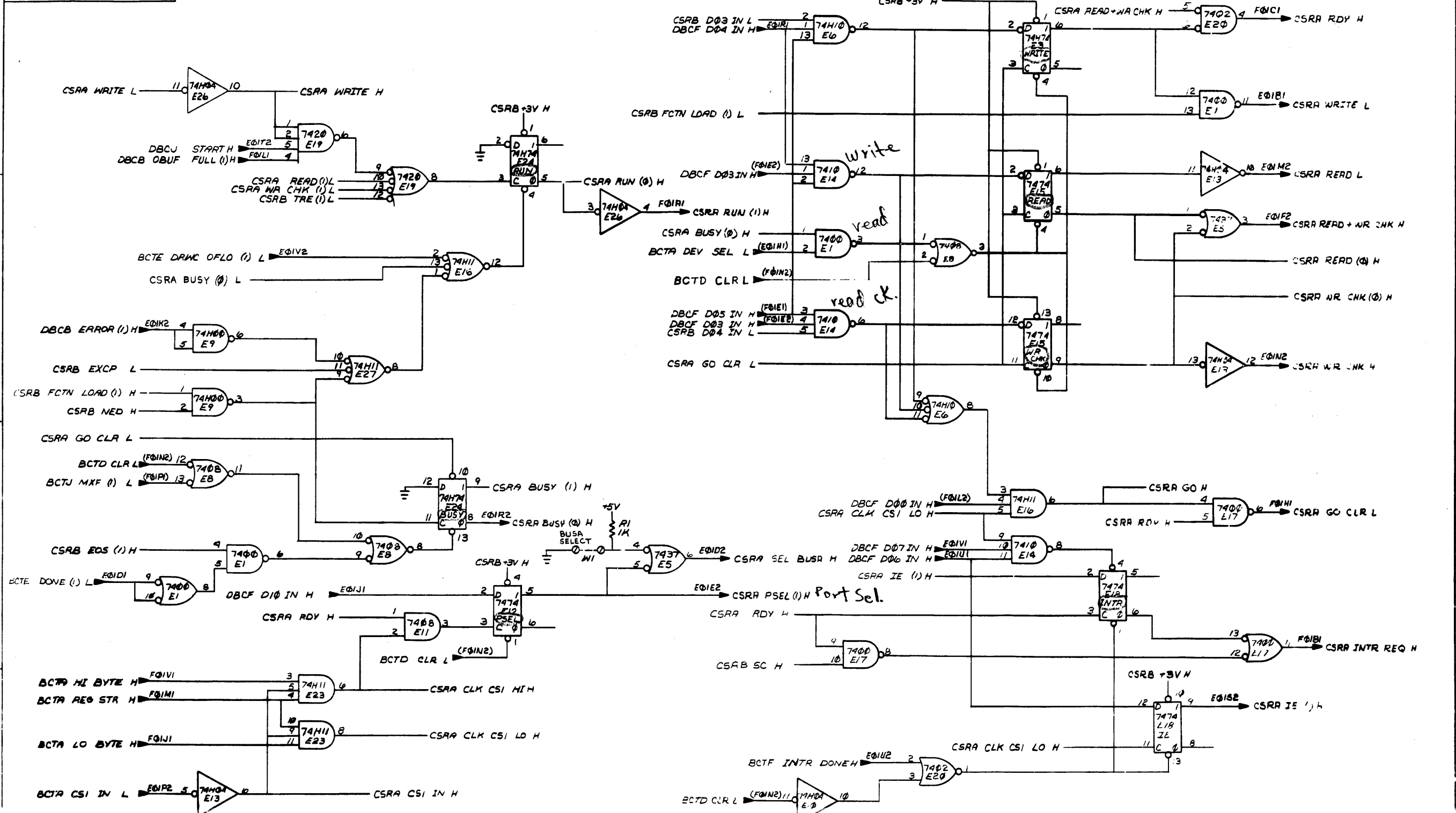
DRN Counter D DATE 3-15-73
CHK'D DATE 4/10/73
ENG DATE 7/26/73
PROJ ENG DATE 7/26/73
PROJ DATE 7/26/73

digital EQUIPMENT CORPORATION
 WATYARD MASSACHUSETTS

CONTROL & STATUS REGS (CSR)

SCALE NONE
 SHEET OF 3
 DCS M7296-0-1

THIS DRAWING AND SPECIFICATIONS, HEREIN, ARE THE PROPERTY OF DIGITAL EQUIPMENT CORPORATION AND SHALL NOT BE REPRODUCED OR COPIED OR USED IN WHOLE OR IN PART AS THE BASIS FOR THE MANUFACTURE OR SALE OF ITEMS WITHOUT WRITTEN PERMISSION. COPYRIGHT © 1973, DIGITAL EQUIPMENT CORPORATION.

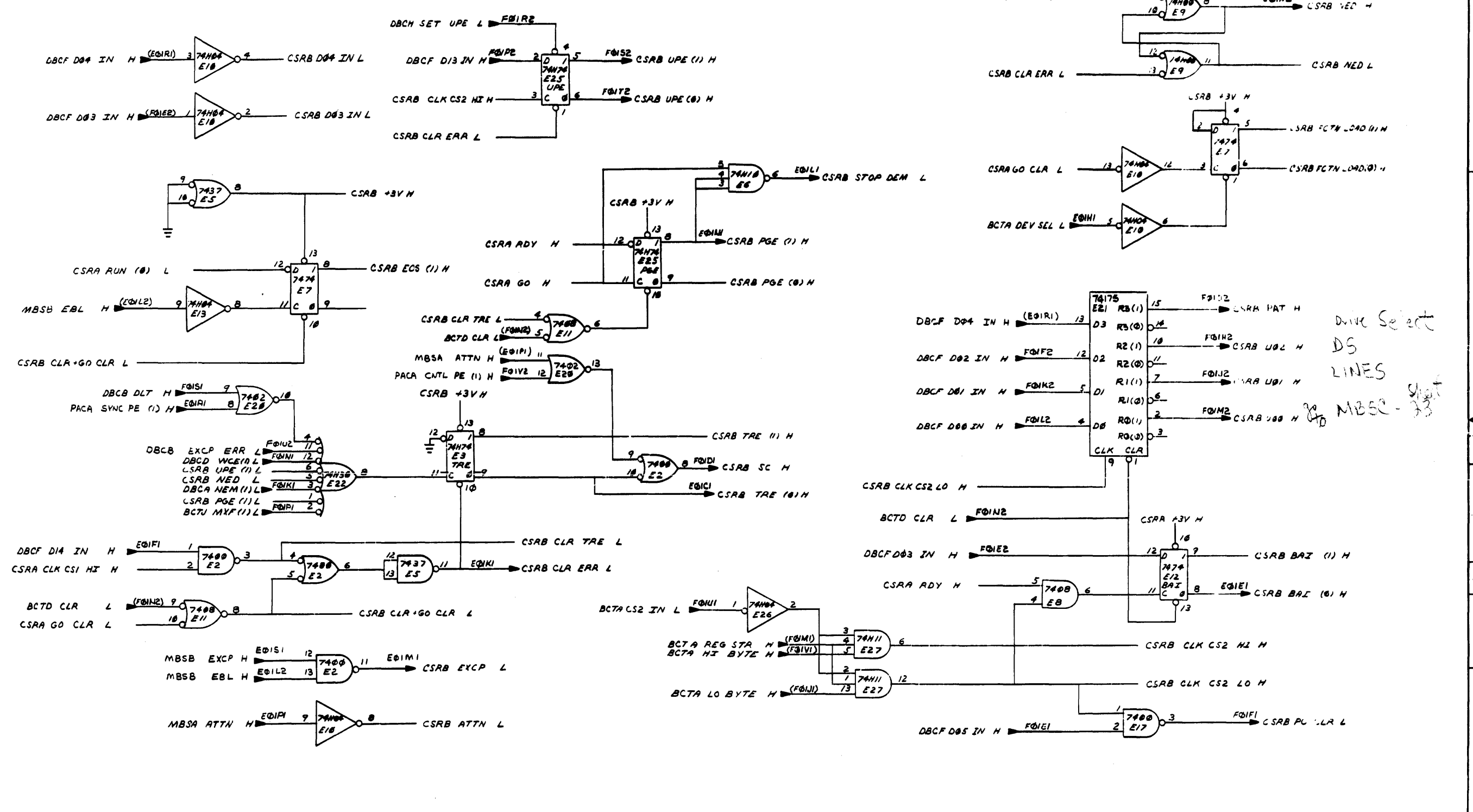


REVISIONS		
HK	CHANGE NO	REV

TITLE	CONTROL & STATUS REGS (CSRA)	SIZE CODE	D CS	NUMBER	M7296-0-1	REV.	3
SCALE	NONE	SHEET	2 OF 3	DIST.			

D
 C
 B
 A
 CSRA
 10
 DCS 17296-0-1

"THIS DRAWING AND SPECIFICATIONS HEREIN ARE THE PROPERTY OF DIGITAL EQUIPMENT CORPORATION AND SHALL NOT BE REPRODUCED OR COPIED OR USED IN WHOLE OR IN PART AS THE BASIS FOR THE MANUFACTURE OR SALE OF ITEMS WITHOUT WRITTEN PERMISSION. COPYRIGHT © 1973 DIGITAL EQUIPMENT CORPORATION"

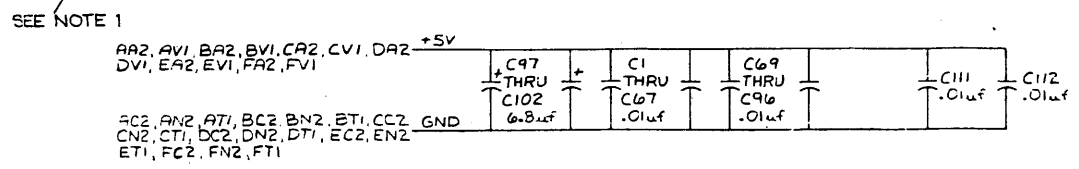
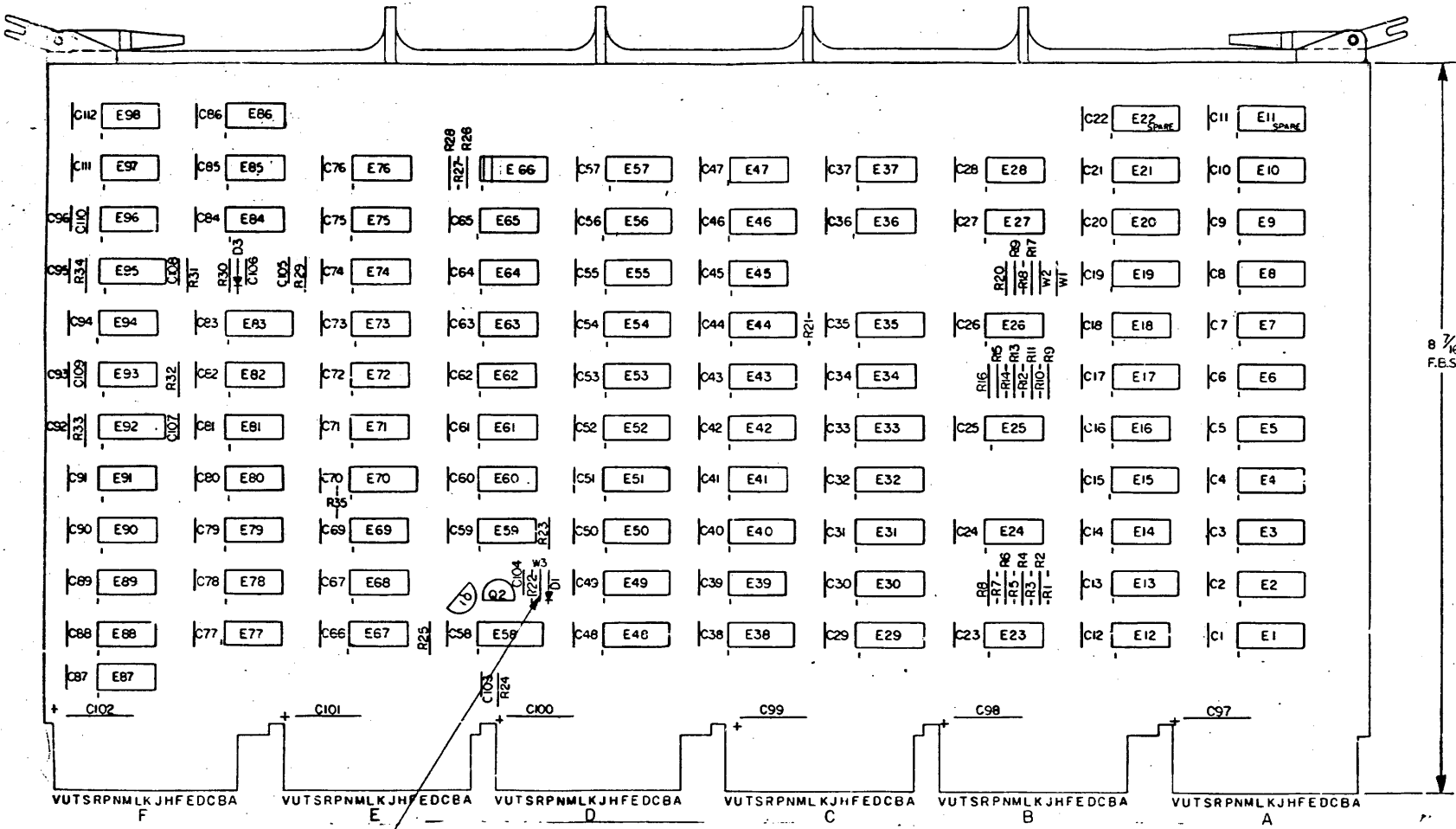


REVISIONS		
CHK	CHANGE NO	REV

Drive Select DS LINES MBSC-33

THIS DRAWING AND SPECIFICATIONS, HEREON, ARE THE PROPERTY OF Digital Equipment Corporation and shall not be reproduced or copied or used in whole or in part without the express written permission of Digital Equipment Corporation. COPYRIGHT © 1973 DIGITAL EQUIP. CORP.

NOTES:
 1. V3 SHOULD NOT BE REMOVED FOR ANY PURPOSE.



DEC	QTY	REV
DEC 8234	8	16
DEC 8341	8	16
DEC 8641	8	16
DEC 7457	8	16
DEC 7474	8	16
DEC 74123	8	16
IC TYPE	GND	+5V

GND AND 5V ARE USUALLY PIN 7 AND 14 RESPECTIVELY. EXCEPTIONS ARE STATED ABOVE.

IC PIN LOCATIONS

CHK	CHANGE NO.	REV
1	1	1
2	2	2
3	3	3
4	4	4
5	5	5
6	6	6
7	7	7
8	8	8
9	9	9
10	10	10
11	11	11
12	12	12
13	13	13
14	14	14
15	15	15
16	16	16
17	17	17
18	18	18
19	19	19
20	20	20
21	21	21
22	22	22
23	23	23
24	24	24
25	25	25
26	26	26
27	27	27
28	28	28
29	29	29
30	30	30
31	31	31
32	32	32
33	33	33
34	34	34
35	35	35
36	36	36
37	37	37
38	38	38
39	39	39
40	40	40
41	41	41
42	42	42
43	43	43
44	44	44
45	45	45
46	46	46
47	47	47
48	48	48
49	49	49
50	50	50
51	51	51
52	52	52

REF	QTY	REF DESIGNATION	DESCRIPTION	PART NO.	ITEM NO.
REF			X-Y COORDINATE HOLE LOCATION	K-CO-47294-B-4	
REF			ASSY/DRILLING HOLE LAYOUT	D-44-47294-B-4	2
REF			MODULE ECO HISTORY	8-44-47294-B-4	3
1			ETCHED CIRCUIT BOARD	5010427	4
1	C105		CAP 33 PF 5% 100V DM	1000010	5
1	C103		CAP 56 PF 5% 100V DM	1000012	6
2	C108, C109		CAP 62 PF 5% 100V DM	1000013	7
1	C107		CAP 220 PF 5% 100V DM	1000021	8
98	C1 THRU C57, C59 THRU C58, C104		CAP .01 UF 20% 100V DISC	1081610-00	9
1	C106		CAP 2400 PF 5% 100V DM	1081638	10
1	C110		CAP 15 PF 5% 100V DM	1002427	11
6	C97 THRU C102		CAP 8 1/2 UF 10% 35V TANT	1003308	12
1	D3		DIODE DB84	1100114	13
1	D1		DIODE ZENER 1W9648	11C9968	14
23	R1 THRU R17, R20, R21, R23, R26, R27, R28		RES 1K 5% 1/4W	1300385	15
2	R22, R30		RES 15K 5% 1/4W	1300486	16
2	R18, R19		RES 750 5% 1/4W	1301481	17
3	R24, R25, R29, R31 THRU R35		RES 5 1/2K 5% 1/4W	1381674	18
1	Q2		TRANS 2N3906	1509525	19
1	Q1		TRANS 2N5459	1509374	20
1	B88		I.C. COMPONENT CARRIER	1211323	21
1	E73		I.C. DEC 7474	1908547	22
1	E79		I.C. DEC 7410	1908576	23
2	E76, E77		I.C. DEC 74H50	1909060	24
2	E87, E88		I.C. DEC 74H53	1909062	25
3	E71, E78, E89		I.C. DEC 7402	1888004	26
4	E27, E75, E96, E98		I.C. DEC 74H00	1300958	27
2	E94, E97		I.C. DEC 74H10	1908887	28
2	E90, E92		I.C. DEC 74H30	1909058	29
3	E88, E28, E94		I.C. DEC 74H11	1300827	30
6	E36, E37, E80, E81, E85, E87		I.C. DEC 74H74	1908867	31
5	E12, E14, E16, E18, E20		I.C. DEC 8001	1908788	32
5	E34, E38, E41, E45, E47		I.C. DEC 8242	1908712	33
8	E23 THRU E28, E31, E74, E82, E91		I.C. DEC 74H04	1300631	34
2	E54, E85		I.C. DEC 74197	1910035	35
1	E83		I.C. DEC 7437	1910081	36
2	E80, E90		I.C. DEC 7408	1910155	37
5	E58, E70, E83, E92, E95		I.C. DEC 74123	1910436	38
6	E38, E42, E44, E50, E53, E56		I.C. DEC 74174	1910852	39
11	E2, E4, E6, E8, E10, E21, E43, E48, E51, E55, E57		I.C. DEC 74157	1910655	40
10	E1, E3, E5, E7, E9, E13, E15, E17, E19, E20		I.C. DEC 8641	1911579	41
6	E29, THRU E33, E36		I.C. DEC 8234	1911315	42
5	E40, E46, E48, E52, E54		I.C. DEC 3341	2111188	43
1			HANDLE MODULE	1210711-2	44
12			EYELET	9088732	45
1	E72		IC DEC 74500	1910532	46
1	E69		IC DEC 74564	1910542	47
1	E93		IC DEC 74574	1910544	48
			TRANSISTOR CARRIER	3008087	49
			PERM BOND ELEMENT	3008137	50
3	W1, W2, W3		JUMPER, INSULATED	9009185	51
2	(SEE E66)		JUMPER, WIRE	9107560-01	52

FIRST USED IN OPTION MODEL

RH11

ETCH BOARD REV C

DRN	DATE
P. Counter	7/27/73
CHK	DATE
P. Jenkins	2-2-73
ENG	DATE
P. Jenkins	7-7-73
PROJ. ENG	DATE
P. Jenkins	7-7-73
PROD. MGR	DATE
P. Jenkins	7-7-73

NEXT HIGHER ASSY

SCALE NONE

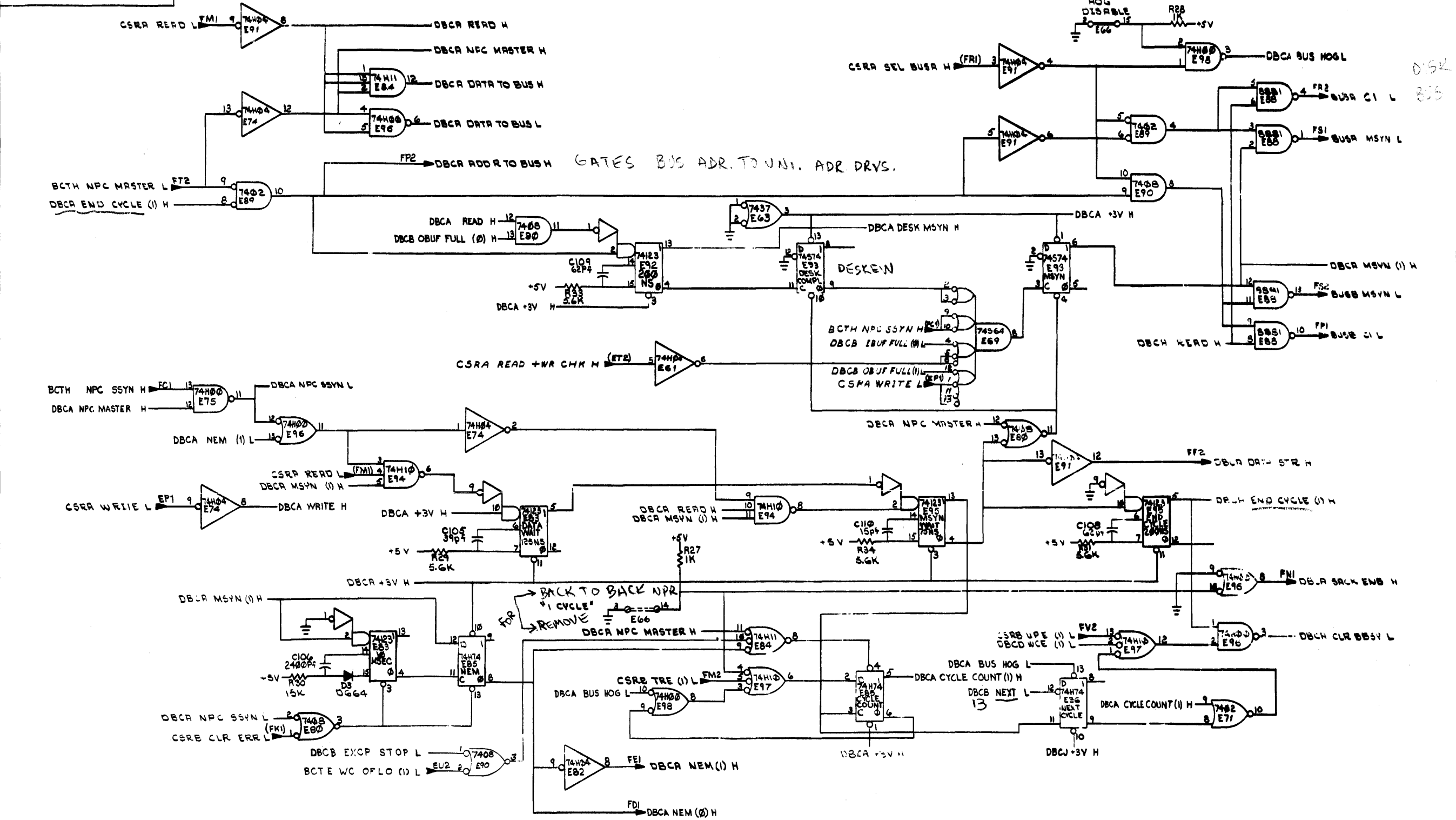
SHEET 1 OF 9

SEMICONDUCTOR CONVERSION CHART

DEC NO. EIA NO. DEC NO. EIA NO.

SIZE CODE DIST. NUMBER M7294-0-1 REV. J

THIS DRAWING AND SPECIFICATIONS HEREIN ARE THE PROPERTY OF DIGITAL EQUIPMENT CORPORATION AND SHALL NOT BE REPRODUCED OR COPIED OR USED IN WHOLE OR IN PART WITHOUT THE WRITTEN PERMISSION OF DIGITAL EQUIPMENT CORPORATION.



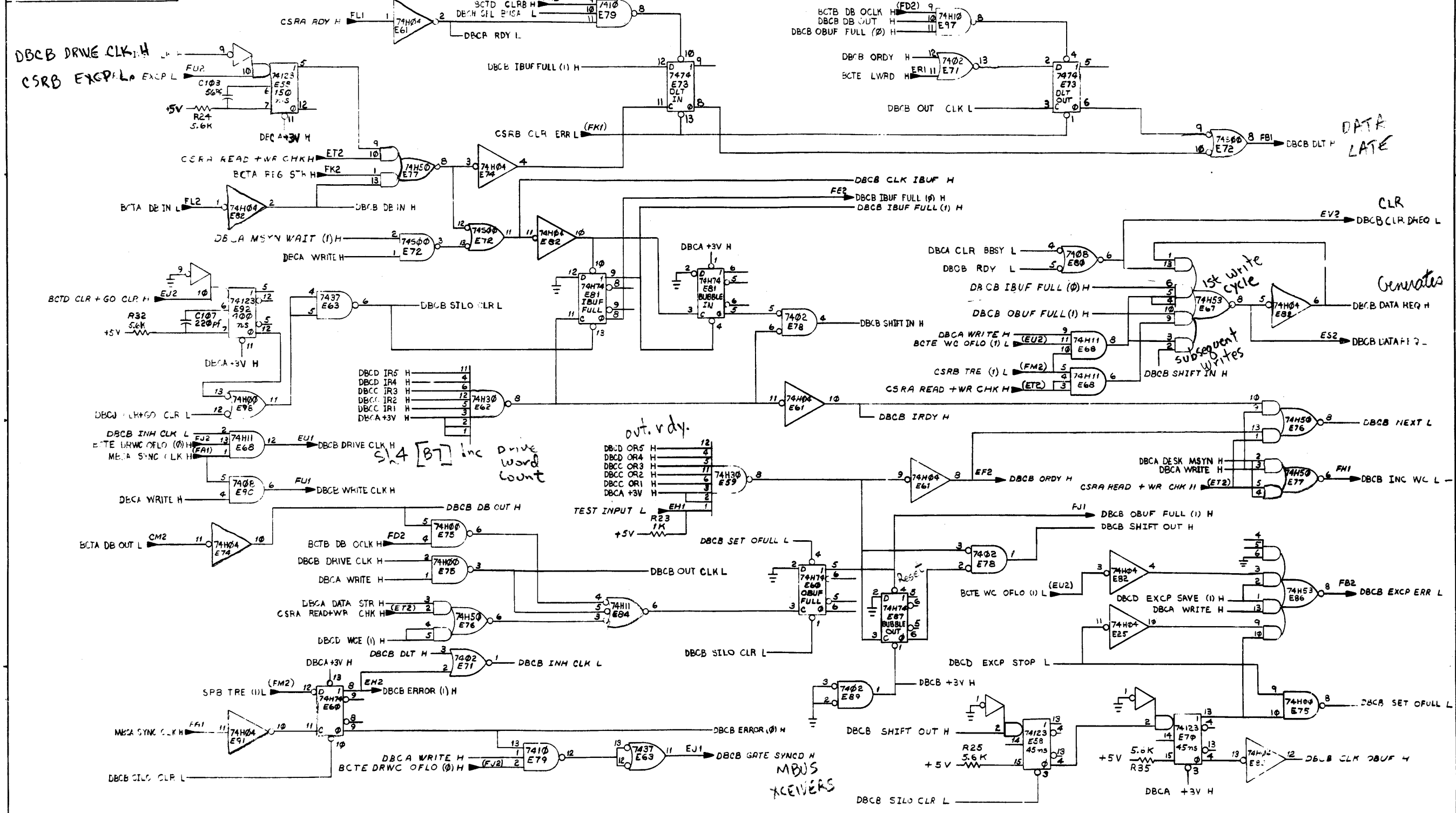
DISK BUS

12

CHK	CHANGE NO	REV

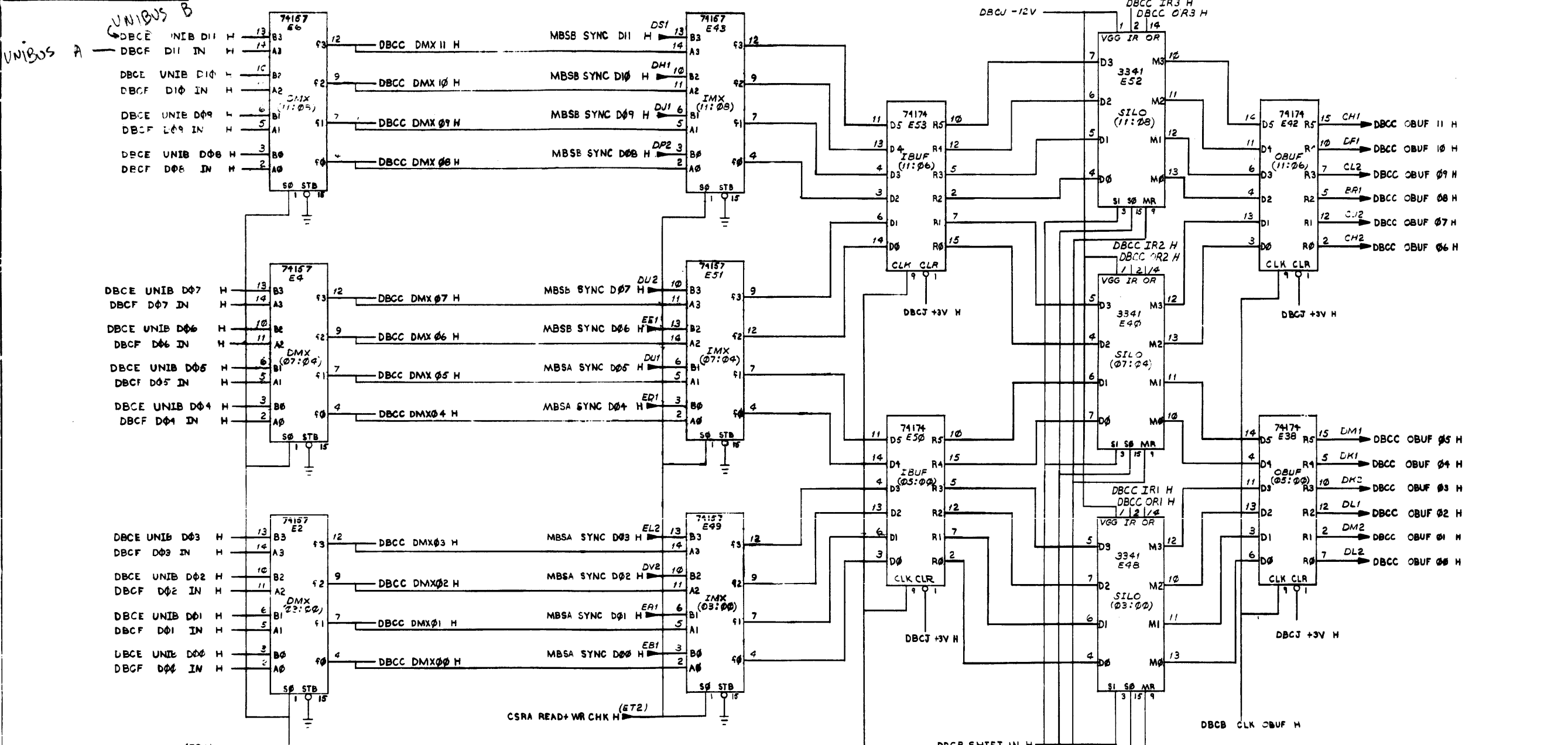
SLOT 03		NPR CNTL LOGIC	
TITLE	DATA BUFFER & CONTROL (DECA)	SIZE/CODE	NUMBER
		DCS	M7294-2-1
SCALE	NONE	SHEET	2 OF 9
		DIST.	

THIS DRAWING AND SPECIFICATION HEREIN ARE THE PROPERTY OF DIGITAL EQUIPMENT CORPORATION AND ARE TO BE KEPT CONFIDENTIAL AND NOT TO BE REPRODUCED OR COPIED OR USED IN WHOLE OR IN PART AS THE BASIS FOR THE MANUFACTURE OF ANY EQUIPMENT WITHOUT THE WRITTEN CONSENT OF DIGITAL EQUIPMENT CORPORATION.



DATA LATE
CLR
Generates NPR cycle
[D6]
SH 12 [A3]
TO 4 [B5]
silo timing controls
DBCB
13

THE DRAWING AND SPECIFICATIONS HEREIN ARE THE PROPERTY OF DIGITAL EQUIPMENT CORPORATION AND SHALL NOT BE REPRODUCED, COPIED OR USED IN WHOLE OR IN PART, IN THE MANUFACTURE OF ANY EQUIPMENT WITHOUT WRITTEN PERMISSION OF DIGITAL EQUIPMENT CORPORATION.



74157 QUAD MULTIPLEXER	
S0	OUTPUT
L	A → F
H	B → F

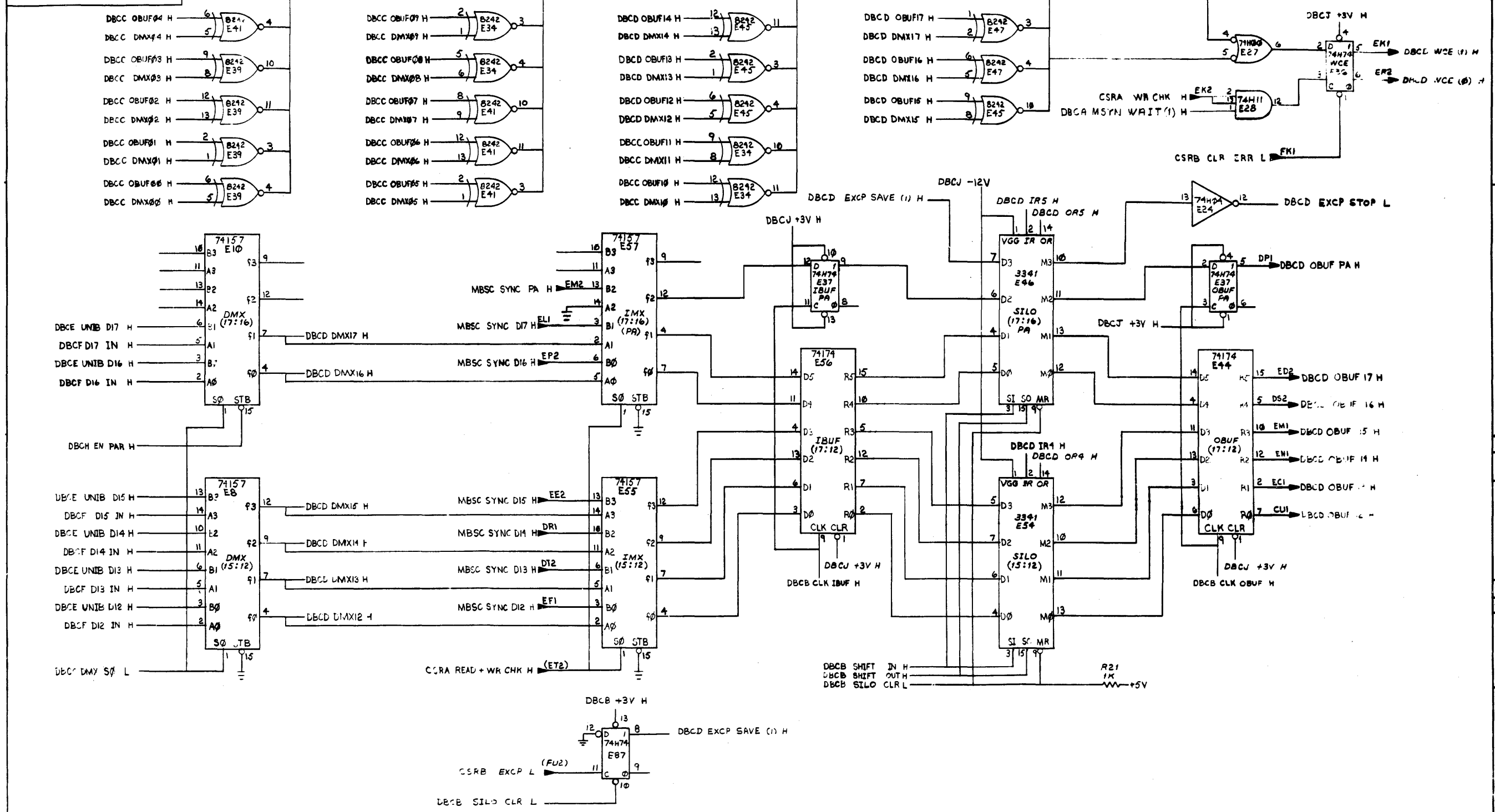
CSRA SEL BUSA (F1) 11
 BCTH NPG MASTER L (F2) 12
 DBCC DMX S0 L

REVISION		
CHK	CHANGE NO.	REV.

SLJT 03
 SILO DATA PATH <11:00>
 TITLE DATA BUFFER & CONTROL (DBCC)
 SIZE CODE DCS NUMBER M7294-0-1 REV. J
 SCALE NONE SHEET 4 OF 9 DIST.

DBCC
 14

ALL DRAWING AND SPECIFICATIONS HEREIN ARE THE PROPERTY OF DIGITAL EQUIPMENT CORPORATION AND SHALL NOT BE REPRODUCED OR COPIED OR USED IN WHOLE OR IN PART AS THE BASIS FOR THE MANUFACTURE OR SALE OF ITEMS WITHOUT WRITTEN PERMISSION. COPYRIGHT © 1972 DIGITAL EQUIPMENT CORPORATION.



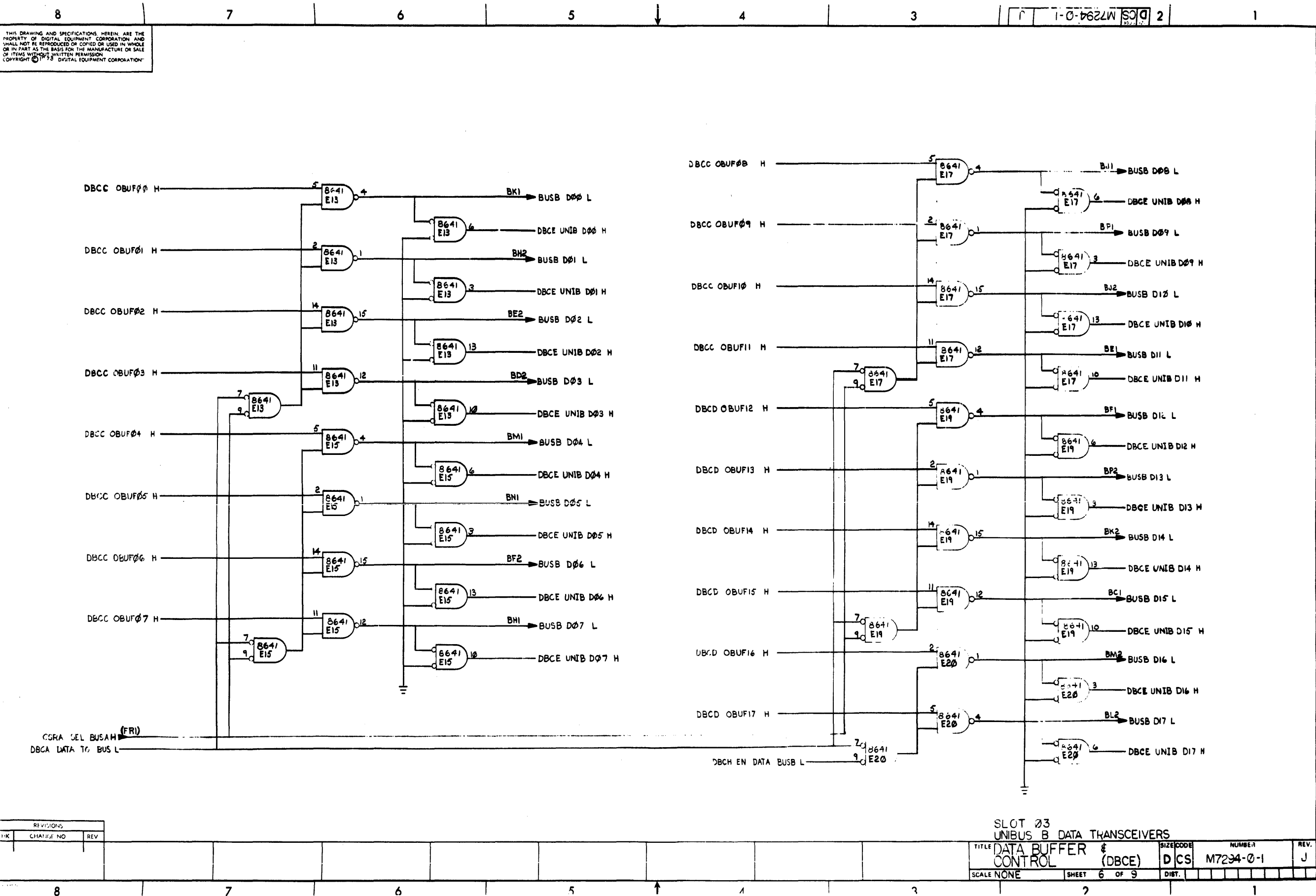
REVISIONS		
NO.	CHANGE NO.	REV.

8	7	6	5	4	3	2	1
---	---	---	---	---	---	---	---

SLIT 03		SILO DATA PATH <17:12> & WRITE CHECK	
TITLE DATA BUFFER & CONTROL (DBCD)		SIZE CODE DCS	NUMBER M7294-0-1
SCALE NONE	SHEET 5 OF 9	DIST.	REV. J

15

THIS DRAWING AND SPECIFICATIONS HEREIN ARE THE PROPERTY OF DIGITAL EQUIPMENT CORPORATION AND SHALL NOT BE REPRODUCED OR COPIED OR USED IN WHOLE OR IN PART AS THE BASIS FOR THE MANUFACTURE OR SALE OF ITEMS WITHOUT WRITTEN PERMISSION. COPYRIGHT © 1975 DIGITAL EQUIPMENT CORPORATION.

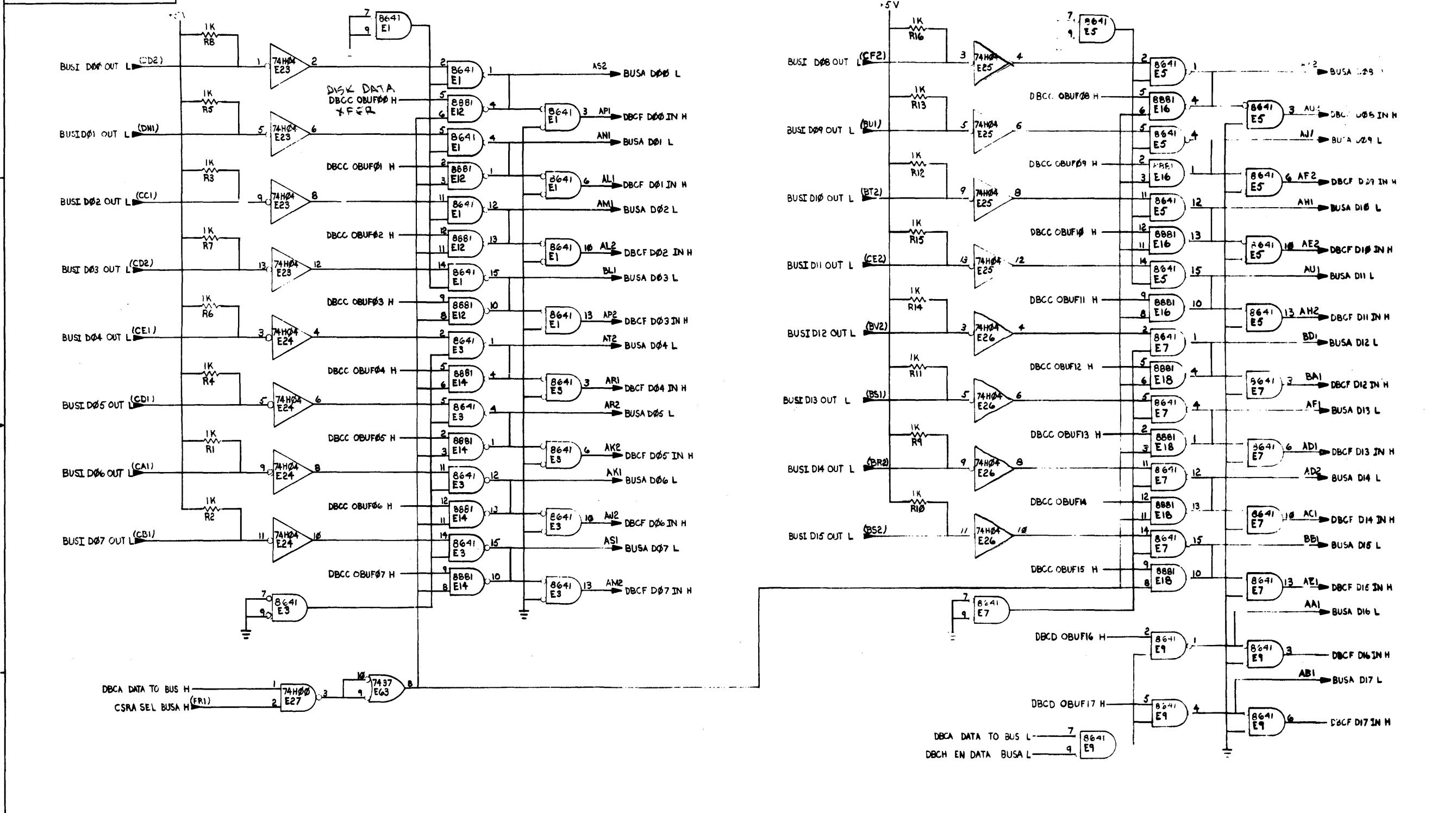


REV. J		M7294-0-1		D CS		SLOT 23 UNIBUS B DATA TRANSCEIVERS	
TITLE DATA BUFFER & CONTROL (DBCE)				SIZE CODE D CS		NUMBER M7294-0-1	
SCALE NONE				SHEET 6 OF 9		REV. J	

REVISIONS		
CHK	CHANGE NO	REV

1800

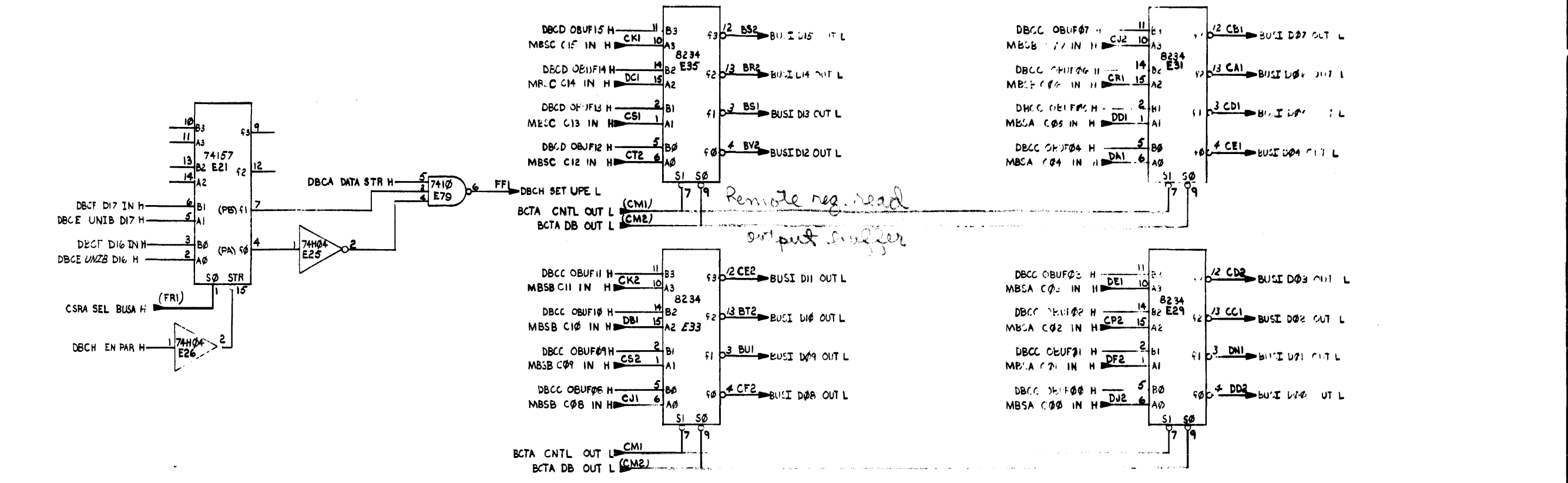
THIS DRAWING AND SPECIFICATIONS HEREIN ARE THE PROPERTY OF DIGITAL EQUIPMENT CORPORATION AND SHALL NOT BE REPRODUCED OR COPIED OR USED IN WHOLE OR IN PART AS THE BASIS FOR THE MANUFACTURE OR SALE OF ITEMS WITHOUT WRITTEN PERMISSION. COPYRIGHT © 1972 DIGITAL EQUIPMENT CORPORATION



REVISIONS		
CHK	CHANGE NO	REV

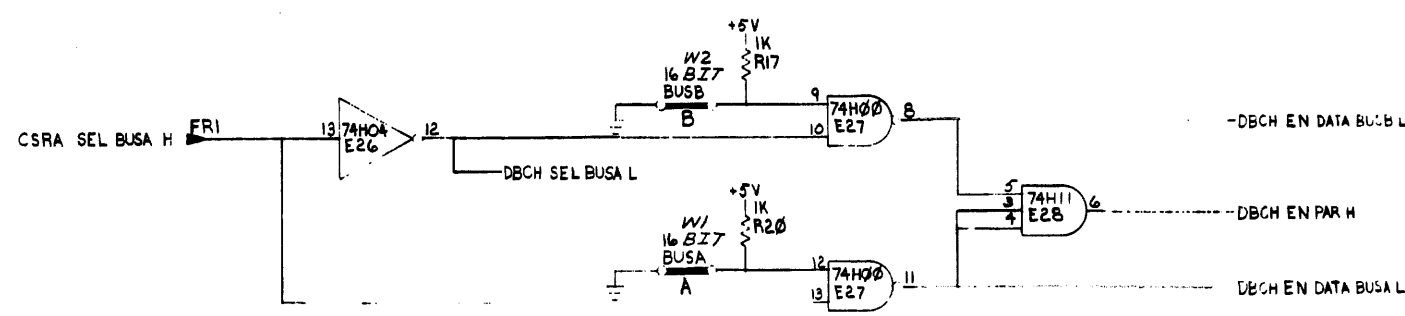
SLOT 03		UNIBUS A DATA TRANSCEIVERS	
TITLE DATA BUFFER & CONTROL (DBCF)		SIZE CODE DCS	NUMBER M7294-01
SCALE NONE	SHEET 7	OF 9	DIST. J

THIS DRAWING AND SPECIFICATIONS HEREIN ARE THE PROPERTY OF DIGITAL EQUIPMENT CORPORATION AND SHALL NOT BE REPRODUCED OR COPIED OR USED IN WHOLE OR IN PART AS THE BASIS FOR THE MANUFACTURE OR SALE OF ITEMS WITHOUT WRITTEN PERMISSION. COPYRIGHT © 1973 DIGITAL EQUIPMENT CORPORATION



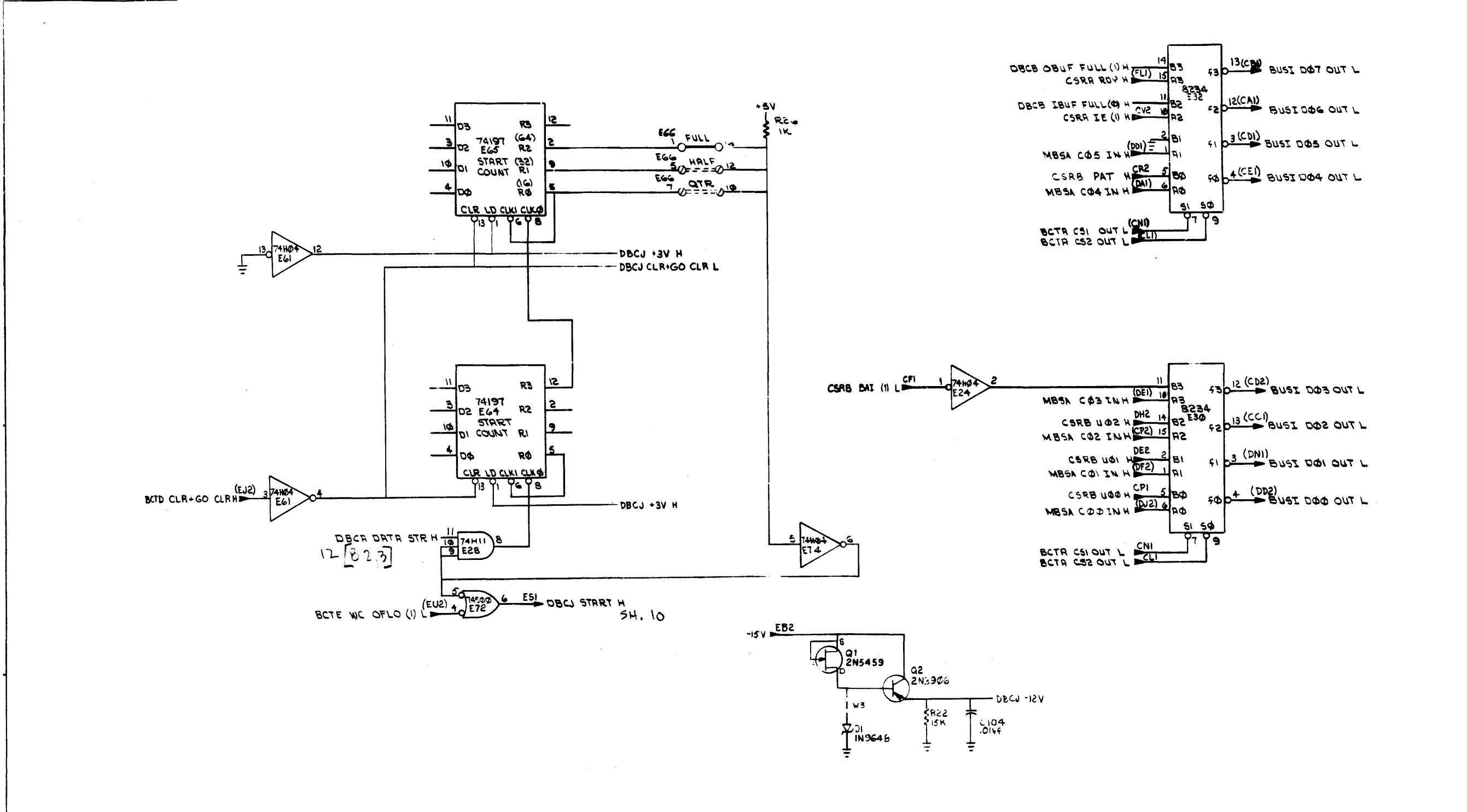
Remote reg. read
 output buffer

8234 OPEN COLLECTOR MULTIPLEXOR		
S0	S1	OUTPUT
L	L	B → F (NOT USED)
L	H	E → F
H	L	A → F
H	H	D → F



REV.	CHANGE NO.	REV.

THIS DRAWING AND SPECIFICATIONS HEREIN ARE THE PROPERTY OF DIGITAL EQUIPMENT CORPORATION AND SHALL NOT BE REPRODUCED, COPIED OR USED IN WHOLE OR IN PART AS THE BASIS FOR THE MANUFACTURE OR SALE OF ANY EQUIPMENT WITHOUT WRITTEN PERMISSION FROM DIGITAL EQUIPMENT CORPORATION



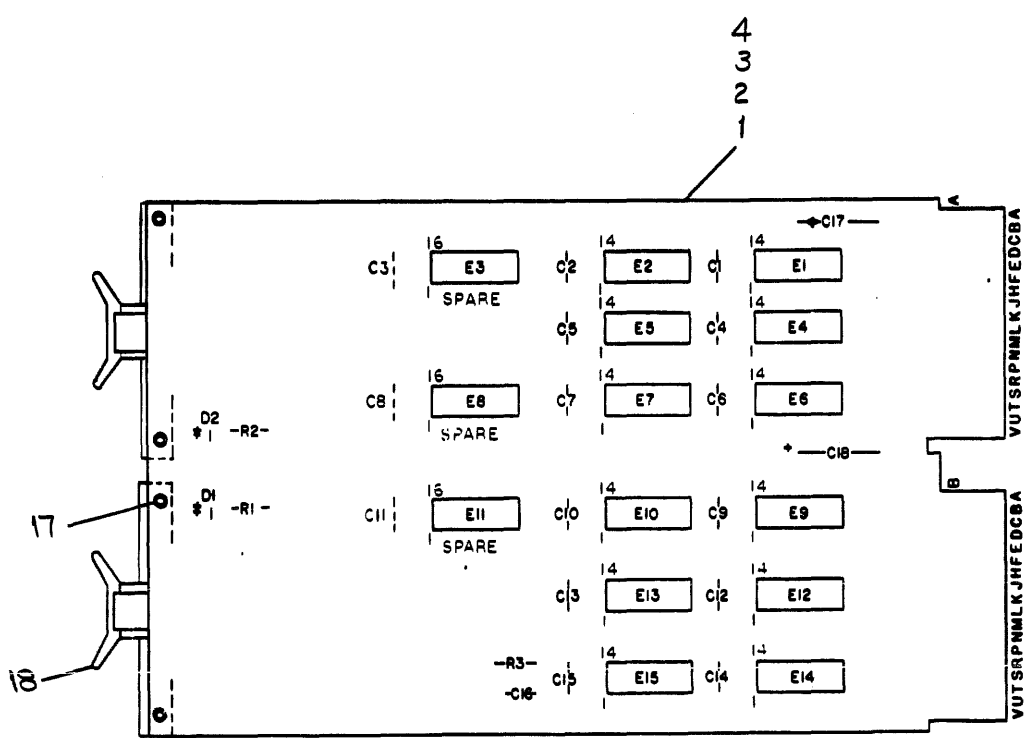
REV. NO.	CHANGE NO.

SLOT 03
START CNTL & DATA OUT MPXS
TITLE DATA BUFFER CONTROL (DECJ)
SCALE NONE SHEET 3 OF 9 DIST. NUMBER DCSM7294-0-1 REV. J

DEC 7
19

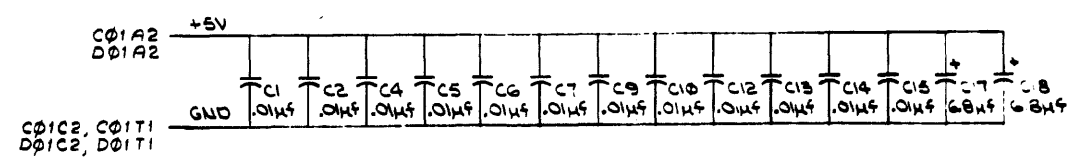
This drawing and specifications, herein, are the property of Digital Equipment Corporation and shall not be reproduced or copied or used in whole or in part as the basis for the manufacture or sale of items without written permission. COPYRIGHT © 1973 DIGITAL EQUIP. CORP.

NOTES:
 1. PIN NOTATION THROUGHOUT IS ORDERED UPON MODULE PLACEMENT IN THE RH11. MODULE PIN REFERENCE ALONE IS OBTAINED BY DELETING THE NUMBER (SLOT LOCATION) AFTER THE FIRST LETTER AND CONVERTING THE FIRST LETTER ACCORDING TO THE PIN NOMENCLATURE CHART AT RIGHT.
 2. C3, C8, C11, E3, E8 & E11 ARE SPARE COMPONENT SLOTS.



PIN NOMENCLATURE

MODULE	RH11
A	C
B	D



REF	X-Y COORDINATE	HOLE LOCATION	K-CD-MT297-B-4	1
REF	R554/DRILLING	HOLE LAYOUT	D-RM-MT297-D-3	2
REF	MODULE ECO HISTORY		D-MH-MT297-D-6	3
1	ETCHED CIRCUIT BOARD		3010504	4
12	C1, C3, C4, C5, C6, C7, C9, C10, C12, C13, C14, C15	CAP .01uF, 20%, 50V DISC	1001610-00	5
1	C16	CAP .27uF, 5%, 100V MICA	1001759	6
2	C17, C18	CAP 6.8uF, 10%, 55V S.TANT	1005306	7
2	D1, D2	DIODE LED	1110864	8
1	R3	RES. 1K, 5%, 1/4W	1360365	9
2	R1, R2	RES. 390, 5%, 1/4W	1300309	10
1	E7	IC DEC 74H08	1909056	11
1	E5	IC DEC 74H10	1909057	12
1	E10	IC DEC 74H74	1909667	13
1	E15	IC DEC 8081	1909705	14
1	E13	IC DEC 74H04	1909931	15
7	E1, E2, E4, E6, E9, E12, E14	IC DEC 74180	1910724	16
4		EYELET	9006732	17
2		HANDLE, FLIP-CHIP (MAGENTA)	9008537-G	18

IC TYPE	GND	+5V

GND AND 5V ARE USUALLY PIN 7 AND 14 RESPECTIVELY. EXCEPTIONS ARE STATED ABOVE.

FIRST USED ON OPTION MODEL: RH11

ETCH BOARD REV: B

DATE: 7/20/73

DESIGNED BY: J.S. JENSEN

CHECKED BY: J.S. JENSEN

DATE: 7/20/73

DRAWN BY: J.S. JENSEN

DATE: 7/20/73

PROD. ENG. BY: J.S. JENSEN

DATE: 7/20/73

PREP. BY: J.S. JENSEN

DATE: 7/20/73

TITLE: PARITY CONTROL (PAC)

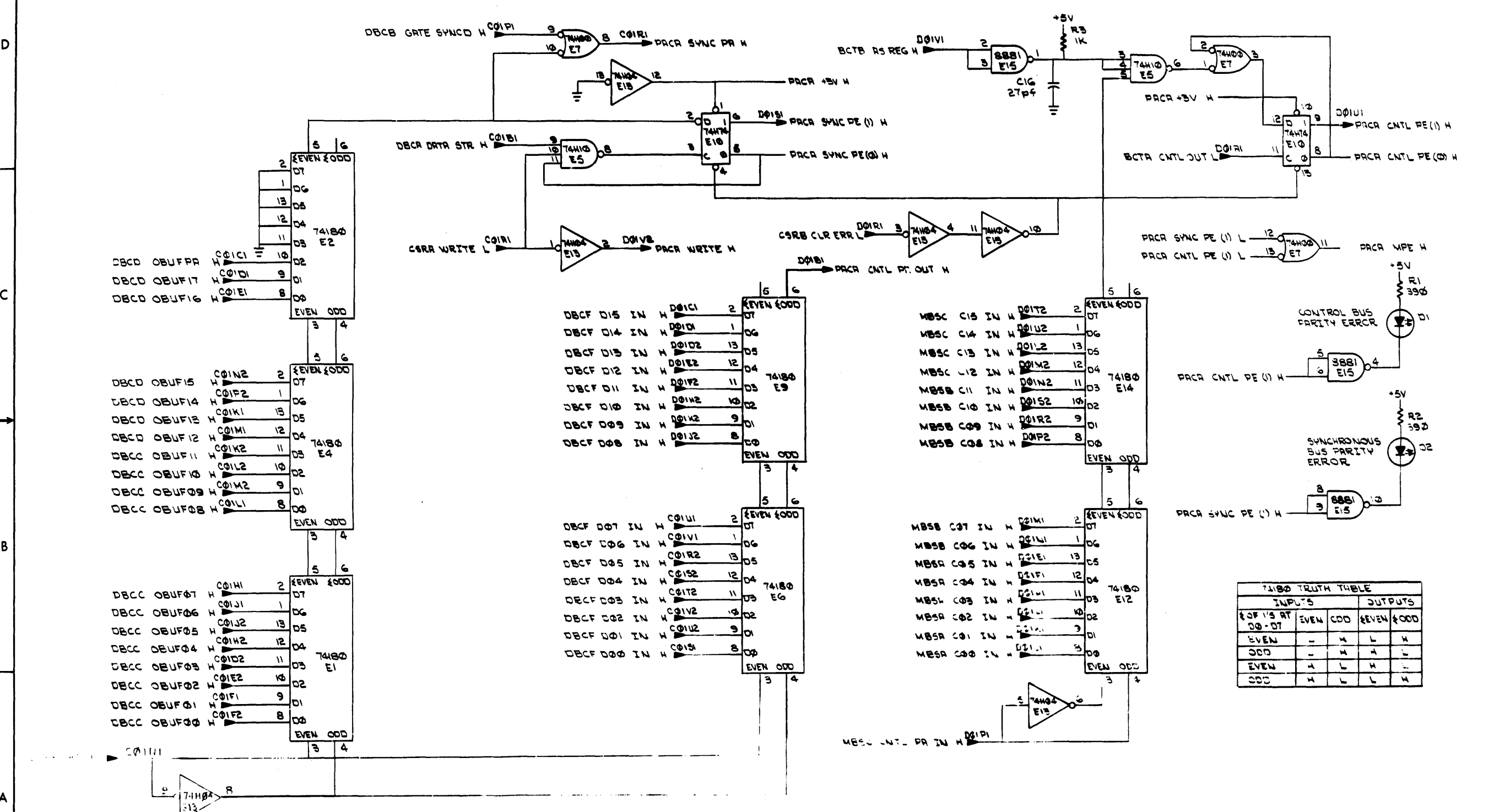
SCALE: NONE

SHEET: 2 OF 2

DIST.:

DCS M 7297-0-1

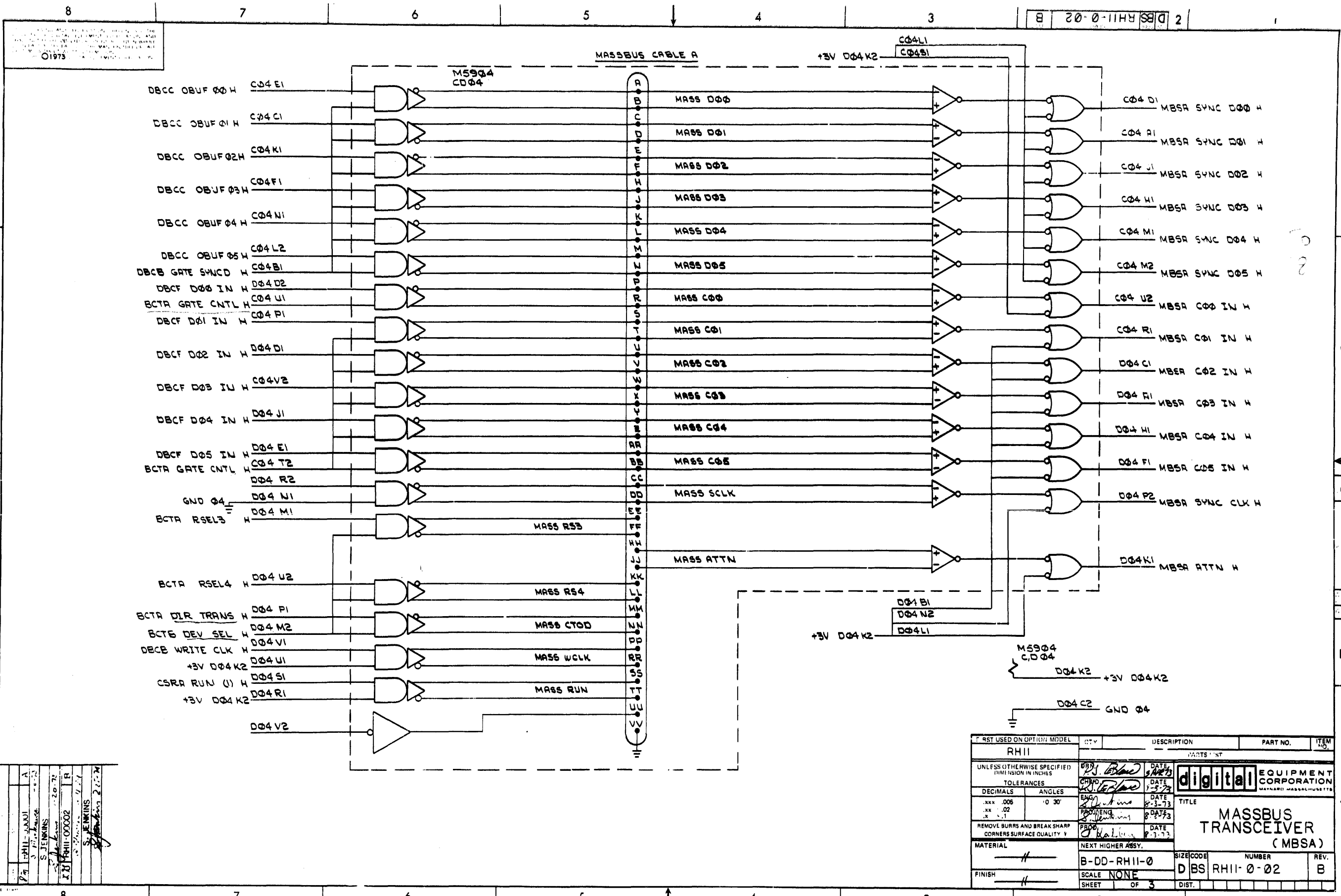
THIS DRAWING AND SPECIFICATIONS HEREIN ARE THE PROPERTY OF DIGITAL EQUIPMENT CORPORATION AND SHALL NOT BE REPRODUCED OR COPIED OR USED IN WHOLE OR IN PART AS THE BASIS FOR THE MANUFACTURE OR SALE OF ITEMS WITHOUT WRITTEN PERMISSION. COPYRIGHT © 1973 DIGITAL EQUIPMENT CORPORATION.



74180 TRUTH TABLE

INPUTS		OUTPUTS	
# OF '1'S AT DO-D7	EVEN	ODD	# EVEN # ODD
EVEN	L	H	L
ODD	L	H	L
EVEN	H	L	H
ODD	H	L	H

DCS M7297-0-1



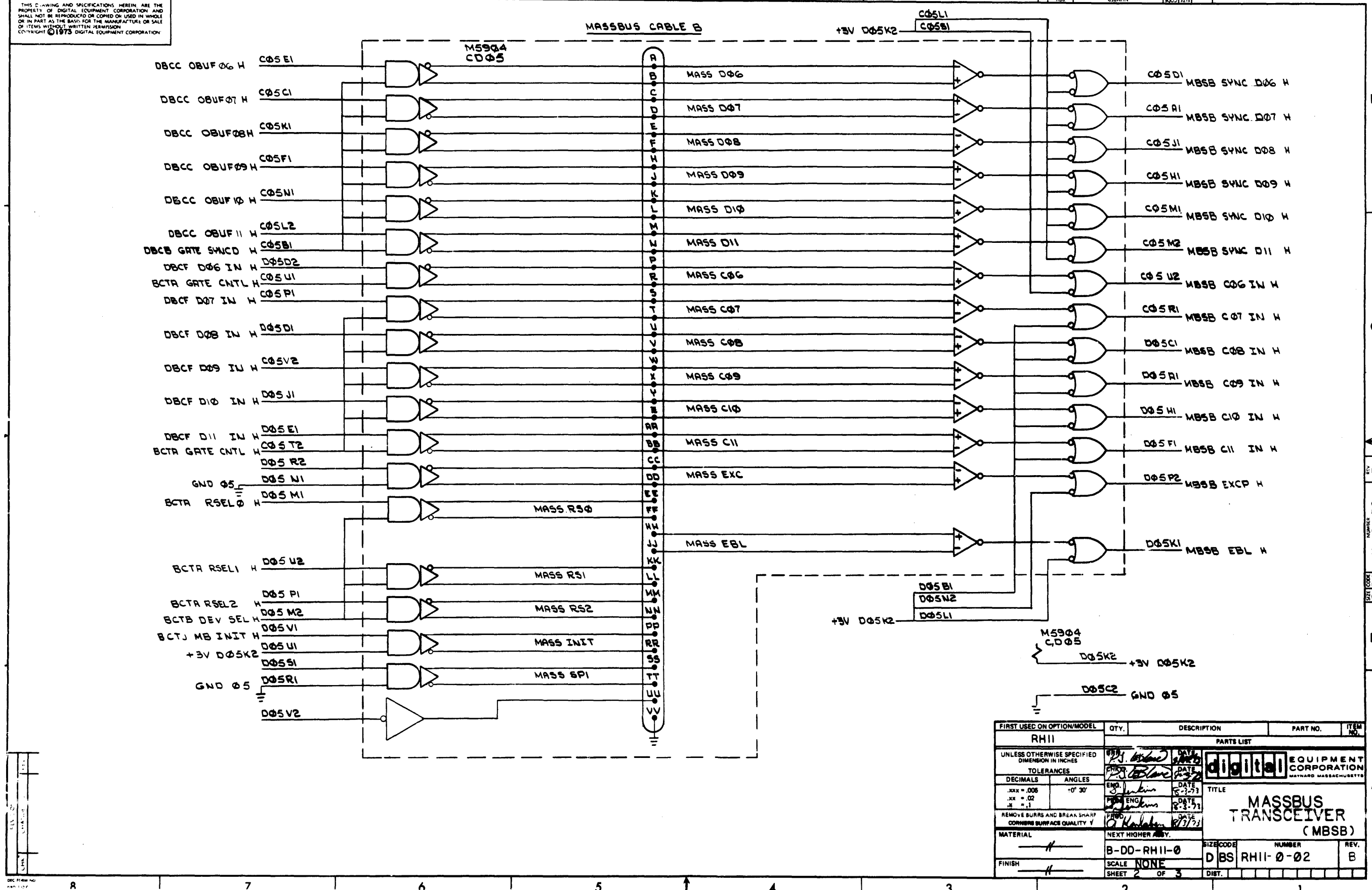
FIRST USED ON OPTION MODEL	QTY	DESCRIPTION	PART NO.	ITEM NO.
RH11				
UNLESS OTHERWISE SPECIFIED DIMENSION IN INCHES				
TOLERANCES		TITLE		
DECIMALS	ANGLES	MASSBUS TRANSCEIVER (MBSA)		
.xxx .005	0 30'	SIZE CODE		
.xx .02		NUMBER		
.x .1		REV.		
REMOVE BURRS AND BREAK SHARP CORNERS SURFACE QUALITY Y		D BS RH11-0-02		
MATERIAL	NEXT HIGHER ASSY.	SHEET OF 3		
#	B-DD-RH11-0	DIST.		
FINISH	SCALE NONE			
#				

PHIL JAWOL	A	20-72
S. JEWINS	IR	20-72
S. JEWINS	IR	20-72
S. JEWINS	IR	20-72

MBSA
21

D
C
B
A

THIS DRAWING AND SPECIFICATIONS HEREIN ARE THE PROPERTY OF DIGITAL EQUIPMENT CORPORATION AND SHALL NOT BE REPRODUCED OR COPIED OR USED IN WHOLE OR IN PART AS THE BASIS FOR THE MANUFACTURE OR SALE OF ITEMS WITHOUT WRITTEN PERMISSION.
 COPYRIGHT © 1975 DIGITAL EQUIPMENT CORPORATION

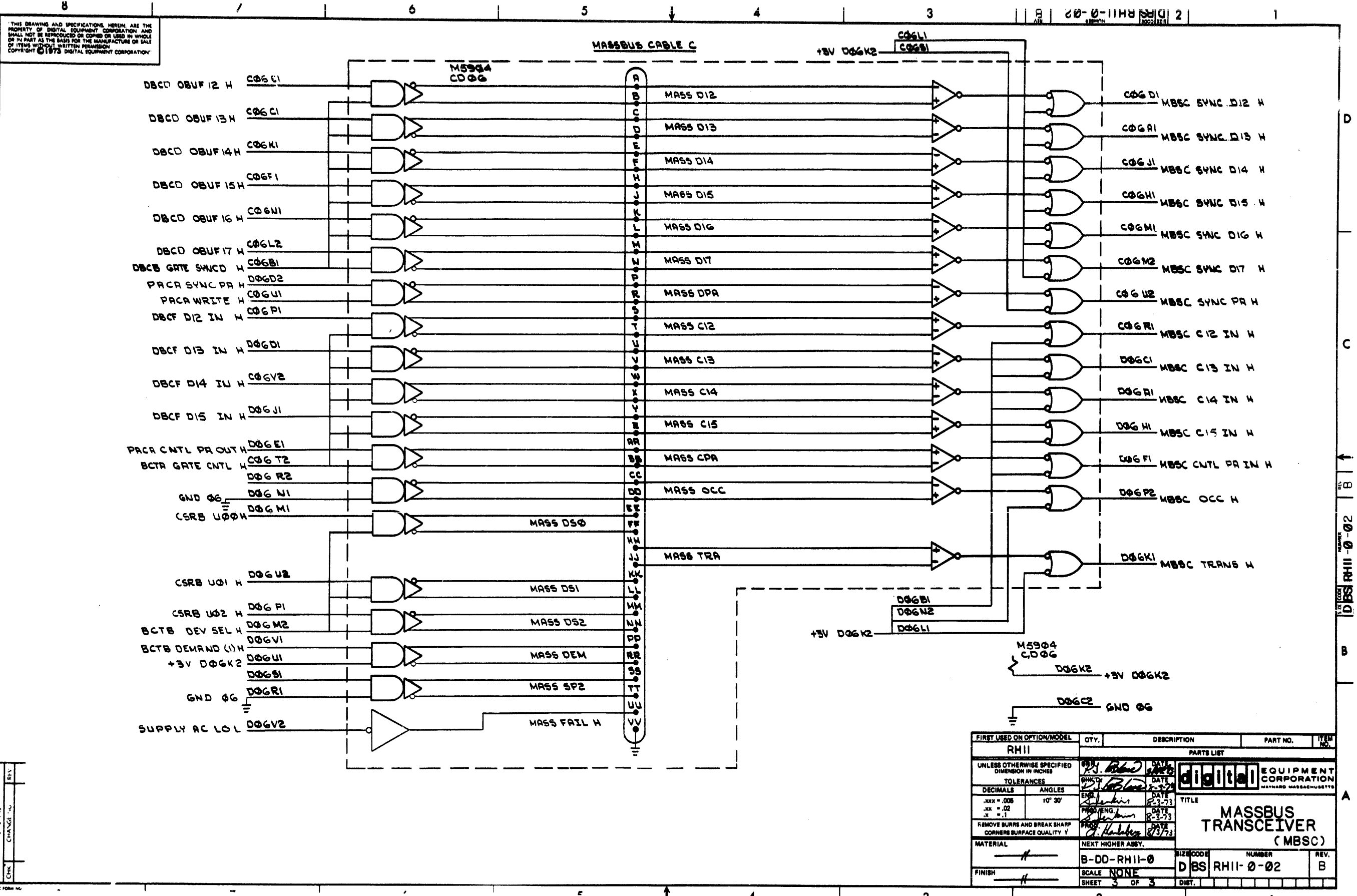


FIRST USED ON OPTION/MODEL	QTY.	DESCRIPTION	PART NO.	ITEM NO.
RH11				
UNLESS OTHERWISE SPECIFIED DIMENSION IN INCHES				
TOLERANCES				
DECIMALS	ANGLES	DATE		
.XXK = .006	+0° 30'	DATE	TITLE	
.XX = .02		DATE	MATERIAL	
.X = .1		DATE	NEXT HIGHER ASSY.	
REMOVE BURRS AND BREAK SHARP CORNERS SURFACE QUALITY Y				
MATERIAL				
NEXT HIGHER ASSY.				
FINISH				
SCALE				
SHEET 2 OF 3				
PARTS LIST				
MASSBUS TRANSCEIVER (MBSB)				
B-DD-RH11-0		SIZE CODE	NUMBER	REV.
D BS RH11-0-02				B

REV. B PH11-0-02

22

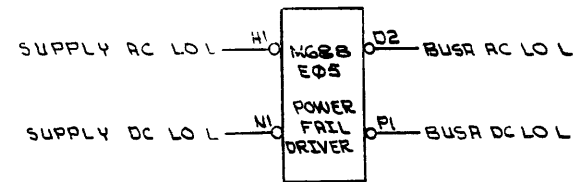
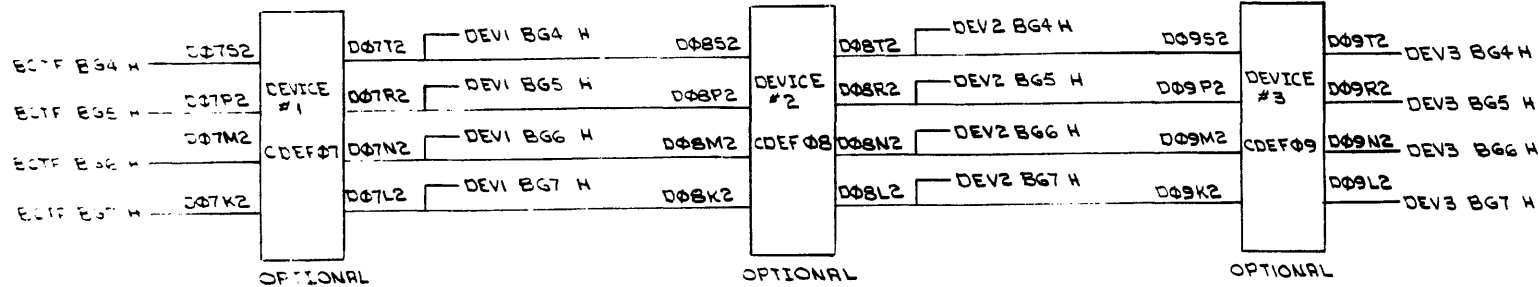
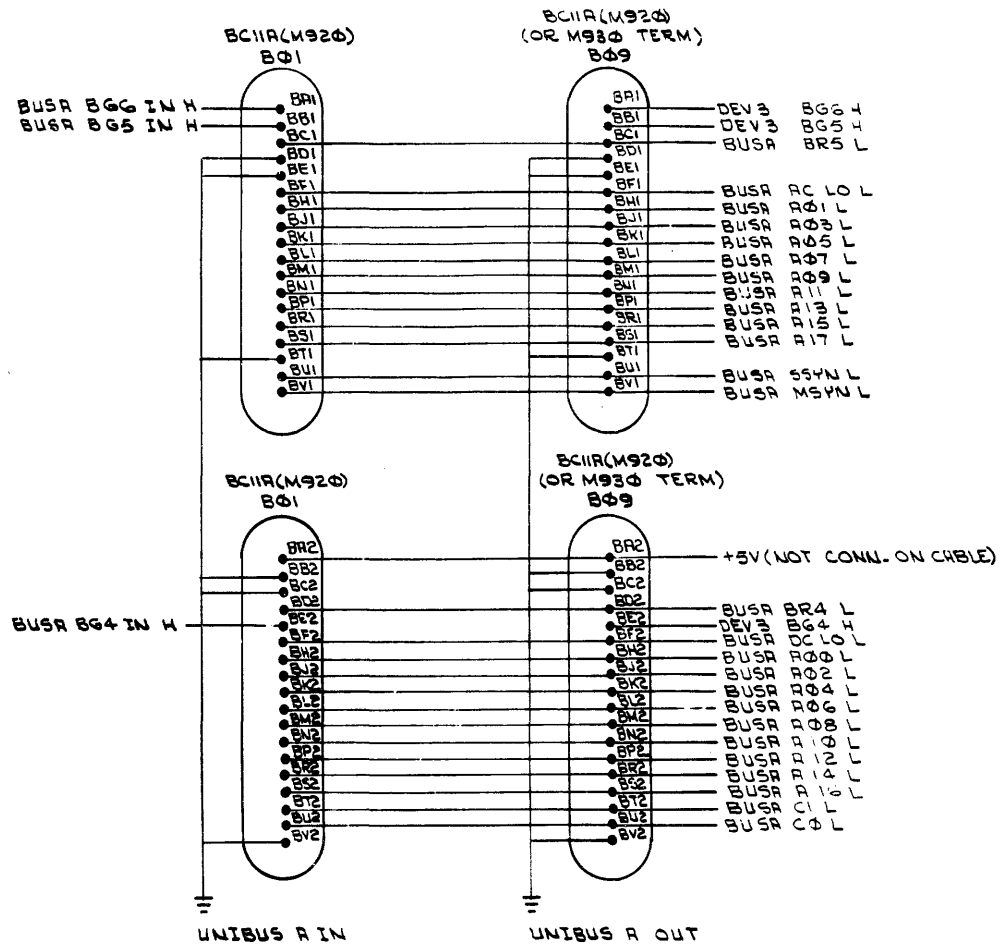
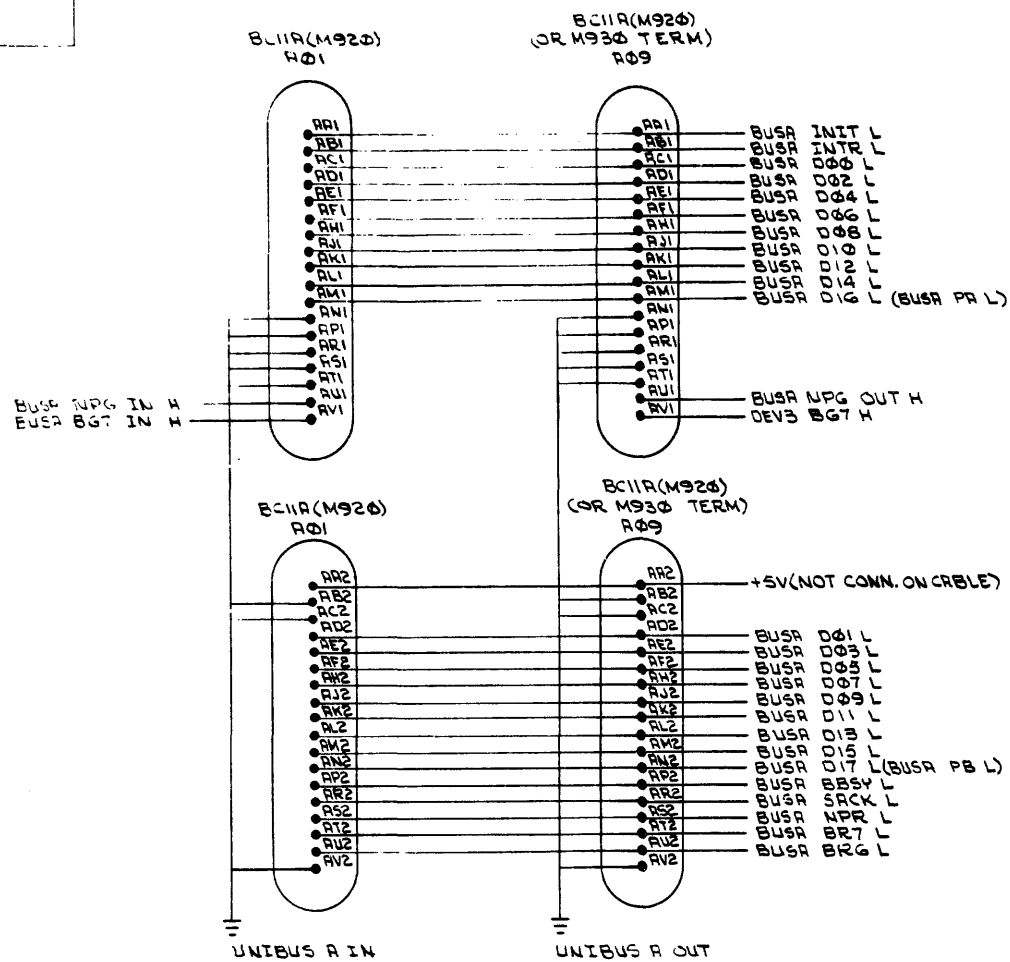
THIS DRAWING AND SPECIFICATIONS HEREIN ARE THE PROPERTY OF DIGITAL EQUIPMENT CORPORATION AND SHALL NOT BE REPRODUCED OR COPIED OR USED IN WHOLE OR IN PART AS THE BASIS FOR THE MANUFACTURE OR SALE OF ITEMS WITHOUT WRITTEN PERMISSION. COPYRIGHT © 1973 DIGITAL EQUIPMENT CORPORATION.



MBC
23

FIRST USED ON OPTION/MODEL	QTY.	DESCRIPTION	PART NO.	ITEM NO.	
RH11					
PARTS LIST					
UNLESS OTHERWISE SPECIFIED DIMENSION IN INCHES		DATE	DIGITAL EQUIPMENT CORPORATION MAYNARD MASSACHUSETTS		
TOLERANCES	ANGLES	DATE	TITLE MASSBUS TRANSCEIVER (MBC)		
DECIMALS .XX = .006	10° 30'	DATE 2-3-73			
.XX = .02		DATE 2-3-73			
X = .1		DATE 2/3/73			
REMOVE BURRS AND BREAK SHARP CORNERS SURFACE QUALITY V		DATE	SIZE CODE NUMBER REV.		
MATERIAL		NEXT HIGHER ASSY.	B-DD-RH11-0	D BS RH11-0-02	B
FINISH		SCALE NONE	SHEET 3 OF 3		
		DIST.			

C-373



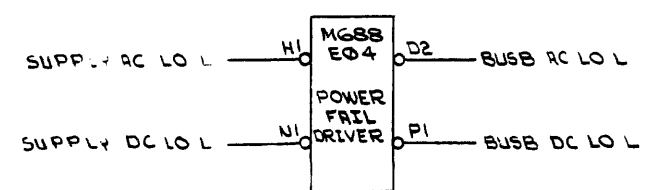
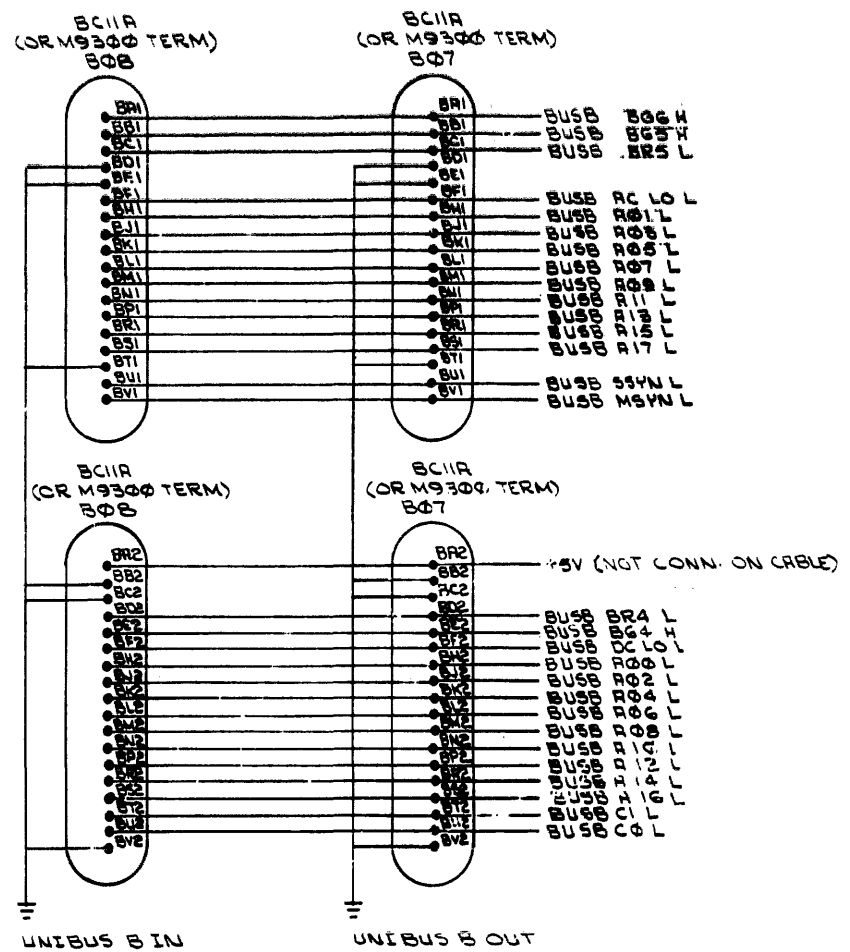
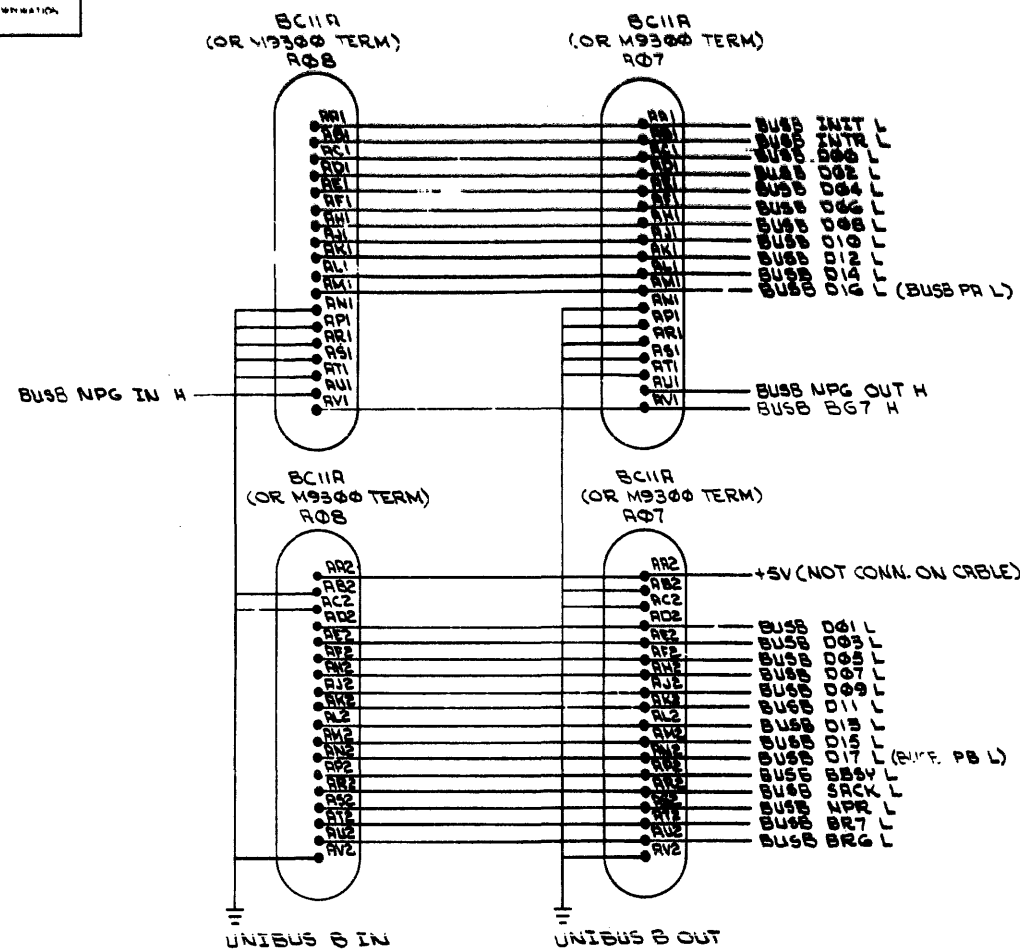
FIRST USED ON OPTION/MODEL	QTY.	DESCRIPTION	PART NO.	ITEM NO.
RHII		PARTS LIST		
UNLESS OTHERWISE SPECIFIED DIMENSION IN INCHES		DATE: 1/10/73	digital EQUIPMENT CORPORATION	
TOLERANCES		DATE: 2-3-73	TITLE	
DECIMALS	ANGLES	ENG: K...	UNIBUS A	
xxx .005	0 30'	DATE: 2-7-73	CABLE DIAGRAM	
xx .02		DATE: 2-7-73	(BUSA)	
x .1		DATE: 2-7-73	D I C R H I I - 0 - 0 3	
REMOVE BURRS AND BREAK SHARP CORNERS SURFACE QUALITY 1		DATE: 2-7-73	REV.	
MATERIAL	NEXT HIGHER ASSY.	B-DD-RHII-0	SIZE CODE	NUMBER
FINISH	SCALE: NONE	SHEET	DIST.	OF

D I C R H I I - 0 - 0 3

B

A

THE DRAWING AND SPECIFICATIONS THEREIN ARE THE PROPERTY OF DIGITAL EQUIPMENT CORPORATION AND SHALL NOT BE REPRODUCED OR COPIED IN WHOLE OR IN PART BY ANY PARTY FOR THE MANUFACTURE OR SALE OF ANY PRODUCT OR FOR THE REPRODUCTION OF ANY INFORMATION THEREIN WITHOUT THE WRITTEN PERMISSION OF DIGITAL EQUIPMENT CORPORATION.



FIRST USED ON OPTION/MODEL	QTY.	DESCRIPTION	PART NO.	ITEM NO.
RH11		PARTS LIST		
UNLESS OTHERWISE SPECIFIED DIMENSION IN INCHES		DATE: 8-7-73	digital EQUIPMENT CORPORATION WAYNARD MASSACHUSETTS	
TOLERANCES	ANGLES	DATE: 8-7-73	TITLE	
.xxx ± .005	.0° 30'	DATE: 8-7-73	UNIBUS B CABLE DIAGRAM (BUSB)	
.xx .02		DATE: 8-7-73	REV.	
.x .1		DATE: 8-7-73	D I C R H 1 1 - 0 - 0 4	
REMOVE BURRS AND BREAK SHARP CORNERS SURFACE QUALITY Y	NEXT HIGHER ASSY.	DATE: 8-7-73	REV.	
MATERIAL	B-DD-RH11-0	SIZE CODE	NUMBER	REV.
FINISH	SCALE NONE	D I C	R H 1 1 - 0 - 0 4	
	SHEET OF	DIST.		

3USB,
25

D I C R H 1 1 - 0 - 0 4

A

B

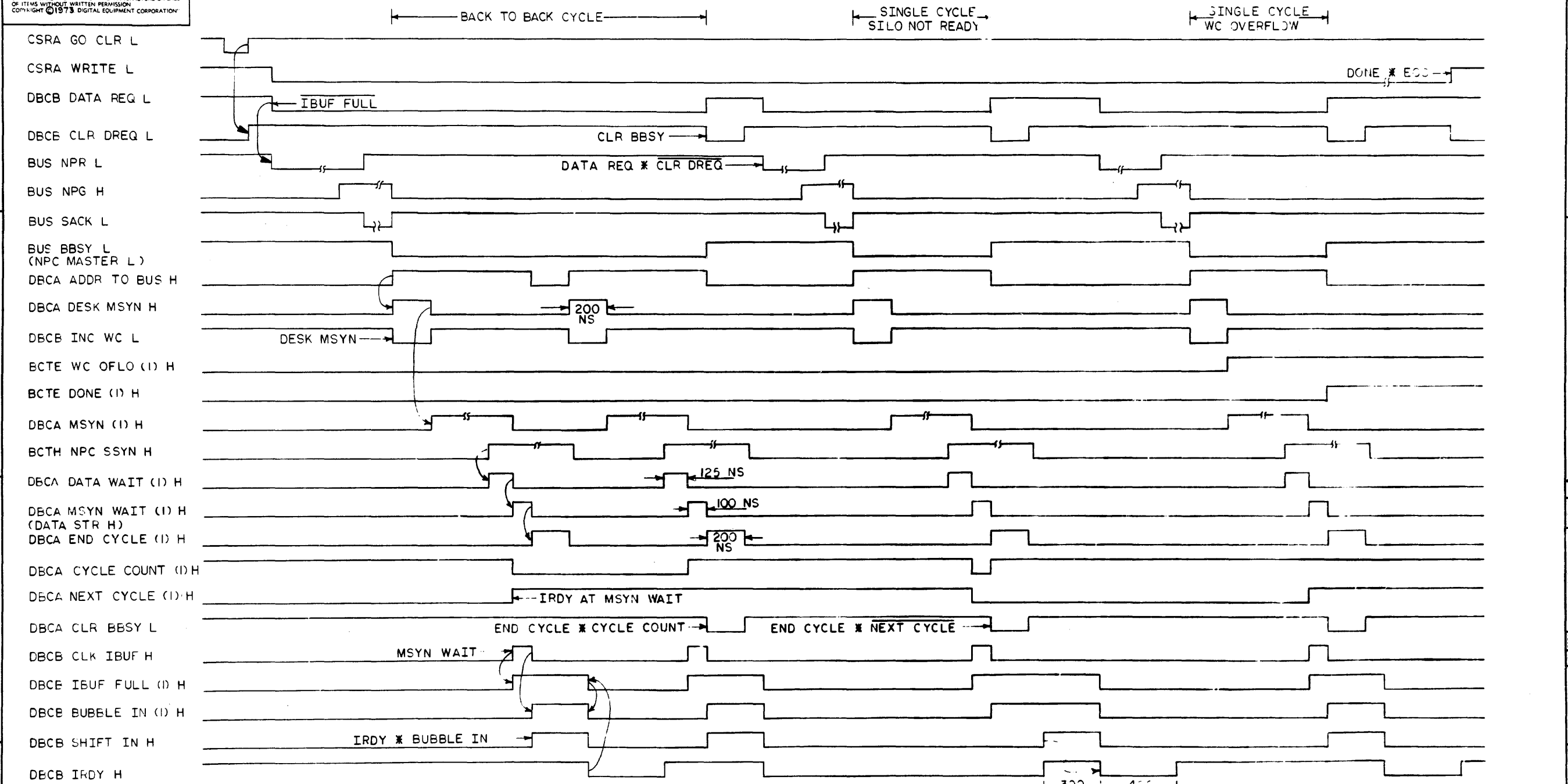
D

C

THIS DRAWING AND SPECIFICATIONS HEREIN ARE THE PROPERTY OF DIGITAL EQUIPMENT CORPORATION AND SHALL NOT BE REPRODUCED OR COPIED OR USED IN WHOLE OR IN PART AS THE BASIS FOR THE MANUFACTURE OR SALE OF ITEMS WITHOUT WRITTEN PERMISSION. COPYRIGHT © 1973 DIGITAL EQUIPMENT CORPORATION.

2 | DTD RH11-0-05 | 1

WRITE COMMAND UNIBUS TIMING DIAGRAM (DATI)



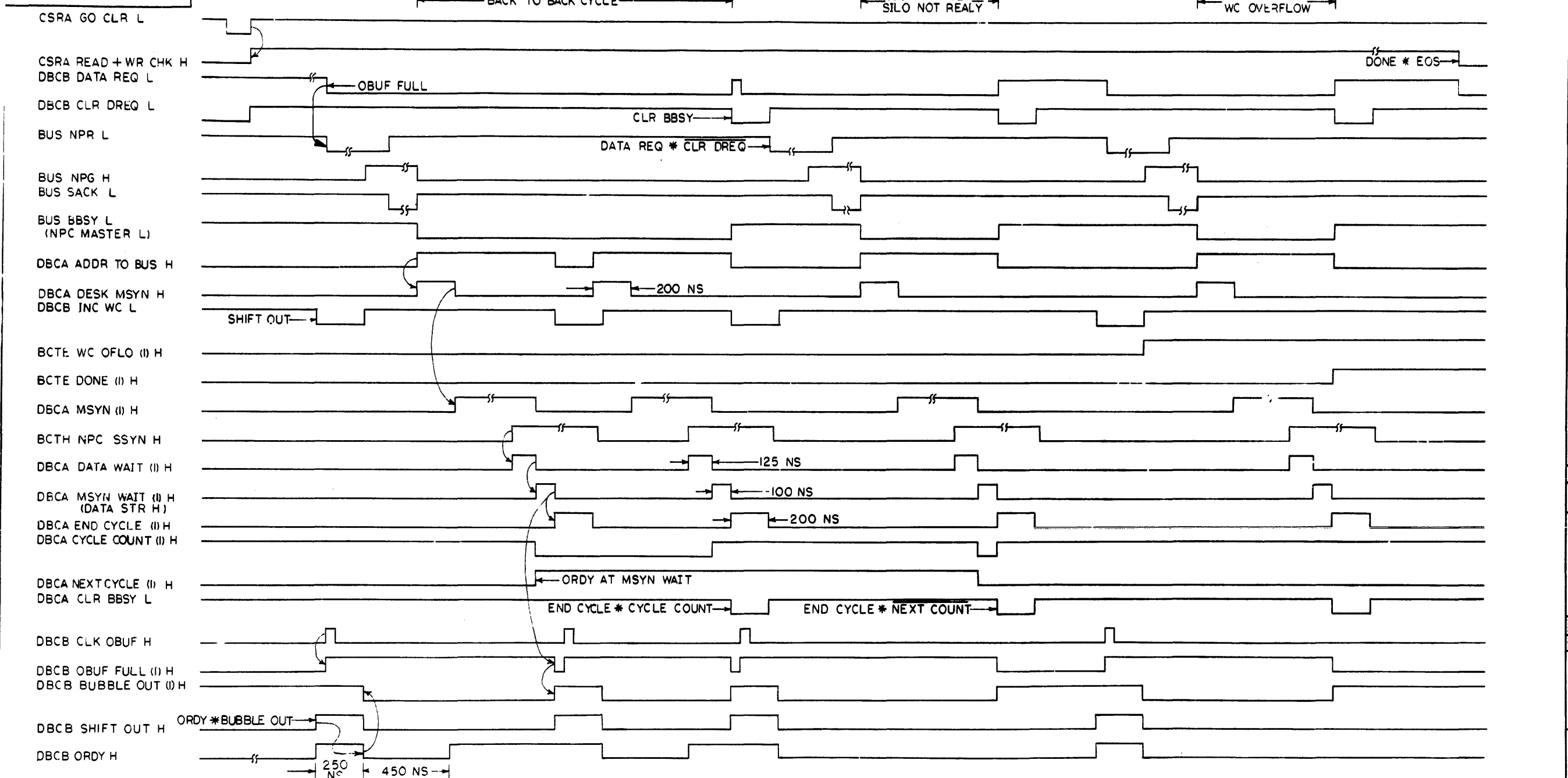
REV	DATE	BY
A	11-16-73	S. JENKINS
CHG	11-20-73	

FIRST USED ON OPTION MODEL	QTY	DESCRIPTION	PART NO.	ITEM NO.
RH11				
PARTS LIST				
UNLESS OTHERWISE SPECIFIED: DIMENSION IN INCHES		DATE	digital EQUIPMENT CORPORATION	
TOLERANCES		DATE	MAYNARD, MASSACHUSETTS	
DECIMALS	ANGLES	DATE	TITLE	
xxx + .005	0 30	8-7-77	WRITE UNIBUS	
xx .02		8-1-79	(TIMING DIAGRAM)	
.x .1		8-7-77		
REMOVE BURRS AND BREAK SHARP CORNERS SURFACE QUALITY				
MATERIAL	NEXT HIGHER ASSEMBLY			
FINISH	SCALE NONE			
SHEET	OF	DIST.	SIZE CODE	NUMBER
			B-DD-RH11-0	D TDRH11-0-05
				REV. A

D TDRH11-0-05

THIS DRAWING AND SPECIFICATIONS HEREIN ARE THE PROPERTY OF DIGITAL EQUIPMENT CORPORATION AND SHALL NOT BE REPRODUCED OR COPIED OR USED IN WHOLE OR IN PART AS THE BASIS FOR THE MANUFACTURE OR SALE OF ITEMS WITHOUT WRITTEN PERMISSION. COPYRIGHT © 1973 DIGITAL EQUIPMENT CORPORATION.

READ OR WRITE CHECK UNIBUS TIMING DIAGRAM (READ: DATO-WR CHK: DATI)



REV. NO.	1
CHANGE NO.	A
DATE	11-20-73
BY	S. JENNY
CHECKED	

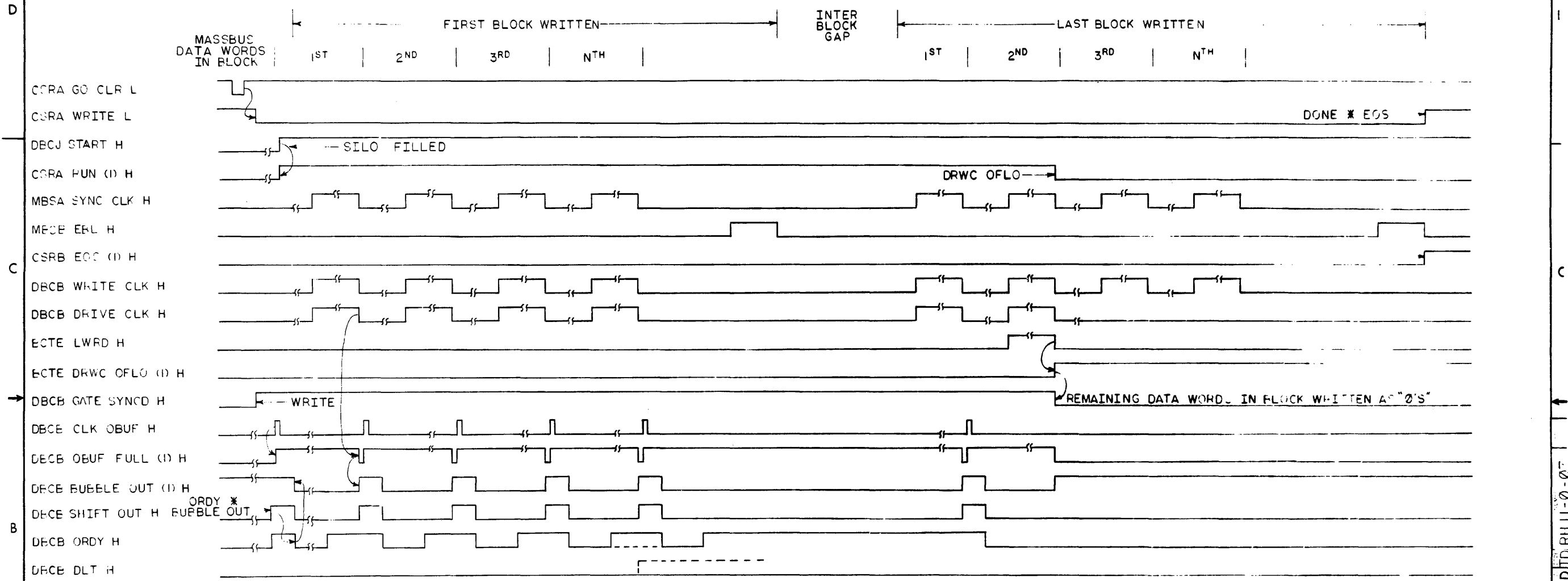
FIRST USED ON OPTION/MODEL	QTY.	DESCRIPTION	PART NO.	ITEM NO.
RHII				
PARTS LIST				
UNLESS OTHERWISE SPECIFIED DIMENSION IN INCHES	DRN	DATE	digital EQUIPMENT CORPORATION	
TOLERANCES	DATE	DATE	MAYNARD, MASSACHUSETTS	
DECIMALS	DATE	DATE	TITLE	
.xxx = .006	DATE	DATE	READ + WRITE CHECK UNIBUS (TIMING DIAG)	
.xx = .02	DATE	DATE	SIZE CODE	NUMBER
.x = .1	DATE	DATE	B-DD-RHII-0	D TDRHII-0-06
REMOVE BURRS AND BREAK SHARP CORNERS SURFACE QUALITY 1	DATE	DATE	SCALE	REV.
MATERIAL	DATE	DATE	NONE	A
FINISH	DATE	DATE	SHEET	OF
++	DATE	DATE		
++	DATE	DATE		

D
C
A
B

THIS DRAWING AND SPECIFICATION ARE THE PROPERTY OF DIGITAL EQUIPMENT CORPORATION AND SHALL NOT BE REPRODUCED OR COPIED OR USED IN WHOLE OR IN PART AS THE BASIS FOR THE MANUFACTURE OR SALE OF ITEMS WITHOUT WRITTEN PERMISSION OF DIGITAL EQUIPMENT CORPORATION

WRITE COMMAND MASSBUS TIMING DIAGRAM

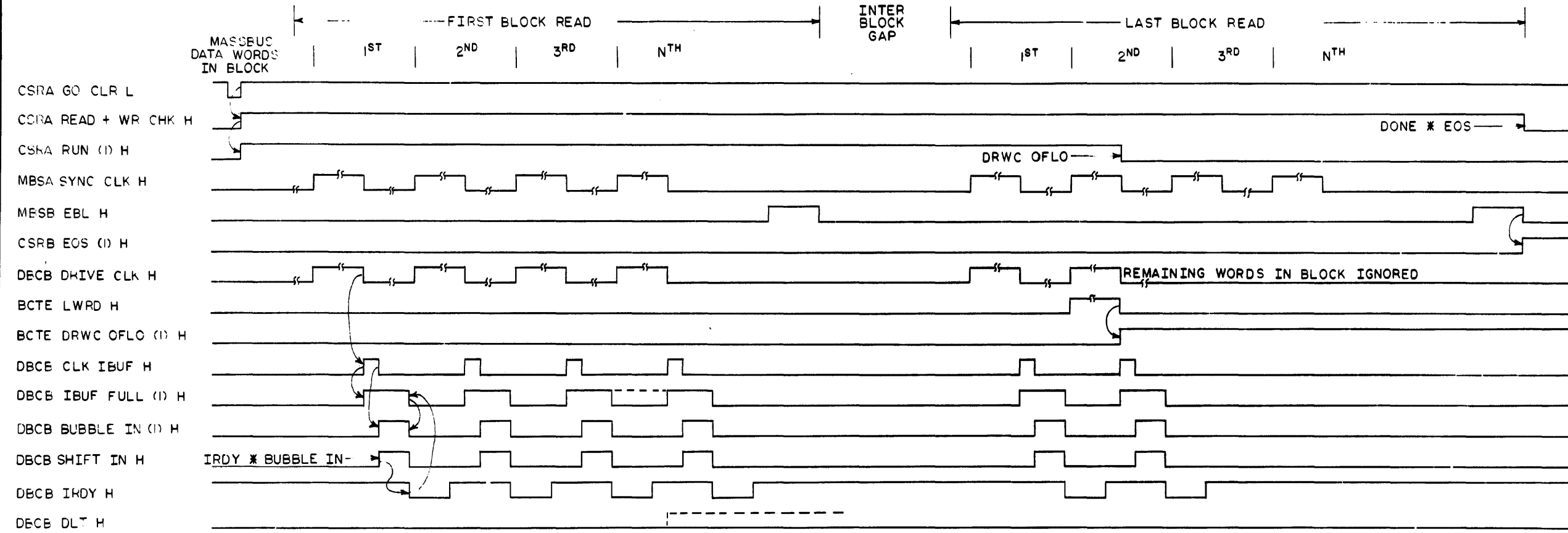
D TD RH11-0-07 2



FIRST USED ON OPTION/MODEL	QTY.	DESCRIPTION	PART NO.	ITEM NO.
RH11				
PARTS LIST				
UNLESS OTHERWISE SPECIFIED DIMENSION IN INCHES		DATE	digital EQUIPMENT CORPORATION	
TOLERANCES		DATE	MAYNARD, MASSACHUSETTS	
DECIMALS	ANGLES	DATE	TITLE	
.XXX - .006	'0 30'	8-5-73	WRITE MASSBUS TIMING DIAGRAM	
.XX - .02		DATE		
X - .1		DATE		
REMOVE BURRS AND BREAK SHARP CORNERS SURFACE QUALITY 1	PROD.	DATE		
MATERIAL	NEXT HIGHER ASSY.			
FINISH	B-DD-RH11-0	SIZE/CODE	NUMBER	REV.
	SCALE: NONE	D TD RH11-0-07		
	SHEET OF	DIST.		

THIS DRAWING AND SPECIFICATIONS HEREIN ARE THE PROPERTY OF DIGITAL EQUIPMENT CORPORATION AND SHALL NOT BE REPRODUCED OR COPIED OR USED IN WHOLE OR IN PART AS THE BASIS FOR THE MANUFACTURE OR SALE OF ITEMS WITHOUT WRITTEN PERMISSION. COPYRIGHT © 1973 DIGITAL EQUIPMENT CORPORATION.

READ OR WRITE CHECK MASSBUS TIMING DIAGRAM

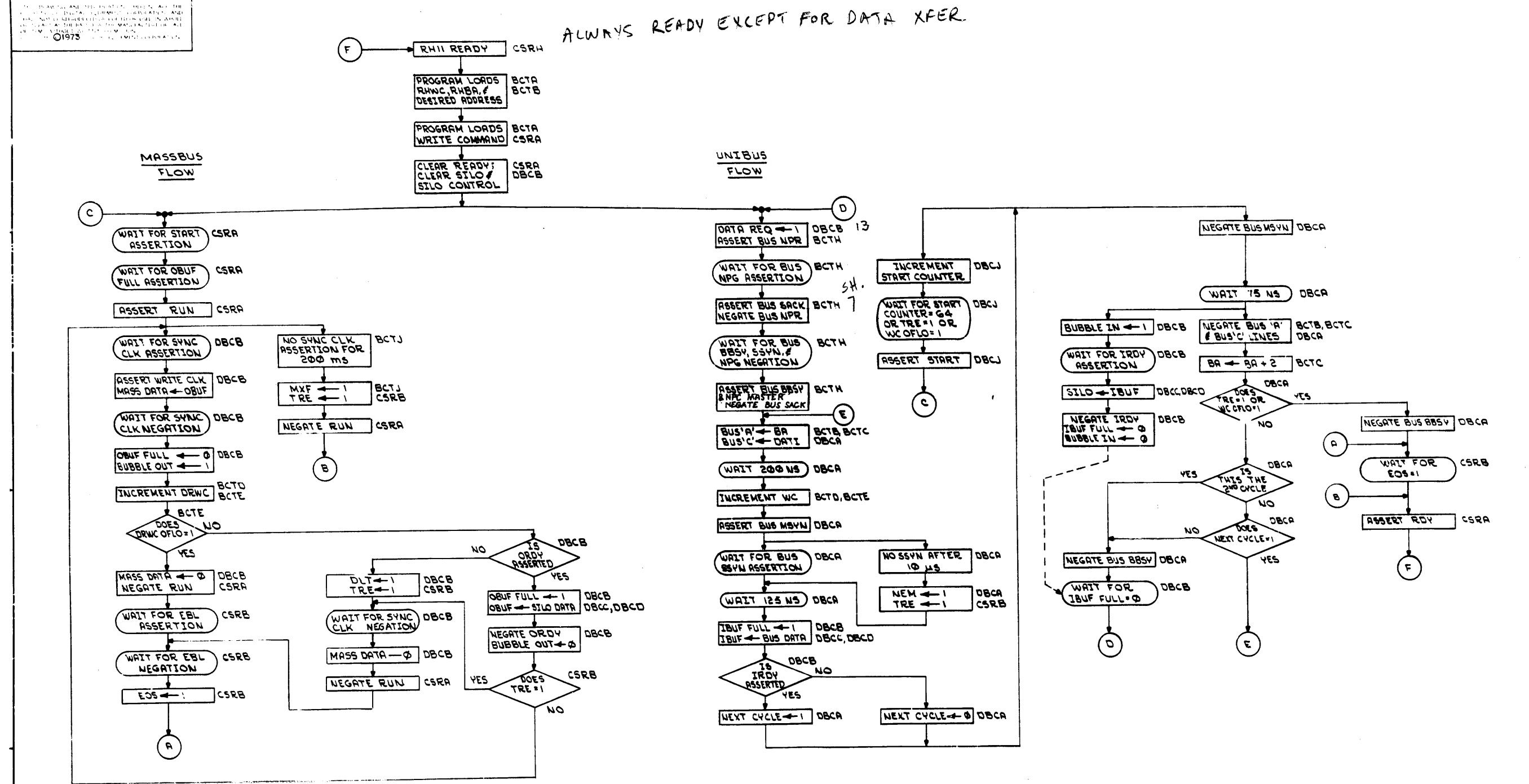


FIRST USED ON OPTION/MODEL	QTY.	DESCRIPTION	PART NO.	ITEM NO.
RH11				
PARTS LIST				
UNLESS OTHERWISE SPECIFIED DIMENSION IN INCHES		DATE	PARTS LIST	
TOLERANCES		DATE	digital EQUIPMENT CORPORATION	
DECIMALS	ANGLES	DATE	TITLE	
.XX = .008	'0 30'	DATE	READ + WRITE CHECK MASSBUS TIMING DIAGRAM	
.XX = .02		DATE	SIZE CODE NUMBER	
.X = .1		DATE	DTDRH11-0-08	
REMOVE BURRS AND BREAK SHARP CORNERS SURFACE QUALITY 1	PROG	DATE	REV.	
MATERIAL	NEXT HIGHER ASSY.			
	B-DD-RH11-0			
FINISH	SCALE NONE			
	SHEET OF			

D
C
B
A

REV. 1
DATE 8-3-73
BY J. H. BROWN

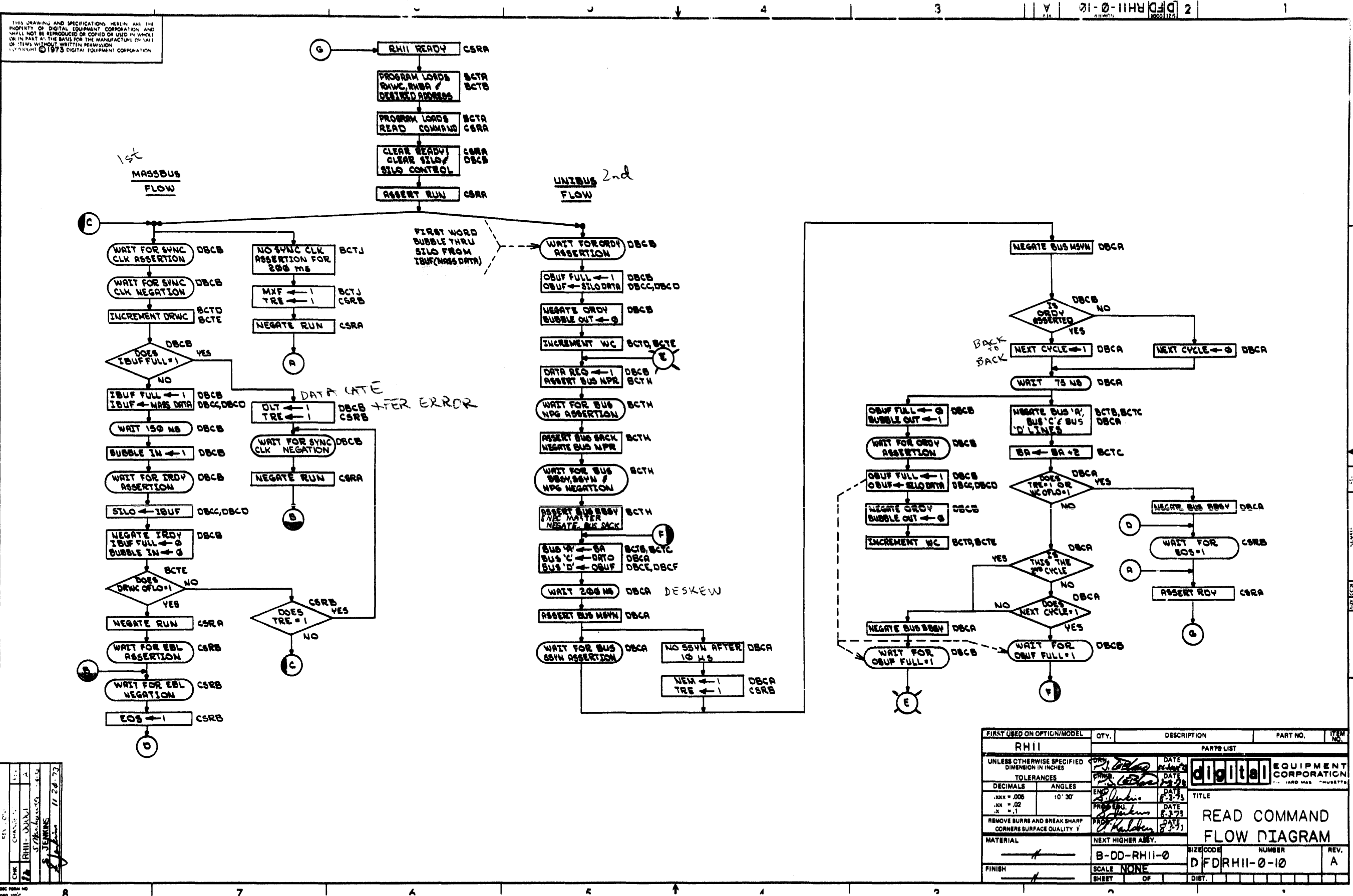
ALWAYS READY EXCEPT FOR DATA XFER.



CHN
 RHII-OC
 S. JENKINS
 11-28-77

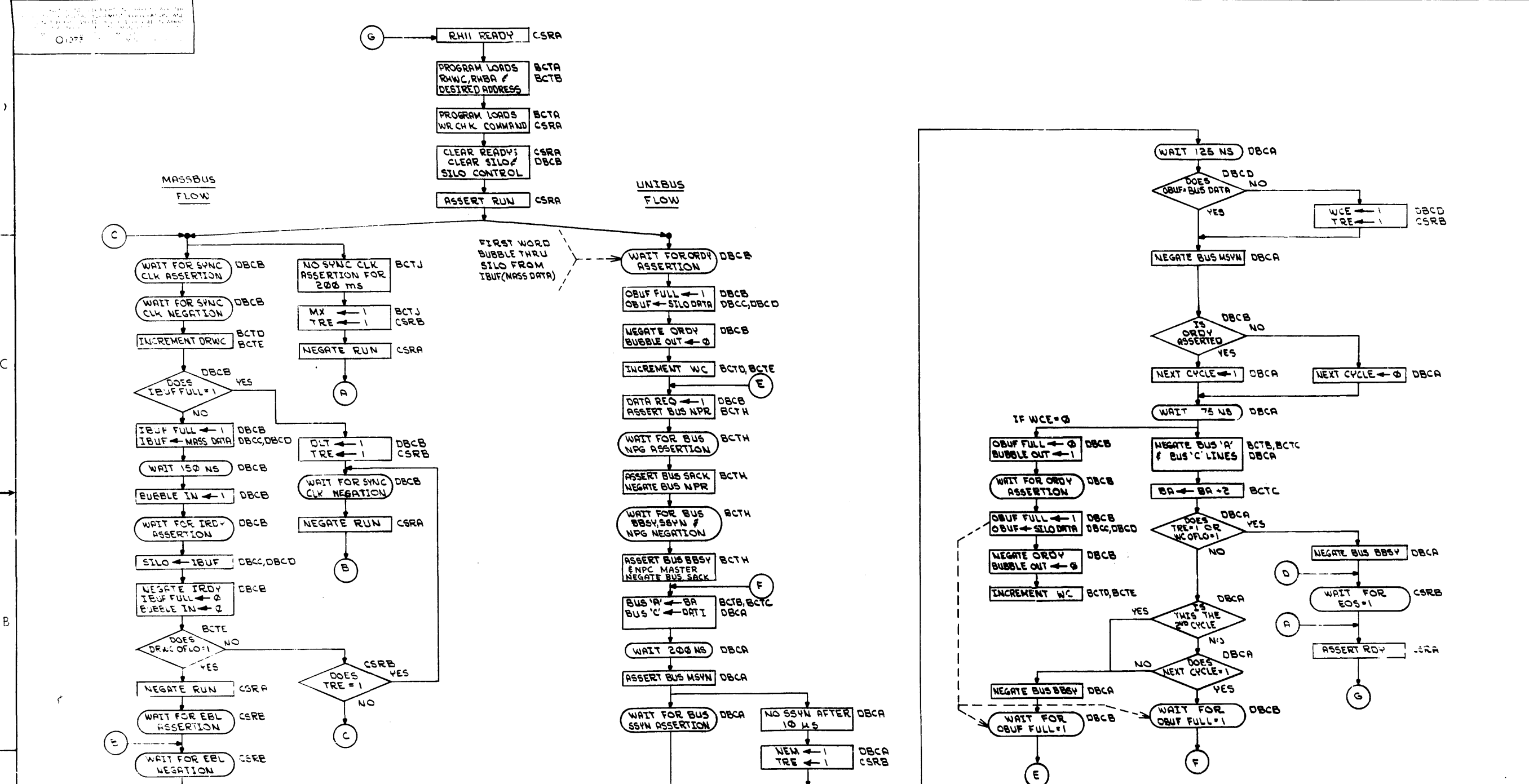
FIRST USED ON OPTION/MODEL	QTY.	DESCRIPTION	PART NO.	ITEM NO.
RHII				
PARTS LIST				
UNLESS OTHERWISE SPECIFIED DIMENSION IN INCHES		DATE	digital EQUIPMENT CORPORATION	
TOLERANCES		DATE	MAYNARD MANASSAQUETS	
DECIMALS	ANGLES	ENG	DATE	TITLE
.xxx ± .006	° 30'	PROG. ENG.	DATE	WRITE COMMAND FLOW DIAGRAM
REMOVE BURRS AND BREAK SHARP CORNERS SURFACE QUALITY 1		FRG	DATE	
MATERIAL	NEXT HIGHER ASSY.	SIZE/COOL NUMBER REV.		
	B-DD-RH11-0	D F D R H 1 1 - 0 - 0 9		
FINISH	SCALE NONE	SHEET OF DIST.		

THIS DRAWING AND SPECIFICATIONS HEREIN ARE THE PROPERTY OF DIGITAL EQUIPMENT CORPORATION AND WILL NOT BE REPRODUCED OR COPIED OR USED IN WHOLE OR IN PART AS THE BASIS FOR THE MANUFACTURE OF ANY OF ITS ITEMS WITHOUT WRITTEN PERMISSION.
 © 1973 DIGITAL EQUIPMENT CORPORATION



REV. NO.	DATE	BY	CHKD.
1	11-28-73	JENNINGS	
2			
3			
4			
5			
6			
7			
8			

FIRST USED ON OPTION/MODEL	QTY.	DESCRIPTION	PART NO.	ITEM NO.
RH11				
PARTS LIST				
UNLESS OTHERWISE SPECIFIED DIMENSION IN INCHES		DATE	DATE	
TOLERANCES		DECIMALS	ANGLES	
.XXX = .005		10' 30'		
.XX = .02				
.X = .1				
REMOVE BURRS AND BREAK SHARP CORNERS SURFACE QUALITY 7				
MATERIAL		NEXT HIGHER ASSY.		
FINISH		SCALE NONE		
SHEET		OF		
DIGITAL EQUIPMENT CORPORATION		TITLE		
1000000000		READ COMMAND FLOW DIAGRAM		
B-DD-RH11-0		SIZE CODE		
D FDRH11-0-10		NUMBER		
		REV. A		
DIST.				

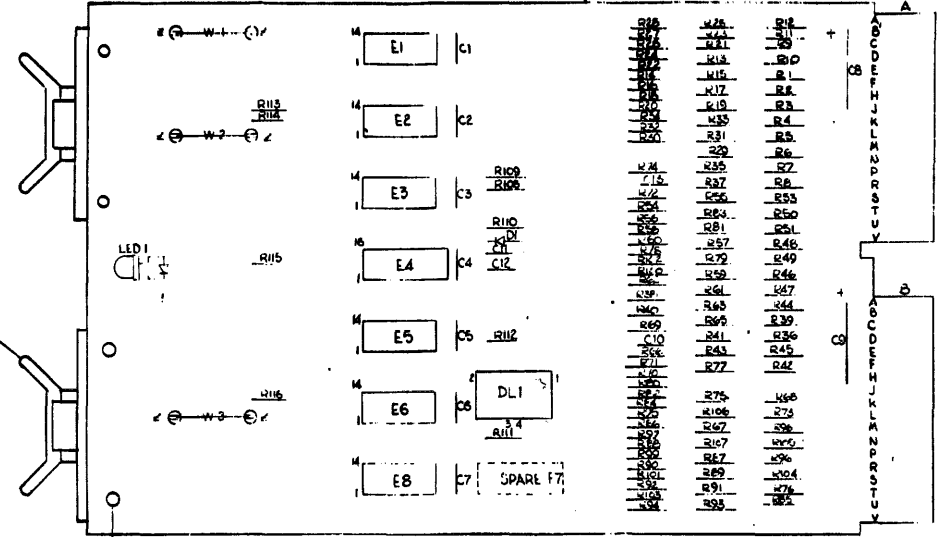


DATE	BY	CHKD	DATE

FIRST USED ON OPTION/MODEL	QTY.	DESCRIPTION	PART NO.	ITEM NO.
RHI1				
PARTS LIST				
UNLESS OTHERWISE SPECIFIED DIMENSION IN INCHES	DATE	digital EQUIPMENT CORPORATION MAYNARD, MASSACHUSETTS		
TOLERANCES	DATE			
DECIMALS	ANGLES	TITLE WRITE CHECK COMMAND FLOW DIAGRAM		
.XXX = .005	0 30'			
.XX = .02		MATERIAL		
.X = .1				
REMOVE BURRS AND BREAK SHARP CORNERS SURFACE QUALITY 1	DATE	NEXT HIGHER ASSY.		
	DATE			
FINISH	SCALE	B-DD-RHI1-0		
	NONE			
SHEET	OF	D FDRHI1-0-11		
		REV		
		A		

14. A wiring and component layout, herein, are the property of Raytheon Equipment Corporation and shall not be reproduced in whole or in part or used in whole or in part in the design or manufacture of any other product without written permission. COPYRIGHT © 1972
 RAYTHEON EQUIP CORP

NOTES:



QTY	REF DESIGNATION	DESCRIPTION	PART NO.	ITEM NO.
27		#22 AWG BUS WIRE	9107560-#1	27
26		HANDLE RIP CHIP MAGENTA	9008337-6	26
25		SPLIT LUG	9006735	25
24		EYELETS	9006732	24
23	ES, E1	IC DEC 11380	191113	23
22	E4	IC DEC 74123	1910436	22
21	E6	IC DEC 7437	1910091	21
20	E8	IC DEC 8881	1909705	20
19	E2	IC DEC 74100	1909056	19
18	E3	IC DEC 7474	1905547	18
17	DL1	DELAY LINE	1609559	17
16	R108	RES 330 1/4W 5%	1300295	16
15	R109, R111	RES 250 1/4W 5%	1301401	15
14	R2, R4, R6, R8, R10, R12, R14, R16, R18, R20, R22, R24, R26, R28, R30, R32, R34, R36, R38, R40, R42, R44, R46, R48, R50, R52, R54, R56, R58, R60, R62, R64, R66, R68, R70, R72, R74, R76, R78, R80, R82, R84, R86, R88, R90, R92, R94, R96, R98, R100, R102	RES 390 1/4W 5%	1300309	14
13	R1, R3, R5, R7, R9, R11, R13, R15, R17, R19, R21, R23, R25, R27, R29, R31, R33, R35, R37, R39, R41, R43, R45, R47, R49, R51, R53, R55, R57, R59, R61, R63, R65, R67, R69, R71, R73, R75, R77, R79, R81, R83, R85, R87, R89, R91, R93, R95, R97, R99, R101, R103, R105, R107, R109, R111, R113, R115	RES 180 1/4W 5%	1301322	13
12	R110	RES 15K 1/4W 5%	1300496	12
11	R11, R116, R113, R112	RES 1K 1/4W 5%	1300365	11
10	LED1	DIODE LED	1110864	10
9	D1	DIODE D664	1100114	9
8	C11, C12	CAP 1200 PF 100V 5% DM	1002424	8
7	C1, C2, C3, C4, C5, C6, C7	CAP 0.01 uF 50V 20% PXTAL	1001610	7
6	C8, C9	CAP 39 uF 10V 10% STANT	1000076	6
5	C10, C13	CAP 0.01 uF 250V 20% DISC	1000043	5
4		ETCHED CIRCUIT BOARD	5010509	4
3		MODULE ECO HISTORY	B-MH-M9300-0-6	3
2		ASSY DRILLING HOLE LAYOUT	D-RH-M9300-0-5	2
1		X-Y COORDINATE HOLE LOCATION	K-CO-M9300-0-4	1

74123	9	16
11380	1	8
IC TYPE	GND	+5V
GND AND +5V ARE USUALLY PIN 7 AND 14 RESPECTIVELY. EXCEPTIONS ARE STATED ABOVE.		
IC PIN LOCATIONS		

FIRST USED ON OPTION MODEL: RH11

ETCH BOARD REV: A

CHG	NO.	REV	DATE	BY
D664	IN3606		3/5/73	Chavira
TIL-209	-		9/19/72	J. Kelly
			11/17/72	
			11/17/72	
			1/25	

SEMICONDUCTOR CONVERSION CHART

SCALE: DICS M9300-0-1

SHEET 1 OF 2

DRN: Chavira DATE: 3/5/73

CHK'D: J. Kelly DATE: 9/19/72

ENG: J. Kelly DATE: 11/17/72

DESIGN: J. Kelly DATE: 11/17/72

PROD: C. Sullivan DATE: 1/25

NEXT HIGHER ASSY: H-

EQUIPMENT CORPORATION
MAYNARD, MASSACHUSETTS

TITLE: UNIBUS B TERMINATOR

NUMBER: M9300-0-1

REV: 1

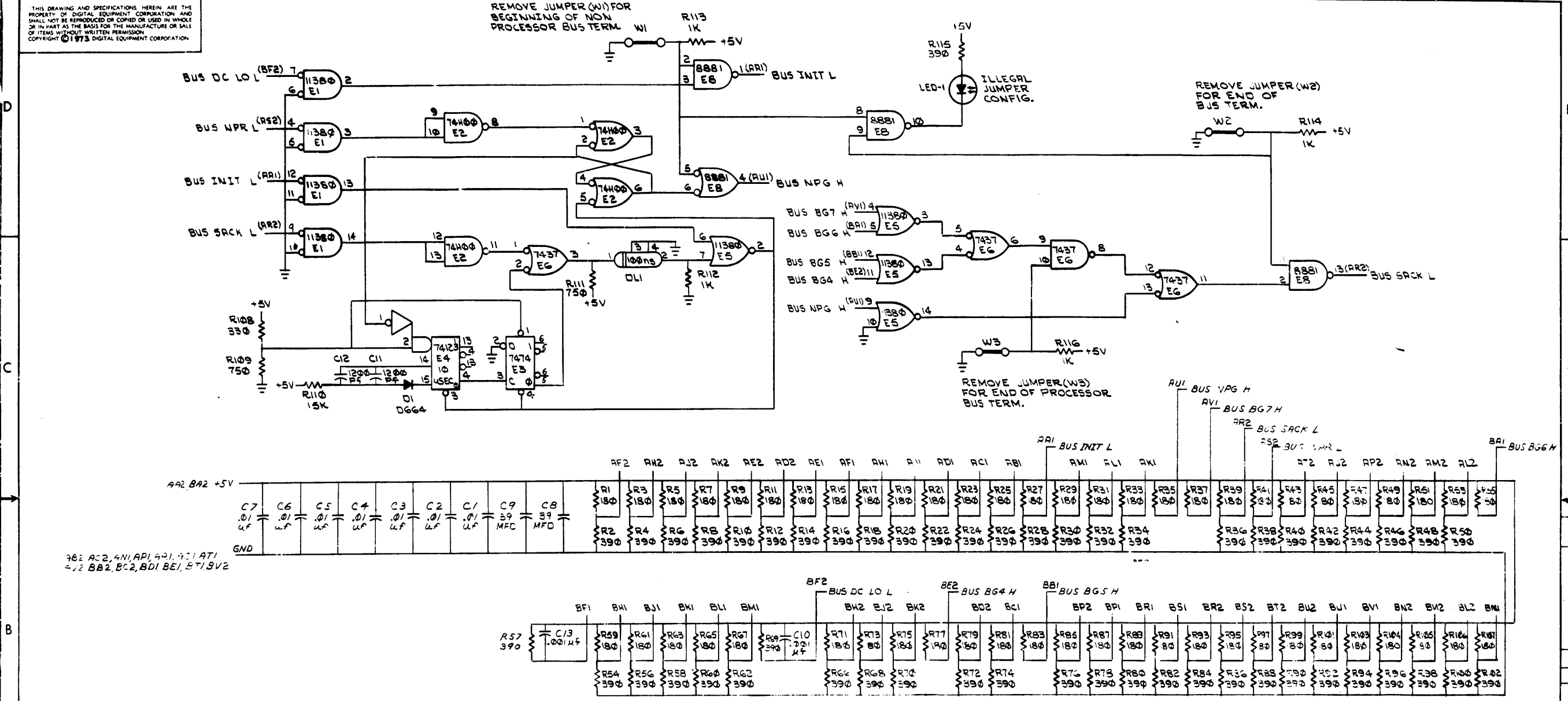
THIS DRAWING AND SPECIFICATIONS HEREIN ARE THE PROPERTY OF DIGITAL EQUIPMENT CORPORATION AND SHALL NOT BE REPRODUCED OR COPIED OR USED IN WHOLE OR IN PART AS THE BASIS FOR THE MANUFACTURE OR SALE OF ITEMS WITHOUT WRITTEN PERMISSION. COPYRIGHT © 1973 DIGITAL EQUIPMENT CORPORATION.

REMOVE JUMPER (W1) FOR BEGINNING OF NON PROCESSOR BUS TERM.

ILLEGAL JUMPER CONFIG.

REMOVE JUMPER (W2) FOR END OF BUS TERM.

REMOVE JUMPER (W3) FOR END OF PROCESSOR BUS TERM.



AF2, BA2 +5V

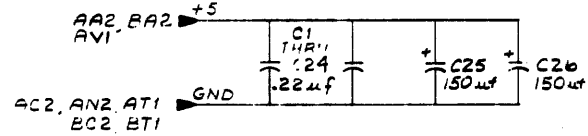
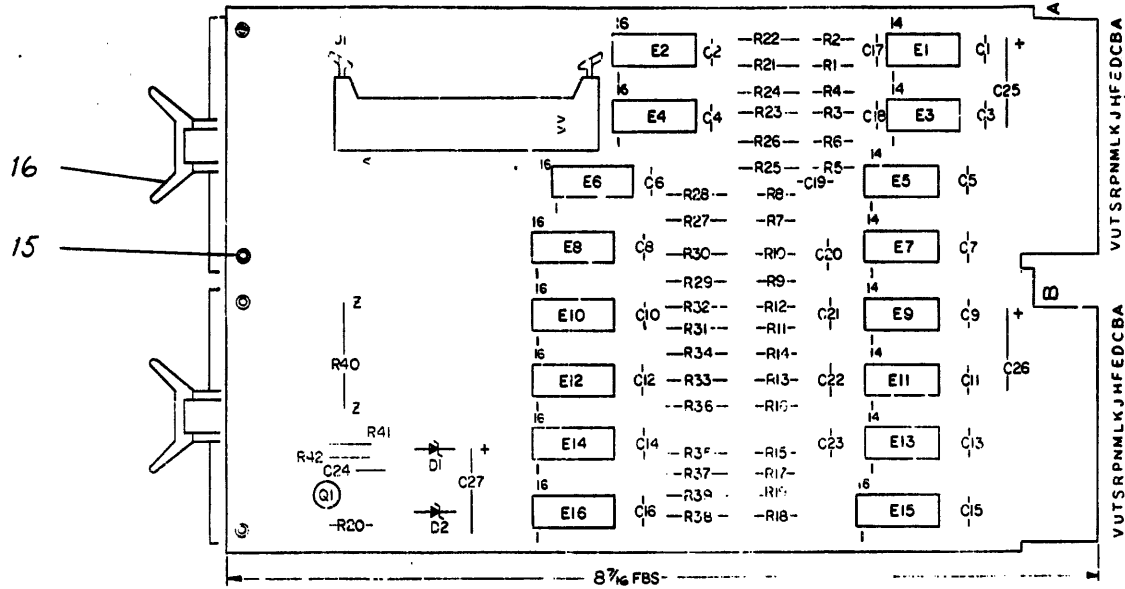
382 AC2, 4A1, AP1, AP2, B21 AT1
472 BB2, B22, B01 BE1, E71 SV2

REVISIONS		
CHK	CHANGE NO.	REV

TITLE UNIBUS B TERMINATOR		SIZE CODE DCS	NUMBER M9300-0-1	REV.
SCALE	SHEET 2 OF 2	DIST.		

This drawing and identification, herein, are the property of Digital Equipment Corporation and shall not be reproduced or used in whole or in part in any form for any purpose without the written permission of Digital Equipment Corporation. **COPYRIGHT © 1977**
DIGITAL EQUIP. CORP.

NOTES:



I.C. 75107B	13	7	14
I.C. 75113	-	8	16

GND AND 5V ARE USUALLY PIN 7 AND 14 RESPECTIVELY. EXCEPTIONS ARE STATED ABOVE.

IC PIN LOCATIONS

REF	QTY	REF DESIGNATION	DESCRIPTION	PART NO.	ITEM NO.
REF		X-Y COORDINATE HOLE LOCATION	X-CO-M5904-0-1		1
REF		ASSY/DRILLING HOLE LAYOUT	D-AM-M5904-0-3		2
REF		MODULE ECO HISTORY	B-MH-M5904-0-6		3
1		ETCHED CIRCUIT BOARD	5010503		4
24	C1 THRU C24	CAP. .22 uf 20% 50V DISC	1010274		5
2	D1, D2	DIODE ZENER 1N4733A 5.1V 1W	1109943		7
19	R21 THRU R29	RES. 82 5% 1/2W	1301781		8
19	R1 THRU R19	RES. 82 5% 1/4W	1301477		9
1	R41	RES. 150 5% 1/4W	1300250		10
1	R42	RES. 390 5% 1/4W	1300309		11
1	R40	RES. 56 5% 5W	1311337		12
7	E1, E3, E5, E7, E9, E11, E13	I.C. DEC 75107B	1910268		13
9	E2, E4, E6, E8, E10, E12, E14, E15	I.C. DEC 75113	1911341		14
4		EYELET	9006732		15
2		HANDLE, FLIP-CHIP MAGENTA	9008337-06		16
1	U1	CONN. (40 PIN)	1209941-2		17
2	C25, C26	CAP. 150 uf 20% 6V	1005572		18
1	Q1	TRANS. DEC 2N3646	1503014-00		19
1	R20	RES. 4.7K 5% 1/4W	1300487-00		20
1	C27	CAP. 6.8 uf 35V S. TANT	1005306		21
1		CLIP	1209941-3		22
1		CLIP	1209941-4		23

DEC FORM NO. DRD 1254

FIRST USED ON OPTION MODEL R111

ETCH BOARD REV F

CHK	CHANGE NO.	REV	REVISIONS
		1	INITIALS 904-1 C
		2	ALTER 5/73
		3	ALTER 5/73
		4	ALTER 5/73
		5	ALTER 5/73
		6	ALTER 5/73
		7	ALTER 5/73
		8	ALTER 5/73
		9	ALTER 5/73
		10	ALTER 5/73
		11	ALTER 5/73
		12	ALTER 5/73
		13	ALTER 5/73
		14	ALTER 5/73
		15	ALTER 5/73

DRN	DATE	CHKD	DATE	ENGR	DATE	PROJ. ENG.	DATE	PROD.	DATE
	4-27-73		7/26/73		7/26/73		7/30/73		7/30/73

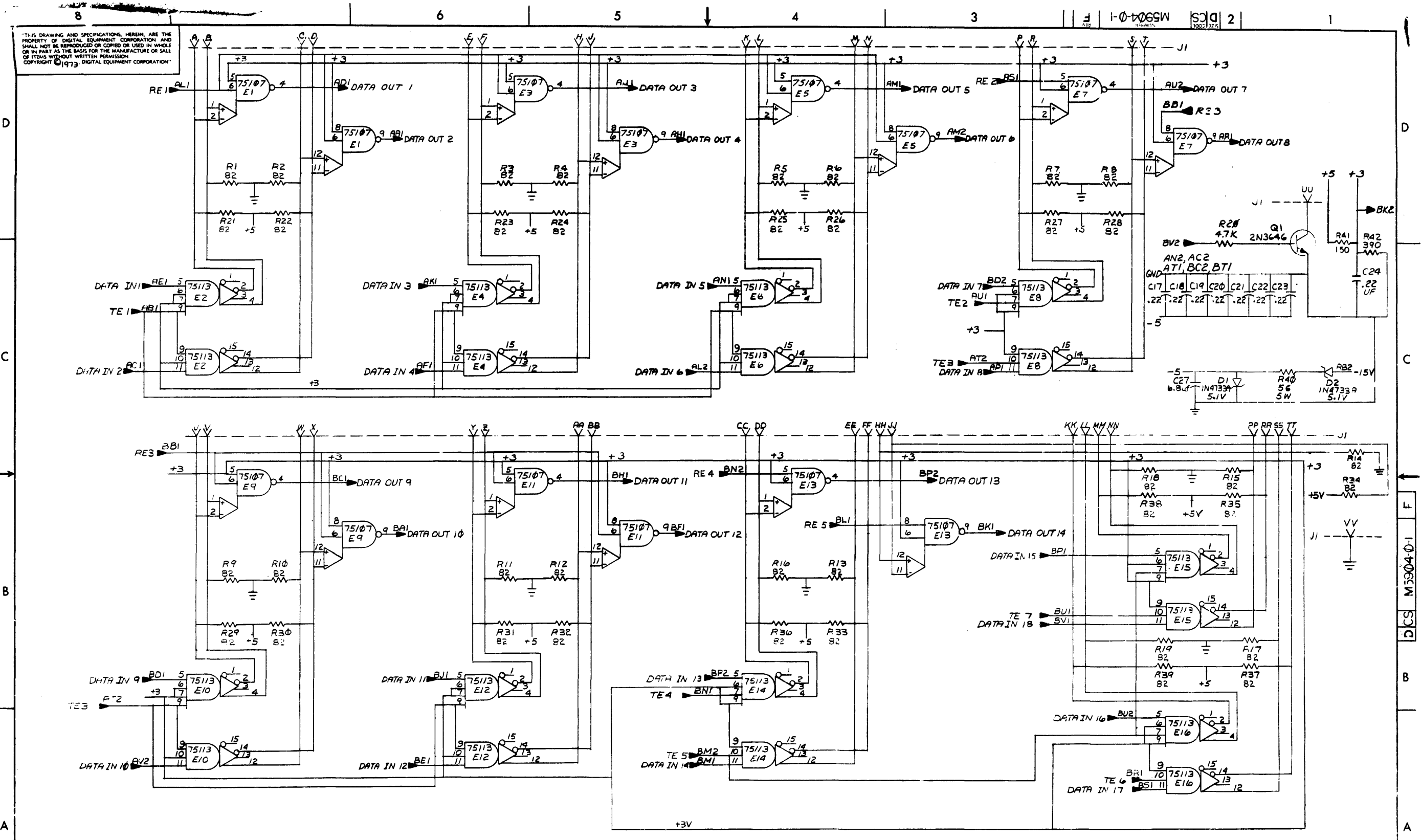
DIGITAL EQUIPMENT CORPORATION
MAYNARD, MASSACHUSETTS

TITLE
CONTROLLER TRANSCEIVER

SCALE
SHEET OF 2
DIST. OF 2

DATE PLOTTED
D/C S/M5904-0-1
NUMBER

THIS DRAWING AND SPECIFICATIONS, HEREIN, ARE THE PROPERTY OF DIGITAL EQUIPMENT CORPORATION AND SHALL NOT BE REPRODUCED OR COPIED OR USED IN WHOLE OR IN PART AS THE BASIS FOR THE MANUFACTURE OF SIMILAR ITEMS WITHOUT WRITTEN PERMISSION.
 COPYRIGHT © 1973, DIGITAL EQUIPMENT CORPORATION



REVISIONS		
CHK	CHANGE NO	REV

TITLE	SIZE CODE	NUMBER	REV.
CONTROLLER TRANSCEIVER	D CS	M5904-0-1	F
SCALE	SHEET 2 OF 2	DIST.	

D CS M5904-0-1

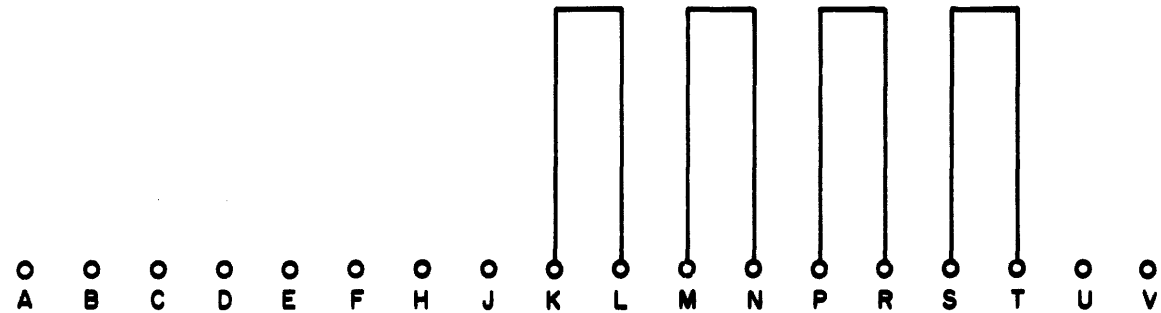


REV.

NUMBER G727-0-1

SIZE CODE B CS

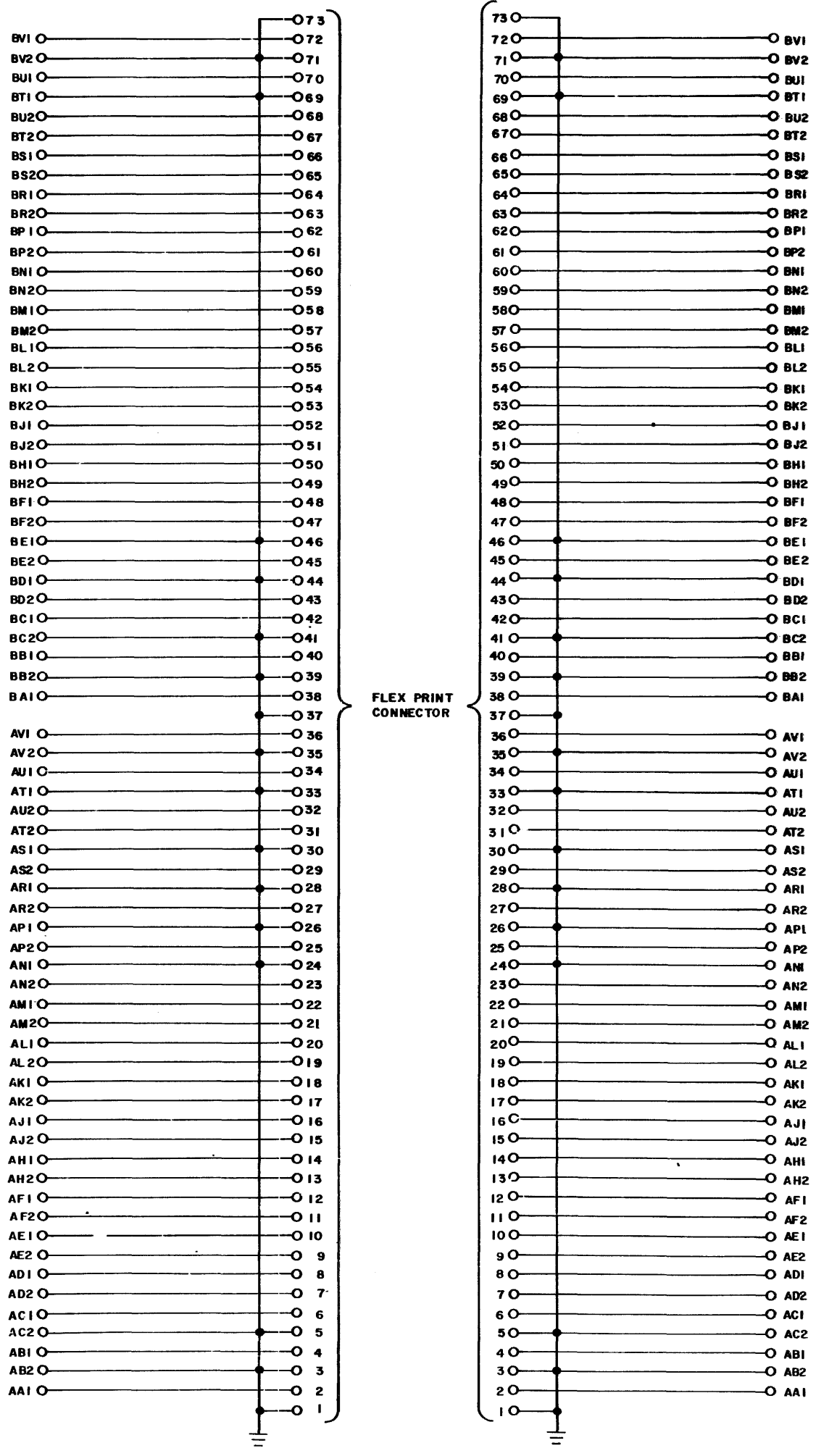
THIS SCHEMATIC IS FURNISHED ONLY FOR TEST AND MAINTENANCE PURPOSES. THE CIRCUITS ARE PROPRIETARY IN NATURE AND SHOULD BE TREATED ACCORDINGLY. COPYRIGHT 1969 BY DIGITAL EQUIPMENT CORPORATION



REVISIONS CHK CHG NO REV	DRN. BUTLER	DATE 11-19-69	TRANSISTOR & DIODE CONVERSION CHART				digital EQUIPMENT CORPORATION MAYNARD, MASSACHUSETTS	TITLE GRANT CONTINUITY G727			
	CHK'D <i>P. de Stank</i>	DATE <i>6-1-70</i>	DEC	EIA	DEC	EIA		SIZE B	CODE CS	NUMBER G727-0-1	REV
	ENG. <i>P. de Stank</i>	DATE <i>1/28/70</i>						PRINTED CIRCUIT REV A			
	PROD.	DATE									



THIS SCHEMATIC IS FURNISHED ONLY FOR TEST AND MAINTENANCE PURPOSES. THE CIRCUITS ARE PROPRIETARY IN NATURE AND SHOULD BE TREATED ACCORDINGLY. COPYRIGHT 1969 BY DIGITAL EQUIPMENT CORPORATION



REVISIONS		
CHK	CHG NO.	REV.
	00001	A
	00002	B
	00004	C

DRN	DATE	DESCRIPTION

CHK'D	DATE	DESCRIPTION

DEC	EIA	DESCRIPTION

SIZE	CODE	NUMBER	REV.
C	CS	M920-0-1	C

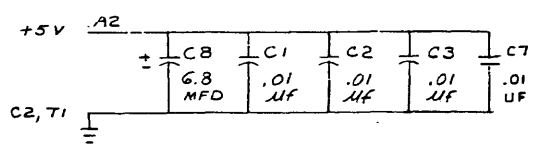
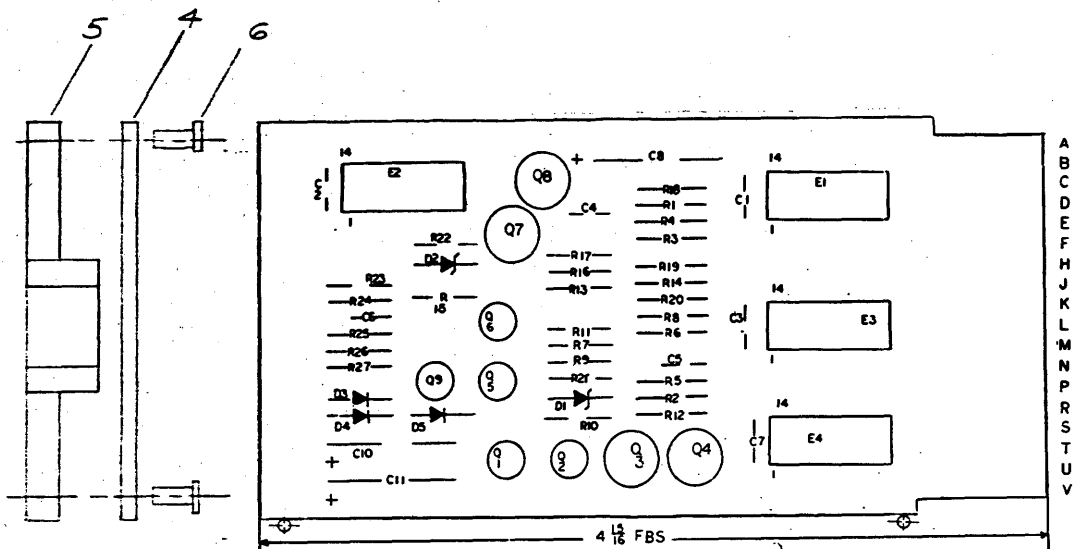
TITLE: INTERNAL BUS CONNECTOR
M920

PRINTED CIRCUIT REV. B

DIST. 3-29-69 1753

The drawing and specifications herein are the property of Digital Equipment Corporation and shall not be reproduced or copied in whole or in part without the written permission of this corporation.

NOTES:



IC TYPE	QND	+ 5V

IC PIN LOCATIONS

QTY	REF DESIGNATION	DESCRIPTION	PART NO.	ITEM NO
4	Q3-Q8	TRANSIPADS	9007200	31
1	C11	CAP. 10UF 20V 10%	1004813	30
1	C10	CAP. 39UF 16V 10%	1000076	29
5	R7, R13, R19, R20, R21, R26	RES. 4.7K 1/4W 5%	1300447	24
2	R23, R24	RES. 1.5K 1/4W 5%	1300391	27
4	R12, R18, R22, R26	RES. 470 1/4W 5%	1300316	26
1	Q9	TRANSISTOR DEC 3009B	1503100	24
3	D3, D4, D5	DIODE D664	1100114	23
1	E2	IC DEC 7404	1909686	22
5	C1, C2, C3, C6, C7	CAP. .01 uF 100V 20% DCR	1001670	21
1	C8	CAP. 5.8UF 35V, 20% TANT	1000067	20
2	C4, C5	CAP. 1000PF 100V 5% HIGH	1200042	19
2	D1, D2	DIODE INT50A 4.7V ZENER	1100124	18
4	R8, R11, R14, R17	RES. 10K 1/4 5%	1300479	16
2	R1, R2	RES. 3.9K 1/4 5%	1300414	15
6	R4, R6, R15, R19, R21, R22	RES. 1K 1/4 5%	1300316	14
3	R3, R5, R27	RES. 100 1/4 5%	1300229	13
4	Q1, Q2, Q5, Q6	TRANS. DEC 6534D	1503909	12
2	Q3, Q7	TRANS. 2N1309	1501311	11
2	Q4, Q8	TRANS. 2N1308	1500593	10
1	E3	IC DEC 7405	1909930	9
2	E1, E4	IC DEC 74H52	1909061	8
3		E1/E2	7006732	6
1		HANDLE FLIP CHIP - MAPPING	7006732	5
1		ETCHED CMT BD	8010025	4
2		HANDLE PCB MAPPING	DAN-118062	3
2		PCB MILLING MILE LAYOUT	DAN-118063	2
1		PCB COORDINATE ASSEMBLY	DAN-118064	1

FIRST USED ON OPTION MODEL PDP 11

DEC NO.	EIA NO.	DEC NO.	EIA NO.
DEC 6534D	NONE		
2N1309	SAME		
2N1308	SAME		
INT50A	SAME		

ETCH BOARD REV B

SCALE 1074E

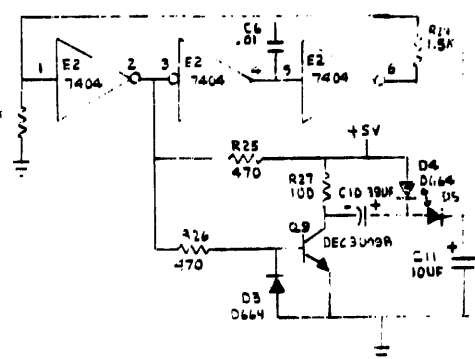
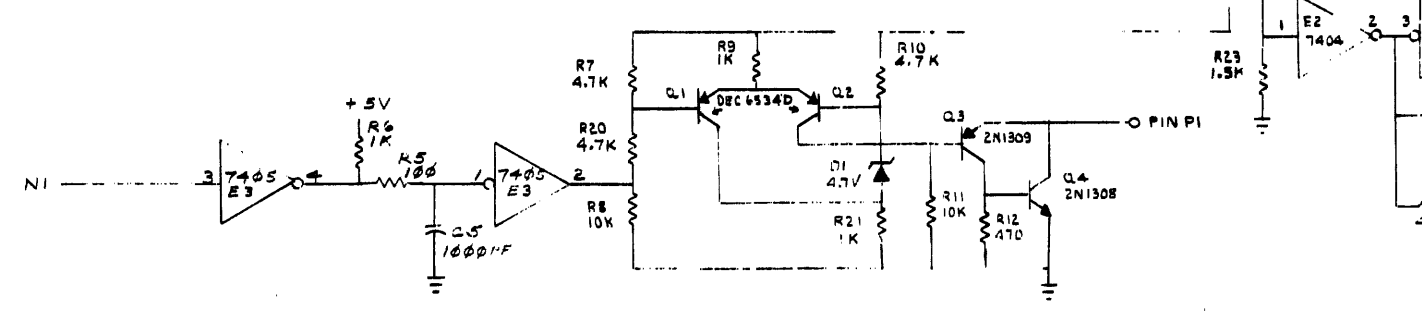
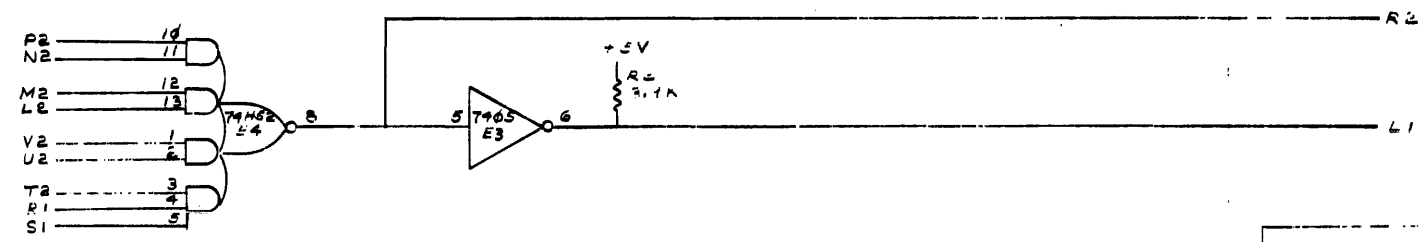
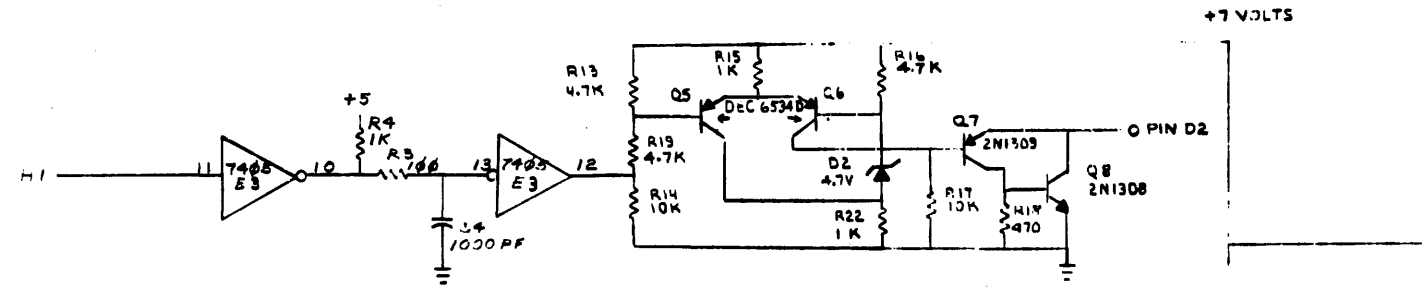
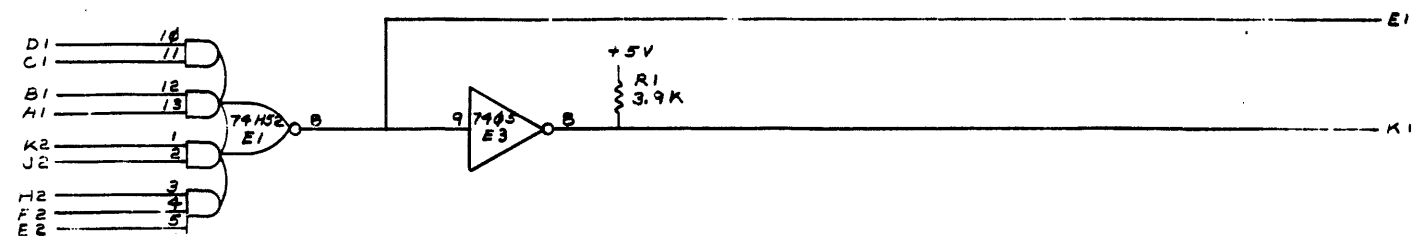
SHEET 1 OF 2

ORIENTAL EQUIPMENT CORPORATION
UNIBUS POWER FAIL DRIVERS
DCS1188-01
REV E

DOH VOIADA
7/11/78
10/10/78
11/10/78
12/10/78
1/10/79
2/10/79
3/10/79
4/10/79
5/10/79
6/10/79
7/10/79
8/10/79
9/10/79
10/10/79
11/10/79
12/10/79
1/10/80
2/10/80
3/10/80
4/10/80
5/10/80
6/10/80
7/10/80
8/10/80
9/10/80
10/10/80
11/10/80
12/10/80
1/10/81
2/10/81
3/10/81
4/10/81
5/10/81
6/10/81
7/10/81
8/10/81
9/10/81
10/10/81
11/10/81
12/10/81
1/10/82
2/10/82
3/10/82
4/10/82
5/10/82
6/10/82
7/10/82
8/10/82
9/10/82
10/10/82
11/10/82
12/10/82
1/10/83
2/10/83
3/10/83
4/10/83
5/10/83
6/10/83
7/10/83
8/10/83
9/10/83
10/10/83
11/10/83
12/10/83
1/10/84
2/10/84
3/10/84
4/10/84
5/10/84
6/10/84
7/10/84
8/10/84
9/10/84
10/10/84
11/10/84
12/10/84
1/10/85
2/10/85
3/10/85
4/10/85
5/10/85
6/10/85
7/10/85
8/10/85
9/10/85
10/10/85
11/10/85
12/10/85
1/10/86
2/10/86
3/10/86
4/10/86
5/10/86
6/10/86
7/10/86
8/10/86
9/10/86
10/10/86
11/10/86
12/10/86
1/10/87
2/10/87
3/10/87
4/10/87
5/10/87
6/10/87
7/10/87
8/10/87
9/10/87
10/10/87
11/10/87
12/10/87
1/10/88
2/10/88
3/10/88
4/10/88
5/10/88
6/10/88
7/10/88
8/10/88
9/10/88
10/10/88
11/10/88
12/10/88
1/10/89
2/10/89
3/10/89
4/10/89
5/10/89
6/10/89
7/10/89
8/10/89
9/10/89
10/10/89
11/10/89
12/10/89
1/10/90
2/10/90
3/10/90
4/10/90
5/10/90
6/10/90
7/10/90
8/10/90
9/10/90
10/10/90
11/10/90
12/10/90
1/10/91
2/10/91
3/10/91
4/10/91
5/10/91
6/10/91
7/10/91
8/10/91
9/10/91
10/10/91
11/10/91
12/10/91
1/10/92
2/10/92
3/10/92
4/10/92
5/10/92
6/10/92
7/10/92
8/10/92
9/10/92
10/10/92
11/10/92
12/10/92
1/10/93
2/10/93
3/10/93
4/10/93
5/10/93
6/10/93
7/10/93
8/10/93
9/10/93
10/10/93
11/10/93
12/10/93
1/10/94
2/10/94
3/10/94
4/10/94
5/10/94
6/10/94
7/10/94
8/10/94
9/10/94
10/10/94
11/10/94
12/10/94
1/10/95
2/10/95
3/10/95
4/10/95
5/10/95
6/10/95
7/10/95
8/10/95
9/10/95
10/10/95
11/10/95
12/10/95
1/10/96
2/10/96
3/10/96
4/10/96
5/10/96
6/10/96
7/10/96
8/10/96
9/10/96
10/10/96
11/10/96
12/10/96
1/10/97
2/10/97
3/10/97
4/10/97
5/10/97
6/10/97
7/10/97
8/10/97
9/10/97
10/10/97
11/10/97
12/10/97
1/10/98
2/10/98
3/10/98
4/10/98
5/10/98
6/10/98
7/10/98
8/10/98
9/10/98
10/10/98
11/10/98
12/10/98
1/10/99
2/10/99
3/10/99
4/10/99
5/10/99
6/10/99
7/10/99
8/10/99
9/10/99
10/10/99
11/10/99
12/10/99
1/2000
2/2000
3/2000
4/2000
5/2000
6/2000
7/2000
8/2000
9/2000
10/2000
11/2000
12/2000
1/2001
2/2001
3/2001
4/2001
5/2001
6/2001
7/2001
8/2001
9/2001
10/2001
11/2001
12/2001
1/2002
2/2002
3/2002
4/2002
5/2002
6/2002
7/2002
8/2002
9/2002
10/2002
11/2002
12/2002
1/2003
2/2003
3/2003
4/2003
5/2003
6/2003
7/2003
8/2003
9/2003
10/2003
11/2003
12/2003
1/2004
2/2004
3/2004
4/2004
5/2004
6/2004
7/2004
8/2004
9/2004
10/2004
11/2004
12/2004
1/2005
2/2005
3/2005
4/2005
5/2005
6/2005
7/2005
8/2005
9/2005
10/2005
11/2005
12/2005
1/2006
2/2006
3/2006
4/2006
5/2006
6/2006
7/2006
8/2006
9/2006
10/2006
11/2006
12/2006
1/2007
2/2007
3/2007
4/2007
5/2007
6/2007
7/2007
8/2007
9/2007
10/2007
11/2007
12/2007
1/2008
2/2008
3/2008
4/2008
5/2008
6/2008
7/2008
8/2008
9/2008
10/2008
11/2008
12/2008
1/2009
2/2009
3/2009
4/2009
5/2009
6/2009
7/2009
8/2009
9/2009
10/2009
11/2009
12/2009
1/2010
2/2010
3/2010
4/2010
5/2010
6/2010
7/2010
8/2010
9/2010
10/2010
11/2010
12/2010

All drawings and specifications, herein, are the property of Digital Equipment Corporation and shall not be reproduced or copied or used in whole or in part as the basis for the manufacture or sale of items without its prior permission.

1-0-899W S01 2

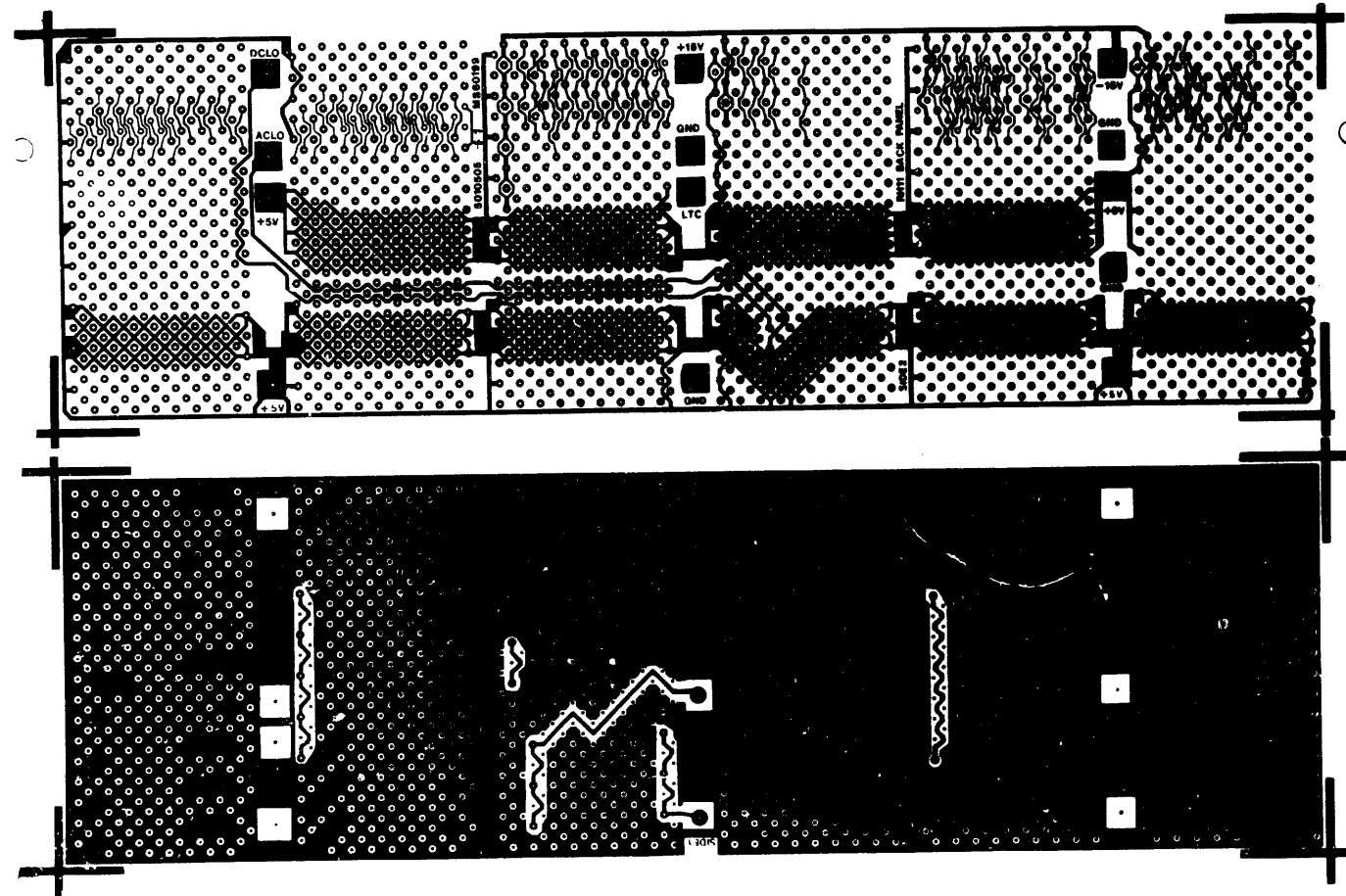


REV. 11/64
LWR
REV. 11/64
LWR

FIRST USED ON OPTION/MODEL	QTY	DESCRIPTION	PART NO	ITEM NO
PDP 11				
PARTS LIST				
UNLESS OTHERWISE SPECIFIED DIMENSION IN INCHES TOLERANCES	DRN 5/1/72	DATE 5/1/72	digital EQUIPMENT CORPORATION MAYNARD MASSACHUSETTS TITLE UNIBUS POWER FAIL DRIVERS	
DECIMALS	CHK'D 6/1/72	DATE 6/1/72		
ANGLES	ENGR 6/1/72	DATE 6/1/72		
XXX - 005 XX - 02 X - 1	PROJ ENGR 6/1/72	DATE 6/1/72		
REMOVE BURRS AND BREAK SHARP CORNERS SURFACE QUALITY	PROD 6/1/72	DATE 6/1/72	SIZE CODE NUMBER DCS M6R8-0-1	
MATERIAL	NEXT HIGHER ASSY		REV E	
FINISH	SCALE NOTE		DIST	
	SHEET 2 OF 2			

THIS DRAWING AND SPECIFICATIONS HEREIN ARE THE PROPERTY OF DIGITAL EQUIPMENT CORPORATION AND SHALL NOT BE REPRODUCED OR COPIED OR USED IN WHOLE OR IN PART AS THE BASIS FOR THE MANUFACTURE OR SALE OF ITEMS WITHOUT WRITTEN PERMISSION. COPYRIGHT © 1973 DIGITAL EQUIPMENT CORPORATION

NOTES:



REF	ASSY DRILLING HOLE LAYOUT	D-AN-5410506-0-5	1
REF	MODULE ECO HISTORY	D-MH-5410506-0-6	2
REF	X-Y COORDINATE HOLE LOCATION	KCO-5410506-0-4	3
1	ETCHED CIRCUIT BOARD	5010505	4

QTY	REF DESIGNATION	DESCRIPTION	PART NO	ITEM NO

ETCH BOARD REV		D
----------------	--	---

DATE	7-20-73
DATE	7-20-73
DATE	7-20-73
DATE	7-20-73
DATE	7-20-73
DATE	7-20-73

digital EQUIPMENT CORPORATION	
TITLE	
RHII BACK PANEL	
SIZE CODE	NUMB-N
DCS 5410506-0-1	C

IC TYPE	GND +5V
GND AND 5V ARE USUAL Y PIN 7 AND 14 RESPECTIVELY. EXCEPTIONS ARE STATED ABOVE	
IC PIN LOCATIONS	

DATE	7-20-73
DATE	7-20-73
DATE	7-20-73
DATE	7-20-73
DATE	7-20-73
DATE	7-20-73

SEMICONDUCTOR CONVERSION CHART		
EIA NO	DEC NO	EIA NO
SCALE	NONE	
SHEET	OF	

DCS 5410506-0-1 C

SIZE CODE K WL RH11-0-12 2
 NUMBER 2
 C

This drawing and specifications, herein, are the property of Digital Equipment Corporation and shall not be reproduced or copied or used in whole or in part as the basis for the manufacture or sale of items without written permission. COPYRIGHT © 1973

DIGITAL EQUIP. CORP.

FIRST USED ON OPTION MODEL	QTY.	DESCRIPTION	PART NO.	ITEM NO.
RH11				

REVISIONS		CHG. NO.	REV.
CHK	RJ	RH11-00003	A
1-19-74 JENKINS			
7-32-74			
CHK	KIT	RH11-00007	B
CHK		RH11-00008	C

DRN. F. J. (EB) [Signature]	DATE 8-JUNE-73
CHK'D. G. [Signature]	DATE 7/6/73
ENG. E. Jenkins	DATE 8-13-73
PRG. ENG. E. Jenkins	DATE 8-13-73
PRG. G. [Signature]	DATE 8-13-73
NEXT HIGHER ASSEMBLY D-AD-700939700	
SCALE NONE	
SHEET	OF

digital EQUIPMENT CORPORATION
 MAYNARD, MASSACHUSETTS

TITLE
WIRE LIST

SIZE CODE	NUMBER	REV.
K WL	RH11-0-12	C

This drawing and specifications, herein, are the property of Digital Equipment Corporation and shall not be reproduced or copied or used in whole or in part as the basis for the manufacture or sale of items without written permission.

DRAWING NUMBER	INIT REL	AUTOMATIC WIRE TESTER (AWT) REVISION STATUS																								REV	
	T2	A	B	C	D	E																					LL
K-WL-RH11-Ø	*	A	A	A	B	C																					
D-AD-7009397-0-0	B	C	D	E	F	H																					
D-CS-5410506-0-1	C	C	C	C	C	C																					

REV NUMBER 7009397-0 SIZE CODE A WT

REV.	A	B	C	D	E
CHANGE NO.	RH11-00003	RH11-00004	RH11-00006	RH11-00007	RH11-00008
ORIGINATED					
CHK	S.J.	P.M.	K.M.	S.C.	

DRN. <i>S. Chastain</i>	DATE 7-19-74	digital EQUIPMENT CORPORATION MAYNARD, MASSACHUSETTS
CHK'D. <i>L. Gilbert</i>	DATE 7-22-74	
ENG. <i>J. Jenkins</i>	DATE 7-30-74	
PRD./ENG. <i>J. Jenkins</i>	DATE 7-30-74	
PRD. <i>J. Jenkins</i>	DATE 7-30-74	
FIRST USED ON		TITLE RH11 MASSBUS CONTROLLER AWT REVISION STATUS
SCALE 1/1		SIZE CODE A WT
SHEET 1 OF 1		NUMBER 7009397-0 REV. E
		DIST.

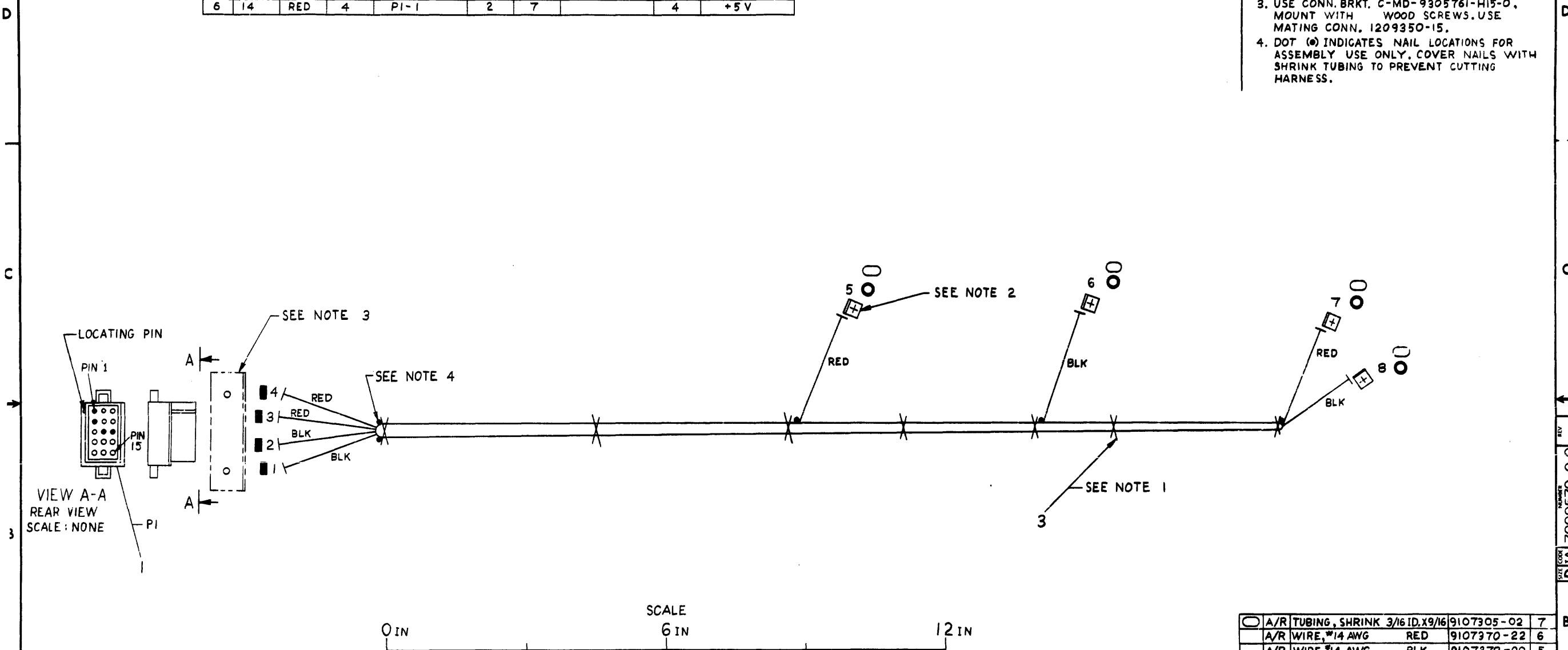
THIS DRAWING AND SPECIFICATIONS HEREIN ARE THE PROPERTY OF DIGITAL EQUIPMENT CORPORATION AND SHALL NOT BE REPRODUCED OR COPIED OR USED IN WHOLE OR IN PART AS THE BASIS FOR THE MANUFACTURE OR SALE OF ITEMS WITHOUT WRITTEN PERMISSION. COPYRIGHT © 1973, DIGITAL EQUIPMENT CORPORATION

WIRE TABLE										
ITEM NO.	DESCRIPTION			FROM			TO			SIGNAL
	AWG	COLOR	POINT	CONNECTION	TERM	POINT	CONNECTION	TERM		
5	14	BLK	1	PI-9	2	8		4	GND	
5	14	BLK	2	PI-8	2	6		4	GND	
6	14	RED	3	PI-4	2	5		4	+5V	
6	14	RED	4	PI-1	2	7		4	+5V	

0-0-0-0296002 2

NOTES:

1. USE TIE WRAPS (X) ITEM #3 APPROXIMATELY EVERY THREE (3) INCHES WHEN NECESSARY, AND AT EVERY BREAKOUT POINT.
2. ATTACH MALE FASTON DEC # 9009219-0 WITH WOOD SCREWS (4 PLACES).
3. USE CONN. BRKT. C-MD-9305761-H15-0, MOUNT WITH WOOD SCREWS. USE MATING CONN. 1209350-15.
4. DOT (•) INDICATES NAIL LOCATIONS FOR ASSEMBLY USE ONLY. COVER NAILS WITH SHRINK TUBING TO PREVENT CUTTING HARNESS.



SCALE
0 IN 6 IN 12 IN

DO NOT REDUCE
DO NOT BUILD FROM REDUCED PRINT

QTY.	DESCRIPTION	PART NO.	ITEM NO.
4	A/R TUBING, SHRINK 3/16 ID. X 9/16	9107305-02	7
4	A/R WIRE, #14 AWG RED	9107370-22	6
4	A/R WIRE, #14 AWG BLK	9107370-00	5
4	CONN, SOLDERLESS	9009262-0	4
4	A/R WRAP, TIE	9007031	3
4	PIN, MALE	1209378-00	2
1	HOUSING, CONN 15 PIN	1209351-15	1

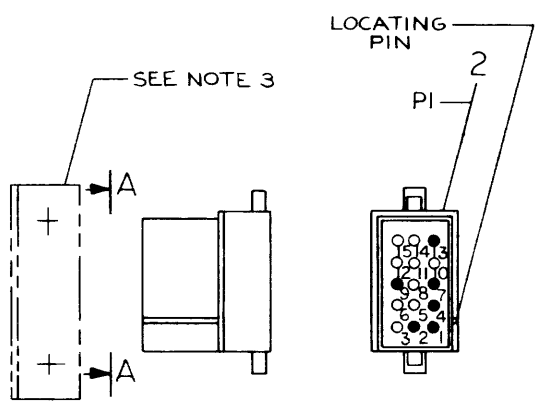
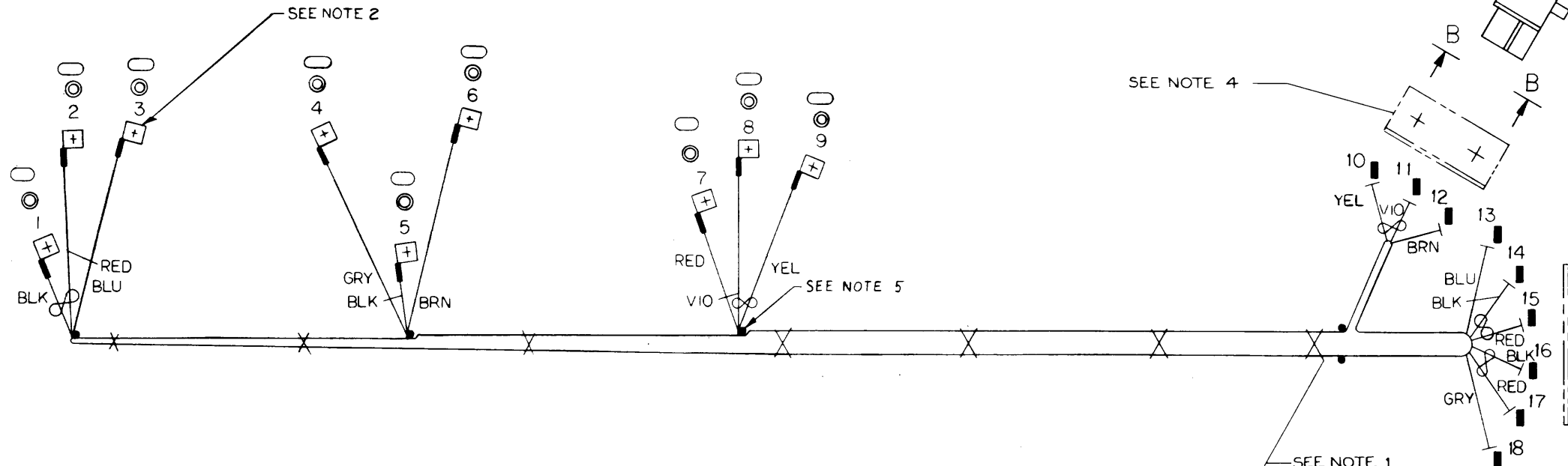
FIRST USED ON OPT/ MOD.	S/M	QTY.	DESCRIPTION	PART NO.	ITEM NO.
PARTS LIST					
UNLESS OTHERWISE SPECIFIED DIMENSION IN INCHES		DRN. <i>[Signature]</i>	DATE 10-8-73	digital EQUIPMENT CORPORATION MAYNARD MASSACHUSETTS	
TOLERANCES		CHKD. <i>[Signature]</i>	DATE	TITLE	
DECIMALS .XXX = .005	ANGLES 30° 30'	ENG. <i>[Signature]</i>	DATE 10/25/73	OPTION HARNESS	
.XXX = .02		PROJ. ENG. <i>[Signature]</i>	DATE 10/25/73	RH11 15 PIN	
.X = .1		PROP. <i>[Signature]</i>	DATE 10/25/73		
REMOVE BURRS AND BREAK SHARP CORNERS SURFACE QUALITY Y		NEXT HIGHER ASSY.			
MATERIAL		SEE PARTS LIST		SIZE CODE	NUMBER
FINISH		SCALE 1/1		DIA 7009570-0-0	REV.
		SHEET OF 1		DIST.	

REVISIONS
CHANGE NO.
CHK

REV
DIA 7009570-0-0

WIRE TABLE									
ITEM NO	DESCRIPTION	FROM			TO			REMARKS	
		AWG	COLOR	POINT	CONNECTION	TERM	POINT		CONNECTION
7	14 TWP	RED	7		5,6	17	P1-1	3	+5V
		BLK	5			16	P1-7		GND
9	18 AWG	GRY	4			18	P1-2		+15
7	14 TWP	RED	2			15	P1-4		+5
		BLK	1			14	P1-9		GND
11	14 AWG	BLU	3			13	P1-13		-15
10	18 AWG	BRN	6			12	P2-2		LINE CLOCK
8	18 TWP	VIO	8			11	P2-3		DC LO
		YEL	9		5,6	10	P2-4	3	AC LO

- NOTES:
- USE TIE WRAPS (X) ITEM 4 APPROXIMATELY EVERY THREE (3) INCHES WHEN NECESSARY, AND AT EVERY BREAK-OUT POINT.
 - ATTACH MALE FASTON DEC 9008219-0 WITH *4 WOOD SCREWS (9 PLACES).
 - USE CONN. BRKT C-MD-9305761-HIS-0 MOUNT WITH *6 WOOD SCREWS. USE MATING CONN. 1209350-15.
 - USE CONN. BRKT C-MD-9305761-HG-0 MOUNT WITH *6 WOOD SCREWS. USE MATING CONN. 1209350-06.
 - DOT (●) INDICATES NAIL LOCATIONS FOR ASSEMBLY USE ONLY. COVER NAILS WITH SHRINK TUBING TO PREVENT CUTTING HARNESS.



DO NOT REDUCE SCALE 6 IN. 12 IN.

DO NOT BUILD FROM REDUCED PRINT

SYMBOL	DESCRIPTION	PART NO.	ITEM NO.
A/R WIRE, *14 AWG BLU	9107370-66	11	
A/R WIRE, *18 AWG BRN	9107360-11	10	
A/R WIRE, *18 AWG GRY	9107360-88	9	
A/R WIRE, *18 TWP YEL/VIO	9107430-47	8	
A/R WIRE, *14 TWP BLK/RED	9107440-02	7	
○ A/R TUBING, SHRINK	9107305-02	6	
● 9 CONN., SOLDERLESS	9009262-0	5	
X A/R WRAP, TIE	9007031	4	
■ 9 PIN, MALE	1209378-01	3	
□ 1 HOUSING, CONN. 15 PIN	1209351-15	2	
□ 1 HOUSING, CONN. 6 PIN	1209351-06	1	

FIRST USED ON OPT/MOD	SYM	QTY.	DESCRIPTION	PART NO.	ITEM NO.
PARTS LIST					
UNLESS OTHERWISE SPECIFIED DIMENSION IN INCHES TOLERANCES		DRN	DATE	digital EQUIPMENT CORPORATION	
DECIMALS	ANGLES	CHKD	DATE	MAYNARD MASSACHUSETTS	
XXX - 006	±0° 30'	ENG	DATE	TITLE	
XX - 02		PROJ. ENG.	DATE	POWER HARNESS	
X - 1		PROD.	DATE	DA11-F/DD11-B	
REMOVE BURRS AND BREAK SHARP CORNERS SURFACE QUALITY	✓	PROO.	DATE	SIZE CODE	
MATERIAL	NEXT HIGHER ASSY.			NUMBER	REV
SEE PARTS LIST				DAI7009563-0-0	A
FINISH		SCALE	1/1	DIST.	
		SHEET	1	OF	1

REVISIONS	CHANGE NO	REV
7009563-0000	A	
H. KWAN		17 OCT 76

This drawing and specifications, herein, are the property of Digital Equipment Corporation and shall not be reproduced or copied or used in whole or in part as the basis for the manufacture or sale of items without written permission. COPYRIGHT © 1973 DIGITAL EQUIP. CORP.