

"THE MATERIAL HEREIN IS FOR INFORMATION PURPOSES ONLY AND IS SUBJECT TO CHANGE WITHOUT NOTICE. DIGITAL EQUIPMENT CORPORATION ASSUMES NO RESPONSIBILITY FOR ANY ERRORS WHICH MAY APPEAR HEREIN."

FIELD MAINTENANCE PRINT SET

"THIS DRAWING AND SPECIFICATIONS, HEREIN, ARE THE PROPERTY OF DIGITAL EQUIPMENT CORPORATION AND SHALL NOT BE REPRODUCED OR COPIED OR USED IN WHOLE OR IN PART AS THE BASIS FOR THE MANUFACTURE OR SALE OF ITEMS WITHOUT WRITTEN PERMISSION. COPYRIGHT © 1976, DIGITAL EQUIPMENT CORPORATION."

TABLE OF CONTENTS

B-TC-DZ11-Ø-6	DZ11 PRINT SET
B-DD-M7819-Ø	8 LINE EIA ASYNCHRONOUS MUX
B-PL-M7819-Ø-Ø	8 LINE EIA ASYNCHRONOUS MUX
D-UA-M7819-Ø-Ø	8 LINE EIA ASYNCHRONOUS MUX
B-BD-M7819-Ø-8	8 LINE EIA ASYNCHRONOUS MUX
D-CS-M7819-Ø-1	8 LINE EIA ASYNCHRONOUS MUX
B-DD-H317-Ø	H317 CABLE BOX ASSY
D-UA-H317-Ø-Ø	H317 CABLE BOX ASSY
B-DD-5411928-0	DZ11 EIA DISTRIBUTION PANEL
B-PL-5411928-0-0	DZ11 EIA DISTRIBUTION PANEL
E-UA-5411928-0-0	PANEL, EIA DISTRIBUTION
D-CS-5411928-0-1	DZ11 EIA DIS. PANEL
D-IA-BCØ5W-Ø-Ø	5Ø CONDUCTOR SIGNAL CABLE (BCØ5W)
B-BD-DZ11-Ø-8	SYSTEM CONNECT DIAGRAM
D-UA-DZ11-Ø-Ø	UNIT ASSY DZ11
A-PL-DZ11-Ø-Ø	EIA ASYNCHRONOUS MUX
B-DD-DZ11-Ø	EIA ASYNCHRONOUS MUX
D-UA-H3271-0-0	CONNECTOR, TURN AROUND (EIA)
D-CS-H3271-0-1	CONNECTOR, TURN AROUND (EIA)
D-CS-H325-0-1	H325 TEST CONNECTOR
D-IA-BCØ3M-0-0	NULL MODEM CABLE
D-IA-BCØ3P-0-0	NULL MODEM CABLE
D-UA-BCØ6L-0-0	MIRROR IMAGE CABLE (50 POS)
A-PL-DZ11-0-5	SHIPPING LIST DZ11

UNIT VARIATIONS COVERED BY THIS PRINT SET
DZ11-A
DZ11-E
DZ11-B
DZ11-AA
DZ11-BA
DZ11-EA

DZ11-A,B,E (EIA)
Field Maintenance Print Set

Digital Equipment Corporation

PRINT SET ORDER NUMBER MPØØ132

REV. NO.	CHG. NO.	DATE	USED ON OPTION/MODEL	DRN.	DATE	TITLE: DZ11-A,B,E FIELD MAINTENANCE PRINT SET					SIZE	CODE	NUMBER	REV.
A	DZ11-3	8-77	DZ11	K. DAVIS	5/5/76						B	TC	DZ11-Ø-6	3
B	DZ11-MKØØ5	5-78		P. Cappaluso	5-19-76									
					FIELD SERV. DATE		DIST.							
			SHEET 1 OF 1	J. G. R. K. B.	5-18-76									

EN-01124-16-N675-1327



DRAWING NO.	NO. OF SHTS	PART NO.	DESCRIPTION	REVISIONS																		
				B	B	D	E	F	F													
D-UA-M7819-0-0	5		8 LINE EIA ASYNCHRONOUS MUX	B	B	D	E	F	F													
B-PL-M7819-0-0	4		8 LINE EIA ASYNCHRONOUS MUX	B	C	D	E	F	F													
D-CS-M7819-0-1	15		8 LINE EIA ASYNCHRONOUS MUX	B	C	D	E	F	F													
D-AH-M7819-0-5	J		8 LINE EIA ASYNCHRONOUS MUX	B	B	C	D	E	E													
		5011820	ETCHED BOARD	C	C	C	D	E	E													
M7819-0-L			P.C. DESIGN DATA BASE	REF	-	-	-	-	-													
M7819-0-PL			INSERTION P/L DATA BASE	REF	-	-	-	-	-													
B-MH-M7819-0-6	2		MODULE ECO HISTORY	REF	-	-	-	E	E													
D-BD-M7819-0-8	1		M7819 BLOCK DIAGRAM	A	A	A	A	A	A													

NOTES:

REVISIONS		B	C	D	E	F
DATE	CHG NO.					
3-2-76	00001					
8-76	00002					
1-76	00003					
7-76	00004					
9-76	00005					

"THIS DRAWING AND SPECIFICATIONS, HEREIN, ARE THE PROPERTY OF DIGITAL EQUIPMENT CORPORATION AND SHALL NOT BE REPRODUCED OR COPIED OR USED IN WHOLE OR IN PART AS THE BASIS FOR THE MANUFACTURE OR SALE OF ITEMS WITHOUT WRITTEN PERMISSION. COPYRIGHT ©1976, DIGITAL EQUIPMENT CORPORATION"



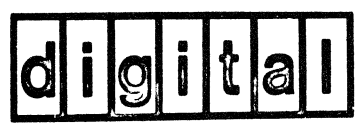
USED ON OPTION/MODEL	DRN R. Kopperud 3-2-76	TITLE 8 LINE EIA ASYNCHRONOUS MUX
	CHK'D R. Kopperud 3-2-76	SIZE CODE BDD NUMBER M7819-0 REV. F
	ENG R. Kopperud 3-2-76	SHEET 1 OF 2
	PROD. R. Wall 3-2-76	

DRAWING NO.	NO. OF SHTS.	PART NO.	DESCRIPTION	REVISIONS																
				REV.	DATE	BY	CHK'D	DATE	BY	CHK'D	DATE	BY	CHK'D	DATE	BY					
D-UA-M7819-0-0	5		8LINE EIA ASYNCHRONOUS MUX	DI	EI															
B-PL-M7819-0-0	4		8LINE EIA ASYNCHRONOUS MUX	DI	EI															
D-CS-M7819-0-1	15		8LINE EIA ASYNCHRONOUS MUX	DI	EI															
D-AH-M7819-0-5	1		8LINE EIA ASYNCHRONOUS MUX	D	E															
		5011820	ETCHED BOARD	D	E															
M7819-0-L			PC DESIGN DATA BASE	REF	-															
M7819-0-PL			INSERTION P/L DATA BASE	REF	-															
B-MH-M7819-0-6	2		MODULE ECO HISTORY	F	F															
D-BD-M7819-0-8			M7819 BLOCK DIAGRAM	A	A															

NOTES:

REVISIONS		
DATE	CHG NO.	REV.
	MK005	F
	MK005	F

"THIS DRAWING AND SPECIFICATIONS, HEREIN, ARE THE PROPERTY OF DIGITAL EQUIPMENT CORPORATION AND SHALL NOT BE REPRODUCED OR COPIED OR USED IN WHOLE OR IN PART AS THE BASIS FOR THE MANUFACTURE OR SALE OF ITEMS WITHOUT WRITTEN PERMISSION.
COPYRIGHT © 1979 DIGITAL EQUIPMENT CORPORATION



USED ON OPTION/MODEL	DRN. R. KOPPENAL	3-2-76	TITLE 8 LINE EIA ASYNCHRONOUS MUX	SIZE B DD	CODE M7819-0	NUMBER	REV. F
	CHK'D R. KOPPENAL	3-2-76					
	ENG. R. CORMIER	3-2-76	SHEET 2 OF 2				
	PROD. R. WALL	3-2-76					

DIGITAL EQUIPMENT CORPORATION

PARTS LIST

QUANTITY/VARIATION

NOTES:

MADE BY <i>R. Koppenal</i>	CHECKED <i>W. J. G. Gandy</i>	SECTION
DATE <i>3-1-76</i>	DATE <i>3-2-76</i>	
ENG <i>W. J. G. Gandy</i>	PROD <i>R. Wall</i>	ISSUED SECTION
DATE <i>3-2-76</i>	DATE <i>3-2-76</i>	

ITEM NO.	DRAWING NO.	PART NO.	DESCRIPTION	QTY	UNIT	REF DESIGNATION
1.		5011820	ETCH BOARD	1		
2.		1000025	CAP, 560PF, 100V, 5%	2		C92, C53
3.		1000018	CAP, 120PF, 100V, 5%	2		C99, C96
4.		1000024	CAP, 470PF, 100V, 5%	25		C93, C100-122, C131,
5.		1000042	CAP, 1000PF, 100V; 5%	1		C98
6.		1001610-00	CAP, 01UF, 50V	91		C1-C52, C54-C91, C130
7.		1000010	CAP, 39PF, 100V, 5%	1		C97
8.		1005306	CAP, 6.8UF, 35V, 10%	6		C123-C126, C128, C129
9.		1000021	CAP, 220PF, 100V, 5%	1		C95
10.		1000023	CAP, 330PF, 100V, 5%	1		C94
11.		1105796	DIODE, IN4004	2		D1, D5
12.		1109943	DIODE, IN4733A	2		D2, D6
13.		1103340	DIODE, IN4736A	2		D3, D7
14.		1101938	DIODE, IN4370A	2		D4, D8
15.		1905547	IC, 7474	1		E96
16.		1909705	IC, 8881	1		E72
17.		1910091	IC, 7437	2		E24, E68
18.		1910322	IC, 1488L	4		E7 - E10
19.		1910323	IC, 1489L	6		E1 - E6
20.		1910454	IC, 9318	1		E82
21.		1910459-01	IC, 1602 (UART)	8		E44 - E51

E.C.O. NO.
0001
0002
0003

THIS DRAWING AND SPECIFICATIONS, HEREIN, ARE THE PROPERTY OF DIGITAL EQUIPMENT CORPORATION AND SHALL NOT BE REPRODUCED OR COPIED OR USED IN WHOLE OR IN PART AS THE BASIS FOR THE MANUFACTURE OR SALE OF ITEMS WITHOUT WRITTEN PERMISSION. COPYRIGHT © 1976 DIGITAL EQUIPMENT CORPORATION	TITLE 8 LINE EIA ASYNCHRONOUS MUX	ASSY NO. D-UA-M7819-0-0	SIZE B	CODE PL	NUMBER M7819-0-0	REV. E
		SHEET 1 OF 4	INSERTION PARTS LIST DATA BASE REV			

DIGITAL EQUIPMENT CORPORATION PARTS LIST				QUANTITY/VARIATION								NOTES:		
MADE BY <i>R. Koppenal</i>		CHECKED <i>[Signature]</i>												
DATE <i>3-1-76</i>		DATE <i>3-2-76</i>												
ENG. <i>[Signature]</i>		PROD. <i>R. Wall</i>												
DATE <i>3-2-76</i>		DATE <i>3-2-76</i>												
ITEM NO.	DRAWING NO.	PART NO.	DESCRIPTION									REF DESIGNATION		
22.		1910951	IC, 9602	2								E78, E106		
23.		1911116	IC, 8837	1								E70		
24.		1911579	IC, 8641	4								E28, E29, E36, E37		
25.		1912083	IC, 8647	2								E89, E90		
26.		1912395	IC, 8136	3								E61, E71, E80		
27.		1912799	IC, 74LS00	4								E23, E73, E76, E99		
28.		1912801	IC, 74LS02	1								E108		
29.		1912803	IC, 74LS04	5								E13, E14, E86, E101, E12		
30.		1912805	IC, 74LS08	4								E63, E65, E87, E107		
31.		1912807	IC, 74LS10	1								E97		
32.		1912811	IC, 74LS21	1								E69		
33.		1912816	IC, 74LS32	2								E100, E84		
34.		1912824	IC, 74LS74	4								E77, E85, E88, E109		
35.		1912830	IC, 74LS90	1								E66		
36.		1912842	IC, 74LS138	2								E74, E75		
37.		1912844	IC, 74LS151	2								E91, E92		
38.		1912845	IC, 74LS153	8								E30 - E33, E38 - E41		
39.		1912846	IC, 74LS155	3								E83, E94, E95		
40.		1912847	IC, 74LS157	5								E19-22, E102		
41.		1912853	IC, 74LS175	13								E15-18, E26, E27, E34, E35, E42, E43, E93, E98, E104		
E.C.O. NO.														
<small>THIS DRAWING AND SPECIFICATIONS, HEREIN, ARE THE PROPERTY OF DIGITAL EQUIPMENT CORPORATION AND SHALL NOT BE REPRODUCED OR COPIED OR USED IN WHOLE OR IN PART AS THE BASIS FOR THE MANUFACTURE OR SALE OF ITEMS WITHOUT WRITTEN PERMISSION. COPYRIGHT © 1976, DIGITAL EQUIPMENT CORPORATION.</small>				TITLE 8 LINE EIA ASYNCHRONOUS MUX				ASSY NO. D-UA-M7819-0-0		SIZE CODE B PL		NUMBER M7819-0-0		REV. E
				SHEET 2 OF 4				INSERTION PARTS LIST DATA BASE REV						

DIGITAL EQUIPMENT CORPORATION				QUANTITY/VARIATION										NOTES:			
PARTS LIST																	
MADE BY <i>R. KOPPENAL</i>		CHECKED <i>[Signature]</i>															
DATE <i>3-1-76</i>		DATE <i>3-2-76</i>															
ENG. <i>[Signature]</i>		PROD. <i>R. WALL</i>															
DATE <i>3-7-76</i>		DATE <i>3-2-76</i>															
ITEM NO.	DRAWING NO.	PART NO.	DESCRIPTION											REF DESIGNATION			
42.		1912860	IC, 74LS259	3													E62, E64, E103
43.		2111188	IC, 3341	4													E57-60
44.		2112623	IC, 5016	4													E53-56
45.		1912854	IC, 74LS193	2													E79, E105
46.		1300202	RES, 47 OHM, 1/4W, 5%	5													R1-5
47.		1300229	RES, 100 OHM, 1/4W, 5%	3													R13, R15, R67
48.		1300309	RES, 390 OHM, 1/4W, 5%	1													R30.
49.		1300365	RES, 1K, 1/4W, 5%	5													R11, R12, R14, R27, R61
50.		1300479	RES, 10K, 1/4W, 5%	17													R16-25, R31-36, R62
51.		1300510	RES, 33K, 1/4W, 10%	24													R37-60
52.		1301322	RES, 180 OHM, 1/4W, 5%	4													R28, R29, R63, R26
53.		1301874	RES, 5.6K, 1/4W, 5%	2													R64, R65
54.		1302177	RES, 47K, 1/4W 5%	1													R66
55.		1209838	PRIORITY SOCKET 16 PIN	1													E52
56.		1209941-03	LEFT LATCH FOR BERG PC SOCKET HOUSING	1													
57.		1209941-04	RIGHT LATCH FOR BERG PC SOCKET HOUSING	1													
58.		1209941-07	50 PIN BERG PC SOCKET HOUSING	1													J1
59.		1210711-02	HANDLE ASSLY	1													
60.		1211164-04	SWITCH, 8 POSITION	1													E11
61.		1211164-06	SWITCH, 10 POSITION	1													E81

E.C.O. NO.

THIS DRAWING AND SPECIFICATIONS, HEREIN, ARE THE PROPERTY OF DIGITAL EQUIPMENT CORPORATION AND SHALL NOT BE REPRODUCED OR COPIED OR USED IN WHOLE OR IN PART AS THE BASIS FOR THE MANUFACTURE OR SALE OF ITEMS WITHOUT WRITTEN PERMISSION. COPYRIGHT © 1976. DIGITAL EQUIPMENT CORPORATION.	TITLE 8 LINE EIA ASYNCHRONOUS MUX	ASSY NO. D-UA-M7819-0-0	SIZE B	CODE PL	NUMBER M7819-0-0	REV. E
		SHEET 3 OF 4	INSERTION PARTS LIST DATA BASE REV			

DIGITAL EQUIPMENT CORPORATION

PARTS LIST

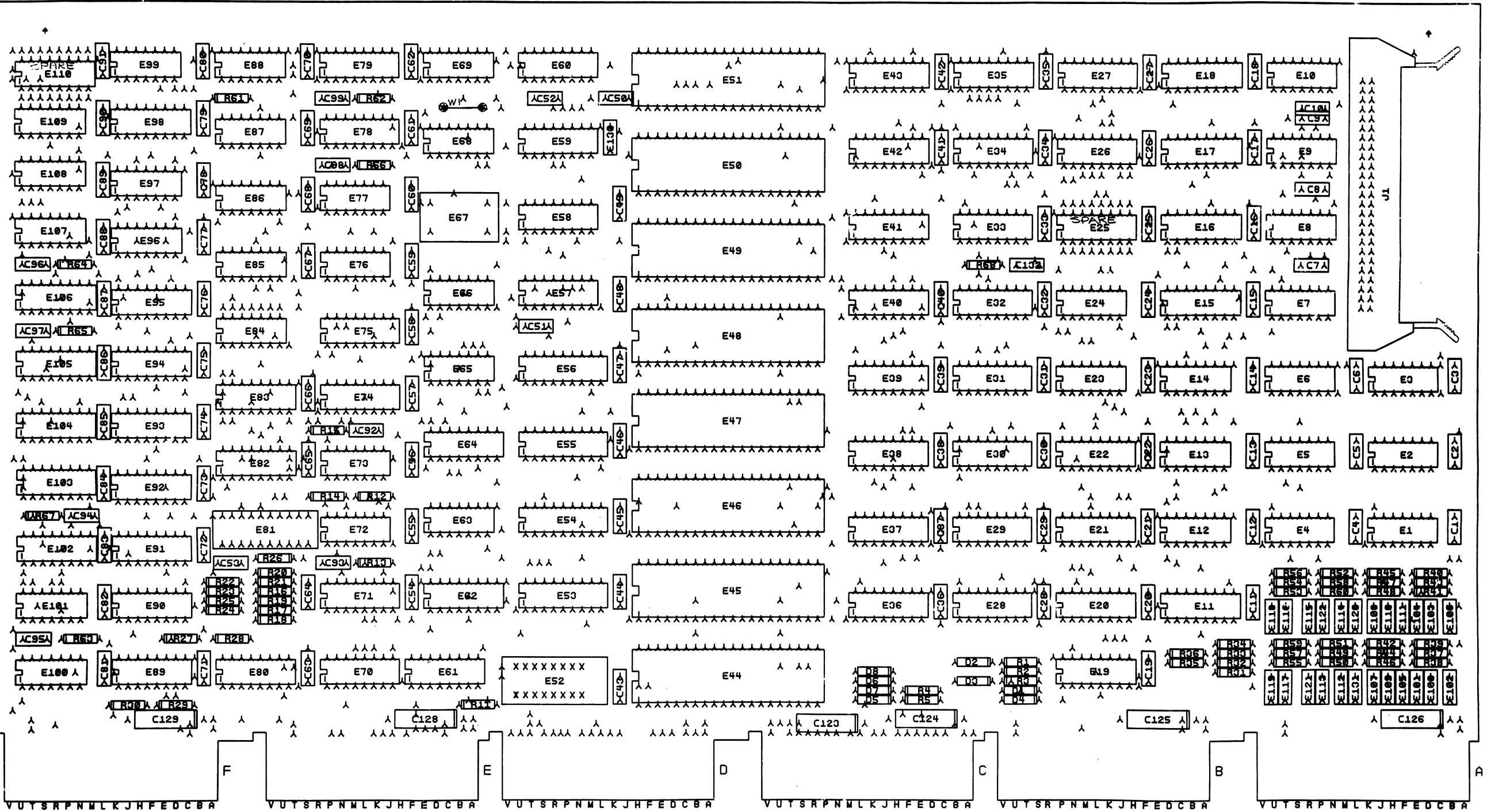
QUANTITY/VARIATION

NOTES:

MADE BY <i>R. Koppenal</i>	CHECKED <i>John A. Corney</i>	SECTION
DATE <i>3-1-76</i>	DATE <i>3-2-76</i>	
ENG <i>John A. Corney</i>	PROD <i>R. Wall</i>	ISSUED SECTION
DATE <i>3-2-76</i>	DATE <i>3-2-76</i>	

ITEM NO.	DRAWING NO.	PART NO.	DESCRIPTION	QUANTITY/VARIATION										REF DESIGNATION	
62		5408778	PRIORITY 5 INSERT	1											PLUG INTO E52
63		9006735	SPLIT LUG	2											
64		9006732	EYELETS	12											
65		9009185	JUMPER, INSULATED	1											W1
66		1811660-02	OSCILLATOR, 5.068 MHE	1											E67

E.C.O. NO.	THIS DRAWING AND SPECIFICATIONS, HEREIN, ARE THE PROPERTY OF DIGITAL EQUIPMENT CORPORATION AND SHALL NOT BE REPRODUCED OR COPIED OR USED IN WHOLE OR IN PART AS THE BASIS FOR THE MANUFACTURE OR SALE OF ITEMS WITHOUT WRITTEN PERMISSION. COPYRIGHT © 1976 . DIGITAL EQUIPMENT CORPORATION	TITLE	ASSY NO.	SIZE	CODE	NUMBER	REV.
		8 LINE EIA ASYNCHRONOUS MUX	D-UA-M7819-0-0	B	PL	M7819-0-0	E
		SHEET 4 OF 4		INSERTION PARTS LIST DATA BASE REV			



NOTES:

1. B HOLES .0745 (+.000-.0045) MAYNARD ONLY

CHANGE NO	REV	DATE	BY	REASON
1	1	1-7-72	M7819	REVISION
	2			REVISION
	3			REVISION
	4			REVISION
	5			REVISION

SYMBOL	HOLE DATA									
	+	^	X	+	Z	H	A	□	◇	*
FIN HOLE SIZE	.066	.038	.059	.128						
PLATED	✓	✓	✓	✓						
NON PLATED										
QTY.	23122	16	2							
○-OFF GRD HLE										
DRILL SIZE										
.025 GRID UNLESS INDICATED										

BOARD FABRICATION INFORMATION	
PANEL SIZE	HEX 8.50 X 17.00
PANEL DATA DWG.#	E-MD-7606098-0-0
PANEL MAT'L FL-GF	.052-C 1/1
DEC PS	- 1400000
QTY. OF LAYERS	4
PTH. X PRINT AND ETCH	
SOLDER MASK Y SIDE	Z Y BOTH SIDES
GOLD CONTACTS Y BOTTOM	Y TOP

SIGNATURES		DATE
DRN. RA. LEVASSEUR		29/04/72
CHK'D. W. J. ELLIOTT		2/5/72
ENG. S. J. ...		12/4/72
PROJ. ENG. R. ...		12/4/72
PROD.		

digital	
TITLE LINE EIA	
ASYN MUX	
SCALE	SIZE CODE
SHT. 1 OF 5	NUMBER
NEXT HIGHER ASSY. B-DD-M7819-0	ETCH REV E-P2

8

7

6

5

4

3

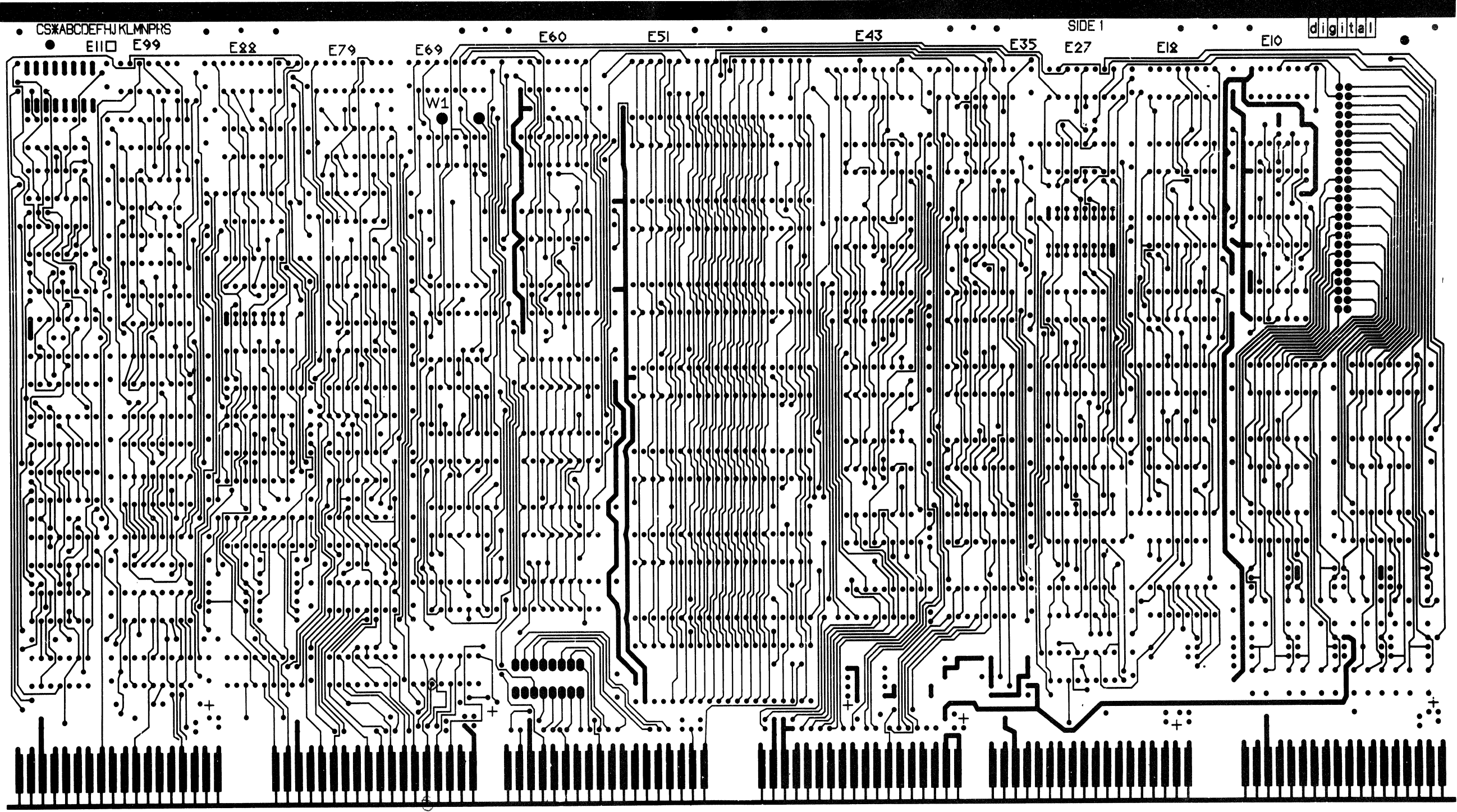
2

1

THIS DRAWING AND SPECIFICATIONS HEREIN ARE THE PROPERTY OF DIGITAL EQUIPMENT CORPORATION, AND SHALL NOT BE REPRODUCED OR COPIED IN WHOLE OR IN PART AS THE BASIS FOR THE MANUFACTURE OR SALE OF ITEMS WITHOUT WRITTEN PERMISSION.
 COPYRIGHT © 1977 DIGITAL EQUIPMENT CORPORATION

LAYER 1

M7819 5011220E-P2



REVISIONS	
NO.	DESCRIPTION

TITLE	8 LINE EIA ASYN MUX	SIZE CODE	D UA	NUMBER	M7819-0-0	REV	F
SCALE	SHEET 2 OF 5	DIST.					

8

7

6

5

4

3

2

1

8

7

6

5

4

3

2

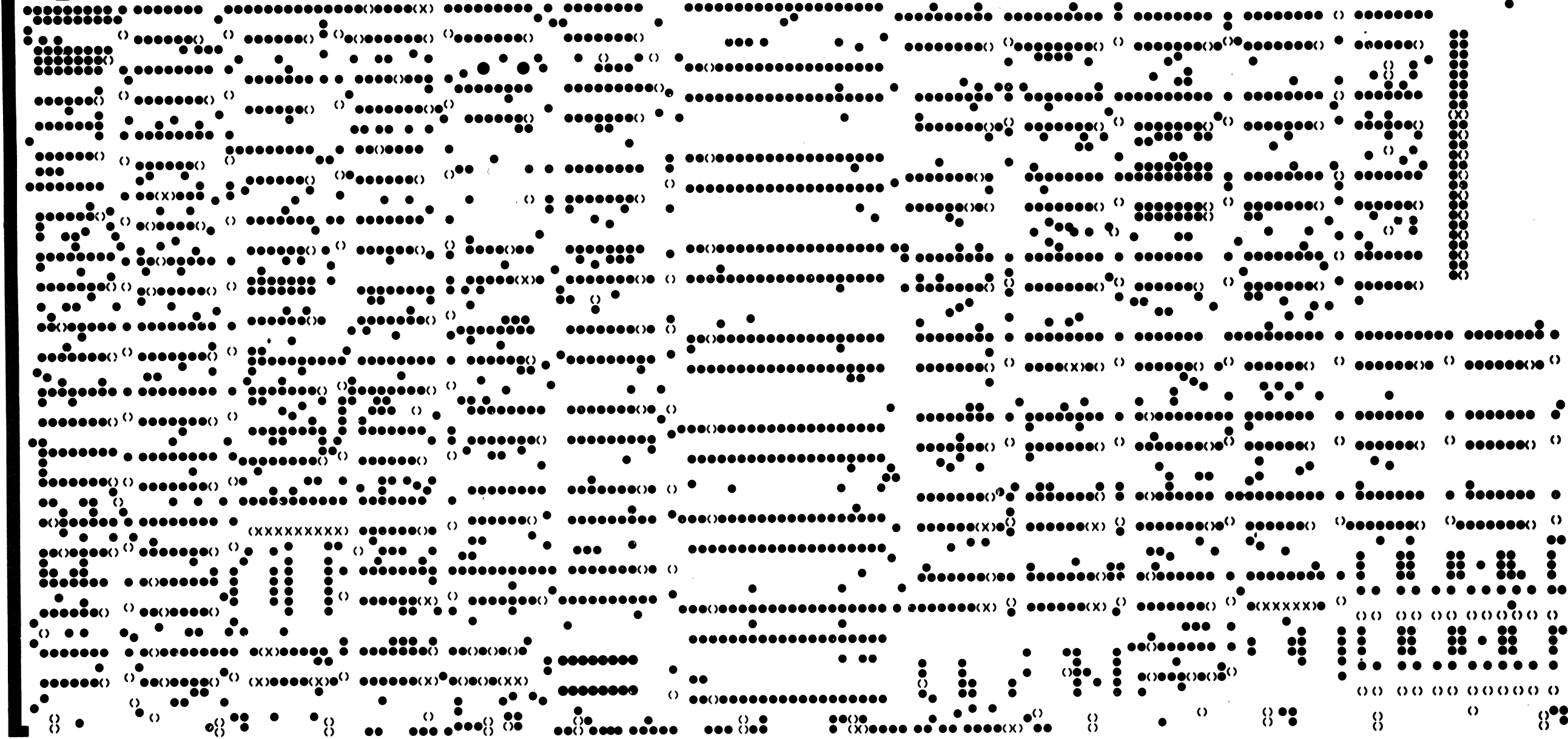
1

THIS DRAWING AND SPECIFICATIONS HEREIN ARE THE PROPERTY OF DIGITAL EQUIPMENT CORPORATION AND SHALL NOT BE REPRODUCED OR COPIED OR USED IN WHOLE OR IN PART AS THE BASIS FOR THE MANUFACTURE OR SALE OF ITEMS WITHOUT THE WRITTEN PERMISSION OF DIGITAL EQUIPMENT CORPORATION

GND

LAYER 2

M7819
5011820E-P 2



REVISIONS		
CHK	CHANGE NO	REV

TITLE	SIZE CODE	NUMBER	REV.
8 LINE EIA ASYN MUX	D UA	M7819-0-0	F
SCALE	SHEET 3 OF 5	DIST	

8

7

6

5

4

3

2

1

8

7

6

5

4

3

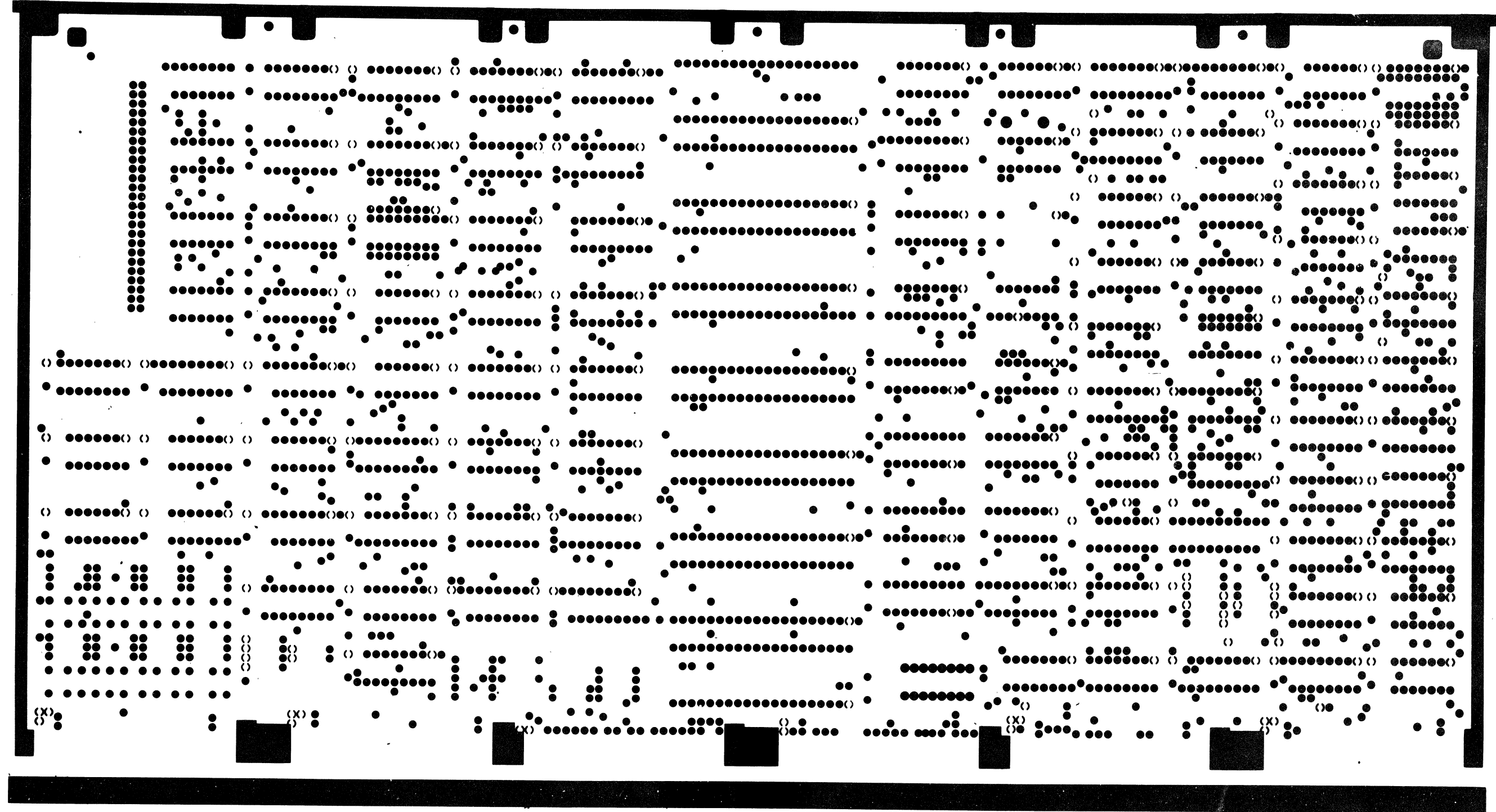
2

1

THIS DRAWING AND SPECIFICATIONS HEREIN ARE THE PROPERTY OF DIGITAL EQUIPMENT CORPORATION AND SHALL BE RETURNED TO THE COMPANY OR IN PACKAGE BASIS OR IN PART THEREOF TO THE COMPANY OR IN PART THEREOF TO THE COMPANY OR IN PART THEREOF TO THE COMPANY. COPYRIGHT © 1977 DIGITAL EQUIPMENT CORPORATION.

0 1 2 3 4

M7819 5011820E-P2



CHK	BY	DATE

TITLE	SIZE CODE	NUMBER	REV.
8 LINE EIA ASYN MUX	D VA	M7819-0-0	F
SCALE	SHEET 4 OF 5	DIST	

8

7

6

5

4

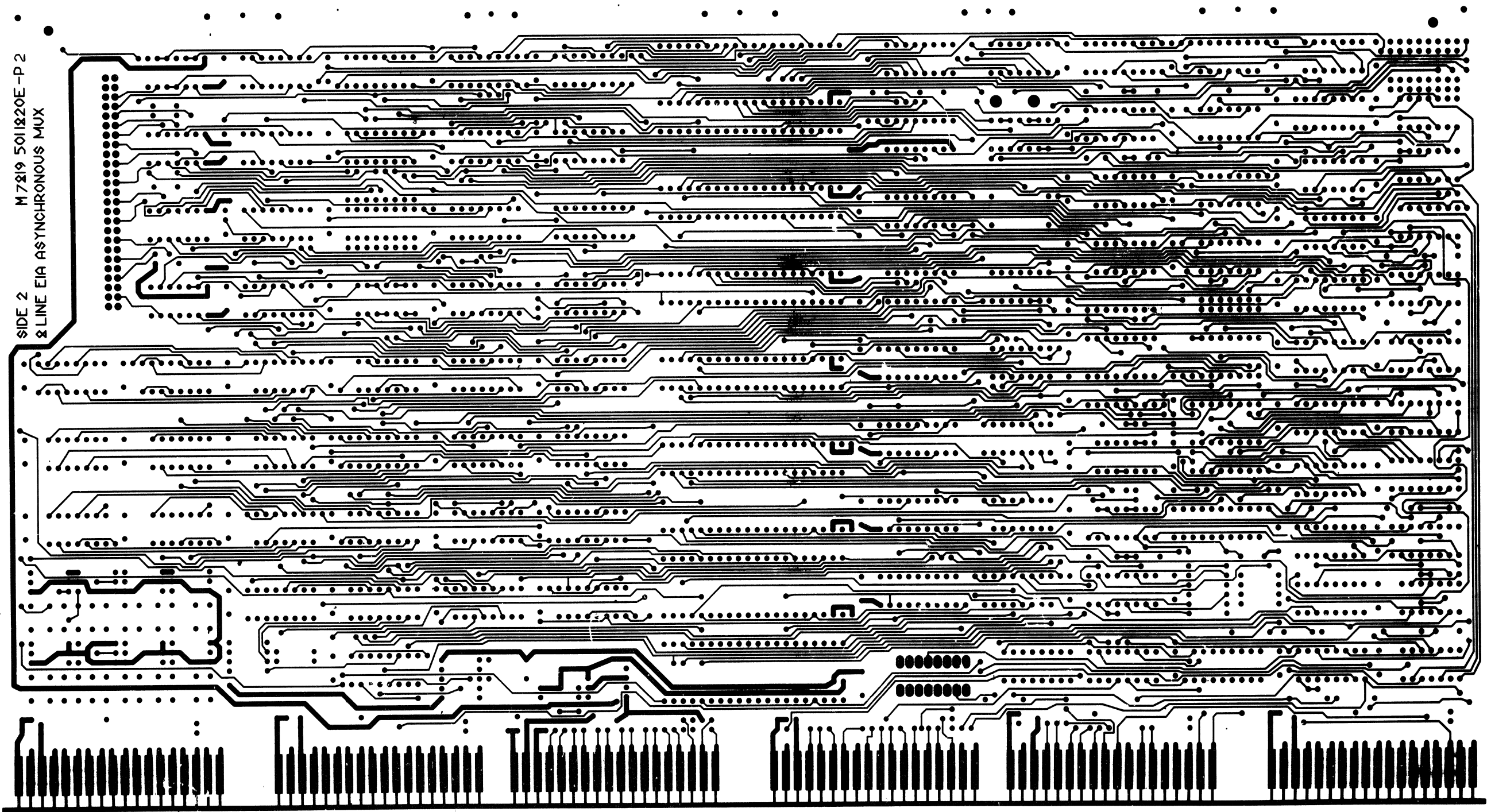
3

2

1

"THIS DRAWING AND SPECIFICATIONS HEREIN ARE THE PROPERTY OF DIGITAL EQUIPMENT CORPORATION AND SHALL NOT BE REPRODUCED OR COPIED OR USED IN WHOLE OR IN PART AS THE BASIS FOR THE MANUFACTURE OR SALE OF ITEMS WITHOUT WRITTEN PERMISSION. COPYRIGHT © 1977 DIGITAL EQUIPMENT CORPORATION"

SIDE 2
M7819 501120E-P2
& LINE EIA ASYNCHRONOUS MUX

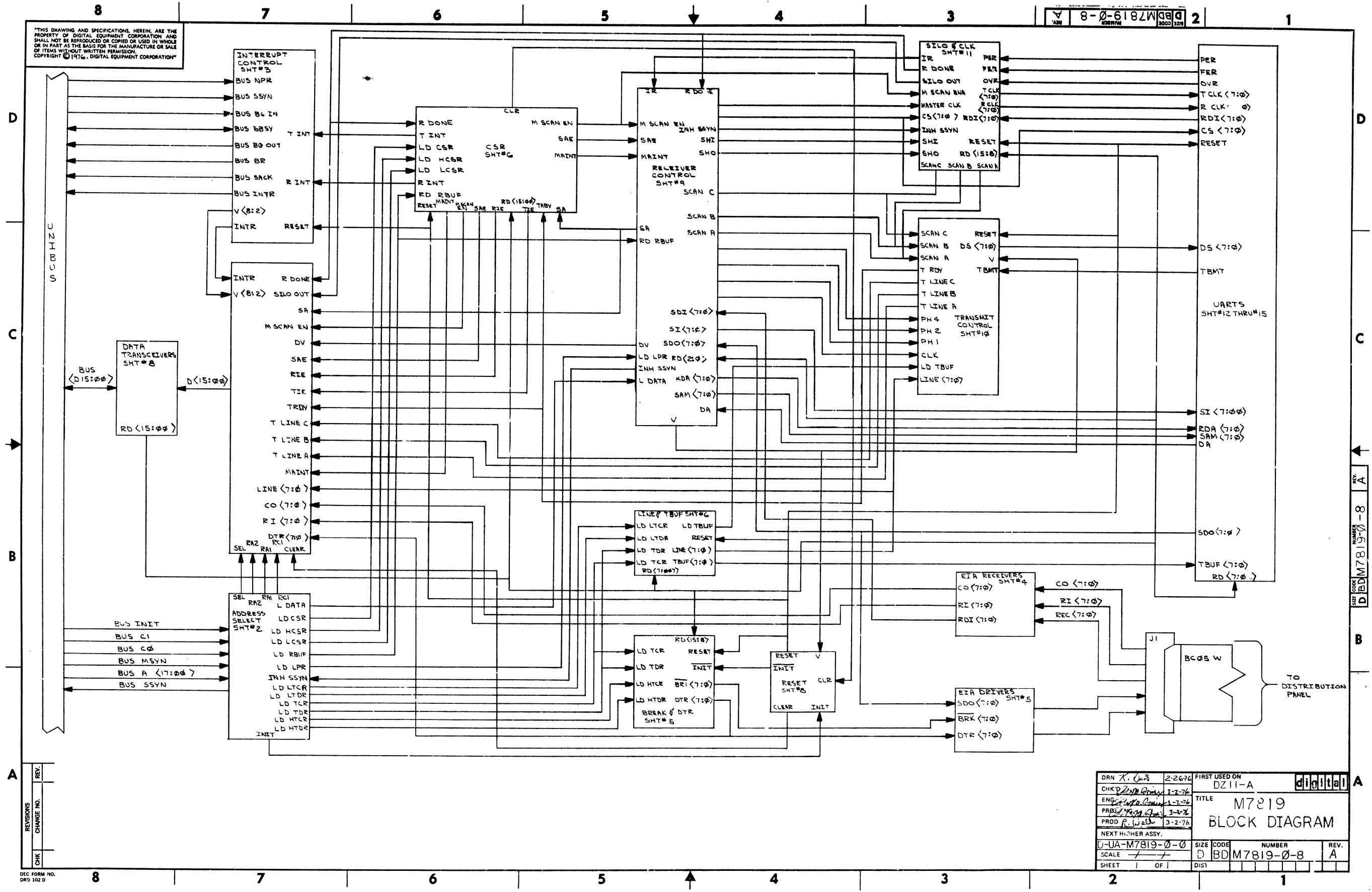


REVISIONS		
CHK	CHANGE NO	REV

TITLE	SIZE CODE	NUMBER	REV.
8 LINE EIA ASYN MUX	D UA	M7819-0-0	F
SCALE	SHEET 5 OF 5	DIST.	

"THIS DRAWING AND SPECIFICATIONS, HEREIN, ARE THE PROPERTY OF DIGITAL EQUIPMENT CORPORATION AND SHALL NOT BE REPRODUCED OR COPIED OR USED IN WHOLE OR IN PART AS THE BASIS FOR THE MANUFACTURE OR SALE OF ITEMS WITHOUT WRITTEN PERMISSION. COPYRIGHT © 1976, DIGITAL EQUIPMENT CORPORATION"

8-0-6182W



REV.	CHG.	NO.

DRN <i>X. J. 3</i>	2-2676	FIRST USED ON	DZ11-A
CHK'D <i>P. J. 3</i>	3-2-76	TITLE	M7819
ENG <i>P. J. 3</i>	3-2-76		BLOCK DIAGRAM
PRD <i>P. J. 3</i>	3-2-76		
PROD <i>P. J. 3</i>	3-2-76		
NEXT HIGHER ASSY.		SIZE CODE	NUMBER
U-UA-M7819-0-0		D	BDM7819-0-8
SCALE			
SHEET 1	OF 1	DIST	

REV. A
NUMBER D BDM7819-0-8

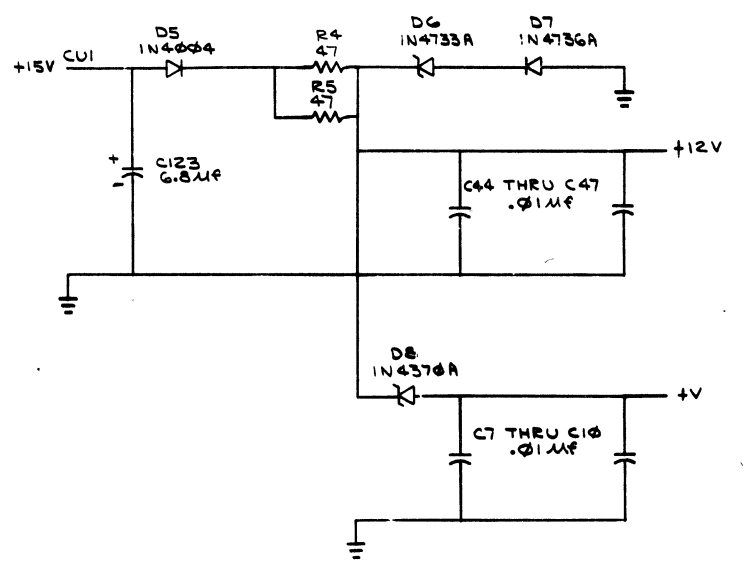
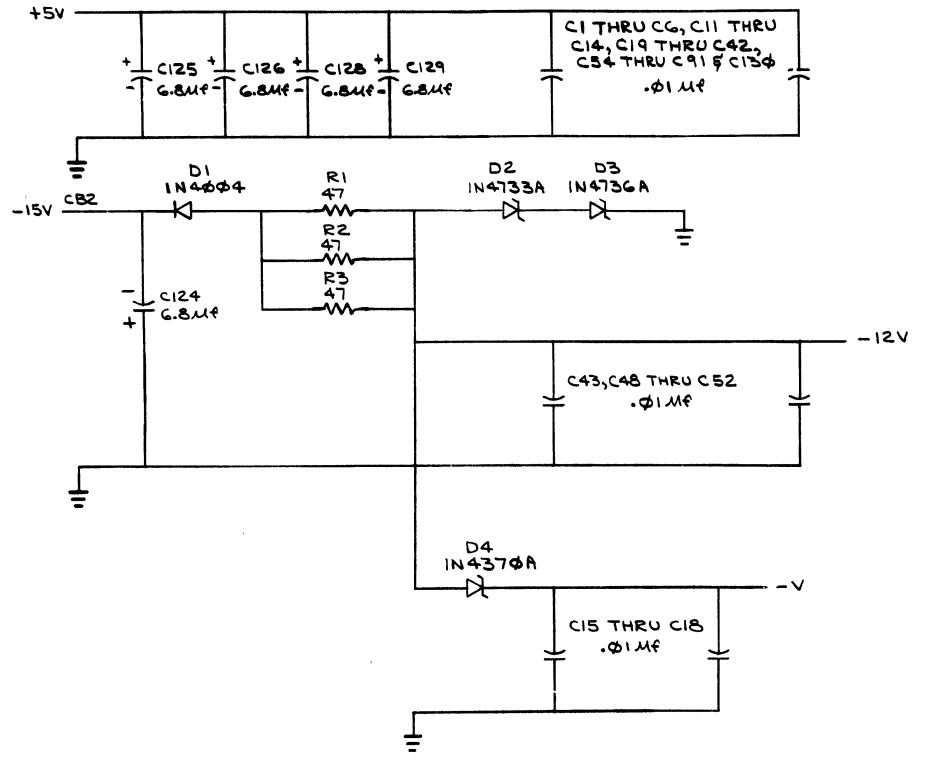
ALL SPECIFICATIONS HEREIN ARE THE PROPERTY OF THE FEDERAL BUREAU OF INVESTIGATION AND SHOULD BE KEPT IN CONFIDENCE OR USED IN WHOLE OR IN PART FOR THE RECONSTRUCTION OR SALE OF EQUIPMENT WITHOUT PERMISSION OF THE FEDERAL BUREAU OF INVESTIGATION.

POWER & GROUND TABLE						
IC TYPE	GND	+5V	+12V	-12V	V+	V-
UART (1602)	PIN 5	PIN 1	---	PIN 2	---	---
DEC 5016	PIN 11	PIN 2	PIN 9	---	---	---
DEC 3341	PIN 8	PIN 16	---	PIN 1	---	---
DEC 1488	PIN 7	---	---	---	PIN 14	PIN 1
14 PIN IC'S	PIN 7	PIN 14	---	---	---	---
16 PIN IC'S	PIN 8	PIN 16	---	---	---	---
DEC 74LS90	PIN 10	PIN 5	---	---	---	---

NOTES:

1. THE 'B' AND 'D' INPUTS SHOWN ON THE 8136 LOGIC SYMBOL HAS THE FOLLOWING MEANING:
B=UNIBUS RECEIVER INPUT.
D=NORMAL TTL LOGIC INPUT.
2. THE 8136 CONTAINS SIX VOLTAGE COMPARATORS WITH A COMMON OUTPUT. EACH COMPARATOR MUST HAVE ITS 'B' AND 'D' INPUTS THE SAME, AT THE SAME TIME, FOR A TRUE (HIGH) OUTPUT.
3. WHEN A SWITCH IS CLOSED (ON) THE COMPARATOR RECOGNIZES THE RESPECTIVE UNIBUS ADDRESS BIT WHEN IT IS A LOGIC ONE (LOW). WHEN A SWITCH IS OPEN (OFF) THE COMPARATOR RECOGNIZES THE RESPECTIVE UNIBUS ADDRESS BIT WHEN IT IS A LOGIC ZERO (HIGH).
4. PRIORITY 5 IS STANDARD FOR THIS MODULE; THEREFORE E52 SHOWS THE REQUEST AND GRANT PATHS FOR PRIORITY 5.
5. WHEN A SWITCH OPEN (OFF), THE RESPECTIVE VECTOR IS @ 'ONE'; WHEN A SWITCH IS CLOSED (ON), THE RESPECTIVE VECTOR BIT IS @ 'ZERO'.

AA2, BA2, DA2, EA2, FA2

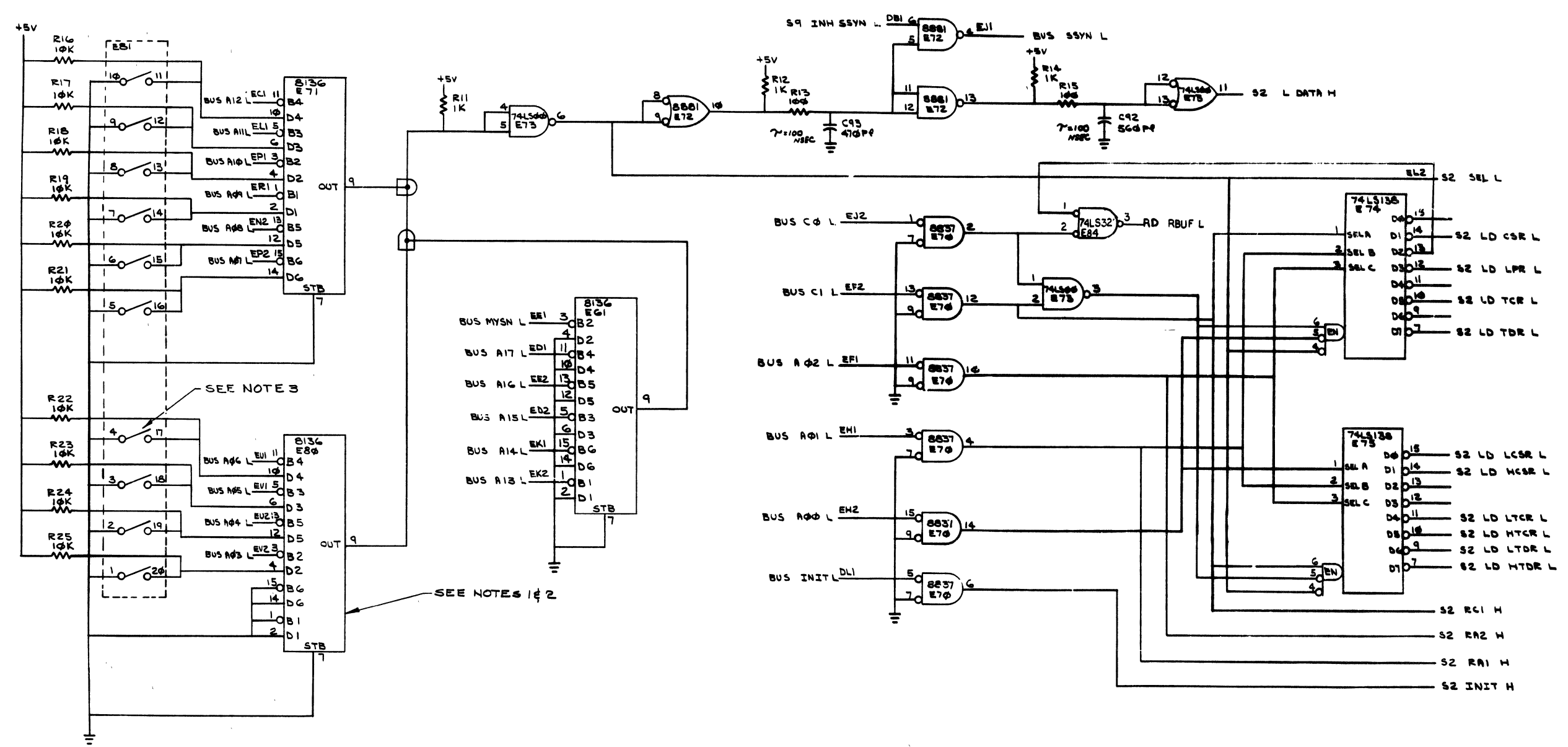


(POWER AND GROUND)

REV. 1	DATE	BY	CHKD
1	3-2-76	J. ROBERTS	J. ROBERTS
2	3-2-76	J. ROBERTS	J. ROBERTS
3	3-2-76	J. ROBERTS	J. ROBERTS
4	3-2-76	J. ROBERTS	J. ROBERTS
5	3-2-76	J. ROBERTS	J. ROBERTS
6	3-2-76	J. ROBERTS	J. ROBERTS
7	3-2-76	J. ROBERTS	J. ROBERTS
8	3-2-76	J. ROBERTS	J. ROBERTS

DRN. <i>J. Roberts</i>	3-11-76	FIRST USED ON	M7819
CHKD. <i>J. Roberts</i>	3-2-76	TITLE	8 LINE EIA ASYNCHRONOUS MUX
ENG. <i>J. Roberts</i>	3-2-76	SIZE	D
PROJ. <i>M7819</i>	3-2-76	CODE	CS
PROD. <i>J. Roberts</i>	3-2-76	NUMBER	M7819-0-1
NEXT HIGHER ASSY.		REV.	F
D-UA-M7819-0-0		SHEET	1 OF 15
SCALE		DIST.	

"THE DRAWING AND SPECIFICATIONS HEREIN ARE THE PROPERTY OF DIGITAL EQUIPMENT CORPORATION AND SHALL NOT BE REPRODUCED OR COPIED OR USED IN WHOLE OR IN PART AS THE BASIS FOR THE MANUFACTURE OR SALE OF ITEMS UNLESS WRITTEN PERMISSION IS OBTAINED FROM DIGITAL EQUIPMENT CORPORATION." COPYRIGHT © 1974 DIGITAL EQUIPMENT CORPORATION



SEE NOTE 3

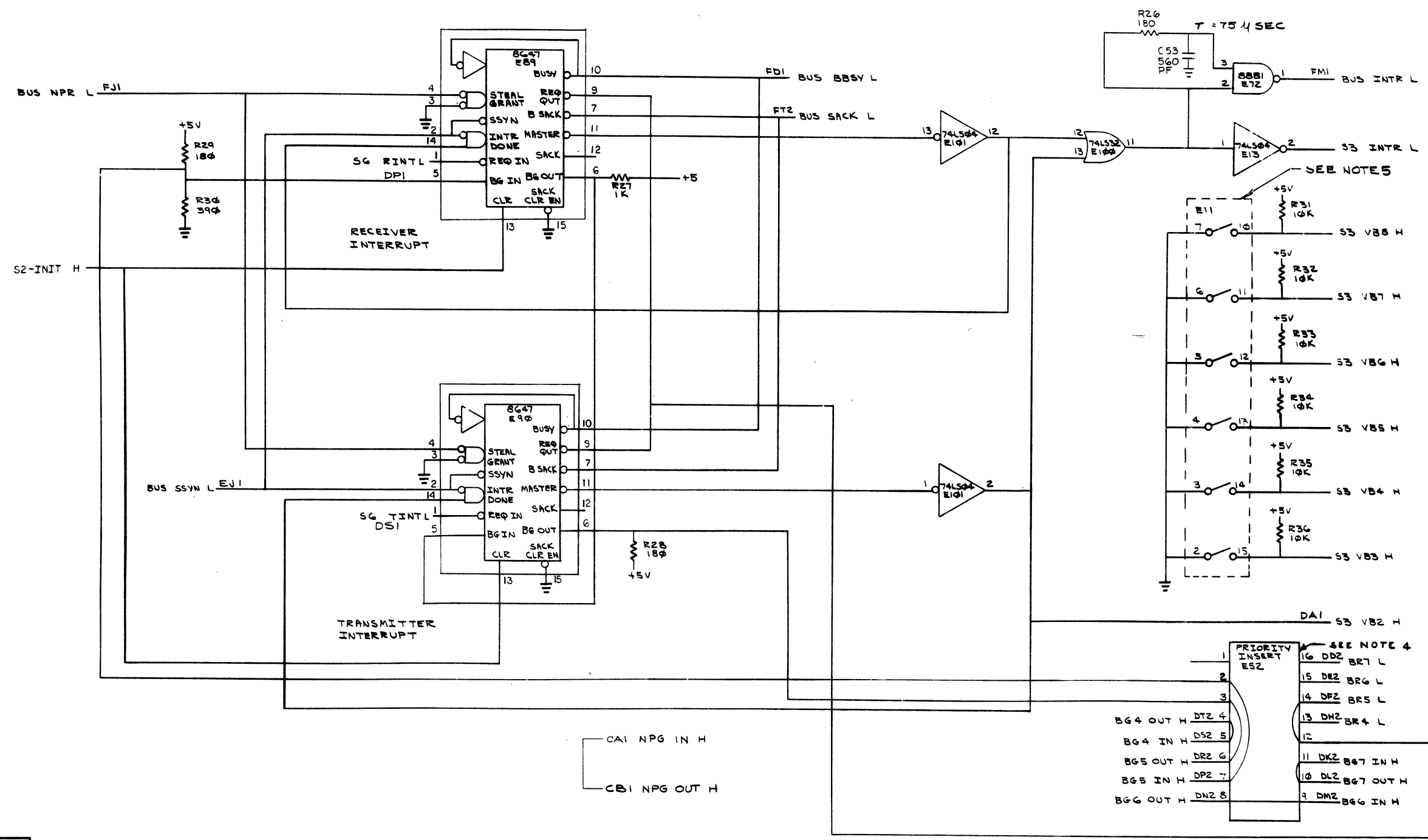
SEE NOTES 1 & 2

(ADDRESS SELECT)

REVISIONS		
CHK	CHANGE NO.	REV.

TITLE	8 LINE EIA ASYNCHRONOUS MUX	SIZE CODE	D CS	NUMBER	M7819-0-1	REV.	F
SCALE		SHEET	2	OF	15	DIST.	

"THE DRAWING AND SPECIFICATIONS HEREIN ARE THE PROPERTY OF DIGITAL EQUIPMENT CORPORATION AND SHALL NOT BE REPRODUCED OR COPIED OR USED IN WHOLE OR IN PART AS THE BASIS FOR THE MANUFACTURE OR SALE OF ITEMS WITHOUT WRITTEN PERMISSION. COPYRIGHT © 1976, DIGITAL EQUIPMENT CORPORATION"



DA1 S3 VB2 H

SEE NOTE 4

16	DD2	BR7 L
15	DE2	BR6 L
14	DF2	BR5 L
13	DH2	BR4 L
12		
11	DK2	BR7 IN H
10	DL2	BR7 OUT H
9	DM2	BR6 IN H

PRIORITY INSERT E52

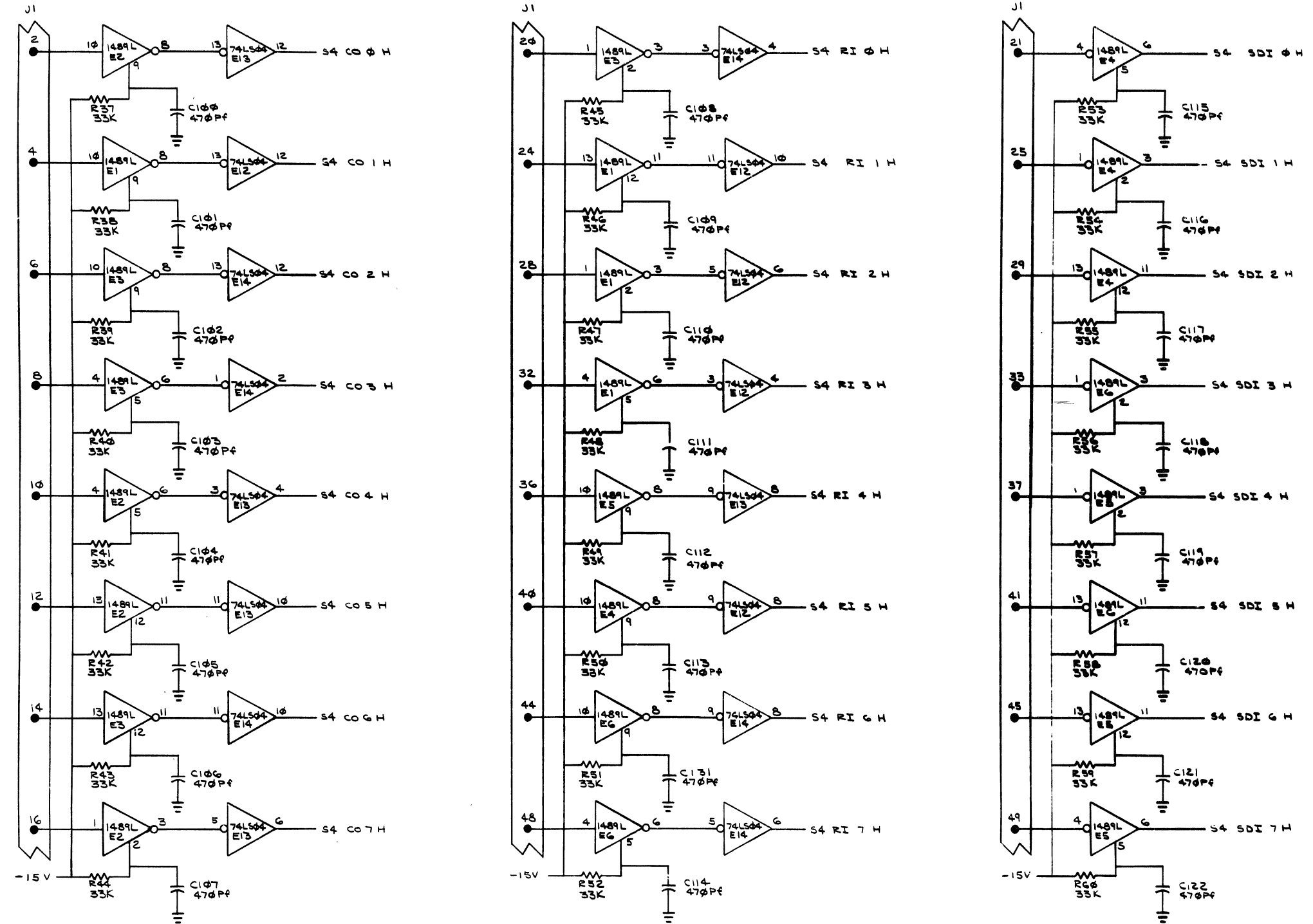
1
2
3

BG4 OUT H DT2 4
BG4 IN H DS2 5
BG5 OUT H DR2 6
BG5 IN H DP2 7
BG6 OUT H DN2 8

(INTERRUPT CONTROL)

REVISIONS		
CHK	CHANGE NO.	REV.

THIS DRAWING AND SPECIFICATIONS HEREIN ARE THE PROPERTY OF DIGITAL EQUIPMENT CORPORATION AND SHALL NOT BE REPRODUCED OR COPIED OR USED IN WHOLE OR IN PART AS THE BASIS FOR THE MANUFACTURE OR SALE OF ITEMS WITHOUT WRITTEN PERMISSION.
 COPYRIGHT © 1971, DIGITAL EQUIPMENT CORPORATION

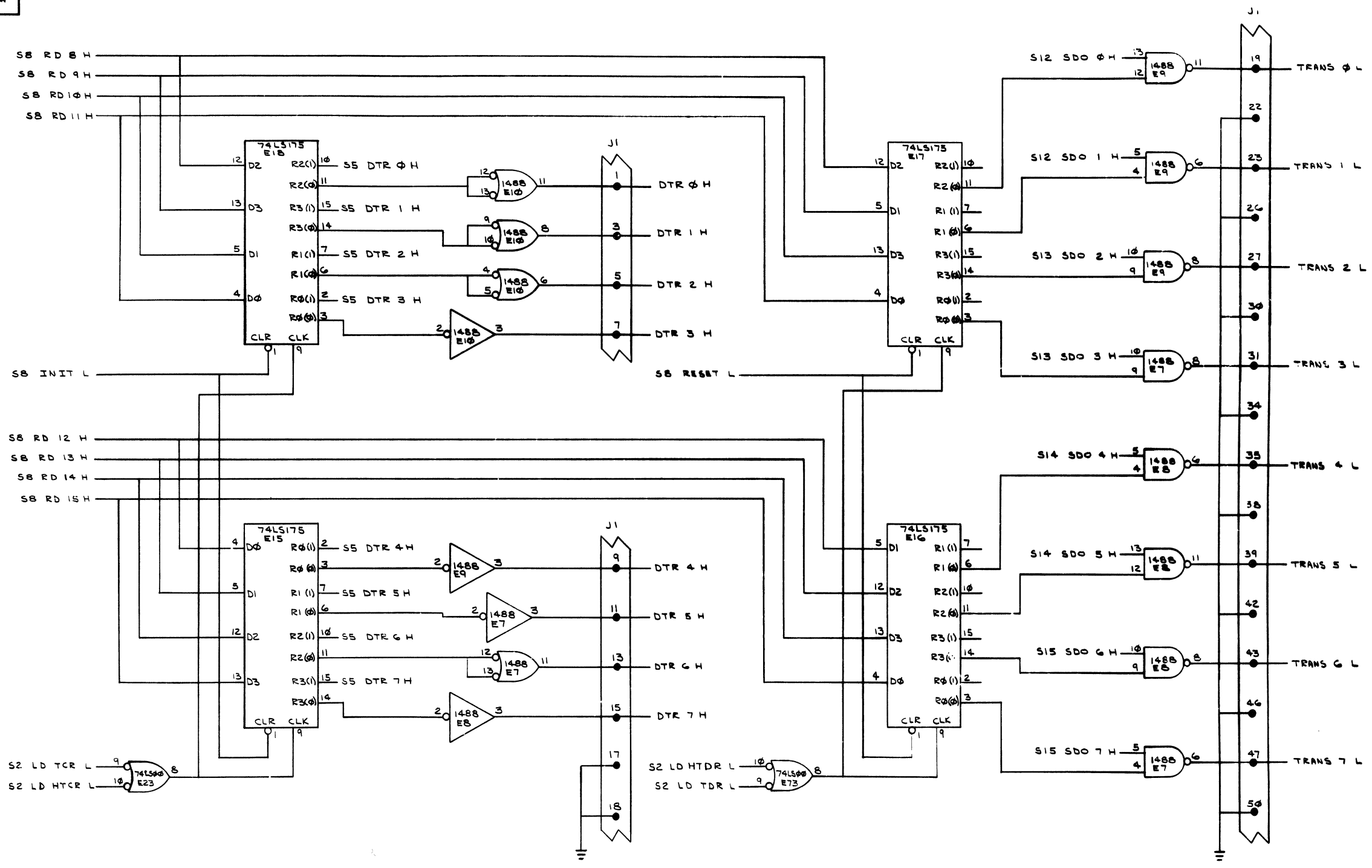


(EIA RECEIVERS)

TITLE		SIZE CODE	NUMBER	REV.
8 LINE EIA ASYNCHRONOUS MUX (S4)		D CS	M7819-0-1	F
SCALE	SHEET	OF	DIST.	
	4	15		

REVISIONS		
CHK	CHANGE NO	REV.

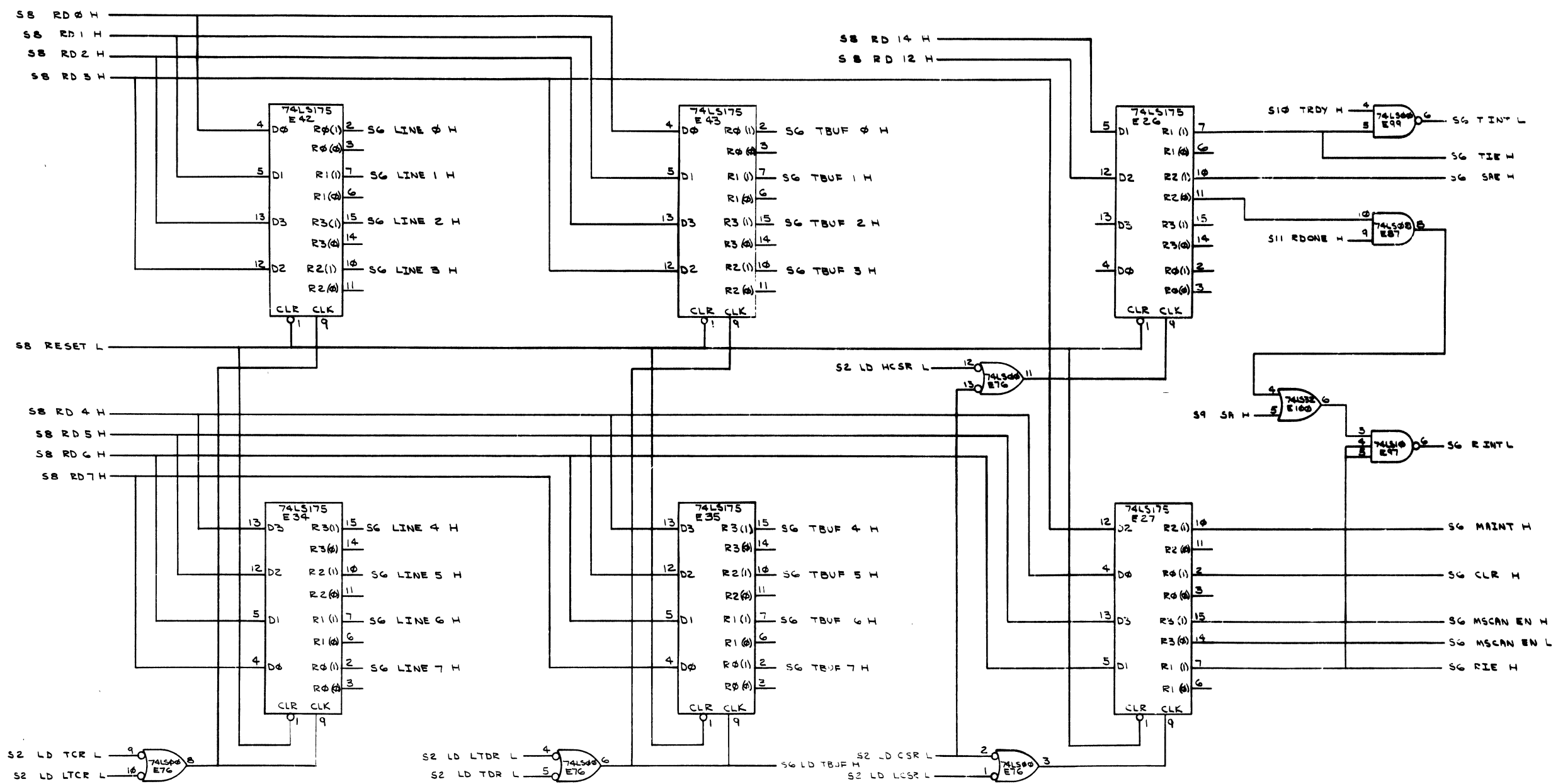
"THE DRAWING AND SPECIFICATIONS HEREIN ARE THE PROPERTY OF DIGITAL EQUIPMENT CORPORATION AND SHALL NOT BE REPRODUCED OR COPIED OR USED IN WHOLE OR IN PART AS THE BASIS FOR THE MANUFACTURE OR SALE OF ITEMS WITHOUT WRITTEN PERMISSION. COPYRIGHT © 1970, DIGITAL EQUIPMENT CORPORATION"



REVISIONS		
CHK	CHANGE NO.	REV.

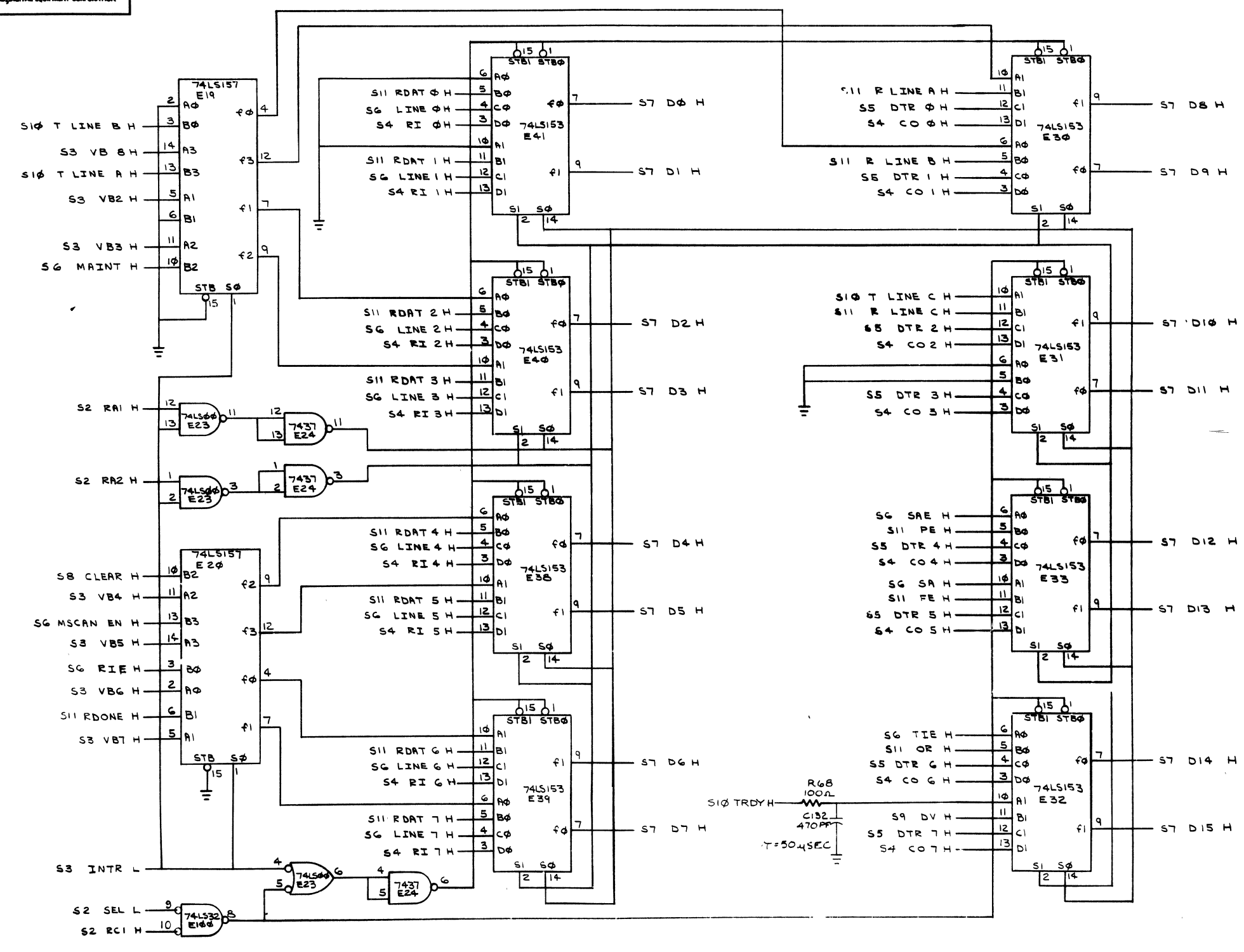
(DTR & BRK & EIA TRANSMITTER)			
TITLE	SIZE CODE	NUMBER	REV.
8 LINE EIA ASYNCHRONOUS MUX	D CS (S)	M7819-0-1	F
SCALE	SHEET 5 OF 15	DIST.	

THIS DRAWING AND SPECIFICATIONS HEREIN, ARE THE PROPERTY OF DIGITAL EQUIPMENT CORPORATION AND SHALL NOT BE REPRODUCED OR COPIED IN WHOLE OR IN PART AS THE BASIS FOR THE MANUFACTURE OR SALE OF THIS WITHOUT WRITTEN PERMISSION. COPYRIGHT © 1971, DIGITAL EQUIPMENT CORPORATION



REVISIONS		
CHK	CHANGE NO.	REV.

"THIS DRAWING AND SPECIFICATIONS, HEREIN, ARE THE PROPERTY OF DIGITAL EQUIPMENT CORPORATION AND SHALL NOT BE REPRODUCED OR COPIED OR USED IN WHOLE OR IN PART AS THE BASIS FOR THE MANUFACTURE OR SALE OF ITEMS WITHOUT WRITTEN PERMISSION. COPYRIGHT © 1976, DIGITAL EQUIPMENT CORPORATION"

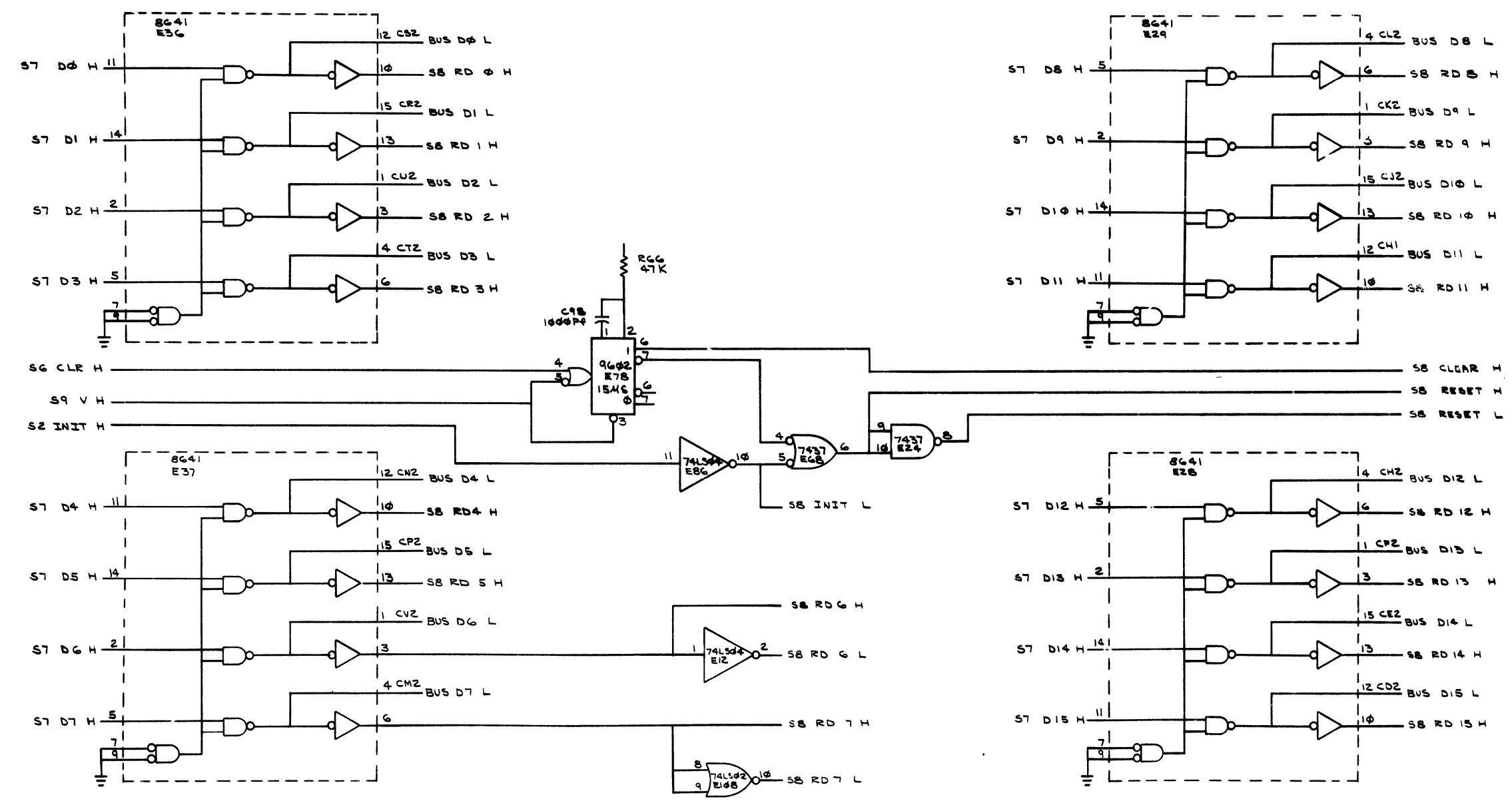


REVISIONS		
CHK	CHANGE NO.	REV.

(OUTPUT DATA MULTIPLEXER)

TITLE	8 LINE EIA ASYNCHRONOUS MUX	SIZE/CODE	D CS	NUMBER	M7819-0-1	REV.	F
SCALE		SHEET	7	OF	15	DIST.	

"THIS DRAWING AND SPECIFICATIONS HEREIN ARE THE PROPERTY OF DIGITAL EQUIPMENT CORPORATION AND SHALL NOT BE REPRODUCED OR COPIED OR USED IN WHOLE OR IN PART AS THE BASIS FOR THE MANUFACTURE OR SALE OF ITEMS WITHOUT WRITTEN PERMISSION. COPYRIGHT © 1976, DIGITAL EQUIPMENT CORPORATION"

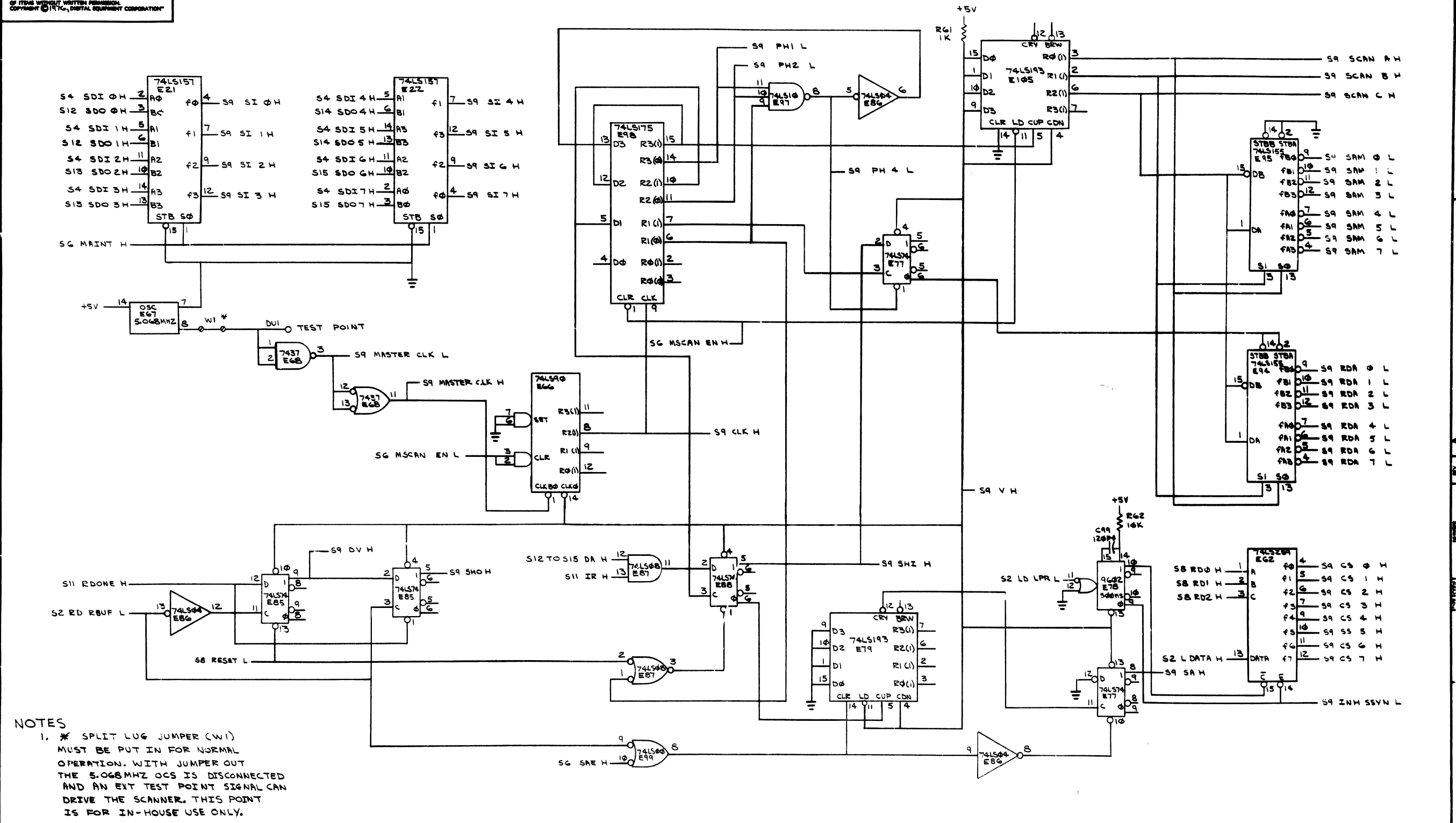


REVISIONS		
CHK	CHANGE NO.	REV.

(UNIBUS TRANSCEIVERS AND RESET)

TITLE	8 LINE EIA ASYNCHRONOUS MUX	SIZE CODE	D CS	NUMBER	M7819-0-1	REV.	F
SCALE		SHEET	8	OF	15	DIST.	

THIS DRAWING AND SPECIFICATIONS, HEREIN, ARE THE PROPERTY OF DIGITAL EQUIPMENT CORPORATION AND SHALL NOT BE REPRODUCED OR COPIED OR USED IN WHOLE OR IN PART AS THE BASIS FOR THE MANUFACTURE OR SALE OF ITEMS WITHOUT WRITTEN PERMISSION. COPYRIGHT © 1974, DIGITAL EQUIPMENT CORPORATION.

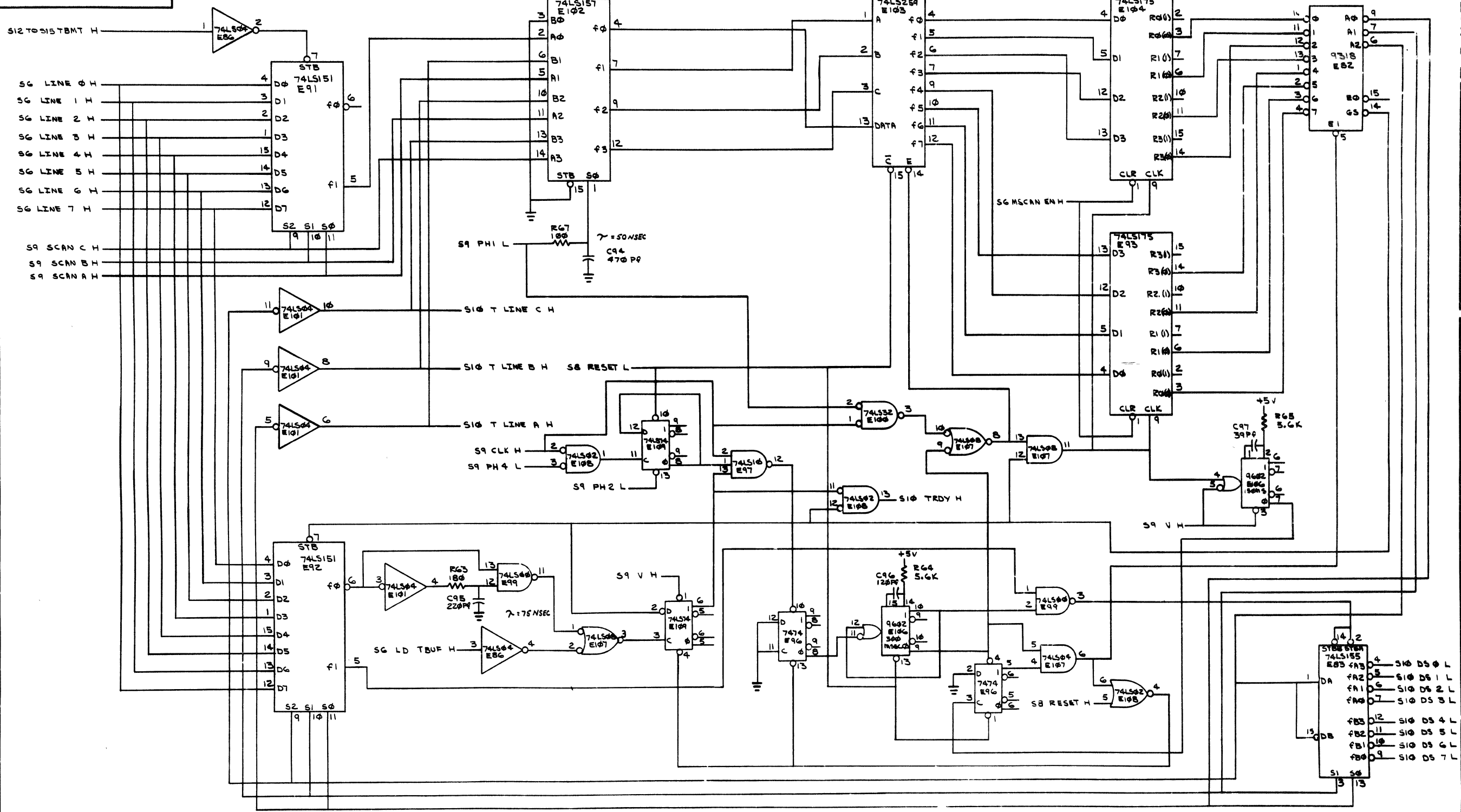


NOTES
 1. * SPLIT LUG JUMPER (W1) MUST BE PUT IN FOR NORMAL OPERATION. WITH JUMPER OUT THE 5.068MHZ OSC IS DISCONNECTED AND AN EXT TEST POINT SIGNAL CAN DRIVE THE SCANNER. THIS POINT IS FOR IN-HOUSE USE ONLY.

(RECEIVER CONTROL)

REVISIONS			TITLE				SIZE CODE		NUMBER		REV.
CHK	CHANGE NO.	REV.	8 LINE EIA ASYNCHRONOUS MUX				DCS		M7819-0-1		F

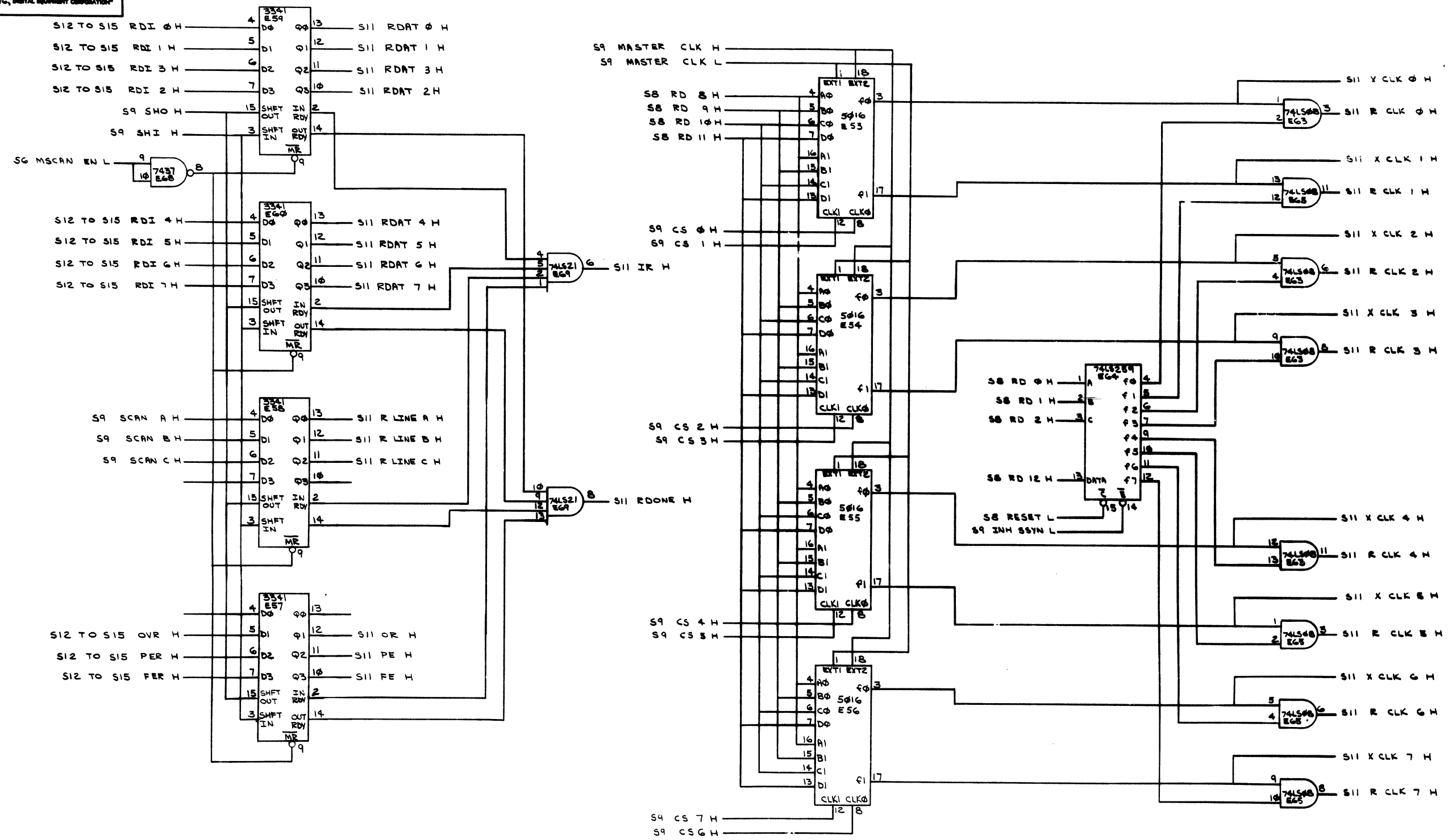
"THIS DRAWING AND SPECIFICATIONS HEREIN ARE THE PROPERTY OF DIGITAL EQUIPMENT CORPORATION AND SHALL NOT BE REPRODUCED OR COPIED OR USED IN WHOLE OR IN PART AS THE BASIS FOR THE MANUFACTURE OR SALE OF ITEMS WITHOUT WRITTEN PERMISSION. COPYRIGHT © 1976, DIGITAL EQUIPMENT CORPORATION"



REVISIONS		
CHK	CHANGE NO.	REV.

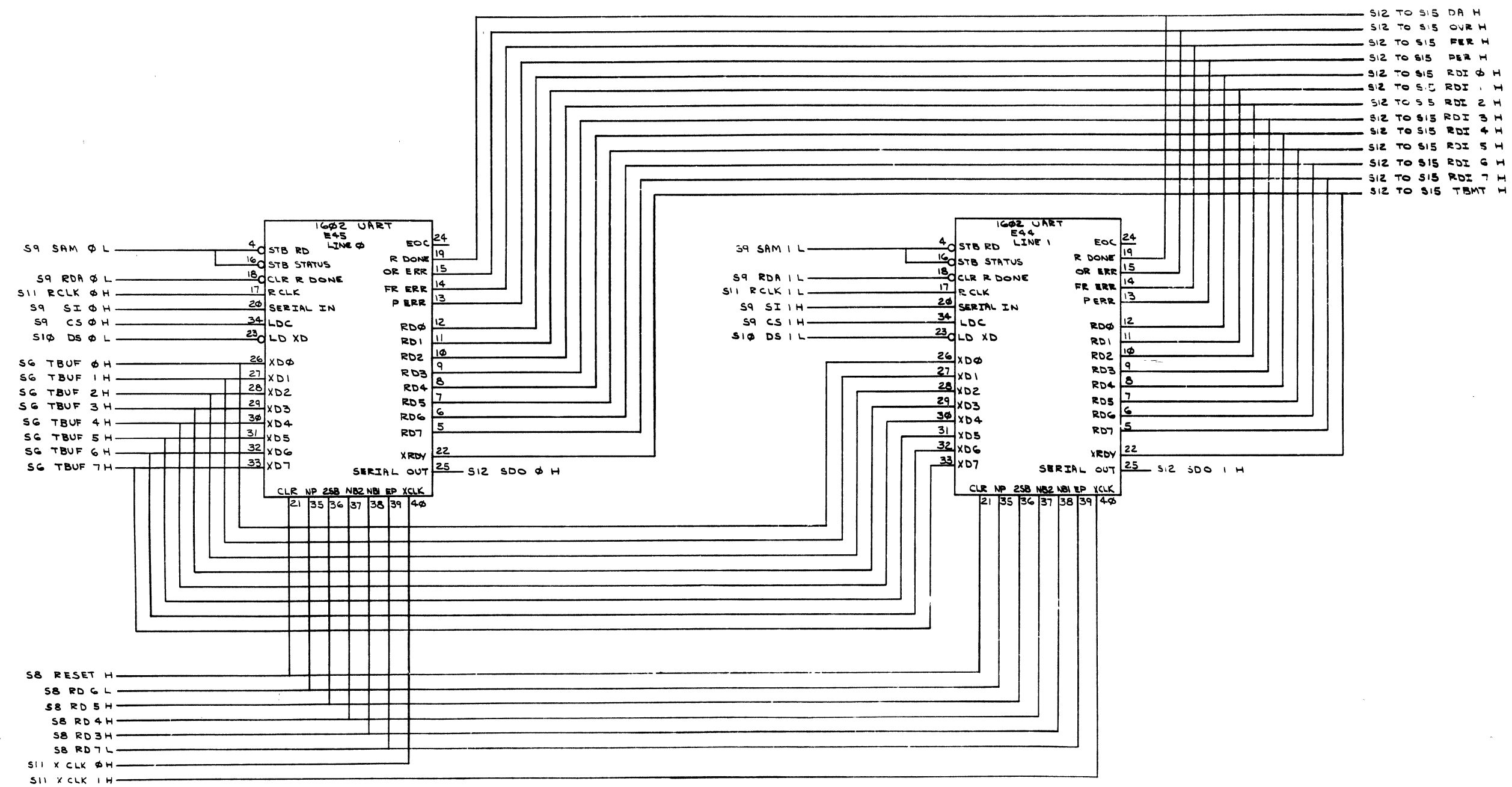
TITLE		SIZE CODE		NUMBER		REV.	
8 LINE EIA ASYNCHRONOUS MUX (S10)		DCS		M7819-0-1		F	
SCALE		SHEET 10 OF 15		D.ST.			

THE DRAWING AND SPECIFICATIONS HEREIN ARE THE PROPERTY OF DIGITAL EQUIPMENT CORPORATION AND SHALL NOT BE REPRODUCED OR COPIED OR USED IN WHOLE OR IN PART AS THE BASIS FOR THE MANUFACTURE OR SALE OF ITEMS WITHOUT WRITTEN PERMISSION. COPYRIGHT © 1976, DIGITAL EQUIPMENT CORPORATION.



REVISIONS		
CHK	CHANGE NO.	REV.

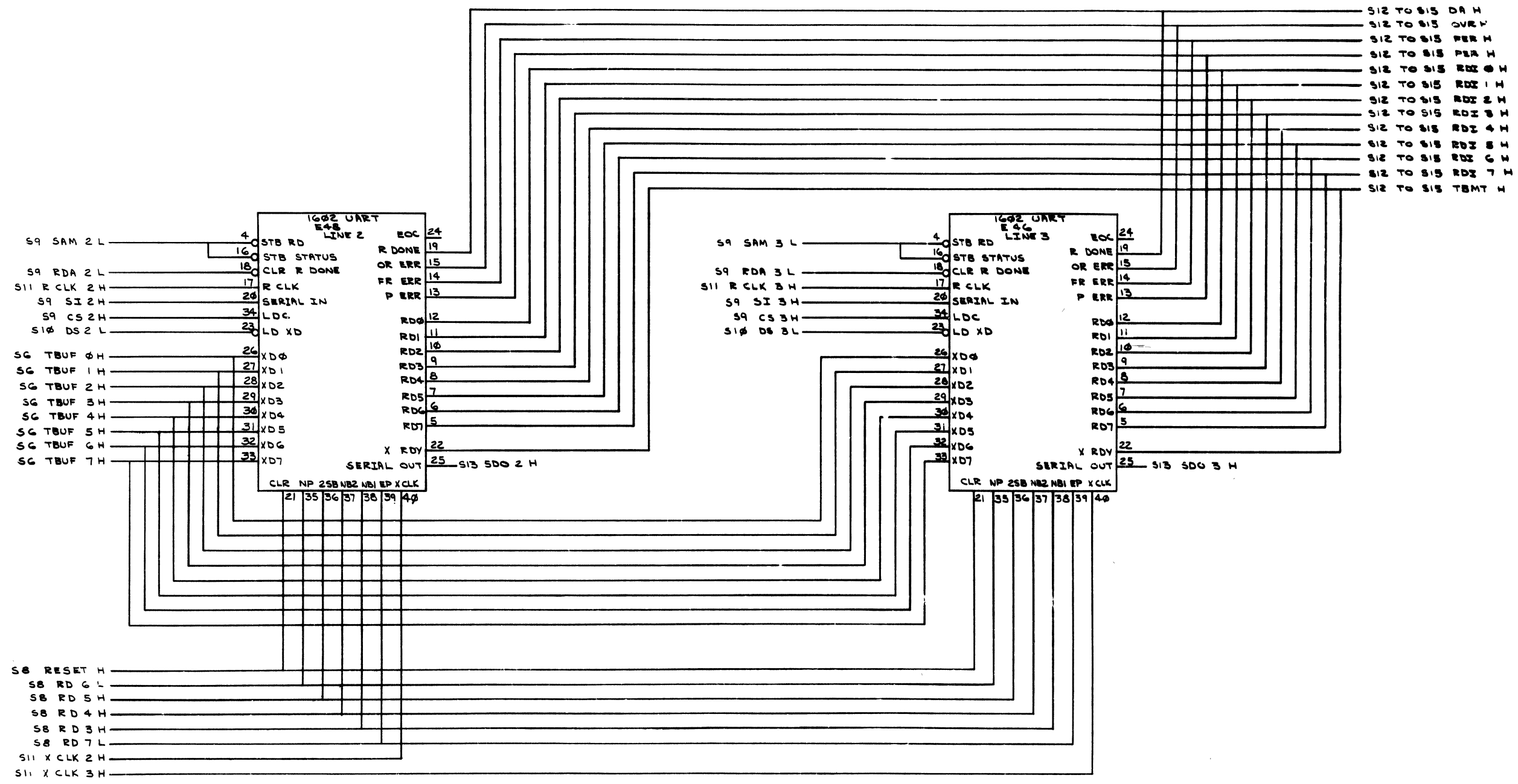
"THIS DRAWING AND SPECIFICATIONS HEREIN ARE THE PROPERTY OF DIGITAL EQUIPMENT CORPORATION AND SHALL NOT BE REPRODUCED OR COPIED OR USED IN WHOLE OR IN PART AS THE BASIS FOR THE MANUFACTURE OR SALE OF ITEMS WITHOUT WRITTEN PERMISSION. COPYRIGHT © 1976, DIGITAL EQUIPMENT CORPORATION"



REVISIONS		
CHK	CHANGE NO.	REV.

(TRANSCEIVER LINES 0 & 1)		TITLE	SIZE CODE	NUMBER	REV.
8 LINE EIA ASYNCHRONOUS MUX		(S12)	D CS	M7819-0-1	F
SCALE	SHEET	OF	DIST.		
	12	15			

"THIS DRAWING AND SPECIFICATIONS HEREIN ARE THE PROPERTY OF DIGITAL EQUIPMENT CORPORATION AND SHALL NOT BE REPRODUCED OR COPIED OR USED IN WHOLE OR IN PART AS THE BASIS FOR THE MANUFACTURE OR SALE OF ITEMS WITHOUT WRITTEN PERMISSION. COPYRIGHT © 1974, DIGITAL EQUIPMENT CORPORATION"

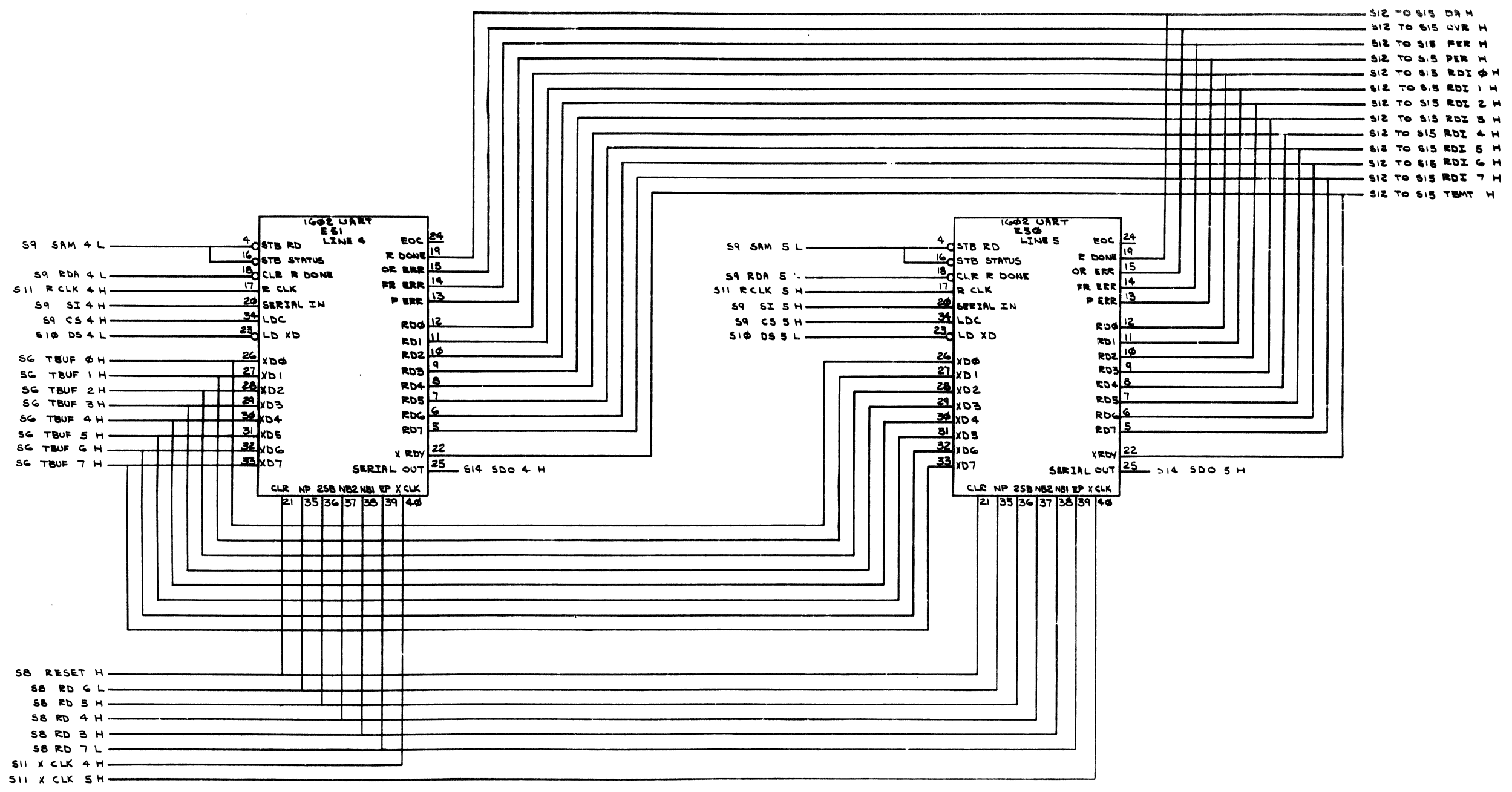


REVISIONS		
CHK	CHANGE NO.	REV.

(TRANSCEIVER LINES 2 & 3)

TITLE	SIZE CODE	NUMBER	REV.
8 LINE EIA ASYNCHRONOUS MUX (S13)	D CS	M7819-0-1	F
SCALE	SHEET	OF	DIST.
	13	15	

"THIS DRAWING AND SPECIFICATIONS HEREIN ARE THE PROPERTY OF DIGITAL EQUIPMENT CORPORATION AND SHALL NOT BE REPRODUCED OR TRANSMITTED IN ANY FORM OR BY ANY MEANS, ELECTRONIC OR MECHANICAL, INCLUDING PHOTOCOPYING, RECORDING, OR BY ANY INFORMATION STORAGE AND RETRIEVAL SYSTEM, WITHOUT PERMISSION IN WRITING FROM DIGITAL EQUIPMENT CORPORATION."

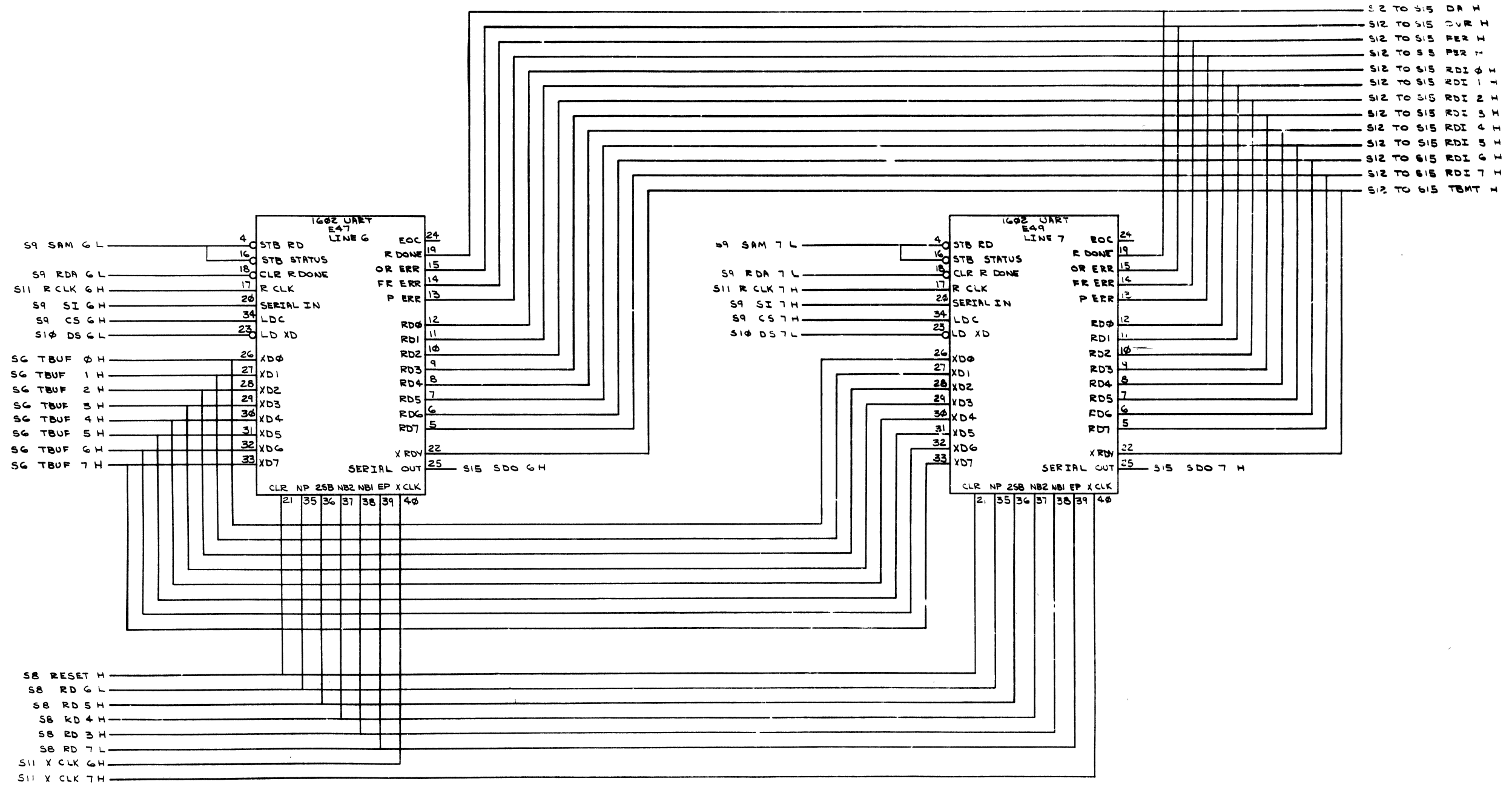


REVISIONS		
CHK	CHANGE NO.	REV.

TRANSCEIVER LINES 4 & 5

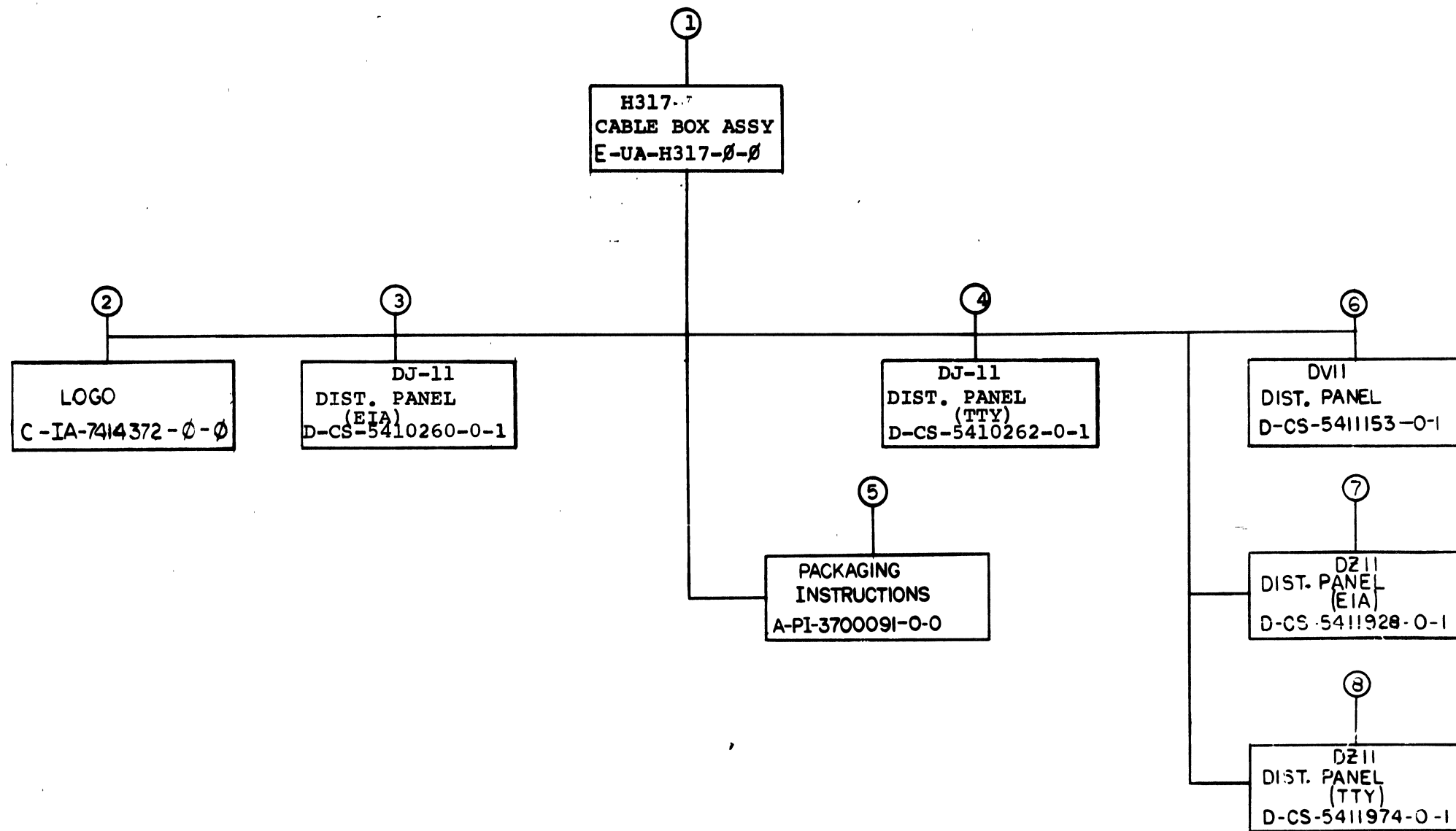
TITLE	8 LINE EIA ASYNCHRONOUS MUX	SIZE CODE	DCS	NUMBER	M7819-0-1	REV.	F
SCALE		SHEET	4	OF	15	DIST.	

"THIS DRAWING AND SPECIFICATIONS HEREIN ARE THE PROPERTY OF DIGITAL EQUIPMENT CORPORATION AND SHALL NOT BE REPRODUCED OR COPIED OR USED IN WHOLE OR IN PART AS THE BASIS FOR THE MANUFACTURE OR SALE OF ITEMS WITHOUT WRITTEN PERMISSION. COPYRIGHT © 1976, DIGITAL EQUIPMENT CORPORATION"



REVISIONS		
CHK	CHANGE NO.	REV.

TRANSCEIVER LINES 6 & 7.
 TITLE: 8 LINE EIA ASYNCHRONOUS MUX (S15)
 SIZE CODE: DCS
 NUMBER: M7819-0-1
 SCALE: / / SHEET 15 OF 15
 DIST.:



TITLE	H317 CABLE BOX ASSY.	SHEET 2 OF 3	SIZE CODE	B DD	NUMBER	H317-0	REV	D
-------	-------------------------	--------------	-----------	------	--------	--------	-----	---

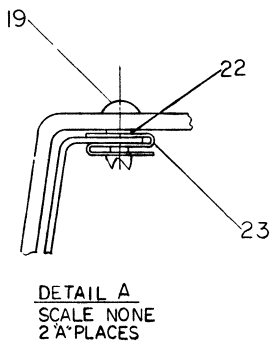
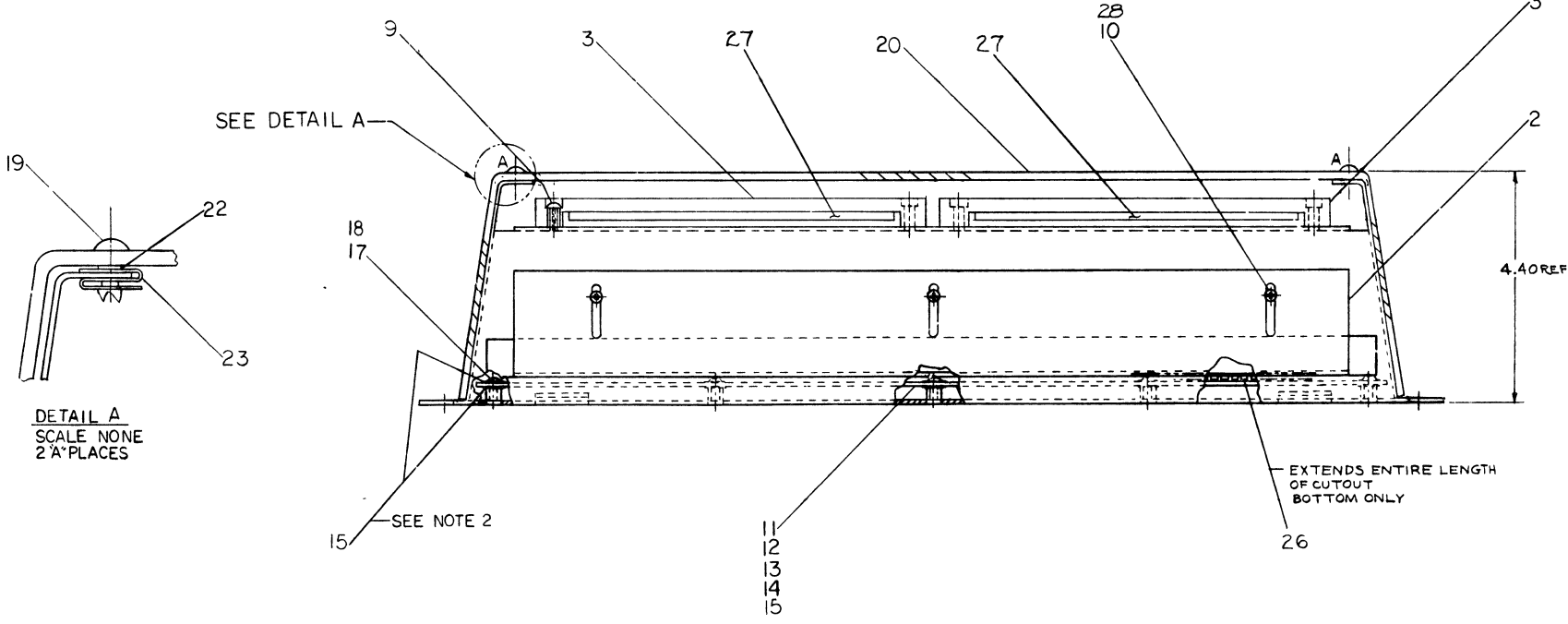
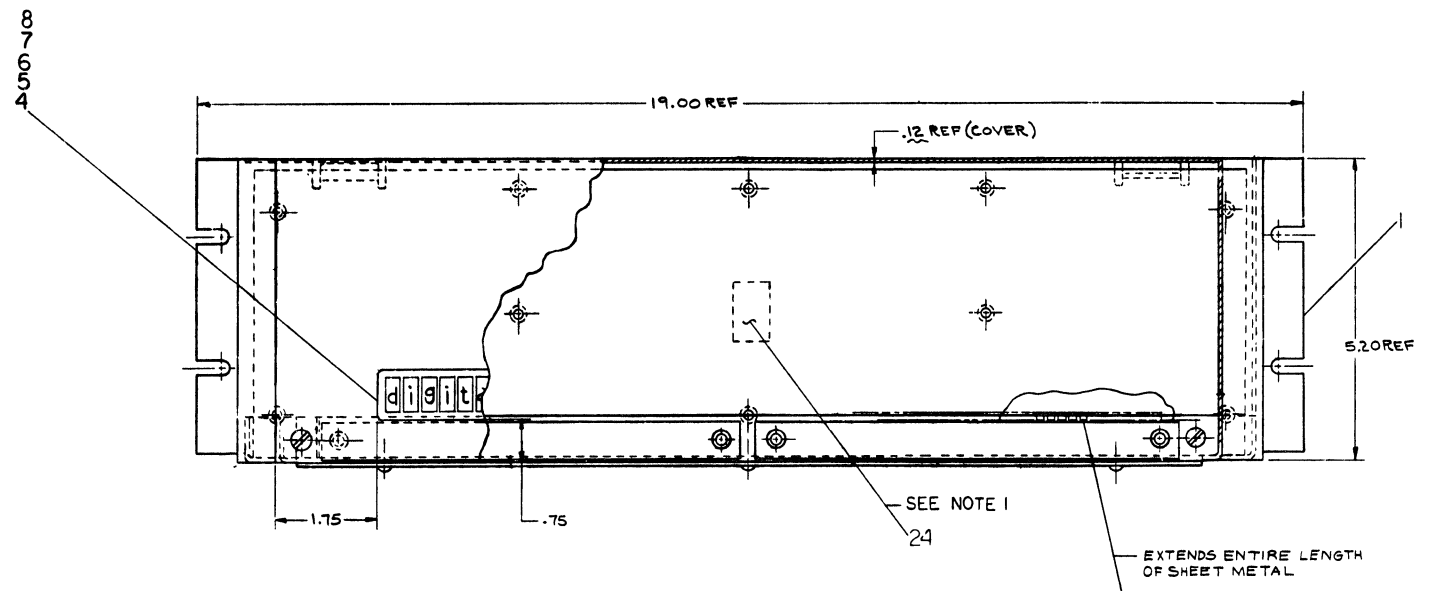
ELECTRICAL					MECHANICAL											
CUSTOMER PRINT SET	DEPOT SET	FIND NO.	DRAWING NO.	REV SHT	NO OF SHT	DESCRIPTION	OPTION NO.	CUSTOMER PRINT SET	DEPOT SET	FIND NO.	DRAWING NO.	REV SHT	NO OF SHT	DESCRIPTION	OPTION NO.	
X		1	D-UA-H317-0-0	C	1	H317 CABLE BOX ASSY				1	E-UA-H317-0-0		1	H317 CABLE BOX ASSY		
											E-IA-7416243-0-0		1	H317 MTG PLATE		
											D-MD-7416248-0-0		1	BAR SLIDE		
											A-DC-7410681-0-0		1	DECAL, TERM BLOCK		
		2	E-IA-7410667-0-0		1	COVER, CABLE BOX					D-PS-1213318-0-0		1	BAR, CABLE HOLDOWN		
											D-PS-1212632-0-0		1	COVER CABLE BOX PLASTIC		
X		3	D-CS-5410260-0-1	#	3	DJ-11 DIST. PANEL (EIA)				2	C-IA-7414372-0-0		1	LOGO		
			B-MH-5410260-0-6		1	MODULE ECO HISTORY					A-SS-7414372-0-1		1	SILKSCREEN H317-A		
											A-SS-7414372-0-2		1	SILKSCREEN H317-B		
											A-SS-7414372-0-3		1	SILKSCREEN H317-C		
											A-SS-7414372-0-6		1	SILKSCREEN H317-E		
											A-SS-7414372-0-7		1	SILKSCREEN H317 F		
X		4	D-CS-5410262-0-1	#	6	DJ-11 DIST. PANEL (TTY)				3	D-CS-5410260-0-1	#	3	DJ-11 DIST. PANEL (EIA)		
			B-MH-5410262-0-6		1	MODULE ECO HISTORY					K-CO-5410260-0-4		1	X-Y COORDINATE HOLE LOCATION		
											D-AH-5410260-0-5		1	ASSY/DRILLING HOLE LAYOUT		
X		6	D-CS-5411153-0-1	#	3	DV11 DIST PANEL					B-MH-5410260-0-6		1	MODULE ECO HISTORY		
			B-MH-5411153-0-6		1	MODULE ECO HISTORY										
X		7	D-CS-5411928-0-1	#	2	DZ11 DIST. PANEL (EIA)				4	D-CS-5410262-0-1	#	6	DJ-11 DIST. PANEL (TTY)		
			B-MH-5411928-0-6	#	1	MODULE ECO HISTORY					K-CO-5410262-0-4		1	X-Y COORDINATE HOLE LOCATION		
											D-AH-5410262-0-5		1	ASSY/DRILLING HOLE LAYOUT		
X		8	D-CS-5411974-0-1	#	1	DZ11 DIST. PANEL (TTY)					B-MH-5410262-0-6		1	MODULE ECO HISTORY		
			B-MH-5411974-0-6	#	1	MODULE ECO HISTORY				X	5	A-PI-3700091-0-0		2	PACKAGING INSTRUCTIONS	
											A-PS-9905315-0-0		2	OUTER CARTON		
											A-PS-9905317-0-0		2	LAMINATED TRAY		
											A-PS-9905316-0-0		2	CORRUGATED PAD		
											6	D-CS-5411153-0-1	#	3		
											K-CO-5411153-0-4		1			
											D-AH-5411153-0-5		1			
											B-MH-5411153-0-6		1			
											7	D-CS-5411928-0-1	#	2	DZ11 DIST. PANEL (EIA)	
											K-CO-5411928-0-4		1	X Y COORDINATE HOLE LOC.		
											E-MD-5011927-0-0		4	ASSY/DRILLING HOLE LAYOUT		
											B-MH-5411928-0-6		1	MODULE ECO HISTORY		
											8	D-CS-5411974-0-1	#	1	DZ11 DIST. PANEL (TTY)	
											K-CO-5411974-0-4		1	X-Y COORDINATE HOLE LOC.		
											D-MD-5011973-0-0		3	ASSY/DRILLING HOLE LAYOUT		
											B-MH-5411974-0-6		1	MODULE ECO HISTORY		

TITLE H317 CABLE BOX ASSY. SHEET 3 OF 3 SIZE CODE B DD NUMBER H317-0 REV D

MK

THIS DRAWING AND SPECIFICATIONS, HEREIN, ARE THE PROPERTY OF DIGITAL EQUIPMENT CORPORATION AND ARE TO BE USED FOR THE MANUFACTURE OF EQUIPMENT THEREUNDER. NO PARTS OF THIS DRAWING OR SPECIFICATIONS ARE TO BE REPRODUCED OR TRANSMITTED IN ANY FORM OR BY ANY MEANS, ELECTRONIC OR MECHANICAL, INCLUDING PHOTOCOPYING, RECORDING, OR BY ANY INFORMATION STORAGE AND RETRIEVAL SYSTEM.

- NOTES**
- IF ITEM #11 IS USED THE DECAL (ITEM #24) IS TO BE APPLIED TO THE INSIDE SURFACE OF COVER ITEM #20
 - PRIOR TO MTG. DIST. PANEL, ADHERE NYLON WASHER (ITEM #21) TO STANDOFFS ON MTG PANEL (ITEM #1) USING ECO BOND ADHESIVE (ITEM #16) AND ALLOW TO DRY.
 - USE ASSY TOOL #9606416 TO POSITION LOGO ITEM #4 THRU #5 ON COVER (ITEM #20)
 - ON H317-A USE UPPER HOLES, ON H317-E USE MIDDLE HOLES.



QTY	DESCRIPTION	DWG PART NO	ITEM NO
3	LOCK WASHER INT #6	900663-1	25
2	FOAM ADHESIVE .12 X .5 X .6	9009087-1	27
AIR	GRUMMET ALLIGATOR	9007055	25
1	PACKING INSTRUCTIONS	A-PI-3703091-00	24
-	DECAL	A-DC-7410681-00	2
2	FASTENER STUD, 1/4 TURN	9008446-0-0	21
2	RETAINER, SPLIT RING	9008200	2
10	WASHER, NYLON #8	9006708	1
1	COVER, CABLE BOX PLASTIC	D-PS-121:632-0-0	20
2	RECEPTACLE CLIP ON	9008196	9
A	LOCK WASHER INT #8	900663-1	18
8	SCR PHL HD. 8-32 X .25 LG.	9006025-1	17
A	ECO BOND ADHESIVE	9006156	16
-	DVII DIST. PANEL	D-CS-5411153-0-1	15
1	D2II DIST PANEL (TTY)	D-CS-5411974-0-1	14
1	D2II DIST PANEL (EIA)	D-CS-5411928-0-1	13
-	D2II DIST PANEL (EIA)	D-CS-5410260-0-1	12
-	D2II DIST PANEL (TTY)	D-CS-5410262-0-1	11
3	SCR PHL PAN HD. 8-32 X .25 LG.	9006025-1	10
4	SCR PHL PAN HD. 8-32 X .25 LG.	9006025-1	9
1	LOGO H317-F	C-IA-7414372-6-0	8
1	LOGO H317-E	C-IA-7414372-5-0	7
-	LOGO H317-C	C-IA-7414372-2-0	6
-	LOGO H317-B	C-IA-7414372-1-0	5
-	LOGO H317-A	C-IA-7414372-0-0	4
2	BAR, CABLE HOLD DOWN	D-PS-1213318-00	3
1	BAR, SLIDE	D-MD-7416248-0-0	2
1	H317 MOUNTING PLATE	EIA-7416243-0-0	1

THIRD ANGLE PROJECTION

UNLESS OTHERWISE SPECIFIED DIMENSIONS ARE IN INCHES

ANGLE	CLASS OF ACCURACY	CLASS OF SURFACE QUALITY	FINISH
H317-E	1	1	1
H317-C	1	1	1
H317-D	1	1	1
H317-A	1	1	1

QUANTITY & VARIATION

DRN: [Signature] DATE: 10/27/74 FIRST USED ON: H317

CHKD: [Signature] DATE: 6/27/74

ENG: [Signature] DATE: 6/27/74

PROD: [Signature] DATE: 6/27/74

TITLE: H317 CABLE BOX ASSY

MATERIAL: SEE PARTS LIST

FINISH: SEE PARTS LIST

SCALE: 1/1

SHEET 1 OF 1

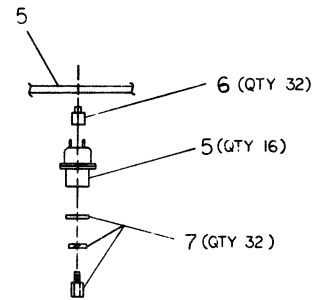
REV	DESCRIPTION	DATE
1	ISSUED FOR MANUFACTURE	10/27/74
2	REVISED TO ADD HOLE FOR MOUNTING PLATE	11/15/74
3	REVISED TO ADD HOLE FOR MOUNTING PLATE	11/15/74
4	REVISED TO ADD HOLE FOR MOUNTING PLATE	11/15/74
5	REVISED TO ADD HOLE FOR MOUNTING PLATE	11/15/74
6	REVISED TO ADD HOLE FOR MOUNTING PLATE	11/15/74
7	REVISED TO ADD HOLE FOR MOUNTING PLATE	11/15/74
8	REVISED TO ADD HOLE FOR MOUNTING PLATE	11/15/74

DIGITAL EQUIPMENT CORPORATION PARTS LIST				QUANTITY / VARIATION										NOTES:		
MADE BY R. A. CORMIER		CHECKED <i>R. A. Cormier</i>														
DATE 2-12-76		DATE <i>3-24-76</i>														
ENG <i>Robert A. Cormier</i>		PROD <i>R. Wall</i>														
DATE <i>3-26-76</i>		DATE <i>3-26-76</i>												REF DESIGNATION		
ITEM NO.	DRAWING NO.	PART NO.	DESCRIPTION													
1	E-MD-5011927-0-0	5011927	ETCHED CIRCUIT BOARD	1												
2		1209941-03	LATCH, LEFT FOR RT. ANG. HEADER	2												
3		1209941-04	LATCH, RIGHT FOR RT. ANG. HEADER	2												
4		1209941-07	CONN. 5ØP. RT. ANG. HEADER	2											J18, J20	
5		1205886-01	CONN. D-SUB MIN W/PC TERM	16											J1-J16	
6		9009113-10	STANDOFF P.C. BOARD 4-4Ø X .187	32												
7		9008451	SCREWLOCK D2Ø418-2 4-4Ø X .312	32												
8		9009185	JUMPER, WIRE INSULATED	80											W1-W8Ø	

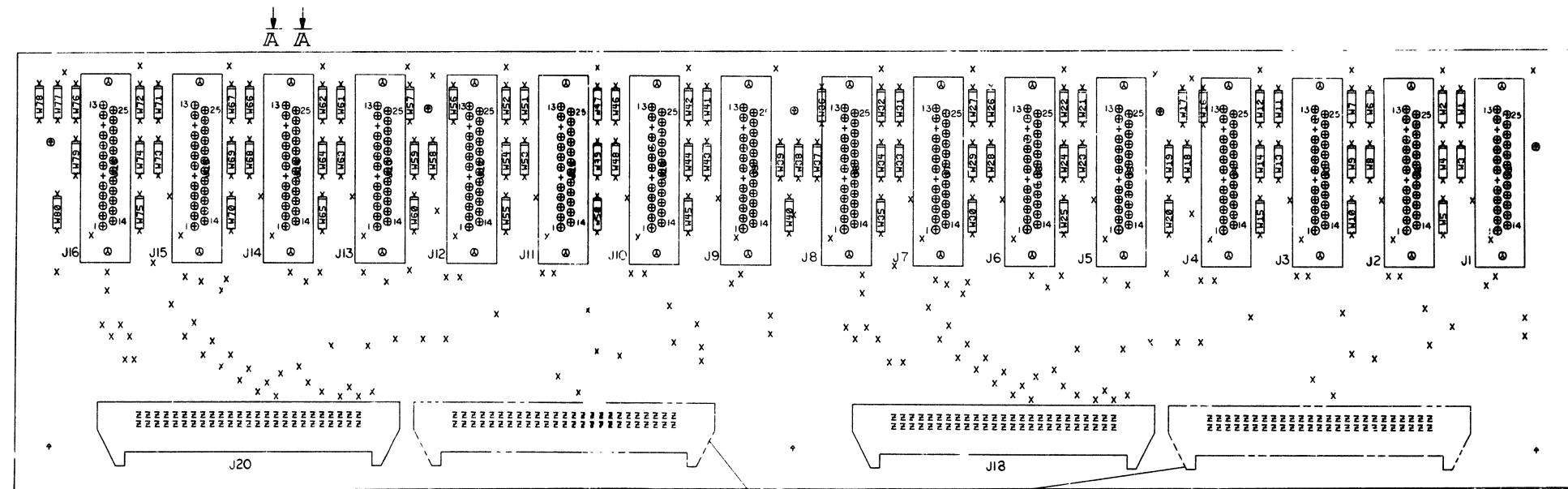
E.C.O. NO.

THIS DRAWING AND SPECIFICATIONS, HEREIN, ARE THE PROPERTY OF DIGITAL EQUIPMENT CORPORATION AND SHALL NOT BE REPRODUCED OR COPIED OR USED IN WHOLE OR IN PART AS THE BASIS FOR THE MANUFACTURE OR SALE OF ITEMS WITHOUT WRITTEN PERMISSION. COPYRIGHT © 1976 . DIGITAL EQUIPMENT CORPORATION"			TITLE DZ11 EIA DISTRIBUTION PANEL			ASSY NO. E-UA-5411928-0-0		SIZE B	CODE PL	NUMBER 5411928-0-0	REV. B
						SHEET 1 OF 1		INSERTION PARTS LIST DATA BASE REV			

ALL DIMENSIONS AND SPECIFICATIONS HEREIN ARE THE PROPERTY OF DIGITAL EQUIPMENT CORPORATION AND SHALL BE REPRODUCED OR COPIED IN WHOLE OR IN PART WITHOUT WRITTEN PERMISSION OF DIGITAL EQUIPMENT CORPORATION.



VIEW A-A
(.6 PLACES)



- NOTES:
- BOARD MUST BE DRILLED ON TRUE DRILL MACHINE
 - .166 HOLS ARE CRITICAL
 - CONN. BLOCKS IN PHANTOM ARE OPTIONAL.

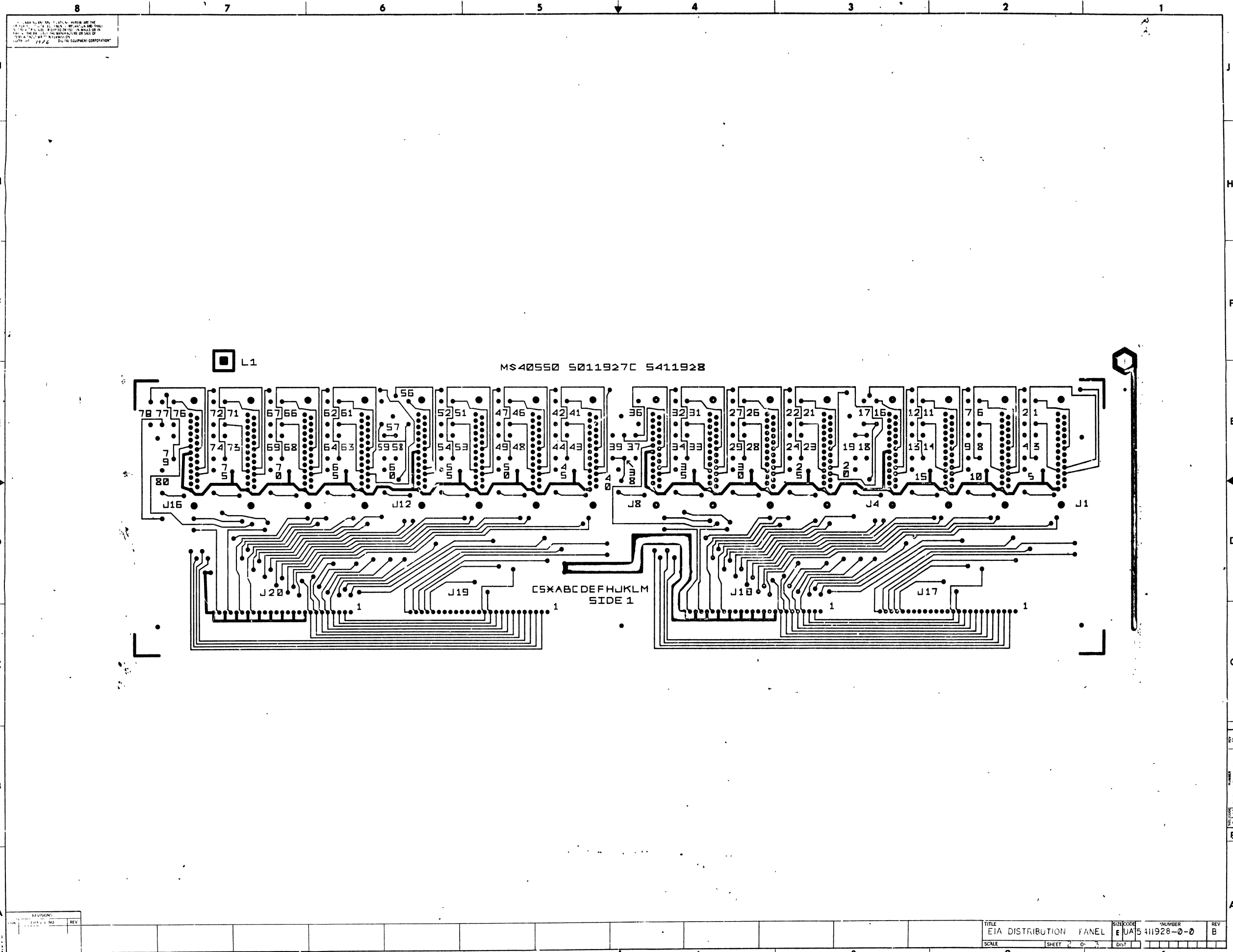
CHANGE NO.	REV.

SEE NOTE #3

ETCH REV.	
P.C. DESIGN DATA BASE REV.	

SIGNATURES	DATE	digital
DRN. <i>Robert...</i>		
CHK'D. <i>...</i>		TITLE PANEL
ENG. <i>...</i>		EIA DISTRIBUTION
PROJ. ENG. <i>...</i>		
SCALE 2/1		
SHT 1 OF 3		
NEXT HIGHER ASSY. E-DD-11923-0		

DIGITAL EQUIPMENT CORPORATION



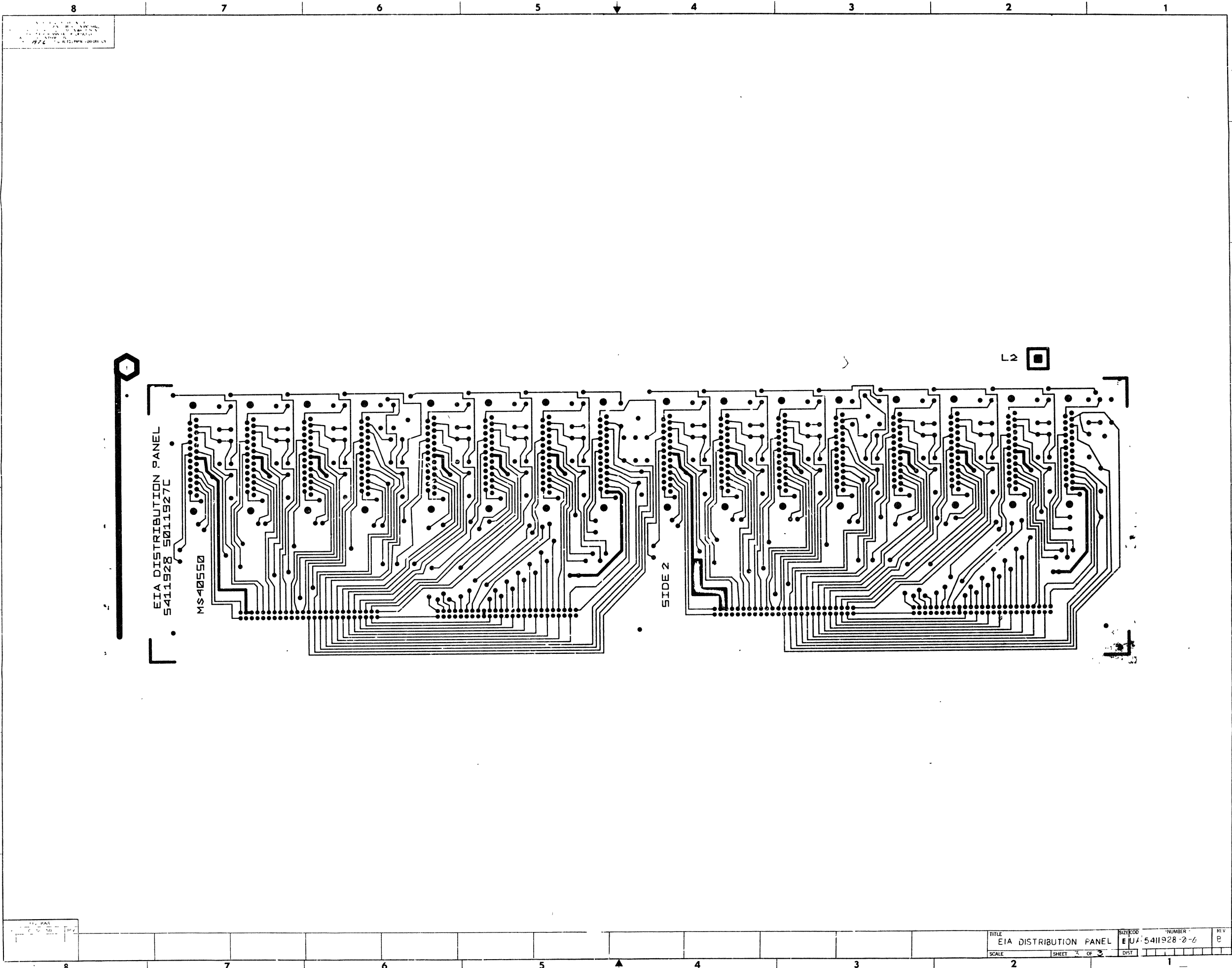
ALL RIGHTS RESERVED. THIS DOCUMENT IS UNCLASSIFIED EXCEPT WHERE SHOWN OTHERWISE. IT IS THE PROPERTY OF THE BUREAU OF ELECTRONIC EQUIPMENT CORPORATION. IT IS TO BE RETURNED TO THE BUREAU OF ELECTRONIC EQUIPMENT CORPORATION UPON REQUEST.

MS40550 S011927C S411928

CSXABCDEFHJKLM
SIDE 1

REV	DATE	BY	CHKD

TITLE	EIA DISTRIBUTION PANEL	SIZE CODE	EUA	NUMBER	S411928-0-0	REV	B
SCALE	SHEET	2	0	DIST			



8 7 6 5 4 3 2 1
 J
 H
 F
 E
 D
 C
 B
 A

8 7 6 5 4 3 2 1
 J
 H
 F
 E
 D
 C
 B
 A

EIA DISTRIBUTION PANEL
5411928 5011927C

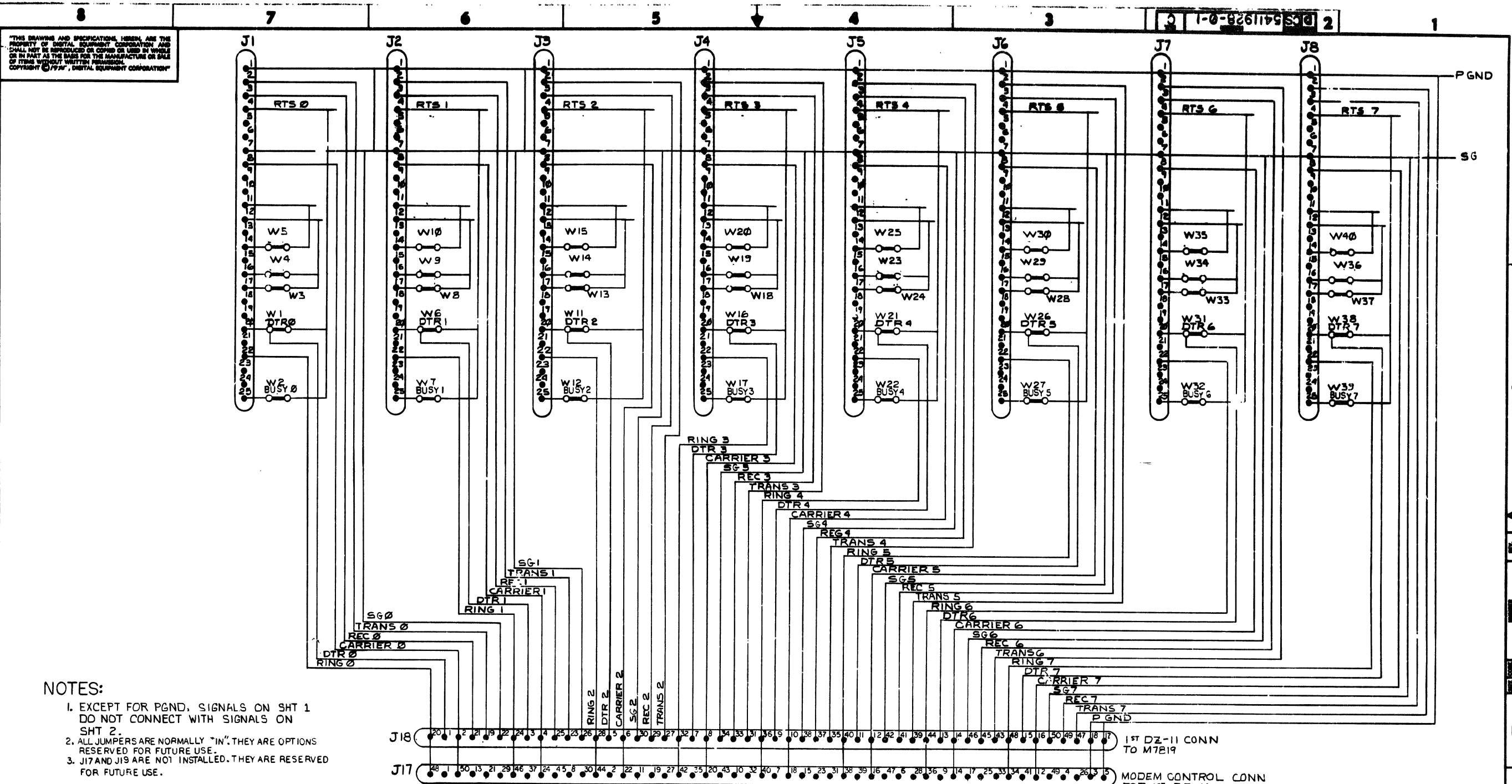
MS40550

SIDE 2

L2

TITLE	EIA DISTRIBUTION PANEL	SIZE: 00	NUMBER	REV
SCALE	SHEET 3 OF 3	DIST	5411928-2-6	P

"THIS DRAWING AND SPECIFICATIONS, HEREIN, ARE THE PROPERTY OF DIGITAL EQUIPMENT CORPORATION AND SHALL NOT BE REPRODUCED OR COPIED OR USED IN WHOLE OR IN PART AS THE BASIS FOR THE MANUFACTURE OR SALE OF ITEMS WITHOUT WRITTEN PERMISSION. COPYRIGHT © 1974, DIGITAL EQUIPMENT CORPORATION"



NOTES:

1. EXCEPT FOR PGND, SIGNALS ON SHT 1 DO NOT CONNECT WITH SIGNALS ON SHT 2.
2. ALL JUMPERS ARE NORMALLY "IN". THEY ARE OPTIONS RESERVED FOR FUTURE USE.
3. J17 AND J19 ARE NOT INSTALLED. THEY ARE RESERVED FOR FUTURE USE.

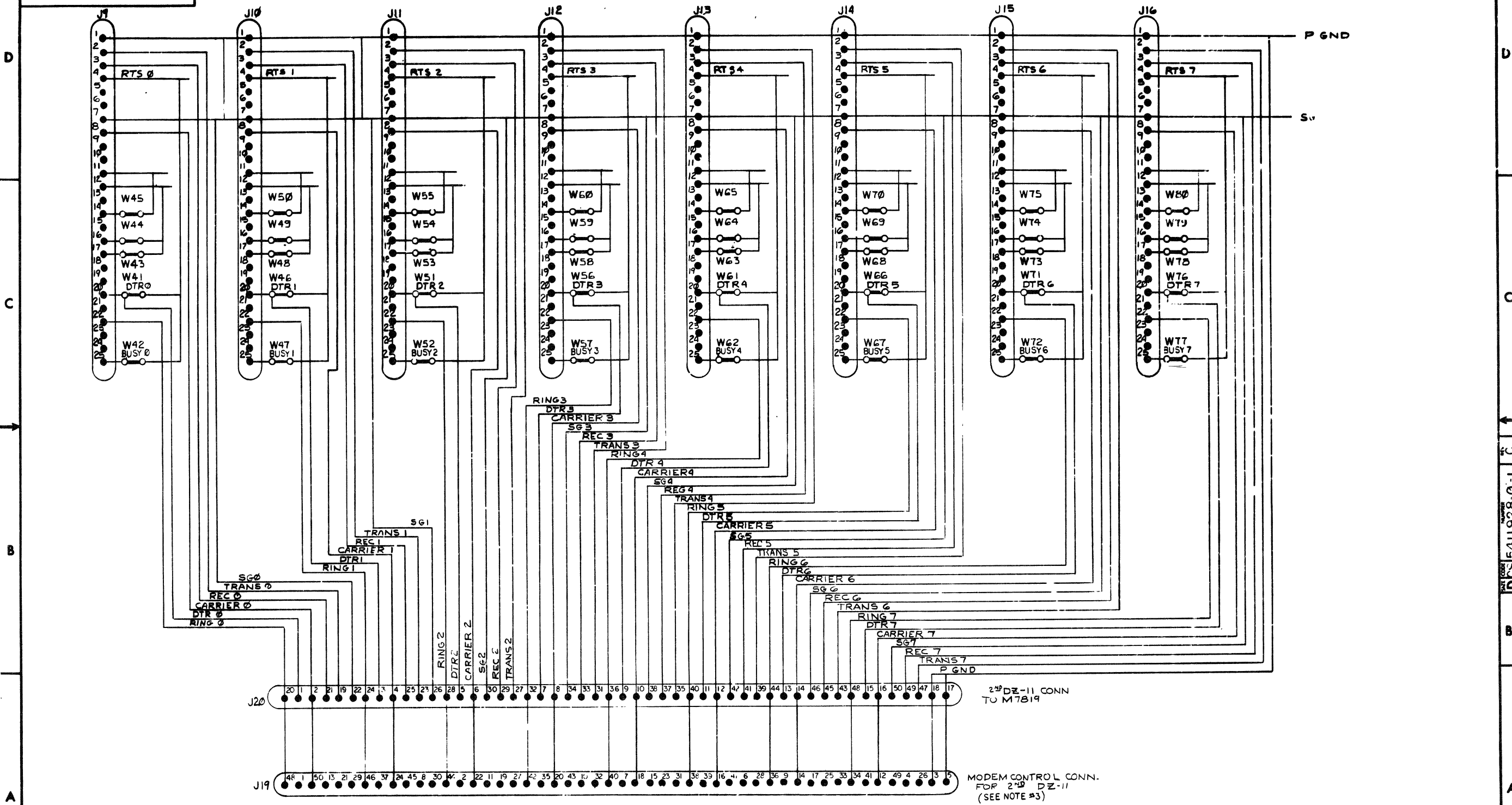
REVISIONS	
REV.	DATE
1	11/24/74
2	11/24/74
3	11/24/74
4	11/24/74
5	11/24/74
6	11/24/74
7	11/24/74
8	11/24/74

DRN	11/24/74	FIRST USED ON	H317E
CHKD	11/24/74	TITLE	DZ11 EIA DIST PANEL
ENG	11/24/74	PROD. R. (D)	11/24/74
PROJ	11/24/74	SCALE	1 OF 2
NEXT HIGHER ASSY.		SIZE CODE	NUMBER
E-AH-5411928-0-5		D CS 5411928-0-1	REV. C
SHEET		DIST.	

"THE DRAWING AND SPECIFICATIONS HEREIN ARE THE PROPERTY OF DIGITAL EQUIPMENT CORPORATION AND SHALL NOT BE REPRODUCED OR COPIED OR USED IN WHOLE OR IN PART AS THE BASIS FOR THE MANUFACTURE OR SALE OF ITEMS WITHOUT WRITTEN PERMISSION. COPYRIGHT © 1975 DIGITAL EQUIPMENT CORPORATION"

1" DZ-11 CONNECTIONS

DCS 5411928-0-1 C 2



REVISIONS		
CHK	CHANGE NO.	REV.

DEC FORM NO. 050 150

TITLE	DZ11 EIA DIST PANEL	SIZE CODE	DCS	NUMBER	5411928-0-1	REV.	C
SCALE	SHEET 2 OF 2		DIST.				

8 7 6 5 4 3 2 1

D

C

B

A

P GND

S.

J1

J10

J11

J12

J13

J14

J15

J16

J20

J19

RTS 0

RTS 1

RTS 2

RTS 3

RTS 4

RTS 5

RTS 6

RTS 7

W45

W44

W43

W41

DTR 0

W42

BUSY 0

W50

W49

W48

W46

DTR 1

W47

BUSY 1

W55

W54

W53

W51

DTR 2

W52

BUSY 2

W60

W59

W58

W56

DTR 3

W57

BUSY 3

W65

W64

W63

W61

DTR 4

W62

BUSY 4

W70

W69

W68

W66

DTR 5

W67

BUSY 5

W75

W74

W73

W71

DTR 6

W72

BUSY 6

W80

W79

W78

W76

DTR 7

W77

BUSY 7

RING 0

CARRIER 0

DTR 0

REC 0

TRANS 0

SG 0

RING 1

CARRIER 1

DTR 1

REC 1

TRANS 1

SG 1

RING 2

CARRIER 2

DTR 2

REC 2

TRANS 2

SG 2

RING 3

CARRIER 3

DTR 3

REC 3

TRANS 3

SG 3

RING 4

CARRIER 4

DTR 4

REC 4

TRANS 4

SG 4

RING 5

CARRIER 5

DTR 5

REC 5

TRANS 5

SG 5

RING 6

CARRIER 6

DTR 6

REC 6

TRANS 6

SG 6

RING 7

CARRIER 7

DTR 7

REC 7

TRANS 7

SG 7

P GND

2nd DZ-11 CONN TO M7819

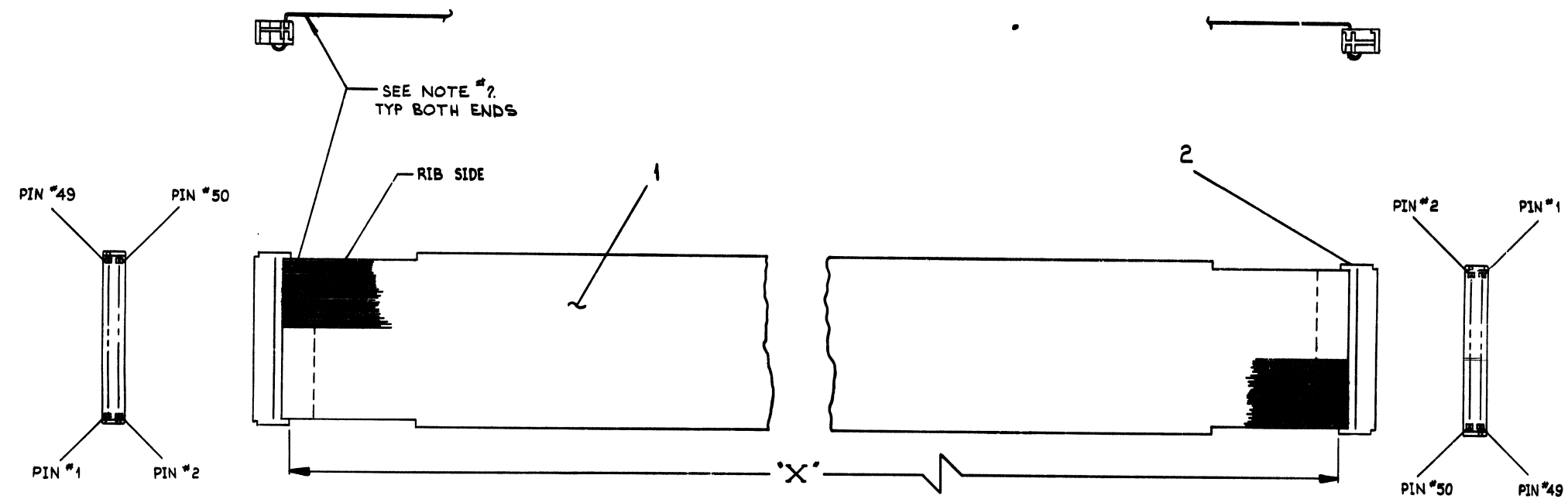
MODEM CONTROL CONN. FOR 2nd DZ-11 (SEE NOTE #3)

DCS 5411928-0-1 C

THIS DRAWING AND SPECIFICATIONS HEREAFTER ARE THE PROPERTY OF DIGITAL EQUIPMENT CORPORATION AND SHALL NOT BE REPRODUCED OR COPIED OR USED IN WHOLE OR IN PART AS THE BASIS FOR THE MANUFACTURE OR SALE OF ANY PRODUCT WITHOUT PERMISSION OF DIGITAL EQUIPMENT CORPORATION © 1974.

LEGEND	
NUMBER	DIM. "X" VAR.
BC05W-02	2 FT. ± 1 IN.
BC05W-04	4 FT. ± 1 IN.
BC05W-15	15 FT. ± 3 IN.
BC05W-08	8 FT. ± 2 IN.

NOTE
 1. THIS CABLE IS POINT TO POINT. PIN #1 TO PIN #50 AND PIN #2 TO PIN #49 ETC., ETC..
 2. STRIP BACK SHIELDING APPROX 1" INCH



REV.	CHANGE NO.	DATE
A	BC05W-00001	5-18-74
B	BC05W-00002	5-17-74
C	BC05W-MR003	5-17-74

FIRST USED ON OPTION/MODEL		QTY.	DESCRIPTION	PART NO.	ITEM NO.
KC341-B		2	CABLE CONN., 50 COND. FLUTE	1211664	2
		1	CABLE, 50 COND FLATSHIELDED	700004-01	1

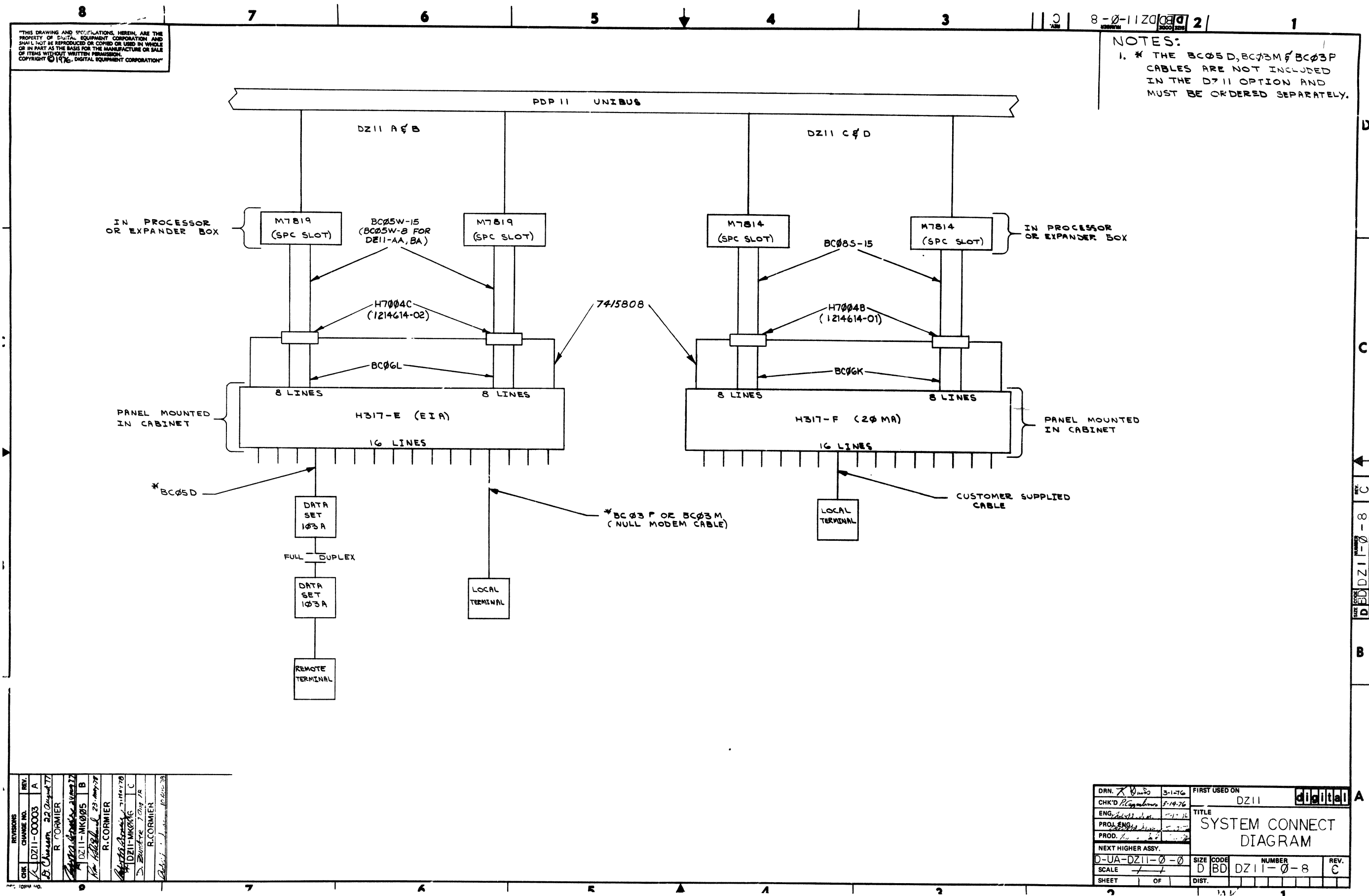
DIMENSIONAL TOLERANCE		DATE	
DIMENSIONS ARE MILLIMETERS UNLESS OTHERWISE SPECIFIED		DRN. M. Gahan	5-18-74
MILLIMETERS	INCHES	CHK'D. R. K. O'Neil	5-17-74
±0.10	±0.005	ENG. J. G. ...	DATE 5/17/74
±0.05	±0.002	PROG. ENG. ...	DATE 5/17/74
±0.02	±0.001	PROD. ...	DATE 5/17/74

THIRD ANGLE PROJECTION		REMOVE BURRS AND BREAK SHARP CORNERS SURFACE QUALITY		NEXT HIGHER ASSY.	
MATERIAL SEE PARTS LIST		SCALE NONE		SIZE CODE	
FINISH		SHEET 1 OF 1		DIA BC05W-0-0	

TITLE		NUMBER		REV.	
50 CONDUCTOR SIGNAL CABLE (BC05W)		DIA BC05W-0-0		C	

THIS DRAWING AND SPECIFICATIONS HEREIN ARE THE PROPERTY OF DIGITAL EQUIPMENT CORPORATION AND SHALL NOT BE REPRODUCED OR COPIED OR USED IN WHOLE OR IN PART AS THE BASIS FOR THE MANUFACTURE OR SALE OF ITEMS WITHOUT WRITTEN PERMISSION. COPYRIGHT © 1976, DIGITAL EQUIPMENT CORPORATION.

NOTES:
 1. * THE BC05D, BC03M & BC03P CABLES ARE NOT INCLUDED IN THE DZ11 OPTION AND MUST BE ORDERED SEPARATELY.



REV.	DATE	BY	CHK'D
A	22 August 77	R. CORMIER	R. CORMIER
B	23 May 78	R. CORMIER	R. CORMIER
C	19 May 78	R. CORMIER	R. CORMIER

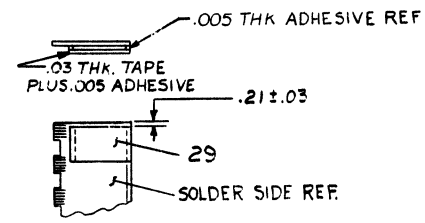
DRN. 3-1-76	FIRST USED ON	DZ11	digital
CHK'D R. CORMIER 5-19-76	TITLE	SYSTEM CONNECT DIAGRAM	
ENG. J. B. BROWN 5-17-76	SCALE	D BD	DZ11-0-8
PROJ. ENG. J. B. BROWN 5-17-76	SHEET	OF	1
PROD. J. B. BROWN 5-17-76	DIST.		

"THIS DRAWING AND SPECIFICATIONS, HEREIN, ARE THE PROPERTY OF DIGITAL EQUIPMENT CORPORATION AND SHALL NOT BE REPRODUCED OR COPIED OR USED IN WHOLE OR IN PART AS THE BASIS FOR THE MANUFACTURE OR SALE OF ITEMS WITHOUT WRITTEN PERMISSION. COPYRIGHT © 1976, DIGITAL EQUIPMENT CORPORATION"

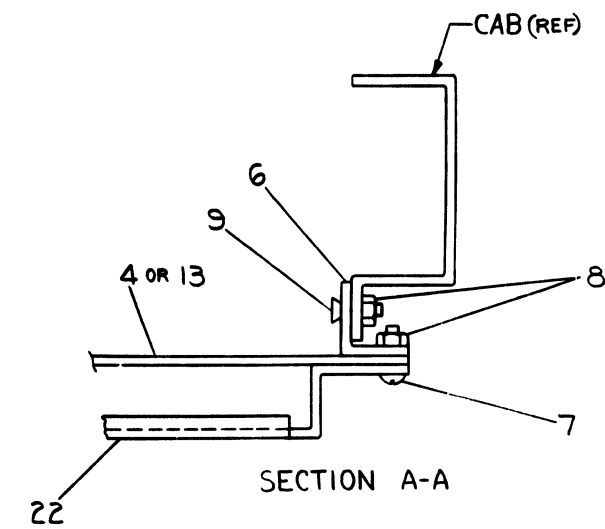
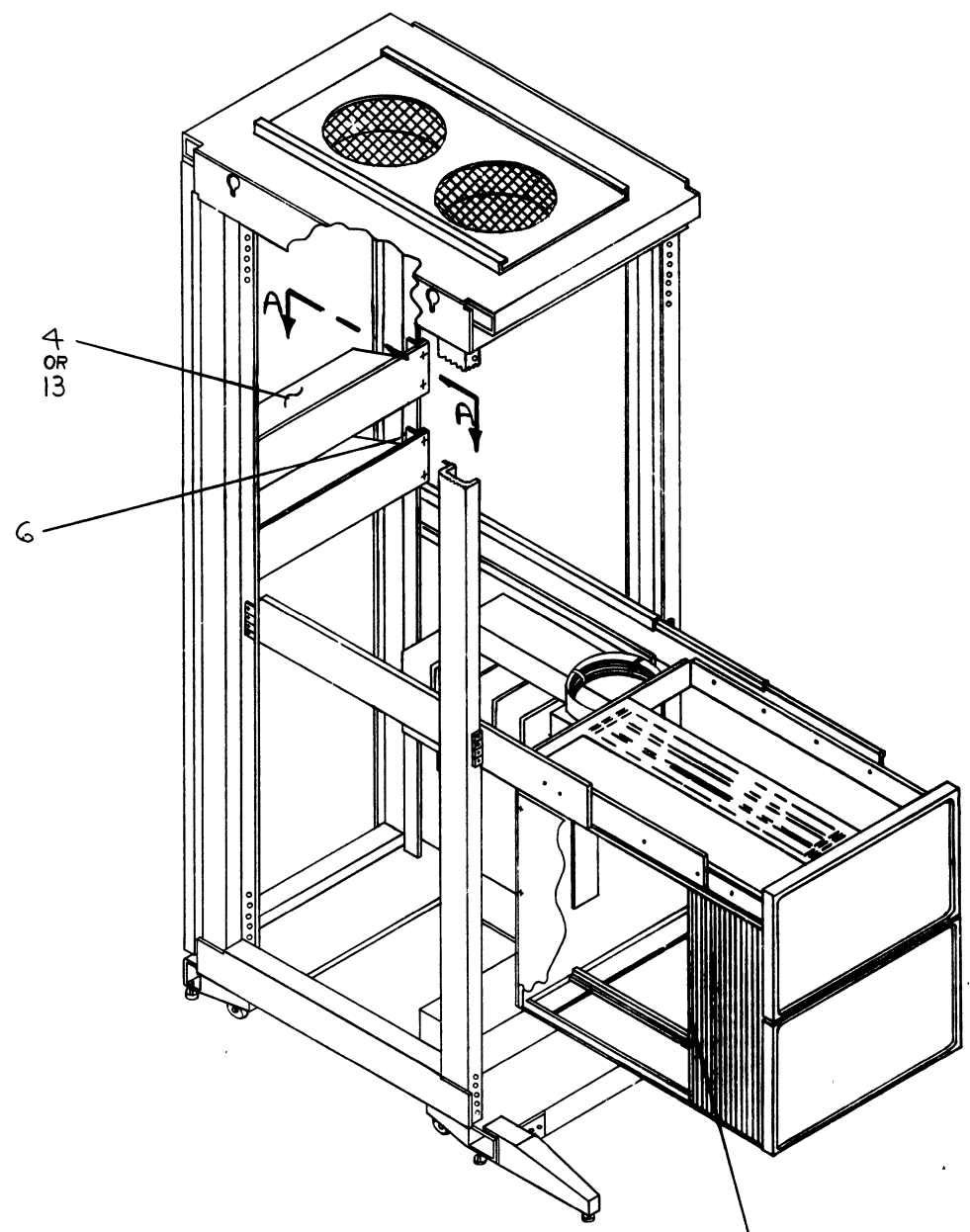
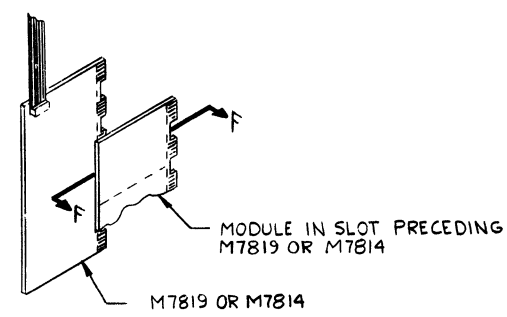
0-0-1120-02

NOTES:

- ~~DO NOT REMOVE SURFACE FINISH~~
- TEST CONNECTORS ITEMS 2 & 5 (NOT SHOWN) ARE USED FOR TESTING DZ11 A, B & E. ALSO NOT SHOWN IS A TEST CONNECTOR (ITEM 15) USED FOR TESTING THE DZ11-C, D & F
- AT SYSTEM CONFIGURATION LEVEL, ASSEMBLE ITEM 29 TO MODULE PRECEDING ITEMS 1 OR 4. ORIENTATE AS SHOWN. MAKE CERTAIN SURFACES THAT ITEM 29 ADHERE TO ARE FREE FROM GREASE OR OTHER FOREIGN MATTER.



SECTION F-F
SEE NOTE 3



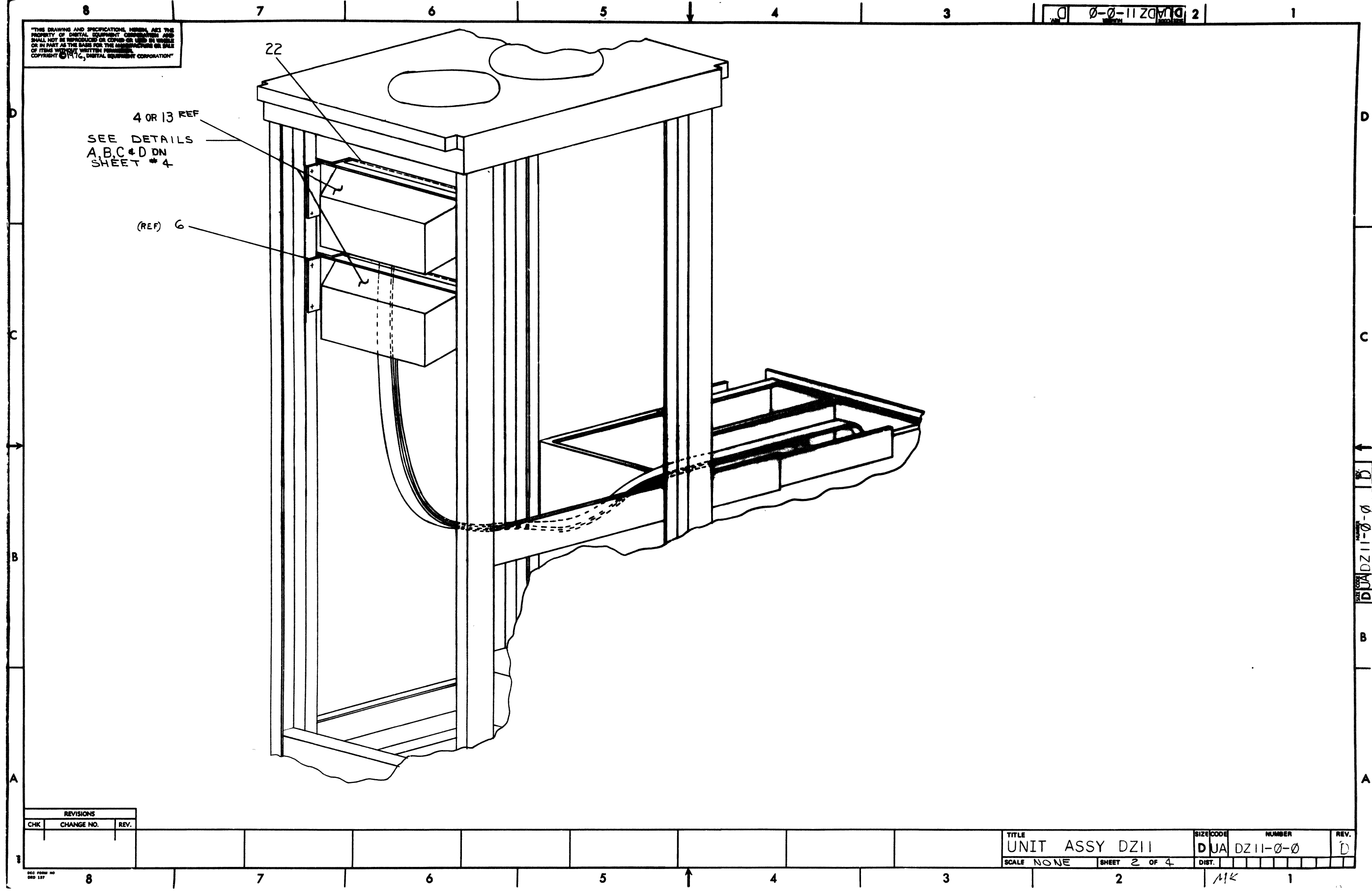
FOR PARTS LIST SEE A-PL-DZ11-0-0

REV.	CHANGE NO.	DESCRIPTION
1	DZ11-00001	A
2	4 Jan 77	R. A. CORMIER
3	12 Feb 77	R. A. CORMIER
4	9 May 77	R. A. CORMIER
5	18 May 77	R. A. CORMIER
6	22 Aug 77	R. A. CORMIER
7	24 Aug 77	R. A. CORMIER
8	24 Aug 77	R. A. CORMIER
9	24 Aug 77	R. A. CORMIER
10	24 Aug 77	R. A. CORMIER
11	24 Aug 77	R. A. CORMIER
12	24 Aug 77	R. A. CORMIER
13	24 Aug 77	R. A. CORMIER
14	24 Aug 77	R. A. CORMIER
15	24 Aug 77	R. A. CORMIER
16	24 Aug 77	R. A. CORMIER
17	24 Aug 77	R. A. CORMIER
18	24 Aug 77	R. A. CORMIER
19	24 Aug 77	R. A. CORMIER
20	24 Aug 77	R. A. CORMIER
21	24 Aug 77	R. A. CORMIER
22	24 Aug 77	R. A. CORMIER
23	24 Aug 77	R. A. CORMIER
24	24 Aug 77	R. A. CORMIER
25	24 Aug 77	R. A. CORMIER
26	24 Aug 77	R. A. CORMIER
27	24 Aug 77	R. A. CORMIER
28	24 Aug 77	R. A. CORMIER
29	24 Aug 77	R. A. CORMIER
30	24 Aug 77	R. A. CORMIER
31	24 Aug 77	R. A. CORMIER
32	24 Aug 77	R. A. CORMIER
33	24 Aug 77	R. A. CORMIER
34	24 Aug 77	R. A. CORMIER
35	24 Aug 77	R. A. CORMIER
36	24 Aug 77	R. A. CORMIER
37	24 Aug 77	R. A. CORMIER
38	24 Aug 77	R. A. CORMIER
39	24 Aug 77	R. A. CORMIER
40	24 Aug 77	R. A. CORMIER
41	24 Aug 77	R. A. CORMIER
42	24 Aug 77	R. A. CORMIER
43	24 Aug 77	R. A. CORMIER
44	24 Aug 77	R. A. CORMIER
45	24 Aug 77	R. A. CORMIER
46	24 Aug 77	R. A. CORMIER
47	24 Aug 77	R. A. CORMIER
48	24 Aug 77	R. A. CORMIER
49	24 Aug 77	R. A. CORMIER
50	24 Aug 77	R. A. CORMIER

THIRD ANGLE PROJECTION		DESCRIPTION	DWG. PART NO.	ITEM NO.
<input checked="" type="checkbox"/> THIRD ANGLE PROJECTION <input type="checkbox"/> FIRST ANGLE PROJECTION		UNLESS OTHERWISE SPECIFIED DIMENSIONS ARE IN INCHES		
ANGLES: 45° 90° CLASS OF ACCURACY: (CHECK ONE) SURFACE QUALITY: IN MICRONS: <input checked="" type="checkbox"/> MEDIUM <input type="checkbox"/> FINE		NOMINAL DIMENSION RANGE INCHES OVER 12 TO 18 1.000 1.012 1.016 1.020 1.024 1.028 18 TO 24 1.000 1.012 1.016 1.020 1.024 1.028 24 TO 30 1.000 1.012 1.016 1.020 1.024 1.028 30 TO 36 1.000 1.012 1.016 1.020 1.024 1.028 36 TO 42 1.000 1.012 1.016 1.020 1.024 1.028 42 TO 48 1.000 1.012 1.016 1.020 1.024 1.028 48 TO 54 1.000 1.012 1.016 1.020 1.024 1.028 54 TO 60 1.000 1.012 1.016 1.020 1.024 1.028		
QUANTITY & VARIATION: <input checked="" type="checkbox"/> MICROINCHES <input type="checkbox"/> MILLIMETERS		DRN: R. A. CORMIER 5-4-76 CHKD: R. A. CORMIER 5-4-76 ENG: R. A. CORMIER 5-4-76 PROJ. ENG: R. A. CORMIER 5-4-76 PROD. ENG: R. A. CORMIER 5-4-76		
REMOVE BURRS AND BREAK SHARP CORNERS DO NOT SCALE DWG		FIRST USED ON: DZ11 TITLE: UNIT ASSY !Z11		
MATERIAL: SEE PARTS LIST FINISH: / /		NEXT HIGHER ASSY: B-DD-DZ11-0 SCALE: NONE SHEET: 1 OF 4		
		SIZE: D CODE: UADZ11-0-0 NUMBER: 1 REV: D		

"THIS DRAWING AND SPECIFICATIONS HEREBY ARE THE PROPERTY OF DIGITAL EQUIPMENT CORPORATION AND SHALL NOT BE REPRODUCED OR COPIED OR USED IN WHOLE OR IN PART AS THE BASIS FOR THE MANUFACTURE OR SALE OF ITEMS WITHOUT WRITTEN PERMISSION. COPYRIGHT © 1971, DIGITAL EQUIPMENT CORPORATION"

0-0-11 ZOM 2

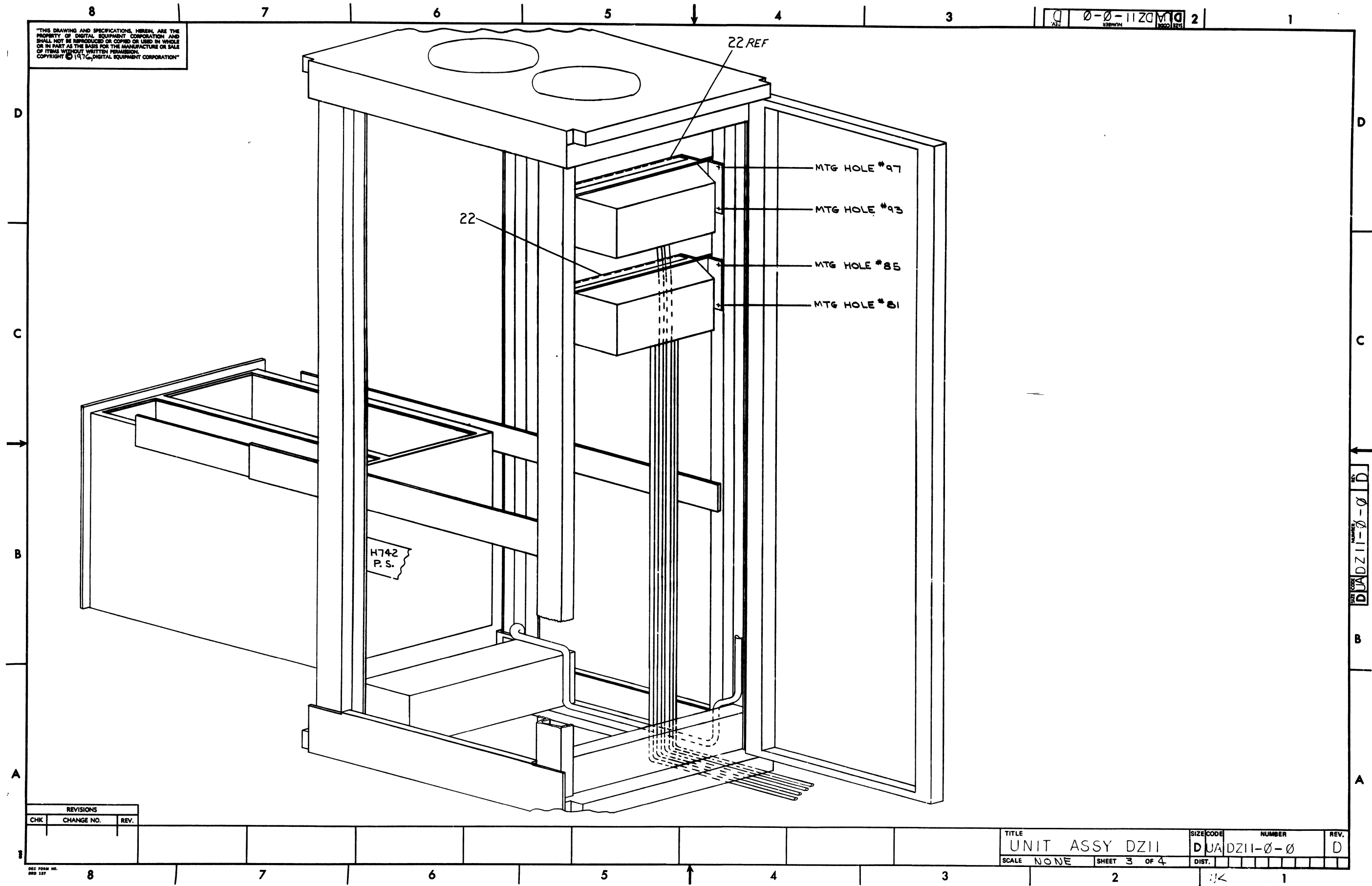


REVISIONS		
CHK	CHANGE NO.	REV.

TITLE	UNIT ASSY DZ11	SIZE CODE	DUA	NUMBER	DZ11-0-0	REV.	D
SCALE	NONE	SHEET	2	OF	4	DIST.	

0-0-11ZC M D 2

"THIS DRAWING AND SPECIFICATIONS HEREIN ARE THE PROPERTY OF DIGITAL EQUIPMENT CORPORATION AND SHALL NOT BE REPRODUCED OR COPIED OR USED IN WHOLE OR IN PART AS THE BASIS FOR THE MANUFACTURE OR SALE OF ITEMS WITHOUT WRITTEN PERMISSION. COPYRIGHT © 1970, DIGITAL EQUIPMENT CORPORATION"

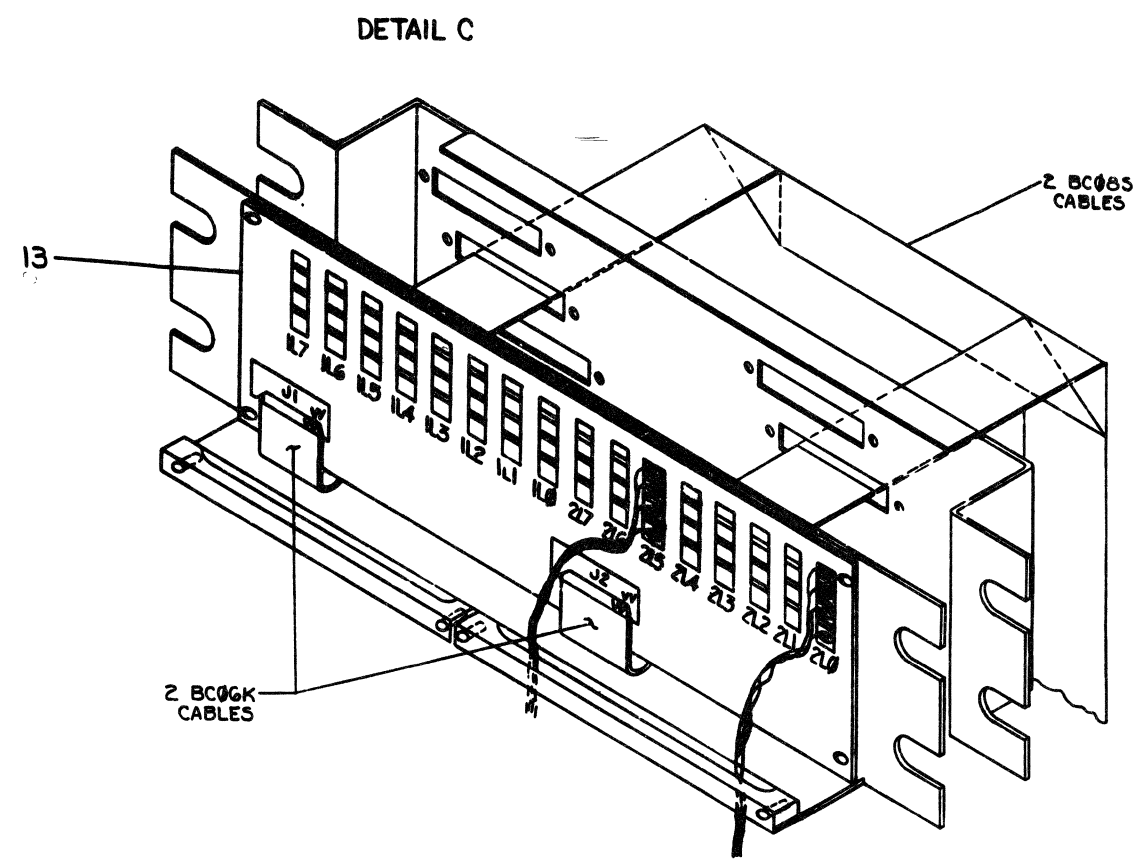
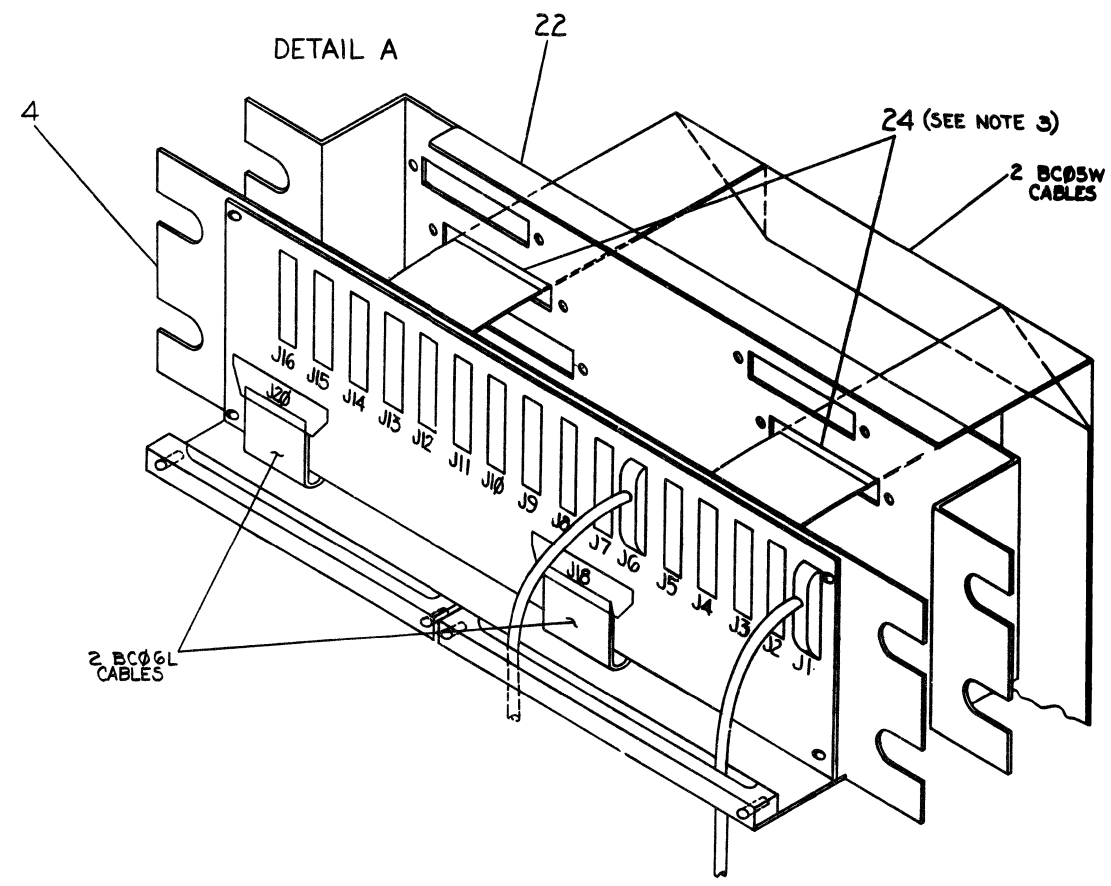
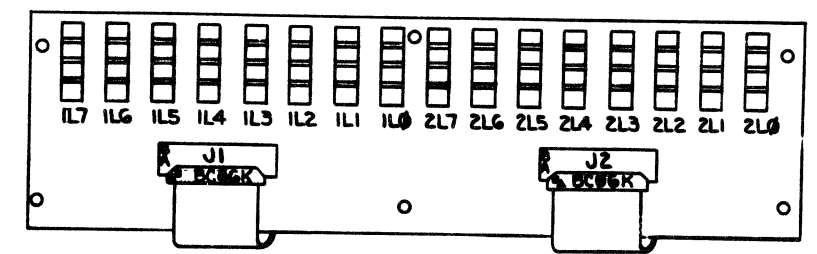
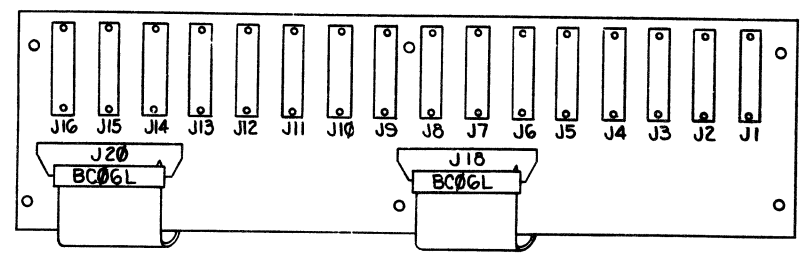


REVISIONS		
CHK	CHANGE NO.	REV.

TITLE	UNIT ASSY DZII	SIZE CODE	DUA	NUMBER	DZII-0-0	REV.	D
SCALE	NONE	SHEET	3	OF	4	DIST.	

"THE DRAWING AND SPECIFICATIONS HEREIN ARE THE PROPERTY OF DIGITAL EQUIPMENT CORPORATION AND SHALL NOT BE REPRODUCED OR COPIED OR USED IN WHOLE OR IN PART AS THE BASIS FOR THE MANUFACTURE OR SALE OF ITEMS WITHOUT WRITTEN PERMISSION. COPYRIGHT © DIGITAL EQUIPMENT CORPORATION"

NOTE:
MOUNT FILTERS (ITEM 23 OR 24) TO THE OUTSIDE OF MOUNTING BRACKET (ITEM 22) WITH SCREWS AND LOCK WASHERS (ITEM 27 AND 28)



DETAIL B

DETAIL D

REVISIONS		
CHK	CHANGE NO.	REV.

TITLE	UNIT ASSY. DZ11	SIZE CODE	D UA	NUMBER	DZ11-0-0	REV.	D
SCALE	NONE	SHEET	4	OF	4	DIST.	

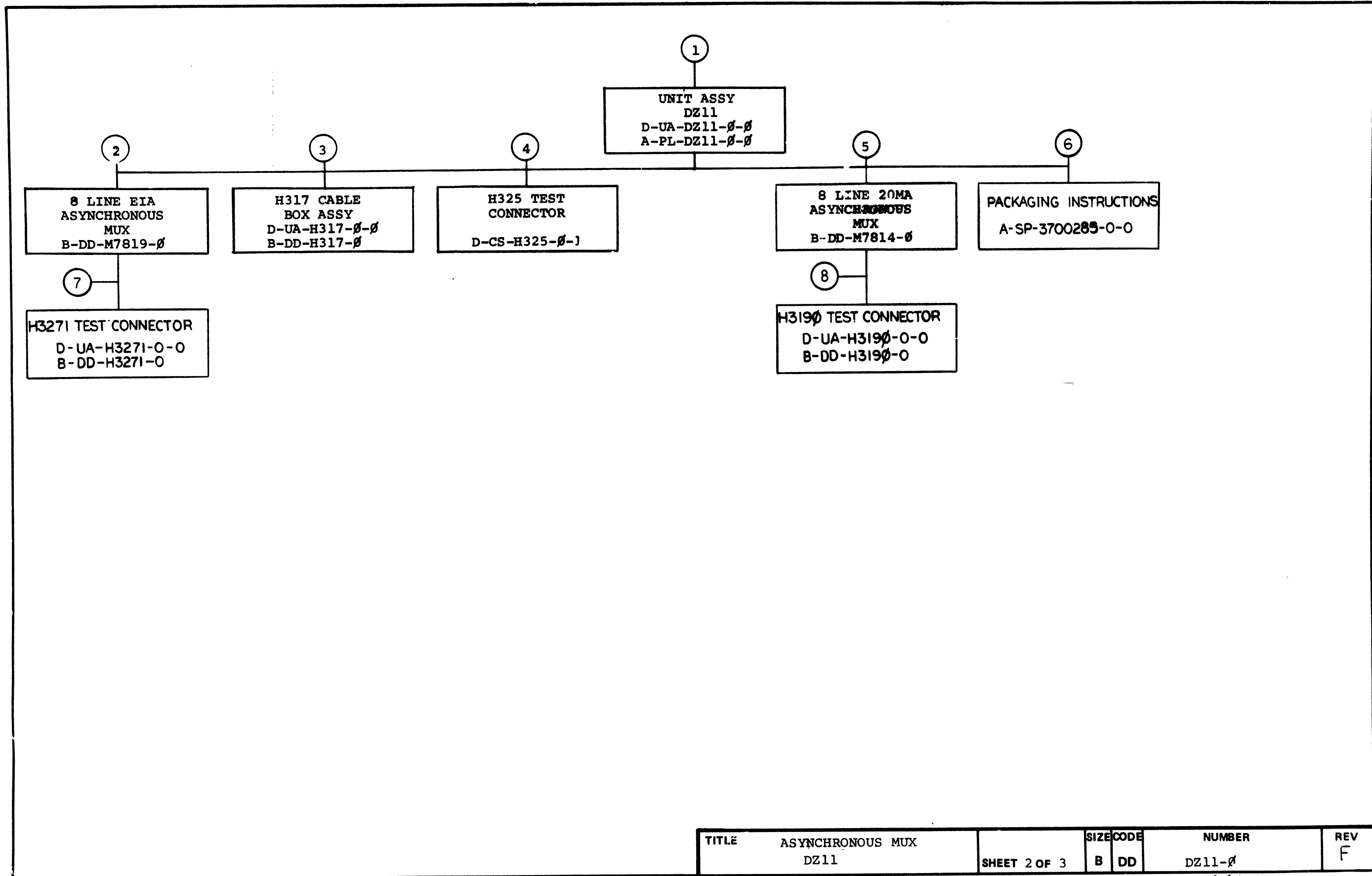
AK

DIGITAL EQUIPMENT CORPORATION MAYNARD, MASSACHUSETTS PARTS LIST				QUANTITY / VARIATION											
MADE BY K. DAVIS DATE 5-4-76		CHECKED <i>P. Cappabianca</i> DATE 14 May 76		SECTION		DZ11-A	DZ11-B	DZ11-E	DZ11-C	DZ11-D	DZ11-F	DZ11-AA	DZ11-BA	DZ11-EA	
ENG <i>Robert A. Cormier</i> DATE 5-13-76		PROD <i>Tom McCab</i> DATE 5-14-76		ISSUED SECT.											
ITEM NO.	DWG NO. / PART NO.	DESCRIPTION													
1	D-UA-M7819-0-0	8 LINE EIA ASYNCHRONOUS MUX		1	1	2	-	-	-	-	-	-	2		
2	D-UA-H3271-0-0	CONNECTOR, TURN AROUND (EIA)		1	-	1	-	-	-	-	-	-	1		
3	D-IA-BC05W-15	50 CONDUCTOR SIGNAL CABLE (BC05W)		1	1	2	-	-	-	-	-	-	-		
4	D-UA-H317-E-0	H317 CABLE BOX ASSY (EIA)		1	-	1	-	-	-	-	-	-	1		
5	D-CS-H325-0-1	H325 TEST CONNECTOR		1	-	1	-	-	-	-	-	-	1		
6	C-MD-7414386-0-0	BRACKET, PANEL		2	-	2	2	-	2	2	-	2	-		
7	9006071-03	SCR, PH, TRUSS, HD, 10-32 X .38		4	-	4	4	-	4	4	-	4	-		
8	9006565-00	NUT, KEP 10-32		8	-	8	8	-	8	8	-	8	-		
9	9006073-02	SCR, PH, FL, HD, 10-32 X .50		4	-	4	4	-	4	4	-	4	-		
10	9007786-00	MUT, SPEED 10-32		4	-	4	4	-	4	4	-	4	-		
11	D-BD-DZ11-0-8	SYSTEM CONNECT DIAGRAM		REF	REF	REF	REF	REF	REF	REF	REF	REF	REF	REF	
12	C-IA-BC08S-15	40 CONDUCTOR SIGNAL CABLE (BC08S)		-	-	-	1	1	2	-	-	-	-		
13	D-UA-H317-F-0	H317 CABLE BOX ASSY (20 MA)		-	-	-	1	-	1	-	-	-	-		
14	D-UA-M7814-0-0	8 LINE 20 MA ASYNCHRONOUS MUX		-	-	-	1	1	2	-	-	-	-		
15	D-UA-H3190-0-0	CONNECTOR, TURN AROUND (20 MA)		-	-	-	1	1	2	-	-	-	-		
16	A-SP-3700285-0-0	PKG. INST. CUSTOMER (A VERSION)		1	-	-	-	-	-	-	-	-	-		
17	A-SP-3700285-1-0	PKG. INST. CUSTOMER (C VERSION)		-	-	-	1	-	-	-	-	-	-		
18	A-SP-3700285-2-0	PKG. INST. CUSTOMER (B VERSION)		-	1	-	-	-	-	-	-	-	-		
19	A-SP-3700285-3-0	PKG. INST. CUSTOMER (D VERSION)		-	-	-	-	1	-	-	-	-	-		
20	A-SP-3700285-4-0	PKG. INST. CUSTOMER (E VERSION)		-	-	1	-	-	-	-	-	-	1		
21	A-SP-3700285-5-0	PKG. INST. CUSTOMER (F VERSION)		-	-	-	-	-	1	-	-	-	-		
22	D-IA-7415808-0-0	CONNECTOR, MTG. PANEL		1	-	1	1	-	1	1	-	1	-		
TITLE PARTS LIST DZ11				ASSY NO. D-UA-DZ11-0-0		SIZE CODE A PL		NUMBER DZ11-0-0				REV. F		ECO NO. DZ11- MK006	
SHEET 1 OF 2				DIST.											

DEC FORM DEC 16-(325)-1031-N870
DRA 110

MK

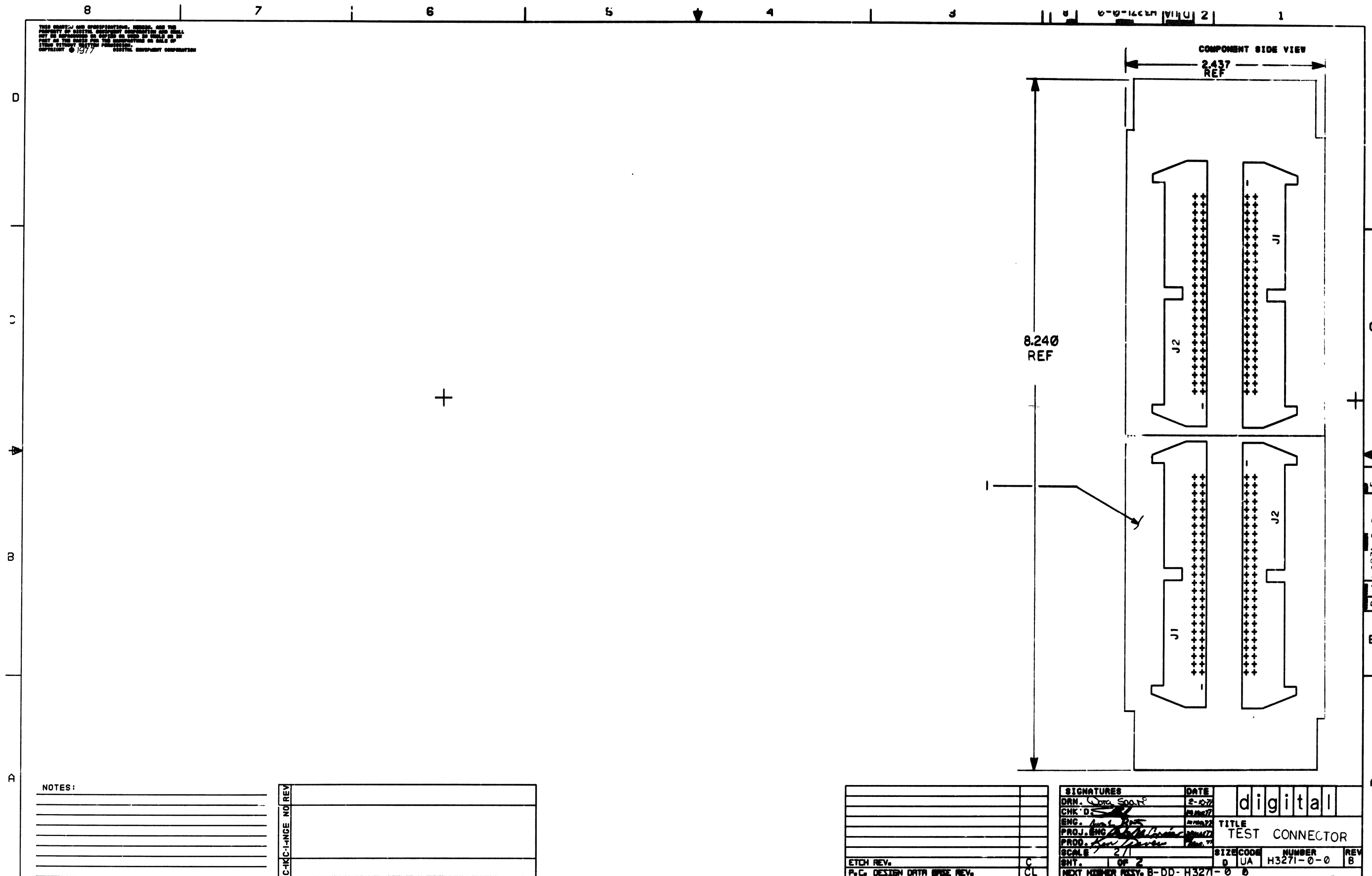
DIGITAL EQUIPMENT CORPORATION MAYNARD, MASSACHUSETTS PARTS LIST				QUANTITY / VARIATION											
MADE BY K. DAVIS DATE 4-MAY-76		CHECKED P. CAPPABIANCA DATE 14-MAY-76		SECTION 1		DZ11-A	DZ11-B	DZ11-E	DZ11-C	DZ11-D	DZ11-F	DZ11-AA	DZ11-BA	DZ11-EA	
ENG R. CORMIER DATE 13-MAY-76		PROD T. McCABE DATE 14-MAY-76		ISSUED SECT. 1											
ITEM NO.	DWG NO. / PART NO.	DESCRIPTION													
23	1214614-01	FILTERED CONNECTOR (40 POS)		-	-	-	1	1	2	-	-	-	-		
24	1214614-02	FILTERED CONNECTOR (50 POS)		1	1	2	-	-	-	-	-	-	2		
25	D-UA-BC06K-0J-0	MIRROR IMAGE CABLE (40 POS)		-	-	-	1	1	2	-	-	-	-		
26	D-UA-BC06L-0J-0	MIRROR IMAGE CABLE (50 POS)		1	1	2	-	-	-	-	-	-	2		
27	9006022-01	SCR, PHL PAN HD #6-32 x .38		2	2	4	2	2	4	2	2	4	4		
28	9006633-00	WASHER, INT TOOTH LOCK #6		2	2	4	2	2	4	2	2	4	4		
29	1215278-00	CABLE PROTECTOR		1	1	2	1	1	2	1	1	2	2		
30	D-IA-BC05W - 8	50 CONDUCTOR SIGNAL CABLE (BC05W)		-	-	-	-	-	-	-	-	-	2		
TITLE PARTS LIST DZ11				ASSY NO. D-UA-DZ11-0-0		SIZE CODE A PL		NUMBER DZ11-0-0				REV. F		ECO NO. DZ11- MK006	
SHEET 2 OF 2				DIST.											



TITLE	ASYNCHRONOUS MUX DZ11	SHEET 2 OF 3	SIZE CODE B DD	NUMBER DZ11-Ø	REV F
-------	--------------------------	--------------	-------------------	------------------	----------

MK

THIS DRAWING AND SPECIFICATIONS, HEREIN, AND THE PROPERTY OF DIGITAL EQUIPMENT CORPORATION AND SHALL NOT BE REPRODUCED OR COPIED IN WHOLE OR IN PART OR THE BASIS FOR THE CONSTRUCTION OR SALE OF ITEMS WITHOUT EXPRESS PERMISSION. COPYRIGHT © 1977 DIGITAL EQUIPMENT CORPORATION



NOTES:

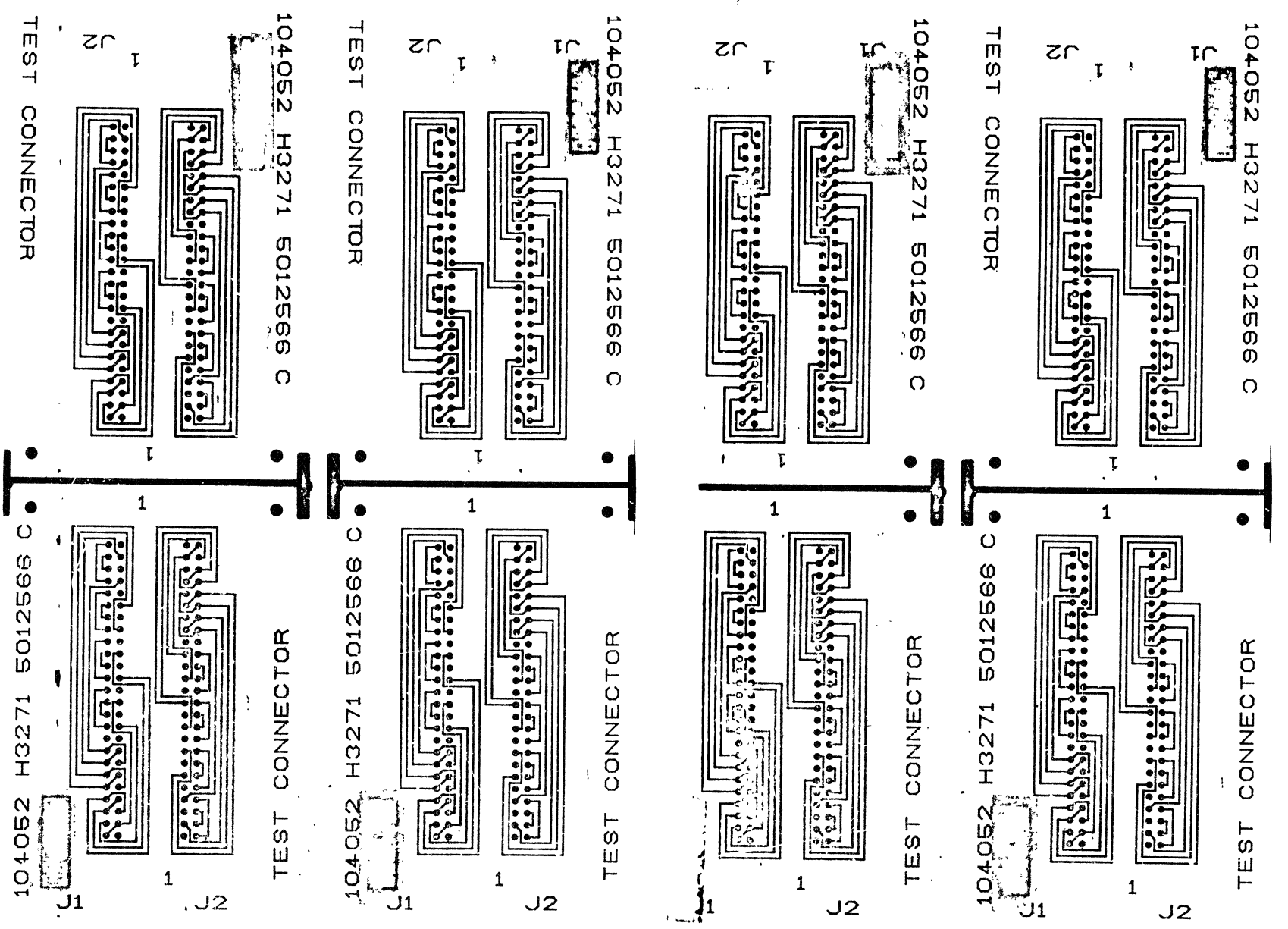
C-CHANGE NO. REV.	

ETCH REV.	C
P.C. DESIGN DATA BRSE REV.	CL

SIGNATURES		DATE	digital
DRN. <i>Eric Scott</i>		2-10-77	
CHK'D <i>[Signature]</i>		2/10/77	TITLE TEST CONNECTOR
ENG. <i>[Signature]</i>		2/10/77	
PROJ. ENG. <i>[Signature]</i>		2/10/77	
PROD. <i>[Signature]</i>		2/10/77	
SCALE 2/1	SIZE CODE	NUMBER	REV
SHT. 1 OF 2	0 UA	H3271-0-0	B
NEXT MEMBER ASSY. B-DD-H3271-0-0			

8 7 6 5 4 3 2 1

REVISIONS
CHK CHG. NO. REV.



VIEWED FROM SIDE 2

REVISIONS		
CHK	CHG. NO.	REV.

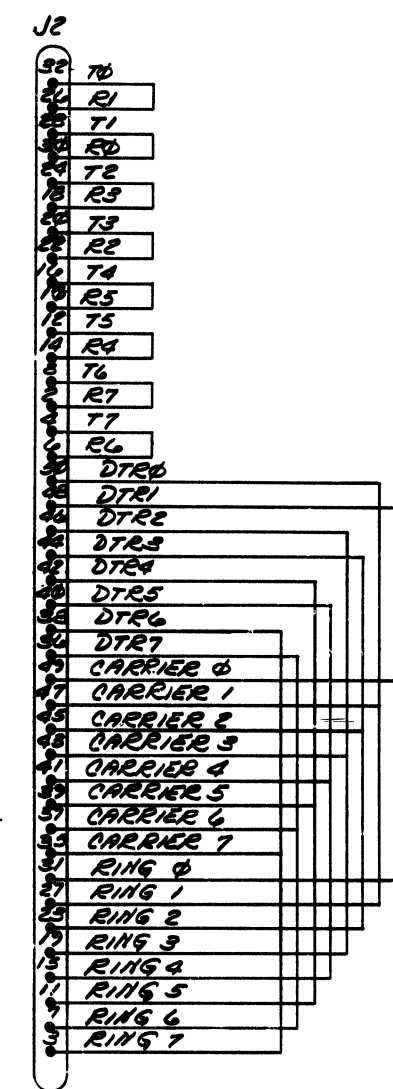
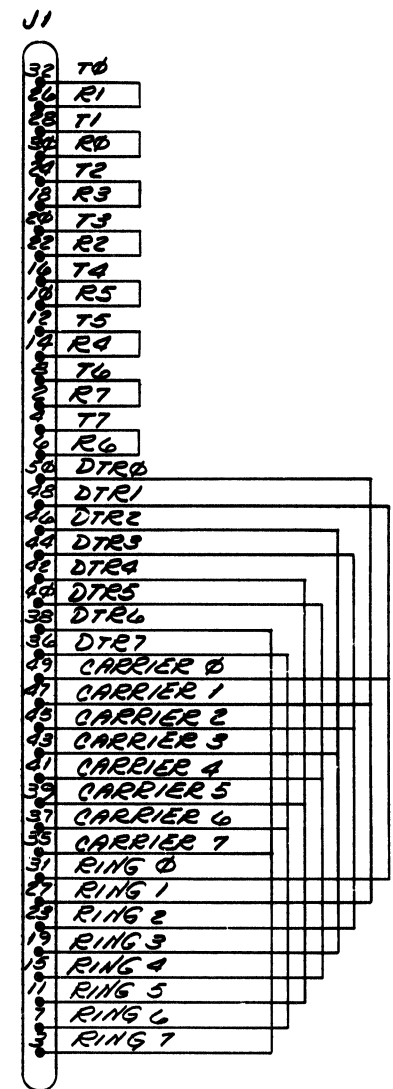
DEC FORM NO 590 117

8 7 6 5 4 3 2 1

TITLE: TEST CONNECTOR
 SCALE: 1:1
 SHEET: 2 OF 2
 DIST: 111
 NUMBER: D UA H3271 -0-0 B
 REV: 1

THIS DRAWING AND SPECIFICATIONS HEREIN ARE THE PROPERTY OF DIGITAL EQUIPMENT CORPORATION AND SHALL NOT BE REPRODUCED OR COPIED OR USED IN WHOLE OR IN PART AS THE BASIS FOR THE MANUFACTURE OR SALE OF ITEMS WITHOUT WRITTEN PERMISSION. COPYRIGHT © 1972, DIGITAL EQUIPMENT CORPORATION.

17-071202.M 0300 2



REV.	
REV. NO.	
CHANGE NO.	
CHK	

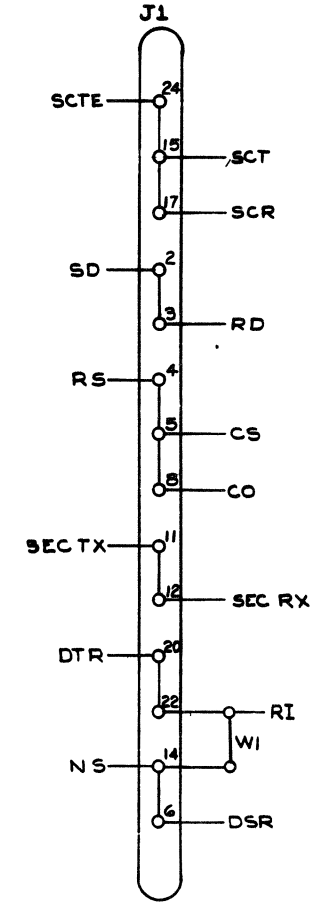
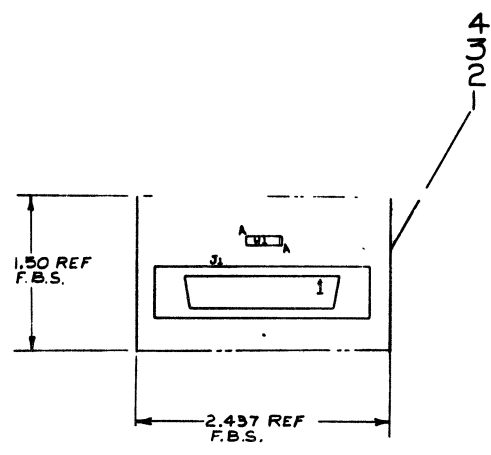
DRN	17-071202.M	FIRST USED ON	DZ11
CHK		TITLE	TEST CONNECTOR
ENG.		SIZE	D
PROJ.		CODE	CS
PROD.		NUMBER	H3271-0-1
NEXT HIGHER ASSY.		REV.	2
D-VA-H3271-0-0		SCALE	
SHEET	1	DIST.	

D CS H3271-0-1

"THIS DRAWING AND SPECIFICATIONS HEREIN ARE THE PROPERTY OF DIGITAL EQUIPMENT CORPORATION AND SHALL NOT BE REPRODUCED OR COPIED IN WHOLE OR IN PART AS THE BASIS FOR THE FABRICATION OR SALE OF ITEMS WITHOUT WRITTEN PERMISSION.
COPYRIGHT © 1975 DIGITAL EQUIPMENT CORPORATION"

NOTES:

REF	X-Y COORDINATE HOLE LOC	KCO-H325-0-4	1
REF	ASSY/DRILLING HOLE LAYOUT	D-AH-H325-0-5	2
REF	MODULE ECO HISTORY	B-MH-H325-0-6	3
1	ETCHED CIRCUIT BOARD	501167B	4
1	J1 CONNECTOR	1210247	5
1	WI INSULATED JUMPER WIRE	9009185	6



QTY	REF. DESIGNATION	DESCRIPTION	PART NO.	ITEM NO.
	DVII	ETCH BOARD REV. C		

DRN. <i>[Signature]</i>	DATE <i>6/24/75</i>					
CHKD. <i>[Signature]</i>	DATE <i>6/25/75</i>					
APP'D. <i>[Signature]</i>	DATE <i>6/25/75</i>					
PRD. <i>[Signature]</i>	DATE <i>6-25-75</i>					
NEXT HIGHER ASSY		TITLE H325 TEST CONNECTOR				
D-UA-DVII-0-0						
DEC NO.	EIA NO.	DEC NO.	EIA NO.	SIZE CODE	NUMBER	REV.
				D CS	H325-0-1	B

IC TYPE	GND	+5V
GND AND 5V ARE USUALLY PIN 7 AND 14 RESPECTIVELY EXCEPTIONS ARE STATED ABOVE		
IC PIN LOCATIONS		

REV. A	DATE <i>6-25-75</i>	BY <i>F. ZERESKI</i>
REV. B	DATE <i>6-25-75</i>	BY <i>[Signature]</i>
REV. C	DATE <i>6-25-75</i>	BY <i>[Signature]</i>

SEMICONDUCTOR CONVERSION CHART			
SHEET	OF	1	

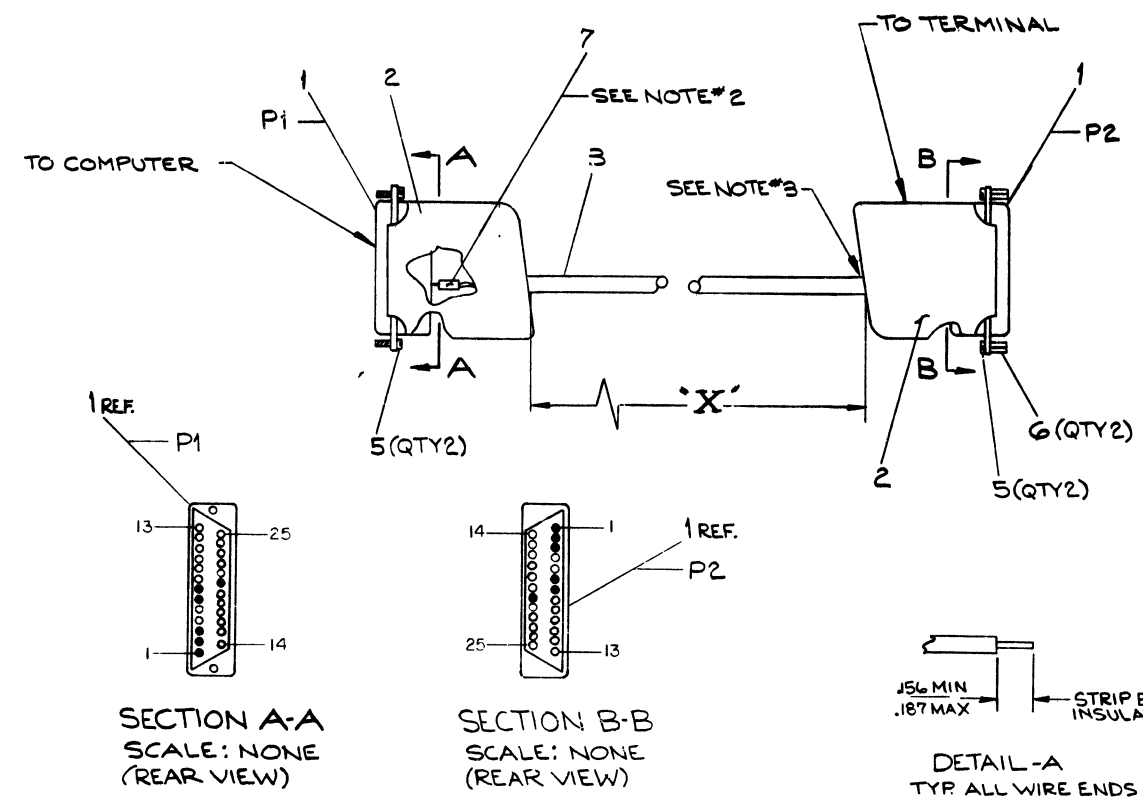
REV. I
D CS H325-0-1

THIS DRAWING AND SPECIFICATIONS HEREIN ARE THE PROPERTY OF DIGITAL EQUIPMENT CORPORATION AND SHALL NOT BE REPRODUCED OR COPIED OR USED IN WHOLE OR IN PART AS THE BASIS FOR THE MANUFACTURE OR SALE OF ITEMS WITHOUT WRITTEN PERMISSION. COPYRIGHT © 1975 DIGITAL EQUIPMENT CORPORATION

REV.	CHANGE NO.	REV.
1	BC03M-00001	A
2	BC03M-00002	B
3	BC03M-00003	C
4	BC03M-00004	D

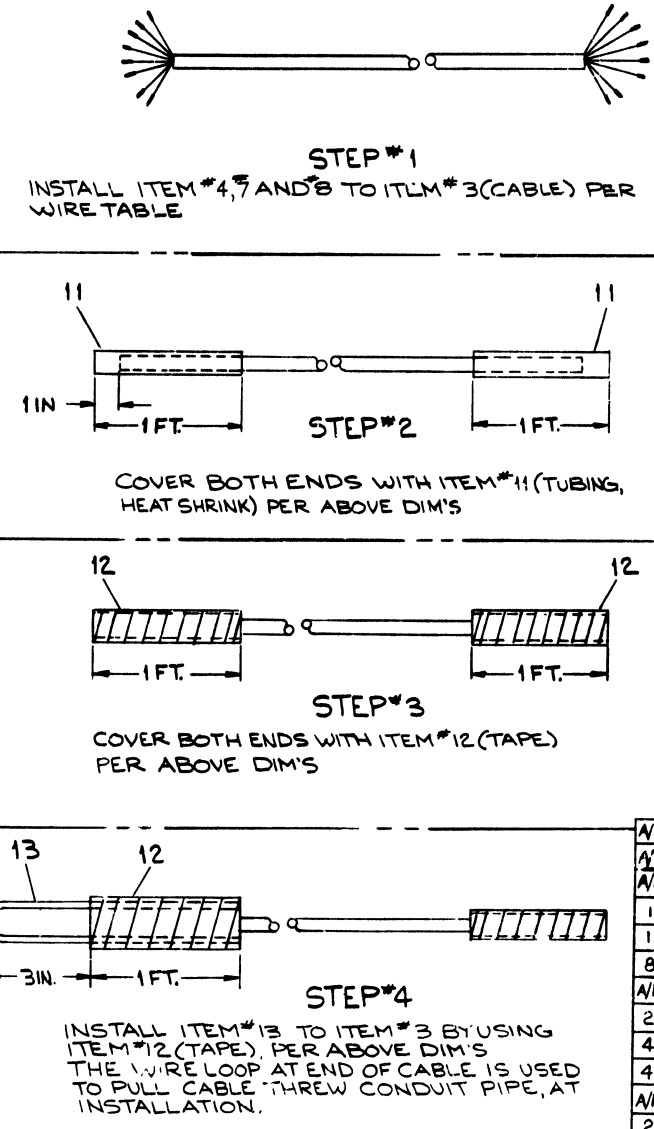
WIRE TABLE

ITEM NO.	AWG	COLOR	FROM		TO		REMARKS
			CONNECTION	WITH	CONNECTION	WITH	
3	22	BLK	P1-7 NOTE #4	4	P2-7 NOTE #4	4	
3		RED	P1-2	8	P2-3	8	
3		SHIELD	P1-1 NOTE #2 & 4	4 & 7	P2-1 NOTE #2	4 & 7	
3		BLK	P1-7 NOTE #4	4	P2-7 NOTE #4	4	
3		WHT	P1-3	8	P2-2	8	
3		SHIELD	P1-1 NOTE #2 & 4	4 & 7	P2-1 NOTE #2	4 & 7	
3		BLK	P1-6	8	P2-20	8	
3		GRN	P1-20	8	P2-6	8	
3	22	SHIELD	SEE NOTE #3	-	SEE NOTE #3	-	



LEGEND

NUMBER	VARIATION	REMARKS
BC03M-01	1 FT.	PREASSEMBLED
BC03M-25	25 FT.	PREASSEMBLED
BC03M-A0	100 FT.	PREASSEMBLED
BC03M-B5	250 FT.	PARTIALLY ASSEMBLED
BC03M-E0	500 FT.	PARTIALLY ASSEMBLED
BC03M-L0	1000 FT.	PARTIALLY ASSEMBLED
BC03M-H5	750 FT.	PARTIALLY ASSEMBLED



- ### NOTES:
- VARIATIONS AND LENGTHS SHOWN IN LEGEND ARE STANDARD AND ARE SPECIFIED BY NUMERIC DESIGNATION IN FOOT INCREMENTS, THE TOLERANCE ON DIMENSION 'X' WILL BE ±2% OF THE FOOT INCREMENT.
 - DRAIN WIRES TO BE ENCLOSED WITH ITEM #7 (TUBING) FROM END OF CABLE JACKET TO POINT WHERE THEY ENTER CONTACT.
 - CUTBACK DRAIN WIRE TO OUTER INSULATION ON BOTH ENDS.
 - THERE ARE TWO WIRES INSTALLED IN EACH #18-20 GA CONTACT (ITEM #4).
 - USE INSERTION/EXTRACTION TOOL (ITEM #9) TO CONSTRUCT CABLE. THIS PIECE IS DISCARDED AFTER USE.
 - 1 FOOT, 25 FOOT AND 100 FOOT CABLES ARE PREASSEMBLED. ALL OTHERS ARE PARTIALLY ASSEMBLED.
 - STEPS 1 THRU 4 ARE FOR CABLE LENGTHS OVER 100 FT.
- REFERENCE INFORMATION
- USE CRIMP TOOL TYPE M22520/1-01 WITH THIS LOCATOR
- CABLES OVER 100 FT ARE TO BE STOCKED IN KIT FORM AS FOLLOWS
PUT ITEMS 1, 2, 5, 6, 9 AND 1 (ONE) COPY OF THIS PRINT INTO PLASTIC BAG (ITEM #10) FOLD OVER CABLE (ITEM #3) AND STAPLE TOGETHER.
- 8 REMOVE ITEM 6 FOR CONNECTION TO UNITS WITHOUT CABLES I.E. VT05, VT100, ETC.

QTY	DESCRIPTION	DWG/PART NO.	ITEM NO.
13	WIRE #14 AWG (RFT 6 IN LG)	9107370-00	13
12	TAPE (ROLL)	9009507	12
11	TUBING (HEAT SHR NK)	9107252-00	11
10	BAG, PLASTIC	9905129-21	10
9	TOOL, INSERT/EXTRACT	4700024	9
8	SOCKET #22	1712583-0	8
7	TUBING #18 GA (NAT)	9107278-11	7
6	SPACER #4-40 X 25 LG	9008496	6
5	SCR. RETAINER (MALE)	9009722	5
4	SOCKET #18-20	1212583-1	4
3	CABLE	9107723	3
2	HOOD	1010493-50	2
1	PLUG	1211354	1

UNLESS OTHERWISE SPECIFIED DIMENSIONS ARE IN INCHES	CLASS OF ACCURACY	NOMINAL DIMENSION RANGE INCHES
ANGLES ±0° 30'	OVER 0 TO 0.25	OVER 0.25 TO 0.50
SURFACE QUALITY IN	0.004	0.008
QUANTITY & VARIATION	±0.018	±0.025
THIRD ANGLE PROJECTION	DRN	FIRST USED ON
REMOVE BURRS AND BREAK SHARP CORNERS	PROJ	TITLE
DO NOT SCALE DWG	NEXT HIGHER ASSY.	CORD, EXTENSION NULL MODEM
MATERIAL SEE PARTS LIST	SCALE 1/1	SIZE CODE D JA BC03M-0-0
FINISH	SHEET 1 OF 1	DIST.

8

7

6

5

4

3

NOTES:

"THIS DRAWING AND SPECIFICATIONS, HEREIN, ARE THE PROPERTY OF DIGITAL EQUIPMENT CORPORATION AND SHALL NOT BE REPRODUCED OR COPIED OR USED IN WHOLE OR IN PART AS THE BASIS FOR THE MANUFACTURE OR SALE OF ITEMS WITHOUT WRITTEN PERMISSION. COPYRIGHT © 1975, DIGITAL EQUIPMENT CORPORATION"

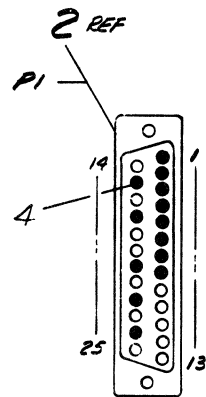
WIRE TABLE

ITEM NO	DESCRIPTION	COLOR	FROM		TO	
			CONNECTION	WITH	CONNECTION	WITH
1	#22	BLK	P1-1	#4	P2-1	#4
1	#22	RED	P1-2	#4	P2-3	#4
1	#22	GRN	P1-3	#4	P2-2	#4
5	#26	GRN	P1-4	#4	P1-5	#4
1	#22	BLU	P1-4	#4	P2-8	#4
1	#22	YEL	P1-7	#4	P2-7	#4
1	#22	VIO	P1-8	#4		
5	#26	GRN	P2-5	#4	P2-9	#4
1	#22	GRY	P1-20	#4	P2-6	#4
5	#26	GRN	P2-22	#4		
1	#22	GRN		#4	P2-20	#4
5	#26	GRN	P1-6	#4	P1-22	#4
1	#22	BRN	P1-15	#4	P2-17	#4
5	#26	GRN		#4	P1-24	#4
1	#22	WHT	P1-17	#4		
5	#26	GRN	P2-24	#4	P2-15	#4

LEGEND

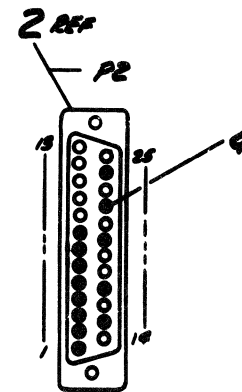
NUMBER	VARIATION	
	DIM "X"	DIM "Y" REF
BC03P-2	2 FT ± 1 IN.	2 FT 1 IN ± 1 IN
BC03P-25	25 FT ± 3 IN	25 FT 1 IN ± 3 IN
BC03P-50	50 FT ± 10 IN	50 FT 1 IN ± 10 IN
BC03P-R0	100 FT ± 20 IN	100 FT 1 IN ± 20 IN

- DO NOT USE LONG BC03P CABLES BETWEEN SYNCHRONOUS DEVICES BECAUSE THE UNSHIELDED TIMING LEADS (PIN 17 AND 19) CAN CAUSE CROSSTALK. THE BC03P-2 IS BEST FOR THIS TYPE OF APPLICATION.
- CABLE (IR94 91) TO GO INSIDE HOOD (17449) AT LEAST .50 AND WIRES SHOULD BE APPROXIMATELY 1.38 IN. IN LENGTH, SO THEY DON'T BUNCH INSIDE HOOD.

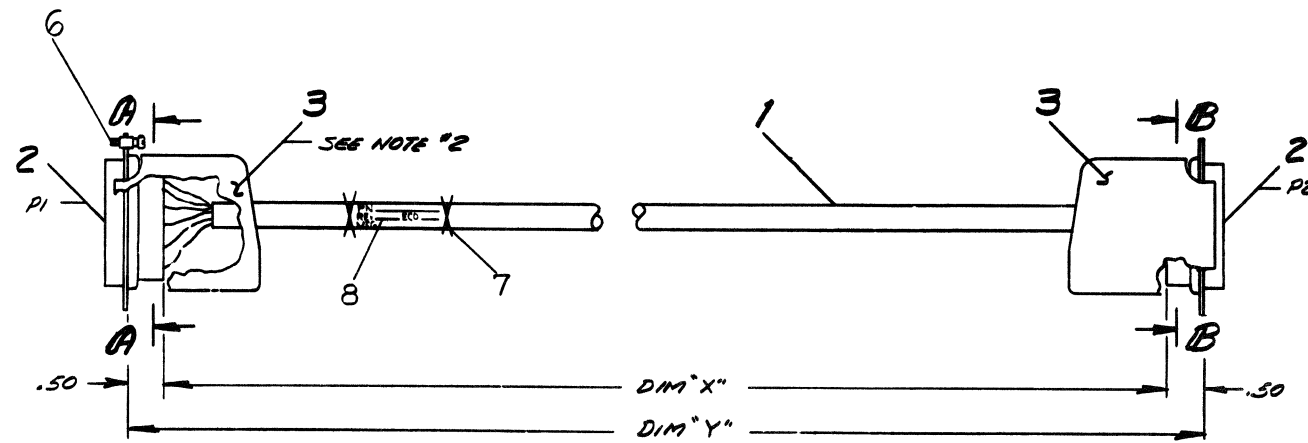


VIEW A-A
WITH HOOD REMOVED
SCALE: NONE

* SEE NOTE #1



VIEW B-B
WITH HOOD REMOVED
SCALE: NONE



ITEM NO.	DESCRIPTION	DWG. PART NO.	ITEM NO.
1	LABEL, CABLE	9009532	5
2	TIE WRAP (SMALL)	9007131	7
4	SCREW, CAPTIVE ASSY.	9009722	6
AW	WIRE #26 AWG (GRN)	9107636-55	3
2G	SOCKET, CRIMP	1210493-41	4
2	HOOD & STRAW RELEAF	1210493-50	3
2	SMALL INSERT	1210493-32	2
1A	CABLE, (10 CONDUCTOR)	9107629	1

CLASS OF ACCURACY (CHECK ONE)	NOMINAL DIMENSION RANGE INCHES					
	OVER 0 TO 0.3	OVER 0.3 TO 1.2	OVER 1.2 TO 4.0	OVER 4.0 TO 12.0	OVER 12.0 TO 40.0	OVER 40.0 TO 80.0
MEDIUM	±.004	±.008	±.012	±.016	±.024	±.04
PREFERRED	±.012	±.018	±.025	±.04	±.063	±.1

THIRD ANGLE PROJECTION

REMOVE BURRS AND BREAK SHARP CORNERS

DO NOT SCALE DWG

MATERIAL: SEE PARTS LIST

FINISH: —

QUANTITY & VARIATION

FIRST USED ON: D211

TITLE: NULL MODEM CABLE ASSY.

SIZE: D IA

NUMBER: BC03P-0-0

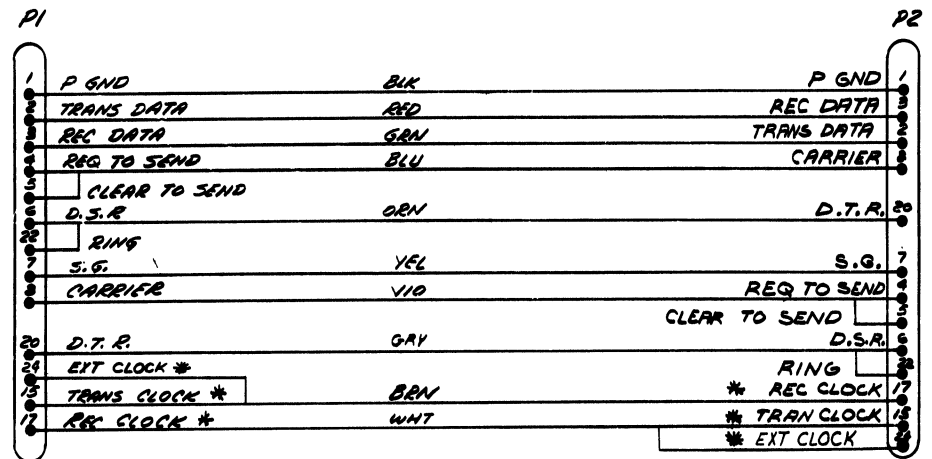
REV: B

SCALE: 1/1

SHEET: 1 OF 2

REV.	CHANGE NO.	BY	DATE
A	BC03P-0001	J. ROBERTS	12-3-75
B	BC03P-0002	R. CORMIER	12-3-75

"THIS DRAWING AND SPECIFICATIONS, HEREIN, ARE THE PROPERTY OF DIGITAL EQUIPMENT CORPORATION AND SHALL NOT BE REPRODUCED OR COPIED OR USED IN WHOLE OR IN PART AS THE BASIS FOR THE MANUFACTURE OR SALE OF ITEMS WITHOUT WRITTEN PERMISSION. COPYRIGHT © 1975, DIGITAL EQUIPMENT CORPORATION"



* SEE NOTE *1

REVISIONS		
CHK	CHANGE NO	REV

TITLE	SIZE CODE	NUMBER	REV.
NULL MODEM CABLE ASSY	DIA	BC03P-0-0	B
SCALE	SHEET	DIST.	
NONE	2 OF 2		

THIS DRAWING AND SPECIFICATIONS, HEREIN ARE THE PROPERTY OF DIGITAL EQUIPMENT CORPORATION AND SHALL NOT BE REPRODUCED OR COPIED OR USED IN WHOLE OR IN PART AS THE BASIS FOR THE MANUFACTURE OR SALE OF ITEMS WITHOUT WRITTEN PERMISSION.
COPYRIGHT © 1977, DIGITAL EQUIPMENT CORPORATION

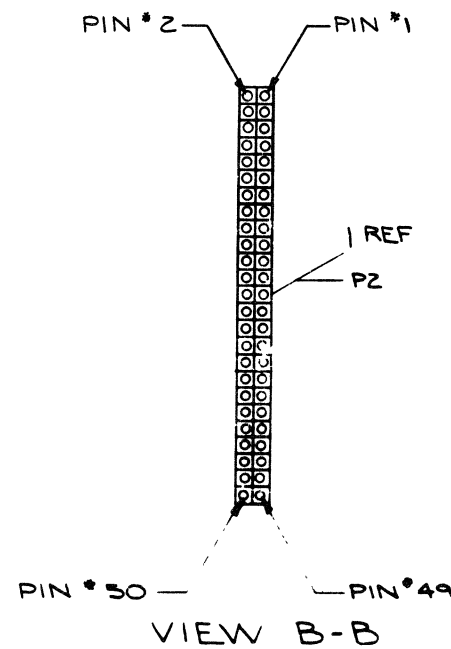
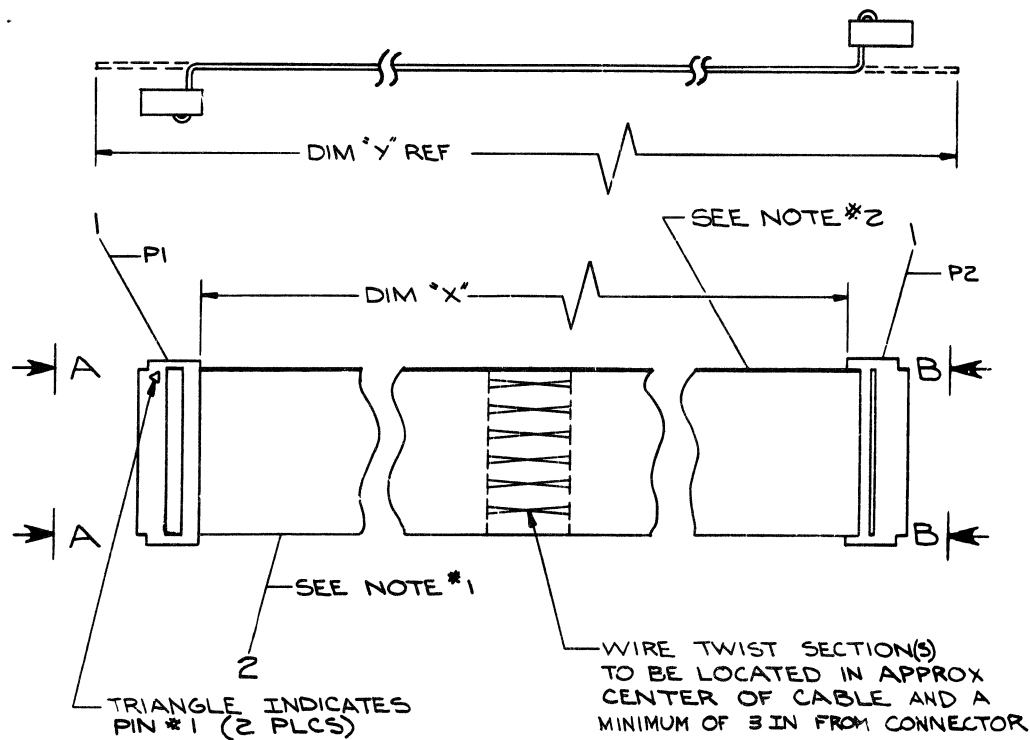
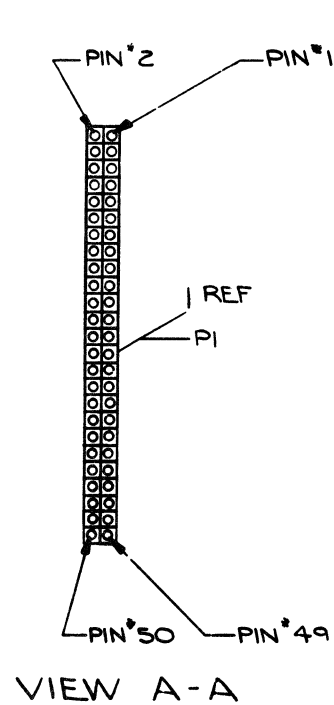
ITEM NO	WIRE TABLE			
	DESCRIPTION	FROM	TO	
2	*30	P1-1	P2-2	
		P1-2	P2-1	
		P1-3	P2-4	
		P1-4	P2-3	
		P1-5	P2-6	
		P1-6	P2-5	
		P1-7	P2-8	
		P1-8	P2-7	
		P1-9	P2-10	
		P1-10	P2-9	
		P1-11	P2-12	
		P1-12	P2-11	
		P1-13	P2-14	
		P1-14	P2-13	
		P1-15	P2-16	
		P1-16	P2-15	
		P1-17	P2-18	
		P1-18	P2-17	
		P1-19	P2-20	
		P1-20	P2-19	
		P1-21	P2-22	
		P1-22	P2-21	
		P1-23	P2-24	
		P1-24	P2-23	
		P1-25	P2-26	

ITEM NO	WIRE TABLE			
	DESCRIPTION	FROM	TO	
2	*30	P1-26	P2-25	
		P1-27	P2-28	
		P1-28	P2-27	
		P1-29	P2-30	
		P1-30	P2-29	
		P1-31	P2-32	
		P1-32	P2-31	
		P1-33	P2-34	
		P1-34	P2-33	
		P1-35	P2-36	
		P1-36	P2-35	
		P1-37	P2-38	
		P1-38	P2-37	
		P1-39	P2-40	
		P1-40	P2-39	
		P1-41	P2-42	
		P1-42	P2-41	
		P1-43	P2-44	
		P1-44	P2-43	
		P1-45	P2-46	
		P1-46	P2-45	
		P1-47	P2-48	
		P1-48	P2-47	
		P1-49	P2-50	
		P1-50	P2-49	

NUMBER	DIM "X" VARIATION	DIM "Y" (PRECUT) REF
BC06L-0J	8 IN ± .5 IN	9 IN ± .5 IN
BC06L-1K	1 FT 9 IN ± 1 IN	1 FT 10 IN ± 1 IN
BC06L-7K	7 FT 9 IN ± 2 IN	7 FT 10 IN ± 2 IN
BC06L-4B	4 FT 2 IN ± 2 IN	4 FT 3 IN ± 2 IN

NOTES:

- "CABLE" (ITEM #2) CONTAINS A TWIST SECTION EVERY 21 INCHES. THERE MUST BE AN ODD NUMBER OF TWIST SECTIONS IN EVERY BC06L LENGTH VARIATION.
- IF RED STRIPING APPEARS ON "CABLE" (ITEM #2) IT IS TO BE POSITIONED AS SHOWN



REV	DATE	BY	CHK
A	11/14/77	J. OBER	J. OBER

QTY	VAR	DESCRIPTION	DWG/PART NO.	ITEM NO.
1		CABLE, RIBBON 50 COND	1700081-01	2
1		Z CONN 50 PIN SKT	1211664-00	1

UNLESS OTHERWISE SPECIFIED DIMENSIONS ARE IN INCHES

CLASS OF ACCURACY	NOMINAL DIMENSION RANGE INCHES					
	0 TO 0.2	0.2 TO 0.5	0.5 TO 1.2	1.2 TO 2.0	2.0 TO 12.0	12.0 TO 48.0
SURFACE QUALITY IN	0.2	0.5	1.2	2.0	12.0	48.0
MATERIAL FINISH	0.008	0.012	0.015	0.020	0.025	0.030

THIRD ANGLE PROJECTION

REMOVE BURRS AND SHARP CORNERS

DO NOT SCALE DWG

MATERIAL SEE PARTS LIST

FINISH

FIRST USED ON H7004-C

TITLE MIRROR IMAGE CABLE

SIZE CODE D

NUMBER UA BC06L - 0 - 0

REV. A

SHEET OF

