

DRAWING NO.	NO. OF SHTS	PART NO.	DESCRIPTION	REVISIONS		
B-MH-M7814- \emptyset -6	1		DZ11 2 \emptyset MA 8 LINE ASYN MUX	*	A	A
D-UA-M7814- \emptyset - \emptyset	5		DZ11 2 \emptyset MA 8 LINE ASYN MUX	B	C	C
B-PL-M7814- \emptyset - \emptyset	4		DZ11 2 \emptyset MA 8 LINE ASYN MUX	B	C	C
D-CS-M7814- \emptyset -1	16		DZ11 2 \emptyset MA 8 LINE ASYN MUX	B	C	C
D-MD-5012031- \emptyset - \emptyset	5		DRILL & ETCH DRAWING	B	C	C
		5012031	ETCHED BOARD	C	D	D
M7814- \emptyset -L			P.C. DESIGN DATA BASE	-	-	-
M7814- \emptyset -PL			INSERTION P/L DATA BASE	-	-	-
D-BD-M7814-0-8	1		M7814 BLOCK DIAGRAM	B	B	B

NOTES:

REVISIONS	DATE	CHG NO.	REV.
	4/11/77	00001	A
	9/13/77	1A	A

"THIS DRAWING AND SPECIFICATIONS, HEREIN, ARE THE PROPERTY OF DIGITAL EQUIPMENT CORPORATION AND SHALL NOT BE REPRODUCED OR COPIED OR USED IN WHOLE OR IN PART AS THE BASIS FOR THE MANUFACTURE OR SALE OF ITEMS WITHOUT WRITTEN PERMISSION. COPYRIGHT © 1976, DIGITAL EQUIPMENT CORPORATION"



USED ON OPTION/MODEL	DRN. R. BUREAU	10/19/76	TITLE	DZ11 2 \emptyset MZ 8 LINE ASYN MUX
CHK'D	<i>[Signature]</i>	1 NOV 76	SIZE CODE	BDD
ENG.	<i>[Signature]</i>	1 NOV 76	NUMBER	M7814- \emptyset
PROD.	<i>[Signature]</i>	1 NOV 76	REV.	A
			SHEET	1 OF 1

DIGITAL EQUIPMENT CORPORATION

PARTS LIST

QUANTITY / VARIATION

NOTES:

MADE BY DATE	R. WALDIE 7-9-76	CHECKED DATE	T. SHETRAWSKI 7-9-76
ENG DATE		PROD DATE	
		SECTION	
		ISSUED SECTION	

ITEM NO.	DRAWING NO.	PART NO.	DESCRIPTION	QUANTITY	VARIATION	REF DESIGNATION
22		1300005-03	RES, NETWORK 13 10K RES., 5%	2		E71, E80
23		1300202-00	RES 47 OHMS 5%, 1/4 W	6		R1-R6
24		1300219-00	RES, 68 OHMS, 5% 1/4W	16		R44-R59
25		1300229-00	RES, 100 OHMS, 5%, 1/4 W	4		R14, R15, R7, R162
26		1300250-00	RES, 150 OHMS, 5%, 1/4 W	16		R116-R123, R148-R155
27		1300309-00	RES, 390 OHMS, 5%, 1/4 W	1		R19
28		1300365-00	RES, 1 K OHM, 5%, 1/4 W	61		R11, R12, R13, R16, R36-R43, R60-R83, R9, R100-R115, R140-R147
29		1300432-00	RES, 3K OHMS, 5%, 1/4 W	16		R124-R139
30		1300479-00	RES, 10K OHMS, 5%, 1/4 W	1		R10
31		1300496-00	RES, 15K OHMS, 5%, 1/4W	8		R92-R99
32		1301322-00	RES, 180 OHMS, 5%, 1/4W	4		R17, R18, R158, R161
33		1301874-00	RES, 5.6K OHMS, 5%, 1/4W	26		R20-R35, R84-R91, R157, R8
34		1302177-00	RES, 47K OHMS, 5%, 1/4W	1		R156
35		1510705-00	TRANS. XA 05	24		Q33-Q56
36		1510706-00	TRANS. XA 55	32		Q1-Q32
37		1811660-02	CRYSTAL 5.068 MHZ	1		E86
38		1905547-00	DEC 7474	1		E9
39		1909705-00	DEC 8881	1		E95
40		1910091-00	DEC 7437	1		E73
41		1910454-00	DEC 9318	1		E5

E.C.O. NO.

THIS DRAWING AND SPECIFICATIONS. HEREIN. ARE THE PROPERTY OF DIGITAL EQUIPMENT CORPORATION AND SHALL NOT BE REPRODUCED OR COPIED OR USED IN WHOLE OR IN PART AS THE BASIS FOR THE MANUFACTURE OR SALE OF ITEMS WITHOUT WRITTEN PERMISSION. COPYRIGHT © 1976 DIGITAL EQUIPMENT CORPORATION	TITLE DZ11 20 MA 8 LINE ASYNCHRONOUS MUX	ASSY NO. D-UA-M7814-0-0	SIZE B	CODE PL	NUMBER M7814-0-0	REV. C
		SHEET 2 OF 4	INSERTION PARTS LIST DATA BASE REV			

DIGITAL EQUIPMENT CORPORATION				QUANTITY / VARIATION										NOTES:				
PARTS LIST																		
MADE BY R. Waldie		CHECKED T. Shetrawski																
DATE 7-9-76		DATE 7-9-76																
ENG		PROD																
DATE		DATE																
ITEM NO.	DRAWING NO.	PART NO.	DESCRIPTION															REF DESIGNATION
42		1910459-01	DEC UART	8														E31, E32, E33, E34, E47, E48, E49, E50
43		1910951-00	DEC 9602	2														E8, E42
44		1911116-00	DEC 8837	1														E59
45		1911469-00	DEC 8640	8														E1, E2, E3, E10, E11, E14, E23, E24
46		1911579-00	DEC 8641	4														E13, E25, E51, E69
47		1912083-00	DEC 8647	2														E82, E83
48		1912395-00	DEC 8136	3														E57, E58, E70
49		1912799-00	DEC 74LS00	6														E16, E19, E40, E54, E55, E98
50		1912801-00	DEC 74LS02	1														E44
51		1912803-00	DEC 74LS04	3														E68, E84, E94
52		1912805-00	DEC 74LS08	4														E18, E28, E30, E101
53		1912807-00	DEC 74LS10	1														E38
54		1912811-00	DEC 74LS21	1														E75
55		1912816-00	DEC 74LS32	2														E96, E105
56		1912817-00	DEC 74LS37	1														E99
57		1912824-00	DEC 74LS74	4														E35, E102, E103, E106
58		1912830-00	DEC 74LS90	1														E61
59		1912842-00	DEC 74LS138	2														E52, E53
60		1912844-00	DEC 74LS151	2														E92, E93
61		1912845-00	DEC 74LS153	8														E74, E85, E87, E88, E89, E90, E97, E100
62		1912846-00	DEC 74LS155	3														E22, E45, E46
E.C.O. NO.																		
THIS DRAWING AND SPECIFICATIONS, HEREIN, ARE THE PROPERTY OF DIGITAL EQUIPMENT CORPORATION AND SHALL NOT BE REPRODUCED OR COPIED OR USED IN WHOLE OR IN PART AS THE BASIS FOR THE MANUFACTURE OR SALE OF ITEMS WITHOUT WRITTEN PERMISSION. COPYRIGHT © 1976 DIGITAL EQUIPMENT CORPORATION				TITLE DZ11 20 MA 8 LINE ASYNCHRONOUS MUX				ASSY NO. D-UA-M7814-0-0				SIZE B		CODE PL		NUMBER M7814-0-0		REV. C
				SHEET 3 OF 4				INSERTION PARTS LIST DATA BASE REV										

DIGITAL EQUIPMENT CORPORATION

PARTS LIST

QUANTITY / VARIATION

NOTES:

MADE BY R. WALDIE	CHECKED T. SHETRAWSKI	SECTION
DATE 7/9/76	DATE 7/9/76	
ENG	PROD	ISSUED SECTION
DATE	DATE	

ITEM NO.	DRAWING NO.	PART NO.	DESCRIPTION	QUANTITY	VARIATION	REF DESIGNATION
63		1912847-00	DEC 74LS157	5		E20, E21, E78, E91, E104
64		1912853-00	DEC 74LS175	11		E4, E6, E15, E17, E56, E60, E62, E65, E66 E67 E79
65		1912854-00	DEC 74LS193	2		E43, E107
66		1912860-00	DEC 74LS259	3		E7, E29, E39
67		2111188-00	DEC 3341	4		E63, E64, E76, E77
68		2112623-00	DEC 5016	4		E26, E27, E36, E37
69			SPARE LOCATION	1		E12
70		5408778-00	PRIORITY 5 INSERT	1		(E41)
71		9000024-01	EYELET, HANDLE	12		
72		9006735	SPLIT LUG	2		(W1)
73		9009185	JUMPER, INSULATED	1		W1

E.C.O. NO.

THIS DRAWING AND SPECIFICATIONS, HEREIN, ARE THE PROPERTY OF DIGITAL EQUIPMENT CORPORATION AND SHALL NOT BE REPRODUCED OR COPIED OR USED IN WHOLE OR IN PART AS THE BASIS FOR THE MANUFACTURE OR SALE OF ITEMS WITHOUT WRITTEN PERMISSION. COPYRIGHT © 1976 DIGITAL EQUIPMENT CORPORATION

TITLE
DZ11 20 MA 8 LINE
ASYNCHRONOUS MUX

ASSY NO.
D-UA-M7814-0-0

SIZE CODE NUMBER
B PL M7814-0-0

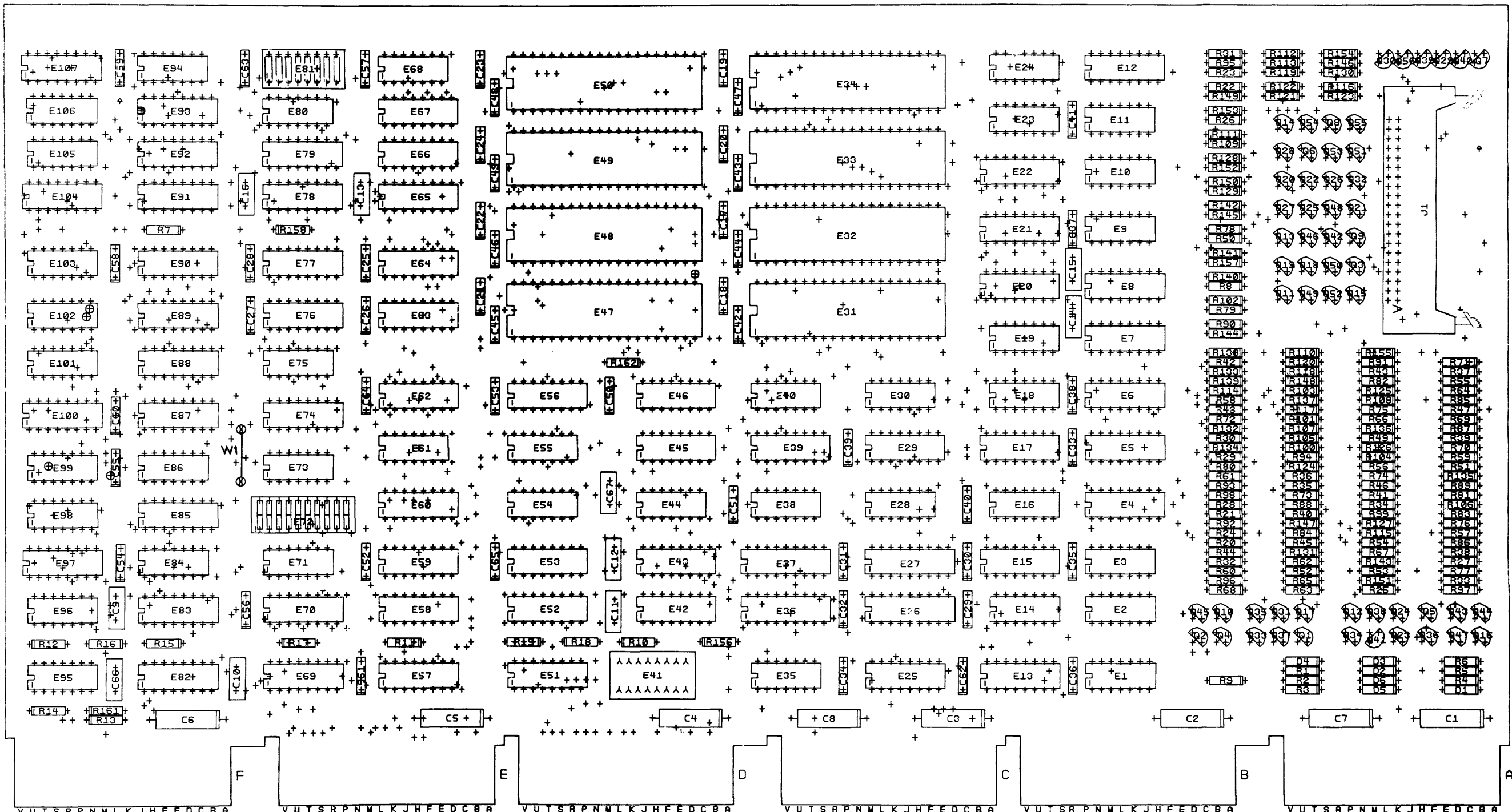
REV.
C

SHEET 4 OF 4

INSERTION PARTS LIST DATA BASE REV

ALL DRAWINGS AND SPECIFICATIONS, HEREIN, ARE THE PROPERTY OF DIGITAL EQUIPMENT CORPORATION AND SHALL NOT BE REPRODUCED OR COPIED OR USED IN WHOLE OR IN PART IN THE MANNER FOR THE MANUFACTURE OR SALE OF ITEMS WITHOUT WRITTEN PERMISSION.
 COPYRIGHT © 1977 DIGITAL EQUIPMENT CORPORATION

COMPONENT SIDE VIEW



NOTES:
 1. 8 HOLES .0745 (+.0010-.0015) MAYNARD ONLY
 2. E21 IS A 14 PIN IC.
 3. LAYOUT SHOWS MOTOROLA TRANSISTOR ORIENTATION. THE G.E. TRANSISTOR (GXX05 OR GXX55) WILL HAVE THE FLAT SIDE OPPOSITE TO THAT SHOWN.

CH	REV	DATE	BY
1	000001A	C	

HOLE DATA	
SYMBOL	+ X + Z M A B D *
FIN HOLE SIZE	.038 .063 .073 .156
PLATED	X X X X
NON PLATED	
QTY.	3308 16 2 2
○-OFF GRD HLE	6
DRILL SIZE	

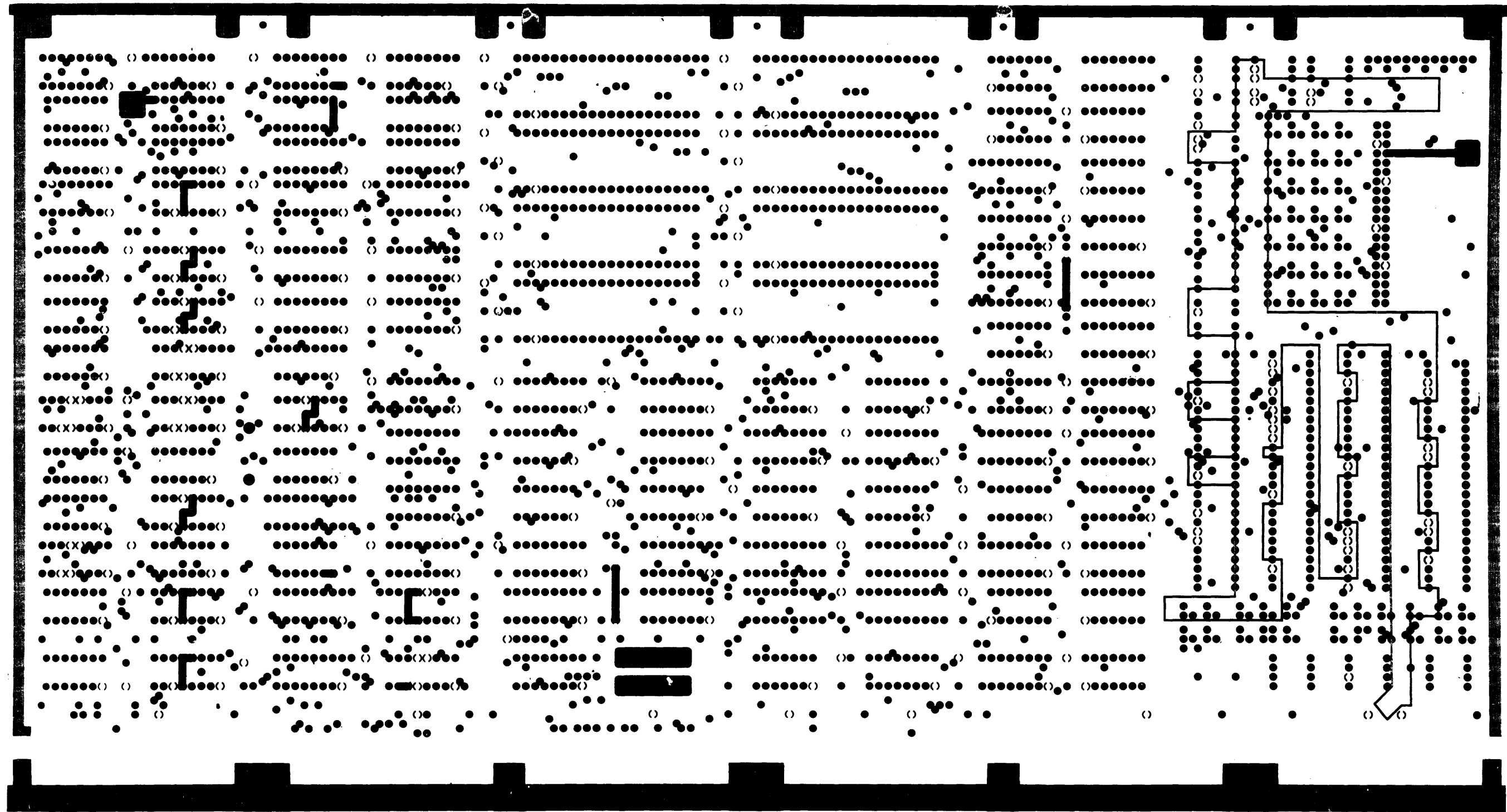
BOARD FABRICATION INFORMATION	
PANEL SIZE	85 X HEX
PANEL DATA DWG.	D-MD-7606032-00
PANEL MAT'L	.052 THK
QTY. OF LAYERS	4
COPPER THICKNESS	.02 COPPER
PTH. X PRINT AND ETCH	
MODULE INSERTED 100 TIMES OR MORE? Y	
ETCH REV	D

SIGNATURES		DATE
DRN.	J. CARTER	9-6-77
CHK'D.	<i>W. S. ...</i>	10-16-77
ENG.	<i>W. S. ...</i>	2-27-77
PROJ. ENG.	<i>W. S. ...</i>	3-2-77
PROD.		
SCALE	2/1	
SHT.	1 OF 5	
NEXT HIGHER ASSY.	8-DD-M7814-0	

digital	
TITLE DZ11 20MA	
8 LINE ASYN MUX	
SIZE	CODE
0 UA	M7814-0-0
NUMBER	REV
	C
ETCH REV	D-P2

M7814
5012031D-P2

LAYER 12



TITLE	DZII 20MA 8LINE ASYN MUX	SIZE CODE	D JA	NUMBER	M7814-0-0	REV.	C
SCALE	2/1	SHEET	3 OF 5	DIST.			

8 7 6 5 4 3 2 1

8

7

6

5

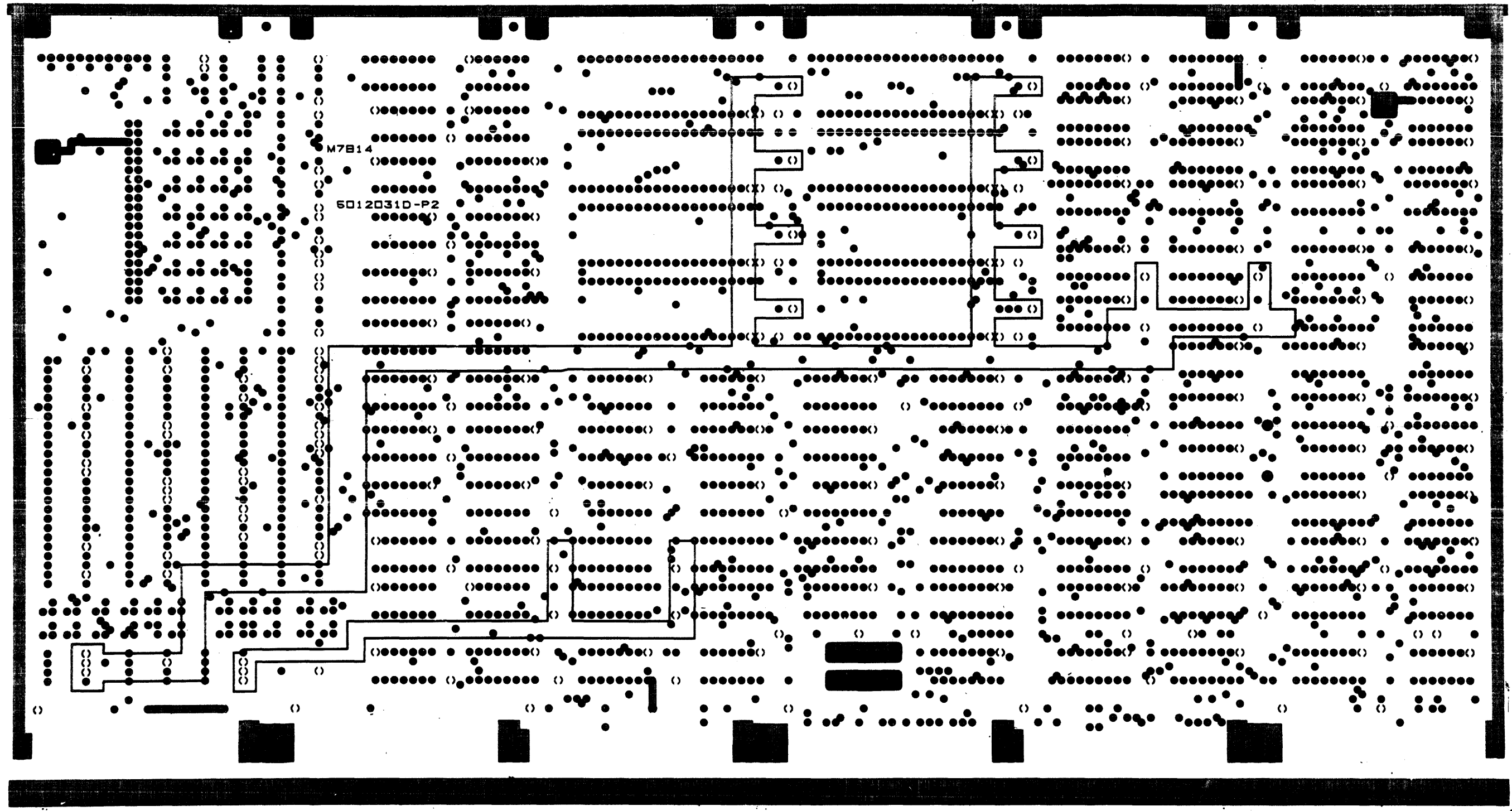
4

3

2 1

ALL DRAWINGS AND INFORMATION HEREIN ARE THE PROPERTY OF THE COMPANY AND SHALL NOT BE REPRODUCED OR USED IN WHOLE OR IN PART FOR THE MANUFACTURE OR SALE OF ANY PRODUCT WITHOUT THE WRITTEN PERMISSION OF THE COMPANY.

E R34AJ



REVISIONS		
CHK	SPACE NO.	REV.

TITLE	DZII 20MA 8 LINE ASYN MUX	SIZE CODE	D UA	NUMBER	M7814-0-0	REV.	C
SCALE	SHEET 4 OF 5		DIST				

8

7

6

5

4

3

2

1

8

7

6

5

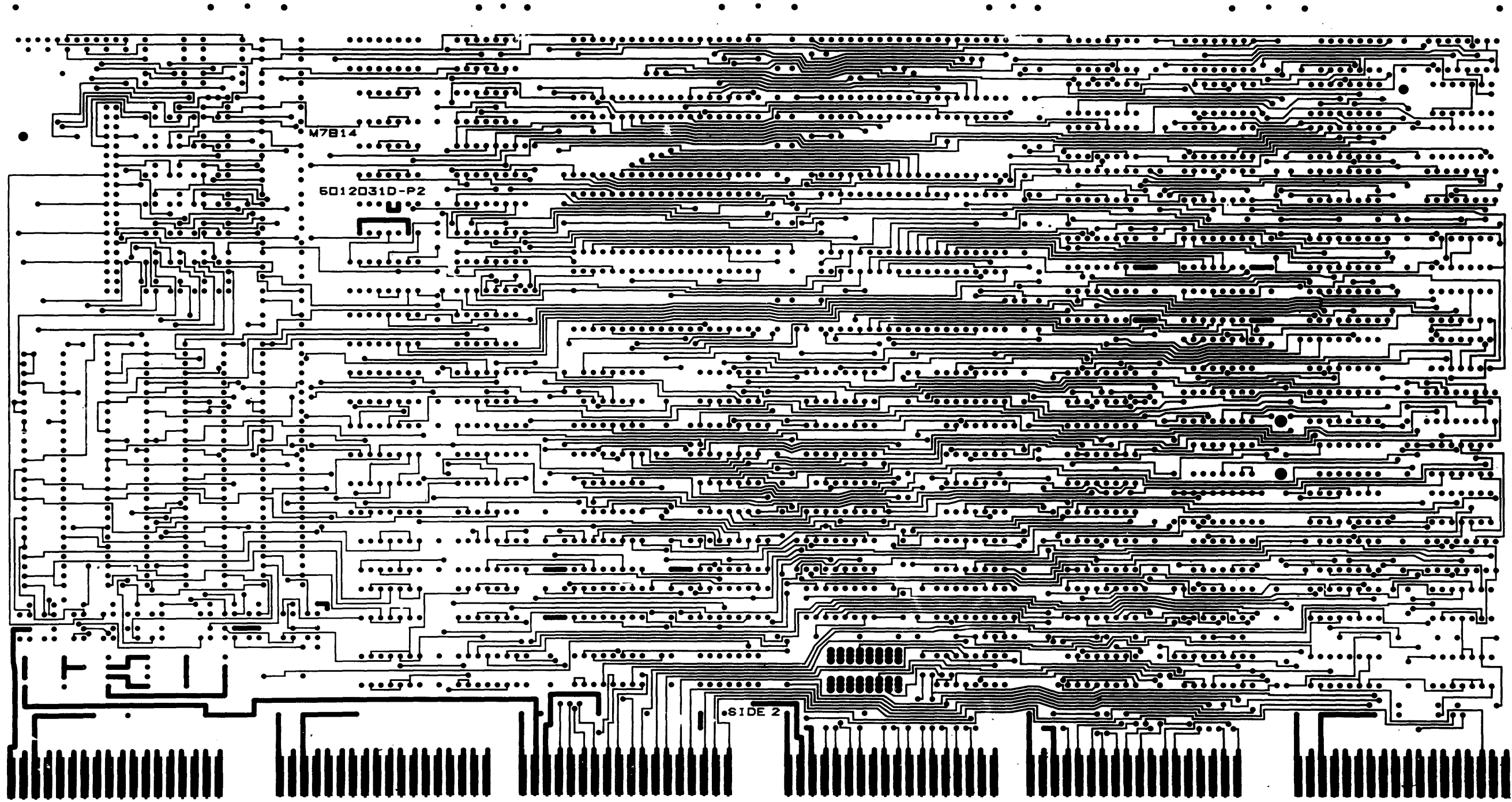
4

3

2

1

THIS DRAWING AND ALL RIGHTS HEREIN ARE THE PROPERTY OF THE RANDOLPH CORPORATION AND SHALL NOT BE REPRODUCED OR USED IN WHOLE OR IN PART FOR THE MANUFACTURE OR SALE OF ANY PRODUCT WITHOUT THE WRITTEN PERMISSION OF THE RANDOLPH CORPORATION.



REVISIONS		
CHK	CHANGE NO.	REV.

TITLE	DZ11 20MA 8LINE ASYN MUX	SIZE CODE	D UA	NUMBER	M 7814-0-0	REV.	C
SCALE	SHEET 5 OF 5	DIST.					

8

7

6

5

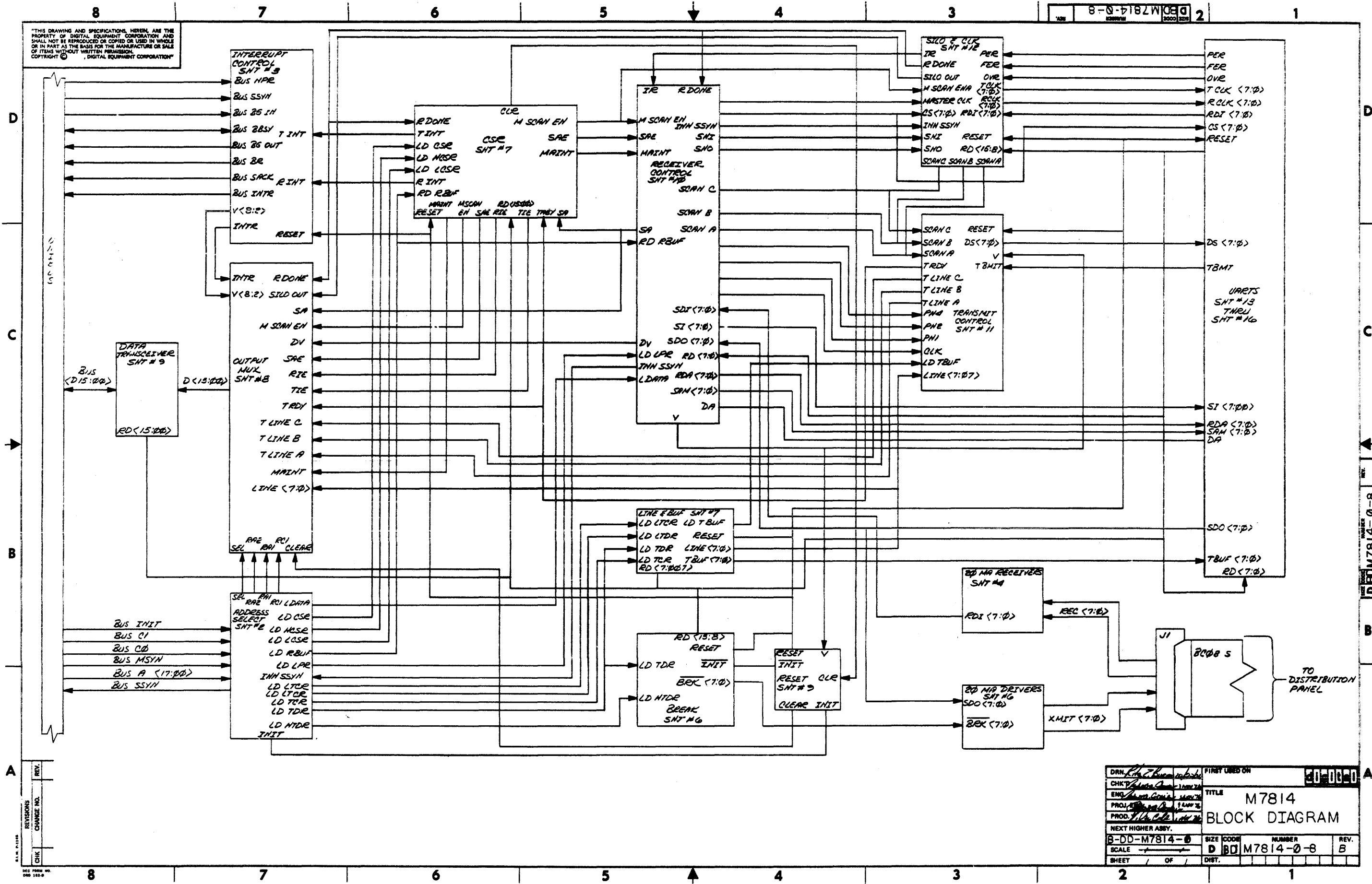
4

3

2

1

THIS DRAWING AND SPECIFICATIONS HEREIN ARE THE PROPERTY OF DIGITAL EQUIPMENT CORPORATION AND SHALL NOT BE REPRODUCED OR COPIED OR USED IN WHOLE OR IN PART AS THE BASIS FOR THE MANUFACTURE OR SALE OF ITEMS WITHOUT WRITTEN PERMISSION. COPYRIGHT © DIGITAL EQUIPMENT CORPORATION



DRN	CHK'D	ENG	PROJ.	NEXT HIGHER ASSY.	SIZE CODE	NUMBER	REV.
				B-DD-M7814-0	D	M7814-0-8	5
TITLE				M7814 BLOCK DIAGRAM			
FIRST USED ON				30-00-0			
TO DISTRIBUTION PANEL							

REV.	CHG
1	
2	
3	
4	
5	
6	
7	
8	

THIS DRAWING AND SPECIFICATIONS, HEREIN, ARE THE PROPERTY OF DIGITAL EQUIPMENT CORPORATION AND SHALL NOT BE REPRODUCED OR COPIED OR USED IN WHOLE OR IN PART AS THE BASIS FOR THE MANUFACTURE OR SALE OF ITEMS WITHOUT WRITTEN PERMISSION. COPYRIGHT © 1976, DIGITAL EQUIPMENT CORPORATION

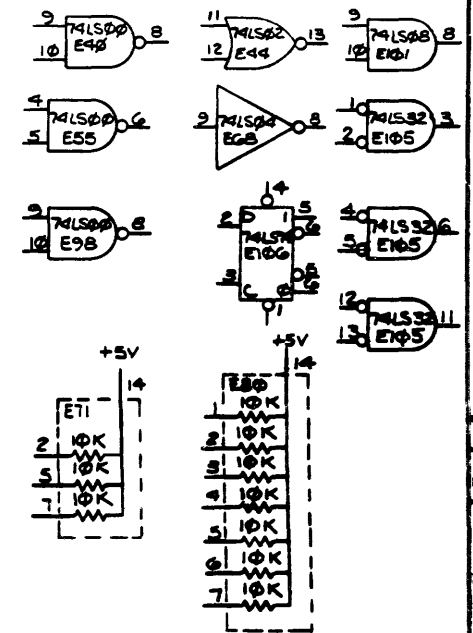
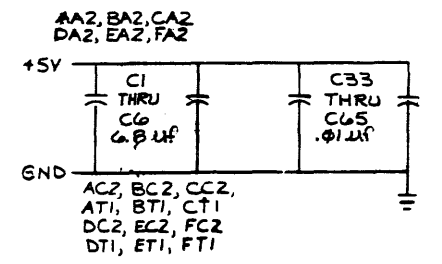
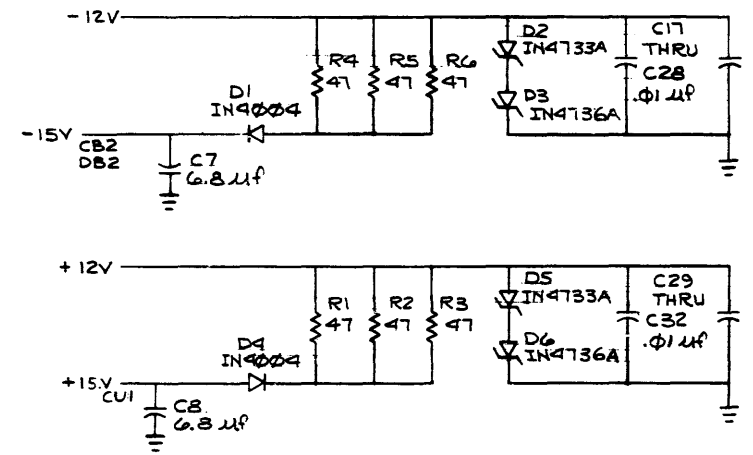
IC TYPE	GND	+5V	+12V	-12V
UART	3	1	—	2
DEC 5010	11	2	9	—
DEC 3341	8	16	—	1
DEC 8640	1	8	—	—
DEC 1LS90	10	5	—	—
14 PIN IC'S	7	14	—	—
16 PIN IC'S	8	16	—	—

POWER & GROUND PINS

SIGNAL NAME MNEMONICS

BUF = BUFFER
 CLK = CLOCK
 CONT = CONTROL
 CSR = CONTROL & STATUS REGISTER
 DAT = DATA
 EN = ENABLE
 INH = INHIBIT
 LD = LOAD
 MAINT = MAINTENANCE
 PAR = PARAMETER
 RDY = READY
 REC = RECEIVED OR RECEIVER
 SEL = SELECT
 SER = SERIAL
 TCR = TRANSMIT CONTROL REGISTER
 TDR = TRANSMIT DATA REGISTER
 XMIT = TRANSMITTED OR TRANSMITTER

- NOTES:**
- THE B AND D INPUTS SHOWN ON THE 8136 LOGIC SYMBOL HAS THE FOLLOWING MEANING.
 B= UNIBUS RECEIVER INPUT
 D= NORMAL TTL LOGIC INPUT
 - THE 8136 CONTAINS 6 VOLTAGE COMPARATORS WITH A COMMON OUTPUT. EACH COMPARATOR MUST HAVE ITS B AND D INPUTS THE SAME, AT THE SAME TIME, FOR A TRUE (HIGH) OUTPUT.
 - SWITCH E72 CONTAINS 10 TOGGLE SWITCHES. WHEN A SWITCH IS CLOSED (ON), THE COMPARATOR RECOGNIZES THE RESPECTIVE UNIBUS ADDRESS BIT WHEN IT IS A LOGICAL ONE (LOW). WHEN A SWITCH IS OPEN (OFF), THE COMPARATOR RECOGNIZES THE RESPECTIVE UNIBUS ADDRESS BIT WHEN IT IS A LOGICAL ZERO (HIGH).
 - THE FOLLOWING LOGIC ELEMENTS ARE NOT USED AND THERE IS, ALSO, A SPARE 16 PIN IC POSITION (E12) ON THE MODULE.

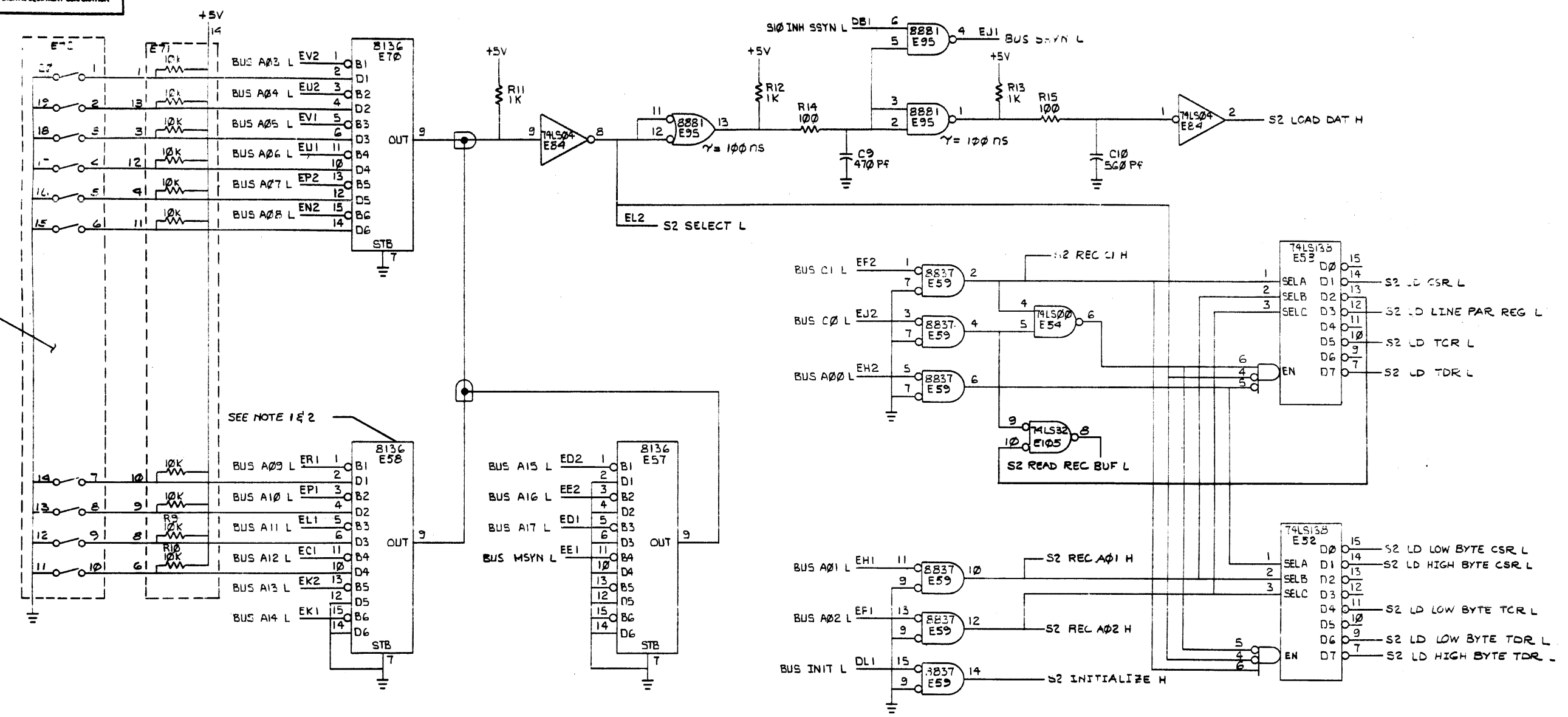


- SWITCH E81 CONTAINS 8 TOGGLE SWITCHES. WHEN A SWITCH IS OPEN (OFF) THE CORRESPONDING VECTOR BIT EQUALS A BINARY 1 (HIGH). WHEN A SWITCH IS CLOSED (ON) THE CORRESPONDING VECTOR BIT EQUALS A BINARY 0 (LOW).
- PRIORITY 5 IS STANDARD FOR THIS MODULE; THEREFORE, E41 SHOWS THE REQUEST AND GRANT PATHS FOR PRIORITY 5.

REV.	5-8-77
CHK.	R. CORMIER
APP.	R. CORMIER
DATE	5-8-77
BY	R. CORMIER
CHK.	R. CORMIER
APP.	R. CORMIER
DATE	5-8-77
BY	R. CORMIER

DRN. K. Hopper	5-12-76	FIRST USED ON	DZ11
CHK. J. J. ...	5-12-76	TITLE	DZ11 20MA
EMP.		8 LINE SYNCH MUX
PROJ.		
NEXT HIGHER ASSY.			
D-UP- M7814-0-0	SIZE	CODE	NUMBER
SCALE	D	CS	M7814-0-1
SHEET	OF	6	DIST.

THIS DRAWING AND SPECIFICATIONS HEREIN ARE THE PROPERTY OF DIGITAL EQUIPMENT CORPORATION AND SHALL NOT BE REPRODUCED OR COPIED OR USED IN WHOLE OR IN PART AS THE BASIS FOR THE MANUFACTURE OR SALE OF ITEMS WITHOUT WRITTEN PERMISSION. COPYRIGHT © 1971 DIGITAL EQUIPMENT CORPORATION



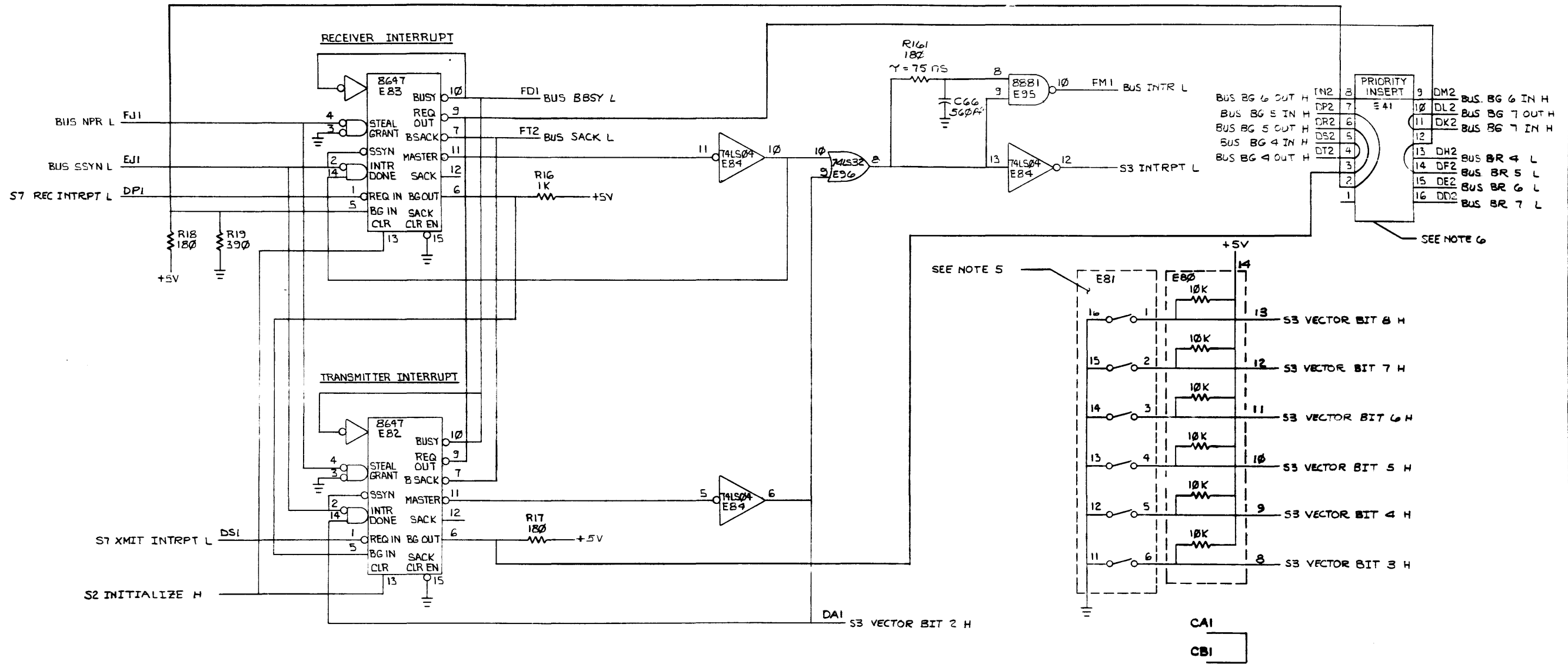
SEE NOTE 3

SEE NOTE 1 & 2

REVISIONS		
CHK	CHANGE NO.	REV.

(ADDRESS SELECT)		TITLE	DZ11 20 MA	SIZE CODE	NUMBER	REV.
			8 LINE SYNCH MUX (S2)	DCS	M7814-0-1	C
		SCALE	1/1	SHEET	2 OF 6	

"THIS DRAWING AND SPECIFICATIONS HEREIN ARE THE PROPERTY OF DIGITAL EQUIPMENT CORPORATION AND SHALL NOT BE REPRODUCED OR COPIED OR USED IN WHOLE OR IN PART AS THE BASIS FOR THE MANUFACTURE OR SALE OF ITEMS WITHOUT WRITTEN PERMISSION. COPYRIGHT © 1976 DIGITAL EQUIPMENT CORPORATION"



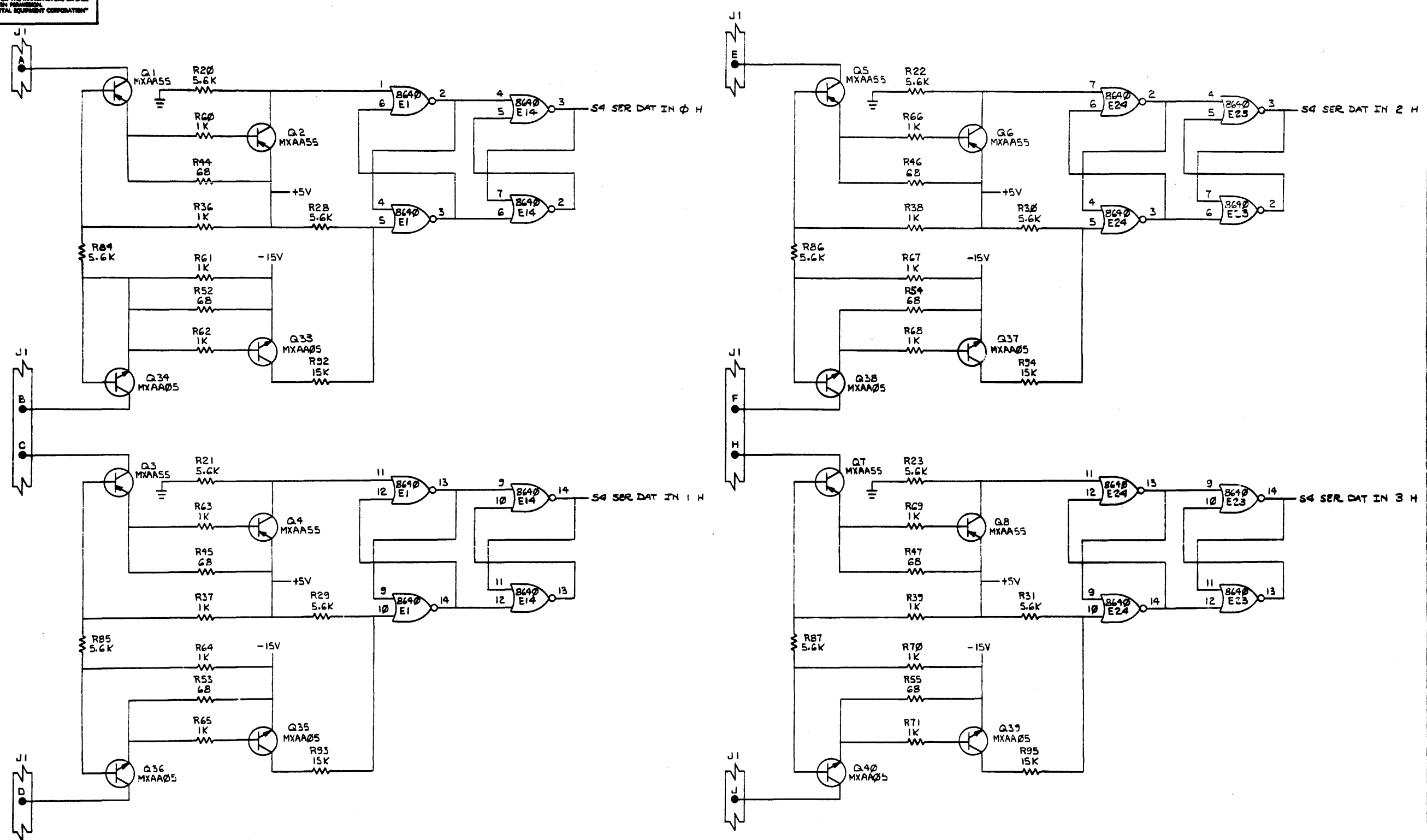
REVISIONS		
CHK	CHANGE NO.	REV.

(INTERRUPT CONTROL)

TITLE	DZ11 20 MA 8 LINE SYNC MUX (53)	SIZE CODE	DCS	NUMBER	M7814-0-1	REV.	C
SCALE	1:1	SHEET	3	OF	16	DATE	

THIS DRAWING AND SPECIFICATIONS HEREIN ARE THE PROPERTY OF DIGITAL EQUIPMENT CORPORATION AND SHALL NOT BE REPRODUCED OR COPIED OR USED IN WHOLE OR IN PART AS THE BASIS FOR THE MANUFACTURE OR SALE OF ITEMS WITHOUT WRITTEN PERMISSION. COPYRIGHT © 1974 DIGITAL EQUIPMENT CORPORATION

11-0-0182W 2

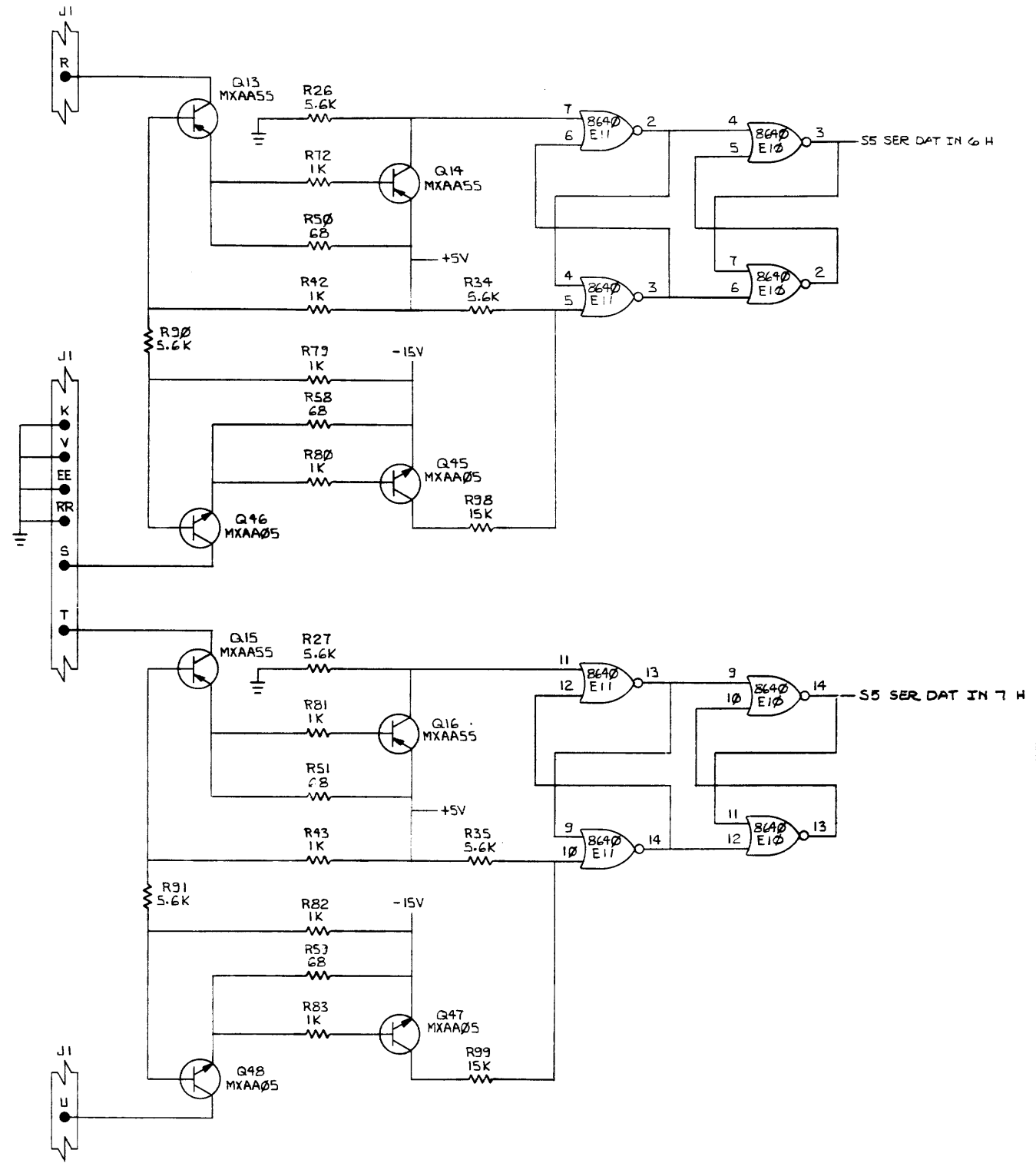
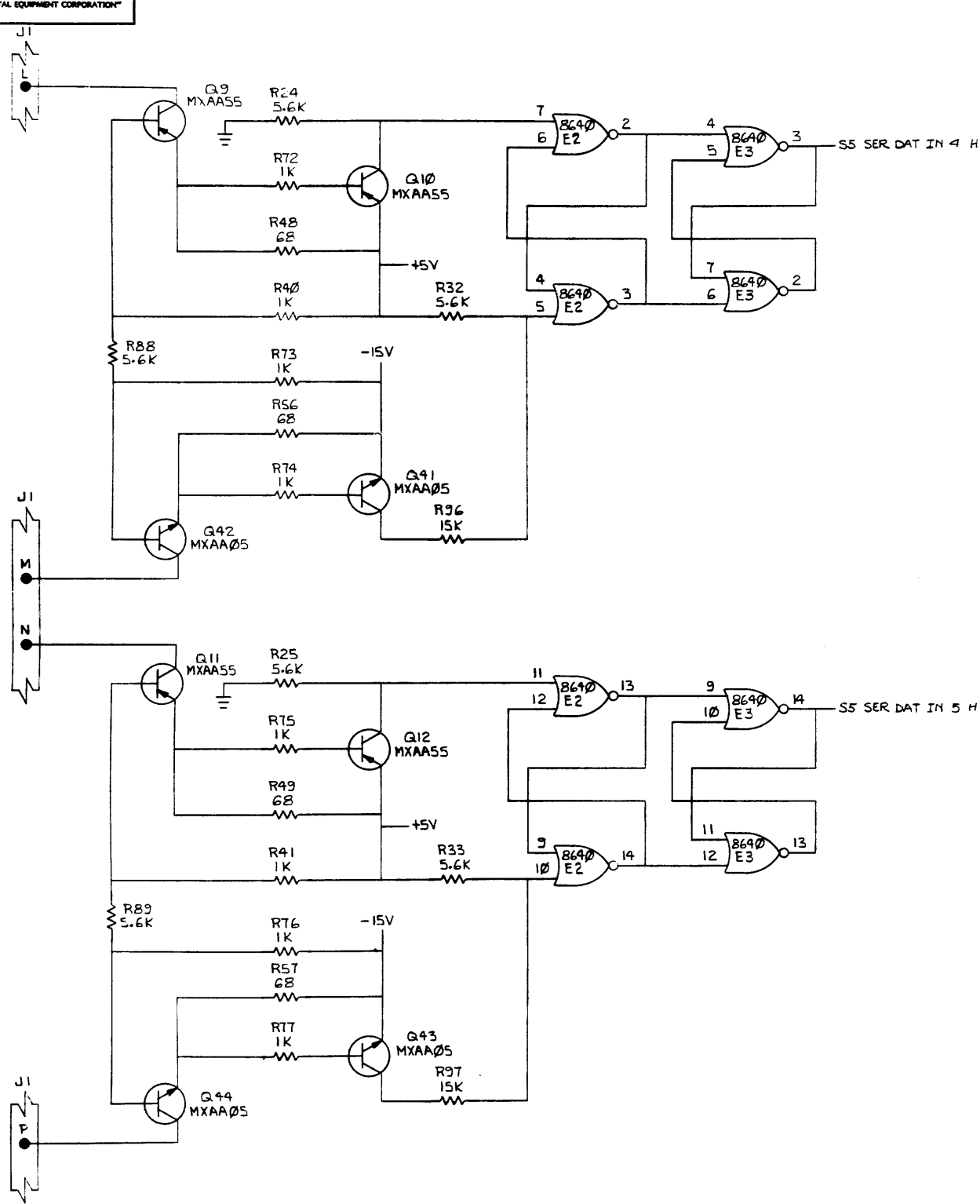


(20 MA RECEIVERS, LINES 0 TO 3)

REVISIONS		
CHK	CHANGE NO.	REV.

TITLE	DZ11 20 MA 8 LINE SYNCH MUX (S4)	DESIGN	D CS	NUMBER	M7814-0-1	REV.	C
SCALE	1:1	SHEET	4	OF	6	DATE	

"THIS DRAWING AND SPECIFICATIONS, HEREIN, ARE THE PROPERTY OF DIGITAL EQUIPMENT CORPORATION AND SHALL NOT BE REPRODUCED OR COPIED OR USED IN WHOLE OR IN PART AS THE BASIS FOR THE MANUFACTURE OR SALE OF ITEMS WITHOUT WRITTEN PERMISSION. COPYRIGHT © 1972, DIGITAL EQUIPMENT CORPORATION"

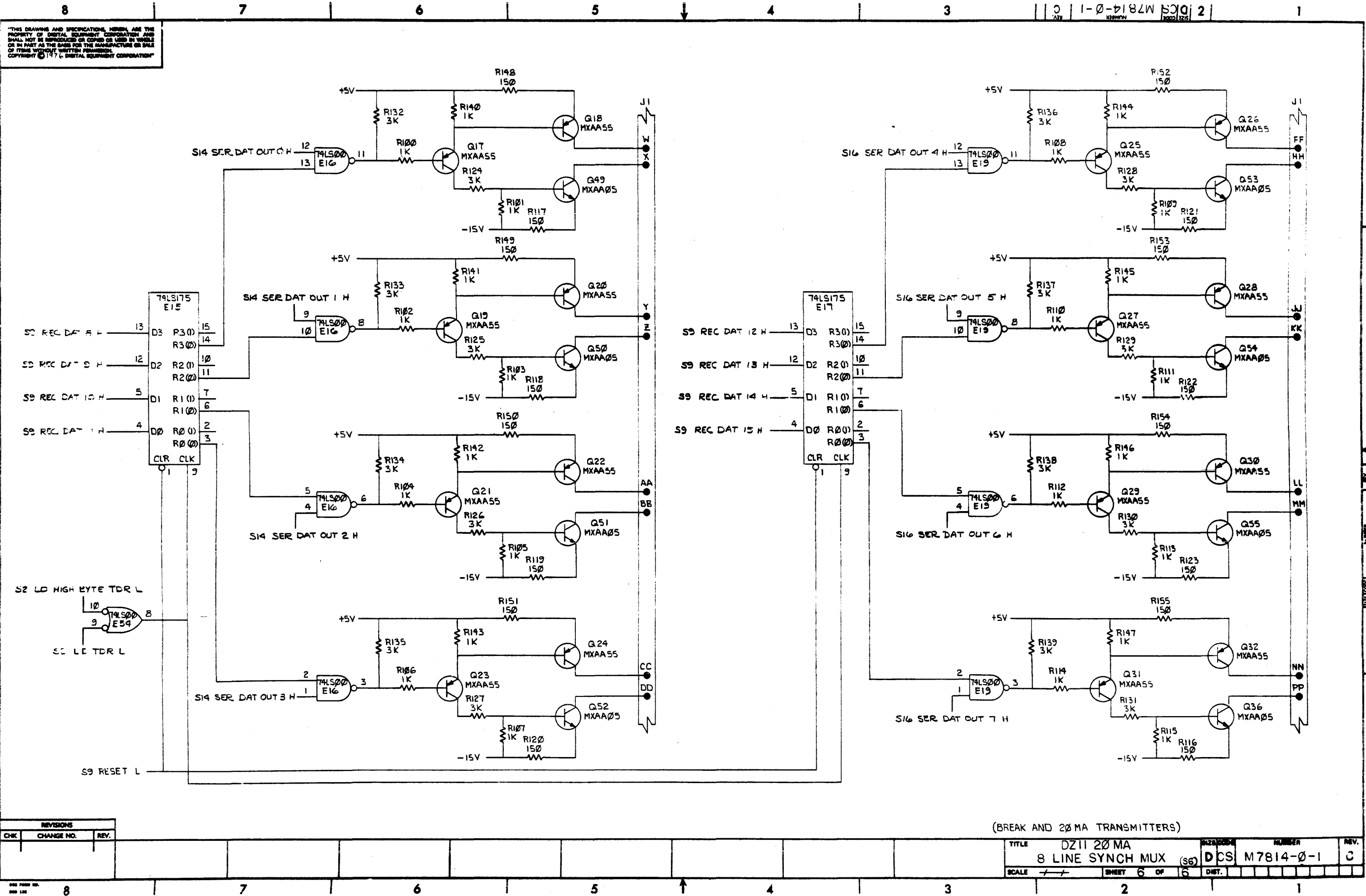


(20 MA RECEIVERS, LINES 4 TO 7)

REVISIONS		
CHK	CHANGE NO.	REV.

TITLE	DZ11 20 MA	SIZE CODE	DCS	NUMBER	M7814-0-1	REV.	C
SCALE	++	SHEET	5	OF	6	DIST.	

THIS DRAWING AND SPECIFICATIONS HEREIN ARE THE PROPERTY OF DIGITAL EQUIPMENT CORPORATION AND SHALL NOT BE REPRODUCED OR COPIED OR USED IN WHOLE OR IN PART AS THE BASIS FOR THE MANUFACTURE OR SALE OF ITEMS WITHOUT WRITTEN PERMISSION. COPYRIGHT © 1974, DIGITAL EQUIPMENT CORPORATION

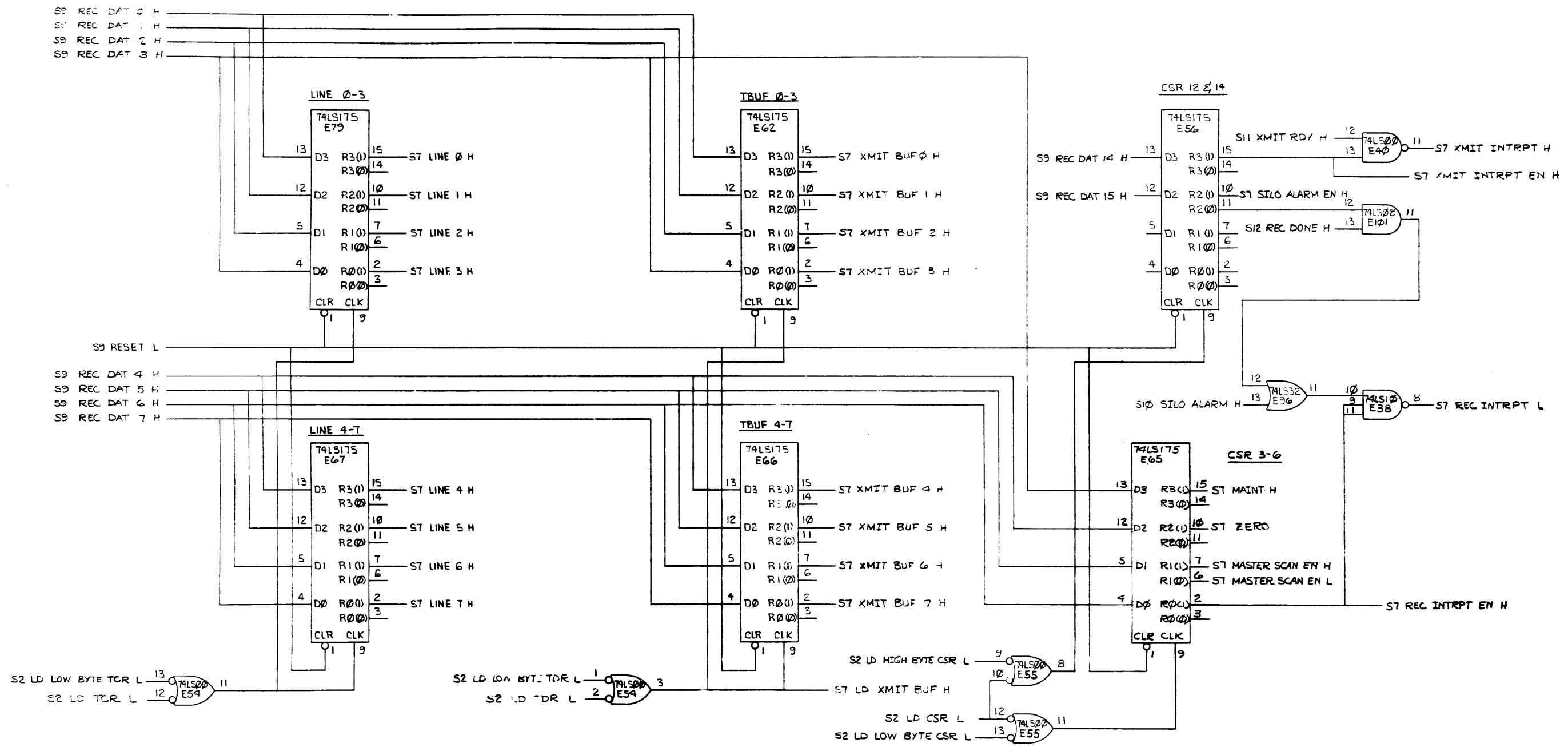


(BREAK AND 20 MA TRANSMITTERS)

REVISIONS		
CHK	CHANGE NO.	REV.

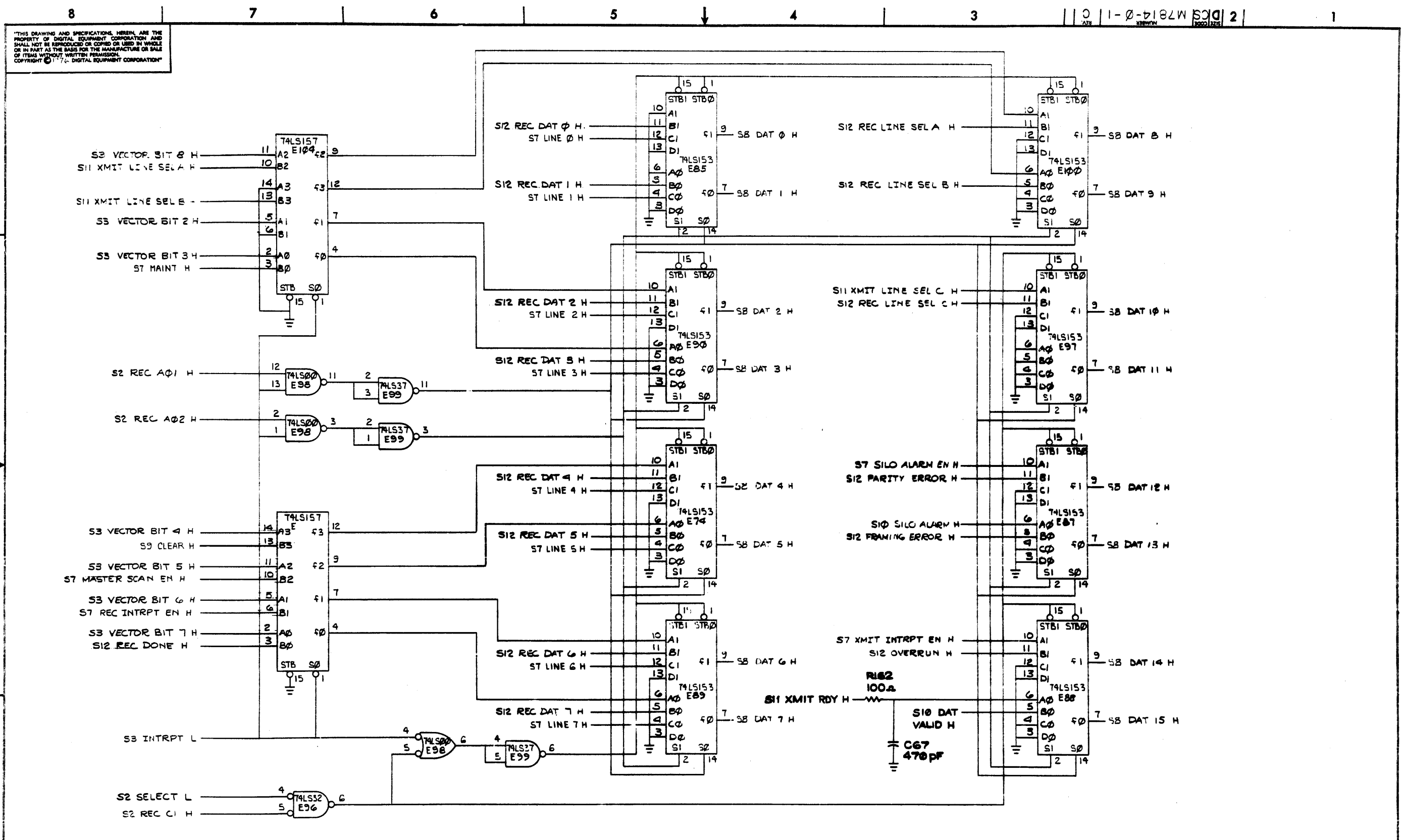
TITLE	DZ11 20 MA	REV.	C
	8 LINE SYNCH MUX (S)	NUMBER	DCS M7814-0-1
SCALE	1:1	SHEET	6 OF 6
		DIST.	

"THIS DRAWING AND SPECIFICATIONS, HEREIN, ARE THE PROPERTY OF DIGITAL EQUIPMENT CORPORATION AND SHALL NOT BE REPRODUCED OR COPIED OR USED IN WHOLE OR IN PART AS THE BASIS FOR THE MANUFACTURE OR SALE OF ITEMS WITHOUT WRITTEN PERMISSION. COPYRIGHT © 1977, DIGITAL EQUIPMENT CORPORATION"



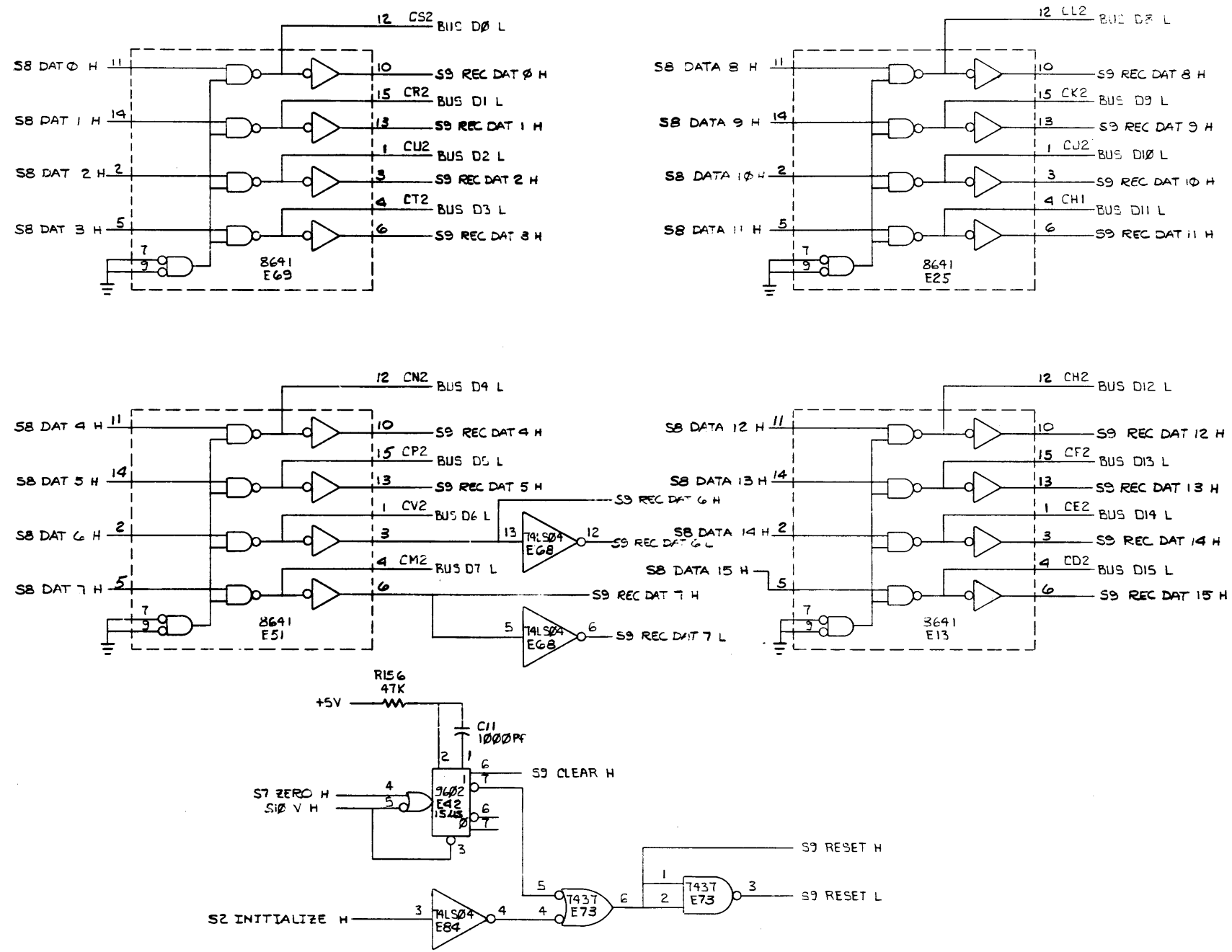
REVISIONS		
CHK	CHANGE NO.	REV.

(LINE, TBUF AND CSR REGISTERS)		TITLE	DZ11 20 MA	REV.	C
			8 LINE SYNCH MUX (S7)	NUMBER	M7814-0-1
		SCALE	1:1	SHEET	7 OF 16



REVISIONS													TITLE			DRAWING NO.			NUMBER			REV.		
CHK	CHANGE NO.	REV.											DZ11 20 MA			DCS			M7814-0-1			C		
													SCALE			SHEET 8 OF 6			DWT.					

THIS DRAWING AND SPECIFICATIONS, HEREIN, ARE THE PROPERTY OF DIGITAL EQUIPMENT CORPORATION AND SHALL NOT BE REPRODUCED OR COPIED OR USED IN WHOLE OR IN PART AS THE BASIS FOR THE MANUFACTURE OR SALE OF ITEMS WITHOUT WRITTEN PERMISSION. COPYRIGHT © 1977 DIGITAL EQUIPMENT CORPORATION

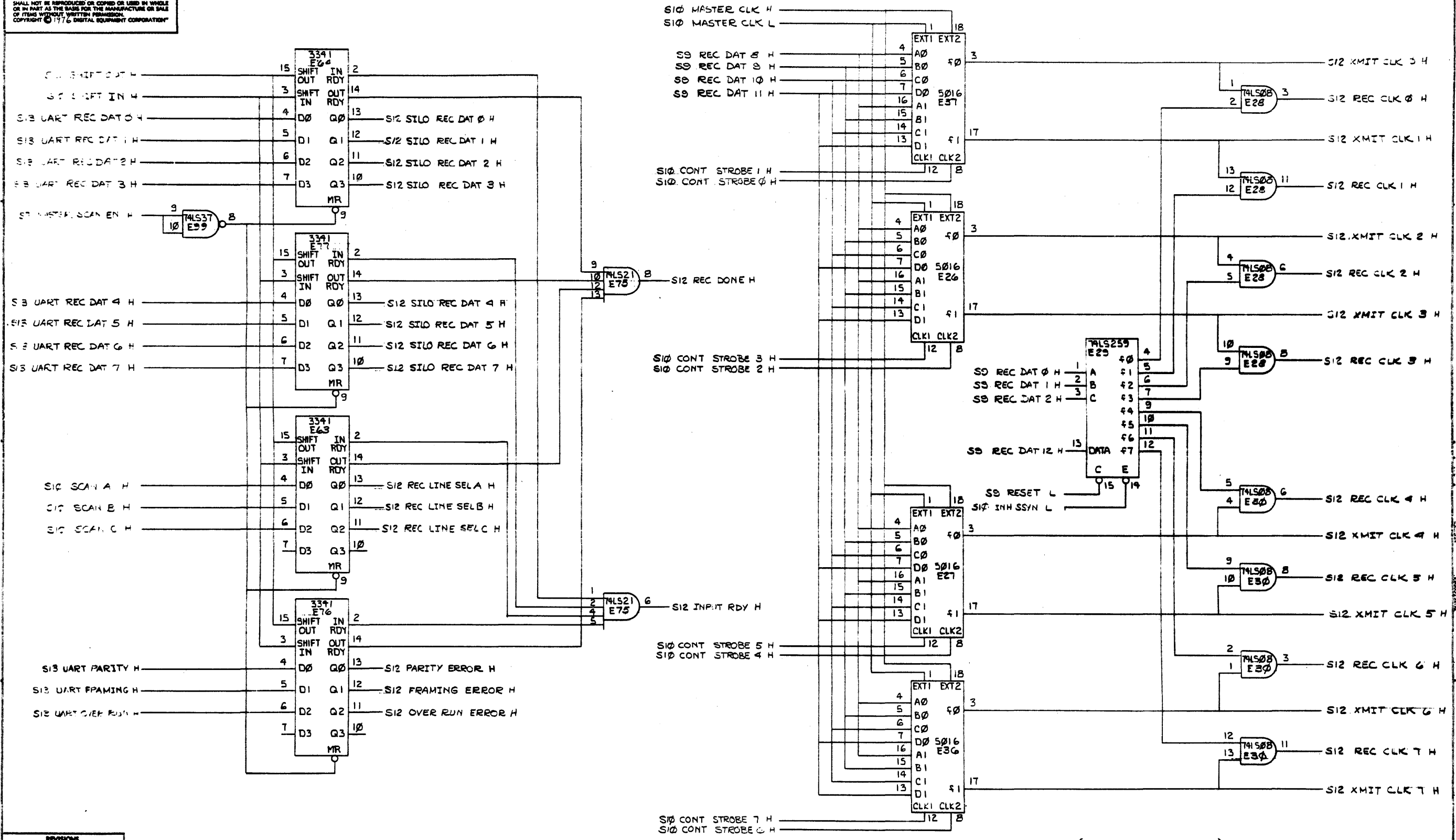


REVISIONS		
CHK	CHANGE NO.	REV.

(DATA TRANSCEIVERS AND RESET)

TITLE	DZ11 20 MA 8 LINE SYNCH	SIZE CODE	NUMBER	REV.
SCALE	+	SHEET	9 OF 16	DIST.
DCS		M7814-0-1		C

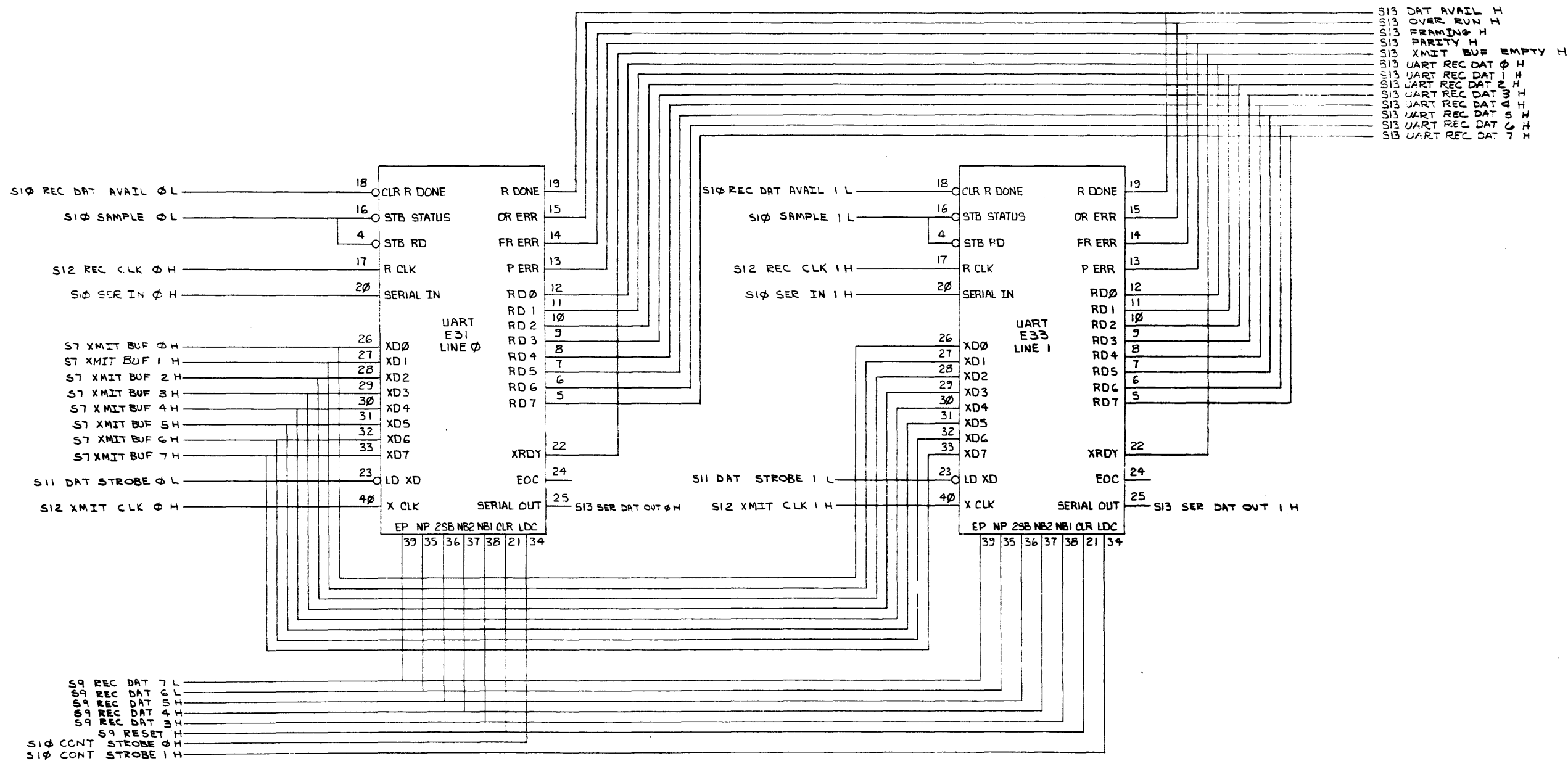
THIS DRAWING AND SPECIFICATIONS HEREIN ARE THE PROPERTY OF DIGITAL EQUIPMENT CORPORATION AND SHALL NOT BE REPRODUCED OR COPIED OR USED IN WHOLE OR IN PART AS THE BASIS FOR THE MANUFACTURE OR SALE OF ITEMS WITHOUT WRITTEN PERMISSION. COPYRIGHT © 1976 DIGITAL EQUIPMENT CORPORATION



REVISIONS		
CHK	CHANGE NO.	REV.

TITLE		DZ11 20MA		SIZE CODE	NUMBER	REV.
8 LINE SYNCH MUX (SI2)		DCS	M7814-0-1	C		
SCALE	SHEET	2 OF	6	DIST.		

"THIS DRAWING AND SPECIFICATIONS HEREIN ARE THE PROPERTY OF DIGITAL EQUIPMENT CORPORATION AND SHALL NOT BE REPRODUCED OR COPIED OR USED IN WHOLE OR IN PART AS THE BASIS FOR THE MANUFACTURE OR SALE OF ITEMS WITHOUT WRITTEN PERMISSION. COPYRIGHT © 1976 DIGITAL EQUIPMENT CORPORATION"

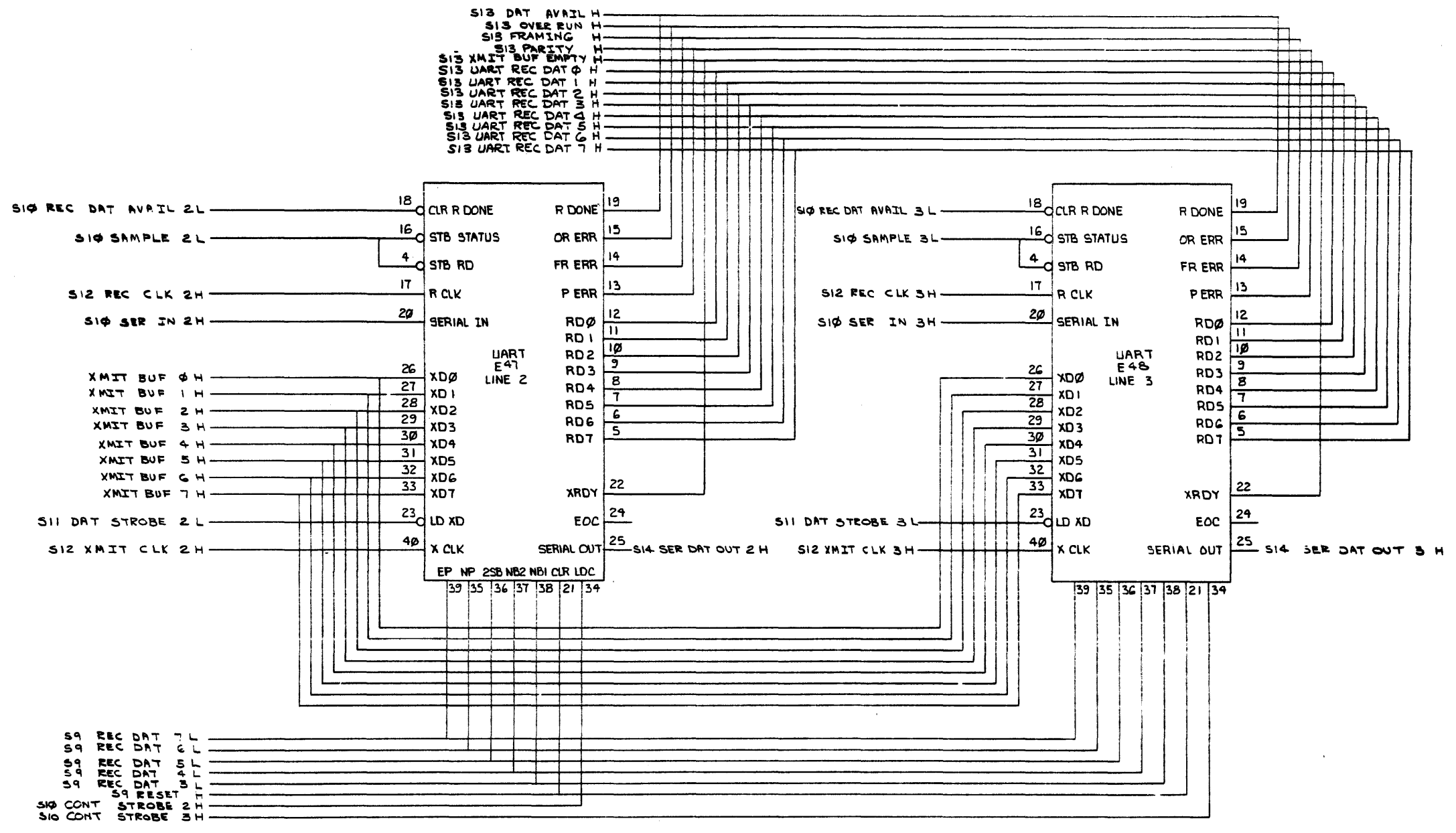


REVISIONS		
CHK	CHANGE NO.	REV.

(UART LINES 0 & 1)

TITLE	DZ11 20MA 8 LINE SYNCH MUX (S13)	SIZE CODE	DCS	NUMBER	M7814-0-1	REV.	C
SCALE	++	SHEET	3	OF	16	DIST.	

AND SPECIFICATIONS HEREIN ARE THE PROPERTY OF DIGITAL EQUIPMENT CORPORATION AND SHALL NOT BE REPRODUCED OR COPIED OR USED IN WHOLE OR IN PART AS THE BASIS FOR THE MANUFACTURE OR SALE OF ITEMS WITHOUT WRITTEN PERMISSION. COPYRIGHT © 1977 DIGITAL EQUIPMENT CORPORATION



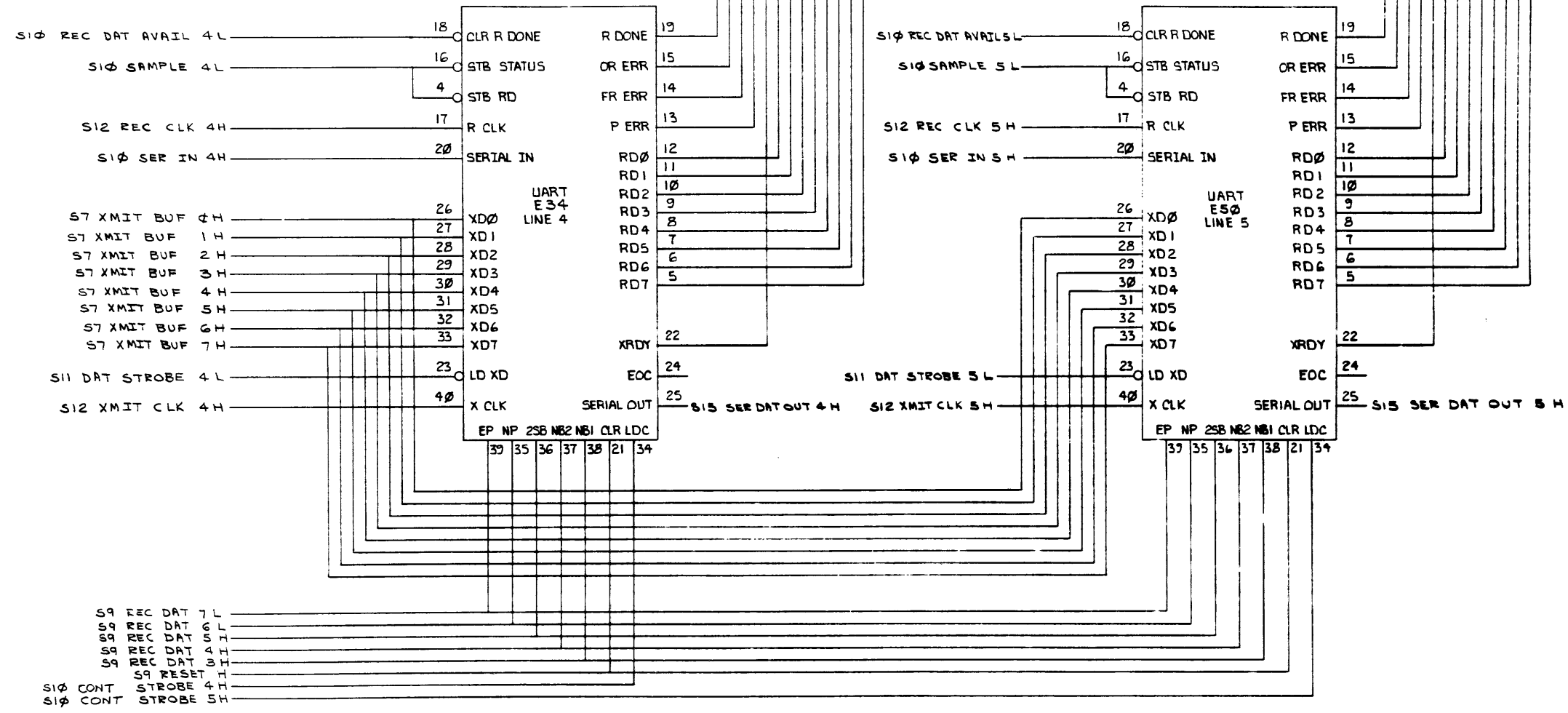
REVISIONS		
CHK	CHANGE NO.	REV.

(UART LINES 2 & 3)

TITLE	DZ11 20MA 8 LINE SYNCH MUX (S14)	SIZE CODE	D CS	NUMBER	M7814-0-1	REV.	C
SCALE	1:1	SHEET	4	OF	6	DIST.	

"THIS DRAWING AND SPECIFICATIONS, HEREIN, ARE THE PROPERTY OF DIGITAL EQUIPMENT CORPORATION AND SHALL NOT BE REPRODUCED OR COPIED OR USED IN WHOLE OR IN PART AS THE BASIS FOR THE MANUFACTURE OR SALE OF ITEMS WITHOUT WRITTEN PERMISSION. COPYRIGHT © 1971 DIGITAL EQUIPMENT CORPORATION"

S13 DAT AVAIL H
 S13 OVER RUN H
 S13 FRAMING H
 S13 PARITY H
 S13 XMIT BUF EMPTY H
 S13 UART REC DAT 0 H
 S13 UART REC DAT 1 H
 S13 UART REC DAT 2 H
 S13 UART REC DAT 3 H
 S13 UART REC DAT 4 H
 S13 UART REC DAT 5 H
 S13 UART REC DAT 6 H
 S13 UART REC DAT 7 H

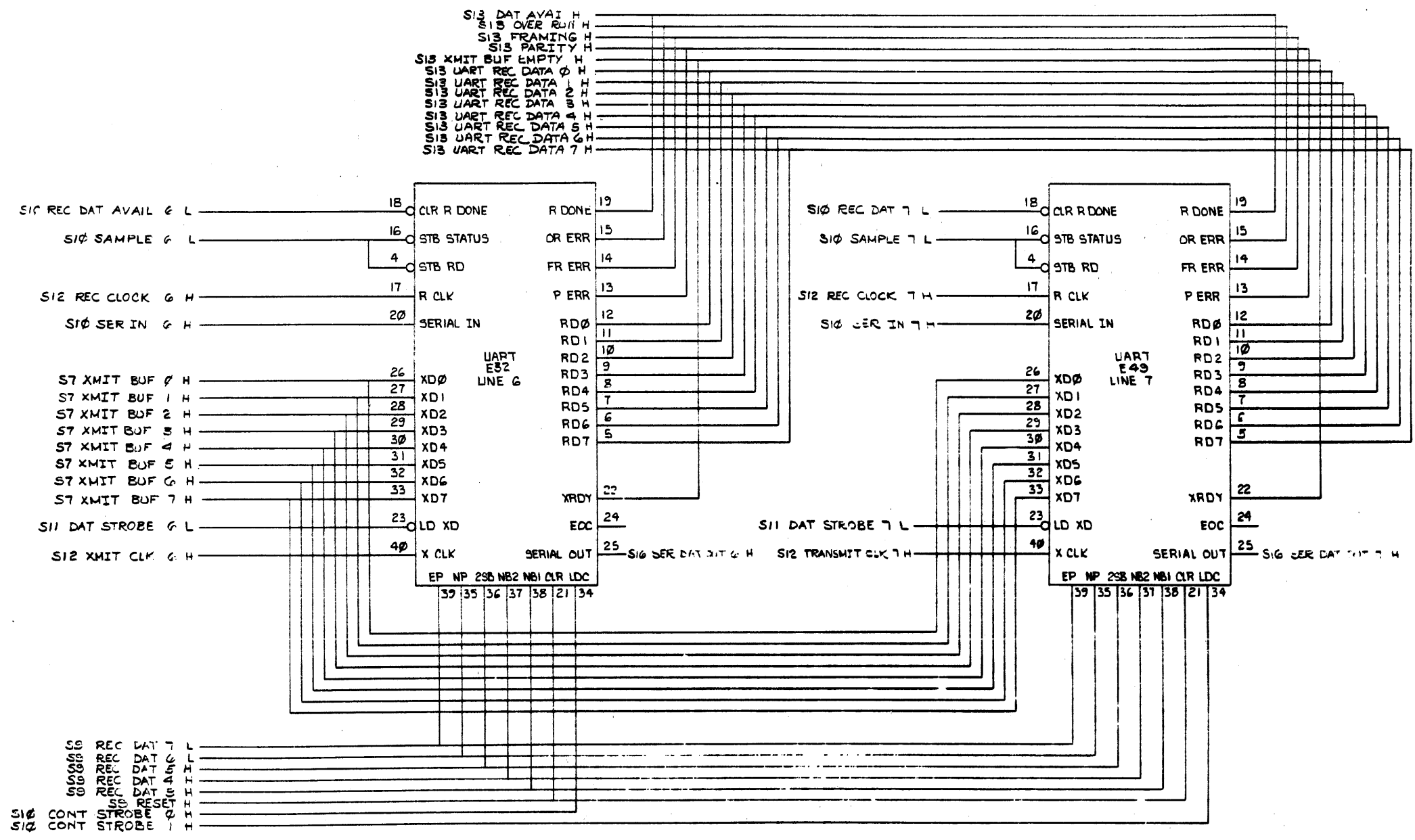


REVISIONS		
CHK	CHANGE NO.	REV.

(UART LINES 4 & 5)

TITLE	DZ11 20MA 8 LINE SYNCH MUX (S15)	SIZE CODE	DCS	NUMBER	M7814-0-1	REV.	C
SCALE	1/1	SHEET	5	OF	16	DIST.	

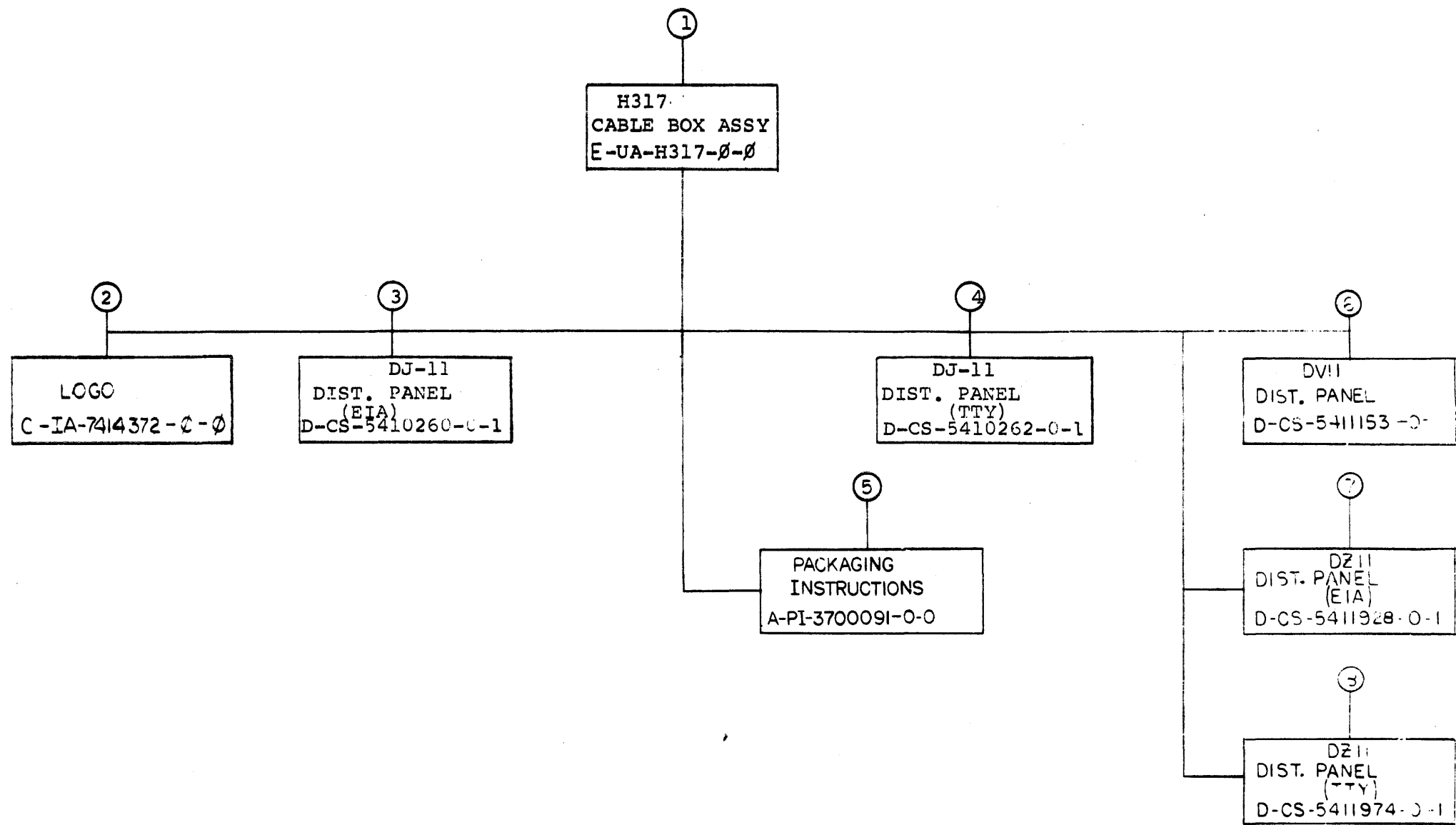
"THIS DRAWING AND SPECIFICATIONS, HEREIN, ARE THE PROPERTY OF DIGITAL EQUIPMENT CORPORATION AND SHALL NOT BE REPRODUCED OR COPIED OR USED IN WHOLE OR IN PART AS THE BASIS FOR THE MANUFACTURE OR SALE OF ITEMS WITHOUT WRITTEN PERMISSION. COPYRIGHT © 1976 DIGITAL EQUIPMENT CORPORATION"



REVISIONS		
CHK	CHANGE NO.	REV.

(UART LINES 6 & 7)

TITLE	DZ11 20 MA 8 LINE SYNCH MUX (S16)	SIZE/COOD	DCS	NUMBER	M7814-0-1	REV.	3
SCALE	1/1	SHEET	6	OF	16	DIST.	

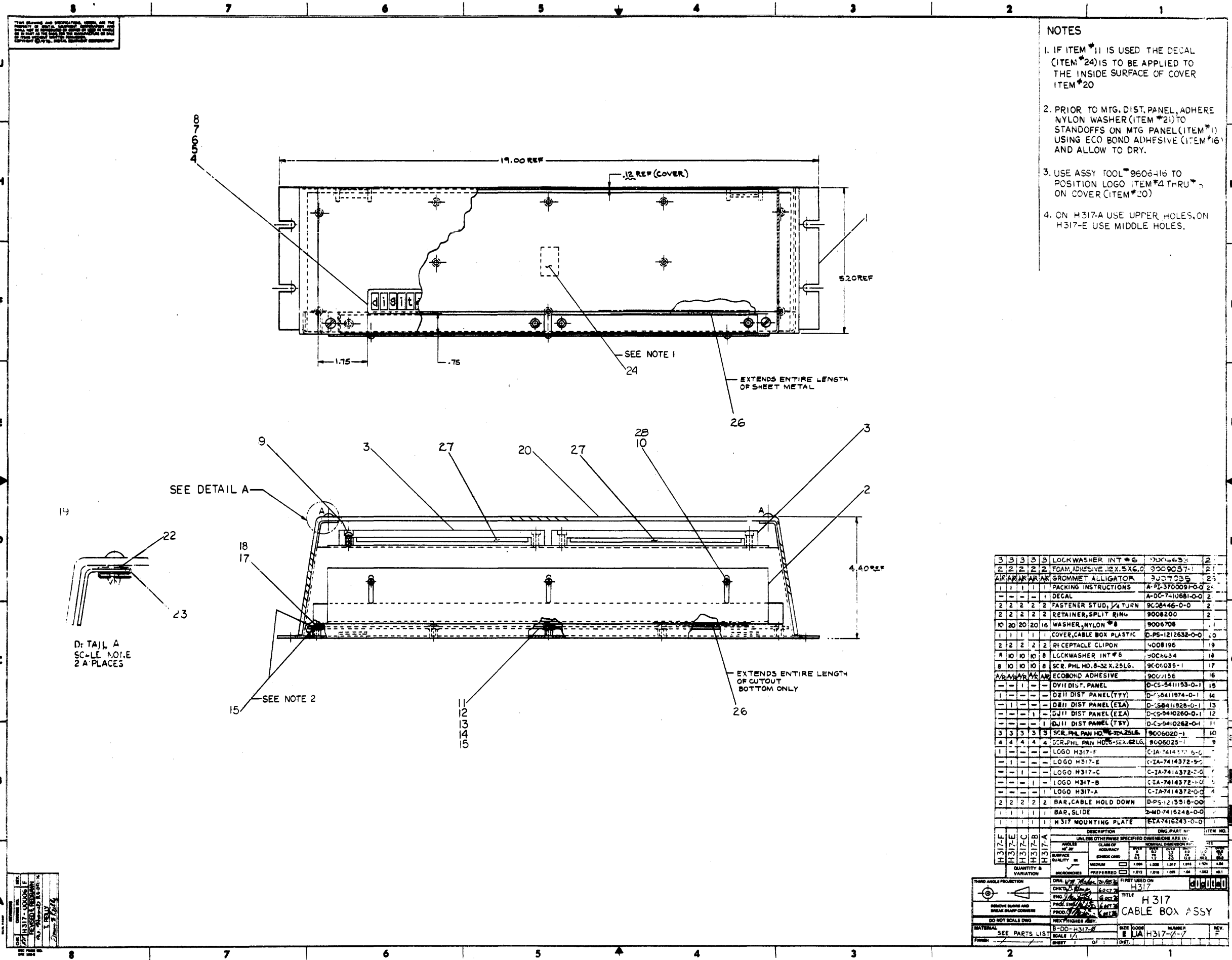


TITLE	SIZE	CODE	NUMBER	REV
H317 CABLE BOX ASSY.	B	DD	H317-0	D
SHEET 2 OF 3				

ELECTRICAL					MECHANICAL											
CUSTOMER PRINT SET	DEPOT SET	FIND NO.	DRAWING NO.	REV SHT	NO OF SHT	DESCRIPTION	OPTION NO.	CUSTOMER PRINT SET	DEPOT SET	FIND NO.	DRAWING NO.	REV SHT	NO OF SHT	DESCRIPTION	OPTION NO.	
X		1	D-UA-H317-0-0	C	1	H317 CABLE BOX ASSY				1	E-UA-H317-0-0		1	H317 CABLE BOX ASSY		
		2	E-IA-7410667-0-0		1	COVER, CABLE BOX					E-IA-7416243-0-0		1	H317 MTG PLATE		
											D-MD-7416248-0-0		1	BAR SLIDE		
											A-DC-7410681-0-0		1	DECAL, TERM BLOCK		
											D-PS-1213318-0-0		1	BAR, CABLE HOLDOWN		
											D-PS-1212632-0-0		1	COVER CABLE BOX PLASTIC		
X		3	D-CS-5410260-0-1 #		3	DJ-11 DIST. PANEL (EIA)				2	C-IA-7414372-0-0		1	LOGO		
			B-MH-5410260-0-6		1	MODULE ECO HISTORY					A-SS-7414372-0-1		1	SILKSCREEN H317-A		
											A-SS-7414372-0-2		1	SILKSCREEN H317-B		
											A-SS-7414372-0-3		1	SILKSCREEN H317-C		
											A-SS-7414372-0-6		1	SILKSCREEN H317-E		
											A-SS-7414372-0-7		1	SILKSCREEN H317 F		
X		4	D-CS-5410262-0-1 #		6	DJ-11 DIST. PANEL (TTY)				3	D-CS-5410260-0-1 #		3	DJ-11 DIST. PANEL (EIA)		
			B-MH-5410262-0-6		1	MODULE ECO HISTORY					K-CO-5410260-0-4		1	X-Y COORDINATE HOLE LOCATION		
X		6	D-CS-5411153-0-1 #		3	DVII DIST PANEL					D-AH-5410260-0-5		1	ASSY/DRILLING HOLE LAYOUT		
			B-MH-5411153-0-6		1	MODULE ECO HISTORY					B-MH-5410260-0-6		1	MODULE ECO HISTORY		
X		7	D-CS-5411928-0-1 #		2	DZ11 DIST. PANEL (EIA)				4	D-CS-5410262-0-1 #		6	DJ-11 DIST. PANEL (TTY)		
			B-MH-5411928-0-6		1	MODULE ECO HISTORY					K-CO-5410262-0-4		1	X-Y COORDINATE HOLE LOCATION		
X		8	D-CS-5411974-0-1 #		1	DZ11 DIST. PANEL (TTY)					D-AH-5410262-0-5		1	ASSY/DRILLING HOLE LAYOUT		
			B-MH-5411974-0-6		1	MODULE ECO HISTORY					B-MH-5410262-0-6		1	MODULE ECO HISTORY		
										X	5	A-PI-3700091-0-0		2	PACKAGING INSTRUCTIONS	
												A-PS-9905315-0-0		2	OUTER CARTON	
												A-PS-9905317-0-0		2	LAMINATED TRAY	
												A-PS-9905316-0-0		2	CORRUGATED PAD	
											6	D-CS-5411153-0-1 #		3		
												K-CO-5411153-0-4		1		
												D-AH-5411153-0-5		1		
												B-MH-5411153-0-6		1		
											7	D-CS-5411928-0-1 #		2	DZ11 DIST. PANEL (EIA)	
												K-CO-5411928-0-4		1	X-Y COORDINATE HOLE LOC.	
												E-MD-5011927-0-0		4	ASSY/DRILLING HOLE LAYOUT	
												B-MH-5411928-0-6		1	MODULE ECO HISTORY	
											8	D-CS-5411974-0-1 #		1	DZ11 DIST. PANEL (TTY)	
												K-CO-5411974-0-4		1	X-Y COORDINATE HOLE LOC.	
												D-MD-5011973-0-0		3	ASSY/DRILLING HOLE LAYOUT	
												B-MH-5411974-0-6		1	MODULE ECO HISTORY	

TITLE	SIZE	CODE	NUMBER	REV
H317 CABLE BOX ASSY.	SHEET 3 OF 3	B DD	H317-0	D

AK



- NOTES**
- IF ITEM #11 IS USED THE DECAL (ITEM #24) IS TO BE APPLIED TO THE INSIDE SURFACE OF COVER ITEM #20
 - PRIOR TO MTG. DIST. PANEL, ADHERE NYLON WASHER (ITEM #21) TO STANDOFFS ON MTG. PANEL (ITEM #1) USING ECO BOND ADHESIVE (ITEM #16) AND ALLOW TO DRY.
 - USE ASSY TOOL #9606-16 TO POSITION LOGO ITEM #4 THRU #5 ON COVER (ITEM #20)
 - ON H317-A USE UPPER HOLES, ON H317-E USE MIDDLE HOLES.

3	3	3	3	LOCKWASHER INT #6	900663-1	2
2	2	2	2	FOAM ADHESIVE .12 X .5 X .2	9009037-1	2
1	1	1	1	GROMMET ALLIGATOR	3057235	2
1	1	1	1	PACKING INSTRUCTIONS	A-PL-370009-P-0	2
1	1	1	1	DECAL	A-DC-7410681-0-0	2
2	2	2	2	FASTENER STUD, 1/4 TURN	9008446-0-0	2
2	2	2	2	RETAINER, SPLIT RING	9008200	2
10	20	20	16	WASHER, NYLON #8	9006708	1
1	1	1	1	COVER, CABLE BOX PLASTIC	D-PS-1212633-0-0	20
2	2	2	2	RECEPTACLE CLIP ON	9008196	19
8	10	10	8	LOCKWASHER INT #8	9006634	18
8	10	10	8	SCR. PHL HD, 8-32 X .25 LG.	9006035-1	17
1	1	1	1	ECO BOND ADHESIVE	9001156	16
1	1	1	1	DVII DIST. PANEL	D-CS-5411153-0-1	15
1	1	1	1	DZII DIST. PANEL (TTY)	D-CS-5411974-0-1	14
1	1	1	1	DBII DIST. PANEL (EIA)	D-CS-5411928-0-1	13
1	1	1	1	DJII DIST. PANEL (EIA)	D-CS-5410260-0-1	12
1	1	1	1	DJII DIST. PANEL (TTY)	D-CS-5410262-0-1	11
3	3	3	3	SCR. PHL PAN HD, 8-32 X .25 LG.	9006020-1	10
4	4	4	4	SCR. PHL PAN HD, 8-32 X .25 LG.	9006025-1	9
1	1	1	1	LOGO H317-F	C-IA-7414372-0-0	8
1	1	1	1	LOGO H317-E	C-IA-7414372-0-0	7
1	1	1	1	LOGO H317-C	C-IA-7414372-0-0	6
1	1	1	1	LOGO H317-B	C-IA-7414372-0-0	5
1	1	1	1	LOGO H317-A	C-IA-7414372-0-0	4
2	2	2	2	BAR, CABLE HOLD DOWN	D-PS-1213516-00	3
1	1	1	1	BAR, SLIDE	D-MD-7416248-0-0	2
1	1	1	1	H317 MOUNTING PLATE	E-IA-7416243-0-0	1

DESCRIPTION H317-CABLE BOX ASSY

UNLESS OTHERWISE SPECIFIED DIMENSIONS ARE IN:

ANGLES	AS SHOWN
FINISH	AS SHOWN
QUALITY	AS SHOWN
VARIATION	AS SHOWN

QUANTITY & VARIATION

THIRD ANGLE PROJECTION

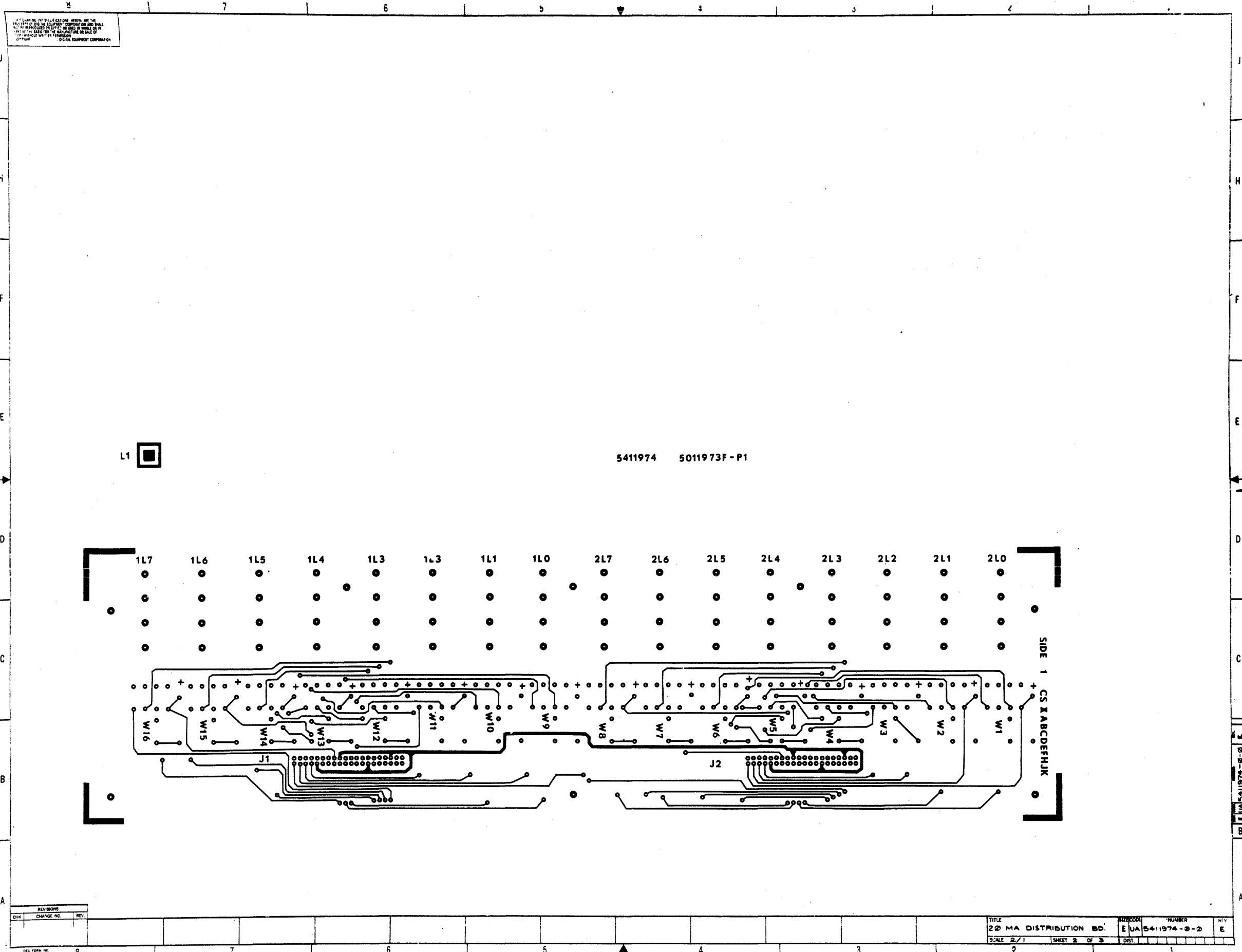
DATE 10/1/78 **BY** [Signature] **CHKD** [Signature]

TITLE H317 CABLE BOX ASSY

MATERIAL SEE PARTS LIST

SCALE 1/1

SHEET 1 OF 1



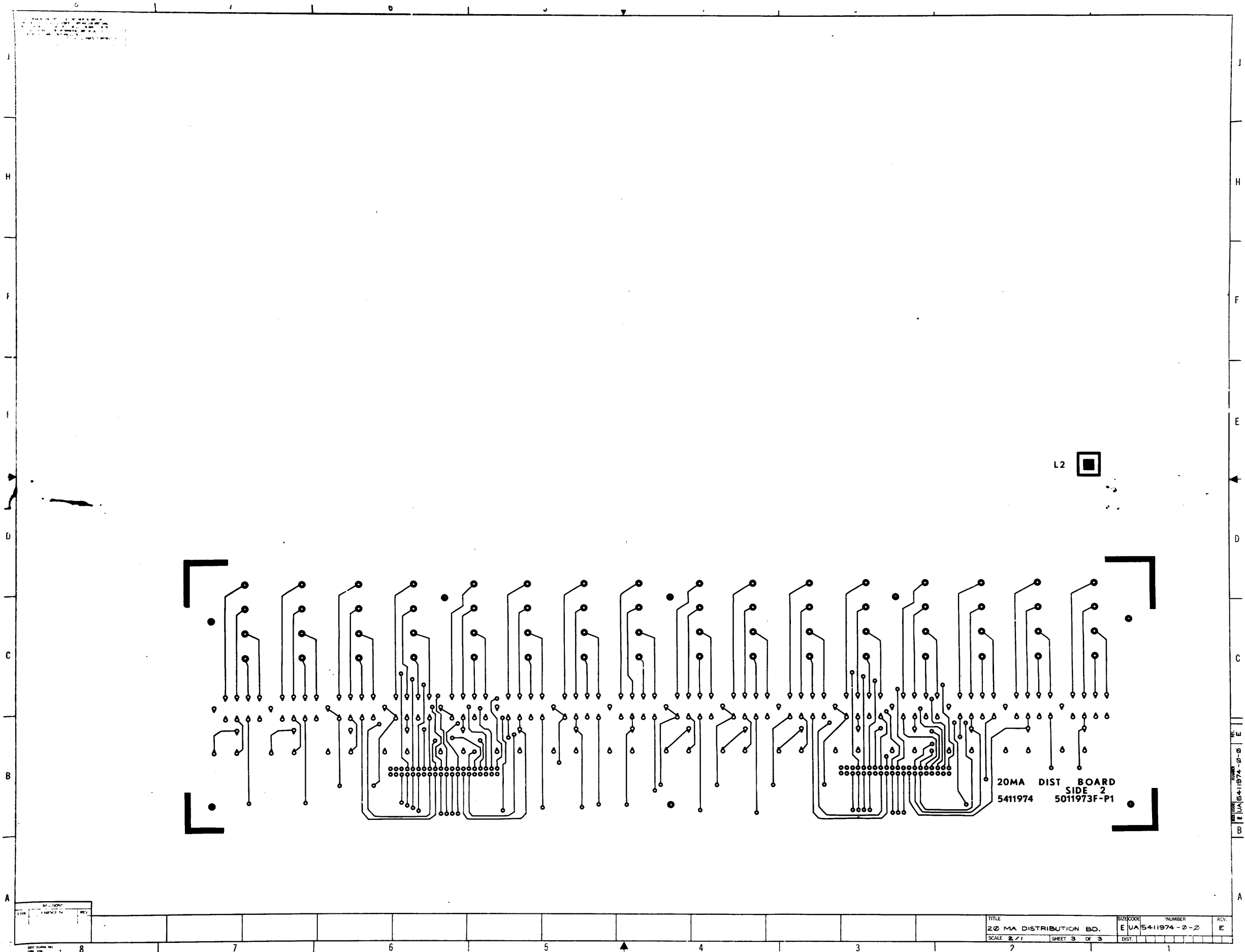
ALL DIMENSIONS ARE IN MILLIMETERS UNLESS OTHERWISE SPECIFIED. THE MANUFACTURER SHALL BE RESPONSIBLE FOR THE QUALITY OF THE COMPONENTS USED IN THE BOARD. THE BOARD IS THE PROPERTY OF THE MANUFACTURER OR USER OF THE BOARD. THE BOARD IS NOT TO BE REPRODUCED OR COPIED IN ANY MANNER WITHOUT THE WRITTEN PERMISSION OF THE MANUFACTURER OR USER OF THE BOARD.

5411974 5011973F - P1

SIDE 1
CS IABCDERHJK

REVISIONS		
CHK	CHANGE NO.	REV.

TITLE	20 MA DISTRIBUTION BD.	SIZE CODE	NUMBER	REV.
SCALE	2/1	SHEET	2 OF 3	DIST.



L2

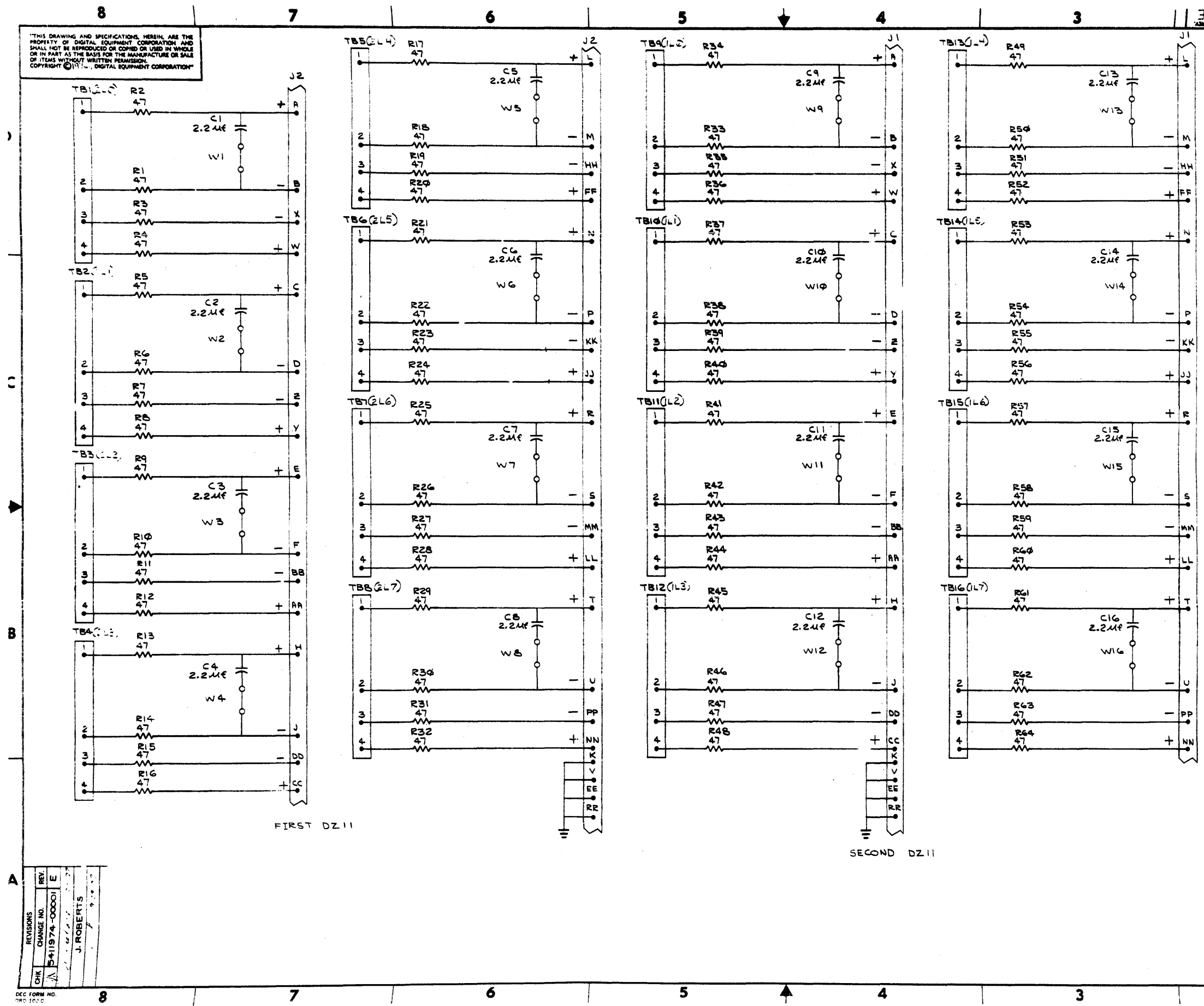
20MA DIST BOARD
SIDE 2
5411974 5011973F-P1

DATE	BY	CHKD	REV

TITLE	SIZE	CODE	NUMBER	REV.
20 MA DISTRIBUTION BD.	E	UA	5411974-2-2	E
SCALE 2/1	SHEET 3	OF 3	DIST.	

NOTE: THE JUMPER FOR THE APPROPRIATE LINE (W11-W16) SHOULD BE IN FOR 0 TO 300 BAUD; OUT FOR HIGHER BAUD RATES.

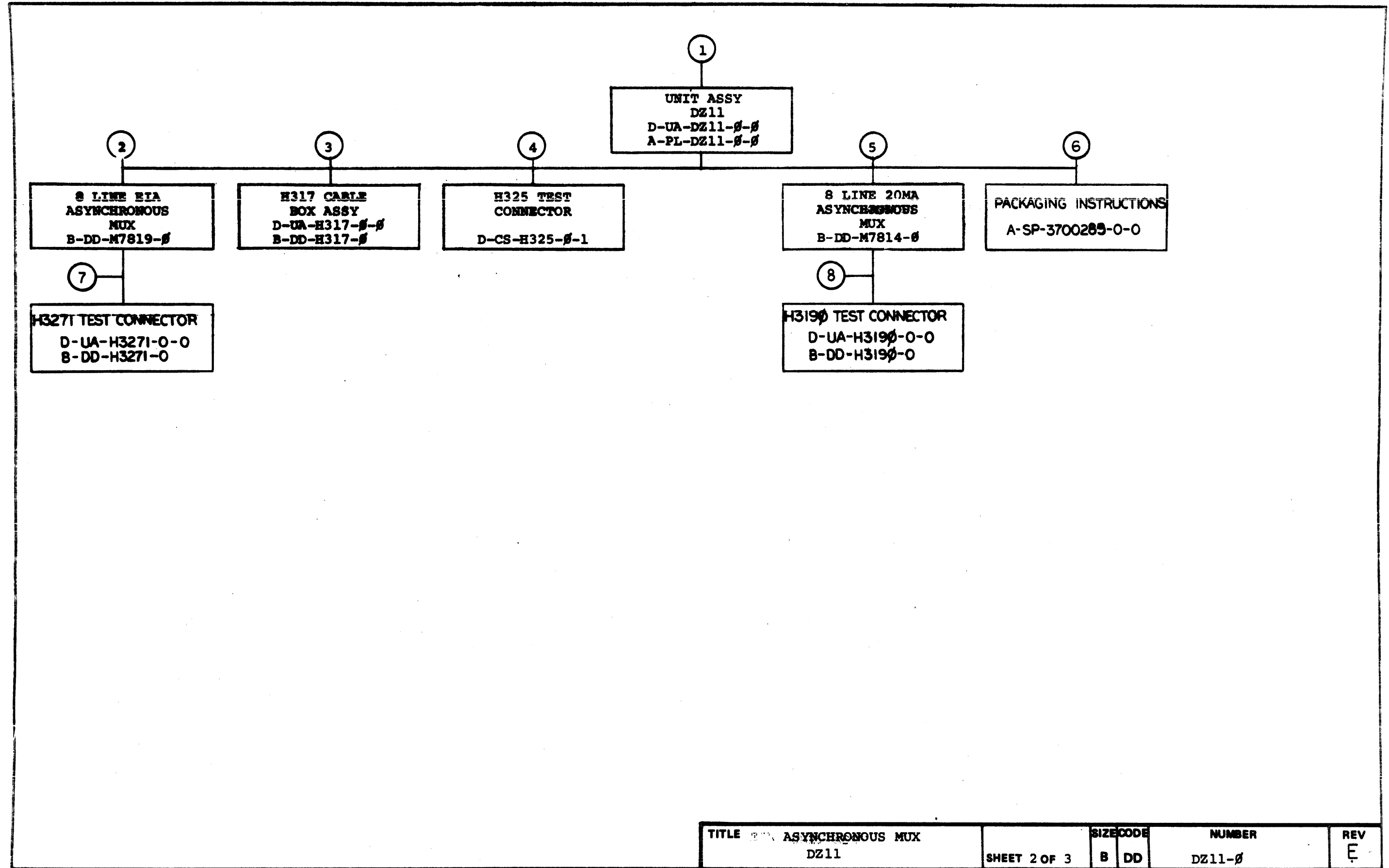
THIS DRAWING AND SPECIFICATIONS, HEREIN, ARE THE PROPERTY OF DIGITAL EQUIPMENT CORPORATION AND SHALL NOT BE REPRODUCED OR COPIED OR USED IN WHOLE OR IN PART AS THE BASIS FOR THE MANUFACTURE OR SALE OF ITEMS WITHOUT WRITTEN PERMISSION. COPYRIGHT © 1974, DIGITAL EQUIPMENT CORPORATION



REVISIONS	REV.
CHK	REV.
CHANGE NO.	REV.
5411974-00001 E	
J. ROBERTS	

DRN. X. 3-376	FIRST USED ON	DZ11
CHK'D R. 3-23-76	TITLE	20 MA. DISTRIBUTION BD
ENG. R. 3-23-76	PROD. R. Wall 8-10-76	
NEXT HIGHER ASSY.	SIZE	CODE
D-UA-5411974-0-0	D	CS 5411974-0-1
SCALE	NUMBER	REV.
	1	E
SHEET	OF	DIST.
1	1	

CS 5411974-0-1 E



TITLE	ASYNCHRONOUS MUX DZ11	SHEET 2 OF 3	SIZE CODE B DD	NUMBER DZ11-Ø	REV E
-------	--------------------------	--------------	-------------------	------------------	----------

FIND NO.	DRAWING NO.	DESCRIPTION	TYPE	FIND NO.	DRAWING NO.	DESCRIPTION	TYPE
1	MP00132	DZ11-A, B, & E FIELD MAINTENANCE PRINT SET	-				
	B-TC-DZ11-0-6	DZ11-A, B, & E FIELD MAINTENANCE PRINT SET (TC)	-				
	D-UA-DZ11-0-0	UNIT ASSY DZ11	E/M				
	A-PL-DZ11-0-0	ASYNCHRONOUS MUX DZ11	E/M				
	C-IA-H327-0-0	CONNECTOR, TURN AROUND	E/M				
	D-IA-BC05W-0-0	50 CONDUCTOR SIGNAL CABLE (BC05W)	E/M				
	C-MD-7414386-0-0	BRACKET, PANEL	M				
	C-IA-BC08S-0-0	40 CONDUCTOR SIGNAL CABLE (BC08S)	E/M				
	D-UA-BC06K-0-0	MIRROR IMAGE CABLE (40 POS)	E/M				
	A-PL-DZ11-0-5	SHIPPING LIST	M				
	D-BD-DZ11-0-8	SYSTEM CONNECT DIAGRAM	E				
	D-UA-BC06L-0-0	MIRROR IMAGE CABLE (50 POS)	E/M				
	MP00253	DZ11-C, D&F FIELD MAINTENANCE PRINT SET	-				
	B-TC-DZ11-0-11	DZ11-C, D&F FIELD MAINTENANCE PRINT SET	-				
	A-PL-H7004-0-0	H7004 FILTER CONNECTOR	E/M				
	A-SP-DZ11-0-1	DZ11 TEST PROCEDURE	E/M				
	A-SP-DZ11-0-2	DZ11 ACCEPTANCE PROCEDURE	-				
	A-SP-DZ11-0-9	DZ11 ENGINEERING SPECIFICATION	-				
	D-IA-7415808-0-0	CONNECTOR MFG PANEL	M				
	A-PS-1215278-00	CABLE PROTECTOR	M				
2	B-DD-M7819-0	8 LINE EIA ASYNCHRONOUS MUX	E/M				
3	D-UA-H317-0-0	H317 CABLE BOX ASSY	E/M				
	B-DD-H317-0	H317 CABLE BOX ASSY	E				
4	D-CS-H325-0-1	H325 TEST CONNECTOR	E/M				
	K-CO-H325-0-4	X-Y COORDINATE HOLE LOCATION	M				
	D-AH-H325-0-5	ASSY/DRILLING HOLE LAYOUT	M				
	B-MH-H325-0-6	MODULE ECO HISTORY	E/M				
5	B-DD-M7814-0	8 LINE 20 MA ASYNCHRONOUS MUX	E/M				
6	A-SP-3700285-0-0	PACKAGING INSTRUCTION	M				
7	D-UA-H3271-0-0	CONNECTOR, TURN AROUND (EIA)	M				
	B-DD-H3271-0	CONNECTOR, TURN AROUND (EIA)	E/M				
8	D-UA-H3190-0-0	CONNECTOR, TURN AROUND (20 MA)	M				
	B-DD-H3190-0	CONNECTOR, TURN AROUND (20 MA)	E/M				

TYPE: E ELECTRICAL
M MECHANICAL
E/M ELECTRO/MECHANICAL



TITLE ASYNCHRONOUS MUX
DZ11

SHEET 3 OF 3

SIZE CODE
B DD

NUMBER
DZ11-0

REV
E

DIGITAL EQUIPMENT CORPORATION MAYNARD, MASSACHUSETTS PARTS LIST			QUANTITY/VARIATION										
MADE BY K. DAVIS		CHECKED <i>P. Cappabianca</i>	SECTION		DZ11-A	DZ11-B	DZ11-E	DZ11-C	DZ11-D	DZ11-F	DZ11-AA	DZ11-BA	DZ11-EA
DATE 5-4-76		DATE <i>14 May 76</i>	ISSUED SECT.										
ENG <i>R. Cormier</i>		PROD <i>T. McCabe</i>											
DATE 5-13-76		DATE 5-14-76											
ITEM NO.	DWG NO. / PART NO.	DESCRIPTION											
1	D-UA-M7819-0-0	8 LINE EIA ASYNCHRONOUS MUX		1	1	2	-	-	-	-	-	-	2
2	D-UA-H3271-0-0	CONNECTOR, TURN AROUND (EIA)		1	-	1	-	-	-	-	-	-	1
3	D-IA-BC05W-15	50 CONDUCTOR SIGNAL CABLE (BC05W)		1	1	2	-	-	-	-	-	-	-
4	D-UA-H317-E-0	H317 CABLE BOX ASSY (EIA)		1	-	1	-	-	-	-	-	-	1
5	D-CS-H325-0-1	H325 TEST CONNECTOR		1	-	1	-	-	-	-	-	-	1
6	C-MD-7414386-0-0	BRACKET, PANEL		2	-	2	2	-	2	2	-	2	-
7	9006071-03	SCR, PH, TRUSS, HD, 10-32 X .38		4	-	4	4	-	4	4	-	4	-
8	9006565-00	NUT, KEP 10-32		8	-	8	8	-	8	8	-	8	-
9	9006073-02	SCR, PH, FL, HD, 10-32 X .50		4	-	4	4	-	4	4	-	4	-
10	9007206-00	NUT, SPEED 10-32		4	-	4	4	-	4	4	-	4	-
11	D-BD-DZ11-0-8	SYSTEM CONNECT DIAGRAM		REF	REF	REF	REF	REF	REF	REF	REF	REF	REF
12	C-IA-BC08S-15	40 CONDUCTOR SIGNAL CABLE (BC08S)		-	-	-	1	1	2	-	-	-	-
13	D-UA-H317-F-0	H317 CABLE BOX ASSY (20 MA)		-	-	-	1	-	1	-	-	-	-
14	D-UA-M7814-0-0	8 LINE 20 MA ASYNCHRONOUS MUX		-	-	-	1	1	2	-	-	-	-
15	D-UA-H3190-0-0	CONNECTOR, TURN AROUND (20 MA)		-	-	-	1	1	2	-	-	-	-
16	A-SP-3700285-0-0	PKG. INST. CUSTOMER (A VERSION)		1	-	-	-	-	-	-	-	-	-
17	A-SP-3700285-1-0	PKG. INST. CUSTOMER (C VERSION)		-	-	-	1	-	-	-	-	-	-
18	A-SP-3700285-2-0	PKG. INST. CUSTOMER (B VERSION)		-	1	-	-	-	-	-	-	-	-
19	A-SP-3700285-3-0	PKG. INST. CUSTOMER (D VERSION)		-	-	-	-	1	-	-	-	-	-
20	A-SP-3700285-4-0	PKG. INST. CUSTOMER (E VERSION)		-	-	1	-	-	-	-	-	-	-
21	A-SP-3700285-5-0	PKG. INST. CUSTOMER (F VERSION)		-	-	-	-	-	1	-	-	-	-
22	D-IA-7415808-0-0	CONNECTOR, MTG. PANEL		1	-	1	1	-	1	1	-	1	-

TITLE	ASSY NO.	SIZE CODE	NUMBER	REV.	ECO NO.
PARTS LIST DZ11	D-UA-DZ11-0-0	A PL	DZ11-0-0	E	DZ11-MK005
	SHEET 1 OF 2	DIST.			

DEC FORM DEC 16-(325)-1031-N870
DRA 110

MK

DIGITAL EQUIPMENT CORPORATION MAYNARD, MASSACHUSETTS PARTS LIST			QUANTITY/VARIATION										
MADE BY K. DAVIS		CHECKED <i>P. Cappabianca</i>	SECTION		DZ11-A	DZ11-B	DZ11-E	DZ11-C	DZ11-D	DZ11-F	DZ11-AA	DZ11-BA	DZ11-EA
DATE 4-MAY-76		DATE 14-MAY-76	ISSUED SECT.										
ENG R. CORMIER		PROD T. McCABE											
DATE 13-MAY-76		DATE 14-MAY-76											
ITEM NO.	DWG NO. / PART NO.	DESCRIPTION											
23	H7004B	FILTERED CONNECTOR (40 POS)		-	-	-	1	1	2	-	-	-	-
24	H7004C	FILTERED CONNECTOR (50 POS)		1	1	2	-	-	-	-	-	-	2
25	D-UA-BC06K-0J-0	MIRROR IMAGE CABLE (40 POS)		-	-	-	1	1	2	-	-	-	-
26	D-UA-BC06L-0J-0	MIRROR IMAGE CABLE (50 POS)		1	1	2	-	-	-	-	-	-	2
27	9006022-01	SCR, PHL PAN HD #6-32 x .38		2	2	4	2	2	4	2	2	4	-
28	9006633-00	WASHER, INT TOOTH LOCK #6		2	2	4	2	2	4	2	2	4	-
29	1215278-00	CABLE PROTECTOR		1	1	2	1	1	2	1	1	2	-
30	D-IA-BC05W - 8	50 CONDUCTOR SIGNAL CABLE (BC05W)		-	-	-	-	-	-	-	-	-	2

TITLE	ASSY NO.	SIZE CODE	NUMBER	REV.	ECO NO.
PARTS LIST DZ11	D-UA-DZ11-0-0	A PL	DZ11-0-0	E	DZ11-MK005
	SHEET 2 OF 2	DIST.			

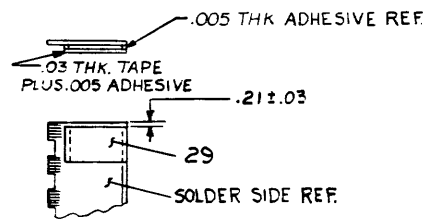
DEC FORM DEC 16-(325)-1031-N870
DRA 110

M

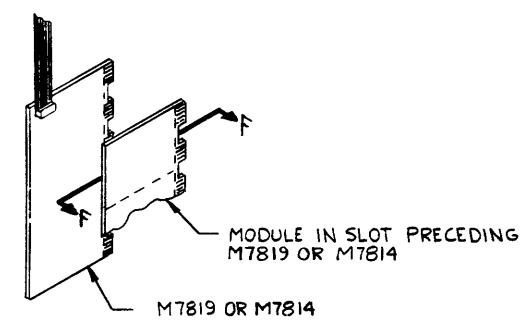
"THIS DRAWING AND SPECIFICATIONS, HEREIN, ARE THE PROPERTY OF DIGITAL EQUIPMENT CORPORATION AND SHALL NOT BE REPRODUCED OR COPIED OR USED IN WHOLE OR IN PART AS THE BASIS FOR THE MANUFACTURE OR SALE OF ITEMS WITHOUT WRITTEN PERMISSION. COPYRIGHT © 1976, DIGITAL EQUIPMENT CORPORATION"

REV. 2
 NUMBER 02-0-11-0000
 SIZE CODE 2

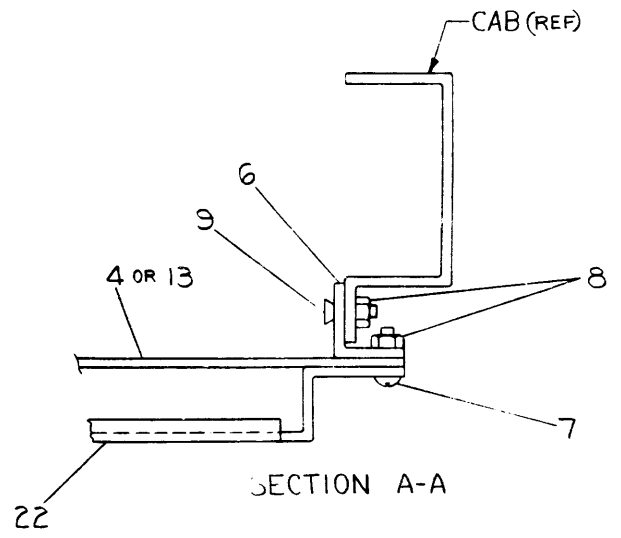
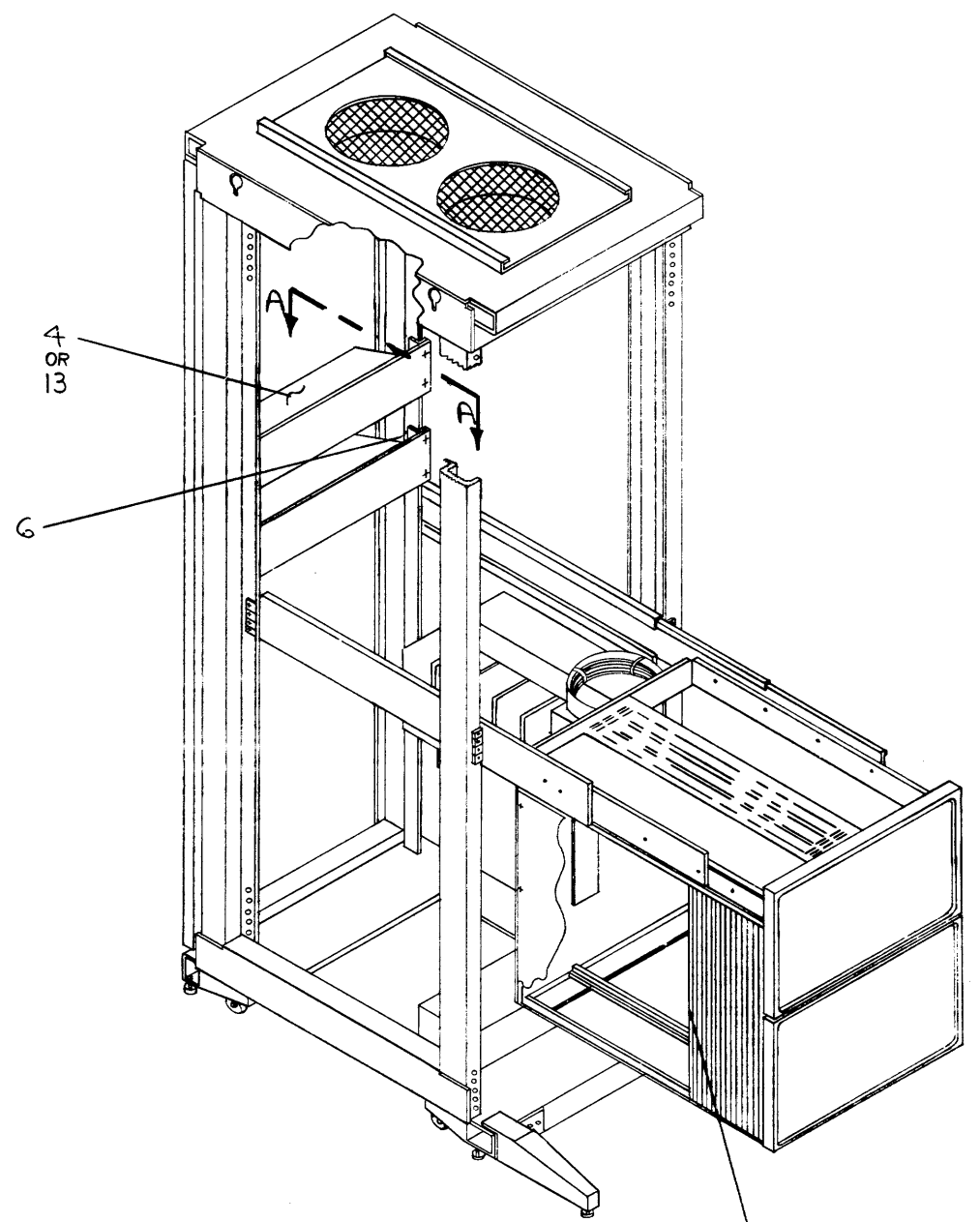
- NOTES:
- ~~DO NOT REMOVE SHIPPING BRACKET~~
 - TEST CONNECTORS ITEMS 2 & 5 (NOT SHOWN) ARE USED FOR TESTING DZ11 A, B & E. ALSO NOT SHOWN IS A TEST CONNECTOR (ITEM 15) USED FOR TESTING THE DZ11-C, D & F.
 - AT SYSTEM CONFIGURATION LEVEL, ASSEMBLE ITEM 29 TO MODULE PRECEDING ITEM(S) 1 OR 14. ORIENTATE AS SHOWN. MAKE CERTAIN SURFACES THAT ITEM 29 ADHERE TO ARE FREE FROM GREASE OR OTHER FOREIGN MATTER.



SECTION F-F
 SEE NOTE 3



VIEW E-E



SECTION A-A

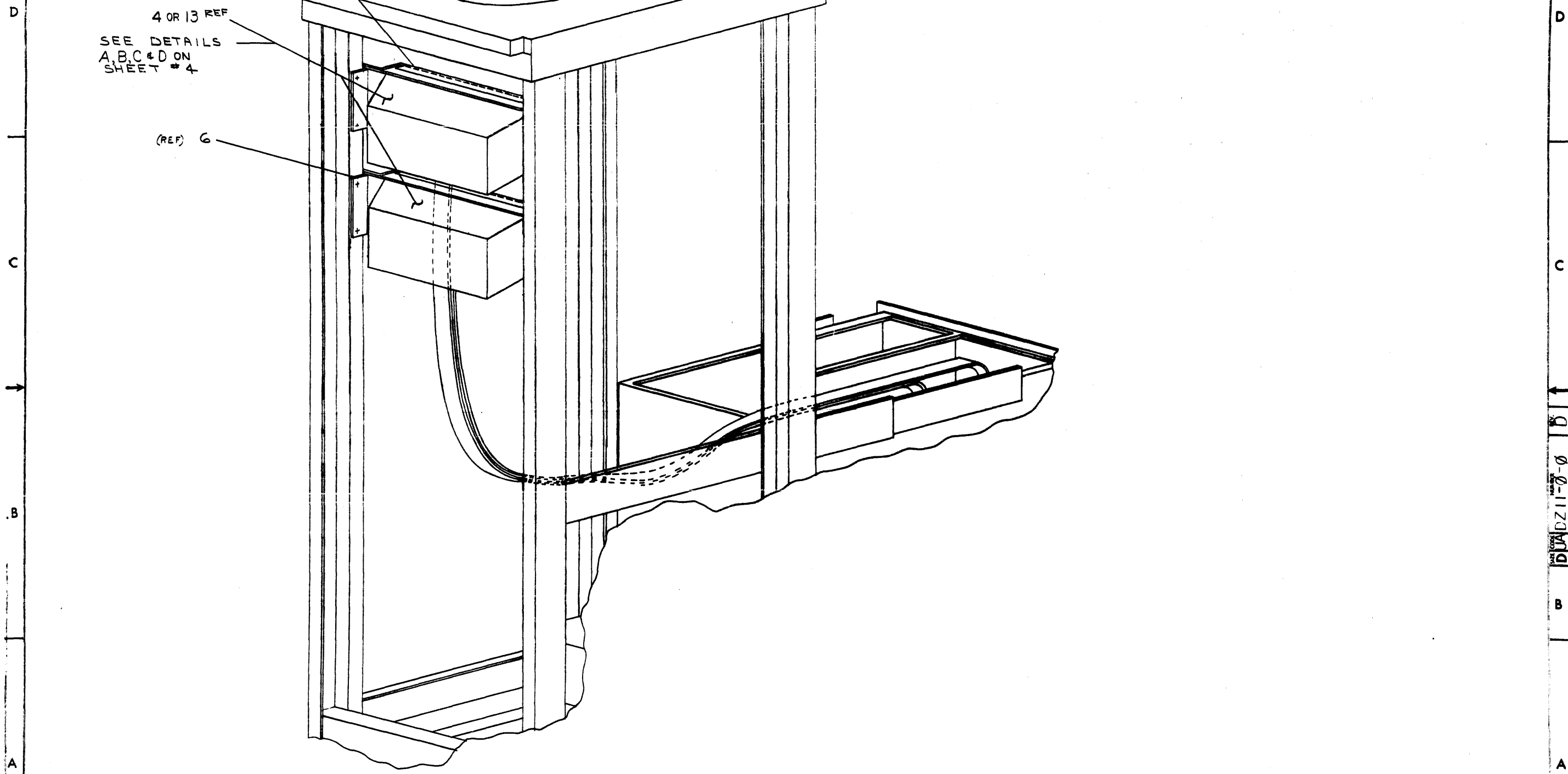
FOR PARTS LIST SEE H-PL-DZ11-0-0

REV.	CHANGE NO.	REV.
1	DZ11-00001	A
2	4 Jan. 77	
3	R. A. CORMIER	
4	DZ11-00002	B
5	9 May 77	
6	R. A. CORMIER	
7	DZ11-00003	C
8	R. CORMIER	
9	22 August 77	
10	DZ11-00004	D
11	5	
12	P. PORRECA	
13	5 May 78	

QUANTITY & VARIATION	DESCRIPTION		DWG./PART NO.	ITEM NO.
		UNLESS OTHERWISE SPECIFIED DIMENSIONS ARE IN INCHES		
	ANGLES ±0° 30'	CLASS OF ACCURACY (CHECK ONE)	NOMINAL DIMENSION RANGE INCHES	
	SURFACE QUALITY IN MICROINCHES	MEDIUM	OVER 0 TO 0.2	OVER 0.2 TO 1.2
		PREFERRED	OVER 1.2 TO 2.0	OVER 2.0 TO 4.0
			OVER 4.0 TO 12.0	OVER 12.0 TO 80.0
			±.004 ±.008 ±.012 ±.018 ±.024 ±.04	±.004 ±.01
			±.012 ±.018 ±.025 ±.04 ±.08 ±.1	
THIRD ANGLE PROJECTION	DRN. K. Gaud	5-4-76	FIRST USED ON	DZ11
REMOVE BURRS AND BREAK SHARP CORNERS	CHK'D P. Gaud	5-19-76	TITLE	UNIT ASSY LZ11
DO NOT SCALE DWG	ENG. J. Gaud	5-2-76	SIZE CODE	D
MATERIAL SEE PARTS LIST	PROJ. ENG. J. Gaud	5-2-76	NUMBER	02-0-11-0000
FINISH	PROD. J. Gaud	11-78	REV	D
	NEXT HIGHER ASSY.		DIST.	
	SCALE NONE			
	SHEET 1 OF 4			

"THIS DRAWING AND SPECIFICATIONS HEREIN ARE THE PROPERTY OF DIGITAL EQUIPMENT CORPORATION AND SHALL NOT BE REPRODUCED OR COPIED OR USED IN WHOLE OR IN PART AS THE BASIS FOR THE MANUFACTURE OR SALE OF ITEMS WITHOUT WRITTEN PERMISSION. COPYRIGHT © 1970, DIGITAL EQUIPMENT CORPORATION"

DZ11-0-0 2



REVISIONS		
CHK	CHANGE NO.	REV.

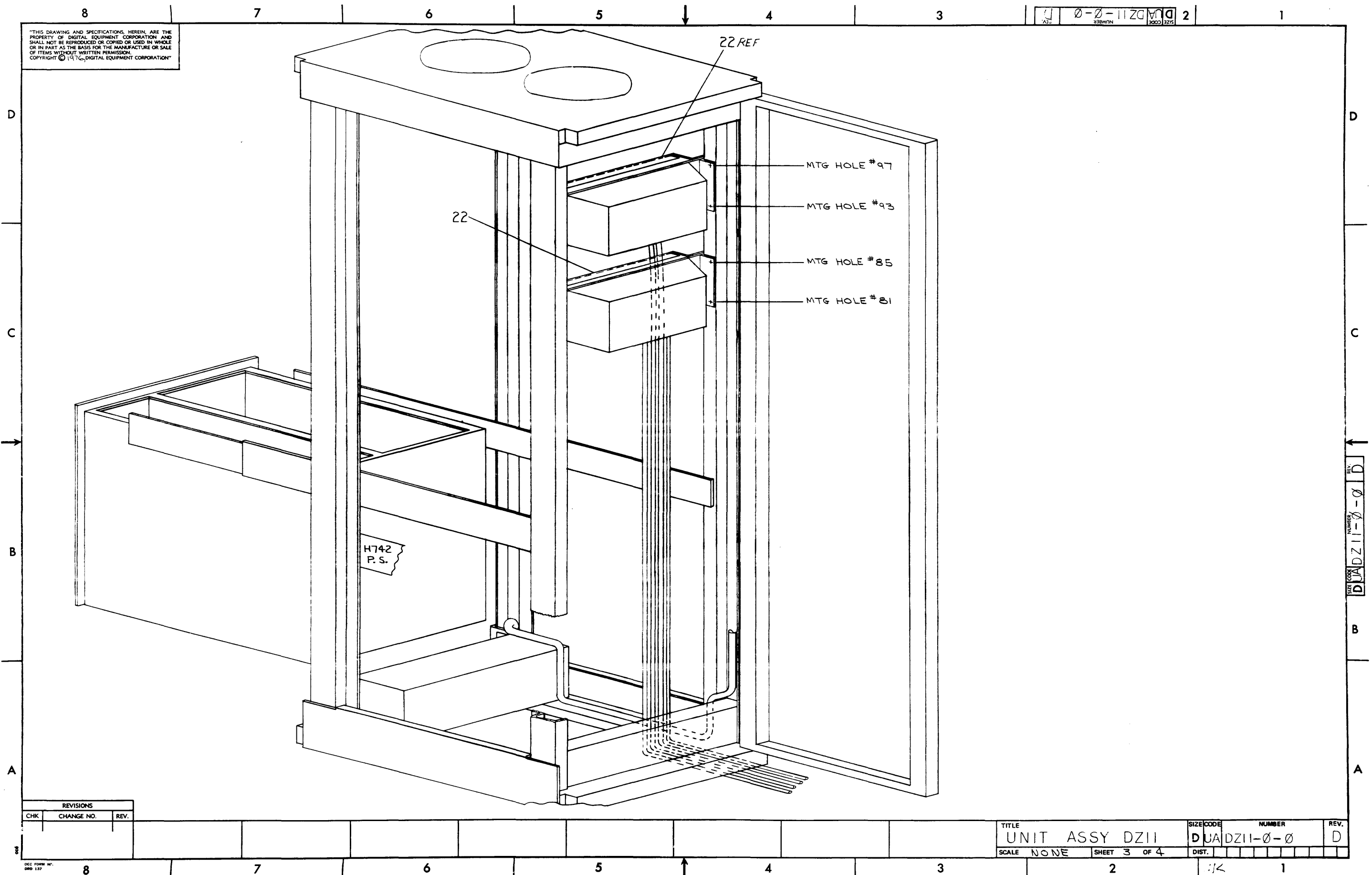
TITLE	UNIT ASSY DZ11	SIZE CODE	DJA	NUMBER	DZ11-0-0	REV.	D
SCALE	NONE	SHEET	2 OF 4	DIST.			

MK

DZ11-0-0

"THIS DRAWING AND SPECIFICATIONS HEREIN ARE THE PROPERTY OF DIGITAL EQUIPMENT CORPORATION AND SHALL NOT BE REPRODUCED OR COPIED OR USED IN WHOLE OR IN PART AS THE BASIS FOR THE MANUFACTURE OR SALE OF ITEMS WITHOUT WRITTEN PERMISSION. COPYRIGHT © 1976, DIGITAL EQUIPMENT CORPORATION"

SIZE CODE NUMBER DUA DZ11-Ø-Ø 2



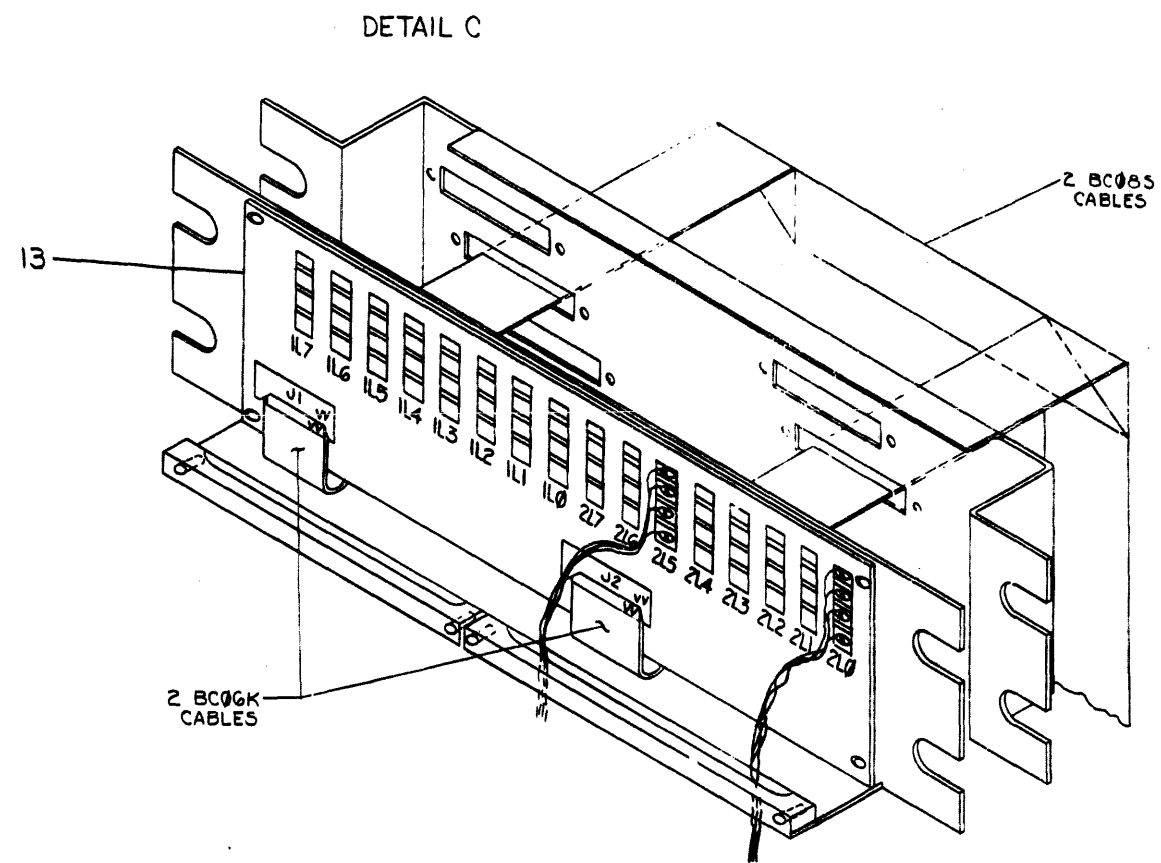
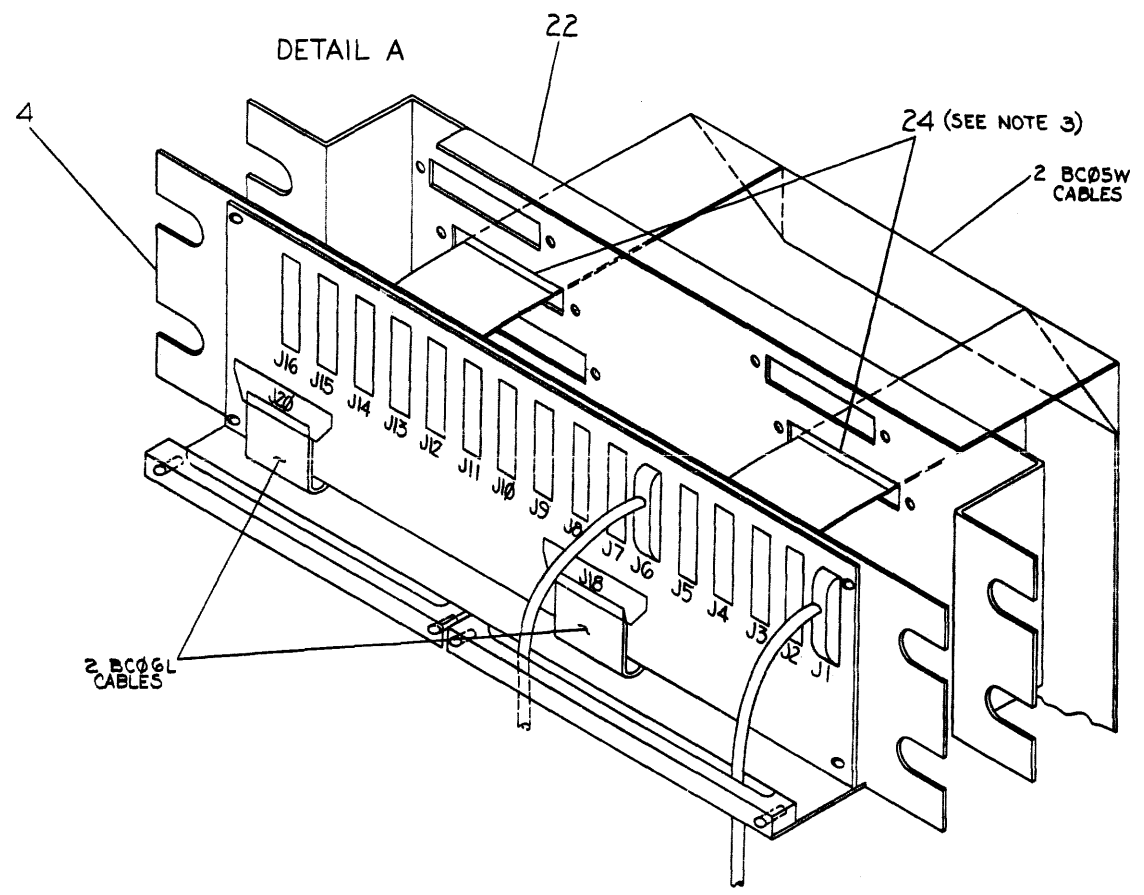
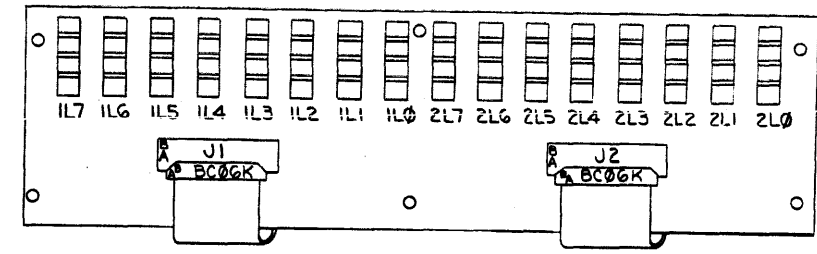
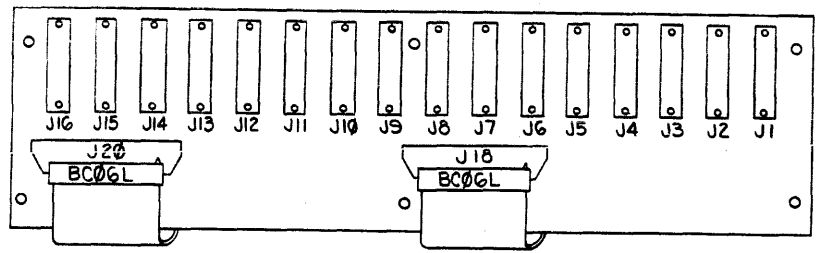
REVISIONS		
CHK	CHANGE NO.	REV.

TITLE	UNIT ASSY DZ11	SIZE CODE	DUA	NUMBER	DZ11-Ø-Ø	REV.	D
SCALE	NONE	SHEET	3	OF	4	DIST.	

THIS DRAWING AND SPECIFICATIONS, HEREIN, ARE THE PROPERTY OF DIGITAL EQUIPMENT CORPORATION AND SHALL NOT BE REPRODUCED OR COPIED OR USED IN WHOLE OR IN PART AS THE BASIS FOR THE MANUFACTURE OR SALE OF ITEMS WITHOUT WRITTEN PERMISSION. COPYRIGHT © DIGITAL EQUIPMENT CORPORATION

0-0-1120 2

NOTE:
 1. MOUNT FILTERS (ITEM 23 OR 24) TO THE OUTSIDE OF MOUNTING BRACKET (ITEM 22) WITH SCREWS AND LOCK WASHERS (ITEM 27 AND 28)

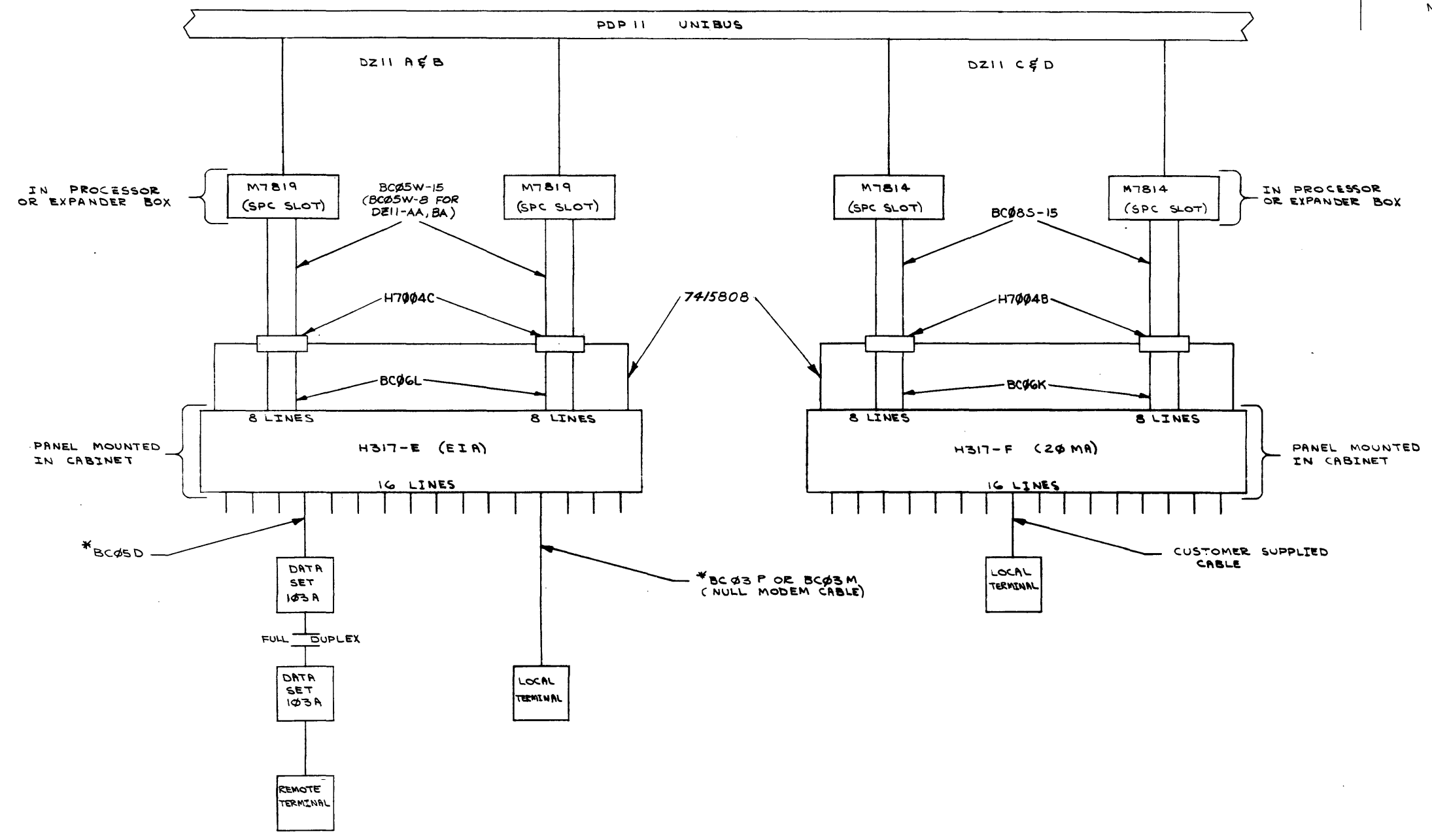


REVISIONS		
CHK	CHANGE NO.	REV.

TITLE	UNIT ASSY. DZ11	SIZE CODE	DUA	NUMBER	DZ11-0-0	REV.	0
SCALE	NONE	SHEET	4	OF	4	DIST.	

"THIS DRAWING AND SPECIFICATIONS, HEREIN, ARE THE PROPERTY OF DIGITAL EQUIPMENT CORPORATION AND SHALL NOT BE REPRODUCED OR COPIED OR USED IN WHOLE OR IN PART AS THE BASIS FOR THE MANUFACTURE OR SALE OF ITEMS WITHOUT WRITTEN PERMISSION. COPYRIGHT © 1976, DIGITAL EQUIPMENT CORPORATION"

NOTES:
 1. * THE BC05D, BC03M & BC03P CABLES ARE NOT INCLUDED IN THE DZ11 OPTION AND MUST BE ORDERED SEPARATELY.



REV.	CHG. NO.	DATE	BY	REASON
A	00003		R. CORMIER	
B			R. CORMIER	

DRN. <i>X. Vito</i>	3-1-76	FIRST USED ON	DZ11
CHK'D <i>PC</i>	5-14-76	TITLE	SYSTEM CONNECT DIAGRAM
ENG. <i>...</i>	5-13-76	SIZE	D BD
PROJ. ENG. <i>...</i>	5-14-76	CODE	DZ11-0-8
PROD. <i>...</i>	5-14-76	NUMBER	1
NEXT HIGHER ASSY.		REV.	B
D-UA-DZ11-0-0		SCALE	
SHEET	OF	DIST.	

1 MK

THIS DRAWING AND SPECIFICATIONS, HEREIN, ARE THE PROPERTY OF DIGITAL EQUIPMENT CORPORATION AND SHALL NOT BE REPRODUCED OR COPIED OR USED IN WHOLE OR IN PART AS THE BASIS FOR THE MANUFACTURE OR SALE OF ITEMS WITHOUT WRITTEN PERMISSION. COPYRIGHT © DIGITAL EQUIPMENT CORPORATION

LEGEND

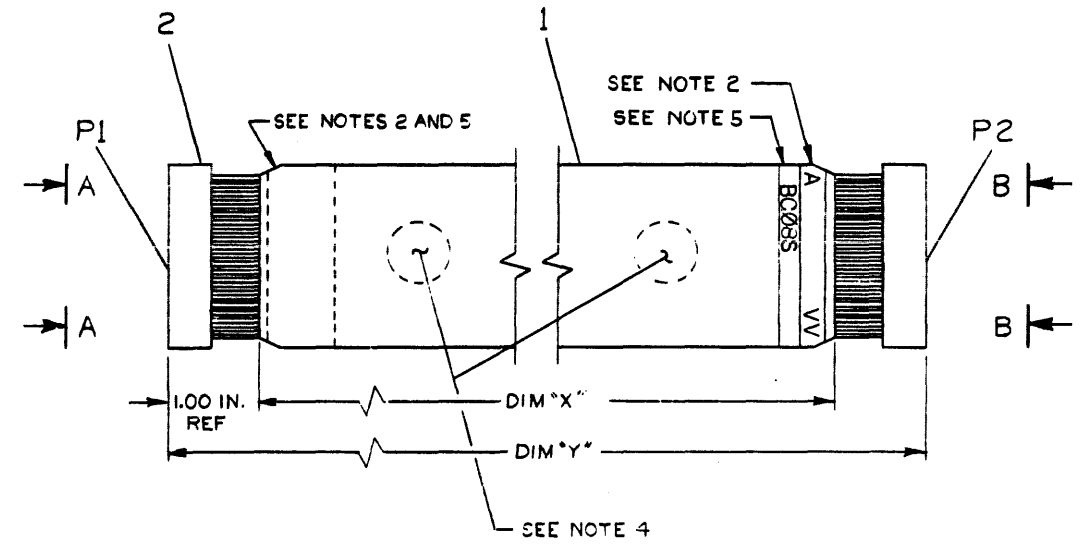
NUMBER	DIM "X" VAR	DIM "Y" REF
BCØ85-1	10.00IN ± 1.00IN.	1.00FT ± 1.00IN.
BCØ85-1B	14.00IN ± 1.00IN.	1.00IN ± 1.00IN.
BCØ85-1K	2.00FT 9.00IN ± 1.00IN.	2.00FT 11.00IN ± 1.00IN.
BCØ85-5L	70.00IN ± 1.50IN	72.00IN ± 1.50IN
BCØ85-7	7.00FT ± 2.00IN.	7.00FT 2.00IN ± 2.00IN.
BCØ85-8	8.00FT ± 2.00IN.	8.00FT 2.00IN ± 2.00IN.
BCØ85-9	9.00FT ± 2.00IN.	9.00FT 2.00IN ± 2.00IN.
BCØ85-1Ø	10.00FT ± 2.00IN.	10.00FT 2.00IN ± 2.00IN.
BCØ85-11	11.00FT ± 3.00IN.	11.00FT 2.00IN ± 3.00IN.
BCØ85-12	12.00FT ± 3.00IN.	12.00FT 2.00IN ± 3.00IN.
BCØ85-13	13.00FT ± 3.00IN.	13.00FT 2.00IN ± 3.00IN.
BCØ85-14	14.00FT ± 3.00IN.	14.00FT 2.00IN ± 3.00IN.
BCØ85-15	15.00FT ± 5.00IN ± 0.00IN	15.00FT 2.00IN ± 3.00IN.
BCØ85-16	16.00FT ± 3.00IN.	16.00FT 2.00IN ± 3.00IN.
BCØ85-17	17.00FT ± 3.00IN.	17.00FT 2.00IN ± 3.00IN.
BCØ85-18	18.00FT ± 3.00IN.	18.00FT 2.00IN ± 3.00IN.
BCØ85-19	19.00FT ± 3.00IN.	19.00FT 2.00IN ± 3.00IN.
BCØ85-20	20.00FT ± 3.00IN.	20.00FT 2.00IN ± 3.00IN.
BCØ85-25	25.00FT ± 3.00 FT.	25.00FT 2.00IN ± 3.00IN.
BCØ85-30	30.00FT ± 0.60 FT	30.00FT 2.00IN ± 0.60 FT
BCØ85-35	35.00FT ± 0.700 FT	35.00FT 2.00IN ± 0.700 FT.
BCØ85-50	50.00FT ± 1.000 FT	50.00FT 2.00IN ± 1.000 FT
BCØ85-Z	2.00 FT ± 1.00 IN.	2.00 FT 2.00 IN ± 1.00 IN.

NOTES:

- CONNECTORS P1 AND P2, ARE TO BE WIRED POINT TO POINT.
- CONNECTOR LEGEND IDENTIFICATION TO BE PLACED ON SHIELD SIDE OF CABLE AT ONE END, AND WIRE SIDE OF CABLE ON THE OTHER END.
- MUST BE ASSEMBLED TO PROCESS SPECIFICATION 7606485-0-0.
- INSPECTION AND TEST STAMPS TO BE PLACED AT EACH END OF THE CABLE ASSEMBLY.
- THE NUMBER BCØ85 MUST BE ON THE CABLE IN CONJUNCTION WITH CONNECTOR LEGEND IDENTIFICATION.

B A
D C
F E
H K
L M
N P
R S
T U
V W
X Y
Z
BB AA
DD CC
FF EE
JJ HH
LL KK
NN MM
RR PP
TT SS
VV UU

VIEW A-A
CONN. LEGEND REF



B A
D C
F E
H K
L M
N P
R S
T U
V W
X Y
Z
BB AA
DD CC
FF EE
JJ HH
LL KK
NN MM
RR PP
TT SS
VV UU

VIEW B-B
CONN. LEGEND REF

REV.	CHANGE NO.	BY	DATE
1	1	S. HOLMIS	19 July 76
2	1	A.C. BOCOS	19 July 76
3	1	E.J. NEUMYER	7/27/76

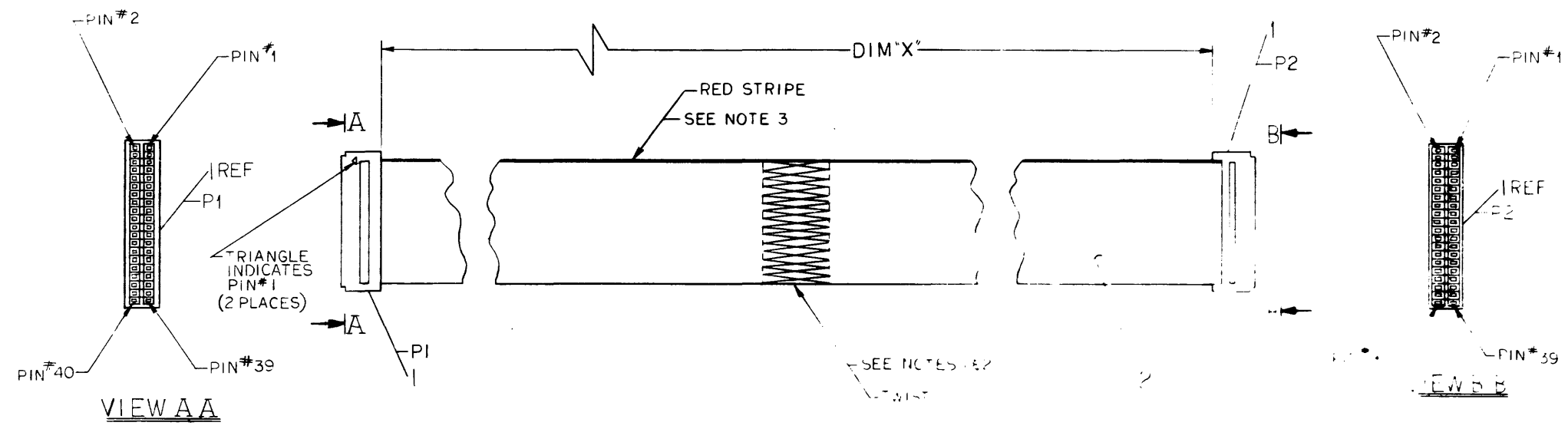
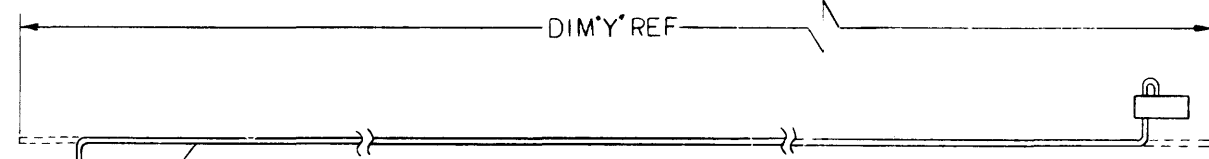
2	CONNECTOR, 40 SOCKET	1211206	2
A/R	CABLE, FLAT 40 COND	1700004	1
DESCRIPTION		DWG. PART NO.	ITEM NO.
UNLESS OTHERWISE SPECIFIED DIMENSIONS ARE IN INCHES			
TOLERANCES UNLESS OTHERWISE SPECIFIED			
ANGLES	± 30'	± 30'	± 30'
SURFACE QUALITY			
FINISH	PREPARED	AS SHOWN	AS SHOWN
QUANTITY & VARIATION	QUANTITY	VARIATION	
THIRD ANGLE PROJECTION	DRN. J. FERGLUSEN-12-71	FIRST USED ON	20-0000
REMOVE BURRS AND BREAK SHARP CORNERS	CHK'D D.K. CRABBE-13-71	TITLE	LAB-E
DO NOT SCALE DWG	ENR. D.K. CRABBE-13-71	I/O CABLE ASS'Y (DIAG. JUMPER)	
MATERIAL	PROD. ENG. BLANCHARD-20-71	SIZE	CODE
SCALE NONE	PROD. P. FAZIO 5-21-71	D	IA
FINISH	NEXT HIGHER ASSY.	BLANKET	REV.
	A-PL-DR8-EA-8	BCØ85-0-0	N
	SCALE	SHEET	OF
		2	1

ALL DIMENSIONS UNLESS OTHERWISE SPECIFIED ARE IN INCHES. THIS DRAWING IS THE PROPERTY OF DIGITAL EQUIPMENT CORPORATION AND SHALL NOT BE REPRODUCED OR COPIED OR USED IN WHOLE OR IN PART WITHOUT WRITTEN PERMISSION OF DIGITAL EQUIPMENT CORPORATION.

WIRE TABLE							WIRE TABLE						
ITEM NO	DESCRIPTION	FROM	TO	REMARKS	ITEM NO	DESCRIPTION	FROM	TO	REMARKS				
NO	AWG	COLOR	CONN	WITH	CONN	WITH	CONN	WITH	REMARKS				
2	30		PI-1	P2-2	2	30	PI-21	P2-22					
			PI-2	P2-1			PI-22	P2-21					
			PI-3	P2-4			PI-23	P2-24					
			PI-4	P2-3			PI-24	P2-23					
			PI-5	P2-6			PI-25	P2-26					
			PI-6	P2-5			PI-26	P2-25					
			PI-7	P2-8			PI-27	P2-28					
			PI-8	P2-7			PI-28	P2-27					
			PI-9	P2-10			PI-29	P2-30					
			PI-10	P2-9			PI-30	P2-29					
			PI-11	P2-12			PI-31	P2-32					
			PI-12	P2-11			PI-32	P2-31					
			PI-13	P2-14			PI-33	P2-34					
			PI-14	P2-13			PI-34	P2-33					
			PI-15	P2-16			PI-35	P2-36					
			PI-16	P2-15			PI-36	P2-35					
			PI-17	P2-18			PI-37	P2-38					
			PI-18	P2-17			PI-38	P2-37					
			PI-19	P2-20			PI-39	P2-40					
			PI-20	P2-19			PI-40	P2-39					

LEGEND		
NUMBER	DIM'X VARIATION	DIM'Y (PRECUT) REF
BC06K-0J	ØFT-8IN ±.5IN	ØFT-9 IN ±.5IN
BC06K-1K	1FT-9IN ±1.0IN	1FT-10 IN ±1.0 IN
BC06K-7K	7FT-9IN ±2.0IN	7FT-Ø IN ±2.0IN
BC06K-4B	4FT-2IN ±2.0IN	4FT-3IN ±2.0IN

- NOTES:
1. TWIST TO BE APPROXIMATELY IN CENTER OF CABLE, AND BE A MIN OF 3IN FROM CONNECTOR.
 2. RIBBON CABLE (ITEM#2) CONTAINS A TWIST SECTION EVERY 21 INCHES, THERE MUST BE AN ODD NUMBER OF TWIST SECTIONS WITHIN ANY LENGTH VARIATION OF BC06K CABLE.
 3. IF A RED STRIPE APPEARS ON THE CABLE IT MUST BE POSITIONED AS SHOWN.



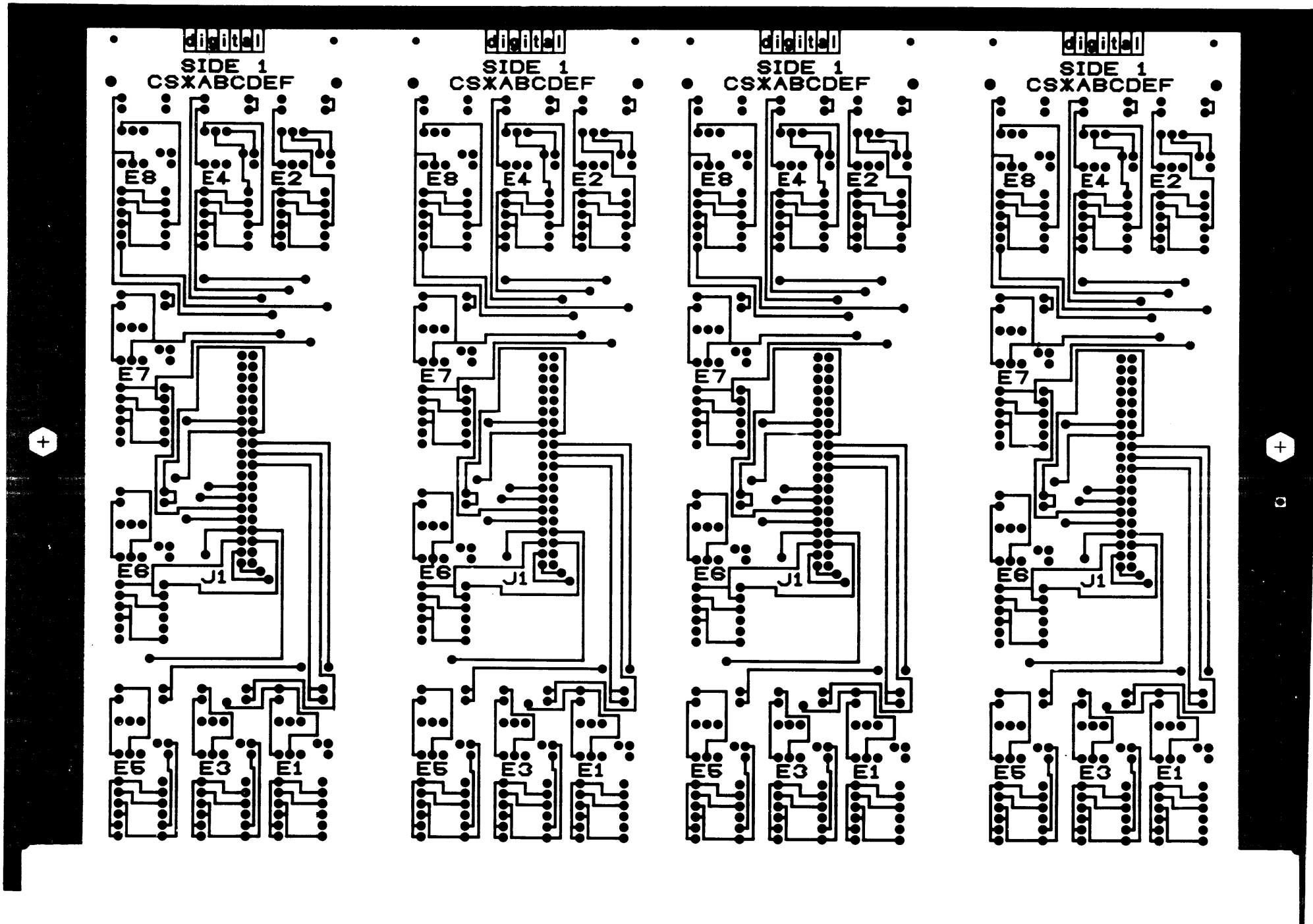
REV.	CHANGE NO.	DATE
A	00001	1/11/77

DESCRIPTION	DWG./PART NO.	ITEM NO.
UNLESS OTHERWISE SPECIFIED DIMENSIONS ARE IN INCHES		
ANGLES 20° 30°	CLASS OF ACCURACY	NOMINAL DIMENSION RANGE INCHES
SURFACE QUALITY IN	(CHECK ONE)	OVER 0 TO 1.2
QUANTITY & VARIATION	PREFERRED	1.2 TO 4.0
THIRD ANGLE PROJECTION		4.0 TO 12.0
REMOVE BURRS AND BREAK SHARP CORNERS		12.0 TO 40.0
DO NOT SCALE DWG		40.0 TO 80.0
MATERIAL SEE PARTS LIST		80.0 TO 100.0
FINISH		100.0 TO 100.0

DRN. <i>J. M. Mader</i>	1/11/77	FIRST USED ON
CHKD. <i>J. M. Mader</i>	7/28/77	H7004-B
ENG. <i>J. M. Mader</i>	7/28/77	TITLE
PROJ. ENG. <i>J. M. Mader</i>	7/28/77	MIRROR IMAGE CABLE
PROD. <i>J. M. Mader</i>	7/28/77	

SIZE	CODE	NUMBER	REV.
D	UA	BC06K-0-0	A

THIS DRAWING AND SPECIFICATION HEREIN ARE THE PROPERTY OF DIGITAL EQUIPMENT CORPORATION AND SHALL NOT BE REPRODUCED OR COPIED OR USED IN WHOLE OR IN PART AS THE BASIS FOR THE MANUFACTURE OR SALE OF ITEMS WITHOUT WRITTEN PERMISSION. COPYRIGHT © 1968 DIGITAL EQUIPMENT CORPORATION



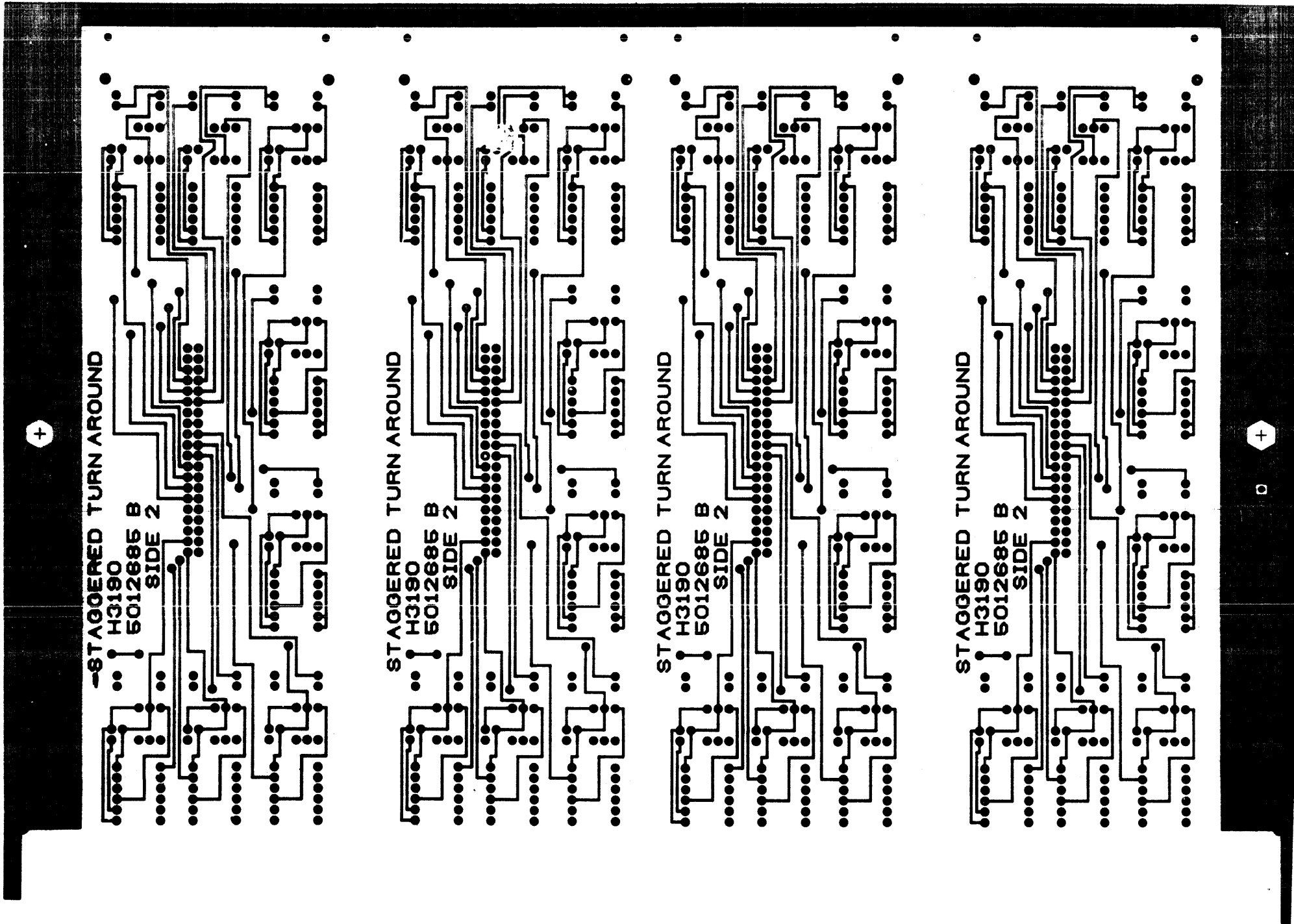
VIEWED FROM SIDE 1

REVISIONS		
CHK	CHANGE NO.	REV.

TITLE	SIZE/SCALE	CODE	NUMBER	REV.
STAGGERED TURNAROUND	2:1	DU A	H3190 -0-0	A
SHEET	OF	DIST.		
2	3			

MK

THIS DRAWING AND SPECIFICATIONS HEREIN ARE THE PROPERTY OF DIGITAL EQUIPMENT CORPORATION AND SHALL NOT BE REPRODUCED OR COPIED OR USED IN WHOLE OR IN PART AS THE BASIS FOR THE MANUFACTURE OR SALE OF ITEMS WITHOUT WRITTEN PERMISSION. COPYRIGHT © 1977 DIGITAL EQUIPMENT CORPORATION.



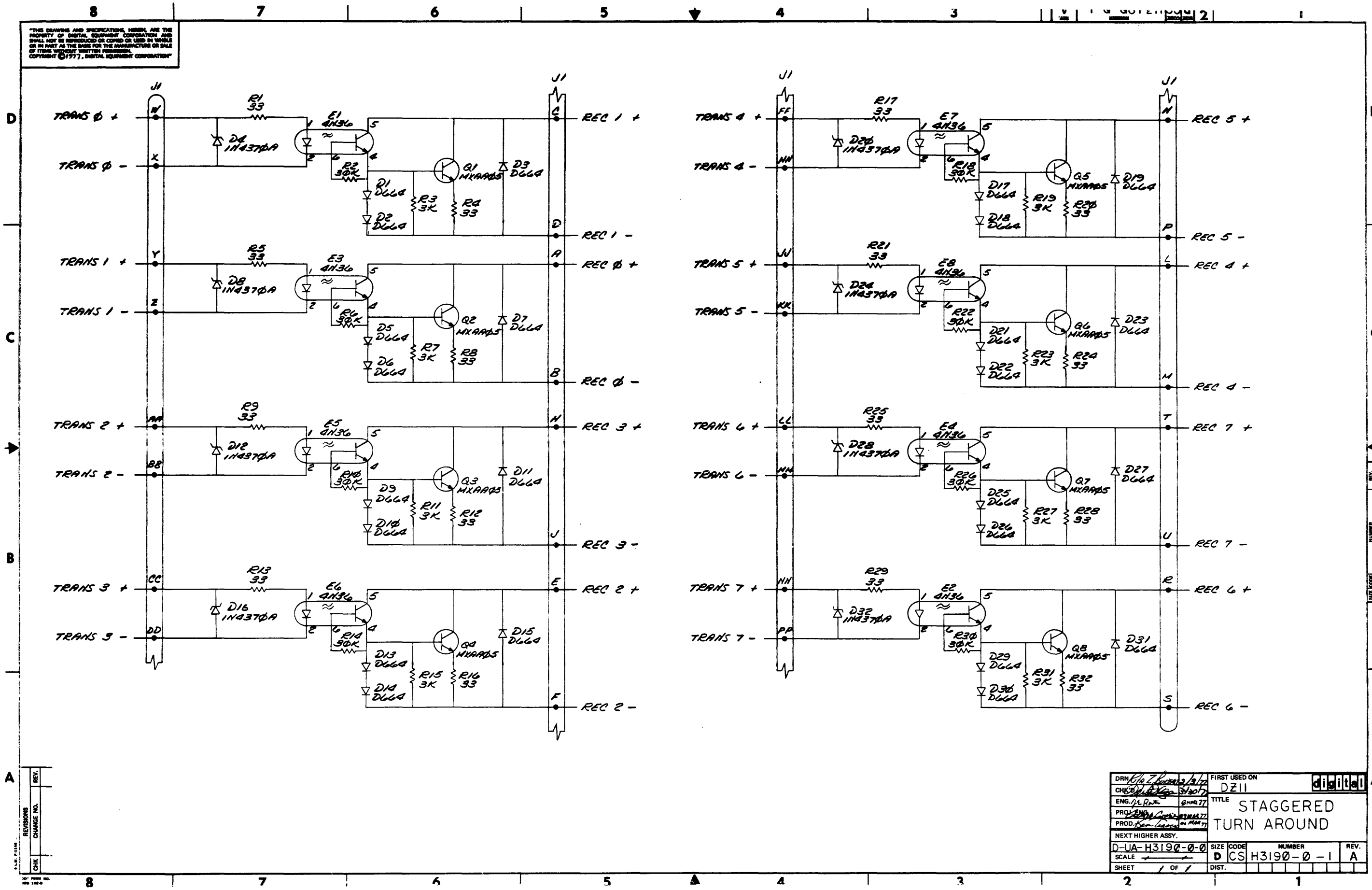
VIEWS FROM SIDE 2

REVISIONS		
CHK	CHANGE NO.	REV

TITLE	SIZE CODE	NUMBER	REV.
STAGGERED TURNAROUND	DUA	H3190 -0-0	A
SCALE 2:1	SHEET 3 OF 3	DIST	

MK

THIS DRAWING AND SPECIFICATIONS HEREIN ARE THE PROPERTY OF DIGITAL EQUIPMENT CORPORATION AND SHALL NOT BE REPRODUCED OR COPIED OR USED IN WHOLE OR IN PART AS THE BASIS FOR THE MANUFACTURE OR SALE OF ITEMS WITHOUT WRITTEN PERMISSION. COPYRIGHT © 1977, DIGITAL EQUIPMENT CORPORATION



DRN	CHKD	ENG	PROJ	PROD	NEXT HIGHER ASSY.	DATE	FIRST USED ON	TITLE	REV.	
							DZ11	STAGGERED TURN AROUND	A	
D-UA-H3190-0-0						SCALE	SIZE	CODE	NUMBER	REV.
SHEET 1 OF 1						D	CS	H3190-0-1	A	

DIGITAL EQUIPMENT CORPORATION MAYNARD, MASSACHUSETTS PARTS LIST					QUANTITY/VARIATION									
MADE BY K. DAVIS		CHECKED <i>P. Cappabianca</i>		SECTION	DZ11-A	DZ11-B	DZ11-E	DZ11-C	DZ11-D	DZ11-F	DZ11-AA	DZ11-BA	DZ11-EA	
DATE 4 MAY 76		DATE 19 May 76												
ENG <i>R. Cormier</i>		PROD <i>T. McCabe</i>		ISSUED SECT.										
DATE 5-13-76		DATE 5-14-76												
ITEM NO.	DWG NO. / PART NO.	DESCRIPTION												
1	D-UA-M7819-0-0	8 LINE EIA ASYNCHRONOUS MUX			1	1	2	-	-	-	-	-	2	
2	D-UA-H3271-0-0	CONNECTOR, TURN AROUND (EIA)			1	-	1	-	-	-	-	-	1	
3	D-IA-BC05W-15	50 CONDUCTOR SIGNAL CABLE (BC05W)			1	1	2	-	-	-	-	-	-	
4	EK-DZ110-OP-001	MANUAL, USERS			1	-	1	1	-	1	1	-	1	
5	ZJ223-RB	DIAGNOSTIC SOFTWARE KIT			1	-	1	1	-	1	1	-	1	
6	B-TC-DZ11-0-6	DZ11-A,B&E PRINT SET (MP00132)			1	1	1	-	-	-	1	1	1	
7	B-TC-DZ11-0-10	DZ11-B PRINT SET			1	1	1	-	-	-	1	1	1	
8	D-CS-H325-0-1	H325 TEST CONNECTOR			1	-	1	-	-	-	1	-	1	
9	D-UA-H317-E-0	H317 CABLE BOX ASSY (EIA)			1	-	1	-	-	-	1	-	1	
10	MAINDEC-11-DXQLL	DEC/X11 LIBRARY *			1	-	1	1	-	1	1	-	1	
11	C-IA-BC08S-15	40 CONDUCTOR SIGNAL CABLE (BC08S)			-	-	-	1	1	2	-	-	-	
12	D-UA-H317-F-0	H317 CABLE BOX ASS (20 MA)			-	-	-	1	-	1	-	-	-	
13	B-TC-DZ11-0-11	DZ11 C,D&F PRINT SET (MP00253)			-	-	-	1	1	1	-	-	-	
14	B-TC-DZ11-0-12	DZ11-D PRINT SET			-	-	-	1	1	1	-	-	-	
15	D-UA-M7814-0-0	8 LINE 20MA ASYNCHRONOUS MUX			-	-	-	1	1	2	-	-	-	
16	MAINDEC-11-DZDZB-REV-D	ITEP LISTING			1	-	1	-	-	-	1	-	1	
17	MAINDEC-11-DZDZB-REV-PB	ITEP OVERLAY TAPE			1	-	1	-	-	-	1	-	1	
18	D-IA-7415808-0-0	CONNECTOR MFG PANEL			1	-	1	1	-	1	1	-	1	
19	A-PL-H7004B	FILTERED CONNECTOR (40 POS)			-	-	-	1	1	2	-	-	-	
20	A-PL-H7004C	FILTERED CONNECTOR (50 POS)			1	1	2	-	-	-	1	1	2	
21	D-UA-BC06K-0J	MIRROR IMAGE CABLE (40 POS)			-	-	-	1	1	2	-	-	-	
22	D-UA-BC06L-0J	MIRROR IMAGE CABLE (50 POS)			1	1	2	-	-	-	1	1	2	
TITLE SHIPPING LIST DZ11				ASSY NO. D-UA-DZ11-0-0	SIZE CODE A PL	NUMBER DZ11-0-5				REV. D	ECO NO. DZ11-MK005			
				SHEET 1 OF 2	DIST.									

DEC FORM DEC 16-(325)-1031-N870
DRA 110

MK

DIGITAL EQUIPMENT CORPORATION MAYNARD, MASSACHUSETTS PARTS LIST					QUANTITY/VARIATION									
MADE BY K. DAVIS		CHECKED P. CAPPABIANCA		SECTION	DZ11-A	DZ11-B	DZ11-E	DZ11-C	DZ11-D	DZ11-F	DZ11-AA	DZ11-BA	DZ11-EA	
DATE 4 MAY 76		DATE 14 MAY 76		1										
ENG R. CORMIER		PROD T. McCABE		ISSUED SECT. 1										
DATE 5-13-76		DATE 5-14-76												
ITEM NO.	DWG NO. / PART NO.	DESCRIPTION												
23	D-UA-H3190-0-0	CONNECTOR, TURN AROUND (20 MA)			-	-	-	1	1	2	-	-	-	
24	D-IA-BC05W-8	50 CONDUCTOR SIGNAL CABLE (BC05W)			-	-	-	-	-	-	-	-	2	
				*THIS LIBRARY IS A BOOK THAT INCLUDES THE DZ11 DEC/X11 SYSTEM EXERCISER LISTING (MAINDEC-11-DXDZA-REV-D).										
TITLE SHIPPING LIST DZ11				ASSY NO. D-UA-DZ11-0-0	SIZE CODE A PL	NUMBER DZ11-0-5				REV. D	ECO NO. DZ11-MK005			
				SHEET 2 OF 2	DIST.									

DEC FORM DEC 16-(325)-1031-N870
DRA 110

MK