

**digital**

**DXII-B**  
**Engineering Drawings**  
**Digital Equipment Corporation**

The material herein is for information purposes only and is subject to change without notice. Digital Equipment Corporation assumes no responsibility for any errors which may appear herein.

These drawings and specifications herein are the property of Digital Equipment Corporation and shall not be reproduced or copied or used in whole or in part as the basis for the manufacture or sale of items without written permission.  
Copyright © 1975, Digital Equipment Corporation

**CUSTOMER PRINT SET INDEX**

THIS IS PRINT SET

- Print Set Type SEQUENCE**
- Drawing Directory
- DX11-B Unit Assy.  
Module Utilization  
Module Utilization  
Flow Diag. (Phase Ind. Seq.)  
DXDS DX Device Status  
DXCS Control Unit Status  
DXBA DX Bus Address  
DXBC DX BYTE Counter  
CUSR  
DXND NPR Data Reg.  
DXCB DX Control Bits  
DXMO/=CONO  
DXMI Control In/Bus In  
TTNDX Tumble Table Index  
CUAR Cont. Unit Address Reg.  
CUCR Cont. Unit Control Reg.  
Unibus Interface  
NPR and Int. Control  
Data Bus MUX  
Clock. Phase & Time State Gen.  
DMOB-CONO BUFF/BUSO BUFF.  
Indicator Conn.  
General Controls  
Sig & Gates  
Parity & Addr Compare  
IBM Interface  
Unibus Connectors  
Select Bypass & Power FATL  
Wire List  
Wire Testor Revision Status  
Power Supply  
Power Supply CS  
Power Control  
Power Control CS  
Power Control CS  
Regulator Board CS  
Parts List  
Engineering Spec.  
Accessory List  
(By-Pass) 360 Power Select  
360 Cable Receiver  
360 Cable Driver

- SEQUENCE**
- B-DD-DX11-B  
(Sht. 1 only)  
D-UA-DX11-B-0  
D-MU-DX11-B-01  
A-PL-DX11-B-01  
D-FD-DX11-B-04  
D-BS-DX11-B-05  
D-BS-DX11-B-06  
D-BS-DX11-B-07  
D-BS-DX11-B-08  
D-BS-DX11-B-09  
D-BS-DX11-B-10  
D-BS-DX11-B-11  
D-BS-DX11-B-12  
D-BS-DX11-B-13  
D-BS-DX11-B-14  
D-BS-DX11-B-15  
D-BS-DX11-B-16  
D-BS-DX11-B-17  
D-BS-DX11-B-18  
D-BS-DX11-B-19  
D-BS-DX11-B-20  
D-BS-DX11-B-21  
D-IC-DX11-B-22  
D-BS-DX11-B-24  
D-BS-DX11-B-25  
D-BS-DX11-B-26  
D-BS-DX11-B-27  
D-IC-DX11-B-28  
D-BS-DX11-B-29  
K-WL-DX11-B-30  
A-WT-7008719-0  
D-UA-H740-0  
D-CS-5409728-0  
E-UA-861-0-0  
D-CS-861-B-1  
D-CS-861-C-1  
D-CS-5410206-0-1  
A-PL-DX11-B-0  
K-FS-DX11-B-31  
A-AL-DX11-B-35  
D-CS-G890-01  
C-CS-M597-0-1  
C-CS-M697-0-1

- SEQUENCE**
- Unibus Addr Selector  
6 QUAD NOR Gate  
3-Input NAND Gate  
6-4 Input NAND Gate  
Unibus NPR Control  
Unibus Interrupt Control  
3-8 Input NAND Gate  
4 Line to 16 Line Decoder  
Six Flips Flops  
Synchronous 4-Bit Up/Down Counter  
High Speed Power Inverter Selector  
Parity Circuit  
Gating Module  
5 "D" Flip Flops  
Resistor Terminator  
Circuit Schemati 716  
EPO PN L ASSY  
Misc Controls & EPO Schematic  
IBM 360 Cable ASSY  
IBM 360 Cable Assy  
CRYSTAL CLOCK

- SEQUENCE**
- B-CS-M105-01  
B-CS-M116-0-1  
B-CS-M135-0-1  
B-CS-M137-0-1  
B-CS-M796-0-1  
B-CS-M7821-0-1  
B-CS-M139-0-1  
B-CS-M155-0-1  
B-CS-M216-0-1  
  
B-CS-M238-0-1  
B-CS-M611-0-1  
B-CS-M1713-0-1  
B-CS-M162-0-1  
C-CS-M169-0-1  
B-CS-M205-0-1  
C-CS-M984-0-1  
C-CS-716-0-1  
E-AD-7008792-0-0  
D-CS-7008792-0-1  
D-IA-7008919-0-0  
D-IA-7008920-0-0  
B-CS-M405-0-1

PRINT SET TYPE 2  
NONE  
  
Mfg Print Set  
(No Order Required, See Mfg. Set Requirement.)

UNIT VARIATIONS		PRINT SET	
VAR	TITLE	1	2
DX11-BA	DX11-B H950 CAB 115V 60 HZ	x	
DX11-BB	DX11-B H950 CAB 230V 50 HZ	x	
DX11-BC	DX11-B H957 CAB 115V 60 HZ	x	
DX11-BD	DX11-B H957 CAB 230V 50 HZ	x	
DX11-BE	DX11-B H950 CAB 115V 60 HZ		x
DX11-BF	DX11-B H950 CAB 230V 50 HZ		x
DX11-BG	DX11-B H957 CAB 115V 60 HZ		x
DX11-BH	DX11-B H957 CAB 230V 50 HZ		x

REV	CHG. NO.	
	N	P
9-74	DX11B-17	
10-74	DX11B-18	
5-75	DX11B-19	
5-75	DX11B-20	
11-75	DX11B-21	
12-75	DX11B-22	
7-76	DX11B-23	
11-76	DX11B-24	
3-77	DX11B-25	
9-77	DX11B-26	
11-77	DX11B-27	AA

USED ON OPTION/MODEL	DRN.	DATE	TITLE
PDP 11	Sid Roberts	6/7/72	DX11-B UNIT ASSY
	CHK'D. J. Cahill	6/8/72	
	PROJ ENG. R. Dieter	6/13/72	
	PROD. P. Tazio	6/13/72	
	FIELD SERV. I. Jarvi	6/13/72	

SIZE	CODE	NUMBER	REV
B	DD	DX11-B	AA

2

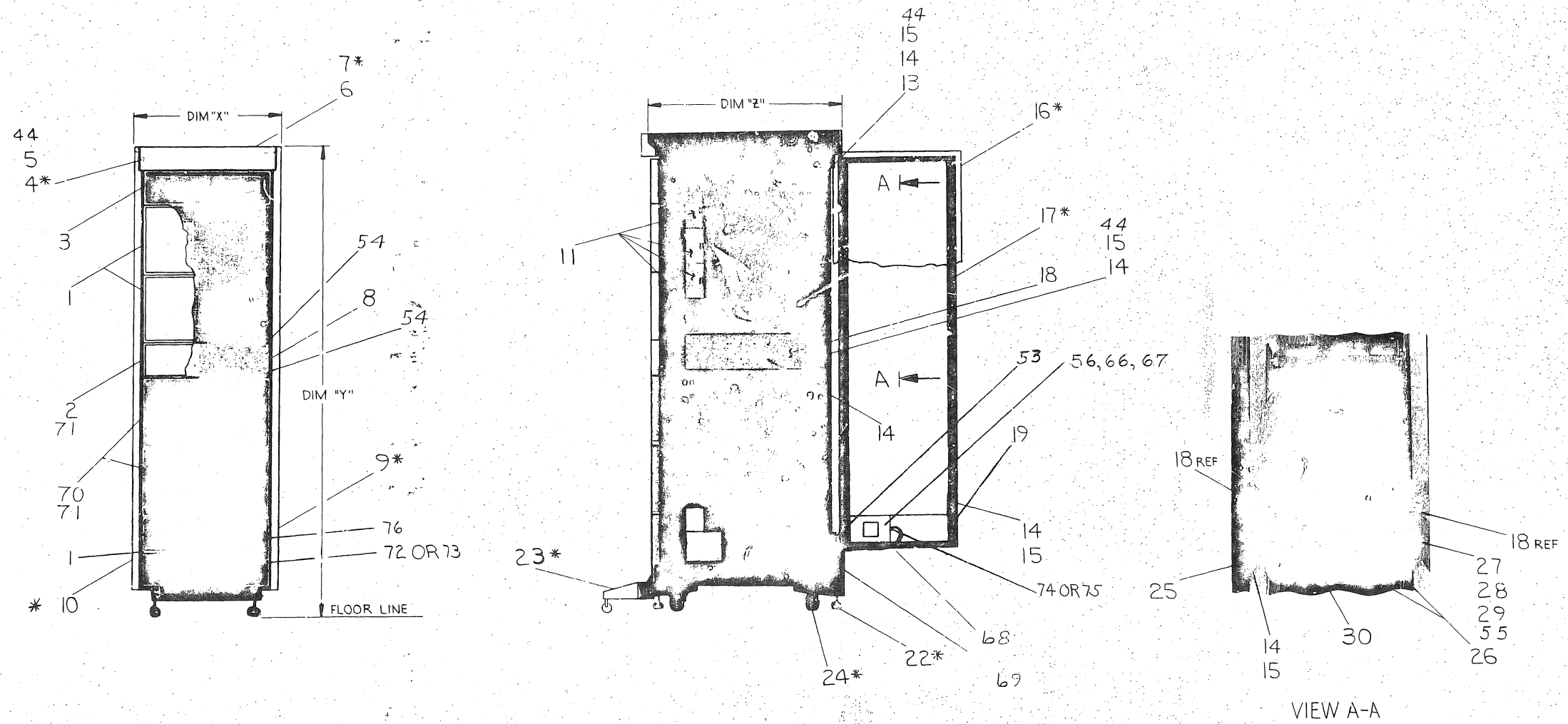


This drawing and specifications herein are the property of Digital Equipment Corporation and shall not be reproduced or copied or used in whole or in part as the basis for the manufacture or sale of items without written permission.

**LEGEND**

VARIATION	DIM "X"	DIM "Y"	DIM "Z"
DXII-BA	21.69	71.44	28.19
DXII-BB			
DXII-BC	21.69	49.65	28.19
DXII-BD			

**NOTES:**  
1. \* INDICATES ITEM NO. TO BE USED WITH UNIT OPTIONS DXII-BC & DXII-BD

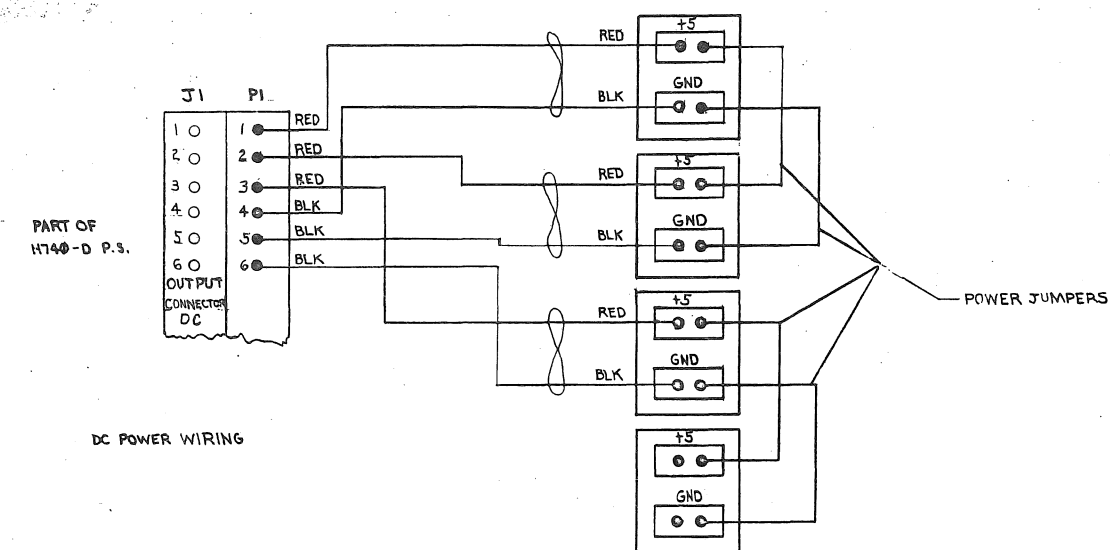
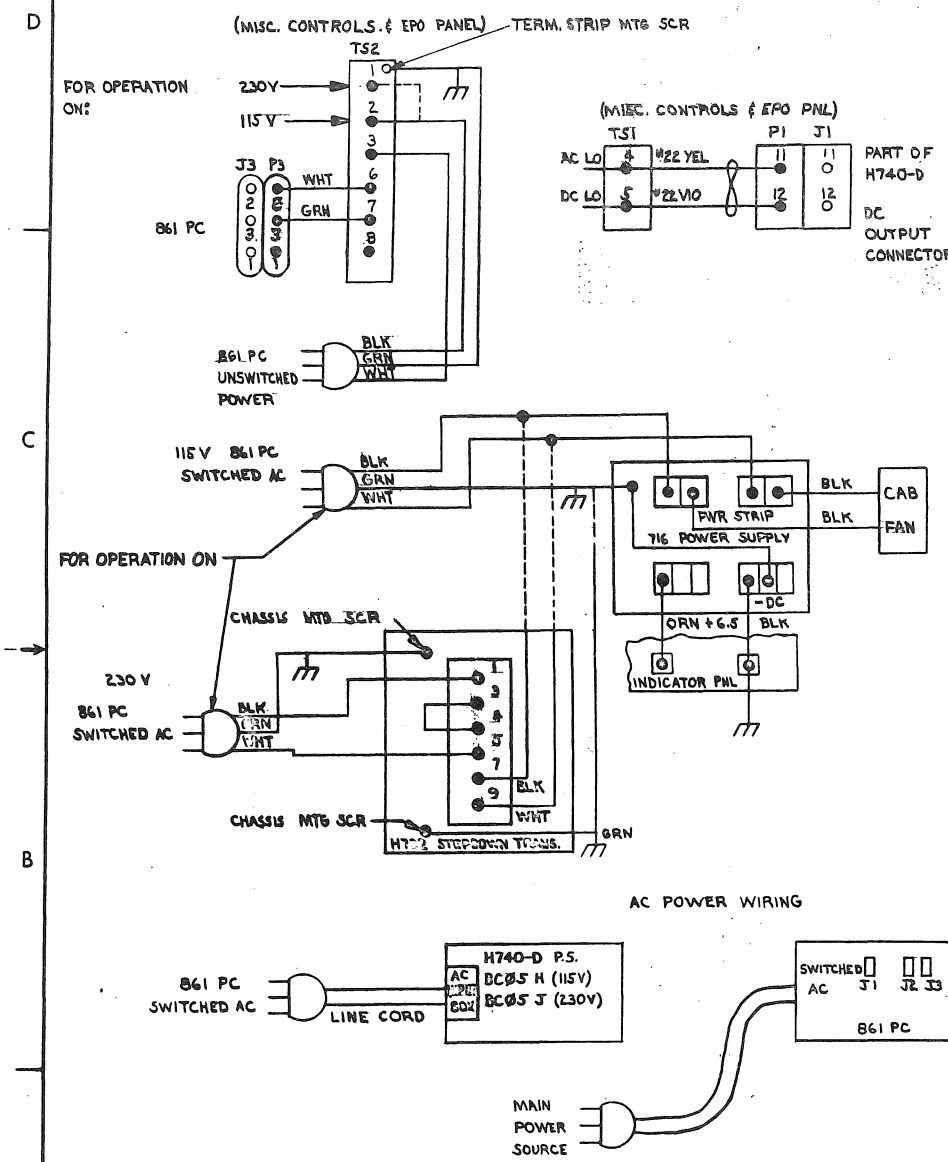


REV	CHANGE NO	DATE	BY	CHK
A	1	10-25-72	DIETER	FP
B	2	11-22-72	DIETER	FP
C	3	12-08-72	V. BASTIANI	DM
D	4	1-10-74	R. DIETER	DM

FIRST USE OR OPTION/MODEL	QTY.	DESCRIPTION	PART NO.	ITEM NO.
DXII-B				
UNLESS OTHERWISE SPECIFIED DIMENSION IN INCHES TOLERANCES				
DECIMALS	ANGLES	TITLE		
XXX - 0.01	10' 30"	UNIT ASSY (DXII-B)		
X - 1		NEXT HIGHER ASSY.		
MATERIAL	B-DD-DXII-B		SIZE CODE	NUMBER
FINISH	SCALE NONE		DUA	DXII-B-0
	SHEET 1 OF 2		DIST 15	REV. D

"THIS DRAWING AND SPECIFICATIONS, HEREIN, ARE THE PROPERTY OF DIGITAL EQUIPMENT CORPORATION, AND SHALL NOT BE REPRODUCED OR COPIED OR USED IN WHOLE OR IN PART AS THE BASIS FOR THE MANUFACTURE OR SALE OF ITEMS WITHOUT WRITTEN PERMISSION. COPYRIGHT © 1973, DIGITAL EQUIPMENT CORPORATION"

NOTE:  
1. UNLESS OTHERWISE SPECIFIED, ALL AC AND DC WIRING TO BE #14 AWG.



REV	NO
CHK	NO

FIRST USED ON OPTION/MODEL	QTY.	DESCRIPTION	PART NO.	ITEM NO.
DX11-B				
PARTS LIST				
UNLESS OTHERWISE SPECIFIED DIMENSION IN INCHES		DRN. S. ROBERTS DATE 5-16-72	<b>digital</b> EQUIPMENT CORPORATION MAYNARD MASSACHUSETTS	
TOLERANCES		CHK'D. J. CAHILL DATE 5-17-72		
DECIMALS .xxx = .005	ANGLES ±0' 30"	ENG. R. DIETER DATE 5-31-72	TITLE <b>UNIT ASSY</b> <b>DX11-B</b>	
.xx = .02	.x = .1	PROJ. ENG. R. DIETER DATE 5-31-72		
REMOVE BURRS AND BREAK SHARP CORNERS SURFACE QUALITY V		PROD. P. FAZIO DATE 6-8-72		
MATERIAL		NEXT HIGHER ASSY.		
FINISH	SCALE	B-DD-DX11-B	SIZE CODE D U A	NUMBER DX11-B-Ø
	SHEET 2 OF 2		DIST.	REV. D

REV. D  
NUMBER  
D U A DX11-B-Ø



This drawing and specifications herein are the property of Digital Equipment Corporation and shall not be reproduced or copied in whole or in part as the basis for the manufacture or sale of items without written permission.  
1972

		1		2		3		4		5		6		7		8		9		10		11		12		13		14		15		16		17		18		19		20		21		22																							
		M112	M133	M133	M133	M133	M133	M133	M133	M133	M133	M133	M133	M133	M133	M133	M133	M133	M133	M133	M133	M133	M133	M133	M133	M133	M133	M133	M133	M133	M133	M133	M133	M133	M133	M133	M133	M133	M133	M133	M133	M133	M133	M133	M133	M133	M133																				
USAGE																								M112	M133	M133	M133	M133	M133	M133	M133	M133	M133	M133	M133	M133	M133	M133	M133	M133	M133	M133	M133	M133	M133	M133	M133	M133	M133	M133	M133	M133	M133	M133	M133	M133	M133	M133	M133	M133	M133	M133	M133	M133	M133	M133	M133

		23		24		25		26		27		28		29		30		31		32		33		34		35		36		37		38		39		40		41		42		43		44																										
		M205	M205	M205	M205	M205	M205	M205	M205	M205	M205	M205	M205	M205	M205	M205	M205	M205	M205	M205	M205	M205	M205	M205	M205	M205	M205	M205	M205	M205	M205	M205	M205	M205	M205	M205	M205	M205	M205	M205	M205	M205	M205	M205	M205	M205	M205	M205	M205																					
USAGE																								M1713	M1713	M1713	M1713	M1713	M1713	M1713	M1713	M1713	M1713	M1713	M1713	M1713	M1713	M1713	M1713	M1713	M1713	M1713	M1713	M1713	M1713	M1713	M1713	M1713	M1713	M1713	M1713	M1713	M1713	M1713	M1713	M1713	M1713	M1713	M1713	M1713	M1713	M1713	M1713	M1713	M1713	M1713	M1713	M1713	M1713	M1713

REV. NO.	
REVISIONS CHANGE NO.	
CHK	

SEC FORM NO. 382 112

FIRST USED ON OPTION / MODEL PDP-11	DO NOT SCALE DRAWING UNLESS OTHERWISE SPECIFIED DIMENSION IN INCHES TOLERANCES DECIMALS FRACTIONS ANGLES = .001 = 1/1000 = 0°00'	DATE 10/2/72 DATE 10/2/72 DATE 10/2/72 DATE 10/2/72 DATE 10/2/72	<b>digital</b> EQUIPMENT CORPORATION NATYARD MASSACHUSETTS  <b>MODULE UTILIZATION</b>
MATERIAL + + +	FINISH + + +	NEXT HIGHER ASSY B DD-DXII-B SCALE NONE SHEET 2 OF 4	SIZE CODE NUMBER <b>DMU</b> DXII-B-01 REV N





This drawing and specifications, herein, are the property of Digital Equipment Corporation and shall not be reproduced or copied or used in whole or in part as the basis for the manufacture or sale of items without written permission.

	1	2	3	4	5	6	7	8	9	10	11	12	13	14	15	16	17	18	19	20	21	22
USAGE	2	1	2	1	2	1	2	1	2	1	2	1	2	1	2	1	2	1	2	1	2	1
D																						
H																						
C																						
J																						
USAGE	2	1	2	1	2	1	2	1	2	1	2	1	2	1	2	1	2	1	2	1	2	1
H																						
B																						
J																						
USAGE	2	1	2	1	2	1	2	1	2	1	2	1	2	1	2	1	2	1	2	1	2	1
H																						
B																						
J																						

RELATIONS  
CHANGE NO.  
CHK

FIRST USED ON OPTION/MODEL  
PDP-11

DO NOT SCALE DRAWING  
UNLESS OTHERWISE SPECIFIED  
DIMENSION IN INCHES  
TOLERANCES  
DECIMALS FRACTIONS ANGLES  
= .005 = 1/64 = 0°30'  
FINAL SURFACE QUALITY  
REMOVE BURRS AND BREAK SHARP  
CORNERS

DATE 2-23-72  
DATE 2/22/72  
DATE 2/22/72  
DATE 2/22/72

digital EQUIPMENT CORPORATION  
TITLE  
MODULE UTILIZATION  
NEXT HIGHER ASSY  
BDD-DXII-B  
SCALE N3:1  
SHEET 4 OF 4

SIZE CODE NUMBER  
DMU DXII-B-01  
REV. N

DLC FORM NO.  
DND 112

SIZE CODE NUMBER  
DMU DXII-B-01  
REV. N

DIGITAL EQUIPMENT CORPORATION MAYNARD, MASSACHUSETTS <b>PARTS LIST</b>				QUANTITY / VARIATION											
MADE BY A. FRATICELLI		CHECKED	SECTION												
DATE 1/5/72		DATE <i>[Signature]</i> 3/31/72	1												
ENG <i>[Signature]</i>		PROD <i>[Signature]</i>	ISSUED SECT.												
DATE 6-1-72		DATE 6-1-72	1												
ITEM NO.	DWG NO. / PART NO.	DESCRIPTION													
	G890	360 POWER FAIL & SELECT BY-PASS		1											
	M105	ADDRESS SELECTOR MODULE		1											
	M111	INVERTER		6											
	M112	NOR GATE		14											
	M113	TEN 2-INPUT NAND GATES		11											
	M115	EIGHT 3-INPUT NAND GATES		4											
	M116	6 QUAD NOR GATE		6											
	M117	SIX 4-INPUT NAND GATES		5											
	M119	THREE 8-INPUT NAND GATES		3											
	M121	AND/NOR GATE		7											
	M133	INPUT NAND GATES		7											
	M135	3-INPUT NAND GATE		3											
	M137	6-4 INPUT NAND GATE		2											
	M139	3-8 INPUT NAND GATE		2											
	M155	4 TO 16 LINE DECODER		3											
	M162	PARITY CIRCUIT		2											
	M169	GATING MODULE		12											
	M205	5 "D" FLIP FLOPS		18											
	M216	SIX FLIP FLOP		8											
	M238	SYNCHRONOUS 4-BIT UP/DOWN COUNTER		6											
	M405	CRYSTAL CLOCK		1											
	M597	CABLE RECEIVER		6											
TITLE MODULE UTILIZATION			ASSY NO. D-MU-DX11-B-01	SIZE CODE A PL	NUMBER DX11-B-01			RFV. M	ECO NO. DX11B-00023						
			SHEET 1 OF 2	DIST.											

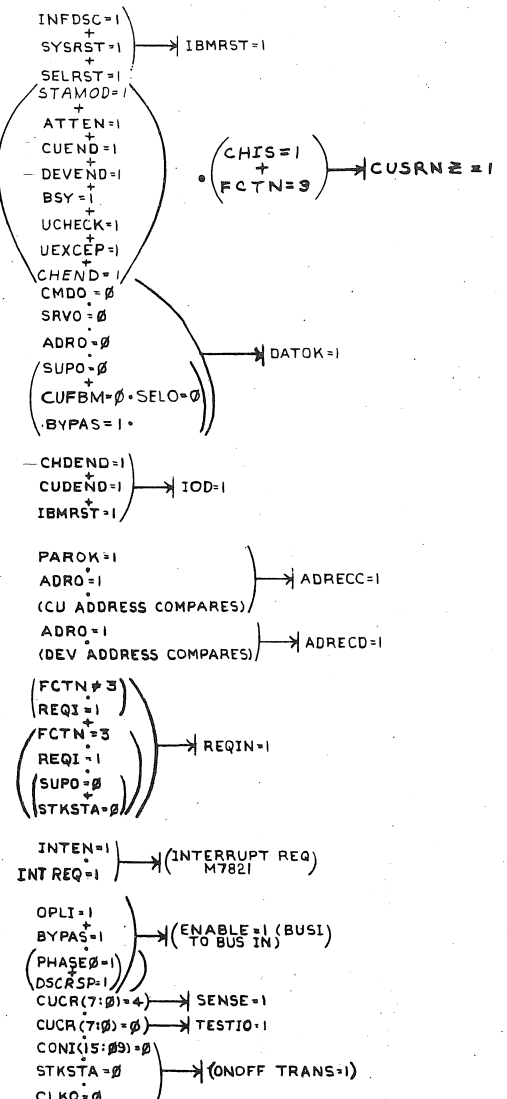
DEC FORM DEC 16-(325)-1031-N870  
DRA 110

DIGITAL EQUIPMENT CORPORATION MAYNARD, MASSACHUSETTS <b>PARTS LIST</b>				QUANTITY / VARIATION											
MADE BY A. FRATICELLI		CHECKED	SECTION												
DATE 1/5/72		DATE <i>[Signature]</i> 3/31/72	1												
ENG <i>[Signature]</i>		PROD <i>[Signature]</i>	ISSUED SECT.												
DATE 6-1-72		DATE 6-1-72	1												
ITEM NO.	DWG NO. / PART NO.	DESCRIPTION													
	M606	PULSE GENERATOR		3											
	M611	HIGH SPEED POWER INVERTER		4											
	M697	CABLE DRIVER		8											
	M7821	INTERRUPT CONTROL MODULE		1											
	M783	UNIBUS TRANSMITTER MODULE		4											
	M784	UNIBUS RECEIVER MODULE		2											
	M796	UNIBUS MATER CONTROL		1											
	M798	UNIBUS DRIVER		1											
	M1103	2 INPUT AND GATES		5											
	M1713	16 LINE TO 1 LINE DATA SELECTOR		16											
	G736	JUMPER MODULE		1											
	M302	1 SHOT DELAY		1											
	M306	INTEGRATING 1 SHOT		2											
	M908YB	TERMINATOR		1											
	M930	BUSS TERMINATOR		1											
	M984	RESISTOR TERMINATOR		3											
	M984YA	RESISTOR TERM.		1											
	54008776	PRIORITY PLUG		1											
TITLE MODULE UTILIZATION			ASSY NO. D-MU-DX11-B-01	SIZE CODE A PL	NUMBER DX11-B-01			RFV. M	ECO NO.						
			SHEET 2 OF 2	DIST.											

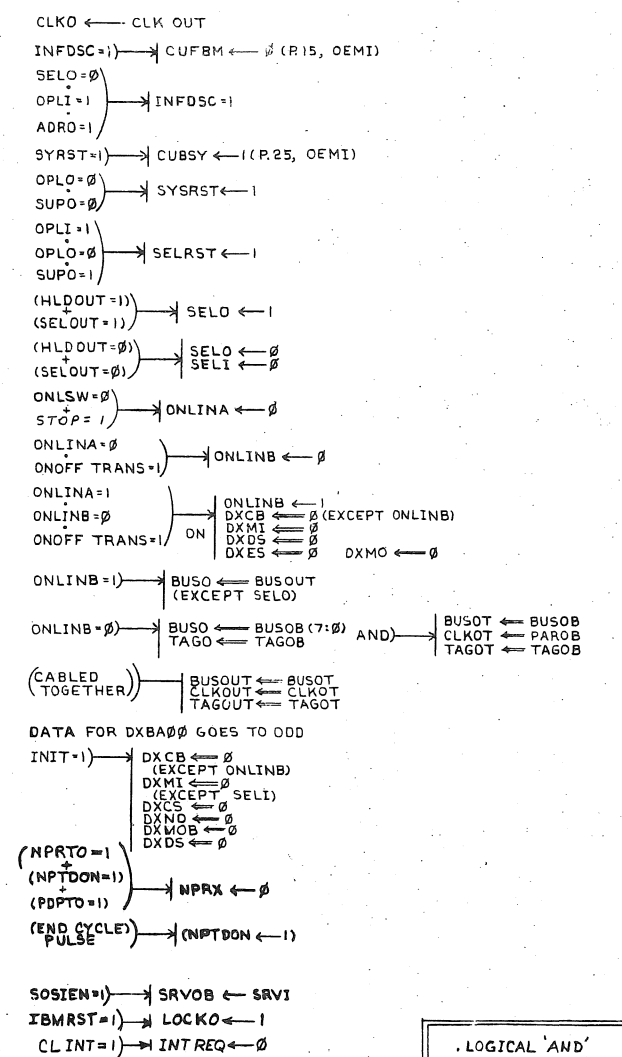
DEC FORM DEC 16-(325)-1031-N870  
DRA 110

This drawing and specifications herein are the property of Digital Equipment Corporation and shall not be reproduced or copied in whole or in part as the basis for the manufacture or sale of items without written permission.  
1972

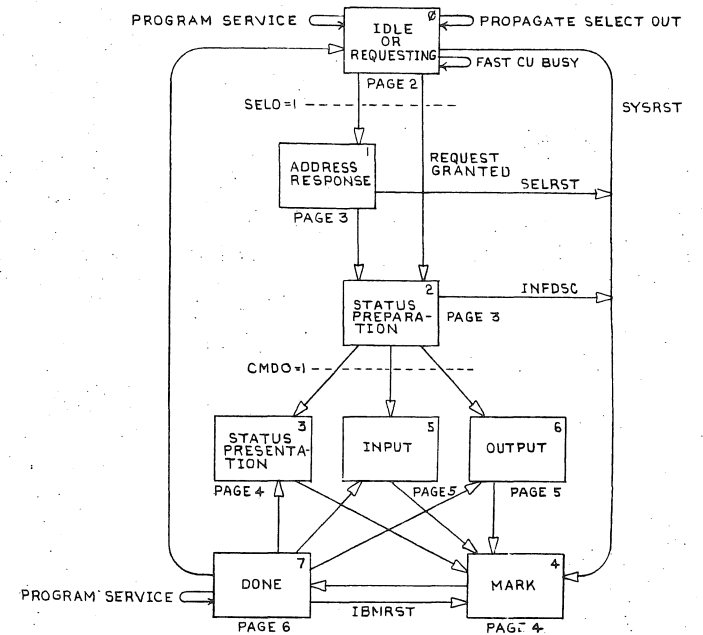
### SPECIAL SIGNALS



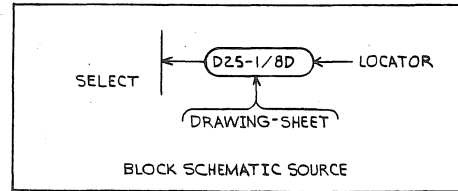
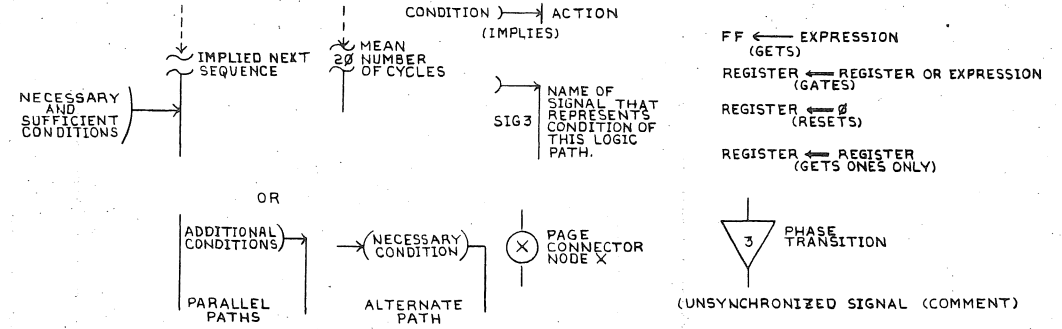
### SYNCHRONIZATION OPERATION



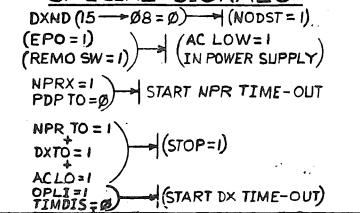
### MAJOR PHASE DIAGRAM AND INDEX



### FLOW DIAGRAM LEGEND



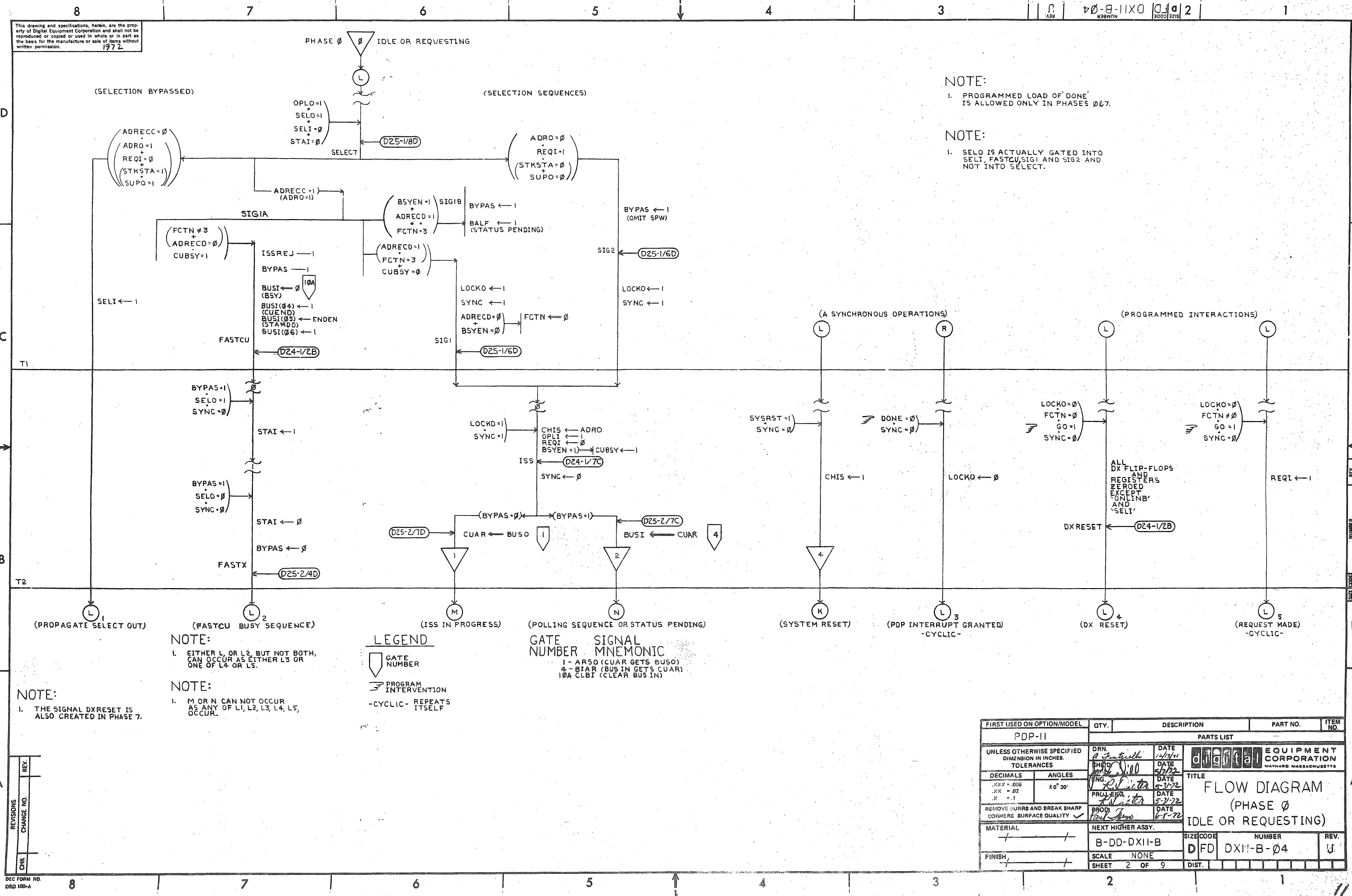
### SPECIAL SIGNALS



REV.	CHANGE NO.	REV.	DATE
A	0005	A	12-14-71
B	0006	B	12-14-71
C	0008	C	5-31-72
D	0010	D	5-31-72
E	0002	E	5-31-72
F	0015	F	5-31-72
G	0017	G	5-31-72
H	0023	H	5-31-72
I	0025	I	5-31-72
J	0025	J	5-31-72
K	0025	K	5-31-72
L	0025	L	5-31-72

FIRST USED ON OPTION/MODEL	QTY.	DESCRIPTION	PART NO.	ITEM NO.
PDP-11				
UNLESS OTHERWISE SPECIFIED DIMENSION IN INCHES. TOLERANCES				
DECIMALS	ANGLES	TITLE		
.XXX = .008	±0° 30'	FLOW DIAGRAM		
.XX = .02		(PHASE INDEPENDENT SEQUENCE)		
.X = .1				
REMOVE BURRS AND BREAK SHARP CORNERS SURFACE QUALITY				
MATERIAL	NEXT HIGHER ASSY.	SIZE CODE	NUMBER	REV.
	B-DD-DXII-B	D1FD	DXII-B-04	J
FINISH	SCALE NONE	SHEET	OF 9	DIST.





This drawing and specifications, herein, are the property of Digital Equipment Corporation and shall not be reproduced or copied or used in whole or in part as the basis for the manufacture or sale of items without written permission.  
1972

NOTE:  
1. PROGRAMMED LOAD OF 'DONE' IS ALLOWED ONLY IN PHASES 2&7.

NOTE:  
1. SELD IS ACTUALLY GATED INTO SELI, FASTCU, SIG1 AND SIG2 AND NOT INTO SELECT.

NOTE:  
1. EITHER L1 OR L2, BUT NOT BOTH, CAN OCCUR AS EITHER L3 OR ONE OF L4 OR L5.

NOTE:  
1. THE SIGNAL DXRESET IS ALSO CREATED IN PHASE 7.

NOTE:  
1. M OR N CAN NOT OCCUR AS ANY OF L1, L2, L3, L4, L5, OCCUR.

LEGEND

GATE NUMBER

PROGRAM INTERVENTION

-CYCLIC- REPEATS ITSELF

GATE SIGNAL NUMBER MNEMONIC

1 - ARSO (CUAR GETS BUSO)

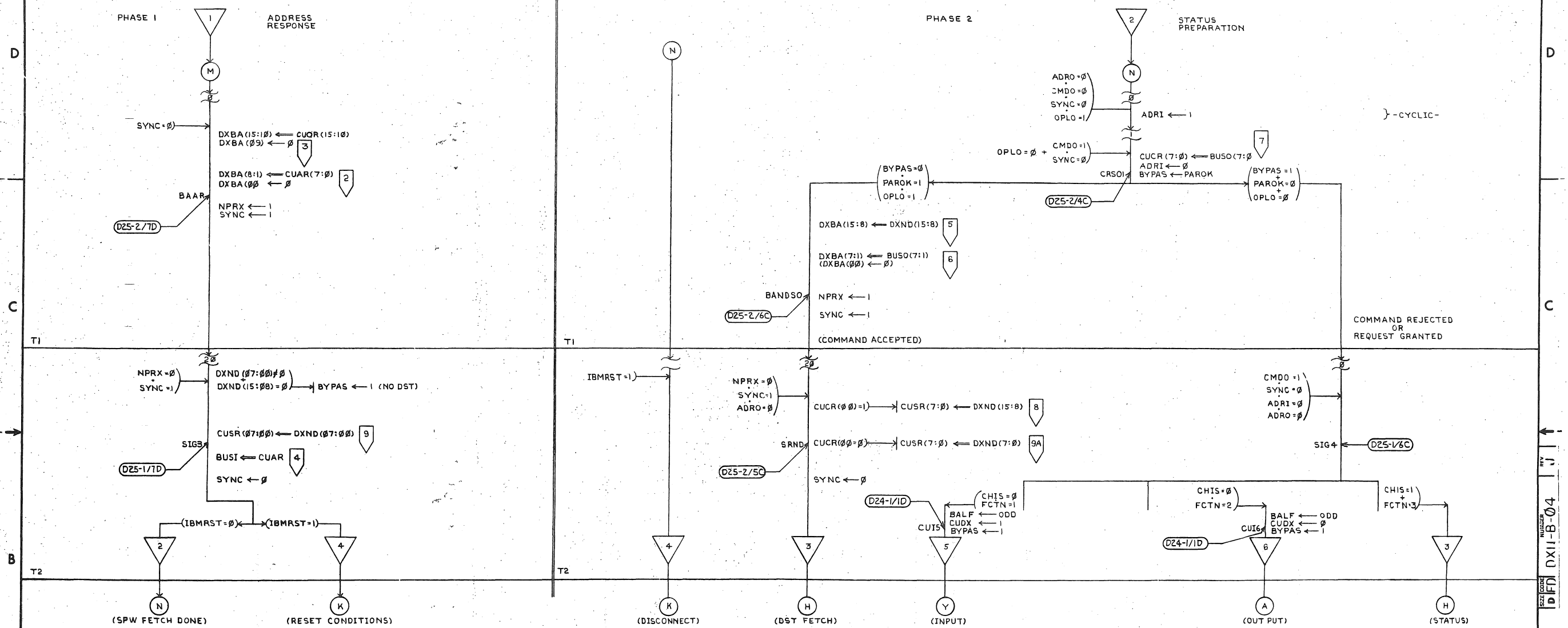
4 - BIAR (BUS IN GETS CUAR)

10A CLBI (CLEAR BUS IN)

FIRST USED ON OPTION/MODEL	QTY.	DESCRIPTION	PART NO.	ITEM NO.
PDP-11				
PARTS LIST				
UNLESS OTHERWISE SPECIFIED DIMENSION IN INCHES. TOLERANCES:	DRN	DATE	DIGITAL EQUIPMENT CORPORATION	
DECIMALS	CHK	DATE	MAYNARD MASSACHUSETTS	
ANGLES	ENG	DATE	TITLE	
±0° 30'	PROJ	DATE	FLOW DIAGRAM	
	DRW	DATE	(PHASE 0	
REMOVE BURRS AND BREAK SHARP CORNERS SURFACE QUALITY	APP	DATE	IDLE OR REQUESTING)	
MATERIAL	NEXT HIGHER ASSY.		SIZE CODE	NUMBER
	B-DD-DX11-B		DFD	DX11-B-04
FINISH	SCALE NONE		DIST.	REV.
	SHEET 2 OF 9			J

This drawing and specifications, herein, are the property of Digital Equipment Corporation and shall not be reproduced or copied or used in whole or in part as the basis for the manufacture or sale of items without written permission.  
1972

SIZE CODE 2  
NUMBER DX11-B-04  
REV. 1



**NOTE:**

1. CUTS AND CUT6 USED IN PHASE 7.

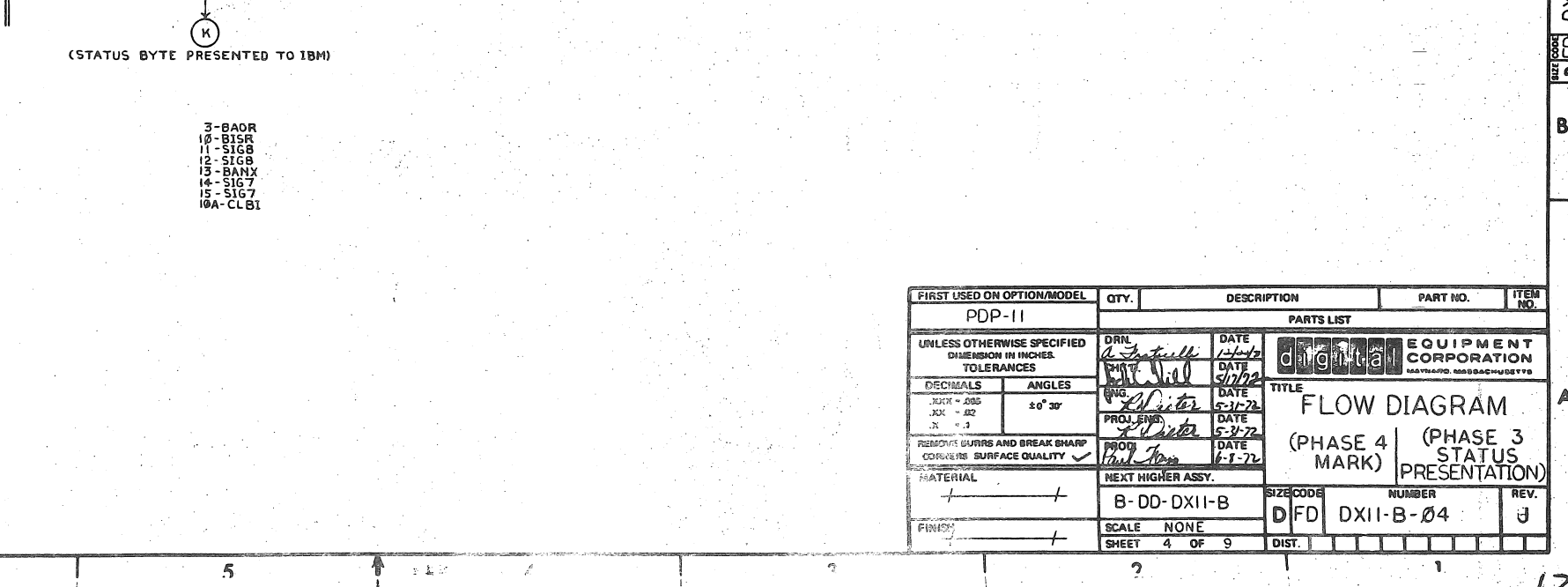
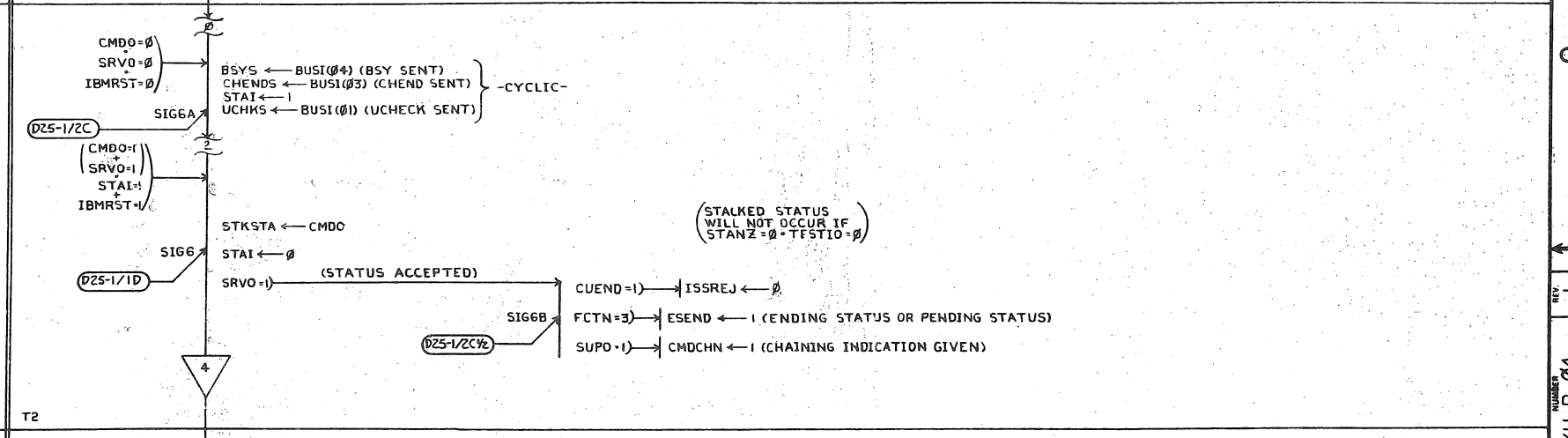
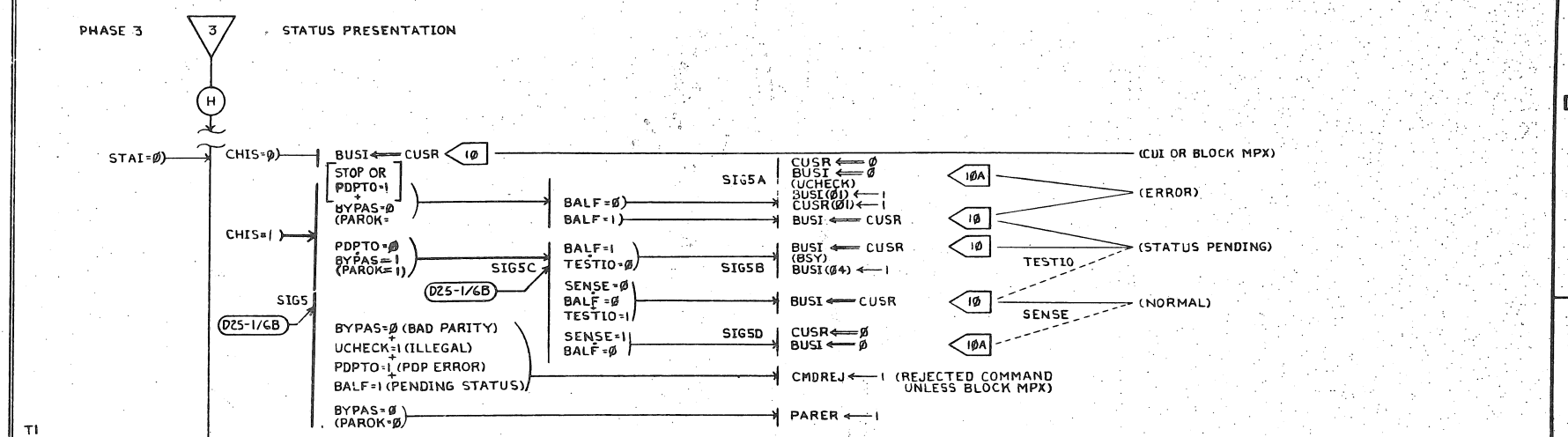
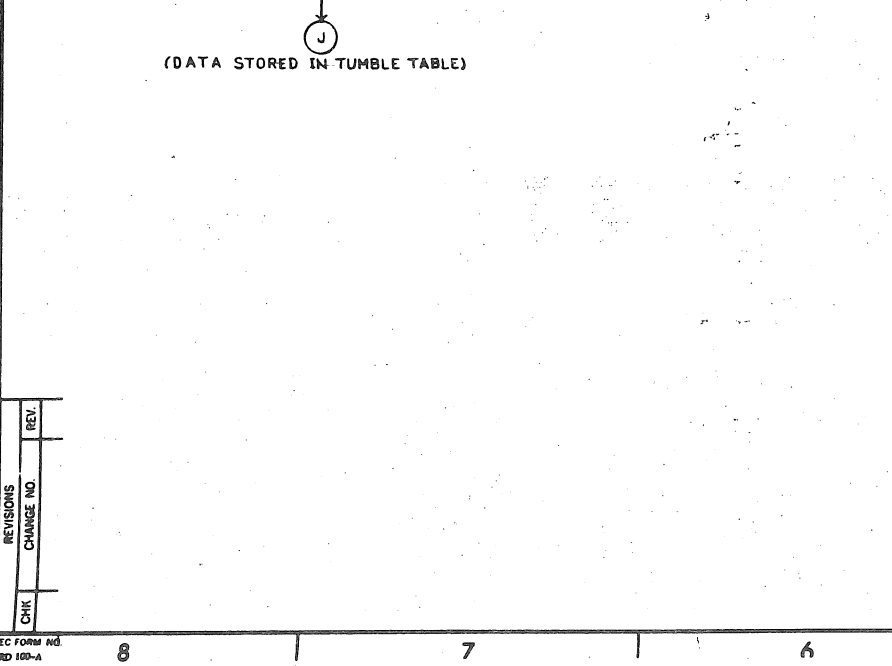
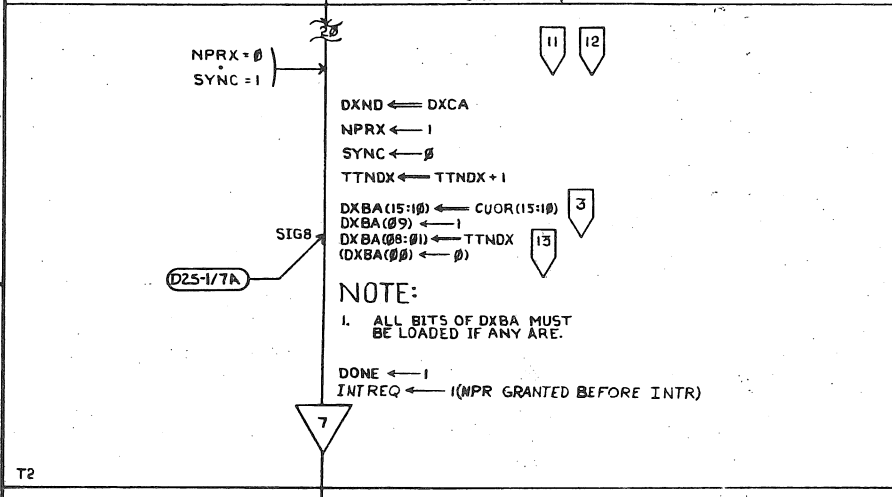
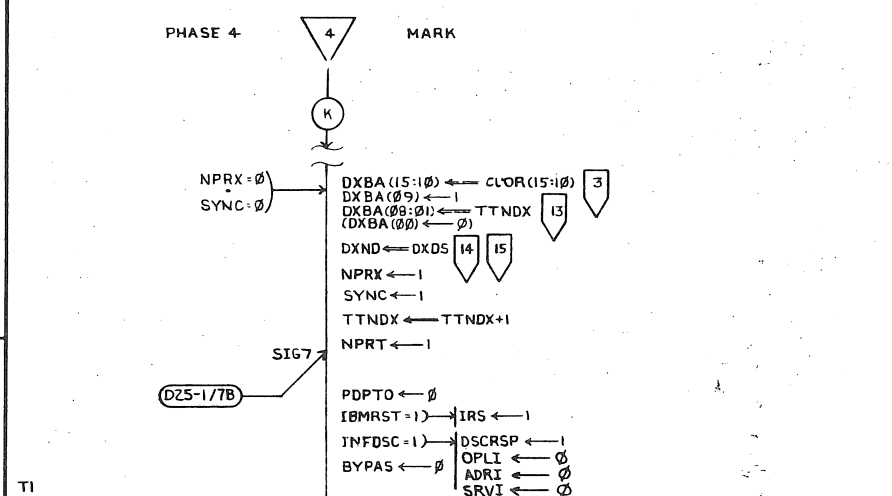
- 2- BAAR
- 3- BAOR
- 4- BIAR
- 5- BANDSO
- 6- BANDSO
- 7- CRSOI (C.F. 16)
- 8- SRNDH
- 9- SIG3
- 9A- SRNDL

FIRST USED ON OPTION/MODEL	QTY.	DESCRIPTION	PART NO.	ITEM NO.
PDP-11		PARTS LIST		
UNLESS OTHERWISE SPECIFIED DIMENSION IN INCHES. TOLERANCES		DRN. <i>A. Grattelli</i>	DATE <i>12/21/71</i>	 <b>DIGITAL EQUIPMENT CORPORATION</b> MAYNARD, MASSACHUSETTS
DECIMALS	ANGLES	CHKD. <i>W. Hill</i>	DATE <i>5/17/72</i>	
.XXX - .005	± 0° 30'	ENG. <i>W. Hill</i>	DATE <i>5-3-72</i>	
.XX - .02		PROJ. ENG. <i>W. Hill</i>	DATE <i>5-3-72</i>	
.X - .1		PROD. <i>W. Hill</i>	DATE <i>6-5-72</i>	
REMOVE BURRS AND BREAK SHARP CORNERS SURFACE QUALITY		TITLE		
		(PHASE 1   PHASE 2 ADDRESS   STATUS RESPONSE   PREPARATION)		
MATERIAL	NEXT HIGHER ASSY.	SIZE CODE	NUMBER	REV.
+		D	DX11-B-04	J
FINISH	SCALE	NONE		
+	SHEET	3	OF 9	

REVISIONS	REL.
CHANGE NO.	
CHK	

12

This drawing and specifications, herein, are the property of Digital Equipment Corporation and shall not be reproduced or copied or used in whole or in part as the basis for the manufacture or sale of items without written permission.  
1972



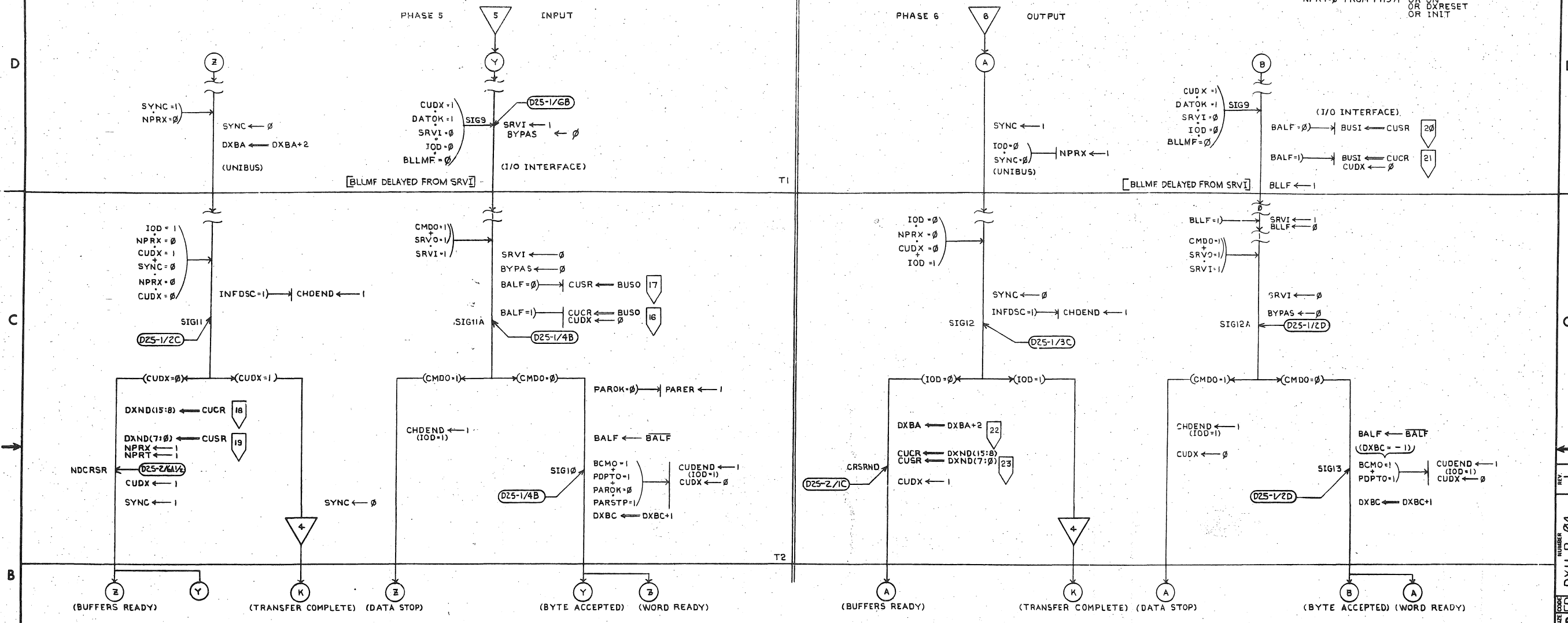
- 3 - BAOR
- 10 - BISR
- 11 - SIG8
- 12 - SIG8
- 13 - BANX
- 14 - SIG7
- 15 - SIG7
- 10A - CLB1

REV.	
CHANGE NO.	
CHK	

FIRST USED ON OPTION/MODEL	QTY.	DESCRIPTION	PART NO.	ITEM NO.
PDP-11				
PARTS LIST				
UNLESS OTHERWISE SPECIFIED DIMENSION IN INCHES	DRN	DATE	DIGITAL EQUIPMENT CORPORATION	
TOLERANCES	DATE	DATE	MAYFIELD, MASSACHUSETTS	
DECIMALS	ANGLES	DATE	TITLE	
.XXX - .02	±0° 30'	DATE	FLOW DIAGRAM	
REMOVE BURRS AND BREAK SHARP CORNERS SURFACE QUALITY	PROJ. ENG.	DATE	(PHASE 4 MARK)	
	DATE	DATE	(PHASE 3 STATUS PRESENTATION)	
MATERIAL	NEXT HIGHER ASSY.	DATE		
	B-DD-DXII-B	DATE	SIZE CODE	NUMBER
		DATE	DFD	DXII-B-04
FINISH	SCALE	DATE	REV.	
	NONE	DATE	J	
	SHEET 4 OF 9	DATE	DIST.	

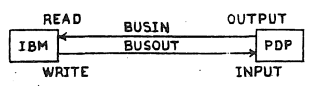
This drawing and specifications, herein, are the property of Digital Equipment Corporation and shall not be reproduced or copied or used in whole or in part as the basis for the manufacture or sale of items without written permission.  
1972

NOTE:  
1 BALF=0 FROM PHS72 OR PHS22  
NPRX=0 FROM PHS71 OR ON  
OR DXRESET  
OR INIT



16-C5R02  
17-SR50  
18-NDCRSR  
19-NDCRSR

20-SISR  
21-SISR  
22-CRSRND  
23-CRSRND



NOTE:  
1. INITIALIZATION REQUIRED  
PHASE 5: CUDX=1  
PHASE 6: CUDX=0

NOTE:  
1. SIG9 IS PHASE INDEPENDENT

NOTE:  
1. NPR WILL ALWAYS FETCH ONE WORD BEYOND END THEREFORE DO NOT GO TO END OF CORE.

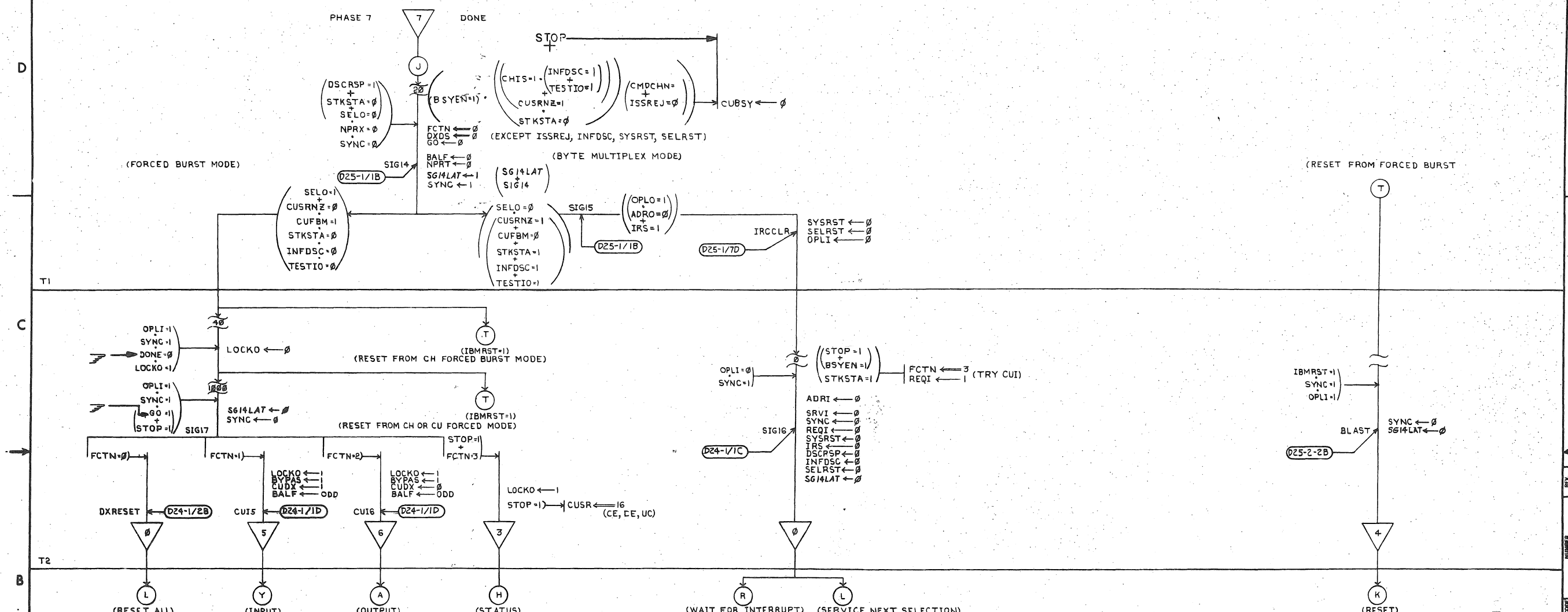
REV.	CHG. NO.

FIRST USED ON OPTION/MODEL	QTY.	DESCRIPTION	PART NO.	ITEM NO.
PDP-11				
UNLESS OTHERWISE SPECIFIED DIMENSION IN INCHES. TOLERANCES				
DECIMALS	ANGLES	TITLE		
.XXX - .005	± 0° 30'	FLOW DIAGRAM		
.XX - .02		(PHASE 5 INPUT) (PHASE 6 OUTPUT)		
.X - .1				
REMOVE BURRS AND BREAK SHARP CORNERS SURFACE QUALITY				
MATERIAL		NEXT HIGHER ASSY.		
FINISH		SCALE NONE		
SHEET 5 OF 9		DIST.		

14

REV. J  
NUMBER  
DFD DX11-B-04

This drawing and specifications, herein, are the property of Digital Equipment Corporation and shall not be reproduced or copied or used in whole or in part as the basis for the manufacture or sale of items without written permission.  
 1972



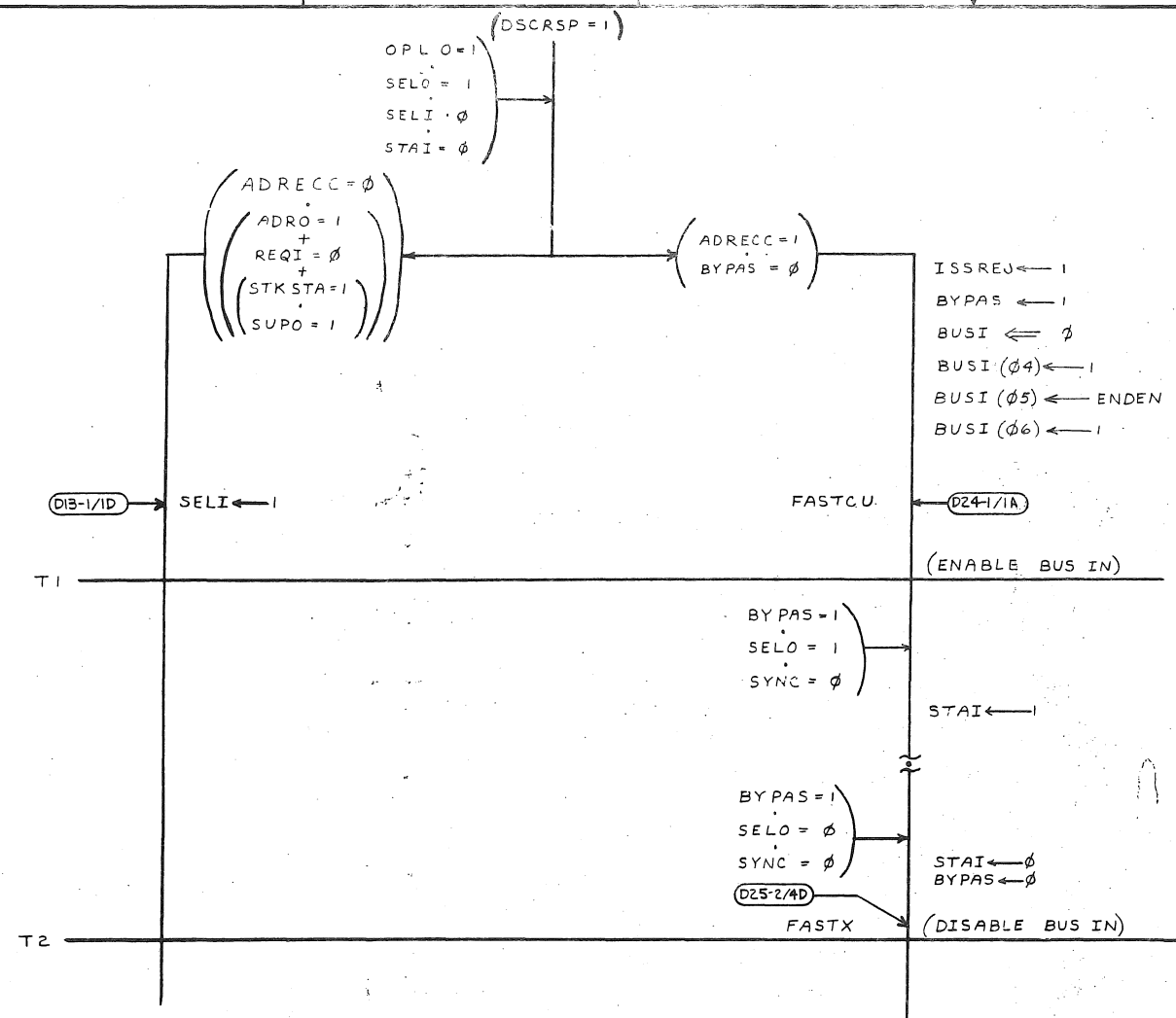
- NOTE:**
- CUI5 AND CUI6 ARE ALSO CREATED IN PHASE 2.
  - DXRESET IS ALSO CREATED IN PHASE 0.
  - IT IS ASSUMED THAT SEL0 ← 0 IF IBMRST ← 1 UPON GETTING TO PHASE 7.
- NOTE:**
- SELO ← 0 BY CHIS (CHEND ONLY) (CMDCHN ← 0) STANZ ← 1 CHIS ← 0 TESTIO ← 1 STKSTA ← 1 (FLOW DIAGRAM #5, OEMI)
- NOTE:**
- IN BLOCK MUX MODE CHAINING OCCURS AFTER CHEND ONLY. IF LAST STATUS WAS CHAINED AND ESSEN ← 1 WHEN DEVEN ← 0 SENT AND CUSR ≠ 0, THEN DO THE COMMAND.

REV.	CHG.	NO.

FIRST USED ON OPTION/MODEL PDP-11	QTY.	DESCRIPTION	PART NO.	ITEM NO.
PARTS LIST				
UNLESS OTHERWISE SPECIFIED DIMENSION IN INCHES. TOLERANCES	DRN. DATE 4/2/71	DATE 4/17/72	DIGITAL EQUIPMENT CORPORATION MAYNARD, MASSACHUSETTS	
DECIMALS ANGLES	ENG. DATE 5-24-72	DATE 5-24-72	TITLE FLOW DIAGRAM (PHASE 7 DONE)	
REMOVE BURRS AND BREAK SHARP CORNERS SURFACE QUALITY	PROJ. DATE 5-24-72	DATE 6-8-72	MATERIAL	
	PROD. DATE 6-8-72		NEXT HIGHER ASSY.	
			B-DD-DX11-B	SIZE CODE NUMBER REV. DFD DX11-B-04 J
			SCALE NONE	
			SHEET 6 OF 9	

This drawing and specifications, herein, are the property of Digital Equipment Corporation and shall not be reproduced or copied or used in whole or in part as the basis for the manufacture or sale of items without written permission.  
1972

NOTE:  
DSCRSP CAN BE ENABLED IN PHASES 4 AND 7 IMMEDIATELY AFTER AN INTERFACE DISCONNECT SEQUENCE. THE DISCONNECT RESPONSE PHASE IS ENABLED SIMULTANEOUSLY WITH THESE PHASES, AND USES THE SAME LOGIC AS THE 'PROPAGATE SELECT OUT' AND 'FAST CU BUSY' SEQUENCES OF PHASE 5.



FIRST USED ON OPTION/MODEL	QTY.	DESCRIPTION	PART NO.	ITEM NO.
PDP-11		PARTS LIST		
UNLESS OTHERWISE SPECIFIED DIMENSION IN INCHES TOLERANCES	DRN <i>Wilson</i> DATE 2-22-72	digital EQUIPMENT CORPORATION MAYNARD, MASSACHUSETTS		
DECIMALS ANGLES	CHKD <i>Wilson</i> DATE 5/1/72	TITLE		
.XXX - .005 .XX - .02 .X - .1	ENG <i>Wilson</i> DATE 5-31-72	FLOW DIAGRAM (DISCONNECT RESPONSE)		
REMOVE BURRS AND BREAK SHARP CORNERS SURFACE QUALITY	PROJ ENR <i>Wilson</i> DATE 5-31-72	MATERIAL		
	PROJ <i>Wilson</i> DATE 6-1-72	NEXT HIGHER ASSY.		
		BDD-DX11-B	SIZE CODE NUMBER	REV
			D F D DX11-B-04	U
		SCALE NONE		
		SHEET 7 OF 9	DIST.	

REV.	CHANGE NO.	REVISIONS

DEC FORM NO. DRD 100-A

16

REVISIONS		
CHK	CHANGE NO.	REV.

BIT NOS: 15 14 13 12 11 10 9 8 7 6 5 4 3 2 1 0

WORD MNEMONICS:

BASE ADDRESS RESET

DXDS-DEVICE STATUS

PARERR	NKMM	SELST	SYST	INFOSC	UCHKS	CHENDS	BSYS	CHIS	ESEND	CHEND	CUDEND	ISSREJ	CMCHN	STKSTB	CMDEJ
ERRORS		IBM RESET		STATUS FLAGS		CHI END	CUI END	SPECIAL CONDITIONS							

RO - READ ONLY  
CO - CLEAR ONLY  
SO - SET ONLY

ALL FLIP-FLOPS ARE RESET BY DXRESET

BIT MNEMONICS OR NUMBER APPEARS ON FIRST LINE.

DXCA-COMMAND AND ADDRESS CUCR-COMMAND REGISTER

7	6	5	4	3	2	1	0	7	6	5	4	3	2	1	0
TEST IO IF 0-ZERO SENSE IF X-FOUR															
(SECOND DATA BYTE)															

DXCS-CONTROL UNIT STATUS

PARSTP	CUF	BM	ENDEN	BSYEN	ONLMA	CUBSY	DONE	INTEN	STKSTA	XBA	FCTN	GO
ENABLE ON STOP OR BAD PARITY DATA	CU STOP BURST	ENABLE BURST	ENABLE BURST	ENABLE BURST	ENABLE BURST	ENABLE BURST	ENABLE BURST	ENABLE BURST	ENABLE BURST	ENABLE BURST	ENABLE BURST	ENABLE BURST
STATUS CONDITIONS												

- NOTES:  
1. WHEN USING THE MAINTENANCE CLOCK ONLY DXMO IS WRITABLE.  
2. DXBA 00 IS ALWAYS ZERO WHEN PRESENTED TO THE UNIBUS (OR READ BY PROGRAM) DATA SENT TO DXBA 00 IS SAVED IN ODD TO INITIALIZE HALF CUOR IS WRITABLE ONLY WHEN OFFLINE

DXOS-OFFSET AND STATUS CUOR-OFFSET OF SPW

7	6	5	4	3	2	1	0	ATTN	STAMOD	CUEND	BSY	CHEND	DEVEN	CHECK	EXCEP	
(SEE NOTE 3)							UNUSED									
(FIRST DATA BYTE)																

DXBA-BUS ADDRESS FOR NPR

15	14	13	12	11	10	9	8	7	6	5	4	3	2	1	0
CUOR(15-10)							CUAR(7-0)								
OFFSET OF DST FOR THIS DEVICE										CUOR(7-1)					
CUOR(15-10)										TTNDX(7-0)					
CUOR(15-10)										TTNDX(7-0)+2					

DXBC-BYTE COUNT

15	14	13	12	11	10	9	8	7	6	5	4	3	2	1	0
PDP SET TO -1 TO STOP I/O															

DXMO-MAINTENANCE OUT (DOUBLE LEVEL FLOPS)

OPLO	HLDO	SELO	SUPO	ADRO	CMDO	SRVO	PARO	7	6	5	4	3	2	1	0
SELECTION CONTROL LINES							PARO (ALSO GOES TO CLKO WHEN CABLED)	ACTUAL BUS OUT SIGNALS							

WRITABLE ONLY WHEN EITHER OFFLINE OR ONLINE AND CABLED

USED BY SIMULATOR PROGRAM ONLY

DXMI-MAINTENANCE IN CONI CONTROL LINES IN

OPLI	SELI	RELI	ADRI	STAI	SRVI	CLKO	PARI	7	6	5	4	3	2	1	0
SELECTION CONTROL LINES							CLKO (FROM CABLES OR TO PARITY GO ON OF LINE)	ACTUAL BUSI (OFFLINE) OR BUSI VIA CABLES (ONLINE)							

RO WHEN ON LINE

DXCB-CONTROL BITS

LOCKO	PH2	PH1	PH0	TSSF	FASTCU	SYNCP	CUDX	IOD	BYPAS	NPRX	NPRC	BALF	ONLINE	ADRECC	ADRECD
WRITE LOCK OUT ON DX REGS I-R O-R/W															

DXND-NPR DATA

15	14	13	12	11	10	9	8	7	6	5	4	3	2	1	0
OFFSET OF DST FOR THIS DEVICE								TO ATTEN							
ODD STATUS BYTE								DXDS							
								DXCA							
SECOND DATA BYTE															

DXES-EXTRA SIGNALS TTNDX TUMBLE TABLE INDEX

7	6	5	4	3	2	1	0	INT REQ	ODD BUFFER ADDRESS	NPRC ERROR	DXTD PROGRAM TIME-OUT	IMDIS DISABLE	SOSEN FAST TEST	MCLKEN DATA CLOCK	MCLRP PULSE

DXMOB-MAINTENANCE OUT BUFFERED CONOB

15	14	13	12	11	10	9	8	7	6	5	4	3	2	1	0
THESE FLOPS ARE LOADED BY WRITE ADRS 15, 14 THESE FLOPS ARE READ BY READ ADRS 27, 26 THESE FLOPS ARE READ BY READ ADRS 15, 14 IF OFFLINE THESE FLOPS ARE READ BY READ ADRS 15, 14 IF ONLINE CABLED WRITE 27, 26 DOES NOTHING															

DXESI-EXTRA SIGNALS



This drawing and specifications herein, in the process of development of equipment, are the property of Digital Equipment Corporation and are intended as guidelines for the manufacturer or user of the equipment without the permission of Digital Equipment Corporation.

WRITE PROTECTED BY LOCKO EXCEPT FOR DONE INTEN

LOADED BY SERVICE ROUTINE

FOR DATA TRANSFERS ONLY

USED BY SIMULATOR PROGRAM ONLY

RESET BY UNIT-1 EXCEPT FOR SELI

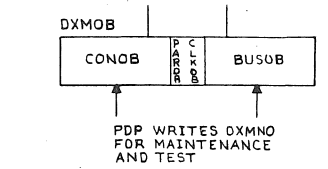
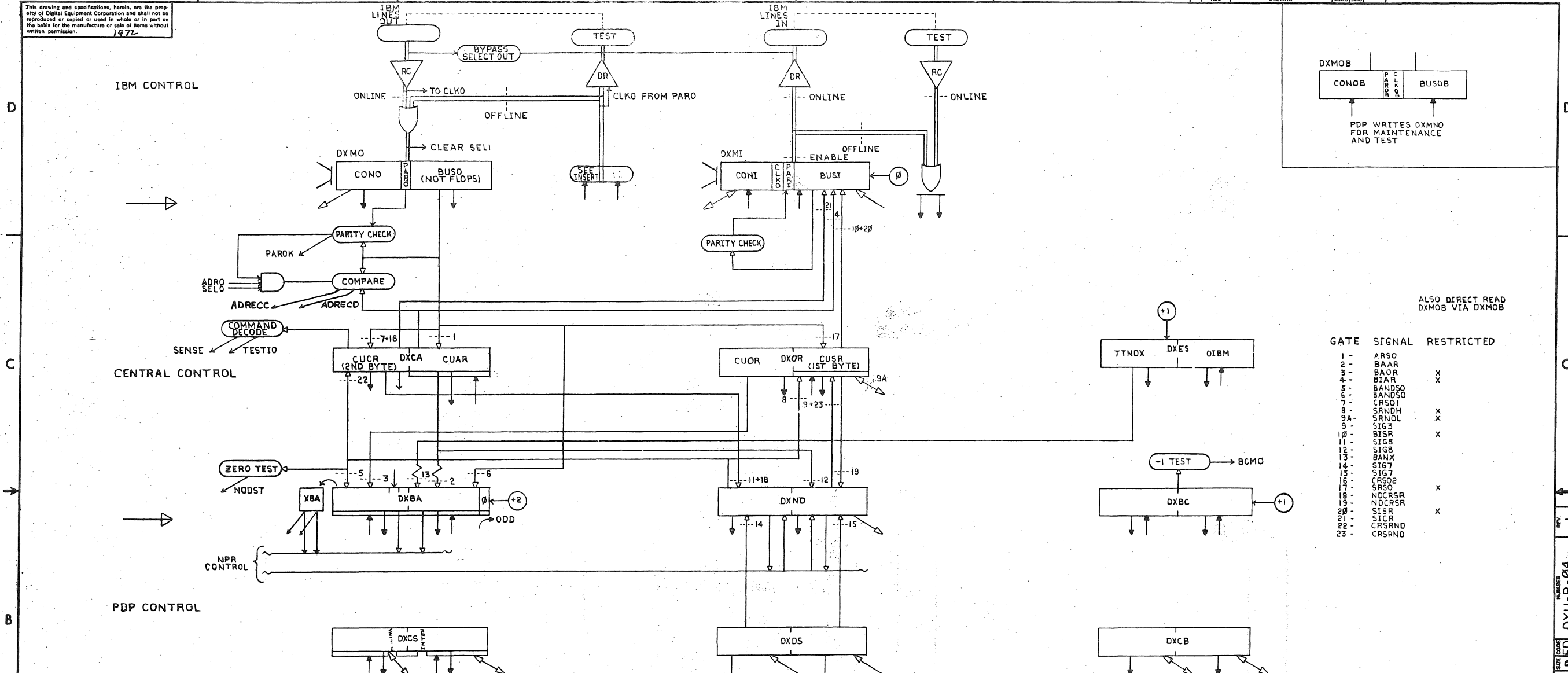
USED FOR DIAGNOSTIC AND EMERGENCY ONLY

FIRST USED ON OPTION/MODEL		QTY.	DESCRIPTION	PART NO.	TEST NO.
PDP-11					
UNLESS OTHERWISE SPECIFIED DIMENSION IN INCHES. TOLERANCES: ANGLES: .XXX - .003 .XX - .02 .X - .1					
REMOVE BURRS AND BREAK SHARP EDGES. CHAMFER BURRS TO IMPROVE SURFACE QUALITY. NEXT HIGHER ASSY.					
MATERIAL: B-DD-DXII-B					
FINISH: SCALE NONE					
SHEET 9 OF 9					
DISTR.					
SIZE CODE					
REV. J					

FLOW DIAGRAM (PROGRAMMED REGISTERS)

This drawing and specifications, herein, are the property of Digital Equipment Corporation and shall not be reproduced or copied or used in whole or in part as the basis for the manufacture or sale of items without written permission.  
1972

REV. 1  
2  
3  
4  
5  
6  
7  
8  
9  
10  
11  
12  
13  
14  
15  
16  
17  
18  
19  
20  
21  
22  
23



ALSO DIRECT READ DXMOB VIA DXMOB

GATE	SIGNAL	RESTRICTED
1-	ARSO	
2-	BAAR	
3-	BAOR	X
4-	BIAR	
5-	BANDSO	
6-	CRSO1	
7-	SRNDH	X
8-	SRNDL	X
9A-	SIG3	
10-	BISR	X
11-	SIG8	
12-	SIG8	
13-	BANX	
14-	SIG7	
15-	SIG7	
16-	CRSO2	
17-	SRSO	X
18-	NDCRSR	
19-	NDCRSR	
20-	SISR	X
21-	SICR	
22-	CRSRND	
23-	CRSRND	

LEGEND  
DATA SHIFTED LEFT  
PANEL DISPLAY

PDP PROGRAMMED BYTE MODIFY  
EXTERNAL BYTE DATA  
INTERNAL BYTE DATA  
PDP PROGRAMMED BYTE READ  
DATA GATE  
WRITE LOCK OUT

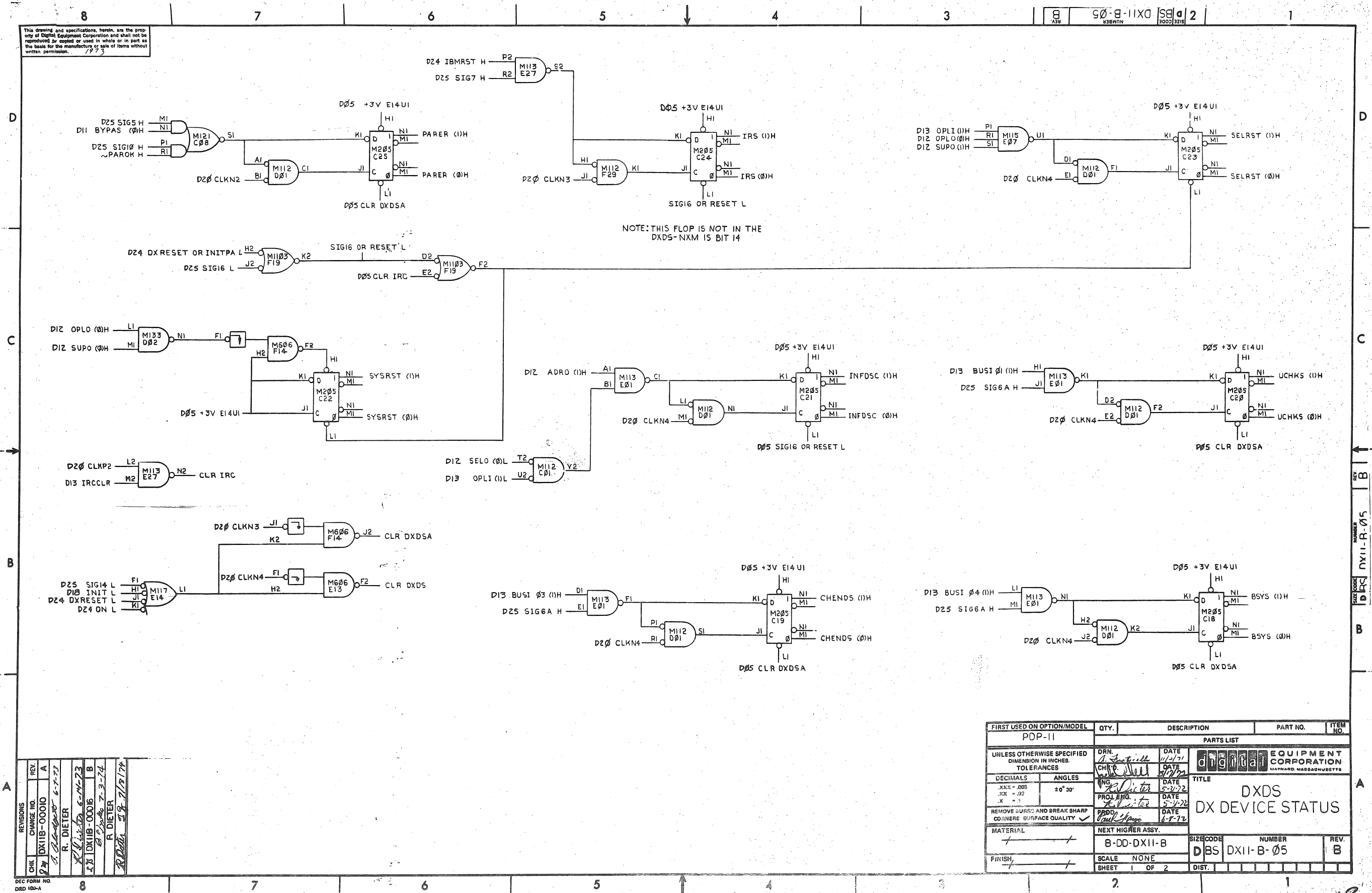
BYTE OUT  
BYTE IN  
ONE BIT CONTROL  
ONE BYTE DATA  
UNIBUS DATA  
ONE BYTE CONTROL

FIRST USED ON OPTION/MODEL	QTY.	DESCRIPTION	PART NO.	ITEM NO.
PDP-11				
PARTS LIST				
UNLESS OTHERWISE SPECIFIED DIMENSION IN INCHES. TOLERANCES	DRN. DATE 12/19/71	DATE 12/19/71	DIGITAL EQUIPMENT CORPORATION MAYNARD, MASSACHUSETTS	
DECIMALS .XXX = .008	CHK'D DATE 5/17/72	DATE 5-17-72	TITLE	
ANGLES ±0° 30'	ENG. DATE 5-17-72	DATE 5-17-72	FLOW DIAGRAM (DATA PATHS)	
REMOVE BURRS AND BREAK SHARP CORNERS SURFACE QUALITY	PROJ. DATE 5-17-72	DATE 5-17-72	MATERIAL	
	PROD. DATE 6-5-72	DATE 6-5-72	NEXT HIGHER ASSY.	
			B-DD-DXII-B	SIZE CODE NUMBER REV.
			SCALE NONE	D FD DXII-B-04 J
			SHEET 9 OF 9	DIST.

DEC FORM NO. DDD 100-A



This drawing and specifications, herein, are the property of Digital Equipment Corporation and shall not be reproduced or used in whole or in part as the basis for the manufacture or sale of items without written permission.



NOTE: THIS FLOP IS NOT IN THE DXDS-NXM IS BIT 14

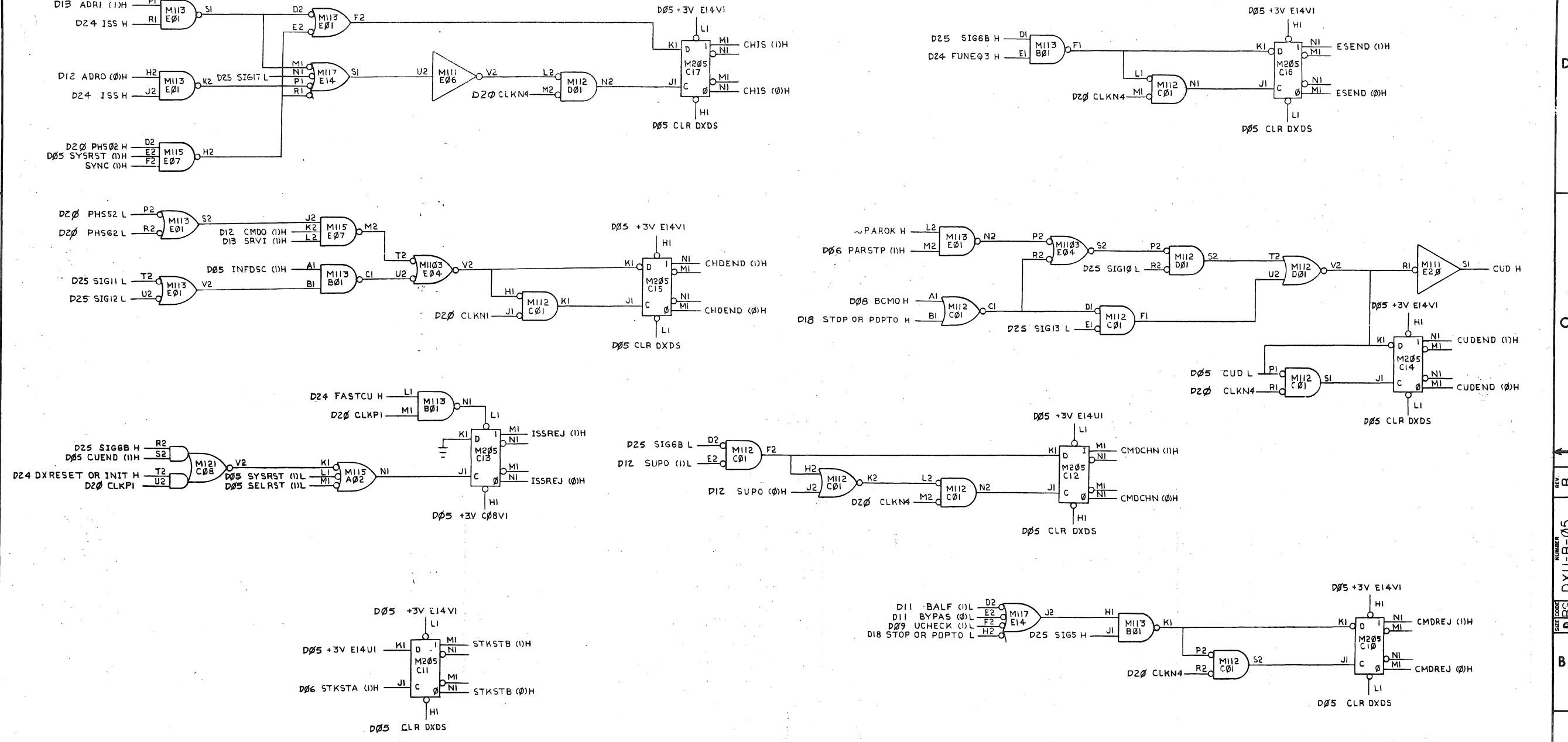
REV.	CHG.	NO.	DATE	BY
A	1	DXIB-00010	6-7-72	R. DIETER
B	1	DXIB-0006	6-14-73	R. DIETER
C	1	DXIB-0006	7-3-74	R. DIETER
D	1	DXIB-0006	7-18-74	R. DIETER

FIRST USED ON OPTION/MODEL	QTY.	DESCRIPTION	PART NO.	ITEM NO.
PDP-11				
PARTS LIST				
UNLESS OTHERWISE SPECIFIED DIMENSION IN INCHES. TOLERANCES		DRN	DATE	 <b>DIGITAL EQUIPMENT CORPORATION</b> <small>MAYNARD, MASSACHUSETTS</small>
DECIMALS	ANGLES	CHK'D	DATE	
.XXX - .005	± 0° 30'	ENG	DATE	
.X - .1		PROJ. ENG.	DATE	
		DATE	DATE	
REMOVE BURRS AND BREAK SHARP CORNERS SURFACE QUALITY		TITLE		
MATERIAL		NEXT HIGHER ASSY.		
FINISH		SCALE NONE		REV.
SHEET 1 OF 2		DIST.		B

DXDS  
DX DEVICE STATUS

B-DD-DXII-B  
DBS DXII-B-05

This drawing and specifications, herein, are the property of Digital Equipment Corporation and shall not be reproduced or copied in whole or in part as the basis for the manufacture or sale of items without written permission.



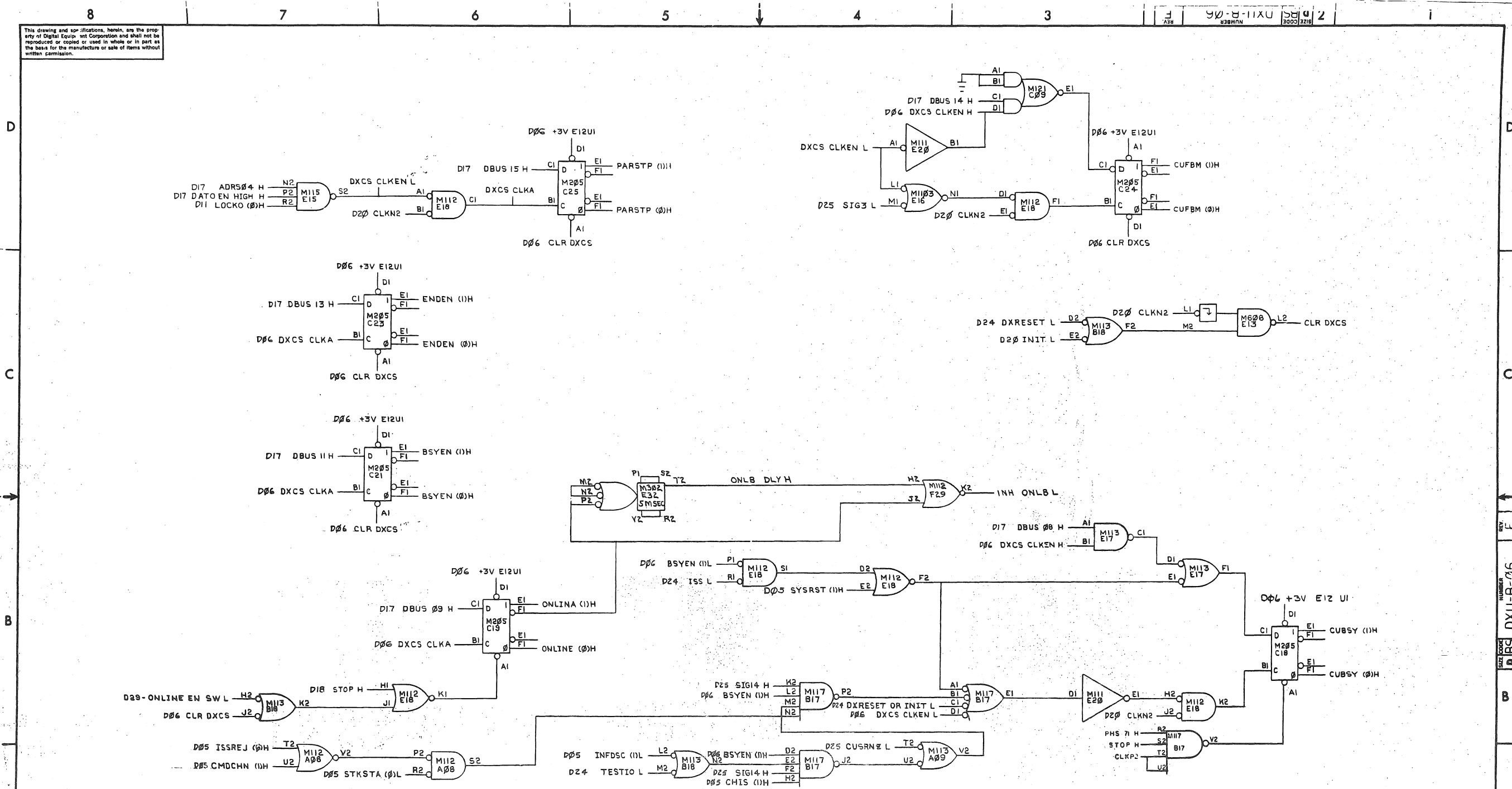
REV. B  
NUMBER  
DXII-B-05  
SIZE CODE  
D BS

FIRST USED ON OPTION/MODEL	QTY.	DESCRIPTION	PART NO.	ITEM NO.
PDP-11 PARTS LIST				
UNLESS OTHERWISE SPECIFIED DIMENSION IN INCHES. TOLERANCES		DRN <i>A. F. ...</i>	DATE <i>1/2/74</i>	 <b>EQUIPMENT CORPORATION</b> <small>MAYNARD MASSACHUSETTS</small>
DECIMALS	ANGLES	<i>[Signature]</i>	DATE <i>5/1/72</i>	
.XXX = .003	±0° 30'	PROJ. ENG. <i>[Signature]</i>	DATE <i>5-31-72</i>	<b>DXDS</b> <b>DX DEVICE STATUS</b>
.XX = .02		PROD. <i>[Signature]</i>	DATE <i>6-1-72</i>	
REMOVE BURRS AND BREAK SHARP CORNERS SURFACE QUALITY ✓				
MATERIAL	NEXT HIGHER ASSY.		SIZE CODE	NUMBER
FINISH	SCALE NONE		D BS	DXII-B-05
SHEET 2 OF 2			DIST.	

REV.	CHANGE NO.

DEC FORM NO. DWD 100-A

This drawing and specifications, herein, are the property of Digital Equipment Corporation and shall not be reproduced or copied or used in whole or in part as the basis for the manufacture or sale of items without written permission.

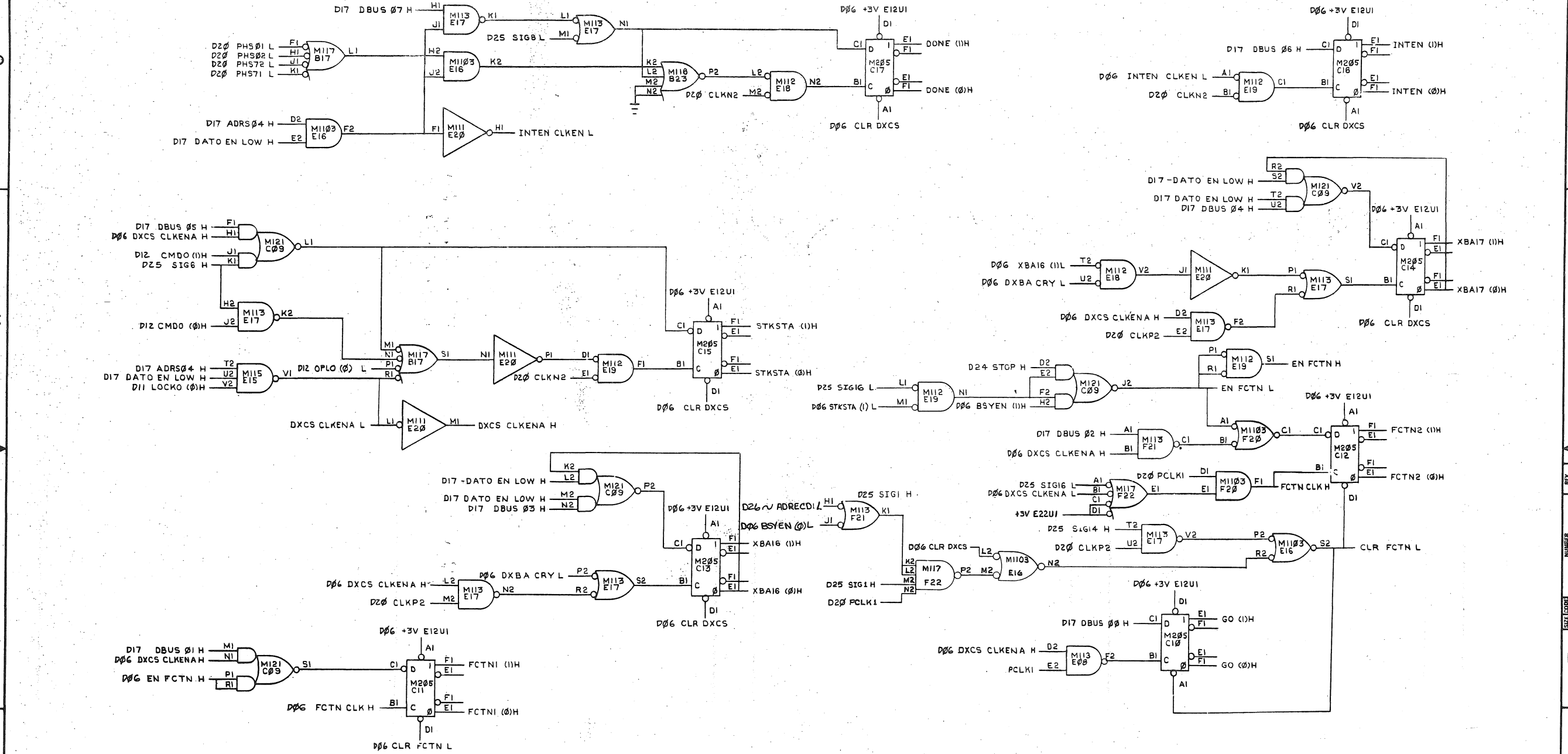


REV	CHANGE NO.	DESCRIPTION
1	0005	A
2	0006	B
3	0007	C
4	0008	D
5	0009	E
6	0010	F
7	0011	F
8	0012	F

FIRST USED ON OPTION/MODEL	QTY.	DESCRIPTION	PART NO.	ITEM NO.
PDP-11				
UNLESS OTHERWISE SPECIFIED DIMENSION IN INCHES				
TOLERANCES				
DECIMALS	ANGLES			
.XX - .005	± 0° 30'			
.X - .1				
REMOVE BURRS AND BREAK SHARP CORNERS SURFACE QUALITY				
MATERIAL				
NEXT HIGHER ASSY.				
B-DD-DX11-B		SIZE CODE	NUMBER	REV.
SHEET 1 OF 2		DBS	DX11-B-06	F
DIST.				

DDBS DX11-B-06

This drawing and specifications, herein, are the property of Digital Equipment Corporation and shall not be reproduced or copied or used in whole or in part as the basis for the manufacture or sale of items without written permission.



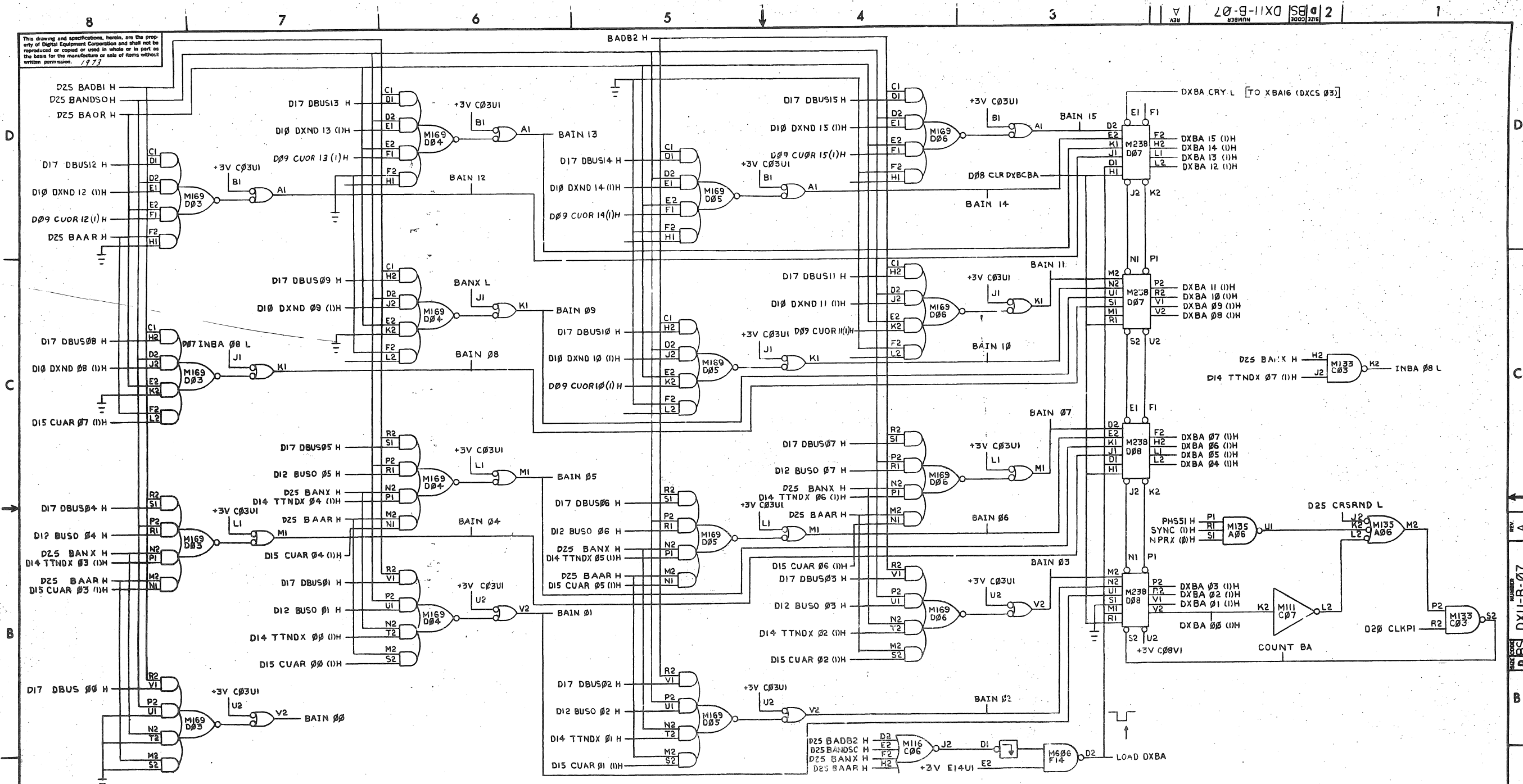
REV.	
CHANGE NO.	
CHK	

FIRST USED ON OPTION/MODEL	QTY.	DESCRIPTION	PART NO.	ITEM NO.
PDP-11		PARTS LIST		
UNLESS OTHERWISE SPECIFIED DIMENSION IN INCHES TOLERANCES		DATE	EQUIPMENT CORPORATION MAYNARD, MASSACHUSETTS	
DECIMALS	ANGLES	DATE	TITLE	
.XXX = .005	±0° 30'	5-31-72	DXCS CONTROL UNIT STATUS	
.XX = .02		5-31-72		
.X = .1		5-31-72		
REMOVE BURRS AND BREAK SHARP CORNERS SURFACE QUALITY		DATE		
MATERIAL	NEXT HIGHER ASSY.	DATE		
FINISH	B-DD-DX11-B	5-31-72	SIZE CODE	NUMBER
	SCALE NONE		D BS	DX11-B-06
	SHEET 2 OF 2		DIST.	REV. E

22

REV. E  
NUMBER  
DX11-R-06

This drawing and specifications, herein, are the property of Digital Equipment Corporation and shall not be reproduced or copied or used in whole or in part as the basis for the manufacture or sale of items without written permission.



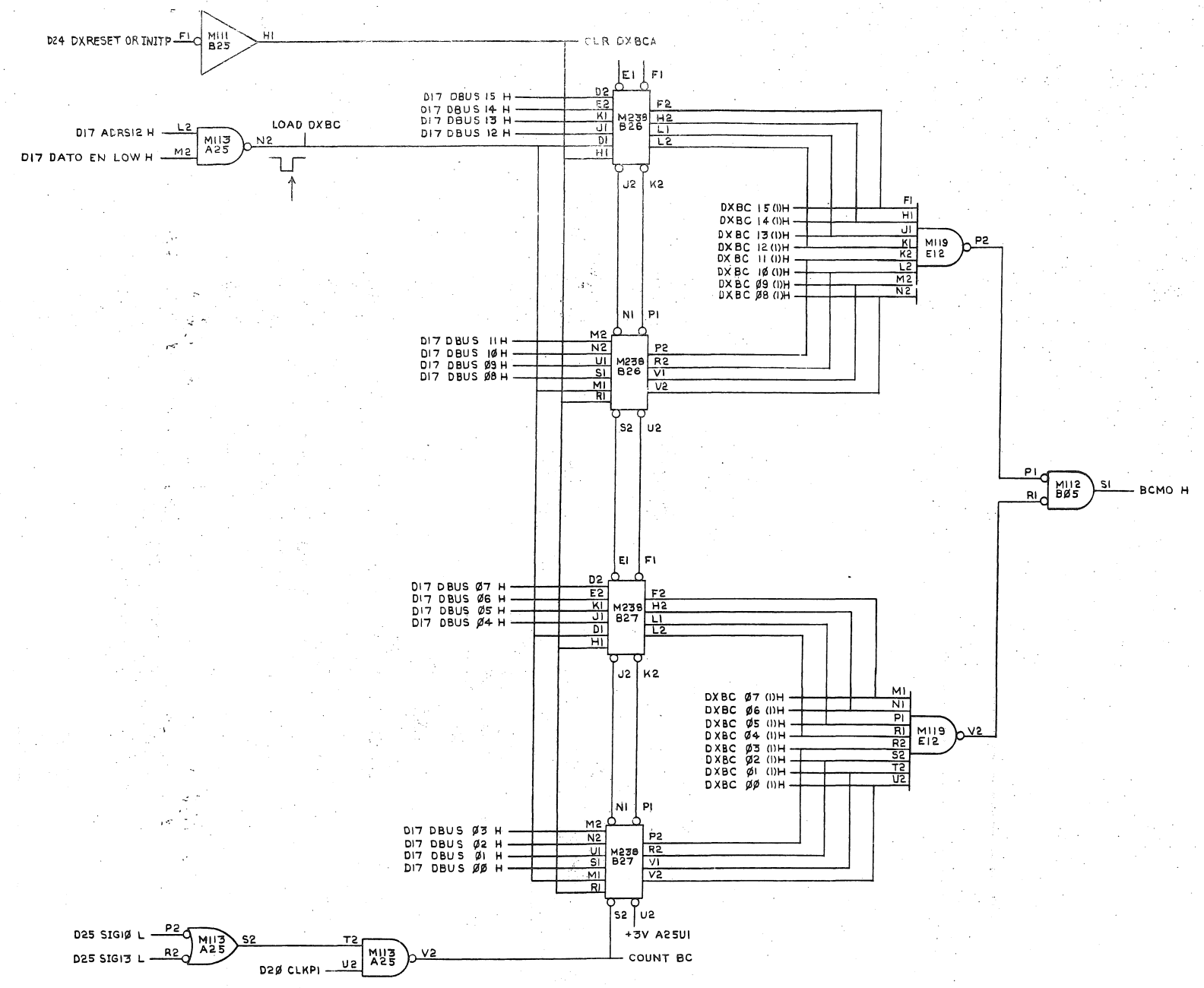
REV.	A	6-14-73
REV.	A	6-14-73
REV.	A	6-14-73
REV.	A	6-14-73

DEC FORM NO. DSD 100-4

FIRST USED ON OPTION/MODEL	QTY.	DESCRIPTION	PART NO.	ITEM NO.
PDP-11				
UNLESS OTHERWISE SPECIFIED DIMENSION IN INCHES. TOLERANCES		DATE	PARTS LIST	
DECIMALS	ANGLES	DATE	DIGITAL EQUIPMENT CORPORATION	
.005	±0°30'	DATE	MAYNARD MASSCHUSETTS	
REMOVE BURRS AND BREAK SHARP CORNERS SURFACE QUALITY		DATE	TITLE	
		DATE	DXBA	
		DATE	(DX BUS ADDRESS)	
MATERIAL	NEXT HIGHER ASSY.	SIZE CODE	NUMBER	REV.
	B-00-DX11-B	DBS	DX11-B-07	A
SCALE NONE	SHEET 1 OF 1	DIST.		

This drawing and specifications, herein, are the property of Digital Equipment Corporation and shall not be reproduced or copied or used in whole or in part as the basis for the manufacture or sale of items without written permission.

NOTE:  
 1. SIG13 TAKE DATA BYTE OUT  
 SIG10 TAKE DATA BYTE IN



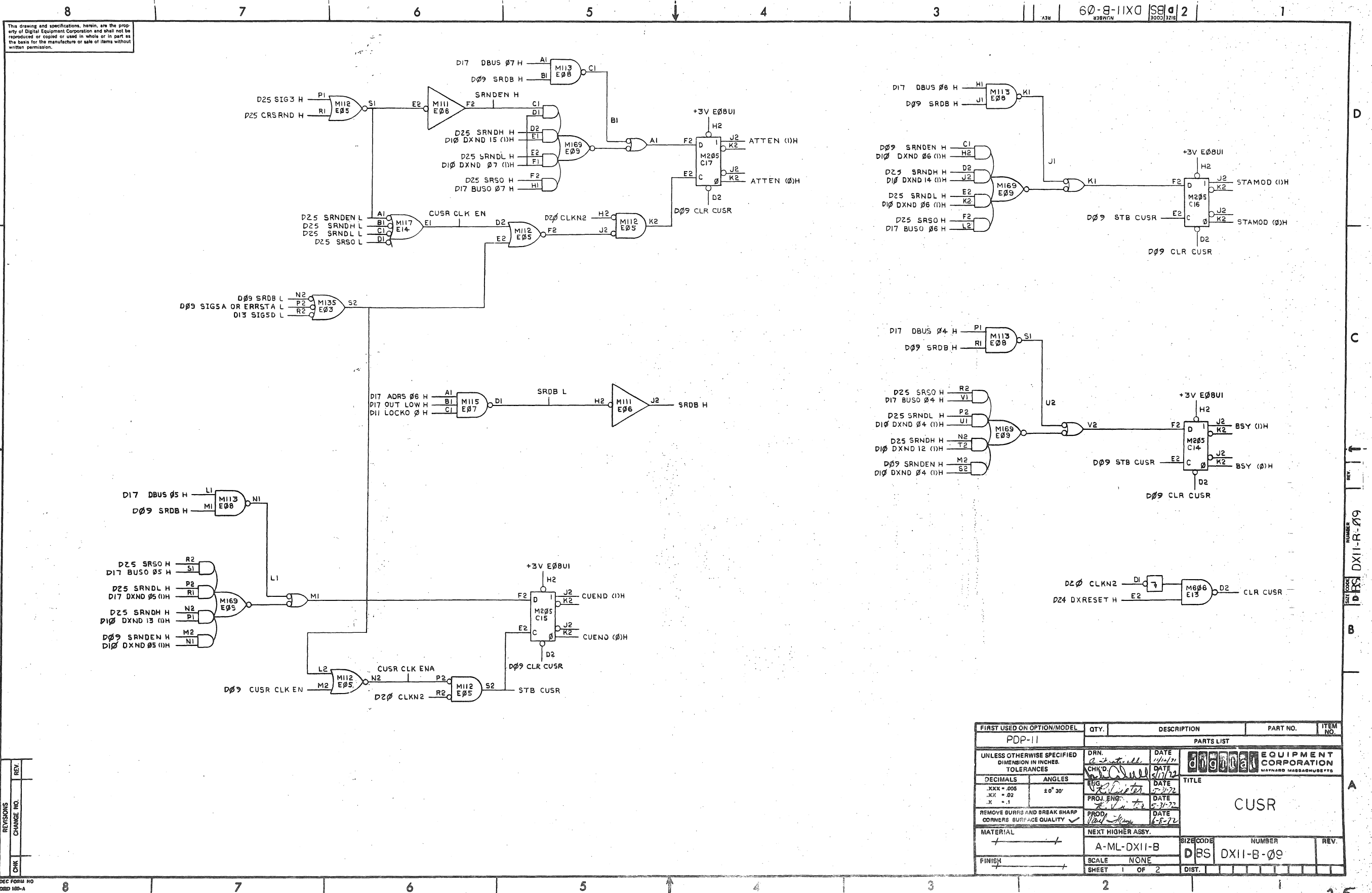
FIRST USED ON OPTION/MODEL	QTY.	DESCRIPTION	PART NO.	ITEM NO.
PDP-11				
PARTS LIST				
UNLESS OTHERWISE SPECIFIED DIMENSION IN INCHES.	DRN. <i>W. K. ...</i>	DATE <i>11-1-71</i>	DIGITAL EQUIPMENT CORPORATION MAYNARD MASSACHUSETTS	
TOLERANCES	CHK'D <i>[Signature]</i>	DATE <i>3/7/72</i>		
DECIMALS	ENG. <i>[Signature]</i>	DATE <i>5-2-72</i>	TITLE DXBC DX BYTE COUNTER	
ANGLES	PROJ. ENG. <i>[Signature]</i>	DATE <i>5-31-72</i>		
.XXX - .005	PROD. <i>[Signature]</i>	DATE <i>6-8-72</i>	MATERIAL +-----+	
.XX - .02				
.X - .1			FINISH +-----+	
REMOVE BURRS AND BREAK SHARP CORNERS SURFACE QUALITY			NEXT HIGHER ASSY. A-ML-DXII-B	
			SCALE NONE SHEET 1 OF 1	
			SIZE CODE NUMBER REV. DBS DXII-B-08	
			DIST.	

REV.	CHANGE NO.	REVISIONS

DEC FORM NO. 080 100-1

24

This drawing and specifications, herein, are the property of Digital Equipment Corporation and shall not be reproduced or copied or used in whole or in part as the basis for the manufacture or sale of items without written permission.

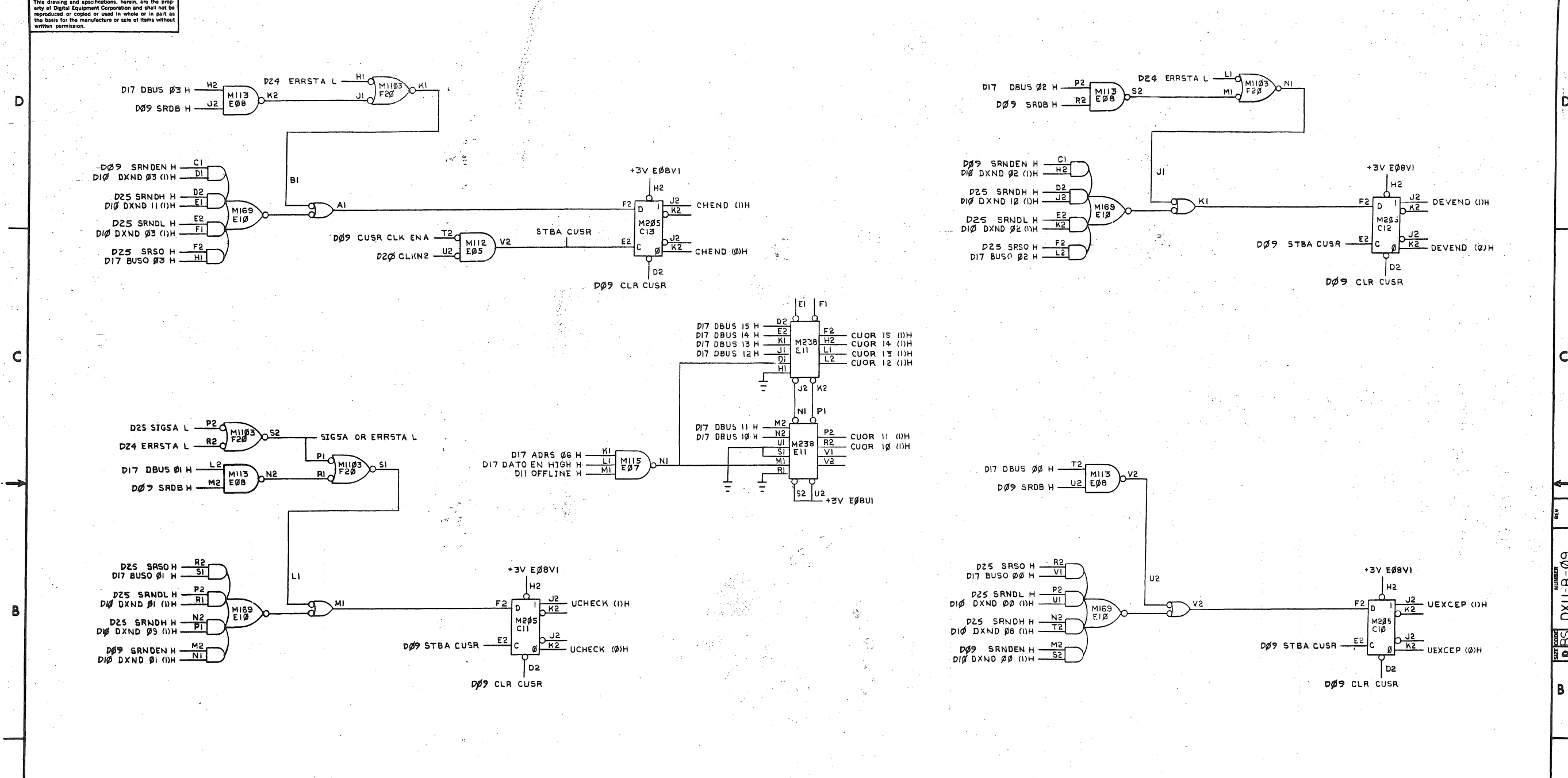


REV.	CHANGE NO.	CHK

FIRST USED ON OPTION/MODEL	QTY.	DESCRIPTION	PART NO.	ITEM NO.
PDP-11				
PARTS LIST				
UNLESS OTHERWISE SPECIFIED DIMENSION IN INCHES. TOLERANCES		DRN. <i>A. Smith</i>	DATE <i>4/1/72</i>	<b>digital EQUIPMENT CORPORATION</b> MAYNARD MASSACHUSETTS
DECIMALS	ANGLES	CHK'D <i>W. Smith</i>	DATE <i>5/17/72</i>	
.XXX = .005	± 0° 30'	DESIGNED <i>W. Smith</i>	DATE <i>5-21-72</i>	
.XX = .02		PROJ. ENG. <i>W. Smith</i>	DATE <i>5-21-72</i>	
.X = .1		PROD. <i>W. Smith</i>	DATE <i>6-5-72</i>	
REMOVE BURRS AND BREAK SHARP CORNERS SURFACE QUALITY				
MATERIAL		NEXT HIGHER ASSY.		
FINISH		SCALE NONE		
SHEET 1 OF 2		DIST.		

REV. NO. 1  
PART NO. DBS DX11-R-09  
SHEET 1 OF 2

This drawing and specifications, herein, are the property of Digital Equipment Corporation and shall not be reproduced or copied or used in whole or in part as the basis for the manufacture or sale of items without written permission.



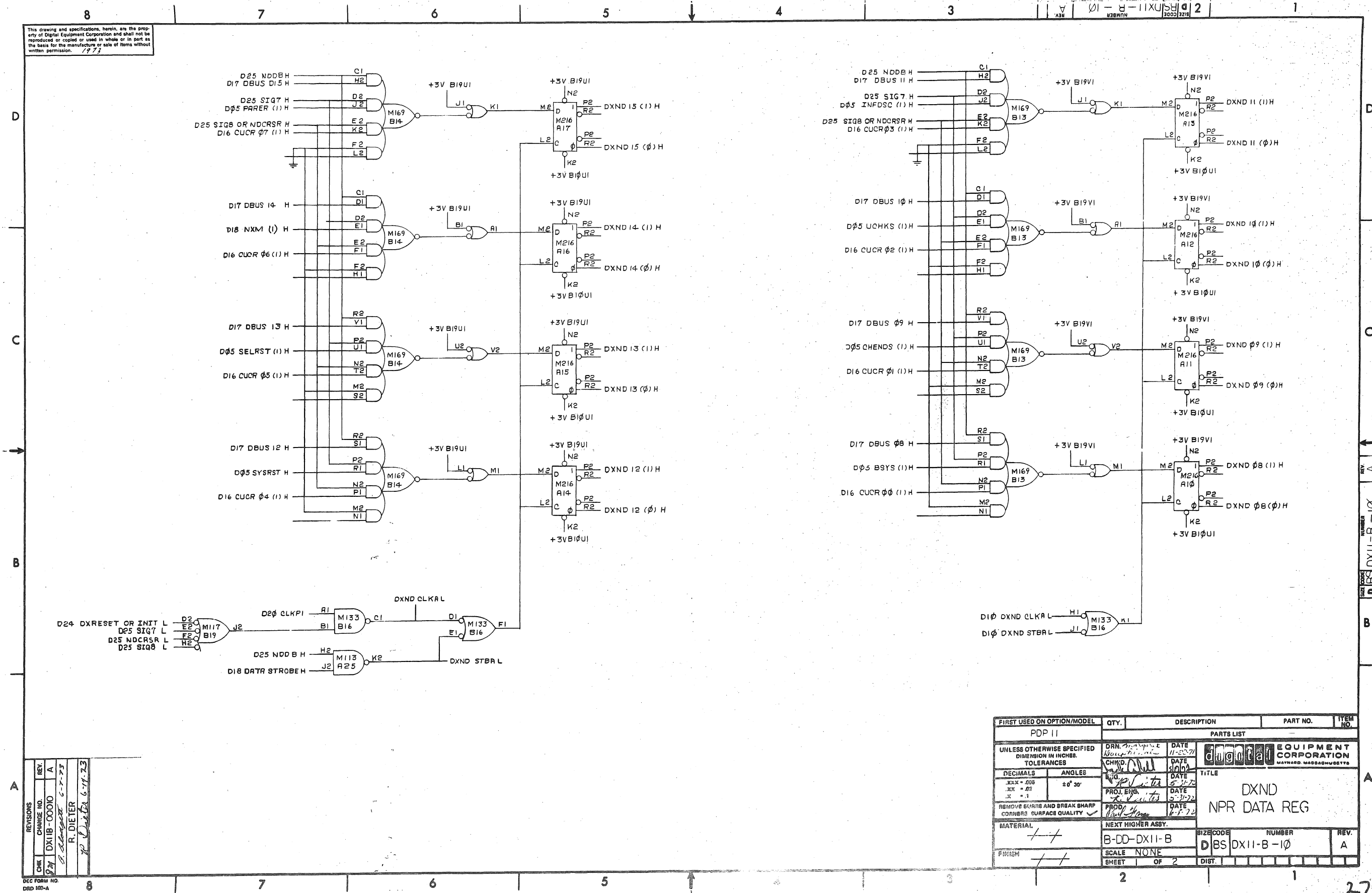
REVISIONS	NO.	REV.
CHK	CHANGE NO.	

FIRST USED ON OPTION/MODEL	QTY.	DESCRIPTION	PART NO.	ITEM NO.
PDP-11		PARTS LIST		
UNLESS OTHERWISE SPECIFIED DIMENSION IN INCHES. TOLERANCES	DRN. DATE 1/1/71	DATE 1/1/71	DIGITAL EQUIPMENT CORPORATION MAYNARD MASSACHUSETTS	
DECIMALS ANGLES	CHK'D DATE 3/1/72	DATE 5-31-72	TITLE	
.XXX = .008 .XX = .02 .X = .1	ENG. DATE 5-31-72	DATE 5-31-72	CUSR	
REMOVE BURRS AND BREAK SHARP CORNERS SURFACE QUALITY	PROJ. ENGR. DATE 5-31-72	DATE 6-8-72		
MATERIAL	NEXT HIGHER ASSY.	SIZE CODE	NUMBER	REV.
FINISH	A-ML-DX11-B	DBS	DX11-B-09	
SCALE NONE	SHEET 2 OF 2	DIST.		

DEC FORM NO. DBS 100-A  
 26



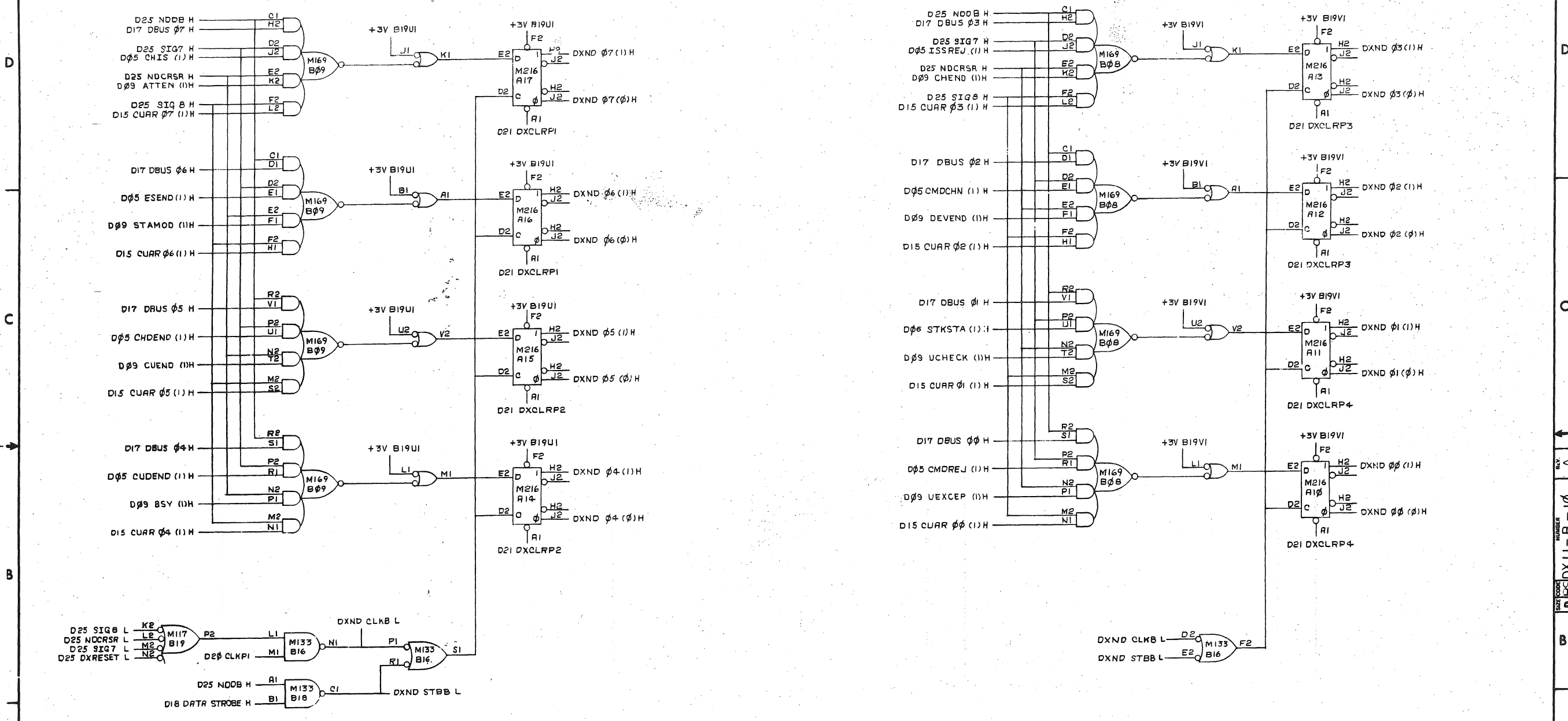
This drawing and specifications, herein, are the property of Digital Equipment Corporation and shall not be reproduced or copied or used in whole or in part as the basis for the manufacture or sale of items without written permission. 1973



REV.	CHG.	NO.	DATE	BY
1	DXIB-0010	A	6-7-73	R. DIETER
2			6-11-73	R. DIETER

FIRST USED ON OPTION/MODEL	QTY.	DESCRIPTION	PART NO.	ITEM NO.
POP 11		PARTS LIST		
UNLESS OTHERWISE SPECIFIED DIMENSION IN INCHES. TOLERANCES	DRN. <i>Wagner</i>	DATE 11-22-71	DIGITAL EQUIPMENT CORPORATION MAYNARD, MASSACHUSETTS	
DECIMALS .005	CHKD. <i>Wagner</i>	DATE 1/10/72	TITLE DXND NPR DATA REG	
ANGLES ±0° 30'	APP'D. <i>R. Dieter</i>	DATE 5-27-72	SIZE CODE B-DD-DX11-B	
REMOVE BURRS AND BREAK SHARP CORNERS SURFACE QUALITY	PROJ. ENGR. <i>R. Dieter</i>	DATE 5-27-72	NUMBER DBS DX11-B-10	
MATERIAL	APP'D. <i>Wagner</i>	DATE 6-7-72	REV. A	
NEXT HIGHER ASSY.			SCALE NONE	
			SHEET OF 2	

This drawing and specifications, herein, are the property of Digital Equipment Corporation and shall not be reproduced or copied or used in whole or in part as the basis for the manufacture or sale of items without written permission.

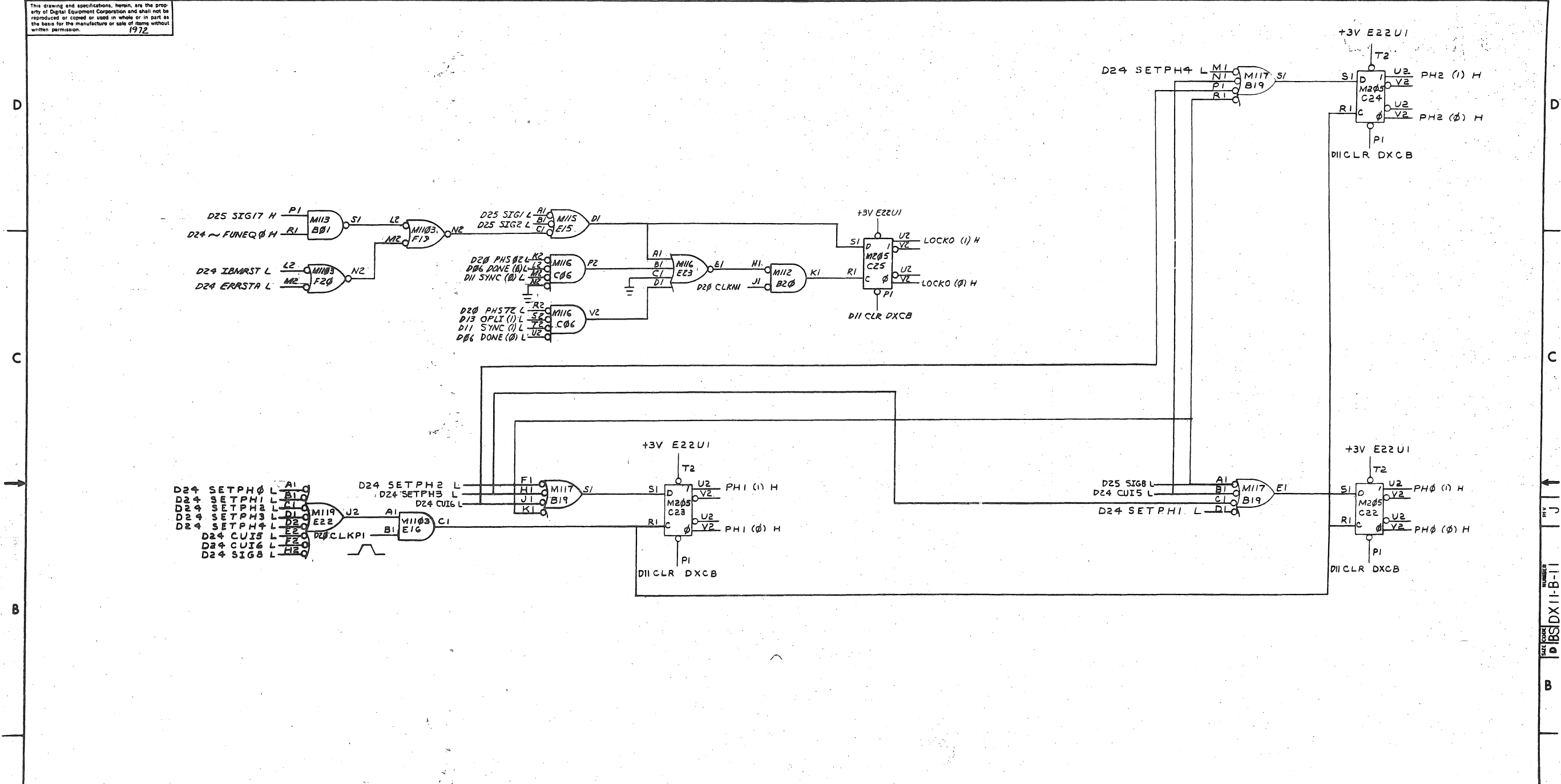


FIRST USED ON OPTION/MODEL	QTY.	DESCRIPTION	PART NO.	ITEM NO.
PDP 11				
PARTS LIST				
UNLESS OTHERWISE SPECIFIED DIMENSION IN INCHES.		DATE 11-25-71	 <b>DIGITAL EQUIPMENT CORPORATION</b> <small>MAYNARD MASSACHUSETTS</small>	
TOLERANCES		DATE 5-29-72		
DECIMALS	ANGLES	DATE 5-29-72		
.XXX - .005	± 0° 30'	DATE 5-29-72		
.XX - .02		DATE 5-29-72	<b>DXND</b> <b>NPR DATA REG</b>	
.X - .1		DATE 5-29-72		
REMOVE BURRS AND BREAK SHARP CORNERS SURFACE QUALITY		DATE 5-29-72		
MATERIAL		NEXT HIGHER ASSY.		
FINISH		B-DD-DX11-B	SIZE CODE	NUMBER
		SCALE NONE	D BS DX11-B-10	REV. A
		SHEET 2 OF 2	DIST.	

REV.	CHANGE NO.	REVISIONS

DEC FORM NO. 001 100-A  
28

This drawing and specifications, herein, are the property of Digital Equipment Corporation and shall not be reproduced or copied or used in whole or in part as the basis for the manufacture or sale of items without written permission. 1972



REV	DATE	BY	CHKD
1	11/17/72	DIETER	
2	12/1/72	DIETER	
3	12/1/72	DIETER	
4	12/1/72	DIETER	
5	12/1/72	DIETER	
6	12/1/72	DIETER	
7	12/1/72	DIETER	
8	12/1/72	DIETER	
9	12/1/72	DIETER	
10	12/1/72	DIETER	
11	12/1/72	DIETER	
12	12/1/72	DIETER	
13	12/1/72	DIETER	
14	12/1/72	DIETER	
15	12/1/72	DIETER	
16	12/1/72	DIETER	
17	12/1/72	DIETER	
18	12/1/72	DIETER	
19	12/1/72	DIETER	
20	12/1/72	DIETER	
21	12/1/72	DIETER	
22	12/1/72	DIETER	
23	12/1/72	DIETER	
24	12/1/72	DIETER	
25	12/1/72	DIETER	
26	12/1/72	DIETER	
27	12/1/72	DIETER	
28	12/1/72	DIETER	
29	12/1/72	DIETER	
30	12/1/72	DIETER	

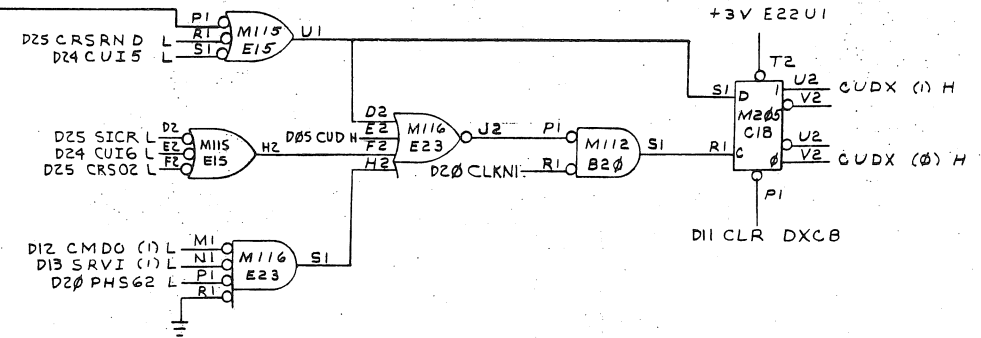
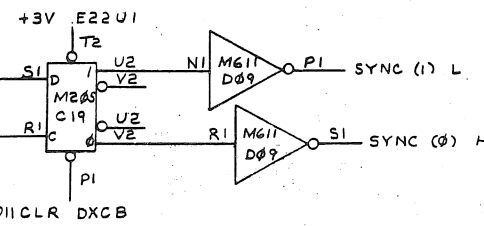
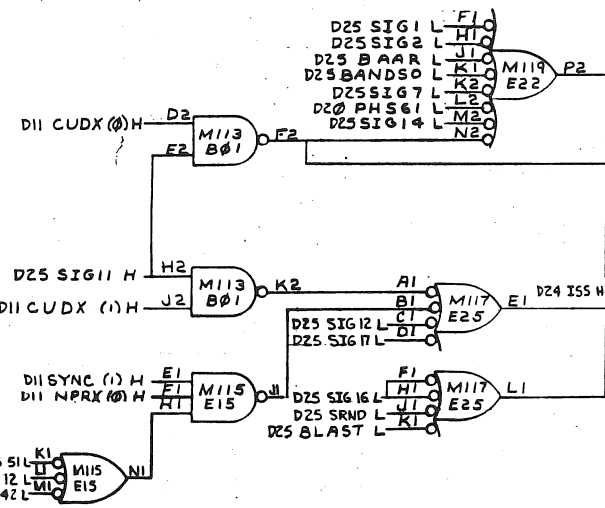
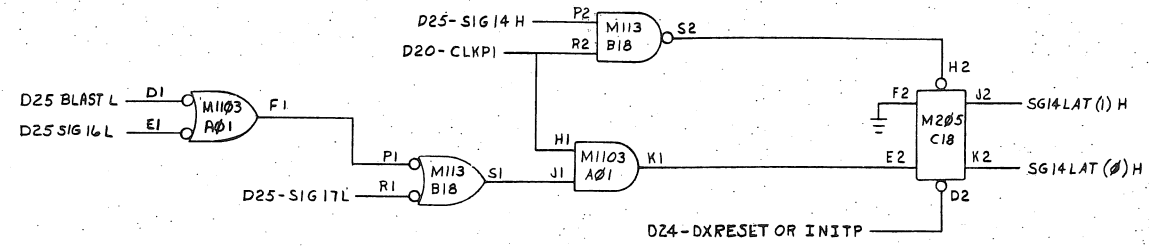
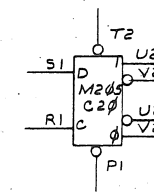
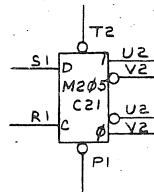
FIRST USED ON OPTION/MODEL	QTY.	DESCRIPTION	PART NO.	ITEM NO.
PDP-11				
UNLESS OTHERWISE SPECIFIED DIMENSION IN INCHES TOLERANCES				
DECIMALS	ANGLES	TITLE		
.XXX ± .005	± 0° 30'	DXCB DX CONTROL BITS		
.XX ± .02		NEXT HIGHER ASSY.		
.X ± .1		SCALE NONE		
REMOVE BURRS AND BREAK SHARP CORNERS SURFACE QUALITY				
MATERIAL		NEXT HIGHER ASSY.		REV.
FINISH		SCALE NONE		U
SHEET 1 OF 4		DIST.		

PDP-11

This drawing and specifications, herein, are the property of Digital Equipment Corporation and shall not be reproduced or copied in whole or in part as the basis for the manufacture or sale of items without written permission.  
1972

(NOTE: MNCLFN ON D20)

(NOTE: MNCLKF ON D20)



REV	CHANGE NO.

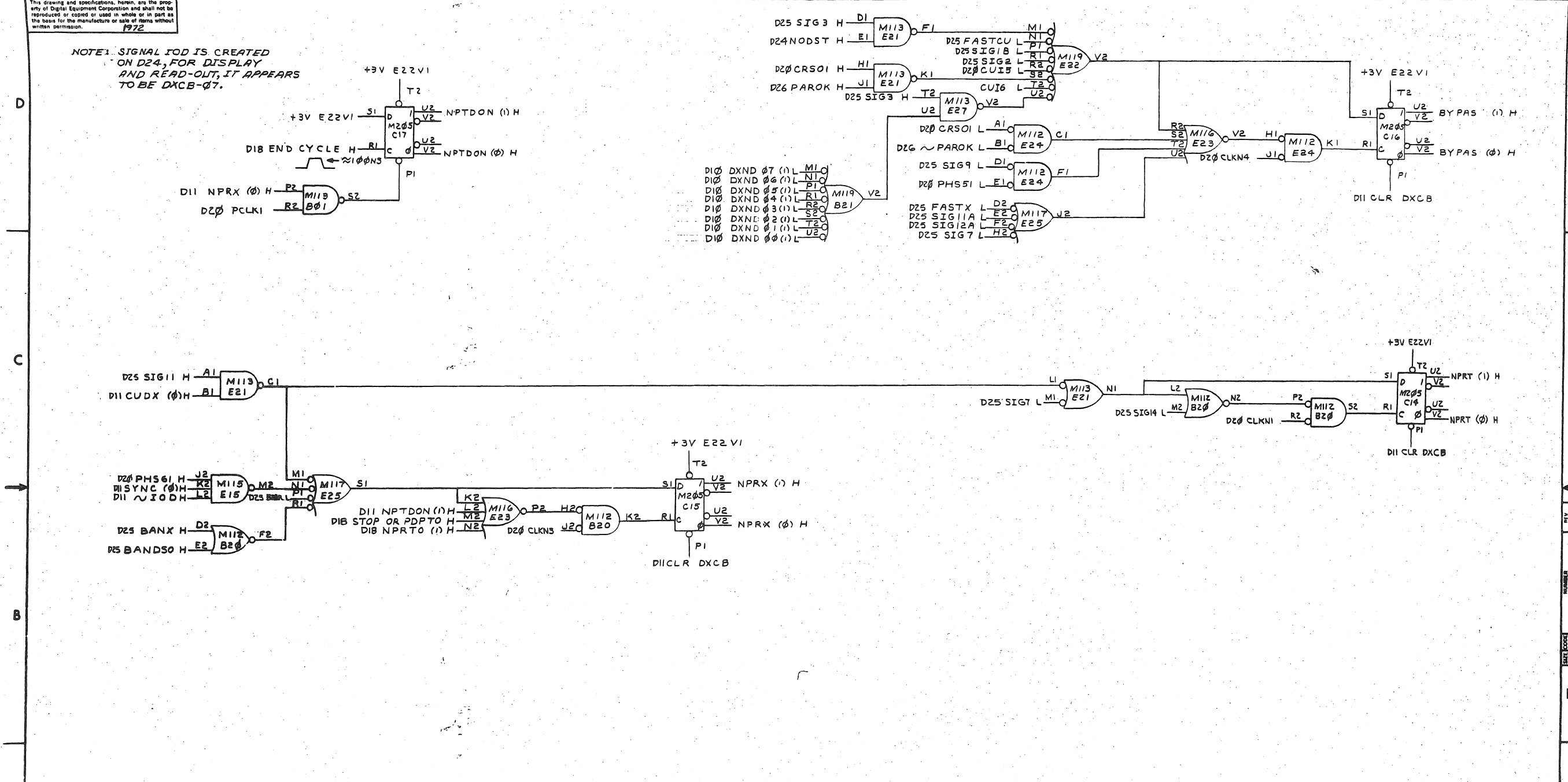
DEC FORM NO. DRD 100-B

30

FIRST USED ON OPTION/MODEL	QTY.	DESCRIPTION	PART NO.	ITEM NO.
PDP-11		PARTS LIST		
UNLESS OTHERWISE SPECIFIED DIMENSION IN INCHES. TOLERANCES		DRN. <i>W. Wilson</i>	DATE 2/20/72	DIGITAL EQUIPMENT CORPORATION MAYNARD MASSACHUSETTS
DECIMALS .XXX - .005	ANGLES ±0° 30'	CHKD. <i>W. Wilson</i>	DATE 5/16/72	
REMOVE BURRS AND BREAK SHARP CORNERS SURFACE QUALITY		PROJ. ENGR. <i>W. Wilson</i>	DATE 5-27-72	TITLE DXCB DX CONTROL BITS
MATERIAL	NEXT HIGHER ASSY.	PROD. <i>W. Wilson</i>	DATE 6-7-72	SIZE CODE B-DD-DX11-B
FINISH	SCALE NONE	SHEET 2 OF 4		NUMBER D B S D X 1 1 - B - 1 1
		DIST.		REV. J

This drawing and specifications, herein, are the property of Digital Equipment Corporation and shall not be reproduced or copied or used in whole or in part as the basis for the manufacture or sale of items without written permission. 1972

NOTE 1. SIGNAL IOD IS CREATED ON D24, FOR DISPLAY AND READ-OUT, IT APPEARS TO BE DXCB-07.

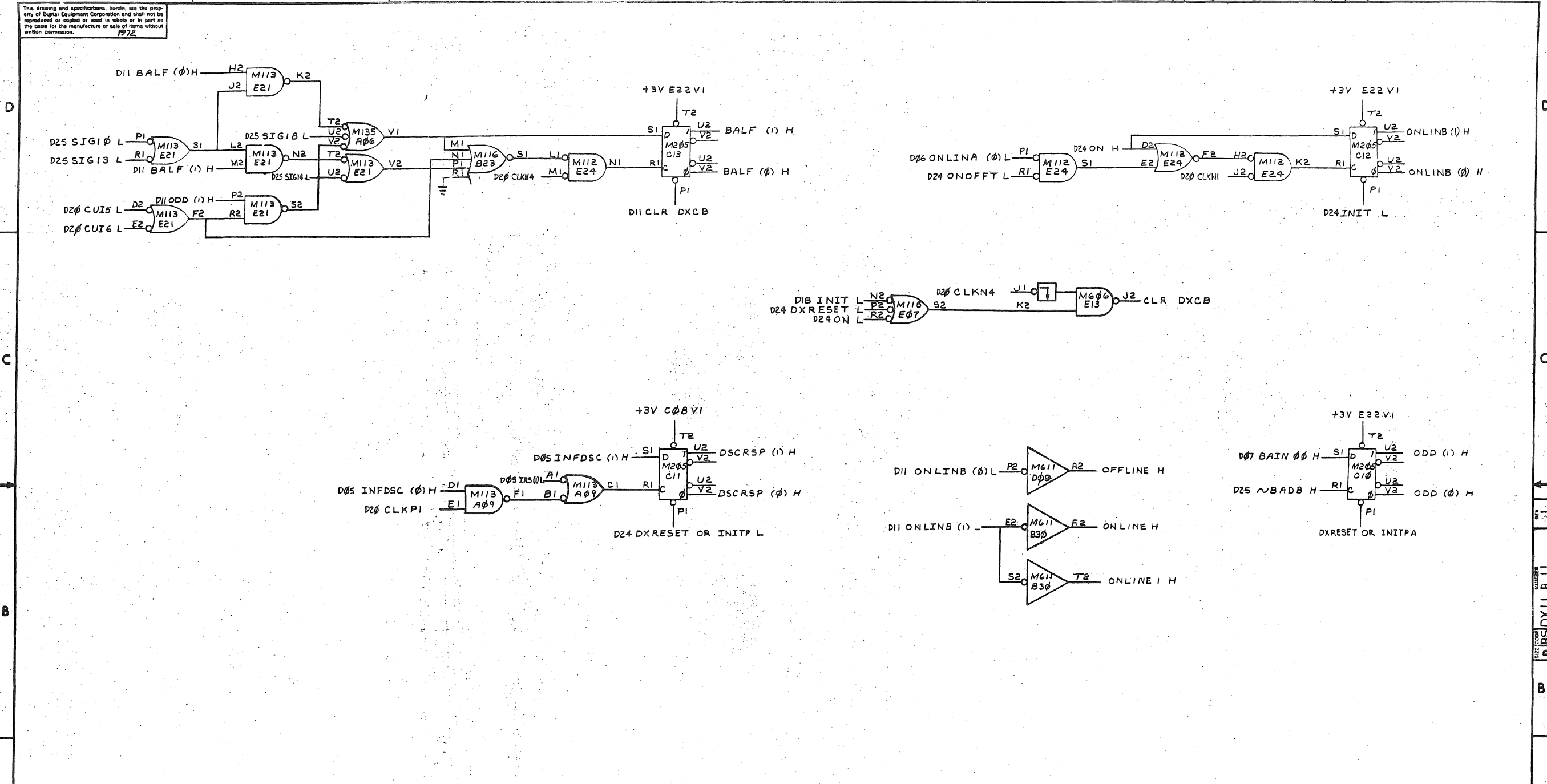


REV	NO	DATE
1	1	5-1-72
2	1	5-1-72
3	1	5-1-72
4	1	5-1-72
5	1	5-1-72
6	1	5-1-72
7	1	5-1-72
8	1	5-1-72
9	1	5-1-72
10	1	5-1-72

FIRST USED ON OPTION/MODEL	QTY.	DESCRIPTION	PART NO.	ITEM NO.
PDP-11				
PARTS LIST				
UNLESS OTHERWISE SPECIFIED DIMENSION IN INCHES.	DRW. <i>Wilson</i>	DATE 2-28-72	DIGITAL EQUIPMENT CORPORATION MAYNARD MASSACHUSETTS	
TOLERANCES	CHK'D <i>Wilson</i>	DATE 5-1-72	TITLE DXCB	
DECIMALS ANGLES	ENG. <i>Wilson</i>	DATE 5-3-72	TITLE DX CONTROL BITS	
.XXX = .008	PROL. <i>Wilson</i>	DATE 5-31-72	MATERIAL	
.XX = .02	PROD. <i>Wilson</i>	DATE 6-5-72	NEXT HIGHER ASSY.	
.X = .1			B-DD-DX11-B	
REMOVE BURRS AND BREAK SHARP CORNERS SURFACE QUALITY			SIZE CODE NUMBER REV.	
			D B S D X 1 1 - B - 1 1 J	
FINISH			SCALE NONE	
			SHEET 3 OF 4	
			DIB.	

This drawing and specifications, herein, are the property of Digital Equipment Corporation and shall not be reproduced or copied in whole or in part as the basis for the manufacture or sale of items without written permission.  
1972

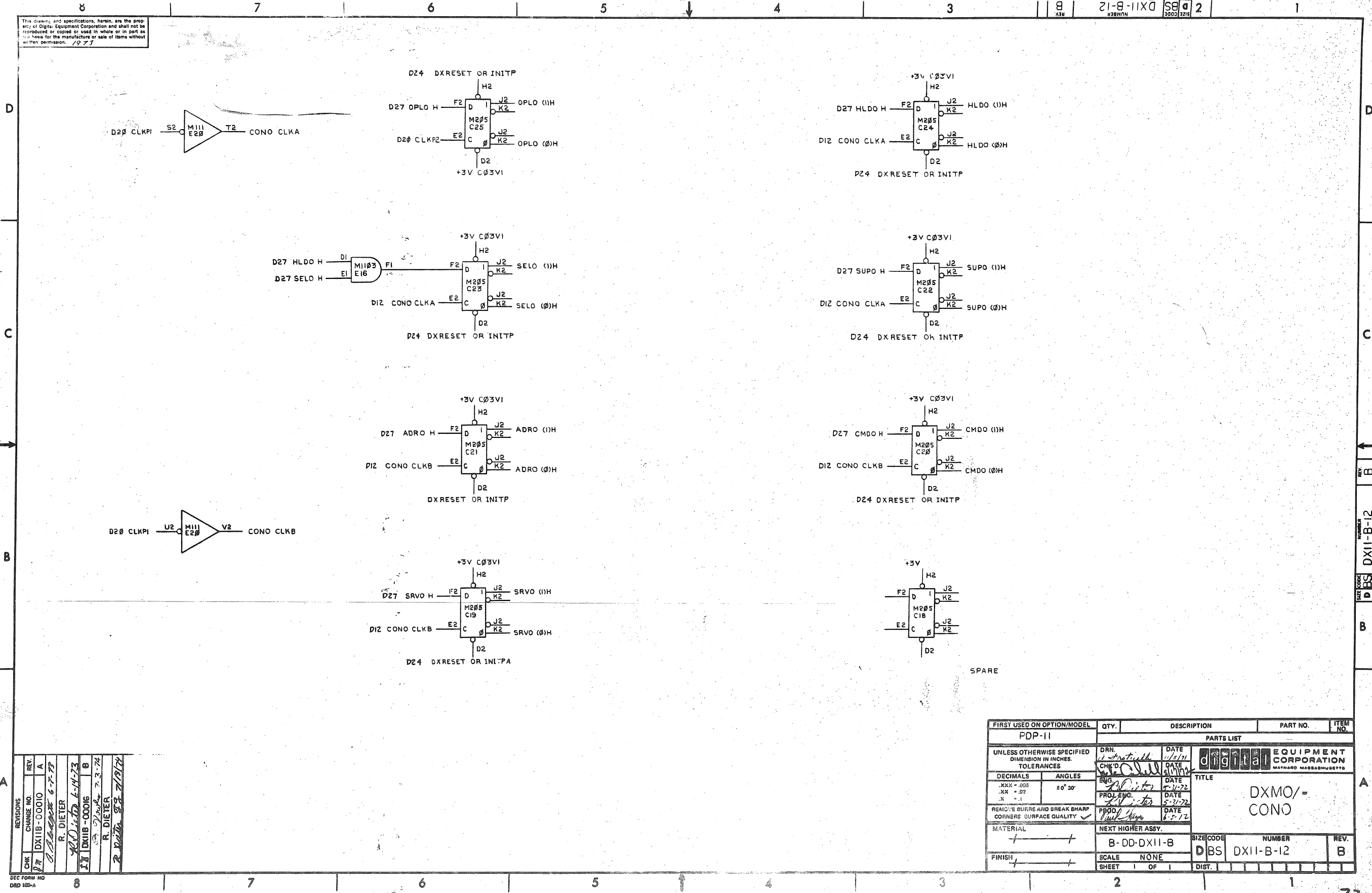
11-B-11  
2



REV	CHANGE NO.	DATE

FIRST USED ON OPTION/MODEL PDP-11	QTY.	DESCRIPTION	PART NO.
PARTS LIST			
UNLESS OTHERWISE SPECIFIED DIMENSION IN INCHES. TOLERANCES	DRN <i>[Signature]</i>	DATE 2-28-72	EQUIPMENT CORPORATION MAYNARD MASSACHUSETTS
DECIMALS .XXX - .030 .XX - .02 .X - .1	CHK'D <i>[Signature]</i>	DATE 3/17/72	
ANGLES ±0° 30'	APPROVED <i>[Signature]</i>	DATE 5-11-72	TITLE DXCB DX CONTROL BITS
REMOVE BURRS AND BREAK SHARP CORNERS SURFACE QUALITY	PHD. <i>[Signature]</i>	DATE 6-9-72	SIZE CODE B-DD-DX11-B
MATERIAL	NEXT HIGH ASY.	NUMBER	REV. J
FINISH	SCALE NONE	SHEET 4 OF 4	DIST.

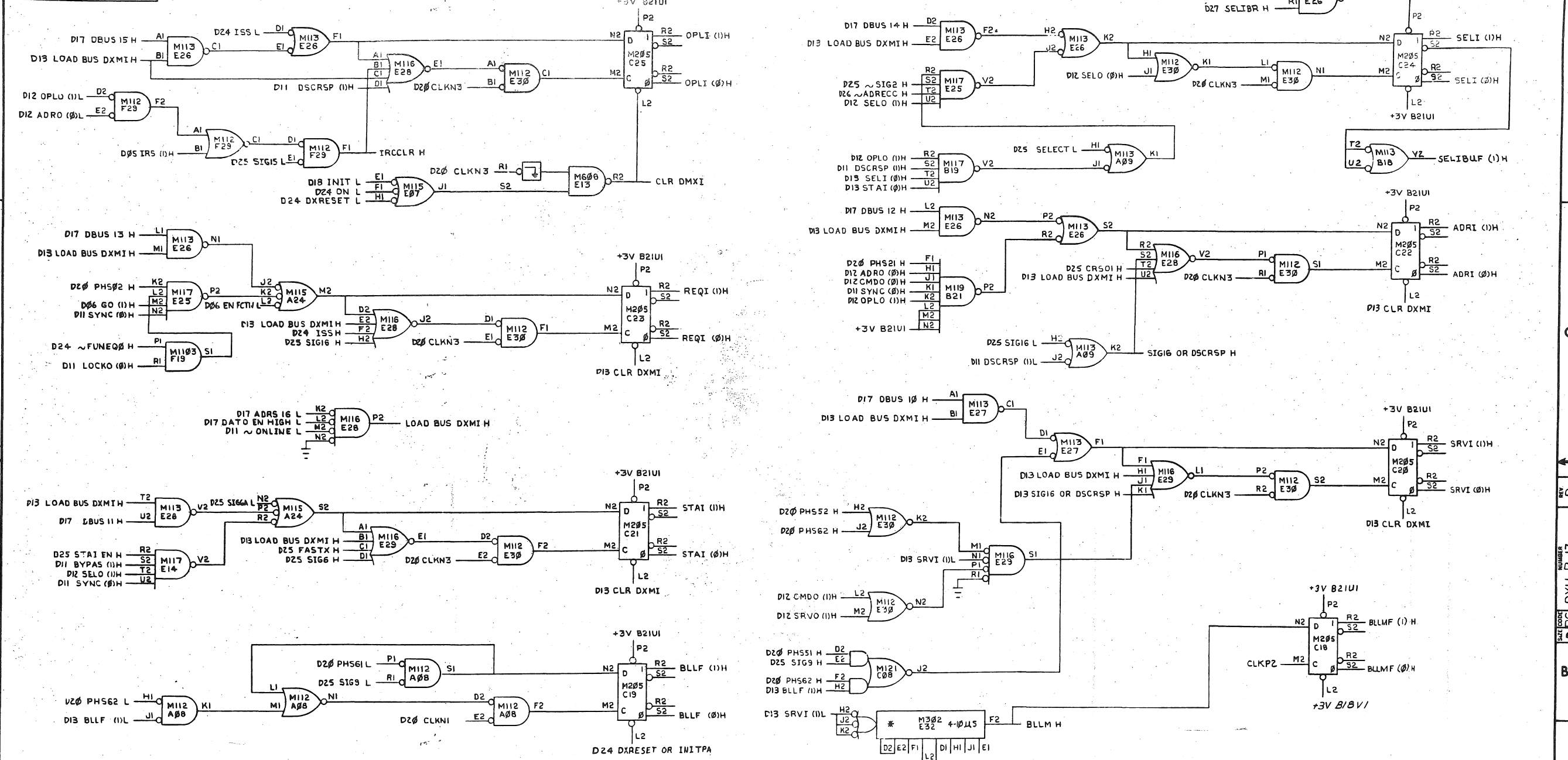
This drawing and specifications herein are the property of Digital Equipment Corporation and shall not be reproduced or copied or used in whole or in part as a basis for the manufacture or sale of items without written permission. 1973



REV.	CHANGE NO.	DESCRIPTION
A	0010	DX11B-0010
B	0011	DX11B-0011
C	0012	DX11B-0012
D	0013	DX11B-0013

FIRST USED ON OPTION/MODEL	QTY.	DESCRIPTION	PART NO.	ITEM NO.
PDP-11				
PARTS LIST				
UNLESS OTHERWISE SPECIFIED DIMENSION IN INCHES. TOLERANCES		DRN. DATE	digital EQUIPMENT CORPORATION	
DECIMALS	ANGLES	CHK'D. DATE	MAYNARD MASSACHUSETTS	
.XXX - .005	±0° 30'	ENG. DATE	TITLE <b>DXMO/- CONO</b>	
.XX - .02		PROL. ENG. DATE		
.X - .1		PROD. DATE		
REMOVE BURRS AND BREAK SHARP CORNERS SURFACE QUALITY		DATE		
MATERIAL	NEXT HIGHER ASSY.		SIZE CODE	NUMBER
FINISH	SCALE NONE		D BS	DX11-B-12
SHEET		OF	DIST.	

This drawing and specifications, herein, are the property of Digital Equipment Corporation and shall not be reproduced or copied or used in whole or in part as the basis for the manufacture or sale of items without written permission.



\* CW ROTATION DECREASES DELAY

REV.	CHG.	NO.	DATE	BY
A	1	0010	6-7-72	R. DIETER
B	1	0015	6-14-72	R. DIETER
C	1	0019	6-14-72	R. DIETER
D	1	0021	6-14-72	R. DIETER
E	1	0022	6-14-72	R. DIETER

DEC FORM NO. 0010-100-A

34

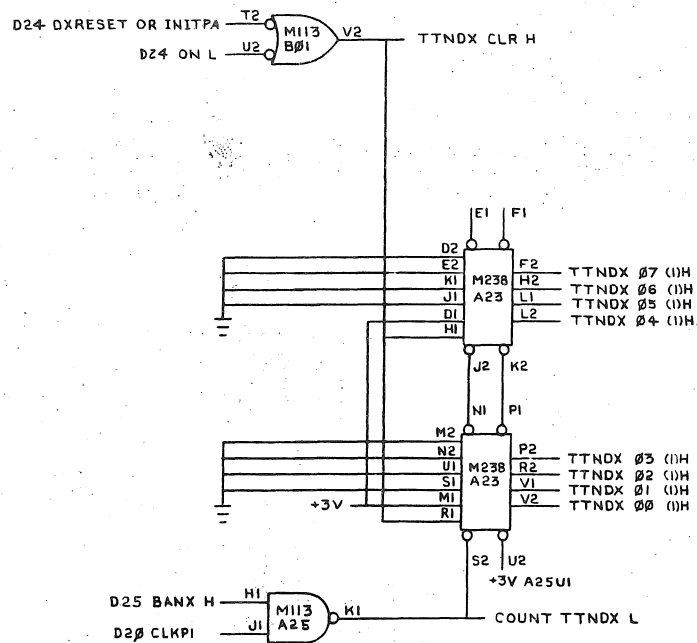
FIRST USED ON OPTION/MODEL	QTY.	DESCRIPTION	PART NO.	ITEM NO.
PDP-11				
UNLESS OTHERWISE SPECIFIED DIMENSION IN INCHES TOLERANCES				
DECIMALS	ANGLES	TITLE		
.XXX - .005	± 0° 30'	DXMI CONTROL IN/BUS IN		
.XX - .02		PARTS LIST		
.X - .1		EQUIPMENT CORPORATION		
REMOVE BURRS AND BREAK SHARP CORNERS SURFACE QUALITY				
MATERIAL	NEXT HIGHER ASSY.	SIZE CODE	NUMBER	REV.
FINISH	SCALE NONE	D BS	DX11-B-13	D
	SHEET 1 OF 2	DIST.		

REV. D BS DX11-B-13





This drawing and specifications, herein, are the property of Digital Equipment Corporation and shall not be reproduced or copied or used in whole or in part as the basis for the manufacture or sale of items without written permission. 1273

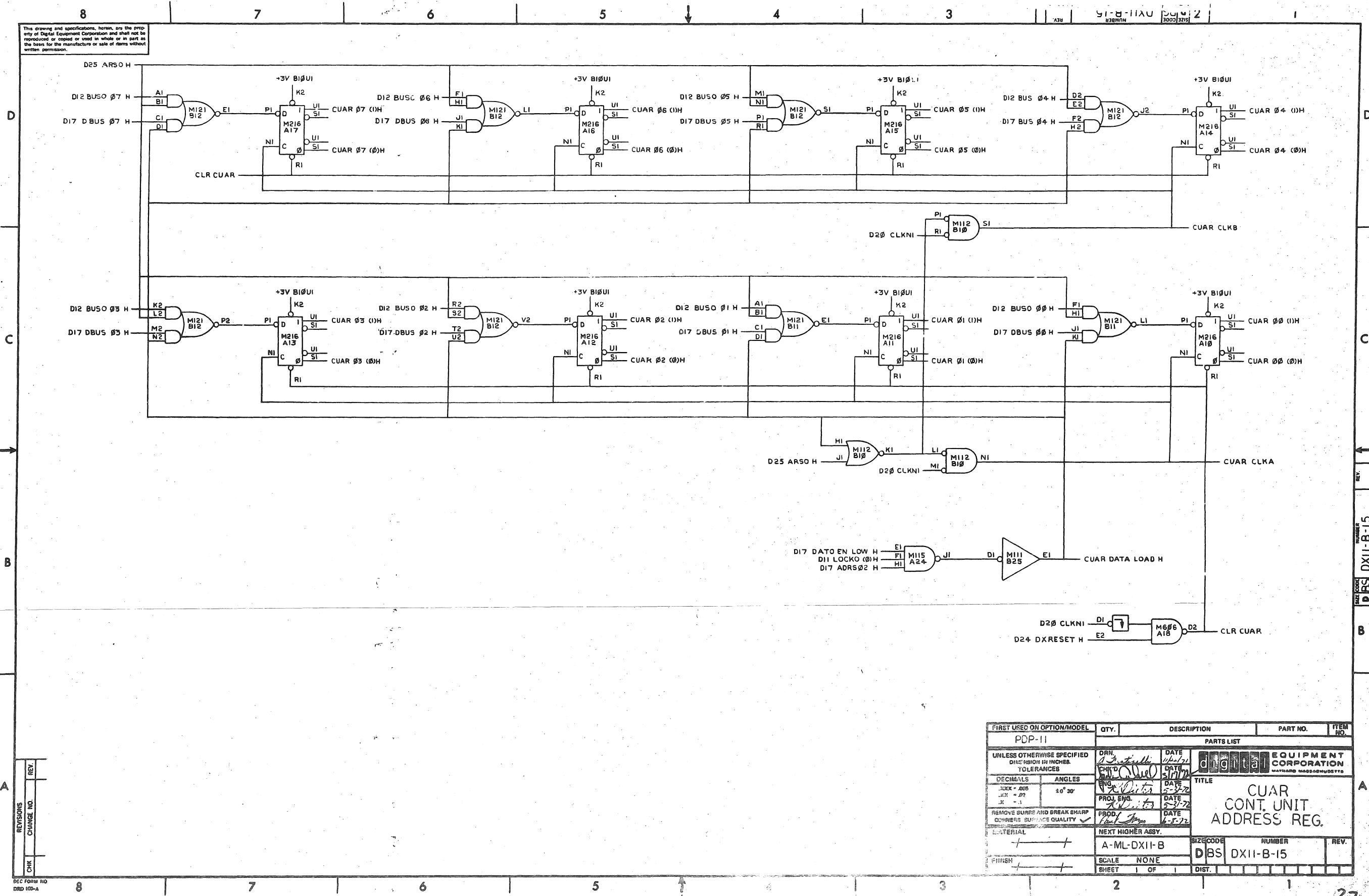


REV.	CHANGE NO.	BY	DATE
A	DX11B-00010	R. DIETER	6-7-73
B		R. DIETER	6-14-73

DEC FORM NO. DRD 100-A

FIRST USED ON OPTION/MODEL	QTY.	DESCRIPTION	PART NO.	ITEM NO.
PDP-11		PARTS LIST		
UNLESS OTHERWISE SPECIFIED DIMENSION IN INCHES. TOLERANCES	DRN. <i>A. L. ...</i>	DATE <i>11/2/73</i>	 <b>DIGITAL EQUIPMENT CORPORATION</b> <small>MAYNARD MASSACHUSETTS</small>	
DECIMALS	CHK'D <i>[Signature]</i>	DATE <i>5/10/73</i>		
ANGLES	ENG. <i>[Signature]</i>	DATE <i>5-17-72</i>		
.XX - .005 .XX - .02 X - .1	PROJ. ENG. <i>[Signature]</i>	DATE <i>5-17-72</i>		
REMOVE BURRS AND BREAK SHARP CORNERS SURFACE QUALITY	PROD. <i>[Signature]</i>	DATE <i>6-5-72</i>	<b>TITLE</b> TTNDX TUMBLE TABLE INDEX	
MATERIAL	NEXT HIGHER ASSY.	SCALE	SIZE CODE	NUMBER
+	B-DD-DX11-B	NONE	DBS	DX11-B-14
FINISH	SHEET	OF	DIST.	REV.
+				A

The drawing and specifications, herein, are the property of Digital Equipment Corporation and shall not be reproduced or copied in whole or in part as the basis for the manufacture or sale of items without written permission.

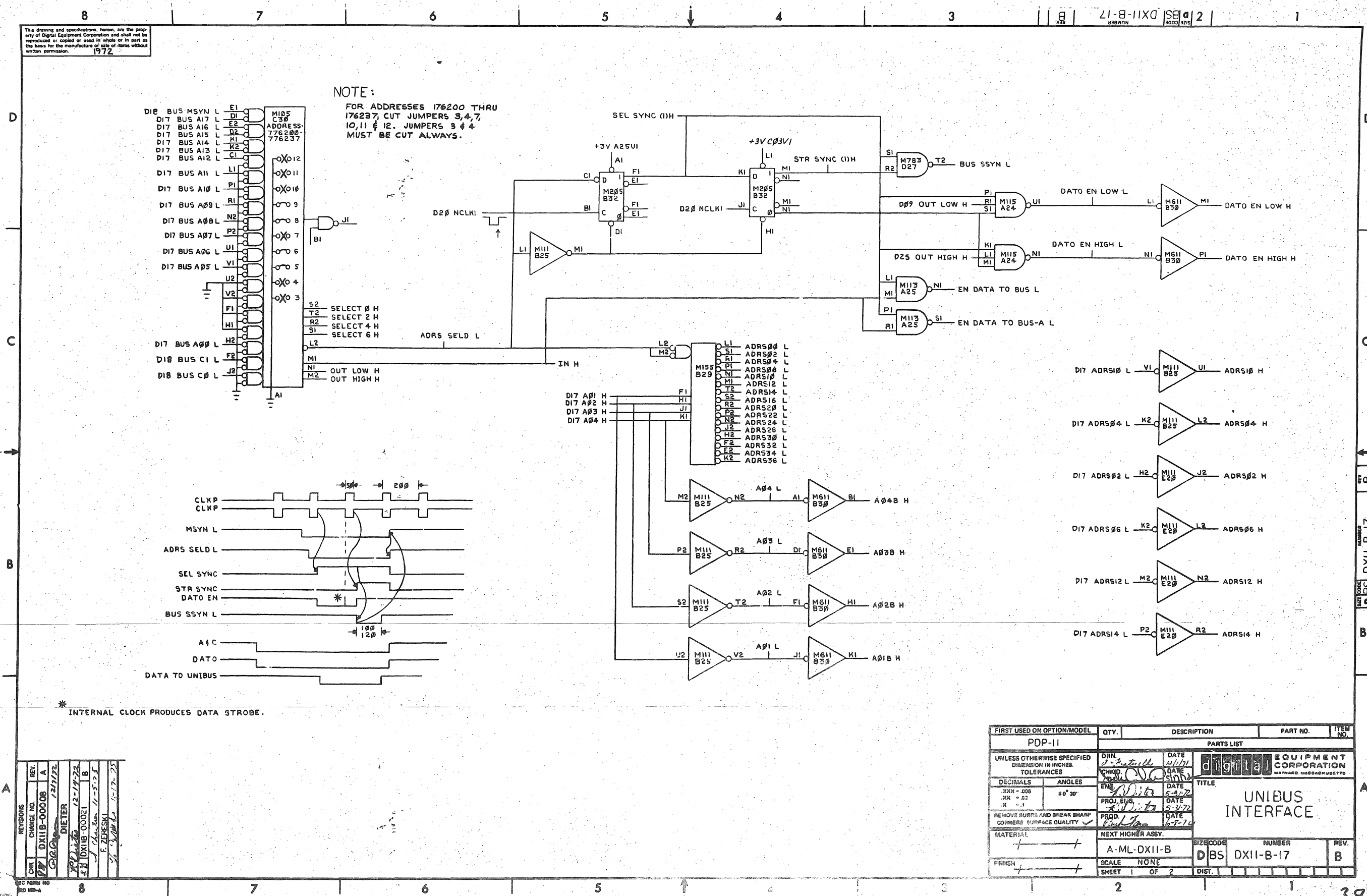


REV.	
CHANGE NO.	
CHK	

FIRST USED ON OPTION/MODEL	QTY.	DESCRIPTION	PART NO.	ITEM NO.
PDP-11		PARTS LIST		
UNLESS OTHERWISE SPECIFIED DIMENSIONS IN INCHES. TOLERANCES	DRN <i>[Signature]</i>	DATE 11-2-71		
DECIMALS	CHK'D <i>[Signature]</i>	DATE 5-2-72		
ANGLES	ENG <i>[Signature]</i>	DATE 5-2-72		
.XXX = .005 .XX = .02 .X = .1	PROJ. ENG. <i>[Signature]</i>	DATE 5-2-72		
REMOVE BURRS AND BREAK SHARP CORNERS SURFACE QUALITY	PROD. <i>[Signature]</i>	DATE 4-5-72	TITLE CUAR CONT. UNIT ADDRESS REG.	
MATERIAL	NEXT HIGHER ASSY.		SIZE CODE DBS DX11-B-15	NUMBER
FINISH	SCALE NONE			REV.
	SHEET 1 OF 1	DIST.		



This drawing and specifications herein are the property of Digital Equipment Corporation and shall not be reproduced or copied or used in whole or in part as the basis for the manufacture or sale of items without written permission.  
1972

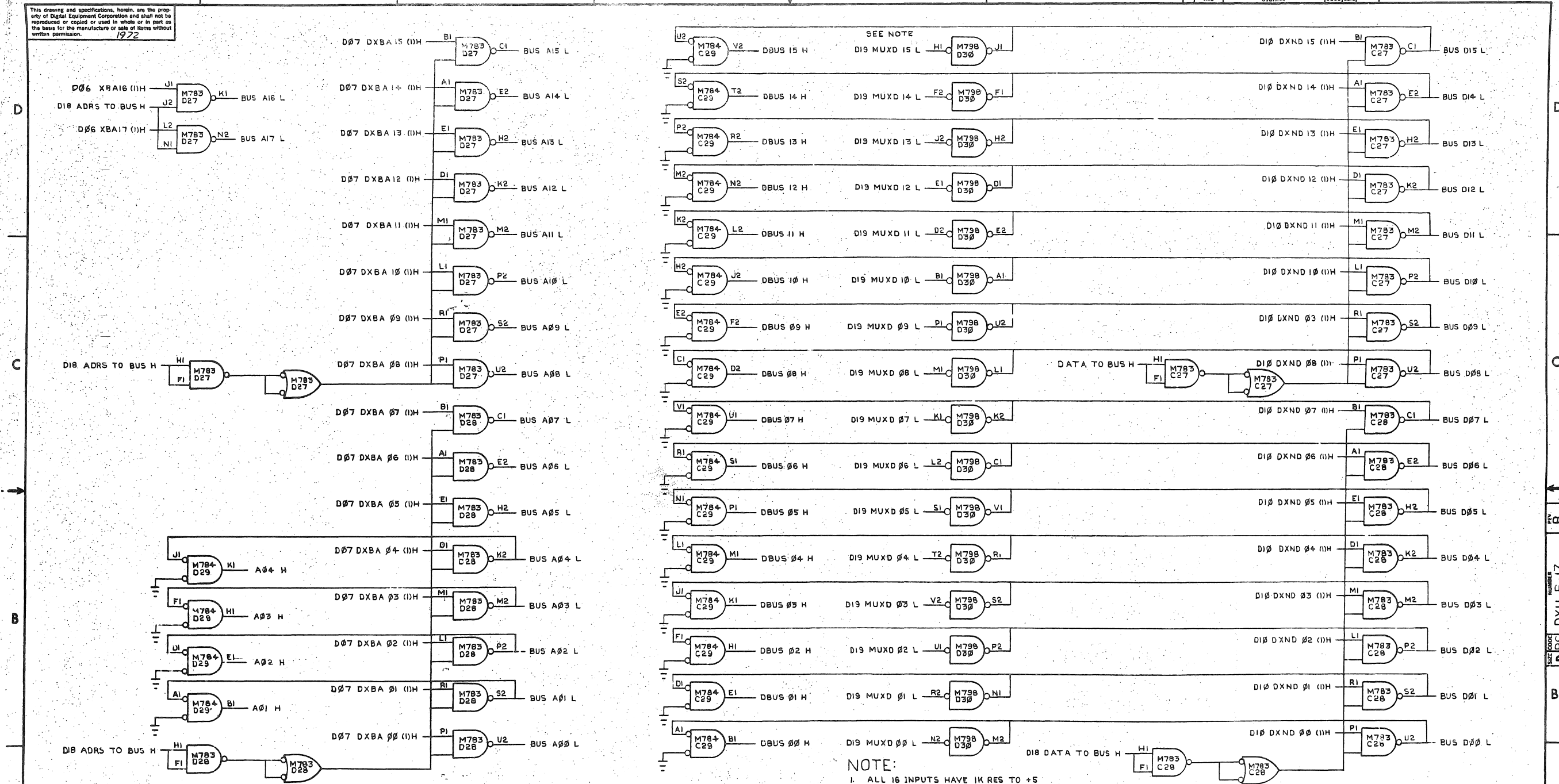


REV.	DATE	BY	CHKD.	APP'D.
A	12/11/72	DIETER		
B	12-14-72			
C	1-5-75	F. ZERENKA		
D	1-17-75			

\* INTERNAL CLOCK PRODUCES DATA STROBE.

FIRST USED ON OPTION/MODEL	QTY.	DESCRIPTION	PART NO.	ITEM NO.
PDP-11		PARTS LIST		
UNLESS OTHERWISE SPECIFIED DIMENSIONS IN INCHES TOLERANCES	DRM DATE 11/1/71	DIGITAL EQUIPMENT CORPORATION MAYNARD, MASSACHUSETTS		
DECIMALS	CHKD. DATE 5/1/72	TITLE UNIBUS INTERFACE		
ANGLES	ENG. DATE 5-1-72	MATERIAL		
.XX ± .005	PROJ. ENG. DATE 5-1-72	NEXT HIGHER ASSY.		
.X ± .1	PROD. DATE 1-5-75	A-ML-DXII-B		
REMOVE BURRS AND BREAK SHARP CORNERS TO SURFACE QUALITY		SCALE NONE		
		SHEET 1 OF 2		
		DIST.		

This drawing and specifications, herein, are the property of Digital Equipment Corporation and shall not be reproduced or copied or used in whole or in part as the basis for the manufacture or sale of items without written permission.  
1972



NOTE:  
1. ALL 16 INPUTS HAVE 1K RES TO +5

FIRST USED ON OPTION/MODEL	QTY.	DESCRIPTION	PART NO.	ITEM NO.
PDP-11		PARTS LIST		
UNLESS OTHERWISE SPECIFIED DIMENSION IN INCHES. TOLERANCES		DRN <i>de J. Field</i>	DATE <i>4/10/72</i>	 <b>DIGITAL EQUIPMENT CORPORATION</b> <small>MAYNARD MASSACHUSETTS</small>
DECIMALS	ANGLES	CHK <i>W. J. ...</i>	DATE <i>5/17/72</i>	
.XXX - .000	± 0° 30'	ENG <i>W. J. ...</i>	DATE <i>5-17-72</i>	
.XX - .02		PROJ. ENG. <i>W. J. ...</i>	DATE <i>5-17-72</i>	
.X - .1		PROD. <i>W. J. ...</i>	DATE <i>6-5-72</i>	
REMOVE BURRS AND BREAK SHARP CORNERS SURFACE QUALITY		NEXT HIGHER ASSY.		
MATERIAL		A-ML-DXII-B		
FINISH		SCALE	NONE	
		SHEET	2 OF 2	
		DIST.		
		SIZE CODE	DBS	
		NUMBER	DXII-B-17	
		REV.	B	

REV.	
CHANGE NO.	
CHK	

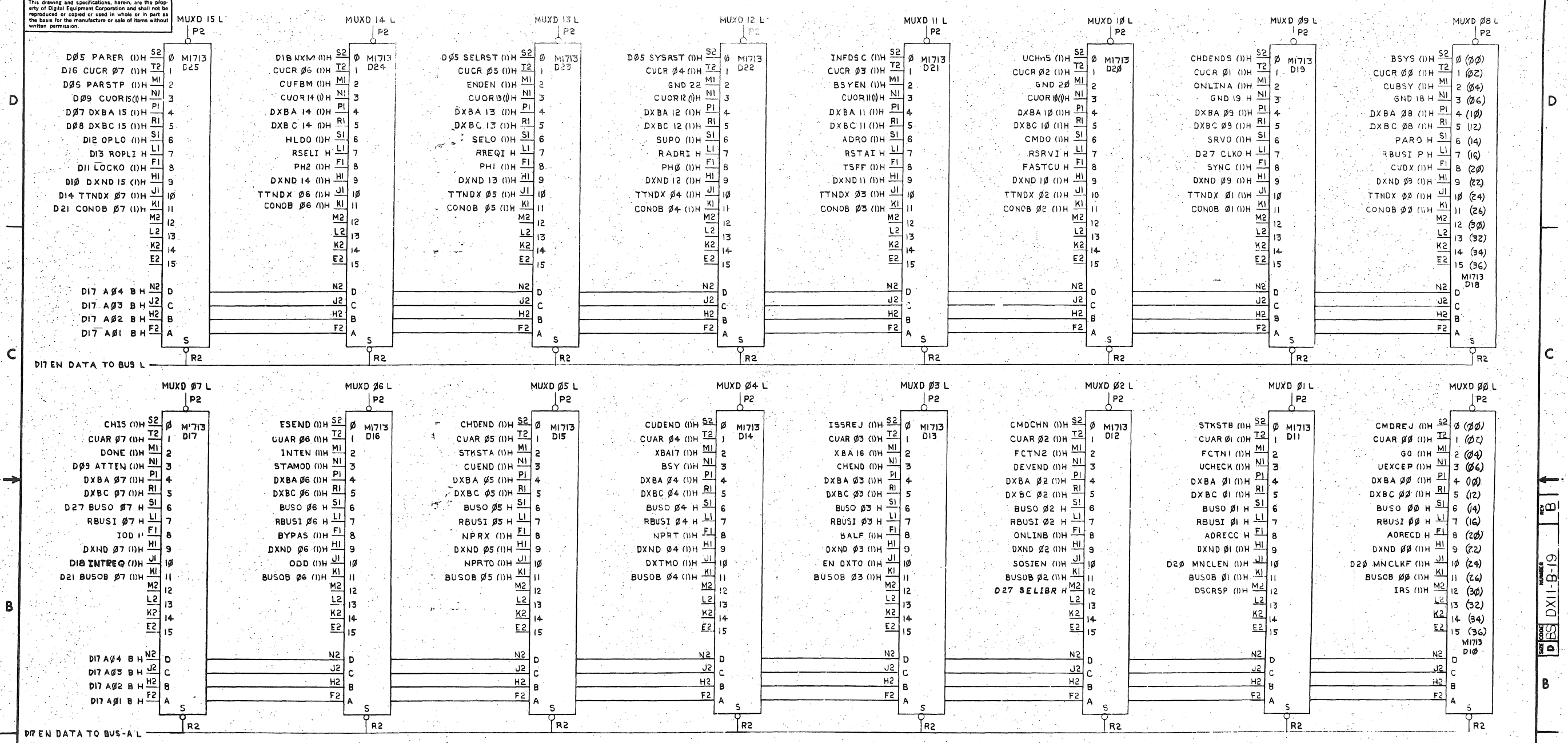
DEC FORM NO. DBD 100-A

40





This drawing and specifications, herein, are the property of Digital Equipment Corporation and shall not be reproduced or copied or used in whole or in part as the basis for the manufacture or sale of items without written permission.



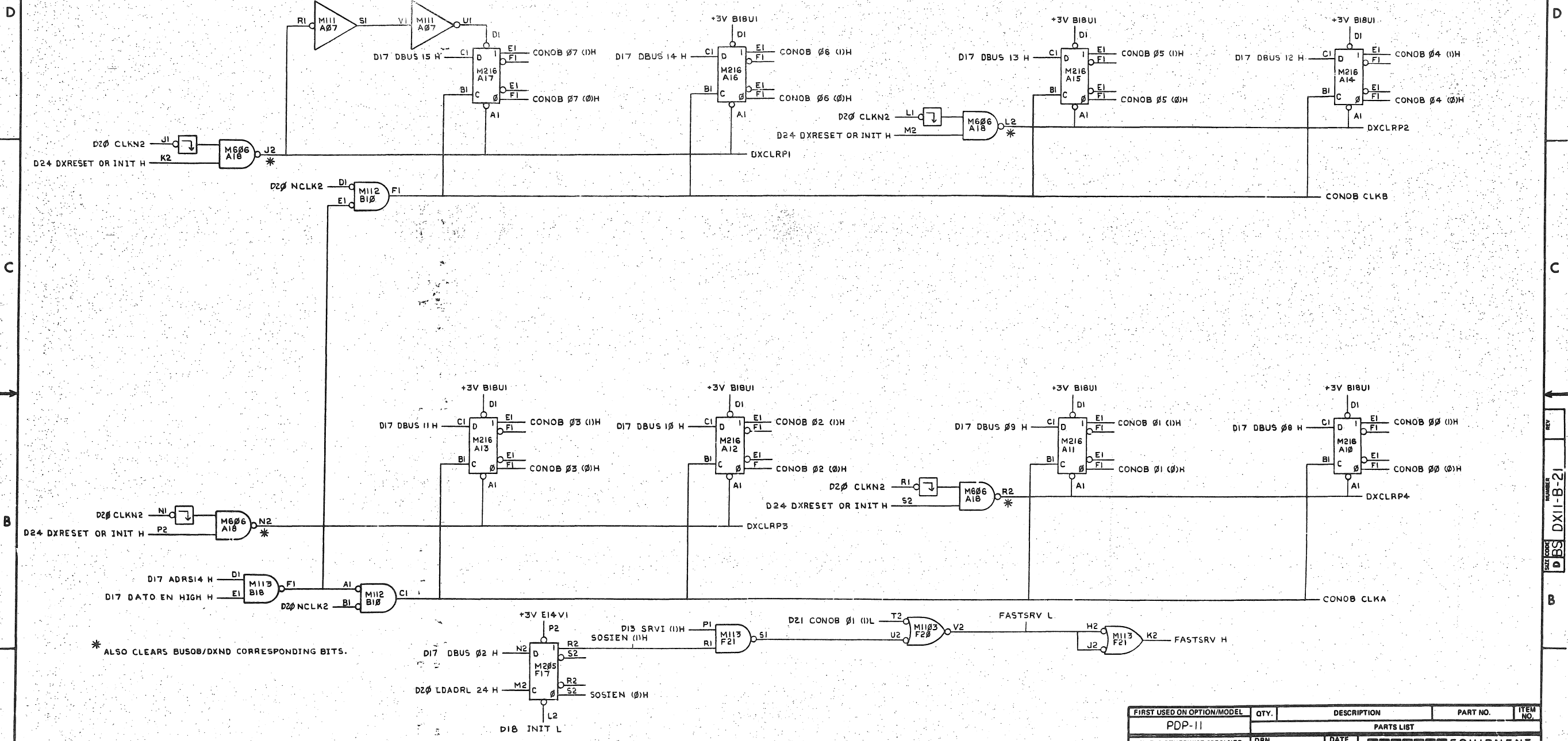
REV.	CHANGE NO.	DATE	BY
1	DX11B-0006	9-8-72	R. DIETER
2	DX11B-0005	4-2-72	R. DIETER

FIRST USED ON OPTION/MODEL	QTY.	DESCRIPTION	PART NO.	ITEM NO.
PDP-11				
PARTS LIST				
UNLESS OTHERWISE SPECIFIED DIMENSION IN INCHES.		DRN. DATE	digital EQUIPMENT CORPORATION	
TOLERANCES		CHKD. DATE	MAYNARD MASSACHUSETTS	
DECIMALS	ANGLES	NO. DATE	TITLE	
.XXX - .008	±0° 30'	PROJ ENGR. DATE	DATA BUS MUX.	
.XX - .02		DATE		
.X - .1		DATE		
REMOVE BURRS AND BREAK SHARP CORNERS SURFACE QUALITY				
MATERIAL		PROD. DATE	NEXT HIGHER ASSY.	
FINISH			B-DD-DX11-B	
			SIZE CODE	NUMBER
			D BS	DX11-B-19
			SCALE	NONE
			SHEET	OF
			DIST.	
			REV.	B





This drawing and specifications, herein, are the property of Digital Equipment Corporation and shall not be reproduced or copied or used in whole or in part as the basis for the manufacture or sale of items without written permission.



\* ALSO CLEARS BUSOB/DXND CORRESPONDING BITS.

REV.	CHANGE NO.

DEC FORM NO. DDD 100-1

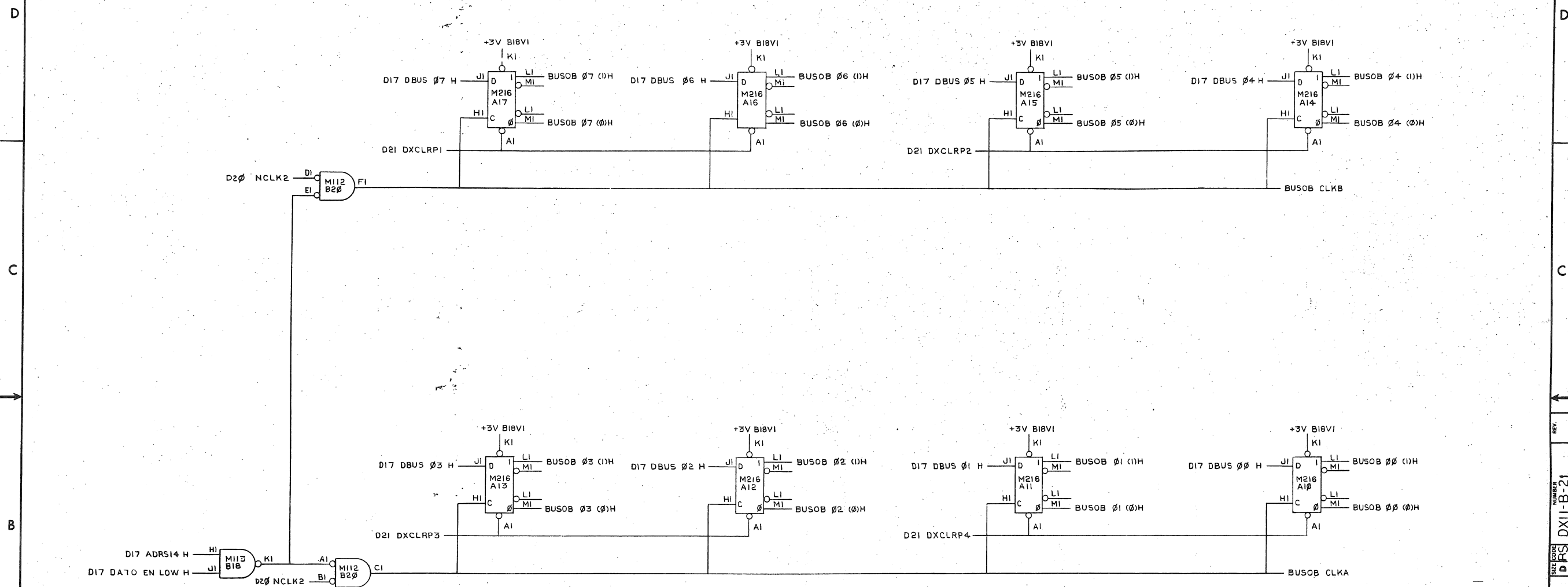
44

FIRST USED ON OPTION/MODEL	QTY.	DESCRIPTION	PART NO.	ITEM NO.
PDP-11		PARTS LIST		
UNLESS OTHERWISE SPECIFIED DIMENSION IN INCHES.	DRN. <i>[Signature]</i>	DATE 2/1/71	DIGITAL EQUIPMENT CORPORATION MAYNARD, MASSACHUSETTS	
TOLERANCES	CHK'D. <i>[Signature]</i>	DATE 5/1/71	TITLE DXMOB- CONO BUFF/ BUSO BUFF.	
DECIMALS	ENG. <i>[Signature]</i>	DATE 5-1-72	MATERIAL	
ANGLES	PROJ. ENG. <i>[Signature]</i>	DATE 5-27-72	NEXT HIGHER ASSY.	
.XXX - .005	PROD. <i>[Signature]</i>	DATE 8-3-72	A-ML-DX11-B	
.XX - .02			SCALE NONE	
.X - .1			SHEET 1 OF 2	
REMOVE BURRS AND BREAK SHARP CORNERS SURFACE QUALITY			DIST.	
			SIZE CODE NUMBER REV.	
			D BS DX11-B-21	

REV. NUMBER DX11-B-21

This drawing and specifications, herein, are the property of Digital Equipment Corporation and shall not be reproduced or copied or used in whole or in part as the basis for the manufacture or sale of items without written permission.

12-B-21  
REV. 2



REV.	
CHANGE NO.	
CHK.	

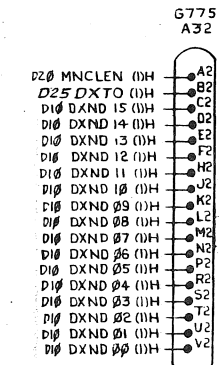
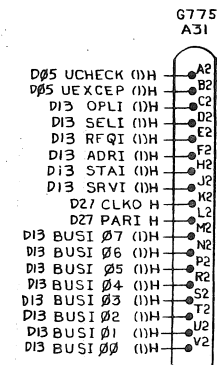
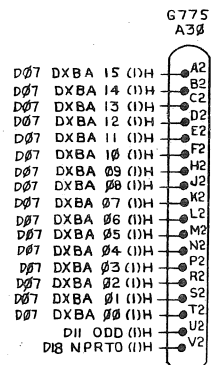
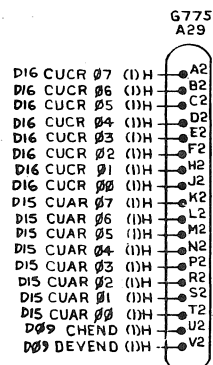
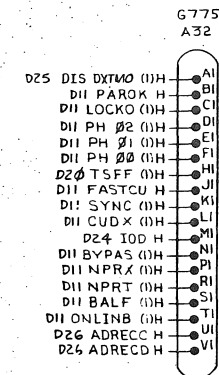
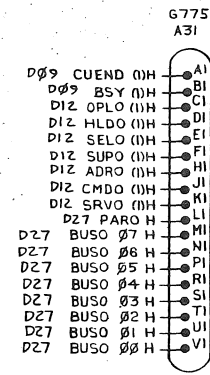
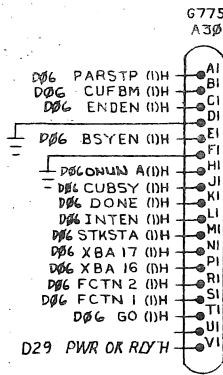
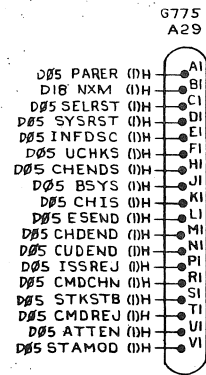
DEC FORM NO. DRU 100-A

FIRST USED ON OPTION/MODEL	QTY.	DESCRIPTION	PART NO.	ITEM NO.
PDP-11		PARTS LIST		
UNLESS OTHERWISE SPECIFIED DIMENSION IN INCHES. TOLERANCES		DRN. <i>P. Fratelli</i>	DATE <i>12/2/71</i>	
DECIMALS	ANGLES	CHKD. <i>[Signature]</i>	DATE <i>5/3/72</i>	
.XXX - .005	± 0° 30'	ENG. <i>[Signature]</i>	DATE <i>5-31-72</i>	
.XX - .02		PROL. ENG. <i>[Signature]</i>	DATE <i>5-31-72</i>	
REMOVE BURRS AND BREAK SHARP CORNERS TO SPACE QUALITY		PRDD. <i>[Signature]</i>	DATE <i>6-8-72</i>	
MATERIAL		NEXT HIGHER ASSY.		
+ +		A-ML-DX11-B		
FINISH		SCALE NONE	SHEET 2 OF 2	
		TITLE DXMOB CONO BUFF./ BUSO BUFF.		
		SIZE CODE	NUMBER	REV.
		D BS	DX11-B-21	
		DIST.		

45

This drawing and specifications, herein, are the property of Digital Equipment Corporation and shall not be reproduced or copied in whole or in part as the basis for the manufacture or sale of items without written permission.  
1972

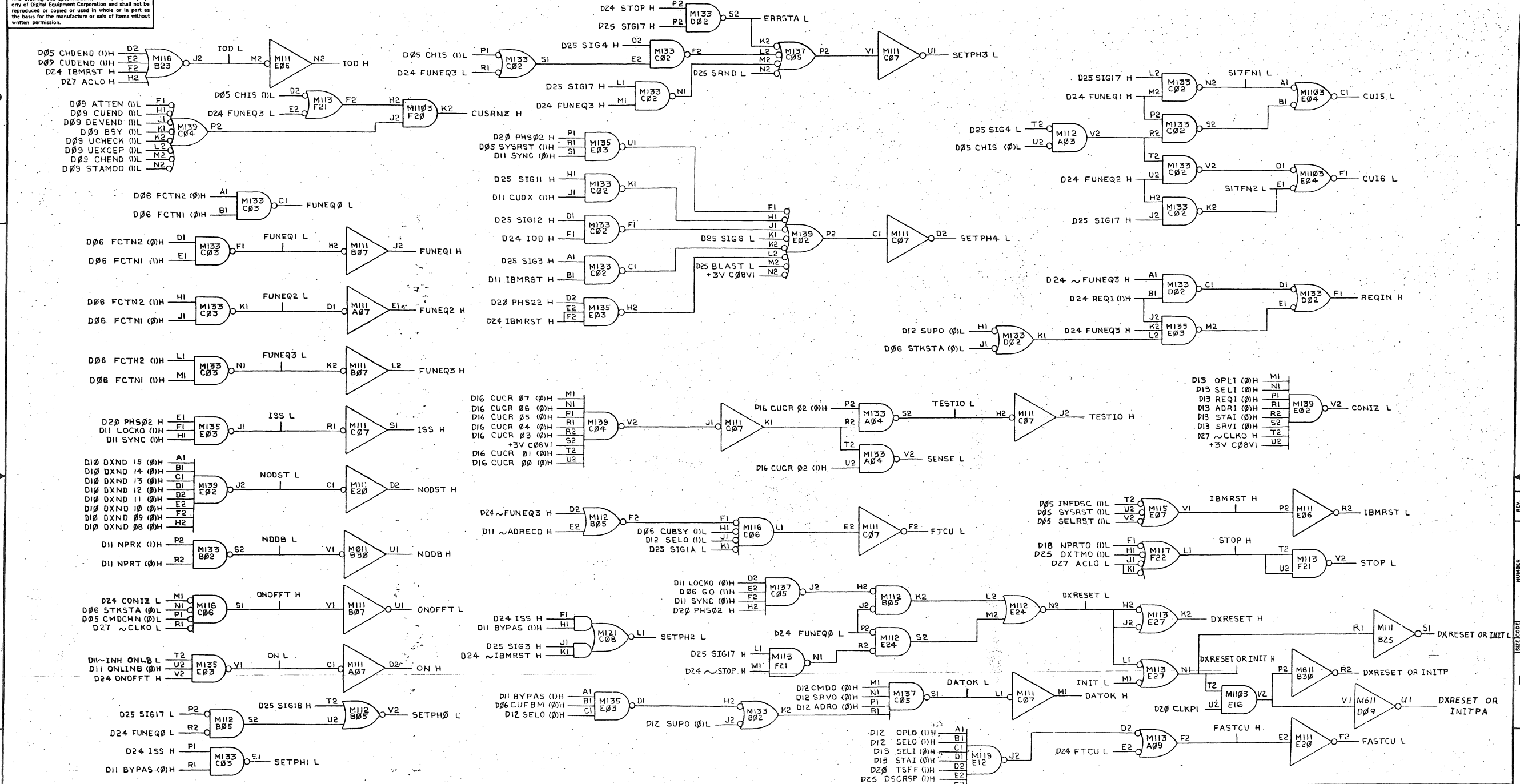
DXII-B-22 2



REV.	CHANGE NO.	DATE	BY	CHK
A	0005	12-17-72	R. Dieter	R. Dieter
B	0008	12-17-72	R. Dieter	R. Dieter
C	0010	12-14-72	R. Dieter	R. Dieter
		12-14-72	R. Dieter	R. Dieter
		12-14-72	R. Dieter	R. Dieter

FIRST USED ON OPTION/MODEL	QTY.	DESCRIPTION	PART NO.	ITEM NO.
PDP-11				
PARTS LIST				
UNLESS OTHERWISE SPECIFIED DIMENSION IN INCHES. TOLERANCES	DRN. DATE	DIGITAL EQUIPMENT CORPORATION MAYNARD MASSACHUSETTS		
DECIMALS .XXX - .005	CHKD. DATE	INDICATOR CONN.		
ANGLES ±0° 30'	PROJ. ENG. DATE			
REMOVE BURRS AND BREAK SHARP CORNERS SURFACE QUALITY	PROD. DATE	TITLE		
MATERIAL	NEXT HIGHER ASSY.	SIZE CODE	NUMBER	REV.
FINISH	B-00-DXII-B	DIC	DXII-B-22	C
	SCALE NONE	SHEET	OF	DIST.

This drawing and specifications, herein, are the property of Digital Equipment Corporation and shall not be reproduced or copied or used in whole or in part as the basis for the manufacture or sale of items without written permission.



REV.	CHANGE NO.	DATE
1	DX11B-00010	A
2	DX11B-00015	B

FIRST USED ON OPTION/MODEL	QTY.	DESCRIPTION	PART NO.	ITEM NO.
PDP-11				

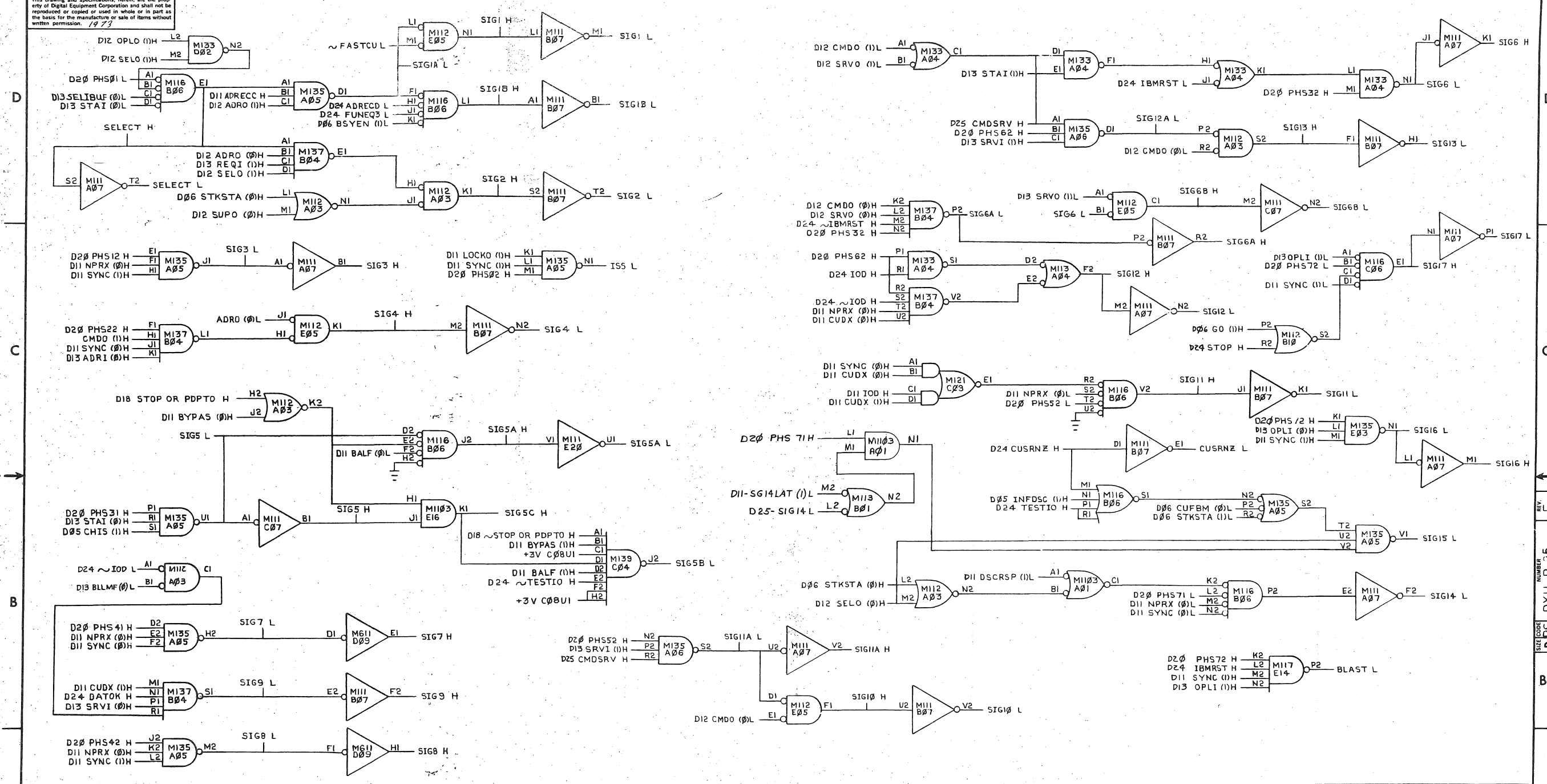
  

UNLESS OTHERWISE SPECIFIED DIMENSION IN INCHES. TOLERANCES	DRN.	DATE	TITLE
DECIMALS .006 ANGLES ±0°30'	R. Dieter	5-31-73	GENERAL CONTROLS

MATERIAL	SCALE	SHEET	OF	DIST.
FINISH	NONE	1	OF 1	

This drawing and specifications, herein, are the property of Digital Equipment Corporation and shall not be reproduced or copied or used in whole or in part as the basis for the manufacture or sale of items without written permission. 1473



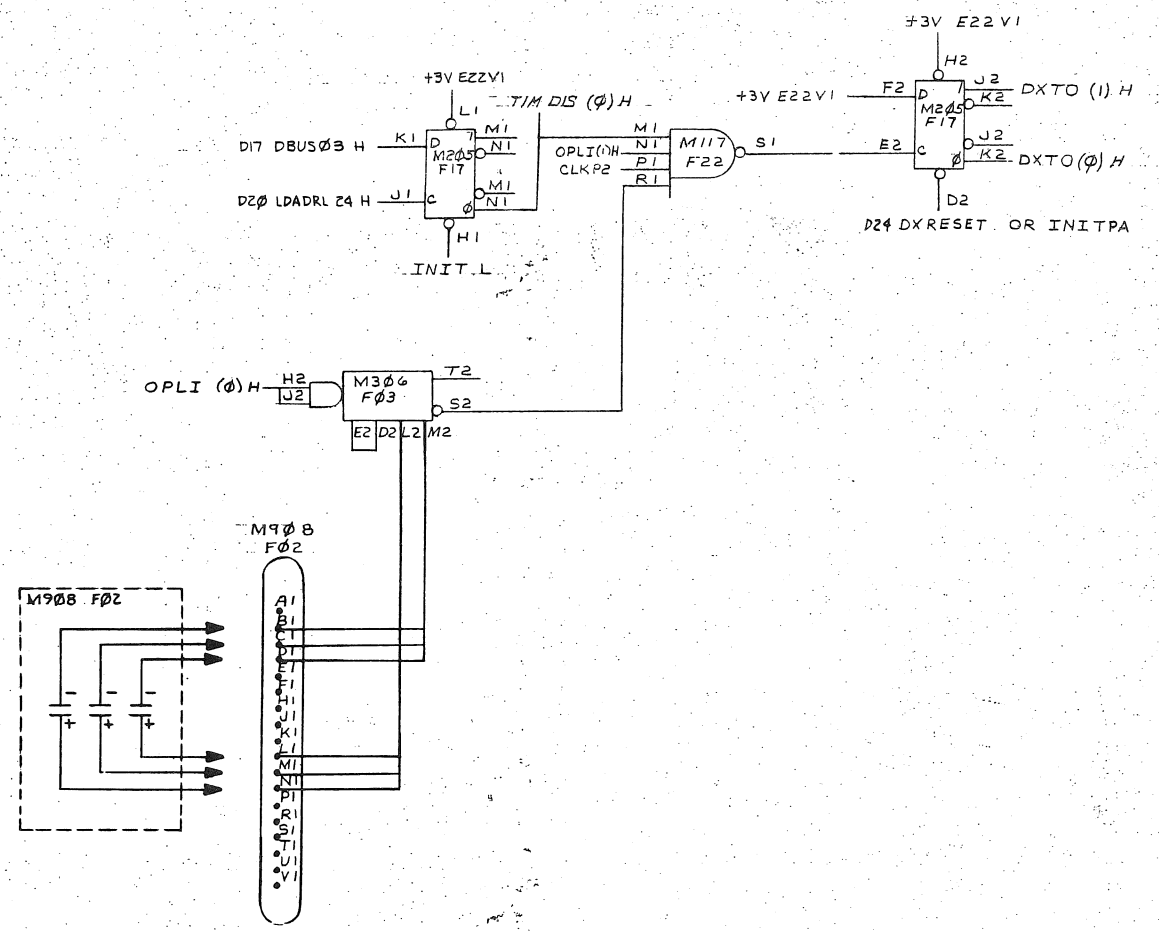
REV.	CHANGE NO.	BY	DATE
1	0001	A	11-11-72
2	0002	B	11-11-72
3	0003	C	11-11-72
4	0004	D	11-11-72
5	0005	E	11-11-72
6	0006	F	11-11-72
7	0007	G	11-11-72
8	0008	H	11-11-72

FIRST USED ON OPTION/MODEL	QTY.	DESCRIPTION	PART NO.	ITEM NO.
PDP-11				
UNLESS OTHERWISE SPECIFIED DIMENSION IN INCHES.				
DECIMALS	ANGLES	TOLERANCES		
.XXX - .005	±0° 30'	DATE 11/11/72		
.XX - .02		DATE 5-29-72		
.X - .1		DATE 7-31-72		
REMOVE BURRS AND BREAK SHARP CORNERS SURFACE QUALITY				
MATERIAL				
NEXT HIGHER ASSY.				
B-DD-DX11-B		SIZE CODE	NUMBER	REV.
		DBS	DX11-B-25	E
FINISH		SCALE	NONE	
		SHEET	OF 3	
		DIST.		





This drawing and specifications, herein, are the property of Digital Equipment Corporation and shall not be reproduced or copied in whole or in part as the basis for the manufacture or sale of items without written permission. 1977



NOTE:  
EXTERNAL CAPACITORS  
MOUNTED ON MODULE F02.  
ALL ARE 180 UF 6V .TANT.

REV	CHANGE NO

FIRST USED ON OPTION/MODEL	QTY.	DESCRIPTION	PART NO.	ITEM NO.
PDP-11		PARTS LIST		
UNLESS OTHERWISE SPECIFIED DIMENSION IN INCHES. TOLERANCES	DRN <i>E. Wilson</i>	DATE 2-22-72	digital EQUIPMENT CORPORATION MAYNARD MASSACHUSETTS	
DECIMALS	CHK'D <i>[Signature]</i>	DATE 5-17-72	TITLE SIG & GATES	
ANGLES	ENG. <i>[Signature]</i>	DATE 5-17-72		
.XXX - .005	PROJ. ENG. <i>[Signature]</i>	DATE 5-17-72		
.XX - .02	PROJ. ENG. <i>[Signature]</i>	DATE 5-17-72		
.X - .1	PROJ. ENG. <i>[Signature]</i>	DATE 5-17-72		
REMOVE BURRS AND BREAK SHARP CORNERS SURFACE QUALITY	PROJ. ENG. <i>[Signature]</i>	DATE 6-8-72		
MATERIAL	NEXT HIGHER ASSY.			
FINISH	B-DD-DX11-B			
	SCALE	NONE	SIZE CODE	NUMBER
	SHEET	3 OF 3	DBS	DX11-B-25
				REV. E

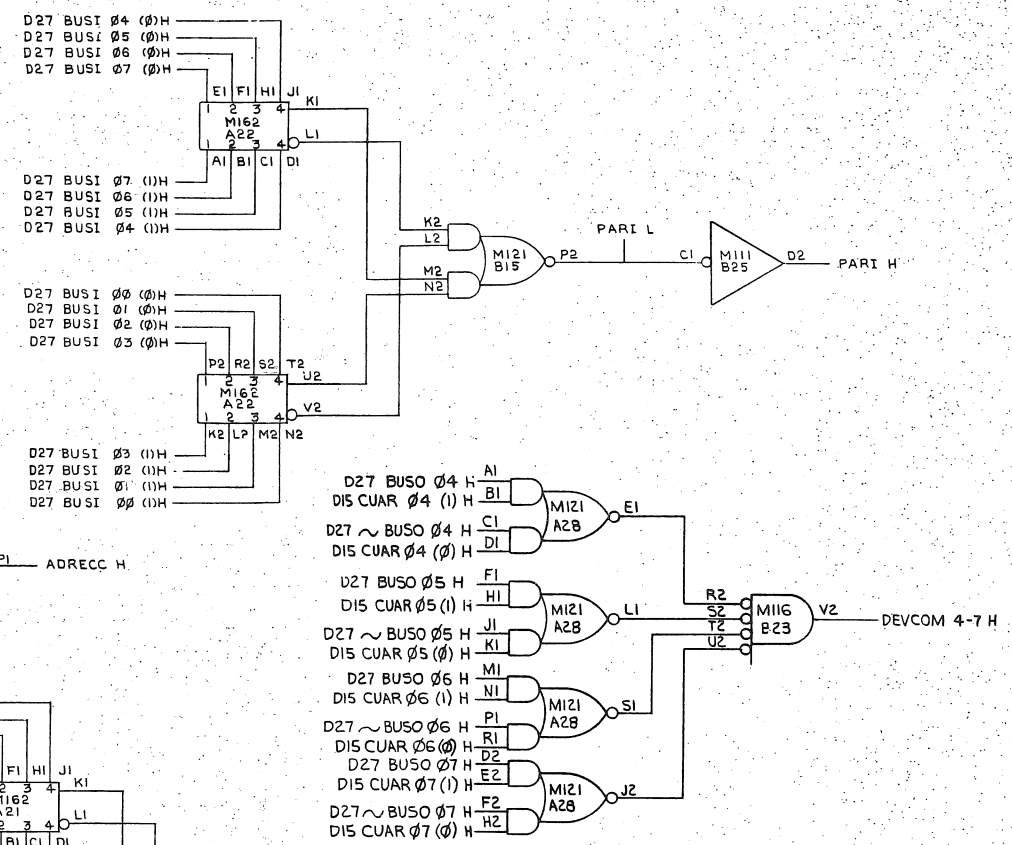
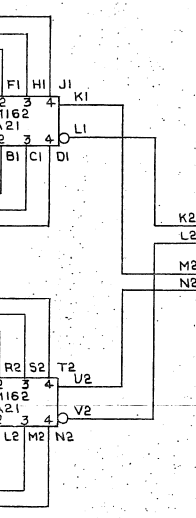
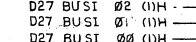
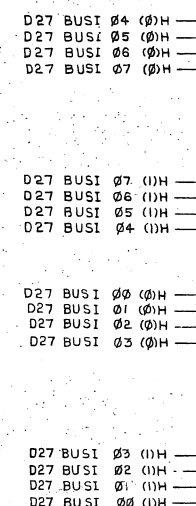
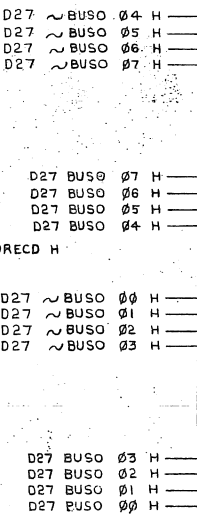
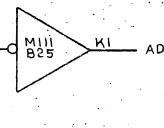
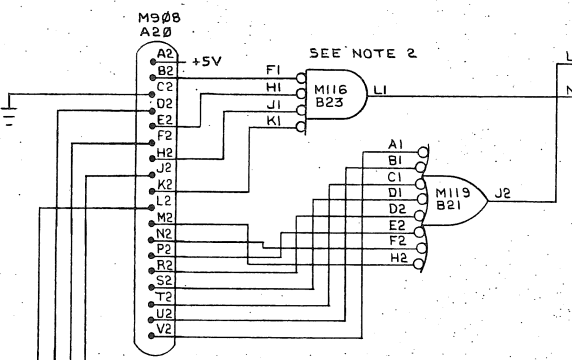
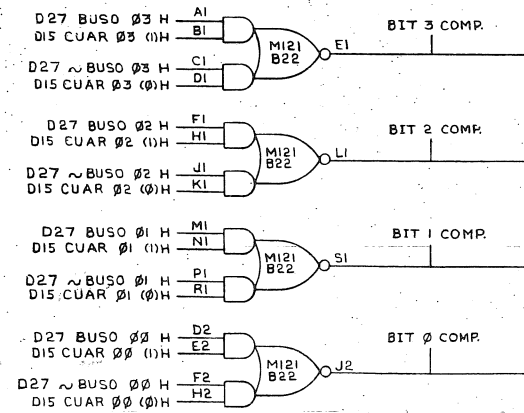
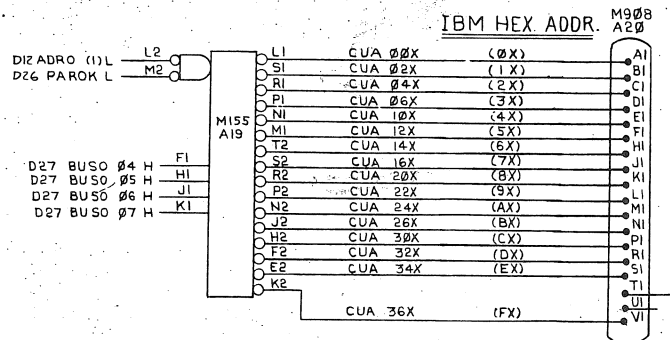
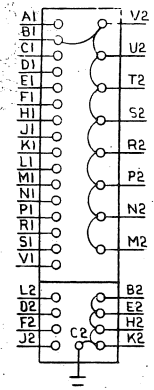


This drawing and specifications, herein, are the property of Digital Equipment Corporation and shall not be reproduced or copied or used in whole or in part as the basis for the manufacture or sale of items without written permission.

**NOTES:**

- INSTALL JUMPERS AS REQUIRED FOR CU ADDRESS SPECIFIED AT EACH INSTALLATION. JUMPER UNUSED INPUTS TO LAST USED INPUT.
- TIE UNUSED INPUTS (B2, E2, H2, K2) TO GND.

SEE NOTE 1  
SAMPLE JUMPERS SHOWN FOR IBM ADDR. (1X)



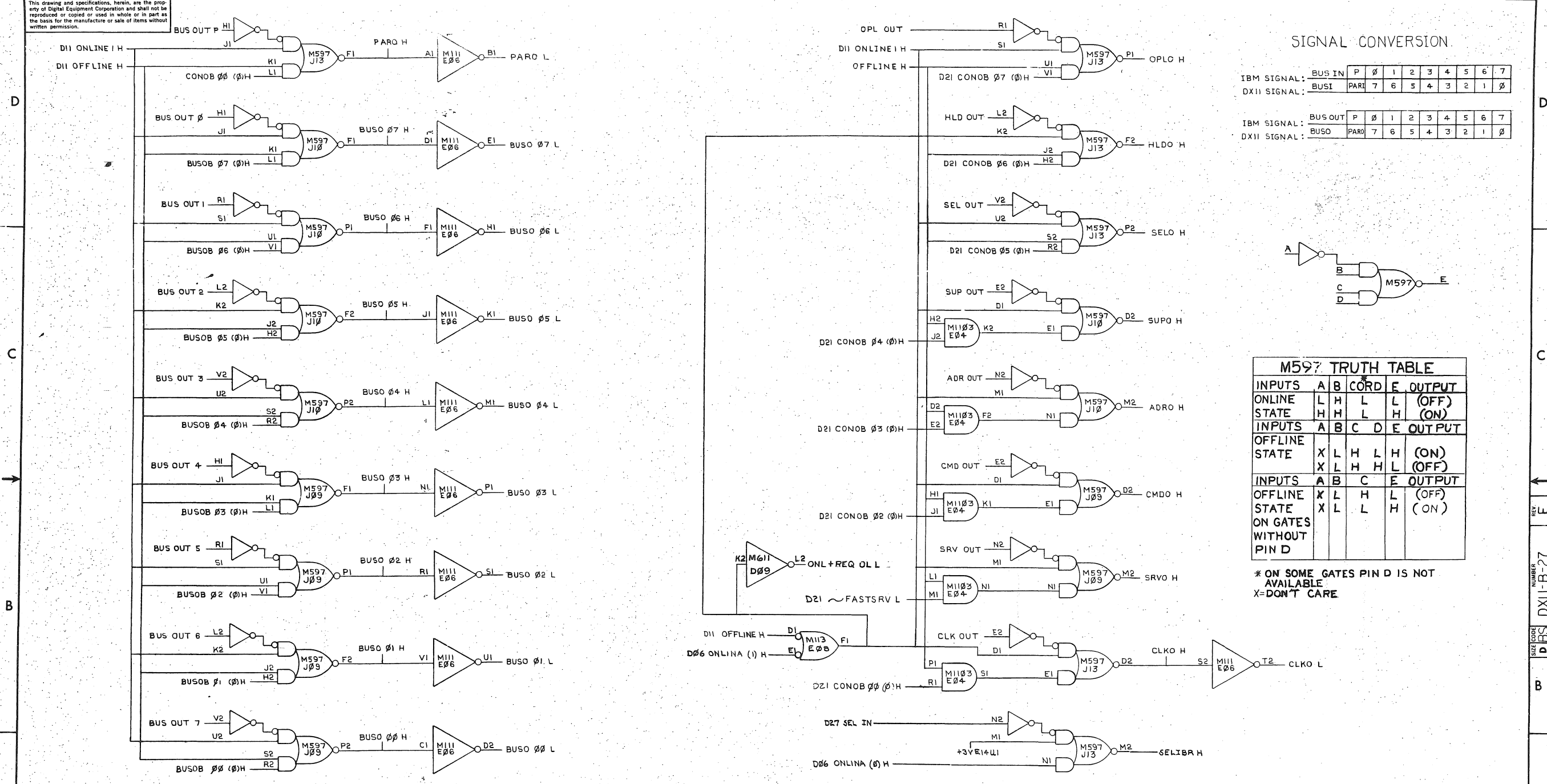
REV.	2-6-73
CHANGE NO.	DX11-B-0009 A
CHK	DIETER

DEC FORM NO. DRD 100-A

FIRST USED ON OPTION/MODEL	QTY.	DESCRIPTION	PART NO.	ITEM NO.
PDP-11		PARTS LIST		
UNLESS OTHERWISE SPECIFIED DIMENSION IN INCHES. TOLERANCES		DRN. DATE	digital EQUIPMENT CORPORATION	
DECIMALS	ANGLES	CHK'D. DATE	MAYNARD MASSACHUSETTS	
.XXX = .005	±0° 30'	ENG. DATE	TITLE	
.XX = .02		PROJ. ENG. DATE	PARITY & ADDR. COMPARE	
.X = .1		PROD. DATE	MATERIAL	
REMOVE BURRS AND BREAK SHARP CORNERS. SURFACE QUALITY			NEXT HIGHER ASSY.	
			B-DD-DX11-B	SIZE CODE NUMBER REV.
				D BS DX11-B-26 A
				SCALE NONE
				SHEET OF DIST.

This drawing and specifications, herein, are the property of Digital Equipment Corporation and shall not be reproduced or copied or used in whole or in part as the basis for the manufacture or sale of items without written permission.

22-B-110 DBS 2  
 NUMBER 4200

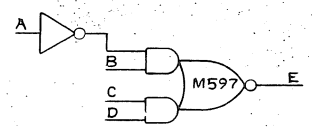


SIGNAL CONVERSION

IBM SIGNAL:	BUS IN	P	0	1	2	3	4	5	6	7
DX11 SIGNAL:	BUSI	PARI	7	6	5	4	3	2	1	0

IBM SIGNAL:	BUS OUT	P	0	1	2	3	4	5	6	7
DX11 SIGNAL:	BUSO	PARO	7	6	5	4	3	2	1	0



**M597 TRUTH TABLE**

INPUTS	A	B	C	D	E	OUTPUT
ONLINE STATE	L	H	L	L	L	(OFF)
OFFLINE STATE	X	L	H	L	H	(ON)
ONLINE STATE	X	L	H	H	L	(OFF)
OFFLINE STATE	X	L	L	L	H	(ON)

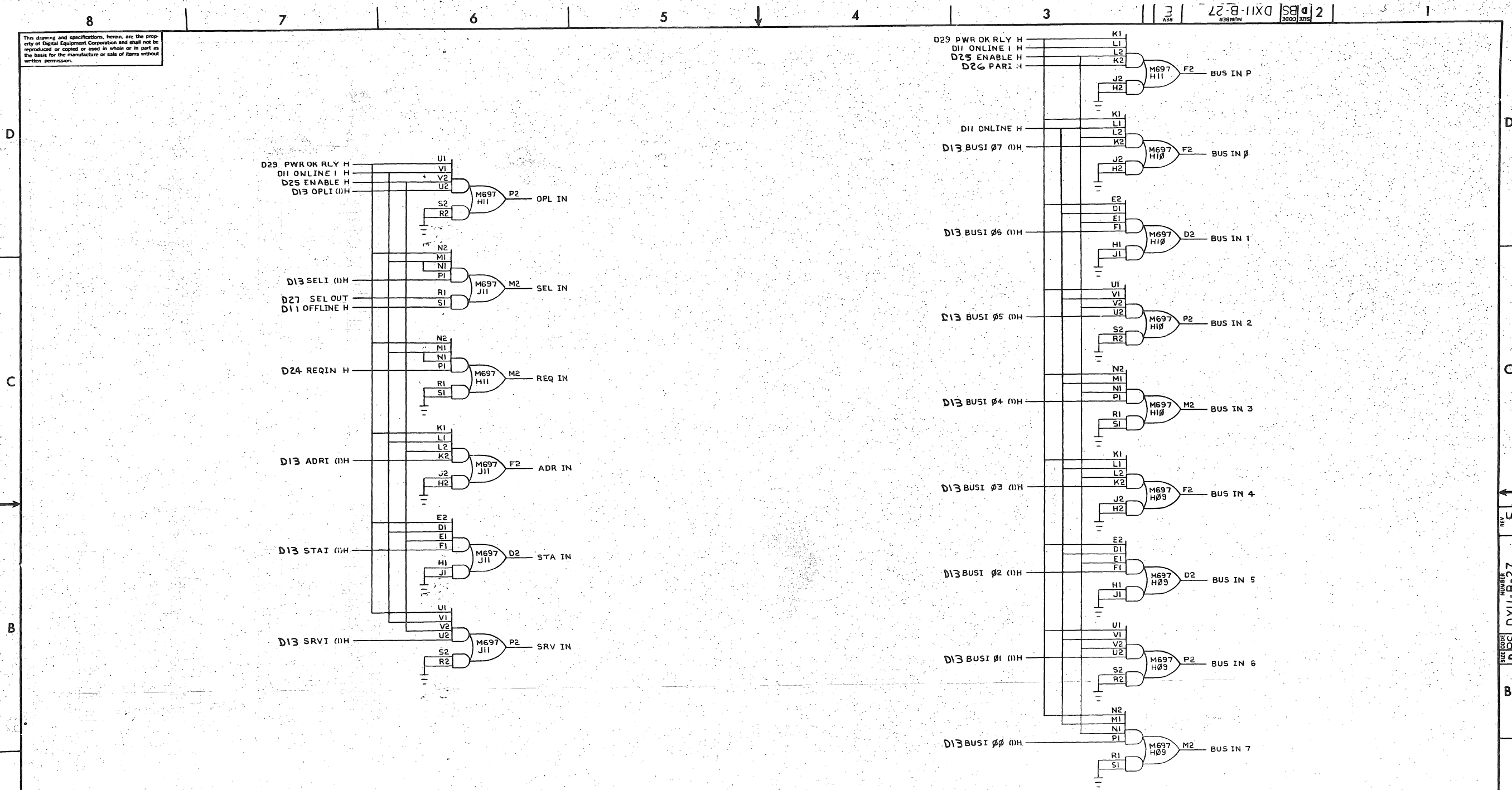
\* ON SOME GATES PIN D IS NOT AVAILABLE  
 X=DON'T CARE

REV.	CHANGE NO.	BY	DATE
1	1	R. DIETER	8-22-72
2	2	R. DIETER	11-1-74
3	3	F. ZERESKI	11-1-74
4	4	F. ZERESKI	11-1-74
5	5	F. ZERESKI	11-1-74
6	6	F. ZERESKI	11-1-74
7	7	F. ZERESKI	11-1-74

FIRST USED ON OPTION/MODEL	QTY.	DESCRIPTION	PART NO.	ITEM NO.
PDP-11		PARTS LIST		
UNLESS OTHERWISE SPECIFIED DIMENSION IN INCHES. TOLERANCES	DRN. DATE 10/16/72	digital EQUIPMENT CORPORATION MAYNARD, MASSACHUSETTS		
DECIMALS .XXX - .005	CHKD. DATE 11/1/72	TITLE		
ANGLES ±0° 30'	ENG. DATE 11/1/72	IBM INTERFACE		
REMOVE BURRS AND BREAK SHARP CORNERS SURFACE QUALITY	PROJ. ENG. DATE 11/1/72	SCALE NONE		
MATERIAL	PROD. DATE 11-1-74	NEXT HIGHER ASSY.		
FINISH		B-DD-DX11-B		
		SIZE CODE	NUMBER	REV.
		DBS	DX11-B-27	E
		SHEET 1 OF 6	DIST.	

52

This drawing and specifications, herein, are the property of Digital Equipment Corporation and shall not be reproduced or copied or used in whole or in part as the basis for the manufacture or sale of items without written permission.



REVISIONS	REV.
CHK	CHANGE NO.

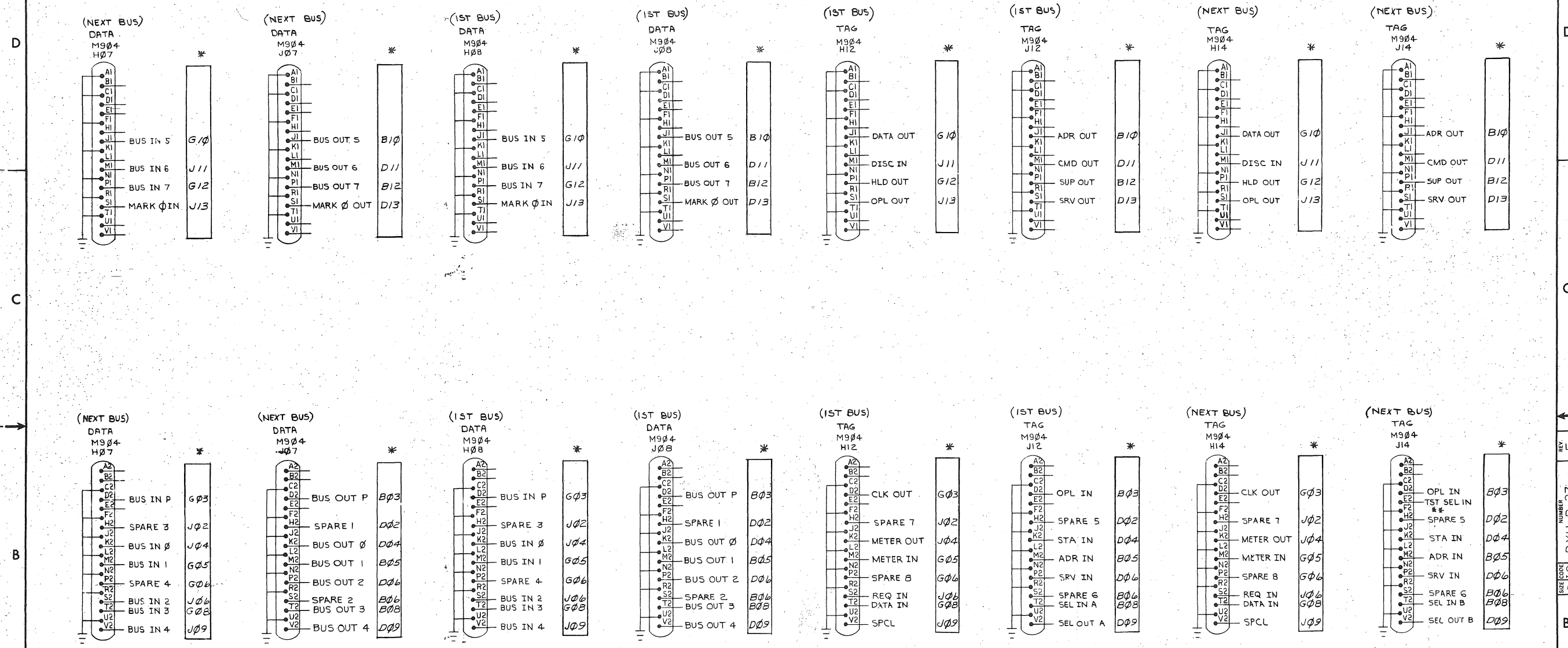
FIRST USED ON OPTION/MODEL	QTY.	DESCRIPTION	PART NO.	ITEM NO.
PDP-11				
UNLESS OTHERWISE SPECIFIED DIMENSION IN INCHES. TOLERANCES				
DECIMALS	ANGLES	DATE	PARTS LIST	
.XXX - .005	± 0° 30'	DATE	digital EQUIPMENT CORPORATION	
.XX - .002		DATE	MAYNARD, MASSACHUSETTS	
.X - .1		DATE	TITLE	
REMOVE BURRS AND BREAK SHARP CORNERS SURFACE QUALITY		DATE	IBM	
MATERIAL	NEXT HIGHER ASSY.	DATE	INTERFACE	
FINISH	B-DD-DXII-B	DATE	SIZE CODE	NUMBER
	SCALE NONE	DATE	D BS	DXII-B-27
	SHEET 2 OF 6	DATE	DIST.	REV.
		DATE		E

DEC FORM NO. DRP 100-A

NUMBER DXII-B-27

53

This drawing and specifications herein are the property of Digital Equipment Corporation and shall not be reproduced or copied or used in whole or in part as the basis for the manufacture or sale of items without written permission.

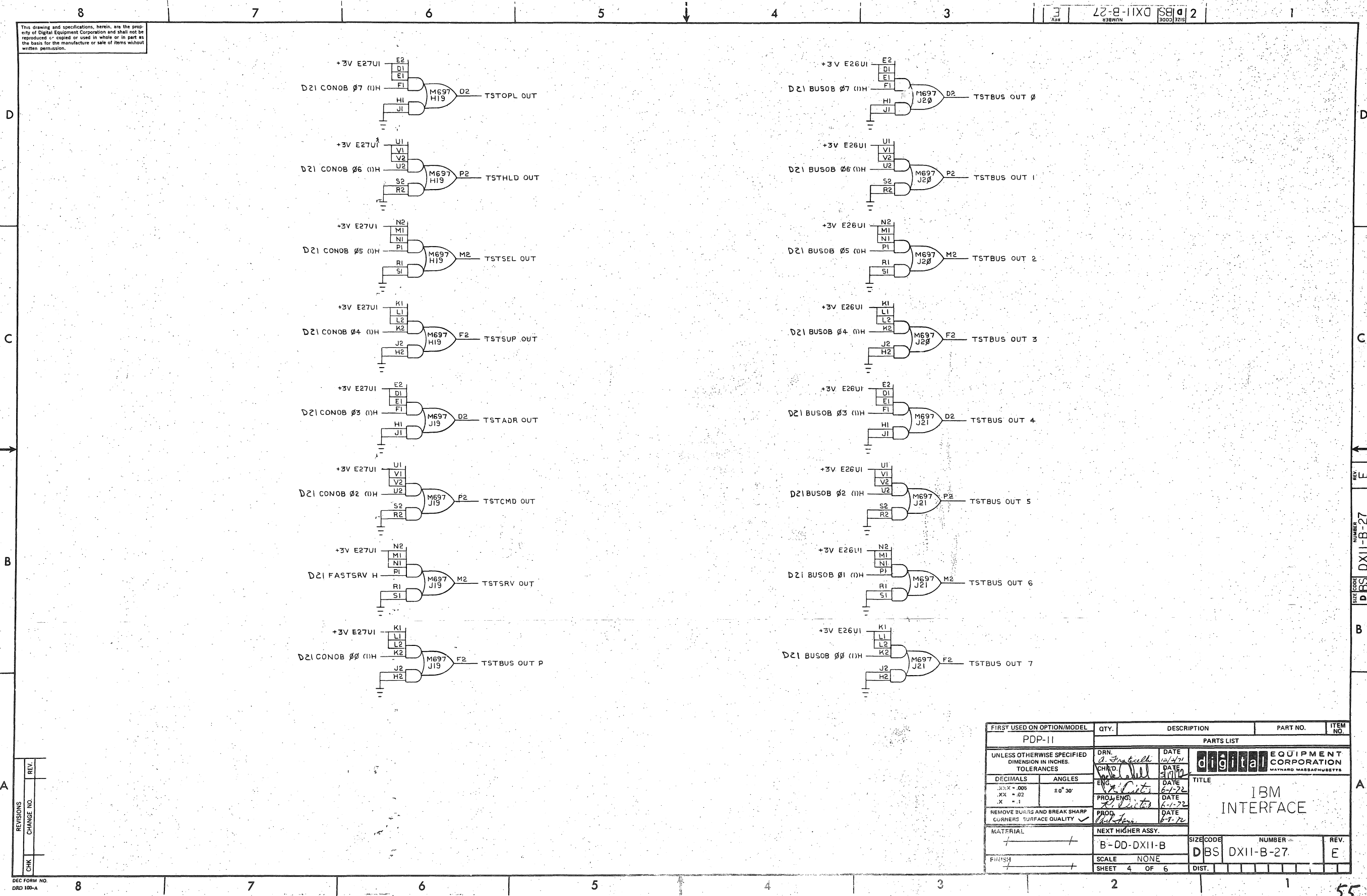


NOTE:  
 1) \* IBM CONN. PIN NO.  
 2) \*\* USED IN MAINT. MODE ONLY AND NOT ON IBM CHANNEL.

REV.	
CHG.	
CHK.	

FIRST USED ON OPTION/MODEL	QTY.	DESCRIPTION	PART NO.	ITEM NO.
PDP-11		PARTS LIST		
UNLESS OTHERWISE SPECIFIED DIMENSION IN INCHES. TOLERANCES	DRN. <i>W. S. ...</i>	DATE <i>2/11/72</i>	digital EQUIPMENT CORPORATION MAYFORD, MASSACHUSETTS	
DECIMALS .XXX - .005	CHK'D <i>W. S. ...</i>	DATE <i>6-1-72</i>	TITLE	
ANGLES ±0° 30'	ENG. <i>W. S. ...</i>	DATE <i>6-1-72</i>	IBM INTERFACE	
REMOVE BURRS AND BREAK SHARP CORNERS SURFACE QUALITY	PROJ. ENG. <i>W. S. ...</i>	DATE <i>6-1-72</i>		
MATERIAL	NEXT HIGHER ASSY.	SCALE NONE	SIZE CODE	NUMBER
FINISH	B-00-DXII-B	SHEET 3 OF 6	D BS	DXII-B-27
				REV. E

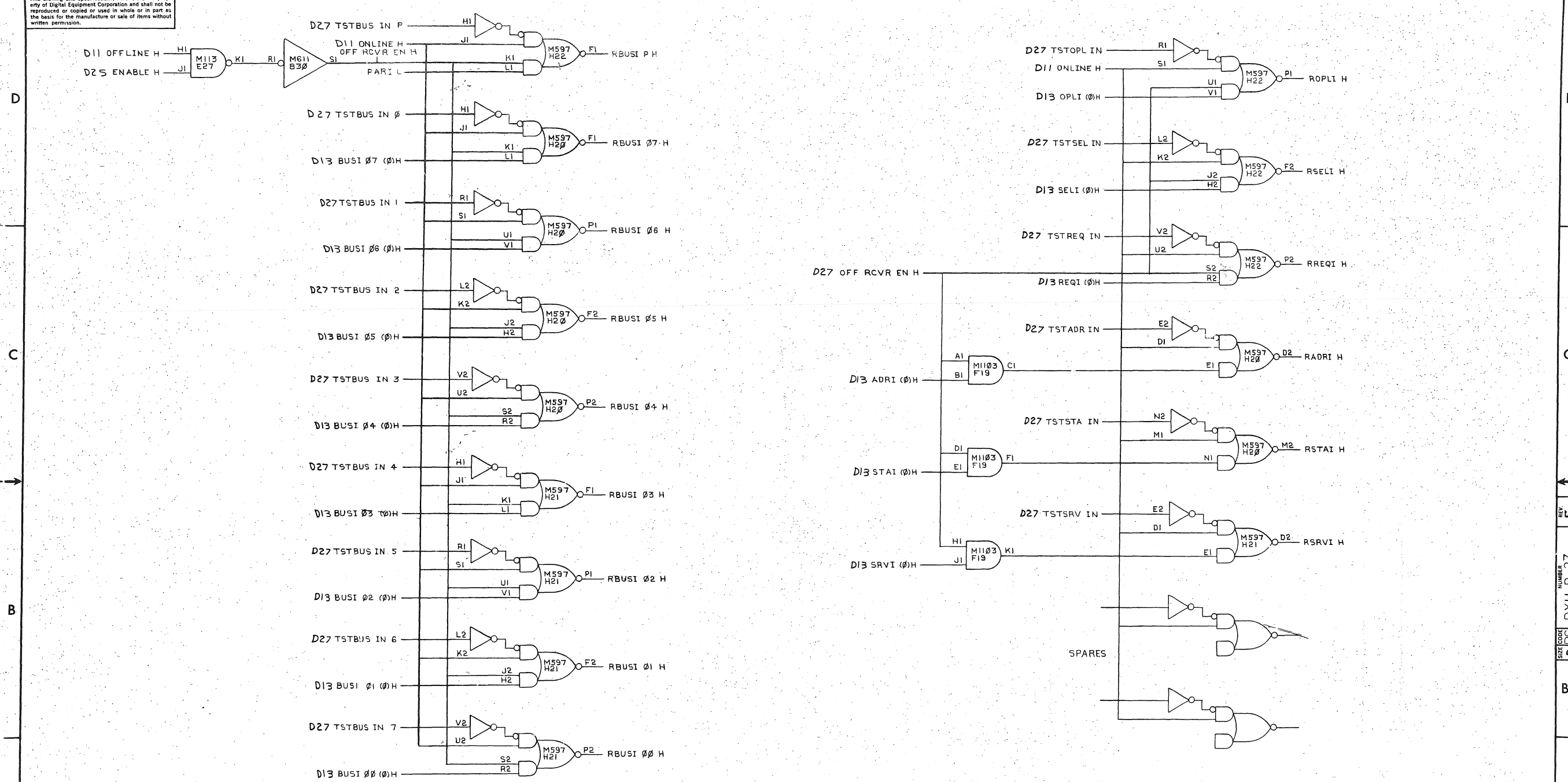
This drawing and specifications, herein, are the property of Digital Equipment Corporation and shall not be reproduced or used in whole or in part as the basis for the manufacture or sale of items without written permission.



REV.	
CHANGE NO.	
CHK	

FIRST USED ON OPTION/MODEL	QTY.	DESCRIPTION	PART NO.	ITEM NO.
PDP-11		PARTS LIST		
UNLESS OTHERWISE SPECIFIED DIMENSION IN INCHES.	DRN. <i>A. J. Smith</i>	DATE <i>12/4/71</i>	digital EQUIPMENT CORPORATION MAYNARD, MASSACHUSETTS	
TOLERANCES	CHD. <i>[Signature]</i>	DATE <i>3/1/72</i>	TITLE	
DECIMALS	ENG. <i>[Signature]</i>	DATE <i>6-1-72</i>	IBM INTERFACE	
ANGLES	PRO. ENG. <i>[Signature]</i>	DATE <i>6-1-72</i>		
.XX = .02	PROD. <i>[Signature]</i>	DATE <i>6-7-72</i>		
.X = .1				
REMOVE BURRS AND BREAK SHARP CORNERS SURFACE QUALITY				
MATERIAL	NEXT HIGHER ASSY.			
	B-DD-DX11-B	SIZE CODE	NUMBER	REV.
FINISH	SCALE NONE	DBS	DX11-B-27	E
	SHEET 4 OF 6	DIST.		

This drawing and specifications, herein, are the property of Digital Equipment Corporation and shall not be reproduced or copied or used in whole or in part as the basis for the manufacture or sale of items without written permission.



REV.	
CHG.	
CHK.	

DEC FORM NO. DRD 100-A

56

FIRST USED ON OPTION/MODEL	QTY.	DESCRIPTION	PART NO.	ITEM NO.
PDP-11		PARTS LIST		
UNLESS OTHERWISE SPECIFIED DIMENSION IN INCHES. TOLERANCES		DRN	DATE	<b>digital</b> EQUIPMENT CORPORATION MAYNARD MASSACHUSETTS TITLE <b>IBM INTERFACE</b>
DECIMALS	ANGLES	CHK'D	DATE	
.XXX - .005	± 0° 30'	ENG.	DATE	
.XX - .02		PROJ. ENG.	DATE	
REMOVE BURRS AND BREAK SHARP CORNERS SURFACE QUALITY		PROD.	DATE	
MATERIAL		NEXT HIGHER ASSY.		
FINISH		SCALE NONE		
		SHEET 5 OF 6		

SIZE CODE DBS  
 NUMBER DX11-B-27  
 REV. E



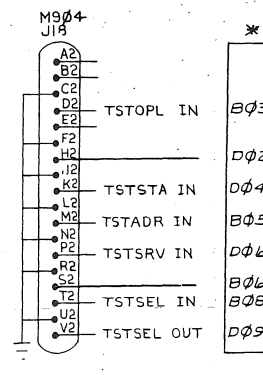
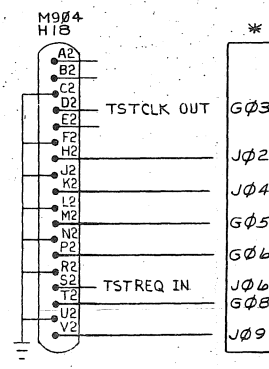
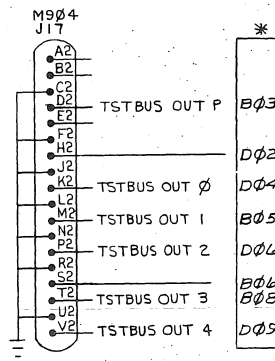
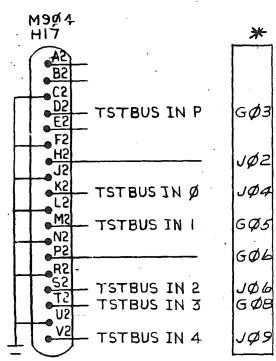
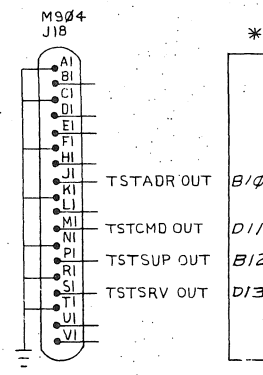
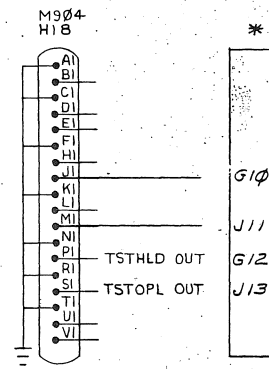
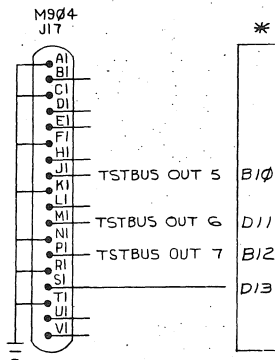
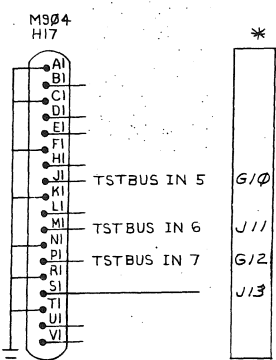
This drawing and specifications herein are the property of Digital Equipment Corporation and shall not be reproduced or copied or used in whole or in part as the basis for the manufacture or sale of items without written permission.

D  
C  
B  
A

REVISIONS	REV.
CHK	CHANGE NO.

DEC FORM NO. DRD 100-A

8 7 6 5 4 3 2 1



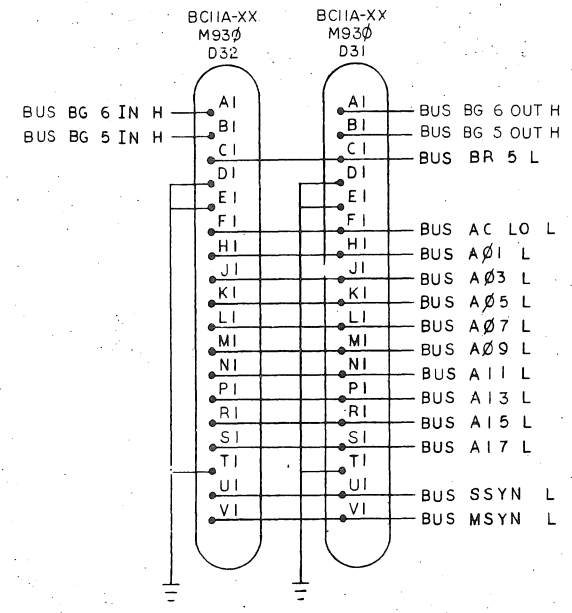
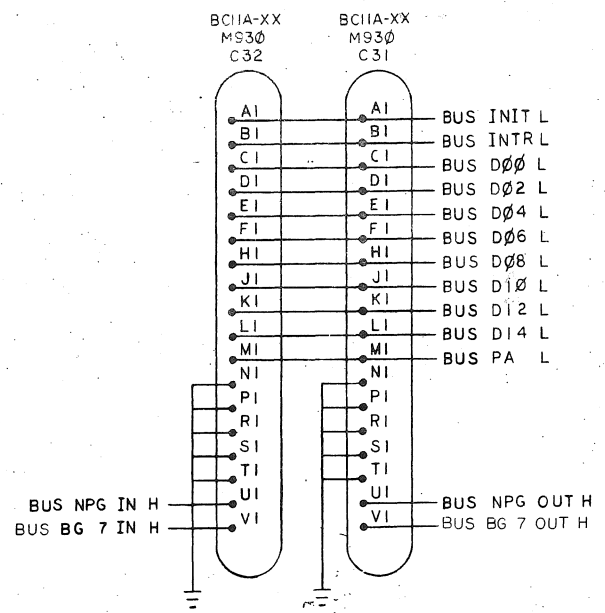
NOTE: TO USE TEST BUS  
 1. MOVE H07 TO HI7; J07 TO J17; H14 TO H1B; J14 TO J1B  
 2. PUT TERMINATORS (M904) IN H07, J07, H14  
 PUT TERMINATOR (M904-YA) IN J14  
 3. REMOVE EITHER THE LIGHT OR DARK PLUGS FROM THEIR MOUNT AND INSERT THEM INTO THEIR CORRESPONDING MATE  
 4. FOR NORMAL ON-LINE OPERATION, REVERSE THE ABOVE PROCEDURE AND STORE THE TERMINATORS IN SLOTS J29-J32  
 5. \* IBM CONN. PIN NO.

FIRST USED ON OPTION/MODEL	QTY.	DESCRIPTION	PART NO.	ITEM NO.
PDP-11				
PARTS LIST				
UNLESS OTHERWISE SPECIFIED DIMENSION IN INCHES. TOLERANCES	DRN CHKD ENG PROJ. ENG. PRD	DATE DATE DATE DATE DATE	 <b>DIGITAL EQUIPMENT CORPORATION</b> <small>MAYNARD, MASSACHUSETTS</small>	
DECIMALS .XXX - .005 .XX - .02 .X - .1	ANGLES ± 0° 30'	DATE 6-1-72 DATE 6-4-72 DATE 6-8-72	TITLE <b>IBM INTERFACE</b>	
REMOVE BURRS AND BREAK SHARP CORNERS. SURFACE QUALITY	NEXT HIGHER ASSY.	SCALE NONE	SIZE CODE B-00-DX11-B	NUMBER DBS DX11-B-27
FINISH		SHEET 6 OF 6	DIST.	REV. E

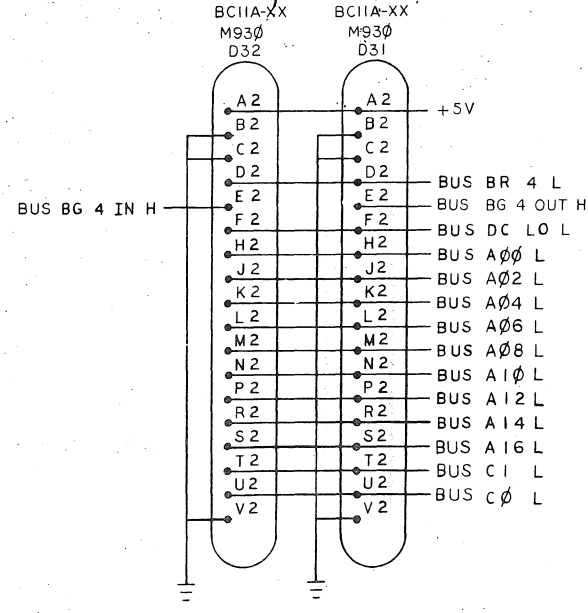
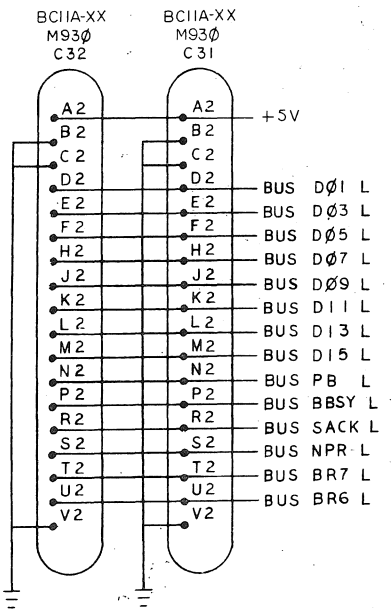
D  
C  
B  
A

REV. NUMBER  
D | C | DX11-B-27

This drawing and specifications, herein, are the property of Digital Equipment Corporation and shall not be reproduced or copied or used in whole or in part as the basis for the manufacture or sale of items without written permission.



NOTES:  
THE UNIBUS CONNECTOR IS A DOUBLE HEIGHT MODULE.



REV	NO
CHG	NO

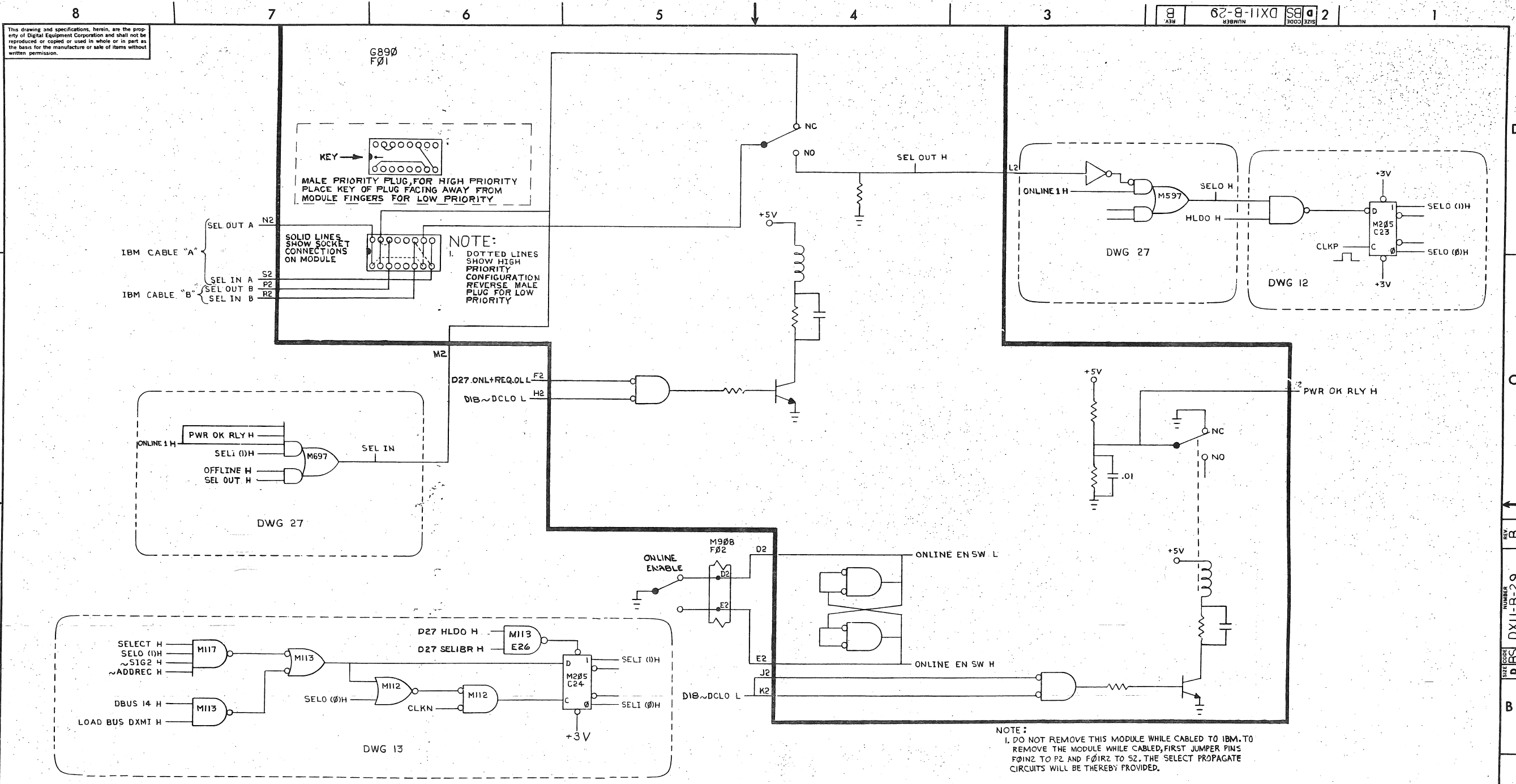
58

FIRST USED ON (OPTION) MODEL PDP-11	QTY.	DESCRIPTION	PART NO.	ITEM NO.
PARTS LIST				
UNLESS OTHERWISE SPECIFIED	DRN	DATE	DIGITAL EQUIPMENT CORPORATION MAYNARD, MASSACHUSETTS	
UNLESS OTHERWISE SPECIFIED	CHKD	DATE	TITLE	
DIMENSION IN INCHES	ENG	DATE	UNIBUS CONNECTORS	
DECIMALS FRACTIONS ANGLES	PROJ. ENGR	DATE	SIZE CODE NUMBER	
± .005 ± 1/64 ± 0°30'	PROD.	DATE	D I C D X I I - B - 2 8	
FINAL SURFACE QUALITY			SHEET OF	
REMOVE BURRS AND BREAK SHARP CORNERS			DIST.	
MATERIAL	NEXT HIGHER ASSY			
	A-ML-DXII-B			
FINISH	SCALE NONE			
	SHEET OF			

REV NUMBER  
D I C D X I I - B - 2 8



This drawing and specifications, herein, are the property of Digital Equipment Corporation and shall not be reproduced or copied or used in whole or in part as the basis for the manufacture or sale of items without written permission.



NOTE:  
1. DOTTED LINES SHOW HIGH PRIORITY CONFIGURATION REVERSE MALE PLUG FOR LOW PRIORITY

NOTE:  
1. DO NOT REMOVE THIS MODULE WHILE CABLED TO IBM. TO REMOVE THE MODULE WHILE CABLED, FIRST JUMPER PINS F01N2 TO P2 AND F01R2 TO S2. THE SELECT PROPAGATE CIRCUITS WILL BE THEREBY PROVIDED.

REV.	CHANGE NO.	BY	DATE
A	1	A. DIETER	7-11-74
B	2	F. ZERESKI	8-8-75

FIRST USED ON LPTION/MODEL	QTY.	DESCRIPTION	PART NO.	ITEM NO.
PDP-11				
UNLESS OTHERWISE SPECIFIED DIMENSION IN INCHES. TOLERANCES				
DECIMALS	ANGLES	TITLE		
.XXX - .005	±0° 30'	SELECT BYPASS & POWER FAIL		
REMOVE BURRS AND BREAK SHARP CORNERS SURFACE QUALITY				
MATERIAL				
NEXT HIGHER ASSY.				
FINISH				

digital EQUIPMENT CORPORATION  
MAYNARD MASSACHUSETTS

SIZE CODE: DBS  
NUMBER: DX11-B-29  
REV. B

This drawing and specifications, herein, are the property of Digital Equipment Corporation and shall not be reproduced or copied or used in whole or in part as the basis for the manufacture or sale of items without written permission. 1973

SIZE CODE K WL 2  
 NUMBER DXII-B-30  
 REV U

REV. NO.		REV. DATE		REV. DATE		REV. DATE	
CHK	CHANGE NO.	CHK	CHANGE NO.	CHK	CHANGE NO.	CHK	CHANGE NO.
8A	DXII-B-00001	A	5-11-72	8A	DXIIB-00019	L	5-11-72
	DIETER				F. ZERESKI		
8B	DXII-B-00003	B	5-12-72	8B	DXIIB-00020	M	5-17-75
	DIETER				F. ZERESKI		
8C	DXII-B-00006	C	5-25-72	8C	DXIIB-00021	N	6-2-75
	DIETER				F. ZERESKI		
8D	DXII B-00009	D	9-11-72	8D	DXIIB-00023	P	11-17-75
	DIETER				F. ZERESKI		
8E	DXIIB-00010	E	2-6-73	8E	DXIIB-00024	R	2-11-76
	DIETER				F. ZERESKI		
8F	DXIIB-00012	F	6-14-73	8F	DXIIB-00025	S	2-24-77
	DIETER				F. ZERESKI		
8G	DXIIB-00014	H	10-9-73	8G	DXIIB-00026	T	4-APR-77
	DIETER				F. ZERESKI		
8H	DXIIB-00015	J	2-7-74				
	DIETER						
8I	DXIIB-00016	K	7-3-74				
	DIETER						

FIRST USED ON OPTION MODEL	QTY.	DESCRIPTION	PART NO.	ITEM NO.
DXII-B				

DRN. A. FRATICELLI	SR.	DATE 1/5/72
CHK'D. [Signature]		DATE 4-10-72
ENG. [Signature]		DATE 4-7-72
PROJ. ENG. [Signature]		DATE 4-7-72
PROD. [Signature]		DATE 4-11-72
NEXT HIGHER ASSEMBLY		
D-AD-7008719-0-0		
SCALE NONE		
SHEET 1	OF 1	

TITLE		WIRE LIST (IBM INTERFACE SYSTEM)	
SIZE CODE	NUMBER	REV.	
K WL	DXII-B-30	U	

DX11B.U  
RUN NAME

WRAPD .V35(102)-1 03-JUN-77  
A/P PIN ORDER BAY - Q DRAW RV RG Y X Z  
NAME PIN ORDER OPT

15-NOV-77

15:48 PAGE 1  
NC LENGTH EXCEPTIONS  
FLAG

RUN  
NUMBER

DX11B.U RUN NAME	WRAPD .V35(102)-1 A/P PIN ORDER NAME PIN	03-JUN-77 BAY - Q ORDER	DRAW OPT	RV RG Y X Z	REMARKS	15-NOV-77 NC LENGTH EXCEPTIONS FLAG	RUN NUMBER
+3V A25U1	A23D1	1-01 *	D14	2		N 1-3/8	1
+3V A25U1	A23M1	1-02 *	D14	1		N 1-3/8	1
+3V A25U1	A23U2	1-03 *	D14	2		N 1-2/8	1
+3V A25U1	A25U1	1-04 *	D08	1		N 4-3/8	1
+3V A25U1	B27U2	1-05 *	D08	2		N 3-4/8	1
+3V A25U1	B32A1	1-06 *	D17				1
+3V A25U1	1	1				11-7/8	1
+3V B10U1	A17K2	1-01 *	D15	2		N 1	2
+3V B10U1	A16K2	1-02 *	D15	1		N 1	2
+3V B10U1	A15K2	1-03 *	D15	2		N 1	2
+3V B10U1	A14K2	1-04 *	D15	1		N 1	2
+3V B10U1	A13K2	1-05 *	D15	2		N 1	2
+3V B10U1	A12K2	1-06 *	D15	1		N 1	2
+3V B10U1	A11K2	1-07 *	D15	2		N 1	2
+3V B10U1	A10K2	1-08 *	D15	1		N 4-3/8	2
+3V B10U1	B10U1	1-09 *	D15				2
+3V B10U1	1	1				11-3/8	2
+3V B16U1	B16U1	1-01 *	D20	2		N 3-2/8	3
+3V B16U1	C20P1	1-02 *	D20	1		N 1-5/8	3
+3V B16U1	C21T2	1-03 *	D20	2		N 8-3/8	3
+3V B16U1	B32T2	1-04 *	D20	1		N 0-5/8	3
+3V B16U1	B32P2	1-05 *	D20	2		N 0-4/8	3
+3V B16U1	B32P1	1-06 *	D20				3
+3V B16U1	1	1				14-3/8	3
+3V B18U1	A10D1	1-01 *	D21	1		N 1	4
+3V B18U1	A11D1	1-02 *	D21	2		N 1	4
+3V B18U1	A12D1	1-03 *	D21	1		N 1	4
+3V B18U1	A13D1	1-04 *	D21	2		N 1	4
+3V B18U1	A14D1	1-05 *	D21	1		N 1	4
+3V B18U1	A15D1	1-06 *	D21	2		N 1	4
+3V B18U1	A16D1	1-07 *	D21	1		N 5-5/8	4
+3V B18U1	B18U1	1-08 *	D21				4
+3V B18U1	1	1				11-5/8	4
+3V B18V1	A10K1	1-01 *	D21	2		N 1	5
+3V B18V1	A11K1	1-02 *	D21	1		N 1	5
+3V B18V1	A12K1	1-03 *	D21	2		N 1	5
+3V B18V1	A13K1	1-04 *	D21	1		N 1	5
+3V B18V1	A14K1	1-05 *	D21	2		N 1	5
+3V B18V1	A15K1	1-06 *	D21	1		N 1	5
+3V B18V1	A16K1	1-07 *	D21	2		N 1	5
+3V B18V1	A17K1	1-08 *	D21	1		N 4-7/8	5
+3V B18V1	B18V1	1-09 *	D21	2		N 2-1/8	5
+3V B18V1	C18L2	1-10 *			D13		5
+3V B18V1	C18L2	1				14-0/8	5

DX118.U RUN NAME	A/P	WRAPD PIN	NAME	ORDER	BAY	C	DRAW	PV	RG	Y	X	Z	REMARKS	15-NOV-77	15148 NC LENGTH FLAG	PAGE 2 EXCEPTIONS	RUN NUMBER
+3V B1901		809U2		1-01 *			D10				2				N 1-3/8		6
+3V B1901		809L1		1-02 *			D10				2				N 0-4/8		6
+3V B1901		809U1		1-03 *			D10				2				N 1-2/8		6
+3V B1901		809B1		1-04 *			D10				2				N 4-3/8		6
+3V B1901		A14F2		1-05 *			D10				2				N 1		6
+3V B1901		A15F2		1-06 *			D10				2				N 1		6
+3V B1901		A16F2		1-07 *			D10				2				N 1		6
+3V B1901		A17F2		1-08 *			D10				2				N 1-2/8		6
+3V B1901		A17N2		1-09 *			D10				2				N 1		6
+3V B1901		A16M2		1-10 *			D10				2				N 1		6
+3V B1901		A15W2		1-11 *			D10				2				N 1		6
+3V B1901		A14N2		1-12 *			D10				2				N 2-1/8		6
+3V B1901		B14S1		1-13 *			D10				2				N 1-2/8		6
+3V B1901		B14J1		1-14 *			D10				2				N 0-4/8		6
+3V B1901		B14L1		1-15 *			D10				2				N 1-3/8		6
+3V B1901		B14U2		1-16 *			D10				2				N 2-6/8		6
+3V B1901		B19U1		1-17 *			D10				2				22-6/8		6
+3V B19V1		B08U2		1-01 *			D10				2				N 1-3/8		7
+3V B19V1		B08L1		1-02 *			D10				2				N 0-4/8		7
+3V B19V1		B08J1		1-03 *			D10				2				N 1-2/8		7
+3V B19V1		B08B1		1-04 *			D10				2				N 2-4/8		7
+3V B19V1		A10N2		1-05 *			D10				2				N 1		7
+3V B19V1		A11N2		1-06 *			D10				2				N 1-3/8		7
+3V B19V1		A10F2		1-07 *			D10				2				N 1		7
+3V B19V1		A11F2		1-08 *			D10				2				N 1		7
+3V B19V1		A12F2		1-09 *			D10				2				N 1		7
+3V B19V1		A13N2		1-10 *			D10				2				N 1-2/8		7
+3V B19V1		A12N2		1-11 *			D10				2				N 1		7
+3V B19V1		B13R1		1-12 *			D10				2				N 2-1/8		7
+3V B19V1		B13J1		1-13 *			D10				2				N 1-2/8		7
+3V B19V1		B13L1		1-14 *			D10				2				N 0-4/8		7
+3V B19V1		B13U1		1-15 *			D10				2				N 1-3/8		7
+3V B19V1		B13U2		1-16 *			D10				2				N 1-3/8		7
+3V B19V1		B19V1		1-17 *			D10				2				N 3-3/8		7
+3V B21U1		B21L2		1-01 *			D13				2				21-7/8		7
+3V B21U1		B21M2		1-02 *			D13				2				N 0-1/8		8
+3V B21U1		B21N2		1-03 *			D13				2				N 2-1/8		8
+3V B21U1		B21U1		1-04 *			D13				2				N 1-2/8		8
+3V B21U1		C20P2		1-05 *			D13				2				N 2-5/8		8
+3V B21U1		C18P2		1-06 *			D13				2				N 1-4/8		8
+3V B21U1		C19P2		1-07 *			D13				2				N 1		8
+3V B21U1		C21P2		1-08 *			D13				2				N 1-4/8		8
+3V B21U1		C22P2		1-09 *			D13				2				N 1		8
+3V B21U1		C23P2		1-10 *			D13				2				N 1		8
+3V B21U1		C24L2		1-11 *			D13				2				N 1-2/8		8
+3V B21U1		C25P2		1-12 *			D13				2				N 0-5/8		8
+3V B21U1		B21L2		1-01 *			D13				2				12-0/8		8
+3V B21U1		B21M2		1-02 *			D13				2				N 0-1/8		8
+3V B21U1		B21N2		1-03 *			D13				2				N 2-1/8		8
+3V B21U1		B21U1		1-04 *			D13				2				N 1-2/8		8
+3V B21U1		C20P2		1-05 *			D13				2				N 2-5/8		8
+3V B21U1		C18P2		1-06 *			D13				2				N 1-4/8		8
+3V B21U1		C19P2		1-07 *			D13				2				N 1		8
+3V B21U1		C21P2		1-08 *			D13				2				N 1-4/8		8
+3V B21U1		C22P2		1-09 *			D13				2				N 1		8
+3V B21U1		C23P2		1-10 *			D13				2				N 1		8
+3V B21U1		C24L2		1-11 *			D13				2				N 1-2/8		8
+3V B21U1		C25P2		1-12 *			D13				2				N 0-5/8		8
+3V B21U1		B21L2		1-01 *			D13				2				12-0/8		8
+3V B21U1		B21M2		1-02 *			D13				2				N 0-1/8		8
+3V B21U1		B21N2		1-03 *			D13				2				N 2-1/8		8
+3V B21U1		B21U1		1-04 *			D13				2				N 1-2/8		8
+3V B21U1		C20P2		1-05 *			D13				2				N 2-5/8		8
+3V B21U1		C18P2		1-06 *			D13				2				N 1-4/8		8
+3V B21U1		C19P2		1-07 *			D13				2				N 1		8
+3V B21U1		C21P2		1-08 *			D13				2				N 1-4/8		8
+3V B21U1		C22P2		1-09 *			D13				2				N 1		8
+3V B21U1		C23P2		1-10 *			D13				2				N 1		8
+3V B21U1		C24L2		1-11 *			D13				2				N 1-2/8		8
+3V B21U1		C25P2		1-12 *			D13				2				N 0-5/8		8

DX118.U RUN NAME	A/P	WRAPD PIN	NAME	ORDER	BAY	C	DRAW	PV	RG	Y	X	Z	REMARKS	15-NOV-77	15149 NC LENGTH FLAG	PAGE 3 EXCEPTIONS	RUN NUMBER
+3V C03U1		C10P2		1-01 *			D13				1				N 0-5/8		9
+3V C03U1		C10L2		1-02 *			D13				2				N 0-5/8		9
+3V C03U1		C11P2		1-03 *			D13				1				N 0-5/8		9
+3V C03U1		C11L2		1-04 *			D13				2				N 0-5/8		9
+3V C03U1		C12P2		1-05 *			D13				2				N 0-5/8		9
+3V C03U1		C12L2		1-06 *			D13				2				N 0-5/8		9
+3V C03U1		C13P2		1-07 *			D13				1				N 0-5/8		9
+3V C03U1		C13L2		1-08 *			D13				2				N 0-5/8		9
+3V C03U1		C14P2		1-09 *			D13				2				N 0-5/8		9
+3V C03U1		C14L2		1-10 *			D13				1				N 0-5/8		9
+3V C03U1		C15P2		1-11 *			D13				1				N 0-5/8		9
+3V C03U1		C15L2		1-12 *			D13				2				N 0-5/8		9
+3V C03U1		C16P2		1-13 *			D13				2				N 0-5/8		9
+3V C03U1		C16L2		1-14 *			D13				1				N 1		9
+3V C03U1		C17L2		1-15 *			D13				2				N 2-6/8		9
+3V C03U1		B21V1		1-16 *			D13				2				N 3-1/8		9
+3V C03U1		C17P2		1-17 *			D13				1				N 9-6/8		9
+3V C03U1		F30B1		1-18 *			D13				2				N 1		9
+3V C03U1		F31B1		1-19 *			D13				2				N 1-3/8		9
+3V C03U1		F30J1		1-20 *			D13				2				N 0-4/8		9
+3V C03U1		F30I1		1-21 *			D13				2				N 1		9
+3V C03U1		F31L1		1-22 *			D13				2				N 1-3/8		9
+3V C03U1		F31U2		1-23 *			D13				2				N 0-5/8		9
+3V C03U1		F30T2		1-24 *			D13				1				N 0-5/8		9
+3V C03U1		C03U1		1-01 *			D07				2				30-5/8		10
+3V C03U1		D08N1		1-02 *			D07				1				N 1-3/8		10
+3V C03U1		D08B1		1-03 *			D07				2				N 1		10
+3V C03U1		D08Y1		1-04 *			D07				2				N 1		10
+3V C03U1		D08J1		1-05 *			D07				2				N 1-2/8		10
+3V C03U1		D06J1		1-06 *			D07				2				N 0-4/8		10
+3V C03U1		D06L1		1-07 *			D07				2				N 1		10
+3V C03U1		D05J1		1-08 *			D07				1				N 0-4/8		10
+3V C03U1		D04L1		1-09 *			D07				2				N 1		10
+3V C03U1		D03L1		1-10 *			D07				1				N 1		10
+3V C03U1		D03U2		1-11 *			D07				2				N 1-3/8		10
+3V C03U1		D04U2		1-12 *			D07				2				N 1		10
+3V C03U1		D05U2		1-13 *			D07				2				N 1		10
+3V C03U1		D06U2		1-14 *			D07				2				N 1		10
+3V C03U1		D06U2		1-15 *			D07				1				N 1		10
+3V C03V1		C03V1		1-01 *			D12				2				14-0/8		10
+3V C03V1		C19H2		1-02 *			D12				2				N 9-7/8		11
+3V C03V1		C21H2		1-03 *			D12				2		</				

DX11B.U RUN NAME	WRAPD .V35(102)-1 A/P PIN ORDER	03-JUN-77 BAY - Q ORDER	DRAM OPT	PV OPT	RG OPT	Y OPT	X OPT	Z OPT	REMARKS	15-NOV-77	PAGE 4 NC LENGTH EXCEPTIONS FLAG	RUN NUMBER
+3V C08U1	C08C1	1-01 *	DXX								N 0-5/8	12
+3V C08U1	C08F2	1-02 *	D25								N 0-1/8	12
+3V C08U1	C08H2	1-03 *	D25								N 2-7/8	12
+3V C08U1	C08U1	1-04 *	D25								N 3-5/8	12
+3V C08U1	C13H1	1-01 *	D05								N 2	13
+3V C08U1	C11T2	1-02 *	D11								N 4-1/8	13
+3V C08U1	C08B2	1-03 *	D24								N 2-5/8	13
+3V C08U1	C08V1	1-04 *	D24								N 3-1/8	13
+3V C08U1	D08U2	1-05 *	D07								N 4-6/8	13
+3V C08U1	E02U2	1-06 *	D2								N 1-1/8	13
+3V C08U1	E02V2	1-07 *	D24								N 17-6/8	13
+3V E08U1	C17H2	1-01 *	D09								N 1	14
+3V E08U1	C16H2	1-02 *	D09								N 1	14
+3V E08U1	C19H2	1-03 *	D09								N 1	14
+3V E08U1	C14H2	1-04 *	D09								N 0-1/8	14
+3V E08U1	E11B2	1-05 *	D09								N 0-4/8	14
+3V E08U1	E11U2	1-06 *	D09								N 2-2/8	14
+3V E08U1	E08U1	1-07 *	D09								N 13-7/8	14
+3V E08U1	C13H2	1-01 *	D09								N 1	15
+3V E08U1	C12H2	1-02 *	D09								N 1	15
+3V E08U1	C11H2	1-03 *	D09								N 1	15
+3V E08U1	E08V1	1-04 *	D09								N 8-1/8	15
+3V E08U1	C21D1	1-01 *	D06								N 11-1/8	15
+3V E12U1	C25D1	1-02 *	D06								N 2-4/8	16
+3V E12U1	C24A1	1-03 *	D06								N 1-2/8	16
+3V E12U1	C23D1	1-04 *	D06								N 0-5/8	16
+3V E12U1	C22D1	1-05 *	D06								N 1	16
+3V E12U1	C19D1	1-06 *	D06								N 2	16
+3V E12U1	C18D1	1-07 *	D06								N 1	16
+3V E12U1	C17D1	1-08 *	D06								N 1	16
+3V E12U1	C16D1	1-09 *	D06								N 1-2/8	16
+3V E12U1	C15A1	1-10 *	D06								N 1	16
+3V E12U1	C14A1	1-11 *	D06								N 1	16
+3V E12U1	C13A1	1-12 *	D06								N 1	16
+3V E12U1	C12A1	1-13 *	D06								N 1	16
+3V E12U1	C11A1	1-14 *	D06								N 0-5/8	16
+3V E12U1	C10D1	1-15 *	D06								N 0-1/8	16
+3V E12U1	E12U1	1-16 *	D05								N 24-3/8	16

DX11B.U RUN NAME	WRAPD .V35(102)-1 A/P PIN ORDER	03-JUN-77 BAY - Q ORDER	DRAM OPT	PV OPT	RG OPT	Y OPT	X OPT	Z OPT	REMARKS	15-NOV-77	PAGE 5 NC LENGTH EXCEPTIONS FLAG	RUN NUMBER
+3V E14U1	C25H1	1-01 *	D05								N 1	17
+3V E14U1	C24H1	1-02 *	D05								N 1	17
+3V E14U1	C23H1	1-03 *	D05								N 0-5/8	17
+3V E14U1	C22H1	1-04 *	D05								N 0-1/8	17
+3V E14U1	C21H1	1-05 *	D05								N 1	17
+3V E14U1	C20H1	1-06 *	D05								N 1	17
+3V E14U1	C19H1	1-07 *	D05								N 1	17
+3V E14U1	C18H1	1-08 *	D05								N 0-7/8	17
+3V E14U1	E14U1	1-09 *	D05								N 1-7/8	17
+3V E14U1	F14E2	1-10 *	D07								N 0-4/8	17
+3V E14U1	F14H2	1-11 *	D05								N 6-7/8	17
+3V E14U1	J13M1	1-12 *	D05								N 24-7/8	17
+3V E14U1	J13M1	1-13 *	D05								N 1	18
+3V E14V1	C10H1	1-01 *	D05								N 0-1/8	18
+3V E14V1	C11K1	1-02 *	D05								N 1	18
+3V E14V1	C11L1	1-03 *	D05								N 1-5/8	18
+3V E14V1	C12L1	1-04 *	D05								N 1	18
+3V E14V1	C14H1	1-05 *	D05								N 1	18
+3V E14V1	C15H1	1-06 *	D05								N 1	18
+3V E14V1	C16H1	1-07 *	D05								N 1-2/8	18
+3V E14V1	C17L1	1-08 *	D05								N 0-1/8	18
+3V E14V1	E14V1	1-09 *	D05								N 3-4/8	18
+3V E14V1	F17P2	1-10 *	D05								N 10-5/8	18
+3V E22U1	C25T2	1-01 *	D11								N 1	19
+3V E22U1	C24T2	1-02 *	D11								N 1	19
+3V E22U1	C23T2	1-03 *	D11								N 1	19
+3V E22U1	C22T2	1-04 *	D11								N 2	19
+3V E22U1	C19T2	1-05 *	D11								N 1	19
+3V E22U1	C18T2	1-06 *	D11								N 7-3/8	19
+3V E22U1	E22U1	1-07 *	D11								N 0-5/8	19
+3V E22U1	F22C1	1-08 *	D11								N 0-1/8	19
+3V E22U1	F22D1	1-09 *	D11								N 3-7/8	19
+3V E22U1	F17T2	1-10 *	D11								N 18-7/8	19
+3V E22V1	C10T2	1-01 *	D11								N 1-4/8	20
+3V E22V1	C11T2	1-02 *	D11								N 1	20
+3V E22V1	C13T2	1-03 *	D11								N 1	20
+3V E22V1	C14T2	1-04 *	D11								N 1	20
+3V E22V1	C15T2	1-05 *	D11								N 1	20
+3V E22V1	C16T2	1-06 *	D11								N 0-1/8	20
+3V E22V1	C17B1	1-07 *	D11								N 0-5/8	20
+3V E22V1	C17T2	1-08 *	D11								N 7-1/8	20
+3V E22V1	F17D1	1-09 *	D11								N 0-4/8	20
+3V E22V1	F17F2	1-10 *	D11								N 0-1/8	20
+3V E22V1	F17H2	1-11 *	D11								N 0-5/8	20
+3V E22V1	F17L1	1-12 *	D11								N 4-2/8	20
+3V E22V1	F22V1	1-13 *	D11								N 6-3/8	20
+3V E22V1	F30P1	1-14 *	D11								N 25-2/8	20



DX11B,U RUN NAME	WRAPD .V35(102)-1 A/P PIN NAME	ORDER PIN	03-JUN-77 BAY - Q ORDER	DRAW OPT	RV RG Y	X Z	REMARKS	15-Nov-77	15:48 NC LENGTH FLAG	PAGE 8 EXCEPTIONS	RUN NUMBER
A03	L	B25R2	1-01 *	D17		1			N	3-7/8	36
A03	L	B30D1	1-02 *	D17							36
A03	L		1							3-7/8	36
A03B	H	B30E1	1-01 *	D17		1			N	0-1/8	37
A03B	H	D25J2	1-02 *	D19							37
A03B	H		1							0-1/8	37
A03C1		A03C1	1-01 *	S D25		1			N	5-1/8	38
A03C1		B04R1	1-02 *	D25							38
A03C1			1							5-1/8	38
A03K2		A03K2	1-01 *	S D25		2			N	3-7/8	39
A03K2		E06E2	1-02 *	D25		1			N	13-1/8	39
A03K2		E16H1	1-03 *	D25							39
A03K2			1							17-0/8	39
A03N1		A03J1	1-01 *	D25		1			N	1	40
A03N1		A03N1	1-02 *	D25							40
A03N1			1							1-0/8	40
A03N2		A01B1	1-01 *	D25		1			N	2-2/8	41
A03N2		A03N2	1-02 *	S D25							41
A03N2			1							2-2/8	41
A03V2		A03V2	1-01 *	D24		2			N	5-5/8	42
A03V2		C02R2	1-02 *	D24		1			N	0-4/8	42
A03V2		C02T2	1-03 *	D24							42
A03V2			1							6-1/8	42
A04	H	B25M2	1-01 *	D17		2			N	2-3/8	43
A04	H	B29K1	1-02 *	D17		1			N	5-6/8	43
A04	H	D29K1	1-03 *	D17							43
A04	H		1							0-1/8	43
A04	L	B25N2	1-01 *	D17		1			N	3-6/8	44
A04	L	B30A1	1-02 *	D17							44
A04	L		1							3-6/8	44
A04B	H	B30B1	1-01 *	D17		1			N	9-1/8	45
A04B	H	D25N2	1-02 *	D19							45
A04B	H		1							9-1/8	45
A04F1		A04F1	1-01 *	D25		1			N	0-1/8	46
A04F1		A04H1	1-02 *	D25							46
A04F1			1							0-1/8	46
A04K1		A04K1	1-01 *	D25		1			N	0-1/8	47
A04K1		A04L1	1-02 *	D25							47
A04K1			1							0-1/8	47
A04S1		A04D2	1-01 *	D25		1			N	2-1/8	48
A04S1		A04S1	1-02 *	D25							48
A04S1			1							2-1/8	48

DX11B,U RUN NAME	WRAPD .V35(102)-1 A/P PIN NAME	ORDER PIN	03-JUN-77 BAY - Q ORDER	DRAW OPT	RV RG Y	X Z	REMARKS	15-Nov-77	15:48 NC LENGTH FLAG	PAGE 9 EXCEPTIONS	RUN NUMBER
A05S2		A05S2	1-01 *	D25		1			N	0-1/8	49
A05S2		A05T2	1-02 *	D25							49
A05S2			1							0-1/8	49
A06J1		A06J1	1-01 *	D25		1			N	6-1/8	50
A06J1		C05H1	1-02 *	D25							50
A06J1			1							6-1/8	50
A06M2		A06M2	1-01 *	D07		1			N	7-3/8	51
A06M2		C03P2	1-02 *	D07							51
A06M2			1							7-3/8	51
A06N1		A06N1	1-01 *	D25		1			N	5-3/8	52
A06N1		C05F1	1-02 *	D25							52
A06N1			1							5-3/8	52
A06U1		A06K2	1-01 *	D07		1			N	1-5/8	53
A06U1		A06U1	1-02 *	S D07							53
A06U1			1							1-5/8	53
A06V1		A06V1	1-01 *	D11		2			N	0-3/8	54
A06V1		C13S1	1-02 *	D11		1			N	0-3/8	54
A06V1		B23M1	1-03 *	D11							54
A06V1			1							16-6/8	54
A07S1		A07S1	1-01 *	S D21		1			N	0-5/8	55
A07S1		A07V1	1-02 *	D21							55
A07S1			1							0-5/8	55
A07U1		A07U1	1-01 *	S D21		1			N	7-1/8	56
A07U1		A17D1	1-02 *	D21							56
A07U1			1							7-1/8	56
A08F2		A08F2	1-01 *	S D13		1			N	0-6/8	57
A08F2		C19M2	1-02 *	D13							57
A08F2			1							0-6/8	57
A08K1		A08K1	1-01 *	S D13		1			N	0-4/8	58
A08K1		A08M1	1-02 *	D13							58
A08K1			1							0-4/8	58
A08K2		A06F2	1-01 *	D25		1			N	1-5/8	59
A08K2		A08K2	1-02 *	S D25							59
A08K2			1							1-5/8	59
A08N1		A08D2	1-01 *	D13		1			N	1-5/8	60
A08N1		A08N1	1-02 *	S D13							60
A08N1			1							1-5/8	60
A08N2		A07P2	1-01 *	D25		1			N	1-1/8	61
A08N2		A08N2	1-02 *	S D25							61
A08N2			1							1-1/8	61

59





DL118.U RUN NAME	WRAPD .V35(102)-1 A/P PIN ORDER PIN	03-JUN-77 BAY - Q ORDER	DRAW RV RG Y X Z OPT	REMARKS	15-NOV-77	15148 NC LENGTH EXCEPTIONS FLAG	PAGE 12	RUN NUMBER
A23N1	A23J2	1-01 *	D14	1		N 1		90
A23N1	A23N1	1-02 *	D14			1-0/8		90
A23N1								90
A23P1	A23K2	1-01 *	D14	1		N 1		91
A23P1	A23P1	1-02 *	D14			1-0/8		91
A23P1								91
A24D1	A24D1	1-01 *	D20	1		N 16-7/8		92
A24D1	F19L1	1-02 *	D20			16-7/8		92
A24D1								92
A24J1	A24J1	1-01 *	D15	1		N 3-1/8		93
A24J1	B25D1	1-02 *	D15			3-1/8		93
A24J1								93
A24H2	A24H2	1-01 *	D13	2		N 6-1/8		94
A24H2	C23N2	1-02 *	D13	1		N 7-1/8		94
A24H2	E20D2	1-03 *	D13			13-2/8		94
A24H2								94
A24E2	A24E2	1-01 *	D13	1		N 6-5/8		95
A24E2	C21N2	1-02 *	D13	2		N 5-7/8		95
A24E2	E29A1	1-03 *	D13			12-4/8		95
A24E2								95
A25E2	A25E2	1-01 *	D08	1		N 0-1/8		96
A25E2	A25I2	1-02 *	D08			0-1/8		96
A25E2								96
A28E1	A28E1	1-01 *		1		N 6-3/8		97
A28E1	B23R2	1-02 *				6-3/8		97
A28E1								97
A28J2	A28J2	1-01 *		1		N 6-6/8		98
A28J2	B23J2	1-02 *				6-6/8		98
A28J2								98
A28L1	A28L1	1-01 *		1		N 5-6/8		99
A28L1	B23S2	1-02 *				5-6/8		99
A28L1								99
A28S1	A28S1	1-01 *		1		N 4-6/8		100
A28S1	B23T2	1-02 *				4-6/8		100
A28S1								100
ACLO	D09E2	1-01 *	D18	1		N 11-7/8		101
ACLO	B23H2	1-02 *	D24	2		N 9-3/8		101
ACLO	D29S1	1-03 *	D18			21-2/8		101
ACLO								101
ACLO	D09F2	1-01 *	D18	2		N 9-1/8		102
ACLO	F22K1	1-02 *	DXX	1		N 0-1/8		102
ACLO	F22J1	1-03 *	DXX			9-2/8		102
ACLO								102

DL118.U RUN NAME	WRAPD .V35(102)-1 A/P PIN ORDER PIN	03-JUN-77 BAY - Q ORDER	DRAW RV RG Y X Z OPT	REMARKS	15-NOV-77	15148 NC LENGTH EXCEPTIONS FLAG	PAGE 13	RUN NUMBER
ADR OUT	J10N2	1-01 *	D27	2		N 1-3/8		103
ADR OUT	J12J1	1-02 *	D27	1		N 1-4/8		103
ADR OUT	J14J1	1-03 *	D27			2-7/8		103
ADR OUT								103
ADRECC	A09B1	1-01 *	D25	1		N 11-7/8		104
ADRECC	D11F1	1-02 *	D19	2		N 13-1/8		104
ADRECC	A24D2	1-03 *		1		N 5-5/8		104
ADRECC	A2U1	1-04 *	D22	2		N 6-1/8		104
ADRECC	B25P1	1-05 *	D26			36-6/8		104
ADRECC								104
ADRECC	B16N1	1-01 *	D26	2		N 4		105
ADRECC	B25N1	1-02 *	D26	1		N 8-7/8		105
ADRECC	E25I2	1-03 *	D13			12-7/8		105
ADRECC								105
ADRECC	B25K1	1-01 *	D26	2		N 5-5/8		106
ADRECC	A32V1	1-02 *	D22	1		N 14-4/8		106
ADRECC	E12F2	1-03 *	D24	2		N 4-1/8		106
ADRECC	D10F1	1-04 *	DXX	1		N 0		106
ADRECC	F21H1	1-05 *	DXX			32-2/8		106
ADRECC								106
ADRECC	B05E2	1-01 *	D24	1		N 0-4/8		107
ADRECC	B06H1	1-02 *	D25	2		N 10-1/8		107
ADRECC	B25J1	1-03 *	D26	1		N 3-5/8		107
ADRECC	A24H2	1-04 *				14-2/8		107
ADRECC								107
ADRI(0)	B08K1	1-01 *	D25	2		N 9-5/8		108
ADRI(0)	E03R1	1-02 *	D24	1		N 10-1/8		108
ADRI(0)	F19B1	1-03 *	D27	2		N 8-3/8		108
ADRI(0)	C22S2	1-04 *	D13			28-1/8		108
ADRI(0)								108
ADRI(1)	A31F2	1-01 *	D22	1		N 10-4/8		109
ADRI(1)	C22R2	1-02 *	D13	2		N 18-5/8		109
ADRI(1)	J11K2	1-03 *	DXX			29-1/8		109
ADRI(1)								109
ADRI(1)	J11F2	1-01 *	D17	1		N 1-2/8		110
ADRI(1)	J12M2	1-02 *	D27	2		N 1-4/8		110
ADRI(1)	J14M2	1-03 *	D27			2-6/8		110
ADRI(1)								110
ADRO	C21F2	1-01 *	D12	1		N 19-7/8		111
ADRO	J10M2	1-02 *				19-7/8		111
ADRO								111

89

DX11B.U RUN NAME	A/P	WRAPD .V35(102)-1 PIN NAME	ORDER PIN	03-JUN-77 BAY - ORDER	C	DRAW OPT	RV	RG	Y	X	Z	REMARKS	15-Nov-77	15148 NC LENGTH FLAG	PAGE 14 EXCEPTIONS	RUN NUMBER
ADRO(0)	H	C21K2		1-01 *	S	D12					1					112
ADRO(0)	H	B21H1		1-02 *		D13					2			N 3-3/8		112
ADRO(0)	H	A19L2		1-03 *		D26					1			N 3-3/8		112
ADRO(0)	H	B04B1		1-04 *		D25					2			N 9-7/8		112
ADRO(0)	H	C05P1		1-05 *		D24					1			N 4-5/8		112
ADRO(0)	H	E01M2		1-06 *		D05								N 6-5/8		112
ADRO(0)	H			1										27-7/8		112
ADRO(1)	H	C21J2		1-01 *	S	D12					2			N 4-3/8		113
ADRO(1)	H	D21S1		1-02 *		D19					1			N 6-3/8		113
ADRO(1)	H	F29E2		1-03 *		DXX					2			N 14-1/8		113
ADRO(1)	H	A31H1		1-04 *		D22					1			N 11-5/8		113
ADRO(1)	H	A08J2		1-05 *		D25					2			N 2-7/8		113
ADRO(1)	H	A05C1		1-06 *		D25					1			N 11-5/8		113
ADRO(1)	H	E05J1		1-07 *		D25					2			N 3-1/8		113
ADRO(1)	H	E01P1		1-08 *		D05					1			N 2		113
ADRO(1)	H	E01A1		1-09 *		D05								56-1/8		113
ADRO(1)	H			1												113
ADRS SELO	L	B32C1		1-01 *		D17					2			N 1-7/8		114
ADRS SELO	L	B29L2		1-02 *		D17					1			N 0-1/8		114
ADRS SELO	L	B29M2		1-03 *		D17					2			N 2-5/8		114
ADRS SELO	L	B25L1		1-04 *		D17					1			N 4-2/8		114
ADRS SELO	L	C30L2		1-05 *		D17										114
ADRS SELO	L			1										0-7/8		114
ADRS TO BUS	H	D26B1		1-01 *	S	D18					2			N 1-2/8		115
ADRS TO BUS	H	D27H1		1-02 *		D17					1			N 0-1/8		115
ADRS TO BUS	H	D27F1		1-03 *		D17					2			N 0-4/8		115
ADRS TO BUS	H	D27J2		1-04 *		D17					1			N 0-1/8		115
ADRS TO BUS	H	D28H1		1-05 *		D17					2			N 0-1/8		115
ADRS TO BUS	H	D28F1		1-06 *		D17					1			N 1-3/8		115
ADRS TO BUS	H	D27N1		1-07 *		D17										115
ADRS TO BUS	H			1										3-4/8		115
ADRS02	H	A24H1		1-01 *		D15					1			N 12-5/8		116
ADRS02	H	E20J2		1-02 *	S	D17										116
ADRS02	H			1										12-5/8		116
ADRS02	L	B29S1		1-01 *	S	D17					1			N 11-3/8		117
ADRS02	L	E20H2		1-02 *		D17										117
ADRS02	L			1										11-3/8		117
ADRS04	H	B25L2		1-01 *	S	D17					1			N 11-7/8		118
ADRS04	H	E16D2		1-02 *		D06					2			N 1-7/8		118
ADRS04	H	E15N2		1-03 *		D06					1			N 1		118
ADRS04	H	E15T2		1-04 *		D06										118
ADRS04	H			1										14-6/8		118
ADRS04	L	B25K2		1-01 *		D17					1			N 2-7/8		119
ADRS04	L	B29R1		1-02 *	S	D17										119
ADRS04	L			1										2-7/8		119

DX11B.U RUN NAME	A/P	WRAPD .V35(102)-1 PIN NAME	ORDER PIN	03-JUN-77 BAY - ORDER	Q	DRAW OPT	RV	RG	Y	X	Z	REMARKS	15-Nov-77	15148 NC LENGTH FLAG	PAGE 15 EXCEPTIONS	RUN NUMBER
ADRS06	H	E07A1		1-01 *		D09					2			N 1-4/8		120
ADRS06	H	E07K1		1-02 *		DXX					1			N 7-3/8		120
ADRS06	H	E20L2		1-03 *	S	D17										120
ADRS06	H			1										0-7/8		120
ADRS06	L	B29P1		1-01 *		D17					1			N 11-7/8		121
ADRS06	L	E20K2		1-02 *	S	D17										121
ADRS06	L			1										11-7/8		121
ADRS10	H	A02A1		1-01 *		D25					1			N 16-5/8		122
ADRS10	H	B25U1		1-02 *	S	D17										122
ADRS10	H			1										16-5/8		122
ADRS10	L	B25V1		1-01 *		D17					1			N 3-1/8		123
ADRS10	L	B29N1		1-02 *	S	D17										123
ADRS10	L			1										3-1/8		123
ADRS12	H	A25L2		1-01 *		D08					1			N 13-5/8		124
ADRS12	H	E20N2		1-02 *	S	D17										124
ADRS12	H			1										13-5/8		124
ADRS12	L	B29M1		1-01 *	S	D17					1			N 12-3/8		125
ADRS12	L	E20M2		1-02 *		D17										125
ADRS12	L			1										12-3/8		125
ADRS14	H	B18D1		1-01 *		D21					1			N 0-5/8		126
ADRS14	H	B18H1		1-02 *		D21					2			N 10-3/8		126
ADRS14	H	E20R2		1-03 *	S	D17										126
ADRS14	H			1										11-0/8		126
ADRS14	L	B29T2		1-01 *	S	D17					1			N 12-3/8		127
ADRS14	L	E20P2		1-02 *		D17										127
ADRS14	L			1										12-3/8		127
ADRS16	L	B29S2		1-01 *		D17					1			N 7-7/8		128
ADRS16	L	E28K2		1-02 *		D13										128
ADRS16	L			1										7-7/8		128
ADRS24	L	A08A1		1-01 *		D20					1			N 15-3/8		129
ADRS24	L	B29N2		1-02 *	S	D17										129
ADRS24	L			1										15-3/8		129
ARSO	H	B1282		1-01 *		D15					2			N 0-5/8		130
ARSO	H	B12N1		1-02 *		D15					1			N 0-4/8		130
ARSO	H	B12L2		1-03 *		D15					2			N 0-5/8		130
ARSO	H	B12H1		1-04 *		D15					1			N 0-4/8		130
ARSO	H	B12E2		1-05 *		D15					2			N 0-5/8		130
ARSO	H	B12R1		1-06 *		D15					1			N 1		130
ARSO	H	B11B1		1-07 *		D15					2			N 1-1/8		130
ARSO	H	B11H1		1-08 *		D15					1			N 0-5/8		130
ARSO	H	B10J1		1-09 *		D15					2			N 3-4/8		130
ARSO	H	C07E1		1-10 *	S	D25										130
ARSO	H			1										9-1/8		130

DX11B.U RUN NAME	A/P	WRAPD .V35(102)-1 PIN NAME	ORDER PIN	03-JUN-77 BAY - ORDER	Q	DRAW OPT	RV RG Y	X	Z	REMARKS	15-Nov-77	15148 NC LENGTH FLAG	PAGE 16 EXCEPTIONS	RUN NUMBER
AR80	L	B03C1		1-01 *	S	D25			1			N	4-1/8	131
AR80	L	C07D1		1-02 *		D25								131
AR80	L			1									4-1/8	131
ATTEN(0)	H	C04F1		1-01 *		D24			1			N	7-3/8	132
ATTEN(0)	H	C17K2		1-02 *	S	D09								132
ATTEN(0)	H			1									7-3/8	132
ATTEN(1)	H	C17J2		1-01 *	S	D09			2			N	3-7/8	133
ATTEN(1)	H	D17N1		1-02 *		D19			1			N	9-5/8	133
ATTEN(1)	H	B09K2		1-03 *		D10			2			N	11-7/8	133
ATTEN(1)	H	A29U1		1-04 *		D22			1			N	12-5/8	133
ATTEN(1)	H	F30D1		1-05 *		D13								133
ATTEN(1)	H			1									30-0/8	133
B01C1		B01C1		1-01 *		D05			1			N	11-5/8	134
B01C1		E04U2		1-02 *		D05								134
B01C1				1									11-5/8	134
B01F1		B01F1		1-01 *		D05			2			N	3-4/8	135
B01F1		C01L1		1-02 *		D05			1			N	7-7/8	135
B01F1		C16K1		1-03 *		D05								135
B01F1				1									11-3/8	135
B01F2		B01F2		1-01 *	S	D11			1			N	14-1/8	136
B01F2		E15P1		1-02 *		D11			2			N	4-3/8	136
B01F2		E22N2		1-03 *		D11								136
B01F2				1									10-4/8	136
B01K1		B01K1		1-01 *		D05			2			N	3-5/8	137
B01K1		C01P2		1-02 *		D05			1			N	5-1/8	137
B01K1		C10K1		1-03 *		D05								137
B01K1				1									0-6/8	137
B01K2		B01K2		1-01 *		D11			1			N	10-7/8	138
B01K2		E25A1		1-02 *		D11								138
B01K2				1									10-7/8	138
B01N1		B01N1		1-01 *		D05			1			N	0-5/8	139
B01N1		C13L1		1-02 *		D05								139
B01N1				1									0-5/8	139
B01N2		B01N2	A01M1	1-01 *					1			N	3-5/8	140
B01N2		A01M1		1-02 *										140
B01N2				1									3-5/8	140
B01S1		B01S1		1-01 *		D11			1			N	14-3/8	141
B01S1		F19L2		1-02 *		D11								141
B01S1				1									14-3/8	141
B01S2		B01S2		1-01 *		D11			1			N	10-3/8	142
B01S2		C17P1		1-02 *		D11								142
B01S2				1									10-3/8	142

DX11B.U RUN NAME	A/P	WRAPD .V35(102)-1 PIN NAME	ORDER PIN	03-JUN-77 BAY - ORDER	Q	DRAW OPT	RV RG Y	X	Z	REMARKS	15-Nov-77	15148 NC LENGTH FLAG	PAGE 17 EXCEPTIONS	RUN NUMBER
B02K2		B02K2		1-01 *	S	D24			1			N	4-7/8	143
B02K2		C05R1		1-02 *		D24								143
B02K2				1									4-7/8	143
B02S1		B02S1		1-01 *		D25			2			N	2-5/8	144
B02S1		B05L1		1-02 *		D25			1			N	0-5/8	144
B02S1		B05H1		1-03 *		D25								144
B02S1				1									3-2/8	144
B03F2		B03F2		1-01 *		D25			1			N	0-1/8	145
B03F2		B03H2		1-02 *		D25								145
B03F2				1									0-1/8	145
B03N1		B03N1		1-01 *		D25			1			N	0-1/8	146
B03N1		B03P1		1-02 *		D25								146
B03N1				1									0-1/8	146
B03S2		A06H1		1-01 *		D25			1			N	5-3/8	147
B03S2		B03S2		1-02 *		D25								147
B03S2				1									5-3/8	147
B03V2		B03V2		1-01 *		D25			1			N	2-2/8	148
B03V2		C05J1		1-02 *		D25								148
B03V2				1									2-2/8	148
B04E1		A03H1		1-01 *		D25			1			N	3-3/8	149
B04E1		B04E1		1-02 *		D25								149
B04E1				1									3-3/8	149
B04L1		B04L1		1-01 *		D25			1			N	0-1/8	150
B04L1		E05H1		1-02 *		D25								150
B04L1				1									0-1/8	150
B04V2		A04E2		1-01 *		D25			1			N	4-7/8	151
B04V2		B04V2		1-02 *		D25								151
B04V2				1									4-7/8	151
B05F2		B05F2		1-01 *		D24			1			N	3-1/8	152
B05F2		C06F1		1-02 *		D24								152
B05F2				1									3-1/8	152
B05K2		B05K2		1-01 *		D24			1			N	15-3/8	153
B05K2		E24L2		1-02 *		D24								153
B05K2				1									15-3/8	153
B05S2		B05S2		1-01 *		D24			1			N	0-4/8	154
B05S2		B05U2		1-02 *		D24								154
B05S2				1									0-4/8	154
B06S1		A05N2		1-01 *		DXX			1			N	3-5/8	155
B06S1		B06S1		1-02 *	S	DXX								155
B06S1				1									3-5/8	155
B00A1		A12E2		1-01 *		D10			1			N	3-5/8	156
B00A1		B00A1		1-02 *		D10								156
B00A1				1									3-5/8	156

69



DX110,U RUN NAME	WRAPD .V35(102)-1 A/P PIN NAME	ORDER PIN	03-JUN-77 BAY - ORDER	Q	DRAW OPT	RV	RG	Y	X	Z	REMARKS	15-Nov-77	15:48 NC LENGTH FLAG	PAGE 20 EXCEPTIONS	RUN NUMBER
B14M1	A14M2		1-01 *		D10					1			N	3-3/8	184
B14M1	B14M1		1-02 *		D10										184
B14M1			1											3-3/8	184
B14V2	A15M2		1-01 *		D10					1			N	4-3/8	185
B14V2	B14V2		1-02 *		D10										185
B14V2			1											4-3/8	185
B15E1	A13T2		1-01 *		D16					1			N	2-3/8	186
B15E1	B15E1		1-02 *		D16										186
B15E1			1											2-3/8	186
B15J2	A10T2		1-01 *		D16					1			N	4-2/8	187
B15J2	B15J2		1-02 *		D16										187
B15J2			1											4-2/8	187
B15L1	A12T2		1-01 *		D16					1			N	3-4/8	188
B15L1	B15L1		1-02 *		D16										188
B15L1			1											3-4/8	188
B15S1	A11T2		1-01 *		D16					1			N	4-5/8	189
B15S1	B15S1		1-02 *		D16										189
B15S1			1											4-5/8	189
B15V2	B15V2	B32R1	1-01 *	1						1			N	9-1/8	190
B15V2	B32R1		1-02 *												190
B15V2			1											9-1/8	190
B16F1	A14L2		1-01 *		D10					2			N	1	191
B16F1	A15L2		1-02 *		D10					1			N	1	191
B16F1	A16L2		1-03 *		D10					2			N	1	191
B16F1	A17L2		1-04 *		D10					1			N	3-3/8	191
B16F1	B16F1		1-05 *		D10										191
B16F1			1											6-3/8	191
B16F2	A13D2		1-01 *		D10					2			N	1	192
B16F2	A12D2		1-02 *		D10					1			N	1	192
B16F2	A11D2		1-03 *		D10					2			N	1	192
B16F2	A10D2		1-04 *		D10					1			N	4-6/8	192
B16F2	B16F2		1-05 *		D10										192
B16F2			1											7-6/8	192
B16K1	A10L2		1-01 *		D10					2			N	1	193
B16K1	A11L2		1-02 *		D10					1			N	1	193
B16K1	A12L2		1-03 *		D10					2			N	1	193
B16K1	A13L2		1-04 *		D10					1			N	4-1/8	193
B16K1	B16K1		1-05 *		D10										193
B16K1			1											7-1/8	193
B16K2	A27L1		1-01 *		D20					1			N	0-4/8	194
B16K2	A27N1		1-02 *		D20					2			N	0-1/8	194
B16K2	B16K2		1-03 *		D20					1			N	0-1/8	194
B16K2	B16L2		1-04 *		D20					2			N	0-1/8	194
B16K2	B16M2		1-05 *		D20					1			N	9-7/8	194
B16K2	E13N1		1-06 *		D20										194
B16K2			1											10-6/8	194

DX110,U RUN NAME	WRAPD .V35(102)-1 A/P PIN NAME	ORDER PIN	03-JUN-77 BAY - ORDER	Q	DRAW OPT	RV	RG	Y	X	Z	REMARKS	15-Nov-77	15:48 NC LENGTH FLAG	PAGE 21 EXCEPTIONS	RUN NUMBER
B16N2	A27F1		1-01 *		D20					1			N	0-4/8	195
B16N2	A27J1		1-02 *		D20					2			N	1-5/8	195
B16N2	A27U2		1-03 *		D20					1			N	7-7/8	195
B16N2	B16N2	D09H2	1-04 *		D20					2			N	7-4/8	195
B16N2	D09H2		1-05 *												195
B16N2			1											17-4/8	195
B16S1	A17D2		1-01 *		D10					2			N	1	196
B16S1	A16D2		1-02 *		D10					1			N	1	196
B16S1	A15D2		1-03 *		D10					2			N	1	196
B16S1	A14D2		1-04 *		D10					1			N	3-1/8	196
B16S1	B16S1		1-05 *		D10										196
B16S1			1											0-1/8	196
B17E1	B17E1		1-01 *		D06					1			N	9-5/8	197
B17E1	E20D1		1-02 *		D06										197
B17E1			1											9-5/8	197
B17J2	A09U2		1-01 *		D06					1			N	6-1/8	198
B17J2	B17J2		1-02 *	5	D06										198
B17J2			1											6-1/8	198
B17L1	B17L1		1-01 *		D06					1			N	0-1/8	199
B17L1	E16H2		1-02 *		D06										199
B17L1			1											0-1/8	199
B17P2	B17B1		1-01 *		D06					1			N	1-7/8	200
B17P2	B17P2		1-02 *	5	D06										200
B17P2			1											1-7/8	200
B17S1	B17S1		1-01 *		D06					1			N	9-3/8	201
B17S1	E20N1		1-02 *		D06										201
B17S1			1											9-3/8	201
B17V2	C10A1		1-01 *	1	D06					1			N	0-5/8	202
B17V2	B17V2		1-02 *	5	D06										202
B17V2			1											0-5/8	202
B10F1	B10A1		1-01 *		D21					2			N	1	203
B10F1	B10E1		1-02 *		D21					1			N	4-5/8	203
B10F1	B10F1		1-03 *		D21										203
B10F1			1											5-5/8	203
B10F2	B10F2		1-01 *		D06					1			N	11-3/8	204
B10F2	E13M2		1-02 *		D06										204
B10F2			1											11-3/8	204
B10K1	B10K1		1-01 *		D21					1			N	1-7/8	205
B10K1	B20E1		1-02 *		D21					2			N	1	205
B10K1	B20A1		1-03 *		D21										205
B10K1			1											2-7/8	205
B10K2	B10K2		1-01 *		D06					1			N	0-1/8	206
B10K2	E10J1		1-02 *		D06										206
B10K2			1											0-1/8	206

11C



74

DX11B,U RUN NAME	WRAPD .V35(102)-1		03-JUN-77		DRAW	RV	RG	Y	X	Z	REMARKS	15-Nov-77	15:48 NC FLAG	PAGE 22 LENGTH EXCEPTIONS	RUN NUMBER
	A/P	PIN	ORDER	BAY - ORDER											
B18N2		B17E2	1-01 *		DXX					1			N	1-5/8	207
B18N2		B18N2	1-02 *		D06										207
B18N2			1											1-5/8	207
B18S1		B18S1	1-01 *							1			N	12-3/8	208
B18S1		A01J1	1-02 *												208
B18S1			1											12-3/8	208
B18S2		B18S2	1-01 *							1			N	2	209
B18S2		C18H2	1-02 *												209
B18S2			1											2-0/8	209
B19E1		B19E1	1-01 *		D11					1			N	5-5/8	210
B19E1		C22S1	1-02 *		D11										210
B19E1			1											5-5/8	210
B19J2		B16B1	1-01 *		D10					1			N	2-7/8	211
B19J2		B19J2	1-02 *		D10										211
B19J2			1											2-7/8	211
B19L1		B19L1	1-01 *		D11					1			N	5-3/8	212
B19L1		C23S1	1-02 *		D11										212
B19L1			1											5-3/8	212
B19P2		B16L1	1-01 *		D10					1			N	2-3/8	213
B19P2		B19P2	1-02 *		D10										213
B19P2			1											2-3/8	213
B19S1		B19S1	1-01 *		D11					1			N	4	214
B19S1		C24S1	1-02 *		D11										214
B19S1			1											4-0/8	214
B19V2		A09J1	1-01 *		D13					1			N	8-5/8	215
B19V2		B19V2	1-02 *	S	D13										215
B19V2			1											8-5/8	215
B20F2		B20F2	1-01 *		D11					1			N	11-3/8	216
B20F2		E25R1	1-02 *		D11										216
B20F2			1											11-3/8	216
B20K1		B20K1	1-01 *		D11					1			N	4-7/8	217
B20K1		C25R1	1-02 *		D11										217
B20K1			1											4-7/8	217
B20K2		B20K2	1-01 *		D11					1			N	4-7/8	218
B20K2		C15R1	1-02 *		D11										218
B20K2			1											4-7/8	218
B20N1		B20N1	1-01 *		D11					1			N	3-5/8	219
B20N1		C19R1	1-02 *		D11										219
B20N1			1											3-5/8	219
B20N2		B20N2	1-01 *		D11					1			N	0-1/8	220
B20N2		B20P2	1-02 *		D11										220
B20N2			1											0-1/8	220

DX11B,U RUN NAME	WRAPD .V35(102)-1		03-JUN-77		DRAW	RV	RG	Y	X	Z	REMARKS	15-Nov-77	15:48 NC FLAG	PAGE 23 LENGTH EXCEPTIONS	RUN NUMBER
	A/P	PIN	ORDER	BAY - ORDER											
B20S1		B20S1	1-01 *		D11					1			N	3-5/8	221
B20S1		C18R1	1-02 *		D11										221
B20S1			1											3-5/8	221
B20S2		B20S2	1-01 *		D11					1			N	5-1/8	222
B20S2		C14R1	1-02 *		D11										222
B20S2			1											5-1/8	222
B20V2		B20V2	1-01 *		D13					1			N	10	223
B20V2		E29D2	1-02 *		D13										223
B20V2			1											10-0/8	223
B21J2		B18L1	1-01 *		D26					1			N	2-3/8	224
B21J2		B21J2	1-02 *		D26										224
B21J2			1											2-3/8	224
B21P2		B21P2	1-01 *		D13					1			N	10-7/8	225
B21P2		E26R2	1-02 *		D13										225
B21P2			1											10-7/8	225
B21V2		B21V2	1-01 *		D11					1			N	10-7/8	226
B21V2		E27U2	1-02 *		D11										226
B21V2			1											10-7/8	226
B23L1		B18M1	1-01 *		D26					1			N	3-1/8	227
B23L1		B23L1	1-02 *		D26										227
B23L1			1											3-1/8	227
B23P2		B23P2	1-01 *		D06					1			N	10-1/8	228
B23P2		E18L2	1-02 *		D06										228
B23P2			1											10-1/8	228
B23S1		B23S1	1-01 *		D11					1			N	8-1/8	229
B23S1		E24L1	1-02 *		D11										229
B23S1			1											8-1/8	229
B25M1		B25M1	1-01 *		D17					2			N	4-3/8	230
B25M1		B32H1	1-02 *		D17					1			N	0-5/8	230
B25M1		B32D1	1-03 *		D17										230
B25M1			1											5-0/8	230
B26N1		B26J2	1-01 *		D08					1			N	1	231
B26N1		B26N1	1-02 *		D08										231
B26N1			1											1-0/8	231
B26P1		B26K2	1-01 *		D08					1			N	1	232
B26P1		B26P1	1-02 *		D08										232
B26P1			1											1-0/8	232
B27E1		B26B2	1-01 *		D08					1			N	1-7/8	233
B27E1		B27E1	1-02 *		D08										233
B27E1			1											1-7/8	233



DX11B,U RUN NAME	A/P	WRAPD .V35(102)-1 PIN NAME	ORDER PIN	03-JUN-77 BAY - ORDER	Q	DRAW	RV RG Y	X	Z	REMARKS	15-Nov-77	15148 NC LENGTH FLAG	PAGE 24 EXCEPTIONS	RUN NUMBER
B27F1		B26U2		1-01 *		D08			1			N 2-1/8		234
B27F1		B27F1		1-02 *		D08						2-1/8		234
B27F1				1										234
B27N1		B27J2		1-01 *		D08			1			N 1		235
B27N1		B27N1		1-02 *		D08						1-0/8		235
B27N1				1										235
B27P1		B27K2		1-01 *		D08			1			N 1		236
B27P1		B27P1		1-02 *		D08						1-0/8		236
B27P1				1										236
B31D2		B1582		1-01 *		D20			1			N 0-1/8		237
B31D2		B15T2		1-02 *		D20			2			N 1-7/8		237
B31D2		B16H2		1-03 *		D20			1			N 7-7/8		237
B31D2		A27P2		1-04 *		D20			2			N 1		237
B31D2		A27K2		1-05 *		D20			1			N 3-4/8		237
B31D2		B31D2		1-06 *		D20						14-3/8		237
B31D2				1										237
B31E2		A27S2		1-01 *		D20			1			N 3-2/8		238
B31E2		B31E2		1-02 *	8	D20						3-2/8		238
B31E2				1										238
B32N1		A24M1		1-01 *		D17			2			N 1		239
B32N1		A24S1		1-02 *		D17			1			N 6-7/8		239
B32N1		B32N1		1-03 *		D17						7-7/8		239
B32N1				1										239
BAAR	H	A07H1		1-01 *	8	D25			1			N 5-7/8		240
BAAR	H	C06H2		1-02 *		D07			2			N 3-6/8		240
BAAR	H	D06M2		1-03 *		D07			1			N 1		240
BAAR	H	D05M2		1-04 *		D07			2			N 1		240
BAAR	H	D04M2		1-05 *		D07			1			N 1		240
BAAR	H	D03M2		1-06 *		D07			2			N 1-1/8		240
BAAR	H	D03F2		1-07 *		D07						13-6/8		240
BAAR	H			1										240
BAAR	L	B03F1		1-01 *	S	D25			1			N 0-1/8		241
BAAR	L	B03H1		1-02 *		D25			2			N 4-6/8		241
BAAR	L	A07P1		1-03 *		D25			1			N 10-3/8		241
BAAR	L	E22J1		1-04 *		D11			2			N 2-3/8		241
BAAR	L	E25P1		1-05 *		D11						25-5/8		241
BAAR	L			1										241
BADB	L	A02D1		1-01 *	S	D25			2			N 9-1/8		242
BADB	L	C07N1		1-02 *		D25			1			N 0-1/8		242
BADB	L	C07P2		1-03 *		D25			2			N 1-7/8		242
BADB	L	C10R1		1-04 *		D11						11-1/8		242
BADB	L			1										242

DX11B,U RUN NAME	A/P	WRAPD .V35(102)-1 PIN NAME	ORDER PIN	03-JUN-77 BAY - ORDER	Q	DRAW	RV RG Y	X	Z	REMARKS	15-Nov-77	15148 NC LENGTH FLAG	PAGE 25 EXCEPTIONS	RUN NUMBER
BADB1	H	C07P1		1-01 *	S	D25			1			N 2-5/8		243
BADB1	H	D04C1		1-02 *		D07			2			N 1		243
BADB1	H	D03C1		1-03 *		D07			1			N 2-1/8		243
BADB1	H	D03R2		1-04 *		D07			2			N 1		243
BADB1	H	D04R2		1-05 *		D07						6-6/8		243
BADB1	H			1										243
BADB2	H	C07R2		1-01 *	S	D25			2			N 2-1/8		244
BADB2	H	C06D2		1-02 *		D07			1			N 3-3/8		244
BADB2	H	D06C1		1-03 *		D07			2			N 1		244
BADB2	H	D05C1		1-04 *		D07			1			N 2-1/8		244
BADB2	H	D05R2		1-05 *		D07			2			N 1		244
BADB2	H	D06R2		1-06 *		D07						9-5/8		244
BADB2	H			1										244
BAIN 00	H	C10S1		1-01 *		D11			1			N 4-7/8		245
BAIN 00	H	D03V2		1-02 *	S	D07						4-7/8		245
BAIN 00	H			1										245
BAIN 01	H	D04V2		1-01 *	S	D07			1			N 2-1/8		246
BAIN 01	H	D08U1		1-02 *		D07						2-1/8		246
BAIN 01	H			1										246
BAIN 02	H	D05V2		1-01 *	S	D07			1			N 2-5/8		247
BAIN 02	H	D08N2		1-02 *		D07						2-5/8		247
BAIN 02	H			1										247
BAIN 03	H	D06V2		1-01 *	S	D07			1			N 1-6/8		248
BAIN 03	H	D08M2		1-02 *		D07						1-6/8		248
BAIN 03	H			1										248
BAIN 04	H	D03M1		1-01 *	S	D07			1			N 3-3/8		249
BAIN 04	H	D08J1		1-02 *		D07						3-3/8		249
BAIN 04	H			1										249
BAIN 05	H	D04M1		1-01 *	S	D07			1			N 2-5/8		250
BAIN 05	H	D08K1		1-02 *		D07						2-5/8		250
BAIN 05	H			1										250
BAIN 06	H	D05M1		1-01 *	S	D07			1			N 2-7/8		251
BAIN 06	H	D08E2		1-02 *		D07						2-7/8		251
BAIN 06	H			1										251
BAIN 07	H	D06M1		1-01 *	S	D07			1			N 2-3/8		252
BAIN 07	H	D08D2		1-02 *		D07						2-3/8		252
BAIN 07	H			1										252
BAIN 08	H	D03K1		1-01 *	S	D07			1			N 3-1/8		253
BAIN 08	H	D07S1		1-02 *		D07						3-1/8		253
BAIN 08	H			1										253
BAIN 09	H	D04K1		1-01 *	S	D07			1			N 2-5/8		254
BAIN 09	H	D07U1		1-02 *		D07						2-5/8		254
BAIN 09	H			1										254

73



DX11B.U RUN NAME	A/P	WRAPD .V35(102)-1 PIN NAME	ORDER PIN	03-JUN-77 BAY - ORDER	Q	DRAW OPT	RV RG Y	X	Z	REMARKS	15-NOV-77	15148 NC LENGTH FLAG	PAGE 28 EXCEPTIONS	RUN NUMBER
BIT 0 COMP		A20J2		1-01 *		D26			1			N	3-7/8	273
BIT 0 COMP		B23D1		1-02 *		D26			2			N	1	273
BIT 0 COMP		B22J2		1-03 *		D26								273
BIT 0 COMP				1									4-7/8	273
BIT 1 COMP		A20F2		1-01 *		D26			1			N	3-7/8	274
BIT 1 COMP		B23C1		1-02 *		D26			2			N	2-3/8	274
BIT 1 COMP		B2281		1-03 *		D26								274
BIT 1 COMP				1									6-2/8	274
BIT 2 COMP		A20D2		1-01 *		D26			1			N	4-1/8	275
BIT 2 COMP		B23B1		1-02 *		D26			2			N	1-7/8	275
BIT 2 COMP		B22L1		1-03 *		D26								275
BIT 2 COMP				1									6-0/8	275
BIT 3 COMP		A20L2		1-01 *		D26			1			N	2-6/8	276
BIT 3 COMP		B23A1		1-02 *		D26			2			N	1-1/8	276
BIT 3 COMP		B22E1		1-03 *		D26								276
BIT 3 COMP				1									3-7/8	276
BLAST	L	A01D1		1-01 *	2				2			N	12-3/8	277
BLAST	L	E02M2		1-02 *		D24			1			N	11-7/8	277
BLAST	L	E25K1		1-03 *		D11			2			N	6-1/8	277
BLAST	L	E14P2		1-04 *	S	D25								277
BLAST	L			1									30-3/8	277
BLLF(0)	H	A00J1		1-01 *		D13			1			N	9-1/8	278
BLLF(0)	H	C19S2		1-02 *	S	D13								278
BLLF(0)	H			1									9-1/8	278
BLLF(1)	H	C00H2		1-01 *		D13			1			N	6-7/8	279
BLLF(1)	H	C19R2		1-02 *	S	D13								279
BLLF(1)	H			1									6-7/8	279
BLLM	H	C18N2		1-01 *					1			N	11-7/8	280
BLLM	H	E32F2		1-02 *		D13								280
BLLM	H			1									11-7/8	280
BLLMF (1)	H	C18R2		1-01 *					1			N	11-7/8	281
BLLMF (1)	H	A03B1		1-02 *										281
BLLMF (1)	H			1									11-7/8	281
BR OUT	L	B28J2		1-01 *		D18			1			N	4-7/8	282
BR OUT	L	C26P1		1-02 *		D18								282
BR OUT	L			1									4-7/8	282
BSY(0)	H	C04K1		1-01 *		D24			1			N	5-6/8	283
BSY(0)	H	C14K2		1-02 *	S	D09								283
BSY(0)	H			1									5-6/8	283
BSY(1)	H	C14J2		1-01 *	S	D09			2			N	5	284
BSY(1)	H	B09P1		1-02 *		D10			1			N	8-1/8	284
BSY(1)	H	D14N1		1-03 *		D19			2			N	13-6/8	284
BSY(1)	H	A31B1		1-04 *		D22			1			N	15-5/8	284
BSY(1)	H	F30S2		1-05 *		D13								284
BSY(1)	H			1									42-4/8	284

DX11B.U RUN NAME	A/P	WRAPD .V35(102)-1 PIN NAME	ORDER PIN	03-JUN-77 BAY - ORDER	Q	DRAW OPT	RV RG Y	X	Z	REMARKS	15-NOV-77	15148 NC LENGTH FLAG	PAGE 29 EXCEPTIONS	RUN NUMBER
BSYEN(0)	H	B06K1		1-01 *		D06			1			N	13-7/8	285
BSYEN(0)	H	E18P1		1-02 *		D06			2			N	8-1/8	285
BSYEN(0)	H	C21F1		1-03 *	S	D06								285
BSYEN(0)	H			1									22-0/8	285
BSYEN(1)	H	C21E1		1-01 *	S	D06			1			N	8-1/8	286
BSYEN(1)	H	A30E1		1-02 *		D22			2			N	9-1/8	286
BSYEN(1)	H	B17D2		1-03 *		DXX			1			N	1-2/8	286
BSYEN(1)	H	B17L2		1-04 *		DXX			2			N	6-5/8	286
BSYEN(1)	H	C09H2		1-05 *		DXX			1			N	9-3/8	286
BSYEN(1)	H	D21M1		1-06 *		D19			2			N	5-3/8	286
BSYEN(1)	H	F21J1		1-07 *		DXX								286
BSYEN(1)	H			1									39-7/8	286
BSYS(1)	H	A29J1		1-01 *		D22			2			N	11-7/8	287
BSYS(1)	H	B13R1		1-02 *		D10			1			N	8-3/8	287
BSYS(1)	H	D18S2		1-03 *		D19			2			N	3-5/8	287
BSYS(1)	H	C18N1		1-04 *	S	D05								287
BSYS(1)	H			1									23-7/8	287
BUDATA	H	E19R2		1-01 *		D13			1			N	1-2/8	288
BUDATA	H	E19J2		1-02 *		D13			2			N	6-3/8	288
BUDATA	H	E31E1		1-03 *		D13			1			N	0-4/8	288
BUDATA	H	E31E2		1-04 *		D13			2			N	1-3/8	288
BUDATA	H	E31M1		1-05 *		D13			1			N	0-4/8	288
BUDATA	H	E31M2		1-06 *		D13			2			N	1-2/8	288
BUDATA	H	E31U2		1-07 *		D13			1			N	1	288
BUDATA	H	E30U2		1-08 *		D13			2			N	2-3/8	288
BUDATA	H	E27S1		1-09 *	S	D13								288
BUDATA	H			1									14-5/8	288
BUS A00	L	C30H2		1-01 *		D17			1			N	4-1/8	289
BUS A00	L	D32H2		1-02 *		D28			2			N	1	289
BUS A00	L	D31H2		1-03 *		D28			1			N	2-4/8	289
BUS A00	L	D28U2		1-04 *		D17								289
BUS A00	L			1									7-5/8	289
BUS A01	L	D28S2		1-01 *		D17			2			N	2-3/8	290
BUS A01	L	D29A1		1-02 *		D17			1			N	1-6/8	290
BUS A01	L	D31H1		1-03 *		D28			2			N	1	290
BUS A01	L	D32H1		1-04 *		D28								290
BUS A01	L			1									5-1/8	290
BUS A02	L	D28P2		1-01 *		D17			2			N	1-7/8	291
BUS A02	L	D29D1		1-02 *		D17			1			N	2-1/8	291
BUS A02	L	D31J2		1-03 *		D28			2			N	1	291
BUS A02	L	D32J2		1-04 *		D28								291
BUS A02	L			1									5-0/8	291
BUS A03	L	D28M2		1-01 *		D17			2			N	1-2/8	292
BUS A03	L	D29F1		1-02 *		D17			1			N	1-5/8	292
BUS A03	L	D31J1		1-03 *		D28			2			N	1	292
BUS A03	L	D32J1		1-04 *		D28								292
BUS A03	L			1									3-7/8	292

75

96

DX110,U RUN NAME	WRAPD .V35(102)-1 A/P PIN NAME ORDER PIN	03-JUN-77 BAY - Q ORDER	DRAW RV RG Y OPT	X Z	REMARKS	15-Nov-77	15148 NC LENGTH FLAG	PAGE 30 EXCEPTIONS	RUN NUMBER
BUS A04	L D20K2	1-01 *	D17	1			N 0-5/8		293
BUS A04	L D29J1	1-02 *	D17	2			N 1-5/8		293
BUS A04	L D31K2	1-03 *	D28	1			N 1		293
BUS A04	L D32K2	1-04 *	D28						293
BUS A04	L	1					3-2/8		293
BUS A05	L C30V1	1-01 *	D17	2			N 2-3/8		294
BUS A05	L D20H2	1-02 *	D17	1			N 1-7/8		294
BUS A05	L D31K1	1-03 *	D28	2			N 1		294
BUS A05	L D32K1	1-04 *	D28						294
BUS A05	L	1					5-2/8		294
BUS A06	L C30U1	1-01 *	D17	2			N 2-2/8		295
BUS A06	L D20E2	1-02 *	D17	1			N 2-5/8		295
BUS A06	L D31L2	1-03 *	D28	2			N 1		295
BUS A06	L D32L2	1-04 *	D28						295
BUS A06	L	1					5-7/8		295
BUS A07	L C30P2	1-01 *	D17	2			N 2-4/8		296
BUS A07	L D20C1	1-02 *	D17	1			N 2-7/8		296
BUS A07	L D31L1	1-03 *	D28	2			N 1		296
BUS A07	L D32L1	1-04 *	D28						296
BUS A07	L	1					6-3/8		296
BUS A08	L C30N2	1-01 *	D17	1			N 3-3/8		297
BUS A08	L D31M2	1-02 *	D28	2			N 1		297
BUS A08	L D32M2	1-03 *	D28	1			N 3-5/8		297
BUS A08	L D27U2	1-04 *	D17						297
BUS A08	L	1					8-0/8		297
BUS A09	L C30R1	1-01 *	D17	1			N 3-1/8		298
BUS A09	L D31M1	1-02 *	D28	2			N 1		298
BUS A09	L D32M1	1-03 *	D28	1			N 3-1/8		298
BUS A09	L D27S2	1-04 *	D17						298
BUS A09	L	1					7-2/8		298
BUS A10	L C30P1	1-01 *	D17	1			N 3-7/8		299
BUS A10	L D31N2	1-02 *	D28	2			N 1		299
BUS A10	L D32N2	1-03 *	D28	1			N 3-1/8		299
BUS A10	L D27P2	1-04 *	D17						299
BUS A10	L	1					0-0/8		299
BUS A11	L C30L1	1-01 *	D17	1			N 3-7/8		300
BUS A11	L D31N1	1-02 *	D28	2			N 1		300
BUS A11	L D32N1	1-03 *	D28	1			N 2-7/8		300
BUS A11	L D27M2	1-04 *	D17						300
BUS A11	L	1					7-6/8		300
BUS A12	L C30C1	1-01 *	D17	1			N 5-1/8		301
BUS A12	L D27K2	1-02 *	D17	2			N 2-7/8		301
BUS A12	L D31P2	1-03 *	D28	1			N 1		301
BUS A12	L D32P2	1-04 *	D28						301
BUS A12	L	1					9-0/8		301

DX110,U RUN NAME	WRAPD .V35(102)-1 A/P PIN NAME ORDER PIN	03-JUN-77 BAY - Q ORDER	DRAW RV RG Y OPT	X Z	REMARKS	15-Nov-77	15148 NC LENGTH FLAG	PAGE 31 EXCEPTIONS	RUN NUMBER
BUS A13	L C30K2	1-01 *	D17	1			N 3-7/8		302
BUS A13	L D31P1	1-02 *	D28	2			N 1		302
BUS A13	L D32P1	1-03 *	D28	1			N 3-3/8		302
BUS A13	L D27H2	1-04 *	D17						302
BUS A13	L	1					8-2/8		302
BUS A14	L C30K1	1-01 *	D17	2			N 3-7/8		303
BUS A14	L D27E2	1-02 *	D17	1			N 3-5/8		303
BUS A14	L D31R2	1-03 *	D28	2			N 1		303
BUS A14	L D32R2	1-04 *	D28						303
BUS A14	L	1					8-4/8		303
BUS A15	L C30D2	1-01 *	D17	2			N 4-3/8		304
BUS A15	L D27C1	1-02 *	D17	1			N 3-6/8		304
BUS A15	L D31R1	1-03 *	D28	2			N 1		304
BUS A15	L D32R1	1-04 *	D28						304
BUS A15	L	1					9-1/8		304
BUS A16	L C30E2	1-01 *	D17	1			N 4-7/8		305
BUS A16	L D31S2	1-02 *	D28	2			N 1		305
BUS A16	L D32S2	1-03 *	D28	1			N 3-7/8		305
BUS A16	L D27K1	1-04 *	D17						305
BUS A16	L	1					9-6/8		305
BUS A17	L C30D1	1-01 *	D17	1			N 4-7/8		306
BUS A17	L D31S1	1-02 *	D28	2			N 1		306
BUS A17	L D32S1	1-03 *	D28	1			N 2-7/8		306
BUS A17	L D27N2	1-04 *	D17						306
BUS A17	L	1					8-6/8		306
BUS AC LO	L D32F1	1-01 *	D28	1			N 1		307
BUS AC LO	L D31F1	1-02 *	D28	2			N 1-7/8		307
BUS AC LO	L D29R1	1-03 *	D18	1			N 18-1/8		307
BUS AC LO	L F02H2	1-04 *	DX						307
BUS AC LO	L	1					21-0/8		307
BUS BBSY	L C26D1	1-01 *	D18	1			N 4-1/8		308
BUS BBSY	L C31P2	1-02 *	D28	2			N 1		308
BUS BBSY	L C32P2	1-03 *	D28						308
BUS BBSY	L	1					5-1/8		308
BUS BG 4 IN	H B20S2	1-01 *	D18	1			N 6-3/8		309
BUS BG 4 IN	H D32E2	1-02 *	D28						309
BUS BG 4 IN	H	1					6-3/8		309
BUS BG 4 OUT	H B20T2	1-01 *	D18	1			N 5-5/8		310
BUS BG 4 OUT	H D31E2	1-02 *	D28						310
BUS BG 4 OUT	H	1					5-5/8		310
BUS BG 5 IN	H B20P2	1-01 *	D18	1			N 6-1/8		311
BUS BG 5 IN	H D32B1	1-02 *	D28						311
BUS BG 5 IN	H	1					6-1/8		311
BUS BG 5 OUT	H B20R2	1-01 *	D18	1			N 5-3/8		312
BUS BG 5 OUT	H D31B1	1-02 *	D28						312
BUS BG 5 OUT	H	1					5-3/8		312

DX11B,U RUN NAME	A/P	WRAPD .V35(102)-1 PIN NAME	ORDER PIN	03-JUN-77 BAY - ORDER	Q	DRAW OPT	RV RG Y	X	Z	REMARKS	15-Nov-77	15148 NC LENGTH FLAG	PAGE 32 EXCEPTIONS	RUN NUMBER
BUS BG 6 IN	H	B20M2		1-01 *		D10			1			N	6-1/8	313
BUS BG 6 IN	H	D32A1		1-02 *		D20								313
BUS BG 6 IN	H			1									6-1/8	313
BUS BG 6 OUT	H	B20N2		1-01 *		D10			1			N	5-3/8	314
BUS BG 6 OUT	H	D31A1		1-02 *		D20								314
BUS BG 6 OUT	H			1									5-3/8	314
BUS BG 7 IN	H	B20K2		1-01 *		D10			1			N	5-7/8	315
BUS BG 7 IN	H	C32V1		1-02 *		D20								315
BUS BG 7 IN	H			1									5-7/8	315
BUS BG 7 OUT	H	B20L2		1-01 *		D10			1			N	5-1/8	316
BUS BG 7 OUT	H	C31V1		1-02 *		D20								316
BUS BG 7 OUT	H			1									5-1/8	316
BUS BR 4	L	B20M2		1-01 *		D10			1			N	6-7/8	317
BUS BR 4	L	D31D2		1-02 *		D20			2			N	1	317
BUS BR 4	L	D32D2		1-03 *		D20								317
BUS BR 4	L			1									7-7/8	317
BUS BR 5	L	B20P2		1-01 *		D10			1			N	6-3/8	318
BUS BR 5	L	D31C1		1-02 *		D20			2			N		318
BUS BR 5	L	D32C1		1-03 *		D20								318
BUS BR 5	L			1									7-3/8	318
BUS BR 6	L	B20E2		1-01 *		D10			1			N	5-7/8	319
BUS BR 6	L	C31U2		1-02 *		D20			2			N	1	319
BUS BR 6	L	C32U2		1-03 *		D20								319
BUS BR 6	L			1									6-7/8	319
BUS BR 7	L	B20D2		1-01 *		D10			1			N	5-7/8	320
BUS BR 7	L	C31T2		1-02 *		D20			2			N	1	320
BUS BR 7	L	C32T2		1-03 *		D20								320
BUS BR 7	L			1									6-7/8	320
BUS C0	L	C30J2		1-01 *		D17			1			N	4-5/8	321
BUS C0	L	D31U2		1-02 *		D20			2			N	1	321
BUS C0	L	D32U2		1-03 *		D20			1			N	4-3/8	321
BUS C0	L	D26K2		1-04 *	S	D10								321
BUS C0	L			1									10-0/8	321
BUS C1	L	D26D1		1-01 *	S	D10			2			N	3-7/8	322
BUS C1	L	C30F2		1-02 *		D17			1			N	4-7/8	322
BUS C1	L	D31T2		1-03 *		D20			2			N	1	322
BUS C1	L	D32T2		1-04 *		D20								322
BUS C1	L			1									9-6/8	322
BUS D00	L	C32C1		1-01 *		D20			2			N	1	323
BUS D00	L	C31C1		1-02 *		D20			1			N	1-5/8	323
BUS D00	L	C29A1		1-03 *		D17			2			N	2-5/8	323
BUS D00	L	C20U2		1-04 *		D17			1			N	3-3/8	323
BUS D00	L	D30M2		1-05 *		D17								323
BUS D00	L			1									8-5/8	323

DX11B,U RUN NAME	A/P	WRAPD .V35(102)-1 PIN NAME	ORDER PIN	03-JUN-77 BAY - ORDER	Q	DRAW OPT	RV RG Y	X	Z	REMARKS	15-Nov-77	15148 NC LENGTH FLAG	PAGE 33 EXCEPTIONS	RUN NUMBER
BUS D01	L	C32D2		1-01 *		D20			2			N	1	324
BUS D01	L	C31D2		1-02 *		D20			1			N	1-6/8	324
BUS D01	L	C29D1		1-03 *		D17			2			N	2-1/8	324
BUS D01	L	C28E2		1-04 *		D17			1			N	3-5/8	324
BUS D01	L	D30N1		1-05 *		D17								324
BUS D01	L			1									8-4/8	324
BUS D02	L	C26E2		1-01 *	S	D10			1			N	1-7/8	325
BUS D02	L	C29F1		1-02 *		D17			2			N	2-1/8	325
BUS D02	L	C32D1		1-03 *		D17			1			N	1	325
BUS D02	L	C31D1		1-04 *		D17			2			N	2-2/8	325
BUS D02	L	C20P2		1-05 *		D17			1			N	4-1/8	325
BUS D02	L	D30P2		1-06 *		D17								325
BUS D02	L			1									11-3/8	325
BUS D03	L	C26L1		1-01 *	S	D10			2			N	1-5/8	326
BUS D03	L	C20M2		1-02 *		D17			1			N	0-5/8	326
BUS D03	L	C29J1		1-03 *		D17			2			N	1-7/8	326
BUS D03	L	C31E2		1-04 *		D20			1			N	1	326
BUS D03	L	C32E2		1-05 *		D20			2			N	5-3/8	326
BUS D03	L	D30S2		1-06 *		D17								326
BUS D03	L			1									10-4/8	326
BUS D04	L	C26N2		1-01 *	S	D10			2			N	1-5/8	327
BUS D04	L	C20K2		1-02 *		D17			1			N	0-5/8	327
BUS D04	L	C29L1		1-03 *		D17			2			N	1-5/8	327
BUS D04	L	C31E1		1-04 *		D20			1			N	1	327
BUS D04	L	C32E1		1-05 *		D20			2			N	5-1/8	327
BUS D04	L	D30R1		1-06 *		D17								327
BUS D04	L			1									10-0/8	327
BUS D05	L	C26F1		1-01 *	S	D10			1			N	1-5/8	328
BUS D05	L	C20H2		1-02 *		D17			2			N	1-2/8	328
BUS D05	L	C29N1		1-03 *		D17			1			N	2-2/8	328
BUS D05	L	C31F2		1-04 *		D20			2			N	1	328
BUS D05	L	C32F2		1-05 *		D20			1			N	5-7/8	328
BUS D05	L	D30V1		1-06 *		D17								328
BUS D05	L			1									12-0/8	328
BUS D06	L	D30C1		1-01 *		D17			2			N	2-1/8	329
BUS D06	L	C29R1		1-02 *		D17			1			N	1-7/8	329
BUS D06	L	C31F1		1-03 *		D20			2			N	1	329
BUS D06	L	C32F1		1-04 *		D20			1			N	2-3/8	329
BUS D06	L	C20E2		1-05 *		D17			2			N	1-3/8	329
BUS D06	L	C26F2		1-06 *	S	D10								329
BUS D06	L			1									8-6/8	329
BUS D07	L	C26H1		1-01 *	S	D10			2			N	1-7/8	330
BUS D07	L	C20C1		1-02 *		D17			1			N	2-5/8	330
BUS D07	L	C31H2		1-03 *		D20			2			N	1	330
BUS D07	L	C32H2		1-04 *		D20			1			N	2-5/8	330
BUS D07	L	C29V1		1-05 *		D17			2			N	2-5/8	330
BUS D07	L	D30K2		1-06 *		D17								330
BUS D07	L			1									10-6/8	330

77

78

DX11B.U RUN NAME	A/P	WPAPD .V35(102)-1 PIN NAME	ORDER PIN	03-JUN-77 BAY - ORDER	Q	DRAW OPT	RV RG Y	X	Z	REMARKS	15-Nov-77	15148 NC LENGTH FLAG	PAGE 34 EXCEPTIONS	RUN NUMBER
BUS D00	L	C26K1		1-01 *	8	D10			1			N	1-6/8	331
BUS D00	L	C27U2		1-02 *		D17			2			N	2-7/8	331
BUS D00	L	C29C1		1-03 *		D17			1			N	2-3/8	331
BUS D00	L	C32H1		1-04 *		D20			2			N	1	331
BUS D00	L	C31H1		1-05 *		D20			1			N	3-7/8	331
BUS D00	L	D30L1		1-06 *		D17								331
BUS D00	L			1									11-7/8	331
BUS D09	L	C32J2		1-01 *		D20			2			N	1	332
BUS D09	L	C31J2		1-02 *		D20			1			N	1-7/8	332
BUS D09	L	C29E2		1-03 *		D17			2			N	2-1/8	332
BUS D09	L	C27S2		1-04 *		D17			1			N	4-7/8	332
BUS D09	L	D30U2		1-05 *		D17								332
BUS D09	L			1									9-7/8	332
BUS D10	L	C32J1		1-01 *		D20			2			N	1	333
BUS D10	L	C31J1		1-02 *		D20			1			N	1-3/8	333
BUS D10	L	C29H2		1-03 *		D17			2			N	1-6/8	333
BUS D10	L	C27P2		1-04 *		D17			1			N	2-2/8	333
BUS D10	L	D30A1		1-05 *		D17								333
BUS D10	L			1									6-3/8	333
BUS D11	L	C32K2		1-01 *		D20			2			N	1	334
BUS D11	L	C31K2		1-02 *		D20			1			N	1-4/8	334
BUS D11	L	C29K2		1-03 *		D17			2			N	1-5/8	334
BUS D11	L	C27M2		1-04 *		D17			1			N	3-2/8	334
BUS D11	L	D30E2		1-05 *		D17								334
BUS D11	L			1									7-3/8	334
BUS D12	L	C27K2		1-01 *		D17			2			N	1-5/8	335
BUS D12	L	C29M2		1-02 *		D17			1			N	1-3/8	335
BUS D12	L	C31K1		1-03 *		D20			2			N	1	335
BUS D12	L	C32K1		1-04 *		D20			1			N	3-3/8	335
BUS D12	L	D30D1		1-05 *		D17								335
BUS D12	L			1									7-3/8	335
BUS D13	L	C27H2		1-01 *		D17			2			N	1-6/8	336
BUS D13	L	C29P2		1-02 *		D17			1			N	1-7/8	336
BUS D13	L	C31L2		1-03 *		D20			2			N	1	336
BUS D13	L	C32L2		1-04 *		D20			1			N	3-7/8	336
BUS D13	L	D30H2		1-05 *		D17								336
BUS D13	L			1									0-4/8	336
BUS D14	L	C27E2		1-01 *		D17			2			N	2-1/8	337
BUS D14	L	C29S2		1-02 *		D17			1			N	1-5/8	337
BUS D14	L	C31L1		1-03 *		D20			2			N	1	337
BUS D14	L	C32L1		1-04 *		D20			1			N	3-5/8	337
BUS D14	L	D30F1		1-05 *		D17								337
BUS D14	L			1									0-3/8	337
BUS D15	L	C27C1		1-01 *		D17			1			N	4-1/8	338
BUS D15	L	C32M2		1-02 *		D20			2			N	1	338
BUS D15	L	C31M2		1-03 *		D20			1			N	1-6/8	338
BUS D15	L	C29U2		1-04 *		D17			2			N	2-3/8	338
BUS D15	L	D30J1		1-05 *		D17								338
BUS D15	L			1									9-2/8	338

DX11B.U RUN NAME	A/P	WRAPD .V35(102)-1 PIN NAME	ORDER PIN	03-JUN-77 BAY - ORDER	Q	DRAW OPT	RV RG Y	X	Z	REMARKS	15-Nov-77	15148 NC LENGTH FLAG	PAGE 35 EXCEPTIONS	RUN NUMBER
BUS DC LO	L	D32F2		1-01 *		D20			1			N	1	339
BUS DC LO	L	D31F2		1-02 *		D20			2			N	2-4/8	339
BUS DC LO	L	D29V1		1-03 *		D10			1			N	17-5/8	339
BUS DC LO	L	F02J2		1-04 *		DXX								339
BUS DC LO	L			1									21-1/8	339
BUS IN 0		H07K2		1-01 *		DXX			2			N	1	340
BUS IN 0		H08K2		1-02 *		DXX			1			N	1-7/8	340
BUS IN 0		H10F2		1-03 *		DXX								340
BUS IN 0				1									2-7/8	340
BUS IN 1		H07M2		1-01 *		DXX			2			N	1	341
BUS IN 1		H08M2		1-02 *		DXX			1			N	1-7/8	341
BUS IN 1		H10D2		1-03 *		DXX								341
BUS IN 1				1									2-7/8	341
BUS IN 2		H07S2		1-01 *		DXX			2			N	1	342
BUS IN 2		H08S2		1-02 *		DXX			1			N	1-5/8	342
BUS IN 2		H10P2		1-03 *		DXX								342
BUS IN 2				1									2-5/8	342
BUS IN 3		H07T2		1-01 *		DXX			2			N	1	343
BUS IN 3		H08T2		1-02 *		DXX			1			N	1-5/8	343
BUS IN 3		H10M2		1-03 *		DXX								343
BUS IN 3				1									2-5/8	343
BUS IN 4		H07V2		1-01 *		DXX			2			N	1	344
BUS IN 4		H08V2		1-02 *		DXX			1			N	2-3/8	344
BUS IN 4		H09F2		1-03 *		DXX								344
BUS IN 4				1									3-3/8	344
BUS IN 5		H07J1		1-01 *		DXX			2			N	1	345
BUS IN 5		H08J1		1-02 *		DXX			1			N	1-3/8	345
BUS IN 5		H09D2		1-03 *		DXX								345
BUS IN 5				1									2-3/8	345
BUS IN 6		H07M1		1-01 *		DXX			2			N	1	346
BUS IN 6		H08M1		1-02 *		DXX			1			N	1-3/8	346
BUS IN 6		H09P2		1-03 *		DXX								346
BUS IN 6				1									2-3/8	346
BUS IN 7		H07P1		1-01 *		DXX			2			N	1	347
BUS IN 7		H08P1		1-02 *		DXX			1			N	1-3/8	347
BUS IN 7		H09M2		1-03 *		DXX								347
BUS IN 7				1									2-3/8	347
BUS IN P		H07D2		1-01 *		DXX			2			N	1	348
BUS IN P		H08D2		1-02 *		DXX			1			N	2-1/8	348
BUS IN P		H11F2		1-03 *		DXX								348
BUS IN P				1									3-1/8	348
BUS INIT	L	C32A1		1-01 *		D20			2			N	1	349
BUS INIT	L	C31A1		1-02 *		D20			1			N	5-3/8	349
BUS INIT	L	D29N1		1-03 *		D10								349
BUS INIT	L			1									6-3/8	349



DX118.U		WRAPD .V35(102)-1		03-JUN-77		15-NOV-77		PAGE 36		15148						
RUN NAME	A/P	PIN	ORDER	PIN	BAY -	Q	DRAW	RV	RG	Y	X	Z	REMARKS	NC LENGTH	EXCEPTIONS	RUN
		NAME	ORDER	NAME	ORDER		OPT							FLAG		NUMBER
BUS INTR	L	C26M1	1-01 *	S	D18							1		N	4-1/8	350
BUS INTR	L	C31B1	1-02 *		D28							2		N	1	350
BUS INTR	L	C32B1	1-03 *		D28									N	5-1/8	350
BUS MSYN	L	D26E1	1-01 *	S	D18							2		N	4-5/8	351
BUS MSYN	L	C30E1	1-02 *		D17							1		N	5-3/8	351
BUS MSYN	L	D31V1	1-03 *		D28							2		N	1	351
BUS MSYN	L	D32V1	1-04 *		D28									N	11-0/8	351
BUS NPG IN	H	C26B1	1-01 *		D18							1		N	5	352
BUS NPG IN	H	C32U1	1-02 *		D28									N	5-0/8	352
BUS NPG OUT	H	C26V2	1-01 *	S	D18							1		N	2-5/8	353
BUS NPG OUT	H	C31U1	1-02 *		D28									N	2-5/8	353
BUS NPG OUT	H	C26U2	1-01 *	S	D18							2		N	1-5/8	354
BUS NPG OUT	L	C26J1	1-02 *		D18							1		N	3-7/8	354
BUS NPG OUT	L	C31B2	1-03 *		D28							2		N	1	354
BUS NPG OUT	L	C32B2	1-04 *		D28									N	6-4/8	354
BUS OUT 0	H	J07K2	1-01 *		D27							2		N	1	355
BUS OUT 0	H	J08K2	1-02 *		D27							1		N	1-3/8	355
BUS OUT 0	H	J10H1	1-03 *		D27									N	2-3/8	355
BUS OUT 1	H	J07M2	1-01 *		D27							2		N	1	356
BUS OUT 1	H	J08M2	1-02 *		D27							1		N	1-5/8	356
BUS OUT 1	H	J10R1	1-03 *		D27									N	2-5/8	356
BUS OUT 2	H	J07P2	1-01 *		D27							2		N	1	357
BUS OUT 2	H	J08P2	1-02 *		D27							1		N	1-7/8	357
BUS OUT 2	H	J10L2	1-03 *		D27									N	2-7/8	357
BUS OUT 3	H	J07T2	1-01 *		D27							2		N	1	358
BUS OUT 3	H	J08T2	1-02 *		D27							1		N	1-5/8	358
BUS OUT 3	H	J10V2	1-03 *		D27									N	2-5/8	358
BUS OUT 4	H	J07V2	1-01 *		D27							2		N	1	359
BUS OUT 4	H	J08V2	1-02 *		D27							1		N	1-7/8	359
BUS OUT 4	H	J09H1	1-03 *		D27									N	2-7/8	359
BUS OUT 5	H	J07J1	1-01 *		D27							2		N	1	360
BUS OUT 5	H	J08J1	1-02 *		D27							1		N	1-3/8	360
BUS OUT 5	H	J09R1	1-03 *		D27									N	2-3/8	360

DX118.U		WRAPD .V35(102)-1		03-JUN-77		15-NOV-77		PAGE 37		15148						
RUN NAME	A/P	PIN	ORDER	PIN	BAY -	Q	DRAW	RV	RG	Y	X	Z	REMARKS	NC LENGTH	EXCEPTIONS	RUN
		NAME	ORDER	NAME	ORDER		OPT							FLAG		NUMBER
BUS OUT 6	H	J07M1	1-01 *		D27							2		N	1	361
BUS OUT 6	H	J08M1	1-02 *		D27							1		N	1-3/8	361
BUS OUT 6	H	J09L2	1-03 *		D27									N	2-3/8	361
BUS OUT 7	H	J07P1	1-01 *		DXX							2		N	1	362
BUS OUT 7	H	J08P1	1-02 *		DXX							1		N	1-5/8	362
BUS OUT 7	H	J09V2	1-03 *		DXX									N	2-5/8	362
BUS OUT P	H	J07D2	1-01 *		DXX							2		N	1	363
BUS OUT P	H	J08D2	1-02 *		DXX							1		N	2-7/8	363
BUS OUT P	H	J13H1	1-03 *		DXX									N	3-7/8	363
BUS PA	L	C31M1	1-01 *		D28							1		N	1	364
BUS PA	L	C32M1	1-02 *		D28									N	1-0/8	364
BUS PB	L	C31N2	1-01 *		D28							1		N	1	365
BUS PB	L	C32N2	1-02 *		D28									N	1-0/8	365
BUS SACK	L	C26T2	1-01 *	S	D18							1		N	3-1/8	366
BUS SACK	L	C31R2	1-02 *		D28							2		N	1	366
BUS SACK	L	C32R2	1-03 *		D28									N	4-1/8	366
BUS SSYN	L	D27T2	1-01 *		D17							2		N	1-4/8	367
BUS SSYN	L	D29L1	1-02 *		D18							1		N	1-6/8	367
BUS SSYN	L	D31U1	1-03 *		D28							2		N	1	367
BUS SSYN	L	D32U1	1-04 *		D28									N	4-2/8	367
BUSI 00(0)	H	C10S2	1-01 *	S	D13							2		N	9-5/8	368
BUSI 00(0)	H	A22T2	1-02 *		D26							1		N	16-3/8	368
BUSI 00(0)	H	H21R2	1-03 *		DXX									N	26-0/8	368
BUSI 00(1)	H	C10R2	1-01 *	S	D13							1		N	9	369
BUSI 00(1)	H	A22N2	1-02 *		D26							2		N	5-5/8	369
BUSI 00(1)	H	A31V2	1-03 *		D22							1		N	25-1/8	369
BUSI 00(1)	H	H09P1	1-04 *		DXX									N	39-6/8	369
BUSI 01(0)	H	C11S2	1-01 *	S	D13							2		N	8-1/8	370
BUSI 01(0)	H	A22S2	1-02 *		D26							1		N	15-5/8	370
BUSI 01(0)	H	H21H2	1-03 *		DXX									N	23-6/8	370
BUSI 01(1)	H	A31U2	1-01 *		D22							2		N	5-5/8	371
BUSI 01(1)	H	E01H1	1-02 *		D05							1		N	15-7/8	371
BUSI 01(1)	H	H09U2	1-04 *		DXX							2		N	11-1/8	371
BUSI 01(1)	H	C11R2	1-05 *	S	D13							1		N	12-3/8	371
BUSI 01(1)	H													N	45-0/8	371



80

DX118.U RUN NAME	A/P	PIN	NAME	WRAPD .V35(102)-1 ORDER PIN	03-JUN-77 RAY - Q ORDER	RV	RG	Y	X	Z	REMARKS	15-NOV-77	15148 NC LENGTH FLAG	PAGE 38 EXCEPTIONS	RUN NUMBER
BUSI 02(0)	H		C1282	1-01 * S	D13					2			N 7-7/8		372
BUSI 03(0)	H		A2282	1-02 *	D26					1			N 17-3/8		372
BUSI 04(0)	H		H21V1	1-03 *	DXX					1			25-2/8		372
BUSI 02(1)	H		C12R2	1-01 * S	D13					1			N 8-7/8		373
BUSI 03(1)	H		A22L2	1-02 *	D26					2			N 5-5/8		373
BUSI 04(1)	H		A3172	1-03 *	D22					1			N 23-6/8		373
BUSI 02(1)	H		H09F1	1-04 *	DXX					1			38-2/8		373
BUSI 03(1)	H		C13R2	1-01 * S	D13					2			N 8-6/8		374
BUSI 04(1)	H		A22P2	1-02 *	D26					1			N 16-3/8		374
BUSI 05(1)	H		H21U1	1-03 *	DXX					1			25-1/8		374
BUSI 03(1)	H		A3182	1-01 *	D22					2			N 5-5/8		375
BUSI 04(1)	H		A22K2	1-02 *	D26					1			N 15-6/8		375
BUSI 05(1)	H		E01D1	1-03 *	D05					2			N 10		375
BUSI 03(1)	H		H09K2	1-04 *	DXX					1			N 12-3/8		376
BUSI 04(1)	H		C13R2	1-05 * S	D13					1			43-6/8		376
BUSI 05(1)	H		C14R2	1-01 *	D13					2			N 10-3/8		376
BUSI 03(0)	H		A22J1	1-02 *	D26					1			N 17-5/8		376
BUSI 04(0)	H		H20R2	1-03 *	DXX					1			28-0/8		376
BUSI 05(0)	H		A31R2	1-01 *	D22					2			N 6-3/8		377
BUSI 03(1)	H		A22D1	1-02 *	D26					1			N 16-5/8		377
BUSI 04(1)	H		E01L1	1-03 *	D05					2			N 9-1/8		377
BUSI 05(1)	H		H10P1	1-04 *	DXX					1			N 13-1/8		377
BUSI 03(1)	H		C14R2	1-05 * S	D13					1			45-2/8		377
BUSI 04(1)	H		C15R2	1-01 *	D13					2			N 9-7/8		378
BUSI 05(0)	H		A22H1	1-02 *	D26					1			N 16-7/8		378
BUSI 03(0)	H		H20H2	1-03 *	DXX					1			26-6/8		378
BUSI 04(0)	H		C15R2	1-01 *	D13					1			N 13-5/8		379
BUSI 05(1)	H		A31P2	1-02 *	D22					2			N 6-3/8		379
BUSI 03(1)	H		A22C1	1-03 *	D26					1			N 23-5/8		379
BUSI 04(1)	H		H10U2	1-04 *	DXX					1			43-5/8		379
BUSI 05(1)	H		C16S2	1-01 * S	D13					2			N 9-5/8		379
BUSI 03(0)	H		A22F1	1-02 *	D26					1			N 10-5/8		380
BUSI 04(0)	H		H20V1	1-03 *	DXX					1			28-2/8		380
BUSI 05(0)	H														380

DX118.U RUN NAME	A/P	PIN	NAME	WRAPD .V35(102)-1 ORDER PIN	03-JUN-77 RAY - Q ORDER	RV	RG	Y	X	Z	REMARKS	15-NOV-77	15148 NC LENGTH FLAG	PAGE 39 EXCEPTIONS	RUN NUMBER
BUSI 06(1)	H		C16R2	1-01 * S	D13					1			N 12-5/8		381
BUSI 03(1)	H		A31N2	1-02 *	D22					2			N 6-3/8		381
BUSI 04(1)	H		A22B1	1-03 *	D26					1			N 22-5/8		381
BUSI 05(1)	H		H10F1	1-04 *	DXX					1			41-5/8		381
BUSI 06(1)	H		C17B2	1-01 * S	D13					2			N 9-1/8		382
BUSI 03(0)	H		A22E1	1-02 *	D26					1			N 17-5/8		382
BUSI 04(0)	H		H20L1	1-03 *	DXX					1			26-6/8		382
BUSI 05(0)	H		C17R2	1-01 * S	D13					1			N 10-7/8		383
BUSI 03(1)	H		A31M2	1-02 *	D22					2			N 6-3/8		383
BUSI 04(1)	H		A22A1	1-03 *	D26					1			N 22-7/8		383
BUSI 05(1)	H		H10K2	1-04 *	DXX					1			40-1/8		383
BUSI 06(1)	H		A31V1	1-01 *	D22					1			N 5-7/8		384
BUSI 03(0)	H		A21N2	1-02 *	D26					2			N 2-5/8		384
BUSI 04(0)	H		B22D2	1-03 *	D26					1			N 4-1/8		384
BUSI 05(0)	H		B15F2	1-04 *	D16					2			N 2-6/8		384
BUSI 06(0)	H		B11F1	1-05 *	D15					1			N 7-3/8		384
BUSI 03(0)	H		D10S1	1-06 *	D19					2			N 3-3/8		384
BUSI 04(0)	H		E06C1	1-07 *	D27					1			N 3-3/8		384
BUSI 05(0)	H		E10V1	1-08 *	D09					2			N 8-1/8		384
BUSI 06(0)	H		J09P2	1-09 *	DXX					1			37-5/8		384
BUSI 03(0)	L		A21T2	1-01 *	D26					2			N 2-3/8		385
BUSI 04(0)	L		B22F2	1-02 *	D26					1			N 11-6/8		385
BUSI 05(0)	L		E06D2	1-03 * S	D27					1			14-1/8		385
BUSI 06(0)	L														385
BUSI 01	H		A31U1	1-01 *	D22					1			N 5-7/8		386
BUSI 02	H		A21M2	1-02 *	D26					2			N 3-3/8		386
BUSI 03	H		B22M1	1-03 *	D26					1			N 4-1/8		386
BUSI 04	H		B15P1	1-04 *	D16					2			N 3-2/8		386
BUSI 05	H		B11A1	1-05 *	D15					1			N 7-4/8		386
BUSI 06	H		D11B1	1-06 *	D19					2			N 4-1/8		386
BUSI 01	H		D04U1	1-07 *	D07					1			N 4-1/8		386
BUSI 02	H		E06V1	1-08 *	D27					2			N 2-5/8		386
BUSI 03	H		E10S1	1-09 *	D09					1			N 7-3/8		386
BUSI 04	H		J09P2	1-10 *	DXX					1			42-3/8		386
BUSI 05	L		A21B2	1-01 *	D26					2			N 3-1/8		387
BUSI 06	L		B22P1	1-02 *	D26					1			N 12		387
BUSI 01	L		E06U1	1-03 * S	D27					1			15-1/8		387

DX11B.U RUN NAME	WRAPD .V35(102)=1 ORDER PIN	BAY - ORDER PIN	Q DRAW	RV OPT	RG Y	X	Z	REMARKS	15-NOV-77	15148 NC LENGTH FLAG	PAGE 40 EXCEPTIONS	RUN NUMBER
BUS0 02	H A3171	1-01 *	D22				1			N 5-7/8		388
BUS0 02	H A2112	1-02 *	D26				2			N 2-7/8		388
BUS0 02	H B2371	1-03 *	D26				1			N 4-1/8		388
BUS0 02	H B1571	1-04 *	D16				2			N 2-2/8		388
BUS0 02	H B12P2	1-05 *	D15				1			N 6-1/8		388
BUS0 02	H D1281	1-06 *	D19				2			N 4-1/8		388
BUS0 02	H D05U1	1-07 *	D07				1			N 3-1/8		388
BUS0 02	H E08R1	1-08 *	D27				2			N 3-1/8		388
BUS0 02	H E10L2	1-09 *	D09				1			N 9-5/8		388
BUS0 02	H J09P1	1-10 *	DXX				1			41-2/8		388
BUS0 02	H A2182	1-01 *	D26				2			N 2-5/8		389
BUS0 02	L B22J1	1-02 *	D26				1			N 12-5/8		389
BUS0 02	L E0661	1-03 *	D27				1			15-2/8		389
BUS0 03	H A3181	1-01 *	D22				1			N 5-7/8		390
BUS0 03	H A21K2	1-02 *	D26				2			N 2-3/8		390
BUS0 03	H B22A1	1-03 *	D26				1			N 4-1/8		390
BUS0 03	H B15C1	1-04 *	D16				2			N 2-2/8		390
BUS0 03	H B12K2	1-05 *	D15				1			N 6-5/8		390
BUS0 03	H D1391	1-06 *	D19				2			N 2-5/8		390
BUS0 03	H E10H1	1-07 *	D09				1			N 3-4/8		390
BUS0 03	H D06U1	1-08 *	D07				2			N 2-3/8		390
BUS0 03	H E06N1	1-09 *	D27				1			N 9-1/8		390
BUS0 03	H J09P1	1-10 *	DXX				1			38-7/8		390
BUS0 03	L A21P2	1-01 *	D26				2			N 2-1/8		391
BUS0 03	L B22C1	1-02 *	D26				1			N 13-6/8		391
BUS0 03	L E06P1	1-03 *	D27				1			15-7/8		391
BUS0 04	H A20A1	1-01 *	D22				2			N 2-6/8		392
BUS0 04	H A31R1	1-02 *	D26				1			N 6-5/8		392
BUS0 04	H A21D1	1-03 *	D26				2			N 1-5/8		392
BUS0 04	H A19F1	1-04 *	D26				1			N 5-2/8		392
BUS0 04	H B12D2	1-05 *	D15				2			N 2-3/8		392
BUS0 04	H B11T2	1-06 *	D16				1			N 6-5/8		392
BUS0 04	H D14S1	1-07 *	D19				2			N 5-7/8		392
BUS0 04	H D03R1	1-08 *	D07				2			N 3-2/8		392
BUS0 04	H E06L1	1-09 *	D27				1			N 2-5/8		392
BUS0 04	H E09V1	1-10 *	D09				2			N 8-3/8		392
BUS0 04	H J10P2	1-11 *	DXX				1			45-3/8		392
BUS0 04	H A28C1	1-01 *	D26				2			N 4-3/8		393
BUS0 04	L A21J1	1-02 *	D26				1			N 18-5/8		393
BUS0 04	L E06M1	1-03 *	D27				1			23-0/8		393

DX11B.U RUN NAME	WRAPD .V35(102)=1 ORDER PIN	BAY - ORDER PIN	Q DRAW	RV OPT	RG Y	X	Z	REMARKS	15-NOV-77	15148 NC LENGTH FLAG	PAGE 41 EXCEPTIONS	RUN NUMBER
BUS0 05	H A31P1	1-01 *	D22				2			N 2-3/8		394
BUS0 05	H A20F1	1-02 *	D26				1			N 4-3/8		394
BUS0 05	H A21C1	1-03 *	D26				2			N 1-7/8		394
BUS0 05	H A19H1	1-04 *	D26				1			N 5-2/8		394
BUS0 05	H B12M1	1-05 *	D15				2			N 0-4/8		394
BUS0 05	H B11M2	1-06 *	D16				1			N 7-7/8		394
BUS0 05	H D15S1	1-07 *	D19				2			N 5-7/8		394
BUS0 05	H D04R1	1-08 *	D07				1			N 3-1/8		394
BUS0 05	H E06J1	1-09 *	D27				2			N 2-3/8		394
BUS0 05	H E09S1	1-10 *	D09				1			N 8-1/8		394
BUS0 05	H J10P2	1-11 *	DXX				1			41-6/8		394
BUS0 05	L A28J1	1-01 *	D22				2			N 4-1/8		395
BUS0 05	L A21H1	1-02 *	D26				1			N 18-3/8		395
BUS0 05	L E06K1	1-03 *	D27				1			22-4/8		395
BUS0 06	H A31M1	1-01 *	D22				2			N 2-1/8		396
BUS0 06	H A20M1	1-02 *	D26				1			N 4-7/8		396
BUS0 06	H A21B1	1-03 *	D26				2			N 1-6/8		396
BUS0 06	H A19J1	1-04 *	D26				1			N 5-7/8		396
BUS0 06	H B12P1	1-05 *	D15				2			N 0-4/8		396
BUS0 06	H B11P2	1-06 *	D16				1			N 8-7/8		396
BUS0 06	H D16S1	1-07 *	D19				2			N 5-7/8		396
BUS0 06	H D05R1	1-08 *	D07				1			N 2-3/8		396
BUS0 06	H E06F1	1-09 *	D27				2			N 2-5/8		396
BUS0 06	H E09L2	1-10 *	D09				1			N 8-7/8		396
BUS0 06	H J10P1	1-11 *	DXX				1			43-6/8		396
BUS0 06	L A28P1	1-01 *	D26				2			N 4-5/8		397
BUS0 06	L A21P1	1-02 *	D26				1			N 18		397
BUS0 06	L E06H1	1-03 *	D27				1			22-5/8		397
BUS0 07	H A20D2	1-01 *	D22				2			N 1-7/8		398
BUS0 07	H A31N1	1-02 *	D26				1			N 6-5/8		398
BUS0 07	H A21A1	1-03 *	D26				2			N 1-7/8		398
BUS0 07	H A19K1	1-04 *	D26				1			N 5-5/8		398
BUS0 07	H B12A1	1-05 *	D15				2			N 2-3/8		398
BUS0 07	H B11P1	1-06 *	D16				1			N 8-7/8		398
BUS0 07	H D17S1	1-07 *	D19				2			N 5-7/8		398
BUS0 07	H D06R1	1-08 *	D07				1			N 1-6/8		398
BUS0 07	H E06G1	1-09 *	D27				2			N 2-1/8		398
BUS0 07	H E09H1	1-10 *	D09				1			N 8-7/8		398
BUS0 07	H J10P1	1-11 *	DXX				1			45-7/8		398
BUS0 07	L A28F2	1-01 *	D26				2			N 4-3/8		399
BUS0 07	L A21E1	1-02 *	D26				1			N 17-6/8		399
BUS0 07	L E06E1	1-03 *	D27				1			22-1/8		399

82

DX118,U RUN NAME	A/P	WRAPD PIN NAME	.V35(102)-1 ORDER PIN	03-JUN-77 BAY - ORDER	0	DRAW OPT	RV	RG	Y	X	Z	REMARKS	15-NOV-77	15148 NC LENGTH FLAG	PAGE 42 EXCEPTIONS	RUN NUMBER
BUSOB 00(0)	H	A10M1		1-01 *	S	D21					1			N 19-3/8		400
BUSOB 00(0)	H	J09R2		1-02 *		DXX										400
BUSOB 00(0)	H			1										19-3/8		400
BUSOB 00(1)	H	A10L1		1-01 *		D21					2			N 8-3/8		401
BUSOB 00(1)	H	D10K1		1-02 *		D19					1			N 16-5/8		401
BUSOB 00(1)	H	J21R2		1-03 *		DXX										401
BUSOB 00(1)	H			1										25-0/8		401
BUSOB 01(0)	H	A11M1		1-01 *	S	D21					1			N 19-1/8		402
BUSOB 01(0)	H	J09H2		1-02 *		DXX										402
BUSOB 01(0)	H			1										19-1/8		402
BUSOB 01(1)	H	A11L1		1-01 *		D21					2			N 8-3/8		403
BUSOB 01(1)	H	D11K1		1-02 *		D19					1			N 16-3/8		403
BUSOB 01(1)	H	J21P1		1-03 *		DXX										403
BUSOB 01(1)	H			1										24-6/8		403
BUSOB 02(0)	H	A12M1		1-01 *	S	D21					1			N 21-1/8		404
BUSOB 02(0)	H	J09V1		1-02 *		DXX										404
BUSOB 02(0)	H			1										21-1/8		404
BUSOB 02(1)	H	A12L1		1-01 *	S	D21					2			N 8-3/8		405
BUSOB 02(1)	H	D12K1		1-02 *		D19					1			N 16-5/8		405
BUSOB 02(1)	H	J21U2		1-03 *		DXX										405
BUSOB 02(1)	H			1										25-0/8		405
BUSOB 03(0)	H	A13M1		1-01 *	S	D21					1			N 20-5/8		406
BUSOB 03(0)	H	J09L1		1-02 *		DXX										406
BUSOB 03(0)	H			1										20-5/8		406
BUSOB 03(1)	H	A13L1		1-01 *		D21					2			N 8-3/8		407
BUSOB 03(1)	H	D13K1		1-02 *		D19					1			N 14-5/8		407
BUSOB 03(1)	H	J21F1		1-03 *		DXX										407
BUSOB 03(1)	H			1										23-0/8		407
BUSOB 04(0)	H	A14M1		1-01 *	S	D21					1			N 20-7/8		408
BUSOB 04(0)	H	J10R2		1-02 *		DXX										408
BUSOB 04(0)	H			1										20-7/8		408
BUSOB 04(1)	H	A14L1		1-01 *		D21					2			N 8-3/8		409
BUSOB 04(1)	H	D14K1		1-02 *		D19					1			N 14-1/8		409
BUSOB 04(1)	H	J20K2		1-03 *		DXX										409
BUSOB 04(1)	H			1										22-4/8		409
BUSOB 05(0)	H	A15M1		1-01 *	S	D21					1			N 20-5/8		410
BUSOB 05(0)	H	J10H2		1-02 *		DXX										410
BUSOB 05(0)	H			1										20-5/8		410
BUSOB 05(1)	H	A15L1		1-01 *	S	D21					2			N 8-3/8		411
BUSOB 05(1)	H	D15K1		1-02 *		D19					1			N 13-7/8		411
BUSOB 05(1)	H	J20P1		1-03 *		DXX										411
BUSOB 05(1)	H			1										22-2/8		411

DX118,U RUN NAME	A/P	WRAPD PIN NAME	.V35(102)-1 ORDER PIN	03-JUN-77 BAY - ORDER	0	DRAW OPT	RV	RG	Y	X	Z	REMARKS	15-NOV-77	15148 NC LENGTH FLAG	PAGE 43 EXCEPTIONS	RUN NUMBER
BUSOB 06(0)	H	A16M1		1-01 *	S	D21					1			N 22-5/8		412
BUSOB 06(0)	H	J10V1		1-02 *		DXX										412
BUSOB 06(0)	H			1										22-5/8		412
BUSOB 06(1)	H	A16L1		1-01 *		D21					2			N 8-3/8		413
BUSOB 06(1)	H	D16K1		1-02 *		D19					1			N 14-1/8		413
BUSOB 06(1)	H	J20U2		1-03 *		DXX										413
BUSOB 06(1)	H			1										22-4/8		413
BUSOB 07(0)	H	A17M1		1-01 *	S	D21					1			N 22-1/8		414
BUSOB 07(0)	H	J10L1		1-02 *		DXX										414
BUSOB 07(0)	H			1										22-1/8		414
BUSOB 07(1)	H	A17L1		1-01 *		D21					2			N 8-3/8		415
BUSOB 07(1)	H	D17K1		1-02 *		D19					1			N 12-1/8		415
BUSOB 07(1)	H	J20F1		1-03 *		DXX										415
BUSOB 07(1)	H			1										20-4/8		415
BUSOB CLKA		A10H1		1-01 *		D21					2			N 1		416
BUSOB CLKA		A11H1		1-02 *		D21					1			N 1		416
BUSOB CLKA		A12H1		1-03 *		D21					2			N 1		416
BUSOB CLKA		A13H1		1-04 *		D21					1			N 6-1/8		416
BUSOB CLKA		B20C1		1-05 *		D21										416
BUSOB CLKA				1										9-1/8		416
BUSOB CLKB		A14H1		1-01 *		D21					2			N 1		417
BUSOB CLKB		A15H1		1-02 *		D21					1			N 1		417
BUSOB CLKB		A16H1		1-03 *		D21					2			N 1		417
BUSOB CLKB		A17H1		1-04 *		D21					1			N 4-5/8		417
BUSOB CLKB		B20F1		1-05 *		D21										417
BUSOB CLKB				1										7-5/8		417
BYPAS(0)	H	A03J2		1-01 *		D25					1			N 2-5/8		418
BYPAS(0)	H	B03R1		1-02 *		D25					2			N 3-7/8		418
BYPAS(0)	H	C05C1		1-03 *		D25					1			N 2-3/8		418
BYPAS(0)	H	C03R1		1-04 *		D24					2			N 3-1/8		418
BYPAS(0)	H	C08N1		1-05 *		D05					1			N 7-1/8		418
BYPAS(0)	H	E12H2		1-06 *		DXX					2			N 6-3/8		418
BYPAS(0)	H	C16V2		1-07 *	S	D11										418
BYPAS(0)	H			1										25-4/8		418
BYPAS(1)	H	A32N1		1-01 *		D22					2			N 12		419
BYPAS(1)	H	D16F1		1-02 *		D19					1			N 3-5/8		419
BYPAS(1)	H	E14E2		1-03 *		D05					2			N 1-6/8		419
BYPAS(1)	H	E14S2		1-04 *		D13					1			N 7-7/8		419
BYPAS(1)	H	E03A1		1-05 *		D24					2			N 7		419
BYPAS(1)	H	B03M1		1-06 *		D25					1			N 0-5/8		419
BYPAS(1)	H	B03R2		1-07 *		D25					2			N 1-5/8		419
BYPAS(1)	H	C04B1		1-08 *		D25					1			N 2-5/8		419
BYPAS(1)	H	C05S2		1-09 *		D25					2			N 2-1/8		419
BYPAS(1)	H	C08H1		1-10 *		D24					1			N 0-5/8		419
BYPAS(1)	H	C08L2		1-11 *		D25					2			N 5-1/8		419
BYPAS(1)	H	C16U2		1-12 *	S	D11										419
BYPAS(1)	H			1										45-0/8		419

DX118.U RUN NAME	WRAPD .V35(102)-1 A/P PIN ORDER PIN	03-JUN-77 BAY - Q ORDER	DRAW OPT	RV RG Y X Z	REMARKS	15-NOV-77	15:48 NC LENGTH FLAG	PAGE 44 EXCEPTIONS	RUN NUMBER
C01C1	C01C1	1-01 *	D05		1		N 0-1/8		420
C01C1	C01D1	1-02 *	D05		2		N 0-5/8		420
C01C1	E03R2	1-03 *	D05				0-6/8		420
C01P1	C01P1	1-01 *	D05		1		N 4-5/8		421
C01P1	D01U2	1-02 *	D05				4-5/8		421
C01P2	C01P2	1-01 *	D05		1		N 0-1/8		422
C01P2	C01H2	1-02 *	D05		2		N 5-7/8		422
C01P2	C12K1	1-03 *	D05				6-0/8		422
C01K1	C01K1	1-01 *	D05		1		N 7-5/8		423
C01K1	C15J1	1-02 *	D05				7-5/8		423
C01K2	C01K2	1-01 *	D05		1		N 0-1/8		424
C01K2	C01L2	1-02 *	D05				0-1/8		424
C01N1	C01N1	1-01 *	D05		1		N 0-3/8		425
C01N1	C16J1	1-02 *	D05				0-3/8		425
C01N2	C01N2	1-01 *	D05		1		N 6-1/8		426
C01N2	C12J1	1-02 *	D05				6-1/8		426
C01S1	C01S1	1-01 *	D05		1		N 7-7/8		427
C01S1	C14J1	1-02 *	D05				7-7/8		427
C01S2	C01S2	1-01 *	D05		1		N 5-5/8		428
C01S2	C10J1	1-02 *	D05				5-5/8		428
C01V2	C01V2	1-01 * S	D05		1		N 3-7/8		429
C01V2	E01B1	1-02 *	D05				3-7/8		429
C02C1	C02C1	1-01 *	D24		1		N 6-5/8		430
C02C1	E02K2	1-02 *	D24				6-5/8		430
C02F1	C02F1	1-01 *	D24		1		N 6		431
C02F1	E02J1	1-02 *	D24				6-0/8		431
C02F2	C02F2	1-01 *	D24		1		N 2-3/8		432
C02F2	C05L2	1-02 *	D24				2-3/8		432

DX118.U RUN NAME	WRAPD .V35(102)-1 A/P PIN ORDER PIN	03-JUN-77 BAY - Q ORDER	DRAW OPT	RV RG Y X Z	REMARKS	15-NOV-77	15:48 NC LENGTH FLAG	PAGE 45 EXCEPTIONS	RUN NUMBER
C02K1	C02K1	1-01 *	D24		1		N 5-4/8		433
C02K1	E02H1	1-02 *	D24				5-4/8		433
C02N1	C02N1	1-01 *	D24		1		N 2-1/8		434
C02N1	C05M2	1-02 *	D24				2-1/8		434
C02S1	C02E2	1-01 *	D24		1		N 1-7/8		435
C02S1	C02S1	1-02 * S	D24				1-7/8		435
C02S2	C02S2	1-01 *	D24		1		N 4-7/8		436
C02S2	E04B1	1-02 *	D24				4-7/8		436
C02V2	C02V2	1-01 *	D24		1		N 4-5/8		437
C02V2	E04D1	1-02 *	D24				4-5/8		437
C03N2	C03N2	1-01 * S	DXX		1		N 1		438
C03N2	C03T2	1-02 *	DXX				1-0/8		438
C03V2	B03U2	1-01 *	D25		1		N 3-1/8		439
C03V2	C03V2	1-02 *	D25				3-1/8		439
C04P2	C04P2	1-01 * S	DXX		1		N 12-2/8		440
C04P2	F20J2	1-02 *	DXX				12-2/8		440
C04V2	C04V2	1-01 *	D24		1		N 2-2/8		441
C04V2	C07J1	1-02 *	D24				2-2/8		441
C05J2	B05H2	1-01 *	D24		1		N 3-1/8		442
C05J2	C05J2	1-02 *	D24				3-1/8		442
C05P2	C05P2	1-01 *	D24		1		N 1-5/8		443
C05P2	C07V1	1-02 *	D24				1-5/8		443
C06J2	C06J2	1-01 * S	D07		1		N 11-5/8		444
C06J2	F14D1	1-02 *	D07				11-5/8		444
C06L1	C06L1	1-01 * S	D24		1		N 1-3/8		445
C06L1	C07E2	1-02 *	D24				1-3/8		445
C06P2	C06P2	1-01 *	D11		1		N 12-5/8		446
C06P2	E23B1	1-02 *	D11				12-5/8		446

83

h8

DX110.U RUN NAME	WRAPD .V35(102)-1 A/P PIN NAME	ORDER PIN	03-JUN-77 BAY - Q ORDER	DRAW RV RG Y OPT	REMARKS	15-Nov-77	15148 NC LENGTH FLAG	PAGE 46 EXCEPTIONS	RUN NUMBER
C06V2	C06V2		1-01 *	D11			N 12-1/8	447	
C06V2	E23D1		1-02 *	D11				447	
C06V2			1				12-1/8	447	
C07K1	A04R2		1-01 *	D24			N 0-4/8	448	
C07K1	A04T2		1-02 *	D24			N 5-7/8	448	
C07K1	C07K1		1-03 * S	D24				448	
C07K1			1				6-3/8	448	
C07L2	A06L2		1-01 *	D07			N 6-1/8	449	
C07L2	C07L2		1-02 *	D07				449	
C07L2			1				6-1/8	449	
C08E1	B06R2		1-01 *	D25			N 2-3/8	450	
C08E1	C08E1		1-02 *	D25				450	
C08E1			1				2-3/8	450	
C08J2	C08J2	E27E1	1-01 *	D13			N 14-3/8	451	
C08J2	E27E1		1-02 *					451	
C08J2			1				14-3/8	451	
C08P2	C08P2		1-01 * S	D25			N 3-1/8	452	
C08P2	D09L1		1-02 *	D25				452	
C08P2			1				3-1/8	452	
C08S1	C25K1		1-01 *	D05			N 9-5/8	453	
C08S1	C08S1		1-02 *	D05			N 4-7/8	453	
C08S1	D01A1		1-03 *	D05				453	
C08S1			1				14-4/8	453	
C08V2	A02K1		1-01 *	D05			N 10-1/8	454	
C08V2	C08V2		1-02 * S	D05				454	
C08V2			1				10-1/8	454	
C09E1	C09E1		1-01 *	D06			N 8-1/8	455	
C09E1	C24C1		1-02 *	D06				455	
C09E1			1				8-1/8	455	
C09L1	B17M1		1-01 *	D06			N 2-5/8	456	
C09L1	C15C1		1-02 *	D06			N 4-1/8	456	
C09L1	C09L1		1-03 *	D06				456	
C09L1			1				6-6/8	456	
C09P2	C09P2		1-01 * S	D06			N 2-7/8	457	
C09P2	C13C1		1-02 *	D06				457	
C09P2			1				2-7/8	457	
C09S1	C09S1		1-01 *	D06			N 2-5/8	458	
C09S1	C11C1		1-02 *	D06				458	
C09S1			1				2-5/8	458	
C09V2	C09V2		1-01 * S	D06			N 3-3/8	459	
C09V2	C14C1		1-02 *	D06				459	
C09V2			1				3-3/8	459	

DX110.U RUN NAME	WRAPD .V35(102)-1 A/P PIN NAME	ORDER PIN	03-JUN-77 BAY - Q ORDER	DRAW RV RG Y OPT	REMARKS	15-Nov-77	15148 NC LENGTH FLAG	PAGE 47 EXCEPTIONS	RUN NUMBER
C19U2	C19U2		1-01 *	D11			N 7-5/8	460	
C19U2	D09N1		1-02 *	D11				460	
C19U2			1				7-5/8	460	
C19V2	C19V2		1-01 *	D11			N 7-7/8	461	
C19V2	D09R1		1-02 *	D11				461	
C19V2			1				7-7/8	461	
CHDEND(1)	H A29M1		1-01 *	D22			N 4-3/8	462	
CHDEND(1)	H B23D2		1-02 *	D24			N 9-3/8	462	
CHDEND(1)	H B09U1		1-03 *	D10			N 8-5/8	462	
CHDEND(1)	H D1552		1-04 *	D19			N 3-5/8	462	
CHDEND(1)	H C15N1		1-05 * S	D05				462	
CHDEND(1)			1				26-0/8	462	
CHEND(0)	H C04M2		1-01 *	DXX			N 5-1/8	463	
CHEND(0)	H C13K2		1-02 *	DXX				463	
CHEND(0)			1				5-1/8	463	
CHEND(1)	H C13J2		1-01 * S	D09			N 4	464	
CHEND(1)	H B08K2		1-02 *	D10			N 8-3/8	464	
CHEND(1)	H D13N1		1-03 *	D19			N 12-2/8	464	
CHEND(1)	H A29U2		1-04 *	D22			N 12-7/8	464	
CHEND(1)	H F31D1		1-05 *	D13				464	
CHEND(1)			1				37-4/8	464	
CHENDS(1)	H A29H1		1-01 *	D22			N 12-3/8	465	
CHENDS(1)	H B13U1		1-02 *	D10			N 8-5/8	465	
CHENDS(1)	H D1952		1-03 *	D19			N 3-5/8	465	
CHENDS(1)	H C19N1		1-04 * S	D05				465	
CHENDS(1)			1				24-5/8	465	
CHIS(0)	H C17N1		1-01 * S	D05			N 8-2/8	466	
CHIS(0)	H A06M1		1-02 *	D25			N 7-7/8	466	
CHIS(0)	H C02P1		1-03 *	D24			N 16-7/8	466	
CHIS(0)	H F21D2		1-04 *	DXX				466	
CHIS(0)			1				33-0/8	466	
CHIS(1)	H A29K1		1-01 *	D22			N 8-5/8	467	
CHIS(1)	H B17H2		1-02 *	D06			N 4-3/8	467	
CHIS(1)	H B09J2		1-03 *	D10			N 3-7/8	467	
CHIS(1)	H A0581		1-04 *	D25			N 1-3/8	467	
CHIS(1)	H A03U2		1-05 *	D24			N 11-5/8	467	
CHIS(1)	H D1782		1-06 *	D19			N 3-7/8	467	
CHIS(1)	H C17M1		1-07 * S	D05				467	
CHIS(1)			1				33-6/8	467	
CLINTR	H C26M2		1-01 * S	D18			N 1	468	
CLINTR	H C26S1	E18M1	1-02 *	D18			N 7-3/8	468	
CLINTR	H E18M1		1-03 *	D18				468	
CLINTR			1				8-3/8	468	
CLK GATE	A25C1		1-01 * S	D20			N 6-4/8	469	
CLK GATE	B16J2		1-02 *	D20				469	
CLK GATE			1				6-4/8	469	

DX11B.U RUN NAME	WRAPD .V35(102)-1 A/P PIN ORDER NAME PIN	03-JUN-77 BAY - Q ORDER	DRAW OPT	RV RG Y	X Z	REMARKS	15-Nov-77	15:48 NC LENGTH FLAG	PAGE 48 EXCEPTIONS	RUN NUMBER
CLK OUT	H14D2	1-01 *	DXX		2			N 1-4/8		470
CLK OUT	H12D2	1-02 *	DXX		1			N 3-5/8		470
CLK OUT	J13E2	1-03 *	DXX							470
CLK OUT		1						5-1/8		470
CLKN1	A27H1	1-01 *	D20	8	2			N 5-1/8		471
CLKN1	A18D1	1-02 *	D15		1			N 0-4/8		471
CLKN1	A18F1	1-03 *	D16		2			N 5-1/8		471
CLKN1	B20R1	1-04 *	D11		1			N 0-4/8		471
CLKN1	B20R2	1-05 *	D11		2			N 0-5/8		471
CLKN1	B20M1	1-06 *	D11		1			N 0-5/8		471
CLKN1	B20J1	1-07 *	D11		2			N 5-2/8		471
CLKN1	B10J2	1-08 *	D16		1			N 0-5/8		471
CLKN1	B10M2	1-09 *	D16		2			N 0-5/8		471
CLKN1	B10R1	1-10 *	D15		1			N 0-5/8		471
CLKN1	B10M1	1-11 *	D15		2			N 4-5/8		471
CLKN1	A08E2	1-12 *	D13		1			N 9-5/8		471
CLKN1	C01J1	1-13 *	D05							471
CLKN1		1						33-7/8		471
CLKN2	A27K1	1-01 *	D20	8	2			N 4-7/8		472
CLKN2	A18J1	1-02 *	D21		1			N 0-4/8		472
CLKN2	A18L1	1-03 *	D21		2			N 0-4/8		472
CLKN2	A18N1	1-04 *	D21		1			N 0-4/8		472
CLKN2	A18R1	1-05 *	D21		2			N 9-7/8		472
CLKN2	E19B1	1-06 *	D06		1			N 0-5/8		472
CLKN2	E19E1	1-07 *	D06		2			N 0-5/8		472
CLKN2	E18B1	1-08 *	D06		1			N 0-5/8		472
CLKN2	E18E1	1-09 *	D06		2			N 0-5/8		472
CLKN2	E18J2	1-10 *	D06		1			N 0-5/8		472
CLKN2	E18M2	1-11 *	D06		2			N 3-1/8		472
CLKN2	E13L1	1-12 *	D06		1			N 1-2/8		472
CLKN2	E13D1	1-13 *	D09		2			N 5-3/8		472
CLKN2	E05R2	1-14 *	D09		1			N 0-5/8		472
CLKN2	E05U2	1-15 *	D09		2			N 1-6/8		472
CLKN2	E05H2	1-16 *	D09		1			N 5-3/8		472
CLKN2	D01B1	1-17 *	D05							472
CLKN2		1						36-7/8		472

DX11B.U RUN NAME	WRAPD .V35(102)-1 A/P PIN ORDER NAME PIN	03-JUN-77 BAY - Q ORDER	DRAW OPT	RV RG Y	X Z	REMARKS	15-Nov-77	15:48 NC LENGTH FLAG	PAGE 49 EXCEPTIONS	RUN NUMBER
CLKN3	A27V2	1-01 *	D20	8	2			N 5-3/8		473
CLKN3	B20J2	1-02 *	D11		1			N 11-5/8		473
CLKN3	E31B1	1-03 *	D13		2			N 1		473
CLKN3	E30B1	1-04 *	D13		1			N 0-5/8		473
CLKN3	E30E1	1-05 *	D13		2			N 0-4/8		473
CLKN3	E30E2	1-06 *	D13		1			N 0-5/8		473
CLKN3	E31J1	1-07 *	D13		2			N 0-4/8		473
CLKN3	E31J2	1-08 *	D13		1			N 1-2/8		473
CLKN3	E31R2	1-09 *	D13		2			N 0-4/8		473
CLKN3	E31R1	1-10 *	D13		1			N 0-4/8		473
CLKN3	E30R2	1-11 *	D13		2			N 0-5/8		473
CLKN3	E30M1	1-12 *	D13		1			N 0-5/8		473
CLKN3	E30R1	1-13 *	D13		2			N 2-7/8		473
CLKN3	F29J1	1-14 *	D05		1			N 4-1/8		473
CLKN3	E24U2	1-15 *	D13		2			N 3		473
CLKN3	E19U2	1-16 *	D13		1			N 1-2/8		473
CLKN3	E19M2	1-17 *	D13		2			N 4		473
CLKN3	F14J1	1-18 *	D05		1			N 2-7/8		473
CLKN3	E13R1	1-19 *	D13							473
CLKN3		1						41-7/8		473
CLKN4	D09J2	1-01 *	D05	2	2			N 6-7/8		474
CLKN4	C01M2	1-02 *	D05		1			N 0-4/8		474
CLKN4	C01M1	1-03 *	D05		2			N 0-5/8		474
CLKN4	C01R2	1-04 *	D05		1			N 0-4/8		474
CLKN4	C01R1	1-05 *	D05		2			N 2-1/8		474
CLKN4	D01E2	1-06 *	D05		1			N 0-4/8		474
CLKN4	D01E1	1-07 *	D05		2			N 0-5/8		474
CLKN4	D01J2	1-08 *	D05		1			N 0-5/8		474
CLKN4	D01M2	1-09 *	D05		2			N 0-4/8		474
CLKN4	D01M1	1-10 *	D05		1			N 0-5/8		474
CLKN4	D01R1	1-11 *	D05		2			N 7-7/8		474
CLKN4	E13F1	1-12 *	D05		1			N 0-4/8		474
CLKN4	E13J1	1-13 *	D11		2			N 6		474
CLKN4	E24J1	1-14 *	D11		1			N 0-4/8		474
CLKN4	E24J2	1-15 *	D11		2			N 0-5/8		474
CLKN4	E24M1	1-16 *	D11							474
CLKN4		1						29-0/8		474
CLKO	H A31K2	1-01 *	D22		1			N 13-4/8		475
CLKO	H D19L1	1-02 *	D19		2			N 9-1/8		475
CLKO	H C06R1	1-03 *	D24		1			N 5-7/8		475
CLKO	H E06S2	1-04 *	D27		2			N 10-5/8		475
CLKO	H J13D2	1-05 *	DXX							475
CLKO		1						39-1/8		475
CLKO	L E02T2	1-01 *	D24		1			N 2-4/8		476
CLKO	L E06T2	1-02 *	D27	8						476
CLKO		1						2-4/8		476

85



DX11B-U	WRAPD .V35(102)-1	03-JUN-77	15-NOV-77	PAGE 50	15148	RUN
RUN NAME	A/P PIN ORDER PIN	BAY - Q DRAW RV RG Y X Z	REMARKS	NC LENGTH EXCEPTIONS	FLAG	NUMBER
CLRP1	A27M1	1-01 * 8	D20	N	1-5/8	477
CLRP1	A28J1	1-02 *	D14	N	1-5/8	477
CLRP1	A25U2	1-03 *	D08	N	2-5/8	477
CLRP1	B18R2	1-04 *	D10	N	1-6/8	477
CLRP1	B16A1	1-05 *	D10	N	3-3/8	477
CLRP1	B16M1	1-06 *	D11	N	4-5/8	477
CLRP1	A09F1	1-07 *	D05	N	3-6/8	477
CLRP1	A01H1	1-08 *	D07	N	4-5/8	477
CLRP1	B01M1	1-09 *	D05	N	3-1/8	477
CLRP1	C03R2	1-10 *	D05	N	6	477
CLRP1	C08U2	1-11 *	D11	N	2	477
CLRP1	E16B1	1-12 *	D18	N	0-5/8	477
CLRP1	E16R1	1-13 *	D24	N	2-5/8	477
CLRP1	E16U2	1-14 *	D18	N	0-4/8	477
CLRP1	E20S2	1-15 *	D24	N	0-4/8	477
CLRP1	E20U2	1-16 *	D18	N	46-5/8	477
CLRP2	A27P1	1-01 *	D20	N	0	478
CLRP2	B17U2	1-02 *	D06	N	0-1/8	478
CLRP2	C18M2	1-03 *	D06	N	2-5/8	478
CLRP2	E27L2	1-04 *	D05	N	7-6/8	478
CLRP2	F22E2	1-05 *	D18	N	4-1/8	478
CLRP2	F22P1	1-06 *	D25	N	3-5/8	478
CLRP2	E17U2	1-07 *	D06	N	1-2/8	478
CLRP2	E17M2	1-08 *	D06	N	1-2/8	478
CLRP2	E17E2	1-09 *	D06	N	3-1/8	478
CLRP2	E26J1	1-10 *	D18	N	0-3/8	478
CLRP2	C25E2	1-11 *	D18	N	6-3/8	478
CLRP2	C25E2	1-12 *	D18	N	41-7/8	478
CLR CUAR	A10R1	1-01 *	D15	N	1	479
CLR CUAR	A12R1	1-02 *	D15	N	1	479
CLR CUAR	A13R1	1-03 *	D15	N	1	479
CLR CUAR	A13R1	1-04 *	D15	N	1	479
CLR CUAR	A15R1	1-05 *	D15	N	1	479
CLR CUAR	A15R1	1-06 *	D15	N	1	479
CLR CUAR	A17R1	1-07 *	D15	N	1	479
CLR CUAR	A17R1	1-08 *	D15	N	2-2/8	479
CLR CUAR	A18U2	1-09 *	D15	N	9-2/8	479
CLR CUCR	A10U2	1-01 *	D16	N	1	480
CLR CUCR	A11U2	1-02 *	D16	N	1	480
CLR CUCR	A12U2	1-03 *	D16	N	1	480
CLR CUCR	A13U2	1-04 *	D16	N	1	480
CLR CUCR	A14U2	1-05 *	D16	N	1	480
CLR CUCR	A15U2	1-06 *	D16	N	1	480
CLR CUCR	A16U2	1-07 *	D16	N	1	480
CLR CUCR	A17U2	1-08 *	D16	N	2-3/8	480
CLR CUCR	A18P2	1-09 *	D16	N	9-3/8	480

DX11B-U	WRAPD .V35(102)-1	03-JUN-77	15-NOV-77	PAGE 51	15148	RUN
RUN NAME	A/P PIN ORDER PIN	BAY - Q DRAW RV RG Y X Z	REMARKS	NC LENGTH EXCEPTIONS	FLAG	NUMBER
CLR CUCR	C17D2	1-01 *	D09	N	1	481
CLR CUCR	C16D2	1-02 *	D09	N	1	481
CLR CUCR	C15D2	1-03 *	D09	N	1	481
CLR CUCR	C14D2	1-04 *	D09	N	1	481
CLR CUCR	C13D2	1-05 *	D09	N	1	481
CLR CUCR	C12D2	1-06 *	D09	N	1	481
CLR CUCR	C11D2	1-07 *	D09	N	1	481
CLR CUCR	C10D2	1-08 *	D09	N	7-1/8	481
CLR CUCR	E13D2	1-09 *	D09	N	14-1/8	481
CLR DXBC BA	B25H1	1-01 *	D08	N	1	482
CLR DXBC BA	B26H1	1-02 *	D08	N	1	482
CLR DXBC BA	B27H1	1-03 *	D08	N	1-3/8	482
CLR DXBC BA	B27R1	1-04 *	D08	N	1	482
CLR DXBC BA	B26R1	1-05 *	D08	N	14-3/8	482
CLR DXBC BA	D07H1	1-06 *	D07	N	1-3/8	482
CLR DXBC BA	D07R1	1-07 *	D07	N	1-5/8	482
CLR DXBC BA	D08H1	1-08 *	D07	N	1-3/8	482
CLR DXBC BA	D08R1	1-09 *	D07	N	23-1/8	482
CLR DXCB	C25P1	1-01 *	D11	N	1	483
CLR DXCB	C24P1	1-02 *	D11	N	1	483
CLR DXCB	C23P1	1-03 *	D11	N	1	483
CLR DXCB	C22P1	1-04 *	D11	N	2	483
CLR DXCB	C19P1	1-05 *	D11	N	1-4/8	483
CLR DXCB	C18P1	1-06 *	D11	N	1	483
CLR DXCB	C16P1	1-07 *	D11	N	1	483
CLR DXCB	C15P1	1-08 *	D11	N	1	483
CLR DXCB	C14P1	1-09 *	D11	N	1	483
CLR DXCB	C13P1	1-10 *	D11	N	5-3/8	483
CLR DXCB	E13J2	1-11 *	D11	N	15-7/8	483
CLR DXCB	E13J2	1-12 *	D11	N	0-5/8	484
CLR DXCB	C24A1	1-03 *	D06	N	1-2/8	484
CLR DXCB	C21A1	1-04 *	D06	N	1-4/8	484
CLR DXCB	B18J2	1-05 *	D06	N	2-6/8	484
CLR DXCB	C14D1	1-06 *	D06	N	3-4/8	484
CLR DXCB	C13D1	1-07 *	D06	N	1	484
CLR DXCB	C15D1	1-08 *	D06	N	1-4/8	484
CLR DXCB	C16A1	1-09 *	D06	N	0-5/8	484
CLR DXCB	C17A1	1-10 *	D06	N	1	484
CLR DXCB	E16L2	1-11 *	D06	N	6-7/8	484
CLR DXCB	E13L2	1-12 *	D06	N	2	484



DX11B.U RUN NAME	WRAPD .V35(102)-1		03-JUN-77		15-NOV-77		PAGE 52		RUN					
A/P	PIN	ORDER	BAY -	Q	DRAW	RV	RG	Y	X	Z	REMARKS	15:48 NC LENGTH FLAG	EXCEPTIONS	NUMBER
	NAME	PIN	ORDER		OPT									
CLR DXDS		C10L1	1-01 *		D05					2				485
CLR DXDS		C11H1	1-02 *		D05					1		N 0-5/8		485
CLR DXDS		C12H1	1-03 *		D05					2		N 3		485
CLR DXDS		C17H1	1-04 *		D05					1		N 0-5/8		485
CLR DXDS		C16L1	1-05 *		D05					2		N 1		485
CLR DXDS		C15L1	1-06 *		D05					1		N 1		485
CLR DXDS		C14L1	1-07 *		D05					2		N 1		485
CLR DXDS		E13F2	1-08 *	S	D05							N 5-3/8		485
CLR DXDS			1									12-5/8		485
CLR DXDSA		C25L1	1-01 *		D05					2		N 3		486
CLR DXDSA		C20L1	1-02 *		D05					1		N 1		486
CLR DXDSA		C19L1	1-03 *		D05					2		N 1		486
CLR DXDSA		C18L1	1-04 *		D05					1		N 9-7/8		486
CLR DXDSA		F14J2	1-05 *		D05									486
CLR DXDSA			1									14-7/8		486
CLR DXMI		C20L2	1-01 *		D13					1		N 1		487
CLR DXMI		C21L2	1-02 *		D13					2		N 1		487
CLR DXMI		C22L2	1-03 *		D13					1		N 1		487
CLR DXMI		C23L2	1-04 *		D13					2		N 1-4/8		487
CLR DXMI		C25L2	1-05 *		D13					1		N 8-7/8		487
CLR DXMI		E13R2	1-06 *	S	D13									487
CLR DXMI			1									13-3/8		487
CLR FCTN	L	C10A1	1-01 *		D06					1		N 1-2/8		488
CLR FCTN	L	C11D1	1-02 *		D06					2		N 1		488
CLR FCTN	L	C12D1	1-03 *		D06					1		N 9-1/8		488
CLR FCTN	L	E16S2	1-04 *	S	D06									488
CLR FCTN	L		1									11-3/8		488
CLR IRC		E27N2	1-01 *	S	D05					1		N 6-3/8		489
CLR IRC		F19E2	1-02 *		D05									489
CLR IRC			1									6-3/8		489
CMD OUT		J09E2	1-01 *		DXX					1		N 2-2/8		490
CMD OUT		J12M1	1-02 *		DXX					2		N 1-4/8		490
CMD OUT		J14M1	1-03 *		DXX									490
CMD OUT			1									3-6/8		490
CMDCHN(1)	H	A29R1	1-01 *		D22					1		N 11-1/8		491
CMDCHN(1)	H	A08U2	1-02 *		DXX					2		N 1-7/8		491
CMDCHN(1)	H	B08E1	1-03 *		D10					1		N 4-7/8		491
CMDCHN(1)	H	C06P1	1-04 *		D24					2		N 4-7/8		491
CMDCHN(1)	H	D12S2	1-05 *		D19					1		N 3-7/8		491
CMDCHN(1)	H	C12M1	1-06 *	S	D05									491
CMDCHN(1)	H		1									26-5/8		491
CMD0	H	C20F2	1-01 *	H	D12					1		N 10-7/8		492
CMD0	H	J09D2	1-02 *		DXX									492
CMD0	H		1									10-7/8		492

DX11B.U RUN NAME	WRAPD .V35(102)-1		03-JUN-77		15-NOV-77		PAGE 53		RUN					
A/P	PIN	ORDER	BAY -	Q	DRAW	RV	RG	Y	X	Z	REMARKS	15:48 NC LENGTH FLAG	EXCEPTIONS	NUMBER
	NAME	PIN	ORDER		OPT									
CMD0(0)	H	A04A1	1-01 *		D25					1		N 4-3/8		493
CMD0(0)	H	B04K2	1-02 *		D25					2		N 3-3/8		493
CMD0(0)	H	C05M1	1-03 *		D24					1		N 10-4/8		493
CMD0(0)	H	E17J2	1-04 *		D06					2		N 3-3/8		493
CMD0(0)	H	E23M1	1-05 *		D11					1		N 9-3/8		493
CMD0(0)	H	B21J1	1-06 *		D13					2		N 3-3/8		493
CMD0(0)	H	C20K2	1-07 *	S	D12									493
CMD0(0)	H		1									34-3/8		493
CMD0(1)	H	A03R2	1-01 *		D25					2		N 2		494
CMD0(1)	H	B03D2	1-02 *		D25					1		N 0-5/8		494
CMD0(1)	H	B04H1	1-03 *		D25					2		N 4-1/8		494
CMD0(1)	H	C09J1	1-04 *		D06					1		N 6-5/8		494
CMD0(1)	H	E07K2	1-05 *		D05					2		N 2-1/8		494
CMD0(1)	H	E05E1	1-06 *		D13					1		N 9-1/8		494
CMD0(1)	H	D20S1	1-07 *		D19					2		N 7-5/8		494
CMD0(1)	H	E30L2	1-08 *		D13					1		N 11-3/8		494
CMD0(1)	H	A31J1	1-09 *		D22					2		N 7-7/8		494
CMD0(1)	H	C20J2	1-10 *	S	D12									494
CMD0(1)	H		1									51-4/8		494
CMDREJ(1)	H	A29T1	1-01 *		D22					1		N 13-3/8		495
CMDREJ(1)	H	B08R1	1-02 *		D10					2		N 6-7/8		495
CMDREJ(1)	H	D10S2	1-03 *		D19					1		N 3-5/8		495
CMDREJ(1)	H	C10N1	1-04 *	S	D05									495
CMDREJ(1)	H		1									23-7/8		495
CMDSRV	H	A04C1	1-01 *	S	D25					1		N 0-1/8		496
CMDSRV	H	A04D1	1-02 *		D25					2		N 1-5/8		496
CMDSRV	H	A06A1	1-03 *		D25					1		N 2-3/8		496
CMDSRV	H	A06R2	1-04 *		D25									496
CMDSRV	H		1									4-1/8		496
CONIZ	L	C06M1	1-01 *		D24					1		N 8-1/8		497
CONIZ	L	E02V2	1-02 *	S	D24									497
CONIZ	L		1									8-1/8		497
CONO CLKA		C24E2	1-01 *		D12					1		N 1		498
CONO CLKA		C23E2	1-02 *		D12					2		N 1		498
CONO CLKA		C22E2	1-03 *		D12					1		N 7-7/8		498
CONO CLKA		E20T2	1-04 *	S	D12									498
CONO CLKA			1									9-7/8		498
CONO CLKB		C19E2	1-01 *		D12					1		N 1		499
CONO CLKB		C20E2	1-02 *		D12					2		N 1		499
CONO CLKB		C21E2	1-03 *		D12					1		N 7-5/8		499
CONO CLKB		E20V2	1-04 *	S	D12									499
CONO CLKB			1									9-5/8		499
CONOB 00(0)	H	A10F1	1-01 *	S	D21					1		N 14-7/8		500
CONOB 00(0)	H	E04R1	1-02 *		D27					2		N 12-3/8		500
CONOB 00(0)	H	J13L1	1-03 *		D27									500
CONOB 00(0)	H		1									27-2/8		500

87

88

DX11B.U RUN NAME	A/P	PIN NAME	ORDER PIN	BAY - ORDER	Q	DRAW OPT	RV	RG	Y	X	Z	REMARKS	15-NOV-77	1518 NC LENGTH FLAG	PAGE 54 EXCEPTIONS	RUN NUMBER
CONOB 06(1)	H	A10E1	1-01 * 5	D21							1			N 12-7/8		501
CONOB 06(1)	H	D19K1	1-02 * 5	D19							2			N 11-5/8		501
CONOB 06(1)	H	J19F2	1-03 * 5	D27										24-4/8		501
CONOB 01(0)	H	A11F1	1-01 * 5	D21							1			N 19-5/8		502
CONOB 01(0)	H	F20T2	1-02 * 5	D27										19-5/8		502
CONOB 01(1)	H	A11E1	1-01 * 5	D21							1			N 12-7/8		503
CONOB 01(1)	H	D19K1	1-02 * 5	D19										12-7/8		503
CONOB 01(1)	H	A12F1	1-01 * 5	D21							1			N 15-1/8		504
CONOB 02(0)	H	E06J1	1-02 * 5	D27										15-1/8		504
CONOB 02(1)	H	A12E1	1-01 * 5	D21							1			N 12-7/8		505
CONOB 02(1)	H	D22K1	1-02 * 5	D19							2			N 12-7/8		505
CONOB 02(1)	H	J19U2	1-03 * 5	D27										N 12-1/8		505
CONOB 02(1)	H	A13F1	1-01 * 5	D21							1			25-0/8		505
CONOB 03(0)	H	E06E2	1-02 * 5	D27										N 15-1/8		506
CONOB 03(0)	H	A13E1	1-01 * 5	D21							1			15-1/8		506
CONOB 03(1)	H	D21K1	1-02 * 5	D19							2			N 12-7/8		507
CONOB 03(1)	H	J19F1	1-03 * 5	D27										N 11-3/8		507
CONOB 03(1)	H	A14F1	1-01 * 5	D21							1			24-2/8		507
CONOB 04(0)	H	E04J2	1-02 * 5	D27										N 15-7/8		508
CONOB 04(0)	H	A16E1	1-01 * 5	D21							1			15-7/8		508
CONOB 04(1)	H	D22K1	1-02 * 5	D19							2			N 12-7/8		509
CONOB 04(1)	H	H19K2	1-03 * 5	DXX										N 9-3/8		509
CONOB 04(1)	H	A15F1	1-01 * 5	D21							1			22-2/8		509
CONOB 05(0)	H	J13R2	1-02 * 5	DXX										N 20-5/8		510
CONOB 05(0)	H	A15E1	1-01 * 5	D21							1			20-5/8		510
CONOB 05(1)	H	D23K1	1-02 * 5	D19							2			N 12-7/8		511
CONOB 05(1)	H	H19P1	1-03 * 5	DXX										N 10-5/8		511
CONOB 05(1)	H	A16F1	1-01 * 5	D21							1			23-4/8		511
CONOB 06(0)	H	J13H2	1-02 * 5	DXX										N 20-3/8		512
CONOB 06(0)	H	A16E1	1-01 * 5	D21							1			20-3/8		512

DX11B.U RUN NAME	A/P	PIN NAME	ORDER PIN	BAY - ORDER	Q	DRAW OPT	RV	RG	Y	X	Z	REMARKS	15-NOV-77	1518 NC LENGTH FLAG	PAGE 55 EXCEPTIONS	RUN NUMBER
CONOB 06(1)	H	A16E1	1-01 * 5	D21							1			N 12-7/8		513
CONOB 06(1)	H	D24K1	1-02 * 5	D19							2			N 11-3/8		513
CONOB 06(1)	H	H19U2	1-03 * 5	D27										24-2/8		513
CONOB 07(0)	H	A17F1	1-01 * 5	D21							1			N 22-3/8		514
CONOB 07(0)	H	J13V1	1-02 * 5	DXX										22-3/8		514
CONOB 07(1)	H	A17E1	1-01 * 5	D21							1			N 12-7/8		515
CONOB 07(1)	H	D25K1	1-02 * 5	D19							2			N 10-5/8		515
CONOB 07(1)	H	H19P1	1-03 * 5	DXX										N 10-5/8		515
CONOB 07(1)	H	A13B1	1-01 * 5	D21							2			23-4/8		515
CONOB 07(1)	H	A12B1	1-02 * 5	D21										N 1		516
CONOB 07(1)	H	A11B1	1-03 * 5	D21							1			N 1		516
CONOB 07(1)	H	A10B1	1-04 * 5	D21							2			N 1		516
CONOB 07(1)	H	B16C1	1-05 * 5	D21							1			N 3-3/8		516
CONOB 07(1)	H	A14B1	1-01 * 5	D21							2			6-3/8		516
CONOB 07(1)	H	A15B1	1-02 * 5	D21							1			N 1		516
CONOB 07(1)	H	A16B1	1-03 * 5	D21							2			N 1		517
CONOB 07(1)	H	B16F1	1-04 * 5	D21							1			N 1		517
CONOB 07(1)	H	A17B1	1-05 * 5	D21										N 5-2/8		517
CONOB 07(1)	H	A18B1	1-06 * 5	D21							1			0-2/8		517
CONOB 07(1)	H	A19B1	1-07 * 5	D21										N 4-2/8		518
CONOB 07(1)	H	A20B1	1-08 * 5	D21										N 4-2/8		518
CONOB 07(1)	H	A21B1	1-09 * 5	D21							1			4-2/8		518
CONOB 07(1)	H	A22B1	1-10 * 5	D21										N 3-5/8		519
CONOB 07(1)	H	A23B1	1-11 * 5	D21										3-5/8		519
CONOB 07(1)	H	A24B1	1-12 * 5	D21							1			N 1-4/8		520
CONOB 07(1)	H	A25B1	1-13 * 5	D21										N 0-4/8		520
CONOB 07(1)	H	A26B1	1-14 * 5	D21							1			1-4/8		520
CONOB 07(1)	H	A27B1	1-15 * 5	D21										N 0-4/8		521
CONOB 07(1)	H	A28B1	1-16 * 5	D21										0-4/8		521
CONOB 07(1)	H	A29B1	1-17 * 5	D21							2			N 1-6/8		522
CONOB 07(1)	H	A30B1	1-18 * 5	D21							1			N 13-2/8		522
CONOB 07(1)	H	A31B1	1-19 * 5	D21							2			N 5-3/8		522
CONOB 07(1)	H	A32B1	1-20 * 5	D21										20-3/8		522
CONOB 07(1)	H	A33B1	1-21 * 5	D21							1			N 2-7/8		523
CONOB 07(1)	H	A34B1	1-22 * 5	D21							2			N 6-3/8		523
CONOB 07(1)	H	A35B1	1-23 * 5	D21							1			N 14		523
CONOB 07(1)	H	A36B1	1-24 * 5	D21										23-2/8		523

DX11B.U RUN NAME	A/P	WRAPD .V35(102)-1 PIN NAME	ORDER PIN	BAY - ORDER	Q	DRAW OPT	RV	RG	Y	X	Z	REMARKS	15-Nov-77	15148 NC LENGTH FLAG	PAGE 56 EXCEPTIONS	RUN NUMBER
CRS01 OR 2	H	A04N2		1-01 *	8	D25					2			N	5-1/8	524
CRS01 OR 2	H	B10D2		1-02 *		D16					1			N	0-5/8	524
CRS01 OR 2	H	B11H2		1-03 *		D16					2			N	1-1/8	524
CRS01 OR 2	H	B11N2		1-04 *		D16					1			N	0-4/8	524
CRS01 OR 2	H	B11R1		1-05 *		D16					2			N	0-5/8	524
CRS01 OR 2	H	B11U2		1-06 *		D16					1			N	2-5/8	524
CRS01 OR 2	H	B15R1		1-07 *		D16					2			N	1-1/8	524
CRS01 OR 2	H	B15K1		1-08 *		D16					1			N	0-4/8	524
CRS01 OR 2	H	B15H2		1-09 *		D16					2			N	0-5/8	524
CRS01 OR 2	H	B15D1		1-10 *		D16										524
CRS01 OR 2	H			1												524
CRS02	L	B02F1		1-01 *	8	D25					2			N	3-5/8	525
CRS02	L	A04M2		1-02 *		D25					1			N	15-7/8	525
CRS02	L	E15F2		1-03 *		D11										525
CRS02	L			1												525
CRSRND	H	B02V2		1-01 *	8	D25					2			N	5-3/8	526
CRSRND	H	B11R2		1-02 *		D16					1			N	0-5/8	526
CRSRND	H	B11M1		1-03 *		D16					2			N	0-4/8	526
CRSRND	H	B11K2		1-04 *		D16					1			N	2-3/8	526
CRSRND	H	B15M1		1-05 *		D16					2			N	1-1/8	526
CRSRND	H	B15F1		1-06 *		D16					1			N	0-4/8	526
CRSRND	H	B15D2		1-07 *		D16					2			N	0-5/8	526
CRSRND	H	B15A1		1-08 *		D16					1			N	2-3/8	526
CRSRND	H	B11D2		1-09 *		D16					2			N	1-1/8	526
CRSRND	H	B10E2		1-10 *		D16					1			N	11-7/8	526
CRSRND	H	E05R1		1-11 *		D09										526
CRSRND	H			1												526
CRSRND	L	B02F2		1-01 *	8	D25					1			N	4	527
CRSRND	L	A06J2		1-02 *		D07					2			N	6-1/8	527
CRSRND	L	B02T2		1-03 *		D25					1			N	0-1/8	527
CRSRND	L	B02U2		1-04 *		D25					2			N	11-3/8	527
CRSRND	L	E15R1		1-05 *		D11										527
CRSRND	L			1												527
CUA 00X		A19L1		1-01 *		D26					1			N	1-7/8	528
CUA 00X		A20A1		1-02 *		D26										528
CUA 00X				1												528
CUA 02X		A19B1		1-01 *		D26					1			N	2-5/8	529
CUA 02X		A20B1		1-02 *		D26										529
CUA 02X				1												529
CUA 04X		A19R1		1-01 *		D26					1			N	2-1/8	530
CUA 04X		A20C1		1-02 *		D26										530
CUA 04X				1												530
CUA 06X		A19P1		1-01 *		D26					1			N	2	531
CUA 06X		A20D1		1-02 *		D26										531
CUA 06X				1												531
CUA 10X		A19N1		1-01 *		D26					1			N	1-5/8	532
CUA 10X		A20E1		1-02 *		D26										532
CUA 10X				1												532

DX11B.U RUN NAME	A/P	WRAPD .V35(102)-1 PIN NAME	ORDER PIN	BAY - ORDER	Q	DRAW OPT	RV	RG	Y	X	Z	REMARKS	15-Nov-77	15148 NC LENGTH FLAG	PAGE 57 EXCEPTIONS	RUN NUMBER
CUA 12X		A19M1		1-01 *		D26					1			N	1-3/8	533
CUA 12X		A20F1		1-02 *		D26										533
CUA 12X				1												533
CUA 14X		A19T2		1-01 *		D26					1			N	1-5/8	534
CUA 14X		A20H1		1-02 *		D26										534
CUA 14X				1												534
CUA 16X		A19S2		1-01 *		D26					1			N	1-5/8	535
CUA 16X		A20J1		1-02 *		D26										535
CUA 16X				1												535
CUA 20X		A19R2		1-01 *		D26					1			N	1-1/8	536
CUA 20X		A20K1		1-02 *		D26										536
CUA 20X				1												536
CUA 22X		A19P2		1-01 *		D26					1			N	0-5/8	537
CUA 22X		A20L1		1-02 *		D26										537
CUA 22X				1												537
CUA 24X		A19N2		1-01 *		D26					1			N	0-1/8	538
CUA 24X		A20M1		1-02 *		D26										538
CUA 24X				1												538
CUA 26X		A19J2		1-01 *		D26					1			N	1	539
CUA 26X		A20N1		1-02 *		D26										539
CUA 26X				1												539
CUA 30X		A19H2		1-01 *		D26					1			N	1-3/8	540
CUA 30X		A20P1		1-02 *		D26										540
CUA 30X				1												540
CUA 32X		A19F2		1-01 *		D26					1			N	1-5/8	541
CUA 32X		A20R1		1-02 *		D26										541
CUA 32X				1												541
CUA 34X		A19E2		1-01 *		D26					1			N	1-7/8	542
CUA 34X		A20S1		1-02 *		D26										542
CUA 34X				1												542
CUA 36X		A19K2		1-01 *		D26					1			N	1-7/8	543
CUA 36X		A20V1		1-02 *		D26										543
CUA 36X				1												543
CUAR 00(0)	H	A10B1		1-01 *		D15					1			N	8-3/8	544
CUAR 00(0)	H	B22H2		1-02 *		D26										544
CUAR 00(0)	H			1												544

68

DX118.U RUN NAME	A/P	PIN NAME	WRAPD .V35(102)-1 ORDER PIN	03-JUN-77 BAY ORDER	Q	DRAW	RV	RG	Y	X	Z	REMARKS	15-NOV-77	15148 NC LENGTH FLAG	PAGE 58 EXCEPTIONS	RUN NUMBER
CUAR 00(1)	H	D04B2	1-01 *	D07							2			N 3-5/8		545
CUAR 00(1)	H	D10T2	1-02 *	D19							1			N 7-3/8		545
CUAR 00(1)	H	S00N1	1-03 *	D10							2			N 3-3/8		545
CUAR 00(1)	H	A10U1	1-04 *	D15							1			N 7-7/8		545
CUAR 00(1)	H	D22E2	1-05 *	D26							2			N 5-3/8		545
CUAR 00(1)	H	A29T2	1-06 *	D22							1			N 14-5/8		545
CUAR 00(1)	H	F31V1	1-07 *	D13							1			42-2/8		545
CUAR 01(0)	H	A11S1	1-01 *	D15							1			N 8-5/8		546
CUAR 01(0)	H	B22R1	1-02 *	D26							1			8-5/8		546
CUAR 01(1)	H	D11T2	1-01 *	D19							2			N 3-5/8		547
CUAR 01(1)	H	D05B2	1-02 *	D07							1			N 7-1/8		547
CUAR 01(1)	H	S00B2	1-03 *	D10							2			N 4-1/8		547
CUAR 01(1)	H	A11U1	1-04 *	D15							1			N 8-1/8		547
CUAR 01(1)	H	B22N1	1-05 *	D26							2			N 6-3/8		547
CUAR 01(1)	H	A29B2	1-06 *	D22							1			N 14-1/8		547
CUAR 01(1)	H	F31L2	1-07 *	D13							1			43-4/8		547
CUAR 02(0)	H	A12S1	1-01 *	D15							1			N 7-3/8		548
CUAR 02(0)	H	B22K1	1-02 *	D26							1			7-3/8		548
CUAR 02(1)	H	D12T2	1-01 *	D19							2			N 3-5/8		549
CUAR 02(1)	H	D06B2	1-02 *	D07							1			N 7-3/8		549
CUAR 02(1)	H	S00H1	1-03 *	D10							2			N 3-2/8		549
CUAR 02(1)	H	A12U1	1-04 *	D15							1			N 6-7/8		549
CUAR 02(1)	H	B22H1	1-05 *	D26							2			N 6-1/8		549
CUAR 02(1)	H	A29R2	1-06 *	D22							1			N 14-3/8		549
CUAR 02(1)	H	F31S1	1-07 *	D13							1			41-5/8		549
CUAR 03(0)	H	A13S1	1-01 *	D15							1			N 6-3/8		550
CUAR 03(0)	H	B22D1	1-02 *	D26							1			6-3/8		550
CUAR 03(1)	H	A29P2	1-01 *	D22							2			N 3-3/8		551
CUAR 03(1)	H	B22B1	1-02 *	D26							1			N 5-7/8		551
CUAR 03(1)	H	A13U1	1-03 *	D15							2			N 3-3/8		551
CUAR 03(1)	H	B08L2	1-04 *	D10							1			N 8-9/8		551
CUAR 03(1)	H	D03N1	1-05 *	D07							2			N 6-1/8		551
CUAR 03(1)	H	D13T2	1-06 *	D19							1			N 13-1/8		551
CUAR 03(1)	H	F31H1	1-07 *	D13							1			42-4/8		551
CUAR 04(0)	H	A20D1	1-01 *								1			N 8-7/8		552
CUAR 04(0)	H	A14S1	1-02 *								1			8-7/8		552

DX118.U RUN NAME	A/P	PIN NAME	WRAPD .V35(102)-1 ORDER PIN	03-JUN-77 BAY ORDER	Q	DRAW	RV	RG	Y	X	Z	REMARKS	15-NOV-77	15148 NC LENGTH FLAG	PAGE 59 EXCEPTIONS	RUN NUMBER
CUAR 04(1)	H	A26B1	1-01 *	D22							2			N 2-2/8		553
CUAR 04(1)	H	A29N2	1-02 *	D15							1			N 8-7/8		553
CUAR 04(1)	H	A14U1	1-03 *	D10							2			N 3-6/8		553
CUAR 04(1)	H	S09N1	1-04 *	D07							1			N 8-1/8		553
CUAR 04(1)	H	D04W1	1-05 *	D19							2			N 6-1/8		553
CUAR 04(1)	H	D14T2	1-06 *	D07							1			N 13-1/8		553
CUAR 04(1)	H	F30V1	1-07 *	D13							1			42-2/8		553
CUAR 05(0)	H	A15B1	1-01 *								1			N 7-5/8		554
CUAR 05(0)	H	A26K1	1-02 *								1			7-5/8		554
CUAR 05(1)	H	A28H1	1-01 *	D22							2			N 1-3/8		555
CUAR 05(1)	H	A29M2	1-02 *	D15							1			N 8-3/8		555
CUAR 05(1)	H	A15U1	1-03 *	D10							2			N 4-2/8		555
CUAR 05(1)	H	S09B2	1-04 *	D07							1			N 7-3/8		555
CUAR 05(1)	H	D05N1	1-05 *	D19							2			N 6-1/8		555
CUAR 05(1)	H	D15T2	1-06 *	D07							1			N 12-3/8		555
CUAR 05(1)	H	F30L2	1-07 *	D13							1			39-7/8		555
CUAR 06(0)	H	A16S1	1-01 *								1			N 6-5/8		556
CUAR 06(0)	H	A28R1	1-02 *								1			6-5/8		556
CUAR 06(1)	H	A29L2	1-01 *	D22							2			N 1-3/8		557
CUAR 06(1)	H	A16U1	1-03 *	D15							1			N 8-1/8		557
CUAR 06(1)	H	S09H1	1-04 *	D10							2			N 5-3/8		557
CUAR 06(1)	H	D06N1	1-05 *	D07							1			N 7-5/8		557
CUAR 06(1)	H	D16T2	1-06 *	D19							2			N 6-1/8		557
CUAR 06(1)	H	F30S1	1-07 *	D13							1			N 10-7/8		557
CUAR 07(0)	H	A17S1	1-01 *								1			39-4/8		558
CUAR 07(0)	H	A28H2	1-02 *								1			N 7-1/8		558
CUAR 07(0)	H	A28E2	1-01 *	D22							2			N 1-1/8		559
CUAR 07(1)	H	A29K2	1-02 *	D15							1			N 7-5/8		559
CUAR 07(1)	H	A17U1	1-03 *	D10							2			N 5-7/8		559
CUAR 07(1)	H	S09L2	1-04 *	D07							1			N 8-5/8		559
CUAR 07(1)	H	D03L2	1-05 *	D19							2			N 8-1/8		559
CUAR 07(1)	H	D17T2	1-06 *	D07							1			N 10-5/8		559
CUAR 07(1)	H	F30H1	1-07 *	D13							1			42-0/8		559
CUAR CLKA	H	A13M1	1-01 *	D15							2			N 1		560
CUAR CLKA	H	A12N1	1-02 *	D15							1			N 1		560
CUAR CLKA	H	A11N1	1-03 *	D15							2			N 1		560
CUAR CLKA	H	A10N1	1-04 *	D15							1			N 3-2/8		560
CUAR CLKA	H	B10N1	1-05 *	D15							1			6-2/8		560

DX118-U RUN NAME	WRAPD .V35(102)-1 A/P PIN ORDER P/N	03-JUN-77 BAY - Q	DRAW OPT	RV RG Y X Z	REMARKS	15-NOV-77	15148 NC LENGTH EXCEPTIONS FLAG	PAGE 60	RUN NUMBER
CUAR CLKB	A17N1	1-01 *	D15				N 1		561
CUAR CLKB	A16N1	1-02 *	D15	2			N 1		561
CUAR CLKB	A15N1	1-03 *	D15	1			N 1		561
CUAR CLKB	A14N1	1-04 *	D15	2			N 5-3/8		561
CUAR CLKB	B1061	1-05 *	D15	1			N 6-3/8		561
CUAR DATA LOAD	B11D1	1-01 *	D15	2			N 1-2/8		562
CUAR DATA LOAD	B10H1	1-02 *	D15	1			N 1		562
CUAR DATA LOAD	B11K1	1-03 *	D15	2			N 1-6/8		562
CUAR DATA LOAD	B12U2	1-04 *	D15	1			N 9-5/8		562
CUAR DATA LOAD	B12N1	1-05 *	D15	2			N 0-4/8		562
CUAR DATA LOAD	B12N2	1-06 *	D15	1			N 0-5/8		562
CUAR DATA LOAD	B12K1	1-07 *	D15	2			N 0-4/8		562
CUAR DATA LOAD	B12H2	1-08 *	D15	1			N 0-5/8		562
CUAR DATA LOAD	B12D1	1-09 *	D15	2			N 6-7/8		562
CUAR DATA LOAD	B25E1	1-10 *	D15	1			N 13-6/8		562
CUBBY(0)	C06H1	1-01 *	D24	1			N 6-5/8		563
CUBBY(0)	C10P1	1-02 *	D06	1			N 6-5/8		563
CUBBY(1)	A30J1	1-01 *	D22	1			N 14-1/8		564
CUBBY(1)	D10M1	1-02 *	D19	2			N 4		564
CUBBY(1)	C10E1	1-03 *	D06	1			N 10-1/8		564
CUCR 00(0)	A10V2	1-01 *	D16	2			N 3-7/8		565
CUCR 00(0)	B05B1	1-02 *	D25	1			N 5-1/8		565
CUCR 00(0)	C04U2	1-03 *	D24	1			N 9-0/8		565
CUCR 00(1)	A29J2	1-01 *	D22	1			N 11-3/8		566
CUCR 00(1)	A10V1	1-02 *	D16	2			N 4-1/8		566
CUCR 00(1)	B05E1	1-03 *	D25	1			N 5-3/8		566
CUCR 00(1)	B13P1	1-04 *	D10	2			N 0-7/8		566
CUCR 00(1)	D18T2	1-05 *	D19	1			N 9-3/8		566
CUCR 00(1)	F31U1	1-06 *	D13	1			N 39-1/8		566
CUCR 01(0)	A11V2	1-01 *	D16	1			N 0-4/8		567
CUCR 01(0)	C04T2	1-02 *	D24	1			N 0-4/8		567
CUCR 01(1)	A29H2	1-01 *	D22	1			N 10-7/8		568
CUCR 01(1)	A11V1	1-02 *	D16	2			N 4-1/8		568
CUCR 01(1)	B13T2	1-03 *	D10	1			N 0-5/8		568
CUCR 01(1)	D19T2	1-04 *	D19	2			N 9-6/5		568
CUCR 01(1)	F31K2	1-05 *	D13	1			N 33-3/8		568
CUCR 02(0)	A04P2	1-01 *	D24	1			N 5-1/8		569
CUCR 02(0)	A12V2	1-02 *	D16	1			N 5-1/8		569

DX118-U RUN NAME	WRAPD .V35(102)-1 A/P PIN ORDER P/N	03-JUN-77 BAY - Q	DRAW OPT	RV RG Y X Z	REMARKS	15-NOV-77	15148 NC LENGTH EXCEPTIONS FLAG	PAGE 61	RUN NUMBER
CUCR 02(1)	A29F2	1-01 *	D22	2			N 11-3/8		570
CUCR 02(1)	B13F1	1-02 *	D10	1			N 2-1/8		570
CUCR 02(1)	A12V1	1-03 *	D16	2			N 4-3/8		570
CUCR 02(1)	A04U2	1-04 *	D24	1			N 11-7/8		570
CUCR 02(1)	D20T2	1-05 *	D19	2			N 7-6/8		570
CUCR 02(1)	F31R1	1-06 *	D13	1			N 37-4/8		570
CUCR 03(0)	A13V2	1-01 *	D16	1			N 7		571
CUCR 03(0)	C04R2	1-02 *	D24	1			N 7-0/8		571
CUCR 03(1)	A29E2	1-01 *	D22	1			N 10-1/8		572
CUCR 03(1)	A13V1	1-02 *	D16	2			N 2-1/8		572
CUCR 03(1)	B13K2	1-03 *	D10	1			N 10-5/8		572
CUCR 03(1)	D21T2	1-04 *	D19	2			N 7-3/8		572
CUCR 03(1)	F31F1	1-05 *	D13	1			N 30-2/8		572
CUCR 04(0)	A14V2	1-01 *	D16	1			N 7-7/8		573
CUCR 04(0)	C04P1	1-02 *	D24	1			N 7-7/8		573
CUCR 04(1)	A29D2	1-01 *	D22	1			N 9-7/8		574
CUCR 04(1)	A14V1	1-02 *	D16	2			N 2-5/8		574
CUCR 04(1)	B14P1	1-03 *	D10	1			N 9-1/8		574
CUCR 04(1)	D23T2	1-04 *	D19	2			N 9-2/8		574
CUCR 04(1)	F30U1	1-05 *	D13	1			N 30-7/8		574
CUCR 05(0)	A15V2	1-01 *	D16	1			N 9-4/8		575
CUCR 05(0)	C04P1	1-02 *	D24	1			N 9-4/8		575
CUCR 05(1)	A29C2	1-01 *	D22	1			N 9-3/8		576
CUCR 05(1)	A15V1	1-02 *	D16	2			N 3-1/8		576
CUCR 05(1)	B14T2	1-03 *	D10	1			N 8-1/8		576
CUCR 05(1)	D23T2	1-04 *	D19	2			N 7-1/8		576
CUCR 05(1)	F30K2	1-05 *	D13	1			N 27-6/8		576
CUCR 06(0)	A16V2	1-01 *	D16	1			N 10-4/8		577
CUCR 06(0)	C04N1	1-02 *	D24	1			N 10-4/8		577
CUCR 06(1)	A29B2	1-01 *	D22	1			N 9-1/8		578
CUCR 06(1)	A16V1	1-02 *	D16	2			N 2-1/8		578
CUCR 06(1)	B14P1	1-03 *	D10	1			N 10-3/8		578
CUCR 06(1)	D24T2	1-04 *	D19	2			N 0-1/8		578
CUCR 06(1)	F30R1	1-05 *	D13	1			N 29-6/8		578
CUCR 07(0)	A17V2	1-01 *	D16	1			N 11-5/8		579
CUCR 07(0)	C04M1	1-02 *	D24	1			N 11-5/8		579



79

DX11B,U RUN NAME	A/P	WRAPD .V35(102)-1 PIN NAME	ORDER PIN	03-JUN-77 BAY - ORDER	Q	DRAW OPT	RV	RG	Y	X	Z	REMARKS	15-Nov-77	15148 NC LENGTH FLAG	PAGE 62 EXCEPTIONS	RUN NUMBER
CUCR 07(1)	H	A29A2		1-01 *		D22					1			N	8-5/8	500
CUCR 07(1)	H	A17V1		1-02 *		D16					2			N	2-5/8	500
CUCR 07(1)	H	B14K2		1-03 *		D10					1			N	9-1/8	500
CUCR 07(1)	H	D25T2		1-04 *		D19					2			N	6-5/8	500
CUCR 07(1)	H	F30F1		1-05 *		D13										500
CUCR 07(1)	H			1											27-0/8	500
CUCR CLK EN	L	B10F2		1-01 *		D16					1			N	0-1/8	501
CUCR CLK EN	L	B10H2		1-02 *		D16					2			N	0-5/8	501
CUCR CLK EN	L	B10L2		1-03 *		D16										501
CUCR CLK EN	L			1											0-6/8	501
CUCR CLKA		A1782		1-01 *		D16					2			N	1	502
CUCR CLKA		A1682		1-02 *		D16					1			N	1	502
CUCR CLKA		A1582		1-03 *		D16					2			N	1	502
CUCR CLKA		A1482		1-04 *		D16					1			N	3-2/8	502
CUCR CLKA		B10K2		1-05 *		D16										502
CUCR CLKA				1											6-2/8	502
CUCR CLKB		A1382		1-01 *		D16					2			N	1	503
CUCR CLKB		A1282		1-02 *		D16					1			N	1	503
CUCR CLKB		A1182		1-03 *		D16					2			N	1	503
CUCR CLKB		A1082		1-04 *		D16					1			N	2-7/8	503
CUCR CLKB		B10N2		1-05 *		D16										503
CUCR CLKB				1											5-7/8	503
CUD	H	E2051		1-01 *	S	D05					1			N	2-7/8	504
CUD	H	E23E2		1-02 *		D11										504
CUD	H			1											2-7/8	504
CUD	L	D01V2		1-01 *	S	D05					2			N	4-1/8	505
CUD	L	C01P1		1-02 *		D05					1			N	7-3/8	505
CUD	L	C14K1		1-03 *		D05					2			N	9-3/8	505
CUD	L	E20R1		1-04 *		D05										505
CUD	L			1											20-7/8	505
CUDEND(1)	H	A29N1		1-01 *		D22					2			N	5	506
CUDEND(1)	H	B23E2		1-02 *		D24					1			N	8-5/8	506
CUDEND(1)	H	B09R1		1-03 *		D10					2			N	8-3/8	506
CUDEND(1)	H	D14S2		1-04 *		D19					1			N	3-5/8	506
CUDEND(1)	H	C14N1		1-05 *	S	D05										506
CUDEND(1)	H			1											25-5/8	506
CUDX(0)	H	B01D2		1-01 *		D11					2			N	1	507
CUDX(0)	H	B02J1		1-02 *		D25					1			N	2	507
CUDX(0)	H	B04U2		1-03 *		D25					2			N	2-7/8	507
CUDX(0)	H	C08B1		1-04 *		D25					1			N	10-3/8	507
CUDX(0)	H	E21B1		1-05 *		D11					2			N	4-7/8	507
CUDX(0)	H	C18V2		1-06 *	S	D11										507
CUDX(0)	H			1											21-1/8	507

DX11B,U RUN NAME	A/P	WRAPD .V35(102)-1 PIN NAME	ORDER PIN	03-JUN-77 BAY - ORDER	Q	DRAW OPT	RV	RG	Y	X	Z	REMARKS	15-Nov-77	15148 NC LENGTH FLAG	PAGE 63 EXCEPTIONS	RUN NUMBER
CUDX(1)	H	A32L1		1-01 *		D22					2			N	11-1/8	508
CUDX(1)	H	D18F1		1-02 *		D19					1			N	8-3/8	508
CUDX(1)	H	C08D1		1-03 *		D25					2			N	3-4/8	508
CUDX(1)	H	B04M1		1-04 *		D25					1			N	1-7/8	508
CUDX(1)	H	B01J2		1-05 *		D11					2			N	3-1/8	508
CUDX(1)	H	C02J1		1-06 *		D24					1			N	9-5/8	508
CUDX(1)	H	C18U2		1-07 *	S	D11										508
CUDX(1)	H			1											37-5/8	508
CUEND(0)	H	C04H1		1-01 *		D24					1			N	6-3/8	509
CUEND(0)	H	C15K2		1-02 *	S	D09										509
CUEND(0)	H			1											6-3/8	509
CUEND(1)	H	A31A1		1-01 *		D22					1			N	14-5/8	590
CUEND(1)	H	F30H2		1-02 *		D13					2			N	12-5/8	590
CUEND(1)	H	D15N1		1-03 *		D19					1			N	5-6/8	590
CUEND(1)	H	C0882		1-04 *		D05					2			N	3-3/8	590
CUEND(1)	H	B09T2		1-05 *		D10					1			N	4-7/8	590
CUEND(1)	H	C15J2		1-06 *	S	D09										590
CUEND(1)	H			1											41-2/8	590
CUFBN(0)	H	C24E1		1-01 *	S	D06					1			N	15-5/8	591
CUFBN(0)	H	E03B1		1-02 *		D24										591
CUFBN(0)	H			1											15-5/8	591
CUFBN(1)	H	A05P2		1-01 *		D25					2			N	14-1/8	592
CUFBN(1)	H	A30B1		1-02 *		D22					1			N	12-5/8	592
CUFBN(1)	H	D24M1		1-03 *		D19					2			N	3-7/8	592
CUFBN(1)	H	C24F1		1-04 *	S	D06										592
CUFBN(1)	H			1											30-5/8	592
CUIS	L	B19B1		1-01 *		D11					1			N	1-6/8	593
CUIS	L	B19N1		1-02 *		D11					2			N	8-3/8	593
CUIS	L	E21D2		1-03 *		D11					1			N	0-5/8	593
CUIS	L	E22E2		1-04 *		D11					2			N	1-5/8	593
CUIS	L	E22R2		1-05 *		D11					1			N	4-3/8	593
CUIS	L	E15S1		1-06 *		D11					2			N	7-3/8	593
CUIS	L	E04C1		1-07 *	S	D24										593
CUIS	L			1											24-1/8	593
CUI6	L	B19J1		1-01 *		D11					2			N	1-1/8	594
CUI6	L	B19P1		1-02 *		D11					1			N	8-3/8	594
CUI6	L	E21E2		1-03 *		D11					2			N	1-1/8	594
CUI6	L	E22F2		1-04 *		D11					1			N	1-6/8	594
CUI6	L	E22T2		1-05 *		D11					2			N	5-3/8	594
CUI6	L	E15E2		1-06 *		D11					1			N	6-1/8	594
CUI6	L	E04F1		1-07 *	S	D24										594
CUI6	L			1											23-7/8	594
CUOR 10		D05K2		1-01 *		D07					2			N	4-7/8	595
CUOR 10		E11R2		1-02 *		DXX					1			N	7-3/8	595
CUOR 10		D20N1		1-03 *		D19										595
CUOR 10				1											12-2/8	595

DX11B,U RUN NAME	WRAPD .V35(102)-1 A/P PIN NAME	ORDER PIN	03-JUN-77 BAY - ORDER	Q	DRAW OPT	RV RG Y	X	Z	REMARKS	15-Nov-77	15:48 NC LENGTH FLAG	PAGE 64 EXCEPTIONS	RUN NUMBER
CUOR 11	D06K2		1-01 *		D07			2			N 4-6/8		596
CUOR 11	E11P2		1-02 *		DXX			1			N 7-7/8		596
CUOR 11	D21N1		1-03 *		D19								596
CUOR 11			1								12-5/8		596
CUOR 12	D03P1		1-01 *		D07			2			N 7-2/8		597
CUOR 12	E11L2		1-02 *		DXX			1			N 7-7/8		597
CUOR 12	D22N1		1-03 *		D19								597
CUOR 12			1								15-1/8		597
CUOR 13	D04F1		1-01 *		D07			2			N 5-3/8		598
CUOR 13	E11L1		1-02 *		DXX			1			N 8-5/8		598
CUOR 13	D23N1		1-03 *		D19								598
CUOR 13			1								14-0/8		598
CUOR 14	D05F1		1-01 *		D07			2			N 4-7/8		599
CUOR 14	E11H2		1-02 *		DXX			1			N 8-5/8		599
CUOR 14	D24N1		1-03 *		D19								599
CUOR 14			1								13-4/8		599
CUOR 15	D06F1		1-01 *		D07			2			N 4-2/8		600
CUOR 15	E11F2		1-02 *		DXX			1			N 8-7/8		600
CUOR 15	D25N1		1-03 *		D19								600
CUOR 15			1								13-1/8		600
CUSR CLK EN	E05M2		1-01 *		D09			2			N 1-3/8		601
CUSR CLK EN	E05D2		1-02 *		D09			1			N 4-5/8		601
CUSR CLK EN	E14E1		1-03 *	5	D09								601
CUSR CLK EN			1								6-0/8		601
CUSR CLK ENA	E05N2		1-01 *	5	D09			1			N 0-1/8		602
CUSR CLK ENA	E05P2		1-02 *		D09			2			N 0-5/8		602
CUSR CLK ENA	E05T2		1-03 *		D09								602
CUSR CLK ENA			1								0-6/8		602
CUSRNZ	H B07D1		1-01 *		DXX			1			N 10-1/8		603
CUSRNZ	H F20K2		1-02 *		DXX								603
CUSRNZ			1								10-1/8		603
CUSRNZ	L A09T2		1-01 *		DXX			1			N 2-3/8		604
CUSRNZ	L B07E1		1-02 *		DXX			2			N 1-3/8		604
CUSRNZ	L B06M1		1-03 *		DXX								604
CUSRNZ			1								3-6/8		604
D01C1	C25J1		1-01 *		D05			1			N 14-5/8		605
D01C1	D01C1		1-02 *		D05								605
D01C1			1								14-5/8		605
D01F1	C23J1		1-01 *		D05			1			N 13-7/8		606
D01F1	D01F1		1-02 *		D05								606
D01F1			1								13-7/8		606
D01F2	C20J1		1-01 *		D05			1			N 12-1/8		607
D01F2	D01F2		1-02 *		D05								607
D01F2			1								12-1/8		607

DX11B,U RUN NAME	WRAPD .V35(102)-1 A/P PIN NAME	ORDER PIN	03-JUN-77 BAY - ORDER	Q	DRAW OPT	RV RG Y	X	Z	REMARKS	15-Nov-77	15:48 NC LENGTH FLAG	PAGE 65 EXCEPTIONS	RUN NUMBER
D01K2	C10J1		1-01 *		D05			1			N 11-5/8		608
D01K2	D01K2		1-02 *		D05								608
D01K2			1								11-5/8		608
D01N1	C21J1		1-01 *		D05			1			N 13-5/8		609
D01N1	D01N1		1-02 *		D05								609
D01N1			1								13-5/8		609
D01N2	C17J1		1-01 *		D05			1			N 11-3/8		610
D01N2	D01N2		1-02 *		D05								610
D01N2			1								11-3/8		610
D01S1	C19J1		1-01 *		D05			1			N 13-1/8		611
D01S1	D01S1		1-02 *		DCS								611
D01S1			1								13-1/8		611
D01S2	D01S2		1-01 *		D05			1			N 0-1/8		612
D01S2	D01T2		1-02 *		D05								612
D01S2			1								0-1/8		612
D02C1	D02C1		1-01 *		D24			1			N 0-1/8		613
D02C1	D02D1		1-02 *		D24								613
D02C1			1								0-1/8		613
D02K1	D02K1		1-01 *		D24			1			N 3-7/8		614
D02K1	E03L2		1-02 *		D24								614
D02K1			1								3-7/8		614
D02N1	D02N1		1-01 *		D05			1			N 10		615
D02N1	F14F1		1-02 *		D05								615
D02N1			1								10-0/8		615
D02N2	B06B1		1-01 *		D25			1			N 8-5/8		616
D02N2	D02N2		1-02 *	5	D25								616
D02N2			1								8-5/8		616
D02S1	C00K2		1-01 *		D25			1			N 5-2/8		617
D02S1	D02S1		1-02 *	5	D25								617
D02S1			1								5-2/8		617
D07N1	D07J2		1-01 *		D07			1			N 1		618
D07N1	D07N1		1-02 *		D07								618
D07N1			1								1-0/8		618
D07P1	D07K2		1-01 *		D07			1			N 1		619
D07P1	D07P1		1-02 *		D07								619
D07P1			1								1-0/8		619
D08E1	D07S2		1-01 *		D07			1			N 1-7/8		620
D08E1	D08E1		1-02 *	5	D07								620
D08E1			1								1-7/8		620
D08F1	D07U2		1-01 *		D07			1			N 2-1/8		621
D08F1	D08F1		1-02 *	5	D07								621
D08F1			1								2-1/8		621

93





OX118.U RUN NAME	A/P	WRAPD .V35(102)-1 PIN NAME	ORDER PIN	03-JUN-77 BAY - ORDER	Q	DRAW OPT	RV	RG	Y	X	Z	REMARKS	15-NOV-77	15148 NC LENGTH FLAG	PAGE 68 EXCEPTIONS	RUN NUMBER	
DBUS 03	H	C29K1		1-01 *		D17					2			N	3-3/8		639
DBUS 03	H	B27M2		1-02 *		D08					1			N	8		639
DBUS 03	H	B12M2		1-03 *		D19					2			N	3-7/8		639
DBUS 03	H	A13J1		1-04 *		D21					1			N	4		639
DBUS 03	H	B08H2		1-05 *		D10					2			N	4-1/8		639
DBUS 03	H	C09N2		1-06 *		D06					1			N	5-5/8		639
DBUS 03	H	D06V1		1-07 *		D07					2			N	2		639
DBUS 03	H	E08H2		1-08 *		D09					1			N	7-2/8		639
DBUS 03	H	F17K1		1-09 *		DXX					1			N			639
DBUS 03	H			1										N	38-2/8		639
DBUS 04	H	C29M1		1-01 *		D17					2			N	4-1/8		640
DBUS 04	H	B27J1		1-02 *		D08					1			N	9-8/8		640
DBUS 04	H	A14J1		1-03 *		D21					2			N	3-8/8		640
DBUS 04	H	B12F2		1-04 *		D15					1			N	3-3/8		640
DBUS 04	H	B09B1		1-05 *		D10					2			N	3-3/8		640
DBUS 04	H	C09U2		1-06 *		D06					1			N	5-2/8		640
DBUS 04	H	D03S1		1-07 *		D07					2			N	3-7/8		640
DBUS 04	H	E08P1		1-08 *		D09					1			N			640
DBUS 04	H			1										N	33-2/8		640
DBUS 05	H	C29P1		1-01 *		D17					2			N	4-3/8		641
DBUS 05	H	B27K1		1-02 *		D08					1			N	9-1/8		641
DBUS 05	H	A15J1		1-03 *		D21					2			N	5-3/8		641
DBUS 05	H	B12P1		1-04 *		D15					1			N	2-3/8		641
DBUS 05	H	B09V1		1-05 *		D10					2			N	1-4/8		641
DBUS 05	H	C09F1		1-06 *		D06					1			N	6-5/8		641
DBUS 05	H	E08L1		1-07 *		D09					2			N	3-3/8		641
DBUS 05	H	D04B1		1-08 *		D07					1			N			641
DBUS 05	H			1										N	32-6/8		641
DBUS 06	H	C29S1		1-01 *		D17					2			N	4-7/8		642
DBUS 06	H	B27E2		1-02 *		D08					1			N	8-3/8		642
DBUS 06	H	A16J1		1-03 *		D21					2			N	5-1/8		642
DBUS 06	H	C16C1		1-04 *		D06					1			N	3-1/8		642
DBUS 06	H	B12J1		1-05 *		D15					2			N	2-3/8		642
DBUS 06	H	B09D1		1-06 *		D10					1			N	9-1/8		642
DBUS 06	H	E08H1		1-07 *		D09					2			N	2-5/8		642
DBUS 06	H	D05B1		1-08 *		D07					1			N			642
DBUS 06	H			1										N	35-5/8		642
DBUS 07	H	C29U1		1-01 *		D17					1			N	5-1/8		643
DBUS 07	H	B27D2		1-02 *		D08					2			N	7-7/8		643
DBUS 07	H	A17J1		1-03 *		D21					1			N	4-1/8		643
DBUS 07	H	B12C1		1-04 *		D15					2			N	2-1/8		643
DBUS 07	H	B09H2		1-05 *		D10					1			N	8-3/8		643
DBUS 07	H	D06S1		1-06 *		D07					2			N	1-6/8		643
DBUS 07	H	E08A1		1-07 *		D09					1			N	5-5/8		643
DBUS 07	H	E17H1		1-08 *		D06					1			N			643
DBUS 07	H			1										N	35-8/8		643

OX118.U RUN NAME	A/P	WRAPD .V35(102)-1 PIN NAME	ORDER PIN	03-JUN-77 BAY - ORDER	Q	DRAW OPT	RV	RG	Y	X	Z	REMARKS	15-NOV-77	15148 NC LENGTH FLAG	PAGE 69 EXCEPTIONS	RUN NUMBER	
DBUS 08	H	A10C1		1-01 *		D21					2			N	6-1/8		644
DBUS 08	H	B13B1		1-02 *		D10					1			N	7-1/8		644
DBUS 08	H	D03H2		1-03 *		D07					2			N	8-7/8		644
DBUS 08	H	E17A1		1-04 *		D06					1			N	10		644
DBUS 08	H	B26B1		1-05 *		D08					2			N	3-3/8		644
DBUS 08	H	C29D2		1-06 *		D17					1			N			644
DBUS 08	H			1										N	35-4/8		644
DBUS 09	H	C29F2		1-01 *		D17					1			N	3-3/8		645
DBUS 09	H	B26U1		1-02 *		D08					2			N	4-5/8		645
DBUS 09	H	C19C1		1-03 *		D06					1			N	8-5/8		645
DBUS 09	H	A11C1		1-04 *		D21					2			N	6-1/8		645
DBUS 09	H	B13V1		1-05 *		D10					1			N	6-5/8		645
DBUS 09	H	D04H2		1-06 *		D07					2			N			645
DBUS 09	H			1										N	29-3/8		645
DBUS 10	H	A12C1		1-01 *		D21					2			N	3-7/8		646
DBUS 10	H	B13D1		1-02 *		D10					1			N	8-1/8		646
DBUS 10	H	B26N2		1-03 *		D08					2			N	3-2/8		646
DBUS 10	H	C29J2		1-04 *		D17					1			N	6-1/8		646
DBUS 10	H	E27A1		1-05 *		D13					2			N	9-3/8		646
DBUS 10	H	E11N2		1-06 *		DXX					1			N	4-7/8		646
DBUS 10	H	D05H2		1-07 *		D07					1			N			646
DBUS 10	H			1										N	35-5/8		646
DBUS 11	H	A13C1		1-01 *		D21					2			N	3-7/8		647
DBUS 11	H	B13H2		1-02 *		D10					1			N	6-1/8		647
DBUS 11	H	C21C1		1-03 *		D06					2			N	4-5/8		647
DBUS 11	H	B26M2		1-04 *		D08					1			N	4-1/8		647
DBUS 11	H	C29L2		1-05 *		D17					2			N	8-1/8		647
DBUS 11	H	E26U2		1-06 *		D13					1			N	8-5/8		647
DBUS 11	H	E11M2		1-07 *		DXX					2			N	4-6/8		647
DBUS 11	H	D06H2		1-08 *		D07					1			N			647
DBUS 11	H			1										N	40-2/8		647
DBUS 12	H	A14C1		1-01 *		D21					2			N	4-6/8		648
DBUS 12	H	B14B1		1-02 *		D10					1			N	7-3/8		648
DBUS 12	H	B26J1		1-03 *		D08					2			N	5-1/8		648
DBUS 12	H	C29N2		1-04 *		D17					1			N	6-7/8		648
DBUS 12	H	E26L2		1-05 *		D13					2			N	8-3/8		648
DBUS 12	H	E11J1		1-06 *		DXX					1			N	6-5/8		648
DBUS 12	H	D03D1		1-07 *		D07					1			N			648
DBUS 12	H			1										N	39-1/8		648
DBUS 13	H	A15C1		1-01 *		D21					2			N	5-3/8		649
DBUS 13	H	B14V1		1-02 *		D10					1			N	5-3/8		649
DBUS 13	H	C23C1		1-03 *		D06					2			N	2-6/8		649
DBUS 13	H	B26K1		1-04 *		D08					1			N	5-3/8		649
DBUS 13	H	C29R2		1-05 *		D17					2			N	6-7/8		649
DBUS 13	H	E26L1		1-06 *		D13					1			N	8-1/8		649
DBUS 13	H	E11K1		1-07 *		DXX					2			N	5-1/8		649
DBUS 13	H	D04D1		1-08 *		D07					1			N			649
DBUS 13	H			1										N	39-8/8		649

DX11B-U RUN NAME	WRAPD V35(102)-1 03-JUN-77		15-NOV-77		15148 PAGE 70 6		RUN NUMBER
	A/P PIN NAME	ORDER PIN	BAY - G DRAW OPT	RV RG Y X Z	REMARKS	NC LENGTH FLAG	
DBUS 14	H	A16C1	1-01 * D21			N 4-1/8	658
DBUS 14	H	B14B1	1-02 * D10			N 4	659
DBUS 14	H	C69C1	1-03 * D06			N 5	660
DBUS 14	H	D09D1	1-04 * D07			N 4-7/8	661
DBUS 14	H	E11E2	1-05 * DXX			N 6-1/8	662
DBUS 14	H	F26F2	1-06 * D13			N 5-5/8	663
DBUS 14	H	C29F2	1-07 * D17			N 5-7/8	664
DBUS 14	H	B26E2	1-08 * D00			N 37-5/8	665
DBUS 14	H	A17G1	1-01 * D21			N 4-7/8	666
DBUS 15	H	B14H2	1-02 * D10			N 6-7/8	667
DBUS 15	H	B26D2	1-03 * D00			N 3-5/8	668
DBUS 15	H	C29G1	1-04 * D06			N 3-7/8	669
DBUS 15	H	C29F2	1-05 * D17			N 3-7/8	670
DBUS 15	H	E26A1	1-06 * D13			N 5-3/8	671
DBUS 15	H	E11D2	1-07 * DXX			N 7-7/8	672
DBUS 15	H	D06D1	1-08 * D07			N 4-2/8	673
DCLO	H	D29U1	1-01 * 8 D10			N 30-6/8	674
DCLO	H	F01H2	1-02 * D29			N 10-1/8	675
DCLO	H	F01J2	1-03 * D29			N 0-1/8	676
DCLO	H	F01K2	1-04 * D29			N 0-1/8	677
DEVCOM 0-3	H	A24E2	1-01 *			N 10-3/8	678
DEVCOM 0-3	H	B23E1	1-02 *			N 3-7/8	679
DEVCOM 4-7	H	B23V2	1-01 *			N 9-1/8	680
DEVCOM 4-7	H	A24F2	1-02 *			N 9-1/8	681
DEVEND(0)	H	C04J1	1-01 * D24			N 4-5/8	682
DEVEND(0)	H	C12K2	1-02 * 8 D09			N 4-5/8	683
DEVEND(1)	H	C12J2	1-01 * 8 D09			N 3-7/8	684
DEVEND(1)	H	D12M1	1-02 * D19			N 6-3/8	685
DEVEND(1)	H	B08F1	1-03 * D10			N 13-3/8	686
DEVEND(1)	H	A29V2	1-04 * D22			N 13-5/8	687
DEVEND(1)	H	F31N1	1-05 * D13			N 30-2/8	688
D18 DXT0(0)	H	F17M1	1-01 * 8 DXX			N 2-7/8	689
D18 DXT0(0)	H	F22M1	1-02 * DXX			N 2-7/8	690
D18 DXT0(1)	H	A32A1	1-01 * DXX			N 13-6/8	691
D18 DXT0(1)	H	D13J1	1-02 * DXX			N 7-7/8	692
D18 DXT0(1)	H	F17M1	1-03 * DXX			N 21-5/8	693
DX11B-U	WRAPD V35(102)-1 03-JUN-77		15-NOV-77		15148 PAGE 71		RUN NUMBER
A/P PIN NAME	ORDER PIN	BAY - G DRAW OPT	RV RG Y X Z	REMARKS	NC LENGTH FLAG		
D18C IN	H	H12M1	1-01 * D27			N 1-4/8	694
D18C IN	H	H14M1	1-02 * D27			N 1-4/8	695
DONE(1)	H	D17M1	1-01 * D19			N 7-5/8	696
DONE(1)	H	C06U2	1-02 * D11			N 1-3/8	697
DONE(1)	H	C06L2	1-03 * D11			N 6-1/8	698
DONE(1)	H	C17E1	1-04 * 8 D06			N 10-7/8	699
DONE(1)	H	A30K1	1-05 * D23			N 26-0/8	700
DSCRSP(0)	H	A09J2	1-01 * D13			N 5-5/8	701
DSCRSP(0)	H	A01A1	1-02 * D25			N 10-5/8	702
DSCRSP(0)	H	D02K1	1-03 * D25			N 7-3/8	703
DSCRSP(0)	H	C11V2	1-04 * 5 D11			N 23-5/8	704
DSCRSP(1)	H	A09P1	1-01 * D25			N 6-5/8	705
DSCRSP(1)	H	B19E2	1-02 * D13			N 11	706
DSCRSP(1)	H	E20D1	1-03 * D13			N 6-3/8	707
DSCRSP(1)	H	E12E2	1-04 * D24			N 2-5/8	708
DSCRSP(1)	H	D11M2	1-05 * D19			N 2-4/8	709
DSCRSP(1)	H	C11U2	1-06 * 8 D11			N 33-1/8	710
DXBA 00(1)	H	A30T2	1-01 * D22			N 9-3/8	711
DXBA 00(1)	H	D20P1	1-02 * D17			N 9-4/8	712
DXBA 00(1)	H	D10P1	1-03 * D19			N 4-7/8	713
DXBA 00(1)	H	C07K2	1-04 * D07			N 4-7/8	714
DXBA 00(1)	H	D08V2	1-05 * 8 D22			N 20-7/8	715
DXBA 01(1)	H	A30E2	1-01 * D22			N 9-3/8	716
DXBA 01(1)	H	D20M1	1-02 * D17			N 9-1/8	717
DXBA 01(1)	H	D11P1	1-03 * D19			N 2-3/8	718
DXBA 01(1)	H	D08V1	1-04 * 5 D22			N 20-7/8	719
DXBA 02(1)	H	A30R2	1-01 * D22			N 9-1/8	720
DXBA 02(1)	H	D20J1	1-02 * D17			N 6-7/8	721
DXBA 02(1)	H	D12P1	1-03 * D19			N 2-1/8	722
DXBA 02(1)	H	D08R2	1-04 * 8 D22			N 20-1/8	723
DXBA 03(1)	H	A30F2	1-01 * D22			N 9-3/8	724
DXBA 03(1)	H	D20N1	1-02 * D17			N 8-1/8	725
DXBA 03(1)	H	D13P1	1-03 * D19			N 2-6/8	726
DXBA 03(1)	H	D08Q2	1-04 * 8 D22			N 20-2/8	727
DXBA 04(1)	H	A30M2	1-01 * D22			N 8-5/8	728
DXBA 04(1)	H	D20D1	1-02 * D17			N 8-5/8	729
DXBA 04(1)	H	D14P1	1-03 * D19			N 3-3/8	730
DXBA 04(1)	H	D08U2	1-04 * 8 D22			N 20-5/8	731

DX110-U RUN NAME	WRAPD .V35(102)-1 A/P PIN ORDER NAME ORDER PIN	03-JUN-77 BAY - Q DRAW OPT	RV RG Y X Z	REMARKS	15-NOV-77	15148 NC LENGTH FLAG	PAGE 72 EXCEPTIONS	RUN NUMBER
DXBA 05(1)	H A30H2	1-01 * D22		2		N 8-7/8		668
DXBA 06(1)	H D28H1	1-02 * D17		1		N 7-7/8		669
DXBA 07(1)	H D18P1	1-03 * D19		2		N 4-1/8		668
DXBA 08(1)	H D08L1	1-04 * 8 D22				20-7/8		668
DXBA 08(1)	H	1						668
DXBA 06(1)	H A30L2	1-01 * D22		2		N 8-9/8		669
DXBA 06(1)	H D28H1	1-02 * D17		1		N 7-7/8		669
DXBA 06(1)	H D18P1	1-03 * D19		2		N 4-7/8		669
DXBA 06(1)	H D08H2	1-04 * 8 D22				21-3/8		669
DXBA 06(1)	H	1						669
DXBA 07(1)	H A30K2	1-01 * D22		2		N 6-9/8		670
DXBA 07(1)	H D28H1	1-02 * D17		1		N 7-3/8		670
DXBA 07(1)	H D17P1	1-03 * D19		2		N 5-3/8		670
DXBA 07(1)	H D08P2	1-04 * 8 D22				21-3/8		670
DXBA 07(1)	H	1						670
DXBA 08(1)	H A30J2	1-01 * D22		1		N 10-7/8		671
DXBA 08(1)	H D27P1	1-02 * D17		2		N 5		671
DXBA 08(1)	H D18P1	1-03 * D19		1		N 6-1/8		671
DXBA 08(1)	H D07V2	1-04 * 8 D22				22-0/8		671
DXBA 08(1)	H	1						671
DXBA 09(1)	H A30H2	1-01 * D22		1		N 10-7/8		672
DXBA 09(1)	H D28H1	1-02 * D17		2		N 4-9/8		672
DXBA 09(1)	H D18P1	1-03 * D19		1		N 6-7/8		672
DXBA 09(1)	H D07V1	1-04 * 8 D22				22-0/8		672
DXBA 09(1)	H	1						672
DXBA 10(1)	H A30F2	1-01 * D22		1		N 10-9/8		673
DXBA 10(1)	H D27L1	1-02 * D17		2		N 4-3/8		673
DXBA 10(1)	H D20P1	1-03 * D19		1		N 6-9/8		673
DXBA 10(1)	H D07R2	1-04 * 8 D22				21-5/8		673
DXBA 10(1)	H	1						673
DXBA 11(1)	H A30E2	1-01 * D22		1		N 10-7/8		674
DXBA 11(1)	H D27H1	1-02 * D17		2		N 3-9/8		674
DXBA 11(1)	H D21P1	1-03 * D19		1		N 7-2/8		674
DXBA 11(1)	H D07P2	1-04 * 8 D22				21-6/8		674
DXBA 11(1)	H	1						674
DXBA 12(1)	H A30D2	1-01 * D22		1		N 10-1/8		675
DXBA 12(1)	H D27D1	1-02 * D17		2		N 4-1/8		675
DXBA 12(1)	H D23P1	1-03 * D19		1		N 7-7/8		675
DXBA 12(1)	H D07L2	1-04 * 8 D22				22-1/8		675
DXBA 12(1)	H	1						675
DXBA 13(1)	H A30C2	1-01 * D22		1		N 10-3/8		676
DXBA 13(1)	H D27E1	1-02 * D17		2		N 3-3/8		676
DXBA 13(1)	H D23P1	1-03 * D19		1		N 6-9/8		676
DXBA 13(1)	H D07L1	1-04 * 8 D22				22-3/8		676
DXBA 13(1)	H	1						676

DX110-U RUN NAME	WRAPD .V35(102)-1 A/P PIN ORDER NAME ORDER PIN	03-JUN-77 BAY - Q DRAW OPT	RV RG Y X Z	REMARKS	15-NOV-77	15148 NC LENGTH FLAG	PAGE 73 EXCEPTIONS	RUN NUMBER
DXBA 14(1)	H A30B2	1-01 * D22		1		N 10-1/8		677
DXBA 14(1)	H D27A1	1-02 * D17		2		N 2-9/8		677
DXBA 14(1)	H D24P1	1-03 * D19		1		N 9-3/8		677
DXBA 14(1)	H D07H2	1-04 * 8 D22				22-1/8		677
DXBA 14(1)	H	1						677
DXBA 15(1)	H A30A2	1-01 * D22		1		N 10-1/8		678
DXBA 15(1)	H D27B1	1-02 * D17		2		N 2-2/8		678
DXBA 15(1)	H D28P1	1-03 * D19		1		N 9-7/8		678
DXBA 15(1)	H D07F2	1-04 * 8 D22				22-2/8		678
DXBA 15(1)	H	1						678
DXBA CRY	L D07E1	1-01 * D06		1		N 9-1/8		679
DXBA CRY	L E17B2	1-02 * D06		2		N 1-1/8		679
DXBA CRY	L E10J2	1-03 * D06				10-2/8		679
DXBA CRY	L	1						679
DXBC 00(1)	H B27V2	1-01 * D08		1		N 11-2/8		680
DXBC 00(1)	H E18U2	1-02 * D08		2		N 4-3/8		680
DXBC 00(1)	H D18H1	1-03 * D19				18-5/8		680
DXBC 00(1)	H	1						680
DXBC 01(1)	H B27V1	1-01 * D08		1		N 11		681
DXBC 01(1)	H E18T2	1-02 * D08		2		N 3-7/8		681
DXBC 01(1)	H D11H1	1-03 * D19				14-7/8		681
DXBC 01(1)	H	1						681
DXBC 02(1)	H B27R2	1-01 * D08		1		N 11-4/8		682
DXBC 02(1)	H E18B2	1-02 * D08		2		N 3-1/8		682
DXBC 02(1)	H D12H1	1-03 * D19				14-5/8		682
DXBC 02(1)	H	1						682
DXBC 03(1)	H B27P2	1-01 * D08		1		N 11-9/8		683
DXBC 03(1)	H E18R2	1-02 * D08		2		N 3-1/8		683
DXBC 03(1)	H D13H1	1-03 * D19				14-6/8		683
DXBC 03(1)	H	1						683
DXBC 04(1)	H B27L2	1-01 * D08		1		N 10-4/8		684
DXBC 04(1)	H D14H1	1-02 * D19		2		N 3-7/8		684
DXBC 04(1)	H E12H1	1-03 * D08				14-3/8		684
DXBC 04(1)	H	1						684
DXBC 05(1)	H B27L1	1-01 * D08		1		N 8-7/8		685
DXBC 05(1)	H D18H1	1-02 * D19		2		N 4-1/8		685
DXBC 05(1)	H E12P1	1-03 * D08				13-0/8		685
DXBC 05(1)	H	1						685
DXBC 06(1)	H B27H2	1-01 * D08		1		N 9-1/8		686
DXBC 06(1)	H D18H1	1-02 * D19		2		N 3-4/8		686
DXBC 06(1)	H E12H1	1-03 * D08				12-5/8		686
DXBC 06(1)	H	1						686
DXBC 07(1)	H B27F2	1-01 * D08		1		N 9-6/8		687
DXBC 07(1)	H D17H1	1-02 * D19		2		N 4-1/8		687
DXBC 07(1)	H E12H1	1-03 * D08				13-7/8		687
DXBC 07(1)	H	1						687

DX118-U RUN NAME	WRAPD .V35(102)-1 A/P PIN ORDER	03-JUN-77 BAY - O ORDER	DRAW OPT	RV OPT	RG OPT	Y OPT	X OPT	Z OPT	REMARKS	15-NOV-77 NC LENGTH FLAG	PAGE 74 EXCEPTIONS	RUN NUMBER
DXBC 00(1)	H	B26V2	1-01 *	D08				1		N	7-1/8	688
DXBC 00(1)	H	D19R1	1-02 *	D19				2		N	4-3/8	688
DXBC 00(1)	H	E12M2	1-03 *	D08							11-4/8	688
DXBC 09(1)	H	B26V1	1-01 *	D08				1		N	7-7/8	689
DXBC 09(1)	H	D19R1	1-02 *	D19				2		N	8-7/8	689
DXBC 09(1)	H	E12M2	1-03 *	D08							13-6/8	689
DXBC 10(1)	H	B26R2	1-01 *	D08				1		N	8-7/8	690
DXBC 10(1)	H	D20R1	1-02 *	D19				2		N	6-1/8	690
DXBC 10(1)	H	E12S2	1-03 *	D08							15-0/8	690
DXBC 11(1)	H	B26P2	1-01 *	D08				1		N	8-3/8	691
DXBC 11(1)	H	D21R1	1-02 *	D19				2		N	6-5/8	691
DXBC 11(1)	H	E12R2	1-03 *	D08							15-0/8	691
DXBC 12(1)	H	B26L2	1-01 *	D08				1		N	8-3/8	692
DXBC 12(1)	H	D22R1	1-02 *	D19				2		N	7-3/8	692
DXBC 12(1)	H	E12K1	1-03 *	D08							15-6/8	692
DXBC 13(1)	H	B26L1	1-01 *	D08				2		N	7-5/8	693
DXBC 13(1)	H	D23R1	1-02 *	D19				1		N	7-5/8	693
DXBC 13(1)	H	E12J1	1-03 *	D08							15-2/8	693
DXBC 14(1)	H	B26H2	1-01 *	D08				2		N	7-5/8	694
DXBC 14(1)	H	D24R1	1-02 *	D19				1		N	8-1/8	694
DXBC 14(1)	H	E12H1	1-03 *	D08							15-6/8	694
DXBC 15(1)	H	B26F2	1-01 *	D08				2		N	7-3/8	695
DXBC 15(1)	H	D25R1	1-02 *	D19				1		N	8-3/8	695
DXBC 15(1)	H	E12F1	1-03 *	D08							15-6/8	695
DXCLRP1	H	A07R1	1-01 *	D21				1		N	6-3/8	696
DXCLRP1	H	A16A1	1-02 *	D21				2		N	1	696
DXCLRP1	H	A17A1	1-03 *	D21				1		N	1-6/8	696
DXCLRP1	H	A19J2	1-04 *	D21							9-1/8	696
DXCLRP2	H	A14A1	1-01 *	D21				2		N	1	697
DXCLRP2	H	A15A1	1-02 *	D21				1		N	3-3/8	697
DXCLRP2	H	A18L2	1-03 *	D21							4-3/8	697
DXCLRP3	H	A12A1	1-01 *	D21				2		N	1	698
DXCLRP3	H	A13A1	1-02 *	D21				1		N	4-5/8	698
DXCLRP3	H	A18N2	1-03 *	D21							5-5/8	698

DX118-U RUN NAME	WRAPD .V35(102)-1 A/P PIN ORDER	03-JUN-77 BAY - O ORDER	DRAW OPT	RV OPT	RG OPT	Y OPT	X OPT	Z OPT	REMARKS	15-NOV-77 NC LENGTH FLAG	PAGE 75 EXCEPTIONS	RUN NUMBER
DXCLRP4	H	A10A1	1-01 *	D21				2		N	1	699
DXCLRP4	H	A11A1	1-02 *	D21				1		N	5-7/8	699
DXCLRP4	H	A18R2	1-03 *	D21							6-7/8	699
DXCS CLKA	H	C25B1	1-01 *	D06				2		N	1-4/8	700
DXCS CLKA	H	C25B1	1-02 *	D06				1		N	1-4/8	700
DXCS CLKA	H	C21B1	1-03 *	D06				2		N	1-4/8	700
DXCS CLKA	H	C19B1	1-04 *	D06				1		N	6-3/8	700
DXCS CLKA	H	E16C1	1-05 *	D06							10-7/8	700
DXCS CLKEN	H	C09D1	1-01 *	D06				1		N	8	701
DXCS CLKEN	H	E17B1	1-02 *	D06				2		N	2	701
DXCS CLKEN	H	E20B1	1-03 *	D06							10-0/8	701
DXCS CLKEN	L	B17D1	1-01 *	D06				1		N	9-1/8	702
DXCS CLKEN	L	E20A1	1-02 *	D06				2		N	1-4/8	702
DXCS CLKEN	L	E18A1	1-03 *	D06				1		N	1-7/8	702
DXCS CLKEN	L	E15L1	1-04 *	D06				2		N	1-2/8	702
DXCS CLKEN	L	E15S2	1-05 *	D06							13-6/8	702
DXCS CLKENA	H	C09H1	1-01 *	D06				2		N	1-1/8	703
DXCS CLKENA	H	C09N1	1-02 *	D06				1		N	4-7/8	703
DXCS CLKENA	H	E08D2	1-03 *	D06				2		N	5	703
DXCS CLKENA	H	E17D2	1-04 *	D06				1		N	1-2/8	703
DXCS CLKENA	H	E17L2	1-05 *	D06				2		N	2-7/8	703
DXCS CLKENA	H	F21B1	1-06 *	DXX				1		N	2-5/8	703
DXCS CLKENA	H	E20W1	1-07 *	D06							17-6/8	703
DXCS CLKENA	L	B17R1	1-01 *	D06				1		N	9-1/8	704
DXCS CLKENA	L	E20L1	1-02 *	D06				2		N	3-1/8	704
DXCS CLKENA	L	F22B1	1-03 *	DXX				1		N	4-5/8	704
DXCS CLKENA	L	E15V1	1-04 *	D06							16-7/8	704
DXND 00(0)	H	A10J2	1-01 *	D10				1		N	9	705
DXND 00(0)	H	B21U2	1-02 *	D11							9-0/8	705
DXND 00(1)	H	C20P1	1-01 *	D17				1		N	7-3/8	706
DXND 00(1)	H	A32V2	1-02 *	D22				2		N	12-7/8	706
DXND 00(1)	H	A16H2	1-03 *	D10				1		N	8-5/8	706
DXND 00(1)	H	D10H1	1-04 *	D19				2		N	4-2/8	706
DXND 00(1)	H	E10U1	1-05 *	D09				1		N	0-4/8	706
DXND 00(1)	H	E10S2	1-06 *	D09							33-5/8	706
DXND 01(0)	H	A11J2	1-01 *	D10				1		N	8-2/8	707
DXND 01(0)	H	B21T2	1-02 *	D11							8-2/8	707



DX118.U RUN NAME	A/P	WRAPD .V35(102)-1 PIN NAME	03-JUN-77 ORDER PIN	BAY - ORDER	Q	DRAW OPT	RV RG Y	X	Z	REMARKS	15-NOV-77	15:48 NC LENGTH FLAG	PAGE 76 EXCEPTIONS	RUN NUMBER
DXND 01(1)	H	C20R1	1-01 *	D17					1			N 7-3/8		700
DXND 01(1)	H	A32U2	1-02 *	D22					2			N 12-1/8		700
DXND 01(1)	H	A11H2	1-03 *	D10					1			N 8-5/8		700
DXND 01(1)	H	D11H1	1-04 *	D19					2			N 3-7/8		700
DXND 01(1)	H	E10N1	1-05 *	D09					1			N 0-4/8		700
DXND 01(1)	H	E10R1	1-06 *	D09					1					700
DXND 01(1)	H		1									32-4/8		700
DXND 02(0)	H	A12J2	1-01 *	D10	S				1			N 6-7/8		709
DXND 02(0)	H	B21S2	1-02 *	D11										709
DXND 02(0)	H		1									6-7/8		709
DXND 02(1)	H	C20L1	1-01 *	D17					1			N 7-1/8		710
DXND 02(1)	H	A32T2	1-02 *	D22					2			N 11-5/8		710
DXND 02(1)	H	A12H2	1-03 *	D10					1			N 8-5/8		710
DXND 02(1)	H	D12H1	1-04 *	D19					2			N 3-5/8		710
DXND 02(1)	H	E10H2	1-05 *	D09					1			N 0-4/8		710
DXND 02(1)	H	E10R2	1-06 *	D09					1					710
DXND 02(1)	H		1									31-4/8		710
DXND 03(0)	H	A13J2	1-01 *	D10	S				1			N 6-1/8		711
DXND 03(0)	H	B21R2	1-02 *	D11										711
DXND 03(0)	H		1									6-1/8		711
DXND 03(1)	H	C20M1	1-01 *	D17					1			N 7-3/8		712
DXND 03(1)	H	A32S2	1-02 *	D22					2			N 10-7/8		712
DXND 03(1)	H	A13H2	1-03 *	D10					1			N 8-5/8		712
DXND 03(1)	H	D13H1	1-04 *	D19					2			N 3-6/8		712
DXND 03(1)	H	E10D1	1-05 *	D09					1			N 0-4/8		712
DXND 03(1)	H	E10F1	1-06 *	D09					1					712
DXND 03(1)	H		1									31-1/8		712
DXND 04(0)	H	A14J2	1-01 *	D10	S				1			N 5-2/8		713
DXND 04(0)	H	B21R1	1-02 *	D11										713
DXND 04(0)	H		1									5-2/8		713
DXND 04(1)	H	C20D1	1-01 *	D17					1			N 6-5/8		714
DXND 04(1)	H	A32R2	1-02 *	D22					2			N 10-3/8		714
DXND 04(1)	H	A14H2	1-03 *	D10					1			N 8-5/8		714
DXND 04(1)	H	D14H1	1-04 *	D19					2			N 6-1/8		714
DXND 04(1)	H	E09S2	1-05 *	D09					1			N 0-4/8		714
DXND 04(1)	H	E09U1	1-06 *	D09					1					714
DXND 04(1)	H		1									32-2/8		714
DXND 05(0)	H	A15J2	1-01 *	D10	S				1			N 5-4/8		715
DXND 05(0)	H	B21P1	1-02 *	D11										715
DXND 05(0)	H		1									5-4/8		715
DXND 05(1)	H	C20E1	1-01 *	D17					1			N 6-7/8		716
DXND 05(1)	H	A32P2	1-02 *	D22					2			N 9-5/8		716
DXND 05(1)	H	A15H2	1-03 *	D10					1			N 8-5/8		716
DXND 05(1)	H	D15H1	1-04 *	D19					2			N 4-6/8		716
DXND 05(1)	H	E09N1	1-05 *	D09					1			N 0-4/8		716
DXND 05(1)	H	E09R1	1-06 *	D09					1					716
DXND 05(1)	H		1									30-3/8		716

DX118.U RUN NAME	A/P	WRAPD .V35(102)-1 PIN NAME	03-JUN-77 ORDER PIN	BAY - ORDER	Q	DRAW OPT	RV RG Y	X	Z	REMARKS	15-NOV-77	15:48 NC LENGTH FLAG	PAGE 77 EXCEPTIONS	RUN NUMBER
DXND 06(0)	H	A16J2	1-01 *	D10	S				1			N 5-4/8		717
DXND 06(0)	H	B21N1	1-02 *	D11										717
DXND 06(0)	H		1									5-4/8		717
DXND 06(1)	H	C20A1	1-01 *	D17					1			N 6-5/8		718
DXND 06(1)	H	A32N2	1-02 *	D22					2			N 9-1/8		718
DXND 06(1)	H	A16H2	1-03 *	D10					1			N 8-5/8		718
DXND 06(1)	H	D16H1	1-04 *	D19					2			N 5		718
DXND 06(1)	H	E09K2	1-05 *	D09					1			N 0-4/8		718
DXND 06(1)	H	E09H2	1-06 *	D09					1					718
DXND 06(1)	H		1									29-7/8		718
DXND 07(0)	H	A17J2	1-01 *	D10	S				1			N 5-1/8		719
DXND 07(0)	H	B21M1	1-02 *	D11										719
DXND 07(0)	H		1									5-1/8		719
DXND 07(1)	H	A32M2	1-01 *	D22					1			N 6-5/8		720
DXND 07(1)	H	C20B1	1-02 *	D17					2			N 8-2/8		720
DXND 07(1)	H	A17H2	1-03 *	D10					1			N 8-5/8		720
DXND 07(1)	H	D17H1	1-04 *	D19					2			N 6-3/8		720
DXND 07(1)	H	E09D1	1-05 *	D09					1			N 0-4/8		720
DXND 07(1)	H	E09F1	1-06 *	D09					1					720
DXND 07(1)	H		1									30-3/8		720
DXND 08(0)	H	A10R2	1-01 *	D10	S				1			N 14-1/8		721
DXND 08(0)	H	E02H2	1-02 *	D24										721
DXND 08(0)	H		1									14-1/8		721
DXND 08(1)	H	A10P2	1-01 *	D10					2			N 4-2/8		722
DXND 08(1)	H	B15E2	1-02 *	D16					1			N 8-5/8		722
DXND 08(1)	H	D03J2	1-03 *	D07					2			N 5-3/8		722
DXND 08(1)	H	E10T2	1-04 *	D09					1			N 5-5/8		722
DXND 08(1)	H	D10H1	1-05 *	D19					2			N 6-7/8		722
DXND 08(1)	H	C27P1	1-06 *	D17					1			N 8-7/8		722
DXND 08(1)	H	A32L2	1-07 *	D22					1					722
DXND 08(1)	H		1									39-5/8		722
DXND 09(0)	H	A11R2	1-01 *	D10	S				1			N 14-3/8		723
DXND 09(0)	H	E02F2	1-02 *	D24										723
DXND 09(0)	H		1									14-3/8		723
DXND 09(1)	H	A11P2	1-01 *	D10					2			N 4-3/8		724
DXND 09(1)	H	B15N1	1-02 *	D16					1			N 7-7/8		724
DXND 09(1)	H	D04J2	1-03 *	D07					2			N 4-7/8		724
DXND 09(1)	H	E10P1	1-04 *	D09					1			N 7-5/8		724
DXND 09(1)	H	D19H1	1-05 *	D19					2			N 6-3/8		724
DXND 09(1)	H	C27R1	1-06 *	D17					1			N 8-7/8		724
DXND 09(1)	H	A32K2	1-07 *	D22					1					724
DXND 09(1)	H		1									40-0/8		724
DXND 10(0)	H	A12R2	1-01 *	D10	S				1			N 14-7/8		725
DXND 10(0)	H	E02E2	1-02 *	D24										725
DXND 10(0)	H		1									14-7/8		725

bb

100

DX11B.U RUN NAME	A/P	WRAPD .V35(102)-1 PIN NAME	ORDER PIN	03-JUN-77 BAY - ORDER	Q	DRAW OPT	RV	RG	Y	X	Z	REMARKS	15-Nov-77	15148 NC LENGTH FLAG	PAGE 78 EXCEPTIONS	RUN NUMBER
DXND 10(1)	H	A12P2		1-01 *		D10					2			N	3-4/8	726
DXND 10(1)	H	B15H1		1-02 *		D16					1			N	0-2/8	726
DXND 10(1)	H	D09J2		1-03 *		D07					2			N	4	726
DXND 10(1)	H	E10J2		1-04 *		D09					1			N	7-5/8	726
DXND 10(1)	H	D20H1		1-05 *		D19					2			N	6-3/8	726
DXND 10(1)	H	C27L1		1-06 *		D17					1			N	0-5/8	726
DXND 10(1)	H	A32J2		1-07 *		D22										726
DXND 10(1)	H			1											30-3/8	726
DXND 11(0)	H	A13R2		1-01 *	S	D10					1			N	15-1/8	727
DXND 11(0)	H	E02D2		1-02 *		D24										727
DXND 11(0)	H			1											15-1/8	727
DXND 11(1)	H	B15B1		1-01 *		D16					1			N	2-3/8	728
DXND 11(1)	H	A13P2		1-02 *		D10					2			N	10-5/8	728
DXND 11(1)	H	A32H2		1-03 *		D22					1			N	0-7/8	728
DXND 11(1)	H	C27M1		1-04 *		D17					2			N	5	728
DXND 11(1)	H	D21H1		1-05 *		D19					1			N	7-5/8	728
DXND 11(1)	H	D06J2		1-06 *		D07					2			N	3-4/8	728
DXND 11(1)	H	E10E1		1-07 *		D09										728
DXND 11(1)	H			1											30-0/8	728
DXND 12(0)	H	A14R2		1-01 *	S	D10					1			N	15-7/8	729
DXND 12(0)	H	E02D1		1-02 *		D24										729
DXND 12(0)	H			1											15-7/8	729
DXND 12(1)	H	A14P2		1-01 *		D10					2			N	4-7/8	730
DXND 12(1)	H	B11B2		1-02 *		D16					1			N	6-3/8	730
DXND 12(1)	H	D03E1		1-03 *		D07					2			N	6	730
DXND 12(1)	H	E09T2		1-04 *		D09					1			N	10-1/8	730
DXND 12(1)	H	D22H1		1-05 *		D19					2			N	4-7/8	730
DXND 12(1)	H	C27D1		1-06 *		D17					1			N	0-1/8	730
DXND 12(1)	H	A32F2		1-07 *		D22										730
DXND 12(1)	H			1											40-3/8	730
DXND 13(0)	H	A15R2		1-01 *	S	D10					1			N	15-1/8	731
DXND 13(0)	H	E02C1		1-02 *		D24										731
DXND 13(0)	H			1											15-1/8	731
DXND 13(1)	H	D23H1		1-01 *		D19					1			N	8-2/8	732
DXND 13(1)	H	C27E1		1-02 *		D17					2			N	0-3/8	732
DXND 13(1)	H	A32E2		1-03 *		D22					1			N	9-7/8	732
DXND 13(1)	H	A15P2		1-04 *		D10					2			N	3-7/8	732
DXND 13(1)	H	B11L2		1-05 *		D16					1			N	7-2/8	732
DXND 13(1)	H	D04E1		1-06 *		D07					2			N	5-7/8	732
DXND 13(1)	H	E09P1		1-07 *		D09										732
DXND 13(1)	H			1											40-4/8	732
DXND 14(0)	H	A16R2		1-01 *	S	D10					1			N	14-4/8	733
DXND 14(0)	H	E02B1		1-02 *		D24										733
DXND 14(0)	H			1											14-4/8	733

DX11B.U RUN NAME	A/P	WRAPD .V35(102)-1 PIN NAME	ORDER PIN	03-JUN-77 BAY - ORDER	Q	DRAW OPT	RV	RG	Y	X	Z	REMARKS	15-Nov-77	15148 NC LENGTH FLAG	PAGE 79 EXCEPTIONS	RUN NUMBER
DXND 14(1)	H	D24H1		1-01 *		D19					1			N	5-3/8	734
DXND 14(1)	H	C27A1		1-02 *		D17					2			N	0-1/8	734
DXND 14(1)	H	A32D2		1-03 *		D22					1			N	9-5/8	734
DXND 14(1)	H	A16P2		1-04 *		D10					2			N	4-2/8	734
DXND 14(1)	H	B11E2		1-05 *		D16					1			N	0-7/8	734
DXND 14(1)	H	D05E1		1-06 *		D07					2			N	4-4/8	734
DXND 14(1)	H	E09J2		1-07 *		D09										734
DXND 14(1)	H			1											40-6/8	734
DXND 15(0)	H	A17R2		1-01 *	S	D10					1			N	13-4/8	735
DXND 15(0)	H	E02A1		1-02 *		D24										735
DXND 15(0)	H			1											13-4/8	735
DXND 15(1)	H	D25H1		1-01 *		D19					1			N	4-7/8	736
DXND 15(1)	H	C27B1		1-02 *		D17					2			N	0-1/8	736
DXND 15(1)	H	A32C2		1-03 *		D22					1			N	9-1/8	736
DXND 15(1)	H	A17P2		1-04 *		D10					2			N	4-7/8	736
DXND 15(1)	H	B11N1		1-05 *		D16					1			N	7-3/8	736
DXND 15(1)	H	D06E1		1-06 *		D07					2			N	4-3/8	736
DXND 15(1)	H	E09E1		1-07 *		D09										736
DXND 15(1)	H			1											30-6/8	736
DXND CLK A	L	B16C1		1-01 *		D10					1			N	0-1/8	737
DXND CLK A	L	B16D1		1-02 *		D10					2			N	0-5/8	737
DXND CLK A	L	B16H1		1-03 *		D10										737
DXND CLK A	L			1											0-6/8	737
DXND CLK B	L	B16D2		1-01 *		D10					2			N	1-5/8	738
DXND CLK B	L	B16N1		1-02 *		D10					1			N	0-1/8	738
DXND CLK B	L	B16P1		1-03 *		D10										738
DXND CLK B	L			1											1-6/8	738
DXND STB A	L	A25K2		1-01 *		D10					2			N	7-3/8	739
DXND STB A	L	B16E1		1-02 *		D10					1			N	0-5/8	739
DXND STB A	L	B16J1		1-03 *		D10										739
DXND STB A	L			1											0-0/8	739
DXND STB B	L	B16R1		1-01 *		D10					1			N	1-5/8	740
DXND STB B	L	B16E2		1-02 *		D10					2			N	1-3/8	740
DXND STB B	L	B16C1		1-03 *	S	D10										740
DXND STB B	L			1											3-0/8	740
DXRESET	H	A18E2		1-01 *		D15					1			N	0-4/8	741
DXRESET	H	A18H2		1-02 *		D16					2			N	13-1/8	741
DXRESET	H	E13E2	E27K2	1-03 *		D09					1			N	7-7/8	741
DXRESET	H	E27K2		1-04 *		D24					2			N	1-7/8	741
DXRESET	H	E29U2		1-05 *		D13										741
DXRESET	H			1											23-3/8	741



DX118,U RUN NAME	A/P	WRAPD .V35(102)-1 PIN NAME	ORDER PIN	03-JUN-77 BAY - ORDER	Q	DRAW	RV RG Y	X	Z	REMARKS	15-Nov-77	15148 NC LENGTH FLAG	PAGE 00 EXCEPTIONS	RUN NUMBER
DXRESET	L	B19W2		1-01 *		D10			1			N 1-7/8		742
DXRESET	L	B10D2		1-02 *		D06			2			N 13-6/8		742
DXRESET	L	E07H1		1-03 *		D13			1			N 1-3/8		742
DXRESET	L	E07P2		1-04 *		D11			2			N 4-3/8		742
DXRESET	L	E14J1	E27H2	1-05 *		D05			1			N 7-1/8		742
DXRESET	L	E27H2	E27J2	1-06 *		D24			2			N 0-1/8		742
DXRESET	L	E27J2		1-07 *		D24			1			N 0-4/8		742
DXRESET	L	E27L1		1-08 *		D24			2			N 1-7/8		742
DXRESET	L	E24N2		1-09 *	S	D24						N 1-7/8		742
DXRESET	L			1								31-0/8		742
DXRESET OR INIT	H	B25R1		1-01 *					2			N 11-3/8		743
DXRESET OR INIT	H	C00T2		1-02 *		D05			1			N 8		743
DXRESET OR INIT	H	A1002		1-03 *		D21			2			N 0-4/8		743
DXRESET OR INIT	H	A10P2		1-04 *		D21			1			N 0-4/8		743
DXRESET OR INIT	H	A10M2		1-05 *		D21			2			N 0-4/8		743
DXRESET OR INIT	H	A10K2		1-06 *		D21			1			N 0-4/8		743
DXRESET OR INIT	H	E27N1		1-07 *	S	D24			2			N 15-5/8		743
DXRESET OR INIT	H	E16T2		1-08 *								N 6-1/8		743
DXRESET OR INIT	H			1								42-5/8		743
DXRESET OR INIT	L	B25B1	B19D2	1-01 *		D24			1			N 4-3/8		744
DXRESET OR INIT	L	B19D2	B17C1	1-02 *		D10			2			N 1-7/8		744
DXRESET OR INIT	L	B17C1		1-03 *		D06						N 1-7/8		744
DXRESET OR INIT	L			1								6-2/8		744
DXRESET OR INIT P	H	E10B2		1-01 *	1				1			N 1-1/8		745
DXRESET OR INIT P	H	E10L1		1-02 *								N 1-1/8		745
DXRESET OR INIT P	H			1								1-1/8		745
DXRESET OR INIT P	L	B25F1		1-01 *					1			N 4-1/8		746
DXRESET OR INIT P	L	B30R2		1-02 *					2			N 4-5/8		746
DXRESET OR INIT P	L	C25H2		1-03 *					1			N 0-5/8		746
DXRESET OR INIT P	L	C24D2		1-04 *					2			N 1		746
DXRESET OR INIT P	L	C23D2		1-05 *					1			N 1		746
DXRESET OR INIT P	L	C22D2		1-06 *					2			N 1		746
DXRESET OR INIT P	L	C21D2		1-07 *					1			N 1		746
DXRESET OR INIT P	L	C20D2	E10P2	1-08 *					2			N 7-7/8		746
DXRESET OR INIT P	L	E10P2	E10R2	1-09 *					1			N 0-1/8		746
DXRESET OR INIT P	L	E10R2	C10D2	1-10 *					2			N 7		746
DXRESET OR INIT P	L	C10D2	C11P1	1-11 *					1			N 5-3/8		746
DXRESET OR INIT P	L	C11P1		1-12 *								N 5-3/8		746
DXRESET OR INIT P	L			1								33-6/8		746
DXRESET OR INIT PA	L	C19L2		1-01 *	2	D13			2			N 1-2/8		747
DXRESET OR INIT PA	L	C19D2		1-02 *		D12			1			N 10-3/8		747
DXRESET OR INIT PA	L	B01T2	F19T2	1-03 *		D14			2			N 16-2/8		747
DXRESET OR INIT PA	L	F19T2		1-04 *					1			N 2-5/8		747
DXRESET OR INIT PA	L	F17D2		1-05 *		D25			2			N 1-5/8		747
DXRESET OR INIT PA	L	F19H2		1-06 *		D05			1			N 1-2/8		747
DXRESET OR INIT PA	L	F19P2		1-07 *		D10			2			N 1-6/8		747
DXRESET OR INIT PA	L	F17P1		1-08 *		D10			1			N 11-7/8		747
DXRESET OR INIT PA	L	C10P1	D09U1	1-09 *		D11			2			N 4-1/8		747
DXRESET OR INIT PA	L	D09U1		1-10 *	S	D24						N 4-1/8		747
DXRESET OR INIT PA	L			1								51-1/8		747

DX118,U RUN NAME	A/P	WRAPD .V35(102)-1 PIN NAME	ORDER PIN	03-JUN-77 BAY - ORDER	Q	DRAW	RV RG Y	X	Z	REMARKS	15-Nov-77	15148 NC LENGTH FLAG	PAGE 01 EXCEPTIONS	RUN NUMBER
DXTMO(0)	H	F17K2		1-01 *		D25			1			N 2-7/8		748
DXTMO(0)	H	F22H1		1-02 *		D24						N 2-7/8		748
DXTMO(0)	H			1								2-7/8		748
DXTMO(1)	H	A32B2		1-01 *		D22			1			N 13-4/8		749
DXTMO(1)	H	D14J1		1-02 *		D19			2			N 7-3/8		749
DXTMO(1)	H	F17J2		1-03 *		D25						N 20-7/8		749
DXTMO(1)	H			1								20-7/8		749
E01C1		C21K1		1-01 *		D05			1			N 13-1/8		750
E01C1		D01L1		1-02 *		D05			2			N 2-1/8		750
E01C1		E01C1		1-03 *		D05						N 15-2/8		750
E01C1				1								15-2/8		750
E01F1		C19K1		1-01 *		D05			1			N 12-5/8		751
E01F1		D01P1		1-02 *		D05			2			N 2-1/8		751
E01F1		E01F1		1-03 *		D05						N 14-6/8		751
E01F1				1								14-6/8		751
E01F2		C17K1		1-01 *		D05			1			N 12-7/8		752
E01F2		E01F2		1-02 *		D02						N 12-7/8		752
E01F2				1								12-7/8		752
E01K1		C20K1		1-01 *		D05			1			N 11-5/8		753
E01K1		D01D2		1-02 *		D05			2			N 3-7/8		753
E01K1		E01K1		1-03 *	S	D05						N 15-4/8		753
E01K1				1								15-4/8		753
E01K2		E01K2		1-01 *		D05			1			N 7-1/8		754
E01K2		E14P1		1-02 *		D05						N 7-1/8		754
E01K2				1								7-1/8		754
E01N1		C10K1		1-01 *		D05			1			N 11-1/8		755
E01N1		D01H2		1-02 *		D05			2			N 3-5/8		755
E01N1		E01N1		1-03 *		D05						N 14-6/8		755
E01N1				1								14-6/8		755
E01N2		E01N2		1-01 *		D05			1			N 1-7/8		756
E01N2		E04P2		1-02 *		D05						N 1-7/8		756
E01N2				1								1-7/8		756
E01S1		E01D2		1-01 *		D05			2			N 2-1/8		757
E01S1		E01S1		1-02 *		D05			1			N 7-3/8		757
E01S1		E14M1		1-03 *		D05						N 9-4/8		757
E01S1				1								9-4/8		757
E01S2		E01S2		1-01 *		D05			1			N 4-3/8		758
E01S2		E07J2		1-02 *		D05						N 4-3/8		758
E01S2				1								4-3/8		758
E01V2		B01B1		1-01 *		D05			1			N 10-3/8		759
E01V2		E01V2		1-02 *		D05						N 10-3/8		759
E01V2				1								10-3/8		759

101

DX11B,U RUN NAME	WRAPD .V35(102)-1 A/P PIN NAME	03-JUN-77 ORDER PIN	BAY - ORDER	Q	DRAW	RV RG Y	X Z	REMARKS	15-Nov-77	15148 NC LENGTH FLAG	PAGE 02 EXCEPTIONS	RUN NUMBER
E02P2	C07C1		1-01 *		D24		1			N 9-1/8		760
E02P2	E02P2		1-02 *		D24							760
E02P2			1							9-1/8		760
E03D1	B02N2		1-01 *		D24		1			N 0-1/8		761
E03D1	E03D1		1-02 *		D24							761
E03D1			1							0-1/8		761
E03H2	E02L2		1-01 *		D24		1			N 0-5/8		762
E03H2	E03H2		1-02 *		D24							762
E03H2			1							0-5/8		762
E03M2	D02E1		1-01 *		D24		1			N 4-3/8		763
E03M2	E03M2		1-02 *		D24							763
E03M2			1							4-3/8		763
E03S2	E03S2		1-01 *	8	DXX		1			N 2		764
E03S2	E05L2		1-02 *		DXX		2			N 1-1/8		764
E03S2	E05E2		1-03 *		DXX							764
E03S2			1							3-1/8		764
E03U1	E02F1		1-01 *		D24		1			N 2-1/8		765
E03U1	E03U1		1-02 *		D24							765
E03U1			1							2-1/8		765
E04F2	E04F2		1-01 *		D27		1			N 11-7/8		766
E04F2	J10N1		1-02 *		DXX							766
E04F2			1							11-7/8		766
E04K1	E04K1		1-01 *		D27		1			N 10-3/8		767
E04K1	J09E1		1-02 *		DXX							767
E04K1			1							10-3/8		767
E04K2	E04K2		1-01 *		D27		1			N 10-5/8		768
E04K2	J10E1		1-02 *		DXX							768
E04K2			1							10-5/8		768
E04N1	E04N1		1-01 *		D27		1			N 10-7/8		769
E04N1	J09N1		1-02 *		DXX							769
E04N1			1							10-7/8		769
E04S1	E04S1		1-01 *		D27		1			N 11-5/8		770
E04S1	J13E1		1-02 *		DXX							770
E04S1			1							11-5/8		770
E04S2	D01P2		1-01 *		D05		1			N 4-5/8		771
E04S2	E04S2		1-02 *		D05							771
E04S2			1							4-5/8		771
E04V2	C15K1		1-01 *		D05		2			N 7-5/8		772
E04V2	E01H1		1-02 *		D05		1			N 8-7/8		772
E04V2	E04V2		1-03 *		D05							772
E04V2			1							16-4/8		772

DX11B,U RUN NAME	WRAPD .V35(102)-1 A/P PIN NAME	03-JUN-77 ORDER PIN	BAY - ORDER	Q	DRAW	RV RG Y	X Z	REMARKS	15-Nov-77	15148 NC LENGTH FLAG	PAGE 03 EXCEPTIONS	RUN NUMBER
E05F2	E05F2		1-01 *		D09		1			N 0-4/8		773
E05F2	E05J2		1-02 *		D09							773
E05F2			1							0-4/8		773
E05K2	C17E2		1-01 *		D09		1			N 8-7/8		774
E05K2	E05K2		1-02 *		D09							774
E05K2			1							8-7/8		774
E06V2	D01L2		1-01 *		D05		1			N 5-7/8		775
E06V2	E06V2		1-02 *	5	D05							775
E06V2			1							5-7/8		775
E07H2	E01E2		1-01 *		D05		2			N 3-5/8		776
E07H2	E07H2		1-02 *		D05		1			N 4-5/8		776
E07H2	E14F1		1-03 *		D05							776
E07H2			1							8-2/8		776
E07J1	E07J1		1-01 *	5	D09		1			N 4-3/8		777
E07J1	E13S2		1-02 *		D13							777
E07J1			1							4-3/8		777
E07M2	E04T2		1-01 *		D05		1			N 2-3/8		778
E07M2	E07M2		1-02 *		D05							778
E07M2			1							2-3/8		778
E07N1	E07N1		1-01 *		DXX		1			N 2-3/8		779
E07N1	E11M1		1-02 *		DXX		2			N 1-3/8		779
E07N1	E11D1		1-03 *		DXX							779
E07N1			1							3-6/8		779
E07S2	E07S2		1-01 *		D11		1			N 4-1/8		780
E07S2	E13K2		1-02 *		D11							780
E07S2			1							4-1/8		780
E07U1	C23K1		1-01 *		D05		1			N 13		781
E07U1	E07U1		1-02 *		D05		2			N 7		781
E07U1	D01D1		1-03 *		D05							781
E07U1			1							20-0/8		781
E08C1	E08C1		1-01 *		D09		1			N 1-1/8		782
E08C1	E09B1		1-02 *		D09							782
E08C1			1							1-1/8		782
E08F1	D09K2		1-01 *	2			2			N 3-1/8		783
E08F1	E08F1		1-02 *	1			1			N 10-5/8		783
E08F1	J13D1	J13K2	1-03 *				2			N 1-1/8		783
E08F1	J13K2		1-04 *									783
E08F1			1							14-7/8		783
E08F2	E08F2		1-01 *				1			N 6-7/8		784
E08F2	C10B1		1-02 *									784
E08F2			1							6-7/8		784
E08K1	E08K1		1-01 *		D09		1			N 1-1/8		785
E08K1	E09J1		1-02 *		D09							785
E08K1			1							1-1/8		785

DX118,U  
RUN NAME

WRAPD .V35(102)-1 03-JUN-77  
A/P PIN ORDER BAY - Q DRAW RV RG Y X Z

15-Nov-77

15:40 PAGE 84  
NC LENGTH EXCEPTIONS

RUN  
NUMBER

WRAPD .V35(102)-1 03-JUN-77	A/P	PIN	ORDER	BAY -	Q	DRAW	RV	RG	Y	X	Z	REMARKS	15-Nov-77	15:40	PAGE 84	NC LENGTH	EXCEPTIONS	RUN	
	NAME	PIN	ORDER	ORDER		OPT								FLAG					NUMBER
E00K2	E00K2		1-01 *	D09							1			N	8-7/8			786	
E00K2	F20J1		1-02 *	DXX														786	
E00K2			1												8-7/8			786	
E00N1	E00N1		1-01 *	D09							1			N	1			787	
E00N1	E09L1		1-02 *	D09														787	
E00N1			1												1-0/8			787	
E00N2	E00N2		1-01 *	D09							1			N	9-1/8			788	
E00N2	F20R1		1-02 *	DXX														788	
E00N2			1												9-1/8			788	
E00S1	E00S1		1-01 *	D09							1			N	1-3/8			789	
E00S1	E09U2		1-02 *	D09														789	
E00S1			1												1-3/8			789	
E00S2	E00S2		1-01 *	DXX	S						1			N	8-3/8			790	
E00S2	F20M1		1-02 *	DXX														790	
E00S2			1												8-3/8			790	
E00V2	E00V2		1-01 *	D09							1			N	1-3/8			791	
E00V2	E10U2		1-02 *	D09														791	
E00V2			1												1-3/8			791	
E09A1	C17F2		1-01 *	D09							1			N	6-7/8			792	
E09A1	E09A1		1-02 *	D09														792	
E09A1			1												6-7/8			792	
E09K1	C16F2		1-01 *	D09							1			N	9-5/8			793	
E09K1	E09K1		1-02 *	D09														793	
E09K1			1												9-5/8			793	
E09M1	C15F2		1-01 *	D09							1			N	9-5/8			794	
E09M1	E09M1		1-02 *	D09														794	
E09M1			1												9-5/8			794	
E09V2	C14F2		1-01 *	D09							1			N	9-5/8			795	
E09V2	E09V2		1-02 *	D09														795	
E09V2			1												9-5/8			795	
E10A1	C13F2		1-01 *	D09							1			N	6-7/8			796	
E10A1	E10A1		1-02 *	D09														796	
E10A1			1												6-7/8			796	
E10K1	C12F2		1-01 *	D09							1			N	7-3/8			797	
E10K1	E10K1		1-02 *	D09														797	
E10K1			1												7-3/8			797	
E10M1	C11F2		1-01 *	D09							1			N	7-1/8			798	
E10M1	E10M1		1-02 *	D09														798	
E10M1			1												7-1/8			798	
E10V2	C10F2		1-01 *	D09							1			N	7-2/8			799	
E10V2	E10V2		1-02 *	D09														799	
E10V2			1												7-2/8			799	

DX118,U  
RUN NAME

WRAPD .V35(102)-1 03-JUN-77  
A/P PIN ORDER BAY - Q DRAW RV RG Y X Z

15-Nov-77

15:40 PAGE 85  
NC LENGTH EXCEPTIONS

RUN  
NUMBER

WRAPD .V35(102)-1 03-JUN-77	A/P	PIN	ORDER	BAY -	Q	DRAW	RV	RG	Y	X	Z	REMARKS	15-Nov-77	15:40	PAGE 85	NC LENGTH	EXCEPTIONS	RUN	
	NAME	PIN	ORDER	ORDER		OPT								FLAG					NUMBER
E11J2	E11J2		1-01 *	S	DXX						1			N	1			800	
E11J2	E11N1		1-02 *	DXX														800	
E11J2			1												1-0/8			800	
E11K2	E11K2		1-01 *	S	DXX						1			N	1			801	
E11K2	E11P1		1-02 *	DXX														801	
E11K2			1												1-0/8			801	
E12J2	A09D2		1-01 *	D24							1			N	12-7/8			802	
E12J2	E12J2		1-02 *	S	D24													802	
E12J2			1												12-7/8			802	
E12P2	B05P1		1-01 *	D08							1			N	11-7/8			803	
E12P2	E12P2		1-02 *	S	D08													803	
E12P2			1												11-7/8			803	
E12V2	B05R1		1-01 *	D08							1			N	12-3/8			804	
E12V2	E12V2		1-02 *	S	D08													804	
E12V2			1												12-3/8			804	
E13N2	C20T2		1-01 *	D20							1			N	7-7/8			805	
E13N2	E13N2		1-02 *	D20														805	
E13N2			1												7-7/8			805	
E14J2	B01H1		1-01 *	D05							1			N	12-1/8			806	
E14J2	E14J2		1-02 *	D05														806	
E14J2			1												12-1/8			806	
E14L1	E13H2		1-01 *	D05							1			N	0-5/8			807	
E14L1	E14L1		1-02 *	D05							2			N	3-1/8			807	
E14L1	F14K2		1-03 *	D05														807	
E14L1			1												3-6/8			807	
E14S1	E06U2		1-01 *	D05							1			N	4-3/8			808	
E14S1	E14S1		1-02 *	S	D05													808	
E14S1			1												4-3/8			808	
E14V2	A24R2		1-01 *	D13							1			N	16-3/8			809	
E14V2	E14V2		1-02 *	O13														809	
E14V2			1												16-3/8			809	
E15D1	C25S1		1-01 *	D11							1			N	4-7/8			810	
E15D1	E23A1		1-02 *	D11							2			N	4-5/8			810	
E15D1	E15D1		1-03 *	D11														810	
E15D1			1												9-4/8			810	
E15W2	E15H2		1-01 *	D11							1			N	4-5/8			811	
E15W2	E23F2		1-02 *	D11														811	
E15W2			1												4-5/8			811	
E15J1	E15J1		1-01 *	D11							1			N	6-1/8			812	
E15J1	E25B1		1-02 *	D11														812	
E15J1			1												6-1/8			812	

103



DX118,U  
RUN NAME

WRAPD .V35(102)-1 03-JUN-77  
A/P PIN ORDER BAY - Q DRAW RV RG Y X Z  
NAME PIN ORDER OPT

15-Nov-77

15148 PAGE 88  
NC LENGTH EXCEPTIONS  
FLAG

RUN  
NUMBER

E10N1	E10N1	1-01 *	D10									N	0-7/8	838
E10N1	C22A1	1-02 *	D10											838
E10N1		1											0-7/8	838
E10N2	C17B1	1-01 *	D06									N	7-5/8	839
E10N2	E10N2	1-02 *	D06											839
E10N2		1											7-5/8	839
E10B1	E10B2	1-01 *	D06									N	2-1/8	840
E10B1	E10B1	1-02 *	D06											840
E10B1		1											2-1/8	840
E10V2	E10V2	1-01 *	D06									N	2-2/8	841
E10V2	E20J1	1-02 *	D06											841
E10V2		1											2-2/8	841
E19C1	C16B1	1-01 *	D06									N	7-1/8	842
E19C1	E19C1	1-02 *	D06											842
E19C1		1											7-1/8	842
E19F1	C15B1	1-01 *	D06									N	0-1/8	843
E19F1	E19F1	1-02 *	D06											843
E19F1		1											0-1/8	843
E19K1	C21P1	1-01 *	D20									N	6-1/8	844
E19K1	E19K1	1-02 *	D20											844
E19K1		1											6-1/8	844
E19K2	E19K2	1-01 *	D13									N	0-1/8	845
E19K2	E19L2	1-02 *	D13											845
E19K2		1											0-1/8	845
E19N1	C09E2	1-01 *	DXX									N	0-1/8	846
E19N1	C09F2	1-02 *	DXX									N	9-6/8	846
E19N1	E19N1	1-03 *	DXX											846
E19N1		1											9-7/8	846
E19N2	C12M2	1-01 *	D13									N	9-2/8	847
E19N2	E19N2	1-02 *	D13											847
E19N2		1											9-2/8	847
E19S2	E19S2	1-01 *	D13									N	0-1/8	848
E19S2	E19T2	1-02 *	D13											848
E19S2		1											0-1/8	848
E19V2	C10M2	1-01 *	D13									N	10-1/8	849
E19V2	E19V2	1-02 *	D13											849
E19V2		1											10-1/8	849
E20E1	E10H2	1-01 *	D06									N	1-3/8	850
E20E1	E20E1	1-02 *	D06											850
E20E1		1											1-3/8	850
E20K1	E17P1	1-01 *	D06									N	2-3/8	851
E20K1	E20K1	1-02 *	D06											851
E20K1		1											2-3/8	851

DX118,U  
RUN NAME

WRAPD .V35(102)-1 03-JUN-77  
A/P PIN ORDER BAY - Q DRAW RV RG Y X Z  
NAME PIN ORDER OPT

15-Nov-77

15148 PAGE 89  
NC LENGTH EXCEPTIONS  
FLAG

RUN  
NUMBER

E20P1	E10B1	1-01 *	D06									N	1-7/8	852
E20P1	E20P1	1-02 *	D06											852
E20P1		1											1-7/8	852
E21C1	E21C1	1-01 *	D11									N	1-3/8	853
E21C1	E21L1	1-02 *	D11									N	2-3/8	853
E21C1	E25M1	1-03 *	D11											853
E21C1		1											3-6/8	853
E21F1	E21F1	1-01 *	D11									N	1-2/8	854
E21F1	E22M1	1-02 *	D11											854
E21F1		1											1-2/8	854
E21F2	B23N1	1-01 *	D11									N	0-1/8	855
E21F2	E21F2	1-02 *	D11									N	1-4/8	855
E21F2	E21R2	1-03 *	D11											855
E21F2		1											9-5/8	855
E21K1	E21N1	1-01 *	D11									N	1-4/8	856
E21K1	E22B2	1-02 *	D11											856
E21K1		1											1-4/8	856
E21K2	A06T2	1-01 *	D11									N	15-7/8	857
E21K2	E21K2	1-02 *	D11											857
E21K2		1											15-7/8	857
E21N1	B20L2	1-01 *	D11									N	5-1/8	858
E21N1	C14B1	1-02 *	D11									N	0-1/8	858
E21N1	E21N1	1-03 *	D11											858
E21N1		1											13-2/8	858
E21N2	E21N2	1-01 *	D11									N	1	859
E21N2	E21T2	1-02 *	D11											859
E21N2		1											1-0/8	859
E21B1	E21J2	1-01 *	D11									N	0-4/8	860
E21B1	E21L2	1-02 *	D11									N	1-2/8	860
E21B1	E21B1	1-03 *	D11											860
E21B1		1											1-6/8	860
E21B2	A06V2	1-01 *	D11									N	17	861
E21B2	E21B2	1-02 *	D11											861
E21B2		1											17-0/8	861
E21V2	B23P1	1-01 *	D11									N	9-3/8	862
E21V2	E21V2	1-02 *	D11											862
E21V2		1											9-3/8	862
E22J2	E16A1	1-01 *	D11									N	4-5/8	863
E22J2	E22J2	1-02 *	D11											863
E22J2		1											4-5/8	863

105





DX110.U RUN NAME	WRAPD .V35(102)-1 A/P PIN NAME	ORDER PIN	03-JUN-77 BAY - ORDER	Q	DRAW OPT	RV RG Y	X	Z	REMARKS	15-Nov-77	15148 NC LENGTH FLAG	PAGE 92 EXCEPTIONS	RUN NUMBER
E26K1	E26K1		1-01 *		D10			1			N 5-1/8		890
E26K1	F19R2		1-02 *		D10								890
E26K1			1								5-1/8		890
E26K2	C24N2		1-01 *		D13			1			N 6-1/8		891
E26K2	E26K2		1-02 *		D13			2			N 2-3/8		891
E26K2	E30H1		1-03 *		D13						8-4/8		891
E26K2			1										891
E26N1	A24J2		1-01 *		D13			1			N 12-1/8		892
E26N1	E26N1		1-02 *		D13						12-1/8		892
E26N1			1										892
E26W2	E26W2		1-01 *		D13			1			N 0-1/8		893
E26W2	E26P2		1-02 *		D13						0-1/8		893
E26W2			1										893
E26S1	E26S1		1-01 *	1				1			N 6-5/8		894
E26S1	C24P2		1-02 *								6-5/8		894
E26S1			1										894
E26S2	C22N2		1-01 *		D13			1			N 7-7/8		895
E26S2	E26S2		1-02 *		D13			2			N 1-5/8		895
E26S2	E20R2		1-03 *		D13						9-4/8		895
E26S2			1										895
E26V2	A24P2		1-01 *		D13			1			N 12-5/8		896
E26V2	E26V2		1-02 *		D13						12-5/8		896
E26V2			1										896
E27C1	E27C1		1-01 *		D13			1			N 0-1/8		897
E27C1	E27D1		1-02 *		D13						0-1/8		897
E27C1			1										897
E27F1	C20N2		1-01 *		D13			1			N 6-6/8		898
E27F1	E27F1		1-02 *		D13			2			N 1-4/8		898
E27F1	E27F1		1-03 *		D13						0-2/8		898
E27F1			1										898
E27K1	B30R1		1-01 *		D27			1			N 9-1/8		899
E27K1	E27K1		1-02 *		D27						9-1/8		899
E27K1			1										899
E27S2	C24K1		1-01 *		D05			1			N 8-1/8		900
E27S2	E27S2		1-02 *		D05			2			N 2-7/8		900
E27S2	F29H1		1-03 *		D05						11-0/8		900
E27S2			1										900
E27V2	E22U2		1-01 *		D11			1			N 3-1/8		901
E27V2	E27V2		1-02 *	8	D11						3-1/8		901
E27V2			1										901
E28E1	E28E1		1-01 *		D13			1			N 1-7/8		902
E28E1	E30A1		1-02 *		D13						1-7/8		902
E28E1			1										902

DX110.U RUN NAME	WRAPD .V35(102)-1 A/P PIN NAME	ORDER PIN	03-JUN-77 BAY - ORDER	Q	DRAW OPT	RV RG Y	X	Z	REMARKS	15-Nov-77	15148 NC LENGTH FLAG	PAGE 93 EXCEPTIONS	RUN NUMBER
E28J2	E28J2		1-01 *		D13			1			N 1-3/8		903
E28J2	E30D1		1-02 *		D13						1-3/8		903
E28J2			1										903
E28V2	E28V2		1-01 *		D13			1			N 1-3/8		904
E28V2	E30P1		1-02 *		D13						1-3/8		904
E28V2			1										904
E29E1	E29E1		1-01 *		D13			1			N 1-3/8		905
E29E1	E30D2		1-02 *		D13						1-3/8		905
E29E1			1										905
E29L1	E29L1		1-01 *		D13			1			N 1-2/8		906
E29L1	E30P2		1-02 *		D13						1-2/8		906
E29L1			1										906
E29P2	E27P1		1-01 *		D13			1			N 1-6/8		907
E29P2	E29P2		1-02 *	8	D13						1-6/8		907
E29P2			1										907
E29S1	E29J1		1-01 *		D13			1			N 1-3/8		908
E29S1	E29S1		1-02 *		D13						1-3/8		908
E29S1			1										908
E29V2	E27R1		1-01 *		D13			1			N 2-1/8		909
E29V2	E29V2		1-02 *	8	D13						2-1/8		909
E29V2			1										909
E30C1	C25M2		1-01 *		D13			1			N 6-7/8		910
E30C1	E30C1		1-02 *		D13						6-7/8		910
E30C1			1										910
E30F1	C23M2		1-01 *		D13			1			N 7-6/8		911
E30F1	E30F1		1-02 *		D13						7-6/8		911
E30F1			1										911
E30F2	C21M2		1-01 *		D13			1			N 7		912
E30F2	E30F2		1-02 *		D13						7-0/8		912
E30F2			1										912
E30K1	E30K1		1-01 *		D13			1			N 0-1/8		913
E30K1	E30L1		1-02 *		D13						0-1/8		913
E30K1			1										913
E30K2	E29M1		1-01 *		D13			1			N 1-3/8		914
E30K2	E30K2		1-02 *		D13						1-3/8		914
E30K2			1										914
E30N1	C24M2		1-01 *		D13			1			N 8-5/8		915
E30N1	E30N1		1-02 *		D13						8-5/8		915
E30N1	F30N1		1										915
E30N2	E29P1		1-01 *		D13			1			N 1-3/8		916
E30N2	E30N2		1-02 *		D13						1-3/8		916
E30N2			1										916

107

100

DX110,U RUN NAME	WRAPD .V35(102)-1 A/P PIN ORDER NAME PIN	03-JUN-77 DAY - Q ORDER	DRAW RV RG Y X Z	REMARKS	15-NOV-77	15148 NC LENGTH FLAG	PAGE 94 EXCEPTIONS	RUN NUMBER
E3081	C22M2	1-01 *	D13			N	9-7/8	917
E3081	E3081	1-02 *	D13					917
E3081		1					9-7/8	917
E3082	C20M2	1-01 *	D13			N	8-7/8	918
E3082	E3082	1-02 *	D13					918
E3082		1					8-7/8	918
E30V2	E30V2	1-01 *	D13			N	2-5/8	919
E30V2	E31A1	1-02 *	D13					919
E30V2		1					2-5/8	919
E31C1	C17M2	1-01 *	D13			N	11-3/8	920
E31C1	E31C1	1-02 *	D13					920
E31C1		1					11-3/8	920
E31F1	E31F1	1-01 *	D13			N	0-1/8	921
E31F1	E31H1	1-02 *	D13					921
E31F1		1					0-1/8	921
E31F2	E31F2	1-01 *	D13			N	0-1/8	922
E31F2	E31H2	1-02 *	D13					922
E31F2		1					0-1/8	922
E31K1	C15M2	1-01 *	D13			N	13-1/8	923
E31K1	E31K1	1-02 *	D13					923
E31K1		1					13-1/8	923
E31K2	C14M2	1-01 *	D13			N	13-7/8	924
E31K2	E31K2	1-02 *	D13					924
E31K2		1					13-7/8	924
E31N1	E31N1	1-01 *	D13			N	0-1/8	925
E31N1	E31P1	1-02 *	D13					925
E31N1		1					0-1/8	925
E31N2	E31N2	1-01 *	D13			N	0-1/8	926
E31N2	E31P2	1-02 *	D13					926
E31N2		1					0-1/8	926
E3181	C16M2	1-01 *	D13			N	11-6/8	927
E3181	E3181	1-02 *	D13					927
E3181		1					11-6/8	927
E3182	C13M2	1-01 *	D13			N	15-1/8	928
E3182	E3182	1-02 *	D13					928
E3182		1					15-1/8	928
E31V2	E24T2	1-01 *	D13			N	4-1/8	929
E31V2	E31V2	1-02 *	D13					929
E31V2		1					4-1/8	929
E32D1	E32D1	1-01 * 8	DXX			N	1-3/8	930
E32D1	E32L2	1-02 *	DXX					930
E32D1		1					1-3/8	930

DX110,U RUN NAME	WRAPD .V35(102)-1 A/P PIN ORDER NAME PIN	03-JUN-77 DAY - Q ORDER	DRAW RV RG Y X Z	REMARKS	15-NOV-77	15148 NC LENGTH FLAG	PAGE 95 EXCEPTIONS	RUN NUMBER
E32D2	E32D2	1-01 * 8	DXX			N	0-1/8	931
E32D2	E32E2	1-02 *	DXX					931
E32D2		1					0-1/8	931
E32P1	E32P1	1-01 * 1				N	0-4/8	932
E32P1	E3282	1-02 *						932
E32P1		1					0-4/8	932
E32R2	E32R2	1-01 * 1				N	1	933
E32R2	E32V2	1-02 *						933
E32R2		1					1-0/8	933
E32T2	E32T2	1-01 * 1				N	2-6/8	934
E32T2	F29H2	1-02 *						934
E32T2		1					2-6/8	934
EN DATA TO BUS	L A25N1	1-01 *	D17			N	8-7/8	935
EN DATA TO BUS	L D25R2	1-02 *	D19					935
EN DATA TO BUS		1					8-7/8	935
EN DATA TO BUS-A	L A25S1	1-01 *	D17			N	11-7/8	936
EN DATA TO BUS-A	L D17R2	1-02 *	D19					936
EN DATA TO BUS-A		1					11-7/8	936
EN FCTN	H C09P1	1-01 *	DXX			N	0-1/8	937
EN FCTN	H C09R1	1-02 *	DXX					937
EN FCTN	H E19S1	1-03 *	DXX			N	0	937
EN FCTN		1					0-1/8	937
EN FCTN	L A24L2	1-01 *	DXX			N	12-7/8	938
EN FCTN	L C09J2	1-02 *	DXX					938
EN FCTN	L E19P1	1-03 *	DXX			N	0-1/8	938
EN FCTN	L E19P1	1-04 *	DXX					938
EN FCTN	L F20A1	1-05 *	DXX			N	1-7/8	938
EN FCTN		1					24-3/8	938
ENABLE	H E27J1	1-01 *	DXX			N	11-5/8	939
ENABLE	H D09M1	1-02 *	DXX					939
ENABLE	H H09E1	1-03 *	DXX			N	7-4/8	939
ENABLE	H H10E1	1-04 *	DXX					939
ENABLE	H H11L2	1-05 *	DXX			N	1-5/8	939
ENABLE	H H10L2	1-06 *	DXX					939
ENABLE	H H10N1	1-07 *	DXX			N	0-4/8	939
ENABLE	H H09L2	1-08 *	DXX					939
ENABLE	H H09N1	1-09 *	DXX			N	0-4/8	939
ENABLE	H H09V2	1-10 *	DXX					939
ENABLE	H H10V2	1-11 *	DXX			N	1-3/8	939
ENABLE	H H11V2	1-12 *	DXX					939
ENABLE	H J11E1	1-13 *	D27			N	1-7/8	939
ENABLE	H J11L2	1-14 *	D27					939
ENABLE	H J11V2	1-15 *	D27			N	1-2/8	939
ENABLE		1					1-4/8	939
END CYCLE	H C17R1	1-01 *	D11			N	7-5/8	940
END CYCLE	H D26P2	1-02 * 8	D18					940
END CYCLE		1					7-5/8	940

DX110.U RUN NAME	A/P	WRAPD .V35(102)-1 PIN NAME	03-JUN-77 ORDER PIN	BAY - ORDER	Q	DRAW OPT	RV	RG	Y	X	Z	REMARKS	15-Nov-77	15148 NC LENGTH FLAG	PAGE 96 EXCEPTIONS	RUN NUMBER
ENDEN(1)	H	A30C1	1-01 *	D22							1			N 14-5/8		941
ENDEN(1)	H	F30J2	1-02 *	D13							2			N 7-7/8		941
ENDEN(1)	H	D23M1	1-03 *	D19							1			N 4		941
ENDEN(1)	H	C23E1	1-04 *	D06	S											941
ENDEN(1)	H		1											26-4/8		941
ERRSTA	L	D0282	1-01 *	DXX	S						2			N 5-3/8		942
ERRSTA	L	C08K2	1-02 *	DXX							1			N 11-3/8		942
ERRSTA	L	F20M1	1-03 *	DXX							2			N 0-5/8		942
ERRSTA	L	F20L1	1-04 *	DXX							1			N 0-1/8		942
ERRSTA	L	F20M2	1-05 *	DXX							2			N 0-5/8		942
ERRSTA	L	F20R2	1-06 *	DXX												942
ERRSTA	L		1											10-1/8		942
ESEND(1)	H	A29L1	1-01 *	D22							2			N 12-5/8		943
ESEND(1)	H	B09E1	1-02 *	D10							1			N 10-5/8		943
ESEND(1)	H	D1682	1-03 *	D19							2			N 3-5/8		943
ESEND(1)	H	C16N1	1-04 *	D09	S											943
ESEND(1)	H		1											26-7/8		943
EVEN	H	B22R2	1-01 *	D26							1			N 2-5/8		944
EVEN	H	B25F2	1-02 *	D26												944
EVEN	H		1											2-5/8		944
EVEN	L	B22P2	1-01 *	D26							1			N 0-5/8		944
EVEN	L	B22T2	1-02 *	D26							2			N 2-3/8		944
EVEN	L	B25E2	1-03 *	D26												944
EVEN	L		1											3-0/8		944
F03D2		F03D2	1-01 *	DXX	S						1			N 0-1/8		945
F03D2		F03E2	1-02 *	DXX												945
F03D2			1											0-1/8		945
F03L2		F02N1	1-01 *	DXX							2			N 0-1/8		945
F03L2		F02M1	1-02 *	DXX							1			N 0-1/8		945
F03L2		F02L1	1-03 *	DXX							2			N 1-2/8		945
F03L2		F03L2	1-04 *	DXX	S											945
F03L2			1											1-4/8		945
F03M2		F02B1	1-01 *	DXX							2			N 0-1/8		945
F03M2		F02C1	1-02 *	DXX							1			N 0-1/8		945
F03M2		F02D1	1-03 *	DXX							2			N 1-5/8		945
F03M2		F03M2	1-04 *	DXX	S											945
F03M2			1											1-7/8		945
F03S2		F03S2	1-01 *	DXX	S						1			N 9-7/8		945
F03S2		F22R1	1-02 *	DXX												945
F03S2			1											9-7/8		945
F04E2		F04D2	1-01 *	DXX							1			N 0-1/8		945
F04E2		F04E2	1-02 *	DXX	S											945
F04E2			1											0-1/8		945

DX110.U RUN NAME	A/P	WRAPD .V35(102)-1 PIN NAME	03-JUN-77 ORDER PIN	BAY - ORDER	Q	DRAW OPT	RV	RG	Y	X	Z	REMARKS	15-Nov-77	15148 NC LENGTH FLAG	PAGE 97 EXCEPTIONS	RUN NUMBER
F14F2		C22H1	1-01 *	D05							1			N 11-7/8		951
F14F2		F14F2	1-02 *	D05	S											951
F14F2			1											11-7/8		951
F19C1		F19C1	1-01 *	DXX	S						1			N 3-5/8		952
F19C1		H20E1	1-02 *	DXX												952
F19C1			1											3-5/8		952
F19F1		F19F1	1-01 *	DXX	S						1			N 4-1/8		953
F19F1		H20N1	1-02 *	DXX												953
F19F1			1											4-1/8		953
F19F2		C23L1	1-01 *	D05							2			N 1		953
F19F2		C22L1	1-02 *	D05							1			N 9-1/8		953
F19F2		F19F2	1-03 *	D05	S											953
F19F2			1											10-1/8		953
F19K1		F19K1	1-01 *	DXX	S						1			N 3-3/8		953
F19K1		H21E1	1-02 *	DXX												953
F19K1			1											3-3/8		953
F19N1		C20R1	1-01 *	D20							1			N 8-5/8		953
F19N1		F19N1	1-02 *	D20	S											953
F19N1			1											8-5/8		953
F19N2		E15C1	1-01 *	D11							1			N 6-5/8		953
F19N2		F19N2	1-02 *	D11	S											953
F19N2			1											6-5/8		953
F19S1		E25L2	1-01 *	D13							1			N 5-2/8		953
F19S1		F19S1	1-02 *	D13	S											953
F19S1			1											5-2/8		953
F19S2		D26D2	1-01 *	D18							1			N 10-5/8		953
F19S2		F19S2	1-02 *	D18	S											953
F19S2			1											10-5/8		953
F19V2		F19V2	1-01 *								1			N 3-6/8		960
F19V2		F17A1	1-02 *													960
F19V2			1											3-6/8		960
F20C1		C12C1	1-01 *	DXX							1			N 12-3/8		961
F20C1		F20C1	1-02 *	DXX	S											961
F20C1			1											12-3/8		961
F20K1		E10B1	1-01 *	DXX							1			N 8-1/8		962
F20K1		F20K1	1-02 *	DXX	S											962
F20K1			1											8-1/8		962
F20N1		E10J1	1-01 *	D09							1			N 8-5/8		963
F20N1		F20N1	1-02 *	D09	S											963
F20N1			1											8-5/8		963
F20N2		F19M2	1-01 *	DXX							1			N 1-1/8		964
F20N2		F20N2	1-02 *	DXX	S											964
F20N2			1											1-1/8		964

601

10

DX110.U RUN NAME	WRAPD .V35(102)-1 A/P PIN NAME	ORDER PIN	03-JUN-77 BAY - ORDER	Q	DRAW OPT	RV RG Y	X	Z	REMARKS	15-Nov-77	15:48 NC LENGTH FLAG	PAGE 98 EXCEPTIONS	RUN NUMBER
F2081	E10L1		1-01 *		DXX			1			N 0-3/8		965
F2081	F2081		1-02 *	8	DXX						0-3/8		965
F2081			1										965
F21C1	F2051		1-01 *		DXX			1			N 0-5/8		966
F21C1	F21C1		1-02 *	8	DXX						0-5/8		966
F21C1			1										966
F21F2	F20H2		1-01 *		D24			1			N 1-1/8		967
F21F2	F21F2		1-02 *	8	D24						1-1/8		967
F21F2			1										967
F21K1	F22K2	F22L2	1-01 *					1			N 0-1/8		968
F21K1	F22L2	F21K1	1-02 *					2			N 1-3/8		968
F21K1	F21K1		1-03 *								1-4/8		968
F21K1			1										968
F21N1	E24R2		1-01 *		D24			1			N 4-2/8		969
F21N1	F21N1		1-02 *	8	D24						4-2/8		969
F21N1			1										969
F2181	F20U2		1-01 *		D21			1			N 0-4/8		970
F2181	F2181		1-02 *	8	D21						0-4/8		970
F2181			1										970
F22E1	F20E1		1-01 *		DXX			1			N 1-4/8		971
F22E1	F22E1		1-02 *	8	DXX						1-4/8		971
F22E1			1										971
F22J2	F22J2	F17B1	1-01 *	8	DXX			1			N 3-7/8		972
F22J2	F17B1		1-02 *								3-7/8		972
F22J2			1										972
F22P2	F22P2		1-01 *					1			N 4-6/8		973
F22P2	E16M2		1-02 *								4-6/8		973
F22P2			1										973
F2281	F17E2		1-01 *		DXX			1			N 3-7/8		974
F2281	F2281		1-02 *	8	DXX						3-7/8		974
F2281			1										974
F29C1	F29C1		1-01 *	8	DXX			1			N 0-1/8		975
F29C1	F29D1		1-02 *		DXX						0-1/8		975
F29C1			1										975
F29F2	F29A1		1-01 *		D13			1			N 1-2/8		976
F29F2	F29F2		1-02 *	8	D13						1-2/8		976
F29F2			1										976
F29K1	C24J1		1-01 *		D05			1			N 10-7/8		977
F29K1	F29K1		1-02 *	8	D05						10-7/8		977
F29K1			1										977

DX110.U RUN NAME	WRAPD .V35(102)-1 A/P PIN NAME	ORDER PIN	03-JUN-77 BAY - ORDER	Q	DRAW OPT	RV RG Y	X	Z	REMARKS	15-Nov-77	15:48 NC LENGTH FLAG	PAGE 99 EXCEPTIONS	RUN NUMBER
F30A1	C17N2		1-01 *		D13			1			N 9-7/8		978
F30A1	F30A1		1-02 *		D13			2			N 1-5/8		978
F30A1	E30T2		1-03 *		D13						11-4/8		978
F30A1			1										978
F30K1	C15N2		1-01 *		D13			1			N 11-2/8		979
F30K1	F30K1		1-02 *		D13			2			N 4-3/8		979
F30K1	E31D1		1-03 *		D13						15-5/8		979
F30K1			1										979
F30M1	C16N2		1-01 *		D13			1			N 12-3/8		980
F30M1	F30M1		1-02 *		D13			2			N 3-7/8		980
F30M1	E31L1		1-03 *		D13						16-2/8		980
F30M1			1										980
F30V2	C14N2		1-01 *		D13			1			N 13-1/8		981
F30V2	F30V2		1-02 *		D13			2			N 5-3/8		981
F30V2	E31D2		1-03 *		D13						18-4/8		981
F30V2			1										981
F31A1	C13N2		1-01 *		D13			1			N 14-1/8		982
F31A1	F31A1		1-02 *		D13			2			N 2-3/8		982
F31A1	E31L2		1-03 *		D13						16-4/8		982
F31A1			1										982
F31K1	C11N2		1-01 *		D13			1			N 15-5/8		983
F31K1	F31K1		1-02 *		D13			2			N 2-5/8		983
F31K1	E31T2		1-03 *		D13						18-2/8		983
F31K1			1										983
F31M1	C12N2		1-01 *		D13			2			N 7-6/8		984
F31M1	E19H2		1-02 *		D13			1			N 9-3/8		984
F31M1	F31M1		1-03 *		D13						17-1/8		984
F31M1			1										984
F31V2	C10N2		1-01 *		D13			2			N 8-4/8		985
F31V2	E19P2		1-02 *		D13			1			N 9-7/8		985
F31V2	F31V2		1-03 *		D13						18-3/8		985
F31V2			1										985
FASTCU	H A09F2		1-01 *	8	D24			2			N 7		986
FASTCU	H B01L1		1-02 *		D05			1			N 10-1/8		986
FASTCU	H E05M1		1-03 *		D25			2			N 8-7/8		986
FASTCU	H E20E2		1-04 *		D24			1			N 2-7/8		986
FASTCU	H D20F1		1-05 *		D19			2			N 7-6/8		986
FASTCU	H F30D2		1-06 *		D13			1			N 1-4/8		986
FASTCU	H F30N2		1-07 *		D13			2			N 3-1/8		986
FASTCU	H E29T2		1-08 *		D13			1			N 13-1/8		986
FASTCU	H A32J1		1-09 *		D22								986
FASTCU	H		1								54-3/8		986
FASTCU	L E20F2		1-01 *		D24			1			N 1-4/8		987
FASTCU	L E22N1		1-02 *		D11								987
FASTCU	L		1								1-4/8		987

DX11B,U RUN NAME	A/P	WRAPD .V35(102)-1 PIN NAME	ORDER PIN	03-JUN-77 BAY - ORDER	Q	DRAW OPT	RV RG Y	X	Z	REMARKS	15-Nov-77	15148 NC LENGTH FLAG	PAGE 100 EXCEPTIONS	RUN NUMBER
FASTSRV	H	F21K2		1-01 *	S	D21			1			N 7-3/8		988
FASTSRV	H	J19P1		1-02 *		D27								988
FASTSRV	H			1								7-3/8		988
FASTSRV	L	E04M1		1-01 *		D24			2			N 11-3/8		989
FASTSRV	L	F21H2		1-02 *		D21			1			N 0-1/8		989
FASTSRV	L	F21J2		1-03 *		D21			2			N 2-1/8		989
FASTSRV	L	F20V2		1-04 *		D21								989
FASTSRV	L			1								13-5/8		989
FASTX	H	B07D2		1-01 *	S	D25			1			N 10		990
FASTX	H	E29C1		1-02 *		D13								990
FASTX	H			1								10-0/8		990
FASTX	L	B07C1		1-01 *		D25			2			N 5-3/8		991
FASTX	L	C05V2		1-02 *		D25			1			N 13-7/8		991
FASTX	L	E25D2		1-03 *		D11								991
FASTX	L			1								19-2/8		991
FCTN CLK	H	C11B1		1-01 *		D06			2			N 1		992
FCTN CLK	H	C12B1		1-02 *		D06			1			N 12-7/8		992
FCTN CLK	H	F20P1		1-03 *		DXX								992
FCTN CLK	H			1								13-7/8		992
FCTN1(0)	H	C03B1		1-01 *		D24			2			N 1-2/8		993
FCTN1(0)	H	C03J1		1-02 *		D24			1			N 4-5/8		993
FCTN1(0)	H	C11E1		1-03 *	S	D06								993
FCTN1(0)	H			1								5-7/8		993
FCTN1(1)	H	A30B1		1-01 *		D22			1			N 15-3/8		994
FCTN1(1)	H	D11M1		1-02 *		D19			2			N 6-1/8		994
FCTN1(1)	H	C03E1		1-03 *		D24			1			N 1-2/8		994
FCTN1(1)	H	C03M1		1-04 *		D24			2			N 5-1/8		994
FCTN1(1)	H	C11F1		1-05 *	S	D06								994
FCTN1(1)	H			1								27-7/8		994
FCTN2(0)	H	C03A1		1-01 *		D24			1			N 0-5/8		995
FCTN2(0)	H	C03D1		1-02 *		D24			2			N 4-7/8		995
FCTN2(0)	H	C12E1		1-03 *	S	D06								995
FCTN2(0)	H			1								5-4/8		995
FCTN2(1)	H	A30R1		1-01 *		D22			1			N 14-3/8		996
FCTN2(1)	H	D12M1		1-02 *		D19			2			N 7-5/8		996
FCTN2(1)	H	C03L1		1-03 *		D24			1			N 0-5/8		996
FCTN2(1)	H	C03H1		1-04 *		D24			2			N 5-1/8		996
FCTN2(1)	H	C12F1		1-05 *	S	D06								996
FCTN2(1)	H			1								27-6/8		996
FTCU	L	A09E2		1-01 *		D24			1			N 6-5/8		997
FTCU	L	C07F2		1-02 *	S	D24								997
FTCU	L			1								6-5/8		997

DX11B,U RUN NAME	A/P	WRAPD .V35(102)-1 PIN NAME	ORDER PIN	03-JUN-77 BAY - ORDER	Q	DRAW OPT	RV RG Y	X	Z	REMARKS	15-Nov-77	15148 NC LENGTH FLAG	PAGE 101 EXCEPTIONS	RUN NUMBER
FUNE00	L	C03C1		1-01 *	S	D24			2			N 1-7/8		998
FUNE00	L	B01R1		1-02 *		D11			1			N 2-6/8		998
FUNE00	L	B05R2		1-03 *		D24			2			N 1-2/8		998
FUNE00	L	B05J2		1-04 *		D24			1			N 14-2/8		998
FUNE00	L	E24P2		1-05 *		D24			2			N 4-3/8		998
FUNE00	L	F19P1		1-06 *		D13								998
FUNE00	L			1								24-4/8		998
FUNE01	H	B07J2		1-01 *	S	D24			2			N 4-3/8		999
FUNE01	H	C02M2		1-02 *		D24			1			N 0-4/8		999
FUNE01	H	C02P2		1-03 *		D24								999
FUNE01	H			1								4-7/8		999
FUNE01	L	B07H2		1-01 *		D24			1			N 3-6/8		1000
FUNE01	L	C03F1		1-02 *	S	D24								1000
FUNE01	L			1								3-6/8		1000
FUNE02	H	A07E1		1-01 *	S	D24			1			N 0-1/8		1001
FUNE02	H	C02H2		1-02 *		D24			2			N 1-6/8		1001
FUNE02	H	C02U2		1-03 *		D24								1001
FUNE02	H			1								9-7/8		1001
FUNE02	L	A07D1		1-01 *		D24			1			N 0-3/8		1002
FUNE02	L	C03K1		1-02 *	S	D24								1002
FUNE02	L			1								0-3/8		1002
FUNE03	H	B07L2		1-01 *	S	D24			1			N 4-3/8		1003
FUNE03	H	B01E1		1-02 *		D05			2			N 4-1/8		1003
FUNE03	H	C02M1		1-03 *		D24			1			N 6-1/8		1003
FUNE03	H	E03K2		1-04 *		D24								1003
FUNE03	H			1								14-5/8		1003
FUNE03	L	C03N1		1-01 *	S	D24			2			N 2-3/8		1004
FUNE03	L	D02A1		1-02 *		D24			1			N 1-5/8		1004
FUNE03	L	C02R1		1-03 *		D24			2			N 4-7/8		1004
FUNE03	L	B07K2		1-04 *		D24			1			N 1-5/8		1004
FUNE03	L	B05D2		1-05 *		D24			2			N 1		1004
FUNE03	L	B06J1		1-06 *		D25			1			N 16-6/8		1004
FUNE03	L	F21E2		1-07 *		DXX								1004
FUNE03	L			1								20-2/8		1004
GND 10		F10C2		1-01 *		D27			2			N 2-1/8		1005
GND 10		F10T1		1-02 *		D27			1			N 1-3/8		1005
GND 10		H10C2		1-03 *		D27			2			N 1		1005
GND 10		H10H1		1-04 *		D27			1			N 0-1/8		1005
GND 10		H10J1		1-05 *		D27			2			N 0-1/8		1005
GND 10		H10H2		1-06 *		D27			1			N 0-1/8		1005
GND 10		H10J2		1-07 *		D27			2			N 1-2/8		1005
GND 10		H10R2		1-08 *		D27			1			N 0-1/8		1005
GND 10		H10S2		1-09 *		D27			2			N 0-1/8		1005
GND 10		H10T1		1-10 *		D27			1			N 0-1/8		1005
GND 10		H10S1		1-11 *		D27			2			N 0-1/8		1005
GND 10		H10R1		1-12 *		D27								1005
GND 10				1								6-5/8		1005

112

DX118.U RUN NAME	WRAPD .V35(102)-1 A/P PIN ORDER PIN NAME	BAY - Q DRAW OPT	RV RG Y X Z	REMARKS	15-NOV-77	1518 NC LENGTH FLAG	PAGE 102 EXCEPTIONS	RUN NUMBER
GND 11	E11H1	1-01 *				N	1-3/8	1006
GND 11	E11R1	1-02 *				N	0-1/8	1006
GND 11	E11B1	1-03 *				N	0-4/8	1006
GND 11	E11U1	1-04 *				N	4-1/8	1006
GND 11	H11C2	1-05 *				N	1	1006
GND 11	H11H2	1-06 *				N	0-1/8	1006
GND 11	H11J2	1-07 *				N	1-2/8	1006
GND 11	H11R2	1-08 *				N	0-1/8	1006
GND 11	H11O2	1-09 *				N	0-1/8	1006
GND 11	H11R1	1-10 *				N	0-1/8	1006
GND 11	H11B1	1-11 *				N	0-1/8	1006
GND 11	H11T1	1-12 *				N	1-5/8	1006
GND 11	J11C2	1-13 *				N	1	1006
GND 11	J11H1	1-14 *				N	0-1/8	1006
GND 11	J11J1	1-15 *				N	0-1/8	1006
GND 11	J11H2	1-16 *				N	0-1/8	1006
GND 11	J11J2	1-17 *				N	1-2/8	1006
GND 11	J11R2	1-18 *				N	0-1/8	1006
GND 11	J11B2	1-19 *				N	0-1/8	1006
GND 11	J11T1	1-20 *				N	0-1/8	1006
GND 11	J11T1	1				N	13-4/8	1006
GND 12	A12C2	1-01 *				N	2-1/8	1007
GND 12	A12T1	1-02 *				N	1-5/8	1007
GND 12	B12C2	1-03 *				N	2-1/8	1007
GND 12	B12T1	1-04 *				N	1-3/8	1007
GND 12	C12C2	1-05 *				N	1-3/8	1007
GND 12	C12T1	1-06 *				N	2-1/8	1007
GND 12	D12C2	1-07 *				N	1-5/8	1007
GND 12	D12T1	1-08 *				N	2-1/8	1007
GND 12	E12C2	1-09 *				N	1-3/8	1007
GND 12	E12T1	1-10 *				N	2-1/8	1007
GND 12	F12C2	1-11 *				N	1-5/8	1007
GND 12	F12T1	1-12 *				N	2-1/8	1007
GND 12	H12A1	1-13 *				N	2-1/8	1007
GND 12	H12C2	1-14 *				N	1-1/8	1007
GND 12	H12C1	1-15 *				N	0-4/8	1007
GND 12	H12F1	1-16 *				N	0-4/8	1007
GND 12	H12K1	1-17 *				N	0-5/8	1007
GND 12	H12F2	1-18 *				N	0-5/8	1007
GND 12	H12J2	1-19 *				N	0-5/8	1007
GND 12	H12L2	1-20 *				N	0-4/8	1007
GND 12	H12N1	1-21 *				N	0-4/8	1007
GND 12	H12R1	1-22 *				N	0-4/8	1007
GND 12	H12N2	1-23 *				N	0-4/8	1007
GND 12	H12R2	1-24 *				N	0-4/8	1007
GND 12	H12T1	1-25 *				N	0-4/8	1007
GND 12	H12U2	1-26 *				N	0-1/8	1007
GND 12	J12A1	1-27 *				N	1-3/8	1007
GND 12	J12C2	1-28 *				N	0-4/8	1007
GND 12	J12C1	1-29 *				N	0-4/8	1007
GND 12	J12F1	1-30 *				N	0-4/8	1007
GND 12	J12F2	1-31 *				N	0-4/8	1007
GND 12	J12J2	1-32 *				N	0-4/8	1007
GND 12	J12L2	1-33 *				N	0-4/8	1007
GND 12	J12N2	1-34 *				N	0-4/8	1007

DX118.U RUN NAME	WRAPD .V35(102)-1 A/P PIN ORDER PIN NAME	BAY - Q DRAW OPT	RV RG Y X Z	REMARKS	15-NOV-77	1518 NC LENGTH FLAG	PAGE 103 EXCEPTIONS	RUN NUMBER
GND 12	J12R2	1-35 *				N	0-4/8	1007
GND 12	J12T1	1-36 *				N	0-1/8	1007
GND 12	J12U2	1-37 *				N	0-5/8	1007
GND 12	J12R1	1-38 *				N	0-4/8	1007
GND 12	J12M1	1-39 *				N	0-4/8	1007
GND 12	J12K1	1-40 *				N	0-5/8	1007
GND 12	J12K1	1				N	35-7/8	1007
GND 13	B13C2	1-01 *				N	0-5/8	1008
GND 13	B13F2	1-02 *				N	1-1/8	1008
GND 13	B13M2	1-03 *				N	1-1/8	1008
GND 13	B13T1	1-04 *				N	2-1/8	1008
GND 13	C13K1	1-05 *				N	2-1/8	1008
GND 13	D13C2	1-06 *				N	2-5/8	1008
GND 13	D13T1	1-07 *				N	2-1/8	1008
GND 13	D13T1	1				N	9-6/8	1008
GND 14	B14C2	1-01 *				N	0-5/8	1009
GND 14	B14F2	1-02 *				N	1-1/8	1009
GND 14	B14M2	1-03 *				N	1-1/8	1009
GND 14	B14T1	1-04 *				N	4-1/8	1009
GND 14	D14C2	1-05 *				N	2-1/8	1009
GND 14	D14T1	1-06 *				N	2-1/8	1009
GND 14	H14A1	1-07 *				N	0-3/8	1009
GND 14	H14C2	1-08 *				N	0-4/8	1009
GND 14	H14C1	1-09 *				N	0-4/8	1009
GND 14	H14F1	1-10 *				N	0-5/8	1009
GND 14	H14K1	1-11 *				N	0-5/8	1009
GND 14	H14F2	1-12 *				N	0-4/8	1009
GND 14	H14J2	1-13 *				N	0-4/8	1009
GND 14	H14L2	1-14 *				N	0-4/8	1009
GND 14	H14N1	1-15 *				N	0-4/8	1009
GND 14	H14R1	1-16 *				N	0-4/8	1009
GND 14	H14N2	1-17 *				N	0-4/8	1009
GND 14	H14R2	1-18 *				N	0-4/8	1009
GND 14	H14T1	1-19 *				N	0-4/8	1009
GND 14	H14U2	1-20 *				N	0-1/8	1009
GND 14	J14A1	1-21 *				N	1-3/8	1009
GND 14	J14C1	1-22 *				N	0-4/8	1009
GND 14	J14C1	1-23 *				N	0-4/8	1009
GND 14	J14F1	1-24 *				N	0-5/8	1009
GND 14	J14F2	1-25 *				N	0-4/8	1009
GND 14	J14J2	1-26 *				N	0-4/8	1009
GND 14	J14L2	1-27 *				N	0-4/8	1009
GND 14	J14N2	1-28 *				N	0-4/8	1009
GND 14	J14R2	1-29 *				N	0-4/8	1009
GND 14	J14T1	1-30 *				N	0-4/8	1009
GND 14	J14U2	1-31 *				N	0-1/8	1009
GND 14	J14R1	1-32 *				N	0-5/8	1009
GND 14	J14N1	1-33 *				N	0-4/8	1009
GND 14	J14K1	1-34 *				N	0-5/8	1009
GND 14	J14K1	1				N	29-7/8	1009



DX118,U  
RUN NAME

WRAPD .V35(102)-1 03-JUN-77  
A/P PIN ORDER BAY - Q DRAW RV RG Y X Z  
NAME PIN ORDER OPT

15-Nov-77

15:48 PAGE 104  
NC LENGTH EXCEPTIONS  
FLAG

RUN  
NUMBER

GND 16	A16C2	1-01 *	D05									N	2-1/8		1010
GND 16	A16T1	1-02 *	D05									N	1-5/8		1010
GND 16	B16C2	1-03 *	D05									N	2-1/8		1010
GND 16	B16T1	1-04 *	D05									N	1-3/8		1010
GND 16	C16C2	1-05 *	D05									N	2-1/8		1010
GND 16	C16T1	1-06 *	D05									N	1-5/8		1010
GND 16	D16C2	1-07 *	D05									N	2-1/8		1010
GND 16	D16T1	1-08 *	D19									N	1-3/8		1010
GND 16	E16C2	1-09 *	D05									N	2-1/8		1010
GND 16	E16T1	1-10 *	D05									N	1-5/8		1010
GND 16	F16C2	1-11 *	D05									N	2-1/8		1010
GND 16	F16T1	1-12 *	D05									N	1-3/8		1010
GND 16	H16C2	1-13 *	D05									N	2-1/8		1010
GND 16	H16T1	1-14 *	D05									N	1-5/8		1010
GND 16	J16C2	1-15 *	D05									N	2-1/8		1010
GND 16	J16T1	1-16 *	D05												1010
		1											27-5/8		1010
GND 17	D17T1	1-01 *	D19									N	6-3/8		1011
GND 17	H17A1	1-02 *	D27									N	0-4/8		1011
GND 17	H17C2	1-03 *	D27									N	0-4/8		1011
GND 17	H17C1	1-04 *	D27									N	0-5/8		1011
GND 17	H17F1	1-05 *	D27									N	0-5/8		1011
GND 17	H17K1	1-06 *	D27									N	0-5/8		1011
GND 17	H17F2	1-07 *	D27									N	0-4/8		1011
GND 17	H17J2	1-08 *	D27									N	0-4/8		1011
GND 17	H17L2	1-09 *	D27									N	0-4/8		1011
GND 17	H17N1	1-10 *	D27									N	0-4/8		1011
GND 17	H17R1	1-11 *	D27									N	0-4/8		1011
GND 17	H17N2	1-12 *	D27									N	0-4/8		1011
GND 17	H17R2	1-13 *	D27									N	0-4/8		1011
GND 17	H17T1	1-14 *	D27									N	0-1/8		1011
GND 17	H17U2	1-15 *	D27									N	1-3/8		1011
GND 17	J17A1	1-16 *	D27									N	0-4/8		1011
GND 17	J17C2	1-17 *	D27									N	0-4/8		1011
GND 17	J17C1	1-18 *	D27									N	0-5/8		1011
GND 17	J17F1	1-19 *	D27									N	0-4/8		1011
GND 17	J17F2	1-20 *	D27									N	0-4/8		1011
GND 17	J17J2	1-21 *	D27									N	0-4/8		1011
GND 17	J17L2	1-22 *	D27									N	0-4/8		1011
GND 17	J17N2	1-23 *	D27									N	0-4/8		1011
GND 17	J17R2	1-24 *	D27									N	0-4/8		1011
GND 17	J17T1	1-25 *	D27									N	0-1/8		1011
GND 17	J17U2	1-26 *	D27									N	0-5/8		1011
GND 17	J17R1	1-27 *	D27									N	0-4/8		1011
GND 17	J17N1	1-28 *	D27									N	0-5/8		1011
GND 17	J17K1	1-29 *	D27												1011
		1											20-6/8		1011

DX118,U  
RUN NAME

WRAPD .V35(102)-1 03-JUN-77  
A/P PIN ORDER BAY - Q DRAW RV RG Y X Z  
NAME PIN ORDER OPT

15-Nov-77

15:48 PAGE 105  
NC LENGTH EXCEPTIONS  
FLAG

RUN  
NUMBER

GND 18	C18F2	1-01 *	2									N	4-1/8		1012
GND 18	D18N1	1-02 *		D19								N	1		1012
GND 18	D18T1	1-03 *		D19								N	6-3/8		1012
GND 18	H18A1	1-04 *		D27								N	0-4/8		1012
GND 18	H18C2	1-05 *		D27								N	0-4/8		1012
GND 18	H18C1	1-06 *		D27								N	0-5/8		1012
GND 18	H18F1	1-07 *		D27								N	0-5/8		1012
GND 18	H18K1	1-08 *		D27								N	0-5/8		1012
GND 18	H18F2	1-09 *		D27								N	0-4/8		1012
GND 18	H18J2	1-10 *		D27								N	0-4/8		1012
GND 18	H18L2	1-11 *		D27								N	0-4/8		1012
GND 18	H18N1	1-12 *		D27								N	0-4/8		1012
GND 18	H18R1	1-13 *		D27								N	0-4/8		1012
GND 18	H18N2	1-14 *		D27								N	0-4/8		1012
GND 18	H18R2	1-15 *		D27								N	0-4/8		1012
GND 18	H18T1	1-16 *		D27								N	0-1/8		1012
GND 18	H18U2	1-17 *		D27								N	1-3/8		1012
GND 18	J18A1	1-18 *		D27								N	0-4/8		1012
GND 18	J18C2	1-19 *		D27								N	0-4/8		1012
GND 18	J18C1	1-20 *		D27								N	0-5/8		1012
GND 18	J18F1	1-21 *		D27								N	0-4/8		1012
GND 18	J18F2	1-22 *		D27								N	0-4/8		1012
GND 18	J18J2	1-23 *		D27								N	0-4/8		1012
GND 18	J18L2	1-24 *		D27								N	0-4/8		1012
GND 18	J18N2	1-25 *		D27								N	0-4/8		1012
GND 18	J18R2	1-26 *		D27								N	0-4/8		1012
GND 18	J18T1	1-27 *		D27								N	0-1/8		1012
GND 18	J18U2	1-28 *		D27								N	0-5/8		1012
GND 18	J18R1	1-29 *		D27								N	0-4/8		1012
GND 18	J18N1	1-30 *		D27								N	0-5/8		1012
GND 18	J18K1	1-31 *		D27											1012
		1											25-7/8		1012

113

114

DX110.U		WRAPD .V35(102)-1		03-JUN-77		15-NOV-77		PAGE 106		RUN		
RUN NAME	A/P PIN NAME	ORDER PIN	BAY ORDER	DRAW OPT	RV RG Y X Z	REMARKS	NC LENGTH FLAG	EXCEPTIONS	NUMBER	NC LENGTH FLAG	EXCEPTIONS	
GND 19	D19V1	1-01 *	D19		1		N	1	1013	N	5-6/8	1013
GND 19	D19T1	1-02 *	D19		2		N	1	1013	N	1-3/8	1013
GND 19	F19T1	1-03 *	D27		1		N	1	1013	N	0-1/8	1013
GND 19	H19C2	1-04 *	D27		2		N	1	1013	N	0-1/8	1013
GND 19	H19H1	1-05 *	D27		1		N	1	1013	N	0-1/8	1013
GND 19	H19J1	1-06 *	D27		2		N	1	1013	N	0-1/8	1013
GND 19	H19H2	1-07 *	D27		1		N	1	1013	N	0-1/8	1013
GND 19	H19C2	1-08 *	D27		2		N	1	1013	N	1-2/8	1013
GND 19	H19R2	1-09 *	D27		1		N	1	1013	N	0-1/8	1013
GND 19	H19R1	1-10 *	D27		2		N	1	1013	N	0-1/8	1013
GND 19	H19B1	1-11 *	D27		1		N	1	1013	N	0-1/8	1013
GND 19	H19T1	1-12 *	D27		2		N	1	1013	N	0-1/8	1013
GND 19	J19C2	1-13 *	D27		1		N	1	1013	N	1-5/8	1013
GND 19	J19H1	1-14 *	D27		2		N	1	1013	N	1	1013
GND 19	J19U1	1-15 *	D27		1		N	1	1013	N	0-1/8	1013
GND 19	J19H2	1-16 *	D27		2		N	1	1013	N	0-1/8	1013
GND 19	J19J2	1-17 *	D27		1		N	1	1013	N	0-1/8	1013
GND 19	J19R2	1-18 *	D27		2		N	1	1013	N	1-2/8	1013
GND 19	J19B2	1-19 *	D27		1		N	1	1013	N	0-1/8	1013
GND 19	J19T1	1-20 *	D27		2		N	1	1013	N	0-1/8	1013
GND 19	J19B1	1-21 *	D27		1		N	1	1013	N	0-1/8	1013
GND 19	J19R1	1-22 *	D27		2		N	1	1013	N	0-1/8	1013
GND 19	J19T1	1-23 *	D27		1		N	1	1013	N	0-1/8	1013
GND 20	A20C2	1-01 *	D05		1		N	16-6/8	1014	N	2-1/8	1014
GND 20	A20T1	1-02 *	D05		2		N	1	1014	N	1-5/8	1014
GND 20	B20C2	1-03 *	D05		1		N	1	1014	N	2-1/8	1014
GND 20	B20T1	1-04 *	D05		2		N	1	1014	N	1-3/8	1014
GND 20	C20C2	1-05 *	D05		1		N	1	1014	N	2-1/8	1014
GND 20	C20T1	1-06 *	D05		2		N	1	1014	N	1-5/8	1014
GND 20	D20C2	1-07 *	D05		1		N	1	1014	N	1-5/8	1014
GND 20	D20H1	1-08 *	D27		2		N	1	1014	N	1-1/8	1014
GND 20	D20T1	1-09 *	D05		1		N	1	1014	N	1-3/8	1014
GND 20	E20C2	1-10 *	D05		2		N	1	1014	N	2-1/8	1014
GND 20	E20T1	1-11 *	D05		1		N	1	1014	N	1-5/8	1014
GND 20	F20C2	1-12 *	D05		2		N	1	1014	N	2-1/8	1014
GND 20	F20T1	1-13 *	D05		1		N	1	1014	N	2-1/8	1014
GND 20	H20C2	1-14 *	D05		2		N	1	1014	N	1-3/8	1014
GND 20	H20T1	1-15 *	D27		1		N	1	1014	N	2-1/8	1014
GND 20	J20C2	1-16 *	D27		2		N	1	1014	N	1-5/8	1014
GND 20	J20H1	1-17 *	D27		1		N	1	1014	N	0-1/8	1014
GND 20	J20T1	1-18 *	D27		2		N	1	1014	N	0-1/8	1014
GND 20	J20H2	1-19 *	D27		1		N	1	1014	N	0-1/8	1014
GND 20	J20J2	1-20 *	D27		2		N	1	1014	N	0-1/8	1014
GND 20	J20K2	1-21 *	D27		1		N	1	1014	N	1-2/8	1014
GND 20	J20S2	1-22 *	D27		2		N	1	1014	N	0-1/8	1014
GND 20	J20T1	1-23 *	D27		1		N	1	1014	N	0-1/8	1014
GND 20	J20B1	1-24 *	D27		2		N	1	1014	N	0-1/8	1014
GND 20	J20H1	1-25 *	D27		1		N	29-2/8	1014	N	0-1/8	1014

DX110.U		WRAPD .V35(102)-1		03-JUN-77		15-NOV-77		PAGE 107		RUN		
RUN NAME	A/P PIN NAME	ORDER PIN	BAY ORDER	DRAW OPT	RV RG Y X Z	REMARKS	NC LENGTH FLAG	EXCEPTIONS	NUMBER	NC LENGTH FLAG	EXCEPTIONS	
GND 21	H21C2	1-01 *	DXC		1		N	3-2/8	1015	N	3-2/8	1015
GND 21	J21C2	1-02 *	DXC		2		N	1	1015	N	0-1/8	1015
GND 21	J21H1	1-03 *	DXC		1		N	0-1/8	1015	N	0-1/8	1015
GND 21	J21J1	1-04 *	DXC		2		N	0-1/8	1015	N	0-1/8	1015
GND 21	J21H2	1-05 *	DXC		1		N	0-1/8	1015	N	1-2/8	1015
GND 21	J21J2	1-06 *	DXC		2		N	0-1/8	1015	N	0-1/8	1015
GND 21	J21K2	1-07 *	DXC		1		N	0-1/8	1015	N	0-1/8	1015
GND 21	J21S2	1-08 *	DXC		2		N	0-1/8	1015	N	0-1/8	1015
GND 21	J21T1	1-09 *	DXC		1		N	0-1/8	1015	N	0-1/8	1015
GND 21	J21B1	1-10 *	DXC		2		N	0-1/8	1015	N	0-1/8	1015
GND 21	J21H1	1-11 *	DXC		1		N	6-3/8	1015	N	2-1/8	1015
GND 22	A22C2	1-01 *	DXC		1		N	2-1/8	1016	N	2-1/8	1016
GND 22	A22T1	1-02 *	DXC		2		N	1-5/8	1016	N	2-1/8	1016
GND 22	B22C2	1-03 *	DXC		1		N	1-3/8	1016	N	1-3/8	1016
GND 22	C22C2	1-04 *	DXC		2		N	2-1/8	1016	N	1-5/8	1016
GND 22	C22T1	1-05 *	DXC		1		N	1-5/8	1016	N	1-5/8	1016
GND 22	D22C2	1-06 *	DXC		2		N	1-5/8	1016	N	1-1/8	1016
GND 22	D22H1	1-07 *	DXC		1		N	1-1/8	1016	N	1-3/8	1016
GND 22	D22T1	1-08 *	DXC		2		N	2-1/8	1016	N	2-1/8	1016
GND 22	E22C2	1-09 *	DXC		1		N	17-2/8	1016	N	4-2/8	1016
GND 22	E22T1	1-10 *	DXC		2		N	0-1/8	1016	N	0-1/8	1016
GND 22	E22T1	1-11 *	DXC		1		N	0-1/8	1016	N	0-1/8	1016
GND 23	B23H2	1-01 *	D06		2		N	4-2/8	1017	N	0-1/8	1017
GND 23	A23C2	1-02 *	D14		1		N	0-1/8	1017	N	0-1/8	1017
GND 23	A23D2	1-03 *	D14		2		N	0-1/8	1017	N	0-5/8	1017
GND 23	A23E2	1-04 *	D14		1		N	0-1/8	1017	N	0-1/8	1017
GND 23	A23J1	1-05 *	D14		2		N	0-1/8	1017	N	0-4/8	1017
GND 23	A23K1	1-06 *	D14		1		N	0-1/8	1017	N	0-1/8	1017
GND 23	A23M2	1-07 *	D14		2		N	0-1/8	1017	N	0-5/8	1017
GND 23	A23B1	1-08 *	D14		1		N	0-4/8	1017	N	1-5/8	1017
GND 23	A23U1	1-09 *	D14		2		N	1-5/8	1017	N	0-4/8	1017
GND 23	B23C2	1-10 *	D06		1		N	0-4/8	1017	N	0-4/8	1017
GND 23	B23W2	1-11 *	D06		2		N	1-5/8	1017	N	0-4/8	1017
GND 23	B23R1	1-12 *	D11		1		N	0-4/8	1017	N	0-4/8	1017
GND 23	B23T1	1-13 *	D11		2		N	0-4/8	1017	N	0-4/8	1017
GND 23	E23C1	1-14 *	D11		1		N	1-7/8	1017	N	0-4/8	1017
GND 23	E23R1	1-15 *	D11		2		N	0-4/8	1017	N	0-4/8	1017
GND 23	E23T1	1-16 *	D11		1		N	3-3/8	1017	N	0-4/8	1017
GND 23	F23U2	1-17 *	D27		2		N	23-5/8	1017	N	3-3/8	1017
GND 23	F23U2	1-18 *	D27		1		N	23-5/8	1017	N	3-3/8	1017

DX118.U RUN NAME	WRAPD .V35(102)-1 A/P PIN ORDER PIN	03-JUN-77 BAY - Q ORDER	15-NOV-77 REMARKS	15148 NC LENGTH EXCEPTIONS FLAG	PAGE 109 EXCEPTIONS	RUN NUMBER
GND 24	A24C2	1-01 *	D05	N	2-1/8	1010
GND 24	A24T1	1-02 *	D05	N	1-5/8	1010
GND 24	B24C2	1-03 *	D05	N	2-1/8	1010
GND 24	B24T1	1-04 *	D05	N	1-3/8	1010
GND 24	C24C2	1-05 *	D05	N	2-1/8	1010
GND 24	C24T1	1-06 *	D05	N	1-5/8	1010
GND 24	D24C2	1-07 *	D27	N	2-1/8	1010
GND 24	D24T1	1-08 *	D05	N	1-3/8	1010
GND 24	E24C2	1-09 *	D27	N	2-1/8	1010
GND 24	E24T1	1-10 *	D05	N	1-5/8	1010
GND 24	F24C2	1-11 *	D05	N	2-1/8	1010
GND 24	F24T1	1-12 *	D05	N	1-3/8	1010
GND 24	H24C2	1-13 *	D05	N	2-1/8	1010
GND 24	H24T1	1-14 *	D05	N	1-5/8	1010
GND 24	J24C2	1-15 *	D05	N	2-1/8	1010
GND 24	J24T1	1-16 *	D05	N	1-5/8	1010
GND 24		1				1010
GND 26	C26D2	1-01 *	D10	N	27-5/8	1019
GND 26	C26C2	1-02 *	D10	N	0-1/8	1019
GND 26	C26J2	1-03 *	D10	N	1-1/8	1019
GND 26	C26R1	1-04 *	D10	N	1-3/8	1019
GND 26	C26T1	1-05 *	D10	N	0-4/8	1019
GND 26	D26C2	1-06 *	D10	N	1-5/8	1019
GND 26	D26C1	1-07 *	D10	N	0-4/8	1019
GND 26	D26P1	1-08 *	D10	N	1-6/8	1019
GND 26	D26R1	1-09 *	D10	N	0-1/8	1019
GND 26	D26T1	1-10 *	D10	N	0-4/8	1019
GND 26	F26C2	1-11 *	D27	N	4-1/8	1019
GND 28	A28C2	1-01 *	D05	N	11-6/8	1020
GND 28	A28T1	1-02 *	D05	N	2-1/8	1020
GND 28	B28C2	1-03 *	D05	N	1-5/8	1020
GND 28	B28T1	1-04 *	D05	N	2-1/8	1020
GND 28	C28C2	1-05 *	D05	N	1-3/8	1020
GND 28	C28T1	1-06 *	D05	N	2-1/8	1020
GND 28	D28C2	1-07 *	D05	N	1-5/8	1020
GND 28	D28T1	1-08 *	D05	N	2-1/8	1020
GND 28	E28C2	1-09 *	D13	N	1-3/8	1020
GND 28	E28N2	1-10 *	D13	N	1-5/8	1020
GND 28	E28T1	1-11 *	D13	N	1	1020
GND 28	F28C2	1-12 *	D13	N	1-5/8	1020
GND 28	F28T1	1-13 *	D13	N	2-1/8	1020
GND 28	H28C2	1-14 *	D13	N	1-3/8	1020
GND 28	H28T1	1-15 *	D13	N	2-1/8	1020
GND 28	J28C2	1-16 *	D13	N	1-5/8	1020
GND 28	J28T1	1-17 *	D13	N	2-1/8	1020
GND 29	E29C2	1-01 *	D13	N	20-1/8	1021
GND 29	E29H2	1-02 *	D13	N	1	1021
GND 29	E29R1	1-03 *	D13	N	1-3/8	1021
GND 29	E29T1	1-04 *	D13	N	0-4/8	1021
GND 29		1				1021
GND 29					2-7/8	1021

DX118.U RUN NAME	WRAPD .V35(102)-1 A/P PIN ORDER PIN	03-JUN-77 BAY - Q ORDER	15-NOV-77 REMARKS	15148 NC LENGTH EXCEPTIONS FLAG	PAGE 109 EXCEPTIONS	RUN NUMBER
GND 3	D03C2	1-01 *	D07	N	1	1022
GND 3	D03H1	1-02 *	D07	N	0-4/8	1022
GND 3	D03K2	1-03 *	D07	N	1-3/8	1022
GND 3	D03T2	1-04 *	D07	N	0-1/8	1022
GND 3	D03B2	1-05 *	D07	N	0-1/8	1022
GND 3	D03T1	1-06 *	D07	N	0-1/8	1022
GND 3	D03U1	1-07 *	D07	N	0-1/8	1022
GND 3		1				1022
GND 30	B30T1	1-01 *	D17	N	3-2/8	1023
GND 30	C30A1	1-02 *	D17	N	1-1/8	1023
GND 30	C30C2	1-03 *	D17	N	0-4/8	1023
GND 30	C30F1	1-04 *	D17	N	0-5/8	1023
GND 30	C30H1	1-05 *	D17	N	0-1/8	1023
GND 30	C30T1	1-06 *	D17	N	0-1/8	1023
GND 30	C30U2	1-07 *	D17	N	0-1/8	1023
GND 30	C30V2	1-08 *	D17	N	0-1/8	1023
GND 30	F30C2	1-09 *	D13	N	6-5/8	1023
GND 30	F30E1	1-10 *	D13	N	0-4/8	1023
GND 30		1				1023
GND 31	B31J2	1-01 *	D20	N	11-3/8	1024
GND 31	C31B2	1-02 *	D20	N	2-2/8	1024
GND 31	C31C2	1-03 *	D20	N	0-1/8	1024
GND 31	C31N1	1-04 *	D20	N	1-5/8	1024
GND 31	C31P1	1-05 *	D20	N	0-1/8	1024
GND 31	C31R1	1-06 *	D20	N	0-1/8	1024
GND 31	C31S1	1-07 *	D20	N	0-1/8	1024
GND 31	C31T1	1-08 *	D20	N	0-1/8	1024
GND 31	C31V2	1-09 *	D20	N	0-4/8	1024
GND 31	D31B2	1-10 *	D20	N	1-2/8	1024
GND 31	D31C2	1-11 *	D20	N	0-1/8	1024
GND 31	D31D1	1-12 *	D20	N	0-1/8	1024
GND 31	D31E1	1-13 *	D20	N	0-1/8	1024
GND 31	D31T1	1-14 *	D20	N	1-7/8	1024
GND 31	D31V2	1-15 *	D20	N	0-4/8	1024
GND 31	F31C2	1-16 *	D13	N	4	1024
GND 31	F31E1	1-17 *	D13	N	0-1/8	1024
GND 31	F31J2	1-18 *	D13	N	0-4/8	1024
GND 31	F31W2	1-19 *	D13	N	0-5/8	1024
GND 31	F31P1	1-20 *	D13	N	1	1024
GND 31	F31T2	1-21 *	D13	N	0-5/8	1024
GND 31	F31T1	1-22 *	D13	N	0-5/8	1024
GND 31		1				1024
GND 31					17-0/8	1024

116

DX11B,U RUN NAME	WRAP .V35(102)-1 A/P PIN ORDER PIN	03-JUN-77 BAY - Q ORDER	15-NOV-77 DRAW OPT	RV RG Y	X Z	REMARKS	15148 NC LENGTH EXCEPTIONS FLAG	PAGE 110	RUN NUMBER
GND 32	A30D1	1-01 *	D22		1		N 0-4/8		1025
GND 32	A30F1	1-02 *	D22		2		N 3-7/8		1025
GND 32	B32C2	1-03 *	D05		1		N 2-1/8		1025
GND 32	B32T1	1-04 *	D05		2		N 1-3/8		1025
GND 32	C32B2	1-05 *	D20		1		N 0-1/8		1025
GND 32	C32C2	1-06 *	D05		2		N 1-5/8		1025
GND 32	C32N1	1-07 *	D20		1		N 0-1/8		1025
GND 32	C32P1	1-08 *	D20		2		N 0-1/8		1025
GND 32	C32R1	1-09 *	D20		1		N 0-1/8		1025
GND 32	C32S1	1-10 *	D20		2		N 0-1/8		1025
GND 32	C32T1	1-11 *	D05		1		N 0-4/8		1025
GND 32	C32V2	1-12 *	D20		2		N 1-2/8		1025
GND 32	D32B2	1-13 *	D20		1		N 0-1/8		1025
GND 32	D32C2	1-14 *	D20		2		N 0-1/8		1025
GND 32	D32D1	1-15 *	D20		1		N 0-1/8		1025
GND 32	D32E1	1-16 *	D20		2		N 0-1/8		1025
GND 32	D32T1	1-17 *	D20		1		N 1-7/8		1025
GND 32	D32V2	1-18 *	D20		2		N 0-4/8		1025
GND 32	E32C2	1-19 *	D05		1		N 1-1/8		1025
GND 32	E32T1	1-20 *	D05		2		N 2-1/8		1025
GND 32	F32C2	1-21 *	D05		1		N 1-5/8		1025
GND 32	F32T1	1-22 *	D05		2		N 2-1/8		1025
GND 32	H32C2	1-23 *	D05		1		N 1-3/8		1025
GND 32	H32T1	1-24 *	D05		2		N 2-1/8		1025
GND 32	J32C2	1-25 *	D05		1		N 1-5/8		1025
GND 32	J32T1	1-26 *	D05		2		N 2-1/8		1025
GND 4	A04C2	1-01 *	D05		2		20-7/8		1026
GND 4	A04T1	1-02 *	D05		1		N 2-1/8		1026
GND 4	B04C2	1-03 *	D05		2		N 1-5/8		1026
GND 4	B04T1	1-04 *	D05		1		N 2-1/8		1026
GND 4	C04C2	1-05 *	D05		2		N 1-3/8		1026
GND 4	C04T1	1-06 *	D05		1		N 2-1/8		1026
GND 4	D04C2	1-07 *	D07		2		N 1-5/8		1026
GND 4	D04F2	1-08 *	D07		1		N 0-5/8		1026
GND 4	D04K2	1-09 *	D07		2		N 0-5/8		1026
GND 4	D04T1	1-10 *	D05		1		N 1-3/8		1026
GND 4	E04C2	1-11 *	D27		2		N 2-1/8		1026
GND 4	F04T1	1-12 *	D27		1		N 1-3/8		1026
GND 4	F04C2	1-13 *	D05		2		N 2-1/8		1026
GND 4	F04T1	1-14 *	D05		1		N 1-3/8		1026
GND 4	H04C2	1-15 *	D05		2		N 2-1/8		1026
GND 4	H04T1	1-16 *	D05		1		N 1-5/8		1026
GND 4	J04C2	1-17 *	D05		2		N 2-1/8		1026
GND 4	J04T1	1-18 *	D05		1		N 2-1/8		1026
GND 5	D05C2	1-01 *	D07		1		20-1/8		1027
GND 5	D05F2	1-02 *	D07		2		N 0-5/8		1027
GND 5	F05C2	1-03 *	D27		1		N 5-3/8		1027

DX11B,U RUN NAME	WRAP .V35(102)-1 A/P PIN ORDER PIN	03-JUN-77 BAY - Q ORDER	15-NOV-77 DRAW OPT	RV RG Y	X Z	REMARKS	15148 NC LENGTH EXCEPTIONS FLAG	PAGE 111	RUN NUMBER
GND 6	B06C2	1-01 *	D25		1		N 1		1028
GND 6	B06H2	1-02 *	D25		2		N 1-5/8		1028
GND 6	B06T1	1-03 *	D25		1		N 0-1/8		1028
GND 6	B06U2	1-04 *	D25		2		N 2-3/8		1028
GND 6	C06N2	1-05 *	D11		1		N 1		1028
GND 6	C06T1	1-06 *	D11		2		N 1-5/8		1028
GND 6	D06C2	1-07 *	D27		1		N 0-5/8		1028
GND 6	D06F2	1-08 *	D07		2		N 0-5/8		1028
GND 7	H07A1	1-01 *	DXX		1		0-3/8		1028
GND 7	H07C2	1-02 *	DXX		2		N 0-4/8		1029
GND 7	H07C1	1-03 *	DXX		1		N 0-4/8		1029
GND 7	H07F1	1-04 *	DXX		2		N 0-5/8		1029
GND 7	H07F2	1-05 *	DXX		1		N 0-5/8		1029
GND 7	H07J2	1-06 *	DXX		2		N 0-4/8		1029
GND 7	H07L2	1-07 *	DXX		1		N 0-4/8		1029
GND 7	H07N1	1-08 *	DXX		2		N 0-4/8		1029
GND 7	H07R1	1-09 *	DXX		1		N 0-4/8		1029
GND 7	H07R2	1-10 *	DXX		2		N 0-4/8		1029
GND 7	H07T1	1-11 *	DXX		1		N 0-4/8		1029
GND 7	H07U2	1-12 *	DXX		2		N 0-4/8		1029
GND 7	J07A1	1-13 *	DXX		1		N 0-4/8		1029
GND 7	J07C1	1-14 *	DXX		2		N 1-3/8		1029
GND 7	J07C2	1-15 *	DXX		1		N 0-4/8		1029
GND 7	J07F1	1-16 *	DXX		2		N 0-4/8		1029
GND 7	J07F2	1-17 *	DXX		1		N 0-4/8		1029
GND 7	J07J2	1-18 *	DXX		2		N 0-4/8		1029
GND 7	J07L2	1-19 *	DXX		1		N 0-4/8		1029
GND 7	J07N2	1-20 *	DXX		2		N 0-4/8		1029
GND 7	J07R2	1-21 *	DXX		1		N 0-4/8		1029
GND 7	J07T1	1-22 *	DXX		2		N 0-4/8		1029
GND 7	J07U2	1-23 *	DXX		1		N 0-4/8		1029
GND 7	J07R1	1-24 *	DXX		2		N 0-1/8		1029
GND 7	J07N1	1-25 *	DXX		1		N 0-5/8		1029
GND 7	J07K1	1-26 *	DXX		2		N 0-4/8		1029
GND 7	J07K1	1-28 *	DXX		1		N 0-5/8		1029

DX118.U RUN NAME	WRAPD .V35(102)-1	03-JUN-77	15-NOV-77	PAGE 112	RUN NUMBER			
A/P	PIN NAME	ORDER PIN	BAY - Q DRAW RV RG Y OPT	X Z	REMARKS	15148 NC LENGTH FLAG	EXCEPTIONS	
GND 0	A00C2	1-01 *	D05			N 2-1/8	1030	
GND 0	A00T1	1-02 *	D05			N 1-5/8	1030	
GND 0	B00C2	1-03 *	D05			N 2-1/8	1030	
GND 0	B00T1	1-04 *	D05			N 1-3/8	1030	
GND 0	C00C2	1-05 *	D05			N 2-1/8	1030	
GND 0	C00T1	1-06 *	D05			N 1-5/8	1030	
GND 0	D00C2	1-07 *	D07			N 2-1/8	1030	
GND 0	D00S1	1-08 *	D07			N 0-1/8	1030	
GND 0	D00T1	1-09 *	D05			N 1-3/8	1030	
GND 0	E00C2	1-10 *	D05			N 2-1/8	1030	
GND 0	E00T1	1-11 *	D05			N 1-5/8	1030	
GND 0	F00C2	1-12 *	D05			N 2-1/8	1030	
GND 0	F00T1	1-13 *	D05			N 1-1/8	1030	
GND 0	H00A1	1-14 *	DXX			N 0-4/8	1030	
GND 0	H00C2	1-15 *	DXX			N 0-5/8	1030	
GND 0	H00C1	1-16 *	DXX			N 0-5/8	1030	
GND 0	H00F1	1-17 *	DXX			N 0-5/8	1030	
GND 0	H00K1	1-18 *	DXX			N 0-4/8	1030	
GND 0	H00F2	1-19 *	DXX			N 0-4/8	1030	
GND 0	H00J2	1-20 *	DXX			N 0-4/8	1030	
GND 0	H00L2	1-21 *	DXX			N 0-4/8	1030	
GND 0	H00N1	1-22 *	DXX			N 0-4/8	1030	
GND 0	H00R1	1-23 *	DXX			N 0-4/8	1030	
GND 0	H00N2	1-24 *	DXX			N 0-4/8	1030	
GND 0	H00R2	1-25 *	DXX			N 0-4/8	1030	
GND 0	H00T1	1-26 *	DXX			N 0-1/8	1030	
GND 0	H00U2	1-27 *	DXX			N 1-3/8	1030	
GND 0	J00A1	1-28 *	DXX			N 0-4/8	1030	
GND 0	J00C2	1-29 *	DXX			N 0-4/8	1030	
GND 0	J00C1	1-30 *	DXX			N 0-5/8	1030	
GND 0	J00F1	1-31 *	DXX			N 0-4/8	1030	
GND 0	J00F2	1-32 *	DXX			N 0-4/8	1030	
GND 0	J00J2	1-33 *	DXX			N 0-4/8	1030	
GND 0	J00L2	1-34 *	DXX			N 0-4/8	1030	
GND 0	J00N2	1-35 *	DXX			N 0-4/8	1030	
GND 0	J00R2	1-36 *	DXX			N 0-4/8	1030	
GND 0	J00T1	1-37 *	DXX			N 0-1/8	1030	
GND 0	J00U2	1-38 *	DXX			N 0-5/8	1030	
GND 0	J00R1	1-39 *	DXX			N 0-4/8	1030	
GND 0	J00N1	1-40 *	DXX			N 0-5/8	1030	
GND 0	J00K1	1-41 *	DXX				1030	
GND 0		1					36-0/8	1030

DX118.U RUN NAME	WRAPD .V35(102)-1	03-JUN-77	15-NOV-77	PAGE 113	RUN NUMBER		
A/P	PIN NAME	ORDER PIN	BAY - Q DRAW RV RG Y OPT	X Z	REMARKS	15148 NC LENGTH FLAG	EXCEPTIONS
GND 9	C09A1	1-01 *	D06			N 0-1/8	1031
GND 9	C09B1	1-02 *	D06			N 10-2/8	1031
GND 9	F09T1	1-03 *	D27			N 1-3/8	1031
GND 9	H09C2	1-04 *	D27			N 1	1031
GND 9	H09H1	1-05 *	D27			N 0-1/8	1031
GND 9	H09J1	1-06 *	D27			N 0-1/8	1031
GND 9	H09H2	1-07 *	D27			N 0-1/8	1031
GND 9	H09J2	1-08 *	D27			N 1-2/8	1031
GND 9	H09R2	1-09 *	D27			N 0-1/8	1031
GND 9	H09S2	1-10 *	D27			N 0-1/8	1031
GND 9	H09T1	1-11 *	D27			N 0-1/8	1031
GND 9	H09S1	1-12 *	D27			N 0-1/8	1031
GND 9	H09R1	1-13 *	D27				1031
GND 9		1				14-7/8	1031
GO(1)	A30T1	1-01 *	D22			N 12-5/8	1032
GO(1)	E25M2	1-02 *	D13			N 10-5/8	1032
GO(1)	D10M1	1-03 *	D19			N 5-5/8	1032
GO(1)	B10P2	1-04 *	DXX			N 4-3/8	1032
GO(1)	C05E2	1-05 *	D24			N 2-6/8	1032
GO(1)	C10E1	1-06 *	S D06				1032
GO(1)		1				36-0/8	1032
HLD OUT	H12P1	1-01 *	DXX			N 1-4/8	1033
HLD OUT	H14P1	1-02 *	DXX			N 2-7/8	1033
HLD OUT	J13L2	1-03 *	DXX				1033
HLD OUT		1				4-3/8	1033
HLDO	C24F2	E26P1 1-01 *	H D12			7-1/8	1034
HLDO	E26P1	1-02 *				N 6-3/8	1034
HLDO	E16D1	1-03 *	D12			N 9-7/8	1034
HLDO	J13F2	1-04 *	DXX				1034
HLDO		1				23-3/8	1034
HLDO(1)	A31D1	1-01 *	D22			N 13-3/8	1035
HLDO(1)	D24S1	1-02 *	D19			N 4-3/8	1035
HLDO(1)	C24J2	1-03 *	S D12				1035
HLDO(1)		1				17-6/8	1035
IBMRST	B23F2	1-01 *	D24			N 10-7/8	1036
IBMRST	E27P2	1-02 *	D05			N 7-1/8	1036
IBMRST	E14L2	1-03 *	D25			N 9-2/8	1036
IBMRST	C02B1	1-04 *	D24			N 6-5/8	1036
IBMRST	E03E2	1-05 *	DXX			N 0-1/8	1036
IBMRST	E03F2	1-06 *	DXX			N 2-3/8	1036
IBMRST	E06P2	1-07 *	D24			N 1-2/8	1036
IBMRST	E07V1	1-08 *	S D24				1036
IBMRST		1				37-5/8	1036
IBMRST	A04J1	1-01 *	DXX			N 3-5/8	1037
IBMRST	B04M2	1-02 *	DXX			N 3-5/8	1037
IBMRST	C08K1	1-03 *	D24			N 13-2/8	1037
IBMRST	F20L2	1-04 *	DXX			N 9-5/8	1037
IBMRST	E06R2	1-05 *	S D24				1037
IBMRST		1				30-1/8	1037

117





DX118.U RUN NAME	WRAPD .V35(102)-1 A/P PIN ORDER PIN	03-JUN-77 BAY - Q DRAW OPT	RV RG Y X Z	REMARKS	15-NOV-77	15148 NC LENGTH EXCEPTIONS FLAG	PAGE 116	RUN NUMBER
186	E03J1	1-01 * 8 D24	1			N 11-3/8		1855
186	A05N1	1-02 * D25	2			N 6-7/8		1855
186	C07R1	1-03 * D24	1			N 0-1/8		1855
186	E18R1	1-04 * D06	2			N 5-5/8		1855
186	E26D1	1-05 * D13	1			32-0/8		1855
186REJ(0)	A06T2	1-01 * DXX	1			N 7-3/8		1856
186REJ(0)	C13N1	1-02 * 8 D05	1			7-3/8		1856
186REJ(1)	A29P1	1-01 * D22	2			N 12-5/8		1857
186REJ(1)	B08J2	1-02 * D10	1			N 8-7/8		1857
186REJ(1)	D13S2	1-03 * D19	2			N 3-7/8		1857
186REJ(1)	C13M1	1-04 * 8 D05	1			25-3/8		1857
LDADR1 24	A06C1	1-01 * 8 D20	1			N 0-4/8		1858
LDADR1 24	A24C1	1-02 * D20	2			N 1-1/8		1858
LDADR1 24	A25D1	1-03 * D20	1			N 18-1/8		1858
LDADR1 24	F17J1	1-04 * D14	2			N 0-5/8		1858
LDADR1 24	F17M2	1-05 * D20	1			28-3/8		1858
LDADR1 24	A25F1	1-01 * 8 D20	1			N 0-5/8		1859
LDADR1 24	C21R1	1-02 * D20	1			0-5/8		1859
LOAD BUS DXMI	E28P2	1-01 * 8 D13	2			N 1		1860
LOAD BUS DXMI	E28U2	1-02 * D13	1			N 1-3/8		1860
LOAD BUS DXMI	E26T2	1-03 * D13	2			N 1-2/8		1860
LOAD BUS DXMI	E26M1	1-04 * D13	1			N 0-4/8		1860
LOAD BUS DXMI	E26M2	1-05 * D13	2			N 1-5/8		1860
LOAD BUS DXMI	E26B1	1-06 * D13	1			N 0-5/8		1860
LOAD BUS DXMI	E26E2	1-07 * D13	2			N 0-5/8		1860
LOAD BUS DXMI	E27B1	1-08 * D13	1			N 0-5/8		1860
LOAD BUS DXMI	E28C1	1-09 * D13	2			N 0-5/8		1860
LOAD BUS DXMI	E28E2	1-10 * D13	1			N 0-4/8		1860
LOAD BUS DXMI	E29H1	1-11 * D13	2			N 1-1/8		1860
LOAD BUS DXMI	E29B1	1-12 * D13	1			9-6/8		1860
LOAD DXBA	D07D1	1-01 * D07	2			N 1		1861
LOAD DXBA	D08D1	1-02 * D07	1			N 1-3/8		1861
LOAD DXBA	D06M1	1-03 * D07	2			N 1		1861
LOAD DXBA	D07M1	1-04 * D07	1			N 6-5/8		1861
LOAD DXBA	F14D2	1-05 * D07	1			10-0/8		1861
LOAD DXBC	A25W2	1-01 * D08	1			N 2-3/8		1862
LOAD DXBC	B26D1	1-02 * D08	2			N 1		1862
LOAD DXBC	B27D1	1-03 * D08	1			N 1-3/8		1862
LOAD DXBC	B27M1	1-04 * D08	2			N 1		1862
LOAD DXBC	B26M1	1-05 * D08	1			5-6/8		1862

DX118.U RUN NAME	WRAPD .V35(102)-1 A/P PIN ORDER PIN	03-JUN-77 BAY - Q DRAW OPT	RV RG Y X Z	REMARKS	15-NOV-77	15148 NC LENGTH EXCEPTIONS FLAG	PAGE 117	RUN NUMBER
LOCKO(0)	C25V2	1-01 * 8 D11	2			N 7-7/8		1863
LOCKO(0)	A24F1	1-02 * D15	1			N 11-7/8		1863
LOCKO(0)	A02C1	1-03 * D25	2			N 7-5/8		1863
LOCKO(0)	C05D2	1-04 * D24	1			N 6-1/8		1863
LOCKO(0)	E07C1	1-05 * D09	2			N 6-1/8		1863
LOCKO(0)	E15R2	1-06 * D06	1			N 1		1863
LOCKO(0)	E15V2	1-07 * D06	2			N 3-5/8		1863
LOCKO(0)	F19R1	1-08 * D13	1			44-2/8		1863
LOCKO(1)	C25U2	1-01 * 8 D11	2			N 1-7/8		1864
LOCKO(1)	D25F1	1-02 * D19	1			N 12-1/8		1864
LOCKO(1)	A32C1	1-03 * D22	2			N 14-5/8		1864
LOCKO(1)	A05K1	1-04 * D25	1			N 11-3/8		1864
LOCKO(1)	E03F1	1-05 * D24	1			40-0/8		1864
LOCKO(1)	F19R1	1-08 * D13	1			N 1		1865
MARK IN 1	H07S1	1-01 * DXX	1			1-0/8		1865
MARK IN 1	H08S1	1-02 * DXX	1			N 1		1866
MARK OUT 0	J07S1	1-01 * DXX	1			1-0/8		1866
MARK OUT 0	J08S1	1-02 * DXX	1			N 1		1866
METER IN	H12M2	1-01 * DXX	1			N 1-4/8		1867
METER IN	H14M2	1-02 * DXX	1			1-4/8		1867
METER OUT	H12K2	1-01 * DXX	1			N 1-4/8		1868
METER OUT	H14K2	1-02 * DXX	1			1-4/8		1868
MNCLFN(0)	F19U2	1-01 * 8 D20	1			N 9-3/8		1869
MNCLFN(0)	C21V2	1-02 * 8 D20	2			N 4-6/8		1869
MNCLFN(0)	B15R2	1-03 * D20	1			N 4-1/8		1869
MNCLFN(0)	C20S1	1-04 * D20	1			18-2/8		1869
MNCLFN(1)	A32A2	1-01 * D22	2			N 4-2/8		1870
MNCLFN(1)	A25A1	1-02 * D20	1			N 14-4/8		1870
MNCLFN(1)	D11J1	1-03 * D19	2			N 7-1/8		1870
MNCLFN(1)	C21U2	1-04 * 8 D20	1			25-7/8		1870
MNCLFP(0)	A25B1	1-01 * D20	2			N 5-6/8		1871
MNCLFP(0)	B32U2	1-02 * D20	1			N 9-7/8		1871
MNCLFP(0)	C20U2	1-03 * 8 D20	1			15-5/8		1871
MNCLFP(1)	C20V2	1-01 * 8 D20	2			N 4-1/8		1872
MNCLFP(1)	B15U2	1-02 * D20	1			N 7-1/8		1872
MNCLFP(1)	D10J1	1-03 * D19	2			N 5-1/8		1872
MNCLFP(1)	E13P2	1-04 * D20	1			16-3/8		1872

120

DX11B.U RUN NAME	A/P	WRAPD .V35(102)-1 PIN NAME	03-JUN-77 ORDER PIN	BAY - ORDER	Q	DRAW OPT	RV	RG	Y	X	Z	REMARKS	15-Nov-77	15:48 NC LENGTH FLAG	PAGE 118 EXCEPTIONS	RUN NUMBER
MUXD 00	L	D10P2		1-01 *		D19					1			N	10-5/8	1073
MUXD 00	L	D30N2		1-02 *		D17										1073
MUXD 00	L			1											10-5/8	1073
MUXD 01	L	D11P2		1-01 *		D19					1			N	10-1/8	1074
MUXD 01	L	D30R2		1-02 *		D17										1074
MUXD 01	L			1											10-1/8	1074
MUXD 02	L	D12P2		1-01 *		D19					1			N	9-5/8	1075
MUXD 02	L	D30U1		1-02 *		D17										1075
MUXD 02	L			1											9-5/8	1075
MUXD 03	L	D13P2		1-01 *		D19					1			N	9-5/8	1076
MUXD 03	L	D30V2		1-02 *		D17										1076
MUXD 03	L			1											9-5/8	1076
MUXD 04	L	D14P2		1-01 *		D19					1			N	8-7/8	1077
MUXD 04	L	D30T2		1-02 *		D17										1077
MUXD 04	L			1											8-7/8	1077
MUXD 05	L	D15P2		1-01 *		D19					1			N	7-7/8	1078
MUXD 05	L	D30S1		1-02 *		D17										1078
MUXD 05	L			1											7-7/8	1078
MUXD 06	L	D16P2		1-01 *		D19					1			N	7-7/8	1079
MUXD 06	L	D30L2		1-02 *		D17										1079
MUXD 06	L			1											7-7/8	1079
MUXD 07	L	D17P2		1-01 *		D19					1			N	7-1/8	1080
MUXD 07	L	D30K1		1-02 *		D17										1080
MUXD 07	L			1											7-1/8	1080
MUXD 08	L	D18P2		1-01 *		D19					1			N	6-3/8	1081
MUXD 08	L	D30M1		1-02 *		D17										1081
MUXD 08	L			1											6-3/8	1081
MUXD 09	L	D19P2		1-01 *		D19					1			N	5-6/8	1082
MUXD 09	L	D30P1		1-02 *		D17										1082
MUXD 09	L			1											5-6/8	1082
MUXD 10	L	D20P2		1-01 *		D19					1			N	6-5/8	1083
MUXD 10	L	D30B1		1-02 *		D17										1083
MUXD 10	L			1											6-5/8	1083
MUXD 11	L	D21P2		1-01 *		D19					1			N	6-1/8	1084
MUXD 11	L	D30D2		1-02 *		D17										1084
MUXD 11	L			1											6-1/8	1084
MUXD 12	L	D22P2		1-01 *		D19					1			N	5-1/8	1085
MUXD 12	L	D30E1		1-02 *		D17										1085
MUXD 12	L			1											5-1/8	1085
MUXD 13	L	D23P2		1-01 *		D19					1			N	4-5/8	1086
MUXD 13	L	D30J2		1-02 *		D17										1086
MUXD 13	L			1											4-5/8	1086

DX11B.U RUN NAME	A/P	WRAPD .V35(102)-1 PIN NAME	03-JUN-77 ORDER PIN	BAY - ORDER	Q	DRAW OPT	RV	RG	Y	X	Z	REMARKS	15-Nov-77	15:48 NC LENGTH FLAG	PAGE 119 EXCEPTIONS	RUN NUMBER
MUXD 14	L	D24P2		1-01 *		D19					1			N	4-3/8	1087
MUXD 14	L	D30F2		1-02 *		D17										1087
MUXD 14	L			1											4-3/8	1087
MUXD 15	L	D25P2		1-01 *		D19					1			N	3-3/8	1088
MUXD 15	L	D30H1		1-02 *		D17										1088
MUXD 15	L			1											3-3/8	1088
NCLK1		A27L2		1-01 *	S	D20					1			N	3-5/8	1089
NCLK1		B32B1		1-02 *		D17					2			N	1-2/8	1089
NCLK1		B32J1		1-03 *		D17										1089
NCLK1				1											4-7/8	1089
NCLK2		A27R2		1-01 *	S	D20					2			N	5-3/8	1090
NCLK2		B20B1		1-02 *		D21					1			N	0-4/8	1090
NCLK2		B20D1		1-03 *		D21					2			N	5-4/8	1090
NCLK2		B10D1		1-04 *		D21					1			N	0-4/8	1090
NCLK2		B10B1		1-05 *		D21										1090
NCLK2				1											11-7/8	1090
NDCRSR	H	A07J2		1-01 *	S	D25					1			N	3-1/8	1091
NDCRSR	H	B08E2		1-02 *		D10					2			N	1	1091
NDCRSR	H	B09E2		1-03 *		D10					1			N	1-3/8	1091
NDCRSR	H	B09N2		1-04 *		D10					2			N	1	1091
NDCRSR	H	B08N2		1-05 *		D10										1091
NDCRSR	H			1											6-4/8	1091
NDCRSR	L	B02R1		1-01 *	S	D25					1			N	3-1/8	1092
NDCRSR	L	C03E2		1-02 *		D25					2			N	7-3/8	1092
NDCRSR	L	A07H2		1-03 *		D25					1			N	9-1/8	1092
NDCRSR	L	B19F2		1-04 *		D10					2			N	1	1092
NDCRSR	L	B19L2		1-05 *		D10										1092
NDCRSR	L			1											20-5/8	1092
NDDB	H	B08C1		1-01 *		D10					2			N	1	1093
NDDB	H	B09C1		1-02 *		D10					1			N	1-7/8	1093
NDDB	H	B00R2		1-03 *		D10					2			N	1	1093
NDDB	H	B09R2		1-04 *		D10					1			N	2-4/8	1093
NDDB	H	B13R2		1-05 *		D10					2			N	1	1093
NDDB	H	B1CR2		1-06 *		D10					1			N	2-3/8	1093
NDDB	H	B13C1		1-07 *		D10					2			N	1	1093
NDDB	H	B14C1		1-08 *		D10					1			N	2-5/8	1093
NDDB	H	B18A1		1-09 *		D10					2			N	6-1/8	1093
NDDB	H	A25H2		1-10 *		D10					1			N	6-5/8	1093
NDDB	H	B30U1		1-11 *	G	D24										1093
NDDB	H			1											26-1/8	1093
NDDB	L	B02S2		1-01 *	S	D24					1			N	14-5/8	1094
NDDB	L	B30V1		1-02 *		D24										1094
NDDB	L			1											14-5/8	1094
NODST	H	E20D2		1-01 *	G	D24					1			N	0-1/8	1095
NODST	H	E21E1		1-02 *		D11										1095
NODST	H			1											0-1/8	1095

DX118.U  
RUN NAME

KRAPD .V395(102)-1 03-JUN-77

15-NOV-77

15:48 PAGE 120  
NC LENGTH EXCEPTIONS  
FLAG

RUN  
NUMBER

A/P	DIN NAME	ORDCR PUN	BAY - Q ORDER	DRAW OPT	RV RG Y	X Z	REMARKS	15:48 NC LENGTH EXCEPTIONS FLAG	PAGE 120	RUN NUMBER
L	E00J2		1-01 *	D24		1		N 9-5/8		1096
L	E00C1		1-02 *	D24						1096
L			1					9-5/8		1096
L	G26N1		1-01 *	D10		2		N 2-5/8		1097
L	D00J3		1-02 *	D10		1		N 0-4/8		1097
L	D00J1	F17C1	1-03 *	D10		2		N 7		1097
L	F17C1		1-04 *	D10						1097
L			1					10-1/8		1097
L	F00C2		1-01 *	DXX		1		N 10-7/8		1098
L	F02D2		1-02 *	DXX						1098
L			1					10-7/8		1098
H	C02C2		1-01 *	D24		1		N 9-3/8		1099
H	C14V2		1-02 *	D11						1099
H			1					9-3/8		1099
H	A32R1		1-01 *	D22		1		N 10-3/8		1100
H	D20J2		1-02 *	D10		2		N 6-7/8		1100
H	D10.1		1-03 *	D19		1		N 1-7/8		1100
H	C10U2		1-04 *	D11						1100
H			1					10-1/8		1100
H	F17F1		1-01 *	D10		1		N 3		1101
H	F22F1		1-02 *	D24						1101
H			1					3-0/8		1101
H	A30V2		1-01 *	D22		1		N 13-6/8		1102
H	E20N2		1-02 *	D11		2		N 5-5/8		1102
H	F17E1		1-03 *	D24		1		N 6-1/8		1102
H	D15J1		1-04 *	D10						1102
H			1					25-3/8		1102
H	A06L2		1-01 *	D25		2		N 1		1103
H	A05C2		1-02 *	D25		1		N 0-1/8		1103
H	A05F1		1-03 *	D25		2		N 0-5/8		1103
H	A05K2		1-04 *	D25		1		N 1-3/8		1103
H	A0601		1-05 *	D07		2		N 3-7/8		1103
H	B01P2		1-06 *	D11		1		N 2-3/8		1103
H	E04S2		1-07 *	D25		2		N 10		1103
H	F00J1		1-08 *	DXX		1		N 0-1/8		1103
H	F04M2		1-09 *	DXX		2		N 0-5/8		1103
H	F05L1		1-10 *	D11		1		N 4-3/8		1103
H	C10V2		1-11 *	D11						1103
H			1					32-4/8		1103
H	A00P		1-01 *	D22		1		N 0-1/8		1104
H	A00J1		1-02 *	D10		2		N 0-7/8		1104
H			1-03 *	DXX		1		N 0-2/8		1104
H			1-04 *	D19		2		N 6-7/8		1104
H			1-05 *	D29		1		N 2-5/8		1104
H			1-06 *	D24		2		N 2-0/8		1104
H			1-07 *	D03		1		N 7-9/8		1104
H			1-08 *	D17						1104
H			1					10-5/8		1104

DX118.U  
RUN NAME

KRAPD .V395(102)-1 03-JUN-77

15-NOV-77

15:48 PAGE 121  
NC LENGTH EXCEPTIONS  
FLAG

RUN  
NUMBER

A/P	DIN NAME	ORDCR PUN	BAY - Q ORDER	DRAW OPT	RV RG Y	X Z	REMARKS	15:48 NC LENGTH EXCEPTIONS FLAG	PAGE 121	RUN NUMBER
H	C17V2		1-01 *	D11		1		N 4-6/8		1105
H	C06V1		1-02 *	D10						1105
H			1					4-6/8		1105
H	F172		1-01 *	D10		1		N 7-3/8		1106
H	D202		1-02 *	D11						1106
H			1					7-3/8		1106
H	F00J1		1-01 *	D10		1		N 21-3/8		1107
H	F00J2		1-02 *	D22		2		N 12-3/8		1107
H	F00J3		1-03 *	D19		1		N 10-3/8		1107
H	F00J4		1-04 *	D10						1107
H			1					44-1/8		1107
H	A302		1-01 *	D22		1		N 10-3/8		1108
H	C15V1		1-02 *	DXX		2		N 4-7/8		1108
H	C06V2		1-03 *	D11		1		N 8-4/8		1108
H	C06U2		1-04 *	D11						1108
H			1					23-6/8		1108
H	F07J1	E00D1	1-01 *	DXX		1		N 10-1/8		1109
H	E00D1		1-02 *			2		N 1-5/8		1109
H	E07M1		1-03 *	DXX		1		N 1-7/8		1109
H	E04D2		1-04 *	DXX		2		N 0-5/8		1109
H	E00J2		1-05 *	DXX		1		N 0-4/8		1109
H	F00J1		1-06 *	DXX		2		N 0-5/8		1109
H	E00J1		1-07 *	DXX		1		N 0-5/8		1109
H	F00P1	F00R2	1-08 *	DXX		2		N 4-0/8		1109
H	E00R2		1-09 *			1		N 11-7/8		1109
H	E00J1		1-10 *	DXX		2		N 0-5/8		1109
H	E00J2		1-11 *	DXX		1		N 1-3/8		1109
H	C10V2		1-12 *	DXX		2		N 0-4/8		1109
H	F10J1		1-13 *	DXX		1		N 1-5/8		1109
H	F10J2		1-14 *	D27		2		N 0-0/8		1109
H	F10J3		1-15 *	DXX		1		N 0-4/8		1109
H	F10J4		1-16 *	DXX		2		N 0-4/8		1109
H	F10J5		1-17 *	DXX		1		N 0-4/8		1109
H	F10J6		1-18 *	DXX		2		N 1-0/8		1109
H	F10J7		1-19 *	DXX		1		N 0-5/8		1109
H	F10J8		1-20 *	DXX		2		N 0-1/8		1109
H	F10J9		1-21 *	DXX		1		N 0-5/8		1109
H	F10J10		1-22 *	DXX						1109
H			1					41-3/8		1109

121



DX118,U  
RUN NAME

WRAPD .V35(102)-1 03-JUN-77  
A/P PIN ORDER BAY - Q DRAW RV RG Y X Z  
NAME PIN ORDER OPT

15-Nov-77

15148 PAGE 124  
NC LENGTH EXCEPTIONS  
FLAG

RUN  
NUM

LINE	A/P	PIN NAME	ORDER PIN	BAY - ORDER	Q	DRAW OPT	RV	RG	Y	X	Z	REMARKS	15148 NC FLAG	PAGE 124 EXCEPTIONS	RUN NUM
ONLINE1	H	B30T2		1-01 *		DXX					2		N 10-4/3		1121
ONLINE1	H	E19J1		1-02 *		DXX					1		N 9-2/8		1121
ONLINE1	H	H11L1		1-03 *		DXX					2		N 0-1/8		1121
ONLINE1	H	H11M1		1-04 *		DXX					1		N 0-1/8		1121
ONLINE1	H	H11N1		1-05 *		DXX					2		N 0-1/8		1121
ONLINE1	H	H11V1		1-06 *		DXX					1		N 1-2/8		1121
ONLINE1	H	J00D1		1-07 *		DXX					2		N 1-7/8		1121
ONLINE1	H	J10D1		1-08 *		DXX					1		N 1		1121
ONLINE1	H	J11D1		1-09 *		DXX					2		N 1-2/8		1121
ONLINE1	H	J11L1		1-10 *		DXX					1		N 0-1/8		1121
ONLINE1	H	J11M1		1-11 *		DXX					2		N 0-1/8		1121
ONLINE1	H	J11N1		1-12 *		DXX					1		N 0-1/8		1121
ONLINE1	H	J10K2		1-13 *		DXX					2		N 0-1/8		1121
ONLINE1	H	J10J1		1-14 *		DXX					1		N 0-5/8		1121
ONLINE1	H	J10M1		1-15 *		DXX					2		N 0-5/8		1121
ONLINE1	H	J00K2		1-16 *		DXX					1		N 0-4/8		1121
ONLINE1	H	J00J1		1-17 *		DXX					2		N 0-1/8		1121
ONLINE1	H	J00M1		1-18 *		DXX					1		N 0-5/8		1121
ONLINE1	H	J00O1		1-19 *		DXX					2		N 0-4/8		1121
ONLINE1	H	J09U2		1-20 *		DXX					1		N 0-4/8		1121
ONLINE1	H	J10B1		1-21 *		DXX					2		N 0-4/8		1121
ONLINE1	H	J10U2		1-22 *		DXX					1		N 0-4/8		1121
ONLINE1	H	J11V1		1-23 *		DXX					2		N 0-5/8		1121
ONLINE1	H	J13S1	J13U2	1-24 *		DXX					1		N 1-5/8		1121
ONLINE1	H	J13U2		1-25 *		DXX					2		N 0-4/8		1121
ONLINE1	H	J13J1		1-26 *		DXX					1		N 1-5/8		1121
ONLINE1	H			1									36-1/8		1121
ONOFFT	H	C06S1		1-01 *	S	D24					2		N 3-1/8		1122
ONOFFT	H	B07V1		1-02 *		D24					1		N 9-7/8		1122
ONOFFT	H	E03V2		1-03 *		D24									1122
ONOFFT	H			1									13-0/8		1122
ONOFFT	L	B07U1		1-01 *	S	D24					1		N 13-3/8		1123
ONOFFT	L	E24R1		1-02 *		D11									1123
ONOFFT	L			1									13-3/8		1123
OPL IN		H11P2		1-01 *		DXX					1		N 2-5/8		1124
OPL IN		J12D2		1-02 *		DXX					2		N 1-4/8		1124
OPL IN		J14D2		1-03 *		DXX									1124
OPL IN				1									4-1/8		1124
OPL OUT		H12S1		1-01 *		DXX					2		N 1-4/8		1125
OPL OUT		H14S1		1-02 *		DXX					1		N 3-3/8		1125
OPL OUT		J13R1		1-03 *		DXX									1125
OPL OUT				1									4-7/8		1125

DX118,U  
RUN NAME

WRAPD .V35(102)-1 03-JUN-77  
A/P PIN ORDER BAY - Q DRAW RV RG Y X Z  
NAME PIN ORDER OPT

15-Nov-77

15148 PAGE 125  
NC LENGTH EXCEPTIONS  
FLAG

RUN  
NUMBER

LINE	A/P	PIN NAME	ORDER PIN	BAY - ORDER	Q	DRAW OPT	RV	RG	Y	X	Z	REMARKS	15148 NC FLAG	PAGE 125 EXCEPTIONS	RUN NUMBER
OPLI(0)	H	C25S2		1-01 *	S	D13					1		N 10		1126
OPLI(0)	H	C06S2		1-02 *		D11					2		N 2-3/8		1126
OPLI(0)	H	C06A1		1-03 *		D25					1		N 3-4/8		1126
OPLI(0)	H	C01U2		1-04 *		D05					2		N 5-1/8		1126
OPLI(0)	H	E02M1		1-05 *		D24					1		N 1-1/8		1126
OPLI(0)	H	E03L1		1-06 *		D25					2		N 2-7/8		1126
OPLI(0)	H	F03H2		1-07 *		DXX					1		N 0-1/8		1126
OPLI(0)	H	F03J2		1-08 *		DXX					2		N 13-3/8		1126
OPLI(0)	H	H22V1		1-09 *		DXX									1126
OPLI(0)	H			1									38-4/8		1126
OPLI(1)	H	C25R2		1-01 *	S	D13					1		N 9-7/8		1127
OPLI(1)	H	31C2		1-02 *		D22					2		N 10-1/8		1127
OPLI(1)	H	00N2		1-03 *		D25					1		N 0-1/8		1127
OPLI(1)	H	C08M2		1-04 *		D25					2		N 6-5/8		1127
OPLI(1)	H	E07P1		1-05 *		D05					1		N 4-3/8		1127
OPLI(1)	H	E14N2		1-06 *		D25					2		N 6-2/8		1127
OPLI(1)	H	F22N1		1-07 *		DXX					1		N 8-7/8		1127
OPLI(1)	H	H11U2		1-08 *		DXX									1127
OPLI(1)	H			1									54-2/8		1127
OPL0	H	C25P2		1-01 *	H	D12					1		N 20-7/8		1128
OPL0	H	J13P1		1-02 *		DXX									1128
OPL0	H			1									20-7/8		1128
OPL0(0)	H	C25K2		1-01 *	S	D12					2		N 9-7/8		1129
OPL0(0)	H	F29D2		1-02 *		D13					1		N 13-1/8		1129
OPL0(0)	H	E07R1		1-03 *		D12					2		N 4-6/8		1129
OPL0(0)	H	D02L1		1-04 *		D05									1129
OPL0(0)	H			1									27-6/8		1129
OPL0(1)	H	A31C1		1-01 *		D22					2		N 7-7/8		1130
OPL0(1)	H	B21K2		1-02 *		D13					1		N 1-5/8		1130
OPL0(1)	H	B19R2		1-03 *		D13					2		N 1-7/8		1130
OPL0(1)	H	B17P1		1-04 *		D06					1		N 7-5/8		1130
OPL0(1)	H	E03J2		1-05 *		D25					2		N 2-7/8		1130
OPL0(1)	H	C05D1		1-06 *		D25					1		N 5-3/8		1130
OPL0(1)	H	D02L2		1-07 *		D25					2		N 6-3/8		1130
OPL0(1)	H	E12A1		1-08 *		D24					1		N 7-5/8		1130
OPL0(1)	H	D25S1		1-09 *		D19					2		N 4-3/8		1130
OPL0(1)	H	C25J2		1-10 *	S	D12									1130
OPL0(1)	H			1									45-5/8		1130
OUT HIGH	H	A02B1		1-01 *		D25					1		N 12-3/8		1131
OUT HIGH	H	A24L1		1-02 *		D17					2		N 8-7/8		1131
OUT HIGH	H	C30M2		1-03 *		D17									1131
OUT HIGH	H			1									21-2/8		1131
OUT LOW	H	C30N1		1-01 *		D17					2		N 8-3/8		1132
OUT LOW	H	A24R1		1-02 *		D17					1		N 13-2/8		1132
OUT LOW	H	E07D1		1-03 *		D09									1132
OUT LOW	H			1									21-5/8		1132

123



DX118.U RUN NAME	WRAPD .V35(102)-1		03-JUN-77		15-NOV-77		PAGE 128		RUN NUMBER							
	A/P	PIN	ORDER	PIN	BAY	Q	DRAW	RV		RG	Y	X	Z	REMARKS	NC LENGTH FLAG	EXCEPTIONS
PH802	L	A2601	1-01	*	S	D20								N	5-5/8	1152
PH802	L	A2601	1-02	*	S	D20								N	8	1152
PH802	L	B17H1	1-03	*	S	D06								N	6-5/8	1152
PH802	L	A09M1	1-04	*	S	DXX								N	6-5/8	1152
PH802	L	C08K2	1-05	*	S	D11								N	26-7/8	1152
PH811	H	A26H1	1-01	*	S	D20								N	14-1/8	1153
PH811	H	B03D1	1-02	*	S	D25								N	14-1/8	1153
PH811	L	A26P1	1-01	*	S	D20								N	5-1/8	1154
PH811	L	B24R1	1-02	*	S	D20								N	5-1/8	1154
PH812	H	A05E1	1-01	*	S	D25								N	11-3/8	1155
PH812	H	A26K1	1-02	*	S	D20								N	11-3/8	1155
PH812	L	B24P1	1-01	*	S	D20								N	4-7/8	1156
PH812	L	A26J1	1-02	*	S	D20								N	16-5/8	1156
PH812	L	E15L1	1-03	*	S	D11								N	21-4/8	1156
PH821	H	A26M1	1-01	*	S	D20								N	3-6/8	1157
PH821	H	B21F1	1-02	*	S	D13								N	9-5/8	1157
PH821	H	B03J2	1-03	*	S	D25								N	13-3/8	1157
PH821	H		1-03	*	S	D25								N	4-3/8	1158
PH821	L	A26L1	1-01	*	S	D20								N	4-3/8	1158
PH821	L	B24N1	1-02	*	S	D20								N	4-3/8	1158
PH822	H	A26P1	1-01	*	S	D20								N	11-1/8	1159
PH822	H	A06D2	1-02	*	S	D25								N	4-5/8	1159
PH822	H	B04F1	1-03	*	S	D25								N	8-1/8	1159
PH822	H	E03D2	1-04	*	S	D24								N	23-7/8	1159
PH822	H		1-04	*	S	D24								N	4-1/8	1160
PH822	L	A26M1	1-01	*	S	D20								N	4-1/8	1160
PH822	L	B24M1	1-02	*	S	D20								N	4-1/8	1160
PH831	H	A05P1	1-01	*	S	D25								N	1-1/8	1161
PH831	H	A06K1	1-02	*	S	D25								N	11-1/8	1161
PH831	H	A26S1	1-03	*	S	D20								N	12-2/8	1161
PH831	L	A26R1	1-01	*	S	D20								N	4-1/8	1162
PH831	L	B24T2	1-02	*	S	D20								N	4-1/8	1162
PH832	H	A26U1	1-01	*	S	D20								N	12-1/8	1163
PH832	H	A04M1	1-02	*	S	D25								N	3-5/8	1163
PH832	H	E04N2	1-03	*	S	D25								N	15-6/8	1163
PH832	H		1-03	*	S	D25								N	15-6/8	1163

DX118.U RUN NAME	WRAPD .V35(102)-1		03-JUN-77		15-NOV-77		PAGE 129		RUN NUMBER							
	A/P	PIN	ORDER	PIN	BAY	Q	DRAW	RV		RG	Y	X	Z	REMARKS	NC LENGTH FLAG	EXCEPTIONS
PH832	L	A26V1	1-01	*	S	D20								N	3-5/8	1164
PH832	L	B2482	1-02	*	S	D20								N	3-5/8	1164
PH841	H	A05D2	1-01	*	S	D25								N	11-1/8	1165
PH841	H	A26P2	1-02	*	S	D20								N	11-1/8	1165
PH841	L	A26E2	1-01	*	S	D20								N	5-1/8	1166
PH841	L	B24R2	1-02	*	S	D20								N	5-1/8	1166
PH842	H	A05J2	1-01	*	S	D25								N	11	1167
PH842	H	A26J2	1-02	*	S	D20								N	11-0/8	1167
PH842	L	B24P2	1-01	*	S	D20								N	4-7/8	1168
PH842	L	A26H2	1-02	*	S	D20								N	17-1/8	1168
PH842	L	E15N1	1-03	*	S	D11								N	22-0/8	1168
PH851	H	A26L2	1-01	*	S	D20								N	11-1/8	1169
PH851	H	A05P1	1-02	*	S	D07								N	5-7/8	1169
PH851	H	C08D2	1-03	*	S	D13								N	17-0/8	1169
PH851	L	B24N2	1-01	*	S	D20								N	4-3/8	1170
PH851	L	A26K2	1-02	*	S	0								N	11 / 8	1170
PH851	L	E25E1	1-03	*	S	D11								N	5 / 8	1170
PH851	L	E15K1	1-04	*	S	D11								N	21-3/8	1170
PH852	H	A26R2	1-01	*	S	D20								N	10-5/8	1171
PH852	H	A06N2	1-02	*	S	DXX								N	18-6/8	1171
PH852	H	E30H2	1-03	*	S	D13								N	29-3/8	1171
PH852	L	B24J2	1-01	*	S	D20								N	3-3/8	1172
PH852	L	A26P2	1-02	*	S	D20								N	13-3/8	1172
PH852	L	E05T2	1-03	*	S	D25								N	10-3/8	1172
PH852	L	E01P2	1-04	*	S	D05								N	27-1/8	1172
PH852	L		1-04	*	S	D05								N	15-1/8	1173
PH861	H	A26T2	1-01	*	S	D20								N	10-2/8	1173
PH861	H	B02R1	1-02	*	S	D25								N	25-3/8	1173
PH861	H	E15J2	1-03	*	S	D11								N	3-1/8	1174
PH861	L	B24H2	1-01	*	S	D20								N	9-7/8	1174
PH861	L	A26J2	1-02	*	S	D20								N	17	1174
PH861	L	A03P1	1-03	*	S	D13								N	30-0/8	1174
PH861	L	E22L2	1-04	*	S	D11								N	30-0/8	1174
PH861	L		1-04	*	S	D11								N	30-0/8	1174



126

DX118,U RUN NAME	A/P	WRAPD .V35(102)-1 PIN NAME	ORDER PIN	03-JUN-77 BAY - ORDER	0	DRAW	RV RG Y	X	Z	REMARKS	15-Nov-77	15:40 NC LENGTH FLAG	PAGE 130 EXCEPTIONS	RUN NUMBER
PH862	H	A06B1		1-01 *		D25			2			N 2-2/8		1175
PH862	H	A04P1		1-02 *		D25			1			N 3-5/8		1175
PH862	H	B04R2		1-03 *		D25			2			N 3-2/8		1175
PH862	H	C00F2		1-04 *		D13			1			N 16-7/8		1175
PH862	H	E30J2		1-05 *		D13			2			N 11-5/8		1175
PH862	H	A26V2		1-06 *	8	D20								1175
PH862	H			1								37-5/8		1175
PH862	L	B24F2		1-01 *	8	D20			2			N 2-3/8		1176
PH862	L	A26U2		1-02 *		D20			1			N 10-7/8		1176
PH862	L	A00H1		1-03 *		D13			2			N 14-7/8		1176
PH862	L	E01R2		1-04 *		D09			1			N 11-1/8		1176
PH862	L	E23P1		1-05 *		D11								1176
PH862	L			1								39-2/8		1176
PH871	H	A01L1		1-01 *	2				2			N 11-7/8		1177
PH871	H	B17R2		1-02 *	1	D06			1			N 7-1/8		1177
PH871	H	A27B1		1-03 *	8	D20								1177
PH871	H			1								19-0/8		1177
PH871	L	B06L2		1-01 *		D25			2			N 5-5/8		1178
PH871	L	B17K1		1-02 *		D06			1			N 8-2/8		1178
PH871	L	A27A1		1-03 *		D20			2			N 4-7/8		1178
PH871	L	B24E2		1-04 *	3	D20								1178
PH871	L			1								10-6/8		1178
PH872	H	A27E1		1-01 *	8	D20			1			N 17-5/8		1179
PH872	H	E14K2		1-02 *		D25			2			N 6-2/8		1179
PH872	H	E03K1		1-03 *		D25								1179
PH872	H			1								23-7/8		1179
PH872	L	B24K2		1-01 *	8	D20			2			N 5-1/8		1180
PH872	L	A27D1		1-02 *		D20			1			N 8-5/8		1180
PH872	L	B17J1		1-03 *		D06			2			N 7-5/8		1180
PH872	L	C06B1		1-04 *		D25			1			N 2-1/8		1180
PH872	L	C06R2		1-05 *		D11								1180
PH872	L			1								23-4/8		1180
PWR OK RLY	H	F01V2		1-01 *		DXX			2			N 5-1/8		1181
PWR OK RLY	H	H09E2		1-02 *		D27			1			N 1		1181
PWR OK RLY	H	H10E2		1-03 *		D27			2			N 1		1181
PWR OK RLY	H	H10K1		1-04 *		D27			1			N 0-5/8		1181
PWR OK RLY	H	H09N2		1-05 *		D27			2			N 0-5/8		1181
PWR OK RLY	H	H09K1		1-06 *		D27			1			N 1-4/8		1181
PWR OK RLY	H	H09U1		1-07 *		D27			2			N 1		1181
PWR OK RLY	H	H10U1		1-08 *		D27			1			N 1-2/8		1181
PWR OK RLY	H	H10N2		1-09 *		DXX			2			N 0-5/8		1181
PWR OK RLY	H	E11K1		1-10 *		DXX			1			N 0-5/8		1181
PWR OK RLY	H	H11N2		1-11 *		D27			2			N 1-2/8		1181
PWR OK RLY	H	H11U1		1-12 *		D27			1			N 1-7/8		1181
PWR OK RLY	H	J11E2		1-13 *		D27			2			N 1		1181
PWR OK RLY	H	J11K1		1-14 *		D27			1			N 0-5/8		1181
PWR OK RLY	H	J11N2		1-15 *		D27			2			N 1-2/8		1181
PWR OK RLY	H	J11U1	A30V1	1-16 *		D27			1			N 20-3/8		1181
PWR OK RLY	H	A30V1		1-17 *										1181
PWR OK RLY	H			1								47-6/8		1181

DX118,U RUN NAME	A/P	WRAPD .V35(102)-1 PIN NAME	ORDER PIN	03-JUN-77 BAY - ORDER	0	DRAW	RV RG Y	X	Z	REMARKS	15-Nov-77	15:40 NC LENGTH FLAG	PAGE 131 EXCEPTIONS	RUN NUMBER
RADRI	H	D22L1		1-01 *		D19			1			N 8-1/8		1182
RADRI	H	H20D2		1-02 *		DXX								1182
RADRI	H			1								8-1/8		1182
RBUSI 00	H	D10L1		1-01 *		D19			1			N 14		1183
RBUSI 00	H	H21P2		1-02 *		DXX								1183
RBUSI 00	H			1								14-0/8		1183
RBUSI 01	H	D11L1		1-01 *		D19			1			N 12-2/8		1184
RBUSI 01	H	H21F2		1-02 *		DXX								1184
RBUSI 01	H			1								12-2/8		1184
RBUSI 02	H	D12L1		1-01 *		D19			1			N 12-7/8		1185
RBUSI 02	H	H71P1		1-02 *		DXX								1185
RBUSI 02	H			1								12-7/8		1185
RBUSI 03	H	D13L1		1-01 *		D19			1			N 11-5/8		1186
RBUSI 03	H	H21F1		1-02 *		DXX								1186
RBUSI 03	H			1								11-5/8		1186
RBUSI 04	H	D14L1		1-01 *		D19			1			N 11-5/8		1187
RBUSI 04	H	H20P2		1-02 *		DXX								1187
RBUSI 04	H			1								11-5/8		1187
RBUSI 05	H	D15L1		1-01 *		D19			1			N 10-3/8		1188
RBUSI 05	H	H20F2		1-02 *		DXX								1188
RBUSI 05	H			1								10-3/8		1188
RBUSI 06	H	D16L1		1-01 *		D19			1			N 10-3/8		1189
RBUSI 06	H	H20P1		1-02 *		DXX								1189
RBUSI 06	H			1								10-3/8		1189
RBUSI 07	H	D17L1		1-01 *		D19			1			N 9-1/8		1190
RBUSI 07	H	H20F1		1-02 *		DXX								1190
RBUSI 07	H			1								9-1/8		1190
RBUSI P	H	D18L1		1-01 *		D19			1			N 9-5/8		1191
RBUSI P	H	H22F1		1-02 *		DXX								1191
RBUSI P	H			1								9-5/8		1191
REQ IN		H11M2		1-01 *		DXX			2			N 1-1/8		1192
REQ IN		H1282		1-02 *		DXX			1			N 1-4/8		1192
REQ IN		H1482		1-03 *		DXX								1192
REQ IN				1								2-5/8		1192
REQI(0)	H	C23S2		1-01 *	8	D13			2			N 11-1/8		1193
REQI(0)	H	H22R2		1-02 *		DXX			1			N 16-1/8		1193
REQI(0)	H	E02P1		1-03 *		D24								1193
REQI(0)	H			1								27-2/8		1193

DX118.U RUN NAME	WRAP .V35(102)-1 A/P PIN NAME	ORDER PIN	BAY - Q ORDER	03-JUN-77	DRAW OPT	PV RG Y	X Z	REMARKS	15-NOV-77	NC LENGTH FLAG	PAGE 132 EXCEPTIONS	RUN NUMBER
REGI(1)	C23R2		1-01 * S	D13			2			N 10-5/8		1194
REGI(1)	A31E2		1-02 *	D22			1			N 16-5/8		1194
REGI(1)	B04C1		1-03 *	D25			2			N 6-3/8		1194
REGI(1)	D02B1		1-04 *	D24			1			N 4-3/8		1194
REGI(1)	E03J2		1-05 *	D24			1			38-0/8		1194
REGI(1)												1194
REGIN	D02P1	H11P1	1-01 * H				1			13-3/8		1195
REGIN	H11P1		1-02 *				1			13-3/8		1195
REGIN												1195
ROPLI	D25L1		1-01 *	D19			1			N 10-1/8		1196
ROPLI	H22P1		1-02 *	DXX			1			10-1/8		1196
ROPLI												1196
RREGI	D23L1		1-01 *	D19			1			N 8-7/8		1197
RREGI	H22P2		1-02 *	DXX			1			8-7/8		1197
RREGI												1197
RSELI	D24L1		1-01 *	D19			1			N 8-3/8		1198
RSELI	H22P2		1-02 *	DXX			1			8-3/8		1198
RSELI												1198
RSRVI	D20L1		1-01 *	D19			1			N 8-1/8		1199
RSRVI	H21D2		1-02 *	DXX			1			8-1/8		1199
RSRVI												1199
RSTAI	D21L1		1-01 *	D19			1			N 8-5/8		1200
RSTAI	H20M2		1-02 *	DXX			1			8-5/8		1200
RSTAI												1200
S17FN1	C02N2		1-01 * S	D24			1			N 4-7/8		1201
S17FN1	E04A1		1-02 *	D24			1			4-7/8		1201
S17FN1												1201
S17FN2	C02F2		1-01 * S	D24			1			N 5-7/8		1202
S17FN2	E04E1		1-02 *	D24			1			5-7/8		1202
S17FN2												1202
SEL IN	F01M2		1-01 *	DXX			1			N 7-6/8		1203
SEL IN	J11M2	J13M2	1-02 *	DXX			2			N 1-5/8		1203
SEL IN	J13M2		1-03 *				1			9-3/8		1203
SEL IN												1203
SEL IN A	F01S2		1-01 *	DXX			1			N 8-2/8		1204
SEL IN A	J12T2		1-02 *	DXX			1			8-2/8		1204
SEL IN A												1204
SEL IN B	F01R2		1-01 *	D29			1			N 10-1/8		1205
SEL IN B	J14T2		1-02 *	DXX			1			10-1/8		1205
SEL IN B												1205
SEL OUT	F01L2		1-01 *	DXX			1			N 9-1/8		1206
SEL OUT	J13V2		1-02 *	DXX			2			N 2-1/8		1206
SEL OUT	J11P1		1-03 *	D27			1			11-2/8		1206
SEL OUT												1206

DX118.U RUN NAME	WRAP .V35(102)-1 A/P PIN NAME	ORDER PIN	BAY - Q ORDER	03-JUN-77	DRAW OPT	PV RG Y	X Z	REMARKS	15-NOV-77	NC LENGTH FLAG	PAGE 133 EXCEPTIONS	RUN NUMBER
SEL OUT A	F01N2		1-01 *	D29			1			N 9		1207
SEL OUT A	J12V2		1-02 *	DXX			1			9-0/8		1207
SEL OUT A												1207
SEL OUT B	F01P2		1-01 *	D29			1			N 10-1/8		1208
SEL OUT B	J14V2		1-02 *	DXX			1			10-1/8		1208
SEL OUT B												1208
SEL SYNC(1)	A24K1		1-01 *	D17			1			N 1		1209
SEL SYNC(1)	A24P1		1-02 *	D17			2			N 1		1209
SEL SYNC(1)	A25P1		1-03 *	D17			1			N 0-5/8		1209
SEL SYNC(1)	A25L1		1-04 *	D17			2			N 5-4/8		1209
SEL SYNC(1)	B32K1		1-05 *	D17			1			N 0-5/8		1209
SEL SYNC(1)	B32F1		1-06 *	D17			2			N 9-3/8		1209
SEL SYNC(1)	D27S1		1-07 *	D17			1			18-1/8		1209
SEL SYNC(1)												1209
SELECT	A05A1		1-01 *	D25			2			N 2-7/8		1210
SELECT	A07S2		1-02 *	D25			1			N 2-5/8		1210
SELECT	B06E1		1-03 *	D25			2			N 1-7/8		1210
SELECT	B04A1		1-04 *	D25			1			7-3/8		1210
SELECT												1210
SELECT	A07T2		1-01 * S	D25			1			N 2		1211
SELECT	A09H1		1-02 *	D13			1			2-0/8		1211
SELECT												1211
SELI(0)	C24S2	B18U2	1-01 *	D13			2			N 5		1212
SELI(0)	B18U2	B18T2	1-02 *				1			N 0-1/8		1212
SELI(0)	B18T2		1-03 *				2			N 1		1212
SELI(0)	B19T2		1-04 *	D13			1			N 13-5/8		1212
SELI(0)	H22H2		1-05 *	DXX			2			N 8-5/8		1212
SELI(0)	E12C1		1-06 *	D24			1			N 6-3/8		1212
SELI(0)	E02N1		1-07 *	D24			1			34-6/8		1212
SELI(0)												1212
SELI(1)	C24R2	J11P1	1-01 * H	D13			1			20-3/8		1213
SELI(1)	J11P1		1-02 *				1			20-3/8		1213
SELI(1)												1213
SELIBR	D12M2		1-01 *	2			2			N 10-1/8		1214
SELIBR	E26R1		1-02 *				1			N 12		1214
SELIBR	J13M2		1-03 *				1			22-1/8		1214
SELIBR												1214
SELIBUF(1)	A31D2		1-01 *	1			1			N 11-1/8		1215
SELIBUF(1)	B18V2		1-02 *	2			2			N 8-5/8		1215
SELIBUF(1)	B06C1		1-03 *				1			19-6/8		1215
SELIBUF(1)												1215
SELO	E16E1		1-01 * H	D12			1			10-5/8		1216
SELO	J13P2		1-02 *	DXX			1			10-5/8		1216
SELO												1216

DX11B,U  
RUN NAME

WRAPD .V35(102)=1 03-JUN-77  
A/P PIN ORDER BAY - Q DRAW RV RG Y X Z

REMARKS 15-Nov-77 15:48 PAGE 134  
NC LENGTH EXCEPTIONS RUN  
FLAG NUMBER

DX11B,U RUN NAME	A/P	PIN NAME	ORDER PIN	BAY - ORDER	Q	DRAW OPT	RV RG Y	X	Z	REMARKS	15-Nov-77	15:48 NC FLAG	PAGE 134 LENGTH EXCEPTIONS	RUN NUMBER
SELO(0)	H	A03M2		1-01 *		D25			1			N 1-6/8		1217
SELO(0)	H	A05U2		1-02 *		D25			2			N 4-7/8		1217
SELO(0)	H	C06J1		1-03 *		D24			1			N 1-5/8		1217
SELO(0)	H	C08T2		1-04 *		D25			2			N 5-3/8		1217
SELO(0)	H	E03C1		1-05 *		D24			1			N 14-5/8		1217
SELO(0)	H	E30J1		1-06 *		D13			2			N 8-7/8		1217
SELO(0)	H	C23K2		1-07 *	S	D12			1			37-1/8		1217
SELO(1)	H	A31E1		1-01 *		D22			1			N 16-3/8		1218
SELO(1)	H	B04D1		1-02 *		D25			2			N 5-5/8		1218
SELO(1)	H	C01T2		1-03 *		D05			1			N 2-7/8		1218
SELO(1)	H	D02M2		1-04 *		D25			2			N 6-5/8		1218
SELO(1)	H	E12B1		1-05 *		D24			1			N 2-7/8		1218
SELO(1)	H	E14T2		1-06 *		D13			2			N 9-7/8		1218
SELO(1)	H	E25U2		1-07 *		D13			1			N 4-3/8		1218
SELO(1)	H	D23D1		1-08 *		D19			2			N 4-3/8		1218
SELO(1)	H	C23J2		1-09 *	S	D12			1			49-0/8		1218
SELRS(0)	H	A02M1		1-01 *		D05			1			N 14-5/8		1219
SELRS(0)	H	E07V2		1-02 *		D24			2			N 12-2/8		1219
SELRS(0)	H	C23M1		1-03 *	S	D05			1			26-7/8		1219
SELRS(1)	H	A29C1		1-01 *		D22			1			N 12-3/8		1220
SELRS(1)	H	B14U1		1-02 *		D10			2			N 7-3/8		1220
SELRS(1)	H	D2382		1-03 *		D19			1			N 3-5/8		1220
SELRS(1)	H	C23N1		1-04 *	S	D05			1			23-3/8		1220
SENSE	L	A04V2		1-01 *	S	D24			2			N 5-3/8		1221
SENSE	L	C03M2		1-02 *		D25			1			N 17-7/8		1221
SENSE	L	E29E2		1-03 *		D13			1			23-2/8		1221
SETPH0	L	B05V2		1-01 *	S	D24			1			N 14		1222
SETPH0	L	E22A1		1-02 *		D11			1			14-0/0		1222
SETPH1	L	C03S1		1-01 *	S	D24			1			N 12-3/8		1223
SETPH1	L	B19D1		1-02 *		D11			2			N 9-3/8		1223
SETPH1	L	E22B1		1-03 *		D11			1			21-6/8		1223
SETPH2	L	C08L1		1-01 *	S	D24			2			N 8-7/8		1224
SETPH2	L	B19F1		1-02 *		D11			1			N 9-1/8		1224
SETPH2	L	E22C1		1-03 *		D11			1			10-0/8		1224
SETPH3	L	C07U1		1-01 *	S	D24			1			N 10-2/8		1225
SETPH3	L	B19C1		1-02 *		D11			2			N 1		1225
SETPH3	L	B19H1		1-03 *		D11			1			N 9-3/0		1225
SETPH3	L	E22D1		1-04 *		D11			1			20-5/8		1225

DX11B,U  
RUN NAME

WRAPD .V35(102)=1 03-JUN-77  
A/P PIN ORDER BAY - Q DRAW RV RG Y X Z

REMARKS 15-Nov-77 15:48 PAGE 135  
NC LENGTH EXCEPTIONS RUN  
FLAG NUMBER

DX11B,U RUN NAME	A/P	PIN NAME	ORDER PIN	BAY - ORDER	Q	DRAW OPT	RV RG Y	X	Z	REMARKS	15-Nov-77	15:48 NC FLAG	PAGE 135 LENGTH EXCEPTIONS	RUN NUMBER
SETPH4	L	C07D2		1-01 *	S	D24			2			N 7-5/8		1226
SETPH4	L	B19M1		1-02 *		D11			1			N 9-1/8		1226
SETPH4	L	E22D2		1-03 *		D11			1			16-6/8		1226
SG14LAT(0)	H	C18K2		1-01 *					1			N 11-1/8		1227
SG14LAT(0)	H	B01M2		1-02 *					1			11-1/8		1227
SICR	H	B05N1		1-01 *	S	D25			2			N 1-4/8		1228
SICR	H	B07N1		1-02 *		D25			1			N 17-3/8		1228
SICR	H	F30P2		1-03 *		D13			2			N 1		1228
SICR	H	F31P2		1-04 *		D13			1			N 1-4/8		1228
SICR	H	F31E2		1-05 *		D13			2			N 1		1228
SICR	H	F30E2		1-06 *		D13			1			N 2-3/8		1228
SICR	H	E29E2		1-07 *		D13			1			24-6/8		1228
SICR	L	B07P1		1-01 *	S	D25			1			N 11-3/8		1229
SICR	L	E19D2		1-02 *		D11			1			11-3/8		1229
SIG1	H	F22M2		1-01 *	1				1			N 11-5/8		1230
SIG1	H	E05N1		1-02 *	S	D25			2			N 9-3/8		1230
SIG1	H	B07L1		1-03 *		D25			1			21-0/8		1230
SIG1	L	B07M1		1-01 *	S	D25			1			N 10-7/8		1231
SIG1	L	E15A1		1-02 *		D11			2			N 4-5/8		1231
SIG1	L	E22F1		1-03 *		D11			1			15-4/8		1231
SIG10	H	B07U2		1-01 *		D25			2			N 2-5/8		1232
SIG10	H	C00P1		1-02 *		D05			1			N 6-1/8		1232
SIG10	H	E05F1		1-03 *	S	D25			1			8-6/8		1232
SIG10	L	A25P2		1-01 *		D08			2			N 13-1/8		1233
SIG10	L	E21P1		1-02 *		D11			1			N 12-3/8		1233
SIG10	L	D01P2		1-03 *		D05			2			N 8-1/8		1233
SIG10	L	E07V2		1-04 *	S	D25			1			33-5/8		1233
SIG11	H	B06V2		1-01 *	S	D25			2			N 3-7/8		1234
SIG11	H	C02H1		1-02 *		D24			1			N 3-1/8		1234
SIG11	H	D01H2		1-03 *		D11			2			N 0-4/8		1234
SIG11	H	B01E2		1-04 *		D11			1			N 0-6/8		1234
SIG11	H	E02H1		1-05 *		D25			2			N 3-1/8		1234
SIG11	H	B07J1		1-06 *		D25			1			N 10-1/8		1234
SIG11	H	E21A1		1-07 *		D11			1			21-2/8		1234
SIG11	L	B07K1		1-01 *	S	D25			1			N 11-5/8		1235
SIG11	L	C01T2		1-02 *		D05			1			11-5/8		1235

DX11B,U RUN NAME	WRAPD ,V35(102)-1 03-JUN-77					REMARKS	15-Nov-77	15148 NC LENGTH FLAG	PAGE 136 EXCEPTIONS	RUN NUMBER
	A/P	PIN NAME	ORDER PIN	BAY - ORDER	Q DRAW					
SIG11A	H	A07V2		1-01 *	S	D25		N 4-1/8	1236	
SIG11A	H	B02D1		1-02 *		D25		N 1-2/8	1236	
SIG11A	H	B02L1		1-03 *		D25			1236	
SIG11A	H			1				5-3/8	1236	
SIG11A	L	A0682		1-01 *	S	D25		N 1	1237	
SIG11A	L	A07U2		1-02 *		D25		N 10-3/8	1237	
SIG11A	L	E05D1		1-03 *		D25		N 10-5/8	1237	
SIG11A	L	E25E2		1-04 *		D11			1237	
SIG11A	L			1				22-0/8	1237	
SIG12	H	A04F2		1-01 *		D25		N 2-3/8	1238	
SIG12	H	A07M2		1-02 *		D25		N 3-7/8	1238	
SIG12	H	B02D2		1-03 *		D25		N 3-1/8	1238	
SIG12	H	C02D1		1-04 *		D24			1238	
SIG12	H			1				9-3/8	1238	
SIG12	L	A07N2		1-01 *	S	D25		N 14	1239	
SIG12	L	E25C1		1-02 *		D11		N 13-7/8	1239	
SIG12	L	E01U2		1-03 *		D05			1239	
SIG12	L			1				27-7/8	1239	
SIG12A	L	A06D1		1-01 *	S	D25		N 2-2/8	1240	
SIG12A	L	A03P2		1-02 *		D25		N 17-2/8	1240	
SIG12A	L	E25F2		1-03 *		D11			1240	
SIG12A	L			1				19-4/8	1240	
SIG13	H	A0382		1-01 *		D25		N 3	1241	
SIG13	H	B07F1		1-02 *		D25			1241	
SIG13	H			1				3-0/8	1241	
SIG13	L	A25R2		1-01 *		D08		N 13-1/8	1242	
SIG13	L	E21R1		1-02 *		D11		N 16-7/8	1242	
SIG13	L	C01E1		1-03 *		D05		N 5	1242	
SIG13	L	B07H1		1-04 *	S	D25			1242	
SIG13	L			1				35-0/8	1242	
SIG14	H	B06P2		1-01 *	S	D25		N 4-5/8	1243	
SIG14	H	A07E2	B18P2	1-02 *		D25		N 9-4/8	1243	
SIG14	H	B18P2		1-03 *				N 1-5/8	1243	
SIG14	H	B17F2		1-04 *		D06		N 0-5/8	1243	
SIG14	H	B17K2		1-05 *		D06		N 2-1/8	1243	
SIG14	H	B20M2		1-06 *		D11		N 10-1/8	1243	
SIG14	H	E17T2		1-07 *		D06			1243	
SIG14	H			1				28-5/8	1243	
SIG14	L	B01L2		1-01 *	2			N 4-7/8	1244	
SIG14	L	A07F2		1-02 *	S	D25		N 14-1/8	1244	
SIG14	L	E14F1		1-03 *		D05		N 8-1/8	1244	
SIG14	L	E22M2		1-04 *		D11		N 1-3/8	1244	
SIG14	L	E21U2		1-05 *		D11			1244	
SIG14	L			1				25-4/8	1244	
SIG15	L	A05V1		1-01 *	S	D25		N 17-1/8	1245	
SIG15	L	F29E1		1-02 *		D13			1245	
SIG15	L			1				17-1/8	1245	

DX11B,U RUN NAME	WRAPD ,V35(102)-1 03-JUN-77					REMARKS	15-Nov-77	15148 NC LENGTH FLAG	PAGE 137 EXCEPTIONS	RUN NUMBER
	A/P	PIN NAME	ORDER PIN	BAY - ORDER	Q DRAW					
SIG16	H	A07M1		1-01 *	S	D25		N 4-3/8	1246	
SIG16	H	B05T2		1-02 *		D24		N 18-3/8	1246	
SIG16	H	E28H2		1-03 *		DXX			1246	
SIG16	H			1				22-6/8	1246	
SIG16	L	A01E1	A07L1	1-01 *				N 4-1/8	1247	
SIG16	L	A07L1	A09H2	1-02 *				N 1-7/8	1247	
SIG16	L	A09H2	E25F1	1-03 *				N 17-1/8	1247	
SIG16	L	E25F1	E25H1	1-04 *				N 0-1/8	1247	
SIG16	L	E25H1		1-05 *				N 3-2/8	1247	
SIG16	L	F22A1		1-06 *		DXX		N 1-7/8	1247	
SIG16	L	F19J2		1-07 *		D05		N 3-1/8	1247	
SIG16	L	E19L1		1-08 *		DXX		N 8-5/8	1247	
SIG16	L	E03N1		1-09 *	S	D25			1247	
SIG16	L			1				40-1/8	1247	
SIG16 OR DSCRSP	H	A09K2		1-01 *	S	D13		N 15-4/8	1248	
SIG16 OR DSCRSP	H	E29K1		1-02 *		D13		N 1-3/8	1248	
SIG16 OR DSCRSP	H	E2882		1-03 *		D13			1248	
SIG16 OR DSCRSP	H			1				16-7/8	1248	
SIG16 OR RESET	L	C24L1		1-01 *		D05		N 2	1249	
SIG16 OR RESET	L	C21L1		1-02 *		D05		N 8-3/8	1249	
SIG16 OR RESET	L	F19D2		1-03 *		D05		N 1-1/8	1249	
SIG16 OR RESET	L	F19K2		1-04 *	S	D05			1249	
SIG16 OR RESET	L			1				11-4/8	1249	
SIG17	H	C06E1		1-01 *	S	D25		N 5-3/8	1250	
SIG17	H	A07N1		1-02 *		D25		N 4-6/8	1250	
SIG17	H	B01P1		1-03 *		D11		N 3-1/8	1250	
SIG17	H	C02L1		1-04 *		D24		N 0-4/8	1250	
SIG17	H	C02J2		1-05 *		D24		N 0-4/8	1250	
SIG17	H	C02L2		1-06 *		D24		N 3-6/8	1250	
SIG17	H	D02R2		1-07 *		DXX		N 14-3/8	1250	
SIG17	H	F21L1		1-08 *		D24			1250	
SIG17	H			1				32-3/8	1250	
SIG17	L	A07P1		1-01 *	S	D25		N 3-7/8	1251	
SIG17	L	B05P2	B18R1	1-02 *		D24		N 6-7/8	1251	
SIG17	L	B18R1		1-03 *				N 9-7/8	1251	
SIG17	L	E14N1		1-04 *		D05		N 6-7/8	1251	
SIG17	L	E25D1		1-05 *		D11			1251	
SIG17	L			1				27-4/8	1251	
SIG1A	L	A05D1		1-01 *		D25		N 3-7/8	1252	
SIG1A	L	B06F1		1-02 *		D25		N 3-3/8	1252	
SIG1A	L	C06K1		1-03 *		D24		N 6-1/8	1252	
SIG1A	L	E05L1		1-04 *		D25			1252	
SIG1A	L			1				13-3/8	1252	
SIG1B	H	B06L1		1-01 *	S	D25		N 1-7/8	1253	
SIG1B	H	B07A1		1-02 *		D25			1253	
SIG1B	H			1				1-7/8	1253	

129

130  
DX11B,U

RUN NAME

WRAPD .V35(102)-1 03-JUN-77  
A/P PIN ORDER BAY - Q DRAW RV RG Y X Z  
NAME PIN ORDER OPT

15-Nov-77

15148 PAGE 130  
NC LENGTH EXCEPTIONS  
FLAG

RUN  
NUMBER

DX11B,U RUN NAME	A/P	PIN NAME	ORDER PIN	BAY - ORDER	Q	DRAW OPT	RV	RG	Y	X	Z	REMARKS	15148 NC LENGTH FLAG	PAGE 130 EXCEPTIONS	RUN NUMBER
SIG1B	L	B07B1		1-01 *	S	D25					2		N	1-5/8	1254
SIG1B	L	A06U2		1-02 *		D11					1		N	16-3/8	1254
SIG1B	L	E22F1		1-03 *		D11									1254
SIG1B	L			1										18-0/8	1254
SIG2	H	A03K1		1-01 *	S	D25					1		N	6-1/8	1255
SIG2	H	B07G2		1-02 *		D11								6-1/8	1255
SIG2	H			1											1255
SIG2	L	B07T2		1-01 *	S	D25					1		N	10-1/8	1256
SIG2	L	E15B1		1-02 *		D11					2		N	4-3/8	1256
SIG2	L	E22H1		1-03 *		D11					1		N	1-3/8	1256
SIG2	L	E22R1		1-04 *		D11					2		N	2-1/8	1256
SIG2	L	E25B2		1-05 *		D13								18-0/8	1256
SIG2	L			1											1256
SIG3	H	A07D1		1-01 *	S	D25					2		N	6-7/8	1257
SIG3	H	C00J1		1-02 *		D24					1		N	4-3/8	1257
SIG3	H	C02A1		1-03 *		D24					2		N	0-5/8	1257
SIG3	H	E03P1		1-04 *		D09					1		N	9-5/8	1257
SIG3	H	E21D1		1-05 *		D11					2		N	5-1/8	1257
SIG3	H	E27T2		1-06 *		D11									1257
SIG3	H			1										34-5/8	1257
SIG3	L	A05J1		1-01 *	S	D25					1		N	1-0/8	1258
SIG3	L	A07A1		1-02 *		D25					2		N	6-5/8	1258
SIG3	L	B03R1		1-03 *		D25					1		N	11-3/8	1258
SIG3	L	E16M1		1-04 *		D06								19-6/8	1258
SIG3	L			1											1258
SIG4	H	B07M2		1-01 *		D25					2		N	4-1/8	1259
SIG4	H	C02D2		1-02 *		D24					1		N	7-3/8	1259
SIG4	H	E05K1		1-03 *	S	D25								11-4/8	1259
SIG4	H			1											1259
SIG4	L	A03T2		1-01 *		D24					1		N	3-4/8	1260
SIG4	L	B07N2		1-02 *	S	D25									1260
SIG4	L			1										3-4/8	1260
SIG5	H	C07B1		1-01 *	S	D25					2		N	5-7/8	1261
SIG5	H	A06E1		1-02 *		D25					1		N	5-1/8	1261
SIG5	H	B01J1		1-03 *		D05					2		N	5-2/8	1261
SIG5	H	C00M1		1-04 *		D05					1		N	7-5/8	1261
SIG5	H	E16J1		1-05 *		D25									1261
SIG5	H			1										23-7/8	1261
SIG5	L	A05U1		1-01 *		D25					2		N	1-7/8	1262
SIG5	L	B06D2		1-02 *		D25					1		N	2-5/8	1262
SIG5	L	C07A1		1-03 *		D25								4-4/8	1262
SIG5	L			1											1262
SIG5A	H	B06J2		1-01 *	S	D25					1		N	15	1263
SIG5A	H	E20V1		1-02 *		D25					2		N	6-1/8	1263
SIG5A	H	E29L2		1-03 *		D13									1263
SIG5A	H			1										21-1/8	1263

DX11B,U

RUN NAME

WRAPD .V35(102)-1 03-JUN-77  
A/P PIN ORDER BAY - Q DRAW RV RG Y X Z  
NAME PIN ORDER OPT

15-Nov-77

15148 PAGE 130  
NC LENGTH EXCEPTIONS  
FLAG

RUN  
NUMBER

DX11B,U RUN NAME	A/P	PIN NAME	ORDER PIN	BAY - ORDER	Q	DRAW OPT	RV	RG	Y	X	Z	REMARKS	15148 NC LENGTH FLAG	PAGE 130 EXCEPTIONS	RUN NUMBER
SIG5A	L	E20U1		1-01 *	S	D25					2		N	2-7/8	1264
SIG5A	L	F20P2		1-02 *		DXX					1		N	5-3/8	1264
SIG5A	L	F31J1		1-03 *		D13								9-2/8	1264
SIG5A	L			1											1264
SIG5A OR ERRSTA	L	E03P2		1-01 *		D09					2		N	11-3/8	1265
SIG5A OR ERRSTA	L	F20P1		1-02 *		D09					1		N	0-4/8	1265
SIG5A OR ERRSTA	L	F20S2		1-03 *	S	D09								11-7/8	1265
SIG5A OR ERRSTA	L			1											1265
SIG5B	L	C04J2		1-01 *		D25					2		N	0-1/8	1266
SIG5B	L	C05K1		1-02 *		D25					1		N	21-6/8	1266
SIG5B	L	F30U2		1-03 *		D13									1266
SIG5B	L			1										21-7/8	1266
SIG5C	H	B20T2		1-01 *		DXX					1		N	0-1/8	1267
SIG5C	H	E20U2		1-02 *		D13					2		N	0-7/8	1267
SIG5C	H	B03T2		1-03 *		D25					1		N	1-5/8	1267
SIG5C	H	C04D1		1-04 *		D25					2		N	8-6/8	1267
SIG5C	H	E16K1		1-05 *	S	D25								19-3/8	1267
SIG5C	H			1											1267
SIG5D	H	E06K2		1-01 *		DXX					2		N	12-1/8	1268
SIG5D	H	E29M2		1-02 *		DXX					1		N	0-5/8	1268
SIG5D	H	E29J2		1-03 *		DXX								12-6/8	1268
SIG5D	H			1											1268
SIG5D	L	E03R2		1-01 *		DXX					1		N	2-3/8	1269
SIG5D	L	E06L2		1-02 *		DXX								2-3/8	1269
SIG5D	L			1											1269
SIG6	H	A07K1		1-01 *	S	D25					2		N	6-5/8	1270
SIG6	H	C09K1		1-02 *		D06					1		N	7-6/8	1270
SIG6	H	E17H2		1-03 *		D06					2		N	0-5/8	1270
SIG6	H	E29D1		1-04 *		D13									1270
SIG6	H			1										21-0/8	1270
SIG6	L	A04N1		1-01 *	S	D25					2		N	2-3/8	1271
SIG6	L	A07J1		1-02 *		D25					1		N	11-1/8	1271
SIG6	L	E05R1		1-03 *		D25					2		N	2-7/8	1271
SIG6	L	E02K1		1-04 *		D24								16-3/8	1271
SIG6	L			1											1271
SIG6A	H	B07R2		1-01 *	S	D25					2		N	10-3/8	1272
SIG6A	H	E01E1		1-02 *		D05					1		N	0-5/8	1272
SIG6A	H	E01J1		1-03 *		D05					2		N	0-5/8	1272
SIG6A	H	E01M1		1-04 *		D05									1272
SIG6A	H			1										11-5/8	1272
SIG6A	L	A24N2		1-01 *		D13					1		N	11-7/8	1273
SIG6A	L	E07P2		1-02 *		D25					2		N	2	1273
SIG6A	L	B04P2		1-03 *	S	D25									1273
SIG6A	L			1										13-7/8	1273

DX11B,U RUN NAME	A/P	WRAPD .V35(102)-1 PIN NAME	ORDER PIN	03-JUN-77 BAY - ORDER	Q	DRAW OPT	RV RG Y	X	Z	REMARKS	15-Nov-77	15:48 NC LENGTH FLAG	PAGE 140 EXCEPTIONS	RUN NUMBER
SIG6B	H	B01D1		1-01 *		D05			1			N 5-1/8		1274
SIG6B	H	C07M2		1-02 *		D25			2			N 1-2/8		1274
SIG6B	H	C08R2		1-03 *		D05			1			N 6-1/8		1274
SIG6B	H	E09C1		1-04 *	S	D25								1274
SIG6B	H			1								12-4/8		1274
SIG6B	L	C01D2		1-01 *		D05			1			N 4-3/8		1275
SIG6B	L	C07N2		1-02 *	S	D25								1275
SIG6B	L			1								4-3/8		1275
SIG7	H	D09E1		1-01 *	S	D25			2			N 4-7/8		1276
SIG7	H	B00P2		1-02 *		D10			1			N 1-5/8		1276
SIG7	H	B00D2		1-03 *		D10			2			N 1		1276
SIG7	H	B09D2		1-04 *		D10			1			N 1-5/8		1276
SIG7	H	B09P2		1-05 *		D10			2			N 2-4/8		1276
SIG7	H	B13P2		1-06 *		D10			1			N 1		1276
SIG7	H	B14P2		1-07 *		D10			2			N 1-7/8		1276
SIG7	H	B13D2		1-08 *		D10			1			N 1		1276
SIG7	H	B14D2		1-09 *		D10			2			N 15-2/8		1276
SIG7	H	E27R2	E26H1	1-10 *		D05			1			N 1-6/8		1276
SIG7	H	E26H1	F17R1	1-11 *		D10			2			N 6-7/8		1276
SIG7	H	F17R1		1-12 *		D10								1276
SIG7	H			1								39-3/8		1276
SIG7	L	A05H2		1-01 *	S	D25			1			N 3-1/8		1277
SIG7	L	B02A1		1-02 *		D25			2			N 9-5/8		1277
SIG7	L	D09D1		1-03 *		D25			1			N 7-6/8		1277
SIG7	L	B19E2		1-04 *		D10			2			N 1-2/8		1277
SIG7	L	B19M2		1-05 *		D10			1			N 0-7/8		1277
SIG7	L	E21M1		1-06 *		D11			2			N 1-3/8		1277
SIG7	L	E22K2		1-07 *		D11			1			N 2-1/8		1277
SIG7	L	E25H2		1-08 *		D11								1277
SIG7	L			1								34-1/8		1277
SIG8	H	B00F2		1-01 *	2	D10			2			N 1		1278
SIG8	H	B09F2		1-02 *		D10			1			N 1-1/8		1278
SIG8	H	B09M2		1-03 *		D10			2			N 1		1278
SIG8	H	B08M2		1-04 *		D10			1			N 5-3/8		1278
SIG8	H	D09H1	E16P1	1-05 *	S	D25			2			N 5-2/8		1278
SIG8	H	E16P1	C22C1	1-06 *		D10			1			N 9-7/8		1278
SIG8	H	C22C1		1-07 *		D10								1278
SIG8	H			1								23-5/8		1278
SIG8	L	A05M2		1-01 *	S	D25			2			N 2-6/8		1279
SIG8	L	B02B1		1-02 *		D25			1			N 3-7/8		1279
SIG8	L	C03D2		1-03 *		D25			2			N 4-5/8		1279
SIG8	L	D09F1		1-04 *		D25			1			N 6-2/8		1279
SIG8	L	E17M1		1-05 *		D06			2			N 3-5/8		1279
SIG8	L	E22H2		1-06 *		D11			1			N 0-7/8		1279
SIG8	L	B19R1		1-07 *		D11			2			N 1-1/8		1279
SIG8	L	D19K2		1-08 *		D10			1			N 0-4/8		1279
SIG8	L	E19K1		1-09 *		D11			2			N 0-4/8		1279
SIG8	L	B19H2		1-10 *		D10			1			N 1-3/8		1279
SIG8	L	B19A1		1-11 *		D11								1279
SIG8	L			1								33-4/8		1279

DX11B,U RUN NAME	A/P	WRAPD .V35(102)-1 PIN NAME	ORDER PIN	03-JUN-77 BAY - ORDER	Q	DRAW OPT	RV RG Y	X	Z	REMARKS	15-Nov-77	15:48 NC LENGTH FLAG	PAGE 141 EXCEPTIONS	RUN NUMBER
SIG8 OR NDCRSR	H	B13E2		1-01 *		D10			2			N 1		1280
SIG8 OR NDCRSR	H	B14E2		1-02 *		D10			1			N 1-3/8		1280
SIG8 OR NDCRSR	H	B14N2		1-03 *		D10			2			N 1		1280
SIG8 OR NDCRSR	H	B13N2		1-04 *		D10			1			N 7-1/8		1280
SIG8 OR NDCRSR	H	C03F2		1-05 *	S	D25								1280
SIG8 OR NDCRSR	H			1								10-4/8		1280
SIG9	H	B02P1		1-01 *		D25			1			N 4-1/8		1281
SIG9	H	B07F2		1-02 *		D25			2			N 3-1/8		1281
SIG9	H	C08E2		1-03 *		D13								1281
SIG9	H			1								7-2/8		1281
SIG9	L	B04S1		1-01 *		D25			1			N 2-7/8		1282
SIG9	L	B07E2		1-02 *		D25			2			N 2-3/8		1282
SIG9	L	A08R1		1-03 *		D13			1			N 14-2/8		1282
SIG9	L	E24D1		1-04 *		D11								1282
SIG9	L			1								19-4/8		1282
SISR	H	A08L2		1-01 *		D25			1			N 4-3/8		1283
SISR	H	B05K1		1-02 *	S	D25								1283
SISR	H			1								4-3/8		1283
SISREN	H	A07R2		1-01 *	S	D25			1			N 16-2/8		1284
SISREN	H	E29M2		1-02 *		D13			2			N 2-1/8		1284
SISREN	H	F30C1		1-03 *		D13			1			N 1		1284
SISREN	H	F31C1		1-04 *		D13			2			N 1-5/8		1284
SISREN	H	F31M2		1-05 *		D13			1			N 1		1284
SISREN	H	F30M2		1-06 *		D13								1284
SISREN	H			1								22-0/8		1284
SOSIEN(1)	H	D12J1		1-01 *		D19			1			N 10		1285
SOSIEN(1)	H	F21R1		1-02 *		D21			2			N 2-2/8		1285
SOSIEN(1)	H	F17R2		1-03 *	S	D21								1285
SOSIEN(1)	H			1								12-2/8		1285
SPARE 1		J07H2		1-01 *		D27			1			N 1		1286
SPARE 1		J08H2		1-02 *		D27								1286
SPARE 1				1								1-0/8		1286
SPARE 2		J07S2		1-01 *		D27			1			N 1		1287
SPARE 2		J08S2		1-02 *		D27								1287
SPARE 2				1								1-0/8		1287
SPARE 3		H07H2		1-01 *		D27			1			N 1		1288
SPARE 3		H08H2		1-02 *		D27								1288
SPARE 3				1								1-0/8		1288
SPARE 4		H07P2		1-01 *		D27			1			N 1		1289
SPARE 4		H08P2		1-02 *		D27								1289
SPARE 4				1								1-0/8		1289
SPARE 5		J12H2		1-01 *		D27			1			N 1-4/8		1290
SPARE 5		J14H2		1-02 *		D27								1290
SPARE 5				1								1-4/8		1290

131

132

DX11B.U RUN NAME	WRAPD .V35(102)-1 A/P PIN ORDER BAY - Q DRAW RV RG Y X Z	03-JUN-77	REMARKS	15-Nov-77	15140 NC LENGTH FLAG	PAGE 142 EXCEPTIONS	RUN NUMBER
SPARE 6	J12S2	1-01 *	D27		N 1-4/8		1291
SPARE 6	J14S2	1-02 *	D27				1291
SPARE 6		1			1-4/8		1291
SPARE 7	H12H2	1-01 *	D27		N 1-4/8		1292
SPARE 7	H14H2	1-02 *	D27				1292
SPARE 7		1			1-4/8		1292
SPARE 8	H12P2	1-01 *	D27		N 1-4/8		1293
SPARE 8	H14P2	1-02 *	D27				1293
SPARE 8		1			1-4/8		1293
SPCL	H12V2	1-01 *	DXX		N 1-4/8		1294
SPCL	H14V2	1-02 *	DXX				1294
SPCL		1			1-4/8		1294
SRDB	H E06J2	1-01 * S	D09		N 1-2/8		1295
SRDB	H E08M1	1-02 *	D09		N 0-5/8		1295
SRDB	H E00R2	1-03 *	D09		N 0-5/8		1295
SRDB	H E00U2	1-04 *	D09		N 0-5/8		1295
SRDB	H E00P1	1-05 *	D09		N 0-5/8		1295
SRDB	H E08M2	1-06 *	D09		N 0-5/8		1295
SRDB	H E08J2	1-07 *	D09		N 0-5/8		1295
SRDB	H E08J1	1-08 *	D09		N 0-4/8		1295
SRDB	H E08B1	1-09 *	D09		N 1-2/8		1295
SRDB	H	1			6-1/8		1295
SRDB	L E03N2	1-01 *	DXX		N 2-3/8		1296
SRDB	L E06H2	1-02 *	D09		N 0-5/8		1296
SRDB	L E07D1	1-03 * S	D09				1296
SRDB	L	1			3-0/8		1296
SRND	L A06H2	1-01 * S	D25		N 3-1/8		1297
SRND	L B05A1	1-02 *	D25		N 0-5/8		1297
SRND	L B05D1	1-03 *	D25		N 4-1/8		1297
SRND	L C05N2	1-04 *	D24		N 14-7/8		1297
SRND	L E25J1	1-05 *	D11				1297
SRND	L	1			22-6/8		1297
SRNDEN	H E06F2	1-01 * S	D09		N 1-7/8		1298
SRNDEN	H E09C1	1-02 *	D09		N 1		1298
SRNDEN	H E10C1	1-03 *	D09		N 1-5/8		1298
SRNDEN	H E10M2	1-04 *	D09		N 1		1298
SRNDEN	H E09M2	1-05 *	D09				1298
SRNDEN	H	1			5-4/8		1298
SRNDEN	L E05B1	1-01 * S	D09		N 2-2/8		1299
SRNDEN	L E06E2	1-02 *	D09		N 4-5/8		1299
SRNDEN	L E14A1	1-03 *	D09				1299
SRNDEN	L	1			6-7/8		1299

DX11B.U RUN NAME	WRAPD .V35(102)-1 A/P PIN ORDER BAY - Q DRAW RV RG Y X Z	03-JUN-77	REMARKS	15-Nov-77	15140 NC LENGTH FLAG	PAGE 143 EXCEPTIONS	RUN NUMBER
SRNDH	H B05C1	1-01 * S	D25		N 5-5/8		1300
SRNDH	H C07S2	1-02 *	D09		N 5-3/8		1300
SRNDH	H E09D2	1-03 *	D09		N 1		1300
SRNDH	H E10D2	1-04 *	D09		N 1-4/8		1300
SRNDH	H E10N2	1-05 *	D09		N 1		1300
SRNDH	H E09N2	1-06 *	D09				1300
SRNDH	H	1			14-4/8		1300
SRNDH	L C07T2	1-01 * S	D25		N 5-2/8		1301
SRNDH	L E14B1	1-02 *	D09				1301
SRNDH	L	1			5-2/8		1301
SRNDL	H B05F1	1-01 * S	D25		N 5-3/8		1302
SRNDL	H C07U2	1-02 *	D25		N 5-1/8		1302
SRNDL	H E09E2	1-03 *	D09		N 1		1302
SRNDL	H E10E2	1-04 *	D09		N 1-4/8		1302
SRNDL	H E10P2	1-05 *	D09		N 1		1302
SRNDL	H E09P2	1-06 *	D09				1302
SRNDL	H	1			14-0/8		1302
SRNDL	L C07V2	1-01 * S	D25		N 5-1/8		1303
SRNDL	L E14C1	1-02 *	D09				1303
SRNDL	L	1			5-1/8		1303
SRSO	H A07L2	1-01 * S	D25		N 11-3/8		1304
SRSO	H E09F2	1-02 *	D09		N 1		1304
SRSO	H E10F2	1-03 *	D09		N 1-4/8		1304
SRSO	H E10R2	1-04 *	D09		N 1		1304
SRSO	H E09R2	1-05 *	D09				1304
SRSO	H	1			14-7/8		1304
SRSO	L B02N1	1-01 * S	D25		N 4-7/8		1305
SRSO	L A07K2	1-02 *	D25		N 13-5/8		1305
SRSO	L E14D1	1-03 *	D09				1305
SRSO	L	1			10-4/8		1305
SRV IN	J11P2	1-01 *	DXX		N 1		1306
SRV IN	J12P2	1-02 *	DXX		N 1-4/8		1306
SRV IN	J14P2	1-03 *	DXX				1306
SRV IN		1			2-4/8		1306
SRV OUT	J09N2	1-01 *	DXX		N 1-7/8		1307
SRV OUT	J12S1	1-02 *	DXX		N 1-4/8		1307
SRV OUT	J14S1	1-03 *	DXX				1307
SRV OUT		1			3-3/8		1307
SRVI(0)	H B04P1	1-01 *	D25		N 0-1/8		1308
SRVI(0)	H E02S2	1-02 *	D24		N 10-5/8		1308
SRVI(0)	H F19J1	1-03 *	D27		N 3-4/8		1308
SRVI(0)	H E23N1	1-04 *	D11		N 5-3/8		1308
SRVI(0)	H E30K2	1-05 *	DXX		N 0-1/8		1308
SRVI(0)	H E32J2	1-06 *	DXX		N 0-1/8		1308
SRVI(0)	H E32H2	1-07 *	DXX		N 2-5/8		1308
SRVI(0)	H E29N1	1-08 *	D13		N 7-3/8		1308
SRVI(0)	H C20S2	1-09 * S	D13				1308
SRVI(0)	H	1			30-7/8		1308



DX118.U RUN NAME	WRAPD .V35(102)-1 A/P PIN ORDER NAME	03-JUN-77 BAY - O DRAW OPT	RV RG Y X Z	REMARKS	15-NOV-77	15148 NC LENGTH EXCEPTIONS FLAG	PAGE 144 EXCEPTIONS	RUN NUMBER
SRVI(1)	A31J2	A06C1	1-01 *	2		N	13-7/8	1309
SRVI(1)	A06C1	A06P2	1-02 *	1		N	1-7/8	1309
SRVI(1)	A06P2	E07L2	1-03 *	2		N	11-1/8	1309
SRVI(1)	E07L2	C20R2	1-04 *	1		N	10-7/8	1309
SRVI(1)	C20R2	F21P1	1-05 *	2	H	N	8-3/8	1309
SRVI(1)	F21P1	J11U2	1-06 *	1		N	9-1/8	1309
SRVI(1)	J11U2		1-07 *	1		N	55-2/8	1309
SRVO	C19F2	J09M2	1-01 *	1	H	D12	19-3/8	1310
SRVO	J09M2		1-02 *	1	DXX		19-3/8	1310
SRVO(0)	A04B1		1-01 *	2	D25		4-3/8	1311
SRVO(0)	B04L2		1-02 *	1	D25		7-1/8	1311
SRVO(0)	E05A1		1-03 *	2	D25		4-3/8	1311
SRVO(0)	C05N1		1-04 *	1	D24		7-7/8	1311
SRVO(0)	C19K2		1-05 *	1	D12		23-6/8	1311
SRVO(1)	A31K1		1-01 *	2	D22		11-3/8	1312
SRVO(1)	E30M2		1-02 *	1	D13		0-1/8	1312
SRVO(1)	D19S1		1-03 *	2	D19		4-3/8	1312
SRVO(1)	C19J2		1-04 *	1	D12		23-7/8	1312
SSP	E27F2		1-01 *	1	D20		7-1/8	1313
SSP	F19M1		1-02 *	1	D20		7-1/8	1313
SSP			1-01 *	2	D20		19-5/8	1314
SSP	B32M2		1-02 *	1	D20		0-1/8	1314
SSP	D02D2		1-03 *	2	D20		1	1314
SSP	D02E2		1-04 *	1	D20		6-6/8	1314
SSP	F02U2		1-05 *	1	D20		27-4/8	1314
SSP			1-01 *	2	D20		0-1/8	1315
SSP	D02H2		1-02 *	1	D20		0-1/8	1315
SSP	D02J2		1-03 *	2	D20		7	1315
SSP	F02V2		1-04 *	1	D20		7-2/8	1315
SSP(0)	B32N2		1-01 *	1	D20		0-5/8	1316
SSP(0)	B32S2		1-02 *	1	D20		0-5/8	1316
SSP(1)	B32R2		1-01 *	1	D20		9-5/8	1317
SSP(1)	E27E2		1-02 *	1	DXX		9-5/8	1317
SSYN	B25A1		1-01 *	1	D18		6-1/8	1318
SSYN	D26A1		1-02 *	2	D18		2-4/8	1318
SSYN	D29M1		1-03 *	1	D18		0-5/8	1318

DX118.U RUN NAME	WRAPD .V35(102)-1 A/P PIN ORDER NAME	03-JUN-77 BAY - O DRAW OPT	RV RG Y X Z	REMARKS	15-NOV-77	15148 NC LENGTH EXCEPTIONS FLAG	PAGE 145 EXCEPTIONS	RUN NUMBER
SSYN	B25B1		1-01 *	1	D18		3-3/8	1319
SSYN	C26C1		1-02 *	1	D18		3-3/8	1319
SSYN			1-01 *	2	DXX		1-2/8	1320
SSYN	J11D2		1-02 *	1	DXX		1-4/8	1320
SSYN	J12K2		1-03 *	1	DXX		2-6/8	1320
SSYN	J14K2		1-01 *	2	D25		7-5/8	1321
SSYN	A09N1		1-02 *	1	D25		0-1/8	1321
SSYN	C05R2		1-03 *	1	D13		15-6/8	1321
SSYN	E14R2		1-01 *	2	D25		1-1/8	1322
SSYN	A06L1		1-02 *	1	D25		12-1/8	1322
SSYN	A05P1		1-03 *	2	D24		6-3/8	1322
SSYN	E02R2		1-04 *	1	D24		5-2/8	1322
SSYN	E12D1		1-05 *	2	D27		9-5/8	1322
SSYN	F19E1		1-06 *	1	D13		3-5/8	1322
SSYN	B19U2		1-07 *	1	D13		38-1/8	1322
SSYN	C21S2		1-01 *	1	D22		14-3/8	1323
SSYN	A31H2		1-02 *	2	D25		4-1/8	1323
SSYN	A04E1		1-03 *	1	D25		11-7/8	1323
SSYN	B06D1		1-04 *	2	D13		17-7/8	1323
SSYN	C21R2		1-05 *	1	DXX		48-2/8	1323
SSYN	J11F1		1-01 *	1	DXX		6-5/8	1324
SSYN	C04N2		1-02 *	1	DXX		6-5/8	1324
SSYN	C16K2		1-01 *	2	D09		3-7/8	1325
SSYN	C16J2		1-02 *	1	D19		9-7/8	1325
SSYN	D16N1		1-03 *	2	D10		11-5/8	1325
SSYN	B09F1		1-04 *	1	D22		13-3/8	1325
SSYN	A29V1		1-05 *	1	D13		38-6/8	1325
SSYN	F30N1		1-01 *	1	D09		1	1326
SSYN	C14E2		1-02 *	2	D09		1	1326
SSYN	C15E2		1-03 *	1	D09		10-1/8	1326
SSYN	C16E2		1-04 *	1	D09		12-1/8	1326
SSYN	E05S2		1-01 *	2	D09		1	1327
SSYN	C13E2		1-02 *	1	D09		1	1327
SSYN	C12E2		1-03 *	2	D09		1	1327
SSYN	C11E2		1-04 *	1	D09		9-5/8	1327
SSYN	C10E2		1-05 *	1	D09		12-5/8	1327
SSYN	E05V2		1-01 *	1	D09		1	1327

154

DX11B.U RUN NAME	A/P	WRAPD .V35(102)-1 PIN NAME	ORDER PIN	BAY - ORDER	Q	DRAW OPT	RV RG Y	X	Z	REMARKS	15-Nov-77	15148 NC LENGTH FLAG	PAGE 146 EXCEPTIONS	RUN NUMBER
STKSTA(0)	H	C15E1		1-01 *	8	D06			1			N 7		1328
STKSTA(0)	H	A05R2		1-02 *		D25			2			N 1-7/8		1328
STKSTA(0)	H	A03L2		1-03 *		D25			1			N 0-4/8		1328
STKSTA(0)	H	A03L1		1-04 *		D25			2			N 17-6/8		1328
STKSTA(0)	H	E19M1		1-05 *		DXX								1328
STKSTA(0)	H			1								27-1/8		1328
STKSTA(1)	H	A30M1		1-01 *	2	D22			2			N 11-3/8		1329
STKSTA(1)	H	A08R2	B08U1	1-02 *		DXX			1			N 3-7/8		1329
STKSTA(1)	H	B08U1		1-03 *					2			N 2-5/8		1329
STKSTA(1)	H	C11J1		1-04 *		D05			1			N 3-3/8		1329
STKSTA(1)	H	C06N1		1-05 *		D24			2			N 3-4/8		1329
STKSTA(1)	H	D02J1		1-06 *		D24			1			N 7-1/8		1329
STKSTA(1)	H	D15M1		1-07 *		D19			2			N 3-7/8		1329
STKSTA(1)	H	C15F1		1-08 *	8	D06								1329
STKSTA(1)	H			1								35-6/8		1329
STKSTB(1)	H	A2981		1-01 *		DXX			1			N 13-1/8		1330
STKSTB(1)	H	D1182		1-02 *		D19			2			N 3-7/8		1330
STKSTB(1)	H	C11M1		1-03 *	8	D05								1330
STKSTB(1)	H			1								17-0/8		1330
STOP	H	B1782		1-01 *	2				2			N 3-7/8		1331
STOP	H	B10R2		1-02 *		DXX			1			N 2-1/8		1331
STOP	H	C09D2		1-03 *		D06			2			N 5-7/8		1331
STOP	H	D02P2		1-04 *		DXX			1			N 9-7/8		1331
STOP	H	E10H1		1-05 *		D06			2			N 6-1/8		1331
STOP	H	F21U2		1-06 *		D24			1			N 0-1/8		1331
STOP	H	F21T2		1-07 *		D24			2			N 1-3/8		1331
STOP	H	F22L1		1-08 *	8	D24								1331
STOP	H			1								29-3/8		1331
STOP	L	F21M1		1-01 *		D24			1			N 0-5/8		1332
STOP	L	F21R2		1-02 *		D18			2			N 1		1332
STOP	L	F21V2		1-03 *		D24								1332
STOP	L			1								1-5/8		1332
STOP OR PDPTO	H	C01B1		1-01 *		DXX			1			N 6-1/8		1333
STOP OR PDPTO	H	A03H2		1-02 *		D25			2			N 16-4/8		1333
STOP OR PDPTO	H	E23M2		1-03 *		D11			1			N 3-7/8		1333
STOP OR PDPTO	H	F21L2		1-04 *		DXX			2			N 0-1/8		1333
STOP OR PDPTO	H	F21M2		1-05 *		DXX			1			N 1		1333
STOP OR PDPTO	H	F21S2		1-06 *		DXX								1333
STOP OR PDPTO	H			1								27-5/8		1333
STOP OR PDPTO	L	B03P2		1-01 *		D25			2			N 1-5/8		1334
STOP OR PDPTO	L	C04A1		1-02 *		D25			1			N 9-2/8		1334
STOP OR PDPTO	L	E14H2		1-03 *		D05			2			N 5-4/8		1334
STOP OR PDPTO	L	F21N2		1-04 *		DXX								1334
STOP OR PDPTO	L			1								16-3/8		1334
STR SYNC(1)	H	B32M1		1-01 *		D17			1			N 0-1/8		1335
STR SYNC(1)	H	D27R2		1-02 *		D17								1335
STR SYNC(1)	H			1								0-1/8		1335

DX11B.U RUN NAME	A/P	WRAPD .V35(102)-1 PIN NAME	ORDER PIN	BAY - ORDER	Q	DRAW OPT	RV RG Y	X	Z	REMARKS	15-Nov-77	15148 NC LENGTH FLAG	PAGE 147 EXCEPTIONS	RUN NUMBER
SUP OUT		J10E2		1-01 *		DXX			1			N 1-6/8		1336
SUP OUT		J12P1		1-02 *		DXX			2			N 1-4/8		1336
SUP OUT		J14P1		1-03 *		DXX								1336
SUP OUT				1								3-2/8		1336
SUPO	H	C22F2	J10D2	1-01 *	H	D12			1			19-3/8		1337
SUPO	H	J10D2		1-02 *										1337
SUPO	H			1								19-3/8		1337
SUPO(0)	H	A03M1		1-01 *		D25			2			N 5-5/8		1338
SUPO(0)	H	C01E2		1-02 *		D05			1			N 0-5/8		1338
SUPO(0)	H	C01J2		1-03 *		D05			2			N 3-5/8		1338
SUPO(0)	H	D02M1		1-04 *		D05			1			N 13-5/8		1338
SUPO(0)	H	C22K2		1-05 *	S	D12								1338
SUPO(0)	H			1								23-4/8		1338
SUPO(1)	H	A31F1		1-01 *		D22			1			N 17-5/8		1339
SUPO(1)	H	B02J2		1-02 *		D24			2			N 5-7/8		1339
SUPO(1)	H	D02M1		1-03 *		D24			1			N 5-7/8		1339
SUPO(1)	H	E07S1		1-04 *		D05			2			N 10-3/8		1339
SUPO(1)	H	D22S1		1-05 *		D19			1			N 4-3/8		1339
SUPO(1)	H	C22J2		1-06 *	S	D12								1339
SUPO(1)	H			1								44-1/8		1339
SYNC(0)	H	B21K1		1-01 *		D13			2			N 9-5/8		1340
SYNC(0)	H	A08H2		1-02 *		D25			1			N 1-7/8		1340
SYNC(0)	H	A05F2		1-03 *		D25			2			N 4-3/8		1340
SYNC(0)	H	B03E1		1-04 *		D25			1			N 0-4/8		1340
SYNC(0)	H	B03E2		1-05 *		D25			2			N 0-5/8		1340
SYNC(0)	H	B04J1		1-06 *		D25			1			N 3		1340
SYNC(0)	H	C08A1		1-07 *		D25			2			N 1-5/8		1340
SYNC(0)	H	C06D1		1-08 *		DXX			1			N 0-4/8		1340
SYNC(0)	H	C05F2		1-09 *		D24			2			N 1-7/8		1340
SYNC(0)	H	C05U2		1-10 *		D25			1			N 1-1/8		1340
SYNC(0)	H	C06T2		1-11 *		D11			2			N 3-7/8		1340
SYNC(0)	H	D09P1		1-12 *		DXX			1			N 4-5/8		1340
SYNC(0)	H	E03S1		1-13 *		D24			2			N 6-3/8		1340
SYNC(0)	H	E14U2		1-14 *		D13			1			N 1-7/8		1340
SYNC(0)	H	E15K2		1-15 *		D11			2			N 5-7/8		1340
SYNC(0)	H	E25N2		1-16 *		D13								1340
SYNC(0)	H			1								47-6/8		1340

DX11B,U RUN NAME	A/P	WRAPD .V35(102)-1 PIN NAME	ORDER PIN	BAY - ORDER	Q	DRAW OPT	RV	RG	Y	X	Z	REMARKS	15-NOV-77	15:40 NC LENGTH FLAG	PAGE 148 EXCEPTIONS	RUN NUMBER
SYNC(1)	H	A05H1	1-01 *	D25							1			N	0-5/8	1341
SYNC(1)	H	A05L1	1-02 *	D25							2			N	0-4/8	1341
SYNC(1)	H	A05L2	1-03 *	D25							1			N	1	1341
SYNC(1)	H	A06R1	1-04 *	D07							2			N	3-1/8	1341
SYNC(1)	H	B06N2	1-05 *	D25							1			N	2-7/8	1341
SYNC(1)	H	C06M2	1-06 *	D11							2			N	4-7/8	1341
SYNC(1)	H	D09S1	1-07 *	DXX							1			N	2-3/8	1341
SYNC(1)	H	E07F2	1-08 *	D05							2			N	2-7/8	1341
SYNC(1)	H	E03H1	1-09 *	D24							1			N	1	1341
SYNC(1)	H	E03M1	1-10 *	D25							2			N	6-2/8	1341
SYNC(1)	H	E14M2	1-11 *	D25							1			N	1-3/8	1341
SYNC(1)	H	E15E1	1-12 *	D11							2			N	3-6/8	1341
SYNC(1)	H	D19F1	1-13 *	D19							1			N	12	1341
SYNC(1)	H	A32K1	1-14 *	D22												1341
SYNC(1)			1													1341
SYRST(0)	H	A02L1	1-01 *	D05							1			N	14-3/8	1342
SYRST(0)	H	E07U2	1-02 *	D24							2			N	11-4/8	1342
SYRST(0)	H	C22M1	1-03 *	D05												1342
SYRST(0)			1													1342
SYRST(1)	H	A29D1	1-01 *	D22							2			N	11-7/8	1343
SYRST(1)	H	B14R1	1-02 *	D10							1			N	13-1/8	1343
SYRST(1)	H	E03R1	1-03 *	D24							2			N	3-5/8	1343
SYRST(1)	H	E07E2	1-04 *	D05							1			N	6	1343
SYRST(1)	H	E10E2	1-05 *	D06							2			N	3-4/8	1343
SYRST(1)	H	D22S2	1-06 *	D19							1			N	3-5/8	1343
SYRST(1)	H	C22N1	1-07 *	D05												1343
SYRST(1)			1													1343
TESTIO	H	B06P1	1-01 *	DXX							1			N	0-1/8	1344
TESTIO	H	B06R1	1-02 *	DXX							2			N	2-7/8	1344
TESTIO	H	C07J2	1-03 *	DXX												1344
TESTIO			1													1344
TESTIO	L	A04S2	1-01 *	D24							2			N	4-4/8	1345
TESTIO	L	C04E2	1-02 *	D25							1			N	2-3/8	1345
TESTIO	L	C03U2	1-03 *	D25							2			N	3-4/8	1345
TESTIO	L	C07H2	1-04 *	D24							1			N	7-7/8	1345
TESTIO	L	B10M2	1-05 *	D06												1345
TESTIO	L		1													1345
TSFF(0)	H	A09R1	1-01 *	DXX							1			N	9-5/8	1346
TSFF(0)	H	B24F1	1-02 *	D20							2			N	5-3/8	1346
TSFF(0)	H	B32S1	1-03 *	D20							1			N	0-5/8	1346
TSFF(0)	H	B32V2	1-04 *	D20												1346
TSFF(0)			1													1346
TSFF(1)	H	B32U2	1-01 *	D20							2			N	4-5/8	1347
TSFF(1)	H	A32H1	1-02 *	D22							1			N	13-5/8	1347
TSFF(1)	H	D21F1	1-03 *	D19							2			N	6-7/8	1347
TSFF(1)	H	E12D2	1-04 *	D24												1347
TSFF(1)			1													1347

DX11B,U RUN NAME	A/P	WRAPD .V35(102)-1 PIN NAME	ORDER PIN	BAY - ORDER	Q	DRAW OPT	RV	RG	Y	X	Z	REMARKS	15-NOV-77	15:40 NC LENGTH FLAG	PAGE 149 EXCEPTIONS	RUN NUMBER
TSTADR IN		H20E2	1-01 *	D27							1			N	4-7/8	1348
TSTADR IN		J18M2	1-02 *	D27												1348
TSTADR IN			1													1348
TSTADR OUT		J18J1	1-01 *	D27							1			N	1-3/8	1349
TSTADR OUT		J19D2	1-02 *	D27												1349
TSTADR OUT			1													1349
TSTBUS IN 0		H17K2	1-01 *	D27							1			N	1-7/8	1350
TSTBUS IN 0		H20H1	1-02 *	D27												1350
TSTBUS IN 0			1													1350
TSTBUS IN 1		H17M2	1-01 *	D27							1			N	2-1/8	1351
TSTBUS IN 1		H20R1	1-02 *	D27												1351
TSTBUS IN 1			1													1351
TSTBUS IN 2		H17S2	1-01 *	D27							1			N	2-5/8	1352
TSTBUS IN 2		H20L2	1-02 *	D27												1352
TSTBUS IN 2			1													1352
TSTBUS IN 3		H17T2	1-01 *	D27							1			N	2-1/8	1353
TSTBUS IN 3		H20V2	1-02 *	D27												1353
TSTBUS IN 3			1													1353
TSTBUS IN 4		H17V2	1-01 *	D27							1			N	2-5/8	1354
TSTBUS IN 4		H21H1	1-02 *	D27												1354
TSTBUS IN 4			1													1354
TSTBUS IN 5		H17J1	1-01 *	D27							1			N	3-1/8	1355
TSTBUS IN 5		H21R1	1-02 *	D27												1355
TSTBUS IN 5			1													1355
TSTBUS IN 6		H17M1	1-01 *	D27							1			N	2-7/8	1356
TSTBUS IN 6		H21L2	1-02 *	D27												1356
TSTBUS IN 6			1													1356
TSTBUS IN 7		H17P1	1-01 *	D27							1			N	3-3/8	1357
TSTBUS IN 7		H21V2	1-02 *	D27												1357
TSTBUS IN 7			1													1357
TSTBUS IN P		H17D2	1-01 *	D27							1			N	2-7/8	1358
TSTBUS IN P		H22H1	1-02 *	D27												1358
TSTBUS IN P			1													1358
TSTBUS OUT 0		J17K2	1-01 *	D27							1			N	2-5/8	1359
TSTBUS OUT 0		J20D2	1-02 *	D27												1359
TSTBUS OUT 0			1													1359
TSTBUS OUT 1		J17M2	1-01 *	D27							1			N	2-1/8	1360
TSTBUS OUT 1		J20P2	1-02 *	D27												1360
TSTBUS OUT 1			1													1360
TSTBUS OUT 2		J17P2	1-01 *	D27							1			N	2-1/8	1361
TSTBUS OUT 2		J20M2	1-02 *	D27												1361
TSTBUS OUT 2			1													1361

135

136

DX11B,U RUN NAME	WRAPD .V35(102)-1 A/P PIN NAME	ORDER PIN	03-JUN-77 BAY - ORDER	Q	DRAW OPT	RV RG Y	X	Z	REMARKS	15-Nov-77	15:48 NC LENGTH FLAG	PAGE 150 EXCEPTIONS	RUN NUMBER
TSTBUS OUT 3	J17T2		1-01 *		D27			1			N 2-4/8		1362
TSTBUS OUT 3	J20F2		1-02 *		D27								1362
TSTBUS OUT 3			1								2-4/8		1362
TSTBUS OUT 4	J17V2		1-01 *		D27			1			N 3-1/8		1363
TSTBUS OUT 4	J21D2		1-02 *		D27								1363
TSTBUS OUT 4			1								3-1/8		1363
TSTBUS OUT 5	J17J1		1-01 *		D27			1			N 3-1/8		1364
TSTBUS OUT 5	J21P2		1-02 *		D27								1364
TSTBUS OUT 5			1								3-1/8		1364
TSTBUS OUT 6	J17M1		1-01 *		D27			1			N 2-6/8		1365
TSTBUS OUT 6	J21M2		1-02 *		D27								1365
TSTBUS OUT 6			1								2-6/8		1365
TSTBUS OUT 7	J17P1		1-01 *		D27			1			N 3-5/8		1366
TSTBUS OUT 7	J21F2		1-02 *		D27								1366
TSTBUS OUT 7			1								3-5/8		1366
TSTBUS OUT P	H18D2		1-01 *		D27			1			N 3-5/8		1367
TSTBUS OUT P	J17D2		1-02 *		D27			2			N 1-5/8		1367
TSTBUS OUT P	J19F2		1-03 *		D27								1367
TSTBUS OUT P			1								5-2/8		1367
TSTCMD OUT	J18M1		1-01 *		D27			1			N 1-3/8		1368
TSTCMD OUT	J19P2		1-02 *		D27								1368
TSTCMD OUT			1								1-3/8		1368
TSTHLD OUT	H18P1		1-01 *		D27			1			N 1-2/8		1369
TSTHLD OUT	H19P2		1-02 *		D27								1369
TSTHLD OUT			1								1-2/8		1369
TSTOPL IN	H22R1		1-01 *		D27			1			N 2-6/8		1370
TSTOPL IN	J18D2		1-02 *		D27								1370
TSTOPL IN			1								2-6/8		1370
TSTOPL OUT	H18S1		1-01 *		D27			1			N 2-3/8		1371
TSTOPL OUT	H19D2		1-02 *		D27								1371
TSTOPL OUT			1								2-3/8		1371
TSTREQ IN	H18S2		1-01 *		D27			1			N 2-7/8		1372
TSTREQ IN	H22V2		1-02 *		D27								1372
TSTREQ IN			1								2-7/8		1372
TSTSEL IN	H22L2		1-01 *		D27			1			N 5-7/8		1373
TSTSEL IN	J18T2	J14E2	1-02 *		D27			2			N 3-6/8		1373
TSTSEL IN	J14E2		1-03 *										1373
TSTSEL IN			1								9-5/8		1373
TSTSEL OUT	H19M2		1-01 *		D27			1			N 4-3/8		1374
TSTSEL OUT	J18V2		1-02 *		D27								1374
TSTSEL OUT			1								4-3/8		1374

DX11B,U RUN NAME	WRAPD .V35(102)-1 A/P PIN NAME	ORDER PIN	03-JUN-77 BAY - ORDER	Q	DRAW OPT	RV RG Y	X	Z	REMARKS	15-Nov-77	15:48 NC LENGTH FLAG	PAGE 151 EXCEPTIONS	RUN NUMBER
TSTSRV IN	H21E2		1-01 *		D27			1			N 5-5/8		1375
TSTSRV IN	J18P2		1-02 *		D27								1375
TSTSRV IN			1								5-5/8		1375
TSTSRV OUT	J18S1		1-01 *		D27			1			N 1-3/8		1376
TSTSRV OUT	J19M2		1-02 *		D27								1376
TSTSRV OUT			1								1-3/8		1376
TSTSTA IN	H20N2		1-01 *		D27			1			N 3-7/8		1377
TSTSTA IN	J18K2		1-02 *		D27								1377
TSTSTA IN			1								3-7/8		1377
TSTSUP OUT	H19F2		1-01 *		D27			1			N 4-7/8		1378
TSTSUP OUT	J18P1		1-02 *		D27								1378
TSTSUP OUT			1								4-7/8		1378
TTNDX 00(1)	H	A23V2	1-01 *		D14			1			N 9-7/8		1379
TTNDX 00(1)	H	D18J1	1-02 *		D19			2			N 8-1/8		1379
TTNDX 00(1)	H	D04T2	1-03 *		D07								1379
TTNDX 00(1)	H		1								18-0/8		1379
TTNDX 01(1)	H	A23V1	1-01 *	S	D14			1			N 9-1/8		1380
TTNDX 01(1)	H	D19J1	1-02 *		D19			2			N 8-1/8		1380
TTNDX 01(1)	H	D05T2	1-03 *		D07								1380
TTNDX 01(1)	H		1								17-2/8		1380
TTNDX 02(1)	H	A23R2	1-01 *		D14			1			N 9-3/8		1381
TTNDX 02(1)	H	D20J1	1-02 *		D19			2			N 8-1/8		1381
TTNDX 02(1)	H	D06T2	1-03 *		D07								1381
TTNDX 02(1)	H		1								17-4/8		1381
TTNDX 03(1)	H	A23P2	1-01 *		D14			2			N 8-7/8		1382
TTNDX 03(1)	H	D21J1	1-02 *		D19			1			N 10-1/8		1382
TTNDX 03(1)	H	D03P1	1-03 *		D07								1382
TTNDX 03(1)	H		1								19-0/8		1382
TTNDX 04(1)	H	A23L2	1-01 *		D14			2			N 8-7/8		1383
TTNDX 04(1)	H	D22J1	1-02 *		D19			1			N 10-1/8		1383
TTNDX 04(1)	H	D04P1	1-03 *		D07								1383
TTNDX 04(1)	H		1								19-0/8		1383
TTNDX 05(1)	H	A23L1	1-01 *		D14			2			N 8-2/8		1384
TTNDX 05(1)	H	D23J1	1-02 *		D19			1			N 10-1/8		1384
TTNDX 05(1)	H	D05P1	1-03 *		D07								1384
TTNDX 05(1)	H		1								18-3/8		1384
TTNDX 06(1)	H	A23H2	1-01 *		D14			2			N 8-7/8		1385
TTNDX 06(1)	H	D24J1	1-02 *		D19			1			N 10-1/8		1385
TTNDX 06(1)	H	D06P1	1-03 *		D07								1385
TTNDX 06(1)	H		1								19-0/8		1385
TTNDX 07(1)	H	A23F2	1-01 *		D14			2			N 9-3/8		1386
TTNDX 07(1)	H	D25J1	1-02 *		D19			1			N 13-7/8		1386
TTNDX 07(1)	H	C03J2	1-03 *		D07								1386
TTNDX 07(1)	H		1								23-2/8		1386

DX11B,U  
RUN NAME

WRAPD .V35(102)-1 03-JUN-77  
A/P PIN ORDER BAY - Q DRAW RV RG Y X Z  
NAME PIN ORDER OPT

15-NOV-77

15:48 PAGE 152  
NC LENGTH EXCEPTIONS  
FLAG

RUN  
NUMBER

Run Name	A/P	PIN NAME	ORDER PIN	BAY - ORDER	Q	DRAW OPT	RV	RG	Y	X	Z	REMARKS	NC FLAG	LENGTH	EXCEPTIONS	RUN NUMBER
TTNDX CLR	H	A23H1		1-01 *		D14					2		N	1-3/8		1387
TTNDX CLR	H	A23R1		1-02 *		D14					1		N	14-3/8		1387
TTNDX CLR	H	B01V2		1-03 *	S	D14										1387
TTNDX CLR	H			1										15-6/8		1387
UCHECK(0)	H	C11K2		1-01 *	S	D09					2		N	4		1388
UCHECK(0)	H	C04K2		1-02 *		D24					1		N	7-5/8		1388
UCHECK(0)	H	E14F2		1-03 *		D05										1388
UCHECK(0)	H			1										11-5/8		1388
UCHECK(1)	H	C11J2		1-01 *	S	D09					2		N	2-5/8		1389
UCHECK(1)	H	B08T2		1-02 *		D10					1		N	6-3/8		1389
UCHECK(1)	H	D11N1		1-03 *		D19					2		N	15		1389
UCHECK(1)	H	A31A2		1-04 *		D22					1		N	14-4/8		1389
UCHECK(1)	H	F31H2		1-05 *		D13										1389
UCHECK(1)	H			1										38-4/8		1389
UCHKS(1)	H	A29F1		1-01 *		D22					2		N	11-1/8		1390
UCHKS(1)	H	B13E1		1-02 *		D10					1		N	10-5/8		1390
UCHKS(1)	H	D20S2		1-03 *		D19					2		N	3-5/8		1390
UCHKS(1)	H	C20N1		1-04 *	S	D05										1390
UCHKS(1)	H			1										25-3/8		1390
UEXCEP(0)	H	C04I2		1-01 *		D24					1		N	3-3/8		1391
UEXCEP(0)	H	C10K2		1-02 *	S	D09										1391
UEXCEP(0)	H			1										3-3/8		1391
UEXCEP(1)	H	C10J2		1-01 *	S	D09					2		N	3-1/8		1392
UEXCEP(1)	H	B08P1		1-02 *		D10					1		N	6-5/8		1392
UEXCEP(1)	H	D10M1		1-03 *		D19					2		N	16-5/8		1392
UEXCEP(1)	H	A31B2		1-04 *		D22					1		N	15-3/8		1392
UEXCEP(1)	H	F31S2		1-05 *		D13										1392
UEXCEP(1)	H			1										41-6/8		1392
XBA16(0)	H	C13F1		1-01 *	S	D06					2		N	2-5/8		1393
XBA16(0)	H	C09K2		1-02 *		D06					1		N	10-1/8		1393
XBA16(0)	H	E10T2		1-03 *		D06										1393
XBA16(0)	H			1										12-6/8		1393
XBA16(1)	H	A30P1		1-01 *		D22					2		N	9-1/8		1394
XBA16(1)	H	D27J1		1-02 *		D17					1		N	7-7/8		1394
XBA16(1)	H	D13M1		1-03 *		D19					2		N	3-7/8		1394
XBA16(1)	H	C13F1		1-04 *	S	D06										1394
XBA16(1)	H			1										20-7/8		1394
XBA17(0)	H	C09P2		1-01 *		D06					1		N	3-5/8		1395
XBA17(0)	H	C14E1		1-02 *	S	D06										1395
XBA17(0)	H			1										3-5/8		1395
XBA17(1)	H	A30N1		1-01 *		D22					2		N	9-3/8		1396
XBA17(1)	H	D27L2		1-02 *		D17					1		N	7-3/8		1396
XBA17(1)	H	D14M1		1-03 *		D19					2		N	3-7/8		1396
XBA17(1)	H	C14F1		1-04 *	S	D06										1396
XBA17(1)	H			1										20-5/8		1396

This drawing and specifications, herein, are the property of Digital Equipment Corporation and shall not be reproduced or copied or used in whole or in part as the basis for the manufacture or sale of items without written permission. 1974

DRAWING NUMBER		INIT REL	AUTOMATIC WIRE TESTER (AWT) REVISION STATUS											REV.
		TIO	K	L	M	N	P	R	S	T	U	V	NUMBER	
K-WL-DXII-B-3Ø		J	K	L	M	N	N	P	R	S	T	U	7008719-0	
D-AD-7008719-Ø-Ø		-	A	A	B	B	C	D	D	D	E	E	A WT	

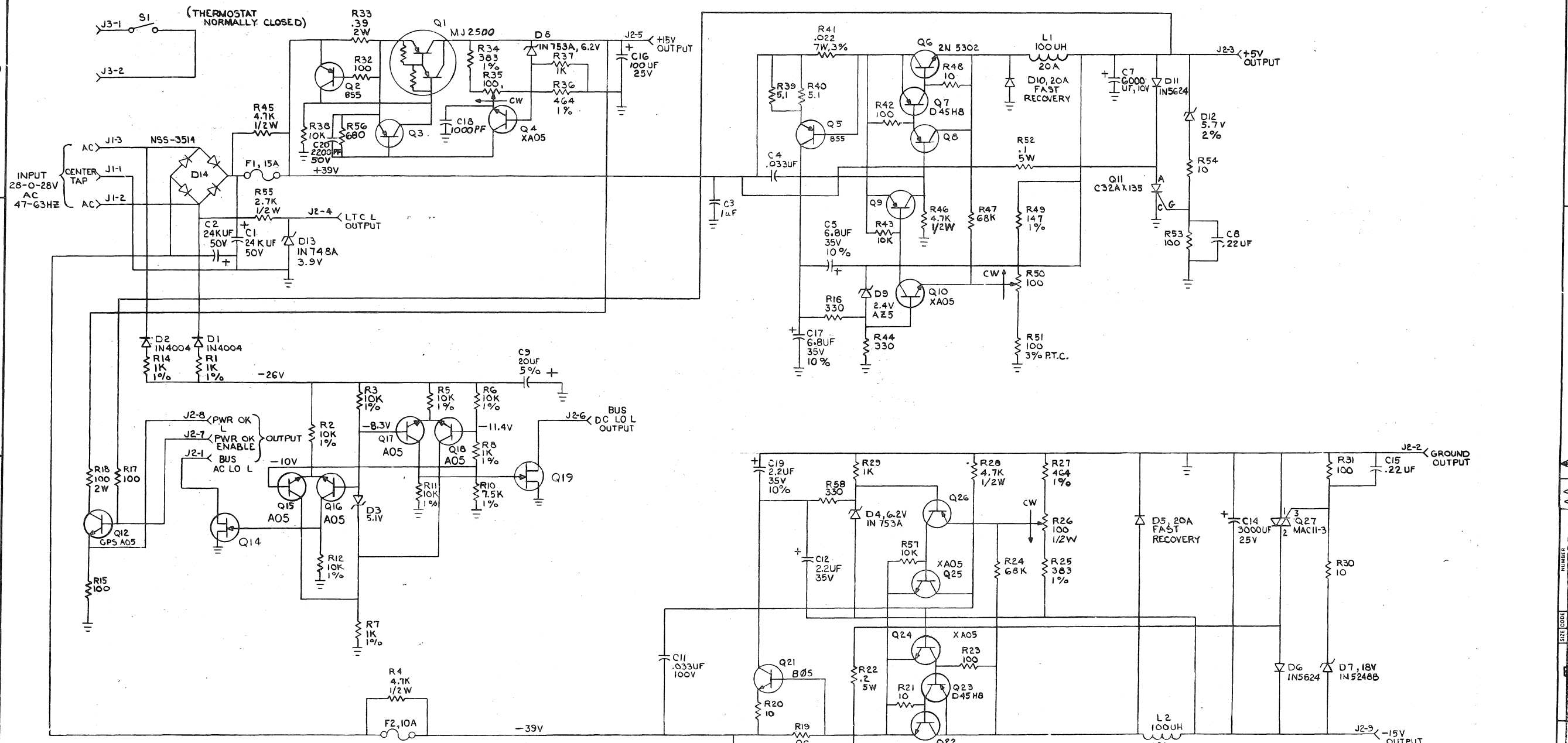
REVISIONS		REV.
CHANGE NO.	DXII-B-00016	K
ORIGINATED	DXII-B-00019	L
	DXII-B-00020	M
	DXII-B-00021	N
	DXII-B-00022	P
	DXII-B-00023	R
	DXII-B-00024	S
	DXII-B-00025	T
	DXII-B-00026	U
	DXII-B-00027	V

DRN <i>R. V. ...</i>	DATE 7-3-74	<b>digital</b> EQUIPMENT CORPORATION MAYNARD, MASSACHUSETTS
CHK'D <i>R. Gilbert</i>	DATE 7-15-74	
ENG <i>W. ...</i>	DATE 7-18-74	TITLE
PROJ. ENG. <i>...</i>	DATE 7-18-74	DXII-B
PROJ. <i>...</i>	DATE 7-18-74	AWT REVISION STATUS
FIRST USED ON B-DD-DXII-B	SIZE CODE A WT	NUMBER 7008719-0
SCALE 1 OF 1	DIST.	REV. V

This drawing and specifications, herein, are the property of Digital Equipment Corporation and shall not be reproduced or copied or used in whole or in part as the basis for the manufacture or sale of items without written permission. © 1974, Digital Equipment Corp.

REV 001 5409728-0-1 AA



UNLESS OTHERWISE INDICATED:  
 1% RESISTORS ARE 1/8W  
 VOLTAGES ARE TAKEN AT NO LOAD WITH 115 VAC LINE  
 VOLTAGES ARE ± 10% TAKEN BY A ≥ 10k<sub>v</sub> METER  
 TRANSISTORS = XA55

REV	REV	REV	REV
1	2	3	4
DATE	DATE	DATE	DATE
12-20-71	12-21-71	12-28-71	12-29-71
DRN. <i>Baron</i>	CHK'D <i>Moore</i>	ENG. <i>Moore</i>	PROJ. ENG. <i>Moore</i>
			PROD. <i>Moore</i>

QTY	REF DESIGNATION	DESCRIPTION	PART NO.	ITEM NO.															
PARTS LIST																			
	ETCH BOARD REV	E																	
<table border="1"> <tr> <td>DRN. <i>Baron</i></td> <td>DATE</td> <td>12-20-71</td> </tr> <tr> <td>CHK'D <i>Moore</i></td> <td>DATE</td> <td>12-21-71</td> </tr> <tr> <td>ENG. <i>Moore</i></td> <td>DATE</td> <td>12-28-71</td> </tr> <tr> <td>PROJ. ENG. <i>Moore</i></td> <td>DATE</td> <td>12-29-71</td> </tr> <tr> <td>PROD. <i>Moore</i></td> <td>DATE</td> <td>12-29-71</td> </tr> </table>					DRN. <i>Baron</i>	DATE	12-20-71	CHK'D <i>Moore</i>	DATE	12-21-71	ENG. <i>Moore</i>	DATE	12-28-71	PROJ. ENG. <i>Moore</i>	DATE	12-29-71	PROD. <i>Moore</i>	DATE	12-29-71
DRN. <i>Baron</i>	DATE	12-20-71																	
CHK'D <i>Moore</i>	DATE	12-21-71																	
ENG. <i>Moore</i>	DATE	12-28-71																	
PROJ. ENG. <i>Moore</i>	DATE	12-29-71																	
PROD. <i>Moore</i>	DATE	12-29-71																	
TITLE <b>REGULATOR BOARD FOR H740</b>			EQUIPMENT CORPORATION MATTAPOISETT, MASSACHUSETTS																
DEC NO.    EIA NO.    DEC NO.    EIA NO.		SIZE CODE <b>DICS</b>																	
SEMICONDUCTOR CONVERSION CHART		NUMBER <b>5409728-0-1</b>																	
SCALE SHEET 1 OF 1		REV. <b>AA</b>																	

DEC FORM NO. 582-113

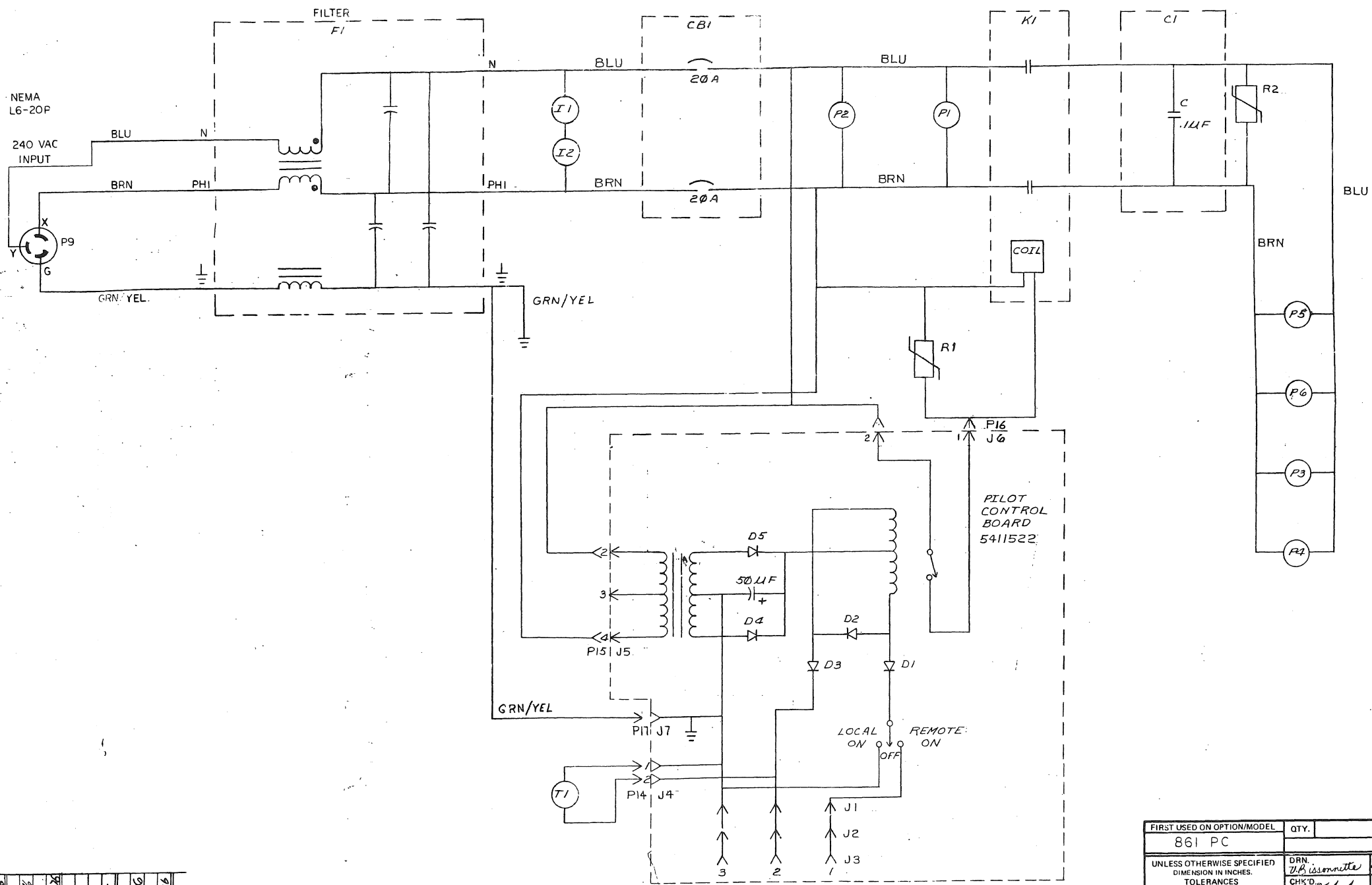






This drawing and specifications herein are the property of Digital Equipment Corporation and shall not be reproduced or copied or used in whole or in part as the basis for the manufacture or sale of items without written permission.

NOTE :  
 1. R1+R2 ARE MOV VARISTOR SPIKE SUPPRESSORS.



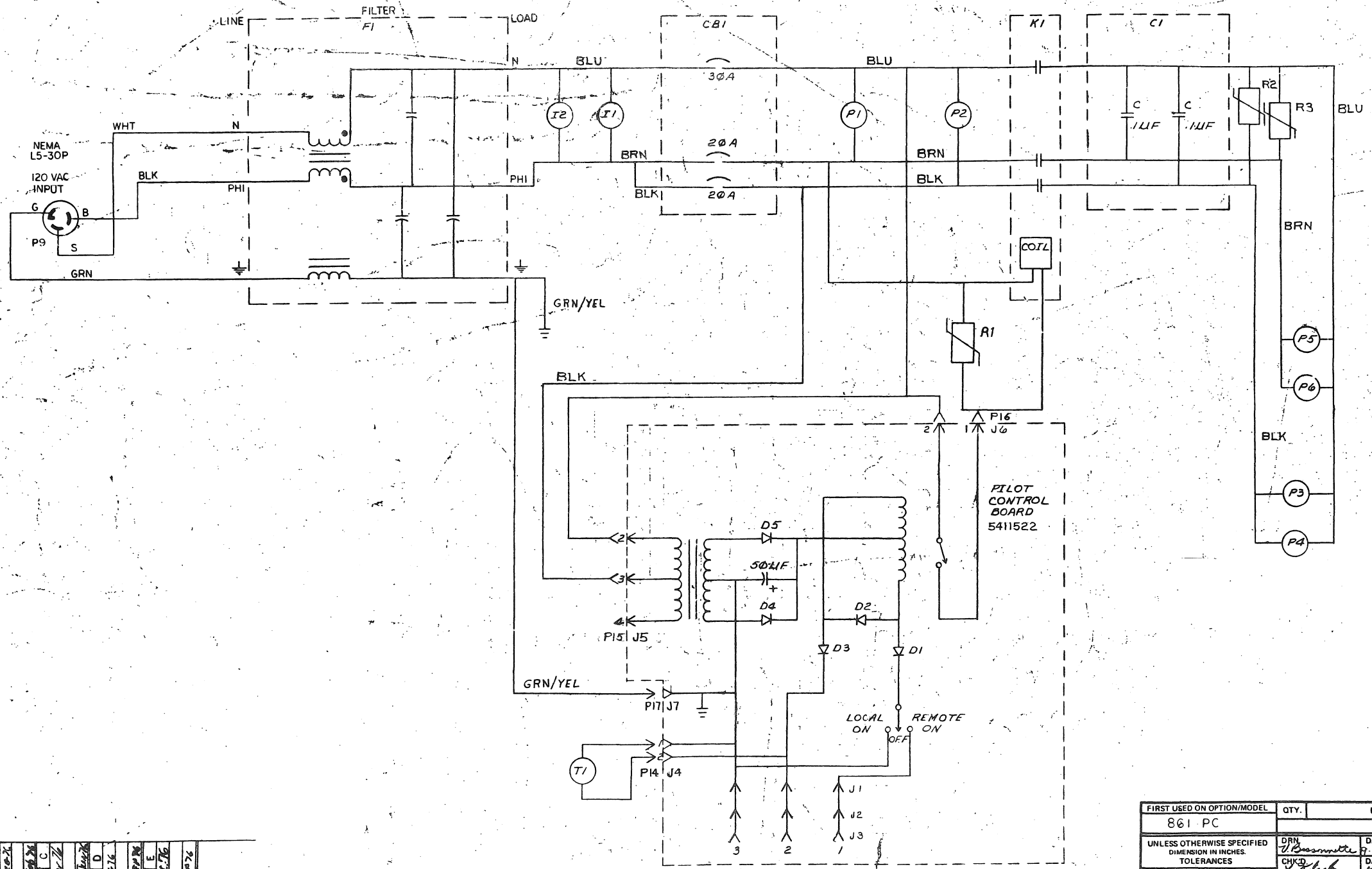
REV.	CHANGE NO.	REV.
1	861-00006	A
2	12/11/72	B
3	12/11/72	C
4	12/11/72	D
5	12/11/72	E
6	12/11/72	F
7	12/11/72	G
8	12/11/72	H
9	12/11/72	I
10	12/11/72	J
11	12/11/72	K
12	12/11/72	L
13	12/11/72	M
14	12/11/72	N
15	12/11/72	O
16	12/11/72	P
17	12/11/72	Q
18	12/11/72	R
19	12/11/72	S
20	12/11/72	T

FIRST USED ON OPTION/MODEL	QTY.	DESCRIPTION	PART NO.	ITEM NO.
861 PC				
PARTS LIST				
UNLESS OTHERWISE SPECIFIED DIMENSION IN INCHES TOLERANCES		EQUIPMENT CORPORATION		
DECIMALS	ANGLES	DATE	TITLE	
.XXX - .006	±0° 30'	9-11-72	CIRCUIT SCHEMATIC (861-BPC)	
.XX - .02		11-6-72		
X - .1		10-6-72		
REMOVE BURRS AND BREAK SHARP CORNERS SURFACE QUALITY		DATE	REV.	
		10-6-72	D	
MATERIAL		DATE	NUMBER	
		10-6-72	861-B-1	
NEXT HIGHER ASSY.		DATE	REV.	
B-DD-861-0		10-6-72	E	
FINISH		DATE	NUMBER	
		10-6-72	861-B-1	
SCALE		DATE	REV.	
		10-6-72	E	
SHEET		DATE	NUMBER	
OF 1		10-6-72	861-B-1	
DIST.		DATE	REV.	
		10-6-72	E	

142

This drawing and specifications, herein, are the property of Digital Equipment Corporation and shall not be reproduced or copied in whole or in part as the basis for the manufacture or sale of items without written permission.

NOTE:  
 1. R1, R2+R3 ARE MOV VARISTOR SPIKE SUPPRESSORS.

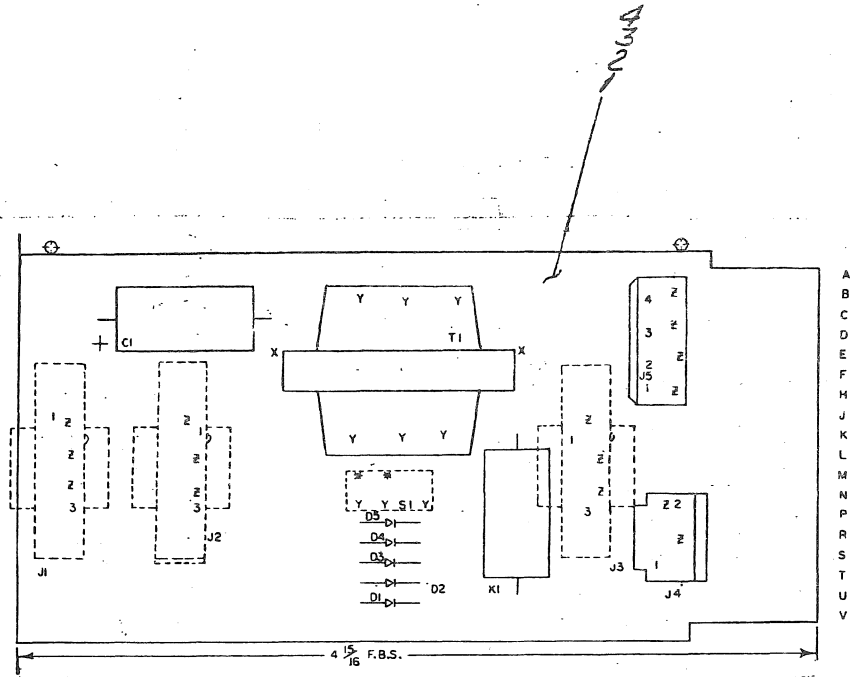


REV	CHANGE NO.	DATE	BY	CHK'D	DATE
A	189-00006	12-10-72	R. KENNEDY		
B	861-00009	12-10-72	R. KENNEDY		
C	861-00010	12-10-72	R. KENNEDY		
D	861-00011	12-10-72	R. KENNEDY		
E	861-00012	12-10-72	R. KENNEDY		

FIRST USED ON OPTION/MODEL	QTY.	DESCRIPTION	PART NO.	ITEM NO.
861 PC				
PARTS LIST				
UNLESS OTHERWISE SPECIFIED DIMENSION IN INCHES TOLERANCES	DRN D. Baunmitt	DATE 7-12-72	DIGITAL EQUIPMENT CORPORATION MAYFIELD, MASSACHUSETTS	
DECIMALS .005	CHK'D J. J. J.	DATE 10-6-72	TITLE CIRCUIT SCHEMATIC	
ANGLES ±0°30'	ENG R. J. J.	DATE 10-6-72	NUMBER 861-C P.C.	
REMOVE BURRS AND BREAK SHARP CORNERS SURFACE QUALITY	PROV. ENGR R. J. J.	DATE 10-6-72	REV. E	
MATERIAL	NEXT HIGHER ASSY.	SIZE CODE	NUMBER	REV.
FINISH	B-DD-861-Q	DCS	861-C-1	E
SHEET	OF	DIST.		

THIS DRAWING AND SPECIFICATIONS, HEREIN, ARE THE PROPERTY OF Digital Equipment Corporation and shall not be reproduced or copied or used in whole or in part as the basis for the manufacture or sale of items without written permission.

NOTES:



IC TYPE	GND	+5V

GND AND 5V ARE USUALLY PIN 7 AND 14 RESPECTIVELY. EXCEPTIONS ARE STATED ABOVE.

IC PIN LOCATIONS

QTY	REF DESIGNATION	DESCRIPTION	PART NO.	ITEM NO.
		PACKAGING INSTRUCTION	A-PI-3700143-0-13	15
1	S1	SWITCH, 3-POS.	12-11100	14
1	K1	RELAY, REED	12-11179	13
1	T1	PC TRANSFORMER	16-11178	12
4	FOR USE ON J5	PIN, PC MALE MATE-N-LOCK	1210823	11
1	J9	SOCKET, 2 PIN MATE-N-LOCK	1210821-02	10
11	FOR USE ON J1-J4	PIN, PC FEMALE MATE-N-LOCK	1209956	9
1	J5	PLUG, 4 PIN MATE-N-LOCK	1209351-04	8
3	J1, J2, J3	SOCKET, 3 PIN MATE-N-LOCK	1209350-03	7
5	D1-D5	DIODE, 1N4004	1105796	6
1	C1	CAP, 50UF, 50V 6% AL EL	1000050	5
REF		MODULE ECO HISTORY	BMM-5910206-0-6	4
REF		ASSY DRILLING HOLE LAYOUT	DAH-5910206-0-5	3
REF		X-Y COORDINATE HOLE LOCA.	KCO-5910206-0-2	2
1		ETC CKT BOARD	5010205	1

FIRST USED ON OPTION MODEL

861 PC.

ETCH BOARD REV B

DRN.	DATE	CHK'D.	DATE	ENG.	DATE	PROJ. ENG.	DATE	PROD.	DATE
A. Smith	8-25-72	J. Smith	9-17-72	R. Smith	9-19-72	R. Smith	8-19-72	P. Smith	7-22-72

SEMICONDUCTOR CONVERSION CHART

DEC NO.	EIA NO.	DEC NO.	EIA NO.

SCALE 2/1

SHEET OF 2

REVISIONS

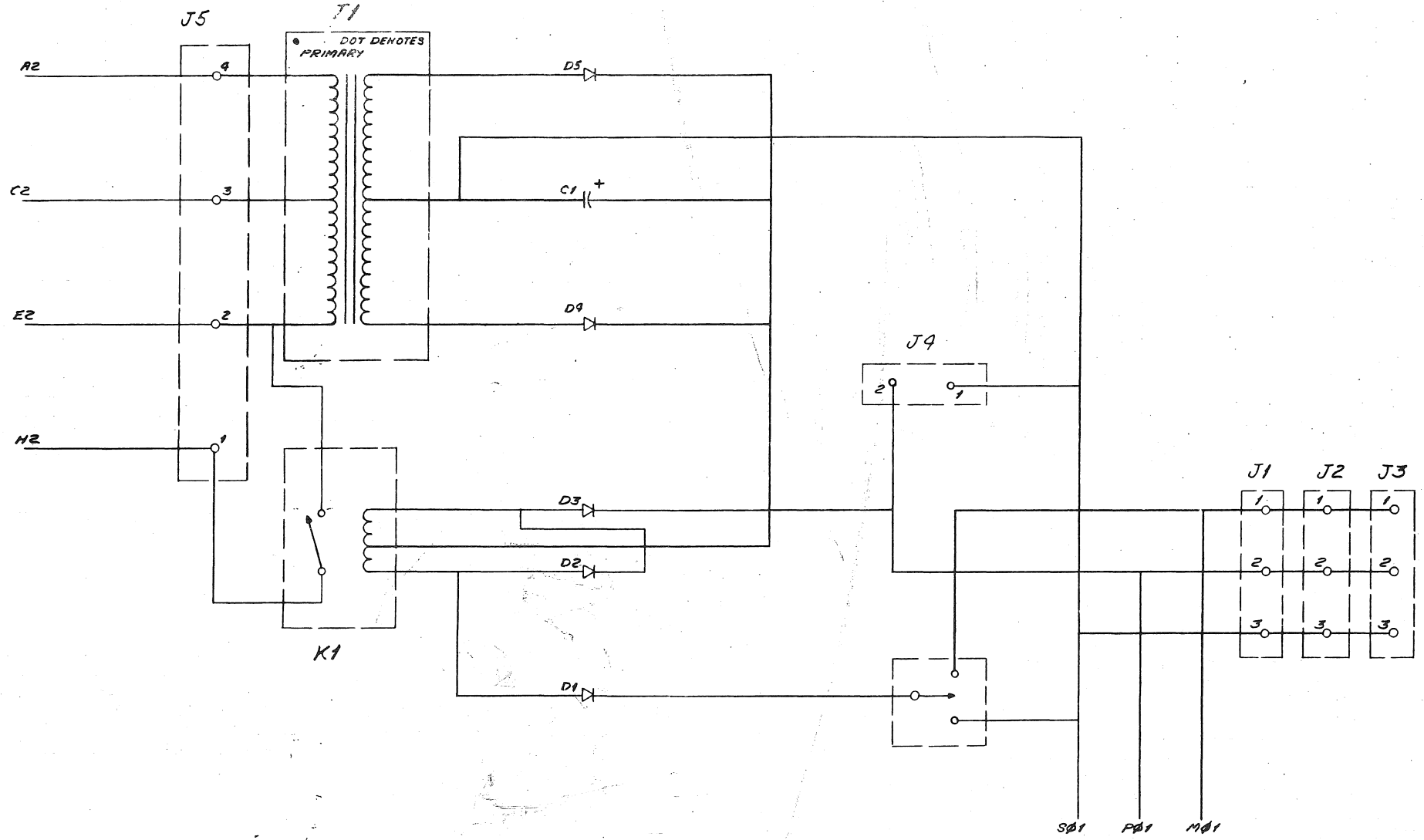
CHK	CHANGE NO.	REV

SIZE CODE	NUMBER	REV.
DCS	5410206-0-1	B

EQUIPMENT CORPORATION  
MAYNARD, MASSACHUSETTS

TITLE: PILOT CONTROL

This drawing and specifications, herein, are the property of Digital Equipment Corporation and shall not be reproduced or copied or used in whole or in part as the basis for the manufacture or sale of items without written permission.



REV	
CHANGE NO.	
CHK	

FIRST USED ON OPTION/MODEL	QTY.	DESCRIPTION	PART NO.	ITEM NO.
861 PC.		PARTS LIST		
UNLESS OTHERWISE SPECIFIED DIMENSION IN INCHES TOLERANCES	DRN <i>Bohmer</i>	DATE 8-23-72	 <b>DIGITAL EQUIPMENT CORPORATION</b> MAYNARD MASSACHUSETTS TITLE <b>PILOT CONTROL</b>	
DECIMALS	CHK'D <i>J. J. Kelly</i>	DATE 7-17-72		
ANGLES	ENG. <i>R. Burt</i>	DATE 9-17-72		
.XXX - .006	PROJ. ENG. <i>R. Burt</i>	DATE 7-19-72		
.XX - .02	PROD. <i>Paul Davis</i>	DATE 9-20-72		
X - .1				
REMOVE BURRS AND BREAK SHARP CORNERS SURFACE QUALITY				
MATERIAL	NEXT HIGHER ASSY.	SCALE	SIZE CODE	NUMBER
		NONE	DCS 541020	0-1
FINISH	SHEET 2 OF 2	DIST.		





This drawing and specifications, herein, are the property of Digital Equipment Corporation and shall not be reproduced or copied or used in whole or in part as the basis for the manufacture or sale of items without written permission.


REV. NUMBER SIZE CODE KFS DXII-B-31 2 1

B

B

A

A

FIRST USED ON OPTION MODEL	QTY.	DESCRIPTION	PART NO.	ITEM NO.
DXII-B				
PARTS LIST				
DRN. <i>S. Roberts</i>	DATE <i>5-24-72</i>	 <b>DIGITAL EQUIPMENT CORPORATION</b> <small>MAYNARD, MASSACHUSETTS</small>		
CHK'D. <i>[Signature]</i>	DATE <i>5-24-72</i>			
ENG. <i>[Signature]</i>	DATE <i>5-31-72</i>			
PROJ. ENG. <i>[Signature]</i>	DATE <i>5-31-72</i>			
PROD. <i>[Signature]</i>	DATE <i>6-8-72</i>			
NEXT HIGHER ASSEMBLY		TITLE <b>FUNCTIONAL SPECIFICATIONS (DXII-B)</b>		
B-DD-DXII-B				
SCALE <i>1/1</i>				
SHEET 1	OF 1	SIZE CODE KFS	NUMBER DXII-B-31	REV.
		DIST.		

DEC FORM NO. DRB 109

4

3

2

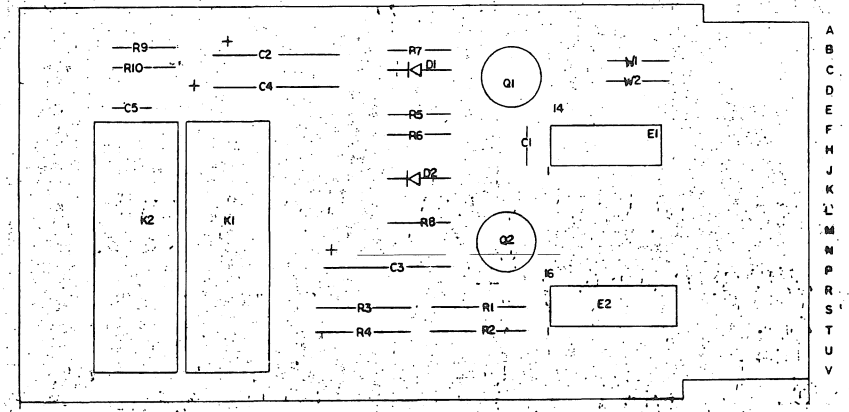
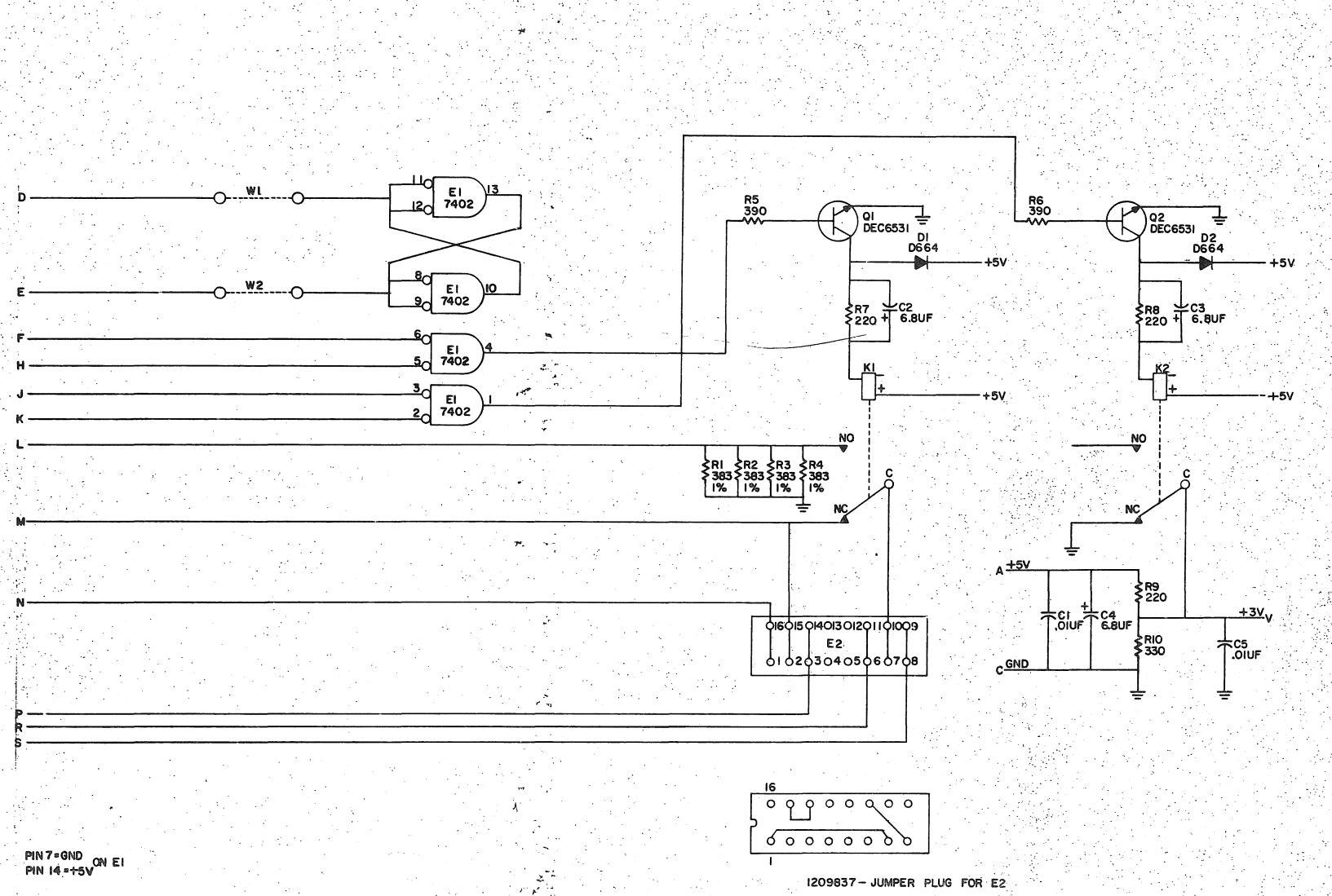
1

147

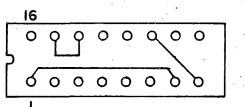
DIGITAL EQUIPMENT CORPORATION MAYNARD, MASSACHUSETTS			LEGEND		QUANTITY / VARIATION														
ACCESSORY LIST			D	DOCUMENT	DX11-B A, BB, BC, BD DX11-B E, BF, BG, BH	KIT CHECK	BY	DATE	INSTALLATION CHECK	BY	DATE								
MADE BY R. Dieter	CHECKED <i>[Signature]</i>	SECTION 1	PA	PAPER TAPE ASCII															
DATE 5-31-72 <i>[Signature]</i>	DATE 5-31-72		PB	PAPER TAPE BINARY															
ENG R. Dieter	PROD <i>[Signature]</i>	ISSUED SECT. 1	PM	PAPER TAPE READ-IN-MODE															
DATE 5-1-72 <i>[Signature]</i>	DATE																		
ITEM NO.	DWG NO. / PART NO.	DESCRIPTION																	
1	B-DD-DX11B-0	DX11-B Print Set																	
2	LIBKIT-11-DX11-B-A-K	Software Kit																	
3	70-08288-8	Power Control Cable 8 ft.																	
4	BC11-A-XX	Unibus Cable																	
5	DEC-11-HDXBA-A-D	DX11-B Maintenance Manual																	
NOTE: XX -----		Length depends on system configuration, unless otherwise specified will be 10 ft.																	
TITLE ACCESSORY LIST DX11-B			ASSY. NO. DX11-B	SIZE CODE A AL	NUMBER DX11-B-35	REV. A	ECO NO. LX11B-00-35												
SHEET 1 OF 1			DIST.																

148

THIS SCHEMATIC IS FURNISHED ONLY FOR TEST AND MAINTENANCE PURPOSES. THE CIRCUITS ARE PROPRIETARY IN NATURE AND SHOULD BE TREATED ACCORDINGLY. COPYRIGHT 1972 BY DIGITAL EQUIPMENT CORPORATION



PIN 7=GND ON E1  
 PIN 14=+5V



I209837 - JUMPER PLUG FOR E2

A/R	DESCRIPTION	QTY	REF. DESIGNATION
	#24 or #26 AWG (FOR PLUG)	20	
	TAPE TRANSPARENT VINYL	19	
	HANDLE, FLIP CHIP - GREEN	18	
1	EYELET #G34-7	17	
1	I.C. DEC 7402	16	E1
2	TRANSISTOR DEC 6531	15	Q1, Q2
4	RESISTOR 383 1/8W 1%	14	R1, R2, R3, R4
2	RESISTOR 390 1/4W 5%	13	R5, R6
1	RESISTOR 330 1/4W 5%	12	R10
3	RESISTOR 220 1/4W 5%	11	R7, R8, R9
1	16 PIN I.C. SOCKET	10	E2
1	PLUG 16 PHONG	9	
1	RELAY HG P.C. MOUNT FORM D CONTACTS	8	K1, K2
2	DIODE D664	7	D1, D2
2	CAP. .01UF 100V 20% DISC	6	C1, C5
3	CAP. 6.8UF 35V 20% S.TANT	5	C2, C3, C4
1	ETCHED CIRCUIT BOARD	4	
	MODULE: ECO HISTORY	3	
	ASSY/DRILLING HOLE LAYOUT	2	
	X-Y COORDINATE HOLE LOCATION	1	
	DESCRIPTION	DEC PART NO.	
	PARTS LIST		

DESIGNER	DATE
W. J. WILSON	1-2-72
CHECKED BY	DATE
W. J. WILSON	1-2-72
APPROVED BY	DATE
W. J. WILSON	1-2-72

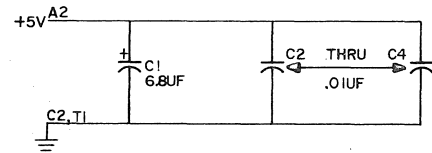
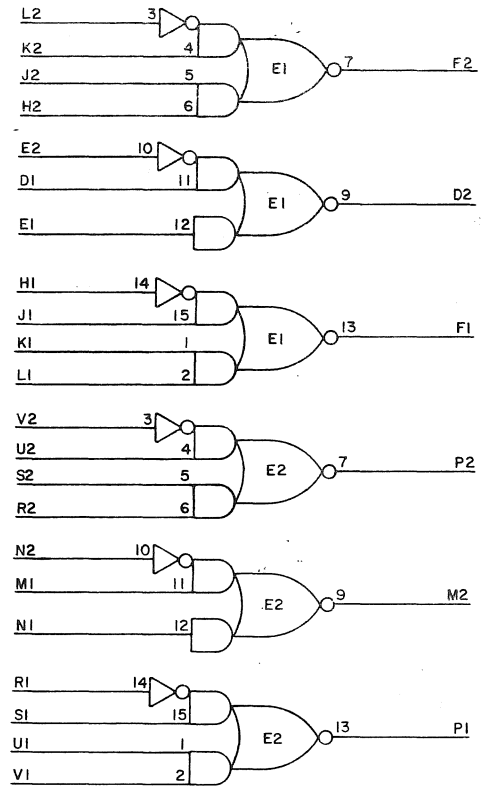
TRANSISTOR & DIODE CONVERSION CHART	
DEC 6531	IMP 3031
DEC 664	IMP 3031

TITLE		360 POWER FAIL AND SELECT BY-PASS	
EQUIPMENT CORPORATION		NUMBER 6890-0-1	
SIZE	D	CODE	CS
PRINTED CIRCUIT REV.	B		

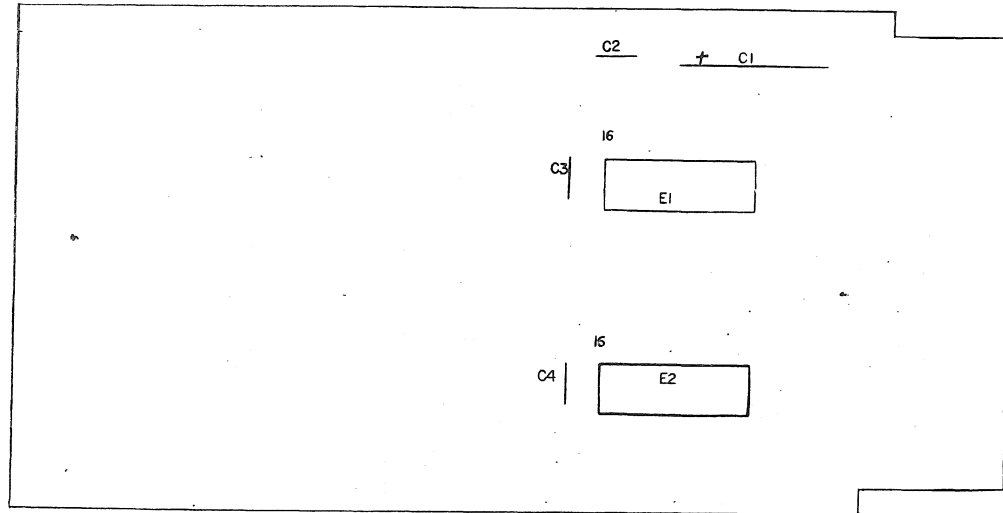
MS1573

REV. B  
 NUMBER 6890-0-1  
 D CS

THIS SCHEMATIC IS FURNISHED ONLY FOR TEST AND MAINTENANCE PURPOSES. THE CIRCUITS ARE PROPRIETARY IN NATURE AND SHOULD BE TREATED ACCORDINGLY. COPYRIGHT 1971 BY DIGITAL EQUIPMENT CORPORATION



PIN 16 = +5V  
PIN 8 = GND



QTY.	REF. DESIGNATION	DESCRIPTION	DEC PART NO.	REV.
2		EYELET	9006732	9
1		HANDLE, FLIP CHIP - MAGENTA	9003337-06	8
2	E1, E2	I.C. 8T14 SIG.	1910528	7
3	C2 - C4	CAP. .01UF 100V 20% DISC	1001610	6
1	C1	CAP. 6.8UF 35V 20% S.TANT	1000067	5
1		ETCHED CIRCUIT BOARD	5008912	4
		MODULE ECO HISTORY	B-MH-M597-0-6	3
		ASSY/DRILLING HOLE LAYOUT	D-AH-M597-0-5	2
		X-Y COORDINATE HOLE LOCATION	K-CO-M597-0-4	1

REV.	CHG	NO.	REV.
1	00001	A	

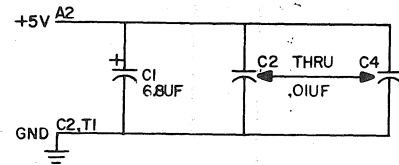
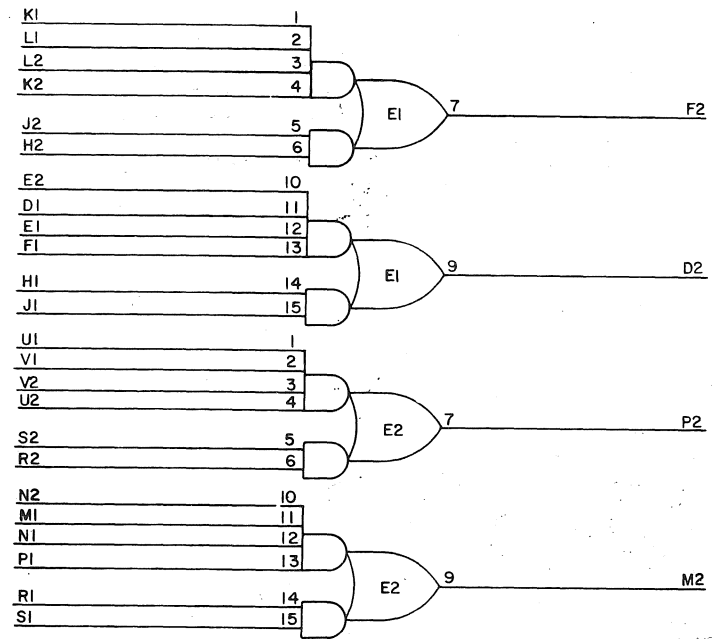
DRN.	DATE
B. J. Hiale	7/15/71
CHK'D	DATE
W. M. M. M.	7/15/71
DES.	DATE
K. D. D.	9/13/71
PRD.	DATE

TRANSISTOR & DIODE CONVERSION CHART			
DEC	EIA	DEC	EIA

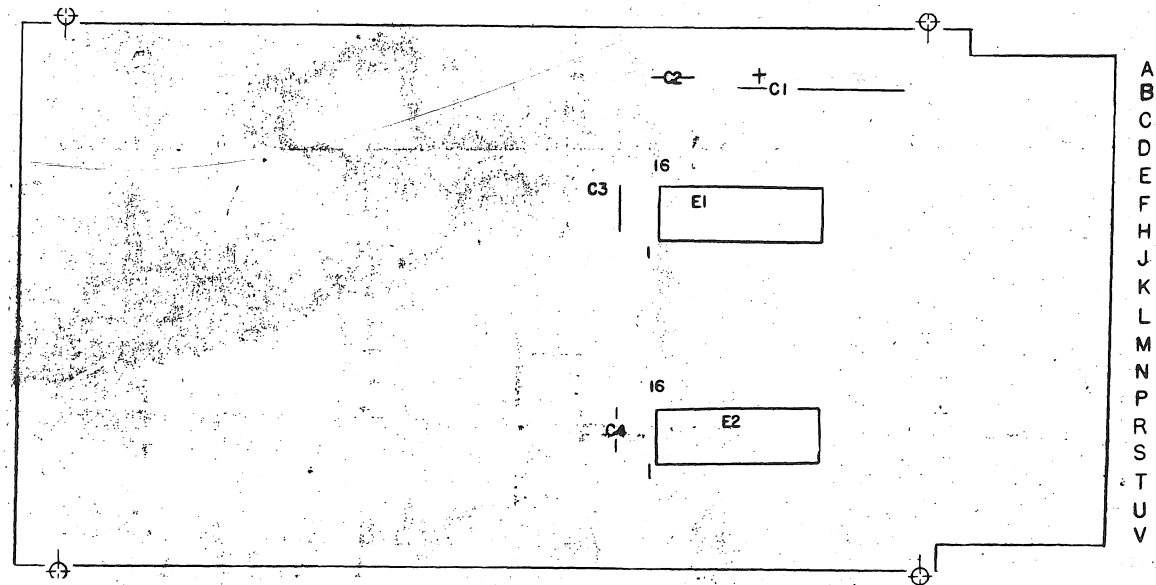
TITLE			
360 CABLE RECEIVER			
EQUIPMENT CORPORATION		SIZE	CODE
MAYNARD, MASSACHUSETTS		C	CS
PRINTED CIRCUIT REV.		NUMBER	REV.
		M597-0-1	A

SEE CODE NUMBER M597-0-1 REV. A

THIS SCHEMATIC IS FURNISHED ONLY FOR TEST AND MAINTENANCE PURPOSES. THE CIRCUITS ARE PROPRIETARY IN NATURE AND SHOULD BE TREATED ACCORDINGLY. COPYRIGHT 1971 BY DIGITAL EQUIPMENT CORPORATION



PIN 8 = GND ON E1, E2  
PIN 16 = +5V ON E1, E2



QTY	REF DESIGNATION	DESCRIPTION	PART NO.	ITEM NO.
1		HANDLE FLIP CHIP-MAGENTA	9008337-06	9
2		EYELET #GSL-7	9006732	8
2	E1, E2	IC 8T13	19-10529	7
3	C2, C3, C4	CAP .01UF 100V 20% DISC	10-01610	6
1	C1	CAP 6.8 UF 35V 20% STANT	10-00067	5
1		ETCHED CIRCUIT BOARD	5008912	4
		MODULE ECO HISTORY	B-MH-M697-0-6	3
		ASSY/DRILLING HOLE LAYOUT	D-AH M697-0-5	2
		X-Y COORDINATE HOLE LOCATION	K-CO-M697-0-4	1

REV	CHG NO.	REV.
2	00001	A

CHK'D	DATE	CHK'D	DATE
W. J. M...	7/19/71	W. J. M...	7/23/71
ENG	DATE	ENG	DATE
PROJ.	DATE	PROJ.	DATE

TRANSISTOR & DIODE CONVERSION CHART

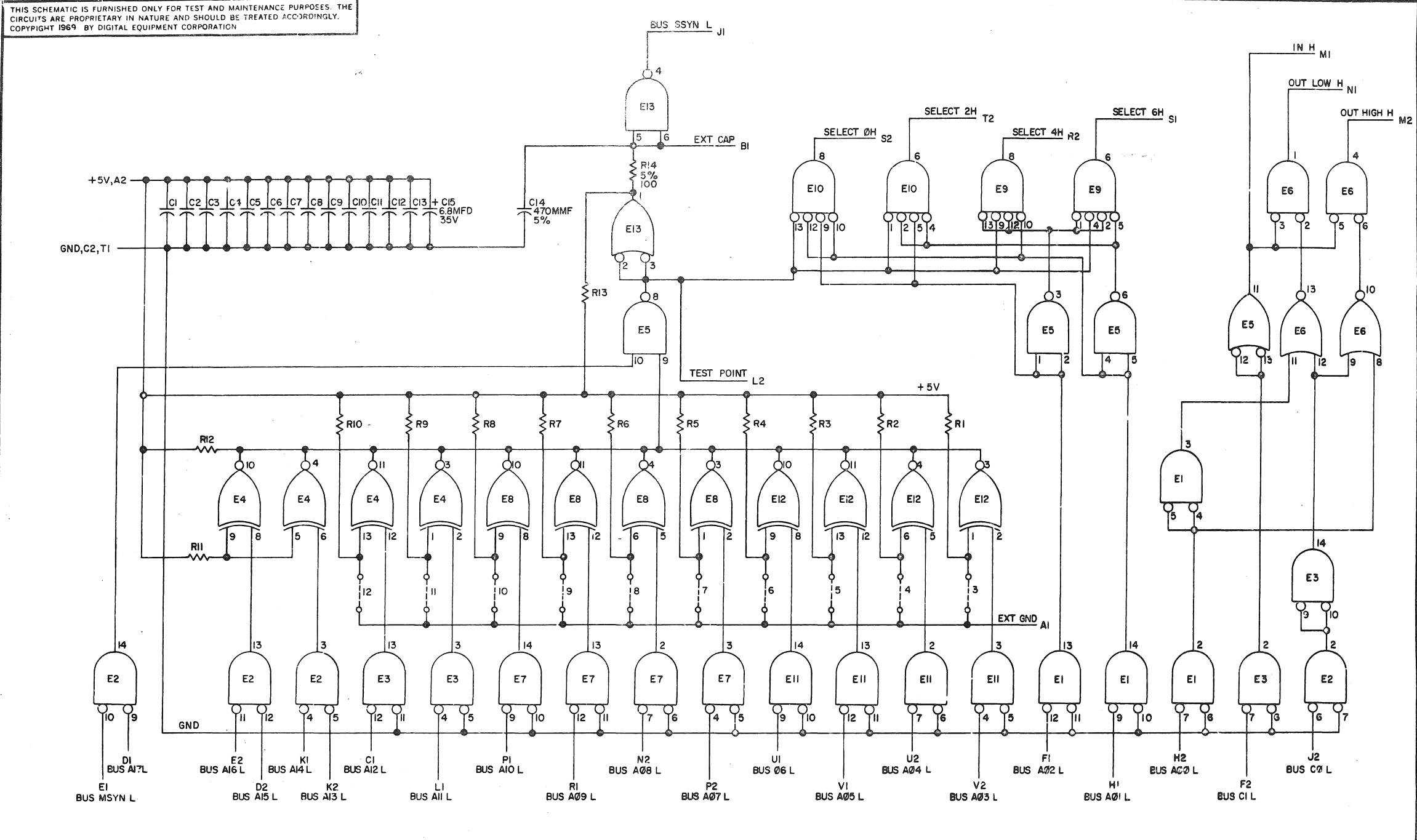
DEC	EIA	DEC	EIA



TITLE  
360 CABLE DRIVER  
NUMBER  
M697-0-1  
REV.  
A  
PRINTED CIRCUIT REV.: D

REV. A  
NUMBER M697-0-1  
SIZE CODE C CS

THIS SCHEMATIC IS FURNISHED ONLY FOR TEST AND MAINTENANCE PURPOSES. THE CIRCUITS ARE PROPRIETARY IN NATURE AND SHOULD BE TREATED ACCORDINGLY. COPYRIGHT 1969 BY DIGITAL EQUIPMENT CORPORATION



UNLESS OTHERWISE INDICATED:  
 ○---○ INDICATES JUMPERS  
 RESISTORS ARE 1K, 1/4W, 5%  
 CAPACITORS ARE 0.1MFD, 100V, 20%  
 E1, E2, E3, E7, E11 ARE DEC8640  
 E4, E8, E12 ARE DEC8242  
 E9, E10 ARE DEC8815  
 E5 IS DEC7400  
 E6 IS DEC7402  
 E13 IS DEC6081  
 PIN 1 ON E1, E2, E3, E7, E11 = GND  
 PIN 8 ON E1, E2, E3, E7, E11 = +5V  
 PIN 7 ON E4, E5, E6, E8, E9, E10, E12, E13 = GND  
 PIN 14 ON E4, E5, E6, E8, E9, E10, E12, E13 = +5V

REVISIONS				DRM				TRANSISTOR & DIODE CONVERSION CHART				TITLE			
CHK	CHG	NO.	REV.	DATE	DATE	DEC	EIA	DEC	EIA	ADDRESS SELECTOR MI05					
TS	LRI	A	B	11-26-68	1-9-70					SIZE	CODE	NUMBER	REV		
00002										C	CS	MI05-0-1	C		
00003										PRINTED CIRCUIT REV.					

152

MI05-449-FL

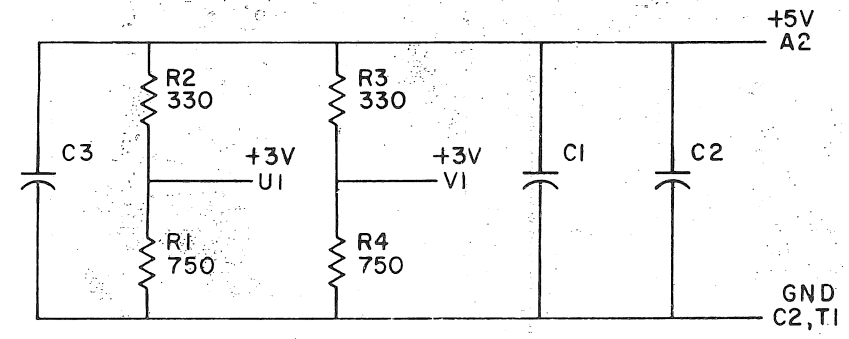
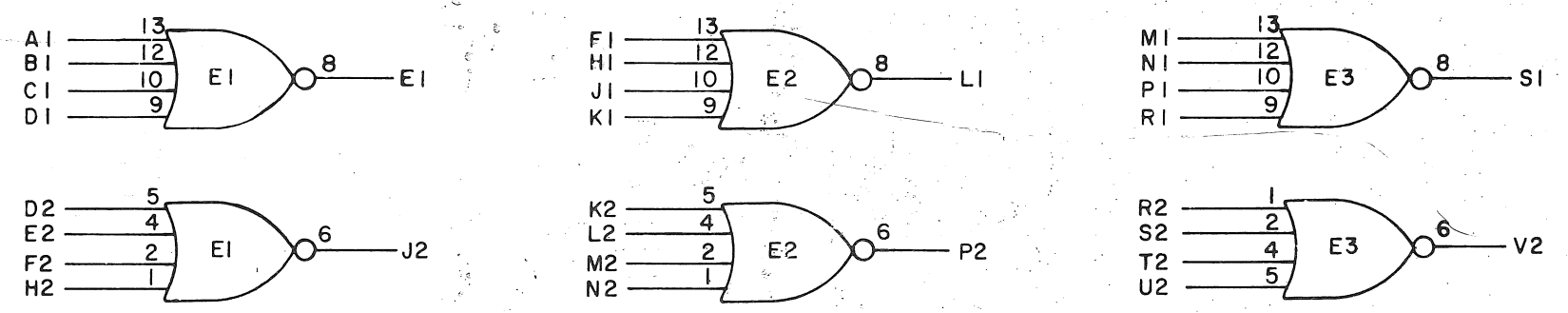
D157 327 751 1353

5

Pink

REV. C  
 NUMBER MI05-0-1  
 CS

THIS SCHEMATIC IS FURNISHED ONLY FOR TEST AND MAINTENANCE PURPOSES. THE CIRCUITS ARE PROPRIETARY IN NATURE AND SHOULD BE TREATED ACCORDINGLY. COPYRIGHT 1970 BY DIGITAL EQUIPMENT CORPORATION



UNLESS OTHERWISE INDICATED:  
 RESISTORS ARE 1/4W, 5%  
 CAPACITORS ARE .01 UF, 100V, 20%  
 IC'S ARE DEC8815  
 PIN 7 = GND  
 PIN 14 = +5V ON EACH IC

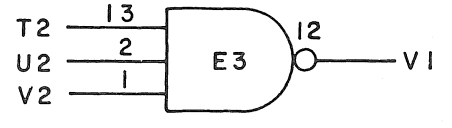
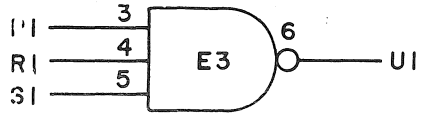
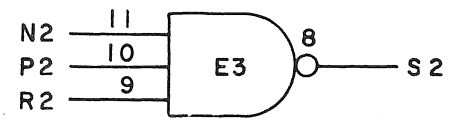
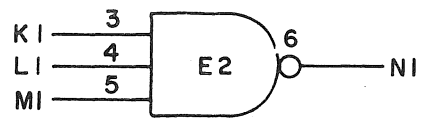
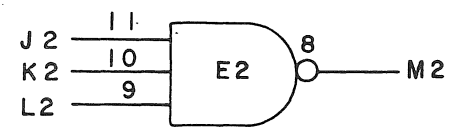
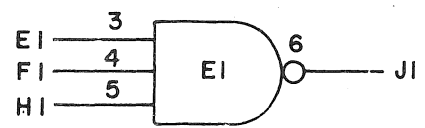
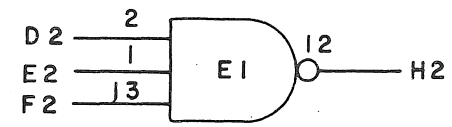
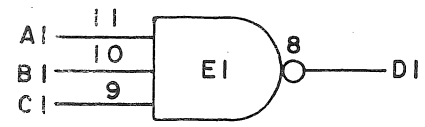
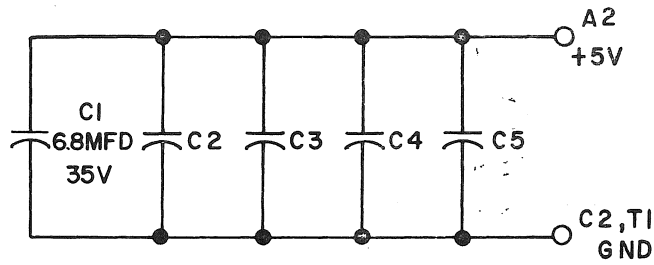
REVISIONS CHG NO. REV. 00001 A b.j.halle 9-20-72 D. BAKER 4/20/72	DRN. S Cooper DATE 12-7-70 CHK'D D Smith DATE 12-7-70 ENG Delag DATE 3-1-71 PROD. DATE	TRANSISTOR & DIODE CONVERSION CHART <table border="1" style="width: 100%; border-collapse: collapse;"> <thead> <tr> <th colspan="2">DEC</th> <th colspan="2">EIA</th> </tr> </thead> <tbody> <tr><td> </td><td> </td><td> </td><td> </td></tr> <tr><td> </td><td> </td><td> </td><td> </td></tr> <tr><td> </td><td> </td><td> </td><td> </td></tr> <tr><td> </td><td> </td><td> </td><td> </td></tr> <tr><td> </td><td> </td><td> </td><td> </td></tr> </tbody> </table>	DEC		EIA																						 EQUIPMENT CORPORATION MAYNARD, MASSACHUSETTS	TITLE 6-QUAD NORGATE M116 SIZE CODE NUMBER REV. B CS M116-0-1 A PRINTED CIRCUIT REV. A
DEC		EIA																										





REV. B	NUMBER M135-0-1	CS B	SIZE B
--------	-----------------	------	--------

THIS SCHEMATIC IS FURNISHED ONLY FOR TEST AND MAINTENANCE PURPOSES. THE CIRCUITS ARE PROPRIETARY IN NATURE AND SHOULD BE TREATED ACCORDINGLY. COPYRIGHT 1969 BY DIGITAL EQUIPMENT CORPORATION



UNLESS OTHERWISE INDICATED:  
 IC'S ARE DEC74H10  
 PIN 7 ON EACH IC = GND  
 PIN 14 ON EACH IC = +5V  
 CAPACITORS ARE .01 MFD 50V

REVISIONS CHK CHG NO. REV. B 00001	DRN. <i>Robert...</i>	DATE 5-3-69	TRANSISTOR & DIODE CONVERSION CHART				<b>digital</b> EQUIPMENT CORPORATION MAYNARD, MASSACHUSETTS	TITLE 3 INPUT NAND GATE M135			
	CHK'D. <i>...</i>	DATE 3-3-69	DEC	EIA	DEC	EIA		SIZE B	CODE CS	NUMBER M135-0-1	REV. B
	ENG. <i>DEO</i>	DATE 9-7-69						PRINTED CIRCUIT REV. A			
	PROD.	DATE									

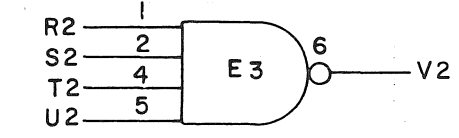
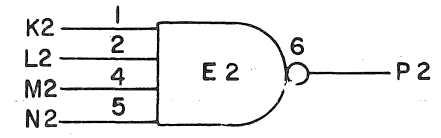
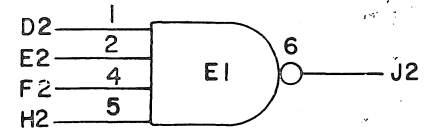
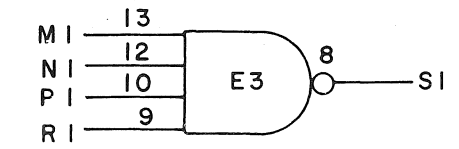
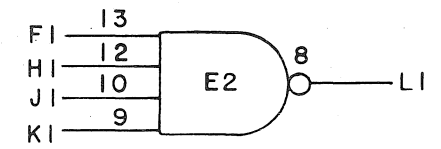
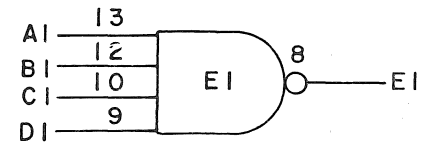
DEC FORM NO. DRB 102

154

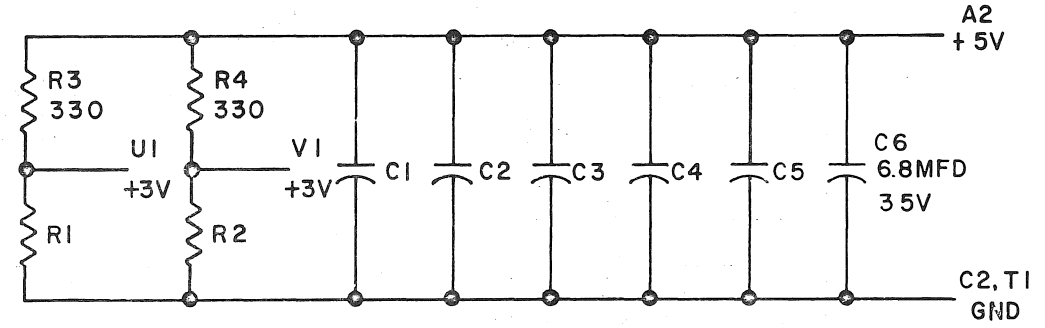


DIST. 324.40.13<sup>3</sup> P100

THIS SCHEMATIC IS FURNISHED ONLY FOR TEST AND MAINTENANCE PURPOSES. THE CIRCUITS ARE PROPRIETARY IN NATURE AND SHOULD BE TREATED ACCORDINGLY. COPYRIGHT 1969 BY DIGITAL EQUIPMENT CORPORATION



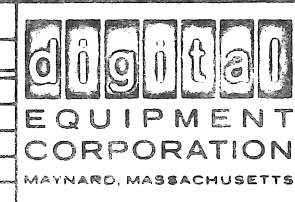
UNLESS OTHERWISE INDICATED:  
 IC'S ARE DEC 74 H20N  
 PIN 7 ON EACH IC = GND  
 PIN 14 ON EACH IC = +5V  
 CAPACITORS ARE .01 MFD  
 RESISTORS ARE 750; 1/4W 5%



REV.	CHG NO.	REV.

DRN. <i>A. J. ...</i>	DATE 3-3-69
CHK'D <i>P. ...</i>	DATE 5/19/69
ENG. <i>D. ...</i>	DATE 19 May 69
PROD.	DATE

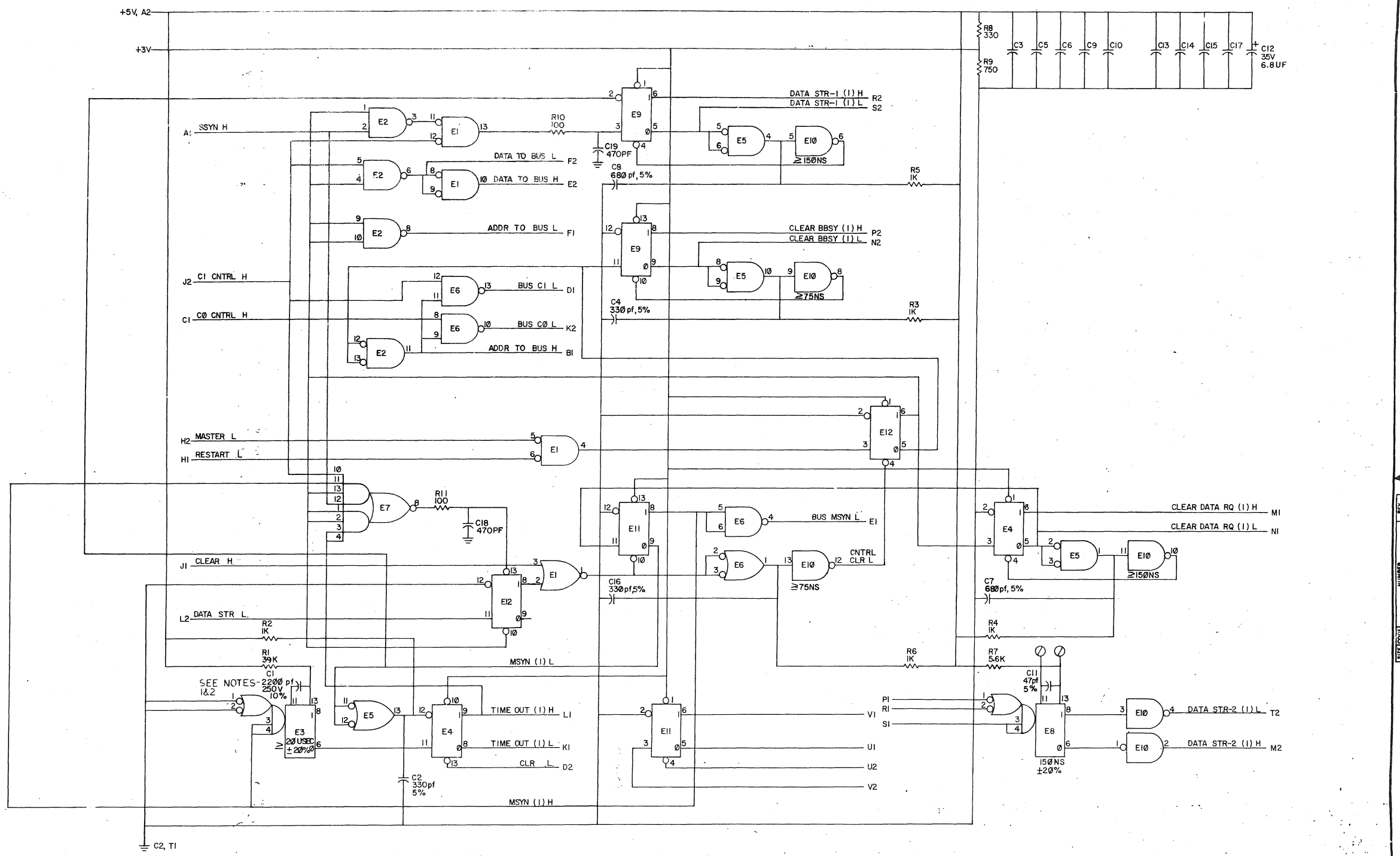
TRANSISTOR & DIODE CONVERSION CHART			
DEC	EIA	DEC	EIA



TITLE 6-4 INPUT NAND GATE M137			
SIZE B	CODE CS	NUMBER M137-0-1	REV.
PRINTED CIRCUIT REV.			A

THIS SCHEMATIC IS FURNISHED ONLY FOR TEST AND MAINTENANCE PURPOSES. THE CIRCUITS ARE PROPRIETARY IN NATURE AND SHOULD BE TREATED ACCORDINGLY. COPYRIGHT 1970 BY DIGITAL EQUIPMENT CORPORATION

DATE CODE M796-0-1  
 PART NUMBER 1380



NOTE: 1. C1 IS CHANGED TO 5000 PF  $\pm 20\%$  (1001765) FOR A DELAY OF 370US MINIMUM WHEN USED WITH A DL 10.  
 2. FOR M796-YA CHANGE C1 TO 6.8  $\mu\text{f}$  35V (P/N 1000067)

UNLESS OTHERWISE INDICATED:  
 RESISTORS ARE 1/4W, 5%  
 CAPACITORS ARE .01 $\mu\text{f}$ , 100V, 20%  
 E1 IS DEC7402  
 E2 IS DEC7400  
 E3, E8 ARE DEC9601  
 E4, E9, E11, E12 ARE DEC7474  
 E5 IS DEC7401  
 E6 IS DEC8881  
 E7 IS DEC74H55  
 E10 IS DE7404  
 ⊕ = SPLIT LUGS

REV	DATE	BY	CHKD
1	12/11/70	W. J. ANDERSON	
2	1/20/71	W. J. ANDERSON	
3	2/21/71	W. J. ANDERSON	

TRANSISTOR & DIODE CONVERSION CHART			
DEC	EIA	DEC	EIA

TITLE: UNIEUS MASTER CONTROL M796

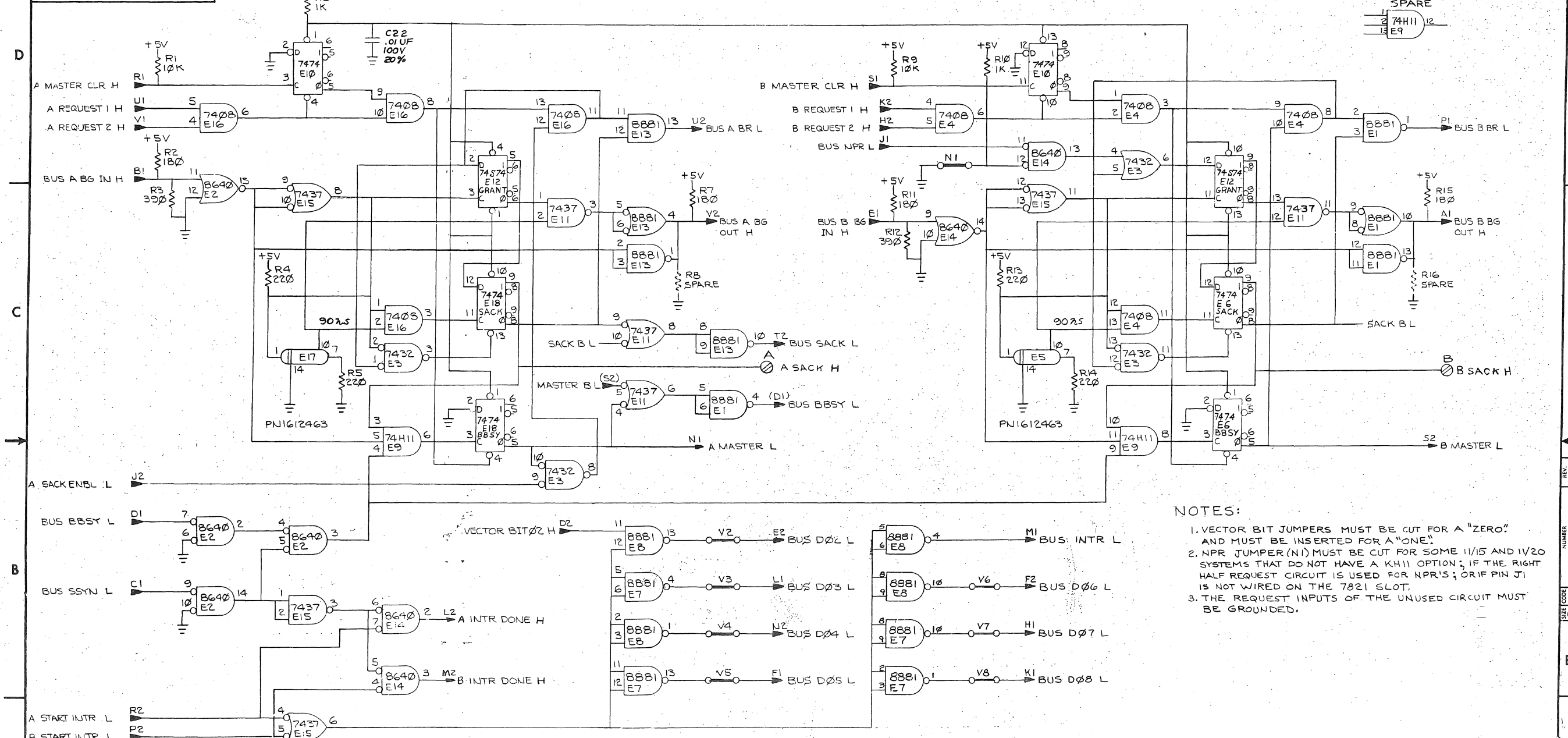
DATE CODE: M796-0-1

REVISION: 1

PRINTED CIRCUIT REV. C

4 PINS

"THIS DRAWING AND SPECIFICATIONS, HEREIN, ARE THE PROPERTY OF DIGITAL EQUIPMENT CORPORATION AND SHALL NOT BE REPRODUCED OR COPIED OR USED IN WHOLE OR IN PART AS THE BASIS FOR THE MANUFACTURE OR SALE OF ITEMS WITHOUT WRITTEN PERMISSION. COPYRIGHT © 1977 DIGITAL EQUIPMENT CORPORATION"



- NOTES:
1. VECTOR BIT JUMPERS MUST BE CUT FOR A "ZERO" AND MUST BE INSERTED FOR A "ONE".
  2. NPR JUMPER (N1) MUST BE CUT FOR SOME 11/15 AND 11/20 SYSTEMS THAT DO NOT HAVE A KH11 OPTION; IF THE RIGHT HALF REQUEST CIRCUIT IS USED FOR NPR'S; OR IF PIN J1 IS NOT WIRED ON THE 7821 SLOT.
  3. THE REQUEST INPUTS OF THE UNUSED CIRCUIT MUST BE GROUNDDED.

DEC DELAY LINE	14	-
DEC 8640	1	8
IC TYPE	GND	+5V
GND AND 5V ARE USUALLY PIN 7 AND 14 RESPECTIVELY EXCEPTIONS ARE STATED ABOVE		
IC PIN LOCATIONS		

A2 +5V	C1	.01UF	THRU	C18	.01UF	100V	20%	C19	6.8UF	35V	10%	C20	6.8UF	35V	10%	C21	6.8UF	35V	10%
	C2, T1																		

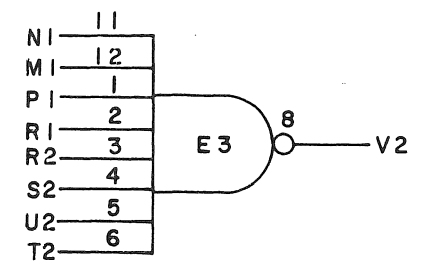
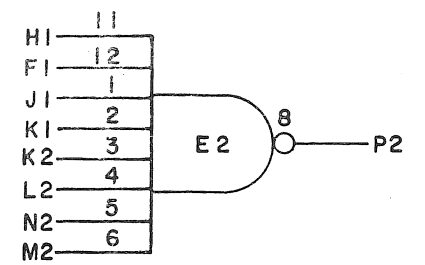
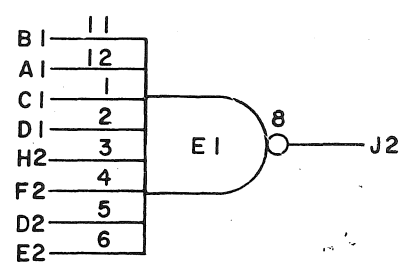
QTY	REF. DESIGNATION	DESCRIPTION	PART NO.	ITEM NO.
FIRST USED ON OPTION MODEL				
ETCH BOARD REV. D				
PARTS LIST				
DRN. DATE 11/23/77		DATE 11/23/77		
CHKD. DATE 11/23/77		DATE 11/23/77		
ENG. DATE 11/23/77		DATE 11/23/77		
PROJ. ENG. DATE 11/23/77		DATE 11/23/77		
PROD. DATE		DATE		
NEXT HIGHER ASSY				
DEC NO.		EIA NO.		SCALE
DEC NO.		EIA NO.		SHEET 1 OF 1
SEMICONDUCTOR CONVERSION CHART				
SIZE CODE DCS		NUMBER M7821-0-1		REV. F
DIST.				

DEC FORM 100 080 1280

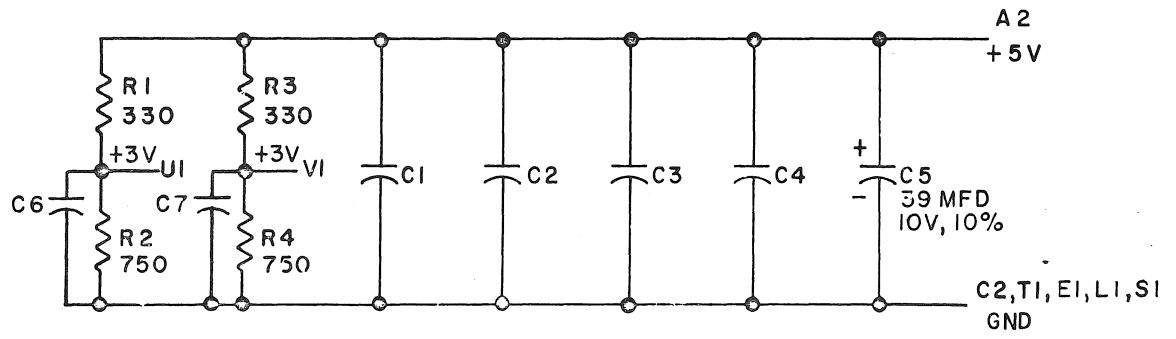
↓

D	REV.	M139-0-1	NUMBER	CS	B	SIZE
---	------	----------	--------	----	---	------

THIS SCHEMATIC IS FURNISHED ONLY FOR TEST AND MAINTENANCE PURPOSES. THE CIRCUITS ARE PROPRIETARY IN NATURE AND SHOULD BE TREATED ACCORDINGLY. COPYRIGHT 1969 BY DIGITAL EQUIPMENT CORPORATION



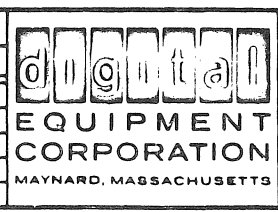
UNLESS OTHERWISE INDICATED:  
 IC'S ARE DEC1074H30  
 PIN 7 ON EACH IC = GND  
 PIN 14 ON EACH IC = +5V  
 CAPACITORS ARE .01 MFD, 100V, 20%  
 RESISTORS ARE 1/4W, 5%



REVISIONS	CHK	CHG NO.	REV.
	PP	00001	B
		00002	C
		00003	D

DRN.	<i>Spitler</i>	DATE	3-4-69
CHK'D	<i>A. Young</i>	DATE	3-6-69
ENG.	<i>WEO</i>	DATE	4-7-69
PROD.		DATE	

TRANSISTOR & DIODE CONVERSION CHART			
DEC	EIA	DEC	EIA



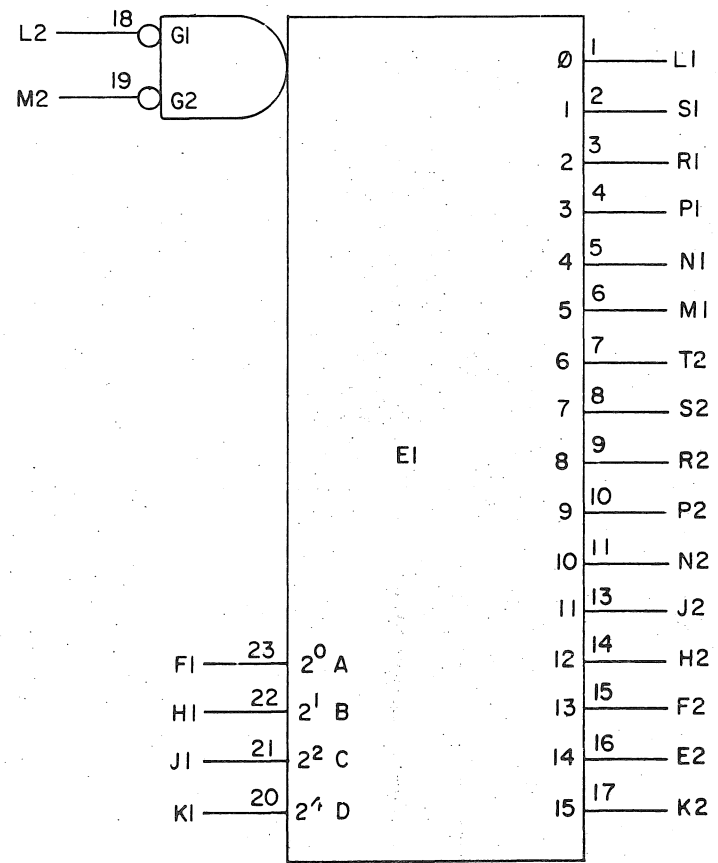
TITLE			
3-8 INPUT NAND GATE M139			
SIZE	CODE	NUMBER	REV.
B	CS	M139-0-1	D.
PRINTED CIRCUIT REV.			B

158

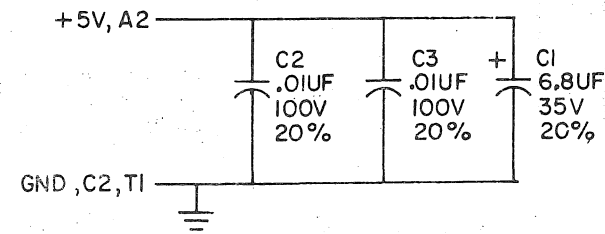
DEC FORM NO. DRB 102

DISP. 374, 434, 434.2 PINK

THIS SCHEMATIC IS FURNISHED ONLY FOR TEST AND MAINTENANCE PURPOSES. THE CIRCUITS ARE PROPRIETARY IN NATURE AND SHOULD BE TREATED ACCORDINGLY. COPYRIGHT 1970 BY DIGITAL EQUIPMENT CORPORATION

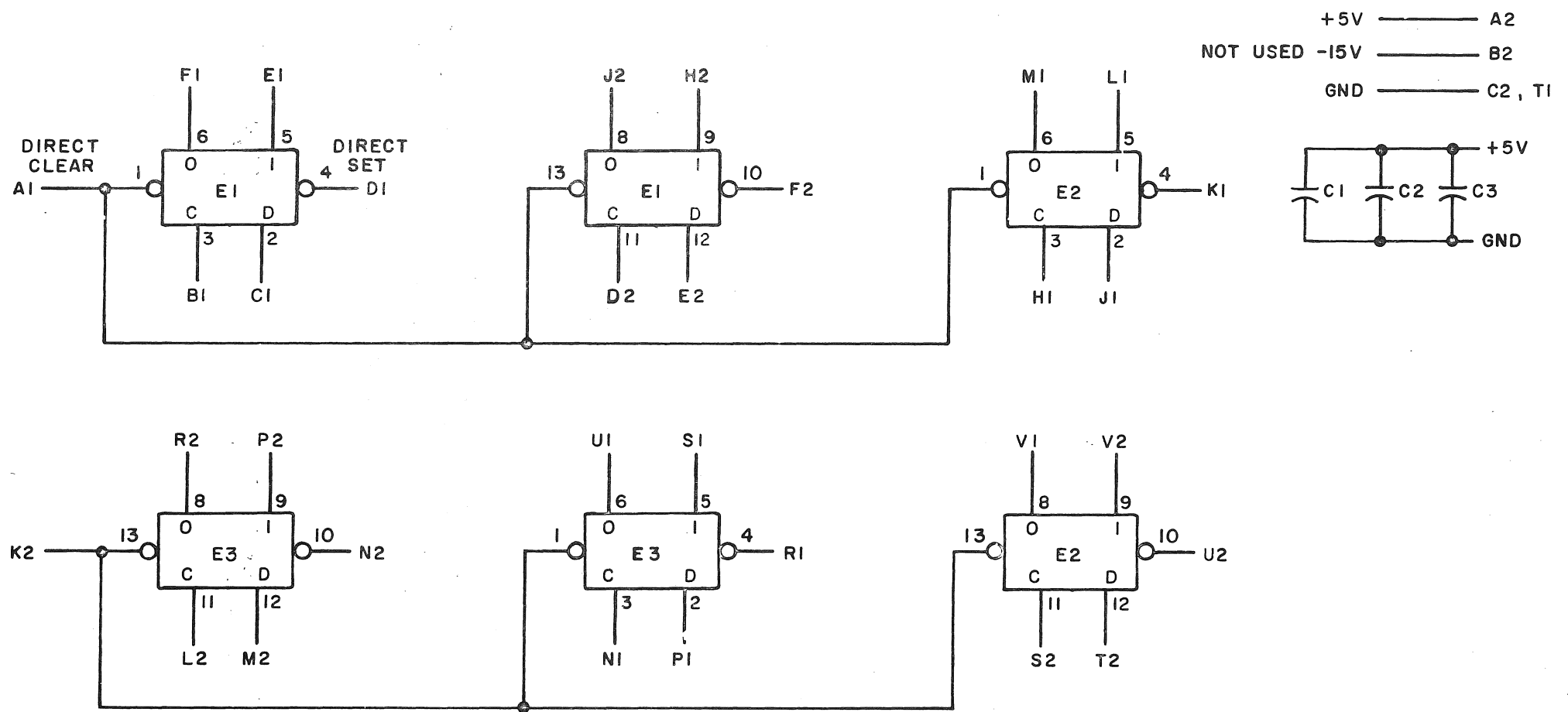


UNLESS OTHERWISE INDICATED:  
 E1 IS DEC74154  
 PIN 12 = GND  
 PIN 24 = +5V



REVISIONS CHK CHG NO. REV ETC 00001 A P. De Mauro	DRN. NANCY HOORE	DATE 8/21/70	TRANSISTOR & DIODE CONVERSION CHART		EQUIPMENT CORPORATION MAYNARD, MASSACHUSETTS	TITLE 4-LINE-TO 16 LINE DECODER MI55			
	CHK'D <i>[Signature]</i>	DATE 10/2/70	DEC	EIA		SIZE B	CODE CS	NUMBER MI55-0-1	REV. A
	ENG. S. Sailer	DATE 12/15/70				PRINTED CIRCUIT REV. A			
	PROD.	DATE							

THIS SCHEMATIC IS FURNISHED ONLY FOR TEST AND MAINTENANCE PURPOSES. THE CIRCUITS ARE PROPRIETARY IN NATURE AND SHOULD BE TREATED ACCORDINGLY. COPYRIGHT 1967 BY DIGITAL EQUIPMENT CORPORATION



NOTES:  
 PIN 7 ON EACH IC = GND  
 PIN 14 ON EACH IC = +5V

E1 THRU E3	INTEGRATED CKT. DEC7474N	1905547
C1 THRU C3	CAP. .01 MFD 100V 20% DISC	1001610
	PARTS LIST	A-PL-M216-0-0
REFERENCE DESIGNATION	DESCRIPTION	PART NO.
PARTS LIST		

REV.	CHG. NO.	CHK.
A	6806	
B	00001	

DRN. <i>M. Waller</i>	DATE 4-15-67
CHK'D <i>[Signature]</i>	DATE 4-26-67
ENG. <i>[Signature]</i>	DATE 4-28-67
PROD.	DATE

TRANSISTOR & DIODE CONVERSION CHART			
DEC	EIA	DEC	EIA

**digital**  
 EQUIPMENT CORPORATION  
 MAYNARD, MASSACHUSETTS

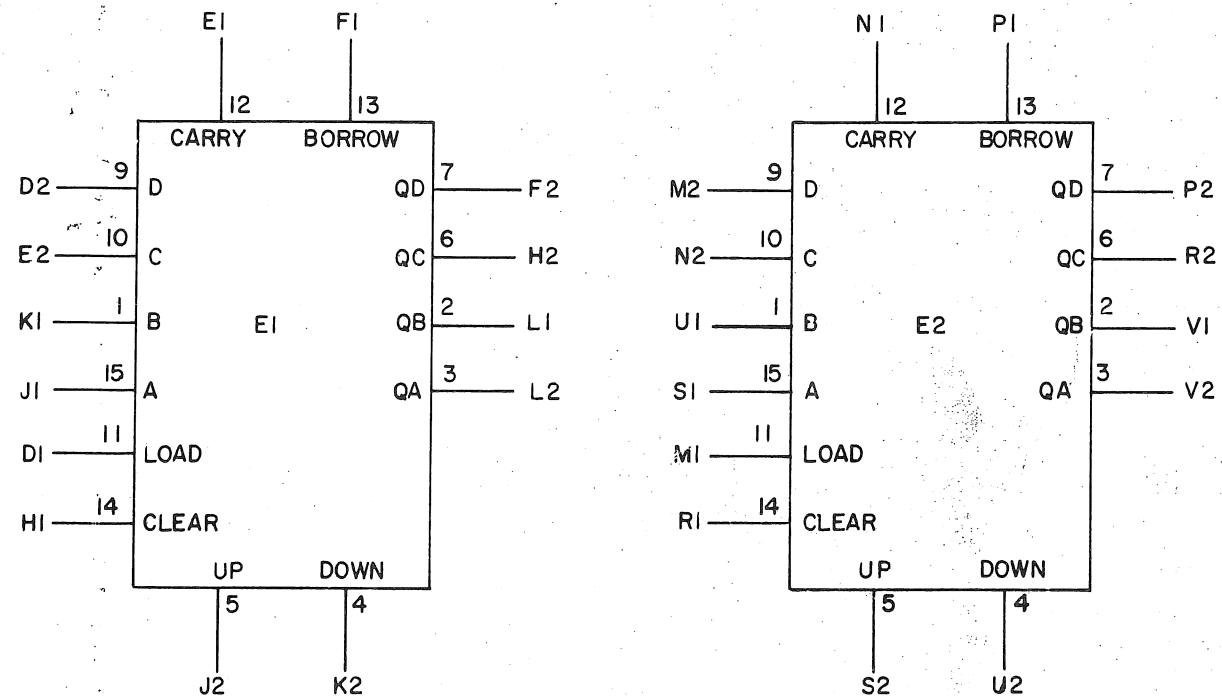
TITLE: **SIX FLIP-FLOPS M216**

SIZE: B CODE: CS NUMBER: M216-0-1 REV.: B

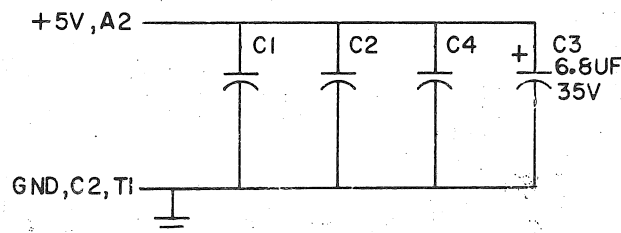
PRINTED CIRCUIT REV.: C



THIS SCHEMATIC IS FURNISHED ONLY FOR TEST AND MAINTENANCE PURPOSES. THE CIRCUITS ARE PROPRIETARY IN NATURE AND SHOULD BE TREATED ACCORDINGLY. COPYRIGHT 1970 BY DIGITAL EQUIPMENT CORPORATION



UNLESS OTHERWISE INDICATED:  
 EI, E2 ARE DEC74193  
 PIN 8 = GND ON EI, E2  
 PIN 16 = +5V  
 CAPACITORS ARE .01UF, 100V, 20%

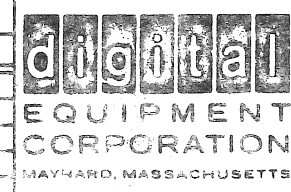


REVISIONS	CHK	CHG NO.	REV.
	W	00001	C
	EL	00002	D

PDIMAURO  
*[Signature]*

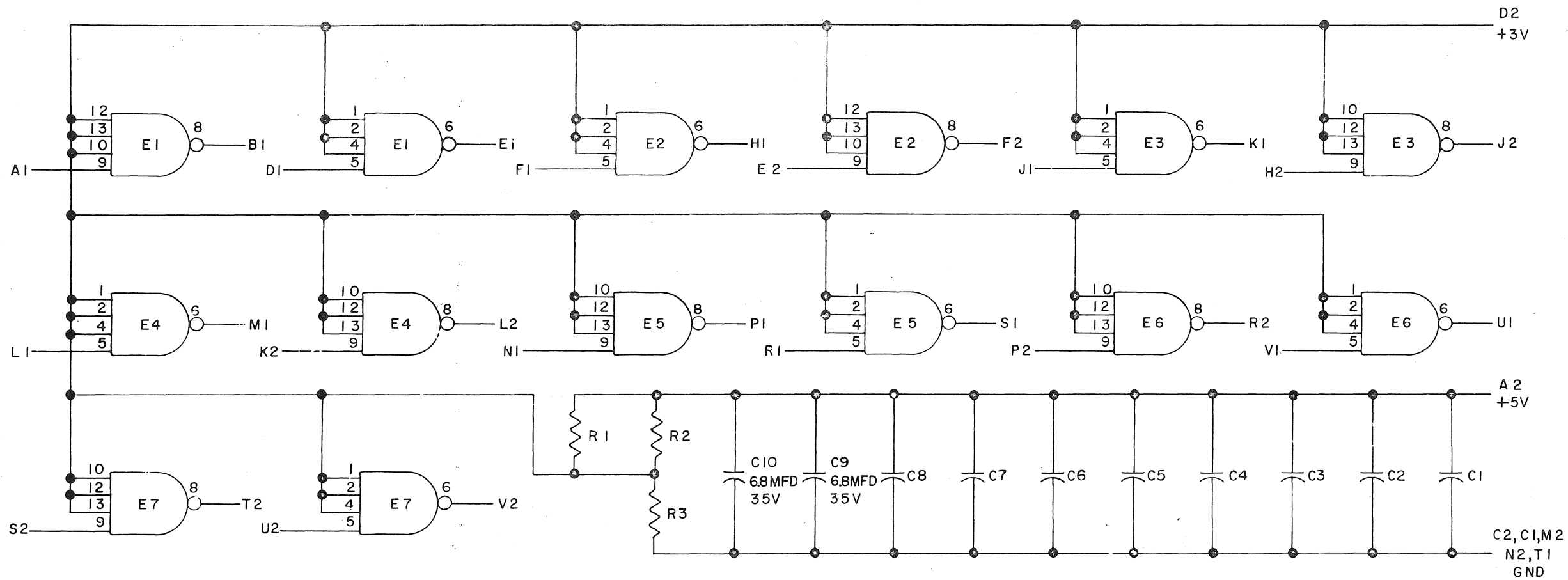
DRN. NANCY MOORE	DATE 8/21/70
CHK'D <i>[Signature]</i>	DATE 10/15/70
ENG. S. Seider	DATE 10/23/70
PROD.	DATE

TRANSISTOR & DIODE CONVERSION CHART			
DEC	EIA	DEC	EIA



TITLE 2-SYNCHRONOUS 4 BIT UP/DOWN CONVERTERS M238			
SIZE B	CODE CS	NUMBER M238-0-1	REV D
PRINTED CIRCUIT REV.			D

THIS SCHEMATIC IS FURNISHED ONLY FOR TEST AND MAINTENANCE PURPOSES. THE CIRCUITS ARE PROPRIETARY IN NATURE AND SHOULD BE TREATED ACCORDINGLY. COPYRIGHT 1969 BY DIGITAL EQUIPMENT CORPORATION



UNLESS OTHERWISE INDICATED  
 PIN 7 ON EACH IC = GND  
 PIN 14 ON EACH IC = +5V  
 IC'S ARE DEC74H40  
 CAPACITORS ARE .01MFD 100V  
 RESISTORS ARE 220 1/4W 10%

REVISIONS	CHK	CHG NO.	REV.
		00001	B

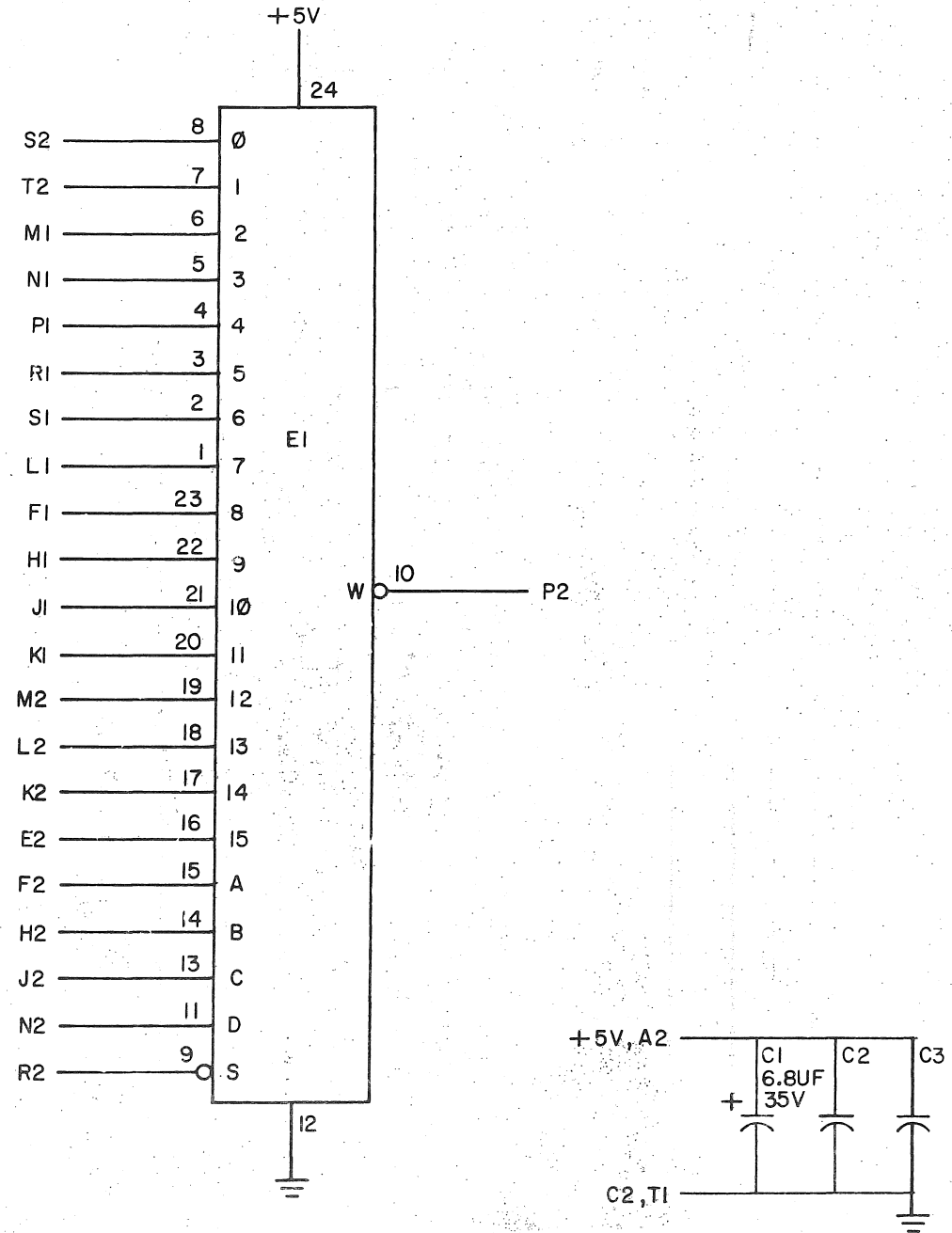
DRN. <i>Butler</i>	DATE 5-7-69
CHK'D <i>P. Yanga</i>	DATE 5-8-69
ENG. <i>R. E. Shum</i>	DATE 6-16-69
PROD.	DATE

TRANSISTOR & DIODE CONVERSION CHART			
DEC		EIA	

**digital**  
 EQUIPMENT CORPORATION  
 MAYNARD, MASSACHUSETTS

TITLE HIGH SPEED POWER INVERTER M611			
SIZE B	CODE CS	NUMBER M611-0-1	REV. B
PRINTED CIRCUIT REV. A			

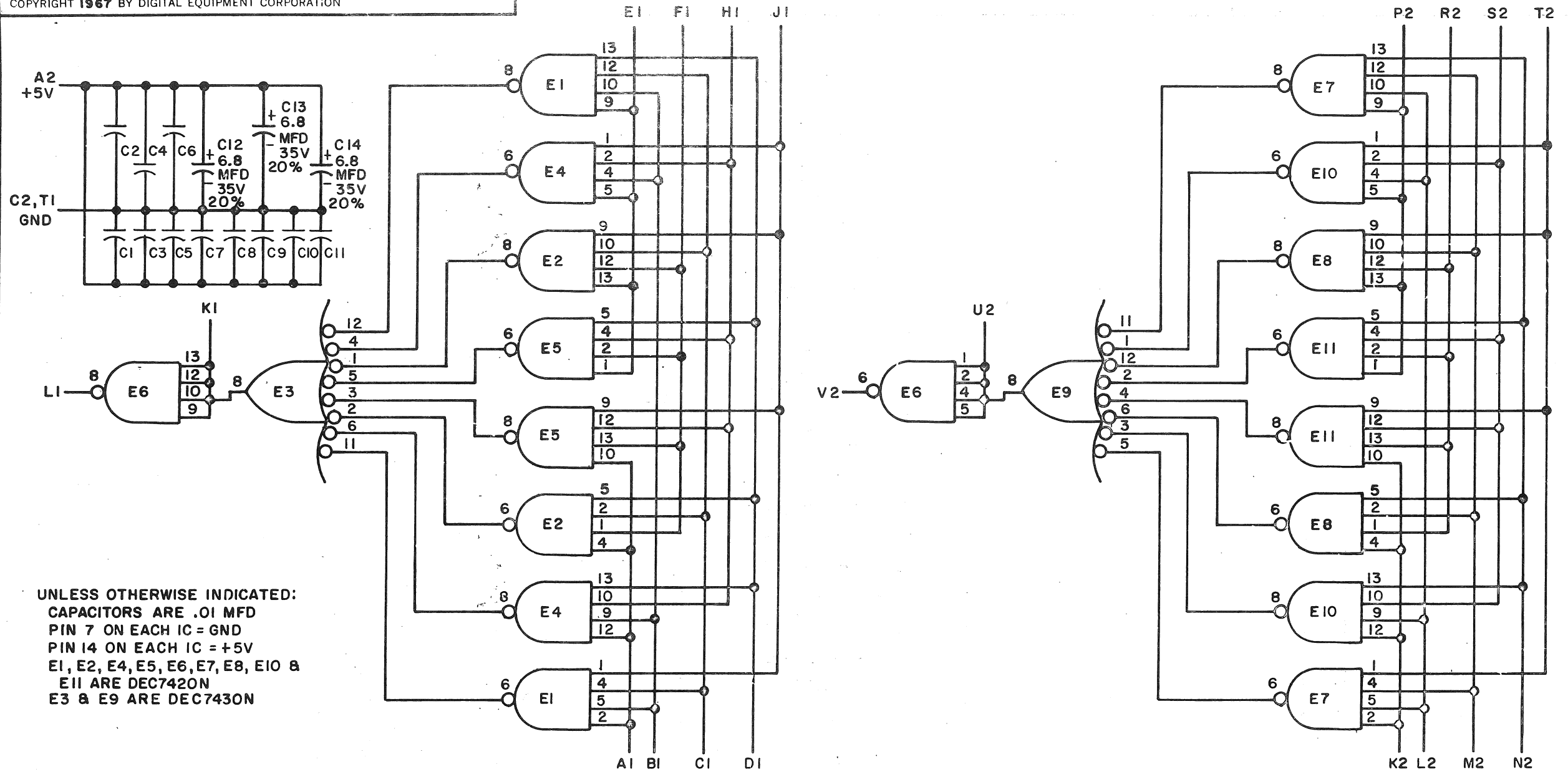
THIS SCHEMATIC IS FURNISHED ONLY FOR TEST AND MAINTENANCE PURPOSES. THE CIRCUITS ARE PROPRIETARY IN NATURE AND SHOULD BE TREATED ACCORDINGLY. COPYRIGHT 1970 BY DIGITAL EQUIPMENT CORPORATION



UNLESS OTHERWISE INDICATED:  
CAPACITORS ARE .01UF, 100V, 20%  
IC IS A DEC74150

REVISIONS CHK CHG NO. REV E2 00001 A H5 00001 1570 P. DIMAURO P.D.	DRN. <i>B. Wyatt</i>	DATE 10.28.70	TRANSISTOR & DIODE CONVERSION CHART		digital EQUIPMENT CORPORATION MAYNARD, MASSACHUSETTS	TITLE 16 LINE TO 1 LINE DATA SELECTOR M1713			
	CHK'D <i>in Waller</i>	DATE 11-2-70	DEC	EIA		SIZE B	CODE CS	NUMBER M1713-0-1	REV. A
	ENG. <i>Tom Holmes</i>	DATE 11/23/70	DEC	EIA		PRINTED CIRCUIT REV. A			
	PROD.	DATE	DEC	EIA					

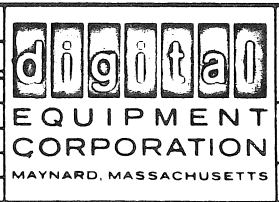
THIS SCHEMATIC IS FURNISHED ONLY FOR TEST AND MAINTENANCE PURPOSES. THE CIRCUITS ARE PROPRIETARY IN NATURE AND SHOULD BE TREATED ACCORDINGLY. COPYRIGHT 1967 BY DIGITAL EQUIPMENT CORPORATION



REV. NO.	REV.
0001	A

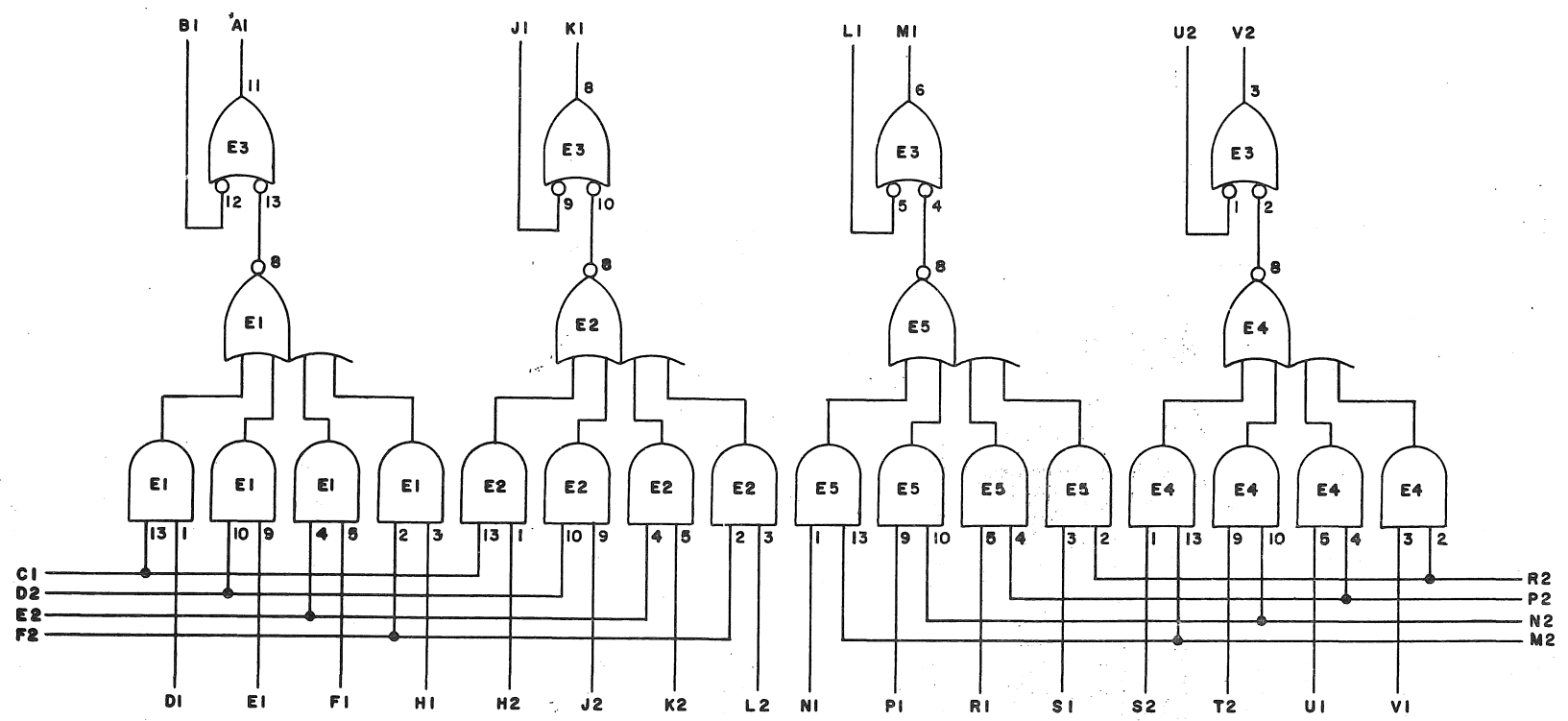
DRN. <i>M. Keller</i>	DATE 4-18-67
CHK'D <i>[Signature]</i>	DATE 4-20-67
ENG. <i>[Signature]</i>	DATE 5/5/67
PROD.	DATE

TRANSISTOR & DIODE CONVERSION CHART			
DEC	EIA	DEC	EIA

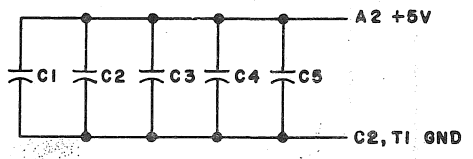


TITLE PARITY CIRCUIT MI62			
SIZE B	CODE CS	NUMBER MI62-0-1	REV. A
PRINTED CIRCUIT REV.			B

THIS SCHEMATIC IS FURNISHED ONLY FOR TEST AND MAINTENANCE PURPOSES. THE CIRCUITS ARE PROPRIETARY IN NATURE AND SHOULD BE TREATED ACCORDINGLY. COPYRIGHT 1967 BY DIGITAL EQUIPMENT CORPORATION



NOTES:  
PIN 7 ON EACH IC = GND  
PIN 14 ON EACH IC = +5V



E3	INTEGRATED CKT. DEC7400N	1905878
E1, E2, E4, E5	INTEGRATED CKT. DEC7453N	1905882
C1 THRU C5	CAP. .01MFD 100V 20% DISC	1001610
	PARTS LIST	A-PL-M169-0-0
REFERENCE DESIGNATION	DESCRIPTION	PART NO.

REVISIONS	CHK	CHG	NO.	REV.	
			00001	C	

DATE	11-9-67
DATE	11/3/67
DATE	11-9-67
DATE	

TRANSISTOR & DIODE CONVERSION CHART			
DEC	EIA	DEC	EIA

EQUIPMENT CORPORATION MAYNARD, MASSACHUSETTS			
TITLE GATING MODULE M169			
SIZE	CODE	NUMBER	REV.
C	CS	M169-0-1	C
PRINTED CIRCUIT REV.			B

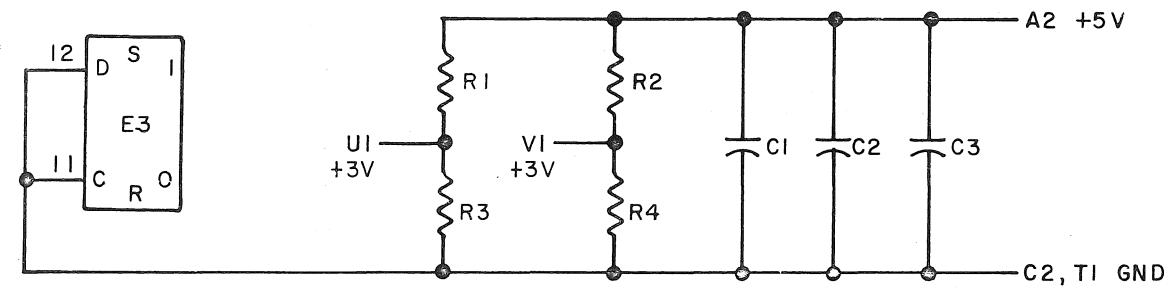
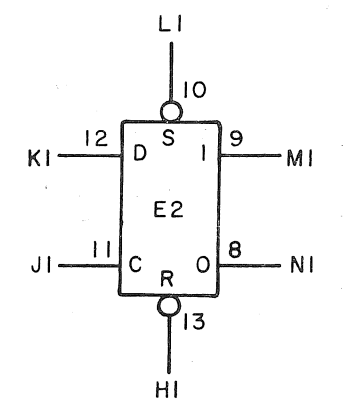
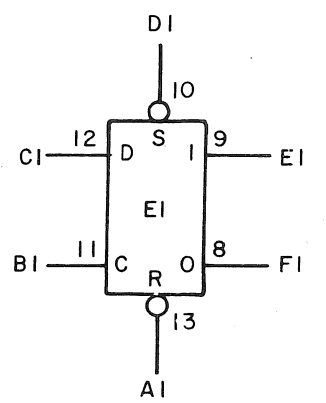
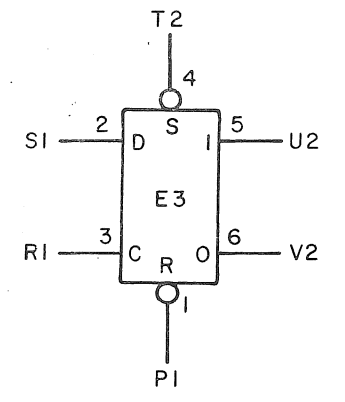
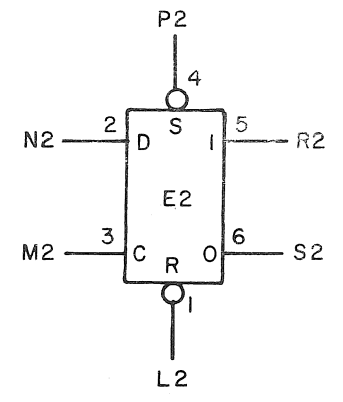
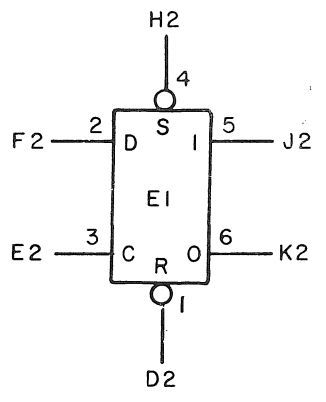
DEC FORM NO. DRC 102

DIST. 324 434 435 4 PINK 165

REV. C  
NUMBER M169-0-1  
SIZE CODE C CS

REV. B  
 NUMBER M205-0-1  
 SIZE CODE CS B

THIS SCHEMATIC IS FURNISHED ONLY FOR TEST AND MAINTENANCE PURPOSES. THE CIRCUITS ARE PROPRIETARY IN NATURE AND SHOULD BE TREATED ACCORDINGLY. COPYRIGHT 1969 BY DIGITAL EQUIPMENT CORPORATION



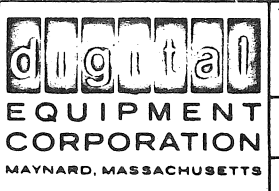
NOTES:  
 PIN 7 ON EACH IC = GND  
 PIN 14 ON EACH IC = +5V

E1, E2, E3	INTEGRATED CKT. DEC7474N	1905547
R3, R4	RES. 750 1/4W 5% CC	1301401
R1, R2	RES. 330 1/4W 5% CC	1300295
C1, C2, C3	CAP. .01MFD 100V 20% DISC	1001610
PARTS LIST		A-PL-M205-0-0
REFERENCE DESIGNATION	DESCRIPTION	PART NO.

REVISIONS	CHK	CHG NO.	REV.
		00001	B

DRN.	DATE
M. Valler	2-17-69
CHK'D	DATE
R. Schreiner	3/12/69
ENG.	DATE
F. C. ...	4/7/69
PROD.	DATE

TRANSISTOR & DIODE CONVERSION CHART			
DEC	EIA	DEC	EIA



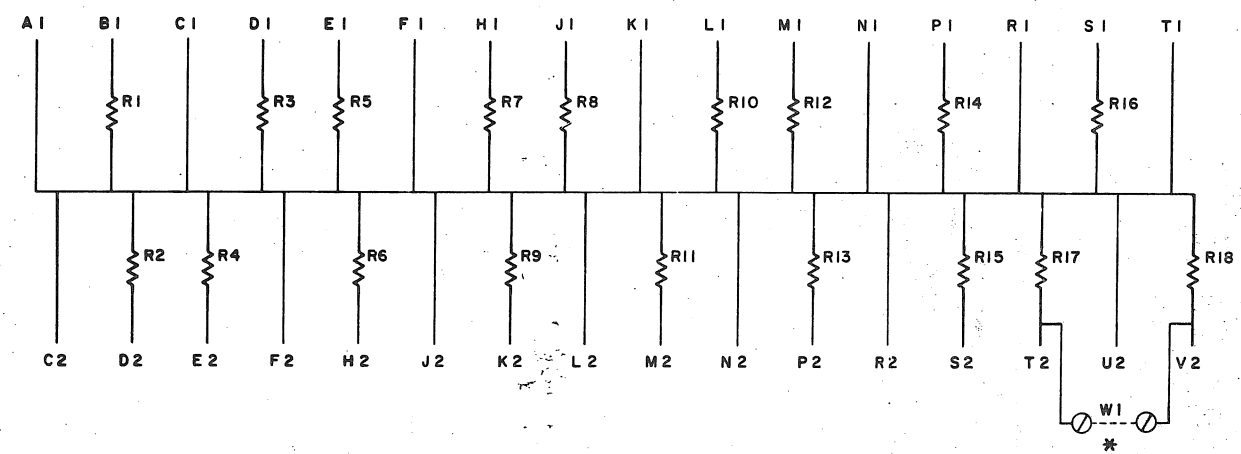
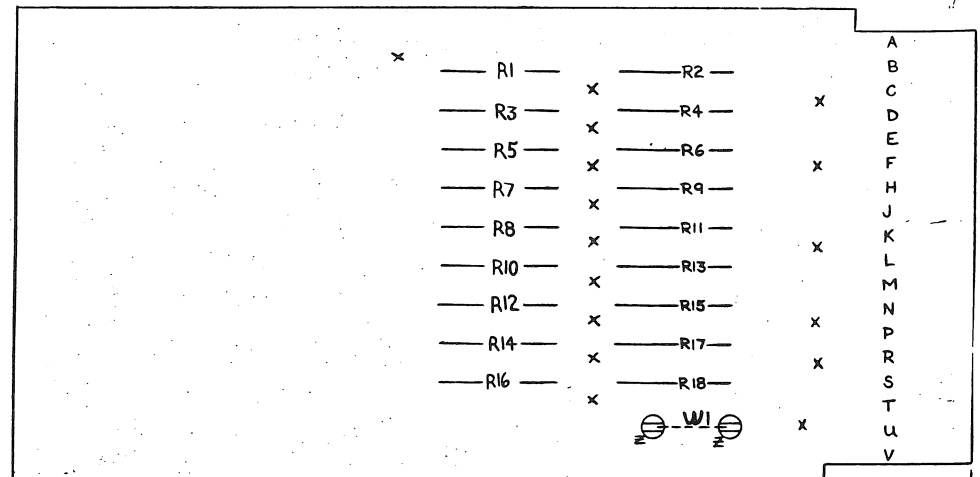
TITLE			
5 "D" FLIP FLOPS M205			
SIZE	CODE	NUMBER	REV.
B	CS	M205-0-1	B
PRINTED CIRCUIT REV.			A

DEC FORM NO. DRB 102

166

DIST 324,434,435 PINK

THIS SCHEMATIC IS FURNISHED ONLY FOR TEST AND MAINTENANCE PURPOSES. THE CIRCUITS ARE PROPRIETARY IN NATURE AND SHOULD BE TREATED ACCORDINGLY. COPYRIGHT 1972 BY DIGITAL EQUIPMENT CORPORATION



UNLESS OTHERWISE INDICATED:  
RESISTORS ARE 51Ω

\* FOR YA VERSION DELETE  
R17 AND INSERT JUMPER  
ON SPLIT LUGS

QTY.	STY.	REF. DESIGNATION	DESCRIPTION	DEC PART NO.	LINE NO.
16	16		EYELET	9006731	9
1	1		HANDLE, FLIP CHIP - MAGENTA	9008337-06	8
2			SPLIT LUG	900673	7
2	2		EYELET, HANDLE	9006732	6
17	18	R1 thru R18	RES. 51 Ω ± 5%	1302378	5
1	1		ETCHED CIRCUIT BOARD	5009951	4
			MODULE ECO HISTORY	B-MH-M984-0-6	3
			ASSY/DRILLING HOLE LAYOUT	D-AH-M984-0-5	2
			X-Y COORDINATE HOLE LOCATION	K-CO-M984-0-4	1
PARTS LIST					

REV.	CHK	CHG NO.	REV.

DATE	DATE	DATE	DATE
5/3/72	4/9/72	2-10-72	

TRANSISTOR & DIODE CONVERSION CHART			
DEC	EIA	DEC	EIA

**RESISTOR TERMINATOR**

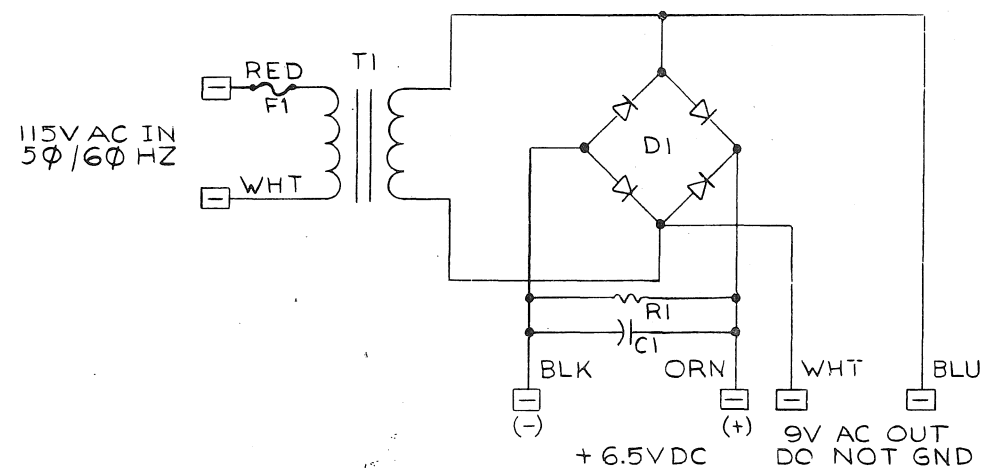
SIZE C CODE CS NUMBER M984-0-1 REV. A

PRINTED CIRCUIT REV. A

REV. 1  
NUMBER M984-0-1  
SIZE CODE C CS



THIS SCHEMATIC IS FURNISHED ONLY FOR TEST AND MAINTENANCE PURPOSES. THE CIRCUITS ARE PROPRIETARY IN NATURE AND SHOULD BE TREATED ACCORDINGLY. COPYRIGHT BY DIGITAL EQUIPMENT CORPORATION



F1	1/2 AMP S.B. FUSE	9007209
R1	5ohm 25W RES	1300165
C1	18000MFD 10V DC CAP	1009437
	PARTS LIST	D-UA-716-0-0
T1	XMFR*F64-U TRIAD	1609588
D1	DIODE PACK DM-2	1105397
REF DESIGNATION	DESCRIPTION	PART NO.

PARTS LIST

REV.	DATE	BY	CHK'D
A			
B			
C			

DRN.	DATE
RAIMONDI	6-18-69
HEALY	6-25-69
VONADA	7-21-69
ANTONUCCI	7-25-69

TRANSISTOR & DIODE CONVERSION CHART			
DEC	EIA	DEC	EIA



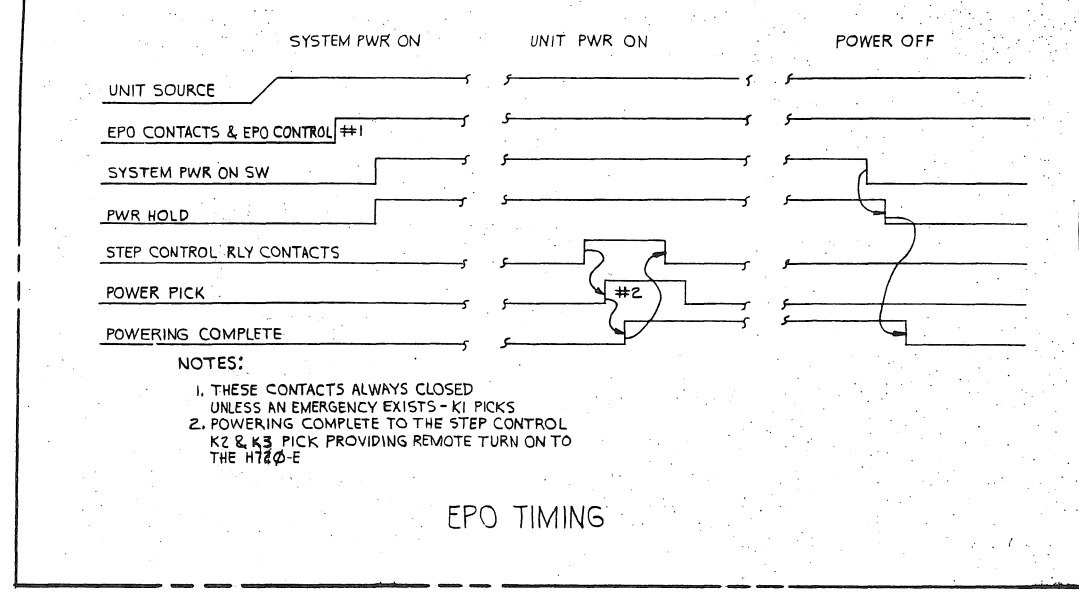
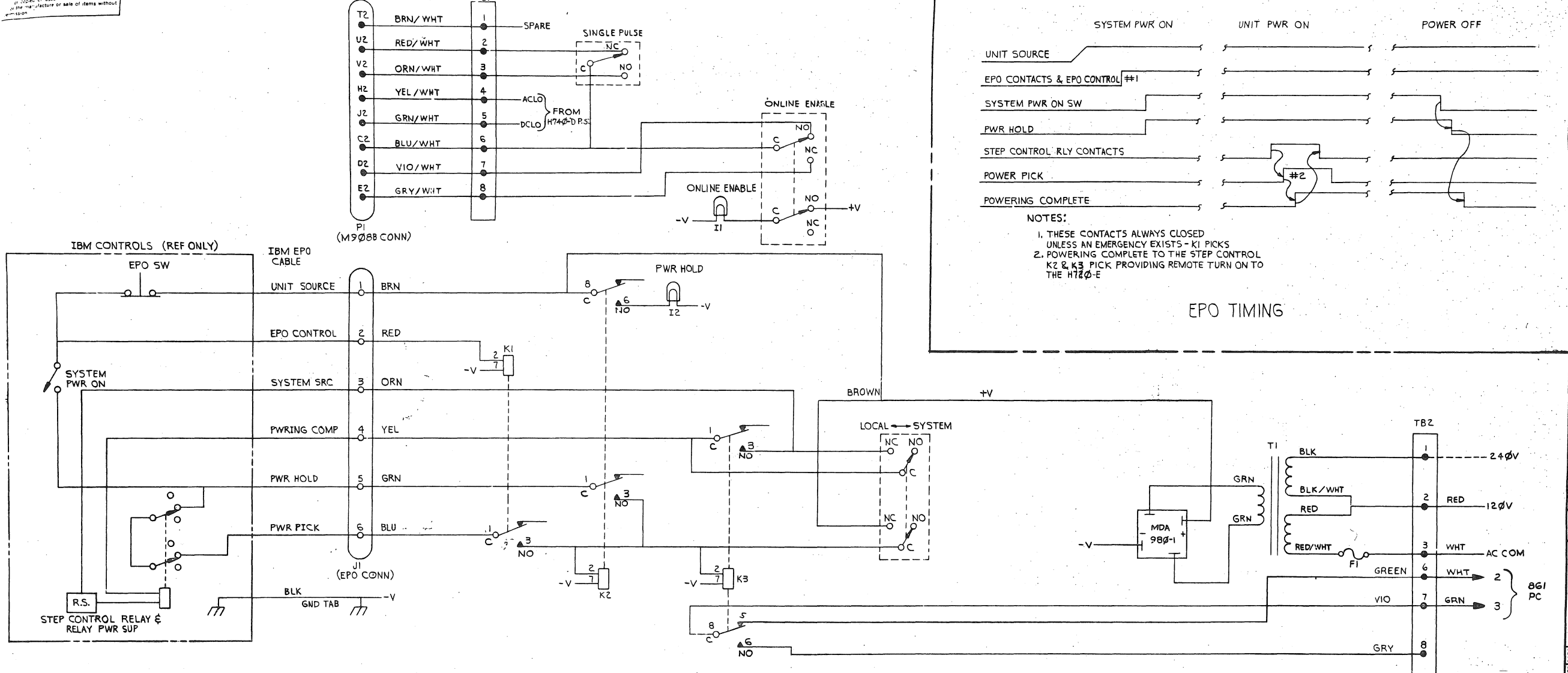
TITLE		NUMBER		REV.
CIRCUIT SCHEMATIC		716		
SIZE	CODE	NUMBER	REV.	
C	CS	716-0-1	C	
PRINTED CIRCUIT REV.				

REV. C  
NUMBER 716-0-1  
SIZE CODE C CS

Pink

and specifications herein are the property of Digital Equipment Corporation and shall not be reproduced or used in whole or in part as a basis for the manufacture or sale of items without permission.

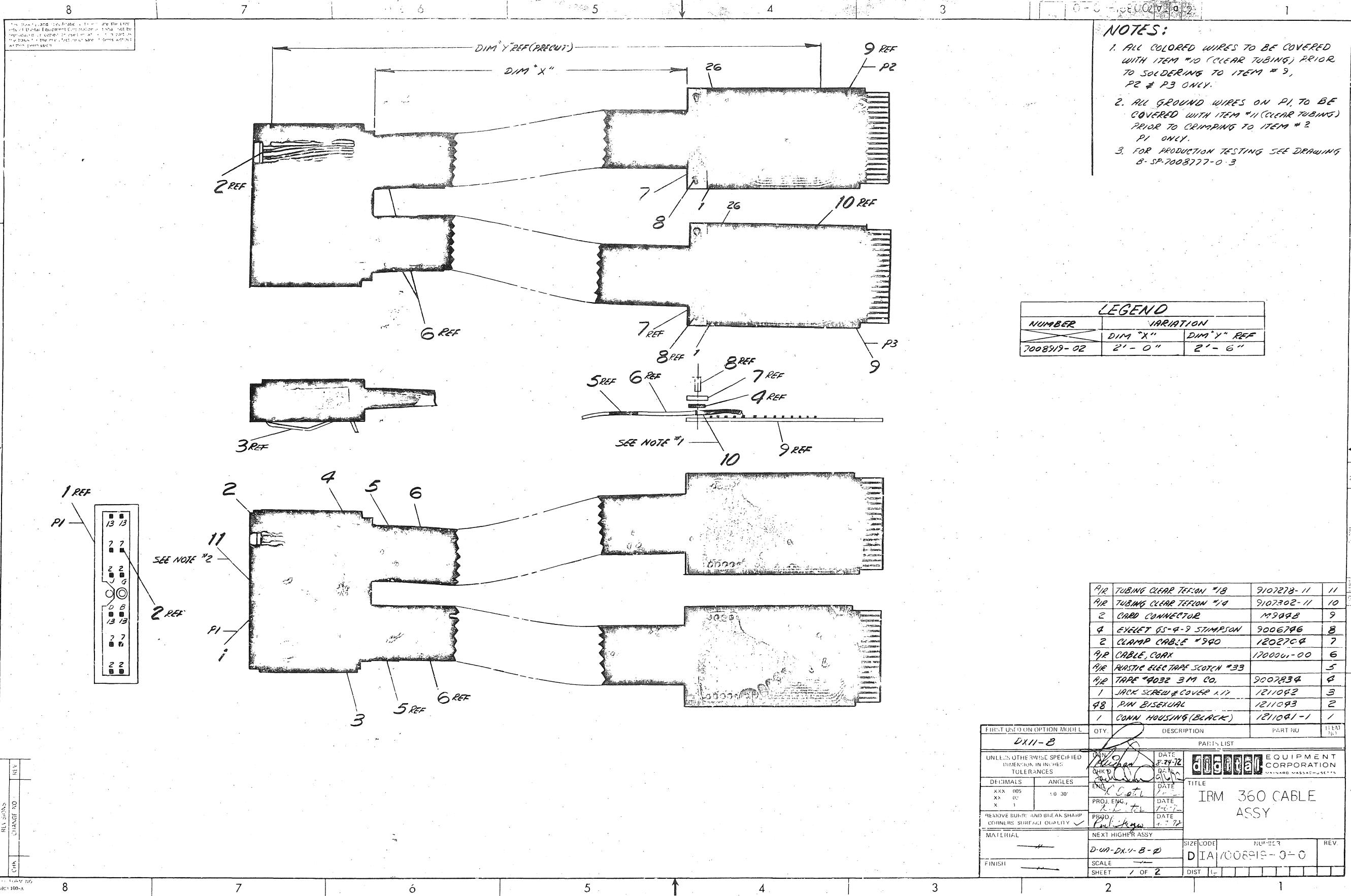
D  
C  
B  
A



REV	CHANGE NO	DATE	BY
A	00013	11-17-73	R. DIETER
B	00017	9-10-74	R. DIETER
C	00018	10-2-74	R. DIETER

FIRST USED ON OPTION/MODEL	QTY.	DESCRIPTION	PART NO.	ITEM NO.
DX11-B				
PARTS LIST				
UNLESS OTHERWISE SPECIFIED DIMENSION IN INCHES. TOLERANCES		DRN S. Roberts	DATE 3/23/72	DIGITAL EQUIPMENT CORPORATION MAYNARD MASSACHUSETTS
DECIMALS	ANGLES	CHK'D R. Dieter	DATE 5/11/72	
.XXX = .005	±0° 30'	PROJ. ENG. R. Dieter	DATE 5-23-72	
.XX = .02		PROD. PAUL Thompson	DATE 6-1-72	
REMOVE BURRS AND BREAK SHARP CORNERS SURFACE QUALITY		TITLE MISC CONTROLS & EPO		
MATERIAL		NEXT HIGHER ASSY.		SIZE CODE
FINISH		SCALE NONE		NUMBER
SHEET 1 OF 1		DIST.		REV. B

REV B  
 NUMBER 792-0-1  
 SIZE CODE DCS



- NOTES:**
1. ALL COLORED WIRES TO BE COVERED WITH ITEM #10 (CLEAR TUBING) PRIOR TO SOLDERING TO ITEM #9, P2 & P3 ONLY.
  2. ALL GROUND WIRES ON P1, TO BE COVERED WITH ITEM #11 (CLEAR TUBING) PRIOR TO CRIMPING TO ITEM #2 P1 ONLY.
  3. FOR PRODUCTION TESTING SEE DRAWING 8-SP-7008777-0-3

LEGEND		
NUMBER	VARIATION	
	DIM "X"	DIM "Y" REF
7008919-02	2' - 0"	2' - 6"

QTY	DESCRIPTION	PART NO	REF
1/8	TUBING CLEAR TEFLON #1/8	9107278-11	11
1/4	TUBING CLEAR TEFLON #1/4	9107302-11	10
2	CARD CONNECTOR	M9098	9
4	EYELET SS-4-9 STIMPSON	9006796	8
2	CLAMP CABLE #990	1202704	7
1/2	CABLE, COAX	1700001-00	6
1/2	PLASTIC ELEC TAPE SCOTCH #33		5
1/2	TAPE #4032 3M CO.	9007834	4
1	JACK SCREW & COVER 1/7	1211082	3
48	PIN BISEXUAL	1211093	2
1	CONN HOUSING (BLACK)	1211091-1	1

FIRST USED ON OPTION MODEL		PARTS LIST	
DX11-B			
UNLESS OTHERWISE SPECIFIED DIMENSIONS IN INCHES TOLERANCES		DATE	8-24-72
DECIMALS	ANGLES	CHK'D	
XXX .005	±0.30°	ENG	
XX .02		PROJ ENGR	
X .1		PROD	
REMOVE BURRS AND BREAK SHARP CORNERS SURFACE QUALITY		DATE	8-24-72
MATERIAL	NEXT HIGHER ASSY	SIZE/LOD	NUMBER
	D-VA-DX-11-B-D	DIA	7008919-0-0
FINISH	SCALE	DIST	

DIA 7008919-0-0

This drawing and specifications herein are the property of Digital Equipment Corporation and shall not be reproduced or copied or used in whole or in part as the basis for the manufacture or sale of items without written permission.

### WIRED TABLE

ITEM NO	DESCRIPTION	COLOR	FROM		TO	
			CONNECTION	WITH	CONNECTION	WITH
3	COAX	GND	PI-B2	2, 11	P2-26	SOLDER
		RED	PI-B3	2	P2-22	
		BLU	PI-D2	2	P2-20	
		GND	PI-D3	2, 11	P2-E6	
		GRN	PI-D4	2, 11	P2-19	
		GND	PI-D5	2, 11	P2-25	
		GND	PI-B4	2, 11	P2-25	
		WHT	PI-B5	2	P2-18	
		RED	PI-D6	2	P2-17	
		GND	PI-D7	2, 11	P2-24	
		GRN	PI-B6	2, 11	P2-16	
		GND	PI-B7	2, 11	P2-24	
		BLU	PI-B8	2	P2-15	
		GND	PI-B9	2, 11	P2-23	
		GND	PI-D8	2, 11	P2-23	
		WHT	PI-D9	2	P2-14	
		BLK	PI-B10	2	P2-9	
		GND	PI-B11	2, 11	P2-4	
		GND	PI-D10	2, 11	P2-3	
		RED	PI-D11	2	P2-7	
		BLU	PI-B12	2	P2-6	
		GND	PI-B13	2, 11	P2-2	
		GND	PI-D12	2, 11	P2-1	
		GRN	PI-D13	2, 11	P2-5	
		GND	PI-G2	2, 11	P3-26	
		RED	PI-G3	2	P3-22	
		BLU	PI-J2	2	P3-20	
		GND	PI-J3	2, 11	P3-26	
		GRN	PI-J4	2, 11	P3-19	
		GND	PI-J5	2, 11	P2-25	
		GND	PI-G4	2, 11	P3-25	
		WHT	PI-G5	2	P3-18	
		RED	PI-G6	2	P3-17	
		GND	PI-G7	2, 11	P3-29	
		GRN	PI-J6	2, 11	P3-16	
		GND	PI-J7	2, 11	P3-29	
		BLU	PI-G8	2	P3-15	
		GND	PI-G9	2, 11	P3-23	
		GND	PI-J8	2, 11	P3-23	
		WHT	PI-J9	2	P3-14	
		BLK	PI-G10	2	P3-9	
		GND	PI-G11	2, 11	P3-4	
		GND	PI-J10	2, 11	P3-3	
		RED	PI-J11	2	P3-7	
		BLU	PI-G12	2	P3-6	
		GND	PI-G13	2, 11	P3-2	
		GND	PI-J12	2, 11	P3-1	
3	COAX	GRN	PI-J13	2, 11	P3-5	SOLDER

REV	
CHANGE TO	
CHK	

DEC FORM NO 240 100

FIRST USED ON OPTION / MODEL  
DX11-B

DO NOT SCALE DRAWING  
 UNLESS OTHERWISE SPECIFIED  
 DIMENSION IN INCHES  
 TOLERANCES  
 DECIMALS FRACTIONS ANGLES  
 ± .005 ± 1/64 ± 0°30'  
 FINAL SURFACE QUALITY  
 REMOVE BURRS AND BREAK SHARP CORNERS

MATERIAL \_\_\_\_\_  
 FINISH \_\_\_\_\_

DATE 2-27-72  
 DATE 9-6-72  
 DATE 7-6-72

DATE 4-1-72

PARTS LIST

digital EQUIPMENT CORPORATION  
 MAYNARD, MASSACHUSETTS

TITLE  
**IBM 360 CABLE ASSY**

SIZE/CODE D1A7008919-0-0  
 NL WBER  
 DIST. 1

REV. \_\_\_\_\_

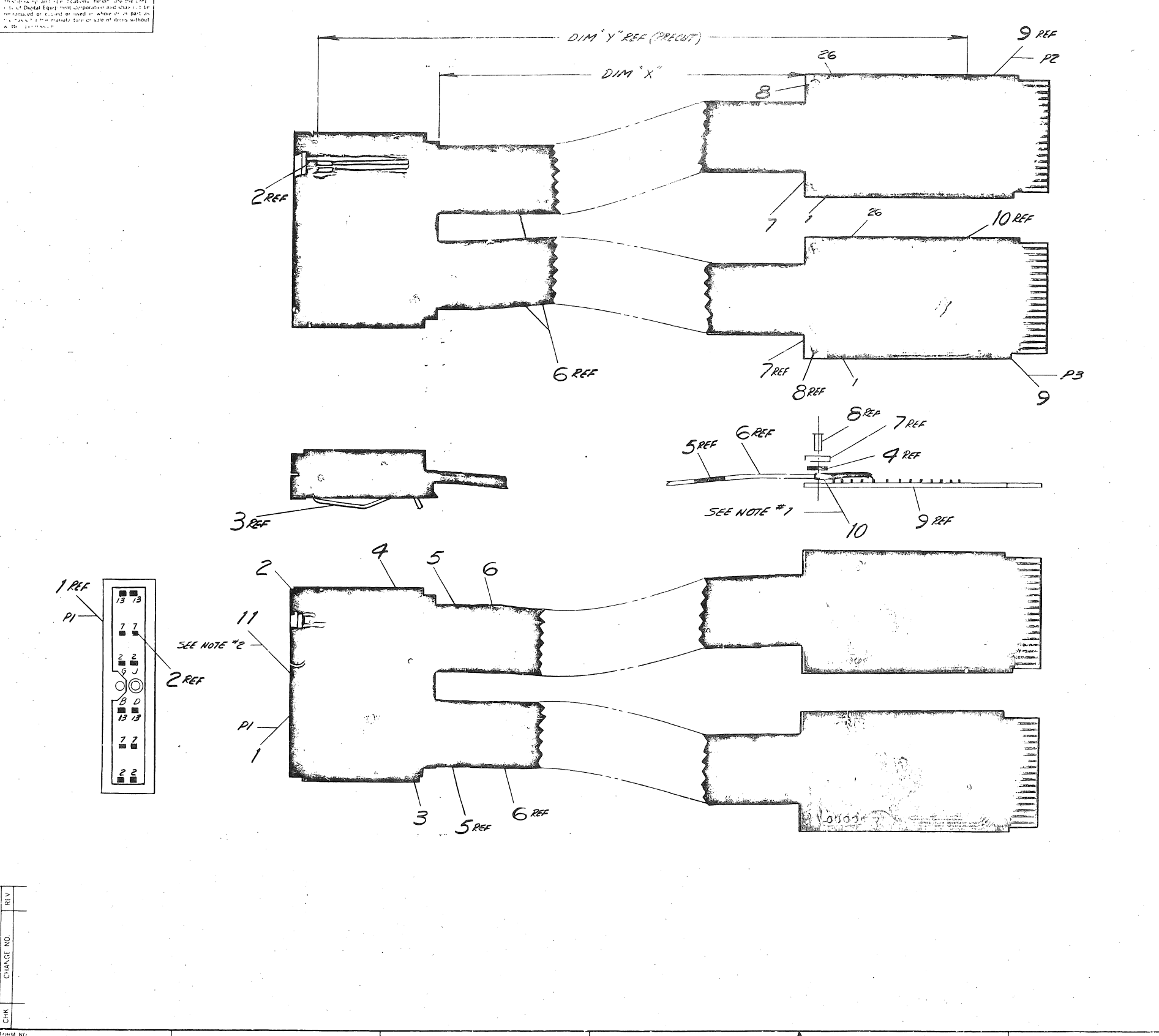
SHEET 2 OF 2

D1A7008919-0-0

Manufacturing and inspection features herein are the property of Digital Equipment Corporation and shall not be reproduced or used in whole or in part without the express permission of Digital Equipment Corporation.

- NOTES:**
1. ALL COLORED WIRES TO BE COVERED WITH ITEM #10 (CLEAR TUBING), PRIOR TO SOLDERING TO ITEM #9, P2 & P3 ONLY.
  2. ALL GROUND WIRES ON P1, TO BE COVERED WITH ITEM #11 (CLEAR TUBING) PRIOR TO CRIMPING TO ITEM #2 P1 ONLY.
  3. FOR PRODUCTION TESTING SEE DRAWING 8-SP-7008777-0-3

LEGEND		
NUMBER	VARIATION	
	DIM "X"	DIM "Y" REF
7008920-02	2'-0"	2'-6"



QTY.	DESCRIPTION	PART NO.	ITEM NO.
	AIR TUBING CLEAR TEFLON #18	9107278-11	11
	AIR TUBING CLEAR TEFLON #19	9107302-11	10
2	CARD CONNECTOR	M289B	9
4	EYELET 6S-4-9 STIMPSON	5006796	8
2	CLAMP CABLE #340	1202704	7
AIR	CABLE, COAX	1700001-00	6
AIR	RPLSTIC ELEC TAPE SCOTCH #33		5
AIR	TAPE #4032 3.M CO.	9007839	4
1	JACK SCREW & COVER KIT	1211092	3
48	PIN BISTRUAL	1211093	2
1	CONN HOUSING (BROWN)	1211091-2	1

FIRST USED ON OPTION MODEL		GTY.		DESCRIPTION		PART NO.		ITEM NO.	
DX11-B									
UNLESS OTHERWISE SPECIFIED DIMENSIONS IN INCHES TOLERANCES				DATE		DATE		DATE	
DECIMALS ANGLES				9-1-72		9-1-72		9-1-72	
XXX .005 XX .02 X .1				'0" 30"		DATE		DATE	
REMOVE BURRS AND BREAK SHARP CORNERS SURFACE QUALITY				PROJ. ENG.		DATE		DATE	
				Paul Alma		7-9-72		7-9-72	
MATERIAL		NEXT HIGHER ASSY.		SIZE CODE		NUMBER		REV.	
		D-VA-DX11-B-0		DIA		7008920-0-0			
FINISH		SCALE		SHEET		OF		2	
		NONE		1		2			

DIA 7008920-0-C

This drawing and specifications herein are the property of Digital Equipment Corporation and shall not be reproduced or copied or used in whole or in part as the basis for the manufacture or sale of items without written permission.

WIRED TABLE

ITEM NO	DESCRIPTION	COLOR	FROM		TO	
			CONNECTION	WITH	CONNECTION	WITH
3	COAX	GND	P1-B2	2,11	P2-26	SOLDER
		RED	P1-B3	2	P2-22	
		BLU	P1-D2	2	P2-20	
		GND	P1-D3	2,11	P2-26	
		GRN	P1-D4	2,11	P2-19	
		GND	P1-D5	2,11	P2-25	
		GND	P1-B4	2,11	P2-25	
		WHT	P1-B5	2	P2-18	
		RED	P1-D6	2	P2-17	
		GND	P1-D7	2,11	P2-24	
		GRN	P1-B6	2,11	P2-16	
		GND	P1-B7	2,11	P2-24	
		BLU	P1-B8	2	P2-15	
		GND	P1-B9	2,11	P2-23	
		GND	P1-D8	2,11	P2-23	
		WHT	P1-D9	2	P2-14	
		BLK	P1-B10	2	P2-9	
		GND	P1-B11	2,11	P2-4	
		GND	P1-D10	2,11	P2-3	
		RED	P1-D11	2	P2-7	
		BLU	P1-E12	2	P2-6	
		GND	P1-B13	2,11	P2-2	
		GND	P1-D12	2,11	P2-1	
		GRN	P1-D13	2,11	P2-5	
		GND	P1-G2	2,11	P3-26	
		RED	P1-G3	2	P3-22	
BLU	P1-J2	2	P3-20			
GND	P1-J3	2,11	P3-26			
GRN	P1-J4	2,11	P3-19			
GND	P1-J5	2,11	P2-25			
GND	P1-G4	2,11	P3-25			
WHT	P1-G5	2	P3-18			
RED	P1-G6	2	P3-17			
GND	P1-G7	2,11	P3-24			
GRN	P1-J6	2,11	P3-16			
GND	P1-J7	2,11	P3-24			
BLU	P1-G8	2	P3-15			
GND	P1-G9	2,11	P3-23			
GND	P1-J8	2,11	P3-23			
WHT	P1-J9	2	P3-14			
BLK	P1-G10	2	P3-9			
GND	P1-G11	2,11	P3-4			
GND	P1-J10	2,11	P3-3			
RED	P1-J11	2	P3-7			
BLU	P1-G12	2	P3-6			
GND	P1-G13	2,11	P3-2			
GND	P1-J12	2,11	P3-1			
3	COAX	GRN	P1-J13	2,11	P3-5	SOLDER

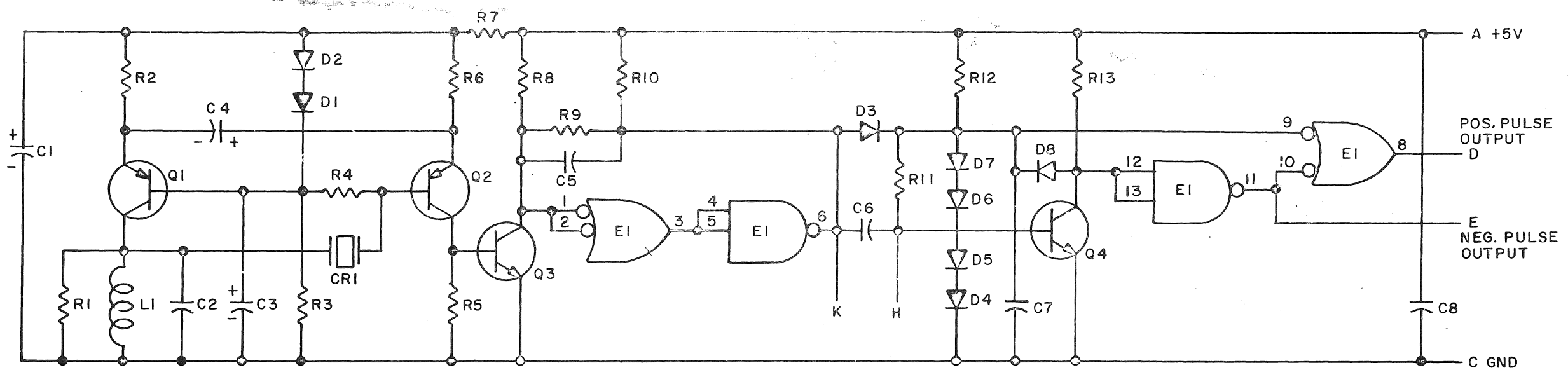
REV	
CHANGE NO	
CHK	

FIRST USED ON OPTION/MODEL  
DX11-B

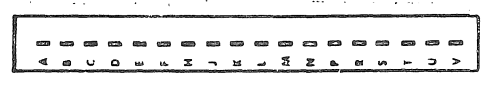
DO NOT SCALE DRAWING  
 UNLESS OTHERWISE SPECIFIED  
 DIMENSION IN INCHES  
 TOLERANCES  
 DECIMALS FRACTIONS ANGLES  
 ± .005 ± .164 ± 0°30'  
 FINAL SURFACE QUALITY  
 REMOVE BURRS AND BREAK SHARP  
 EDGES

QTY.	DESCRIPTION	PART NO.	ITEM NO.
PARTS LIST			
DRN	DATE	digital EQUIPMENT CORPORATION MILFORD MASSACHUSETTS	
CHKD	DATE	TITLE	
ENG	DATE	IBM 360 CABLE ASSY	
PROJ. ENG.	DATE	SIZE CODE	NUMBER
PROD.	DATE	DIA 7005920-0-0	REV.
MATERIAL		NEXT HIGHER ASSY	
FINISH		SCALE NONE	
SHEET 2 OF 2		DIST. 4	

THIS SCHEMATIC IS FURNISHED ONLY FOR TEST AND MAINTENANCE PURPOSES. THE CIRCUITS ARE PROPRIETARY IN NATURE AND SHOULD BE TREATED ACCORDINGLY. COPYRIGHT 1968 BY DIGITAL EQUIPMENT CORPORATION



NOTES:  
 1. PIN 14 ON IC = +5V  
 2. PIN 7 ON IC = GND  
 3. FOR VALUES OF C2, L1, CRI SEE DWG. CHART A-00517-2



R11, R12	RES. 390 1/4W 5% CC	1300309
C6	CAP. 120 MMF 100V 5% D.M.	1000018
L1, C2, CRI	SEE NOTE 3	
E1	INTEGRATED CKT. DEC7400N	1905575
Q3, Q4	TRANSISTOR DEC4274	1505302
Q1, Q2	TRANSISTOR DEC4258	1505321
R7	RES. 100 1/4W 10% CC	1300231
R4	RES. 100K 1/4W 10% CC	1300534
R3, R8, R10, R13	RES. 1K 1/4W 5% CC	1300365
R2, R5, R6, R9	RES. 2.2K 1/4W 10% CC	1300418
R1	RES. 10K 1/4W 10% CC	1300481
D3, D8	DIODE D664	1100114
D1, D2, D4 - D7	DIODE D662	1100113
C7, C8	CAP. .01MFD 100V 20% DISC	1001610
C5	CAP. 47 MMF 100V 5% D.M.	1000011
C1, C3, C4	CAP. 39MFD 10V 10% S.TANT	1000076
PARTS LIST		A-PL-M405-0-0
REFERENCE DESIGNATION	DESCRIPTION	PART NO.

REV.	CHG NO.	CHK	DATE
B	00001		
C	00003		

DRN. <i>M. Keller</i>	DATE 4-17-68
CHK'D <i>[Signature]</i>	DATE 5/1/68
ENG. <i>A. Roberts</i>	DATE 5/22/68
PROD.	DATE

TRANSISTOR & DIODE CONVERSION CHART			
DEC	EIA	DEC	EIA
DEC4258	2N4258		
DEC4274	NONE		
D662	1N645		
D664	1N3606		

**DIGITAL EQUIPMENT CORPORATION**  
 MAYNARD, MASSACHUSETTS

TITLE: **CRYSTAL CLOCK M405**

SIZE: B CODE: CS NUMBER: M405-0-1 REV: C

PRINTED CIRCUIT REV. B