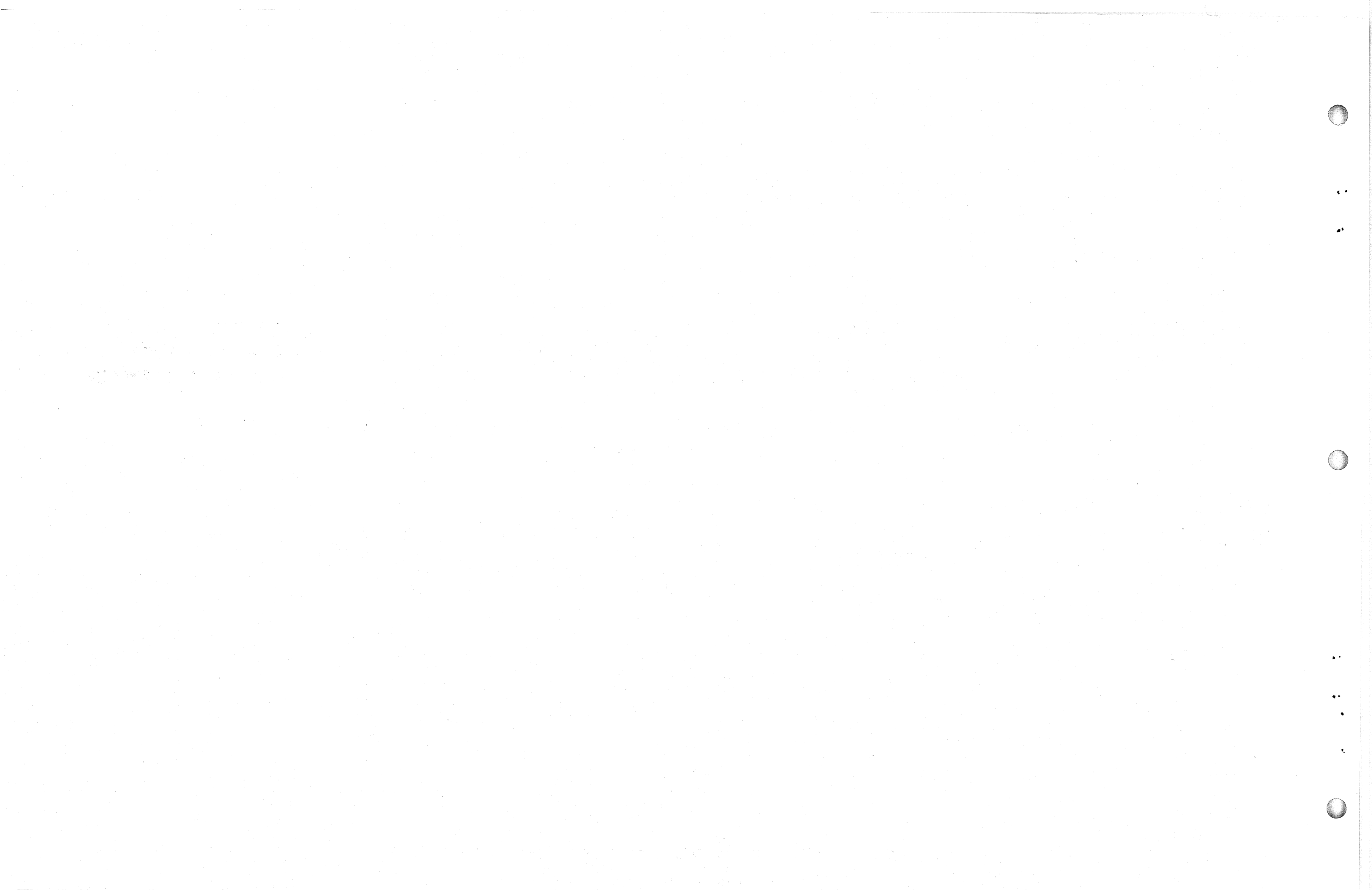


pdp1

**AA11-D
D/A subsystem
engineering drawings**

digital

AA11-D
D/A subsystem
engineering drawings



1st Printing January 1972

Copyright © 1972 by Digital Equipment Corporation

The material in this manual is for informational purposes and is subject to change without notice.

The following are trademarks of Digital Equipment Corporation, Maynard, Massachusetts:

DEC	PDP
FLIP CHIP	FOCAL
DIGITAL	COMPUTER LAB
UNIBUS	

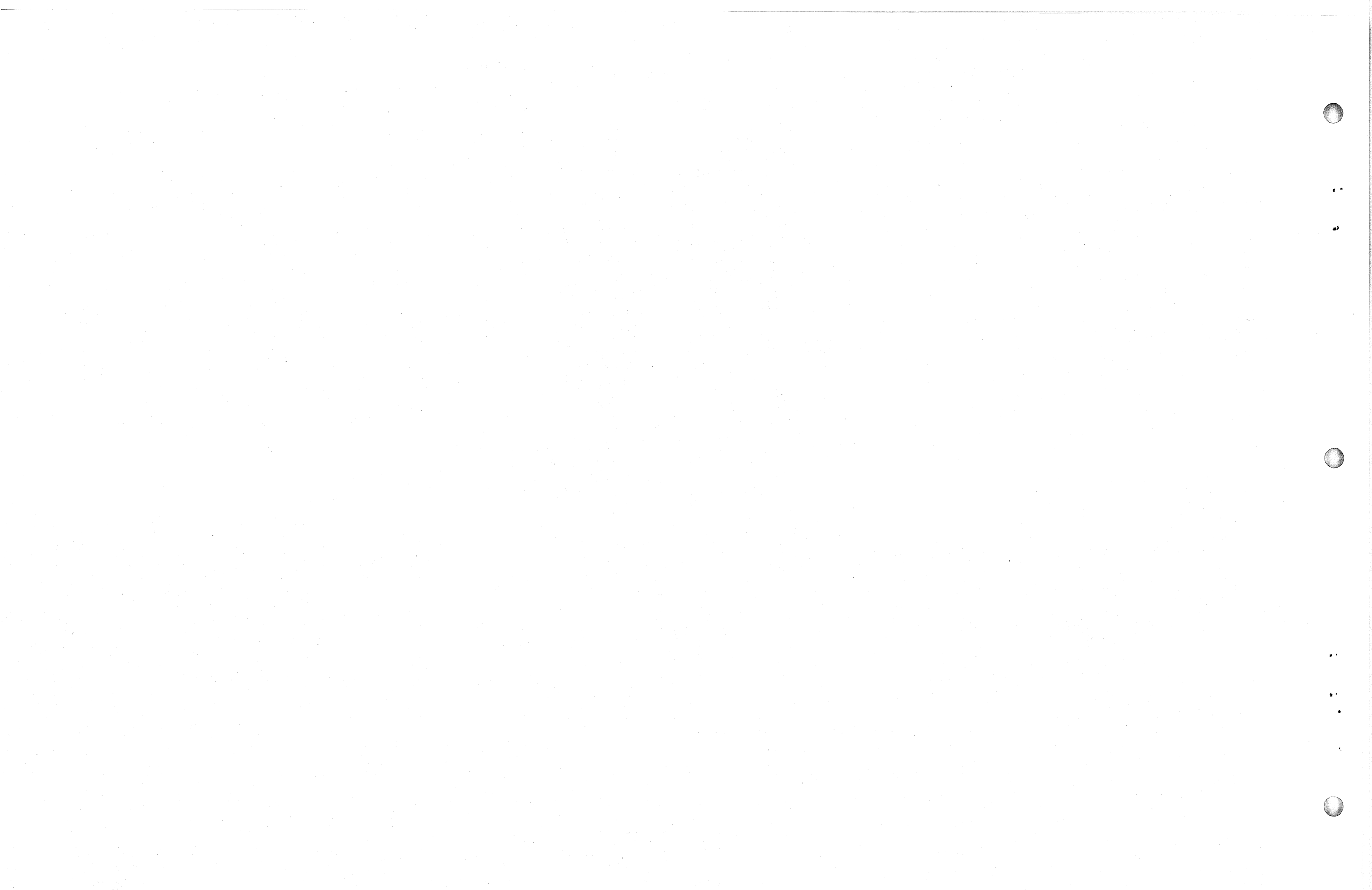
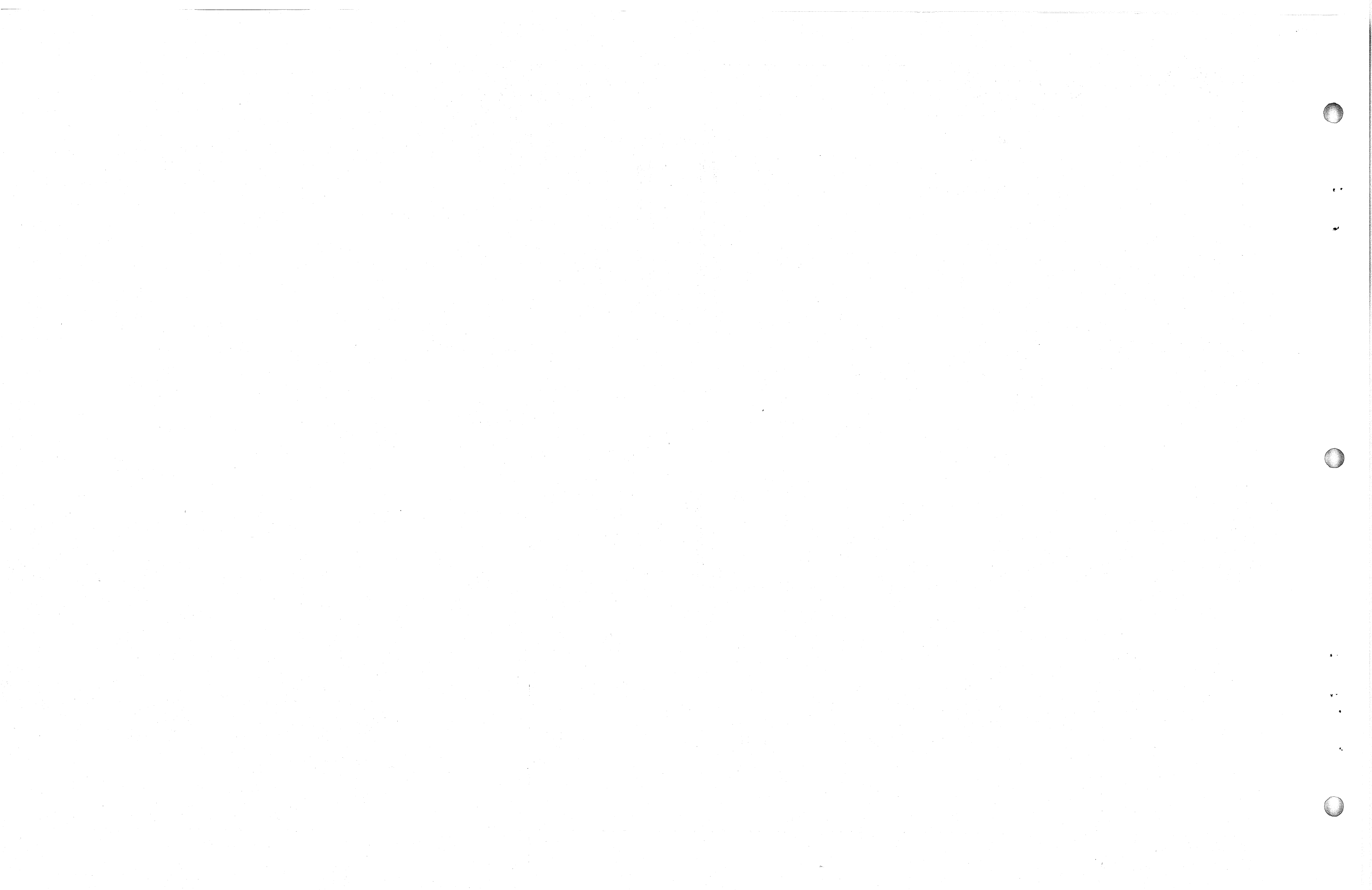


Table of Contents

Drawing Number	Title
D-UA-AA11-D-0	Digital to Analog Control Assy.
D-IC-AA11-D02	Option Cables
D-BS-AA11-D-03	D-A Converters
D-BS-AA11-D-04	Interface
D-IC-AA11-D-05	AA11-D Bus & Power Connections
K-WL-AA11-D-WL	Wire List
D-BS-AA11-E-3	Color Control
D-MU-AA11-0-MU	Module Utilization
D-CS-A614-0-1	12 Bit Polar D/A Connector
B-CS-G772	Digital Power Connector
D-UA-H704-C-0	H704-C Power Supply
C-CS-M105	Address Selector
D-CS-M782	Interrupt Control Module
B-CS-M784	Unibus Receiver
D-CS-M799-0-01	Display Control
C-CS-M920	Internal Bus Connector
D-CS-M7990-0-1	LAB-11 Color Control
D-IA-7007116-0-0	Cable, Power Supply
D-IA-7007122-0-0	Cable Control VR12
D-IA-7007138-0-0	Cable Assy. VT01-A
D-IA-7007139-0-0	Cable Scope RM503
D-IA-7008550-0-0	Display Cable (AA11-E)

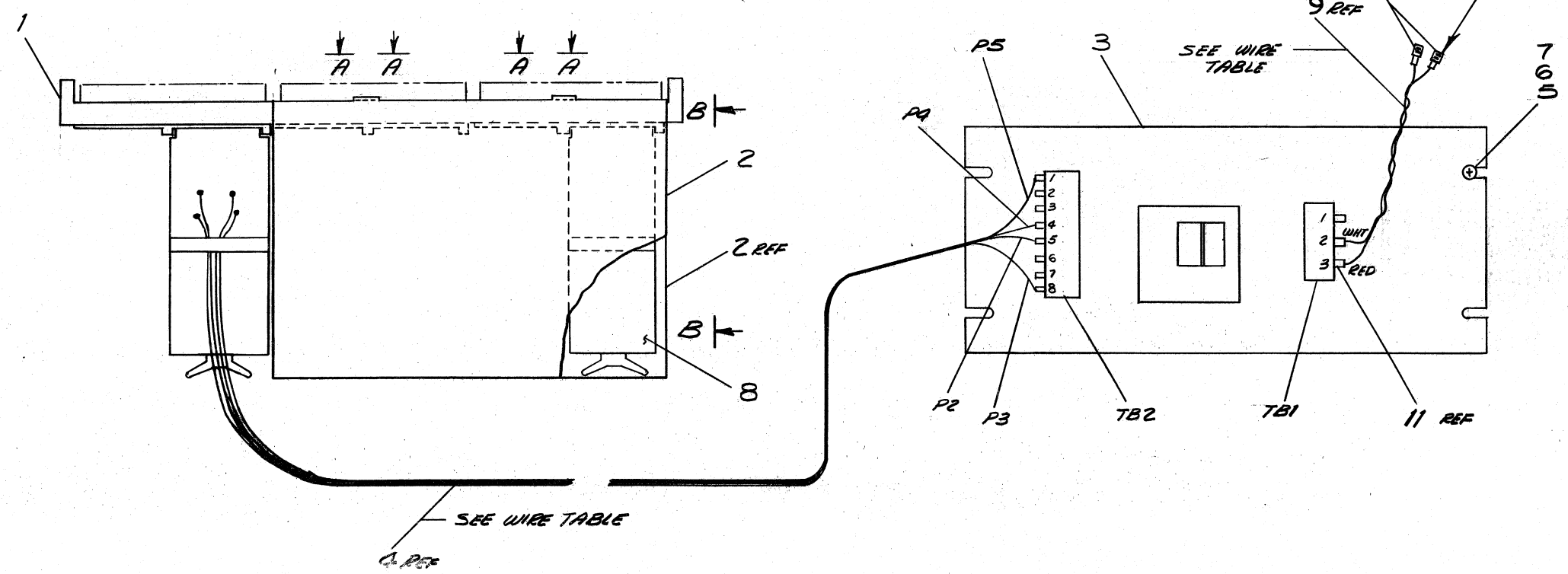
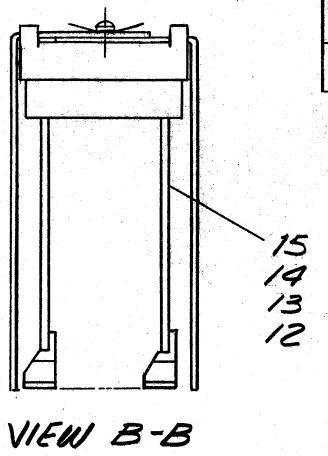
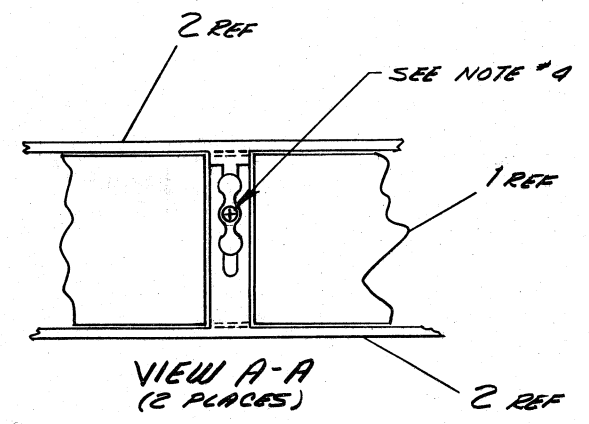


This drawing and specifications, herein, are the property of Digital Equipment Corporation and shall not be reproduced or copied or used in whole or in part as the basis for the manufacture or sale of items without written permission.

LEGEND	
NUMBER	VARIATION
AA11-DA	115V CONTROL ASSY
AA11-DB	230V CONTROL ASSY

WIRE TABLE						
ITEM NO	DESCRIPTION	COLOR	FROM		TO	
			CONNECTION	WITH	CONNECTION	WITH
4	*14	RED	P5 REF	---	TB2-1	---
	TWP	BRN	P4 REF	---	TB2-4	---
	*14	BLU	P3 REF	---	TB2-3	---
9	*14	RED	TB1-3	ITEM 11	115V/230V PNL	ITEM 10
	TWP	WHT	TB1-2	ITEM 11	115V/230V PNL	ITEM 10

- NOTES:**
- POWER SUPPLY & LOGIC LOCATION IN CAB TO BE DETERMINED BY SYSTEM REQUIRED.
 - ITEMS *12 THRU *15 ARE OPTIONS TO AA11-D UNITS.
 - FOR LOCATION OF MODULES IN OPTIONS ITEM 12, 13, 14 AND 15 REFER TO D-MU-AA11-D-MU
 - TO INSTALL PROTECTION PLATE ITEM *2 BACK OFF GND SCREW ON BLOCK, SLIDE IN PLATES AND RETIGHTEN SCREW.
 - FOR DRAWING INDEX LIST REFER TO D-DI-AA11-D-1



REV	CHANGE NO

FIRST USED ON OPTION/MOD	QTY.	DESCRIPTION	PART NO.	ITEM NO.
AA11-D				
PARTS LIST				
UNLESS OTHERWISE SPECIFIED	DATE	digital EQUIPMENT CORPORATION MAYNARD, MASSACHUSETTS		
UNLESS OTHERWISE SPECIFIED	DATE	TITLE		
DIMENSION IN INCHES	DATE	DIGITAL TO ANALOG CONTROL ASSY (AA11-D)		
TOLERANCES	DATE	SIZE CODE NUMBER - REV.		
ANGLES	DATE	DUA AA11-D-0		
FINAL SURFACE QUALITY	DATE	SCALE NONE		
REMOVE BURRS AND BREAK SHARP CORNERS	DATE	SHEET 1 OF 1		
MATERIAL	DATE	DIST.		
NEXT HIGHER ASSY	DATE			

DEC FORM NO 010 102A

REV. NUMBER DUA AA11-D-0

This drawing and specifications, hereon, are the property of Digital Equipment Corporation and shall not be reproduced or copied or used in whole or in part as the basis for the manufacture or sale of items without written permission.

D

C

B

A

DEC FORM NO
ORD 102A

8

7

6

5

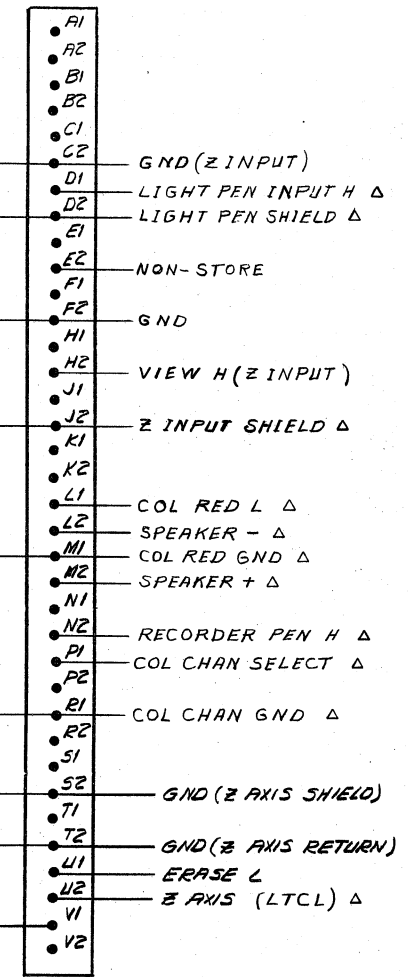
4

3

2

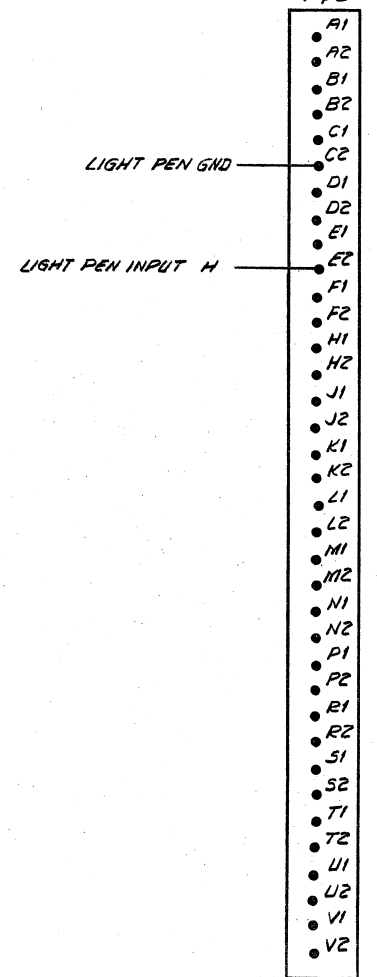
1

(M957 Δ)
G767
F03



ERASE INTERVAL L

(M7990 Δ)
*F03



* PRE WIRING TO BE SUPPLIED BY CUSTOMER
Δ APPLICABLE ONLY WHEN AA11-E IS INSTALLED.

D

C

B

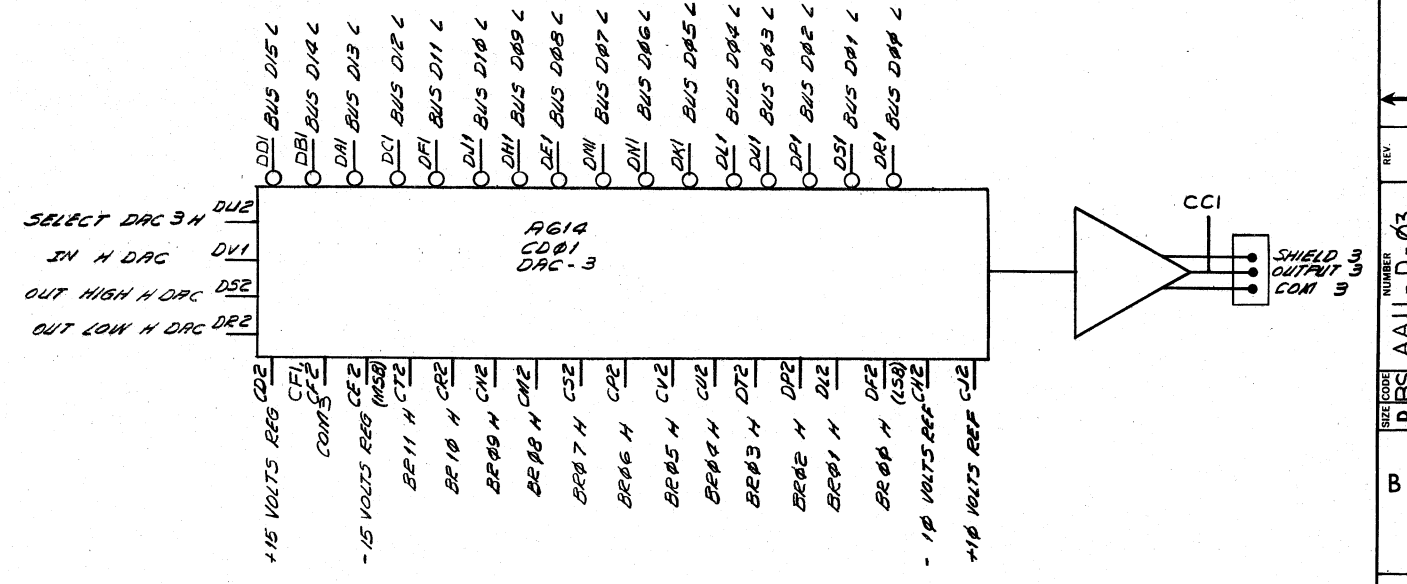
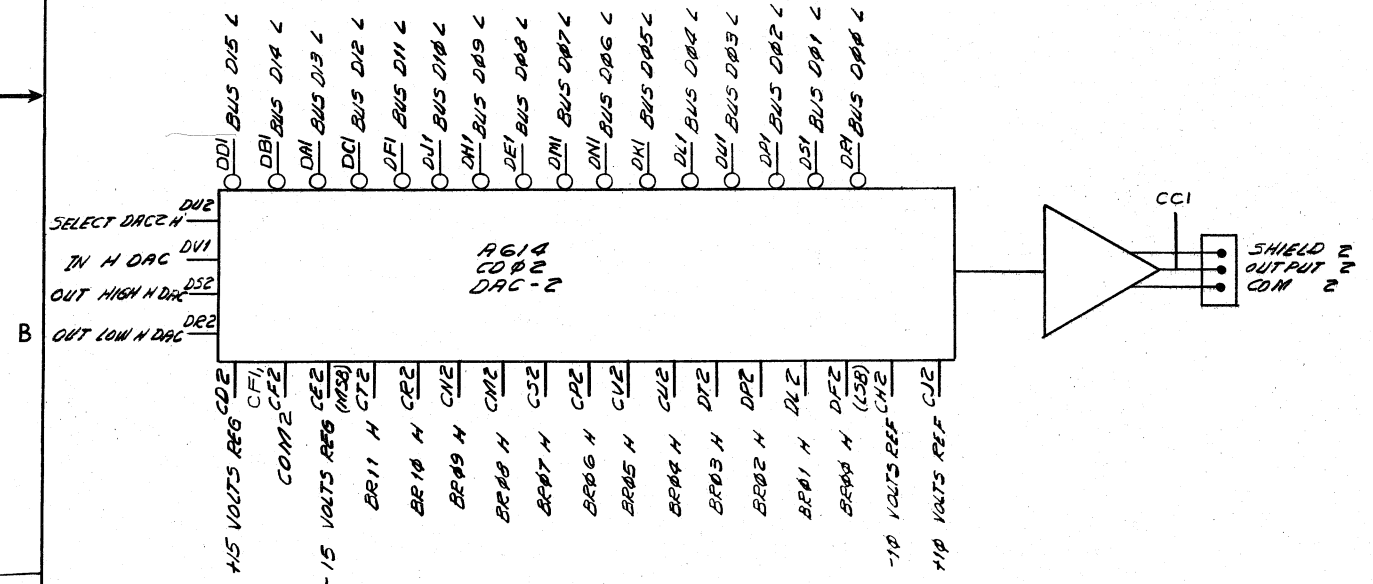
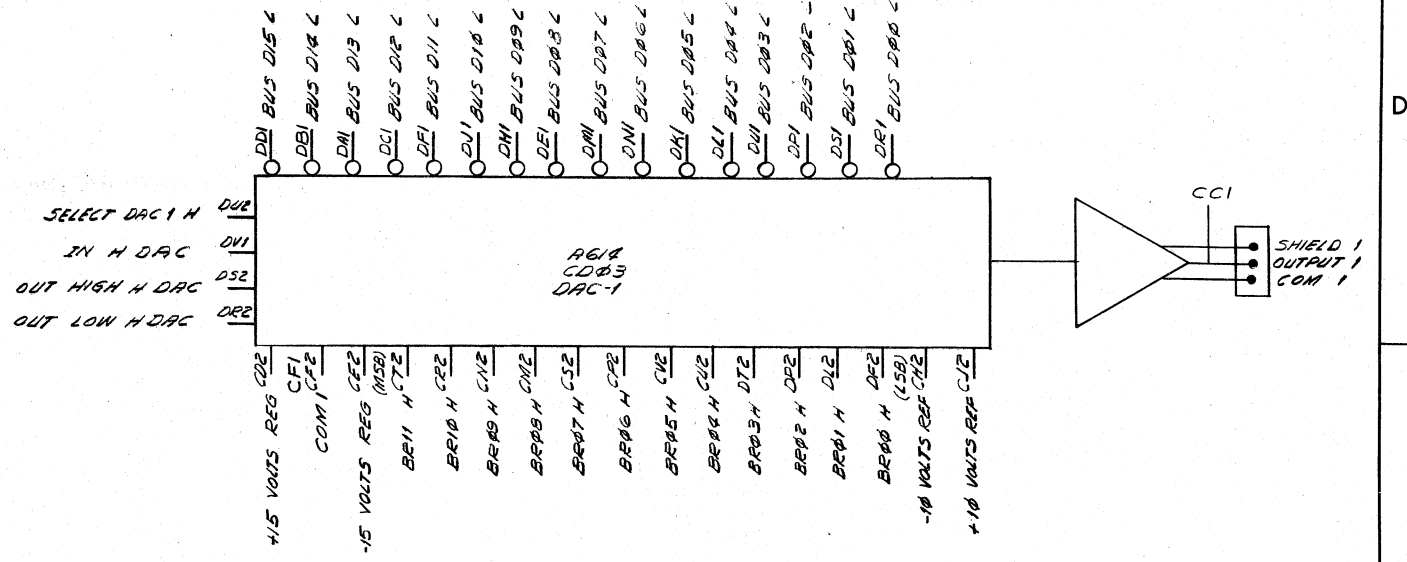
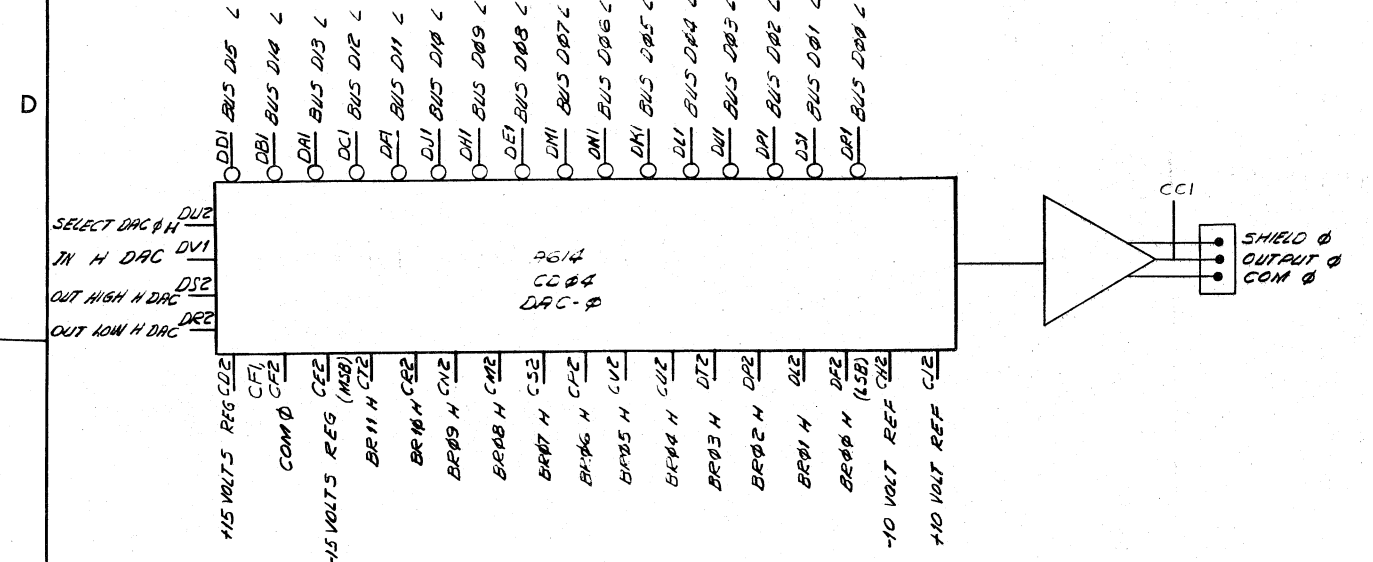
A

REV D
NUMBER AA11-D-02
SIZE CODE D I C

CHK	CHANGE NO.	REV
F.P.	AA11-00004	A
	GAGNE	
	AA11-00005	B
	GAGNE	
	AA11-00006	C
	GAGNE	
	AA11-00007	D
	A. WALLACK	

FIRST USED ON OPTION MOD	QTY.	DESCRIPTION	PART NO.	ITEM NO.
AA11-D				
PARTS LIST				
UNLESS OTHERWISE SPECIFIED	DRN	DATE	digital EQUIPMENT CORPORATION MAYNARD, MASSACHUSETTS	
DIMENSION IN INCHES	CHKD	DATE		
TOLERANCES	ENG	DATE		
DECIMALS FRACTIONS ANGLES ± .005 ± 1/64 ± 0°30'	PROJ. ENG.	DATE		
FINAL SURFACE QUALITY REMOVE BURRS AND BREAK SHARP CORNERS	PRGD.	DATE	TITLE OPTION CABLES	
MATERIAL	NEXT HIGHER ASSY			
FINISH	SCALE		SIZE CODE	NUMBER
	SHEET		D I C	AA11-D-02
			DIST.	REV D

This drawing and specifications, herein, are the property of Digital Equipment Corporation and shall not be reproduced or copied in whole or in part as the basis for the manufacture or sale of items without written permission.

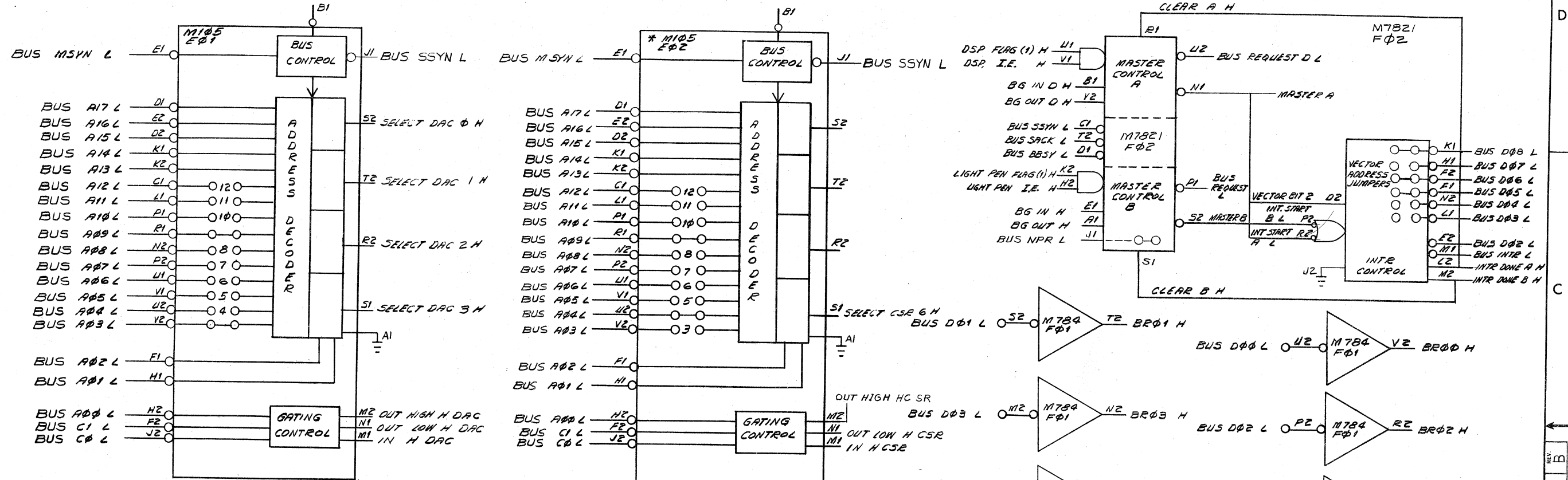


REV.	
CHANGE NO.	
CHK	

FIRST USED ON OPTION/ MOD.	QTY.	DESCRIPTION	PART NO.	ITEM NO.
AA11-D				
UNLESS OTHERWISE SPECIFIED	DRN.	DATE	PARTS LIST	
UNLESS OTHERWISE SPECIFIED	CHK'D	DATE	digital EQUIPMENT CORPORATION	
DIMENSION IN INCHES			WAYNAD, MASSACHUSETTS	
TOLERANCES	ENG.	DATE	TITLE	
DECIMALS FRACTIONS ANGLES			D - A CONVERTERS	
± .005 ± 1/64 ± 0°30'	PROJ. ENG.	DATE	SIZE CODE NUMBER REV.	
FINAL SURFACE QUALITY			DBS AA11-D-03	
REMOVE BURRS AND BREAK SHARP CORNERS	PROD.	DATE	SCALE	
			SHEET 1 OF 1	
MATERIAL	NEXT HIGHER ASSY		DIST.	
	AA11-D			
FINISH				

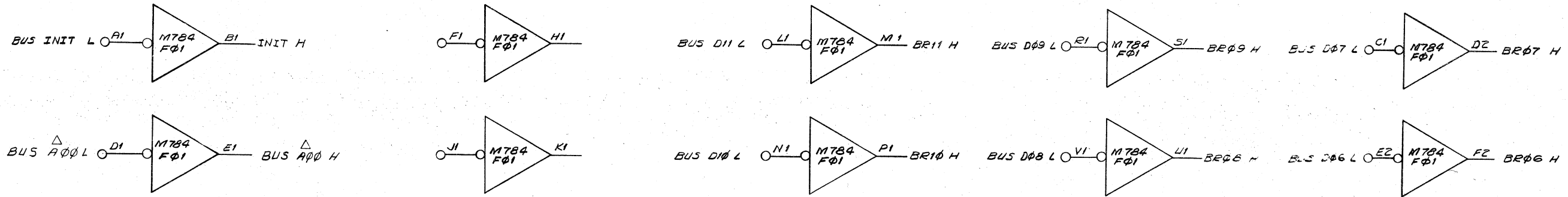
This drawing and specifications, herein, are the property of Digital Equipment Corporation and shall not be reproduced or copied or used in whole or in part as the basis for the manufacture or sale of items without written permission.

NOTE:
FOR M782 COMPLEMENT JUMPERS.



NOTE:
Δ = APPLICABLE ONLY WHEN
AA11-E IS INSTALLED.

* USED WITH AA11-A, AA11-B,
AA11-C ONLY

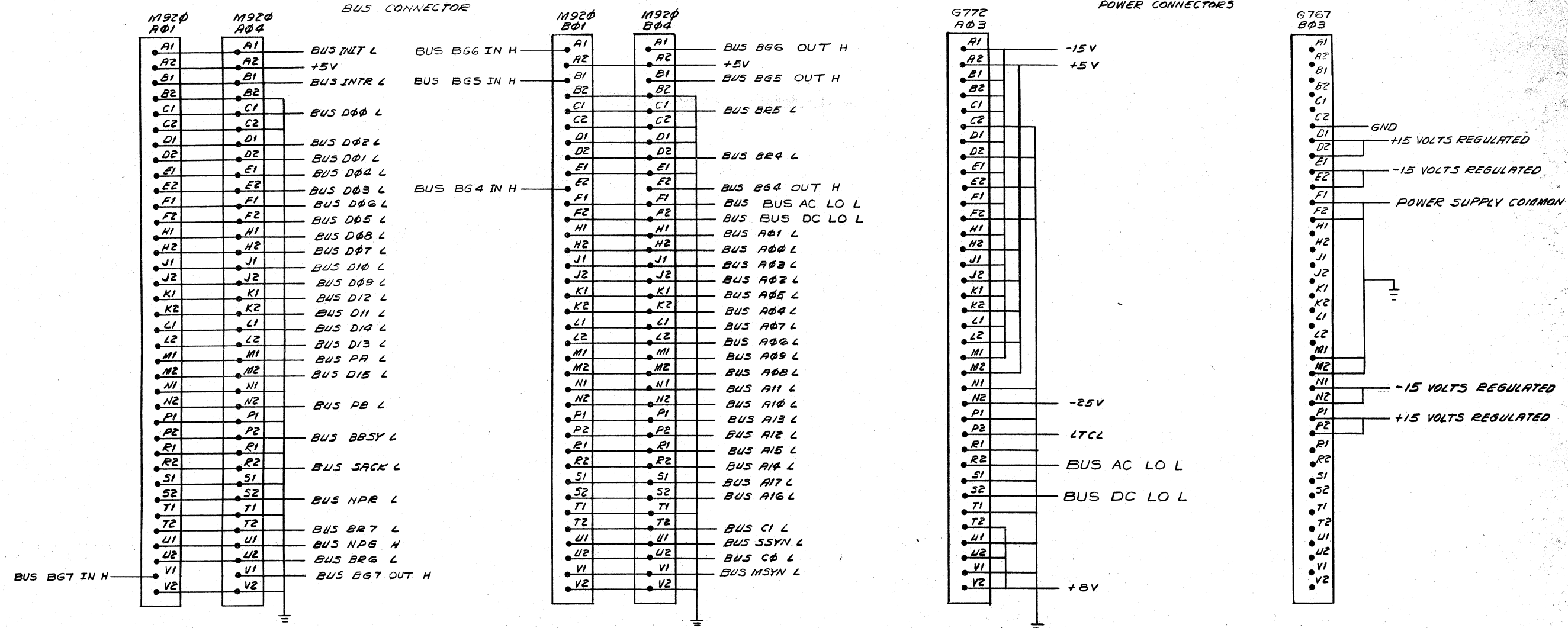


REV.	CHANGE NO.	DATE	BY	CHK.
A	00006	7-16-71	GAGNE	
B	00008	7-16-71	SEVERINO	
C	00009	7-16-71	SEVERINO	
D	00010	7-16-71	SEVERINO	

FIRST USED OR OPTION	QTY	DESCRIPTION	PART NO.	ITEM NO.
AA11-D				
UNLESS OTHERWISE SPECIFIED				
DRN	DATE	6-23-70	PARTS LIST	
CHKD	DATE	7-17-71	digital EQUIPMENT CORPORATION MAYNARD MASSACHUSETTS	
ENG.	DATE	7-17-71	TITLE	
PROJ. ENG.	DATE	7-17-71	INTERFACE	
PROD.	DATE	11-12-70	MATERIAL	
NEXT HIGHER ASSY				
A-ML-AA11-D				
FINISH		SCALE	SIZE CODE	NUMBER
		1 OF 1	DBS	AA11-D-04
		SHEET	DIST.	REV

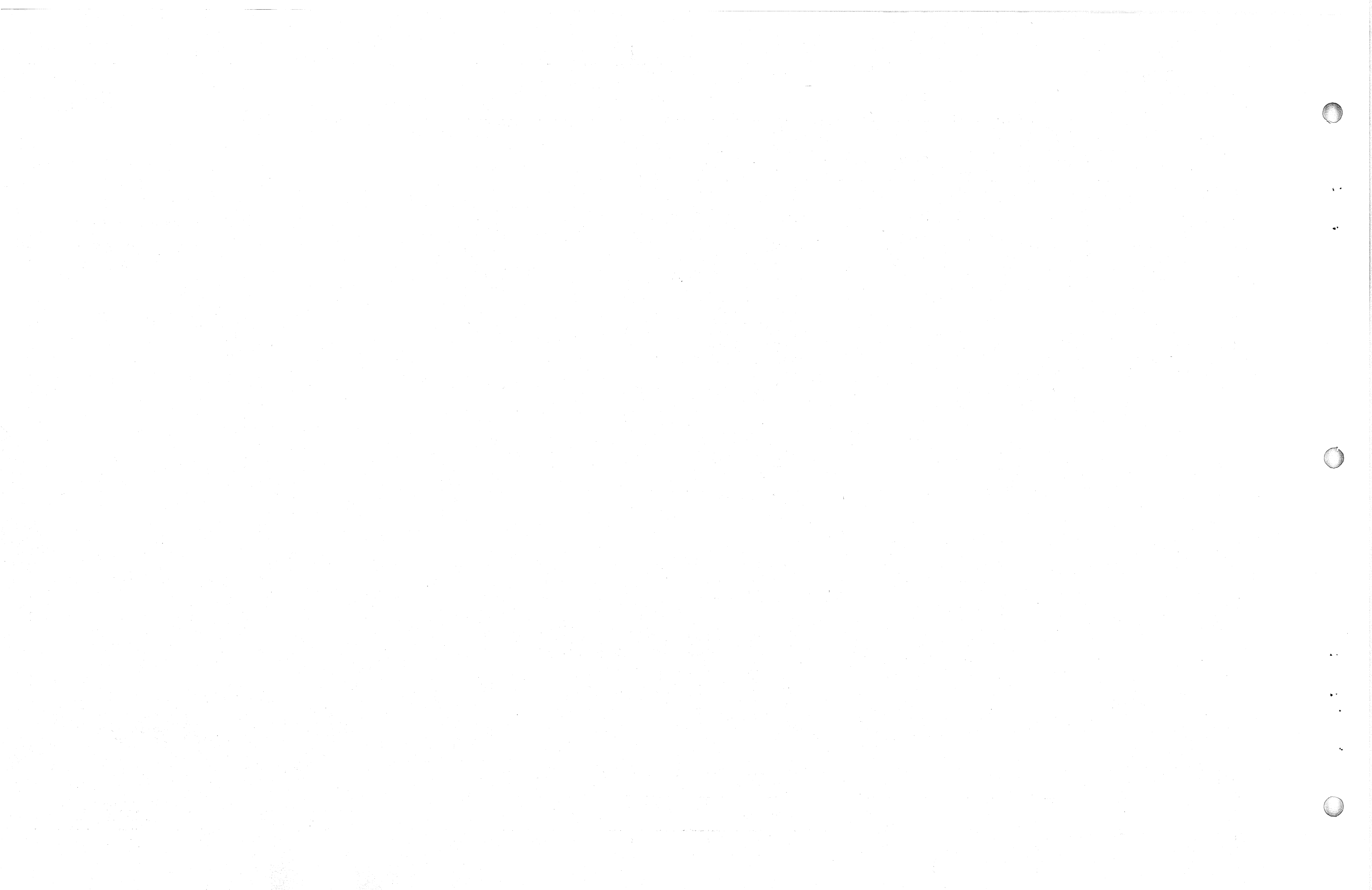
REV. D
NUMBER
SIZE CODE
DBS AA11-D-04

This drawing and specifications, herein, are the property of Digital Equipment Corporation and shall not be reproduced or copied or used in whole or in part as the basis for the manufacture or sale of items without written permission.



REV.	CHG. NO.	DATE	BY
A	AA11-D-0002	7-26-71	GAGNE

FIRST USED ON OPTION MOD.	QTY.	DESCRIPTION	PART NO.	ITEM NO.	
AA11-D					
PARTS LIST					
UNLESS OTHERWISE SPECIFIED		DATE	digital EQUIPMENT CORPORATION		
DIMENSION IN INCHES		DATE	MAYNARD, MASSACHUSETTS		
TOLERANCES		DATE	TITLE AA11-D BUS & POWER CONNECTIONS		
DECIMALS FRACTIONS ANGLES		DATE			
± .005 ± 1/64 ± 0°30'		DATE	SIZE CODE NUMBER REV		
FINAL SURFACE QUALITY		DATE	D I C AA11-D-05 A		
REMOVE BURRS AND BREAK SHARP CORNERS		DATE	DIST.		
MATERIAL	NEXT HIGHER ASSY	DATE	1 OF 1		
FINISH	SCALE	DATE	SHEET		



DRWG NO
K-WL-AAII-D-WL

REVLTR
D

REV LTR	ECONC	DATE	ENG
A	AAIID-00005	6-24-71	[Signature]
B	AAIID-00006	9-14-71	[Signature]
C	AAIID-00007	1-24-72	[Signature]
D	AAIID-00008	2-8-72	[Signature]

DRAWN <i>Kotisch</i> 11-9-70	CHECKED <i>K. P. [Signature]</i> 11-12-70		TITLE	WIRE LIST		
ENG <i>[Signature]</i> 11-12-70	PROJ ENG <i>R. Hope</i> 11-12-70		FOR	TAPE #	FILE #	
PRJCD <i>G. Heisch</i> 11-12-70	ASSY NO ---		SIZE	CODE	DWG. NO.	REV LTR
SCALE ---	SHEET / OF / ---		K	WL	AAII-D-WL	D
			DIST.			

AA11D.D RUN NAME	A/P	PIN	ORDER	BAY	11-FEB-72	2112	PAGE 1
		NAME	IN	ORDER	LENGTH	EXCEPTIONS	RUN
							NUMBER
RG IN	H	F02E1		1-01 *			1
RG IN	H	F04V2		1-02 *			1
RG IN				1	4-4/8		1
HG IN D	H	F02B1		1-01 *			2
RG IN D	H	F04R1		1-02 *			2
RG IN D				1	4-2/8		2
RG OUT	H	F02A1		1-01 *			3
RG OUT	H	F04U2		1-02 *			3
RG OUT				1	5-0/8		3
RG OUT D	H	F02V2		1-01 *			4
RG OUT D	H	F04P1		1-02 *			4
RG OUT D				1	3-2/8		4
RR00	H	D01F2		1-01 *			5
RR00	H	D02F2		1-02 *			5
RR00	H	D03F2		1-03 *			5
RR00	H	D04F2		1-04 *			5
RR00	H	F04C1		1-05 *			5
RR00	H	F01V2		1-06 *			5
RR00				1	20-4/8		5
RR01	H	D01L2		1-01 *			6
RR01	H	D02L2		1-02 *			6
RR01	H	D03L2		1-03 *			6
RR01	H	D04L2		1-04 *			6
RR01	H	E04R1		1-05 *			6
RR01	H	F01T2		1-06 *			6
RR01				1	19-6/8		6
RR02	H	D01P2		1-01 *			7
RR02	H	D02P2		1-02 *			7
RR02	H	D03P2		1-03 *			7
RR02	H	D04P2		1-04 *			7
RR02	H	E04V1		1-05 *			7
RR02	H	F01R2		1-06 *			7
RR02				1	19-0/8		7
RR03	H	D01T2		1-01 *			8
RR03	H	D02T2		1-02 *			8
RR03	H	D03T2		1-03 *			8
RR03	H	D04T2		1-04 *			8
RR03	H	E04P1		1-05 *			8
RR03	H	F01N2		1-06 *			8
RR03				1	18-4/8		8

AA11D.D RUN NAME	A/P	PIN	ORDER	BAY	11-FEB-72	2112	PAGE 2
		NAME	IN	ORDER	LENGTH	EXCEPTIONS	RUN
							NUMBER
RR04	H	C01U2		1-01 *			9
RR04	H	C02U2		1-02 *			9
RR04	H	C03U2		1-03 *			9
RR04	H	C04U2		1-04 *			9
RR04	H	E04F2		1-05 *			9
RR04	H	F01L2		1-06 *			9
RR04				1	20-6/8		9
RR05	H	C01V2		1-01 *			10
RR05	H	C02V2		1-02 *			10
RR05	H	C03V2		1-03 *			10
RR05	H	C04V2		1-04 *			10
RR05	H	E04J1		1-05 *			10
RR05	H	F01J2		1-06 *			10
RR05				1	20-4/8		10
RR06	H	C01P2		1-01 *			11
RR06	H	C02P2		1-02 *			11
RR06	H	C03P2		1-03 *			11
RR06	H	C04P2		1-04 *			11
RR06	H	E04S1		1-05 *			11
RR06	H	F01P2		1-06 *			11
RR06				1	20-6/8		11
RR07	H	C04S2		1-01 *			12
RR07	H	C02S2		1-02 *			12
RR07	H	C02S2		1-03 *			12
RR07	H	C01S2		1-04 *			12
RR07	H	F01D2		1-05 *			12
RR07				1	17-2/8		12
RR08	H	C04M2		1-01 *			13
RR08	H	C03M2		1-02 *			13
RR08	H	C02M2		1-03 *			13
RR08	H	C01M2		1-04 *			13
RR08	H	F01U1		1-05 *			13
RR08				1	19-4/8		13
RR09	H	C04N2		1-01 *			14
RR09	H	C02N2		1-02 *			14
RR09	H	C02N2		1-03 *			14
RR09	H	C01N2		1-04 *			14
RR09	H	F01S1		1-05 *			14
RR09	H	F03H1		1-06 *			14
RR09				1	23-0/8		14

AA11D ID RUN NAME	HND288.V15(15) 01/28/72 A/P PIN ORDER NAME	BAY - ORDER	Q DRAW RV PG Y X Z	REMARKS	11-FEB-72 LENGTH	2112 EXCEPTIONS	PAGE 3 RUN NUMBER
BR10	C04R2	1-01 *	R1				15
BR10	C03R2	1-02 *	R1				15
BR10	C02R2	1-03 *	R1				15
BR10	C01R2	1-04 *	R1				15
BR10	F01P1	1-05 *	R1				15
BR10	F03P1	1-06 *	I				15
					22-4/8		
BR11	C04T2	1-01 *	AA11D-03				16
BR11	C03T2	1-02 *	AA11D-03				16
BR11	C02T2	1-03 *	AA11D-03				16
BR11	C01T2	1-04 *	AA11D-03				16
BR11	F01M1	1-05 *	AA11D-04				16
BR11					18-2/8		16
BUS A00	F01E1	1-01 *	I				17
BUS A00	F03N1	1-02 *	I				17
					3-6/8		
BUS A00	B04H2	1-01 *	R1				18
BUS A00	B01H2	1-02 *	R1				18
BUS A00	E01H2	1-03 *	R1				18
BUS A00	E02H2	1-04 *	R1				18
BUS A00	F01D1	1-05 *	I				18
					21-4/8		
BUS A01	B04H1	1-01 *					19
BUS A01	R01H1	1-02 *					19
BUS A01	E01H1	1-03 *					19
BUS A01	E02H1	1-04 *					19
					16-4/8		
BUS A02	B04J2	1-01 *					20
BUS A02	B01J2	1-02 *					20
BUS A02	E01F1	1-03 *					20
BUS A02	E02F1	1-04 *					20
					16-4/8		
BUS A03	B04J1	1-01 *					21
BUS A03	B01J1	1-02 *					21
BUS A03	E01V2	1-03 *					21
BUS A03	E02V2	1-04 *					21
					18-0/8		

AA11D ID RUN NAME	HND288.V15(15) 01/28/72 A/P PIN ORDER NAME	BAY - ORDER	Q DRAW RV PG Y X Z	REMARKS	11-FEB-72 LENGTH	2112 EXCEPTIONS	PAGE 4 RUN NUMBER
RUS A04	B04K2	1-01 *					22
RUS A04	B01K2	1-02 *					22
RUS A04	E01U2	1-03 *	AA11D-04				22
RUS A04	E02U2	1-04 *	AA11D-04				22
					17-4/8		
RUS A05	B04K1	1-01 *					23
RUS A05	B01K1	1-02 *					23
RUS A05	E01V1	1-03 *	AA11D-04				23
RUS A05	E02V1	1-04 *	AA11D-04				23
					17-6/8		
BUS A06	B04L2	1-01 *					24
BUS A06	B01L2	1-02 *					24
BUS A06	E02U1	1-03 *	AA11D-04				24
BUS A06	E01U1	1-04 *	AA11D-04				24
					17-4/8		
RUS A07	B04L1	1-01 *					25
RUS A07	B01L1	1-02 *					25
RUS A07	E01P2	1-03 *	AA11D-04				25
RUS A07	E02P2	1-04 *	AA11D-04				25
					17-0/8		
RUS A08	B04M2	1-01 *					26
RUS A08	B01M2	1-02 *					26
RUS A08	E01N2	1-03 *	AA11D-04				26
RUS A08	E02N2	1-04 *	AA11D-04				26
					16-6/8		
RUS A09	B04M1	1-01 *					27
RUS A09	B01M1	1-02 *					27
RUS A09	E01R1	1-03 *	AA11D-04				27
RUS A09	E02R1	1-04 *	AA11D-04				27
					17-0/8		
RUS A10	B04N2	1-01 *					28
RUS A10	B01N2	1-02 *					28
RUS A10	E02P1	1-03 *	AA11D-04				28
RUS A10	E01P1	1-04 *	AA11D-04				28
					16-6/8		
RUS A11	B04N1	1-01 *					29
RUS A11	B01N1	1-02 *					29
RUS A11	E01L1	1-03 *	AA11D-04				29
RUS A11	E02L1	1-04 *	AA11D-04				29
					16-2/8		

AA11D.D RUN NAME	HND288.V15(15) 01/28/72 A/P PIN ORDER	BAY - PIN	Q	DRAM RV	PG	Y	X	Z	REMARKS	11-FEB-72 LENGTH	2112 EXCEPTIONS	PAGE 9 RUN NUMBER
BUS D07	L	A01H2	1-01 *	C	AA11D-05			2			CABLE	59
BUS D07	L	A04H2	1-02 *	C	AA11D-05			1			CABLE	59
BUS D07	L	D03M1	1-03 *		AA11D-03			2				59
BUS D07	L	D02M1	1-04 *		AA11D-03			2				59
BUS D07	L	D01M1	1-05 *		AA11D-03			1				59
BUS D07	L	F01C1	1-06 *		AA11D-03			2				59
BUS D07	L	F02H1	1-07 *		AA11D-04			1			TERM HERE?	59
BUS D07	L	F04U1	1-08 *		AA11D-06			1			36-4/8	59
BUS D08	L	A01H1	1-01 *	C	AA11D-05			2			CABLE	60
BUS D08	L	D04E1	1-03 *		AA11D-03			2			CABLE	60
BUS D08	L	D03E1	1-04 *		AA11D-03			1				60
BUS D08	L	D02E1	1-05 *		AA11D-03			2				60
BUS D08	L	D01E1	1-06 *		AA11D-03			1				60
BUS D08	L	F01V1	1-07 *		AA11D-04			2			TERM HERE?	60
BUS D08	L	F02K1	1-08 *		AA11D-04			1			35-0/8	60
BUS D09	L	A01J2	1-01 *					2				61
BUS D09	L	D04J2	1-02 *					1				61
BUS D09	L	D03H1	1-03 *					2				61
BUS D09	L	D02H1	1-04 *					1				61
BUS D09	L	D01H1	1-05 *					2				61
BUS D09	L	F01R1	1-06 *					1				61
BUS D09	L	F03K1	1-08 *					2				61
BUS D10	L	A01J1	1-01 *					2				62
BUS D10	L	A04J1	1-02 *					1				62
BUS D10	L	D03J1	1-03 *					2				62
BUS D10	L	D02J1	1-04 *					1				62
BUS D10	L	D01J1	1-05 *					2				62
BUS D10	L	F01N1	1-06 *					1				62
BUS D10	L	F03M1	1-07 *					2				62
BUS D10	L	F03M1	1-08 *					1			33-4/8	62
BUS D11	L	A01K2	1-01 *	C	AA11D-05			2			CABLE	63
BUS D11	L	A04K2	1-02 *	C	AA11D-05			1			CABLE	63
BUS D11	L	D03F1	1-03 *		AA11D-03			2				63
BUS D11	L	D02F1	1-04 *		AA11D-03			1				63
BUS D11	L	D01F1	1-05 *		AA11D-03			2				63
BUS D11	L	F01L1	1-06 *		AA11D-04			1			TERM HERE?	63
BUS D11	L	F01L1	1-07 *		AA11D-04			2			30-0/8	63
BUS D12	L	A01K1	1-01 *	C	AA11D-05			2			CABLE	64
BUS D12	L	D04C1	1-03 *		AA11D-03			1			CABLE	64
BUS D12	L	D03C1	1-04 *		AA11D-03			2				64
BUS D12	L	D02C1	1-05 *		AA11D-03			1				64
BUS D12	L	D01C1	1-06 *		AA11D-03			2			TERM HERE?	64
BUS D13	L	A04L2	1-01 *	C	AA11D-05			2			CABLE	65
BUS D13	L	A01L2	1-02 *	C	AA11D-05			1			CABLE	65
BUS D13	L	D02A1	1-03 *		AA11D-03			2				65
BUS D13	L	D03A1	1-04 *		AA11D-03			1				65
BUS D13	L	D04A1	1-05 *		AA11D-03			2			TERM HERE?	65
BUS D14	L	A01L1	1-01 *	C	AA11D-05			2			CABLE	66
BUS D14	L	D04B1	1-02 *	C	AA11D-05			1			CABLE	66
BUS D14	L	D03B1	1-03 *		AA11D-03			2				66
BUS D14	L	D02B1	1-04 *		AA11D-03			1				66
BUS D14	L	D01B1	1-05 *		AA11D-03			2			TERM HERE?	66
BUS D15	L	A04M2	1-01 *	C	AA11D-05			2			CABLE	67
BUS D15	L	D01D1	1-03 *		AA11D-03			1			CABLE	67
BUS D15	L	D02D1	1-04 *		AA11D-03			2				67
BUS D15	L	D03D1	1-05 *		AA11D-03			1				67
BUS D15	L	D04D1	1-06 *		AA11D-03			2			TERM HERE?	67
BUS DC LD	L	B01F2	1-01 *					2				68
BUS DC LD	L	R04F2	1-02 *					1				68
BUS DC LD	L	A03S2	1-03 *					1				68

AA11D-D

HND288-V15(15) 01/28/72
A/P PIN ORDER BAY X Z

Q DRAW RV PG Y X Z REMARKS

11-FEB-72 LENGTH EXCEPTIONS 21:2 PAGE 13
11-FEB-72 LENGTH EXCEPTIONS 21:2 PAGE 13

RUN NAME	A/P	PIN	ORDER	BAY	X	Z	REMARKS	LENGTH	EXCEPTIONS	NUMBER
GND 01		A01B2		1-01 *			AA11D-05			89
GND 01		A01C2		1-02 *			AA11D-05			89
GND 01		A01N1		1-03 *			AA11D-05			89
GND 01		A01R1		1-04 *			AA11D-05			89
GND 01		A01P1		1-05 *			AA11D-05			89
GND 01		A01S1		1-06 *			AA11D-05			89
GND 01		A01T1		1-07 *			AA11D-05			89
GND 01		A01V2		1-08 *			AA11D-05			89
GND 01		B01B2		1-09 *			AA11D-05			89
GND 01		B01D1		1-10 *			AA11D-05			89
GND 01		B01C2		1-11 *			AA11D-05			89
GND 01		B01E1		1-12 *			AA11D-05			89
GND 01		B01T1		1-13 *			AA11D-05			89
GND 01		B01V2		1-14 *			AA11D-05			89
GND 01		C01C2		1-15 *			AA11D-05			89
GND 01		C01T1		1-16 *			AA11D-05			89
GND 01		D01C2		1-17 *			AA11D-05			89
GND 01		D01T1		1-18 *			AA11D-05			89
GND 01		E01A1		1-19 *			AA11D-05			89
GND 01		E01C2		1-20 *			AA11D-05			89
GND 01		E01T1		1-21 *			AA11D-05			89
GND 01		F01C2		1-22 *			AA11D-05			89
GND 01		F01T1		1-23 *			AA11D-05			89
GND 01				1						89
GND 02		A02C2		1-01 *						90
GND 02		A02T1		1-02 *						90
GND 02		B02C2		1-03 *						90
GND 02		B02T1		1-04 *						90
GND 02		C02C2		1-05 *						90
GND 02		C02T1		1-06 *						90
GND 02		D02C2		1-07 *						90
GND 02		D02T1		1-08 *						90
GND 02		E02A1		1-09 *						90
GND 02		E02C2		1-10 *						90
GND 02		E02T1		1-11 *						90
GND 02		F02C2		1-12 *						90
GND 02		F02T1		1-13 *						90
GND 02		F02T1		1-14 *						90
GND 02				1						90
68-0/8										

RUN NAME	A/P	PIN	ORDER	BAY	X	Z	REMARKS	LENGTH	EXCEPTIONS	NUMBER
GND 03		A03C2		1-01 *						91
GND 03		A03T1		1-02 *						91
GND 03		B03C2		1-03 *						91
GND 03		B03T1		1-04 *						91
GND 03		C03C2		1-05 *						91
GND 03		C03T1		1-06 *						91
GND 03		D03C2		1-07 *						91
GND 03		D03T1		1-08 *						91
GND 03		E03C2		1-09 *						91
GND 03		E03D2		1-10 *						91
GND 03		E03F2		1-11 *						91
GND 03		E03J2		1-12 *						91
GND 03		E03M1		1-13 *						91
GND 03		E03R1		1-14 *						91
GND 03		E03S2		1-15 *						91
GND 03		E03T1		1-16 *						91
GND 03		F03C2		1-17 *						91
GND 03		F03C2		1-18 *						91
GND 03		F03T1		1-19 *						91
GND 03				1						91
57-6/8										

AA11D-D

HND288-V15(15) 01/28/72
A/P PIN ORDER BAY X Z

Q DRAW RV PG Y X Z REMARKS

11-FEB-72 LENGTH EXCEPTIONS 21:2 PAGE 14
11-FEB-72 LENGTH EXCEPTIONS 21:2 PAGE 14

RUN NAME	A/P	PIN	ORDER	BAY	X	Z	REMARKS	LENGTH	EXCEPTIONS	NUMBER
GND 03		A03C2		1-01 *						91
GND 03		A03T1		1-02 *						91
GND 03		B03C2		1-03 *						91
GND 03		B03T1		1-04 *						91
GND 03		C03C2		1-05 *						91
GND 03		C03T1		1-06 *						91
GND 03		D03C2		1-07 *						91
GND 03		D03T1		1-08 *						91
GND 03		E03C2		1-09 *						91
GND 03		E03D2		1-10 *						91
GND 03		E03F2		1-11 *						91
GND 03		E03J2		1-12 *						91
GND 03		E03M1		1-13 *						91
GND 03		E03R1		1-14 *						91
GND 03		E03S2		1-15 *						91
GND 03		E03T1		1-16 *						91
GND 03		F03C2		1-17 *						91
GND 03		F03C2		1-18 *						91
GND 03		F03T1		1-19 *						91
GND 03				1						91
65-4/8										

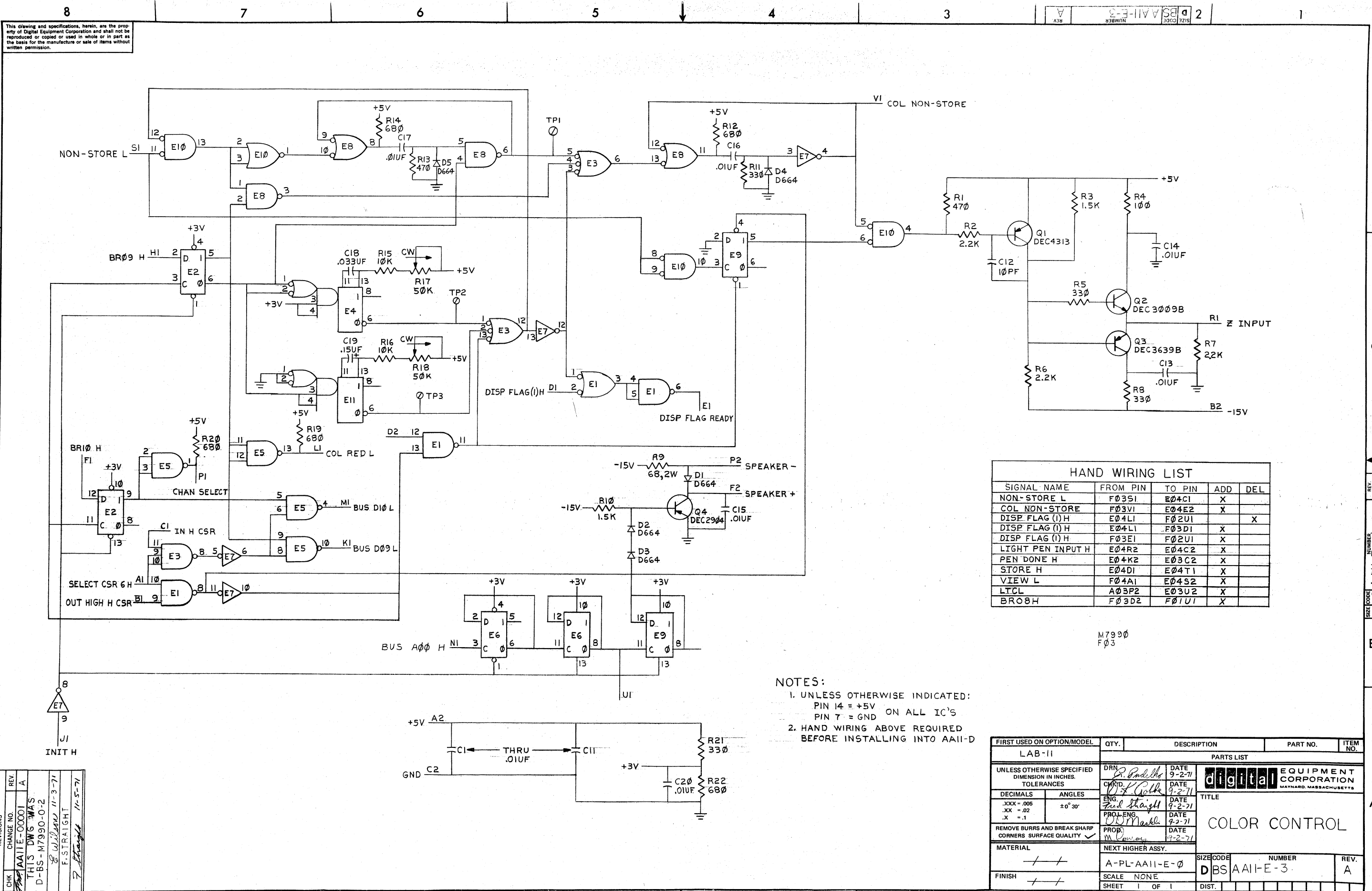
RUN NAME	A/P	PIN	ORDER	BAY	X	Z	REMARKS	LENGTH	EXCEPTIONS	NUMBER
GND 04		A04B2		1-01 *			AA11D-05			92
GND 04		A04C2		1-02 *			AA11D-05			92
GND 04		A04N1		1-03 *			AA11D-05			92
GND 04		A04R1		1-04 *			AA11D-05			92
GND 04		A04P1		1-05 *			AA11D-05			92
GND 04		A04S1		1-06 *			AA11D-05			92
GND 04		A04T1		1-07 *			AA11D-05			92
GND 04		A04V2		1-08 *			AA11D-05			92
GND 04		B04B2		1-09 *			AA11D-05			92
GND 04		B04D1		1-10 *			AA11D-05			92
GND 04		B04C2		1-11 *			AA11D-05			92
GND 04		B04E1		1-12 *			AA11D-05			92
GND 04		B04T1		1-13 *			AA11D-05			92
GND 04		B04V2		1-14 *			AA11D-05			92
GND 04		C04C2		1-15 *			AA11D-05			92
GND 04		C04T1		1-16 *			AA11D-05			92
GND 04		D04C2		1-17 *			AA11D-05			92
GND 04		D04T1		1-18 *			AA11D-05			92
GND 04		E04C2		1-19 *			AA11D-05			92
GND 04		F04T1		1-20 *			AA11D-05			92
GND 04		F04C2		1-21 *			AA11D-05			92
GND 04		F04T1		1-22 *			AA11D-05			92
GND 04				1						92
65-4/8										

AA11D-03	HND288-V15(15) 01/28/72	11-FEB-72	2112	PAGE 15
RUN NAME	A/P PIN ORDER BAY -	LENGTH	EXCEPTIONS	RUN NUMBER
	NAME			
IN H CSR	E02M1			93
IN H CSR	F04U1			93
IN H CSR	F03C1			93
IN H CSR		7-2/8		
IN H DAC	D04V1			94
IN H DAC	D03V1			94
IN H DAC	D02V1			94
IN H DAC	D01V1			94
IN P DAC	E01M1			94
IN H DAC		12-2/8		94
INIT	F01B1			95
INIT	F04B1			95
INIT	F03J1			95
INIT		7-0/8		95
LIGHT PEN FLAG (1)	F02K2			96
LIGHT PEN FLAG (1)	F04V1			96
LIGHT PEN FLAG (1)		3-6/8		96
LIGHT PEN I.E.	E04K1			97
LIGHT PEN I.E.	F02H2			97
LIGHT PEN I.E.		5-2/8		97
LIGHT PEN INPUT	E03D1			98
LIGHT PEN INPUT	E04R2			98
LIGHT PEN INPUT	F03E2			98
LIGHT PEN INPUT		8-2/8		98
MASTER A	F02R2			99
MASTER A	F02M1			99
MASTER A	F02D2			99
MASTER A		6-2/8		99
MASTER B	F02P2			100
MASTER B	F02S2			100
MASTER B		2-4/8		100
OUT HIGH H CSR	F03B1			101
OUT HIGH H CSR	E02M2			101
OUT HIGH H CSR		4-2/8		101

AA11D-03	HND288-V15(15) 01/28/72	11-FEB-72	2112	PAGE 16
RUN NAME	A/P PIN ORDER BAY -	LENGTH	EXCEPTIONS	RUN NUMBER
	NAME			
OUT HIGH H DAC	D03S2			102
OUT HIGH H DAC	D03S2			102
OUT HIGH H DAC	D02S2			102
OUT HIGH H DAC	D01S2			102
OUT HIGH H DAC	E04M2			102
OUT HIGH H DAC		12-4/8		102
OUT LOW H CSR	E02N1			103
OUT LOW H CSR	F04U2			103
OUT LOW H CSR		3-6/8		103
OUT LOW H DAC	E04L2			104
OUT LOW H DAC	D04R2			104
OUT LOW H DAC	D03R2			104
OUT LOW H DAC	D02R2			104
OUT LOW H DAC	D01R2			104
OUT LOW H DAC	E04N1			104
OUT LOW H DAC		17-2/8		104
POWER SUPPLY COMMON	B03F1			105
POWER SUPPLY COMMON	B03P2			105
POWER SUPPLY COMMON	B03M2			105
POWER SUPPLY COMMON	B03N1			105
POWER SUPPLY COMMON		8-0/8	CABLE	105
REORDER PEN	E03M2			106
REORDER PEN	F04E1			106
REORDER PEN		4-2/8		106
SELECT CSR 6	E02S1			107
SELECT CSR 6	F04V2			107
SELECT CSR 6	F03A1			107
SELECT CSR 6		7-4/8		107
SELECT DAC 0	D04U2			108
SELECT DAC 0	E04M2			108
SELECT DAC 0	E01S2			108
SELECT DAC 0		8-0/8		108
SELECT DAC 1	D03U2			109
SELECT DAC 1	F04N2			109
SELECT DAC 1	E01T2			109
SELECT DAC 1		8-4/8		109
SELECT DAC 2	D02U2			110
SELECT DAC 2	E01R2			110
SELECT DAC 2		4-6/8		110

AA110.D RUN NAME	HND268.V15(15) 01/28/72 A/F PIN ORDER BAY ORDER	G DRAW RV PG Y X Z	REMARKS	11-FEB-72 LENGTH	2112 EXCEPTIONS	PAGE 17 RUN NUMBER
SELECT DAC 3	H 00102					111
SELECT DAC 3	H 00101	AA11D-03	1			111
SELECT DAC 3		AA11D-04		4-6/8		111
SPEAKER +	F03F2		1			112
SPFAKER +	F03M2		1			112
SPEAKER +				4-4/8		112
SPEAKER -	E03P2		1			113
SPFAKER -	E03L2		1			113
SPEAKER -				2-6/8		113
VIEW	F03R1		1			114
VIEW	F03H2		1			114
VIEW				6-0/8		114

This drawing and specifications, herein, are the property of Digital Equipment Corporation and shall not be reproduced or copied or used in whole or in part as the basis for the manufacture or sale of items without written permission.



HAND WIRING LIST

SIGNAL NAME	FROM PIN	TO PIN	ADD	DEL
NON-STORE L	F03S1	E04C1	X	
COL NON-STORE	F03V1	E04E2	X	
DISP FLAG (I) H	E04L1	F02U1		X
DISP FLAG (I) H	E04L1	F03D1	X	
DISP FLAG (I) H	F03E1	F02U1	X	
LIGHT PEN INPUT H	E04R2	E04C2	X	
PEN DONE H	E04K2	E03C2	X	
STORE H	E04D1	E04T1	X	
VIEW L	F04A1	E04S2	X	
LTCL	A03P2	E03U2	X	
BRO8H	F03D2	F01U1	X	

NOTES:
 1. UNLESS OTHERWISE INDICATED:
 PIN 14 = +5V ON ALL IC'S
 PIN 7 = GND
 2. HAND WIRING ABOVE REQUIRED BEFORE INSTALLING INTO AA11-D

FIRST USED ON OPTION/MODEL	QTY.	DESCRIPTION	PART NO.	ITEM NO.
LAB-11		PARTS LIST		
UNLESS OTHERWISE SPECIFIED DIMENSION IN INCHES. TOLERANCES		DRN	DATE	 digital EQUIPMENT CORPORATION MAYNARD, MASSACHUSETTS
DECIMALS	ANGLES	CHK'D	DATE	
.XXX = .005	±0°30'	ENG.	DATE	
.XX = .02		PROL. ENG.	DATE	
.X = .1		PROP.	DATE	TITLE
REMOVE BURRS AND BREAK SHARP CORNERS SURFACE QUALITY				COLOR CONTROL
MATERIAL		NEXT HIGHER ASSY.		
FINISH		A-PL-AA11-E-0	SIZE CODE	NUMBER
		SCALE NONE	D	BSAA11-E-3
		SHEET 1 OF 1	DIST.	REV. A

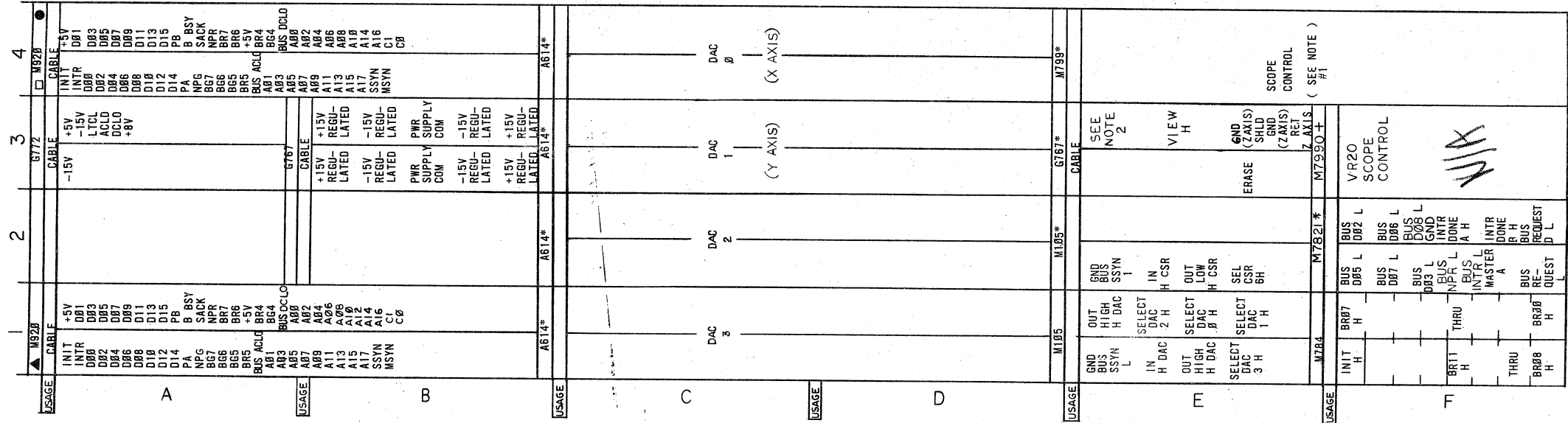
REV.	CHG.	NO.	DATE
A		0001	11-3-71

THIS DWG. WAS
 D-B5-M7990-0-2
 F. STRAIGHT 11-5-71

This drawing and specifications are the property of Digital Equipment Corporation and shall not be reproduced or copied in whole or in part as the basis for the manufacture or sale of items without written permission.

FIGURE NO. 2

REAR VIEW

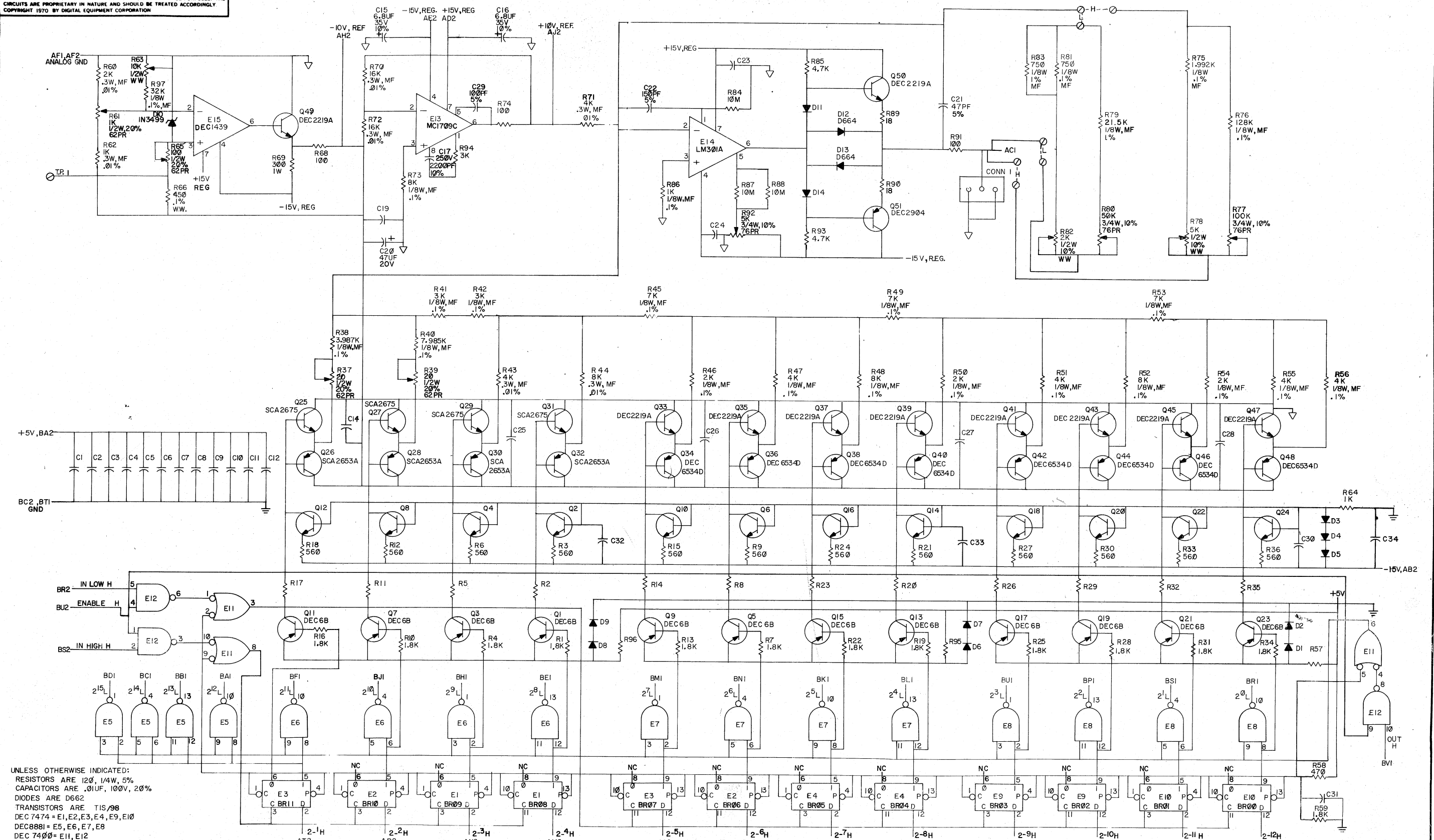


- - IF END OF BUS REPLACE M920 WITH M930
 - - IF LAST UNIT IN BASIC BOX, REPLACE M920 WITH BC11-A CABLE END WHEN EXPANDING TO PERIPHERAL BOX
 - ▲ - IF FIRST UNIT IN EXPANDER BOX, REPLACE M920 WITH BC11 A CABLE END.
 - *-BLOCKS WITH * INDICATE LOCATIONS RESERVED FOR AA11-A OR AA11-B OR AA11-C AND A614 OPTIONS.
 - + INDICATES AA11-E OPTION ONLY.
- NOTE:
- IF M799 NOT USED PLACE A G727 IN SLOT F04
 - IF AA11-E INSTALLED, REPLACE G767 WITH M957 CABLE CONN.

CHK	REVISIONS	CHANGE NO.	REV.
		AA11D-00004	A
		AA11D-00002	B
		AA11D-00006	C
		AA11D-00008	D
		SEVERINO	

FIRST USED ON OPTION/MOD	QTY.	DESCRIPTION	PART NO.	ITEM NO.
AA11-D				
PARTS LIST				
UNLESS OTHERWISE SPECIFIED	DATE	 digital EQUIPMENT CORPORATION MAYNARD, MASSACHUSETTS MODULE UTILIZATION		
UNLESS OTHERWISE SPECIFIED	DATE			
UNLESS OTHERWISE SPECIFIED	DATE			
UNLESS OTHERWISE SPECIFIED	DATE			
FINAL SURFACE QUALITY / REMOVE BURRS AND BREAK SHARP CORNERS	DATE			
MATERIAL	DATE			
FINISH	DATE			
NEXT HIGHER ASSY		SCALE	NUMBER	REV.
A-M-AA11-DA		A	DMU AA11-0-MU	D
SHEET 1 OF 1		DIST.		

THIS SCHEMATIC IS FURNISHED ONLY FOR TEST AND MAINTENANCE PURPOSES. THE CIRCUITS ARE PROPRIETARY IN NATURE AND SHOULD BE TREATED ACCORDINGLY. COPYRIGHT 1970 BY DIGITAL EQUIPMENT CORPORATION



UNLESS OTHERWISE INDICATED:
 RESISTORS ARE 120, 1/4W, 5%
 CAPACITORS ARE .01UF, 100V, 20%
 DIODES ARE D662
 TRANSISTORS ARE TIS/98
 DEC 7474 = E1, E2, E3, E4, E9, E10
 DEC 8881 = E5, E6, E7, E8
 DEC 7400 = E11, E12
 PIN 7 = GND } ON E1 THRU E12
 PIN 14 = +5V }
 --- = CUSTOMER OPTION, DO NOT INSERT
 ∇ = ANALOG GND
 SHIELD IS TIED TO ANALOG GND

⊙ = SPLIT LUG
 CONNECTOR ONE (1) IS A 1209456

REV	DATE	BY	CHKD
1	9-30-70	W. J.
2	10/13/70

TRANSISTOR	DEC	EIA	DEC	EIA
D662	IN645	2N2904	2N2904	2N2904
D664	IN3499	2N2219A	2N2219A	2N2219A
Q11-Q12	DEC 686B	74C00	74C00	74C00
Q13-Q24	DEC 6534D	74C00	74C00	74C00
Q25-Q36	SCA 2653A	74C00	74C00	74C00
Q37-Q48	DEC 2219A	74C00	74C00	74C00

DATE	BY	CHKD	DATE	BY	CHKD
9-30-70	W. J.	10/13/70

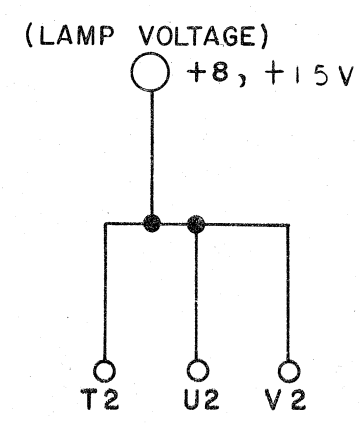
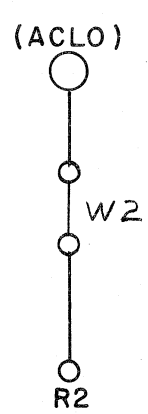
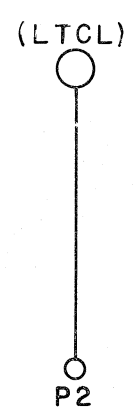
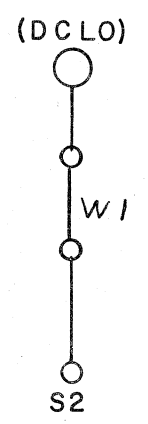
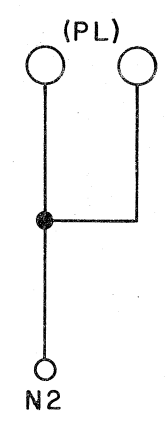
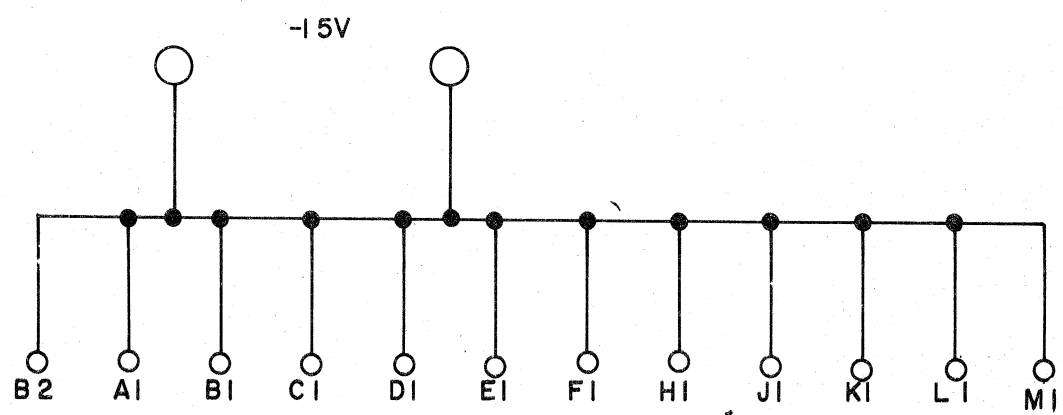
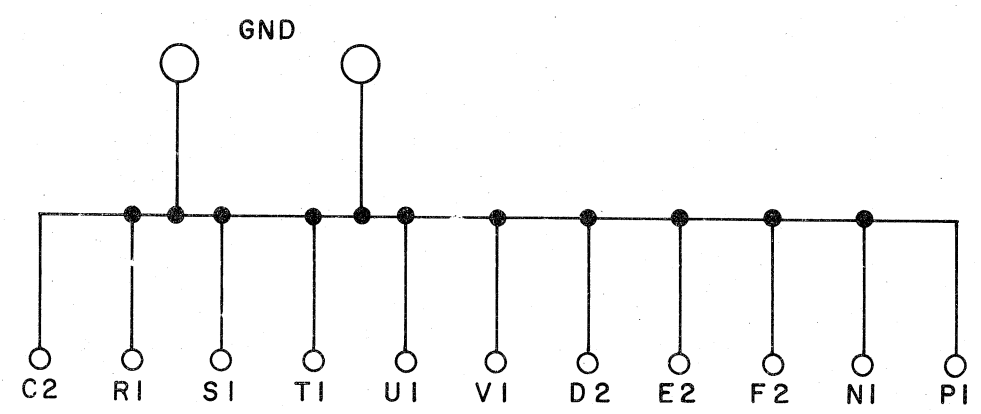
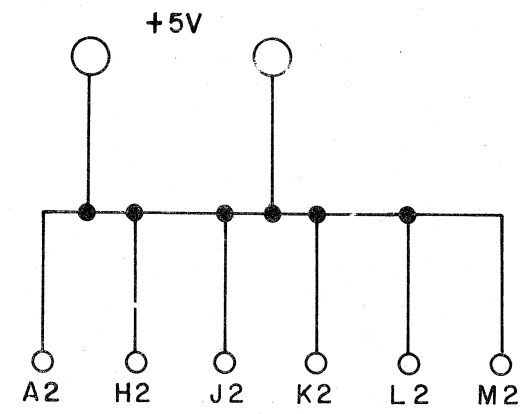
digital EQUIPMENT CORPORATION
 MAYNARD, MASSACHUSETTS
 PRINTED CIRCUIT REV. D

TITLE: 12 BIT BI POLAR DAC CONVERTER A614
 SIZE: D CODE: CS NUMBER: A614-0-1 REV: C

157-324, 434, 435, 436 PINK

THIS SCHEMATIC IS FURNISHED ONLY FOR TEST AND MAINTENANCE PURPOSES. THE CIRCUITS ARE PROPRIETARY IN NATURE AND SHOULD BE TREATED ACCORDINGLY. COPYRIGHT 1969 BY DIGITAL EQUIPMENT CORPORATION

SIZE 100001 NUMBER REV 1



NOTE:
○ DESIGNATES EYELETS

REVISIONS	CHK	CHG NO.	REV.
		0001/A	A
		H. Blomberg	
		C. BLASI	
		C. K. B. 10/16/69	

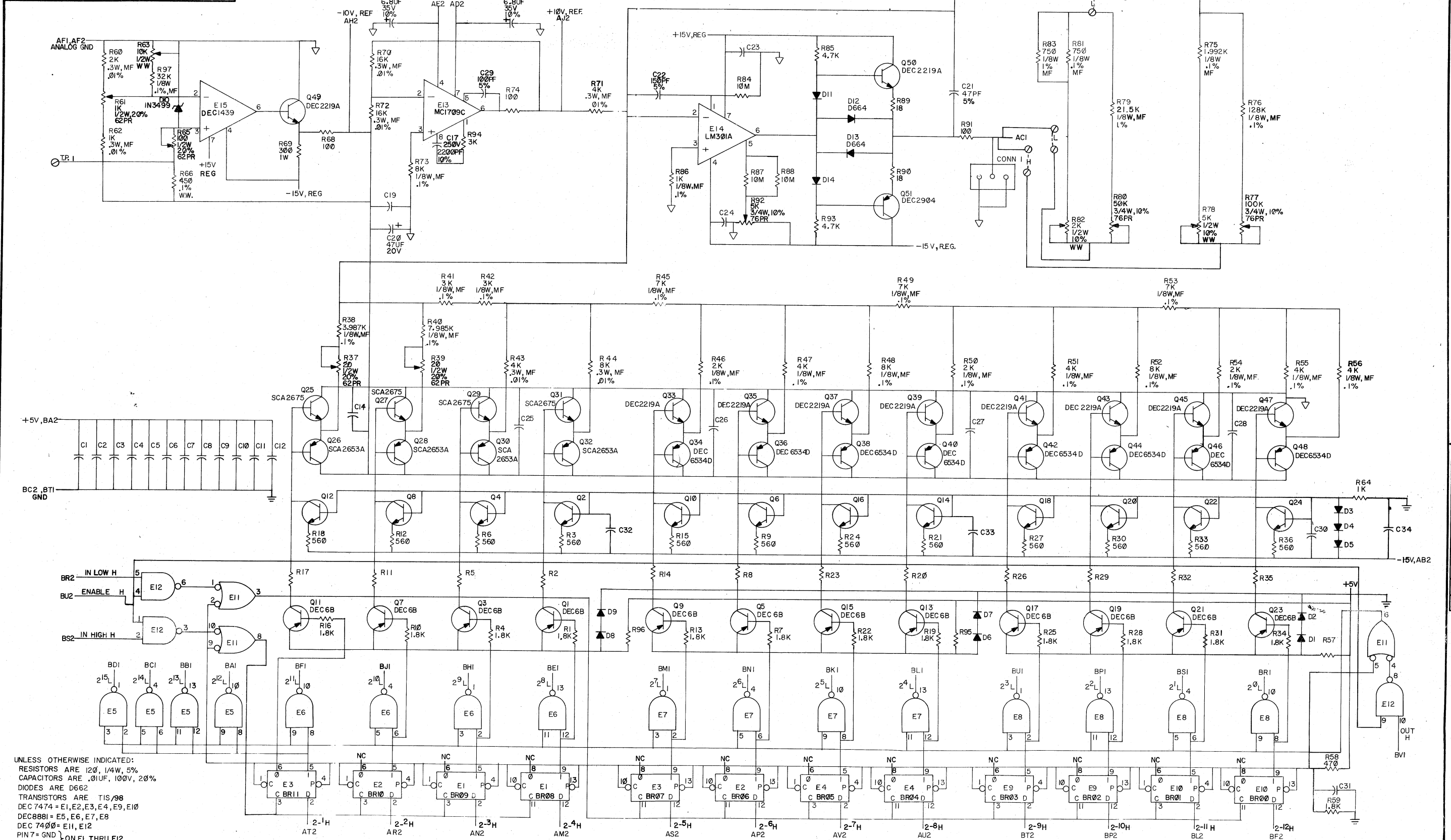
DRN.	DATE
<i>OT Blomberg</i>	10-16-69
CHKID	DATE
<i>g. j. f. d.</i>	21-001
ENG.	DATE
<i>C. K. B.</i>	1-23-70
PROD.	DATE

TRANSISTOR & DIODE CONVERSION CHART			
DEC	EIA	DEC	EIA

digital
EQUIPMENT CORPORATION
MAYNARD, MASSACHUSETTS

TITLE POWER CONNECTOR G772			
SIZE B	CODE CS	NUMBER G772-0-1	REV. A
PRINTED CIRCUIT REV.			A

THIS SCHEMATIC IS FURNISHED ONLY FOR TEST AND MAINTENANCE PURPOSES. THE CIRCUITS ARE PROPRIETARY IN NATURE AND SHOULD BE TREATED ACCORDINGLY. COPYRIGHT 1970 BY DIGITAL EQUIPMENT CORPORATION



UNLESS OTHERWISE INDICATED:
 RESISTORS ARE 1/20, 1/4W, 5%
 CAPACITORS ARE .01UF, 100V, 20%
 DIODES ARE D662
 TRANSISTORS ARE TIS/98
 DEC 7474 = E1, E2, E3, E4, E9, E10
 DEC 8881 = E5, E6, E7, E8
 DEC 7400 = E11, E12
 PIN 7 = GND } ON E1 THRU E12
 PIN 14 = +5V }
 --- = CUSTOMER OPTION, DO NOT INSERT
 ▽ = ANALOG GND
 SHIELD IS TIED TO ANALOG GND

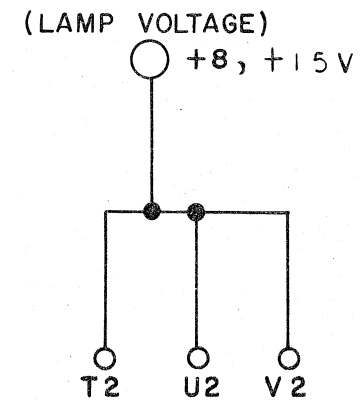
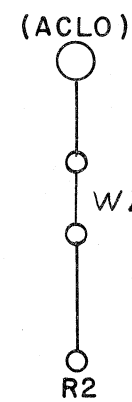
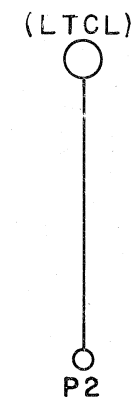
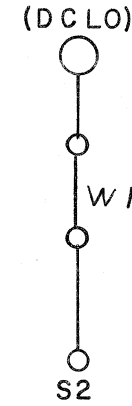
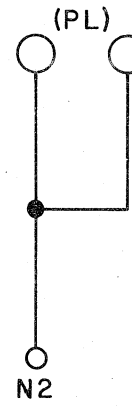
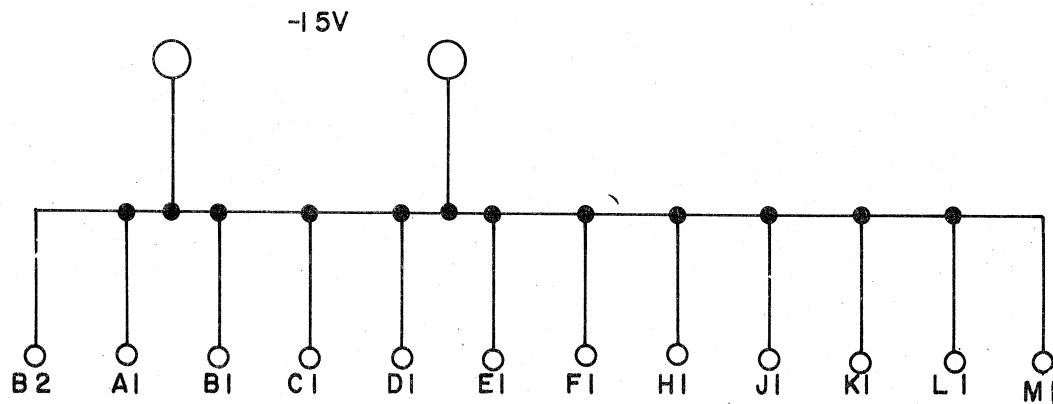
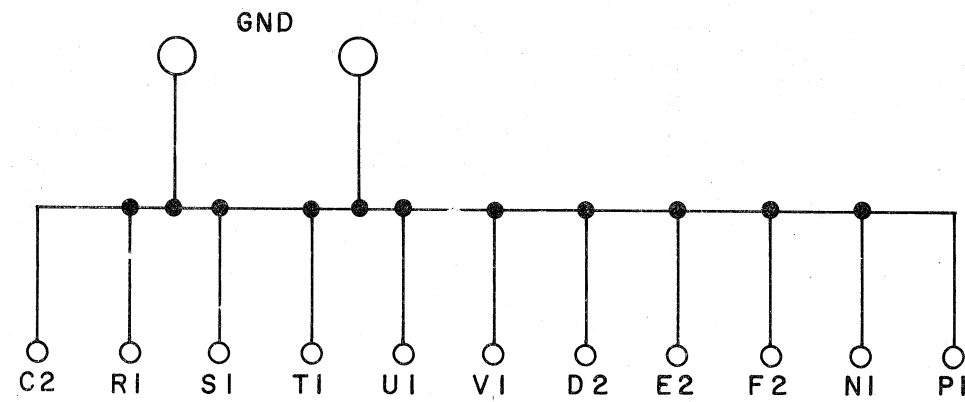
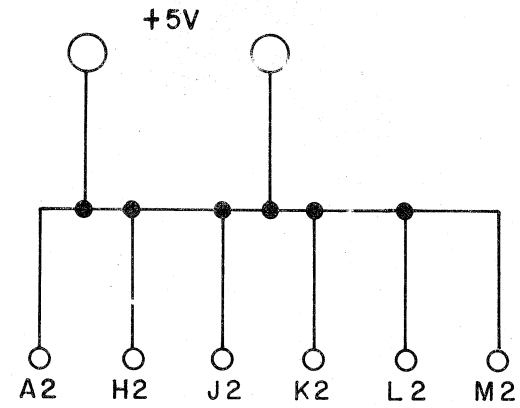
⊙ = SPLIT LUG
 CONNECTOR ONE (1) IS A 1209456

REV	CHG	NO	REV
00001	B	00002	C

DATE	BY	TRANSISTOR & DIODE CONVERSION CHART
9-30-70	W. Wyatt	DEC EIA
10/1/70	W. Wyatt	D662 IN645 DEC6534D MPS6534
10/1/70	W. Wyatt	D664 IN3606 SCA2653A SAME
10/1/70	W. Wyatt	IN3499 SAME SCA2675 SAME
10/1/70	W. Wyatt	2N2904 SAME TIS98 SAME
10/1/70	W. Wyatt	DEC2219A 2N219 DEC6B NONE

TITLE		NUMBER		REV
12 BIT BI POLAR DAC CONVERTER A614		A614-0-1		C
DIGITAL EQUIPMENT CORPORATION		MAYNARD, MASSACHUSETTS		PRINTED CIRCUIT REV.

THIS SCHEMATIC IS FURNISHED ONLY FOR TEST AND MAINTENANCE PURPOSES. THE CIRCUITS ARE PROPRIETARY IN NATURE AND SHOULD BE TREATED ACCORDINGLY. COPYRIGHT 1969 BY DIGITAL EQUIPMENT CORPORATION



NOTE:
○ DESIGNATES EYELETS

REVISIONS	CHK	CHG NO.	REV.
		000181A	A
		H. B. Blommore	
		C. BLASI	
		C. B. Blommore	

DRN.	DATE
<i>A. Blommore</i>	10-16-69
CHK'D	DATE
<i>P. J. Blommore</i>	21-oct
ENG.	DATE
<i>C. B. Blommore</i>	1-23-70
PROD.	DATE

TRANSISTOR & DIODE CONVERSION CHART			
DEC	EIA	DEC	EIA

digital
EQUIPMENT CORPORATION
MAYNARD, MASSACHUSETTS

TITLE POWER CONNECTOR G772			
SIZE B	CODE CS	NUMBER G772-0-1	REV. A
PRINTED CIRCUIT REV.			A

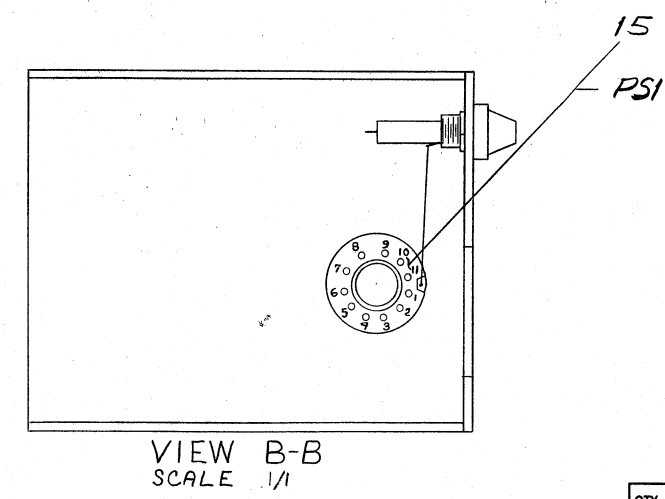
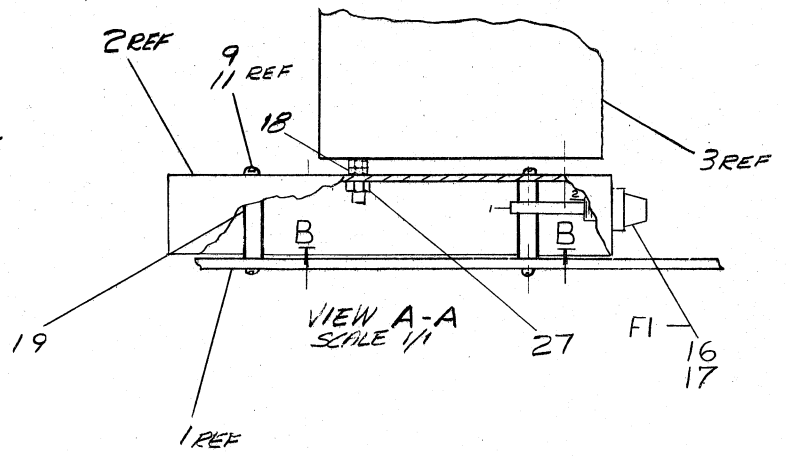
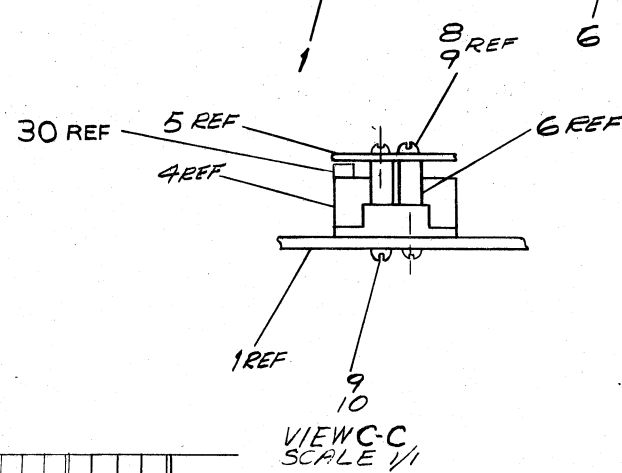
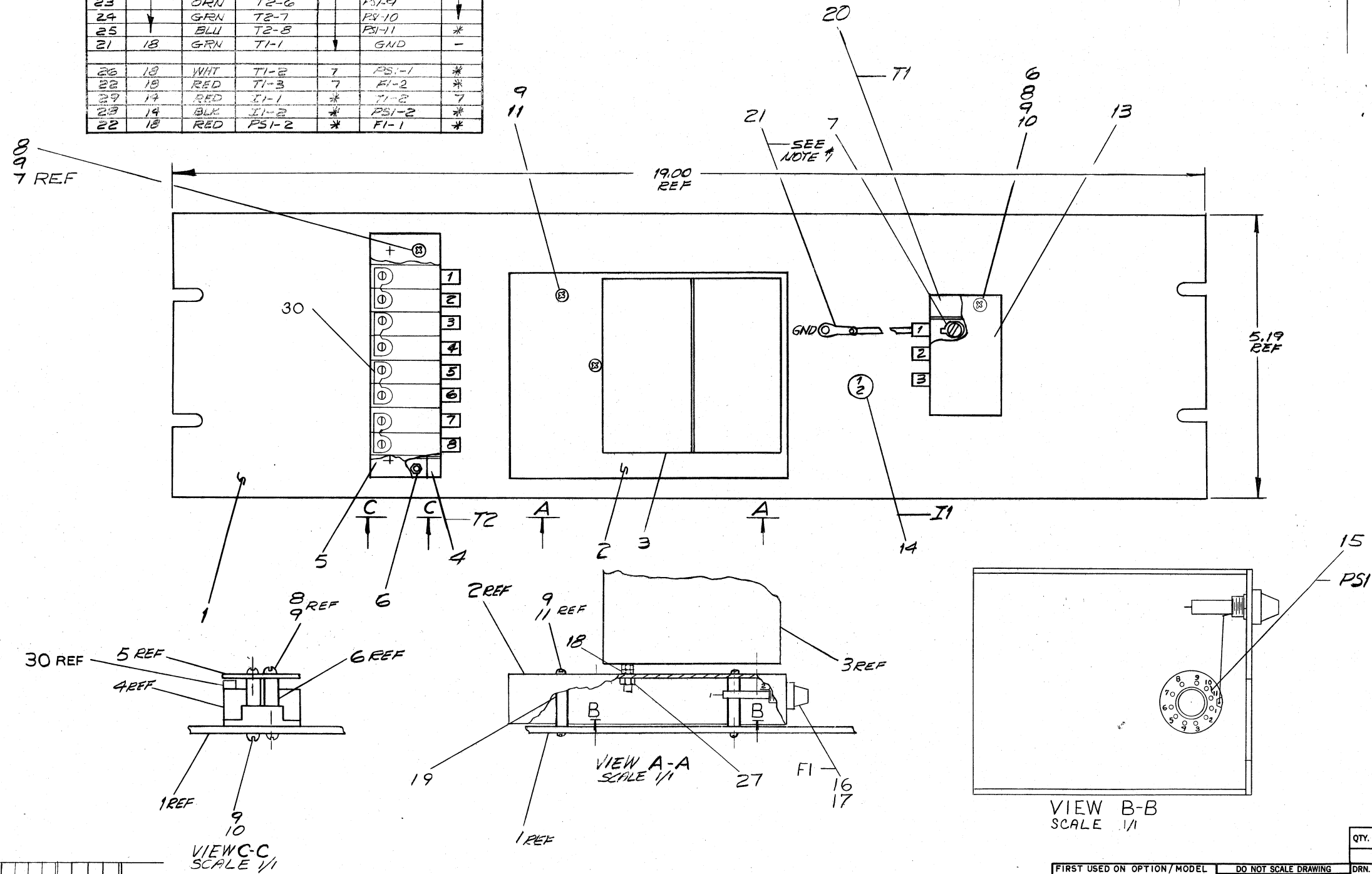


DI 10-16-69 + 10-17-69

This drawing and specifications, herein, are the property of Digital Equipment Corporation and shall not be reproduced or copied or used in whole or in part as the basis for the manufacture or sale of items without written permission.

ITEM NO	AWG	COLOR	FROM		TO	
			CONNECTION	WITH	CONNECTION	WITH
22	18	RED	T2-1	7	PSI-4	*
23		ORN	T2-2		PSI-5	
24		GRN	T2-3		PSI-6	
25		BLU	T2-4		PSI-7	
22		RED	T2-5		PSI-8	
23		ORN	T2-6		PSI-9	
24		GRN	T2-7		PSI-10	
25		BLU	T2-8		PSI-11	*
21	18	GRN	T1-1		GND	-
26	18	WHT	T1-2	7	PSI-1	*
22	18	RED	T1-3	7	FI-2	*
29	17	RED	I1-1	*	T1-2	7
28	14	BLK	I1-2	*	PSI-2	*
22	18	RED	PSI-2	*	FI-1	*

NOTES:
 1. ITEM (24) GRN WIRE, TO BE SOLDERED TO ITEM (21) GND LUG. THEN FASTEN ITEM (21) GND LUG BETWEEN ITEM (1) MTS PANEL AND ITEM (20) SPACER.
 2. * INDICATES SOLDERED END OF WIRE.



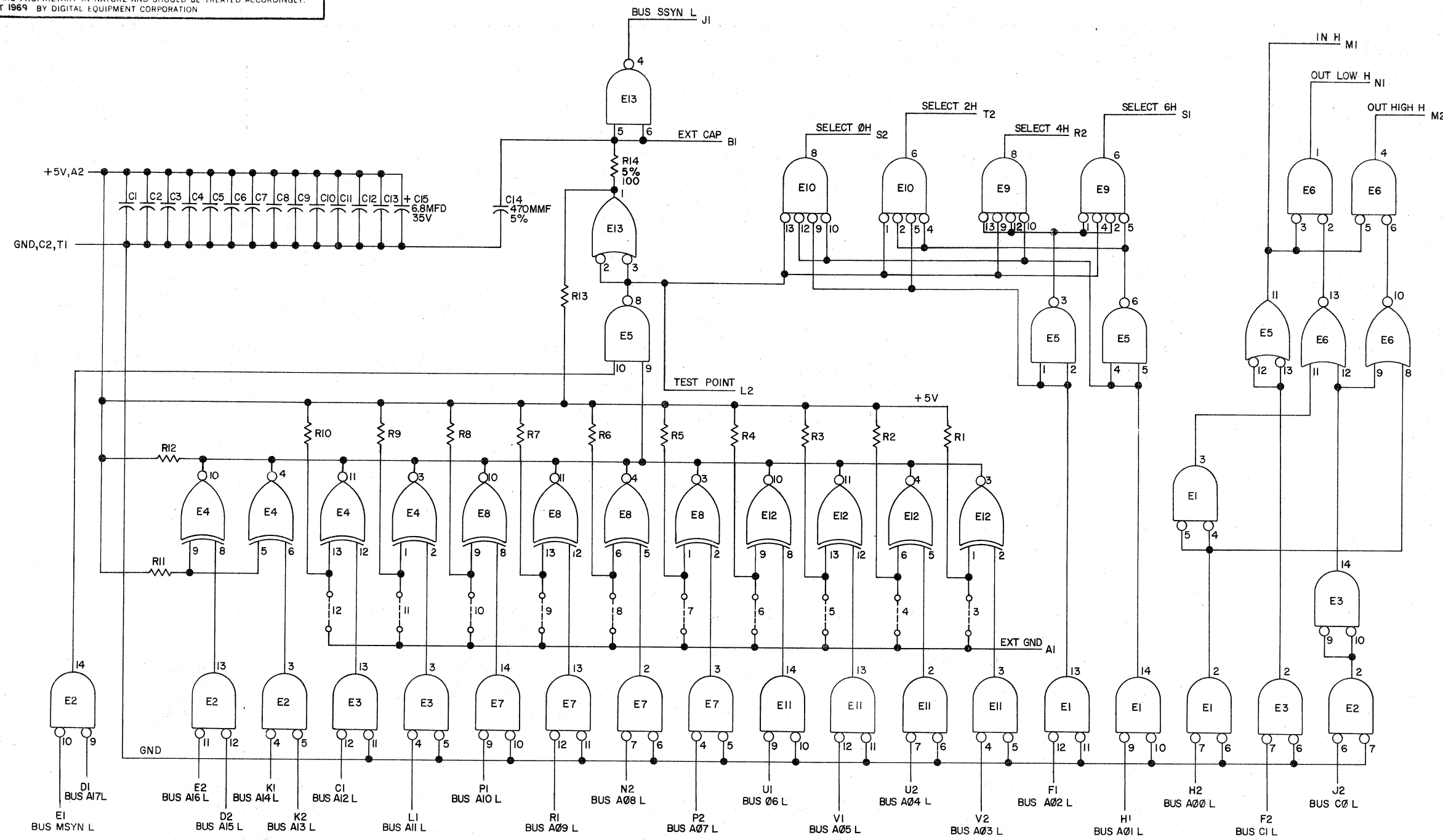
REV.	CHANGE NO.	DATE	BY	CHKD.
A	H704C-00002	11-9-70	GAGNE	
B	H704C-00003	11-10-70	GAGNE	
C	H704C-00004	11-17-70	GAGNE	
		10-5-71	R. GAGNE	
		10-5-71	RA	

FIRST USED ON OPTION/MODEL
AA11-D

DO NOT SCALE DRAWING
 UNLESS OTHERWISE SPECIFIED
 DIMENSION IN INCHES
 TOLERANCES
 DECIMALS FRACTIONS ANGLES
 ±.005 ± 1/64 ± 0°30'
 FINAL SURFACE QUALITY
 REMOVE BURRS AND BREAK SHARP CORNERS

QTY.	DESCRIPTION	PART NO.	ITEM NO.
PARTS LIST			
DRN.	DATE	digital EQUIPMENT CORPORATION MAYNARD, MASSACHUSETTS	
CHKD.	DATE		
ENG.	DATE		
PROD. ENG.	DATE		
MATERIAL		TITLE	
NEXT HIGHER ASSY		POWER SUPPLY ASSY (115 VAC)	
FINISH		SIZE CODE	NUMBER
SHEET		DUAH704-C-0	REV. C

THIS SCHEMATIC IS FURNISHED ONLY FOR REPAIR AND MAINTENANCE PURPOSES. THE CIRCUITS ARE PROPRIETARY IN NATURE AND SHOULD BE TREATED ACCORDINGLY. COPYRIGHT 1969 BY DIGITAL EQUIPMENT CORPORATION



UNLESS OTHERWISE INDICATED:
 ○---○ INDICATES JUMPERS
 RESISTORS ARE 1K, 1/4W, 5%
 CAPACITORS ARE .01MFD, 100V, 20%
 E1, E2, E3, E7, E11 ARE DEC380
 E4, E8, E12 ARE DEC8242
 E9, E10 ARE DEC8815
 E5 IS DEC74H00
 E6 IS DEC7402
 E13 IS DEC8881
 PIN 1 ON E1, E2, E3, E7, E11 = GND
 PIN 8 ON E1, E2, E3, E7, E11 = +5V
 PIN 7 ON E4, E5, E6, E8, E9, E10, E12, E13 = GND
 PIN 14 ON E4, E5, E6, E8, E9, E10, E12, E13 = +5V

REVISONS	CHK	CHG	NO.	REV.
	TS	LRI	00002	B

DRN	DATE
<i>A. Retey</i>	11-26-69
CHK'D	DATE
<i>[Signature]</i>	1-9-70
ENG	DATE
<i>[Signature]</i>	
PROD.	DATE
<i>[Signature]</i>	

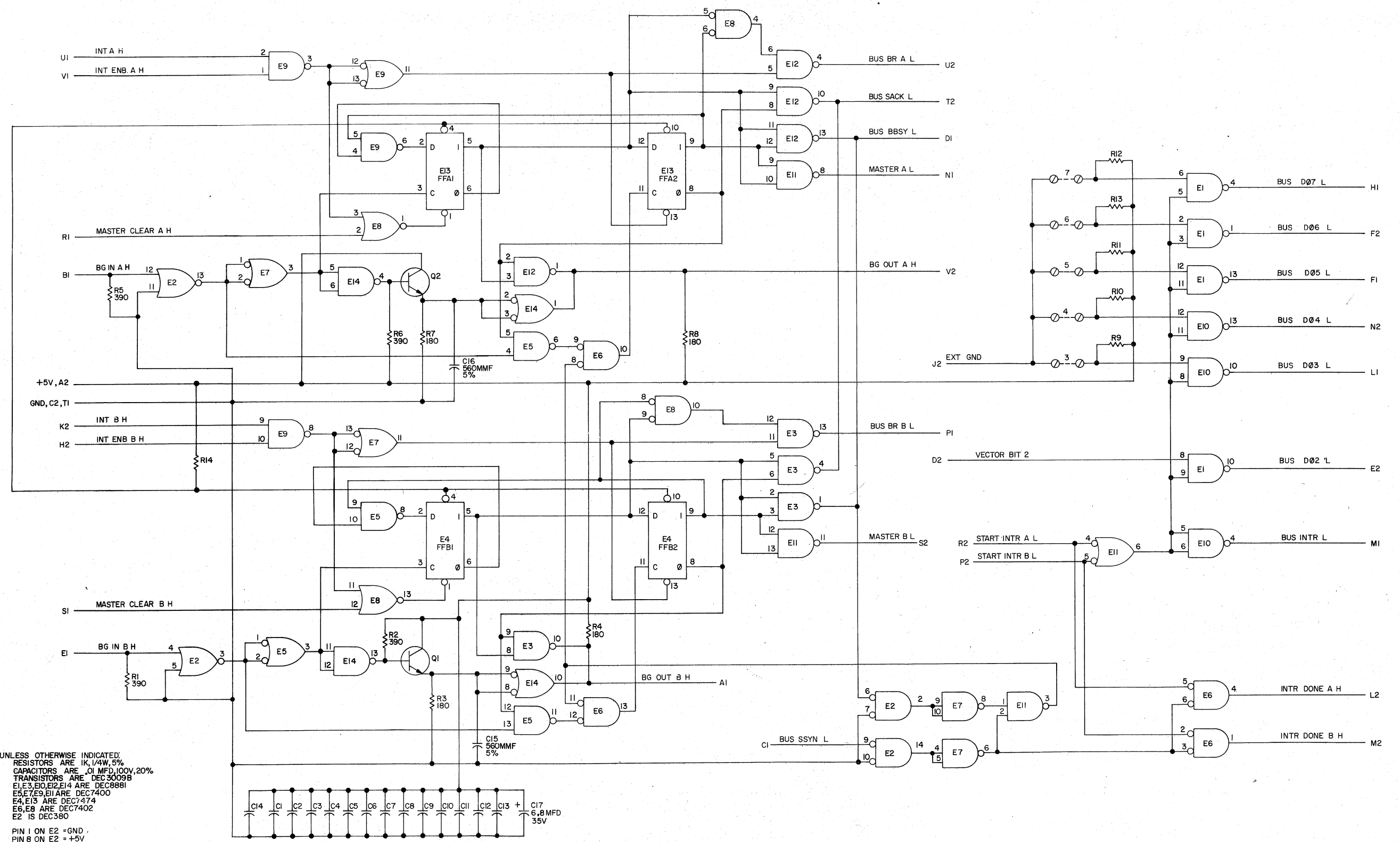
TRANSISTOR & DIODE CONVERSION CHART			
DEC	EIA	DEC	EIA



TITLE		
ADDRESS SELECTOR MI05		
SIZE	CODE	NUMBER
C	CS	MI05-0-1
PRINTED CIRCUIT REV.		
C		

REV B
 NUMBER MI05-0-1
 SIZE CODE C CS

THIS SCHEMATIC IS FURNISHED ONLY FOR TEST AND MAINTENANCE PURPOSES. THE CIRCUITS ARE PROPRIETARY IN NATURE AND SHOULD BE TREATED ACCORDINGLY. COPYRIGHT 1970 BY DIGITAL EQUIPMENT CORPORATION



UNLESS OTHERWISE INDICATED:
 RESISTORS ARE 1K, 1/4W, 5%
 CAPACITORS ARE .01 MFD, 100V, 20%
 TRANSISTORS ARE DEC 3009B
 E1, E3, E10, E12, E14 ARE DEC 8881
 E5, E7, E9, E11 ARE DEC 7400
 E4, E13 ARE DEC 7474
 E6, E8 ARE DEC 7402
 E2 IS DEC 380

PIN 1 ON E2 = GND
 PIN 8 ON E2 = +5V
 PIN 7 ON E1, E3 - E14 = GND
 PIN 14 ON E1, E3 - E14 = +5V
 ⊗ = SPLIT LUGS
 --- = JUMPERS

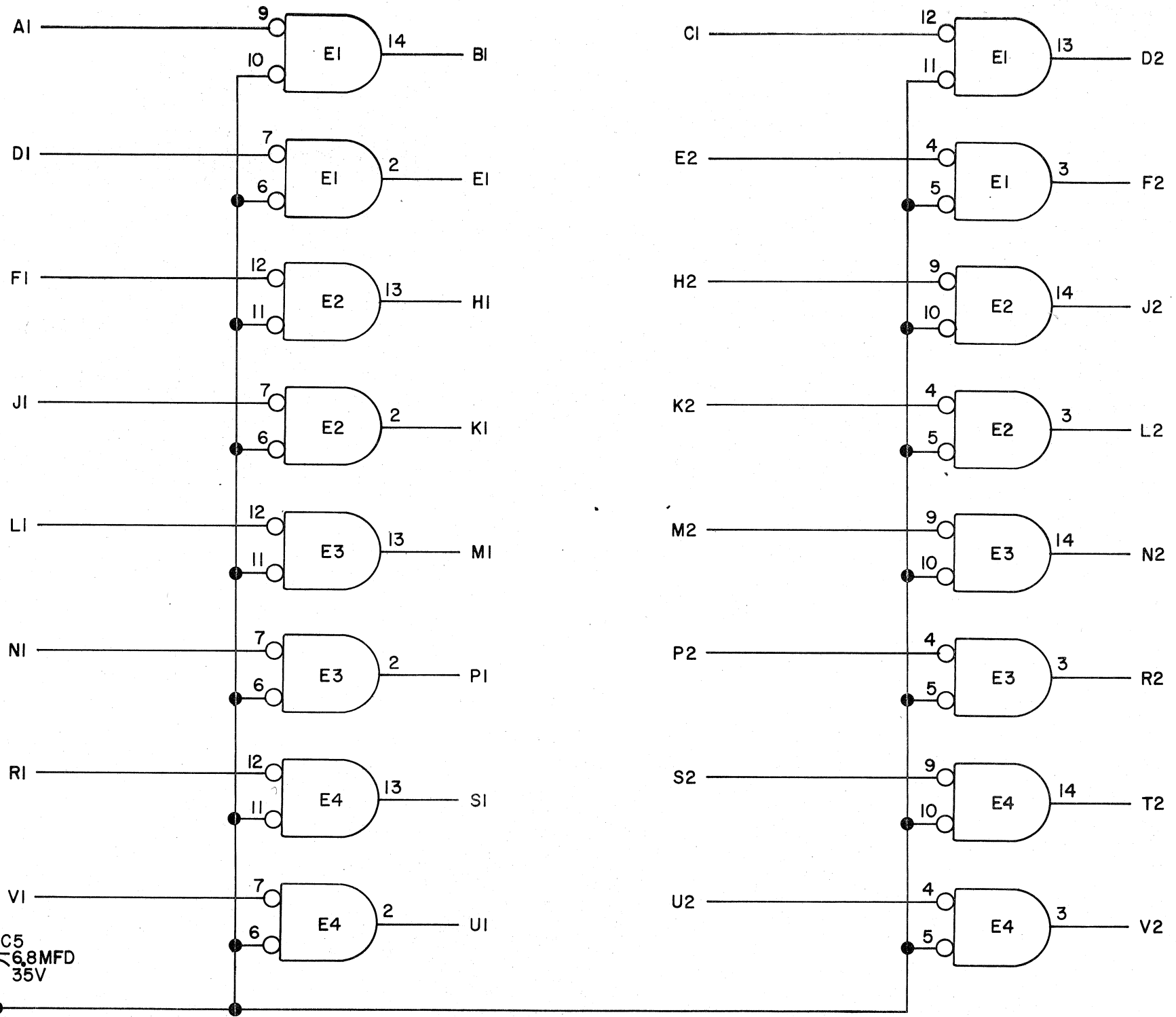
REV	DATE	BY	CHKD
A	000001		
B	000002		
C	000003		
D	000004		

ORIN	DATE
ALLAN RITCEY	1-9-70
DATE	DEC
DATE	DEC 3009B
DATE	2N3009B
DATE	
DATE	

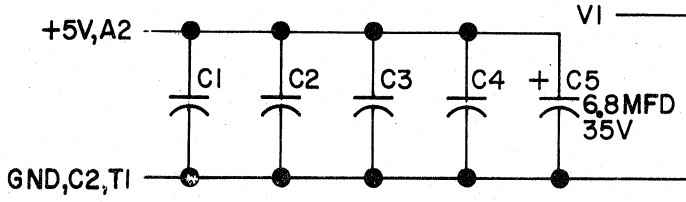
TRANSISTOR & DIODE CONVERSION CHART			
DEC	EIA	DEC	EIA

digital EQUIPMENT CORPORATION
 INTERRUPT CONTROL M782
 SIZE CODE M782-0-1
 NUMBER M782-0-1
 REV D

THIS SCHEMATIC IS FURNISHED ONLY FOR TEST AND MAINTENANCE PURPOSES. THE CIRCUITS ARE PROPRIETARY IN NATURE AND SHOULD BE TREATED ACCORDINGLY. COPYRIGHT 1969 BY DIGITAL EQUIPMENT CORPORATION



UNLESS OTHERWISE INDICATED:
 CAPACITORS ARE .01MFD, 100V, 20%
 IC'S ARE DEC380
 PIN 1 ON EACH IC=GND
 PIN 8 ON EACH IC=+5V



REVISIONS	CHK	CHG NO.	REV.			DRN <i>A. M. [Signature]</i>	DATE	TRANSISTOR & DIODE CONVERSION CHART				 EQUIPMENT CORPORATION MAYNARD, MASSACHUSETTS	TITLE UNIBUS RECEIVERS M784			
	00001	A					DATE	DEC	EIA	DEC	EIA		SIZE	CODE	NUMBER	REV.
	00002	B					DATE						B	CS	M784-0-1	B
							DATE						PRINTED CIRCUIT REV. A B C			
						PROD.	DATE									

This drawing and specifications, herein, are the property of Digital Equipment Corporation and shall not be reproduced or copied or used in whole or in part as the basis for the manufacture or sale of items without written permission.

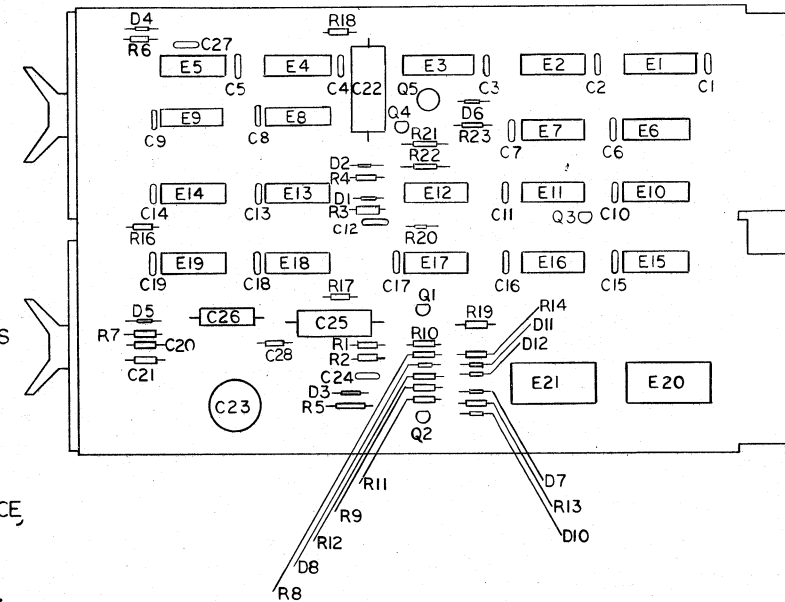
PARTS REFERENCE

ITEM NO	DRAWING REFERENCE	DESCRIPTION	PART NUMBER	QUANTITY
1	C1 THRU C19, C24, C27	.01 UF 100V 20% DISC	1001610	21
2	C20, C21	1 UF 35V 10% S. TANT	1001776	2
3	C22	.22 UF 100V 10% MYLAR	1000037	1
4	C23	.1 UF 50V 20% DISC	1000030	1
5	C25	.15 UF 100V 10% MYLAR	1002629	1
6	C26	.033 UF 100V 10% MYLAR	1000050	1
7	D1 THRU D8	D664 DIODE	1100114	8
8	D10, D11, D12	D670 DIODE	1102162	3
9	E1, E10, E13, E15	DEC 7474 IC	1905547	4
10	E2, E14	DEC 8881 IC	1909705	2
11	E3, E4, E5, E8, E9, E12, E16, E17, E18, E19	DEC 7400 IC	1905575	10
12	E6	DEC 7420 IC	1905577	1
13	E11	DEC 7410 IC	1905576	2
14	E20, E21	IC SOCKET	1209838	2
15	R1, R6	330 1/4 W 5% RES	1300295	2
16	R2, R12	750 1/4 W 5% RES	1301401	2
17	R3, R5, R7	470 1/4 W 5% RES	1300316	3
18	R4	220 1/4 W 5% RES	1300271	1
19	R8, R9, R10, R11, R14, R17, R18, R19, R23, R21	3K 1/4 W 5% RES	1300432	10
20	R13	680 1/4 W 5% RES	1301424	1
21	R16	820 1/4 W 5% RES	1301775	1
22	R20, R22	1K 1/4 W 5% RES	1300365	2
23	Q1, Q2	DEC 6534 C TRANSISTOR	1503409-02	2
24	Q3, Q4	DEC 2 TRANSISTOR	1505650	2
25	Q5	DEC 3638 B TRANSISTOR	1502979	1
26	T1, T2, T3, C28 OPTION	SPLIT LUGS	9006735	1
27	C28	.015UF 100V 10% MYLAR	1002630	1
28		INSULATED JUMPERS		A/R

NOTES:

- PIN NOTATION THROUGHOUT IS ORDERED UPON MODULE PLACEMENT IN THE K111 PROCESSOR. MODULE REFERENCE ALONE IS OBTAINED BY DELETING THE NUMBER (SLOT LOCATION) AFTER THE FIRST LETTER, AND CONVERTING THE FIRST LETTER ACCORDING TO THE PIN NOMENCLATURE CHART AT RIGHT.
- ALL SIGNALS THAT HAVE MODULE PINS ARE SO NOTED; MULTIPLE NOTATIONS OF THE SAME SIGNALS WITHIN A MODULE HAVE THE PIN NOTED ON EACH. AN INPUT SIGNAL IS NOTED ONLY ONCE PER SHEET UNLESS SEPERATE PINS ARE USED; MULTIPLE INPUTS ARE CONNECTED. MODULE OUTPUT SIGNALS ARE BROUGHT TO THE EXTREME RIGHT OF EACH SHEET.
- PROCESSOR SIGNAL SOURCE NOTATION (K10-2, FOR EXAMPLE) IDENTIFIES THE SIGNAL SOURCE (PRINT AND MODULE). THE FIRST NUMBER AFTER THE K INDICATES THE MODULE PRINT SET, WHILE THE SECOND INDICATES THE SHEET WITHIN THE SET. IF ON A PRINT, THE FIRST NUMBER OF THE K PREFIXES COINCIDE FOR A SIGNAL NAME AND THE PRINT (SEE TITLE BLOCK), THE SIGNAL IS GENERATED ON THE MODULE. A DIFFERENCE IN THE FIRST NUMBER OF THE K PREFIXES INDICATES A SIGNAL GENERATED OFF THE MODULE. SIGNALS WITH A "BUS" PREFIX REPRESENT A "WIRED OR" SITUATION, AND MULTIPLE SOURCES FOR THE SIGNAL CAN EXIST.
- DETAILS ON COMPONENTS ARE NOTED IN THE PARTS REFERENCE, PLACEMENT IS NOTED IN THE COMPONENT PLACEMENT DIAGRAM. CAPACITORS WITHOUT NOTED VALUES ARE .01 MFD.
- GND AND +5V ARE USUALLY PIN 7 AND PIN 14, RESPECTIVELY.
- ⊙ INDICATES SPLT LUGS.
- C28 IS AN ENGINEERING OPTION.

COMPONENT PLACEMENT



IC TYPE	GND	+5V
DEC 7481	PIN 10	PIN 4
DEC 7482	PIN 11	PIN 4
DEC 8251	PIN 8	PIN 16
DEC 8271	PIN 8	PIN 16
DEC 380	PIN 1	PIN 8
DEC 384	PIN 1	PIN 8

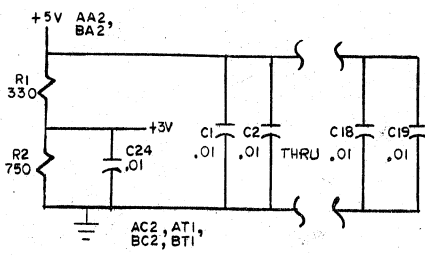
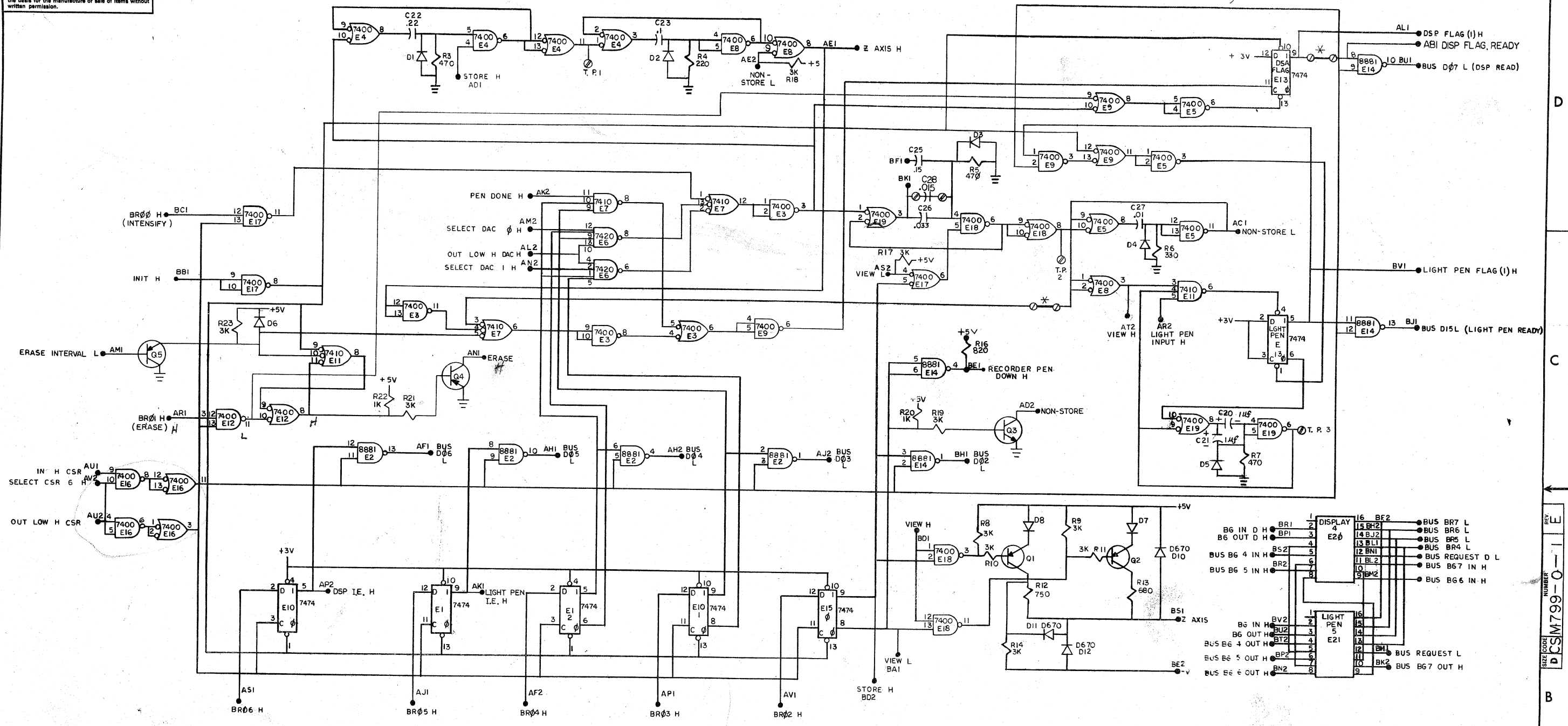
REV	CHANGE NO	DATE	BY	CHK
D	1	10/12/71	R. GAGNE	M. J. GAGNE
E	2	10/17/71	R. GAGNE	M. J. GAGNE
F	3	11/17/71	R. GAGNE	M. J. GAGNE

ETCH REV	F	QTY.	DESCRIPTION	PART NO.	ITEM NO.
FIRST USED ON OPT/MOD	A A11-A				
PARTS LIST					
UNLESS OTHERWISE SPECIFIED			DRN: <i>W.F. M...</i> DATE: 10/12/71 CHK: <i>R. GAGNE</i> DATE: 10/17/71 ENG: <i>R. GAGNE</i> DATE: 10/17/71 PROD. DATE:		
DIMENSION IN INCHES TOLERANCES DECIMALS: ±.005 FRACTIONS: ± 1/64 ANGLES: ± 0'30" FINISH: ENHANCED SURFACE QUALITY REMOVE BURRS AND BREAK SHARP CORNERS			digital EQUIPMENT CORPORATION WATYARD, MASSACHUSETTS TITLE: DISPLAY CONTROL M799		
MATERIAL			NEXT HIGHER ASSY: A-ML-AAH-A		
FINISH			SCALE: NONE		
			SIZE CODE: DCS M799-0-1		
			NUMBER: 1 OF 2		
			REV: E		

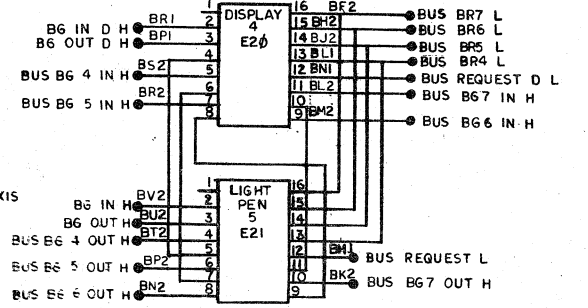
REV E
NUMBER DCSM 799-0-1

This drawing and specifications, herein, are the property of Digital Equipment Corporation and shall not be reproduced or copied in whole or in part as the basis for the manufacture or sale of items without written permission.

REV. 1
NUMBER DCSM799-0-1
SIZE CODE 2



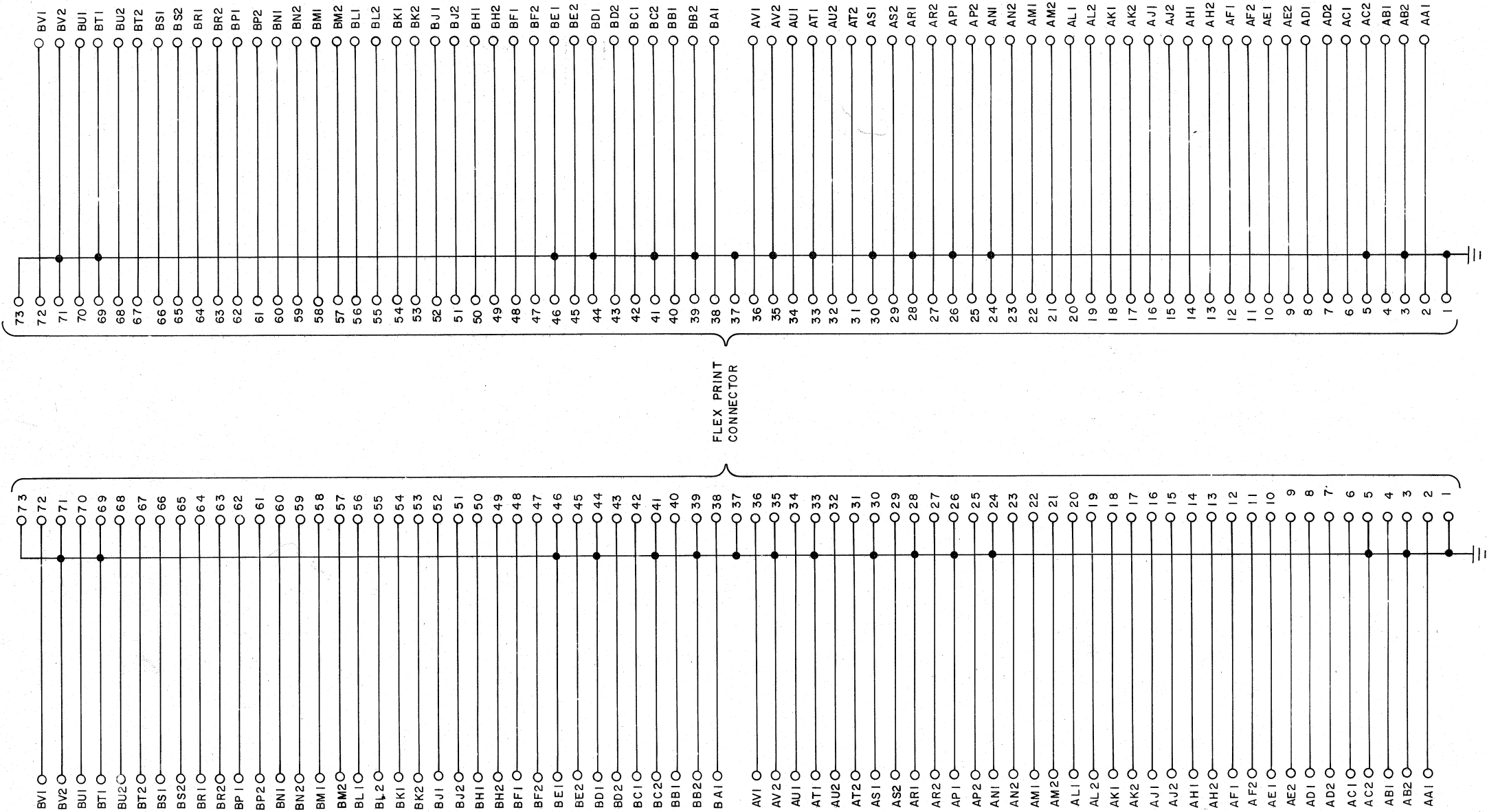
NOTE:
* CUT OUT JUMPERS AND C28 WHEN USED WITH THE VR20 COLOR CONTROL M7990.



REV.	
CHANGE NO.	
CHK	

FIRST USED ON OPTION/MOD	QTY.	DESCRIPTION	PART NO.	ITEM NO.
A A11-A				
PARTS LIST				
UNLESS OTHERWISE SPECIFIED	DRN	DATE 7-7-70	digital EQUIPMENT CORPORATION MAYNARD, MASSACHUSETTS	
UNLESS OTHERWISE SPECIFIED	CHKD	DATE 7-27-70	TITLE	
DIMENSION IN INCHES	ENG	DATE 1-5-71	DISPLAY CONTROL M799	
TOLERANCES	PROJ. ENG.	DATE 7-5-71	SIZE CODE NUMBER REV.	
DECIMALS FRACTIONS ANGLES	PROD.	DATE	DCSM799-0-1 E	
= .005 ± 1/64 9 0°/30°			SHEET 2 OF 2	
RIMAL SURFACE QUALITY REMOVE BURRS AND BREAK SHARP CORNERS			DIST.	
MATERIAL	NEXT HIGHER ASSY			
FINISH	A-ML-A A11-A			

THIS SCHEMATIC IS FURNISHED ONLY FOR TEST AND MAINTENANCE PURPOSES. THE CIRCUITS ARE PROPRIETARY IN NATURE AND SHOULD BE TREATED ACCORDINGLY. COPYRIGHT 1969 BY DIGITAL EQUIPMENT CORPORATION



REVISIONS	
CHK	CHG NO. REV.
✓	00001 A
✓	00002 B

DEC FORM NO. DRC 102

DRN <i>P. L. L...</i>	DATE 11-2-69
CHKD <i>L. H...</i>	DATE 11-4-69
ENG <i>C. K. B...</i>	DATE 3-11-70
PROD.	DATE 3-20-70

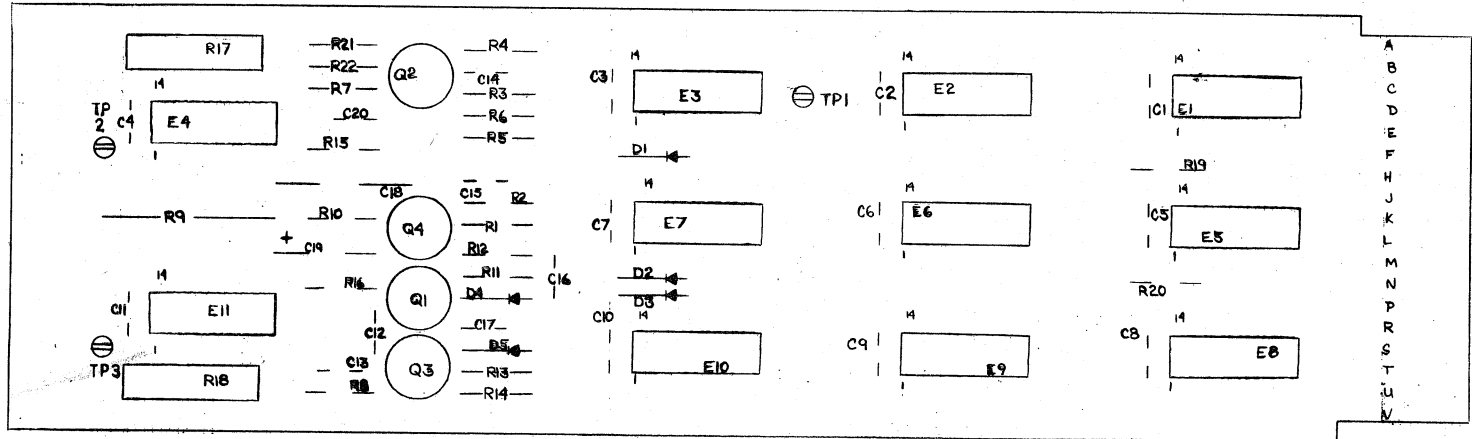
TRANSISTOR & DIODE CONVERSION CHART			
DEC		EIA	

digital
EQUIPMENT CORPORATION
MAYNARD, MASSACHUSETTS

TITLE INTERNAL BUS CONNECTOR M920			
SIZE C	CODE CS	NUMBER M920-0-1	REV. B
PRINTED CIRCUIT REV.			B

SIZE CODE NUMBER REV.
C CS M920-0-1 B

This drawing and specifications, herein, are the property of Digital Equipment Corporation and shall not be reproduced or copied or used in whole or in part as the basis for the manufacture or sale of items without written permission.

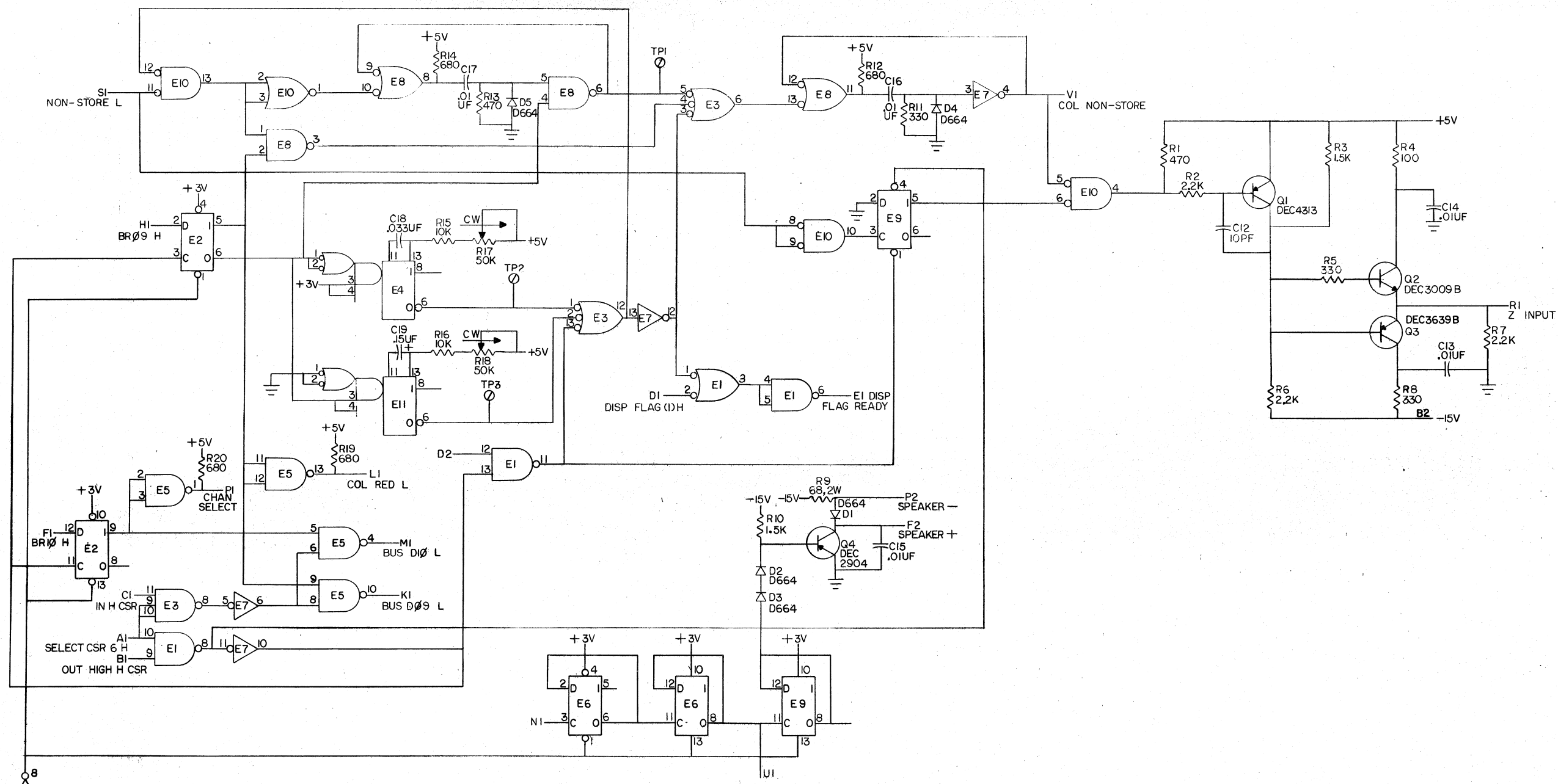


QTY	REF DESIGNATION	DESCRIPTION	PART NO.	ITEM NO.
1		HANDLE, FLIP CHIP - MAGENTA	9008337-06	32
3		SPLIT LUG	9006735	31
2		EYELET	9006732	30
1	B5	I.C. DEC 8881	1909705	29
1	E7	I.C. DEC 7404	1909686	28
2	E4, 11	I.C. DEC 9601	1909373	27
1	E10	I.C. DEC 7402	1909004	26
1	E3	I.C. DEC 7410	1905576	25
2	E1, 8	I.C. DEC 7400	1905575	24
3	E2, 6, 9	I.C. DEC 7474	1905547	23
1	Q4	TRANSISTOR DEC 2904	1501742	22
1	Q1	TRANSISTOR DEC 4313	1505715	21
1	Q2	TRANSISTOR DEC 3009B	1503100	20
1	Q3	TRANSISTOR DEC 3639B	1502762	19
2	R17, 18	RES. 50K 3/4W 10% TRIMMER	1309143-13	18
4	R5, 8, 11, 21	RES. 330 1/4W 5%	1300295	17
1	R9	RES. 68 2W 10%	1301809	16
5	R12, 14, 19, 20, 22	RES. 680 1/4W 5%	1301424	15
2	R16, 15	RES. 10K 1/4W 5%	1300479	14
3	R2, 6, 7	RES. 2.2K 1/4W 5%	1300417	13
2	R3, 10	RES. 1.5K 1/4W 5%	1300391	12
2	R13, 1	RES. 470 1/4W 5%	1300316	11
1	R4	RES. 100 1/4W 5%	1300229	10
5	D1 thru D5	DIODE D664	1100114	9
1	C19	CAP. .15UF 35V 20% TANT	1002180	8
17	C1 -11, 13 -17, 20	CAP. .01UF 100V 20% DISC	1001610	7
1	C18	CAP. .033UF 100V 10% MYLAR	1000050	6
1	C12	CAP. 10PF 100V 5% D.M.	1000006	5
1		ETCHED CIRCUIT BOARD	5009694	4
		MODULE ECO HISTORY	B-MH-M7990-0-6	3
		ASSY/DRILLING HOLE LAYOUT	D-AH-M7990-0-5	2
		X-Y COORDINATE HOLE LOCATION	K-CO-M7990-0-4	1

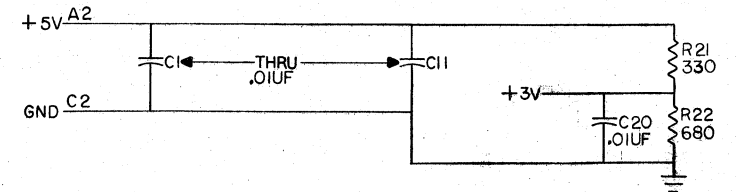
ETCH BOARD REV		B		DATE		DATE		DATE		DATE		DATE	
DRM	D664	IN 3606											
CHK'D	DEC 2904												
ENG.	DEC 4313												
PROJ. ENG.	DEC 3009B	2N 3009											
PROD.	DEC 3639B												
NEXT HIGHER ASSY													
DEC NO.		EIA NO.		DEC NO.		EIA NO.		SCALE		SIZE CODE		NUMBER	
								D CS		M7990-0-1		REV. A	
SEMICONDUCTOR CONVERSION CHART													
SHEET 1 OF 2													

SIZE CODE NUMBER M7990-0-1

This drawing and specifications, herein, are the property of Digital Equipment Corporation and shall not be reproduced or copied or used in whole or in part as the basis for the manufacture or sale of items without written permission.



UNLESS OTHERWISE INDICATED:
PIN 14 = +5V ON ALL IC'S
PIN 7 = GND



QTY	REF DESIGNATION	DESCRIPTION	PART NO.	ITEM NO.
PARTS LIST				
ETCH BOARD REV B				
LAB II COLOR CONTROL				
DRN		DATE	TITLE	
NANCY MOORE		8-26-71	LAB II	
PROJ. ENG.		DATE	COLOR CONTROL	
PROD.		DATE	TITLE	
NEXT HIGHER ASSY				
DEC. NO.	EIA NO.	DEC. NO.	EIA NO.	SCALE
				2 OF 2
SEMICONDUCTOR CONVERSION CHART			DIST.	

This drawing and specifications herein are the property of Digital Equipment Corporation and shall not be reproduced or copied or used in whole or in part as the basis for the manufacture or sale of items without written permission.

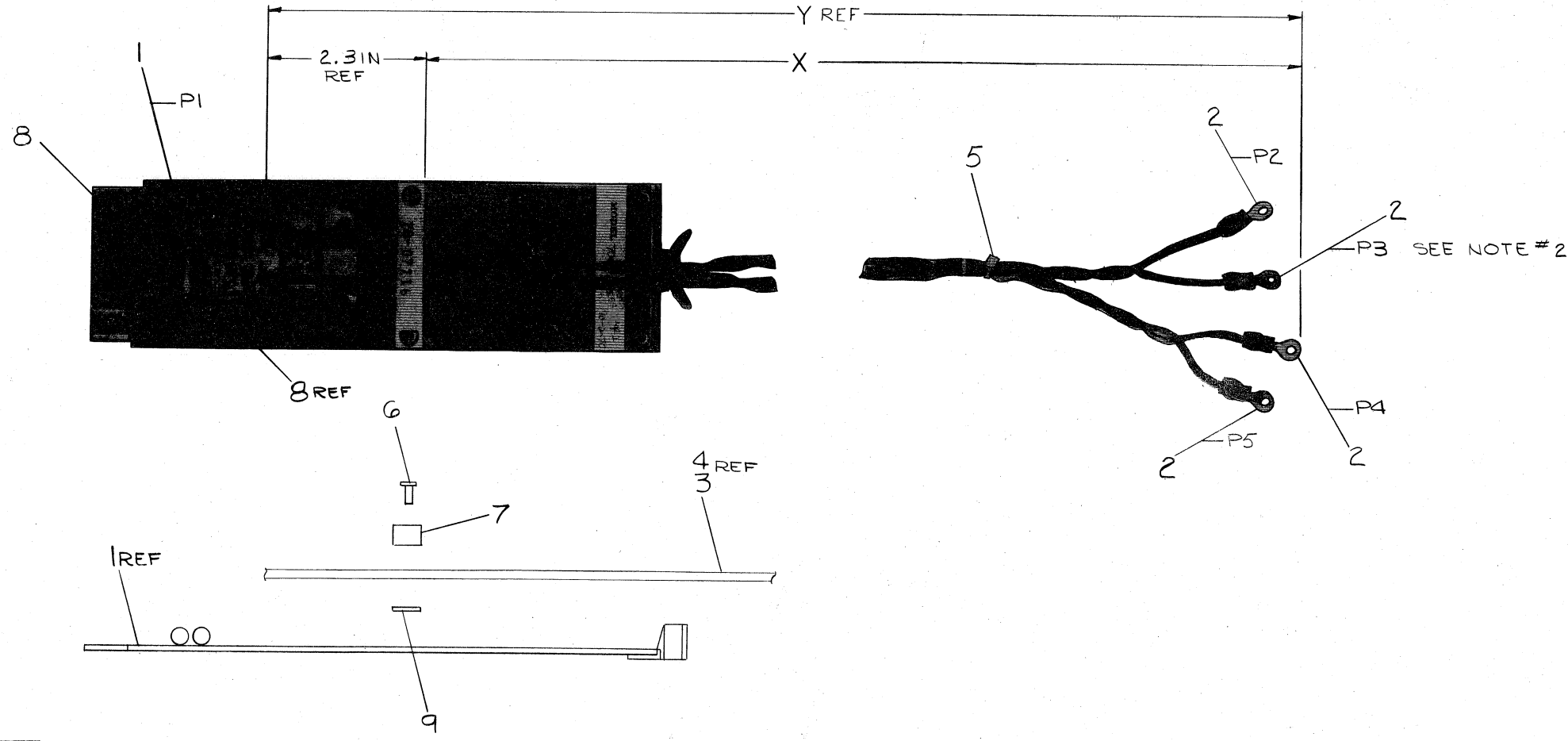
LEGEND		
NUMBER	DIM. X	DIM Y REF
7007116-10	10 FT 4.0 IN ± 2.0 IN	10 FT. 6.3 IN

WIRE TABLE						
ITEM NO	DESCRIPTION	FROM	TO	CONNECTION WITH	CONNECTION WITH	
3	#14 TWP	BRN PI-5	SOLDER	P2	#2	
		BLU PI-6		P3		
4	#14 TWP	BRN PI-12		P4		
		RED PI-14	SOLDER	P5	2	

EXTERNAL COMPONENTS LIST						
ITEM NO	DESCRIPTION	POL	FROM	TO	POL	REMARKS
8	CAPACITOR	POS	PI-1	PI-8	NEG	SOLDER
8	CAPACITOR	POS	PI-9	PI-2	NEG	SOLDER

NOTES:

- SOLDER #3 & #4 (WIKE) TO #1 (CONN CARD), APPLY #9 (TAPE) TO #1 (CONN CARD), ASSEMBLE #6 (EYE-LET) & #7 (CABLE CLAMP) TO #1 (CONN CARD) AFTER SOLDERING.
- LABEL ALL #2 (SOLDERLESS CONN) WITH DESIGNATION SHOWN (P2, P3, P4, P5) USE BRADY MARKERS.



QTY.	DESCRIPTION	PART NO.	ITEM NO.
1	A/R TAPE #4032 1/2 WIDE 3M CO	9007834	9
2	CAP 100UF, 20VDC ± 10%	1004815	8
1	CABLE CLAMP #944	B-ND-530830-1	7
2	EYELET A94 STIMPSON	9006741	6
A/R	TIE-WRAP SST 1.5M PANDUIT	9007880	5
A/R	#14 AWG STRD TEF INS TWP BRN/RED	9107440-12	4
A/R	#14 AWG STRD TEF INS TWP BRN/BLU	9107440-16	3
4	CONN #50325 ARLESS	9007927	2
1	CONN 6767	6767	1

REV.	CHANGE NO.	DATE
A	1	7/1

CHK: [Signature]
GAGNE
1-26-71

FIRST USED ON OPTION / MODEL
AA11-D

DO NOT SCALE DRAWING
UNLESS OTHERWISE SPECIFIED
DIMENSION IN INCHES
TOLERANCES
DECIMALS FRACTIONS ANGLES
± .000 ± 1/32 ± 0'30"
FINAL SURFACE QUALITY
REMOVE BURRS AND BREAK SHARP CORNERS

DRN. [Signature] DATE 1/16/70
CHK'D [Signature] DATE 7/29/70
ENG. [Signature] DATE 7/29/70
PROJ. ENG. [Signature] DATE 12/26/70
PROD. [Signature] DATE 11-12-70

digital EQUIPMENT CORPORATION
MAYNARD, MASSACHUSETTS

TITLE
CABLE POWER SUPPLY

SIZE CODE NUMBER REV.
DIA 7007116-0-0 A

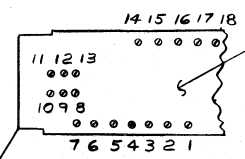
SCALE: # OF 1
SHEET 1 OF 1

NUMBER	VARIATION	
	DIM "X"	DIM "Y"
7007122-12	12 FT ± 3 IN	12 FT ± 6 IN

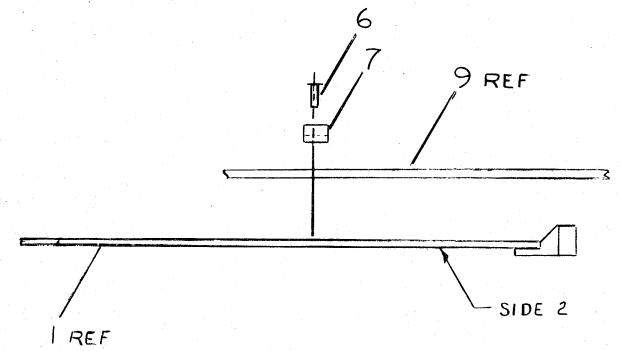
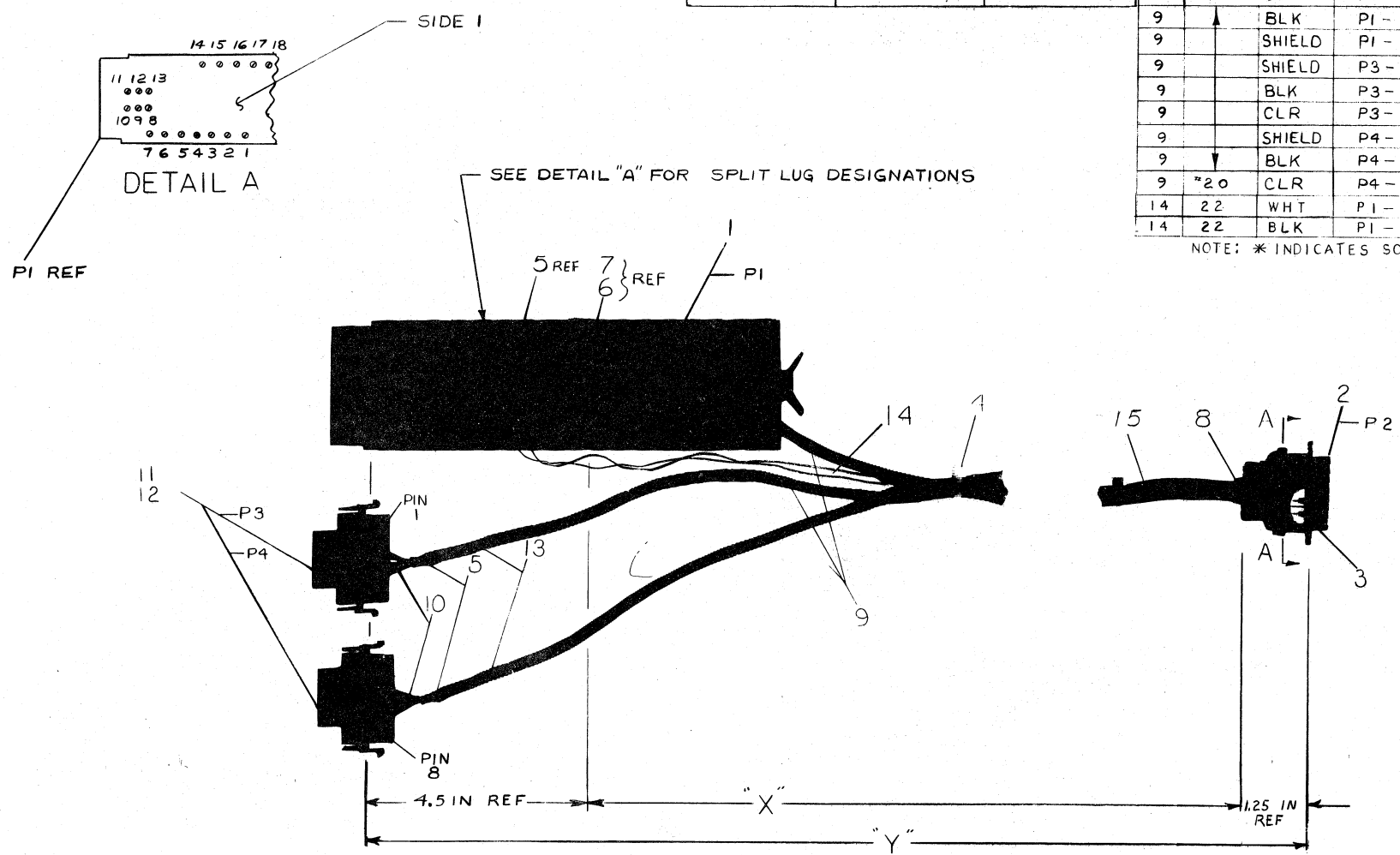
ITEM NO.	DESCRIPTION	FROM		TO	
		CONNECTION	WITH	CONNECTION	WITH
9	#20 CLR	P1-16 (U2)	*	P2-13	*
9	BLK	P1-15 (T2)	*	P2-14	3#*
9	SHIELD	P1-14 (S2)	GRN TUB ± *		NOTE #1
9	SHIELD	P3-6	GRN TUB ± *	P2-12	GRN TUB #10 ± *
9	BLK	P3-4	*	P2-11	3#*
9	CLR	P3-5	*	P2-10	*
9	SHIELD	P4-6	GRN TUB ± *	P2-9	GRN TUB #10 ± *
9	BLK	P4-4	*	P2-8	*
9	#20 CLR	P4-5	*	P2-7	3#*
14	22 WHT	P1-13 (H2)	*	P2-4	*
14	22 BLK	P1-1 (U2)	*	P2-5,6	*

NOTE: * INDICATES SOLDERED CONNECTIONS

- NOTES**
- CUT BACK AT CABLE SHIELDING
 - DO NOT TIE WRAP TWISTED PAIR TO BELDEN CABLE.
 - ADD BLACK TUBING BEFORE INSTALLATION OF CINCH CONNECTOR. TUBING TO START AT CINCH CONNECTOR AND RUN FOR 11 FT. TOWARD G767 MODULE. TUBING TO BE TIE WRAPPED AT EACH END.



DETAIL A



SECTION A-A

QTY.	DESCRIPTION	PART NO.
A/R	TUBING, BLACK 1/2"	9107246-00
A/R	#22 BLK & WHT TWP	9107420-09
A/R	MARKERS, BRADY #1 & Ø	13
6	PINS	1209378-01
2	PLUG MATE-N-LOCK	1209390-01
A/R	#22 TEFLON THIN WALL TUBING	9107256-05
A/R	CABLE BELDEN #8762	9007701
A/R	TAPE #4032 1/2 WIDE	9007834
1	CABLE CLAMP #943	5308301-2
2	EYELET A94 STIMPSON	9006741
3	HEAT SHRINKABLE TUB. 3/16 OD X 3/16 LG	9107305-02
A/R	TIE WRAP SST 1.5M PANDUIT	9007880
A/R	HEAT SHRINKABLE TUB. 1/8 OD	9107255-09
1	CONN PLUG 24 PIN CINCH	1203466
1	CONNECTOR BOARD WITH HANDLE	G 767

REV.	DATE	BY	DESCRIPTION
1	11-12-70	R. GASNE	INITIAL DESIGN
2	1-26-71	R. GASNE	REVISED & REDRAWN
3	6-29-71	R. GASNE	REVISED & REDRAWN
4	7-8-71	R. GASNE	REVISED & REDRAWN
5	3-22-72	R. GASNE	REVISED & REDRAWN

FIRST USED ON OPTION/MODEL
AA11-C

UNLESS OTHERWISE SPECIFIED	ALL DIMENSIONS IN INCHES
TOLERANCES	ANGLES
FINISH SURFACE QUALITY	REMOVE BURRS AND BREAK SHARP EDGES
MATERIAL	
FINISH	

EQUIPMENT CORPORATION

TITLE: **CABLE, CONTROL VRI2**

SCALE: NONE

SHEET 1 OF 1

DATE: 11-12-70

BY: R. GASNE

REV. C

This drawing and specifications are the property of Digital Equipment Corporation and shall not be reproduced or copied or used in whole or in part as the basis for the manufacture or sale of items without written permission.

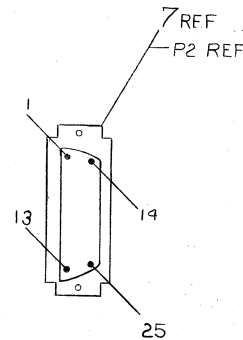
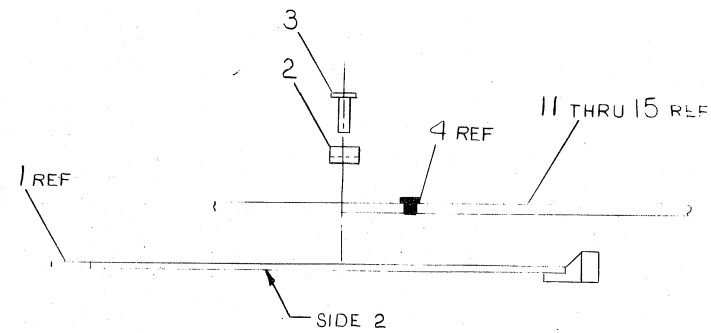
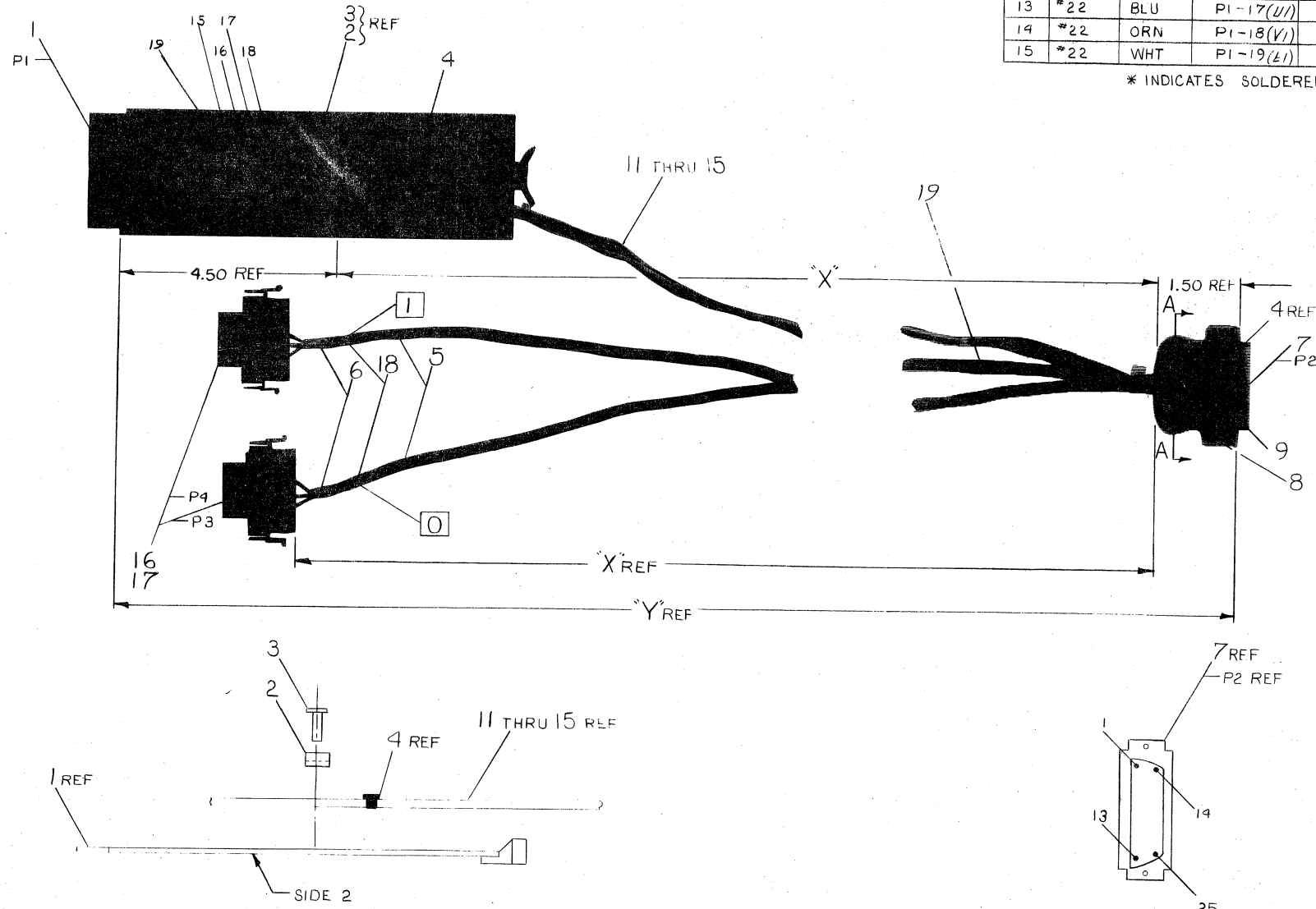
LEGEND		
NUMBER	VARIATION	
	DIM "X"	DIM "Y" REF
700713R 12	12FT ± 3.0	12FT 6.0 ± 3.0

WIRE TABLE						
ITEM NO	DESCRIPTION	FROM		TO		WITH
		CONNECTION	WITH	CONNECTION	WITH	
5	*20 CLR	P4-5	*	P2-15	*9	*
5	*20 BLK	P4-4	*	P2-16		
5	*20 SHIELD	P4-6	*10	P2-3		
5	*20 SHIELD	P3-6	*10	P2-14		
5	*20 BLK	P3-4	*	P2-2		
5	*20 CLR	P3-5	*	P2-1		
11	*22 BLK	PI-1 (C)	*	P2-19		
12	*22 BLK	PI-15 (T2)	*	P2-17		
	TWP GRN	PI-16 (U2)	*	P2-4		
13	*22 BLU	PI-17 (U1)	*	P2-18		
14	*22 ORN	PI-18 (V1)	*	P2-7		
15	*22 WHT	PI-19 (L1)	*	P2-6	*9	*

NOTES:

- DO NOT USE TIE WRAPS ON TWISTED PAIRS.
- ADD BLACK TUBING BEFORE INSTALLATION OF CINCH CONNECTOR. TUBING TO START AT CINCH CONNECTOR AND RUN 11FT TOWARD G767 MODULE. TUBING TO BE TIE WRAPPED AT EACH END.

* INDICATES SOLDERED CONNECTION



QTY.	DESCRIPTION	PART NO.	ITEM NO.
19	TUBING, BLACK 1/2"	9107246-00	19
	MARKERS, BRADY		18
6	PINS MALE	1209378-01	17
2	PLUG MATE-N-LOCK	1209340-01	16
15	*22 AWG STRD TEF INS WHT	9107350-99	15
14	*22 AWG STRD TEF INS ORN	9107350-33	14
13	*22 AWG STRD TEF INS BLU	9107350-66	13
12	*22 AWG STRD TEF INS TWP BLK/GRN	9107420-05	12
11	*22 AWG STRD TEF INS BLK	9107350-00	11
10	*20 TEFLON THIN WALL TUBING	9107267-05	10
9	HEAT SHRINK TUB WHT 1/8 DIA	9107255	9
8	1 PLUG CINCH HOOD #DB51226-1	1205885	8
7	1 PLUG CINCH DB-25P	1205886	7
6	2 HEAT SHRINKABLE TUB 3/16 ODX 3/16 LG	9107305	6
5	5 CABLE BELDEN #8762	9107701	5
4	4 TIE WRAP SST 1.5M PANDUIT	9007880	4
3	2 EYELET A94 STIMPSON	9006741	3
2	1 CABLE CLAMP #943	5308301-2	2
1	1 CONNECTOR BOARD WITH HANDLE	G 767-D	1

REV.	CHANGE NO.	BY	DATE
B	AA11A-0000?		
A	AA11A-0001	R. GAGNE	10-28-70
	AA11A-0002	R. GAGNE	10-30-70
	AA11A-0003	R. GAGNE	10-30-70
	AA11A-0004	R. GAGNE	10-30-70
	AA11A-0005	R. GAGNE	10-30-70

FIRST USED ON OPTION/MODEL
AA11-A

DO NOT SCALE DRAWING
UNLESS OTHERWISE SPECIFIED
DIMENSION IN INCHES
TOLERANCES
DECIMALS FRACTIONS ANGLES
±.005 ± 1/64 ± 0°30'
FINAL SURFACE QUALITY
REMOVE BURRS AND BREAK SHARP CORNERS

DRN. R. ROICHAUD DATE 10-26-70
CHK'D. J. DE VIN DATE 10-28-70
ENG. R. GAGNE DATE 10-30-70
PROD. ENG. R. GAGNE DATE 10-30-70
PROD. A. HIRSCH DATE 11-2-70

digital EQUIPMENT CORPORATION
NATYARD, MASSACHUSETTS
TITLE
CABLE ASSY (VTO1-A)
NEXT HIGHER ASSY
A-PL AA11-A-0
SCALE NONE
SHEET 1 OF 1

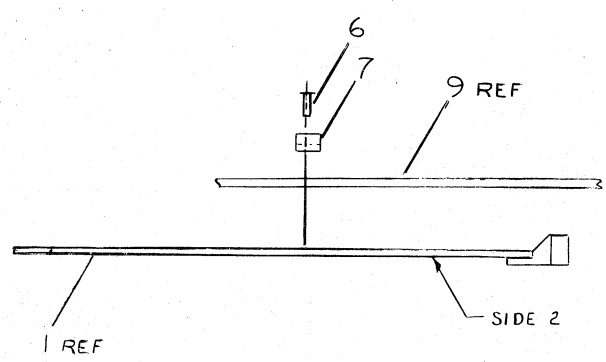
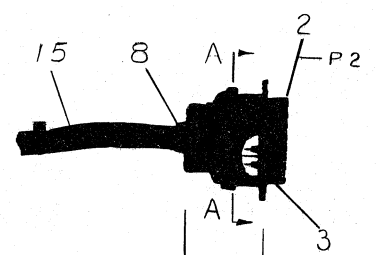
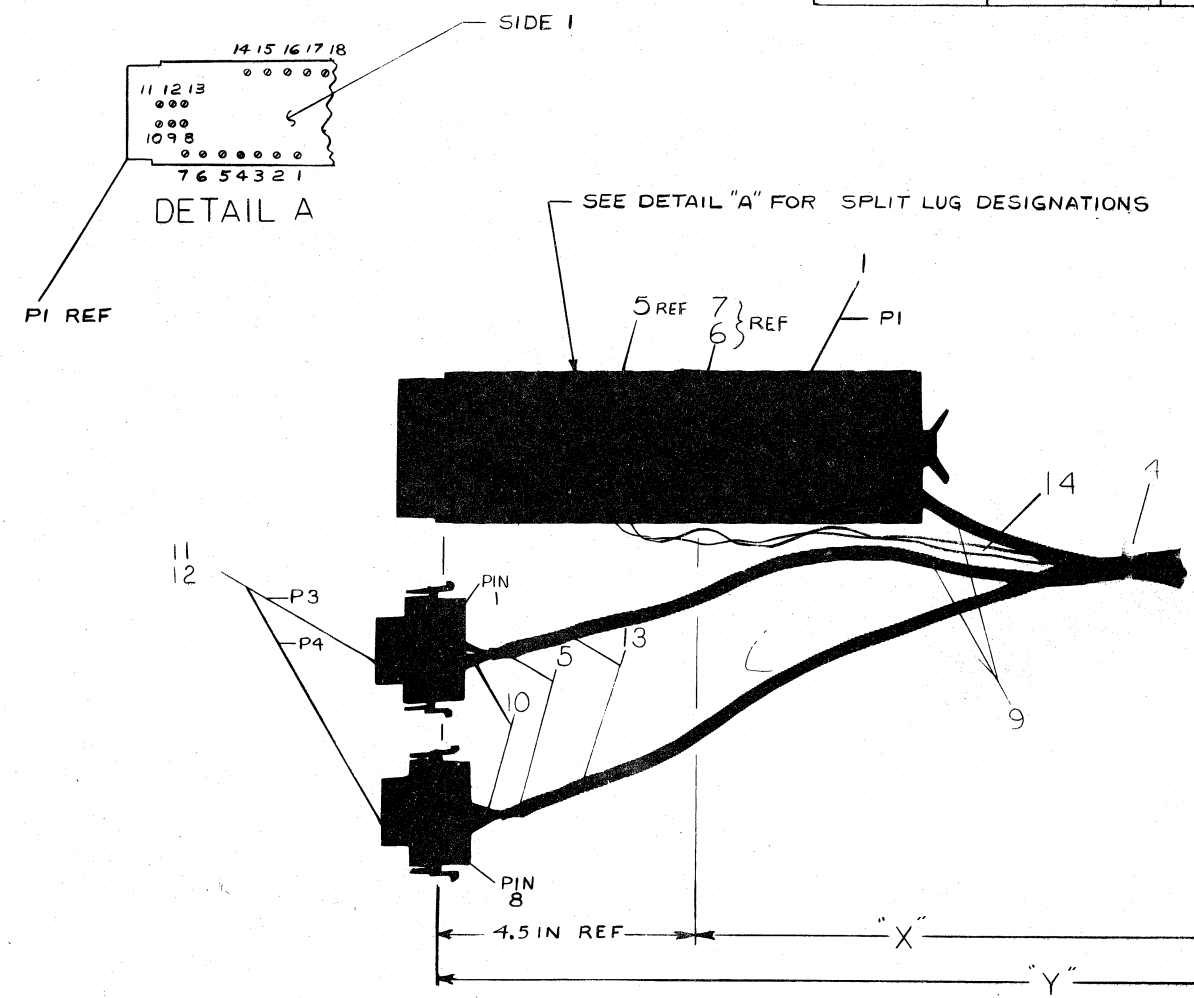
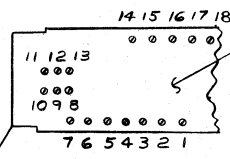
NUMBER	VARIATION	
	DIM "X"	DIM "Y"
7007122-12	12 FT = 3 IN.	12 FT 6 IN.

ITEM NO.	DESCRIPTION	FROM		TO	
		CONNECTION	WITH	CONNECTION	WITH
9	#20 CLR	P1-16 (U2)	*	P2-13	*
9	BLK	P1-15 (T2)	*	P2-14	3#*
9	SHIELD	P1-14 (S2)	GRN TUB #*		NOTE #1
9	SHIELD	P3-6	GRN TUB #*	P2-12	GRN TUB #10#*
9	BLK	P3-4	*	P2-11	3#*
9	CLR	P3-5	*	P2-10	*
9	SHIELD	P4-6	GRN TUB #*	P2-9	GRN TUB #10#*
9	BLK	P4-4	*	P2-8	*
9	#20 CLR	P4-5	*	P2-7	3#*
14	22 WHT	P1-13 (H2)	*	P2-4	*
14	22 BLK	P1-1 (S2)	*	P2-5,6	*

NOTES

- CUT BACK AT CABLE SHIELDING
- DO NOT TIE WRAP TWISTED PAIR TO BELDEN CABLE.
- ADD BLACK TUBING BEFORE INSTALLATION OF CINCH CONNECTOR. TUBING TO START AT CINCH CONNECTOR AND RUN FOR 11 FT. TOWARD G767 MODULE. TUBING TO BE TIE WRAPPED AT EACH END.

NOTE: * INDICATES SOLDERED CONNECTIONS



SECTION A-A

QTY.	DESCRIPTION	PART NO.
A/R	TUBING, BLACK 1/2"	9107246-00
A/R	#22 BLK & WHT TWP	9107420-09
A/R	MARKERS, BRADY #1 Ø	
6	PINS	1209378-01
2	PLUG MATE-N-LOCK	1209340-01
A/R	#22 TEFLON THIN WALL TUBING	9107256-05
A/R	CABLE BELDEN #8762	9007701
A/R	TAPE #4032 1/2 WIDE	9007834
1	CABLE CLAMP #943	5308301-2
2	EYELET A94 STIMPSON	9006741
3	HEAT SHRINKABLE TUB. 3/8 OD X 3/16 LG	9107305-02
A/R	TIE WRAP SST 1.5 M PANDUIT	9007880
A/R	HEAT SHRINKABLE TUB. 1/8 OD	9107255-09
1	CONN PLUG 24 PIN CINCH	1203466
1	CONNECTOR BOARD WITH HANDLE	G 767

REV.	DATE	BY	DESCRIPTION
1			AA11-C-0001 A
2			REVISED & REDRAWN
3			4-23-71
4			R GAGNE
5			4-26-71
6			AA11-C-0002 B
7			5-27-71
8			GAGNE
9			7-8-71
10			AA11-03001 C
11			5-16-71
12			GAGNE
13			5-22-72

FIRST USED ON OPTION/MODEL
AA11-C

UNLESS OTHERWISE SPECIFIED	DATE
ALL DIMENSIONS IN INCHES	9-19-70
ALL ANGLES	10-3-70
FINISH SURFACE QUALITY	11-2-70
REMOVE BURRS AND BREAK SHARP EDGES	11-12-70
MATERIAL	
FINISH	

EQUIPMENT CORPORATION
MILWAUKEE, WISCONSIN

TITLE: **CABLE, CONTROL VR12**

SCALE: NONE

DATE: 10-3-70

BY: R. GAGNE

REV. CODE: 01A

NUMBER: 7007122-0-0

REV. C

SHEET 1 OF 1

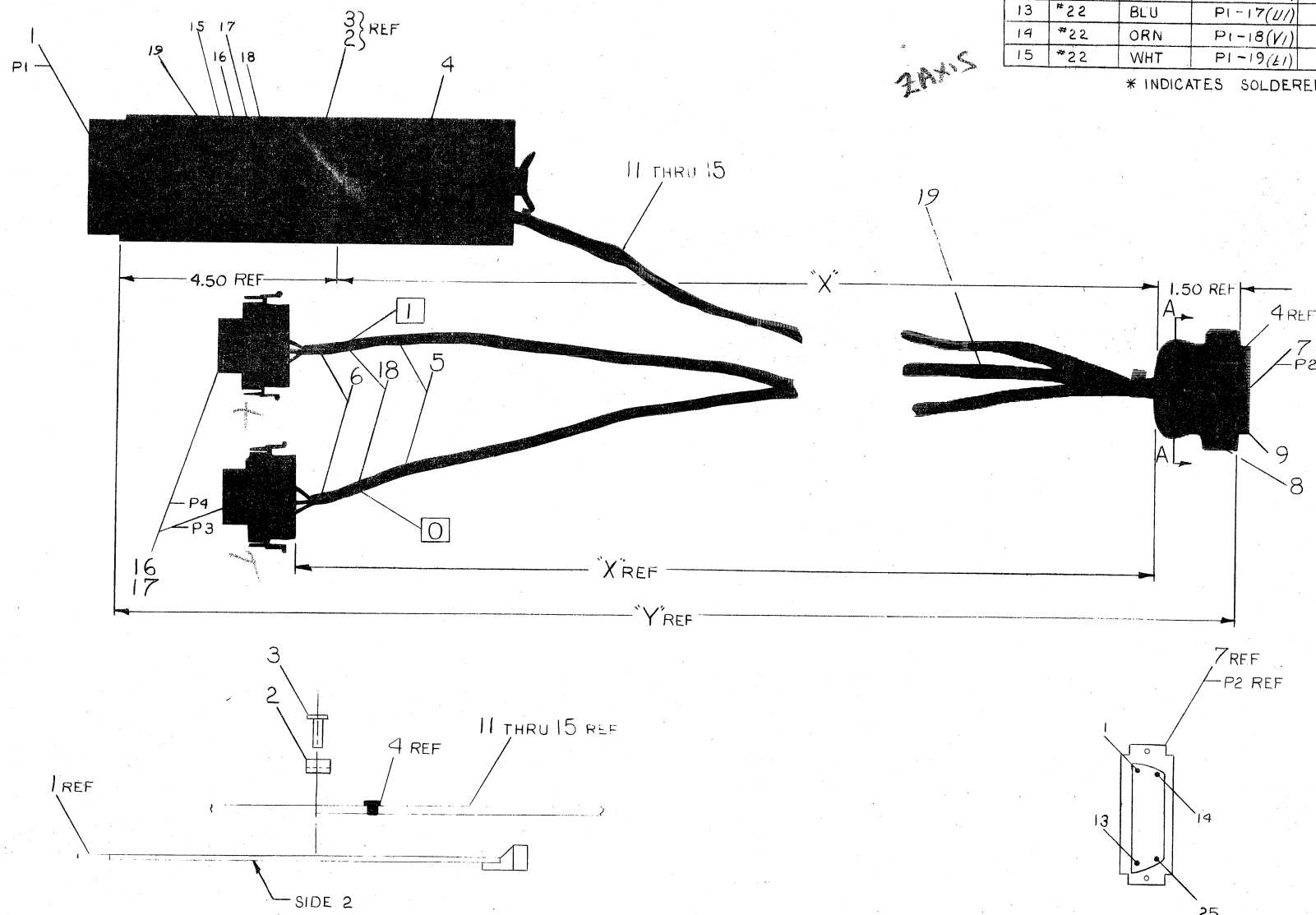
This drawing and specifications are the property of Digital Equipment Corporation and shall not be reproduced or copied or used in whole or in part as the basis for the manufacture or sale of items without written permission.

LEGEND		
NUMBER	VARIATION	
	DIM "X"	DIM "Y" REF
7007138 12	12 FT ± 3.0	12 FT 6.0 ± 3.0

WIRE TABLE							
ITEM NO	DESCRIPTION	FROM		TO		WITH	WITH
		CONNECTION	WITH	CONNECTION	WITH		
5	*20 CLR	P4-5	*	P2-15		*9 & *	
5	*20 BLK	P4-4	*	P2-16			
5	*20 SHIELD	P4-6	*10 & *	P2-3			
5	*20 SHIELD	P3-6	*10 & *	P2-14			
5	*20 BLK	P3-4	*	P2-2			
5	*20 CLR	P3-5	*	P2-1			
11	*22 BLK	P1-1 (C?)	*	P2-19			
12	*22 BLK	P1-15 (T2)	*	P2-17			
	TWP GRN	P1-16 (U2)	*	P2-4			
13	*22 BLU	P1-17 (U1)	*	P2-18			
14	*22 ORN	P1-18 (V1)	*	P2-7			
15	*22 WHT	P1-19 (L1)	*	P2-6		*9 & *	

NOTES:
 1. DO NOT USE TIE WRAPS ON TWISTED PAIRS.
 2. ADD BLACK TUBING BEFORE INSTALLATION OF CINCH CONNECTOR. TUBING TO START AT CINCH CONNECTOR AND RUN 11FT TOWARD G767 MODULE. TUBING TO BE TIE WRAPPED AT EACH END.

* INDICATES SOLDERED CONNECTION



QTY.	DESCRIPTION	PART NO.	ITEM NO.
1/2	TUBING, BLACK 1/2"	9107246-00	19
1/2	MARKERS, BRADY		18
6	PINS MALE	1209378-01	17
2	PLUG MATE-N-LOCK	1209340-01	16
1/2	*22AWG STRD TEF INS WHT	9107350-99	15
1/2	*22AWG STRD TEF INS ORN	9107350-33	14
1/2	*22AWG STRD TEF INS BLU	9107350-66	13
1/2	*22AWG STRD TEF INS TWP BLK/GRN	9107420-05	12
1/2	*22AWG STRD TEF INS BLK	9107350-00	11
1/2	*20 TEFLON THIN WALL TUBING	9107267-05	10
1/2	HEAT SHRINK TUB WHT 1/8 DIA	9107255	9
1	PLUG CINCH HOOD #DB51226-1	1205885	8
1	PLUG CINCH DB-25P	1205886	7
2	HEAT SHRINKABLE TUB 3/16 ODX 3/16 LG	9107305	6
1/2	CABLE BELDEN #8762	9107701	5
1/2	TIE WRAP SST 1.5M PANDUIT	9007880	4
2	EYELET A94 STIMPSON	9006741	3
1	CABLE CLAMP #943	5308301-2	2
1	CONNECTOR BOARD WITH HANDLE	G 767-D	1

REV.	CHG	NO.	BY	DATE
B		0002		
A		0001		

FIRST USED ON OPTION/ MODEL: A411-A

DO NOT SCALE DRAWING

UNLESS OTHERWISE SPECIFIED DIMENSION IN INCHES

TOLERANCES
 DECIMALS FRACTIONS ANGLES
 ± .005 ± 1/64 ± 0°30'

FINAL SURFACE QUALITY
 REMOVE BURRS AND BREAK SHARP CORNERS

MATERIAL: //

FINISH: //

DRN: R. ROBICHAUD 10-26-70
 CHK'D: J. DE VIN 10-28-70
 ENG: R. GAGNE 10-30-70
 PROJ. ENG: R. GAGNE 10-30-70
 PROD. A. HIRSCH 11-2-70

NEXT HIGHER ASSY: A PL A411-A-Ø

SCALE: NONE

SHEET: 1 OF 1

DATE: 10-26-70

TITLE: CABLE ASSY (VTOI-A)

SIZE CODE: DIA 7007138-0-0

NUMBER: 7007138-0-0

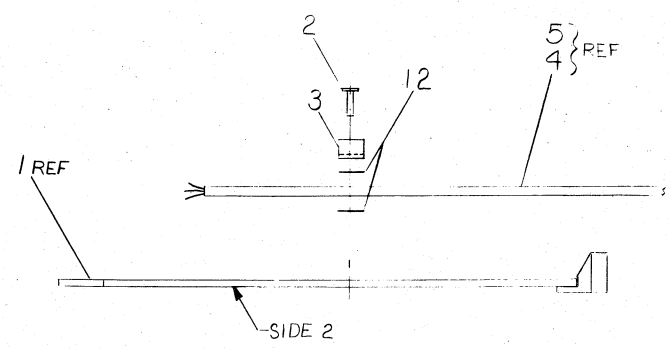
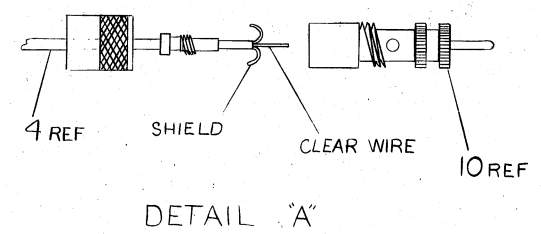
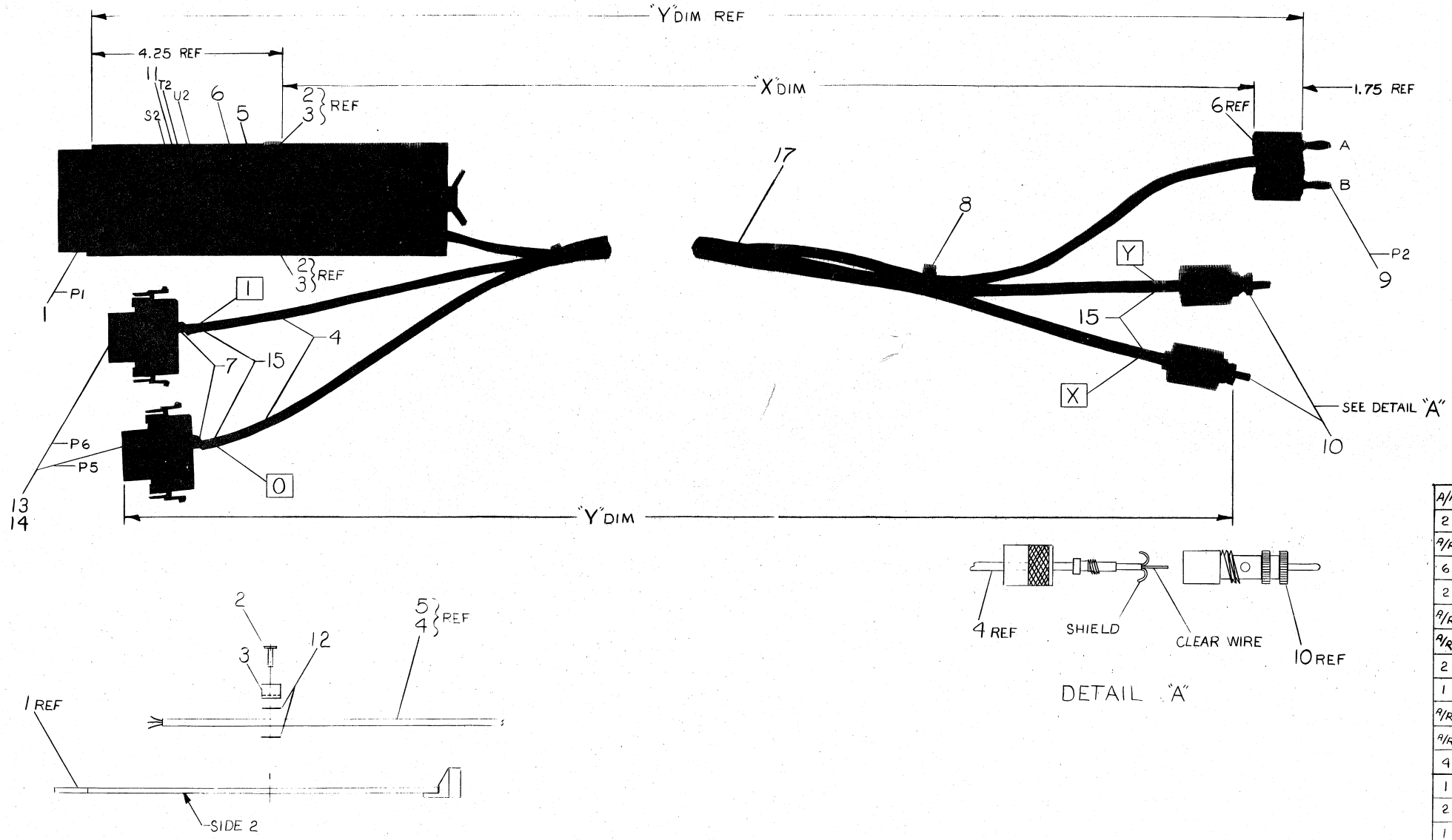
REV. C

This drawing and specifications, herein, are the property of Digital Equipment Corporation and shall not be reproduced or copied or used in whole or in part as the basis for the manufacture or sale of items without written permission.

NUMBER	VARIATION	
	DIM "X"	DIM "Y"
7007139-12	12FT±3.0	12FT, G.O ±3.0

ITEM NO.	DESCRIPTION	WIRE TABLE			
		FROM		TO	
5	#22 SHIELD	P1-S2	*11 ± *	---	NOTE #1
5	#22 BLK	P1-T2	*	P2-A	---
5	#22 CLR	P1-U2	*	P2-B	---
4	#12 SHIELD	P5-6	*12 ± *	---	DETAIL 'A'
4	#12 CLR	P5-5	*	P3-CNTR	*
4	#12 SHIELD	P6-6	*12 ± *	---	DETAIL 'A'
4	#12 CLR	P6-5	*	P4-CNTR	*

- NOTES:
- CUT BACK AT CABLE SLEEVE
 - DO NOT TIE WRAP BELDEN CABLE TO COAXIAL CABLE.
 - ADD BLACK TUBING BEFORE INSTALLATION OF UHF CONNECTOR AND PLUG *GR 274 MB. TUBING TO START 9" FROM UHF CONNECTOR AND RUN FOR 10 FT. TOWARD G767 MODULE. TUBING TO BE TIE WRAPPED AT EACH END
 - AFTER ITEM #16 IS INSERTED INTO ITEM #10, SHIELD SHOULD BE SOLDERED THRU ACCESS HOLES IN ITEM #10.



QTY.	DESCRIPTION	PART NO.	ITEM NO.
A/R	TUBING, BLACK 1/2"	9107246-00	17
2	ADAPTOR	1203522	16
9/R	MARKERS, BRADY	.	15
6	PINS MALE	1209378-01	14
2	PLUG MATE-N-LOCK	1209340-01	13
9/R	TAPE #4032 3M CO	9007834	12
9/R	#22 TEFLON THIN WALL TUBING	9107256-05	11
2	CONN UHF	1201453	10
1	CONN PLUG G.R. 274 MB	1201139	9
9/R	TIE WRAP SST 1.5M PANDUIT	9007880	8
9/R	#12 TEFLON THIN WALL TUBING	9107301-05	7
4	HEAT SHRINKABLE TUB 3/16x3/16 LG	9107305-02	6
1	CABLE BELDEN #8762	9007701	5
2	CABLE TYPE RG-58 A/U	9107591	4
1	CABLE CLAMP #944	5308301-1	3
2	EYELET A94 STIMPSON	9006741	2
1	CONNECTOR BOARD WITH HANDLE	G767	1

FIRST USED ON OPTION/MODEL
AA11-B

DO NOT SCALE DRAWING
UNLESS OTHERWISE SPECIFIED
DIMENSION IN INCHES
TOLERANCES
ANGLES ± 0°30'
FINAL SURFACE QUALITY
REMOVE BURRS AND BREAK SHARP CORNERS

DRN R. ROBICHAUD DATE 9-21-70
CHK'D R. COOK DATE 10-30-70
ENG. R. GAGNE DATE 10-30-70
PROJ. ENG. R. GAGNE DATE 10-30-70
PROD. A. HIRSCH DATE 11-12-70

digital EQUIPMENT CORPORATION
MAYNARD, MASSACHUSETTS

TITLE
CABLE, SCOPE (RM503)

SIZE CODE: D IA NUMBER: 7007139-0-0 REV. B

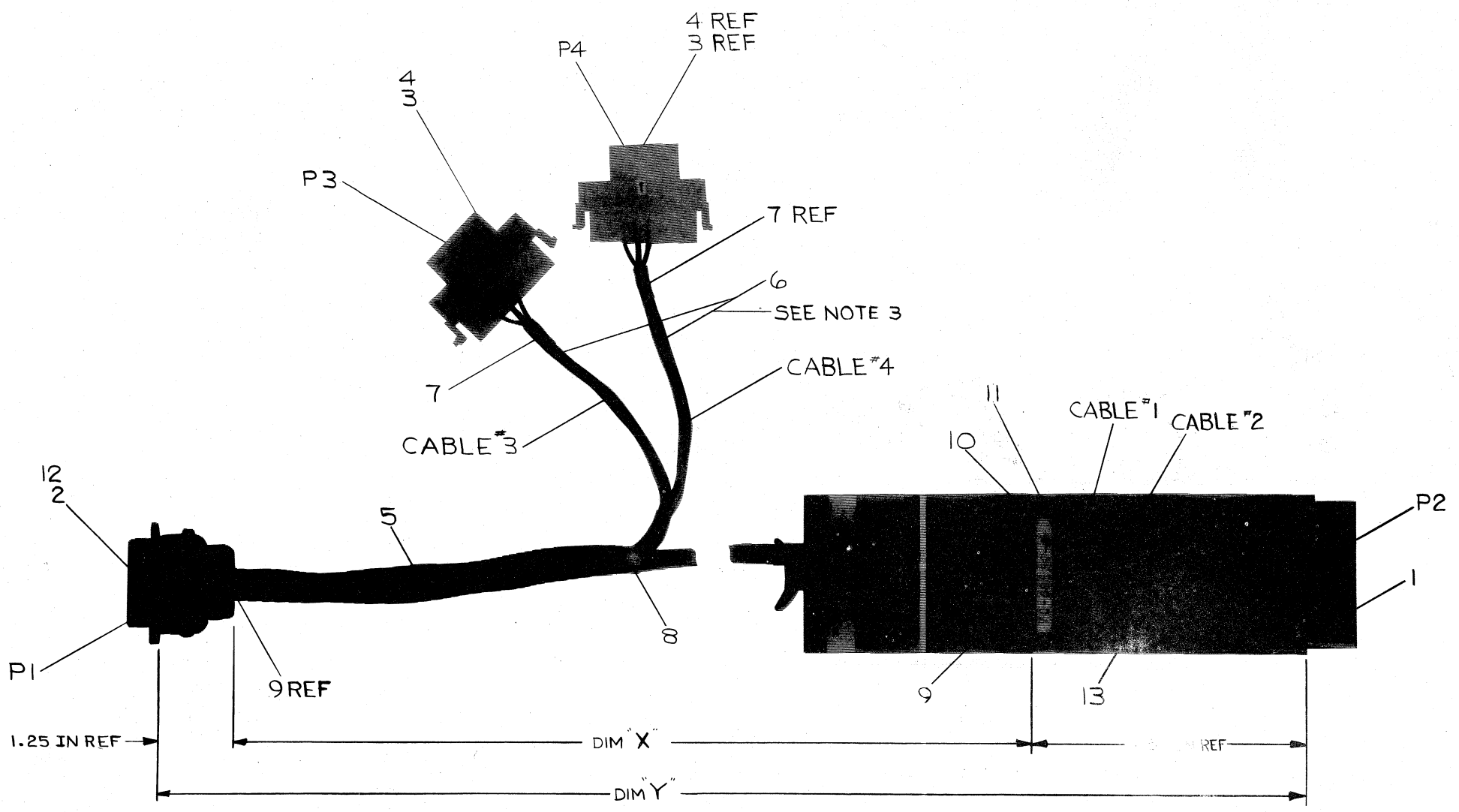
SCALE: NONE SHEET: 1 OF 1

REV.	CHANGE NO.	BY	DATE
1	AA11B-0001	A	
2	REVISED & REDRAWN		
3	9-26-71	R. GAGNE	
4	4-27-71	R. GAGNE	
5	5-16-72	M. ANDREWS	
6	5-22-72	R. GAGNE	

This drawing and specifications, herein, are the property of Digital Equipment Corporation and shall not be reproduced or copied or used in whole or in part as the basis for the manufacture or sale of items without written permission.

LEGEND		
NUMBER	DIM X VARIATION	DIM Y REF
7008550-9	9 FT ± 2.0 IN	9 FT-5.75 IN

NOTES:
 1. PUT SHRINKIE (ITEM #12) OVER ALL WIRES SOLDERED TO PLUG (ITEM #2)
 2. CABLE TIES (ITEM #8) TO BE EVERY 12" ON CABLE.
 3. CABLES #3 & 4 ARE ALSO 9 FT LG.



QTY.	DESCRIPTION	PART NO.	ITEM NO.
A/R	TUBING, TEF #22 AWG CLR	9107256-10	13
A/R	SHRINKIE 1/8 O.D.	9107255-09	12
2	EYELET #A94 STIMPSON	9006741	11
1	CLAMP, MODULE #943	5308301-2	10
A/R	TAPE #4032 1/2 WIDE	9007834	9
A/R	TIES, CABLE #SST-2B PANDUIT	9007880	8
A/R	SHRINKIE 3/16 O.D X 9/16 LG	9107305-2	7
A/R	CABLE #8762 BELDON	91-07701	6
A/R	CABLE #8777 BELDON	9107723	5
6	PIN, MALE MATE-N-LOK	1209378-03	4
2	PIN, HOUSING MATE-N-LOK	1201270	3
1	PLUG, #57-30240 CINCH	1203466	2
1	CONN. BD M957	M957	1

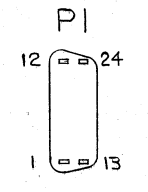
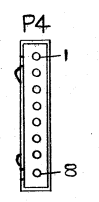
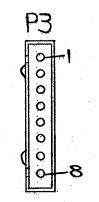
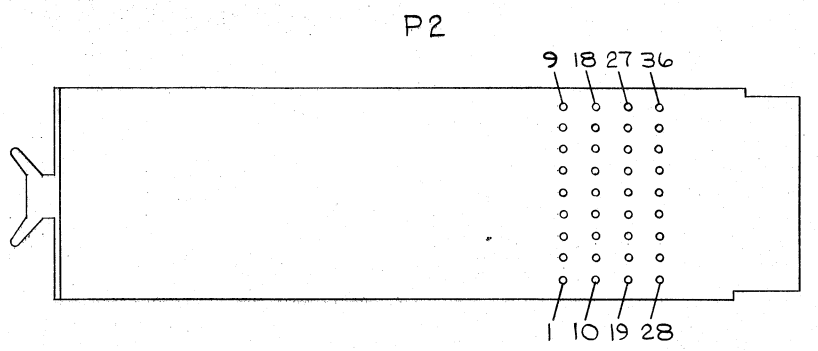
FIRST USED ON OPTION/MODEL		PARTS LIST																														
LAB 11																																
UNLESS OTHERWISE SPECIFIED DIMENSION IN INCHES. TOLERANCES		<table border="1"> <tr> <td>DRN</td> <td>DATE</td> <td rowspan="4"> </td> </tr> <tr> <td>CHK'D</td> <td>DATE</td> </tr> <tr> <td>ENG</td> <td>DATE</td> </tr> <tr> <td>PROJ. ENG</td> <td>DATE</td> </tr> <tr> <td colspan="2">REMOVE BURRS AND BREAK SHARP CORNERS SURFACE QUALITY</td> <td colspan="2"> <table border="1"> <tr> <td>PROD.</td> <td>DATE</td> </tr> <tr> <td>M. G...</td> <td>9-2-71</td> </tr> </table> </td> </tr> <tr> <td colspan="2">MATERIAL</td> <td colspan="2">NEXT HIGHER ASSY.</td> </tr> <tr> <td colspan="2">FINISH</td> <td colspan="2">SCALE NONE</td> </tr> <tr> <td colspan="2">SHEET 1 OF 2</td> <td colspan="2">SHEET 1 OF 2</td> </tr> </table>		DRN	DATE		CHK'D	DATE	ENG	DATE	PROJ. ENG	DATE	REMOVE BURRS AND BREAK SHARP CORNERS SURFACE QUALITY		<table border="1"> <tr> <td>PROD.</td> <td>DATE</td> </tr> <tr> <td>M. G...</td> <td>9-2-71</td> </tr> </table>		PROD.	DATE	M. G...	9-2-71	MATERIAL		NEXT HIGHER ASSY.		FINISH		SCALE NONE		SHEET 1 OF 2		SHEET 1 OF 2	
DRN	DATE																															
CHK'D	DATE																															
ENG	DATE																															
PROJ. ENG	DATE																															
REMOVE BURRS AND BREAK SHARP CORNERS SURFACE QUALITY		<table border="1"> <tr> <td>PROD.</td> <td>DATE</td> </tr> <tr> <td>M. G...</td> <td>9-2-71</td> </tr> </table>		PROD.	DATE	M. G...	9-2-71																									
PROD.	DATE																															
M. G...	9-2-71																															
MATERIAL		NEXT HIGHER ASSY.																														
FINISH		SCALE NONE																														
SHEET 1 OF 2		SHEET 1 OF 2																														

CHK	CHANGE NO.	REV.
	AA11E-00002	A
	F. STRAIGHT	
	AA11E-00003	B
	A. WALLACK	
	AA11E-00004	C
	A. WALLACK	

This drawing and specifications, herein, are the property of Digital Equipment Corporation and shall not be reproduced or copied or used in whole or in part as the basis for the manufacture or sale of items without written permission.

WIRE TABLE

ITEM NO	AWG	COLOR	CONNECTION		CONNECTION		SIGNAL		
			FROM	WITH	TO	WITH			
CABLE #1	5	22	RED	P1-13	* A, 12	P2-1	* A	Z AXIS	
			BLK	P1-14		P2-11		Z AXIS GND	
			DRN	P1-15		P2-2		Z AXIS SHIELD	
			WHT	P1-4		P2-6		Z INT	
			BLK	P1-5		P2-16		Z INT GND	
			DRN	P1-6		P2-15		Z INT SHIELD	
			GRN	P1-1		P2-21		CHAN GND	
			BLK	P1-2		P2-30		CHAN SELECT	
			DRN	P1-3		P2-20		CHAN SHIELD	
	CABLE #2			RED	P1-16		P2-32		COL RED L
				BLK	P1-17		P2-8		COL RED GND
				DRN	P1-18		P2-31		COL RED SHLD
				WHT	P1-19		P2-35		LIGHT PEN H
				BLK	P1-24		P2-13		RECORDER PEN H
				DRN	P1-21		P2-17		LIGHT PEN SHLD
				GRN	P1-22		P2-14		SPEAKER -
			BLK	P1-23		P2-4		SPEAKER +	
CABLE #3		5		DRN	P1-20		P2-22	* A	LIGHT PEN GND
		6		CLR	P1-8		P3-4	4	X DEF OUT
			BLK	P1-7		P3-5		X DEF GND	
			DRN	P1-9		P3-6		X DEF SHIELD	
CABLE #4			CLR	P1-11		P4-4		Y DEF OUT	
	6	22	DRN	P1-10		P4-5		Y DEF GND	
						P4-6	4	Y DEF SHIELD	



* LETTER DESIGNATION "A" INDICATES WIRE IS TO BE SOLDERED PER TABLE ABOVE (WIRE TABLE)
 † ALL DRAINS ON P2 ONLY MUST HAVE CLEAR TUBING (ITEM #13)

REV.	
CHANGE NO.	
CHK	

FIRST USED ON OPTION/MODEL	QTY.	DESCRIPTION	PART NO.	ITEM NO.
LAB II		PARTS LIST		
UNLESS OTHERWISE SPECIFIED DIMENSION IN INCHES. TOLERANCES	DRN: <i>P. Adams</i> DATE: 7/2/71	digital EQUIPMENT CORPORATION MAYNARD, MASSACHUSETTS TITLE: DISPLAY CABLE ASSY		
DECIMALS .XXX = .005	CHK'D: <i>Bill Galt</i> DATE: 9-2-71			
ANGLES ±0° 30'	ENG: <i>Fred Strough</i> DATE: 9-2-71			
.XX = .02	PROJ. ENG: <i>Bill Mackle</i> DATE: 9-2-71			
.X = .1	PRD: <i>M. Conway</i> DATE: 9-2-71	MATERIAL: // NEXT HIGHER ASSY: A-PL-AA11-E-0 FINISH: // SCALE: NONE SHEET: 2 OF 2 SIZE CODE: DIA NUMBER: 7008550-0-0 REV: C DIST. G		

