

"THIS DOCUMENT AND SPECIFICATION HEREIN, ARE THE PROPERTY OF DIGITAL EQUIPMENT CORPORATION AND SHALL NOT BE REPRODUCED OR COPIED OR USED IN WHOLE OR IN PART AS THE BASIS FOR THE MANUFACTURE OR SALE OF ITEMS WITHOUT WRITTEN PERMISSION."
 COPYRIGHT (C) 1987, DIGITAL EQUIPMENT CORPORATION

TABLE OF CONTENTS, FIELD MAINTENANCE PRINT SET PART NO. MPO2412-01

UNIT VARIATIONS COVERED BY THIS PRINT SET

	VT340-A2	VT340-A3	VT340-A4	VT340-A5
K-TC-VT340-0-1	TABLE OF CONTENTS		E-AD-7023687-0-DBU	ASSY DWG, REAR COVER ASSY
K-DD-VT340-0	DWG DIR, COLOR GRAPHIC TERMINAL		K-PL-7023687-0-DBP	PARTS LIST
E-UA-VT340-0-DBU	UNIT ASSY		E-AD-7023688-0-DBU	ASSY DWG, BEZEL/CRT/CHASSIS ASSY
K-PL-VT340-0-DBP	PARTS LIST		K-PL-7023688-0-DBP	PARTS LIST
B-DD-5416963-0-0	DWG DIR, VIDEO AMPLIFIER MODULE		C-AD-7022618-0-DBU	ASSY DWG, CONTROL/BRKT ASSY
K-FL-5416963-0-DBP	PARTS LIST		K-PL-7022618-0-DBP	PARTS LIST
D-UA-5416963-0-0	UNIT ASSY		A-PA-3700968-0-0	PKG MONITOR VT340 INTERPLANT
B-CS-5416963-0-1	SCHEMATIC			
B-DD-5416965-0-0	DWG DIR, TERMINAL CONTROL MODULE			
K-PL-5416965-0-DBP	PARTS LIST			
D-UA-5416965-0-0	UNIT ASSY			
B-CS-5416965-0-1	SCHEMATIC			
C-AD-7022623-0-DBU	ASSY DWG, ROM CARTRIDGE ASSY, VT330/340			
K-PL-7022623-0-DBP	PARTS LIST			
D-IA-7024516-0-DBU	INSEP ASSY, PS/MONITOR AND ARC PROTECTION ASSY			
K-PL-7024516-0-DBP	PARTS LIST			
B-DD-5416961-0-0	DWG DIR, PWR SUP/MONITOR MODULE			
K-PL-5416961-0-DBP	PARTS LIST			
D-UA-5416961-0-0	UNIT ASSY			
B-CS-5416961-0-1	SCHEMATIC			
B-DD-5417106-0-0	DWG DIR, CRT ARC PROTECTION MODULE			
K-PL-5417106-0-DBP	PARTS LIST			
D-UA-5417106-0-0	UNIT ASSY			
B-CS-5417106-0-1	SCHEMATIC			
E-MD-7433422-0-DBU	MECH DETAIL, PANEL, REAR			
C-AD-7022620-0-DBU	ASSY DWG, INLET/SWITCH ASSY			
K-PL-7022620-0-DBP	PARTS LIST			

REVISION HISTORY

DATE	ECO NUMBER	REV	DATE	ECO NUMBER	REV	DATE	ECO NUMBER	REV	DATE	ECO NUMBER	REV
3 Feb 87	INITIAL	A									

D I G I T A L
 DRN: Bruce Harvey
 CHK'D: Oliver Lin
 DES.ENG: Oliver Lin
 FIELD SERVICE: Bob Welch
 IMFG.ENG: Gordon Wu
 Top Doc No. K-DD-VT340-0

DATE 2 FEB 87 | TITLE: TABLE OF CONTENTS
 DATE 3 Feb 87 | VT340 COLOR GRAPHIC TERMINAL
 DATE 3 Feb 87 | SECTION | SHEET | DOCUMENT NUMBER | REV
 DATE 3 Feb 87 | A OF A | 1 OF 1 | K-TC-VT340-0-1 | A

"THIS DOCUMENT AND SPECIFICATION HEREIN, ARE THE PROPERTY OF DIGITAL EQUIPMENT CORPORATION AND SHALL NOT BE REPRODUCED OR COPIED OR USED IN WHOLE OR IN PART AS THE BASIS FOR THE MANUFACTURE OR SALE OF ITEMS WITHOUT WRITTEN PERMISSION."
 COPYRIGHT (C) 1987, DIGITAL EQUIPMENT CORPORATION

DOCUMENT/PART NO.	DESCRIPTION	DOCUMENT/PART REVISIONS
VT340-A2	CLR GRAPH TERM, MULTISESSION	A1 B1
VT340-A3	NORTHRN HEMSPHR, 120V (NO KYBD)	A1 B1
VT340-A4	CLR GRAPH TERM, MULTISESSION	A1 B1
VT340-A5	NORTHRN HEMSPHR, 240V (NO KYBD)	A1 B1
E-UA-VT340-0-DBU	SOUTHRN HEMSPHR, 120V (NO KYBD)	A B
K-PL-VT340-0-DBP	SOUTHRN HEMSPHR, 240V (NO KYBD)	A B
K-TC-VT340-0-1	UNIT ASSY	REF REF
MP-02412-01	PARTS LIST	
	TABLE OF CONTENTS	
	FIELD MAINT PRINT SET	

DRAWING DIRECTORY REVISION

A B

NOTES:

DATE	ECO NUMBER	REV	DATE	ECO NUMBER	REV	DATE	ECO NUMBER	REV	DATE	ECO NUMBER	REV
5-FEB-87		A		ML001	B						
d	g	t	a								
DRN: V. W. LEE CHK'D: J. P. LO DES. ENG: K. L. SHEN RES. ENG: O. LIN MFG. ENG: Gordon Wu											
TITLE: DRAWING DIRECTORY, VT340 COLOR GRAPHICS TERMINAL											
SECTION A OF A SHEET 1 OF 1 DOCUMENT NUMBER K-DD-VT340-0 REV B											

"THIS DOCUMENT AND SPECIFICATION HEREIN, ARE THE PROPERTY OF DIGITAL EQUIPMENT CORPORATION AND SHALL NOT BE REPRODUCED OR COPIED OR USED IN WHOLE OR IN PART AS THE BASIS FOR THE MANUFACTURE OR SALE OF ITEMS WITHOUT WRITTEN PERMISSION."
 COPYRIGHT (C) 1987, DIGITAL EQUIPMENT CORPORATION

DOCUMENT/PART NO.	DESCRIPTION	DOCUMENT/PART REVISIONS
VT330-A2	GRAPHICS TERM, MONOCHRM, WHITE	A1 B1
VT330-A3	PHSPHR, 120V (NO KYBD)	A1 B1
VT330-B2	GRAPHICS TERM, MONOCHRM, WHITE	A1 B1
VT330-B3	PHSPHR, 240V (NO KYBD)	A1 B1
VT330-C2	GRAPHICS TERM, MONOCHRM, GREEN	A1 B1
VT330-C3	PHSPHR, 120V (NO KYBD)	A1 B1
K-PL-VT330-0-DBP	PHSPHR, 240V (NO KYBD)	A B
E-UA-VT330-0-DBU	PHSPHR, 120V (NO KYBD)	A A
K-TC-VT330-0-1	PHSPHR, 240V (NO KYBD)	A A
MP-02411-01	PARTS LIST	REF REF
	UNIT ASSY	
	TABLE OF CONTENTS	
	FIELD MAINT PRINT SET	

DRAWING DIRECTORY REVISION

A B

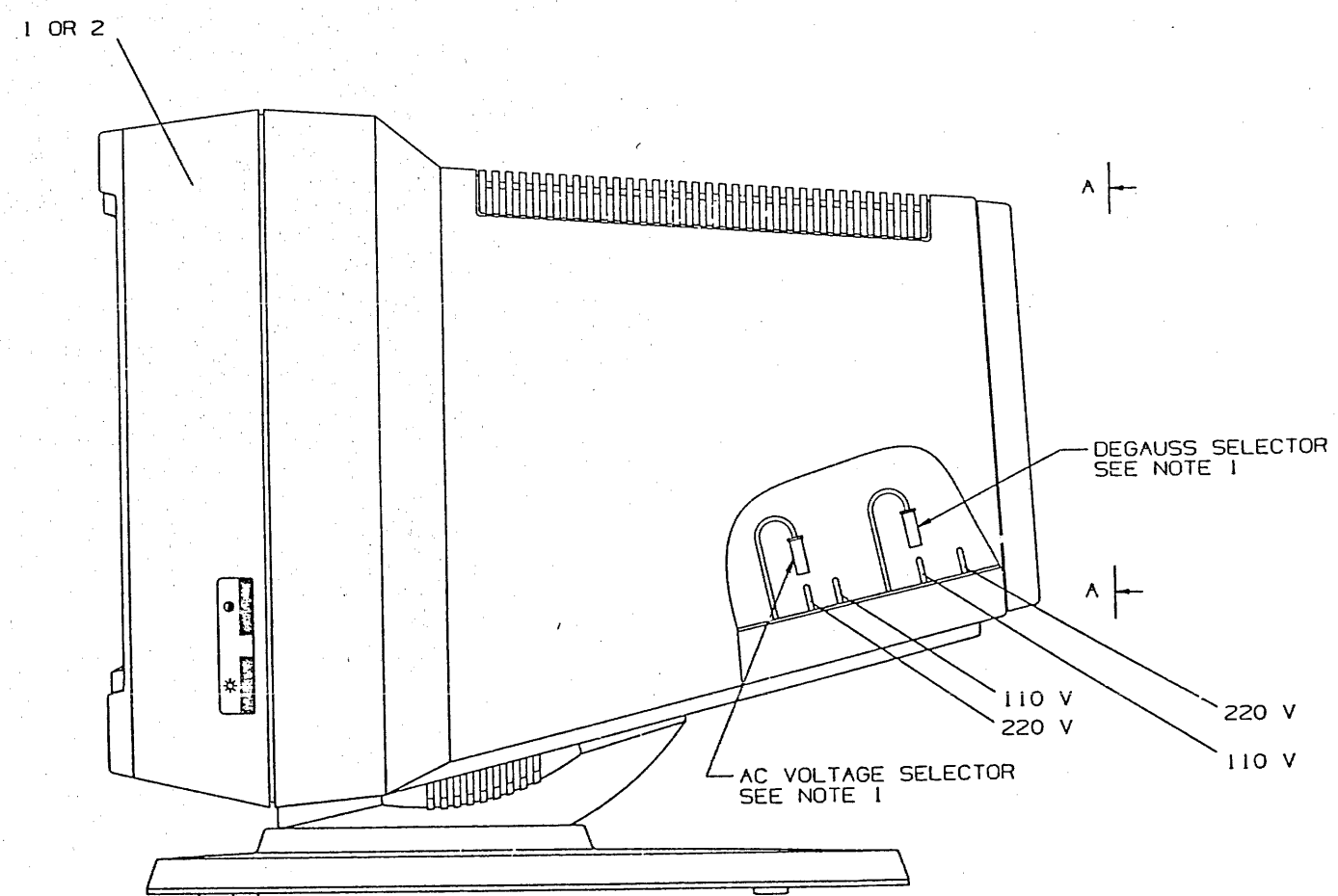
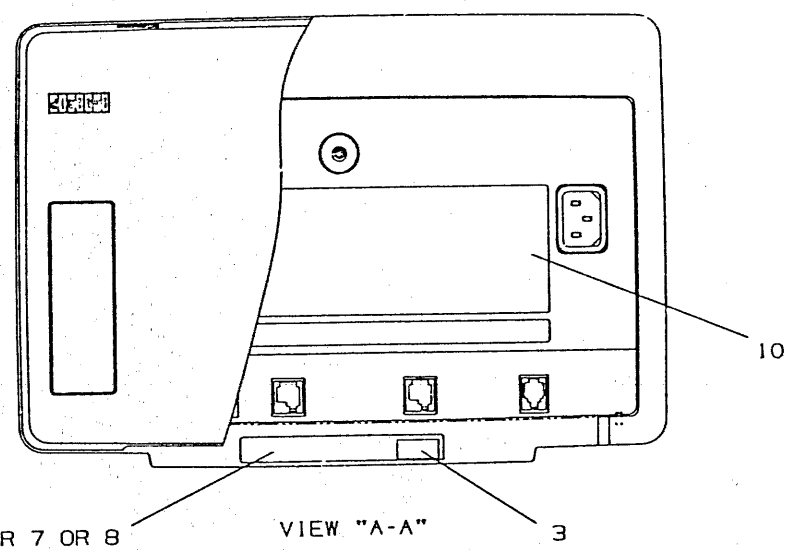
NOTES:

DATE	ECO NUMBER	REV	DATE	ECO NUMBER	REV	DATE	ECO NUMBER	REV	DATE	ECO NUMBER	REV
3-FEB-87		A		ML001	B						
d	g	t	a								
DRN: Bruce Harvey CHK'D: Oliver Lin DES. ENG: Oliver Lin RES. ENG: Oliver Lin MFG. ENG: Gordon Wu											
TITLE: DRAWING DIRECTORY, VT330 GRAPHICS TERMINAL											
SECTION A OF A SHEET 1 OF 1 DOCUMENT NUMBER K-DD-VT330-0 REV B											

1987 SERIAL TO THE SUPPORT TEAM

VT 340-0-D-0

J
H
F
E
D
C
B
A



NOTES:
1. THE VOLTAGE MUST BE SET FOR END USE BY
CONNECTING JUMPER TO DESIRED VOLTAGE.

PART NO.	JUMPER POSITION
VT340-A2	110V
VT340-A3	220V
VT340-A4	110V
VT340-A5	220V

H
F
E
D
C
B
A
VT340-0-DBU

CAUTION: OFF SHEET PARTS LIST EXISTS.
SEE K-PL-VT340-0-DBP
(MLA0362B.PLS)

REVISION	DATE	BY	DESCRIPTION
A	18-DEC-86	J.N. LIN	RELEASED
B	27-FEB-87	J.P. LO	VT340-0-D-0
C	18-DEC-86	O. LIN	C. M. MOORE (L. 18-SEP-87)
D	23-JAN-87	G. WU	POST SUPPORT

DESCRIPTION	QUANTITY	UNITS	DATE	TITLE
UNIT ASSY	1	EA	18-DEC-86	UNIT ASSY

DESIGNER	J.N. LIN	DATE	27-FEB-87
CHECKED	J.P. LO	DATE	18-DEC-86
ENGINEER	K.L. SHEN	DATE	27-FEB-87
APPROVED	O. LIN	DATE	18-DEC-86
MATERIAL	G. WU	DATE	23-JAN-87
FINISH	K-00-VT340-0-0	DATE	

QUANTITY & VARIATION	1	EA
DESCRIPTION	UNIT ASSY	
UNIT PRICE		
TOTAL		

AUTOMATED BY VAXKPL (V1.3)

P A R T S L I S T

SHEET A1 OF A1

LINE	ITEM	TOP DOCUMENT	PART NUMBER	MIN REV	DESCRIPTION	QUANTITY PER VARIATION/REVISION			
						A2 B1	A3 B1	A4 B1	A5 B1
1	1	E-AD-7023725-0-DBU	70-23725-01	A	TERMINAL SUBASSM	1	1	-	-
2	2	E-AD-7023725-0-DBU	70-23725-02	A	TERMINAL SUBASSM	-	-	1	1
3	3		36-18460-01		LABEL,BAR CODE BLANK .38 X1.5	1	1	1	1
4	4				*** THIS ITEM IS NOT USED ***	-	-	-	-
5	5		36-26331-13		LABEL,SERIAL VT340-A2	1	-	-	-
6	6		36-26331-14		LABEL,SERIAL VT340-A3	-	1	-	-
7	7		36-26331-15		LABEL,SERIAL VT340-A4	-	-	1	-
8	8		36-26331-16		LABEL,SERIAL VT340-A5	-	-	-	1
9	9		37-00968-01		PKG MONITOR VT340 INTERPLANT	1	1	1	1
10	10		36-26330-07	A	LABEL,REGULATORY VT340 CLASS A W/O	1	1	1	1

REVISION HISTORY			KPL MATRIX FORMAT		SECTION A OF A	DRN: J. N. LIN	D I G I T A L			
ENG	ECO NUMBER	REV	SECTION/VARIATION INDEX			DATE: 28-FEB-86	TITLE PARTS LIST			
---	INITIAL	A	[A]	A2,A3,A4,A5		CHK'D: J. P. LO	UNIT ASSY			
RH	VT340-ML001	B	[B]			DATE: 18-DEC-86				
			[C]			DES.ENG: K.L. SHEN	DOCUMENT NUMBER			
			[D]			DATE: 28-FEB-86	SIZE	CODE	NUMBER	REV
			[E]			RESP.ENG.: O. LIN	K	PL	VT340-0-DBP	B
			[F]			DATE: 18-DEC-86	RELEASE DATE: 21-SEP-87			
			[H]			MFG.ENG: GORDON WU	RELEASE STATUS: RELEASED			
			[J]			DATE: 26-JAN-87				
			BASIC PART NUMBER:		ASSEMBLY NUMBER:	TOP DOCUMENT NUMBER:	FILE NAME:		EDIT #	
			VT340		E-UA-VT340-0-DBU	K-DD-VT340-0	MLA0362B.PLS		3	

"THIS DRAWING AND THE SPECIFICATIONS CONTAINED HEREIN ARE CONFIDENTIAL AND PROPRIETARY. THEY ARE THE PROPERTY OF DIGITAL EQUIPMENT CORPORATION AND SHALL NOT BE REPRODUCED OR COPIED OR USED IN WHOLE OR IN PART AS THE BASIS FOR THE MANUFACTURE OR SALE OF ITEMS WITHOUT WRITTEN PERMISSION. THIS IS AN UNPUBLISHED WORK PROTECTED UNDER THE FEDERAL COPYRIGHT LAWS."

REVISIONS

DRAWING NO.	NO. OF SHTS.	PART NO.	DESCRIPTION	A1	A2															
		54-16963-01	VIDEO AMPLIFIER MODULE	A1	A2															
D-UA-5416963-0-0	1		UNIT ASSY	A	A															
B-CS-5416963-0-1	4		SCHEMATIC	A	A															
K-PL-5416963-0-DBP	2		PARTS LIST	A	B															
K-PC-5416963-0-DBV	1		P.C. DESIGN DATA BASE	A	A															
K-CS-5416963-0-DBX	1		VALID DATA BASE	A	A															
		50-16962-01	ETCH CIRCUIT BOARD	F1	F1															
B-DD-5016962-0-0	1		DRAWING DIRECTORY	A	A															

NOTES:

REVISION HISTORY		ECO NO.	REV.
DATE	RELEASED	A	
JAN '87			
10/87	5416963- MLOO1	B	

THIS DRAWING AND THE SPECIFICATIONS CONTAINED HEREIN ARE CONFIDENTIAL AND PROPRIETARY. THEY ARE THE PROPERTY OF DIGITAL EQUIPMENT CORPORATION AND SHALL NOT BE REPRODUCED OR COPIED OR USED IN WHOLE OR IN PART AS THE BASIS FOR THE MANUFACTURE OR SALE OF ITEMS WITHOUT WRITTEN PERMISSION. THIS IS AN UNPUBLISHED WORK PROTECTED UNDER THE FEDERAL COPYRIGHT LAWS.



1987

DRN.	F. LIU	DATE	5-MAY-86	TITLE	
CHK'D	B. CHEN	DATE	5-MAY-86	DWG DIR, VIDEO AMPLIFIER MODULE	
DES. ENG.	C.L. CHUANG	DATE	5-MAY-86	DOCUMENT NUMBER	
RESP. ENG.	L. JEAN	DATE	5-MAY-86	SIZE	CODE
MFG. ENG.	<i>L. Jean</i>	DATE	6 Feb 87	B	DD
				NUMBER	
				5416963-0-0	
				REV.	B
				SHEET 1 OF 1	

AUTOMATED BY VAXKPL (V1.3)

PARTS LIST

SHEET A1 OF A2

LINE	ITEM	TOP DOCUMENT	PART NUMBER	MIN REV	DESCRIPTION	QTY	PER VAR/REV	REFERENCE DESIGNATORS
						O1		
						A2		
1	1	B-DD-5016962-0-0	50-16962-01	F	CIRCUIT DRILL AND ETCH	1		
2	2		10-10978-36		0.10 MFD 50V +/-10% X7R C	3		C216,C316,C416
3	3		10-12312-01		0.47 MFD 50V +80/-20% Z5U C	2		C204,C207
4	4		10-12784-00		0.047MFD 50V +80/-20% Z5U C	6		C224,C225,C324,C325,C424,C425
5	5		10-13466-28		1000 PFD 50V +/- 5% NPO C	9		C201,C214,C215,C301,C314,C315, CONT C401,C414,C415
6	6		10-16571-00		0.020MFD 500V +80/-20% Z5U	6		C218,C221,C318,C321,C418,C421
7	7		10-18000-25		220 MFD 16V +/-20% ALU	2		C205,C206
8	8		10-18000-29		10 MFD 25V +75/-20% ALU	4		C200,C217,C317,C417
9	9		10-18000-32		10 MFD 160V +50/-20% ALU	7		C220,C222,C223,C320,C322,C420, CONT C422
10	10		10-26683-02		0.47 MFD 160V +/- 5% MET.	3		C219,C319,C419
11	11		11-16475-00		PIV= 75 - 4NS 1N4148	12		D212-D215,D312-D315,D412-D415
12	12		12-13071-06		INSULATOR,RUBBER SILICONE	3		
13	13		12-27281-01		HEATSINK	3		H208,H308,H408
14	14		12-27247-03		PCB HEADER 16PIN(2X08).100CC 90D	1		J200
15	15		12-27325-04		PCB HEADER 07POS(1X07).156CC STR	1		J204
16	16		13-00228-00		100.0 .50 W 5.0 % CF	3		R233,R333,R433
17	17		13-00247-00		120.0 .25 W 5.0 % CF	3		R223,R323,R423
18	18		13-00271-00		220.0 .25 W 5.0 % CF	15		R228-R231,R251,R328-R331,R351, CONT R428-R431,R451
19	19		13-00365-00		1.0 K .25 W 5.0 % CF	20		R200,R203-R205,R256-R259,R303, CONT R304,R356-R359,R403,R404, CONT R456-R459
20	20		13-00391-00		1.50 K .25 W 5.0 % CF	3		R250,R350,R450
21	21		13-00426-00		2.70 K .25 W 5.0 % CF	1		R301
22	22		13-00439-00		3.30 K .25 W 5.0 % CF	5		R201,R202,R302,R401,R402
23	23		13-01401-00		750.0 .25 W 5.0 % CF	12		R252-R255,R352-R355,R452-R455
24	24		13-01969-00		22.0 .25 W 5.0 % CF	6		R248,R249,R348,R349,R448,R449
25	25		13-10881-01		330.0 .25 W 1.0 % MF FUS	3		R232,R332,R432
26	26		13-12992-00		560.0 K .25 W 5.0 % CF	3		R236,R336,R436
27	27		13-13590-00		1.50 K .25 W 1.0 % RN55D-F10	6		R247,R260,R347,R360,R447,R460

REVISION HISTORY			KPL MODULE FORMAT SECTION A OF A			DRN: F. LIU			DIGITAL			
ENG	ECO NUMBER	REV	SECTION/VARIATION INDEX			DATE: 05-MAY-86			TITLE PARTS LIST			
---	INITIAL	A	[A]	01	[M]	CHK'D: B. CHEN			VIDEO AMPLIFIER MODULE			
BB	5416963-ML001	B	[B]		[N]	DATE: 05-MAY-86						
			[C]		[P]	DES.ENG: C L CHUANG						
			[D]		[Q]	DATE: 05-MAY-86			DOCUMENT NUMBER			
			[E]		[R]	RESP.ENG.: L. JEAN			SIZE	CODE	NUMBER	REV
			[F]		[S]	DATE: 05-MAY-86			K	PL	5416963-0-DBP	B
			[H]		[T]	MFG.ENG: G. CHRISTIANSEN			RELEASE DATE: 19-OCT-87			
			[J]		[V]	DATE: 26-JAN-87			RELEASE STATUS: RELEASED			
			[K]		[W]				FILE NAME:			EDIT #
			[L]		[Y]				GH707B.PLS			4
			BASIC PART NUMBER:			ASSEMBLY NUMBER:			TOP DOCUMENT NUMBER:			
			5416963			D-UA-5416963-0-0			B-DD-5416963-0-0			

"THIS DRAWING AND THE SPECIFICATIONS CONTAINED HEREIN ARE CONFIDENTIAL AND PROPRIETARY. THEY ARE THE PROPERTY OF DIGITAL EQUIPMENT CORPORATION AND SHALL NOT BE REPRODUCED OR COPIED OR USED IN WHOLE OR IN PART AS THE BASIS FOR THE MANUFACTURE OR SALE OF EQUIPMENT. THIS IS AN UNPUBLISHED WORK PROTECTED UNDER THE FEDERAL COPYRIGHT LAWS."

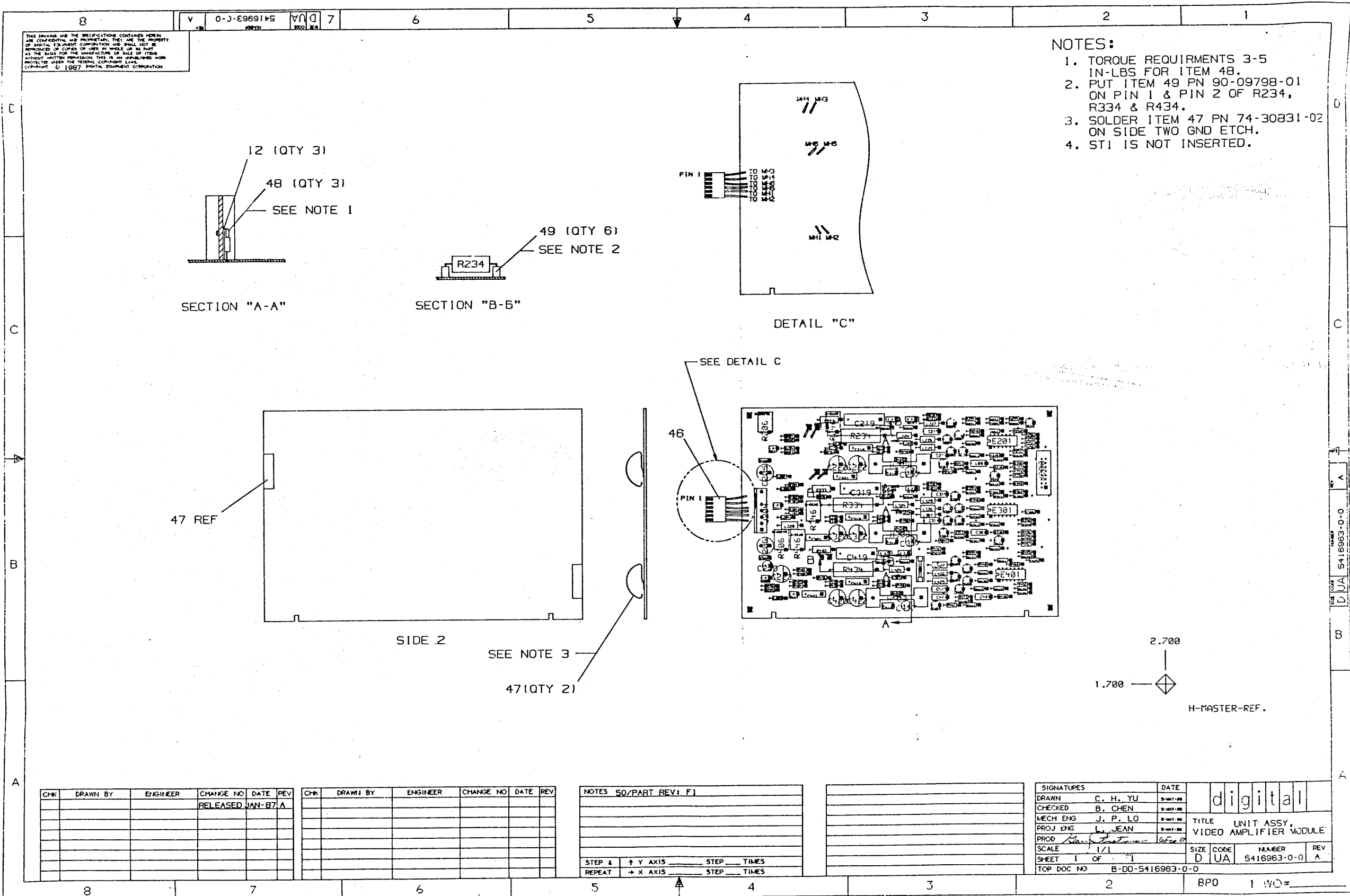
AUTOMATED BY VAXKPL (V1.3)

PARTS LIST

SHEET A2 OF A2

LINE	ITEM	TOP DOCUMENT	PART NUMBER	MIN REV	DESCRIPTION	QTY PER VAR/REV	REFERENCE DESIGNATORS
						01	
						A2	
28	28		13-16839-00	715.0	.25 W 1.0 % RN55D-F10	3	R238,R338,R438
29	29		13-17523-00	1.43 K	.25 W 1.0 % RN55D-F10	3	R237,R337,R437
30	30		13-18341-25	357.0	.25 W 1.0 % RN55D-F10	3	R239,R339,R439
31	31		13-19531-01	221.0	.25 W 1.0 % RN55D-F10	12	R241-R244,R341-R344,R441-R444
32	32		13-27013-08	820.0	5.0 W 5.0 % M.OXIDE	3	R234,R334,R434
33	33		13-27187-01		POT-OPEN/TRIM 5.0K 0.3 W 20.0	2	R206,R406
34	34		13-27187-02		POT-OPEN/TRIM 50.0K 0.3 W 20.0	3	R246,R346,R446
35	35		13-27704-01	180.0	.25 W .1 % RN55E-B 2	3	R240,R340,R440
36	36		15-09524-00		2N 3904 NPN 310MW SI 40 40 M	4	Q200,Q211,Q311,Q411
37	37		15-21002-01		2N 2369A NPN 200MA 15V T0-18	21	Q202-Q207,Q212,Q302-Q307,Q312,
							CONT Q402-Q407,Q412
38	38		15-24840-01		NPN ARRAY,DIF AMPL 15V	3	E201,E301,E401
39	39		15-27593-01		2SA1406D,E PNP VIDEO OUT TRANSIS	3	Q209,Q309,Q409
40	40		15-27594-01		2SC3600D,E NPN VIDEO OUT TRANSIS	3	Q210,Q310,Q410
41	41		15-27595-01		25C3598D,E NPNM VIDEO OUT TRANSI	3	Q208,Q308,Q408
42	42		16-09756-00		*** THIS ITEM IS NOT USED ***	-	
43	43		16-12946-04		6.8 UH 10% Q MIN=52@7.9MHZ	5	L200-L204
44	44		16-18238-02		BEAD,FERRITE .1380DX.330LG	12	L224-L227,L324-L327,L424-L427
45	45		16-27761-01		10.0 UH 10% Q= 55 @ 7.9MHZ SRF=	1	L220
46	46	B-IA-7024050-0-DBU	70-24050-01	A	RGB OUTPUT WIRE ASSY	1	
47	47	C-MD-7430831-0-0	74-30831-02	A	GROUND CLIP	2	
48	48		90-06010-01		SCREW,MACH PAN PHIL 4-	3	
49	49		90-09798-01		SPACER,CLEAR HOLE RND CERAM .07	6	
50	50	SEE NOTE 1	16-28226-01		CHOKO COIL 2.2UH 10%	3	L223,L323,L423

1 GEN: P/N 1609756-00 IS AN ALTERNATE ACCEPTABLE PART FOR ITEM NUMBER 50 (P/N 1628226-01).



THIS DRAWING AND THE SPECIFICATIONS CONTAINED HEREIN ARE CONFIDENTIAL AND PROPRIETARY. THEY ARE THE PROPERTY OF DIGITAL EQUIPMENT CORPORATION AND SHALL NOT BE REPRODUCED OR COPIED OR USED IN WHOLE OR IN PART AS THE BASIS FOR THE MANUFACTURE OR SALE OF ITEMS WITHOUT WRITTEN PERMISSION. THIS IS AN UNPUBLISHED FORM PROTECTED UNDER THE FEDERAL COPYRIGHT LAWS. COPYRIGHT © 1987 DIGITAL EQUIPMENT CORPORATION

- NOTES:
1. TORQUE REQUIREMENTS 3-5 IN-LBS FOR ITEM 48.
 2. PUT ITEM 49 PN 90-09798-01 ON PIN 1 & PIN 2 OF R234, R334 & R434.
 3. SOLDER ITEM 47 PN 74-30831-02 ON SIDE TWO GND ETCH.
 4. ST1 IS NOT INSERTED.

CHK	DRAWN BY	ENGINEER	CHANGE NO	DATE	REV	CHK	DRAWN BY	ENGINEER	CHANGE NO	DATE	REV

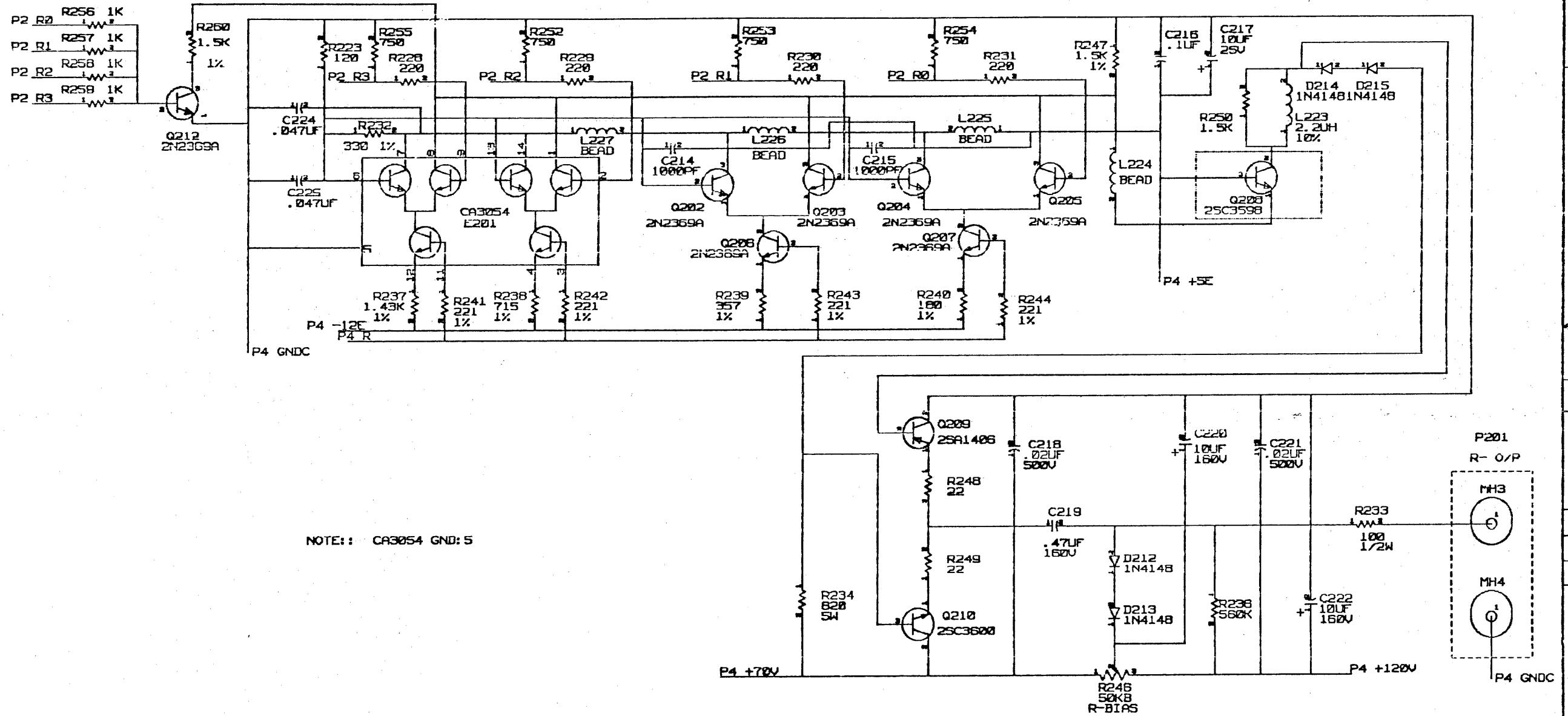
NOTES 50/PART REV: F1

STEP & REPEAT	↑ Y AXIS	STEP	TIMES
	→ X AXIS	STEP	TIMES

SIGNATURES		DATE	digital
DRAWN	C. H. YU	9-MAY-88	
CHECKED	B. CHEN	9-MAY-88	
MECH ENG	J. P. LO	9-MAY-88	
PROJ ENG	JEAN	9-MAY-88	
PROD	<i>[Signature]</i>	6-FEB-87	
SCALE	1/1		TITLE UNIT ASSY, VIDEO AMPLIFIER MODULE
SHEET 1 OF 1	SIZE CODE D UA	NUMBER 5416963-0-0	REV A
TOP DOC NO B-00-5416963-0-0	BPO 1 WO#		

NOTE: UNLESS OTHERWISE SPECIFIED:

1. ALL RESISTORS ARE EXPRESSED IN OHMS AND ARE 1/4W, +5%.
2. THE VOLTAGE OF ALL CAPACITORS ARE 50V.
3. ----- EXPRESS (OFF THE BOARD).
4. ----- EXPRESS (COMPONENTS LOCATE IN PACKAGE).
5. ----- EXPRESS (HEAT SINK).
6. ----- EXPRESS (COMPONENT NOT INSERT).
7. P201 IS DISTRIBUTED TO THE SHEET 1, 2, 3.



NOTE: CA3054 GND: 5

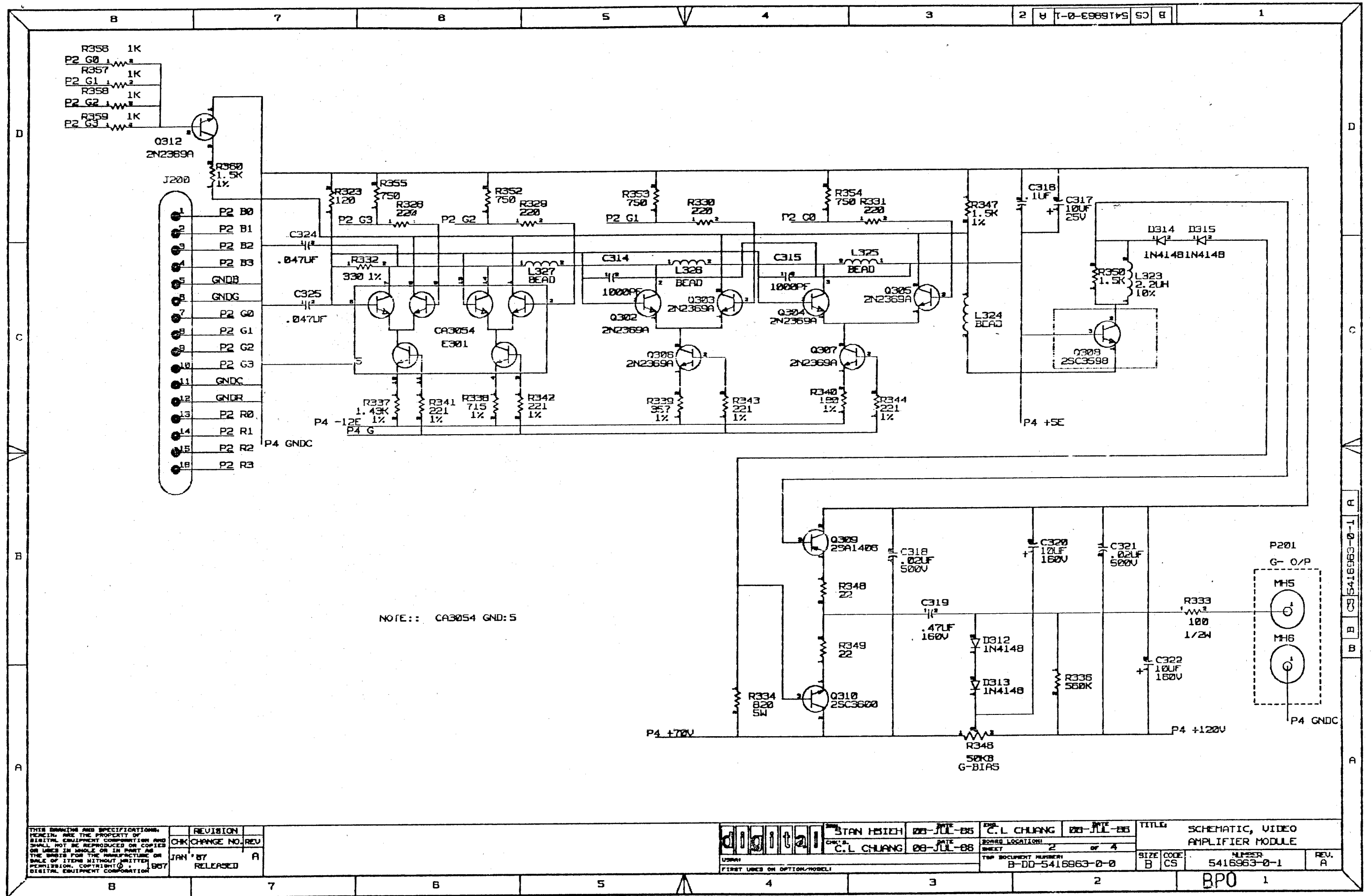
THIS DRAWING AND SPECIFICATIONS ARE THE PROPERTY OF DIGITAL EQUIPMENT CORPORATION AND SHALL NOT BE REPRODUCED OR COPIED OR USED IN WHOLE OR IN PART AS THE BASIS FOR THE MANUFACTURE OR SALE OF ITEMS WITHOUT WRITTEN PERMISSION. COPYRIGHT © 1987 DIGITAL EQUIPMENT CORPORATION

REVISION	CHANGE NO.	REV.
JAN '87		A
RELEASED		

	DESIGNED BY	DATE	APP. BY	DATE
	STAN HSIEH	08-JUL-86	C.L. CHUANG	08-JUL-86
	CHECKED BY	DATE	BOARD LOCATION	
	C.L. CHUANG	08-JUL-86	1	
			SHEET	OF 4
			TOP DOCUMENT NUMBER	
			B-DD-5416963-0-0	

TITLE:	SCHEMATIC, VIDEO AMPLIFIER MODULE		
SIZE	CODE	NUMBER	REV.
B	C5	5416963-0-1	A

BPO 1



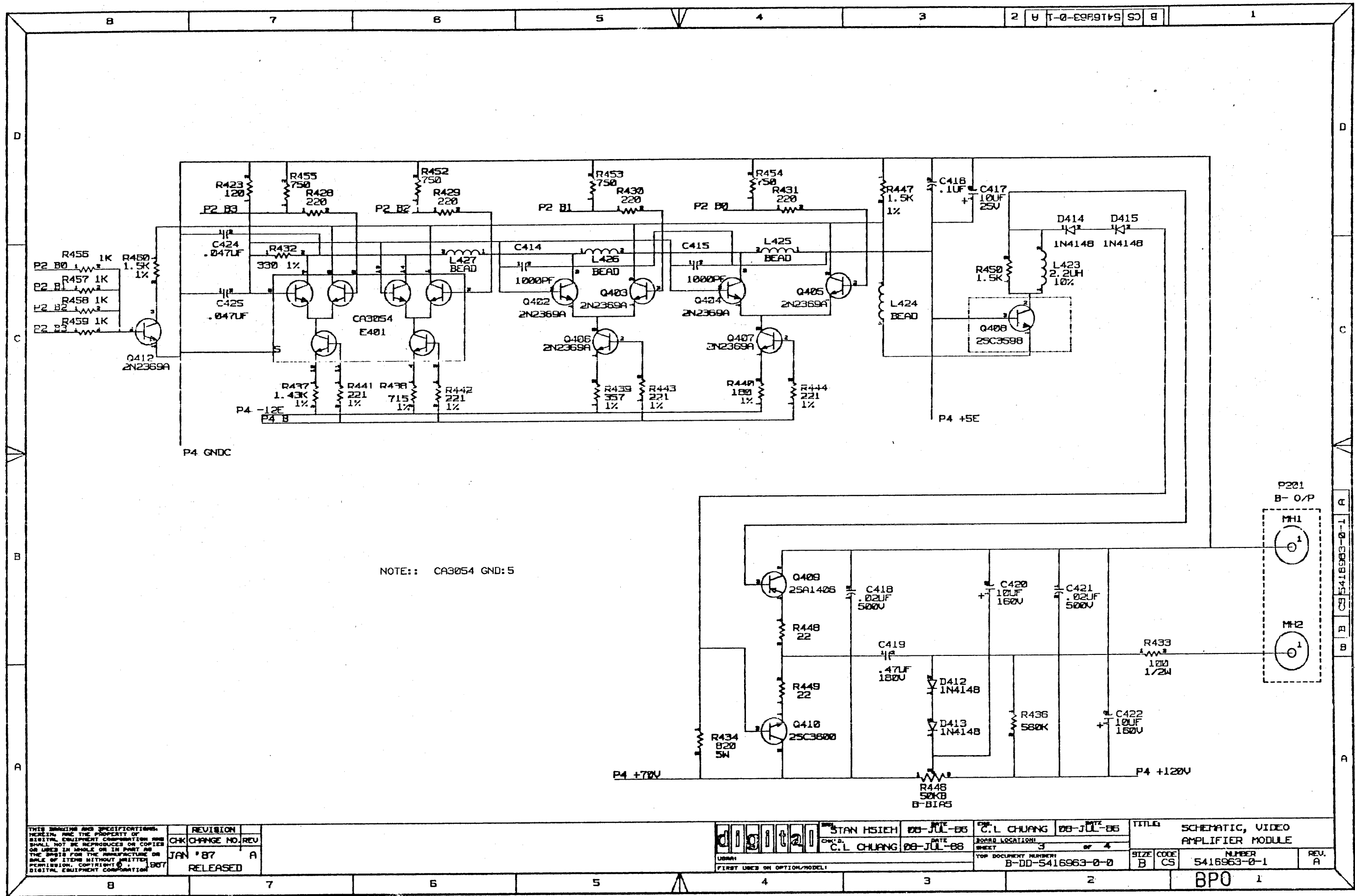
NOTE:: CA3054 GND:5

THIS DRAWING AND SPECIFICATIONS ARE THE PROPERTY OF DIGITAL EQUIPMENT CORPORATION AND SHALL NOT BE REPRODUCED OR COPIED OR USED IN WHOLE OR IN PART AS THE BASIS FOR THE MANUFACTURE OR SALE OF ITEMS WITHOUT WRITTEN PERMISSION. COPYRIGHT © 1967 DIGITAL EQUIPMENT CORPORATION	
REV. A	RELEASED

REV. NO.	DATE	BY	CHK.
1	08-JUL-68	C.L. CHUANG	STAN HSIEH
2	08-JUL-68	C.L. CHUANG	C.L. CHUANG

TITLE: SCHEMATIC, VIDEO AMPLIFIER MODULE SHEET: 2 of 4 FIRST USED ON OPTION/MODEL: B-DD-5416963-0-0	SIZE: B CODE: CS NUMBER: 5416963-0-1 REV. A
---	--

BPO 1



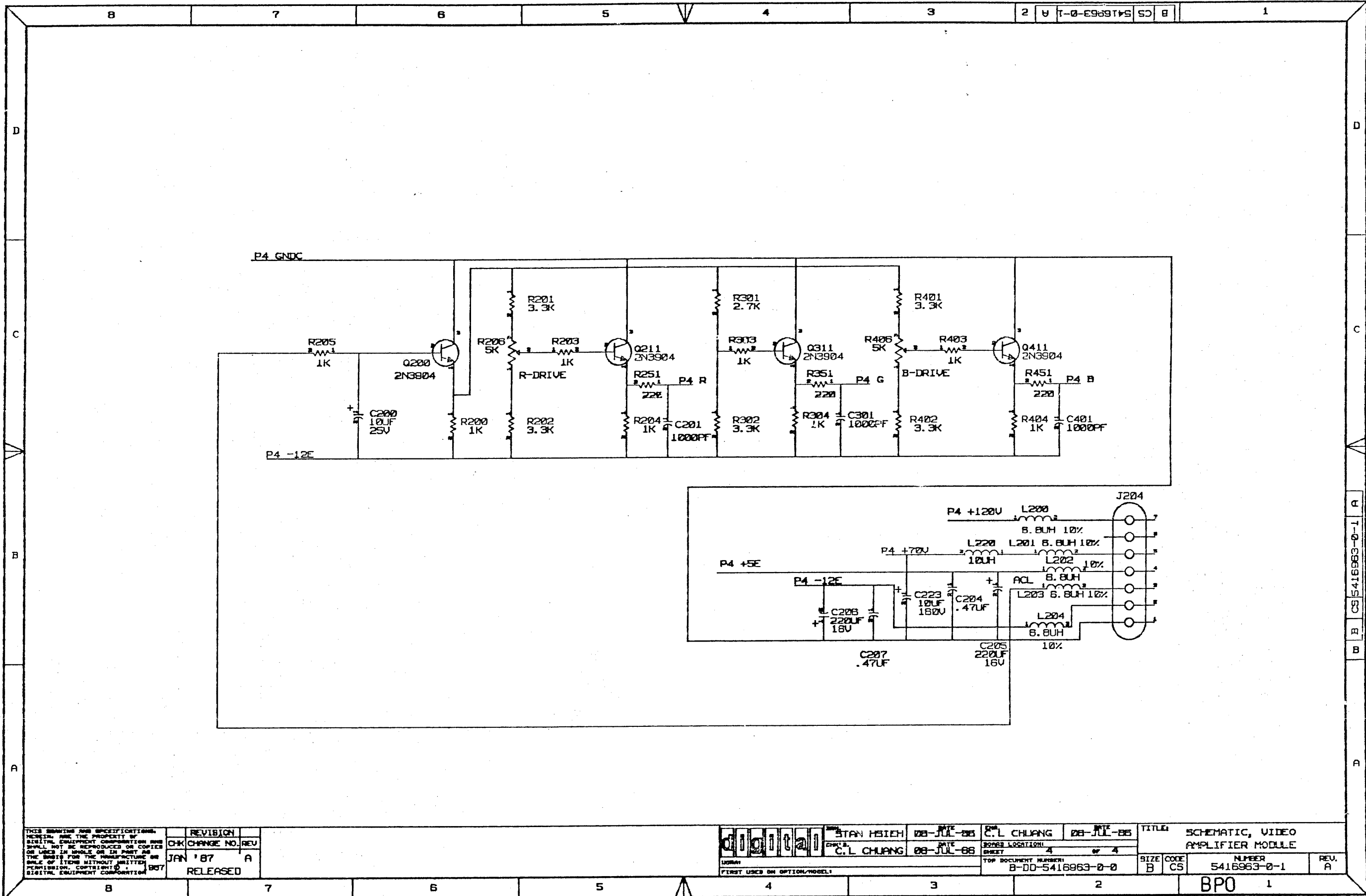
NOTE:: CA3054 GND:5

THIS DRAWING AND SPECIFICATIONS
HEREIN ARE THE PROPERTY OF
DIGITAL EQUIPMENT CORPORATION AND
SHALL NOT BE REPRODUCED OR COPIED
OR USED IN WHOLE OR IN PART OR
THE BASIS FOR THE MANUFACTURE OR
SALE OF ITEMS WITHOUT WRITTEN
PERMISSION. COPYRIGHT © 1987
DIGITAL EQUIPMENT CORPORATION

REVISION	
CHK	CHANGE NO. REV
JAN '87	A
RELEASED	

	DESIGNED BY	DATE	CHK'D BY	DATE	BOARD LOCATION	SHEET 3 of 4	TITLE SCHEMATIC, VIDEO AMPLIFIER MODULE
	STAN HSIEH	08-JUL-86	C.L. CHUANG	08-JUL-86	3		
US9841 FIRST USED ON OPTION/MODEL:	C.L. CHUANG	08-JUL-86				TOP DOCUMENT NUMBER: B-DD-5416963-0-0	NUMBER 5416963-0-1 REV. A

BPO 1



THIS DRAWING AND SPECIFICATIONS ARE THE PROPERTY OF DIGITAL EQUIPMENT CORPORATION AND SHALL NOT BE REPRODUCED OR COPIED OR USED IN WHOLE OR IN PART AS THE BASIS FOR THE MANUFACTURE OR SALE OF ITEMS WITHOUT WRITTEN PERMISSION. COPYRIGHT © 1977 DIGITAL EQUIPMENT CORPORATION

REVISION	
CHK	CHANGE NO. REV
JAN '87	A
RELEASED	

digital	DESIGNED BY	DATE	DESIGNED BY	DATE
	STAN HSIEH	08-JUL-88	C.L. CHUANG	08-JUL-88
DRAWN	C.L. CHUANG	08-JUL-88	SHEET LOCATION	
FIRST USED ON OPTION/MODEL		TOP DOCUMENT NUMBER		SHEET
		B-DD-5416963-0-0		4 of 4

TITLE		NUMBER		REV.
SCHEMATIC, VIDEO		5416963-0-1		A
AMPLIFIER MODULE				
SIZE	CODE			
B	CS			

BPO 1

CS 5416963-0-1 A B B

LINE	ITEM	TOP DOCUMENT	PART NUMBER	MIN REV	DESCRIPTION	QTY	PER VAR/REV	REFERENCE DESIGNATORS
1	1	B-DD-5016964-0-0	50-16964-01	F	CIRCUIT DRILL AND ETCH	1		
2	2		10-01610-00		0.010MFD 50V +80/-20% Z5U C	85		C7,C9-C11,C13,C14,C16,C17,C19, CONT C27-C36,C38,C43-C48,C50-C59, CONT C65-C73,C78-C83,C86,C87, CONT C92-C117,C120-C125
3	3		10-10274-00		0.22 MFD 50V +80/-20% Z5U C	3		C1,C26,C37
4	4		10-10279-01		0.47 MFD 25V +/-20% Z5U C	27		C3-C6,C20-C23,C39-C42,C60-C64, CONT C74-C77,C88-C91,C118,C119
5	5		10-13466-10	3300	PFD 50V +/- 5% NP0 C	1		C84
6	6		10-13466-24	47	PFD 50V +/- 5% NP0 C	1		C2
7	7		10-17472-00	10	MFD 35V +75/-10% ALU	2		C18,C25
8	8		10-20446-11	470	MFD 6.3V +50/-10% ALU	1		C24
9	9		10-22277-01	22	MFD 16V +50/-10% ALU	1		C85
10	10		10-26289-02		0.03 MFD 50V+100/-25% Z5U C	9		C126-C134
11	11		10-26289-06		0.03 MFD 550V+100/-25% Z50 C	2		C135,C136
12	12		11-00114-00		PIV= 25 IO=135 MA	3		D7,D8,D23
13	13		11-05796-00		PIV= 400 IO= 1.00A 1N4004 D0-41	6		D1-D6
14	14		11-10672-00		VZ= 3.6 5% 40 MW 1N747A	1		D13
15	15		11-24037-01		VZ= 36.0 5% 400 MW 1N974B D0-35	13		D9-D12,D14-D22
16	16		12-10929-02		FUSE PICO 1.0 A 125V AXIAL LEA	1		F2
17	17		12-15006-07		SKT,IC 28PIN DIP TIN SOLD	1		XE49
18	18		12-19952-07		PCB HEADER 40PIN(2X20).100CC STR	1		J1
19	19		12-26589-01		PCB HEADER 07PIN 90D	1		J2
20	20		12-26963-01		CARD EDGE 60POS .050CC 90D	1		J5
21	21		13-00197-00		33.0 .25 W 5.0 % CF	24		R1,R2,R4-R7,R9-R14,R16,R17,R19, CONT R20,R25-R27,R30-R34
22	22		13-00219-00		68.0 .25 W 5.0 % CF	2		R28,R41
23	23		13-00229-00		100.0 .25 W 5.0 % CF	22		R8,R18,R23,R36,R40,R44,R49-R52, CONT R57,R60,R67-R76
24	24		13-00247-00		120.0 .25 W 5.0 % CF	2		R38,R56
25	25		13-00295-00		330.0 .25 W 5.0 % CF	4		R62-R64,R80
26	26		13-00365-00		1.0 K .25 W 5.0 % CF	3		R43,R45,R48

REVISION HISTORY		KPL MODULE FORMAT		SECTION A OF A		DRN: F. LIU		D I G I T A L	
ENG	ECO NUMBER	REV	SECTION/VARIATION INDEX		DATE:	05-MAY-86			
---	INITIAL	A	[A] 01	[M]	CHK'D:	B. CHEN		TITLE PARTS LIST	
			[B]	[N]	DATE:	05-MAY-86		TERMINAL CONTROL MODULE	
			[C]	[P]	DES.ENG:	HC HONG		DOCUMENT NUMBER	
			[D]	[Q]	DATE:	05-MAY-86		SIZE	CODE
			[E]	[R]	RESP.ENG.:	SW CHENG		NUMBER	REV
			[F]	[S]	DATE:	05-MAY-86		K	PL
			[H]	[T]	MFG.ENG.:	G. CHRISTIANSEN		RELEASE DATE: 11-FEB-87	
			[J]	[V]	DATE:	26-JAN-87		RELEASE STATUS: RELEASED	
			[K]	[W]					
			[L]	[Y]					
		BASIC PART NUMBER:		ASSEMBLY NUMBER:		TOP DOCUMENT NUMBER:		FILE NAME:	
		5416965		D-UA-5416965-0-0		B-DD-5416965-0-0		GH708A.PLS	
								EDIT #	
								36	

PARTS LIST

LINE ITEM	TOP DOCUMENT	PART NUMBER	MIN REV	DESCRIPTION	QTY PER VAR/REV	REFERENCE DESIGNATORS
					01 A1	
27	27	13-00444-00	3.90 K	.25 W 5.0 % CF	1	R55
28	28	13-00447-00	4.70 K	.25 W 5.0 % CF	6	R3,R24,R35,R42,R58,R59
29	29	13-00479-00	10.0 K	.25 W 5.0 % CF	1	R39
30	30	13-01327-00	68.0 K	.25 W 5.0 % CF	4	R15,R22,R53,R54
31	31	13-02379-00	75.0	.25 W 5.0 % CF	1	R65
32	32	13-05346-00	27.0 K	.25 W 5.0 % CF	2	R29,R37
33	33	13-13349-00	33.0 K	.25 W 5.0 % CF	6	R46,R47,R66,R77-R79
34	34	15-09525-00	2N 3906	PNP 310MW SI 40100 Y	1	Q2
35	35	15-10705-00	XA 05	NPN 500MW SI 60 50 P	1	Q1
36	36	16-09756-00		2.2 UH 10% 760MA #DD2.20	12	L26-L33,L35-L38
37	37	16-18238-02		BEAD,FERRITE .1380DX.330LG	16	L7,L8,L12-L14,L16,L18-L25,L34, CONT L39
38	38	16-20182-03		5.6 UH 10% 565MA	6	L9-L11,L15,L17,L40
39	39	17-01559-01		CABLE ASSY, FLAT,SHIELDED	1	P200
40	40	18-11660-45		OSCILLATOR, XTAL 12.00 MHZ	1	Y2
41	41	18-11660-75		OSCILLATOR,XTAL 32.3174 MHZ	1	Y1
42	42	19-10545-00		74S112 FF-JK DUAL,EDGE TRIG	1	E5
43	43	19-12096-00	DEC	74S86 XOR GATE,QUAD 2IN	1	E8
44	44	19-12646-00		LS253 MUX 1 OF 4 (DUAL)	4	E83,E84,E95,E96
45	45	19-12697-00		LS174 FF-D HEX W/CLEAR	1	E30
46	46	19-12803-00		LS04 INVERTER GATE,HEX	1	E11
47	47	19-12810-00		LS20 NAND GATE-DUAL 4IN	1	E79
48	48	19-12816-00		LS32 OR GATE-QUAD 2IN,POS	1	E39
49	49	19-12824-00		LS74 FF-D DUAL,EDGE TRIGG	1	E10
50	50	19-15019-00		74S38 NAND BUFFER-QUAD 2IN	1	E38
51	51	19-15218-00		LS245 TRANSCEIVER,BUS,OCTA	3	E50,E53,E89
52	52	19-15219-00		LS373 FF-D OCTAL-TRANSPARE	4	E9,E77,E91,E92
53	53	19-15415-00		9636 DRIVER,DUAL,EIA RS-4	2	E25,E40
54	54	19-20442-01		74F374 FF-D,OCTAL,TRI-STATE	1	E7
55	55	19-20572-01		74F244 BUFFER/LINE DRIVER,O	2	E56,E90
56	56	19-21010-01		74F373 OCTAL TRANSPARENT LA	8	E68,E69,E71-E76
57	57	19-21305-01		74F00 NAND GATE,QUAD,2-IN	1	E6
58	58	19-21308-01		74F08 AND GATE,QUAD,2-IN	1	E23
59	59	19-21312-01		74F32 OR GATE,QUAD,2-IN	2	E17,E31
60	60	19-21314-01		74F74 FF-D,DUAL,POS.,EDGE	1	E59
61	61	19-21323-01		74F174 FF-D,HEX	5	E20-E22,E33,E35
62	62	19-21327-01		74F194 SHIFT REG,UNIV,BIDIR	4	E18,E19,E32,E34
63	63	19-23889-01		EIA OCTAL LINE DRIVE	1	E62
64	64	19-23890-01		EIA OCTAL LINE RECEI	2	E63,E82
65	65	19-26651-01		74AS870 REGISTER FILES,DUAL	2	E51,E52
66	66	19-26652-01		74AS575 FLIP FLOP,OCTAL D-TY	2	E54,E55
67	67	19-27277-01		74ALS74 FLIP FLOP,DUAL D-TYP	1	E60
68	68	19-27862-01		74ALS02 DIP,14PIN QUAD 2-INP	1	E37
69	69	21-20068-01		2681 REC./TRANS.,ASYNC.,D	1	E61
70	70	21-20115-01		8031C MICROPROCESSOR W/O P	2	E24,E57
71	71	21-21552-05	DC	322 VIPER,68CRQD GULLWIN	4	E85-E88
72	72	21-21553-02	DC	323-CA ADDER II ZMOS	1	E70
73	73	21-24412-02		RAM,64KX4,DYNAMIC 15	26	E1-E4,E12-E15,E26-E29,E41-E48, CONT E64-E67,E93,E94
74	74	21-25643-01		DC7051 TIMING GENERATOR + C	1	E36

AUTOMATED BY VAXKPL (V1.3)

P A R T S L I S T

SHEET A3 OF A3

LINE	ITEM	TOP DOCUMENT	PART NUMBER	MIN REV	DESCRIPTION	QTY PER VAR/REV	REFERENCE DESIGNATORS
75	75		21-26375-01		ASYNCHRONBUS COMMUNI	1	E81
76	76		23-E6 -02		32KX 8 TTL, UVROM,250NS	1	E49
77	77		23-J5 -03		PAL,OCTAL 16 INPUT AND-OR-INVERT	2	E16,E78
78	78		23-K5 -03		PAL,OCTAL REGISTERED AND-OR	1	E58
79	79		23-1N2 -00		N2-01	1	E80
80	80	B-IA-7023276-0-DBU	70-23276-01	A	GROUNDING WIRE	2	
81	81	B-AD-7024320-0-DBU	70-24320-01	A	CONN/BAFFLE ASSY	1	
82	82	D-IA-7432559-0-DBU	74-32559-01	A	BRKT,GROUND	1	
83	83	C-IA-7434794-0-DBU	74-34794-01	A	BRACKET,CARTRIDGE	1	
84	84	D-MD-7434915-0-DBU	74-34915-01	A	SHIELD,EMI	1	
85	85	D-IA-7434916-0-DBU	74-34916-01	A	COVER,SHIELDING	1	U3
86	86		90-09185-00		JUMPER, WIRE, INSULATED, BLACK B	2	W1,W3
87	87		90-09800-07		SCREW,THD RL,PAN PHIL F/PLAS	1	
88	88		90-09800-10		SCREW,THD RL,PAN PHIL F/PLAS	1	

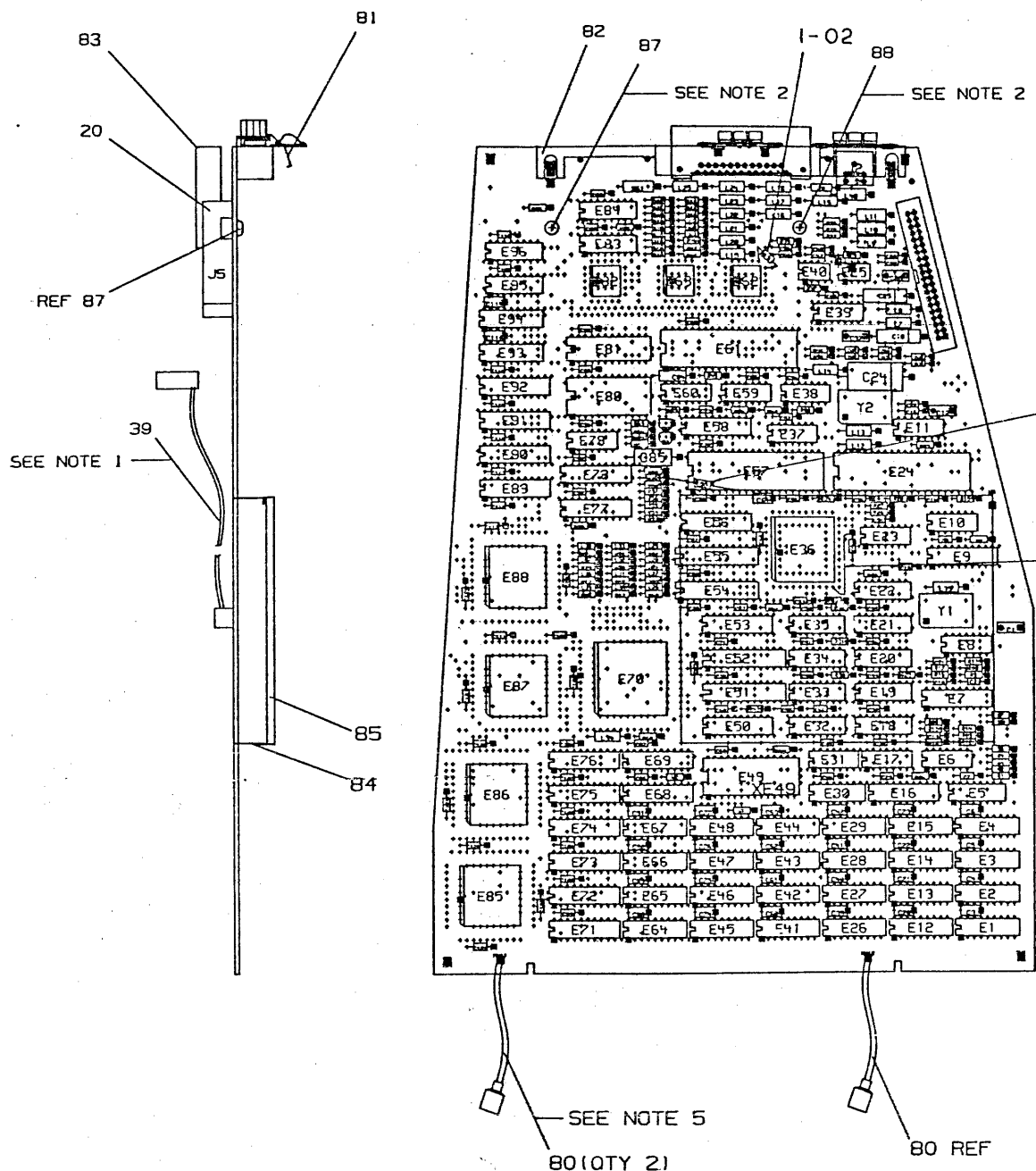
THIS DRAWING AND THE SPECIFICATIONS CONTAINED HEREIN ARE CONFIDENTIAL AND PROPRIETARY. THEY ARE THE PROPERTY OF DIGITAL EQUIPMENT CORPORATION AND SHALL NOT BE REPRODUCED OR COPIED OR USED IN WHOLE OR IN PART AS THE BASIS FOR THE MANUFACTURE OR SALE OF ITEMS WITHOUT WRITTEN PERMISSION. THIS IS AN UNPUBLISHED WORK PROTECTED UNDER THE FEDERAL COPYRIGHT LAWS. COPYRIGHT © 1987 DIGITAL EQUIPMENT CORPORATION

REWORK INSTRUCTIONS:

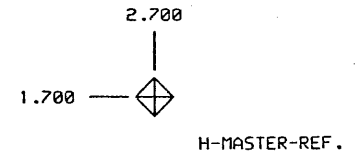
- COMPONENT ADDS SIDE ONE (AS SHOWN).
- 1-01. ADD R80 PN 13-00295-00
R80 PIN 1 TO D23 PIN 1
R80 PIN 2 TO E57 PIN 9.
 - 1-02. ADD W3 PN 90-09185-00
W3 PIN 1 TO E62 PIN 18
W3 PIN 2 TO E62 PIN 19.

- WIRE PN 91-05740-55 ADDS SIDE ONE (AS SHOWN).
- 1-03. FROM E36 PIN 26 TO C38 PIN 1.

CUT ETCH REFER D-EC-5016964-0-0.



- NOTES:**
1. ITEM 39 SOLDER ON SIDE 2.
 2. TORQUE REQUIREMENTS 2-3 IN-LBS FOR ITEMS 87 & 88.
 3. INSERT ITEM 10 PN 10-26289-02 BENEATH E18, E19, E20, E21, E22, E32, E33, E34 & E35.
 4. INSERT ITEM 11 PN 10-26289-06 BENEATH E54, & E55.
 5. ITEM 80 SOLDER IN MH11 & MH12.
 6. R61, W2 & C12 ARE NOT INSERTED.



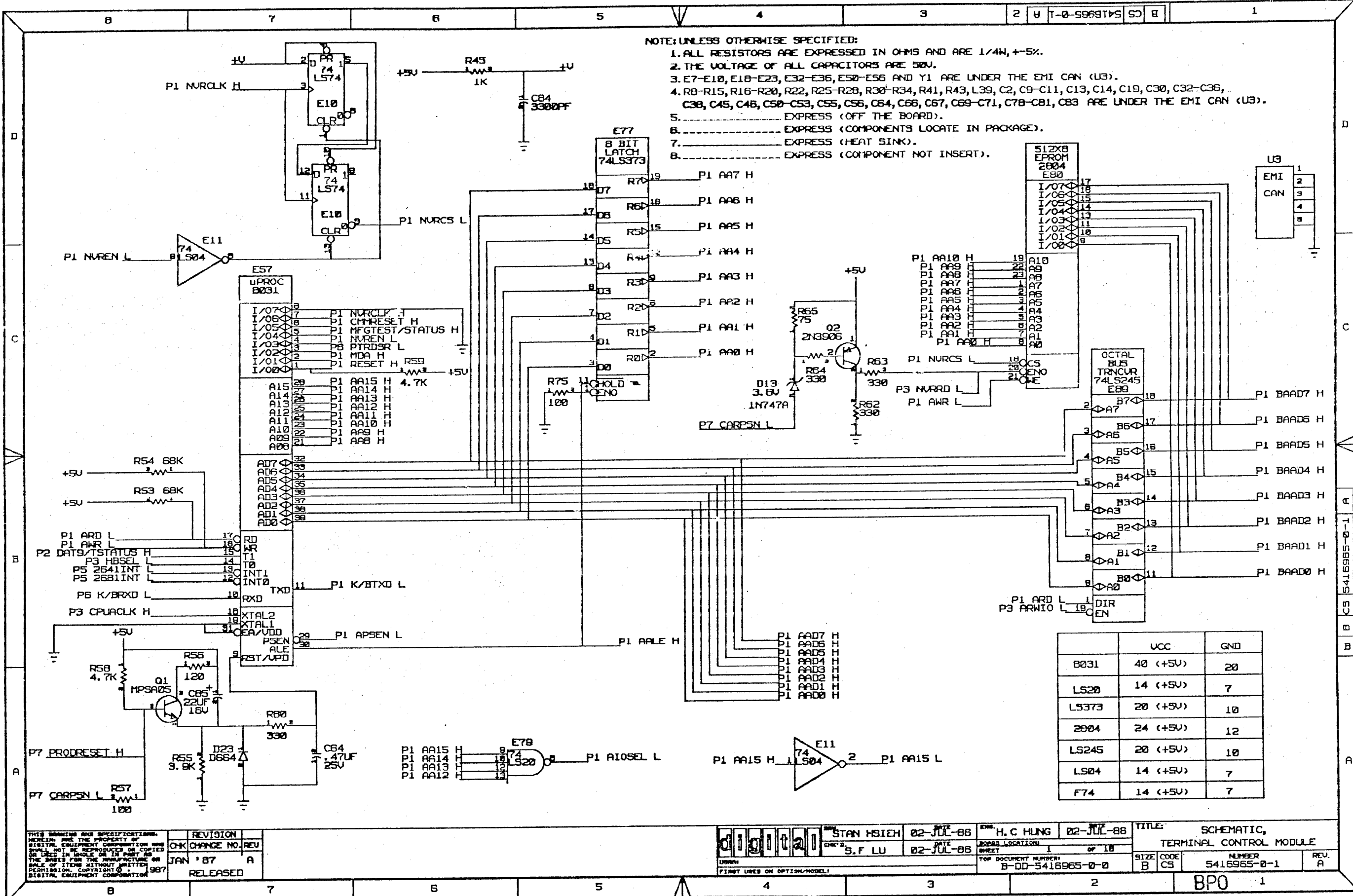
CHK	DRAWN BY	ENGINEER	CHANGE NO	DATE	REV
			RELEASED	JAN-87	A

CHK	DRAWN BY	ENGINEER	CHANGE NO	DATE	REV

NOTES 50/PART REV: F.1

STEP & REPEAT	↑ Y AXIS	→ X AXIS	STEP	TIMES

SIGNATURES		DATE	digital			
DRAWN	C. H. YU	2-11-88	TITLE UNIT ASSY, TERMINAL CONTROL MODULE			
CHECKED	B. CHEN	2-11-88				
MECH ENG	J. P. LO	2-11-88				
PROJ ENG	S. W. CHENG	2-11-88				
PROD	<i>[Signature]</i>	2-11-88				
SCALE	1/1		SIZE D	CODE UA	NUMBER 5416965-0-0	REV A
SHEET 1	OF 1		TOP DOC NO B-DD-5416965-0-0			



THIS DRAWING AND SPECIFICATIONS, INCLUDING ARE THE PROPERTY OF DIGITAL EQUIPMENT CORPORATION AND SHALL NOT BE REPRODUCED OR COPIED OR USED IN WHOLE OR IN PART AS THE BASIS FOR THE MANUFACTURE OR SALE OF ITEMS WITHOUT WRITTEN PERMISSION. COPYRIGHT © 1987 DIGITAL EQUIPMENT CORPORATION

REVISION	CHANGE NO.	REV.
JAN '87	A	RELEASED

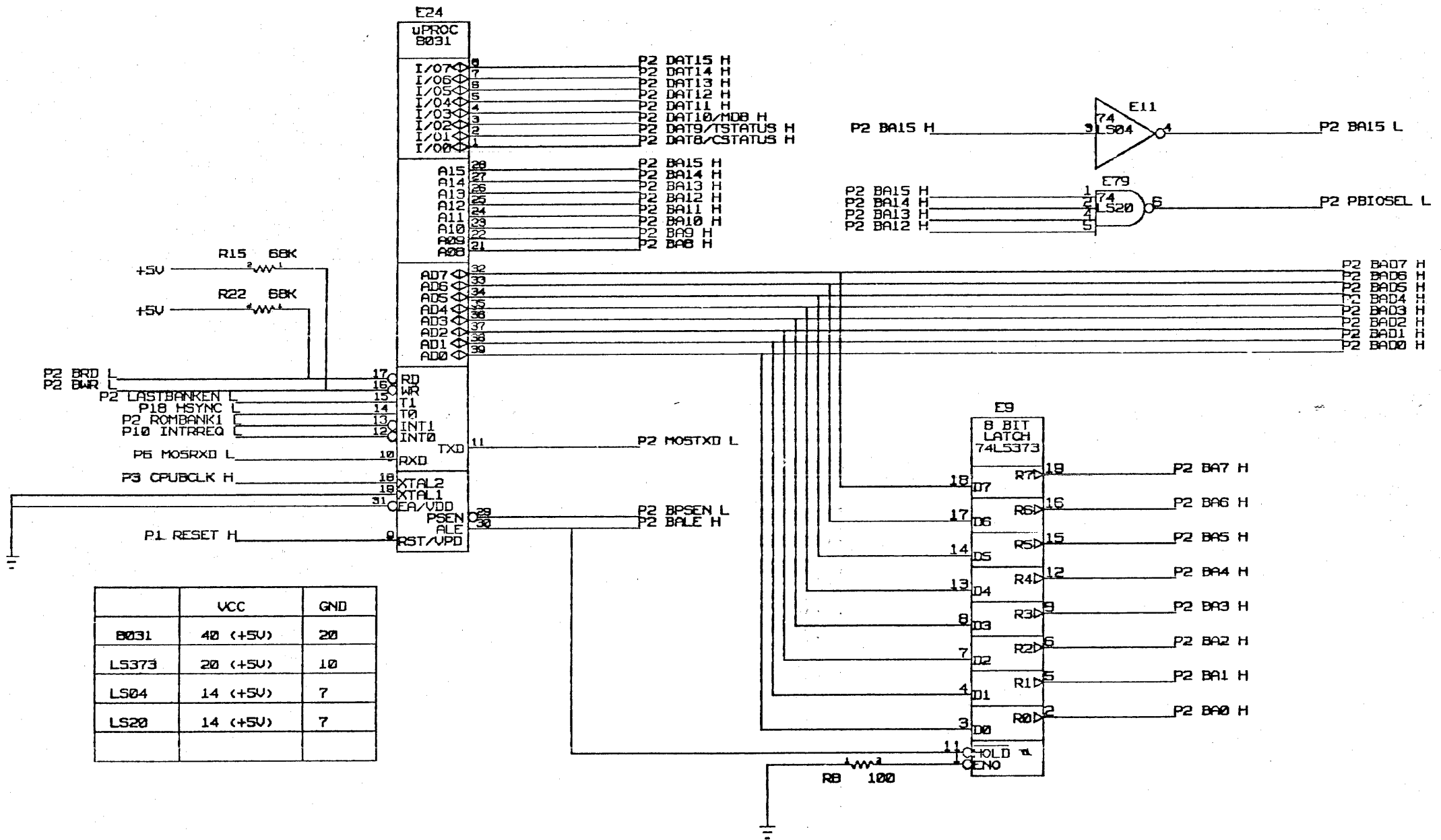
digital

DESIGNED BY	STAN HSIEH	DATE	02-JUL-86	DESIGNED BY	H. C HUNG	DATE	02-JUL-88
CHECKED BY	S. F LU	DATE	02-JUL-86	DESIGN LOCATION	I of 18		
WORKING	FIRST USER ON OPTIMIZATION			TOP DOCUMENT NUMBER	B-DD-5416965-0-0		

TITLE	SCHEMATIC, TERMINAL CONTROL MODULE		
SIZE	B	CODE	CS
NUMBER	5416965-0-1		
REV.	A		

BPO 1

THIS DRAWING AND SPECIFICATIONS, HEREIN, ARE THE PROPERTY OF DIGITAL EQUIPMENT CORPORATION AND SHALL NOT BE REPRODUCED OR COPIED OR USED IN WHOLE OR IN PART AS THE BASIS FOR THE MANUFACTURE OR SALE OF ITEMS WITHOUT WRITTEN PERMISSION. COPYRIGHT © DIGITAL EQUIPMENT CORPORATION 1987

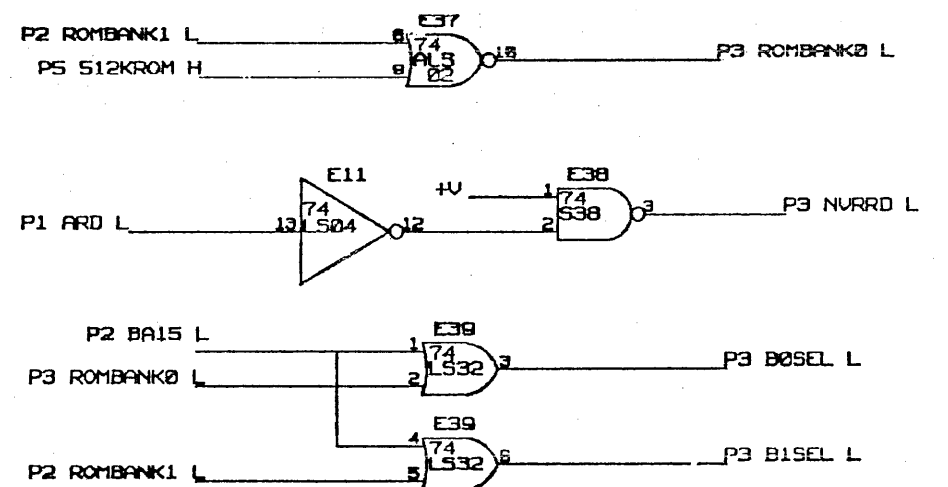
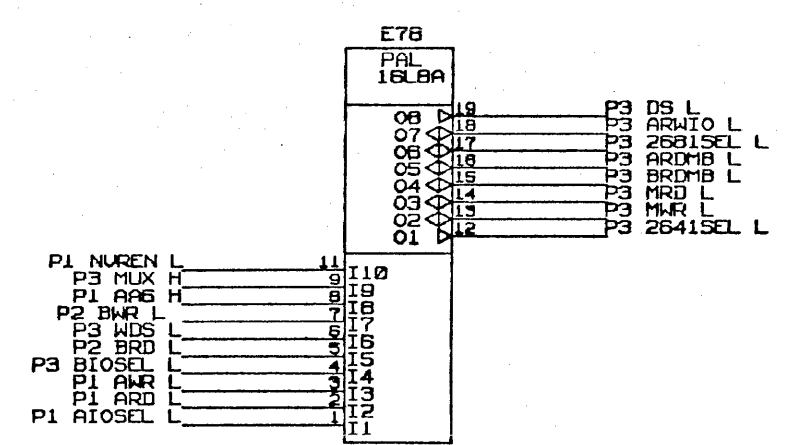
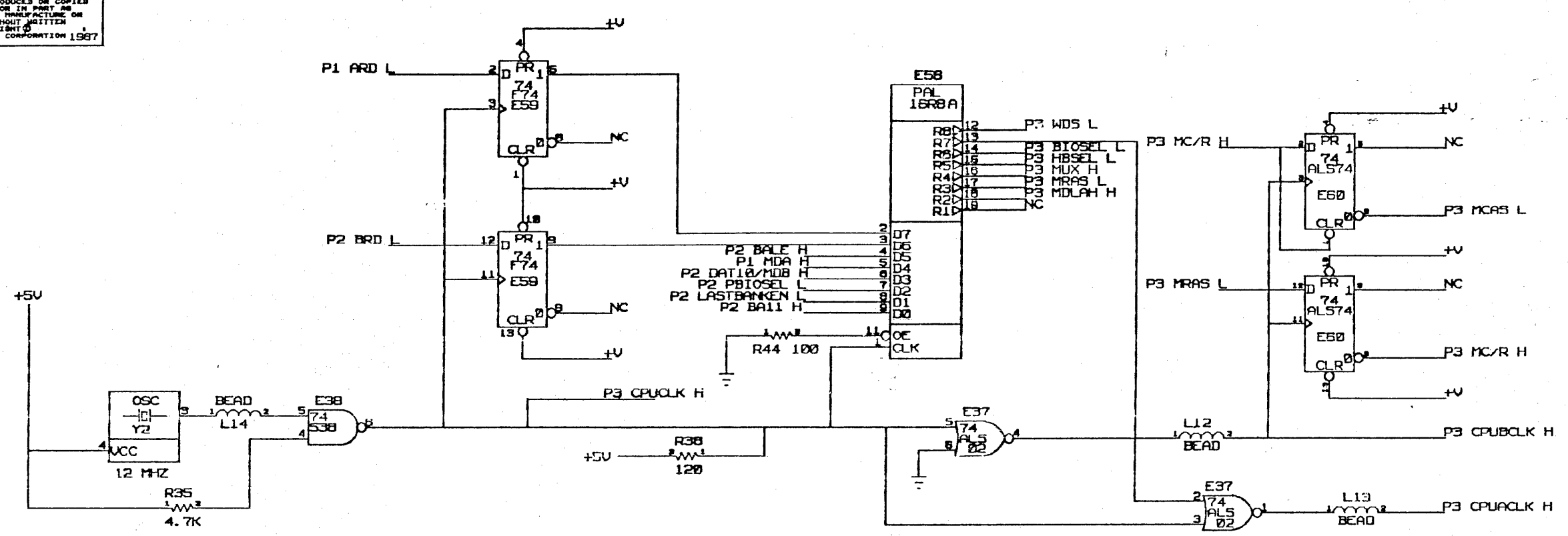


	VCC	GND
B031	40 (+5V)	20
LS373	20 (+5V)	10
LS04	14 (+5V)	7
LS20	14 (+5V)	7

DESIGNER: H. C HUNG	DATE: 02-JUL-85	TITLE: SCHEMATIC, TERMINAL CONTROL MODULE
DESIGN LOCATION: 2	OF 18	SIZE: B CS
TOP DOCUMENT NUMBER: B-DD-5416965-0-0	NUMBER: 5416965-0-1	REV: A

BPO 1

THIS DRAWING AND SPECIFICATIONS HEREAFTER ARE THE PROPERTY OF DIGITAL EQUIPMENT CORPORATION AND SHALL NOT BE REPRODUCED OR COPIED OR USED IN WHOLE OR IN PART AS THE BASIS FOR THE MANUFACTURE OR SALE OF ITEMS WITHOUT WRITTEN PERMISSION. COPYRIGHT © DIGITAL EQUIPMENT CORPORATION 1987

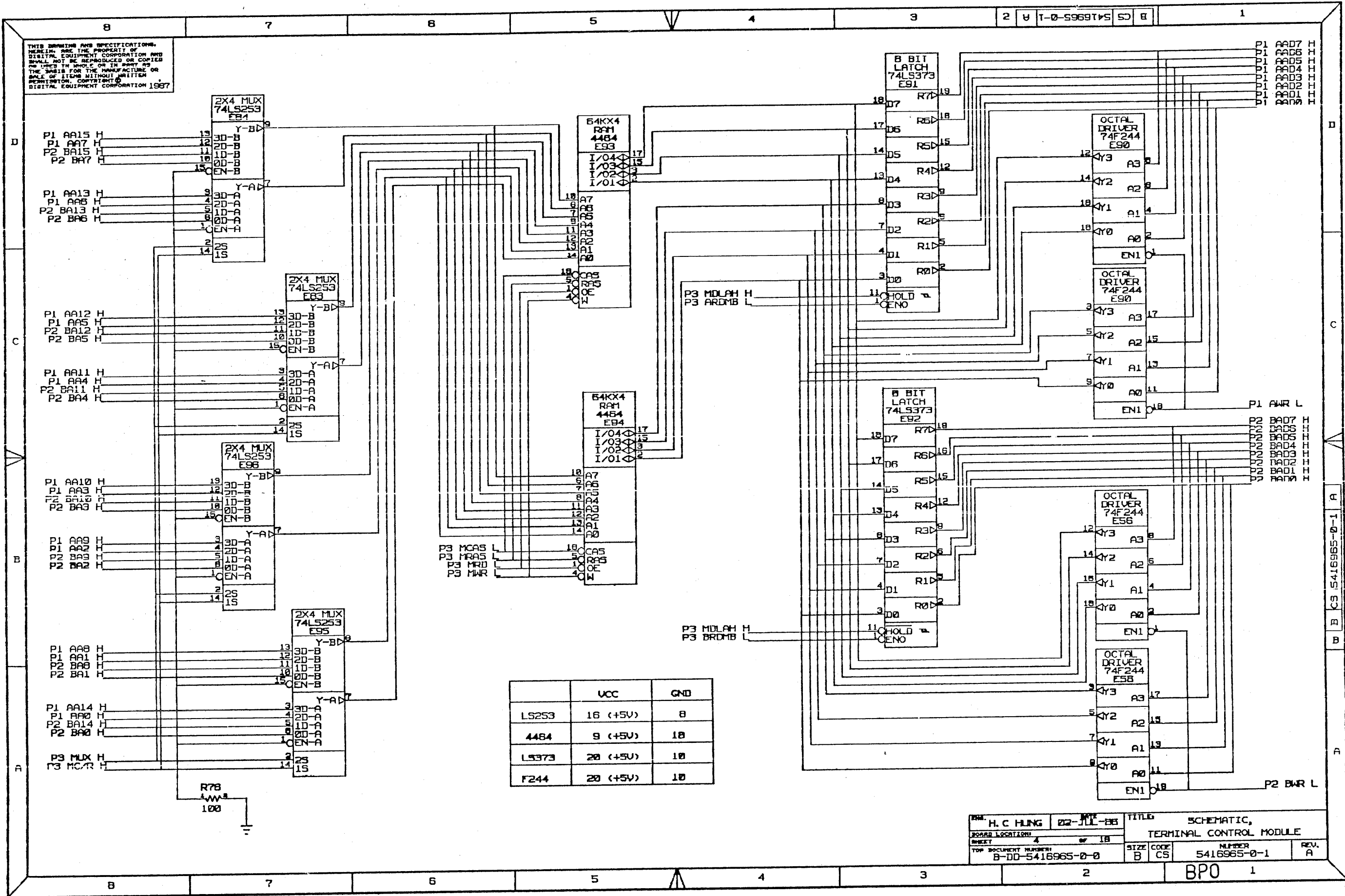


	VCC	GND
S38	14 (+5V)	7
F74	14 (+5V)	7
16R8	20 (+5V)	10
LS04	14 (+5V)	7
16L8	20 (+5V)	10
LS32	14 (+5V)	7
F02	14 (+5V)	7
OSC	4 (+5V)	1, 2

DES: H.C HUNG DATE: 02-JUL-86 TITLE: SCHEMATIC, TERMINAL CONTROL MODULE
 BOARD LOCATION: 5 of 18
 TOP DOCUMENT NUMBER: B-DD-5416965-0-0 SIZE: B CODE: CS NUMBER: 5416965-0-1 REV: A

BPO

THIS DRAWING AND SPECIFICATIONS
HEREIN ARE THE PROPERTY OF
DIGITAL EQUIPMENT CORPORATION AND
SHALL NOT BE REPRODUCED OR COPIED
OR USED IN WHOLE OR IN PART AS
THE BASIS FOR THE MANUFACTURE OR
SALE OF ITEMS WITHOUT WRITTEN
PERMISSION. COPYRIGHT
DIGITAL EQUIPMENT CORPORATION 1987

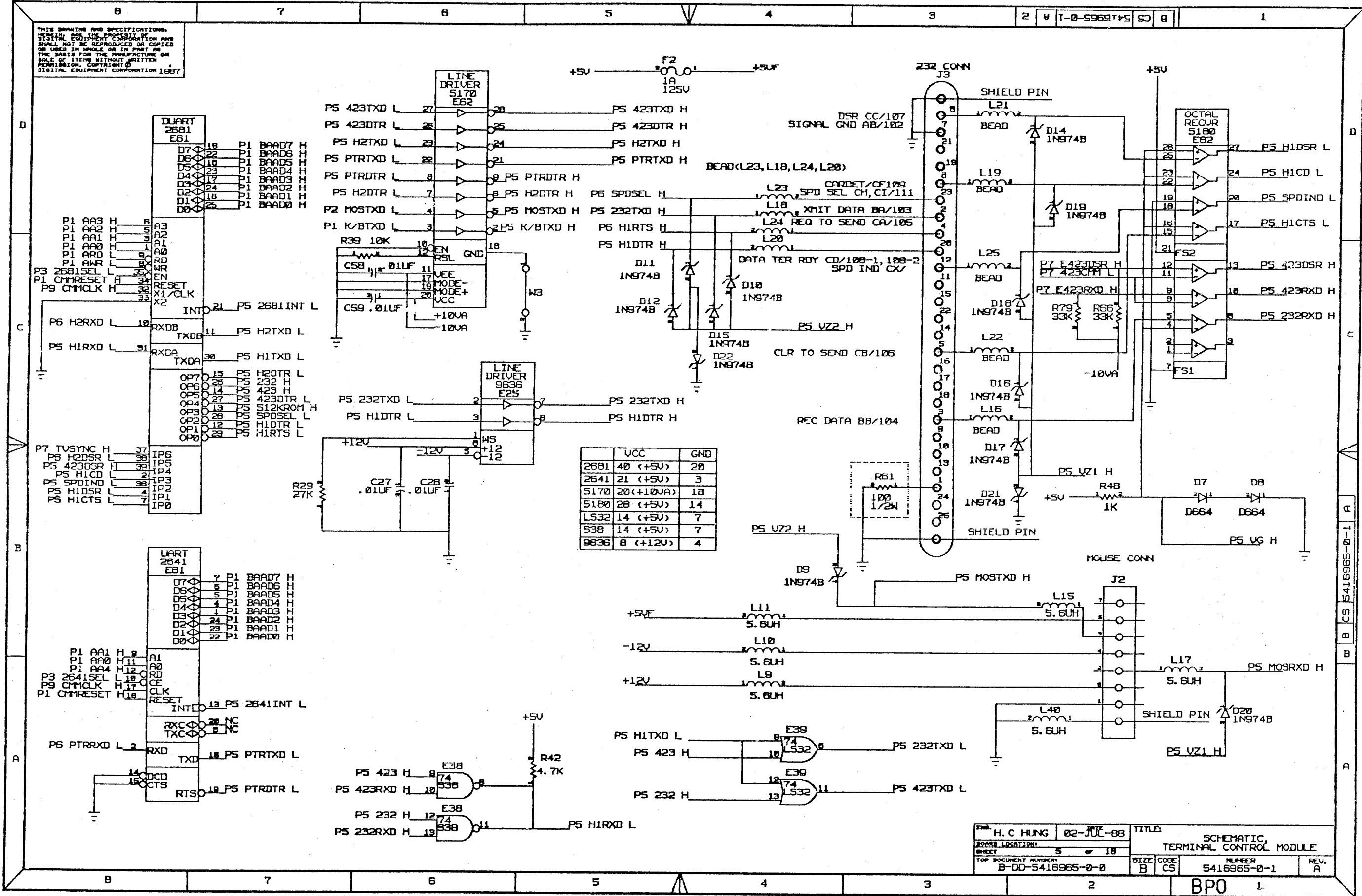


	VCC	GND
LS253	16 (+5V)	8
4484	9 (+5V)	18
LS373	28 (+5V)	18
F244	20 (+5V)	18

DESIGNER	H. C HUNG	DATE	02-JUL-85	TITLE	SCHEMATIC, TERMINAL CONTROL MODULE		
BOARD LOCATION	4 of 18		SIZE	B	CODE	CS	
TOP DOCUMENT NUMBER	B-DD-5416965-0-0		NUMBER	5416965-0-1		REV.	A

BPO 1

THIS DRAWING AND SPECIFICATIONS, HEREIN, ARE THE PROPERTY OF DIGITAL EQUIPMENT CORPORATION AND SHALL NOT BE REPRODUCED OR COPIED OR USED IN WHOLE OR IN PART FOR ANY PURPOSES WITHOUT THE WRITTEN PERMISSION. COPYRIGHT © DIGITAL EQUIPMENT CORPORATION 1987

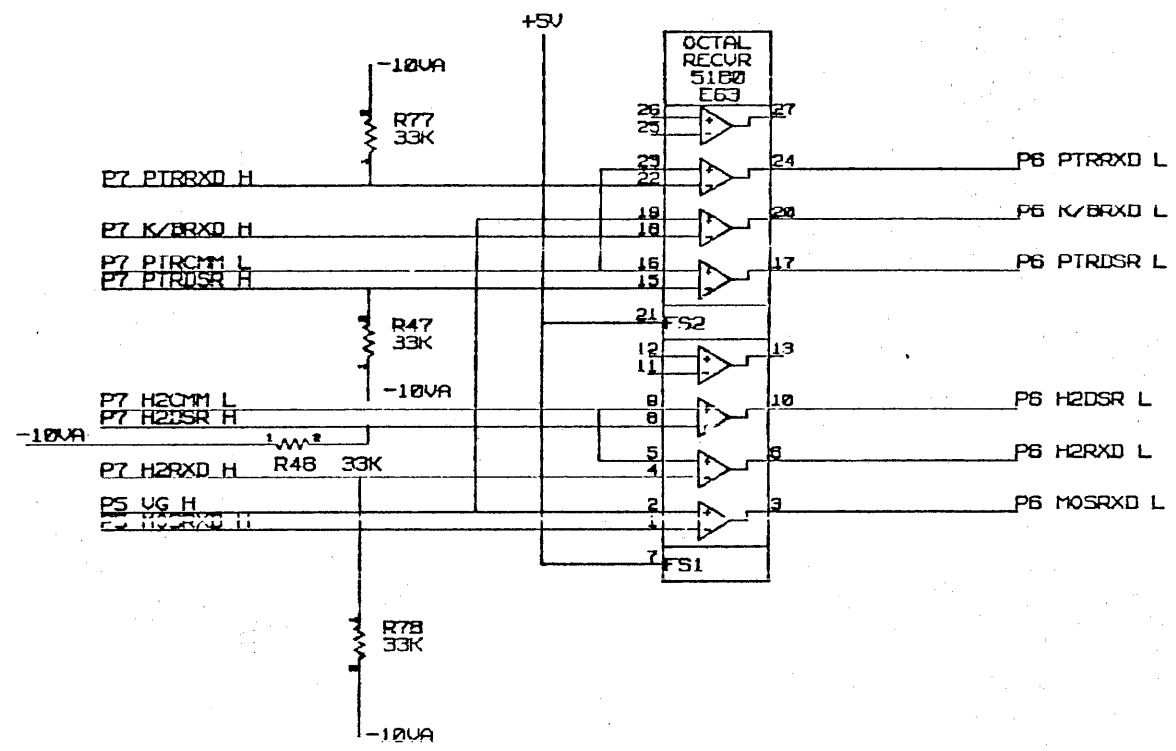
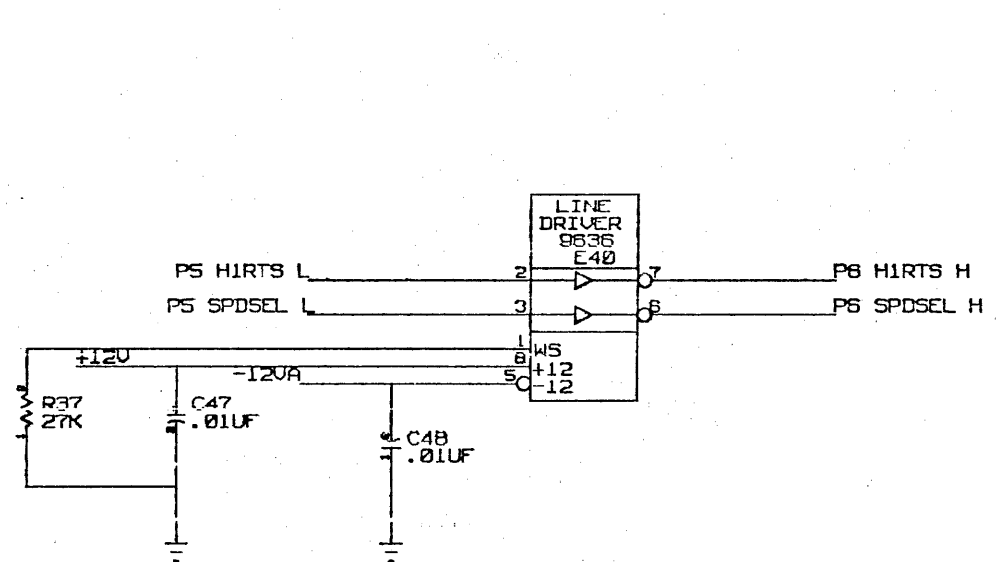


DESIGNED BY: H. C. HUNG DATE: 02-JUL-88 TITLE: SCHEMATIC, TERMINAL CONTROL MODULE
 SHEET: 5 OF 18
 TOP DOCUMENT NUMBER: B-DD-5416965-0-0 SIZE: B CODE: CS NUMBER: 5416965-0-1 REV: A

BPO 1

THIS DRAWING AND SPECIFICATIONS, HEREIN, ARE THE PROPERTY OF DIGITAL EQUIPMENT CORPORATION AND SHALL NOT BE REPRODUCED OR COPIED IN WHOLE OR IN PART OR IN ANY MANNER FOR THE BASIS FOR THE MANUFACTURE OR SALE OF ITEMS WITHOUT WRITTEN PERMISSION. COPYRIGHT © DIGITAL EQUIPMENT CORPORATION 1987

	UCC	GND
51690	26 (+5V)	14
9636	8 (+12V)	4

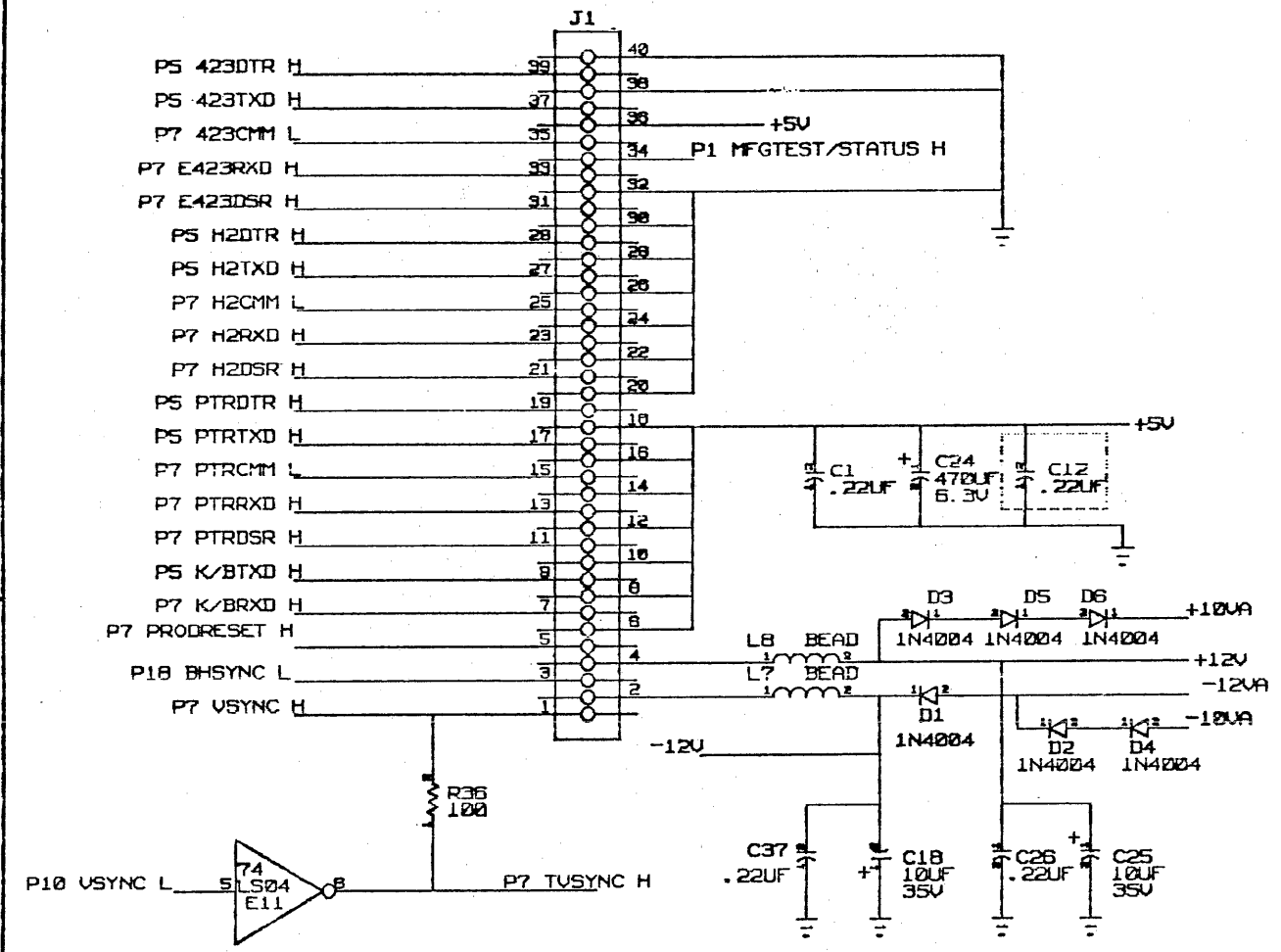


DESIGNER: H. C. HUNG	DATE: 02-JUL-86	TITLE: SCHEMATIC, TERMINAL CONTROL MODULE
BOARD LOCATION: B	OF 18	SIZE: B CODE: CS
TOP DOCUMENT NUMBER: B-DD-5416965-0-0	NUMBER: 5416965-0-1	REV: A

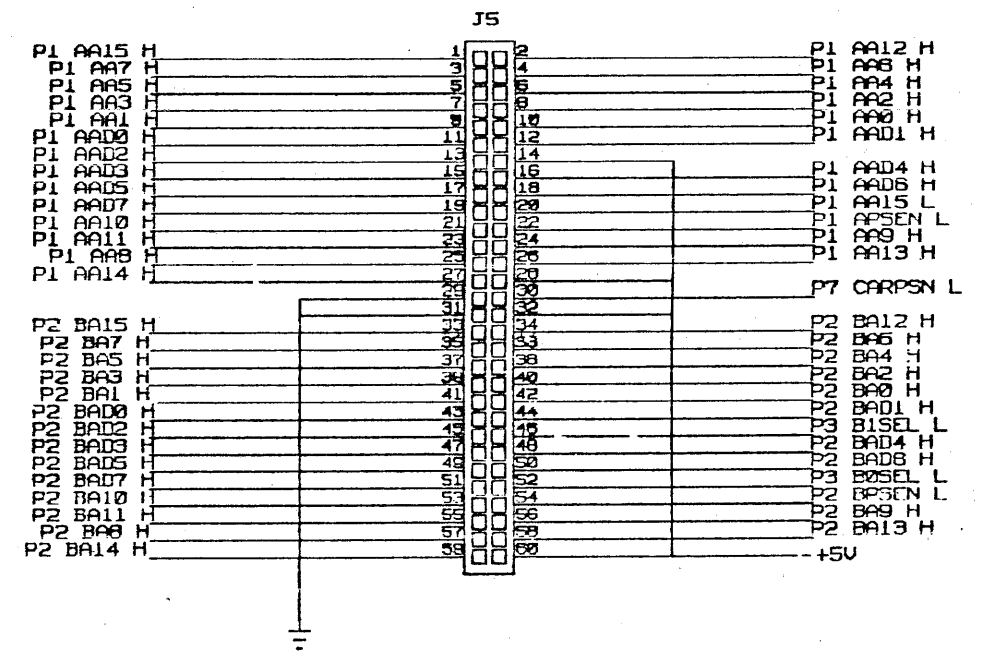
BPO 1

THIS DRAWING AND SPECIFICATIONS, HEREIN, ARE THE PROPERTY OF DIGITAL EQUIPMENT CORPORATION AND SHALL NOT BE REPRODUCED OR COPIED OR USED IN WHOLE OR IN PART AS THE BASIS FOR THE MANUFACTURE OR SALE OF ITEMS WITHOUT WRITTEN PERMISSION. COPYRIGHT © DIGITAL EQUIPMENT CORPORATION 1987

INTERFACE CONN (TO PS/MTR BD)



ROM CARTRIDGE CONN

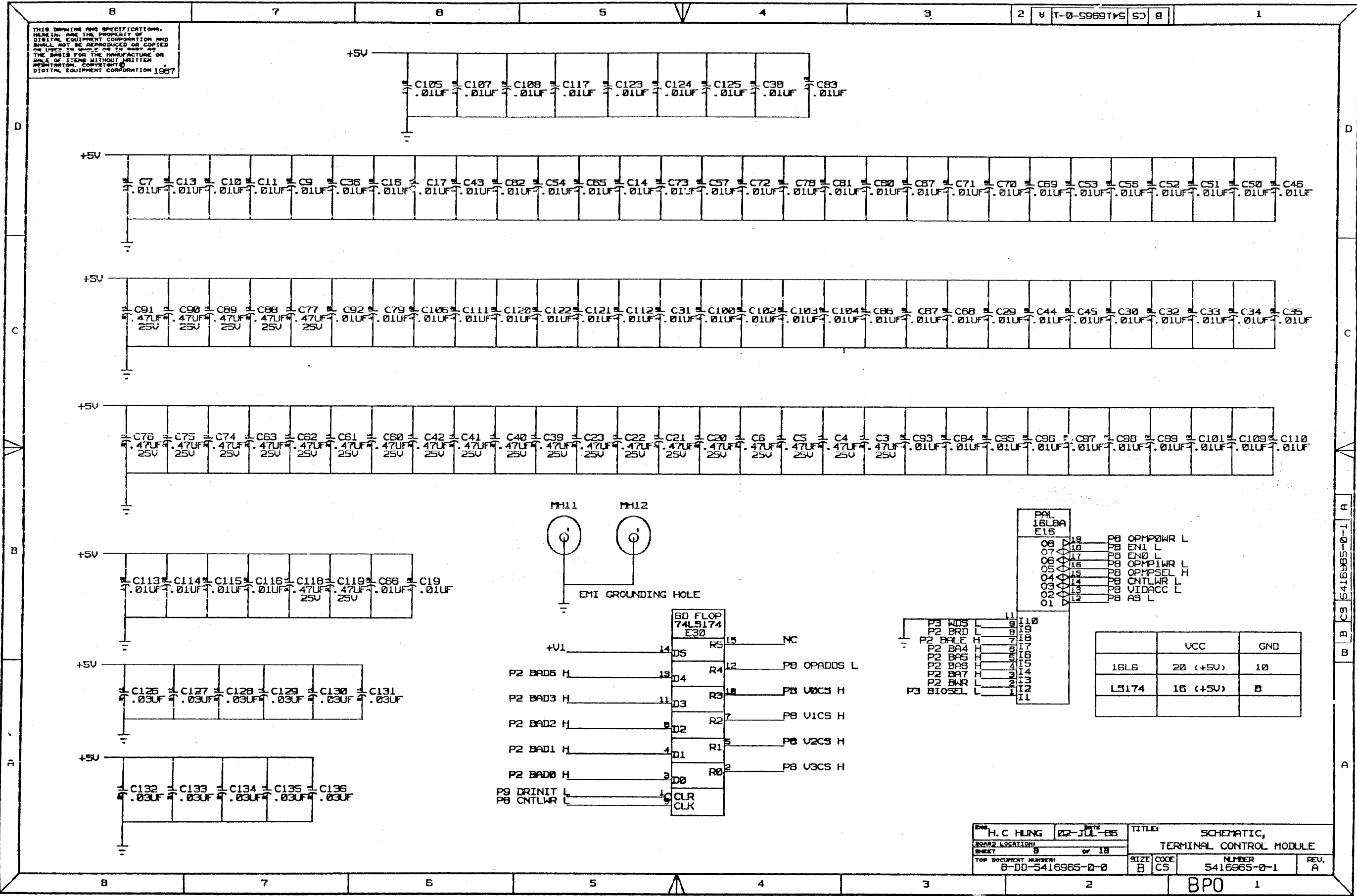


	UCC	GND
LS04	14 (+5V)	7

DESIGNER	H. C HUNG	DATE	02-JUL-88	TITLE	SCHEMATIC, TERMINAL CONTROL MODULE			
BOARD LOCATION				SHEET	7	OF	18	
TOP DOCUMENT NUMBER	B-DD-5416965-0-0			SIZE	B	CODE	CS	
				NUMBER	5416965-0-1		REV.	A

BPO

THIS DRAWING AND SPECIFICATIONS, HEREIN, ARE THE PROPERTY OF DIGITAL EQUIPMENT CORPORATION AND SHALL NOT BE REPRODUCED OR COPIED IN ANY MANNER OR BE USED AS THE BASIS FOR THE MANUFACTURE OR SALE OF ITEMS WITHOUT WRITTEN PERMISSION. COPYRIGHT © DIGITAL EQUIPMENT CORPORATION 1987

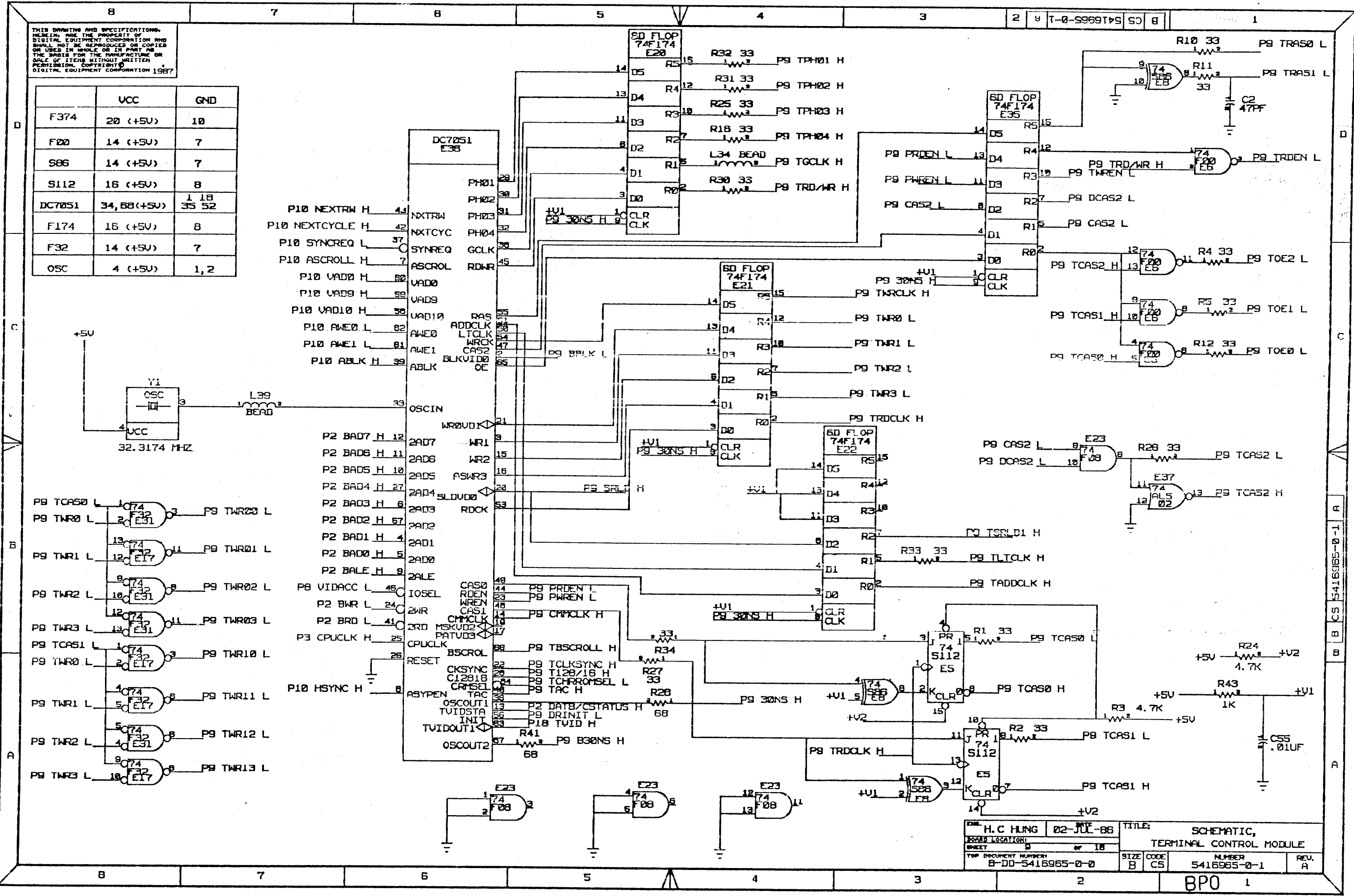


DESIGNER: H.C HUNG	DATE: 22-JUL-85	TITLE: SCHEMATIC, TERMINAL CONTROL MODULE
BOARD LOCATION: B	OF 18	
TOP DOCUMENT NUMBER: B-DD-5416965-0-0	SIZE: B	CODE: CS
	NUMBER: 5416965-0-1	REV: A

BPO

THIS DRAWING AND SPECIFICATIONS ARE THE PROPERTY OF DIGITAL EQUIPMENT CORPORATION AND SHALL NOT BE REPRODUCED OR COPIED OR USED IN WHOLE OR IN PART AS THE BASIS FOR THE MANUFACTURE OR SALE OF ITEMS WITHOUT WRITTEN PERMISSION. COPYRIGHT © DIGITAL EQUIPMENT CORPORATION 1987

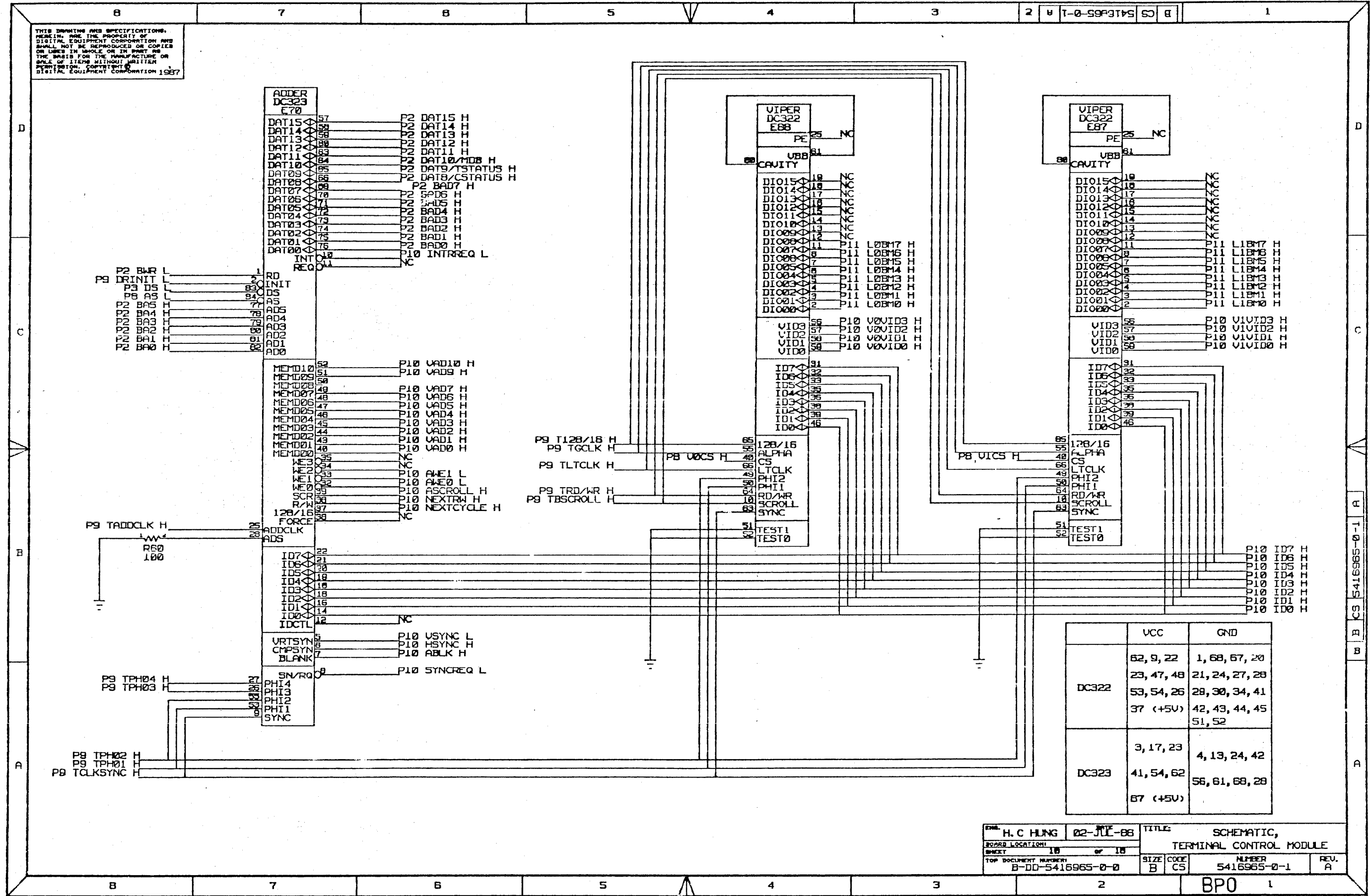
	UCC	GND
F374	20 (+5V)	10
F20	14 (+5V)	7
S86	14 (+5V)	7
S112	16 (+5V)	8
DC7051	34, 68 (+5V)	1 18 35 52
F174	16 (+5V)	8
F32	14 (+5V)	7
OSC	4 (+5V)	1, 2



DESIGNER: H.C HUNG	DATE: 02-JUL-86	TITLE: SCHEMATIC,
BOARD LOCATION: 5	OF 18	TERMINAL CONTROL MODULE
TOP DOCUMENT NUMBER: B-DD-5416965-0-0	SIZE: B	CODE: CS
	NUMBER: 5416965-0-1	REV: A

BPO 1

THIS DRAWING AND SPECIFICATIONS, HEREIN, ARE THE PROPERTY OF DIGITAL EQUIPMENT CORPORATION AND SHALL NOT BE REPRODUCED OR COPIED OR USED IN WHOLE OR IN PART AS THE BASIS FOR THE MANUFACTURE OR SALE OF ITEMS WITHOUT WRITTEN PERMISSION. COPYRIGHT © DIGITAL EQUIPMENT CORPORATION 1987



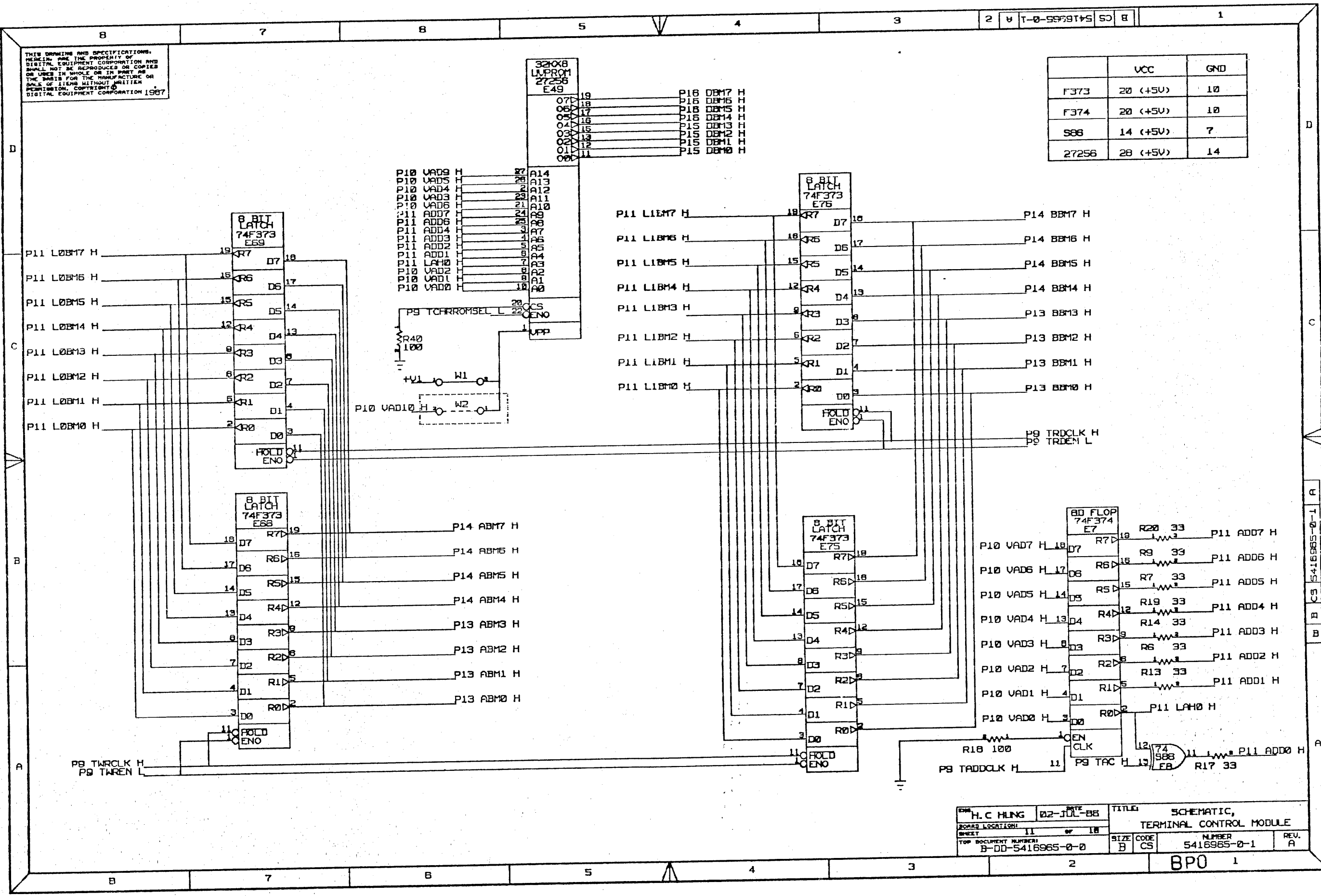
	VCC	GND
DC322	62, 9, 22	1, 68, 67, 20
	23, 47, 48	21, 24, 27, 28
	53, 54, 26	28, 30, 34, 41
	37 (+5V)	42, 43, 44, 45 51, 52
DC323	3, 17, 23	4, 13, 24, 42
	41, 54, 62 67 (+5V)	56, 61, 68, 28

DESIGNER: H. C HUNG	DATE: 02-JUL-88	TITLE: SCHEMATIC, TERMINAL CONTROL MODULE
BOARD LOCATION: 10	SHEET: 10	NUMBER: 5416965-0-1
TOP DOCUMENT NUMBER: B-DD-5416965-0-0	SIZE: B	CODE: CS
		REV. A

BPO 1

THIS DRAWING AND SPECIFICATIONS, HEREIN, ARE THE PROPERTY OF DIGITAL EQUIPMENT CORPORATION AND SHALL NOT BE REPRODUCED OR COPIED OR USED IN WHOLE OR IN PART AS THE BASIS FOR THE MANUFACTURE OR SALE OF ITEMS WITHOUT WRITTEN PERMISSION. COPYRIGHT © DIGITAL EQUIPMENT CORPORATION 1987

	VCC	GND
F373	20 (+5V)	10
F374	20 (+5V)	10
S88	14 (+5V)	7
27256	28 (+5V)	14

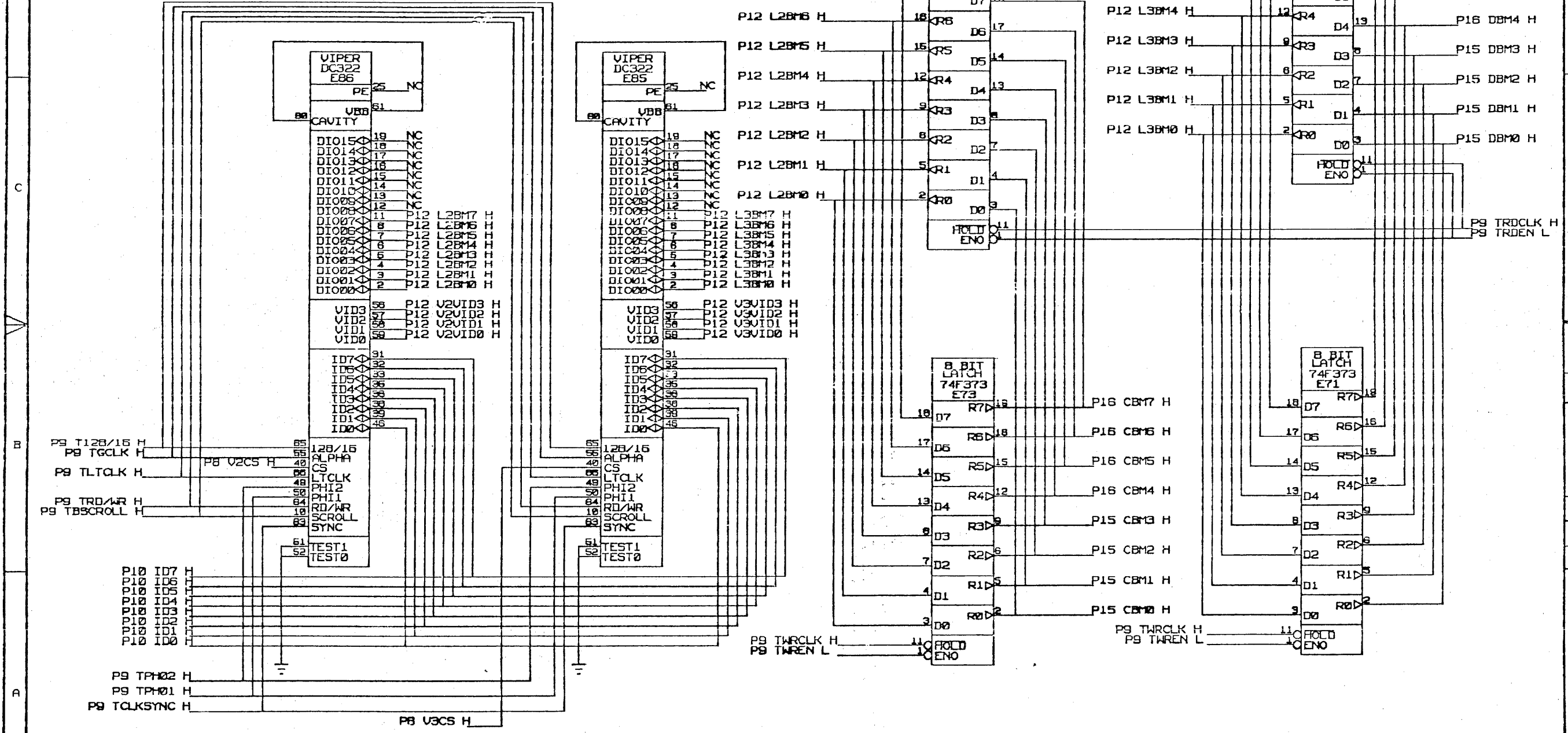


DESIGNER	H. C. HUNG	DATE	02-JUL-85	TITLE	SCHEMATIC, TERMINAL CONTROL MODULE			
SHEET	11	OF	18	SIZE	B	CODE	CS	
TOP DOCUMENT NUMBER	B-DD-5416965-0-0			NUMBER	5416965-0-1		REV.	A

BPO 1

THIS DRAWING AND SPECIFICATIONS HEREIN ARE THE PROPERTY OF DIGITAL EQUIPMENT CORPORATION AND SHALL NOT BE REPRODUCED OR COPIED OR USED IN WHOLE OR IN PART AS THE BASIS FOR THE MANUFACTURE OR SALE OF ITEMS WITHOUT WRITTEN PERMISSION. CONTRIBUTION © DIGITAL EQUIPMENT CORPORATION 1987

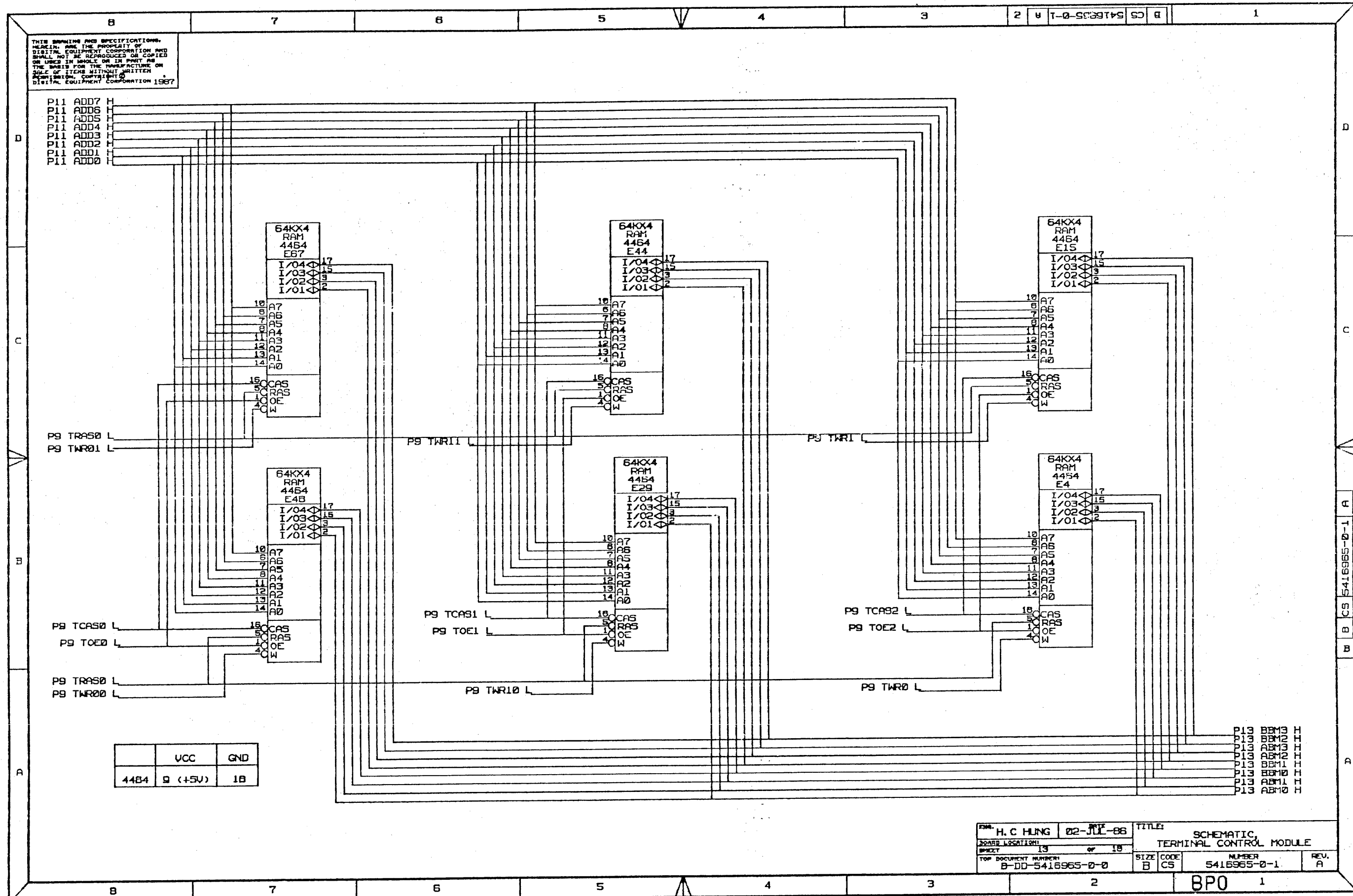
	VCC	GND
F373	20 (+5V)	10
	62, 9, 22	1, 68, 67, 20
	23, 47, 48	21, 24, 27, 28
DC322	53, 54, 26	29, 30, 34, 41
	37 (+5V)	42, 43, 44, 45
		51, 52



DESIGNER	H. C HUNG	DATE	02-JUL-85	TITLE	SCHEMATIC, TERMINAL CONTROL MODULE		
BOARD LOCATION	12	OF	18	SIZE	B	CODE	CS
TOP DOCUMENT NUMBER	B-DD-5415965-0-0			NUMBER	5415965-0-1		REV.
							A

BPO

THIS DRAWING AND SPECIFICATIONS
HEREIN ARE THE PROPERTY OF
DIGITAL EQUIPMENT CORPORATION AND
SHALL NOT BE REPRODUCED OR COPIED
OR USED IN WHOLE OR IN PART AS
THE BASIS FOR THE MANUFACTURE OR
SALE OF ITEMS WITHOUT WRITTEN
AUTHORIZATION. COPYRIGHT ©
DIGITAL EQUIPMENT CORPORATION 1987

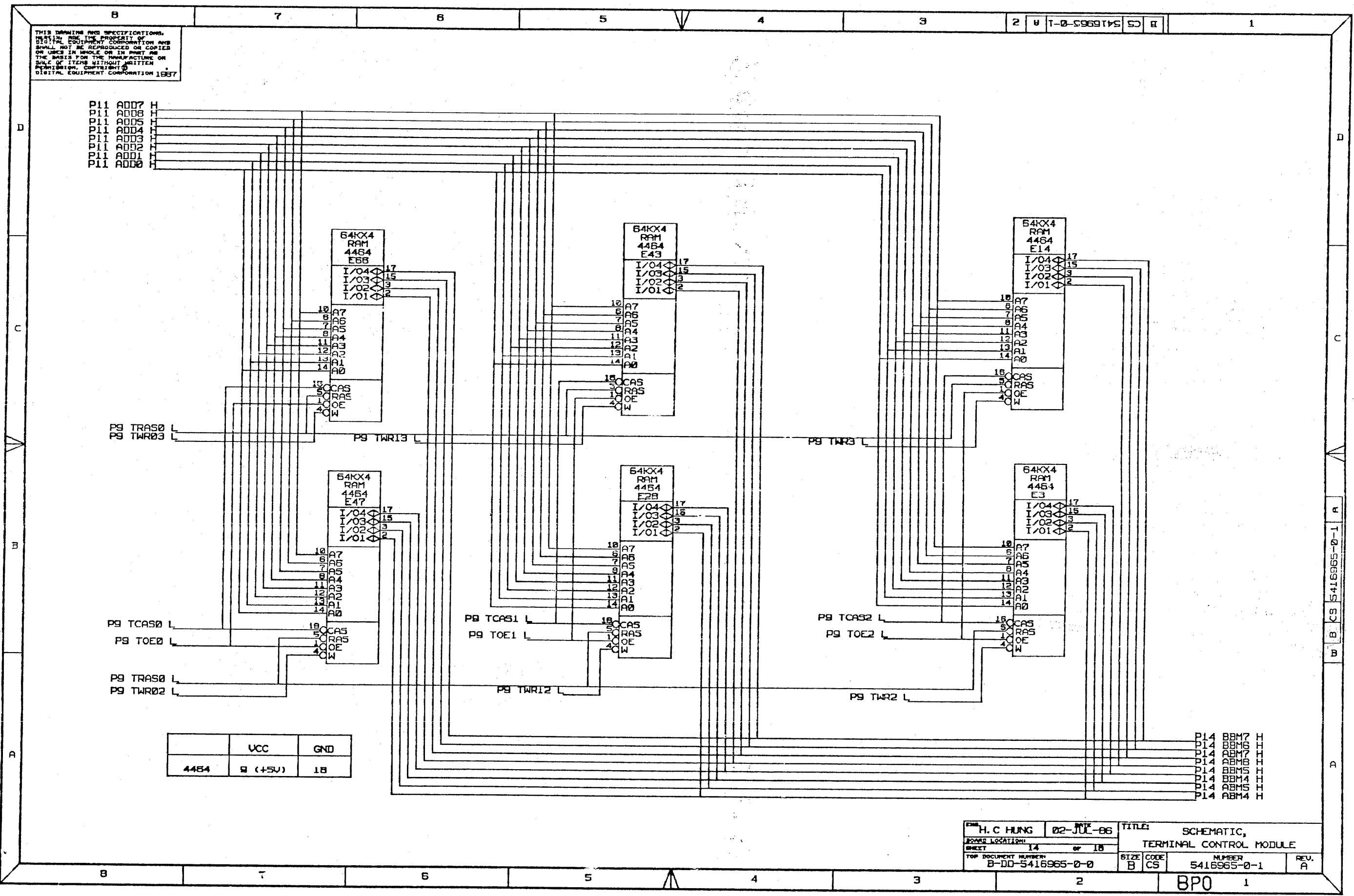


	VCC	GND
4454	9 (+5V)	18

DESIGNED BY: H. C. HUNG	DATE: 02-JUL-86	TITLE: SCHEMATIC, TERMINAL CONTROL MODULE
BOARD LOCATION: 13	OF 18	
TOP DOCUMENT NUMBER: B-DD-5416965-0-0	SIZE: B	CODE: C5
	NUMBER: 5416965-0-1	REV. A

BPO

THIS DRAWING AND SPECIFICATIONS, DESIGN, ARE THE PROPERTY OF DIGITAL EQUIPMENT CORPORATION AND SHALL NOT BE REPRODUCED OR COPIED OR USED IN WHOLE OR IN PART AS THE BASIS FOR THE MANUFACTURE OR SALE OF ITEMS WITHOUT WRITTEN PERMISSION. COPYRIGHT © DIGITAL EQUIPMENT CORPORATION 1987

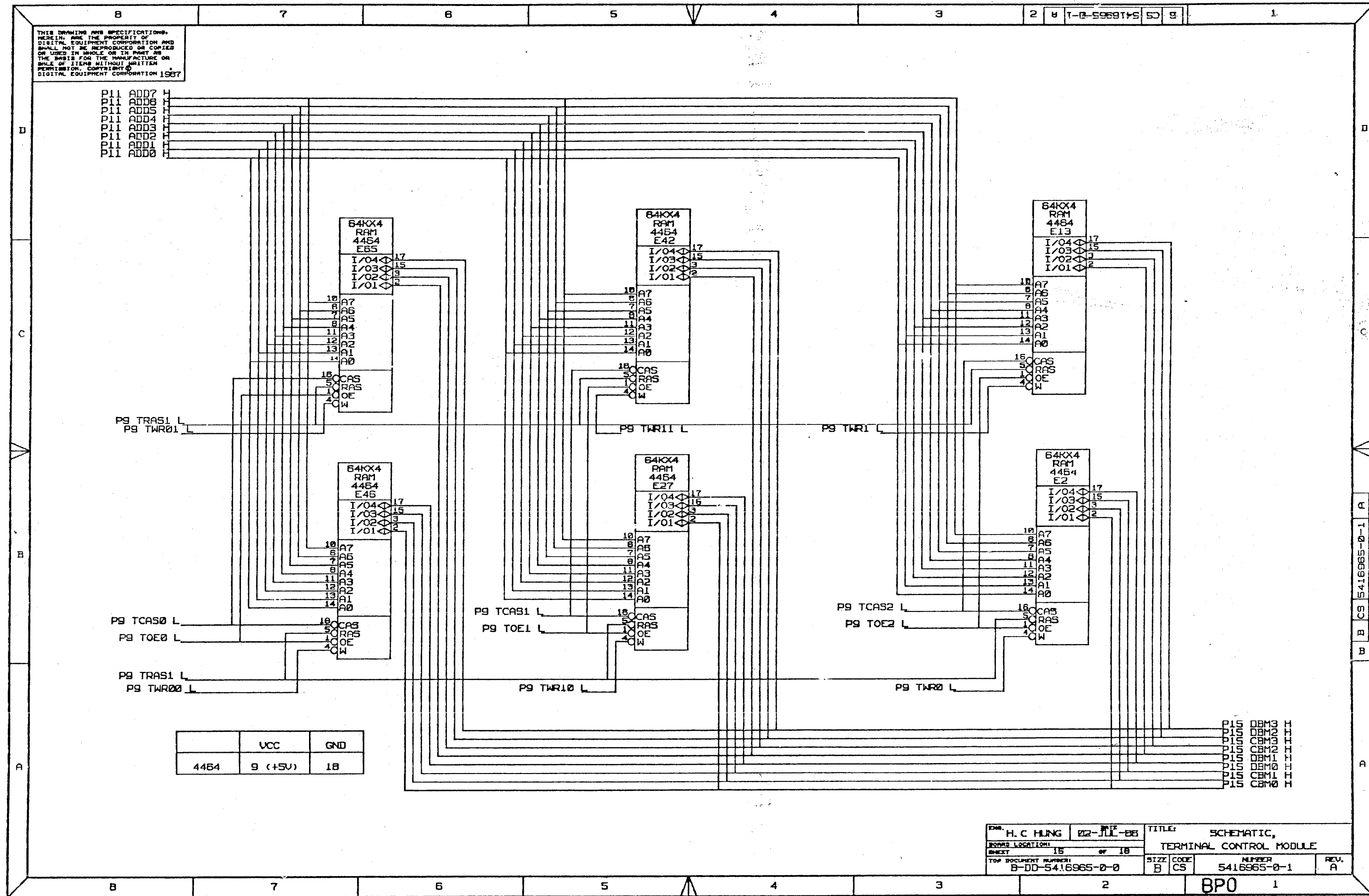


	VCC	GND
4464	□ (+5V)	18

DESIGNER: H. C. HUNG	DATE: 02-JUL-86	TITLE: SCHEMATIC, TERMINAL CONTROL MODULE
BOARD LOCATION: 14	OF 18	
TOP DOCUMENT NUMBER: B-DD-5416965-0-0	SIZE: B	CODE: CS
	NUMBER: 5416965-0-1	REV: A

BPO 1

THIS DRAWING AND SPECIFICATIONS
HEREIN ARE THE PROPERTY OF
DIGITAL EQUIPMENT CORPORATION AND
SHALL NOT BE REPRODUCED OR COPIED
OR USED IN WHOLE OR IN PART AS
THE BASIS FOR THE MANUFACTURE OR
SALE OF ITEMS WITHOUT WRITTEN
PERMISSION. COPYRIGHT ©
DIGITAL EQUIPMENT CORPORATION 1967



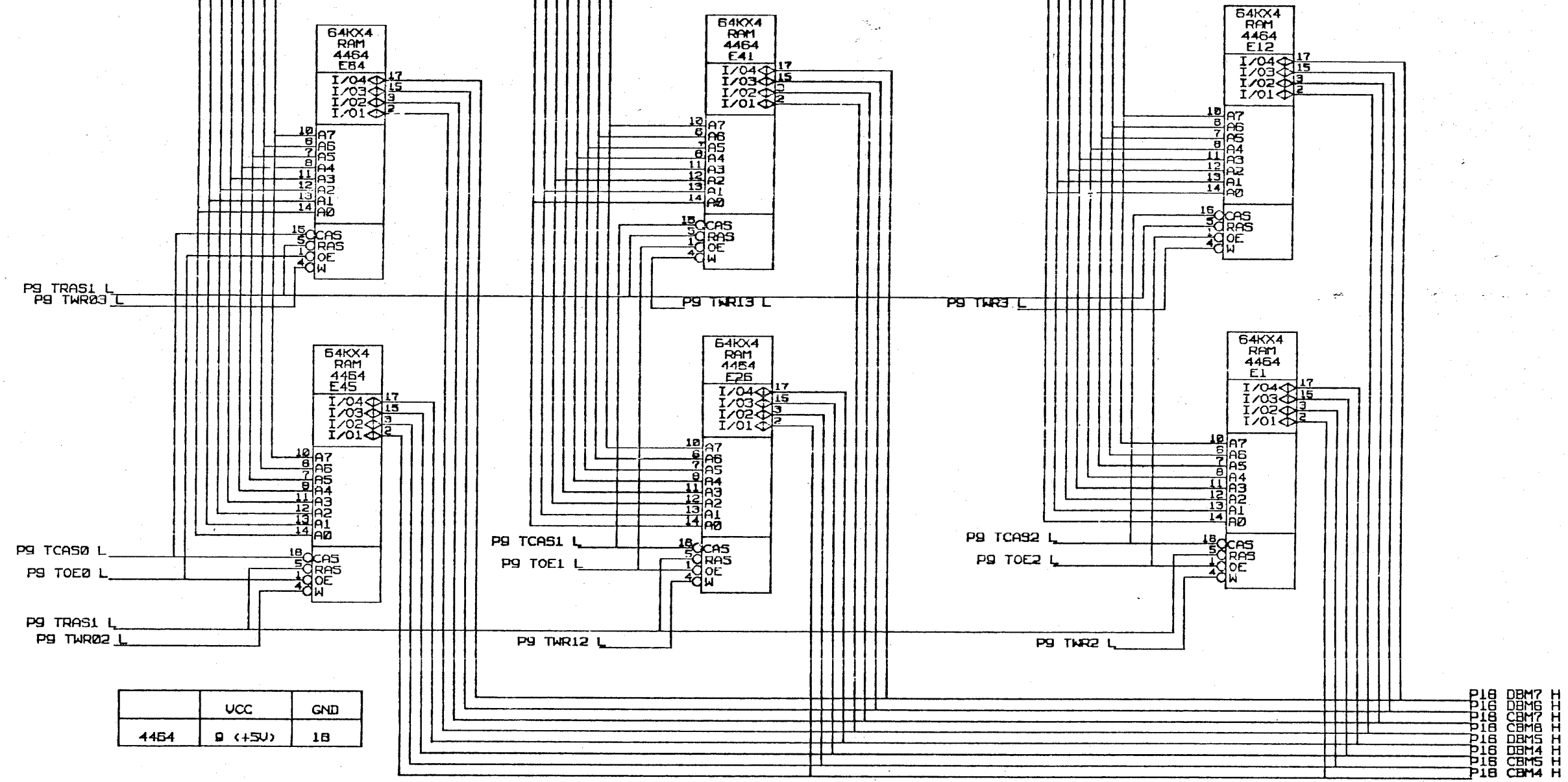
	VCC	GND
4464	9 (+5V)	18

DESIGNER	H. C. HUNG	DATE	02-JUL-68	TITLE	SCHEMATIC,
BOARD LOCATION	15	OF	18	TERMINAL CONTROL MODULE	
TOP DOCUMENT NUMBER	B-DD-5416965-0-0			SIZE	B
				CODE	CS
				NUMBER	5416965-0-1
				REV.	A

BPO

THIS DRAWING AND SPECIFICATIONS
HEREIN ARE THE PROPERTY OF
DIGITAL EQUIPMENT CORPORATION AND
SHALL NOT BE REPRODUCED OR COPIED
OR USED IN WHOLE OR IN PART AS
THE BASIS FOR THE MANUFACTURE OR
SALE OF ITEMS WITHOUT WRITTEN
PERMISSION. COPYRIGHT
DIGITAL EQUIPMENT CORPORATION 1987

P11 ADD7 H
P11 ADD6 H
P11 ADD5 H
P11 ADD4 H
P11 ADD3 H
P11 ADD2 H
P11 ADD1 H
P11 ADD0 H

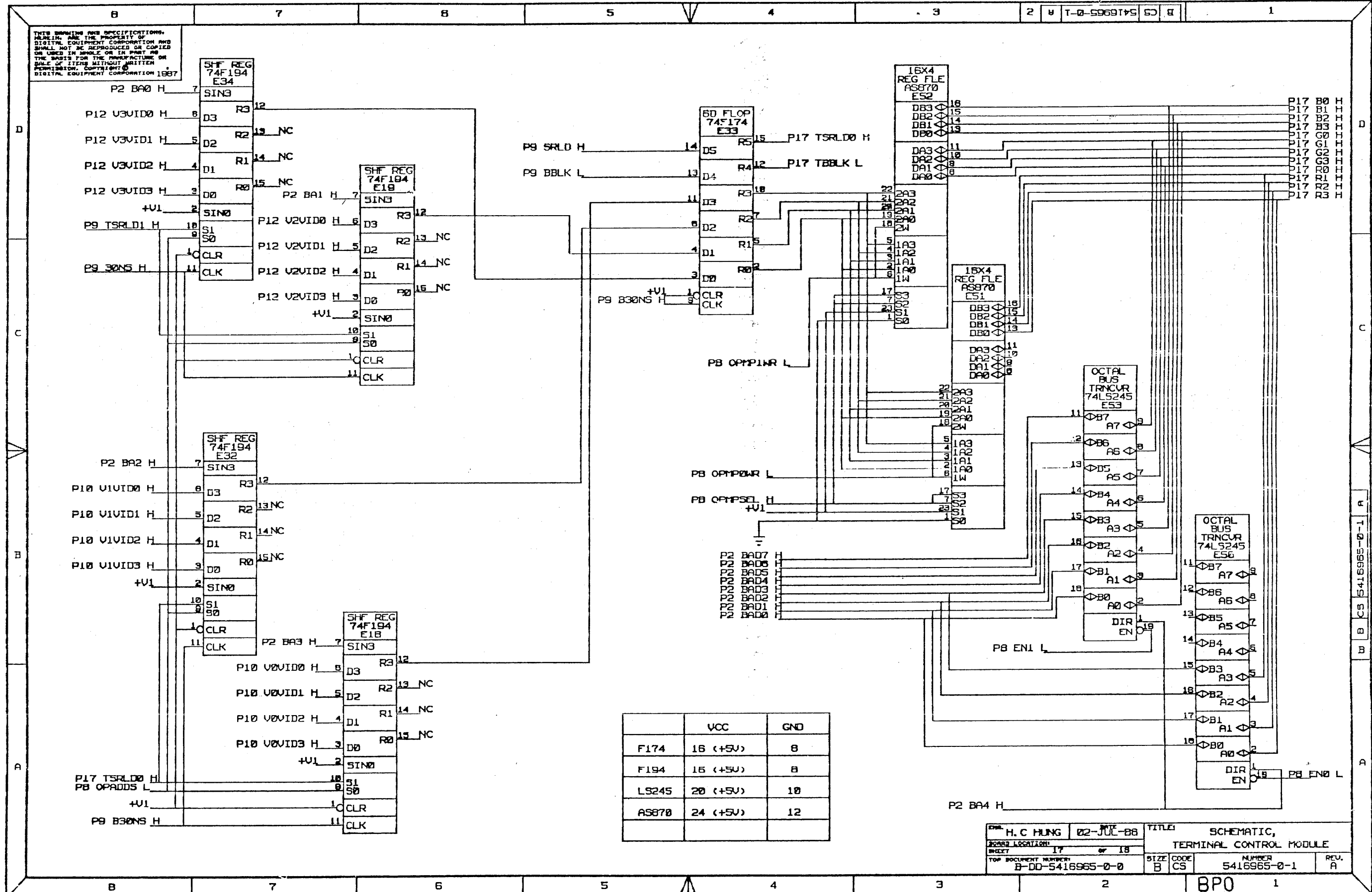


	UCC	GND
4464	9 (+5V)	18

ENR. H. C. HUNG	02-JUL-88	TITLE: SCHEMATIC, TERMINAL CONTROL MODULE
SHEET 18 of 18		NUMBER 5416965-0-1
TOP DOCUMENT NUMBER B-DD-5416965-0-0		SIZE B CODE CS
		REV. A

BPO 1

THIS DRAWING AND SPECIFICATIONS, HEREIN, ARE THE PROPERTY OF DIGITAL EQUIPMENT CORPORATION AND SHALL NOT BE REPRODUCED OR COPIED OR USED IN WHOLE OR IN PART AS THE BASIS FOR THE MANUFACTURE OR SALE OF ITEMS WITHOUT WRITTEN PERMISSION. COPYRIGHT © DIGITAL EQUIPMENT CORPORATION 1987

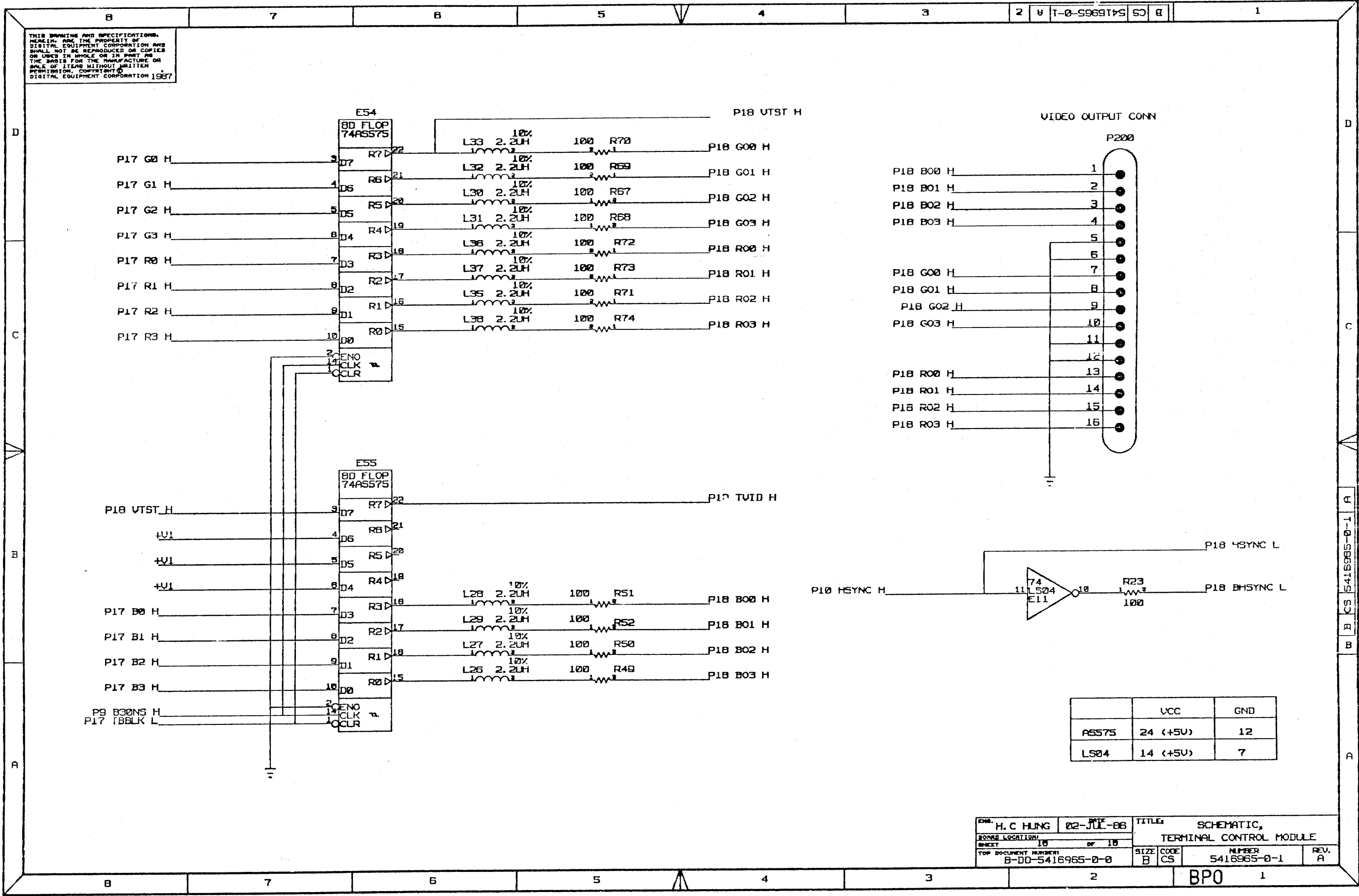


	VCC	GND
F174	16 (+5V)	8
F194	16 (+5V)	8
LS245	20 (+5V)	10
AS870	24 (+5V)	12

DESIGNED BY: H. C. HUNG DATE: 02-JUL-88 TITLE: SCHEMATIC, TERMINAL CONTROL MODULE
 DRAWING NO.: B-DD-5416965-0-0 SHEET NO.: 17 OF 18 SIZE: B CS NUMBER: 5416965-0-1 REV: A

BPO

THIS DRAWING AND SPECIFICATIONS, HEREIN, ARE THE PROPERTY OF DIGITAL EQUIPMENT CORPORATION AND SHALL NOT BE REPRODUCED OR COPIED OR USED IN WHOLE OR IN PART AS THE BASIS FOR THE MANUFACTURE OR SALE OF ITEMS WITHOUT WRITTEN PERMISSION, COPYRIGHT © DIGITAL EQUIPMENT CORPORATION 1987



	VCC	GND
AS575	24 (+5V)	12
LS04	14 (+5V)	7

DES.	H. C HUNG	DATE	02-JUL-86	TITLE	SCHEMATIC, TERMINAL CONTROL MODULE			
BOARD LOCATION	10		OF	18	SIZE	B	CODE	CS
TOP DOCUMENT NUMBER	B-DC-5418965-0-0			NUMBER	5418965-0-1		REV.	A

BPO

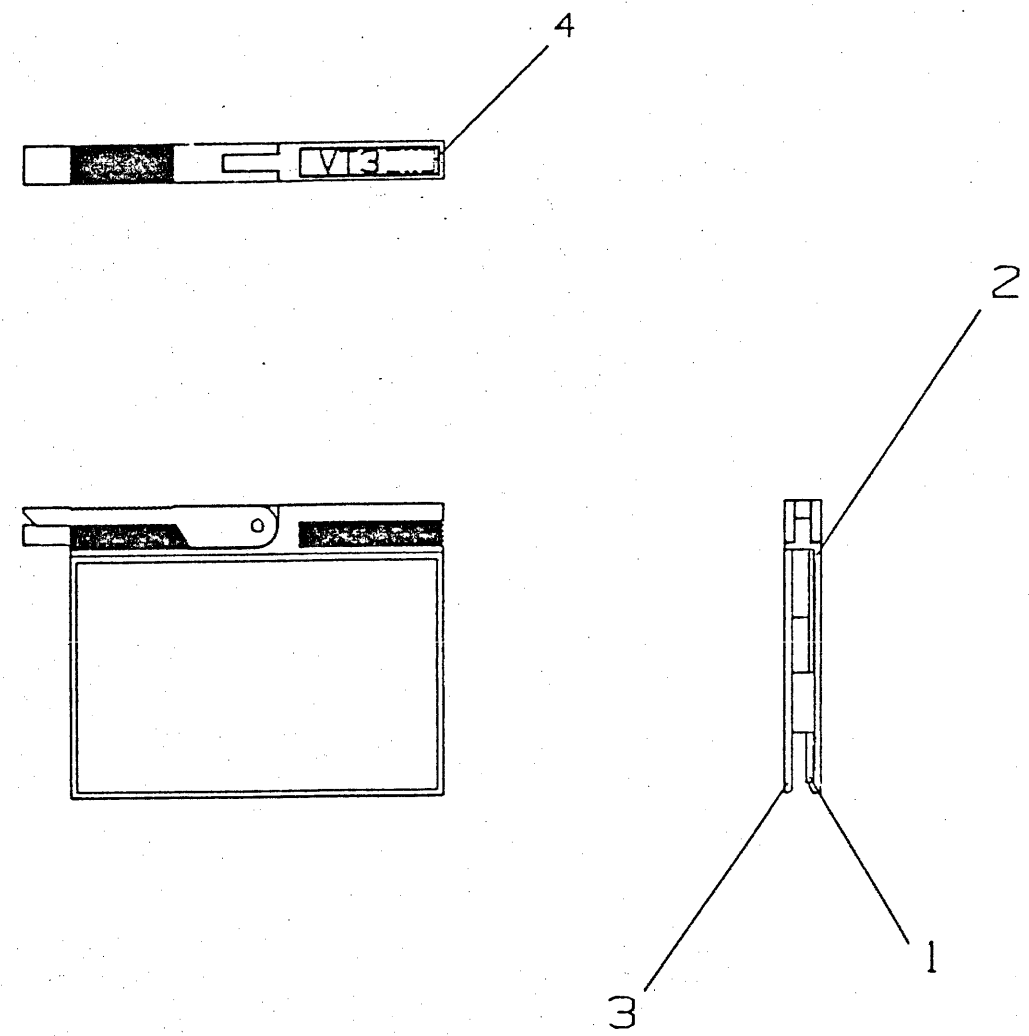
4 3 2 1

SIZE CODE
C AD
7022623-0-DBU
REV.
A

THIS DRAWING AND SPECIFICATIONS HEREIN ARE THE PROPERTY OF DIGITAL EQUIPMENT CORPORATION AND SHALL NOT BE REPRODUCED OR COPIED OR USED IN WHOLE OR IN PART AS THE BASIS FOR THE MANUFACTURE OR SALE OF ITEMS WITHOUT WRITTEN PERMISSION.
COPYRIGHT 1987 DIGITAL EQUIPMENT CORPORATION

LEGEND		
PART NO	REV.	DESCRIPTION
7022623-04	A01	AS SHOWN

NOTES:
1. ASSEMBLING PROCEDURE:
ATTACH ITEM 2 AND ITEM 3 USING CHLOROFORM TO DISSOLVE AT JOINT.



CAUTION : OFF SHEET PARTS LIST EXISTS.
SEE K-PL-7022623-0-DBP
(GH307A.PLS)

REVISION HISTORY		DATE
REV	NUMBER	21 JAN
A		

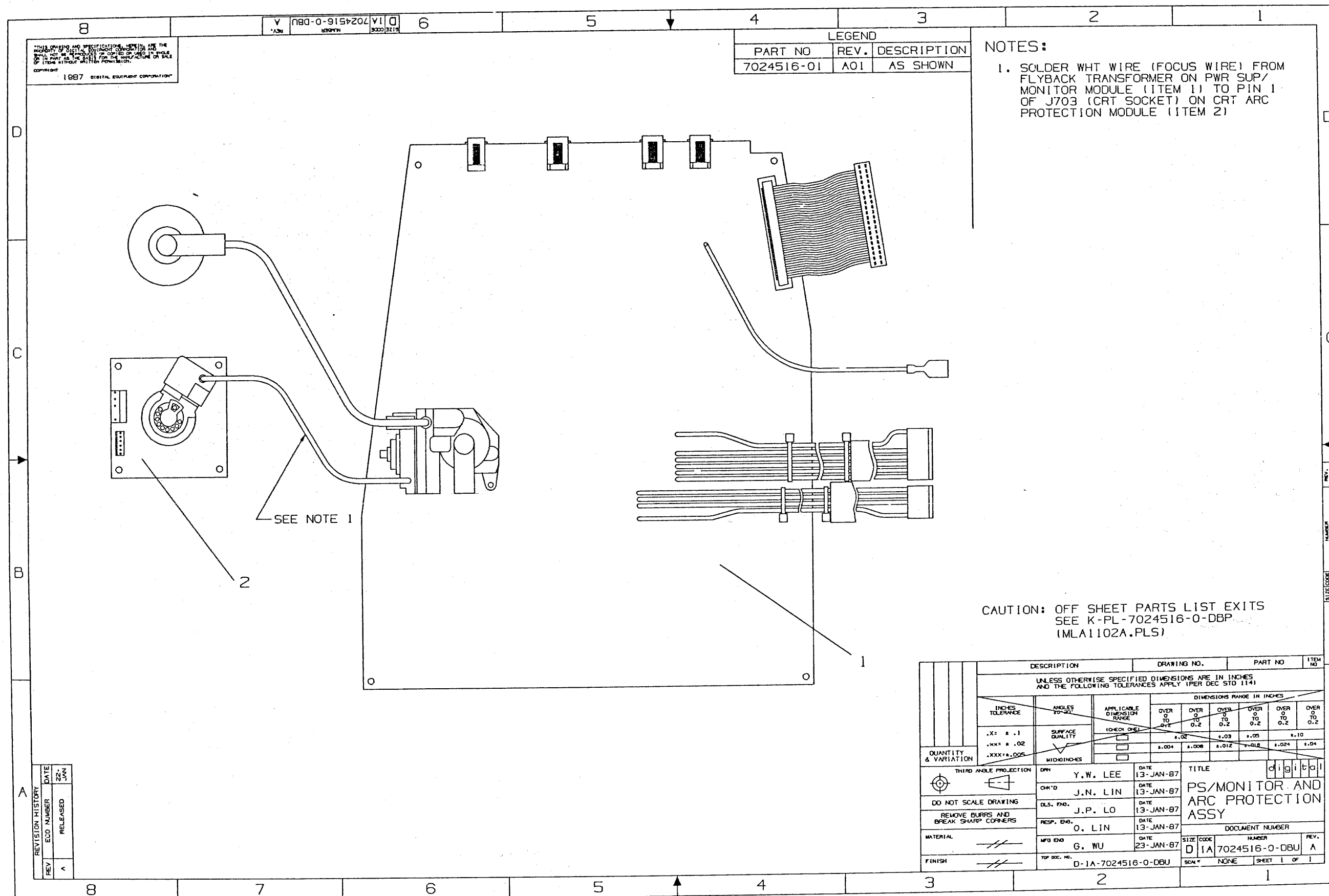
DESCRIPTION	DRAWING NO.	PART NO.	ITEM NO.					
UNLESS OTHERWISE SPECIFIED DIMENSIONS ARE IN INCHES AND THE FOLLOWING TOLERANCES APPLY (PER DEC STD 114)								
INCHES TOLERANCES	ANGLES TO 90°	APPLICABLE DIMENSION RANGE (CHORD DIM)	DIMENSIONS RANGE IN INCHES					
			OVER 0 TO 0.2	OVER 0.2 TO 1.2	OVER 1.2 TO 4.0	OVER 4.0 TO 12.0	OVER 12.0 TO 40.0	OVER 40.0 TO 80.0
.XX+ .XX-	.1 .02		.02	.03	.05	.10		
.XXX+ .XXX-	.005 .005		.004	.008	.012	.016	.024	.04
QUANTITY & VARIATION		MICROINCHES						
THIRD ANGLE PROJECTION	DRN	J.N. LIN	DATE	TITLE				
	CHK'D	I. LIN	DATE	ROM CARTRIDGE				
DO NOT SCALE DRAWING	DES ENG	J. KUO	DATE	DOCUMENT NUMBER				
REMOVE BURRS AND BREAK SHARP CORNERS	RESP ENG	O. LIN	DATE	7022623-0-DBU				
MATERIAL	MFG ENG	G. WU	DATE	SIZE	CODE	NUMBER	REV	
FINISH	TOP DOC. NO.	C-AD-7022623-0-DBU	23 JAN 87	C	AD	7022623-0-DBU	A	
				SCALE	1/1	SHEET	OF	

SIZE CODE
C AD
7022623-0-DBU
REV.
A

LINE ITEM	TOP DOCUMENT	PART NUMBER	MIN REV	DESCRIPTION	04 A1
1	B-DD-5416967-0-0	54-16967-02	A	VT330/VT340 ROM CARTRIDGE MODULE	1
2	C-IA-7023975-0-DBU	70-23975-01	A	CARTRIDGE BOTTOM/HANDLE ASSY	1
3	C-MD-7432558-0-DBU	74-32558-01	A	COVER, CARTRIDGE	1
4		36-26789-04		LABEL,ROM CARTRIDGE VT330/340	1

REVISION HISTORY			KPL MATRIX FORMAT		SECTION A OF A	DRN: J.N. LIN	D I G I T A L			
ENG	ECO NUMBER	REV	SECTION/VARIATION INDEX			DATE: 19-APR-86				
---	INITIAL	A	[A]	04		CHK'D: I. LIN	TITLE PARTS LIST			
			[B]			DATE: 18-DEC-86	ROM CARTRIDGE			
			[C]			DES.ENG: J. KUO				
			[D]			DATE: 19-APR-86	DOCUMENT NUMBER			
			[E]				SIZE	CODE	NUMBER	REV
			[F]			RESP.ENG.: O. LIN	K	PL	7022623-0-DBP	A
			[H]			DATE: 18-DEC-86				
			[J]			MFG.ENG: GORDON WU	RELEASE DATE: 18-FEB-87			
						DATE: 26-JAN-87	RELEASE STATUS: RELEASED			
			BASIC PART NUMBER:	ASSEMBLY NUMBER:	TOP DOCUMENT NUMBER:	FILE NAME:	EDIT #			
			7022623	C-AD-7022623-0-DBU	C-AD-7022623-0-DBU	GH307A.PLS	41			

"THIS DRAWING AND THE SPECIFICATIONS CONTAINED HEREIN ARE CONFIDENTIAL AND PROPRIETARY. THEY ARE THE PROPERTY OF DIGITAL EQUIPMENT CORPORATION AND SHALL NOT BE REPRODUCED OR COPIED OR USED IN WHOLE OR IN PART AS THE BASIS FOR THE MANUFACTURE OR SALE OF ITEMS WITHOUT WRITTEN PERMISSION. THIS IS AN UNPUBLISHED WORK PROTECTED UNDER THE FEDERAL COPYRIGHT LAWS."



THIS DRAWING AND SPECIFICATIONS HEREIN ARE THE PROPERTY OF DIGITAL EQUIPMENT CORPORATION AND SHALL NOT BE REPRODUCED OR COPIED IN WHOLE OR IN PART AS THE BASIS FOR THE MANUFACTURE OR SALE OF ITEMS WITHOUT WRITTEN PERMISSION.
 1987 DIGITAL EQUIPMENT CORPORATION

LEGEND		
PART NO	REV.	DESCRIPTION
7024516-01	A01	AS SHOWN

NOTES:
 1. SOLDER WHT WIRE (FOCUS WIRE) FROM FLYBACK TRANSFORMER ON PWR SUP/ MONITOR MODULE (ITEM 1) TO PIN 1 OF J703 (CRT SOCKET) ON CRT ARC PROTECTION MODULE (ITEM 2)

SEE NOTE 1

CAUTION: OFF SHEET PARTS LIST EXISTS SEE K-PL-7024516-0-DBP (MLA1102A.PLS)

REV	EDD NUMBER	DATE	RELEASED
A		22-JAN-87	

DESCRIPTION	DRAWING NO.	PART NO	ITEM NO
UNLESS OTHERWISE SPECIFIED DIMENSIONS ARE IN INCHES AND THE FOLLOWING TOLERANCES APPLY (PER DEC STD 114)			
DIMENSIONS RANGE IN INCHES			
INCHES TOLERANCE	ANGLES TO 90°	APPLICABLE DIMENSION RANGE	OVER 0 TO 0.2
.X ± .1	SURFACE QUALITY	CHECK ONE	OVER 0.2 TO 0.4
.XX ± .02		<input type="checkbox"/>	OVER 0.4 TO 0.6
.XXX ± .005		<input type="checkbox"/>	OVER 0.6 TO 0.8
		<input type="checkbox"/>	OVER 0.8 TO 1.0
		<input type="checkbox"/>	OVER 1.0 TO 1.2
		<input type="checkbox"/>	OVER 1.2 TO 1.4
		<input type="checkbox"/>	OVER 1.4 TO 1.6
		<input type="checkbox"/>	OVER 1.6 TO 1.8
		<input type="checkbox"/>	OVER 1.8 TO 2.0
QUANTITY & VARIATION			
THIRD ANGLE PROJECTION	DATE	TITLE	
	13-JAN-87	PS/MONITOR AND ARC PROTECTION ASSY	
DO NOT SCALE DRAWING	DATE	DOCUMENT NUMBER	
REMOVE BURRS AND BREAK SHARP CORNERS	13-JAN-87	D 1A 7024516-0-DBU	
MATERIAL	DATE	SIZE CODE	NUMBER
	23-JAN-87	D 1A	7024516-0-DBU
FINISH	TOP DOC. NO.	SCAL	SHEET 1 OF 1
	D-1A-7024516-0-DBU	NONE	

AUTOMATED BY VAXKPL (V1.3)

P A R T S L I S T

SHEET A1 OF A1
 QUANTITY PER VARIATION/REVISION

LINE ITEM	TOP DOCUMENT	PART NUMBER	MIN REV	DESCRIPTION	QTY
1	B-DD-5416961-0-0	54-16961-01	A	PWR SUPPLY/MONITOR MODULE	1
2	B-DD-5417106-0-0	54-17106-01	A	CRT ARC PROTECTION MODULE	1

REVISION HISTORY		KPL MATRIX FORMAT		SECTION A OF A	DRN: Y. W. LEE	D I G I T A L			
ENG	ECO NUMBER	REV	SECTION/VARIATION INDEX		DATE: 13-JAN-87	TITLE PARTS LIST			
---	INITIAL	A	[A]	01	CHK'D: J. N. LIN	PS/MONITOR AND ARC PROTECTION ASSY			
			[B]		DATE: 13-JAN-87	DOCUMENT NUMBER			
			[C]		DES. ENG: J. P. LO	SIZE	CODE	NUMBER	REV
			[D]		DATE: 13-JAN-87	K	PL	7024516-0-DBP	A
			[E]		RESP. ENG.: O. LIN	RELEASE DATE: 18-FEB-87			
			[F]		DATE: 13-JAN-87	RELEASE STATUS: RELEASED			
			[H]		MFG. ENG: GORDON WU				
			[J]		DATE: 26-JAN-87				
		BASIC PART NUMBER:		ASSEMBLY NUMBER:	TOP DOCUMENT NUMBER:	FILE NAME:		EDIT #	
		7024516		D-IA-7024516-0-DBU	D-IA-7024516-0-DBU	MLA1102A.PLS		16	

"THIS DRAWING AND THE SPECIFICATIONS CONTAINED HEREIN ARE CONFIDENTIAL AND PROPRIETARY. THEY ARE THE PROPERTY OF DIGITAL EQUIPMENT CORPORATION AND SHALL NOT BE REPRODUCED OR USED IN WHOLE OR IN PART AS THE BASIS FOR THE MANUFACTURE OR SALE OF ITEMS WITHOUT WRITTEN PERMISSION. THIS IS AN UNPUBLISHED WORK PROTECTED UNDER THE FEDERAL COPYRIGHT LAWS."

DRAWING NO.	NO. OF SHTS.	PART NO.	DESCRIPTION	REVISIONS																						
				1	2	3	4	5	6	7	8	9	10	11	12	13	14	15	16	17						
		54-16961-01	PWR SUP/MONITOR MODULE	A1																						
D-UA-5416961-0-0	1		UNIT ASSY	A																						
B-CS-5416961-0-1	3		SCHEMATIC	A																						
K-PL-5416961-0-DBP	6		PARTS LIST	A																						
K-PC-5416961-0-DBV	1		P.C. DESIGN DATA BASE	A																						
K-CS-5416961-0-DBX	1		VALID DATA BASE	A																						
		50-16960-01	ETCH CIRCUIT BOARD	F1																						
B-DD-5016960-0-0	1		DRAWING DIRECTORY	A																						

NOTES:

REVISION HISTORY		DATE	ECO NO.	REV.
		JAN '87		A

THIS DRAWING AND THE SPECIFICATIONS CONTAINED HEREIN ARE CONFIDENTIAL AND PROPRIETARY. THEY ARE THE PROPERTY OF DIGITAL EQUIPMENT CORPORATION AND SHALL NOT BE REPRODUCED OR COPIED OR USED IN WHOLE OR IN PART AS THE BASIS FOR THE MANUFACTURE OR SALE OF ITEMS WITHOUT WRITTEN PERMISSION. THIS IS AN UNPUBLISHED WORK PROTECTED UNDER THE FEDERAL COPYRIGHT LAWS.



1987

DRN.	F. LIU	DATE	5-MAY-86	TITLE	DWG DIR, PWR SUP/MONITOR MODULE		
CHK'D	B. CHEN	DATE	5-MAY-86	DOCUMENT NUMBER	5416961-0-0		
DES. ENG.	C.L. CHUANG	DATE	5-MAY-86	SIZE	CODE	NUMBER	REV.
RESP. ENG.	L. JEAN	DATE	5-MAY-86	B	DD	5416961-0-0	A
MFG. ENG.	<i>[Signature]</i>	DATE	6 Feb 87	SHEET 1 OF 1			

LINE	ITEM	TOP DOCUMENT	PART NUMBER	MIN REV	DESCRIPTION	QTY	PER VAR/REV	REFERENCE DESIGNATORS
						01		
						A1		
1	1	B-DD-5016960-0-0	50-16960-01	F	CIRCUIT DRILL AND ETCH	1		
2	2		10-10274-02		1.0 MFD 50V +80/-20% Z5U C	1		C914
3	3		10-11740-02		1800 PFD 50V +/-10% X7R C	1		C915
4	4		10-12312-01		0.47 MFD 50V +80/-20% Z5U C	4		C603,C921-C923
5	5		10-12784-00		0.047MFD 50V +80/-20% Z5U C	2		C101,C809
6	6		10-13466-04		33 PFD 50V +/- 5% NP0 C	1		C508
7	7		10-13466-11		0.22 MFD 50V +80/-20% Z5U C	2		C903,C918
8	8		10-13466-12		2200 PFD 50V +/-10% X7R C	1		C920
9	9		10-13466-19		470 PFD 50V +/- 5% NP0 C	1		C813
10	10		10-13466-22		0.10 MFD 50V +80/-20% Z5U C	7		C804,C805,C810,C811,C913,C919, CONT C930
11	11		10-13466-43		0.010MFD 50V +/- 5% X7R C	3		C501,C632,C916
12	12		10-13669-02		0.10 MFD 150V +/- 5% M.POL	3		C505-C507
13	13		10-14052-00		100 MFD 25V +100/-10% ALU	1		C503
14	14		10-16544-00		0.10 MFD 100V +/-10% MYLAR	2		C510,C601
15	15		10-16548-00		1000 MFD 16V +50/-10% ALU	2		C619,C640
16	16		10-16555-00		22 MFD 50V +50/-10% ALU	1		C511
17	17		10-16557-00		470 MFD 16V +50/-20% ALU	1		C604
18	18		10-16570-00		1000 PFD 500V +80/-20% X5S/Z	1		C609
19	19		10-16572-00		300 PFD 500V +/-10% X5F/X	3		C622,C624,C932
20	20		10-18000-00		2.2 MFD 63V +50/-20% ALU	2		C634,C912
21	21		10-18000-07		10 MFD 63V +50/-20% ALU	2		C627,C635
22	22		10-18000-15		10 MFD 250V +50/-20% ALU	1		C621
23	23		10-18000-16		100 MFD 160V +50/-20% ALU	1		C613
24	24		10-18000-17		470 MFD 25V +50/-20% ALU	1		C502
25	25		10-18000-25		220 MFD 16V +/-20% ALU	2		C636,C840
26	26		10-18000-28		1.0 MFD 100V +50/-20% ALU	3		C910,C917,C936
27	27		10-18000-29		10 MFD 25V +75/-20% ALU	3		C516,C623,C630
28	28		10-18000-34		100 MFD 100V +50/-20% ALU	2		C925,C927
29	29		10-18000-40		47 MFD 25V +/-20% ALU	2		C517,C628
30	30		10-18237-01		4700 PFD 100V +/- 5% POLYP	1		C602
31	31		10-19537-01		1000 MFD 35V +50/-10% ALU	1		C620

REVISION HISTORY			KPL MODULE FORMAT SECTION A OF A			DRN: F LIU		
ENG	ECO NUMBER	REV	SECTION/VARIATION INDEX			DATE: 05-MAY-86		
---	INITIAL	A	[A]	01	[M]	CHK'D: B CHEN		
			[B]		[N]	DATE: 05-MAY-86		
			[C]		[P]	DES.ENG: CL CHUANG		
			[D]		[Q]	DATE: 05-MAY-86		
			[E]		[R]	RESP.ENG.: L JEAN		
			[F]		[S]	DATE: 05-MAY-86		
			[H]		[T]	MFG.ENG: G. CHRISTIANSEN		
			[J]		[V]	DATE: 26-JAN-87		
			[K]		[W]	RELEASE DATE: 18-FEB-87		
			[L]		[Y]	RELEASE STATUS: RELEASED		
			BASIC PART NUMBER:			ASSEMBLY NUMBER:		
			5416961			D-UA-5416961-0-0		
			TOP DOCUMENT NUMBER:			FILE NAME:		
			B-DD-5416961-0-0			GH706A.PLS		
			EDIT #			40		

"THIS DRAWING AND THE SPECIFICATIONS CONTAINED HEREIN ARE CONFIDENTIAL AND PROPRIETARY. THEY ARE THE PROPERTY OF DIGITAL EQUIPMENT CORPORATION AND SHALL NOT BE REPRODUCED OR COPIED OR USED IN WHOLE OR IN PART AS THE BASIS FOR THE MANUFACTURE OR SALE OF ITEMS WITHOUT WRITTEN PERMISSION. THIS IS AN UNPUBLISHED WORK PROTECTED UNDER THE FEDERAL COPYRIGHT LAWS."

LINE	ITEM	TOP DOCUMENT	PART NUMBER	MIN REV	DESCRIPTION	QTY PER VAR/REV	REFERENCE DESIGNATORS
						01 A1	
32	32		10-21205-02	1000	MFD 25V +30/-10% ALU	1	C904
33	33		10-21480-06	0.22	MFD 250V +/- 5% POLYP	1	C611
34	34		10-24263-04	390	PFD 2000V +/-10% Y5P	1	C617
35	35		10-24422-01	220	MFD 35V +/-20% ALU	1	C513
36	36		10-26456-01	2200	PFD 100V 1% POLYPROP	1	C608
37	37		10-26457-02	0.015	MFD 1000V +/-5% POLYPR	1	C633
38	38		10-26457-03	2000	PFD 1500V +/-10% POLYP	1	C814
39	39		10-26577-01	2200	MFD 10V +/-20% ALU	1	C926
40	40		10-26578-01	330	MFD 25V +/-20% ALU	4	C803,C812,C905,C909
41	41		10-26588-01	1000	PFD 50V +/- 5% MYLAR	1	C806
42	42		10-26608-01	4700	MFD 10V +/-20% ALU	3	C906-C908
43	43		10-26646-01	0.10	MFD 250V +/-10% MYLAR	1	C618
44	44		10-26654-01	0.010	MFD 100V +/- 5% MYLAR	2	C605,C933
45	45		10-26655-01	0.10	MFD 100V +/- 5% MYLAR	1	C607
46	46		10-26938-01	2200	MFD 16V +/-20% ALUM	1	C512
47	47		10-26959-01	2200	PFD 100V +/-5% POLYPR	2	C509,C807
48	48		10-27012-01	680	MFD 250V +/-20% ALU	1	C801
49	49		10-27182-01	0.10	MFD 250V +/- 5% MET.	1	C629
50	50		10-27183-01	680	PFD 1000V +/-10% POLYP	2	C815,C816
51	51		10-27186-01	7500	PFD 1500V +/- 2% POLYP	1	C616
52	52		10-27189-01	0.39	MFD 250V +/- 5% POLYP	1	C612
53	53		10-27202-01	330	MFD 160V +/-20% ALUM	1	C901
54	54		10-27203-01	47	MFD 160V +/-20% ALU	2	C625,C935
55	55		10-27211-01	4-7	MFD 160V +/-20% ALU	1	C610
56	56		10-27656-01	0.022	MFD 100V +/- 5% MET.	1	C606
57	57		10-27657-01	680	MFD 400V +/-20% ALU	1	C802
58	58		10-27901-01	470	MFD 25V +/-20% ALU	1	C817
59	59		11-05796-00	PIV= 400 IO= 1.00A	1N4004 DO-41	5	D501,D805,D806,D812,D840
60	60		11-05871-00	VZ= 5.15 1% 250 MW		1	D905
61	61		11-09443-00	VZ= 5.1 5% 50 W	1N5231B	2	D641,D907
62	62		11-10968-00	SCR PIV= 100 IO= .80A	2N5062	1	Q801
63	63		11-12594-02	PIV= 600 IO= 3.00A		1	D901
64	64		11-12595-01	PIV= 200 IO= 1.00A	AXIAL	6	D640,D802,D810,D811,D904,D906
65	65		11-12595-02	PIV= 600 IO= 1.00A	AXIAL	5	D602-D604,D642,D900
66	66		11-15112-00	RECT,ULTRA FAST PIV= 800 IO= 1.0		2	D605,D606
67	67		11-16475-00	PIV= 75	- 4NS 1N4148	13	D643,D644,D647,D648,D803,D804, CONT D808,D809,D908-D910,D912,D913
68	68		11-20828-01	PIV=1000 IO= 1.50A		1	D645
69	69		11-20829-01	PIV=1000 IO= 3.00A		1	D601
70	70		11-24037-01	VZ= 36.0 5% 400 MW	1N974B DO-35	8	D111-D118
71	71		11-24210-01	SCHOTTKY PIV= 45 IO=15.00A	T022	1	D903
72	72		11-26397-01	PIV=100 IO=3.0 A	150NS	1	D902
73	73		11-26544-01	RECT. ASSY PIV= 600 IO=4.0 A		1	D801
74	74		11-26743-01	TRANS SUPP	600W 10V +/-	4	D101,D102,D106,D107
75	75		11-26743-02	TRANS SUPP	600W 22V +/-	6	D103-D105,D108-D110
76	76		11-26939-01	PIV= 800 IO= 2.0 A	RG2K D0204	1	D807
77	77		12-10929-02	FUSE PICO 1.0 A	125V AXIAL LEA	1	F901
78	78		12-13071-06	INSULATOR,RUBBER	SILICONE	2	
79	79		12-13071-21	INSULATOR,RUBBER,THERMAL		2	
80	80		12-15228-00	HEAT SINKS,T0-220	01.25X0.87	1	H901

LINE	ITEM	TOP DOCUMENT	PART NUMBER	MIN REV	DESCRIPTION	QTY	PER VAR/REV	REFERENCE DESIGNATORS
						A1		
81	81		12-15323-00		PCB HEADER 06PIN(1X06) .100CC STR	1		J601
82	82		12-15323-02		PCB HEADER 02PIN(1X02) .100CC STR	1		J900
83	83		12-17485-01		MATE-N-LOK 03SKT(1X03) .250CC ASS	1		J801
84	84		12-18826-07		CONN,PHONE JACK 04POS	1		J104
85	85		12-21439-01		PCB,HEADER 03PIN(1X03) .200CC STR	1		J802
86	86		12-23433-02		CONN,LAN JACK 06 POS	3		J101-J103
87	87		12-24261-01		PCB HEADER PIN .1250D TIN	8		J805-J812
88	88		12-26611-02		HEAT SINK	1		H805
89	89		12-26611-03		HEAT SINK	1		H602
90	90		12-27199-01		SW,SLIDE 2P2POS .2A	1		S500
91	91		12-27210-01		HEAT SINK	1		H903
92	92		12-27276-01		HEAT SINK FOR TDA1170DS	1		H501
93	93		12-27281-02		HEATSINK	1		H600
94	94		12-27324-01		PCB HEADER PIN TIN	4		TP600,TP601,TP900,TP901
95	95		12-27734-01		PCB HEADER 04PIN(1X04) STR	1		J600
96	96		12-27759-01		HEAT SINK	1		H902
97	97		12-27779-01		RELAY,MINI,SPDT,1FORMC,12VDC COI	1		K801
98	98		13-00168-00	10.0	.50 W 5.0 % CF	1		R523
99	99		13-00197-00	33.0	.25 W 5.0 % CF	1		R824
100	100		13-00202-00	47.0	.25 W 5.0 % CF	1		R818
101	101		13-00229-00	100.0	.25 W 5.0 % CF	3		R822,R902,R946
102	102		13-00247-00	120.0	.25 W 5.0 % CF	1		R603
103	103		13-00274-00	220.0	.50 W 5.0 % CF	1		R517
104	104		13-00296-00	330.0	.50 W 5.0 % CF	2		R623,R624
105	105		13-00316-00	470.0	.25 W 5.0 % CF	1		R917
106	106		13-00338-00	560.0	.50 W 5.0 % CF	1		R937
107	107		13-00365-00	1.0 K	.25 W 5.0 % CF	10		R814,R823,R832,R833,R908,R911, CONT R913,R918,R923,R926
108	108		13-00385-00	1.20 K	.50 W 5.0 % CF	1		R611
109	109		13-00391-00	1.50 K	.25 W 5.0 % CF	2		R600,R629
110	110		13-00417-00	2.20 K	.25 W 5.0 % CF	4		R520,R628,R636,R647
111	111		13-00444-00	3.90 K	.25 W 5.0 % CF	2		R515,R948
112	112		13-00447-00	4.70 K	.25 W 5.0 % CF	4		R500,R502,R658,R949
113	113		13-00479-00	10.0 K	.25 W 5.0 % CF	12		R512,R637,R642,R645,R648,R654, CONT R815,R842-R844,R916,R933
114	114		13-00496-00	15.0 K	.25 W 5.0 % CF	1		R816
115	115		13-01320-00	1.20 K	.25 W 5.0 % CF	2		R501,R649
116	116		13-01327-00	68.0 K	.25 W 5.0 % CF	1		R639
117	117		13-01423-00	6.80 K	.25 W 5.0 % CF	1		R657
118	118		13-01424-00	680.0	.25 W 5.0 % CF	2		R914,R935
119	119		13-01477-00	82.0	.25 W 5.0 % CF	1		R821
120	120		13-01890-00	560.0	.25 W 5.0 % CF	3		R910,R934,R938
121	121		13-01972-00	270.0	.25 W 5.0 % CF	1		R945
122	122		13-02091-00	330.0 K	.25 W 5.0 % CF	3		R808,R809,R812
123	123		13-02092-00	220.0 K	.25 W 5.0 % CF	3		R510,R625,R670
124	124		13-02177-00	47.0 K	.25 W 5.0 % CF	2		R507,R811
125	125		13-02222-00	221.0	.50 W 1.0 % RN60C-F 5	1		R528
126	126		13-02311-00	3.32 K	.25 W 1.0 % RN55D-F 10	1		R526
127	127		13-02388-00	2.0 K	.25 W 5.0 % CF	2		R606,R607
128	128		13-02395-00	56.0 K	.25 W 5.0 % CF	1		R508

LINE	ITEM	TOP DOCUMENT	PART NUMBER	MIN REV	DESCRIPTION	QTY	PER VAR/REV	REFERENCE DESIGNATORS
						01		
						A1		
81	81		12-15323-00		PCB HEADER 06PIN(1X06).100CC STR	1		J601
82	82		12-15323-02		PCB HEADER 02PIN(1X02).100CC STR	1		J900
83	83		12-17485-01		MATE-N-LOK 03SKT(1X03).250CC ASS	1		J801
84	84		12-18826-07		CONN,PHONE JACK 04POS	1		J104
85	85		12-21439-01		PCB,HEADER 03PIN(1X03).200CC STR	1		J802
86	86		12-23433-02		CONN,LAN JACK 06 POS	3		J101-J103
87	87		12-24261-01		PCB HEADER PIN .1250D TIN	8		J805-J812
88	88		12-26611-02		HEAT SINK	1		H805
89	89		12-26611-03		HEAT SINK	1		H602
90	90		12-27199-01		SW,SLIDE 2P2POS .2A	1		S500
91	91		12-27210-01		HEAT SINK	1		H903
92	92		12-27276-01		HEAT SINK FOR TDA1170DS	1		H501
93	93		12-27281-02		HEATSINK	1		H600
94	94		12-27324-01		PCB HEADER PIN TIN	4		TP600, TP601, TP900, TP901
95	95		12-27734-01		PCB HEADER 04PIN(1X04) STR	1		J600
96	96		12-27759-01		HEAT SINK	1		H902
97	97		12-27779-01		RELAY,MINI,SPDT,1FORMC,12VDC COI	1		K801
98	98		13-00168-00	10.0	.50 W 5.0 % CF	1		R523
99	99		13-00197-00	33.0	.25 W 5.0 % CF	1		R824
100	100		13-00202-00	47.0	.25 W 5.0 % CF	1		R818
101	101		13-00229-00	100.0	.25 W 5.0 % CF	3		R822,R902,R946
102	102		13-00247-00	120.0	.25 W 5.0 % CF	1		R603
103	103		13-00274-00	220.0	.50 W 5.0 % CF	1		R517
104	104		13-00296-00	330.0	.50 W 5.0 % CF	2		R623,R624
105	105		13-00316-00	470.0	.25 W 5.0 % CF	1		R917
106	106		13-00338-00	560.0	.50 W 5.0 % CF	1		R937
107	107		13-00365-00	1.0 K	.25 W 5.0 % CF	10		R814,R823,R832,R833,R908,R911, CONT R913,R918,R923,R926
108	108		13-00385-00	1.20 K	.50 W 5.0 % CF	1		R611
109	109		13-00391-00	1.50 K	.25 W 5.0 % CF	2		R600,R629
110	110		13-00417-00	2.20 K	.25 W 5.0 % CF	4		R520,R628,R636,R647
111	111		13-00444-00	3.90 K	.25 W 5.0 % CF	2		R515,R948
112	112		13-00447-00	4.70 K	.25 W 5.0 % CF	4		R500,R502,R658,R949
113	113		13-00479-00	10.0 K	.25 W 5.0 % CF	12		R512,R637,R642,R645,R648,R654, CONT R815,R842-R844,R916,R933
114	114		13-00496-00	15.0 K	.25 W 5.0 % CF	1		R816
115	115		13-01320-00	1.20 K	.25 W 5.0 % CF	2		R501,R649
116	116		13-01327-00	68.0 K	.25 W 5.0 % CF	1		R639
117	117		13-01423-00	6.80 K	.25 W 5.0 % CF	1		R657
118	118		13-01424-00	680.0	.25 W 5.0 % CF	2		R914,R935
119	119		13-01477-00	82.0	.25 W 5.0 % CF	1		R821
120	120		13-01890-00	560.0	.25 W 5.0 % CF	3		R910,R934,R938
121	121		13-01972-00	270.0	.25 W 5.0 % CF	1		R945
122	122		13-02091-00	330.0 K	.25 W 5.0 % CF	3		R808,R809,R812
123	123		13-02092-00	220.0 K	.25 W 5.0 % CF	3		R510,R625,R670
124	124		13-02177-00	47.0 K	.25 W 5.0 % CF	2		R507,R811
125	125		13-02222-00	221.0	.50 W 1.0 % RN60C-F 5	1		R528
126	126		13-02311-00	3.32 K	.25 W 1.0 % RN55D-F10	1		R526
127	127		13-02388-00	2.0 K	.25 W 5.0 % CF	2		R606,R607
128	128		13-02395-00	56.0 K	.25 W 5.0 % CF	1		R508

D	I	G	I	T	A	L	TITLE	SECTION A	OF A	SIZE	CODE	DOCUMENT NUMBER	REV
							POWER SUPPLY/MONITOR MODULE			K	PL	5416961-0-DBP	A

LINE ITEM	TOP DOCUMENT	PART NUMBER	MIN REV	DESCRIPTION	QTY PER VAR/REV	REFERENCE DESIGNATORS
					01 A1	
129	129	13-02396-00	150.0 K	.25 W 5.0 % CF	1	R602
130	130	13-02398-00	470.0 K	.25 W 5.0 % CF	5	R841,R930-R932,R941
131	131	13-02465-00	18.0 K	.25 W 5.0 % CF	2	R671 R903
132	132	13-02466-00	100.0 K	.25 W 5.0 % CF	2	R620,R915
133	133	13-02514-00	39.0 K	.25 W 5.0 % CF	1	R635
134	134	13-02602-00	56.0	.25 W 5.0 % CF	1	R820
135	135	13-03179-00	8.20 K	.25 W 5.0 % CF	2	R601,R656
136	138	13-03187-00	820.0 K	.25 W 5.0 % CF	1	R506
137	137	13-03312-00	10.0 K	.25 W 1.0 % RN55D-F10	1	R942
138	138	13-04840-00	62.0 K	.25 W 5.0 % CF	1	R638
139	139	13-04855-00	9.09 K	.25 W 1.0 % RN55D-F10	1	R940
140	140	13-04856-00	4.64 K	.25 W 1.0 % RN55D-F10	1	R925
141	141	13-05131-00	274.0 K	.25 W 1.0 % RN55D-F10	1	R503
142	142	13-05346-00	27.0 K	.25 W 5.0 % CF	4	R608,R626,R944,R947
143	143	13-05423-00	226.0 K	.25 W 1.0 % RN55D-F10	1	R522
144	144	13-09421-00	2.0	.50 W 5.0 % CF	1	R662
145	145	13-09595-00	1.0 M	.25 W 5.0 % CF	2	R640,R929
146	146	13-10867-00	680.0 K	.25 W 5.0 % CF	3	R831,R921,R939
147	147	13-11604-00	.20	3.0 W 3.0 % WW	1	R825
148	148	13-11996-02		VARISTOR 275VAC VOLT TRANS SUP	1	R801
149	149	13-12618-00	16.90 K	.25 W 1.0 % RN55D-F10	1	R605
150	150	13-12932-00	36.0 K	.25 W 5.0 % CF	1	R514
151	151	13-13349-00	33.0 K	.25 W 5.0 % CF	1	R630
152	152	13-13476-00	51.10 K	.25 W 1.0 % RN55D-F10	2	R813,R912
153	153	13-13752-00	15.0 K	.25 W 1.0 % RN55D-F10	1	R524
154	154	13-14270-05		THERMISTOR NTC 7.0 15%	2	R802,R803
155	155	13-15096-00	1.87 K	.25 W 1.0 % RN55D-F10	1	R906
156	156	13-15764-00	1.0 K	5.0 W 3.0 % WW	1	R612
157	157	13-16522-01	100.0 K	.25 W20.0 % POT	2	R505,R509
158	158	13-16522-08	5.0 K	.25 W20.0 % POT	2	R518,R604
159	159	13-16522-09	100.0	.25 W20.0 % POT	1	R609
160	160	13-16522-11	30.0 K	.25 W20.0 % POT	1	R521
161	161	13-16845-00	3.30	.50 W 5.0 % CF	2	R511,R830
162	162	13-17917-00	500.0	13.0 W 5.0 % WW	1	R827
163	163	13-18341-43	8.45 K	.25 W 1.0 % RN55D-F10	1	R936
164	164	13-18546-02	43.20 K	.25 W 1.0 % RN55D-F10	1	R943
165	165	13-19019-00	105.0 K	.25 W 1.0 % RN55D-F10	1	R904
166	166	13-19325-01	392.0	.25 W 1.0 % RN55D-F10	1	R527
167	167	13-19470-33	1.50 K	1.0 W 5.0 % M.OXIDE	1	R610
168	168	13-19470-48	33.0 K	1.0 W 5.0 % M.OXIDE	1	R901
169	169	13-19470-51	68.0 K	1.0 W 5.0 % M.OXIDE	1	R804
170	170	13-19471-03	20.0	2.0 W 5.0 % M.OXIDE	1	R919
171	171	13-19471-36	5.60 K	2.0 W 5.0 % M.OXIDE	1	R907
172	172	13-19932-01	820.0 K	.50 W 5.0 % CF	1	R652
173	173	13-20300-08	500.0	0.5 W20.0% POT	1	R905
174	174	13-20415-03	249.0 K	.25 W 1.0 % RN55D-F10	1	R504
175	175	13-20607-01	1.0	.50 W 5.0 % CF	1	R513
176	176	13-20608-01	3.30	.25 W 5.0 % CF	1	R828
177	177	13-20711-01	330.0 K	.50 W 5.0 % CF	1	R651
178	178	13-22400-01	220.0	3.0 W 5.0 % M.OXIDE	1	R826

D	I	G	I	T	A	L	TITLE	SECTION A OF A	SIZE	CODE	DOCUMENT NUMBER	REV
							POWER SUPPLY/MONITOR MODULE		K	PL	5416961-0-DBP	A

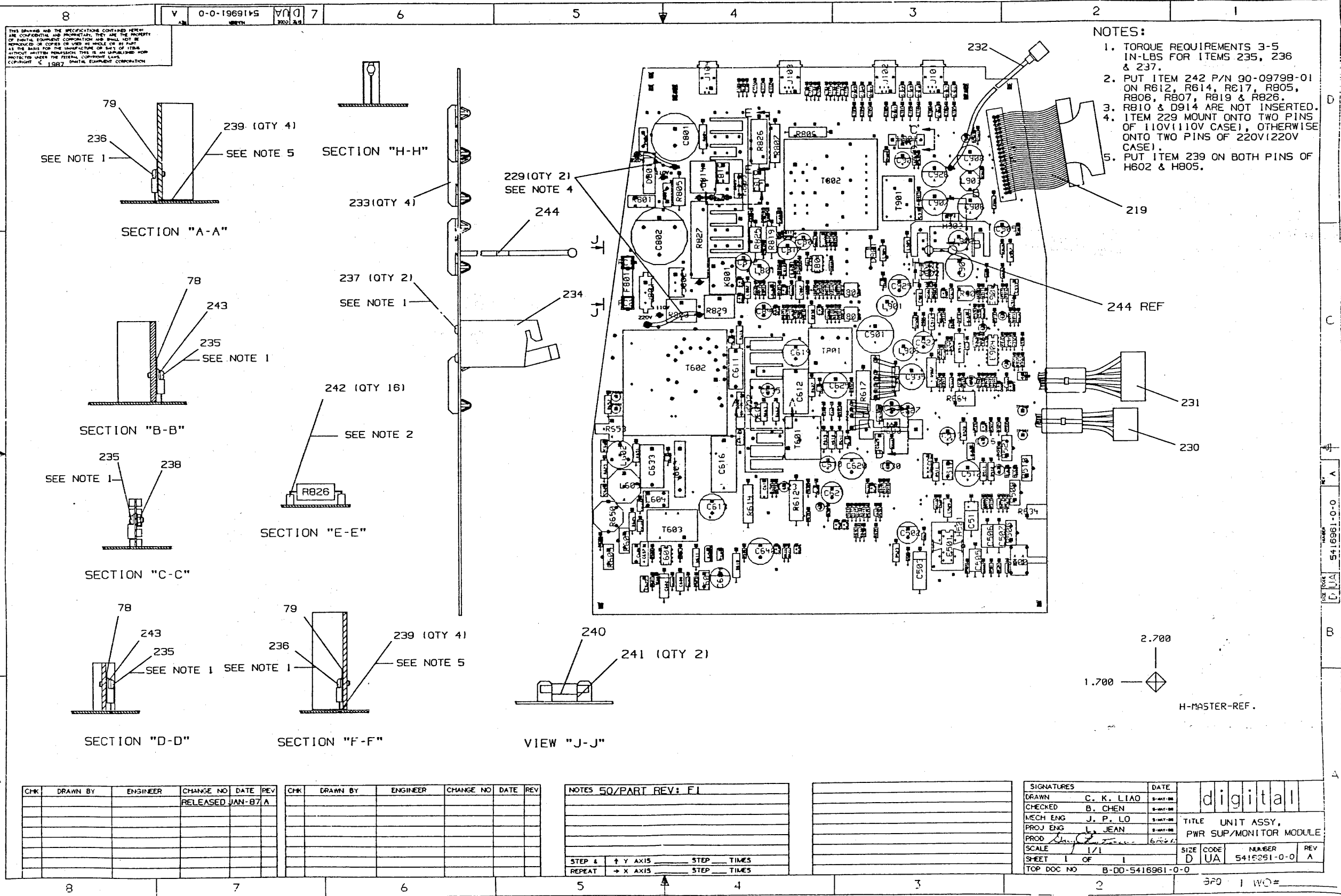
AUTOMATED BY VAXKPL (V1.3)

P A R T S L I S T

SHEET A6 OF A6

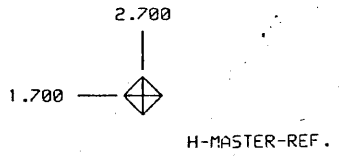
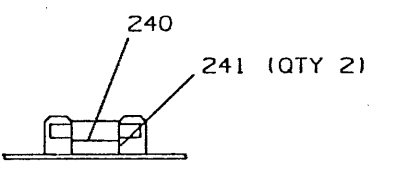
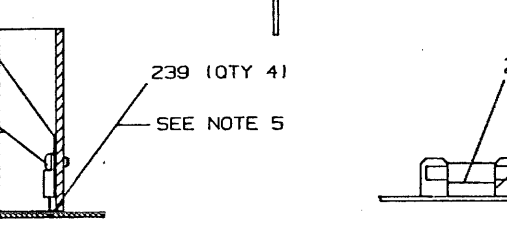
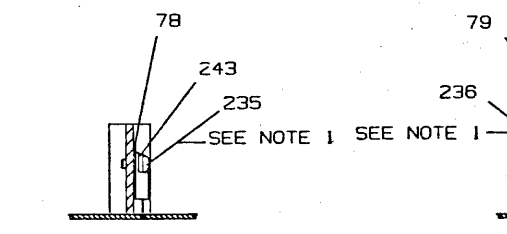
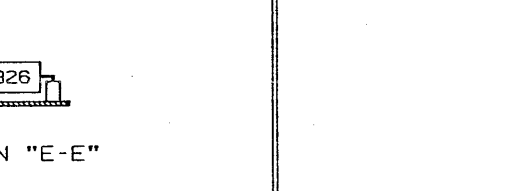
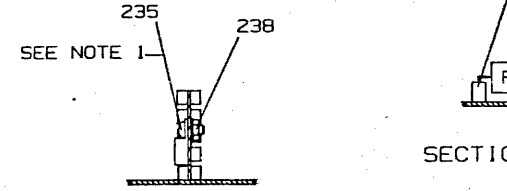
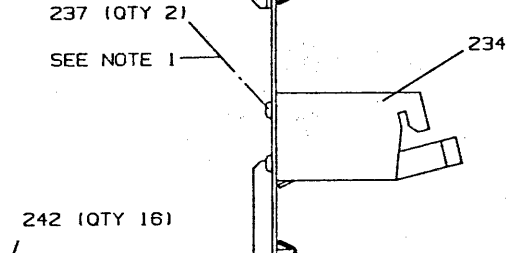
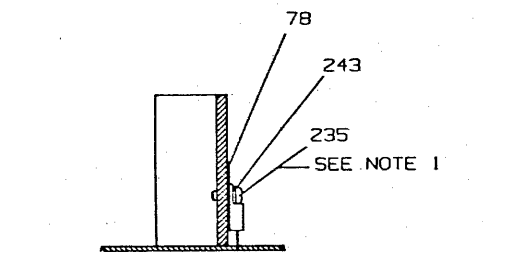
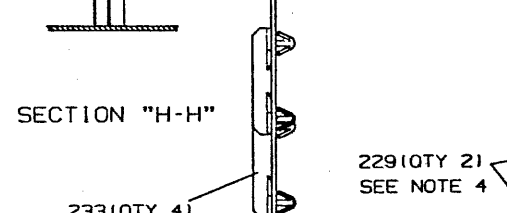
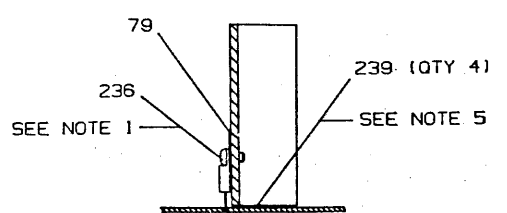
LINE	ITEM	TOP DOCUMENT	PART NUMBER	MIN REV	DESCRIPTION	QTY PER VAR/REV	REFERENCE DESIGNATORS
						01 A1	
229	229	D-IA-7022361-0-0	70-22361-0C	A	JUMPER VOLTAGE SELECTOR	2	P805,P807
230	230	B-IA-7022639-0-DBU	70-22639-01	A	CABLE,ARC PROTECTION	1	P702
231	231	B-IA-7022640-0-DBU	70-22640-01	A	CABLE VIDEO	1	P204
232	232	B-IA-7023276-0-DBU	70-23276-04	A	GROUNDING WIRE	1	P806
233	233	C-MD-7431615-0-DBU	74-31615-01	A	SPACER,PCB	4	
234	234	D-MD-7434698-0-DBU	74-34698-01	A	BRACKET,P/M BOARD	1	
235	235		90-06010-01		SCREW,MACH PAN PHIL 4-	3	
236	236		90-06013-01		SCREW,MACH PAN PHIL 4-	2	
237	237		90-06020-01		SCREW,MACH PAN PHIL 6-	2	
238	238		90-06557-00		NUT,HEX EXT TOOTH LCKWSHR 4-40	1	
239	239		90-06706-00		WASHER,FLAT NYLON	4	
240	240		90-07219-02		FUSE 3AG 4.0 A 250V NORM-BLOW	1	F801
241	241		90-09513-03		FUSECLIP	2	
242	242		90-09798-01		SPACER,CLEAR HOLE RND CERAM .07	16	
243	243		90-10057-00		WASHER,SHOULDER INSULATG PPS	2	
244	244		90-10797-01		STANDOFF,TWIST	1	

D	I	G	I	T	A	L	TITLE	SECTION A	OF	A	SIZE	CODE	DOCUMENT NUMBER	REV
							POWER SUPPLY/MONITOR MODULE				K	PL	5416961-0-DBP	A



THIS DRAWING AND THE SPECIFICATIONS CONTAINED HEREIN ARE CONFIDENTIAL AND PROPRIETARY. THEY ARE THE PROPERTY OF SPITAL EQUIPMENT CORPORATION AND SHALL NOT BE REPRODUCED OR COPIED OR USED IN WHOLE OR IN PART AS THE BASIS FOR THE MANUFACTURE OR SALE OF ITEMS WITHOUT WRITTEN PERMISSION. THIS IS AN UNCLASSIFIED DOCUMENT UNDER THE FEDERAL COPYRIGHT LAW. COPYRIGHT © 1987 SPITAL EQUIPMENT CORPORATION

- NOTES:
1. TORQUE REQUIREMENTS 3-5 IN-LBS FOR ITEMS 235, 236 & 237.
 2. PUT ITEM 242 P/N 90-09798-01 ON R612, R614, R617, R805, R806, R807, R819 & R826.
 3. R810 & D914 ARE NOT INSERTED.
 4. ITEM 229 MOUNT ON TWO PINS OF 110V(110V CASE), OTHERWISE ON TWO PINS OF 220V(220V CASE).
 5. PUT ITEM 239 ON BOTH PINS OF H602 & H805.



CHK	DRAWN BY	ENGINEER	CHANGE NO	DATE	REV

CHK	DRAWN BY	ENGINEER	CHANGE NO	DATE	REV

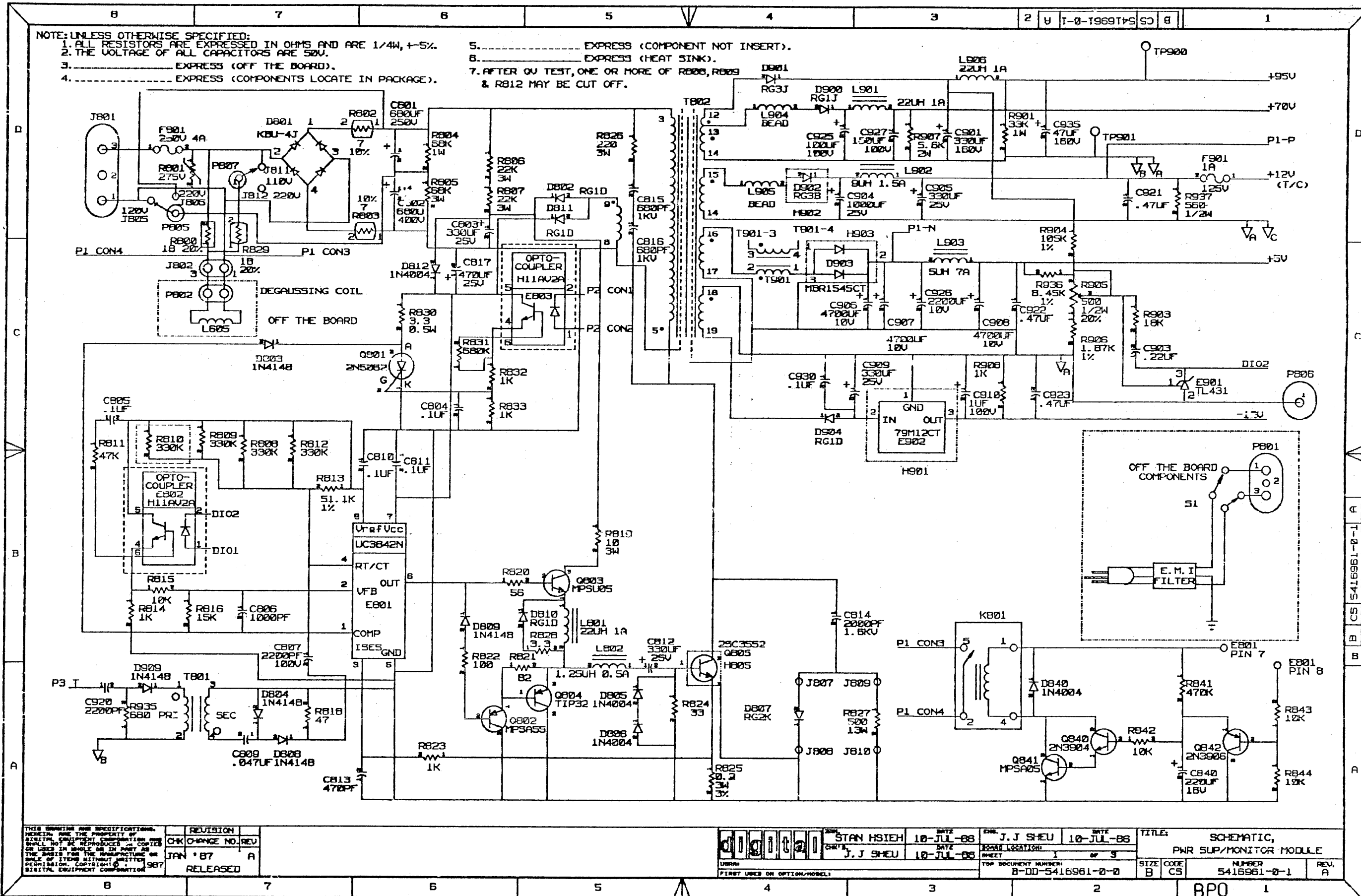
STEP	↑ Y AXIS	STEP	TIMES
REPEAT	→ X AXIS	STEP	TIMES

SIGNATURES	DATE
DRAWN C. K. LIAO	8-MAY-88
CHECKED B. CHEN	8-MAY-88
MECH ENG J. P. LO	8-MAY-88
PROJ ENG L. JEAN	8-MAY-88
PROD <i>[Signature]</i>	8-MAY-88

digital		TITLE UNIT ASSY, PWR SUP/MONITOR MODULE	
SCALE 1/1	SHEET 1 OF 1	SIZE D	CODE UA
TOP DOC NO B-DD-5416961-0-0	3FO	NUMBER 5416961-0-0	REV A

NOTE: UNLESS OTHERWISE SPECIFIED:
 1. ALL RESISTORS ARE EXPRESSED IN OHMS AND ARE 1/4W, ±5%.
 2. THE VOLTAGE OF ALL CAPACITORS ARE 50V.
 3. _____ EXPRESS (OFF THE BOARD).
 4. _____ EXPRESS (COMPONENTS LOCATE IN PACKAGE).

5. _____ EXPRESS (COMPONENT NOT INSERT).
 6. _____ EXPRESS (HEAT SINK).
 7. AFTER QV TEST, ONE OR MORE OF R828, R829 & R812 MAY BE CUT OFF.



THIS DRAWING AND SPECIFICATIONS ARE THE PROPERTY OF DIGITAL EQUIPMENT CORPORATION AND SHALL NOT BE REPRODUCED OR COPIED OR USED IN ANY MANNER AS THE BASIS FOR THE MANUFACTURE OR SALE OF ITEMS WITHOUT WRITTEN PERMISSION. COPYRIGHT © 1987 DIGITAL EQUIPMENT CORPORATION

REV	CHANGE NO.	REV
JAN '87	A	RELEASED

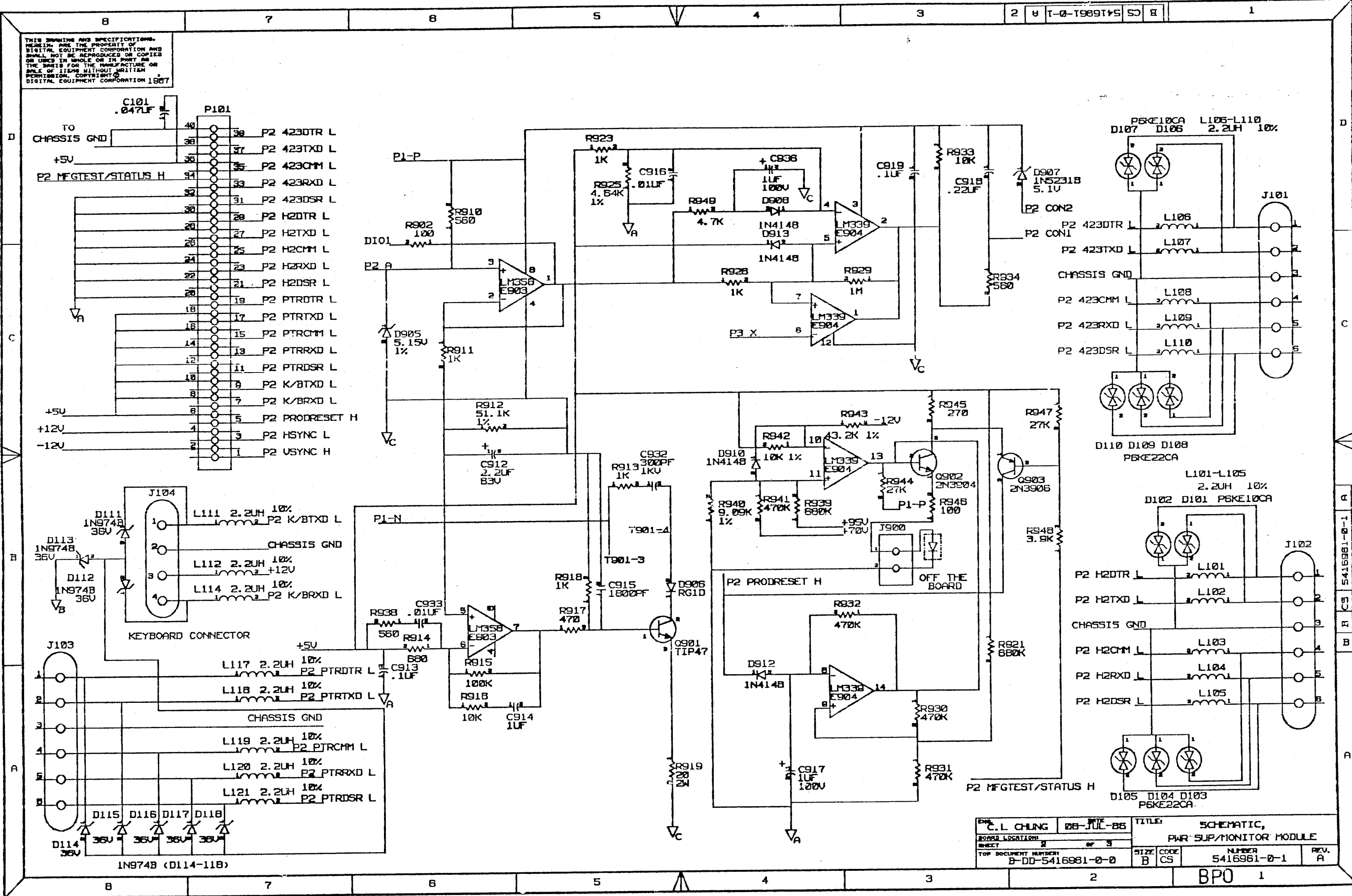
DESIGNED BY	STAN HSIEH	DATE	10-JUL-86	CHKD BY	J. J. SHEU	DATE	10-JUL-86
DESIGNED BY	J. J. SHEU	DATE	10-JUL-86	CHKD BY	J. J. SHEU	DATE	10-JUL-86
DRAWN BY				DRAWN BY			
FIRST USED ON OPTION/MODEL				FIRST USED ON OPTION/MODEL			

TITLE	SCHEMATIC, PWR SUP/MONITOR MODULE	
SIZE	CODE	NUMBER
B	CS	5416961-0-1
REV	A	

CS 5416961-0-1

BPO

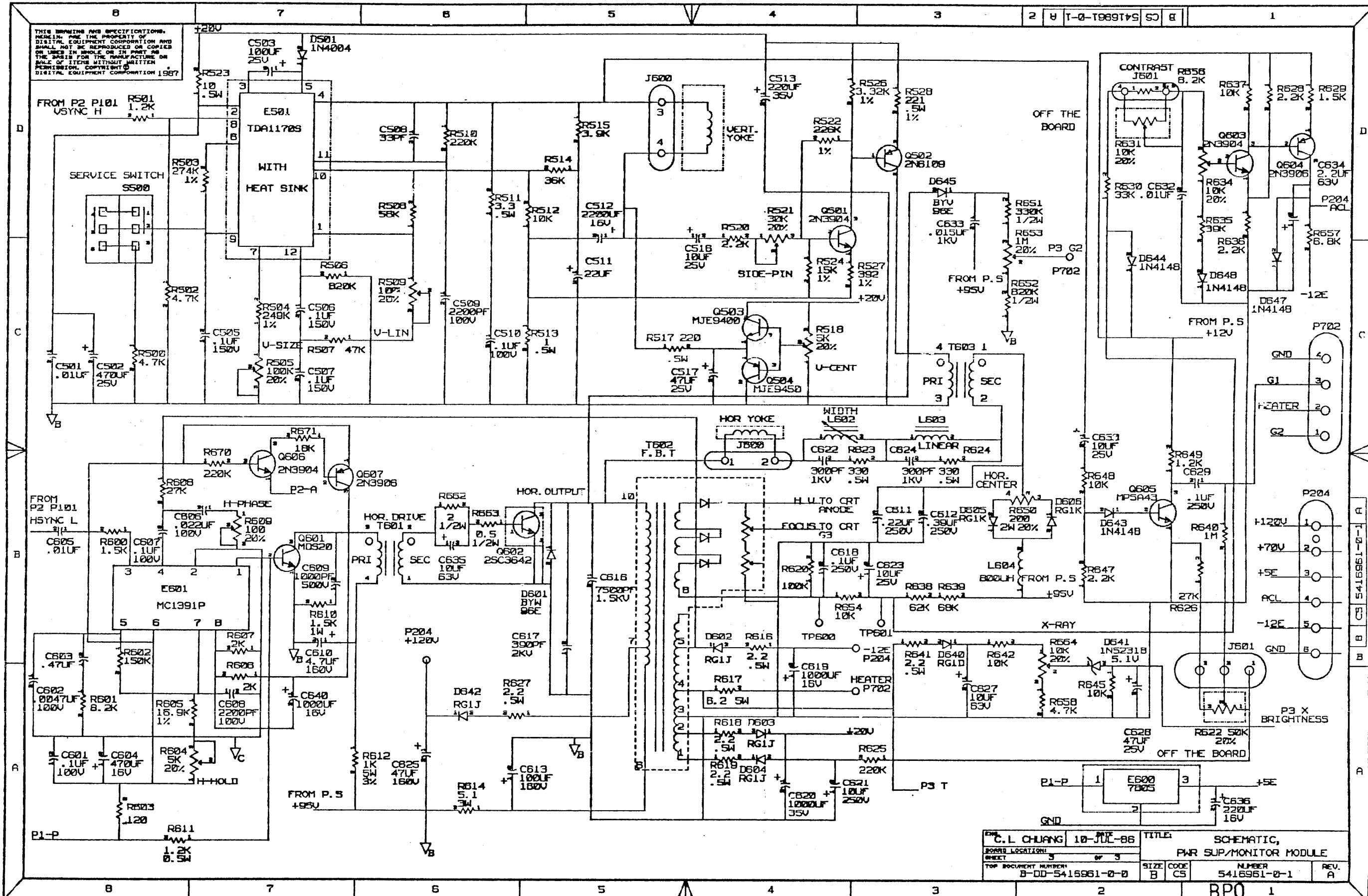
THIS DRAWING AND SPECIFICATIONS HEREIN ARE THE PROPERTY OF DIGITAL EQUIPMENT CORPORATION AND SHALL NOT BE REPRODUCED OR COPIED OR USED IN WHOLE OR IN PART AS THE BASIS FOR THE MANUFACTURE OR SALE OF ITEMS WITHOUT WRITTEN PERMISSION. COPYRIGHT © DIGITAL EQUIPMENT CORPORATION 1987



C.L. CHUNG		DB-JUL-85		TITLE: SCHEMATIC,	
BOARD LOCATION		PAGE 3		PWR SUP/MONITOR MODULE	
TOP DOCUMENT NUMBER: B-DD-5416981-0-0		SIZE: B	CODE: CS	NUMBER: 5416981-0-1	REV. A

BPO 1

THIS DRAWING AND SPECIFICATIONS, HEREIN, ARE THE PROPERTY OF DIGITAL EQUIPMENT CORPORATION AND SHALL NOT BE REPRODUCED OR COPIED OR USED IN WHOLE OR IN PART AS THE BASIS FOR THE MANUFACTURE OR SALE OF ITEMS WITHOUT WRITTEN PERMISSION. COPYRIGHT © DIGITAL EQUIPMENT CORPORATION 1987



DESIGNER: C. L. CHUNG		DATE: 10-JUL-86	TITLE: SCHEMATIC, PWR SUP/MONITOR MODULE	
BOARD LOCATION: 5		OF: 5	REV. A	
TOP DOCUMENT NUMBER: B-DD-5416961-0-0		SIZE: B	CODE: CS	NUMBER: 5416961-0-1

BPO 1

AUTOMATED BY VAXKPL (V1.3)

PARTS LIST

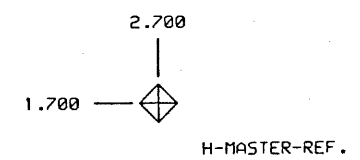
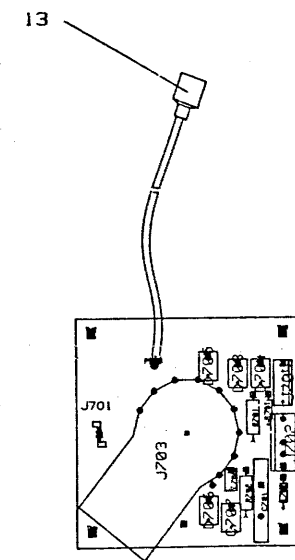
SHEET A1 OF A1

LINE ITEM	TOP DOCUMENT	PART NUMBER	MIN REV	DESCRIPTION	QTY PER VAR/REV	REFERENCE DESIGNATORS
1	1 B-DD-5017105-0-0	50-17105-01	C	CIRCUIT DRILL & ETCH	1	
2		10-16570-00		1000 PFD 500V +80/-20% X5S/Z	1	C702
3		10-19559-01		0.020MFD 1000V +80/-20% Y5U/Z	1	C701
4		10-27658-01		1.0 PFD 1500V +0 /-100%	1	C707
5		11-27611-01		DIA SURGE ABSORBER 300V +/-15%	4	D703-D706
6		12-15323-00		PCB HEADER 06PIN(1X06).100CC STR	1	J704
7		12-26579-01		TERM,FASTON .250TAB	1	J701
8		12-26866-01		SKT,CRT	1	J703
9		12-27325-03		PCB HEADER 05POS(1X05).156CC STR	1	J702
10		13-00364-00		1.0 K .50 W 5.0 % CF	1	R702
11		13-20713-01		390.0 K .50 W 5.0 % CF	1	R701
12		16-12946-04		6.8 UH 10% Q MIN=52@7.9MHZ	2	L701,L702
13	13 B-IA-7023276-0-DBU	70-23276-02	A	GROUNDING WIRE	1	P703

REVISION HISTORY		KPL MODULE FORMAT		SECTION A OF A	DRN: F. LIU	DIGITAL		
ENG	ECO NUMBER	REV	SECTION/VARIATION INDEX		DATE: 05-MAY-86	TITLE	DOCUMENT NUMBER	REV
---	INITIAL	A	[A]	01	[M]	CHK'D: B. CHEN		
			[B]		[N]	DATE: 05-MAY-86	CRT ARC PROTECTION MODULE	
			[C]		[P]	DES.ENG: CL CHUANG		
			[D]		[Q]	DATE: 05-MAY-86		
			[E]		[R]	RESP.ENG.: L. JEAN	SIZE CODE NUMBER	
			[F]		[S]	DATE: 05-MAY-86	K PL 5417106-0-DBP	A
			[H]		[T]	MFG.ENG: G. CHRISTIANSEN	RELEASE DATE: 04-FEB-87	
			[J]		[V]	DATE: 26-JAN-87	RELEASE STATUS: RELEASED	
			[K]		[W]			
			[L]		[Y]			
		BASIC PART NUMBER:		ASSEMBLY NUMBER:	TOP DOCUMENT NUMBER:	FILE NAME:	EDIT #	
		5417106		D-UA-5417106-0-0	B-DD-5417106-0-0	MLA0332A.PLS	27	

"THIS DRAWING AND THE SPECIFICATIONS CONTAINED HEREIN ARE CONFIDENTIAL AND PROPRIETARY. THEY ARE THE PROPERTY OF DIGITAL EQUIPMENT CORPORATION AND SHALL NOT BE REPRODUCED OR COPIED OR USED IN WHOLE OR IN PART AS THE BASIS FOR THE MANUFACTURE OR SALE OF ITEMS WITHOUT WRITTEN PERMISSION. THIS IS AN UNPUBLISHED WORK PROTECTED UNDER THE FEDERAL COPYRIGHT LAWS."

THE DIMENSIONS AND THE SPECIFICATIONS CONTAINED HEREIN ARE CONFIDENTIAL AND PROPRIETARY. THEY ARE THE PROPERTY OF DIGITAL EQUIPMENT CORPORATION AND SHALL NOT BE REPRODUCED OR COPIED OR USED IN WHOLE OR IN PART AS THE BASIS FOR THE MANUFACTURE OR SALE OF ITEMS WITHOUT WRITTEN PERMISSION. THIS IS AN UNCLASSIFIED WORK PRODUCT UNDER THE FEDERAL GOVERNMENT LIAISON AGREEMENT © 1987 DIGITAL EQUIPMENT CORPORATION



CHK	DRAWN BY	ENGINEER	CHANGE NO	DATE	REV
			RELEASED	JAN-87	A

CHK	DRAWN BY	ENGINEER	CHANGE NO	DATE	REV

NOTES 50/PART REV1 C1

STEP 4 ↑ Y AXIS STEP TIMES

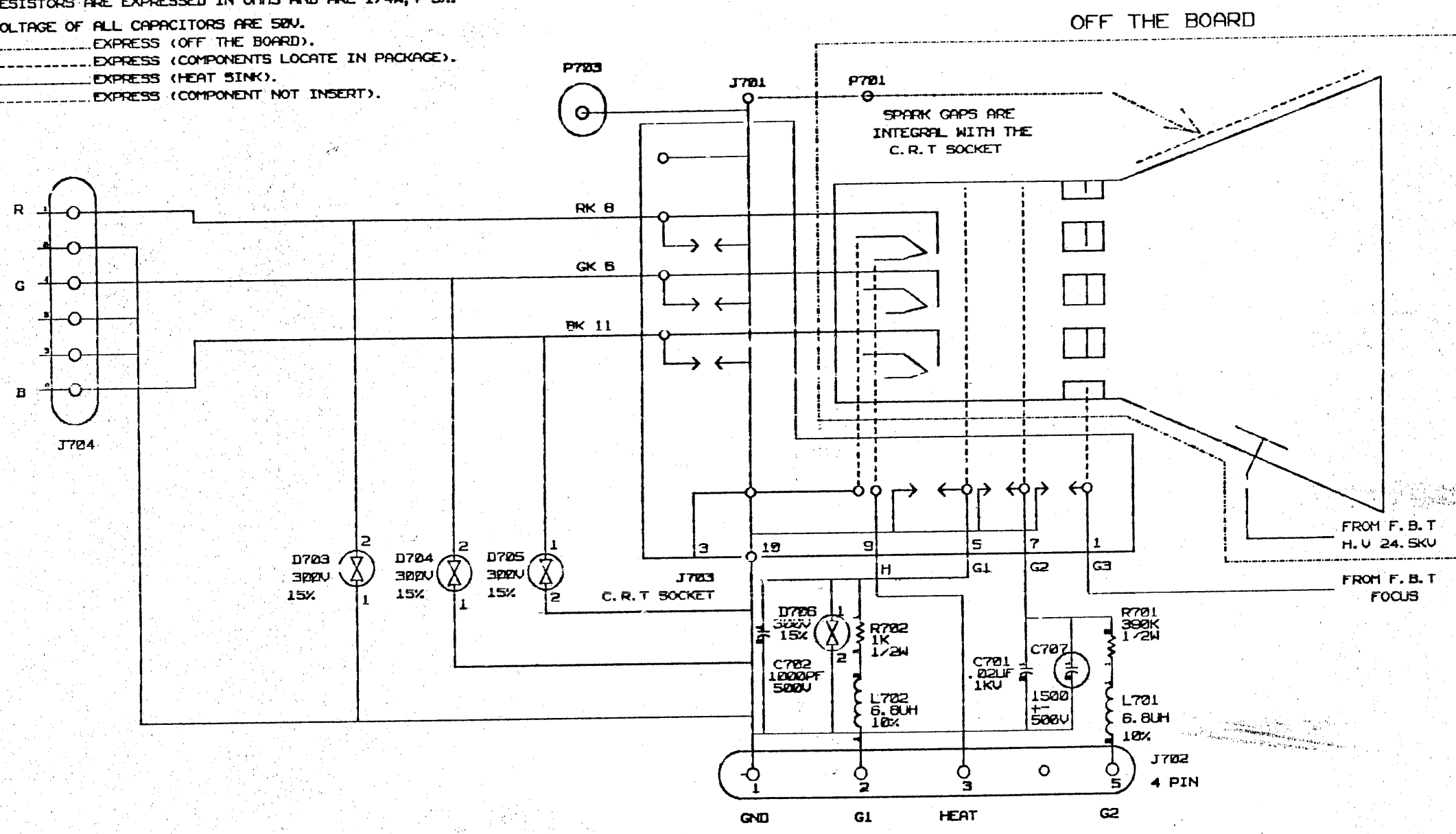
REPEAT → X AXIS STEP TIMES

SIGNATURES	DATE	digital	TITLE	UNIT ASSY, CRT ARC PROTECTION MODULE	
DRAWN N. LEE	8-MAY-88				
CHECKED B. CHEN	8-MAY-88				
MECH ENG J. P. LO	8-MAY-88				
PROJ ENG L. JEAN	9-MAY-88				
PROD <i>Ray Chittam</i>	15-FEB-88				
SCALE 1/1		SIZE	CODE	NUMBER	REV
SHEET 1 OF 1		D	UA	5417106-0-0	A
TOP DOC NO B-00-5417106-0-0					

BPJ 1 WO#

D C B A
 8 7 6 5 4 3 2 1
 5417106-0-0
 D UA
 A

- NOTE: UNLESS OTHERWISE SPECIFIED:
1. ALL RESISTORS ARE EXPRESSED IN OHMS AND ARE 1/4W, +5%.
 2. THE VOLTAGE OF ALL CAPACITORS ARE 50V.
 3. ----- EXPRESS (OFF THE BOARD).
 4. ----- EXPRESS (COMPONENTS LOCATE IN PACKAGE).
 5. ----- EXPRESS (HEAT SINK).
 6. ----- EXPRESS (COMPONENT NOT INSERT).



THIS DRAWING AND SPECIFICATIONS HEREIN ARE THE PROPERTY OF DIGITAL EQUIPMENT CORPORATION AND SHALL NOT BE REPRODUCED OR COPIED IN WHOLE OR IN PART AS THE BASIS FOR THE MANUFACTURE OR SALE OF ITEMS WITHOUT WRITTEN PERMISSION. COPYRIGHT © 1967 DIGITAL EQUIPMENT CORPORATION

REVISION	DATE	BY
1	JAN '87	A

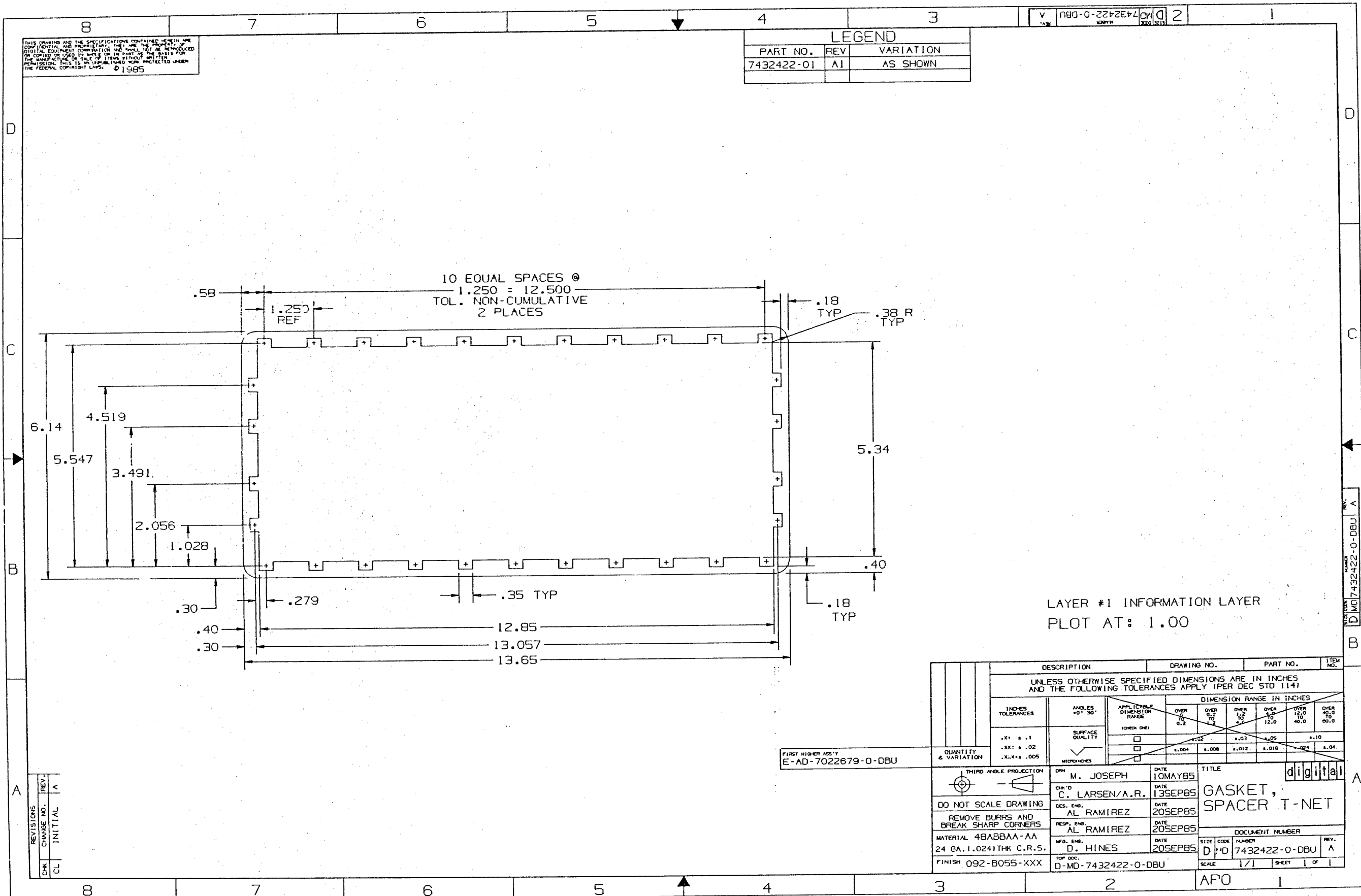
CHK	CHANGE NO.	REV.
		A

digital
FIRST USED ON OPTION/MODEL

DESIGNED BY: STAN HSIEH
DATE: 10-JUL-86
DRAWN BY: L.C. CHEN
DATE: 10-JUL-86

DESIGNED BY: C.L. CHUANG
DATE: 10-JUL-86
DRAWN BY: [blank]
DATE: [blank]

TITLE: SCHEMATIC, CRT ARC PROTECTION MODULE
BOARD LOCATION: 1 of 1
TOP DOCUMENT NUMBER: B-DD-5417105-0-0
SIZE: B CS
CODE: CS
NUMBER: 5417105-0-1
REV: A



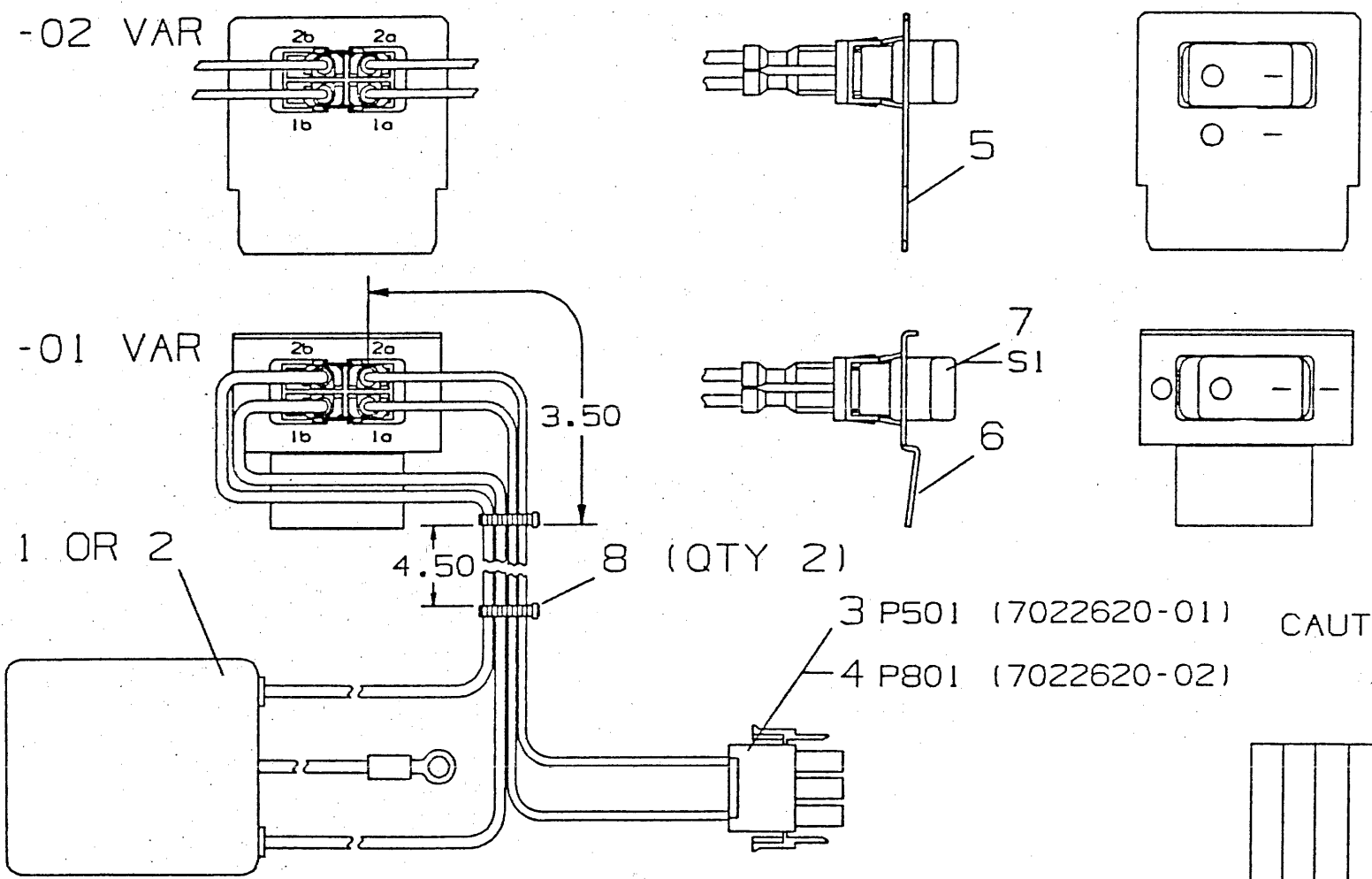
4 3 2 1

THIS DRAWING AND SPECIFICATIONS HEREIN ARE THE PROPERTY OF DIGITAL EQUIPMENT CORPORATION AND SHALL NOT BE REPRODUCED OR COPIED OR USED IN WHOLE OR IN PART AS THE BASIS FOR THE MANUFACTURE OR SALE OF ITEMS WITHOUT WRITTEN PERMISSION.
 COPYRIGHT 1987 DIGITAL EQUIPMENT CORPORATION

LEGEND		
PART NO	REV.	DESCRIPTION
7022620-01	A01	AS SHOWN
7022620-02	A01	AS SHOWN

NOTE:

WIRE TABLE				
ITEM NO	DESCRIPTION		FROM CONNECTION	TO CONNECTION
	AWG	COLOR		
1 OR 2	18	BRN	-	SI-2b
1 OR 2	18	BLU	-	SI-1b
3 OR 4	18	BRN	P501-1/P801-1	SI-2a
3 OR 4	18	BLU	P501-3/P801-3	SI-1a



CAUTION : OFF SHEET PARTS LIST EXISTS. SEE K-PL-7022620-0-DBP (GH304A.PLS)

REVISION HISTORY		
REV	ECD NUMBER	DATE RELEASED
A		21 JAN

DESCRIPTION	DRAWING NO.	PART NO.	ITEM NO.					
UNLESS OTHERWISE SPECIFIED DIMENSIONS ARE IN INCHES AND THE FOLLOWING TOLERANCES APPLY (PER DEC STD 114)								
INCHES TOLERANCES	ANGLES TO 30°	APPLICABLE DIMENSION RANGE	DIMENSIONS RANGE IN INCHES					
			OVER 0 TO 0.2	OVER 0.2 TO 1.2	OVER 1.2 TO 4.0	OVER 4.0 TO 12.0	OVER 12.0 TO 40.0	OVER 40.0 TO 80.0
SURFACE QUALITY		IDENT. SMT	±.02	±.03	±.05	±.10		
QUANTITY & VARIATION			±.004	±.008	±.012	±.016	±.024	
THIRD ANGLE PROJECTION	DRN J.N. LIN	DATE 29-APR-88	TITLE digital					
DO NOT SCALE DRAWING	CHK'D J.P. LO	DATE 18-DEC-88	INLET/SWITCH ASSY					
REMOVE BURRS AND BREAK SHARP CORNERS	DES ENG J. KUO	DATE 29-APR-88	DOCUMENT NUMBER					
MATERIAL	RESP ENG O. LIN	DATE 18-DEC-88	C AD 7022620-0-DBU A					
FINISH	MFG ENG G. WU	DATE 23-JAN-87	SIZE CODE NUMBER REV					
	TOP DOC. NO. C-AD-7022620-0-DBU		NONE SHEET 1 OF 1					

7022620-0-DBU

REV. A
 NUMBER 7022620-0-DBU
 C AD

AUTOMATED BY VAXKPL (V1.3)

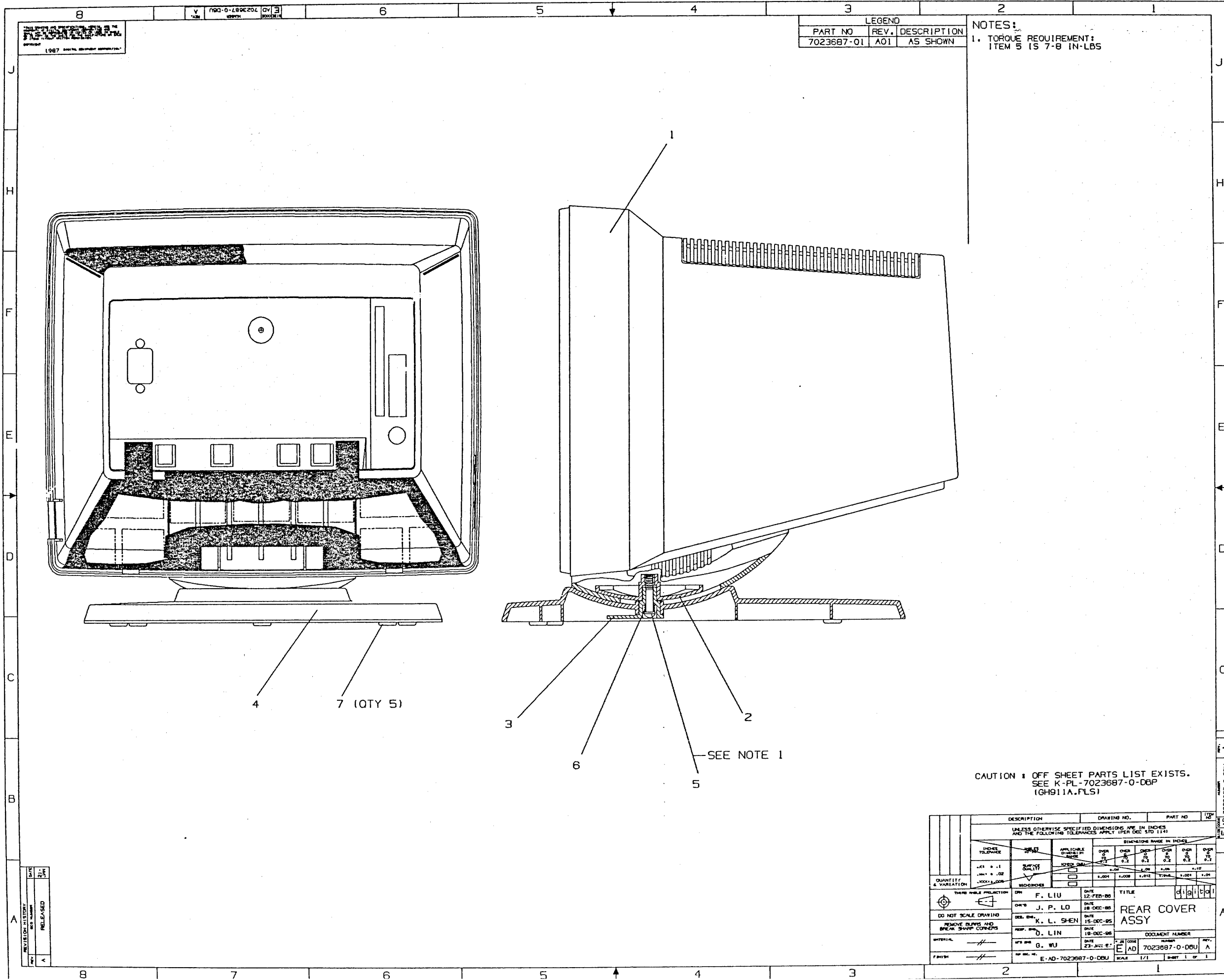
PARTS LIST

SHEET A1 OF A1

LINE ITEM	TOP DOCUMENT	PART NUMBER	MIN REV	DESCRIPTION	QUANTITY PER VARIATION/REVISION	
					01 A1	02 A1
1	1	B-IA-7023755-0-DBU	70-23755-01 A	FILTER ASSY	1	-
2	2	B-IA-7023755-0-DBU	70-23755-02 A	FILTER ASSY	-	1
3	3	C-IA-7024292-0-DBU	70-24292-01 A	PWR WIRE ASSY	1	-
4	4	C-IA-7024292-0-DBU	70-24292-02 A	PWR WIRE ASSY	-	1
5	5	B-MD-7432631-0-DBU	74-32631-01 A	BRACKET, POWER SWITCH	-	1
6	6	C-MD-7432952-0-DBU	74-32952-01 A	BRACKET, POWER SWITCH	1	-
7	7		12-26116-01	SW,RKR, DPST	16A12	1
8	8		90-09996-00	TIE,CABLE PRELOADED MAG.100 EA	2	-

REVISION HISTORY		KPL MATRIX FORMAT		SECTION A OF A	DRN: J. N. LIN	D I G I T A L			
ENG	ECO NUMBER	REV	SECTION/VARIATION INDEX		DATE: 29-APR-86	TITLE PARTS LIST			
---	INITIAL	A	[A]	01,02	CHK'D: J. P. LO	INLET/SWITCH ASSY			
			[B]		DATE: 18-DEC-86	DOCUMENT NUMBER			
			[C]		DES.ENG: J. KUO	SIZE	CODE	NUMBER	REV
			[D]		DATE: 29-APR-86	K	PL	7022620-0-DBP	A
			[E]		RESP.ENG.: O. LIN	RELEASE DATE: 18-FEB-87			
			[F]		DATE: 18-DEC-86	RELEASE STATUS: RELEASED			
			[H]		MFG.ENG: G. WU				
			[J]		DATE: 26-JAN-87				
BASIC PART NUMBER:		ASSEMBLY NUMBER:		TOP DOCUMENT NUMBER:		FILE NAME:		EDIT #	
7022620		C-AD-7022620-0-DBU		C-AD-7022620-0-DBU		GH304A.PLS		12	

"THIS DRAWING AND THE SPECIFICATIONS CONTAINED HEREIN ARE CONFIDENTIAL AND PROPRIETARY. THEY ARE THE PROPERTY OF DIGITAL EQUIPMENT CORPORATION AND SHALL NOT BE REPRODUCED OR COPIED OR USED IN WHOLE OR IN PART AS THE BASIS FOR THE MANUFACTURE OR SALE



LEGEND		
PART NO	REV.	DESCRIPTION
7023687-01	A01	AS SHOWN

NOTES:
 1. TORQUE REQUIREMENT:
 ITEM 5 IS 7-8 IN-LBS

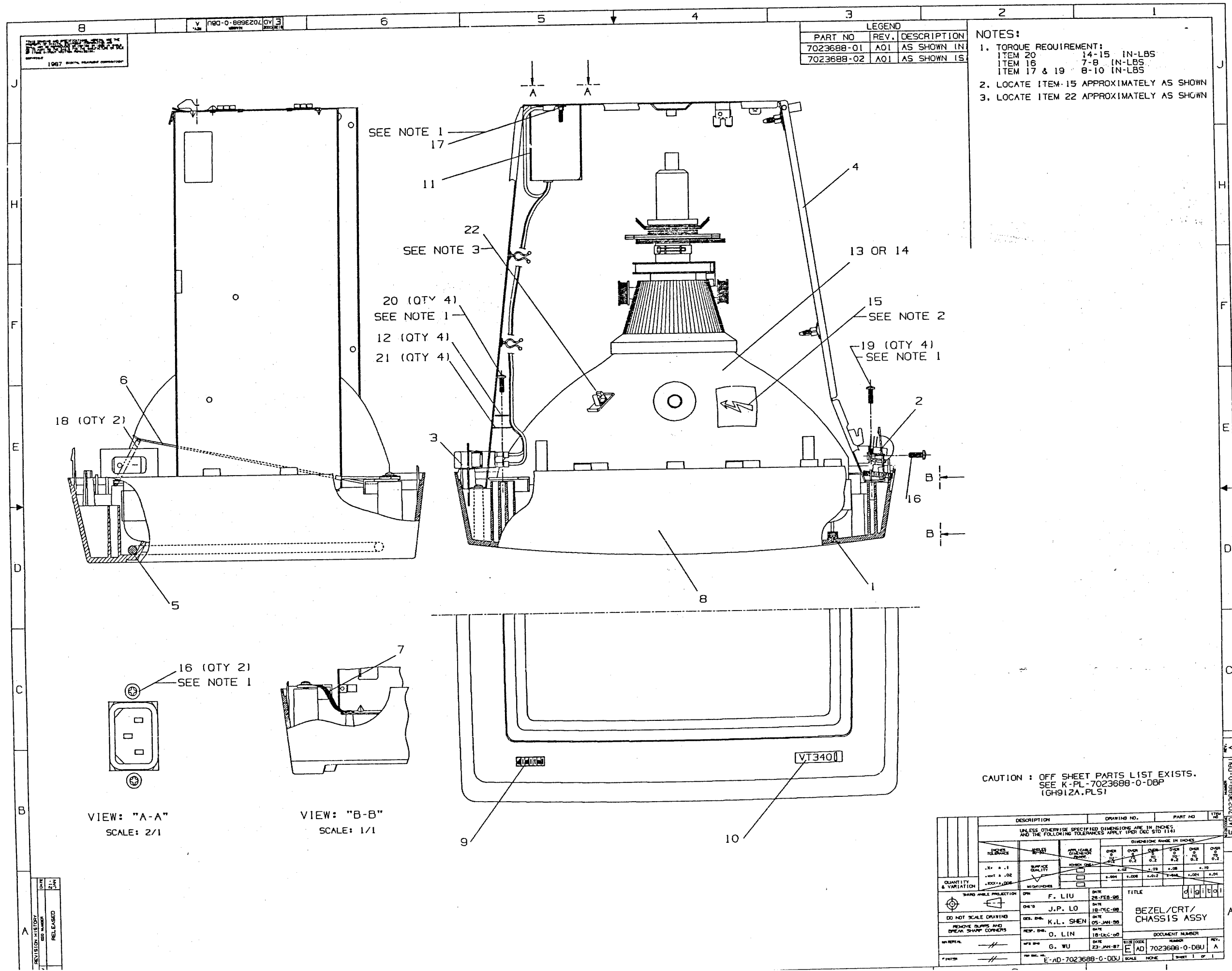
4 7 (QTY 5)

SEE NOTE 1

CAUTION : OFF SHEET PARTS LIST EXISTS.
 SEE K-PL-7023687-0-DBP
 (GH911A.FLS)

DATE	BY
RELEASED	RLM

DESCRIPTION	DRAWING NO.	PART NO	REV.
UNLESS OTHERWISE SPECIFIED DIMENSIONS ARE IN INCHES AND THE FOLLOWING TOLERANCES APPLY (PER DEC STD 114)			
INCHES TOLERANCE	DIMENSIONAL RANGE IN INCHES		
OVER 12	OVER 6	OVER 3	OVER 1.5
±.005	±.005	±.005	±.005
1.004 - 3.004	3.004 - 6.004	6.004 - 12.004	12.004 - 24.004
±.004	±.004	±.004	±.004
THIRD ANGLE PROJECTION	DATE	TITLE	
DO NOT SCALE DRAWING	12-FEB-88	REAR COVER ASSY	
REMOVE DIMS AND BREAK SWAMP CORNERS	DATE	DOCUMENT NUMBER	
MATERIAL	18-DEC-88	7023687-0-DBU A	
FINISH	DATE	SCALE	
	23-NOV-87	1/1	
	DATE	SHEET	
	18-DEC-88	1 OF 1	



LEGEND		
PART NO	REV.	DESCRIPTION
7023688-01	A01	AS SHOWN IN
7023688-02	A01	AS SHOWN IS

- NOTES:
- TORQUE REQUIREMENT:
 ITEM 20 14-15 IN-LBS
 ITEM 16 7-8 IN-LBS
 ITEM 17 & 19 8-10 IN-LBS
 - LOCATE ITEM 15 APPROXIMATELY AS SHOWN
 - LOCATE ITEM 22 APPROXIMATELY AS SHOWN

1987 QUALITY RELIABILITY COMMITMENT

CAUTION : OFF SHEET PARTS LIST EXISTS.
 SEE K-PL-7023688-0-DBP
 (GH912A.PLS)

DESCRIPTION	DRAWING NO.	PART NO	REV.
UNLESS OTHERWISE SPECIFIED DIMENSIONS ARE IN INCHES AND THE FOLLOWING TOLERANCES APPLY (PER DEC STD 114)			
DIMENSIONAL RANGE IN INCHES			
SIZE	FINISH	APPLICABLE DIMENSION RANGE	OVER 0 TO 1/8
.005	AS SHOWN	1/8 TO 1/4	0.005
.010	AS SHOWN	1/4 TO 3/8	0.010
.015	AS SHOWN	3/8 TO 1/2	0.015
.020	AS SHOWN	1/2 TO 3/4	0.020
.030	AS SHOWN	3/4 TO 1	0.030
.040	AS SHOWN	1 TO 1 1/2	0.040
QUANTITY & VARIATION			
QUANTITY	DATE	TITLE	BY
1	28-FEB-95	BEZEL/CRT/CHASSIS ASSY	F. LIU
1	18-FEB-95		J.P. LO
1	05-JAN-95		K.L. SHEN
1	18-DEC-95		O. LIN
1	23-JAN-87		G. WU
DRAWING NO. 7023688-0-DBU			
SCALE NONE			
SHEET 1 OF 1			

REVISION HISTORY
 DATE
 BY
 REASON
 RELEASED

AUTOMATED BY VAXKPL (V1.3)

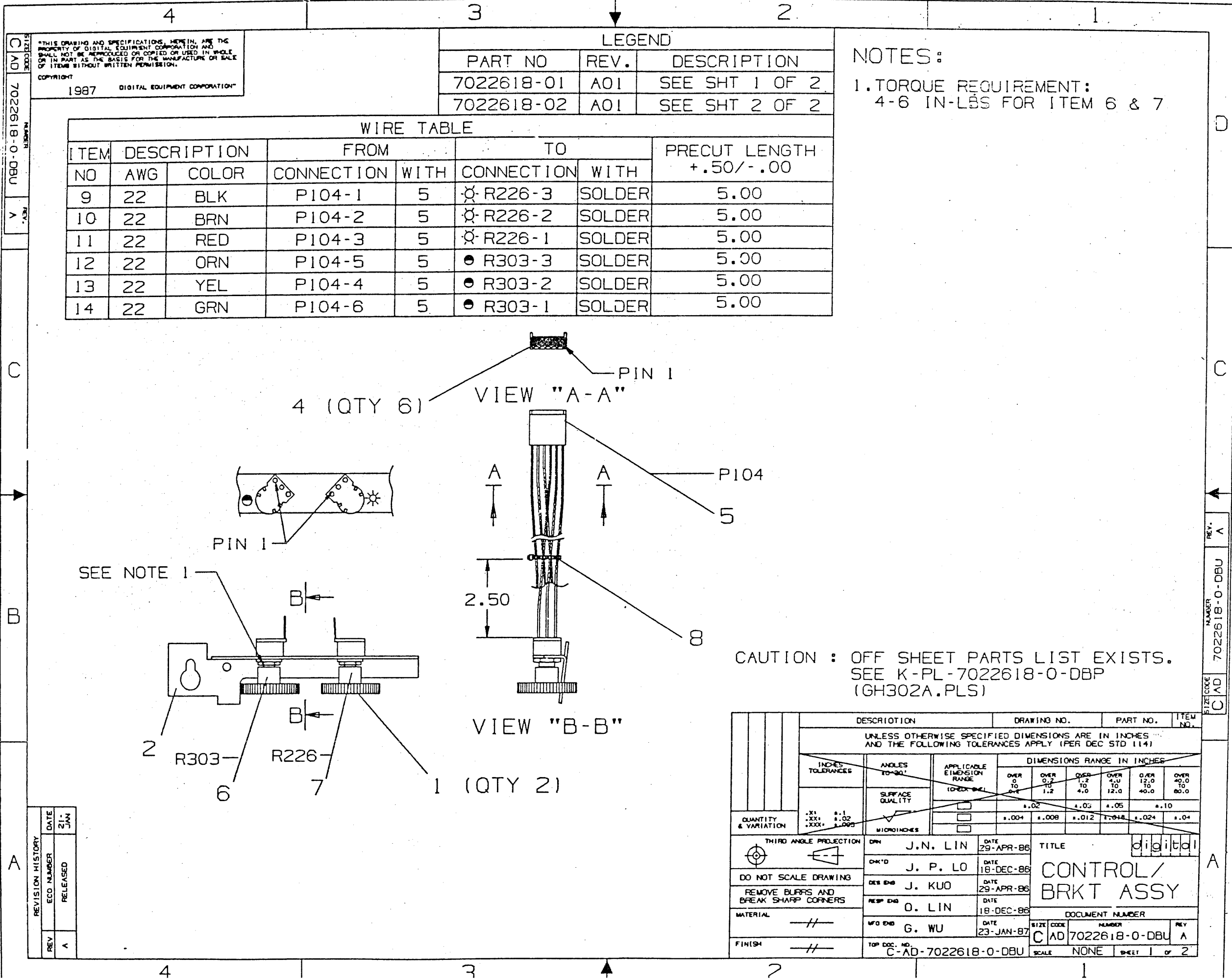
PARTS LIST

SHEET A1 OF A1

LINE	ITEM	TOP DOCUMENT	PART NUMBER	MIN REV	DESCRIPTION	QUANTITY PER VARIATION/REVISION	
						01 A1	02 A1
1	1	C-IA-7020773-0-0	70-20773-01	A	LED ASSY	1	1
2	2	C-AD-7022618-0-DBU	70-22618-02	A	CONTROL/BRACKET ASSY	1	1
3	3	C-AD-7022620-0-DBU	70-22620-02	A	INLET/SWITCH ASSY	1	1
4	4	E-AD-7023686-0-DBU	70-23686-01	A	CHASSIS ASSY	1	1
5	5	D-IA-7023719-0-DBU	70-23719-01	A	DEGAUSS COIL ASSY	1	1
6	6	B-IA-7023727-0-DBU	70-23727-01	A	GND STRAP ASSY	1	1
7	7	B-IA-7023735-0-DBU	70-23735-01	A	CRT GROUND CABLE ASSY	1	1
8	8	E-MD-7432411-0-DBU	74-32411-01	A	BEZEL,FRONT	1	1
9	9	B-IA-7433851-0-DBU	74-33851-01	A	LOGO,DIGITAL	1	1
10	10	B-IA-7434079-0-DBU	74-34079-01	A	NAMEPLATE,VT340	1	1
11	11	C-MD-7434218-0-DBU	74-34218-01	A	SHIELD,EMI FILTER	1	1
12	12		12-26940-01		WASHER,LOCK	4	4
13	13		12-27246-01		CRT,14" 0.31MM DOT PITCH HI RESOLU	1	-
14	14		12-27246-02		CRT,14" 0-31MM DOT PITCH HIGH RESO	-	1
15	15		36-10267-00		LABEL,DANGER HIGH VOLTAGE,SMOOTH	1	1
16	16		90-00049-24		SCREW,SEMS PAN PHIL 6-32	3	3
17	17		90-06565-00		NUT,HEX EXT TOOTH LCKWSHR 10-32X	1	1
18	18		90-09279-03		SPRING,EXTENSION .1800DX1.25 LG	2	2
19	19		90-09800-14		SCREW,THD RL,PAN PHIL F/PLAS 1	4	4
20	20		90-09800-15		SCREW,THD RL,PAN PHIL F/PLAS 1	4	4
21	21		90-10196-00		WASHER,FLAT CS .	4	4
22	22		90-10792-01		CLIP,CABLE CRT	1	1

REVISION HISTORY		KPL MATRIX FORMAT		SECTION A OF A		DRN: J. N. LIN		D I G I T A L		
ENG	ECO NUMBER	REV	SECTION/VARIATION INDEX		DATE: 28-FEB-86		TITLE PARTS LIST			
---	INITIAL	A	[A]	01,02	CHK'D: J. P. LO		BEZEL/CRT/CHASSIS ASSY			
			[B]		DATE: 08-JAN-86		DOCUMENT NUMBER			
			[C]		DES.ENG: K. L. SHEN		SIZE	CODE	NUMBER	REV
			[D]		DATE: 28-FEB-86		K	PL	7023688-0-DBP	A
			[E]		RESP.ENG.: O. LIN		RELEASE DATE: 18-FEB-87			
			[F]		DATE: 08-JAN-86		RELEASE STATUS: RELEASED			
			[H]		MFG.ENG: GORDON WU		BASIC PART NUMBER: 7023688			
			[J]		DATE: 26-JAN-87		ASSEMBLY NUMBER: E-AD-7023688-0-DBU			
				TOP DOCUMENT NUMBER: E-AD-7023688-0-DBU		FILE NAME: GH912A.PLS		EDIT # 32		

"THIS DRAWING AND THE SPECIFICATIONS CONTAINED HEREIN ARE CONFIDENTIAL AND PROPRIETARY. THEY ARE THE PROPERTY OF DIGITAL EQUIPMENT CORPORATION AND SHALL NOT BE REPRODUCED OR COPIED OR USED IN WHOLE OR IN PART AS THE BASIS FOR THE MANUFACTURE OR SALE OF ITEMS WITHOUT WRITTEN PERMISSION. THIS IS AN UNPUBLISHED WORK PROTECTED UNDER THE FEDERAL COPYRIGHT LAWS."

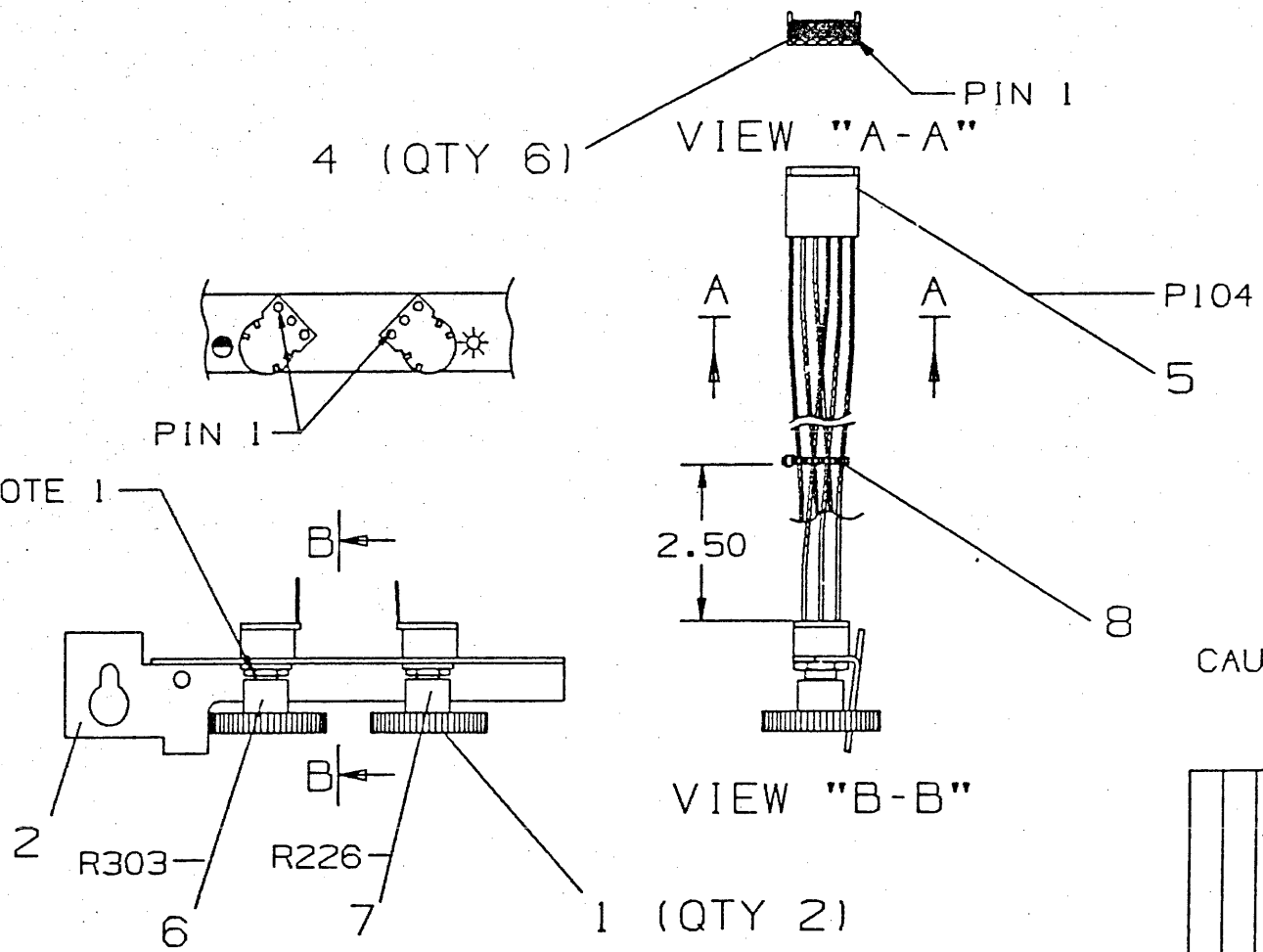


THIS DRAWING AND SPECIFICATIONS HEREIN, ARE THE PROPERTY OF DIGITAL EQUIPMENT CORPORATION AND SHALL NOT BE REPRODUCED OR COPIED IN WHOLE OR IN PART AS THE BASIS FOR THE MANUFACTURE OR SALE OF ITEMS WITHOUT WRITTEN PERMISSION.
 COPYRIGHT 1987 DIGITAL EQUIPMENT CORPORATION

LEGEND		
PART NO	REV.	DESCRIPTION
7022618-01	A01	SEE SHT 1 OF 2
7022618-02	A01	SEE SHT 2 OF 2

NOTES:
 1. TORQUE REQUIREMENT:
 4-6 IN-LBS FOR ITEM 6 & 7

WIRE TABLE								
ITEM NO	DESCRIPTION	AWG	COLOR	FROM		TO		PRECUT LENGTH +.50/- .00
				CONNECTION	WITH	CONNECTION	WITH	
9		22	BLK	P104-1	5	Ø R226-3	SOLDER	5.00
10		22	BRN	P104-2	5	Ø R226-2	SOLDER	5.00
11		22	RED	P104-3	5	Ø R226-1	SOLDER	5.00
12		22	ORN	P104-5	5	● R303-3	SOLDER	5.00
13		22	YEL	P104-4	5	● R303-2	SOLDER	5.00
14		22	GRN	P104-6	5	● R303-1	SOLDER	5.00



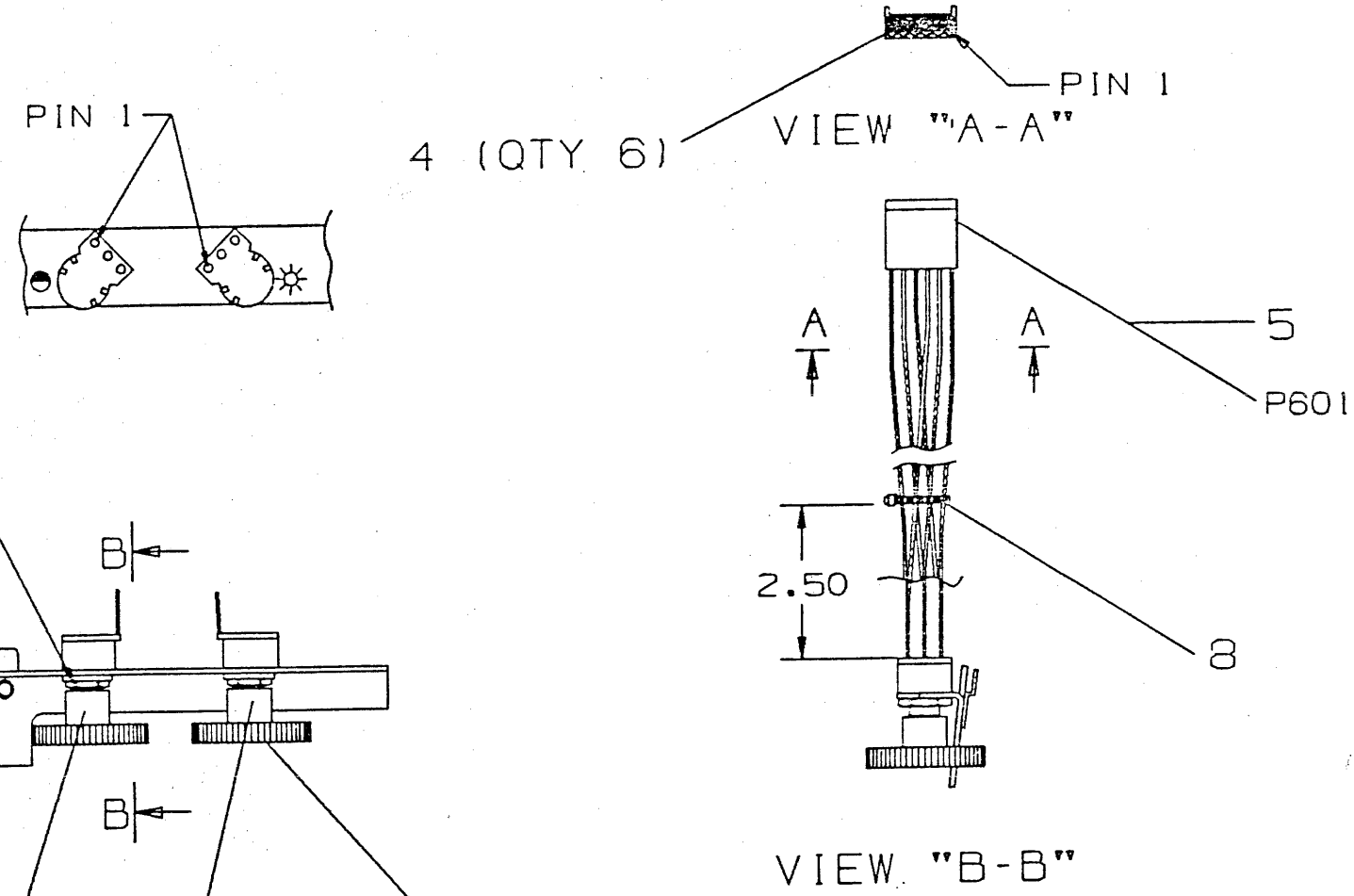
CAUTION : OFF SHEET PARTS LIST EXISTS.
 SEE K-PL-7022618-0-DBP
 (GH302A.PLS)

REVISION HISTORY		DATE
REV	RELEASED	21 JAN
A		

DESCRIPTION	DRAWING NO.	PART NO.	ITEM NO.
UNLESS OTHERWISE SPECIFIED DIMENSIONS ARE IN INCHES AND THE FOLLOWING TOLERANCES APPLY (PER DEC STD 114)			
INDICES TOLERANCES	ANGLES TO 90°	APPLICABLE DIMENSION RANGE	
		DIMENSIONS RANGE IN INCHES	
SURFACE QUALITY	MICROINCHES	OVER 0 TO 0.4	OVER 0.4 TO 0.8
		OVER 0.8 TO 1.2	OVER 1.2 TO 4.0
QUANTITY & VARIATION	THIRD ANGLE PROJECTION	OVER 4.0 TO 12.0	OVER 12.0 TO 40.0
		OVER 40.0 TO 80.0	OVER 80.0 TO 100.0
DO NOT SCALE DRAWING		REMOVE BURRS AND BREAK SHARP CORNERS	
MATERIAL		FINISH	
DRAWN J.N. LIN		DATE 29-APR-86	
CHK'D J. P. LO		DATE 18-DEC-86	
DES ENO J. KUO		DATE 29-APR-86	
RESP ENO O. LIN		DATE 18-DEC-86	
MFG ENO G. WU		DATE 23-JAN-87	
TOP DOC. NO. C-AD-7022618-0-DBU		SCALE NONE	
TITLE digital CONTROL / BRKT ASSY		DOCUMENT NUMBER	
C AD 7022618-0-DBU		REV A	
SHEET 1 OF 2			

"THIS DRAWING AND SPECIFICATIONS, HEREIN, ARE THE PROPERTY OF DIGITAL EQUIPMENT CORPORATION AND SHALL NOT BE REPRODUCED OR COPIED OR USED IN WHOLE OR IN PART AS THE BASIS FOR THE MANUFACTURE OR SALE OF ITEMS WITHOUT WRITTEN PERMISSION."
 COPYRIGHT 1987 DIGITAL EQUIPMENT CORPORATION

WIRE TABLE							
ITEM NO	DESCRIPTION		FROM		TO		PRECUT LENGTH +.50/- .00
	AWG	COLOR	CONNECTION	WITH	CONNECTION	WITH	
9	22	BLK	P601-6	5	Ø R622-3	SOLDER	8.50
10	22	BRN	P601-5	5	Ø R622-2	SOLDER	8.50
11	22	RED	P601-4	5	Ø R622-1	SOLDER	8.50
12	22	ORN	P601-1	5	Ø R631-3	SOLDER	8.50
13	22	YEL	P601-2	5	Ø R631-2	SOLDER	8.50
14	22	GRN	P601-3	5	Ø R631-1	SOLDER	8.50



DATE	ECO NUMBER	REV
REVISION HISTORY		

TITLE CONTROL / BRKT ASSY

DOCUMENT NUMBER			
SIZE	CODE	NUMBER	REV.
C	AD	7022618-0-DBU	A
SCALE	NONE	SHEET 2 OF 2	

REV. A
 NUMBER 7022618-0-DBU
 C AD

AUTOMATED BY VAXKPL (V1.3)

PARTS LIST

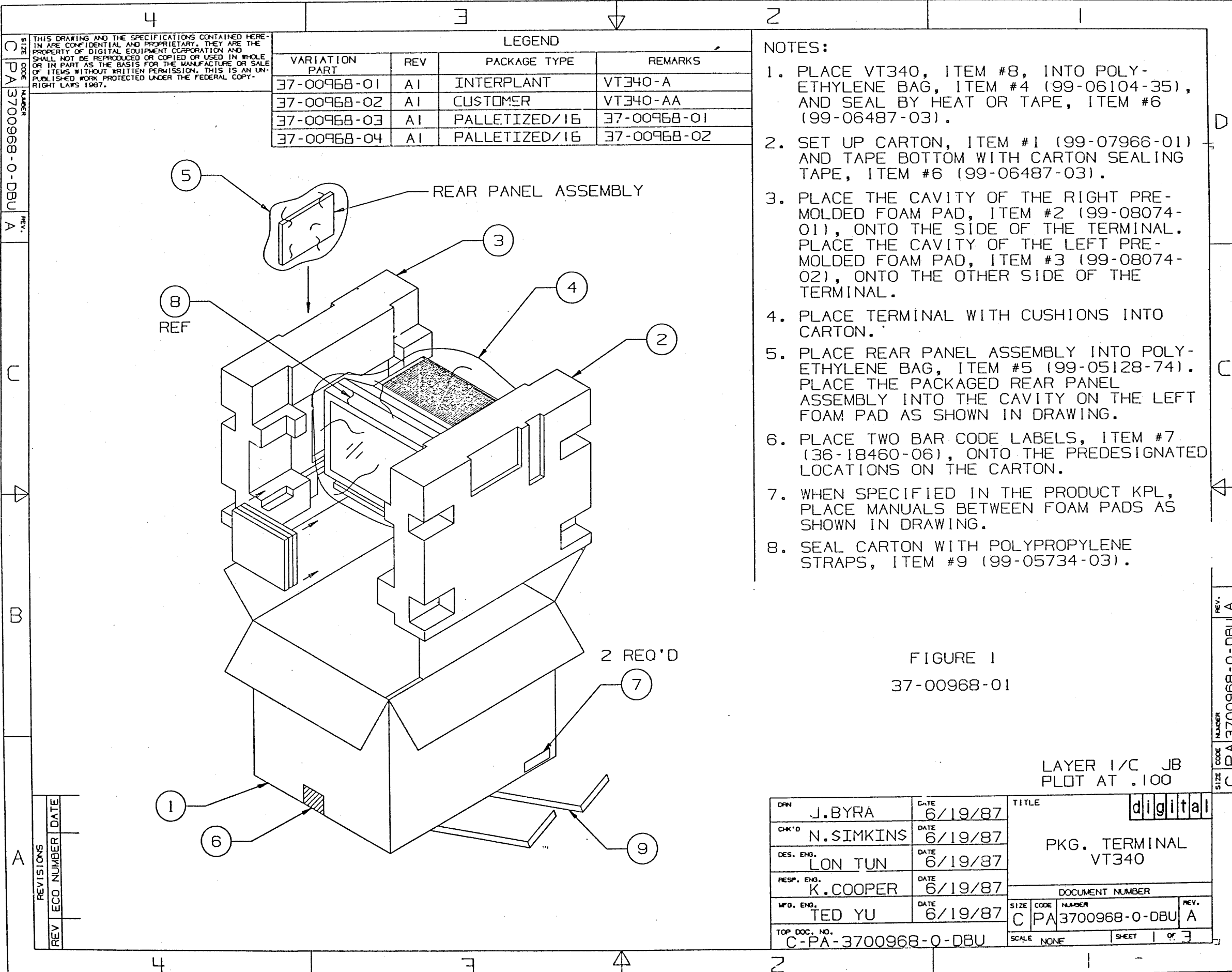
SHEET A1 OF A1

LINE ITEM	TOP DOCUMENT	PART NUMBER	MIN REV	DESCRIPTION	QUANTITY PER VARIATION/REVISION	
					01 A1	02 A1
1	1	C-MD-7432393-0-DBU	74-32393-01 A	THUMBWHEEL	2	2
2	2	C-IA-7432396-0-DBU	74-32396-01 A	BRKT W/O CONN	1	-
3	3	C-IA-7432396-0-DBU	74-32396-02 A	BRACKET,W/CONNECTOR	-	1
4	4		12-14979-01	CONN,P+S 02PIN 30-22AWG .06	6	6
5	5		12-15322-00	CONN,P+S 06POS(1X06).100CC HSG	1	1
6	6		13-27574-01	10.0 K .05 W20.0 % POT	1	1
7	7		13-27574-02	50.0 K .05 W20.0 % POT	1	1
8	8		90-09996-00	TIE,CABLE PRELOADED MAG.100 EA	1	1
9	9	SEE NOTE 1	91-07900-00	WIRE, 22AWG(07/30) PVC 300V 8	6	9
10	10	SEE NOTE 1	91-07900-11	WIRE, 22AWG(07/30) PVC 300V 8	6	9
11	11	SEE NOTE 1	91-07900-22	WIRE, 22AWG(07/30) PVC 300V 8	6	9
12	12	SEE NOTE 1	91-07900-33	WIRE, 22AWG(07/30) PVC 300V 8	6	9
13	13	SEE NOTE 1	91-07900-44	WIRE, 22AWG(07/30) PVC 300V 8	6	9
14	14	SEE NOTE 1	91-07900-55	WIRE, 22AWG(07/30) PVC 300V 8	6	9

1 GEN: QTY FOR ITEMS 9 THRU 14 IS IN INCHES.

REVISION HISTORY		KPL MATRIX FORMAT		SECTION A OF A		DRN: J.N. LIN		D I G I T A L				
ENG	ECO NUMBER	REV	SECTION/VARIATION INDEX			DATE: 29-APR-86	CHK'D: J. P. LO		TITLE PARTS LIST			
---	INITIAL	A	(A)	01,02		DATE: 18-DEC-86	DATE: 18-DEC-86		CONTROL/BRACKET ASSY			
			(B)				DES.ENG: J. KUO		DOCUMENT NUMBER			
			(C)				DATE: 29-APR-86		SIZE	CODE	NUMBER	REV
			(D)				RESP.ENG.: O. LIN		K	PL	7022618-0-DBP	A
			(E)				DATE: 18-DEC-86		RELEASE DATE: 18-FEB-87			
			(F)				MFG.ENG: GORDON WU		RELEASE STATUS: RELEASED			
			(H)				DATE: 26-JAN-87					
			(J)									
			BASIC PART NUMBER:		ASSEMBLY NUMBER:	TOP DOCUMENT NUMBER:		FILE NAME:		EDIT #		
			7022618		C-AD-7022618-0-DBU	C-AD-7022618-0-DBU		GH302A.PLS		33		

"THIS DRAWING AND THE SPECIFICATIONS CONTAINED HEREIN ARE CONFIDENTIAL AND PROPRIETARY. THEY ARE THE PROPERTY OF DIGITAL EQUIPMENT CORPORATION AND SHALL NOT BE REPRODUCED OR COPIED OR USED IN WHOLE OR IN PART AS THE BASIS FOR THE MANUFACTURE OR SALE OF ANY EQUIPMENT OR SOFTWARE."



THIS DRAWING AND THE SPECIFICATIONS CONTAINED HEREIN ARE CONFIDENTIAL AND PROPRIETARY. THEY ARE THE PROPERTY OF DIGITAL EQUIPMENT CORPORATION AND SHALL NOT BE REPRODUCED OR COPIED OR USED IN WHOLE OR IN PART AS THE BASIS FOR THE MANUFACTURE OR SALE OF ITEMS WITHOUT WRITTEN PERMISSION. THIS IS AN UNPUBLISHED WORK PROTECTED UNDER THE FEDERAL COPYRIGHT LAWS 1987.

LEGEND			
VARIATION PART	REV	PACKAGE TYPE	REMARKS
37-00968-01	A1	INTERPLANT	VT340-A
37-00968-02	A1	CUSTOMER	VT340-AA
37-00968-03	A1	PALLETIZED/16	37-00968-01
37-00968-04	A1	PALLETIZED/16	37-00968-02

- NOTES:
1. PLACE VT340, ITEM #8, INTO POLY-ETHYLENE BAG, ITEM #4 (99-06104-35), AND SEAL BY HEAT OR TAPE, ITEM #6 (99-06487-03).
 2. SET UP CARTON, ITEM #1 (99-07966-01) AND TAPE BOTTOM WITH CARTON SEALING TAPE, ITEM #6 (99-06487-03).
 3. PLACE THE CAVITY OF THE RIGHT PRE-MOLDED FOAM PAD, ITEM #2 (99-08074-01), ONTO THE SIDE OF THE TERMINAL. PLACE THE CAVITY OF THE LEFT PRE-MOLDED FOAM PAD, ITEM #3 (99-08074-02), ONTO THE OTHER SIDE OF THE TERMINAL.
 4. PLACE TERMINAL WITH CUSHIONS INTO CARTON.
 5. PLACE REAR PANEL ASSEMBLY INTO POLY-ETHYLENE BAG, ITEM #5 (99-05128-74). PLACE THE PACKAGED REAR PANEL ASSEMBLY INTO THE CAVITY ON THE LEFT FOAM PAD AS SHOWN IN DRAWING.
 6. PLACE TWO BAR CODE LABELS, ITEM #7 (36-18460-06), ONTO THE PREDESIGNATED LOCATIONS ON THE CARTON.
 7. WHEN SPECIFIED IN THE PRODUCT KPL, PLACE MANUALS BETWEEN FOAM PADS AS SHOWN IN DRAWING.
 8. SEAL CARTON WITH POLYPROPYLENE STRAPS, ITEM #9 (99-05734-03).

FIGURE 1
37-00968-01

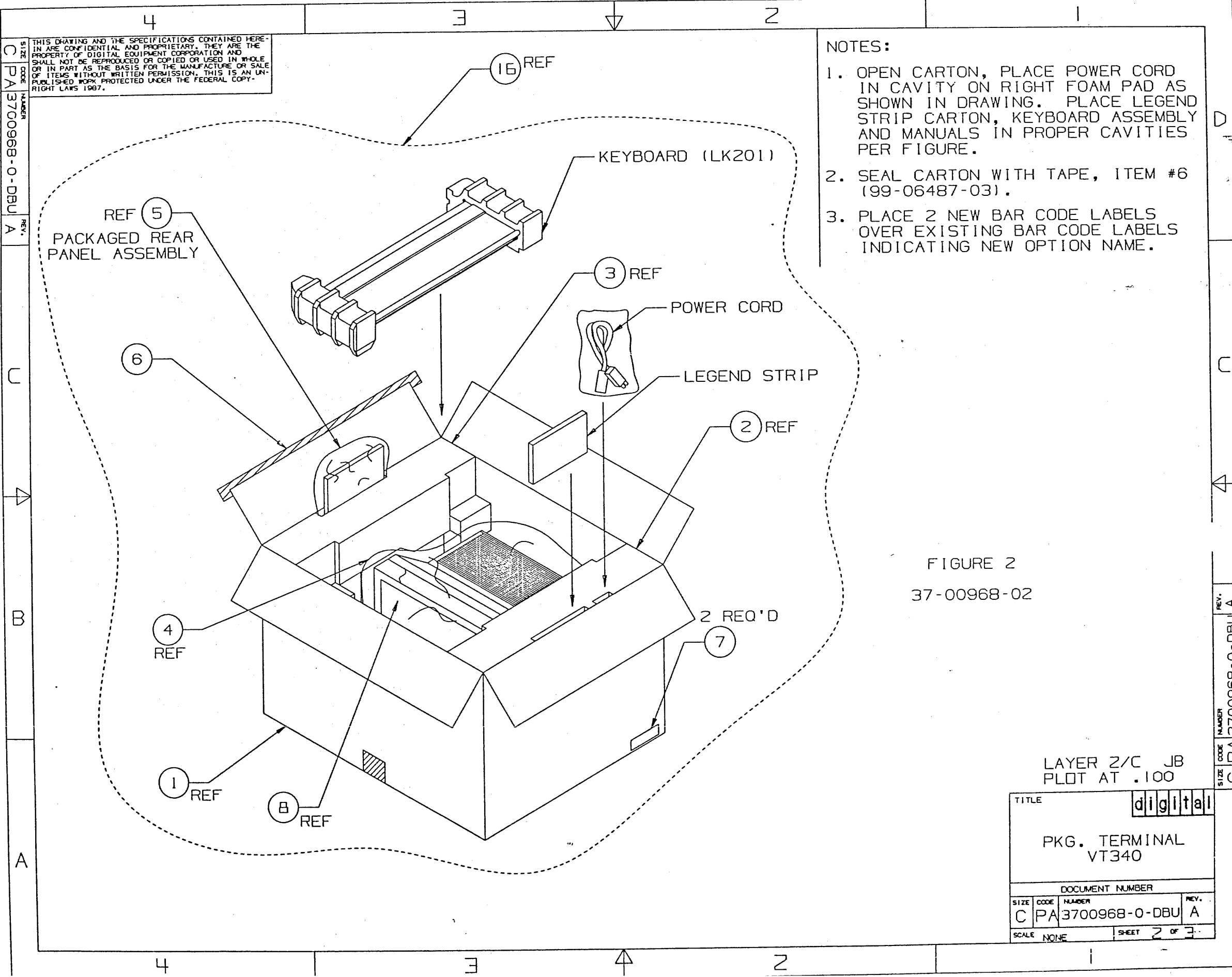
LAYER 1/C JB
PLOT AT .100

REVISIONS	
REV	DATE

DRN	J. BYRA	DATE	6/19/87	TITLE	digital
CHK'D	N. SIMKINS	DATE	6/19/87	PKG. TERMINAL VT340	DOCUMENT NUMBER
DES. ENG.	LON TUN	DATE	6/19/87		
RESP. ENG.	K. COOPER	DATE	6/19/87	C PA 3700968-0-DBU	REV. A
MFG. ENG.	TED YU	DATE	6/19/87		
TOP DOC. NO.	C-PA-3700968-0-DBU			SCALE	NONE
				SHEET	1 OF 3

SIZE CODE NUMBER
C PA 3700968-0-DBU
REV. A

SIZE CODE NUMBER
C PA 3700968-0-DBU
REV. A



THIS DRAWING AND THE SPECIFICATIONS CONTAINED HEREIN ARE CONFIDENTIAL AND PROPRIETARY. THEY ARE THE PROPERTY OF DIGITAL EQUIPMENT CORPORATION AND SHALL NOT BE REPRODUCED OR COPIED OR USED IN WHOLE OR IN PART AS THE BASIS FOR THE MANUFACTURE OR SALE OF ITEMS WITHOUT WRITTEN PERMISSION. THIS IS AN UNPUBLISHED WORK PROTECTED UNDER THE FEDERAL COPYRIGHT LAWS 1987.

- NOTES:
1. OPEN CARTON, PLACE POWER CORD IN CAVITY ON RIGHT FOAM PAD AS SHOWN IN DRAWING. PLACE LEGEND STRIP CARTON, KEYBOARD ASSEMBLY AND MANUALS IN PROPER CAVITIES PER FIGURE.
 2. SEAL CARTON WITH TAPE, ITEM #6 (99-06487-03).
 3. PLACE 2 NEW BAR CODE LABELS OVER EXISTING BAR CODE LABELS INDICATING NEW OPTION NAME.

FIGURE 2
37-00968-02

LAYER 2/C JB
PLOT AT .100

TITLE		digital	
PKG. TERMINAL VT340			
DOCUMENT NUMBER			
SIZE	CODE	NUMBER	REV.
C	PA	3700968-0-DBU	A
SCALE NONE		SHEET 2 OF 3	

SIZE CODE NUMBER
C PA 3700968-0-DBU A

REV. A
C PA 3700968-0-DBU A

