

"THE MATERIAL HEREIN IS FOR INFORMATION PURPOSES ONLY AND IS SUBJECT TO CHANGE WITHOUT NOTICE. DIGITAL EQUIPMENT CORPORATION ASSUMES NO RESPONSIBILITY FOR ANY ERRORS WHICH MAY APPEAR HEREIN."

FIELD MAINTENANCE PRINT SET

"THIS DRAWING AND SPECIFICATIONS, HEREIN, ARE THE PROPERTY OF DIGITAL EQUIPMENT CORPORATION AND SHALL NOT BE REPRODUCED OR COPIED OR USED IN WHOLE OR IN PART AS THE BASIS FOR THE MANUFACTURE OR SALE OF ITEMS WITHOUT WRITTEN PERMISSION. COPYRIGHT © 1981 DIGITAL EQUIPMENT CORPORATION."

TABLE OF CONTENTS

B-TC-VK100-0-1	VK100 UNIT ASSY (TC)
E-UA-VK100-0-0	VK100 UNIT ASSY
K-PL-VK100-0-DBP	VK100 UNIT ASSY (PL)
B-DD-5414228-0	KEY ARRAY ASSY
D-UA-5414228-0	KEY ARRAY ASSY
K-PL-5414228-0-DBP	KEY ARRAY ASSY (PL)
D-CS-5414228-0-1	KEY ARRAY ASSY (CS)
B-DD-5414230-0	LOGIC BOARD ASSY
D-UA-5414230-0-0	LOGIC BOARD ASSY
K-PL-5414230-0-DBP	LOGIC BOARD ASSY (PL)
D-CS-5414230-0-1	LOGIC BOARD ASSY (CS)
B-PS-1216987-0-0	POWER SUPPLY BOARD
E-MD-7017387-0-0	POWER SUPPLY ASSY
K-PL-7017387-0-DBP	POWER SUPPLY ASSY (PL)
B-PL-VK100-0	VK100 SHIPPING LIST

UNIT VARIATIONS COVERED BY THIS PRINT SET
VK100-AA
VK100-AB

VK100
Field Maintenance
Print Set

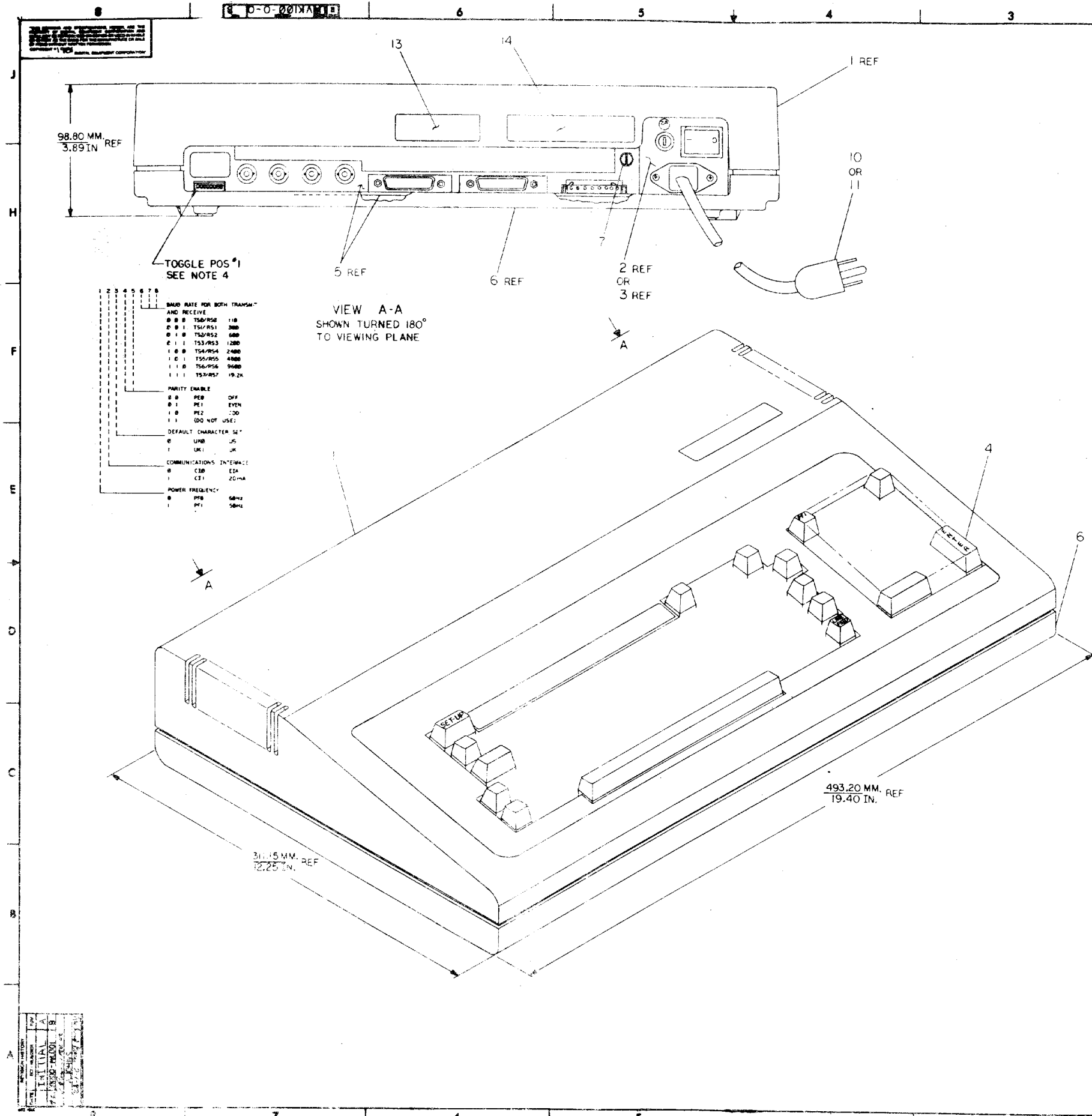
Digital Equipment Corporation

PRINT SET ORDER NO.
MP-00893-00

REV. A	INITIAL A	USED ON OPTION/MODEL		DRN. <i>D.H.</i>	DATE	digital			
				D. HEALY	DEC79	TITLE: VK100 UNIT ASSY			
				CHK'D <i>D.H.</i>	DATE	SIZE	CODE	NUMBER	REV.
				D. HEALY	MAR81	B	TC	VK100-0-1	A
				PRJ. ENG.	DATE	DIST.			
				R. COLLINS	MAR80				
				<i>R.T.C.</i>					
				FIELD SERV	DATE				
				<i>G.J.</i>	<i>MAR81</i>				
				<i>W. Desfield</i>	<i>81</i>				
				SHEET 1 OF 1					

REV. A
NUMBER
VK100-0-1
SIZE CODE
B TC

ML3



- NOTES:
- 1-PACKAGING: WHEN SHIPPED, MATERIAL SHALL BE ADEQUATELY PROTECTED FROM HANDLING AND SHIPPING DAMAGE USING DIGITAL PACKAGING INSTRUCTION A-SP-3700545-0-0
 - 2- TERMINAL IS SUPPLIED WITHOUT INTERFACE CABLE.
 - 3-THE 4 CAPTIVE SCREWS (PART OF ITEM #6 SHALL HAVE A MAX. APPLIED TORQUE OF 5 IN./LBS WHEN ATTACHING ITEM #6 (BASE ASSY) TO ITEM #1 (TOP ASSY).
 - 4- UNITS ARE SHIPPED WITH SWITCHES AS SHOWN SWITCHES 1-6 DOWN, 7 AND 8 UP.
 5. APPLY RED INSULATING VARNISH TO SCREW AS SHOWN, INDICATED LOCATION ONLY.

TOGGLE POS #1
SEE NOTE 4

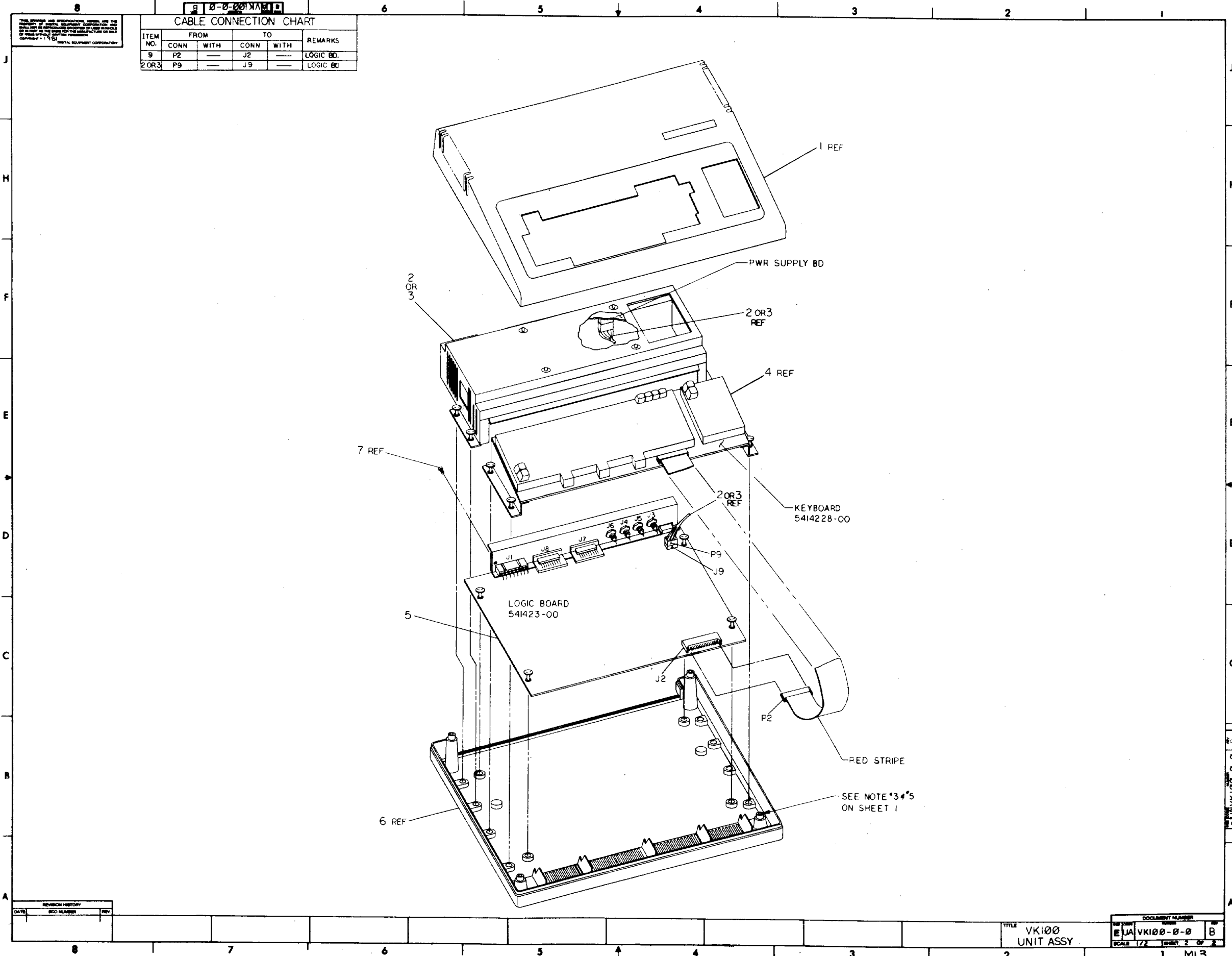
	1	2	3	4	5	6	7
SERIAL RATE FOR BOTH TRANSMIT AND RECEIVE	0 0 0	1 5 0	1 5 0	1 5 0	1 5 0	1 5 0	1 5 0
PARITY ENABLE	0 0 0	0 0 0	0 0 0	0 0 0	0 0 0	0 0 0	0 0 0
COMMUNICATIONS INTERFACE	0	1	0	1	0	1	0
POWER FREQUENCY	0	1	0	1	0	1	0

VIEW A-A
SHOWN TURNED 180°
TO VIEWING PLANE

CAUTION: OFF SHEET PARTS LIST
REFER TO K-PL-VK100-0-DBP

DESCRIPTION	DRAWING NO.	PART NO.	REV.
UNIT ASSEMBLY <td>B-DD-VK100-G</td> <td></td> <td>1</td>	B-DD-VK100-G		1
QUANTITY & VARIATION			
THIRD ANGLE PROJECTION			
DO NOT SCALE DRAWING			
REMOVE BURRS AND BREAK SHARP CORNERS			
SEE PARTS LIST			

ML3



TITLE
VK100
UNIT ASSY

DOCUMENT NUMBER
E LA VK100-0-0 B
SCALE 1/2 INCH = 1 FOOT
SHEET 2 OF 2
1 ML3

LINE	ITEM	DOCUMENT NUMBER	PART NUMBER	DESCRIPTION	QUANTITY	PER VARIATION
					PA	RE
		E-AD-7017409-0-0	7017409-00	KEYBOARD TOP ASSY.	1	1
		-AD-7017387-0-0	7017387-00	POWER SUPPLY ASSY. 120V	1	1
		-AD-7017387-0-0	7017387-01	POWER SUPPLY ASSY.	1	1
		-AD-7017387-0-0	7017387-00	KEYBOARD KEYCHA ASSY	1	1
		-UP-5414230-0-0	5414230-00	VK100 LOGIC BOARD	1	1
		-AD-7017394-0-0	7017394-00	KEYBOARD BASE ASSY.	1	1
			9009967-00	SCREW, HEX, SLOT, SENS 6-32X .3125	1	1
			9009967-00	GLYPTOL, 750	1	1
		A-SF-3700545-0-0	3700545-00	TERMINAL, GRAPHICS VK100 (G1G1)	1	1
			1700083-03	PWR CORD, TERM. 75IN, 18-3, 125V 10	1	1
			1700083-10	PWR CORD, TERM. 75IN, 18-3, 250V E	1	1
			3517316-00	*** THIS ITEM IS NOT USED ***	1	1
		A-F6-3517360-0-0	3517360-00	LABEL, FCC CLASS A PROCESSOR	1	1
			3513209-00	LABEL, ADH BACK, ELC. DATA	1	1

REVISION HISTORY			BASIC PART NO: VK100	DRN: PEDRO ORTIZ	DATE: 15-OCT-78	D I G I T A L		
ENG	ECC NUMBER	REV	SECTION A OF A	CHN'D: D. HEALY	DATE: 13-APR-81	TITLE PARTS LIST		
	INITIAL	A	SECTION VARIATION INDEX	DES. ENG.: P. LORUSSO <td>DATE: 24-FEB-81 <td colspan="3">VK100 UNIT ASSY.</td> </td>	DATE: 24-FEB-81 <td colspan="3">VK100 UNIT ASSY.</td>	VK100 UNIT ASSY.		
	VK100-17L001	B	101	RESP. ENG.: R.T. COLLINS <td>DATE: 24-FEB-81 <td colspan="3">DOCUMENT NUMBER</td> </td>	DATE: 24-FEB-81 <td colspan="3">DOCUMENT NUMBER</td>	DOCUMENT NUMBER		
			102	MFG. ENG.: J.S. CRABTREE <td>DATE: 15-APR-81 <td>SIZE</td> <td>CODE</td> <td>NUMBER</td> </td>	DATE: 15-APR-81 <td>SIZE</td> <td>CODE</td> <td>NUMBER</td>	SIZE	CODE	NUMBER
			103	ASSEMBLY NUMBER: <td>TOP DOCUMENT NUMBER: <td>PL</td> <td>VK100-D-08P</td> <td>REV</td> </td>	TOP DOCUMENT NUMBER: <td>PL</td> <td>VK100-D-08P</td> <td>REV</td>	PL	VK100-D-08P	REV
			104	E-UP-VK100-3-0 <td>#B-DD-VK100-C <td>FILE NAME: <td></td> <td>EDIT #</td> </td></td>	#B-DD-VK100-C <td>FILE NAME: <td></td> <td>EDIT #</td> </td>	FILE NAME: <td></td> <td>EDIT #</td>		EDIT #
						00870.PLS		21

ALL RIGHTS RESERVED. THIS DOCUMENT IS THE PROPERTY OF DIGITAL EQUIPMENT CORPORATION AND SHALL NOT BE REPRODUCED OR TRANSMITTED IN ANY FORM OR BY ANY MEANS, ELECTRONIC OR MECHANICAL, INCLUDING PHOTOCOPYING, RECORDING, OR BY ANY INFORMATION STORAGE AND RETRIEVAL SYSTEM, WITHOUT WRITTEN PERMISSION FROM DIGITAL EQUIPMENT CORPORATION.

COPYRIGHT © 1982, DIGITAL EQUIPMENT CORPORATION

A REV
5414228-0
DD B
NUMBER
CODE SIZE

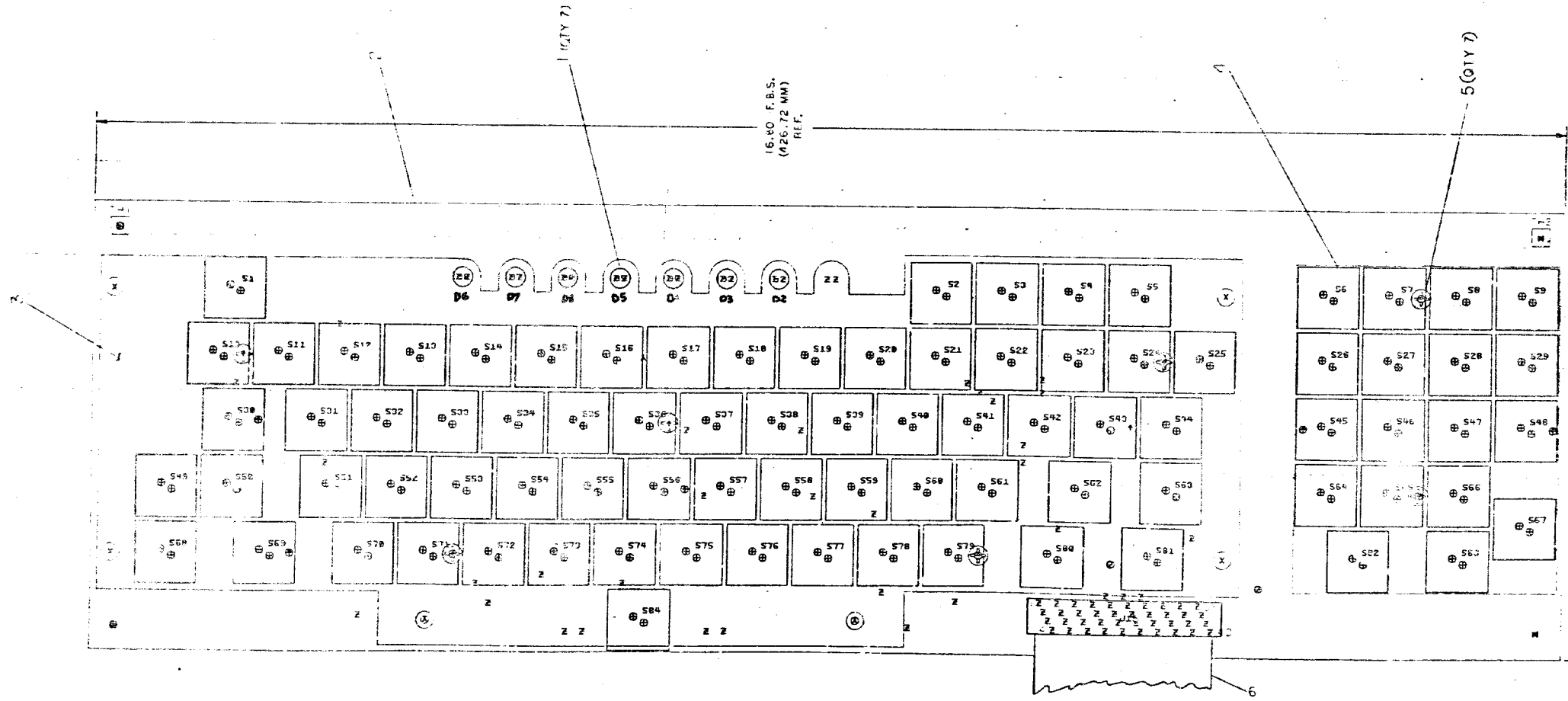
DRAWING NO.	NO. OF SHTS	PART NO.	DESCRIPTION	REVISIONS
		5414228	VK1JE KEYBOARD MODULE	A
E-UA-5414228-0-0	1		VK1JE KEYBOARD MODULE	A
K-PL-5414228-0-DBP			PARTS LIST DATA BASE	A
D-CS-5414228-0-1	1		VK1JE KEYBOARD MODULE	A
K-PC-5414228-0-DEG			P.C. DESIGN DATA BASE	C
		5014227	P.C. BOARD	C
E-MD-5014227-0-0	4		DRILL & ETCH DRAWING	A
E-EC-5014227-0-0	2		ETCH CUT DRAWING	A

NOTES:

THIS DRAWING AND SPECIFICATIONS, HEREIN, ARE THE PROPERTY OF DIGITAL EQUIPMENT CORPORATION AND SHALL NOT BE REPRODUCED OR COPIED OR USED IN WHOLE OR IN PART AS THE BASIS FOR THE MANUFACTURE OR SALE OF ITEMS WITHOUT WRITTEN PERMISSION.
COPYRIGHT © 1980 DIGITAL EQUIPMENT CORPORATION



REVISIONS		USED ON OPTION/MODEL	DRN.	DATE	TITLE	SIZE	CODE	NUMBER	REV.
		VK1JE	RIT. BURKEAU	3JUN80	VK1JE KEYBOARD MODULE				
			CHK'D						
			D. DROZD	2JUL80					
			ENG.						
			R.T. COLLINS	2JUL80		B	DD	5414228-0	A
			PROD.						
			M. PLATNER	2JUL80					
						SHEET	OF		



5.22 F.B.S.
(130.17MM)
REF.

NOTES:

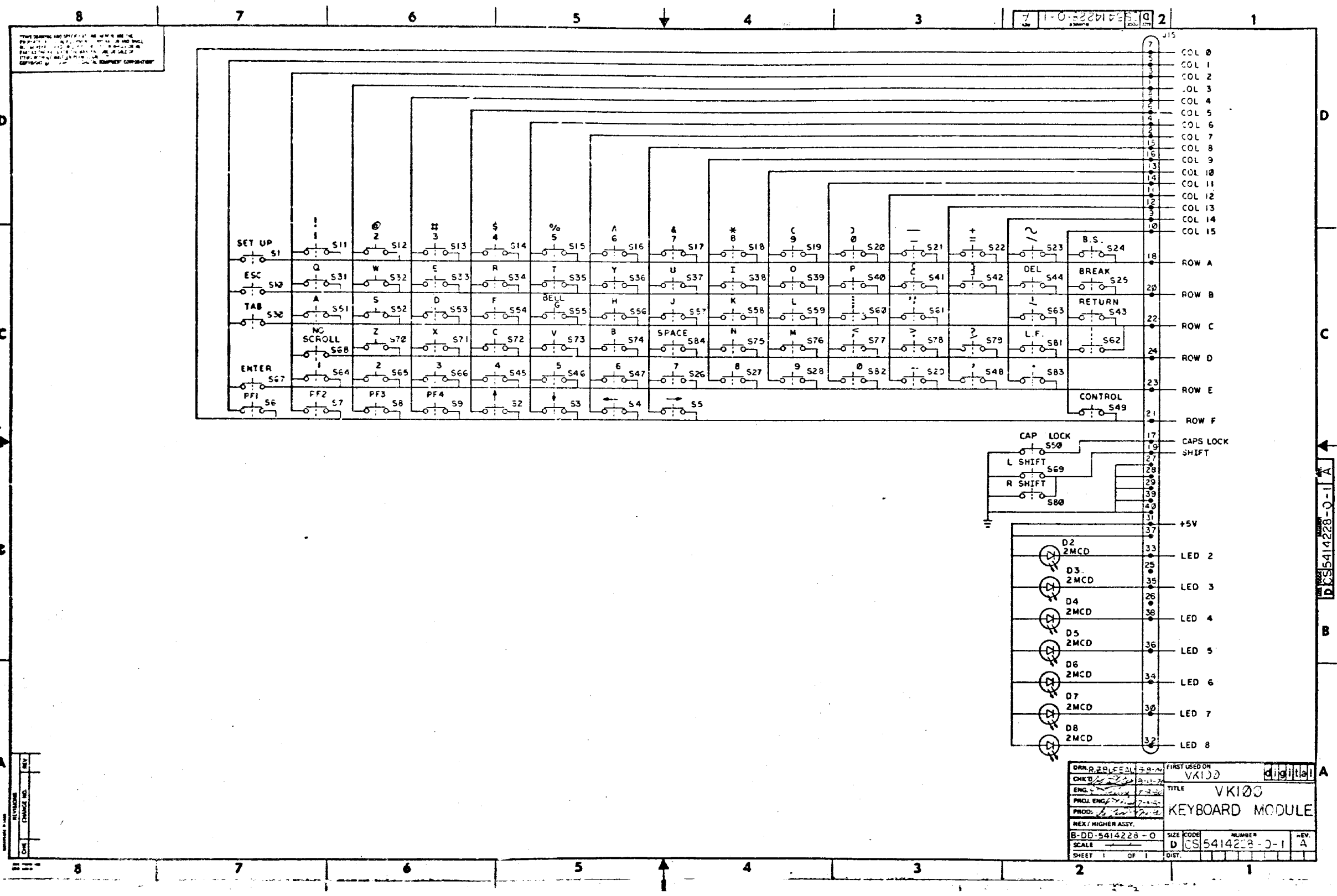
STEP 1
STEP 2
STEP 3
STEP 4
STEP 5
STEP 6
STEP 7
STEP 8
STEP 9
STEP 10

FILE: 544228-0-0 A

SIGNATURE	DATE	TITLE	PROJECT	DRAWN BY	DATE	SHEET NO.	SHEET TOTAL
CHK. BY	DATE						
HECH. ENG.		VKICAC KEYPCAND	7.1.10			5	9
PROJ. ENG.							
STAGE							
SHEET							
NEXT NUMBER							

LINE	ITEM	DOCUMENT NUMBER	PART NUMBER	DESCRIPTION	QTY PER VARIATION	REFERENCE DESIGNATOR
1	1		1110864-00	LED 2MCD210MA	7	D2-08
2	2		5014227-00	DRILL&ETCH BRD	1	
3	3		7013910-00	KEYBOARD ARRAY ASSY	1	
4	4		7014561-00	18 KEY NUMERIC PAD ASSY	1	
5	5		9010033-00	SCREW,PAN,PHILLIPS, 4-24 X 3/8	7	
6	6	C-IA-7017390-0-0	7017390-0J	VK100 CABLE	1	J15

REVISION HISTORY		BASIC PART NO: 5414228		DRN: E BODWELL	DATE: 25-JUL-79	D I G I T A L	
ENG:	ECO NUMBER	REV	SECTION A OF A	TITLE		PARTS LIST	
---	INITIAL	A	SECTION VARIATION INDEX	CHK'D: DAVID DROZD	DATE: 25-JUL-79	KEYBOARD	
			[A] 0J	DES.ENG: BOB COLLINS	DATE: 2-JUL-80	DOCUMENT NUMBER	
			[B]	RESP.ENG.: BOB COLLINS	DATE: 2-JUL-80	SIZE: CODE: NUMBER	REV
			[C]	MFG.ENG.: JOHN HUTCHINS	DATE: 2-JUL-80	K PL 5414228-0-0BP	A
			[D]	ASSEMBLY NUMBER:	TOP DOCUMENT NUMBER:	FILE NAME:	EDIT #
			[E]	D-UA-5414229-0-0	B-DD-5414288-0-0	Z0726A.PLS	13
			[F]	"THIS DRAWING AND SPECIFICATIONS HEREIN, ARE THE PROPERTY OF DIGITAL EQUIPMENT CORPORATION AND SHALL NOT BE REPRODUCED OR COPIED OR USED IN WHOLE OR IN PART AS THE BASIS FOR THE MANUFACTURE OR SALE OF ITEMS WITHOUT WRITTEN PERMISSION. COPYRIGHT (C) 1981. DIGITAL EQUIPMENT CORPORATION"			
			[H]				
			[J]				
			[K]				
			[L]				
			[M]				
			[N]				



THIS DRAWING AND SPECIFICATIONS ARE THE PROPERTY OF THE U.S. GOVERNMENT AND SHALL BE KEPT IN THE PUBLIC DOMAIN. IT IS THE POLICY OF THE U.S. GOVERNMENT TO MAKE AVAILABLE TO THE PUBLIC THE INFORMATION CONTAINED HEREIN.

7 1-0-5414228-0 2

DRN. R. 20. 5414228-0	FIRST USED ON	VK100	digital
CHK'D	TITLE	VK100	
ENCL. ENG.	KEYBOARD MODULE		
PROD. ENG.	SIZE CODE	NUMBER	REV.
NEXT HIGHER ASSY.	D	CS 5414228-0-1	A
B-DD-5414228-0	SCALE	SHEET 1 OF 1	

D 5414228-0-1 A

REV. F	NUMBER 5414230-0	DD	B
SIZE	CODE	DD	B

DRAWING NO.	NO. OF SHTS.	PART NO.	DESCRIPTION	REVISIONS																									
				A	B	C	C	D	E	F	G	H	I	J	K	L	M	N	O	P	Q	R	S	T	U	V	W	X	Y
		5414230	VK100 LOGIC BOARD																										
E-UA-5414230-0-0	1		VK100 LOGIC BOARD	A	B	C	C	D	E																				
K-PL-5414230-0-DB	4		PARTS LIST DATA BASE	A	B	C	C	E	F																				
D-CS-5414230-0-1	10		VK100 LOGIC BOARD	A	B	C	C	D	D																				
K-PC-5414230-0-DBG			P.C. DESIGN DATA BASE	D	D	D	D	D	D																				
		5014229	P.C. BOARD	D	D	D	D	D	D																				
E-MD-5014229-0-0	7		DRILL & ETCH DRAWING	A	A	A	A	A	A																				
E-EC-5014229-0-0	2		ETCH CUT DRAWING	A	B	C	C	D	D																				

NOTES:

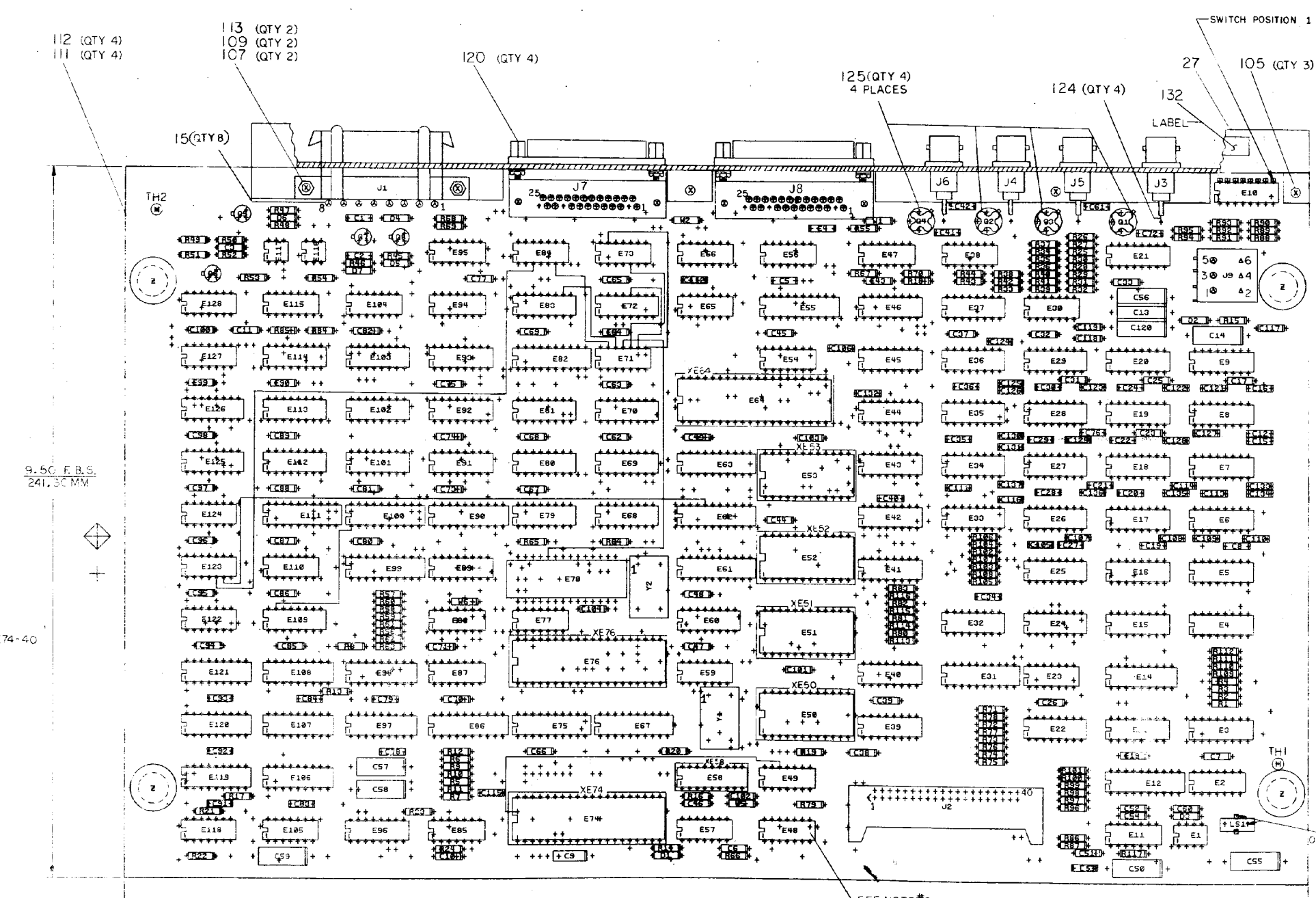
REVISIONS		DATE	CHG NO.	REV.
		6-80	ORIG	
		12-80	ML001	B
		1-81	ML002	C
		4-81	ML003	D
		1-82	ML004	E
		3-82	ML005	F

"THIS DRAWING AND SPECIFICATIONS, HEREIN, ARE THE PROPERTY OF DIGITAL EQUIPMENT CORPORATION AND SHALL NOT BE REPRODUCED OR COPIED OR USED IN WHOLE OR IN PART AS THE BASIS FOR THE MANUFACTURE OR SALE OF ITEMS WITHOUT WRITTEN PERMISSION.
COPYRIGHT © 1980 DIGITAL EQUIPMENT CORPORATION



USED ON OPTION/MODEL	DRN. R.Z. BUREAU	3JUN80	TITLE	VK100 LOGIC BOARD	
VK100	CHK'D D. DROZD	2JUL80	SIZE	CODE	NUMBER
	ENG. R.T. COLLINS	2JUL80	B	DD	5414230-0
	PROD. J. LONGO	2JUL80	SHEET	1	OF 1
					REV. F

DATE	11/21/68
DESIGNER	J. S. ...
CHECKED	J. S. ...
TITLE	digital
PROJ. ENG. NO.	64485-1
PROJ. NO.	W100 LOGIC BD.
SCALE	2:1
REV. DATE	REV. DATE
REV. 1	REV. DATE
REV. 2	REV. DATE
REV. 3	REV. DATE
REV. 4	REV. DATE
REV. 5	REV. DATE
REV. 6	REV. DATE
REV. 7	REV. DATE
REV. 8	REV. DATE
REV. 9	REV. DATE
REV. 10	REV. DATE
REV. 11	REV. DATE
REV. 12	REV. DATE
REV. 13	REV. DATE
REV. 14	REV. DATE
REV. 15	REV. DATE
REV. 16	REV. DATE
REV. 17	REV. DATE
REV. 18	REV. DATE
REV. 19	REV. DATE
REV. 20	REV. DATE
REV. 21	REV. DATE
REV. 22	REV. DATE
REV. 23	REV. DATE
REV. 24	REV. DATE
REV. 25	REV. DATE
REV. 26	REV. DATE
REV. 27	REV. DATE
REV. 28	REV. DATE
REV. 29	REV. DATE
REV. 30	REV. DATE
REV. 31	REV. DATE
REV. 32	REV. DATE
REV. 33	REV. DATE
REV. 34	REV. DATE
REV. 35	REV. DATE
REV. 36	REV. DATE
REV. 37	REV. DATE
REV. 38	REV. DATE
REV. 39	REV. DATE
REV. 40	REV. DATE
REV. 41	REV. DATE
REV. 42	REV. DATE
REV. 43	REV. DATE
REV. 44	REV. DATE
REV. 45	REV. DATE
REV. 46	REV. DATE
REV. 47	REV. DATE
REV. 48	REV. DATE
REV. 49	REV. DATE
REV. 50	REV. DATE
REV. 51	REV. DATE
REV. 52	REV. DATE
REV. 53	REV. DATE
REV. 54	REV. DATE
REV. 55	REV. DATE
REV. 56	REV. DATE
REV. 57	REV. DATE
REV. 58	REV. DATE
REV. 59	REV. DATE
REV. 60	REV. DATE
REV. 61	REV. DATE
REV. 62	REV. DATE
REV. 63	REV. DATE
REV. 64	REV. DATE
REV. 65	REV. DATE
REV. 66	REV. DATE
REV. 67	REV. DATE
REV. 68	REV. DATE
REV. 69	REV. DATE
REV. 70	REV. DATE
REV. 71	REV. DATE
REV. 72	REV. DATE
REV. 73	REV. DATE
REV. 74	REV. DATE
REV. 75	REV. DATE
REV. 76	REV. DATE
REV. 77	REV. DATE
REV. 78	REV. DATE
REV. 79	REV. DATE
REV. 80	REV. DATE
REV. 81	REV. DATE
REV. 82	REV. DATE
REV. 83	REV. DATE
REV. 84	REV. DATE
REV. 85	REV. DATE
REV. 86	REV. DATE
REV. 87	REV. DATE
REV. 88	REV. DATE
REV. 89	REV. DATE
REV. 90	REV. DATE
REV. 91	REV. DATE
REV. 92	REV. DATE
REV. 93	REV. DATE
REV. 94	REV. DATE
REV. 95	REV. DATE
REV. 96	REV. DATE
REV. 97	REV. DATE
REV. 98	REV. DATE
REV. 99	REV. DATE
REV. 100	REV. DATE



WIRE ADDS

FROM	TO
123-3	E123-5
123-4	E71-13
123-5	E71-10
123-6	E71-6
123-7	E71-8
123-10	E71-12
123-11	E71-9
123-12	E71-11
123-13	E73-24
123-14	E100-1
123-15	E100-2
123-16	E100-3
123-17	E100-4
123-18	E100-5
123-19	E100-6
123-20	E100-7
123-21	E100-8
123-22	E100-9
123-23	E100-10
123-24	E100-11
123-25	E100-12
123-26	E100-13
123-27	E100-14
123-28	E100-15
123-29	E100-16
123-30	E100-17
123-31	E100-18
123-32	E100-19
123-33	E100-20
123-34	E100-21
123-35	E100-22
123-36	E100-23
123-37	E100-24
123-38	E100-25
123-39	E100-26
123-40	E100-27
123-41	E100-28
123-42	E100-29
123-43	E100-30

15.69 F. B. S.
398.46 MM

SEE NOTE #2

SWITCH POSITION 1

27 105 (QTY 3)

124 (QTY 4)

125 (QTY 4)
4 PLACES

120 (QTY 4)

113 (QTY 2)
109 (QTY 2)
107 (QTY 2)

112 (QTY 4)
111 (QTY 4)

15 (QTY 8)

LABEL

9.50 F. B. S.
241.30 MM

+ SIDE OF SPEAKER

NOTES:

- 1. REFER TO DRAWING FOR PART NUMBERS AND QUANTITIES.
- 2. PARTS LISTED IN THIS DRAWING ARE TO BE ASSEMBLED IN THE MOUNTING BOARD AS SHOWN.
- 3. IF A PART IS A SPARE, I.C. LOCATION IS SHOWN IN THE MOUNTING BOARD.
- 4. IF A PART IS A SPARE, I.C. LOCATION IS SHOWN IN THE MOUNTING BOARD.

STEP 1: Y AXIS STEP 2: X AXIS

ETCH REV. D

AUTOMATED BY PRTLST.3L(40)

PARTS LIST

SHEET A1 OF A4

LINE	ITEM	DOCUMENT NUMBER	PART NUMBER	DESCRIPTION	QTY	PER VARIATION	REFERENCE DESIGNATOR
					00		
1	1		5014229-00	ETCH BRD FOR 5414230	1		
2	2		1000022-00	370.0 MMF 100V 5%200PPM MICA	2		C1, C2
3	3		1010274-01	.22 MFD 50V +80-20% Z5U CER	58		C19, C15, C8, C12, C16, C20-C22, C24, C27-C30, C34-C36, C40-C42, C61, C72, C76, C78, C79, C83, C84, C91-C93, C105-C109, C111-C116, C121-C137, C110
4	4		1001610-00	.01 MFD 50V +80-20% Z5U CER	11		C3, C6, C10, C11, C51, C52, C54, C60, C117, C118, C119
5	5		1001776-00	1 MFD 35V 10% S.TANT	1		C9
6	6		1005306-00	6.8MFD 35V 10% S.TANT	8		C13, C14, C55-C59, C120
7	7		1012784-00	.047 MFD 50V +80-20% CER	53		C7, C17, C18, C23, C25, C26, C31-C33, C80-C82, C85-C90, C62-C71, C73-C75, C77, C37-C39, C43-C49, C94-C104
8	8		1000042-00	1000.0 MMF 100V 5%200PPM MICA	1		C53
9	9		1100114-00	D 664 GS\75PCB FIV= 25V SP	1		D1
10	10		1105275-00	D 672 TR= 15NS PIV= 60V SI	2		D4, D6
11	11		1105610-00	MCL1301 CL31MA FROM10-80V	1		D5
12	12		1110994-00	IN 751A VZ= 5.1 5% .40W	1		D2
13	13		1113003-00	IN 5282 FIV=55 I=500M DO35	2		D7, D3
14	14		1209340-00	MATE-N-LOK 8POS COMM HSG, SKT	1		J1
15	15		1209456-01	MATE-N-LOK SKT COMM PC MTG LOOSE	8		
16	16		1209941-02	HEADER 100 40POS RT ANGLE	4		J2
17	17		1210367-00	CONN COAX 2LINES BULKHEAD RECP	4		J3-J6
18	18		1217310-00	SW DIP 8POS/1FST 5VDC100MA S	1		E10
19	19		1211342-00	MATE-N-LOK 5PIN COMM HEADER	1		J9
20	20		1214460-00	CONN D SUB 25PIN ASSY RT ANGLE F	2		J7, J8
21	21		1215006-00	SKT, IC 24PIN DIP TIN PLATE	4		XE50-XE53
22	22		1215006-00	SKT, IC 40PIN DIP TIN PLATE	3		XE64, XE74, XE76
23	23		1217477-00	TRANSDUCER, MINIATURE AUDIO, 1.5V	1		LS1

REVISION HISTORY		BASIC PART NO: 5414230		DRN: E. BODWELL		DATE: 15-JAN-80		D I G I T A L	
ENG	ECO NUMBER	REV	SECTION A OF A	CHK'D:	DAVID DROZD	DATE:	2-JUL-80	TITLE PARTS LIST	
			SECTION VARIATION INDEX	DES.ENG:	BOB COLLINS	DATE:	2-JUL-80	VK100 LOGIC MODULE	
				RESP.ENG.:	BOB COLLINS	DATE:	15-JAN-80	DOCUMENT NUMBER	
				MFG.ENG.:	AL JOHNS	DATE:	2-JUL-80	SIZE: CODE:	NUMBER REV
				ASSEMBLY NUMBER:	E-UR-5414230-0-0	TOP DOCUMENT NUMBER:	8-00-5414230-0-0	FILE NAME:	EDIT #
								Z67E7F.FLS	22

"THIS DRAWING AND SPECIFICATIONS HEREIN, ARE THE PROPERTY OF DIGITAL EQUIPMENT CORPORATION AND SHALL NOT BE REPRODUCED OR COPIED OR USED IN WHOLE OR IN PART AS THE BASIS FOR THE MANUFACTURE OR SALE OF ITEMS WITHOUT WRITTEN PERMISSION. COPYRIGHT (C) 1982, DIGITAL EQUIPMENT CORPORATION"

LINE	ITEM	DOCUMENT NUMBER	PART NUMBER	DESCRIPTION	QTY	PER VARIATION	REFERENCE DESIGNATOR
					00		
			1300391-00	1.50 K .25 W 5.0 %	1		R53
			23656F1-00	F1-01	1		E14
			23573A2-00	A2-05	1		E41
			7423628-00	CONN. MTG. BRKT.	1		
			1301522-00	27.0 .25 W 5.0 %	1		R48
			1300229-00	100.0 .25 W 5.0 %	4		R26, R37, R41, R42
			1300250-00	150.0 .25 W 5.0 %	1		R54
			1300271-00	220.0 .25 W 5.0 %	1		R15
			1301969-00	22.0 .25 W 5.0 %	18		R102-R115, R67, R70, R18
			1312985-00	332.0 K .25 W 1.0 % RN55D-F10	1		R87
			1312747-00	56.20 K .25 W 1.0 % RN55D-F10	1		R86
			1300295-00	330.0 .25 W 5.0 %	2		R23, R85
			1300309-00	390.0 .25 W 5.0 %	9		R96-R101, R79, R47, R45
			1300365-00	1.0 K .25 W 5.0 %	9		R1-R4, R13, R19, R20, R68, R69
			1313583-00	1.40 K .25 W 1.0 % RN55D-F10	1		R28
			1305128-00	5.62 K .25 W 1.0 % RN55D-F10	1		R29
			1300444-00	2.0 K .25 W 5.0 %	1		R51
			1300479-00	10.0 K .25 W 5.0 %	1		R55
			1300539-00	120.0 K .25 W 5.0 %	2		R50, R117
			1301317-00	10.0 K .25 W 5.0 %	1		R66
			1301327-00	68.0 K .25 W 5.0 %	1		R46
			1301401-00	750.0 K .25 W 5.0 %	3		R24, R52, R84
			1301422-00	7.50 K .25 W 5.0 %	4		R49
			1302379-00	75.0 K .25 W 5.0 %	4		R10, R33, R46, R44
			1300447-00	4.70 K .25 W 5.0 %	42		R5-R12, R21, R22, R71-R76, R88-R95, R96-R98, R20-R23, R16, R17
							CONT
			1311522-00	200.0 .25 W 5.0 %	4		R25
			1312992-00	550.0 K .25 W 5.0 %	1		R32
			1312558-00	150.0 .25 W 1.0 % RN55D-F10	1		R31
			1501742-00	00000004 PNP 500MW	1		R34
			1509338-00	00000018 NPN 510MW	1		R35, R36
			1510705-00	00000000 NPN 500MW	1		R37
			1510706-00	00000000 PNP 500MW	1		R38
			1811650-00	00000000 OSCILLATOR, XTAL	1		Y1
			1811650-00	00000000 OSCILLATOR, XTAL	1		Y2
			1909928-00	00000000 INVERTER	1		E10, E128
			1910235-00	00000000 NAND GATE	1		E108
			1910321-00	00000000 DRIVER	1		E65, E73
			1910645-00	00000000 DRIVER	1		E11
			1911712-00	00000000 COUNTER, SYNCR.	1		E22
			1911855-00	00000000 OPTOISOLATOR	1		E116, E117
			1912647-00	00000000 MUX 1 OF 2 (QUAD)	1		E15, E42, E46, E43, E44, E45
			1912648-00	00000000 MUX 2 OF 2 (QUAD)	1		E101, E102
			1912649-00	00000000 REGISTERS (4-BIT)	1		E57, E65, E94, E105, E110, E122
			1912650-00	00000000 NAND-GATE (QUAD)	1		E123
			1912651-00	00000000 NOR-GATE (QUAD)	1		E47, E49, E71, E118, E123
			1912652-00	00000000 INVERTER (QUAD)	1		E85
			1912653-00	00000000 OR GATE (QUAD)	1		

D	I	G	I	T	A	L	TITLE	SECTION A	OF	A	SIZE	CODE	DOCUMENT NUMBER	REV
							VK100 LOGIC MODULE				K	PL	5414230-0-0BP	F

LINE	ITEM	DOCUMENT NUMBER	PART NUMBER	DESCRIPTION	QTY	PER VARIATION	REFERENCE DESIGNATOR
					00		
71	71		1912824-00	LS74 FF-D DUAL, EDGE TRIGG	7		E59, E77, E95, E115, E104, E127, E124
72	72		1912829-00	LS96 X-OR GATE-QUAD 2IN	1		E54
73	73		1910545-00	745112 FF-JK DUAL, EDGE TRIG	2		E24, E109
74	74		1912842-00	LS138 DECODER-THREE INPUT,	3		E93, E114, E103
75	75		1912643-00	LS139 DECODER, 2 OF 4(DUAL)	2		E72, E96
76	76		1912845-00	LS153 MUX 1 OF 4 (DUAL)	1		E83
77	77		1912851-00	LS169 COUNTER, SYNCH. UP/DO	1		E60
78	78		1914392-00	556 TIMER-DUAL	1		E11
79	79		1912855-00	LS195 SHIFT REG., 4BIT PARA	3		E5, E16, E25
80	80		1912863-00	LS273 FF-D OCTAL W/CLEAR	4		E12, E55, E90, E100
81	81		1912865-00	LS283 ADDER-4BIT BINARY FU	2		E125, E126
82	82		1912867-00	LS298 MUX 1 OF 4, 2IN W/S	2		E4, E91, E92
83	83		1913130-00	DEC 1489A RECEIVER, LINE, QUAD,	2		E56, E84
84	84		1913839-00	LS165 SHIFT REG., 8BIT	1		E13
85	85		1913939-00	LS191 COUNTER, SYNCHR. UP/D	9		E3, E68-E70, E79-E81, E112, E113
86	86		1913950-00	LS156 DECODER, 2 OF 4(DUAL)	2		E39, E40
87	87		1914082-00	745163 COUNTER, SYNCH UP/DOW	2		E32, E37
88	88		1915193-00	LS244 DRIVER, LINE, OCTAL, T	1		E31, E61, E63
89	89		1915218-00	LS245 TRANSCIEVER, BUS, OCT	1		E75
90	90		1915219-00	LS373 FF-D OCTAL-TRANSPARE	2		E67, E86
91	91		2113107-01	P 8251A PUSART COMM. INTERFA	1		E78
92	92		2113825-01	16K MOS RAM 200NS 1	24		E6-E9, E17-E20, E26-E29, E33-E36, E98, E106, E107, E119-E121, E108, E97
						CONT	
93	93		2305881-00	B1-01	1		E99
94	94		2319052-00	E2-02	1		E50
95	95		2117593-00	*** THIS ITEM IS NOT USED ***	1		
96	96		2305961-00	B1-01	1		E111
97	97		2112623-00	DUAL BAUD RATE GEN/PRG DIVIDER,	1		E98
98	98		1914214-00	LS374 FF-D OCTAL EDGE TRIG	1		E62
99	99		2116963-00	CRT CONTROLLER	1		E64
100	100		2114963-00	UP, 8-BIT NMOS	1		E74
101	101		2306081-00	B1-01	1		E82
102	102		2329741-00	A1-07	1		E89
103	103		23031E4-00	E4-01	1		E93
104	104		23017E4-00	E4-01	1		E52
105	105		9000030-10	RIVET, BLIND DOME 0.1250X0.275	2		
106	106		9006022-01	SCREW PAN, PHIL 5-32X 3/8 SS	2		
107	107		9006560-00	NUT, NIP 5-32X 5/16AF	2		
108	108		9009185-00	JUMPER, WIRE, INSULATED, BLACK 8	4		W1, W2, W5, W6
109	109		9009964-00	PLUNGER, 5/16 DIA	4		
110	110		9009966-01	GROMMET, SNAP-IN, 5/16 DIA	4		
111	111		9006693-00	WASHER, FIBER, FLAT, 3/8 O.D.	2		
112	112		1005784-00	.01 MFD 100V 200V 10% NYL	1		C50
113	113		1910544-00	74574 FF-D DUAL, EDGE TRIGG	1		E97
114	114		1910532-00	74500 NAND GATE-QUAD 2IN	1		E88
115	115		1313794-00	787.0 .25 W 1.0 % RN550-F10	1		R36
116	116		1305145-00	2.90 K .25 W 1.0 % RN550-F10	1		R31
117	117		9008461-00	SCREW LOCK, ASSY	4		

D	I	G	I	T	A	L	TITLE	VK100 LOGIC MODULE	SECTION A OF A	SIZE	CODE	DOCUMENT NUMBER	REV
										K	PL	5414230-0-08P	F

AUTOMATED BY PRTLST.3L(40)

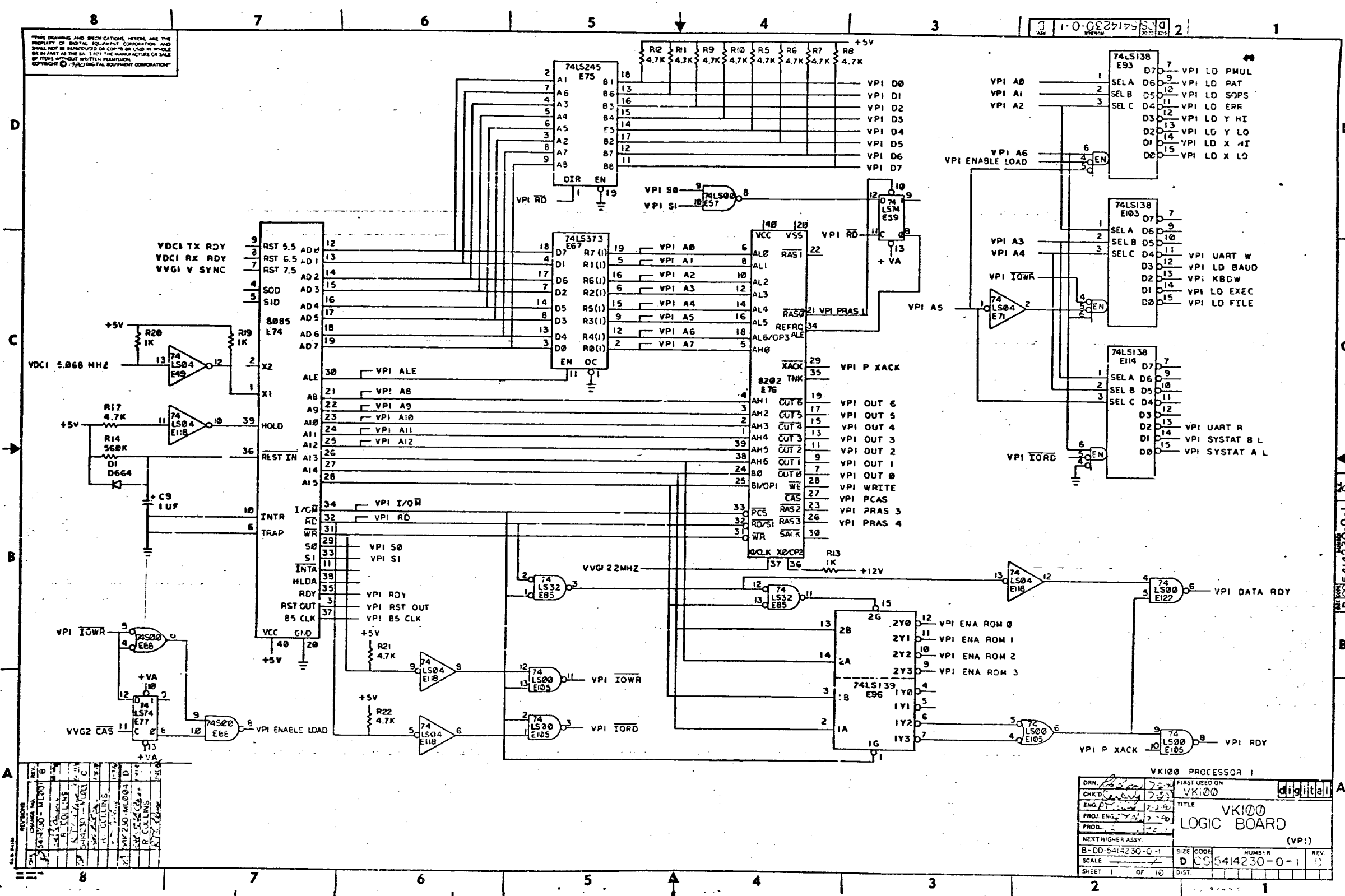
PARTS LIST

SHEET A4 OF A4

LINE	ITEM	DOCUMENT NUMBER	PART NUMBER	DESCRIPTION	QTY PER VARIATION	REFERENCE DESIGNATOR
118	121		23018E4-00	E4-01	1	E51
119	122		1013466-12	2200.0 MMF 50V 10% X7R CER	2	C4, C5
120	123		1313590-00	1.50 K .25 W 1.0 % RN55D-F10	2	R30, R35
121	124		9107560-03	WIRE, BUSS, 18AWG	A/R	
122	125		9007201-00	TRANSIPADS #10253	4	
123	126		1215006-03	SKT, IC 18PIN DIP TIN PLATE	1	XE55
124	127		9105740-55	WIRE(WRAP)30AWG ULI423	A/R	
125	128		1811660-29	*** THIS ITEM IS NOT USED ***	-	
126	129		3700545-02	TERMINAL, GRAPHICS VK100 (G1G1)	A/R	
127	130		3700545-01	TERMINAL, GRAPHICS VK100 (G1G1)	1	
128	131		2118439-00	8202A CONTROLLER, DYNAMIC R	1	E76
129	132		3617318-00	LABELS, REAR PANEL 115VAC	1	

130 NOTE: ITEM #92 MAYBE SUBSTITUTED WITH PART #21-14408-01 OR #21-14895-01 OR #21-14897-01 OR #21-14897-01
 131 NOTE: ITEM #95 MAYBE SUBSTITUTED WITH PART #21-17593-02
 132 NOTE: ITEM #126 REPRESENTS PACKAGING MATERIAL NEEDED FOR INDIVIDUAL FIELD SERVICE SHIPMENTS.
 133 NOTE: ITEM #127 REPRESENTS PACKAGING MATERIAL NEEDED FOR INTRPLANT BULK (12/BOX) SHIPMENTS.

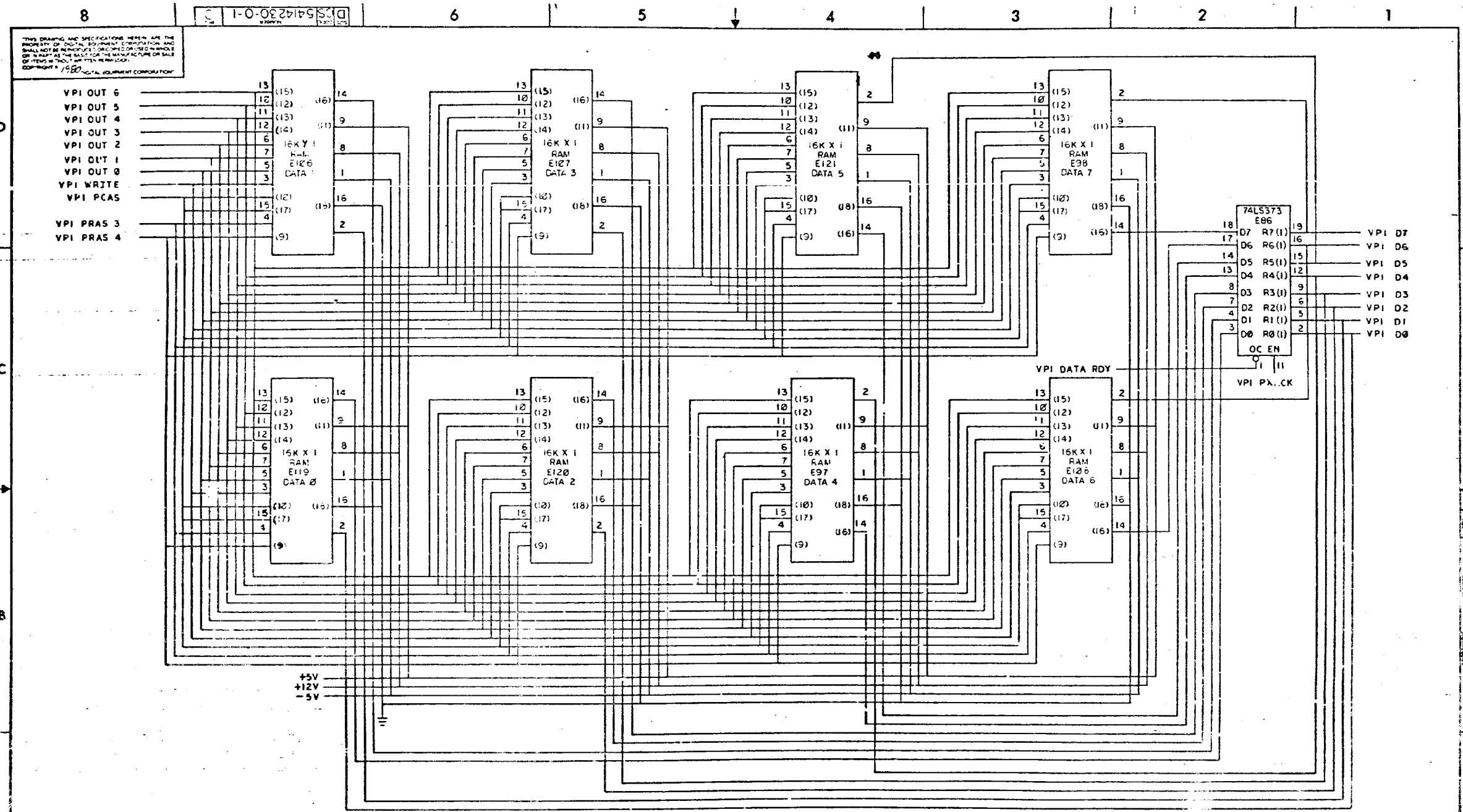
D	I	G	I	T	A	L	TITLE	SECTION A OF A	SIZE	CODE	DOCUMENT NUMBER	REV
							VK100 LOGIC MODULE		K	FL	5414830-G-DBP	F



THIS DRAWING AND SPECIFICATIONS HEREIN ARE THE PROPERTY OF DIGITAL EQUIPMENT CORPORATION AND SHALL NOT BE REPRODUCED OR COPIED IN WHOLE OR IN PART AS THE SAME EXIST OR IN ANY MANNER WITHOUT WRITTEN PERMISSION OF DIGITAL EQUIPMENT CORPORATION.

REV.	DATE	BY	CHKD.	APP'D.	DESCRIPTION
1	7-27-77	W. J. COLLINS	W. J. COLLINS	W. J. COLLINS	INITIAL DESIGN
2	7-27-77	W. J. COLLINS	W. J. COLLINS	W. J. COLLINS	REVISED FOR BOARD LAYOUT
3	7-27-77	W. J. COLLINS	W. J. COLLINS	W. J. COLLINS	REVISED FOR BOARD LAYOUT
4	7-27-77	W. J. COLLINS	W. J. COLLINS	W. J. COLLINS	REVISED FOR BOARD LAYOUT
5	7-27-77	W. J. COLLINS	W. J. COLLINS	W. J. COLLINS	REVISED FOR BOARD LAYOUT
6	7-27-77	W. J. COLLINS	W. J. COLLINS	W. J. COLLINS	REVISED FOR BOARD LAYOUT
7	7-27-77	W. J. COLLINS	W. J. COLLINS	W. J. COLLINS	REVISED FOR BOARD LAYOUT
8	7-27-77	W. J. COLLINS	W. J. COLLINS	W. J. COLLINS	REVISED FOR BOARD LAYOUT

DRN. <i>W. J. COLLINS</i>		FIRST USED ON		digital
CHKD. <i>W. J. COLLINS</i>	DATE <i>7-27-77</i>	VK100		
ENG. <i>W. J. COLLINS</i>	DATE <i>7-27-77</i>	TITLE		
PROJ. ENGR. <i>W. J. COLLINS</i>	DATE <i>7-27-77</i>	VK100 LOGIC BOARD		
PROD. <i>W. J. COLLINS</i>	DATE <i>7-27-77</i>	(VP:)		
NEXT HIGHER ASSY.				
B-D0-5414230-0-1		SIZE CODE	NUMBER	REV.
SCALE		D	005414230-0-1	0
SHEET 1 OF 10		DIST.		

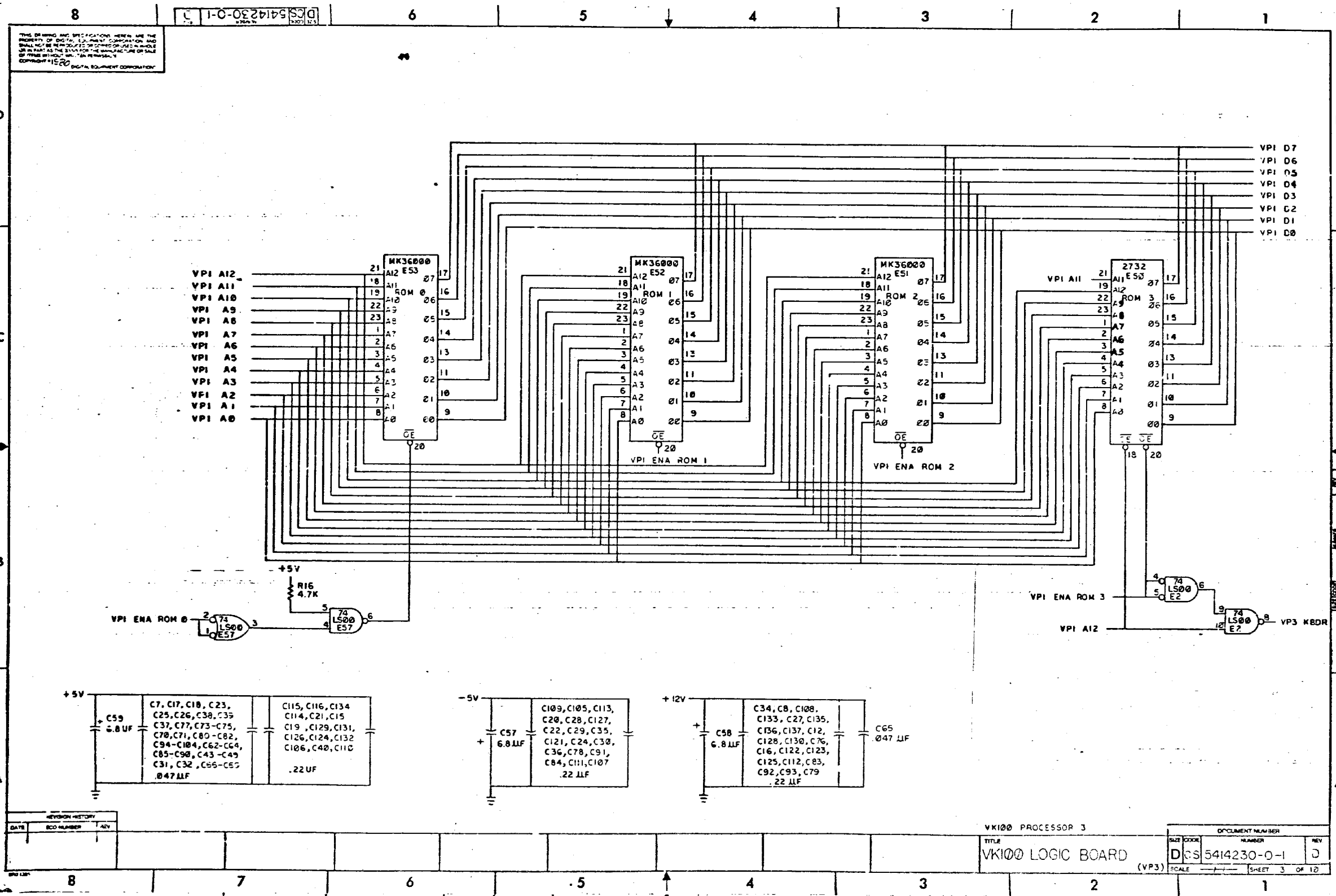


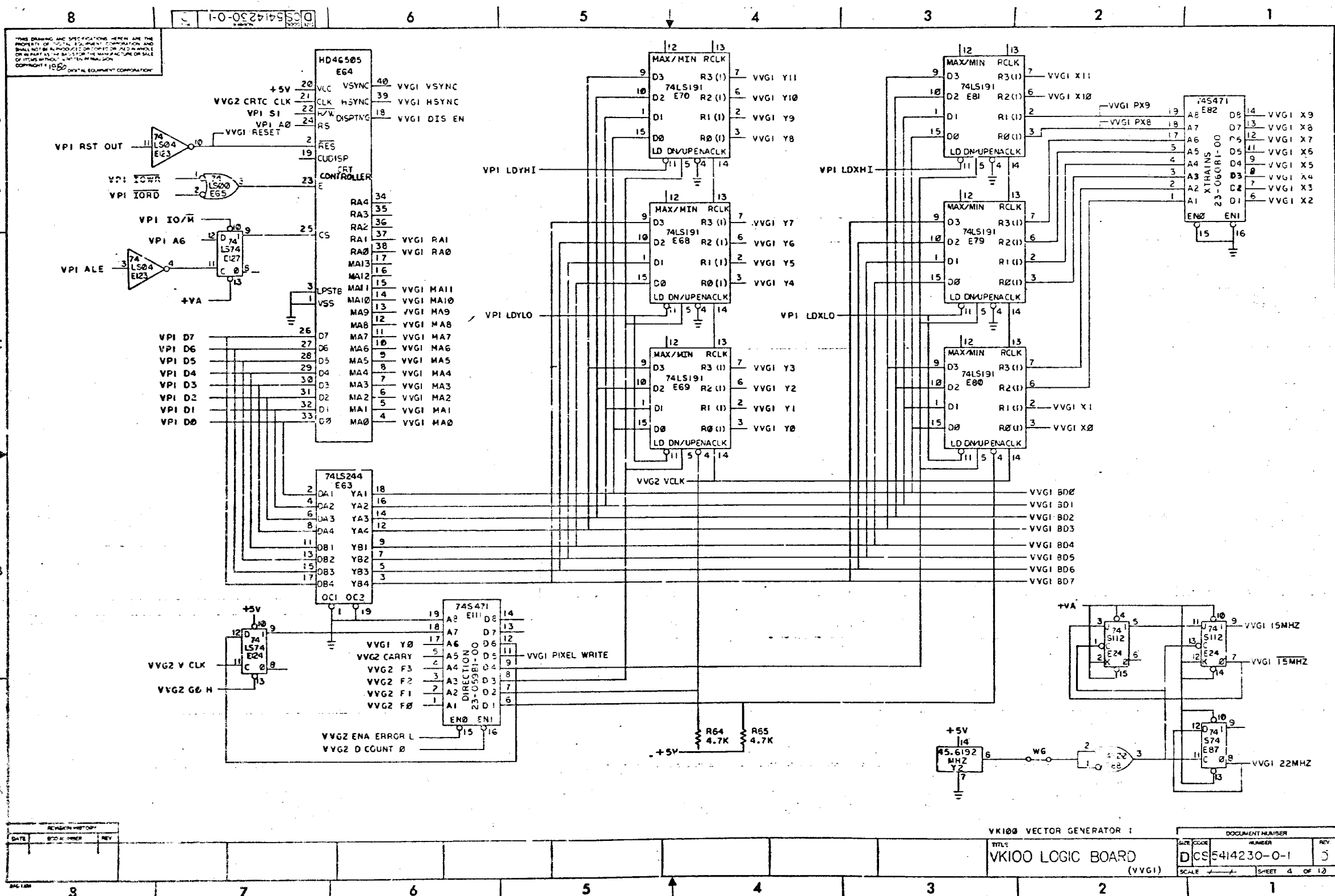
NOTE: () = 18 PIN PACKAGE

REVISION HISTORY			VOLUME		DATE		REV. NO.		REV. BY		REV. DATE		REV. BY		REV. DATE		REV. BY		REV. DATE		

VK100 PROCESSOR 2
 TITLE VK100 LOGIC BOARD
 DOCUMENT NUMBER DCS 5414230-0-1
 SCALE (VP2) SHEET 2 OF 10

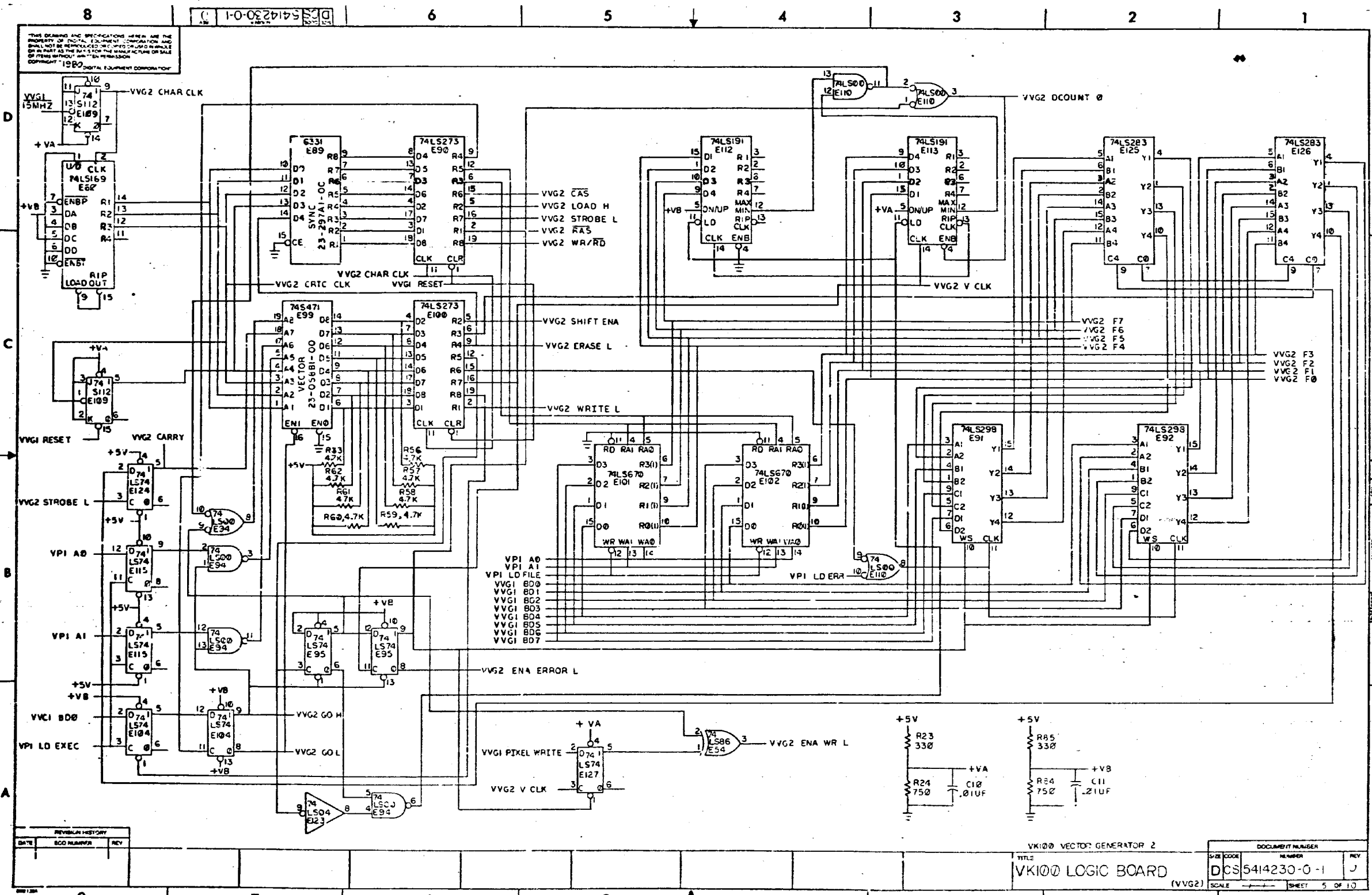
DCS 5414230-0-1





DATE	SPEC	REV

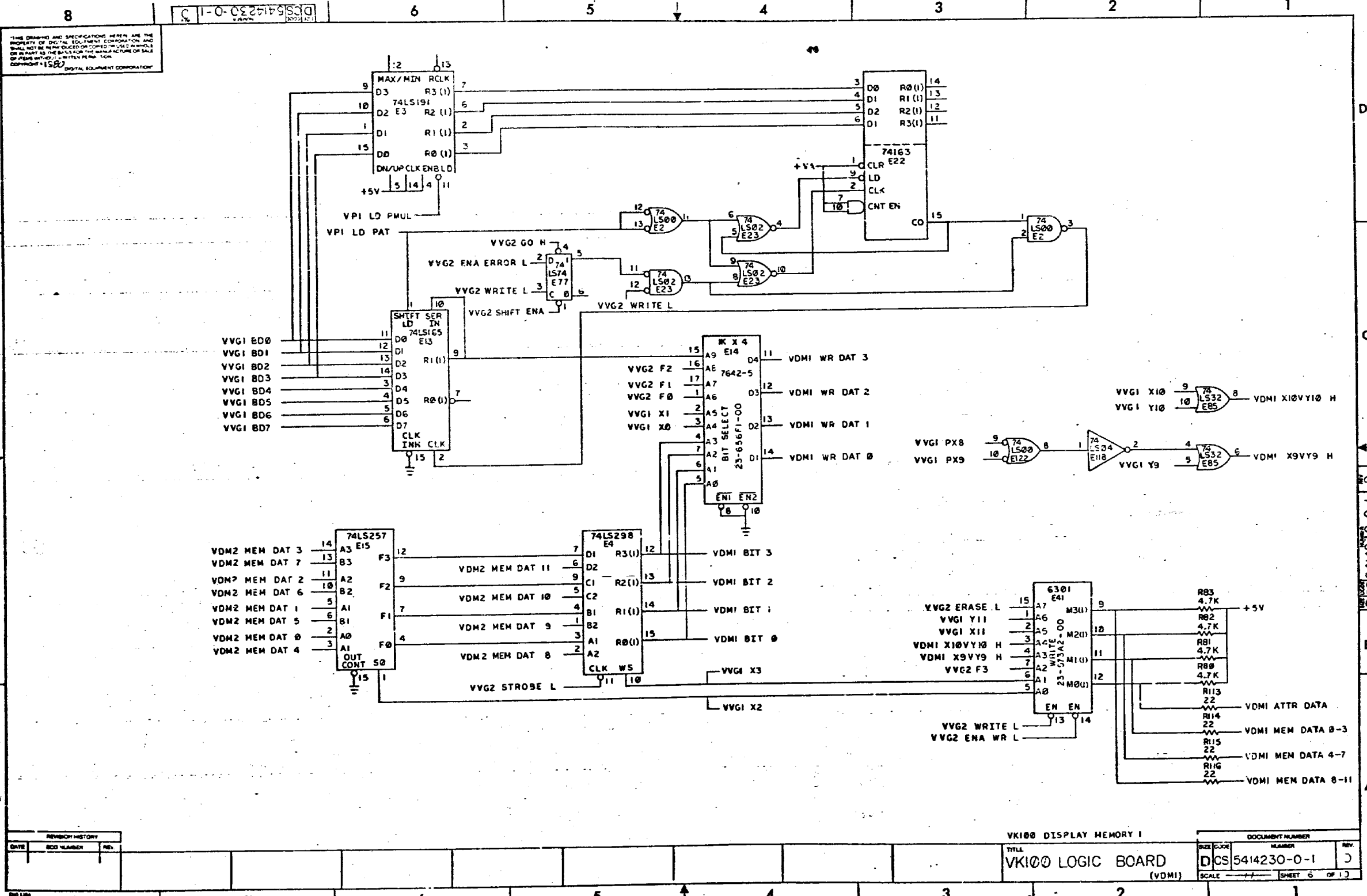
DOCUMENT NUMBER		REVISION	
DCS	5414230-0-1		
SCALE		SHEET	4 OF 12

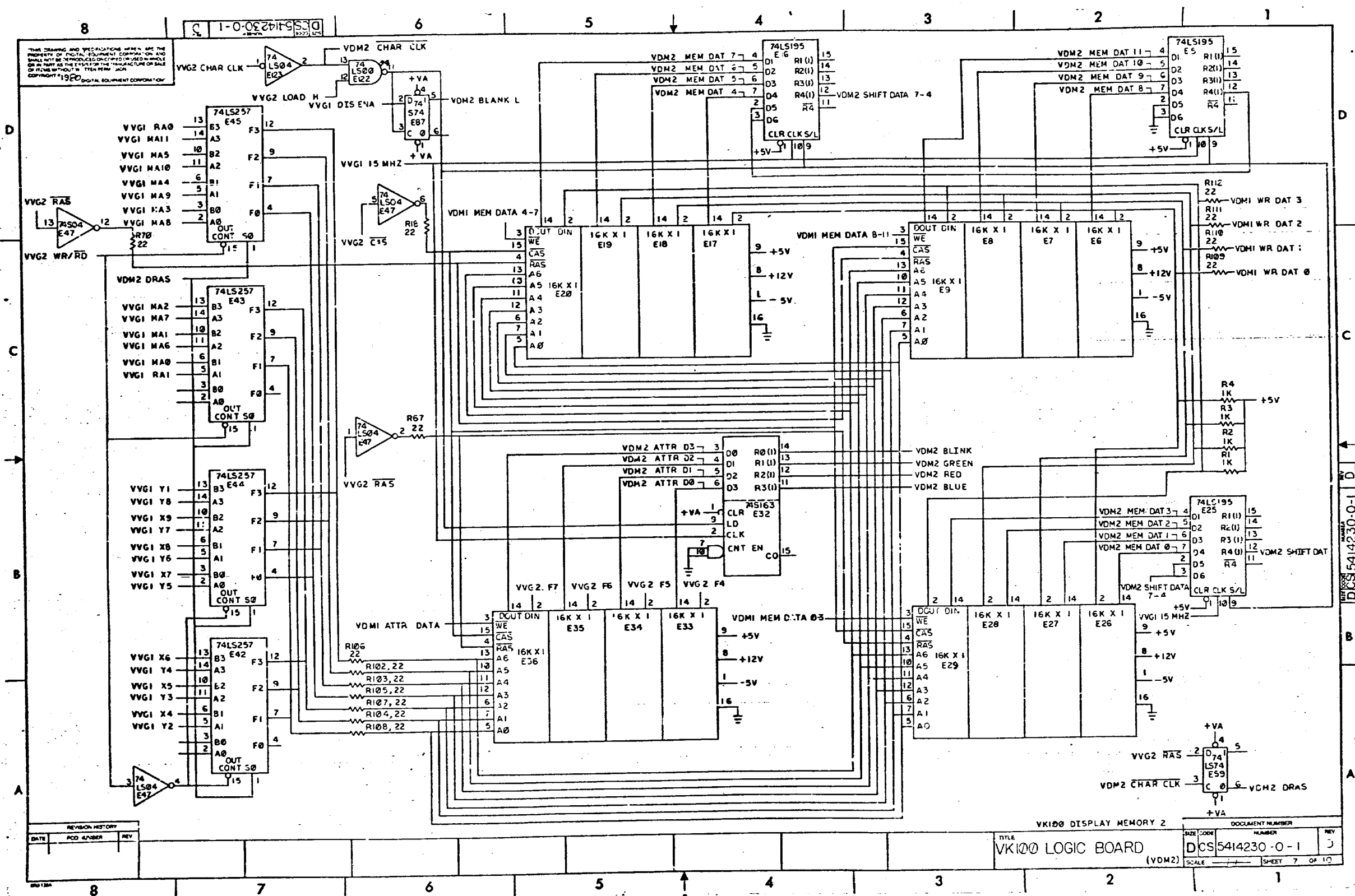


THIS DRAWING AND SPECIFICATIONS HEREIN ARE THE PROPERTY OF THE COMPANY AND SHALL NOT BE REPRODUCED OR USED IN WHOLE OR IN PART AS THE BASIS FOR THE MANUFACTURE OR SALE OF ITEMS WITHOUT WRITTEN PERMISSION. COPYRIGHT 1980 DIGITAL EQUIPMENT CORPORATION.

REVISION HISTORY		
DATE	ECO NUMBER	REV

VK100 VECTOR GENERATOR 2
 TITLE VK100 LOGIC BOARD
 (VVG2)
 DOCUMENT NUMBER DCS 5414230-0-1
 SCALE 1:1 SHEET 5 OF 10



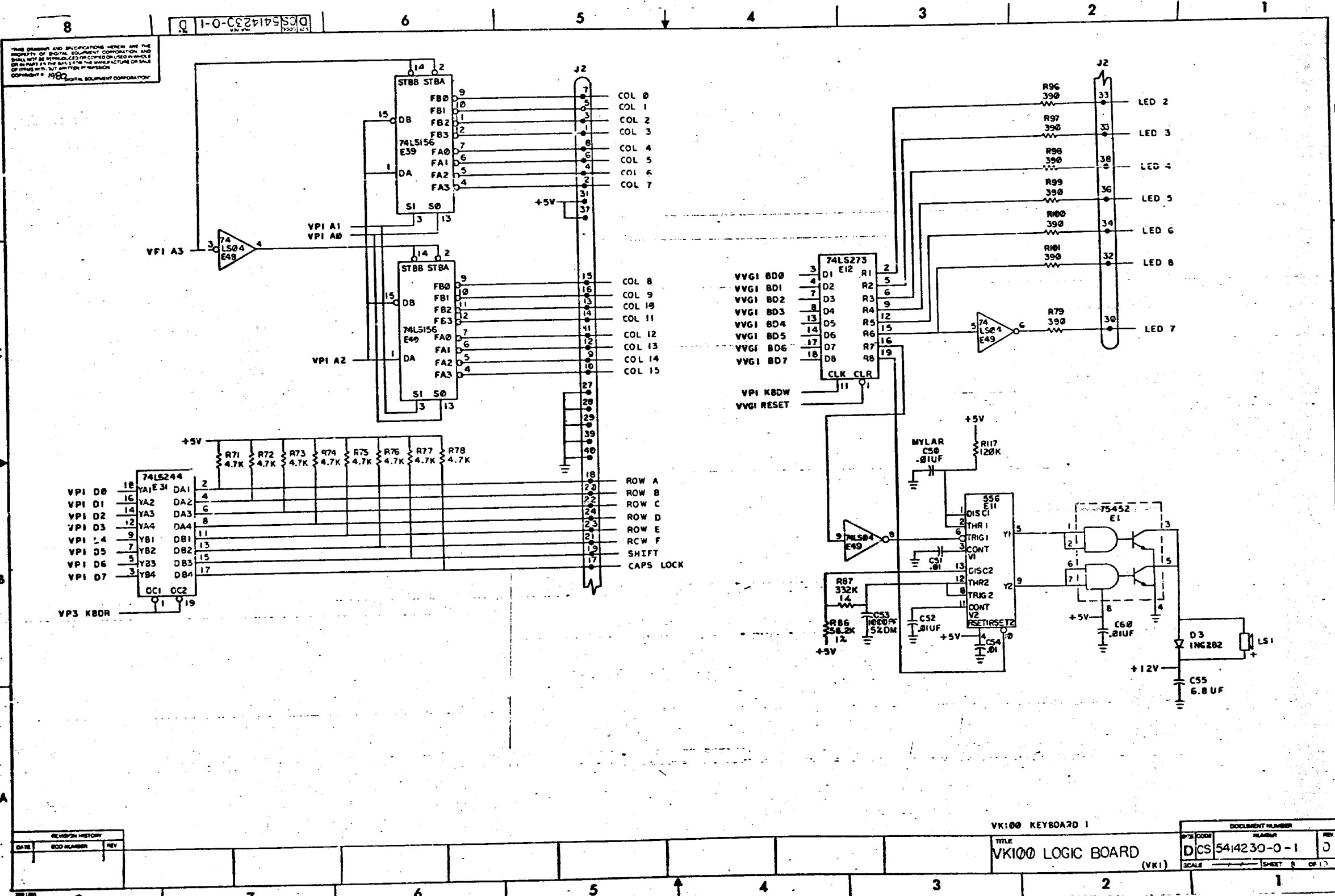


THESE DRAWINGS AND SPECIFICATIONS ARE THE PROPERTY OF DIGITAL EQUIPMENT CORPORATION AND SHALL NOT BE REPRODUCED OR COPIED IN WHOLE OR IN PART AS THE BASIS FOR THE MANUFACTURE OR SALE OF ITEMS WITHOUT THE WRITTEN PERMISSION OF DIGITAL EQUIPMENT CORPORATION. COPYRIGHT © 1970 DIGITAL EQUIPMENT CORPORATION.

REVISION HISTORY		
DATE	ADD NUMBER	REV

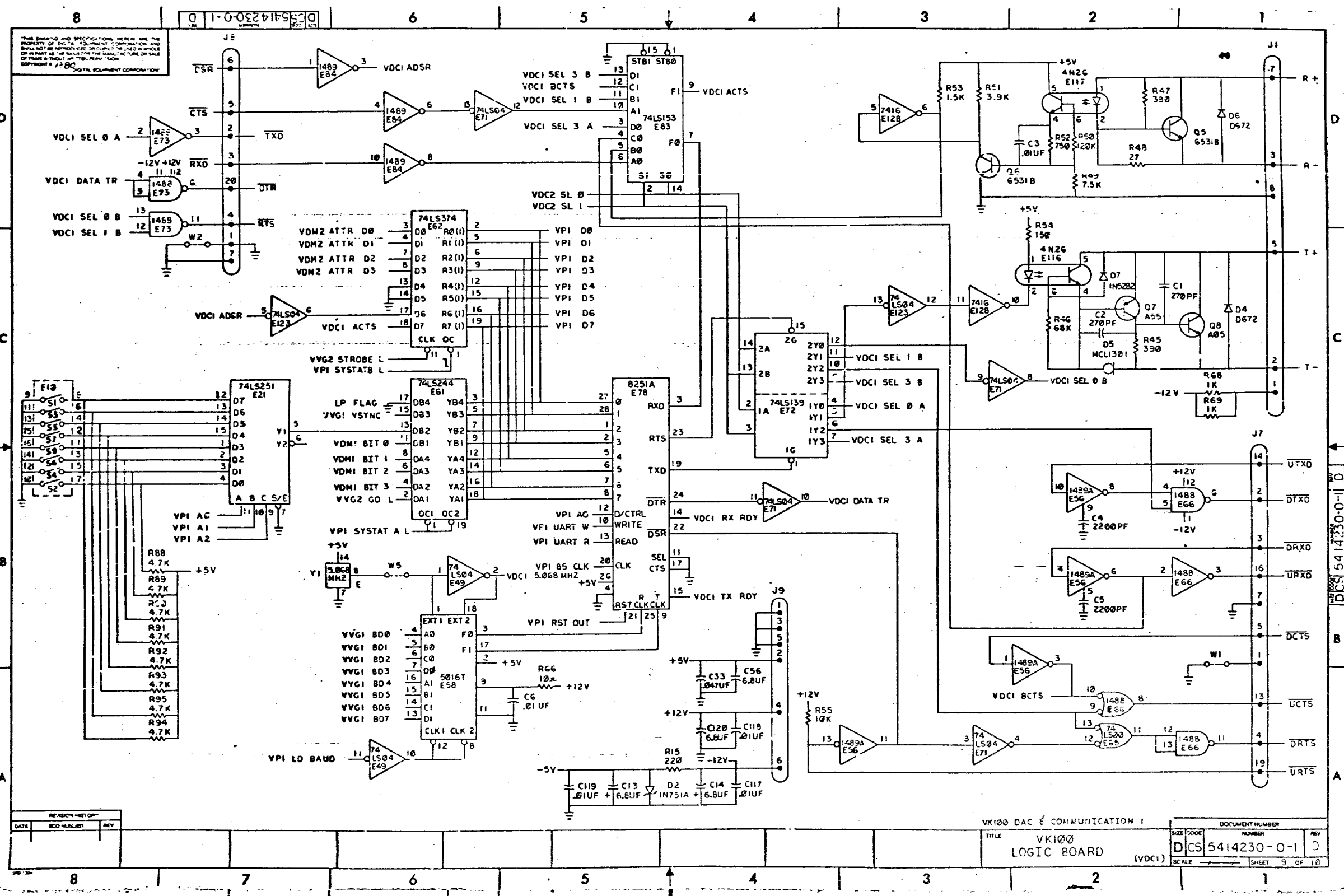
TITLE		DOCUMENT NUMBER	
VK100 LOGIC BOARD (VDM2)		DCS 5414230-0-1	
SCALE	SHEET	OF	TOTAL SHEETS
	7	10	

DCS 5414230-0-1 D



REVISION HISTORY		
DATE	ECO NUMBER	REV

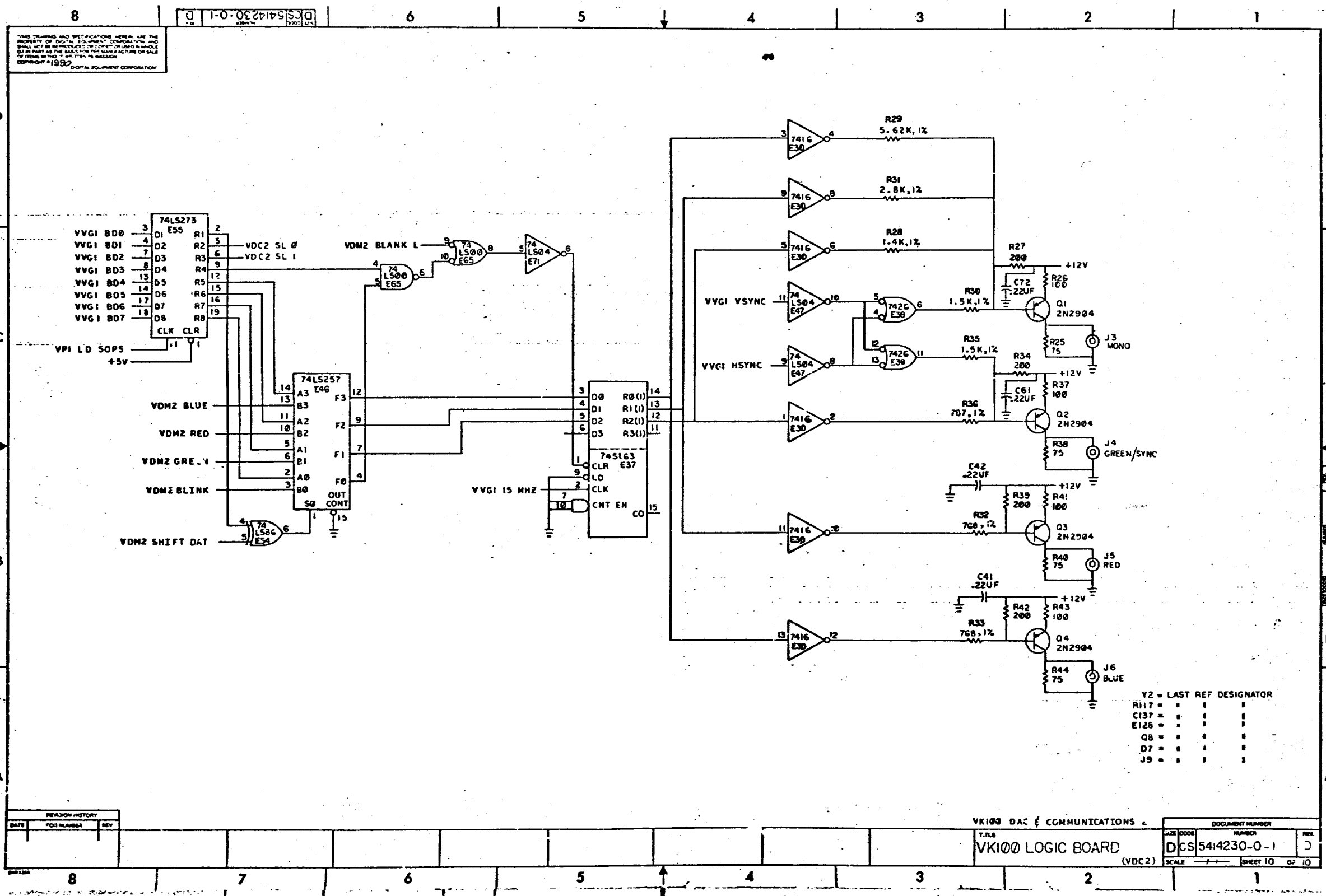
VK100 KEYBOARD I		DOCUMENT NUMBER	
TITLE VK100 LOGIC BOARD (VK1)		PART CODE DCS 5414230-0-1	REVISION D
SCALE		SHEET 8 OF 13	



THE DRAWING AND SPECIFICATIONS HEREIN ARE THE PROPERTY OF DCS. NO PART OF THIS DRAWING OR SPECIFICATIONS SHALL BE REPRODUCED OR TRANSMITTED IN ANY FORM OR BY ANY MEANS, ELECTRONIC OR MECHANICAL, INCLUDING PHOTOCOPYING, RECORDING, OR BY ANY INFORMATION STORAGE AND RETRIEVAL SYSTEM, WITHOUT THE WRITTEN PERMISSION OF DCS. © 1988 DCS. DIGITAL EQUIPMENT CORPORATION.

REVISION HISTORY		
DATE	REV	DESCRIPTION

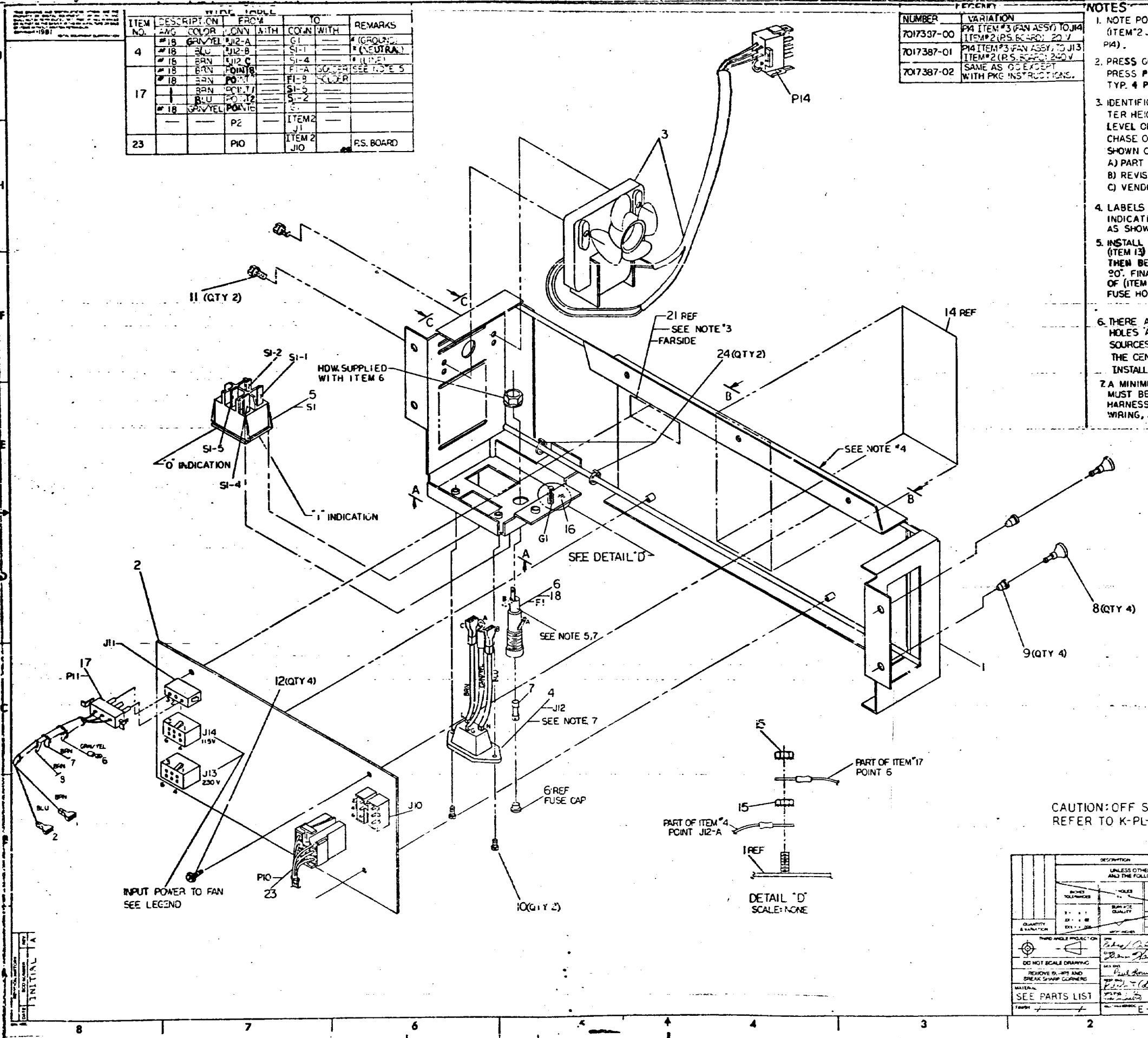
VK100 DAC COMMUNICATION I		DOCUMENT NUMBER	
TITLE VK100 LOGIC BOARD (VDC1)		SIZE D	NUMBER 5414230-0-1
SCALE		SHEET 9 OF 10	



ITEM NO.	DESCRIPTION	FROM		TO		REMARKS
		W/TH	CON	W/TH	CON	
4	#18 GRN/YEL	J12-A		G1		# (GROUND)
	#18 BLU	J12-B		SI-1		# (NEUTRAL)
	#18 BRN	J12-C		SI-4		
	#18 BRN	POINT 6		SI-4		SEE NOTE 5
17	#18 BRN	POINT 6		SI-5		
	#18 BRN	POINT 6		SI-2		
	#18 BRN	POINT 6		SI-1		
	#18 GRN/YEL	POINT 6		SI-4		
23		PIO		ITEM 2		F.S. BOARD

NUMBER	VARIATION
7017387-00	PI4 ITEM #3 (FAN ASSY) TO J14 ITEM #2 (P.S. RECEPT) TO J13
7017387-01	PI4 ITEM #3 (FAN ASSY) TO J13 ITEM #2 (P.S. RECEPT) TO J14
7017387-02	SAME AS 00 EXCEPT WITH PKG INSTRUCTIONS.

- NOTES**
- NOTE POSITION OF (15 VAC) MARKING ON (ITEM #2 J14) FOR PROPER ASSY OF (ITEM #3 PI4).
 - PRESS GROMMET (ITEM #9) INTO HOLE THEN PRESS PLUNGER (ITEM #8) INTO GROMMET. TYP. 4 PLACES.
 - IDENTIFICATION: STAMP USING 1/8 CHARACTER HEIGHT AS INDICATED BELOW TO GHEST LEVEL OF SUBASSEMBLY SPECIFIED ON PURCHASE ORDER AND LOCATE APPROX. AS SHOWN ON DWG
A) PART NUMBER
B) REVISION
C) VENDOR IDENTIFICATION
 - LABELS TO BE APPLIED ON SURFACE INDICATED BY ARROW, APPROXIMATELY AS SHOWN IN VIEW B-B.
 - INSTALL 1 INCH LENGTH SHRINK TUBING (ITEM 13) TO 'A' LOCATION FUSE TERMINAL, THEN BEND 'B' LOCATION FUSE TERMINAL 90°. FINALLY, INSTALL A 2.0 INCH LENGTH OF (ITEM 15) SHRINK TUBING OVER ENTIRE FUSE HOLDER. (ITEM 6)
 - THERE ARE (2) SETS OF FAN MOUNTING HOLES 'A' & 'B' TO ACCOMMODATE MULTIPLE SOURCES, BUT IT MUST BE NOTED THAT THE CENTER FAN HUB MUST ALWAYS BE INSTALLED INTO THE 'C' HOLE.
7A MINIMUM OF .38 INCH CLEARANCE MUST BE MAINTAINED BETWEEN POWER HARNESS, AC RECEPTACLE AND FUSE WIRING, AND FAN IMPELLER BLADE.



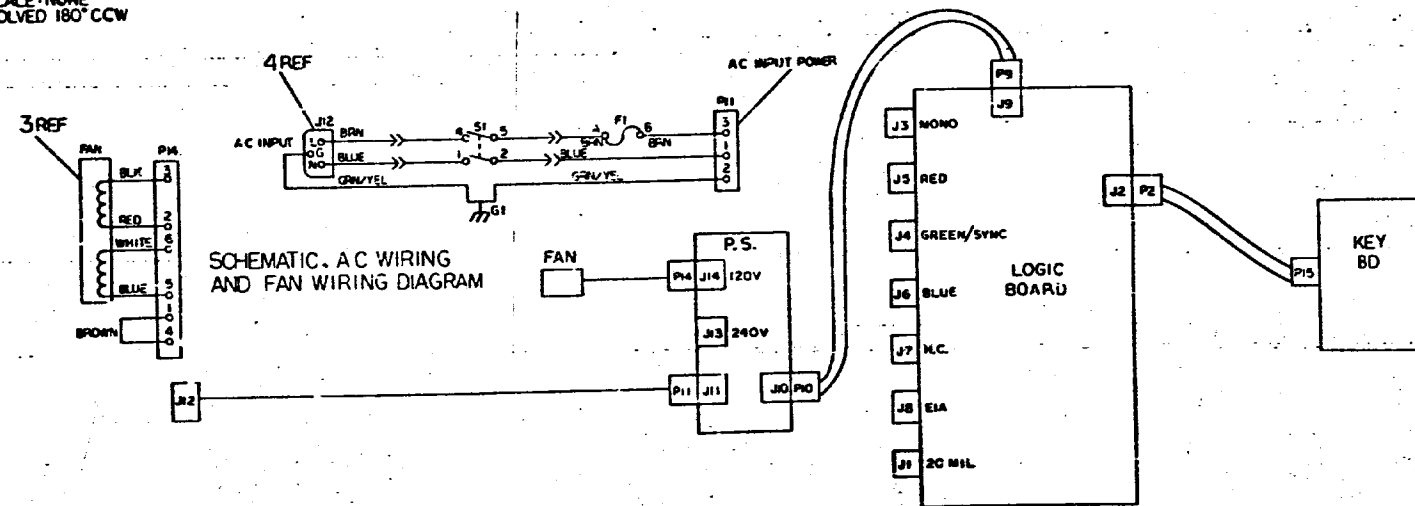
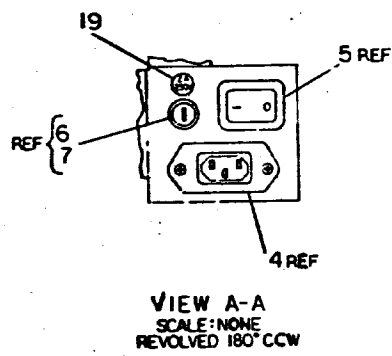
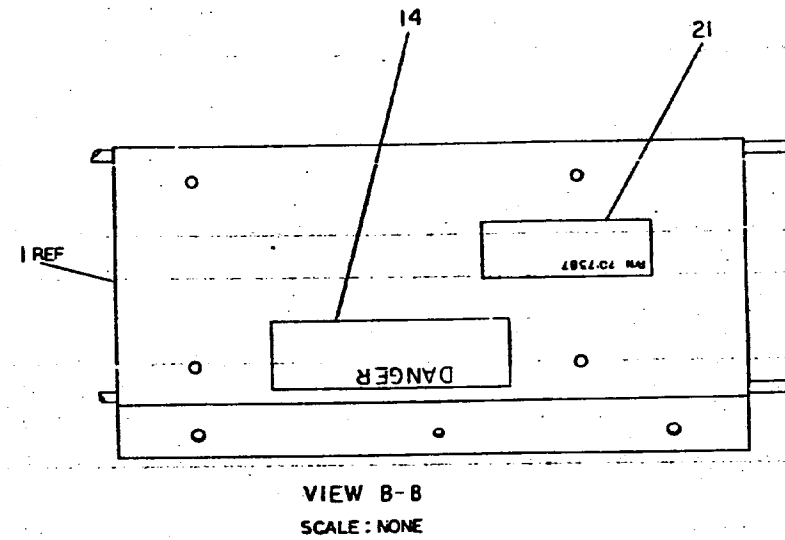
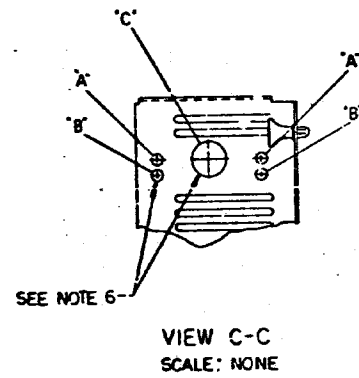
CAUTION: OFF SHEET PARTS LIST EXISTS REFER TO K-PL-7017387-0-DBP

QUANTITY	DESCRIPTION	DRAWING NO.	PART NO.
1	POWER SUPPLY ASSY	E-7017387-0-D	ML3

DATE	BY	CHKD	APP'D	TITLE
12/11/81	Paul Remick	Paul Remick	Paul Remick	POWER SUPPLY ASSY
12/11/81	Paul Remick	Paul Remick	Paul Remick	POWER SUPPLY ASSY
12/11/81	Paul Remick	Paul Remick	Paul Remick	POWER SUPPLY ASSY

INITIALS

THIS DRAWING IS THE PROPERTY OF THE U.S. GOVERNMENT AND IS TO BE REPRODUCED AND TRANSMITTED IN ANY FORM AND BY ANY MEANS, ELECTRONIC OR MECHANICAL, INCLUDING PHOTOCOPYING, RECORDING, OR BY ANY INFORMATION STORAGE AND RETRIEVAL SYSTEM, WITHOUT PERMISSION IN WRITING FROM THE U.S. GOVERNMENT PRINTING OFFICE: 1975 O-300-000-000



DATE	REVISION HISTORY	BY

TITLE	POWER SUPPLY ASSY	DOCUMENT NUMBER	7017387-0-0	REV	A
SCALE	1 ML3	SHEET	2 OF 2		

LINE	ITEM	DOCUMENT NUMBER	PART NUMBER	DESCRIPTION	QUANTITY PER VARIATION		
					00	01	02
1	1	D-IA-7017483-0-0	7017483-00	POWER SUPPLY CHASSIS ASSY.	1	1	-
2	2	A-PS-1216987-0-0	1216987-00	POWER SUPPLY, SWITCHING	1	1	-
3	3	A-PS-1216488-0-0	1216488-01	FAN, ASSY. 120/240V 50-60HZ 2.625	1	1	-
4	4	D-IA-7017411-0-0	7017411-00	AC RECEPTACLE ASSY.	1	1	-
5	5		1217051-00	SW, RKR 2P.16A BLACK, WHITE 1+0	1	1	-
6	6		1216391-00	FUSEHOLDER, 12A, 250V, W/NUT&3AG	1	1	-
7	7		9007215-00	FUSE, REG BLD 2 A, 250V GLASS	1	1	-
8	8		9009964-00	PLUNGER, 5/16 DIA	4	4	-
9	9		9009966-01	GROMMET, SNAP-IN, 5/16 DIA	4	4	-
10	10		9002702-00	SCREW, PAN, SLOT, SEMS 4-40X 3/8	2	2	-
11	11		9006444-00	SCREW, HEX, SLOT, SEMS 10-32X 3/8	2	2	-
12	12		9009967-00	SCREW, HEX, SLOT, SEMS 6-32X .3/2	4	4	-
13	13		9107254-09	TUBING, SHRINK 3/16 DIA. EXP UL A/R A/R	-	-	-
14	14		3616930-00	LABEL, DANGER STORED HIGH VOLTAGE	1	1	-
15	15		9006565-01	NUT, KEP W/WASH 10-32	2	2	-
16	16		3612680-00	DECAL, GROUND SIGN PER 3E6 *	1	1	-
17	17	D-IA-7017388-0-0	7017388-00	AC WIRING HARNESS	1	1	-
18	18		9107685-00	TUBING, SHRINK 1/2 DIA. EXP UL A/R A/R	-	-	-
19	19		3617156-00	LABEL, "2A 250V" FOR VT101	1	1	-
20	20		9007651-00	WASHER, LOCK, EXTERNAL TOOTH #10	1	1	-
21	21		9009255-00	LABEL, POWER SUPPLY, 2-15/16 " L	1	1	-
22	22	A-SP-3700545-0-0	3700545-05	TERMINAL, GRAPHICS VK100 (GIGI)	-	-	1
23	23	D-IA-7017389-0-0	7017389-0J	CABLE, D.C. POWER	1	1	-
24	24		9007031-00	TIE, CABLE BUNDL. DIA 0- 3/4" =101	2	2	-
25	25	D-UA-7017387-0-0	7017387-00	POWER SUPPLY ASSY 120V	-	-	1

REVISION HISTORY		BASIC PART NO: 7017387		DRN: PEDRO ORTIZ <i>PO</i>		DATE: 18-OCT-79		DIGITAL	
ENG	ECO NUMBER	REV	SECTION A OF A	CHK'D:	D. HEALY <i>DH</i>	DATE:	13-APR-81	TITLE PARTS LIST	
	INITIAL	A	SECTION. VARIATION INDEX					POWER SUPPLY ASSY.	
			[A] 00,01,02					DOCUMENT NUMBER	
			[B]	DES.ENG.:	P. LORUSSO <i>PL</i>	DATE:	24-FEB-81		
			[C]	RESP.ENG.:	R.T. COLLINS <i>RTC</i>	DATE:	24-FEB-81	SIZE CODE NUMBER REV	
			[D]					K PL 7017387-0-DBP A	
			[E]	MFG.ENG.:	J.S. CRABTREE <i>JSC</i>	DATE:	13-APR-81		
			[F]	ASSEMBLY NUMBER:	E-AD-7017387-0-0	TOP DOCUMENT NUMBER:	E-VA-VK100-0-0	FILE NAME:	Z0956A.PLS
								EDIT #:	10

"THIS DRAWING AND SPECIFICATIONS HEREIN, ARE THE PROPERTY OF DIGITAL EQUIPMENT CORPORATION AND SHALL NOT BE REPRODUCED OR COPIED OR USED IN WHOLE OR IN PART AS THE BASIS FOR THE MANUFACTURE OR SALE OF ITEMS WITHOUT WRITTEN PERMISSION. COPYRIGHT (C) 1981. DIGITAL EQUIPMENT CORPORATION"

DIGITAL EQUIPMENT CORPORATION PARTS LIST

MADE BY D. HEALY <i>DA</i>	CHECKED PAUL LORUSSO <i>PL</i>	SECTION A
DATE 14 JAN. 81	DATE 14 JAN 81	
ENG D. HEALY <i>DA</i>	PROD V. Scabtree	ISSUED SECTION A
DATE 6 MAR. 81	DATE	

QUANTITY / VARIATION

NOTES:

ITEM NO.	DRAWING NO.	PART NO.	DESCRIPTION	VK100-AA	VK100-AB											REF DESIGNATION			
1	EK-VK100-1W-001	EK-VK100-IN	GUIDE, USERS VK100	1	1														
2	A-PS-3618307-0-0	3618307-05	BOOKLET, FCC STATEMENT, WITH POUCH	1	-														
3		VK100-AA	TERMINAL, GRAPHICS, VK100 W/115V PLUG	1	-														
4		VK100-AB	TERMINAL, GRAPHICS, VK100 W/230V PLUG	-	1														
5		1700223-00	RGB CABLE BC 26M-05	1	1														
6		AA-K335A-TK	GIGI/BASIC MANUAL	1	1														
7		AA-K336A-TK	GIGI/REGIS HANDBOOK	1	1														
8	EK-VK100-RC-001	EK-VK100-RC	SET UP REFERENCE CARD	1	1														
9	EK-OGIGI-RC-001	EK-OGIGI-RC	PROGRAM REFERENCE CARD	1	1														

E.C.O. NO.

THIS DRAWING AND SPECIFICATIONS, HEREIN, ARE THE PROPERTY OF DIGITAL EQUIPMENT CORPORATION AND SHALL NOT BE REPRODUCED OR COPIED OR USED IN WHOLE OR IN PART AS THE BASIS FOR THE MANUFACTURE OR SALE OF ITEMS WITHOUT WRITTEN PERMISSION. COPYRIGHT © 1981 DIGITAL EQUIPMENT CORPORATION	TITLE VK100 SHIPPING LIST	ASSY NO. E-UA-VK100-6-6	SIZE B	CODE PL	NUMBER VK100-6	REV. A
SHEET A1 OF A1		INSERTION PARTS LIST DATA BASE REV				

ML3