

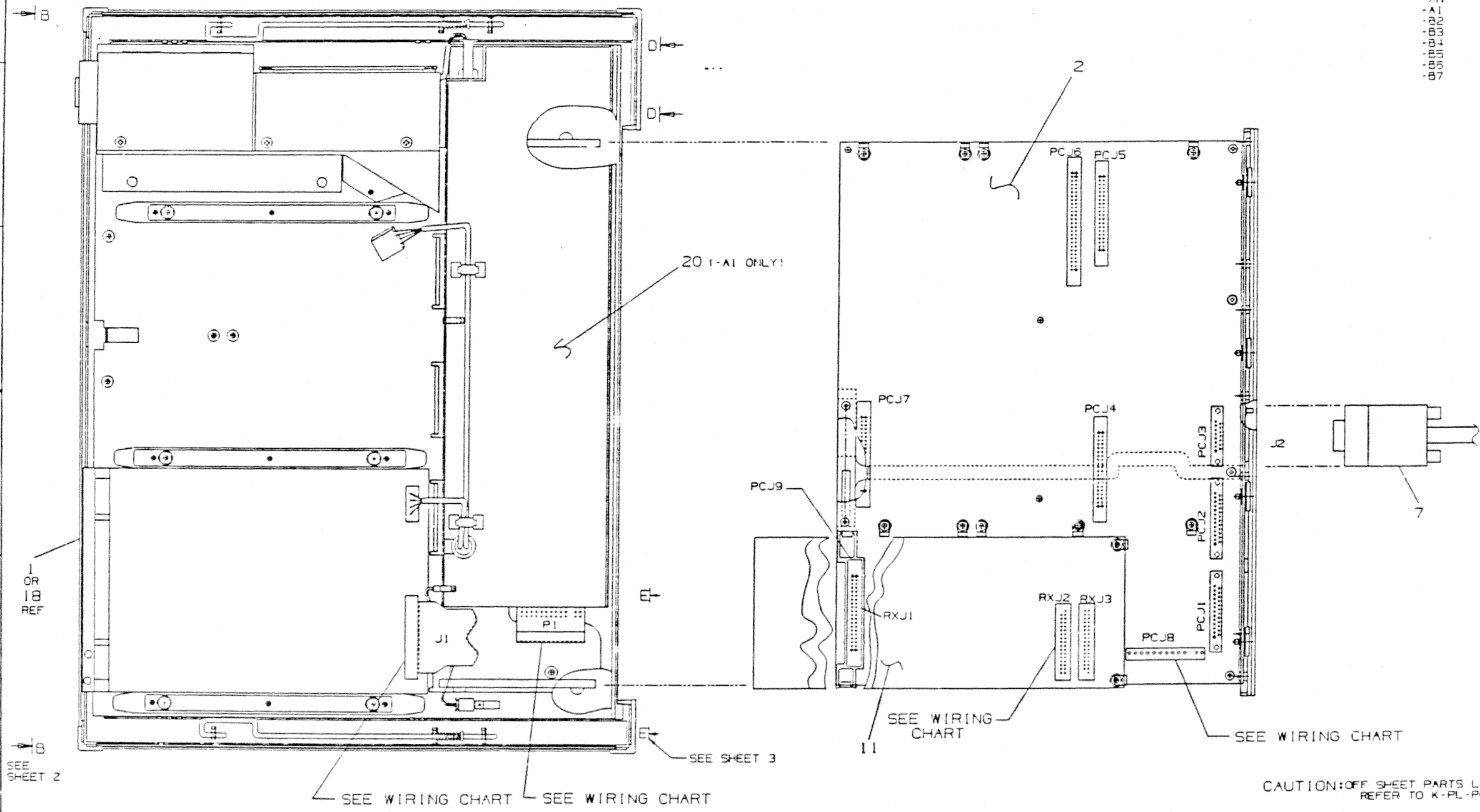
THIS DRAWING IS THE PROPERTY OF THE COMPANY AND IS NOT TO BE REPRODUCED OR TRANSMITTED IN ANY FORM OR BY ANY MEANS, ELECTRONIC OR MECHANICAL, INCLUDING PHOTOCOPYING, RECORDING, OR BY ANY INFORMATION STORAGE AND RETRIEVAL SYSTEM. THE COMPANY ASSUMES NO LIABILITY FOR DAMAGES OF ANY KIND, INCLUDING CONSEQUENTIAL DAMAGES, ARISING FROM THE USE OF THIS DRAWING.

WIRING CHART			
ITEM NO.	FROM	TO	REMARKS
	J1 (BA25-B1) PART OF ITEM 1	RXJ2 (5415482-001) PART OF ITEM 11	J1 USED TO IDENTIFY CABLE
39	P1 (BA25-B1) PART OF ITEM 1	PCJ8 (5415486-011) PART OF ITEM 2	P1 USED TO IDENTIFY CABLE
7		PCJ3 (5415486-011) PART OF ITEM 2	CONNECTION SHOWN AS REFERENCE, DO NOT CONNECT BEFORE SHIPPING, SHIP SEPARATELY.

LEGEND		
PART NUMBER	REV	DESCRIPTION
PC100-A THRU -AN	SEE 00	AS SHOWN

- NOTES:
- ITEM #33 NOT SHOWN ON THIS ASSY WILL BE SHIPPED SEPARATELY AND INSTALLED AT CUSTOMER SITE.
 - PLACE ITEM 17 OR 22 OR 33 OR 34 OR 35 OR 36 OVER A.C. POWER INLET.
 - ITEM #15, QTY OF 2 TO BE SHIPPED LOOSE PIECE, QUANTITY OF 2 WILL BE PLACED ON SHIPPING CONTAINER. MARK ITEM 16, BLANK BAR CODE LABEL, WITH PART NO. AND PART REVISION PER DEC. PACKAGING LOGO SPECIFICATION 9905210.
 - THE POWER SUPPLY VOLTAGE SELECT SWITCH MUST BE IN THE PROPER POSITION AS INDICATED:

-VARIATION	SWITCH POSITION
-A	115V
-AN	115V
-A1	115V
-B2	115V
-B3	230V
-B4	230V
-B5	230V
-B6	230V
-B7	230V



OR 18 REF

SEE SHEET 2

ITEM 1 SHOWN WITH COVER REMOVED

SEE WIRING CHART SEE WIRING CHART

SEE SHEET 3

SEE WIRING CHART

SEE WIRING CHART

CAUTION: OFF SHEET PARTS LIST EXISTS REFER TO K-PL-PC100-0-DBP

REV	DESCRIPTION	DATE	BY
1	INITIAL ISSUE	8-DEC-92	S. AZEVEDO
2	REVISED	8-DEC-92	S. AZEVEDO
3	REVISED	8-DEC-92	S. AZEVEDO
4	REVISED	8-DEC-92	S. AZEVEDO
5	REVISED	8-DEC-92	S. AZEVEDO
6	REVISED	8-DEC-92	S. AZEVEDO
7	REVISED	8-DEC-92	S. AZEVEDO

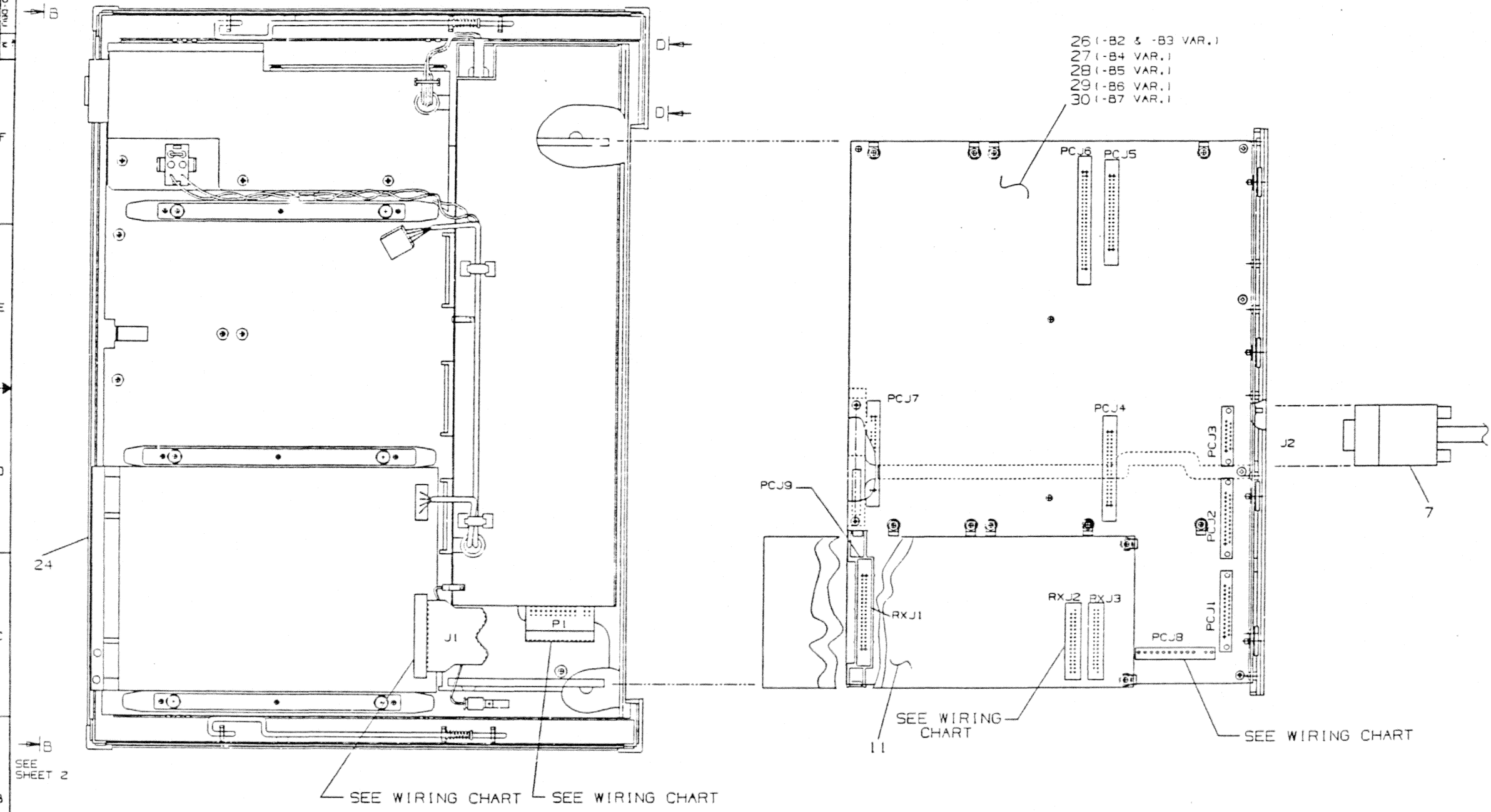
DESCRIPTION	DRAWING NO.	PART NO.	REV.
UNLESS OTHERWISE SPECIFIED DIMENSIONS ARE IN INCHES AND THE FOLLOWING TOLERANCES APPLY (PER DEC 510 114)			
FRONT VIEW			
RIGHT VIEW			
TOP VIEW			
LEFT VIEW			
BACK VIEW			
ISOMETRIC			
SECTION			
OTHER			
QUANTITY			
VARIATION			
THIRD ANGLE PROJECTION			
DESIGNED BY	S. AZEVEDO	DATE	27-JAN-92
DRAWN BY	S. AZEVEDO	DATE	8-DEC-92
CHECKED BY	D. MOURA	DATE	8-DEC-92
APPROVED BY	F. CHALUIS	DATE	8-DEC-92
MATERIAL		SEE PARTS LIST	
FINISH	B-LO-PC100-0	DOCUMENT NUMBER	EUA-PC100-0-DBP
SCALE		SHEET	1 OF 1

THIS DRAWING AND THE INFORMATION CONTAINED HEREIN ARE THE PROPERTY OF THE UNITED STATES GOVERNMENT AND SHALL NOT BE REPRODUCED OR TRANSMITTED IN ANY FORM OR BY ANY MEANS, ELECTRONIC OR MECHANICAL, INCLUDING PHOTOCOPYING, RECORDING, OR BY ANY INFORMATION STORAGE AND RETRIEVAL SYSTEM, WITHOUT PERMISSION IN WRITING FROM THE UNITED STATES GOVERNMENT.

WIRING CHART

ITEM NO.	FROM	TO	REMARKS
	J1 (BA25-B1) PART OF ITEM 24	RXJ2 (5415-B2-001) PART OF ITEM 11	J1 USED TO IDENTIFY CABLE
39	P1 (BA25-B1) PART OF ITEM 24	PCJ3 PART OF CPU ASSY.	P1 USED TO IDENTIFY CABLE
7		PCJ3 PART OF CPU ASSY.	CONNECTION SHOWN AS REFERENCE. DO NOT CONNECT BEFORE SHIPPING. SHIP SEPARATELY.

LEGEND		
PART NUMBER	REV	DESCRIPTION
PC100-B2 THRU -B7	SEE 00	AS SHOWN



- 26 (-B2 & -B3 VAR.)
- 27 (-B4 VAR.)
- 28 (-B5 VAR.)
- 29 (-B6 VAR.)
- 30 (-B7 VAR.)

SEE SHEET 2

ITEM 24 SHOWN WITH COVER REMOVED

SEE WIRING CHART

SEE WIRING CHART

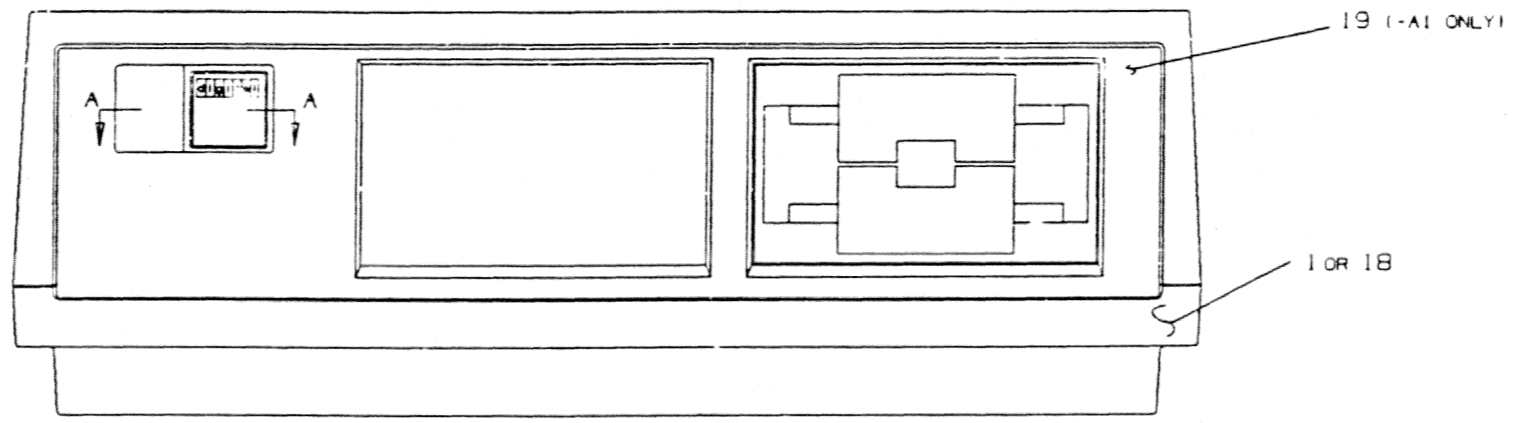
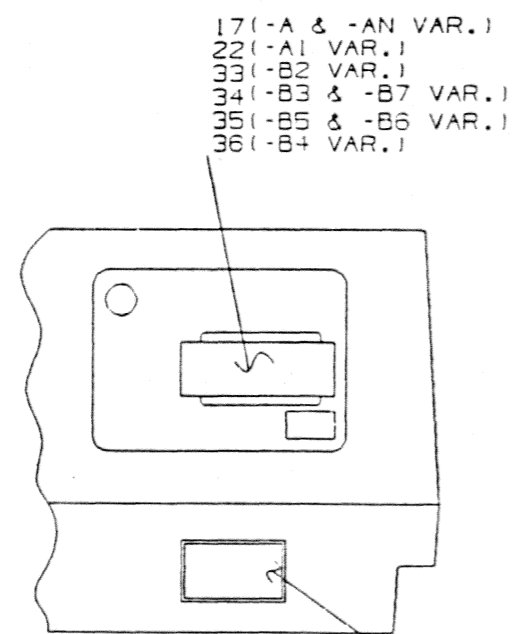
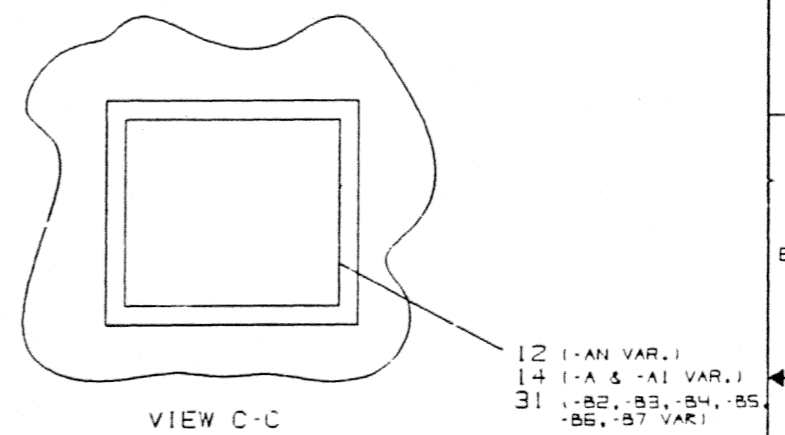
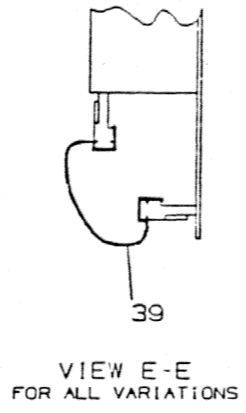
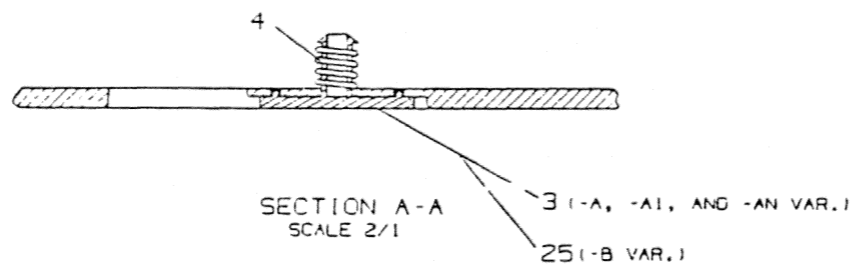
REVISION HISTORY		
DATE	BY	REV

TITLE
RAINBOW

DOCUMENT NUMBER		
STOCK NUMBER	REVISION	REV
EUA	PC100-0-CBU	M
SCALE 1:1		SHEET 2 OF 3

THIS DRAWING AND SPECIFICATIONS HEREAFTER ARE THE PROPERTY OF DIGITAL EQUIPMENT CORPORATION AND SHALL NOT BE REPRODUCED, COPIED OR USED IN WHOLE OR IN PART FOR ANY PURPOSES WITHOUT THE WRITTEN PERMISSION OF DIGITAL EQUIPMENT CORPORATION.

LEGEND		
PART NUMBER	REV	DESCRIPTION
PC100-A THRU -AN	SEE 00	AS SHOWN
PC100-B2 THRU -B7	SEE 00	AS SHOWN



21 (-A1 VAR.)

40 (-B2 THRU -B7 VAR.)
(-A & -AN VAR.)

REVISION HISTORY		
DATE	REV HISTORY	REV
	SEE SHEET 1	

DOCUMENT NUMBER		
ST. SYMBOL	NUMBER	REV
EJUA	PC100-0-DBU	1
SCALE	1/1	(SHEET 2 OF 2)

J
I
H
G
F
E
D
C
B
A

J
I
H
G
F
E
D
C
B
A

8 7 6 5 4 3 2 1

LINE ITEM	TOP DOCUMENT	PART NUMBER	MIN REV	DESCRIPTION	QUANTITY PER VARIATION/REVISION									
					A A7	A1 A6	AN A7	B2 A2	B3 A3	B4 A2	B5 A2	B6 A2	B7 A2	
1	E-UA-BA25-0-0	BA25 -B		BA25-A,RX50-AA,H7842-A,120/240V	1	-	1	-	-	-	-	-	-	-
2	D-AD-7019974-0-DBU	70-19974-00		CPU ASSY, RAINBOW 100	1	1	1	-	-	-	-	-	-	-
3	D-IA-7427256-0-DBU	74-27256-03		MEDALLION,RAINBOW 100	1	1	1	-	-	-	-	-	-	-
4		12-20113-01		SPRING,COMPRESSION .3000DX .380LG	1	1	1	1	1	1	1	1	1	1
5		90-10318-02		*** THIS ITEM IS NOT USED ***	-	-	-	-	-	-	-	-	-	-
6	A-PA-3700695-0-0	37-00695-02		PKG SYSTEM PC100-A CUSTOMER SMALL	1	1	1	-	-	-	-	-	-	-
7		17-00283-00		CABLE ASSY,07 COND,MOLD,SHLD 15S	1	1	1	1	1	1	1	1	1	1
8		36-20218-01		*** THIS ITEM IS NOT USED ***	-	-	-	-	-	-	-	-	-	-
9		36-17905-01		*** THIS ITEM IS NOT USED ***	-	-	-	-	-	-	-	-	-	-
10		36-20215-02		*** THIS ITEM IS NOT USED ***	-	-	-	-	-	-	-	-	-	-
11	E-UA-5415482-0-0	54-15482-00		PC100 RX50 CONTROLLER	1	1	1	1	1	1	1	1	1	1
12		36-20218-05		LABEL,REGULATIONS,PC INTERIM	-	-	1	-	-	-	-	-	-	-
13		17-00289-00		*** THIS ITEM IS NOT USED ***	-	-	-	-	-	-	-	-	-	-
14		36-20218-07		LABEL,PC100	1	1	-	-	-	-	-	-	-	-
15				*** THIS ITEM IS NOT USED ***	-	-	-	-	-	-	-	-	-	-
16		36-18460-06		LABEL,BAR CODE BLANK .50 X4.0	4	4	4	4	4	4	4	4	4	4
17		36-16157-00		LABEL,CORRECT VOLTAGE SETTING,CAUT	1	-	1	-	-	-	-	-	-	-
18	E-UA-BA25-0-0	BA25 -A		SMALL SYSTEM UNIT ENCLOSURE	-	1	-	-	-	-	-	-	-	-
19	E-UA-RX50-0-DBU	RX50 -AA		DUAL 5.25" SINGLE SIDED FLOPPY DRI	-	1	-	-	-	-	-	-	-	-
20	E-UA-H7842-0-0	H7842-B		H7842-A EXCEPT 120V ONLY	-	1	-	-	-	-	-	-	-	-
21		36-20215-08		LABEL,PWR.RATING CT 120V 3.0A	-	1	-	-	-	-	-	-	-	-
22		36-21750-01		LABEL,PERMANENTLY SET FOR 120V	-	1	-	-	-	-	-	-	-	-
23		17-00402-01		CABLE ASSY 16COND 26AWG 10'LG	1	1	1	1	1	1	1	1	1	1
24	E-UA-BA25-0-0	BA25 -CB		BA25-CA,RX50-AA,H7842-D,120/240V	-	-	-	1	1	1	1	1	1	1
25	D-IA-7427256-0-DBU	74-27256-06		MEDALLION WITH SCRIPT,RAINBOW	-	-	-	1	1	1	1	1	1	1
26	D-AD-7019974-0-DBU	70-19974-02		CPU ASSY, RAINBOW 100B LANG CL1	-	-	-	1	1	-	-	-	-	-
27	D-AD-7019974-0-DBU	70-19974-03		CPU ASSY, RAINBOW 100B LANG CL2	-	-	-	-	-	1	-	-	-	-
28	D-AD-7019974-0-DBU	70-19974-04		CPU ASSY, RAINBOW 100B LANG CL3	-	-	-	-	-	-	1	-	-	-
29	D-AD-7019974-0-DBU	70-19974-05		CPU ASSY, RAINBOW 100B LANG CL4	-	-	-	-	-	-	-	1	-	-
30	D-AD-7019974-0-DBU	70-19974-06		CPU ASSY, RAINBOW 100B LANG CL5	-	-	-	-	-	-	-	-	1	-
31		36-20218-09		LABEL,PC100-B	-	-	-	1	1	1	1	1	1	1
32		36-20218-12		*** THIS ITEM IS NOT USED ***	-	-	-	-	-	-	-	-	-	-

REVISION HISTORY			KPL MATRIX FORMAT			SECTION A OF A			DRN: S. AZEVEDO			
ENG	ECO NUMBER	REV	SECTION/VARIATION INDEX			DATE: 23-JUL-82			D I G I T A L			
---	INITIAL	A	[A]	A	A1,AN,B2,B3,B4,B5,B6,B7	CHK'D: D. HEALY			TITLE PARTS LIST			
DD	PC100-ML001	B	[B]			DATE: 08-DEC-82			RAINBOW			
FC	PC100-ML002	C	[C]			DES.ENG: D. MOORE						
FC	PC100-ML003	D	[D]			DATE: 08-DEC-82			DOCUMENT NUMBER			
FC	PC100-ML005	E	[E]			RESP.ENG.: F. CHALOUX			SIZE	CODE	NUMBER	REV
FC	PC100-ML006	F	[F]			DATE: 08-DEC-82			K	PL	PC100-0-DBP	M
AJ	PC100-ML007	H	[H]			MFG.ENG: B. PORTER			RELEASE DATE: 14-MAY-86			
AJ	PC100-ML008	J	[J]			DATE: 08-DEC-82			RELEASE STATUS: RELEASED			
AJ	PC100-ML010	K										
AJ	PC100-ML0011	L										
AJ	PC100-ML0012	M										
BASIC PART NUMBER:			ASSEMBLY NUMBER:			TOP DOCUMENT NUMBER:			FILE NAME:			EDIT #
PC100			E-UA-PC100-0-DBU			B-DD-PC100-0			Z5232M.PLS			6

"THIS DRAWING AND THE SPECIFICATIONS CONTAINED HEREIN ARE CONFIDENTIAL AND PROPRIETARY. THEY ARE THE PROPERTY OF DIGITAL EQUIPMENT CORPORATION AND SHALL NOT BE REPRODUCED OR COPIED OR USED IN WHOLE OR IN PART AS THE BASIS FOR THE MANUFACTURE OR SALE OF ITEMS WITHOUT WRITTEN PERMISSION. THIS IS AN UNPUBLISHED WORK PROTECTED UNDER THE FEDERAL COPYRIGHT LAWS."

LINE ITEM	TOP DOCUMENT	PART NUMBER	MIN REV	DESCRIPTION	QUANTITY PER VARIATION/REVISION								
					A A7	A1 A6	AN A7	B2 A2	B3 A3	B4 A2	B5 A2	B6 A2	B7 A2
33	33	36-17905-07		LABEL,EQUIP SET 100-120V ENG,FR,SP	-	-	-	1	-	-	-	-	-
34	34	36-17905-09		LABEL,EQUIP SET 220-240V ENG,FR,GE	-	-	-	-	1	-	-	-	1
35	35	36-17905-11		LABEL,EQUIP SET 220-240V ENG,SWD,D	-	-	-	-	-	-	1	1	-
36	36	36-17905-12		LABEL,EQUIP SET 220-240V ENG,FR,GE	-	-	-	-	-	1	-	-	-
37	37 A-PA-3700695-0-0	37-00695-05		PKG SYSTEM PC100-B CUSTOMER	-	-	-	1	1	1	1	1	1
38	38	36-20215-09		*** THIS ITEM IS NOT USED ***	-	-	-	-	-	-	-	-	-
39	39	17-00318-02		CABLE ASSY,13 COND,FLAT (1X13)RE	1	1	1	1	1	1	1	1	1
40	40	36-20215-13		LABEL,PWR.RATING CT PC278	1	-	1	1	1	1	1	1	1

3 GEN: 3620218-10 IS A REQUIRED ALTERNATE FOR ITEM 14 (WHEN MFG AT ZGO)
 4 GEN: 3620218-11 IS A REQUIRED ALTERNATE FOR ITEM 31 (WHEN MFG AT ZGO)
 5 GEN: 36-20215-12 IS REQUIRED FOR 3620215-13(WHEN MFG AT ZGO)

D	I	G	I	T	A	L	TITLE	SECTION A OF A	SIZE	CODE	DOCUMENT NUMBER	REV
							RAINBOW		K	PL	PC100-0-DBP	M

DRAWING NO.	NO. OF SHTS.	PART NO.	DESCRIPTION	REVISIONS															
				A1	A2	A3	A4	A4	A5	A5	A6	A6	A6	A6	A7				
		PC100-A	PERSONAL COMPUTER, Z80 & 8088 64KB RAM, 24x80/132 CHARACTERS, Rx50 FLOPPY, PRINTER PORT, ASYNC/ SYNC PORT, 120/240V																
		PC100-AN	NON FCC COMPLAINT PC100-A, 120/240V																
		PC100-A1	PC100-A EXCEPT 120V ONLY																
		PC100-B2	PERSONAL COMPUTER, Z80 & 8088, 128KB RAM, 24x80/132 CHARACTERS, Rx50 FLOPPY, 120, ENGLISH-GERMAN- FRENCH																
		PC100-B3	PERSONAL COMPUTER, Z80 & 8088, 128KB RAM, 24x80/132 CHARACTERS, Rx50 FLOPPY, PRINTER PORT, ASYNC/ SYNC PORT, 240V, ENGLISH-GERMAN- FRENCH																
		PC100-B4	PERSONAL COMPUTER, Z80 & 8088, 128KB RAM, 24x80/132 CHARACTERS, Rx50 FLOPPY PRINTER PORT, ASYNC/SYNC PORT, 240V, ENGLISH-DUTCH-FRENCH																

NOTES:

REVISION HISTORY	DATE	ECO NO.	REV.	A	A	A	A	B	B	C	C	D	E	F	H
				INITIAL	ML001	ML002	ML003	ML004	ML005	ML006	ML007	ML008	ML010	ML011	ML0012

THIS DRAWING AND THE SPECIFICATIONS CONTAINED HEREIN ARE CONFIDENTIAL AND PROPRIETARY. THEY ARE THE PROPERTY OF DIGITAL EQUIPMENT CORPORATION AND SHALL NOT BE REPRODUCED OR COPIED OR USED IN WHOLE OR IN PART AS THE BASIS FOR THE MANUFACTURE OR SALE OF ITEMS WITHOUT WRITTEN PERMISSION. THIS IS AN UNPUBLISHED WORK PROTECTED UNDER THE FEDERAL COPYRIGHT LAWS.



DRN. D. HEALY	DATE 02 DEC 82	TITLE RAINBOW
CHK'D D. HEALY	DATE 02 DEC 82	DOCUMENT NUMBER
DES. ENG. F. CHALOUX	DATE 02 DEC 82	NUMBER PC100-0
RESP. ENG. F. CHALOUX	DATE 02 DEC 82	REV. H
MFG. ENG. B. PORTER	DATE 02 DEC 82	SHEET 1 OF 2

H REV	0-00-0 NUMBER	DD CODE	B SIZE
----------	------------------	------------	-----------

DRAWING NO.	NO. OF SHTS.	PART NO.	DESCRIPTION	REVISIONS															
		PC100-B5	PERSONAL COMPUTER, Z80 & 8088, 128KB									A1	A2	A2	A2				
			RAM, 24x80/132 CHARACTERS, R _x 50																
			FLOPPY, PRINTER PORT, ASYNC/SYNC																
			PORT, 240V, ENGLISH-FINNISH-SWEDISH																
		PC100-B6	PERSONAL COMPUTER, Z80 & 8088, 128KB									A1	A2	A2	A2				
			RAM, 24x80/132 CHARACTERS, R _x 50																
			FLOPPY, PRINTER PORT, ASYNC/SYNC																
			PORT, 240V, ENGLISH-DANISH-NORWEGIAN																
		PC100-B7	PERSONAL COMPUTER, Z80 & 8088, 128KB									A1	A2	A2	A2				
			RAM, 24x80/132 CHARACTERS, R _x 50																
			FLOPPY, PRINTER PORT, ASYNC/SYNC																
			PORT, 240V, ENGLISH-SPANISH-ITALIAN																
E-UA-PC100-0-DBU			RAINBOW	A	B	C	D	D	E	F	H	J	K	L	M				
K-PL-PC100-0-DBP			RAINBOW (PL)	A	B	C	D	D	E	F	H	J	K	L	M				
B-TC-PC100-0-1			RAINBOW (TC)	A	A	A	A	A	A	B	B	B	B	B	B				
A-SP-PC100-0-0			PC100-B SYSTEM SPECIFICATION					A	A	A	A	A	A	A	A				
MP-01491-00			RAINBOW PC100-B (MP)	REF	REF	REF	REF	REF	REF	REF	REF	REF	REF	REF	REF				

NOTES:

REVISION HISTORY		REV.	A	A	A	A	B	B	C	C	D	E	F	H
DATE	ECONO.	INITIAL	ML001	ML002	ML003	ML004	ML005	ML006	ML007	ML008	ML010	ML011	ML0012	
										12 APR 84				
										30 NOV 84				
										31 DEC 84				
										06 May 86				



TITLE: RAINBOW

DOCUMENT NUMBER: NUMBER PC100-0 REV. H

SHEET 2 OF 2

DRAWING NO.	NO. OF SHTS.	PART NO.	DESCRIPTION	REVISIONS															
				A	B	C	D	E	E	E	E	F	F	F	F	F	F	F	F
		5415486-00	PC100 MOTHER BOARD	A	B	C	D	E	E	E	E	F	F	F	F	F	F		
E-UA-5415486-0-0	1		PC100 MOTHER BOARD	A	B	C	D	E	E	E	E	F	F	F					
D-CS-5415486-0-1	13		PC100 MOTHER BOARD	A	B	C	D	E	E	E	E	F	F	F					
K-PL-5415486-0-DBP	4		PC100 MOTHER BOARD	A	B	C	D	E	E	E	E	F	H	J					
K-PC-5415486-0-DBC			PC DESIGN DATA BASE	E	E	E	E	F	F	F	F	F	F	F					
		5015485-00	ETCHED CIRCUIT BOARD	E	E	E	E	F	F	F	F	F	F	F					
D-MD-5015485-0-0	4		CIRCUIT DRILL & ETCH DRAWING	A	A	A	A	B	B	B	B	B	B	B					
E-EC-5015485-0-0	1		ETCH CUT DRAWING	A	B	C	D	E	E	E	E	E	E	E					
E-UA-5415486-0-0	1		PC100 MOTHER BOARD	-	-	-	-	-	DI	D2	D2	D2	D2						
D-CS-5415486-0-1	13		PC100 MOTHER BOARD	-	-	-	-	-	DI	D2	D2	D2	D2						
K-PL-5415486-0-DBP	4		PC100 MOTHER BOARD	-	-	-	-	-	DI	D2	D2	D2	D2						

NOTES:

REVISIONS		A	B	C	D	E	F	H	J	K	L
DATE	CHG NO.	INIT	ML001	ML002	ML003	ML004	ML005	ML006	ML007	ML008	ML009
6-82											
10-82											
11-82											
12-82											
2-83											
5-83											
7-83											
11-83											
7-84											
1-85											

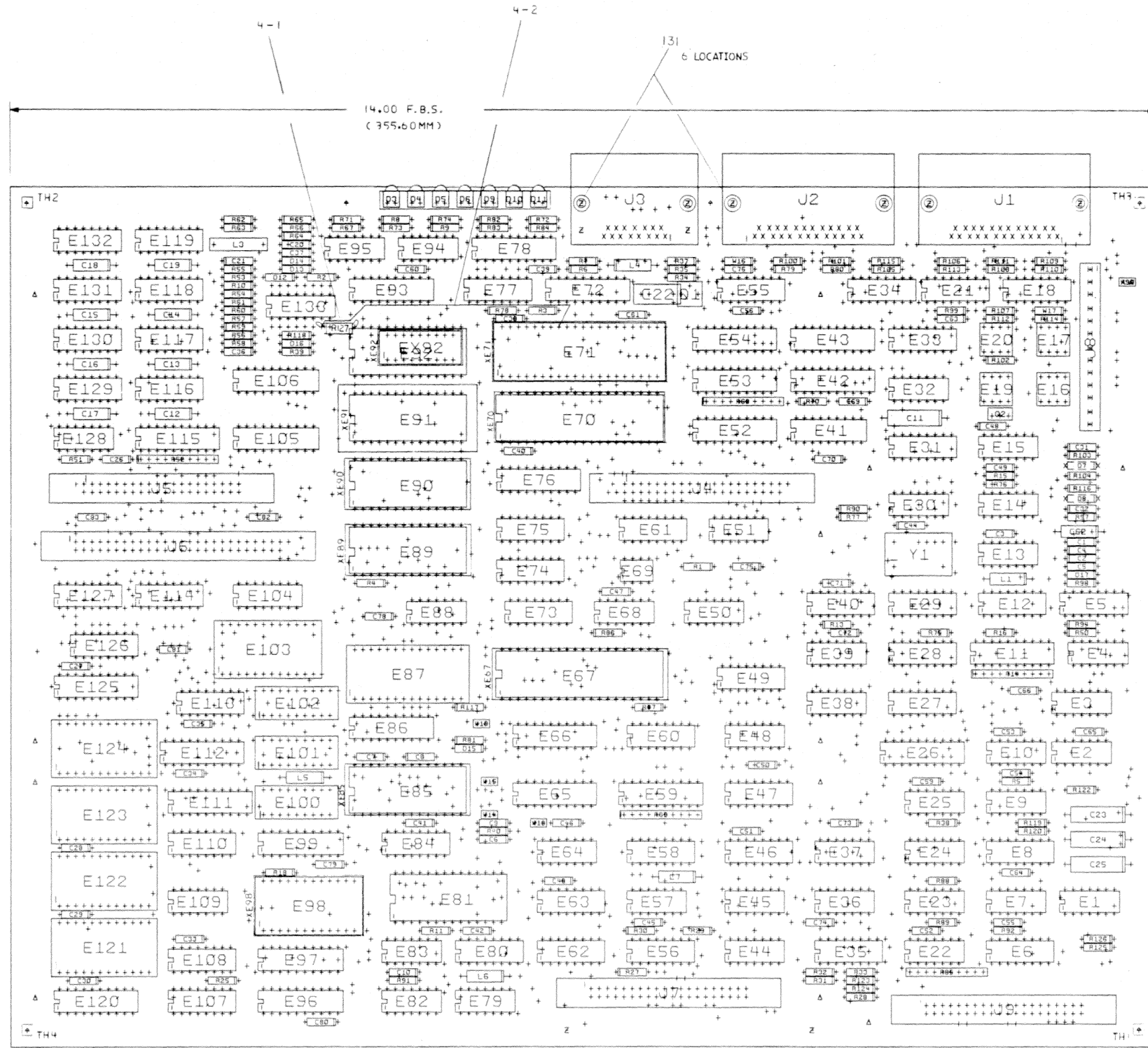
"THIS DRAWING AND SPECIFICATIONS, HEREIN, ARE THE PROPERTY OF DIGITAL EQUIPMENT CORPORATION AND SHALL NOT BE REPRODUCED OR COPIED OR USED IN WHOLE OR IN PART AS THE BASIS FOR THE MANUFACTURE OR SALE OF ITEMS WITHOUT WRITTEN PERMISSION.
 COPYRIGHT © 1982 DIGITAL EQUIPMENT CORPORATION



USED ON OPTION/MODEL	DRN. PEG LENNON	30JUN82	TITLE	PC100 MOTHER BOARD
PC100	CHK'D FRED CHALOUX	30JUN82	SIZE	B
	ENG. FRED CHALOUX	30JUN82	CODE	DD
	PROD ED TOMPKINS	30JUN82	NUMBER	5415486-0
			REV	L
			SHEET 1 OF 1	

REWORK INSTRUCTIONS

ECO 5415466-M104B
 COMPONENT ADD SIDE 1 AS SHOWN
 4-1 R127
 WIRE ADD SIDE 1 AS SHOWN
 4-2 FROM E133-7 TO E71-33



SIGNATURES	DATE	digital
CHK. D. [Signature]	10/23/73	
RECH. ENG. [Signature]		
PROJ. ENG. [Signature]		
SCALE		
TITLE	PC100 MOTHER BOARD	
SIZE	10.00 X 10.00	
REV	0	

ETEN REV. F P3

10.40 F.S.
(264.16MM)



NOTES: 1. WIL NOT INSERTED
 2. R127 MUST BE WIRE BOND TO R127
 3. R127 IS 3.3K
 4. R127 AND R128 ARE NOT INSTALLED TO LEAD LENGTHS SIDE 2 NOT TO EXCEED

STEP	DESCRIPTION	STEP	TIMES
1	Y RAVIS	1	
2	X RAVIS	1	

ALL DIMENSIONS ARE IN MILLIMETERS UNLESS OTHERWISE SPECIFIED.
 DIMENSIONS IN PARENTHESES ARE IN INCHES.
 DIMENSIONS IN PARENTHESES ARE IN MILLIMETERS UNLESS OTHERWISE SPECIFIED.
 DIMENSIONS IN PARENTHESES ARE IN INCHES.

LINE	ITEM	TOP DOCUMENT	PART NUMBER	MIN REV	DESCRIPTION	QTY PER VARIATION	REFERENCE DESIGNATOR
						00	
							VARIATION REVISION LEVEL:
1	1	D-MD-5015485-0-0	5015485-00		5415486 DRILL AND ETCH BOARD	1	
2	2		1000064-00		3.9MFD 10V 10% S.TANT	1	C62
3	3		1001383-00		4700.0 MMF 100V 3%200PPM MICA	1	C22
4	4		1001610-00		.01 MFD 50V +80-20% Z5U CER	10	C2-C9,C20,C21
5	5		1012784-00		.047 MFD 50V +80-20% CER	52	C1,C26-C56,C59-C61,C64,C65,C66, CONT C69-C76,C78-C83
6	6		1013466-06		100.0 MMF 50V 5% CER	1	C10
7	7		1013466-11		.22 MFD 50V +80-20% Z5U CER	8	C12-C19
8	8		1017472-00		10 MFD 35V +75-10% AL EL	4	C23-C25,C11
9	9		1100114-00		PIV= 25 IO=135 MA	6	D12-D17
10	10		1105796-00		PIV= 400 IO= 1.00A 1N4004 DO-41	2	D7,D8
11	11		1117373-01		*** THIS ITEM IS NOT USED ***	-	
12	12		1211357-00		*** THIS ITEM IS NOT USED ***	-	
13	13		1211358-00		*** THIS ITEM IS NOT USED ***	-	
14	14		1214460-01		*** THIS ITEM IS NOT USED ***	-	
15	15		1215006-03		SKT,IC 18PIN DIP TIN SOLD	1	XE92
16	16		1215006-04		*** THIS ITEM IS NOT USED ***	-	
17	17		1215006-06		SKT,IC 24PIN DIP TIN SOLD	1	XE98
18	18		1215006-07		SKT,IC 28PIN DIP TIN SOLD	1	XE85
19	19		1215006-08		SKT,IC 40PIN DIP TIN SOLD	3	XE67,XE70,XE71
20	20		1215901-05		PCB,HEADER 02PIN(1X02).100CC STR	5	W13-W15,W90,W18
21	21		1215699-05		PCB,HEADER 12POS(1X13).156CC STR	1	J8
22	22		1219066-00		*** THIS ITEM IS NOT USED ***	-	
23	23		1219066-03		PCB HEADER 52PIN(2X26).100CC STR	1	J6
24	24		1219606-02		SKT,IC 28PIN	2	XE89,XE90
25	25		1219678-04		SKT,IC 28PIN	1	XE91
26	26		1300271-00		220.0 .25 W 5.0 % CF	1	R34
27	27		1300295-00		330.0 .25 W 5.0 % CF	25	R3,R4,R10,R11,R16,R64,R65,R18, CONT R50,R51,R70,R113-R115,R2,R76, CONT R90,R91,R71-R74,R82-R84

REVISION HISTORY			BASIC PART NO: 5415486											
ENG	ECO NUMBER	REV	SECTION A OF A	DRN:	WALT SUPINSKI	DATE:	26-MAY-82	D	I	G	I	T	A	L
F.C	5415486-ML001	B	SECTION VARIATION INDEX	CHK'D:	D. BARRIERE	DATE:	10-JUL-82	TITLE PARTS LIST PC100 MOTHER BOARD						
FC	5415486-ML002	C	(A) 00	DES.ENG:	BOB MCNAMARA	DATE:	19-JUL-82	DOCUMENT NUMBER						
FC	5415486-ML003	D	(B)	RESP.ENG.:	FRED CHALOUX	DATE:	19-JUL-82	SIZE	CODE	NUMBER	REV			
FC	5415486-ML004	E	(C)	MFG.ENG.:	ED TOMPKINS	DATE:	19-JUL-82	K	PL	5415486-0-DBP	J			
FC	5415486-ML007	F	(D)	ASSEMBLY NUMBER:		TOP DOCUMENT NUMBER:		RELEASE DATE: 23-JAN-85						
DK	5415486-ML008	H	(E)	E-UA-5415486-0-0		#B-DD-5415486-0		FILE NAME: Z4377J.PLS						
D.K	5415486-ML009	J	(F)					EDIT #: 77						
			(G)											
			(H)											
			(I)											
			(J)											
			(K)											
			(L)											
			(M)											
			(N)											

"THIS DRAWING AND THE SPECIFICATIONS CONTAINED HEREIN ARE CONFIDENTIAL AND PROPRIETARY. THEY ARE THE PROPERTY OF DIGITAL EQUIPMENT CORPORATION AND SHALL NOT BE REPRODUCED OR COPIED OR USED IN WHOLE OR IN PART AS THE BASIS FOR THE MANUFACTURE OR SALE OF ITEMS WITHOUT WRITTEN PERMISSION. THIS IS AN UNPUBLISHED WORK PROTECTED UNDER THE FEDERAL COPYRIGHT LAWS."

LINE	ITEM	TOP DOCUMENT	PART NUMBER	MIN REV	DESCRIPTION	VARIATION REVISION LEVEL:	QTY PER VARIATION	REFERENCE DESIGNATOR
							00	
28	28		1300316-00		470.0	.25 W 5.0 % CF	2	R66,R67
29	29		1300417-00		*** THIS ITEM IS NOT USED ***			
30	30		1300447-00		4.70 K	.25 W 5.0 % CF	25	R1,R6-R9,R92,R25,R15,R13,R89, CONT R27-R30,R38,R39,R75,R77,R78,R81, CONT R86,R87,R122,R123,R124 R102,R117,R116,R118,R127
31	31		1300479-00		10.0 K	.25 W 5.0 % CF	5	
32	32		1301317-00		10.0	.25 W 5.0 % CF	10	R53-R61,R63
33	33		1301424-00		680.0	.25 W 5.0 % CF	4	R5,R94,R40,R88
34	34		1301969-00		22.0	.25 W 5.0 % CF	1	R62
35	35		1302379-00		75.0	.25 W 5.0 % CF	2	R35,R37
36	36		1303178-00		620.0	.25 W 5.0 % CF	2	R31,R32
37	37		1309595-00		1.0 M	.25 W 5.0 % CF	1	R119
38	38		1312930-00		5.10 K	.25 W 5.0 % CF	1	R98
39	39		1313580-00		360.0	.25 W 5.0 % CF	1	R33
40	40		1313597-00		23.70 K	.25 W 1.0 % RN55D-F10	11	R100,R101,R105-R112,R99
41	41		1316334-02		R NETWORK	9-10K 2.0 % 10PIN	1	R85
42	42		1316395-00		R NETWORK	9-4.7K 2.0 % 10PIN	1	R69
43	43		1316395-02		R NETWORK	9-1.0K 2.0 % 10PIN	3	R14,R52,R68
44	44		1510706-00		XA 55	PNP 500MW SI 60 50 P	1	Q1
45	45		1618238-02		BEAD,FERRITE	.1380DX.330LG	5	L3-L7
46	46		1814830-00		OSCILLATOR, XTAL	24.073 MHZ	1	Y1
47	47		1910532-00		74S00	NAND GATE-QUAD 2IN	1	E13
48	48		1910533-00		74S03	NAND GATE-QUAD 2IN,0	2	E14,E95
49	49		1910535-00		74S05	INVERTER GATE-HEX 1	1	E94
50	50		1910536-00		74S10	NAND GATE-TRIPLE 3IN	1	E51
51	51		1910544-00		74S74	FF-D DUAL,EDGE TRIGG	6	E7,E9,E23,E24,E30,E10
52	52		1910548-00		74S157	MUX 1 OF 2 (QUAD)	2	E62,E40
53	53		1910957-00		74S175	FF-D QUAD COMMON CLO	2	E12,E29
54	54		1911675-00		74S138	DECODER/DEMUX 3-8 LI	1	E61
55	55		1912389-00		74S08	AND GATE-QUAD 2IN,P0	1	E64
56	56		1912536-01		7805	VOLT REG,FIX +5V	1	Q2
57	57		1912697-00		LS174	FF-D HEX W/CLEAR	1	E84
58	58		1912799-00		LS00	NAND-GATE-QUAD 2IN,P	1	E83
59	59		1912801-00		LS02	NOR-GATE-QUAD 2IN	1	E88
60	60		1912803-00		LS04	INVERTER GATE,HEX	3	E50,E68,E79
61	61		1912815-00		LS30	NAND GATE-SINGLE 8IN	1	E109
62	62		1912816-00		LS32	OR GATE-QUAD 2IN,POS	5	E38,E32,E48,E36,E2
63	63		1912820-00		LS51	A-0-1 GATE 2-WIDE 2I	1	E37
64	64		1912824-00		LS74	FF-D DUAL,EDGE TRIGG	5	E22,E25,E44,E82,E45
65	65		1912829-00		LS86	X-OR GATE-QUAD 2IN	1	E39
66	66		1912842-00		LS138	DECODER-THREE INPUT,	6	E73,E104,E49,E47,E58,E46
67	67		1912843-00		LS139	DECODER, 2 OF 4(DUAL)	2	E35,E63
68	68		1912844-00		LS151	MUX 1 OF 8 & DATA	1	E31
69	69		1912847-00		LS157	MUX 1 OF 2(QUAD)	7	E80,E127,E126,E113,E33,E55,E56
70	70		1912849-00		LS161	COUNTER,SYNCHR,4BIT	2	E6,E27
71	71		1912853-00		LS175	FF-D QUAD	2	E5,E28
72	72		1912854-00		LS193	COUNTER,SYNCHR,4BIT,	3	E107,E108,E110
73	73		1912859-00		LS258	MUX 1 OF 2 (DUAL),	4	E60,E74,E75,E114

D	I	G	I	T	A	L	TITLE	PC100 MOTHER BOARD	SECTION A	OF A	SIZE	CODE	DOCUMENT NUMBER	REV
											K	PL	5415486-0-DBP	J

LINE	ITEM	TOP DOCUMENT	PART NUMBER	MIN REV	DESCRIPTION	QTY PER VARIATION	REFERENCE DESIGNATOR
						00	
VARIATION REVISION LEVEL:							
74	74		1912863-00		LS273 FF-D OCTAL W/CLEAR	6	E99,E111,E42,E43,E52,E26
75	75		1914084-00		74S299 SHIFT REG.,8BIT RIGH	1	E97
76	76		1914214-00		LS374 FF-D OCTAL EDGE TRIG	2	E96,E112
77	77		1914423-01		CUSTOM LSI-BIPOLAR LS	1	E85
78	78		1914424-01		CUSTOM LSI-BIPOLAR L	1	E81
79	79		1914451-00		LS393 COUNTER,BINARY,4BIT	4	E3,E4,E15,E128
80	80		1915123-02	***	THIS ITEM IS NOT USED ***	-	
81	81		1915193-00		LS244 DRIVER,LINE,OCTAL,TR	7	E53,E59,E66,E72,E115,E86,E54
82	82		1915218-00		LS245 TRANSCEIVER,BUS,OCTA	5	E65,E106,E105,E120,E125
83	83		1915219-00		LS373 FF-D OCTAL-TRANSPARE	3	E76,E78,E93
84	84		1915415-00		9636 DRIVER,DUAL,EIA RS-	4	E17,E20,E16,E19
85	85		1916028-01		9643 DRIVER,TTL TO MOS,D	1	E69
86	86		1919018-00		LS148 PRIORITY ENCODER,8 T	1	E77
87	87		1920460-01		LS12 NAND GATE 3-IN	2	E57,E1
88	88		2112623-03		DUAL BAUD RATE GEN/PROG DIVIDER	1	E41
89	89		2113107-01	P	8251A PUSART COMM. INTERFA	1	E87
90	90		2113628-00		4050B BUFFER/CONVERTER GAT	1	E8
91	91		2114212-00	P	2114-2 RAM,1024X4,STATIC	3	E100-E102
92	92		2117872-01		RAM 2KX8 I/O MUXD 20	5	E121-E124,E103
93	93		2118467-01	***	THIS ITEM IS NOT USED ***	-	
94	94	SEE NOTE 134, 135	2118470-01		4864-1 MOS RAM 64K X1,200	8	E116-E119,E129-E132
95	95		2118472-01	***	THIS ITEM IS NOT USED ***	-	
96	96		2118856-00		CONTROLLER,MULTI-PROTOCOL SERIAL	1	E71
97	97		2119148-00		Z80A MICROPROCESSOR 40PIN	1	E67
98	98		2119533-01		8088 MICROPROCESSOR 5MHZ	1	E70
99	99		2120263-01		2212 RAM 256X4 NON-VOLATI	1	E92
100	100		23020E3-00		E3-03	1	E98
101	101		23090B1-00		B1-03	1	E11
102	102		23090E4-00	***	THIS ITEM IS NOT USED ***	-	
103	103		23091E4-00	***	THIS ITEM IS NOT USED ***	-	
104	104		23092E4-00	***	THIS ITEM IS NOT USED ***	-	
105	105		7426678-01	***	THIS ITEM IS NOT USED ***	-	
106	106		7426682-01	***	THIS ITEM IS NOT USED ***	-	
107	107		7426852-01	***	THIS ITEM IS NOT USED ***	-	
108	108		7427174-C1	***	THIS ITEM IS NOT USED ***	-	
109	109		9000037-03	***	THIS ITEM IS NOT USED ***	-	
110	110		9006020-01	***	THIS ITEM IS NOT USED ***	-	
111	111		9006655-00	***	THIS ITEM IS NOT USED ***	-	
112	112		9007649-00	***	THIS ITEM IS NOT USED ***	-	
113	113		9007883-00	***	THIS ITEM IS NOT USED ***	-	
114	114		9008212-00	***	THIS ITEM IS NOT USED ***	-	
115	115		9008451-01	***	THIS ITEM IS NOT USED ***	-	
116	116		9009185-00		JUMPER, WIRE, INSULATED, BLACK B	1	W17
117	117		9009800-07	***	THIS ITEM IS NOT USED ***	-	
118	118		1219678-05	***	THIS ITEM IS NOT USED ***	-	
119	119		1220365-02		CONN,D SUB 15PIN ASSY 90D	1	J3
120	120		1220365-03		CONN,D SUB 25PIN ASSY 90D	1	J1
121	121		1618437-00		BEAD,FERRITE .23600X.394LG	1	L1

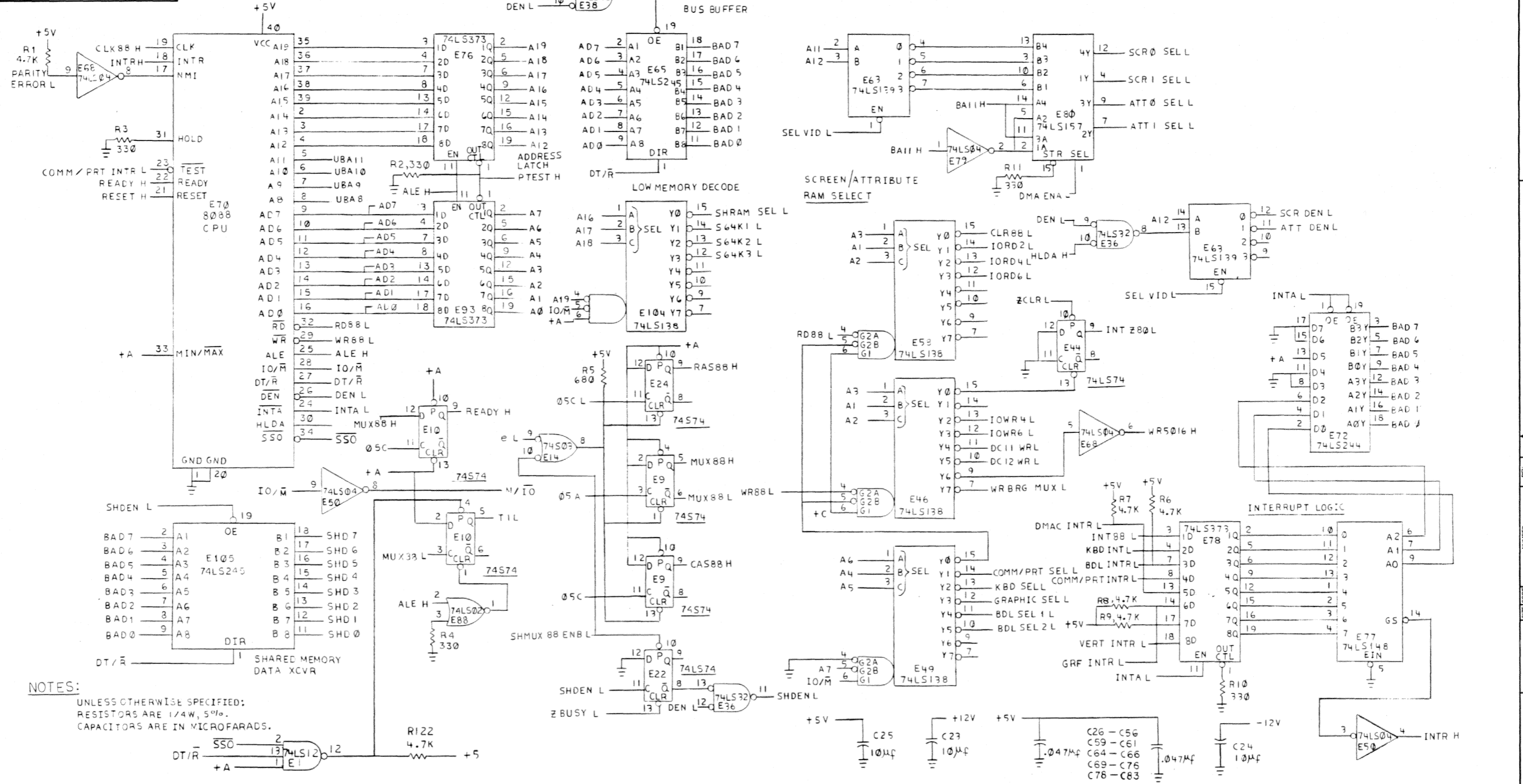
D	I	G	I	T	A	L	TITLE	PC100 MOTHER BOARD	SECTION A	OF A	SIZE	CODE	DOCUMENT NUMBER	REV
											K	PL	5415486-0-DBP	J

LINE	ITEM	TOP DOCUMENT	PART NUMBER	MIN REV	DESCRIPTION	QTY PER VARIATION	REFERENCE DESIGNATOR
					VARIATION REVISION LEVEL:	00	
122	122		9107560-01		WIRE,BUSS 22AWG TIN BARE	A/R	
123	123		9105740-55		WIRE(WRAP) 30AWG KYNAR UL14	A/R	
124	124		1300365-00		1.0 K .25 W 5.0 % CF	2	R79,R80
125	125		1915123-03		26LS32-3 RECEIVER,LINE RS232	3	E18,E21,E34
126	126		1302466-00		100.0 K .25 W 5.0 % CF	4	R97,R120,R103,R104
127	127		1013466-12		2200.0 MMF 50V 10% X7R CER	1	C63
128	128		9107256-00		*** THIS ITEM IS NOT USED ***	-	
129	129	C-IA-7020274-0-0	7020274-15		COUNTRY ROM & CARRIER USA	1	E91
130	130		1220399-04		CONN,D SUB 25SKT ASSY RT ANGLE	1	J2
131	131		9006732-00		EYELET,ROLLED 0.1210DX0.219	6	
132	132		23176E4-00		E4-06	1	E89
133	133		23177E4-00		E4-06	1	E90
134	134		1120306-02		LED,RED 7 GANGED	1	D3-D6,D9-D11
135	135		1219066-08		PCB HEADER 40PIN(2X20).100CC STR	4	J4,J5,J7,J9

- 136 NOTE: P/N 21-18472-01 IS AN ALT. FOR PRIME P/N 21-18470-01, MIXING OF ALT. AND PRIME PARTS NOT ALLOWED.
- 137 NOTE: P/N 21-18467-01 IS AN ALT. FOR P/N 21-18470-01, MIXING OF ALT. AND PRIME PARTS NOT ALLOWED.
- 138 NOTE: P/N 12-19066-00 IS AN ACCEPTABLE ALTERNATE FOR P/N 12-19066-08 AT LOCATIONS DESIGNATED AS J5,J7 BUT NOT AT LOCATIONS DESIGNATED AS J4,J9.
- 139 NOTE: DESIGNATED AS J5,J7 BUT NOT AT LOCATIONS DESIGNATED AS J4,J9.
- 140 NOTE: P/N 21-18472-02, 21-18467-02, AND 21-18470-02 IS AN ALT. PART FOR PRIME P/N 21-118470-01. MIXING OF
- 141 NOTE: PRIME & ALT PARTS ON A SINGLE BD IS NOT ALLOWED. MIXING OF ALT PARTS ON A SINGLE BD IS NOT ALLOWED.

D	I	G	I	T	A	L	TITLE	SECTION A	OF A	SIZE	CODE	DOCUMENT NUMBER	REV
							PC100 MOTHER BOARD			K	PL	5415486-0-DBP	J

THIS DRAWING AND SPECIFICATIONS HEREIN ARE THE PROPERTY OF DIGITAL EQUIPMENT CORPORATION AND SHALL NOT BE REPRODUCED OR COPIED OR USED IN WHOLE OR IN PART AS THE BASIS FOR THE MANUFACTURE OR SALE OF ITEMS WITHOUT WRITTEN PERMISSION.
 COPYRIGHT © 1982 DIGITAL EQUIPMENT CORPORATION

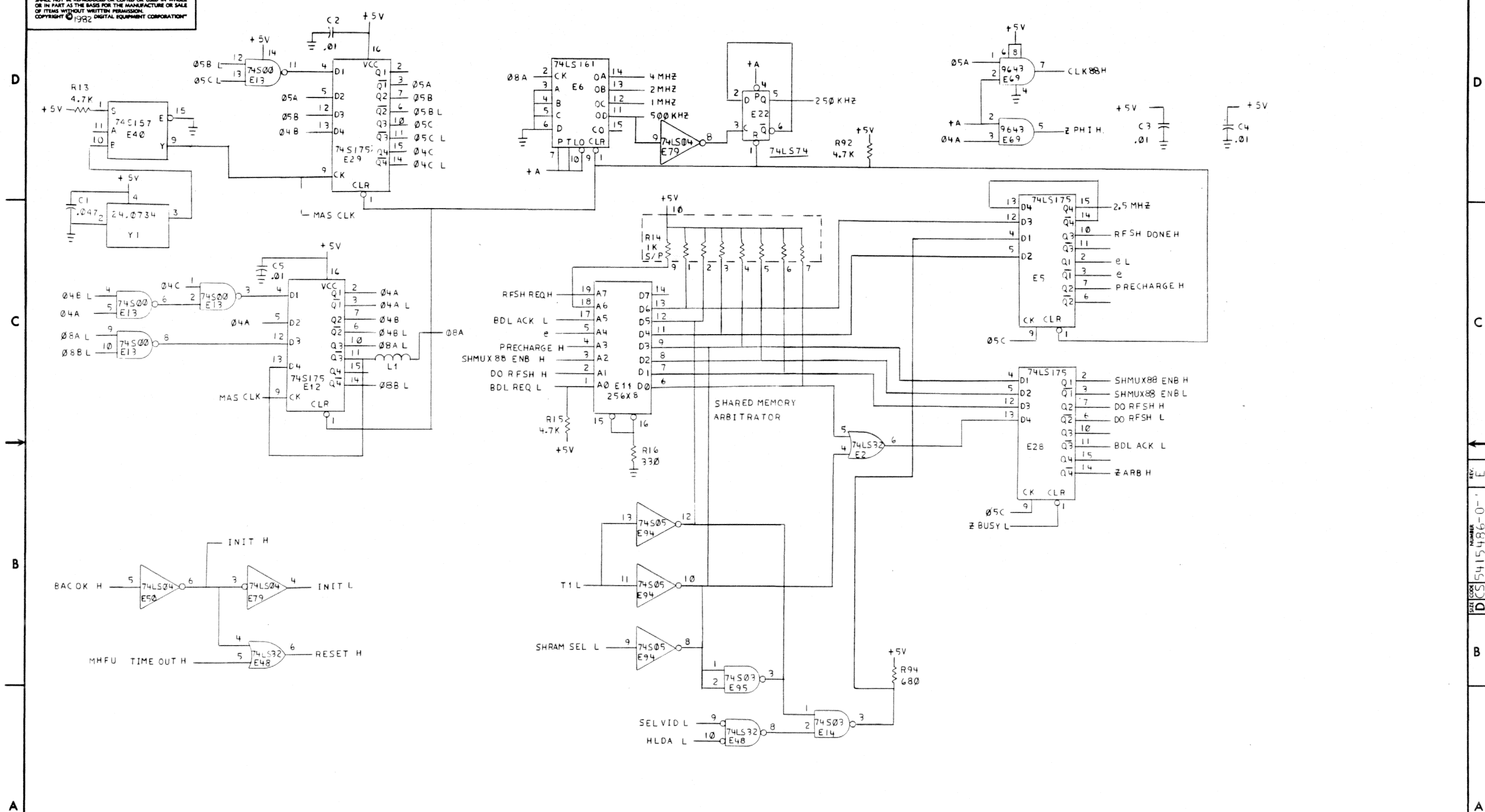


NOTES:
 UNLESS OTHERWISE SPECIFIED:
 RESISTORS ARE 1/4W, 5%
 CAPACITORS ARE IN MICROFARADS.

DATE	ECO NUMBER	REV.	ORIGINATOR
11-10-82	5415486-M1001	A	FRED CHALOUX
11-10-82	5415486-M1002	B	FRED CHALOUX
11-10-82	5415486-M1003	C	FRED CHALOUX
11-10-82	5415486-M1004	D	FRED CHALOUX
11-10-82	5415486-M1005	E	FRED CHALOUX

DATE	DATE	TITLE
02-JUN-82		digital
		PC100 MOTHER BOARD
DOCUMENT NUMBER		
D	CS	5415486-0-1
SCALE NONE		
SHEET 1 OF 13		

THIS DRAWING AND SPECIFICATIONS HEREIN ARE THE PROPERTY OF DIGITAL EQUIPMENT CORPORATION AND SHALL NOT BE REPRODUCED OR COPIED OR USED IN WHOLE OR IN PART AS THE BASIS FOR THE MANUFACTURE OR SALE OF ITEMS WITHOUT WRITTEN PERMISSION. COPYRIGHT © 1982 DIGITAL EQUIPMENT CORPORATION

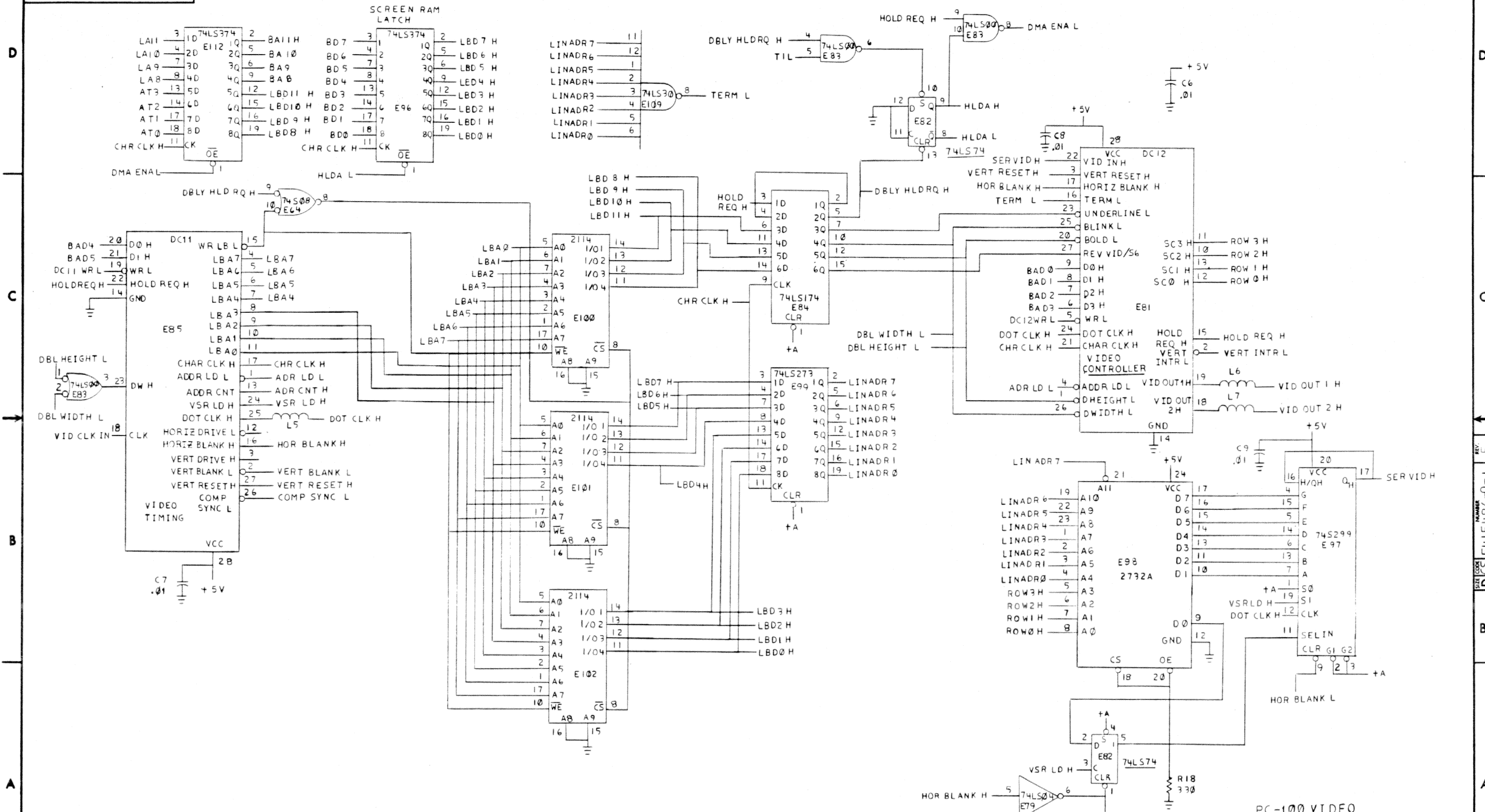


PC-100 CLOCK

REVISIONS		
CHK	CHANGE NO.	REV.

TITLE	PC100 MOTHER BOARD	SIZE CODE	D	NUMBER	CS 5415486-0-1	REV.	E
SCALE	NONE	SHEET	2	OF	13	DIST.	

THIS DRAWING AND SPECIFICATIONS HEREIN ARE THE PROPERTY OF DIGITAL EQUIPMENT CORPORATION AND SHALL NOT BE REPRODUCED OR COPIED OR USED IN WHOLE OR IN PART AS THE BASIS FOR THE MANUFACTURE OR SALE OF ITEMS WITHOUT WRITTEN PERMISSION. COPYRIGHT © 1982 DIGITAL EQUIPMENT CORPORATION

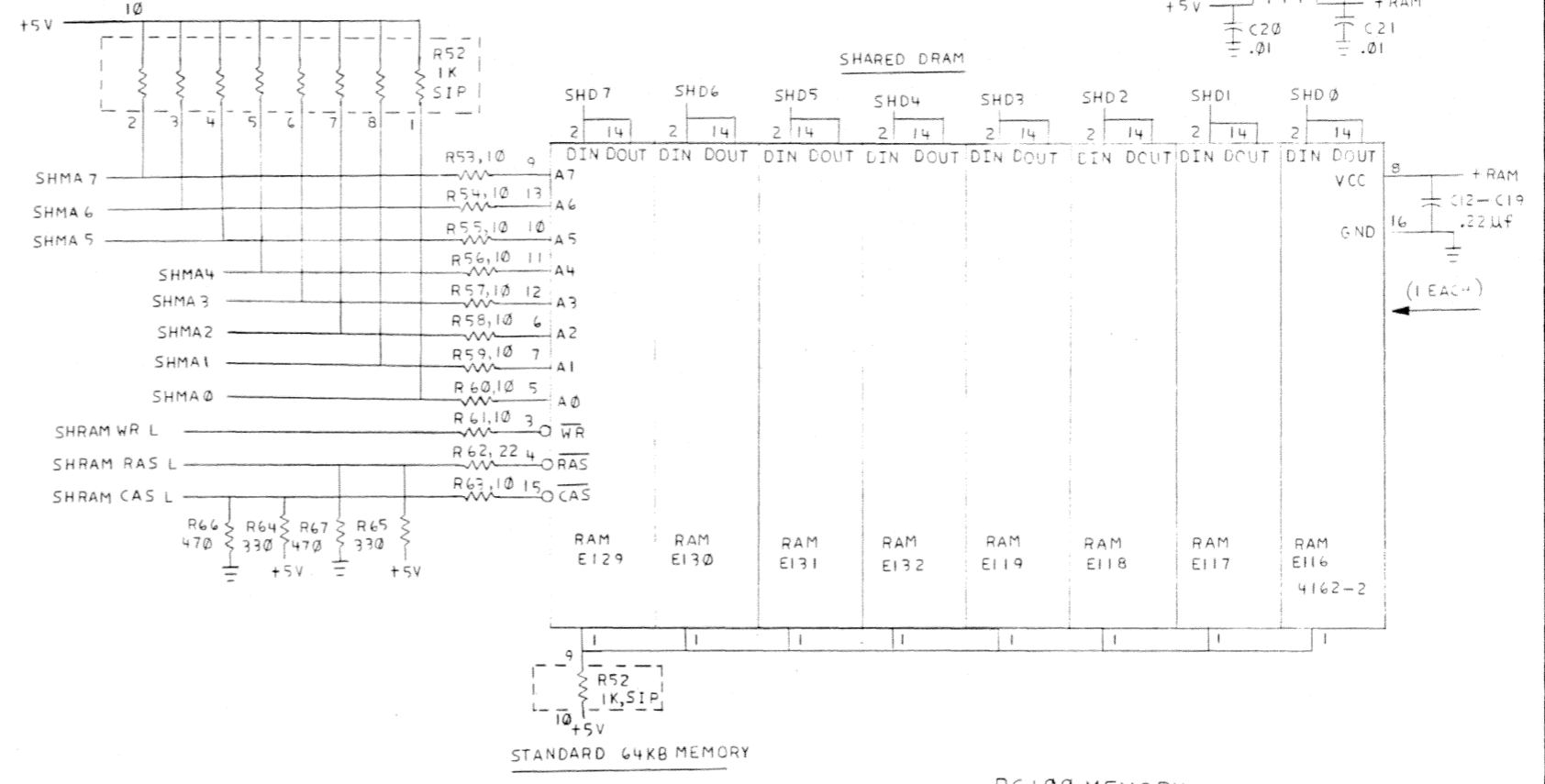
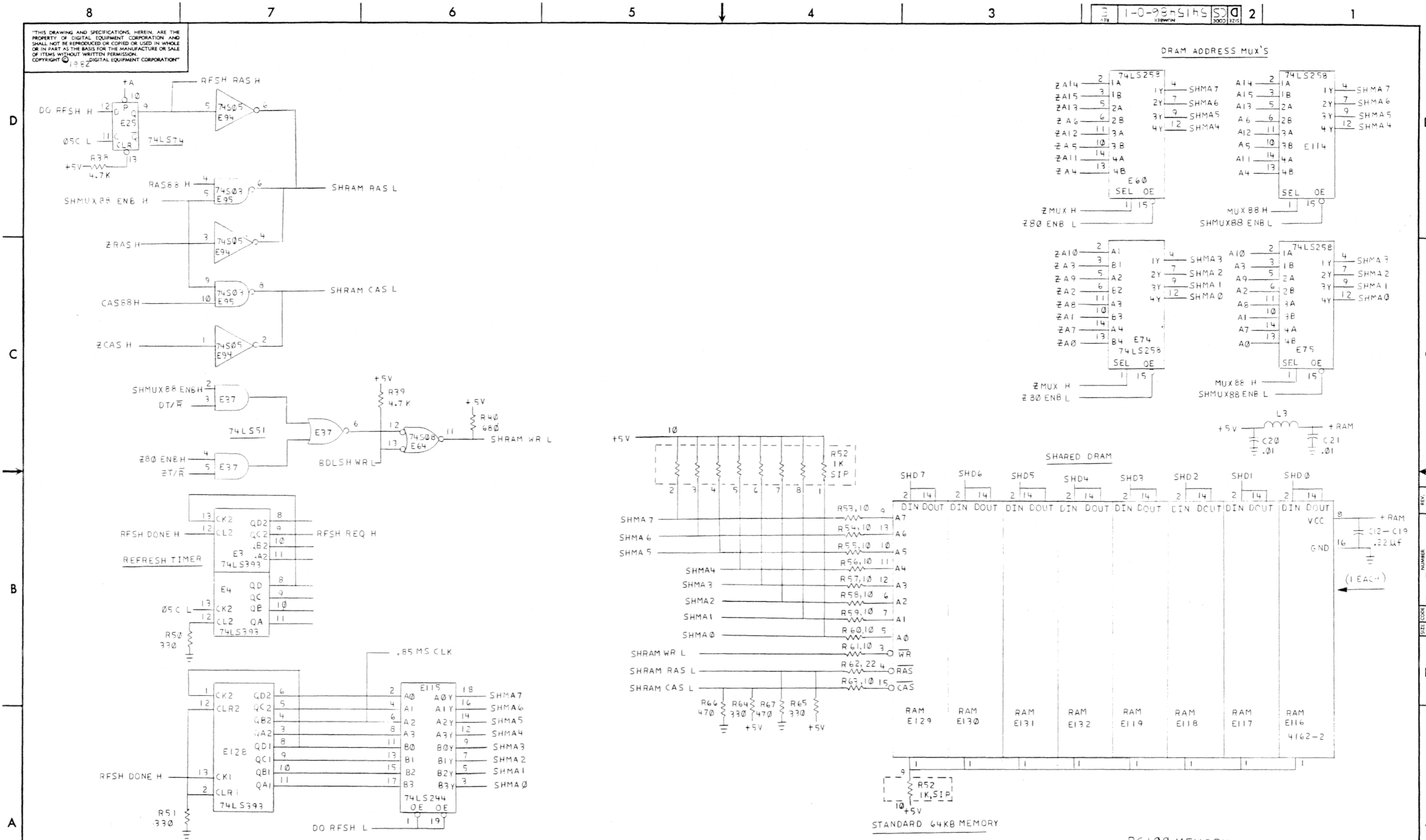


REVISIONS		
CHK	CHANGE NO.	REV.

TITLE	PC100 MOTHER BOARD	SIZE CODE	DCS	NUMBER	5415486-0-1	REV.	E
SCALE	NONE	SHEET	3	OF	13	DIST.	

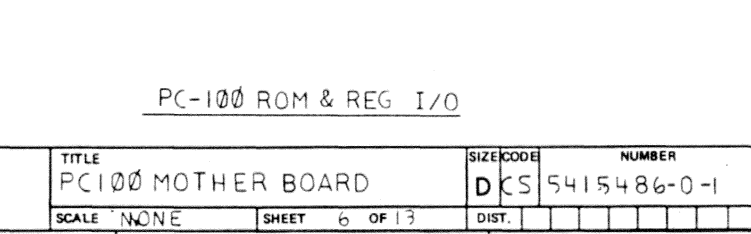
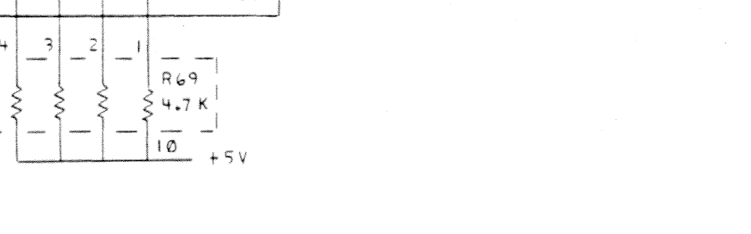
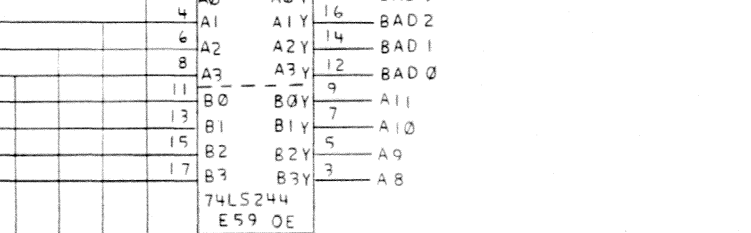
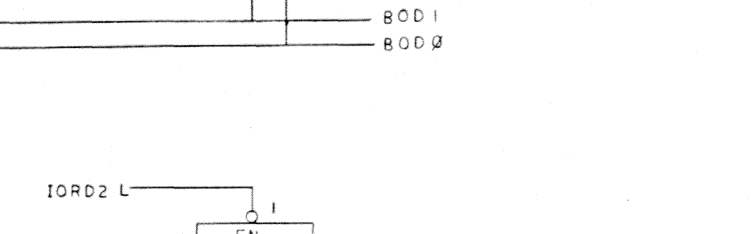
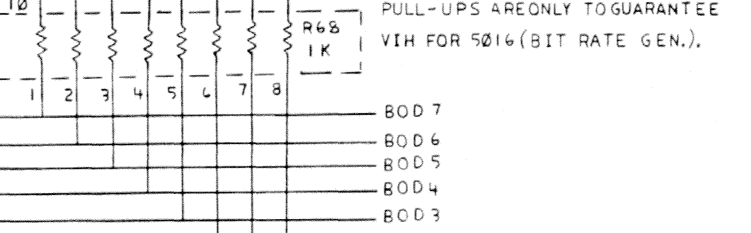
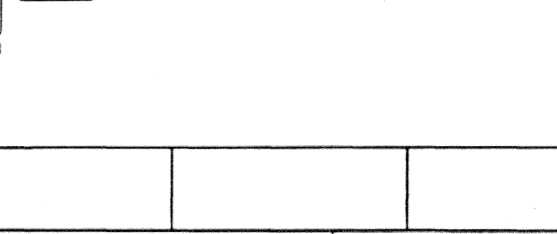
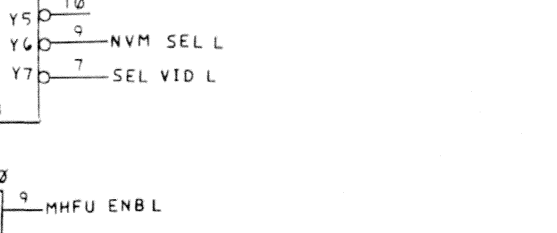
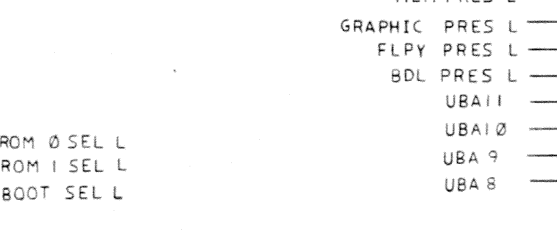
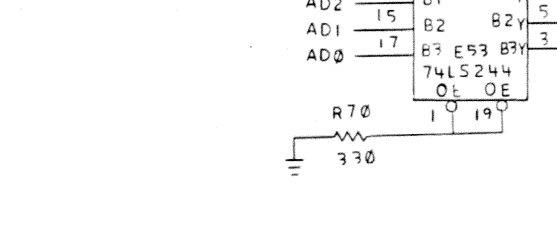
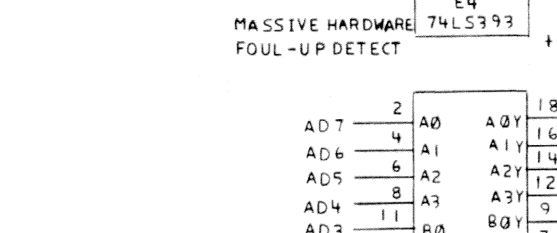
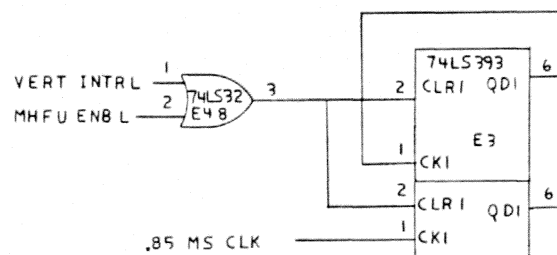
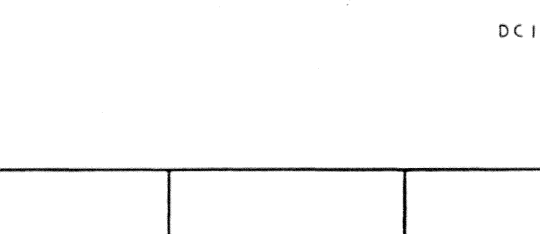
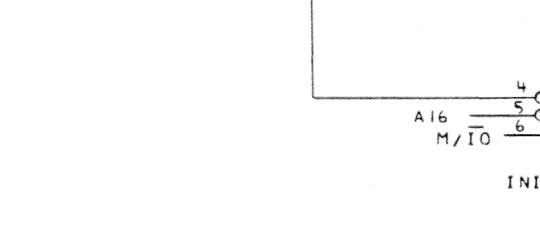
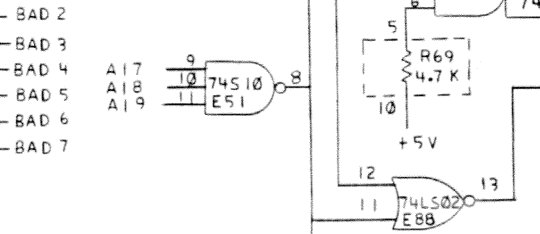
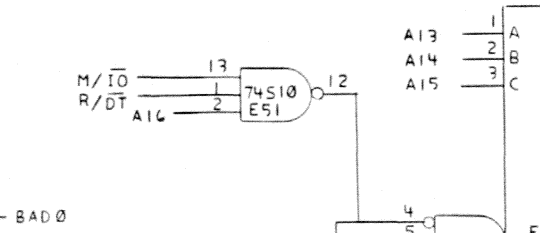
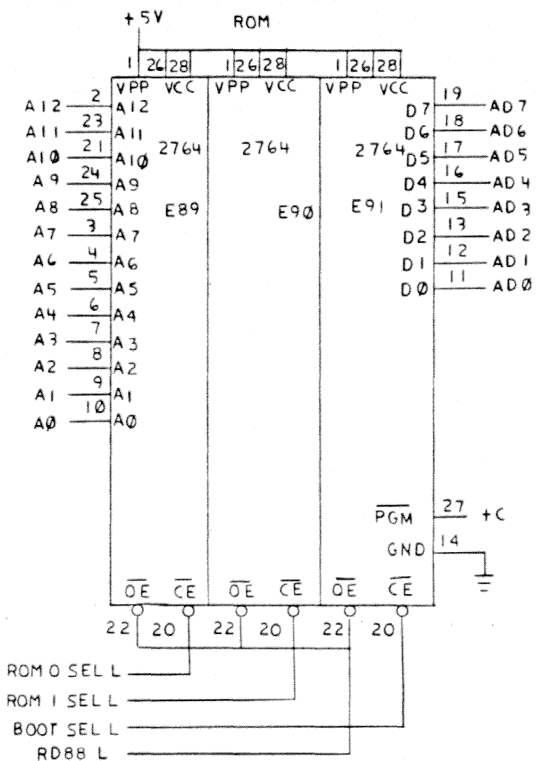
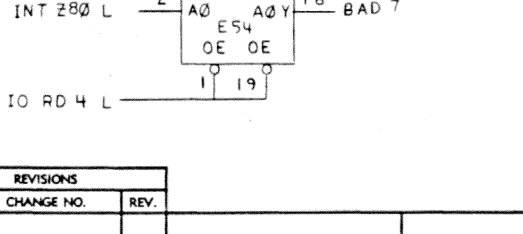
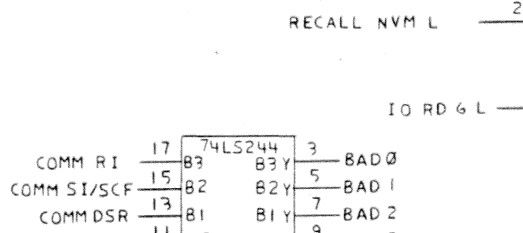
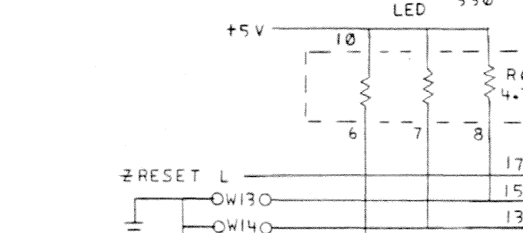
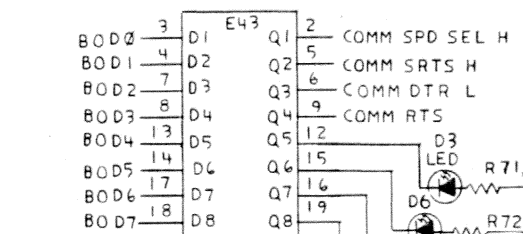
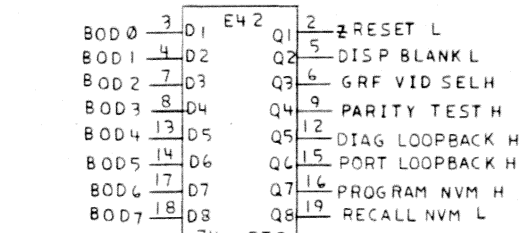
REV. E
NUMBER
DCS 5415486-0-1

THIS DRAWING AND SPECIFICATIONS, HEREIN, ARE THE PROPERTY OF DIGITAL EQUIPMENT CORPORATION AND SHALL NOT BE REPRODUCED OR COPIED OR USED IN WHOLE OR IN PART AS THE BASIS FOR THE MANUFACTURE OR SALE OF ITEMS WITHOUT WRITTEN PERMISSION. COPYRIGHT © 1982 DIGITAL EQUIPMENT CORPORATION



REVISIONS		
CHK	CHANGE NO.	REV.

THIS DRAWING AND SPECIFICATIONS HEREIN ARE THE PROPERTY OF DIGITAL EQUIPMENT CORPORATION AND SHALL NOT BE REPRODUCED OR COPIED OR USED IN WHOLE OR IN PART AS THE BASIS FOR THE MANUFACTURE OR SALE OF ITEMS WITHOUT WRITTEN PERMISSION. COPYRIGHT © 1982 DIGITAL EQUIPMENT CORPORATION

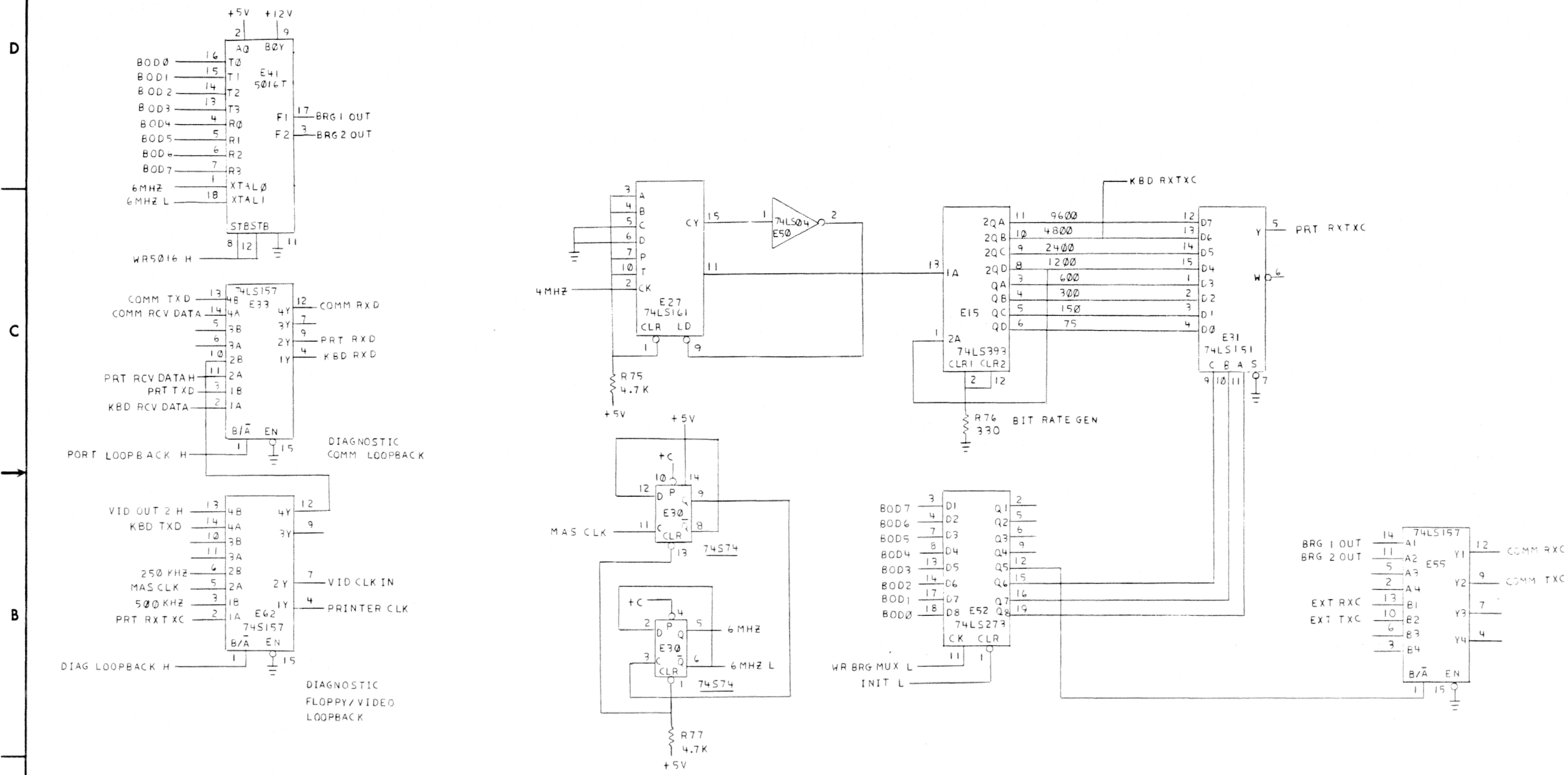


PC-100 ROM & REG I/O

REVISIONS			TITLE	SIZE/CODE	NUMBER	REV.
CHK	CHANGE NO.	REV.	PC100 MOTHER BOARD	DCS	5415486-0-1	E
			SCALE NONE	SHEET 6 OF 13	DIST.	

REV. E NUMBER DCS 5415486-0-1

THIS DRAWING AND SPECIFICATIONS, HEREIN, ARE THE PROPERTY OF DIGITAL EQUIPMENT CORPORATION AND SHALL NOT BE REPRODUCED OR COPIED OR USED IN WHOLE OR IN PART AS THE BASIS FOR THE MANUFACTURE OR SALE OF ITEMS WITHOUT WRITTEN PERMISSION. COPYRIGHT © 1982 DIGITAL EQUIPMENT CORPORATION

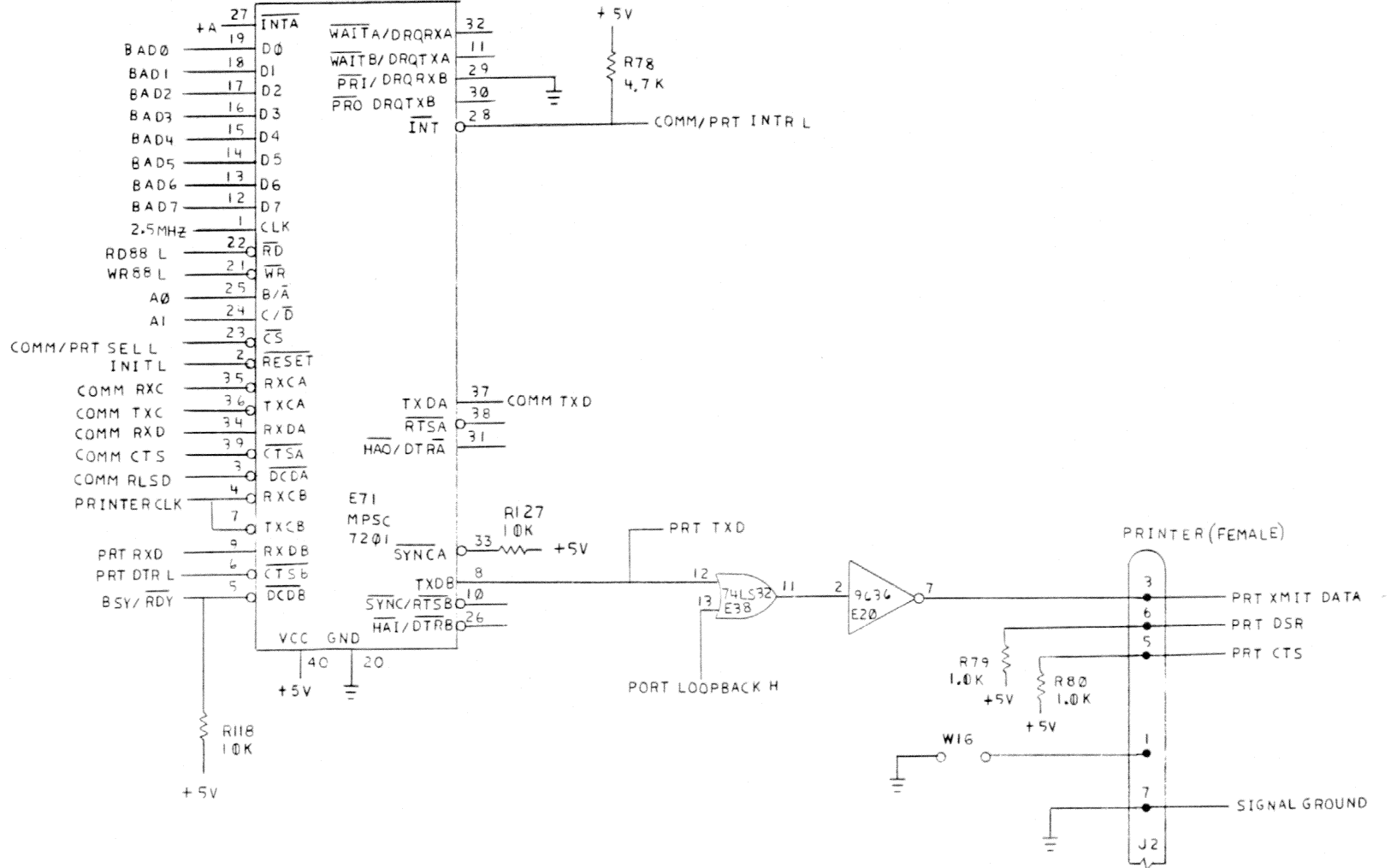
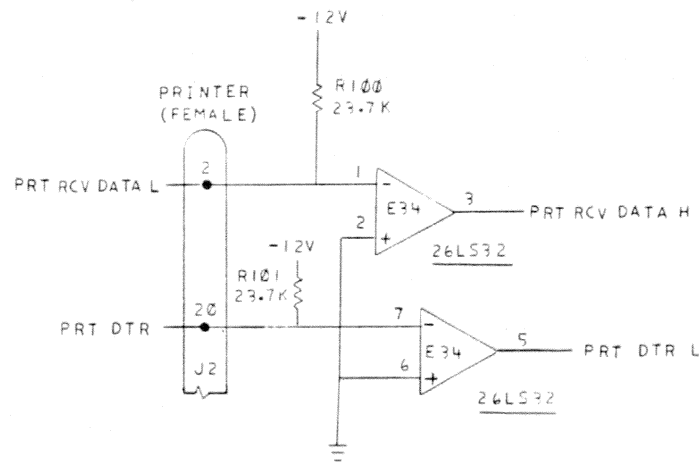
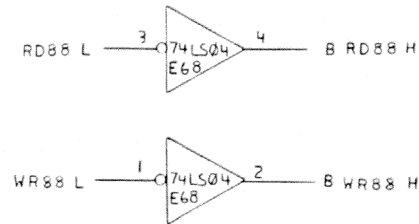


PC-100 BIT RATE GEN.

REVISIONS		
CHK	CHANGE NO.	REV.

TITLE PC100 MOTHER BOARD		SIZE CODE D CS	NUMBER 5415486-0-1	REV. E
SCALE NONE	SHEET 7 OF 13	DIST.		

"THIS DRAWING AND SPECIFICATIONS, HEREIN, ARE THE PROPERTY OF DIGITAL EQUIPMENT CORPORATION AND SHALL NOT BE REPRODUCED OR COPIED OR USED IN WHOLE OR IN PART AS THE BASIS FOR THE MANUFACTURE OR SALE OF ITEMS WITHOUT WRITTEN PERMISSION. COPYRIGHT © 1982 DIGITAL EQUIPMENT CORPORATION"

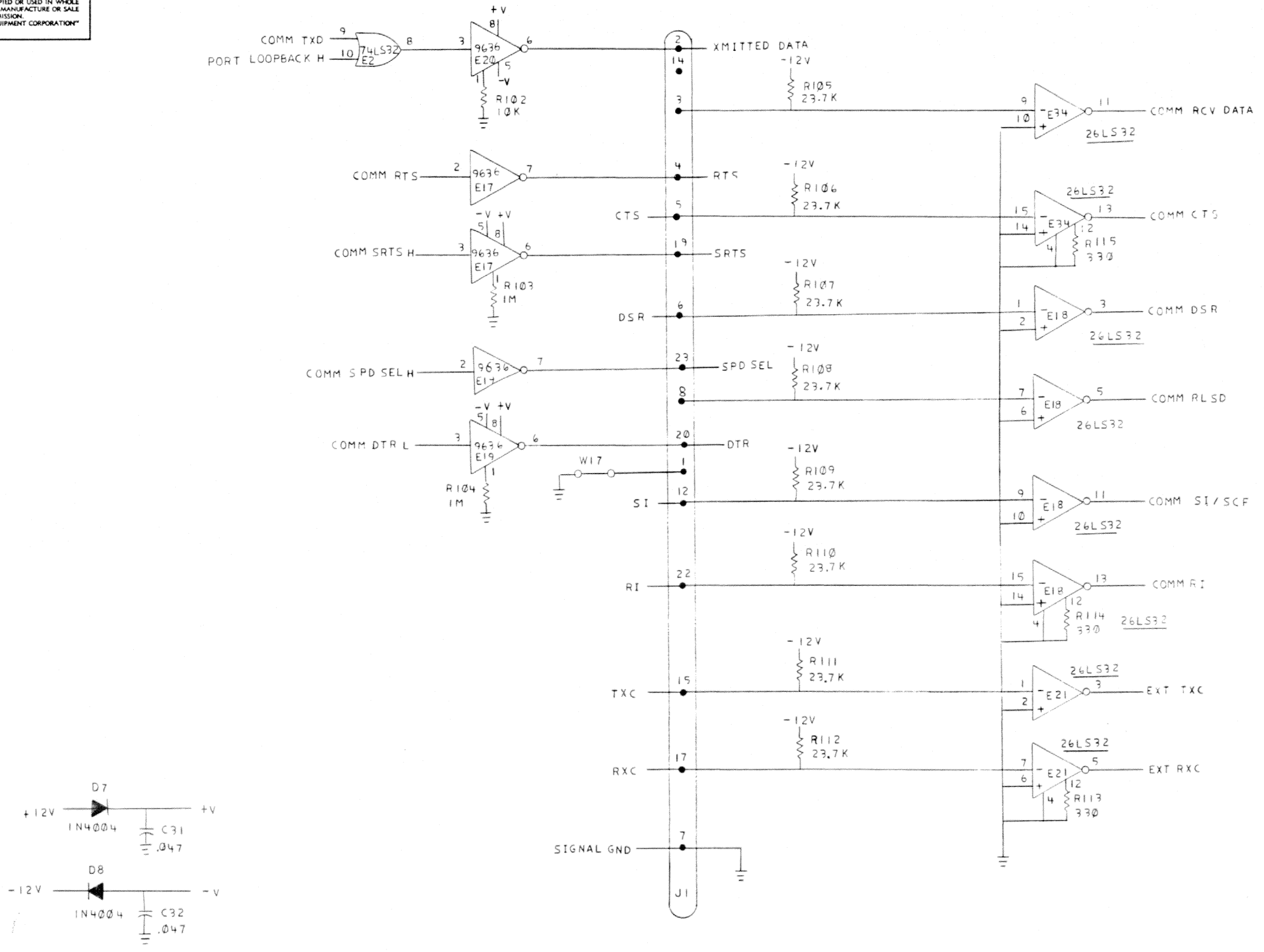


PC-100 COMM & PRINTER MPSC

REVISIONS		
CHK	CHANGE NO.	REV.

TITLE	SIZE CODE	NUMBER	REV.
PC100 MOTHER BOARD	DCS	5415486-0-1	E
SCALE NONE	SHEET 8 OF 13	DIST.	

THIS DRAWING AND SPECIFICATIONS, HEREIN, ARE THE PROPERTY OF DIGITAL EQUIPMENT CORPORATION AND SHALL NOT BE REPRODUCED OR COPIED OR USED IN WHOLE OR IN PART AS THE BASIS FOR THE MANUFACTURE OR SALE OF ITEMS WITHOUT WRITTEN PERMISSION. COPYRIGHT © 1982, DIGITAL EQUIPMENT CORPORATION

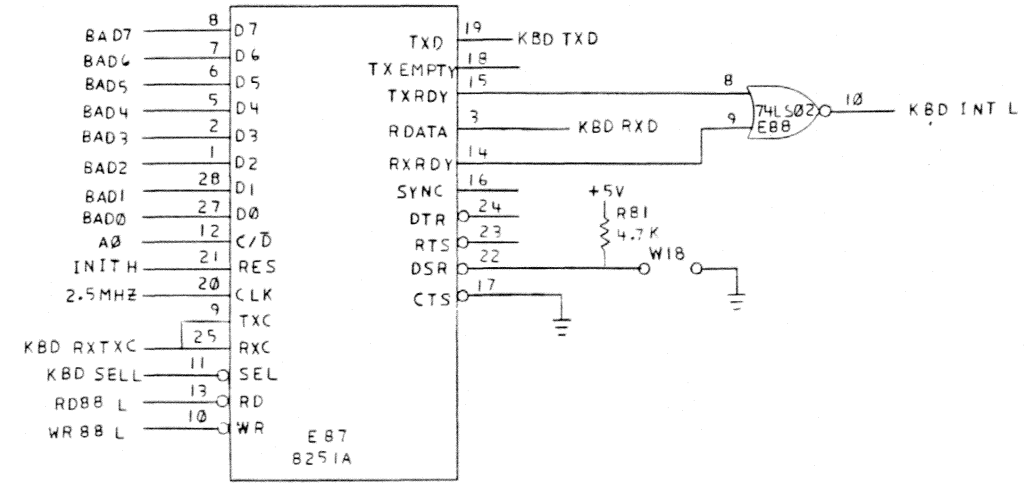
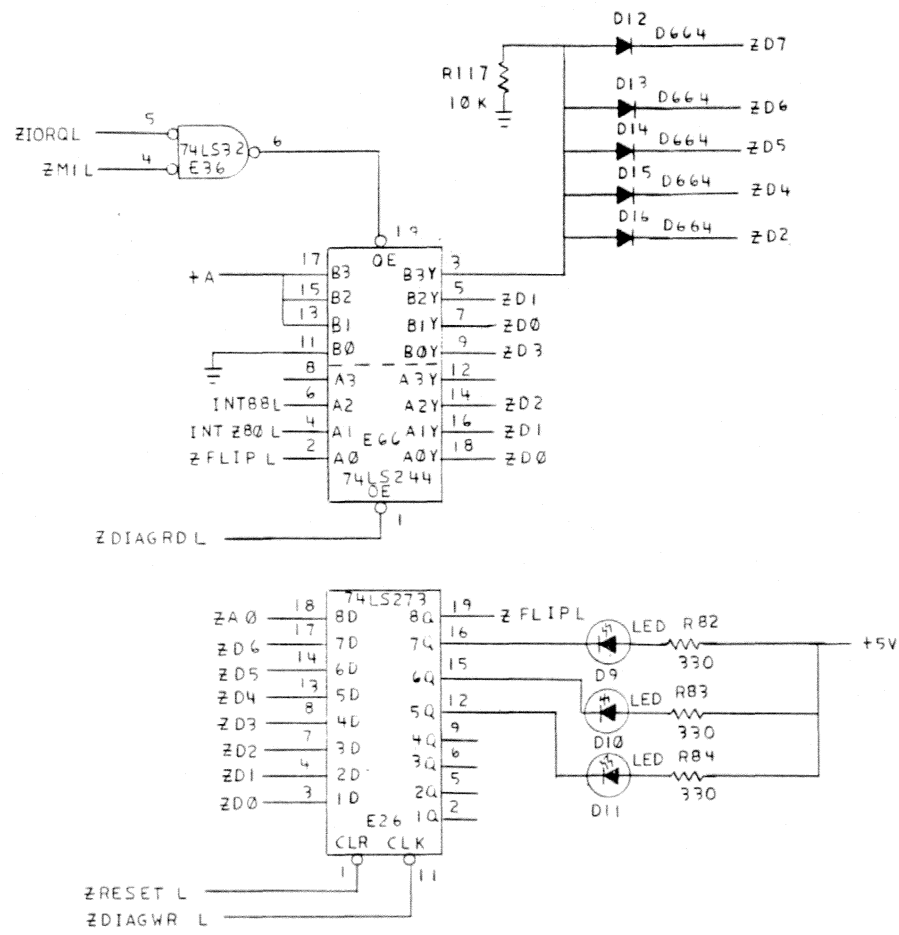


PC-100 COMM PORT

REVISIONS		
CHK	CHANGE NO.	REV.

TITLE	PC100 MOTHER BOARD	SIZE CODE	D CS	NUMBER	5415486-0-1	REV.	E
SCALE	NONE	SHEET	9	OF 13	DIST.		

THIS DRAWING AND SPECIFICATIONS, HEREIN, ARE THE PROPERTY OF DIGITAL EQUIPMENT CORPORATION AND SHALL NOT BE REPRODUCED OR COPIED OR USED IN WHOLE OR IN PART AS THE BASIS FOR THE MANUFACTURE OR SALE OF ITEMS WITHOUT WRITTEN PERMISSION. COPYRIGHT © 1982 DIGITAL EQUIPMENT CORPORATION



PC-100 KYBD/Z DIAGNOSTIC

REVISION HISTORY		
DATE	ECO NUMBER	REV.

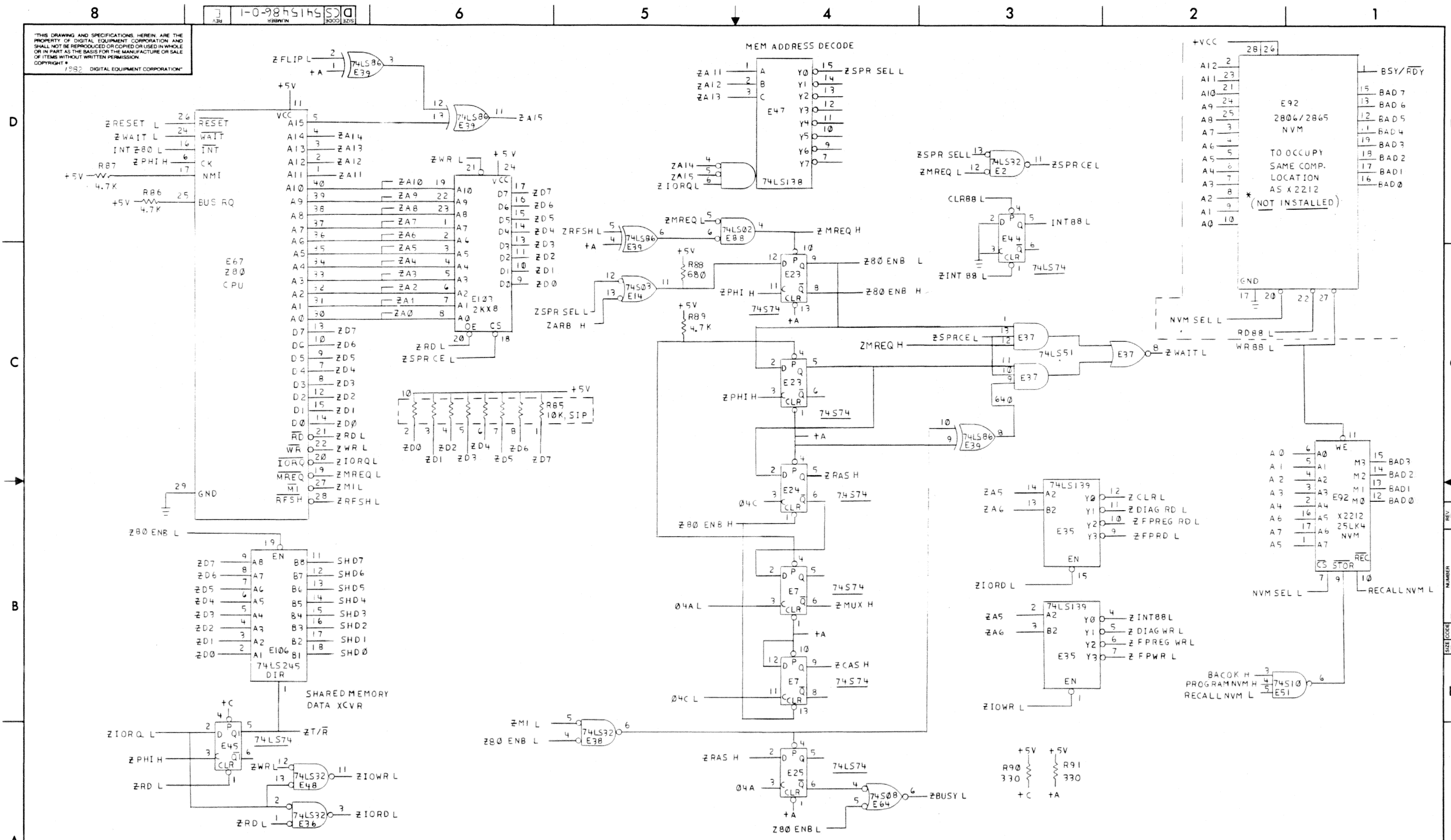
TITLE
PC100 MOTHER BOARD

DOCUMENT NUMBER		
SIZE CODE	NUMBER	REV.
D	CS 5415486-0-1	E
SCALE NONE		SHEET 10 OF 13

REV. E
NUMBER 5415486-0-1
SIZE CODE DCS

THIS DRAWING AND SPECIFICATIONS HEREIN ARE THE PROPERTY OF DIGITAL EQUIPMENT CORPORATION AND SHALL NOT BE REPRODUCED OR COPIED OR USED IN WHOLE OR IN PART AS THE BASIS FOR THE MANUFACTURE OR SALE OF ITEMS WITHOUT WRITTEN PERMISSION.
 COPYRIGHT © 1982 DIGITAL EQUIPMENT CORPORATION

1-0-98451HS CS D
 3 13B



PC-100 Z80 PROC.

REVISION HISTORY		
DATE	ECO NUMBER	REV.

TITLE
 PC100 MOTHER BOARD

DOCUMENT NUMBER			
SIZE	CODE	NUMBER	REV.
D	CS	5415486-0-1	E
SCALE NONE		SHEET 11 OF 13	

THIS DRAWING AND SPECIFICATIONS HEREIN ARE THE PROPERTY OF DIGITAL EQUIPMENT CORPORATION AND SHALL NOT BE REPRODUCED OR COPIED OR USED IN WHOLE OR IN PART AS THE BASIS FOR THE MANUFACTURE OR SALE OF ITEMS WITHOUT WRITTEN PERMISSION. COPYRIGHT © 1982 DIGITAL EQUIPMENT CORPORATION

D

C

B

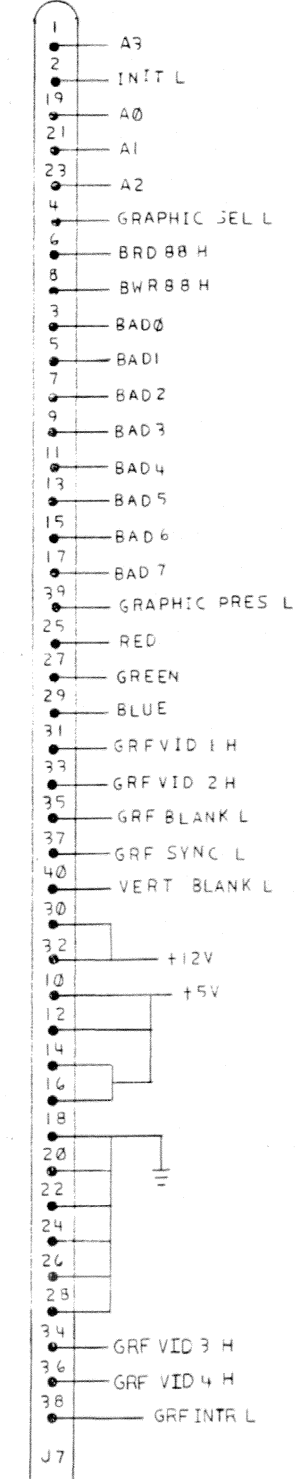
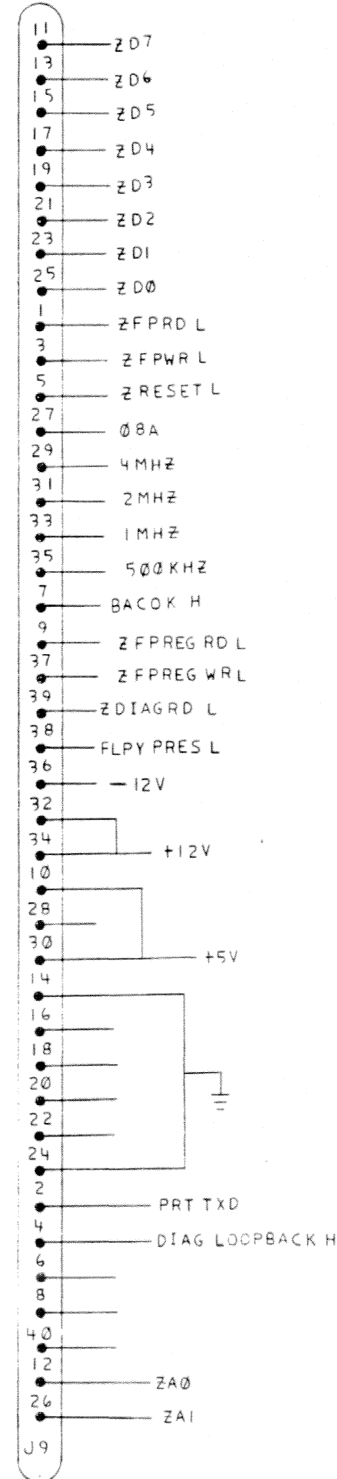
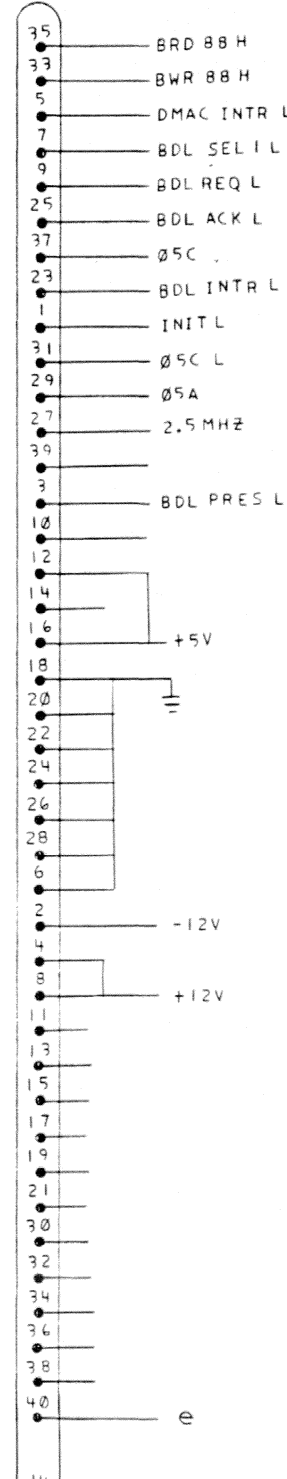
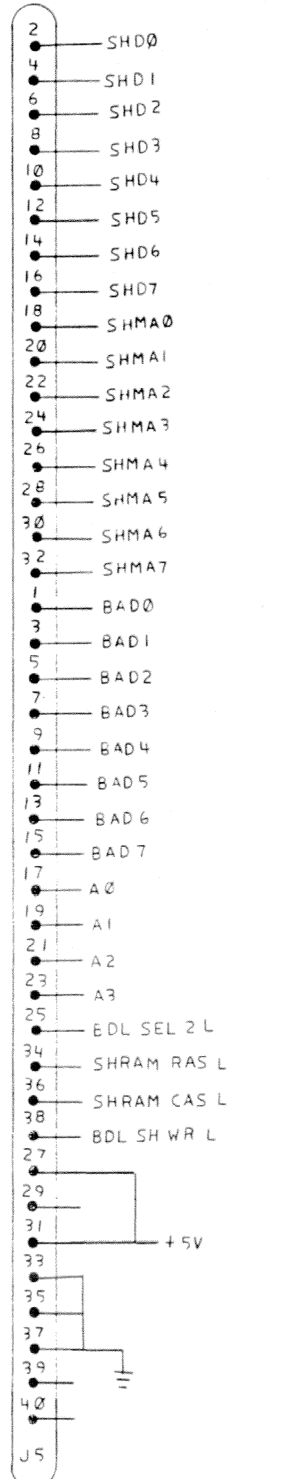
A

D

C

B

A



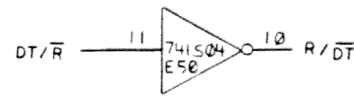
PC-100 INTERCONNECT

REVISION HISTORY		
DATE	ECO NUMBER	REV.

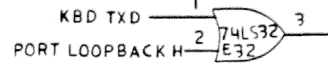
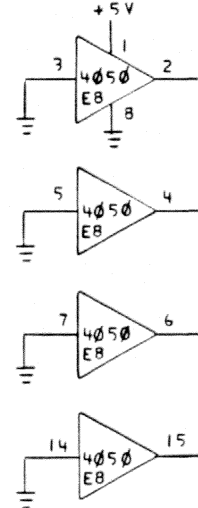
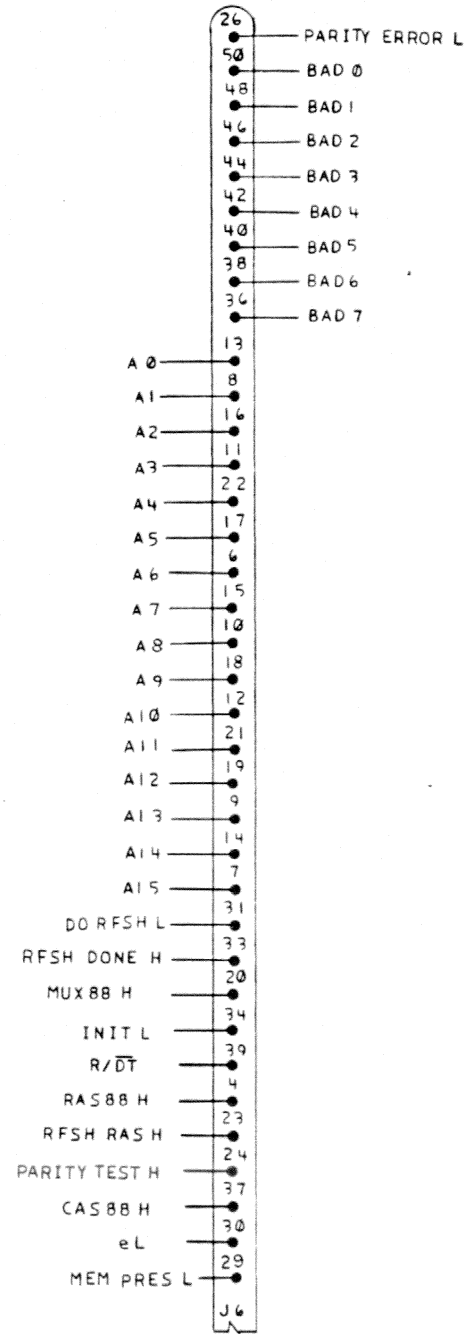
TITLE
PC100 MOTHER BOARD

DOCUMENT NUMBER		
SIZE CODE	NUMBER	REV.
DCS	5415486-0-1	E
SCALE	NONE	SHEET 12 OF 13

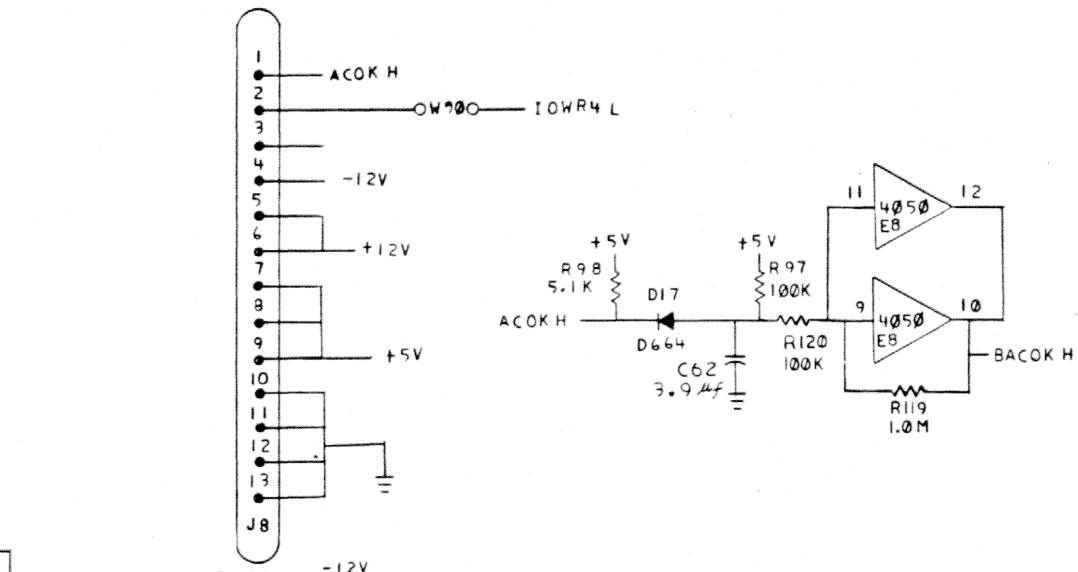
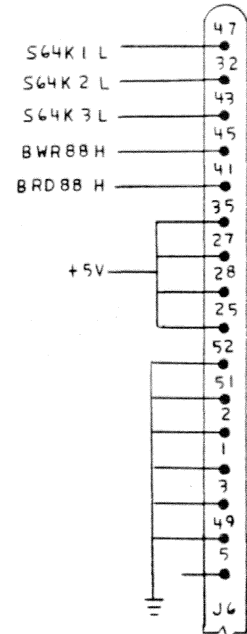
THIS DRAWING AND SPECIFICATIONS HEREIN ARE THE PROPERTY OF DIGITAL EQUIPMENT CORPORATION AND SHALL NOT BE REPRODUCED OR COPIED OR USED IN WHOLE OR IN PART AS THE BASIS FOR THE MANUFACTURE OR SALE OF ITEMS WITHOUT WRITTEN PERMISSION.
 COPYRIGHT © 1982 DIGITAL EQUIPMENT CORPORATION



MEMORY OPTION CONN



MEMORY OPT CONN.



PC-100 INTERCONNECT

REVISION HISTORY		
DATE	ECD NUMBER	REV.

TITLE
 PC100 MOTHER BOARD

DOCUMENT NUMBER		
SIZE CODE	NUMBER	REV.
D	CS 5415486-0-1	E
SCALE NONE		SHEET 13 OF 13

DRAWING NO.	NO. OF SHTS.	PART NO.	DESCRIPTION	REVISIONS															
				A	B	C	D												
		5415482-00	PC100 RX50 CONTROLLER	A	B	C	D												
E-UA-5415482-0-0	1		PC100 RX50 CONTROLLER	A	B	C	D												
D-CS-5415482-0-1	2		PC100 RX50 CONTROLLER	A	B	C	D												
K-PL-5415482-0-DBP	2		PC100 RX50 CONTROLLER	A	B	C	D												
K-PC-5415482-0-DBC			P.C. DESIGN DATA BASE	B	B	C	D												
B-DD-5015481-0-0	1		DRAWING DIRECTORY	-	-	A	B												
K-SP-5415482-0-DBP	22		PC100 RX50 CONTROLLER SPEC.	-	-	-	A												

NOTES:

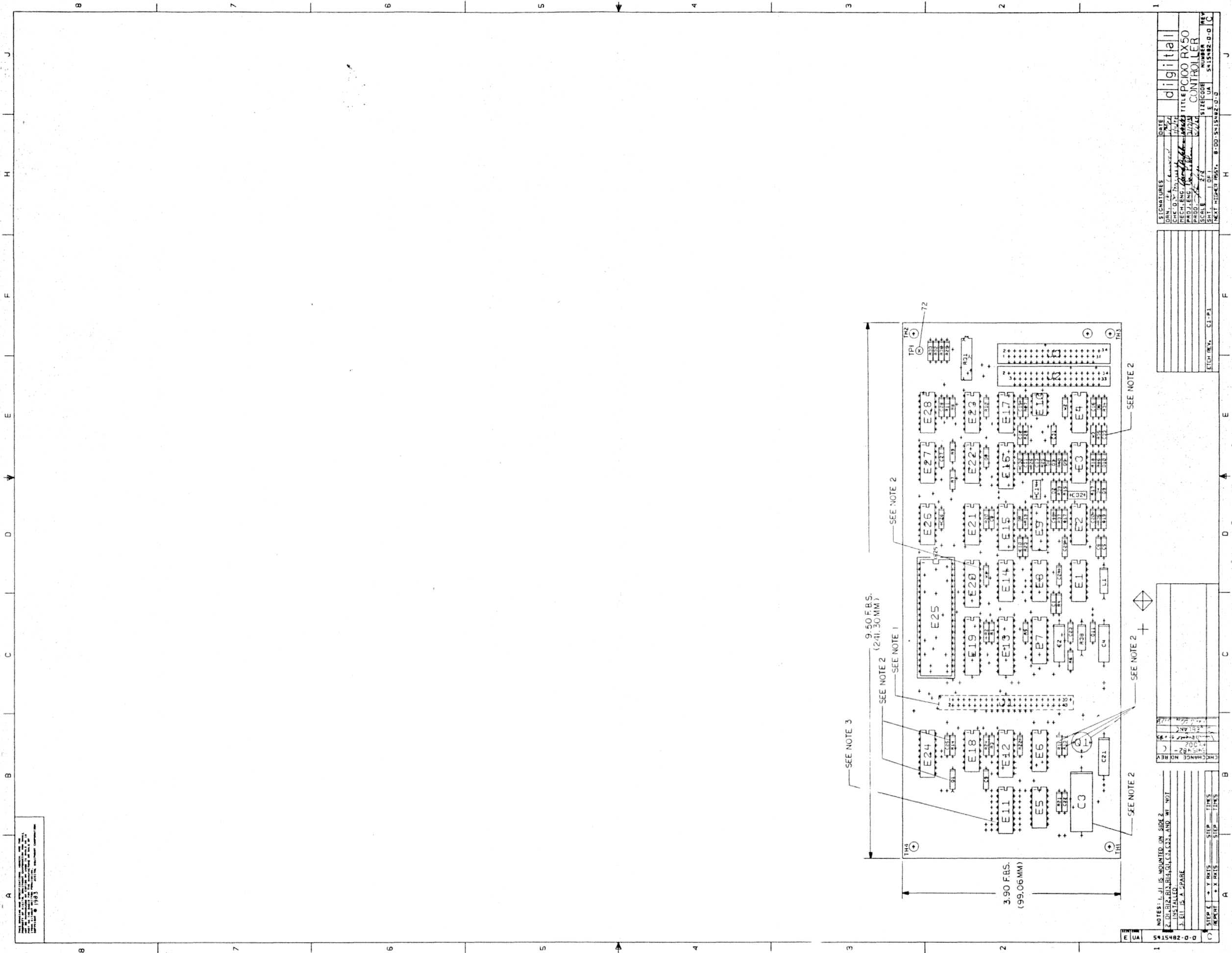
REVISIONS		DATE	CHG NO.	REV.	A	B	C	D
		7/82						
		1/83	ML001					
		3/83	ML002					
		6-83	ML003					

THIS DRAWING AND SPECIFICATIONS, HEREIN, ARE THE PROPERTY OF DIGITAL EQUIPMENT CORPORATION AND SHALL NOT BE REPRODUCED OR COPIED OR USED IN WHOLE OR IN PART AS THE BASIS FOR THE MANUFACTURE OR SALE OF ITEMS WITHOUT WRITTEN PERMISSION.
 COPYRIGHT © 1982 DIGITAL EQUIPMENT CORPORATION



USED ON OPTION/MODEL	PC100	DRN. J. COTE	13JUL82	TITLE	PC100 RX50 CONTROLLER
		CHK'D J. COTE	13JUL82	SIZE	B DD
		ENG. D. LEBLANC	13JUL82	CODE	DD
		PROD. E. TOMPKINS	13JUL82	NUMBER	5415482-0
				REV.	D
				SHEET	1 OF 1

DATE: 11/24/83
 DRAWN BY: [Signature]
 CHECKED BY: [Signature]
 PROJECT: [Signature]
 SCALE: [Signature]
 SHEET: 1 OF 1
 NEXT HIGHER PART: B-DD-5415482-0-0



NOTES: 1. U1 IS MOUNTED ON SIDE 2.
 2. U1, U2, R14, R15, C11, C12, AND U1 NOT INSTALLED.
 3. U1 IS A SPARE

REP: [Signature]

STEP C → Y AXIS STEP TIMES
 X AXIS STEP TIMES

CHANGE NO
 REV
 1
 2
 3

CHANGES

ETCH REV. C1-P1

SIGNATURES	DATE	TITLE
DRN. [Signature]	11/24/83	digital
CHEK. [Signature]	11/24/83	digital
PROJ. ENG. [Signature]	11/24/83	TITLE PCIOO RX50
SCALE [Signature]	11/24/83	CONTROLLER
SHEET 1 OF 1	ETC CODE	NUMBER
NEXT HIGHER PART: B-DD-5415482-0-0	E UA	5415482-0-0

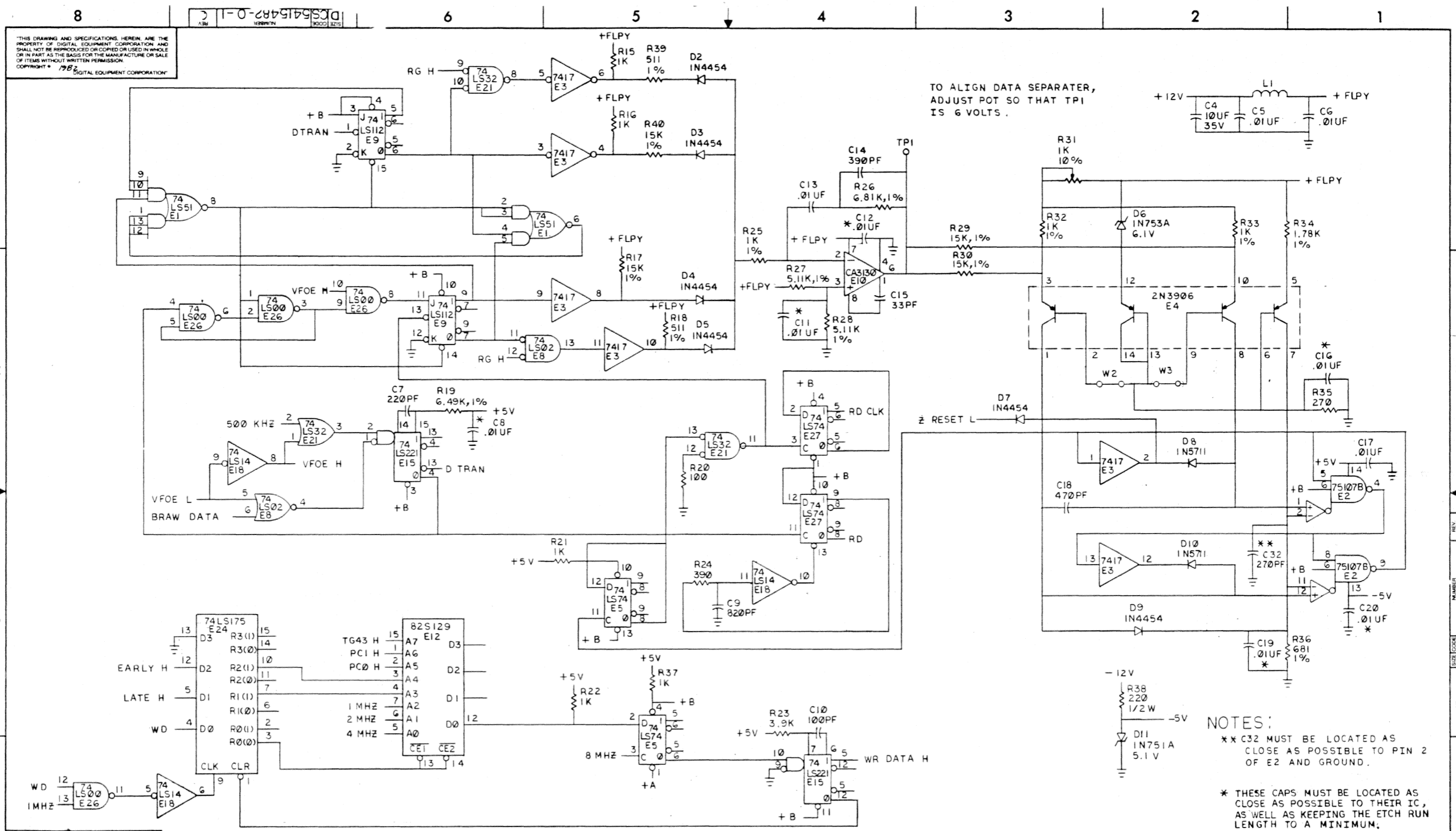
LINE	ITEM	DOCUMENT NUMBER	PART NUMBER	DESCRIPTION	QTY	PER VARIATION	REFERENCE DESIGNATOR
					00		
1	1	D-MD-5015481-0-0	5015481-00	CIRCUIT DRILL & ETCH	1		
2	2		1000022-00	270.0 MMF 100V 5%200PPM MICA	1		C32
3	3		1001610-00	.01 MFD 50V +80-20% Z5U CER	10	CONT	C5,C6,C8,C11,C12,C13,C16,C17, C19,C20
4	4		1001631-00	390.0 MMF 100V 5%200PPM MICA	1		C14
5	5		1005306-00	6.8MFD 35V 10% S.TANT	1		C2
6	6		1012084-03	*** THIS ITEM IS NOT USED ***	-		
7	7		1012784-00	.047 MFD 50V +80-20% CER	10		C22-C31
8	8		1013466-04	3.0 MMF 50V 5% CER	1		C15
9	9		1013466-06	100.0 MMF 50V 5% CER	2		C1,C10
10	10		1013466-07	220.0 MMF 50V 5% CER	1		C7
11	11		1013466-19	470.0 MMF 50V 5% CER	1		C18
12	12		1013466-27	820.0 MMF 50V 5% X7R CER	1		C9
13	13		1017472-00	10 MFD 35V +50-10% AL EL	2		C4,C21
14	14		1102421-01	DEC 753 VZ= 6.2 1% .40W	1		D6
15	15		1110488-00	*** THIS ITEM IS NOT USED ***	-		
16	16		1110994-00	1N 751A VZ= 5.1 5% .40W	1		D11
17	17		1111577-00	1N 4454 TR= 4NS PIV= 50 S	6		D2-D5,D7,D9
18	18		1215006-02	*** THIS ITEM IS NOT USED ***	-		
19	19		1215006-08	SKT,IC 40PIN DIP TIN SOLD	1		XE25
20	20		1219065-00	*** THIS ITEM IS NOT USED ***	-		
21	21		1219952-01	*** THIS ITEM IS NOT USED ***	-		
22	22		1300229-00	100.0 .25 W 5.0 % CF	1		R20
23	23		1300250-00	150.0 .25 W 5.0 % CF	5		R7-R11
24	24		1300274-00	220.0 .50 W 5.0 % CF	1		R38
25	25		1300309-00	390.0 .25 W 5.0 % CF	1		R24
26	26		1300365-00	1.0 K .25 W 5.0 % CF	6		R6,R15,R16,R21,R22,R37
27	27		1300444-00	3.90 K .25 W 5.0 % CF	2		R4,R23
28	28		1300447-00	*** THIS ITEM IS NOT USED ***	-		
29	29		1300479-00	10.0 K .25 W 5.0 % CF	3		R1-R3

REVISION HISTORY			BASIC PART NO: 5415482			DRN: R.Z. BUREAU			DATE: 31-MAR-82			D I G I T A L					
ENG	ECO NUMBER	REV	SECTION A OF A			CHK'D:	J. LEPKOWSSKI			DATE:	31-MAR-82			TITLE	PARTS LIST		
	INITIAL	A	SECTION VARIATION INDEX											PC100 RX50 CONTROLLER			
DL	5415482-ML001	B	[A]	00													
DL	5415482-ML002	C	[B]			DES.ENG:	DAN LEBLANC			DATE:	12-JUL-82			DOCUMENT NUMBER			
			[C]			RESP.ENG.:	DAN LEBLANC			DATE:	12-JUL-82			SIZE	CODE	NUMBER	REV
			[D]			MFG.ENG.:	ED TOMPKINS			DATE:	12-JUL-82			K	PL	5415482-0-DBP	C
			[E]			ASSEMBLY NUMBER:	D-UA-5415482-0-0			TOP DOCUMENT NUMBER:	#D-BB-5415482-0			FILE NAME:	Z4363C.PLS		EDIT #
			[F]														21
			[G]														
			[H]														
			[I]														
			[J]														
			[K]														
			[L]														
			[M]														
			[N]														

"THIS DRAWING AND SPECIFICATIONS HEREIN, ARE THE PROPERTY OF DIGITAL EQUIPMENT CORPORATION AND SHALL NOT BE REPRODUCED OR COPIED OR USED IN WHOLE OR IN PART AS THE BASIS FOR THE MANUFACTURE OR SALE OF ITEMS WITHOUT WRITTEN PERMISSION. COPYRIGHT (C) 1983. DIGITAL EQUIPMENT CORPORATION "

LINE	ITEM	DOCUMENT NUMBER	PART NUMBER	DESCRIPTION	QTY PER VARIATION 00	REFERENCE DESIGNATOR
30	30		1301972-00	270.0 .25 W 5.0 * CF	1	R35
31	31		1302395-00	*** THIS ITEM IS NOT USED ***	-	
32	32		1302411-00	511.0 .25 W 1.0 * RN55D-F10	2	R18,R39
33	33		1302612-00	1.78 K .25 W 1.0 * RN55D-F10	1	R34
34	34		1302872-00	681.0 .25 W 1.0 * RN55D-F10	1	R36
35	35		1303114-00	1.0 K .25 W 1.0 * RN55D-F10	3	R25,R32,R33
36	36		1304854-00	5.11 K .25 W 1.0 * RN55D-F10	2	R27,R28
37	37		1304870-00	6.81 K .25 W 1.0 * RN55D-F10	1	R26
38	38		1309143-07	1.0 K .75 W10.0 * POT	1	R31
39	39		1313752-00	15.0 K .25 W 1.0 * RN55D-F10	4	R17,R40,R29,R30
40	40		1317399-00	6.49 K .25 W 1.0 * RN55D-F10	1	R19
41	41		1510706-00	*** THIS ITEM IS NOT USED ***	-	
42	42		1517999-00	3906 PNP 900MW ARRAY 14PIN	1	E4
43	43		1618238-02	BEAD,FERRITE .1380DX.330LG	1	L1
44	44		1909929-00	7417 BUFFER GATE-HEX 1INP	1	E3
45	45		1910268-00	DEC 75107B RECEIVER,LINE,DUAL,	1	E2
46	46		1911219-00	7438 NAND GATE-QUAD 2IN,B	3	E17,E22,E23
47	47		1912799-00	LS00 NAND-GATE-QUAD 2IN,P	2	E14,E26
48	48		1912801-00	LS02 NOR-GATE-QUAD 2IN	1	E8
49	49		1912816-00	LS32 OR GATE-QUAD 2IN,POS	2	E21,E28
50	50		1912820-00	LS51 A-O-I GATE 2-WIDE 2I	2	E1,E6
51	51		1912824-00	LS74 FF-D DUAL,EDGE TRIGG	2	E5,E27
52	52		1912834-00	LS112 FF-JK,DUAL,EDGE TRIG	1	E9
53	53		1912848-00	LS158 MUX 1 OF 2 (QUAD)	1	E16
54	54		1912853-00	LS175 FF-D QUAD	1	E24
55	55		1912858-00	LS221 ONE SHOT-DUAL,SCHMIT	2	E7,E15
56	56		1912863-00	LS273 FF-D OCTAL W/CLEAR	1	E19
57	57		1913414-00	LS14 INVERTER GATE-HEX SC	1	E18
58	58		1913471-00	LS367 DRIVER,BUS,HEX,TRI-	1	E20
59	59		1914466-00	3130E OP AMP MOS/FET IN,CM	1	E10
60	60		1915193-00	LS244 DRIVER,LINE,OCTAL,T	1	E13
61	61		2118823-00	1793-02 FLOPPY DISK FORMAT	1	E25
62	62		23640A2-00	A2-05,A2-08 RO	1	E12
63	63		9009185-00	JUMPER, WIRE, INSULATED, BLACK B	2	W2,W3
64	64		9009743-00	*** THIS ITEM IS NOT USED ***	-	
65	65		9107256-00	*** THIS ITEM IS NOT USED ***	-	
66	66		1300539-00	120.0 K .25 W 5.0 * CF	1	R5
67	67		1219952-04	PCB HEADER 34PIN(2X17).100CC STR	1	J3
68	68		1219952-03	PCB HEADER 34PIN(2X17).100CC STR	1	J2
69	69		1110603-00	1N 5711 TM=100PS PIV= 70V HM	2	D8,D10
70	70		9105740-55	*** THIS ITEM IS NOT USED ***	-	
71	71		1219065-03	CONN,P+S 48SKT(2X24).100CC	1	J1
72	72		1215901-09	PCB,HEADER 01 PIN(1X01).100 CC S	1	TP1

D	I	G	I	T	A	L	TITLE	SECTION A OF A	SIZE	CODE	DOCUMENT NUMBER	REV
							PC100 RX50 CONTROLLER		K	PL	5415482-0-DBP	C



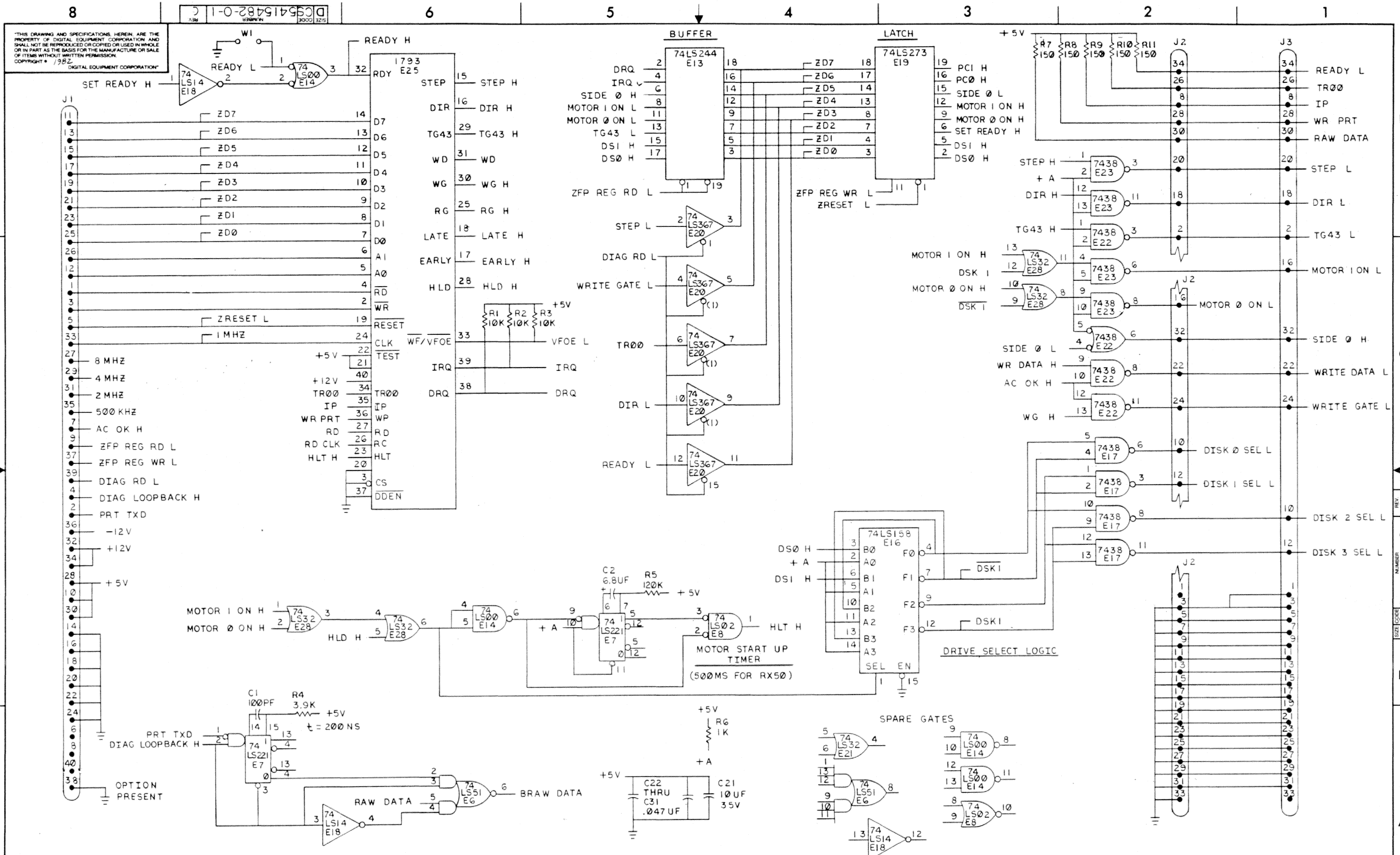
THIS DRAWING AND SPECIFICATIONS HEREIN ARE THE PROPERTY OF DIGITAL EQUIPMENT CORPORATION AND SHALL NOT BE REPRODUCED OR COPIED OR USED IN WHOLE OR IN PART AS THE BASIS FOR THE MANUFACTURE OR SALE OF ITEMS WITHOUT WRITTEN PERMISSION. COPYRIGHT © 1982 DIGITAL EQUIPMENT CORPORATION

TO ALIGN DATA SEPARATER, ADJUST POT SO THAT TPI IS 6 VOLTS.

NOTES:
 ** C32 MUST BE LOCATED AS CLOSE AS POSSIBLE TO PIN 2 OF E2 AND GROUND.
 * THESE CAPS MUST BE LOCATED AS CLOSE AS POSSIBLE TO THEIR IC, AS WELL AS KEEPING THE ETCH RUN LENGTH TO A MINIMUM.

REV	ECO NUMBER	DATE	BY
1	5415482-ML001	11-81	D LEBLANC
2	5415482-ML002	3-16-82	D LEBLANC
3	5415482-ML003	3-16-82	D LEBLANC
4	5415482-ML004	3-17-82	D LEBLANC

DESIGNED BY <i>John C. Blane</i>	DATE 13-JUL-82	TITLE digital
DESIGNED BY <i>Daniel LeBlanc</i>	DATE 12 July 82	PCI00 RX50 CONTROLLER
DESIGNED BY <i>Daniel LeBlanc</i>	DATE 12 July 82	DOCUMENT NUMBER
DESIGNED BY <i>John C. Blane</i>	DATE 7-14-82	SIZE CODE D
DATE 7-14-82	NUMBER 5415482-0-1	REV C
SCALE	SHEET	OF 2

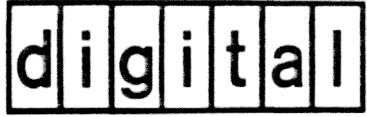


DRAWING NO.	NO OF SHTS.	PART NO.	DESCRIPTION	REVISIONS																
				A	A1	A2	A3	A4												
		BA25-A	SMALL SYSTEM UNIT ENCLOSURE	A	A1	A2	A3	A4												
		BA25-B	BA25-A, RX50-AA, H7842-A, 120/240V SMALL SYSTEM UNIT ENCLOSURE	A	A1	A2	A3	A3												
		BA25-CA	WITH DC FAN		A1	A1	A2	A2												
		BA25-CB	BA25-CA, RX50-AA, H7842-D, 220-240V		A1	A1	A2	A2												
		BA25-AA	BA25-A, RX50-AA, H7842-D 120/240V SMALL SYSTEMS UNIT ENCLOSURE					A1												
E-UA-BA25-0-0			SMALL SYSTEMS UNIT ENCLOSURE	A	B	C	D	E												
K-PL-BA25-0-DBP			SMALL SYSTEMS UNIT ENCLOSURE	A	B	C	D	E												
B-TC-BA25-0-1			SMALL SYSTEMS UNIT ENCLOSURE	A	B	B	B	C												
B-PL-BA25-0-2			BA25 SHIPPING LIST	A	B	B	B	INA												

NOTES:

REVISION HISTORY			REV.				
			A	B	C	D	E
DATE	ECO NO.	INITIAL					
16-NOV-83	BA25-ML001						
20-AUG-84	BA25-ML002						
03-DEC-84	BA25-ML003						
18-JAN-85	BA25-ML004						

THIS DRAWING AND THE SPECIFICATIONS CONTAINED HEREIN ARE CONFIDENTIAL AND PROPRIETARY. THEY ARE THE PROPERTY OF DIGITAL EQUIPMENT CORPORATION AND SHALL NOT BE REPRODUCED OR COPIED OR USED IN WHOLE OR IN PART AS THE BASIS FOR THE MANUFACTURE OR SALE OF ITEMS WITHOUT WRITTEN PERMISSION. THIS IS AN UNPUBLISHED WORK PROTECTED UNDER THE FEDERAL COPYRIGHT LAWS.



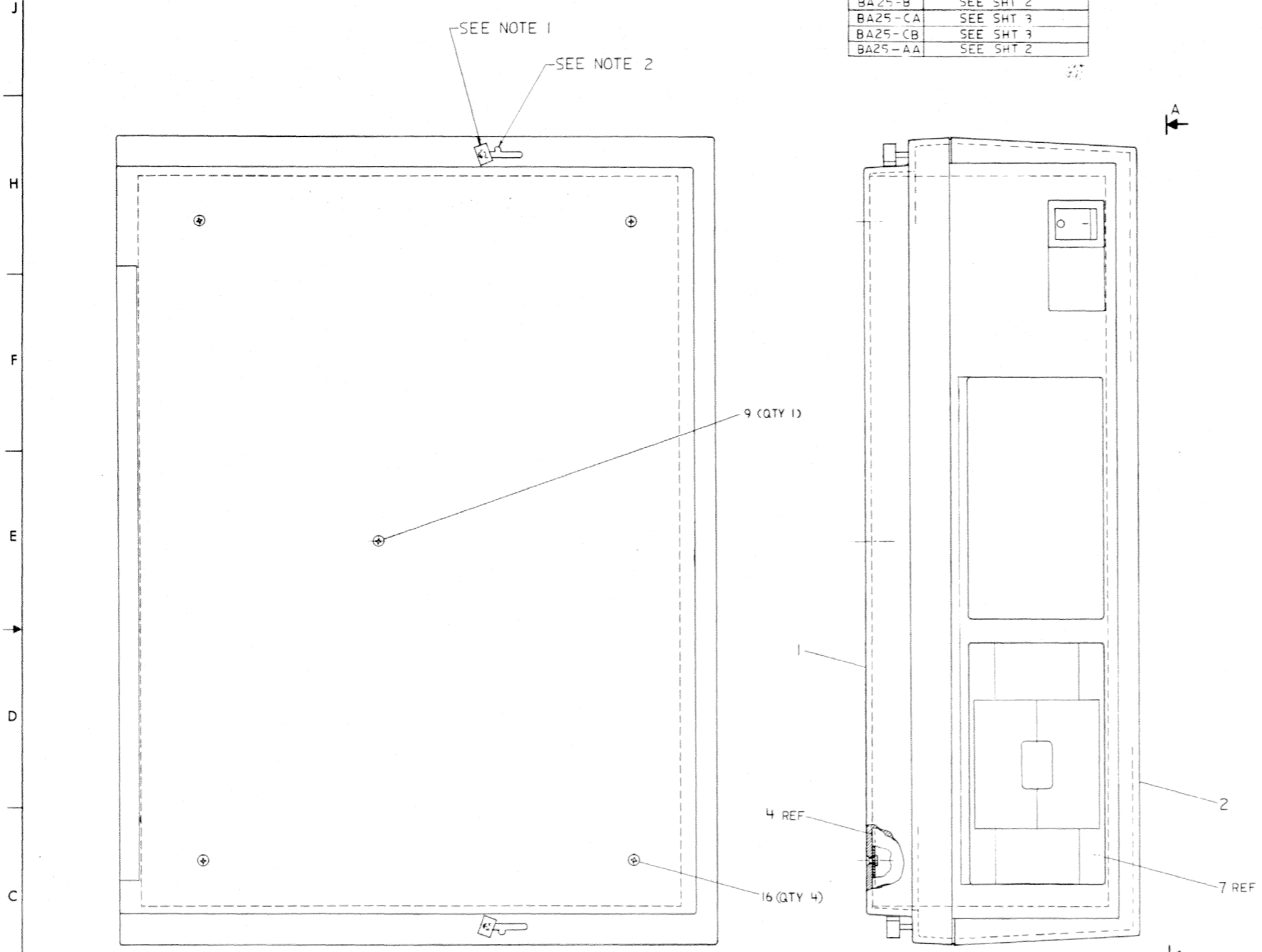
DRN. B. NETTO	DATE 14-MAY-82
CHK'D T. CHACKO	DATE 03-SEP-82
DES. ENG. D. ALBANO	DATE 01-OCT-82
RESP. ENG. D. ALBANO	DATE 01-OCT-82
MFG. ENG. B. PORTER	DATE 01-OCT-82

TITLE	SMALL SYSTEMS UNIT ENCLOSURE		
DOCUMENT NUMBER			
SIZE	CODE	NUMBER	REV.
B	DD	BA25-0	E
SHEET 1 OF 1			

THE DRAWING AND SPECIFICATIONS HEREIN ARE THE PROPERTY OF DIGITAL EQUIPMENT CORPORATION AND SHALL NOT BE REPRODUCED OR COPIED IN WHOLE OR IN PART OR BE BASED FOR THE MANUFACTURE OR SALE OF ITEMS WITHOUT WRITTEN PERMISSION OF DIGITAL EQUIPMENT CORPORATION.

LEGEND	
PART NO.	DESCRIPTION
BA25-A	SEE SHT 2
BA25-B	SEE SHT 2
BA25-CA	SEE SHT 3
BA25-CB	SEE SHT 3
BA25-AA	SEE SHT 2

- NOTES:
1. LATCH WIRE, PART OF ITEM 1, IS SHOWN IN LATCHED POSITION.
 2. PULL LATCH WIRE BACK AND OUT TO INDICATED POSITION TO REMOVE ITEM 2.
 3. CONNECTORS FROM ITEM 5 PLUG INTO ITEM 14.
 4. CONNECTOR FROM ITEM 14 PLUGS INTO ITEM 7.
 5. DELETED.
 6. TO REMOVE ITEM 7, PUSH DOWN ON SPRING TAB (PART OF ITEM 4) AND SLIDE ITEM 7 TOWARD FRONT OF UNIT.
 7. ONE CONNECTOR OF CABLE (ITEM 3) PLUGS INTO ITEM 7 WITH DRAIN WIRE ATTACHING TO QUICK-CONNECT ON ITEM 14. OTHER CONNECTOR HANGS FREE WITH ITS DRAIN WIRE ATTACHED TO QUICK-CONNECT ON ITEM 4.
 8. DELETED.
 9. CONNECTOR FROM ITEM 14 PLUGS INTO ITEM 13 (-CB VAR ONLY).



BOTTOM VIEW

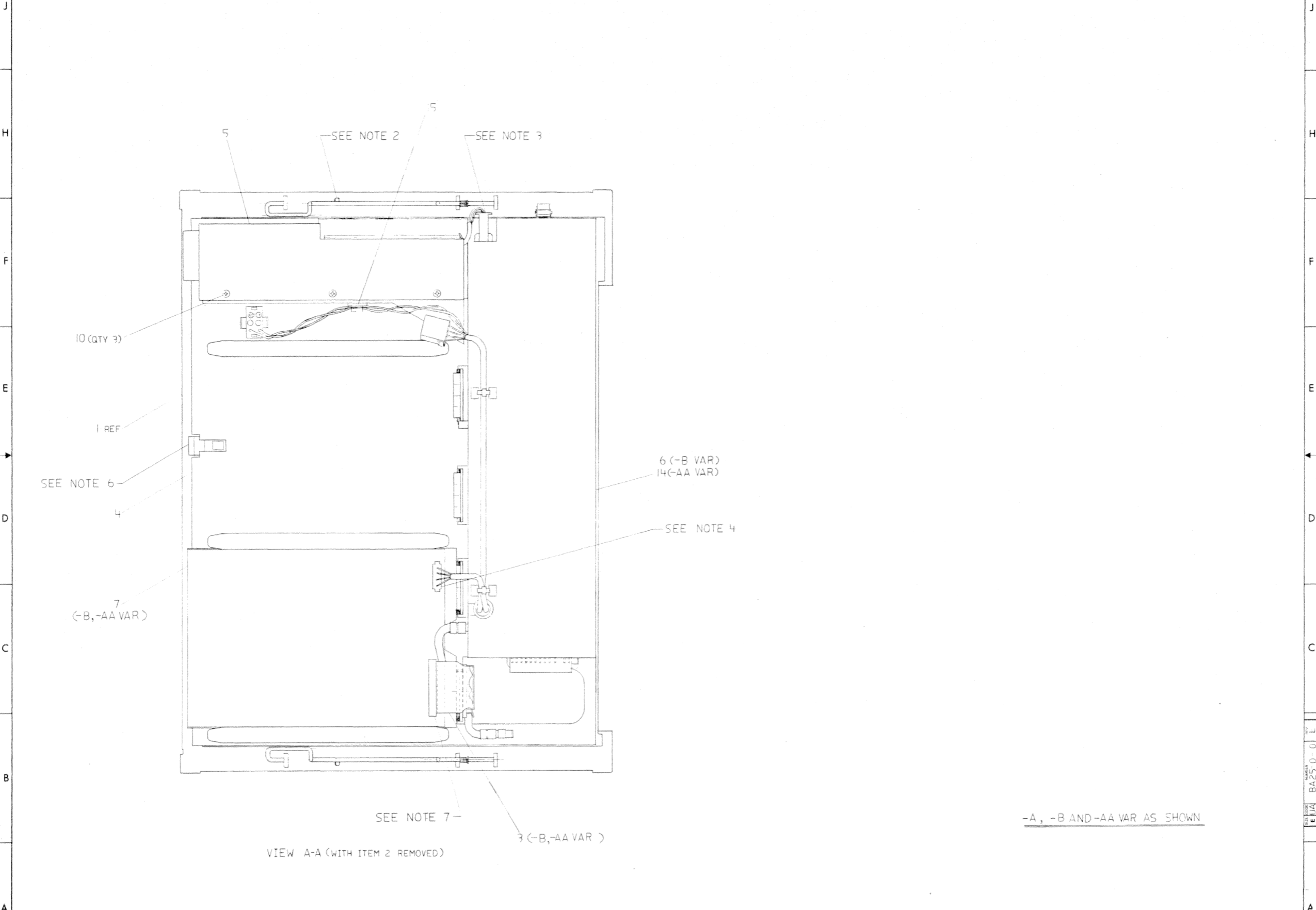
-A,-B,-AA,-CA & -CB VAR AS SHOWN

CAUTION
OFF SHEET PARTS LIST EXISTS
SEE K-PL-BA25-0-DBP (24542)

REV	DESCRIPTION	DATE
A	INITIAL	
B	BA25-ML001B	11 OCT 83
C	BA25-ML002C	11 OCT 83
D	BA25-ML003D	11 OCT 83
E	BA25-ML004E	16 JAN 84

DESCRIPTION	DRAWING NO.	PART NO.	ITEM NO.
UNLESS OTHERWISE SPECIFIED DIMENSIONS ARE IN INCHES AND THE FOLLOWING TOLERANCES APPLY (PER DEC STD 114)			
INCHES TOLERANCES	APPLICABLE DIMENSIONAL RANGE	DIMENSION RANGE IN INCHES	
ANGLES 1/2°	0 - 1.2	OVER 0.2	OVER 1.2
SURFACE QUALITY	1.2 - 4.0	OVER 1.2	OVER 4.0
QUANTITY & VARIATION	4.0 - 16.0	OVER 4.0	OVER 16.0
THIRD ANGLE PROJECTION	DATE	TITLE	
DO NOT SCALE DRAWING	15 APR 82	SMALL SYSTEM UNIT ENCLOSURE	
REMOVE BURRS AND BREAK SHARP CORNERS	DATE	DOCUMENT NUMBER	
SEE PARTS LIST	27 AUG 82	EUA/BA25-0-0	
FINISH	DATE	SCALE	
	27 AUG 82	1/1	

THE DRAWING AND SPECIFICATIONS HEREIN ARE THE PROPERTY OF DIGITAL EQUIPMENT CORPORATION AND SHALL NOT BE REPRODUCED OR COPIED IN WHOLE OR IN PART AS THE BASIS FOR THE MANUFACTURE OR SALE OF ITEMS WITHOUT WRITTEN PERMISSION. COPYRIGHT © 1973 DIGITAL EQUIPMENT CORPORATION

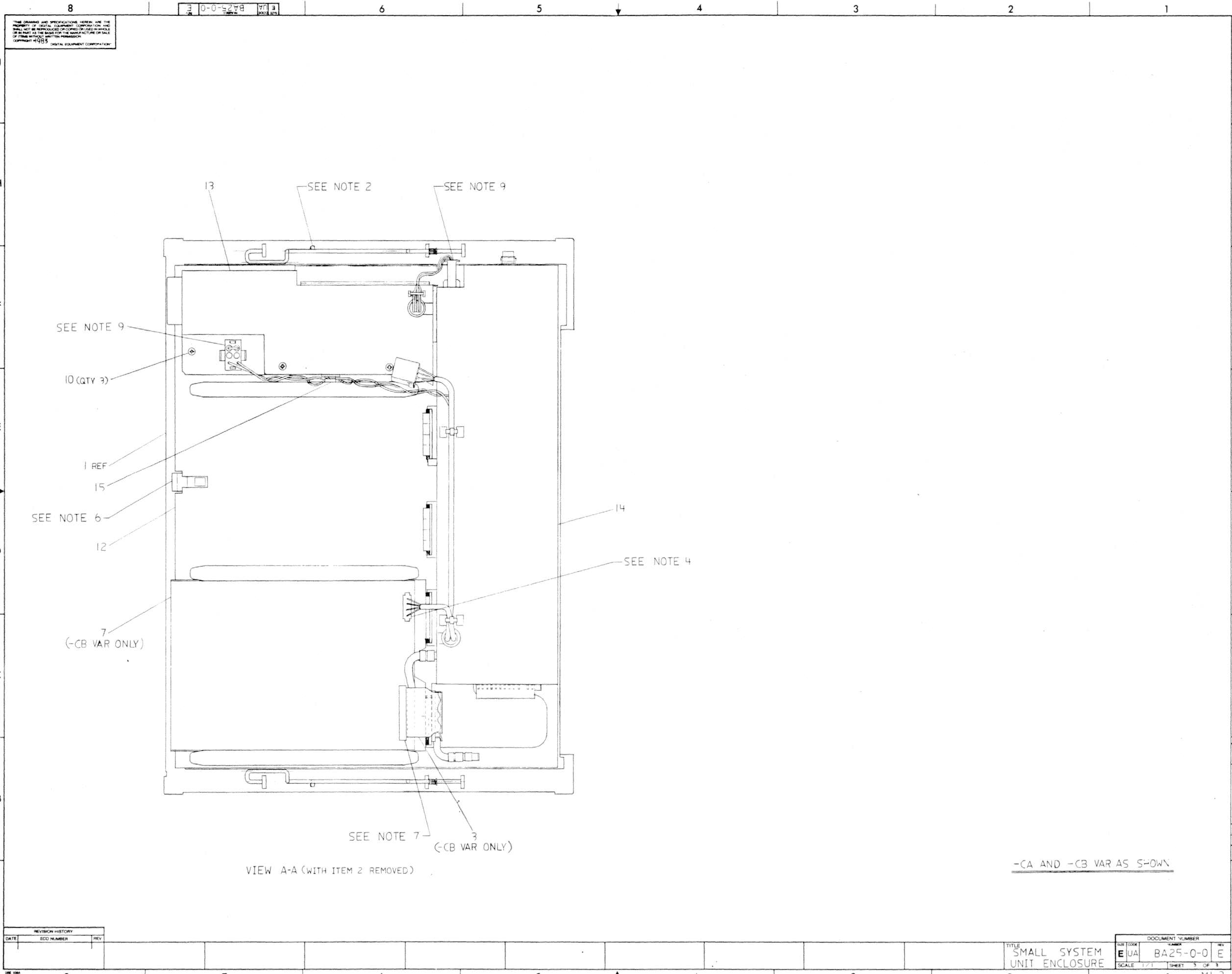


VIEW A-A (WITH ITEM 2 REMOVED)

-A, -B AND -AA VAR AS SHOWN

REVISION HISTORY		
DATE	ECO NUMBER	REV

TITLE		DOCUMENT NUMBER	
SMALL SYSTEM UNIT ENCLOSURE		EUA BA25-0-0	
SCALE	1/1	SHEET	2 OF 3



THE DRAWING AND SPECIFICATIONS HEREIN ARE THE PROPERTY OF DIGITAL EQUIPMENT CORPORATION AND SHALL NOT BE REPRODUCED OR COPIED OR USED IN WHOLE OR IN PART AS THE BASIS FOR THE MANUFACTURE OR SALE OF ITEMS WITHOUT THE WRITTEN PERMISSION OF DIGITAL EQUIPMENT CORPORATION.

REV E BA25-0-0

REVISION HISTORY		
DATE	ECO NUMBER	REV

TITLE		DOCUMENT NUMBER	
SMALL SYSTEM UNIT ENCLOSURE		REV E	BA25-0-0
SCALE 1/1	SHEET 3 OF 3	ML 3	

-CA AND -CB VAR AS SHOWN

VIEW A-A (WITH ITEM 2 REMOVED)

LINE	ITEM	TOP DOCUMENT	PART NUMBER	MIN REV	DESCRIPTION	QTY PER VARIATION				
						A	B	CA	CB	AA
VARIATION REVISION LEVEL:										
1	1	D-AD-7019573-0-0	7019573-00	B	ENCLOSURE BOTTOM ASSY.	1	1	1	1	1
2	2	E-IA-7019505-0-DBU	7019505-01		TOP ENCLOSURE ASSY. W/FILLER PLA	1	1	1	1	1
3	3		1700317-03		CABLE ASSY 34COND SHIELDED 8"LG	-	1	-	1	1
4	4	D-IA-7019571-0-0	7019571-00		RIVETED ASSY.	1	1	-	-	1
5	5	D-AD-7019572-0-0	7019572-00		FAN BRACKET ASSY	1	1	-	-	1
6	6	E-UA-H7842-0-0	H7842-A		SMALL SYS UNIT POW SUP: 138 WATT	-	1	-	-	-
7	7		RX50 -AA		DUAL 5.25" SINGLE SIDED FLOPPY D	-	1	-	1	1
8	8		1700318-01		*** THIS ITEM IS NOT USED ***	-	-	-	-	-
9	9		9006021-02		SCREW,MACH FLAT PHIL 6-	1	1	1	1	1
10	10		9009701-00		SCREW,SEMS PAN PHIL 6-	3	3	3	3	3
11	11		1213715-02		*** THIS ITEM IS NOT USED ***	-	-	-	-	-
12	12	D-IA-7019571-0-0	7019571-01		RIVETED ASSEMBLY	-	-	1	1	-
13	13	D-AD-7020816-0-DBU	7020816-01		FAN ASSY	-	-	1	1	-
14	14	E-UA-H7842-0-0	H7842-D		SMALL SYS UNIT POW SUP:142 WATTS	-	-	-	1	1
15	15		9009771-03		CLAMP,CABLE,U CLIP,ADH.BACK 3/1	1	1	1	1	-
16	16		9006020-01		SCREW,MACH PAN PHIL 6-	4	4	4	4	4

REVISION HISTORY			BASIC PART NO: BA25	DRN: B. NETTO	DATE: 05-JUN-82	D I G I T A L			
ENG	ECO NUMBER	REV	SECTION A OF A	CHK'D: T. CHACKO	DATE: 27-AUG-82	TITLE PARTS LIST SMALL SYSTEM UNIT ENCLOSURE			
---	INITIAL	A	SECTION,VARIATION INDEX	DES.ENG: D. ALBANO	DATE: 27-AUG-82	DOCUMENT NUMBER			
AJ	BA25-ML001	B	{A}A ,B ,CA,CB,AA	RESP.ENG.: D. ALBANO	DATE: 27-AUG-82	SIZE	CODE	NUMBER	REV
AJ	BA25-ML002	C	{B}	MFG.ENG.: J. TRITAK	DATE: 27-AUG-82	K	PL	BA25-0-DBP	E
AJ	BA25-ML003	D	{C}	ASSEMBLY NUMBER:	TOP DOCUMENT NUMBER:	FILE NAME:		EDIT #	
AJ	BA25-ML004	E	{D}	E-UA-BA25-0-0	#B-DD-BA25-0	Z4542E.PLS		4	
			{E}			RELEASE DATE: 14-JAN-85			
			{F}						

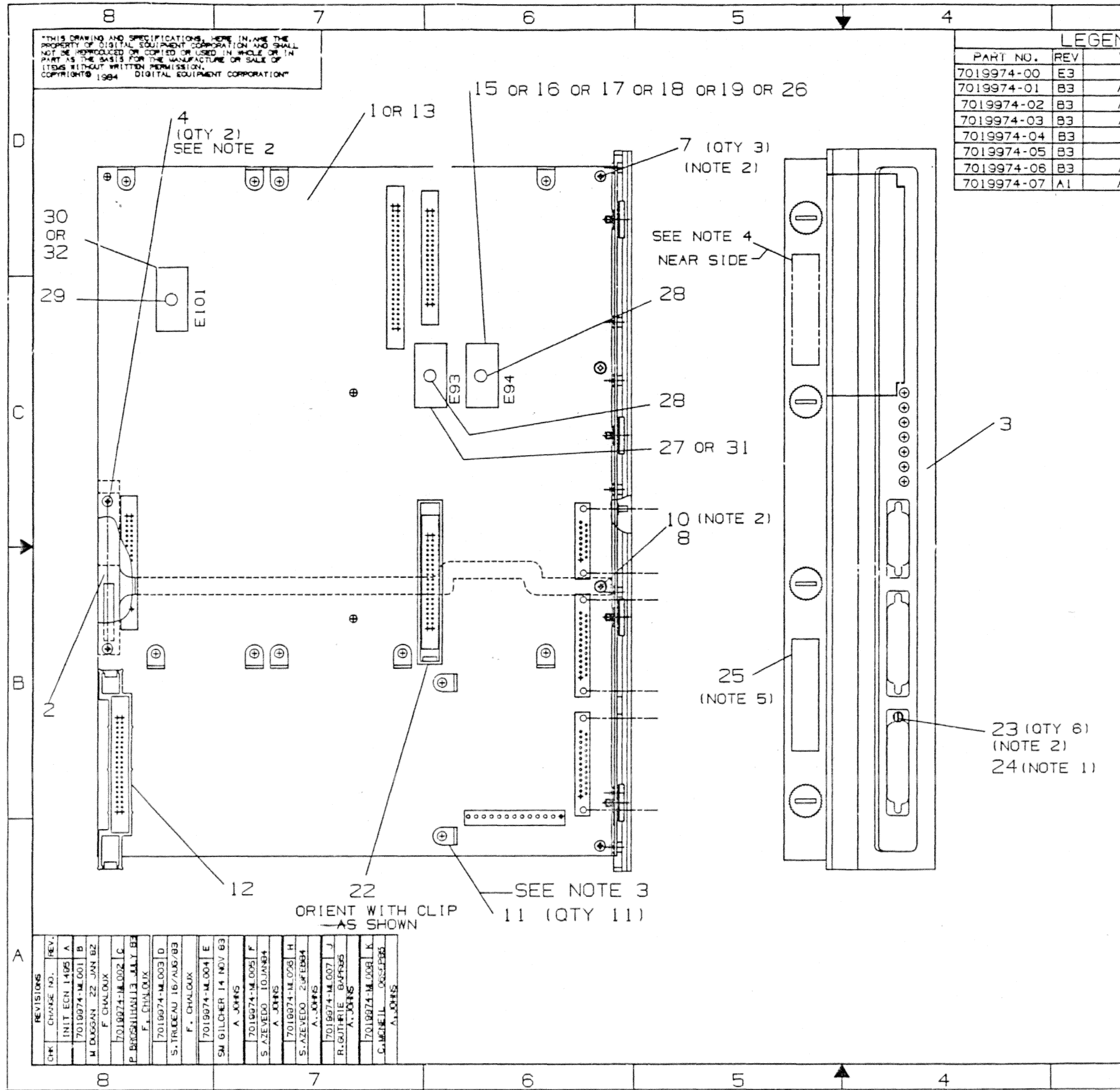
"THIS DRAWING AND THE SPECIFICATIONS CONTAINED HEREIN ARE CONFIDENTIAL AND PROPRIETARY. THEY ARE THE PROPERTY OF DIGITAL EQUIPMENT CORPORATION AND SHALL NOT BE REPRODUCED OR COPIED OR USED IN WHOLE OR IN PART AS THE BASIS FOR THE MANUFACTURE OR SALE OF ITEMS WITHOUT WRITTEN PERMISSION. THIS IS AN UNPUBLISHED WORK PROTECTED UNDER THE FEDERAL COPYRIGHT LAWS."

D:\AD\7019974-0-DBU K

THIS DRAWING AND SPECIFICATIONS, HEREIN, ARE THE PROPERTY OF DIGITAL EQUIPMENT CORPORATION AND SHALL NOT BE REPRODUCED OR COPIED OR USED IN WHOLE OR IN PART AS THE BASIS FOR THE MANUFACTURE OR SALE OF ITEMS WITHOUT WRITTEN PERMISSION. COPYRIGHT © 1984 DIGITAL EQUIPMENT CORPORATION

LEGEND		
PART NO.	REV	VARIATION
7019974-00	E3	AS SHOWN
7019974-01	B3	AS SHOWN
7019974-02	B3	AS SHOWN
7019974-03	B3	AS SHOWN
7019974-04	B3	AS SHOWN
7019974-05	B3	AS SHOWN
7019974-06	B3	AS SHOWN
7019974-07	A1	AS SHOWN

- NOTES:
- APPLY ITEM #24 TO ITEM #23 BEFORE ASSY.
 - TORQUE REQUIREMENTS:
 A) ITEM 4, 4-5 IN-LBS.
 B) ITEM 7, 7-8 IN-LBS.
 C) ITEM 23, 5-6 IN-LBS.
 D) ITEM 10, 4-5 IN-LBS.
 - FOR -00 VAR. 1219857-01, ADDITIONAL STANDOFF, FOR GRAPHICS OPTION CAN ONLY BE INSTALLED ON ETCH REV "F" OR HIGHER OF 5415486-01.
 - PART TO BE MARKED WITH PART NUMBER, PART REVISION AND VENDOR PER DEC STD 178 IN THE DESIGNATED AREA.
 - LOCATE LABEL CENTRAL BETWEEN THUMB SCREWS.
 - REF DES SHOWN (EX:E93, E94,E101) REFER TO D-CS-5416206-0-1.



CAUTION: OFF SHEET PARTS LIST EXISTS SEE: K-PL-7019974-0-DBP

DESCRIPTION	DRAWING NO.	PART NO.	ITEM NO.
UNLESS OTHERWISE SPECIFIED DIMENSIONS ARE IN INCHES AND THE FOLLOWING TOLERANCES APPLY (PER DEC STD 114)			
DIMENSION RANGE IN INCHES	OVER 0.2	OVER 0.2 TO 1.2	OVER 1.2 TO 4.0
	OVER 1.2 TO 4.0	OVER 4.0 TO 12.0	OVER 12.0 TO 40.0
TOLERANCE	±.004	±.0075	±.012
APPLICABLE DIMENSION RANGE	±.004	±.0075	±.012
INCHES DIM	<input type="checkbox"/>	<input type="checkbox"/>	<input type="checkbox"/>
MILLIMETERS DIM	<input type="checkbox"/>	<input type="checkbox"/>	<input type="checkbox"/>
THIRD ANGLE PROJECTION	<input checked="" type="checkbox"/>	<input type="checkbox"/>	<input type="checkbox"/>
DRN	S. AZEVEDO	DATE	27 AUG 82
CHK'D	D. HEALY	DATE	27 AUG 82
DES. ENG.	D. MOORE	DATE	27 AUG 82
RESP. ENG.	F. CHALOUX	DATE	27 AUG 82
UPR. ENG.	L. HARDER	DATE	27 AUG 82
TOP LOC.	D-AD-7019974-0-DBU	SCALE	1/1
TITLE	CPU ASSY RAINBOW 100		REV. K
DOCUMENT NUMBER	D AD 7019974-0-DBU		SHEET 1 OF 1

REV.	CHG	CHARGE NO.	INIT	DATE
A		1495	INIT	ECH 1495
B		1496		7019974-M.001
C		1497		7019974-M.002
D		1498		7019974-M.003
E		1499		7019974-M.004
F		1500		7019974-M.005
G		1501		7019974-M.006
H		1502		7019974-M.007
I		1503		7019974-M.008
J		1504		7019974-M.009
K		1505		7019974-M.010

LINE ITEM	TOP DOCUMENT	PART NUMBER	MIN REV	DESCRIPTION	QTY PER VARIATION								
					00	01	02	03	04	05	06	07	
				VARIATION REVISION LEVEL:	E3	B3	B3	B3	B3	B3	B3	B3	A1
1	B-DD-5415486-0	5415486-01	F	PC100 MOTHERBOARD	1	-	-	-	-	-	-	-	-
2	E-MD-7427719-0-DBU	7427719-01	B	KEEL,SUPPORT,RAINBOW 100	1	1	-	-	-	-	-	-	1
3	D-AD-7019941-0-DBU	7019941-00		CONN. PANEL ASSY.	1	1	-	-	-	-	-	-	1
4		9010411-01		SCREW,THD RL,FLAT PHIL F/PLAS	2	2	-	-	-	-	-	-	2
5		9008451-05		*** THIS ITEM IS NOT USED ***	-	-	-	-	-	-	-	-	-
6		9010099-00		*** THIS ITEM IS NOT USED ***	-	-	-	-	-	-	-	-	-
7		9000049-44		SCREW,SEMS PAN PHIL 4-	3	3	-	-	-	-	-	-	3
8		9009948-00		WASHER,FLAT NYLON	1	1	-	-	-	-	-	-	1
9		9009321-00		*** THIS ITEM IS NOT USED ***	-	-	-	-	-	-	-	-	-
10		9006010-01		SCREW,MACH PAN PHIL 4-	1	1	-	-	-	-	-	-	1
11		1219857-01		STANDOFF,NYLON	11	11	-	-	-	-	-	-	11
12	D-MD-7428524-0-DBU	7428524-01		CONNECTOR,FASTENER,RAINBOW 100	1	1	-	-	-	-	-	-	1
13	B-DD-5416206-0	5416206-01	D	PC100-B MOTHER BOARD	-	1	-	-	-	-	-	-	1
14	D-AD-7019974-0-DBU	7019974-01	B	CPU ASSY RAINBOW 100B W/O ROM	-	-	1	1	1	1	1	1	-
15		23020E5-00		E5-02	-	-	1	-	-	-	-	-	-
16		23015E5-00		E5-02	-	-	-	1	-	-	-	-	-
17		23016E5-00		E5-02	-	-	-	-	1	-	-	-	-
18		23017E5-00		E5 02	-	-	-	-	-	1	-	-	-
19		23018E5-00		E5-02	-	-	-	-	-	-	1	-	-
20	A-PA-3700705-0-0	3700705-06		PKG CPU 701997X	REF	REF	REF	REF	REF	REF	REF	REF	REF
21	A-PA-3700705-0-0	3700705-01		PKG CPU 701997X	REF	REF	REF	REF	REF	REF	REF	REF	REF
22	D-MD-7428702-0-DBU	7428702-02		RESTRAINT,PC BOARD	1	1	-	-	-	-	-	-	1
23		9008451-06		SCREW,LOCK,STANDOFF ONLY .060TH	6	6	-	-	-	-	-	-	6
24		4901223-00		ADHESIVE, ANAEROBIC, RESIN BASE	A/R	A/R	-	-	-	-	-	-	A/R
25		3623792-01		LABEL,INSTALLED SPECIAL OPTION	-	-	-	-	-	-	-	-	1
26		23074E5-00		E5-01,E5-02 ROM	-	-	-	-	-	-	-	-	1
27		23073E5-00		E5-01,E5-02 ROM	-	-	-	-	-	-	-	-	1
28		3623793-01		LABEL,RED DOT	-	-	-	-	-	-	-	-	2
29		3623793-03		LABEL,YELLOW DOT	-	-	-	-	-	-	-	-	1
30		23063E3-00		E3-03	-	-	-	-	-	-	-	-	1

REVISION HISTORY			BASIC PART NO: 7019974			DRN: D. HEALY			DATE: 24-AUG-82			D I G I T A L		
ENG	ECO NUMBER	REV	SECTION A OF A	CHK'D:	D. HEALY	DATE:	18-OCT-82	TITLE	PARTS LIST					
---	INITIAL	A	SECTION VARIATION INDEX	CHK'D:	D. HEALY	DATE:	18-OCT-82	CPU ASSY, RAINBOW 100						
FC	7019974-ML001	B	[A]00,01,02,03,04,05,	DES.ENG:	D. DICKLEMAN	DATE:	18-OCT-82	DOCUMENT NUMBER						
FC	7019974-ML002	C	06,07	RESP.ENG.:	F. CHALOUX	DATE:	18-OCT-82	SIZE	CODE	NUMBER	REV			
FC	7019974-ML003	D	[B]	MFG.ENG.:	L. HARDER	DATE:	18-OCT-82	K	PL	7019974-0-DBP	K			
AJ	7019974-ML004	E	[C]	ASSEMBLY NUMBER:	B-DD-PC100-0-0	TOP DOCUMENT NUMBER:	D-AD-7019974-0-DBU	RELEASE DATE:	09-OCT-85		FILE NAME:	Z5346K.PLS	EDIT #	4
AJ	7019974-ML005	F	[D]											
AJ	7019974-ML006	H	[E]											
AJ	7019974-ML007	J	[F]											
AJ	7019974-ML008	K												

"THIS DRAWING AND THE SPECIFICATIONS CONTAINED HEREIN ARE CONFIDENTIAL AND PROPRIETARY. THEY ARE THE PROPERTY OF DIGITAL EQUIPMENT CORPORATION AND SHALL NOT BE REPRODUCED OR COPIED OR USED IN WHOLE OR IN PART AS THE BASIS FOR THE MANUFACTURE OR SALE OF ITEMS WITHOUT WRITTEN PERMISSION. THIS IS AN UNPUBLISHED WORK PROTECTED UNDER THE FEDERAL COPYRIGHT LAWS."

LINE ITEM	TOP DOCUMENT	PART NUMBER	MIN REV	DESCRIPTION	QTY PER VARIATION								
					00	01	02	03	04	05	06	07	
					VARIATION REVISION LEVEL:								
					E3	B3	B3	B3	B3	B3	B3	B3	A1
31	31	23022E5-00		E5-02	-	1	-	-	-	-	-	-	-
32	32	23037E3-00		E3-03	-	1	-	-	-	-	-	-	-

D	I	G	I	T	A	L	TITLE	SECTION A	OF	A	SIZE	CODE	DOCUMENT NUMBER	REV
							CPU ASSY, RAINBOW 100				K	PL	7019974-0-DBP	K