

PDP-15 SYSTEMS
TC59 MAGNETIC TAPE
TRANSPORT CONTROL
MAINTENANCE MANUAL
VOLUME 2

DRAWING NUMBER INDEX

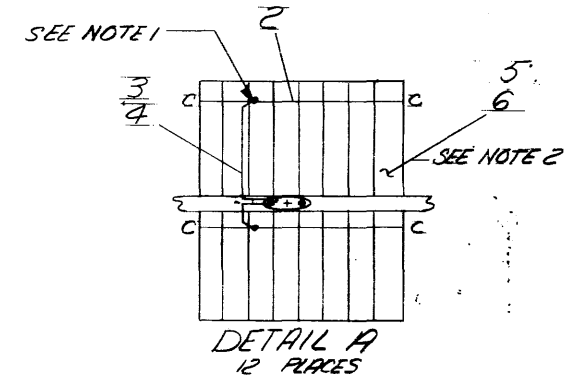
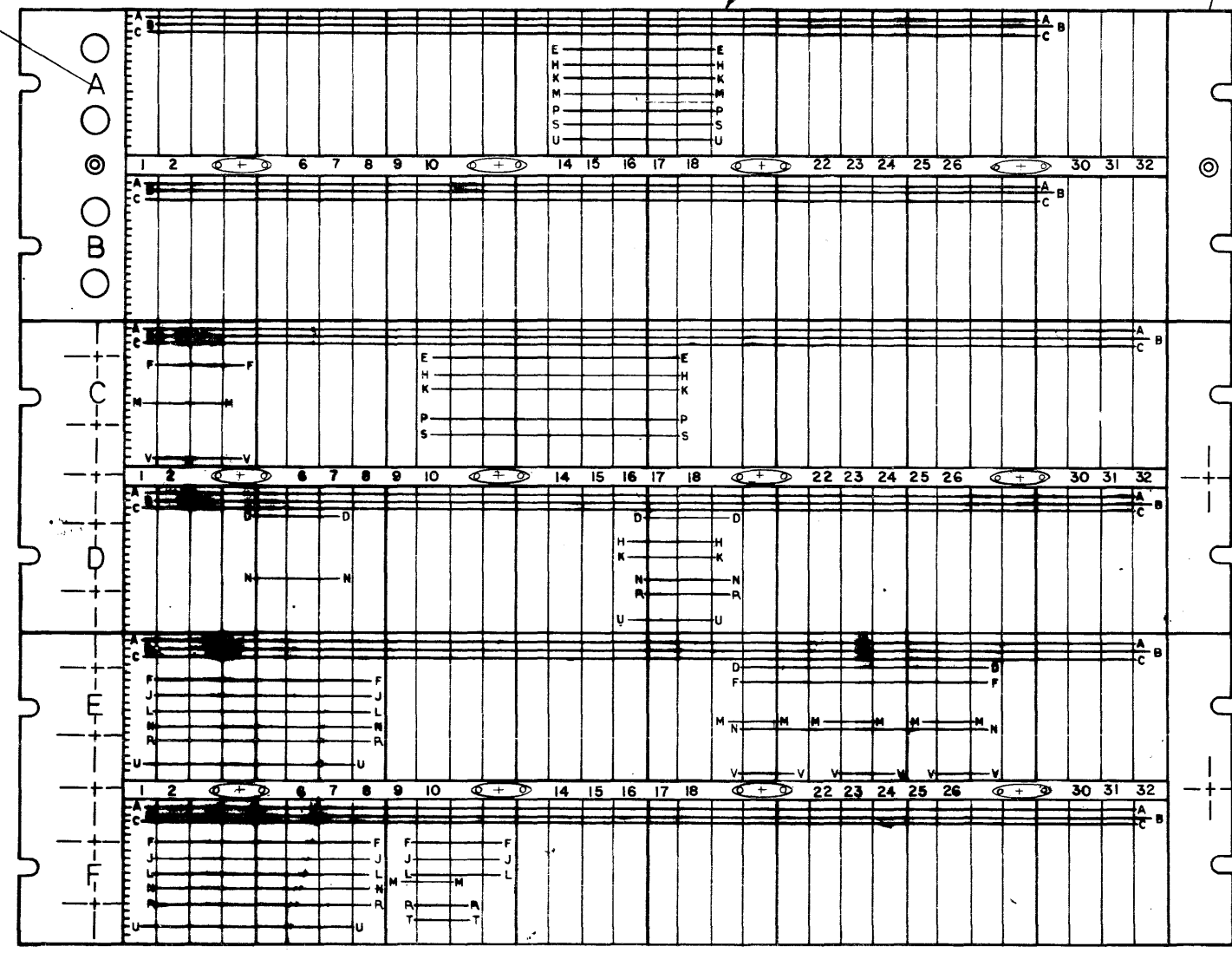
SIZE	TYPE	NUMBER	TITLE
A	ML	TC59-0	TC59 MAG TAPE CONTROL
A	PL	TC59-0-0	MAG TAPE CONTROL TYPE TC59
A	PL	7005319-0-0	WIRED ASS'Y (TC59)
D	AD	7005319-0-0	WIRED ASS'Y (TC59)
D	BS	TC59-0-1	DB REGISTER
D	BS	TC59-0-2	DATA AND IO CONTROL
D	BS	TC59-0-3	DEVICE SELECTOR
D	BS	TC59-0-4	TC59 BUSS
D	MU	TC59-0-5	UML FOR TC59
K	WL	TC59-0-6	WIRE LIST TC59/50
A	ML	TC50-0	TC50 CONTROL
D	BS	TC50-0-1	MOTION UP COUNTER AND WRITING DATA
D	BS	TC50-0-2	COMMAND
D	BS	TC50-0-3	DATA FLOW
D	BS	TC50-0-4	TIMING
D	IC	TC50-0-5	INDICATOR CONNECTIONS
D	FD	TC50-0-6	GENERAL MOTION TIMING
D	FD	TC50-0-7	WRITE FLOW
D	FD	TC50-0-8	ISOLATED FLOW LOGIC
D	FD	TC50-0-9	GENERAL FLOW GRAPH
D	FD	TC50-0-10	DATA FLOW DELAY SEQUENCE
E	TD	TC50-0-11	TIMING FLOW
A	CP	TC50-0-12	EXTERNAL COMPONENT LIST
D	MU	TC50-0-13	MODULE UTILIZATION
D	IC	TC50-0-14	POWER WIRING
B	CS	728-0-1	POWER SUPPLY 728
A	PL	728-0-1	728 POWER SUPPLY
	CS	B-834	ONE STEP POWER CONTROL PANEL 834
A	PL	834-0-1	834 POWER CONTROL
C	IA	5402526-0-0	MARGINAL CHECK PANEL ASSY
A	PL	7005261-0-0	INDICATOR PANEL
B	CS	4918-0-1	18 BIT INDICATOR BRACKET
B	CS	4917-0-1	9 BIT INDICATOR BRACKET
B	CS	R123-0-1	DIODE GATE R123
B	CS	R141-0-1	DIODE GATE R141
B	CS	R151-0-1	BINARY TO OCTAL DECODER R151
B	CS	R201-0-1	FLIP-FLOP R201
B	CS	R202-0-1	DUAL FLIP-FLOP R202
	CS	B-R203	TRIPLE FLIP-FLOP R203
	CS	B-R205	DUAL FLIP-FLOP R205
B	CS	R601-0-1	PULSE AMPLIFIER R601
B	CS	R602-0-1	PULSE AMPLIFIER R602
	CS	B-R603	PULSE AMPLIFIER R603
B	CS	5123-0-1	DIODE GATE 5123
B	CS	W005-0-1	CLAMPED LOADS W005
C	CS	W103-0-1	DEVICE SELECTOR W103
D	CS	W104-0-1	PDP-9 IO BUS MULTIPLEXER CONTROL W104
B	CS	W107-0-1	I/O BUS RECEIVER CKT. W107
B	CS	W640-0-1	PULSE AMPLIFIER W640

This drawing and specifications, herein, are the property of Digital Equipment Corporation and shall not be reproduced or copied or used in whole or in part as the basis for the manufacture or sale of items without written permission.

0-0-6169004 DAD 2

NOTES:

- 1 CONNECTIONS ON ITEMS 3 & 4 TO BE LOCATED AT MINIMUM PRACTICAL HEIGHT ABOVE BOARD.
- 2 USE YELLOW WIRE (ITEM 5) FOR MACHINE WRAPPED & BLUE WIRE (ITEM 6) FOR HAND WRAPPED WIRING.

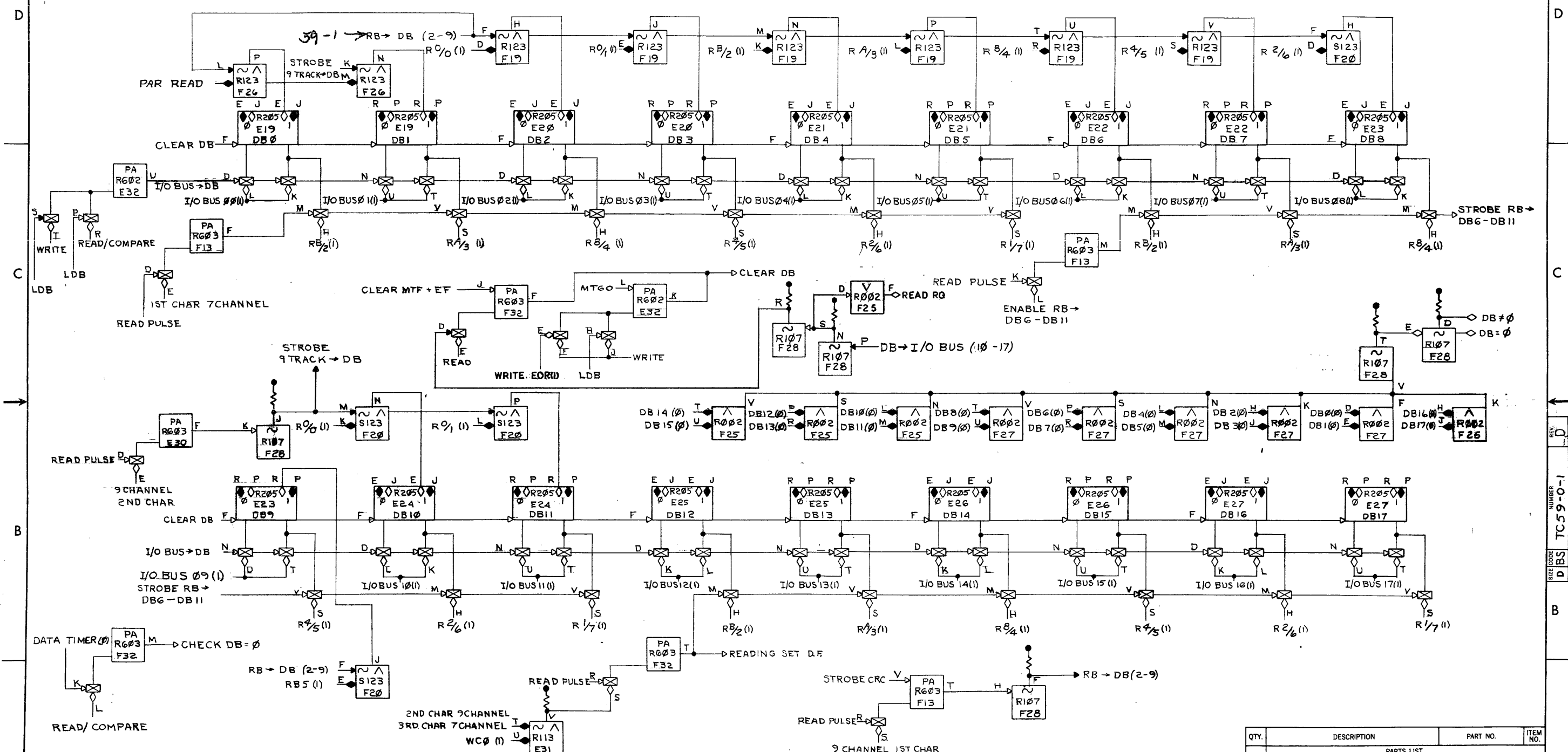


REV.	CHANGE NO.	DATE	BY
A	432	5-11-67	R. Antonuccio
B	433	5-20-67	R. Antonuccio

MISC-00075
R. ANTONUCCIO
R. Antonuccio

QTY.	DESCRIPTION	PART NO.	ITEM NO.
PARTS LIST			
UNLESS OTHERWISE SPECIFIED	DRN	DATE	digital EQUIPMENT CORPORATION MAYNARD, MASSACHUSETTS
UNLESS OTHERWISE SPECIFIED	CHK'D	DATE	
DIMENSION IN INCHES	ENG	DATE	
TOLERANCES	PROJ. ENG.	DATE	
DECIMALS FRACTIONS ANGLES	PROD.	DATE	
±.005 ±.002 ±.030			TITLE
FINIAL SURFACE QUALITY			WIRED ASSY
REMOVE BURRS AND BREAK SHARP CORNERS			(TC59)
MATERIAL	FIRST USED ON		NUMBER
	D-UA-TC59-0-0		DAD 7005310-0-0
FINISH	SCALE	SHEET	DIST.
		1 OF 1	

This drawing and specifications, herein, are the property of Digital Equipment Corporation and shall not be reproduced or copied or used in whole or in part as the basis for the manufacture or sale of items without written permission. 1972



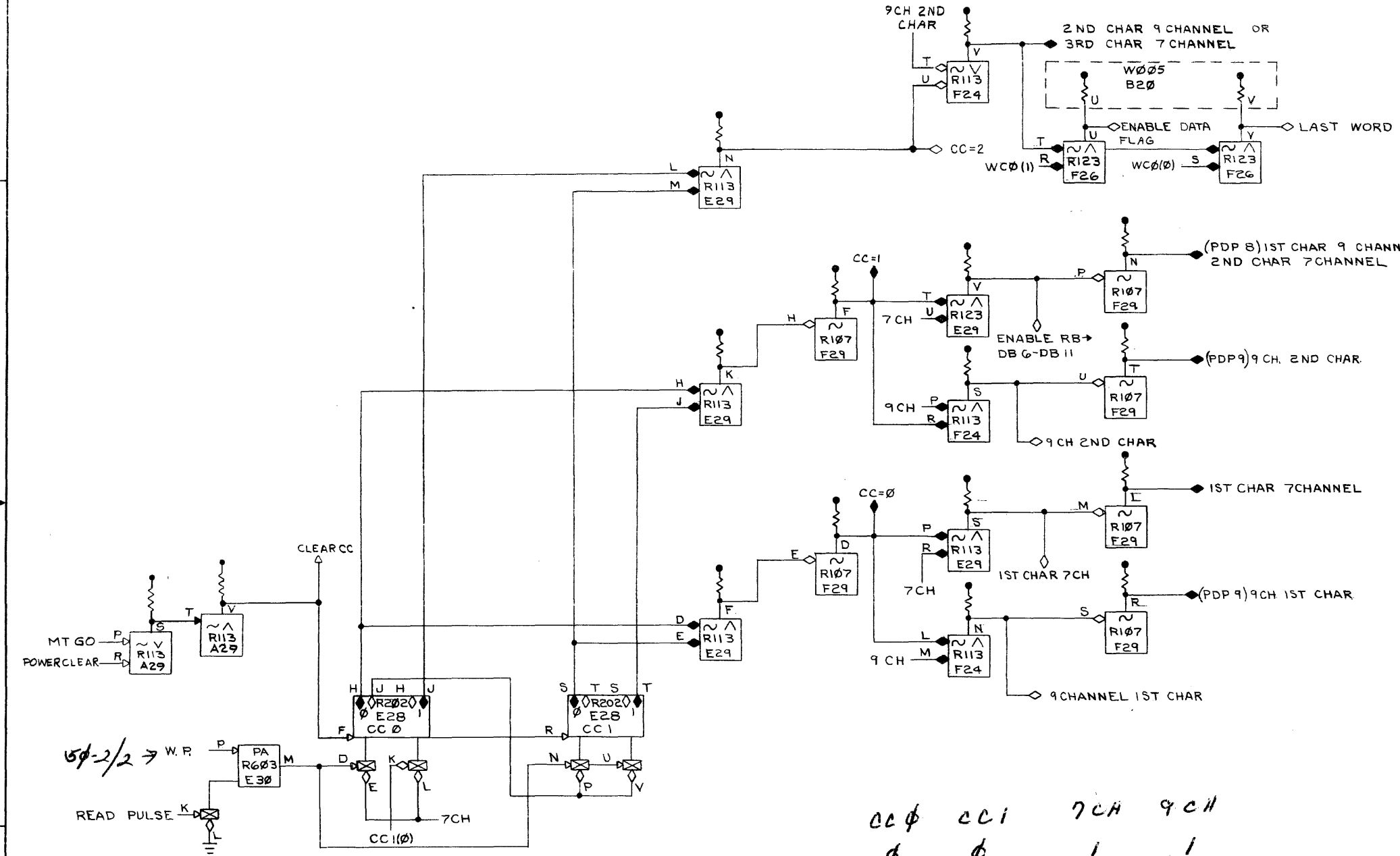
REV.	CHG.	NO.	DATE	BY	CHK.
1	20	1	12/28/66	J. S. G.	J. S. G.
2	21	1	1/5/67	J. S. G.	J. S. G.
3	22	1	2/27/67	J. S. G.	J. S. G.
4	23	1	6/25/67	J. S. G.	J. S. G.
5	24	1	8/22/67	J. S. G.	J. S. G.
6	25	1	11/15/72	J. S. G.	J. S. G.

QTY.	DESCRIPTION	PART NO.	ITEM NO.
PARTS LIST			
digital CORPORATION MATHEW, MASSACHUSETTS			
TITLE			
DB REGISTER			
FIRST USED ON			
D-UA-TC59-0-0			
SCALE		NUMBER	
SHEET 1 OF 1		D BS TC59-0-1	
DIST.		REV. D	

NUMBER
 TC59-0-1
 SIZE CODE
 D BS

This drawing and specifications herein are the property of Digital Equipment Corporation and shall not be reproduced or copied in whole or in part as the basis for the manufacture or sale of items without written permission.

D
C
B
A



CC=0	CC=1	7CH	9CH
φ	φ	1	1
φ	1	2	2

CHK	REV	CHANGE NO.	DATE	BY
1	A	429	1-10-68	W.R.
2	B	429	1-10-68	W.R.
3	C	429	1-10-68	W.R.
4	D	429	1-10-68	W.R.
5	E	429	1-10-68	W.R.
6	F	429	1-10-68	W.R.
7	G	429	1-10-68	W.R.
8	H	429	1-10-68	W.R.
9	I	429	1-10-68	W.R.
10	J	429	1-10-68	W.R.

QTY.	DESCRIPTION	PART NO.	ITEM NO.
PARTS LIST			
UNLESS OTHERWISE SPECIFIED			
UNLESS OTHERWISE SPECIFIED			
DIMENSION IN INCHES			
TOLERANCES			
DECIMALS	FRACTIONS	ANGLES	
± .005	± 1/64	± 0°30'	
FINAL SURFACE QUALITY			
REMOVE BURRS AND BREAK SHARP CORNERS			
MATERIAL			
FINISH			
DRN: <i>Larkin</i>		DATE: 9-29-67	
CHK'D: <i>Wainwright</i>		DATE: 5-19-67	
ENG: <i>Wainwright</i>		DATE: 8/22/67	
PRJ. ENG: <i>Wainwright</i>		DATE: 4/1/67	
PRD: <i>Wainwright</i>		DATE: 6/28/67	
FIRST USED ON			
D-UA-TC59-0-0			
SCALE		SIZE CODE	NUMBER
SHEET 1 OF 2		DBS	TC59-0-2
DIST.			REV J

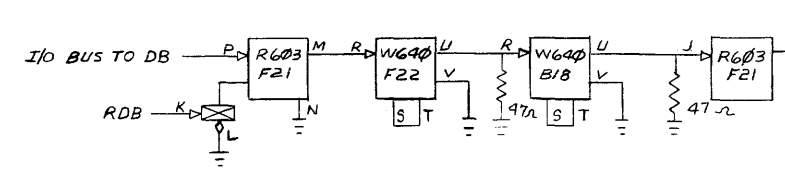
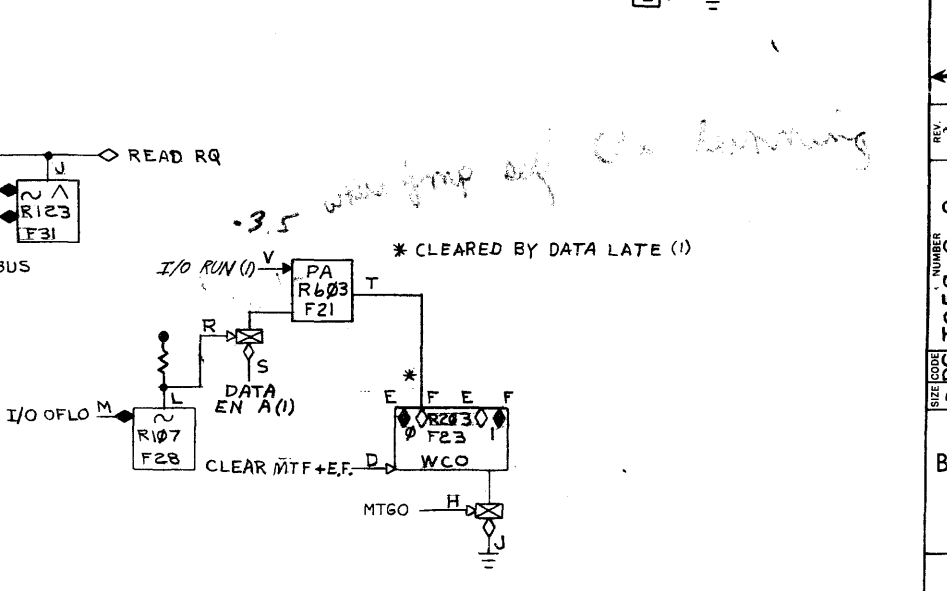
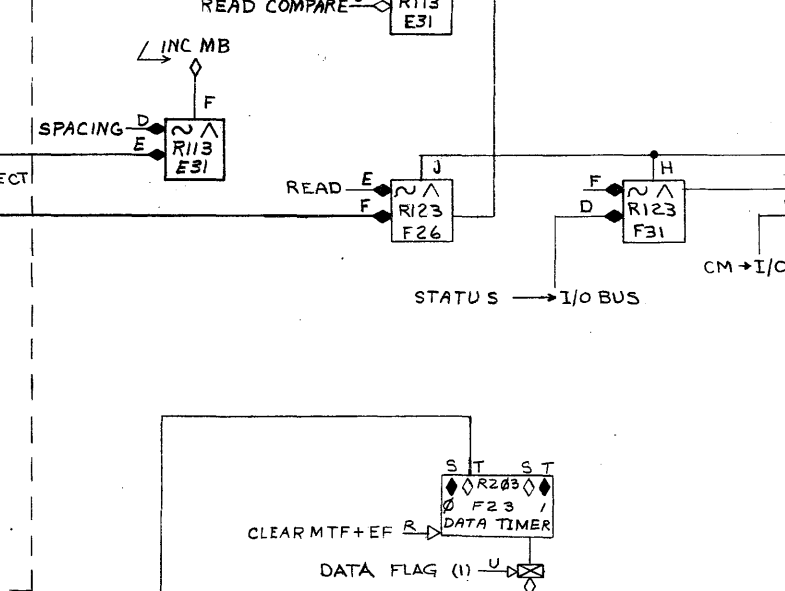
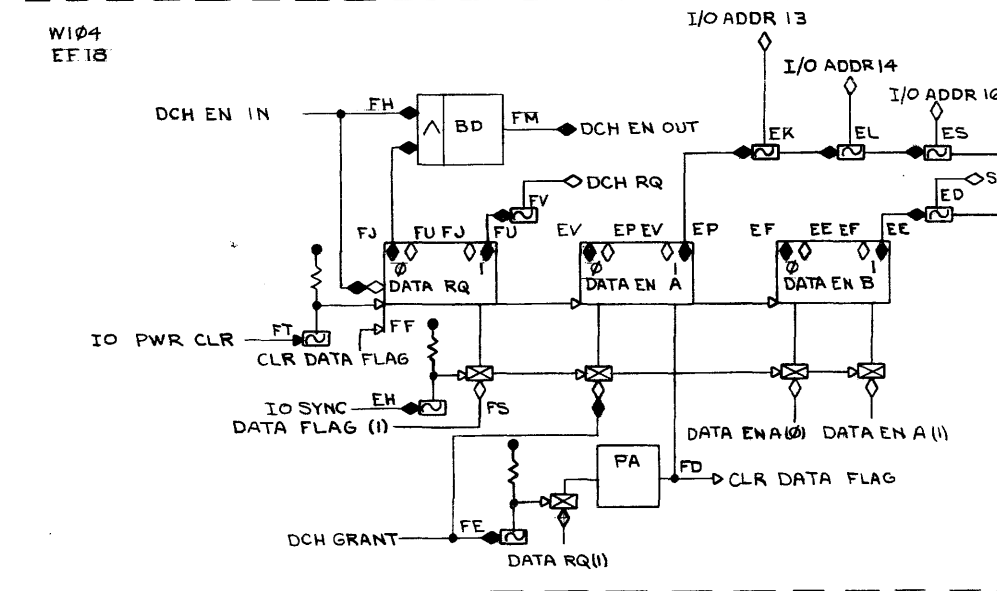
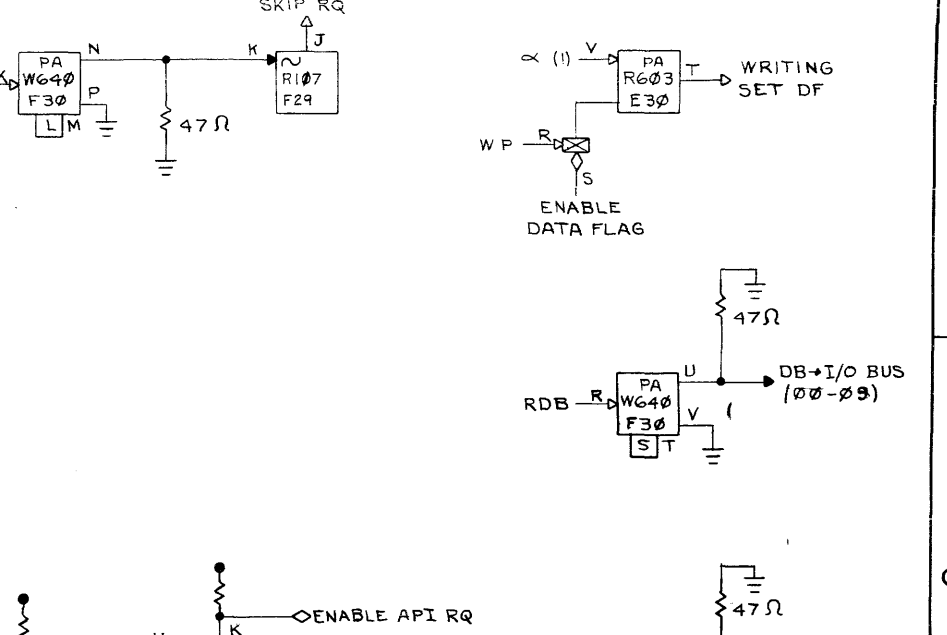
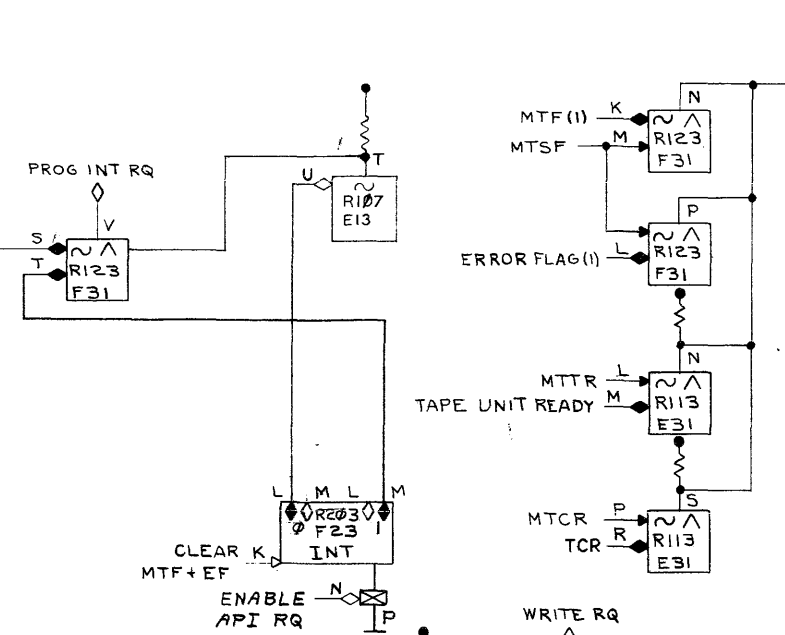
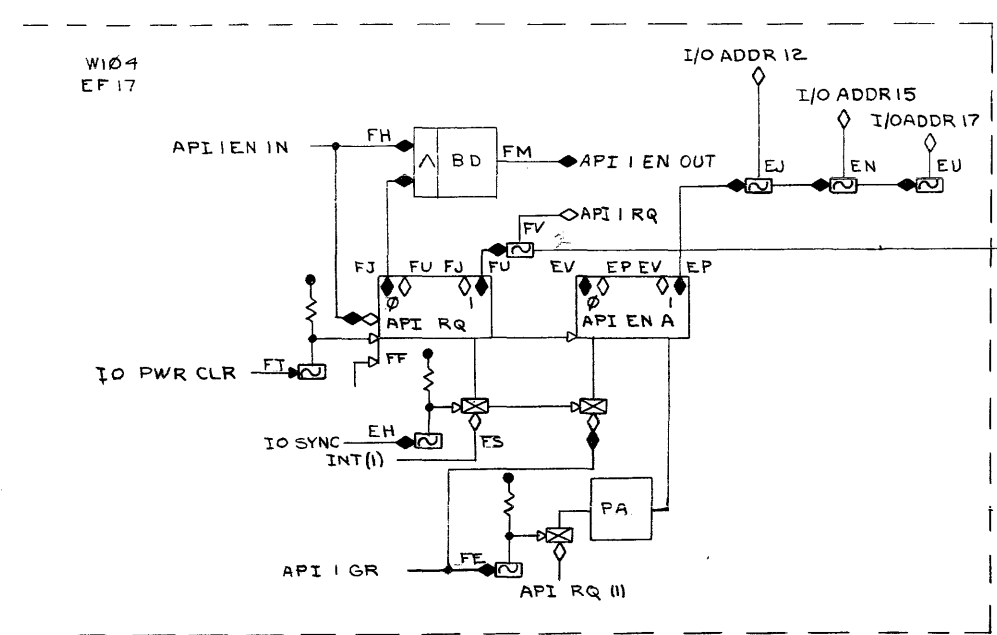
2

REV J
NUMBER
DBS TC59-0-2

B

A

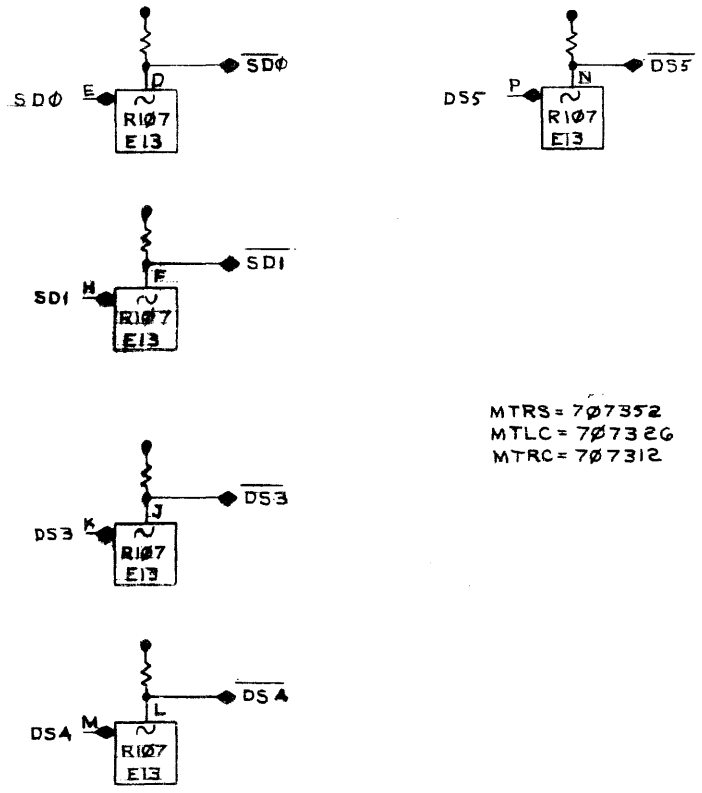
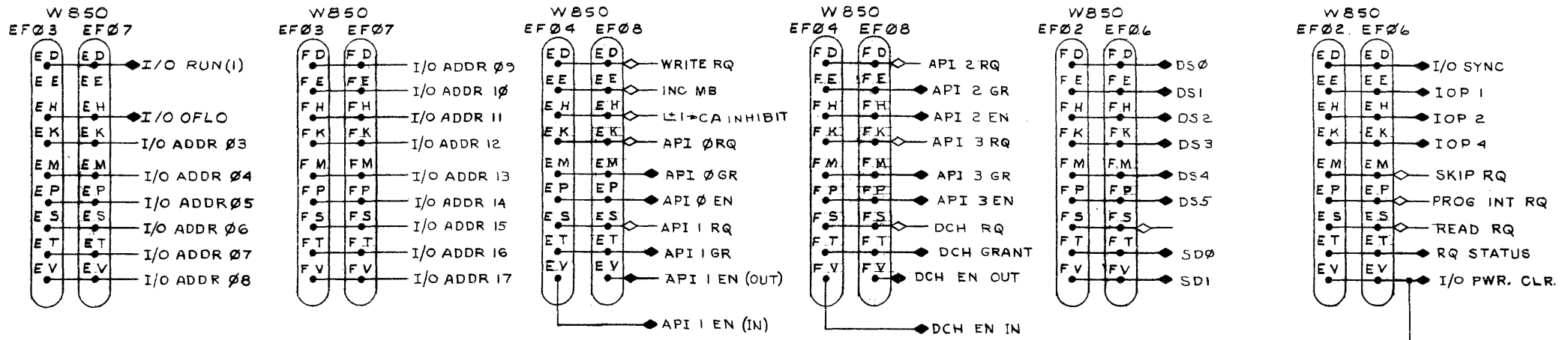
This drawing and specifications, herein, are the property of Digital Equipment Corporation and shall not be reproduced or copied or used in whole or in part as the basis for the manufacture or sale of items without written permission. 1972



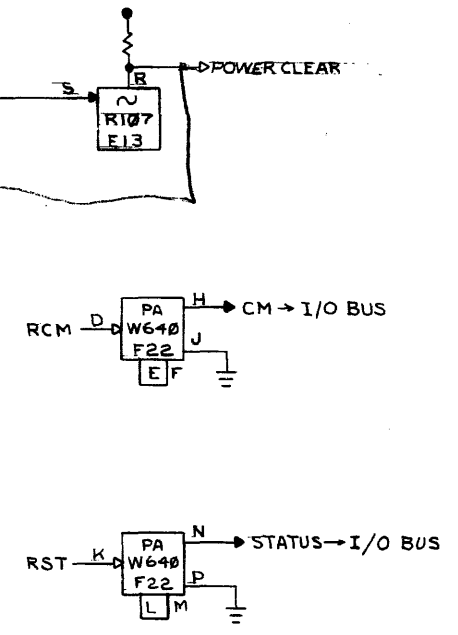
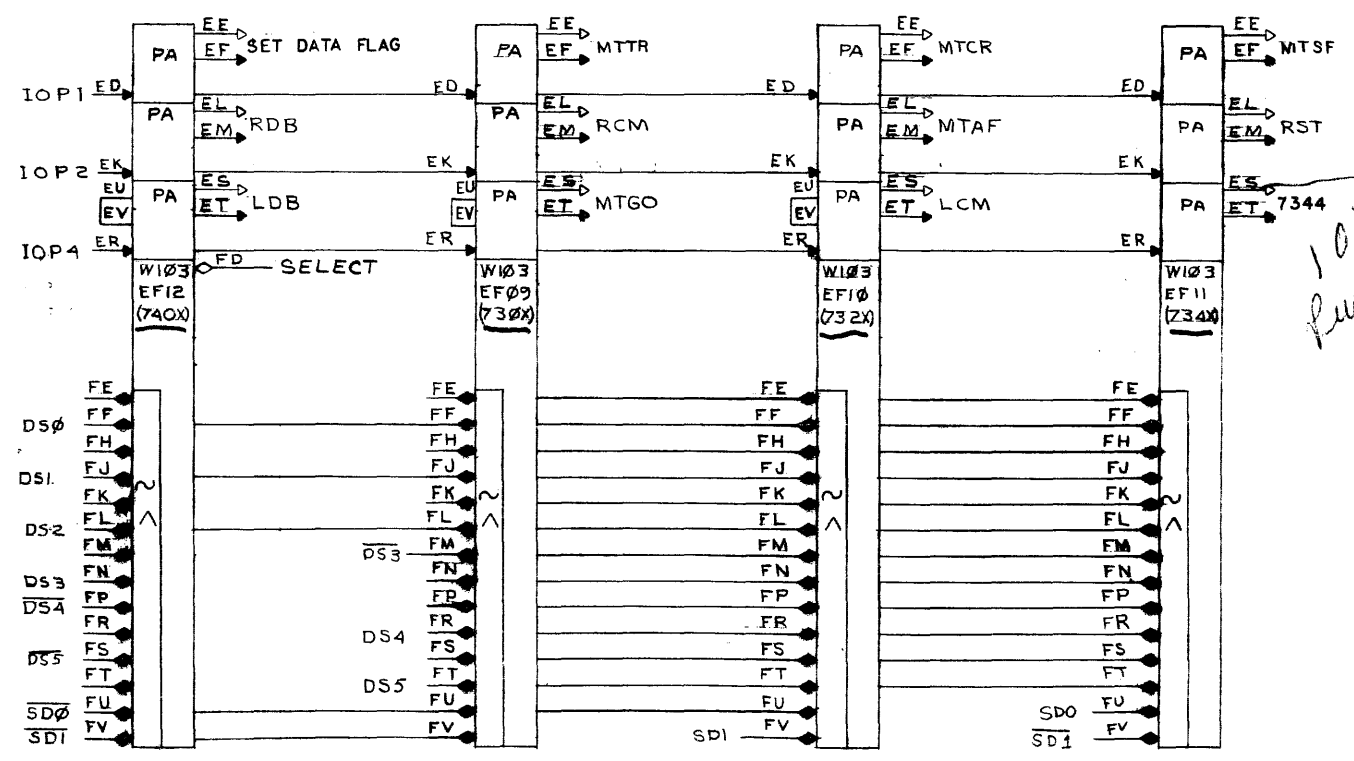
QTY.	DESCRIPTION	PART NO.	ITEM NO.
PARTS LIST			
UNLESS OTHERWISE SPECIFIED			
DRN	DATE	EQUIPMENT CORPORATION	
CHMD.	DATE	MAYNARD, MASSACHUSETTS	
ENG.	DATE	TITLE	
PRJ. ENG.	DATE	DATA & IO CONTROL	
PROD.	DATE	NUMBER	
FIRST USED ON	DATE	REV.	
D-UA-TC59-0-0	12/21/67	J	
SCALE	SHEET	NUMBER	
2 OF 2	2	TC59-0-2	
FINISH	DIST.	REV.	
		J	

REV.	CHANGE NO.

This drawing and specifications, herein, are the property of Digital Equipment Corporation and shall not be reproduced or copied or used in whole or in part as the basis for the manufacture or sale of items without written permission. 1972



MTRS = 707352
 MTLC = 707326
 MTRC = 707312



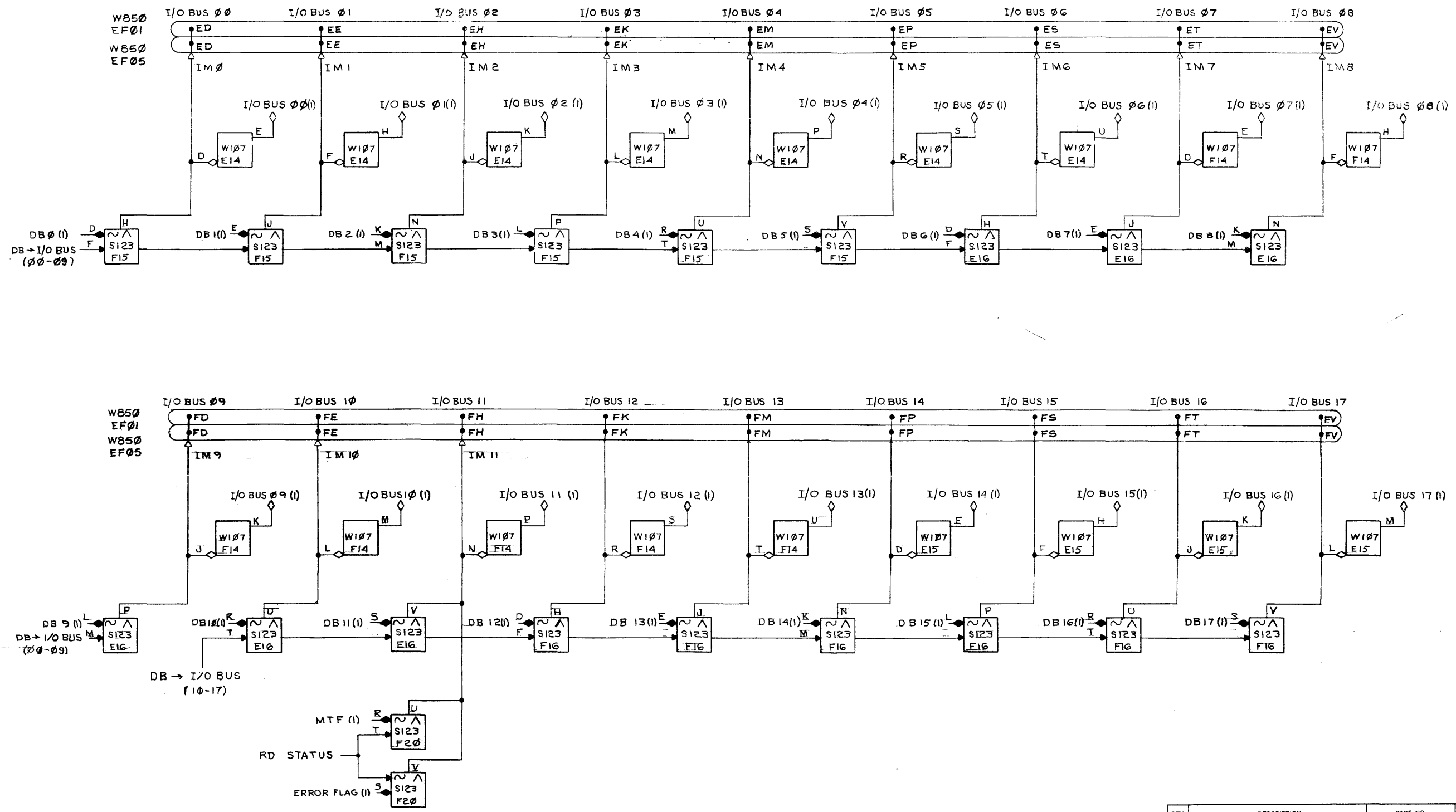
REV	DATE	BY	CHK'D	DESCRIPTION
A	1-5-67
B	1-10-68
C	1-19-69
D	1-22-72

QTY.	DESCRIPTION	PART NO.	ITEM NO.
	PARTS LIST		
	UNLESS OTHERWISE SPECIFIED	DRN: <i>[Signature]</i>	DATE: <i>1-5-67</i>
	UNLESS OTHERWISE SPECIFIED	CHK'D: <i>[Signature]</i>	DATE: <i>1-5-67</i>
	TOLERANCES	ENG: <i>[Signature]</i>	DATE: <i>1-12-67</i>
	DECIMALS = .005	PROJ. ENG: <i>[Signature]</i>	DATE: <i>6/23/67</i>
	FRACTIONS = 1/64	PROD. <i>[Signature]</i>	DATE: <i>6/23/67</i>
	ANGLES = 0°30'		
	FINAL SURFACE QUALITY		
	REMOVE BURRS AND BREAK SHARP CORNERS		
	MATERIAL		
	FINISH		
	FIRST USED ON		
	D-UA-TC59-0-0		
	SCALE	SIZE CODE	NUMBER
	SHEET 1 OF 1	D BS	TC59-0-3
		DIST.	REV. E

4

REV. E
 NUMBER TC59-0-3
 SIZE CODE D BS

This drawing and specifications, herein, are the property of Digital Equipment Corporation and shall not be reproduced or copied or used in whole or in part as the basis for the manufacture or sale of items without written permission.



REV.	CHG.	NO.	DATE
1	1	1	1-10-68

QTY.	DESCRIPTION	PART NO.	ITEM NO.
PARTS LIST			
UNLESS OTHERWISE SPECIFIED		DRN/ DATE	
DIMENSION IN INCHES		12/22/67	
TOLERANCES		CHK'D DATE	
DECIMALS FRACTIONS ANGLES		1-5-67	
= .005 ±.004 ± 0°30'		ENG DATE	
FINAL SURFACE QUALITY		6/28/67	
REMOVE BURRS AND BREAK SHARP CORNERS		PRJ. ENG DATE	
		6/23/67	
MATERIAL		PROD. DATE	
		6/23/67	
FINISH		FIRST USED ON	
		D-UA-TC59-0-0	
SCALE		SIZE CODE	
SHEET 1 OF 1		D BS	
		NUMBER	
		TC59-0-4	
		REV.	
		A	

REV. A
NUMBER TC59-0-4
SIZE CODE D BS

This drawing and specifications, herein, are the property of Digital Equipment Corporation and shall not be reproduced or copied or used in whole or in part as the basis for the manufacture or sale of items without written permission. 1972


REV. NUMBER SIZE CODE NUMBER
 2 | 1 | 9-0-6501 | K | WL | TC59-0-6

B

B

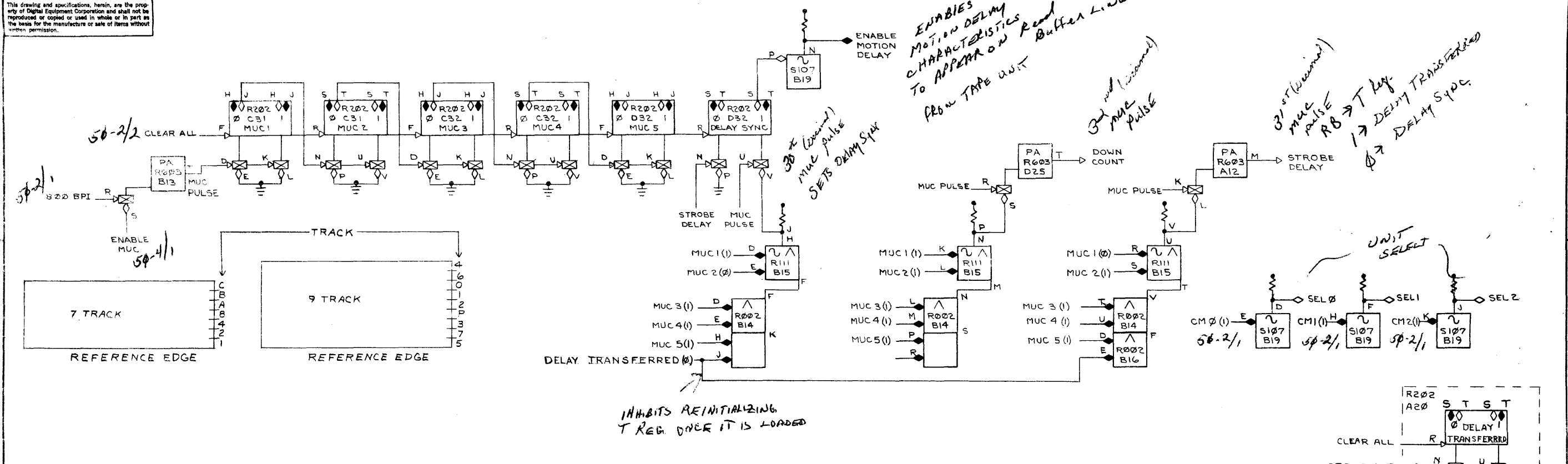
A

A

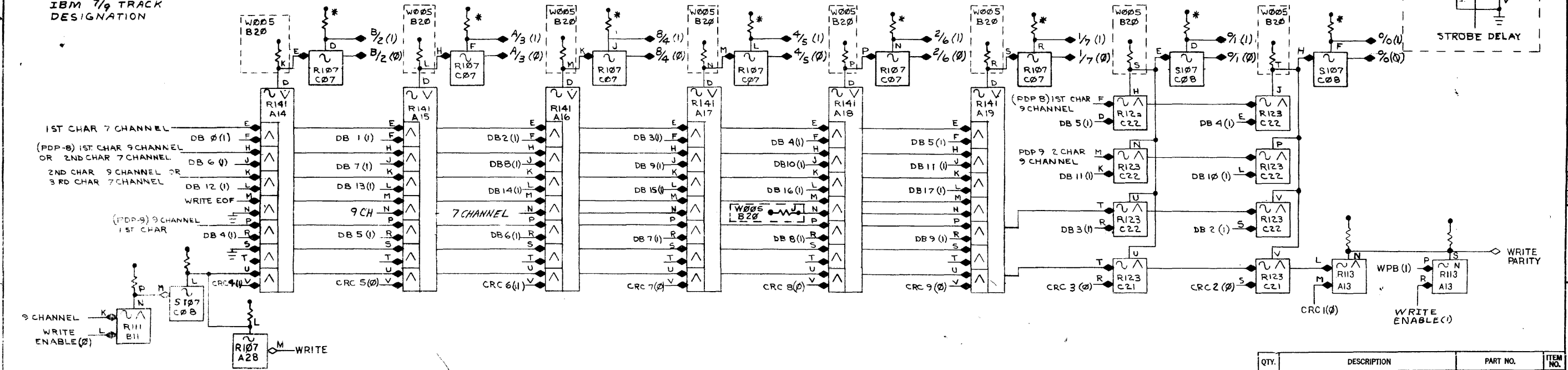
FIRST USED ON OPTION MODEL	QTY.	DESCRIPTION	PART NO.	ITEM NO.
TC 59				
PARTS LIST				
DRN. J. LUBIN	DATE 12-28-72	<div style="text-align: center;">  <p>digital EQUIPMENT CORPORATION MAYNARD, MASSACHUSETTS</p> </div> <p>TITLE WIRE LIST TC59/50</p>		
CHK'D. J. MCHUGH	DATE 7-5-72			
ENG. J. GODBOUT	DATE 7-10-72			
PROJ. ENG. J. GODBOUT	DATE 7-10-72			
PROD. J. GODBOUT	DATE 7-10-72			
NEXT HIGHER ASSEMBLY				
SCALE NONE	SIZE K	CODE WL	NUMBER TC59-0-6	REV. AA
SHEET	OF	DIST.		

REVISIONS		REV.
CHK	CHANGE NO.	Z
LH	TC59-00014	
AA	TC59-00016	AA
A. Tono 11-9-72		
SWANSON		
<i>[Signature]</i>		

This drawing and specifications, herein, are the property of Digital Equipment Corporation and shall not be reproduced or copied or used in whole or in part as the basis for the manufacture or sale of items without written permission.



* ALL LINES ARE IN IBM 7/8 TRACK DESIGNATION



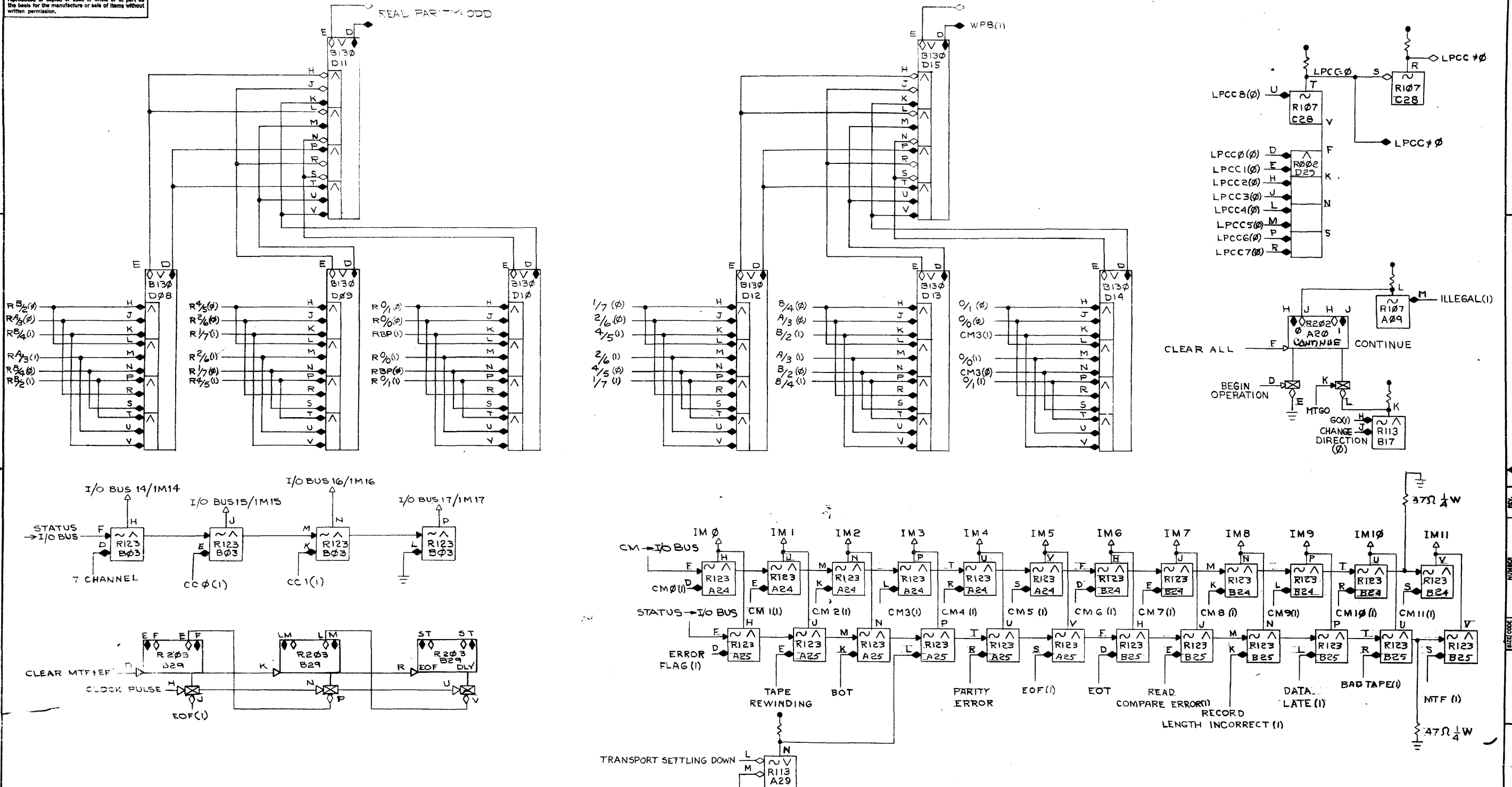
REV.	CHANGE NO.	DATE	BY
A	1	9-17-67	...
B	2	11-10-67	...
C	3	10-11-67	...
D	4	10-12-67	...
E	5	11-1-67	...

QTY.	DESCRIPTION	PART NO.	ITEM NO.
PARTS LIST			
UNLESS OTHERWISE SPECIFIED			
DIMENSION IN INCHES			
TOLERANCES			
DECIMALS FRACTIONS ANGLES			
±.005 ± 1/64 ± 0°30'			
FINAL SURFACE QUALITY			
REMOVE BURRS AND BREAK SHARP CORNERS			
MATERIAL			
FINISH			
DRN: Marshall		DATE: 10-21-66	
CHKD: ...		DATE: 11-7-66	
ENG: ...		DATE: 6-7-67	
PROJ. ENG.:		DATE:	
PROD.:		DATE:	
FIRST USED ON			
D-UA-TC58-0-0			
SCALE		SHEET OF	
DISTS		REV. C	

digital EQUIPMENT CORPORATION
MOTION UP COUNTER + WRITING DATA

REV. C NUMBER DBS TC50-0-1

This drawing and specifications, herein, are the property of Digital Equipment Corporation and shall not be reproduced or copied or used in whole or in part as the basis for the manufacture or sale of items without written permission.

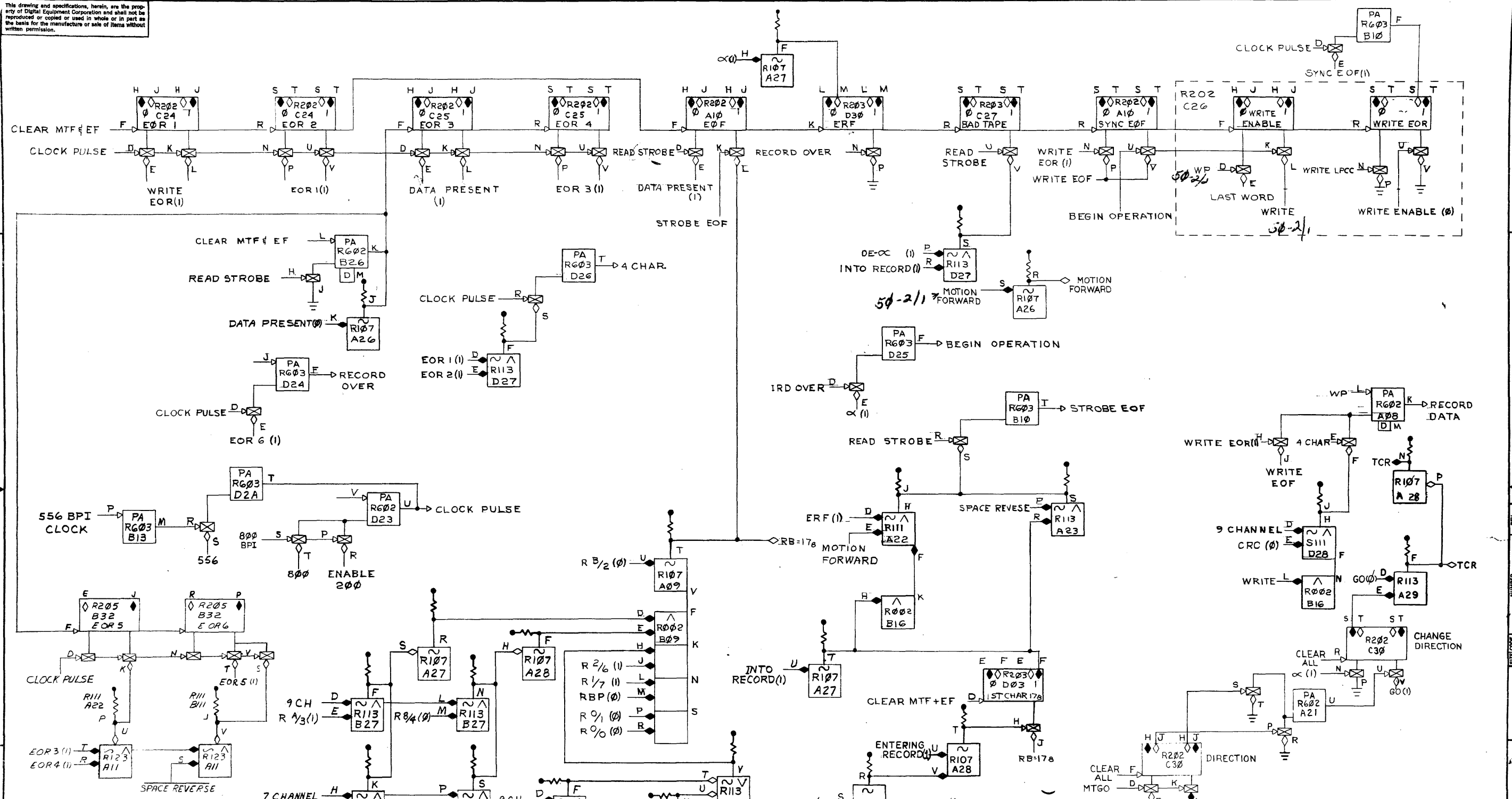


REV.	
CHG.	
NO.	

DEC FORM NO. DRD 102

QTY.	DESCRIPTION	PART NO.	ITEM NO.
PARTS LIST			
UNLESS OTHERWISE SPECIFIED		DATE	
DRM	10/18/66	digital EQUIPMENT CORPORATION MAYNARD, MASSACHUSETTS	
CHKD.	11-8-66		
DIMENSION IN INCHES		TITLE	
TOLERANCES		DATA FLOW	
DECIMALS	FRACTIONS	ANGLES	
± .005	± 1/64	± 0°30'	
FINAL SURFACE QUALITY REMOVE BURRS AND BREAK SHARP CORNERS			
MATERIAL		FIRST USED ON	
		D-UA-TC58-0-0	
FINISH		SCALE	SHEET 2 OF 2
		SIZE/CODE	NUMBER
		D BS	TC50-0-3
		DIST.	REV. J

This drawing and specifications, herein, are the property of Digital Equipment Corporation and shall not be reproduced or copied or used in whole or in part as the basis for the manufacture or sale of items without written permission.



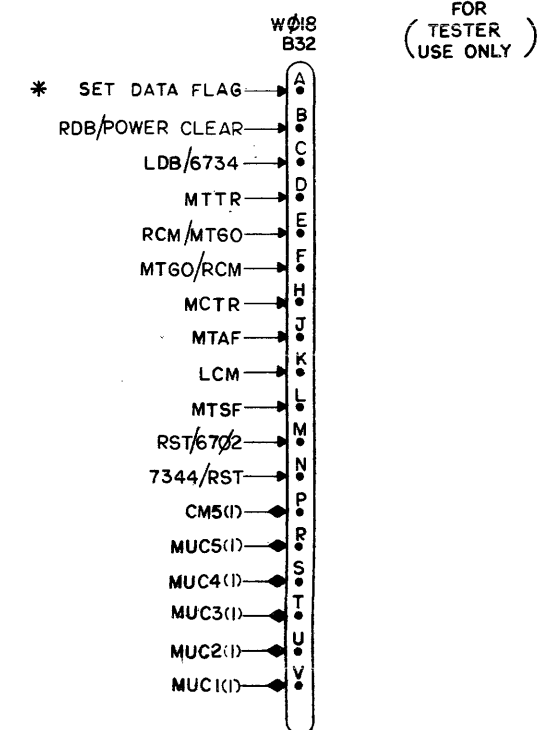
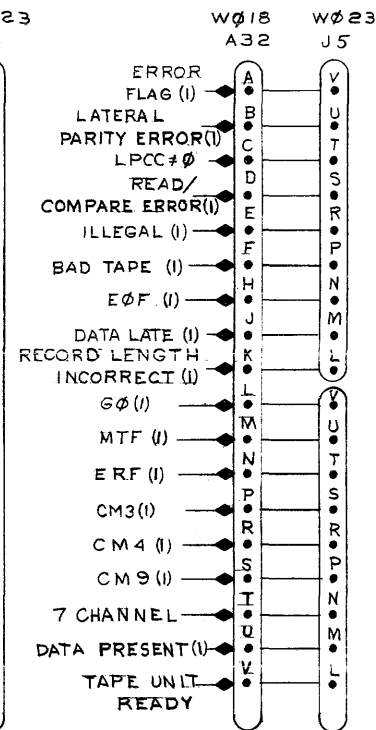
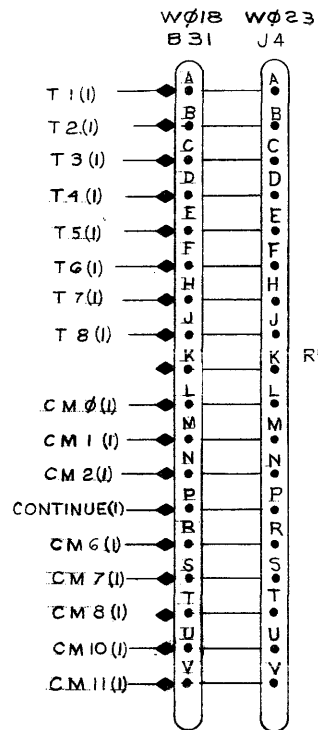
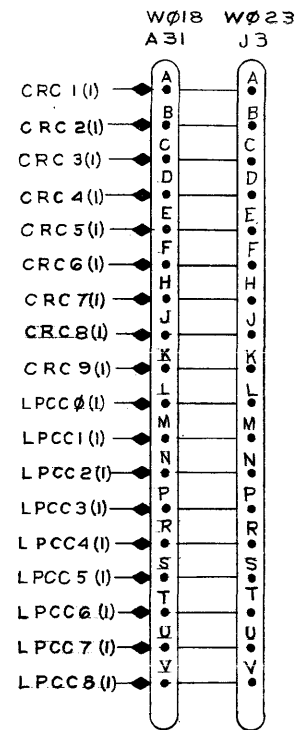
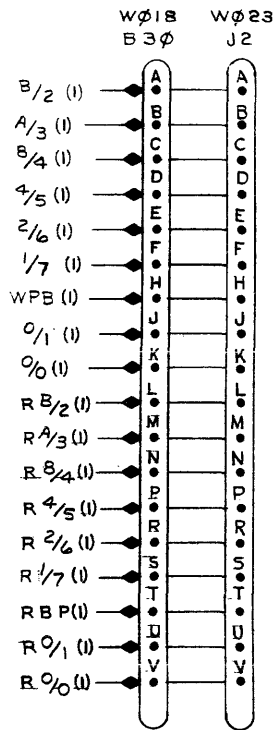
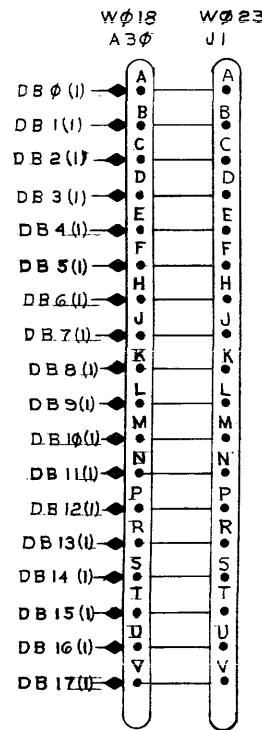
REV.	CHANGE NO.

DEC FORM NO. DRD 102

QTY.	DESCRIPTION	PART NO.	ITEM NO.
PARTS LIST			
UNLESS OTHERWISE SPECIFIED	DRN. J. L. L.	DATE 11/17/66	digital EQUIPMENT CORPORATION MAYNARD, MASSACHUSETTS
UNLESS OTHERWISE SPECIFIED	CHK'D. G. J. G.	DATE 11/11/66	
DIMENSION IN INCHES	ENG. J. G. G.	DATE 6/25/67	
TOLERANCES	PROJ. ENG. J. G. G.	DATE 4/27/67	
DECIMALS ±.005		DATE 6/27/67	TIMING
FRACTIONS ± 1/64		DATE 6/27/67	
ANGLES ± 0'30"			
FINAL SURFACE QUALITY REMOVE BURRS AND BREAK SHARP CORNERS			
MATERIAL	FIRST USED ON		
FINISH	D-UA-TC58-0-0	SIZE CODE DBS	NUMBER TC58-0-4
SCALE	SHEET 2 OF 2	DIST.	REV. F

13

This drawing and specifications, herein, are the property of Digital Equipment Corporation and shall not be reproduced or copied or used in whole or in part as the basis for the manufacture or sale of items without written permission.



WØ23
 J6

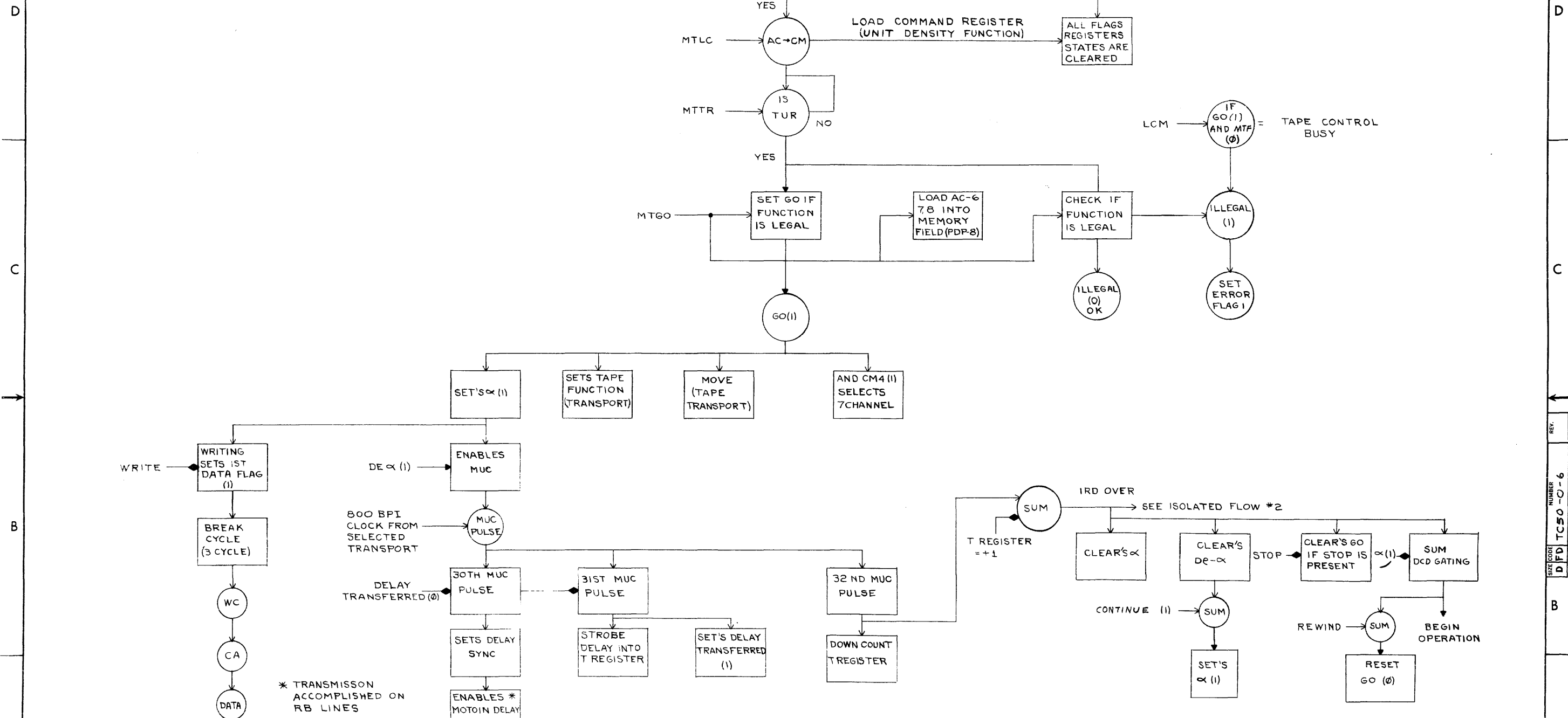
*LINE NAMES ARE ARRANGED TC-59/TC-58

REV.	CHANGE NO.	DATE
A	12	1-10-68

UNLESS OTHERWISE SPECIFIED DIMENSION IN INCHES TOLERANCES DECIMALS ±.005 FRACTIONS ± 1/64 ANGLES ± 0°30'FINAL SURFACE QUALITY REMOVE BURRS AND BREAK SHARP CORNERS	DRN. Lubin CHK'D. [Signature] ENG. [Signature] PRQJ. ENG. [Signature] PRD. [Signature]	DATE 10/25/66 DATE 11-7-66 DATE 11-10-67 DATE 6/27/67 DATE 6/27/67	<table border="1"> <tr> <th>QTY.</th> <th>DESCRIPTION</th> <th>PART NO.</th> <th>ITEM NO.</th> </tr> <tr> <td colspan="4">PARTS LIST</td> </tr> <tr> <td></td> <td colspan="3">digital CORPORATION MAYNARD, MASSACHUSETTS</td> </tr> <tr> <td></td> <td colspan="3">INDICATOR CONNECTIONS</td> </tr> <tr> <td></td> <td>SCALE</td> <td>NUMBER</td> <td>REV.</td> </tr> <tr> <td></td> <td>D I C</td> <td>TC 50-0-5</td> <td>A</td> </tr> <tr> <td></td> <td>SHEET 1 OF 1</td> <td>DIST.</td> <td></td> </tr> </table>	QTY.	DESCRIPTION	PART NO.	ITEM NO.	PARTS LIST					digital CORPORATION MAYNARD, MASSACHUSETTS				INDICATOR CONNECTIONS				SCALE	NUMBER	REV.		D I C	TC 50-0-5	A		SHEET 1 OF 1	DIST.	
QTY.	DESCRIPTION	PART NO.	ITEM NO.																												
PARTS LIST																															
	digital CORPORATION MAYNARD, MASSACHUSETTS																														
	INDICATOR CONNECTIONS																														
	SCALE	NUMBER	REV.																												
	D I C	TC 50-0-5	A																												
	SHEET 1 OF 1	DIST.																													

This drawing and specifications, herein, are the property of Digital Equipment Corporation and shall not be reproduced or copied or used in whole or in part as the basis for the manufacture or sale of items without written permission.

REV. NUMBER 9-0-0501 DFD 2



* TRANSMISSION ACCOMPLISHED ON RB LINES

REV.
CHK
CHANGE NO.
REVISIONS

DEC FORM NO. DRP 100

QTY.	DESCRIPTION	PART NO.	ITEM NO.
PARTS LIST			
UNLESS OTHERWISE SPECIFIED		DRN: <i>J Rubin</i>	DATE: 3-27-67
UNLESS OTHERWISE SPECIFIED		CHK'D: <i>J Rubin</i>	DATE: 6-21-67
DIMENSION IN INCHES		ENG: <i>J Rubin</i>	DATE: 6-21-67
± .005	± 1/64	± 0°30'	PROJ. ENG. DATE: 6-21-67
TOLERANCES		PROD. DATE: 4-21-67	
DECIMALS FRACTIONS ANGLES			
FINAL SURFACE QUALITY			
REMOVE BURRS AND BREAK SHARP CORNERS			
MATERIAL		FIRST USED ON	
FINISH		D-UA-TC58-0-0	
SCALE		SIZE CODE	NUMBER
SHEET 1 OF 1		DFD	TC50-0-6
DIST.			

digital EQUIPMENT CORPORATION
MAYNARD, MASSACHUSETTS

TITLE
GENERAL MOTION TIMING

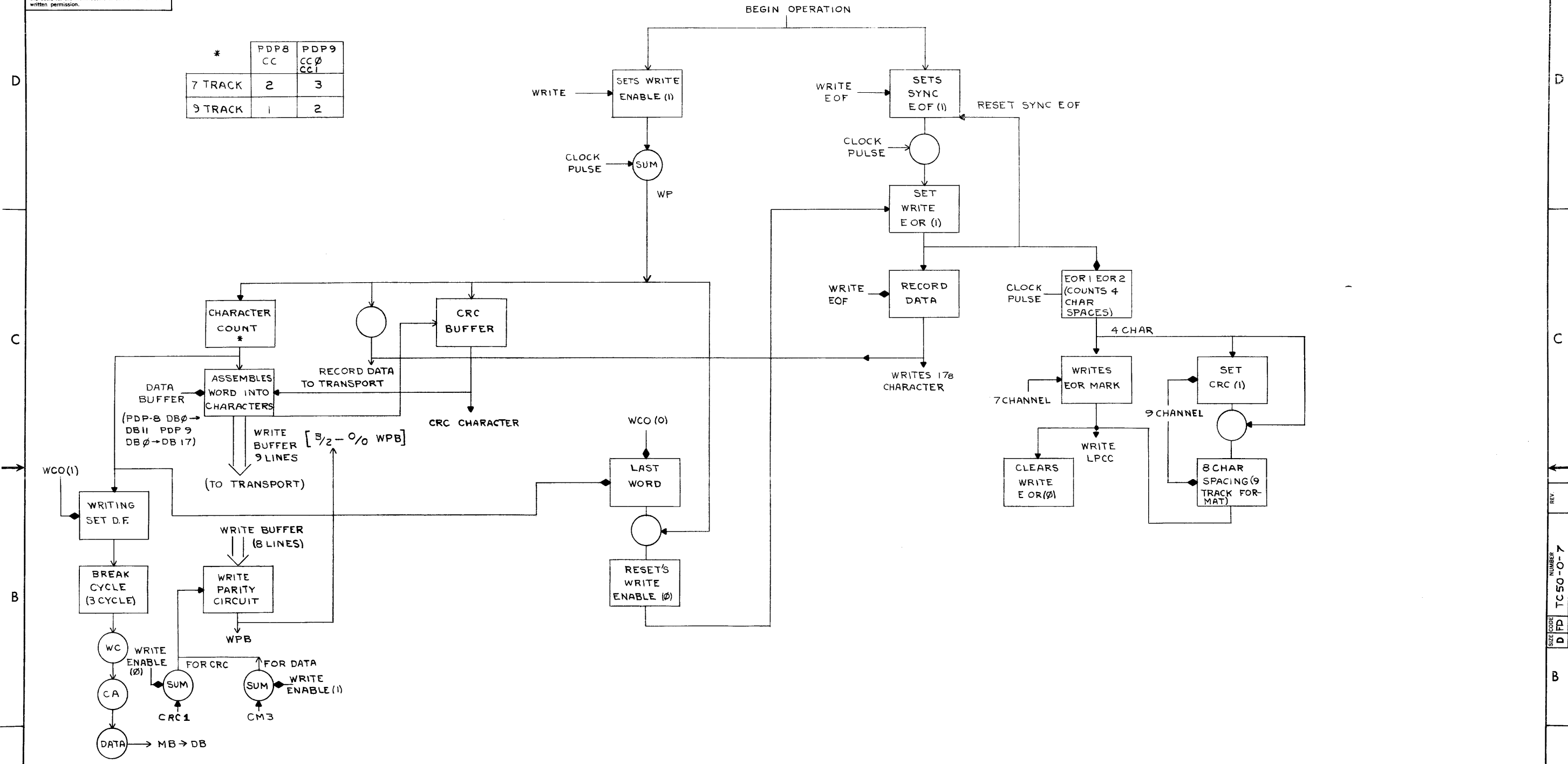
REV. NUMBER 9-0-0501 DFD 2

SIZE CODE DFD

ITEM NO.

This drawing and specifications, herein, are the property of Digital Equipment Corporation and shall not be reproduced or copied or used in whole or in part as the basis for the manufacture or sale of items without written permission.

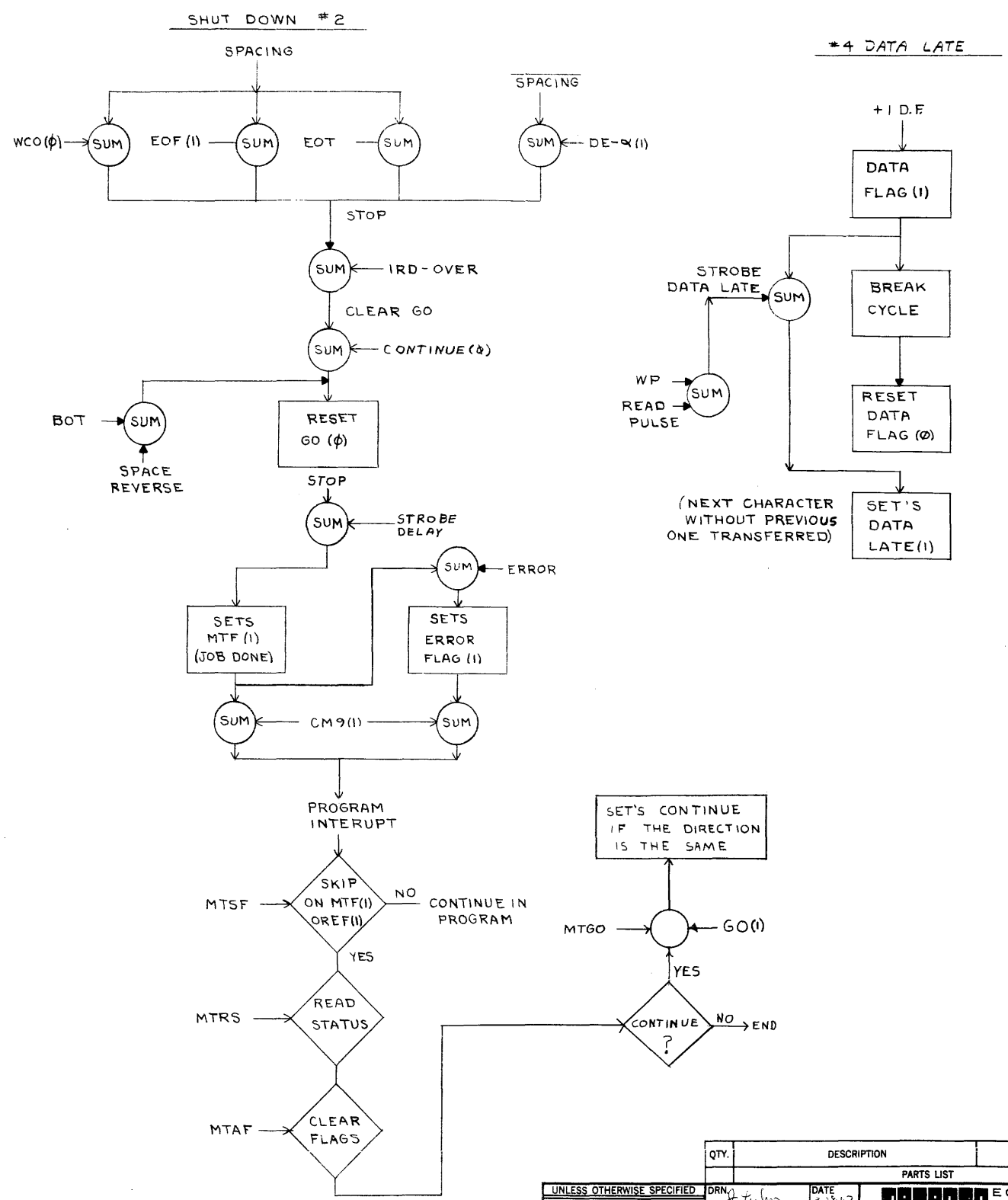
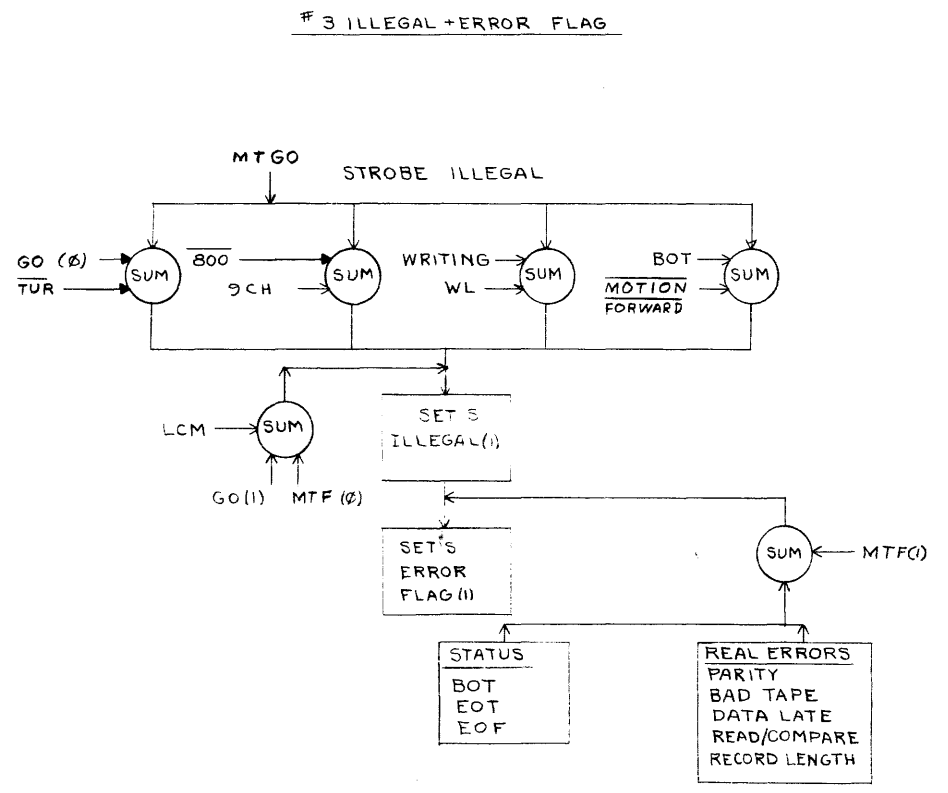
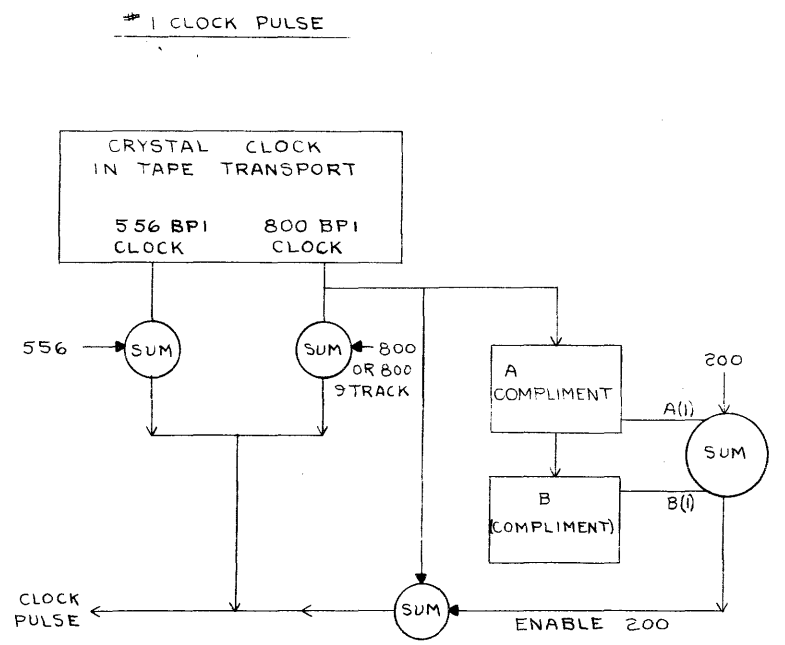
*	PDP8 CC	PDP9 CC0 CC1
7 TRACK	2	3
9 TRACK	1	2



REV.	
CHG.	
NO.	

QTY.	DESCRIPTION	PART NO.	ITEM NO.
PARTS LIST			
UNLESS OTHERWISE SPECIFIED			
DRN	DATE	digital EQUIPMENT CORPORATION	
CHK'D	DATE	MAYNARD, MASSACHUSETTS	
ENG.	DATE	TITLE	
PRC. ENG.	DATE	WRITE FLOW	
PRD.	DATE	SCALE	
MATERIAL		FIRST USED ON	REV.
FINISH		D-UA-TC58-0-0	
		SIZE CODE	NUMBER
		DFD	TC50-0-7
		SHEET	OF
		DIST	

This drawing and specifications herein are the property of Digital Equipment Corporation and shall not be reproduced or copied or used in whole or in part as the basis for the manufacture or sale of items without written permission.



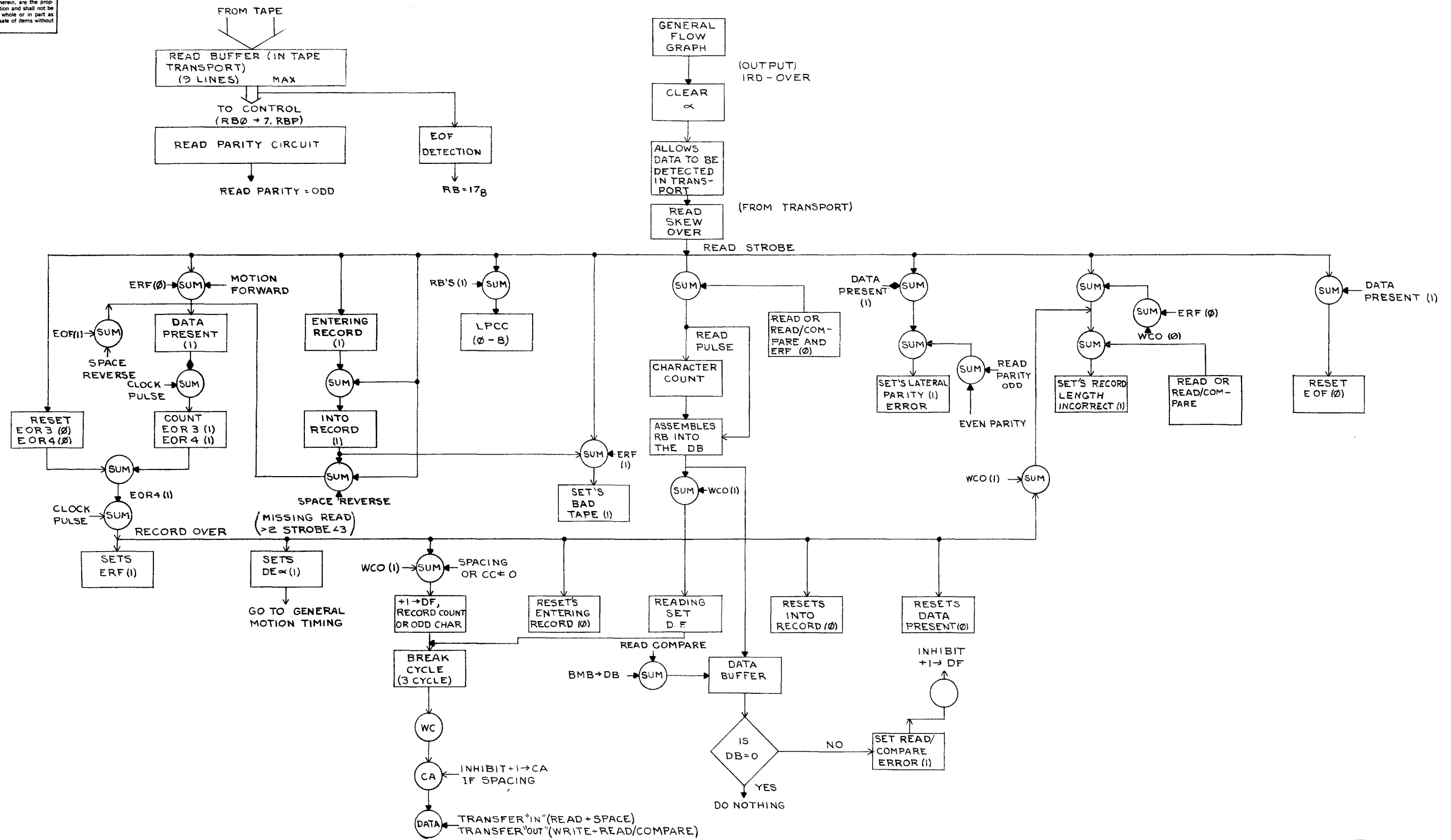
REV.	
CHANGE NO.	
CHK	

QTY.	DESCRIPTION	PART NO.	ITEM NO.
PARTS LIST			
UNLESS OTHERWISE SPECIFIED		DRN: <i>J. Fisher</i>	DATE: 5-22-67
UNLESS OTHERWISE SPECIFIED		CHK'D: <i>J. DeGroot</i>	DATE: 6-2-67
DIMENSION IN INCHES		ENG: <i>J. DeGroot</i>	DATE: 6/23/67
TOLERANCES		PROG. ENG: <i>J. DeGroot</i>	DATE: 6/23/67
DECIMALS ± .005	FRACTIONS ± 1/64	DATE: 6/23/67	
ANGLES ± 0°30'	FINAL SURFACE QUALITY	DATE: 6/23/67	
	REMOVE BURRS AND BREAK SHARP CORNERS	DATE: 6/23/67	
MATERIAL		FIRST USED ON	
FINISH		D-UA-TC58-0-0	
SCALE		SHEET 1 OF 1	
DIST.		SIZE CODE: DFD	NUMBER: TC50-0-8
		REV.	

digital EQUIPMENT CORPORATION
MAYNARD, MASSACHUSETTS

TITLE: ISOLATED FLOW LOGIC

This drawing and specifications, herein, are the property of Digital Equipment Corporation and shall not be reproduced or copied or used in whole or in part as the basis for the manufacture or sale of items without written permission.



REV.	
CHG	
REVISIONS	
CHANGE NO.	

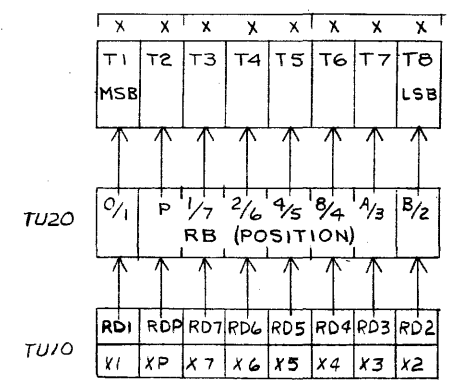
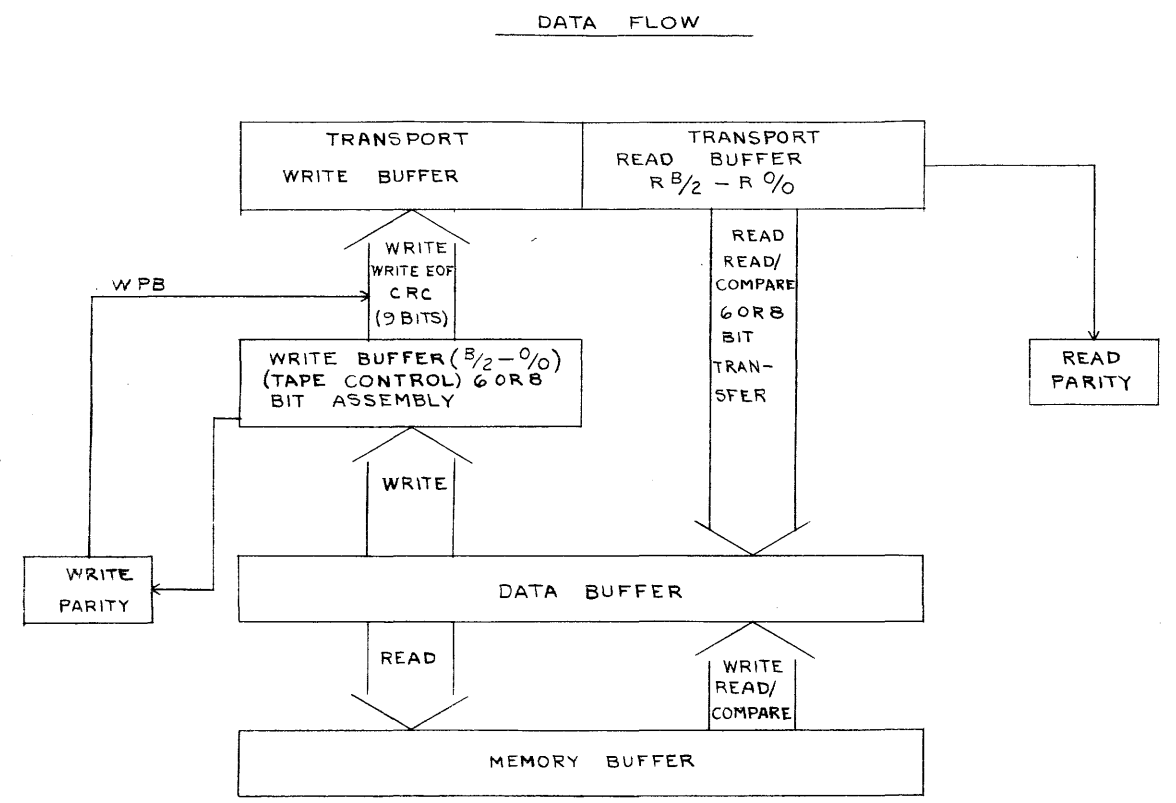
QTY.	DESCRIPTION	PART NO.	ITEM NO.
PARTS LIST			
UNLESS OTHERWISE SPECIFIED		DRN: <i>J. L...</i>	DATE: 3-27-62
UNLESS OTHERWISE SPECIFIED		CHKD: <i>V. Newman</i>	DATE: 6-21-67
DIMENSION IN INCHES		ENG: <i>J. L...</i>	DATE: 6/24/62
TOLERANCES		PROJ. ENG: <i>J. L...</i>	DATE: 1/1/62
DECIMALS FRACTIONS ANGLES		PROP.:	DATE: 1/1/67
= .005 = 1/64 = 0°30'			
FINAL SURFACE QUALITY			
REMOVE BURRS AND BREAK SHARP CORNERS			
MATERIAL	FIRST USED ON	TITLE	
	D-UA-TC58-00	GENERAL FLOW GRAPH	
FINISH	SCALE	SIZE CODE	NUMBER
	SHEET 1 OF 1	DFD	TC50-0-9
		DIST.	REV.

This drawing and specifications, herein, are the property of Digital Equipment Corporation and shall not be reproduced or copied or used in whole or in part as the basis for the manufacture or sale of items without written permission.

DELAY SEQUENCE

TRANSPORT TYPE	INITIAL NUMBER IN TIMING BUFFER OCTAL								
	WRITE START (BOT)	WRITE STOP	WRITING START	WRITE FORWARD STOP	WRITE REVERSE STOP	WRITE START FROM BOT	WRITE START FROM BOT OR	WRITE EOF START (BOT)	WRITE EOF START BOT
TU20	014	005	000	004 (USUALLY- WRITE STOP -1)	010	019 (IN TC50)	041 (IN TC50)	054 (IN TC50)	054 (IN TC50)
TU10 7 TRK	016	*003 002	001	002	007	016 (IN TC50)	041 (IN TC50)	056 (IN TC50)	056 (IN TC50)
TU10 9 TRK	012	*003 002	001	002	002	012 (IN TC50)	041 (IN TC50)	052 (IN TC50)	052 (IN TC50)

* ON NEW UNITS



REV	CHANGE NO.	DATE
A	12	6/27/66
B	13	6/27/66

TC59-00015
 SWANSON

UNLESS OTHERWISE SPECIFIED	DRN: J. Rubin	DATE: 3-20-67
UNLESS OTHERWISE SPECIFIED	CHK'D: J. Rubin	DATE: 6/21/66
TOLERANCES	ENG: J. Rubin	DATE: 6/27/66
DECIMALS FRACTIONS ANGLES	PROJ. ENG: J. Rubin	DATE: 6/27/66
= .005 ± 1/64 = 0°30'	PROD: J. Rubin	DATE: 6/27/66
FINAL SURFACE QUALITY		
REMOVE BURRS AND BREAK SHARP CORNERS		
MATERIAL	FIRST USED ON	D-UA-TC58-0-0
FINISH	SCALE	SHEET 1 OF 1

DESCRIPTION	PART NO.	ITEM NO.
digital EQUIPMENT CORPORATION MAYNARD, MASSACHUSETTS		
TITLE	SIZE CODE	NUMBER
DATA FLOW DELAY SEQUENCE	DFD	TC50-0-10
		REV. B

8
7
6
5
4
3
2
1



NOTE:
1. THE READ HEAD IS 0.3" BEHIND THE WRITE HEAD (7 TRACK). THE READ HEAD WILL DETECT DATA ≈ 6MS (AT 45 IRS) AFTER WRITING THE FIRST CHARACTER.
2. THE FLOW OF EVENTS BELOW OCCUR FOR ALL FUNCTIONS EXCEPT REWIND AND CONTINUE-MODE.

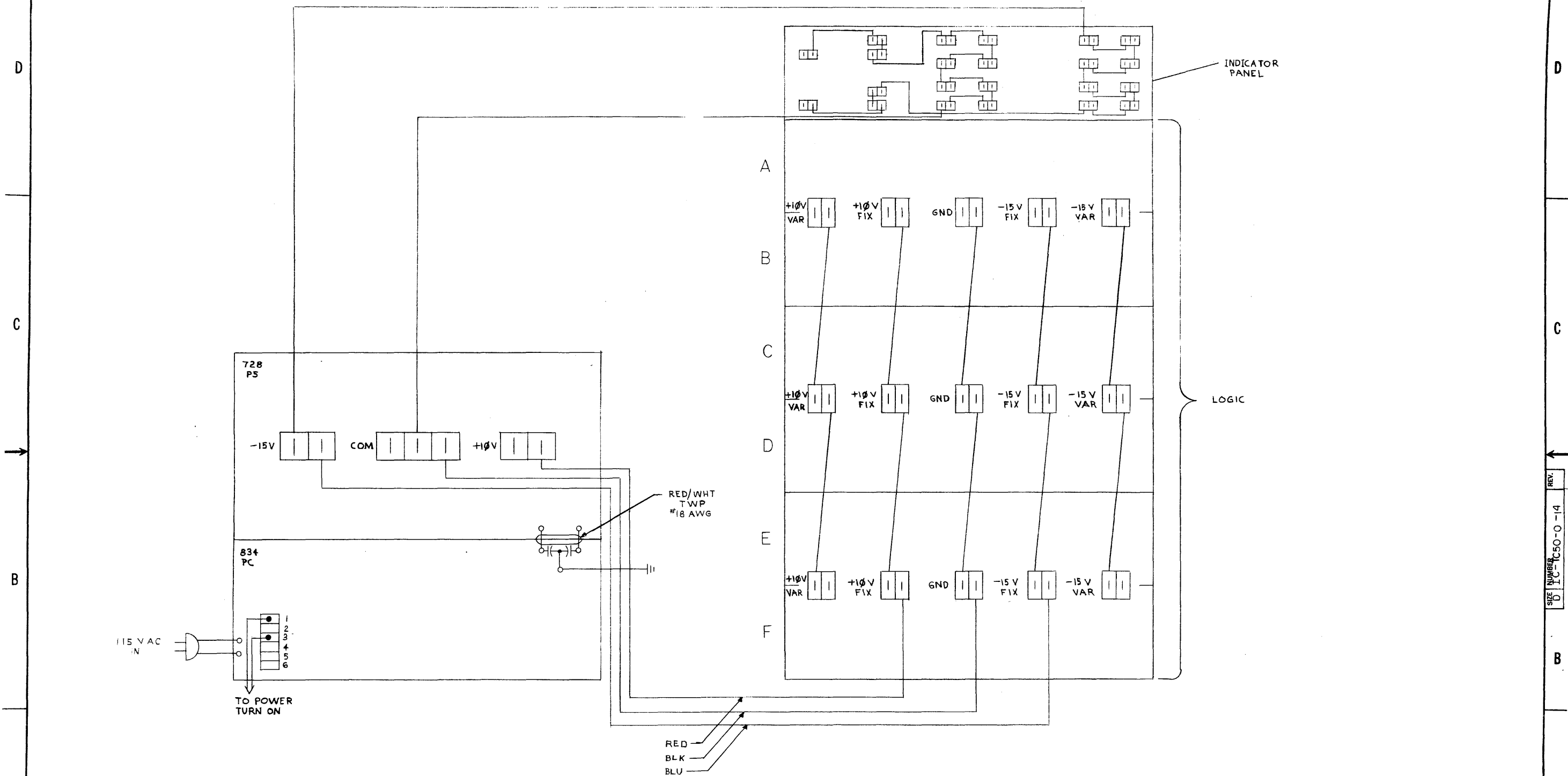
8
7
6
5
4
3
2
1

QTY	DESCRIPTION	PART NO.	ITEM NO.
UNLESS OTHERWISE SPECIFIED			
EQUIPMENT CORPORATION			
TIMING FLOW			
FIRST USED ON			
DUA-11-38-0-0			
SCALE			
EITD TC50-0-11			

TC50-0-17

This drawing and specifications, herein, are the property of Digital Equipment Corporation and shall not be reproduced or copied or used in whole or in part as the basis for the manufacture or sale of items without written permission.

SIZE NUMBER 1050-0-14 REV. 2



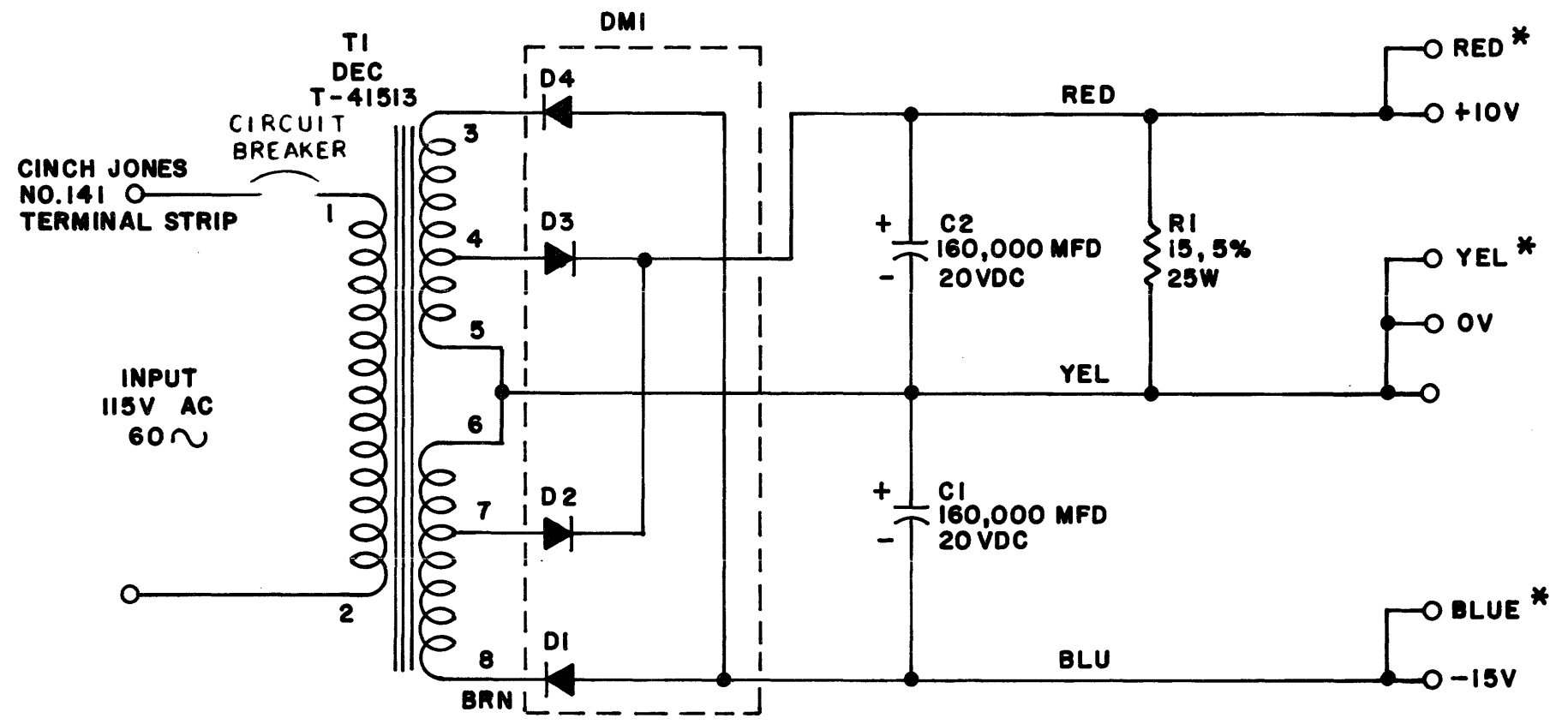
REV.	
CHG.	
CHK.	
REVISIONS	
CHANGE NO.	

DO NOT SCALE DRAWING		DRN.	DATE	PARTS LIST		PART NO.	ITEM NO.
UNLESS OTHERWISE SPECIFIED DIMENSION IN INCHES		CHKD.	DATE	digital EQUIPMENT CORPORATION		MAYNARD, MASSACHUSETTS	
TOLERANCES		ENG.	DATE	TITLE			
DECIMALS	FRACTIONS	PROJ. ENG.	DATE	POWER WIRING			
= .005	= 1/64	PROD.	DATE	FIRST USED ON			
FINAL SURFACE QUALITY	ANGLES = 0°30'	D-UA-TC58-0-0		CODE	SIZE	NUMBER	REV.
REMOVE BURRS AND BREAK SHARP CORNERS		SCALE		IC	D	TC58-0-0	
MATERIAL		SHEET	1 OF 1	DIST.			

SIZE NUMBER 1050-0-14 REV. 2

DEC FORM NO. DRP 102

THIS SCHEMATIC IS FURNISHED ONLY FOR TEST AND MAINTENANCE PURPOSES. THE CIRCUITS ARE PROPRIETARY IN NATURE AND SHOULD BE TREATED ACCORDINGLY. COPYRIGHT 1963 BY DIGITAL EQUIPMENT CORPORATION



NOTE:
 IN ORDER TO KEEP OUTPUT VOLTAGE WITHIN THE FOLLOWING LIMITS:
 +10V: +9.5 TO +11V
 -15V: -14.5 TO -16V
 THE LOADING SHOULD BE WITHIN THE FOLLOWING LIMITS:

BOTH SIDES LOADED	+10V 0 TO 7.0 AMPS
	-15V 1.0 TO 8.0 AMPS
ONE SIDE LOADED	+10V 0 TO 7.5 AMPS
	-15V 1.0 TO 8.5 AMPS

SUM OF THE OUTPUT CURRENTS ARE LIMITED BY THE EQUATION: $5I_{10} + 6I_{15} \leq 53$

* HEYMAN MFG. CO. TAB TERMINALS

REVISIONS CHK CHG NO. REV. DAW 4609 6 REV & REDN 6031 H 728-J 00002	DRN. SPAULDING DATE 11-7-61	TRANSISTOR & DIODE CONVERSION CHART <table border="1" style="width: 100%; border-collapse: collapse;"> <tr> <td style="width: 25%;">DEC</td> <td style="width: 25%;">EIA</td> <td style="width: 25%;">DEC</td> <td style="width: 25%;">EIA</td> </tr> <tr> <td> </td> <td> </td> <td> </td> <td> </td> </tr> <tr> <td> </td> <td> </td> <td> </td> <td> </td> </tr> <tr> <td> </td> <td> </td> <td> </td> <td> </td> </tr> </table>				DEC	EIA	DEC	EIA															TITLE POWER SUPPLY 728	
	DEC	EIA	DEC	EIA																					
CHK'D N.PERRYMAN DATE 11-8-61	ENG. D.WARDIMAN DATE 11-9-61	EQUIPMENT CORPORATION MAYNARD, MASSACHUSETTS		SIZE B	CODE CS	NUMBER 728-0-1	REV J																		
PROD. DATE	PRINTED CIRCUIT REV.																								
(Empty space for additional revision notes)																									

PARTS LIST

DIGITAL EQUIPMENT CORPORATION
MAYNARD, MASSACHUSETTS

REVISIONS

PART NO.	DRWG. NO.	NO. REQD.	DESCRIPTION ITEM — STOCK SIZE — CAT. NO. — MFG.	DEC. STOCK NO.	CHANGE NO.	DATE	ENG.	
	B-CS-728-0-1	1	CIRCUIT SCHEMATIC 728		ORIGINATED FROM ECO 6031	3/4/67		
1	D-IA-728-0-1-0-1	1	CHASSIS	5303162-0-0	Y-3051 CHG DWG # OF	7/20/67		
2	D-MD-5304301-0-0	1	RETAINER, CAPACITOR	5304301-0-0	PT #2			
3		6	SCR SEMS EXT WASH 10-32 X 3/8 SST	9006444	Z-728-00001	4/16/68	DMU	
4	C1, C2	2	CAP 160,000 MFD 20V DC	1004874	728-00002	2/11/72	G.A.	
5		2	SCR PHL H PAN 6-32 X 1 3/4 SST	9006031-1				
6		2	WASH 3/8 X 5/32 X 1/32 SST	9006659				
7		2	SPACER 1/4 AF X 1 LG #6 HOLE AL	9006809				
8	B-MD-728-0-1-0-4	1	BRKT, RECT MTG	5303162-0-0				
9		2	SCR SEMS EXT WASH 6-32 X 3/8 SST	9006453				
10	A-SS-100104-1	1	LABEL INPUT WHT BACK GND					
11		1	TERM BUSH BLU DC-202-2 HEYMAN	9007232				
12		7	SOLDER TAB T-202-S HEYMAN	9007238				
13		1	TERM BUSH YEL DC-202-3 HEYMAN	9007233				
14	A-SS-100111-2	1	LABEL PWR WHT BACK GND					
15	MD-C-5303779-0-0	1	BD PWR SUP MTG	5303779-0-0				
MADE BY K. GULICK		DATE 3/4/67	TITLE 728 POWER SUPPLY		SIZE A	CODE PL	NUMBER 728-0-1	REV. AA
CHECKED		DATE	FOR		ASSY. NO. -D-728-0-1		SHEET 1 OF 3	
ENG.		DATE 3/17/67						

DEC FORM NO. DRA 109

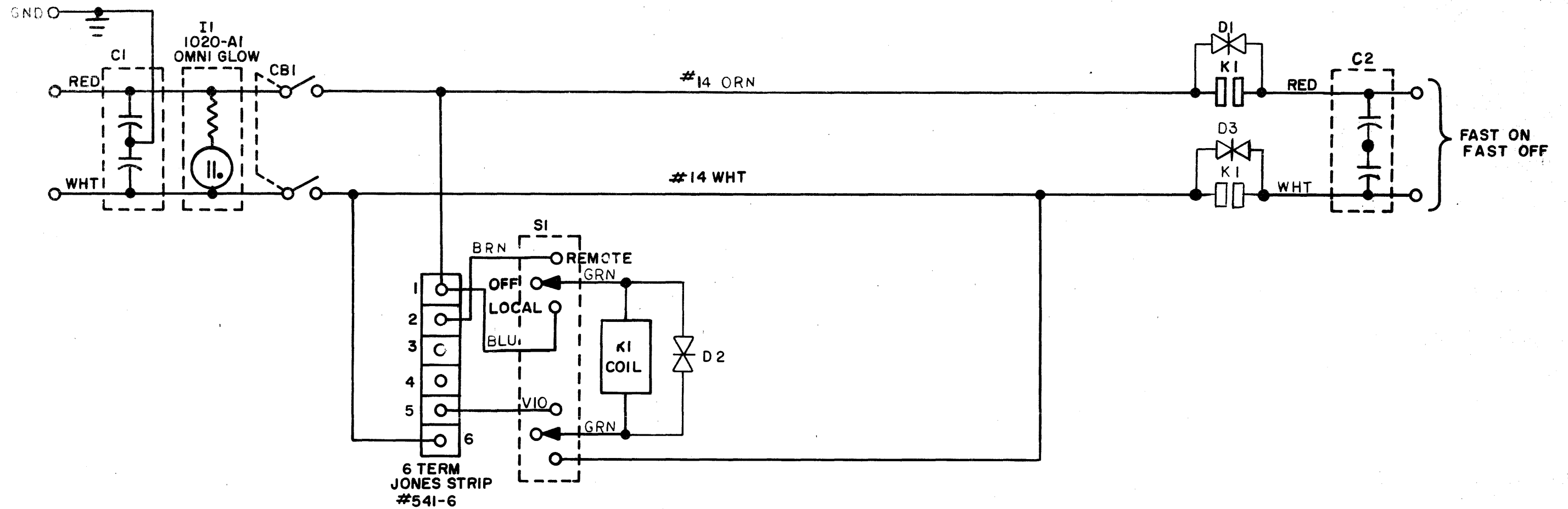
PARTS LIST		DIGITAL EQUIPMENT CORPORATION			REVISIONS			
PART NO.	DRWG. NO.	NO. REQD.	DESCRIPTION ITEM — STOCK SIZE — CAT. NO. — MFG.	DEC. STOCK NO.	CHANGE NO.	DATE	ENG.	
16		4	NUT C 30110-1032-4 TINNEMAN	9006586				
17		4	SCR PHL H TRUSS 10-32 X 5/8 SST	9006074-3				
18	T1	1	XMFR DEC 16-1016	1601016-0-0				
19		1	BRKT, JCT TERM	5309921-0				
20		2	NUT KEPS 10-32 SST	9006565				
21		1	TERM BUSH RED DC-202-2 HEYMAN	9007231				
22		4	SCR PHL H PAN 10-32 X 5/8	9006074-1				
23		1	SPACER 1/2 AF X 1/2 LG #10 HOLE AL	9006831				
24		2	WASH 1/2 OD X 3/16 ID (DIODE TYPE)	9006721				
25		1	SCR PHL H PAN 6-32 X SST 2 13/16	9007952				
26	R1	1	RES 15 OHMS 25W OHMITE					
27		2	ADAPTOR 3000S41B ARKLES	9007193				
28		23	CONN 41829 AMP INC	9006999				
29		4	NUT KEPS 6-32 SST	9006560				
30	D1, D2, D3, D4	1	RECT DM-1	15-DM-1				
31		2	SCR PHL H PAN 6-32 X 1 1/8 SST	9007853				
MADE BY K. GULICK		DATE 3/4/67	TITLE 728 POWER SUPPLY		SIZE A	CODE PL	NUMBER 728-0-1	REV. AA
CHECKED		DATE	FOR		ASSY. NO. UA-D-728-0-1		SHEET 2 OF 3	
ENG.		DATE 3/17/67						

DEC FORM NO. DRA 109

PARTS LIST		DIGITAL EQUIPMENT CORPORATION MAYNARD, MASSACHUSETTS				REVISIONS		
PART NO.	DRWG. NO.	NO. REQD.	DESCRIPTION ITEM — STOCK SIZE — CAT. NO. — MFG.	DEC. STOCK NO.	CHANGE NO.	DATE	ENG.	
32		A/R	STRD 14 AWG TEFLON INS (RED)	9107370-3				
33		A/R	STRD 14 AWG TEFLON INS (YEL)	9107370-5				
34		A/R	STRD 14 AWG TEFLON INS (BLU)	9107370-7				
35		A/R	STRD 14 AWG TEFLON INS (BRN)	9107370-2				
36		7	WASH INT TOOTH #6	9006633				
37		A/R	TUBE HY-SHRINK RED 3/16 ODX 9/16 LG	9107305				
38		4	#10 INTERNAL LOCKWASHER	9006635				
39		4	#8 INTERNAL LOCKWASHER	9006634				
40		1	RES 150HMS 25W 25F15 WARD L	1300181				
41		1	SCR PHL H PAN 6-32 X 2-3/8 LG	9007852				
42		2	WASH 916 CORE TYPE 2A ^{WARD} LEONARD	9006674				
43		1	CIRCUIT BREAKER 2 AMP.	12-10896				
44		3	14 AWG CONNECTORS AMP.	9007919-0				
45		2	SCREWS #6-32 X 1/4 LG PPH	9006020-1				
	NOTE: #40, 41, 42, ARE REPLACEMENT PARTS ONLY FOR ITEMS 24-25-				26			
MADE BY K. GULICK		DATE 3/4/67	TITLE 728 POWER SUPPLY		SIZE A	CODE PL	NUMBER 728-0-1	REV. AA
CHECKED <i>[Signature]</i>		DATE <i>[Signature]</i>	FOR		ASSY. NO. UA-D-728-0-1		SHEET 3 OF 3	
ENG. <i>[Signature]</i>		DATE 3/17/67						

DEC FORM NO.
DRA 109

CS-B-834-C



NOTES:

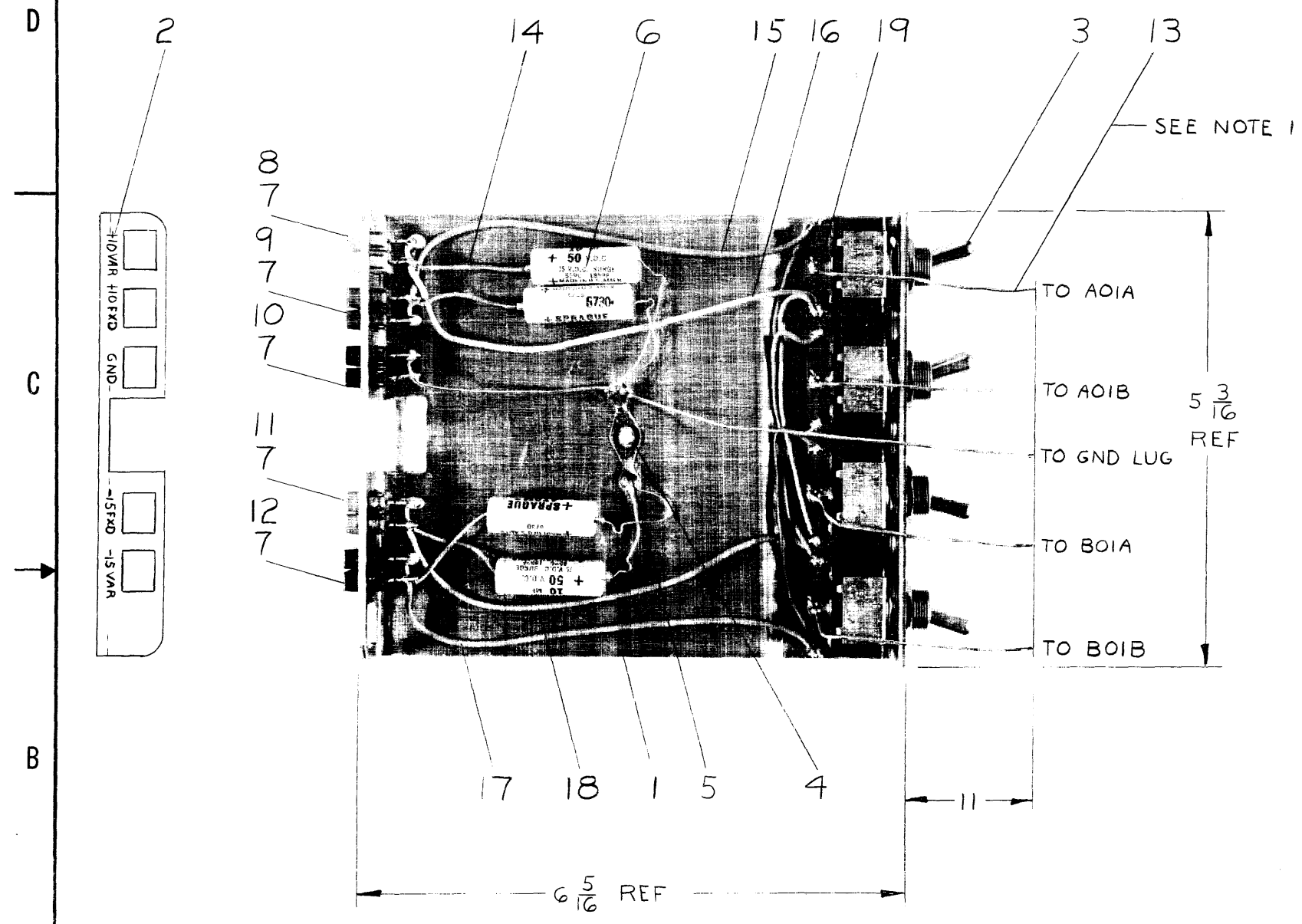
- C1 & C2 CAPACITOR BATHTUB-DEC PURCH. SPEC # CAF-0001
- 2X .1MFD 600VDC CORNELL DUBLIER.
- SI TOGGLE SWITCH C.H. 7563K6
- K1 RELAY #EM-1115VAC EBERT ELECTRONICS.
- CBI CIRCUIT BREAKER #190-220-101 20AMPS 250V, 60 CYC-CURVE4
- D1,D2,D3 THYRECTOR GENERAL ELECTRIC 20 SP4 B4, 115V

REVISIONS	ECO. NO.	4557-1	DRAFTSMAN	A. OUELLETTE	CHECKER	digital EQUIPMENT CORPORATION MAYNARD, MASSACHUSETTS	CODE	DWG. NO.	REV.
	ENG.	4581-2	DATE	7-27-64	DATE		CS	B-834	C
			ENGINEER		PRODUCTION	TITLE			
			DATE	7-2-64	DATE	ONE STEP POWER CONTROL PANEL 834			

DIGITAL EQUIPMENT CORPORATION MAYNARD, MASSACHUSETTS PARTS LIST				QUANTITY / VARIATION																	
MADE BY R. MARSHALL DATE 7/27/64		CHECKED D. DESROSIERS DATE 8/6/64		SECTION																	
ENG G.W. GERELDS DATE 8/17/64		PROD L. PRENTICE DATE 8/18/64		ISSUED SECT.																	
ITEM NO.	DWG NO. / PART NO.	DESCRIPTION																			
REF	CS-B-834	ONE STEP POWER CONTROL PANEL 834																			
1	MAD-E-835-0-1	835 POWER CONTROL (CHASSIS)		1																	
2	B-D-5308421-0-0	DECAL, 834 PWR CONT		1																	
3	1205768	RELAY EBERT EM-4 115V		1																	
4	9007634	AMP LUG #36242		2																	
5	9007596	LUGS, 90°ARK #3000-M446		4																	
6	9006879	SPACER, HEX #10-32 3/8 AFX 3-1/2 LG		4																	
7	1202356	SHOULDER SCR SPEC #MS-3		4																	
8	MD-B-834-0-1-0-1	PLEX-GLASS SHIELD		1																	
9	9107370-3	WIRE #14 AWG STRD TEF RED		A/R																	
10	9107370-10	WIRE #14 AWG STRD TEF WHT		A/R																	
11	9008110	TERMINAL AMP 41287		1																	
12	9107370-4	WIRE #14 AWG STRD TEF ORN		A/R																	
13	9107370-6	WIRE #14 AWG STRD TEF GRN		A/R																	
14	1100106	G.E. THYRECTOR DIODE #6RS20SP4B4 115V		3																	
15	9107278-3	TUBING #18 RED		A/R																	
16	9006904	TERM STRIP, #541-6 CINCH JONES		1																	
17	9007919	CONN, #50906 ARKLES		22																	
18	9007253	LUG-45° AMP		4																	
19	9006026-1	SCR, PHL H PAN #6-32 x 3/4 LG SST		4																	
20	9107370-2	WIRE #14 AWG STRD TEF BRN		A/R																	
21	9007032	TIE WRAP #SST-2-B		A/R																	
TITLE 834 POWER CONTROL				ASSY NO. D-MA-834-0-1				SIZE CODE A PL		NUMBER 834-0-1				REV. H		ECO NO. 00002					
				SHEET 1 OF 2				DIST.													

DIGITAL EQUIPMENT CORPORATION MAYNARD, MASSACHUSETTS PARTS LIST				QUANTITY / VARIATION																	
MADE BY R. MARSHALL DATE 7/27/64		CHECKED D. DESROSIERS DATE 8/6/64		SECTION																	
ENG G.W. GERELDS DATE 8/17/64		PROD L. PRENTICE DATE 8/18/64		ISSUED SECT.																	
ITEM NO.	DWG NO. / PART NO.	DESCRIPTION																			
22	1201280	LAMP, #1020C55 DEV. INC		1																	
23	9107370-7	WIRE, #14 AWG STRD TEF BLU		A/R																	
24	9107370-8	WIRE, #14 AWG STRD TEF VIO		A/R																	
25	9006022-1	SCR, PHL H PAN #6-32 x 3/8 LG SST		4																	
26	9006560	NUT, KEPS #6-32 SST		8																	
27	9006635	WASH, INT TOOTH LOCK #10 SST		4																	
28	9006073-1	SCR, PHL H PAN #10-32 x 1/2 LG SST		4																	
29	1201218-00	CKT BKR, 2 AMP 2 PL 4 CURVE		1																	
30	9006020-1	SCR, PHL H PAN #6-32 x 1/4 LG SST		4																	
31	9006633	WASH, INT TOOTH LOCK #6 SST		4																	
32	9006563	NUT, KEPS #8-32 SST		2																	
33	9006037-1	SCR, PHL H PAN #8-32 x 3/8 LG SST		2																	
34	1209011	SWITCH, CENT OFF #7563K6 C.H.		1																	
35	1002153	CAPACITOR (BATH) 2X. IMFD 600V		2																	
36	9007112	TERM, OFFSET #60145-1 AMP		2																	
37	9006781	CONN, #34142 AMP		6																	
TITLE 834 POWER CONTROL				ASSY NO. D-MA-834-0-1				SIZE CODE A PL		NUMBER 834-0-1				REV. H		ECO NO. 00002					
				SHEET 2 OF 2				DIST.													

This drawing and specifications, herein, are the property of Digital Equipment Corporation and shall not be reproduced or copied or used in whole or in part as the basis for the manufacture or sale of items without written permission.



NOTES:
 1. WIRES, ITEM # 13 TO GO THRU GROMMET
 ITEM #19 TO LOGIC PIN LOCATIONS AS
 SHOWN AT FINAL ASSEMBLY.

QTY.	DESCRIPTION	PART NO.	ITEM NO.
REF	MOUNTING PANEL 1943	B-CS-1943-0-1	REF
1	GROMMET #1041 GEN. CEMENT	90-07013	19
A/R	#18 AWG STRD TEF BLU	91-07360-7	18
A/R	#18 AWG STRD TEF GRN	91-07360-6	17
A/R	#18 AWG STRD TEF ORN	91-07360-4	16
A/R	#18 AWG STRD TEF RED	91-07360-3	15
A/R	#22 INSULATION TEF RED	91-07256-2	14
A/R	#18 AWG SOLID BUSSING WIRE	91-07560-3	13
1	JCT BUSH DC-202-2 (GRN) HEYMAN	90-07236	12
1	JCT BUSH DC-202-2 (BLU) HEYMAN	90-07232	11
1	JCT BUSH DC-202-2 (BLK) HEYMAN	90-07237	10
1	JCT BUSH DC-202-2 (RED) HEYMAN	90-07231	9
1	JCT BUSH DC-202-2 (ORN) HEYMAN	90-07234	8
10	SOLDER TAB T-202-S HEYMAN	90-07238	7
4	CAP TVA-1304-10MFD 50V SPRAGUE		6
1	TERM # 2116-06-00 SHAKEPROOF	90-06769	5
1	EYELET #A-1090 STIMPSON	90-06733	4
4	SWITCH # 7505-K4 SPDT C.H.	12-02279	3
1	SCOTCHCALS	SS-C-10801	2
1	PANEL, MARGINAL CHECK	D-MD-5302484-0-0	1

CHK	CHANGE NO.	REV.
DR	ECO #3371	E

REVISED & REDRAWN
 WAS PART OF DWG NO
 MAD - D - 1943 - 0 - 1 - 2
 R. P. Blumberg 4/14/68
 [Signature]

UNLESS OTHERWISE SPECIFIED
 DIMENSION IN INCHES
 TOLERANCES
 DECIMALS FRACTIONS ANGLES
 ± .005 ± 1/64 ± 0°30'
 FINAL SURFACE QUALITY ✓
 REMOVE BURRS AND BREAK SHARP
 CORNERS

MATERIAL: + + +
 FINISH: + + +

DRN. R. MARSHALL DATE 8/31/64
 CHK'D. D.R. DESROSIERS DATE 9/19/64
 ENG. R. CAJOLET DATE 9/19/64
 PROJ. ENG. R. CAJOLET DATE 9/19/64
 PROD. L. PRENTICE DATE 9/21/64

FIRST USED ON

SCALE NONE
 SHEET 1 OF 1

digital EQUIPMENT CORPORATION
 MAYNARD, MASSACHUSETTS

TITLE: MARGINAL CHECK PANEL ASSY

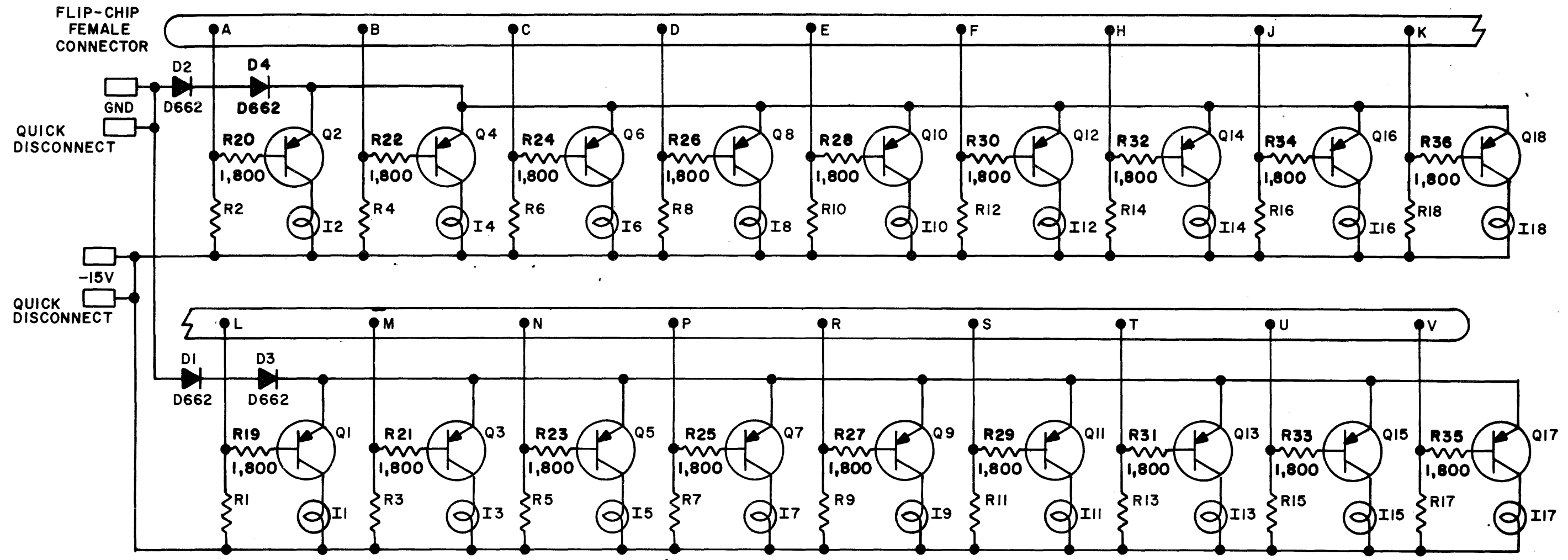
SIZE CODE: CIA 5402526-0-0
 NUMBER: 5402526-0-0
 REV. E

PARTS LIST		DIGITAL EQUIPMENT CORPORATION MAYNARD, MASSACHUSETTS				REVISIONS		
PART NO.	DRWG. NO.	NO. REQD.	DESCRIPTION ITEM — STOCK SIZE — CAT. NO. — MFG.	DEC. STOCK NO.	CHANGE NO.	DATE	ENG.	
1	D-IA-7406002-0-0	1	INDICATOR PANEL					
2		4	4918 LIGHT BRACKET (18 BIT)					
3		16	'KEPS' HEX NUT #6-32 SST.					
4		89	LAMP - INDICATOR (WHITE)	1202116-0-0				
5		2	4917 LIGHT BRACKET (9 BIT)					
MADE BY Bob Marshall		DATE 10-11-66	TITLE INDICATOR PANEL		SIZE A	CODE PL	NUMBER 7005261-0-0	REV.
CHECKED L. LeBlanc		DATE 11-3-66	FOR		ASSY. NO. D-AD-7005261-0-0		SHEET 1 OF 1	
ENG. <i>J. Godbout</i>		DATE 5/17/67						

DEC FORM NO.
DRA 109

X

THIS SCHEMATIC IS FURNISHED ONLY FOR TEST AND MAINTENANCE PURPOSES. THE CIRCUITS ARE PROPRIETARY IN NATURE AND SHOULD BE TREATED ACCORDINGLY. COPYRIGHT 1966 BY DIGITAL EQUIPMENT CORPORATION



UNLESS OTHERWISE INDICATED:
 RESISTORS ARE 15,000 1/4W; 10%
 TRANSISTORS ARE DEC6534D (DEC6534B MAY BE SUBSTITUTED)
 INDICATOR LIGHTS ARE
 DIALCO NO 39-28-375

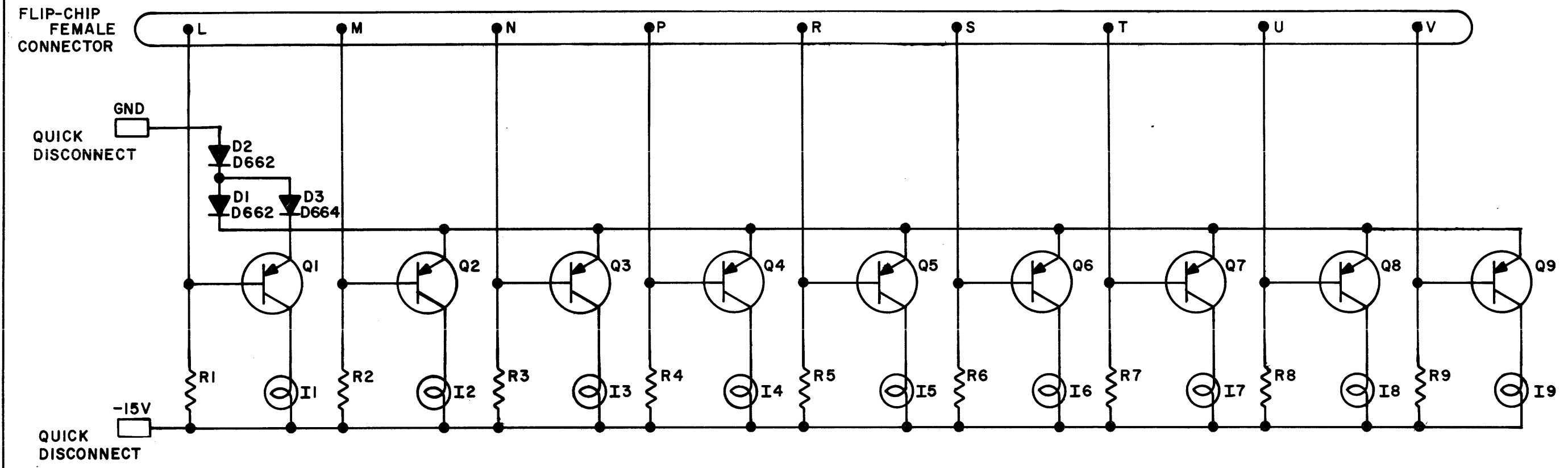
REVISIONS CHG NO. REV. 6070 B	DRN. <i>[Signature]</i>	DATE <i>[Date]</i>	TRANSISTOR & DIODE CONVERSION CHART				digital EQUIPMENT CORPORATION MAYNARD, MASSACHUSETTS	TITLE 18 BIT INDICATOR BRACKET 4918			
	CHK'D. <i>[Signature]</i>	DATE <i>[Date]</i>	DEC	EIA	DEC	EIA		SIZE B	CODE CS	NUMBER 4918-0-1	REV. B
	ENG. <i>[Signature]</i>	DATE <i>[Date]</i>	DEC6534D	MPS6534							
	PROD. <i>[Signature]</i>	DATE <i>[Date]</i>	D662	IN645							
			D664	IN3606							
							PRINTED CIRCUIT REV. D				



REV. A

NUMBER 4917-0-1 CS B SIZE CODE

THIS SCHEMATIC IS FURNISHED ONLY FOR TEST AND MAINTENANCE PURPOSES. THE CIRCUITS ARE PROPRIETARY IN NATURE AND SHOULD BE TREATED ACCORDINGLY. COPYRIGHT 1966 BY DIGITAL EQUIPMENT CORPORATION



UNLESS OTHERWISE INDICATED:
 RESISTORS ARE 15,000 1/4W; 10%
 TRANSISTORS ARE DEC 6534B
 INDICATOR LIGHTS ARE
 DIALCO NO 39-28-375

REVISIONS	CHK	CHG NO.	REV.

DRN.	DATE
CHK'D	DATE
ENG.	DATE
PROD.	DATE

TRANSISTOR & DIODE CONVERSION CHART			
DEC	EIA	DEC	EIA
DEC6534B	MPS 6534		
D662	IN645		
D664	IN3606		

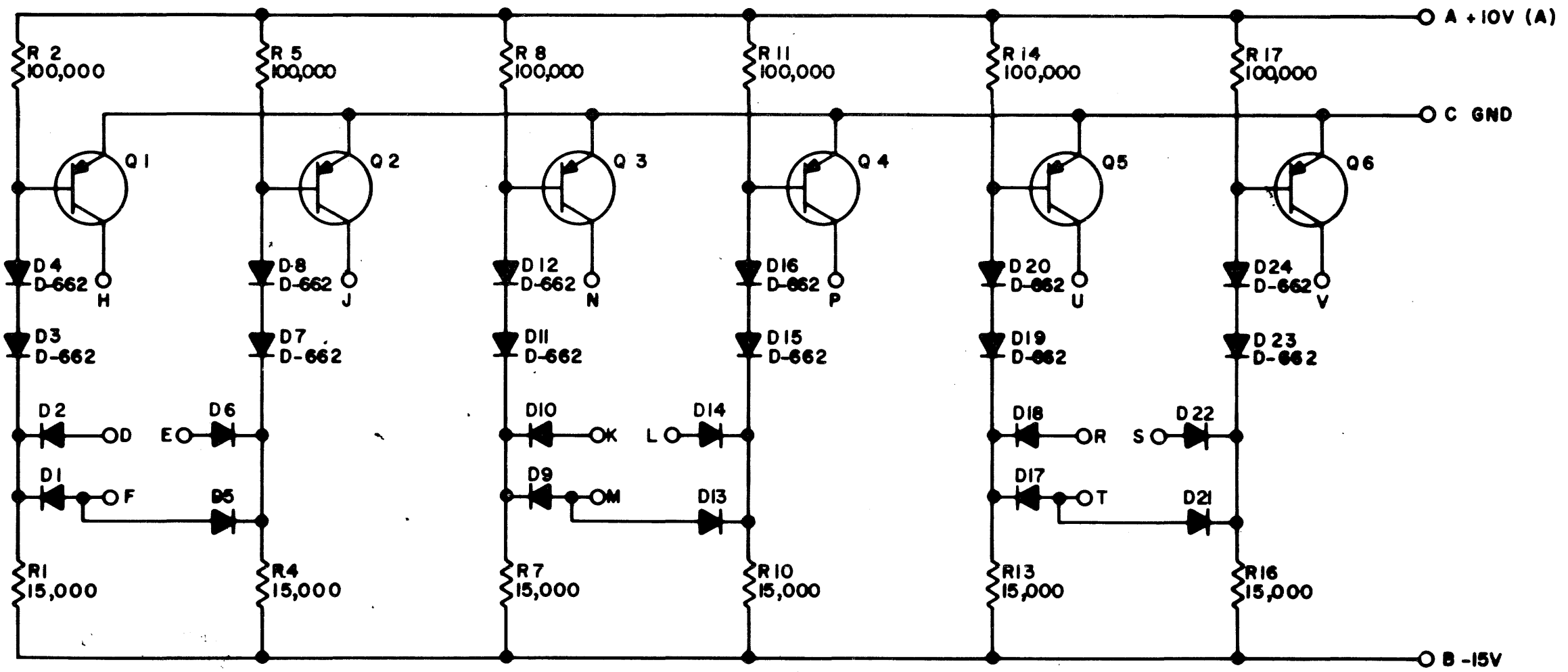
digital
 EQUIPMENT CORPORATION
 MAYNARD, MASSACHUSETTS

TITLE		9 BIT INDICATOR BRACKET 4917		
SIZE	CODE	NUMBER	REV.	
B	CS	4917-0-1	A	
PRINTED CIRCUIT REV.			C	



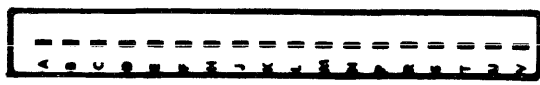
THIS SCHEMATIC IS FURNISHED ONLY FOR TEST AND MAINTENANCE PURPOSES. THE CIRCUITS ARE PROPRIETARY IN NATURE AND SHOULD BE TREATED ACCORDINGLY. COPYRIGHT 1965 BY DIGITAL EQUIPMENT CORPORATION

REV. B
NUMBER R123-0-1
SIZE B
CODE CS



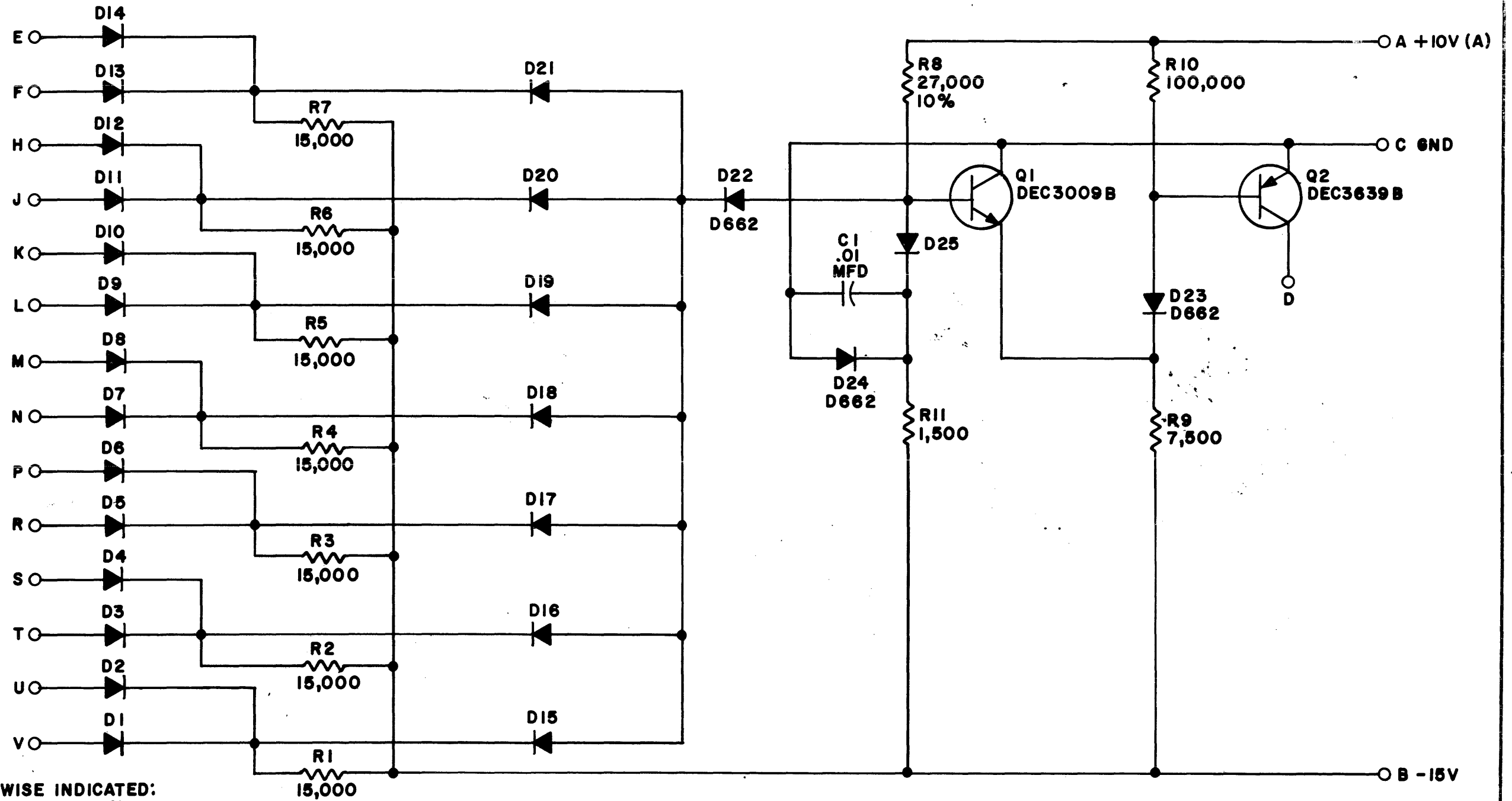
UNLESS OTHERWISE INDICATED:
TRANSISTORS ARE DEC 3639
RESISTORS ARE 1/4W, 5%
DIODES ARE D-664

USE THE ETCH BOARD OF W101



REVISIONS	CHK	CHG NO.	REV.	DRN. I. HAHN	DATE	TRANSISTOR & DIODE CONVERSION CHART				TITLE DIODE GATE R123			
	CHG	NO.	REV.		DATE	DEC	EIA	DEC	EIA		SIZE	CODE	NUMBER
	DAW	4864	1	CHK'D	4-20-65	DEC 3639	2N3639			B	CS	R123-0-1	B
	REV.	B. REDR.		ENG.	4-21-65	D662	IN645			EQUIPMENT CORPORATION			
		5644	B	PROD.		D664	IN3606			MAYNARD, MASSACHUSETTS		PRINTED CIRCUIT REV.	B
		5676											

THIS SCHEMATIC IS FURNISHED ONLY FOR TEST AND MAINTENANCE PURPOSES. THE CIRCUITS ARE PROPRIETARY IN NATURE AND SHOULD BE TREATED ACCORDINGLY. COPYRIGHT 1964 BY DIGITAL EQUIPMENT CORPORATION

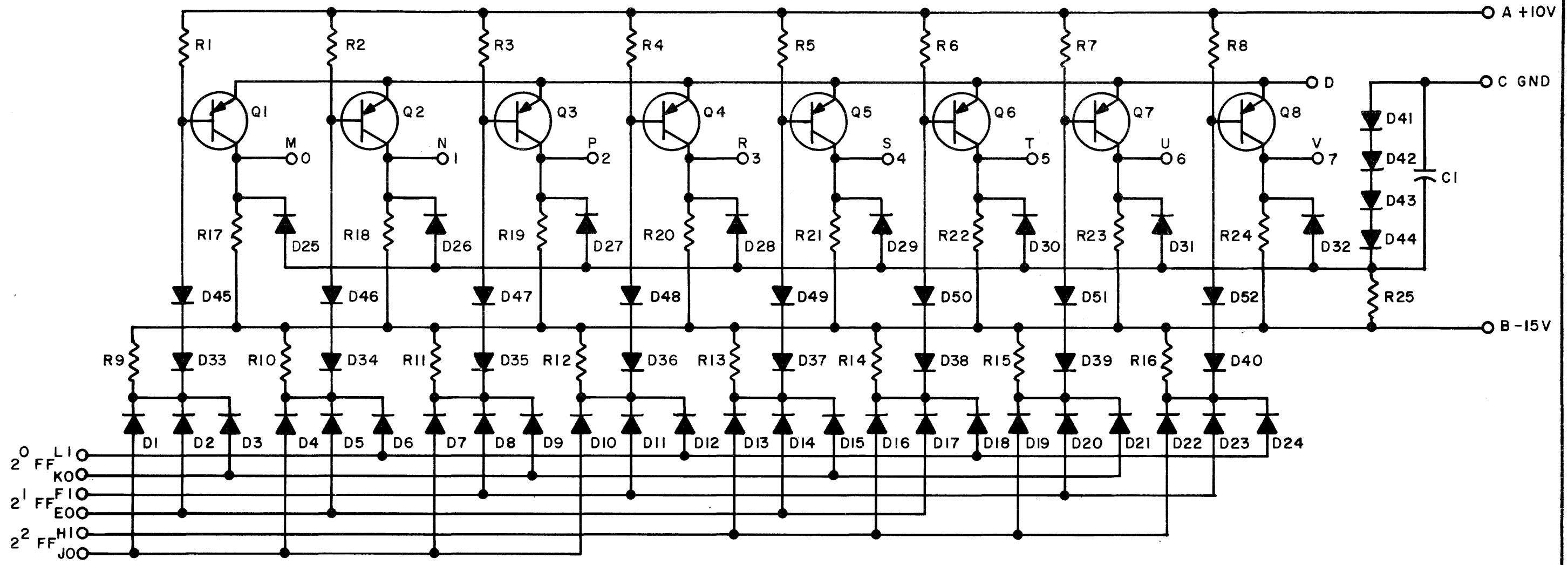


UNLESS OTHERWISE INDICATED:
RESISTORS ARE 1/4W, 5%
DIODES ARE D664



REVISIONS CHK CHG NO. REV. DAW 5276 5 REV. 8 REDR. 6544 F	DRN.	A.OUELLETTE	DATE	7-16-64	TRANSISTOR & DIODE CONVERSION CHART <table border="1"> <tr> <td>DEC</td> <td>EIA</td> <td>DEC</td> <td>EIA</td> </tr> <tr> <td>DEC3639B</td> <td>2N3639</td> <td></td> <td></td> </tr> <tr> <td>DEC3009B</td> <td>2N3009</td> <td></td> <td></td> </tr> <tr> <td>D662</td> <td>1N645</td> <td></td> <td></td> </tr> <tr> <td>D664</td> <td>1N3606</td> <td></td> <td></td> </tr> </table>				DEC	EIA	DEC	EIA	DEC3639B	2N3639			DEC3009B	2N3009			D662	1N645			D664	1N3606			CHK'D	N.PERRYMAN	DATE	7-16-64	EQUIPMENT CORPORATION MAYNARD, MASSACHUSETTS	TITLE		DIODE GATE R141		
	DEC	EIA	DEC	EIA																																		
	DEC3639B	2N3639																																				
	DEC3009B	2N3009																																				
D662	1N645																																					
D664	1N3606																																					
ENG.	R.BANK	DATE	7-16-64	SIZE	B	CODE	CS	NUMBER	R141-0-1	REV.	F																											
PROD.	2	DATE		PRINTED CIRCUIT REV. E																																		

THIS SCHEMATIC IS FURNISHED ONLY FOR TEST AND MAINTENANCE PURPOSES. THE CIRCUITS ARE PROPRIETARY IN NATURE AND SHOULD BE TREATED ACCORDINGLY. COPYRIGHT 1964 BY DIGITAL EQUIPMENT CORPORATION

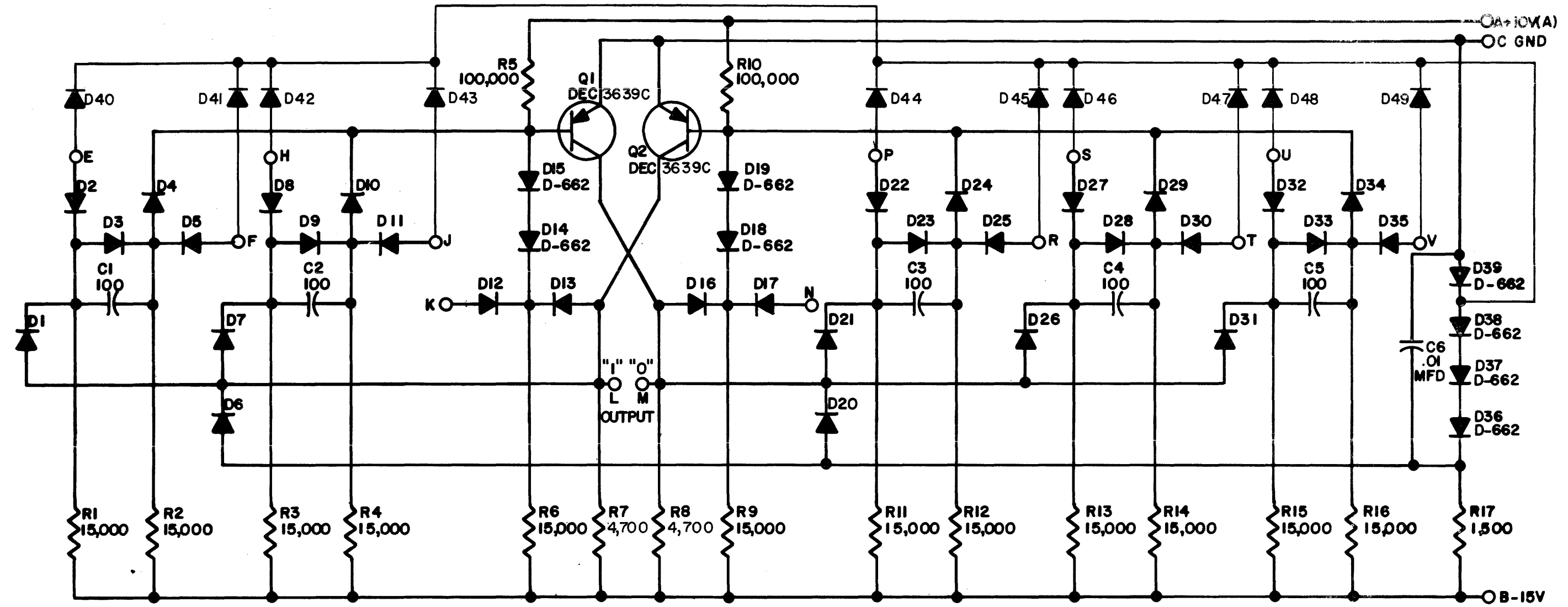


Q1 THRU Q8	TRANSISTOR DEC3639B	1502762
R25	RES. 1.5K 1/4W 5% CC	1300391
R17 THRU R24	RES. 7.5K 1/4W 5% CC	1301422
R9 THRU R16	RES. 15K 1/4W 5% CC	1300496
R1 THRU R8	RES. 100K 1/4W 5% CC	1302466
D33 THRU D52	DIODE D662	1100113
D1 THRU D32	DIODE D664	1100114
C1	CAP. .01 MFD 50V -0 +20% DISC	1000001
PARTS LIST		A-PL-RI51-0-0
REFERENCE DESIGNATION	DESCRIPTION	PART NO.



REVISIONS CHK CHG NO. REV. 3 RMS 6545 REV. 8 REDR. 6856 E	DRN. A.OUELLETTE DATE 9-1-64	TRANSISTOR & DIODE CONVERSION CHART		digital EQUIPMENT CORPORATION MAYNARD, MASSACHUSETTS	TITLE BINARY TO OCTAL DECODER RI51	
	CHK'D N. PERRYMAN DATE 9-15-64	DEC EIA	DEC EIA		SIZE B CODE CS NUMBER RI51-0-1	REV. E
	ENG. D.A.WHITE DATE 9-15-64	DEC3639B 2N3639 D662 IN645 D664 IN3606	PRINTED CIRCUIT REV. D			
	PROD. DATE					

THIS SCHEMATIC IS FURNISHED ONLY FOR TEST AND MAINTENANCE PURPOSES. THE CIRCUITS ARE PROPRIETARY IN NATURE AND SHOULD BE TREATED ACCORDINGLY. COPYRIGHT 1964 BY DIGITAL EQUIPMENT CORPORATION

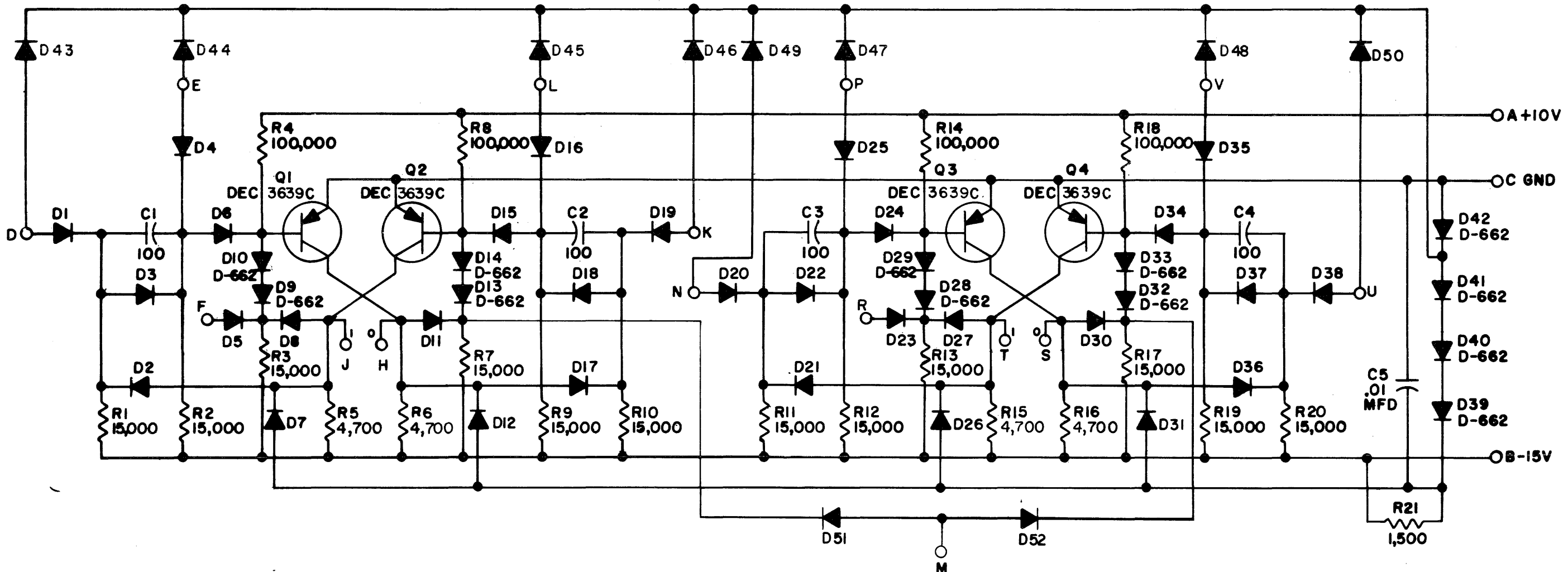


UNLESS OTHERWISE INDICATED:
RESISTORS ARE 1/4W; 5%
CAPACITORS ARE MMFD
DIODES ARE D-664



REVISIONS CHK CHG NO. REV. RMS 6329 3 REV. & REDR. 6548 D	DRN. H.W. PORTER DATE 5-19-64	TRANSISTOR & DIODE CONVERSION CHART		digital EQUIPMENT CORPORATION MAYNARD, MASSACHUSETTS	TITLE FLIP-FLOP R201			
	CHK'D N.PERRYMAN DATE 5-25-64	DEC EIA DEC EIA	DEC EIA		SIZE B	CODE CS	NUMBER R201-0-1	REV. D
	ENG. R.BANK DATE 5-25-64	DEC3639C 2N3639						
	PROD. DATE							
				PRINTED CIRCUIT REV.			CD	

THIS SCHEMATIC IS FURNISHED ONLY FOR TEST AND MAINTENANCE PURPOSES. THE CIRCUITS ARE PROPRIETARY IN NATURE AND SHOULD BE TREATED ACCORDINGLY. COPYRIGHT 1964 BY DIGITAL EQUIPMENT CORPORATION

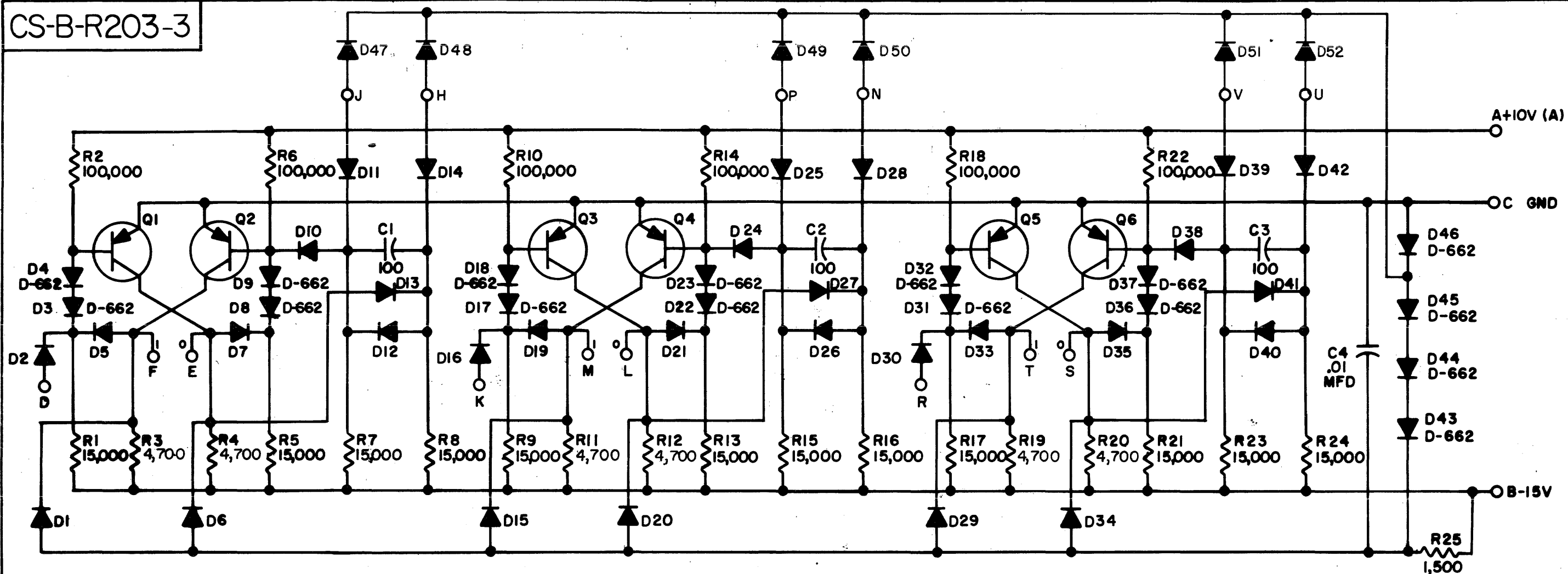


UNLESS OTHERWISE INDICATED:
 RESISTORS ARE 1/4 W; 5%
 CAPACITORS ARE MMFD
 DIODES ARE D-664

 1 2 3 4 5 6 7 8 9 10 11 12 13 14 15 16 17 18 19 20 21 22 23 24 25 26 27 28 29 30 31 32

REVISIONS CHG NO. REV. 4 RMS 6330 REV. & REDR. 6549 F	DRN. A. OUELLETTE	DATE 6-16-64	TRANSISTOR & DIODE CONVERSION CHART				digital EQUIPMENT CORPORATION MAYNARD, MASSACHUSETTS	TITLE DUAL FLIP FLOP R202			
	CHK'D N. PERRYMAN	DATE 6-16-64	DEC	EIA	DEC	FIA		SIZE B	CODE CS	NUMBER R202-0-1	REV. F
	ENG. R. BANK	DATE 6-22-64	DEC3639C	2N3639				PRINTED CIRCUIT REV. DE			
	PROD.	DATE	D662	IN645							

CS-B-R203-3

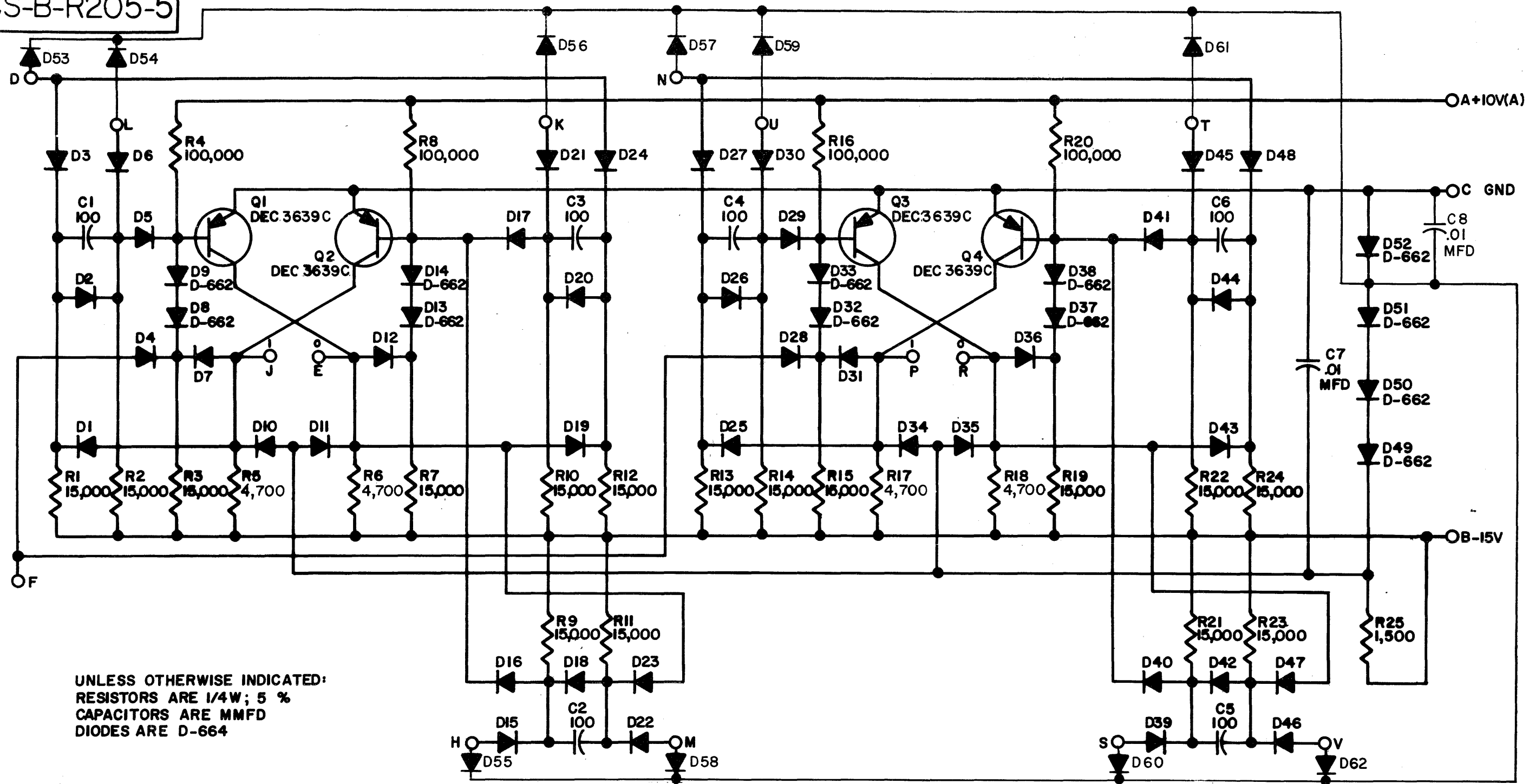


UNLESS OTHERWISE INDICATED:
 RESISTORS ARE 1/4W, 5%
 CAPACITORS ARE MMFD
 DIODES ARE D-664
 TRANSISTORS ARE DEC 3639C

 A B C D E F G H I J K L M N P Q R S T U V W

6331-3	4846/1	4507-1	ECO. NO.	DRAFTSMAN	CHECKER	digital EQUIPMENT CORPORATION MAYNARD, MASSACHUSETTS	CODE	DWG. NO.	REV.
				A. OUELLETTE	<i>M. Blum</i>		CS	B-R203	
4852-2	8/65		ENG.	DATE 6-30-64	DATE 7-6-64				
				ENGINEER	PRODUCTION	TITLE	TRIPLE FLIP-FLOP R203		
				DATE 7/30/64	DATE				

CS-B-R205-5

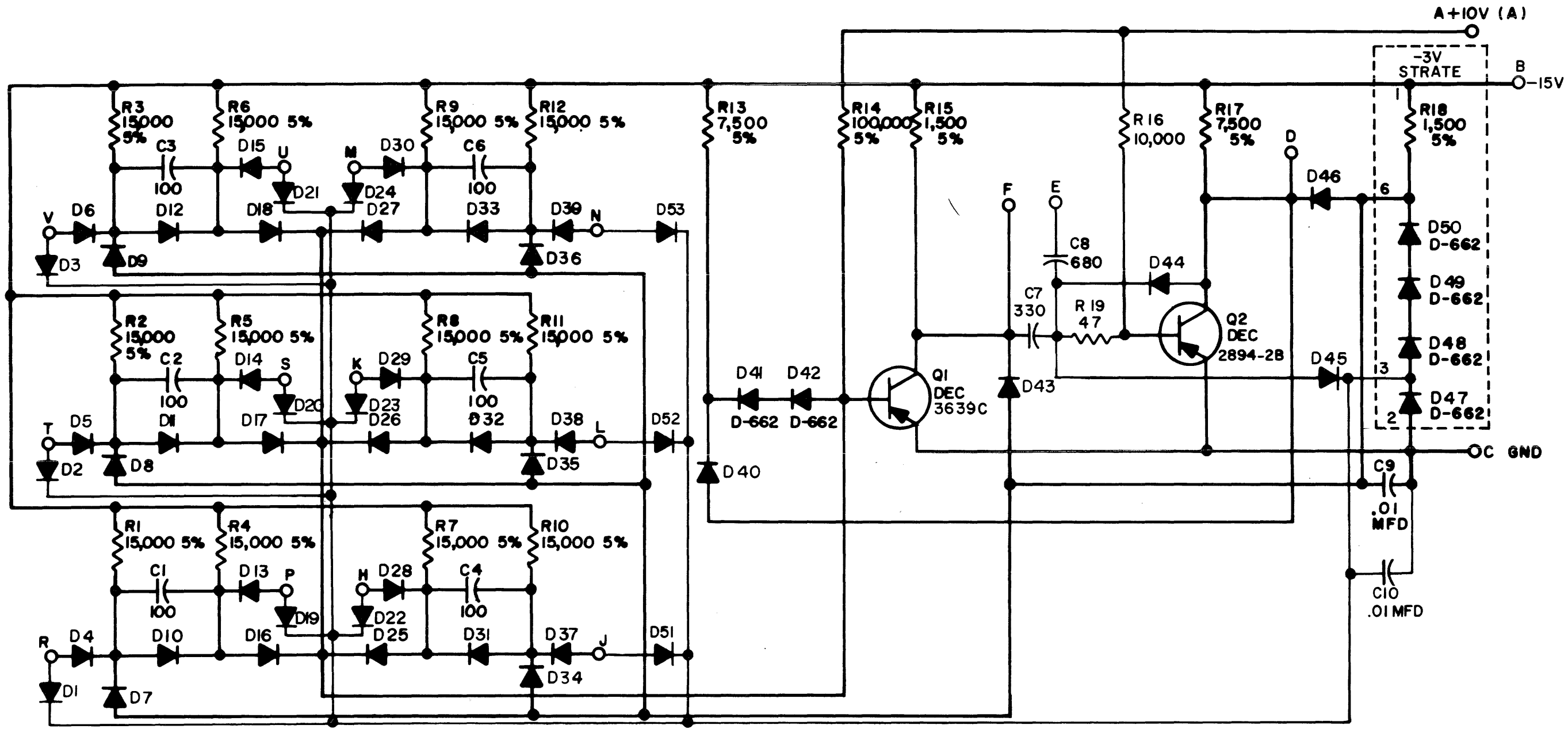


UNLESS OTHERWISE INDICATED:
 RESISTORS ARE 1/4W; 5 %
 CAPACITORS ARE MMFD
 DIODES ARE D-664

A B C D E F G H I J K L M N O P Q R S T U V W X Y Z

6551-5	6532-4	4913-3	4850-2	4843 /	4514-1	ECO. NO.	DRAFTSMAN H.W. PORTER	CHECKER <i>M. ...</i>	digital EQUIPMENT CORPORATION MAYNARD, MASSACHUSETTS	CODE	DWG. NO.	REV.
						REVISIONS	DATE 9-9-64	DATE 9-15-64		CS	B-R205	5
						ENG.	ENGINEER	PRODUCTION	TITLE DUAL FLIP-FLOP R205			
							DATE	DATE				

THIS SCHEMATIC IS FURNISHED ONLY FOR TEST AND MAINTENANCE PURPOSES. THE CIRCUITS ARE PROPRIETARY IN NATURE AND SHOULD BE TREATED ACCORDINGLY. COPYRIGHT 1964 BY DIGITAL EQUIPMENT CORPORATION



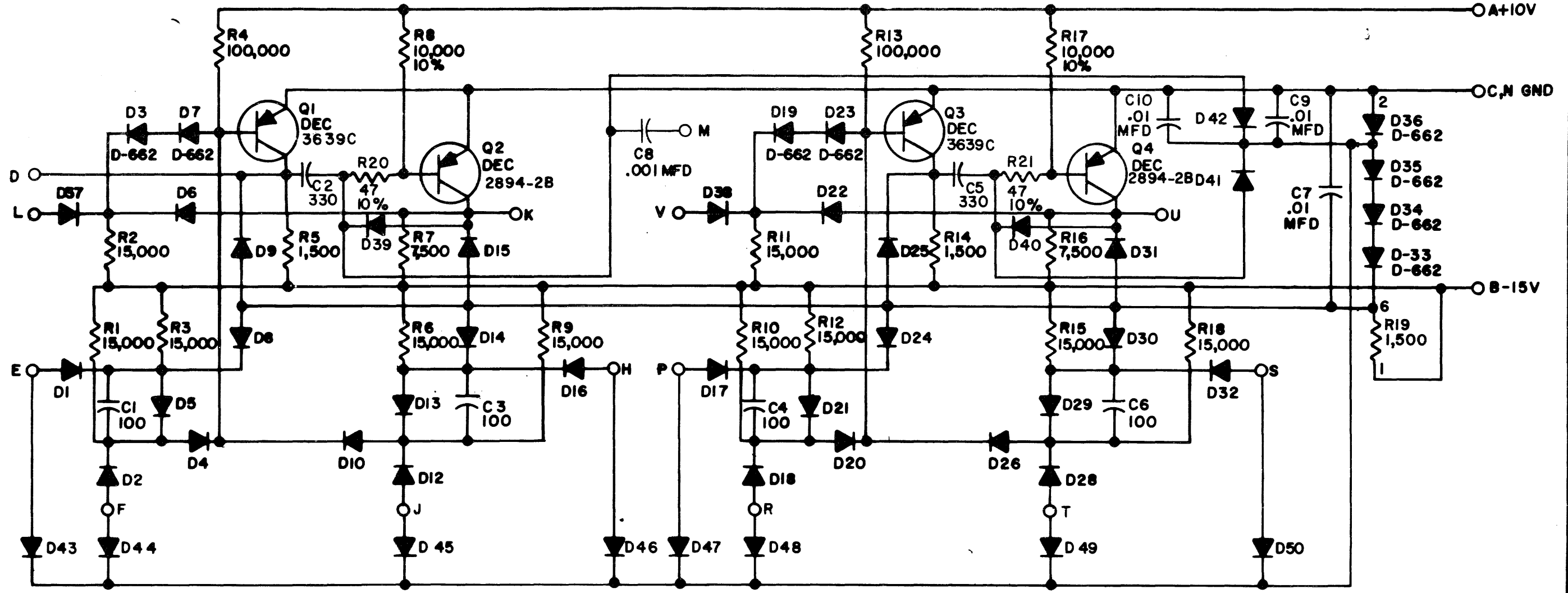
UNLESS OTHERWISE INDICATED:
RESISTORS ARE 1/4W; 10%
CAPACITORS ARE MMFD
DIODES ARE D-664

< U D L I Z A B C >

REVISIONS		DRN.	DATE	TRANSISTOR & DIODE CONVERSION CHART		digital	TITLE
CHK	CHG NO	A.OUELLETTE	8-19-64	DEC	EIA		EQUIPMENT CORPORATION
DAW	5288	CHK'D	9-4-64	DEC 2894-2B	NONE	MAYNARD, MASSACHUSETTS	SIZE
REV. & REDR.	5395	ENG.	9-4-64	DEC 3639C	2N3639		B
REV.	5395	PROD.		D662	IN645	CODE	NUMBER
L				D664	IN3606	CS	R601-0-1
M							REV.
N							P
P							PRINTED CIRCUIT REV.
							F H

THIS SCHEMATIC IS FURNISHED ONLY FOR TEST AND MAINTENANCE PURPOSES. THE CIRCUITS ARE PROPRIETARY IN NATURE AND SHOULD BE TREATED ACCORDINGLY. COPYRIGHT 1964 BY DIGITAL EQUIPMENT CORPORATION

REV R
 NUMBER R602-0-1
 SIZE B
 CODE CS
 3000



UNLESS OTHERWISE INDICATED:
 RESISTORS ARE 1/4W, 5%
 CAPACITORS ARE MMFD
 DIODES ARE D-664

 <----->

REVISIONS	CHK	CHG NO	REV.
DAW	5274	9	
REV	8 REDR.	L	
REV	5382	M	
REV	6334	N	
REV	6557	P	
		R	

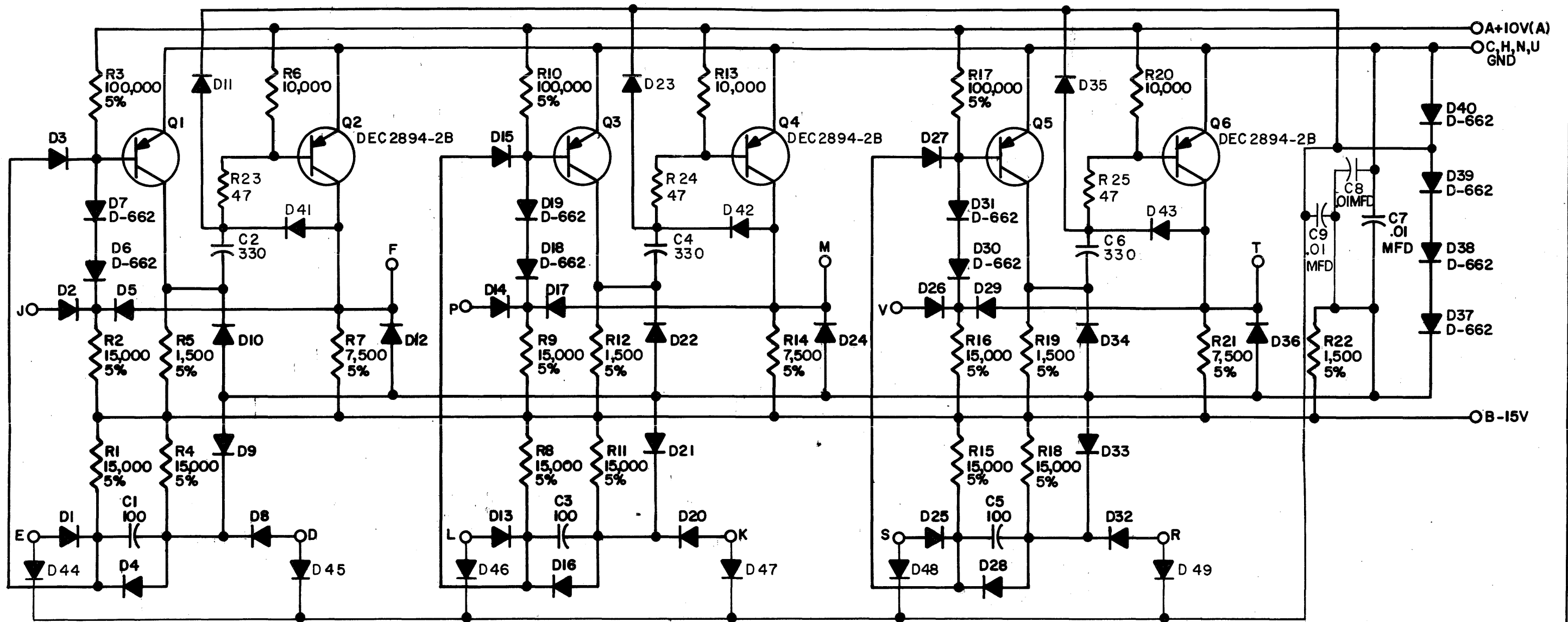
DRN. A OUELLETTE	DATE 6-10-64
CHK'D N PERRYMAN	DATE 6-12-64
ENG. R BANK	DATE 6-12-64
PROD.	DATE

TRANSISTOR & DIODE CONVERSION CHART			
DEC	EIA	DEC	EIA
DEC2894-2B	NONE		
DEC3639C	2N3639		
D662	1N645		
D664	1N3606		

digital
 EQUIPMENT CORPORATION
 MAYNARD MASSACHUSETTS

TITLE PULSE AMPLIFIER R602			
SIZE B	CODE CS	NUMBER R602-0-1	REV. R
PRINTED CIRCUIT REV.			H K

CS-B-R603-6

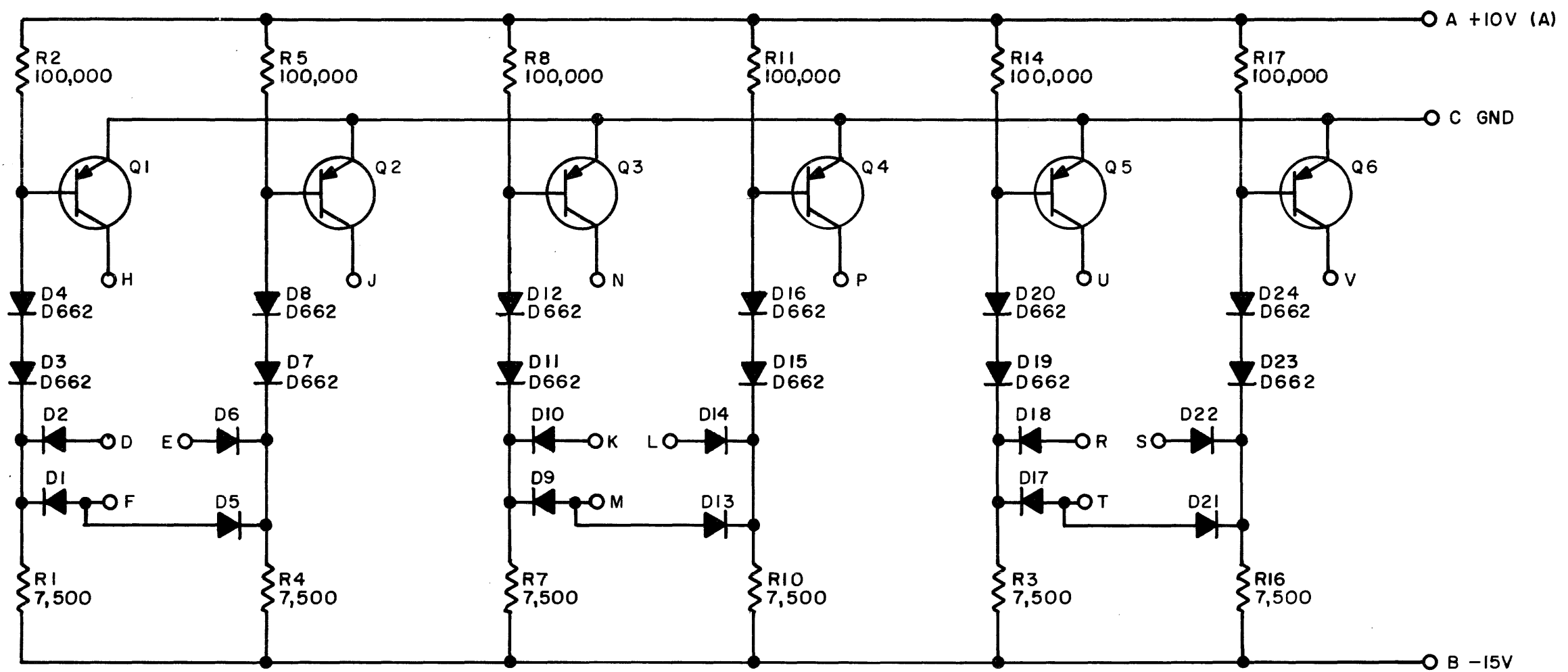


UNLESS OTHERWISE INDICATED:
 RESISTORS ARE 1/4W;10%
 CAPACITORS ARE MMFD
 DIODES ARE D-664
 TRANSISTORS ARE DEC 3639-C

 A B C D E F G H J K L M N P Q R S T U V W X Y Z

6335-6	5272-5	5117-4	4875-3	4861/	4510-2	4485-1	ECO. NO.	DRAFTSMAN H.W. PORTER DATE 10-5-64	C I L SER M. J. ... DATE 10/8/64	digital EQUIPMENT CORPORATION MAYNARD, MASSACHUSETTS	CODE CS	DWG. NO. B-R603	REV. 6
							ENG.	ENGINEER DATE	PRODUCTION DATE	TITLE PULSE AMPLIFIER R603			

THIS SCHEMATIC IS FURNISHED ONLY FOR TEST AND MAINTENANCE PURPOSES. THE CIRCUITS ARE PROPRIETARY IN NATURE AND SHOULD BE TREATED ACCORDINGLY. COPYRIGHT 1967 BY DIGITAL EQUIPMENT CORPORATION



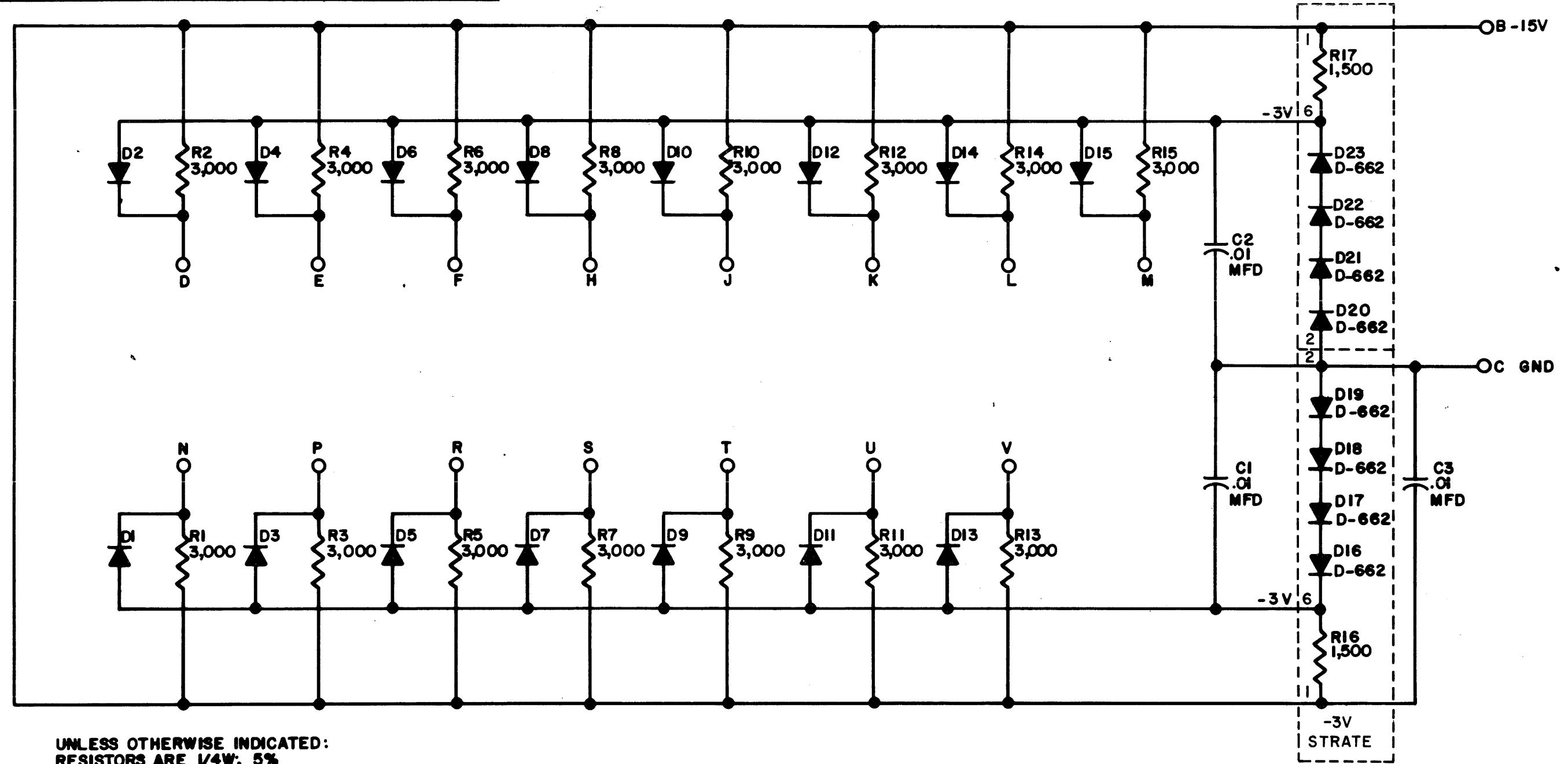
UNLESS OTHERWISE INDICATED:
 TRANSISTORS ARE DEC3639
 RESISTORS ARE 1/4W, 5%
 DIODES ARE D664

USE THE ETCH BOARD OF THE W101



REVISIONS CHK CHG NO. REV	DRN. <i>M. Waller</i>	DATE 6-6-67	TRANSISTOR & DIODE CONVERSION CHART				digital	TITLE DIODE GATE S123		
	CHK'D <i>[Signature]</i>	DATE <i>6-14-67</i>	DEC	EIA	DEC	EIA		SIZE B	CODE CS	NUMBER S123-0-1
	ENG <i>[Signature]</i>	DATE 6-17-67	DEC3639	2N3639			EQUIPMENT CORPORATION			
	PROD.	DATE	D662	IN645			MAYNARD, MASSACHUSETTS			
			D664	IN3606			PRINTED CIRCUIT REV. B			

THIS SCHEMATIC IS FURNISHED ONLY FOR TEST AND MAINTENANCE PURPOSES. THE CIRCUITS ARE PROPRIETARY IN NATURE AND SHOULD BE TREATED ACCORDINGLY. COPYRIGHT 1964 BY DIGITAL EQUIPMENT CORPORATION



UNLESS OTHERWISE INDICATED:
RESISTORS ARE 1/4W, 5%
DIODES ARE D-664

< A B C D E F G H I J K L M N O P Q R S T U V W X Y Z 0 1 2 3 >

REVISIONS	CHK	CHG NO.	REV.
	DAW	5037	I
	REV.	B REDR.	B
		5397	

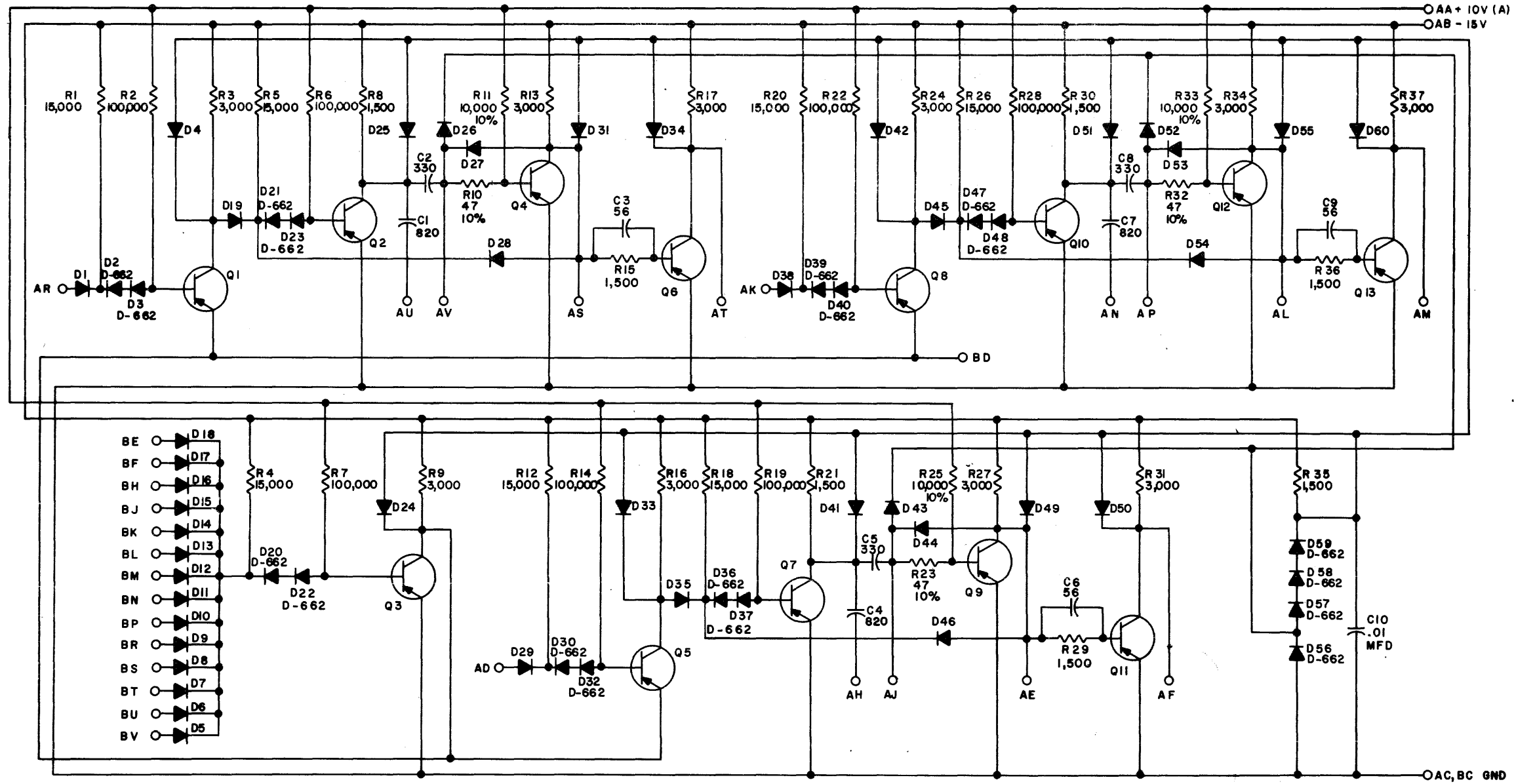
DRN.	H. PORTER	DATE	4-27-64
CHK'D	N. PERRYMAN	DATE	5-4-64
ENG.	B. SCUDNEY	DATE	5-4-64
PROD.		DATE	

TRANSISTOR & DIODE CONVERSION CHART			
DEC	EIA	DEC	EIA
D 662	IN645		
D664	IN3606		

digital
EQUIPMENT CORPORATION
MAYNARD, MASSACHUSETTS

TITLE	CLAMPED LOADS W005		
SIZE	CODE	NUMBER	REV.
B	CS	W005-0-1	B
PRINTED CIRCUIT REV.			B

THIS SCHEMATIC IS FURNISHED ONLY FOR TEST AND MAINTENANCE PURPOSES. THE CIRCUITS ARE PROPRIETARY IN NATURE AND SHOULD BE TREATED ACCORDINGLY. COPYRIGHT 1966 BY DIGITAL EQUIPMENT CORPORATION



UNLESS OTHERWISE INDICATED:
 TRANSISTORS ARE DEC 3639
 RESISTORS ARE 1/4 W, 5%
 CAPACITORS ARE MMFD
 DIODES ARE D-664



REV. E
 NUMBER
 C CS WI03-0-1

REV.	CHK	CHG NO.	REV.
2	DAW	4792	
D	REV. B REDR.	6178	
E		00001	

DEC FORM NO. DRC 102

DRN.	DATE
I. HAHN	4-21-65
R. SILVERMAN	4-22-65
ENG. R. SOEGGE	4-22-65
PROD.	DATE

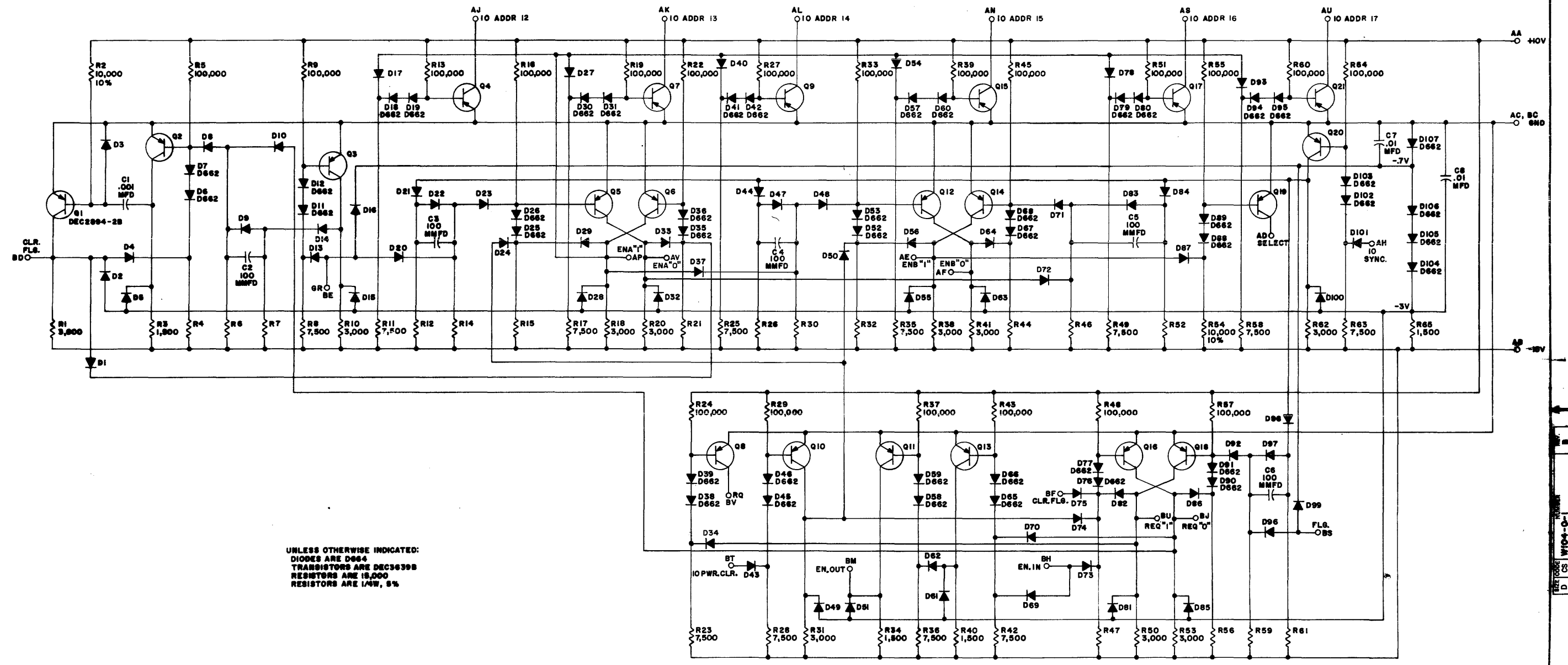
TRANSISTOR & DIODE CONVERSION CHART			
DEC	EIA	DEC	EIA
DEC3639	2N3639		
D662	1N645		
D664	1N3606		

digital
 EQUIPMENT CORPORATION
 MAYNARD, MASSACHUSETTS

TITLE			
SIZE	CODE	NUMBER	REV.
C	CS	WI03-0-1	E
PRINTED CIRCUIT REV.			C

5 DIST: 344 434 435 PINK

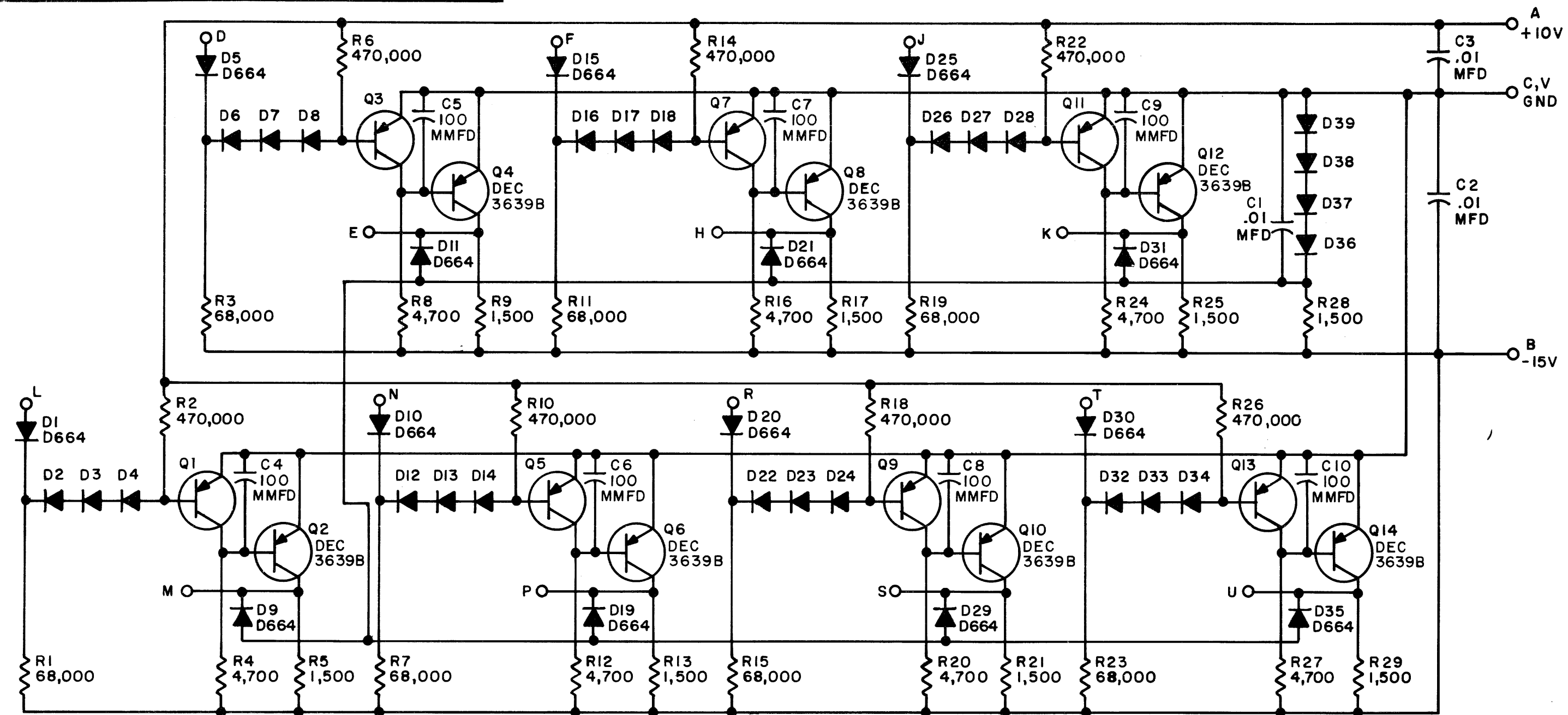
THIS DRAWING IS FURNISHED ONLY FOR TEST AND MAINTENANCE PURPOSES. THE CIRCUITS ARE PROPRIETARY IN NATURE AND SHOULD BE TREATED ACCORDINGLY. COPYRIGHT 1967 BY DIGITAL EQUIPMENT CORPORATION



UNLESS OTHERWISE INDICATED:
 DIODES ARE D664
 TRANSISTORS ARE DEC3639B
 RESISTORS ARE 1/4W, 5%

REVISIONS CHG. CHG. NO. REV.	DRN: <i>W. Walker</i> DATE: 1/12/67	TRANSISTOR & DIODE CONVERSION CHART		digital EQUIPMENT CORPORATION MAYNARD, MASSACHUSETTS	TITLE: PDP-9 I.O. BUS MULTI- PLEXER CONTROL W104
	CHKD: <i>[Signature]</i> DATE: 1/19/67	DEC 1964 EIA NONE	DEC 1964 EIA		
	ENR: <i>[Signature]</i> DATE: 1/19/67	DEC 3639B IN3639B	DEC 3639B IN3639B		
	PROD: 2 DATE:	D664 IN3608	D664 IN3608		
				SIZE D CODE CS NUMBER W104-0-1 REV. B	PRINTED CIRCUIT REV. C

THIS SCHEMATIC IS FURNISHED ONLY FOR TEST AND MAINTENANCE PURPOSES. THE CIRCUITS ARE PROPRIETARY IN NATURE AND SHOULD BE TREATED ACCORDINGLY. COPYRIGHT 1967 BY DIGITAL EQUIPMENT CORPORATION

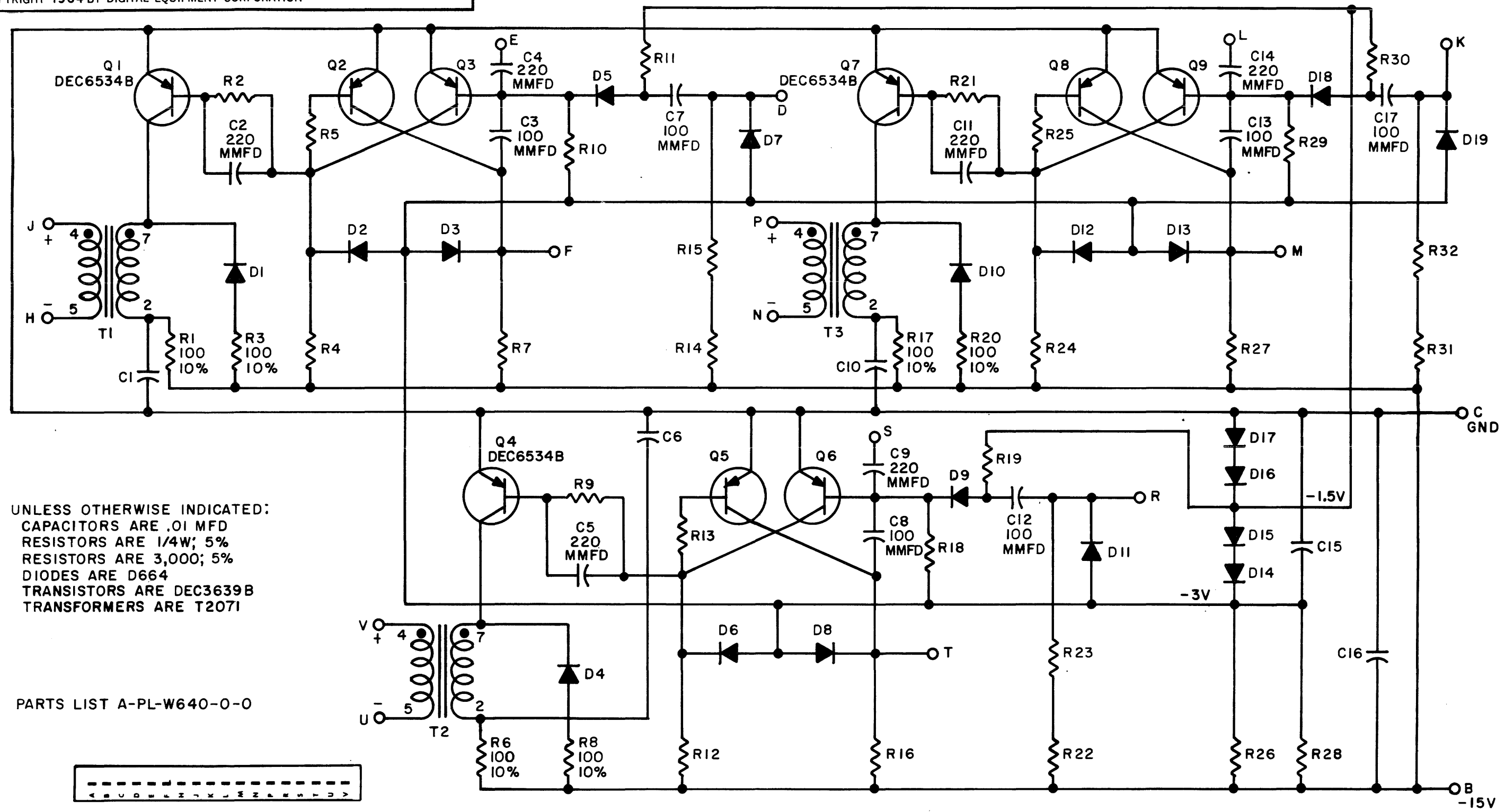


UNLESS OTHERWISE INDICATED:
 RESISTORS ARE 1/4W; 5%
 DIODES ARE D662
 TRANSISTORS ARE DEC3639C



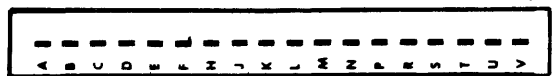
REVISIONS CHG NO. 6827 REV. A	DRN. <i>M. Waller</i>	DATE 3-13-67	TRANSISTOR & DIODE CONVERSION CHART		 EQUIPMENT CORPORATION MAYNARD, MASSACHUSETTS	TITLE I/O BUS RECEIVER CKT. W107			REV. A
	CHK'D. <i>R. ...</i>	DATE 3/15/67	DEC	EIA		SIZE B	CODE CS	NUMBER W107-0-1	
	ENG. <i>R. ...</i>	DATE 3/21/67	D662	IN645					
	PROD. <i>R. ...</i>	DATE	D664	IN3606					
			DEC3639B	2N3639					
			DEC3639C	2N3639					

THIS SCHEMATIC IS FURNISHED ONLY FOR TEST AND MAINTENANCE PURPOSES. THE CIRCUITS ARE PROPRIETARY IN NATURE AND SHOULD BE TREATED ACCORDINGLY. COPYRIGHT 1964 BY DIGITAL EQUIPMENT CORPORATION



UNLESS OTHERWISE INDICATED:
 CAPACITORS ARE .01 MFD
 RESISTORS ARE 1/4W; 5%
 RESISTORS ARE 3,000; 5%
 DIODES ARE D664
 TRANSISTORS ARE DEC3639B
 TRANSFORMERS ARE T2071

PARTS LIST A-PL-W640-0-0



REV.	CHG. NO.	REV.
5876	H	
6181	J	
6816	K	
6945	L	

DRN. H. PORTER	DATE 9-22-64
CHK'D N. PERRYMAN	DATE 9-29-64
ENG. R. BANK	DATE 9-29-64
PROD. 2	DATE

TRANSISTOR & DIODE CONVERSION CHART	
DEC	EIA
DEC3639B	2N3639
DEC6534B	MPS6534
D664	1N3606

digital
 EQUIPMENT CORPORATION
 MAYNARD, MASSACHUSETTS

TITLE PULSE AMPLIFIER W640			
SIZE B	CODE CS	NUMBER W640-0-1	REV. L
PRINTED CIRCUIT REV.			J