

"THE MATERIAL HEREIN IS FOR INFORMATION PURPOSES ONLY AND IS SUBJECT TO CHANGE WITHOUT NOTICE. DIGITAL EQUIPMENT CORPORATION ASSUMES NO RESPONSIBILITY FOR ANY ERRORS WHICH MAY APPEAR HEREIN."

# FIELD MAINTENANCE PRINT SET

"THIS DRAWING AND SPECIFICATIONS, HEREIN, ARE THE PROPERTY OF DIGITAL EQUIPMENT CORPORATION AND SHALL NOT BE REPRODUCED OR COPIED OR USED IN WHOLE OR IN PART AS THE BASIS FOR THE MANUFACTURE OR SALE OF ITEMS WITHOUT WRITTEN PERMISSION. COPYRIGHT © 1984 DIGITAL EQUIPMENT CORPORATION."


## TABLE OF CONTENTS

B-TC-VT278-0-1	VT278 UNIT ASSY (TC)
B-DD-VT278-0	VT278 UNIT ASSY (DWG DIR ONLY)
E-UA-VT278-0-0	VT278 UNIT ASSY
K-PL-VT278-0-DBP	VT278 UNIT ASSY
B-DD-7017097-0	TERMINAL SUB ASSY (DWG DIR ONLY)
E-AD-7017097-0-0	TERMINAL SUB ASSY
K-PL-7017097-0-DBP	TERMINAL SUB ASSY
B-AR-VTX78-A	EXTENDED LANGUAGE GROUP A
K-PL-VTX78-0-DBP	EXTENDED LANGUAGE GROUP A
E-UA-M8436-0-0	VT278 CPU MODULE (SHEET 1 ONLY)
K-PL-M8436-0-DBP	VT278 CPU MODULE
D-CS-M8436-0-1	VT278 CPU MODULE
E-UA-M8437-0-0	COMM ADAPTER (SHEET 1 ONLY)
K-PL-M8437-0-DBP	COMM ADAPTER
D-CS-M8437-0-1	COMM ADAPTER
D-UA-5414322-0-0	I/O CONN BOARD (SHEET 1 ONLY)
K-PL-5414322-0-DBP	I/O CONN BOARD
C-DS-5414322-0-1	I/O CONN BOARD
D-UA-7014653-0-0	KEYBOARD ASSY
C-PL-7014653-0-0	KEYBOARD ASSY
D-AD-7015765-0-0	KEYBOARD/KEYCAP ASSY
C-PL-7015765-0-0	KEYBOARD/KEYCAP ASSY
E-UA-5413404-0-0	KEYBOARD (CIRCUIT BOARD ASSY) (SHEET 1 ONLY)
K-PL-5413404-0-DBP	KEYBOARD (CIRCUIT BOARD ASSY)
D-CS-5413404-0-1	KEYBOARD (CIRCUIT BOARD ASSY)
D-UA-5414131-0-0	VT100 MONITOR BOARD (SHEET 1 ONLY)
B-PL-5414131-0-0	VT100 MONITOR BOARD
D-CS-5414131-0-1	VT100 MONITOR BOARD
E-UA-H7836-0-0	POWER SUPPLY ASSY
D-CS-3017205-0-1	POWER SUPPLY SWITCHING
B-PL-3017205-0-1	POWER SUPPLY SWITCHING (PL)

UNIT VARIATIONS COVERED BY THIS PRINT SET	VAR. CON'T.	VAR. CON'T.
VT278-AA	VT278-CH	VT278-JA
VT278-AB	VT278-CJ	VT278-JB
VT278-AC	VT278-CK	VT278-JC
VT278-AD	VT278-CL	VT278-JD
VT278-AE	VT278-CM	VT278-JE
VT278-AF	VT278-CN	VT278-JF
VT278-AH	VT278-EA	VT278-JH
VT278-AJ	VT278-EB	VT278-JJ
VT278-AK	VT278-EC	VT278-JK
VT278-AL	VT278-ED	VT278-JL
VT278-AM	VT278-EE	VT278-JM
VT278-AN	VT278-EF	VT278-JN
VT278-BA	VT278-EH	
VT278-BB	VT278-EJ	
VT278-BC	VT278-EK	
VT278-BD	VT278-EL	
VT278-BE	VT278-EM	
VT278-BF	VT278-EN	
VT278-BH	VT278-GA	
VT278-BJ	VT278-GB	
VT278-BK	VT278-GC	
VT278-BL	VT278-GD	
VT278-BM	VT278-GE	
VT278-BN	VT278-GF	
VT278-CA	VT278-GH	
VT278-CB	VT278-GJ	
VT278-CC	VT278-GK	
VT278-CD	VT278-GL	
VT278-CE	VT278-GM	
VT278-CF	VT278-GN	

VT278-0  
**Field Maintenance Print Set**  
**Digital Equipment Corporation**

PRINT SET ORDER  
 NO. MP009000

REVISIONS	REV. A	CHG. NO. INITIAL	DATE	USED ON OPTION/MODEL	DRN.	DATE	 TITLE: VT278 UNIT ASSY	SIZE B	CODE TC	NUMBER VT278-0-1	REV. A
				M. JOSEPH	6AUG79						
				CHK'D <i>D. Kent</i>	DATE <i>4 MAY 81</i>						
				PROJ. ENG. <i>AL Piz Lucas</i>	DATE <i>4-MAY-81</i>						
				FIELD SERV. <i>Carl Chime</i>	DATE <i>4-MAY-81</i>						

SHEET 1 OF 1

*ML3*

REV. A  
NUMBER VT278-0-1  
SIZE CODE B TC

"THE MATERIAL HEREIN IS FOR INFORMATION PURPOSES ONLY AND IS SUBJECT TO CHANGE WITHOUT NOTICE. DIGITAL EQUIPMENT CORPORATION ASSUMES NO RESPONSIBILITY FOR ANY ERRORS WHICH MAY APPEAR HEREIN."

# DRAWING DIRECTORY

"THIS DRAWING AND SPECIFICATIONS, HEREIN, ARE THE PROPERTY OF DIGITAL EQUIPMENT CORPORATION AND SHALL NOT BE REPRODUCED OR COPIED OR USED IN WHOLE OR IN PART AS THE BASIS FOR THE MANUFACTURE OR SALE OF ITEMS WITHOUT WRITTEN PERMISSION. COPYRIGHT © 1981 DIGITAL EQUIPMENT CORPORATION."

UNIT VARIATIONS	
VAR	TITLE
VT278-AA	16KW,VT278, USA/UK WORD PROC. KEY 120V
VT278-AC	32KW,VT278, USA/UK WORD PROC. KEY 120V
VT278-AE	16KW,VT278-AA (USA-UK) + M8437-AA, 120V
VT278-AH	32KW,VT278-AC (USA/UK) + M8437-AA, 120V
VT278-AK	16KW,VT278-AA (USA/UK) + M8437-BA, 120V
VT278-AM	32KW,VT278-AC (USA/UK) + M8437-BA, 120V
VT278-AB	16KW,VT278 (USA/UK) WORD PROC. KEY. 240V
VT278-AD	32KW,VT278 (USA/UK) WORD PROC. KEY. 240V
VT278-AF	16KW,VT278-AB (USA/UK) + M8437-AA, 240V
VT278-AJ	32KW,VT278-AD (USA/UK) + M8437-AA, 240V
VT278-AL	16KW,VT278-AB (USA/UK) + M8437-BA, 240V
VT278-AN	32KW,VT278-AD (USA/UK) + M8437-BA, 240V
VT278-BA	VT278-AA + VTX78-A
VT278-BC	VT278-AC + VTX78-A
VT278-BE	VT278-BA (VTX78-A) + M8437-AA
VT278-BH	VT278-BC (VTX78-A) + M8437-AA
VT278-BK	VT278-BA (VTX78-A) + M8437-BA
VT278-BM	VT278-BC (VTX78-A) + M8437-BA
VT278-BB	VT278-AB + VTX78-A
VT278-BD	VT278-AD + VTX78-A
VT278-BF	VT278-BB (VTX78-A) + M8437-AA
VT278-BJ	VT278-BD (VTX78-A) + M8437-AA
VT278-BL	VT278-BB (VTX78-A) + M8437-BA
VT278-BN	VT278-BD (VTX78-A) + M8437-BA
VT278-CA	16KW,VT278, FRENCH CAN. W.PROC. KEY.120V
VT278-CC	32KW,VT278, FRENCH CAN. W.PROC. KEY.120V
VT278-CE	16KW,VT278-CA (FR.CAN.)+ M8437-AA, 120V
VT278-CH	32KW,VT278-CC (FR.CAN.)+ M8437-AA, 120V
VT278-CK	16KW,VT278-CA (FR.CAN.)+ M8437-BA, 120V

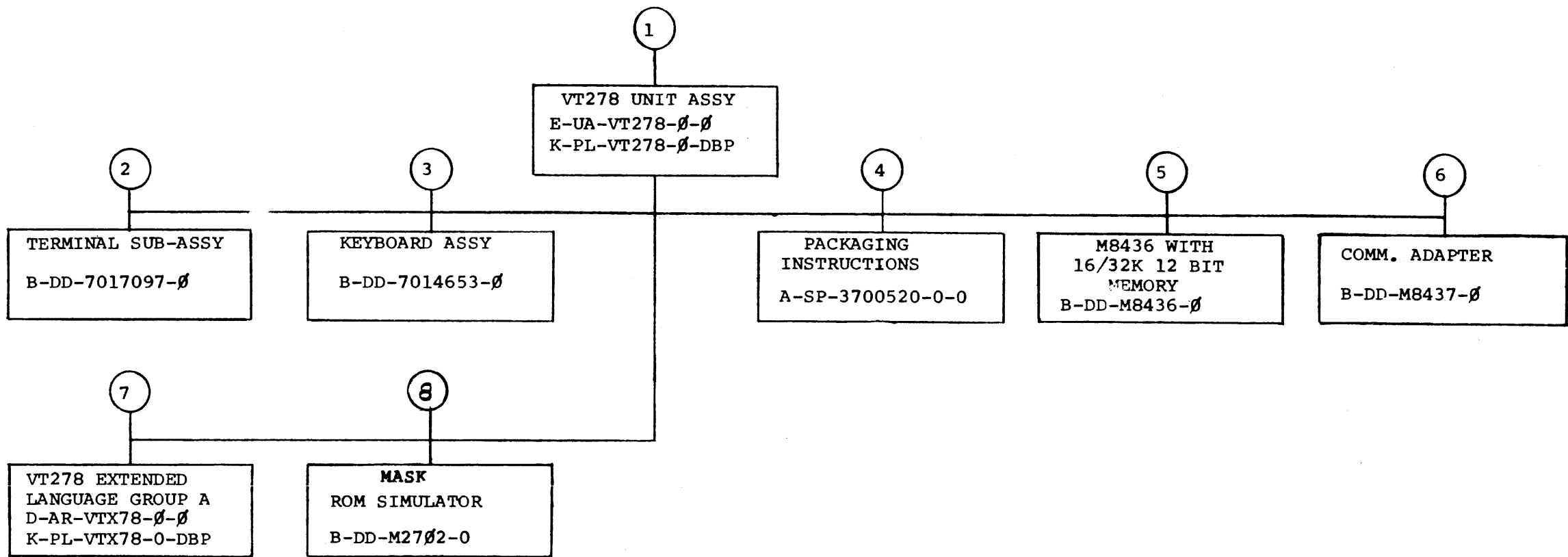
UNIT VARIATIONS	
VAR	TITLE
VT278-CM	32KW,VT278-CC (FR. CAN.) +M8437-BA,120V
VT278-CB	16KW,VT278 (FR.CAN.) W. PROC. KEY., 240V
VT278-CD	32KW,VT278 (FR.CAN.) W. PROC. KEY., 240V
VT278-CF	16KW,VT278-CB (FR.CAN.)+ M8437-AA 240V
VT278-CJ	32KW,VT278-CD (FR.CAN.)+ M8437-AA 240V
VT278-CL	16KW,VT278-CB (FR.CAN.)+ M8437-BA 240V
VT278-CN	32KW,VT278-CD (FR.CAN.)+ M8437-BA 240V
VT278-EA	16KW,VT278 FRENCH WORD PROC. KEY. 120V
VT278-EC	32KW,VT278 FRENCH WORD PROC. KEY. 120V
VT278-EE	16KW,VT278-EA (FRENCH)+ M8437-AA 120V
VT278-EH	32KW,VT278-EC (FRENCH)+ M8437-AA 120V
VT278-EK	16KW,VT278-EA (FRENCH)+ M8437-BA 120V
VT278-EM	32KW,VT278-EC (FRENCH)+ M8437-BA 120V
VT278-EB	16KW,VT278 FRENCH WORD PROC. KEY. 240V
VT278-ED	32KW,VT278 FRENCH WORD PROC. KEY. 240V
VT278-EF	16KW,VT278-EB (FRENCH) M8437-AA, 240V
VT278-EJ	32KW,VT278-ED (FRENCH) M8437-AA, 240V
VT278-EL	16KW,VT278-EB (FRENCH) M8437-BA, 240V
VT278-EN	32KW,VT278-ED (FRENCH) M8437-BA, 240V
VT278-GA	16KW,VT278 DUTCH WORD PROC. KEY. 120V
VT278-GC	32KW,VT278 DUTCH WORD PROC. KEY. 120V
VT278-GE	16KW, VT278-GA (DUTCH) + M8437-AA 120V
VT278-GH	32KW, VT278-GC (DUTCH) + M8437-AA 120V
VT278-GK	16KW,VT278-GA (DUTCH) + M8437-AA 120V
VT278-GM	32KW, VT278-GC (DUTCH) + M8437-BA 120V
VT278-GB	16KW,VT278 DUTCH WORD PROC. KEY. 240V
VT278-GD	32KW,VT278 DUTCH WORD PROC. KEY. 240V
VT278-GP	16KW,VT278-GB (DUTCH)+ M8437-AA 240V
VT278-GJ	32KW,VT278-GD (DUTCH)+ M8437-AA 240V
VT278-GL	16KW,VT278-GB (DUTCH)+ M8437-BA 240V

UNIT VARIATIONS	
VAR	TITLE
VT278-GN	32KW,VT278,GD (DUTCH)+ M8437-BA, 240V
VT278-JA	16KW,VT278 GERMAN WORD PROC. KEY. 120V
VT278-JC	32KW,VT278 GERMAN WORD PROC. KEY. 120V
VT278-JE	16KW,VT278-JA (GERMAN)+ M8437-AA, 120V
VT278-JH	32KW,VT278-JC (GERMAN)+ M8437-AA, 120V
VT278-JK	16KW,VT278-JA (GERMAN)+ M8437-BA, 120V
VT278-JM	32KW,VT278-JC (GERMAN)+ M8437-BA, 120V
VT278-JB	16KW,VT278 GERMAN WORD PROC. KEY. 240V
VT278-JD	32KW,VT278 GERMAN WORD PROC. KEY. 240V
VT278-JF	16KW,VT278-JB (GERMAN)+ M8437-AA, 240V
VT278-JJ	32KW,VT278-JD (GERMAN)+ M8437-AA, 240V
VT278-JL	16KW,VT278-JB (GERMAN)+ M8437-BA, 240V
VT278-JN	32KW,VT278-JD (GERMAN)+ M8327-BA, 240V

REVISIONS	REV.	A	USED ON OPTION/MODEL	DRN.	M. JOSEPH	DATE	6AUG79	TITLE	<div style="border: 1px solid black; padding: 2px; display: inline-block;">digital</div> VT278 UNIT ASSY			
	CHANGE NO.			CHK'D.	<i>J. Deary</i>	DATE	7/21/81					
	INITIAL			PROJ. ENG.	<i>al Decker</i>	DATE	5/4/81					
	CHK			PROD.	<i>Paul Kuhar</i>	DATE	5/4/81					
SHEET 1 OF 3				SIZE	B	CODE	DD	NUMBER	VT278-Ø		REV	A
				DIST.								

DRB 106A

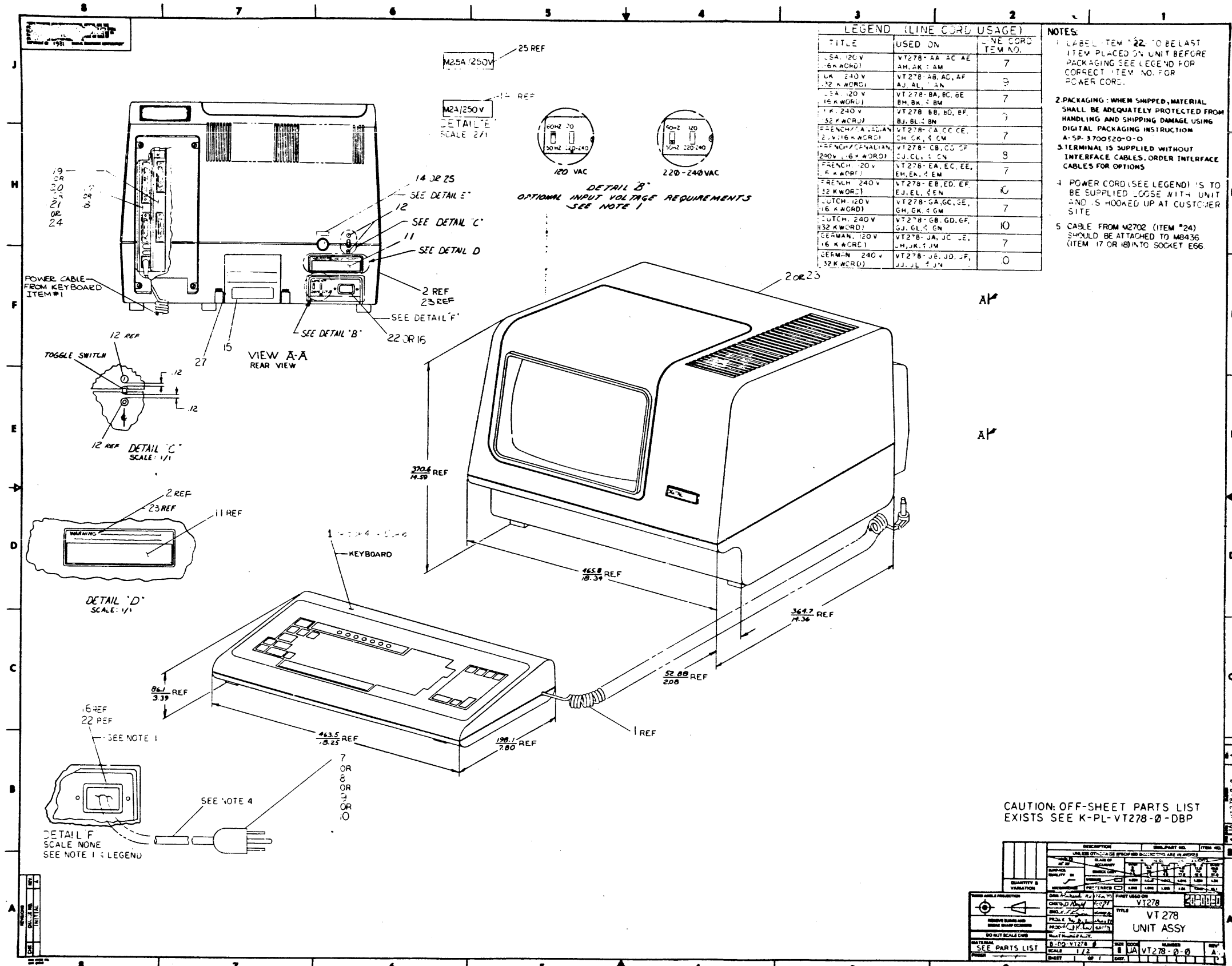
ML3



TITLE	SHEET	SIZE	CODE	NUMBER	REV
VT278 UNIT ASSY	2 OF 3	B	DD	VT278-Ø	A

ML3





ITEM NO.	DESCRIPTION	QUANTITY	UNIT	REVISION
1	VT278 UNIT ASSY	1	EA	1

TITLE: VT278 UNIT ASSY  
 SCALE: 1/2  
 SHEET: 1 OF 1

LINE	ITEM	DOCUMENT NUMBER	PART NUMBER	DESCRIPTION	QUANTITY PER VARIATION												
					AA	AC	AE	AH	AK	AM	AS	AD	AF	AJ	AL	AN	
1	1	D-UA-7014653-0-0	7014653-13	KEYBD. KEYCAP ASSY. WORD PROCESS	1	1	1	1	1	1	1	1	1	1	1	1	1
2	2	E-AD-7017097-0-0	7017097-00	TERMINAL SUB ASSY VT278	1	1	-	-	-	-	-	1	1	-	-	-	-
3	3	D-UA-7014653-0-0	7014653-14	*** THIS ITEM IS NOT USED ***	-	-	-	-	-	-	-	-	-	-	-	-	-
4	4	D-UA-7014653-0-0	7014653-15	*** THIS ITEM IS NOT USED ***	-	-	-	-	-	-	-	-	-	-	-	-	-
5	5	D-UA-7014653-0-0	7014653-16	*** THIS ITEM IS NOT USED ***	-	-	-	-	-	-	-	-	-	-	-	-	-
6	6	D-UA-7014653-0-0	7014653-17	*** THIS ITEM IS NOT USED ***	-	-	-	-	-	-	-	-	-	-	-	-	-
7	7		1700083-09	PWR CORD TERM. 75IN, 18-3, 125V 10	1	1	1	1	1	1	-	-	-	-	-	-	-
8	8		1700083-10	*** THIS ITEM IS NOT USED ***	-	-	-	-	-	-	-	-	-	-	-	-	-
9	9		1700209-00	PWR CORD TERM 2.5M, 75MM-3 *	-	-	-	-	-	-	1	1	1	1	1	1	1
10	10		1700199-00	*** THIS ITEM IS NOT USED ***	-	-	-	-	-	-	-	-	-	-	-	-	-
11	11		3617674-01	LABEL, SERIAL & POWER W/UL & CSA	1	1	1	1	1	1	1	1	1	1	1	1	1
12	12		3615680-00	LABEL, ADHESIVE BACK, SWITCH POSIT	1	1	1	1	1	1	1	1	1	1	1	1	1
13	13	A-SP-3700520-0-0	3700520-01	PKG, VIDEO TERMINAL	1	1	1	1	1	1	1	1	1	1	1	1	1
14	14		3618035-01	LABEL, FUSE RATING	1	1	-	-	-	-	1	1	-	-	-	-	-
15	15		3617880-02	LABEL, FCC CLASS A PROCESSOR	1	1	1	1	1	1	-	-	-	-	-	-	-
16	16		3617905-02	LABEL, WARNING 220-240V50HZ	-	-	-	-	-	-	1	1	1	1	1	1	1
17	17	E-UA-M8436-0-0	M8436-AA	M8436 W 16K 12BIT MEMORY	1	-	1	-	1	-	1	-	1	-	1	-	-
18	18	E-UA-M8436-0-0	M8436-BA	M8436 W 32K 12BIT MEMORY	-	1	-	1	-	1	-	1	-	1	-	1	-
19	19	E-UA-M8437-0-0	M8437-AA	M8437 W ROM SET "A" (23-629F1, 23	-	-	1	1	-	-	-	-	1	1	-	-	-
20	20	E-UA-M8437-0-0	M8437-BA	M8437-AA W BIT SYNC PROTOCOLS (2	-	-	-	-	1	1	-	-	-	-	1	1	-
21	21	K-PL-VTX78-0-DBP	VTX78-A	*** THIS ITEM IS NOT USED ***	-	-	-	-	-	-	-	-	-	-	-	-	-
22	22		3617905-01	LABEL, WARNING 120 V60HZ	1	1	1	1	1	1	-	-	-	-	-	-	-
23	23		7017097-01	TERMINAL SUB ASSY VT278	-	-	1	1	1	1	-	-	1	1	1	1	1
24	24		M2702-00	SIMULATES 3 1K X 12 MASKED ROMS,	1	1	1	1	1	1	1	1	1	1	1	1	1
25	25		3618791-01	LABEL, FUSE RATING, M2.5A 250V	-	-	1	1	1	1	-	-	1	1	1	1	1
26	26		3618307-05	ASSY, 04, 01	1	1	1	1	1	1	1	1	1	1	1	1	1
27	27		3617544-00	LABEL, X-RAY RADIATION	1	1	1	1	1	1	1	1	1	1	1	1	1

REVISION HISTORY		BASIC PART NO: VT278		DRN: M. JOSEPH		DATE: 18-JAN-80		D I G I T A L			
ENG!	ECO NUMBER	REV	SECTION A OF F	CHK'D: DENNIS HEALY		DATE: 5-MAY-81		TITLE PARTS LIST			
---	INITIAL	A	SECTION. VARIATION INDEX	DES.ENG.: ROY KIZINA		DATE: 5-MAY-81		VT278 UNIT ASSY			
			(A) AA, AC, AE, AH, AK, AM, AB, AD, AF, AJ, AL, AN	RESP.ENG.: AL DELUCA		DATE: 5-MAY-81		DOCUMENT NUMBER			
			(B) BA, BC, BE, BH, BK, BM, BB, BD, BF, BJ, BL, BN	MFG.ENG.: PAUL KUJAR		DATE: 5-MAY-81		SIZE CODE NUMBER REV			
			(C) CA, CC, CE, CH, CK, CM, CB, CD, CF, CJ, CL, CN	ASSEMBLY NUMBER: E-UA-VT278-0-0		TOP DOCUMENT NUMBER: #B-DD-VT278-0		FILE NAME: Z0818A.PLS			
			(D) EA, EC, EE, EH, EK, EM, EB, ED, EF, EJ, EL, EN					EDIT # 44			
			(E) GA, GC, GE, GH, GK, GM, GB, GD, GF, GJ, GL, GN								
			(F) JA, JC, JE, JH, JK, JM, JB, JD, JF, JJ, JL, JN								

"THIS DRAWING AND SPECIFICATIONS HEREIN, ARE THE PROPERTY OF DIGITAL EQUIPMENT CORPORATION AND SHALL NOT BE REPRODUCED OR COPIED OR USED IN WHOLE OR IN PART AS THE BASIS FOR THE MANUFACTURE OR SALE OF ITEMS WITHOUT WRITTEN PERMISSION. COPYRIGHT (C) 1981. DIGITAL EQUIPMENT CORPORATION"

LINE ITEM DOCUMENT NUMBER

PART NUMBER

DESCRIPTION

QUANTITY PER VARIATION

AA AC AE AH AK AM AB AD AF AJ AL AN

28 NOTE: ITEM #23 CAN BE SUBSTITUTED FOR ITEM #2 (7017097-00)

D	I	G	I	T	A	L	TITLE	VT278 UNIT ASSY	SECTION A OF F	SIZE	CODE	DOCUMENT NUMBER	REV
										K	PL	VT278-G-DBP	A

LINE	ITEM	DOCUMENT NUMBER	PART NUMBER	DESCRIPTION	QUANTITY PER VARIATION												
					BA	BC	BE	BH	BK	BM	BB	BD	BF	BJ	BL	BN	
1	1	D-UA-7014653-0-0	7014653-13	KEYBD. KEYCAP ASSY. WORD PROCESS	1	1	1	1	1	1	1	1	1	1	1	1	1
2	2	E-AD-7017097-0-0	7017097-00	TERMINAL SUB ASSY VT278	1	1	-	-	-	-	-	1	1	-	-	-	-
3	3	D-UA-7014653-0-0	7014653-14	*** THIS ITEM IS NOT USED ***	-	-	-	-	-	-	-	-	-	-	-	-	-
4	4	D-UA-7014653-0-0	7014653-15	*** THIS ITEM IS NOT USED ***	-	-	-	-	-	-	-	-	-	-	-	-	-
5	5	D-UA-7014653-0-0	7014653-16	*** THIS ITEM IS NOT USED ***	-	-	-	-	-	-	-	-	-	-	-	-	-
6	6	D-UA-7014653-0-0	7014653-17	*** THIS ITEM IS NOT USED ***	-	-	-	-	-	-	-	-	-	-	-	-	-
7	7		1700083-09	PWR CORD,TERM. 75IN,18-3,125V 10	1	1	1	1	1	1	-	-	-	-	-	-	-
8	8		1700083-10	*** THIS ITEM IS NOT USED ***	-	-	-	-	-	-	-	-	-	-	-	-	-
9	9		1700209-00	PWR CORD,TERM 2.5M,.75MM-3 *	-	-	-	-	-	-	1	1	1	1	1	1	1
10	10		1700199-00	*** THIS ITEM IS NOT USED ***	-	-	-	-	-	-	-	-	-	-	-	-	-
11	11		3617674-01	LABEL,SERIAL & POWER W/UL & CSA	1	1	1	1	1	1	1	1	1	1	1	1	1
12	12		3615680-00	LABEL,ADHESIVE BACK,SWITCH POSIT	1	1	1	1	1	1	1	1	1	1	1	1	1
13	13	A-SP-3700520-0-0	3700520-01	PKG, VIDEO TERMINAL	1	1	1	1	1	1	1	1	1	1	1	1	1
14	14		3618035-01	LABEL,FUSE RATING	1	1	1	1	1	1	1	1	1	1	1	1	1
15	15		3617880-02	LABEL,FCC CLASS A PROCESSOR	1	1	1	1	1	1	-	-	-	-	-	-	-
16	16		3617905-02	LABEL,WARNING 220-240V50HZ	-	-	-	-	-	-	1	1	1	1	1	1	1
17	17	E-UA-M8436-0-0	M8436-AA	M8436 W 16K 12BIT MEMORY	1	-	1	-	1	-	1	-	1	-	1	-	1
18	18	E-UA-M8436-0-0	M8436-BA	M8436 W 32K 12BIT MEMORY	-	1	-	1	-	1	-	1	-	1	-	1	-
19	19	E-UA-M8437-0-0	M8437-AA	M8437 W ROM SET "A" (23-629F1,23	-	-	1	1	-	-	-	-	1	1	-	-	-
20	20	E-UA-M8437-0-0	M8437-BA	M8437-AA W BIT SYNC PROTOCOLS (2	-	-	-	-	1	1	-	-	-	-	1	1	-
21	21	K-PL-VTX78-0-DBP	VTX78-A	EXTENDED LANGUAGE GROUP A (FR/C,	1	1	1	1	1	1	1	1	1	1	1	1	1
22	22		3617905-01	LABEL,WARNING 120 V60HZ	1	1	1	1	1	1	-	-	-	-	-	-	-
23	23		7017097-01	TERMINAL SUB ASSY VT278	-	-	1	1	1	1	-	-	1	1	1	1	1
24	24		M2702-00	SIMULATES 3 1K X 12 MASKED ROMS,	1	1	1	1	1	1	1	1	1	1	1	1	1
25	25		3618791-01	LABEL,FUSE RATING,M2.5A 250V	-	-	1	1	1	1	-	-	1	1	1	1	1
26	26		3618307-05	ASSY,04,01	1	1	1	1	1	1	1	1	1	1	1	1	1
27	27		3617544-00	LABEL,X-RAY RADIATION	1	1	1	1	1	1	1	1	1	1	1	1	1

REVISION HISTORY		BASIC PART NO: VT278		DRN: M. JOSEPH		DATE: 18-JAN-80		D I G I T A L			
ENG	ECO NUMBER	REV	SECTION B OF F	CHK'D: DENNIS HEALY		DATE: 5-MAY-81		TITLE PARTS LIST			
---	INITIAL	A	SECTION. VARIATION INDEX	DES.ENG.: ROY KIZINA		DATE: 5-MAY-81		DOCUMENT NUMBER			
			(A) AA,AC,AE,AH,AK,AM, AB,AD,AF,AJ,AL,AN	RESP.ENG.: AL DELUCA		DATE: 5-MAY-81		SIZE CODE NUMBER REV			
			(B) BA,BC,BE,BH,BK,BM, BB,BD,BF,BJ,BL,BN	MFG.ENG.: PAUL KUJAR		DATE: 5-MAY-81		K PL VT278-0-DBP A			
			(C) CA,CC,CE,CH,CK,CM, CB,CD,CF,CJ,CL,CN	ASSEMBLY NUMBER:		TOP DOCUMENT NUMBER:		FILE NAME: EDIT #			
			(D) EA,EC,EE,EH,EK,EM, EB,ED,EF,EJ,EL,EN	E-UA-VT278-0-0		#B-DD-VT278-0		Z0818A.PLS 44			
			(E) GA,GC,GE,GH,GK,GM, GB,GD,GF,GJ,GL,GN								
			(F) JA,JC,JE,JH,JK,JM, JB,JD,JF,JJ,JL,JN								

"THIS DRAWING AND SPECIFICATIONS HEREIN, ARE THE PROPERTY OF DIGITAL EQUIPMENT CORPORATION AND SHALL NOT BE REPRODUCED OR COPIED OR USED IN WHOLE OR IN PART AS THE BASIS FOR THE MANUFACTURE OR SALE OF ITEMS WITHOUT WRITTEN PERMISSION. COPYRIGHT (C) 1981. DIGITAL EQUIPMENT CORPORATION"



LINE ITEM DOCUMENT NUMBER PART NUMBER DESCRIPTION

QUANTITY PER VARIATION  
BA BC BE BH BK BM BB BD BF BJ BL BN

28 NOTE: ITEM #23 CAN BE SUBSTITUTED FOR ITEM #2 (7017097-00)

D	I	G	I	T	A	L	TITLE	VT278 UNIT ASSY	SECTION B OF F	SIZE	CODE	DOCUMENT NUMBER	REV
										K	FL	VT278-0-DBP	A

LINE	ITEM	DOCUMENT NUMBER	PART NUMBER	DESCRIPTION	QUANTITY PER VARIATION													
					CA	CC	CE	CH	CK	CM	CB	CD	CF	CJ	CL	CN		
1	1	D-UA-7014653-0-0	7014653-13	*** THIS ITEM IS NOT USED ***	-	-	-	-	-	-	-	-	-	-	-	-	-	-
2	2	E-AD-7017097-0-0	7017097-00	TERMINAL SUB ASSY VT278	1	1	-	-	-	-	1	1	-	-	-	-	-	
3	3	D-UA-7014653-0-0	7014653-14	KEYBD. KEYCAP ASSY. FR. CANADIAN	1	1	1	1	1	1	1	1	1	1	1	1	1	
4	4	D-UA-7014653-0-0	7014653-15	*** THIS ITEM IS NOT USED ***	-	-	-	-	-	-	-	-	-	-	-	-	-	
5	5	D-UA-7014653-0-0	7014653-16	*** THIS ITEM IS NOT USED ***	-	-	-	-	-	-	-	-	-	-	-	-	-	
6	6	D-UA-7014653-0-0	7014653-17	*** THIS ITEM IS NOT USED ***	-	-	-	-	-	-	-	-	-	-	-	-	-	
7	7		1700383-09	PWR CORD,TERM. 75IN,18-3,125V 10	1	1	1	1	1	1	-	-	-	-	-	-		
8	8		1700083-10	PWR CORD,TERM. 75IN,18-3,250V 6	-	-	-	-	-	-	1	1	1	1	1	1		
9	9		1700209-00	*** THIS ITEM IS NOT USED ***	-	-	-	-	-	-	-	-	-	-	-	-		
10	10		1700199-00	*** THIS ITEM IS NOT USED ***	-	-	-	-	-	-	-	-	-	-	-	-		
11	11		3617674-01	LABEL,SERIAL & POWER W/UL & CSA	1	1	1	1	1	1	1	1	1	1	1	1		
12	12		3615680-00	LABEL,ADHESIVE BACK,SWITCH POSIT	1	1	1	1	1	1	1	1	1	1	1	1		
13	13	A-SP-3700520-0-0	3700520-01	PKG, VIDEO TERMINAL	1	1	1	1	1	1	1	1	1	1	1	1		
14	14		3618035-01	LABEL,FUSE RATING	1	1	1	1	1	1	1	1	1	1	1	1		
15	15		3617880-02	LABEL,FCC CLASS A PROCESSOR	1	1	1	1	1	1	-	-	-	-	-	-		
16	16		3617905-02	LABEL,WARNING 220-240V50HZ	-	-	-	-	-	-	1	1	1	1	1	1		
17	17	E-UA-M8436-0-0	M8436-AA	M8436 W 16K 12BIT MEMORY	1	-	1	-	1	-	1	-	1	-	1	-		
18	18	E-UA-M8436-0-0	M8436-BA	M8436 W 32K 12BIT MEMORY	-	1	-	1	-	1	-	1	-	1	-	1		
19	19	E-UA-M8437-0-0	M8437-AA	M8437 W ROM SET "A" (23-629F1,23	-	-	1	1	-	-	-	-	1	1	-	-		
20	20	E-UA-M8437-0-0	M8437-BA	M8437-AA W BIT SYNC PROTOCOLS (2	-	-	-	-	1	1	-	-	-	-	1	1		
21	21	K-PL-VTX78-0-DBP	VTX78-A	EXTENDED LANGUAGE GROUP A (FR/C,	1	1	1	1	1	1	1	1	1	1	1	1		
22	22		3617905-01	LABEL,WARNING 120 V60HZ	1	1	1	1	1	1	-	-	-	-	-	-		
23	23		7017097-01	TERMINAL SUB ASSY VT278	-	-	1	1	1	1	-	-	1	1	1	1		
24	24		M2702-00	SIMULATES 3 1K X 12 MASKED ROMS,	1	1	1	1	1	1	1	1	1	1	1	1		
25	25		3618791-01	LABEL,FUSE RATING,M2.5A 250V	-	-	1	1	1	1	-	-	1	1	1	1		
26	26		3618307-05	ASSY,04,01	1	1	1	1	1	1	1	1	1	1	1	1		
27	27		3617544-00	LABEL,X-RAY RADIATION	1	1	1	1	1	1	1	1	1	1	1	1		

REVISION HISTORY		BASIC PART NO: VT278		DRN: M. JOSEPH		DATE: 18-JAN-80		D I G I T A L			
ENG:	ECO NUMBER	REV	SECTION C OF F	CHK'D: DENNIS HEALY		DATE: 5-MAY-81		TITLE PARTS LIST			
---	INITIAL	A	SECTION. VARIATION INDEX:	DES.ENG.: ROY KIZINA		DATE: 5-MAY-81		DOCUMENT NUMBER			
			[A] AA,AC,AE,AH,AK,AM, AB,AD,AF,AJ,AL,AN	RESP.ENG.: AL DELUCA		DATE: 5-MAY-81		SIZE CODE NUMBER REV			
			[B] BA,BC,BE,BH,BK,BM, BB,BD,BF,BJ,BL,BN	MFG.ENG.: PAUL KUHAR		DATE: 5-MAY-81		K PL VT278-0-DBP A			
			[C] CA,CC,CE,CH,CK,CM, CB,CD,CF,CJ,CL,CN	ASSEMBLY NUMBER:		TOP DOCUMENT NUMBER:		FILE NAME: EDIT #			
			[D] EA,EC,EE,EH,EK,EM, EB,ED,EF,EJ,EL,EN	E-UA-VT278-0-0		#B-DD-VT278-0		Z0818A.PLS 44			
			[E] GA,GC,GE,GH,GK,GM, GB,GD,GF,GJ,GL,GN								
			[F] JA,JC,JE,JH,JK,JM, JB,JD,JF,JJ,JL,JN								

"THIS DRAWING AND SPECIFICATIONS HEREIN, ARE THE PROPERTY OF DIGITAL EQUIPMENT CORPORATION AND SHALL NOT BE REPRODUCED OR COPIED OR USED IN WHOLE OR IN PART AS THE BASIS FOR THE MANUFACTURE OR SALE OF ITEMS WITHOUT WRITTEN PERMISSION. COPYRIGHT (C) 1981. DIGITAL EQUIPMENT CORPORATION"

LINE ITEM DOCUMENT NUMBER

PART NUMBER

DESCRIPTION

QUANTITY PER VARIATION  
CA CC CE CH CK CM

CB CD CF CJ CL CN

28 NOTE: ITEM #23 CAN BE SUBSTITUTED FOR ITEM #2 (7017097-00)

D	I	G	I	T	A	L	TITLE	VT278 UNIT ASSY	SECTION C OF F	SIZE	CODE	DOCUMENT NUMBER	REV
										K	PL	VT278-0-DBP	A

AUTOMATED BY PRTLST.3L(40)

PARTS LIST

SHEET 01 OF 02

LINE	ITEM	DOCUMENT NUMBER	PART NUMBER	DESCRIPTION	QUANTITY PER VARIATION												
					EA	EC	EE	EH	EK	EM	EB	ED	EF	EJ	EL	EN	
1	1	D-UA-7014653-0-0	7014653-13	*** THIS ITEM IS NOT USED ***	-	-	-	-	-	-	-	-	-	-	-	-	-
2	2	E-AD-7017097-0-0	7017097-00	TERMINAL SUB ASSY VT278	1	1	-	-	-	-	-	1	1	-	-	-	-
3	3	D-UA-7014653-0-0	7014653-14	*** THIS ITEM IS NOT USED ***	-	-	-	-	-	-	-	-	-	-	-	-	-
4	4	D-UA-7014653-0-0	7014653-15	KEYBD. KEYCAP ASSY. FRENCH	1	1	1	1	1	1	1	1	1	1	1	1	1
5	5	D-UA-7014653-0-0	7014653-16	*** THIS ITEM IS NOT USED ***	-	-	-	-	-	-	-	-	-	-	-	-	-
6	6	D-UA-7014653-0-0	7014653-17	*** THIS ITEM IS NOT USED ***	-	-	-	-	-	-	-	-	-	-	-	-	-
7	7		1700083-09	PWR CORD, TERM. 75IN, 18-3, 125V 10	1	1	1	1	1	1	-	-	-	-	-	-	-
8	8		1700083-10	*** THIS ITEM IS NOT USED ***	-	-	-	-	-	-	-	-	-	-	-	-	-
9	9		1700209-00	*** THIS ITEM IS NOT USED ***	-	-	-	-	-	-	-	-	-	-	-	-	-
10	10		1700199-00	PWR CORD, TERM. 2 M, 18-3, 250V* 6	-	-	-	-	-	-	1	1	1	1	1	1	1
11	11		3617674-01	LABEL, SERIAL & POWER W/UL & CSA	1	1	1	1	1	1	1	1	1	1	1	1	1
12	12		3615680-00	LABEL, ADHESIVE BACK, SWITCH POSIT	1	1	1	1	1	1	1	1	1	1	1	1	1
13	13	A-SF-3700520-0-0	3700520-01	PKG, VIDEO TERMINAL	1	1	1	1	1	1	1	1	1	1	1	1	1
14	14		3618035-01	LABEL, FUSE RATING	1	1	1	1	1	1	1	1	1	1	1	1	1
15	15		3617880-02	LABEL, FCC CLASS A PROCESSOR	1	1	1	1	1	1	-	-	-	-	-	-	-
16	16		3617905-02	LABEL, WARNING 220-240V50HZ	-	-	-	-	-	-	1	1	1	1	1	1	1
17	17	E-UA-M8436-0-0	M8436-AA	M8436 W 16K 12BIT MEMORY	1	-	1	-	1	-	1	-	1	-	1	-	1
18	18	E-UA-M8436-0-0	M8436-BA	M8436 W 32K 12BIT MEMORY	-	1	-	1	-	1	-	1	-	1	-	1	-
19	19	E-UA-M8437-0-0	M8437-AA	M8437 W ROM SET "A" (23-629F1, 23	-	-	1	1	-	-	-	-	1	1	-	-	-
20	20	E-UA-M8437-0-0	M8437-BA	M8437-AA W BIT SYNC PROTOCOLS (2	-	-	-	-	1	1	-	-	-	-	1	1	-
21	21	K-PL-VTX78-0-DBP	VTX78-A	EXTENDED LANGUAGE GROUP A (FR/C,	1	1	1	1	1	1	1	1	1	1	1	1	1
22	22		3617905-01	LABEL, WARNING 120 V60HZ	1	1	1	1	1	1	-	-	-	-	-	-	-
23	23		7017097-01	TERMINAL SUB ASSY VT278	-	-	1	1	1	1	-	-	1	1	1	1	1
24	24		M2702-00	SIMULATES 3 1K X 12 MASKED ROMS,	1	1	1	1	1	1	1	1	1	1	1	1	1
25	25		3618791-01	LABEL, FUSE RATING, M2.5A 250V	-	-	1	1	1	1	-	-	1	1	1	1	1
26	26		3618307-05	ASSY, 04, 01	1	1	1	1	1	1	1	1	1	1	1	1	1
27	27		3617544-00	LABEL, X-RAY RADIATION	1	1	1	1	1	1	1	1	1	1	1	1	1

REVISION HISTORY		BASIC PART NO: VT278		DRN: M. JOSEPH		DATE: 18-JAN-80		D I G I T A L			
ENG!	ECO NUMBER	REV	SECTION D OF F	CHK'D:	DENNIS HEALY	DATE:	5-MAY-81	TITLE PARTS LIST			
---	INITIAL	A	SECTION. VARIATION INDEX:					VT278 UNIT ASSY			
			(A) AA, AC, AE, AH, AK, AM, AB, AD, AF, AJ, AL, AN								
			(B) BA, BC, BE, BH, BK, BM, BB, BD, BF, BJ, BL, BN	DES. ENG.: ROY KIZINA		DATE: 5-MAY-81					
			(C) CA, CC, CE, CH, CK, CM, CB, CD, CF, CJ, CL, CN	RESP. ENG.: AL DELUCA		DATE: 5-MAY-81		DOCUMENT NUMBER			
			(D) EA, EC, EE, EH, EK, EM, EB, ED, EF, EJ, EL, EN					SIZE! CODE! NUMBER! REV			
			(E) GA, GC, GE, GH, GK, GM, GB, GD, GF, GJ, GL, GN	MFG. ENG.: PAUL KUCHAR		DATE: 5-MAY-81		K	PL	VT278-0-DBP	A
			(F) JA, JC, JE, JH, JK, JM, JB, JD, JF, JJ, JL, JN	ASSEMBLY NUMBER: E-UA-VT278-0-0		TOP DOCUMENT NUMBER: #B-DD-VT278-0		FILE NAME: Z0818A.PLS		EDIT # 44	
<p>"THIS DRAWING AND SPECIFICATIONS HEREIN, ARE THE PROPERTY OF DIGITAL EQUIPMENT CORPORATION AND SHALL NOT BE REPRODUCED OR COPIED OR USED IN WHOLE OR IN PART AS THE BASIS FOR THE MANUFACTURE OR SALE OF ITEMS WITHOUT WRITTEN PERMISSION. COPYRIGHT (C) 1981. DIGITAL EQUIPMENT CORPORATION"</p>											

AUTOMATED BY PRTLST.SL(40)

PARTS LIST

SHEET 02 OF 02

LINE ITEM DOCUMENT NUMBER PART NUMBER DESCRIPTION QUANTITY PER VARIATION  
EA EC EE EH EK EM EB ED EF EJ EL EN

23 NOTE: ITEM #23 CAN BE SUBSTITUTED FOR ITEM #2 (7017097-00)

D	I	G	I	T	A	L	TITLE	VT278 UNIT ASSY	SECTION D OF F	SIZE	CODE	DOCUMENT NUMBER	REV
										K	PL	VT278-0-DBP	A

AUTOMATED BY PRTLST.3L(40)

PARTS LIST

SHEET E1 OF E2

LINE	ITEM	DOCUMENT NUMBER	PART NUMBER	DESCRIPTION	QUANTITY PER VARIATION																			
					GA	GC	GE	GH	GK	GM	GB	GD	GF	GJ	GL	GN								
1		D-UA-7014653-0-0	7014653-13	*** THIS ITEM IS NOT USED ***	-	-	-	-	-	-	-	-	-	-	-	-	-	-	-	-	-	-	-	-
2		E-AD-7017097-0-0	7017097-00	TERMINAL SUB ASSY VT278	1	1	-	-	-	-	-	1	1	-	-	-	-	-	-	-	-	-	-	-
3		D-UA-7014653-0-0	7014653-14	*** THIS ITEM IS NOT USED ***	-	-	-	-	-	-	-	-	-	-	-	-	-	-	-	-	-	-	-	-
4		D-UA-7014653-0-0	7014653-15	*** THIS ITEM IS NOT USED ***	-	-	-	-	-	-	-	-	-	-	-	-	-	-	-	-	-	-	-	-
5		D-UA-7014653-0-0	7014653-16	KEYBD. KEYCAP ASSY. DUTCH	1	1	1	1	1	1	1	1	1	1	1	1	1	1	1	1	1	1	1	1
6		D-UA-7014653-0-0	7014653-17	*** THIS ITEM IS NOT USED ***	-	-	-	-	-	-	-	-	-	-	-	-	-	-	-	-	-	-	-	-
7			1700083-09	PWR CORD,TERM. 75IN,18-3,125V 10	1	1	1	1	1	1	-	-	-	-	-	-	-	-	-	-	-	-	-	-
8			1700083-10	*** THIS ITEM IS NOT USED ***	-	-	-	-	-	-	-	-	-	-	-	-	-	-	-	-	-	-	-	-
9			1700209-00	*** THIS ITEM IS NOT USED ***	-	-	-	-	-	-	-	-	-	-	-	-	-	-	-	-	-	-	-	-
10			1700199-00	PWR CORD,TERM.2 M,18-3,250V* 6	-	-	-	-	-	-	-	1	1	1	1	1	1	1	1	1	1	1	1	1
11			3617674-01	LABEL,SERIAL & POWER W/UL & CSA	1	1	1	1	1	1	1	1	1	1	1	1	1	1	1	1	1	1	1	1
12			3615680-00	LABEL,ADHESIVE BACK,SWITCH POSIT	1	1	1	1	1	1	1	1	1	1	1	1	1	1	1	1	1	1	1	1
13		A-SP-3700520-0-0	3700520-01	PKG, VIDEO TERMINAL	1	1	1	1	1	1	1	1	1	1	1	1	1	1	1	1	1	1	1	1
14			3618035-01	LABEL,FUSE RATING	1	1	1	1	1	1	1	1	1	1	1	1	1	1	1	1	1	1	1	1
15			3617880-02	LABEL,FCC CLASS A PROCESSOR	1	1	1	1	1	1	1	1	1	1	1	1	1	1	1	1	1	1	1	1
16			3617905-02	LABEL,WARNING 220-240V50HZ	-	-	-	-	-	-	-	1	1	1	1	1	1	1	1	1	1	1	1	1
17		E-UA-M8436-0-0	M8436-AA	M8436 W 16K 12BIT MEMORY	1	-	1	-	1	-	1	-	1	-	1	-	1	-	1	-	1	-	1	-
18		E-UA-M8436-0-0	M8436-BA	M8436 W 32K 12BIT MEMORY	-	1	-	1	-	1	-	1	-	1	-	1	-	1	-	1	-	1	-	1
19		E-UA-M8437-0-0	M8437-AA	M8437 W ROM SET "A" (23-629F1,23	-	-	1	1	-	1	-	-	-	1	1	-	-	-	1	1	-	-	-	-
20		E-UA-M8437-0-0	M8437-BA	M8437-AA W BIT SYNC PROTOCOLS (2	-	-	-	1	1	-	1	-	-	-	-	-	-	-	1	1	-	-	-	-
21		K-PL-VTX78-0-DBP	VTX78-A	EXTENDED LANGUAGE GROUP A (FR/C,	1	1	1	1	1	1	1	1	1	1	1	1	1	1	1	1	1	1	1	1
22			3617905-01	LABEL,WARNING 120 V60HZ	1	1	1	1	1	1	1	-	-	-	-	-	-	-	-	-	-	-	-	-
23			7017097-01	TERMINAL SUB ASSY VT278	-	-	1	1	1	1	-	-	-	1	1	1	1	1	1	1	1	1	1	1
24			M2702-00	SIMULATES 3 1K X 12 MASKED ROMS,	1	1	1	1	1	1	1	1	1	1	1	1	1	1	1	1	1	1	1	1
25			3618791-01	LABEL,FUSE RATING,M2.5A 250V	-	-	1	1	1	1	-	-	-	1	1	1	1	1	1	1	1	1	1	1
26			3618307-05	ASSY,04,01	1	1	1	1	1	1	1	1	1	1	1	1	1	1	1	1	1	1	1	1
27			3617544-00	LABEL,X-RAY RADIATION	1	1	1	1	1	1	1	1	1	1	1	1	1	1	1	1	1	1	1	1

REVISION HISTORY		BASIC PART NO: VT278		DRN: M. JOSEPH		DATE: 18-JAN-80		D I G I T A L				
ENG:	ECO NUMBER	REV	SECTION E OF F	CHK'D:	DENNIS HEALY	DATE:	5-MAY-81	TITLE				PARTS LIST
---	INITIAL	A	SECTION. VARIATION INDEX:	DES.ENG.:	ROY KIZINA	DATE:	5-MAY-81	DOCUMENT NUMBER				
			(A) AA,AC,AE,AH,AK,AM, AB,AD,AF,AJ,AL,AN	RESP.ENG.:	AL DELUCA	DATE:	5-MAY-81	SIZE:	CODE:	NUMBER	REV	
			(B) BA,BC,BE,BH,BK,BM, BB,BD,BF,BJ,BL,BN	MFG.ENG.:	PAUL KUJAR	DATE:	5-MAY-81	K	PL	VT278-0-DBP	A	
			(C) CA,CC,CE,CH,CK,CM, CB,CD,CF,CJ,CL,CN	ASSEMBLY NUMBER:	E-UA-VT278-0-0	TOP DOCUMENT NUMBER:	#B-DD-VT278-0	FILE NAME:	Z0818A.PLS	EDIT #	44	
			(D) DA,DC,DE,DH,DK,DM, DB,DD,DF,DJ,DL,DN	"THIS DRAWING AND SPECIFICATIONS HEREIN, ARE THE PROPERTY OF DIGITAL EQUIPMENT CORPORATION AND SHALL NOT BE REPRODUCED OR COPIED OR USED IN WHOLE OR IN PART AS THE BASIS FOR THE MANUFACTURE OR SALE OF ITEMS WITHOUT WRITTEN PERMISSION. COPYRIGHT (C) 1981. DIGITAL EQUIPMENT CORPORATION"								
			(E) EA,EC,EE,EH,EK,EM, EB,ED,EF,EJ,EL,EN									
			(F) FA,FC,FE,FH,FK,FM, FB,FD,FE,FJ,FL,FN									

AUTOMATED BY PRTLST.3L(40)

P A R T S L I S T

SHEET E2 OF E2

LINE ITEM DOCUMENT NUMBER

PART NUMBER

DESCRIPTION

QUANTITY PER VARIATION

GA GC GE GH GK GM GB GD GF GJ GL GN

26 NOTE: ITEM #23 CAN BE SUBSTITUTED FOR ITEM #2 (7017097-00)

D	I	G	I	T	A	L	TITLE	VT278 UNIT ASSY	SECTION E OF F	SIZE	CODE	DOCUMENT NUMBER	REV
										K	PL	VT278-0-DBP	A

AUTOMATED BY PRTLST.3L(40)

PARTS LIST

SHEET F1 OF F2

LINE	ITEM	DOCUMENT NUMBER	PART NUMBER	DESCRIPTION	QUANTITY PER VARIATION												
					JA	JC	JE	JH	JK	JM	JB	JD	JF	JJ	JL	JN	
1	1	D-UA-7014653-0-0	7014653-13	*** THIS ITEM IS NOT USED ***	-	-	-	-	-	-	-	-	-	-	-	-	-
2	2	E-AD-7017097-0-0	7017097-00	TERMINAL SUB ASSY VT278	1	1	-	-	-	-	1	1	-	-	-	-	
3	3	D-UA-7014653-0-0	7014653-14	*** THIS ITEM IS NOT USED ***	-	-	-	-	-	-	-	-	-	-	-	-	
4	4	D-UA-7014653-0-0	7014653-15	*** THIS ITEM IS NOT USED ***	-	-	-	-	-	-	-	-	-	-	-	-	
5	5	D-UA-7014653-0-0	7014653-16	*** THIS ITEM IS NOT USED ***	-	-	-	-	-	-	-	-	-	-	-	-	
6	6	D-UA-7014653-0-0	7014653-17	KEYBD KEYCAP ASSY. GERMAN	1	1	1	1	1	1	1	1	1	1	1	1	
7	7		1700083-09	PWR CORD TERM. 75IN, 18-3, 125V 10	1	1	1	1	1	1	-	-	-	-	-	-	
8	8		1700083-10	*** THIS ITEM IS NOT USED ***	-	-	-	-	-	-	-	-	-	-	-	-	
9	9		1700209-00	*** THIS ITEM IS NOT USED ***	-	-	-	-	-	-	-	-	-	-	-	-	
10	10		1700199-00	PWR CORD TERM. 2 M, 18-3, 250V* 6	-	-	-	-	-	-	1	1	1	1	1	1	
11	11		3617674-01	LABEL, SERIAL & POWER W/UL & CSA	1	1	1	1	1	1	1	1	1	1	1	1	
12	12		3615680-00	LABEL, ADHESIVE BACK, SWITCH POSIT	1	1	1	1	1	1	1	1	1	1	1	1	
13	13	A-SP-3700520-0-0	3700520-01	PKG. VIDEO TERMINAL	1	1	1	1	1	1	1	1	1	1	1	1	
14	14		3618035-01	LABEL, FUSE RATING	1	1	1	1	1	1	1	1	1	1	1	1	
15	15		3617880-02	LABEL, FCC CLASS A PROCESSOR	1	1	1	1	1	1	-	-	-	-	-	-	
16	16		3617905-02	LABEL, WARNING 220-240V50HZ	-	-	-	-	-	-	1	1	1	1	1	1	
17	17	E-UA-M8436-0-0	M8436-AA	M8436 W 16K 12BIT MEMORY	1	-	1	-	1	-	1	-	1	-	1	-	
18	18	E-UA-M8436-0-0	M8436-BA	M8436 W 32K 12BIT MEMORY	-	1	-	1	-	1	-	1	-	1	-	1	
19	19	E-UA-M8437-0-0	M8437-AA	M8437 W ROM SET "A" (23-629F1,23	-	-	1	1	-	-	-	-	1	1	-	-	
20	20	E-UA-M8437-0-0	M8437-BA	M8437-AA W BIT SYNC PROTOCOLS (2	-	-	-	-	1	1	-	-	-	-	1	1	
21	21	K-PL-VTX78-0-DBP	VTX78-A	EXTENDED LANGUAGE GROUP A (FR/C,	1	1	1	1	1	1	1	1	1	1	1	1	
22	22		3617905-01	LABEL, WARNING 120 V60HZ	1	1	1	1	1	1	-	-	-	-	-	-	
23	23		7017097-01	TERMINAL SUB ASSY VT278	-	-	1	1	1	1	-	-	1	1	1	1	
24	24		M2702-00	SIMULATES 3 1K X 12 MASKED ROMS,	1	1	1	1	1	1	1	1	1	1	1	1	
25	25		3618791-01	LABEL, FUSE RATING, M2.5A 250V	-	-	1	1	1	1	-	-	1	1	1	1	
26	26		3618307-05	ASSY, 04, 01	1	1	1	1	1	1	1	1	1	1	1	1	
27	27		3617544-00	LABEL, X-RAY RADIATION	1	1	1	1	1	1	1	1	1	1	1	1	

```

*****
REVISION HISTORY      BASIC PART NO:  VT278
*****
ENG! ECO NUMBER  REV  SECTION F OF F  DRN:      M. JOSEPH      DATE: 18-JAN-80      D I G I T A L
*****
INITIAL            A  SECTION. VARIATION INDEX  CHK'D:  DENNIS HEALY  DATE: 5-MAY-81      TITLE      PARTS LIST
*****
[A] AA, AC, AE, AH, AK, AM,  AB, AD, AF, AJ, AL, AN,  DES.ENG.: ROY KIZINA  DATE: 5-MAY-81
*****
[B] BA, BC, BE, BH, BK, BM,  BB, BD, BF, BJ, BL, BN,  RESP.ENG.: AL DELUCA  DATE: 5-MAY-81
*****
[C] CA, CC, CE, CH, CK, CM,  CB, CD, CF, CJ, CL, CN,  MFG.ENG.: PAUL KUHAR  DATE: 5-MAY-81
*****
[D] EA, EC, EE, EH, EK, EM,  EB, ED, EF, EJ, EL, EN,  ASSEMBLY NUMBER:     TOP DOCUMENT NUMBER:  FILE NAME:           REV
*****
[E] GA, GC, GE, GH, GK, GM,  GS, GD, GF, GJ, GL, GN,  E-UA-VT278-0-0       #B-DD-VT278-0       Z0818A.FLS           44
*****
[F] JA, JC, JE, JH, JK, JM,  JB, JD, JF, JJ, JL, JN,
*****
"THIS DRAWING AND SPECIFICATIONS HEREIN, ARE THE PROPERTY OF DIGITAL EQUIPMENT CORPORATION AND SHALL NOT BE REPRODUCED
OR COPIED OR USED IN WHOLE OR IN PART AS THE BASIS FOR THE MANUFACTURE OR SALE OF ITEMS WITHOUT WRITTEN PERMISSION.
COPYRIGHT (C) 1981. DIGITAL EQUIPMENT CORPORATION "
*****

```



LINE ITEM DOCUMENT NUMBER

PART NUMBER

DESCRIPTION

QUANTITY PER VARIATION

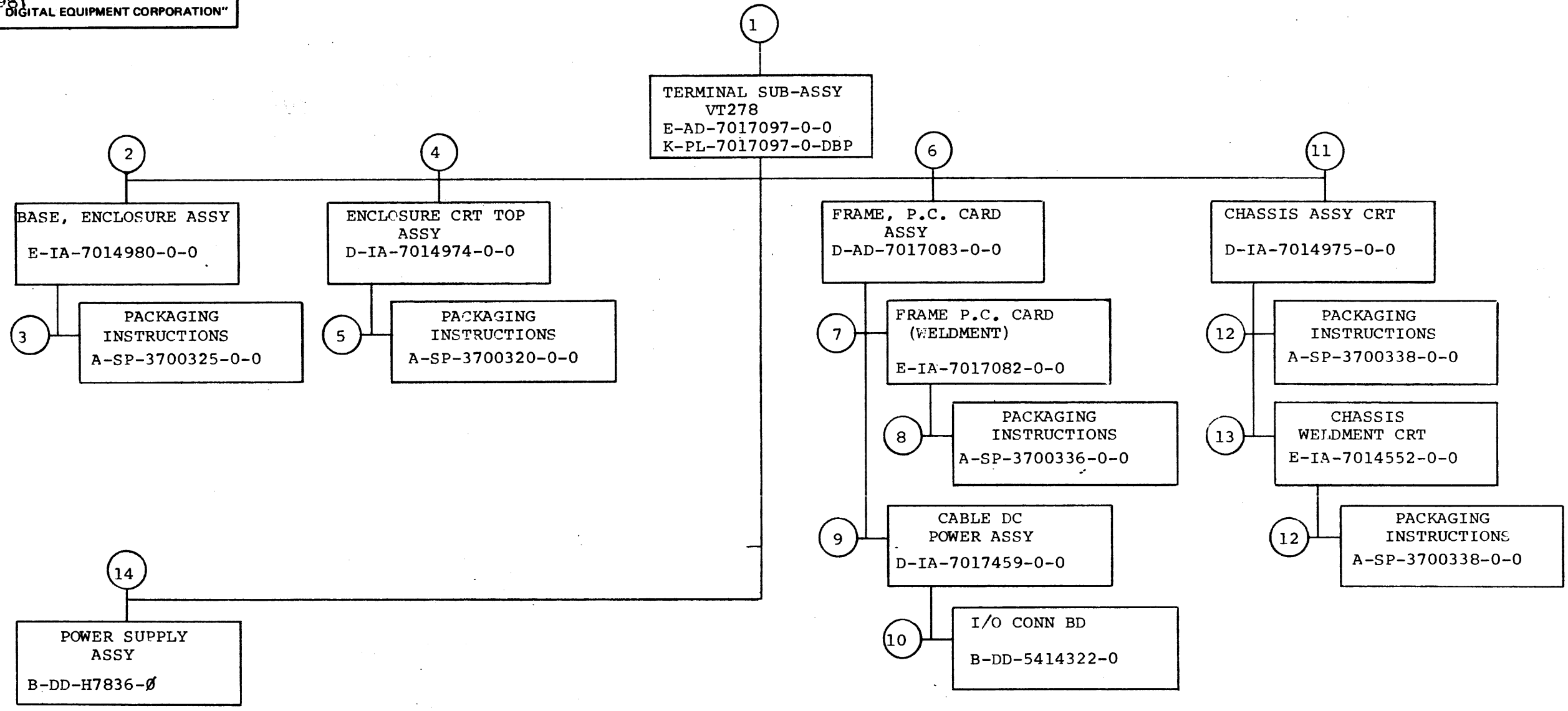
JA JC JE JH JK JM JB JD JF JJ JL JN

23 NOTE: ITEM #23 CAN BE SUBSTITUTED FOR ITEM #2 (7017097-00)

D	I	G	I	T	A	L	TITLE	VT278 UNIT ASSY	SECTION F OF F	SIZE	CODE	DOCUMENT NUMBER	REV
										K	PL	VT278-0-DBP	A



"THIS DRAWING AND SPECIFICATIONS, HEREIN, ARE THE PROPERTY OF DIGITAL EQUIPMENT CORPORATION AND SHALL NOT BE REPRODUCED OR COPIED OR USED IN WHOLE OR IN PART AS THE BASIS FOR THE MANUFACTURE OR SALE OF ITEMS WITHOUT WRITTEN PERMISSION. 1981  
COPYRIGHT © DIGITAL EQUIPMENT CORPORATION"



TITLE	SIZE CODE	NUMBER	REV
TERMINAL SUB-ASSY, VT278	B DD	7017097-0	A

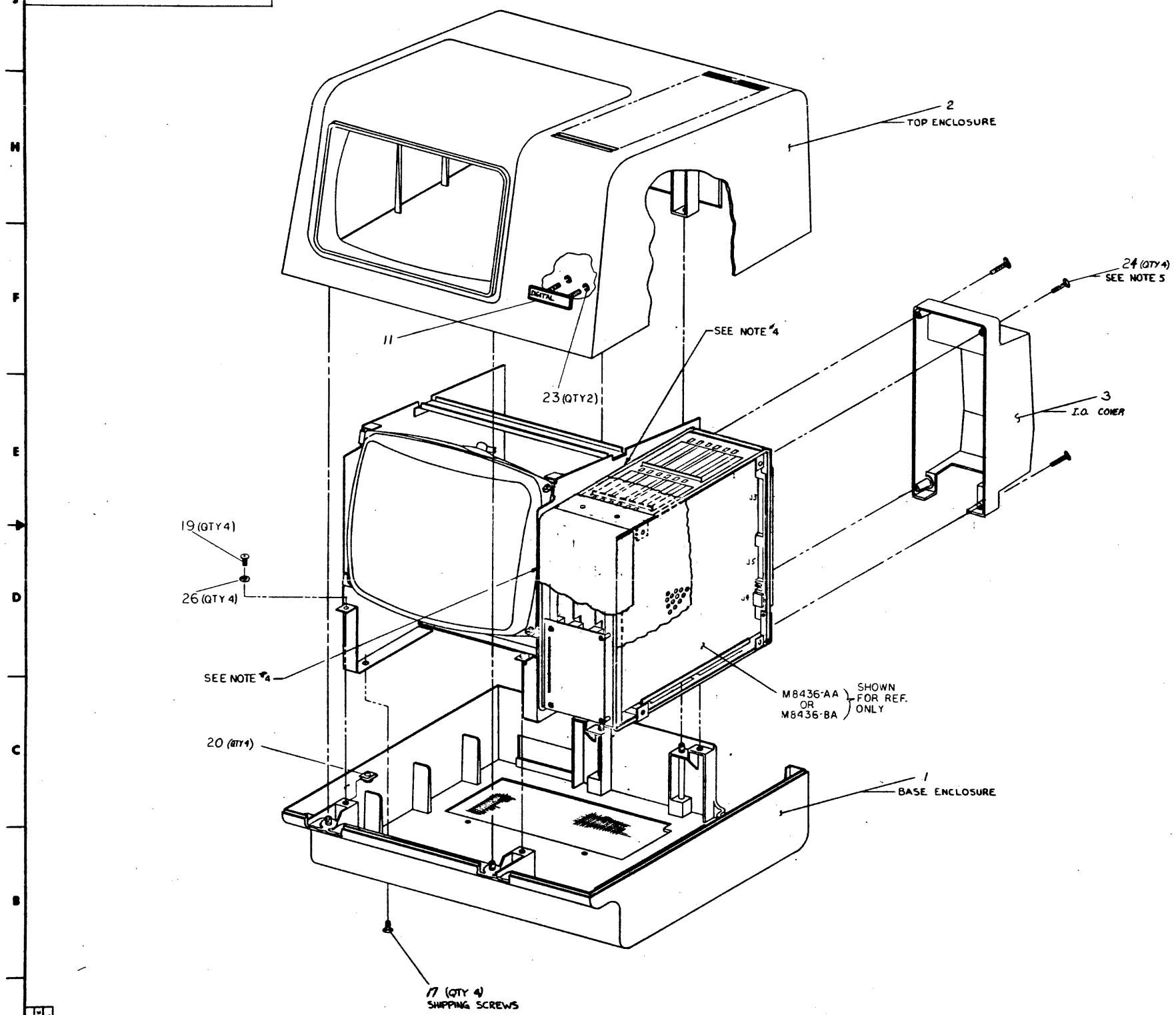
SHEET 2 OF 3

ML3



"THIS DRAWING AND SPECIFICATIONS HEREIN ARE THE PROPERTY OF DIGITAL EQUIPMENT CORPORATION AND SHALL NOT BE REPRODUCED OR COPIED OR USED IN WHOLE OR IN PART AS THE BASIS FOR THE MANUFACTURE OR SALE OF ITEMS WITHOUT WRITTEN PERMISSION. DIGITAL EQUIPMENT CORPORATION 1981."

- NOTES:
1. TO MOUNT ITEM #21 USE ADHESIVE ITEM #22.
  2. DISCARD HARDWARE SUPPLIED WITH FLYBACK TRANS (PART OF ITEM 12) & REPLACE WITH ITEMS (5, 9 & 10)
  3. TORQUE ITEM #10 TO 4 IN-LBS.
  4. THE PEAK OF THE GAP SHALL BE NO GREATER THAN .020 WIDE AND SHALL NOT EXCEED 2.00 INCHES IN LENGTH MAX. TOP AND FRONT ONLY.
  5. ITEM 24 TO BE TORQUED TO  $7^{+0}_{-2}$  IN LBS.



OFF SHEET PARTS LIST REF TO K-PL-2017097-0-DBP

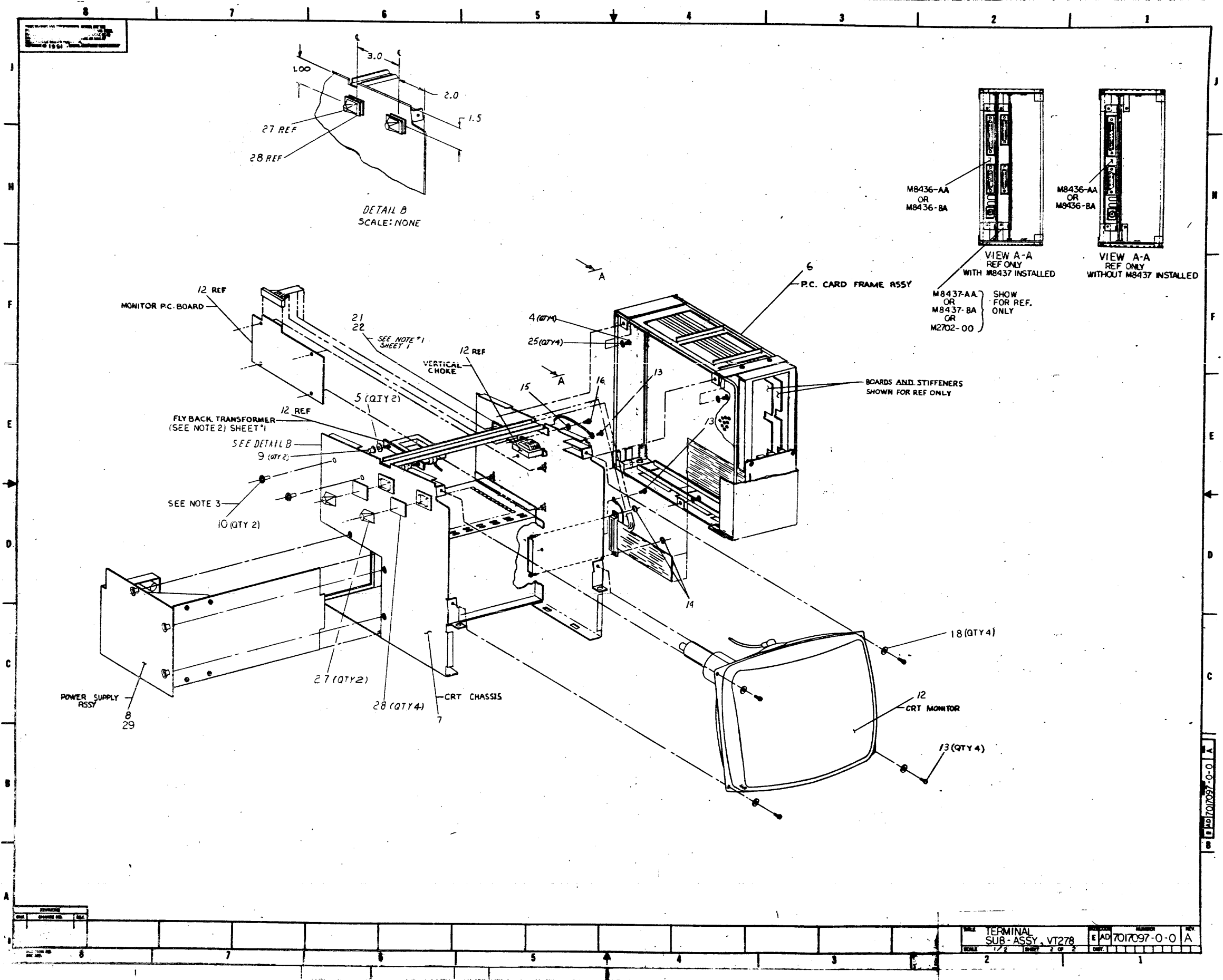
ITEM NO.	DESCRIPTION	QTY	UNIT	REF. TO
1	TOP ENCLOSURE	1	EA	
2	BASE ENCLOSURE	1	EA	
3	I.O. COVER	1	EA	
4	FRONT PANEL	1	EA	
5	SCREW	4	EA	
6	SCREW	4	EA	
7	SCREW	4	EA	
8	SCREW	4	EA	
9	SCREW	4	EA	
10	SCREW	4	EA	
11	COMPONENT	1	EA	
12	COMPONENT	2	EA	
13	COMPONENT	1	EA	
14	COMPONENT	1	EA	
15	COMPONENT	1	EA	
16	COMPONENT	1	EA	
17	SCREW	4	EA	
18	SCREW	4	EA	
19	SCREW	4	EA	
20	SCREW	4	EA	
21	ADHESIVE	1	EA	
22	ADHESIVE	1	EA	
23	COMPONENT	2	EA	
24	SCREW	4	EA	

TERMINAL SUB-ASSY, VT278

SCALE: 1:1

DATE: 11/77

REV: A



REV	DESCRIPTION	DATE

TITLE: TERMINAL SUB-ASSY, VT278  
 NUMBER: 7017097-0-0 A  
 SCALE: 1/2  
 SHEET: 2 OF 2

LINE	ITEM	DOCUMENT NUMBER	PART NUMBER	DESCRIPTION	QUANTITY PER VARIATION	
					00	01
1	1	E-IA-7014980-0-0	7014980-04	BASE, ENCLOSURE ASSY	1	1
2	2	D-IA-7014974-0-0	7014974-01	ENCLOSURE, CRT TOP ASSY	1	1
3	3	E-MD-7425258-0-0	7425258-00	COVER, I/O	1	1
4	4		9006021-01	SCREW, PAN, PHIL 6-32X 5/16 SS	4	4
5	5		9008193-00	WASHER, NYLON, FLAT .312 X .812	2	2
6	6	D-AD-7017083-0-0	7017083-00	FRAME P.C. CARD ASSY.	1	1
7	7	D-IA-7014975-0-0	7014975-02	CHASSIS ASSY CRT	1	1
8	8	E-UA-H7836-0-0	H7836-A	+5V 2.5A, +12V 2A, -12V 0.25A, 120V	1	1
9	9	B-IA-7423018-0-0	7423018-00	ISOLATION MOUNT.	2	2
10	10	B-IA-7423006-0-0	7423006-00	SCREW, HEX WASHER HD, 4-40	2	2
11	11	D-IA-7423341-0-0	7423341-00	LOGO VT278	1	1
12	12		7018349-01	MONITOR ASSY, CRT, DIRECT DRIVE	1	1
13	13		9000049-08	SCREW, HEX, SLOT SEMS 6-32X .312L	6	6
14	14		9010007-00	RING, RETAINING, EXTERNAL FOR 7/6	2	2
15	15		9006659-00	WASHER, FLAT, .375 O.D. X .156 I	1	1
16	16		9010112-00	SCREW, TAPPING TYPE B, HEX, SLOT,	1	1
17	17		9010135-00	SCREW, FLAT, SLOT 8-32X 1/2	4	4
18	18		9006666-00	WASHER, FLAT, 500 OD X .187 ID	4	4
19	19		9006073-03	SCREW, TRUS, PHIL, 10-32X 1/2	4	4
20	20		9007786-01	RETAINER, U-NUT, 10-32	4	4
21	21		9007035-00	GROMMET #122-37-1500	1	1
22	22		9009157-00	ADH, LIQ. RM. TEMP CURING COLORLESS	1	1
23	23		9009257-00	RING, RETAINING, REINFORCED, .35	2	2
24	24		1217241-00	SCREW, HEX, SLOT, NYLON COVERED,	4	4
25	25		9007649-00	WASHER, LOCK, EXTERNAL TOOTH #6	4	4
26	26		9007651-00	WASHER, LOCK, EXTERNAL TOOTH #10	4	4
27	27		9009624-00	BUMPR, SQ., ADH. BACK RUB-POLYU	2	2
28	28		9007833-00	FASTENER, PLASTIC, ADHESIVE BACK	4	4
29	29	E-UA-H7836-0-0	H7836-B	POWER SUPPLY ASSY 220V	1	1

REVISION HISTORY		BASIC PART NO: 7017097		DRN: MIKE JOSEPH		DATE: 17-JAN-80		D I G I T A L	
ENG!	ECO NUMBER	REV	SECTION A OF A	CHK'D: DENNIS HEALY		DATE: 5-MAY-81		TITLE PARTS LIST	
---	INITIAL	A	SECTION. VARIATION INDEX	[A] 00,01				TERMINAL SUB ASSY VT278	
			[B]	DES. ENG.: ROY KIZINA		DATE: 5-MAY-81			
			[C]	RESP. ENG.: AL DELUCA		DATE: 5-MAY-81		DOCUMENT NUMBER	
			[D]					SIZE CODE NUMBER REV	
			[E]	MFG. ENG.: PAUL KUJAR		DATE: 5-MAY-81		K PL 7017097-0-DBP A	
			[F]	ASSEMBLY NUMBER:		TOP DOCUMENT NUMBER:		FILE NAME: EDIT #	
				E-AD-7017097-0-0		#8-DD-7017097-0		20775A.PLS 7	
<p>"THIS DRAWING AND SPECIFICATIONS HEREIN, ARE THE PROPERTY OF DIGITAL EQUIPMENT CORPORATION AND SHALL NOT BE REPRODUCED OR COPIED OR USED IN WHOLE OR IN PART AS THE BASIS FOR THE MANUFACTURE OR SALE OF ITEMS WITHOUT WRITTEN PERMISSION. COPYRIGHT (C) 1981. DIGITAL EQUIPMENT CORPORATION"</p>									



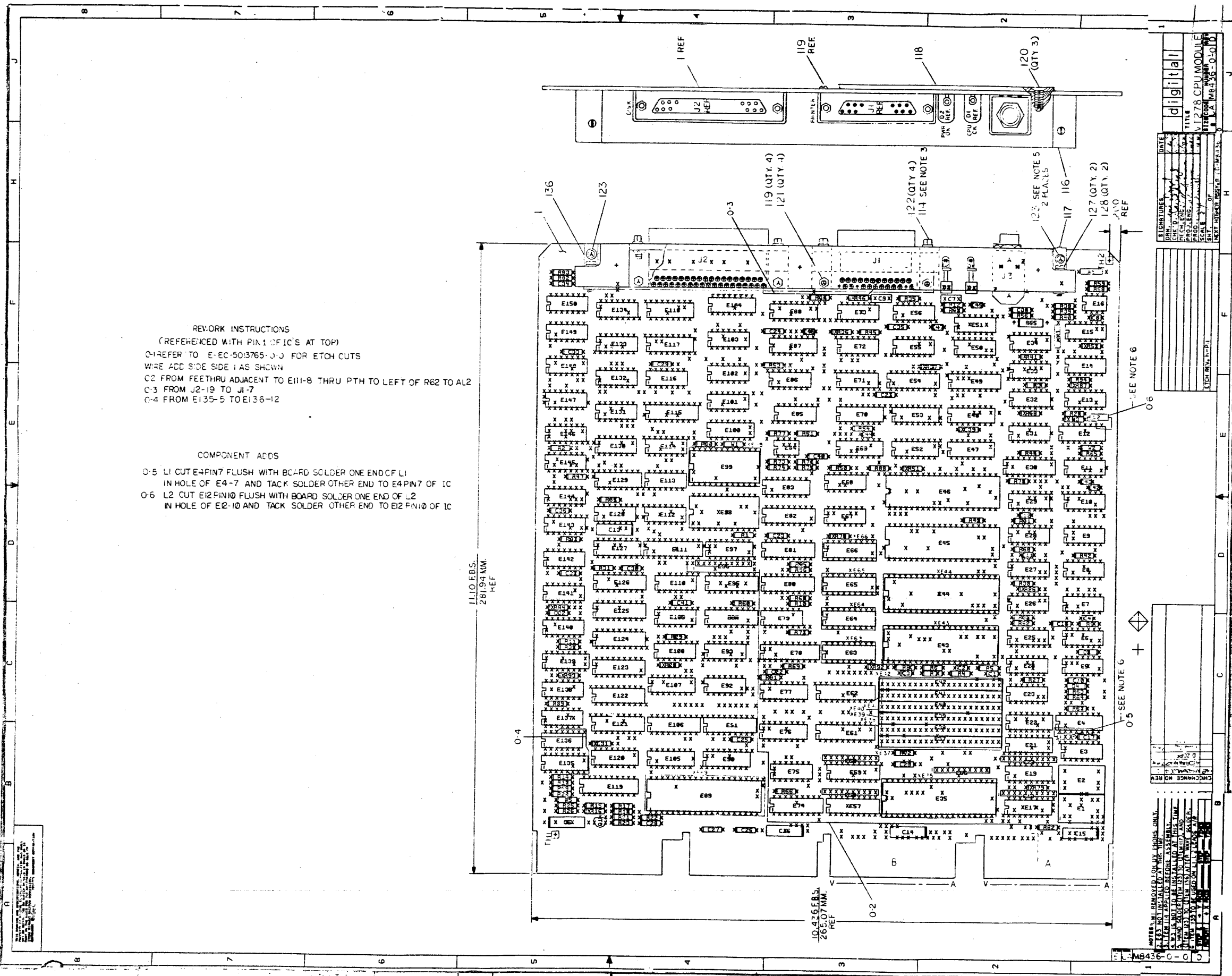


LINE	ITEM	DOCUMENT NUMBER	PART NUMBER	DESCRIPTION	QUANTITY PER VARIATION
1	1	E-UA-M8436-0-0	23013G2-00	CPU FOR VT278	REF
2	2			G2-01	1

3 NOTE: THIS OPTION USED ON M8436-AA & M8436-BA

REVISION HISTORY		BASIC PART NO: VTX78	DRN: LISE M. GRAHAM	DATE: 15-MAY-80	DIGITAL	
ENG	ECO NUMBER	REV	SECTION A OF A	CHK'D: D. HEALY	DATE: 4-MAY-81	TITLE PARTS LIST
---	INITIAL	A	SECTION. VARIATION INDEX			EXTENDED LANGUAGE GROUP A
			[A] A	DES.ENG.: L. KIZINA	DATE: 4-MAY-81	
			[B]			DOCUMENT NUMBER
			[C]	RESP.ENG.: A. DELUCA	DATE: 4-MAY-81	SIZE!CODE! NUMBER
			[D]			VTX78-0-DBP
			[E]	MFG.ENG.: P. KUJAR	DATE: 4-MAY-81	K PL
			[F]	ASSEMBLY NUMBER: D-AR-VTX78-0-0	TOP DOCUMENT NUMBER: D-UA-VT278-B-0	FILE NAME: Z1468A.PLS
						EDIT # 2

"THIS DRAWING AND SPECIFICATIONS HEREIN, ARE THE PROPERTY OF DIGITAL EQUIPMENT CORPORATION AND SHALL NOT BE REPRODUCED OR COPIED OR USED IN WHOLE OR IN PART AS THE BASIS FOR THE MANUFACTURE OR SALE OF ITEMS WITHOUT WRITTEN PERMISSION. COPYRIGHT (C) 1981. DIGITAL EQUIPMENT CORPORATION"



REV-ORK INSTRUCTIONS  
 (REFERENCED WITH PIN 1 OF IC'S AT TOP)  
 O-1 REFER TO E-EC-5013765-0-0 FOR ETCH CUTS  
 WIRE ADD SIDE SIDE 1 AS SHOWN  
 O-2 FROM FEETHRU ADJACENT TO E111-8 THRU PTH TO LEFT OF R62 TO AL2  
 O-3 FROM J2-19 TO J1-7  
 O-4 FROM E135-5 TO E136-12

COMPONENT ADDS  
 O-5 L1 CUT E4-PIN7 FLUSH WITH BOARD SOLDER ONE END OF L1  
 IN HOLE OF E4-7 AND TACK SOLDER OTHER END TO E4-PIN7 OF IC  
 O-6 L2 CUT E12-PIN10 FLUSH WITH BOARD SOLDER ONE END OF L2  
 IN HOLE OF E2-10 AND TACK SOLDER OTHER END TO E12-PIN10 OF IC

DATE	1/1/70
DESIGNED BY	J. J. ...
CHECKED BY	J. J. ...
PROJ. ENG. BY	J. J. ...
SCALE	1:1
SHEET NO.	1
TOTAL SHEETS	1
PROJECT	1278 CPU MODULE
REV.	MB436-0-0-0

DATE	
DESIGNED BY	
CHECKED BY	
PROJ. ENG. BY	
SCALE	
SHEET NO.	
TOTAL SHEETS	
PROJECT	1278 CPU MODULE
REV.	MB436-0-0-0

NOTES: 1. DIMENSIONS FOR THE BOARD ONLY.  
 2. ALL DIMENSIONS ARE IN MILLIMETERS UNLESS OTHERWISE SPECIFIED.  
 3. ALL DIMENSIONS ARE TO CENTER UNLESS OTHERWISE SPECIFIED.  
 4. ALL DIMENSIONS ARE TO CENTER UNLESS OTHERWISE SPECIFIED.  
 5. ALL DIMENSIONS ARE TO CENTER UNLESS OTHERWISE SPECIFIED.

LINE	ITEM	DOCUMENT NUMBER	PART NUMBER	DESCRIPTION	QTY PER VARIATION			REFERENCE DESIGNATOR
					00	AA	BA	
1		D-MD-5013765-0-0	5013765-00	DRILL & ETCH BRD	1	1	1	
			1000014-00	68.0 MMF 100V 5%200PPM MICA	1	1	1	C8
			1000024-00	470.0 MMF 100V 5%200PPM MICA	2	2	2	C9,C43
			1001631-00	390.0 MMF 100V 5%200PPM MICA	1	1	1	C7
			1005306-00	6.8MFD 35V 10% S.TANT	4	4	4	C13-C16
			1012121-00	220.0 MMF 100V 1%200PPM MICA	3	3	3	C2,C11,C12
			1012784-00	.047 MFD 50V +80-20% CER	25	25	25	C10,C17,C18,C20-C41
			1013669-01	.047 MFD 150V 5% M.POLYPROP	1	1	1	C6
			1015573-01	5600.0 MMF 50V 5% CER	1	1	1	C5
			1110324-01	LED 1MCD@10MA PIV=3.750 MIN. LE	2	2	2	D1,D2
			1105275-00	D 672 TR= 15NS PIV= 60V SI	1	1	1	D3
			1110713-00	SZ710910 VZ= 5.1 2% M	1	1	1	D4
			1211164-00	SW,DIP 1P 1A 4POS	1	1	1	E84
			1211357-00	CONN,D SUB 25PIN PLUG RT ANGLE	1	1	1	J1
			1215006-03	SKT,IC 18PIN DIP TIN PLATE	4	4	4	XE63-XE66
			1215006-08	SKT,IC 40PIN DIP TIN PLATE	4	4	4	XE35,XE43,XE44,XE89
			1215006-06	SKT,IC 24PIN DIP TIN PLATE	1	1	1	XE99
			1216994-00	CONN,D SUB 37SKT ASSY RT ANGLE P	1	1	1	J2
			1217120-00	PHONE JACK,PC MOUNT	1	1	1	J3
			1300197-00	33.0 .25 W 5.0 % CC	1	1	1	R22
			1300229-00	100.0 .25 W 5.0 % CC	2	2	2	R82,R83
			1300247-00	120.0 .25 W 5.0 % CC	1	1	1	R18
			1300295-00	330.0 .25 W 5.0 % CC	2	2	2	R24,R27
			1300309-00	390.0 .25 W 5.0 % CC	1	1	1	R20
			1300315-00	470.0 .50 W 5.0 % CC	1	1	1	R55
			1300365-00	1.0 K .25 W 5.0 % CC	16	16	16	R11,R13-R15,R30,R45,R52,R78,R79, R84-R89,R53
			1300426-00	2.70 K .25 W 5.0 % CC	1	1	1	R38
			1300447-00	4.70 K .25 W 5.0 % CC	35	35	35	R1-R3,R10,R28,R39,R31-R34,R37, R41-R44,R46-R52,R54,R60,R65-R67.

REVISION HISTORY		BASIC PART NO: M8436		DRN: RITA BUREAU		DATE: 04-JAN-80		D I G I T A L	
ENG	ECO NUMBER	REV	SECTION A OF A	CHK'D: DAVE ZOPF		DATE: 04-JAN-80		TITLE PARTS LIST	
	INITIAL	A	SECTION VARIATION INDEX	DES.ENG: JOHN KIRK		DATE: 04-JAN-80		VT27S CPU MODULE	
DZ	M8436-M1001	B	[A] 00,AA,BA	RESP.ENG.: JOHN KIRK		DATE: 04-JAN-80		DOCUMENT NUMBER	
DZ	M8436-M1003	C	[B]	MFG.ENG.: BARRY DeVILLI		DATE: 06-MAY-80		K PL M8436-0-DBP D	
DZ	M8436-M1004	D	[C]	ASSEMBLY NUMBER:		TOP DOCUMENT NUMBER:		FILE NAME: EDIT #	
			[D]	D-UA-M8436-0-0		B-DD-M8436-0-0		Z0215D.PLS 23	
			[E]	"THIS DRAWING AND SPECIFICATIONS HEREIN, ARE THE PROPERTY OF DIGITAL EQUIPMENT CORPORATION AND SHALL NOT BE REPRODUCED OR COPIED OR USED IN WHOLE OR IN PART AS THE BASIS FOR THE MANUFACTURE OR SALE OF ITEMS WITHOUT WRITTEN PERMISSION. COPYRIGHT (C) 1981. DIGITAL EQUIPMENT CORPORATION"					
			[F]						
			[G]						
			[H]						
			[I]						

LINE ITEM	DOCUMENT NUMBER	PART NUMBER	DESCRIPTION	QTY	PER	PER	VARIATION	REFERENCE DESIGNATOR
				00	AA	BA		
							CONT	R72,R90-R96
		1300479-00	10.0 K .25 W 5.0 % CC	11	11	11		R58,R61,R68-R71,R73-R77
		1301401-00	750.0 .25 W 5.0 % CC	1	1	1		R21
		1301424-00	680.0 .25 W 5.0 % CC	1	1	1		R12
		1301808-00	22.0 K .25 W 5.0 % CC	1	1	1		R59
		1301874-00	5.60 K .25 W 5.0 % CC	1	1	1		R40
		1301890-00	560.0 .25 W 5.0 % CC	1	1	1		R16
		1301972-00	270.0 .25 W 5.0 % CC	1	1	1		R19
		1311845-00	487.0 .25 W 1.0 % RN550-F10	2	2	2		R80,R81
		1302379-00	75.0 .25 W 5.0 % CC	1	1	1		R23
		1302465-00	16.0 K .25 W 5.0 % CC	1	1	1		R57
		1304858-00	348.0 .25 W 1.0 % RN550-F10	2	2	2		R4,R8
		1303187-00	820.0 K .25 W 5.0 % CC	1	1	1		R39
		1304833-00	1.96 K .25 W 1.0 % RN550-F10	1	1	1		R56
		1304837-00	24.0 K .25 W 5.0 % CC	2	2	2		R26,R97
		1305253-00	7.15 K .25 W 1.0 % RN550-F10	1	1	1		R25
		1305346-00	27.0 K .25 W 5.0 % CC	1	1	1		R35
		1311003-01	R NETWORK 14-180 14-390 16PIN	1	1	1		E104
		1000019-00	150.0 MMF 100V 5%200PPM MICA	3	3	3		C1,C3,C4
		1313469-00	240.0 .25 W 5.0 % CC	3	3	3		R17,R63,R64
		1313589-00	1.40 K .25 W 1.0 % RN550-F10	4	4	4		R5-R7,R9
		1316395-00	R NETWORK 9-4.7K 2.0 % 10PIN	4	4	4		E18,E20,E36,E96
		1509338-00	DEC6531B NPN 310MW SI 40 90 P	1	1	1		Q1
		1811660-21	OSCILLATOR, XTAL 24.000 MHZ	1	1	1		E2
		1811650-22	OSCILLATOR, XTAL 30.413 MHZ	1	1	1		E1
		1909705-00	DEC 8881 NAND GATE-QUAD 2IN 0	2	2	2		E29,E134
		1909928-00	7416 INVERTER GATE-HEX 1I	5	5	5		E25,E110,E132,E150,E85
		1909929-00	7417 BUFFER GATE-HEX 1INP	1	1	1		E109
		1910268-00	DEC 75107B RECEIVER LINE, DUAL	3	3	3		E5,E24,E28
		1910323-00	DEC 1489L DRIVER LINE, Q, D, EI	1	1	1		E56
		1910323-00	DEC 1489L RECEIVER LINE, QUAD	1	1	1		E15
		1910534-00	74504 INVERTER GATE-HEX 1I	2	2	2		E11,E33
		1910537-00	74511 AND GATE-TRIPLE 3INP	1	1	1		E42
		1910544-00	74574 FF-D DUAL, EDGE TRIGG	1	1	1		E143
		1910547-00	745153 MUX 1 OF 4 (DUAL)	1	1	1		E4
		1910550-00	745174 FF-D HEX	1	1	1		E12
		1911116-00	DEC 8837 RECEIVER BUS, HEX, UN	2	2	2		E88,E118
		1911641-00	SN 745257 MUX, QUAD 2 TO 1	2	2	2		E76,E77
		1912697-00	LS174 FF-D HEX W/CLEAR	3	3	3		E97,E127,E139
		1912799-00	LS00 NAND-GATE-QUAD 2IN, P	4	4	4		E9,E32,E112,E145
		1912800-00	LS01 NAND-GATE-QUAD 2IN, P	5	5	5		E51,E72
		1912801-00	LS02 NOR-GATE-QUAD 2IN	5	5	5		E67,E92,E133,E144
		1912803-00	74LS04 INVERTER GATE, HEX	3	3	3		E114,E140
		1912805-00	LS08 AND GATE-QUAD 2IN, PO	3	3	3		E55,E103,E146
		1912808-00	LS11 AND GATE-TR. PLE 3IN	1	1	1		E27
		1912810-00	LS20 NAND GATE-DUAL 4IN	1	1	1		E75
		1912813-00	LS27 NOR GATE-TRIPLE 3IN	1	1	1		E116
		1912816-00	LS32 OR GATE-QUAD 2IN, POS	7	7	7		E31,E68,E93,E71,E131,E130,E113

D	I	G	I	T	A	L	TITLE	VT278 CPU MODULE	SECTION A	OF	A	SIZE	CODE	DOCUMENT NUMBER	REV
												K	PL	MS436-0-DBP	D

LINE	ITEM	DOCUMENT NUMBER	PART NUMBER	DESCRIPTION	QTY PER VARIATION			REFERENCE DESIGNATOR
					00	AA	BA	
75	75		1912818-00	LS38 NAND BUFFER-QUAD 2IN	1	1	1	E34
77	77		1912823-00	LS73 FF-JK DUAL W/CLEAR	2	2	2	E26, E148
78	78		1912824-00	LS74 FF-D DUAL, EDGE TRIGG	13	13	13	E7, E13, E136, E141, E101, E102, E103, E86, E149, E73, E14, E50, E123
								CONT
100	100		1912840-00	LS136 X-OR GATE-QUAD 2IN, 0	1	1	1	E138
101	101		1912843-00	LS139 DECODER, 2 OF 4(DUAL	1	1	1	E107
102	102		1912847-00	LS157 MUX 1 OF 2(QUAD)	5	5	5	E87, E117, E90, E105, E120
103	103		1912857-00	LS197 COUNTER, BINARY, PRESET	1	1	1	E147
104	104		1912858-00	LS221 ONE SHOT-DUAL, SCHMIT	1	1	1	E135
105	105		1912863-00	LS273 FF-D OCTAL W/CLEAR	2	2	2	E119, E111
106	106		1913340-00	74532 OR GATE-QUAD 2IN	1	1	1	E137
107	107		1913471-00	LS367 DRIVER, BUS, HEX, TRI-	2	2	2	E22, E21
108	108		1913677-00	74LS160 COUNTER, LOW PWR SCHO	1	1	1	E93
109	109		1914156-00	LM 393 VOLT. COMPARATOR DUAL	1	1	1	E16
110	110		1914451-00	74LS393 COUNTER, BINARY, 4BIT	2	2	2	E79, E8
111	111		1913462-00	745240 OCTAL BUFFER, INVERTI	1	1	1	E78
112	112		1915219-00	LS373 FF-D OCTAL-TRANSPARE	1	1	1	E61
113	113		1915758-00	SN 74LS166N SHIFT REG. 8BIT PAR	1	1	1	E100
114	114		1916867-00	74LS395A SHIFT R+G, 4BIT	3	3	3	E48, E53, E70
115	115		1912746-00	DEC 74537 NAND GATE-QUAD 2IN	2	2	2	E5, E23
116	116		2112623-00	DUAL BAUD RATE GEN/PROG DIVIDER,	1	1	1	E30
117	117		2113936-01	65618-9 1K CMOS RAM, STATIC	3	3	3	E80, E81, E82
118	118		2113937-00	UART 125K BUAD	2	2	2	E45, E46
119	119		2114212-00	P 2114-2 RAM, 1024X4, STATIC	6	6	6	E121-E126
120	120		2115107-00	x HM 6120 HIGH SPEED 12BIT CMO	1	1	1	E35
121	121		2115108-00	HM 6121 I/O CONTROLLER FOR 6	2	2	2	E43, E44
122	122		2115950-00	6431 BUFFER, LATCH, HEX, THR	2	2	2	E47, E52
123	123		2115951-00	6495 BUFFER, THREE STATE, H	3	3	3	E17, E19, E69
124	124		2115952-00	6440 DRIVER, DECODE, LATCH	3	3	3	E115, E54, E49
125	125		2115955-00	6432 TRANSCEIVER, BIDIREC	5	5	5	E74, E59, E57, E94, E95
126	126		2116349-01	5037 CRTC VIDED CONTROLLE	1	1	1	E89
127	127		2301062-00	G2-01	1	1	1	E64
128	128		2301162-00	G2-01	1	1	1	E65
129	129		2301262-00	G2-01	1	1	1	E66
130	130		23088E2-00	E2-01	1	1	1	E98
131	131		23600F1-00	F1-01	1	1	1	E106
132	132		23601F1-00	F1-01	1	1	1	E91
133	133		1217535-00	SKT, IC 22PIN SIP TIN PLATE	6	6	6	XE37-XE42
134	134		1914214-00	LS374 FF-D OCTAL EDGE TRIG	1	1	1	E62
135	135		4901093-00	ADHESIVE, ANAEROBIC, RESIN BASE	A/R	A/R	A/R	
136	136		5700005-00	HYBRID ASSY 16KX4 MEMORY SIP	-	3	-	E37, E39, E41
			CONT		-	-	6	E37, E39, E41, E38, E40, E42
116	116		7423030-00	STIFFENER, CPU	1	1	1	
117	117		7423338-00	CLIP GROUND	1	1	1	
118	118		7423657-00	SPACER MODULE	1	1	1	
119	119		9006012-01	SCREW, PAN, PHIL 4-40X 7/16 SS	4	4	4	
120	120		9006023-02	SCREW, FLAT, PHIL, 6-32X 7/16	3	3	3	
121	121		9006557-00	NUT, KEP 4-40X 1/4 AF	4	4	4	

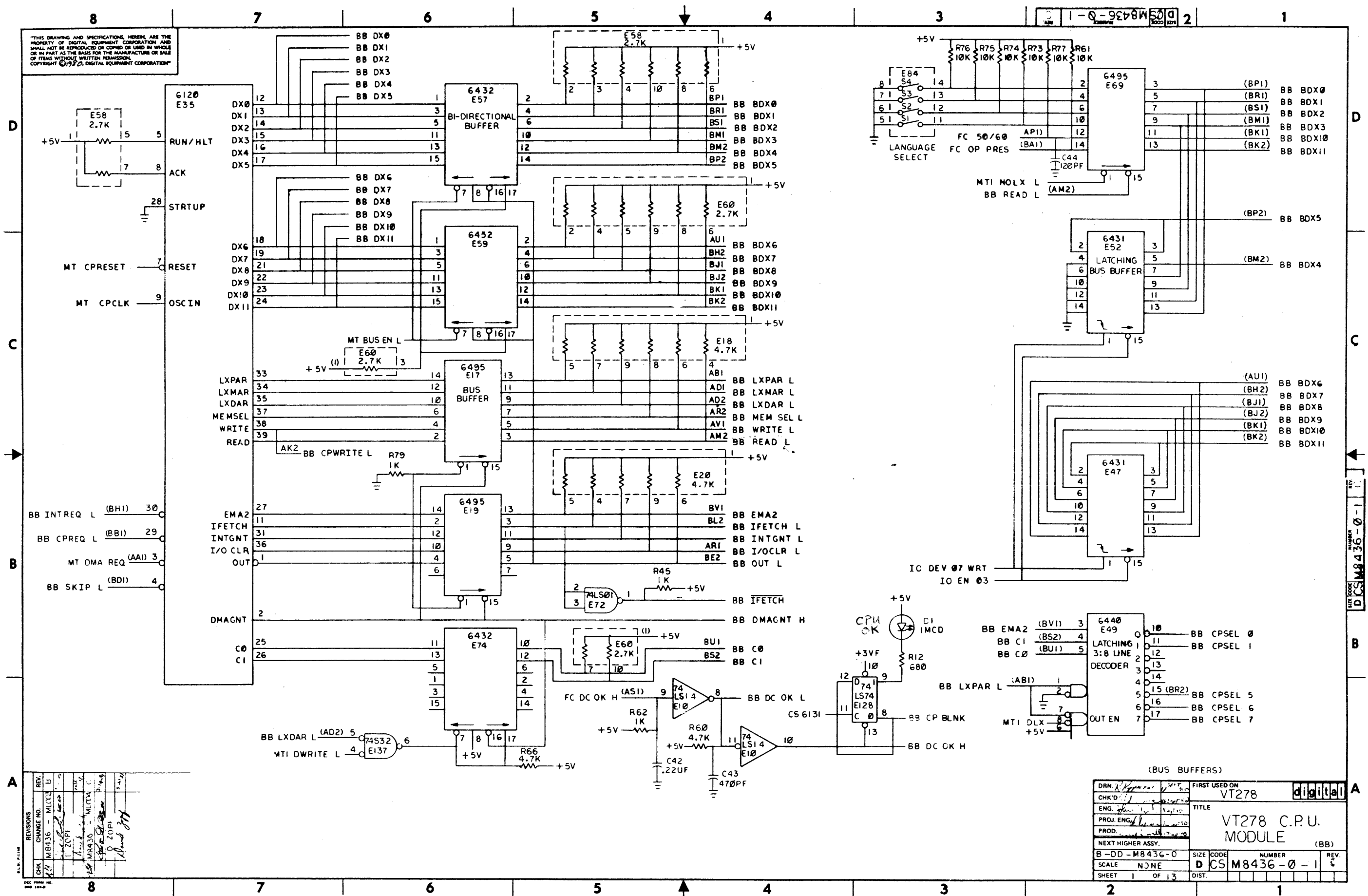
D	I	G	I	T	A	L	TITLE	SECTION A OF A	SIZE	CODE	DOCUMENT NUMBER	REV
							VT278 CPU MODULE		K	PL	MS435-0-DBP	D

LINE	ITEM	DOCUMENT NUMBER	PART NUMBER	DESCRIPTION	QTY	PER	PER VARIATION	REFERENCE DESIGNATOR
					CO	AA	BA	
130	130		9008451-00	SCREW LOCK, ASSY	4	4	4	
131	131		9006732-00	EYELET, ROLL FLANGE .1210DX .219	2	2	2	
132	132		9009185-00	JUMPER, WIRE, INSULATED, BLACK B	4	4	4	W1, W4, W5, W2
133	133		1316395-01	R NETWORK 9-2.7K 2.0% 10 PIN	2	2	2	E58, E60
134	134		1912837-00	LS123 ONE SHOT-DUAL, RETRIG	1	1	1	E129
135	135		1217854-00	SCREW, CAPTIVE, 6-32 X 11/16	2	2	2	
136	136		9006533-00	WASHER, LOCK, INT, .2800D X .146ID	2	2	2	
137	137		1010274-00	.22 MFD 50V +80-20% Z5U CER	1	1	1	C42
138	138		9105740-55	WIRE(WRAP)30AWG ULI423	A/R	A/R	A/R	
139	139		1302466-00	100.0 K .25 W 5.0 % CC	1	1	1	R36
140	140	A-SP-3700571-D-0	9008144-00	*** THIS ITEM IS NOT USED ***	-	-	-	
141	141		23228E2-00	E2-01 E2-04 ROM-	1	1	1	E99
142	142		1913414-00	LS14 INVERTER GATE-HEX SC	1	1	1	E10
143	143		1000018-00	120.0 MMF 100V 5%200PPM MICA	4	4	4	C44-C47
144	144		7425124-00	BUS, GROUND, C.P.U.	1	1	1	
145	145		3700571-00	PKG SUB ASSY VT278	A/R	A/R	A/R	
146	146		9107688-55	WIRE(WRAP)24AWG ULI327	A/R	A/R	A/R	
147	147		9107256-11	TUBING, THIN WALL .027ID UL	A/R	A/R	A/R	
148	148		1618238-02	BEAD, FERRITE .1380DX.330LG	2	2	2	L1, L2

- 141 NOTE: ITEM 5 MAY BE REPLACED BY 1012084-01 8UF, 25V, Gx30D AL EL
- 142 NOTE: ITEM 19 MAY BE REPLACED BY 1217120-01 PHONE JACK, PCMOUNT
- 143 NOTE: FOR INTERPLANT PACKAGING, ORDER PACKAGING MATERIAL PER A-SP-3700571-01
- 144 NOTE: FOR FIELD SERVICE PACKAGING, ORDER PACKAGING MATERIAL PER A-SP-3700571-02
- 145 NOTE: ITEM 105 MAY BE REPLACED BY 2116349-00, VTAC CONTROLLER

D	I	G	I	T	A	L	TITLE	VT278 CPU MODULE	SECTION A OF A	SIZE	CODE	DOCUMENT NUMBER	REV
										K	FL	M8436-0-DBP	D

"THIS DRAWING AND SPECIFICATIONS, HEREIN, ARE THE PROPERTY OF DIGITAL EQUIPMENT CORPORATION AND SHALL NOT BE REPRODUCED OR COPIED OR USED IN WHOLE OR IN PART AS THE BASIS FOR THE MANUFACTURE OR SALE OF ITEMS WITHOUT WRITTEN PERMISSION. COPYRIGHT © 1972, DIGITAL EQUIPMENT CORPORATION"



REV.	CHG.	NO.	BY	DATE
1				
2				
3				
4				
5				
6				
7				
8				

DRN	CHK'D	ENG.	PROJ.	PROD.	NEXT HIGHER ASSY.	SCALE	SHEET	OF	DIST.	
					B-DD-M8436-0	NONE	1	13		
					FIRST USED ON					
					VT278					
					TITLE					
					VT278 C.P.U. MODULE (BB)					
					SIZE	CODE	NUMBER	REV.		
					D	CS	M8436-0-1	1		

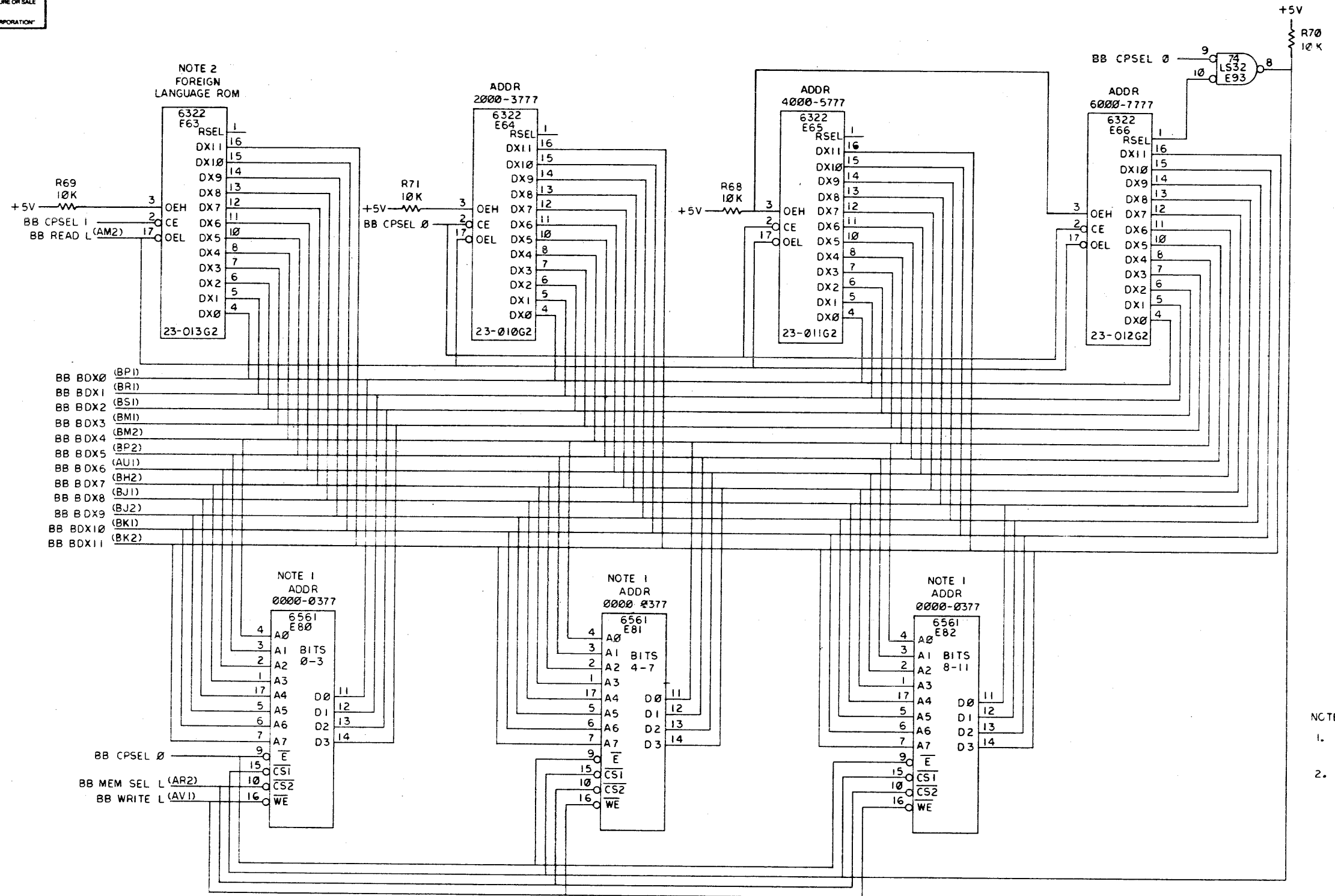
THIS DRAWING AND SPECIFICATIONS, HEREIN, ARE THE PROPERTY OF DIGITAL EQUIPMENT CORPORATION AND SHALL NOT BE REPRODUCED OR COPIED OR USED IN WHOLE OR IN PART AS THE BASIS FOR THE MANUFACTURE OR SALE OF ITEMS WITHOUT WRITTEN PERMISSION.  
 COPYRIGHT © 1970 DIGITAL EQUIPMENT CORPORATION

NOTE 2  
 FOREIGN LANGUAGE ROM

ADDR  
 2000-3777

ADDR  
 4000-5777

ADDR  
 6000-7777



- BB BDX0 (BP1)
- BB BDX1 (BR1)
- BB BDX2 (BS1)
- BB BDX3 (BM1)
- BB BDX4 (BM2)
- BB BDX5 (BP2)
- BB BDX6 (AU1)
- BB BDX7 (BH2)
- BB BDX8 (BJ1)
- BB BDX9 (BJ2)
- BB BDX10 (BK1)
- BB BDX11 (BK2)

NOTE 1  
 ADDR  
 0000-0377

NOTE 1  
 ADDR  
 0000-0377

NOTE 1  
 ADDR  
 0000-0377

- NOTE:
1. +5V = PIN 18  
 GND = PIN 8
  2. THIS ROM NOT INSTALLED ON VT276-AA, AB, AC, AD, AE, AF, AH, AJ, AK, AL, AM, AN.

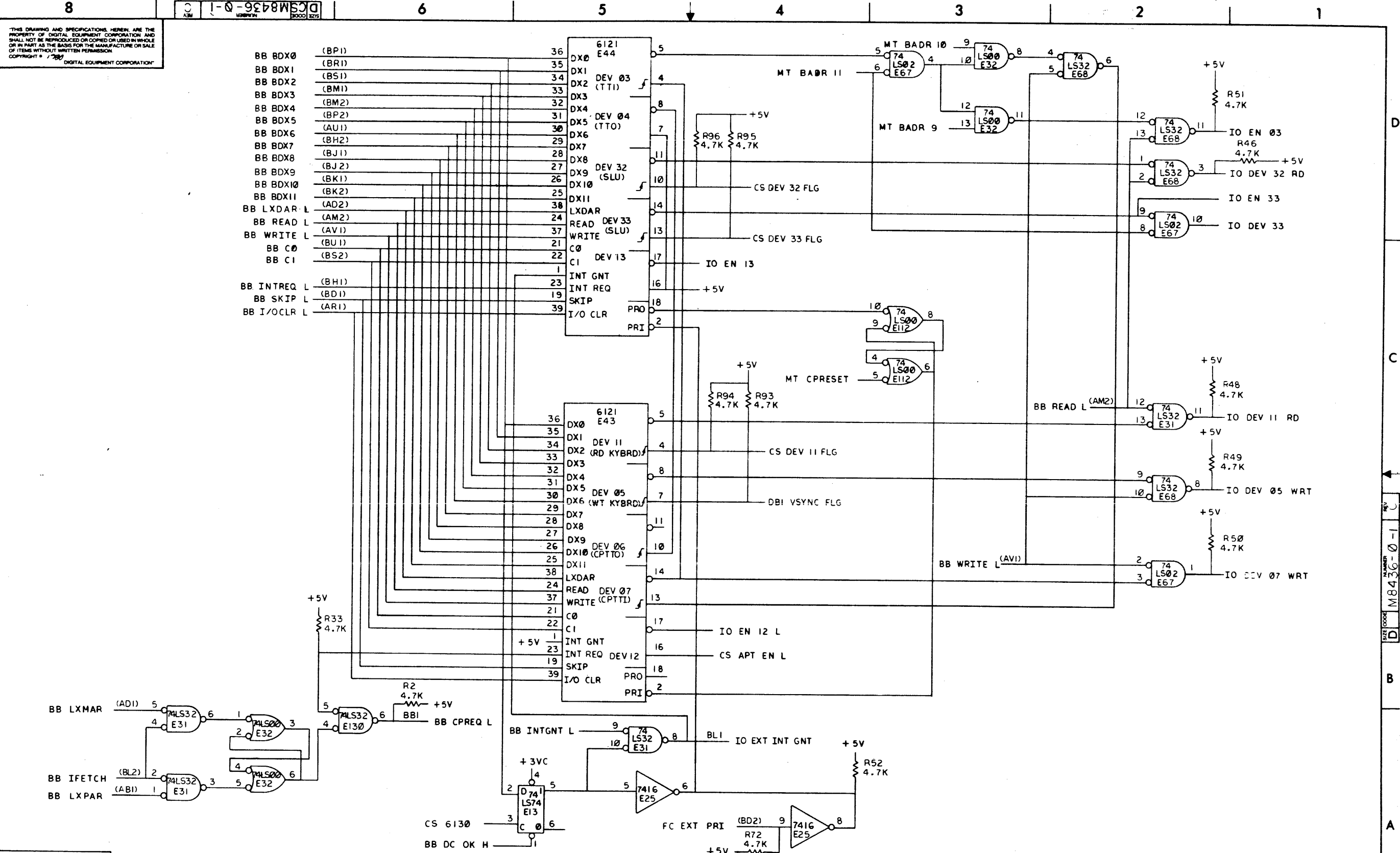
REVISION HISTORY		
DATE	ECO NUMBER	REV.

(CONTROL PANEL MEMORY)

TITLE VT278 C.P.U. MODULE (CP)

DOCUMENT NUMBER		REV
SIZE	CODE	NUMBER
DCS	M8436-0-1	1
SCALE		SHEET 2 OF 13





THIS DRAWING AND SPECIFICATIONS HEREIN ARE THE PROPERTY OF DIGITAL EQUIPMENT CORPORATION AND SHALL NOT BE REPRODUCED OR COPIED OR USED IN WHOLE OR IN PART AS THE BASIS FOR THE MANUFACTURE OR SALE OF ITEMS WITHOUT WRITTEN PERMISSION. COPYRIGHT © 1970 DIGITAL EQUIPMENT CORPORATION.

REVISION HISTORY		
DATE	ECO NUMBER	REV.

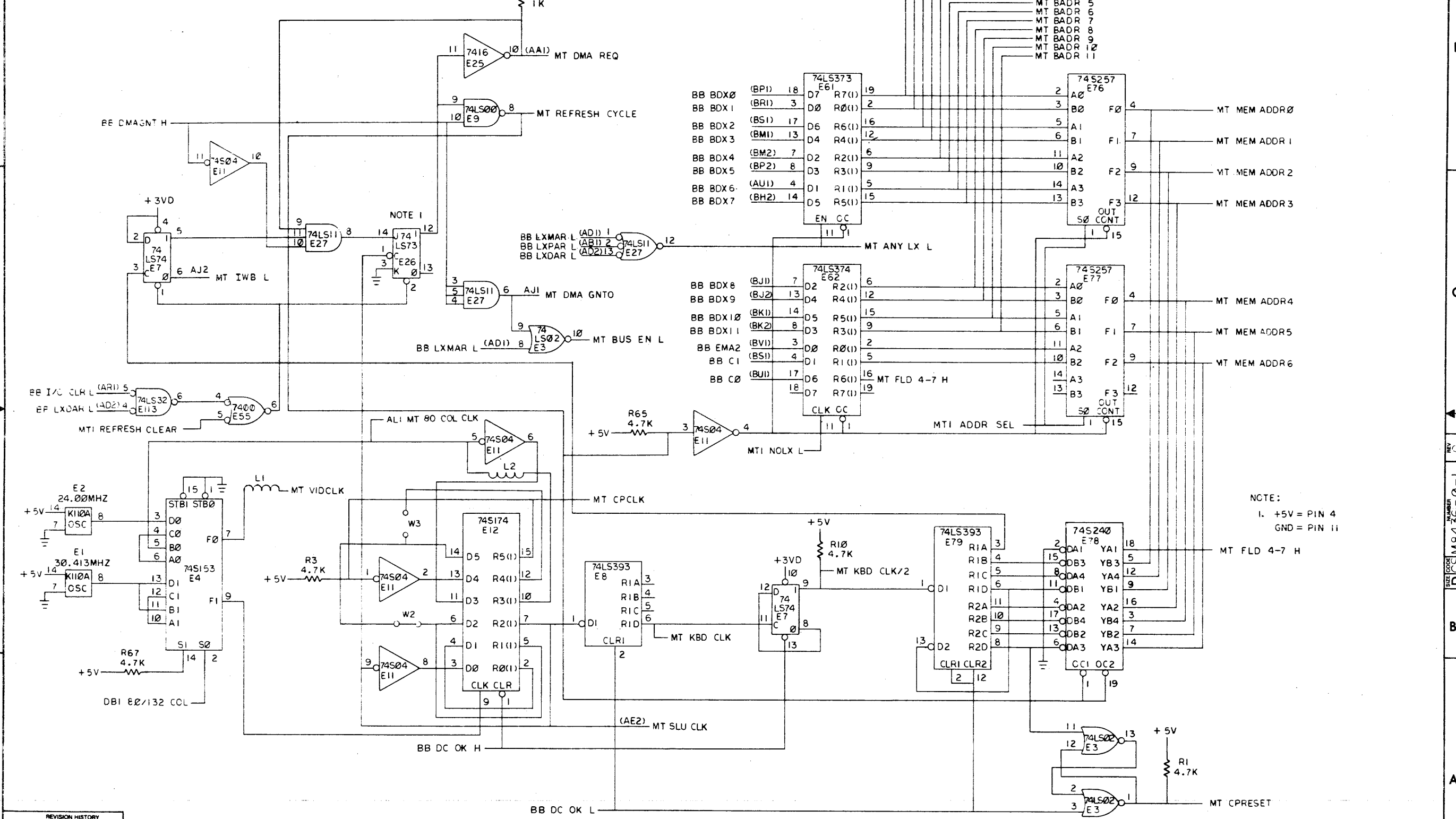
(I/O CONTROLLERS)

TITLE VT278 C.P.U. MODULE

DOCUMENT NUMBER		
SIZE CODE	NUMBER	REV
D	CS M 8436-0-1	C
SCALE	+	SHEET 3 OF 13

REV C  
M 8436-0-1  
D

THIS DRAWING AND SPECIFICATIONS HEREIN ARE THE PROPERTY OF DIGITAL EQUIPMENT CORPORATION AND SHALL NOT BE REPRODUCED OR COPIED OR USED IN WHOLE OR IN PART AS THE BASIS FOR THE MANUFACTURE OR SALE OF ITEMS WITHOUT WRITTEN PERMISSION. COPYRIGHT © 1980 DIGITAL EQUIPMENT CORPORATION.



REVISION HISTORY		
DATE	ECO NUMBER	REV



8

6

5

4

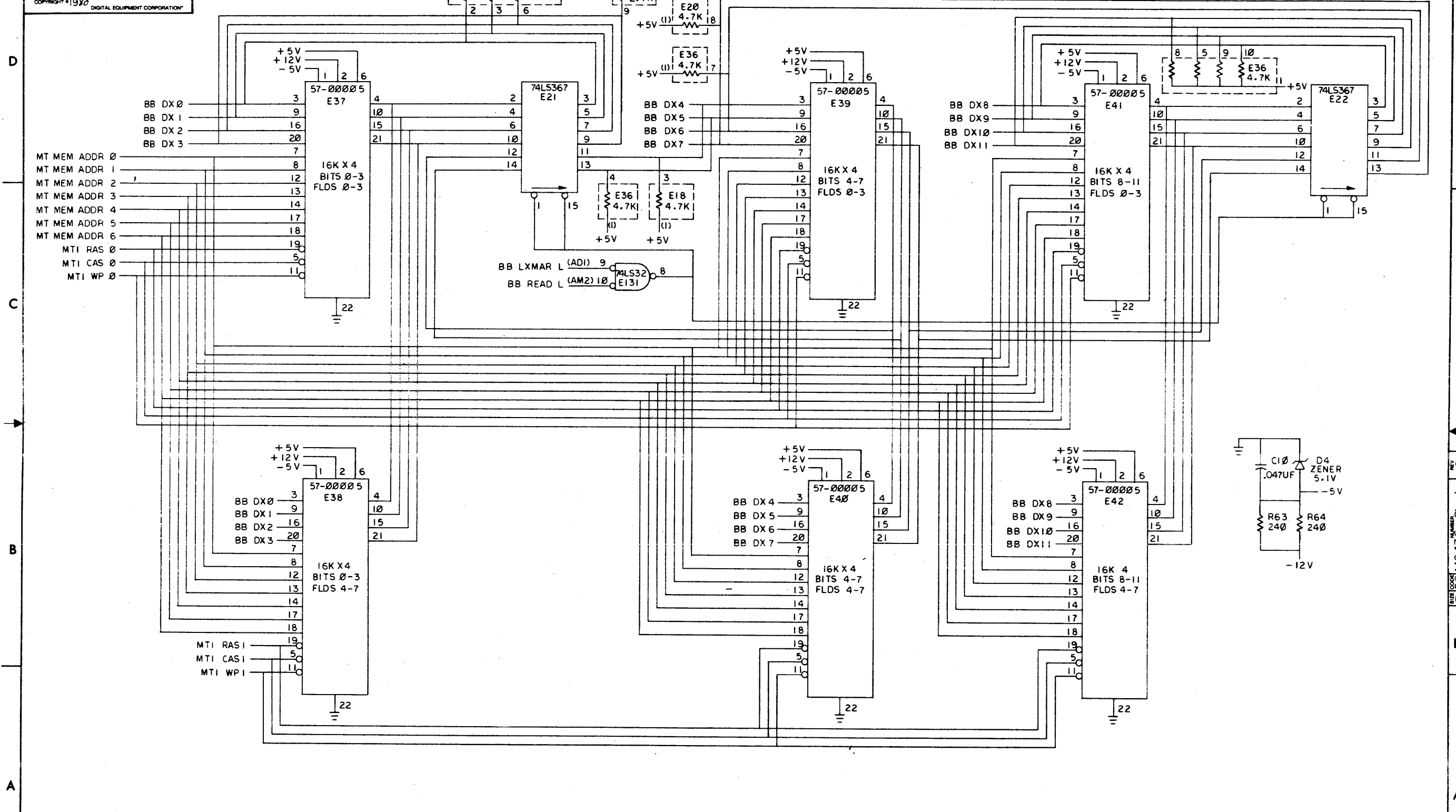
3

2

1

THIS DRAWING AND SPECIFICATIONS HEREIN ARE THE PROPERTY OF DIGITAL EQUIPMENT CORPORATION AND SHALL NOT BE REPRODUCED OR COPIED OR USED IN WHOLE OR IN PART AS THE BASIS FOR THE MANUFACTURE OR SALE OF ITEMS WITHOUT WRITTEN PERMISSION.  
 COPYRIGHT © 1970 DIGITAL EQUIPMENT CORPORATION

DCS M8436-0-1  
 1-0-9278



REVISION HISTORY		
DATE	ECO NUMBER	REV.

(MEMORY ARRAY)

TITLE VT278 C.P.U. MODULE

SIZE CODE	DOCUMENT NUMBER	REV.
DCS M8436-0-1		C
(MA) SCALE	SHEET	OF
	6	13

8

7

6

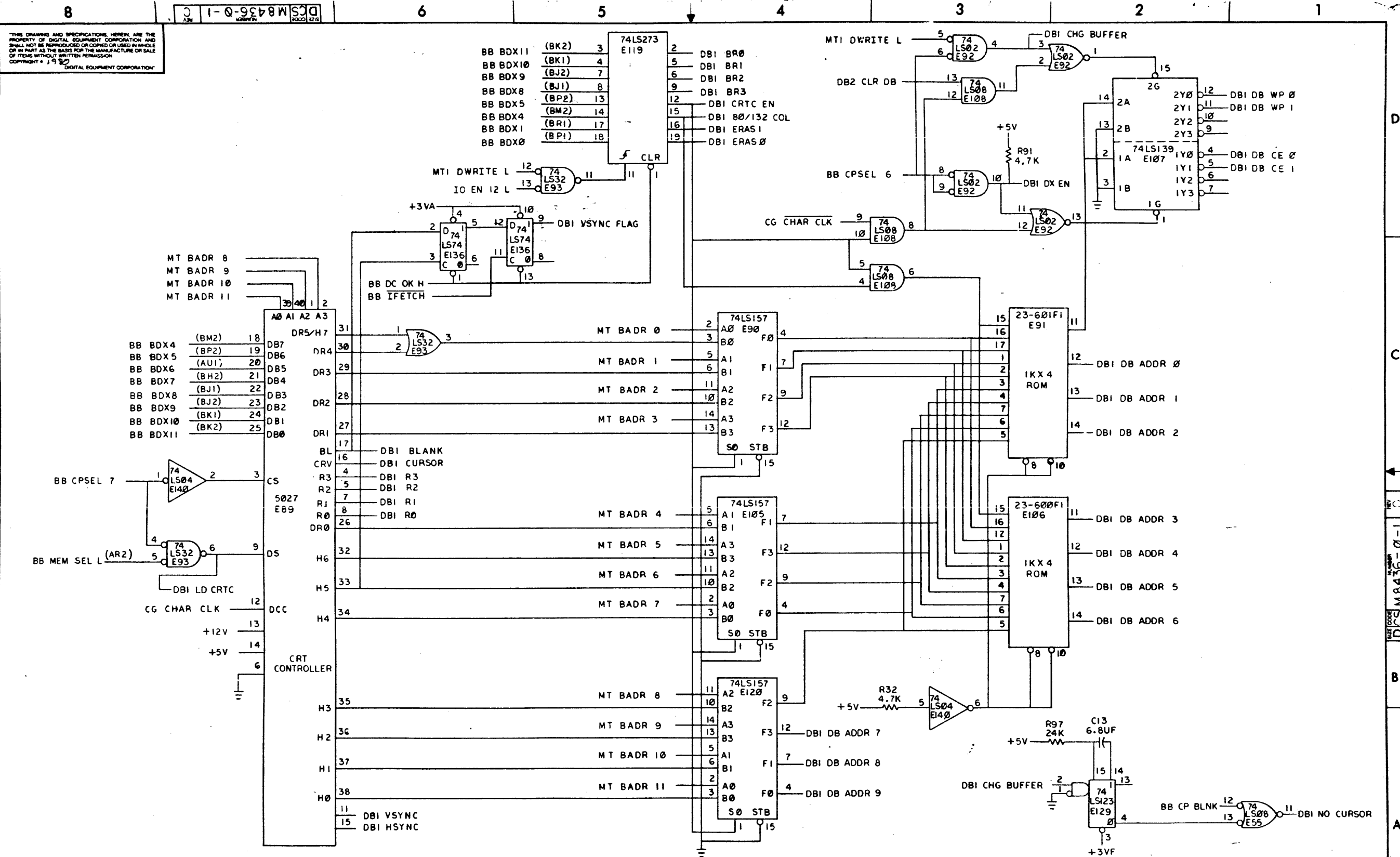
5

4

3

2

1



THIS DRAWING AND SPECIFICATIONS HEREIN ARE THE PROPERTY OF DIGITAL EQUIPMENT CORPORATION AND SHALL NOT BE REPRODUCED OR COPIED OR USED IN WHOLE OR IN PART AS THE BASIS FOR THE MANUFACTURE OR SALE OF ITEMS WITHOUT WRITTEN PERMISSION. COPYRIGHT © 1972 DIGITAL EQUIPMENT CORPORATION.

REVISION HISTORY		
DATE	ECO NUMBER	REV

(DISPLAY BUFFER CONTROL)

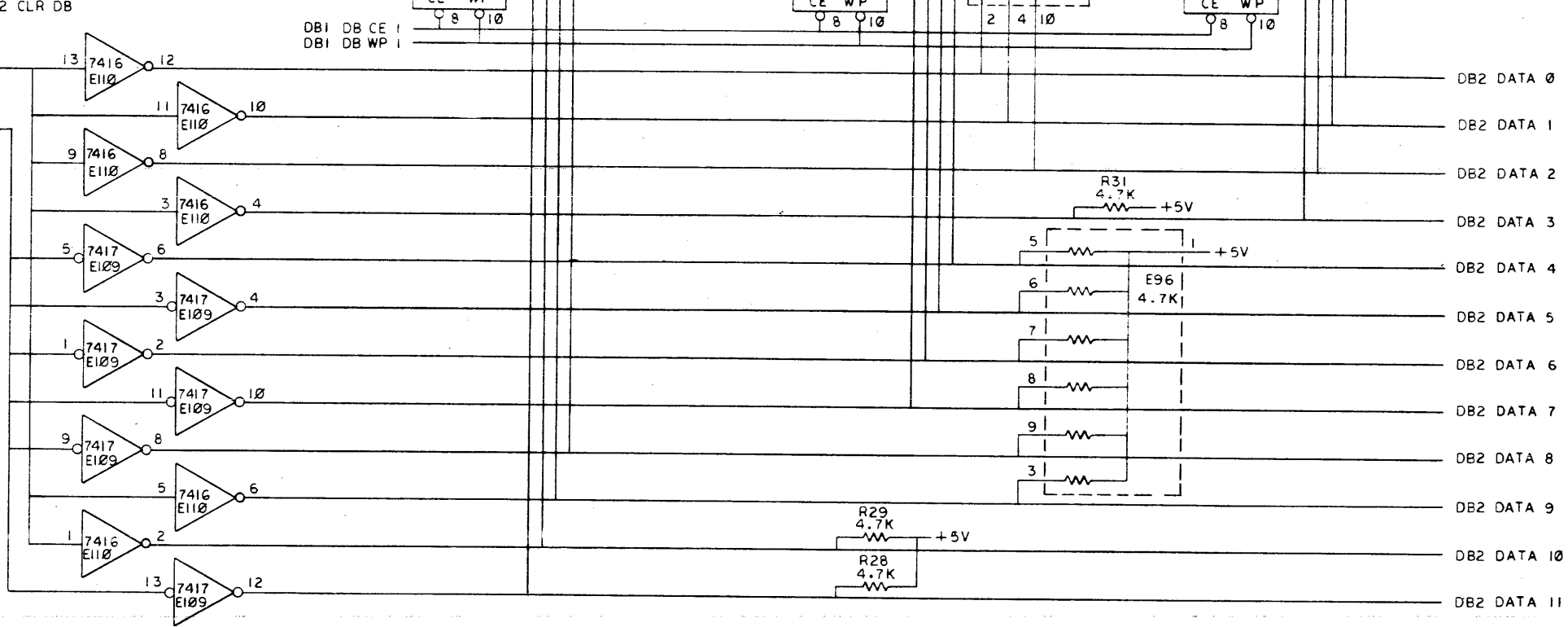
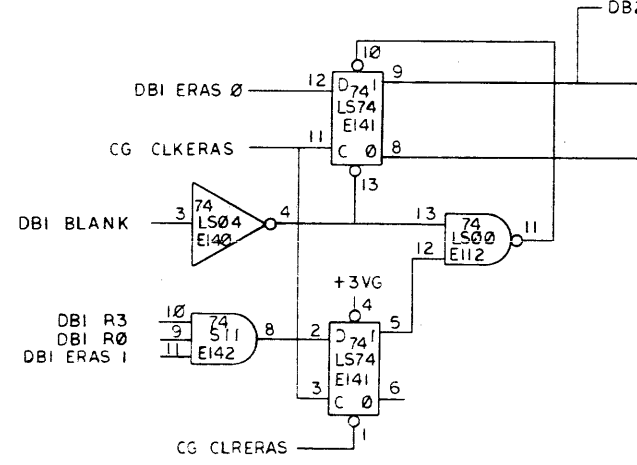
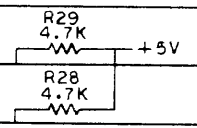
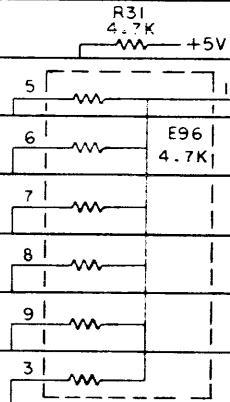
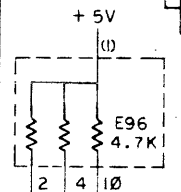
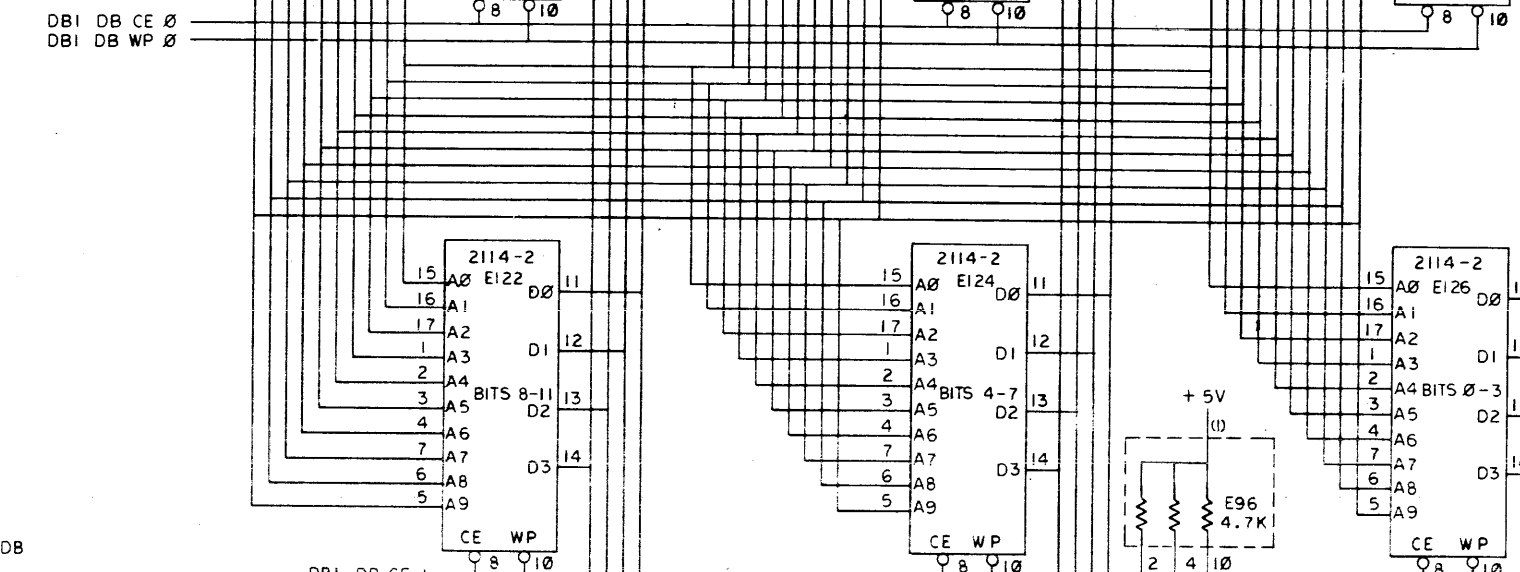
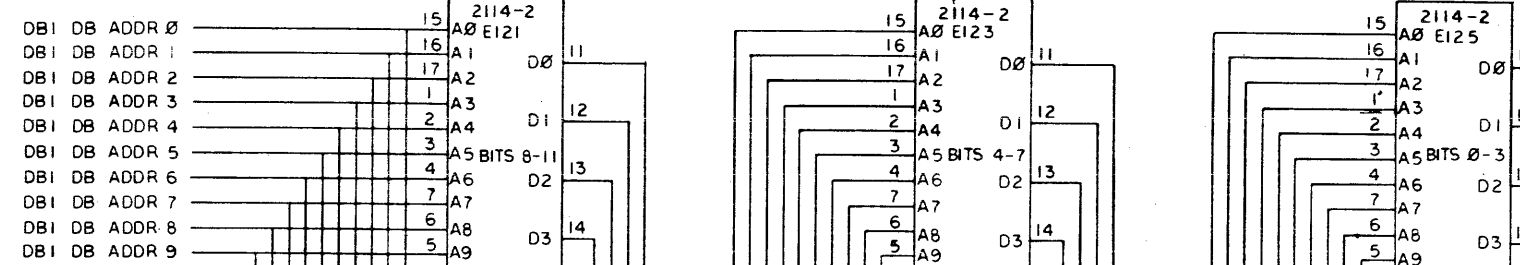
TITLE VT278 C.P.U. MODULE

DOCUMENT NUMBER DCS M8436-0-1 C

SCALE SHEET 7 OF 13

DCS M8436-0-1 C

THIS DRAWING AND SPECIFICATIONS HEREIN ARE THE PROPERTY OF DIGITAL EQUIPMENT CORPORATION AND SHALL NOT BE REPRODUCED OR COPIED OR USED IN WHOLE OR IN PART AS THE BASIS FOR THE MANUFACTURE OR SALE OF ITEMS WITHOUT WRITTEN PERMISSION  
 COPYRIGHT © 1970  
 DIGITAL EQUIPMENT CORPORATION

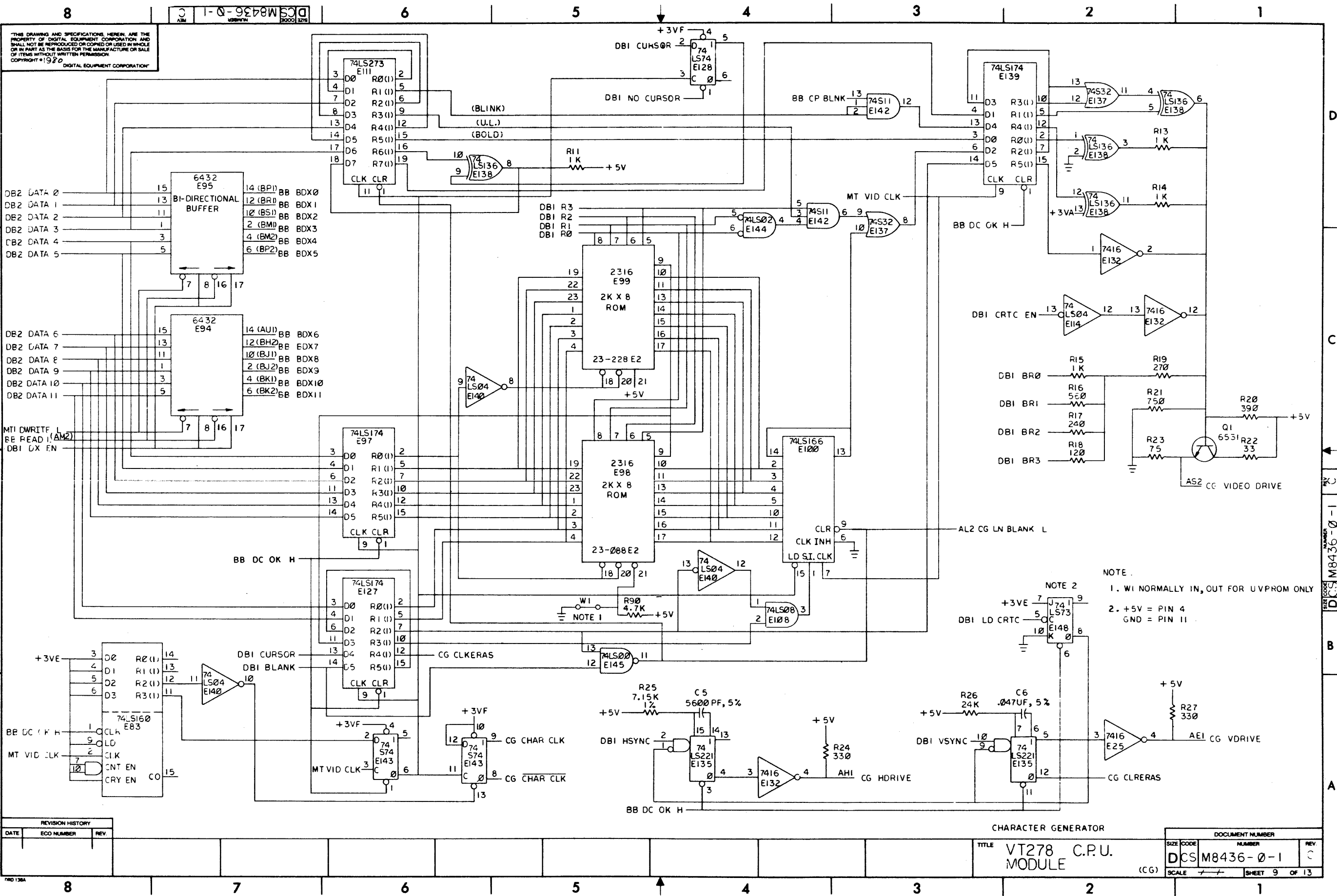


REVISION HISTORY		
DATE	ECO NUMBER	REV

(DISPLAY BUFFER MEMORY)  
 TITLE VT278 C.P.U.  
 MODULE

DOCUMENT NUMBER		REV
DCS M8436-0-1		C

REV C  
 DCS M8436-0-1  
 SHEET 8 OF 13



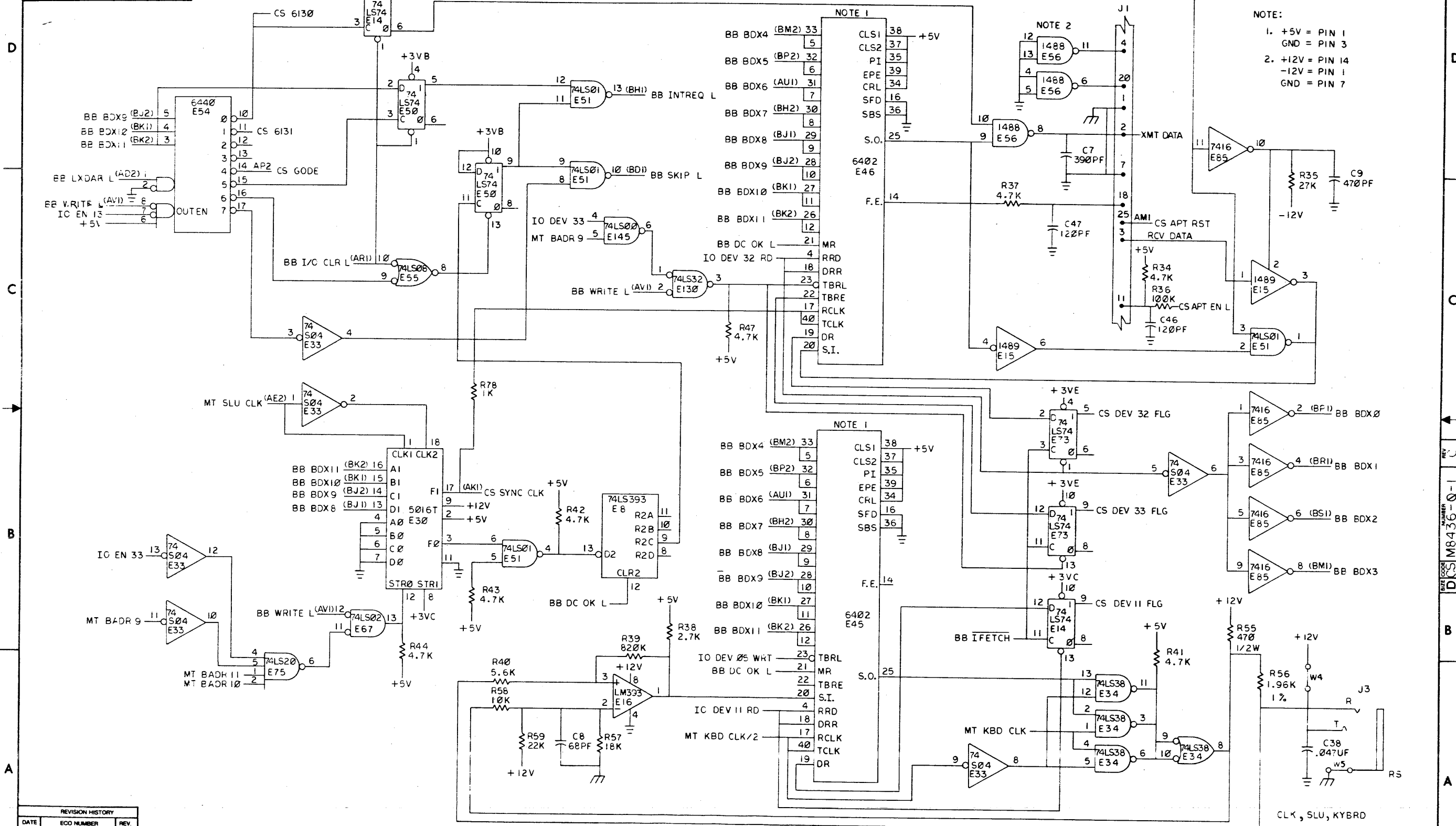
THIS DRAWING AND SPECIFICATIONS HEREIN ARE THE PROPERTY OF DIGITAL EQUIPMENT CORPORATION AND SHALL NOT BE REPRODUCED OR COPIED OR USED IN WHOLE OR IN PART AS THE BASIS FOR THE MANUFACTURE OR SALE OF ITEMS WITHOUT WRITTEN PERMISSION. COPYRIGHT © 1970 DIGITAL EQUIPMENT CORPORATION.

REVISION HISTORY		
DATE	ECO NUMBER	REV.

TITLE		DOCUMENT NUMBER	
VT278 C.P.U. MODULE		DCS M8436-0-1	
SCALE	SHEET	OF	TOTAL
	9	OF	13

DCS M8436-0-1

THIS DRAWING AND SPECIFICATIONS HEREIN ARE THE PROPERTY OF DIGITAL EQUIPMENT CORPORATION AND SHALL NOT BE REPRODUCED OR COPIED OR USED IN WHOLE OR IN PART AS THE BASIS FOR THE MANUFACTURE OR SALE OF ITEMS WITHOUT WRITTEN PERMISSION. COPYRIGHT © 1970 DIGITAL EQUIPMENT CORPORATION



NOTE:  
 1. +5V = PIN 1  
 GND = PIN 3  
 2. +12V = PIN 14  
 -12V = PIN 1  
 GND = PIN 7

NOTE 1  
 CLS1 38 +5V  
 CLS2 37  
 PI 35  
 EPE 39  
 CRL 34  
 SFD 16  
 SBS 36  
 S.O. 25  
 6402 E46  
 F.E. 14  
 MR 18  
 RRD 18  
 DRR 23  
 TBRL 22  
 TBRE 22  
 RCLK 17  
 TCLK 40  
 DR 19  
 S.I. 20

NOTE 1  
 CLS1 38 +5V  
 CLS2 37  
 PI 35  
 EPE 39  
 CRL 34  
 SFD 16  
 SBS 36  
 S.O. 25  
 6402 E45  
 F.E. 14  
 MR 21  
 RRD 18  
 DRR 17  
 TBRL 23  
 TBRE 22  
 RCLK 17  
 TCLK 40  
 DR 19  
 S.I. 20

REVISION HISTORY		
DATE	ECO NUMBER	REV.

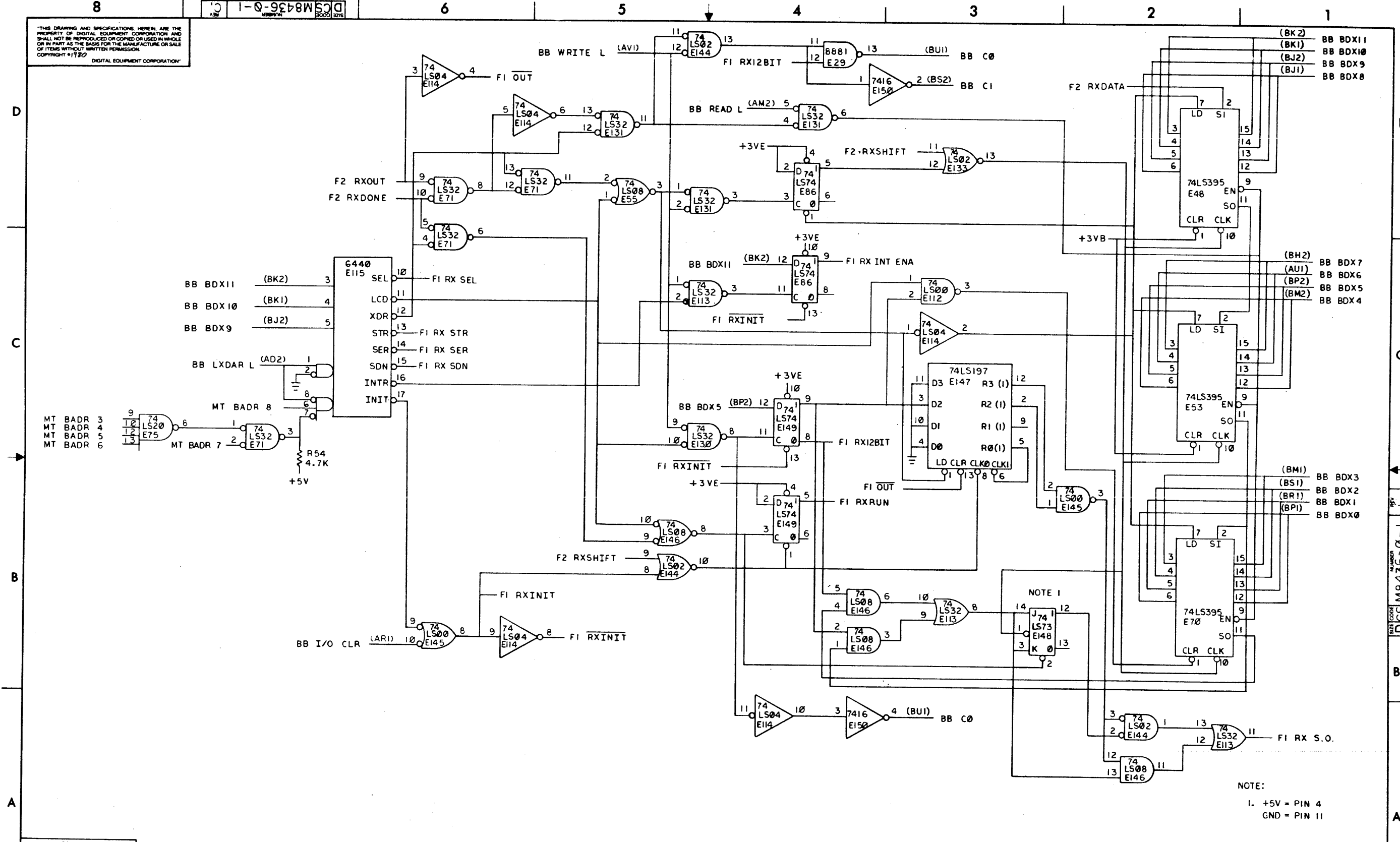
TITLE  
 VT278 C.P.U.  
 MODULE

DOCUMENT NUMBER		
SIZE	CODE	NUMBER
DCS	M8436-0-1	C
SCALE	1/1	SHEET 10 OF 13



THIS DRAWING AND SPECIFICATIONS HEREIN ARE THE PROPERTY OF DIGITAL EQUIPMENT CORPORATION AND SHALL NOT BE REPRODUCED OR COPIED OR USED IN WHOLE OR IN PART AS THE BASIS FOR THE MANUFACTURE OR SALE OF ITEMS WITHOUT WRITTEN PERMISSION. COPYRIGHT © 1970 DIGITAL EQUIPMENT CORPORATION

DCS M8436-0-1



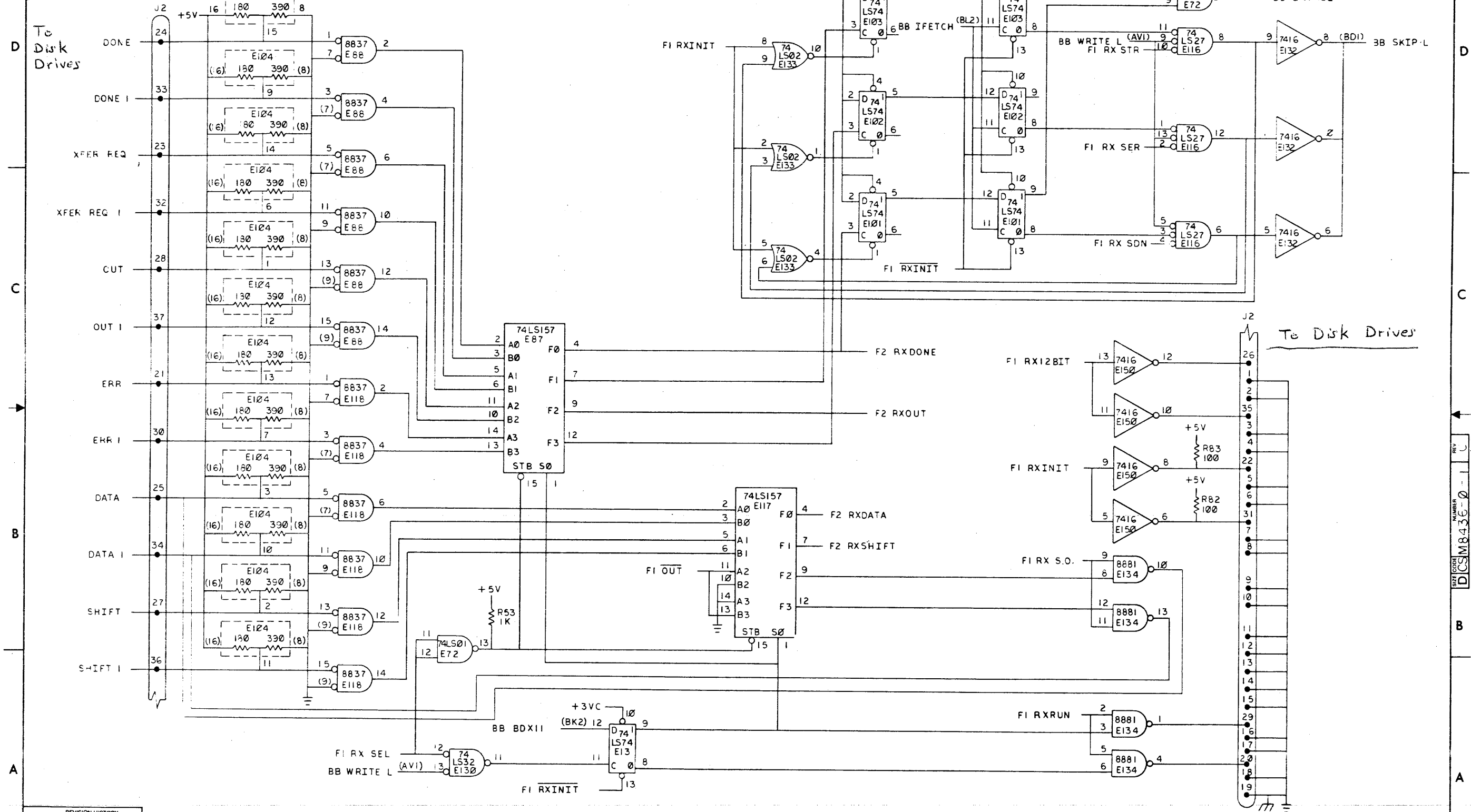
NOTE:  
1. +5V = PIN 4  
GND = PIN 11

REVISION HISTORY		
DATE	ECO NUMBER	REV

TITLE  
DISK INTERFACE  
VT278 C.P.U.  
MODULE

DOCUMENT NUMBER		
SIZE	CODE	NUMBER
DCS	M8436-0-1	1

THIS DRAWING AND SPECIFICATIONS HEREIN ARE THE PROPERTY OF DIGITAL EQUIPMENT CORPORATION AND SHALL NOT BE REPRODUCED OR COPIED OR USED IN WHOLE OR IN PART AS THE BASIS FOR THE MANUFACTURE OR SALE OF ITEMS WITHOUT WRITTEN PERMISSION. COPYRIGHT © 1980 DIGITAL EQUIPMENT CORPORATION



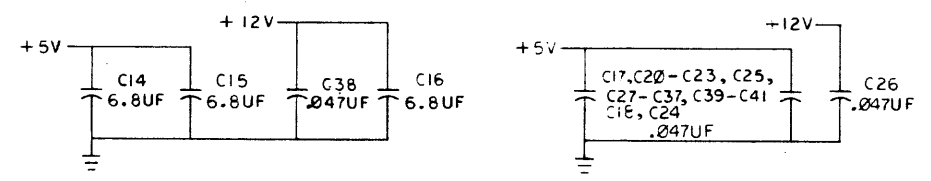
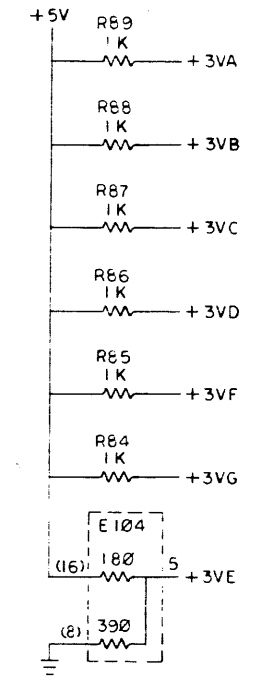
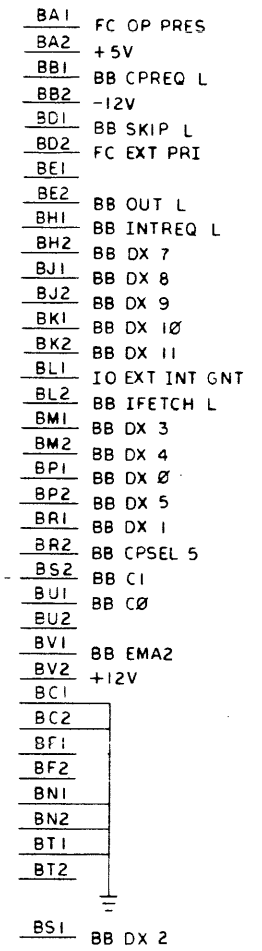
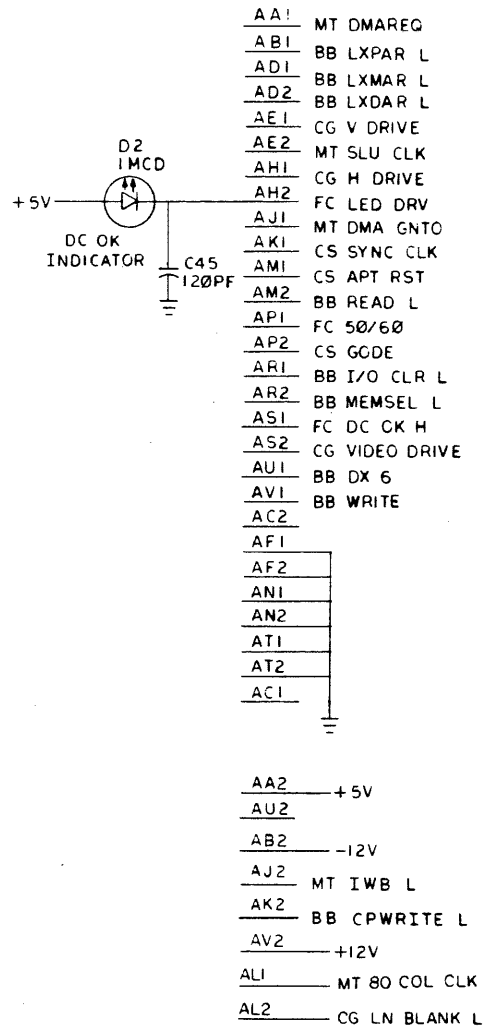
REVISION HISTORY		
DATE	ECO NUMBER	REV

DISK INTERFACE  
 TITLE VT278 C.P.U. MODULE  
 DOCUMENT NUMBER DCS M8436-0-1  
 SHEET 12 OF 13

THIS DRAWING AND SPECIFICATIONS HEREIN ARE THE PROPERTY OF DIGITAL EQUIPMENT CORPORATION AND SHALL NOT BE REPRODUCED OR COPIED OR USED IN WHOLE OR IN PART AS THE BASIS FOR THE MANUFACTURE OR SALE OF ITEMS WITHOUT WRITTEN PERMISSION.  
 COPYRIGHT © 1970 DIGITAL EQUIPMENT CORPORATION

NOTES:

- HIGHEST RES DESIGNATION R97  
 HIGHEST CAP DESIGNATION C47  
 C19 DOES NOT EXIST
- ANY/ALL 6.8UF CAPS MAY BE REPLACED BY 8UF (P/N 1G12064-01)



REVISION HISTORY		
DATE	ECO NUMBER	REV

FINGER CCNN.

TITLE VT278 C.P.U. MODULE (FC)

DOCUMENT NUMBER		
SIZE CODE	NUMBER	REV
DCS	M8436-0-1	C

DCS M8436-0-1



LINE	ITEM	DOCUMENT NUMBER	PART NUMBER	DESCRIPTION	QTY PER VARIATION			REFERENCE DESIGNATOR
					00	AA	BA	
1	3		1002478-00	330 MFD 6V 20% S.TANT	1	1	1	C55
2	4		1009689-00	.0022 MFD 80V 10% MYLR	16	16	16	C33-C36, C42-C44, C49, C60-C67
3	5		1012084-01	8 MFD 25V +75-10% AL EL	4	4	4	C56-C59
4	6		1012312-00	.47 MFD 50V +80-20% CER	10	10	10	C37-C41, C50-C54
5	8		1012784-00	.047 MFD 50V +80-20% CER	36	36	36	C1-C32, C45-C48
6	10		1110967-00	IN 4005 PIV=600 I= 1A 0041 SI	5	5	5	D3-D7
7	9		1211164-06	SW, DIP 1P 1A 10POS	1	1	1	E46
8	11		1211357-00	CONN, D SUB 25PIN PLUG RT ANGLE	1	1	1	J1, J2
9	12		1215006-03	SKT, IC 18PIN DIP TIN PLATE	3	3	3	XE1, XE2, XE3
10	7		1215006-08	SKT, IC 40PIN DIP TIN PLATE	3	3	3	XE43, XE44, XE54
11	13		1217854-00	SCREW, CAPTIVE, 6-32 X 11/16	2	2	2	
12	14		1300250-00	150.0 .25 W 5.0 % CC	1	1	1	R77
13	15		1300316-00	470.0 .25 W 5.0 % CC	1	1	1	R109
14	18		1300365-00	1.0 K .25 W 5.0 % CC	3	3	3	R73, R74, R78
15	16		1300432-00	3.0 K .25 W 5.0 % CC	2	2	2	R69, R54
16	17		1300439-00	3.30 K .25 W 5.0 % CC	3	3	3	R2, R3, R94
17	17		1300447-00	4.70 K .25 W 5.0 % CC	53	53	53	R1, R4, R5, R9-R23, R27-R40, R55, R66, R71, R72, R76, R95-R108, R92, R93
18	19		1300479-00	10.0 K .25 W 5.0 % CC	8	8	8	R6-R8, R24-R26, R51, R57
19	20		1301322-00	180.0 .25 W 5.0 % CC	20	20	20	R41-R50, R56-R65
20	21		1301972-00	270.0 .25 W 5.0 % CC	10	10	10	R79-R88
21	24		1302388-00	2.0 K .25 W 5.0 % CC	4	4	4	R126-R129
22	22		1303177-00	2.40 K .25 W 5.0 % CC	2	2	2	R75, R110
23	23		1303178-00	620.0 .25 W 5.0 % CC	1	1	1	R89
24	25		1313841-00	23.20 K .25 W 1.0 % RN55D-F10	16	16	16	R70, R111-R125
25	26		1309595-00	1.0 M .25 W 5.0 % CC	3	3	3	R52, R53, R68
26	27		1503409-01	DEC6534B PNP 310MW SI 40 90 P	1	1	1	Q2
27	28		1510708-01	D 45H8CPNP 50WT SI 60 60 Y	1	1	1	Q1
28	29		1610999-00	.47UH 10% 690MA#WEEWEZ.47	1	1	1	L1
29	30		1909928-00	7416 INVERTER GATE-HEX II	1	1	1	E19

REVISION HISTORY		BASIC PART NO: M8437		DRN: R. BUREAU		DATE: 11-MAR-80		D I G I T A L	
ENG	ECO NUMBER	REV	SECTION A OF A	CHK'D:	D. DROZD	DATE:	22-SEP-80	TITLE PARTS LIST	
	INITIAL	A	SECTION VARIATION INDEX	DES.ENG: CARL GERSTLE		DATE: 11-MAR-80		DOCUMENT NUMBER	
CG	M8437-MLO01	B	[A] 00, AA, BA	RESP.ENG.: CARL GERSTLE		DATE: 22-SEP-80		SIZE: CODE: NUMBER	REV
AA	M8437-MLO02	C	[B]	MFG.ENG.: BARRY DAVILLI		DATE: 22-SEP-80		K PL M8437-0-DBP	D
CG	M8437-MLO03	D	[C]	ASSEMBLY NUMBER:		TOP DOCUMENT NUMBER:		FILE NAME:	EDIT #:
			[D]	E-UA-M8437-0-0		B-DD-M8437-0-0		Z16820.PLS	11
			[E]	"THIS DRAWING AND SPECIFICATIONS HEREIN, ARE THE PROPERTY OF DIGITAL EQUIPMENT CORPORATION AND SHALL NOT BE REPRODUCED OR COPIED OR USED IN WHOLE OR IN PART AS THE BASIS FOR THE MANUFACTURE OR SALE OF ITEMS WITHOUT WRITTEN PERMISSION. COPYRIGHT (C) 1981. DIGITAL EQUIPMENT CORPORATION"					
			[F]						
			[G]						
			[H]						
			[I]						
			[J]						
			[K]						
			[L]						
			[M]						
			[N]						

LINE	ITEM	DOCUMENT NUMBER	PART NUMBER	DESCRIPTION	QTY PER VARIATION			REFERENCE DESIGNATOR
					00	AA	BA	
30	31		1909929-00	7417	1	1	1	E29
31	32		1911469-00	8640	1	1	1	E12
32	33		1912649-00	LS75	5	5	5	E48, E63, E64, E70, E71
33	34		1912799-00	LS00	1	1	1	E28
34	35		1912801-00	LS02	3	3	3	E20, E75, E76
35	36		1912803-00	74LS04	3	3	3	E14, E40, E51
36	37		1912805-00	LS08	4	4	4	E8, E23, E45, E55
37	38		1912811-00	LS21	1	1	1	E21
38	39		1912813-00	LS27	2	2	2	E49, E57
39	40		1912816-00	LS32	3	3	3	E13, E16, E65
40	41		1912821-00	LS54	4	4	4	E50, E52, E56, E58
41	42		1912824-00	LS74	4	4	4	E9, E15, E22, E62
42	43		1912849-00	LS161	3	3	3	E5, E6, E7
43	44		1912853-00	LS175	1	1	1	E61
44	45		1912862-00	LS266	3	3	3	E11, E72, E78
45	46		1913471-00	LS367	2	2	2	E27, E33
46	47		1915123-03	26LS32-3	4	4	4	E18, E25, E53, E73
47	48		1915415-00	9636	5	5	5	E41, E42, E59, E60, E66
48	49		2112517-50		1	1	1	E43, E44
49	50		2115103-00		2	2	2	E35, E36
50	51		2115108-00	HM 6121	1	1	1	E54
51	52		2115950-00	6431	2	2	2	E26, E34
52	53		2115951-00	6495	10	10	10	E10, E17, E24, E30-E32, E37, E38, E47, E68
53	54		2115952-00	6440	2	2	2	E69, E74
54	55		23629F1-00	F1-03	-	1	1	E1
55	56		23630F1-00	F1-03	-	1	1	E2
56	57		23631F1-00	F1-03	-	1	1	E3
57	58		4901093-00	ADHESIVE, ANAEROBIC, RESIN BASE	A/R	A/R	A/R	
58	1	E-MD-5013771-0-0	5013771-00	DRILL & ETCH BRD	1	1	1	
59	59		7425125-00	BUS GROUND COMMUNICATION	1	1	1	
60	60		7423340-00	STIFFENER, COMMOPTION	1	1	1	
61	61		7423657-00	SPACER MODULE	1	1	1	
62	62		9006011-01	SCREW, PAN, PHIL 4-40X 3/8 SS	4	4	4	
63	63		9006023-02	SCREW, FLAT, PHIL, 6-32X 7/16	3	3	3	
64	64		9006557-00	NUT, KEP 4-40X 1/4 AF	4	4	4	
65	65		9006633-00	WASHER, LOCK, INT, 2800D X .146ID	2	2	2	
66	66		9006732-00	EYELET, ROLL FLANGE .1210DX .219	2	2	2	
67	67		9006735-00	EYELET, FUNNEL FLANGE, .059 OD X	16	16	16	
68	68		9008451-00	SCREW LOCK ASSY	4	4	4	
69	69		9009185-00	JUMPER, WIRE, INSULATED, BLACK B	5	5	5	W7, W11, W13, W14, W1
70	70		9107560-01	WIRE, BUSS, 22AWG	2	2	2	W8, W12

71 NOTE: ITEM #49(PART#2112517-50) IS NOT PREFERRED, THE PREFERRED PART IS (2112517-01).

D	I	G	I	T	A	L	TITLE	SECTION A OF A	SIZE	CODE	DOCUMENT NUMBER	REV
							COMM, ADAPTOR		K	PL	M8437-0-DBP	D

AUTOMATED BY PRTLST.3M(41)

P A R T S L I S T

SHEET A3 OF A3

LINE ITEM DOCUMENT NUMBER

PART NUMBER

DESCRIPTION

QTY PER VARIATION  
00 AA BA

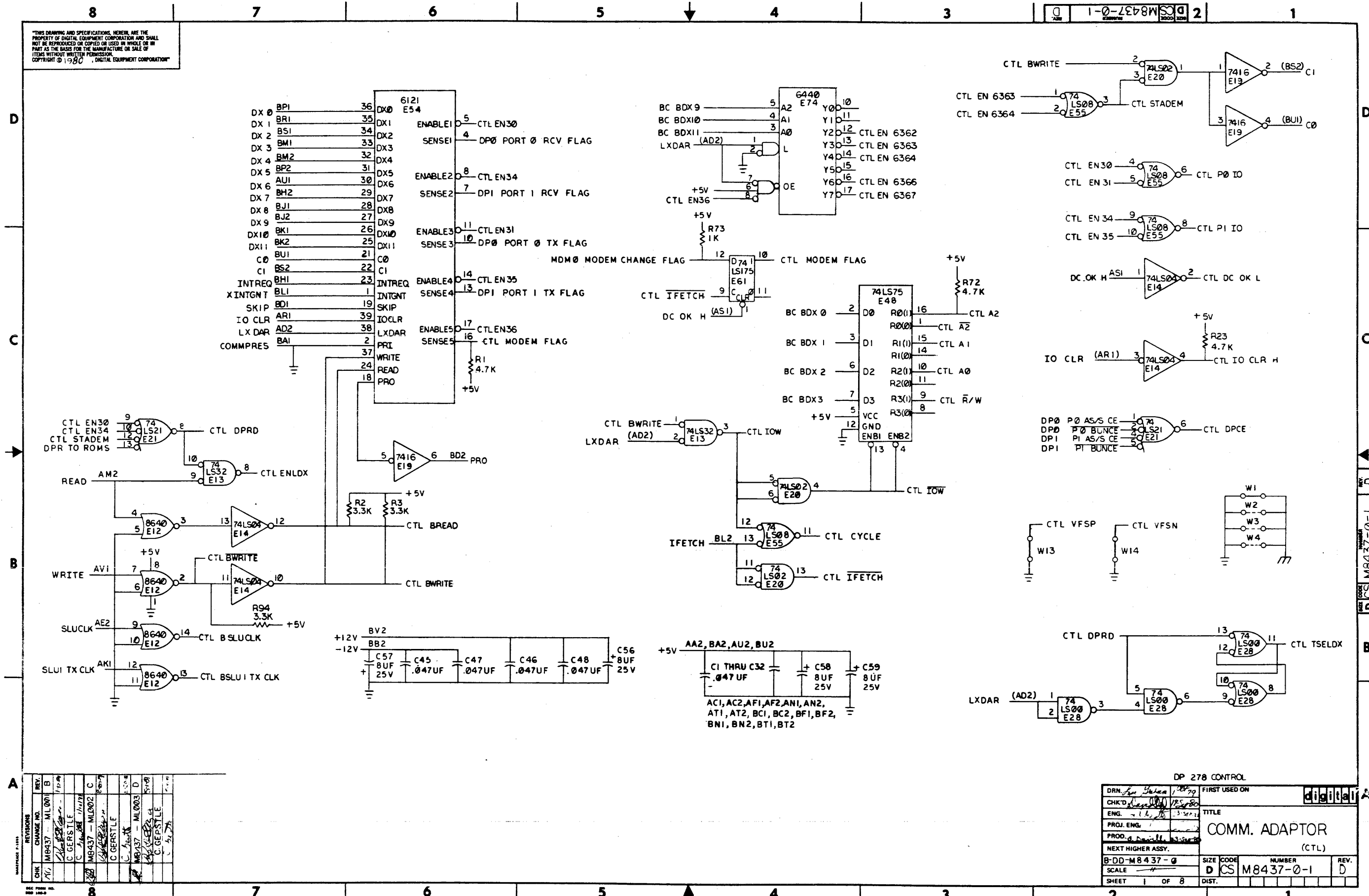
REFERENCE DESIGNATOR

72 NOTE: HAND SOLDER ITEM #67 TO ITEM #59 AFTER WAVE SOLDER  
73 NOTE: ITEM #50 (21-15103) MUST BE A REV. "E" CHIP OR HIGHER

D	I	G	I	T	A	L	TITLE	COMM, ADAPTOR	SECTION A OF A	SIZE	CODE	DOCUMENT NUMBER	REV
										K	PL	M8437-0-DBP	D

"THIS DRAWING AND SPECIFICATIONS, HEREIN, ARE THE PROPERTY OF DIGITAL EQUIPMENT CORPORATION AND SHALL NOT BE REPRODUCED OR COPIED OR USED IN WHOLE OR IN PART AS THE BASIS FOR THE MANUFACTURE OR SALE OF ITEMS WITHOUT WRITTEN PERMISSION.  
 COPYRIGHT © 1980, DIGITAL EQUIPMENT CORPORATION"

1-0-1348M 2



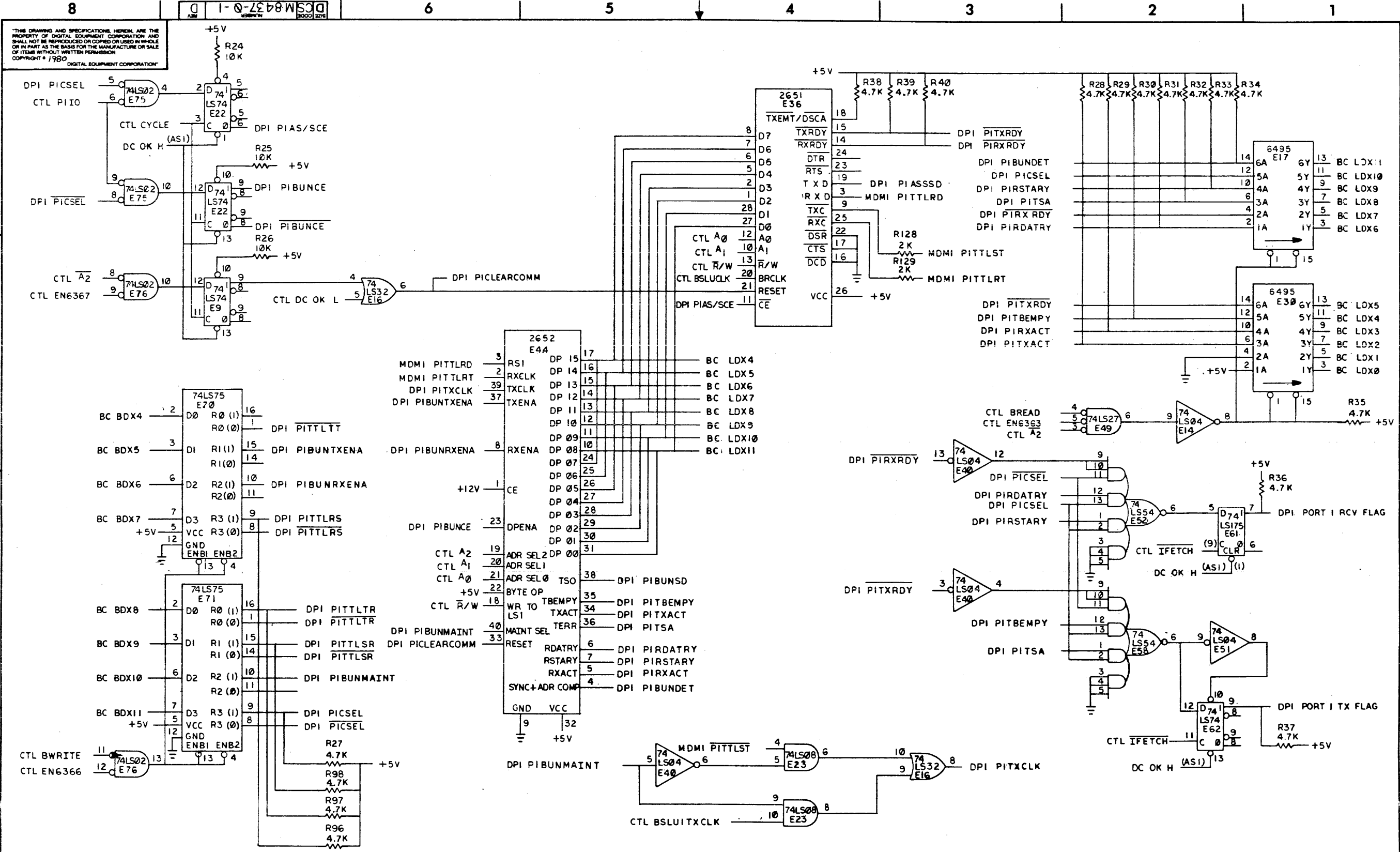
REV.	CHG.	NO.	DATE	BY	CHK.
1					
2					
3					
4					
5					
6					
7					
8					

DP 278 CONTROL

DRN. <i>[Signature]</i>	FIRST USED ON	<b>digital</b>
CHK'D <i>[Signature]</i>	TITLE	<b>COMM. ADAPTOR</b>
ENG. <i>[Signature]</i>	PROJ. ENG.	(CTL)
PROD. <i>[Signature]</i>	NEXT HIGHER ASSY.	
B-DD-M 8437-0	SIZE CODE	NUMBER
SCALE	D CS	M 8437-0-1
SHEET 1 OF 8	DIST.	REV. D







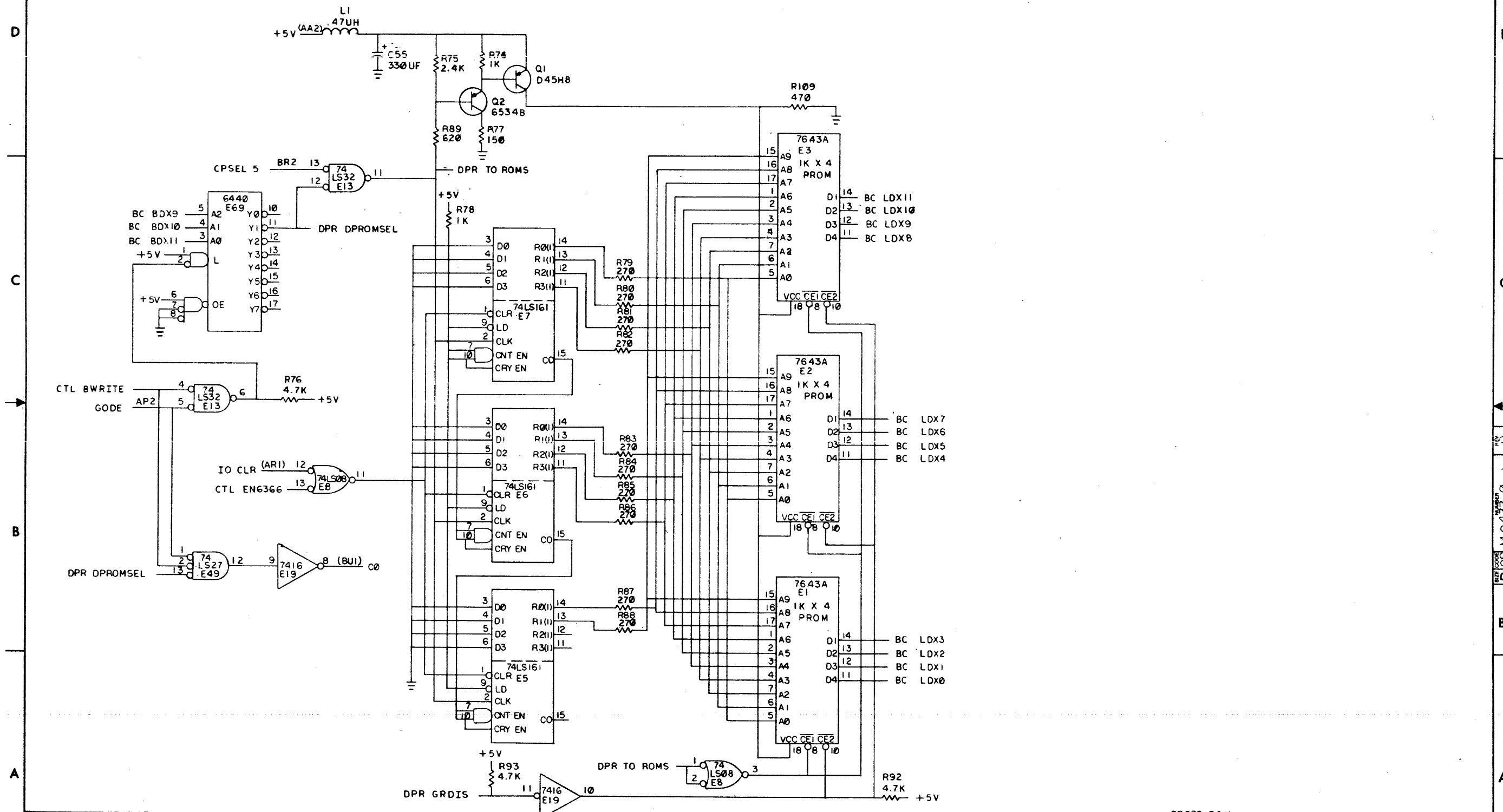
REVISION HISTORY		
DATE	ECO NUMBER	REV.

DP278 PORT I	DOCUMENT NUMBER
COMM. ADAPTOR (DPI)	DCS M8437-0-1
SCALE	SHEET 3 OF 8





THIS DRAWING AND SPECIFICATIONS HEREIN ARE THE PROPERTY OF DIGITAL EQUIPMENT CORPORATION AND SHALL NOT BE REPRODUCED OR COPIED OR USED IN WHOLE OR IN PART AS THE BASIS FOR THE MANUFACTURE OR SALE OF ITEMS WITHOUT WRITTEN PERMISSION. COPYRIGHT © 1980 DIGITAL EQUIPMENT CORPORATION



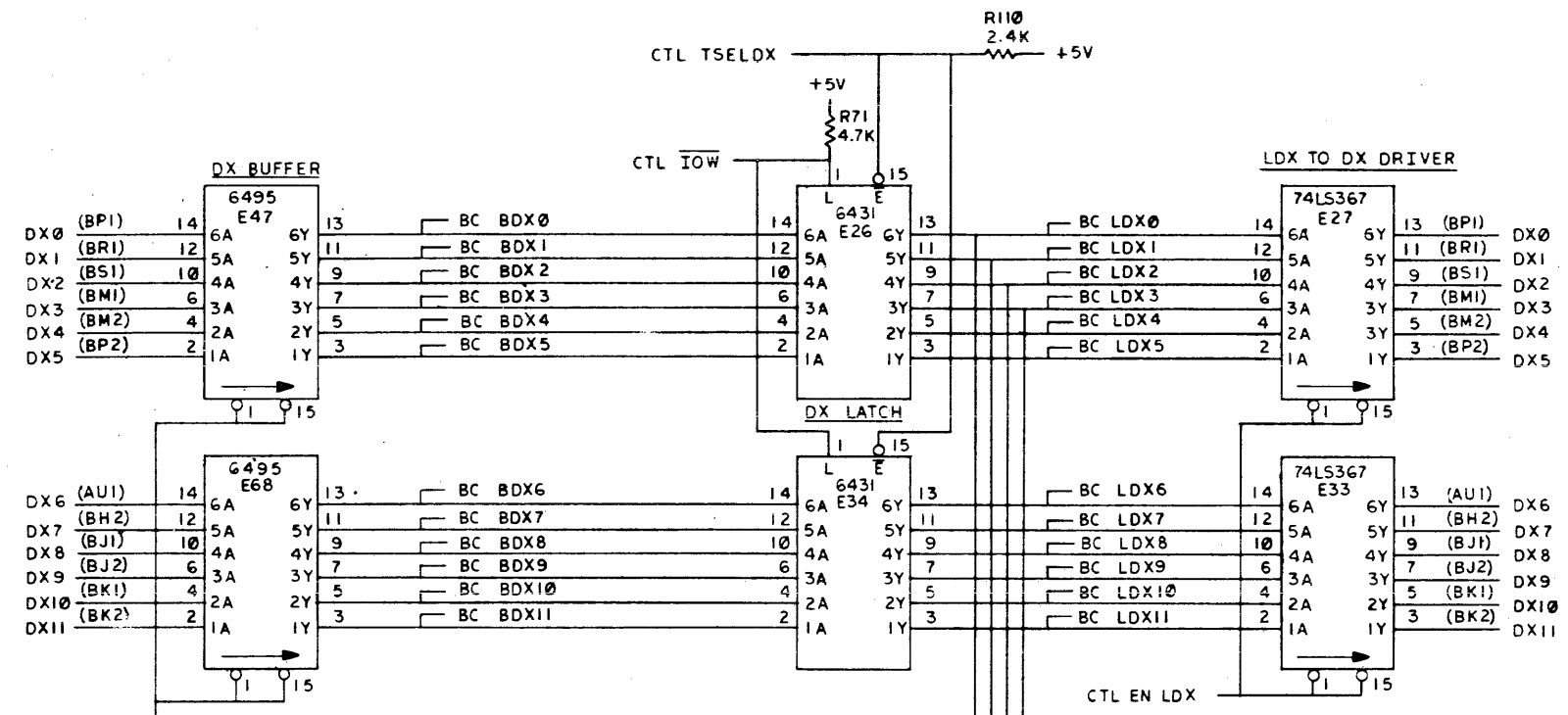
DP278 ROM

REVISION HISTORY		
DATE	ECO NUMBER	REV.

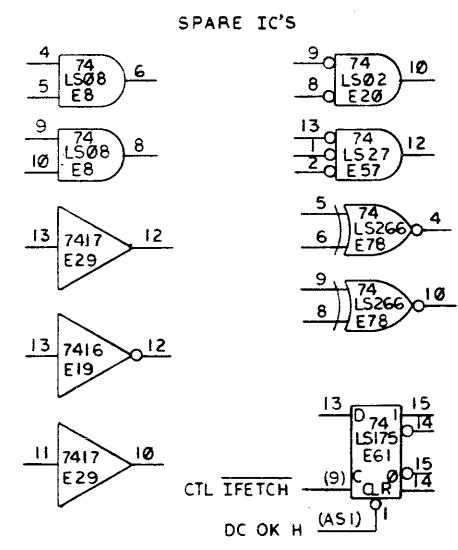
TITLE  
COMM. ADAPTOR (DPR)

DOCUMENT NUMBER		
SIZE CODE	NUMBER	REV.
DCS	M8437-0-1	0
SCALE	SHEET 6 OF 8	

THIS DRAWING AND SPECIFICATIONS HEREIN ARE THE PROPERTY OF DIGITAL EQUIPMENT CORPORATION AND SHALL NOT BE REPRODUCED OR COPIED OR USED IN WHOLE OR IN PART AS THE BASIS FOR THE MANUFACTURE OR SALE OF ITEMS WITHOUT WRITTEN PERMISSION.  
 COPYRIGHT © 1980 DIGITAL EQUIPMENT CORPORATION



SPARE I.C. LOCATIONS  
 E4, E39, E67, E77



HIGHEST RES DESIGNATION IS R129  
 HIGHEST CAP DESIGNATION IS C67

REVISION HISTORY		
DATE	ECO NUMBER	REV

DP278 BUS CONTROL

COMM. ADAPTOR (BC)

DOCUMENT NUMBER		
SIZE CODE	NUMBER	REV
D	CS M8437-0-1	0
SCALE NONE		SHEET 7 OF 8

DCS M8437-0-1

THIS DRAWING AND SPECIFICATIONS HEREIN ARE THE PROPERTY OF DIGITAL EQUIPMENT CORPORATION AND SHALL NOT BE REPRODUCED OR COPIED OR USED IN WHOLE OR IN PART AS THE BASIS FOR THE MANUFACTURE OR SALE OF ITEMS WITHOUT WRITTEN PERMISSION.  
 COPYRIGHT © 1980 DIGITAL EQUIPMENT CORPORATION

NOTES:

- IMPORTANT: S3 AND W5 MAY NEVER BE CLOSED/CONNECTED AT THE SAME TIME.  
 S8 AND W9 MAY NEVER BE CLOSED/CONNECTED AT THE SAME TIME.
- W7 AND W11 MAY BE REPLACED BY RESISTORS, AND ARE USED TO CONTROL THE SLEW RATES OF TRANSMITTED DATA (PIN 2) AND TERMINAL TIMING (PIN 24) FOR PORTS 0 AND 1 RESPECTIVELY. SEE THE VT278 TECHNICAL GUIDE FOR SUGGESTED RESISTOR VALUES TO COMPLY WITH CCITT V.10 IN SUCH APPLICATIONS.
- ALL REFERENCES IN THE CS TO EIA LEVEL SIGNALS ARE IN THE FOLLOWING FORMAT:

PNXX

WHERE P IS THE PORT, N IS THE PORT NUMBER (0 OR 1), XX IS THE EIA RS-449 SIGNAL MNEMONIC. UNDER THE RS-449 NAMES ARE THE CCITT V.24 AND DIN 66020 SIGNAL NAMES.

SWITCH AND JUMPER SETTINGS

FOR SOLDER SHORTS TESTING: SET ALL SWITCHES OFF (OPEN). FOR G.R. TESTING: SET ALL SWITCHES ON (CLOSED). INSTALL W7, W11, AFTER SOLDER SHORTS AND G.R. TESTING.

FOR EXTENDED RS232-C OPERATIONS, SET THE FOLLOWING SWITCHES TO THE CLOSED (ON) POSITION: S1, S2, S4-S7, S9, S10. SET S3 AND S8 TO OPEN (OFF). ALSO INSTALL THE FOLLOWING JUMPERS: W7, W8, W11, W12.

W13 AND W14 ARE FIXED NON-OPTIONAL JUMPERS.

FOR OTHER THAN EIA RS232-C CHARACTERISTICS / PROTOCOLS, SEE THE VT278 TECHNICAL GUIDE.

TO RUN THE DP278 DIAGNOSTICS WITH EXTERNAL LOOPBACK, CLOSE (SET TO ON) ALL SWITCHES (S1-S10); BE SURE THAT W5 AND W9 ARE NOT INSTALLED.

EXPLANATION OF SWITCHES AND JUMPERS

THE FOLLOWING SWITCHES AND JUMPERS ARE USED TO MAKE OR BREAK THE CONNECTION BETWEEN EIA PORTS J1 AND J2 AND THE REST OF THE VT278.

	J1 J2 PIN NO.	FUNCTION	CIRCUIT ACCORDING TO			
			DIN 66020	EIA RS232C	EIA RS449	CCITT V.24
J1-W8	1	PROTECTIVE GROUND	E1	AA		101
J2-W12	1	PROTECTIVE GROUND	E1	AA		101
J1-S1	15	TRANSMITTER SIGNAL ELEMENT TIMING	T2	DB	ST	114
J2-S6	15	TRANSMITTER SIGNAL ELEMENT TIMING	T2	DB	ST	114
J1-S2	17	RECEIVER SIGNAL ELEMENT TIMING	T4	DD	RT	115
J2-S7	17	RECEIVER SIGNAL ELEMENT TIMING	T4	DD	RT	115
J1-W6	18	LOCAL LOOPBACK	PS3		LL	141
J2-W10	18	LOCAL LOOPBACK	PS3		LL	141
J1-S3	21	SIGNAL QUALITY		CG	SQ	110
J1-W5	21	REMOTE LOOPBACK	PS2		RL	140
J2-S8	21	SIGNAL QUALITY		CG	SQ	110
J2-W9	21	REMOTE LOOPBACK	PS2		RL	140
J1-S5	23	DATA SIGNALLING RATE SELECTOR	S4	CH	SR	111
J2-S10	23	DATA SIGNALLING RATE SELECTOR	S4	CH	SR	111
J1-S4	24	SELECT STANDBY	S8		SS	116
J1-S4	24	TERMINAL TIMING	T1		TT	113
J2-S9	24	SELECT STANDBY	S8		SS	116
J2-S9	24	TERMINAL TIMING	T1		TT	113

REVISION HISTORY		
DATE	ECO NUMBER	REV

TITLE COMM ADAPTOR

DOCUMENT NUMBER		
SIZE CODE	NUMBER	REV
DCS	M8437-2-1	1

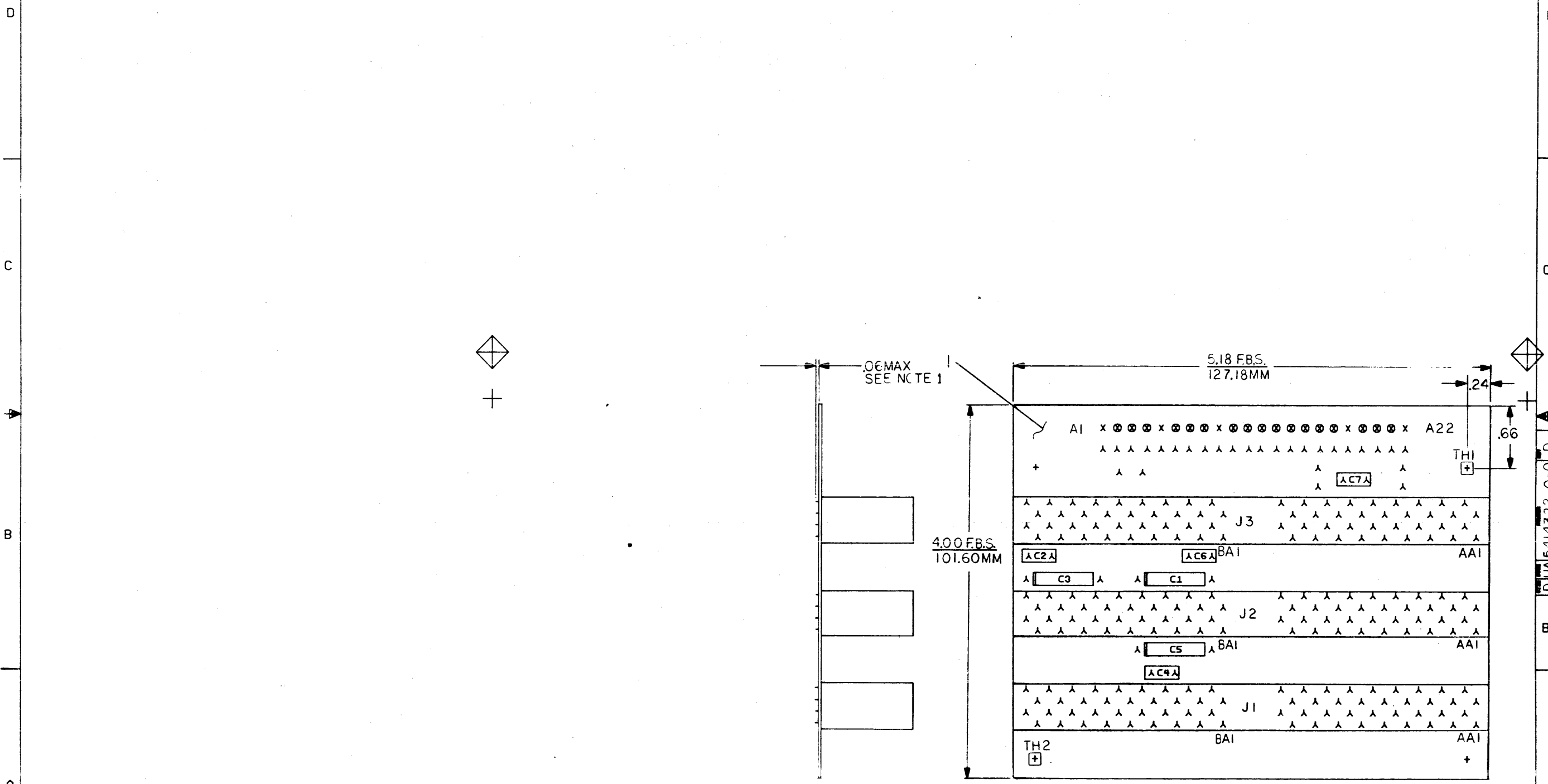
SCALE SHEET 2 OF 8

SIZE CODE DCS  
 NUMBER M8437-2-1  
 REV 1

7 DUA 5414322-0-0 D

COMPONENT SIDE VIEW

THIS DRAWING AND SPECIFICATIONS, HEREIN, ARE THE PROPERTY OF DIGITAL EQUIPMENT CORPORATION AND SHALL NOT BE REPRODUCED OR COPIED IN WHOLE OR IN PART OR THE WHOLE OR THE SUBSTANCE OR SALE OF IT, WITHOUT WRITTEN PERMISSION. COPYRIGHT © 1980 DIGITAL EQUIPMENT CORPORATION



NOTES: 1. MAX LEAD HEIGHT ON SIDE 2 OF ITEM 1 TO BE .06

STEP	↑ Y AXIS	STEP	TIMES
REPEAT	→ X AXIS	STEP	TIMES

CHG	NO	REV	DATE	BY	APP
2	5414322-0-0	C	3-17-81	D.ZOFF	
1	5414322-0-0	D	3-17-81	D.ZOFF	

ETCH REV. C-P2
----------------

SIGNATURES		DATE	TITLE
DRN. <i>[Signature]</i>		3-17-81	
CHK'D. <i>[Signature]</i>		3-17-81	
MECH. ENG. <i>[Signature]</i>		3-17-81	
PROJ. ENG. <i>[Signature]</i>		3-17-81	
SCALE 2/A			SIZE CODE
SHT. 1 OF 1			NUMBER
NEXT HIGHER ASSY. B-DD-5414322-0			REV

digital

DUA 5414322-0-0 D



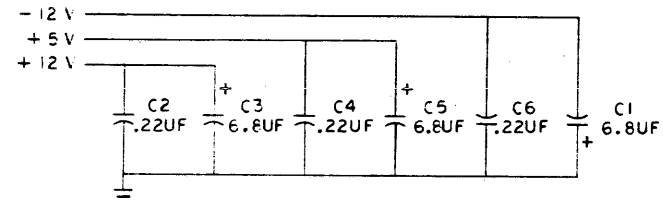
LINE ITEM	DOCUMENT NUMBER	PART NUMBER	DESCRIPTION	QTY PER VARIATION 00	REFERENCE DESIGNATOR
1	1	D-MD-5014321-0-0	5014321-00 DRILL AND ETCH BD.	1	
2	2	1005306-00	6.8MFD 35V 10% S.TANT	3	C1,C3,C5
3	3	1010274-01	.22 MFD 50V +80-20% Z5U CER	3	C2,C4,C6
4	4	7417042-00	72 PIN CONNECTOR	3	J1,J2,J3
5	5	1000018-00	120.0 MMF 100V 5%200PPM MICA	1	C7

REVISION HISTORY		BASIC PART NO: 5414322		DRN:	KENT GLEEZEN	DATE:	20-MAR-80	D I G I T A L			
ENG	ECD NUMBER	REV	SECTION A OF A	CHK'D:	TONY SHETRAWSKI	DATE:	20-MAR-80	TITLE	PARTS LIST		
---	INITIAL	A	SECTION.VARIATION INDEX	CHK'D:	TONY SHETRAWSKI	DATE:	20-MAR-80	I O CONNECTOR BOARD			
DZ	5414322-ML001	B	[A] 00	DES.ENG:	DAVE ZOPF	DATE:	20-MAR-80	DOCUMENT NUMBER			
DZ	5414322-ML002	C	[B]	RESP.ENG.:	AL DELUCA	DATE:	20-MAR-80	SIZE	CODE	NUMBER	REV
			[C]	MFG.ENG.:	BARRY DAVILLI	DATE:	20-MAR-80	K	PL	5414322-0-DBP	C
			[D]	ASSEMBLY NUMBER:		TOP DOCUMENT NUMBER:		FILE NAME:	EDIT #		
			[E]	D-UA-5414322-0-0		DB-DD-5414322-0		Z1000C.PLS	9		
			[F]								
			[G]								
			[H]								
			[I]								
			[J]								
			[K]								
			[L]								
			[M]								
			[N]								

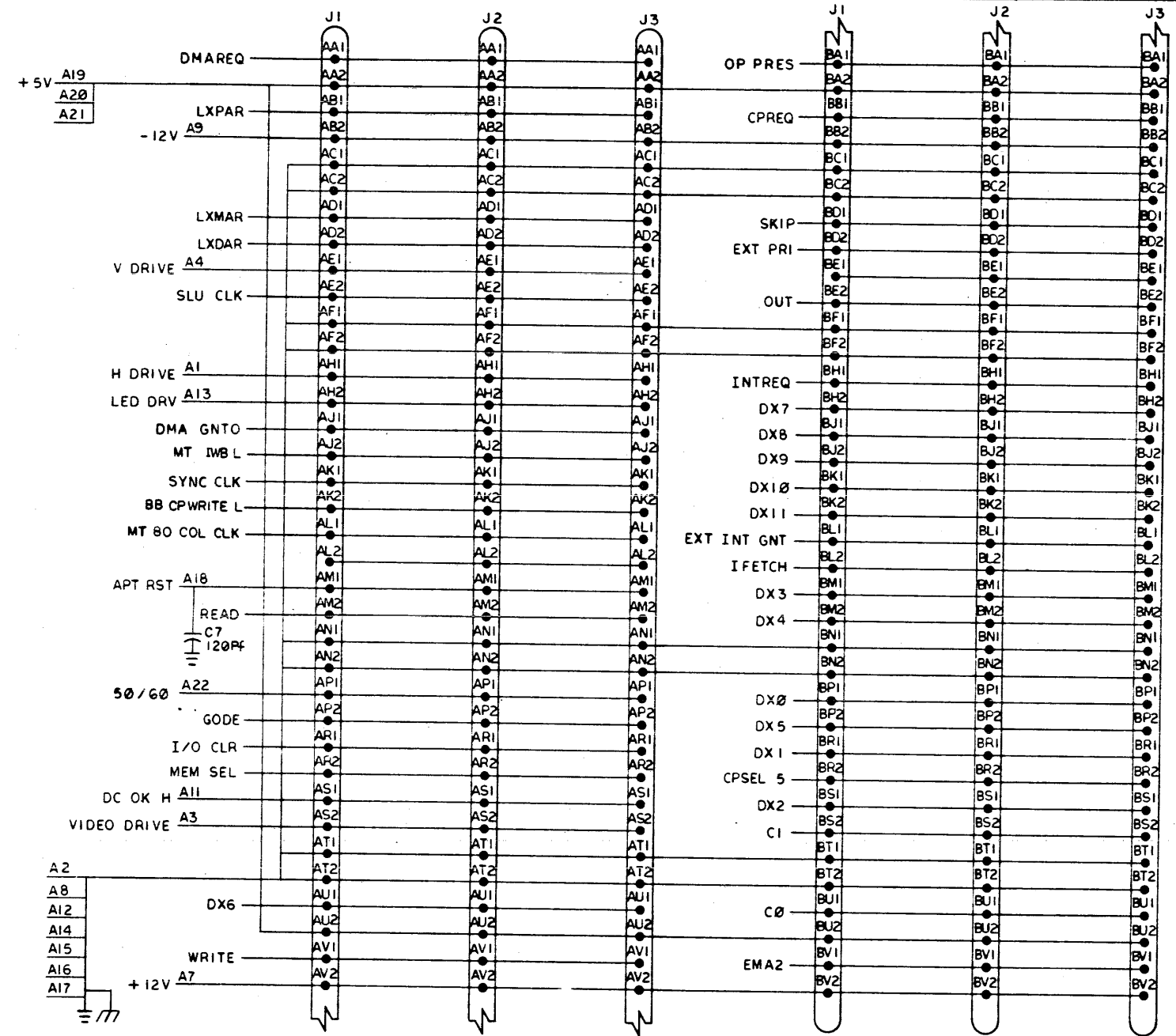
"THIS DRAWING AND SPECIFICATIONS HEREIN, ARE THE PROPERTY OF DIGITAL EQUIPMENT CORPORATION AND SHALL NOT BE REPRODUCED OR COPIED OR USED IN WHOLE OR IN PART AS THE BASIS FOR THE MANUFACTURE OR SALE OF ITEMS WITHOUT WRITTEN PERMISSION. COPYRIGHT (C) 1981. DIGITAL EQUIPMENT CORPORATION "

THIS DRAWING AND SPECIFICATIONS, HEREIN, ARE THE PROPERTY OF DIGITAL EQUIPMENT CORPORATION AND SHALL NOT BE REPRODUCED OR COPIED OR USED IN WHOLE OR IN PART AS THE BASIS FOR THE MANUFACTURE OR SALE OF ITEMS WITHOUT WRITTEN PERMISSION. COPYRIGHT © 1972 DIGITAL EQUIPMENT CORPORATION

D CS 5414322-0-1 D 2



A5  
A6  
A10



REV.	CHG.	CHANGE NO.	REV.
B		5414322-0-1	1/15/72
C		5414322-0-1	1/15/72
D		5414322-0-1	1/15/72

DRN. <i>R. H. ...</i>	CHKD. <i>R. H. ...</i>	ENG. <i>R. H. ...</i>	PROD. <i>R. H. ...</i>
FIRST USED ON VT278		TITLE I/O CONN BD	
NEXT HIGHER ASSY. B-DD-5414322-0		SIZE D	CODE CS 5414322-0-1
SCALE ++	SHEET 1	OF 1	REV. D

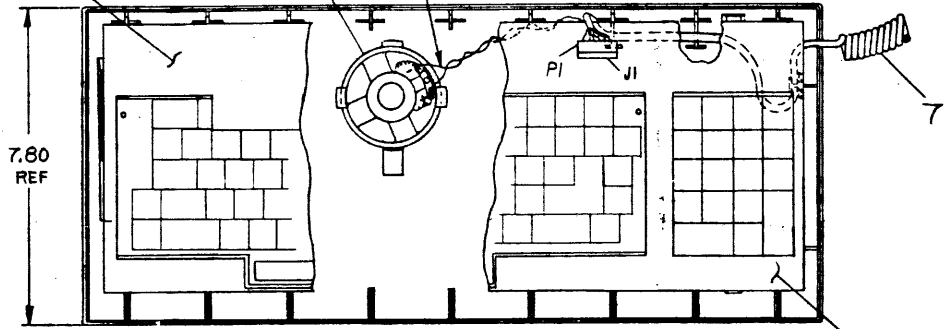
"THIS DRAWING AND SPECIFICATIONS HEREIN ARE THE PROPERTY OF DIGITAL EQUIPMENT CORPORATION AND SHALL NOT BE REPRODUCED OR COPIED OR USED IN WHOLE OR IN PART AS THE BASIS FOR THE MANUFACTURE OR SALE OF ITEMS WITHOUT WRITTEN PERMISSION OF DIGITAL EQUIPMENT CORPORATION © 1977"

WIRE TABLE						
ITEM NO	DESCRIPTION	FROM	TO			
	AWG	COLOR	CONN	WITH	CONN	WITH
7	—	—	P1	—	J1 (ITEM 4 OR 5)	—

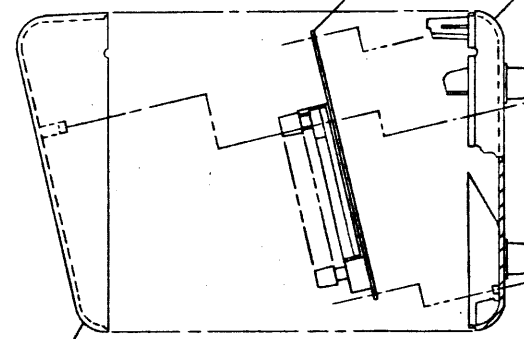
NOTES:

1. PACKAGING: WHEN SHIPPED FROM VENDOR, MATERIAL SHALL BE ADEQUATELY PROTECTED FROM HANDLING AND SHIPPING DAMAGE USING DIGITAL PACKAGING INSTRUCTION A-SP-3700324-0-0 (VT100 UNIT ASSY REF)
2. AT ASSY MAXIMUM APPLIED TORQUE SHALL BE 5 IN. LB. ± 1 IN. LB.
3. AFTER ASSEMBLY THE KEYBOARD ASSY. MUST BE MARKED WITH PART NUMBER AND REVISION. ALSO, THE KEYBOARD CS, ETC AND SERIAL NUMBER MUST APPEAR.
4. ATTACH ITEM 21 OR 22 OR 23 TO ITEM 2 OR 3 AS SHOWN, SUCH THAT NO BUBBLES, WAVINESS, RAISED EDGES, OR OTHER INDICATIONS OF POOR ADHESION ARE EVIDENT.

4 OR 5 OR 10 OR 11 OR 12 OR 15 THROUGH 18 OR 20



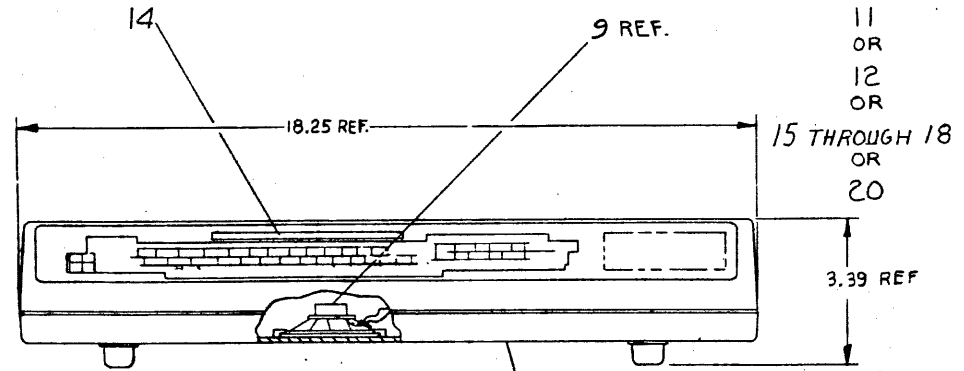
TOP VIEW  
COVER REMOVED



CAPTIVE SCREWS  
(PART OF ITEM 1)

C

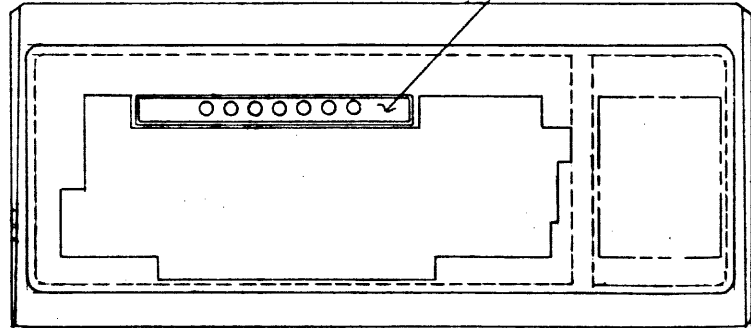
B



3.39 REF

15 THROUGH 18 OR 20

2 OR 3 OR 13 OR 19



SEE NOTE 4

21 OR 22 OR 23

CAUTION:  
OFF SHEET PARTS LIST EXISTS  
SEE Q-PL-7014653-0-0

REV.	CHANGE NO.	DATE	BY	CHKD	DESCRIPTION
1	17014653-ML0001	12-15-76	L. KING	J. DEMARINIS	REVISED
2	17014653-ML0002	12-15-76	L. KING	J. DEMARINIS	REVISED
3	17014653-ML0003	12-15-76	L. KING	J. DEMARINIS	REVISED
4	17014653-ML0004	12-15-76	L. KING	J. DEMARINIS	REVISED
5	17014653-ML0005	12-15-76	L. KING	J. DEMARINIS	REVISED
6	17014653-ML0006	12-15-76	L. KING	J. DEMARINIS	REVISED
7	17014653-ML0007	12-15-76	L. KING	J. DEMARINIS	REVISED
8	17014653-ML0008	12-15-76	L. KING	J. DEMARINIS	REVISED
9	17014653-ML0009	12-15-76	L. KING	J. DEMARINIS	REVISED
10	17014653-ML0010	12-15-76	L. KING	J. DEMARINIS	REVISED
11	17014653-ML0011	12-15-76	L. KING	J. DEMARINIS	REVISED
12	17014653-ML0012	12-15-76	L. KING	J. DEMARINIS	REVISED
13	17014653-ML0013	12-15-76	L. KING	J. DEMARINIS	REVISED
14	17014653-ML0014	12-15-76	L. KING	J. DEMARINIS	REVISED
15	17014653-ML0015	12-15-76	L. KING	J. DEMARINIS	REVISED
16	17014653-ML0016	12-15-76	L. KING	J. DEMARINIS	REVISED
17	17014653-ML0017	12-15-76	L. KING	J. DEMARINIS	REVISED
18	17014653-ML0018	12-15-76	L. KING	J. DEMARINIS	REVISED
19	17014653-ML0019	12-15-76	L. KING	J. DEMARINIS	REVISED
20	17014653-ML0020	12-15-76	L. KING	J. DEMARINIS	REVISED

DESCRIPTION	DWG./PART NO.	ITEM NO.
UNLESS OTHERWISE SPECIFIED DIMENSIONS ARE IN INCHES		
ANGLES ± 30'	CLASS OF ACCURACY	NOMINAL DIMENSION RANGE INCHES
SURFACE QUALITY	(CHECK ONE)	OVER 12.0 TO 40.0 12.0 TO 40.0 40.0 TO 80.0
QUANTITY & VARIATION	MEDIUM	±.008 ±.012 ±.016 ±.024 ±.030 ±.048
	PREFERRED	±.012 ±.014 ±.028 ±.04 ±.06 ±.12
THIRD ANGLE PROJECTION	DRN. [Signature]	FIRST USED ON [Signature]
REMOVE BURRS AND BREAK SHARP CORNERS	CHKD [Signature]	VT100
DO NOT SCALE DWG	ENG. [Signature]	TITLE
MATERIAL SEE PARTS LIST	PROL. ESK. [Signature]	KEYBOARD ASSY
FINISH	PROD. [Signature]	SIZE CODE
		B-DD-7014653-0
		SCALE 1/2
		NUMBER
		D UA 7014653-0-0
		REV.
		JG
		DIST.

LAST USED IN: D UA 7014653-0-0

A

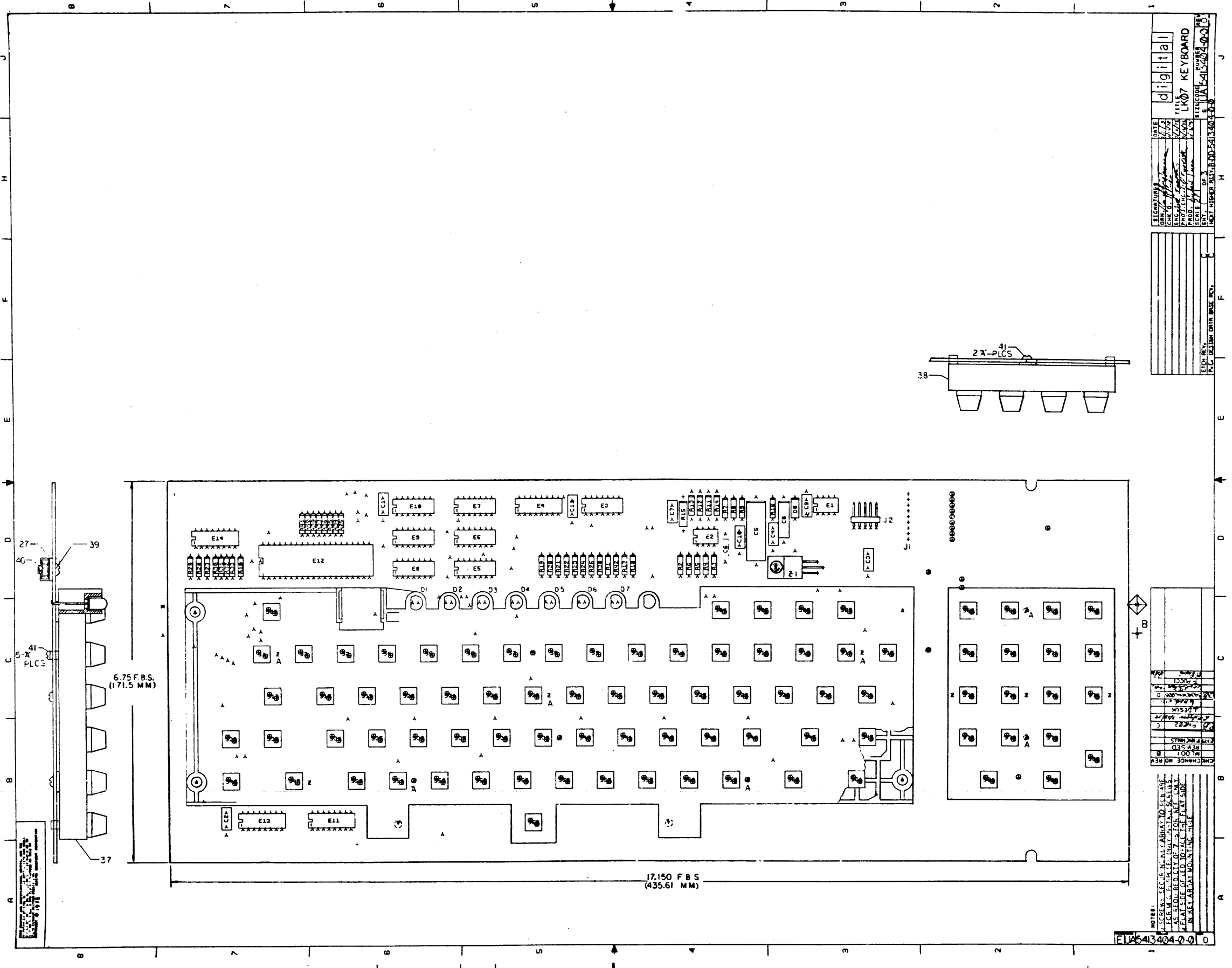
A





LINE	ITEM	DOCUMENT NUMBER	PART NUMBER	DESCRIPTION	QUANTITY PER VARIATION										
					00	01	02	03	04	05	06	07	08	09	
1	1	E-AD-5413404-0-0	5413404-00	VT100 FULL KEYBOARD	1	-	1	1	1	1	1	1	1	1	1
2	2	E-AD-5413404-0-0	5413404-01	KEYBOARD ASSY (64 KEYS)	-	1	-	-	-	-	-	-	-	-	-
3	3	C-AD-7015050-0-0	7015050-00	SPACE BAR ASSY	1	1	1	1	1	1	1	1	1	1	-
4	4		1214332-00	SW,ARRAY CAP ADAPTER	83	65	83	83	83	83	83	83	83	83	83
5	5		1214333-72	KEYCAP SET,VT100 64PCS	1	1	-	-	-	-	-	-	-	-	-
6	6		1214333-91	KEYCAP SET,LA120/34 VT100 18PCS	1	-	-	-	-	-	-	-	-	-	-
7	7		1214333-C0	KEYCAP SET,VT100-NA 82PCS	-	-	1	-	-	-	-	-	-	-	-
8	8		7420120-00	*** THIS ITEM IS NOT USED ***	-	-	-	-	-	-	-	-	-	-	-
9	9	D-AR-7015765-0-1		KEYBOARD/KEYCAP ASSY	REF	REF	REF	REF	REF	REF	REF	REF	REF	REF	REF
10	10		1214333-J0	KEYCAP SET,VT100-WA 82PCS	-	-	-	1	-	-	-	-	-	-	-
11	11		1214333-W2	SW,KEY BD CAP COMP SET U3-W1	-	-	-	-	1	-	-	-	-	-	-
12	12		1214333-CP	KEYCAP SET,VT100-WB 82PCS	-	-	-	-	-	1	-	-	-	-	-
13	13		1214333-CB	KEYCAP SET,VT100-WB 82PCS	-	-	-	-	-	-	1	-	-	-	-
14	14		1214333-8U	KEYCAP SET,VT100-WB 82PCS	-	-	-	-	-	-	-	1	-	-	-
15	15		1214333-EY	KEYCAP SET,VT100-WB 82PCS	-	-	-	-	-	-	-	-	1	-	-
16	16		1214333-2Y	KEYCAP SET,VT100 64PCS	-	-	-	-	-	-	-	-	-	1	-
17	17		1214333-3W	KEYCAP SET,LA120/34 VT100 18PCS	-	-	-	-	-	-	-	-	-	-	1
18	18	D-AD-7015050-0-0	7015050-01	SPACE BAR ASSY. GRAY	-	-	-	-	-	-	-	-	-	-	1
19	19	A-SP-3700555-0-0	3700555-00	PKG KEYBOARD 7015765	1	1	1	1	1	1	1	1	1	1	1
20	20	A-SP-3700439-0-0	3700439-00	INSTR PKG. BULK CARTON 99-06476-	1	1	1	1	1	1	1	1	1	1	1
21	21	C-MD-7424160-0-0	7424160-00	SPACE BAR EQUALIZER CLIP	2	2	2	2	2	2	2	2	2	2	2

REVISION HISTORY			BASIC PART NO: 7015765			DRN: ANGEL COLON			DATE: 3 APR 78			D I G I T A L						
ENG	ECO NUMBER	REV	SECTION A OF A			CHK'D:	D. HEALY			DATE:	7 APR 78			TITLE	PARTS LIST			
---	INITIAL	IF	SECTION. VARIATION INDEX			CHK'D:	D. HEALY			DATE:	7 APR 78			KEYBOARD/KEYCAP ASSEMBLY				
JD	7015765-ML005	IF	[A] 00,01,02,03,04,05,			DES.ENG.:	E. WEDEKING			DATE:	10 MAY 78							
JD	7015765-ML006	IF	06,07,08,09			RESP.ENG.:	G. DOUMANI			DATE:	17 MAY 7			DOCUMENT NUMBER				
			[B]				MFG.ENG.:	K. HOFFMAN			DATE:	10 MAY 78			SIZE	CODE	NUMBER	REV
			[C]				ASSEMBLY NUMBER:	D-AD-7015765-0-0			TOP DOCUMENT NUMBER:	#B-DD-7015765-0			K	PL	7015765-0-DBP	H
			[D]				FILE NAME:	Z1933H.PLS			EDIT #:	6						
			[E]				"THIS DRAWING AND SPECIFICATIONS HEREIN, ARE THE PROPERTY OF DIGITAL EQUIPMENT CORPORATION AND SHALL NOT BE REPRODUCED OR COPIED OR USED IN WHOLE OR IN PART AS THE BASIS FOR THE MANUFACTURE OR SALE OF ITEMS WITHOUT WRITTEN PERMISSION. COPYRIGHT (C) 1981. DIGITAL EQUIPMENT CORPORATION "											
			[F]															



DESIGNER	DATE	digital
DRAWN	CHK'D	1111
ENG'G	APP'D	LK07 KEYBOARD
PROF'G	DATE	
SCALE	REV	
NEXT NUMBER	REV	

REV	DATE	BY	APP'D
1			
2			
3			
4			
5			
6			
7			
8			
9			
10			

NOTES:  
 1. ACCESS SECTORS IN ALL ARRAYS TO LCA USE  
 2. AS SHOWN REDUCED TO 1/2 INCH FOR ALL  
 3. PLATE SIZE OF LCA TO LCA IN PLATE SIDE  
 4. IN DETAIL MOUNTING IN LCA

FLW643404-0-0

LINE	ITEM	DOCUMENT NUMBER	PART NUMBER	DESCRIPTION	QTY	PER VARIATION	REFERENCE DESIGNATOR
1	1	D-MD-5013403-0-0	5013403-00	DRILL & ETCH DRAWING	1		
2	2		1000014-00	68.0 MF 100V 5%200PPM MICA	1		C7
3	3		1000075-00	25 MFD 25V +75-10% AL EL	1		C5
4	4		1001634-00	1600.0 MF 100V 5%200PPM MICA	1		C6
5	5		1005306-00	6.8MFD 35V 10% S.TANT	1		C8
6	6		1012784-00	.047 MFD 50V +80-20% CER	6		C1,C2,C4,C9-C11
7	7		1105275-00	D 672 TR= 15NS PIV= 60V SI	1		D8
8	8		1110324-01	LED 1MCD@10MA PIV=3 .750 MIN. LE	7		D1-D7
9	9		1215048-00	CONN 5POS RT ANGLE	1		J2
10	10		1300309-00	390.0 .25 W 5.0 % CC	2		R16,R42
11	11		1300315-00	470.0 .50 W 5.0 % CC	1		R15
12	12		1300365-00	1.0 K .25 W 5.0 % CC	6		R10,R19,R21-R24
13	13		1300439-00	3.30 K .25 W 5.0 % CC	9		R26-R33,R38
14	14		1300479-00	10.0 K .25 W 5.0 % CC	11		R2,R3,R17,R25,R34-R37,R39-R41
15	15		1301401-00	750.0 .25 W 5.0 % CC	1		R1
16	16		1301425-00	300.0 .25 W 5.0 % CC	2		R18,R20
17	17		1301874-00	5.60 K .25 W 5.0 % CC	3		R5,R7,R9
18	18		1302391-00	20.0 K .25 W 5.0 % CC	2		R4,R6
19	19		1303155-00	21.50 K .25 W 1.0 % RN55D-F10	1		R12
20	20		1303187-00	820.0 K .25 W 5.0 % CC	1		R8
21	21		1303312-00	10.0 K .25 W 1.0 % RN55D-F10	1		R11
22	22		1304833-00	1.96 K .25 W 1.0 % RN55D-F10	1		R14
23	23		1309412-00	18.20 K .25 W 1.0 % RN55D-F10	1		R13
24	24		1909605-00	7404 INVERTER GATE-HEX 11	1		E9
25	25		1910406-00	75451 DRIVER PERIPH,DUAL	1		E1
26	26		1910741-00	7406 INVERTER GATE-HEX 11	1		E8
27	27		1912536-01	7805 VOLT REG FIX +5V	1		Z1
28	28		1912649-00	LS75 LATCH 4BIT,BISTABLE	1		E4
29	29		1912799-00	LS00 NAND-GATE-QUAD 2IN,P	1		E5
30	30		1912823-00	LS73 FF-JK DUAL W/CLEAR	1		E3

REVISION HISTORY		BASIC PART NO: 5413404		DRN:	T SHETRAWSKI	DATE:	23-JUL-79	D I G I T A L	
ENG:	ECO NUMBER	REV	SECTION A OF A	CHK'D:	T SHETRAWSKI	DATE:	23-JUL-79	TITLE	PARTS LIST
RP	5413404-ML001	B	SECTION VARIATION INDEX	DES.ENG:	M MORGESTERN	DATE:	23-JUL-79	VT100 FULL KEYBOARD	
J.D	5413404-PN002	C	[A] 00	RESP.ENG.:	M MORGESTERN	DATE:	23-JUL-79	DOCUMENT NUMBER	
J.B	5413404-PN003	D	[B]	MFG.ENG.:	T CORCIARI	DATE:	23-JUL-79	SIZE CODE NUMBER	REV
CJ	5413404-ML004	E	[C]	ASSEMBLY NUMBER:	D-UA-5413404-0-0	TOP DOCUMENT NUMBER:		FILE NAME:	EDIT #
CJ	5413404-ML005	F	[D] [E] [F] [H] [J] [K] [L] [M] [N]					20783F.PLS	11

"THIS DRAWING AND SPECIFICATIONS HEREIN, ARE THE PROPERTY OF DIGITAL EQUIPMENT CORPORATION AND SHALL NOT BE REPRODUCED OR COPIED OR USED IN WHOLE OR IN PART AS THE BASIS FOR THE MANUFACTURE OR SALE OF ITEMS WITHOUT WRITTEN PERMISSION. COPYRIGHT (C) 1981. DIGITAL EQUIPMENT CORPORATION"



AUTOMATED BY: PRTLST.3L(34)

PARTS LIST

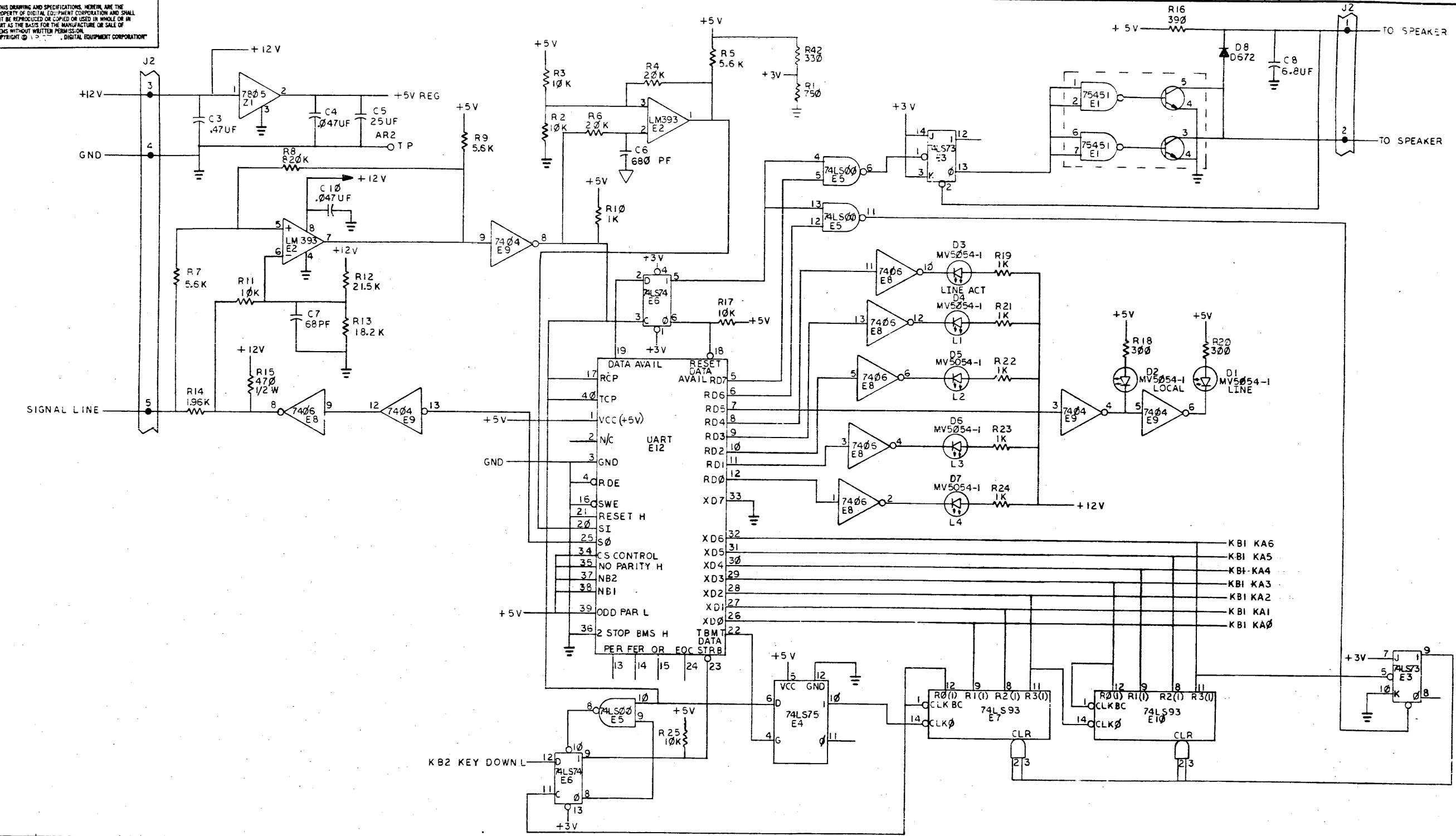
SHEET A2 OF A2

LINE	ITEM	DOCUMENT NUMBER	PART NUMBER	DESCRIPTION	QTY PER VARIATION 00	REFERENCE DESIGNATOR
31	31		1912824-00	LS74 FF-D DUAL, EDGE TRIGG	1	E6
32	32		1912844-00	LS151 MUX 1 OF 8 & DATA	1	E14
33	33		1913949-00	LS93 COUNTER, DECADE, 4BIT	2	E7, E10
34	34		1913950-00	LS156 DECODER, 2 OF 4 (DUAL)	2	E11, E13
35	35		1914156-00	LM 393 VOLT. COMPARATOR DUAL	1	E2
36	36		2114137-51	UART MOS N-CHANNEL	1	E12
37	37		7013910-00	KEYBOARD ARRAY ASSY	1	
38	38		7014561-00	18 KEY NUMERIC PAD ASSY	1	
39	39		9006020-01	SCREW, PAN, PHIL 6-32X 1/4 SS	1	
40	40		9008185-00	NUT, KEP 6-32X1/4 AF	1	
41	41		9010033-00	SCREW, PAN, PHILLIPS, 4-24 X 3/8	7	
42	42		1012312-01	.47 MFD 50V +80-20% CER	1	C3

D	I	G	I	T	A	L	TITLE	SECTION A OF A	SIZE	CODE	DOCUMENT NUMBER	REV
							VT100 FULL KEYBOARD		K	PL	5413404-0-DBP	F

THIS DRAWING AND SPECIFICATIONS HEREIN ARE THE PROPERTY OF DIGITAL EQUIPMENT CORPORATION AND SHALL NOT BE REPRODUCED OR COPIED OR USED IN WHOLE OR IN PART AS THE BASIS FOR THE MANUFACTURE OR SALE OF ITEMS WITHOUT WRITTEN PERMISSION.  
 COPYRIGHT © 1977, DIGITAL EQUIPMENT CORPORATION

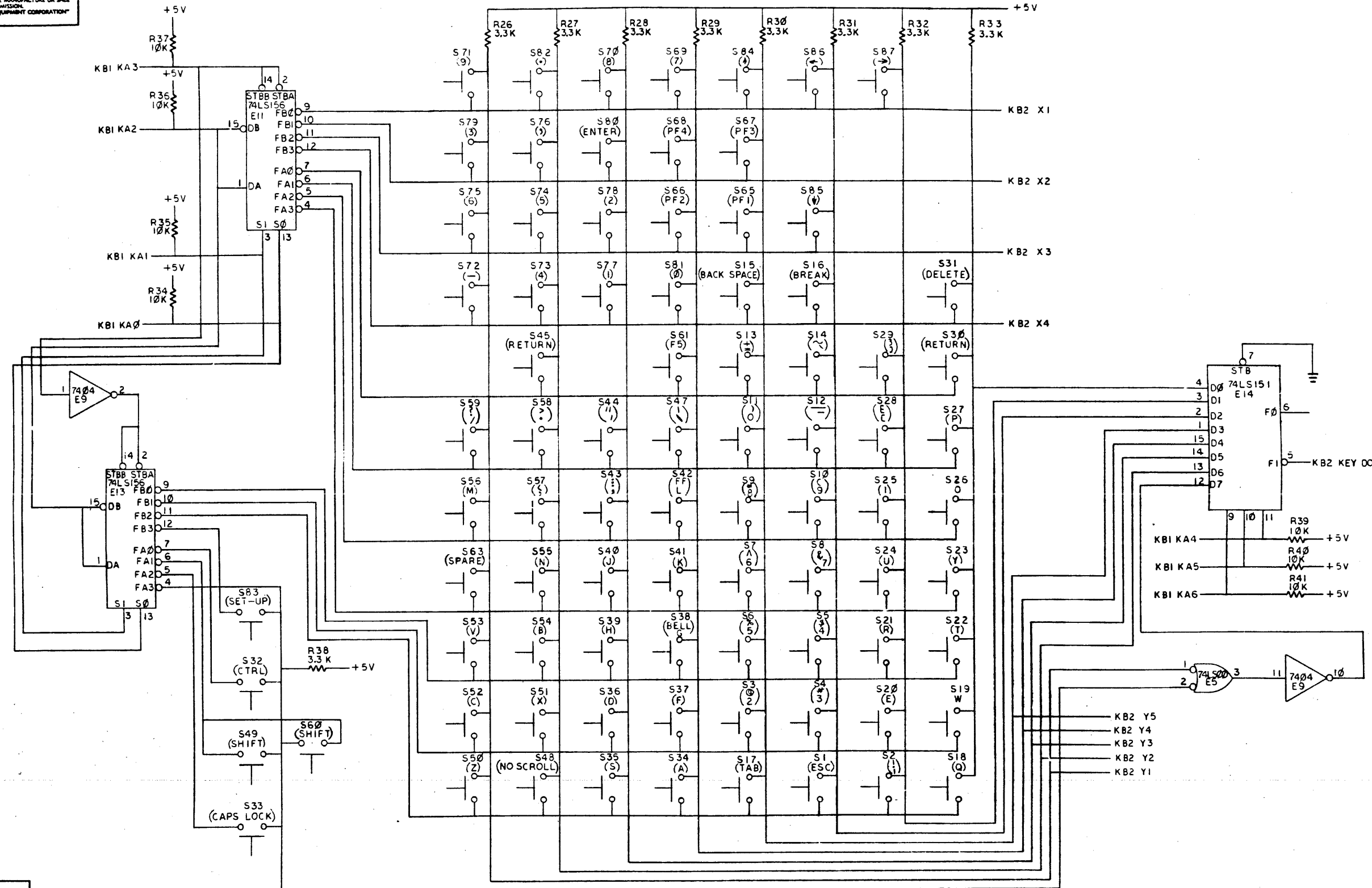
DIGITAL EQUIPMENT CORPORATION  
 5413404-0-1



REV.	CHANGE NO.	DESCRIPTION
1	1	INITIAL DESIGN
2	2	REVISED TO ADD SPEAKER
3	3	REVISED TO ADD KEYBOARD CONTROLLER
4	4	REVISED TO ADD POWER REGULATOR
5	5	REVISED TO ADD LOGIC GATES
6	6	REVISED TO ADD KEYBOARD MATRIX
7	7	REVISED TO ADD KEYBOARD CONTROLLER
8	8	REVISED TO ADD POWER REGULATOR

DRN. 29 Nov 77	FIRST USED ON	VT100 digital
CHK'D. 12/1/77	TITLE	VT100 FULL KEYBOARD
ENG. 12/1/77	PROJECT	VT100 FULL KEYBOARD
PROD. 6/13/78	SCALE	1:1
NEXT HIGHER ASSY.	SIZE CODE	D
D-00-5413404-0-0	NUMBER	5413404-0-1
SCALE	REV.	2
SHEET OF 3	DIST.	

"THIS DRAWING AND SPECIFICATIONS HEREIN ARE THE PROPERTY OF DIGITAL EQUIPMENT CORPORATION AND SHALL NOT BE REPRODUCED OR COPIED OR USED IN WHOLE OR IN PART AS THE BASIS FOR THE MANUFACTURE OR SALE OF ITEMS WITHOUT WRITTEN PERMISSION. COPYRIGHT © 1977 DIGITAL EQUIPMENT CORPORATION"

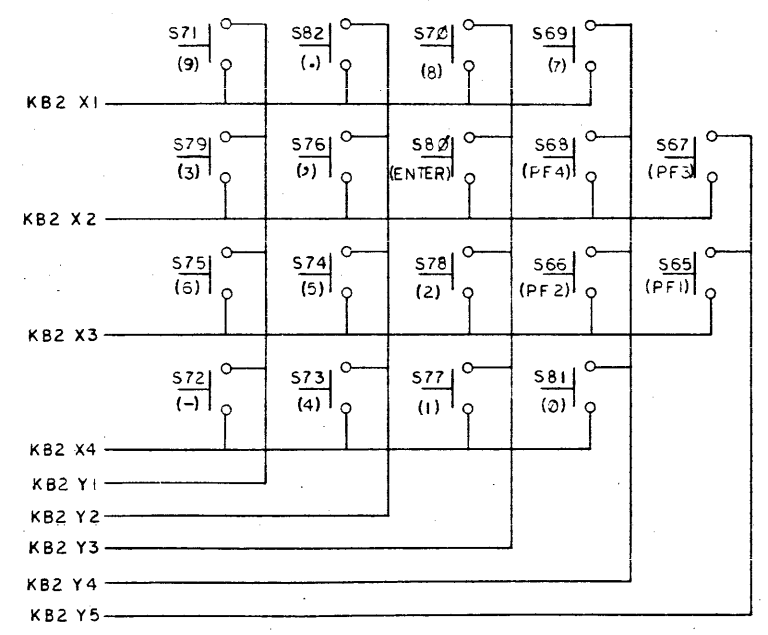


REVISIONS		
CHK	CHANGE NO.	REV.

TITLE	VT100 FULL KEYBOARD (KB2)	SIZE CODE	D	NUMBER	DCS 5413404-0-1	REV.	E
SCALE	1:1	SHEET	2 OF 3	DIST.			

DCS 5413404-0-1

"THIS DRAWING AND SPECIFICATIONS HEREIN ARE THE PROPERTY OF DIGITAL EQUIPMENT CORPORATION AND SHALL NOT BE REPRODUCED OR COPIED OR USED IN WHOLE OR IN PART AS THE BASIS FOR THE MANUFACTURE OR SALE OF ITEMS WITHOUT WRITTEN PERMISSION. COPYRIGHT © 1977, DIGITAL EQUIPMENT CORPORATION"



REVISIONS		
CHK	CHANGE NO.	REV.



LINE ITEM	DOCUMENT NUMBER	PART NUMBER	DESCRIPTION	QTY PER VARIATION		REFERENCE DESIGNATOR
				00	01	
1	E-MD-5014130-0-0	5014130-00	DRILLED AND ETCH BOARD FOR VT100	1	1	
10		1016544-00	.1 MFD 100V 10% MYLR	1	1	C107,C442
11		1016546-00	.22 MFD 660V 10% MET. MYLR	1	1	C449
12		1016569-00	.0022 MFD 100V 10% MYLR	1	1	C436,C402
13		1016639-00	.01 MFD 200V 10% MYLR	1	1	C320
14		1016547-00	.022 MFD 200V 10% MYLR	1	1	C438
15		1016548-00	1000 MFD 16V +50-10% AL EL	1	1	C321
16		1010274-02	1 MFD 50V +80-20% CER	1	1	C443
17		1016555-00	22 MFD 50V +50-10% AL EL	1	1	C102,C103
18		1016496-00	4.7MFD 35V 20% S.TANT	1	1	C318,C319
19		1016554-00	75 MFD 6V +75-10% AL EL	1	1	C439
20		1016553-00	4.7MFD 25V +75-10% AL EL	1	1	C312,C437
21		1016558-00	10 MFD 25V 20% AL EL	1	1	C441
22		1016557-00	470 MFD 16V +50-10% AL EL	1	1	C106,C434,C440
23		1016556-00	.05 MFD 100V +80-20%Z5U DISC	3	3	C213,C314,C404
24		1016570-00	.001 MFD 500V +80-20%Z5U DISC	2	2	C435,C403
25		1016571-00	.02 MFD 500V +80-20%Z5U DISC	4	4	C104,C105,C486,C487
26		1016572-00	300.0 MMF 500V 10% XSP DISC	1	1	C101
27		1000004-00	.02 MFD 100V 20% Z5U DISC	4	4	C322,C323,C324,C325
28		1116474-00	IN 4007 PIV=1000 I=1A D041	4	4	CR101,CR102,CR103,CR104
29		1116477-00	IN 4156 PIV= 20 D035	1	1	CR304
30		1114892-00	IN 4747A VZ= 20.0 5% 1W	1	1	CR410
31		1116476-00	PIV=400	1	1	CR408
32		1216530-04	MAGNET,PINCUSHION 10 GAUSS	1	1	
33		1003053-00	.047 MFD 250V 20% MET. MYLR	1	1	C316
34		1316522-00	2.50 K .25 W20.0 % POT	1	1	R342
35		1316522-02	5.0 M .25 W20.0 % POT	1	1	R477
36		1316522-01	100.0 K .25 W20.0 % POT	2	2	R109,R334
37		1317528-00	39.0 2.0 W10.0 % CC	1	1	R470
38		1300479-00	10.0 K .25 W 5.0 % CC	1	1	R291

SEE NOTE

REVISION HISTORY		BASIC PART NO: 5414131		DRN:	DATE:	D I G I T A L			
ENG:	ECO NUMBER	REV	SECTION A OF A	KENT GLEEZEN	24-MAR-81	PARTS LIST			
---	INITIAL	P	SECTION VARIATION INDEX	KENT GLEEZEN	24-MAR-81	VT100 MONITOR			
DP	5414131-ML007	R	[A] 00,01	DICK PUCCI	24-MAR-81	DOCUMENT NUMBER			
DP	5414131-ML008	S	[B]	DICK PUCCI	24-MAR-81	SIZE CODE NUMBER REV			
			[C]	DICK PUCCI	24-MAR-81	K	PL	5414131-0-DBP	S
			[D]	DICK PUCCI	24-MAR-81	ASSEMBLY NUMBER: TOP DOCUMENT NUMBER: FILE NAME: EDIT #			
			[E]	DICK PUCCI	24-MAR-81	D-UA-5414131-0-0 B-DD-5414131-0-0 22387S.PLS 11			
			[F]	DICK PUCCI	24-MAR-81				
			[G]	DICK PUCCI	24-MAR-81				
			[H]	DICK PUCCI	24-MAR-81				
			[I]	DICK PUCCI	24-MAR-81				
			[J]	DICK PUCCI	24-MAR-81				
			[K]	DICK PUCCI	24-MAR-81				
			[L]	DICK PUCCI	24-MAR-81				
			[M]	DICK PUCCI	24-MAR-81				
			[N]	DICK PUCCI	24-MAR-81				

"THIS DRAWING AND SPECIFICATIONS HEREIN, ARE THE PROPERTY OF DIGITAL EQUIPMENT CORPORATION AND SHALL NOT BE REPRODUCED OR COPIED OR USED IN WHOLE OR IN PART AS THE BASIS FOR THE MANUFACTURE OR SALE OF ITEMS WITHOUT WRITTEN PERMISSION. COPYRIGHT (C) 1982. DIGITAL EQUIPMENT CORPORATION"

LINE ITEM DOCUMENT NUMBER PART NUMBER DESCRIPTION QTY PER VARIATION REFERENCE DESIGNATOR

LINE ITEM	DOCUMENT NUMBER	PART NUMBER	DESCRIPTION	QTY	PER	VARIATION	REFERENCE DESIGNATOR
				00	01		
69	51	1300445-00	4.70 K .50 W 5.0 % CC	1	1		R331
70	51	1316504-00	68.0 K .50 W 5.0 % CC	1	1		R332
71	51	1300385-00	1.20 K .50 W 5.0 % CC	1	1		R344
72	51	1316506-00	100.0 K .50 W 5.0 % CC	2	2		R472, R473
73	51	1316508-00	5.60 K .50 W 5.0 % CC	1	1		R338
74	51	1316509-00	3.90 K 1.0 W 5.0 % CC	1	1		R337
75	51	1302396-00	150.0 K .25 W 5.0 % CC	1	1		R106
76	51	1300228-00	100.0 .50 W 5.0 % CC	2	2		R481, R343
77	51	1300364-00	1.0 K .50 W 5.0 % CC	1	1		R468
78	51	1300296-00	330.0 .50 W 5.0 % CC	1	1		R345
79	51	1300356-00	820.0 .50 W 10.0 % CC	1	1		R108
80	51	1300461-00	6.80 K .50 W 5.0 % CC	1	1		R339
81	51	1300440-00	3.20 K .50 W 5.0 % CC	1	1		R110
82	51	1300496-00	15.0 K .25 W 5.0 % CC	1	1		R107
83	51	1300274-00	220.0 .50 W 5.0 % CC	1	1		R105
84	51	1300285-00	270.0 .50 W 5.0 % CC	1	1		R341
85	51	1316525-00	1.0 W 10.0 % WW	1	1		R478
86	51	1509525-00	2N 3906 PNP 310MW SI 40100 Y	1	1		Q298
87	51		CONT		2		Q298, Q100
88	51	1516492-00	2N 5830 NPN 1W SI100 1	1	1		Q101
89	51	1509524-00	2N 3904 NPN 310MW SI 40 40 M	2	2		Q308, Q401
90	51	1516491-00	2N 6427 NPN 1.5W SI 40 1.5	1	1		Q309
91	51	1516532-00	NPN 125W SI250 25	1	1		Q310
92	51	1516490-00	MPSU05 NPN 10W SI	1	1		Q413
93	51	1517534-00	BU 4070 NPN POWER TRANS T0220	1	1		Q414
94	51	4901303-00	WAX	A/R	A/R		
95	51	9107685-00	TUBING, SHRINK 1/2 DIA. EXP UL	A/R	A/R		
96	51	1616309-00	XFMR, HORIZONTAL DRIVE	1	1		T403
97	51	1616538-00	COIL, HORIZONTAL, LINEAR	1	1		L402
98	51	1616536-00	XFMR, HORIZONTAL, WIDTH	1	1		L403
99	51	1210929-05	FUSE, SUB-MINI, 2.500A, 125V, A	1	1		F401
100	51	1216521-01	HEADER 4POS	1	1		S102
101	51	1216521-00	HEADER 4POS	1	1		S103
102	51	1216471-00	HEAT SINK, BOTTOM ONLY	1	1		
103	51	1217561-00	HEAT SINK, TO-220, YELLOW CHROMATE	1	1		
104	51	4901304-00	COMPOUND, SILICONE THERMAL, VISC	A/R	A/R		
105	51	9006022-01	SCREW, PAN, PHIL 6-32X 3/8 SS	2	2		
106	51	1001776-00	1 MFD 35V 10% S. TANT	1	1		C315
107	51	1304837-00	24.0 K .25 W 5.0 % CC	1	1		R335
108	51	1300315-00	470.0 .50 W 5.0 % CC	1	1		R401
109	51	1300415-00	2.20 K .50 W 5.0 % CC	1	1		R402, R403
110	51	1300443-00	3.90 K .50 W 5.0 % CC	2	2		R404, R333
111	51	1300467-00	7.50 K .50 W 5.0 % CC	1	1		R405
112	51	1000042-00	1000.0 MMF 100V 5%200PPM MICA	1	1		C401
113	51	1911944-00	555CN TIMER, FUNCT. BLOCK	1	1		E1
114	51	9006659-00	WASHER, FLAT, .375 O.D. X .156 I	2	2		
115	51	9008185-00	NUT, KEP 6-32X 1/4 AF	3	3		
116	51	1300197-00	33.0 .25 W 5.0 % CC	1	1		R471

D	I	G	I	T	A	L	TITLE	SECTION A OF A	SIZE	CODE	DOCUMENT NUMBER	REV
							VT100 MONITOR		K	PL	5414131-0-DBP	S

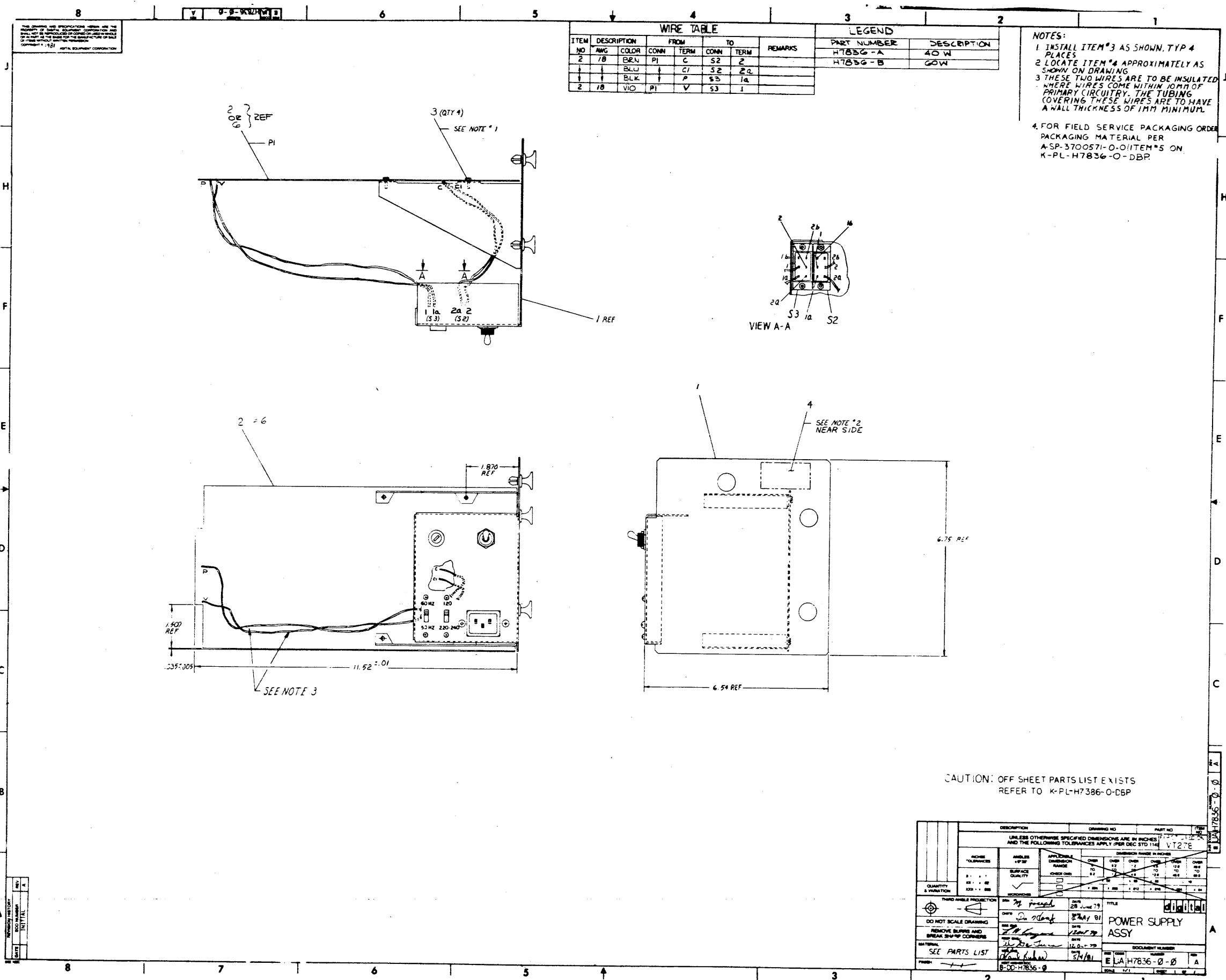
LINE	ITEM	DOCUMENT NUMBER	PART NUMBER	DESCRIPTION	QTY PER VARIATION		REFERENCE DESIGNATOR
					00	01	
78	78		1300432-00	3.0 K .25 W 5.0 % CC	1	1	R400
79	79		1300439-00	3.30 K .25 W 5.0 % CC	1	1	R104
80	80		1301775-00	820.0 .25 W 5.0 % CC	1	1	R293
81	81		1300295-00	330.0 .25 W 5.0 % CC	1	1	R294
82	82		9107776-99	WIRE(WRAP)22AWG,IPVC UL1429 WH	A/R	-	
83	83		9009185-00	JUMPER, WIRE, INSULATED, BLACK B	1	1	W1
84	84		1302602-00	56.0 .25 W 5.0 % CC	2	-	R102,R103
			CONT		-	1	R103
85	85		1300250-00	150.0 .25 W 5.0 % CC	-	1	R102
86	86		1300316-00	470.0 .25 W 5.0 % CC	-	1	R111
87	87		1302395-00	56.0 K .25 W 5.0 % CC	-	1	R112
88	88		1302092-00	220.0 K .25 W 5.0 % CC	1	1	R113
89	89		1312930-00	5.10 K .25 W 5.0 % CC	1	-	R292
			CONT		-	3	R292,R114,R115
90	90		1001610-00	.01 MFD 50V +80-20% Z5U CER	-	1	C108
91	91		1116475-00	1N 4148 PIV=75 D035	2	-	CR302,CR303
			CONT		-	3	CR302,CR303,CR100
92	92		1111854-01	MR 817 PIV=800 I= 1A D041 S	1	1	CR409

93 NOTE: P/N 1000051-00 CAN BE USED AS AN ALTERNATE FOR P/N 1003053-00.

D	I	G	I	T	A	L	TITLE	SECTION A OF A	SIZE	CODE	DOCUMENT NUMBER	REV
							VT100 MONITOR		K	PL	5414131-0-DBP	S



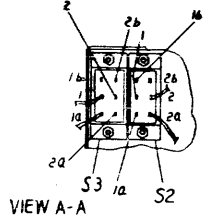




WIRE TABLE						
ITEM NO	AWG	COLOR	CONN	TERM	TO	REMARKS
2	18	BRN	PI	C	S2	2
1	18	BLU	PI	C	S2	2a
1	18	BLK	PI	P	S3	1a
2	18	VIO	PI	V	S3	1

LEGEND	
PART NUMBER	DESCRIPTION
H7836-A	40 W
H7836-B	GOW

- NOTES:
1. INSTALL ITEM #3 AS SHOWN, TYP 4 PLACES
  2. LOCATE ITEM #4 APPROXIMATELY AS SHOWN ON DRAWING
  3. THESE TWO WIRES ARE TO BE INSULATED WHERE WIRES COME WITHIN 10MM OF PRIMARY CIRCUITRY. THE TUBING COVERING THESE WIRES ARE TO HAVE A WALL THICKNESS OF 1MM MINIMUM.
  4. FOR FIELD SERVICE PACKAGING ORDER PACKAGING MATERIAL PER A-SP-3700571-0-0 ITEM #5 ON K-PL-H7836-0-DBP



CAUTION: OFF SHEET PARTS LIST EXISTS  
REFER TO K-PL-H7386-O-DBP

DESCRIPTION	DRAWING NO	PART NO	REV
POWER SUPPLY ASSY	VT27E		
UNLESS OTHERWISE SPECIFIED DIMENSIONS ARE IN INCHES AND THE FOLLOWING TOLERANCES APPLY (PER DEC STD 114)			
FINISH	APPROXIMATE	OVER	UNDER
± .005	± .005	± .005	± .005
± .01	± .01	± .01	± .01
± .02	± .02	± .02	± .02
± .05	± .05	± .05	± .05
± .10	± .10	± .10	± .10
± .15	± .15	± .15	± .15
± .20	± .20	± .20	± .20
± .25	± .25	± .25	± .25
± .30	± .30	± .30	± .30
± .35	± .35	± .35	± .35
± .40	± .40	± .40	± .40
± .45	± .45	± .45	± .45
± .50	± .50	± .50	± .50
± .55	± .55	± .55	± .55
± .60	± .60	± .60	± .60
± .65	± .65	± .65	± .65
± .70	± .70	± .70	± .70
± .75	± .75	± .75	± .75
± .80	± .80	± .80	± .80
± .85	± .85	± .85	± .85
± .90	± .90	± .90	± .90
± .95	± .95	± .95	± .95
± 1.00	± 1.00	± 1.00	± 1.00
± 1.05	± 1.05	± 1.05	± 1.05
± 1.10	± 1.10	± 1.10	± 1.10
± 1.15	± 1.15	± 1.15	± 1.15
± 1.20	± 1.20	± 1.20	± 1.20
± 1.25	± 1.25	± 1.25	± 1.25
± 1.30	± 1.30	± 1.30	± 1.30
± 1.35	± 1.35	± 1.35	± 1.35
± 1.40	± 1.40	± 1.40	± 1.40
± 1.45	± 1.45	± 1.45	± 1.45
± 1.50	± 1.50	± 1.50	± 1.50
± 1.55	± 1.55	± 1.55	± 1.55
± 1.60	± 1.60	± 1.60	± 1.60
± 1.65	± 1.65	± 1.65	± 1.65
± 1.70	± 1.70	± 1.70	± 1.70
± 1.75	± 1.75	± 1.75	± 1.75
± 1.80	± 1.80	± 1.80	± 1.80
± 1.85	± 1.85	± 1.85	± 1.85
± 1.90	± 1.90	± 1.90	± 1.90
± 1.95	± 1.95	± 1.95	± 1.95
± 2.00	± 2.00	± 2.00	± 2.00
± 2.05	± 2.05	± 2.05	± 2.05
± 2.10	± 2.10	± 2.10	± 2.10
± 2.15	± 2.15	± 2.15	± 2.15
± 2.20	± 2.20	± 2.20	± 2.20
± 2.25	± 2.25	± 2.25	± 2.25
± 2.30	± 2.30	± 2.30	± 2.30
± 2.35	± 2.35	± 2.35	± 2.35
± 2.40	± 2.40	± 2.40	± 2.40
± 2.45	± 2.45	± 2.45	± 2.45
± 2.50	± 2.50	± 2.50	± 2.50
± 2.55	± 2.55	± 2.55	± 2.55
± 2.60	± 2.60	± 2.60	± 2.60
± 2.65	± 2.65	± 2.65	± 2.65
± 2.70	± 2.70	± 2.70	± 2.70
± 2.75	± 2.75	± 2.75	± 2.75
± 2.80	± 2.80	± 2.80	± 2.80
± 2.85	± 2.85	± 2.85	± 2.85
± 2.90	± 2.90	± 2.90	± 2.90
± 2.95	± 2.95	± 2.95	± 2.95
± 3.00	± 3.00	± 3.00	± 3.00
± 3.05	± 3.05	± 3.05	± 3.05
± 3.10	± 3.10	± 3.10	± 3.10
± 3.15	± 3.15	± 3.15	± 3.15
± 3.20	± 3.20	± 3.20	± 3.20
± 3.25	± 3.25	± 3.25	± 3.25
± 3.30	± 3.30	± 3.30	± 3.30
± 3.35	± 3.35	± 3.35	± 3.35
± 3.40	± 3.40	± 3.40	± 3.40
± 3.45	± 3.45	± 3.45	± 3.45
± 3.50	± 3.50	± 3.50	± 3.50
± 3.55	± 3.55	± 3.55	± 3.55
± 3.60	± 3.60	± 3.60	± 3.60
± 3.65	± 3.65	± 3.65	± 3.65
± 3.70	± 3.70	± 3.70	± 3.70
± 3.75	± 3.75	± 3.75	± 3.75
± 3.80	± 3.80	± 3.80	± 3.80
± 3.85	± 3.85	± 3.85	± 3.85
± 3.90	± 3.90	± 3.90	± 3.90
± 3.95	± 3.95	± 3.95	± 3.95
± 4.00	± 4.00	± 4.00	± 4.00
± 4.05	± 4.05	± 4.05	± 4.05
± 4.10	± 4.10	± 4.10	± 4.10
± 4.15	± 4.15	± 4.15	± 4.15
± 4.20	± 4.20	± 4.20	± 4.20
± 4.25	± 4.25	± 4.25	± 4.25
± 4.30	± 4.30	± 4.30	± 4.30
± 4.35	± 4.35	± 4.35	± 4.35
± 4.40	± 4.40	± 4.40	± 4.40
± 4.45	± 4.45	± 4.45	± 4.45
± 4.50	± 4.50	± 4.50	± 4.50
± 4.55	± 4.55	± 4.55	± 4.55
± 4.60	± 4.60	± 4.60	± 4.60
± 4.65	± 4.65	± 4.65	± 4.65
± 4.70	± 4.70	± 4.70	± 4.70
± 4.75	± 4.75	± 4.75	± 4.75
± 4.80	± 4.80	± 4.80	± 4.80
± 4.85	± 4.85	± 4.85	± 4.85
± 4.90	± 4.90	± 4.90	± 4.90
± 4.95	± 4.95	± 4.95	± 4.95
± 5.00	± 5.00	± 5.00	± 5.00
± 5.05	± 5.05	± 5.05	± 5.05
± 5.10	± 5.10	± 5.10	± 5.10
± 5.15	± 5.15	± 5.15	± 5.15
± 5.20	± 5.20	± 5.20	± 5.20
± 5.25	± 5.25	± 5.25	± 5.25
± 5.30	± 5.30	± 5.30	± 5.30
± 5.35	± 5.35	± 5.35	± 5.35
± 5.40	± 5.40	± 5.40	± 5.40
± 5.45	± 5.45	± 5.45	± 5.45
± 5.50	± 5.50	± 5.50	± 5.50
± 5.55	± 5.55	± 5.55	± 5.55
± 5.60	± 5.60	± 5.60	± 5.60
± 5.65	± 5.65	± 5.65	± 5.65
± 5.70	± 5.70	± 5.70	± 5.70
± 5.75	± 5.75	± 5.75	± 5.75
± 5.80	± 5.80	± 5.80	± 5.80
± 5.85	± 5.85	± 5.85	± 5.85
± 5.90	± 5.90	± 5.90	± 5.90
± 5.95	± 5.95	± 5.95	± 5.95
± 6.00	± 6.00	± 6.00	± 6.00
± 6.05	± 6.05	± 6.05	± 6.05
± 6.10	± 6.10	± 6.10	± 6.10
± 6.15	± 6.15	± 6.15	± 6.15
± 6.20	± 6.20	± 6.20	± 6.20
± 6.25	± 6.25	± 6.25	± 6.25
± 6.30	± 6.30	± 6.30	± 6.30
± 6.35	± 6.35	± 6.35	± 6.35
± 6.40	± 6.40	± 6.40	± 6.40
± 6.45	± 6.45	± 6.45	± 6.45
± 6.50	± 6.50	± 6.50	± 6.50
± 6.55	± 6.55	± 6.55	± 6.55
± 6.60	± 6.60	± 6.60	± 6.60
± 6.65	± 6.65	± 6.65	± 6.65
± 6.70	± 6.70	± 6.70	± 6.70
± 6.75	± 6.75	± 6.75	± 6.75
± 6.80	± 6.80	± 6.80	± 6.80
± 6.85	± 6.85	± 6.85	± 6.85
± 6.90	± 6.90	± 6.90	± 6.90
± 6.95	± 6.95	± 6.95	± 6.95
± 7.00	± 7.00	± 7.00	± 7.00
± 7.05	± 7.05	± 7.05	± 7.05
± 7.10	± 7.10	± 7.10	± 7.10
± 7.15	± 7.15	± 7.15	± 7.15
± 7.20	± 7.20	± 7.20	± 7.20
± 7.25	± 7.25	± 7.25	± 7.25
± 7.30	± 7.30	± 7.30	± 7.30
± 7.35	± 7.35	± 7.35	± 7.35
± 7.40	± 7.40	± 7.40	± 7.40
± 7.45	± 7.45	± 7.45	± 7.45
± 7.50	± 7.50	± 7.50	± 7.50
± 7.55	± 7.55	± 7.55	± 7.55
± 7.60	± 7.60	± 7.60	± 7.60
± 7.65	± 7.65	± 7.65	± 7.65
± 7.70	± 7.70	± 7.70	± 7.70
± 7.75	± 7.75	± 7.75	± 7.75
± 7.80	± 7.80	± 7.80	± 7.80
± 7.85	± 7.85	± 7.85	± 7.85
± 7.90	± 7.90	± 7.90	± 7.90
± 7.95	± 7.95	± 7.95	± 7.95
± 8.00	± 8.00	± 8.00	± 8.00
± 8.05	± 8.05	± 8.05	± 8.05
± 8.10	± 8.10	± 8.10	± 8.10
± 8.15	± 8.15	± 8.15	± 8.15
± 8.20	± 8.20	± 8.20	± 8.20
± 8.25	± 8.25	± 8.25	± 8.25
± 8.30	± 8.30	± 8.30	± 8.30
± 8.35	± 8.35	± 8.35	± 8.35
± 8.40	± 8.40	± 8.40	± 8.40
± 8.45	± 8.45	± 8.45	± 8.45
± 8.50	± 8.50	± 8.50	± 8.50
± 8.55	± 8.55	± 8.55	± 8.55
± 8.60	± 8.60	± 8.60	± 8.60
± 8.65	± 8.65	± 8.65	± 8.65
± 8.70	± 8.70	± 8.70	± 8.70
± 8.75	± 8.75	± 8.75	± 8.75
± 8.80	± 8.80	± 8.80	± 8.80
± 8.85	± 8.85	± 8.85	± 8.85
± 8.90	± 8.90	± 8.90	± 8.90
± 8.95	± 8.95	± 8.95	± 8.95
± 9.00	± 9.00	± 9.00	± 9.00
± 9.05	± 9.05	± 9.05	± 9.05
± 9.10	± 9.10	± 9.10	± 9.10
± 9.15	± 9.15	± 9.15	± 9.15
± 9.20	± 9.20	± 9.20	± 9.20
± 9.25	± 9.25	± 9.25	± 9.25
± 9.30	± 9.30	± 9.30	± 9.30
± 9.35	± 9.35	± 9.35	± 9.35
± 9.40	± 9.40	± 9.40	± 9.40
± 9.45	± 9.45	± 9.45	± 9.45
± 9.50	± 9.50	± 9.50	± 9.50
± 9.55	± 9.55	± 9.55	± 9.55
± 9.60	± 9.60	± 9.60	± 9.60
± 9.65	± 9.65	± 9.65	± 9.65
± 9.70	± 9.70	± 9.70	± 9.70
± 9.75	± 9.75	± 9.75	± 9.75
± 9.80	± 9.80	± 9.80	± 9.80
± 9.85	± 9.85	± 9.85	± 9.85
± 9.90	± 9.90	± 9.90	± 9.90
± 9.95	± 9.95	± 9.95	± 9.95
± 10			