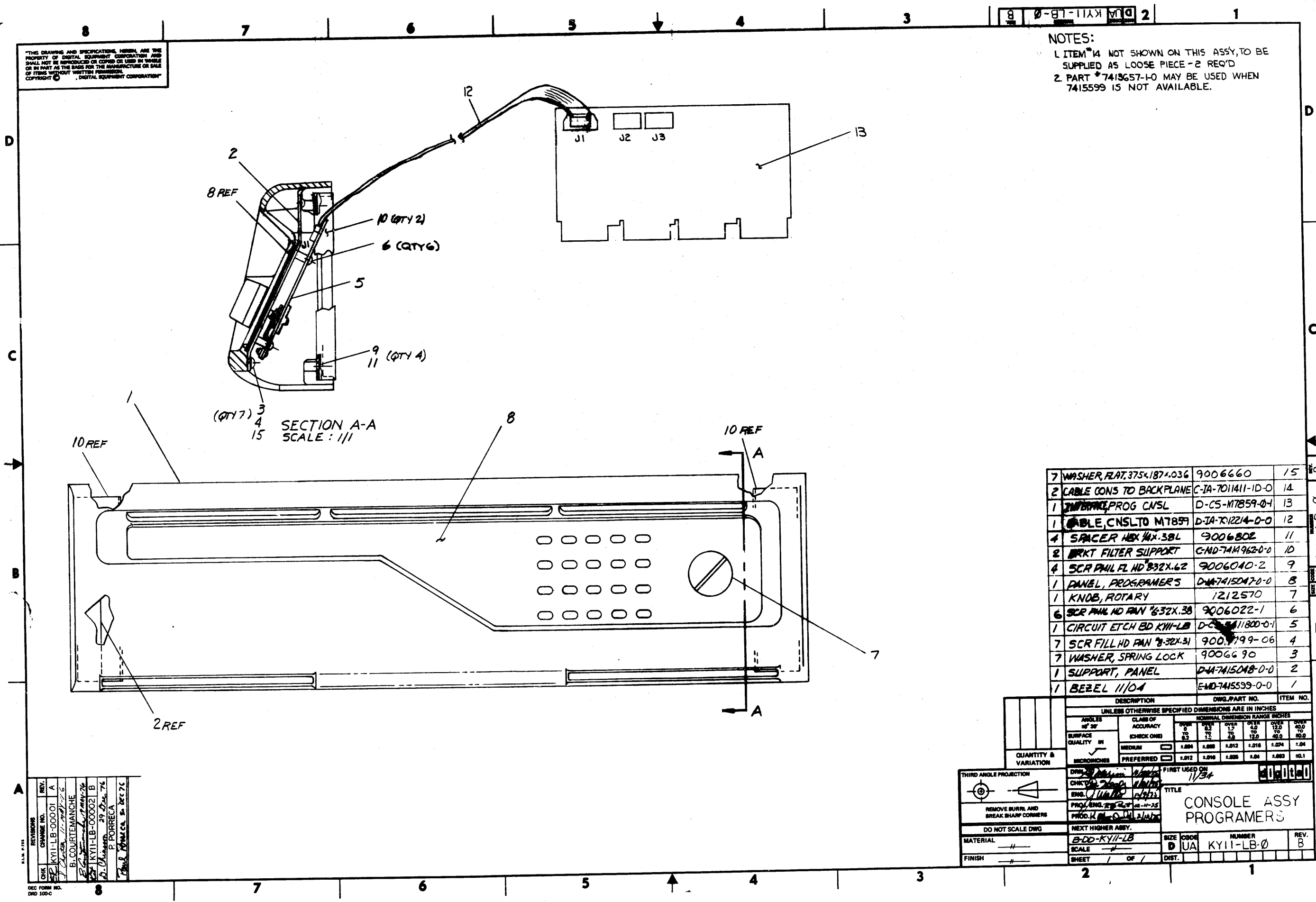


THIS DRAWING AND SPECIFICATIONS HEREIN ARE THE PROPERTY OF DIGITAL EQUIPMENT CORPORATION AND SHALL NOT BE REPRODUCED OR COPIED OR USED IN WHOLE OR IN PART AS THE BASIS FOR THE MANUFACTURE OR SALE OF ITEMS WITHOUT WRITTEN PERMISSION. COPYRIGHT © DIGITAL EQUIPMENT CORPORATION

NOTES:
 1 ITEM *14 NOT SHOWN ON THIS ASSY, TO BE SUPPLIED AS LOOSE PIECE - 2 REQ'D
 2 PART *7413657-10 MAY BE USED WHEN 7415599 IS NOT AVAILABLE.



SECTION A-A
SCALE: 1/1

QTY	DESCRIPTION	DWG/PART NO.	ITEM NO.
15	WASHER, FLAT, .375x.187x.036	9006660	15
2	CABLE CONS TO BACKPLANE	C-1A-7011411-10-0	14
1	INTERNAL PROG CNSL	D-CS-M7859-04	13
1	CABLE, CNSL TO M7859	D-1A-K12214-0-0	12
4	SPACER HEX 1/4x.38L	9006802	11
2	BRKT FILTER SUPPORT	C-MD-7414962-0-0	10
4	SCR PHIL FL HD 832x.62	9006040-2	9
1	PANEL, PROGRAMERS	D-M-7415047-0-0	8
1	KNOB, ROTARY	1212570	7
6	SCR PHIL HD PAN 832x.38	9006022-1	6
1	CIRCUIT ETCH BD KWI-LB	D-C-111800-0-1	5
7	SCR FILL HD PAN 832x.51	9006799-06	4
7	WASHER, SPRING LOCK	9006690	3
1	SUPPORT, PANEL	D-M-7415048-0-0	2
1	BEZEL 11/04	EMD-7415599-0-0	1

QUANTITY & VARIATION		DESCRIPTION		DWG/PART NO.		ITEM NO.	
1	1	UNLESS OTHERWISE SPECIFIED DIMENSIONS ARE IN INCHES					
ANGLES	CLASS OF ACCURACY	NOMINAL DIMENSION RANGE INCHES					
30° 30'	CHECK ONE	UNDER 1.0	1.0 TO 1.25	1.25 TO 1.5	1.5 TO 2.0	2.0 TO 4.0	OVER 4.0
SURFACE QUALITY	IN	1.004	1.008	1.012	1.016	1.024	1.04
	MEDIUM	1.012	1.016	1.020	1.024	1.032	1.04
	PREFERRED	1.012	1.016	1.020	1.024	1.032	1.04

REV.	CHG	DATE	BY	APP
A				
B				
C				
D				

THIRD ANGLE PROJECTION

REMOVE BURRS AND BREAK SHARP CORNERS

DO NOT SCALE DWG

MATERIAL: _____

FINISH: _____

DRW: _____

CHKD: _____

ENG: _____

PROJ. ENG: _____

PROD. K: _____

FIRST USED ON: 11/34

TITLE: CONSOLE ASSY PROGRAMERS

SIZE: D

CODE: UA

NUMBER: KY11-LB-0

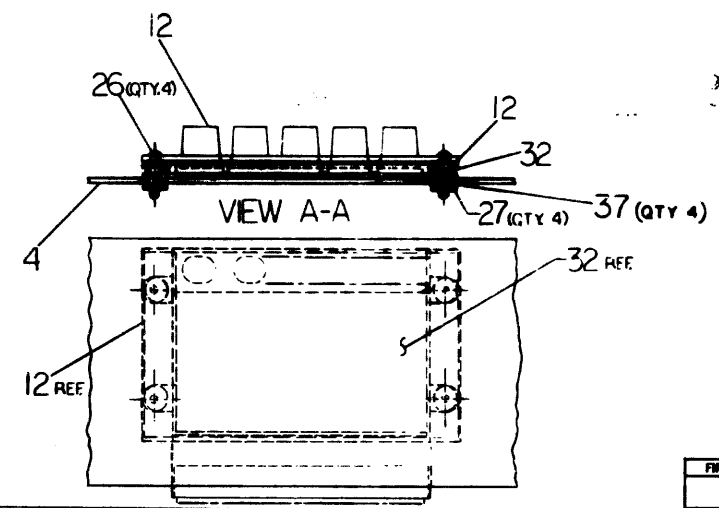
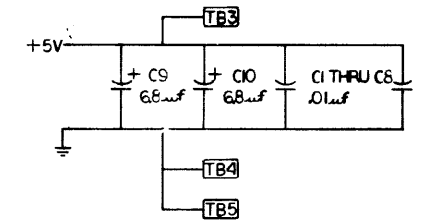
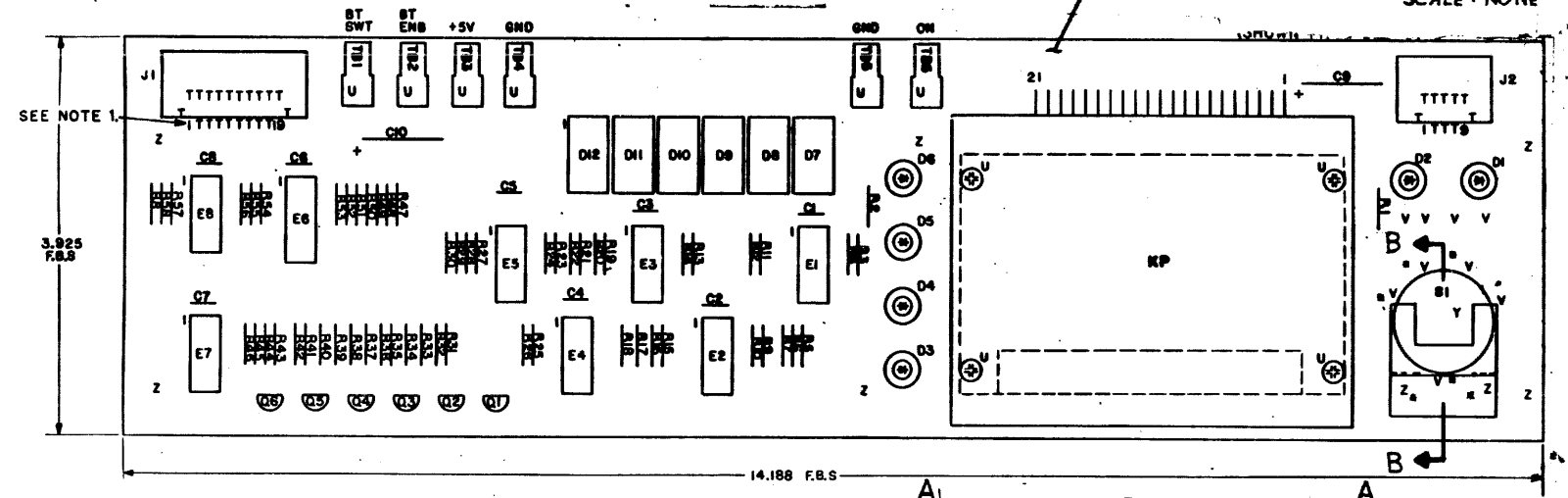
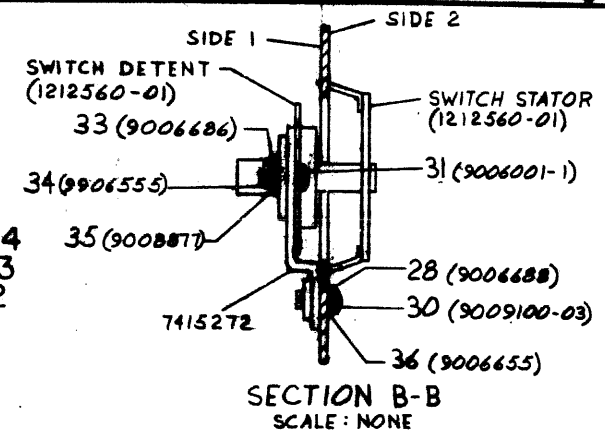
REV: B

SHEET 1 OF 1

DIST: _____

THIS DRAWING AND SPECIFICATIONS, HEREIN, ARE THE PROPERTY OF DIGITAL EQUIPMENT CORPORATION AND SHALL NOT BE REPRODUCED OR TRANSMITTED IN ANY FORM OR BY ANY MEANS, ELECTRONIC OR MECHANICAL, INCLUDING PHOTOCOPYING, RECORDING, OR BY ANY INFORMATION STORAGE AND RETRIEVAL SYSTEM, WITHOUT PERMISSION IN WRITING FROM DIGITAL EQUIPMENT CORPORATION.
COPYRIGHT © 1975 DIGITAL EQUIPMENT CORPORATION

NOTES:
1. ARROW ON BOARD IS TO LINE UP WITH ARROW ON CONNECTOR (J1 & J2).



REF	X-Y COORDINATE HOLE LOCATION	K-CO-5411800-0-4	1
REF	ASSY/DRILLING HOLE LAYOUT	D-AH 5411800-0-5	2
REF	MODULE PCB HISTORY	B-MH-5411800-0-6	3
1	ETCHED CIRCUIT BOARD	5011799	4
0	C1 THRU C9	CAPACITOR, .01µf, 100V, 20%	5
2	C9, C10	CAPACITOR, 0.01µf, 35 VDC, 10%	6
0	D1 THRU D6	DIODE, LIGHT EMITTING	7
0	D7 THRU D12	7 SEGMENT, DISPLAY	8
1	J1	CONNECTOR, 20 PIN	9
1	J2	CONNECTOR, 10 PIN	10
1	S1	SWITCH, ROTARY, 3 POSITION	11
1	KP	KEYPAD	12
0	D7 THRU D12	SOCKET, 14 PIN	13
12	R1, R2, R5, R6, R7, R47 THRU R53	RESISTOR, 150 OHM, 1/4W, 5%	14
10	R22, R24, R26, R30, R40, R42, R27 THRU R38	RESISTOR, 1K, 1/4W, 5%	15
0	R31, R33, R35, R37, R39, R41	RESISTOR, 620 OHM, 1/4W, 5%	16
30	R3, R4, R8 THRU R20, R43 THRU R46, R54 THRU R58	RESISTOR, 10K, 1/4W, 5%	17
0	Q1 THRU Q6	TRANSISTOR, MPS455	18
1	E8	I.C. DEC 7404	19
1	E7	I.C. DEC 7417	20
1	E6	I.C. DEC 7447A	21
5	E1 THRU E5	I.C. DEC 8081	22
0		EYELET	23
0	TB1 THRU TB6	TERMINAL, QUICK DISCONNECT	24
6		WASHER, SHOULDER	25
4		SCREW, PHILLIPS #4/40 x 3/16 LG	26
4		NUT, HEX #4/40	27
2		WASHER, LOCK #4	28
1		BRACKET, SWITCH	29
2		SCREW, PHILLIPS #4/40 x 1/4 LG	30
2		SCREW PHILLIPS #2-56 x 1/4 LG	31
1		RETAIN, KEY BOARD ASSY	32
2		WASHER, LOCK #2	33
2		NUT, HEX	34
2		WASHER, FLAT #2	35
2		WASHER, FLAT #4	36
4		WASHER, NYLON	37

IC TYPE	QTY	REF
I.C. DEC 7447A	8	16
IC PIN LOCATIONS		

REV	DATE	BY	CHK
1	9-19-75	J. Vincent	
2	11-21-75	R. Egan	
3	11-26-75	R. Egan	
4	11-26-75	R. Egan	
5	11-26-75	R. Egan	
6	11-26-75	R. Egan	

FIRST USED ON OPTION MODEL

ETCH BOARD REV. C

digital

TITLE: KYII-LB (CONSOLE BOARD)

SIZE CODE: D CS 5411800-0-1

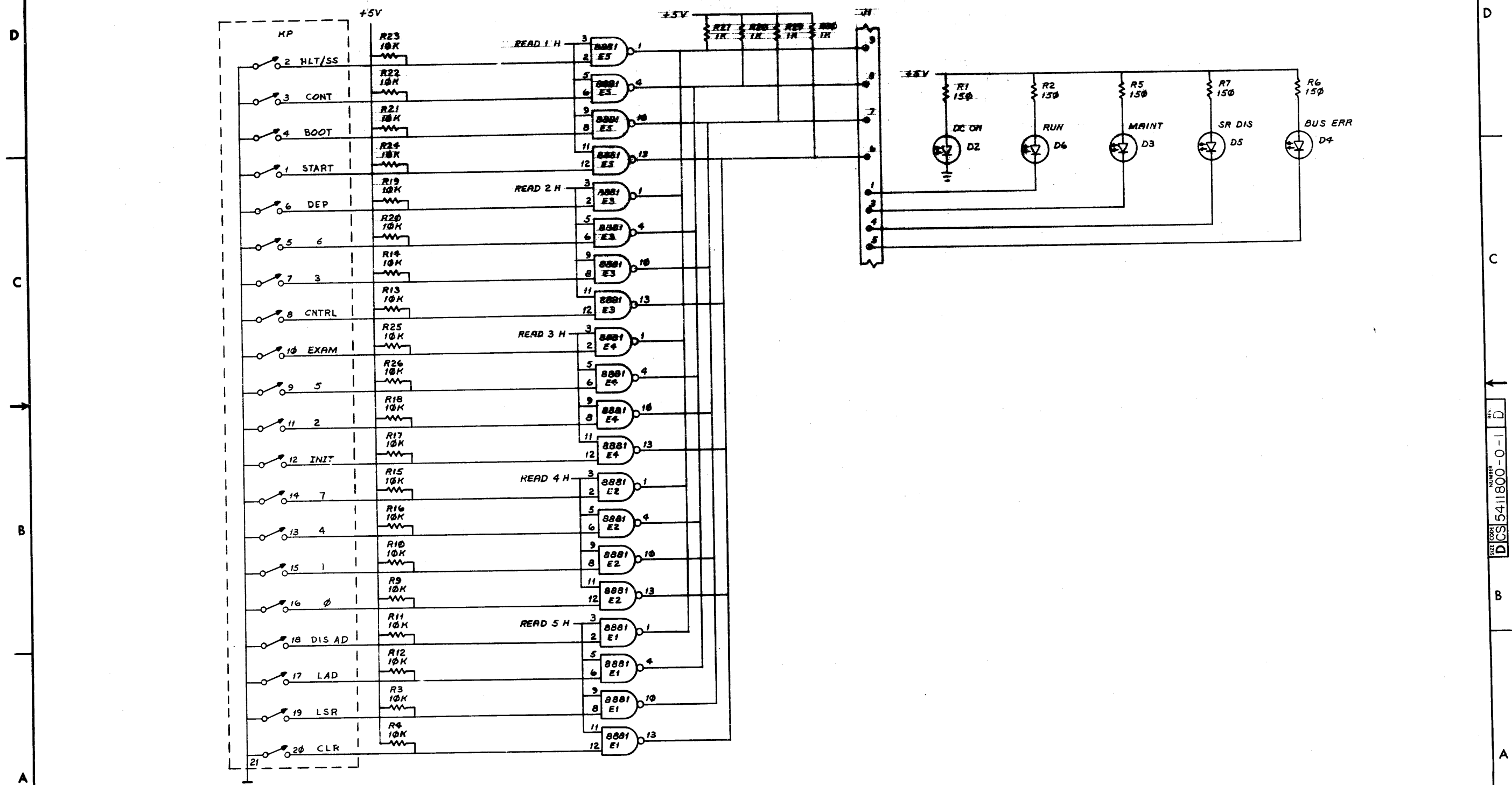
REVISIONS:

REV	DATE	BY	CHK
1	9-19-75	J. Vincent	
2	11-21-75	R. Egan	
3	11-26-75	R. Egan	
4	11-26-75	R. Egan	
5	11-26-75	R. Egan	
6	11-26-75	R. Egan	

SEMICONDUCTOR CONVERSION CHART

SHEET 1 OF 3

THE DRAWING AND SPECIFICATIONS HEREON ARE THE PROPERTY OF DIGITAL EQUIPMENT CORPORATION AND SHALL NOT BE REPRODUCED OR COPIED OR USED IN WHOLE OR IN PART AS THE BASIS FOR THE MANUFACTURE OR SALE OF ITEMS WITHOUT WRITTEN PERMISSION.
COPYRIGHT © 1975 DIGITAL EQUIPMENT CORPORATION



REVISIONS		
CHK	CHANGE NO.	REV.

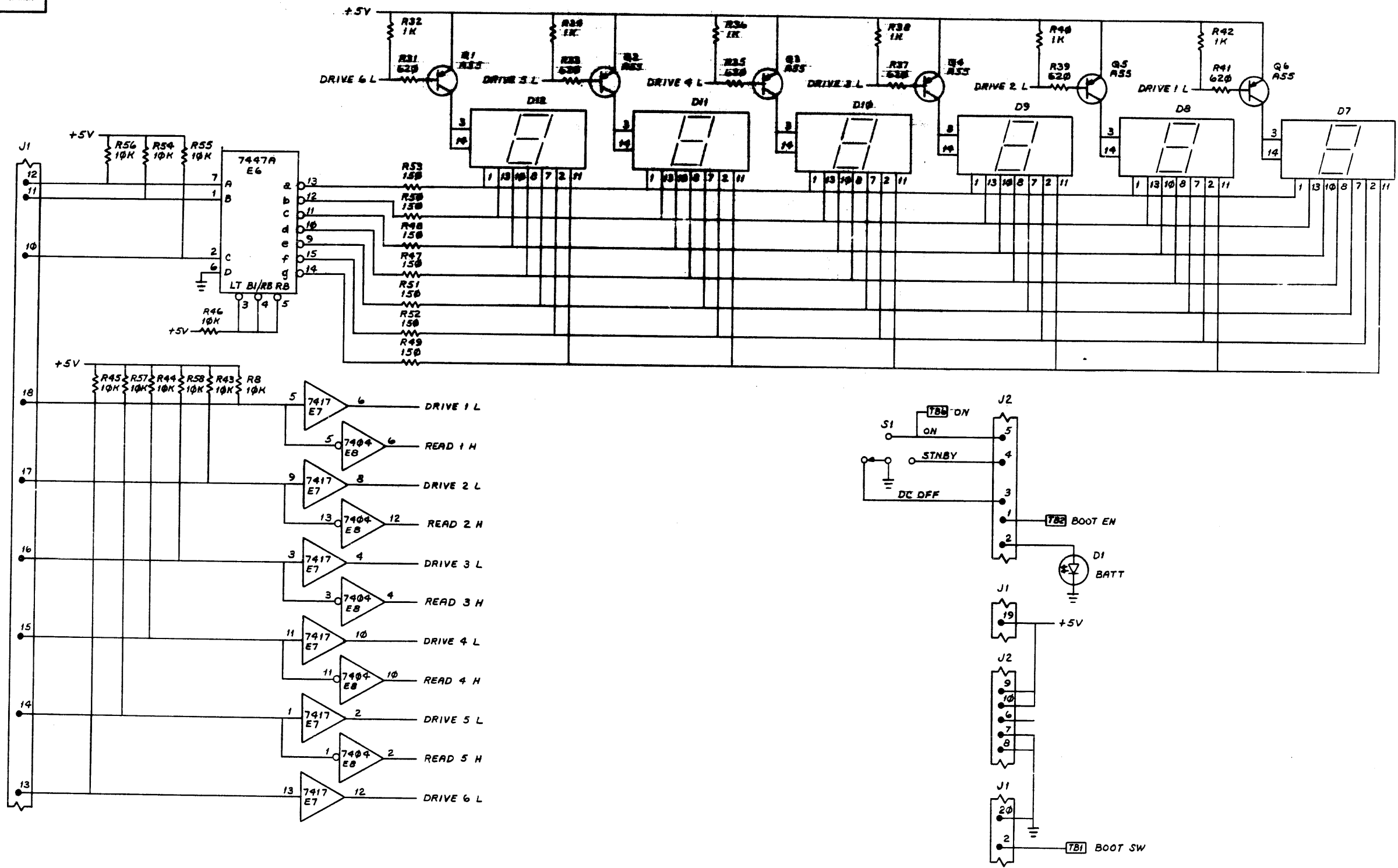
DCS FORM NO. 010 128

TITLE	KY11-LB (CONSOLE BOARD)	SIZE CODE	D CS	NUMBER	5411800-0-1	REV.	D
SCALE	1/1	SHEET	2 OF 3	DIST.			

DCS 5411800-0-1 D

THIS DRAWING AND SPECIFICATIONS HEREIN ARE THE PROPERTY OF DIGITAL EQUIPMENT CORPORATION AND SHALL NOT BE REPRODUCED OR COPIED OR USED IN WHOLE OR IN PART AS THE BASIS FOR THE MANUFACTURE OR SALE OF ITEMS WITHOUT WRITTEN PERMISSION.
 COPYRIGHT © 1975 DIGITAL EQUIPMENT CORPORATION

D CS 5411800-0-1 2



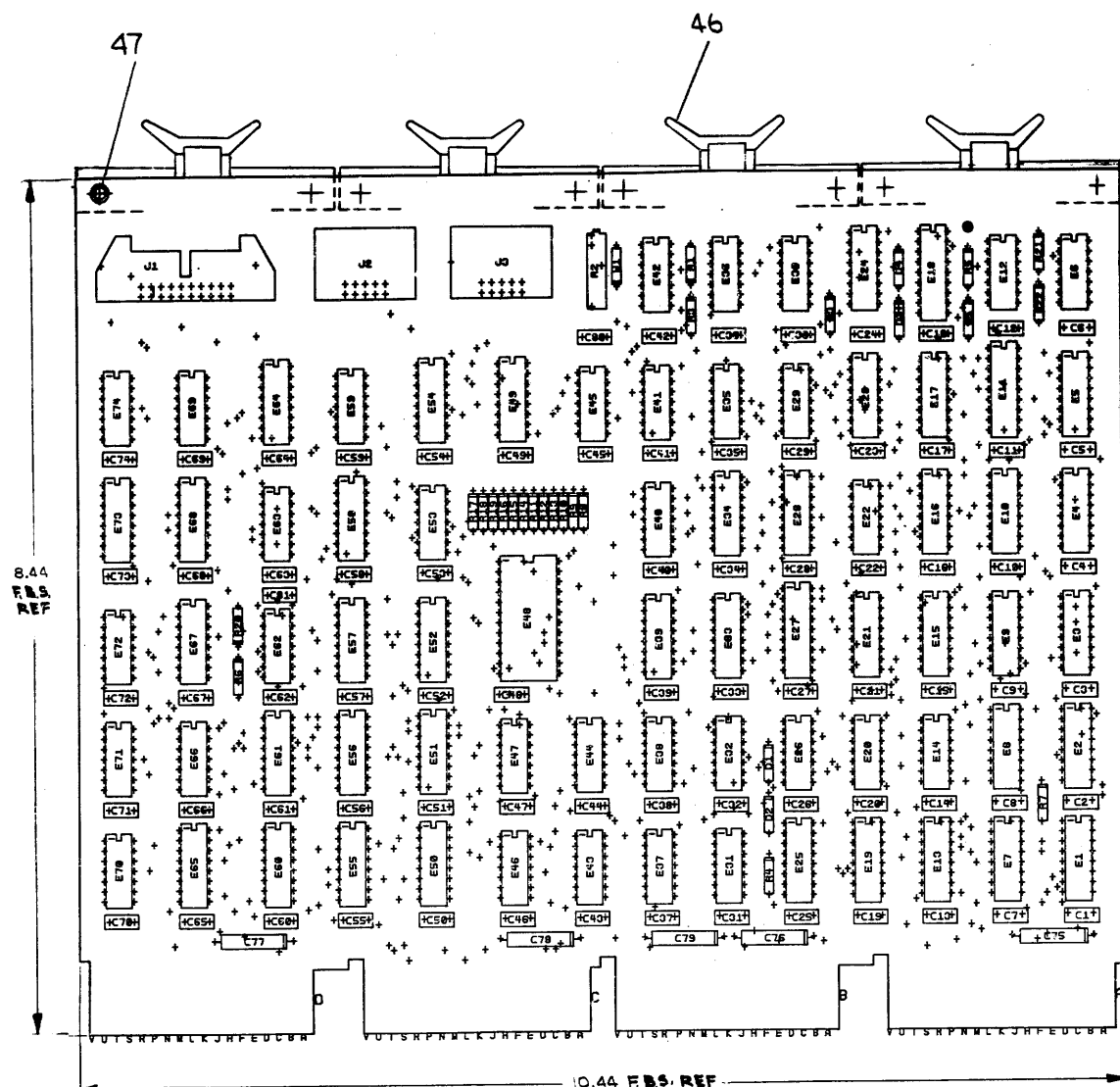
REVISIONS		
CHK	CHANGE NO.	REV.

TITLE KY11-LB
 (CONSOLE BOARD)
 SIZE CODE D CS NUMBER 5411800-0-1 REV. D
 SCALE 1/1 SHEET 3 OF 3 DIST.

REV. D
 D CS 5411800-0-1

THIS DRAWING AND SPECIFICATIONS HEREIN ARE THE PROPERTY OF DIGITAL EQUIPMENT CORPORATION AND SHALL NOT BE REPRODUCED OR COPIED OR USED IN WHOLE OR IN PART AS THE BASIS FOR THE MANUFACTURE OR SALE OF ITEMS WITHOUT WRITTEN PERMISSION.
 COPYRIGHT © 1975 DIGITAL EQUIPMENT CORPORATION

NOTES:



REF	X-Y COORDINATE HOLE LOCATION	K-CO-M7859-0-4	1	
REF	ASSY/DRILLING HOLE LAYOUT	D-AH-M7859-0-5	2	
REF	MODULE ECO HISTORY	B-MH-M7859-0-6	3	
1	ETCHED CIRCUIT BOARD	5011756	4	
1	C00	CAPACITOR, 270pf, 100V, 5%	1000022	5
1	C01	CAPACITOR, 470pf, 100V, 5%	1000024	6
74	C1 THRU C74	CAPACITOR, .01uf, 100V, 20% DISC	1001610-01	7
5	C75 THRU C79	CAPACITOR, 8.8uf, 35V, 10%	1005308	8
1	D2	DIODE, IN748 A	1100122	9
4	D3 THRU D6	DIODE, D672	1105275	10
1	D1	DIODE, IN751 A	1110994	11
2	J2, J3	CONNECTOR, 10 PIN, 3M	1209941-05	12
1	J1	CONNECTOR, 20 PIN, 3M	1209941-06	13
1	Z1B	SOCKET I.C.	1211866	14
1	R26	RESISTOR, 100 OHM, 1/4W, 5%	1300229	15
1	R4	RESISTOR, 120 OHM, 1/4W, 5%	1300247	16
1	R21	RESISTOR, 220 OHM, 1/4W, 5%	1300271	17
3	R5, R6, R7	RESISTOR, 1K, 1/4W, 5%	1300365	18
12	R8 THRU R19	RESISTOR, 10K, 1/4W, 5%	1300479	19
1	R22	RESISTOR, 750 OHM, 1/4W, 5%	1301401	20
1	R3	RESISTOR, 8.8K, 1/4W, 5%	1301423	21
1	R1	RESISTOR, 5.8K, 1/4W, 5%	1301874	22
1	R2	RESISTOR, 10K, 3/4W, 10% POT 78 PR	1309143-10	23
3	E8, E12, E63	I.C. DEC 7474	1905547	24
2	E29, E30	I.C. DEC 7402	1909004	25
1	E36	I.C. DEC 7493	1909054	26
2	E40, E47	I.C. DEC 7404	1909086	27
1	E48	I.C. DEC 74154	1909701	28
1	E32	I.C. DEC 314	1909704	29
2	E43, E82	I.C. DEC 9801	1909705	30
3	E88, E89, E72	I.C. DEC 7417	1909929	31
1	E23	I.C. DEC 7442	1910046	32
2	E26, E93	I.C. DEC 7400	1910155	33
18	E2, E4, E5, E9, E10, E15, E19, E28, E51, E52, E56, E57, E64, E67, E68, E73	I.C. DEC 74175	1910851	34
14	E14, E20, E31, E35, E37, E38, E41, E44, E45, E46, E59, E70, E71, E74	I.C. DEC 8093	1910837	35
1	E22	I.C. DEC 7427	1910878	36
1	E42	I.C. DEC MC4024 P	1911038	37
4	E1, E24, E49, E54	I.C. DEC 8837	1911116	38
9	E7, E8, E13, E25, E50, E55, E56, E61, E65	I.C. DEC 8641	1911579	39
1	E60	I.C. DEC 74S133	1911983	40
2	E16, E17	I.C. DEC 8833	1912099	41
2	E11, E27	I.C. DEC 85568	1912586	42
1	E18	I.C. DEC 8008-1	2111644	43
1		SPLIT LUG	9006735	44
1	E34	I.C. DEC PROM 32 x 8 TRI STATE	23123A1	45
4		HANDLE (FLIP CHIP)	9008337-8	46
8		EYELET	9008732	47
1	E33	I.C. DEC PROM 512 x 4 TRI STATE	23345A9	48
1	E39	I.C. DEC PROM 512 x 4 TRI STATE	23346A9	49
1	E3	I.C. DEC PROM 512 x 4 TRI STATE	23347A9	50
1	E21	I.C. DEC PROM 512 x 4 TRI STATE	23348A9	51

IC TYPE	QTY	REF
IC 74S133	8	16
IC 8641	8	16
IC 8837	8	16
IC MC4024P	9	13
IC 74175	8	16
IC 7442	8	16
IC 314	1	8
IC 74154	12	24
IC 7493	10	5
IC TYPE	GND	+5V

GND AND 5V ARE USUALLY PIN 7 AND 14 RESPECTIVELY EXCEPTIONS ARE STATED ABOVE

DEC FORM NO. D10 135.8

SEMICONDUCTOR CONVERSION CHART

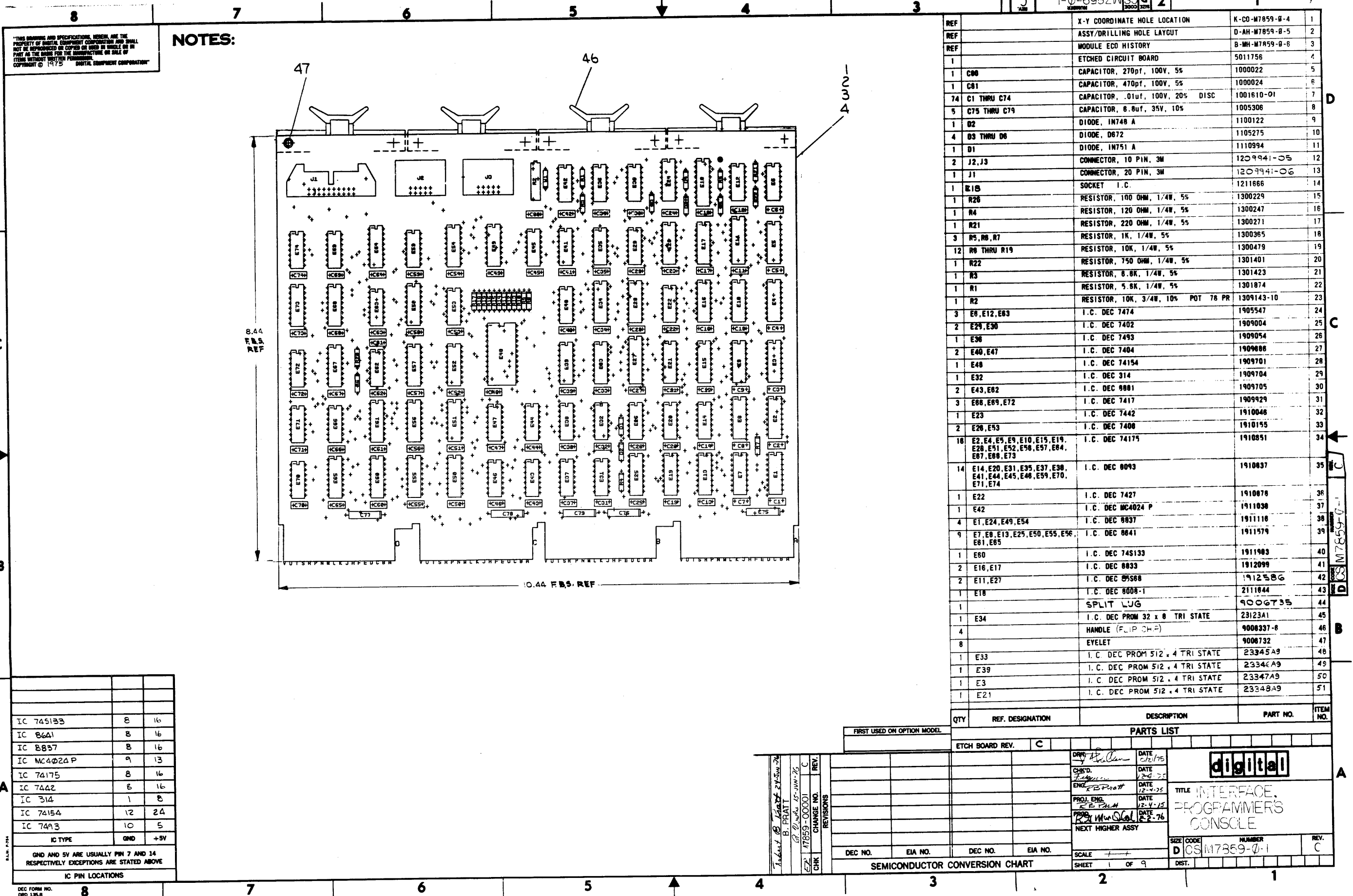
DEC NO.	EIA NO.	DEC NO.	EIA NO.

DATE: 12/1/75
 CHK'D: [Signature]
 ENG: [Signature]
 PROJ. ENG: [Signature]
 PROD: [Signature]

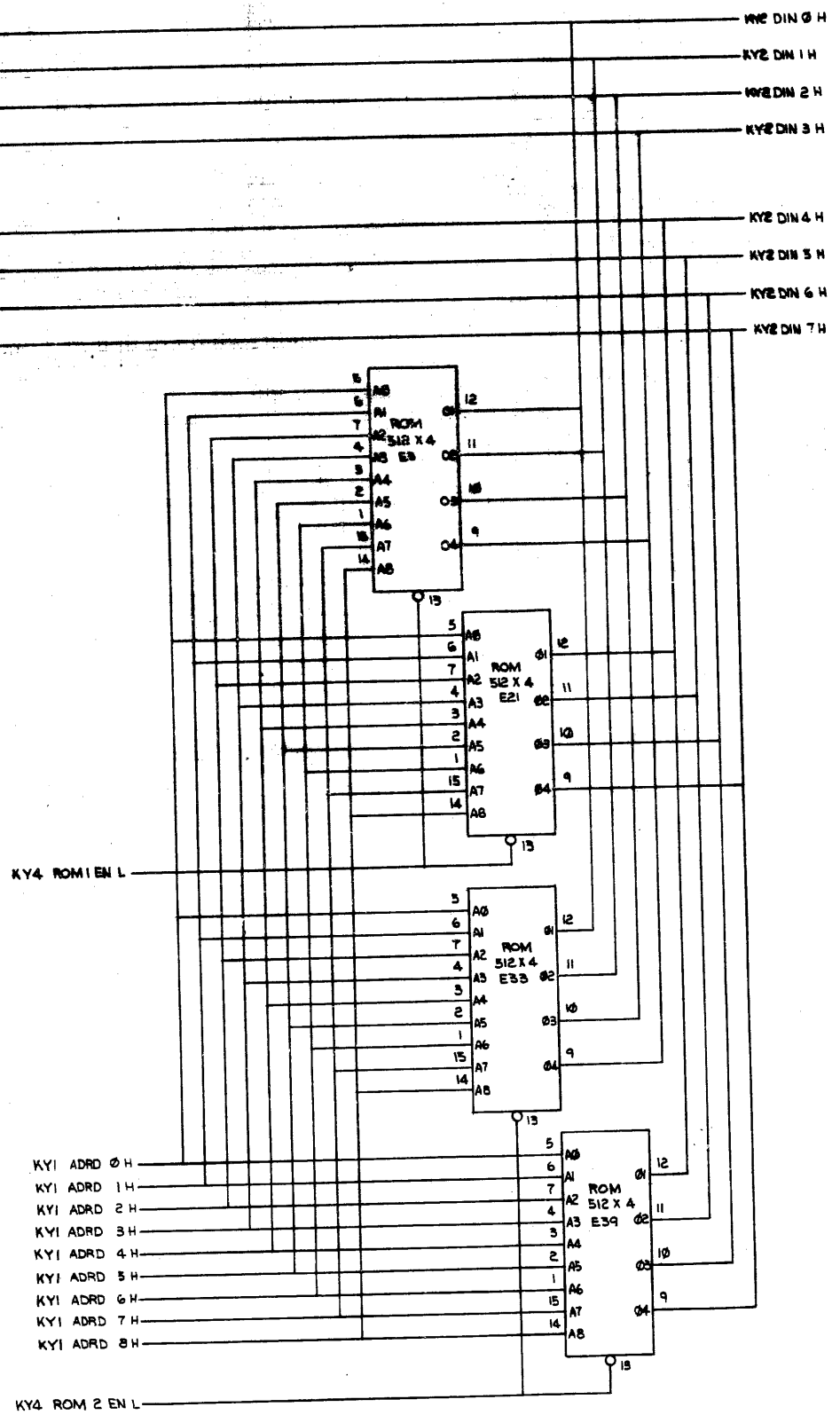
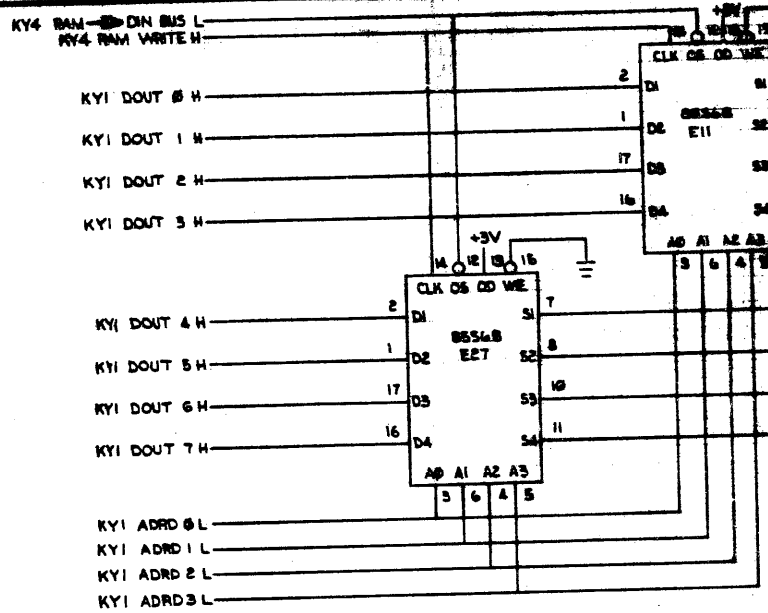
REVISIONS: [Table with columns for REV, CHANGE NO., CHK]

SCALE: 1:1
 SHEET 1 OF 9

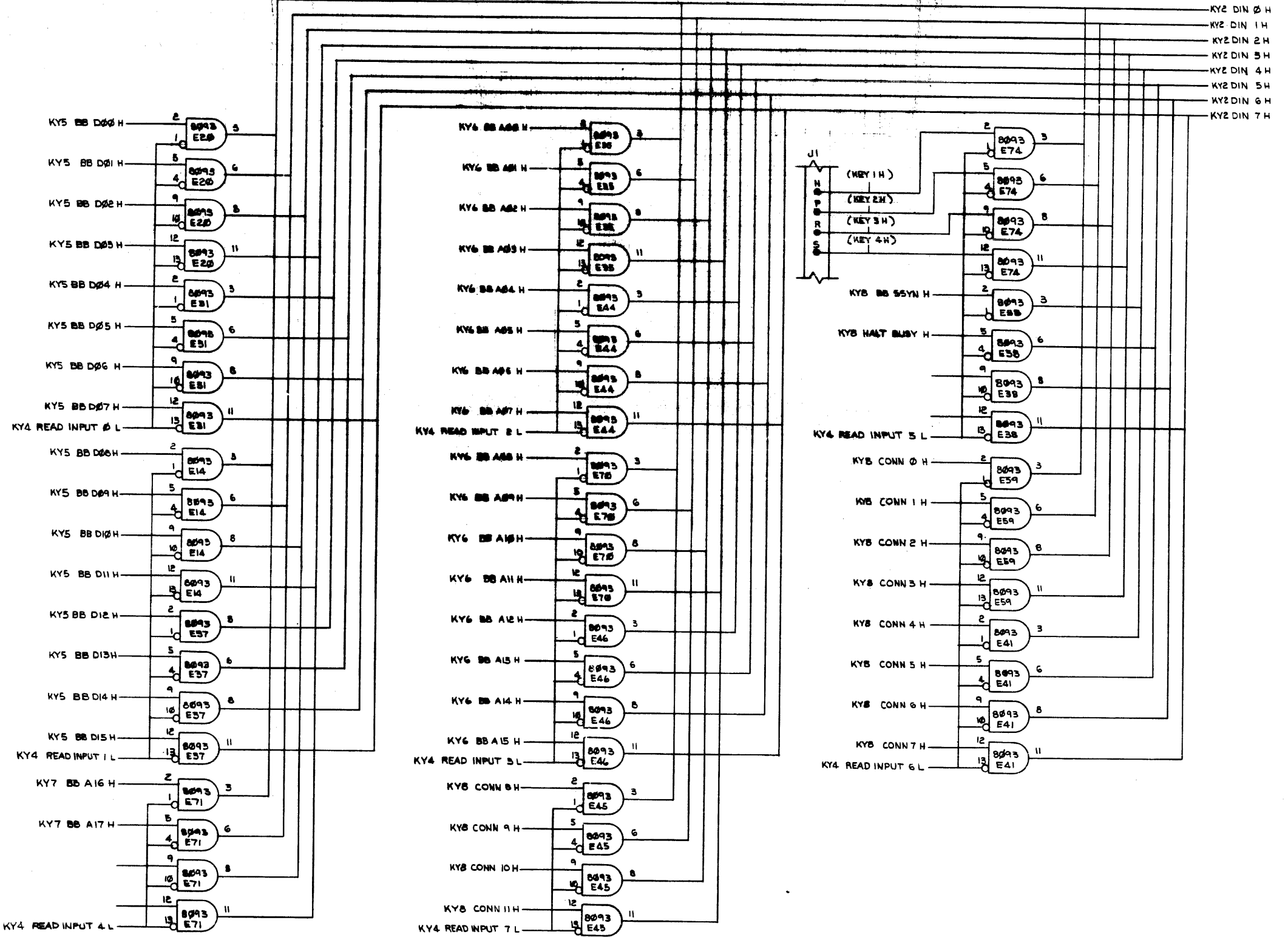
TITLE: INTERFACE, PROGRAMMER'S CONSOLE
 NUMBER: DCSM7859-0-1
 REV: C



THIS SYSTEM AND THE INFORMATION CONTAINED HEREIN ARE UNCLASSIFIED EXCEPT WHERE SHOWN OTHERWISE BY THE MARKING.



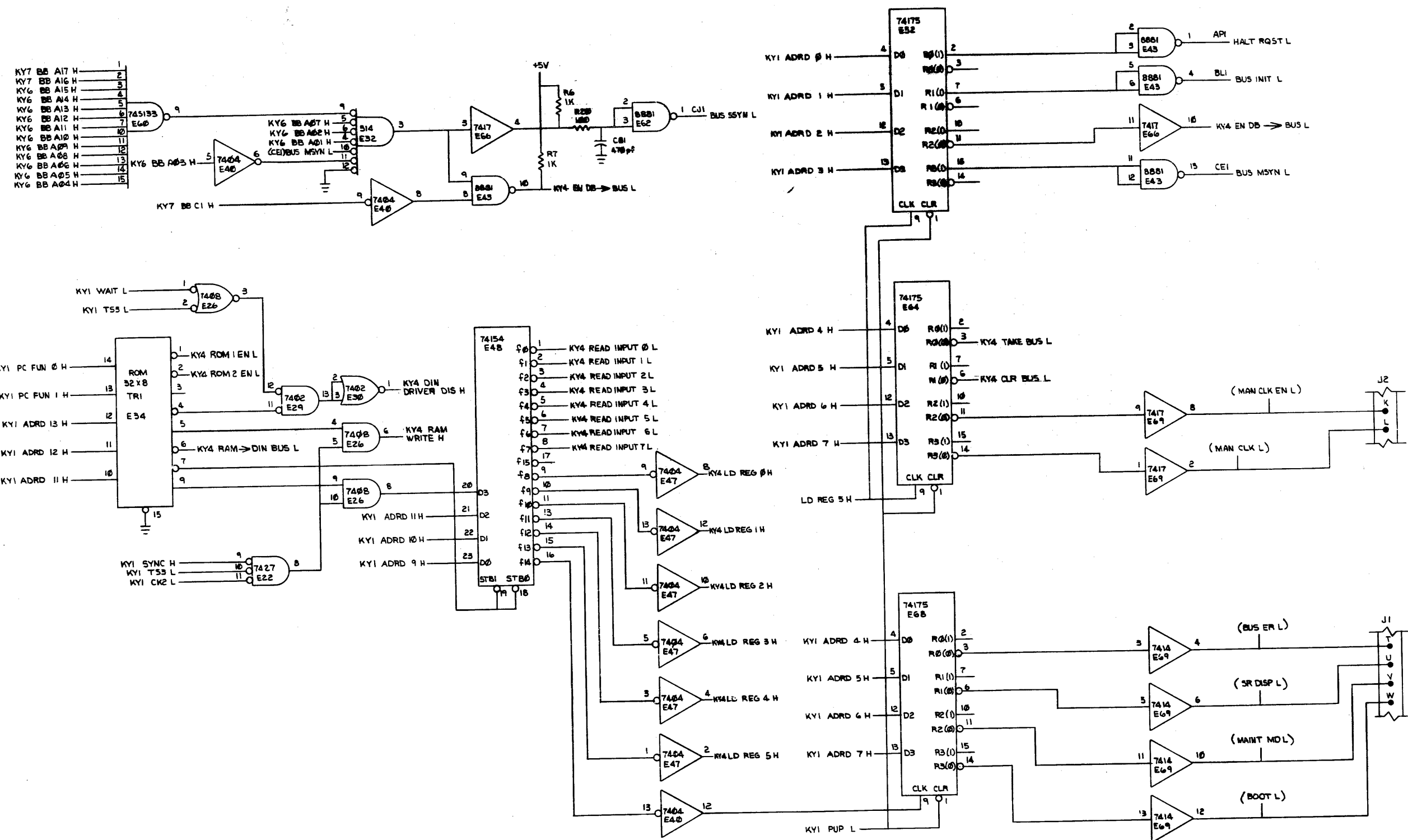
REVISIONS		
CHK	CHANGE NO.	REV.



REVISIONS		
CHK	CHANGE NO.	REV.

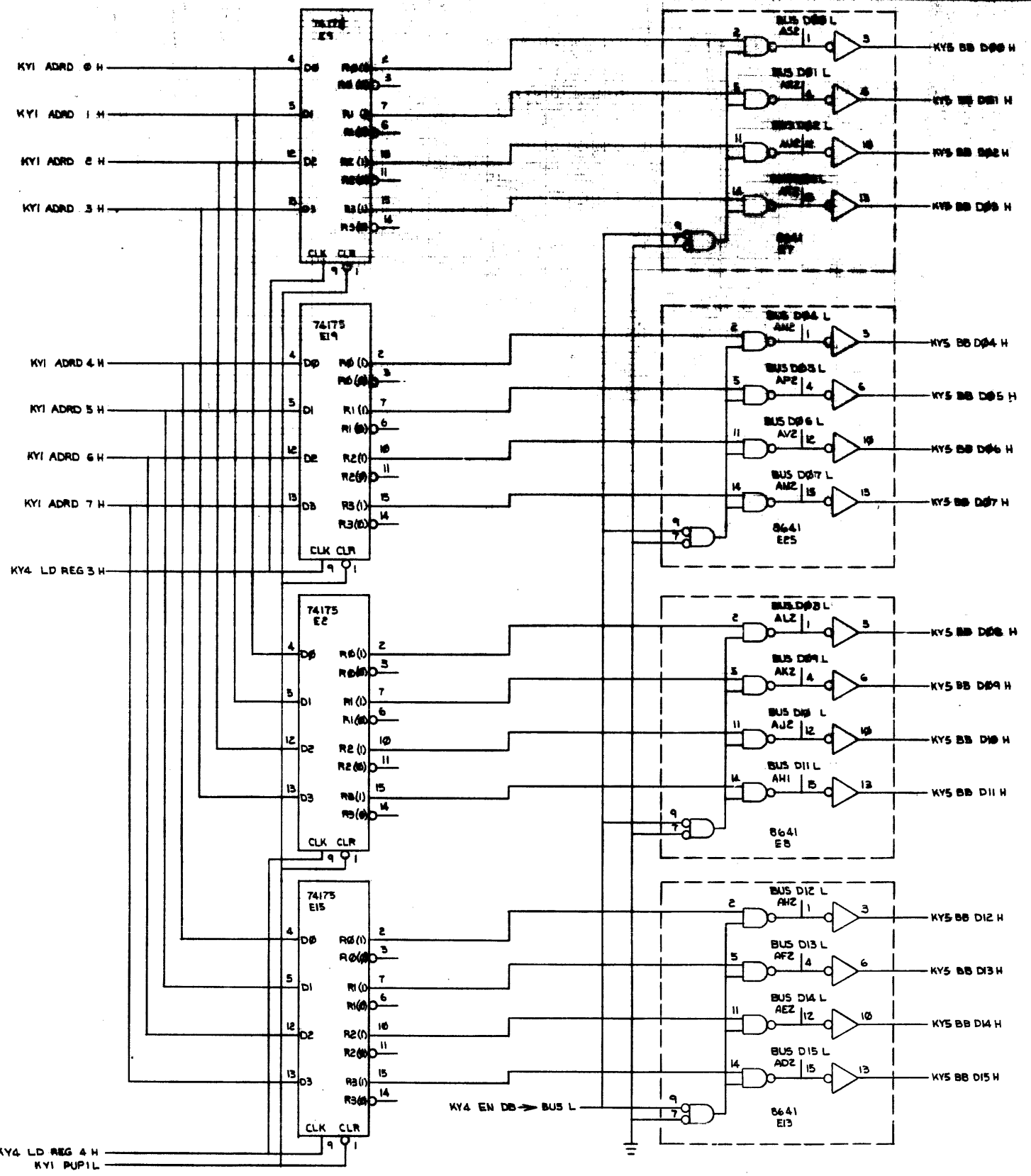
D CS M7859-0-1

THE SHOWN AND SPECIFIED ITEMS ARE THE PROPERTY OF DIGITAL EQUIPMENT CORPORATION AND ARE TO BE RETURNED TO THE MANUFACTURER OR TO THE SUPPLIER AT THE END OF THE PROJECT OR AS SOON THEREAFTER AS POSSIBLE.



REVISIONS		
CHK	CHANGE NO.	REV.

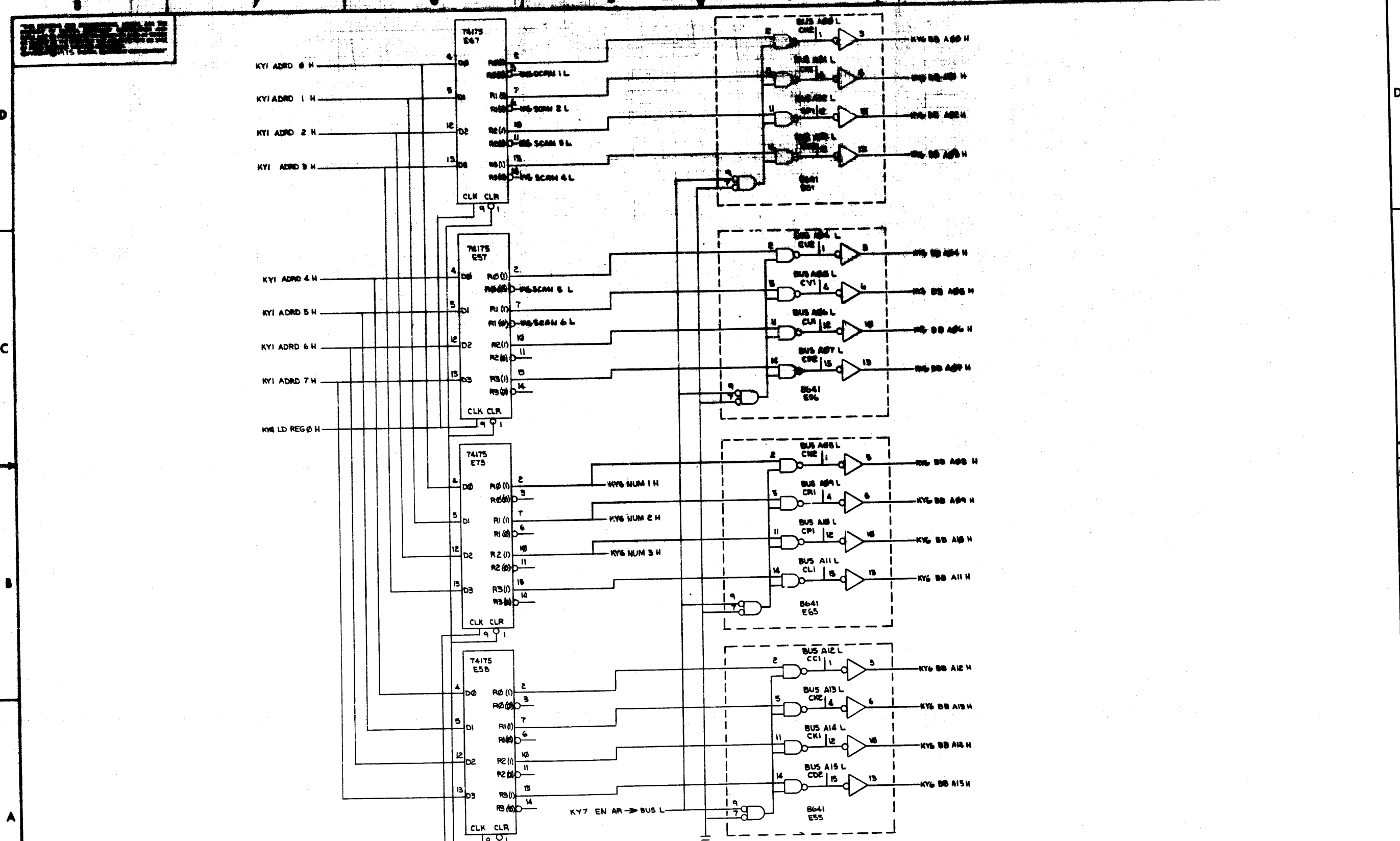
REV. C NUMBER DCS M7859-0-1



REVISIONS		
CHK	CHANGE NO.	REV.

KY4 LD REG 4 H
KY1 PUP1 L

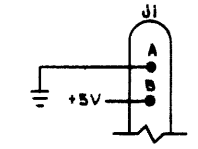
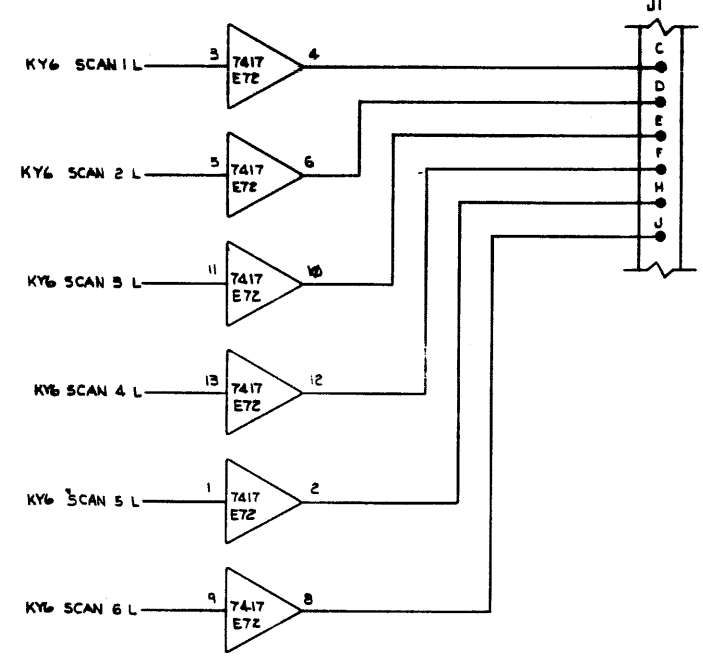
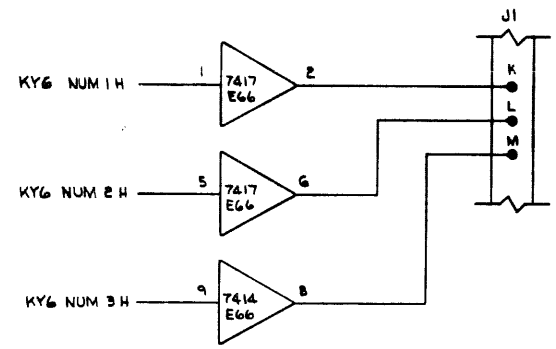
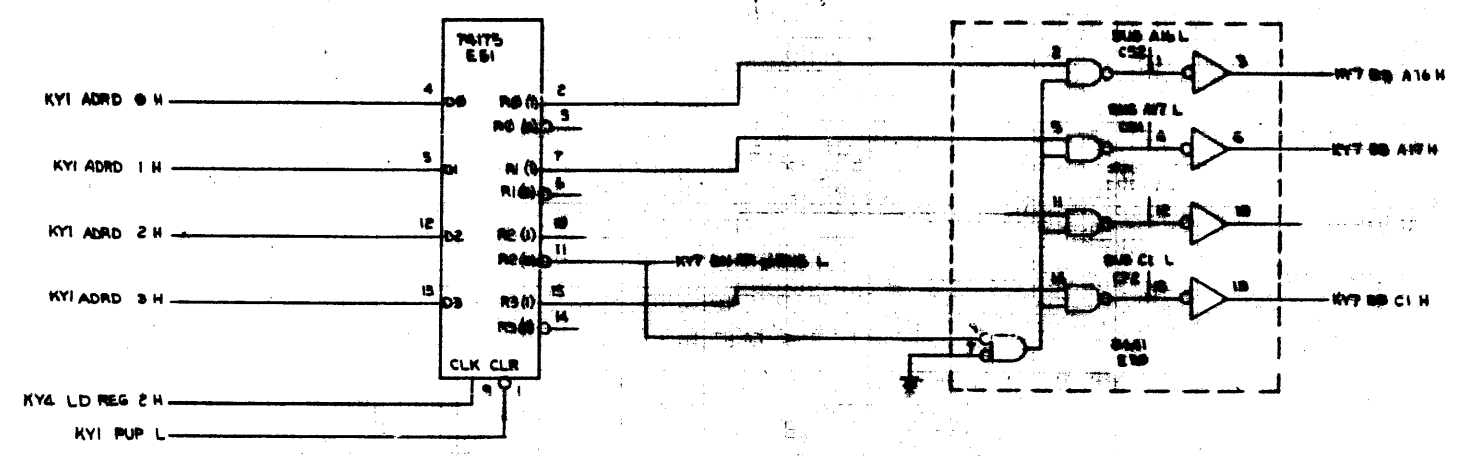
DCS M7859-0-1



REVISIONS			TITLE		PART CODE		NUMBER		REV.	
CHK	CHANGE NO.	REV.	INTERFACE (KY-6)		DCSM7859-0-1		PROGRAMMER'S CONSOLE		C	
			SCALE		SHEET	7	OF	9	DIST.	

DCSM7859-0-1

THIS IS A REVISION OF THE ORIGINAL DRAWING
 WHICH IS NOT TO BE USED FOR FABRICATION



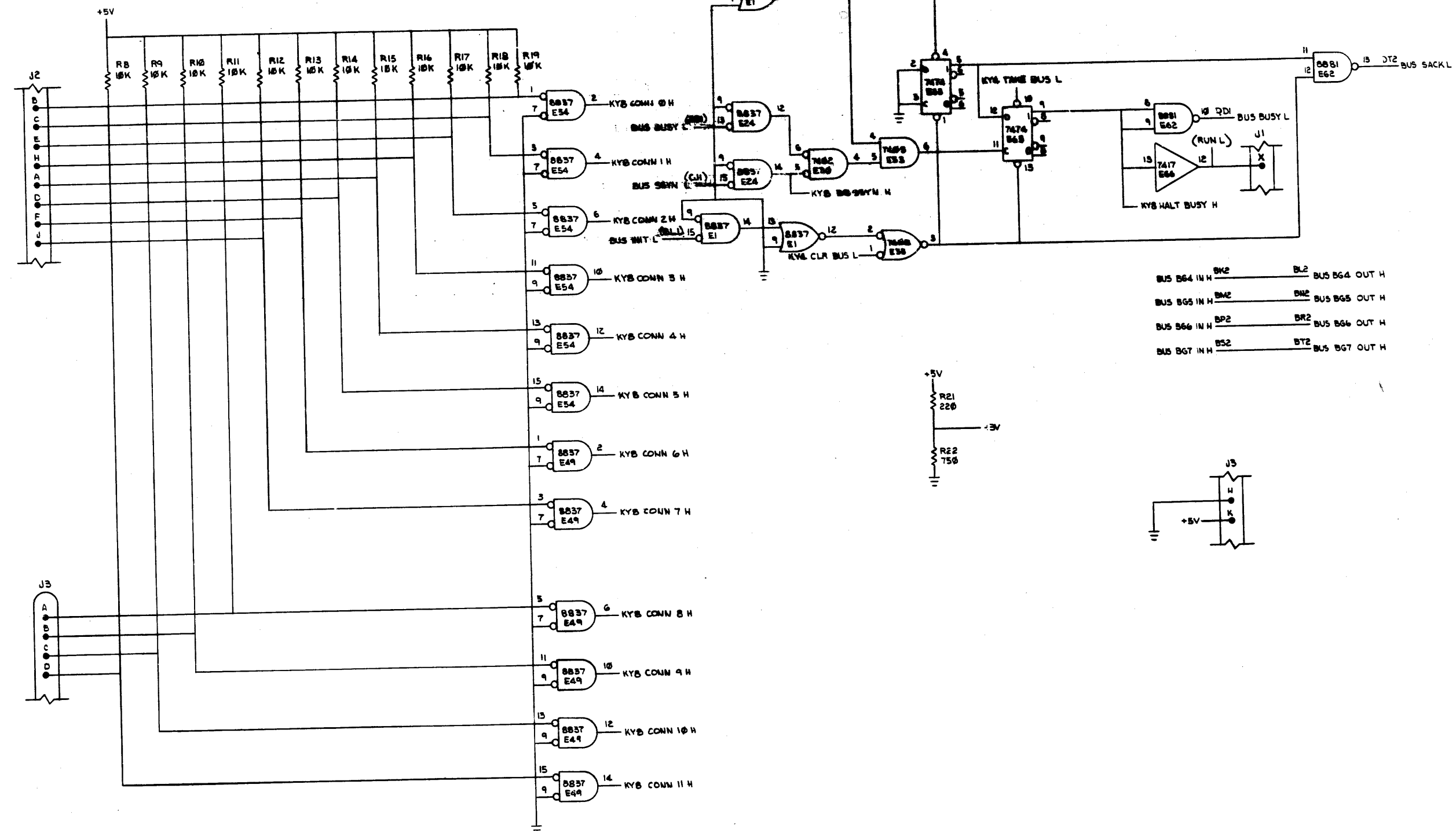
REVISIONS		
CHK	CHANGE NO.	REV.

D
C
B
A

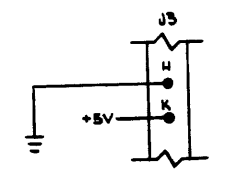
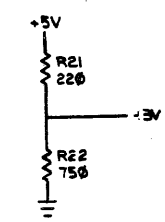
D
C
B
A

8 7 6 5 4 3 2 1

THIS DRAWING AND INFORMATION HEREIN ARE THE PROPERTY OF DCS, INC. AND ARE TO BE KEPT IN CONFIDENTIALITY AND NOT TO BE REPRODUCED OR TRANSMITTED IN ANY FORM OR BY ANY MEANS, ELECTRONIC OR MECHANICAL, INCLUDING PHOTOCOPYING, RECORDING, OR BY ANY INFORMATION STORAGE AND RETRIEVAL SYSTEM. WITHOUT THE WRITTEN PERMISSION OF DCS, INC. COPYRIGHT © 1975 DCS, INC. ALL RIGHTS RESERVED.



- BUS B64 IN H B62 BUS B64 OUT H
- BUS B65 IN H B62 BUS B65 OUT H
- BUS B66 IN H B62 BUS B66 OUT H
- BUS B67 IN H B52 BUS B67 OUT H



REVISIONS		
CHK	CHANGE NO.	REV.

TITLE INTERFACE (KY-8)
PROGRAMMER'S CONSOLE
SCALE SHEET 9 OF 9
D CS M7859-0-1
NUMBER
REV. C

D CS M7859-0-1