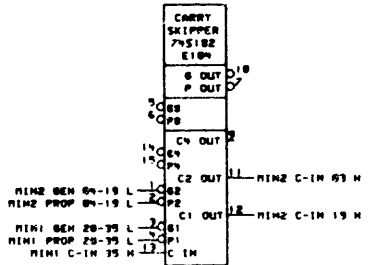
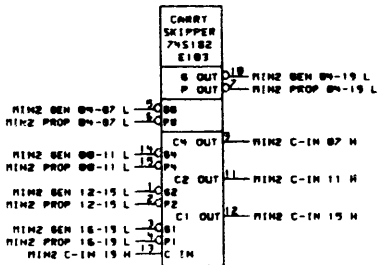
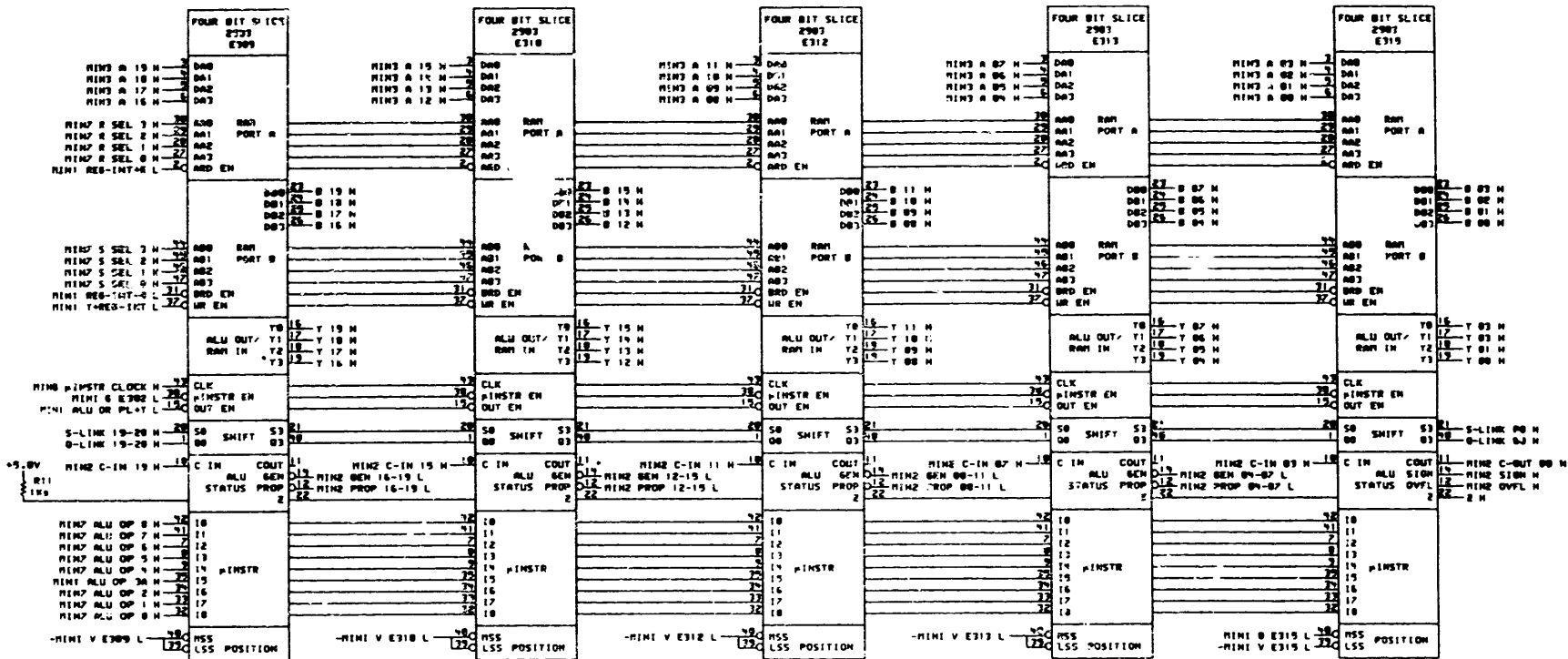
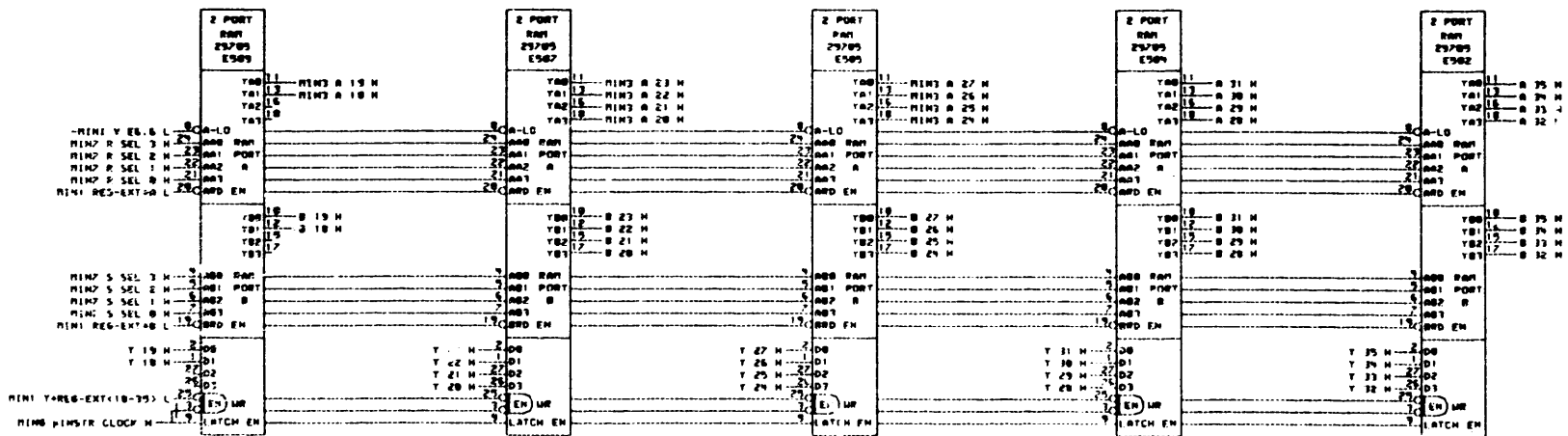
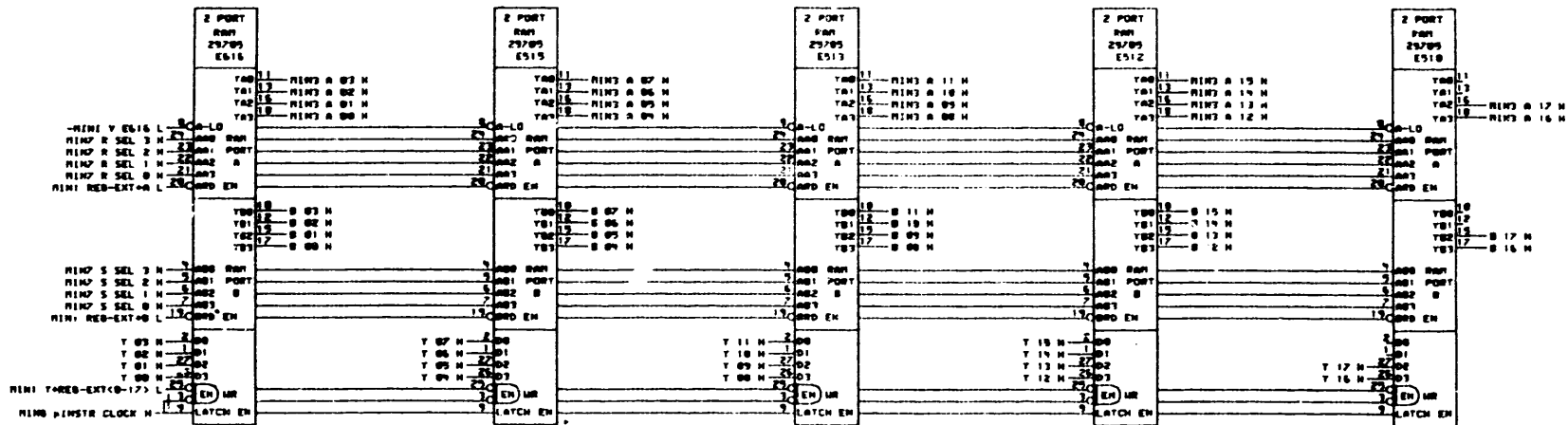
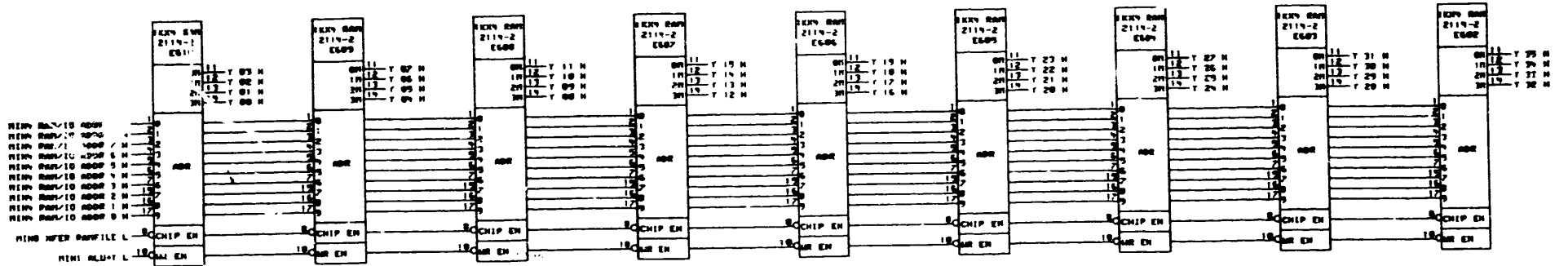


DRN.	DATE	ENF.	DATE	FILE:	MINNOW ALU
CHK'D.	DATE	REMOVED LOCATION:	DATE	STATUS BITS 20-35	
FIRST USED ON OPTION MODEL: K120		PART NUMBER: B-DD-M9526-B		SIGN. LOOK	NUMBER
				D	CS M9526-B-MINI
					REV.

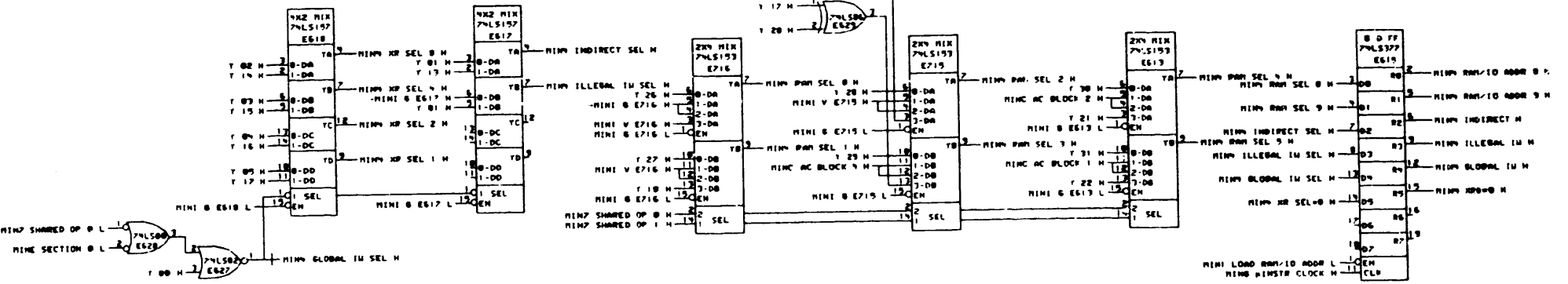
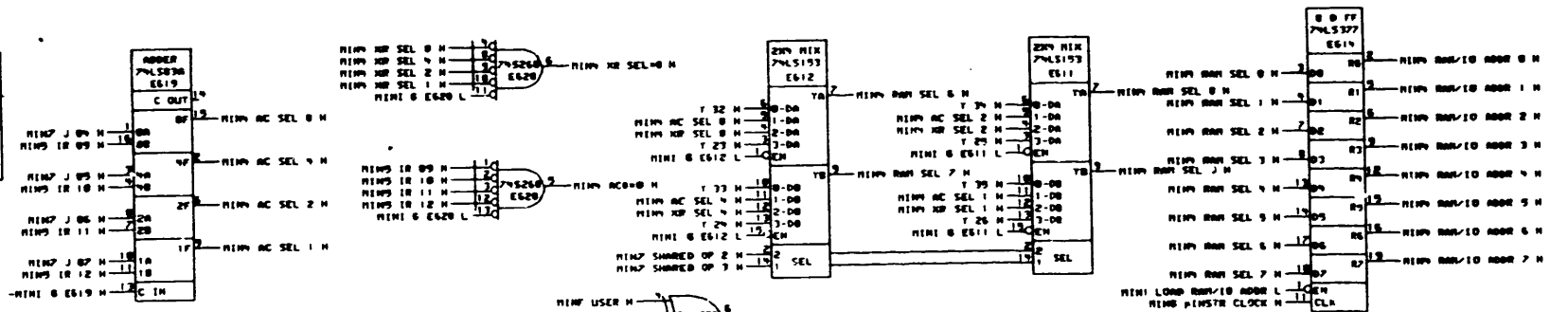


DRN.	DATE	ENG.	DATE	TITLE	NUMBER	REV.
PHC'D.	DATE	ISSUED	LOC'D	MINNOW ALU		
		SHEET	NO.	BITS 00-19		
FIRST USED ON OPTION MODEL: K120				18-DD-M8626-D	D	C5

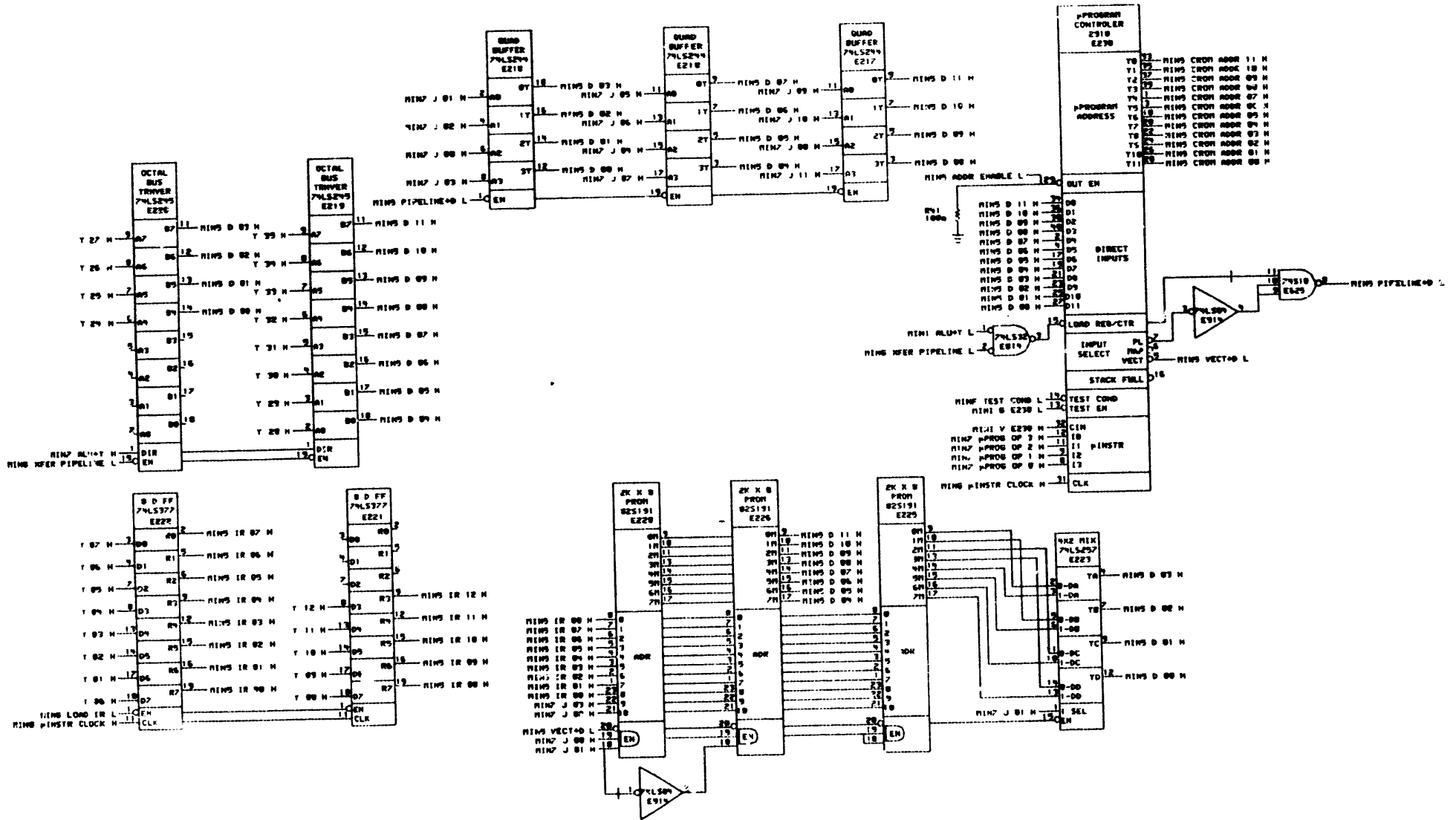




SHARED OP BITZ	ADDRESS
0000	Y <26-75>
0100	AC BLOCK 1 VMB
0101	AC BLOCK 1 AC-M
0110	AC BLOCK 1 XR
1010	AC BLOCK 1 IM
1111	PAGE TABLE ENTRY



REV.	DATE	BY	DESCRIPTION	TITLE
01	07-08-75	...	...	MINNOW ALU RAMFILE
02	08-06-75	...	...	MINNOW ALU RAMFILE
03	08-06-75	...	...	MINNOW ALU RAMFILE
04	08-06-75	...	...	MINNOW ALU RAMFILE
05	08-06-75	...	...	MINNOW ALU RAMFILE
06	08-06-75	...	...	MINNOW ALU RAMFILE
07	08-06-75	...	...	MINNOW ALU RAMFILE
08	08-06-75	...	...	MINNOW ALU RAMFILE
09	08-06-75	...	...	MINNOW ALU RAMFILE
10	08-06-75	...	...	MINNOW ALU RAMFILE
11	08-06-75	...	...	MINNOW ALU RAMFILE
12	08-06-75	...	...	MINNOW ALU RAMFILE
13	08-06-75	...	...	MINNOW ALU RAMFILE
14	08-06-75	...	...	MINNOW ALU RAMFILE
15	08-06-75	...	...	MINNOW ALU RAMFILE
16	08-06-75	...	...	MINNOW ALU RAMFILE
17	08-06-75	...	...	MINNOW ALU RAMFILE
18	08-06-75	...	...	MINNOW ALU RAMFILE
19	08-06-75	...	...	MINNOW ALU RAMFILE
20	08-06-75	...	...	MINNOW ALU RAMFILE
21	08-06-75	...	...	MINNOW ALU RAMFILE
22	08-06-75	...	...	MINNOW ALU RAMFILE
23	08-06-75	...	...	MINNOW ALU RAMFILE
24	08-06-75	...	...	MINNOW ALU RAMFILE
25	08-06-75	...	...	MINNOW ALU RAMFILE
26	08-06-75	...	...	MINNOW ALU RAMFILE
27	08-06-75	...	...	MINNOW ALU RAMFILE
28	08-06-75	...	...	MINNOW ALU RAMFILE
29	08-06-75	...	...	MINNOW ALU RAMFILE
30	08-06-75	...	...	MINNOW ALU RAMFILE
31	08-06-75	...	...	MINNOW ALU RAMFILE
32	08-06-75	...	...	MINNOW ALU RAMFILE
33	08-06-75	...	...	MINNOW ALU RAMFILE
34	08-06-75	...	...	MINNOW ALU RAMFILE
35	08-06-75	...	...	MINNOW ALU RAMFILE
36	08-06-75	...	...	MINNOW ALU RAMFILE
37	08-06-75	...	...	MINNOW ALU RAMFILE
38	08-06-75	...	...	MINNOW ALU RAMFILE
39	08-06-75	...	...	MINNOW ALU RAMFILE
40	08-06-75	...	...	MINNOW ALU RAMFILE
41	08-06-75	...	...	MINNOW ALU RAMFILE
42	08-06-75	...	...	MINNOW ALU RAMFILE
43	08-06-75	...	...	MINNOW ALU RAMFILE
44	08-06-75	...	...	MINNOW ALU RAMFILE
45	08-06-75	...	...	MINNOW ALU RAMFILE
46	08-06-75	...	...	MINNOW ALU RAMFILE
47	08-06-75	...	...	MINNOW ALU RAMFILE
48	08-06-75	...	...	MINNOW ALU RAMFILE
49	08-06-75	...	...	MINNOW ALU RAMFILE
50	08-06-75	...	...	MINNOW ALU RAMFILE
51	08-06-75	...	...	MINNOW ALU RAMFILE
52	08-06-75	...	...	MINNOW ALU RAMFILE
53	08-06-75	...	...	MINNOW ALU RAMFILE
54	08-06-75	...	...	MINNOW ALU RAMFILE
55	08-06-75	...	...	MINNOW ALU RAMFILE
56	08-06-75	...	...	MINNOW ALU RAMFILE
57	08-06-75	...	...	MINNOW ALU RAMFILE
58	08-06-75	...	...	MINNOW ALU RAMFILE
59	08-06-75	...	...	MINNOW ALU RAMFILE
60	08-06-75	...	...	MINNOW ALU RAMFILE
61	08-06-75	...	...	MINNOW ALU RAMFILE
62	08-06-75	...	...	MINNOW ALU RAMFILE
63	08-06-75	...	...	MINNOW ALU RAMFILE
64	08-06-75	...	...	MINNOW ALU RAMFILE
65	08-06-75	...	...	MINNOW ALU RAMFILE
66	08-06-75	...	...	MINNOW ALU RAMFILE
67	08-06-75	...	...	MINNOW ALU RAMFILE
68	08-06-75	...	...	MINNOW ALU RAMFILE
69	08-06-75	...	...	MINNOW ALU RAMFILE
70	08-06-75	...	...	MINNOW ALU RAMFILE
71	08-06-75	...	...	MINNOW ALU RAMFILE
72	08-06-75	...	...	MINNOW ALU RAMFILE
73	08-06-75	...	...	MINNOW ALU RAMFILE
74	08-06-75	...	...	MINNOW ALU RAMFILE
75	08-06-75	...	...	MINNOW ALU RAMFILE
76	08-06-75	...	...	MINNOW ALU RAMFILE
77	08-06-75	...	...	MINNOW ALU RAMFILE
78	08-06-75	...	...	MINNOW ALU RAMFILE
79	08-06-75	...	...	MINNOW ALU RAMFILE
80	08-06-75	...	...	MINNOW ALU RAMFILE
81	08-06-75	...	...	MINNOW ALU RAMFILE
82	08-06-75	...	...	MINNOW ALU RAMFILE
83	08-06-75	...	...	MINNOW ALU RAMFILE
84	08-06-75	...	...	MINNOW ALU RAMFILE
85	08-06-75	...	...	MINNOW ALU RAMFILE
86	08-06-75	...	...	MINNOW ALU RAMFILE
87	08-06-75	...	...	MINNOW ALU RAMFILE
88	08-06-75	...	...	MINNOW ALU RAMFILE
89	08-06-75	...	...	MINNOW ALU RAMFILE
90	08-06-75	...	...	MINNOW ALU RAMFILE
91	08-06-75	...	...	MINNOW ALU RAMFILE
92	08-06-75	...	...	MINNOW ALU RAMFILE
93	08-06-75	...	...	MINNOW ALU RAMFILE
94	08-06-75	...	...	MINNOW ALU RAMFILE
95	08-06-75	...	...	MINNOW ALU RAMFILE
96	08-06-75	...	...	MINNOW ALU RAMFILE
97	08-06-75	...	...	MINNOW ALU RAMFILE
98	08-06-75	...	...	MINNOW ALU RAMFILE
99	08-06-75	...	...	MINNOW ALU RAMFILE
100	08-06-75	...	...	MINNOW ALU RAMFILE



DRN.	DATE	ENG.	DATE	TITLE
CM/J	10-10-73			MINNOW ALU MICROSEQUENCER
PSIC/INCH/0002/PRINT/100	DATE	BOARD LOCATION	SHEET	DE
FIRST USED ON OPTION/MODEL	K120	18-D-0926-6		
				MINOR
				REV.

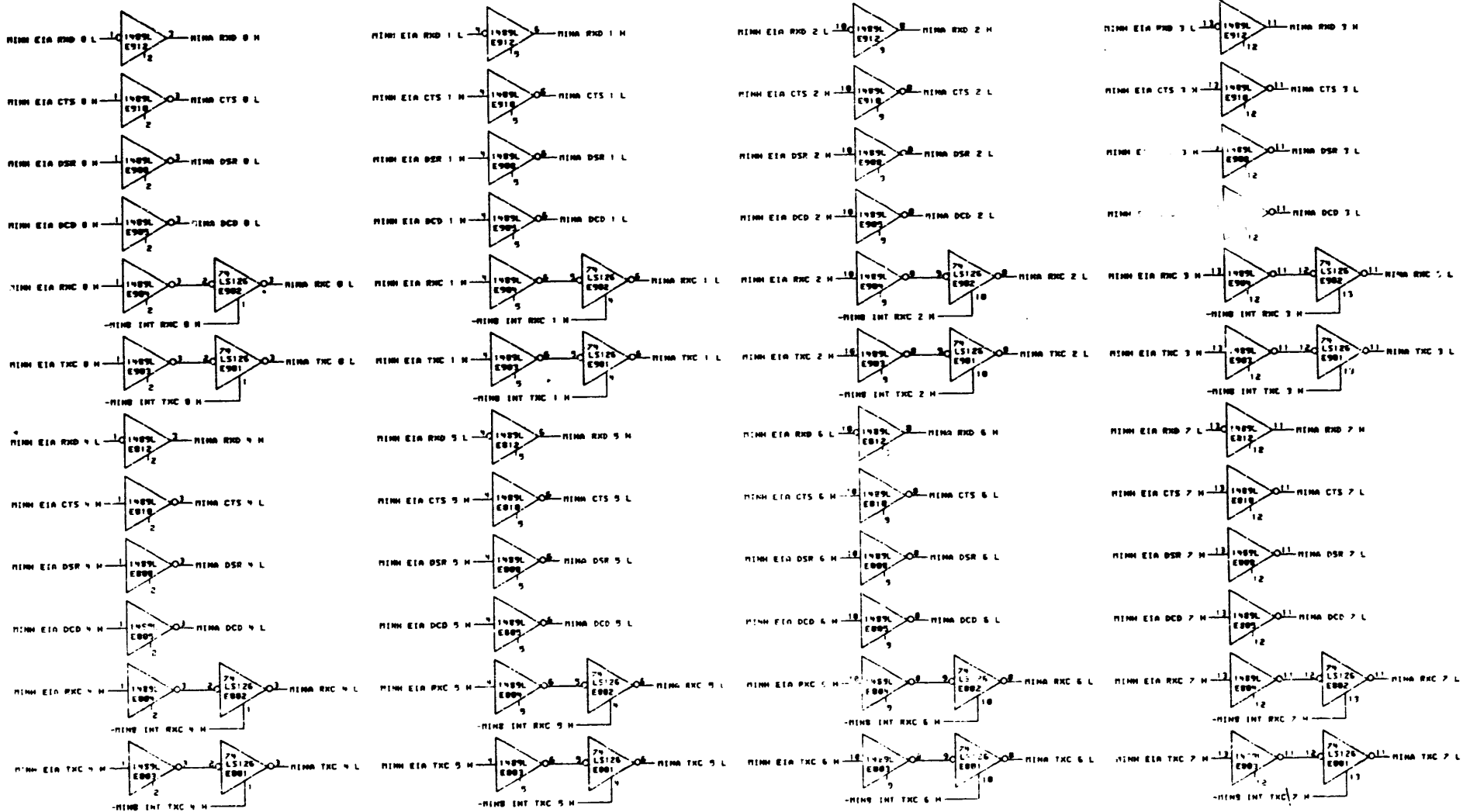






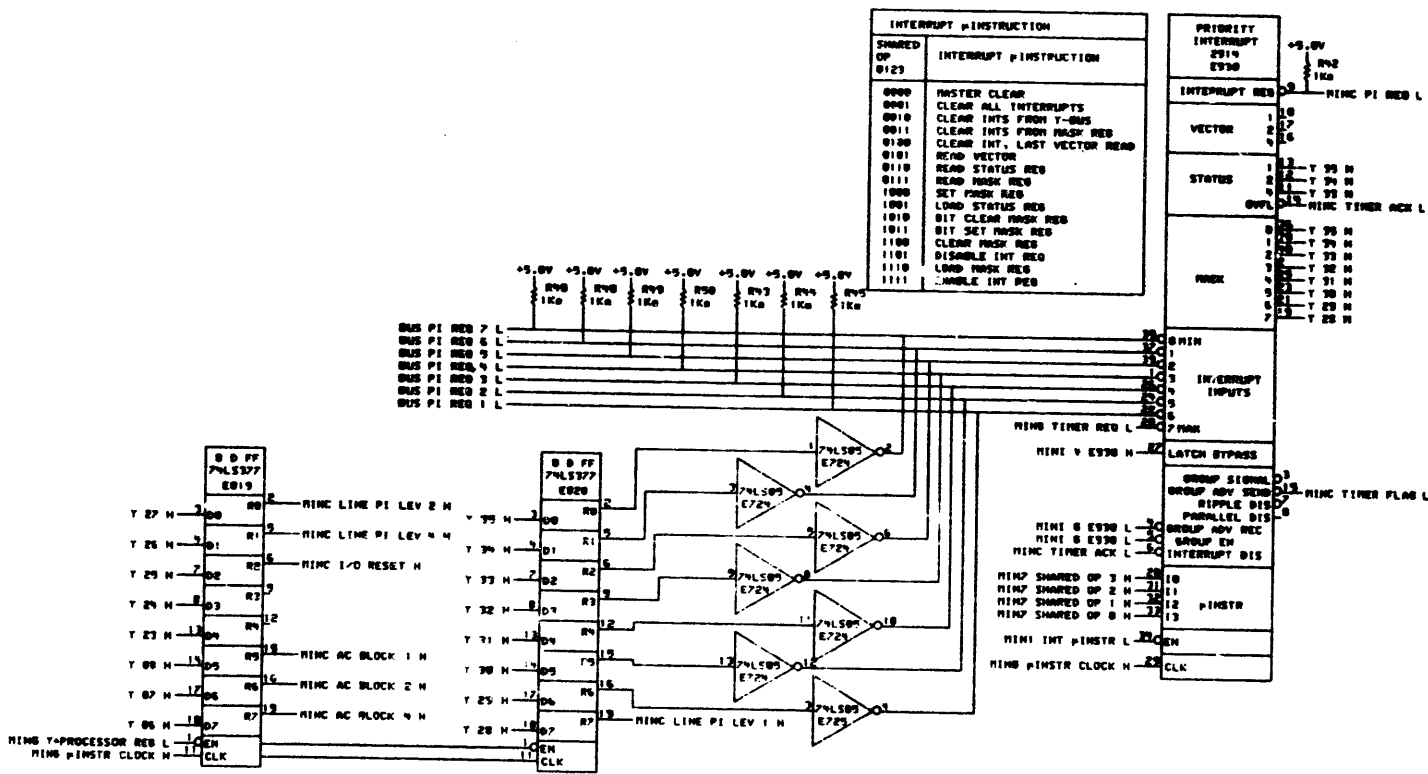


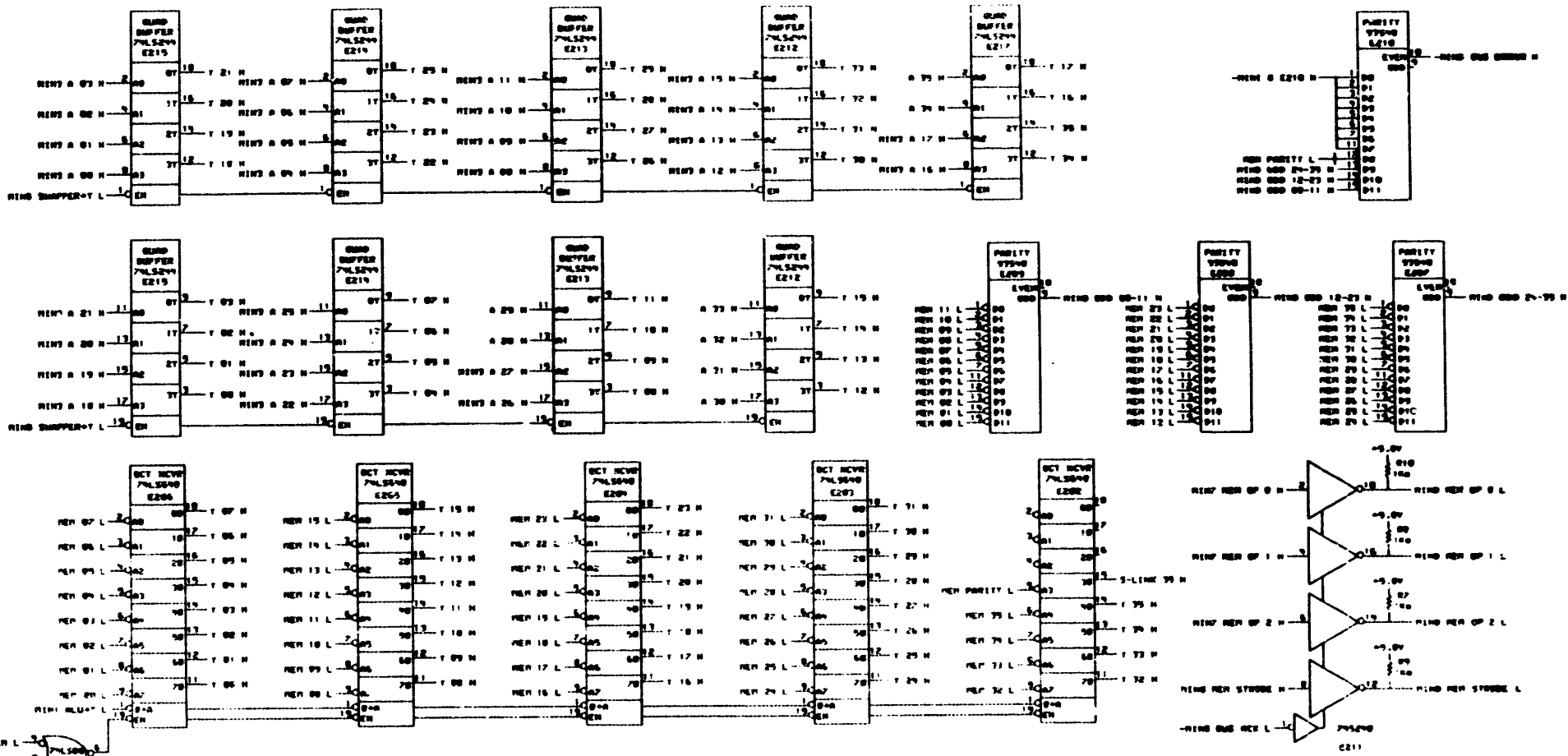




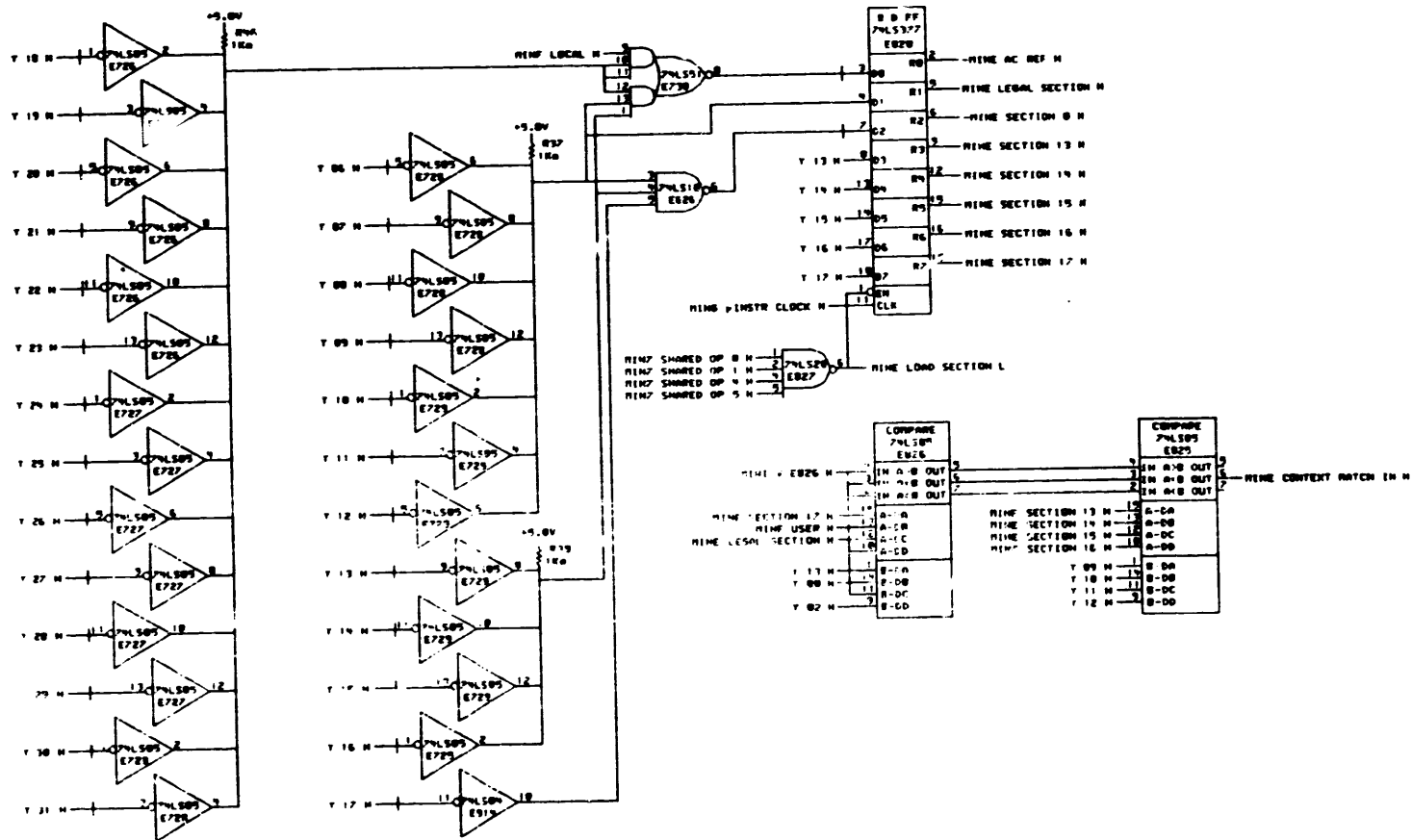
DRN.	DATE	REV.	DATE	TITLE	NUMBER	REV.
10-10-79	10-10-79	1		MINNOW I/O LINE RECEIVERS	01	1
DESIGNED BY: M. J. B. / DRAWN BY: J. B. / CHECKED BY: J. B.				SIZE	CODE	
FIRST USED ON DRAWING: Y120				0-DD-10626		

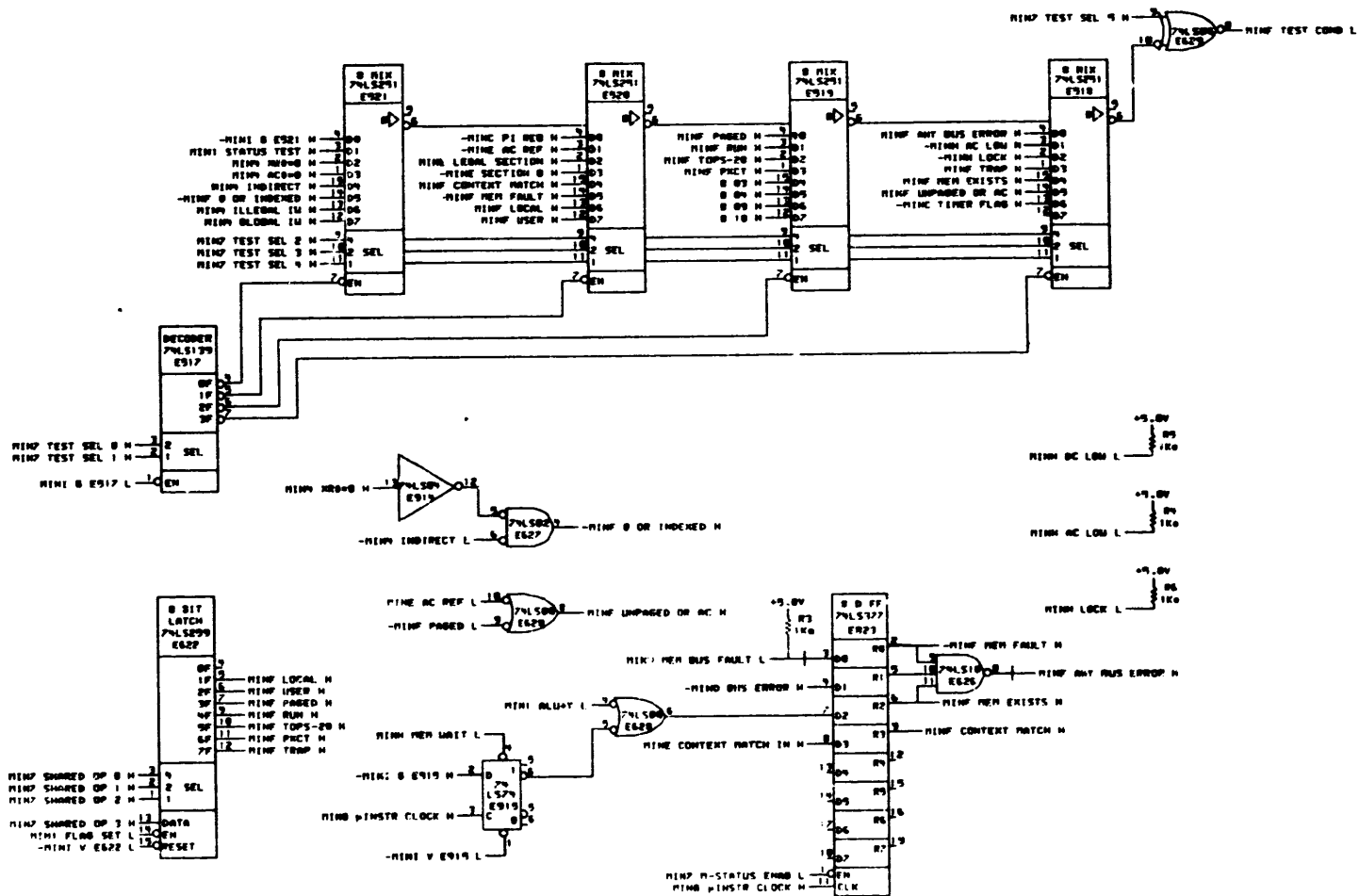






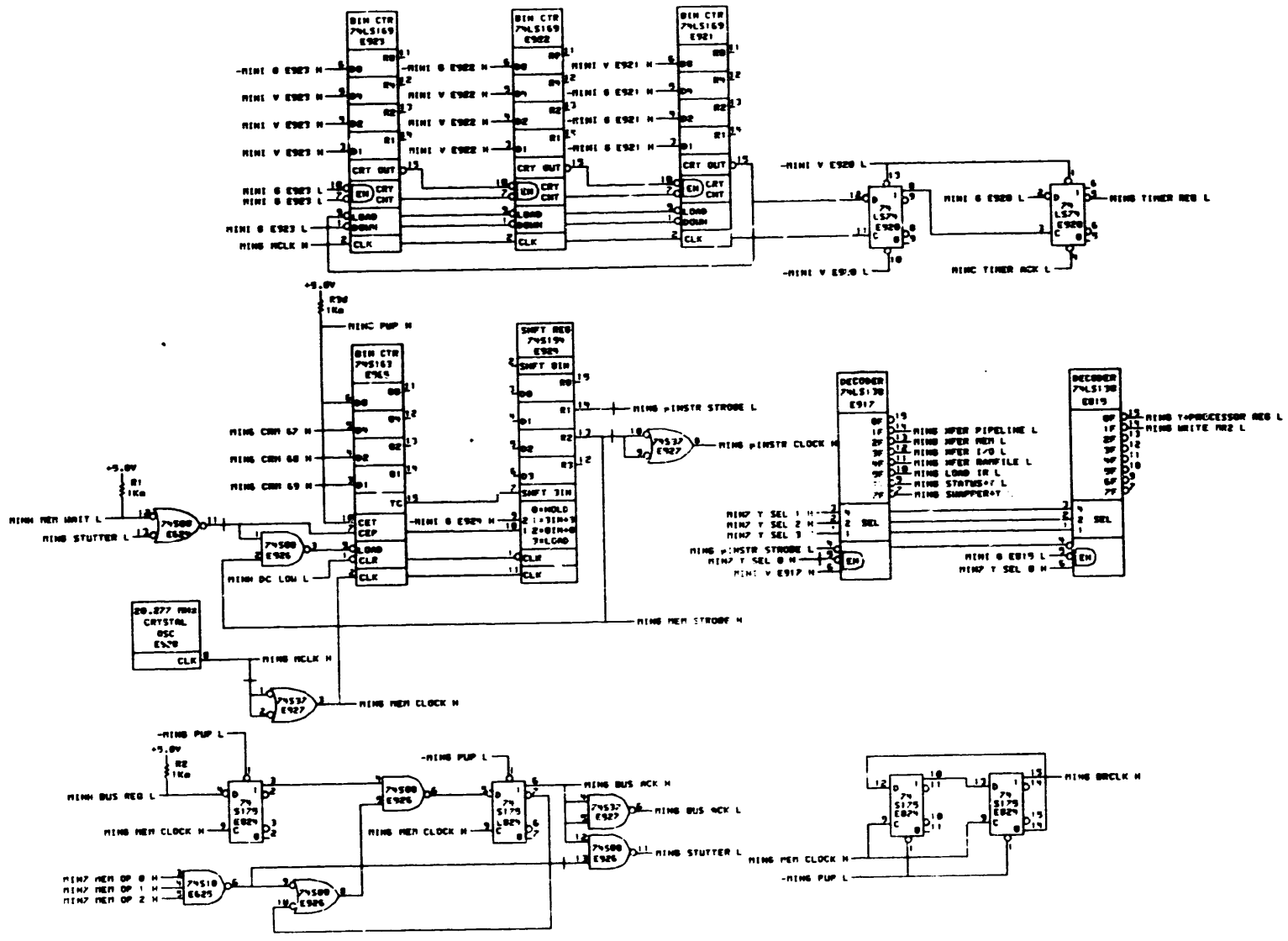
MEM OP	MEM BUS FUNCTION
000	HOLD
001	START MEM READ
010	START MEM WRITE
011	START I/O READ
100	START I/O WRITE
101	TRANSFER
110	RESERVED
111	ALTM DATA CHANNELS





DATE	REV.	DATE	REV.	DATE	REV.	DATE	REV.
10/20/71	1	10/20/71	1	10/20/71	1	10/20/71	1
MINNOW ALU				PROCESSOR FLAGS			
DESIGNED BY: J. C. HARRIS				CHECKED BY: J. C. HARRIS			
DRAWN BY: J. C. HARRIS				DATE: 10/20/71			
TESTED BY: J. C. HARRIS				REV. 1			





DESIGN	DATE	ENG.	DATE	TITLE
MINNO! ALU	07-08-79	...	...	MINNO! ALU
CHECK'D.	DATE	FOR'D	LOC.	REV.
				NUMBER
				REV.

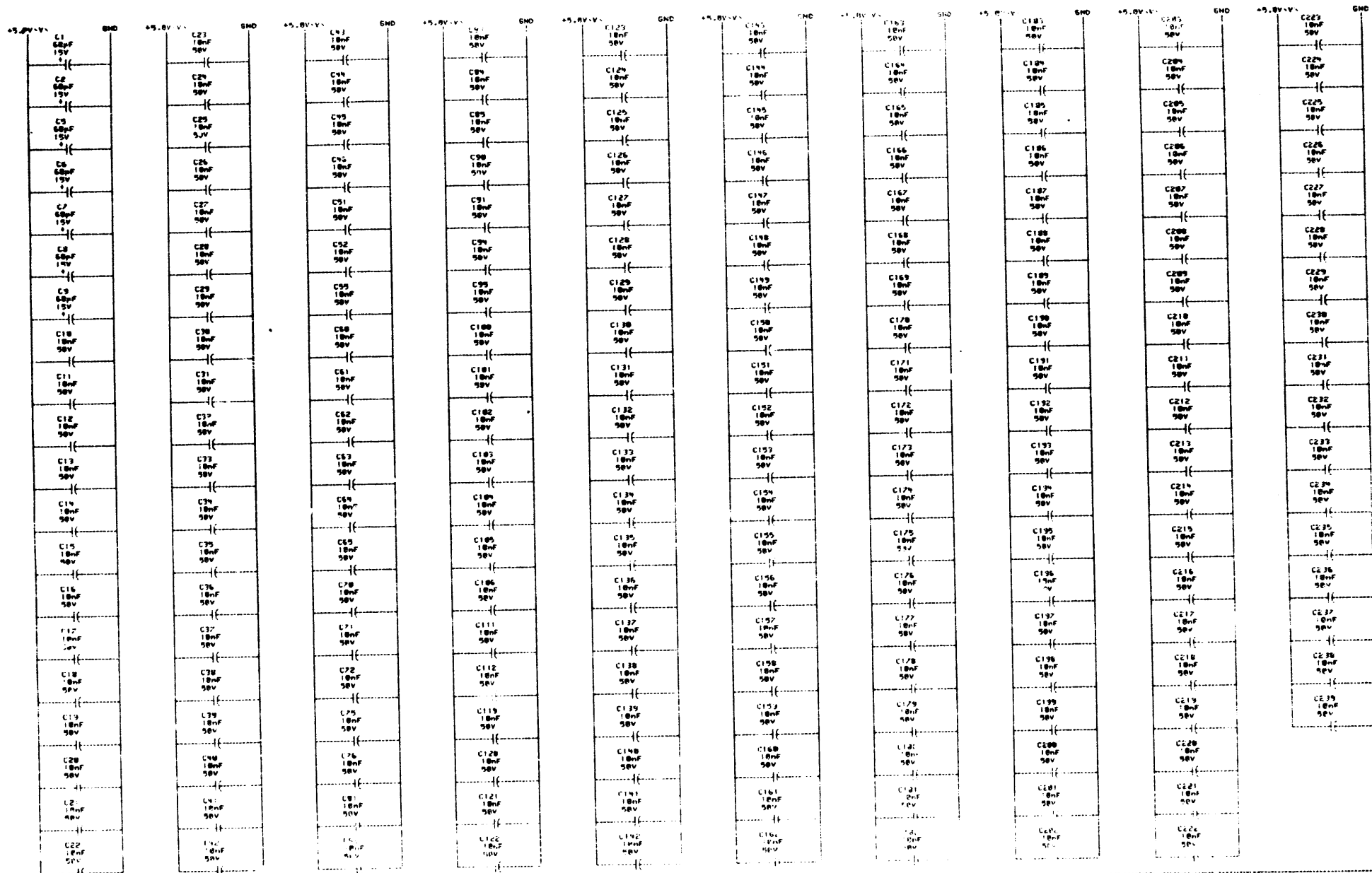
MINNO! ALU  
CLOCK GEN

B DD 09626 B

D CS 19826-2-RING

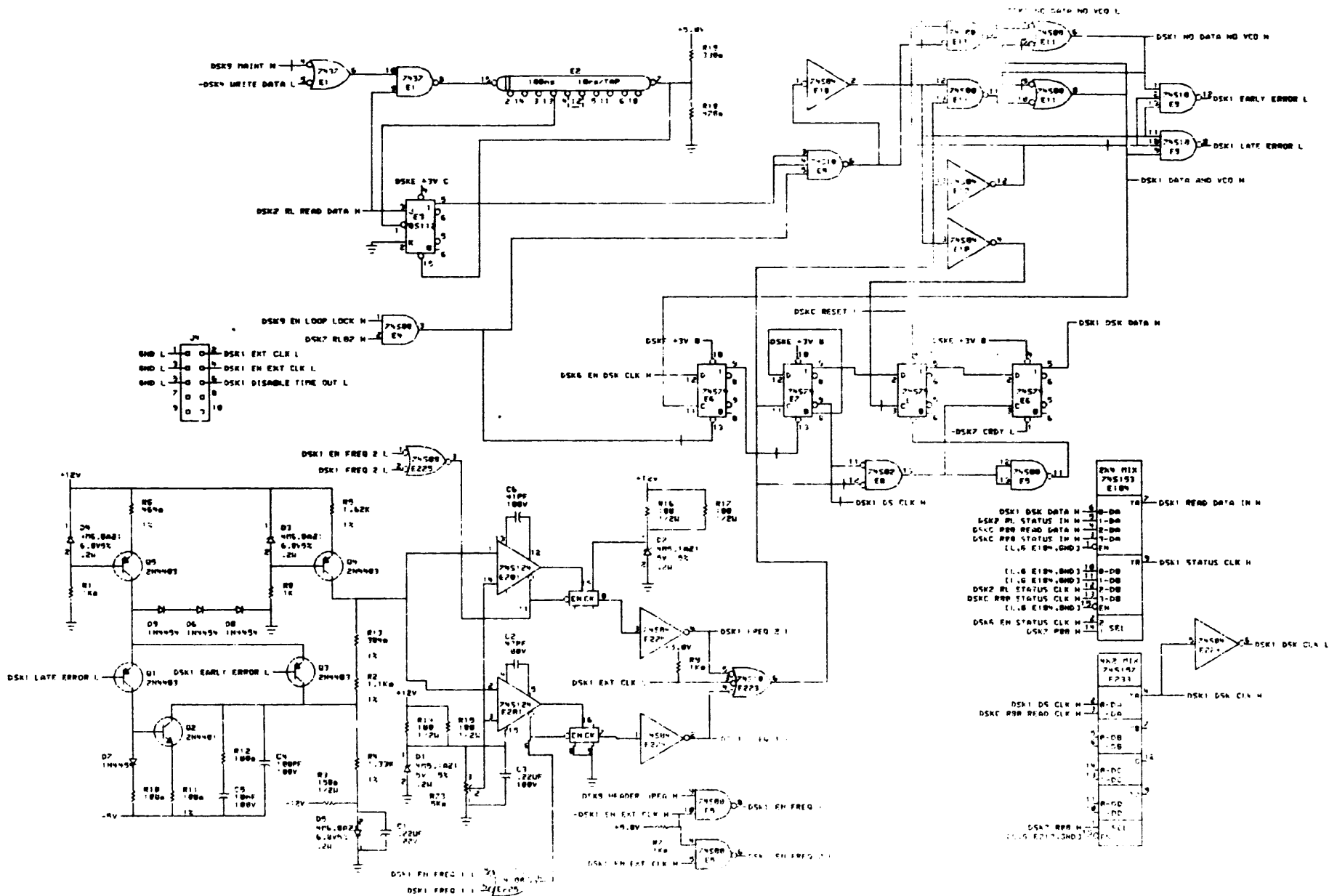






DATE	FILE	DATE FILED	MINNOW ALU
BY	BY	BY	BYPASS CAPS
REV.	REV.	REV.	REV.
12-15-62 12-15-62 12-15-62			12-15-62 12-15-62 12-15-62





DISK CONTROL DATA SEPARATOR

REV. 1

DATE: 10/10/70

DESIGNED BY: [Name]

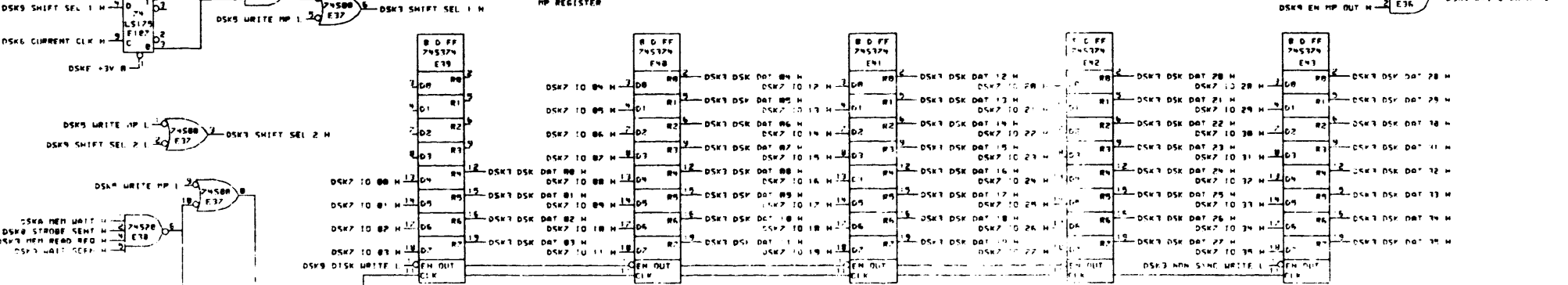
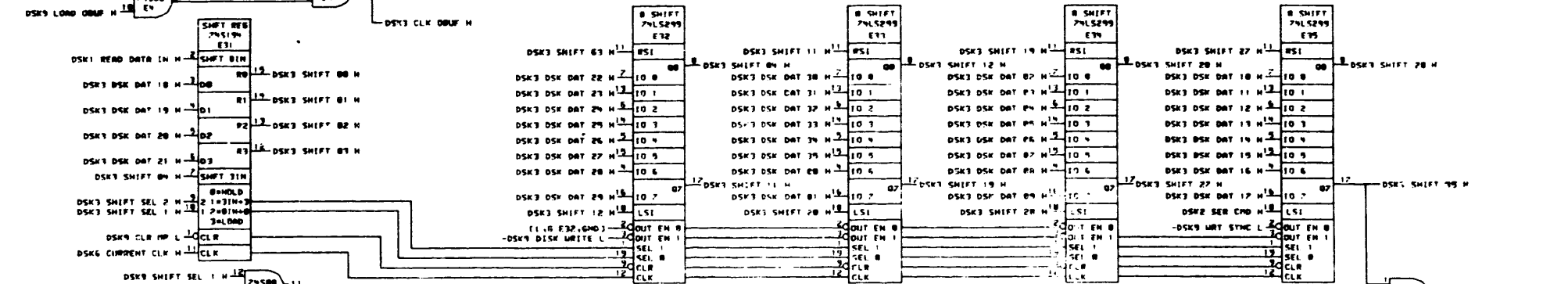
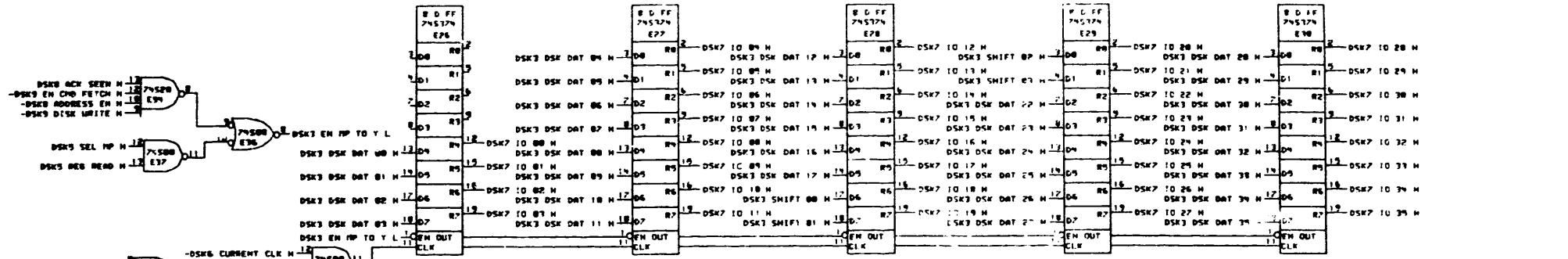
CHECKED BY: [Name]

APPROVED BY: [Name]

DISK CONTROL DATA SEPARATOR



XPRT REGISTER



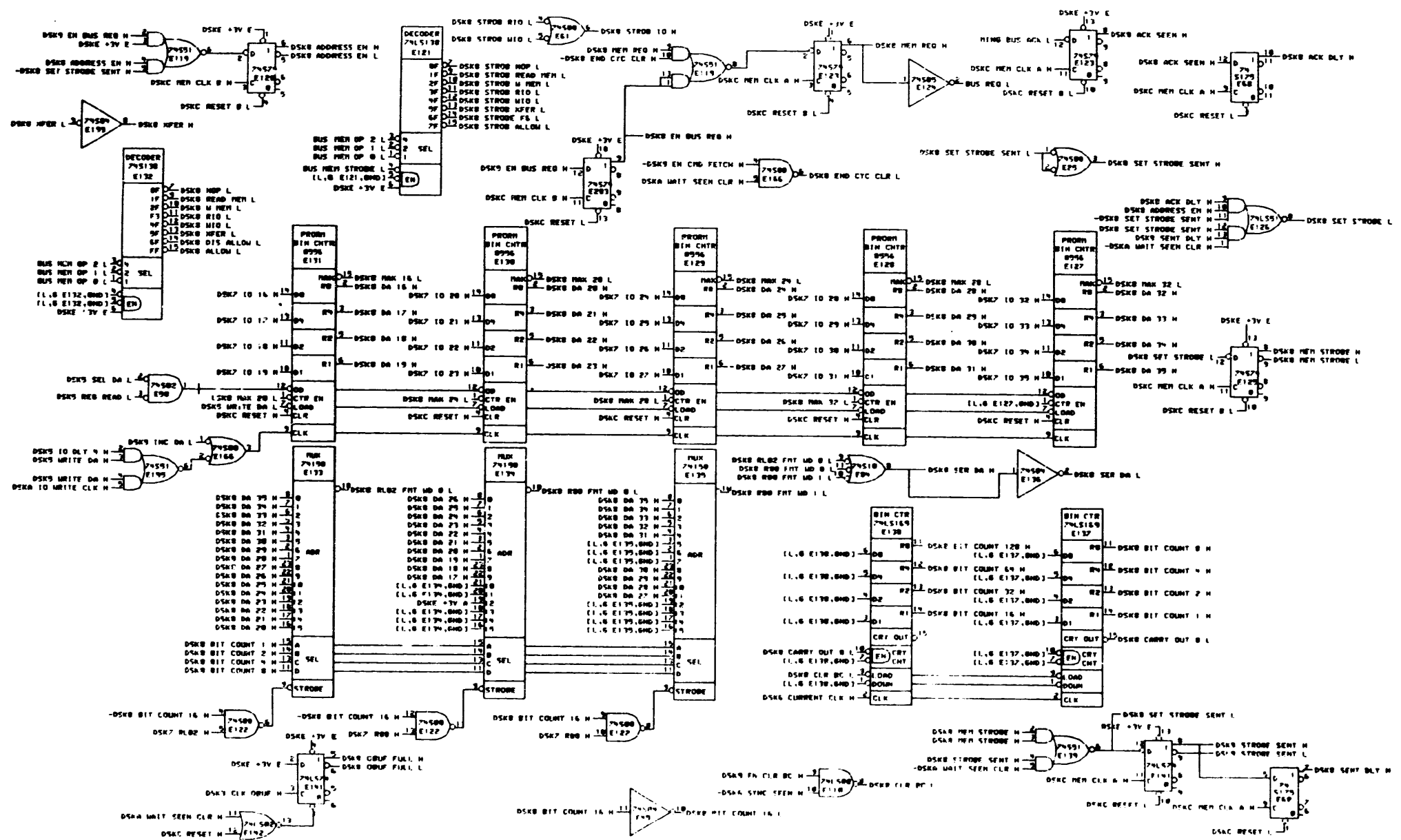




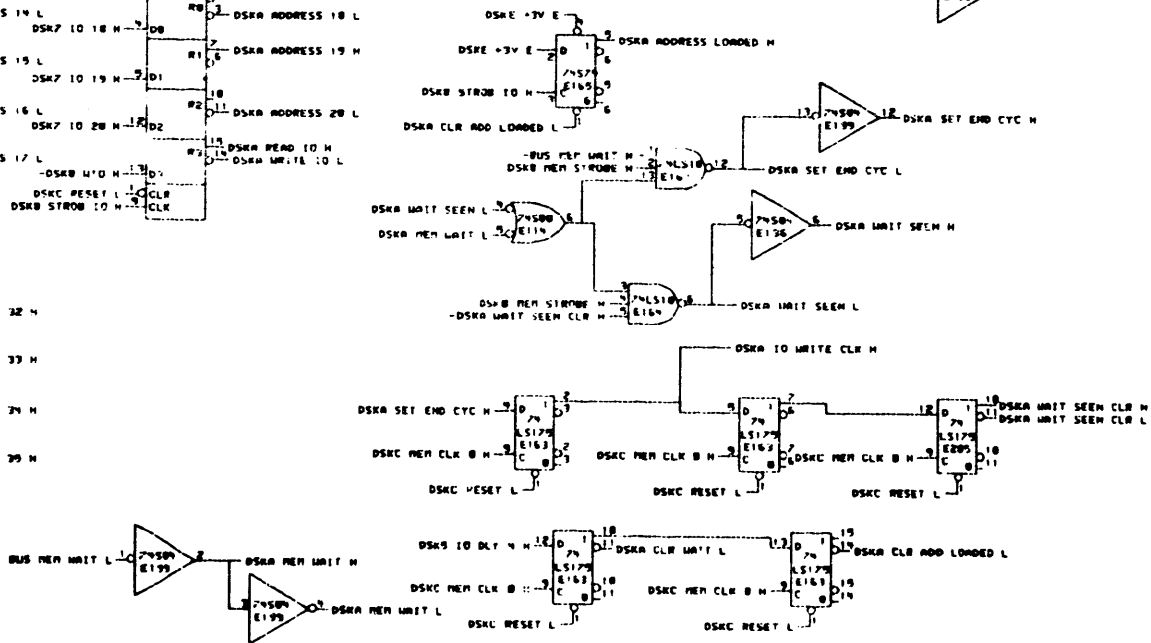
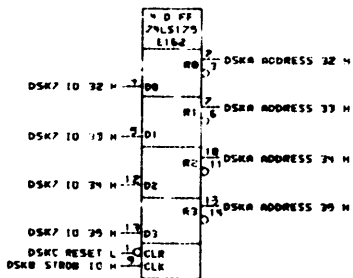
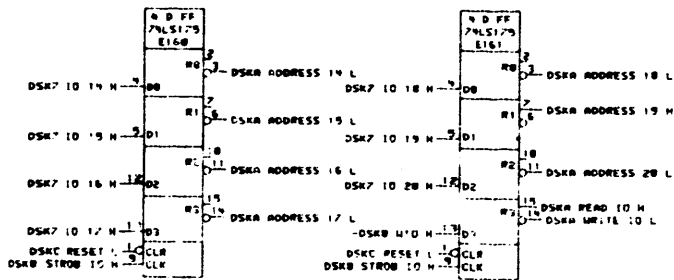


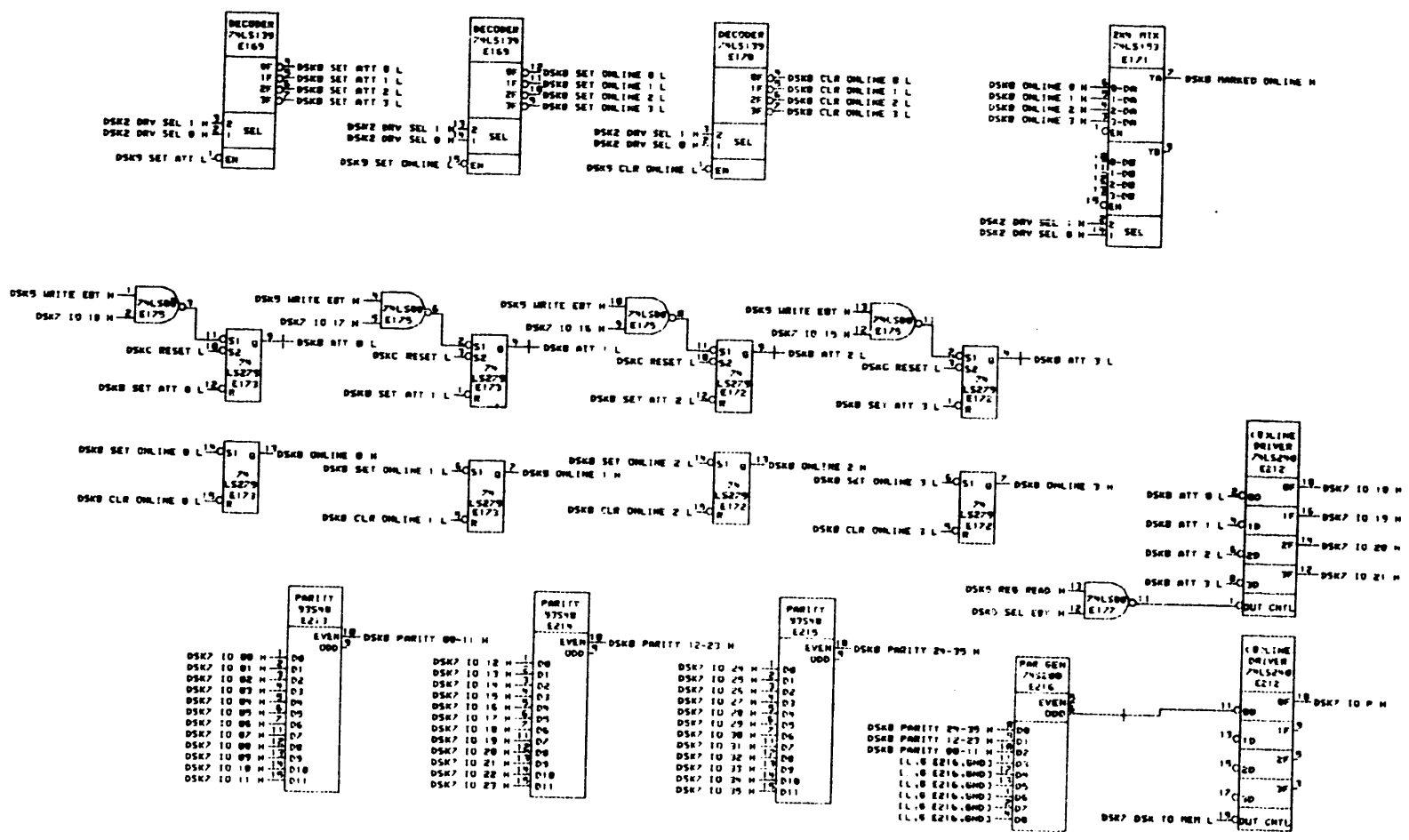






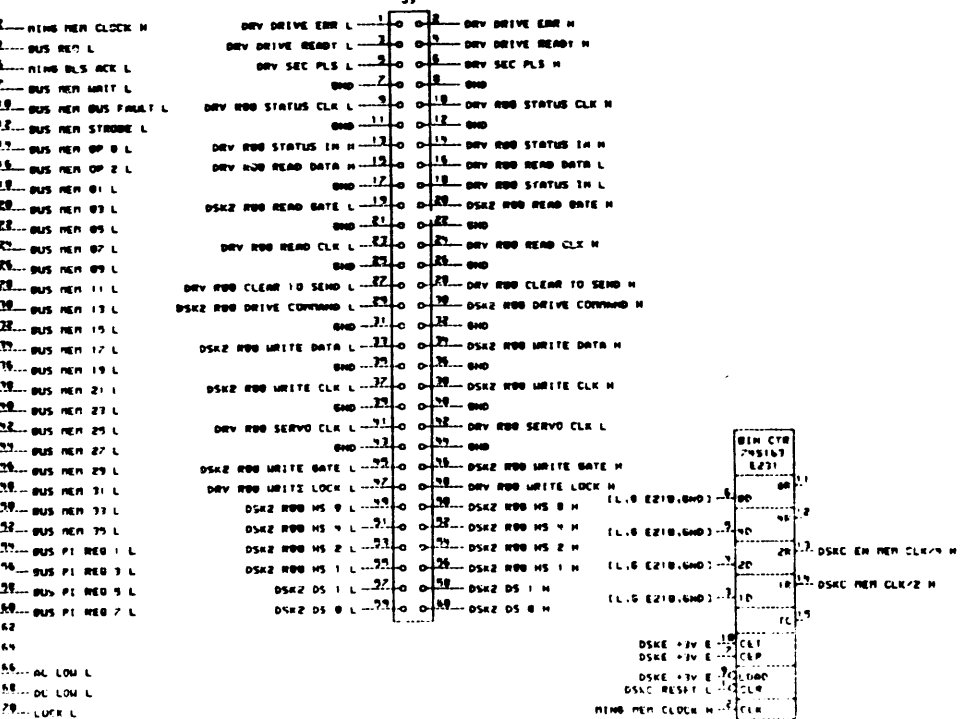
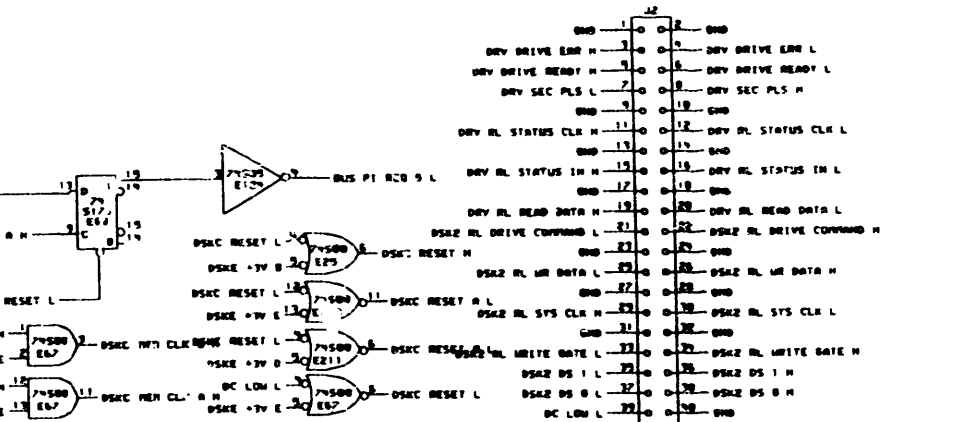
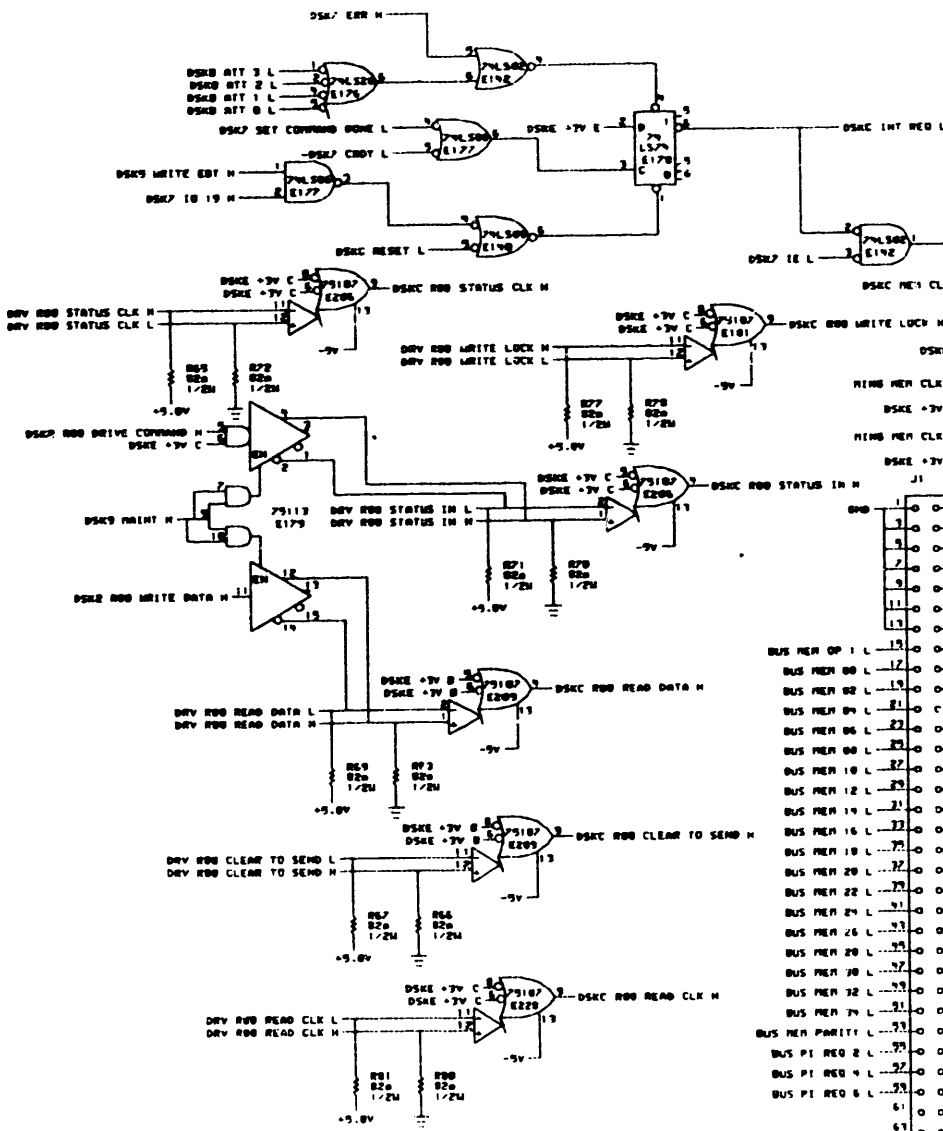




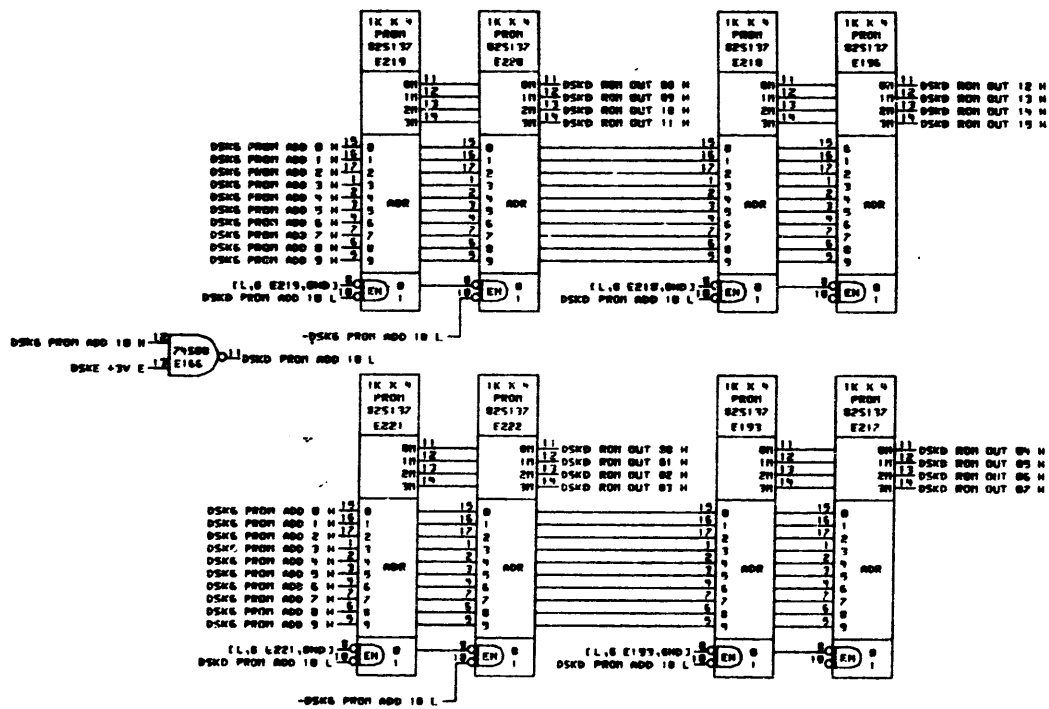


DPN.	DATE	ENS.	DATE	TITLE:
CHK'D.	DATE	ISSUED LOCATION		DISK CONTROL
		SUBJECT		DRIVE STAT
PS: POWER SET DSK2 DRY 12-14-75 BY NEXT HIGHER OFFICER FIRST USED ON OPTION MODEL				REV. 10 15 M8622-DSKB



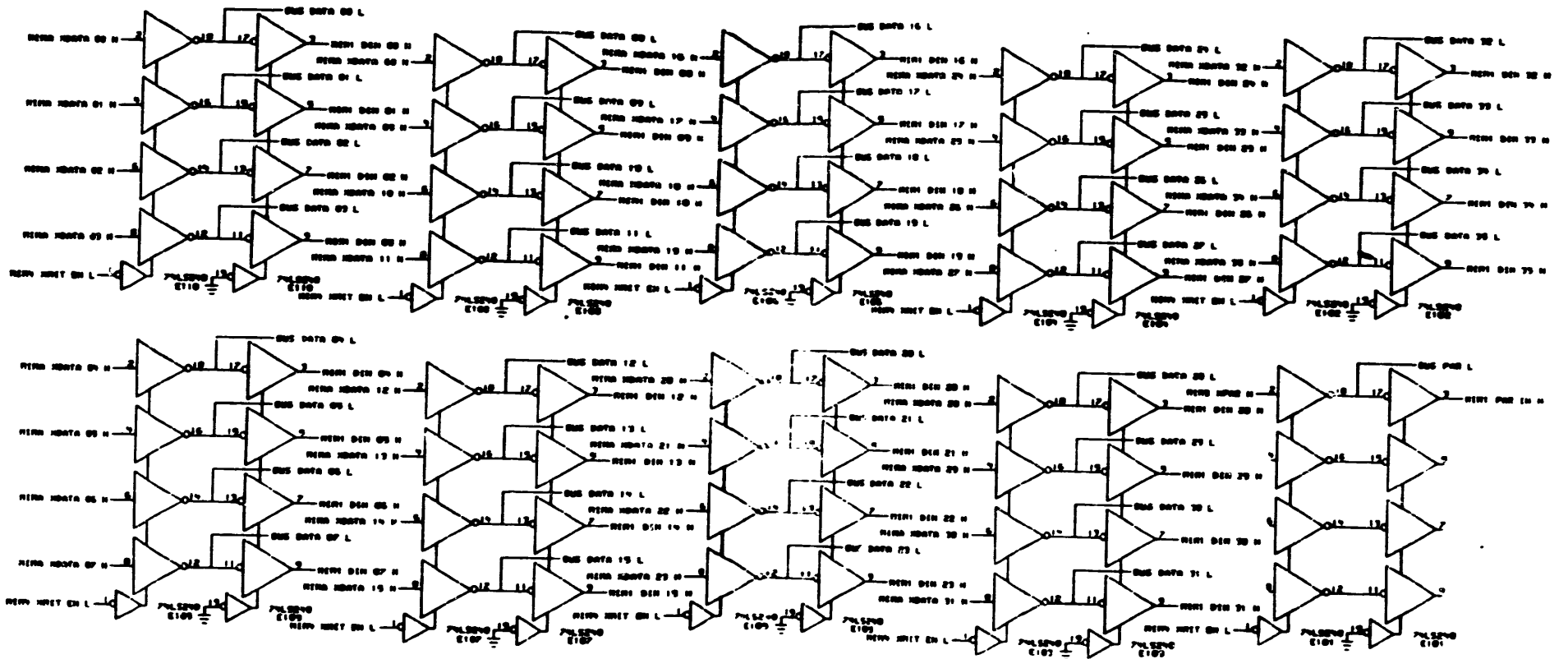


OWN.	DATE	ENG.	DATE	FILE:
CHK'D.	BY: 100-79	DATE	BOARD: 100-100	DISK CONTROL INTERF.
PST/POWER/DSKC.DSKC		187	100-79	100-79
MPS1 J1-D IN INTFN UNIT		NEXT: HIGHWAY ASSEMBLY		SIZE: 100-100
NUMBER		REV.		100-79
100-79		100-79		100-79

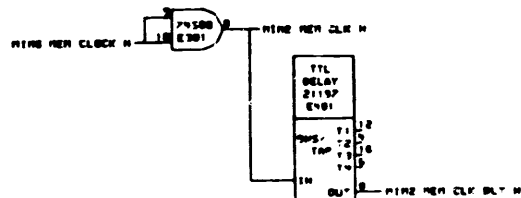
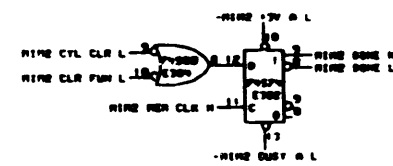
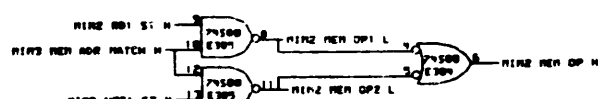
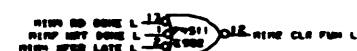
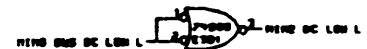
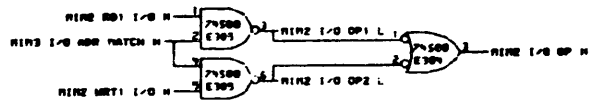
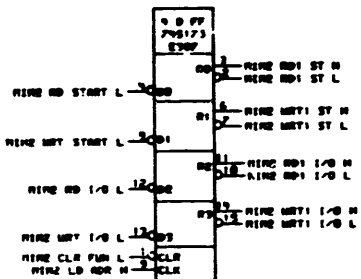
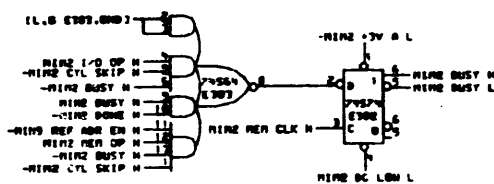
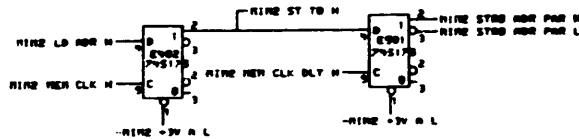
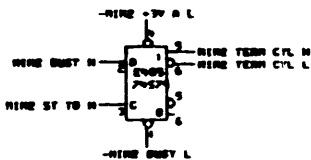
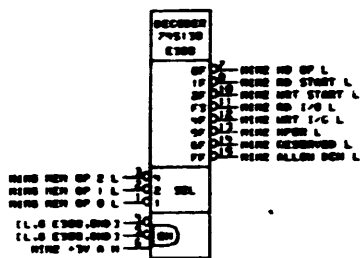
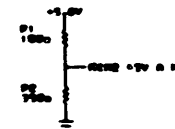
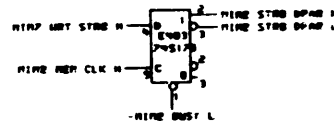
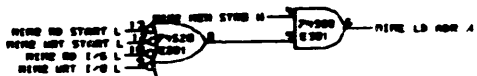
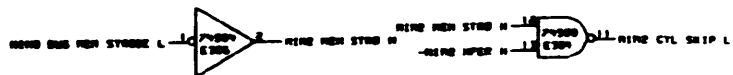


OPN.	DATE	ENG.	DATE	TITLE:
CHK'D.	DATE	ENG.	DATE	DISK CONTROL PROMS
PS: PWF/PET/PSKD/DM				23-MAR-79 10:00
FIRST USED ON OPTID: MODEL:				NUMBER: 101651M8622-PSKD

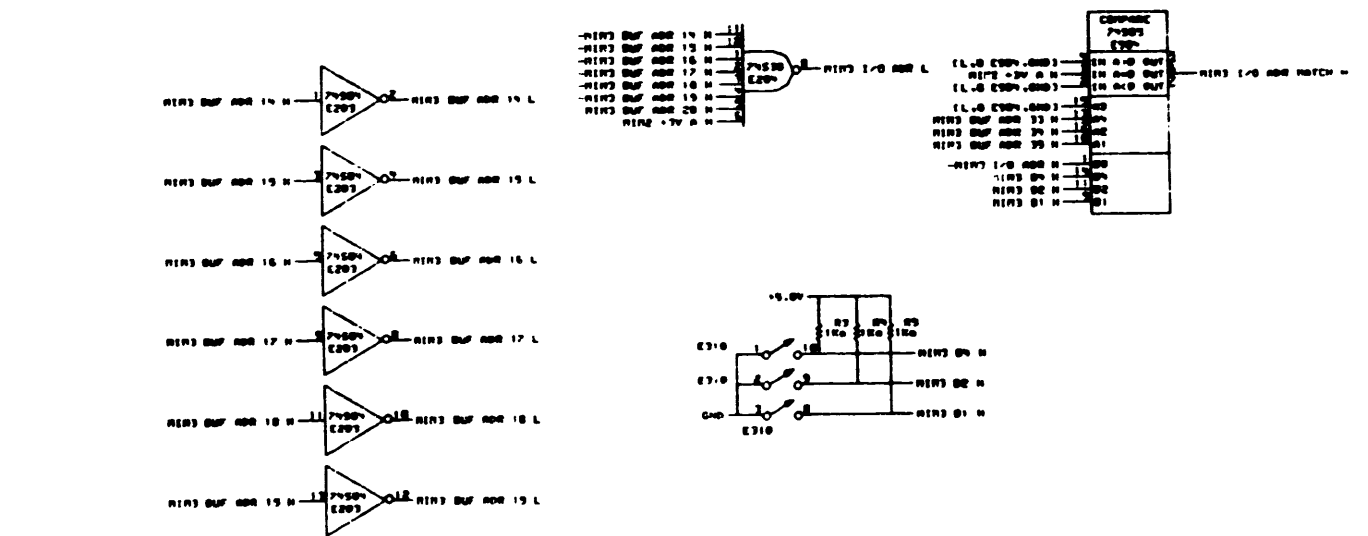
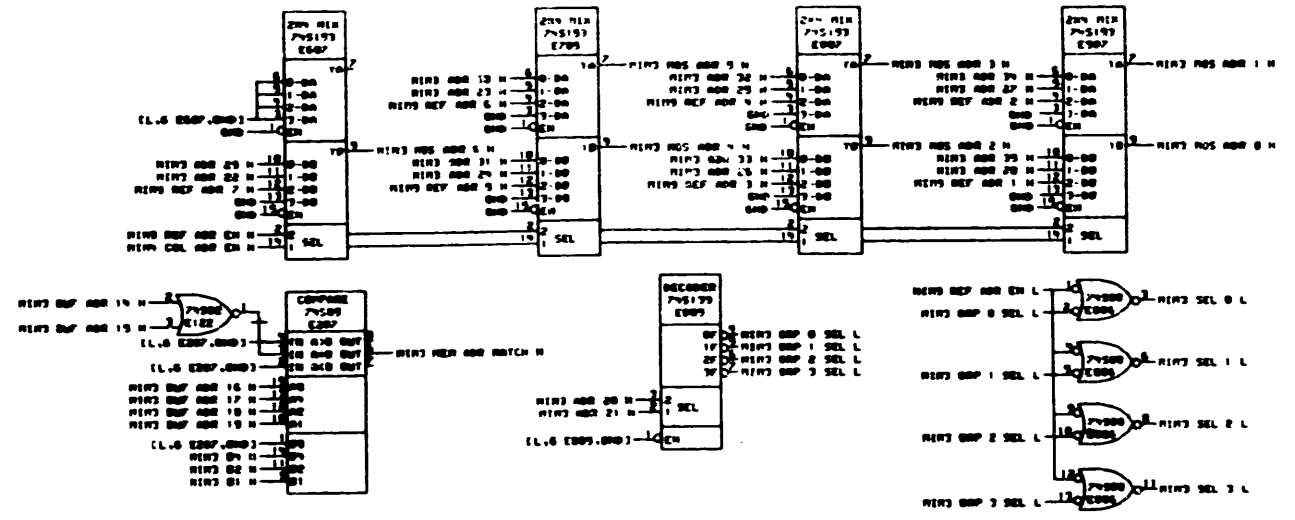
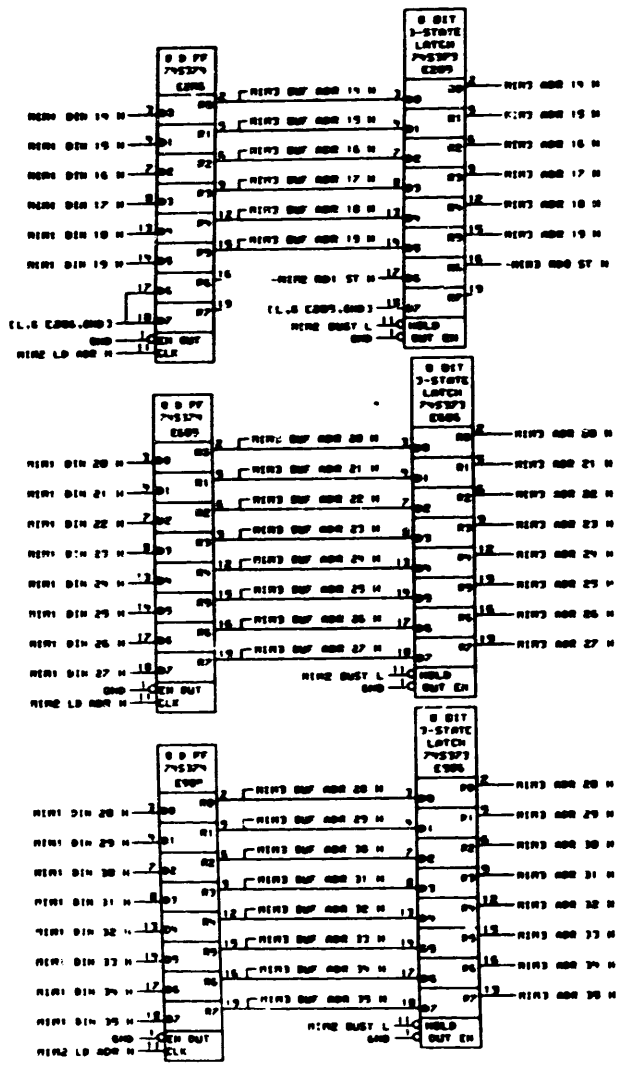




DATE	TIME	FILE
1964	11:15	MINNOW MEM BUS TRANSCEIVER
DRAWN BY: [Name]		
CHECKED BY: [Name]		
TITLE: MINNOW MEM BUS TRANSCEIVER		
Dwg No: 10-00-10620-0		

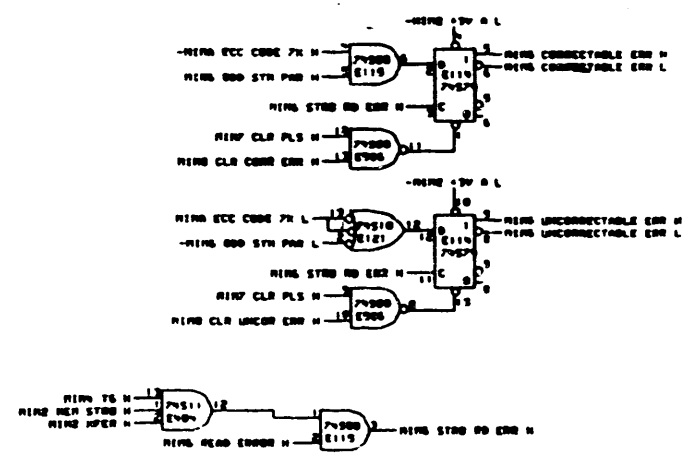
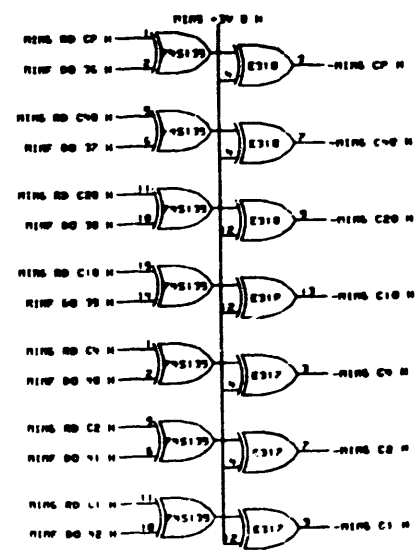
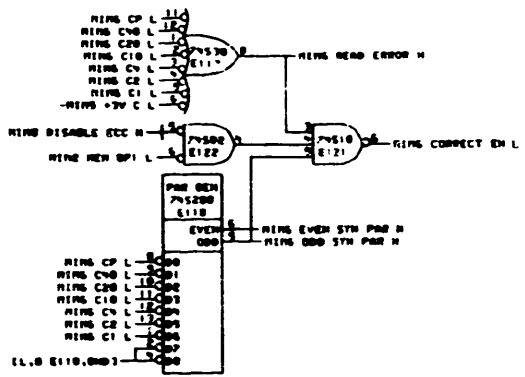
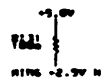
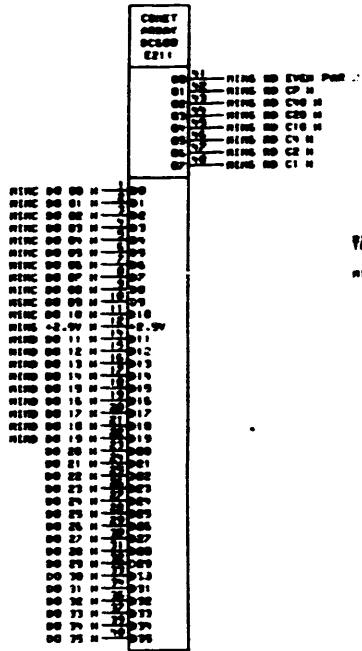


REV.	DATE	DES.	DATE	TITLE
1	11-15-70	DATA	11-15-70	MINNOW MEM START CONTROL



REV.	DATE	BY	FILE
1	01-08-78	W.C.	MINNOW MEM
<b>MINNOW MEM</b> <b>ADR LATCH</b>			
DESIGNER: W.C.	DATE: 01-08-78	BY: W.C.	FILE: MINNOW MEM
SIZE: 11x17	CODE: 0	NUMBER: 0	REV: 0
D. CS. MB528-2-MIN7			



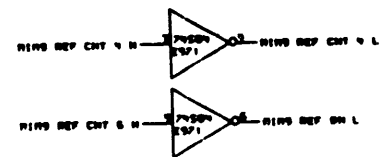
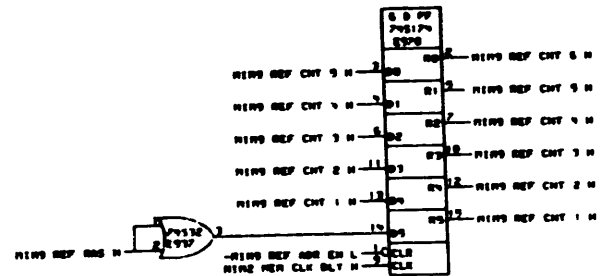
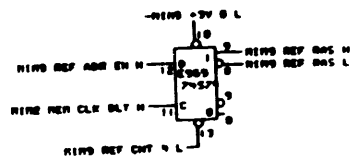
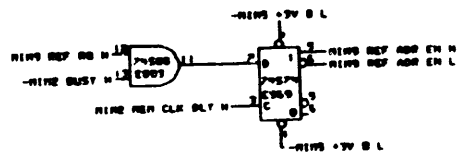
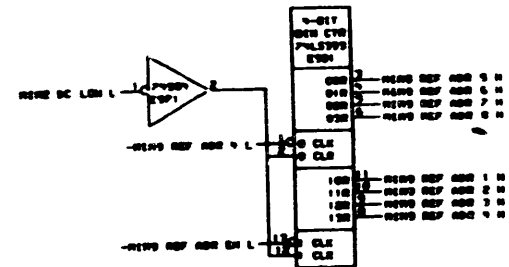
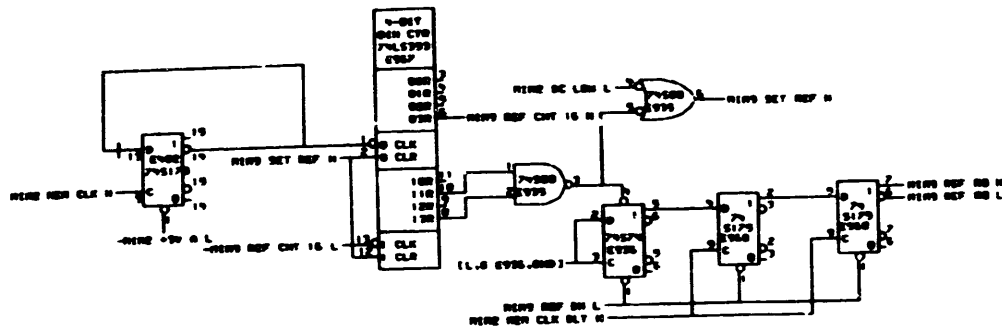


REV.	DATE	ENG.	DATE	FILE#
001	01/08/78			
REV'D.	DATE	DESIGN LOCATION		
		SUBJECT		
MINNOW MEM				
RD ERROR DETECT				
DESIGNER	CHECKER	DATE	BY	FILE NO.
STOCK CODE				NUMBER

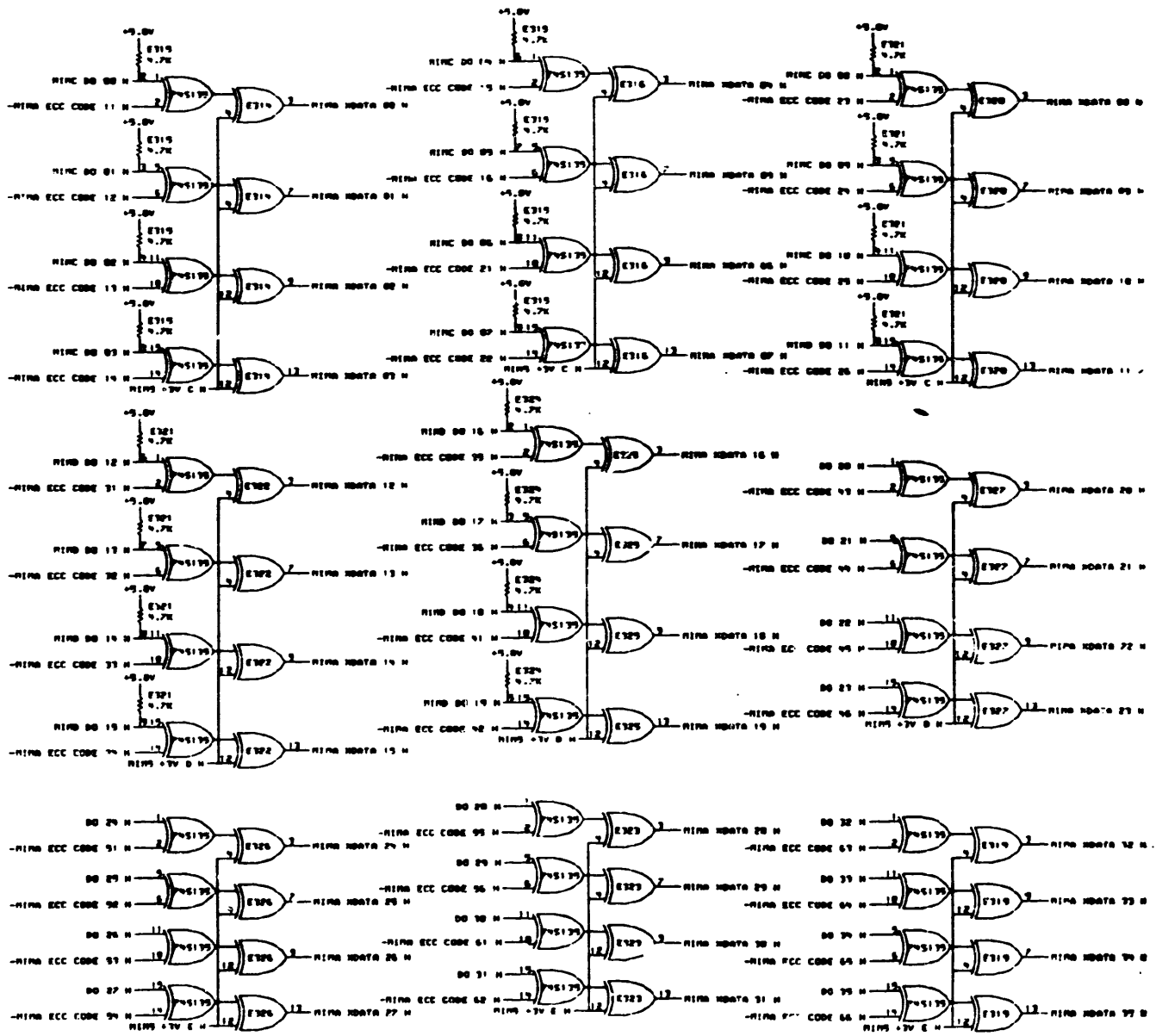
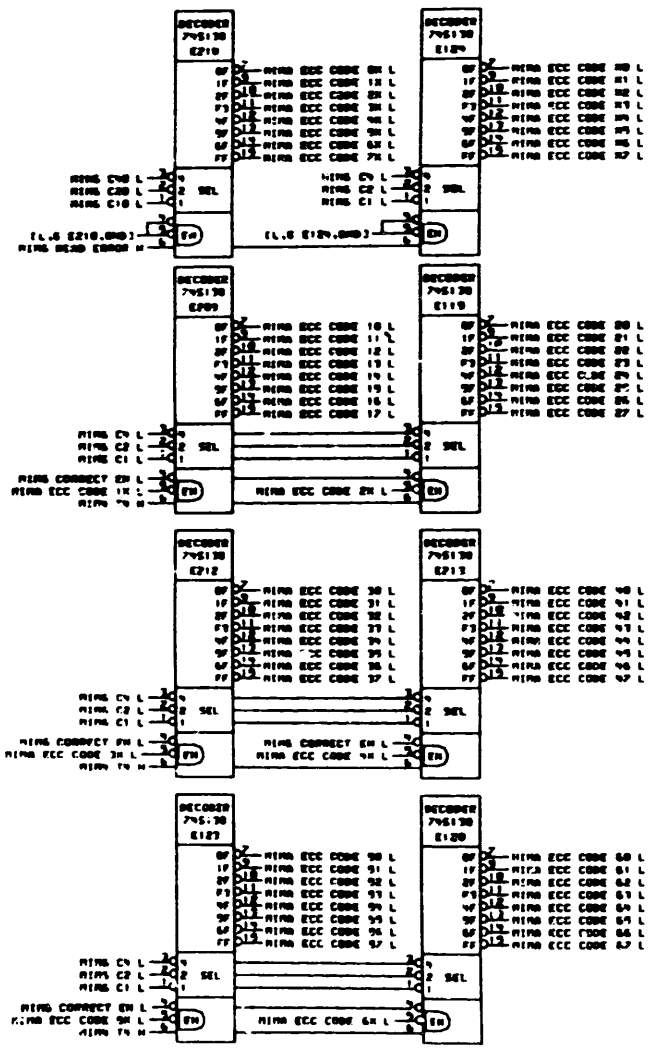






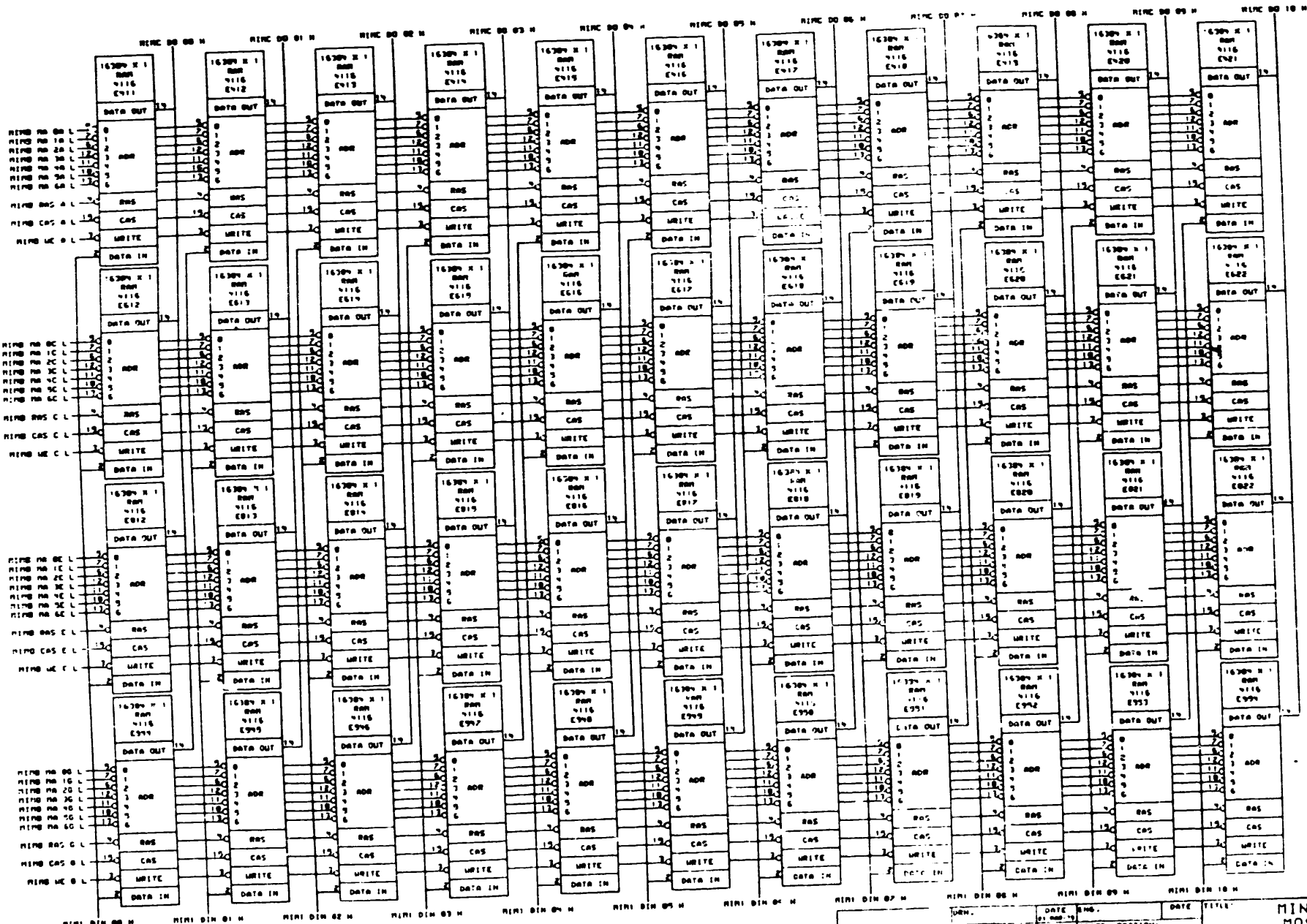


REV.	DATE	ENG.	DATE	TITLE
1	11-28-73			MINNOW MEM REF CONTROL
2				
3				
4				
5				
6				
7				
8				
9				
10				
11				
12				
13				
14				
15				
16				
17				
18				
19				
20				
21				
22				
23				
24				
25				
26				
27				
28				
29				
30				
31				
32				
33				
34				
35				
36				
37				
38				
39				
40				
41				
42				
43				
44				
45				
46				
47				
48				
49				
50				
51				
52				
53				
54				
55				
56				
57				
58				
59				
60				
61				
62				
63				
64				
65				
66				
67				
68				
69				
70				
71				
72				
73				
74				
75				
76				
77				
78				
79				
80				
81				
82				
83				
84				
85				
86				
87				
88				
89				
90				
91				
92				
93				
94				
95				
96				
97				
98				
99				
100				



DPN	DATE	REV	DATE	FILE
CHW-D	11-20-73			MINNOL MEM DATA CORRECTION
	DATE	NUMBER	LOCAL	
		OF		
PR: MINNOL MEM DATA CORRECTION, REV. 12-29-72, NEXT HIGHER ASSEMBLY:				S.78 CODE NUMBER
FIRST USED ON OPTION MODEL: K750				D.05 106620-0-NINA





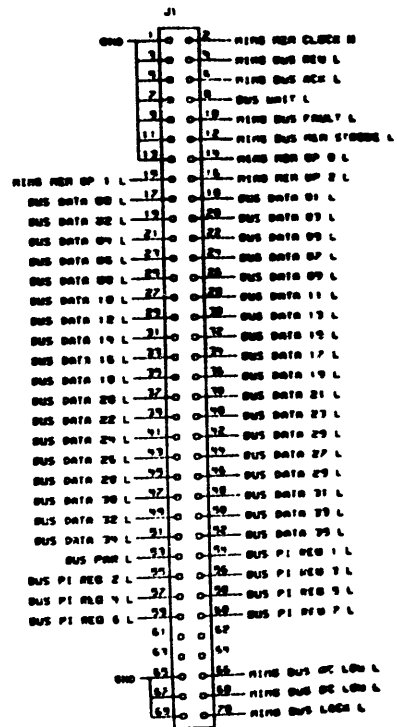
DATE	ENG.	DATE	TITLE
21 MAR 79			MINNOW MEM
DATE	BOARD LOCATION	DATE	MOS ARRAY
PART: MINNOW MEMPRINTING BOARD 18 JAN 79 16 57			SHEET CODE
FIRST USE: 24 JAN 79 16 57			D. CS
D-D-MN-29-B			NUMBER
			00









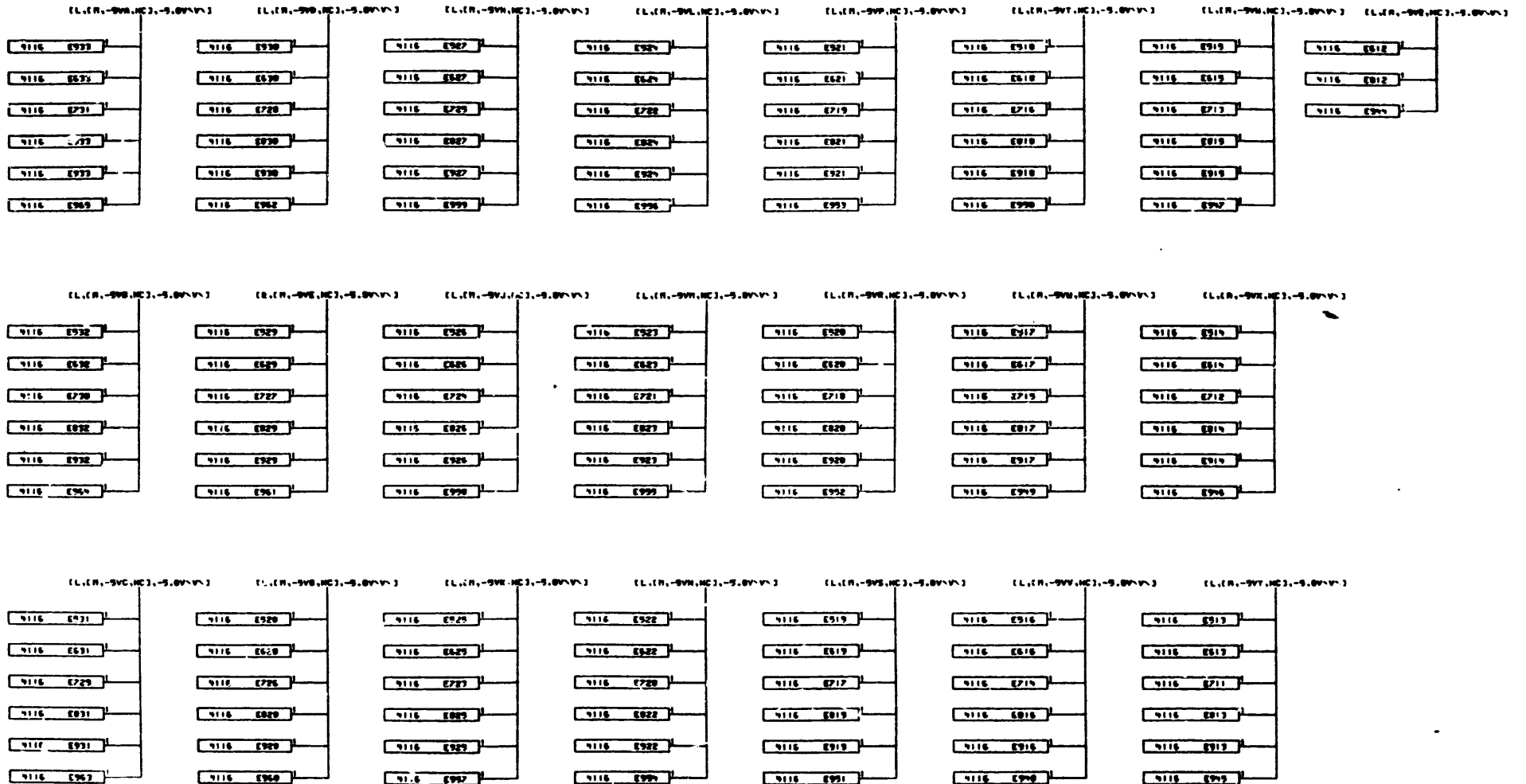




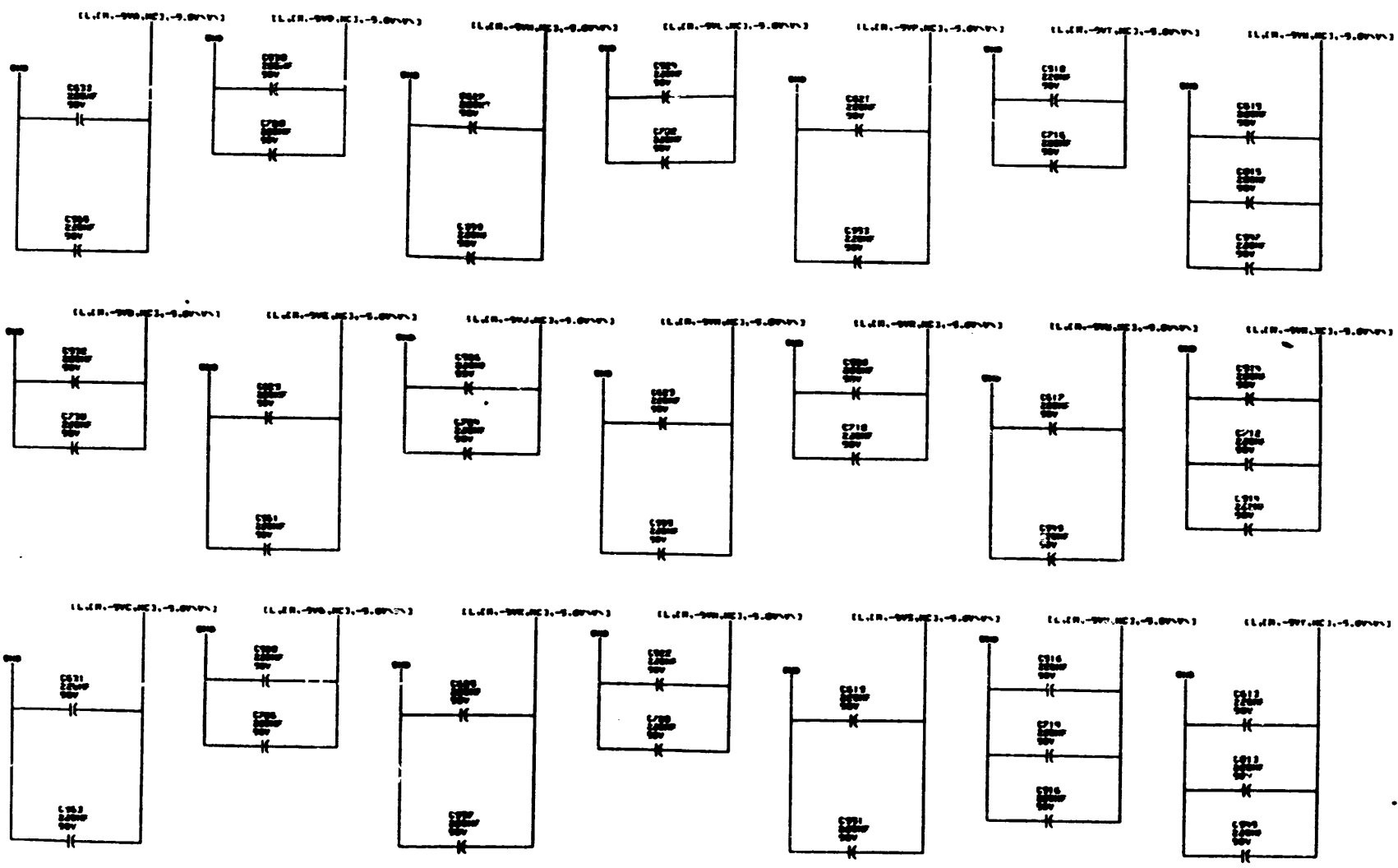








DESIGNER:	DATE:	ENG.:	DATE:	TITLE:
CHK'D:	DATE:	BOARD LOCATION:		WIRED -5.0V
PS/100MM, POSER WITH 2X 12-000-79 19-18 NEXT HIGHER ASSEMBLY				NUMBER
FIRST USED ON OPTION MODEL:				D CS M8620-0-M1MM



REV.	DATE	REV.	DATE	TITLE:
				WIRED -5.0V
DRAWN: [Signature]				CAPS
CHECKED: [Signature]				SIGN CODE
FIRST REVISION: [Signature]				NUMBER
DATE: 10-20-55				D CS 10920-0-11111