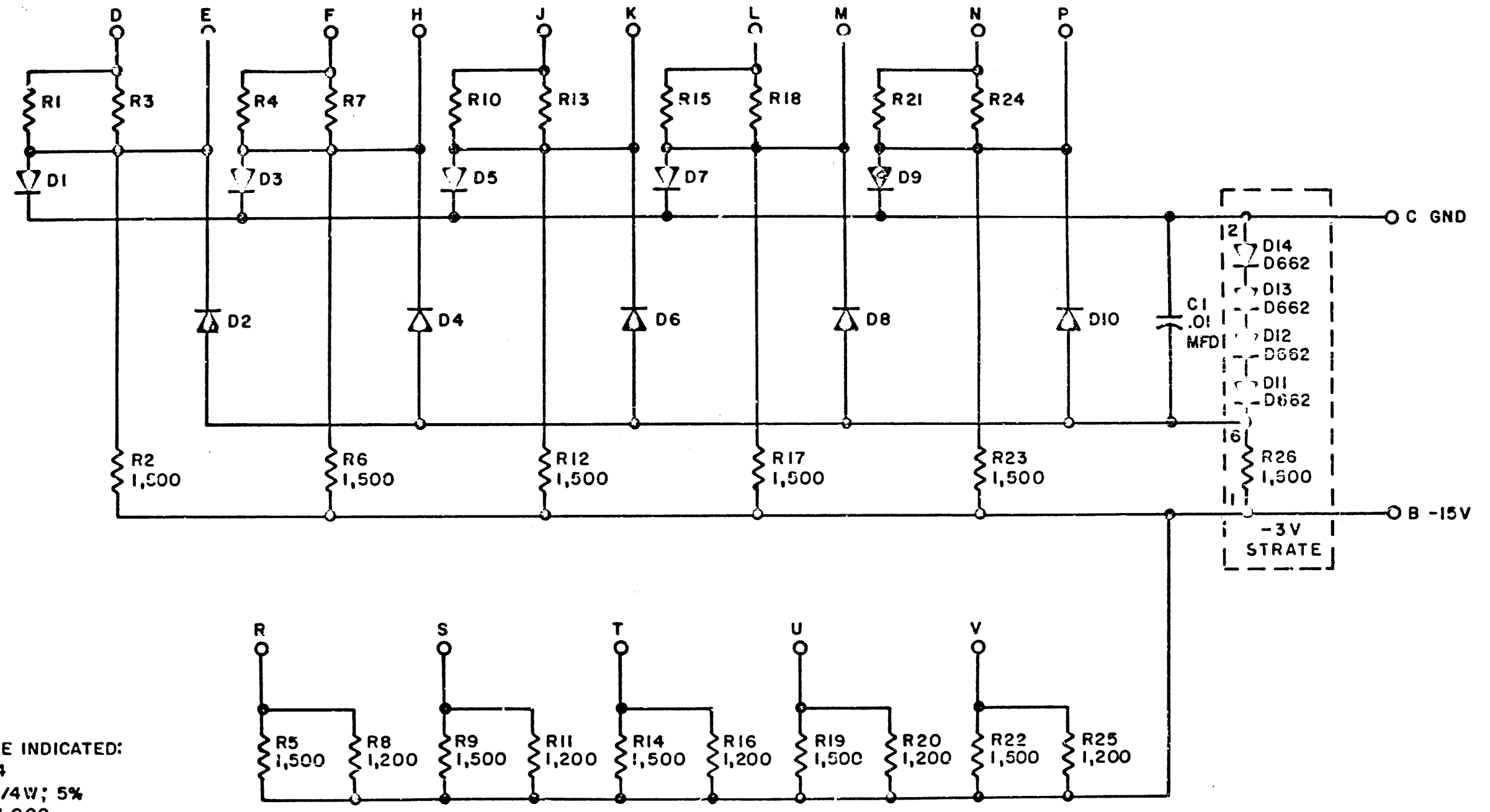


THIS DRAWING IS TO BE USED ONLY FOR TEST AND MAINTENANCE PURPOSES. THE  
 INFORMATION CONTAINED HEREIN IS UNCLASSIFIED AND SHOULD BE TREATED ACCORDINGLY.  
 DATE 12-13-83 BY 1045/STP



UNLESS OTHERWISE INDICATED:  
 DIODES ARE D364  
 RESISTORS ARE 1/4W; 5%  
 RESISTORS ARE 1,000



REVISIONS	DRN. <i>W. J. ...</i>	DATE <i>12-13-67</i>	TRANSISTOR & DIODE CONVERSION CHART				TELETYPE LEVEL CONVERTER W702			
	CHK'D <i>...</i>	DATE	DEC	FIA	DEC	FIA	SIZE	CODE	NUMBER	REV.
	EST. <i>...</i>	DATE					3	CS	W702-0-1	
	PROD. <i>...</i>	DATE								A
			ELECTRONIC CORPORATION MAYNARD, MASSACHUSETTS				PRINTED CIRCUIT REV.			