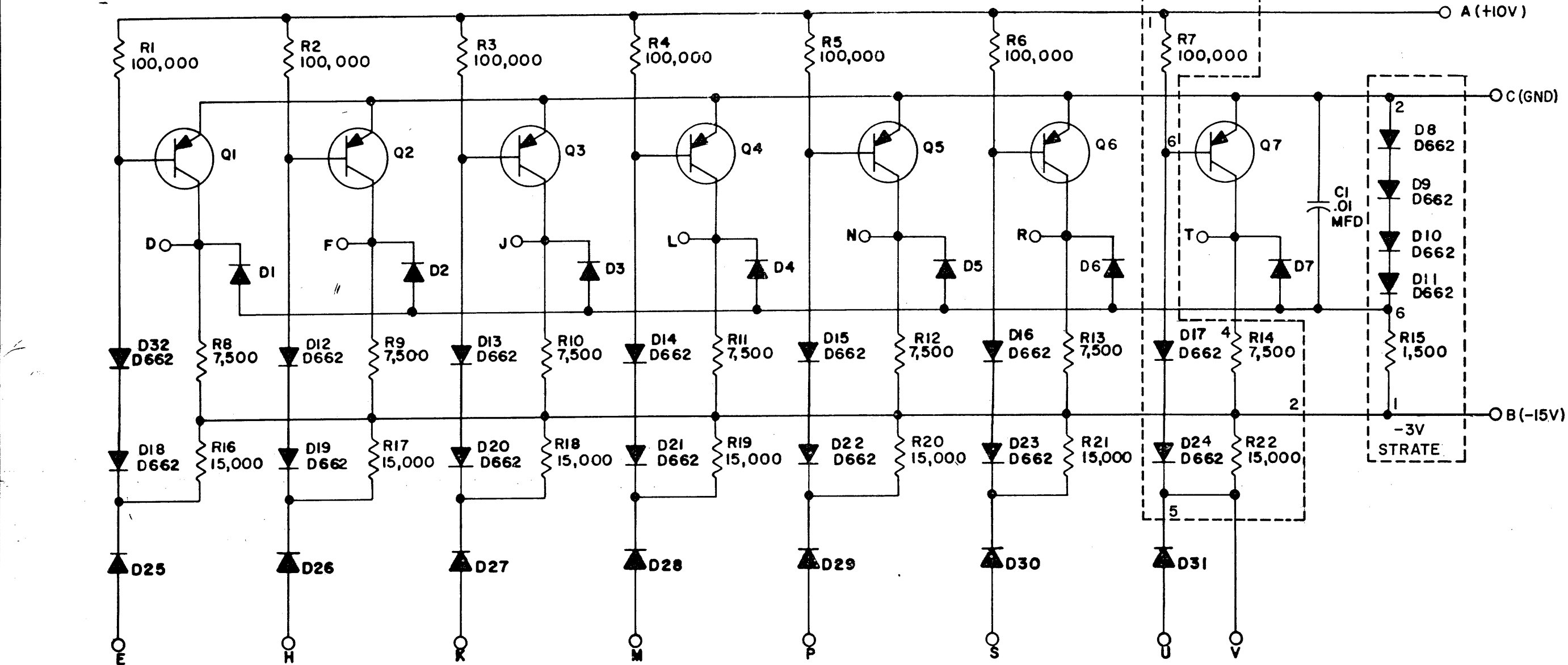


THIS SCHEMATIC IS FURNISHED ONLY FOR TEST AND MAINTENANCE PURPOSES. THE CIRCUITS ARE PROPRIETARY IN NATURE AND SHOULD BE TREATED ACCORDINGLY. COPYRIGHT 1964 BY DIGITAL EQUIPMENT CORPORATION



UNLESS OTHERWISE INDICATED;  
 RESISTORS ARE 1/4W, 5%  
 DIODES ARE D-664  
 TRANSISTORS ARE DEC 3639B  
 PRINTED CIRCUIT REV. FOR  
 DGL BOARD IS SIA

REVISIONS	CHK NO.	REV.
	4863	1
	5377	D
	5461	E
	5685	F
	6539	H
	00001	J

DAW  
 REV. B REDR.  
 PMS  
 DAW  
 D. BAKER  
 N. MOORE 4-17-72  
 5-1-14

DRN. A OUELLETTE	DATE 9-1-64
CHK'D N PERRYMAN	DATE 9-10-64
ENG. D WHITE	DATE 9-10-64
PROD. R. W. HULL	DATE 5-1-14

TRANSISTOR & DIODE CONVERSION CHART			
DEC	EIA	DEC	EIA
DEC 3639B	2N3639		
D662	IN645		
D664	IN3606		

**digital**  
 EQUIPMENT CORPORATION  
 MAYNARD, MASSACHUSETTS

TITLE INVERTER RI07			
SIZE B	CODE CS	NUMBER RI07-0-1	REV. J
PRINTED CIRCUIT REV.			C D E