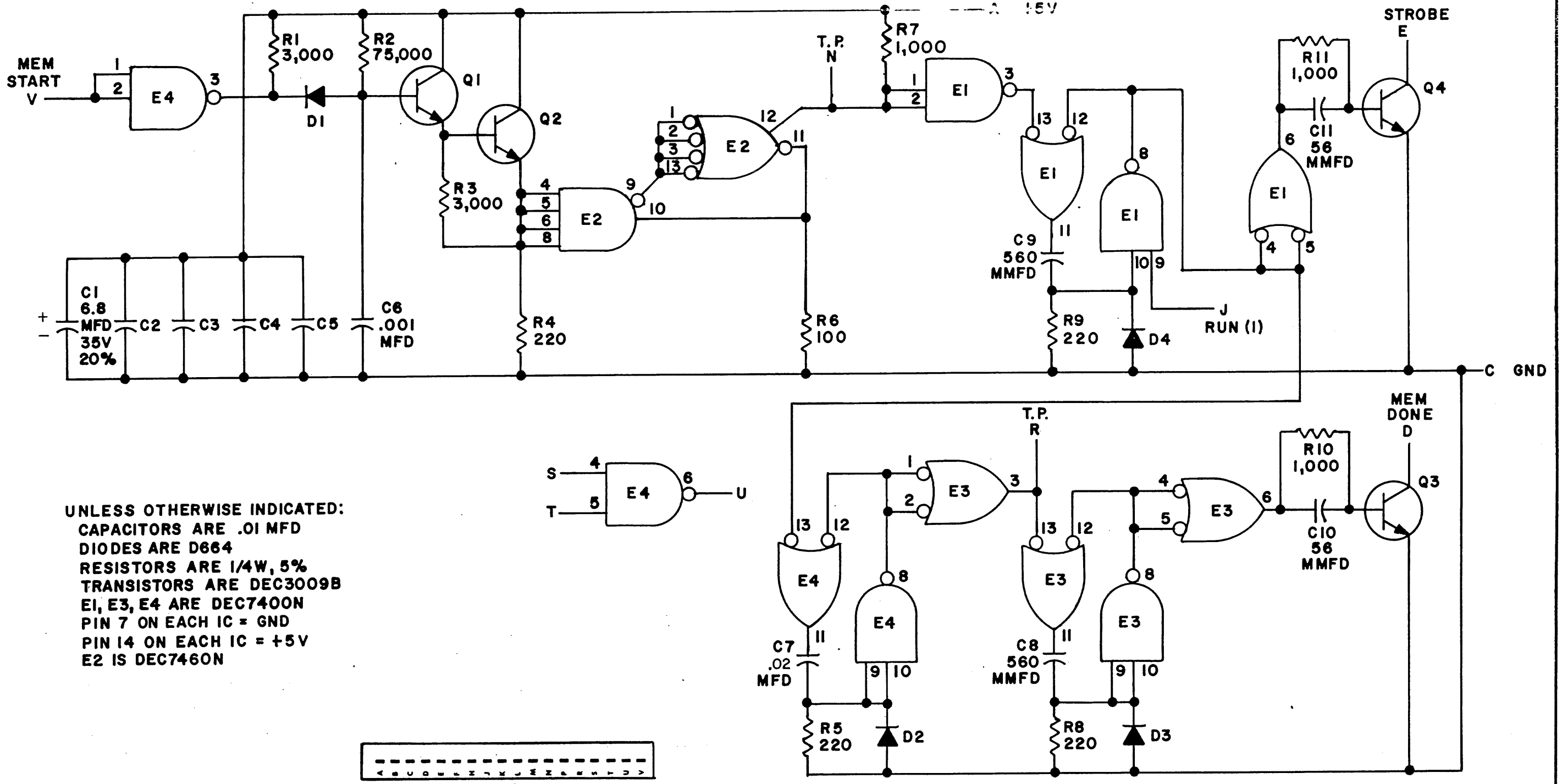
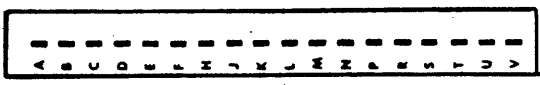
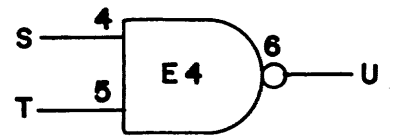


THIS SCHEMATIC IS FURNISHED ONLY FOR TEST AND MAINTENANCE PURPOSES. THE CIRCUITS ARE PROPRIETARY IN NATURE AND SHOULD BE TREATED ACCORDINGLY. COPYRIGHT 1967 BY DIGITAL EQUIPMENT CORPORATION



UNLESS OTHERWISE INDICATED:  
 CAPACITORS ARE .01 MFD  
 DIODES ARE D664  
 RESISTORS ARE 1/4W, 5%  
 TRANSISTORS ARE DEC3009B  
 E1, E3, E4 ARE DEC7400N  
 PIN 7 ON EACH IC = GND  
 PIN 14 ON EACH IC = +5V  
 E2 IS DEC7460N



REVISIONS CHG NO. REV. A 44 00001	DRN. <i>m. Haller</i>	DATE 9-28-67	TRANSISTOR & DIODE CONVERSION CHART				<b>digital</b> EQUIPMENT CORPORATION MAYNARD, MASSACHUSETTS	TITLE MEMORY DETECTION M720			
	CHK'D <i>R. Schuman</i>	DATE 9/2/67	DEC	EIA	DEC	EIA		SIZE B	CODE CS	NUMBER M720-0-1	REV. A
	ENG. <i>Boyer</i>	DATE 9/2/67	DEC3009B	2N3009							
	PROD. <i>CS</i>	DATE	D664	1N3606							
							PRINTED CIRCUIT REV. A				