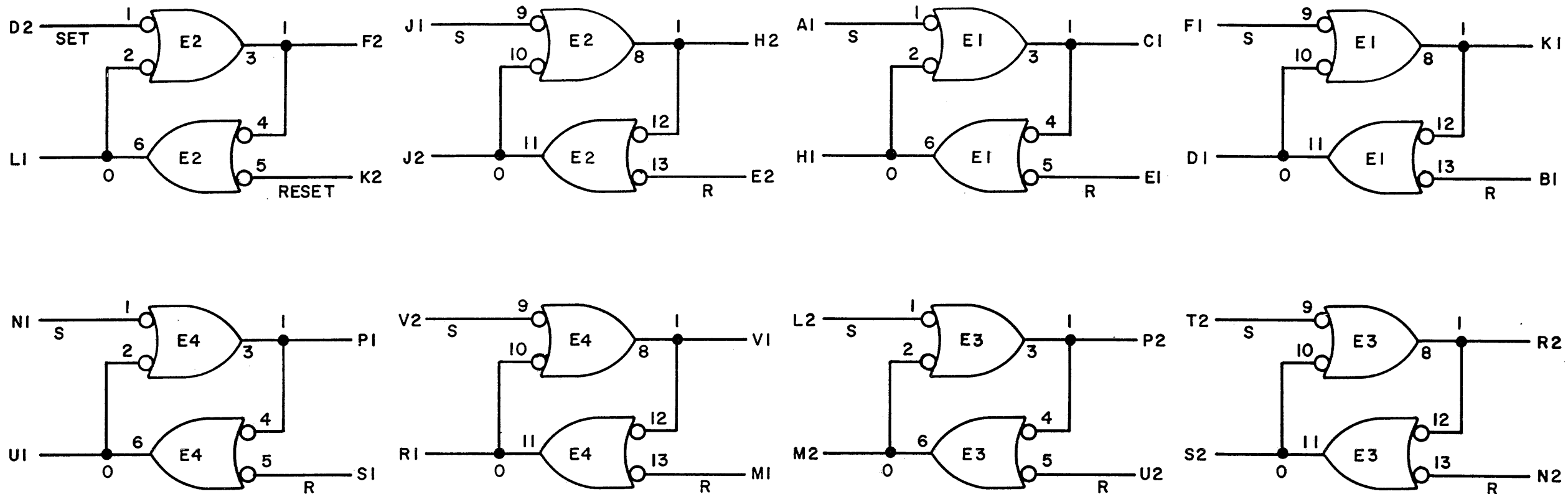
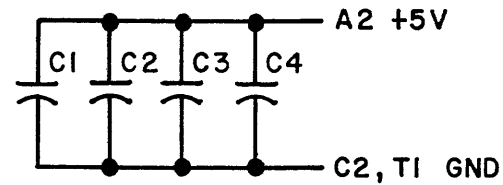


THIS SCHEMATIC IS FURNISHED ONLY FOR TEST AND MAINTENANCE PURPOSES. THE CIRCUITS ARE PROPRIETARY IN NATURE AND SHOULD BE TREATED ACCORDINGLY. COPYRIGHT 1967 BY DIGITAL EQUIPMENT CORPORATION



NOTES
PIN 7 ON EACH IC = GND
PIN 14 ON EACH IC = +5V



C1 THRU C4	CAP. .01MFD 50V-0+20% DISC	1000001
E1 THRU E4	INTEGRATED CKT. DEC7400N	1905575
	PARTS LIST	A-PL-M203-0-0
REFERENCE DESIGNATION	DESCRIPTION	PART NO.
PARTS LIST		

REVISIONS CHK CHG NO. REV. 6808 A MM 00001 B	DRN. <i>M. Haller</i>	DATE 7-11-67	TRANSISTOR & DIODE CONVERSION CHART DEC EIA DEC EIA				digital EQUIPMENT CORPORATION MAYNARD, MASSACHUSETTS	TITLE SET-RESET FLIP FLOP MODULE M203		
	CHK'D <i>[Signature]</i>	DATE 7/12/67						SIZE B	CODE CS	NUMBER M203-0-1
	ENG. <i>M. S. Gaudin</i>	DATE 7/11/67	PRINTED CIRCUIT REV. C							
	PROD. <i>[Signature]</i>	DATE	Dist. 324 434 3/35							