

"THE MATERIAL HEREIN IS FOR INFORMATION PURPOSES ONLY AND IS SUBJECT TO CHANGE WITHOUT NOTICE. DIGITAL EQUIPMENT CORPORATION ASSUMES NO RESPONSIBILITY FOR ANY ERRORS WHICH MAY APPEAR HEREIN."

### FIELD MAINTENANCE PRINT SET

"THIS DRAWING AND SPECIFICATIONS, HEREIN, ARE THE PROPERTY OF DIGITAL EQUIPMENT CORPORATION AND SHALL NOT BE REPRODUCED OR COPIED OR USED IN WHOLE OR IN PART AS THE BASIS FOR THE MANUFACTURE OR SALE OF ITEMS WITHOUT WRITTEN PERMISSION. COPYRIGHT © 1980 DIGITAL EQUIPMENT CORPORATION."

## TABLE OF CONTENTS

B-TC-VS11-Ø-1 FIELD MAINT. PRINT SET  
 B-DD-VS11-Ø DRAWING DIRECTORY  
 B-TC-VSV11-Ø-1 FIELD MAINT. PRINT SET  
 D-UA-VS11-Ø-Ø VS11 UNIT ASSY  
 B-PL-VS11-Ø-Ø PARTS LIST  
 D-UA-M8217-Ø-Ø UNIBUS TO LSI BUS CONVERTER  
 D-CS-M8217-Ø-1 UNIBUS TO LSI BUS CONVERTER  
 D-UA-M94Ø3-Ø-Ø DW11-B Q BUS CONNECTOR  
 D-CS-M94Ø3-Ø-1 DW11-B Q BUS CONNECTOR  
 B-PL-VS11-Ø-2 SHIPPING LIST (VS11)

UNIT VARIATIONS COVERED BY THIS PRINT SET
VS11-AA
VS11-AB
VS11-AC
VS11-AD
VS11-AE
VS11-AF
VS11-AH
VS11-AJ
VS11-AP
VS11-AR
VS11-AS
VS11-AT
VS11-BA
VS11-BB
VS11-BC
VS11-BD

VS11  
**Field Maintenance Print Set**  
**Digital Equipment Corporation**  
 PRINT SET PART NO. MPØ11Ø2

REV. B	CHG. NO.	DATE	USED ON OPTION/MODEL	DRN.	DATE	TITLE: VS11 UNIT ASSY				
				VS11-NØØØ1		3/6/81	VS11	<i>[Signature]</i>	19-AUG-80	digital
				<i>[Signature]</i>	19-AUG-80	SIZE	CODE	NUMBER	REV.	
				J. Barry	20 AUG 80	B	TC	VS11-Ø-1	B	
				FIELD SERV.	DATE	DIST.				
			SHEET 1 OF 1	<i>[Signature]</i>	25 AUG 80					

REV. B  
 SIZE CODE NUMBER  
 0 10 1

"THE MATERIAL HEREIN IS FOR INFORMATION PURPOSES ONLY AND IS SUBJECT TO CHANGE WITHOUT NOTICE. DIGITAL EQUIPMENT CORPORATION ASSUMES NO RESPONSIBILITY FOR ANY ERRORS WHICH MAY APPEAR HEREIN."

## DRAWING DIRECTORY

"THIS DRAWING AND SPECIFICATIONS, HEREIN, ARE THE PROPERTY OF DIGITAL EQUIPMENT CORPORATION AND SHALL NOT BE REPRODUCED OR COPIED OR USED IN WHOLE OR IN PART AS THE BASIS FOR THE MANUFACTURE OR SALE OF ITEMS WITHOUT WRITTEN PERMISSION. COPYRIGHT © 1980 DIGITAL EQUIPMENT CORPORATION."

UNIT VARIATIONS	
VAR	TITLE
VS11-AA	UNIBUS VIDEO GRAPHICS, 120V/60HZ
VS11-AB	UNIBUS VIDEO GRAPHICS, 240V/50HZ
VS11-AC	VS11-AA W/SECOND FRAME BUFFER
VS11-AD	VS11-AB W/SECOND FRAME BUFFER
VS11-AE	VS11-AA W/12" B/W MONITOR & KEYBOARD
VS11-AF	VS11-AB W/12" B/W MONITOR & KEYBOARD
VS11-AH	VS11-AE W/SECOND FRAME BUFFER
VS11-AJ	VS11-AF W/SECOND FRAME BUFFER
VS11-AP	VS11-AA W/19" COLOR MONITOR & KEYBOARD
VS11-AR	VS11-AB W/19" COLOR MONITOR & KEYBOARD
VS11-AS	VS11-AP W/SECOND FRAME BUFFER
VS11-AT	VS11-AR W/SECOND FRAME BUFFER
VS11-BA	VS11-AA EXCEPT DW11-EK
VS11-BB	VS11-AB EXCEPT DW11-EK
VS11-BC	VS11-AA EXCEPT DW11-A & TV11
VS11-BD	VS11-AB EXCEPT DW11-A & TV11

REVISIONS	REV.	CHANGE NO.	VS11-NUMBER	DRN.	DATE	TITLE	<span style="border: 1px solid black; padding: 2px;">digital</span>		
	B	VS11-NU001		19-AUG-80	VS11			19-AUG-80	UNIT ASSY
	A	VS11-NU001		19-AUG-80	VS11			19-AUG-80	UNIT ASSY
CHK	VS11-NU001	19-AUG-80	J. Sandy	22 AUG 80	VS11-#	REV B	DIST.		
SHEET 1 OF 2				PROD.	DATE	DIST.			
					20 AUG 80				

UNIT NO.	DRAWING NO.			DESCRIPTION			TYPE	UNIT NO.	DRAWING NO.			DESCRIPTION			TYPE
1	MP01102	FIELD MAINTENANCE PRINT SET (MF)					-	4	B-DD-TEV11-0	DRAWING DIRECTORY					-
	B-TC-VS11-0-1	FIELD MAINT. PRINT SET					-		A-PL-TEV11-0-0	PARTS LIST					-
	D-UA-VS11-0-0	VS11 UNIT ASSY		E/M											
	B-PL-VS11-0-0	PARTS LIST		-											
	B-PL-VS11-0-2	SHIPPING LIST		-											
	D-IA-7016030-0-0	HARNESS ADAPTOR DDV11-CK-Ball-P/F		E/M											
2	B-DD-VSV11-0	DRAWING DIRECTORY		-											
	D-UA-VSV11-0-0	VSV11 UNIT ASSY		E/M											
3	B-DD-DW11-0	DRAWING DIRECTORY		-											
	A-PL-DW11-0-0	PARTS LIST		-											

digital

TYPE: E ELECTRICAL  
M MECHANICAL  
E/M ELECTRO-MECHANICAL

TITLE  
VS11 UNIT ASSY

SHEET 2 OF 2

SIZE CODE  
**B DD**

NUMBER  
VS11-0

REV  
B

"THE MATERIAL HEREIN IS FOR INFORMATION PURPOSES ONLY AND IS SUBJECT TO CHANGE WITHOUT NOTICE. DIGITAL EQUIPMENT CORPORATION ASSUMES NO RESPONSIBILITY FOR ANY ERRORS WHICH MAY APPEAR HEREIN."

## FIELD MAINTENANCE PRINT SET

"THIS DRAWING AND SPECIFICATIONS HEREIN ARE THE PROPERTY OF DIGITAL EQUIPMENT CORPORATION AND SHALL NOT BE REPRODUCED OR COPIED OR USED IN WHOLE OR IN PART AS THE BASIS FOR THE MANUFACTURE OR SALE OF ITEMS WITHOUT WRITTEN PERMISSION. COPYRIGHT © 1960 DIGITAL EQUIPMENT CORPORATION."

### TABLE OF CONTENTS

E-TC-VSV11-Ø-1	FIELD MAINTENANCE PRINT SET
B-DD-VSV11-Ø	DRAWING DIRECTORY
D-UA-VSV11-Ø-Ø	VSV11 UNIT ASSY
B-PL-VSV11-Ø-Ø	PARTS LIST
C-IC-VSV11-Ø-4	VSV11 INTERCONNECTION DIAGRAM
B-DD-M7Ø61-Ø	DRAWING DIRECTORY
D-UA-M7Ø61-Ø-Ø	SYNC GEN CURSOR CONTROL
K-PL-M7Ø61-Ø-DBP	PARTS LIST
D-CS-M7Ø61-Ø-1	SYNC GEN CURSOR CONTROL
B-DD-M7Ø62-Ø	DRAWING DIRECTORY
D-TA-M7Ø62-Ø-Ø	IMAGE MEMORY
K-PL-M7Ø62-Ø-DBP	PARTS LIST
D-CS-M7Ø62-Ø-1	IMAGE MEMORY
B-DD-M7Ø64-Ø	DRAWING DIRECTORY
D-UA-M7Ø64-Ø-Ø	IMAGE PROCESSOR
K-PL-M7Ø64-Ø-DBP	PARTS LIST
D-CS-M7Ø64-Ø-1	IMAGE PROCESSOR
D-IA-7Ø15622-Ø-Ø	CABLE, JOYSTICK
C-IA-7Ø15987-Ø-Ø	CABLE, DATA
D-IA-7Ø1683Ø-Ø-Ø	HARNESS ADAPTOR, DV11-CK-BALL-P/F
D-IC-VSV11-Ø-2	VSV11 BACKPLANE INTERCONNECT
B-PL-VSV11-Ø-3	SHIPPING LIST (VSV11)

UNIT VARIATIONS COVERED BY THIS PRINT SET
VSV11-AA
VSV11-AB
VSV11-AC
VSV11-AD
VSV11-AE
VSV11-AF
VSV11-AH
VSV11-AJ
VSV11-AP
VSV11-AR
VSV11-AS
VSV11-AT
VSV11-SA
VSV11-SB
VSV11-SC
VSV11-SD
VSV11-SE
VSV11-SF
VSV11-SH
VSV11-MA
VSV11-BA
VSV11-BA

# VSV11

## Field Maintenance Print Set

Digital Equipment Corporation

PRINT SET PART NO. MPØ11Ø3

REV. CHG. NO.	DATE	REV 3/6/81	VSV11-NØØØ1 B	USED ON OPTION/MODEL		DRN. D. Lane	DATE 19 AUG 80	TITLE: VSV11 UNIT ASSY	digital
				VSV11		CHK'D D. Lane	DATE 19 AUG 80		
						PROJ. ENG. J. Brandy	DATE 20 AUG 80		
SHEET 1 OF 1				FIELD SERV. D. R. Cortez	DATE 25 AUG 80	SIZE B	CODE TC	NUMBER VSV11-Ø-1	REV. B

SIZE CODE NUMBER REV.

THE MATERIAL HEREIN IS FOR INFORMATION PURPOSES ONLY AND IS SUBJECT TO CHANGE WITHOUT NOTICE. DIGITAL EQUIPMENT CORPORATION ASSUMES NO RESPONSIBILITY FOR ANY ERRORS WHICH MAY APPEAR HEREIN.

## DRAWING DIRECTORY

THIS DRAWING AND SPECIFICATIONS HEREIN ARE THE PROPERTY OF DIGITAL EQUIPMENT CORPORATION AND SHALL NOT BE REPRODUCED OR COPIED OR USED IN WHOLE OR IN PART AS THE BASIS FOR THE MANUFACTURE OR SALE OF ITEMS WITHOUT WRITTEN PERMISSION. COPYRIGHT © 1980 DIGITAL EQUIPMENT CORPORATION.

### UNIT VARIATIONS

VAR	TITLE
VSV11-AA	VIDEO GRAPHICS 120V/60HZ
VSV11-AB	VIDEO GRAPHICS 240V/50HZ
VSV11-AC	VSV11-AA W/SEC FRAME BUFFER
VSV11-AD	VSV11-AB W/SEC FRAME BUFFER
VSV11-AE	VSV11-AA W/12" B/W MONITOR & KEYBOARD
VSV11-AF	VSV11-AB W/12" B/W MONITOR & KEYBOARD
VSV11-AH	VSV11-AE W/SEC FRAME BUFFER
VSV11-AT	VSV11-AF W/SEC FRAME BUFFER
VSV11-AP	VSV11-AA W/19" COLOR MONITOR & KEYBOARD
VSV11-AR	VSV11-AB W/19" COLOR MONITOR & KEYBOARD
VSV11-AS	VSV11-AP W/SEC FRAME BUFFER
VSV11-AT	VSV11-AR W/SEC FRAME BUFFER
VSV11-MA	IMAGE MEMORY
VSV11-SA	SYNC GEN, VIDEO CABLES
VSV11-SB	SYNC GEN, VIDEO CABLES
VSV11-SC	SYNC GEN, VIDEO CABLES, JOYSTICK CABLE
VSV11-SD	SYNC GEN, VIDEO CABLES, JOYSTICK CABLE
VSV11-SE	SYNC GEN, VIDEO CABLES, MULT. JS. CABLE
VSV11-SF	SYNC GEN, VIDEO CABLES, MULT. JS. CABLE
VSV11-SH	SYNC GEN
VSV11-BA	VSV11-AA W DDV11-DK BACKPLANE
VSV11-BB	VSV11-AB W DDV11-DK BACKPLANE

REVISIONS	REV B	USED ON OPTION/MODEL VSV11	DRN. <i>D. Egan</i>	DATE 1/24/80	TITLE VSV11		
	CHANGE NO. VSV11-210001		CHK'D <i>D. Egan</i>	DATE 1/24/80	UNIT ASSY		
CHK <i>[Signature]</i>	PROJ. ENG. <i>J. Kemp</i>		DATE 2/24/80	SIZE B	CODE DD	NUMBER VSV11-B	REV B
SHEET 1 OF 2			PROD. <i>D. Egan</i>	DATE 20 Nov 80	DIST.		

FIND NO.	DRAWING NO.	DESCRIPTION	TYPE	DRAWING NO.	DESCRIPTION	TYPE			
1	MP1113	FIELD MAINTENANCE PRINT SET (MP)	-						
	B-TC-VSV11-3-1	FIELD MAINT. PRINT SET	-						
	D-CA-VSV11-3-2	VSV11 UNIT ASSY	E/M						
	B-PL-VSV11-3-3	PARTS LIST	-						
	C-IA-7215227-2-1	CABLE DATA	E/M						
	D-IA-7215227-2-2	CABLE IDENTICK	E/M						
	D-IA-7216232-2-1	HERNESH ADAPTOR DDV11-CK	E/M	6	B-DD-VT122-2	DRAWING DIRECTORY			
	D-IC-VSV11-3-3	VSV11 BACKPLANE INTERCONNECT	-		B-PL-VT122-2-2	PARTS LIST			
	A-PR-1727191-1-1	CABLE CONN. SERIAL	E/M		E-UA-VT122-2-2	VT122 UNIT ASSY			
	A-PR-1727192-1-1	CABLE CONN. MONITOR	E/M						
	C-IC-VSV11-3-4	VSV11 INTERCONNECTION DIAGRAM	E/M						
	B-PL-VSV11-3-3	SHIPPING LIST	-						
2	B-DD-N7261-3	DRAWING DIRECTORY	-	7	B-DD-VRV22-2	DRAWING DIRECTORY			
	K-PL-N7261-3-DBP	PARTS LIST	-		B-PL-VRV22-2-2	PARTS LIST			
	D-CA-N7261-3-1	SYNC GEN CURSOR CONTROL	E		D-UA-VRV22-2-2	MONITOR, COLOR W/KEYBOARD			
	D-CS-N7261-3-1	SYNC GEN CURSOR CONTROL	E						
3	B-DD-N7262-3	DRAWING DIRECTORY	-						
	K-PL-N7262-3-DBP	PARTS LIST	-						
	D-CA-N7262-3-1	IMAGE MEMORY	E						
	D-CS-N7262-3-1	IMAGE MEMORY	E						
4	B-DD-N7264-2	DRAWING DIRECTORY	-						
	K-PL-N7264-3-DBP	PARTS LIST	-						
	D-UA-N7264-2-1	IMAGE PROCESSOR	E						
	D-CS-N7264-2-1	IMAGE PROCESSOR	E						
5	B-DD-G7272-2	DRAWING DIRECTORY	-						
	B-PL-G7272-2-2	PARTS LIST	-						
	D-CA-G7272-2-2	GRANT CONTINUITY CARD	E						
TYPE: E ELECTRICAL M MECHANICAL E/M ELECTRO MECHANICAL			digital	TITLE	VSV11 UNIT ASSY	SHEET 2 OF 2	SIZE CODE B DD	NUMBER VSV11-2	REV B

THIS DRAWING AND THE INFORMATION CONTAINED HEREIN ARE THE PROPERTY OF THE UNITED STATES GOVERNMENT AND SHALL NOT BE REPRODUCED IN ANY FORM OR BY ANY MEANS WITHOUT PERMISSION IN WRITING FROM THE NATIONAL BUREAU OF STANDARDS, U.S. GOVERNMENT PRINTING OFFICE: 1950 O-318,284

CONNECTION TABLE

OPTION VARIATION	FROM ITEM 7	SIGNAL NAME	TO ITEM 8	TO MONITOR
VSVII-AA,AB,AC,AD, AE,AF,AH,AJ	J1	VTI $\emptyset$ OUT	P1	VIDEO IN
	J2	RSIT $\emptyset$ IN	P2	VIDEO OUT
VSVII-AP,AR,AS,AT	J5	RED OUT	P4	RED IN
	J4	BLU OUT	P3	BLU IN
	J3	COMP. VIDEO OUT	P2	COMP. VIDEO IN (GREEN)

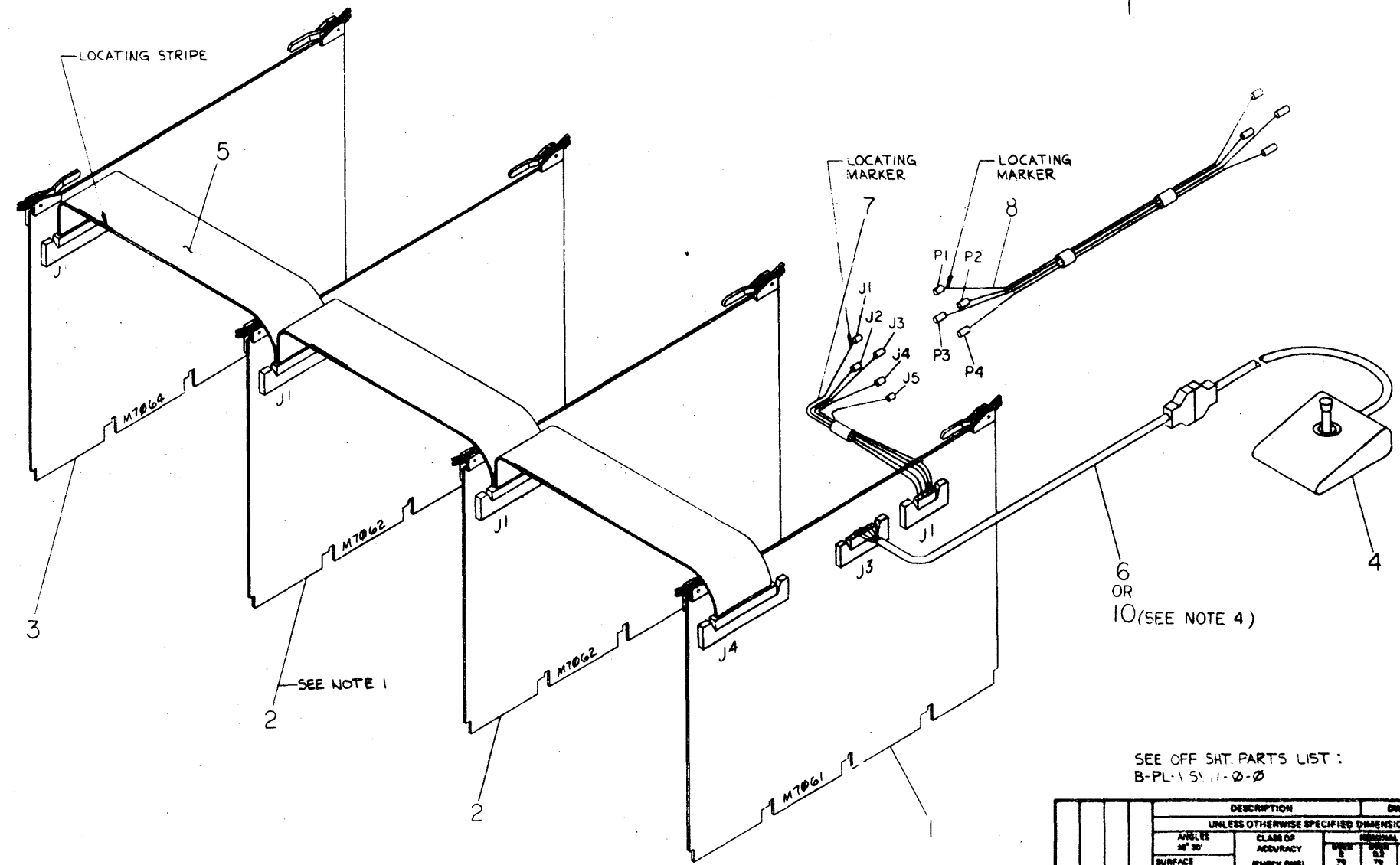
- NOTES:
- THIS MODULE IS NOT UTILIZED IN VARIATIONS: VSVII-AA, AB, AE, AF, AP, AR.
  - IF ONE M7062 IS USED, THE M7064 MUST OCCUPY SLOT 4, SINCE THE MODULES MUST OCCUPY CONTIGUOUS SLOTS.
  - REMOVE RESISTOR PACKS E76 & E77 FROM THIS MODULE IF TWO M7062'S ARE USED.
  - ITEM 0 5 USED ON VARIATIONS VSVII-SE AND VSVII-SF ONLY.

1	M7061		
2	M7062		
3	M7062		
4	M7064		
5	M7064		
6			
7			
8			
9			
A	B	C	D

SEE NOTE 2 & 3

VSVII MODULE-CONFIG. IN A H9273A BACKPLANE (NOT SUPPLIED)

1	M9403	M7061			
2	G7272	M7062			
3	G7272	M7064			
4		M9402-YB			
5					
6					
7					
8					
9					
A	E	C	D	E	F



SEE OFF SHT. PARTS LIST : B-PL-VSVII-0-0

DESCRIPTION	DWS. PART NO.		ITEM NO.
	UNLESS OTHERWISE SPECIFIED DIMENSIONS ARE IN INCHES		
ANGLES	CLASS OF ACCURACY	DIMENSIONAL TOLERANCE RANGES (MICRONS)	
30°	(CHECK ONE)	0.001	0.002
SURFACE QUALITY	MEDIUM	0.001	0.002
IN MICROMETERS	PREFERRED	0.001	0.002

QUANTITY & VARIATION	DRW. BY	DATE	FIRST USED ON
THIRD ANGLE PROJECTION	CHK'D BY		VSVII
REMOVE BURRS AND BREAK SHARP CORNERS	ENGR. BY		TITLE
DO NOT SCALE DWG	PROD. BY		VSVII UNIT ASSY
NEXT HIGHER ASSY.			
MATERIAL	B-DD-VSVII-0	SIZE	CODE
FINISH	SCALE	D	NUMBER
	SHEET	OF	REV.

REV.	
CHANGE NO.	

# DIGITAL EQUIPMENT CORPORATION PARTS LIST

QUANTITY / VARIATION

MADE BY <i>D. D. Lane</i>	CHECKED <i>D. D. Lane</i>	SECTION
DATE <i>19-AUG-80</i>	DATE <i>19-AUG-80</i>	
ENG <i>S. Blomberg</i>	PROD <i>O. D. Lane</i>	ISSUED SECTION
DATE <i>20-AUG-80</i>	DATE <i>20 AUG 80</i>	

ITEM NO.	DRAWING NO.	PART NO.	DESCRIPTION	QUANTITY / VARIATION																					
				VSV11-AA	VSV11-AB	VSV11-AC	VSV11-AD	VSV11-AE	VSV11-AF	VSV11-AH	VSV11-AJ	VSV11-AP	VSV11-AR	VSV11-AS	VSV11-AT	VSV11-MA	VSV11-SA	VSV11-SB	VSV11-SC	VSV11-SD	VSV11-SE	VSV11-SF	VSV11-SH	VSV11-BA	VSV11-BB
1	D-UA-M7061-0-0	M7061	SYNC GEN CURSOR CONT ASSY	1	1	1	1	1	1	1	1	1	1	1	1	1	1	1	1	1	1	1	1		
2	D-UA-M7062-0-0	M7062	IMAGE MEMORY BD ASSY	1	1	2	2	1	1	2	2	1	1	2	2	1	1	1	1	1	1	1	1		
3	D-UA-M7064-0-0	M7064	PROCESSOR BD ASSY	1	1	1	1	1	1	1	1	1	1	1	1	1	1	1	1	1	1	1	1		
4	D-UA-H3060-A	H3060-A	JOYSTICK	1	1	1	1	1	1	1	1	1	1	1	1	1	1	1	1	1	1	1	1		
5	D-IA-7015987-0-0	7015987-0M	CABLE, DATA	1	1	1	1	1	1	1	1	1	1	1	1	1	1	1	1	1	1	1	1		
6	D-IA-7015822-0-0	7015822-0	CABLE, JOYSTICK	1	1	1	1	1	1	1	1	1	1	1	1	1	1	1	1	1	1	1	1		
7		1700193-01	CABLE, COAX, PIGTAIL	1	1	1	1	1	1	1	1	1	1	1	1	1	1	1	1	1	1	1	1		
8		1700192-00	CABLE, COAX, MONITOR	1	1	1	1	1	1	1	1	1	1	1	1	1	1	1	1	1	1	1	1		
9																									
10	D-IA-7015822-0-0	7015822-1	CABLE, JOYSTICK	-	-	-	-	-	-	-	-	-	-	-	-	-	-	-	-	1	1	-	-		
11	D-IA-7016830-0-0	7016830	DDV11-CK, BALL-P/F HARNESS ADAPTER	-	-	-	-	-	-	-	-	-	-	-	-	-	-	-	-	-	-	1	1		
12	E-UA-VT100-0-0	VT100-LA	TERMINAL, VIDEO, 115V	-	-	-	-	1	-	1	-	-	-	-	-	-	-	-	-	-	-	-	-		
13	E-UA-VT100-0-0	VT100-LB	TERMINAL, VIDEO, 240V	-	-	-	-	1	-	1	-	-	-	-	-	-	-	-	-	-	-	-	-		
14	D-UA-VRV02-0-0	VRV02-BA	MONITOR, COLOR W/KEYBOARD, 115V, 19"	-	-	-	-	-	-	-	-	1	-	1	-	-	-	-	-	-	-	-	-		
15	D-UA-VRV02-0-0	VRV02-BB	MONITOR, COLOR W/KEYBOARD, 240V, 19"	-	-	-	-	-	-	-	-	-	1	-	1	-	-	-	-	-	-	-	-		
16	D-UA-DDV11-0-0	DDV11-DK	BACKPLANE	-	-	-	-	-	-	-	-	-	-	-	-	-	-	-	-	-	-	1	1		
17	D-IA-7015987-0-0	7015987-2D	CABLE DATA	-	-	-	-	-	-	-	-	-	-	-	-	-	-	-	-	-	-	1	1		
18	D-UA-M9403-0-0	M9403	CONN, CABLE	-	-	-	-	-	-	-	-	-	-	-	-	-	-	-	-	-	-	1	1		

E.C.O. NO.  
VSV11-  
M0001  
VSV11-  
M0002

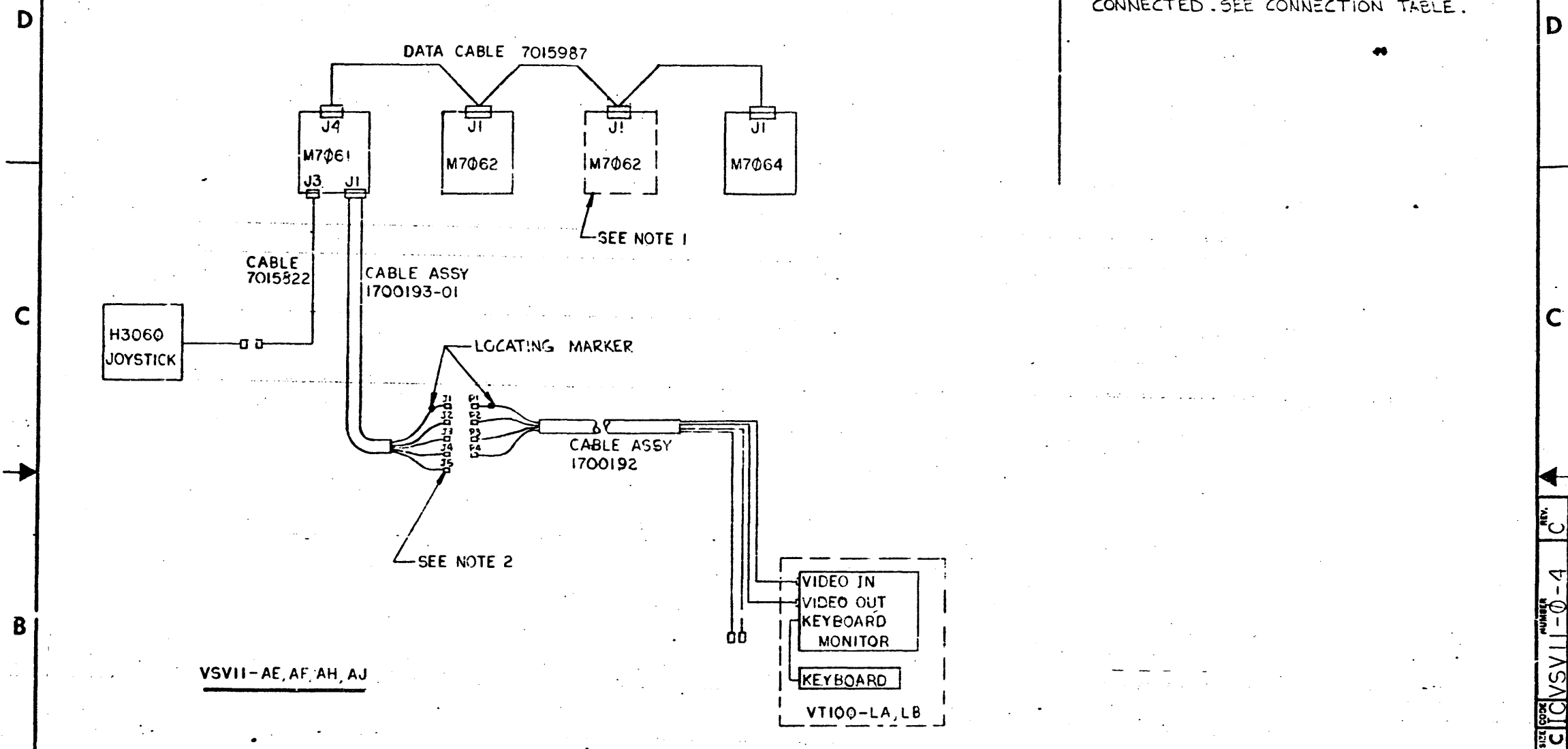
"THIS DRAWING AND SPECIFICATIONS, HEREIN, ARE THE PROPERTY OF DIGITAL EQUIPMENT CORPORATION AND SHALL NOT BE REPRODUCED OR COPIED OR USED IN WHOLE OR IN PART AS THE BASIS FOR THE MANUFACTURE OR SALE OF ITEMS WITHOUT WRITTEN PERMISSION. COPYRIGHT © 1980 DIGITAL EQUIPMENT CORPORATION"	TITLE <b>VSV11 UNIT ASSY</b>	ASSY NO. D-UA-VSV11-0-0	SIZE <b>B</b>	CODE <b>PL</b>	NUMBER VSV11-0-0	REV. <b>C</b>
		SHEET 1 OF 1	INSERTION PARTS LIST DATA BASE REV			



"THIS DRAWING AND SPECIFICATIONS, HEREIN, ARE THE PROPERTY OF DIGITAL EQUIPMENT CORPORATION AND SHALL NOT BE REPRODUCED OR COPIED OR USED IN WHOLE OR IN PART AS THE BASIS FOR THE MANUFACTURE OR SALE OF ITEMS WITHOUT WRITTEN PERMISSION. COPYRIGHT © 1980, DIGITAL EQUIPMENT CORPORATION"

CONNECTION TABLE			
SIGNAL NAME	FROM	TO	TO VT100
VT100 OUT	J1	P1	VIDEO IN
RS170 IN	J2	P2	VIDEO OUT

NOTES:  
 1. THIS MODULE IS NOT USED ON VARIATION VSVII-AE, AF.  
 2. CONNECTORS J3, J4 AND J5 ARE NOT CONNECTED. SEE CONNECTION TABLE.



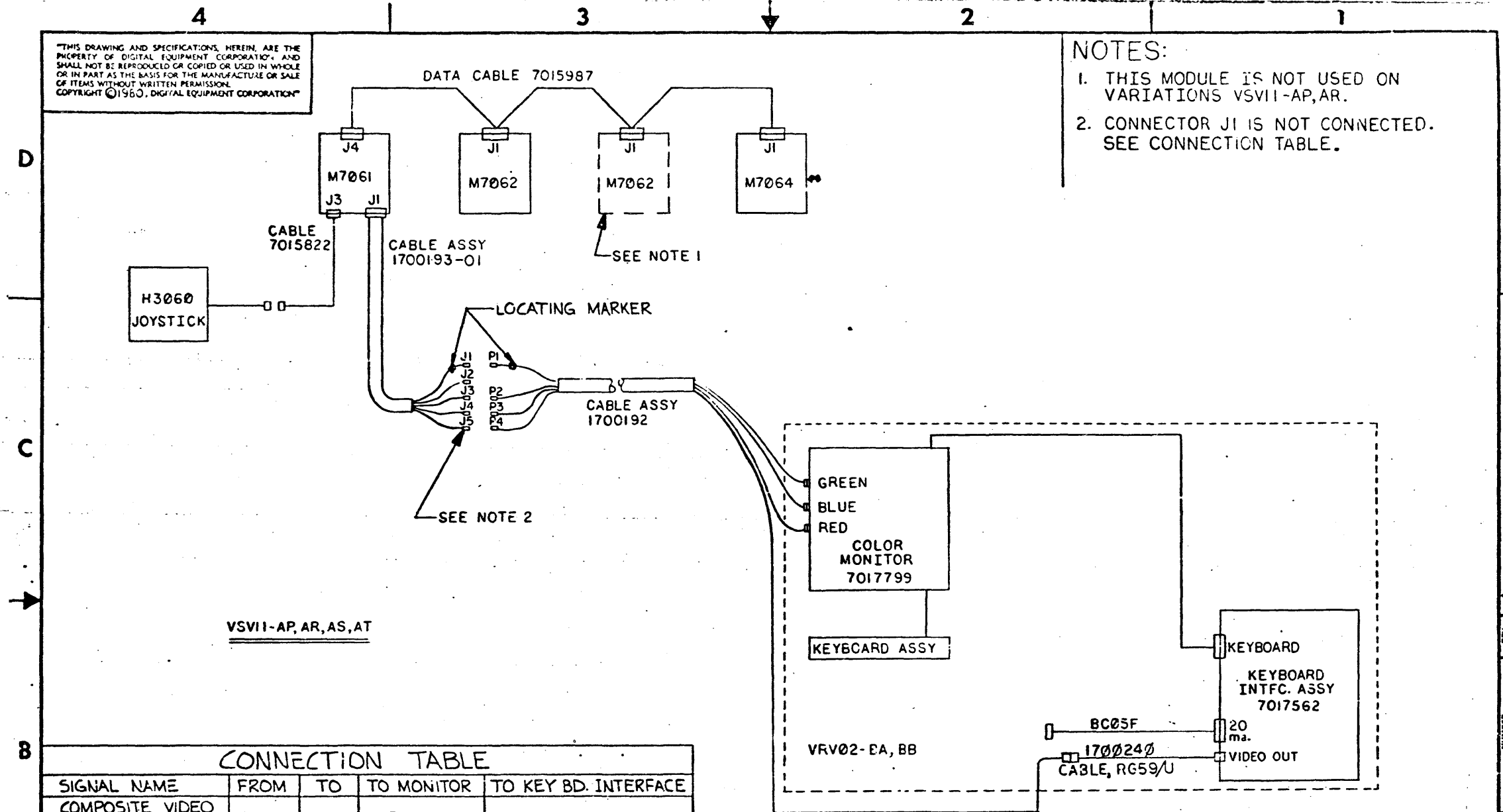
REV.	CHANGE NO.	BY	DATE
B	1	JIM GARASKY	3-11-81
C	1	MIKE WALSH	9-3-81

DESCRIPTION	DWG./PART NO.	ITEM NO.
UNLESS OTHERWISE SPECIFIED DIMENSIONS ARE IN INCHES		
ANGLFS 90°/30°	CLASS OF ACCURACY (CHECK ONE)	NOMINAL DIMENSION RANGE INCHES
SURFACE QUALITY IN MICROINCHES	MEDIUM <input type="checkbox"/>	OVER 0 TO 0.2 ±.004
	PREFERRED <input type="checkbox"/>	OVER 0.2 TO 1.2 ±.008
QUANTITY & VARIATION		OVER 1.2 TO 4.0 ±.012
		OVER 4.0 TO 12.0 ±.016
		OVER 12.0 TO 40.0 ±.024
		OVER 40.0 TO 80.0 ±.04
		OVER 80.0 TO 160.0 ±.08
		OVER 160.0 TO 320.0 ±.16
THIRD ANGLE PROJECTION	DRN. <i>[Signature]</i>	FIRST USED ON
REMOVE BURRS AND BREAK SHARP CORNERS	CHK'D <i>[Signature]</i>	VSVII digital
DO NOT SCALE CWG	ENG. <i>[Signature]</i>	TITLE
MATERIAL	PRCD. <i>[Signature]</i>	VSVII INTERCONNECTION DIAGRAM
FINISH	NEXT HIGHER ASSY.	SIZE CODES NUMBER
		C IC VSVII-0-4 C
	SHEET 1 OF 2	REV. C

SIZE CODE NUMBER  
 C IC VSVII-0-4 C

THIS DRAWING AND SPECIFICATIONS HEREIN ARE THE PROPERTY OF DIGITAL EQUIPMENT CORPORATION AND SHALL NOT BE REPRODUCED OR COPIED OR USED IN WHOLE OR IN PART AS THE BASIS FOR THE MANUFACTURE OR SALE OF ITEMS WITHOUT WRITTEN PERMISSION. COPYRIGHT © 1960, DIGITAL EQUIPMENT CORPORATION.

NOTES:  
 1. THIS MODULE IS NOT USED ON VARIATIONS VSVII-AP,AR.  
 2. CONNECTOR J1 IS NOT CONNECTED. SEE CONNECTION TABLE.



VSVII-AP, AR, AS, AT

CONNECTION TABLE				
SIGNAL NAME	FROM	TO	TO MONITOR	TO KEY BD. INTERFACE
COMPOSITE VIDEO (GRN)	J3	P1	GRN	-
BLU	J4	P2	BLU	-
RED	J5	P3	RED	-
RS170 IN	J2	P4	-	VIDEO OUT

REV.	
CHG	
CHK	

DESCRIPTION	DWG./PART NO.	ITEM NO.
UNLESS OTHERWISE SPECIFIED DIMENSIONS ARE IN INCHES		
ANGLFS ±0° 30'	CLASS OF ACCURACY (CHECK ONE)	NOMINAL DIMENSION RANGE INCHES
SURFACE QUALITY IN MICROINCHES	MEDIUM <input type="checkbox"/> ±.004 ±.008 ±.012 ±.016 ±.024 ±.04	OVER 0 TO 0.2 <input type="checkbox"/> ±.012 ±.016 ±.025 ±.04 ±.063 ±.1
THIRD ANGLE PROJECTION	DRN.	FIRST USED ON VSVII digital
REMOVE BURRS AND BREAK SHARP CORNERS	CHK'D	TITLE VSVII INTERCONNECTION DIAGRAM
DO NOT SCALE DWG	ENG.	SIZE CODE NUMBER REV. C ICVSVII-0-4 C
MATERIAL	PROJ. ENG.	SHEET 2 OF 2
FINISH	PROD.	

REV. C  
NUMBER  
ICVSVII-0-4

DRAWING NO.	NO. OF SHTS.	PART NO.	DESCRIPTION	REVISIONS											
D-UA-M7061-0-0	1		SYNC GEN/CURSOR CONTROL	*	A	B	C	D	E	F	G	H	I	J	K
K-PL-M7061-0-DBP	4		SYNC GEN/CURSOR CONTROL	*	A	B	C	D	E	F	G	H	I	J	K
D-MD-5013415-0-0	5		DRILL & ETCH DRAWING	*	A	A	A	B	B	B	B	B	B	B	B
		5013415	ETCHED BOARD	C	D	D	D	E	E	E	E	E	E	E	E
K-PC-M7061-0-DBC			PC DESIGN DATA BASE (M7061)	C	D	D	D	E	E	E	E	E	E	E	E
<del>D-CS-M7061-0-1</del>	7		<del>SYNC GEN/CURSOR CONTROL</del>	*	INA										
K-CS-M7061-0-DBS	8		<del>SYNC GEN/CURSOR CONTROL</del>	A	B	C	D	E	F	G	H	I	J	K	
D-EC-5013415-0-0	2		SYNC GEN/CURSOR				A	B	C	D	E	F			

**NOTES:**

REVISIONS	DATE	CHG NO.	ORIG.	REV. *	A	B	C	D	E	F	G	H	I	K
					11/79	3/80		M7061	A					
	5/22		NU002	B										
	6/16		NU003	C										
			M7061	D										
	8/9		M7061	E										
	12/80		M7061-64	F										
	3/81		M7061-7A	H										
	5/81		M7061-8	I										
	12/81		M7061-80009	K										

THIS DRAWING AND SPECIFICATIONS, HEREIN, ARE THE PROPERTY OF DIGITAL EQUIPMENT CORPORATION AND SHALL NOT BE REPRODUCED OR COPIED OR USED IN WHOLE OR IN PART AS THE BASIS FOR THE MANUFACTURE OR SALE OF ITEMS WITHOUT WRITTEN PERMISSION.

COPYRIGHT © 1979 DIGITAL EQUIPMENT CORPORATION

**digital**

USED ON OPTION/MODEL VSV II	DRN. <i>E. Vickerly</i> 20 Nov 79	TITLE SYNC GEN/CURSOR CONTROL
	CHK'D MPE MARCHAND 26 NOV 79	
	ENG. ER VICKERY 26 NOV 79	SIZE CODE B DD
	PROD. ER VICKERY 26 NOV 79	NUMBER M7061-0
		REV. K
		SHEET 1 OF 1

THIS DRAWING AND REPRESENTATIONS, WHETHER AND THE PROPERTY OF AUSTIN ELECTRONIC CORPORATION AND SHALL NOT BE REPRODUCED OR USED IN WHOLE OR IN PART AS A BASIS FOR THE CONSTRUCTION OF BUILT OR OTHER SYSTEMS WITHOUT THE PERMISSION OF AUSTIN ELECTRONIC CORPORATION

8-8-1981 WVC 2

**ECO NU006**  
**REWORK COMPONENT ADDS**

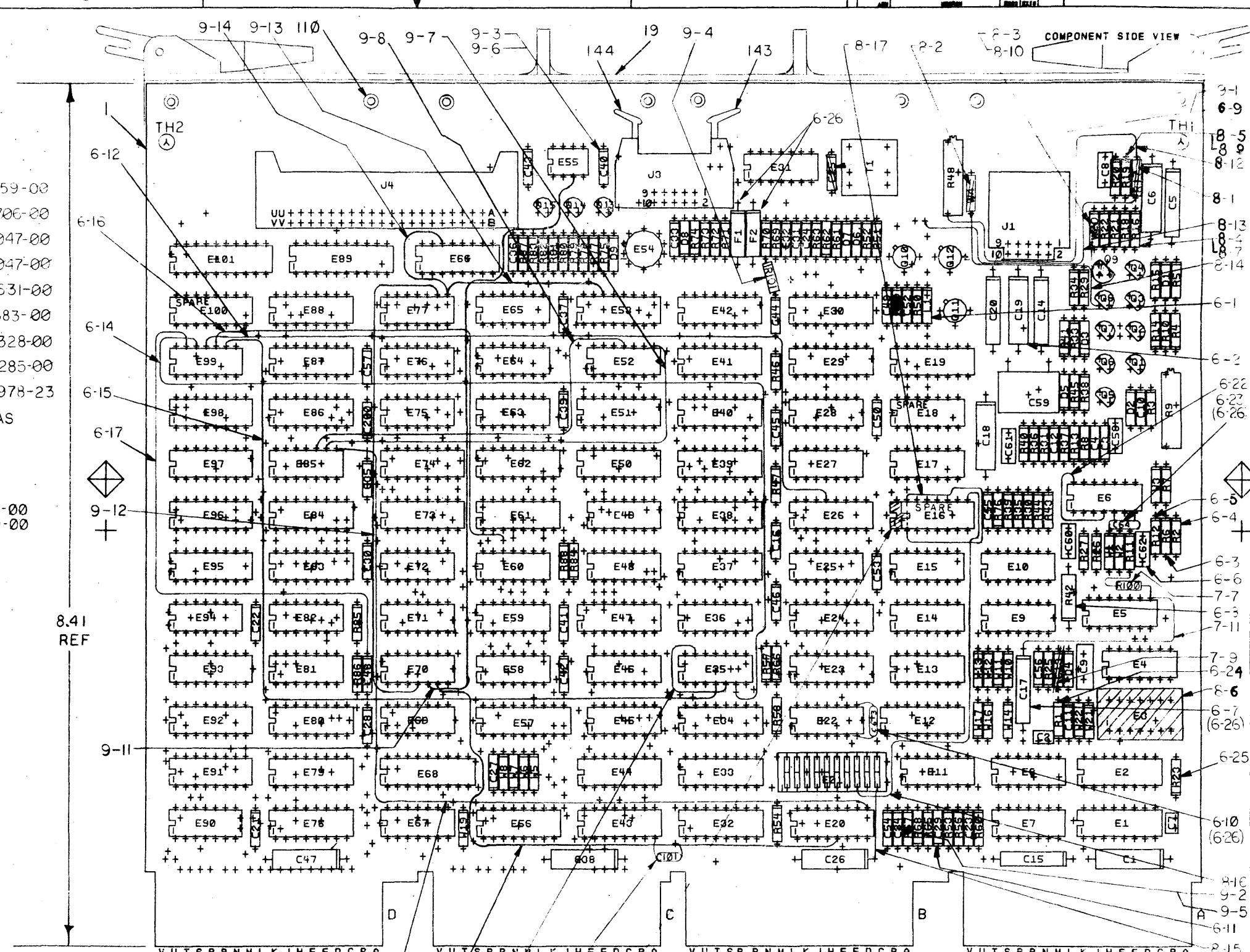
- 6-1 REPLACE LI(2.2uH) WITH LI(33uH) P/N 16-01759-00
- 6-2 " C19(15uf) " C19(6.8uf) P/N 10-05306-00
- 6-3 " R6 (470) " R6 (464) P/N 13-03047-00
- 6-4 " R2 (470) " R2 (464) P/N 13-03047-00
- 6-5 " RI2(1K) " RI2(2.21K) P/N 13-10631-00
- 6-6 " C62(470Pf) " C62(470Pf) P/N 10-01383-00
- 6-7 " C17(15uf) " C17(33uf) P/N 10-05328-00
- 6-8 " R42(121) " R42(270) P/N 13-00285-00
- 6-9 " C25(.01uf) " C25(0.02uf) P/N 10-10978-23
- 6-10 ADD C63(100Pf) ACROSS E22-7 AND E22-8 AS SHOWN P/N-10 00017 00
- 6-11 REPLACE C29 (.01mfd) WITH C29 (.0082mfd) P/N 10-10978-23
- 6-23 ADD C64 (68Pf) ACROSS E6-5 AND E6-7 P/N 10-00014-00
- 6-24 REPLACE RI(6.8K) WITH RI(8K) P/N 13-05129-00
- 6-25 REPLACE R23(6.8K) WITH R23(8K) P/N 13-05129-00

**WIRE ADDS SIDE 1**

- 6-12 FROM E26-13 TO E99-11
- 6-13 FROM E35-13 TO E35-5
- 6-14 FROM PTH BELOW E35-6 TO E99-12
- 6-15 FROM E99-9 TO E35-4
- 6-16 FROM PTH ABOVE E60-12 TO E99-10
- 6-17 FROM E99-13 TO C48-1(HANDLE END)
- 6-22 FROM E6-4 TO E6-14 (+5V)

**REWORK COMPONENTS**

- 6-26 ADD SLEEVING TO LEADS OF F1, F2 C17, C63, C64, USE P/N 9107256-01



NOTES:  
1. WE - VLSI ARE NOT SUPPLIED.

STEP	Y AXIS	STEP	TIMES
REPEAT	X AXIS	STEP	TIMES

CHANGE NO	REV	DATE	BY	CHK'D
1	D			
2	E			
3	F			
4	G			
5	H			
6	I			
7	J			
8	K			

ETCH REV. E-PI

SIGNATURES	DATE
DRN. P. B...	6-25-81
CHK'D. H. MARCHAND	26 JUN 81
MECH. ENG. E. R. VICKERY	25 AUG 81
PROJ. ENG. E. R. VICKERY	25 AUG 81
PROD. J. P. ...	28 AUG 81
SCALE 2/1	SIZE CODE
SHT. 1 OF 2	NUMBER
NEXT HIGHER ASSY. R-DD-M7061-0	REV

TITLE: SYNC GEN/CUSOR CONTROL

8-10  
9-2  
9-5  
6-11  
8-15

"THIS DRAWING AND SPECIFICATIONS HEREIN ARE THE PROPERTY OF DIGITAL EQUIPMENT CORPORATION AND SHALL NOT BE REPRODUCED OR COPIED OR USED IN WHOLE OR IN PART AS THE BASIS FOR THE MANUFACTURE OR SALE OF ITEMS WITHOUT WRITTEN PERMISSION. COPYRIGHT © 1970 DIGITAL EQUIPMENT CORPORATION"

ECO NU007.7A

REWORK COMPONENT ADDS

- 7-1 REPLACE R2(464) WITH R2(432) P/N 13-16838-00
- 7-2 " R6(464) " R6(432) P/N 13-16838-00
- 7-3 " R12(2.21K) " R12(2K) P/N 13-00411-00
- 7-4 " R11(470) " R11(1K) P/N 13-03114-00
- 7-5 " C17(.33uF) " C17(15uF) P/N 10-04812-00
- 7-6 " C62(4700Pf) " C62(1000Pf) P/N 10-00042-00
- 7-7 ADD R100(2.43K) BETWEEN E5-8 AND R11 AS SHOWN P/N 13-17406-00  
ADD SLEEVING TO R100 LEADS P/N 91-07256-01
- 7-10 ADD C101(100Pf) BETWEEN E43-8  
AND PTH BELOW AND TO RIGHT OF E43-8 P/N 10-00016-00

WIRE ADDS SIDE 1

- 7-11 FROM E5-8 TO HANDLE END OF C17

REWORK COMPONENT DELETES

- 7-9 DELETE C13(.01uF)

ECO NU008

REWORK COMPONENT ADDS

- 8-7 ADD AT LOC R16 (1K) P/N 13-00365-00
- 8-9 " " " R18, R19 (10K) P/N 13-00479-00
- 8-10 " " " R24 JUMPER P/N 90-09185-00 (W20)
- 8-11 ADD AT SPARE LOC E16 P/N 181160-30 (DO NOT USE PINS 1 & 16)

WIRE ADDS SIDE 1

- \*8-12 FROM TOP OF R17 TO R48-1 (FINGER END)
- 8-13 FROM BOTTOM OF R17 TO PTH BELOW AND LEFT OF R48 (POT)
- 8-14 FROM BOTTOM OF W4 TO PIN 2 (BASE) OF Q8
- \*8-15 FROM E21-10 TO C26 POSITIVE (RIGHT) END
- \*8-16 FROM E21-8 TO E16-9
- \*8-17 FROM E21-11 TO E16-15

REWORK COMPONENT DELETES

- 8-1 DELETE R17 P/N 13-00365-00
- 8-2 " W4 P/N 90-09185-00
- 8-3 " R24 P/N 13-00295-00
- 8-4 " R16 P/N 13-00398-00
- 8-5 " R18, R19 P/N 13-01808-00
- 8-6 " E3 P/N 18-11660-30

\*COMPONENT MUST BE REMOVED TO ADD WIRE, THEN PUT BACK IN SAME LOC.

ECO NU009

REWORK COMPONENT DELETES

- 9-1 REMOVE C25 (0082uF)
- 9-2 REMOVE C34 (.01uF)
- 9-3 REMOVE C40 (.01uF)

REWORK COMPONENT ADDS

- 9-4 ADD R101 (10K) P/N 13-00479-00
- 9-5 ADD C34 (680PF) P/N 10-00026-00
- 9-6 ADD C40 (.01uF) P/N 10-05784-00

WIRE ADDS SIDE 1

- 9-7 FROM E85-9 TO E52-8
- 9-8 FROM E85-10 TO E52-11
- 9-9 FROM E85-8 TO E20-9
- 9-10 FROM E20-5 TO E70-6
- 9-11 FROM E55-3 TO E70-5
- 9-12 FROM E70-4 TO E77-9
- 9-13 FROM E77-8 TO E53-14
- 9-14 FROM E77-8 TO E66-14

REVISIONS		
CHK	CHANGE NO.	REV.

LINE	ITEM	DOCUMENT NUMBER	PART NUMBER	DESCRIPTION	QTY PER VARIATION	REFERENCE DESIGNATOR
					00	
1	1	D-MD-5013415-0-0	5013415-00	SINK GEN/CURSOR CONTROL	1	
2	2		1000076-00	39 MFD 10V 10% S.TANT	2	C6,C18
3	3	K-PL-M7061-0-DBP	1001610-00	.01 MFD 50V +80-20% Z5U CER	13	C3,C4,C10,C12,C16,C23,C24,C31, CONT C32,C33,C48,C200,C43
4	5		1002087-00	12.0 MMF 100V 5%200PPM MICA	1	C9
5	7		1005306-00	6.8MFD 35V 10% S.TANT	3	C5,C14,C19
6	8		1010274-00	.22 MFD 50V +80-20% Z5U CER	2	C8,C58
7	9		1012784-00	.047 MFD 50V +80-20% CER	23	C11,C21,C22,C27,C28,C30,C35-C37, CONT C39,C41,C42,C44-C46,C49,C50, CONT C52-C57
8	10		1100114-00	D 664 QS\75PCB PIV= 25V SP	5	D1,D2,D3,D8,D9
9	11		1105275-00	D 672 TR= 15NS PIV= 60V SI	2	D6,D7
10	12		1109977-00	1N 749A VZ= 4.3 5%	1	D5
11	13		1110994-00	1N 751A VZ= 5.1 5% .40W	1	D4
12	14		1209941-02	HEADER 100 40POS RT ANGLE	1	J4
13	17		1209941-05	HEADER 100 10POS RT ANGLE	1	J3
14	18		1211164-06	SW,DIP 10POS/1PST 5VDC100MA F	1	E21
15	19		1213113-01	HANDLE,MODULE,	1	
16	20		1300229-00	100.0 .25 W 5.0 % CC	2	R8,R82
17	21		1300250-00	150.0 .25 W 5.0 % CC	1	R4
18	22		1300295-00	330.0 .25 W 5.0 % CC	4	R22,R47,R56,R86
19	23		1300309-00	390.0 .25 W 5.0 % CC	2	R37,R67
20	24		1303114-00	1.0 K .25 W 1.0 % RN55D-F10	1	R11
21	25		1300365-00	1.0 K .25 W 5.0 % CC	4	R16,R78,R87,R88
22	26		1300398-00	*** THIS ITEM IS NOT USED ***	-	
23	27		1300417-00	2.20 K .25 W 5.0 % CC	3	R5,R34,R72
24	28		1300432-00	3.0 K .25 W 5.0 % CC	1	R15
25	29		1300447-00	4.70 K .25 W 5.0 % CC	1	R77
26	30		1300479-00	10.0 K .25 W 5.0 % CC	9	R18,R19,R53,R54,R57,R58,R76,R83, CONT R101

REVISION HISTORY			BASIC PART NO: 5013415			DRN: P.BARRY			DATE: 21-AUG-80			D I G I T A L					
ENG	ECO NUMBER	REV	SECTION A OF A			CHK'D:	S.CHLYPAWKA			DATE:	21-AUG-80			TITLE	PARTS LIST		
	INITIAL	*	SECTION VARIATION INDEX			DES.ENG:	R.VICKERY <td>DATE:</td> <td colspan="3">21-AUG-80</td> <td colspan="3">SYNC GEN/CURSOR CONTROL</td>			DATE:	21-AUG-80			SYNC GEN/CURSOR CONTROL			
PD	NU001	A	[A]	00		RESP.ENG.:	R.VICKERY <td>DATE:</td> <td colspan="3">21-AUG-80</td> <td colspan="3">DOCUMENT NUMBER</td>			DATE:	21-AUG-80			DOCUMENT NUMBER			
JG	M7061-NU002	B	[B]			MFG.ENG.:	A.ELLIS <td>DATE:</td> <td colspan="3">21-AUG-80</td> <td>K</td> <td>PL</td> <td>M7061-0-DBP</td> <td>K</td>			DATE:	21-AUG-80			K	PL	M7061-0-DBP	K
JG	NU003	C	[C]			ASSEMBLY NUMBER:	D-UA-M7061-0-0			TOP DOCUMENT NUMBER:	#B-DD-M7061-0			FILE NAME: M7061K.PLS			
JG	M7061-NU004,4A	D	[D]			EDIT #:							49				
JG	M7061-NU005	E	[E]														
ERV	M7061-NU006	F	[F]														
ERV	M7061-NU007,7A	H	[H]														
ERV	M7061-NU008	J	[J]														
JG	M7061-NU009	J	[K]														
MW	M7061-NU009	K	[L]														
			[M]														
			[N]														

\*THIS DRAWING AND SPECIFICATIONS HEREIN, ARE THE PROPERTY OF DIGITAL EQUIPMENT CORPORATION AND SHALL NOT BE REPRODUCED OR COPIED OR USED IN WHOLE OR IN PART AS THE BASIS FOR THE MANUFACTURE OR SALE OF ITEMS WITHOUT WRITTEN PERMISSION. COPYRIGHT (C) 1982. DIGITAL EQUIPMENT CORPORATION \*

LINE	ITEM	DOCUMENT NUMBER	PART NUMBER	DESCRIPTION	QTY	PER VARIATION	REFERENCE DESIGNATOR
					00		
27	31		1300488-00	12.0 K .25 W 5.0 Z CC	1		R62
28	32		1300496-00	15.0 K .25 W 5.0 Z CC	1		R68
29	33		1313349-00	33.0 K .25 W 5.0 Z CC	2		R69,R73
30	34		1300539-00	120.0 K .25 W 5.0 Z CC	3		R65,R71,R74
31	35		1301320-00	1.20 K .25 W 5.0 Z CC	1		R13
32	36		1301401-00	750.0 .25 W 5.0 Z CC	5		R46,R60,R66,R84,R85
33	37		1305129-00	8.0 K .25 W 1.0 Z RN55D-F10	2		R1,R23
34	38		1301890-00	560.0 .25 W 5.0 Z CC	1		R80
35	39		1301425-00	300.0 .25 W 5.0 Z CC	2		R30,R35
36	41		1301808-00	22.0 K .25 W 5.0 Z CC	4		R33,R61,R63,R81
37	42		1301969-00	22.0 .25 W 5.0 Z CC	1		R10
38	43		1301972-00	270.0 .25 W 5.0 Z CC	1		R7
39	44		1302379-00	75.0 .25 W 5.0 Z CC	2		R14,R21
40	45		1302398-00	470.0 K .25 W 5.0 Z CC	1		R20
41	46		1302685-00	909.0 .25 W 1.0 Z RN55D-F10	2		R43,R44
42	47		1302872-00	681.0 .25 W 1.0 Z RN55D-F1	2		R26,R27
43	48		1303179-00	8.20 K .25 W 5.0 Z CC	1		R75
44	49		1304693-00	562.0 .25 W 1.0 Z RN55D-F10	1		R29
45	50		1304840-00	62.0 K .25 W 5.0 Z CC	1		R70
46	51		1304858-00	348.0 .25 W 1.0 Z RN55D-F10	2		R45,R50
47	52		1304868-00	2.74 K .25 W 1.0 Z RN55D-F10	1		R36
48	53		1305128-00	5.62 K .25 W 1.0 Z RN55D-F10	1		R31
49	54		1309143-07	1.0 K .75 W10.0 Z POT	2		R48,R9
50	55		1310630-00	1.33 K .25 W 1.0 Z RN55D-F10	2		R39,R40
51	56		1311003-04	R NETWORK 14-430 14-820 16PIN	1		E56
52	57		1312452-00	3.74 K .25 W 1.0 Z RN55D-F10	1		R3
53	58		1312496-00	10.0 .25 W 5.0 Z FUSE	2		R52,R89
54	59		1503409-00	DEC6534D PNP 310MW SI 40 90	2		Q8,Q13
55	60		1509142-00	DEC4250 PNP 200MW SI 40250	1		Q2
56	61		1509338-00	DEC6531B NPN 310MW SI 40 90 P	7		Q1,Q3,Q4,Q6,Q7,Q14,Q15
57	62		1509525-00	2N 3906 PNP 310MW SI 40100 Y	1		Q5
58	63		1509681-00	2N 5245 FET 360MW SIN CHNHL	1		Q9
59	64		1510959-00	2N 3725 NPN 3.5WC SI 50 60 P	2		Q10,Q11
60	66		1612523-00	XFMR +5VDC TO -5VDC CONVERTER	1		T1
61	68		1910535-00	74S05 INVERTER GATE-HEX 1	1		E65
62	69		1910537-00	74S11 AND GATE-TRIPLE 3INP	2		E48,E90
63	70		1910544-00	74S74 FF-D DUAL,EDGE TRIGG	2		E22,E76
64	71		1910550-00	74S174 FF-D HEX	1		E2
65	72		1910788-00	8820 RECEIVER,LINE,DUAL,	1		E6
66	73		1911038-00	4024 OSCILLATOR	1		E4
67	74		1911039-00	4044 PHASE FREQUENCY DETE	1		E5
68	75		1911527-00	8097 BUFFER GATE-HEX 2INP	1		E78
69	76		1911944-00	555CN TIMER,FUNCT.BLOCK	1		E55
70	77		1912541-00	79M05 VOLT REG,FIX -5V	1		Q12
71	78		1912656-00	LS670 REGISTER FILE,4X4,LO	3		E73,E91,E92
72	79		1912697-00	LS174 FF-D HEX W/CLEAR	2		E42,E62
73	80		1912799-00	LS00 NAND-GATE-QUAD 2IN,P	1		E35
74	82		1912801-00	LS02 NOR-GATE-QUAD 2IN	3		E17,E70,E81

D	I	G	I	T	A	L	TITLE	SECTION A OF A	SIZE	CODE	DOCUMENT NUMBER	REV
							SYNC GEN/CURSOR CONTROL		K	PL	M7061-0-DBP	K

N

LINE	ITEM	DOCUMENT NUMBER	PART NUMBER	DESCRIPTION	QTY PER VARIATION 00	REFERENCE DESIGNATOR
75	83		1912803-00	LS04 INVERTER GATE,HEX	2	E49,E77
76	84		1912805-00	LS08 AND GATE-QUAD 2IN,PO	3	E46,E85,E94
77	87		1912816-00	LS32 OR GATE-QUAD 2IN,POS	3	E25,E36,E52
78	88		1912824-00	LS74 FF-D DUAL,EDGE TRIGG	8	E15,E27,E45,E58,E72,E75,E82,E99
79	89		1912825-00	LS76 FF-JK DUAL W/PRESET	2	E23,E34
80	90		1912089-00	74S85 CMPRTR-4BIT MAGNITUD	3	E93,E96,E97
81	91		1912837-00	LS123 ONE SHOT-DUAL,RETRIG	1	E20
82	93		1912844-00	LS151 MUX 1 OF 8 & DATA	1	E43
83	95		1912854-00	LS193 COUNTER,SYNCHR,4BIT,	3	E32,E39,E44
84	96		1912856-00	LS196 COUNTER,DECADE,PRESE	1	E28
85	97		1912858-00	LS221 ONE SHOT-DUAL,SCHMIT	1	E1
86	98		1913471-00	LS367 DRIVER,BUS,HEX,TRI-	2	E95,E98
87	99		1913939-00	LS191 COUNTER,SYNCHR. UP/D	6	E51,E66,E74,E79,E80,E53
88	100		1914485-00	TL 084 OP AMP,QUAD	1	E31
89	101		2111285-02	HI 200-5 DUAL ANALOG SW,CMOS	1	E54
90	105		23666A9-00	A9-01	1	E38
91	106		23667A9-00	A9-01	1	E33
92	110		9000024-08	EYELET,ROLL FLANGE .1390DX .235	8	
93	109		9009185-00	JUMPER, WIRE, INSULATED, BLACK B	16	W1-W3,W6,W8,W10-W14,W16,W17, CONT W19-W22
94	112		1910532-00	74S00 NAND GATE-QUAD 2IN	2	E59,E69
95	113		1910533-00	74S03 NAND GATE-QUAD 2IN,0	3	E9,E10,E64
96	114		1910534-00	74S04 INVERTER GATE-HEX 1I	2	E60,E67
97	115		1910540-00	74S22 NAND GATE-DUAL 4INPU	1	E14
98	116		1910545-00	74S112 FF-JK DUAL,EDGE TRIG	1	E24
99	117		1910547-00	74S153 MUX 1 OF 4 (DUAL)	1	E50
100	118		1910957-00	74S175 FF-D QUAD COMMON CLO	1	E47
101	119		1912388-00	74S02 NOR GATE-QUAD 2IN,PO	1	E7
102	120		1912389-00	74S08 AND GATE-QUAD 2IN,PO	1	E71
103	121		1912647-00	LS257 MUX 1 OF 2 (QUAD)	1	E83
104	122		1912746-00	DEC 74S37 NAND GATE-QUAD 2IN	1	E11
105	123		1912842-00	LS138 DECODER-THREE INPUT,	2	E86,E87
106	124		1912853-00	LS175 FF-D QUAD	3	E61,E84,E88
107	125		1913340-00	74S32 OR GATE-QUAD 2IN	2	E8,E63
108	126		1913677-00	LS160 COUNTER,LOW POWER SC	1	E26
109	127		1914867-00	FF-D HEX, COMMON REG	2	E37,E40
110	128		1915218-00	LS245 TRANSCEIVER,BUS,OCT	2	E89,E101
111	129		23284A1-00	A1-07	1	E19
112	131		23285A1-00	A1-07	1	E29
113	132		1811660-30	OSCILLATOR, XTAL 25.1748 MHZ	1	E16
114	133		2112622-00	BAUD RATE GEN,PROGRAMMABLE,2.457	1	E12
115	134		1213506-03	HEADER 10POS RT ANGLE W/3 SI	1	J1
116	135		1300005-01	R NETWORK 13-1K 5.0 % 14PIN	1	E13
117	137		1301322-00	180.0 .25 W 5.0 % CC	3	R25,R41,R79
118	139		23286A1-00	A1-07	1	E30
119	140		23287A1-00	A1-07	1	E41
120	141		23667F1-00	F1-01	1	E57
121	142		23668F1-00	F1-01	1	E68

D	I	G	I	T	A	L	TITLE	SECTION A OF A	SIZE	CODE	DOCUMENT NUMBER	REV
							SYNC GEN/CURSOR CONTROL				M7061-0-DBP	K



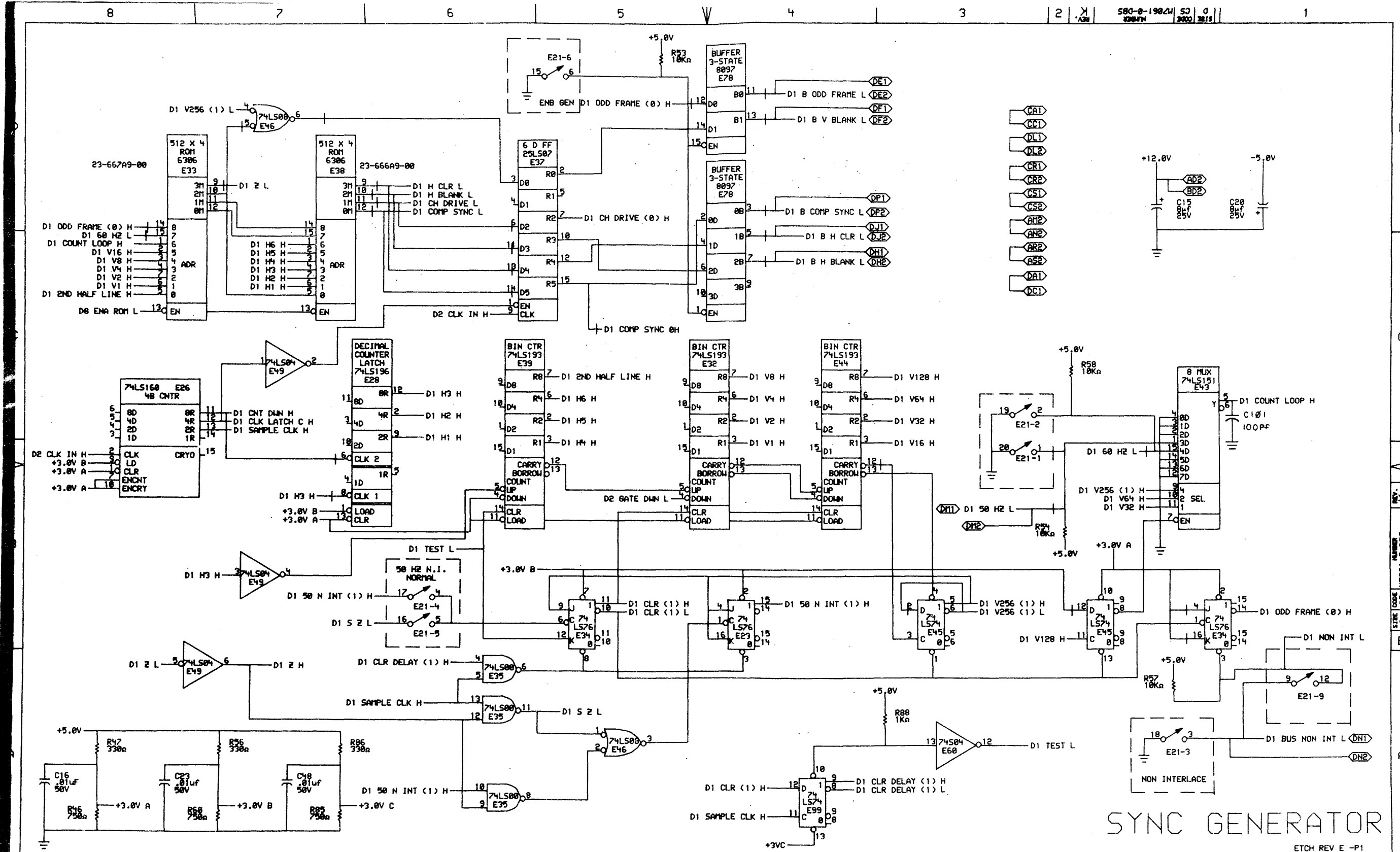
AUTOMATED BY PRTLST.3L(32)

PARTS LIST

SHEET A4 OF A4

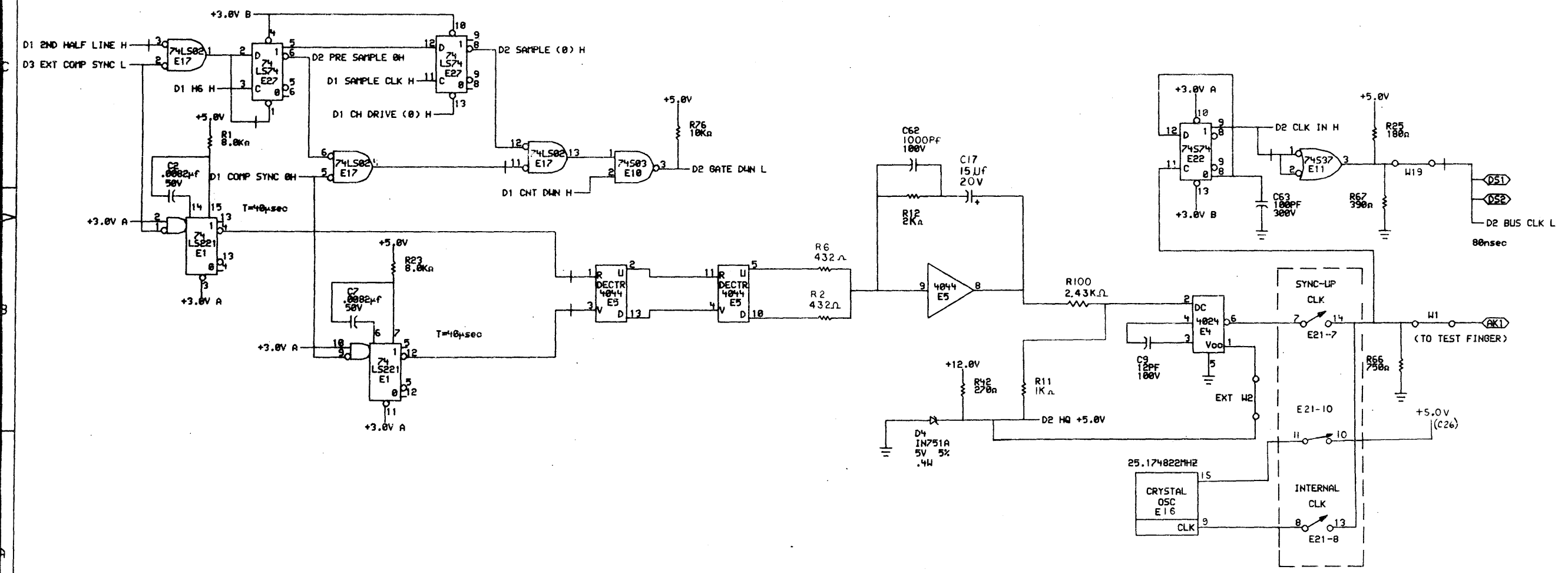
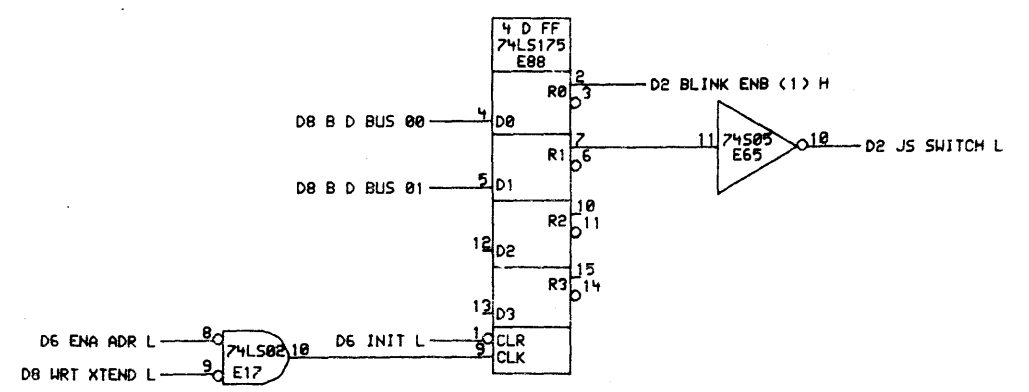
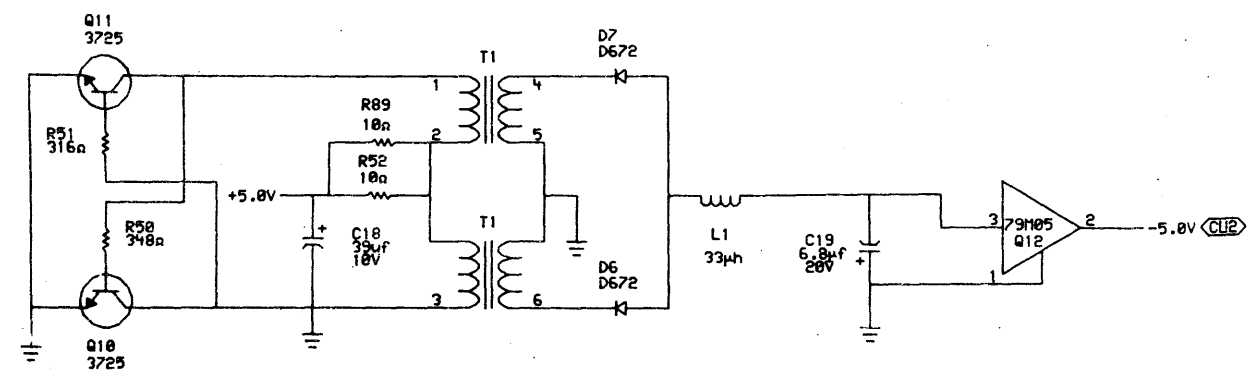
LINE ITEM	DOCUMENT NUMBER	PART NUMBER	DESCRIPTION	QTY PER VARIATION 00	REFERENCE DESIGNATOR
122	143	1209941-03	HEADER RT ANGLE LEFT L	1	
123	144	1209941-04	HEADER RT ANGLE,RIGHT	1	
124	145	1002428-00	1500.0 MMF 100V 5X200PPM MICA	1	C59
125	146	1000018-00	120.0 MMF 100V 5X200PPM MICA	2	C60,C61
126	147	1301421-00	15.0 .25 W 5.0 % CC	1	R38
127	148	1304863-00	316.0 .25 W 1.0 % RN55D-F10	1	R51
128	149	1010978-23	.0082 MFD 50V 10% CER	3	C2,C7,C29
129	151	1012084-01	8 MFD 25V +75-10% AL EL	6	C1,C15,C20,C26,C38,C47
130	152	9009122-00	FUSE,SUB-MINI 1/16A,125V GLASS	2	F1,F2
131	153	1300411-00	2.0 K .25 W 1.0 % RN55D-F10	1	R12
132	154	1316838-00	432.0 .25 W 1.0 % RN55D-F10	2	R2,R6
133	155	1004812-00	15 MFD 20V 10% S.TANT	1	C17
134	156	1300285-00	270.0 .50 W 5.0 % CC	1	R42
135	157	1601759-00	33 UH 5% 300MA	1	L1
136	158	1000042-00	1000.0 MMF 100V 5X200PPM MICA	1	C62
137	159	9105740-55	WIRE(WRAP)30AWG UL1423	A/R	
138	160	1000017-00	100.0 MMF 300V 5X200PPM MICA	1	C63
139	161	1000014-00	68.0 MMF 100V 5X200PPM MICA	1	C64
140	162	9107256-01	TUBING,THIN WALL,.027ID UL	A/R	
141	163	1317406-00	2.43 K .25 W 1.0 % RN55D-F10	1	R100
142	164	1000016-00	100.0 MMF 100V 5X200PPM MICA	1	C101
143	165	1000026-00	680.0 MMF 100V 5X200PPM MICA	1	C34
144	166	1005784-00	.01 MFD 100V 200V 10% MYL	1	C40

D	I	G	I	T	A	L	TITLE	SECTION A OF A	SIZE	CODE	DOCUMENT NUMBER	REV
							SYNC GEN/CURSOR CONTROL		K	PL	M7061-0-DBP	K



**SYNC GENERATOR**  
ETCH REV E -P1

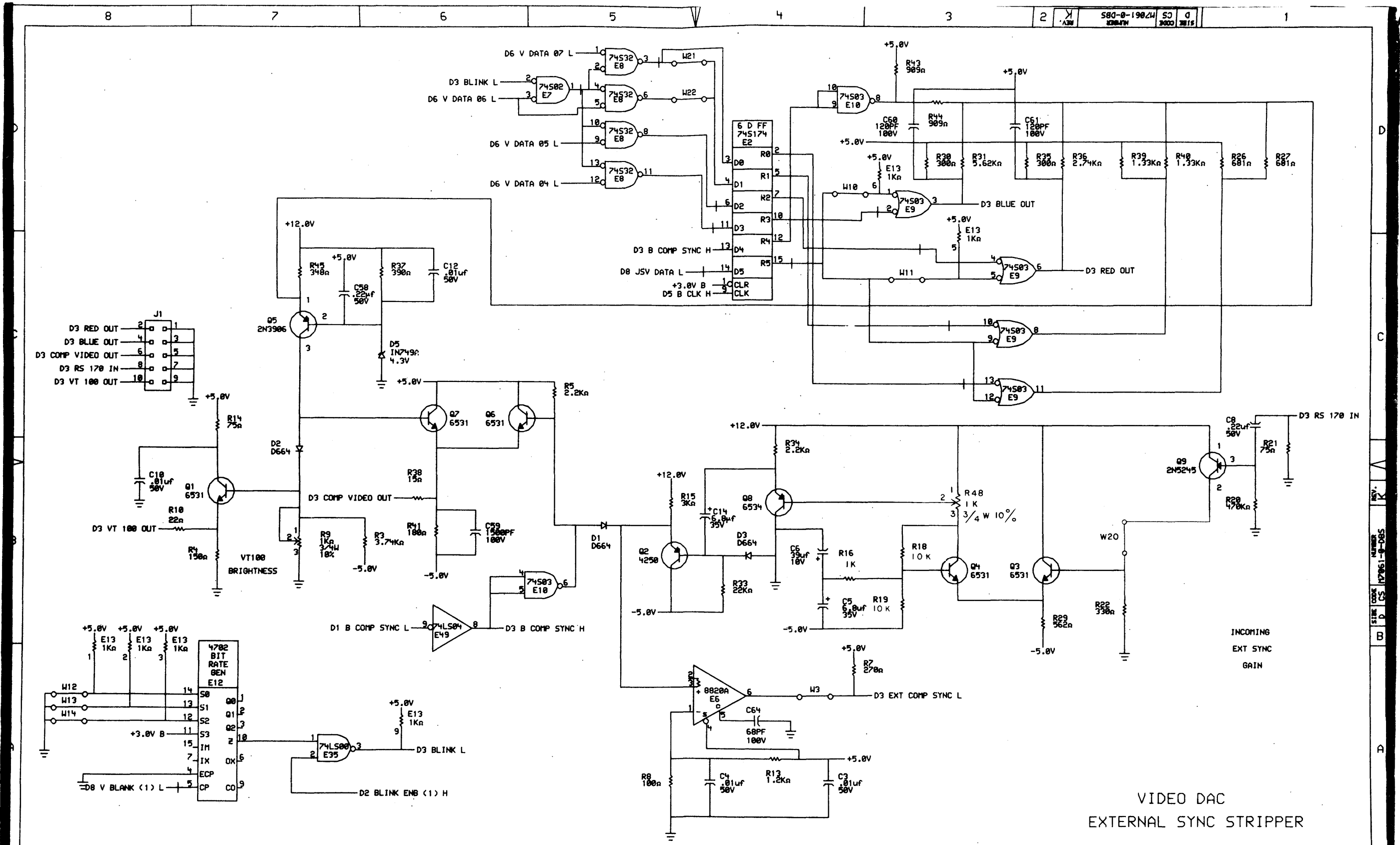
THIS DRAWING AND SPECIFICATIONS ARE THE PROPERTY OF DIGITAL EQUIPMENT CORPORATION. NO PART OF THIS DRAWING OR SPECIFICATIONS IS TO BE REPRODUCED OR TRANSMITTED IN ANY FORM OR BY ANY MEANS, ELECTRONIC OR MECHANICAL, INCLUDING PHOTOCOPYING, RECORDING, OR BY ANY INFORMATION STORAGE AND RETRIEVAL SYSTEM, WITHOUT PERMISSION IN WRITING FROM DIGITAL EQUIPMENT CORPORATION.	REVISIONS M7061-NU007 J H SJC M7061-NU008 J M7061-NU009 K E.R. VICKERY E.R. VICKERY J. GARASKY E.R. VICKERY E.R. VICKERY J. GARASKY/MW	DRN. <i>P. Barry</i> DATE 11-22-80 ENG. E.R. VICKERY DATE 1-20-81 BOARD LOCATION: 1-20-81 SHEET: 1-20-81 NEXT HIGHER ASSEMBLY: 1-20-81 FIRST USED ON OPTION/MODEL: VSV11	DATE 1-20-81 TITLE: SYNC GEN/CURSOR CONTROL (D1) SIZE CODE: D CS NUMBER: M7061-0-DBS REV. K	8 7 6 5 4 3 2 1
---	---	---	---	-----------------



INTERNAL/EXTERNAL CLOCK  
EXTERNAL CLOCK PHASE LOCK

REV.	DATE	BY	CHK.	CHANGE NO.	REV.

	DRN. P. Barry	DATE 11-DEC-85	ENG.	DATE	TITLE: SYNC GEN/CURSOR CONTROL (D2)
	1364-4022-15702-DRW	189-DEC-88 17141	NEXT HIGHER ASSEMBLY:	SIZE CODE D   CS	NUMBER M7061-0-DBS
FIRST USED ON OPTION/MODEL: VSV11		B-DD-M7061-0		REV. K	

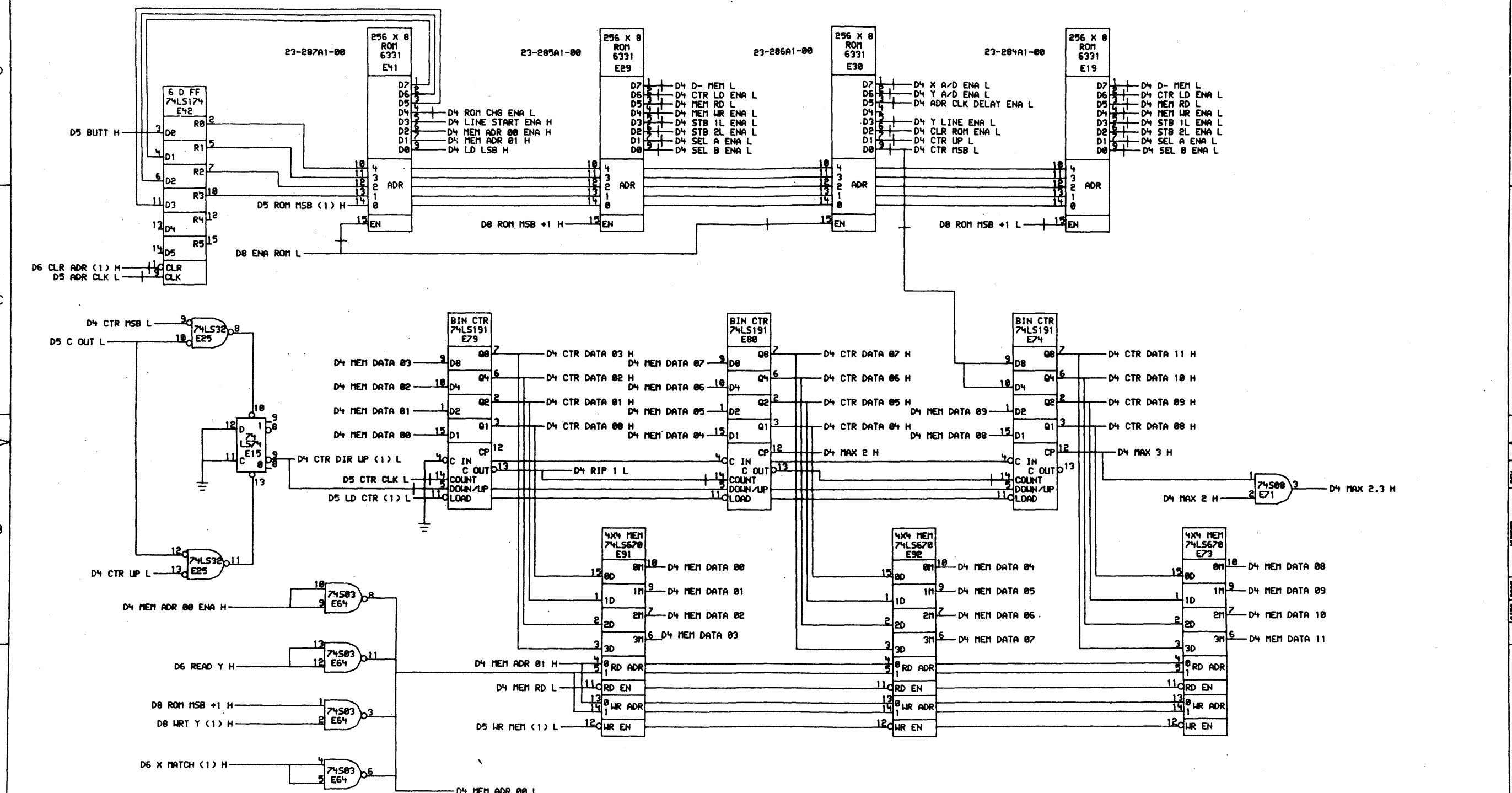


VIDEO DAC  
EXTERNAL SYNC STRIPPER

REV.	CHG.	NO.	REV.

REV.	NO.	REV.	NO.

	DRN. P. B. B. / 11-DEC-80	DATE	ENG.	DATE	TITLE: SYNC GEN/CURSOR CONTROL (D3)
	CHK. D. / 18-DEC-80	DATE	BOARD LOCATION:		
FIRST USED ON OPTION/MODEL: VSV11		NEXT HIGHER ASSEMBLY: B-DD-M7061-0		SIZE CODE D CS	NUMBER M7061-0-DB5
				REV. K	

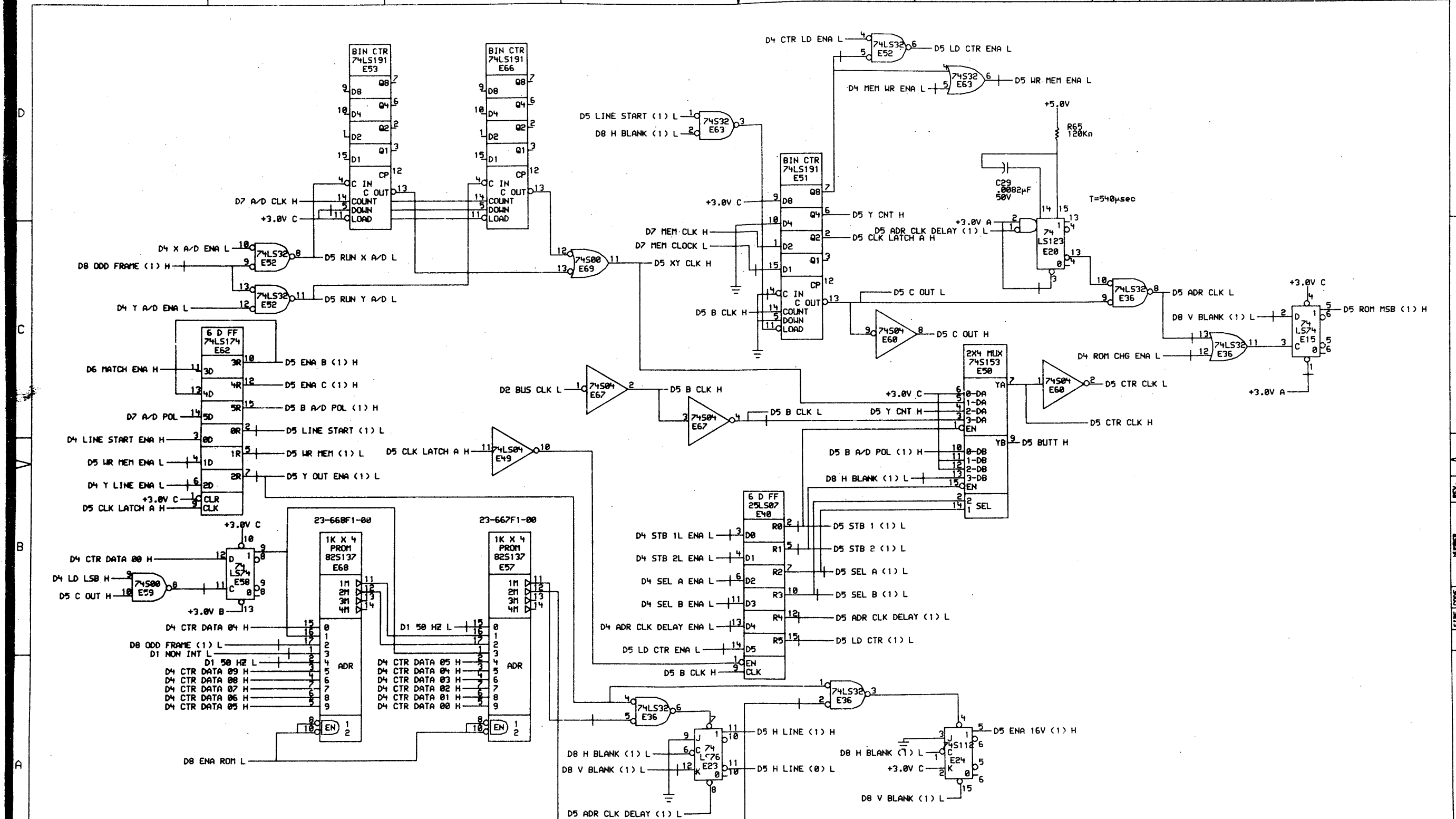


CURSOR CONTROL MEMORY

THIS DRAWING AND SPECIFICATIONS ARE THE PROPERTY OF DIGITAL EQUIPMENT CORPORATION AND ARE NOT TO BE REPRODUCED OR TRANSMITTED IN ANY FORM OR BY ANY MEANS, ELECTRONIC OR MECHANICAL, INCLUDING PHOTOCOPYING, RECORDING, OR BY ANY INFORMATION STORAGE AND RETRIEVAL SYSTEM, WITHOUT THE WRITTEN PERMISSION OF DIGITAL EQUIPMENT CORPORATION.

REV.	CHG	NO.	REV

	DRN. P. B. B...	DATE 11-DEC-80	ENG.	DATE	TITLE: SYNC GEN/CURSOR CONTROL (D4)
	CHK'D.	DATE	DESIGN LOCATION:		
FIRST USED ON OPTION/MODEL: VSV11		109-DEC-80 18:12	NEXT HIGHER ASSEMBLY: B-DD-M7061-0	SIZE CODE	NUMBER
				D CS	M7061-0-DB5
					REV. K



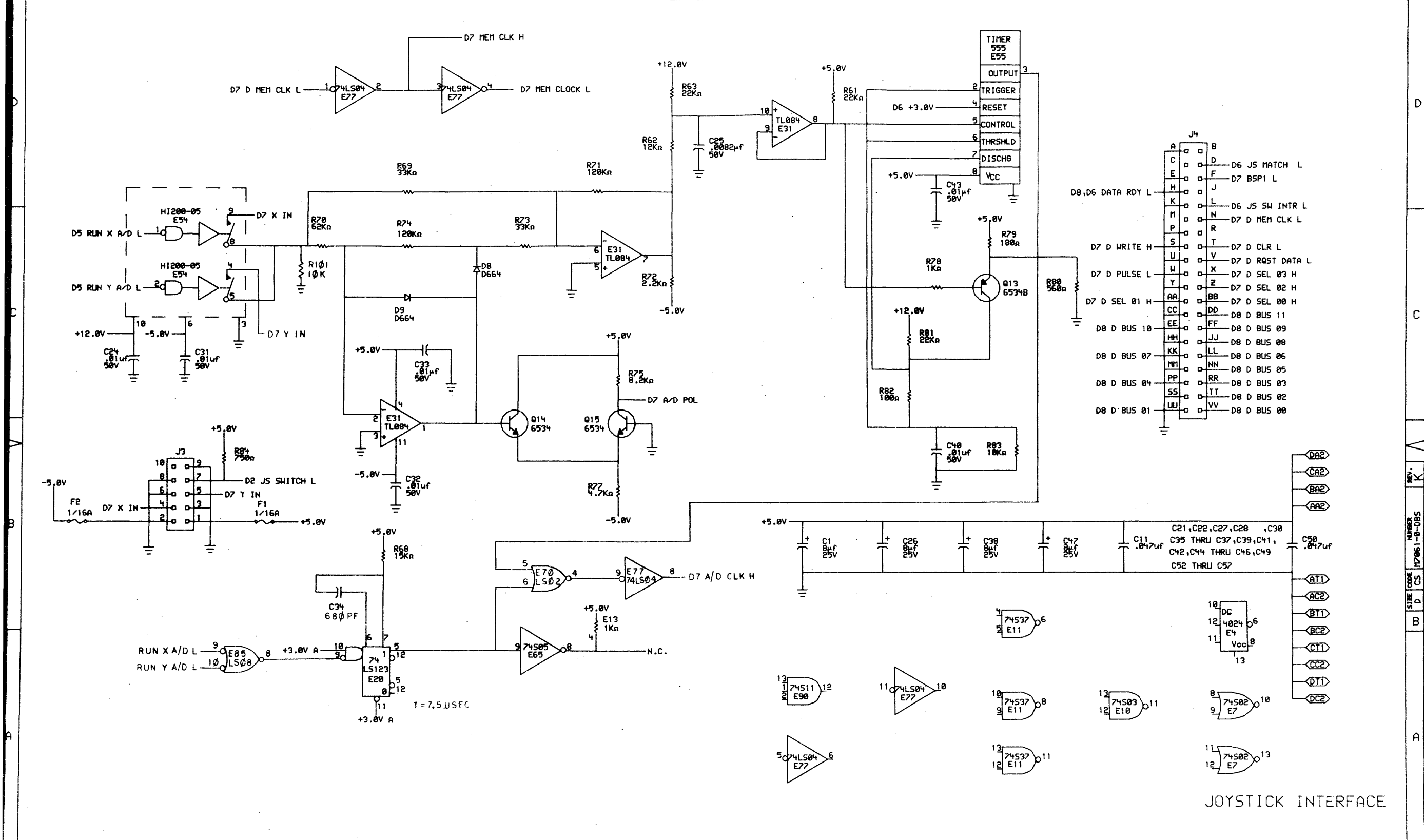
CURSOR CONTROL

THIS DRAWING AND SPECIFICATIONS ARE THE PROPERTY OF DIGITAL EQUIPMENT CORPORATION AND SHALL NOT BE REPRODUCED OR COPIED IN ANY MANNER OR IN ANY MANNER BE USED IN WHOLE OR IN PART AS THE BASIS FOR THE MANUFACTURE OF ANY ITEMS WITHOUT WRITTEN PERMISSION. COPYRIGHT © 1980 DIGITAL EQUIPMENT CORPORATION.

REVISIONS	CHK	CHANGE NO.	REV

digital	DRN. P. Barry	DATE 11-DEC-80	ENG.	DATE	TITLE: SYNC GEN/CURSOR CONTROL (D5)
	CHK'D.	DATE	BOARD LOCATION:	SHEET	OF
FIRST USED ON OPTION/MODEL:		1364-4002-5105F, DRN 109-DEC-80 10:28	NEXT HIGHER ASSEMBLY:	SIZE CODE: D, CS	NUMBER: M7061-0-DBS
					REV. K





JOYSTICK INTERFACE

REV.	CHG.	NO.	REV.

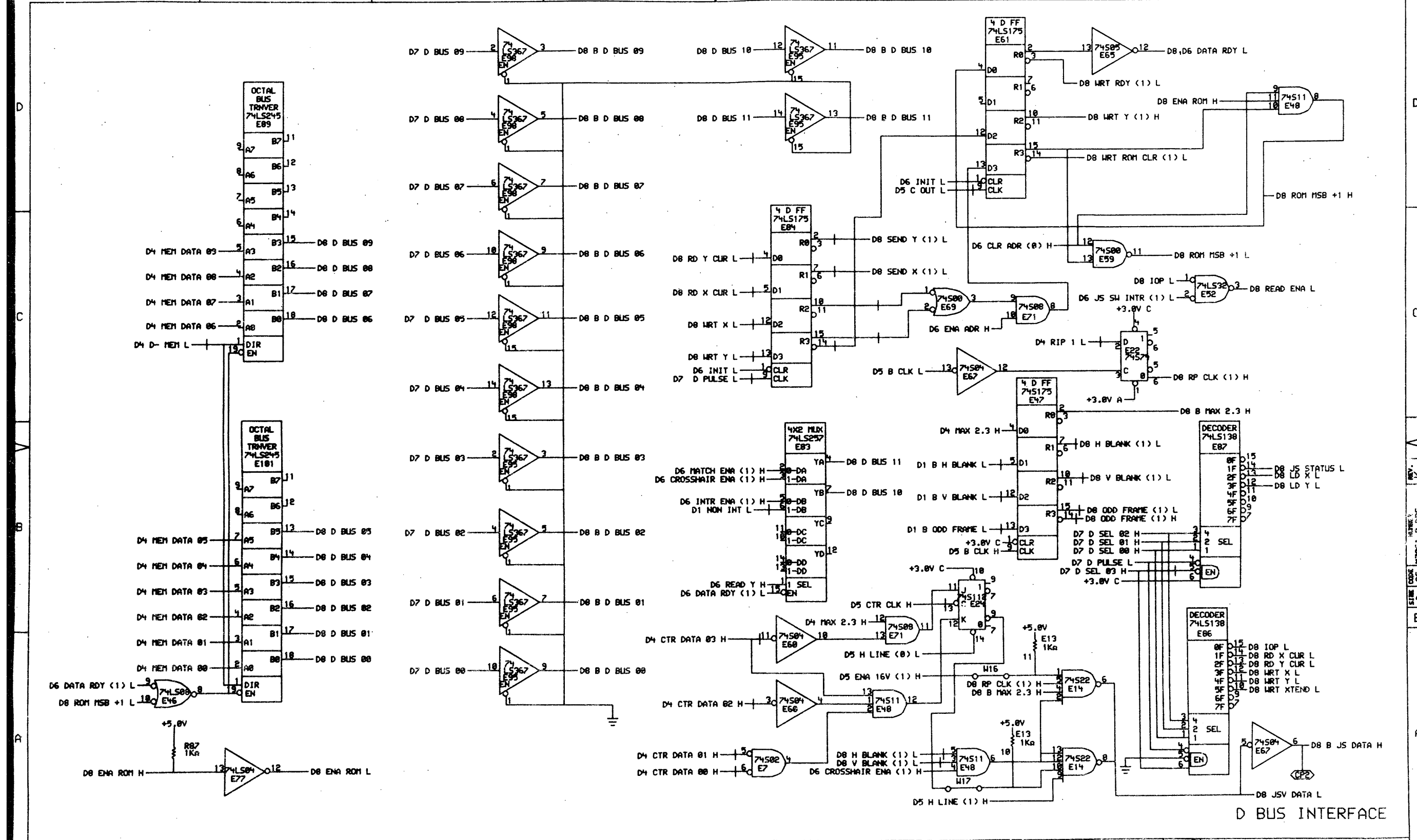
digital DRN. P. B. Amy DATE 11-DEC-88 ENG. DATE TITLE: SYNC GEN/CURSOR CONTROL (D7)

1364 4002 JST077.DRW 09-DEC-88 18:31 NEXT HIGHER ASSEMBLY: B-DD-M7061-0

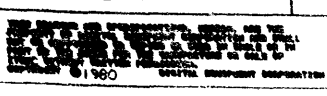
FIRST USED ON OPTION/MODEL: V5V11 B-DD-M7061-0

SIZE CODE: D CS NUMBER: M7061-0-DB5 REV. K









**ECO NU003**  
REWORK INSTRUCTIONS

- COMPONENT ADDS  
 3-1 REMOVE E71 7420 AND INSTALL E71 74500 P/N 1910532-00  
 3-2 ADD R50 (100Ω) PIN 1 TO E91-12 AND R50 PIN 2 TO E91-7 P/N 1300229-00  
 3-3 ADD C110 (100PF) FROM R50 PIN 2 TO E91-7

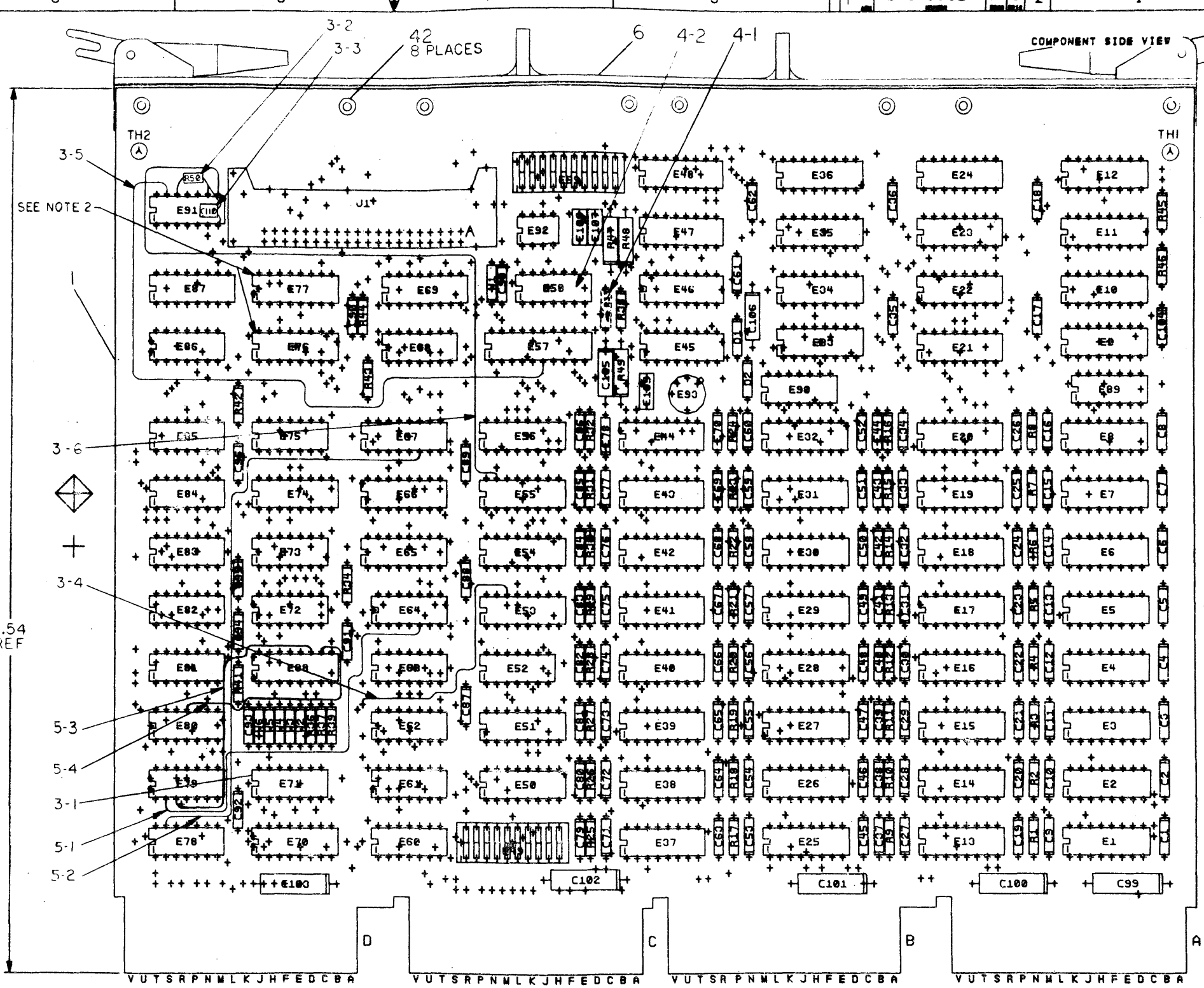
- WIRE ADDS SIDE I  
 3-4 FROM PTH LEFT AND JUST ABOVE E62-14 TO E53-14  
 3-5 FROM E57-6 TO E91-13  
 3-6 FROM E91-8 TO E55-15

**ECO NU004**  
REWORK INSTRUCTIONS

- COMPONENT REMOVALS  
 4.1 REMOVE R33 (4.7KΩ)  
 COMPONENT ADDS  
 4.2 REMOVE E58 74LS05 AND INSTALL E58 74S05 P/N 19-10535-00

**ECO NU005,5A**  
REWORK INSTRUCTIONS

- WIRE ADDS SIDE I  
 5-1 FROM E64-5 TO E79-2  
 5-2 FROM E78-13 TO E67-6  
 5-3 FROM E79-3 TO E88-11  
 5-4 FROM E88-10 TO E80-11



**NOTES:**  
 1. WE AND W ARE NOT  
 2. E76 AND E77 ARE MOUNTED IN XE76 AND XE77 RESPECTIVELY.

STEP	Y AXIS	STEP	TIMES
REPORT	X AXIS	STEP	TIMES

CHANGE NO	REV	DATE	BY	CHKD
REDRAWN	E			
M7062-NU002	F			
M7062-NU003				
M7062-NU004				
M7062-NU005,5A				

ETCH REV. F-P2
----------------

SIGNATURES	DATE
DRN. <i>[Signature]</i>	7/2/76
CHK'D. M. MARSHALL	7/2/76
MECH. ENG. E. R. VICKERY	5/1/76
PROJ. ENG. E. R. VICKERY	5/1/76
PROD. <i>[Signature]</i>	5/1/76

TITLE: digital  
 IMAGE MEMORY  
 SCALE: 2/1  
 SIZE CODE: B  
 NUMBER: D U A M7062-0-0  
 NEXT HIGHER REV. B-00-M7062-0

D U A M7062-0-0

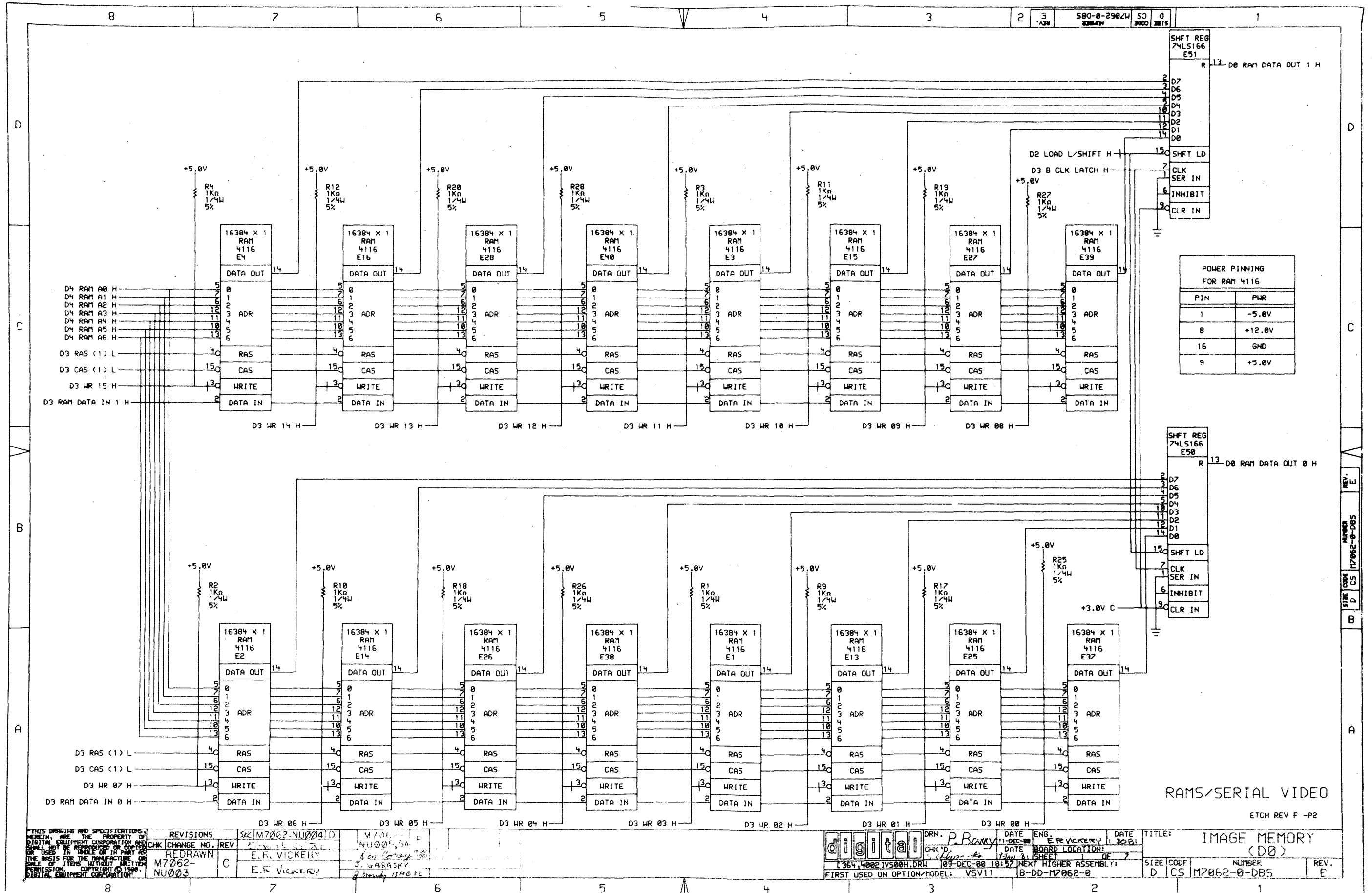
LINE	ITEM	DOCUMENT NUMBER	PART NUMBER	DESCRIPTION	QTY PER VARIATION 00	REFERENCE DESIGNATOR
1	1	D-MD-5013302-0-0	5013302-00	DRILL & ETCH BOARD	1	
2	2		1012084-01	8 MFD 25V +75-10% AL EL	5	C99-C103
3	4		1012784-00	.047 MFD 50V +80-20% CER	98	C1-C96,C98,C104
4	5		1209941-02	HEADER 100 40POS RT ANGLE	1	J1
5	6		1213113-01	HANDLE,MODULE,	1	
6	7		1215006-02	SKT,IC 16PIN DIP TIN PLATE	2	XE76,XE77
7	8		1211164-06	SW,DIP 10POS/1PST 5VDC100MA F	2	E59,E49
8	9		1300295-00	330.0 .25 W 5.0 % CC	2	R39,R45
9	10		1300316-00	470.0 .25 W 5.0 % CC	1	R41
10	11		1300365-00	1.0 K .25 W 5.0 % CC	38	R1-R32,R36,R38,R34,R42,R43,R44
11	13		1301401-00	750.0 .25 W 5.0 % CC	2	R37,R46
12	15		1311003-04	R NETWORK 14-430 14-820 16PIN	2	E76,E77
13	16		1905575-00	*** THIS ITEM IS NOT USED ***	-	
14	17		1912388-00	74S02 NOR GATE-QUAD 2IN,PO	1	E73
15	18		1910534-00	74S04 INVERTER GATE-HEX 1I	2	E78,E91
16	19		1909955-00	DEC 7412 NAND GATE-TRIPLE 3IN	2	E60,E82
17	20		1910538-00	74S15 AND GATE-TRIPLE 3IN	2	E62,E81
18	21		1910544-00	74S74 FF-D DUAL,EDGE TRIGG	3	E63,E64,E80
19	22		1910550-00	74S174 FF-D HEX	2	E74,E88
20	23		1911527-00	8097 BUFFER GATE-HEX 2INP	1	E66
21	24		1911641-00	SN 74S257 MUX,QUAD 2 TO 1	4	E10,E22,E34,E46
22	25		1911675-00	74S138 DECODER/DEMUX 3-8 LIN	1	E87
23	26		1912697-00	LS174 FF-D HEX W/CLEAR	4	E35,E36,E47,E48
24	27		1912799-00	LS00 NAND-GATE-QUAD 2IN,P	3	E68,E83,E85
25	28		1912801-00	LS02 NOR-GATE-QUAD 2IN	1	E75
26	29		1910535-00	74S05 INVERTER GATE-HEX 1	1	E58
27	30		1912805-00	LS08 AND GATE-QUAD 2IN,PO	1	E52,
28	31		1913340-00	74S32 OR GATE-QUAD 2IN	1	E72
29	32		1912824-00	LS74 FF-D DUAL,EDGE TRIGG	2	E84,E86
30	33		1912853-00	LS175 FF-D QUAD	1	E69

REVISION HISTORY			BASIC PART NO: 5013302			DRN: P. BARRY			DATE: 20-MAY-80			D I G I T A L						
ENG	ECD NUMBER	REV	SECTION A OF A			CHK'D:	M. MARCHAND			DATE:	20-MAY-80			TITLE	PARTS LIST			
---	INITIAL	*	SECTION VARIATION INDEX			CHK'D:	M. MARCHAND			DATE:	20-MAY-80			TITLE	PARTS LIST			
RV	NU001	A	[A]	00										IMAGE MEMORY				
RV	NU002	B	[B]															
RV	M7062-NU003	C	[C]			DES.ENG:	R. VICKERY			DATE:	20-MAY-80							
RV	M7062-NU004	D	[D]															
JG	NU005,5A	E	[E]			RESP.ENG.:	R. VICKERY			DATE:	20-MAY-80			DOCUMENT NUMBER				
			[F]											SIZE	CODE	NUMBER	REV	
			[G]															
			[H]															
			[I]			MFG.ENG.:	A. ELLIS			DATE:	20-MAY-80			K	PL	M7062-00-DBP	E	
			[J]															
			[K]															
			[L]															
			[M]			ASSEMBLY NUMBER:	D-UA-M7062-0-0			TOP DOCUMENT NUMBER:	#B-DD-M7062-0			FILE NAME:	M7062E.PLS		EDIT #	33
			[N]															

"THIS DRAWING AND SPECIFICATIONS HEREIN, ARE THE PROPERTY OF DIGITAL EQUIPMENT CORPORATION AND SHALL NOT BE REPRODUCED OR COPIED OR USED IN WHOLE OR IN PART AS THE BASIS FOR THE MANUFACTURE OR SALE OF ITEMS WITHOUT WRITTEN PERMISSION. COPYRIGHT (C) 1982. DIGITAL EQUIPMENT CORPORATION"

LINE	ITEM	DOCUMENT NUMBER	PART NUMBER	DESCRIPTION	QTY PER VARIATION 00	REFERENCE DESIGNATOR
31	34		1913671-00	74S374 FF-D OCTAL TRISTATE	1	E57
32	35		1913939-00	LS191 COUNTER, SYNCHR. UP/D	3	E23, E24, E53
33	36		1914082-00	74S163 COUNTER, SYNCH UP/DOW	2	E11, E12
34	37		2113825-01	16K MOS RAM 200NS 1	32	E1-E5, E6-E8, E13-E20, E25-E32, CONT E37-E44
35	38		23288A1-00	A1-03, A1-04, A1-05	4	E9, E21, E33, E45
36	39		23292A1-00	A1-07	1	E70
37	40		23575A2-00	A2-07	1	E56
38	41		23576A2-00	A2-07	1	E67
39	42		9000024-01	EYELET, ROLL FLANGE .1210DX .192	8	
40	43		9009185-00	JUMPER, WIRE, INSULATED, BLACK B	4	W1, W2, W5, W6
41	44		1915758-00	SN 74LS166N SHIFT REG. 8BIT PAR	4	E50, E51, E54, E55
42	45		1912389-00	74S08 AND GATE-QUAD 2IN, PD	1	E79
43	46		1910532-00	74S00 NAND GATE-QUAD 2IN	2	E61, E71
44	47		1910539-00	74S20 NAND GATE-DUAL 4INPU	2	E89, E90
45	48		1910957-00	74S175 FF-D QUAD COMMON CLO	1	E65
46	51		1300447-00	*** THIS ITEM IS NOT USED ***	-	
47	52		1010279-00	.47 MFD 25V 20% CER	1	C109
48	53		1002627-00	2.2MFD 20V 10% S.TANT	2	C105, C106
49	54		1001610-00	.01 MFD 50V +80-20% Z5U CER	1	C107
50	55		1012121-00	220.0 MMF 100V 1%200PPM MICA	1	C108
51	56		1302685-00	909.0 .25 W 1.0 % RN55D-F10	1	R49
52	57		1309412-00	18.20 K .25 W 1.0 % RN55D-F10	1	R48
53	58		1309416-00	31.60 K .25 W 1.0 % RN55D-F10	1	R47
54	59		1105275-00	D 672 TR= 15NS FIV= 60V SI	2	D1, D2
55	60		1912541-00	79M05 VOLT REG, FIX -5V	1	E93
56	61		1911944-00	555CN TIMER, FUNCT. BLOCK	1	E92
57	62		1000017-00	100.0 MMF 300V 5%200PPM MICA	1	C110
58	63		1300229-00	100.0 .25 W 5.0 % CC	1	R50
59	64		9105740-55	WIRE(WRAP)30AWG UL1423	A/R	
60	65		9107256-01	TUBING, THIN WALL, .027ID UL	A/R	

D	I	G	I	T	A	L	TITLE	SECTION A OF A	SIZE	CODE	DOCUMENT NUMBER	REV
							IMAGE MEMORY				M7062-00-DBP	E



THIS DRAWING AND SPECIFICATIONS, HEREIN, ARE THE PROPERTY OF DIGITAL EQUIPMENT CORPORATION AND SHALL NOT BE REPRODUCED OR COPIED OR USED IN WHOLE OR IN PART AS THE BASIS FOR THE MANUFACTURE OR SALE OF ITEMS WITHOUT WRITTEN PERMISSION. COPYRIGHT © 1980, DIGITAL EQUIPMENT CORPORATION.

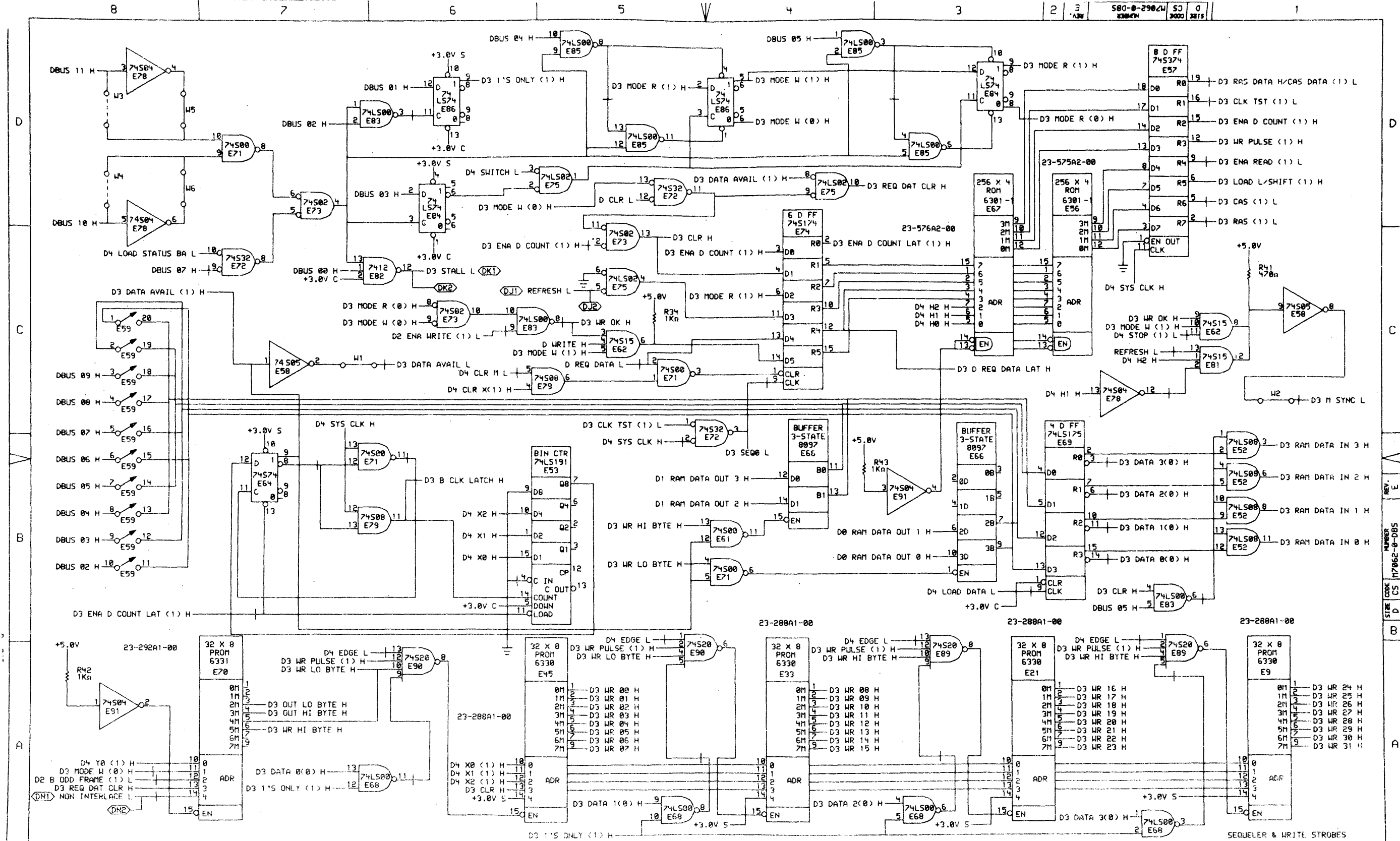
REVISIONS	CHK	CHANGE NO.	REV	DATE	BY
1					
2					
3					
4					
5					
6					
7					
8					

DRN. P. Barry	DATE 11-DEC-80	ENG. E. R. VICKERY	DATE 11-DEC-80	TITLE: IMAGE MEMORY (D0)
CHK'D. J. GARASKY	DATE 11-DEC-80	BOARD LOCATION: 1	SHEET 1 OF 7	SIZE CODE NUMBER REV. D CS M7062-0-DBS E
FIRST USED ON OPTION/MODEL: VSV11		NEXT HIGHER ASSEMBLY: B-DD-M7062-0		









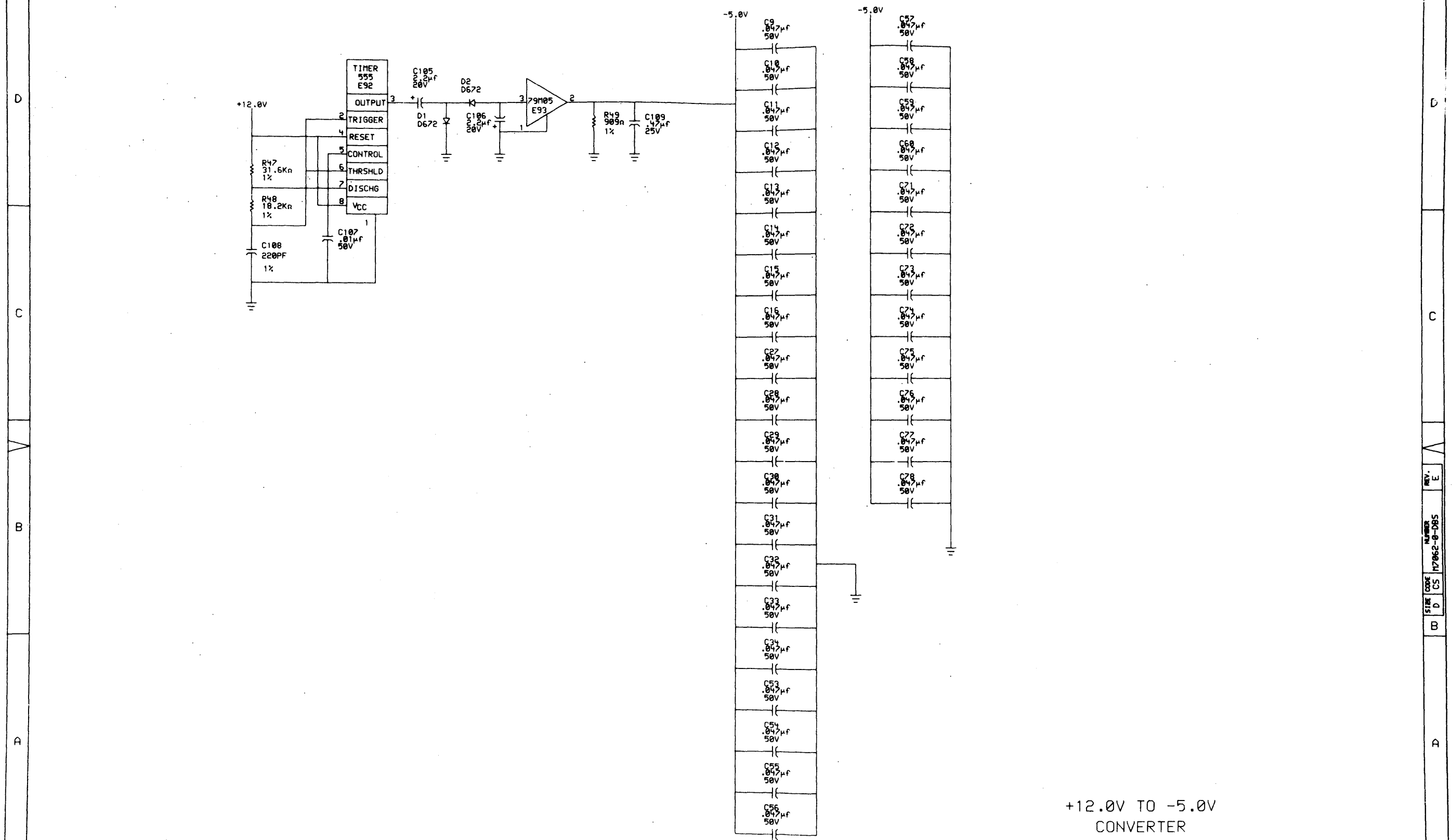
THIS DRAWING AND SPECIFICATIONS HEREAFTER ARE THE PROPERTY OF DIGITAL EQUIPMENT CORPORATION AND SHALL NOT BE REPRODUCED OR COPIED OR USED IN WHOLE OR IN PART AS THE BASIS FOR THE MANUFACTURE OR SALE OF ITEMS UNLESS WRITTEN PERMISSION IS OBTAINED FROM DIGITAL EQUIPMENT CORPORATION.

REVISIONS	CHK	CHANGE NO.	REV

	DRN. <i>P. Barry</i>	DATE	ENS.	DATE	TITLE: <b>IMAGE MEMORY (D3)</b>
	CHK'D.	DATE	BOARD LOCATION		
(365,4002)-503H.DRN	111-DEC-88	11:56	NEWER HIGHER ASSEMBLY:		
FIRST USED ON OPTION MODEL: V5V11	D-DD-M7062-0				

REV. E  
SIZE CODE CS  
NUMBER 117062-0-DBS





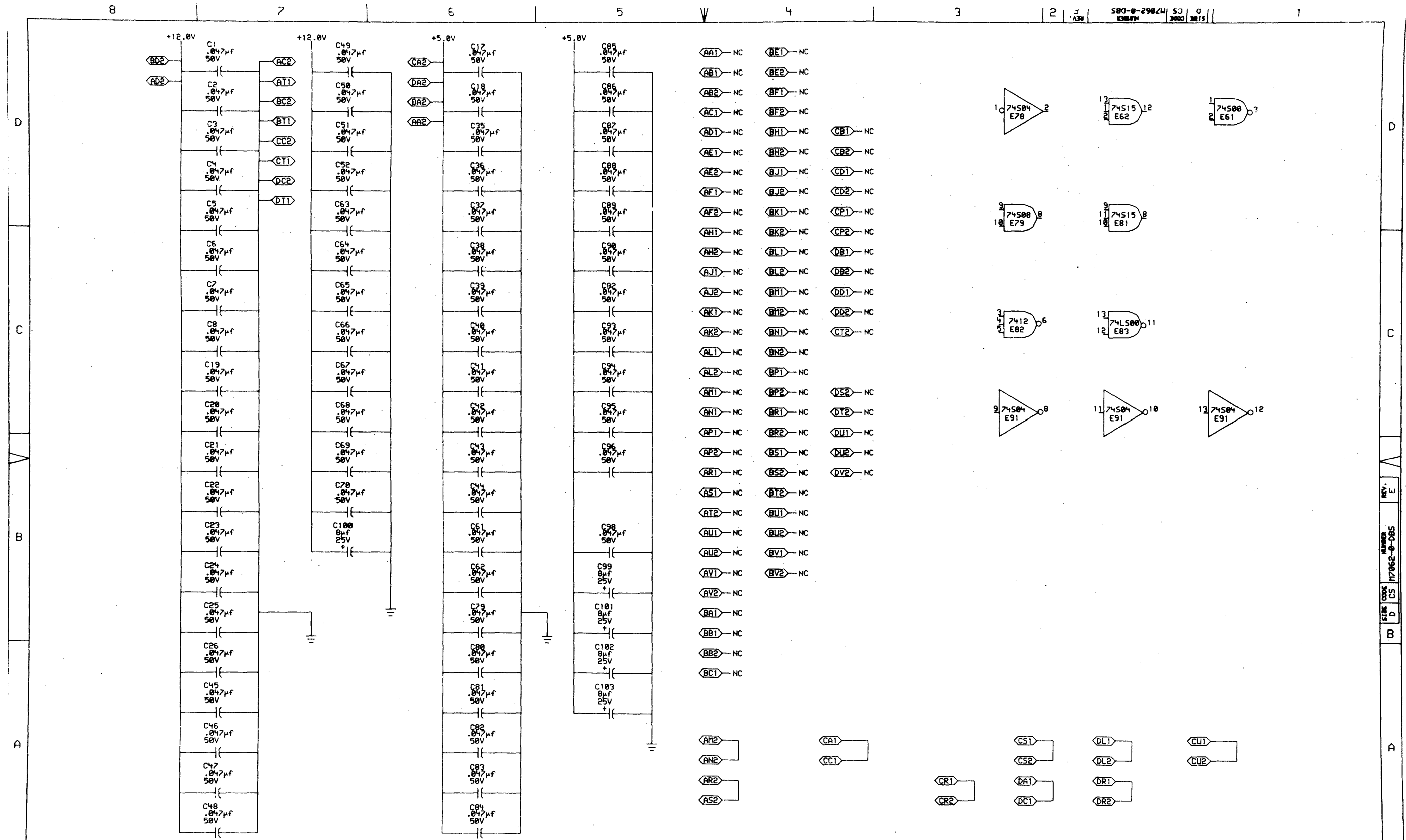
+12.0V TO -5.0V  
 CONVERTER

THIS DRAWING AND SPECIFICATIONS  
 HEREIN ARE THE PROPERTY OF  
 DIGITAL EQUIPMENT CORPORATION AND  
 SHALL NOT BE REPRODUCED OR COPIED  
 OR USED IN WHOLE OR IN PART AS  
 THE BASIS FOR THE MANUFACTURE OR  
 SALE OF ITEMS WITHOUT WRITTEN  
 PERMISSION. COPYRIGHT © 1980  
 DIGITAL EQUIPMENT CORPORATION.

REVISIONS	
CHK	CHANGE NO. REV

digital	DRN. P. Barry	DATE 11-DEC-80	ENG.	DATE	TITLE: IMAGE MEMORY (D5)
	CHK. D.	DATE	BOARD LOCATION:	SHEET 6 OF 7	
FIRST USED ON OPTION/MODEL: V5V11		11-DEC-80 11:59	NEXT HIGHER ASSEMBLY:	B-DD-M7061-0	
SIZE CODE D CS	NUMBER M7062-0-DBS	REV. E			

REV. E  
 NUMBER M7062-0-DBS  
 CODE CS  
 D



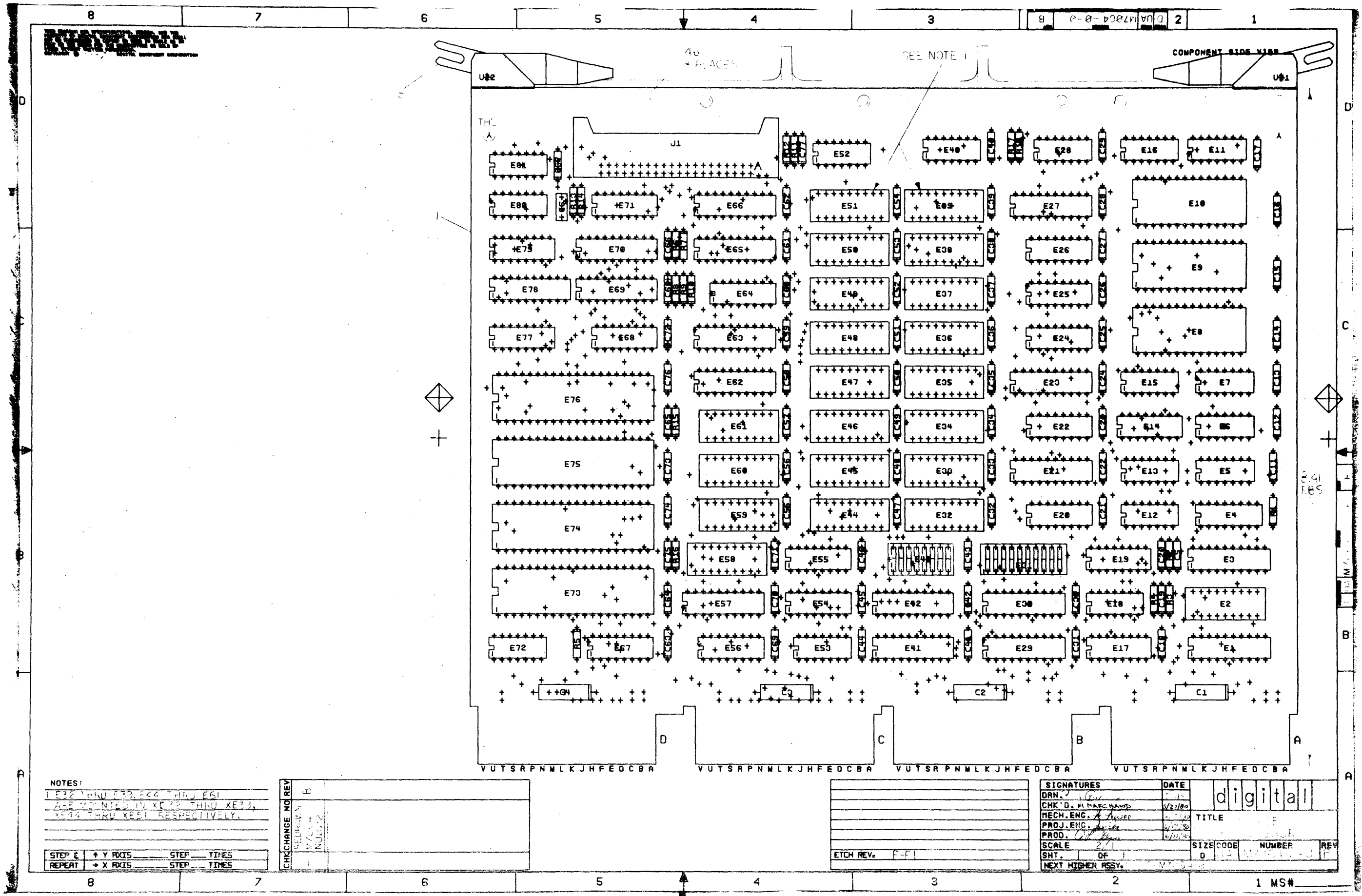
THIS DRAWING AND SPECIFICATIONS ARE THE PROPERTY OF DIGITAL EQUIPMENT CORPORATION AND SHALL NOT BE REPRODUCED OR COPIED OR USED IN WHOLE OR IN PART AS THE BASIS FOR THE MANUFACTURE OR SALE OF ITEMS WITHOUT WRITTEN PERMISSION. COPYRIGHT © 1981, DIGITAL EQUIPMENT CORPORATION.

REVISIONS	
CHK	CHANGE NO. REV

digital	DRN. P. Barry	DATE 11-DEC-80	ENG.	DATE	TITLE: IMAGE MEMORY (D6)
	CHK'D.	DATE	BOARD LOCATION: SHEET 7 OF 7		
FIRST USED ON OPTION MODEL: V5V11					NEXT HIGHER ASSEMBLY: B-DD-M7062-0
SIZE CODE D CS	NUMBER M7062-0-D65	REV. E			

REV. E  
NUMBER M7062-0-D65  
SIZE CODE D CS





NOTES:  
 1 E32 THRU E33, E44 THRU E61  
 ARE MOUNTED IN XC22 THRU XC33,  
 XC04 THRU XC01 RESPECTIVELY.

STEP	Y AXIS	STEP	TIMES
REPEAT	→ X AXIS	STEP	TIMES

CHANGE NO	REV
REWORK	B
DATE	
NO.	

ETCH REV.	F-F
-----------	-----

SIGNATURES	DATE	TITLE
DRN. <i>[Signature]</i>	5/15/80	digital
CHK'D. <i>[Signature]</i>	5/20/80	
MECH. ENG. <i>[Signature]</i>	5/20/80	
PROJ. ENG. <i>[Signature]</i>	5/20/80	
SCALE 2/1		
SHT. OF 1		
NEXT HIGHER ASSY.		

LINE	ITEM	DOCUMENT NUMBER	PART NUMBER	DESCRIPTION	QTY PER VARIATION	REFERENCE DESIGNATOR
					00	
1	1	D-MD-5012982-0-0	5012982-00	IMAGE PROCESSOR	1	
2	2		1000009-00	33.0 MMF 100V 55200PPM MICA	1	C6
3	3		1012784-00	.047 MFD 50V +80-20% CER	68	C5,C11-C77
4	4		1012084-01	8 MFD 25V +75-10% AL EL	4	C1-C4
5	5		1211164-04	SW,DIP 1P 1A 8POS	1	E43
6	6		1211164-06	SW,DIP 1P 1A 10POS	1	E31
7	7		1209941-02	HEADER 100 40POS RT ANGLE	1	J1
8	8		1213113-01	HANDLE,MODULE,	1	
9	9		1300005-01	R NETWORK 13-1K 5.0 % 14PIN	1	E72
10	10		1311003-02	R NETWORK 14-330 14-680 16PIN	1	E19
11	11		1300295-00	330.0 .25 W 5.0 % CC	4	R6,R8,R15,R17
12	12		1300250-00	150.0 .25 W 5.0 % CC	1	R13
13	13		1300316-00	470.0 .25 W 5.0 % CC	2	R4,R5
14	14		1301424-00	680.0 .25 W 5.0 % CC	4	R7,R9,R16,R18
15	15		1300365-00	1.0 K .25 W 5.0 % CC	6	R1-R3,R10-R12
16	16		1910532-00	74S00 NAND GATE-QUAD 2IN	2	E7,E80
17	17		1910534-00	74S04 INVERTER GATE-HEX 1I	1	E5
18	18		1912389-00	74S08 AND GATE-QUAD 2IN,PO	3	E12,E28,E40
19	19		1910536-00	74S10 NAND GATE-TRIPLE 3IN	1	E11
20	20		1910544-00	74S74 FF-D DUAL,EDGE TRIGG	5	E6,E13,E15,E16,E81
21	21		1910545-00	74S112 FF-JK DUAL,EDGE TRIG	1	E79
22	22		1911675-00	74S138 DECODER/DEMUX 3-8 LIN	1	E20
23	23		1911676-00	74S139 DECODER-DUAL TWO-INF	1	E14
24	24		1910547-00	74S153 MUX 1 OF 4 (DUAL)	1	E68
25	25		1910957-00	74S175 FF-D QUAD COMMON CLO	1	E22
26	26		1912097-00	SN 74S182 LOOK AND CARRY GEN	1	E77
27	27		1913493-00	74S241 OCTAL BUFFER,TRI-STA	2	E63,E70
28	28		1912728-00	74S251 MUX 1 OF 8 TRI-STA	4	E4,E54,E56,E71
29	29		1912646-00	LS253 MUX 1 OF 4 (DUAL)	2	E55,E67
30	30		1912863-00	LS273 FF-D OCTAL W/CLEAR	1	E23

REVISION HISTORY		BASIC PART NO: M7064		DRN:	P. BARRY	DATE: 8-MAY-80	D I G I T A L				
ENG	ECO NUMBER	REV	SECTION A OF A	CHK'D:	M. MARCHAND	DATE: 8-MAY-80	TITLE	PARTS LIST			
	INITIAL	*	SECTION VARIATION INDEX					IMAGE PROCESSOR			
WW	NU001	A	[A] 00								
WW	NU002	B	[B]								
			[C]	DES.ENG:	W. WEISKE	DATE: 8-MAY-80		DOCUMENT NUMBER			
			[D]								
			[E]								
			[F]	RESP.ENG.:	W. WEISKE	DATE: 8-MAY-80					
			[G]				SIZE	CODE	NUMBER	REV	
			[H]								
			[I]	MFG.ENG.:	W. WEISKE	DATE: 8-MAY-80	K	PL	M7064-0-DBP	B	
			[J]								
			[K]								
			[L]								
			[M]	ASSEMBLY NUMBER:		TOP DOCUMENT NUMBER:	FILE NAME:	EDIT #			
			[N]	D-UA-M7064-0-0		#B-DD-M7064-0	M7064F.PLS	22			

"THIS DRAWING AND SPECIFICATIONS HEREIN, ARE THE PROPERTY OF DIGITAL EQUIPMENT CORPORATION AND SHALL NOT BE REPRODUCED OR COPIED OR USED IN WHOLE OR IN PART AS THE BASIS FOR THE MANUFACTURE OR SALE OF ITEMS WITHOUT WRITTEN PERMISSION.  
COPYRIGHT (C) 1980. DIGITAL EQUIPMENT CORPORATION "

PARTS LIST

LINE ITEM	DOCUMENT NUMBER	PART NUMBER	DESCRIPTION	QTY PER VARIATION 00	REFERENCE DESIGNATOR
31	31	1913670-00	74S373 LATCH 8BIT TRASP TR	2	E66,E78
32	32	1913671-00	74S374 FF-0 OCTAL TRISTATE	6	E21,E27,E57,E62,E65,E69
33	33	1914845-00	2918 FF-0 QUAD TRI-STATE	4	E24-E26,E64
34	34	1911579-00	8641 TRANSCEIVER,BUS,QUA	1	E17
35	35	1909705-00	DEC 8881 NAND GATE-QUAD 2IN 0	2	E18,E52
36	36	1913245-01	2901A MICROPROCESSOR-4 BIT	4	E73-E76
37	37	1913772-00	AM 2909DC MICROPROGRAM SEQUEN	3	E8-E10
38	38	1912586-00	DM 85S68N REGISTER,64BIT EDGE	4	E58-E61
39	39	1912730-00	DC 003 INTERRUPT,2 CIRCUIT	1	E2
40	40	1912729-00	DC 004 PROTOCOL,REG. SELECT	1	E3
41	41	1913040-00	DC 005 TRANSCEIVER 4BIT	4	E29,E30,E41,E42
42	42	1914038-00	DC 010 BIPOLAR, MEM ADRESS,L	1	E1
43	46	9006732-00	EYELET, ROLLED FLANGE, .121 OD X	8	
44	47	1211666-00	SOCKET 18PIN IC LOW PROFILE	16	XE32-XE39,XE44-XE51
45	49	23669F1-00	F1-01	1	E32
46	50	23670F1-00	F1-01	1	E33
47	51	23671F1-00	F1-01	1	E34
48	52	23672F1-00	F1-01	1	E35
49	53	23673F1-00	F1-01	1	E36
50	54	23674F1-00	F1-01	1	E37
51	55	23675F1-00	F1-01	1	E38
52	56	23676F1-00	F1-01	1	E39
53	57	23677F1-00	F1-01	1	E44
54	58	23678F1-00	F1-01	1	E45
55	59	23679F1-00	F1-01	1	E46
56	60	23680F1-00	F1-01	1	E47
57	61	23681F1-00	F1-01	1	E48
58	62	23682F1-00	F1-01	1	E49
59	63	23683F1-00	F1-01	1	E50
60	64	23684F1-00	F1-01	1	E51

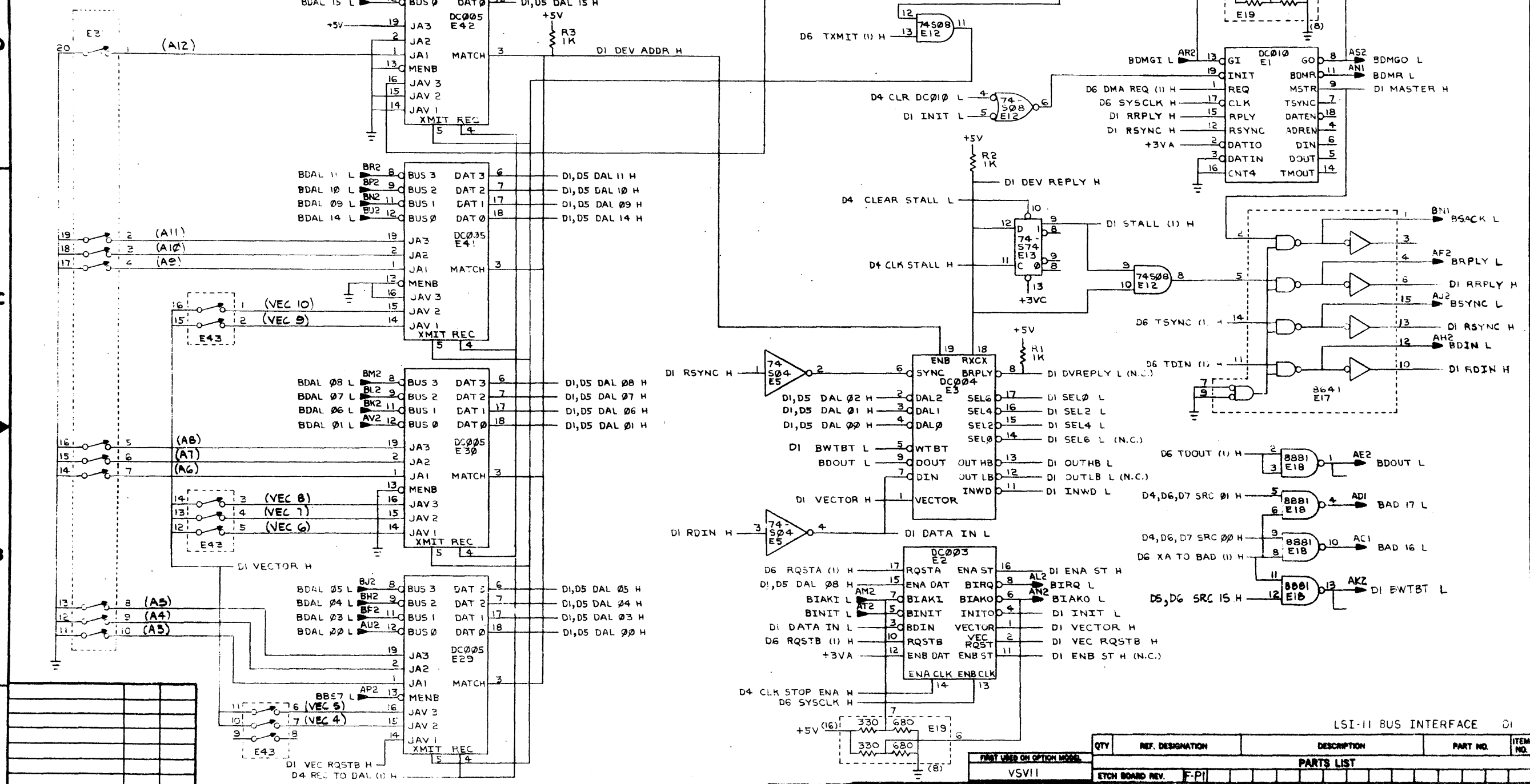
61 NOTE: REFERENCE DESIGNATIONS C7,C8,C9,C10 ARE NOT USED.

! ! ! ! ! ! ! ! ! !	! TITLE	! ! ! ! ! ! ! ! ! !	! ! ! ! ! ! ! ! ! !	! ! ! ! ! ! ! ! ! !	! ! ! ! ! ! ! ! ! !
! ! ! ! ! ! ! ! ! !	IMAGE PROCESSOR	! ! ! ! ! ! ! ! ! !	SECTION A OF A	! ! ! ! ! ! ! ! ! !	! ! ! ! ! ! ! ! ! !
! ! ! ! ! ! ! ! ! !		! ! ! ! ! ! ! ! ! !		! ! ! ! ! ! ! ! ! !	! ! ! ! ! ! ! ! ! !
! ! ! ! ! ! ! ! ! !		! ! ! ! ! ! ! ! ! !		! ! ! ! ! ! ! ! ! !	! ! ! ! ! ! ! ! ! !



THE INFORMATION CONTAINED HEREIN IS UNCLASSIFIED EXCEPT WHERE SHOWN OTHERWISE AND IS THE PROPERTY OF THE UNITED STATES GOVERNMENT. IT IS TO BE CONTAINED IN THE PUBLIC DOMAIN AND IS TO BE RELEASED TO THE PUBLIC BY THE NATIONAL ARCHIVES.

**NOTES:**



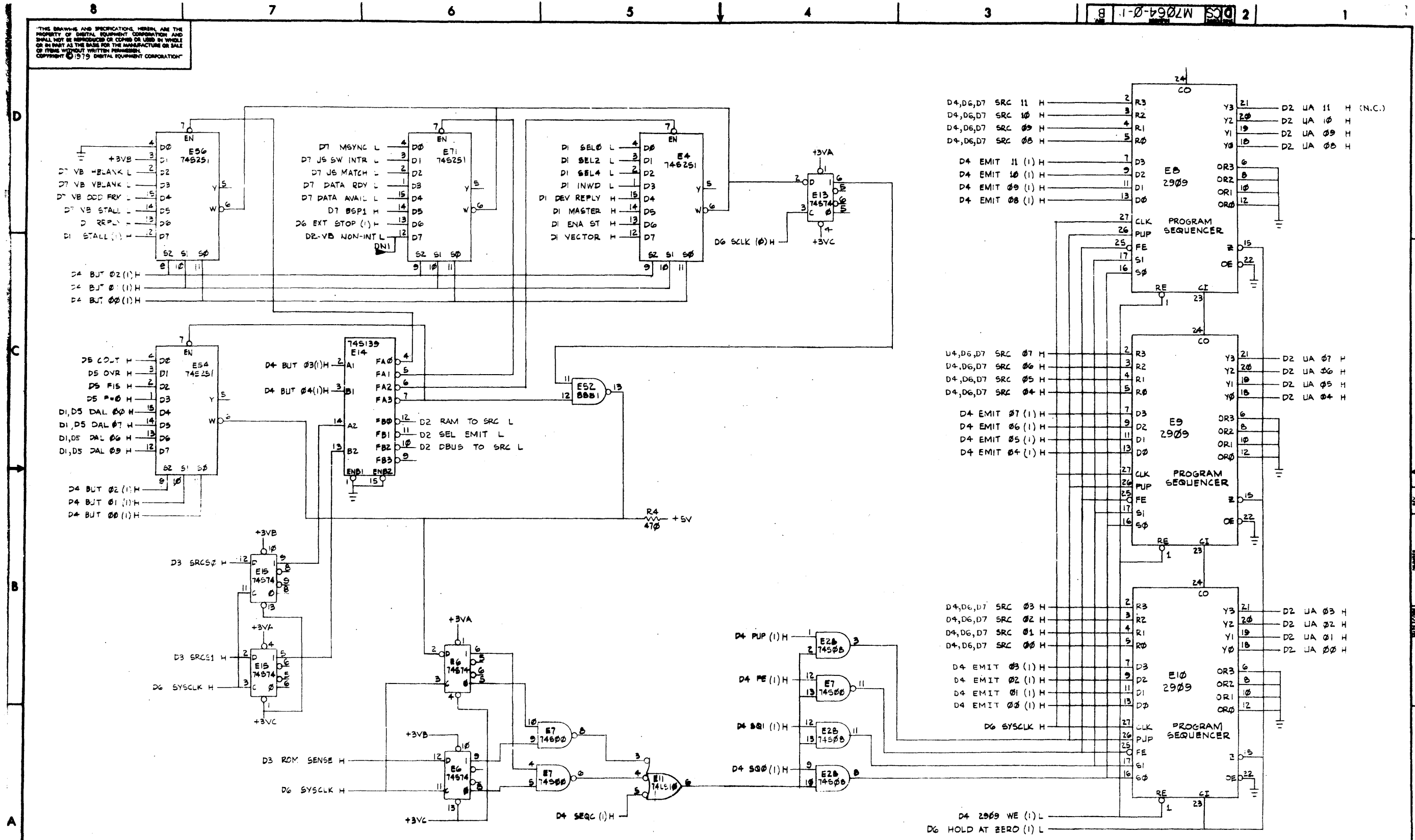
IC TYPE	GND	+5V
GND AND 5V ARE USUALLY PIN 7 AND 14 RESPECTIVELY EXCEPT AS STATED ABOVE		
IC PIN LOCATIONS		

NOTE: FOR SWITCHES OFF (OPEN) = "0" ON (CLOSED) = "1"

LSI-11 BUS INTERFACE DI	
QTY	REF. DESIGNATION
PARTS LIST	
ETCH BOARD REV. F-P1	
DATE	
DRAWN	
CHECKED	
APPROVED	
TITLE	
IMAGE PROCESSOR	
NEXT HIGHER ASSY	
B-DD-M7064-0	
SCALE	NONE
SHEET	OF 5
REV. B	NUMBER DCS M7064-0-1

DEC NO.	EIA NO.	DEC NO.	EIA NO.
SEMICONDUCTOR CONVERSION CHART			

THE DRAWING AND SPECIFICATIONS HEREIN ARE THE PROPERTY OF DIGITAL EQUIPMENT CORPORATION AND SHALL NOT BE REPRODUCED OR COPIED OR USED IN WHOLE OR IN PART AS THE BASIS FOR THE MANUFACTURE OR SALE OF ITEMS WITHOUT WRITTEN PERMISSION. COPYRIGHT © 1979 DIGITAL EQUIPMENT CORPORATION

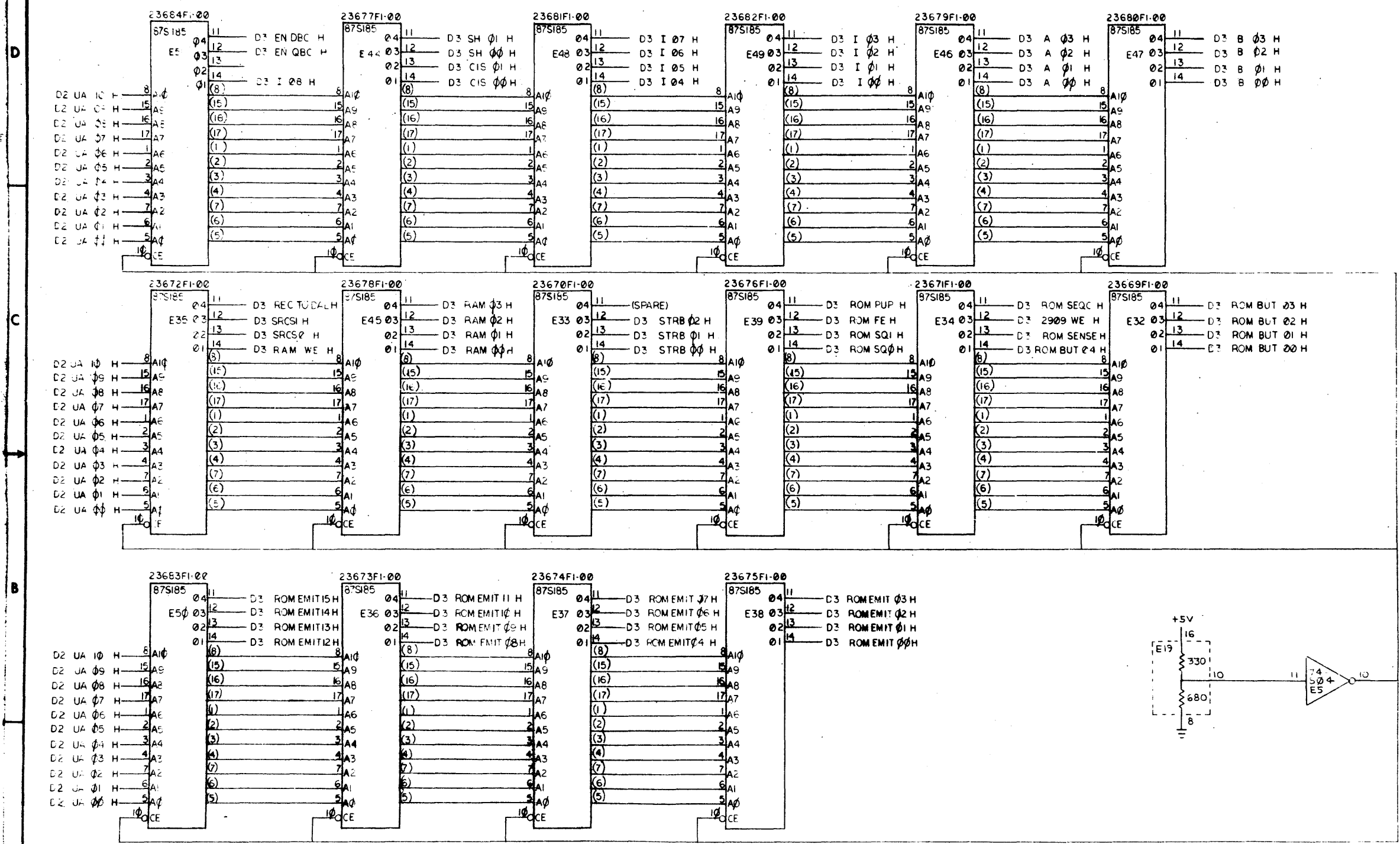


REVISIONS		
CHK	CHANGE NO.	REV.

TITLE	IMAGE PROCESSOR	SIZE/CODE	D CS	NUMBER	M7064-0-1	REV.	B
SCALE	NONE	SHEET	2	OF	8	DIST.	

PROGRAM SEQUENCER D2

THE DRAWING AND SPECIFICATIONS HEREIN ARE THE PROPERTY OF DIGITAL EQUIPMENT CORPORATION AND SHALL NOT BE REPRODUCED OR COPIED IN WHOLE OR IN PART AS THE BASIS FOR THE MANUFACTURE OR SALE OF ITEMS WITHOUT THE WRITTEN PERMISSION OF DIGITAL EQUIPMENT CORPORATION.

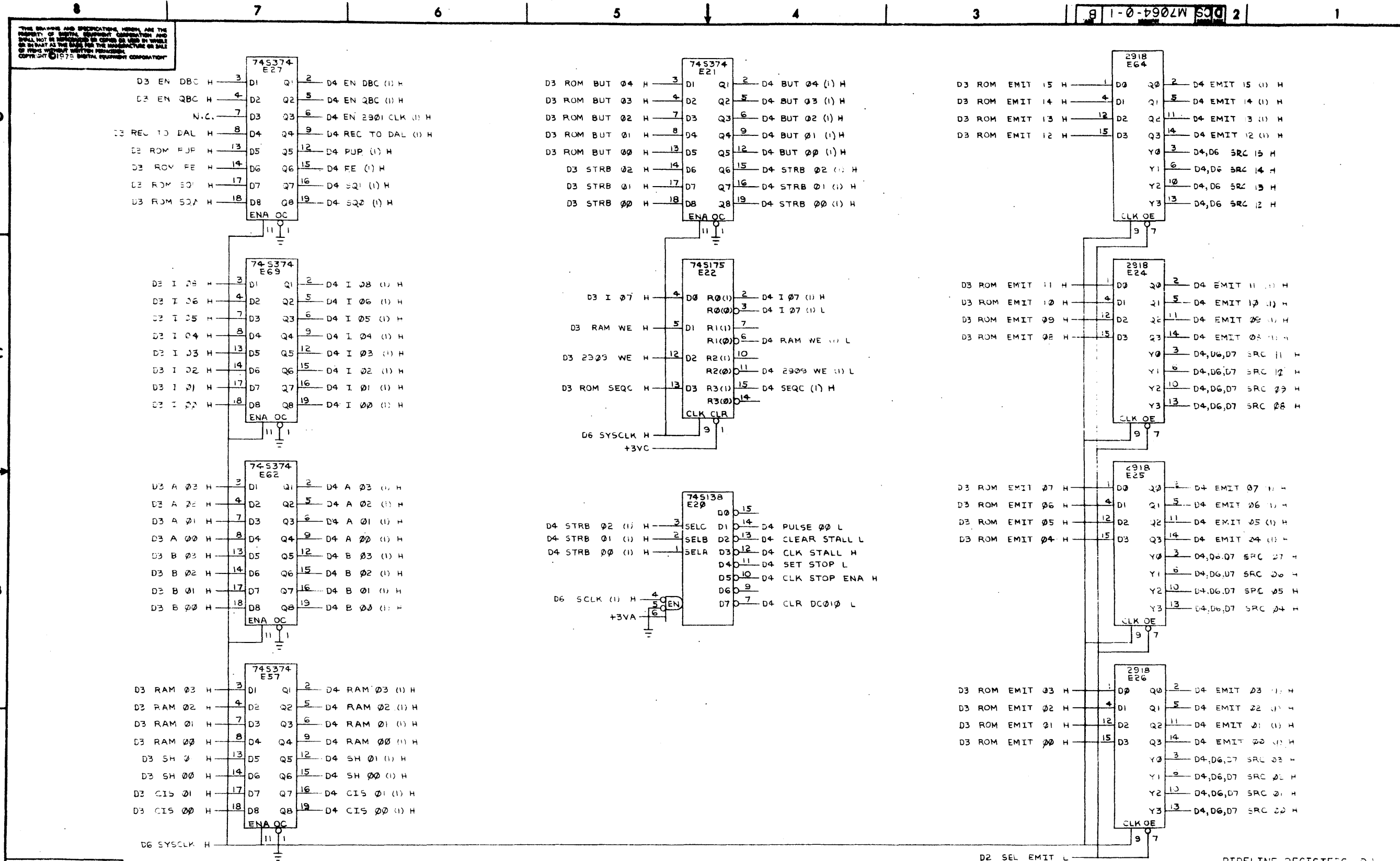


REVISIONS		
CHK	CHANGE NO.	REV.

PROGRAM ROMS D3

TITLE	IMAGE PROCESSOR	SIZE CODE	D CS	NUMBER	M7064-0-1	REV.	B
SCALE	NONE	SHEET	3	OF	6	DIST.	

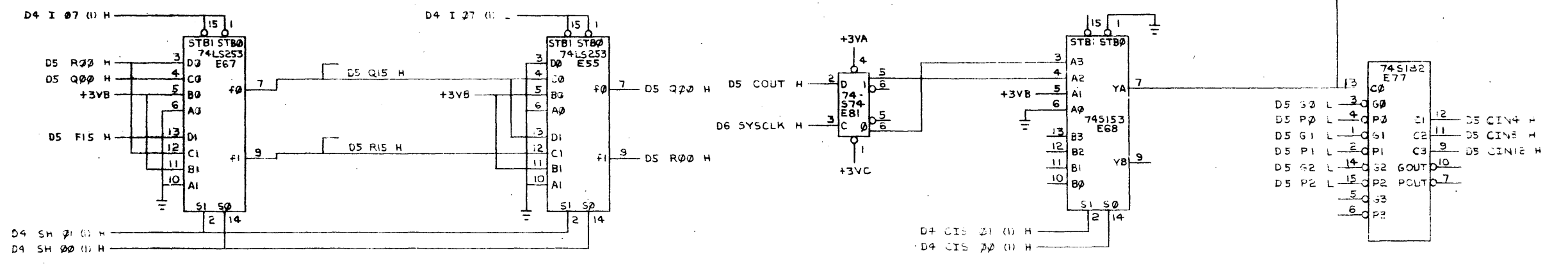
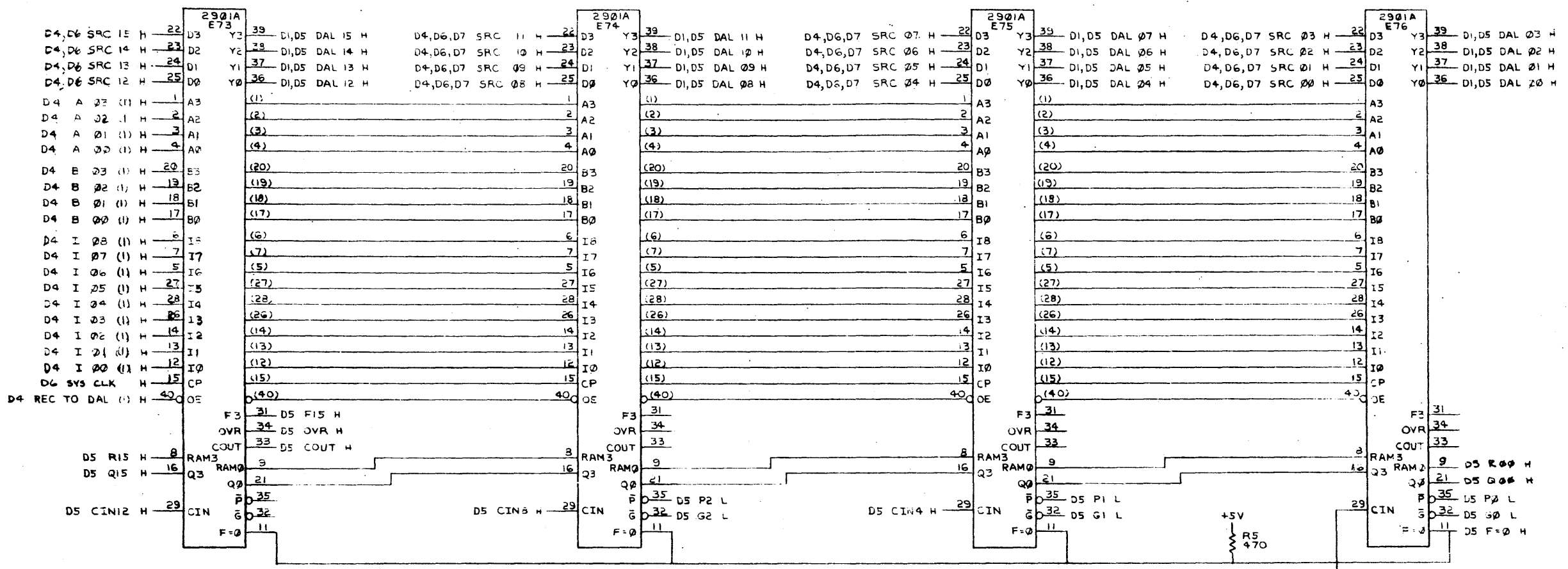
THIS DRAWING AND SPECIFICATIONS HEREIN ARE THE PROPERTY OF DIGITAL EQUIPMENT CORPORATION AND SHALL NOT BE REPRODUCED OR COPIED IN WHOLE OR IN PART AS THE BASIS FOR THE MANUFACTURE OR SALE OF ITEMS WITHOUT WRITTEN PERMISSION. COPYRIGHT © 1978 DIGITAL EQUIPMENT CORPORATION



REVISIONS		
CHK	CHANGE NO	REV.

TITLE	IMAGE PROCESSOR	SIZE CODE	D CS	NUMBER	M7064-0-1	REV.	3
SCALE	NONE	SHEET	4	OF	8	DIST.	

THIS DRAWING AND SPECIFICATION, WHICH ARE THE PROPERTY OF DIGITAL EQUIPMENT CORPORATION, ARE TO BE USED ONLY FOR THE MANUFACTURE OF THE EQUIPMENT DESCRIBED HEREIN. NO PART OF THIS DRAWING OR SPECIFICATION IS TO BE REPRODUCED OR TRANSMITTED IN ANY FORM OR BY ANY MEANS, ELECTRONIC OR MECHANICAL, INCLUDING PHOTOCOPYING, RECORDING, OR BY ANY INFORMATION STORAGE AND RETRIEVAL SYSTEM, WITHOUT THE WRITTEN PERMISSION OF DIGITAL EQUIPMENT CORPORATION.

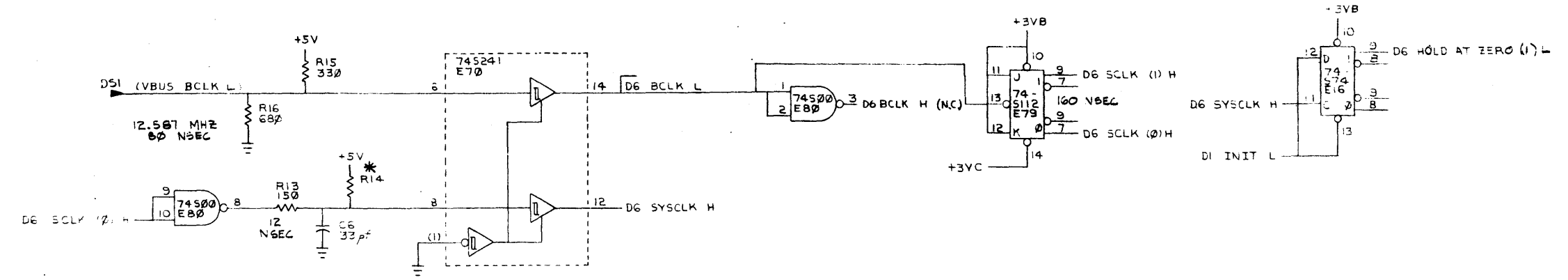
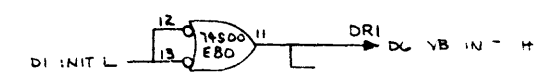
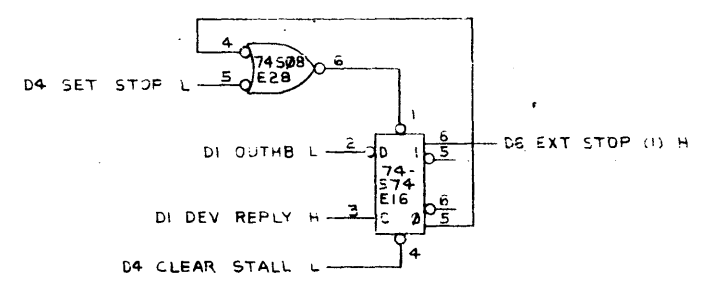
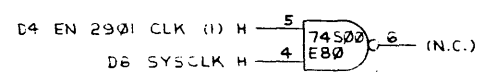
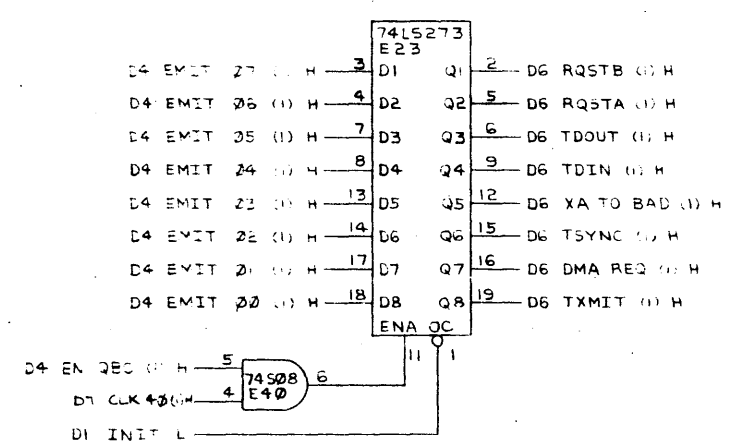
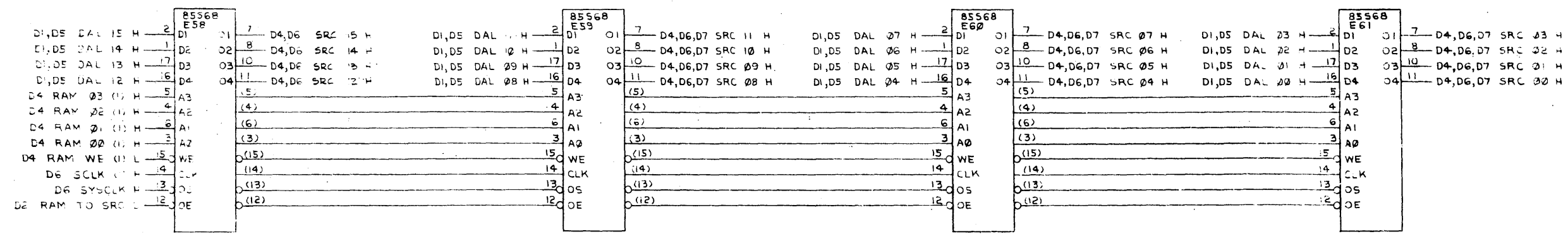


REVISIONS		
CHK	CHANGE NO.	REV.

ARITHMETIC/LOGIC UNIT D5

TITLE	IMAGE PROCESSOR	SIZE/CODE	DCS	NUMBER	M7064-0-1	REV.	B
SCALE	NONE	SHEET	5	OF	8	DIST.	

THE DRAWING AND SPECIFICATIONS HEREIN ARE THE PROPERTY OF SPIDAL EQUIPMENT CORPORATION AND SHALL NOT BE REPRODUCED OR COPIED OR USED IN WHOLE OR IN PART AS THE BASIS FOR THE MANUFACTURE OR SALE OF ITEMS WITHOUT WRITTEN PERMISSION. COPYRIGHT © 1977 SPIDAL EQUIPMENT CORPORATION.



\*NOTE:  
 R14 IS NOT INSTALLED

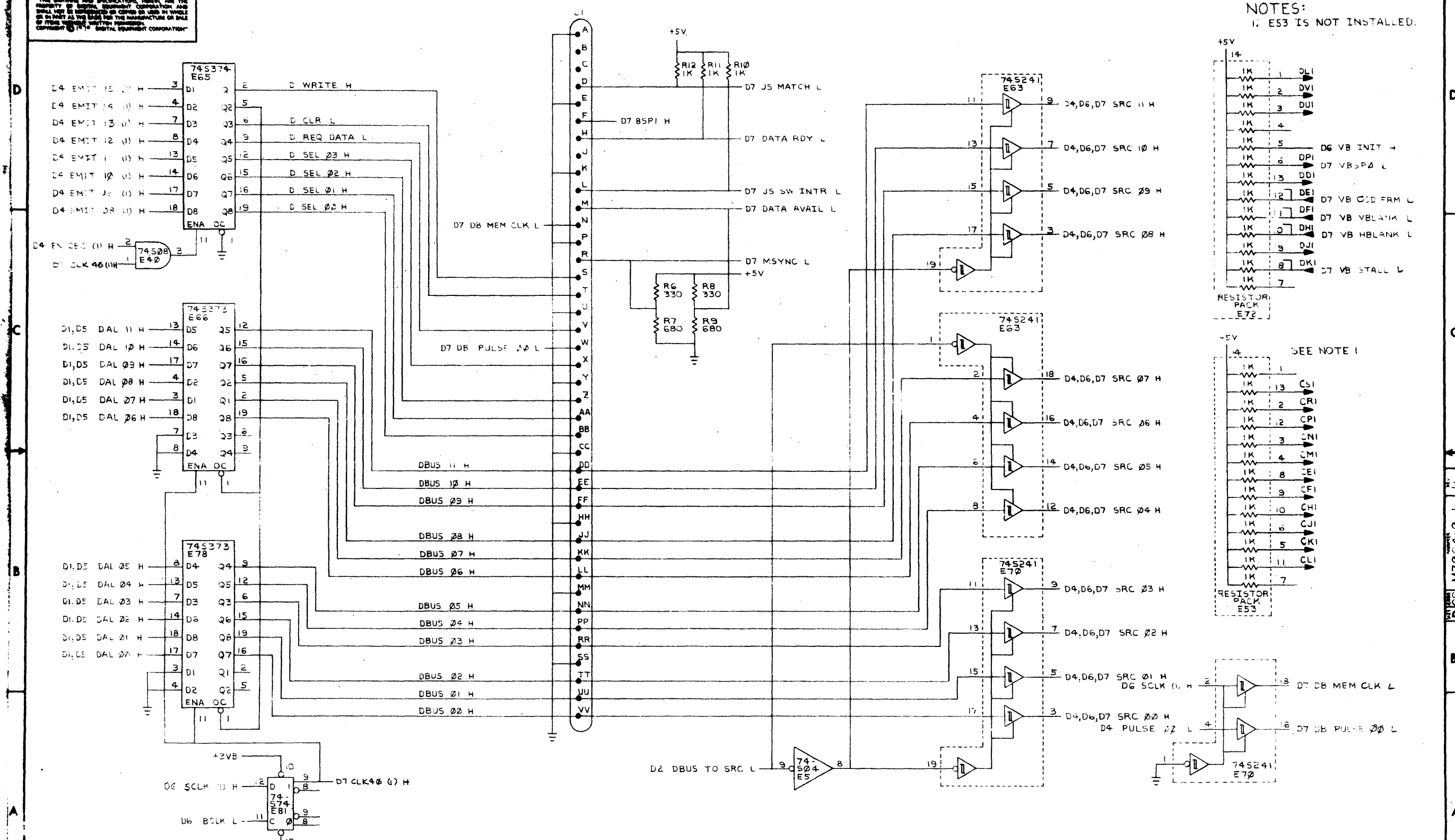
REVISIONS		
CHK	CHANGE NO.	REV.

RAM, TIMING & MISC LOGIC D6

TITLE	IMAGE PROCESSOR	SIZE CODE	D CS	NUMBER	M7064-0-1	REV.	B
SCALE	NONE	SHEET	6 OF 8	DIST.			

THE DRAWING AND SPECIFICATIONS HEREIN ARE THE PROPERTY OF DIGITAL EQUIPMENT CORPORATION AND SHALL NOT BE REPRODUCED OR COPIED IN WHOLE OR IN PART AS THE BASIS FOR THE MANUFACTURE OR SALE OF ITEMS WITHOUT THE WRITTEN PERMISSION OF DIGITAL EQUIPMENT CORPORATION.

NOTES:  
1. E53 IS NOT INSTALLED.



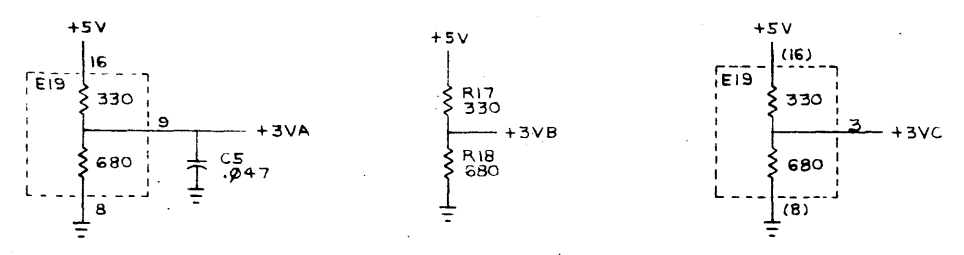
REVISIONS		
CL	CHANGE NO.	REV.

DBUS INTERFACE D7

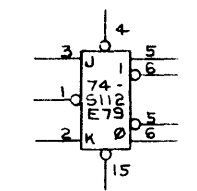
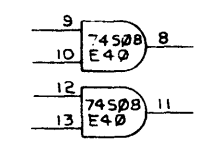
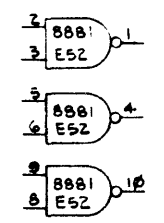
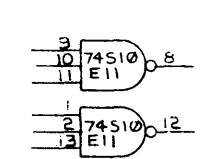
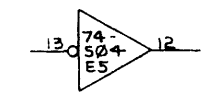
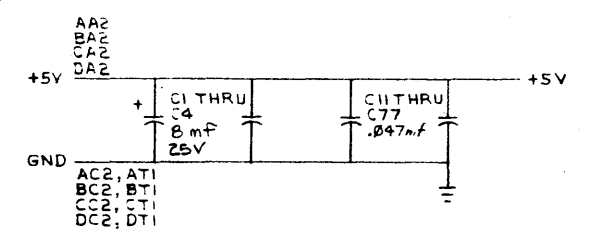
TITLE	IMAGE PROCESSOR	SHEET	7 OF 8	SCALE	NONE	DIST.		REV.	B

M7064-0-1

THIS DRAWING AND SPECIFICATIONS HERIN ARE THE PROPERTY OF DIGITAL EQUIPMENT CORPORATION AND SHALL NOT BE REPRODUCED OR USED IN WHOLE OR IN PART AS THE BASIS FOR THE MANUFACTURE OR SALE OF THIS EQUIPMENT WITHOUT PERMISSION. COPYRIGHT © 1970 DIGITAL EQUIPMENT CORPORATION.



SPARES



PROM, TRI STATE	9	18
DC010	10	20
DC005	10	20
DC004	10	20
DC003	9	18
85568	9	18
2909	14	28
2901A	30	10
8641	8	16
2918	8	16
745374	10	20
745373	10	20
74LS273	10	20
74LS253	8	16
74S251	8	16
74S241	10	20
74S182	8	16
74S175	8	16
74S153	8	16
74S139	8	16
74S138	8	16
74S112	8	16
IC TYPE	GND	+5V
GND AND 5V ARE USUALLY PINS 1 & 4 RESPECTIVELY EXCEPTIONS ARE STATED ABOVE		
IC PIN LOCATIONS		

REVISIONS		
CHK	CHANGE NO	REV.

D8

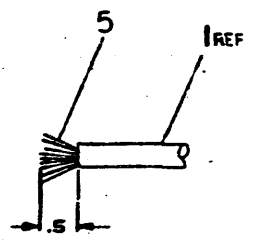
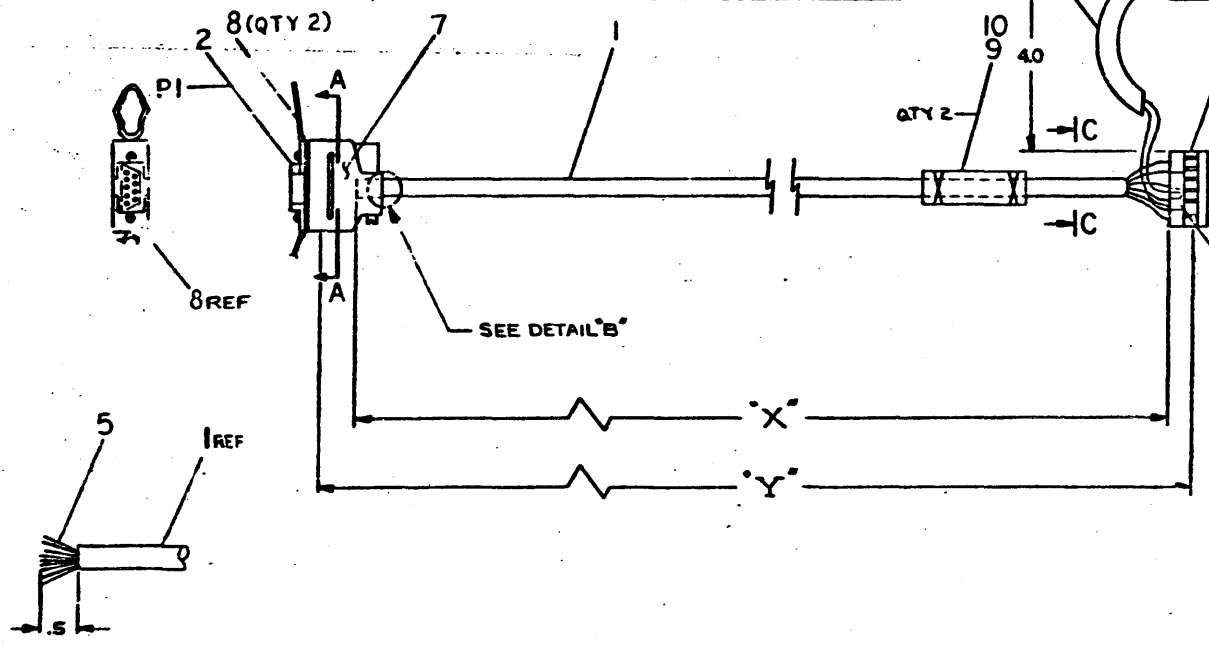
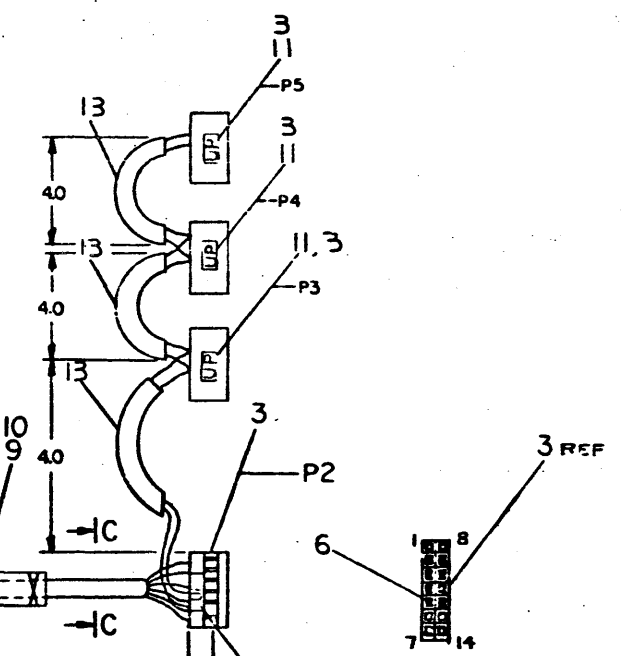
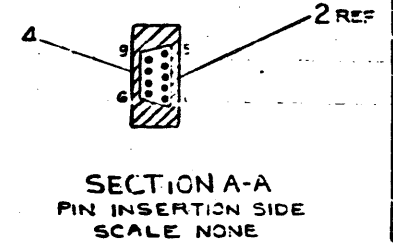


0-0-2239102 V10 2

THIS DRAWING AND SPECIFICATIONS HEREAFTER ARE THE PROPERTY OF DIGITAL EQUIPMENT CORPORATION AND SHALL NOT BE REPRODUCED OR COPIED OR USED IN WHOLE OR IN PART AS THE BASIS FOR THE MANUFACTURE OR SALE OF ITEMS WITHOUT WRITTEN PERMISSION OF DIGITAL EQUIPMENT CORPORATION.

WIRE TABLE					
ITEM NO.	DESCRIPTION	FROM	TO	REMARKS	
NO.	AWG	COLOR	CONN WITH	CONN WITH	
1	24	RED	P1-1	P2-2	JOY +V
	24	BLK	P1-2	P2-9	JOY -V
	24	BLU	P1-4	P2-10	JOY X
	24	ORN	P1-5	P2-4	JOY Y
	24	SHIELD	P1-6	P2-3	GND
	24	WHT	P1-7	P2-5	SW SUP
	24	GRN	P1-8	P2-12	SW RTN
14	26	GRN	P2-12	P3-12	SW RTN
			P3-12	P4-12	SW RTN
			P2-5	P3-5	SW SUP
15	26	WHT	P3-5	P4-5	SW SUP
			P4-5	P5-5	SW SUP
			P2-4	P3-4	JOY Y
16	26	ORN	P3-4	P4-4	JOY V
			P4-4	P5-4	JOY Y
			P2-10	P3-10	JOY X
17	26	BLU	P3-10	P4-10	JOY X
			P4-10	P5-10	JOY X

LEGEND		
NUMBER	DIM "X" VAR.	DIM "Y" PRECUT VAR.
7015822-0	20 FT. 0 IN.	20 FT. 2 IN.
7015822-1	20 FT. 0 IN.	20 FT. 2 IN.



QTY	DESCRIPTION	DWG. PART NO.	ITEM NO.
21	WIRE, 26 AWG (BLU)	9107636-66	17
21	WIRE, 26 AWG (ORN)	9107636-33	16
21	WIRE, 26 AWG (WHT)	9107636-99	15
21	WIRE, 26 AWG (GRN)	9107636-55	14
AWR	TUBING, SPIRAL	9107241-09	13
1	TUBING, SHRINK	9107250-00	12
4	STICKER, UP	361574-6	11
2	TUBING, SHRINK (.094 ID)	9107714	10
1	LABEL, CABLE I.D.	3616073	9
2	LATCH ASSY, SPRING	1212702-00	8
1	CONN, J SUB SHELL	1211245-01	7
7	SOCKET, CRIMP CONN	1210039-6	6
AWR	TUBING, THIN WALL	9107278-11	5
7	SOCKET, 18 AWG	1212583-01	4
4	TERMINATOR, 14 POS HOUSING	1210918-30	3
1	CONN, J SUB 9 PIN	1211244-01	2
AWR	CABLE 6 COND 24 AWG	9107733-00	1

UNLESS OTHERWISE SPECIFIED DIMENSIONS ARE IN INCHES	
ANGLES OF 90°	CLASS OF ACCURACY
SURFACE QUALITY	FINISH
QUANTITY & VARIATION	FINISH
FIRST USED ON	
TITLE	
CABLE, JOYSTICK	
MATERIAL SEE PARTS LIST	SIZE CODE
FINISH NONE	SCALE NONE
SHEET 1 OF 1	DIST.

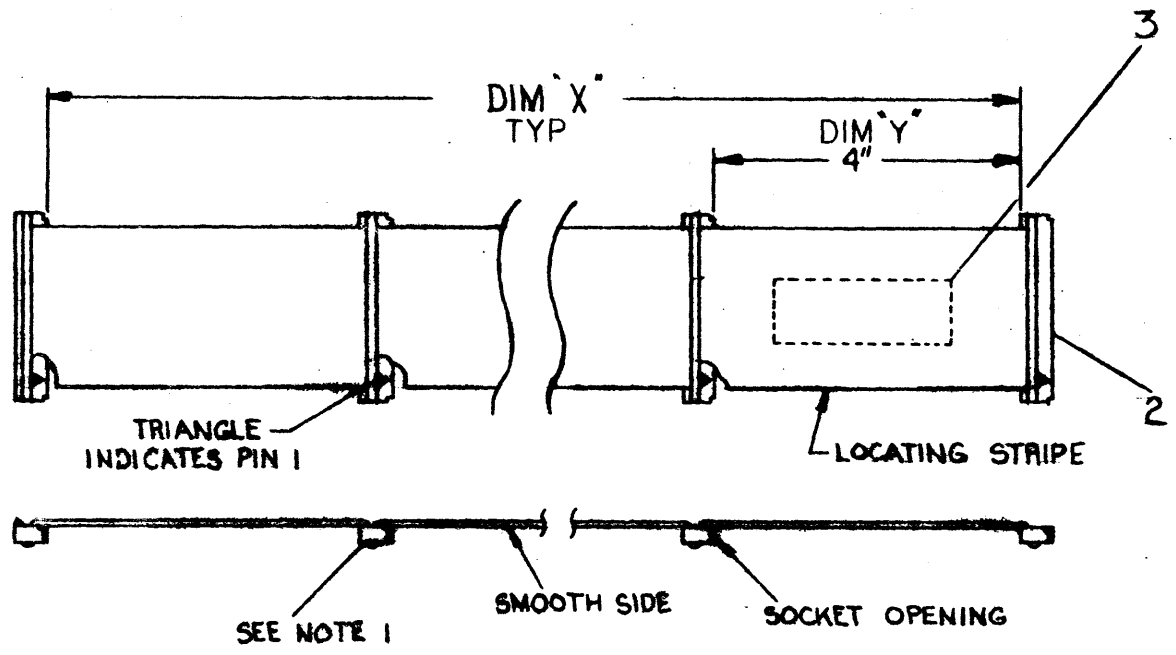
THIS DRAWING AND SPECIFICATIONS HEREIN ARE THE PROPERTY OF DIGITAL EQUIPMENT CORPORATION AND SHALL NOT BE REPRODUCED OR COPIED OR USED IN WHOLE OR IN PART AS THE BASIS FOR THE MANUFACTURE OR SALE OF ITEMS WITHOUT WRITTEN PERMISSION. COPYRIGHT © 1970, DIGITAL EQUIPMENT CORPORATION

LEGEND		
NUMBER	VARIATION	
	DIM "X" TYP	DIM "Y" ± .5
7015987-0M	12 1/4 IN.	4 IN.
7015987-1K	24 5/8 IN.	
7015987-2D	32 1/8 IN.	

SEE NOTE 2

NOTES:

1. WHEN MAKING CABLE MAKE LOOP FLUSH WITH CONNECTOR.
2. VARIATION 7015987-0M CORRESPONDS TO A 4 CONNECTOR CABLE (AS SHOWN) THE -1K VARIATION CORRESPONDS TO A 7 CONNECTOR CABLE, AND THE -2D VARIATION CORRESPONDS TO A 9 CONNECTOR CABLE.
3. SEE A-5P-1211206-00 FOR ASSY. OF CONNECTOR.



1	1	1	LABEL, E.C.A.	9009532-00	3
9	7	4	CONNECTOR, FEMALE	2M1124A-00	2
369	275	14	CABLE, FLAT W/O CONN.	9107747-01	1

QUANTITY & VARIATION	DESCRIPTION	DWG. PART NO.	ITEM NO.
7015987-0M	UNLESS OTHERWISE SPECIFIED DIMENSIONS ARE IN INCHES	MEDIUM	1
7015987-1K			
7015987-2D			

THIRD ANGLE PROJECTION	DRN. J. Small	FIRST USED ON	VSVII
REMOVE BURRS AND BREAK SHARP CORNERS	CHK'D. [Signature]	TITLE	CABLE, DATA
DO NOT SCALE DWG	ENG. [Signature]	SIZE	C
MATERIAL	PROJ. ENG. [Signature]	CODE	JA
SEE PARTS LIST	PROD. [Signature]	NUMBER	7015987-0-0
FINISH	NEXT HIGHER ASSY.	REV.	B
		SHEET	OF
		DIST.	

REV.	B
CHANGE NO.	1
REVISIONS	DOUG PRATT

CITA 7015987-0-0 B

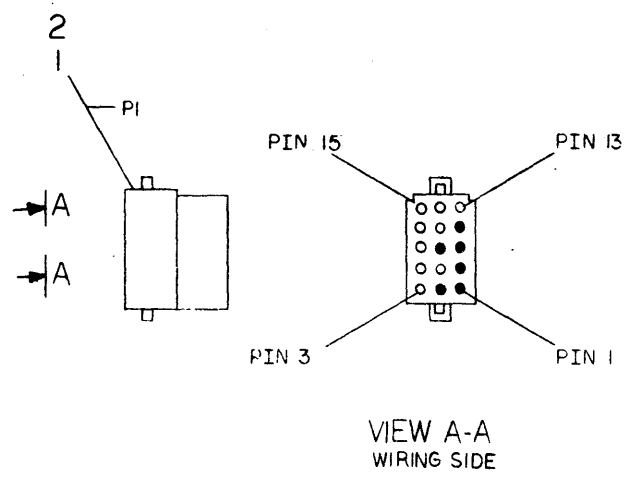
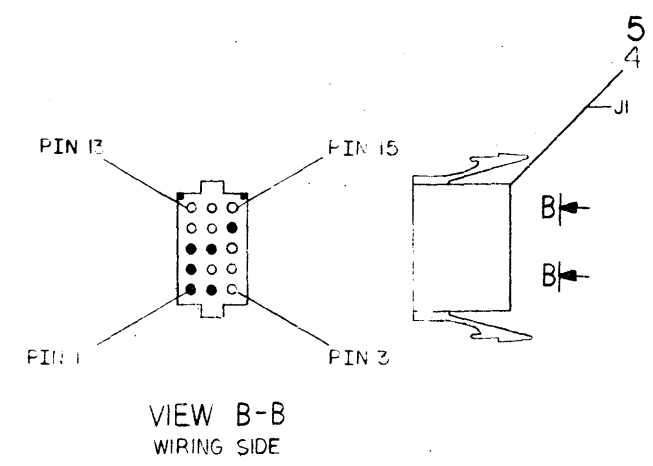
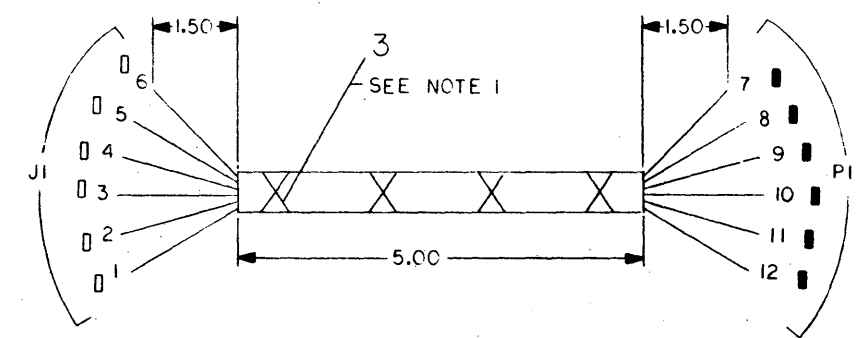
NH

THE DRAWING AND SPECIFICATIONS HEREIN ARE THE PROPERTY OF THE UNITED STATES GOVERNMENT AND SHALL BE LOANED TO YOU BY THE GOVERNMENT. IT IS TO BE USED ONLY FOR THE PURPOSES AUTHORIZED BY THE GOVERNMENT. IT IS TO BE RETURNED TO THE GOVERNMENT ON OR BEFORE THE DATE OF DEPARTURE FROM THE AREA.

WIRE TABLE										
ITEM NO.	DESCRIPTION	FROM	TO	REMARKS						
NO.	AWG	COLOR	POINT CONNECTION	TERM	POINT CONNECTION	TERM	SIGNAL	LENGTH		
7	14	RED	1	J1-12	ITEM #5	12	PI-10	ITEM #2	+5VB	8 IN.
6	14	BLK	2	J1-8	↑	11	PI-8	↑	GND	↑
6	14	BLK	3	J1-7	↑	10	PI-7	↑	GND	↑
7	14	RED	4	J1-4	↑	9	PI-4	↑	+5V	↑
8	18	GRY	5	J1-2	↓	8	PI-2	↓	+15V	↓
7	14	RED	6	J1-1	ITEM #5	7	PI-1	ITEM #2	+5V	8 IN.

- NOTES:
1. TIE CABLE (X) WHERE INDICATED.
  2. STRIP .125 IN. BEFORE CRIMPING.
  3. CABLE LENGTH, 8 INCHES ±.500 INCHES.
  4. ATTACH CABLE LABEL, ITEM #9, #3616073-00.

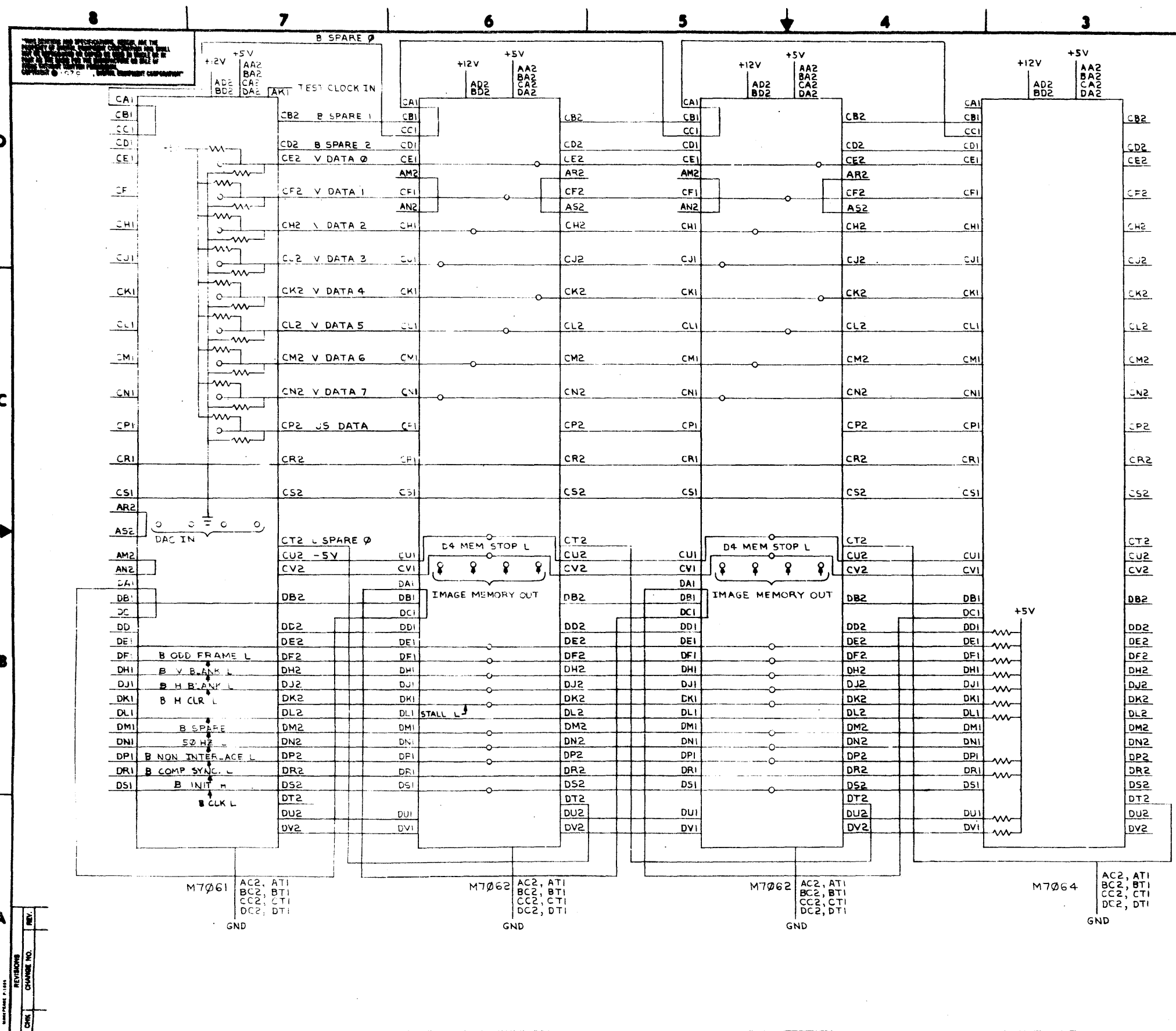
SEE NOTE 2



QTY	DESCRIPTION	QTY	DESCRIPTION	QTY	DESCRIPTION
1	IDENTIFICATION LABEL	3616073-00	9		
AVR	WIRE, #18 AWG, STRD, GRY	9107360-88	8		
AVR	WIRE, #14 AWG, STRD, RED	9107370-22	7		
AVR	WIRE, #14 AWG, STRD, BLK	9107370-00	6		
6	PIN, SOCKET	1209379-01	5		
1	CONN, 15 PIN	1209350-15	4		
X	TIE WRAP	9007880-00	3		
6	PIN, MALE	1209378-01	2		
1	CONN, 15 PIN	1209351-15	1		

SYMB	DESCRIPTION	QTY	ITEM NO.
UNLESS OTHERWISE SPECIFIED DIMENSIONS ARE IN INCHES			
ANGLE 10° 30'	CLASS OF ACCURACY	DIMENSIONAL TOLERANCES IN INCHES	
SURFACE QUALITY	(CHECK ONE)	0.005	0.004
QUANTITY & VARIATION	MEDIUM	0.002	0.001
	PREFERRED	0.001	0.0005
THIRD ANGLE PROJECTION	DRN. [Signature]	DATE	FIRST USED ON
REMOVE BURRS AND BREAK SHARP CORNERS	CHK'D [Signature]	DATE	
DO NOT SCALE DIMS	PROJ. ENG. [Signature]	DATE	
MATERIAL	PRD. [Signature]	DATE	
SCALE	TITLE: HARNESS ADAPTER DDVII-CX-BAII-P/F		
FINISH	0-UA-VSVII-0-0	SIZE CODE	NUMBER
	SHEET	OF	REV. A
	SHEET	OF	IA 7016830-0-0

REVISIONS  
CHANGE NO. REV.



- NOTES:**
1. THIS PRINT REPRESENTS A TOP VIEW (MODULE SIDE) OF THE C & D SLOTS OF A 49273 BACKPLANE (E/F OF DDV1-CK). THE 1-2 INTERCONNECT SCHEME OF THE BACKPLANE IS SHOWN, AND THE INTERNAL SIGNAL CONNECTIONS OF A TYPICAL SET OF VIDEO MODULES IS GIVEN.
  2. THE M7064 MODULE IS ALWAYS THE LAST MODULE OF A VIDEO SET. IT BREAKS THE 1-2 SIGNAL CHAIN AND TERMINATES VIDEO SIGNALS.
  3. THE M7061 TERMINATES THE VIDEO SIGNALS ON THE END OPPOSITE FROM THE M7064. IT IS ALWAYS THE FIRST MODULE OF A VIDEO SET.

REV.	
CHANGE NO.	

DRN. <i>A. J. Smith</i>	FIRST USED ON	VSVII
ENG. <i>D. Jones</i>	TITLE	VSVII BACKPLANE INTERCONN
PROJ. ENG. <i>D. Jones</i>	SIZE	D
PROG. <i>D. Jones</i>	CODE	IC
NEXT HIGHER ASSY.	NUMBER	VSVII-0-2
B-DD-VSVII-0	SCALE	NONE
SHEET	OF	
	DIST.	

# DIGITAL EQUIPMENT CORPORATION PARTS LIST

MADE BY *D.D. Lane*      CHECKED *D.D. Lane*  
 DATE *19-AUG-80*      DATE *19-AUG-80*  
 ENG *J. Brantley*      PROD *A.R. Davis*  
 DATE *20 AUG 80*      DATE *20 AUG 80*

SECTION  
ISSUED SECTION

QUANTITY / VARIATION

NOTES:

ITEM NO.	DRAWING NO.	PART NO.	DESCRIPTION	VSV11-AA	VSV11-AB	VSV11-AC	VSV11-AD	VSV11-AE	VSV11-AF	VSV11-AH	VSV11-AJ	VSV11-AP	VSV11-AR	VSV11-AS	REF DESIGNATION
1	B-TC-VSV11-0-1	MP01103	FIELD MAINT. PRINT SET (COMPLETE)	1	1	1	1	1	1	1	1	1	1	1	
2		VSV11-AA	VIDEO GRAPHICS 120V/60HZ	1	-	-	-	-	-	-	-	-	-	-	
3		VSV11-AB	VIDEO GRAPHICS 240V/50HZ	-	1	-	-	-	-	-	-	-	-	-	
4		VSV11-AC	VSV11-AA W/SEC FRAME BUFFER	-	-	1	-	-	-	-	-	-	-	-	
5		VSV11-AD	VSV11-AB W/SEC FRAME BUFFER	-	-	-	1	-	-	-	-	-	-	-	
6		VSV11-AE	VSV11-AA W/12"B/W MONITOR & KEYB.	-	-	-	-	1	-	-	-	-	-	-	
7		VSV11-AF	VSV11-AB W/12"B/W MONITOR & KEYB.	-	-	-	-	-	1	-	-	-	-	-	
8		VSV11-AH	VSV11-AE W/SEC FRAME BUFFER	-	-	-	-	-	-	1	-	-	-	-	
9		VSV11-AJ	VSV11-AF W/SEC FRAME BUFFER	-	-	-	-	-	-	-	1	-	-	-	
10		VSV11-AP	VSV11-AA W/19" COLOR MONITOR & KEYBOARD	-	-	-	-	-	-	-	-	1	-	-	
11		VSV11-AR	VSV11-AB W/19" COLOR MONITOR & KEYBOARD	-	-	-	-	-	-	-	-	-	1	-	
12		VSV11-AS	VSV11-AP W/SEC FRAME BUFFER	-	-	-	-	-	-	-	-	-	-	1	
13		VSV11-AT	VSV11-AR W/SEC FRAME BUFFER	-	-	-	-	-	-	-	-	-	-	-	
14		VSV11-MA	IMAGE MEMORY	-	-	-	-	-	-	-	-	-	-	-	
15		VSV11-SA	SYNC. GEN VIDEO CABLES	-	-	-	-	-	-	-	-	-	-	-	
16		VSV11-SB	SYNC. GEN VIDEO CABLES	-	-	-	-	-	-	-	-	-	-	-	
17		VSV11-SC	SYNC. GEN VIDEO CABLES, JOYSTICK CABLE	-	-	-	-	-	-	-	-	-	-	-	
18		VSV11-SD	SYNC. GEN VIDEO CABLES, JOYSTICK CABLE	-	-	-	-	-	-	-	-	-	-	-	

E.C.O. NO.  
VSV11-  
M0001  
VSV11-  
M0003

"THIS DRAWING AND SPECIFICATIONS, HEREIN, ARE THE PROPERTY OF DIGITAL EQUIPMENT CORPORATION AND SHALL NOT BE REPRODUCED OR COPIED OR USED IN WHOLE OR IN PART AS THE BASIS FOR THE MANUFACTURE OR SALE OF ITEMS WITHOUT WRITTEN PERMISSION. COPYRIGHT ©1980 DIGITAL EQUIPMENT CORPORATION"

TITLE  
**SHIPPING LIST**

ASSY NO.  
SHEET 1 OF 4

SIZE <b>B</b>	CODE <b>PL</b>	NUMBER VSV11-0-3	REV. <b>C</b>
------------------	-------------------	---------------------	------------------

INSERTION PARTS LIST DATA BASE REV

DIGITAL EQUIPMENT CORPORATION PARTS LIST				QUANTITY / VARIATION										NOTES:			
MADE BY <i>D. D. Reno</i> DATE 19-AUG-80		CHECKED <i>D. D. Reno</i> DATE 19-AUG-80		SECTION		VSV11-AA	VSV11-AB	VSV11-AC	VSV11-AD	VSV11-AE	VSV11-AF	VSV11-AH	VSV11-AJ	VSV11-AP	VSV11-AR	VSV11-AS	REF DESIGNATION
ENG DATE		PROD DATE		ISSUED SECTION													
ITEM NO.	DRAWING NO.	PART NO.	DESCRIPTION														
19		VSV11-SE	SYNC. GEN VIDEO CABLES, MULT J.S. CABLE	-	-	-	-	-	-	-	-	-	-	-	-		
20		VSV11-SF	SYNC. GEN VIDEO CABLES, MULT J.S. CABLE	-	-	-	-	-	-	-	-	-	-	-	-		
21		VSV11-SH	SYNC. GEN VIDEO CABLES	-	-	-	-	-	-	-	-	-	-	-	-		
22	TC-VRV02-0-1	MP01054	FIELD MAINT. PRINT SET VRV02	-	-	-	-	-	-	-	-	-	1	1	1		
23	YNC183C-00		VSV11/VSV11 RASTER GRAPHICS SYSTEM OPTION DESCRIPTION	1	1	1	1	1	1	1	1	1	1	1	1		
24			INSTALL, OPER, AND MAINT. MANUAL FOR HM-2719 COLOR MONITOR	-	-	-	-	-	-	-	-	-	1	1	1		
25		AC-E768A-MC	CVVSA/VSV11 DIAGNOSTIC PROGRAM  NOTE: DIAGNOSTICS WILL BE SUPPLIED ON THE MEDIA AS REQUIRED BY THE CUSTOMER.	1	1	1	1	1	1	1	1	1	1	1	1		
26	TC-VT100-0-1	MP00633	VT100 FIELD MAINT. PRINT SET	-	-	-	-	1	1	1	1	-	-	-	-		
27	EK-VT100-UG-002		VT100 USER GUIDE	-	-	-	-	-	-	-	-	-	1	1	1		
28																	
29																	

E.C.O. NO.	"THIS DRAWING AND SPECIFICATIONS, HEREIN, ARE THE PROPERTY OF DIGITAL EQUIPMENT CORPORATION AND SHALL NOT BE REPRODUCED OR COPIED OR USED IN WHOLE OR IN PART AS THE BASIS FOR THE MANUFACTURE OR SALE OF ITEMS WITHOUT WRITTEN PERMISSION. COPYRIGHT © 1980 DIGITAL EQUIPMENT CORPORATION"	TITLE	ASSY NO.	SIZE	CODE	NUMBER	REV.
		SHIPPING LIST		B	PL	VSV11-0-3	C
		SHEET 2 OF 4		INSERTION PARTS LIST DATA BASE REV			

DIGITAL EQUIPMENT CORPORATION PARTS LIST				QUANTITY / VARIATION										NOTES:			
MADE BY <i>D. D. Lane</i>		CHECKED <i>D. D. Lane</i>		SECTION		VSV11-AT	VSV11-MA	VSV11-SA	VSV11-SB	VSV11-SC	VSV11-SD	VSV11-SE	VSV11-SF	VSV11-SH	VSV11-BA	VSV11-BB	REF DESIGNATION
DATE <i>19-AUG-80</i>		DATE <i>19-AUG-80</i>		ISSUED SECTION													
ENG DATE		PROD DATE															
ITEM NO.	DRAWING NO.	PART NO.	DESCRIPTION														
1	B-TC-VSV11-Ø-1	MPØ11Ø3	FIELD MAINT. PRINT SET (COMPLETE)	1	-	-	-	-	-	-	-	-	-	1	1		
2		VSV11-AA	VIDEO GRAPHICS 12ØV/6ØHZ	-	-	-	-	-	-	-	-	-	-	1	-		
3		VSV11-AB	VIDEO GRAPHICS 24ØV/5ØHZ	-	-	-	-	-	-	-	-	-	-	-	1		
4		VSV11-AC	VSV11-AA W/SEC FRAME BUFFER	-	-	-	-	-	-	-	-	-	-	-	-		
5		VSV11-AD	VSV11-AB W/SEC FRAME BUFFER	-	-	-	-	-	-	-	-	-	-	-	-		
6		VSV11-AE	VSV11-AA W/12" B/W MONITOR & KEYB.	-	-	-	-	-	-	-	-	-	-	-	-		
7		VSV11-AF	VSV11-AB W/12" B/W MONITOR & KEYB.	-	-	-	-	-	-	-	-	-	-	-	-		
8		VSV11-AH	VSV11-AE W/SEC FRAME BUFFER	-	-	-	-	-	-	-	-	-	-	-	-		
9		VSV11-AJ	VSV11-AF W/SEC FRAME BUFFER	-	-	-	-	-	-	-	-	-	-	-	-		
10		VSV11-AP	VSV11-AA W/19" COLOR MONITOR & KEYBOARD	-	-	-	-	-	-	-	-	-	-	-	-		
11		VSV11-AR	VSV11-AB W/19" COLOR MONITOR & KEYBOARD	-	-	-	-	-	-	-	-	-	-	-	-		
12		VSV11-AS	VSV11-AP W/SEC FRAME BUFFER	-	-	-	-	-	-	-	-	-	-	-	-		
13		VSV11-AT	VSV11-AR W/SEC FRAME BUFFER	1	-	-	-	-	-	-	-	-	-	-	-		
14		VSV11-MA	IMAGE MEMORY	-	1	-	-	-	-	-	-	-	-	-	-		
15		VSV11-SA	SYNC. GEN VIDEO CABLES	-	-	1	-	-	-	-	-	-	-	-	-		
16		VSV11-SB	SYNC. GEN VIDEO CABLES	-	-	-	1	-	-	-	-	-	-	-	-		
17		VSV11-SC	SYNC. GEN VIDEO CABLES, JOYSTICK CABLE	-	-	-	-	1	-	-	-	-	-	-	-		
18		VSV11-SD	SYNC. GEN VIDEO CABLES, JOYSTICK CABLE	-	-	-	-	-	1	-	-	-	-	-	-		

E.C.O. NO.

"THIS DRAWING AND SPECIFICATIONS, HEREIN, ARE THE PROPERTY OF DIGITAL EQUIPMENT CORPORATION AND SHALL NOT BE REPRODUCED OR COPIED OR USED IN WHOLE OR IN PART AS THE BASIS FOR THE MANUFACTURE OR SALE OF ITEMS WITHOUT WRITTEN PERMISSION. COPYRIGHT © 1980 DIGITAL EQUIPMENT CORPORATION"

TITLE  
SHIPPING LIST

ASSY NO.  
SHEET 3 OF 4

SIZE <b>B</b>	CODE <b>PL</b>	NUMBER VSV11-Ø-3	REV. C
INSERTION PARTS LIST DATA BASE REV			

112

DIGITAL EQUIPMENT CORPORATION PARTS LIST				QUANTITY / VARIATION										NOTES:	
MADE BY <i>D. D. Green</i>		CHECKED <i>D. D. Green</i>												REF DESIGNATION	
DATE <i>19-AUG-80</i>		DATE <i>19-AUG-80</i>													
ENG DATE		PROD DATE													
ITEM NO.	DRAWING NO.	PART NO.	DESCRIPTION	VSV11-AT	VSV11-MA	VSV11-SA	VSV11-SB	VSV11-SC	VSV11-SD	VSV11-SE	VSV11-SF	VSV11-SH	VSV11-BA	VSV11-BB	
19	VSV11-SE	VSV11-SE	SYNC. GEN VIDEO CABLES, MULT J.S. CABLE	-	-	-	-	-	-	1	-	-	-	-	
20	VSV11-SF	VSV11-SF	SYNC. GEN VIDEO CABLES, MULT J.S. CABLE	-	-	-	-	-	-	-	1	-	-	-	
21	VSV11-SH	VSV11-SH	SYNC. GEN	-	-	-	-	-	-	-	-	1	-	-	
22	B-TC-VRV02-0-1	MP-01054	FIELD MAINT. PRINT SET VRV02	1	-	-	-	-	-	-	-	-	-	-	
23	YMC183C-00		VSV11/VS11 RASTER GRAPHICS SYSTEM OPTION DESCRIPTION	1	-	-	-	-	-	-	-	-	1	1	
24			INSTALL, OPER AND MAINT. MANUAL FOR HM-2719 COLOR MONITOR	1	-	-	-	-	-	-	-	-	-	-	
25	CVVSA	AC-E768A-MC	DIAGNOSTIC PROGRAM  NOTE: DIAGNOSTICS WILL BE SUPPLIED ON THE MEDIA AS REQUIRED BY THE CUSTOMER	1	-	-	-	-	-	-	-	-	1	1	
26	B-TC-VT100-0-1	MP00633	VT100 FIELD MAINT PRINT SET	-	-	-	-	-	-	-	-	-	-	-	
27	EK-VT100-UG-002		VT100 USER GUIDE	1	-	-	-	-	-	-	-	-	-	-	
28															
29															

E.C.O. NO.

"THIS DRAWING AND SPECIFICATIONS, HEREIN, ARE THE PROPERTY OF DIGITAL EQUIPMENT CORPORATION AND SHALL NOT BE REPRODUCED OR COPIED OR USED IN WHOLE OR IN PART AS THE BASIS FOR THE MANUFACTURE OR SALE OF ITEMS WITHOUT WRITTEN PERMISSION. COPYRIGHT © 1980 DIGITAL EQUIPMENT CORPORATION"

TITLE  
SHIPPING LIST

ASSY NO.  
SHEET 4 OF 4

SIZE B PL NUMBER VSV11-0-3 REV. C  
INSERTION PARTS LIST DATA BASE REV

NL



THIS DRAWING AND INFORMATION HEREON ARE THE PROPERTY OF THE UNITED STATES GOVERNMENT AND SHALL BE REPRODUCED AND TRANSMITTED IN ANY FORM OR BY ANY MEANS, ELECTRONIC OR MECHANICAL, INCLUDING PHOTOCOPYING, RECORDING, OR BY ANY INFORMATION STORAGE AND RETRIEVAL SYSTEM, WITHOUT PERMISSION IN WRITING FROM THE DIRECTOR, ARMY RESEARCH AND DEVELOPMENT COMMAND.

- NOTES:
- FOR INSTALLATION OF THE DWII-BK, REFER TO THE DWII UNIBUS TO LSI-II BUS CONVERTER INSTALLATION MANUAL.
  - FOR INSTALLATION OF THE DDVII IN A BAII-F OR BAII-P TYPE MOUNTING BOX, BE SURE TO USE THE POWER HARNESS ADAPTER CABLE 7016830. THIS CABLE IS CONNECTED BETWEEN THE DDVII POWER HARNESS AND THE MOUNTING BOX.
  - IN THIS CONFIGURATION THE TERMINATION RESISTOR PACKS E76 AND E77 MUST BE REMOVED FROM THIS MODULE.
  - M9403 WILL BE REPLACED WITH M9401 FOR VSII-BC & BD VAR. FOR USE WITH THE LSI-II EXPANDER BOX.
  - REMOVE NPG JUMPER ON BACKPLANE, SPC SLOT, BEFORE INSTALLING M8217.

1	M9403	M7061				
2	G7272	M7062				
3	G7272	M7062				
4	M9402-YB	M7064				
	A	B	C	D	E	F

DDVII-CK (PART OF DWII-BK)  
VSII-AC, AD, AH, AJ, AS, AT

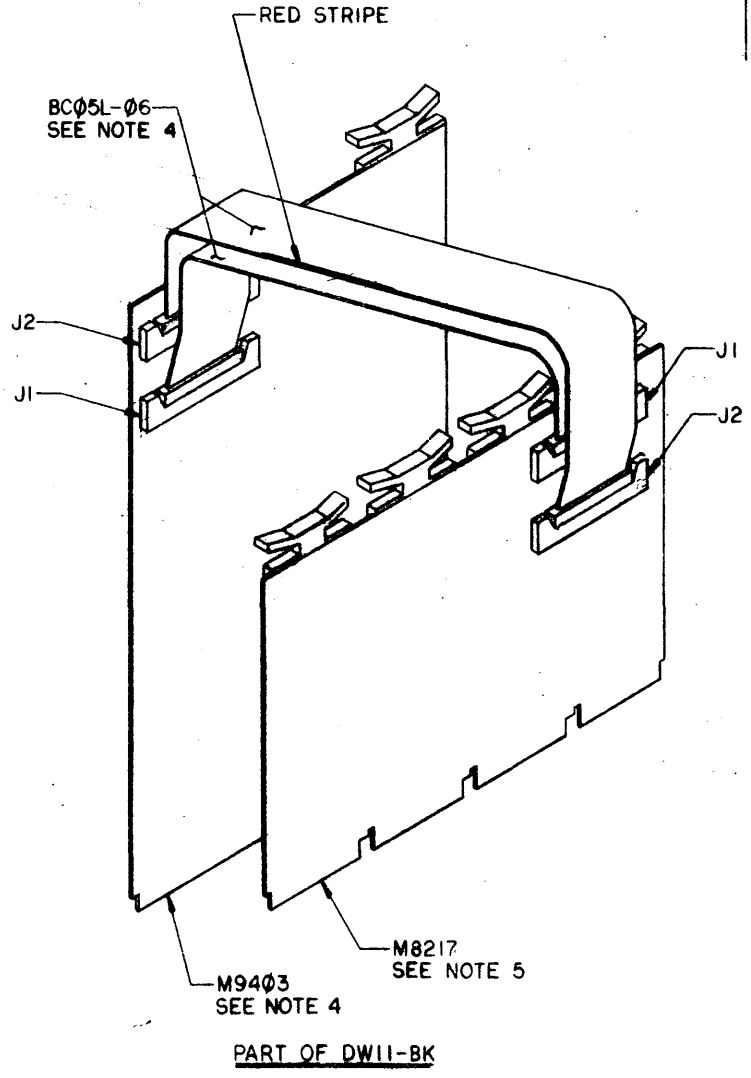
SEE NOTE 3

1	M9403	M7061				
2	G7272	M7062				
3	G7272	M7064				
4		M9400-YB				
	A	B	C	D	E	F

DDVII-CK (PART OF DWII-BK)  
VSII-AA, AB, AE, AF, AP, AR,

1	M9403	M7061				
2	G7272	M7062				
3	G7272	M7064				
4		M9400-YB				
5						
6						
7						
8						
9						
	A	B	C	D	E	F

DDVII-DK (PART OF DWII-EK)  
VSII-BA, BB



SEE OFF SHET PARTS LIST  
B-PL-VSII-0-0

DESCRIPTION		DWG. PART NO.	ITEM NO.
UNLESS OTHERWISE SPECIFIED DIMENSIONS ARE IN INCHES			
ANGLES	CLASS OF ACCURACY	NOMINAL DIMENSION RANGE INCHES	
90° ±30'	(CHECK ONE)	OVER 0	OVER 1.0
SURFACE QUALITY	MEDIUM	0.001	0.002
QUANTITY & VARIATION	MICRONCHES	0.012	0.010
THIRD ANGLE PROJECTION	DRN. <i>[Signature]</i>	FIRST USED ON VSII	
REMOVE BURRS AND BREAK SHARP CORNERS	CHK'D <i>[Signature]</i>	TITLE VSII UNIT ASSY	
DO NOT SCALE DWG	PROJ. ENG. <i>[Signature]</i>	MATERIAL B-DD-VSII-0	
MATERIAL	PROD. <i>[Signature]</i>	SCALE NONE	
FINISH	NEXT HIGHER ASSY.	SHEET OF	
		REV. A	

REV.	
CHANGE NO.	
CHK	

DIGITAL EQUIPMENT CORPORATION PARTS LIST				QUANTITY / VARIATION													NOTES: 1) VARIATIONS VS11-BA, BB, BC, BD DO NOT USE THE 7#15987-#M CABLE				
MADE BY	CHECKED	SECTION		VS11-AA	VS11-AB	VS11-AC	VS11-AD	VS11-AE	VS11-AF	VS11-AH	VS11-AJ	VS11-AP	VS11-AR	VS11-AS	VS11-AT	VS11-BA		VS11-BB	VS11-BC	VS11-BD	
DATE	DATE																				
ENG	PROD	ISSUED SECTION																			
1	D-UA-VS11-#-#	VS11-AA	VIDEO GRAPHICS, 122V/60HZ	1	-	-	-	-	-	-	-	-	-	-	-	1	-	1	-	-	
2	D-UA-VS11-#-#	VS11-AB	VIDEO GRAPHICS, 240V/50HZ	-	1	-	-	-	-	-	-	-	-	-	-	-	1	-	1	-	
3	D-UA-VS11-#-#	VS11-AC	VS11-AA W/SECOND FRAME BUFFER	-	-	1	-	-	-	-	-	-	-	-	-	-	-	-	-	-	
4	D-UA-VS11-#-#	VS11-AD	VS11-AB W/SECOND FRAME BUFFER	-	-	-	1	-	-	-	-	-	-	-	-	-	-	-	-	-	
5	D-UA-VS11-#-#	VS11-AE	VS11-AA W/12" B/W MONITOR, KEYBD.	-	-	-	-	1	-	-	-	-	-	-	-	-	-	-	-	-	
6	D-UA-VS11-#-#	VS11-AF	VS11-AB W/12" B/W MONITOR, KEYBD.	-	-	-	-	-	1	-	-	-	-	-	-	-	-	-	-	-	
7	D-UA-VS11-#-#	VS11-AH	VS11-AE W/SECOND FRAME BUFFER	-	-	-	-	-	-	1	-	-	-	-	-	-	-	-	-	-	
8	D-UA-VS11-#-#	VS11-AJ	VS11-AF W/SECOND FRAME BUFFER	-	-	-	-	-	-	-	1	-	-	-	-	-	-	-	-	-	
9	D-UA-VS11-#-#	VS11-AP	VS11-AA W/19" COLOR MONITOR, KEYBD.	-	-	-	-	-	-	-	-	1	-	-	-	-	-	-	-	-	
10	D-UA-VS11-#-#	VS11-AR	VS11-AB W/19" COLOR MONITOR, KEYBD.	-	-	-	-	-	-	-	-	-	1	-	-	-	-	-	-	-	
11	D-UA-VS11-#-#	VS11-AS	VS11-AS W/SECOND FRAME BUFFER	-	-	-	-	-	-	-	-	-	-	1	-	-	-	-	-	-	
12	D-UA-VS11-#-#	VS11-AT	VS11-AR W/SECOND FRAME BUFFER	-	-	-	-	-	-	-	-	-	-	-	1	-	-	-	-	-	
13	A-PL-DW11-#-#	DW11-BK	UNIBUS TO Q-BUS INTERFACE	1	1	1	1	1	1	1	1	1	1	1	1	-	-	-	-	-	
14	A-PL-DW11-#-#	DW11-EK	UNIBUS TO Q-BUS INTERFACE	-	-	-	-	-	-	-	-	-	-	-	-	1	1	-	-	-	
15	A-PL-DW11-#-#	DW11-A	UNIBUS TO Q-BUS INTERFACE	-	-	-	-	-	-	-	-	-	-	-	-	-	-	1	1	-	
16	D-1A-7#15987-#-#	7#15987-2D	CABLE, DATA	-	-	-	-	-	-	-	-	-	-	-	-	1	1	1	1	-	
17	D-1A-7#16830-#-#	7#16830	DDV11-CK-BALL-P/F HARNESS ADAPTER	1	1	1	1	1	1	1	1	1	1	1	1	1	1	1	1	-	
18	D-UA-G7272-#-#	G7272	GRANT CONTINUITY CARD	2	2	2	2	2	2	2	2	2	2	2	2	6	6	-	-	-	
19	A-PL-TEV11-#-#	TEV11	LSI BUS TERMINATOR	-	-	-	-	-	-	-	-	-	-	-	-	-	-	1	1	-	

E.C.D. NO.  
VS11  
WU001

THIS DRAWING AND SPECIFICATIONS HEREOF ARE THE PROPERTY OF DIGITAL EQUIPMENT CORPORATION AND SHALL NOT BE REPRODUCED OR COPIED OR USED IN WHOLE OR IN PART AS THE BASIS FOR THE MANUFACTURE OR SALE OF ITEMS WITHOUT WRITTEN PERMISSION. COPYRIGHT © 1980 DIGITAL EQUIPMENT CORPORATION

TITLE  
VS11 UNIT ASSY

ASSY NO.  
D-UA-VS11-#-#  
SHEET 1 OF 1

SIZE CODE  
B PL  
NUMBER  
VS11-#-#  
INSERTION PARTS LIST 0A-1 BASE REV

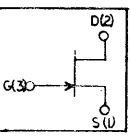
REV.  
B

THIS DRAWING AND SPECIFICATIONS, HEREIN, ARE THE PROPERTY OF DIGITAL EQUIPMENT CORPORATION AND SHALL NOT BE REPRODUCED OR TRANSMITTED IN ANY FORM OR BY ANY MEANS, ELECTRONIC, MECHANICAL, PHOTOCOPYING, RECORDING, OR BY ANY INFORMATION STORAGE AND RETRIEVAL SYSTEM, WITHOUT PERMISSION IN WRITING BY DIGITAL EQUIPMENT CORPORATION.

NOTES:

- 1. Q1 AND Q2 ARE LOCATED IN NON-STANDARD POSITIONS

METAL CAN FET    PLASTIC FET



BOTTOM VIEW

- 2. E70, E71, AND E75 ARE SPARES.

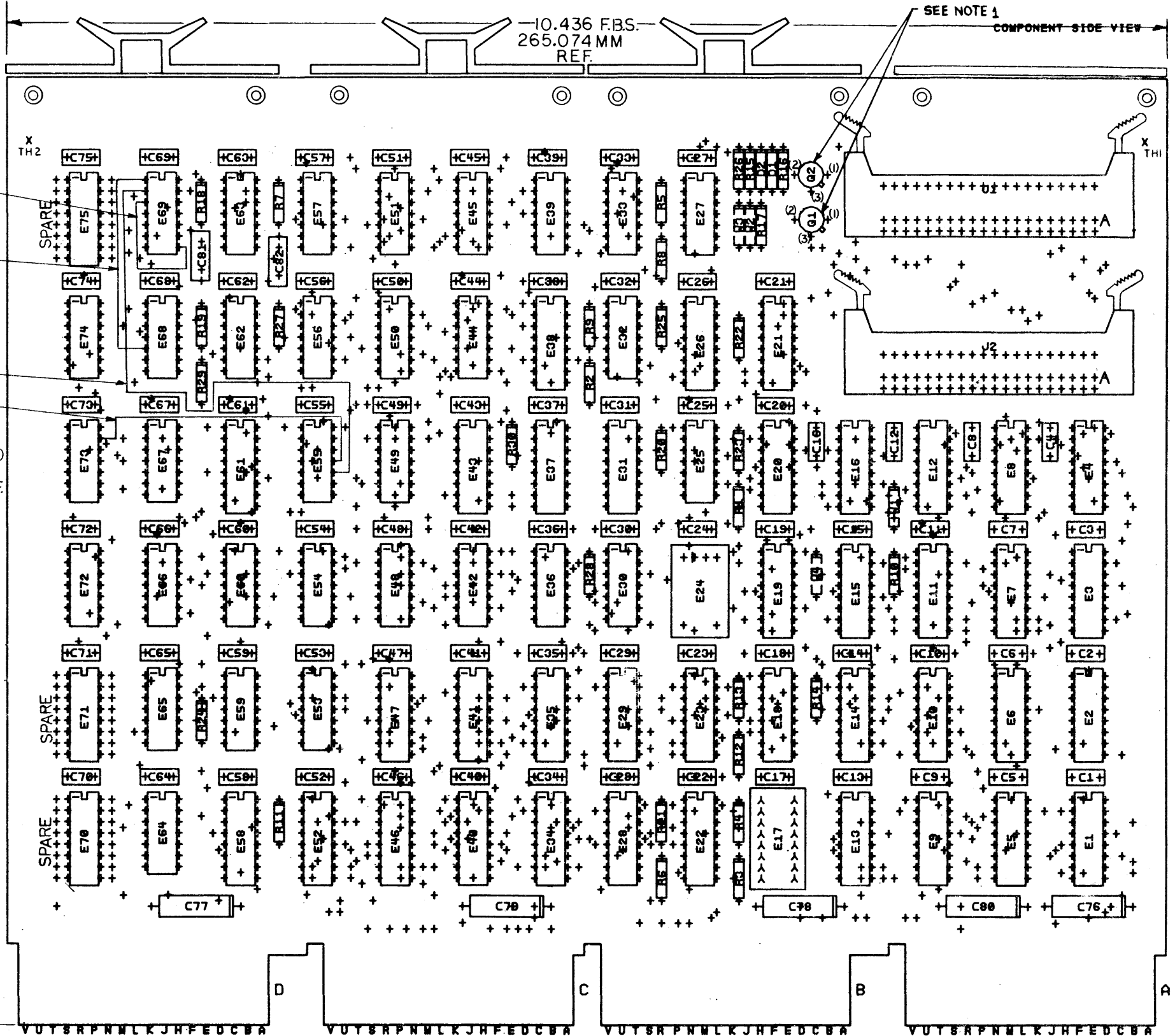
- 3. 0.1UF CAPACITOR \*1001610-00 MAY BE SUBSTITUTED FOR \*1001610-01

REWORK INSTRUCTIONS

ECO #6

WIRE ADDS, SIDE ONE:

- 6-1: ADD WIRE FROM E69 PIN 8 TO E69 PIN 3
- 6-2: ADD WIRE FROM E69 PIN 1 TO E68 PIN 5
- 6-3: ADD WIRE FROM E69 PIN 2 TO E55 PIN 10
- 6-4: ADD WIRE FROM E55 PIN 11 TO E73 PIN 13



213.61 MM    8540 F.B.S REF.

NOTES:

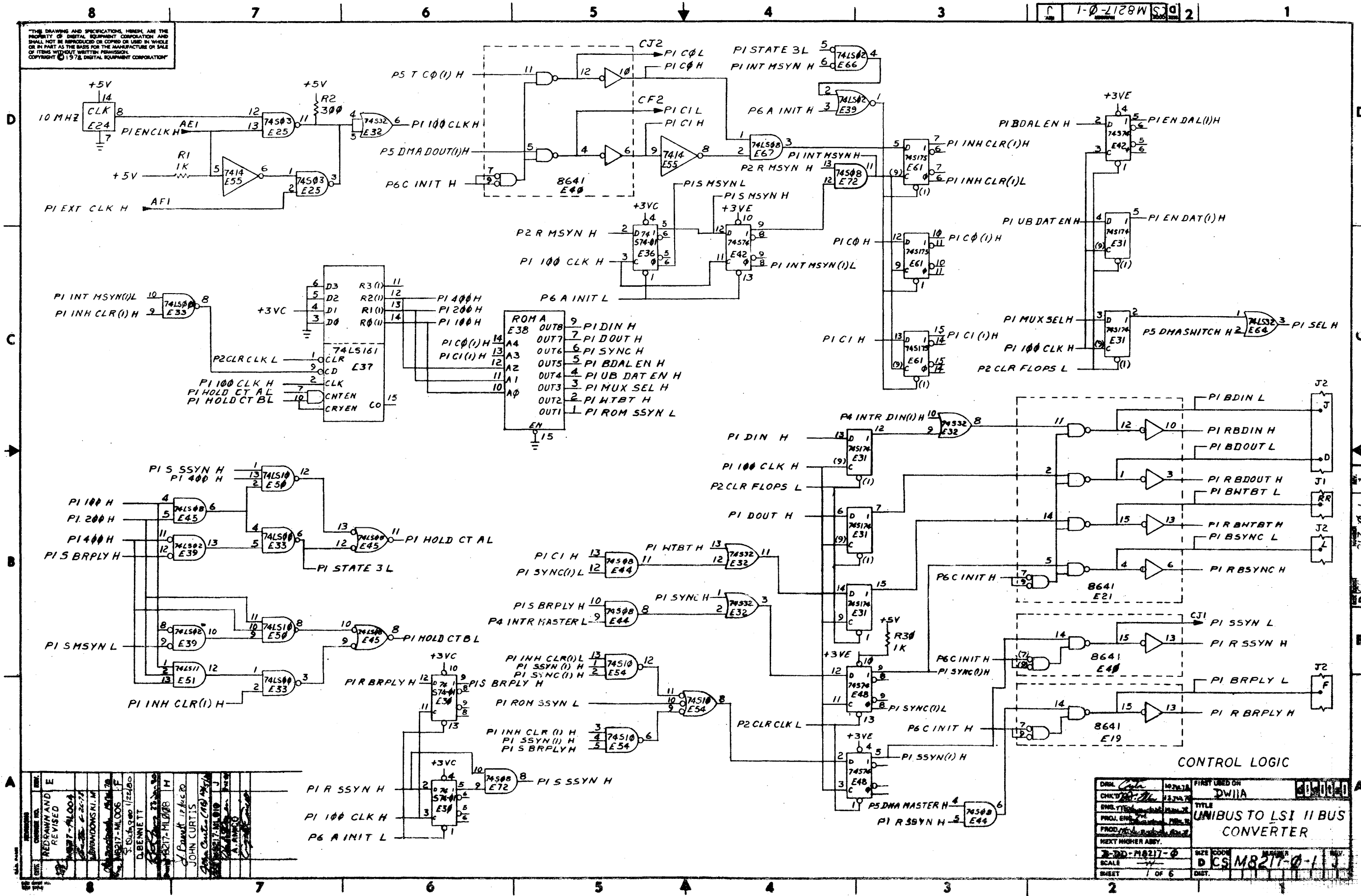

CHANGE NO	REV	DATE	BY	APP
1	1	11/17/78	ME LEWANDOWSKI	
2	1	12/28/78	ME LEWANDOWSKI	
3	1	1/17/79	ME LEWANDOWSKI	
4	1	2/1/79	ME LEWANDOWSKI	
5	1	2/1/79	ME LEWANDOWSKI	
6	1	2/1/79	ME LEWANDOWSKI	
7	1	2/1/79	ME LEWANDOWSKI	
8	1	2/1/79	ME LEWANDOWSKI	
9	1	2/1/79	ME LEWANDOWSKI	
10	1	2/1/79	ME LEWANDOWSKI	
11	1	2/1/79	ME LEWANDOWSKI	
12	1	2/1/79	ME LEWANDOWSKI	
13	1	2/1/79	ME LEWANDOWSKI	
14	1	2/1/79	ME LEWANDOWSKI	
15	1	2/1/79	ME LEWANDOWSKI	
16	1	2/1/79	ME LEWANDOWSKI	
17	1	2/1/79	ME LEWANDOWSKI	
18	1	2/1/79	ME LEWANDOWSKI	
19	1	2/1/79	ME LEWANDOWSKI	
20	1	2/1/79	ME LEWANDOWSKI	
21	1	2/1/79	ME LEWANDOWSKI	
22	1	2/1/79	ME LEWANDOWSKI	
23	1	2/1/79	ME LEWANDOWSKI	
24	1	2/1/79	ME LEWANDOWSKI	
25	1	2/1/79	ME LEWANDOWSKI	
26	1	2/1/79	ME LEWANDOWSKI	
27	1	2/1/79	ME LEWANDOWSKI	
28	1	2/1/79	ME LEWANDOWSKI	
29	1	2/1/79	ME LEWANDOWSKI	
30	1	2/1/79	ME LEWANDOWSKI	
31	1	2/1/79	ME LEWANDOWSKI	
32	1	2/1/79	ME LEWANDOWSKI	
33	1	2/1/79	ME LEWANDOWSKI	
34	1	2/1/79	ME LEWANDOWSKI	
35	1	2/1/79	ME LEWANDOWSKI	
36	1	2/1/79	ME LEWANDOWSKI	
37	1	2/1/79	ME LEWANDOWSKI	
38	1	2/1/79	ME LEWANDOWSKI	
39	1	2/1/79	ME LEWANDOWSKI	
40	1	2/1/79	ME LEWANDOWSKI	
41	1	2/1/79	ME LEWANDOWSKI	
42	1	2/1/79	ME LEWANDOWSKI	
43	1	2/1/79	ME LEWANDOWSKI	
44	1	2/1/79	ME LEWANDOWSKI	
45	1	2/1/79	ME LEWANDOWSKI	
46	1	2/1/79	ME LEWANDOWSKI	
47	1	2/1/79	ME LEWANDOWSKI	
48	1	2/1/79	ME LEWANDOWSKI	
49	1	2/1/79	ME LEWANDOWSKI	
50	1	2/1/79	ME LEWANDOWSKI	
51	1	2/1/79	ME LEWANDOWSKI	
52	1	2/1/79	ME LEWANDOWSKI	
53	1	2/1/79	ME LEWANDOWSKI	
54	1	2/1/79	ME LEWANDOWSKI	
55	1	2/1/79	ME LEWANDOWSKI	
56	1	2/1/79	ME LEWANDOWSKI	
57	1	2/1/79	ME LEWANDOWSKI	
58	1	2/1/79	ME LEWANDOWSKI	
59	1	2/1/79	ME LEWANDOWSKI	
60	1	2/1/79	ME LEWANDOWSKI	
61	1	2/1/79	ME LEWANDOWSKI	
62	1	2/1/79	ME LEWANDOWSKI	
63	1	2/1/79	ME LEWANDOWSKI	
64	1	2/1/79	ME LEWANDOWSKI	
65	1	2/1/79	ME LEWANDOWSKI	
66	1	2/1/79	ME LEWANDOWSKI	
67	1	2/1/79	ME LEWANDOWSKI	
68	1	2/1/79	ME LEWANDOWSKI	
69	1	2/1/79	ME LEWANDOWSKI	
70	1	2/1/79	ME LEWANDOWSKI	
71	1	2/1/79	ME LEWANDOWSKI	
72	1	2/1/79	ME LEWANDOWSKI	
73	1	2/1/79	ME LEWANDOWSKI	
74	1	2/1/79	ME LEWANDOWSKI	
75	1	2/1/79	ME LEWANDOWSKI	
76	1	2/1/79	ME LEWANDOWSKI	
77	1	2/1/79	ME LEWANDOWSKI	
78	1	2/1/79	ME LEWANDOWSKI	
79	1	2/1/79	ME LEWANDOWSKI	
80	1	2/1/79	ME LEWANDOWSKI	
81	1	2/1/79	ME LEWANDOWSKI	
82	1	2/1/79	ME LEWANDOWSKI	
83	1	2/1/79	ME LEWANDOWSKI	
84	1	2/1/79	ME LEWANDOWSKI	
85	1	2/1/79	ME LEWANDOWSKI	
86	1	2/1/79	ME LEWANDOWSKI	
87	1	2/1/79	ME LEWANDOWSKI	
88	1	2/1/79	ME LEWANDOWSKI	
89	1	2/1/79	ME LEWANDOWSKI	
90	1	2/1/79	ME LEWANDOWSKI	
91	1	2/1/79	ME LEWANDOWSKI	
92	1	2/1/79	ME LEWANDOWSKI	
93	1	2/1/79	ME LEWANDOWSKI	
94	1	2/1/79	ME LEWANDOWSKI	
95	1	2/1/79	ME LEWANDOWSKI	
96	1	2/1/79	ME LEWANDOWSKI	
97	1	2/1/79	ME LEWANDOWSKI	
98	1	2/1/79	ME LEWANDOWSKI	
99	1	2/1/79	ME LEWANDOWSKI	
100	1	2/1/79	ME LEWANDOWSKI	

ETCH REV. 0-P1  
P.C. DESIGN DATA BRGE REV. 0-P1

SIGNATURES	DATE	TITLE
DRN. DOUG POWERS	5-4-78	UNIBUS TO LSI11 BUS CONVERTER
CHK'D. <i>[Signature]</i>	6-20-78	
ENG. <i>[Signature]</i>	9-24-78	SCALE 2:1
PROJ. ENG. <i>[Signature]</i>	9-24-78	
SCALE 2:1		SIZE CODE NUMBER
SHT. 1 OF 1		D UA M8217-0-0
NEXT KIBNER ASSY. 0-00-M8217-0		

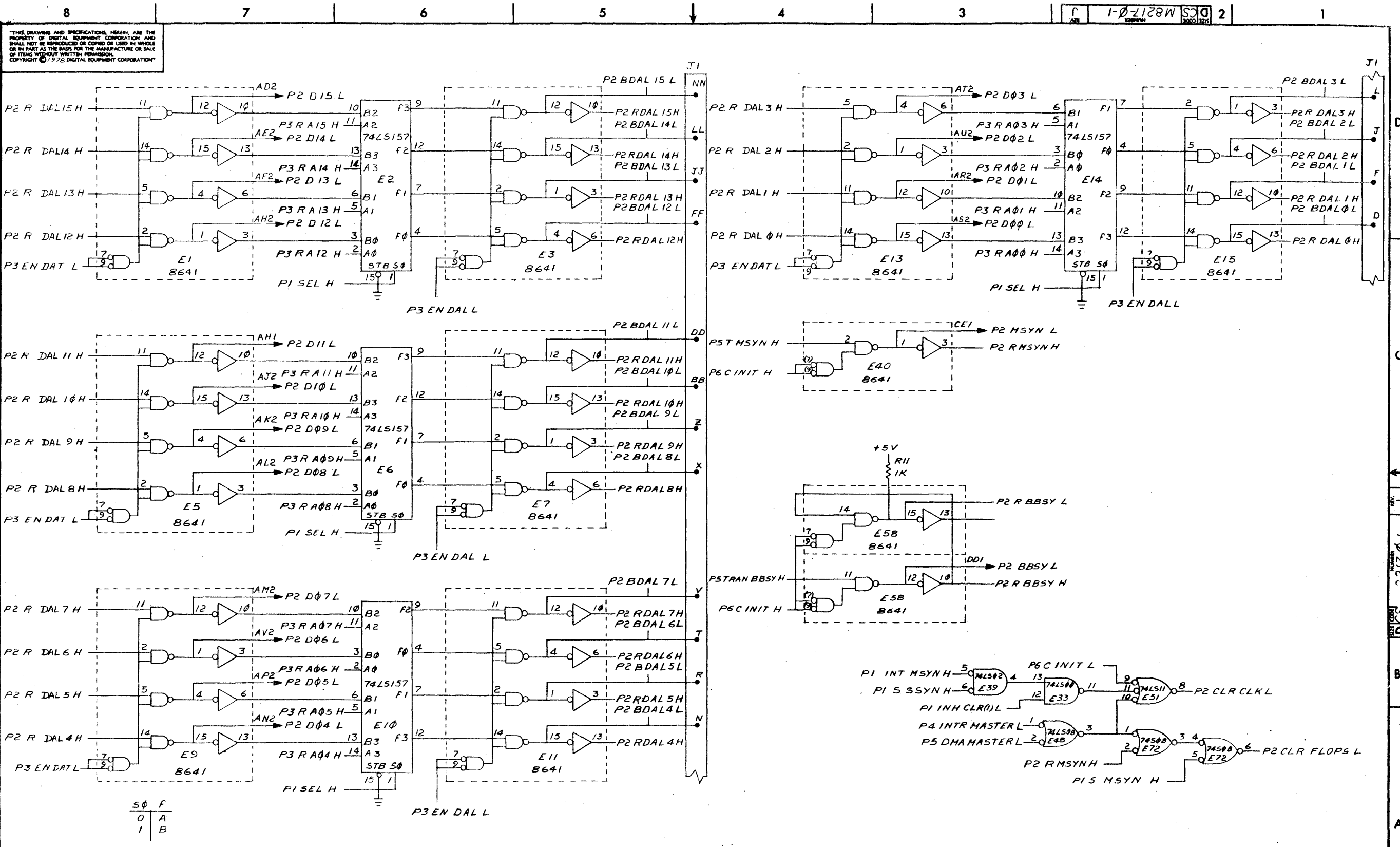
digital

THIS DRAWING AND SPECIFICATIONS HEREIN ARE THE PROPERTY OF DIGITAL EQUIPMENT CORPORATION AND SHALL NOT BE REPRODUCED OR COPIED IN WHOLE OR IN PART AS THE BASIS FOR THE MANUFACTURE OR SALE OF ITEMS WITHOUT WRITTEN PERMISSION. COPYRIGHT © 1978, DIGITAL EQUIPMENT CORPORATION.



REV. NO.	DATE	BY	REASON
1	11/15/78	J. CURTIS	INITIAL DESIGN
2	12/15/78	J. CURTIS	REVISED
3	1/15/79	J. CURTIS	REVISED
4	2/15/79	J. CURTIS	REVISED
5	3/15/79	J. CURTIS	REVISED
6	4/15/79	J. CURTIS	REVISED
7	5/15/79	J. CURTIS	REVISED
8	6/15/79	J. CURTIS	REVISED
9	7/15/79	J. CURTIS	REVISED
10	8/15/79	J. CURTIS	REVISED
11	9/15/79	J. CURTIS	REVISED
12	10/15/79	J. CURTIS	REVISED
13	11/15/79	J. CURTIS	REVISED
14	12/15/79	J. CURTIS	REVISED
15	1/15/80	J. CURTIS	REVISED
16	2/15/80	J. CURTIS	REVISED
17	3/15/80	J. CURTIS	REVISED
18	4/15/80	J. CURTIS	REVISED
19	5/15/80	J. CURTIS	REVISED
20	6/15/80	J. CURTIS	REVISED

DESIGNED BY	DATE	FIRST USED ON	REV. NO.
CHKD BY	DATE	DWIA	1
ENGR. BY	DATE	TITLE	
PRD. BY	DATE	UNIBUS TO LSI II BUS CONVERTER	
PROJ. NO.	DATE	SCALE	
NEXT HIGHER AUTH.	DATE	SIZE CODE	
		SCALE	
SHEET	1 OF 6	DNST.	

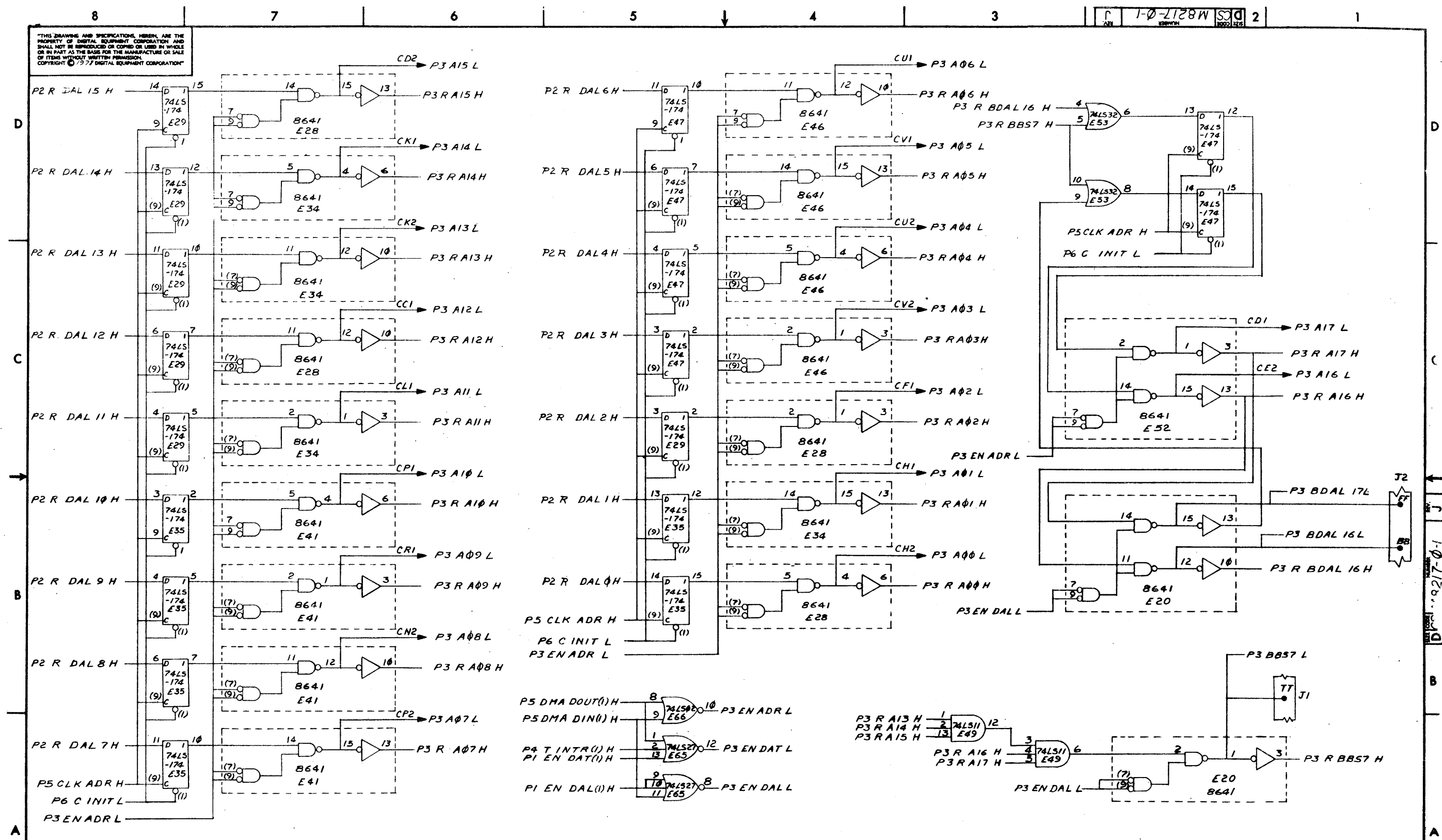


THIS DRAWING AND SPECIFICATIONS HEREIN ARE THE PROPERTY OF DIGITAL EQUIPMENT CORPORATION AND SHALL NOT BE REPRODUCED OR COPIED OR USED IN WHOLE OR IN PART AS THE BASIS FOR THE MANUFACTURE OR SALE OF ITEMS WITHOUT WRITTEN PERMISSION. COPYRIGHT © 1976 DIGITAL EQUIPMENT CORPORATION.

REVISIONS		
CHK	CHANGE NO.	REV.

TITLE		UNIBUS TO LSI II BUS CONVERTER		SIZE CODE	D	NUMBER	M8217-0-1	REV.	3
SCALE	1:1	SHEET	2 OF 6	DIST.					

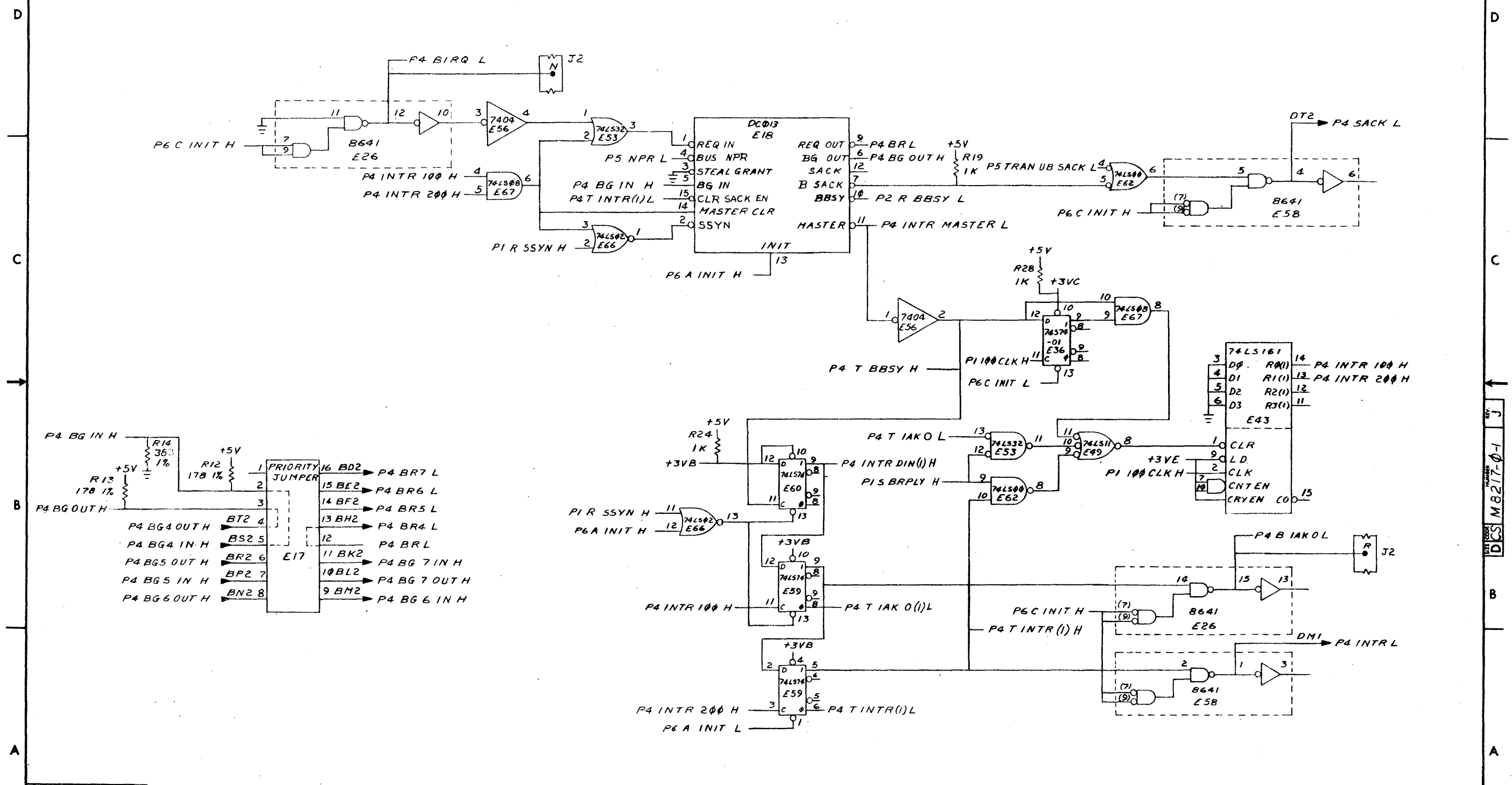
THIS DRAWING AND SPECIFICATIONS HEREIN ARE THE PROPERTY OF DIGITAL EQUIPMENT CORPORATION AND SHALL NOT BE REPRODUCED OR COPIED OR USED IN WHOLE OR IN PART AS THE BASIS FOR THE MANUFACTURE OR SALE OF ITEMS WITHOUT WRITTEN PERMISSION. COPYRIGHT © 1977 DIGITAL EQUIPMENT CORPORATION



REVISIONS		
CHK	CHANGE NO.	REV.

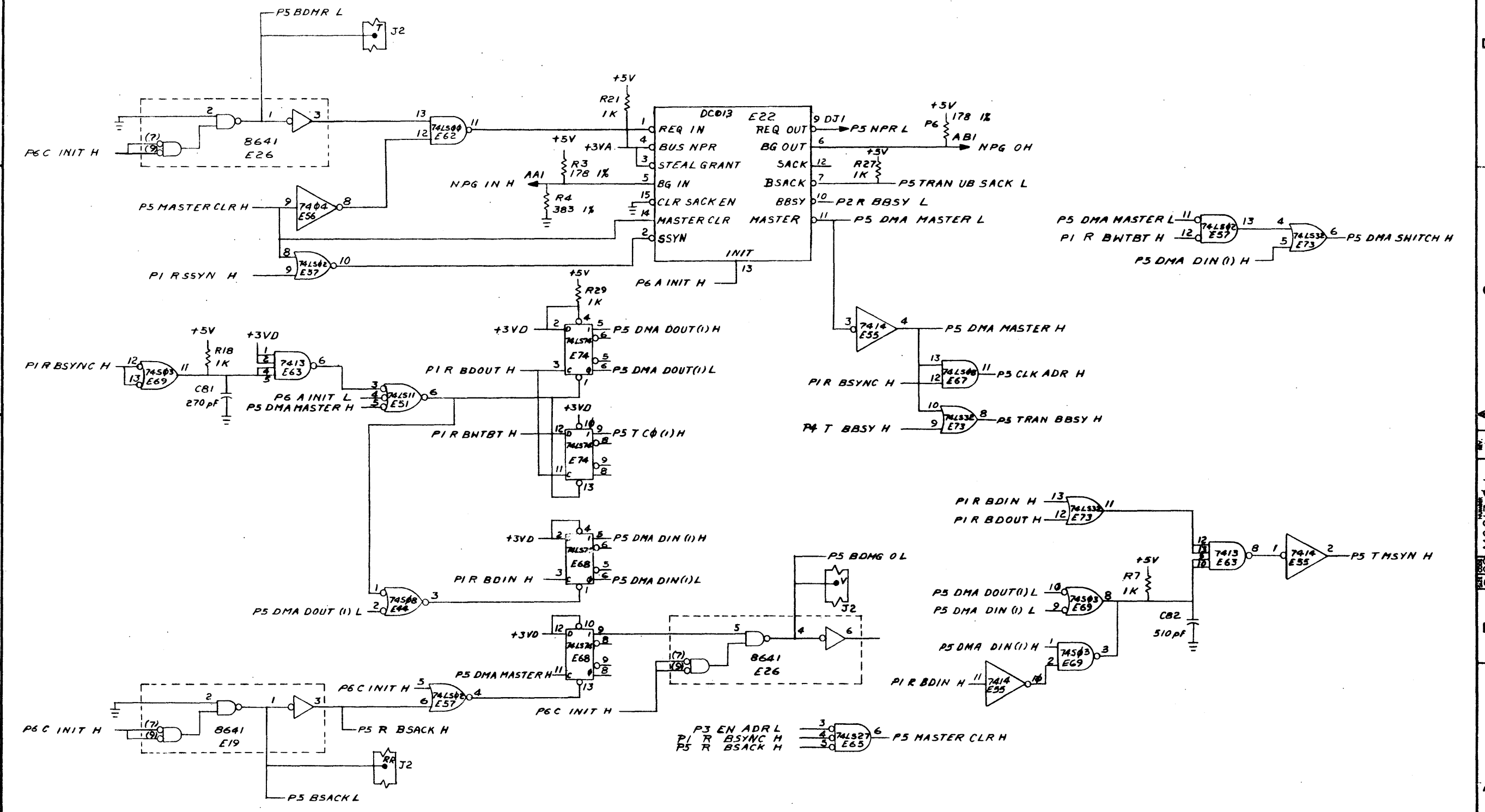
TITLE		UNIBUS TO LSI II BUS CONVERTER	
SCALE	SHEET	NUMBER	REV.
	3 OF 6	DCS M8217-01	3

"THIS DRAWING AND SPECIFICATIONS, HEREIN, ARE THE PROPERTY OF DIGITAL EQUIPMENT CORPORATION AND SHALL NOT BE REPRODUCED OR COPIED OR USED IN WHOLE OR IN PART AS THE BASIS FOR THE MANUFACTURE OR SALE OF ITEMS WITHOUT WRITTEN PERMISSION. COPYRIGHT © 1977 DIGITAL EQUIPMENT CORPORATION"



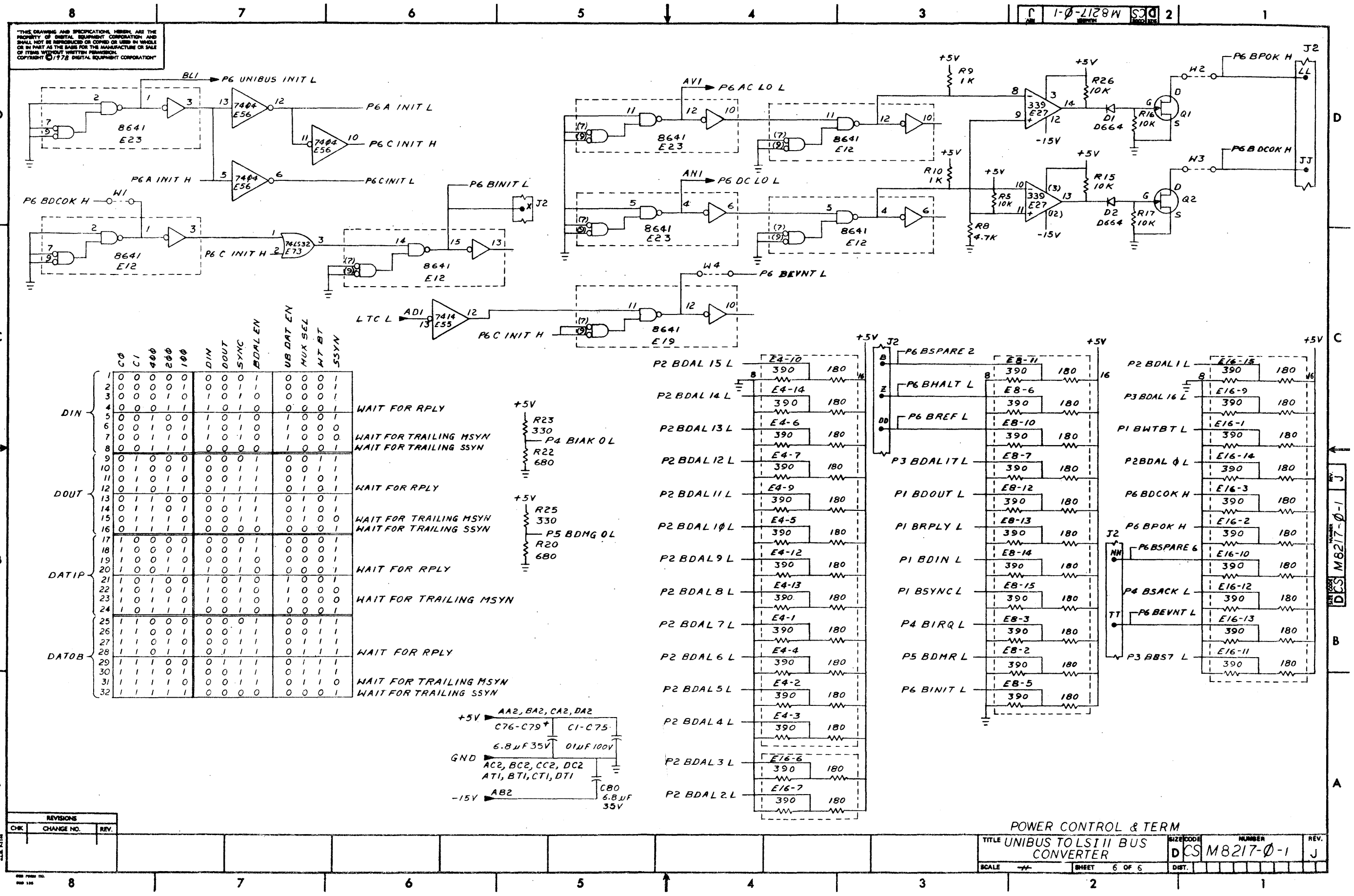
REVISIONS		
CHK	CHANGE NO.	REV.

THIS DRAWING AND SPECIFICATIONS HEREIN ARE THE PROPERTY OF DIGITAL EQUIPMENT CORPORATION AND SHALL NOT BE REPRODUCED OR COPIED OR USED IN WHOLE OR IN PART AS THE BASIS FOR THE MANUFACTURE OR SALE OF ITEMS WITHOUT WRITTEN PERMISSION. COPYRIGHT © 1978 DIGITAL EQUIPMENT CORPORATION



REVISIONS		
CHK	CHANGE NO.	REV.

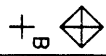
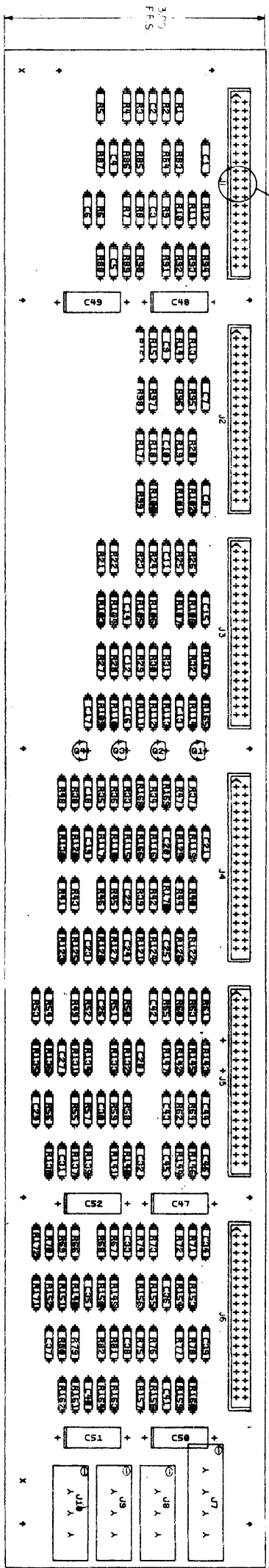




THE DRAWING AND SPECIFICATIONS HEREIN ARE THE PROPERTY OF DIGITAL EQUIPMENT CORPORATION AND SHALL NOT BE REPRODUCED OR COPIED OR USED IN WHOLE OR IN PART AS THE BASIS FOR THE MANUFACTURE OR SALE OF ITEMS WITHOUT WRITTEN PERMISSION. COPYRIGHT © 1978 DIGITAL EQUIPMENT CORPORATION

REVISIONS		
CHK	CHANGE NO.	REV.

POWER CONTROL & TERM			
TITLE	SIZE/CODE	NUMBER	REV.
UNIBUS TO LSII BUS CONVERTER	DCS	M8217-0-1	J
SCALE	SHEET	DIST.	
1/8"	6 OF 6		



NOTES: DO NOT INSERT R169 Q1 Q3  
R171 J10

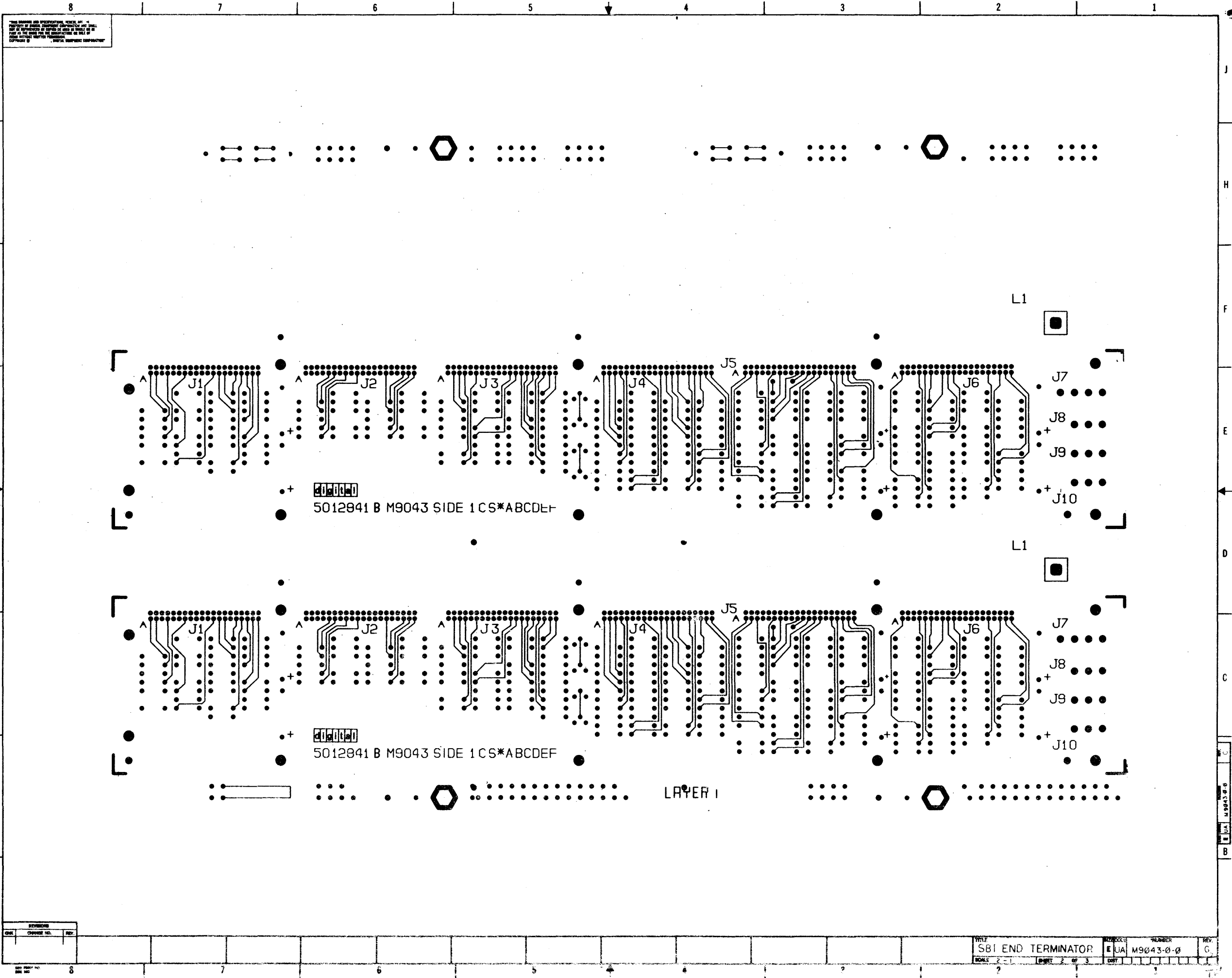
CHANGE NO	REV	DATE	BY	CHKD	APPD
1	1	11/17/72	...	...	...
2	1	11/17/72	...	...	...
3	1	11/17/72	...	...	...
4	1	11/17/72	...	...	...
5	1	11/17/72	...	...	...
6	1	11/17/72	...	...	...
7	1	11/17/72	...	...	...
8	1	11/17/72	...	...	...
9	1	11/17/72	...	...	...
10	1	11/17/72	...	...	...
11	1	11/17/72	...	...	...
12	1	11/17/72	...	...	...
13	1	11/17/72	...	...	...
14	1	11/17/72	...	...	...
15	1	11/17/72	...	...	...
16	1	11/17/72	...	...	...
17	1	11/17/72	...	...	...
18	1	11/17/72	...	...	...
19	1	11/17/72	...	...	...
20	1	11/17/72	...	...	...
21	1	11/17/72	...	...	...
22	1	11/17/72	...	...	...
23	1	11/17/72	...	...	...
24	1	11/17/72	...	...	...
25	1	11/17/72	...	...	...
26	1	11/17/72	...	...	...
27	1	11/17/72	...	...	...
28	1	11/17/72	...	...	...
29	1	11/17/72	...	...	...
30	1	11/17/72	...	...	...
31	1	11/17/72	...	...	...
32	1	11/17/72	...	...	...
33	1	11/17/72	...	...	...
34	1	11/17/72	...	...	...
35	1	11/17/72	...	...	...
36	1	11/17/72	...	...	...
37	1	11/17/72	...	...	...
38	1	11/17/72	...	...	...
39	1	11/17/72	...	...	...
40	1	11/17/72	...	...	...
41	1	11/17/72	...	...	...
42	1	11/17/72	...	...	...
43	1	11/17/72	...	...	...
44	1	11/17/72	...	...	...
45	1	11/17/72	...	...	...
46	1	11/17/72	...	...	...
47	1	11/17/72	...	...	...
48	1	11/17/72	...	...	...
49	1	11/17/72	...	...	...
50	1	11/17/72	...	...	...
51	1	11/17/72	...	...	...
52	1	11/17/72	...	...	...
53	1	11/17/72	...	...	...
54	1	11/17/72	...	...	...
55	1	11/17/72	...	...	...
56	1	11/17/72	...	...	...
57	1	11/17/72	...	...	...
58	1	11/17/72	...	...	...
59	1	11/17/72	...	...	...
60	1	11/17/72	...	...	...
61	1	11/17/72	...	...	...
62	1	11/17/72	...	...	...
63	1	11/17/72	...	...	...
64	1	11/17/72	...	...	...
65	1	11/17/72	...	...	...
66	1	11/17/72	...	...	...
67	1	11/17/72	...	...	...
68	1	11/17/72	...	...	...
69	1	11/17/72	...	...	...
70	1	11/17/72	...	...	...
71	1	11/17/72	...	...	...
72	1	11/17/72	...	...	...
73	1	11/17/72	...	...	...
74	1	11/17/72	...	...	...
75	1	11/17/72	...	...	...
76	1	11/17/72	...	...	...
77	1	11/17/72	...	...	...
78	1	11/17/72	...	...	...
79	1	11/17/72	...	...	...
80	1	11/17/72	...	...	...
81	1	11/17/72	...	...	...
82	1	11/17/72	...	...	...
83	1	11/17/72	...	...	...
84	1	11/17/72	...	...	...
85	1	11/17/72	...	...	...
86	1	11/17/72	...	...	...
87	1	11/17/72	...	...	...
88	1	11/17/72	...	...	...
89	1	11/17/72	...	...	...
90	1	11/17/72	...	...	...
91	1	11/17/72	...	...	...
92	1	11/17/72	...	...	...
93	1	11/17/72	...	...	...
94	1	11/17/72	...	...	...
95	1	11/17/72	...	...	...
96	1	11/17/72	...	...	...
97	1	11/17/72	...	...	...
98	1	11/17/72	...	...	...
99	1	11/17/72	...	...	...
100	1	11/17/72	...	...	...

ETCH REV.	B
P.C. DESIGN DATA BRIDGE REV.	B

SIGNATURES	DATE	TITLE
DRN. <i>[Signature]</i>	11/17/72	digital
CHK'D. <i>[Signature]</i>	11/17/72	
ENG. <i>[Signature]</i>	11/17/72	
PRD. ENG. <i>[Signature]</i>	11/17/72	
SCALE 2/1		
SHT. 1 OF 3		
NEXT HIGHER ASSY. B-00-M9043-C		

SIZE	CODE	NUMBER
E	UA	M9043-0-0

TW



THIS DRAWING AND PHOTOGRAPHIC REPRODUCTION THEREOF SHALL BE THE PROPERTY OF THE U.S. GOVERNMENT AND SHALL BE LOANED TO YOU BY THE U.S. GOVERNMENT ON THE BASIS OF A LIMITED LICENSE WHICH AUTHORIZES YOU TO MAKE SUCH REPRODUCTIONS AS MAY BE NECESSARY FOR YOUR OFFICIAL USE ONLY. NO OTHER REPRODUCTION OR DISTRIBUTION IS AUTHORIZED WITHOUT THE EXPRESS WRITTEN PERMISSION OF THE U.S. GOVERNMENT.

REV.	DESCRIPTION	DATE

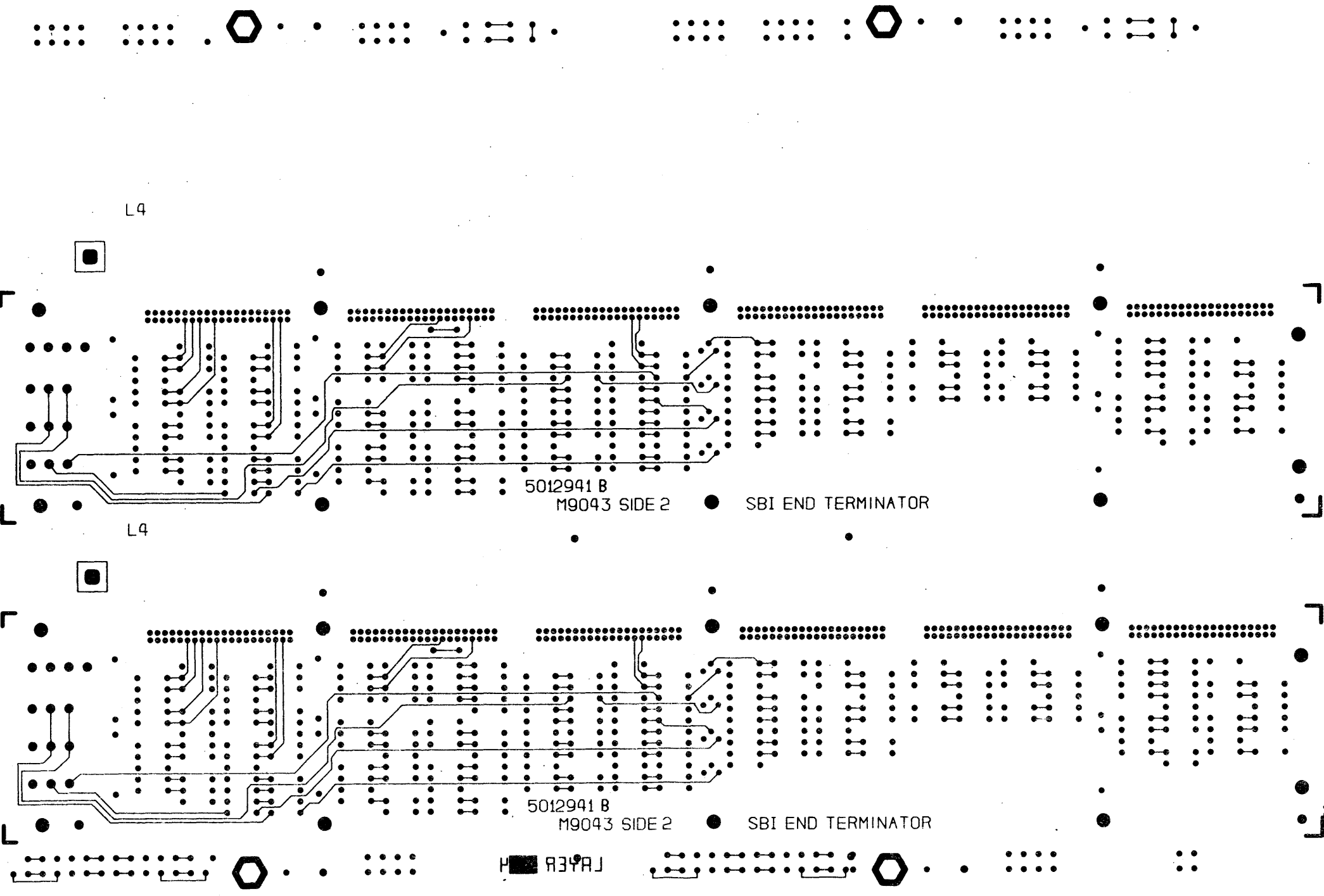
REV. 2	DATE 10/1/68	DESIGNER JUA	NUMBER M9043-0-0	REV. C
SHEET 2 OF 3		TITLE SBI END TERMINATOR		

M9043-0-0

8 7 6 5 4 3 2 1

THIS DRAWING IS UNCLASSIFIED DATE 11-16-2001 BY 60322 UCBAW/BJS/SJS  
EXCEPT WHERE SHOWN OTHERWISE, ALL DIMENSIONS ARE IN INCHES  
UNLESS OTHERWISE SPECIFIED.  
DATE 11-16-2001 BY 60322 UCBAW/BJS/SJS

J  
H  
F  
E  
D  
C  
B  
A



H  
F  
E  
D  
C  
B

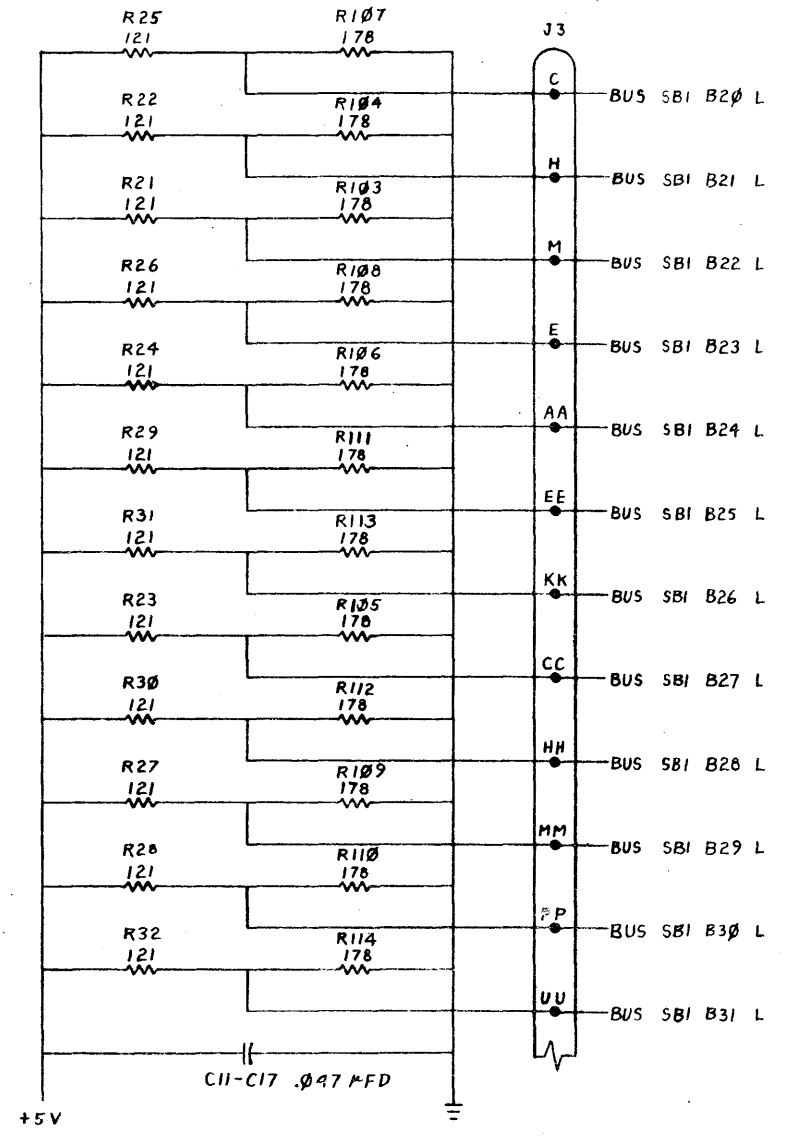
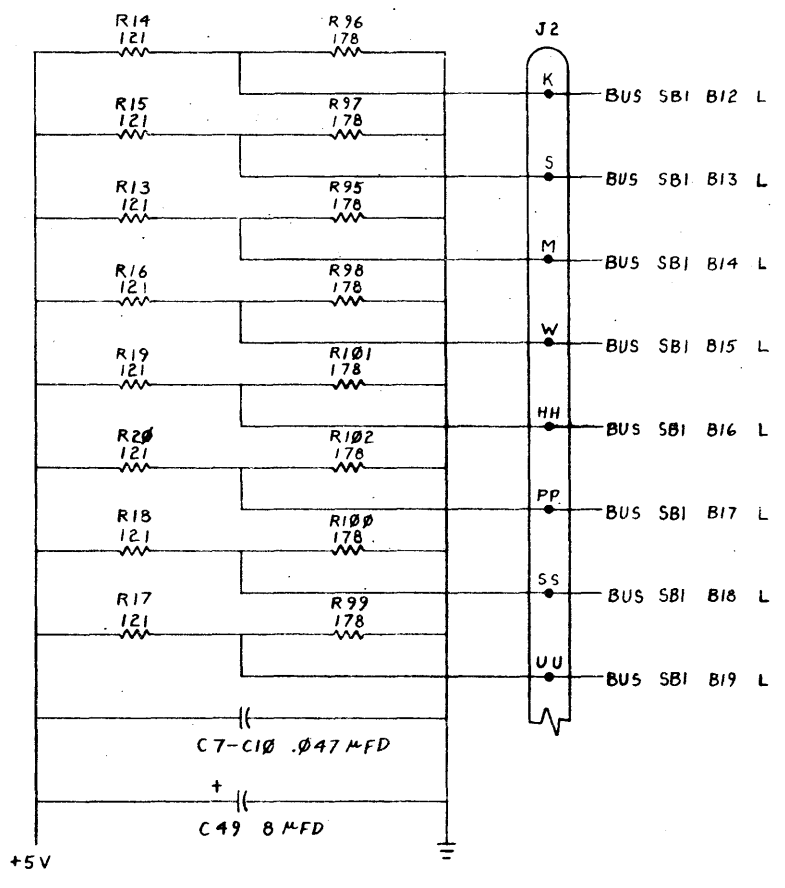
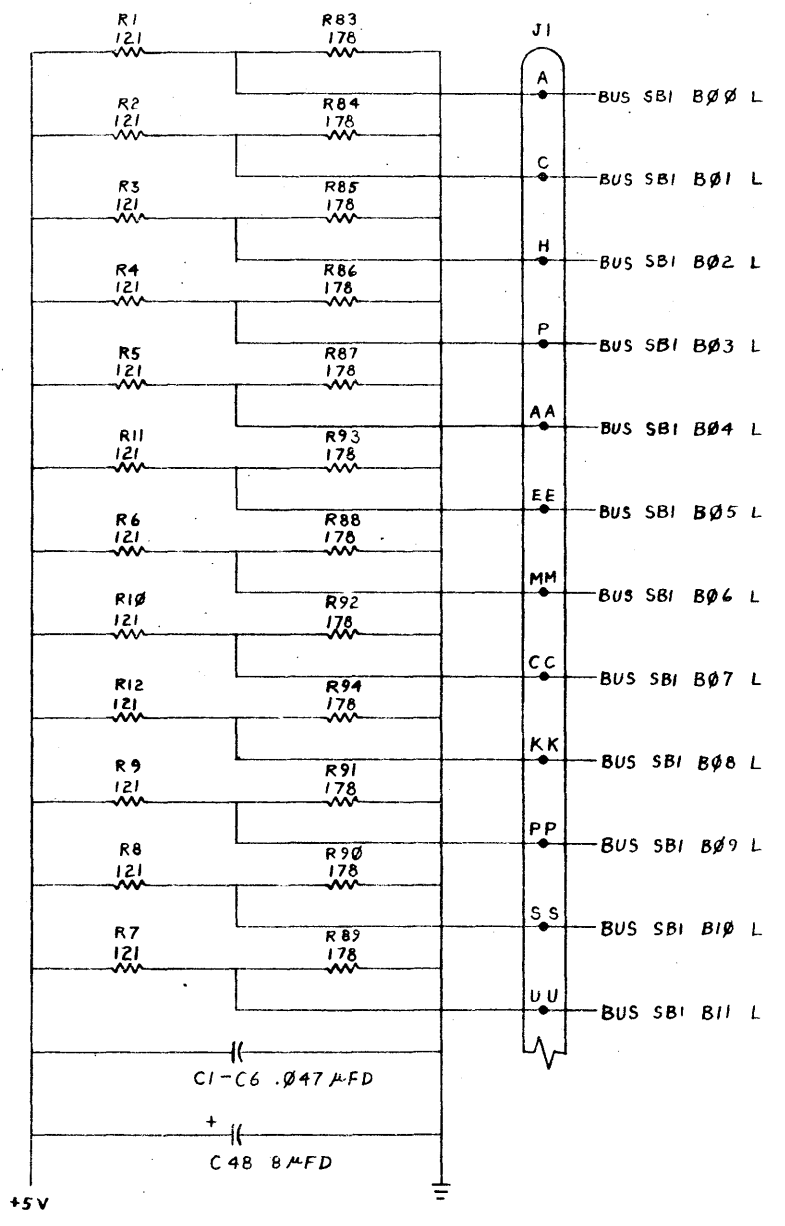
REVISIONS		
QTY	CHANGE NO.	REV.

TITLE	SBI END TERMINATOR	SIZE/BOX	EUA	NUMBER	M9043-0-0	REV.	C
SCALE	2-1	SHEET	3	OF	3	DATE	11-16-2001

8 7 6 5 4 3 2 1 TW

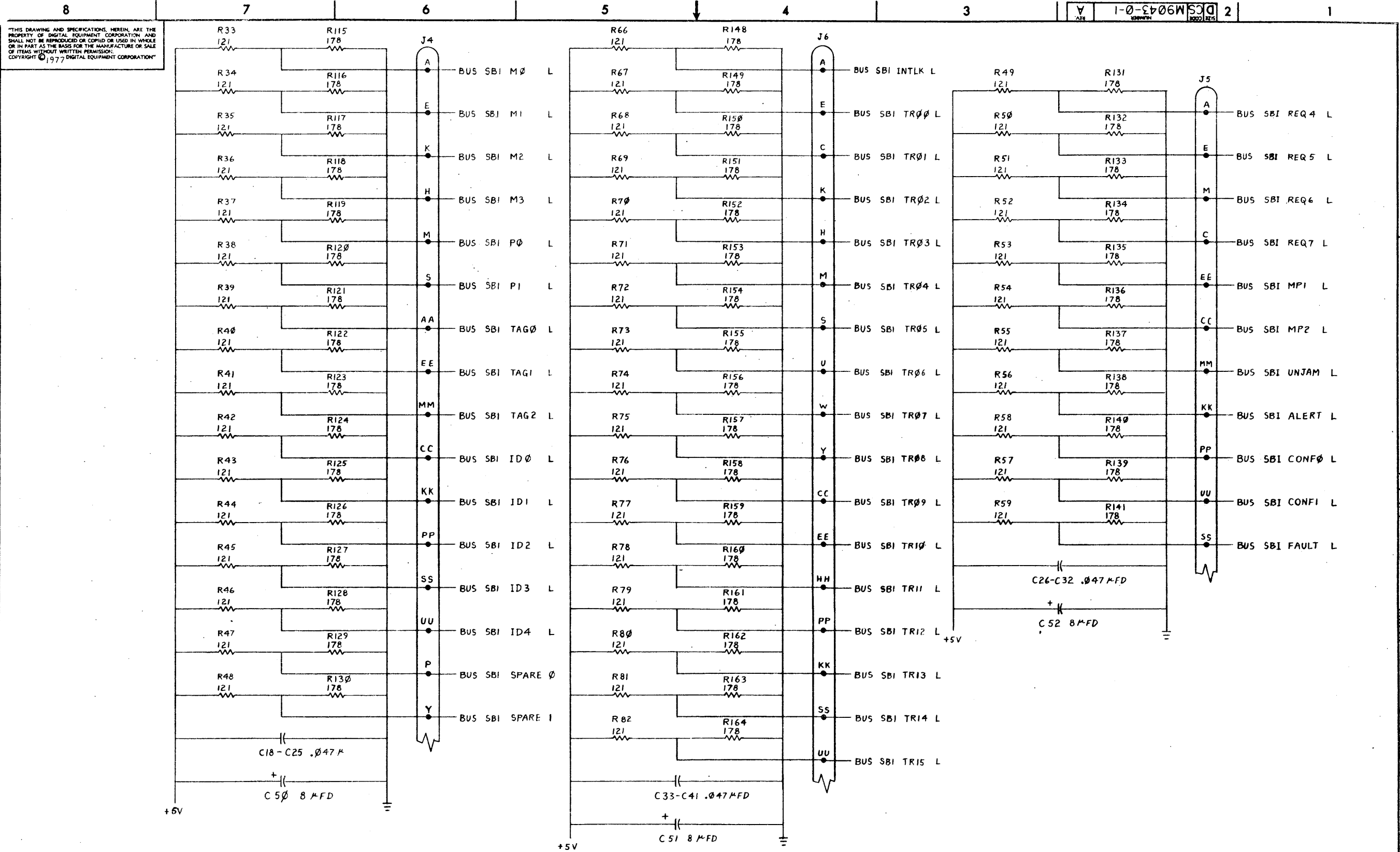
"THIS DRAWING AND SPECIFICATIONS, HEREIN, ARE THE PROPERTY OF DIGITAL EQUIPMENT CORPORATION AND SHALL NOT BE REPRODUCED OR COPIED OR USED IN WHOLE OR IN PART AS THE BASIS FOR THE MANUFACTURE OR SALE OF ITEMS WITHOUT WRITTEN PERMISSION. COPYRIGHT © 1977, DIGITAL EQUIPMENT CORPORATION"

D  
C  
B  
A



REV. A	REV. A
CHANGE NO. M9043-0001	REV. A
DATE 12-1-77	BY B. FLAHE
CHK	APP

DRN. 2277	4-21-77	FIRST USED ON	digital
CHK'D	5-1-77	TITLE	SBI FAR-END TERMINATOR (SFTA)
ENG. 2-1-77	5-1-77	PROJ. ENG. 2-1-77	
PROD. 2-1-77	6-1-77	NEXT HIGHER ASSY.	
SCALE		SIZE CODE	D CS M9043-0-1
SHEET 1 OF 4	DIST.	NUMBER	REV. A



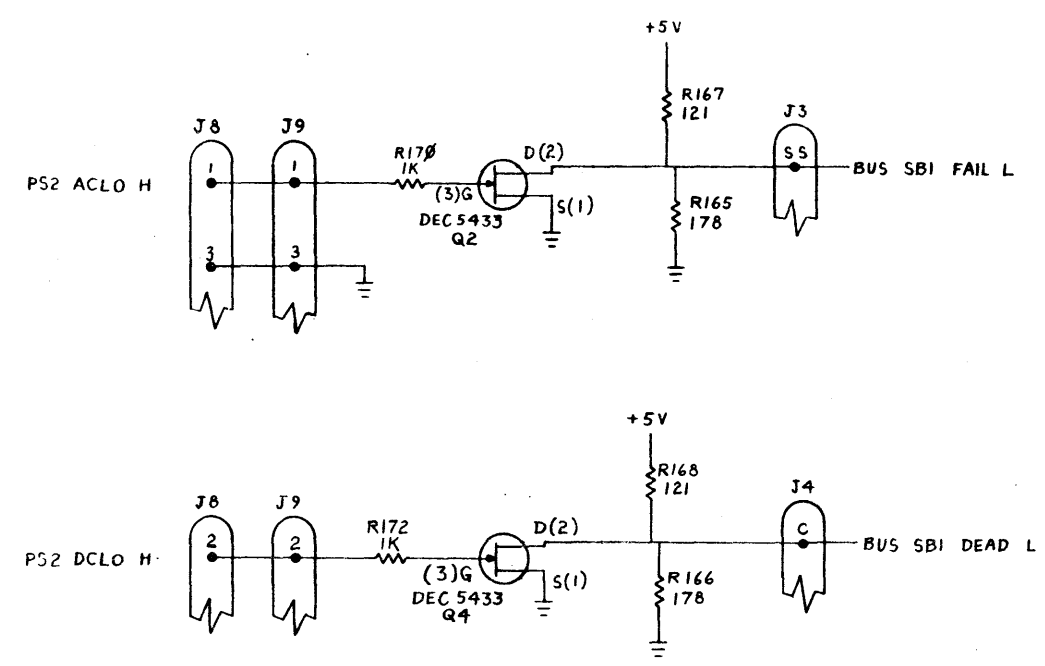
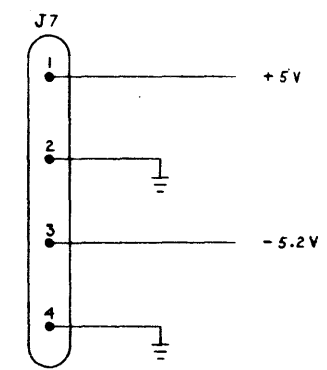
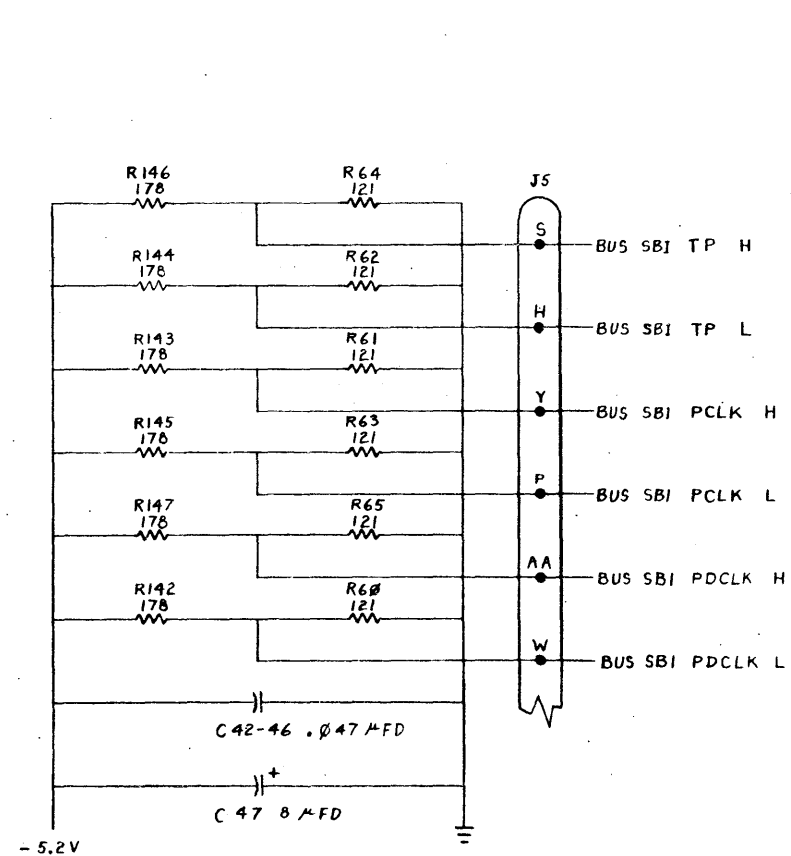
REVISIONS		
CHK	CHANGE NO.	REV.

TITLE	SBI FAR-END TERMINATOR (SFTB)	SIZE CODE	DCS M9043-0-1	NUMBER	2	REV.	A
SCALE	---	SHEET	2 OF 4	DIST.			

"THIS DRAWING AND SPECIFICATIONS, HEREIN, ARE THE PROPERTY OF DIGITAL EQUIPMENT CORPORATION, AND SHALL NOT BE REPRODUCED OR COPIED OR USED IN WHOLE OR IN PART AS THE BASIS FOR THE MANUFACTURE OR SALE OF ITEMS WITHOUT WRITTEN PERMISSION. COPYRIGHT © 1977 DIGITAL EQUIPMENT CORPORATION"

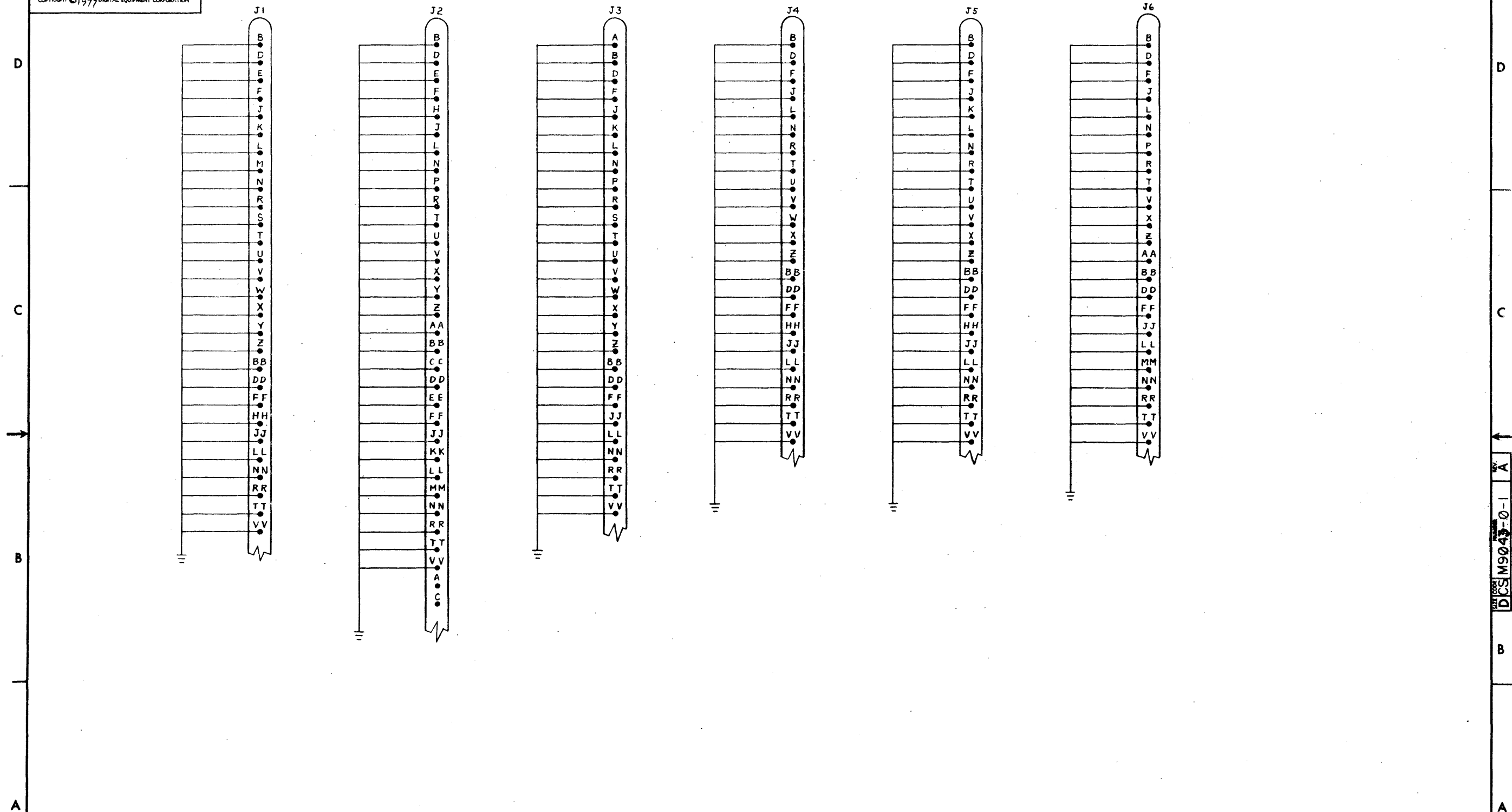
D  
C  
B  
A

D  
C  
B  
A



REVISIONS		
CHK	CHANGE NO.	REV.

"THIS DRAWING AND SPECIFICATIONS, HEREIN, ARE THE PROPERTY OF DIGITAL EQUIPMENT CORPORATION AND SHALL NOT BE REPRODUCED OR COPIED OR USED IN WHOLE OR IN PART AS THE BASIS FOR THE MANUFACTURE OR SALE OF ITEMS WITHOUT WRITTEN PERMISSION. COPYRIGHT © 1977 DIGITAL EQUIPMENT CORPORATION"



REVISIONS		
CHK.	CHANGE NO.	REV.



DIGITAL EQUIPMENT CORPORATION PARTS LIST				QUANTITY / VARIATION											NOTES:
MADE BY <i>D. D. Davis</i>		CHECKED <i>D. D. Davis</i>		SECTION											REF DESIGNATION
DATE <i>18 Aug 80</i>		DATE <i>18 Aug 80</i>		ISSUED SECTION											
ENG <i>J. Davis</i>		PROD <i>A. Davis</i>													
DATE <i>20 Aug 80</i>		DATE <i>20 Aug 80</i>													
ITEM NO.	DRAWING NO.	PART NO.	DESCRIPTION	VS11-AA	VS11-AB	VS11-AC	VS11-AD	VS11-AE	VS11-AF	VS11-AH	VS11-AJ	VS11-AP	VS11-AR	VS11-AS	
1	B-TC-VS11-g-1	MP-11182	FIELD MAINT. PRINT SET	1	1	1	1	1	1	1	1	1	1	1	
2		VS11-AA	UNIBUS VIDEO GRAPHICS 120V/60HZ	1	-	-	-	-	-	-	-	-	-	-	
3		VS11-AB	UNIBUS VIDEO GRAPHICS 240V/50HZ	-	1	-	-	-	-	-	-	-	-	-	
4		VS11-AC	VS11-AA W/SEC FRAME BUFFER	-	-	1	-	-	-	-	-	-	-	-	
5		VS11-AD	VS11-AB W/SEC FRAME BUFFER	-	-	-	1	-	-	-	-	-	-	-	
6		VS11-AE	VS11-AA W/12" B/W MONITOR & KEYB.	-	-	-	-	1	-	-	-	-	-	-	
7		VS11-AE	VS11-AB W/12" B/W MONITOR & KEYB.	-	-	-	-	-	1	-	-	-	-	-	
8		VS11-AH	VS11-AE W/SEC FRAME BUFFER	-	-	-	-	-	-	1	-	-	-	-	
9		VS11-AJ	VS11-AP W/SEC FRAME BUFFER	-	-	-	-	-	-	-	1	-	-	-	
10		VS11-AP	VS11-AA W/19" COLOR MONITOR & KEYBOARD	-	-	-	-	-	-	-	-	1	-	-	
11		VS11-AR	VS11-AB W/19" COLOR MONITOR & KEYBOARD	-	-	-	-	-	-	-	-	-	1	-	
12		VS11-AS	VS11-AP W/SEC FRAME BUFFER	-	-	-	-	-	-	-	-	-	-	1	
13		VS11-AT	VS11-AR W/SEC FRAME BUFFER	-	-	-	-	-	-	-	-	-	-	-	
14		VS11-BA	VS11-AA EXCEPT DW11-EK	-	-	-	-	-	-	-	-	-	-	-	
15		VS11-BB	VS11-AB EXCEPT DW11-EK	-	-	-	-	-	-	-	-	-	-	-	
16		VS11-BC	VS11-AA EXCEPT DW11-A & TV11	-	-	-	-	-	-	-	-	-	-	-	
17		VS11-BD	VS11-AB EXCEPT DW11-A & TV11	-	-	-	-	-	-	-	-	-	-	-	
18	B-TC-VRVg2-g-1	MP-g1g54	FIELD MAINT PRINT SET, VRVg2	-	-	-	-	-	-	-	-	1	1	1	
19	YMC183C-gg		VSV11/VS11 MASTER GRAPHICS SYSTEM OPTION DESCRIPTION	1	1	1	1	1	1	1	1	1	1	1	

E.C.O. NO.  
VS11-180991  
VS11-180992

"THIS DRAWING AND SPECIFICATIONS, HEREIN, ARE THE PROPERTY OF DIGITAL EQUIPMENT CORPORATION AND SHALL NOT BE REPRODUCED OR COPIED OR USED IN WHOLE OR IN PART AS THE BASIS FOR THE MANUFACTURE OR SALE OF ITEMS WITHOUT WRITTEN PERMISSION. COPYRIGHT © 1980 DIGITAL EQUIPMENT CORPORATION"

TITLE  
SHIPPING LIST

ASSY NO.  
SHEET 1 OF 4

SIZE CODE  
B PL  
NUMBER  
VS11-g-2  
INSERTION PARTS LIST DATA BASE REV

REV.  
C

DIGITAL EQUIPMENT CORPORATION PARTS LIST				QUANTITY / VARIATION										NOTES:	
MADE BY <i>D. Deano</i>		CHECKED <i>D. Deano</i>													
DATE 19-AUG-80		DATE 19-AUG-80													
ENG DATE		PROD DATE													
ITEM NO.	DRAWING NO.	PART NO.	DESCRIPTION	VS11-AA	VS11-AB	VS11-AC	VS11-AD	VS11-AE	VS11-AF	VS11-AH	VS11-AJ	VS11-AP	VS11-AR	VS11-AS	REF DESIGNATION
20			INSTL. OPERATION AND MAINTENANCE MANUAL FOR HA2719 COLOR MONITOR	-	-	-	-	-	-	-	-	1	1	1	
21		AC-E768A-MC	CVVSA VSV11 DIAGNOSTIC PROGRAM  NOTE: DIAGNOSTICS WILL BE SUPPLIED ON THE MEDIA AS REQUIRED BY THE CUSTOMER	1	1	1	1	1	1	1	1	1	1	1	
22	B-TC-VT100-0-1	MP00633	VT100 FIELD MAINTENANCE PRINT SET	-	-	-	-	1	1	1	1	-	-	-	
23	EK-VT100-UG-002		VT100 USER GUIDE	-	-	-	-	-	-	-	-	1	1	1	
24															
25															

E.C.O. NO.

"THIS DRAWING AND SPECIFICATIONS, HEREIN, ARE THE PROPERTY OF DIGITAL EQUIPMENT CORPORATION AND SHALL NOT BE REPRODUCED OR COPIED OR USED IN WHOLE OR IN PART AS THE BASIS FOR THE MANUFACTURE OR SALE OF ITEMS WITHOUT WRITTEN PERMISSION. COPYRIGHT © 1980 DIGITAL EQUIPMENT CORPORATION"

TITLE  
SHIPPING LIST

ASSY NO.  
SHEET 2 OF 4

SIZE B CODE PL NUMBER VS11-0-2 REV. C

INSERTION PARTS LIST DATA BASE REV

# DIGITAL EQUIPMENT CORPORATION PARTS LIST

MADE BY <i>D. Deane</i>	CHECKED <i>D. Deane</i>	SECTION
DATE 19-AUG-80	DATE 19-AUG-80	
ENG DATE	PROD DATE	ISSUED SECTION

QUANTITY / VARIATION

NOTES:

ITEM NO.	DRAWING NO.	PART NO.	DESCRIPTION
1	B-TC-VS11-Ø-1	MPØ11Ø2	FIELD MAINT. PRINT SET
2		VS11-AA	UNIBUS VIDEO GRAPHICS 12ØV/6ØHZ
3		VS11-AB	UNIBUS VIDEO GRAPHICS 24ØV/5ØHZ
4		VS11-AC	VS11-AA W/SEC FRAME BUFFER
5		VS11-AD	VS11-AB W/SEC FRAME BUFFER
6		VS11-AE	VS11-AA W/12" B/W MONITOR & KEYB.
7		VS11-AE	VS11-AB W/12" B/W MONITOR & KEYB.
8		VS11-AH	VS11-AE W/SEC FRAME BUFFER
9		VS11-AJ	VS11-AP W/SEC FRAME BUFFER
10		VS11-AP	VS11-AA W/19" COLOR MONITOR & KEYBOARD
11		VS11-AR	VS11-AB W/19" COLOR MONITOR & KEYBOARD
12		VS11-AS	VS11-AP W/SEC FRAME BUFFER
13		VS11-AR	VS11-AR W/SEC FRAME BUFFER
14		VS11-BA	VS11-AA EXCEPT DW11-EK
15		VS11-BB	VS11-AB EXCEPT DW11-EK
16		VS11-BC	VS11-AA EXCEPT DW11-A & TEV11
17		VS11-BD	VS11-AB EXCEPT DW11-A & TEV11
18	B-TC-VRVØ2-Ø-1	MPØ1Ø54	FIELD MAINT PRINT SET, VRVØ2
19	YMC183C-ØØ		VSV11/VS11 RASTER GRAPHICS SYSTEM OPTION DESCRIPTION

VS11-AT	VS11-BA	VS11-BB	VS11-BC	VS11-BD								
1	1	1	1	1								
-	-	-	-	-								
-	-	-	-	-								
-	-	-	-	-								
-	-	-	-	-								
-	-	-	-	-								
-	-	-	-	-								
-	-	-	-	-								
-	-	-	-	-								
-	-	-	-	-								
1	-	-	-	-								
-	1	-	-	-								
-	-	1	-	-								
-	-	-	1	-								
-	-	-	-	1								
-	-	-	-	-								
1	1	1	1	1								

REF DESIGNATION

<p style="font-size: small;">THIS DRAWING AND SPECIFICATIONS, HEREIN, ARE THE PROPERTY OF DIGITAL EQUIPMENT CORPORATION AND SHALL NOT BE REPRODUCED OR COPIED OR USED IN WHOLE OR IN PART AS THE BASIS FOR THE MANUFACTURE OR SALE OF ITEMS WITHOUT WRITTEN PERMISSION. COPYRIGHT ©1980 DIGITAL EQUIPMENT CORPORATION</p>	<p>TITLE <b>SHIPPING LIST</b></p>	<p>ASSY NO.</p>	<p>SIZE <b>B</b></p>	<p>CODE <b>PL</b></p>	<p>NUMBER <b>VS11-Ø-2</b></p>	<p>REV. <b>C</b></p>
		<p>SHEET 3 OF 4</p>	<p>INSERTION PARTS LIST DATA BASE REV</p>			

DIGITAL EQUIPMENT CORPORATION PARTS LIST				QUANTITY / VARIATION										NOTES:			
MADE BY <i>D. D. Jones</i>		CHECKED <i>D. D. Jones</i>															
DATE <i>12-AUG-80</i>		DATE <i>19-AUG-80</i>															
<del>ENG DATE</del>		<del>PROD DATE</del>															
ITEM NO.	DRAWING NO.	PART NO.	DESCRIPTION	VS11-AT	VS11-BA	VS11-BB	VS11-BC	VS11-BD									REF DESIGNATION
20			INSTL, OPERATION & MAINT MANUAL FOR HM2719 COLOR MONITOR	1	-	-	-	-									
21		AC-E768A-MC	CVVSA/VSV11 DIAGNOSTIC PROGRAM NOTE: DIAGNOSTICS WILL BE SUPPLIED ON THE MEDIA AS REQUIRED BY THE CUSTOMER	1	1	1	1	1									
22	B-TC-VT100-0-1	MP00633	VT100 FIELD MAINTENANCE PRINT SET	-	-	-	-	-									
23	EK-VT100-UG-002		VT100 USER GUIDE	1	-	-	-	-									
24																	
25																	

E.C.O. NO.

"THIS DRAWING AND SPECIFICATIONS, HEREIN, ARE THE PROPERTY OF DIGITAL EQUIPMENT CORPORATION AND SHALL NOT BE REPRODUCED OR COPIED OR USED IN WHOLE OR IN PART AS THE BASIS FOR THE MANUFACTURE OR SALE OF ITEMS WITHOUT WRITTEN PERMISSION. COPYRIGHT © 1980 DIGITAL EQUIPMENT CORPORATION"

TITLE  
SHIPPING LIST

ASSY NO.

SIZE  
**B**

CODE  
**PL**

NUMBER  
VS11-0-2

REV.  
**C**

SHEET 4 OF 4

INSERTION PARTS LIST DATA BASE REV