





DRAWING NUMBER			DESCRIPTION			DRAWING NUMBER			DESCRIPTION		
1	E-UA-SC008-AB-0	STAR COUPLER 7 CAB ASSY (AA)	E/M	2	B-DD-SC008-AB-0	EXPANDER, STAR COUPLER	E/M				
	D-MD-7425755-0-0	TROUGH, CABLE, SIDE	M								
	D-IA-7425764-0-0	TROUGH, CABLE, REAR	M	3	C-AD-7018770-0-0	TERMINATOR STORAGE ASSY	E/M				
	C-MD-7425774-0-0	CLAMP, CABLE	M		C-MD-7425874-0-0	BRACKET MTG CONN STORAGE	M				
	D-MD-7425876-0-0	BRACKET, DOOR SUPPORT	M								
	C-MD-7425881-0-0	BRACKET, DOOR HINGE & END PANEL	M	4	D-AD-7018541-0-0	BNCI CABLE SUB ASSY	E/M				
	C-IA-7426008-0-0	BRACKET, DOOR LOCK MTG.	M		A-PS-3616073-0-0	LABEL, ID W/COPY VERTICAL	M				
	D-MD-7425775-0-0	TRIM, REAR BASE	M								
	D-IA-7425761-0-0	CROSSBAR, TROUGH STAR COUPLER	M	5	D-UA-BNCI-0-0	BNCI CABLE ASSEMBLY	E/M				
	D-MD-7422244-0-0	BRACKET, REAR VENT SUPPORT (SINGLE)	M								
	C-MD-7422221-0-0	BRKT, DOOR HINGE/END PANEL LOCK	M	6	D-AD-7018554-0-0	DOOR ASSEMBLY FRONT					
	C-MD-7422272-0-0	PIVOT BRKT BOTTOM REAR PANEL (RT)	M								
	B-MD-7425882-0-0	BRACKET, DOOR LOCK	M	7	E-AD-7018717-0-0	FRONT PANEL ASSEMBLY	E/M				
	B-MD-7425007-0-0	BRACKET, DOOR LOCK (B)	M		D-UA-5414216-0-0	STAR COUPLER MODULE	E/M				
	A-PS-3618806-0-0	LABEL CONFIGURATION PATH CI780	M		D-IA-7425772-0-0	PAN, STAR COUPLER					
	A-PS-1212972-0-0	SPRING, RECEPTACLE FASTENER	M								
	A-PS-3619211-0-0	LABEL, CAUTION BEND RADII	M	8	E-AD-7018771-0-0	STAR COUPLER ASSEMBLY	E/M				
	C-MD-7422222-0-0	BRACKET, DOOR LOCK	M		D-IA-7425776-0-0	ENCLOSURE, STAR COUPLER	M				
	D-IC-SC008-0-2	STAR SYSTEM INTERCONNECT			D-MD-7425759-0-0	BRACKET, MOUNTING ENCLOSURE	M				
				9	E-AD-7018555-0-0	DOOR ASSY REAR	M				
					B-MD-7422619-0-0	PIN, PIVOT					

TYPE: E = ELECTRICAL  
M = MECHANICAL  
E/M = ELECTRO/MECHANICAL

digitall

TITLE:  
STAR COUPLER &  
CAB ASSY

SHEET 2 OF 2    SIZE B    CODE DD    NUMBER SC008-AA    REV A

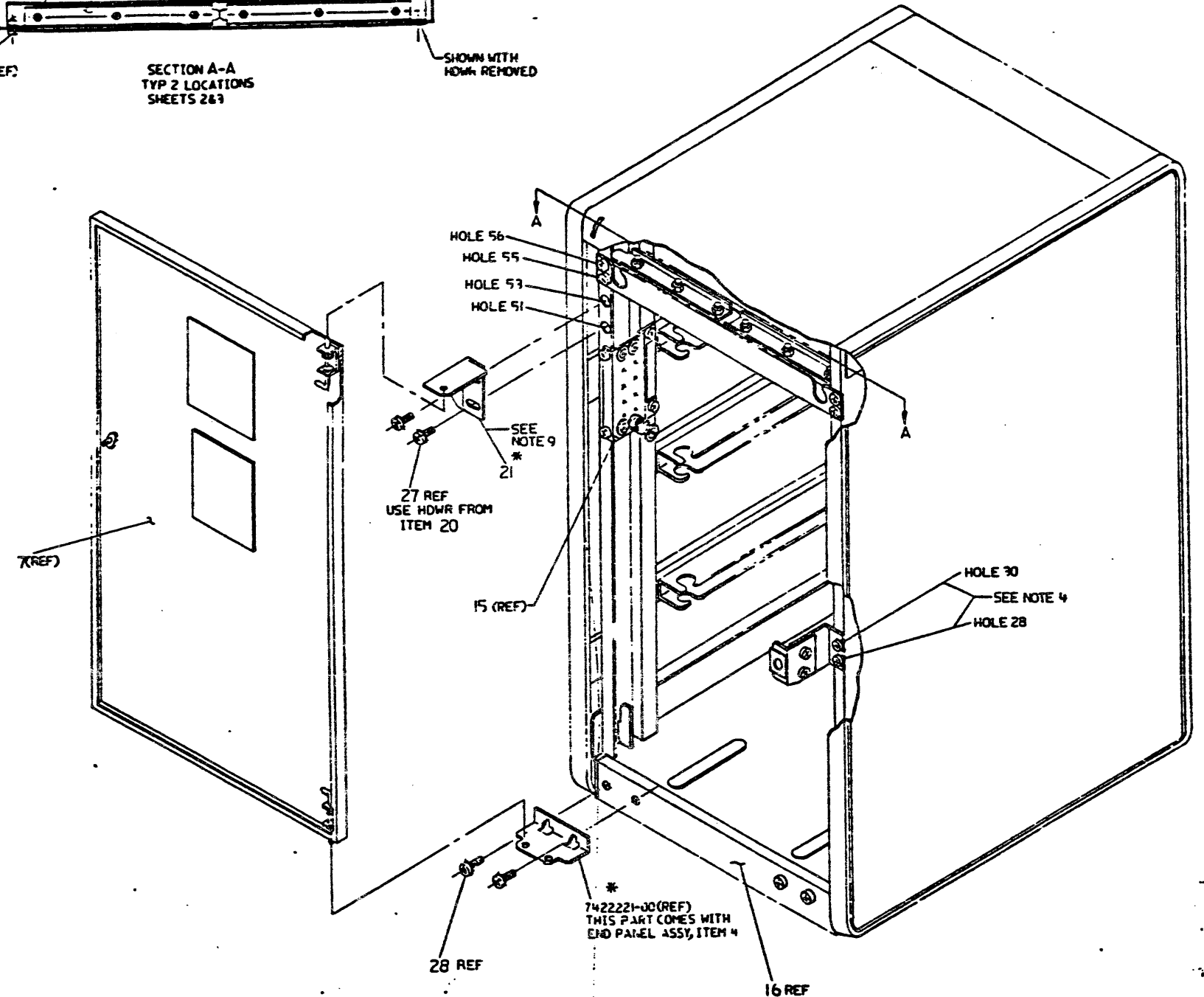
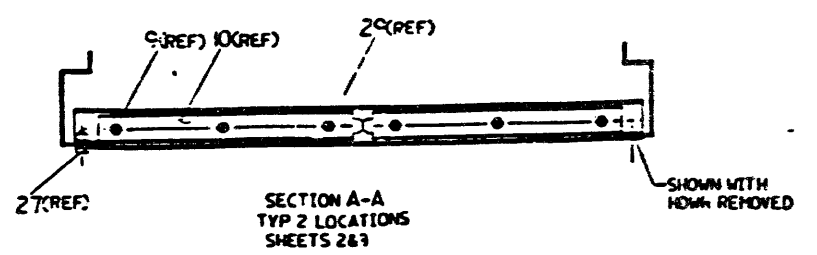
TW





REVISIONS

NO.	DESCRIPTION

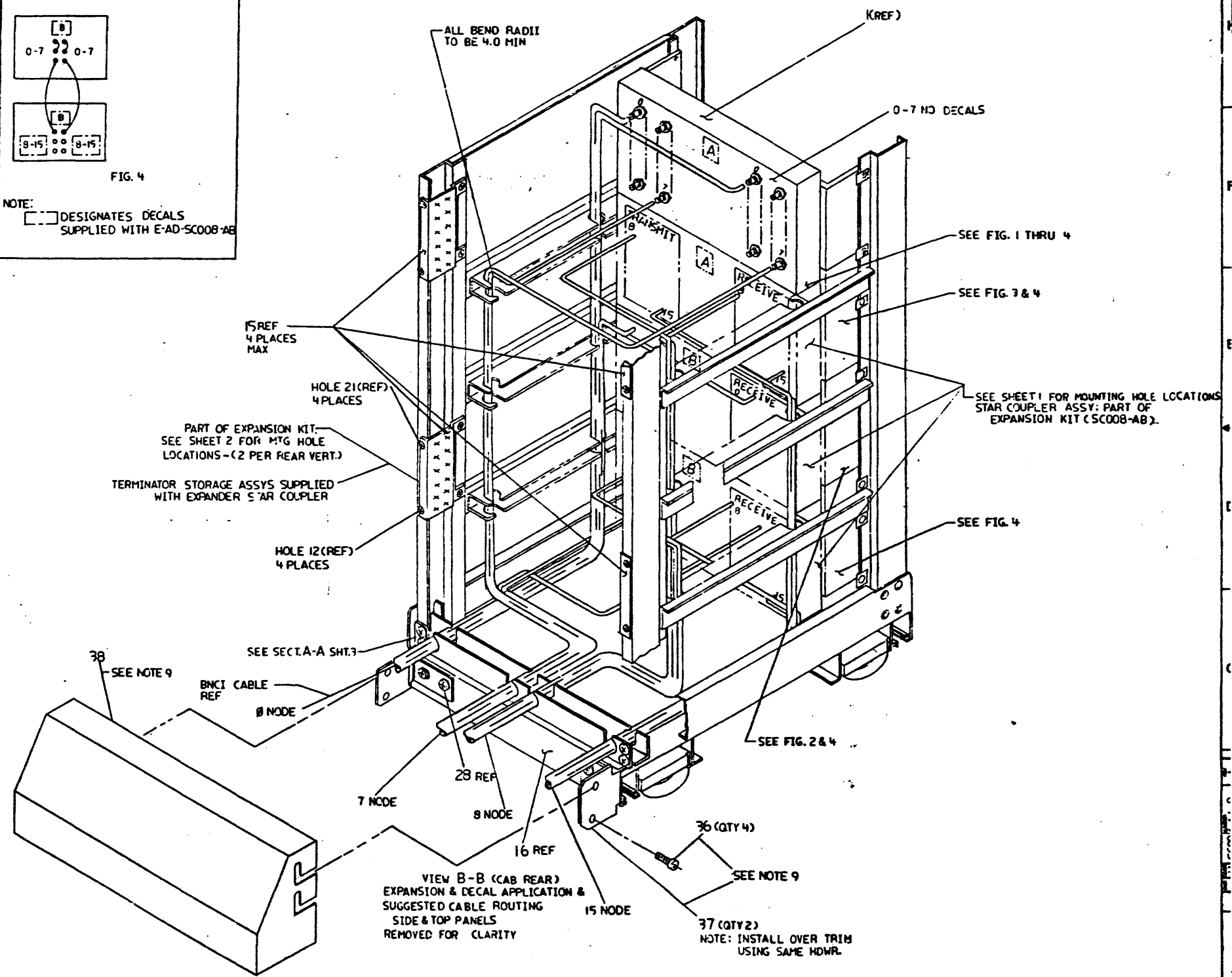
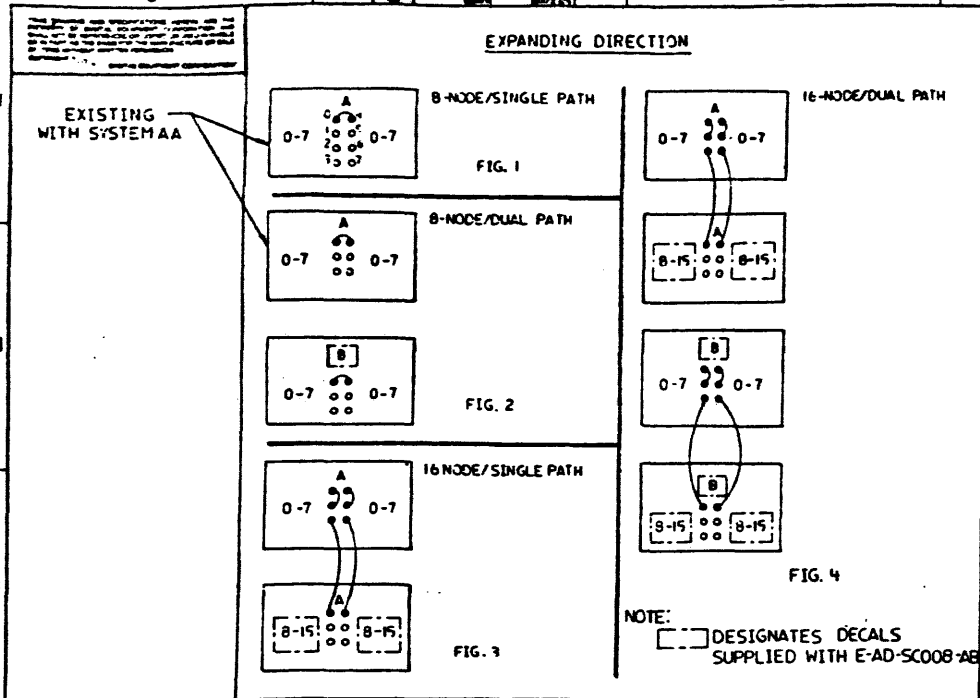


\* OPTIONAL REAR DOOR MOUNTING  
FOR TOP OF CABINET CABLE EXIT  
REMOVE & DISCARD ITEMS 16 & 20

REAR VIEW OF CAB

DOCUMENT NUMBER	
E-11	SCC08-1A-2
SCALE	SHEET 1 OF 1

STAR COUPLER &  
CAB ASSY



REV	DESCRIPTION	DATE

STAR COUPLER & CAB ASSY

DOCUMENT NUMBER	REV
EUA SC008-AA-0	A
SCALE	SHEET 1 OF 4

LINE	ITEM	DOCUMENT NUMBER	PART NUMBER	DESCRIPTION	QUANTITY PER VARIATION	
					AA	AC
1	1	E-AD-7018771-0-0	7018771-00	STAR COUPLER ASSY (BOX)	1	2
2	2	E-UA-H9542-FD-0	H9542-FD	40" FRONT LOADING CAB FRAME (H95	1	1
3	3	E-UA-H9544-LA-0	H9544-LA	TOP COVER, SINGLE WIDTH FRONT LOA	1	1
4	4	E-UA-H9544-AA-0	H9544-AA	40" END PANEL, GREY FRAME, DARK BRO	2	2
5	5	E-AD-7016534-0-0	7016534-00	*** THIS ITEM IS NOT USED ***	-	-
6	6	D-AD-7018554-0-0	7018554-00	FRONT DOOR ASSY (SC008AA)	1	1
7	7	E-AD-7018555-0-0	7018555-00	REAR DOOR ASSY SC008	1	1
8	8	D-MD-7425765-0-0	7425765-00	TROUGH, CABLE, SIDE	6	6
9	9	D-IA-7425764-0-0	7425764-00	TROUGH, CABLE, REAR	1	1
10	10	C-MD-7425774-0-0	7425774-00	CLAMP, CABLE	4	4
11	11	D-MD-7425876-0-0	7425876-00	BRACKET, DOOR SUPPORT	1	1
12	12	C-MD-7425881-0-0	7425881-00	BRACKET, DOOR HINGE & END PANEL L	2	2
13	13		1218633-00	*** THIS ITEM IS NOT USED ***	-	-
14	14	C-IA-7426008-0-0	7426008-00	BRACKET, DOOR LOCK MTG.	1	1
15	15	C-AD-7018770-0-0	7018770-00	TERMINATOR STORAGE ASSY	1	2
16	16	D-MD-7425775-0-0	7425775-00	TRIM, REAR BASE	1	1
17	17	D-IA-7425761-0-0	7425761-00	CROSSBAR, TROUGH STAR COUPLER	6	6
18	18	D-MD-7422244-0-0	7422244-00	BRACKET, REAR VENT SUPPORT (SINGL	REF	REF
19	19	C-MD-7422221-0-0	7422221-00	BRKT, DOOR HINGE/END PANEL LOCK	REF	REF
20	20	C-MD-7422272-0-0	7422272-00	PIVOT BRKT BOTTOM REAR DOOR (RH)	1	1
21	21	SEE NOTE	7422272-01	PIVOT BRKT BOTTOM REAR DOOR L.H.	1	1
22	22	B-MD-7425882-0-0	7425882-00	BRACKET, DOOR LOCK	1	1
23	23	B-MD-7426007-0-0	7426007-00	BRACKET, DOOR LOCK (B)	1	1
24	24	A-PS-3618806-0-0	3618806-01	LABEL, CONFIGURATION PATH CI780	1	1
25	25	A-PS-1212972-0-0	1212972-02	SPRING, RECEPTACLE FASTENER 1/4 T	2	2
26	26		9007786-00	RETAINER, U-NUT, 10-32	83	83
27	27		9009700-00	SCREW, TRUS, PHIL, SEMS10-32X .500L	54	54
28	28		9006056-03	SCREW, TRUS, PHIL, 1/4-20X 1/2	8	8
29	29		9006565-00	NUT, KEP 10-32X 3/8 AF	8	8
30	30	A-PS-3619211-0-0	3619211-01	LABEL, CAUTION BEND RADII	1	1

REVISION HISTORY		BASIC PART NO: SC008		DRN:	J. SULLIVAN	DATE:	09-JUL-81	D I G I T A L			
ENG	ECO NUMBER	REV	SECTION A OF A	CHK'D:	R. ROCHA	DATE:	09-JUL-81	TITLE PARTS LIST			
INITIAL	A	SECTION. VARIATION INDEX	[A] AA, AC	DES. ENG.:	G. NORTON	DATE:	09-JUL-81	DOCUMENT NUMBER			
		[B]		RESP. ENG.:	R. NUEBLING	DATE:	09-JUL-81	SIZE	CODE	NUMBER	REV
		[C]		MFG. ENG.:	M. WARSHAW	DATE:	26-JAN-82	K	PL	SC008-AA-DBP	A
		[D]		ASSEMBLY NUMBER:	E-UA-SC008-AA-0	TOP DOCUMENT NUMBER:	B-DD-SC008-AA-0	FILE NAME:	Z2617A.PLS	EDIT #:	3
		[E]									
		[F]									

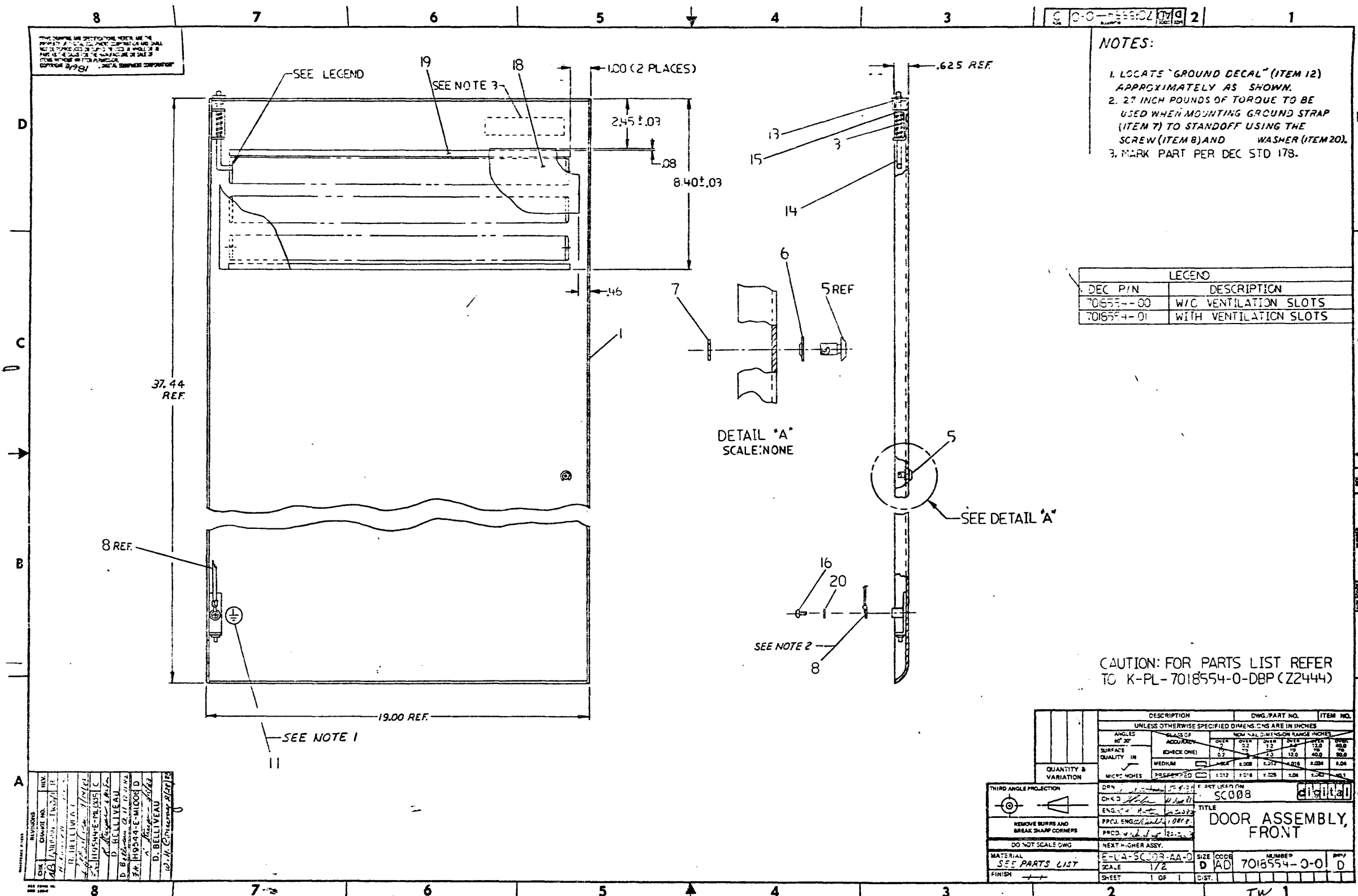
\*THIS DRAWING AND SPECIFICATIONS HEREIN, ARE THE PROPERTY OF DIGITAL EQUIPMENT CORPORATION AND SHALL NOT BE REPRODUCED OR COPIED OR USED IN WHOLE OR IN PART AS THE BASIS FOR THE MANUFACTURE OR SALE OF ITEMS WITHOUT WRITTEN PERMISSION. COPYRIGHT (C) 1982. DIGITAL EQUIPMENT CORPORATION \*



LINE	ITEM	DOCUMENT NUMBER	PART NUMBER	DESCRIPTION	QUANTITY PER VARIATION	
					AA	AC
31	31	BLANK		*** THIS ITEM IS NOT USED ***	-	-
32	32	C-MD-7422222-0-0	7422222-00	BRACKET, DOOR LOCK	1	1
33	33	B-AD-7016703-0-0	7016703-02	STOP DOOR 1.62	2	2
34	34	B-AD-7016703-0-0	7016703-00	STOP DOOR (REAR)	2	2
35	35		9006664-00	WASHER, FLAT, .437 OD X .218 ID	11	11
36	36	SEE NOTE	9006074-03	SCREW, TRUS, PHIL, 10-32X 5/8	8	12
37	37	SEE NOTE	7426225-01	BRACKET, CABLE COVER MTG	2	2
38	38	SEE NOTE	7426224-01	COVER, CABLE EXIT	1	1
39	39		9006070-02	SCREW, FLAT, PHIL, 10-32X 5/16	REF	REF
40	40		9008965-00	NUT, STOP, S.S. 10-32 X 3/8 X 1/2	REF	REF
41	41		3617674-00	LABEL, SERIAL & POWER, UNIVERSAL	2	3
42	42		4700045-00	WRENCH, ALLEN HEX. -5/32, 2" LG	2	2
43	43		3619264-17	LABEL, SET VAR 01 THRU 16	1	2
44	44	BLANK		*** THIS ITEM IS NOT USED ***	-	-
45	45		9010156-00	SCREW, HEX, SLOT, SEMS 10-32X .500L	5	5
46	46		9007651-00	WASHER, LOCK, EXTERNAL TOOTH #10	5	5
47	47		H9544-HB	KIT OF 4 LEVELERS	1	1
48	48		3618845-01	LABEL, NODE 9-16	0	1
49	49		3618845-02	LABEL, NODE MARKER "B"	0	1

50 NOTE: ITEMS 21,36,37,42,&47 INDICATES LOOSE ITEMS (NOT MOUNTED ON CAB)  
 51 NOTE: FOR AB & AD VARIATION SEE PARTS LIST SC008-AB

D	I	G	I	T	A	L	TITLE	STAR COUPLER & CAB. ASSY (AA)	SECTION A OF A	SIZE	CODE	DOCUMENT NUMBER	REV
										K	FL	SC008-AA-DBP	A



**NOTES:**

1. LOCATE "GROUND DECAL" (ITEM 12) APPROXIMATELY AS SHOWN.
2. 27 INCH POUNDS OF TORQUE TO BE USED WHEN MOUNTING GROUND STRAP (ITEM 7) TO STANDOFF USING THE SCREW (ITEM 8) AND WASHER (ITEM 20).
3. MARK PART PER DEC STD 178.

LEGEND	
DEC P/N	DESCRIPTION
7018554-00	W/C VENTILATION SLOTS
7018554-01	WITH VENTILATION SLOTS

CAUTION: FOR PARTS LIST REFER TO K-PL-7018554-0-DBP (Z2444)

QUANTITY & VARIATION	DESCRIPTION	DWG. PART NO.	ITEM NO.
1	DOOR ASSEMBLY, FRONT	SC008	digital

DESCRIPTION	UNLESS OTHERWISE SPECIFIED DIMENSIONS ARE IN INCHES
ANGLES	30° 30'
SURFACE QUALITY	IN
MICRO FINISH	PER SPECIFIED

MATERIAL	FINISH	SIZE	CODE	NUMBER	REV
SEE PARTS LIST		1/2	D	7018554-0-01	D

REV	DATE	BY	CHKD	DESCRIPTION
1				
2				
3				
4				
5				
6				
7				
8				

AUTOMATED BY PRTLST.3P(44)

PARTS LIST

SHEET A1 OF A1

LINE	ITEM	DOCUMENT NUMBER	PART NUMBER	DESCRIPTION	QUANTITY PER VARIATION	
					00	01
1	1	D-IA-7018543-0-0	7018543-00	FRONT DOOR WELDMENT	1	-
2	2	BLANK		*** THIS ITEM IS NOT USED ***	-	-
3	3		1216225-01	SPRING, COMPRESSION .3190DX1.540	1	1
4	4	BLANK		*** THIS ITEM IS NOT USED ***	-	-
5	5		1212972-06	FASTENER,	1	1
6	6		1212972-03	GROMMET, RETAINER POLYETHELENE	1	1
7	7		9008500-00	RING, RETAINER FOR .243	1	1
8	8		1213756-12	GROUND STRAP	1	1
9	9		9000049-38	SCREW, SEMS, PLAIN SLOT 10-	1	-
10	10	BLANK		*** THIS ITEM IS NOT USED ***	-	-
11	11		3613272-00	LABEL, ADH BACK, MYLAR CAP	1	1
12	12	D-IA-7018543-0-0	7018543-01	FRONT DOOR WELDMENT W/SLOTS	-	1
13	13		1219010-00	BUSHING, SNAP	1	1
14	14	B-MD-7426147-0-0	7426147-00	PIN, DOOR HINGE	1	1
15	15		9009273-02	RING, RETAINER EXTERNAL FOR .219	1	1
16	16		9010156-00	SCREW, SEMS HEX 10-	1	1
17	17		9007651-00	*** THIS ITEM IS NOT USED ***	-	-
18	18		1211255-10	FILTER, AIR FOAM 030PPI .	1	-
19	19		7413707-04	STRIP	2	-
20	20		9006664-00	WASHER, FLAT SST	1	1

REVISION HISTORY		BASIC PART NO: 7018554		DRN:	P. TOUSIGNANT	DATE:	10-JUN-81	D I G I T A L			
ENG	ECO NUMBER	REV	SECTION A OF A	CHK'D:	A. ROCHA	DATE:	10-JUN-81	TITLE PARTS LIST			
	INITIAL	X03	SECTION VARIATION INDEX					DOOR ASSEMBLY FRONT			
	INITIAL	A	[A] 00,01	DES. ENG.:	G. NORTON	DATE:	10-JUN-81	DOCUMENT NUMBER			
RB	7018554-TW001	B	[B]	RESP. ENG.:	G. NORTON	DATE:	10-JUN-81	SIZE	CODE	NUMBER	REV
RB	H9544-E-ML005	C	[C]	MFG. ENG.:	M. WARSHAW	DATE:	10-JUN-81	K	PL	7018554-0-DBP	D
R.B	H9544-E-ML006	D	[D]	ASSEMBLY NUMBER:	E-AD-7018554-0-0	TOP DOCUMENT NUMBER:	E-UA-SC008-AA-0	FILE NAME:		Z2444D.PLS	EDIT #
			[E]								9
			[F]								

"THIS DRAWING AND SPECIFICATIONS HEREIN, ARE THE PROPERTY OF DIGITAL EQUIPMENT CORPORATION AND SHALL NOT BE REPRODUCED OR COPIED OR USED IN WHOLE OR IN PART AS THE BASIS FOR THE MANUFACTURE OR SALE OF ITEMS WITHOUT WRITTEN PERMISSION. COPYRIGHT (C) 1983. DIGITAL EQUIPMENT CORPORATION "



AUTOMATED BY PRTLST.3P(44)

PARTS LIST

SHEET A1 OF A1

LINE	ITEM	DOCUMENT NUMBER	PART NUMBER	DESCRIPTION	QUANTITY PER VARIATION
					00
1	1	E-IA-7018542-0-0	7018542-00	REAR DOOR WELDMENT	1
2	2		9008111-00	BUSHING, SNAP, NYLON 3/8 MGTHOLE	2
3	3		1216225-00	SPRING, HINGE 1.54LG	1
4	4		1216223-00	PIN, DOOR HINGE	1
5	5		1212972-06	FASTENER, QUARTER TURN W/RECESSED	1
6	6		3613272-00	LABEL, ADA BACK, MYLAR CAP	1
7	7		1213756-12	GROUND STRAP	1
8	8		9010156-00	SCREW, HEX SLOT, SEMS 10-32X .500L	1
9	9		1212972-03	GROMMET HALF FOR 1/4 TURN FASTEN	1
10	10		9008500-00	RING, RETAINING .500 O.D. X.423	1
11	11		9007651-00	WASHER, LOCK, EXTERNAL TOOTH #10	1
12	12	B-MD-7422619-0-0	7422619-00	PIN, PIVOT	1
13	13		9009644-01	E-RING, EXTERNAL FOR 015	2

REVISION HISTORY		BASIC PART NO: 7018555		DRN: S. CHARTIER	DATE: 19-MAY-81	DIGITAL	
ENG:	ECO NUMBER	REV	SECTION A OF A	CHK'D: R.J. RILEY	DATE: 19-MAY-81	TITLE PARTS LIST	
---	INITIAL	A	SECTION. VARIATION INDEX			DOOR ASSY REAR	
			(A) 00	DES. ENG.: G. NORTON	DATE: 19-MAY-81		
			(B)	RESP. ENG.: G. NORTON	DATE: 19-MAY-81	DOCUMENT NUMBER	
			(C)			SIZE	CODE
			(D)			NUMBER	REV
			(E)	MFG. ENG.: M. WARSHAW	DATE: 19-MAY-81	K	PL
			(F)	ASSEMBLY NUMBER:	TOP DOCUMENT NUMBER:	FILE NAME:	EDIT #
				E-AD-7018555-0-0	E-IA-7018542-0-0	Z2581.PLS	11

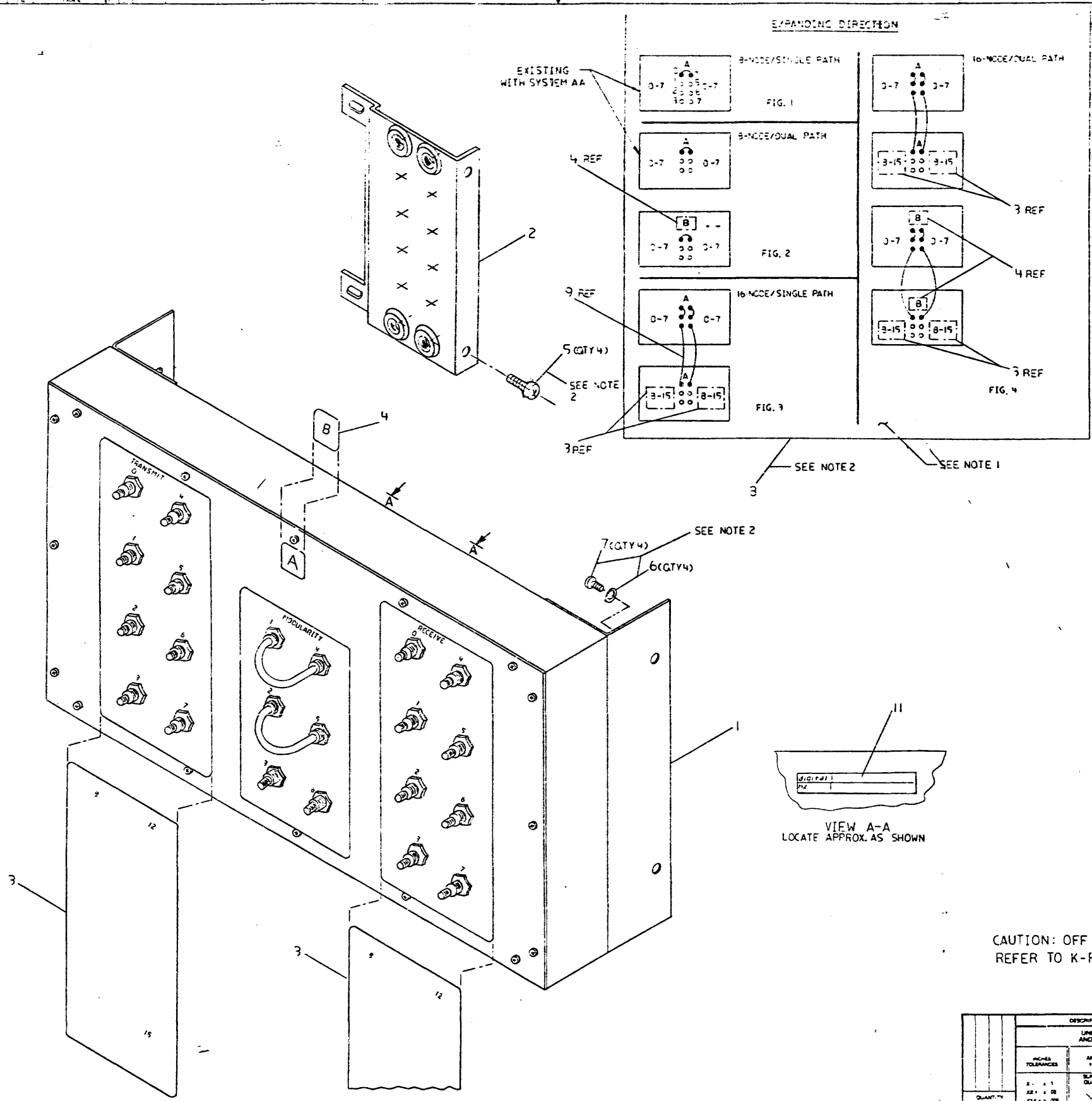
"THIS DRAWING AND SPECIFICATIONS HEREIN, ARE THE PROPERTY OF DIGITAL EQUIPMENT CORPORATION AND SHALL NOT BE REPRODUCED OR COPIED OR USED IN WHOLE OR IN PART AS THE BASIS FOR THE MANUFACTURE OR SALE OF ITEMS WITHOUT WRITTEN PERMISSION.





THIS DRAWING IS THE PROPERTY OF THE UNITED STATES GOVERNMENT AND IS LOANED TO YOU. IT AND ITS CONTENTS ARE NOT TO BE DISTRIBUTED OUTSIDE YOUR AGENCY.

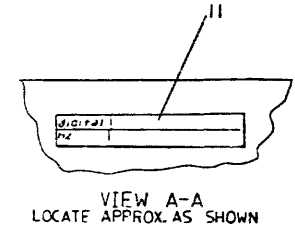
J  
H  
F  
E  
D  
C  
B  
A



EXPANDING DIRECTION

NOTES:  
1. USE DECALS SUPPLIED WITH PACKAGE ITEM NUMBERS 3, 4 & 8 DEPENDING ON VARIATIONS 5-CAN IN FIGS 2, 3 & 4.  
2. ITEMS 2 THRU 8 & 2 & 11 ARE SHIPPED LOOSE.

SEE NOTE 2  
SEE NOTE 1



CAUTION: OFF SHEET PARTS LIST  
REFER TO K-PL-SC008-AB-DBP (Z3341A)

DESCRIPTION	DRAWING NO.	PART NO.	ITEM NO.
UNLESS OTHERWISE SPECIFIED DIMENSIONS ARE IN INCHES AND THE FOLLOWING TOLERANCES APPLY (PER DEC STD 114)			
HOLE TOLERANCES	ANGLES ± 1° 30'	APPLICABLE DIMENSION RANGE	
		OVER 8 TO 12	OVER 12 TO 48
SURFACE QUALITY	CHECK ONE	OVER 8 TO 12	OVER 12 TO 48
		OVER 12 TO 48	OVER 48 TO 100
QUANTITY & VARIATION	THIRD ANGLE PROJECTION	DATE	TITLE
1 ± 0.015	AS SHOWN	3/20/81	Digital
XX ± 0.02	DO NOT SCALE DRAWING	DESIGNED BY	EXPANDER, STAR COUPLER
XXX ± 0.03	REMOVE SHARP AND BREAK SHARP CORNERS	DRAWN BY	
SEE PARTS LIST	MATERIAL	DATE	DOCUMENT NUMBER
	ALUMINUM	2/22/82	EJAI SC008-AB-0 A
			EXPANDER-SC008-AB

8

7

6

5

4

3

2

1

EJAI SC008-AB-0 A

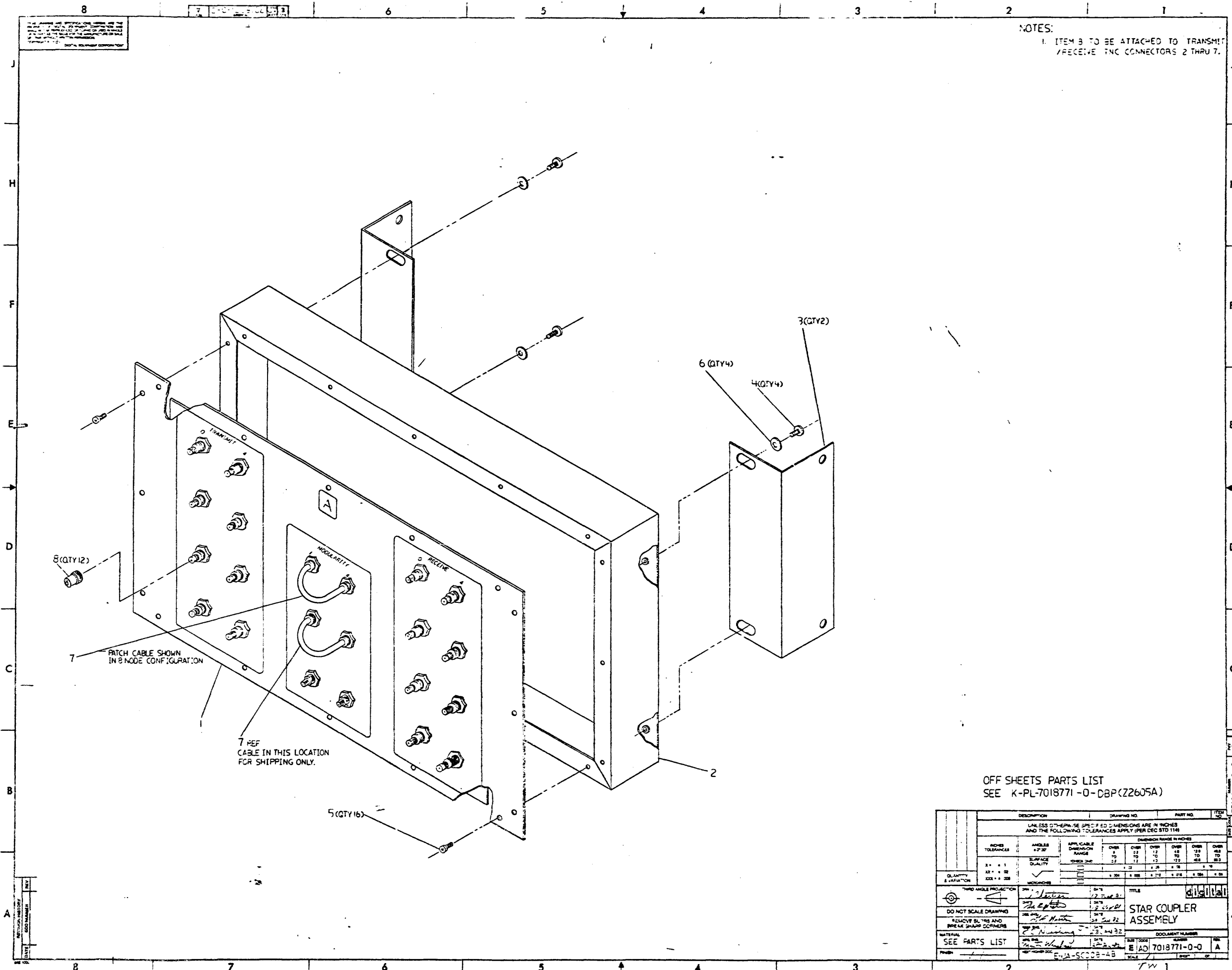


LINE	ITEM	DOCUMENT NUMBER	PART NUMBER	DESCRIPTION	QUANTITY PER VARIATION	
					AB	AD
1	1	E-AD-7018771-0-0	7018771-00	STAR COUPLER ASSY (BOX)	1	2
2	2	C-AD-7018770-0-0	7018770-00	TERMINATOR STORAGE ASSY	1	2
3	3	C-PS-3618845-0-0	3618845-01	LABEL,NODE 9-16	1	2
4	4	C-PS-3618845-0-0	3618845-02	LABEL,NODE MARKER "B"	1	2
5	5		9009700-00	SCREW,TRUS,PHIL,SEMS10-32X .500L	4	8
6	6		9006664-00	WASHER, FLAT, .437 OD X .218 ID	4	8
7	7		9006074-03	SCREW,TRUS,PHIL, 10-32X 5/8	4	8
8	8		3618806-01	LABEL,CONFIGURATION PATH CI780	1	1
9	9	C-AD-7018530-0-0	7018530-00	8/16 JUMPER CABLE	REF	REF
10	10		3619211-01	LABEL,CAUTION BEND RADII	1	1
11	11		3617674-00	LABEL,SERIAL & POWER,UNIVERSAL	1	2
12	12		3619264-17	LABEL,SET VAR 01 THRU 16	1	2
13	13		9007786-00	RETAINER, U-NUT, 10-32	8	16

14 NOTE: FOR AA & AC VARIATIONS SEE PARTS LIST SC008-AA

REVISION HISTORY			BASIC PART NO: SC008		DRN:	H. DARAKJIAN	DATE:	DIGITAL			
ENG	ECO NUMBER	REV	SECTION A OF A	CHK'D:	M. BAPTISTE	DATE:	TITLE PARTS LIST				
	INITIAL	IA	SECTION, VARIATION INDEX			DATE:	EXPANDER, STAR COUPLER				
			[A] AB,AD			DATE:					
			[B]	DES.ENG.:	G. NORTON	DATE:					
			[C]	RESP.ENG.:	R. CASABONA	DATE:	DOCUMENT NUMBER				
			[D]			DATE:	SIZE	CODE	NUMBER	REV	
			[E]	MFG.ENG.:	V. ADAMETZ	DATE:	K	PL	SC008-AB-DBP	A	
			[F]	ASSEMBLY NUMBER:		TOP DOCUMENT NUMBER:	FILE NAME:		EDIT #		
				E-UA-SC008-AB-0		B-DD-SC008-AB-0	Z3341A.PLS		6		

\*THIS DRAWING AND SPECIFICATIONS HEREIN, ARE THE PROPERTY OF DIGITAL EQUIPMENT CORPORATION AND SHALL NOT BE REPRODUCED OR COPIED OR USED IN WHOLE OR IN PART AS THE BASIS FOR THE MANUFACTURE OR SALE OF ITEMS WITHOUT WRITTEN PERMISSION. COPYRIGHT (C) 1982, DIGITAL EQUIPMENT CORPORATION \*



NOTES:  
 1. ITEM 3 TO BE ATTACHED TO TRANSMIT /RECEIVE TNC CONNECTORS 2 THRU 7.

OFF SHEETS PARTS LIST  
 SEE K-PL-7018771-0-DBP(22605A)

DESCRIPTION		DRAWING NO.		PART NO.		ITEM NO.	
UNLESS OTHERWISE SPECIFIED DIMENSIONS ARE IN INCHES AND THE FOLLOWING TOLERANCES APPLY (PER DEC STD 114)							
DIMENSION RANGE IN INCHES							
INCHES	ANGLES	APPLICABLE DIMENSION RANGE	OVER	OVER	OVER	OVER	OVER
±.1	±.02	0 TO 1.0	±.01	±.02	±.03	±.04	±.05
±.005	±.002	1.0 TO 3.0	±.005	±.01	±.015	±.02	±.025
±.001	±.0005	3.0 TO 6.0	±.002	±.005	±.008	±.01	±.012
±.0005	±.0002	6.0 TO 12.0	±.001	±.002	±.004	±.005	±.006
±.0002	±.0001	12.0 TO 30.0	±.0005	±.001	±.002	±.003	±.004
±.0001	±.00005	30.0 TO 100.0	±.0002	±.0005	±.001	±.0015	±.002
±.00005	±.00002	100.0 TO 300.0	±.0001	±.0002	±.0003	±.0004	±.0005
±.00002	±.00001	300.0 TO 1000.0	±.00005	±.0001	±.00015	±.0002	±.00025
±.00001	±.000005	1000.0 TO 3000.0	±.00002	±.00005	±.0001	±.00015	±.0002
±.000005	±.000002	3000.0 TO 10000.0	±.00001	±.00002	±.00005	±.00008	±.0001
±.000002	±.000001	10000.0 TO 30000.0	±.000005	±.00001	±.00002	±.00003	±.00004
±.000001	±.0000005	30000.0 TO 100000.0	±.000002	±.000005	±.00001	±.000015	±.00002
±.0000005	±.0000002	100000.0 TO 300000.0	±.000001	±.000002	±.000005	±.000008	±.00001
±.0000002	±.0000001	300000.0 TO 1000000.0	±.0000005	±.000001	±.000002	±.000003	±.000004
±.0000001	±.00000005	1000000.0 TO 3000000.0	±.0000002	±.0000005	±.000001	±.0000015	±.000002
±.00000005	±.00000002	3000000.0 TO 10000000.0	±.0000001	±.0000002	±.0000005	±.0000008	±.000001
±.00000002	±.00000001	10000000.0 TO 30000000.0	±.00000005	±.0000001	±.0000002	±.0000003	±.0000004
±.00000001	±.000000005	30000000.0 TO 100000000.0	±.00000002	±.00000005	±.0000001	±.00000015	±.0000002
±.000000005	±.000000002	100000000.0 TO 300000000.0	±.00000001	±.00000002	±.00000005	±.00000008	±.0000001
±.000000002	±.000000001	300000000.0 TO 1000000000.0	±.000000005	±.00000001	±.00000002	±.00000003	±.00000004
±.000000001	±.0000000005	1000000000.0 TO 3000000000.0	±.000000002	±.000000005	±.00000001	±.000000015	±.00000002
±.0000000005	±.0000000002	3000000000.0 TO 10000000000.0	±.000000001	±.000000002	±.000000005	±.000000008	±.00000001
±.0000000002	±.0000000001	10000000000.0 TO 30000000000.0	±.0000000005	±.000000001	±.000000002	±.000000003	±.000000004
±.0000000001	±.00000000005	30000000000.0 TO 100000000000.0	±.0000000002	±.0000000005	±.000000001	±.0000000015	±.000000002
±.00000000005	±.00000000002	100000000000.0 TO 300000000000.0	±.0000000001	±.0000000002	±.0000000005	±.0000000008	±.000000001
±.00000000002	±.00000000001	300000000000.0 TO 1000000000000.0	±.00000000005	±.0000000001	±.0000000002	±.0000000003	±.0000000004
±.00000000001	±.000000000005	1000000000000.0 TO 3000000000000.0	±.00000000002	±.00000000005	±.0000000001	±.00000000015	±.0000000002
±.000000000005	±.000000000002	3000000000000.0 TO 10000000000000.0	±.00000000001	±.00000000002	±.00000000005	±.00000000008	±.0000000001
±.000000000002	±.000000000001	10000000000000.0 TO 30000000000000.0	±.000000000005	±.00000000001	±.00000000002	±.00000000003	±.00000000004
±.000000000001	±.0000000000005	30000000000000.0 TO 100000000000000.0	±.000000000002	±.000000000005	±.00000000001	±.000000000015	±.00000000002
±.0000000000005	±.0000000000002	100000000000000.0 TO 300000000000000.0	±.000000000001	±.000000000002	±.000000000005	±.000000000008	±.00000000001
±.0000000000002	±.0000000000001	300000000000000.0 TO 1000000000000000.0	±.0000000000005	±.000000000001	±.000000000002	±.000000000003	±.000000000004
±.0000000000001	±.00000000000005	1000000000000000.0 TO 3000000000000000.0	±.0000000000002	±.0000000000005	±.000000000001	±.0000000000015	±.000000000002
±.00000000000005	±.00000000000002	3000000000000000.0 TO 10000000000000000.0	±.0000000000001	±.0000000000002	±.0000000000005	±.0000000000008	±.000000000001
±.00000000000002	±.00000000000001	10000000000000000.0 TO 30000000000000000.0	±.00000000000005	±.0000000000001	±.0000000000002	±.0000000000003	±.0000000000004
±.00000000000001	±.000000000000005	30000000000000000.0 TO 100000000000000000.0	±.00000000000002	±.00000000000005	±.0000000000001	±.00000000000015	±.0000000000002
±.000000000000005	±.000000000000002	100000000000000000.0 TO 300000000000000000.0	±.00000000000001	±.00000000000002	±.00000000000005	±.00000000000008	±.0000000000001
±.000000000000002	±.000000000000001	300000000000000000.0 TO 1000000000000000000.0	±.000000000000005	±.00000000000001	±.00000000000002	±.00000000000003	±.00000000000004
±.000000000000001	±.0000000000000005	1000000000000000000.0 TO 3000000000000000000.0	±.000000000000002	±.000000000000005	±.00000000000001	±.000000000000015	±.00000000000002
±.0000000000000005	±.0000000000000002	3000000000000000000.0 TO 10000000000000000000.0	±.000000000000001	±.000000000000002	±.000000000000005	±.000000000000008	±.00000000000001
±.0000000000000002	±.0000000000000001	10000000000000000000.0 TO 30000000000000000000.0	±.0000000000000005	±.000000000000001	±.000000000000002	±.000000000000003	±.000000000000004
±.0000000000000001	±.00000000000000005	30000000000000000000.0 TO 100000000000000000000.0	±.0000000000000002	±.0000000000000005	±.000000000000001	±.0000000000000015	±.000000000000002
±.00000000000000005	±.00000000000000002	100000000000000000000.0 TO 300000000000000000000.0	±.0000000000000001	±.0000000000000002	±.0000000000000005	±.0000000000000008	±.000000000000001
±.00000000000000002	±.00000000000000001	300000000000000000000.0 TO 1000000000000000000000.0	±.00000000000000005	±.0000000000000001	±.0000000000000002	±.0000000000000003	±.0000000000000004
±.00000000000000001	±.000000000000000005	1000000000000000000000.0 TO 3000000000000000000000.0	±.00000000000000002	±.00000000000000005	±.0000000000000001	±.00000000000000015	±.0000000000000002
±.000000000000000005	±.000000000000000002	3000000000000000000000.0 TO 10000000000000000000000.0	±.00000000000000001	±.00000000000000002	±.00000000000000005	±.00000000000000008	±.0000000000000001
±.000000000000000002	±.000000000000000001	10000000000000000000000.0 TO 30000000000000000000000.0	±.000000000000000005	±.00000000000000001	±.00000000000000002	±.00000000000000003	±.00000000000000004
±.000000000000000001	±.0000000000000000005	30000000000000000000000.0 TO 100000000000000000000000.0	±.000000000000000002	±.000000000000000005	±.00000000000000001	±.000000000000000015	±.00000000000000002
±.0000000000000000005	±.0000000000000000002	100000000000000000000000.0 TO 300000000000000000000000.0	±.000000000000000001	±.000000000000000002	±.000000000000000005	±.000000000000000008	±.00000000000000001
±.0000000000000000002	±.0000000000000000001	300000000000000000000000.0 TO 1000000000000000000000000.0	±.0000000000000000005	±.000000000000000001	±.000000000000000002	±.000000000000000003	±.000000000000000004
±.0000000000000000001	±.00000000000000000005	1000000000000000000000000.0 TO 3000000000000000000000000.0	±.0000000000000000002	±.0000000000000000005	±.000000000000000001	±.0000000000000000015	±.000000000000000002
±.00000000000000000005	±.00000000000000000002	3000000000000000000000000.0 TO 10000000000000000000000000.0	±.0000000000000000001	±.0000000000000000002	±.0000000000000000005	±.0000000000000000008	±.000000000000000001
±.00000000000000000002	±.00000000000000000001	10000000000000000000000000.0 TO 30000000000000000000000000.0	±.00000000000000000005	±.0000000000000000001	±.0000000000000000002	±.0000000000000000003	±.0000000000000000004
±.00000000000000000001	±.000000000000000000005	30000000000000000000000000.0 TO 100000000000000000000000000.0	±.00000000000000000002	±.00000000000000000005	±.0000000000000000001	±.00000000000000000015	±.0000000000000000002
±.000000000000000000005	±.000000000000000000002	100000000000000000000000000.0 TO 300000000000000000000000000.0	±.00000000000000000001	±.00000000000000000002	±.00000000000000000005	±.00000000000000000008	±.0000000000000000001
±.000000000000000000002	±.000000000000000000001	300000000000000000000000000.0 TO 1000000000000000000000000000.0	±.000000000000000000005	±.00000000000000000001	±.00000000000000000002	±.00000000000000000003	±.00000000000000000004
±.000000000000000000001	±.0000000000000000000005	1000000000000000000000000000.0 TO 3000000000000000000000000000.0	±.000000000000000000002	±.000000000000000000005	±.00000000000000000001	±.000000000000000000015	±.00000000000000000002
±.0000000000000000000005	±.0000000000000000000002	3000000000000000000000000000.0 TO 10000000000000000000000000000.0	±.000000000000000000001	±.000000000000000000002	±.000000000000000000005	±.000000000000000000008	±.00000000000000000001
±.0000000000000000000002	±.0000000000000000000001	10000000000000000000000000000.0 TO 30000000000000000000000000000.0	±.0000000000000000000005	±.000000000000000000001	±.000000000000000000002	±.000000000000000000003	±.000000000000000000004
±.0000000000000000000001	±.00000000000000000000005	30000000000000000000000000000.0 TO 100000000000000000000000000000.0	±.0000000000000000000002	±.0000000000000000000005	±.000000000000000000001	±.0000000000000000000015	±.000000000000000000002
±.00000000000000000000005	±.00000000000000000000002	100000000000000000000000000000.0 TO 300000000000000000000000000000.0	±.0000000000000000000001	±.0000000000000000000002	±.0000000000000000000005	±.0000000000000000000008	±.000000000000000000001
±.00000000000000000000002	±.00000000000000000000001	300000000000000000000000000000.0 TO 1000000000000000000000000000000.0	±.00000000000000000000005	±.0000000000000			

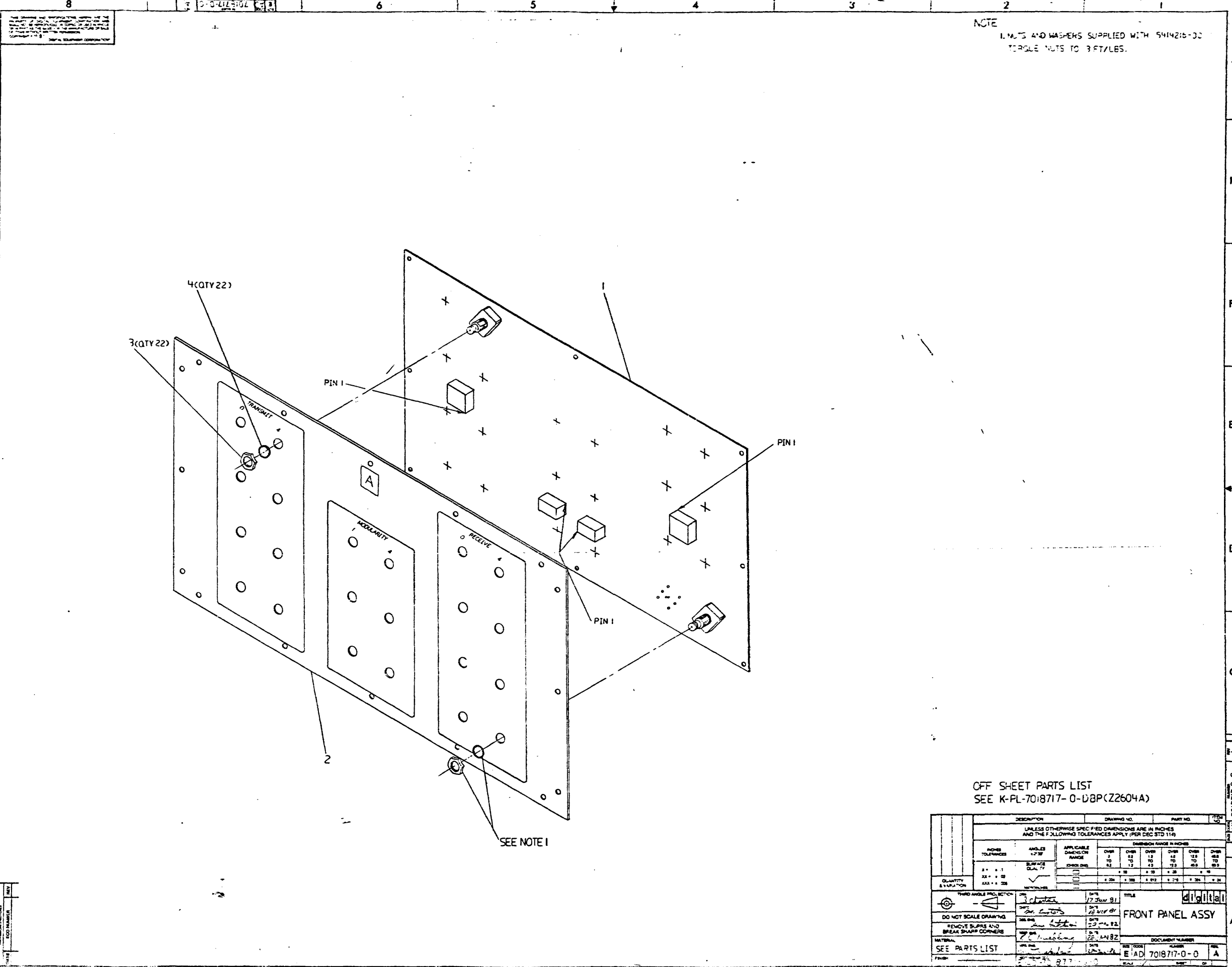
LINE ITEM	DOCUMENT NUMBER	PART NUMBER	DESCRIPTION	QUANTITY PER VARIATION
1	E-AD-7018717-0-0	7018717-00	FRONT PANEL ASSY SC008	1
2	D-IA-7425776-0-0	7425776-00	ENCLOSURE STEER COUPLER	1
3	D-MD-7425759-0-0	7425759-00	BROCKET MOUNTING ENCLOSURE	1
4		9006071-01	SCREEN PAN, PHIL 10-32X 3/8	16
5		9009701-00	SCREEN PAN, PHIL SEMS 6-32X .312L	4
6		9006564-00	WASHER FLAT .437 00 X .218 ID	2
7		7018530-00	S/16 JUMPER CHSLE	12
8	C-AD-7018530-0-0	7018530-00	CONN, COAX ILINE TERM TNC	12
9		1218533-00		

REVISION HISTORY BASIC PART NO: 7018717

ENG	ECO NUMBER	REV	SECTION A OF A	SECTION VARIATION INDEX	CHK'D	DRN	DATE	TITLE	DOCUMENT NUMBER
		A			M. BAPTISTE	S. CHARTIER	17-JUN-81	STAR COUPLER ASSEMBLY	
			[B]		G. NORTON		17-JUN-81		
			[C]		R. NUEBLING		17-JUN-81		
			[D]						
			[E]		M. MARSHAM		17-JUN-81		
			[F]						

"THIS DRAWING AND SPECIFICATIONS HEREIN, ARE THE PROPERTY OF DIGITAL EQUIPMENT CORPORATION AND SHALL NOT BE REPRODUCED OR COPIED OR USED IN WHOLE OR IN PART AS THE BASIS FOR THE MANUFACTURE OR SALE OF ITEMS WITHOUT WRITTEN PERMISSION. COPYRIGHT (C) 1982. DIGITAL EQUIPMENT CORPORATION"

MFG. ENG.: M. MARSHAM  
 ASSEMBLY NUMBER: E-AD-701871-0-0  
 TOP DOCUMENT NUMBER: E-AD-50008-48-0  
 FILE NAME: 701871-0-DBP  
 Z26059.PLS  
 EDIT # 13



OFF SHEET PARTS LIST  
SEE K-PL-7018717-0-D8P(Z2604A)

QUANTITY & VARIATION	DESCRIPTION	DRAWING NO.	PART NO.	ITEM NO.	DIMENSION RANGE IN INCHES							
					OVER RANGE	OVER	OVER	OVER	OVER	OVER	OVER	
22 ± .02	PIN 1				0.00	0.00	0.00	0.00	0.00	0.00	0.00	0.00
22 ± .02	WASHER				0.00	0.00	0.00	0.00	0.00	0.00	0.00	0.00
22 ± .02	NUT				0.00	0.00	0.00	0.00	0.00	0.00	0.00	0.00

THIRD ANGLE PROJECTION	DATE	TITLE
DO NOT SCALE DRAWING	17 JUN 81	FRONT PANEL ASSY
REMOVE SURFS AND BREAK SHARP CORNERS	20 SEP 81	
MATERIAL	25 MAR 82	
SEE PARTS LIST	28 JAN 82	
FINISH		

K-PL-7018717-0-A

AUTOMATED BY PRLST.3P(44)

P A R T S L I S T

SHEET 01 OF 01

LINE ITEM	DOCUMENT NUMBER	PART NUMBER	DESCRIPTION	QUANTITY PER VARIATION
1	D-UA-5414216-0-0	5414216-00	STAR COUPLER MODULE	1
2	D-IA-7425772-0-0	7425772-00	PAN STAR COUPLER	22
3		1219171-00	NUT, HEX 1/2X 28X.63	22
4		1219172-00	WASHER, LOCK, INT, .60000 X .50010	22

5 NOTE: ITEMS 3+4 SUPPLIED WITH 1217979 (ITEM 2 ON 5414216 )

REVISION HISTORY

ENG	ECO NUMBER	REV	SECTION A OF A	DATE	BY	REASON
		A		17-JUN-81	S. CHARTIER	INITIAL

BASIC PART NO: 7018717

DRN: 5. CHARTIER

DATE: 17-JUN-81

TITLE: DIGITAL PARTS LIST

FRONT PANEL ASSEMBLY

DES. ENG.: G. NORTON

DATE: 17-JUN-81

RESP. ENG.: R. NUEBLING

DATE: 17-JUN-81

MFG. ENG.: M. MARSHAM

DATE: 17-JUN-81

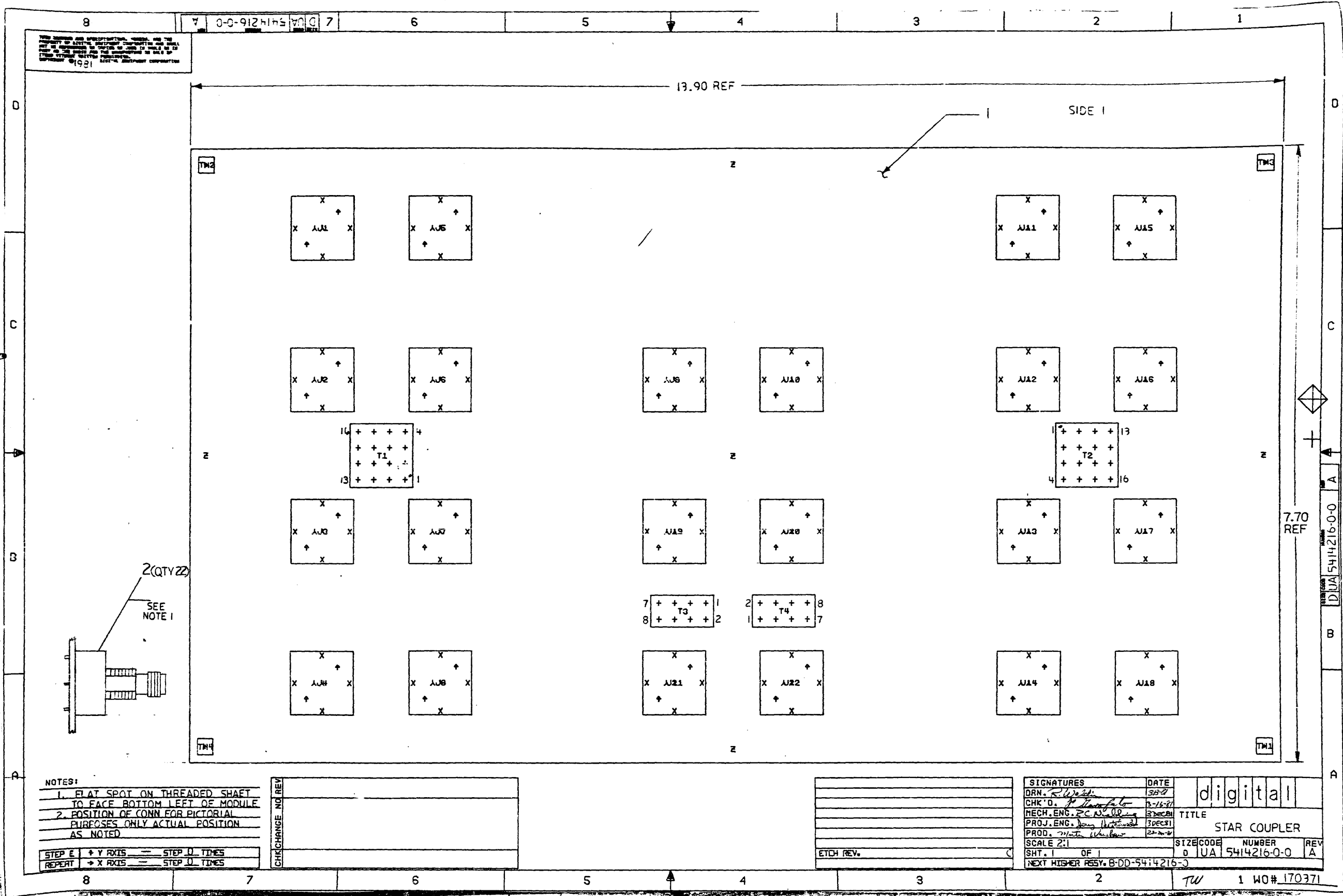
ASSEMBLY NUMBER: E-AD-7018717-0-0

TOP DOCUMENT NUMBER: E-AD-7018721-0-0

FILE NAME: 7018717-0-DBP

EDIT # 6

"THIS DRAWING AND SPECIFICATIONS HEREIN ARE THE PROPERTY OF DIGITAL EQUIPMENT CORPORATION AND SHALL NOT BE REPRODUCED OR COPIED OR USED IN WHOLE OR IN PART AS THE BASIS FOR THE MANUFACTURE OR SALE OF ITEMS WITHOUT WRITTEN PERMISSION."



THIS DRAWING AND SPECIFICATIONS, MATERIALS, AND THE METHOD OF MANUFACTURE, CONSTRUCTION AND INSTALLATION ARE HEREBY MADE A PART OF THE CONTRACT AND SHALL BE OBSERVED BY THE CONTRACTOR IN FULL. THIS DRAWING IS THE PROPERTY OF THE COMPANY AND IS NOT TO BE REPRODUCED OR COPIED IN ANY MANNER WITHOUT THE WRITTEN PERMISSION OF THE COMPANY. ©1921

NOTES:  
 1. FLAT SPOT ON THREADED SHAFT TO FACE BOTTOM LEFT OF MODULE  
 2. POSITION OF CONN FOR PICTORIAL PURPOSES ONLY ACTUAL POSITION AS NOTED

STEP E	+ Y AXIS	STEP D TIMES
REPEAT	+ X AXIS	STEP D TIMES

CHANGE NO	REV

ETCH REV.	

SIGNATURES		DATE	digital
DRN. <i>R. W. ...</i>		3-27	
CHK'D. <i>P. ...</i>		3-16-51	TITLE STAR COUPLER
MECH. ENG. <i>P. C. ...</i>		3 DEC 51	
PROJ. ENG. <i>...</i>		3 DEC 51	SIZE CODE NUMBER REV 0 UA 5414216-0-0 A
PROD. <i>...</i>		2-2-51	
SCALE 2:1			NEXT HIGHER ASSY. B-DD-5414216-0
SHT. 1	OF 1		

TW 1 WO# 170371

REV	DOC NO	REV	REV	REV
1	5014215-00	1	01-JAN-82	
2	1217979-00	2	11, 13	
3	1517393-00	3	13, 14	
4	1517994-00	4		

REVISION HISTORY  
 BASIC PART NO: 5414216  
 DRN: J. CHSEY  
 DATE: 06-JAN-82  
 TITLE: D I G I T I A L  
 PARTS LIST

ENG: ECO NUMBER REV SECTION A OF A  
 SECTION VARIATION INDEX  
 [A] 00  
 [B]  
 [C]  
 [D]  
 [E]  
 [F]  
 [G]  
 [H]  
 [I]  
 [J]  
 [K]  
 [L]  
 [M]  
 [N]

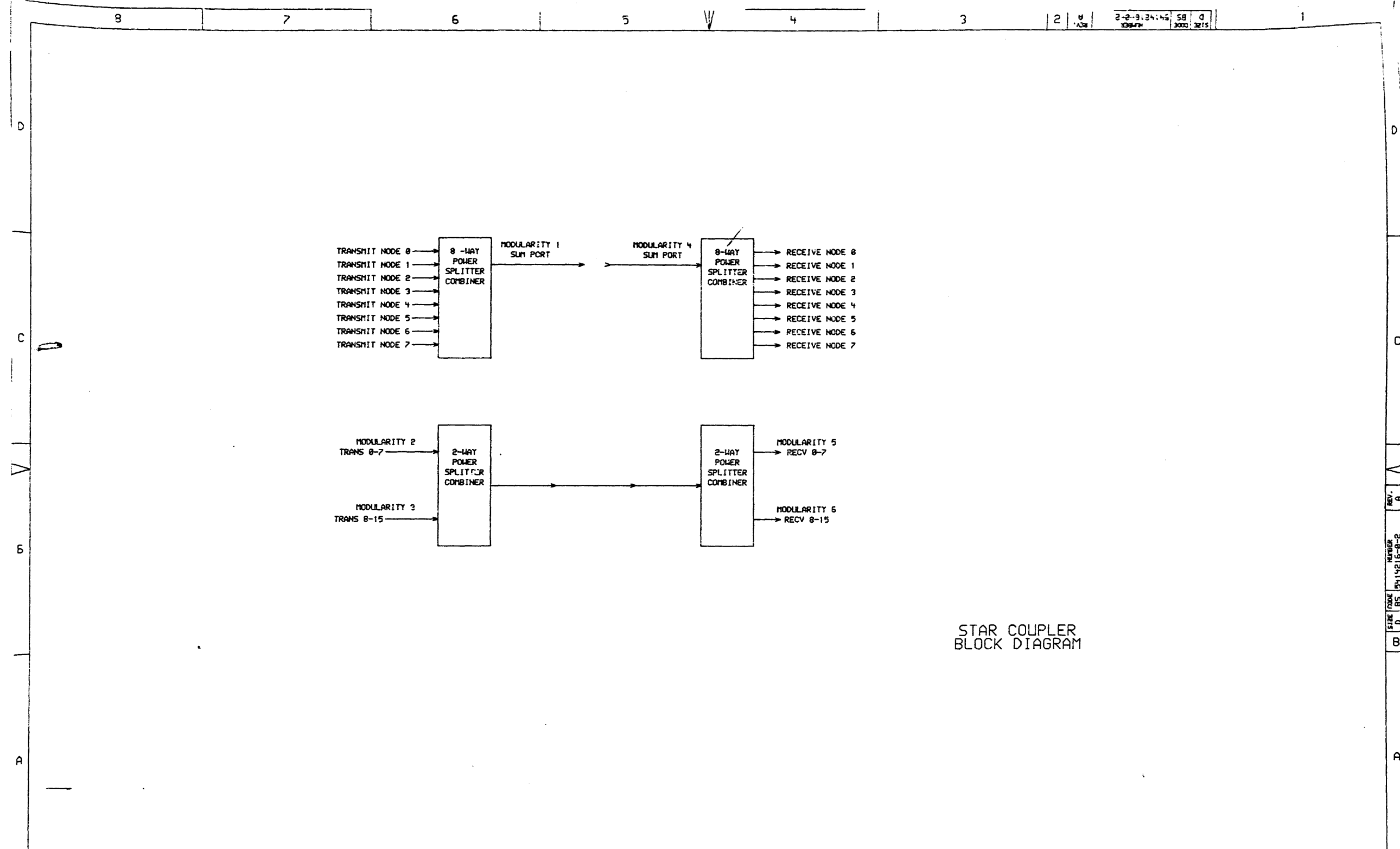
CHK'D: F. GAROFALO  
 DATE: 06-JAN-82  
 CI STAR COUPLER

DES. ENG.: R. NUEBLING  
 DATE: 06-JAN-82  
 DOCUMENT NUMBER

RESP. ENG.: R. NUEBLING  
 DATE: 06-JAN-82  
 SIZE CODE: NUMBER REV

MFG. ENG.: M. WARSHAW  
 DATE: 06-JAN-82  
 K PL 5414216-0-DBP A  
 ASSEMBLY NUMBER: TOP DOCUMENT NUMBER: FILE NAME: 21293A.PLS  
 D-0A-5414216-0-0 EDIT # 2

"THIS DRAWING AND SPECIFICATIONS HEREIN, ARE THE PROPERTY OF DIGITAL EQUIPMENT CORPORATION AND SHALL NOT BE REPRODUCED OR COPIED OR USED IN WHOLE OR IN PART AS THE BASIS FOR THE MANUFACTURE OR SALE OF ITEMS WITHOUT WRITTEN PERMISSION. COPYRIGHT (C) 1982. DIGITAL EQUIPMENT CORPORATION"

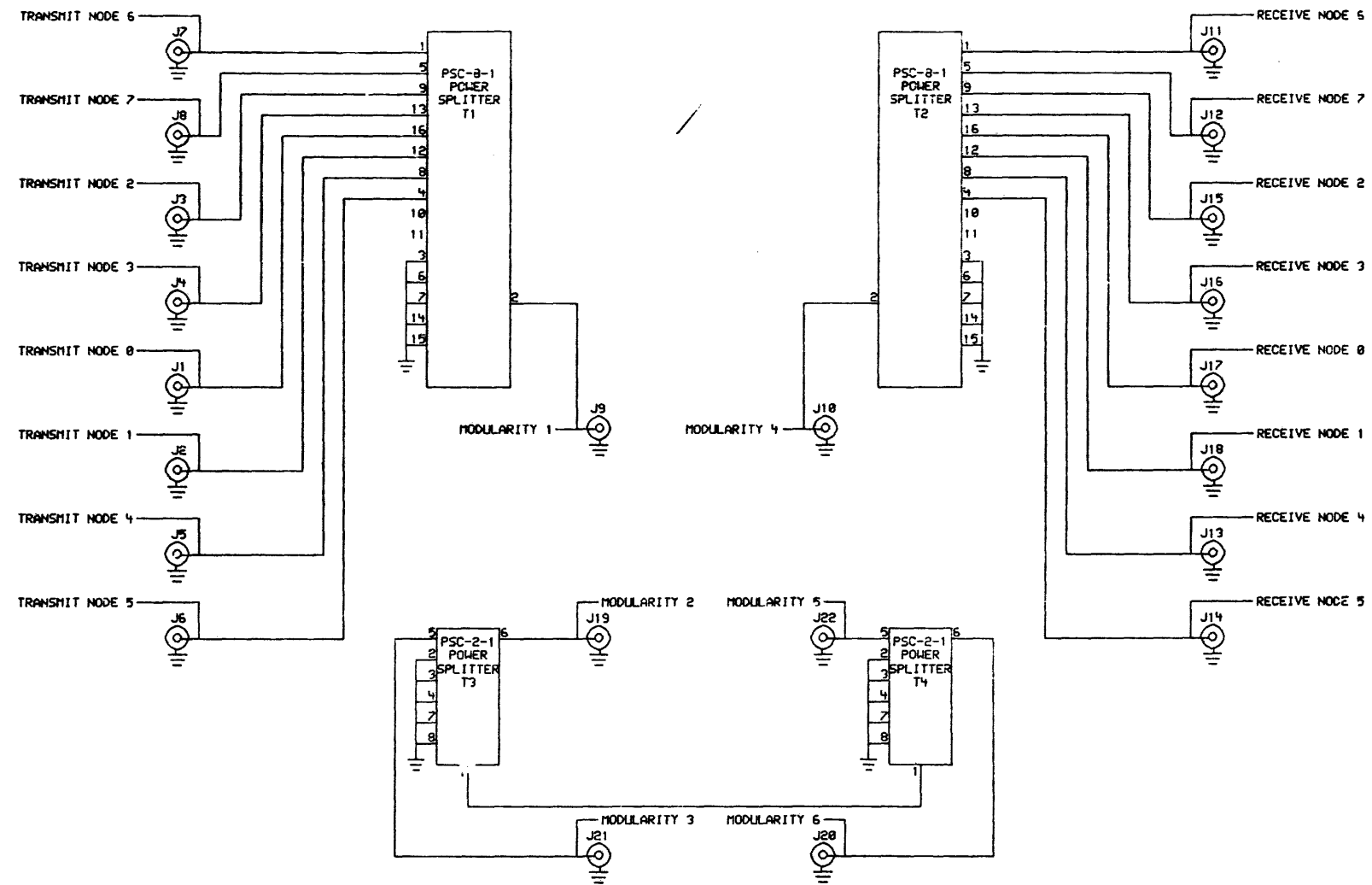


STAR COUPLER  
BLOCK DIAGRAM

<small>THIS DRAWING AND SPECIFICATIONS ARE THE PROPERTY OF DIGITAL EQUIPMENT CORPORATION AND SHALL NOT BE REPRODUCED OR COPIED IN WHOLE OR IN PART AS A BASIS FOR THE MANUFACTURE OR SALE OF ITEMS WITHOUT WRITTEN PERMISSION. COPYRIGHT © 1981. DIGITAL EQUIPMENT CORPORATION.</small>		<b>REVISIONS</b> CHK CHANGE NO. REV		<b>digital</b>		DRN. 2000 DATE 23-NOV-81 ENG. <i>ll</i> DATE 2 DEC 81	TITLE: STAR COUPLER BLOCK DIAGRAM	
SHEET 1 OF 1				BOARD LOCATION:		NEXT HIGHER ASSEMBLY:		SIZE CODE: D BS
FIRST USED ON OPTION MODEL:				D-LA-5414216-0-0		NUMBER: 5414216-0-2		REV. A

REV. A  
 NUMBER 5414216-0-2  
 SIZE CODE D BS  
 D





REV. A
NUMBER 54:4216-0-1
SIZE CODE D CS
REV. A

THIS DRAWING AND SPECIFICATIONS ARE THE PROPERTY OF DIGITAL EQUIPMENT CORPORATION AND SHALL NOT BE REPRODUCED OR COPIED IN WHOLE OR IN PART AS A BASIS FOR THE MANUFACTURE OR SALE OF ITEMS WITHOUT WRITTEN PERMISSION. COPYRIGHT © 1981, DIGITAL EQUIPMENT CORPORATION.

REVISIONS	
CHK	CHANGE NO. REV

DRN. NO. 001	DATE 27-NOV-81	ENG. J. J. Dehm	DATE 12-NOV-81	TITLE: STAR COUPLER
CHK'D. P. C. Sullivan	DATE 12-NOV-81 13:44	BOARD LOCATION: D-UA-54:4216-00	SHEET 1 OF 1	SIZE CODE D CS
FIRST USED ON OPTION/MODEL:			NEXT HIGHER ASSEMBLY:	NUMBER 54:4216-0-1
				REV. A



AUTOMATED BY PRTLST.3P(44)

PARTS LIST

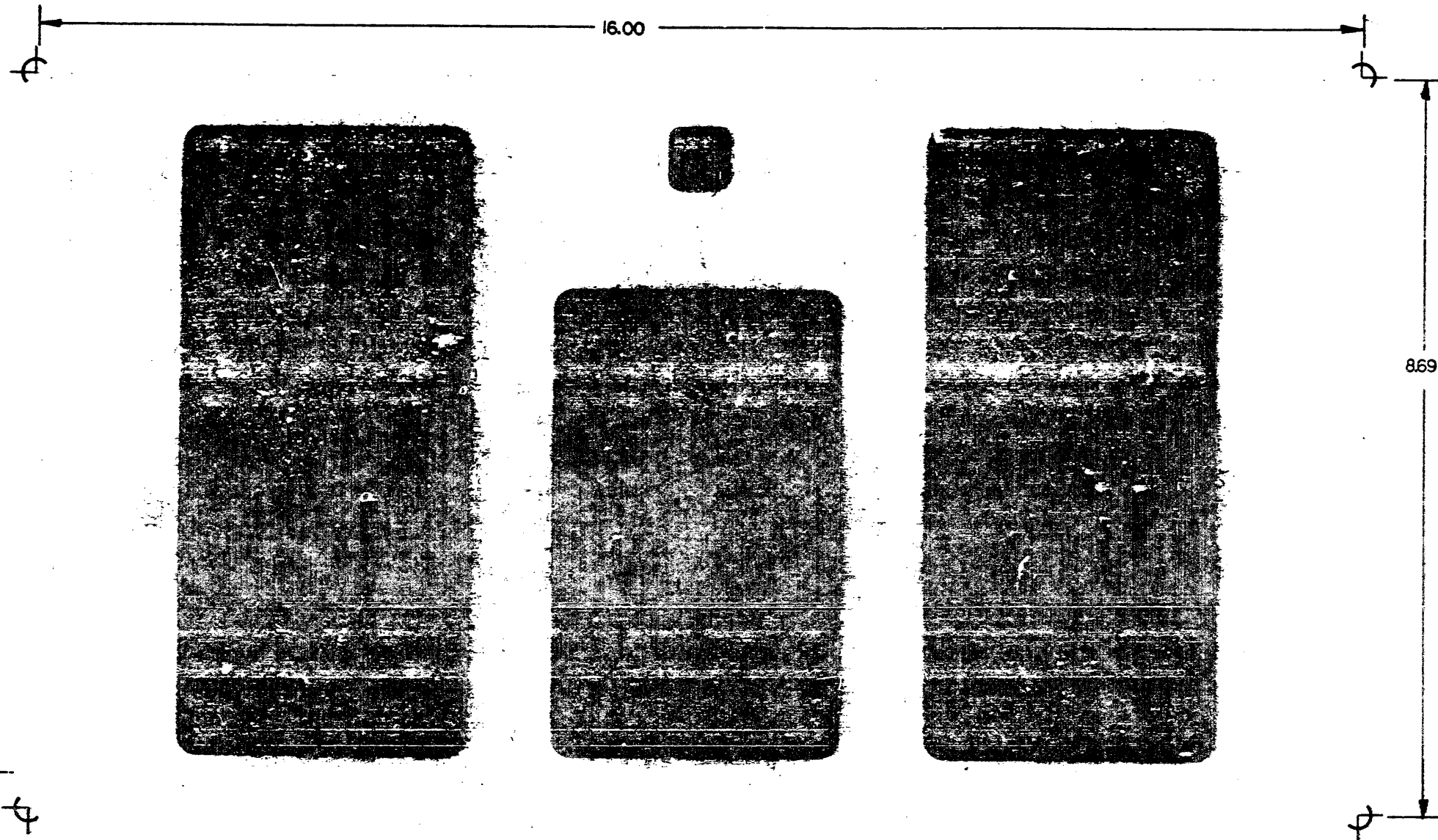
SHEET A1 OF A1

LINE ITEM	DOCUMENT NUMBER	PART NUMBER	DESCRIPTION	QUANTITY PER VARIATION
1	1	9107531-00	CABLE,COAX, 1 COND,21AWG,50 OHM	1
2	2	1218647-00	CONN,COAX 1LINE PLUG TNC CRIMP	2
3	3	3616073-00	LABEL,ID W/COPY VERTICAL	1

REVISION HISTORY		BASIC PART NO: 7018530		DRN:	R.J. RILEY	DATE:	16-APR-82	D I G I T A L			
ENG	ECO NUMBER	REV	SECTION A OF A	CHK'D:	R.J. RILEY	DATE:	16-APR-82	TITLE PARTS LIST			
	INITIAL	A	SECTION, VARIATION INDEX					8/16 JUMPER CABLE			
			[A] 00								
			[B]	DES.ENG.:	R. NUEBLING	DATE:	16-APR-82				
			[C]					DOCUMENT NUMBER			
			[D]	RESP.ENG.:	R. NUEBLING	DATE:	16-APR-82	SIZE	CODE	NUMBER	REV
			[E]	MFG.ENG.:	M. WARSHAW	DATE:	16-APR-82	K	PL	7018530-0-DBP	A
			[F]	ASSEMBLY NUMBER:		TOP DOCUMENT NUMBER:		FILE NAME:	Z2441A.PLS	EDIT #:	4
				C-AD-7018530-0-0							

"THIS DRAWING AND SPECIFICATIONS HEREIN, ARE THE PROPERTY OF DIGITAL EQUIPMENT CORPORATION AND SHALL NOT BE REPRODUCED OR COPIED OR USED IN WHOLE OR IN PART AS THE BASIS FOR THE MANUFACTURE OR SALE OF ITEMS WITHOUT WRITTEN PERMISSION. COPYRIGHT (C) 1982. DIGITAL EQUIPMENT CORPORATION"

THIS DRAWING AND SPECIFICATIONS HEREIN ARE THE PROPERTY OF DIGITAL EQUIPMENT CORPORATION AND SHALL NOT BE REPRODUCED OR COPIED OR USED IN WHOLE OR IN PART AS THE BASIS FOR THE MANUFACTURE OR SALE OF ITEMS WITHOUT WRITTEN PERMISSION. COPYRIGHT © 1977, DIGITAL EQUIPMENT CORPORATION



D

REVISIONS	
CHANGE NO.	REV.

**O.K.**  
 AMT. TO STOCK \_\_\_\_\_  
 INSPECTED BY \_\_\_\_\_  
 DATE 6-5-81

PART NO. DEC-3-(488)-1469-N 172

DRN. <u>Long R.</u>	<u>6-4-81</u>	FIRST USED ON		<b>digital</b>
CHK'D. <u>H. Matheson</u>	<u>8 Dec 82</u>	TITLE		
ENG. <u>H. Matheson</u>	<u>1-19-82</u>	SILKSCREEN, STAR COUPLER		
PROJ. ENG. <u>H. Matheson</u>	<u>1-19-82</u>	NEXT HIGHER ASSY.		
PROD. <u>D. K. Hines</u>	<u>1-19-82</u>	SIZE	CODE	NUMBER
D-MD-7425772-0-0		C	SS	7425772-0-1
SCALE	1/1	REV.		A
SHEET	1 OF 1	DIST.		

**DIGITAL EQUIPMENT CORPORATION  
MAYNARD MASSACHUSETTS**

**PACKAGING INSTRUCTION**      REV \_\_\_\_\_ DATE \_\_\_\_\_  
TITLE PKG.      ASSY SC008 STAR COUPLER

**LEGEND**

VARIATION PART	REV	USED ON	PACKAGE TYPE	REMARKS
37-00669-01	A1	SC008-AA/-AC	CUSTOMER	CABINET
37-00669-02	A1	SC008-AB/-AD	CUSTOMER	ASSEMBLY

**PARTS LIST 37-00669-01**

REFER TO OFF-SHEET PARTS LIST K-PL-3700669-0-DBP, REV A

**PACKAGING INSTRUCTIONS 37-00669-01**

**STEP**      **PROCEDURE FIGURES 1 AND 2**

- ROLL CABINET (SC008-AA OR SC008-AC (ITEM #1)) ONTO PALLET (99-06691-03 (ITEM #4)) AND BOLT DOWN THE FOUR (4) BRACKETS (74-26524-01 (ITEM #31)); (REFERENCE E-AD-7016995-0-0 (ITEM #36)).
- SET UP REGULAR SLOTTED CARTON (99-05114-01 (ITEM #8)) USING TWO (2) FEET OF CARTON SEALING TAPE (99-05729-00 (ITEM #9)).
- WRAP ONE (1) COVER, CABLE EXIT (74-26224-01 (ITEM #10)) USING SIX (6) FEET OF ANTISTATIC BUBBLEWRAP (99-06200-01 (ITEM #12)) AND PLACE INTO REGULAR SLOTTED CARTON.
- WRAP EACH OF THE TWO (2) CABLE COVER MTG. BRACKETS (74-26225-01 (ITEM #11)) IN THREE (3) FEET OF ANTISTATIC BUBBLEWRAP.
- PLACE THE FOLLOWING ITEMS INTO A POLYETHYLENE BAG (99-06557-35 (ITEM #13)):

ITEM NUMBER	DIGITAL PART NUMBER	DESCRIPTION	QUANTITY
16	90-06074-03	SCREW, TRUSS, PHIL 10-32 X 5/8	4
18	36-19264-17	LABEL, NODE, ID	2

SIZE	CODE	NUMBER	REV
A	PA	3700669-0-0	A

SHEET 1 OF 7

**PACKAGING INSTRUCTION**

CONTINUATION SHEET

TITLE  
PKG

- PLACE THE DOOR HINGE BRACKET (74-22221-00 (ITEM #14)) AND ONE (1) LEFT HAND PIVOT BRACKET (74-22272-01 (ITEM #15)) INTO THE REGULAR SLOTTED CARTON.
- WAD AND PLACE FOUR (4) FEET OF ANTISTATIC BUBBLEWRAP INTO CARTON.
- CLOSE AND SEAL THE REGULAR SLOTTED CARTON USING TWO (2) FEET OF CARTON SEALING TAPE.
- PLACE THE REGULAR SLOTTED CARTON ON THE PALLET DECK INSIDE THE CABINET. SEE FIGURE 2.
- STRAP THE CARTON TO THE CABINET DECK FROM FRONT TO BACK USING EIGHT (8) FEET OF STRAPPING (99-05734-00 (ITEM #6)).
- PLACE TWO (2) ALLEN WRENCHES (47-00045-00 (ITEM #17)) INTO A POLYETHYLENE BAG (99-06557-01 (ITEM #29)) AND STAPLE IT TO THE REAR DECK OF THE PALLET.
- PLACE A POLYETHYLENE BAG (99-05128-08 (ITEM #2)) OVER THE CABINET.
- SET UP TUBE (99-06761-05 (ITEM #3)) AND PLACE OVER THE CABINET SO THAT THE FLANGED FLAP FACES DOWN.
- PLACE CORRUGATED PAD (99-06936-01 (ITEM #35)) INTO THE TUBE ON TOP OF THE CABINET.
- PLACE THE TWO (2) RAMPS (99-06937-10 (ITEM #20)) SIDE BY SIDE ON TOP OF THE CORRUGATED PAD SO THAT THE METAL GUIDES FIT INTO THE SLOTTED AREA OF THE PAD.
- SET UP AND PLACE THE SELF LOCKING CAP (99-06761-01 (ITEM #5)) ONTO THE TUBE.
- STRAP DOWN THE CAP AND TUBE USING TWENTY-EIGHT (28) FEET OF POLYESTER STRAPPING AND TWO (2) ANGLEBOARDS (99-06185-14 (ITEM #7)).

**PACKAGING INSTRUCTIONS 37-00669-02**

**STEP**      **PROCEDURE FIGURE 3 AND 4**

- SET UP THE REGULAR SLOTTED CARTON (99-06927-01 (ITEM #27)) USING TWENTY-EIGHT (28) INCHES OF CARTON SEALING TAPE (99-05729-00 (ITEM #9)).

SIZE	CODE	NUMBER	REV
A	PA	3700669-0-0	A

SHEET 2 OF 7

**PACKAGING INSTRUCTION**

CONTINUATION SHEET

TITLE  
PKG

- PLACE A STAR COUPLER ASSEMBLY (70-18771-00 (ITEM #21)) ONTO THE CORRUGATED/POLYETHYLENE LAMINATE (99-06928-01 (ITEM #22)) WITH THE PLASTIC BRACKETS FACING UP.
- WRAP THE STAR COUPLER ASSEMBLY WITH THE LAMINATE AND PLACE IT INTO THE REGULAR SLOTTED CARTON.
- PLACE ONE (1) EACH OF THE FOLLOWING ITEMS INTO A POLYETHYLENE BAG (99-06557-14 (ITEM #23)) AND PLACE IT INTO THE REGULAR SLOTTED CARTON.

ITEM NUMBER	DIGITAL PART NUMBER	DESCRIPTION
24	36-18845-01	LABEL, NODE, 9-16
25	36-18845-02	LABEL, NODE, MARKER "B"
26	36-18806-01	LABEL, CONFIGURATION PATH C1780
19	36-19211-01	LABEL, CARTON BEND RADII

- PLACE ONE (1) TERMINATOR STORAGE ASSY (70-18770-00 (ITEM #30)) INTO A POLYETHYLENE BAG (99-06557-14 (ITEM #23)) AND PLACE IT INTO THE REGULAR SLOTTED CARTON.
- PLACE THE FOLLOWING ITEMS INTO A POLYETHYLENE BAG (99-06557-01 (ITEM #29)) AND PLACE IT INTO THE REGULAR SLOTTED CARTON.

ITEM NUMBER	DIGITAL PART NUMBER	DESCRIPTION	QUANTITY
32	90-09700-00	SCREW, TRUSS, PHIL, SEMS 10 - 32 X .50	4
16	90-06074-03	SCREW, TRUSS, PHIL 10 - 32 X .63	4
33	90-06664-00	WASHER, FLAT .437 O.D. X .218 I.D.	4

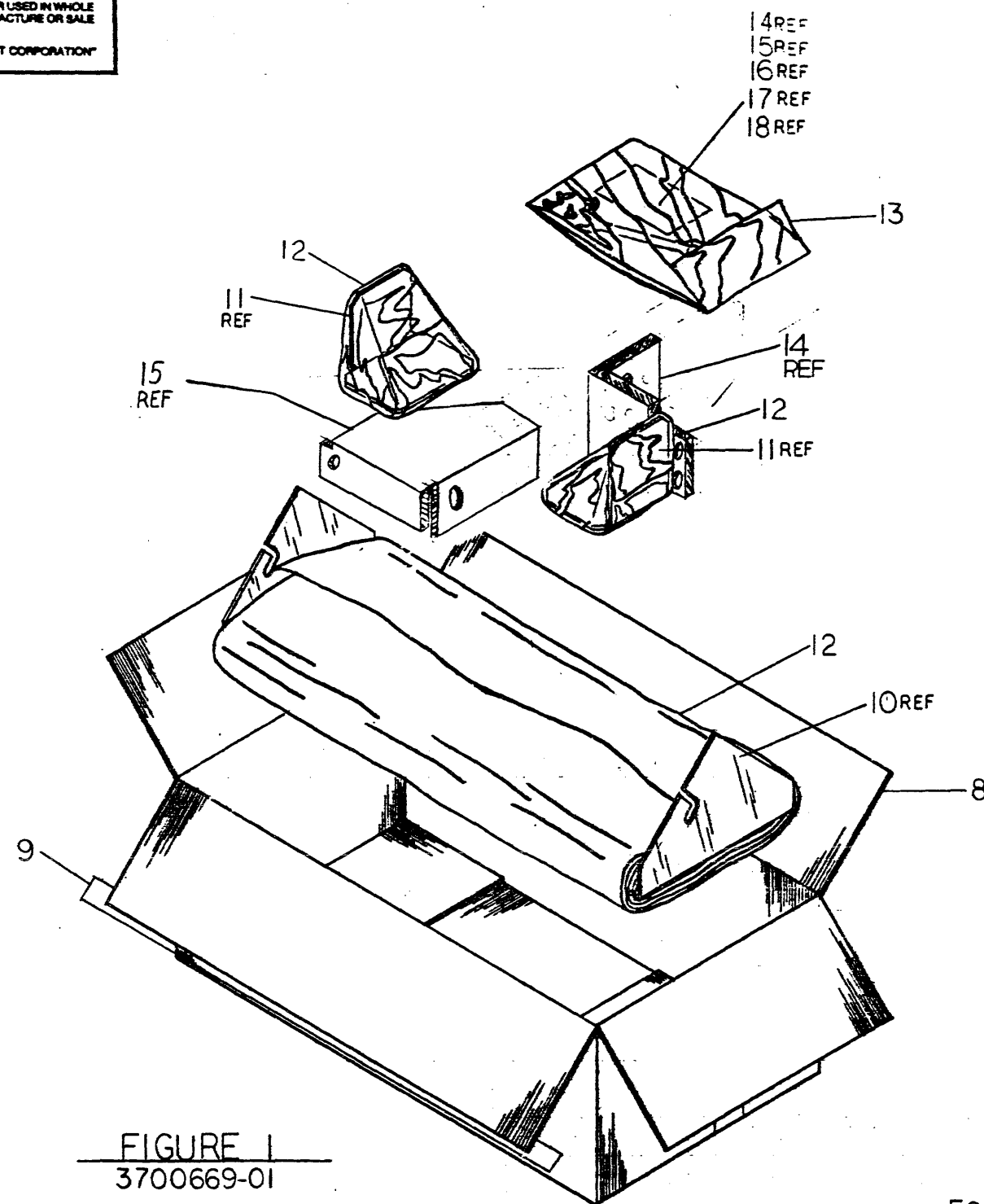
- CLOSE AND SEAL THE REGULAR SLOTTED CARTON USING TWENTY-EIGHT (28) INCHES OF CARTON SEALING TAPE.
- PALLETIZE USING GENERAL PURPOSE PALLET (99-06199-00 (ITEM #28)) PER FIGURE 4. UNITIZE BY USING FOUR (4) ANGLEBOARD (99-06185-05 (ITEM #34)) AND FOUR (4) PIECES OF POLYESTER STRAPPING (99-05734-00 (ITEM #6)).

SIZE	CODE	NUMBER	REV
A	PA	3700669-0-0	A

SHEET 3 OF 7

THIS DRAWING AND SPECIFICATIONS, HEREIN, ARE THE PROPERTY OF DIGITAL EQUIPMENT CORPORATION AND SHALL NOT BE REPRODUCED OR COPIED OR USED IN WHOLE OR IN PART AS THE BASIS FOR THE MANUFACTURE OR SALE OF ITEMS WITHOUT WRITTEN PERMISSION. COPYRIGHT © 1982 DIGITAL EQUIPMENT CORPORATION

SIZE CODE  
C PA  
NUMBER  
3700669-0-0  
REV.  
A



PACKAGE DIMENSIONS, WEIGHTS & PLASTIC PACKING MATERIAL

	USA		METRIC	
WEIGHT	9.00	LBS.	4.08	KG.
LENGTH	22.00	IN.	558	MM
WIDTH	15.00	IN.	381	MM
HEIGHT	8.50	IN.	215	MM
CUBE	1.62	CU. FT.	0.05	CU. M
DENSITY	6	LBS./CU. FT.	89	KG/CU. M
*PLASTIC	25%	%	PE	TYPE

\*% VOLUME (EXPANDED)  
% WEIGHT (UNEXPANDED)

FIGURE 1  
3700669-01

FOR OFF SHEET PARTS LIST SEE K-PL-3700669-0-DBP

REVISION HISTORY	ECO NUMBER	REV.
DATE		

DRW. G. GYORKE	DATE 7/82	TITLE	digital
CHKD. J. BARRETT	DATE 7/82	PKG ASSY. SC008	
DES. ENG. G. LARSEN	DATE 7/82	STAR COUPLER	
RESP. ENG. G. LARSEN	DATE 7/82		
MFG. ENG. NONE	DATE -		
NEXT HIGHER DOC.			
DOCUMENT NUMBER		SIZE	CODE
		C	PA
		NUMBER	
		3700669-0-0	
		REV.	A
		SCALE	SHEET 4 OF 7

SIZE  
C PA  
NUMBER  
3700669-0-0  
REV.  
A

THIS DRAWING AND SPECIFICATIONS HEREIN ARE THE PROPERTY OF DIGITAL EQUIPMENT CORPORATION AND SHALL NOT BE REPRODUCED OR COPIED OR USED IN WHOLE OR IN PART AS THE BASIS FOR THE MANUFACTURE OR SALE OF ITEMS WITHOUT WRITTEN PERMISSION. COPYRIGHT © 1982, DIGITAL EQUIPMENT CORPORATION

REV. A  
 NUMBER 3700669-0-0  
 SIZE C

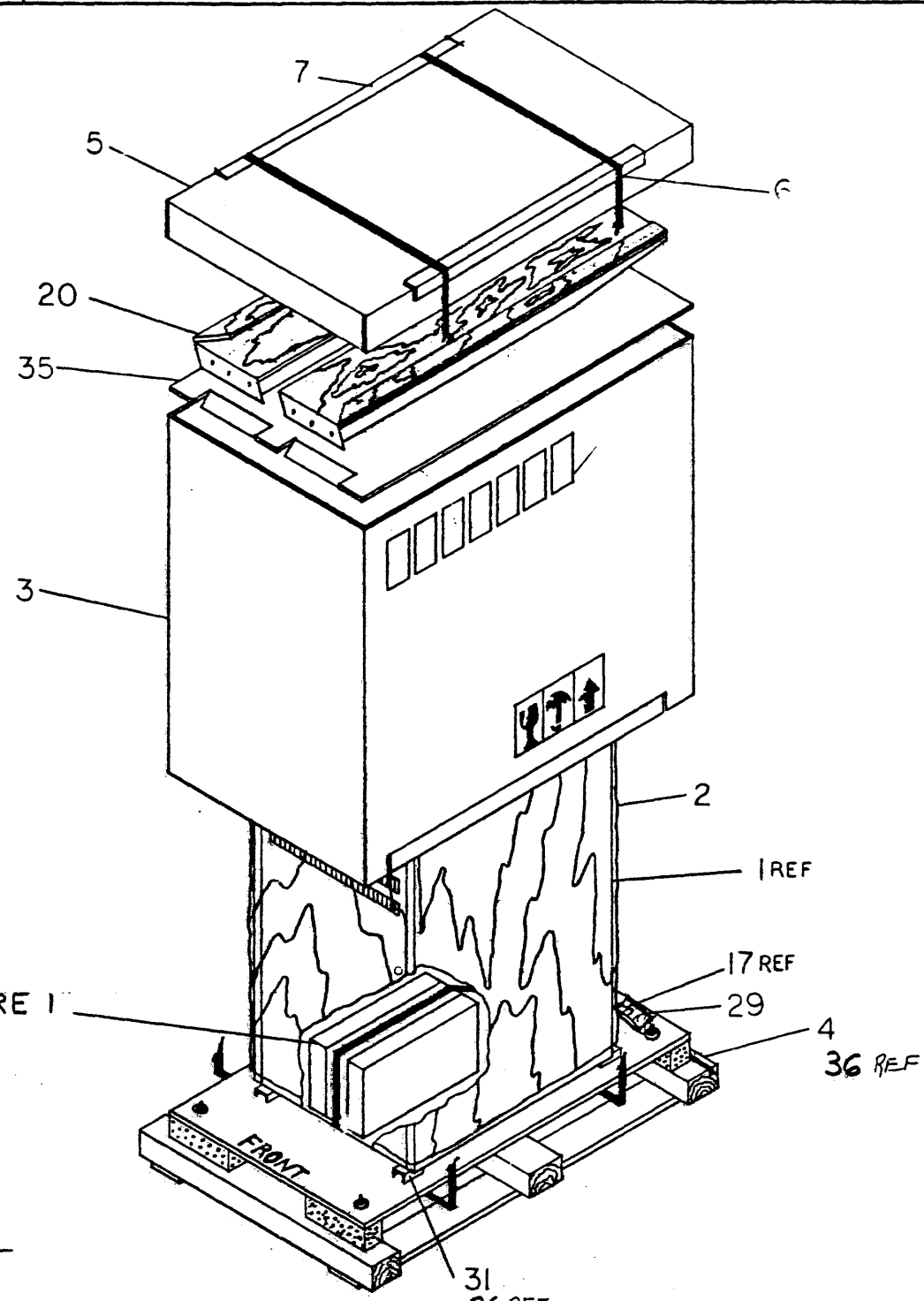


FIGURE 2  
 3700669-01

PACKAGE DIMENSIONS, WEIGHTS & PLASTIC PACKING MATERIAL

	USA	METRIC
WEIGHT	300.00 LBS.	136 KG.
LENGTH	42.00 IN.	1067 MM
WIDTH	29.00 IN.	737 MM
HEIGHT	52.00 IN.	1321 MM
CUBE	36.65 CU. FT.	1.04 CU. M
DENSITY	8 LBS./CU. FT.	131 KG/CU. M
*PLASTIC	- % <sub>V</sub> - % <sub>T</sub>	— TYPE

\*% VOLUME (EXPANDED)  
 % WEIGHT (UNEXPANDED)

FOR OFF SHEET PARTS LIST SEE K-PL-3700669-0-DBP

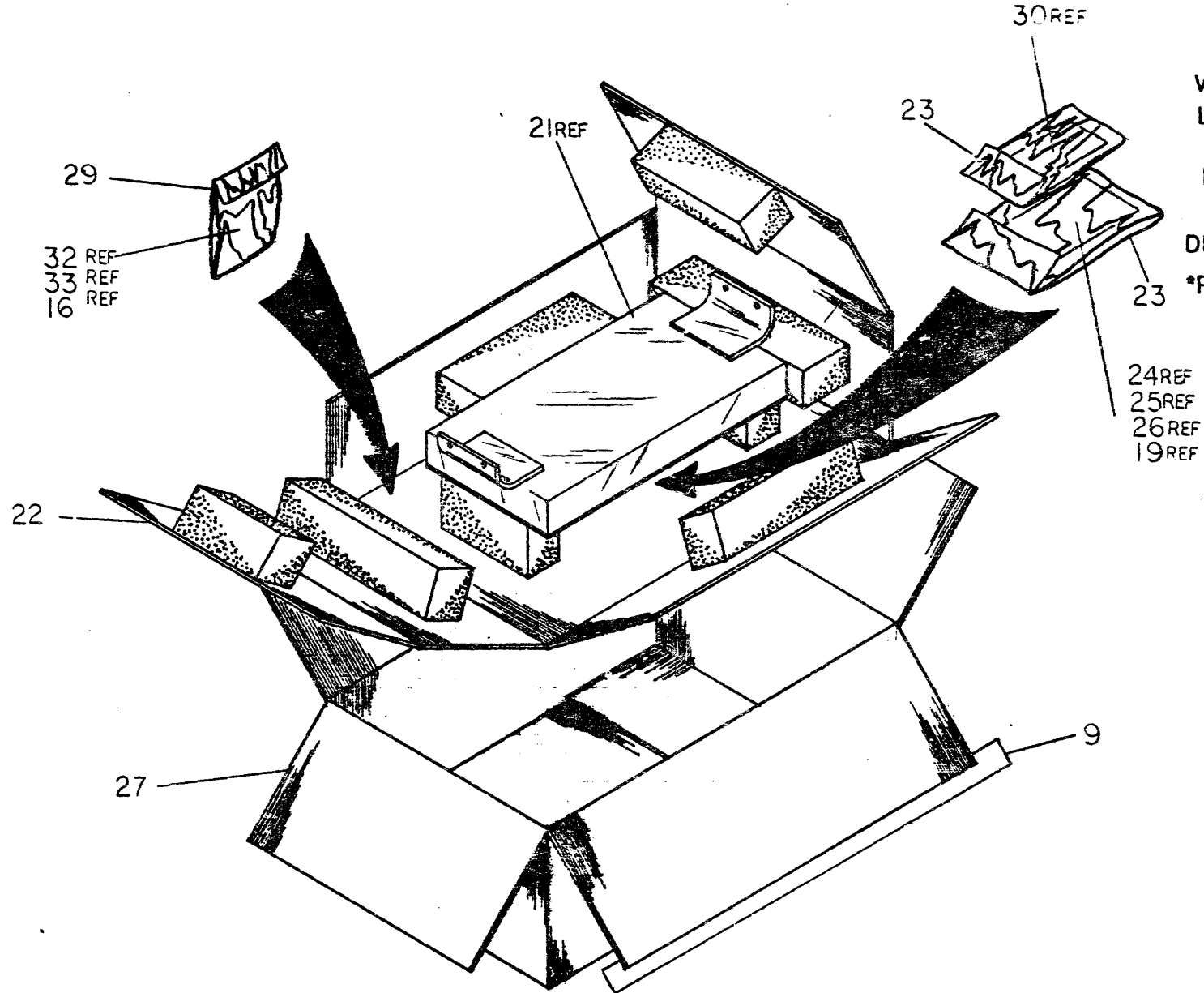
DRN.	DATE	TITLE	digital
CHKD.	DATE	PKG. ASSY. SCO08	
DES. ENG.	DATE	STAR COUPLER	
RESP. ENG.	DATE		
MFG. ENG.	DATE		
NEXT HIGHER DOC.			
		DOCUMENT NUMBER	
SIZE	CODE	NUMBER	REV.
C	PA	3700669-0-0	A
SCALE	SHEET 5 OF 7		

REVISION HISTORY	REV.
DATE	ECO NUMBER

REV. A  
 NUMBER 3700669-0-0  
 SIZE C

THIS DRAWING AND SPECIFICATIONS, HEREIN, ARE THE PROPERTY OF DIGITAL EQUIPMENT CORPORATION AND SHALL NOT BE REPRODUCED OR COPIED OR USED IN WHOLE OR IN PART AS THE BASIS FOR THE MANUFACTURE OR SALE OF ITEMS WITHOUT WRITTEN PERMISSION. COPYRIGHT © 1982 DIGITAL EQUIPMENT CORPORATION

SIZE C  
 PA 3700669-0-0  
 NUMBER  
 REV. A



PACKAGE DIMENSIONS, WEIGHTS & PLASTIC PACKING MATERIAL

	USA		METRIC	
WEIGHT	14.00	LBS.	6.35	KG.
LENGTH	22.63	IN.	575	MM
WIDTH	14.63	IN.	371	MM
HEIGHT	8.75	IN.	222	MM
CUBE	1.67	CU. FT.	.05	CU. M
DENSITY	8	LBS./CU. FT.	128	KG./CU. M
*PLASTIC	5 %	VOL	— %	WT
			P.E.	TYPE

\*% VOLUME (EXPANDED)  
 % WEIGHT (UNEXPANDED)

FIGURE 3  
 3700669-02

FOR OFF SHEET PARTS LIST SEE K-PL-3700669-0-DBP

REVISION HISTORY

DATE	ECO NUMBER	REV.
		A

DRN.	DATE	TITLE	digital	
CHKD.	DATE	PKG ASSY SC008		
DES. ENG.	DATE	STAR COUPLER		
RESP. ENG.	DATE	DOCUMENT NUMBER		
MFG. ENG.	DATE	SIZE	CODE	NUMBER
NEXT HIGHER DOC.		C	PA	3700669-0-0
			REV.	A
		SCALE	SHEET 6 OF 7	

SIZE C  
 PA 3700669-0-0  
 NUMBER  
 REV. A



THIS DRAWING AND SPECIFICATIONS HEREIN ARE THE PROPERTY OF DIGITAL EQUIPMENT CORPORATION AND SHALL NOT BE REPRODUCED OR COPIED OR USED IN WHOLE OR IN PART AS THE BASIS FOR THE MANUFACTURE OR SALE OF ITEMS WITHOUT WRITTEN PERMISSION.  
 COPYRIGHT © 1982 DIGITAL EQUIPMENT CORPORATION

SIZE CODE  
 C PA 3700669-0-0  
 NUMBER  
 REV. A

5 CARTONS PER TIER  
 4 TIERS HIGH

PACKAGE DIMENSIONS, WEIGHTS & PLASTIC PACKING MATERIAL

	USA	METRIC
WEIGHT	320.0 LBS.	145 KG.
LENGTH	48.00 IN.	1219 MM
WIDTH	42.00 IN.	1066 MM
HEIGHT	40.00 IN.	1016 MM
CUBE	46.66 CU. FT.	1.32 CU.M
DENSITY	7 LBS./CU. FT.	112 KG/CU.M
*PLASTIC	9 % V % W	P.E. TYPE

\*% VOLUME (EXPANDED)  
 % WEIGHT (UNEXPANDED)

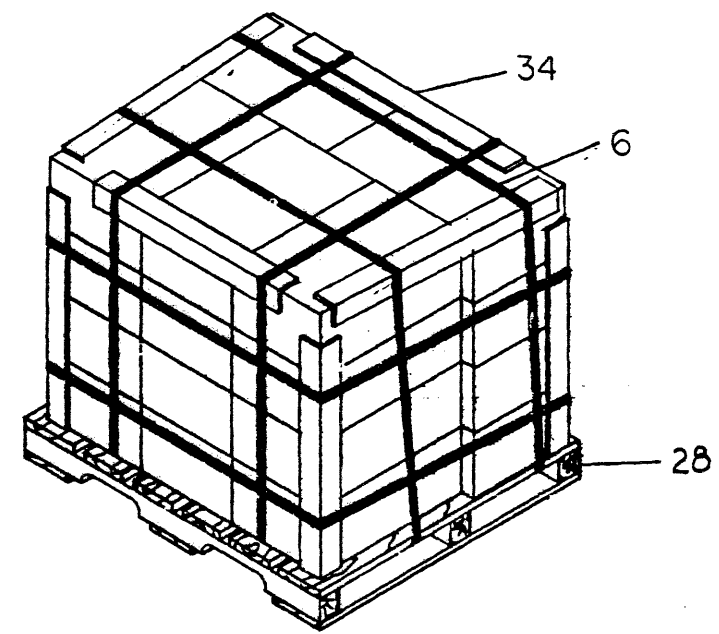


FIGURE 4  
 3700669-02

FOR OFF SHEET PARTS LIST SEE K-PL-3700669-0-DBP

DRN.	DATE	TITLE	digital
CHK'D.	DATE	PKG ASSY SC008	
DES. ENG.	DATE	STAR COUPLER	
RESP. ENG.	DATE		
MFG. ENG.	DATE		
NEXT HIGHER DOC.			
		DOCUMENT NUMBER	
SIZE	CODE	NUMBER	REV.
C	PA	3700669-0-0	A
SCALE		SHEET 7 OF 7	

REVISION HISTORY	
DATE	ECO NUMBER
	REV.

DRC 111B

REV. A  
 NUMBER  
 C PA 3700669-0-0  
 SIZE

