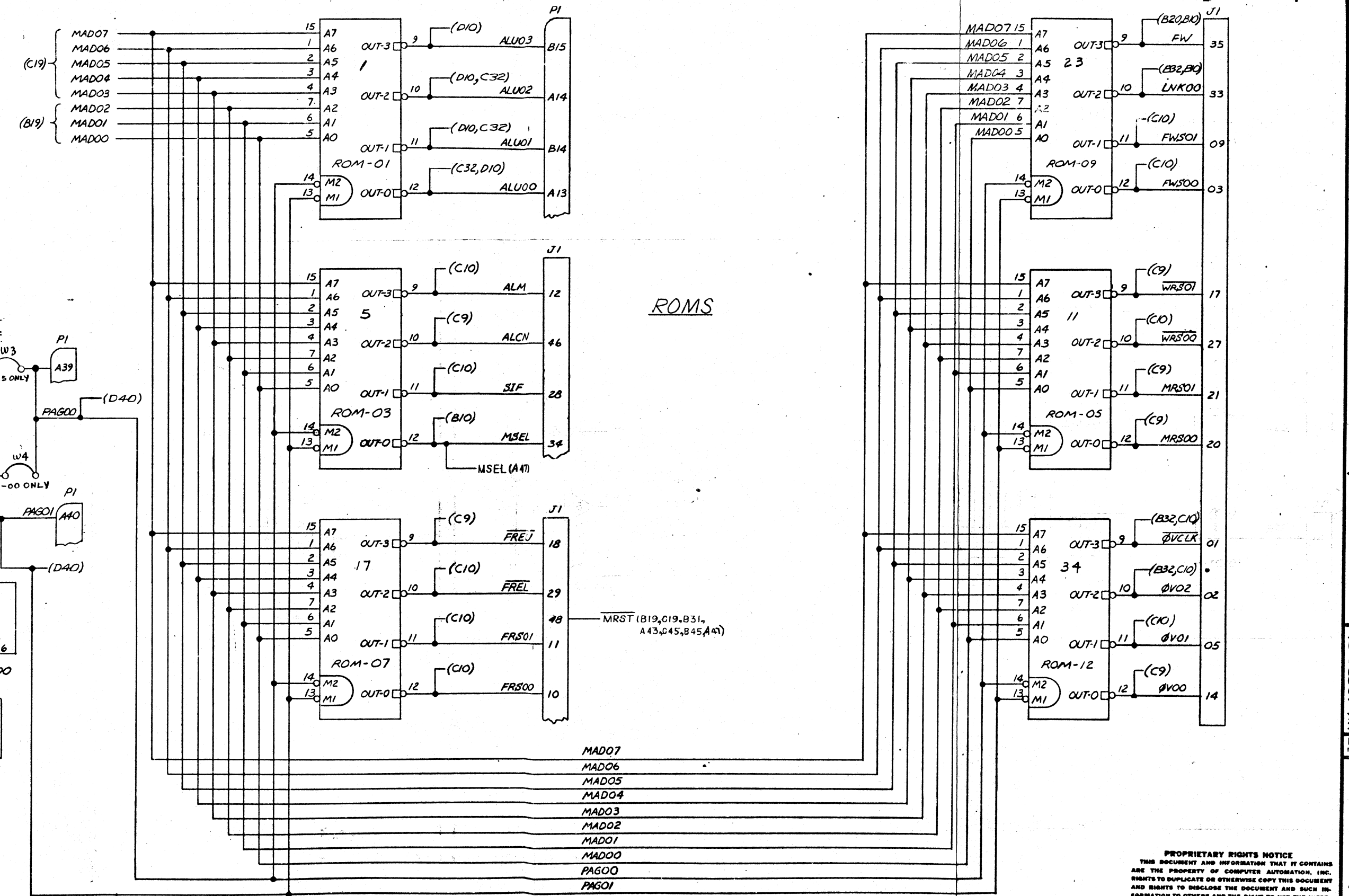
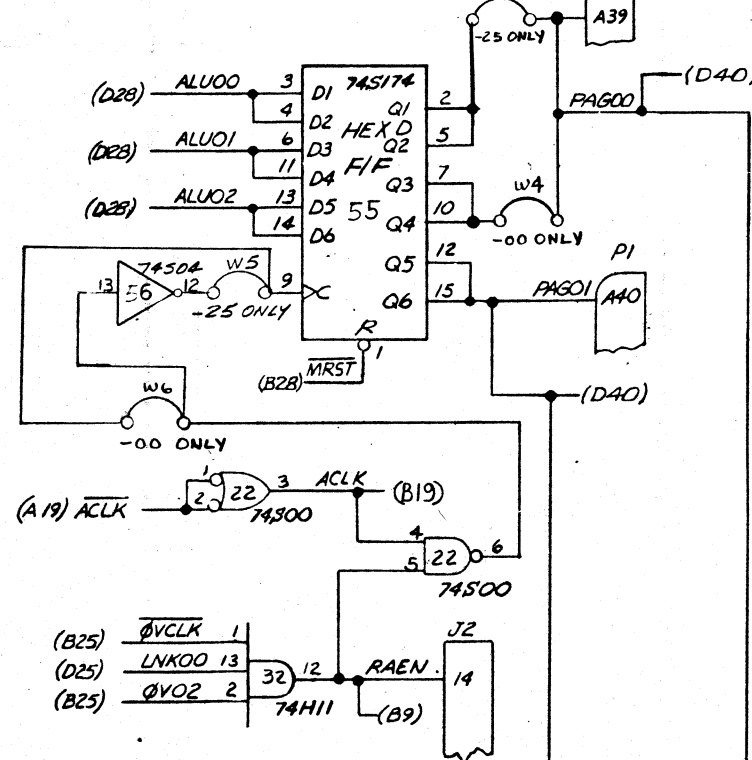


REVISIONS					
REV	DESCRIPTION	DR	CH	DATE	APPROVAL



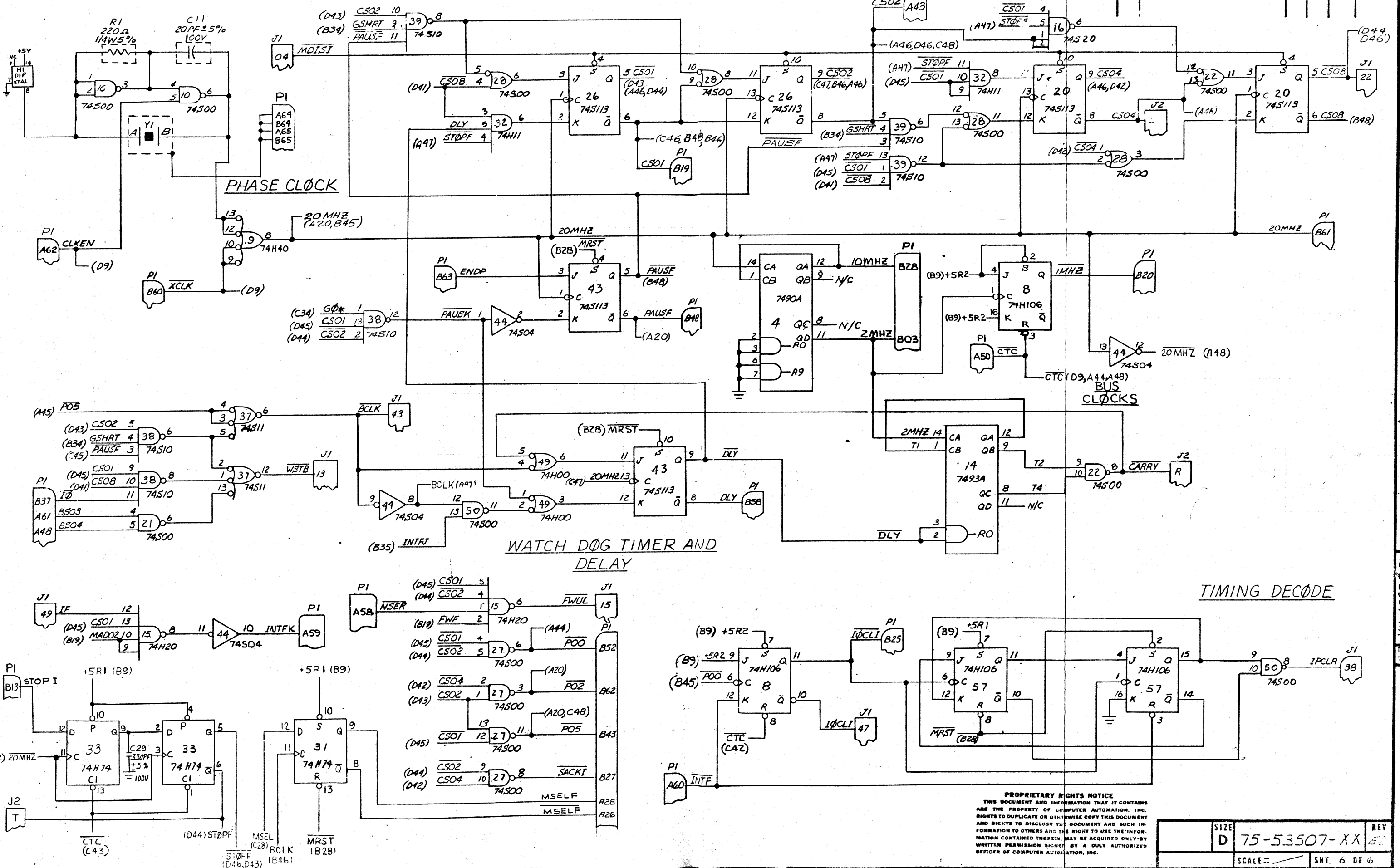
ROM PAGE CONTROL



PROPRIETARY RIGHTS NOTICE
 THIS DOCUMENT AND INFORMATION THAT IT CONTAINS ARE THE PROPERTY OF COMPUTER AUTOMATION, INC. RIGHTS TO DUPLICATE OR OTHERWISE COPY THIS DOCUMENT AND RIGHTS TO DISCLOSE THE DOCUMENT AND SUCH INFORMATION TO OTHERS AND THE RIGHT TO USE THE INFORMATION CONTAINED THEREIN, MAY BE ACQUIRED ONLY BY WRITTEN PERMISSION SIGNED BY A DULY AUTHORIZED OFFICER OF COMPUTER AUTOMATION, INC.

SIZE	D	75-53507-XX	REV	EL
SCALE	=		SMT.	OF

D
 C
 B
 A
 75-53507-XX
 17



PROPRIETARY RIGHTS NOTICE
 THIS DOCUMENT AND INFORMATION THAT IT CONTAINS ARE THE PROPERTY OF COMPUTER AUTOMATION, INC. RIGHTS TO DUPLICATE OR OTHERWISE COPY THIS DOCUMENT AND RIGHTS TO DISCLOSE THE DOCUMENT AND SUCH INFORMATION TO OTHERS AND THE RIGHT TO USE THE INFORMATION CONTAINED THEREIN, MAY BE ACQUIRED ONLY BY WRITTEN PERMISSION SIGNED BY A DULY AUTHORIZED OFFICER OF COMPUTER AUTOMATION, INC.

SIZE	D	75-53507-XX	REV	
SCALE			SHT. 6 OF 6	

NO. 9893H

DOCUMENT NO.	REV.		TITLE	INCORP. DATE
	IS	WAS		
75-53507-XX	E4	E3	LOGIC LSI PROCESSOR HALF CARD.	
74-53507-00	E4	E3	DETAIL	
73-53507-XX	E4	E3	ASSY	
70-53507-00	E4	E3	B/M	Jan 83
70-53507-25	E4	E3	B/M	Jan 83

TYPE

AEN	<input type="checkbox"/>
STOP ORDER	<input type="checkbox"/>
DEVIATION	<input type="checkbox"/>
RELEASE	<input type="checkbox"/>
STANDARD	<input checked="" type="checkbox"/>

CLASS

A-MAND/FUNC	<input checked="" type="checkbox"/>
B-NON-MAND/FUNC	<input type="checkbox"/>
C-RECORD CHG	<input type="checkbox"/>

AFFECTED ITEMS

HARDWARE CHG.	<input checked="" type="checkbox"/>	PRIM.	<input type="checkbox"/>	SEC.	<input type="checkbox"/>
SOFTWARE CHG.	<input type="checkbox"/>		<input type="checkbox"/>		<input type="checkbox"/>
PUBL. CHG.	<input type="checkbox"/>		<input type="checkbox"/>		<input type="checkbox"/>
CAPABLE CHG.	<input type="checkbox"/>		<input type="checkbox"/>		<input type="checkbox"/>
DOC. CHG.	<input checked="" type="checkbox"/>		<input type="checkbox"/>		<input type="checkbox"/>
CONFIGURATIONS	<input type="checkbox"/>		<input type="checkbox"/>		<input type="checkbox"/>
PROCEDURES	<input type="checkbox"/>		<input type="checkbox"/>		<input type="checkbox"/>
TOOLING	<input type="checkbox"/>		<input type="checkbox"/>		<input type="checkbox"/>
TEST EQUIP.	<input type="checkbox"/>		<input type="checkbox"/>		<input type="checkbox"/>

EFFECTIVITY NOTES:

REASON FOR CHANGE:

JUMPER SPECIFICATIONS ARE INCORRECT.

REA NO. 14102

CO-ORD WITH:

EFFECTIVITY

ACTIVITY	U	R	S	P
NOTIFY VEND		X		
IN STOCK		X		
KITTING		X		
ASSEMBLY		X		
TOUCH UP		X		
IPT		X		
FIN GOODS		X		
CUST. RET.		X		

REWK TEST REQ'D

CONTINUITY	<input type="checkbox"/>
CABLE SCAN	<input type="checkbox"/>
CAPABLE	<input type="checkbox"/>
MEMORY	<input type="checkbox"/>
CARD	<input type="checkbox"/>
FINAL	<input type="checkbox"/>
NO TEST REQ'D	<input checked="" type="checkbox"/>

APPROVALS

ENGR. <u>B. Gross</u>	_____
SOFTWARE	_____
Q.A.	<u>M. Starnin</u>
CAP. TEST	<u>8/1/82</u>
MAST SCHED	<u>ES</u>
MATERIALS	<u>CS</u>
TEST ENGR.	<u>Wood</u>
TECH SERV	<u>1/20</u>
CUST SERV	<u>Stallman</u>
MFG. ENGR	_____
PUBLICATIONS	_____

DR. BY: D. PARKER 15 JUN 82
CHKD. BY: S. SUTTON 12 JUN 82
REL. BY: R. SUTTON
DATE: 15 JUN 82

DESCRIPTION OF CHANGE:

A REWORK

1. REMOVE JUMPERS

75-53507-00 W4

75-53507-25 W3

2. ADD JUMPERS

75-53507-00 W3

75-53507-25 W4

(NOTE: JUMPERS 1,2,5 AND 6 NOT AFFECTED.)

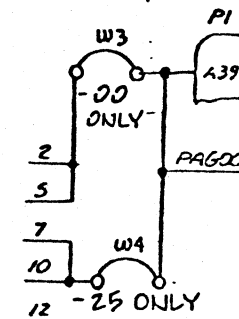
- A. 70-53507-00, 25 B/M'S
1. CHANGE REF DESIG OF ITEM 26

IS: -00 W2, W3, W6
-25 W1, W4, W5

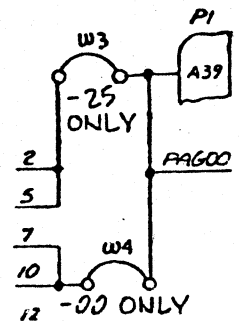
WAS: -00 W2, W4, W6
-25 W1, W3, W5

- B. 75-53507-XX LOGICS
1. ADD JUMPERS W4, W3

IS:



WAS:



C. 75-53507-XX

1. CHANGE TABULATION BLOCK JUMPERS

IS:

COMPONENT SIDE

TABULATION BLOCK			
DASH NO.	DESCRIPTION	BILL OF MATERIALS	JUMPER
-00	BASIC	70-53507-01	W2, W3, W6
-25	LSI2/60 ROM	70-53507-25	W1, W4, W5

WAS:

COMPONENT SIDE

TABULATION BLOCK			
DASH NO.	DESCRIPTION	BILL OF MATERIALS	JUMPER
-00	BASIC	70-53507-01	W2, W4, W6
-25	LSI2/60 ROM	70-53507-25	W1, W3, W5