

REVISIONS					
REV	DESCRIPTION	DR	CH	DATE	APP
E0	PROD REL PER EN 117				
E1	INCORP EN 5002				
E2	INCORP EN 5104				
E3	INCORP EN 5120				
E4	INCORP PER EN 5901D				
E5	INCORP PER EN 60254				
E6	INCORP PER EN 6110H				
E7	INCORP PER EN 6223H				
E8	INCORP PER EN 6392H				

P2	SIGNAL	DIRECTION	LOCATION
PIN 201	GND	←	D16
202	GND	←	D16
203	+12V	↑	D13
204	+12V	↑	J13
205	+12V	↑	J13
206	+12V	↑	J13
207	-12V	↓	C13
208	-12V	↓	C13
209	DPIN	←	B11
210	DPOT	→	B11
E11	ESSEL	←	B22
212	NU		
213	+5V	←	D13
214	+5V	←	D13
215	MST	↑	C23
216	AL	←	C3B
217	MALE	→	C22
218	RD	←	B40
219	EBA	←	B1B (1)
220	SLE	←	B40
221	PTD	←	A40
222	MDIS	←	A22
223	AB08	←	C40
224	AB09	←	B40
225	AB10	←	B40
226	AB11	←	B40
227	GND	←	C16
228	GND	←	C16
229	AB12	←	A40
230	AB13	←	B40
231	AB14	←	B40
232	AB15	←	A40
233	NU		
234	NU		
235	NU		
236	NU		
237	MBIN	←	A22
238	MBOT	→	A17
239	DB00	←	A31
240	DB01	←	A31
241	DB02	←	A31
242	DB03	←	A31
PIN 243	+5V	←	D16

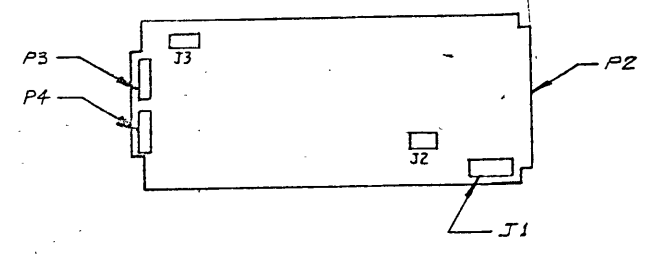
P2	SIGNAL	DIRECTION	LOCATION
PIN 244	+5V	←	D16
245	DB04	←	A29
246	DB05	←	A29
247	DB06	←	A29
248	DB07	←	A29
249	DB08	←	A28
250	DB09	←	A28
251	DB10	←	A28
252	DB11	←	A28
253	DB12	←	A27
254	DB13	←	A27
255	DB14	←	A27
256	DB15	←	A27
257	NU		
258	NU		
259	GND	←	C16
260	GND	←	C16
261	NU		
262	NU		
263	CLKP	←	A22
264	NU		
265	TUR	→	B17
266	NU		
267	NU		
268	NU		
269	NU		
270	NU		
271	NU		
272	NU		
273	+5V	←	D16
274	+5V	←	D16
275	AB03	←	D40
276	AB04	←	C40
277	AB05	←	C40
278	AB06	←	C40
279	AB07	←	C40
280	AB00	←	D40
281	AB01	←	D40
282	AB02	←	D40
283	PRIN	←	B12
284	PRIN	←	B11
285	GND	←	C16
PIN 286	GND	←	C16

J1	SIGNAL	DIRECTION	LOCATION
PIN 1	DPOT	←	B13
2	NU		
3	NU		
4	GND	←	B13
5	MBIN	←	B13
6	PRIN	←	B13
7	PRIN	←	B13
8	NU		
9	NU		
10	NU		
11	NU		
12	NU		
13	NU		
14	NU		
15	NU		
PIN 16	NU		

P3 & P4	SIGNAL	DIRECTION	LOCATION
PIN 1	PRE	→	C12
2	+12 INT	←	D12
3	-5 INT	←	C12
4	+5 INT	←	
5	GND	←	
6	GND	←	
7	+5 INT	←	
8	-5 INT	←	C12
9	+12 INT	←	D12
PIN 10	PRD	→	C12

J3	SIGNAL	DIRECTION	LOCATION
PIN 1	BATT	←	C38
2	+12 INT	←	A14
3	+5 INT	←	
4	-5 INT	←	
5	-5V	→	
6	+5V	→	
7	+12V	→	A14
8	NU		
9	GND	→	A14
10	FREF	→	C24
11	REF REQ	→	C21
12	CLK	→	D19
13	FCLK	→	D20
14	FSTOP	→	C20
15	REFC	→	C23
PIN 16	FRUN	→	C21

J2	SIGNAL	DIRECTION	LOCATION
PIN 1	CLR	→	A34
2	REF	→	C21
3	D0SU	→	A36
4	D1SU	→	A36
5	DISF	→	B36
6	D1SL	→	
7	D0SF	→	
8	D0SL	→	B36
9	DIS	→	B23
10	STRB	→	B23
11	GND	←	C23
12	NU		
13	NU		
14	NU		
15	NU		
PIN 15	NU		



TABULATION BLOCK					
DASH NO.	DESCRIPTION	BILL OF MATERIALS	SYSTEM	WIRING	
-08	BASIC 8K	70-53642-08	LSI 2/3	W1 (B18)	
-04	4K OPTION	70-53642-04	LSI 2/3	W1 (B18)	W3 (B20)
-14	4K OPTION	70-53642-14	LSI 4	W1 (B18)	W2 (E1-E2) W3 (B20)
-18	BASIC 8K	70-53642-18	LSI 4	W1 (B18)	W2 (E1-E2)

- ① FOR -14, -18 ONLY
 - 10 REFERENCE DESIGNATOR C60 NOT USED.
 - 9 LAST REFERENCE DESIGNATOR USED IC88, CR2, VR1, Q4, R22, C84, J3, P4, L2, W3.
 - ⑧ FOR 4K, OMIT THE FOLLOWING COMPONENTS: RESISTOR R3, IC'S 16-31, CAPACITORS C16-19, 21-26, 28, 33, C73-75, TRANSISTOR Q2
 - 7 ALL 2.2UF CAPACITORS ARE 10%, 20V
 - 6 ALL .033UF CAPACITORS ARE +50% -20%, 25V.
 - 5 ALL CAPACITOR VALUES ARE IN UF
 - 4 ALL RESISTOR VALUES ARE IN OHMS, ±5%, 1/4W
 - 3 SIGNALS MARKED ← ARE INPUTS
 - 2 SIGNALS MARKED → ARE OUTPUTS
 - 1 FOR LOGIC DIAGRAMS SEE TABULATION BLOCK
- NOTES: UNLESS OTHERWISE SPECIFIED

UNUSED GATES / IC				
REF. DES.	IC TYPE	UNUSED PINS	POWER	
		IN	OUT	
32	7406	9	8	+5V
32	7406	11	10	+5V
37	74LS04	1	2	+5V
37	74LS04	3	4	+5V
62	SPARE			+5V
67	96LO2	1, 2, 3, 14, 15	9, 10	+5V INT
62	7708	2, 5, 12, 13	6, 11	+5V

NOTES UNLESS SPECIFIED		DR.	CHK.
1. TOLERANCES	XX ±.03 ANGULAR		
	.XXX ±.010 ±1/2°		
2. BREAK ALL SHARP EDGES	.010 APPROX.		
3. ALL DIM. IN INCHES			
DASH NO.	NEXT ASSEMBLYS		
-03	75-20-25-14		
-04			

Computer Automation
18551 Von Karman, Irvine, CA 92614

TITLE: LOGIC DIAGRAM, 1025 MEMORY

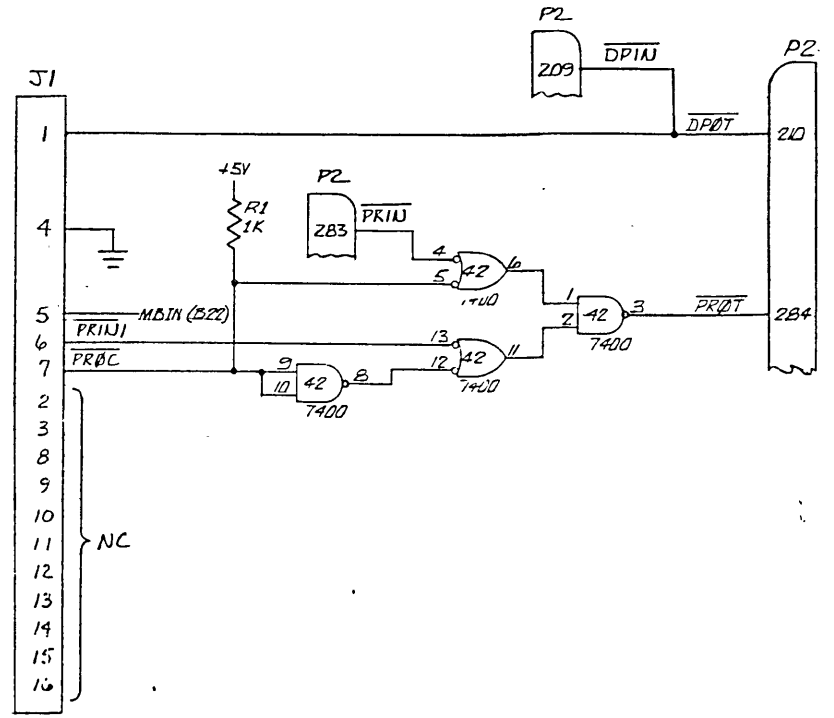
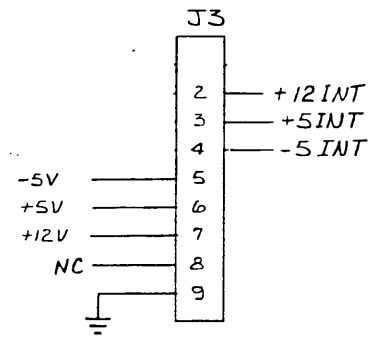
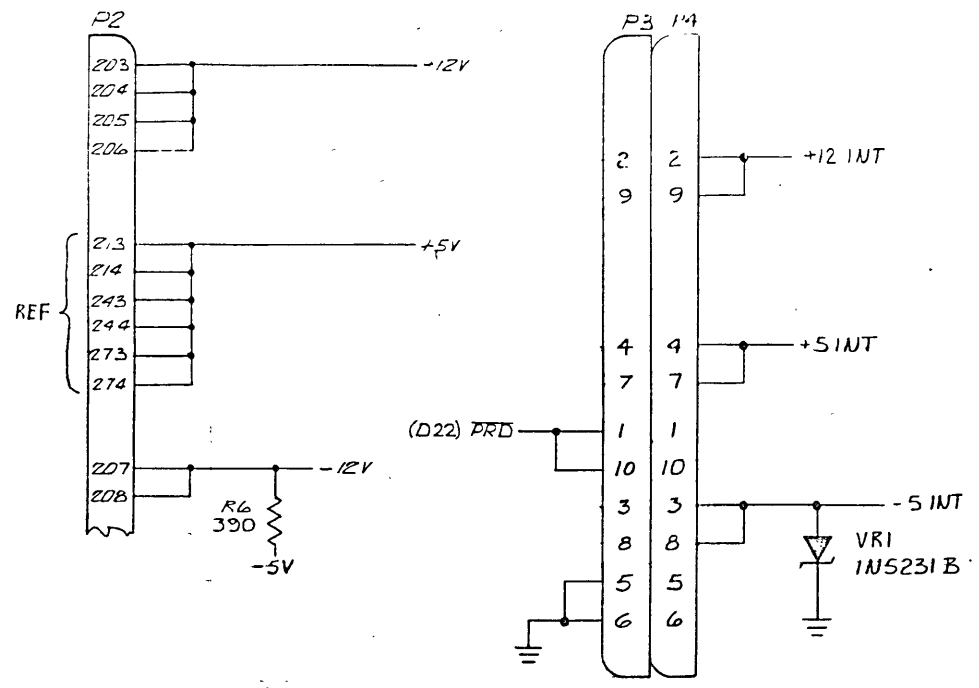
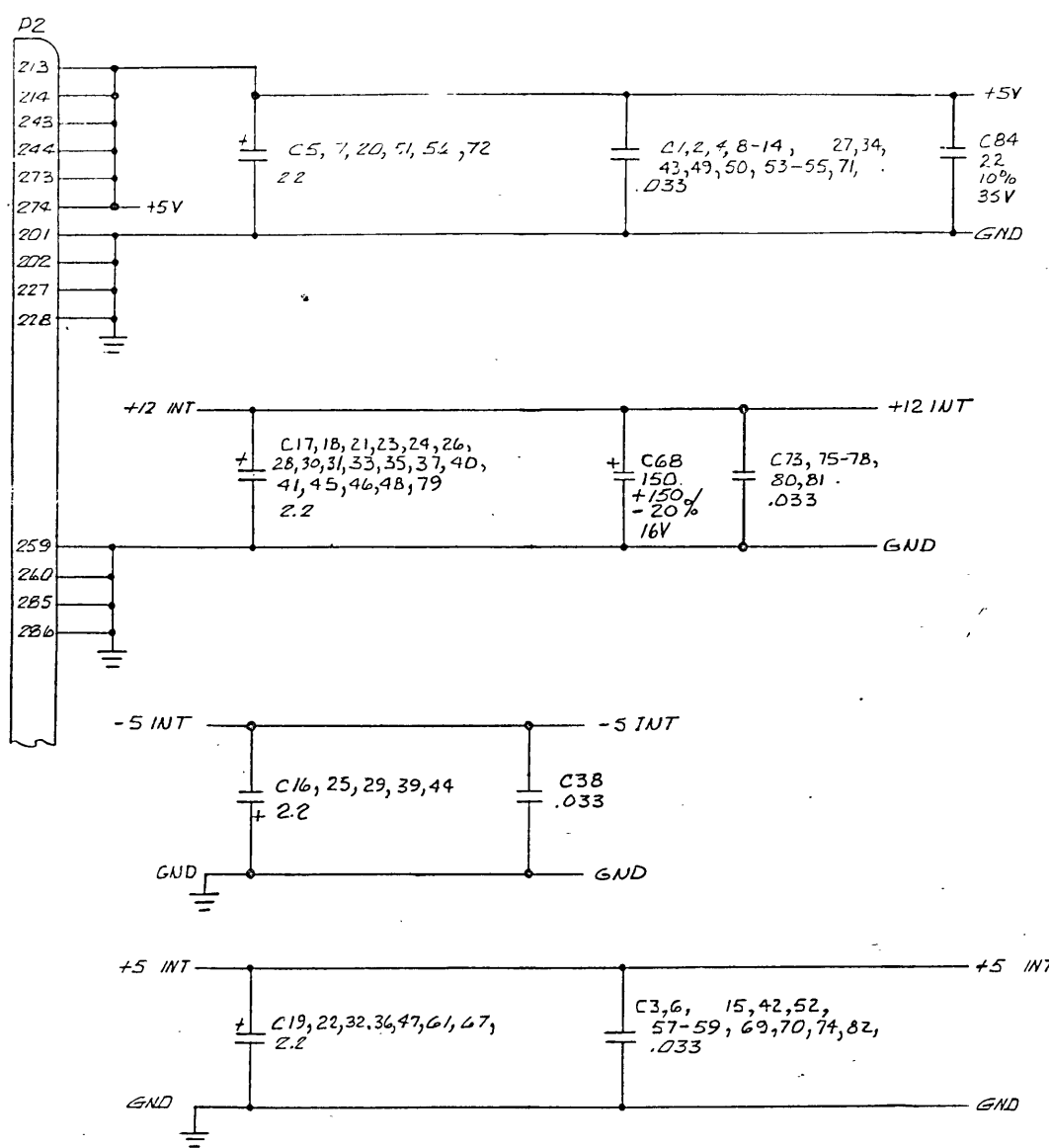
SIZE: D DWG. NO.: 75-53642-XX

DO NOT SCALE DRAWING SCALE = NONE SHT. 1 OF 1

PROPRIETARY RIGHTS NOTICE
THIS DOCUMENT AND INFORMATION THAT IT CONTAINS ARE THE PROPERTY OF COMPUTER AUTOMATION, INC. RIGHTS TO DUPLICATE OR OTHERWISE COPY THIS DOCUMENT AND INFORMATION TO OTHERS AND THE RIGHT TO USE THE INFORMATION CONTAINED THEREIN, MAY BE ACQUIRED ONLY BY WRITTEN PERMISSION SIGNED BY A DULY AUTHORIZED OFFICER OF COMPUTER AUTOMATION, INC.

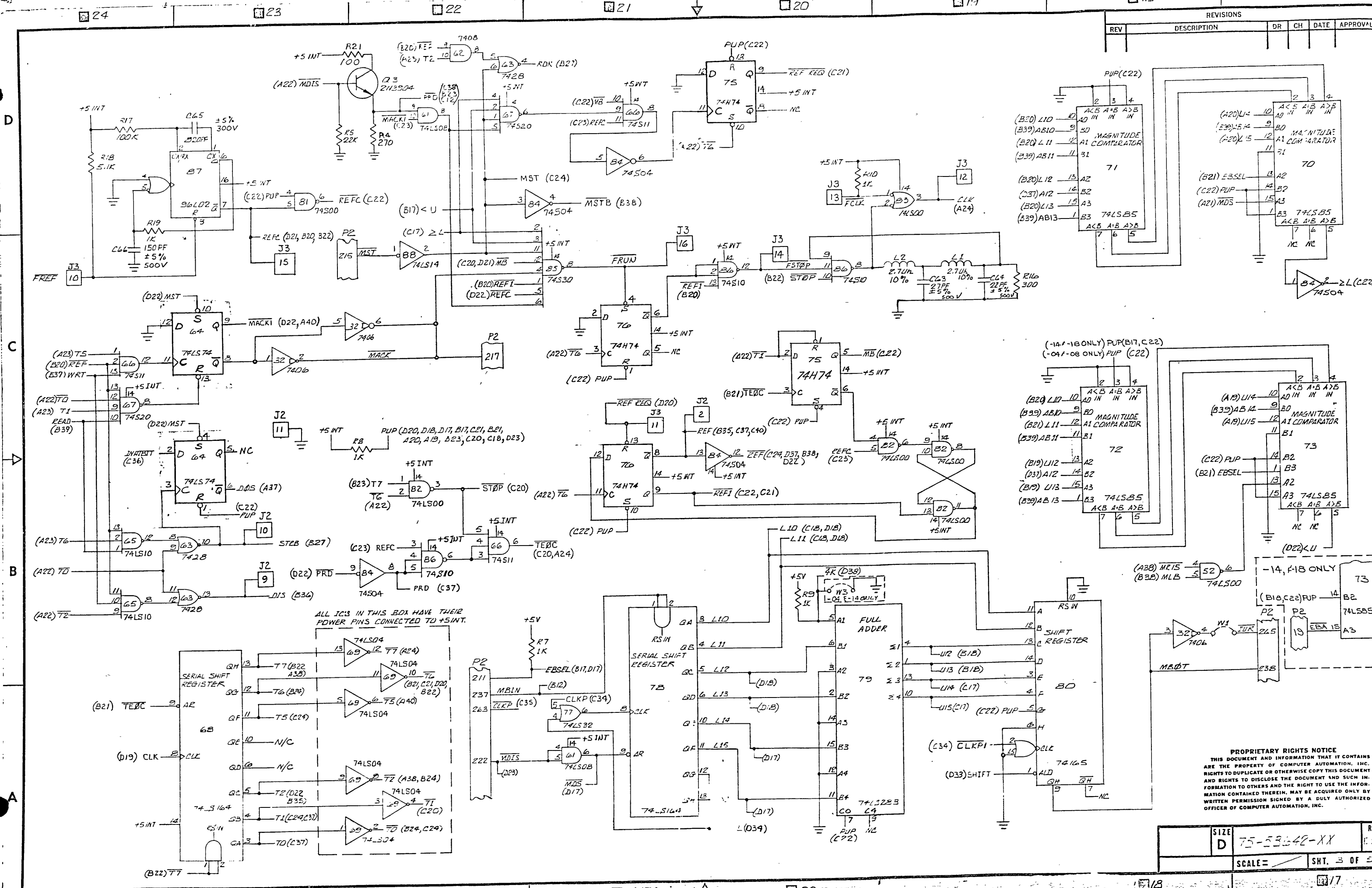
REVISIONS					
REV	DESCRIPTION	DR	CH	DATE	APPROVAL

D
C
B
A



PROPRIETARY RIGHTS NOTICE
 THIS DOCUMENT AND INFORMATION THAT IT CONTAINS ARE THE PROPERTY OF COMPUTER AUTOMATION, INC. RIGHTS TO DUPLICATE OR OTHERWISE COPY THIS DOCUMENT AND RIGHTS TO DISCLOSE THE DOCUMENT AND SUCH INFORMATION TO OTHERS AND THE RIGHT TO USE THE INFORMATION CONTAINED THEREIN, MAY BE ACQUIRED ONLY BY WRITTEN PERMISSION SIGNED BY A DULY AUTHORIZED OFFICER OF COMPUTER AUTOMATION, INC.

SIZE	D	REV	EB
	75-53642-1X		
SCALE		SHT. 2 OF 25	



REVISIONS					
REV	DESCRIPTION	DR	CH	DATE	APPROVAL

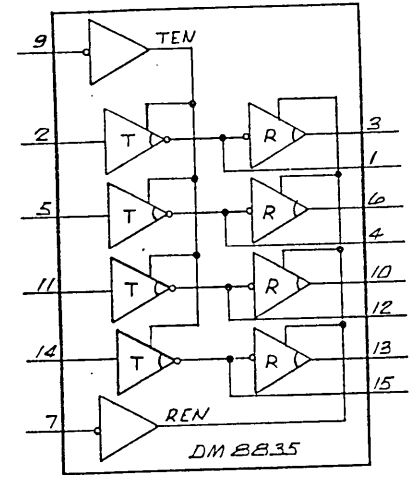
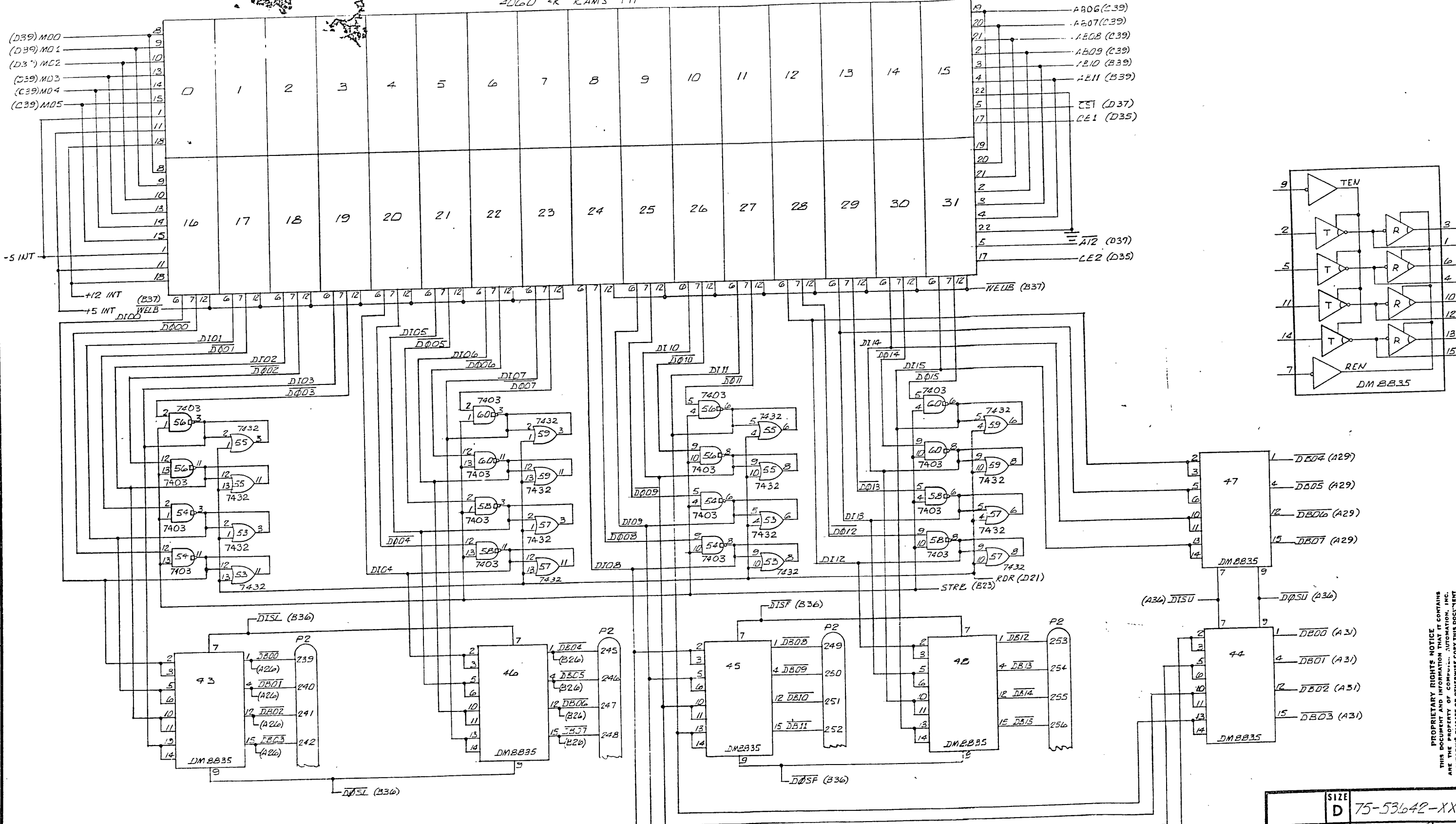
PROPRIETARY RIGHTS NOTICE
 THIS DOCUMENT AND INFORMATION THAT IT CONTAINS ARE THE PROPERTY OF COMPUTER AUTOMATION, INC. RIGHTS TO DUPLICATE OR OTHERWISE COPY THIS DOCUMENT AND RIGHTS TO DISCLOSE THE DOCUMENT AND SUCH INFORMATION TO OTHERS AND THE RIGHT TO USE THE INFORMATION CONTAINED THEREIN, MAY BE ACQUIRED ONLY BY WRITTEN PERMISSION SIGNED BY A DULY AUTHORIZED OFFICER OF COMPUTER AUTOMATION, INC.

SIZE	D	75-53642-XX	REV	1.0
SCALE	=		SHT.	3 OF 5

ALL IC'S IN THIS BOX HAVE THEIR POWER PINS CONNECTED TO +5INT.

REVISIONS					
REV	DESCRIPTION	DR	CH	DATE	APPROVAL

4060 4K RAM'S TYP



PROPRIETARY RIGHTS NOTICE
 THIS DOCUMENT AND INFORMATION THAT IT CONTAINS ARE THE PROPERTY OF COMPTON AUTOMATION, INC. RIGHTS TO REPRODUCE OR OTHERWISE COPY THIS DOCUMENT AND RIGHTS TO DISCLOSE THE DOCUMENT AND THE INFORMATION CONTAINED THEREIN, AND THE RIGHT TO INVENTOR INFORMATION CONTAINED THEREIN, ARE HEREBY GRANTED ONLY BY WRITTEN PERMISSION SIGNATURE BY DULY AUTHORIZED OFFICER OF COMPUTER AUTOMATION, INC.

SIZE	D	75-53642-XX	REV	1
SCALE	=		SHT.	4 OF 5

