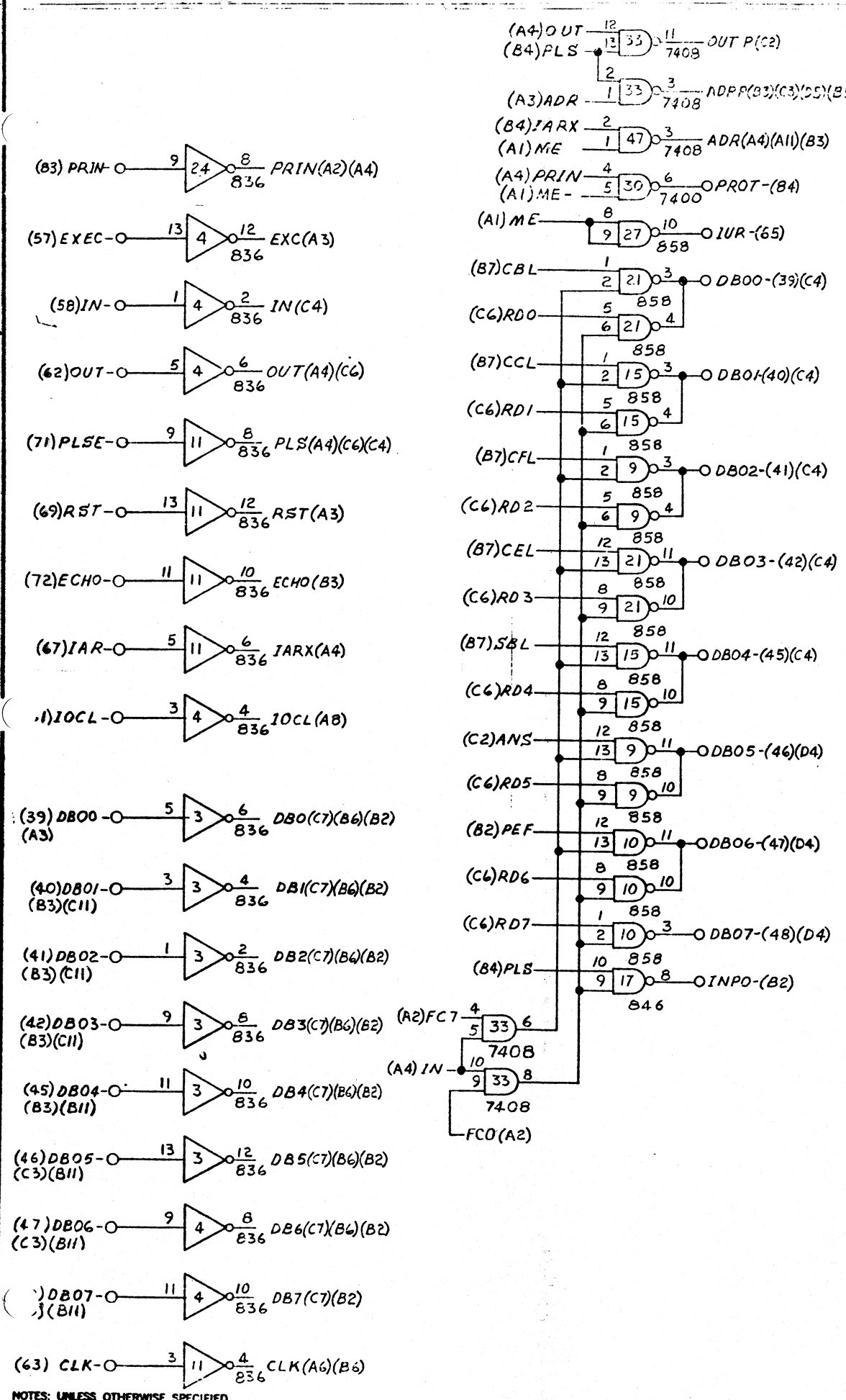
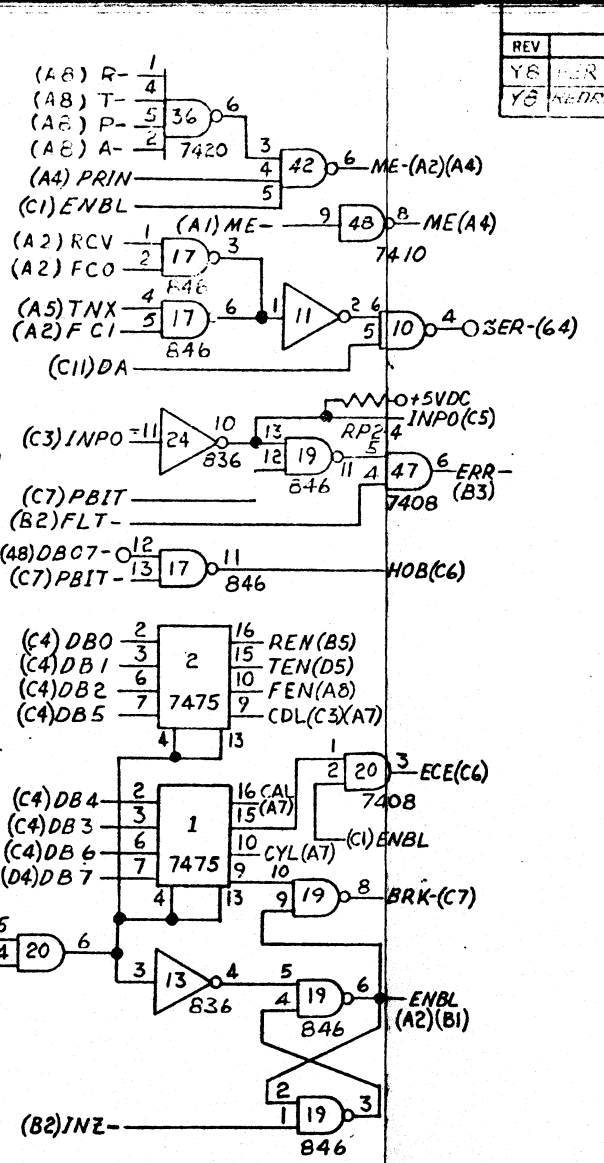
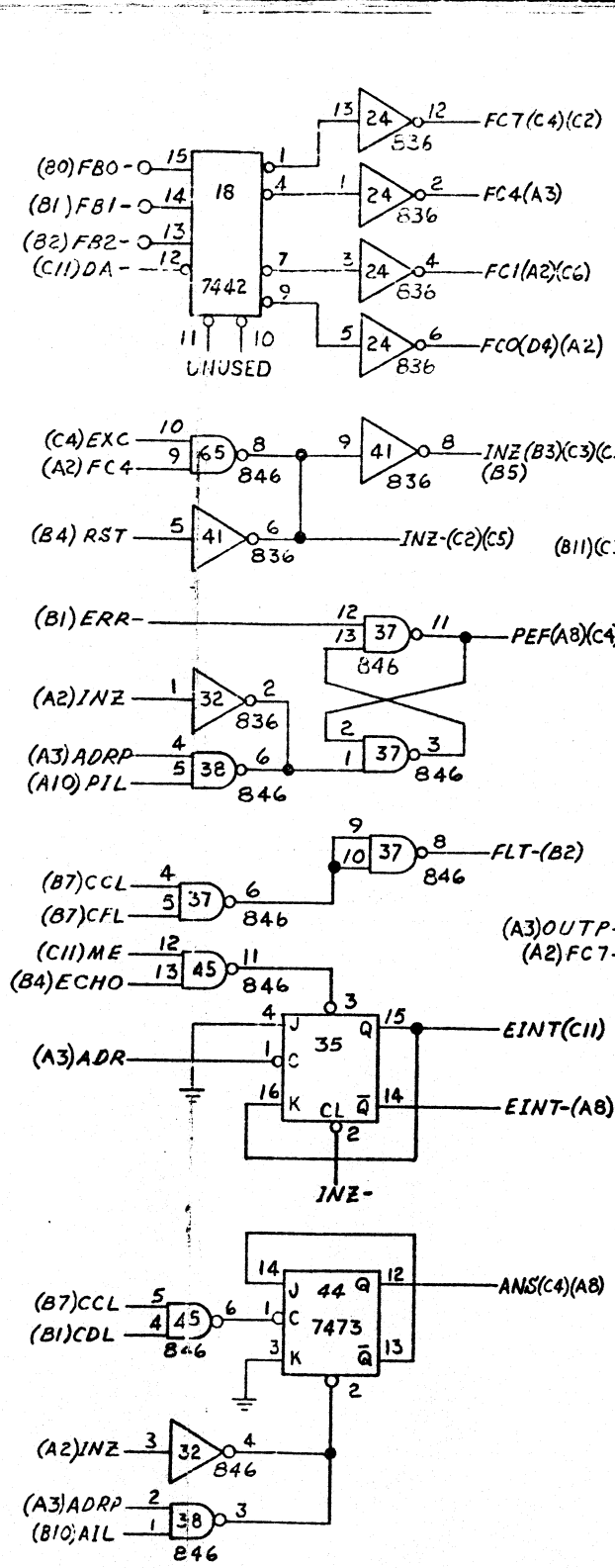


REVISIONS					
REV	DESCRIPTION	DR	CH	DATE	APPROVAL
Y6	FOR EN GO-52227 XX-Y6			2/17/72	
Y5	REDRAWN WITHOUT ANY CHANGE			12/1/71	



NOTES: UNLESS OTHERWISE SPECIFIED

DIGIT NO.	BAUD RATE	VALUE C1	VALUE C3	VALUE R1	VALUE R2
-01	110	1.5uf	.68uf	14.3K	14.3K
-02	150	1.5uf	.68uf	14.3K	14.3K
-03	300	1.5uf	.68uf	5K	5K
-04	600	.33uf	.15uf	14.3K	14.3K
-05	1200	1.5uf	.082uf	5K	5K
-06	1800	1.5uf	.062uf	5K	5K
-07	2400	1.5uf	.082uf	5K	5K



PROPRIETARY RIGHTS NOTICE
 THIS DOCUMENT AND INFORMATION THAT IT CONTAINS ARE THE PROPERTY OF COMPUTER AUTOMATION, INC. RIGHTS TO DUPLICATE OR OTHERWISE COPY THIS DOCUMENT AND RIGHTS TO DISCLOSE THE DOCUMENT AND SUCH INFORMATION TO OTHERS AND THE RIGHT TO USE THE INFORMATION CONTAINED THEREIN, MAY BE ACQUIRED ONLY BY WRITTEN PERMISSION SIGNED BY A DULY AUTHORIZED OFFICER OF COMPUTER AUTOMATION, INC.

2. REF. DESIGNATORS NOT USED C15, C16.
 1. ALL RESISTORS ARE 1/4 W, 5%

NOTES UNLESS SPECIFIED		DR	SCALE	DATE	COMPUTER AUTOMATION INC.
1. TOLERANCES XX = .03 ANGULAR XXX = .010 = 1/16"		CHL	T. DEL COLLETT		1005 VON KARMAN, IRVINE, CAL 92614
2. BREAK ALL SHARP EDGES .010 APPROX.		ENGR.			TITLE ALPHA ASYNCHRONOUS DATA SET CONTROLLER
3. ALL DIM. IN INCHES					SIZE DWG. NO. D 00-52227-XX
DO NOT SCALE DRAWING	SCALE =				REV Y8
					SHT. 1 OF 3

A

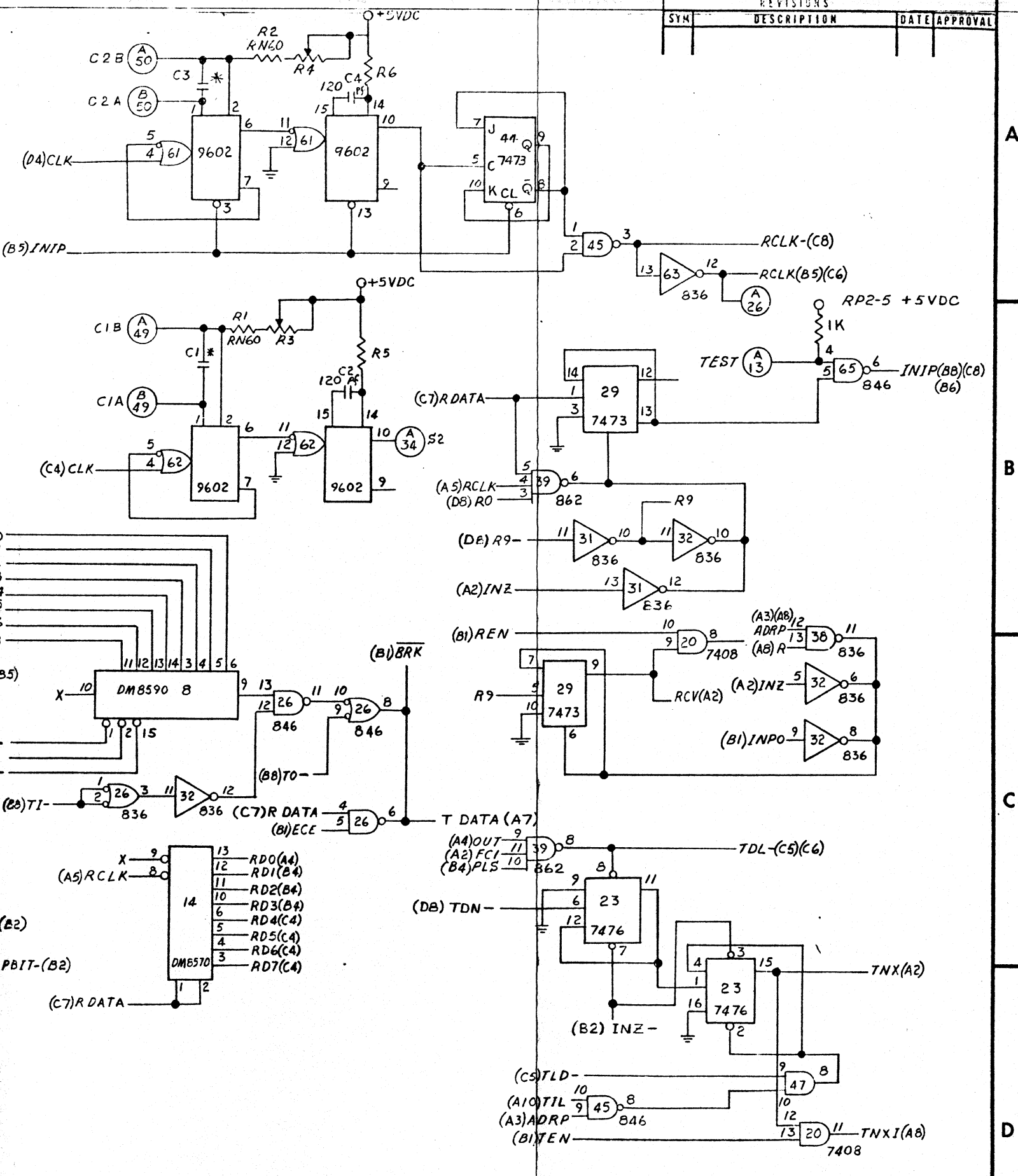
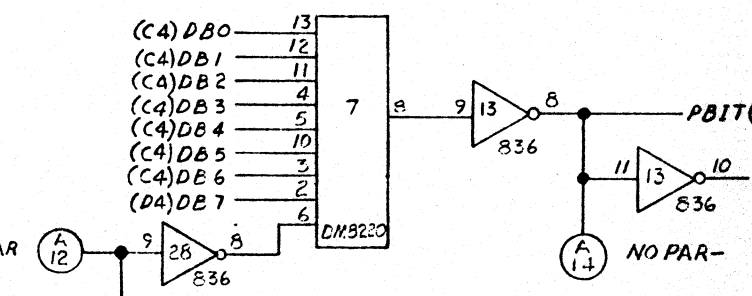
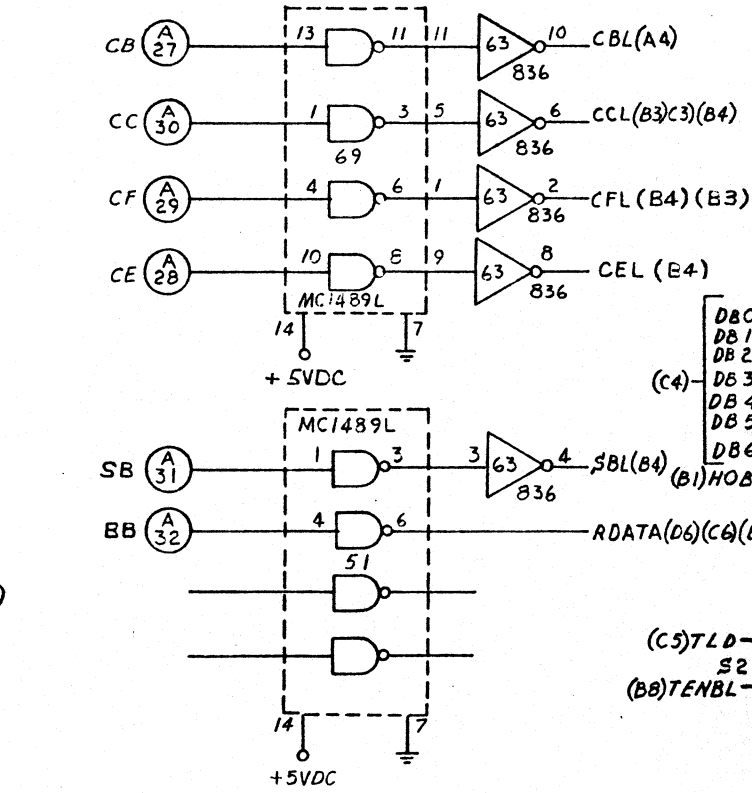
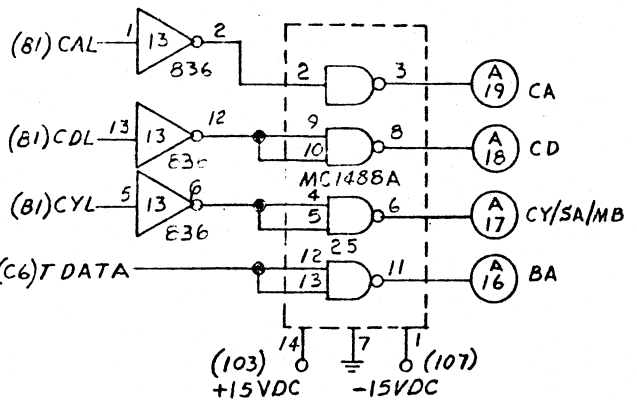
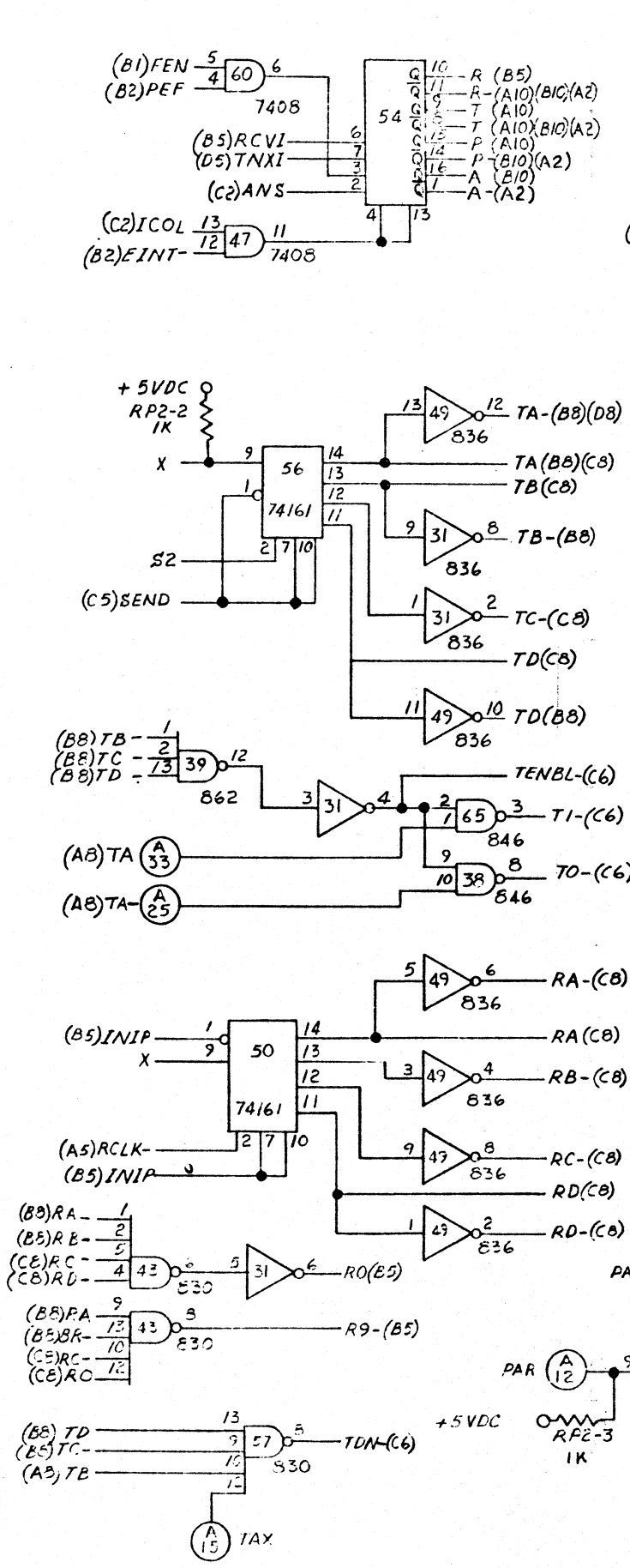
B

C

D

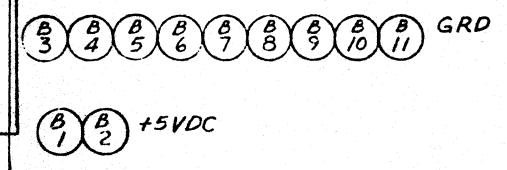
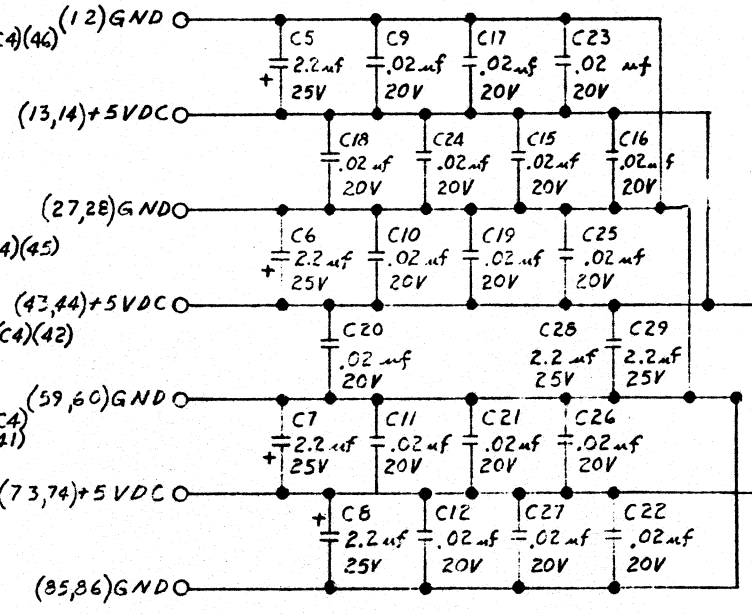
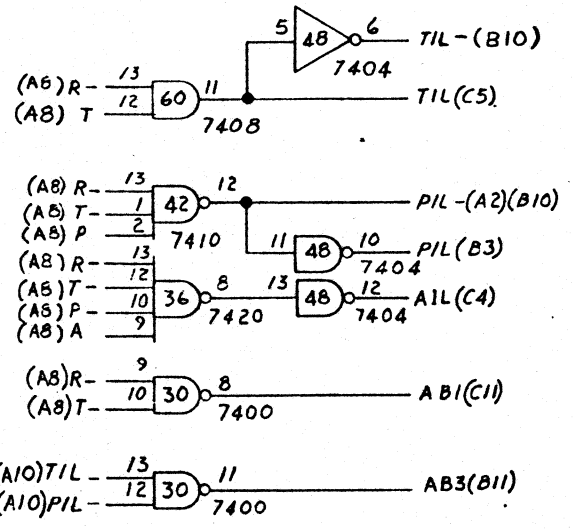
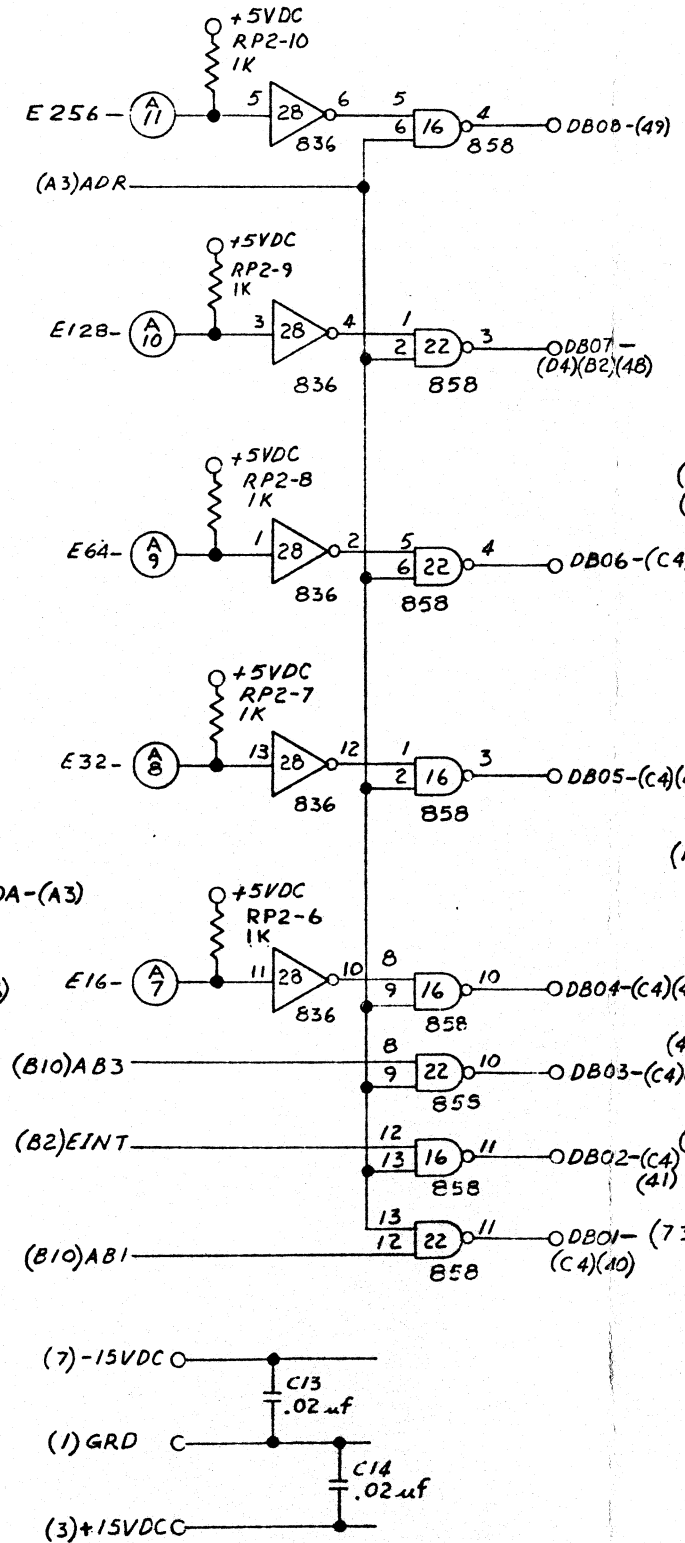
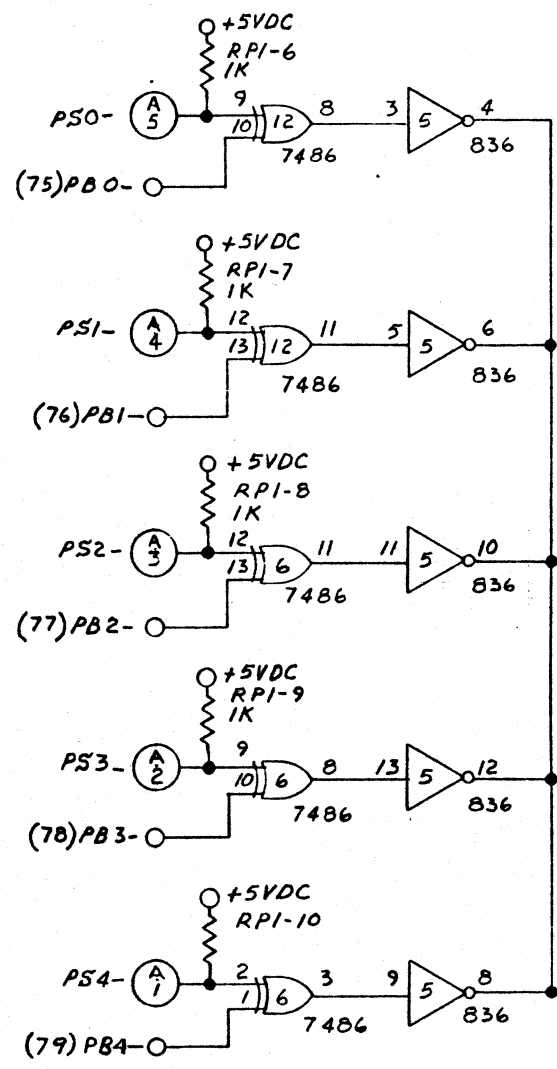
DRAWING NO. 00-52227-XX Y6

REVISIONS		
SYN	DESCRIPTION	DATE APPROVAL



SIZE	00-52227-XX	REV	ye
SCALE =	SHT. 2 OF 3		

REVISIONS			
SYM	DESCRIPTION	DATE	APPROVAL



SIZE	00-52227-XX	REV	Y8
D		SCALE=	SHT. 3 OF 3