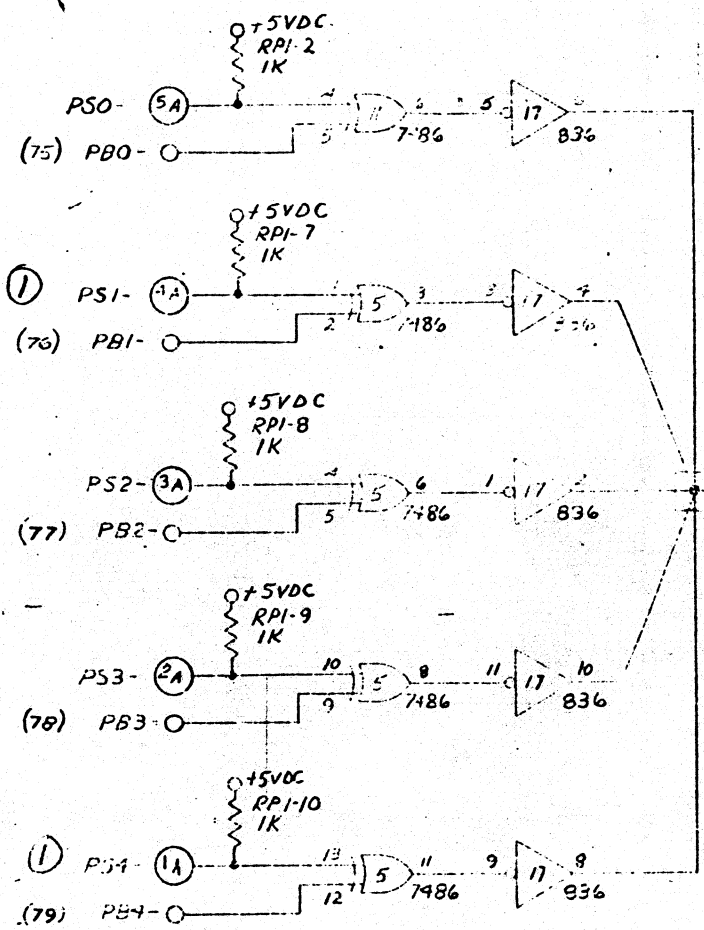
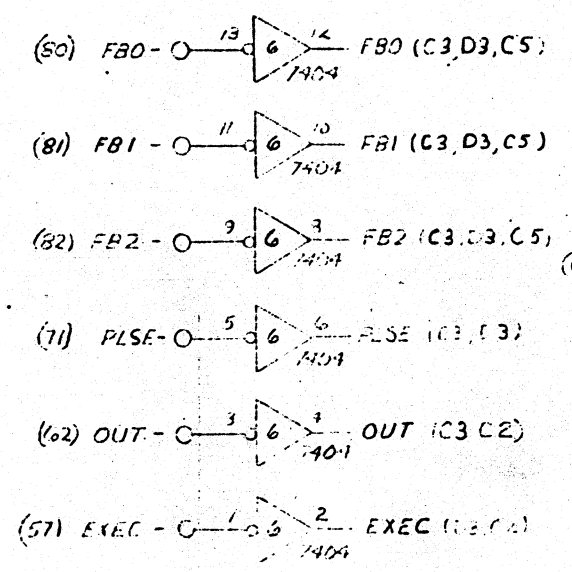


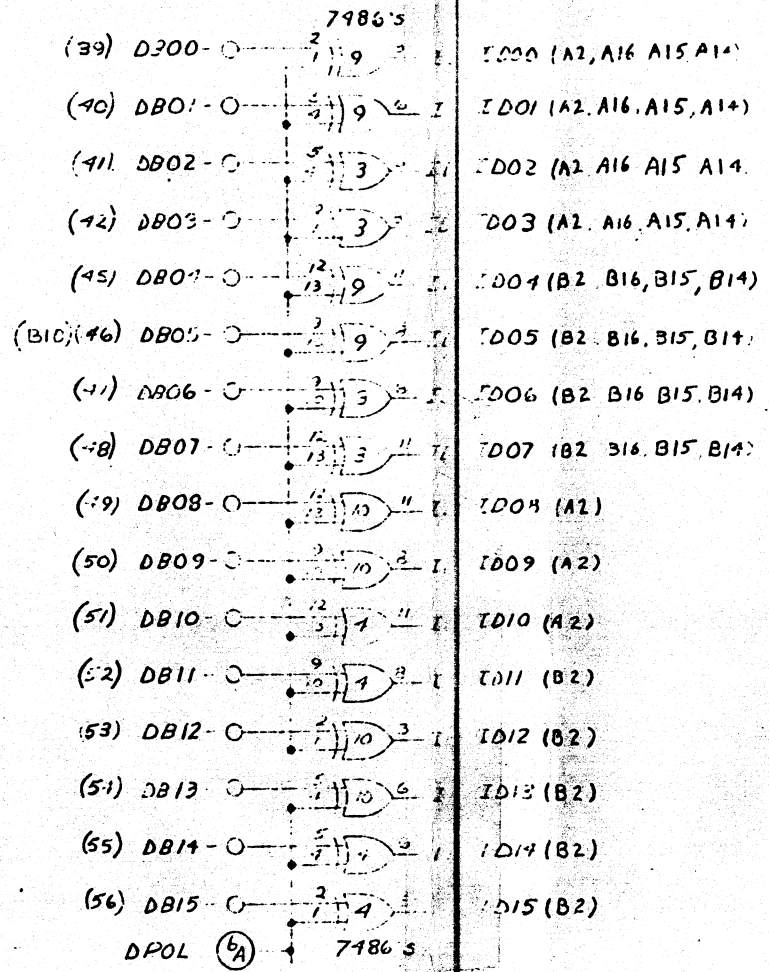
DEVICE ADDRESS DECODER



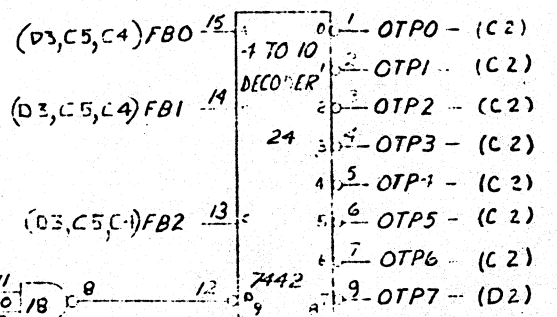
CONTROL BUS RECEIVERS



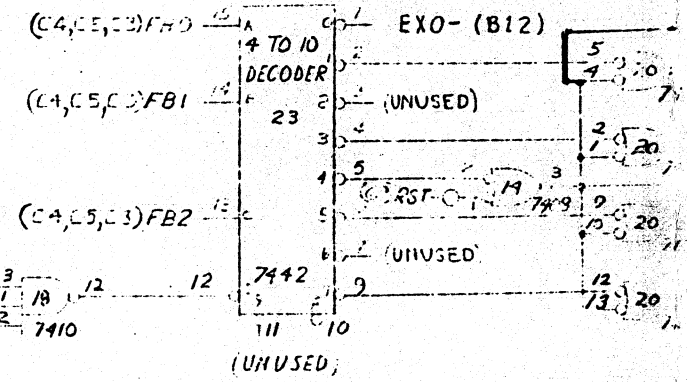
DATA BUS RECEIVER



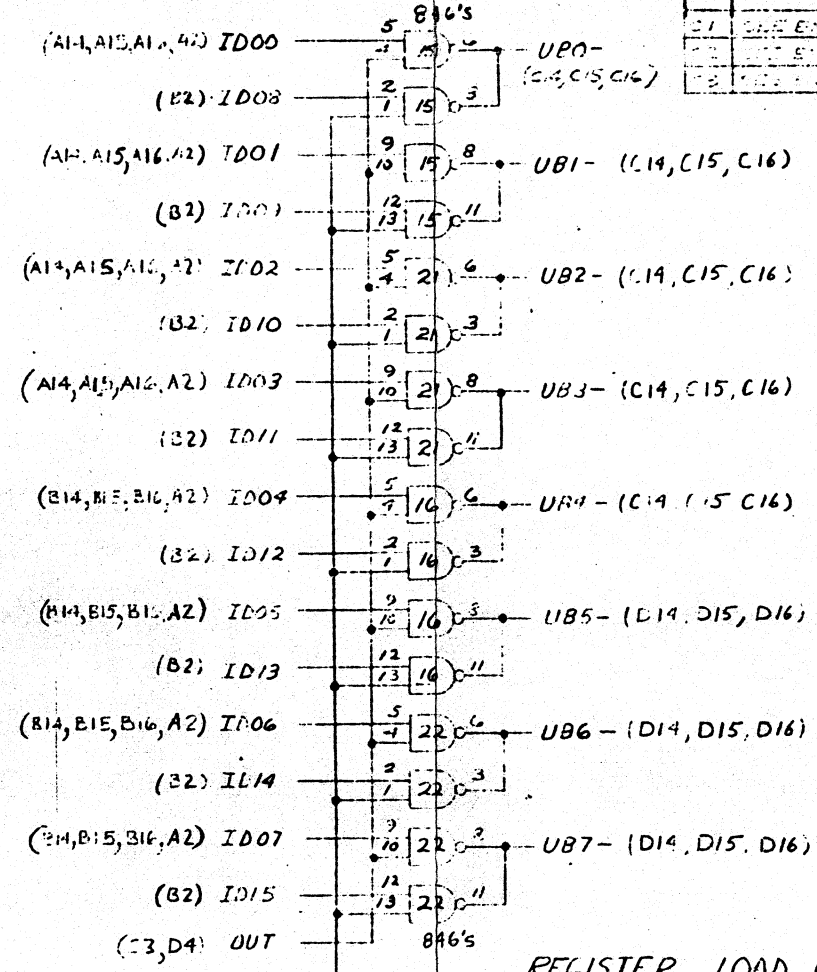
OUTPUT COMMAND DECODER



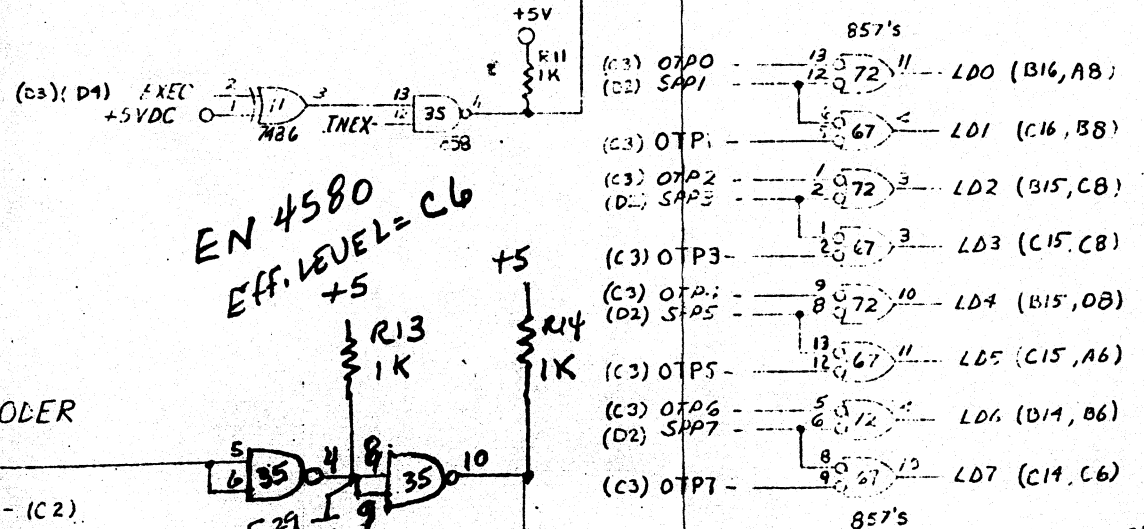
SELECT COMMAND DECODER



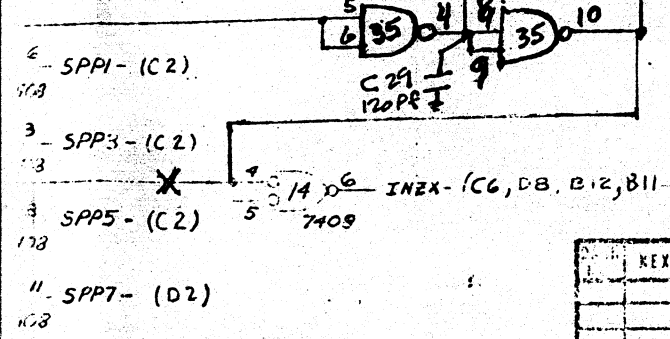
UPPER BYTE SELECTOR



REGISTER LOAD CONTROL



DECODER



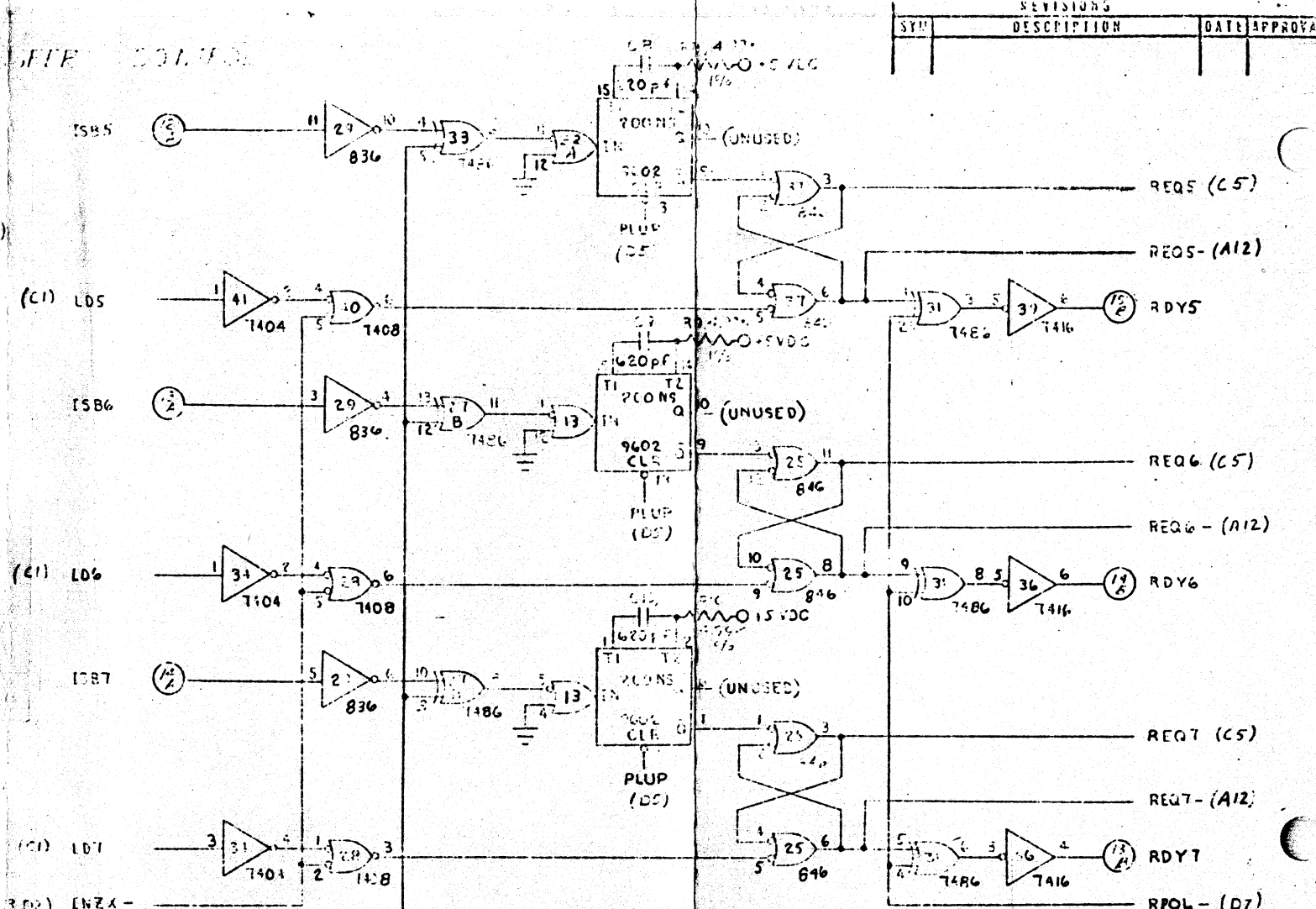
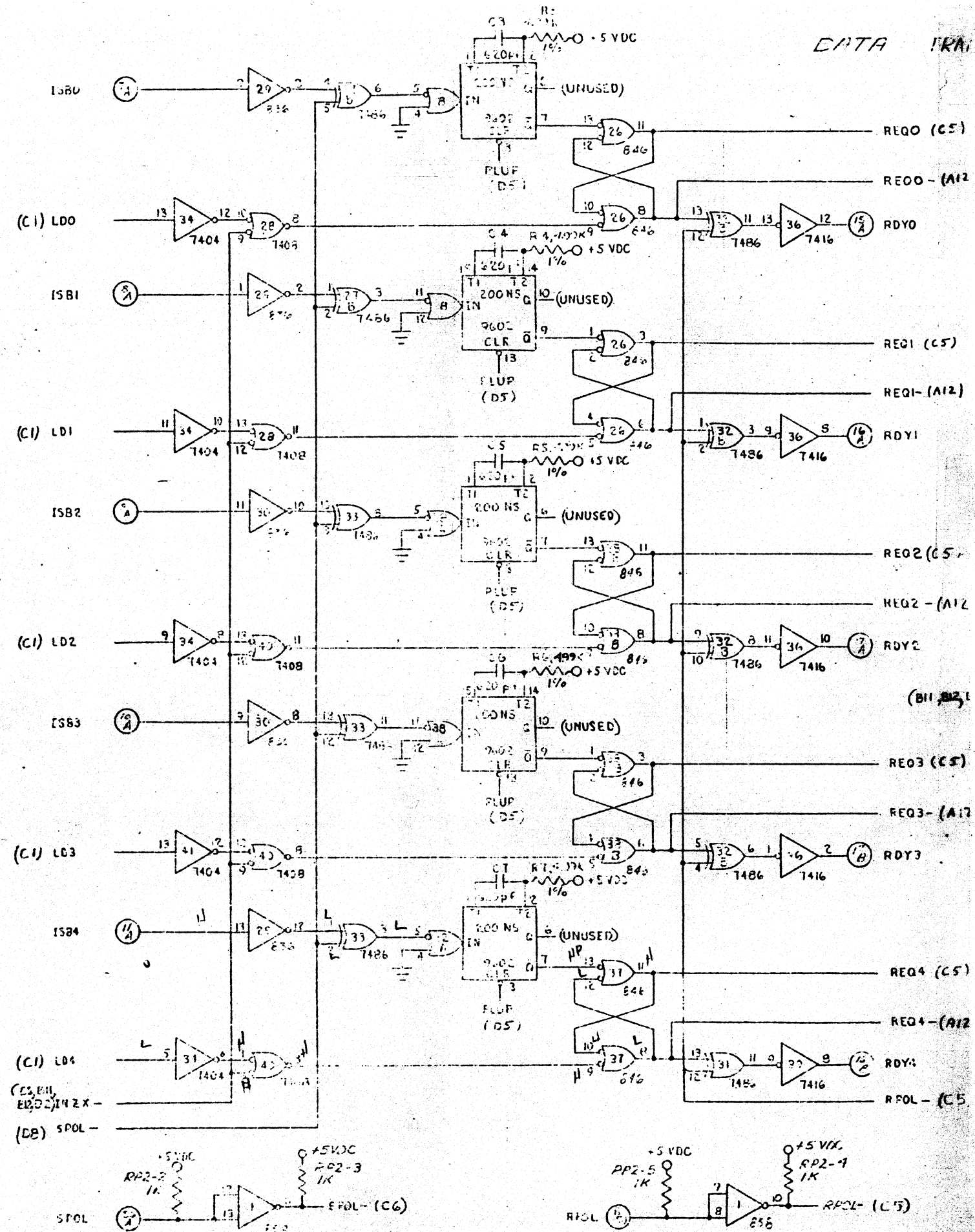
REVISIONS		
SY	DESCRIPTION	DATE
01
02
03

PROPRIETARY RIGHTS NOTICE
 THIS DOCUMENT AND INFORMATION THAT IT CONTAINS ARE THE PROPERTY OF COMPUTER AUTOMATION, INC. RIGHTS TO DUPLICATE OR OTHERWISE COPY THIS DOCUMENT AND RIGHTS TO PRECLOSE THE DOCUMENT AND SUCH INFORMATION TO OTHERS AND THE RIGHT TO USE THE INFORMATION CONTAINED THEREIN, MAY BE ACQUIRED ONLY BY WRITTEN PERMISSION SIGNED BY A DULY AUTHORIZED OFFICER OF COMPUTER AUTOMATION, INC.

MAR 29 1976

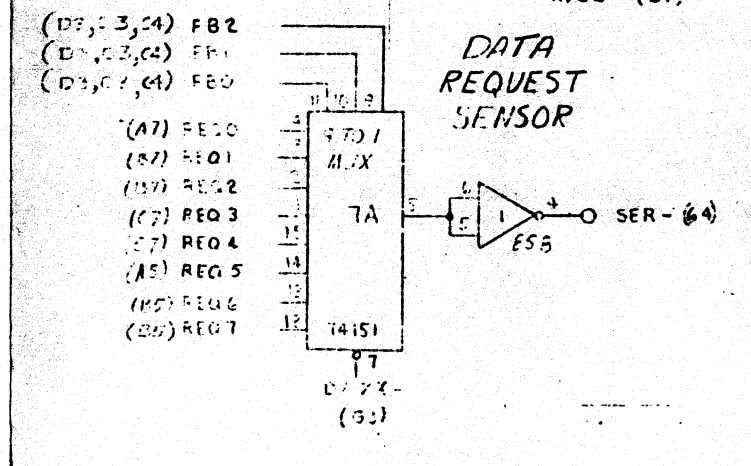
QTY	PART NO.	DESCRIPTION	MAT'L. VEND.
		LOGIC-64 BIT OUTPUT	
		52216-00	

DATA TRANSFER CONTROL



SPARE PARTS TABLE

IC NUMBER	QUANTITY	DESCRIPTION
11	8, 11	
7B	(CLEAR) 13	
12	3	
14	3	
30	6	
31	3, 6, 5	
25	6, 2	
41	4, 3, 10	



5 CAPACITORS NOTED ARE 500V 5%
 4 CAPACITORS NOTED ARE 25 VOLTS 10%
 CAPACITORS 2.2 UF ARE 20 VOLTS 10%
 1. ALL RESISTORS ARE 5% 1/4"
 2. FOR ASSEMBLY DRAWING SEE 00-2321-00
 1. REF. DESIGNATIONS NOT USED R1, R2

NOTES: UNLESS OTHERWISE SPECIFIED

SYN	REVISIONS	DESCRIPTION	DATE	APPROVAL

52216-00	2 OF 4
----------	--------

REVISIONS			
SY#	DESCRIPTION	DATE	APPROVAL

INTERRUPT REQUEST LOGIC

