

44689062

 CONTROL DATA

LINEWRITER 400/800
MODELS CT301-A/B/C/D/E AND CT302-A/B/C/D/E

PRINT HEAD ASSEMBLY
BASE STRUCTURE ASSEMBLY
CHASSIS ASSEMBLY
TOP LEVEL ASSEMBLIES
PRINTED CIRCUIT BOARD ASSEMBLIES
I/O ADAPTOR ASSEMBLIES
LW 455/855 ASSEMBLIES

PARTS IDENTIFICATION MANUAL

REVISION RECORD

REVISION	DESCRIPTION
01 JAN., 83	Pre-Release of Linewriter 400 Parts Manual.
02 JUNE, 83	Revised to incorporate miscellaneous changes.
03 AUGUST '83	Added miscellaneous changes.
04 NOV., '83	Incorporated miscellaneous changes and added Linewriter 800 information.
A JAN., '84	Release of the CDC Linewriter Parts Identification Manual.
B SEPT., '84	Added Section 7 and the following ECO's: ECO PH19553, ECO PH19590, ECO PH19599, ECO PH19679, ECO PH19907, ECO PH19907-1, ECO PH19916, ECO PH19934, ECO PH19949, ECO PH19964, ECO PH19983, ECO PH19985-2, ECO PH20004, ECO PH20009, ECO PH20015, ECO PH20016, ECO PH20025, ECO PH20029, ECO PH20040, ECO PH20050, ECO PH20051, ECO PH20060, ECO PH20062, ECO PH20065, ECO PH20072, ECO PH20080, ECO PH20085-1, ECO PH20090, ECO PH20094, ECO PH20095, ECO PH20104, ECO PH20108, ECO PH20116, ECO PH20137, ECO PH20138, ECO PH20158, ECO PH20168, ECO PH20180, ECO PH20183, ECO PH20187, ECO PH20188, ECO PH20191, ECO PH20213, ECO PH20214, ECO PH20214-1, ECO PH20218, ECO PH20220, ECO PH20221, ECO PH20225, ECO PH20232, ECO PH20236, ECO PH20245, ECO PH20251, ECO PH20253, ECO PH20256, ECO PH20257, ECO PH20263, ECO PH20267, ECO PH20273, ECO PH20275, ECO PH20279, ECO PH20285, ECO PH20289, ECO PH20293, ECO PH20298, ECO PH20299, ECO PH20302, ECO PH20303, ECO PH20304, ECO PH20327, ECO PH20336, ECO PH20343, ECO PH20368, ECO PH20379
C JAN., '85	Incorporated miscellaneous changes and the following ECO's: ECO PH19599, ECO PH19926, ECO PH20029, ECO PH20334, ECO PH20337, ECO PH20354, ECO PH20366, ECO PH20369, ECO PH20391, ECO PH20399, ECO PH20401, ECO PH20402, ECO PH20431, ECO PH20440, ECO PH20441, ECO PH20445, ECO PH20454, ECO PH20455, ECO PH20466, ECO PH20485, ECO PH20487, ECO PH20500, ECO PH20518, ECO PH20523, ECO PH20529, ECO PH20530, ECO PH20539, ECO PH20542, ECO PH20572, ECO PH20587, ECO PH20626, ECO PH20627

PUBLICATION NO.
44689062

Revision Procedure:

The revision record page is revised for each revision package to reflect the revision sequence: (Pre-Release) Rev. 01, 02, etc; (Release) Rev. A, Rev. B, Rev. C, etc. The revision record page also provides a brief description of each change. A manual update revision package will be available for manuals after the Release revision of the manual. Each page revised in an update revision package will have the month and year printed in the lower right hand corner. This same date would appear in the revision column above, just below the revision identification. An instruction sheet cover is with each revision package, explaining page removal and insertion and reason for the change. The instruction sheets for revision packages are then to be placed at the back of the manuals as a record of the change.

REVISION RECORD

REVISION	DESCRIPTION
D APRIL '85	Incorporated miscellaneous changes and the following ECO's: ECO PH20118, ECO PH20206, ECO PH20222, ECO PH20230, ECO PH20250, ECO PH20266, ECO PH20341, ECO PH20459, ECO PH20468, ECO PH20472, ECO PH20488, ECO PH20497, ECO PH20520, ECO PH20541, ECO PH20580, ECO PH20583, ECO PH20598, ECO PH20600, ECO PH20645, ECO PH20655, ECO PH20656, ECO PH20691, ECO PH20692, ECO PH20695, ECO PH20698, ECO PH20699, ECO PH20752

PUBLICATION NO.
44689062

Revision Procedure:

The revision record page is revised for each revision package to reflect the revision sequence: (Pre-Release) Rev. 01, 02, etc; (Release) Rev. A, Rev. B, Rev. C, etc. The revision record page also provides a brief description of each change. A manual update revision package will be available for manuals after the Release revision of the manual. Each page revised in an update revision package will have the month and year printed in the lower right hand corner. This same date would appear in the revision column above, just below the revision identification. An instruction sheet cover is with each revision package, explaining page removal and insertion and reason for the change. The instruction sheets for revision packages are then to be placed at the back of the manuals as a record of the change.

PREFACE

This publication contains parts identification information for the Linewriter printer.

The publications listed below are related publications for these printers.

PUBLICATION	PUBLICATION NUMBER
Set-Up and Reference Manual (With OEM Parallel Interface)	44689053
Set-Up and Reference Manual (With RS-232 Serial Interface)	44689037
Set-Up and Reference Manual (With Centronics Parallel Interface)	44689059
Maintenance Manual	44689032
Technical Manual	44689051

WARNING This equipment generates, uses and can radiate radio frequency energy and if not installed and used in accordance with the instructions manual, may cause interference to radio communication. It has been tested and found to comply with the limits for a Class A peripheral computing device pursuant to Subpart J of Part 15 of the FCC Rules which are designed to provide reasonable protection against such interference when operated in a commercial environment. Operation of this equipment in a residential area is likely to cause interference in which case the user, at his own expense, will be required to take whatever measures may be required to correct the interference.

CDC PRINT BANDS FOR LINEWRITER PRINTERS

ROMS ON PERSONALITY MODULE

BAND ASSEMBLY	DESCRIPTION	BAND ASSEMBLY	DESCRIPTION
95411782	48 Character U.S. <i>KIT</i>	95461422	64 Character U.S./U.K.
95450882	Band Polished	95461322	Band Polished
44672482	Feature Label	44672482	Feature Label
94781766	ROM Upper	91849122	ROM Upper
94781765	ROM Lower	91849022	ROM Lower
95411786	80/96 Character Delta Bar Code* <i>KIT</i>	95461423	96 Character German/Sw/French
95450886	Band Polished	95461323	Band Polished
44672482	Feature Label	44672482	Feature Label
95411797	48 Character U.S. Comp Pitch <i>KIT</i>	91849122	ROM Upper
95450897	Band Polished	91849022	ROM Lower
44672482	Feature Label	95461424	64 Character Swedish/Finnish
94781766	ROM Upper	95461324	Band Polished
94781765	ROM Lower	44672482	Feature Label
95411799	48 Character U.S. Comp Pitch <i>KIT</i>	91849122	ROM Upper
95450899	Band Polished	91849022	ROM Lower
91849105	ROM Upper	95461425	64 Character Denmark/Norway
91849005	ROM Lower	95461325	Band Polished
95461401	108 Character Arabic/English <i>KIT</i>	44672482	Feature Label
95461301	Band Polished	91849122	ROM Upper
91849112	ROM Upper	91849022	ROM Lower
91849012	ROM Lower	95461426	96 Character Denmark/Norway
95461411	63 Character German/W. Europe	95461326	Band Polished
95461311	Band Polished	44672482	Feature Label
44672482	Feature Label	91849122	ROM Upper
95461412	48 Character U.K.	91849022	ROM Lower
95461312	Band Polished	95461427	96 Character French
44672482	Feature Label	95461327	Band Polished
94781766	ROM Upper	44672482	Feature Label
94781765	ROM Lower	91849122	ROM Upper
95461413	63 Character Swedish/Finnish	91849022	ROM Lower
95461413	Band Polished	95461428	64 Character Spanish
44672482	Feature Label	95461328	Band Polished
95461414	63 Character Danish/Norwegian	44672482	Feature Label
95461314	Band Polished	91849122	ROM Upper
95461415	94 Character Danish/Norwegian	91849022	ROM Lower
95461315	Band Polished	95461430	64 Character U.S./U.K.
95461416	63 Character	95461330	Band Polished
95461316	Band Polished	44672482	Feature Label
44672482	Feature Label	91849122	ROM Upper
95461417	63 Character U.K.	91849022	ROM Lower
95461317	Band Polished	95461437	64 Character EBCDIC U.S.
44672482	Feature Label	95461337	Band Polished
95461420	64 Character German	44672482	Feature Label
95461320	Band Polished	95461445	96 Character EBCDIC U.S.
44672482	Feature Label	95461345	Band Polished
91849122	ROM Upper	44672482	Feature Label
91849022	ROM Lower	95461447	95 Character U.S./U.K.
95461421	96 Character U.S./U.K.	95461347	Band Polished
95461321	Band Polished	44672482	Feature Label
44672482	Feature Label	95461448	48 Character EBCDIC U.S.
91849122	ROM Upper	95461438	Band Polished
91849022	ROM Lower	44672482	Feature Label

NOTES:

ONLY ROMS ARE USED ON LINEWRITER PRINTERS. SEE SET-UP AND REFERENCE MANUAL FOR LOCATIONS. DIL NETWORKS, JUMPER WIRES AND INSTALLATION INSTRUCTIONS CAN BE DISCARDED.

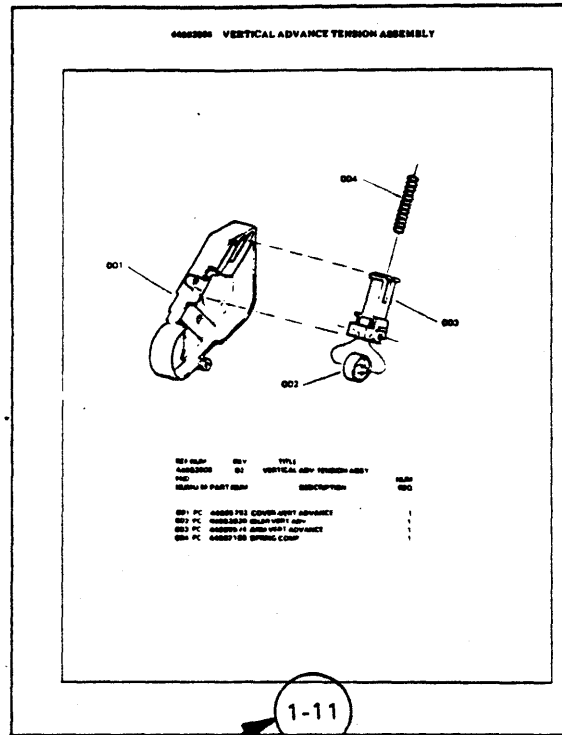
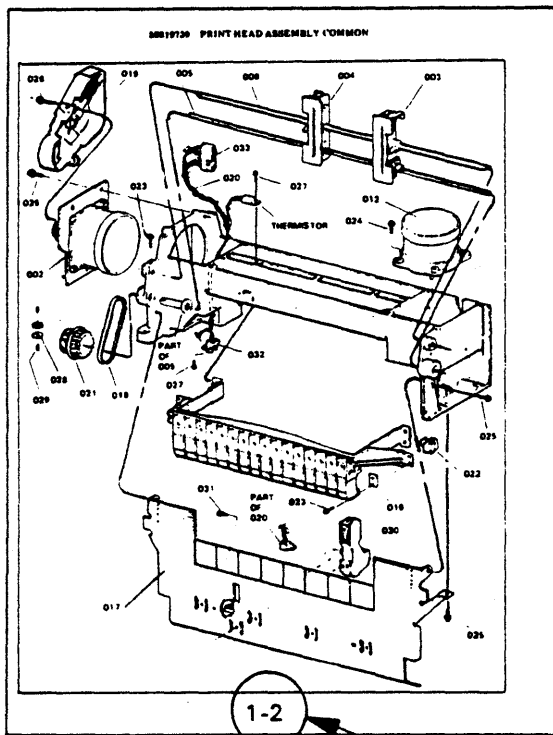
* BAND LIFE REDUCED

CDC PRINT BANDS FOR LINEWRITER PRINTERS (Continued)

BAND ASSEMBLY	DESCRIPTION	BAND ASSEMBLY	DESCRIPTION
95461455	95 Character Numerics*	95461813	63 Character U.S.
95461355	Band Polished	95461713	Band Polished
95461456	63 Character U.S.	91849109	ROM Upper
95461356	Band Polished	91849009	ROM Lower
44672482	Feature Label	95461814	48 Character
95461457	95 Character U.S.	95461714	Band Polished
44672482	Feature Label	44672482	Feature Label
95461459	63 Character Portugal	95461815	63 Character
95461359	Band Polished	95461715	Band Polished
44672482	Feature Label	44672482	Feature Label
95461471	96 Character Danish/Norwegian	95461816	48 Character U.S.
95461371	Band Polished	95450882	Band Polished
44672482	Feature Label	44672482	Feature Label
95461473	96 Character Danish/Norwegian	95461817	64 Character EBCDIC U.S.
95461375	Band Polished	95461717	Band Polished
44672482	Feature Label	44672482	Feature Label
95461474	94 Character German	95461818	48 Character U.S.
95461374	Band Polished	95461718	Band Polished
44672482	Feature Label	44672482	Feature Label
95461475	64 Character German	95461819	96 Character U.S.
95461375	Band Polished	95461719	Band Polished
44672482	Feature Label	44672482	Feature Label
95461476	63 Character Swedish/Finnish	95461820	96 Character U.S.
95461376	Band Polished	95461720	Band Polished
44672482	Feature Label	44672482	Feature Label
95461481	64 Character Denmark/Norway	95461825	63 Character U.S. Registration
95461381	Band Polished	95461725	Band Polished
44672482	Feature Label	44672482	Feature Label
95461483	104 Character Arabic/English	95461828	63 Character Hebrew
95461383	Band Polished	91841728	Band Polished
44672482	Feature Label	91849129	ROM Upper
91849116	ROM Upper	91849029	ROM Lower
91849016	ROM Lower	95461829	94 Character Hebrew
95461486	62 Character EBCDIC	95461729	Band Polished
95461386	Band Polished	91849130	ROM Upper
44672482	Feature Label	91849030	ROM Lower
95461487	94 Character Greek	95461830	63 Character Hebrew
95461387	Band Polished	95461730	Band Polished
44672482	Feature Label	91849132	ROM Upper
95461800	48 Character EBCDIC German (AN)	91849032	ROM Lower
95461700	Band Polished	95461831	63 Character Yugoslavian
44672482	Feature Label	95461731	Band Polished
91849108	ROM Upper	44672482	Feature Label
91849008	ROM Lower	95462200	64 Character EBCDIC German Comp Pitch
95461804	48 Character EBCDIC	95462100	Band Polished
95461704	Band Polished	95462201	63 Character Comp Pitch
95461805	63 Character Swedish/Finnish	95462101	Band Polished
95461705	Band Polished	44672482	Feature Label
95461806	63 Character Danish/Norwegian	95462202	64 Character EBCDIC Comp Pitch
95461706	Band Polished	95462102	Band Polished
95461807	64 Character EBCDIC U.S.	44672482	Feature Label
95461707	Band Polished	95462203	48 Character EBCDIC Comp Pitch
95461809	48 Character EBCDIC Segmented (7)	95462103	Band Polished
95461709	Band Polished	44672482	Feature Label
95461811	63 Character U.S.	95462204	63 Character Comp Pitch
95461711	Band Polished	95462104	Band Polished
44672482	Feature Label	44672482	Feature Label
95461812	95 Character U.S.		
95461712	Band Polished		
44672482	Feature Label		

INTRODUCTION

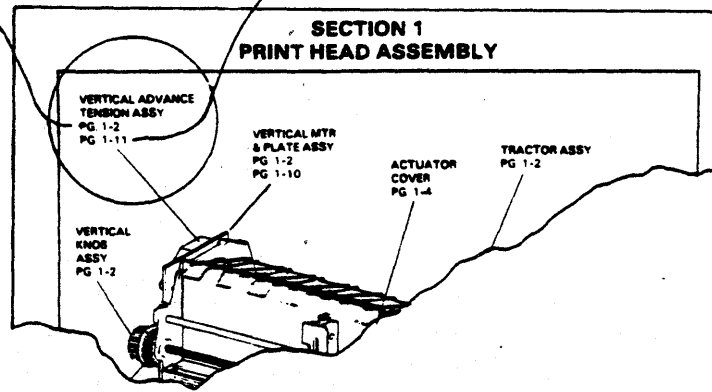
This parts manual is arranged in sections for customer convenience. Each Section contains information concerning a major assembly. SECTION INDICATOR pages will precede the parts manual. These pages will direct you to a specific section of the printer such as Print Head, Base Structure, Chassis, Printed Circuit Boards etc. At the beginning of each section you will find an illustrated guide with page numbers for locating parts within that particular assembly.



In all cases whenever two pages No's appear....

UPPER page No. directs you to the Complete Assembly.

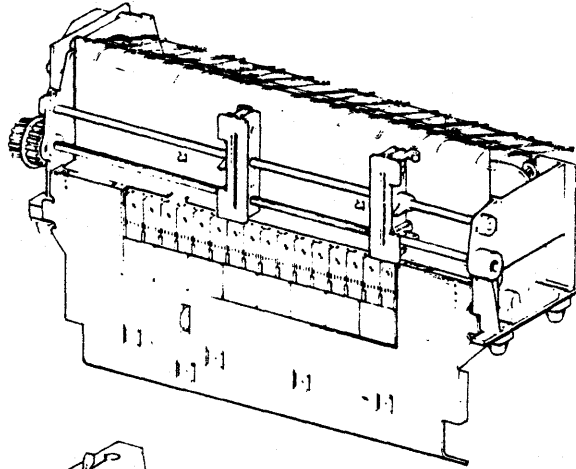
LOWER page no. directs you to the assembly blow away allowing you to order replacement part/s from the Complete Assembly.



SECTION INDICATOR-LW400

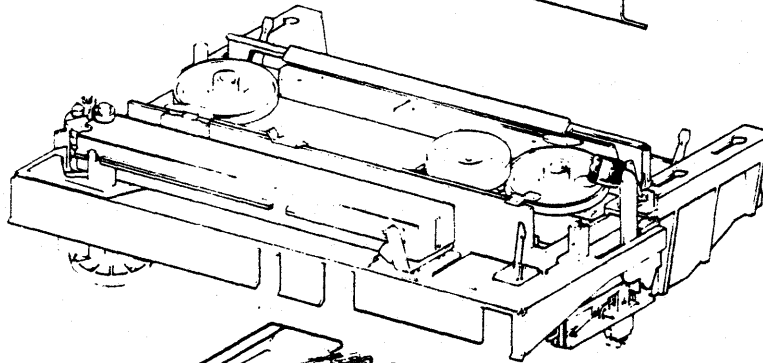
SECTION 1

PRINT HEAD
ASSEMBLY
59819730



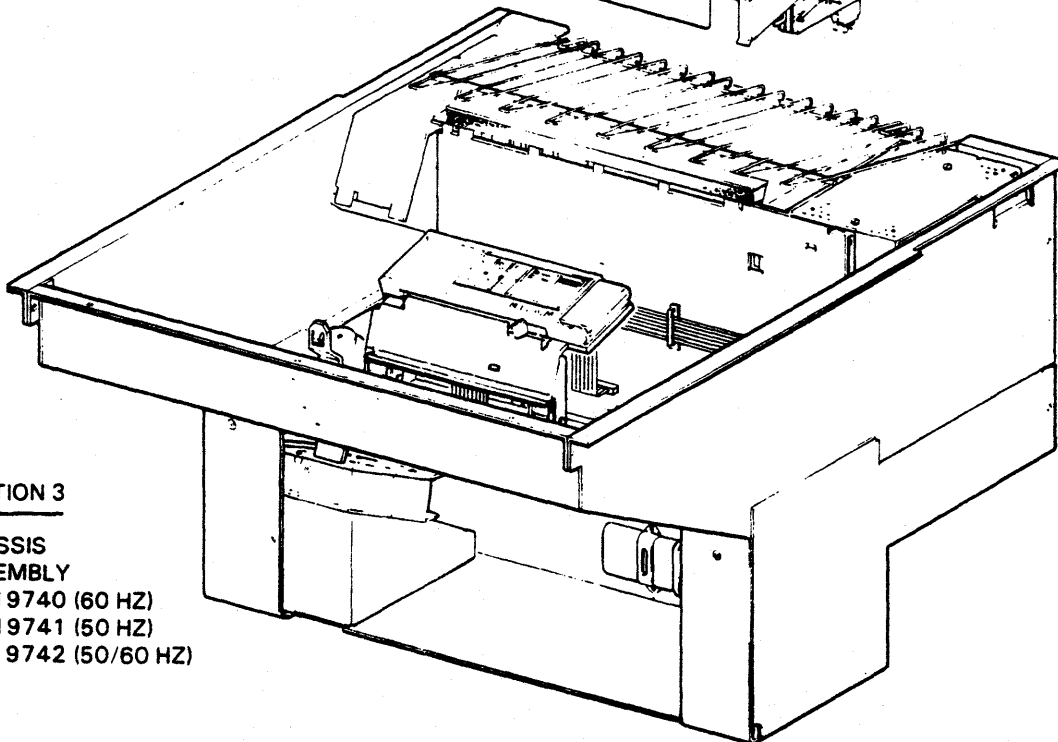
SECTION 2

BASE STRUCTURE
ASSEMBLY
59819750 (60 HZ)
59819751 (50 HZ)
59819752 (50/60 HZ)



SECTION 3

CHASSIS
ASSEMBLY
59819740 (60 HZ)
59819741 (50 HZ)
59819742 (50/60 HZ)



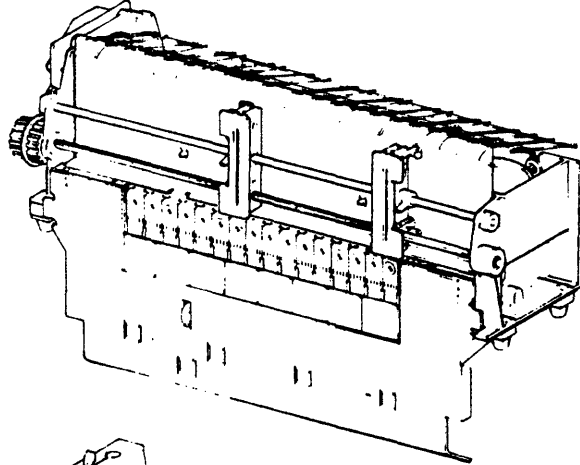
SECTION INDICATOR-LW 800

Printhead components

3XXX

SECTION 1

PRINT HEAD
ASSEMBLY
59833660

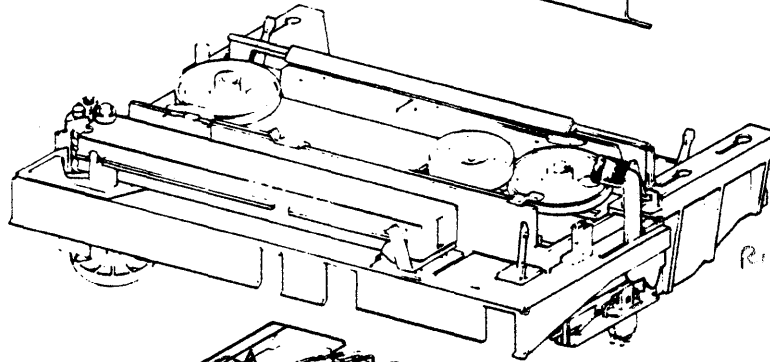


PAPER DRIVE

2XXX

SECTION 2

BASE STRUCTURE
ASSEMBLY
59819750 (60 HZ)
59819751 (50 HZ)
59819752 (50/60 HZ)



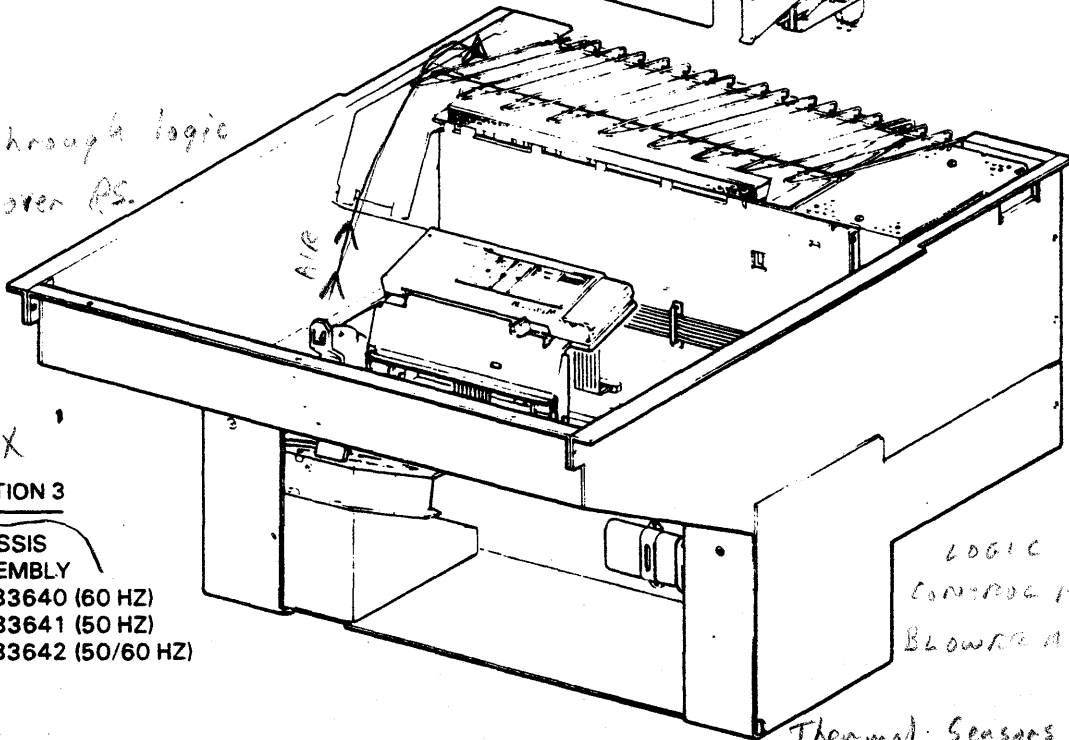
*BAND
RIBBON*

*Through logic
Air is over PS.*

4XXX

SECTION 3

CHASSIS
ASSEMBLY
59833640 (60 HZ)
59833641 (50 HZ)
59833642 (50/60 HZ)



*LOGIC
CONTROL PANEL
BLOWER ASSY*

Thermal Sensors on logic

SECTION INDICATOR

SECTION 4

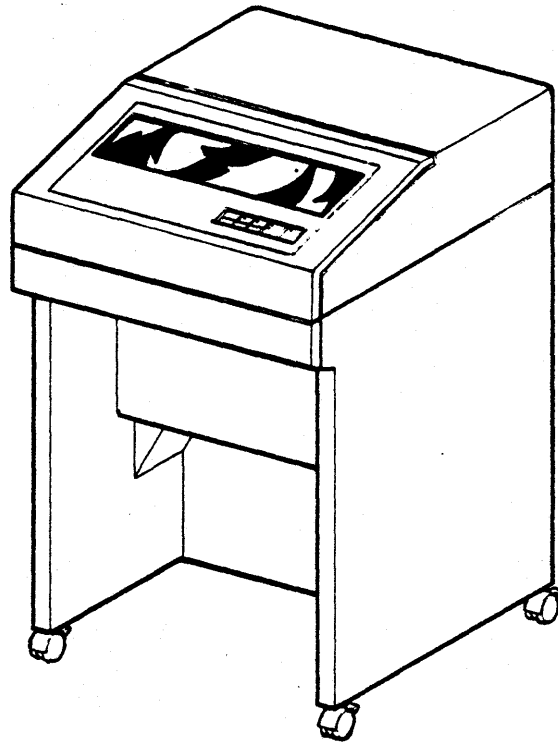
- TOP LEVEL ASSEMBLIES (TLA's)
- CABINET COMPLETE SKINNING
- ACOUSTIC PACKAGE (QUIET CABINET)
- PRINTER FINAL ASSEMBLIES BASKET-PAPER ASSEMBLIES

SECTION 5

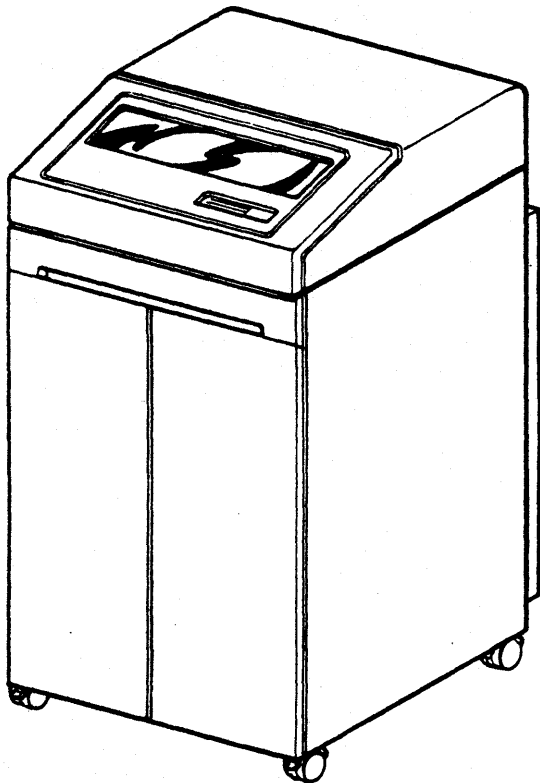
PRINTED CIRCUIT BOARD ASSEMBLIES

SECTION 6

I/O ADAPTOR ASSEMBLIES



LINEWRITER 400-800

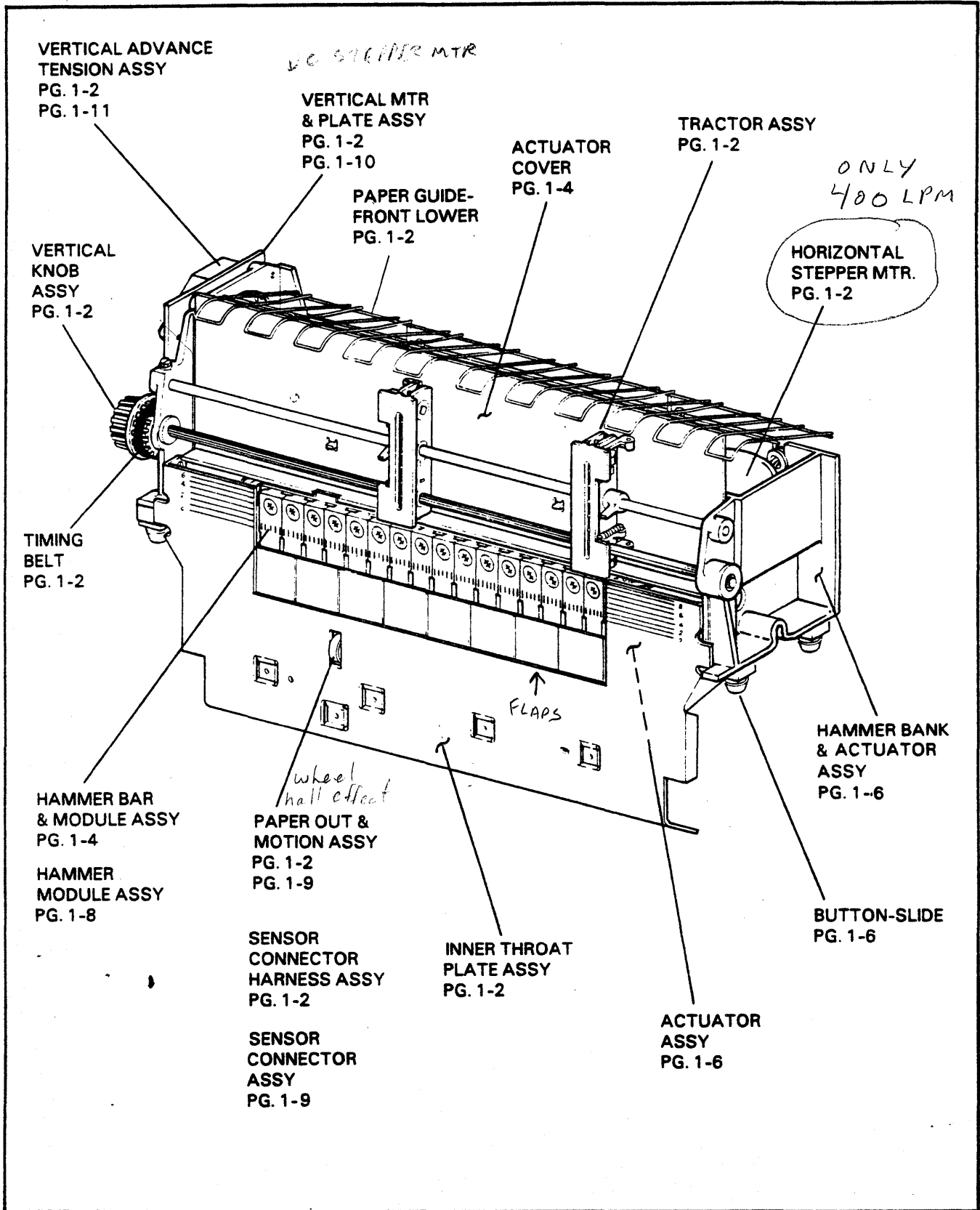


LINEWRITER 455-855

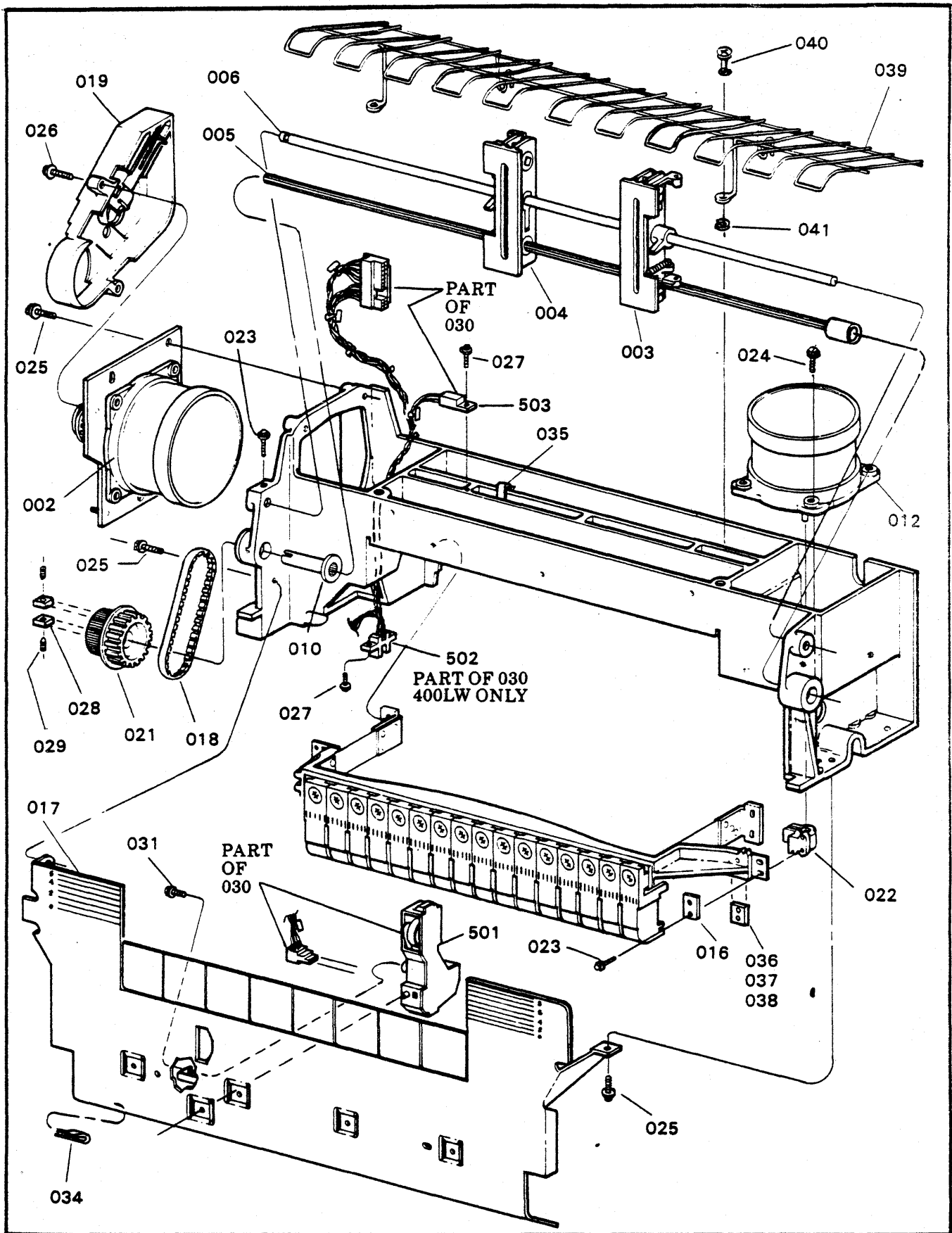
SECTION 7

LW 455/855 ASSEMBLIES

SECTION 1 PRINT HEAD ASSEMBLY



PRINT HEAD ASSEMBLY-COMMON

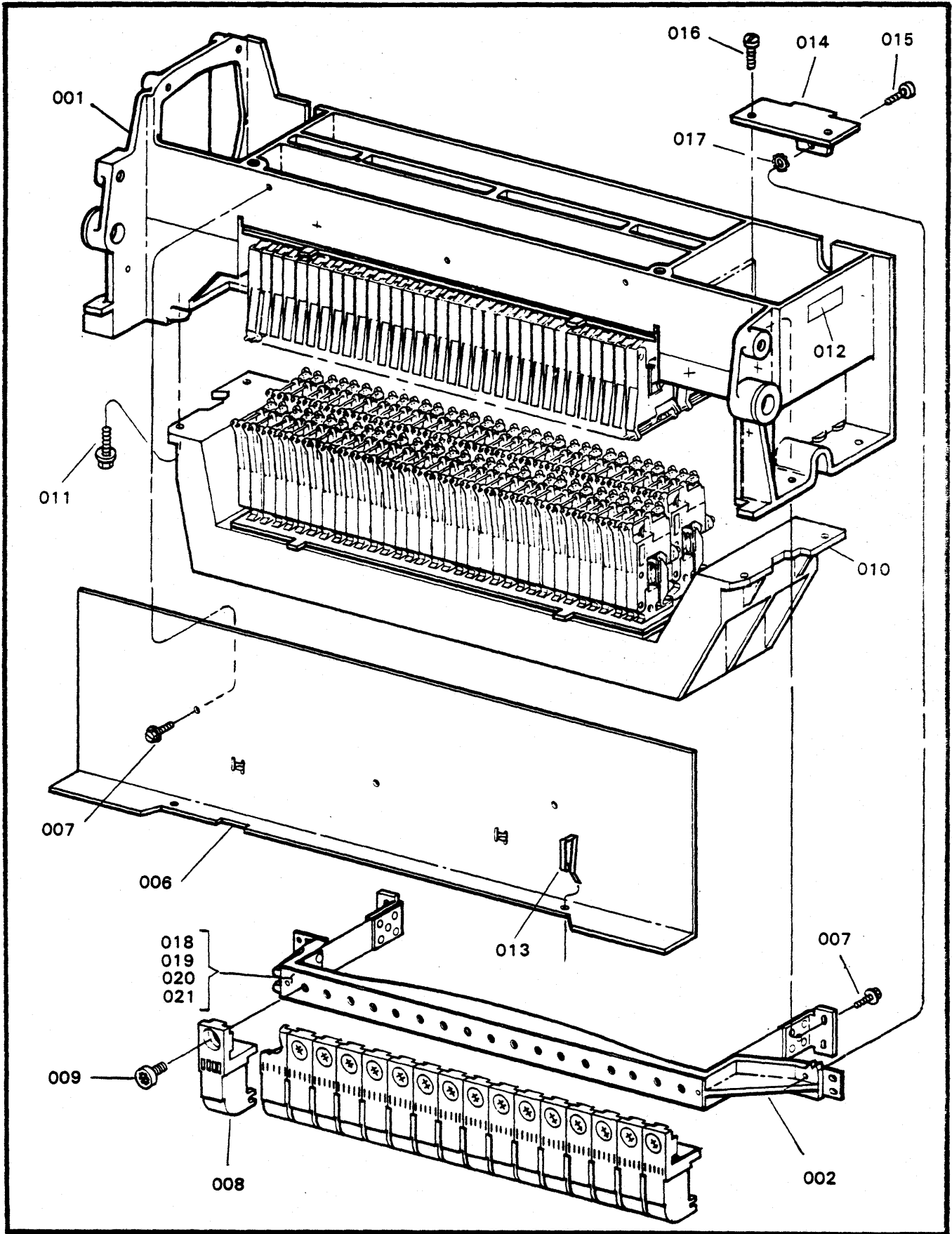


REF NUM REV TITLE
59819739 J PRINthead ASSY COMM -LW400

REF NUM REV TITLE
59833669 E PRINthead ASSY COMM-LW 800

FND NUM	U/M	PART NUM	DESCRIPTION	NUM REQ	FND NUM	U/M	PART NUM	DESCRIPTION	NUM REQ
002	PC	44680320	VERT MOTOR + PLATE ASSY	1	002	PC	44680320	VERT MOTOR + PLATE ASSY	1
003	PC	44682149	TRACTOR R.H.	1	003	PC	44682149	TRACTOR R.H.	1
004	PC	44682148	TRACTOR L.H.	1	004	PC	44682148	TRACTOR L.H.	1
005	PC	44686926	ASSY SHAFT + BUSHINGS	1	005	PC	44686926	ASSY SHAFT + BUSHINGS	1
006	PC	44678415	SHAFT TRACTOR SUPPORT	1	006	PC	44678415	SHAFT TRACTOR SUPPORT	1
010	PC	44680315	BEARING-TRACTOR DRIVE LH	1	010	PC	44680315	BEARING-TRACTOR DRIVE LH	1
012	PC	44680319	STEPPER MOTOR ASSY	1	017	PC	44692534	INNER THT ASSY COMP	1
016	PC	44682115	CLAMP PLATE	1	018	PC	94791712	BELT TIMING /15 53T	1
017	PC	44692534	INNER THT ASSY COMP	1	019	PC	44683908	VERTICAL ADV TENSION ASSY	1
018	PC	94791712	BELT TIMING /15 53T	1	021	PC	44683742	KNOB-VERT ADV.	1
019	PC	44683908	VERTICAL ADV TENSION ASSY	1	023	PC	44687120	SCREW 6-32X.38 HX SLTD	3
021	PC	44683742	KNOB-VERT ADV.	1	025	PC	44687141	SCR 10-24X1/2 THD ROLL	3
022	PC	44686937	LEVER ASSY HORIZ LINK	1	026	PC	44687143	SCR THD FRM 10-24X.750	2
023	PC	44687120	SCREW 6-32X.38 HX SLTD	5	028	PC	09028505	NUT SQ STL 6-32	2
024	PC	44687121	SCR 6-32X1/2 HX HD	4	029	PC	95360325	SCREW 6-32X.25 SOC HD SET	2
025	PC	44687141	SCR 10-24X1/2 THD ROLL	7	030	PC	44690352	PAPER OUT MOTION ASSY COMP	1
026	PC	44687143	SCR THD FRM 10-24X.750	2	031	PC	44682721	SCR SLT HX WSHR 6-19 x 38	1
027	PC	44687110	SCR THD FRM 4-40X.375	2	034	PC	44688473	CLIP-HARNESS	1
028	PC	09028505	NUT SQ STL 6-32	2	035	PC	44688474	CLIP-HARNESS	1
029	PC	95360325	SCREW 6-32X.25 SOC HD SET	2	038	PC	44690931	SHIM HAMMER BAR	A/R
030	PC	44690728	PAPER OUT MOTION ASSY COMP	1	039	PC	44688221	GUIDE LOWER FRONT	1
501	PC	44688632	PAPER OUT MOTION ASSY	1	040	PC	77610421	FASTENER 1/4 TURN	2
502	PC	44680324	HOME POS. SENSOR ASSY	1	041	PC	44691225	RETAINER 1/4 TURN	2
503	PC	44682867	THERMISTOR ASSY	1					
031	PC	44682721	SCR SLT HX WSHR 6-19 x 38	1					
034	PC	44688473	CLIP-HARNESS	1					
035	PC	44688474	CLIP-HARNESS	1					
036	PC	44690929	SHIM HAMMER BAR	A/R					
037	PC	44690930	SHIM HAMMER BAR	A/R					
038	PC	44690931	SHIM HAMMER BAR	A/R					
039	PC	44688221	GUIDE LOWER FRONT	1					
040	PC	77610421	FASTENER 1/4 TURN	2					
041	PC	44691225	RETAINER 1/4 TURN	2					

PRINT HEAD SUB-ASSEMBLY



REF NUM REV TITLE
 44686960 B PRINT HEAD SUB ASSY 132 COLUMN-LW
 400

REF NUM REV TITLE
 44690339 C PRINT HEAD SUB ASSY 132 COLUMN-
 LW800

FND NUM	U/M	PART NUM	DESCRIPTION	NUM REQ
001	PC	44686962	HAM BANK + ACT ASSY 132	1
002	PC	44685765	HAMMER BAR + MOD ASSY	1
003	PC	44688651	SPACER-STATOR PLATE	1
006	PC	44688695	COVER-ACTUATORS	1
007	PC	44687120	SCREW 6-32X.38 HX SLTD	7
008	PC	44680313	HAMMER MODULE ASSY	17
009	PC	44684453	HMR MOD MTNG SCREW	17
012	PC	47867600	LABEL	1
013	PC	44691514	RETAINER-HAMMER BAR	2
018	PC	44691928	SPACER	AR
019	PC	44691929	SPACER	AR
020	PC	44691930	SPACER	AR
021	PC	44691931	SPACER	AR

FND NUM	U/M	PART NUM	DESCRIPTION	NUM REQ
001	PC	44690345	HAM BANK + ACT ASSY 132	1
002	PC	44690340	HAMMER BAR + MOD ASSY	1
006	PC	44688695	COVER-ACTUATORS	1
007	PC	44687120	SCREW 6-32X.38 HX SLTD	7
008	PC	44692542	HAMMER MODULE ASSY	17
009	PC	44684453	HMR MOD MTNG SCREW	17
010	PC	44690344	HMR BANK & ACT ASSY-LOWER	1
011	PC	44687143	SCR THD FRM 10-24x.750	4
012	PC	47867600	LABEL	1
013	PC	44691514	RETAINER-HAMMER BAR	2
014	PC	44692036	BRKT HAMM. BANK LOCK	1
015	PC	44682610	SCREW SEMS THD FORMING	1
016	PC	44687120	SCREW 6-32x.38 HX SLTD	2
017	PC	10126400	WASHER EXT TOOTH LK 4	1
018	PC	44691928	SPACER	AR
019	PC	44691929	SPACER	AR
020	PC	44691930	SPACER	AR
021	PC	44691931	SPACER	AR

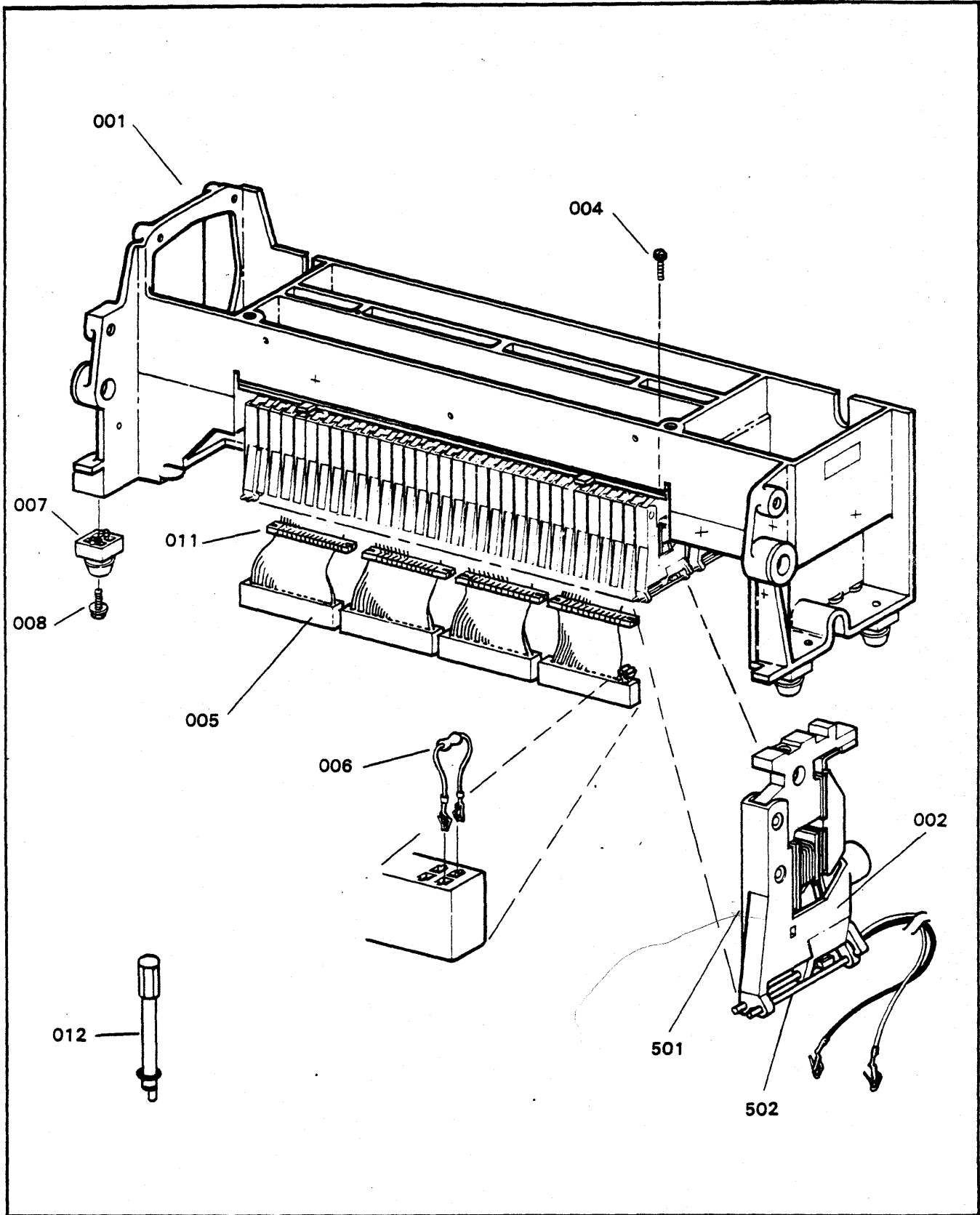
REF NUM REV TITLE
 44682348 A PRINT HEAD SUB ASSY 136 COLUMN-LW
 400

REF NUM REV TITLE
 44692349 A PRINT HEAD SUB ASSY 136 COLUMN-
 LW800

FND NUM	U/M	PART NUM	DESCRIPTION	NUM REQ
001	PC	44682350	HAM BANK + ACT ASSY 136	1
002	PC	44685765	HAMMER BAR + MOD ASSY	1
006	PC	44691957	COVER-ACTUATORS	1
007	PC	44687120	SCREW 6-32X.38 HX SLTD	7
012	PC	47867600	LABEL	1
018	PC	44691928	SPACER	AR
019	PC	44691929	SPACER	AR
020	PC	44691930	SPACER	AR
021	PC	44691931	SPACER	AR

FND NUM	U/M	PART NUM	DESCRIPTION	NUM REQ
001	PC	44692351	HAM BANK + ACT ASSY 136	1
002	PC	44690340	HAMMER BAR + MOD ASSY	1
006	PC	44691597	COVER-ACTUATORS	1
007	PC	44687120	SCREW 6-32X.38 HX SLTD	7
010	PC	44692352	HMR BANK & ACT ASSY-LOWER	1
011	PC	44687143	SCR THD FRM 10-24x.750	4
012	PC	47867600	LABEL	1
013	PC	44691534	RETAINER-HAMMER BAR	2
014	PC	44692036	BRKT HAMM. BANK LOCK	1
015	PC	44682610	SCREW SEMS THD FORMING	1
017	PC	10126400	WASHER EXT TOOTH LK 4	1
018	PC	44691928	SPACER	AR
019	PC	44691929	SPACER	AR
020	PC	44691930	SPACER	AR
021	PC	44691931	SPACER	AR

HAMMER BANK & ACTUATOR ASSEMBLY



REF NUM 44686962 REV C TITLE HAMMER BANK+ACT ASSY 132 COLUMN-LW400

REF NUM 44690345 REV A TITLE HAMMER BANK+ACT ASSY 132 COLUMN UPPER-LW800

FND NUM	U/M	PART NUM	DESCRIPTION	NUM REQ	FND NUM	U/M	PART NUM	DESCRIPTION	NUM REQ
001	PC	44686922	HAM BANK STRUCT SUB ASSY	1	001	PC	44690346	HAM BANK STRUCT SUB ASSY	1
002	PC	44681687	ACTUATOR ASSY COMPLETE	66	002	PC	44681687	ACTUATOR ASSY COMPLETE	66
501	PC	44690591	ACTUATOR ASSY	66	501	PC	44690591	ACTUATOR ASSY	66
502	PC	44680458	ROD HAMMER EXT.	33	502	PC	44680458	ROD HAMMER EXT.	33
004	PC	44682128	ACT MOUNT SCREW ASSY	66	004	PC	44682128	ACT MOUNT SCREW ASSY	66
005	PC	44681407	CONNECTOR DUAL 17	4	005	PC	44681407	CONNECTOR DUAL 17	4
006	PC	44688368	CZ RESISTOR ASSY	2	006	PC	44688368	CZ RESISTOR ASSY	2
007	PC	44680484	BUTTON-SLIDE	4	007	PC	44680484	BUTTON-SLIDE	4
008	PC	44687143	SCR THD FRM 10-24X.750	4	008	PC	44687143	SCR THD FRM 10-24X.750	4
011	PC	44688219	COMB-HAMMER WIRE	4	011	PC	44688219	COMB-HAMMER WIRE	4
012	PC	44682152	FLIGHT TIME TOOL	1	012	PC	44682152	FLIGHT TIME TOOL	1

REF NUM 44692350 REV A TITLE HAMMER BANK+ACT ASSY 136 COLUMN-LW400

REF NUM 44690344 REV A TITLE HAMMER BANK + ACT ASSY LOWER 132 COLUMN-LW800

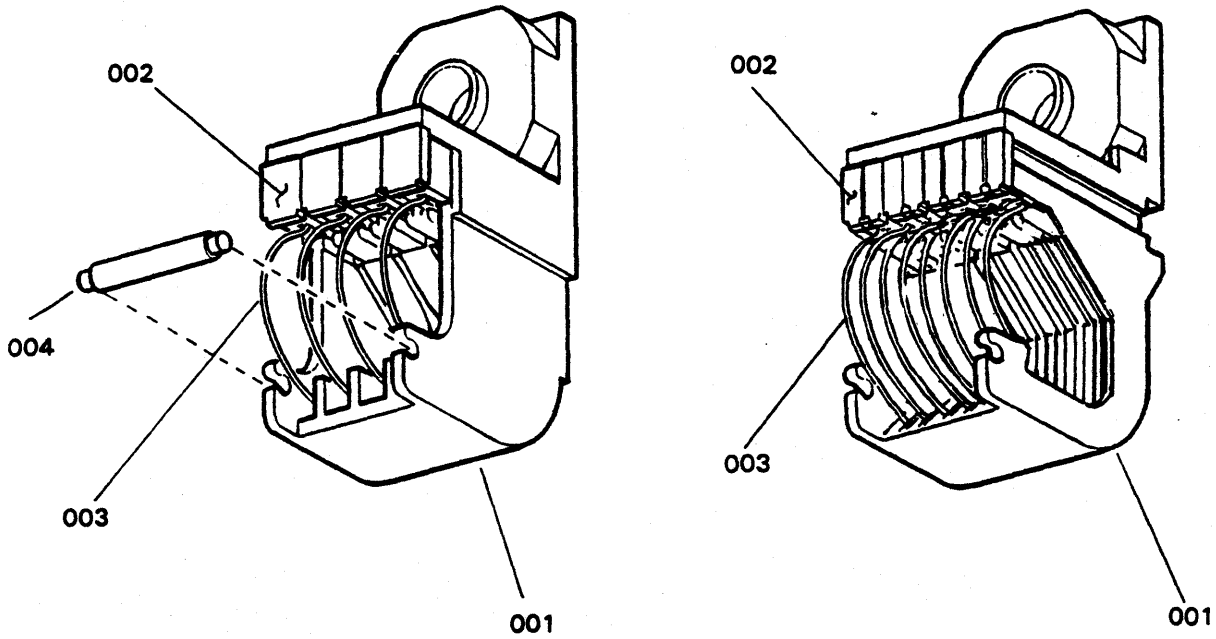
FND NUM	U/M	PART NUM	DESCRIPTION	NUM REQ	FND NUM	U/M	PART NUM	DESCRIPTION	NUM REQ
001	PC	44686922	HAM BANK STRUCT SUB ASSY	1	001	PC	44690354	HAMMER BANK ASSY LOWER	1
002	PC	44681687	ACTUATOR ASSY COMPLETE	68	002	PC	44681687	ACTUATOR ASSY COMPLETE	66
501	PC	44690591	ACTUATOR ASSY	68	501	PC	44690591	ACTUATOR ASSY	66
502	PC	44680458	ROD HAMMER EXT.	34	502	PC	44680458	ROD HAMMER EXT.	33
004	PC	44682128	ACT MOUNT SCREW ASSY	68	004	PC	44682128	ACT MOUNT SCREW ASSY	66
005	PC	44681407	CONNECTOR DUAL 17	4	005	PC	44681407	CONNECTOR DUAL 17	4
011	PC	44688219	COMB-HAMMER WIRE	4	006	PC	44688368	CZ RESISTOR ASSY	2
					008	PC	44687143	SCR THD FRM 10-24X.750	4
					011	PC	44688219	COMB-HAMMER WIRE	4
					012	PC	44682152	FLIGHT TIME TOOL	1

REF NUM 44692351 REV A TITLE HAMMER BANK+ACT ASSY 136 COLUMN UPPER-LW800

REF NUM 44692352 REV A TITLE HAMMER BANK + ACT ASSY LOWER 136 COLUMN-LW800

FND NUM	U/M	PART NUM	DESCRIPTION	NUM REQ	FND NUM	U/M	PART NUM	DESCRIPTION	NUM REQ
001	PC	44690346	HAM BANK STRUCT SUB ASSY	1	001	PC	44690354	HAMMER BANK ASSY LOWER	1
002	PC	44681687	ACTUATOR ASSY COMPLETE	68	002	PC	44681687	ACTUATOR ASSY COMPLETE	68
501	PC	44690591	ACTUATOR ASSY	68	501	PC	44690591	ACTUATOR ASSY	68
502	PC	44680458	ROD HAMMER EXT.	34	502	PC	44680458	ROD HAMMER EXT.	34
004	PC	44682128	ACT MOUNT SCREW ASSY	68	004	PC	44682128	ACT MOUNT SCREW ASSY	68
005	PC	44681407	CONNECTOR DUAL 17	4	005	PC	44681407	CONNECTOR DUAL 17	4
011	PC	44688219	COMB-HAMMER WIRE	4	011	PC	44688219	COMB-HAMMER WIRE	4

HAMMER MODULE ASSEMBLY



-CAUTION-

**HAMMER RETURN SPRING TENSION IS AD-
VERSLY AFFECTED WHEN HAMMERS ARE
MANUALLY OPERATED**

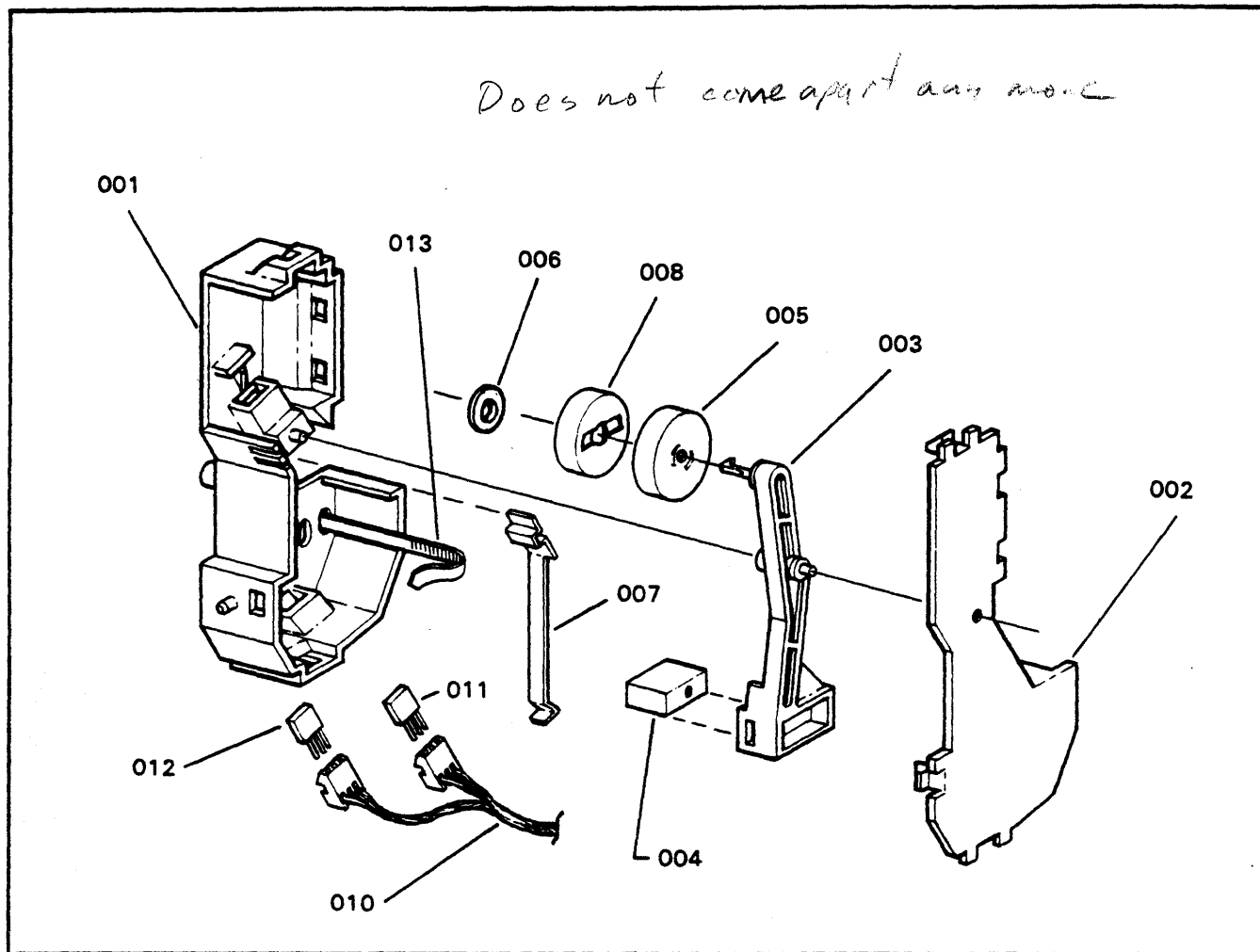
REF NUM 44680313 REV B TITLE HAMMER MODULE ASSY-LW400

REF NUM 44692542 REV A TITLE HAMMER MODULE ASSY-LW800

FND NUM	U/M	PART NUM	DESCRIPTION	NUM REQ
001	PC	44680345	MODULE LINEAR HAMMER	1
002	PC	44688236	HAMMER-LINEAR PRINT	4
003	PC	44692032	SPRING-HAMMER RETURN	4
004	PC	44680385	PIN-HAMM SPG RESTRAINT	1

FND NUM	U/M	PART NUM	DESCRIPTION	NUM REQ
001	PC	44692526	MODULE LINEAR HAMMER	1
002	PC	44691044	HAMMER-LINEAR PRINT	8
003	PC	44692032	SPRING-HAMMER RETURN	8

PAPER OUT & MOTION ASSEMBLY

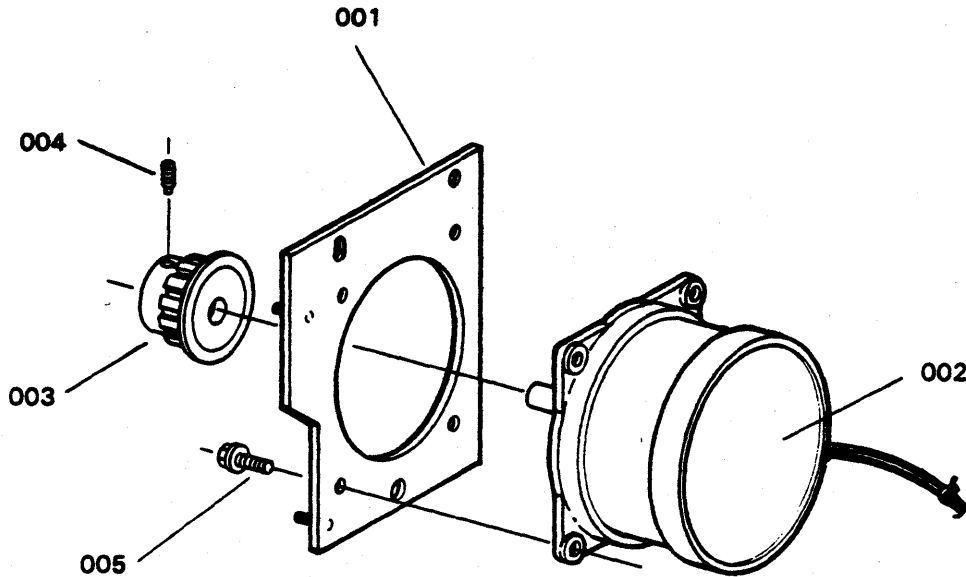


REF NUM 44688632 REV D TITLE PAPER OUT + MOTION ASSY-LW400

REF NUM 44690352 REV A TITLE PAPER OUT + MOTION ASSY -LW800

FND NUM	U/M	PART NUM	DESCRIPTION	NUM REQ	FND NUM	U/M	PART NUM	DESCRIPTION	NUM REQ
001	PC	44688633	HOUSING-PAPER SENSE	1	001	PC	44688633	HOUSING-PAPER SENSE	1
002	PC	44688634	COVER-PAPER SENSE	1	002	PC	44688634	COVER-PAPER SENSE	1
003	PC	44689542	ARM-PAPER SENSE	1	003	PC	44689542	ARM-PAPER SENSE	1
004	PC	44689544	MAGNET-PAPER OUT	1	004	PC	44689544	MAGNET-PAPER OUT	1
005	PC	44690323	HOUSING-MAGNET	1	005	PC	44690323	HOUSING-MAGNET	1
006	PC	93564004	FLAT WASHER-NYLON	1	006	PC	93564004	FLAT WASHER-NYLON	1
007	PC	44691224	SPRING ARM	1	007	PC	44691224	SPRING ARM	1
008	PC	44689545	MAGNET-PAPER MOTION	1	008	PC	44689545	MAGNET-PAPER MOTION	1
010	PC	44687576	SENSOR & CONNECTOR ASSY	1	010	PC	44690351	SENSOR & CONNECTOR ASSY	1
011	PC	44682195	SENSOR HALL DIGITAL ROTARY	1	011	PC	44682195	SENSOR HALL DIGITAL ROTARY	1
012	PC	44688639	SENSOR HALL DIGITAL BOTTOM	1	012	PC	44688639	SENSOR HALL DIGITAL BOTTOM	1
013	PC	94277400	TYRAP	1	013	PC	94277400	TYRAP	1

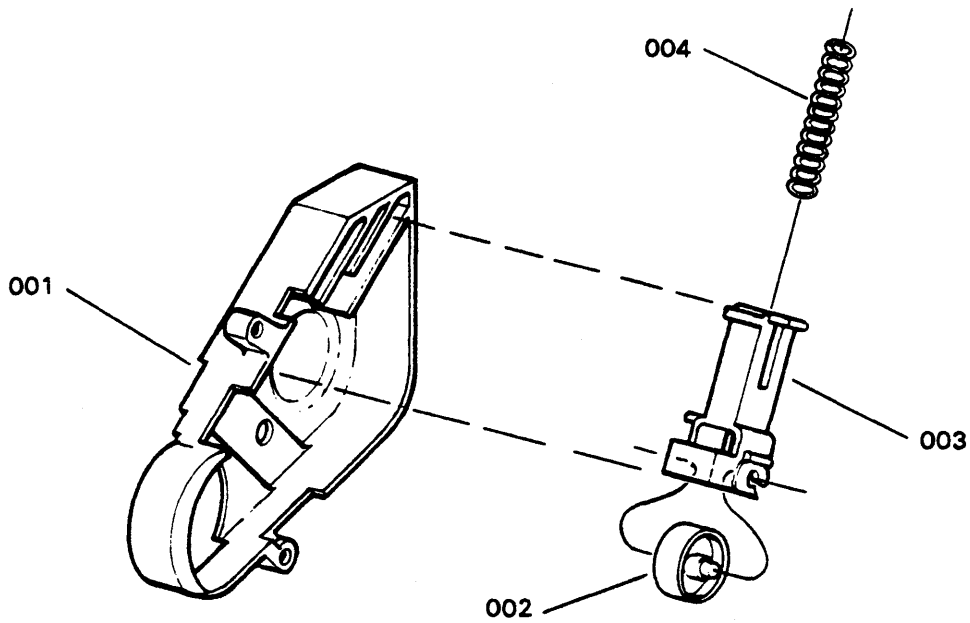
44680320 VERTICAL MOTOR & PLATE ASSEMBLY



REF NUM REV TITLE
 44680320 A VERTICAL MOTOR & PLATE ASSY

FND NUM	U/M	PART NUM	DESCRIPTION	NUM REQ
001	PC	44685794	PLATE VERT MOTOR	1
002	PC	44680319	STEPPER MOTOR	1
003	PC	44686959	PULLEY TIMING	1
004	PC	95360538	SCREW 8-32X.25 SOC. SET	1
005	PC	44687141	SCREW 10-24X1/2 THDFORM	4

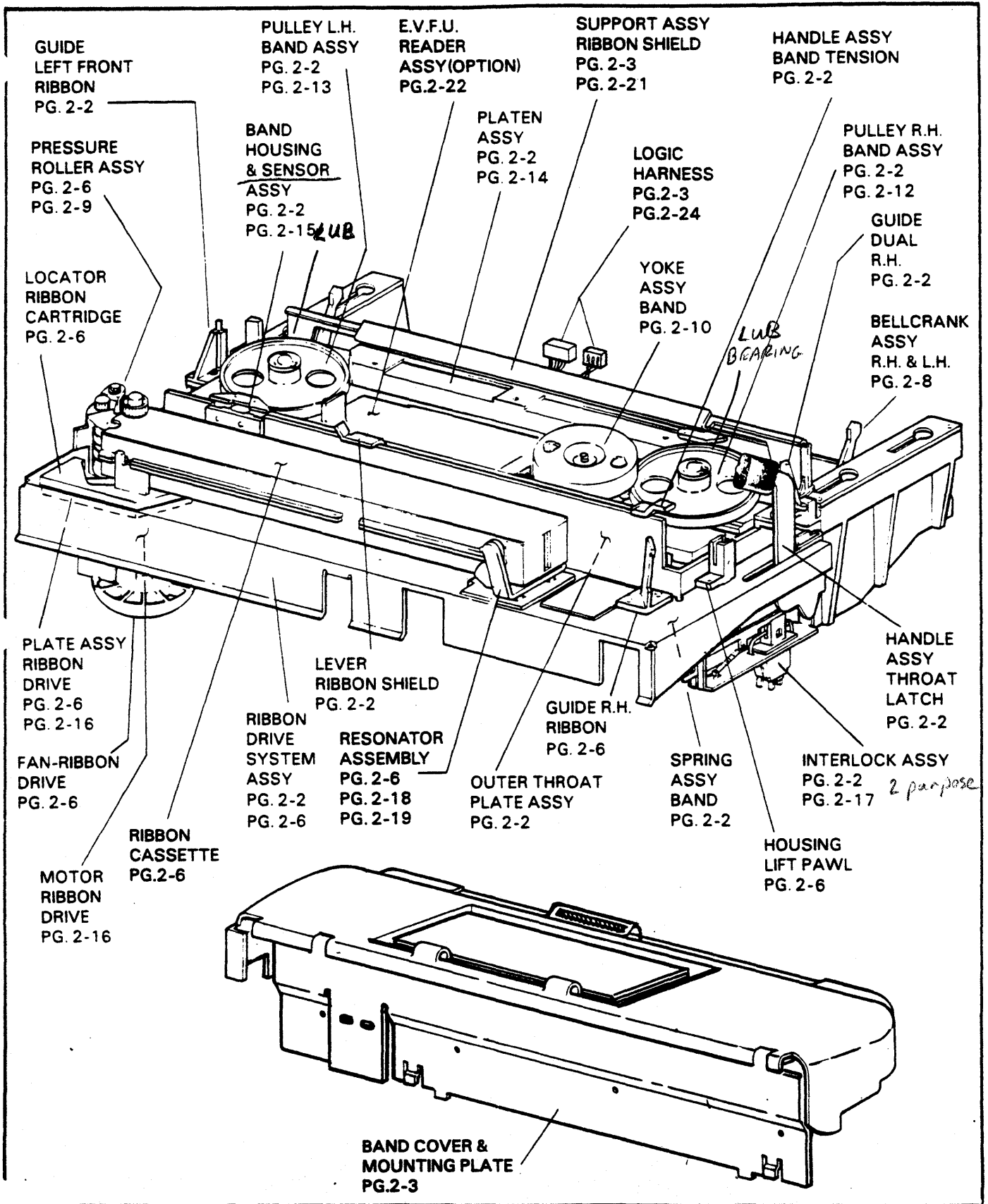
44683908 VERTICAL ADVANCE TENSION ASSEMBLY



REF NUM	REV	TITLE
44683908	C	VERTICAL ADV TENSION ASSY

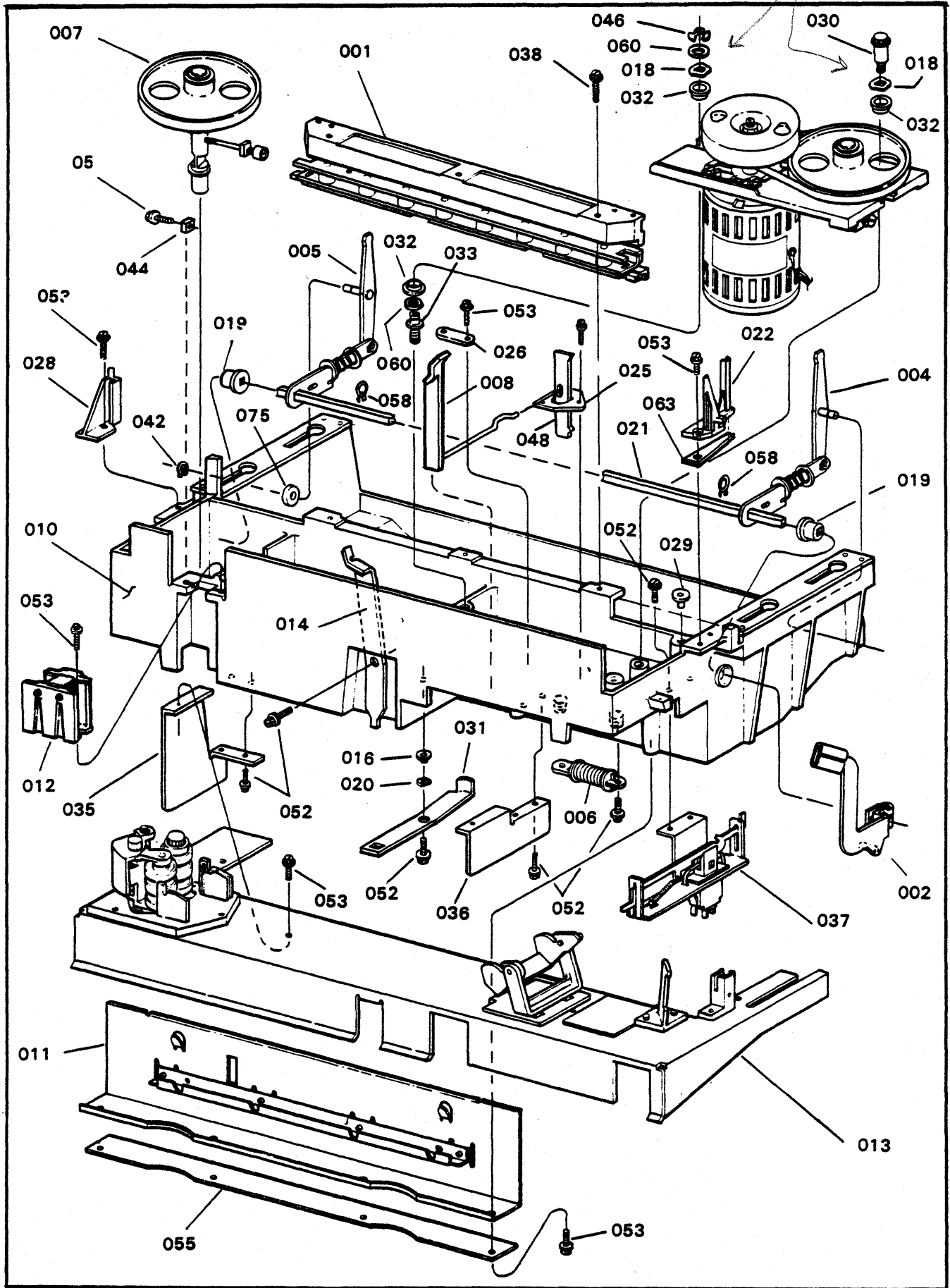
FND NUM	U/M	PART NUM	DESCRIPTION	NUM REQ
001	PC	44685792	COVER-VERT ADVANCE	1
002	PC	44683820	IDLER VERT ADV	1
003	PC	44689574	ARM VERT ADVANCE	1
004	PC	44690317	SPRING COMP	1

BASE STRUCTURE ASSEMBLY

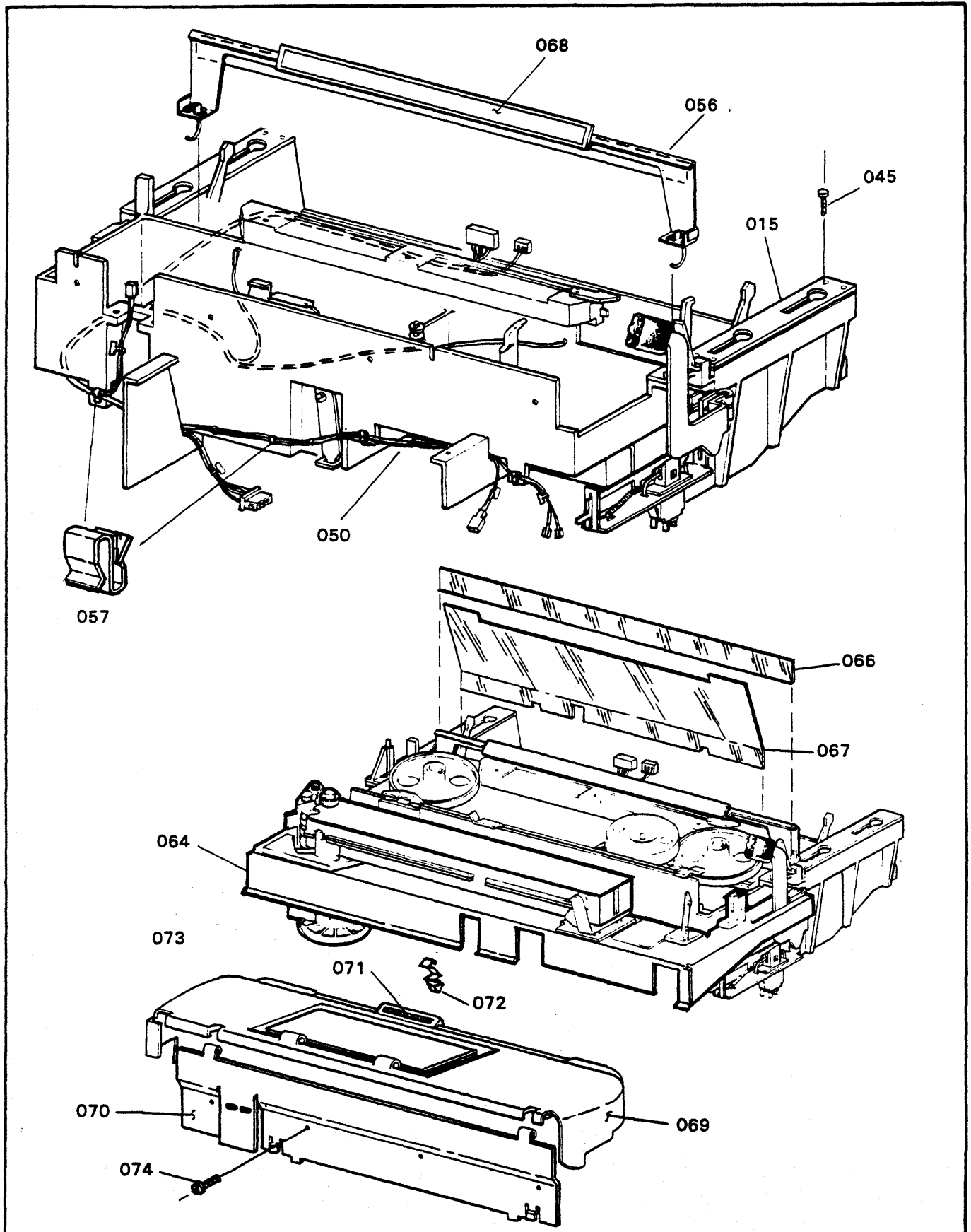


BASE STRUCTURE ASSEMBLY - COMMON

watch the order



BASE STRUCTURE ASSEMBLY - COMMON



REF NUM REV TITLE
 59819759 R BASE STRUCTURE ASSY COMMON

FND NUM	U/M	PART NUM	DESCRIPTION	NUM REQ
001	PC	44682132	PLATEN ASSY COMP	1
002	PC	44691945	HANDLE ASSY THROAT LATCH	1
004	PC	44692079	BELLCRANK ASSY COMP RH	1
005	PC	44692080	BELLCRANK ASSY CORP LH	1
006	PC	44692080	SPRING ASSY BAND	1
007	PC	44682133	PULLEY BAND ASSY LH	1
008	PC	44683580	HANDLE ASSY BAND TENSION	1
010	PC	44680491	BASE STRUCT ASSY	1
011	PC	44682124	OUTER THROAT ASSY	1
012	PC	44685783	BAND SENSOR + HSNG ASSY	1
013	PC	44691767	RIBBON DRIVE SYSTEM ASSY	1
014	PC	44688252	LEVER RIBBON SHIELD	1
015	PC	44681855	PLATE SLIDE	2
016	PC	44683487	SHOULDER WASHER	2
018	PC	44682192	WAVE WASHER .459 ID	2
019	PC	44680361	ADAPTER LATCH SHAFT	2
020	PC	44682191	WAVE WASHER .34 ID	2
021	PC	44680364	LATCH SHAFT	1
022	PC	44681662	GUIDE DUAL RH	1
025	PC	44688234	SHAFT RETAIN DBL	1
026	PC	44681695	SHAFT RETAIN	1
028	PC	44690946	GUIDE LEFT REAR RIBBON	1
029	PC	44680462	REST BUTTON YOKE	2
030	PC	44680474	SHLDR SCREW	1
031	PC	44691214	LINK RIBBON SHIELD	1
032	PC	44680450	HALF BUSHING	3
033	PC	44690957	STUD ADJUSTG	1
035	PC	44688920	BRACKET-LEFT RIB PLATE	1
036	PC	44691237	BRACKET RIGHT RIB PLATE	1
037	PC	44688276	ASSEMBLY INTERLOCK	1
038	PC	44687145	SCR 10-24X1.00 THD FRM	3
042	PC	15187002	RETAINING RING	2
044	PC	09028507	NUT-SQUARE	1
045	PC	44683490	DRIVE STUD 4X.31	8
046	PC	15187004	RING RETAINING .375	1
048	PC	44681694	LEVER BAND TENSION	1
050	PC	44682826	CZ LOGIC HARNESS PBS 360X	1
051	PC	44687140	SCREW 10-24X.750 HX HD	4
052	PC	44687141	SCR 10-24X.1/12 THD ROLL	11
053	PC	44687120	SCREW 6-32X.38 HX SLID	21
055	PC	44688698	PLATE OUTER THROAT BACKING	1
056	PC	44689516	SUPPORT ASSY RIBBON SHIELD	1
057	PC	44688474	CLIP HARNESS	9
058	PC	44688281	CLAMP-SELF TIGHTENING	2
060	PC	44690968	WASHER-ADJUSTING STUD	2
061	OZ	95130200	GREASE	A/R
062	OZ	95343002	SILICONE ADHESIVE	A/R
063	FT	44691115	SHIM-DUAL RIBBON GUIDE	A/R
064	PC	44691767	RIBBON DRIVE SYSTEM ASSY	1
065	PC	47867600	LABEL-S/N & PART CONTROL	1
066	PC	44692115	RIBBON SHIELD -UPPER	1
067	PC	44690912	RIBBON SHIELD-LOWER	1
068	PC	44692383	LABEL COLUMN INDICATOR	1
069	PC	44689548	COVER-BAND	1
070	PC	44692130	MTG PLATE-BAND COVER	1
071	PC	44690331	GRIP BAND COVER	1
072	PC	44692074	CLIP CARD RETAINER	1
073	PC	94791806	TAPE CLOSED CELL	.500
074	PC	44687120	SCR 6-32x.38 HX SLTD	4
075	PC	44691708	SPACER	1

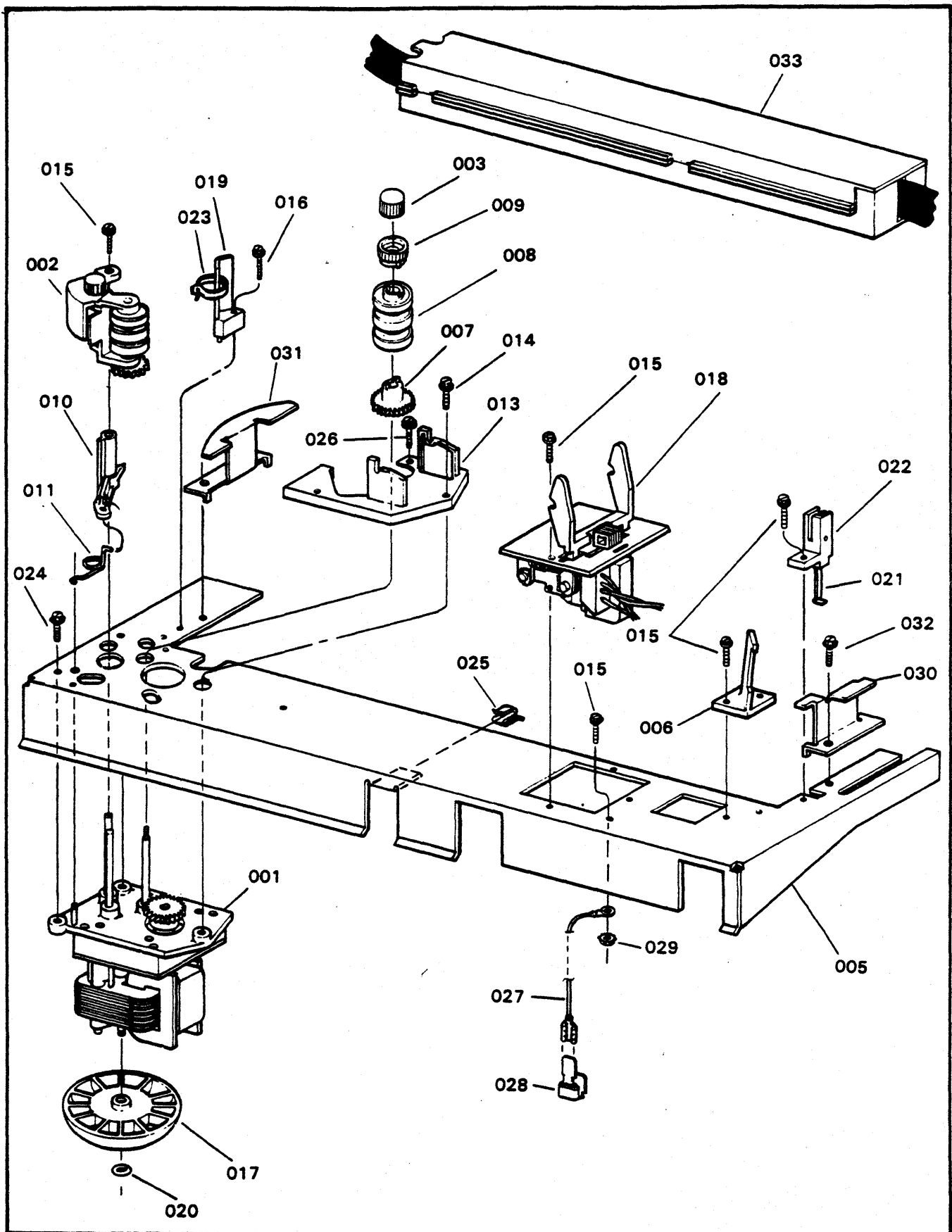


LW400 ORDER 44691767 FROM SERIAL NUMBERS 5197 AND GREATER

LW800 ORDER 44691767 FROM SERIAL NUMBERS 1131 AND GREATER

ALL OTHER SERIAL NUMBERS ORDER 44680414.

RIBBON DRIVE SYSTEM ASSEMBLY

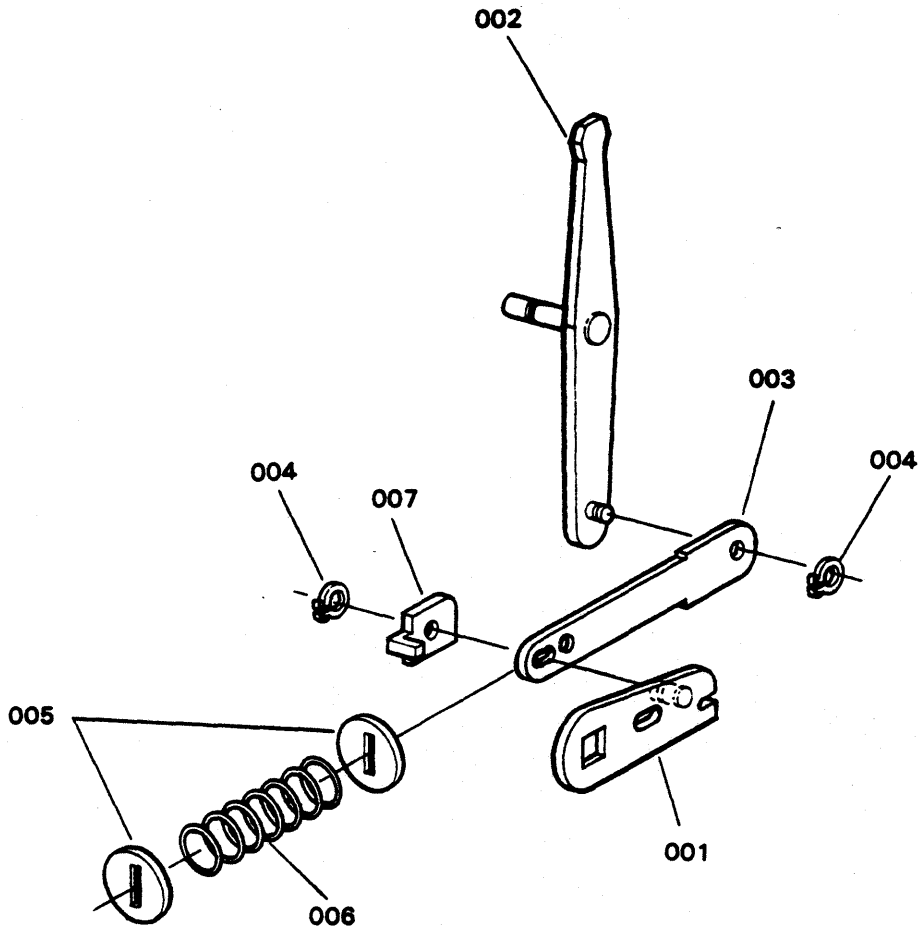


REF NUM REV TITLE
 44691767 D RIBBON DRIVE SYSTEM ASSY

*Replace if
 Ribbon Parts*

FND NUM	U/M	PART NUM	DESCRIPTION	NUM REQ
001	PC	44686977	PLATE ASSY RIB DRIVE	1
002	PC	44681683	PRESSURE ROLL ASSY	1
003	PC	44685795	KNOB ASSY	1
005	PC	44689525	PLATE RIBBON SYS. MTG.	1
006	PC	44686916	GUIDE RR RIBBON	1
007	PC	44690370	GEAR RIBBON ROLLER DR	1
008	PC	44690369	RIBBON ROLLER	1
009	PC	44685796	KNOB-RIBBON DRIVE	1
010	PC	44688647	LEVER PRESS ROLLER	1
011	PC	44689551	SPRING TENSION ROLLER	1
013	PC	44689526	LOCATOR RIB CASSETTE LH	1
014	PC	44687143	SCREW 10-24X.75 THD FORM	3
015	PC	44687120	SCREW 6-32X.38 HX SLTD	7
016	PC	44687123	SCREW 6-32X.62	1
017	PC	44683741	FAN-RIB DRIVE MMOTOR	1
018	PC	44691776	RESONATOR ASSY	1
019	PC	44688659	GUIDE LF RIBBON	1
020	PC	92074004	"O"RING	1
021	PC	44688274	PAWL LIFT	1
022	PC	44688275	HOUSING LIF PAWL	1
023	PC	94277400	TYRAP	1
024	PC	44687141	SCREW 10-24 X .50 THD FORM	2
025	PC	44688473	METAL CLIP	1
026	PC	44687142	SCREW 10-24X.62 THD FORM	1
027	PC	44683698	GROUND WIRE ASSY	1
028	PC	95325300	FASTON CLIP	1
029	PC	44685207	NUT 6-32 KEP	1
030	PC	44688628	GUARD BAND R.H.	1
031	PC	44688629	GUARD BAND L.H.	1
032	PC	44687120	SCREW	4
033	PC	44688116	RIBBON CASSETTE	1

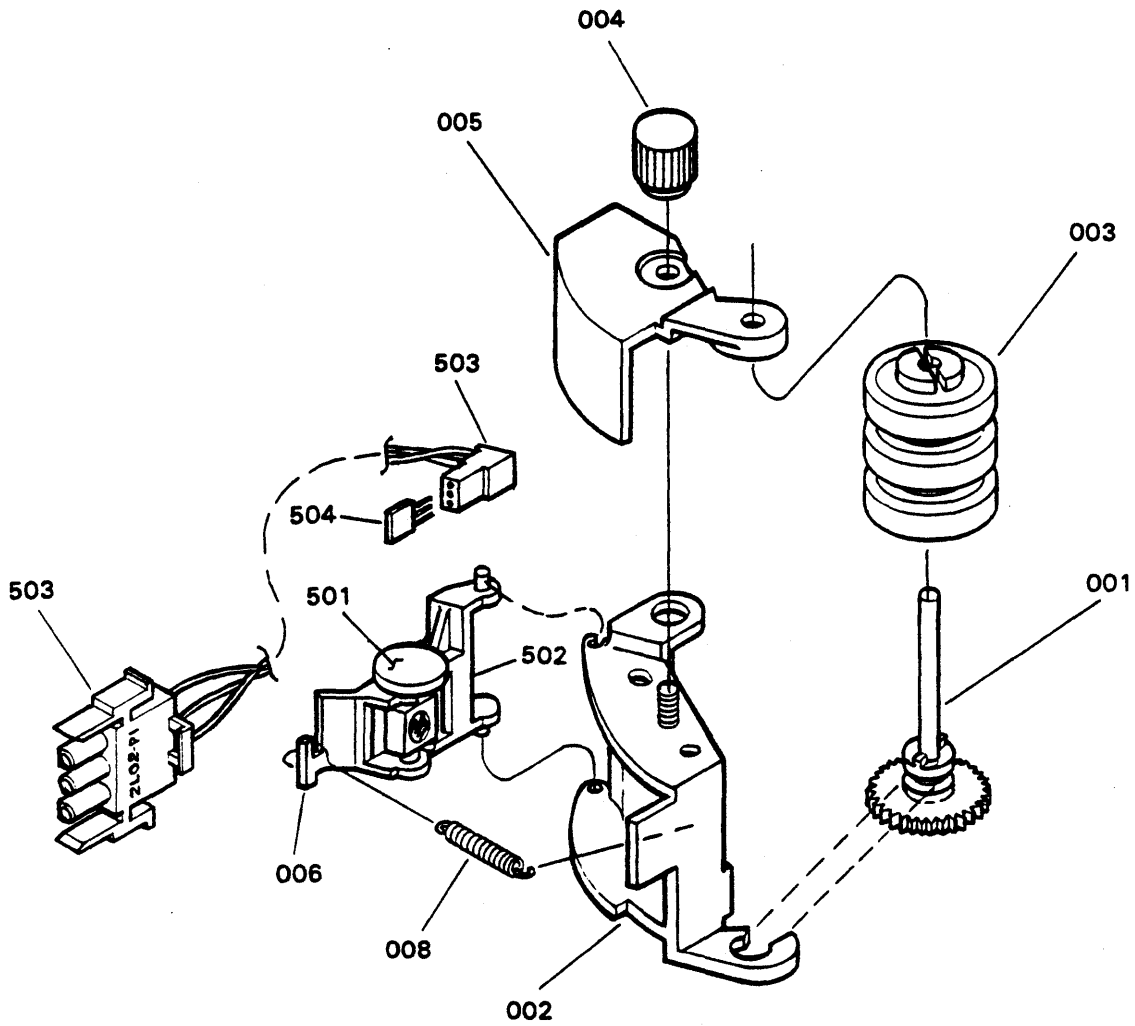
BELLCRANK ASSEMBLY COMPLETE R.H & L.H.



REF NUM	REV	TITLE
44692079	A	BELLCRANK ASSY COMP RH
44692080	A	BELLCRANK ASSY COMP LH

FND NUM	U/M	PART NUM	DESCRIPTION	NUM REQ
001	PC	44689587	ARM-LATCH	1
002	PC	44689588	BELLCRANK LATCH	1
003	PC	44685741	GUIDE LATCH	1
004	PC	15187001	RETAINING RING	2
005	PC	44691808	SPRING RETAINER	2
006	PC	44692030	SPRING COMPRESSION	1
007	PC	44686964	PLATE-LATCH ARM	1
008	PC	95130200	GREASE	A/R

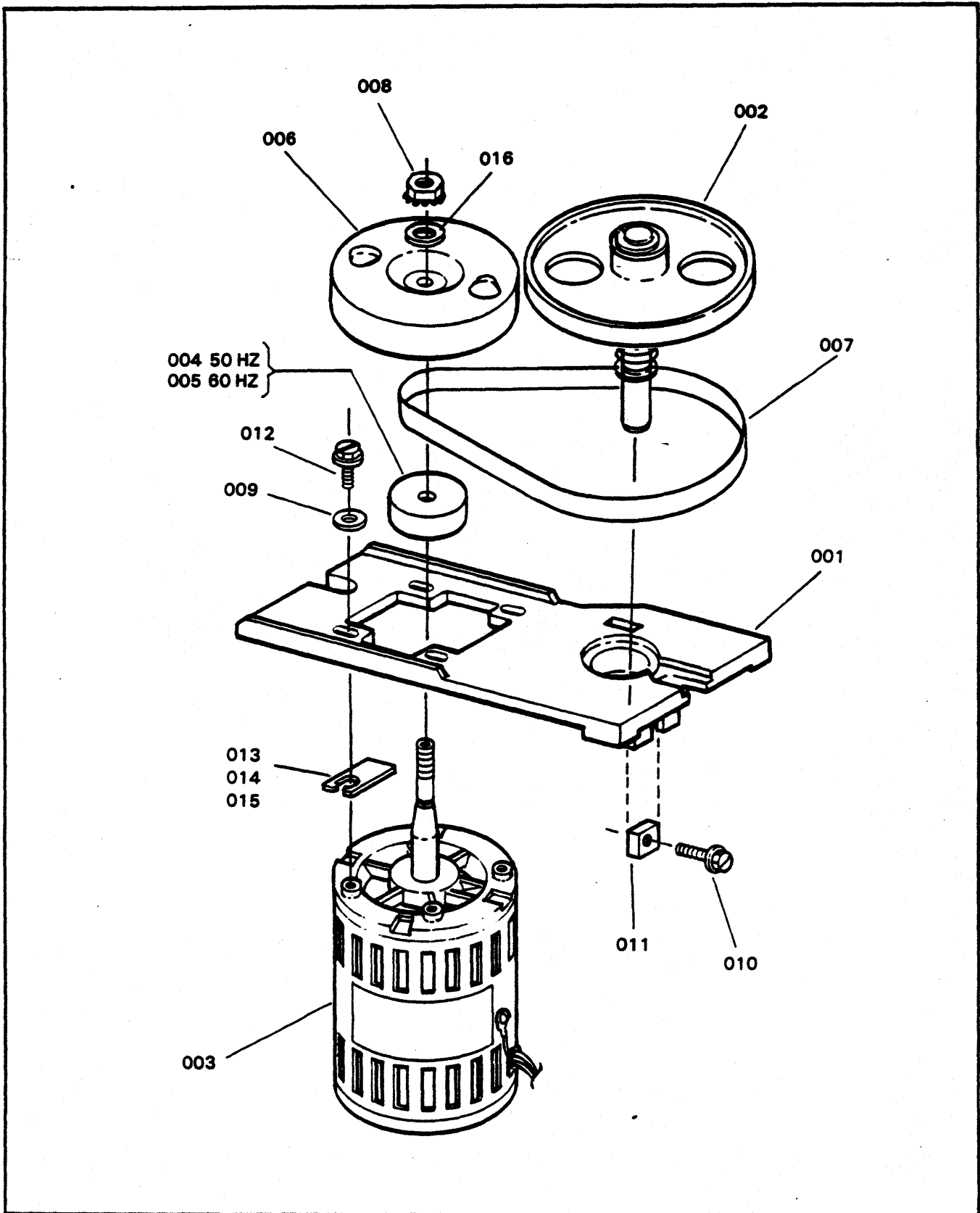
PRESSURE ROLLER ASSEMBLY



REF NUM	REV	TITLE
44681683	D	PRESSURE ROLLER ASSY

FND NUM	U/M	PART NUM	DESCRIPTION	NUM REQ
001	PC	44681666	SHAFT ASSY PRESS ROLL	1
002	PC	44688612	ARM PRESS ROLL ASSY	1
003	PC	44690369	RIBBON ROLLER	1
004	PC	44685795	KNOB ASSY	1
005	PC	44688627	BEARING PRESS ROLLER	1
006	PC	44688626	ROTOR & HOUSING ASSY	1
501	PC	44688625	ROTOR ASSY RIBBON SENSOR	1
502	PC	44689562	HOUSING-ROTOR	1
503	PC	44688661	CABLE RIBBON MOTION	1
504	PC	44682195	SENSOR HALL DIGITAL	1
008	PC	44690315	SPRING EXTENSION	1

YOKE ASSEMBLY



REF NUM REV TITLE
 44682126 D YOKE ASSY BAND 60 HZ

FND NUM	U/M	PART NUM	DESCRIPTION	NUM REQ
001	PC	44689579	YOKE-BAND	1
002	PC	44682127	PULLEY BAND ASSY RH	1
003	PC	44680443	MOTOR ASSY	1
005	PC	44680465	PULLEY MOTOR 60 HZ	1
006	PC	44680468	FLYWHEEL	1
007	PC	44686923	BELT-FLAT	1
008	PC	44685211	NUT /14-20 KEP	1
009	PC	10125607	WASHER PLAIN 10	4
010	PC	10125046	SCR 10-24X1/2 THD ROLL	1
011	PC	09028507	NUT-SQUARE	1
012	PC	44687143	SCREW 10-24X62 THD FORM	4
013	PC	44689567	SHIM MOTOR MOUNTING	2
014	PC	44689568	SHIM MOTOR MOUNTING	2
015	PC	44689569	SHIM-MOTOR MOUNTING	2
016	PC	10125608	WASHER FLAT 1/4 PLAIN	1

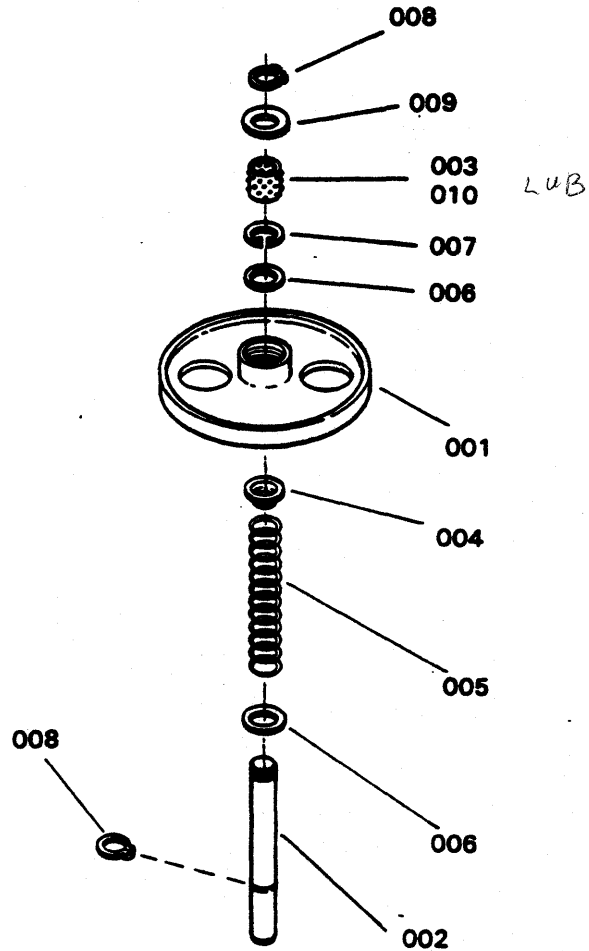
REF NUM REV TITLE
 44688670 D YOKE ASSY BAND 50HZ/60HZ

FND NUM	U/M	PART NUM	DESCRIPTION	NUM REQ
001	PC	44689579	YOKE-BAND	1
002	PC	44682127	PULLEY BAND ASSY RH	1
003	PC	44680443	MOTOR ASSY	1
004	PC	44680464	PULLEY MOTOR 50 HZ	1
005	PC	44680465	PULLEY MOTOR 60 HZ	1
006	PC	44680468	FLYWHEEL	1
007	PC	44686923	BELT-FLAT	1
008	PC	44685211	NUT /14-20 KEP	1
009	PC	10125607	WASHER PLAIN 10	4
010	PC	10125046	SCR 10-24X1/2 THD ROLL	1
011	PC	09028507	NUT-SQUARE	1
012	PC	44687143	SCREW 10-24X62 THD FORM	4
013	PC	44689567	SHIM MOTOR MOUNTING	2
014	PC	44689568	SHIM MOTOR MOUNTING	2
015	PC	44689569	SHIM-MOTOR MOUNTING	2
016	PC	10125608	WASHER FLAT 1/4 PLAIN	1

REF NUM REV TITLE
 44688671 D YOKE ASSY BAND 50 HZ

FND NUM	U/M	PART NUM	DESCRIPTION	NUM REQ
001	PC	44689579	YOKE-BAND	1
002	PC	44682127	PULLEY BAND ASSY RH	1
003	PC	44680443	MOTOR ASSY	1
004	PC	44680464	PULLEY MOTOR 50 HZ	1
006	PC	44680468	FLYWHEEL	1
007	PC	44686923	BELT-FLAT	1
008	PC	44685211	NUT /14-20 KEP	1
009	PC	10125607	WASHER PLAIN 10	4
010	PC	10125046	SCR 10-24X1/2 THD ROLL	1
011	PC	09028507	NUT-SQUARE	1
012	PC	44687143	SCREW 10-24X62 THD FORM	4
013	PC	44689567	SHIM MOTOR MOUNTING	2
014	PC	44689568	SHIM MOTOR MOUNTING	2
015	PC	44689569	SHIM-MOTOR MOUNTING	2
016	PC	10125608	WASHER FLAT 1/4 PLAIN	1

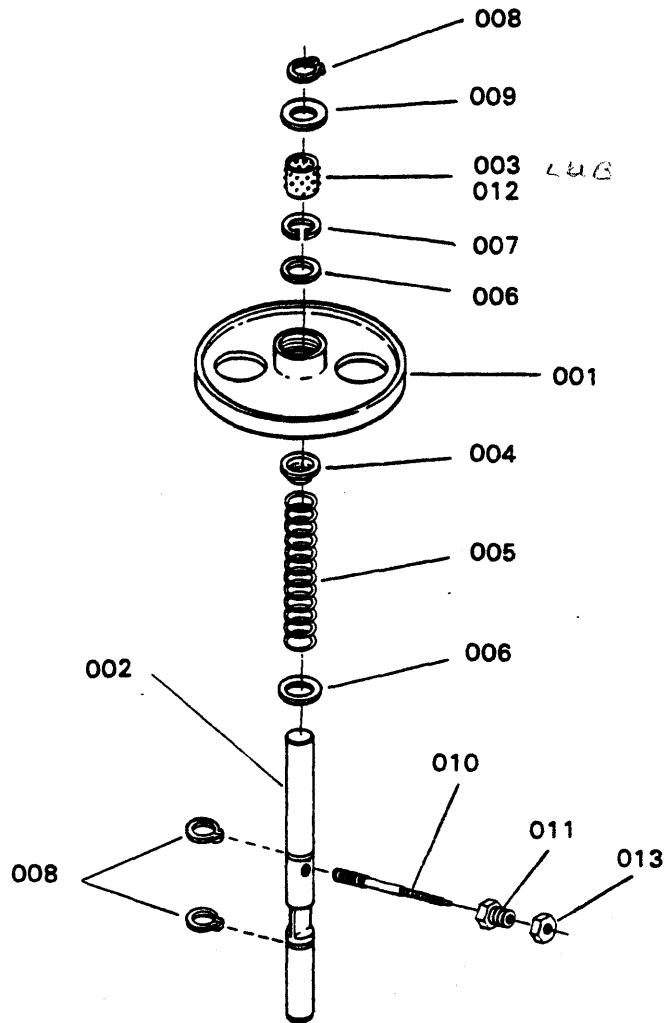
PULLEY - BAND ASSEMBLY R.H.



REF NUM 44682127 REV C TITLE PULLEY BAND ASSY RH

FND NUM	U/M	PART NUM	DESCRIPTION	NUM REQ
001	PC	44690392	ASSY BAND PULLEY	1
002	PC	44692077	SHAFT BAND RH	1
003	PC	44683074	BEARING ROTARY/LINEAR	1
004	PC	44683037	THRUST WASHER	1
005	PC	44682185	SPRING-COMP	1
006	PC	44684919	WASHER-SPECIAL	2
007	PC	92033023	RING-RETAINING	1
008	PC	92033035	RING-RETAINING	2
009	PC	44684918	WASHER-SPECIAL	1
010	PC	95130200	GREASE	AR

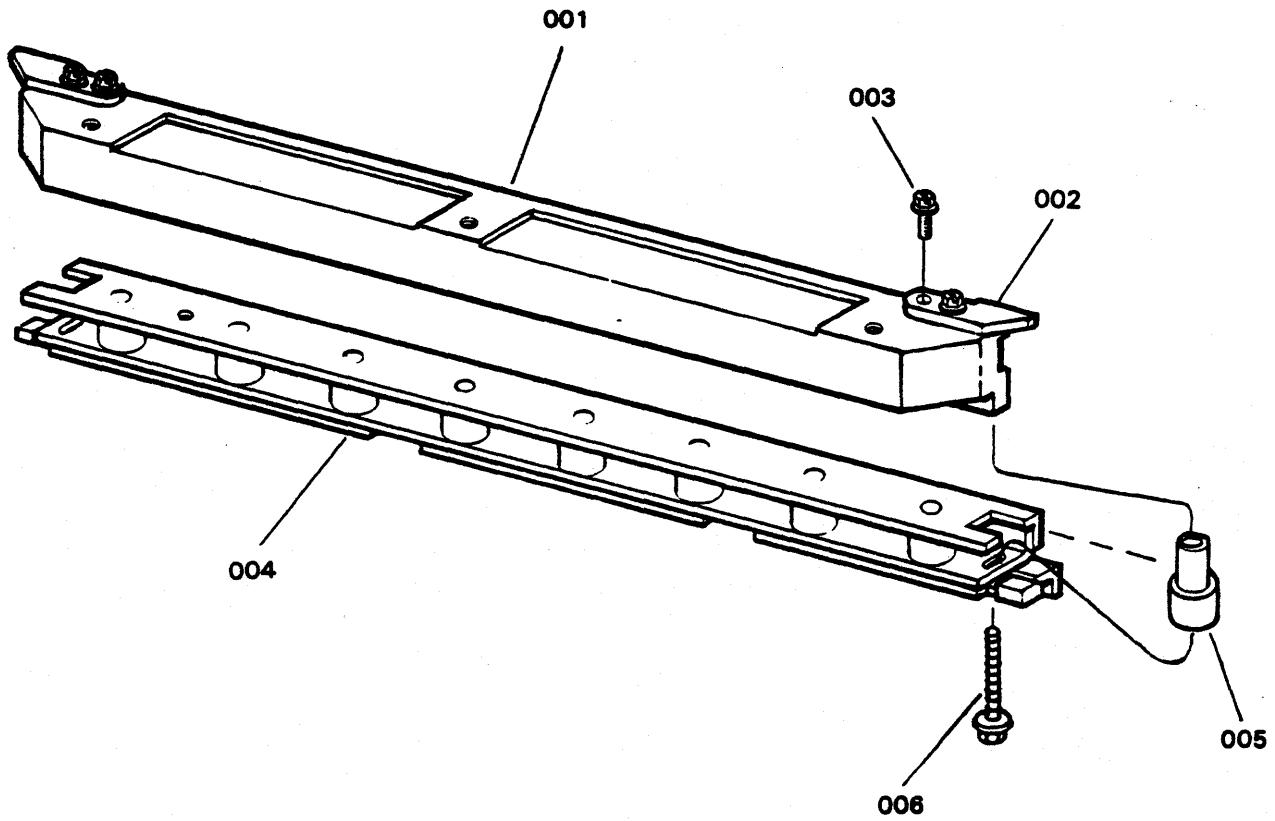
PULLEY - BAND ASSEMBLY L.H.



REF NUM 44682133 REV D TITLE PULLEY-BAND ASSY LH

FND NUM	U/M	PART NUM	DESCRIPTION	NUM REQ
001	PC	44690392	ASSY-BAND PULLEY	1
002	PC	44692078	SHAFT-BAND LH	1
003	PC	44683074	BEARING-ROTARY/LINEAR	1
004	PC	44683037	THRUST WASHER	1
005	PC	44682185	SPRING-COMP	1
006	PC	44684919	WASHER-SPECIAL	2
007	PC	92033023	RING-RETAINING	1
008	PC	92033035	RING RETAINING	3
009	PC	44684918	WASHER-SPECIAL	1
010	PC	44691217	DIFFERENTIAL SCREW	1
011	PC	44691215	DIFFERENTIAL NUT	1
012	PC	95130200	GREASE	AR
013	PC	10125301	NUT HEX 1/4-20	1

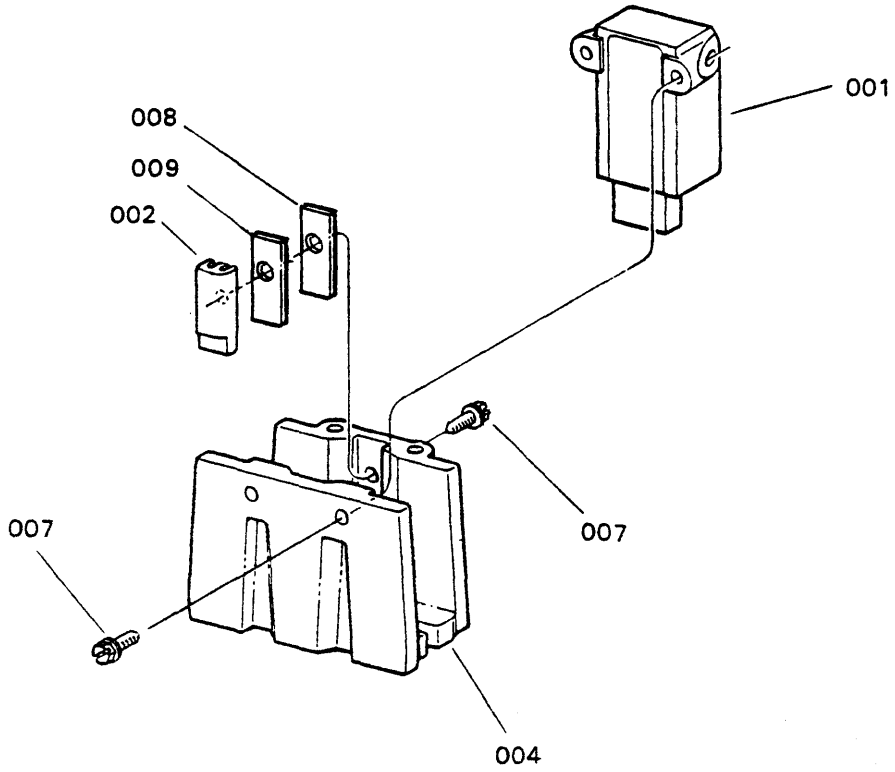
PLATEN ASSEMBLY COMPLETE



REF NUM REV TITLE
 44682132 D PLATEN ASSY COMP

FND NUM	U/M	PART NUM	DESCRIPTION	NUM REQ
001	PC	44689529	PLATEN ASSY	1
002	PC	44692016	GUIDE-BAND EDGE	2
003	PC	44687120	SCR HEX HD 6-32x3/8	4
004	PC	44686954	PAPER CLAMP+SOL ASSY COMP	1
005	PC	44691782	INSULATOR-PAPER CLAMP	2
006	PC	44682646	SCR-10-24X1 1/4 THD ROLL	2

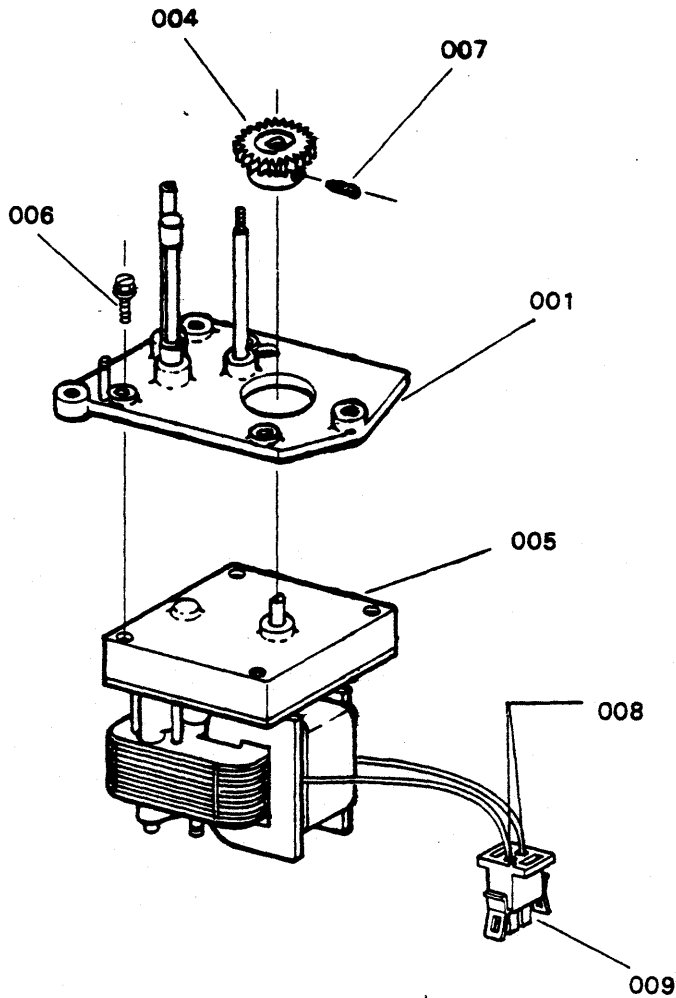
BAND SENSOR & HOUSING ASSEMBLY



REF NUM	REV	TITLE
44685783	C	BAND SENSOR + HSNQ ASSY

FND NUM	U/M	PART NUM	DESCRIPTION	NUM REQ
001	PC	44685759	DUAL BAND SENSOR ASSY	1
002	PC	44685745	STRIP WEAR	1
004	PC	44685746	MOUNT-BAND SENSOR	1
007	PC	44682722	SCR SLT HEX WSHR HD 6-19X.50	3
008	PC	44690908	SHIM-BAND SENSOR	1
009	PC	44691780	SHIM-BAND SENSOR	1

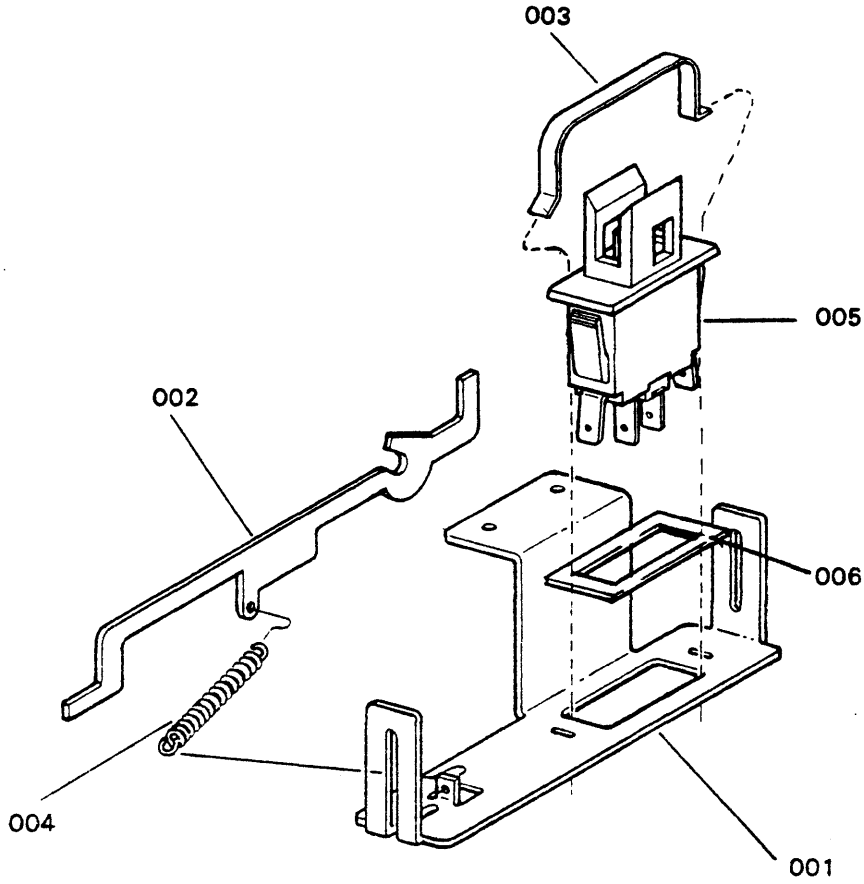
PLATE ASSEMBLY RIBBON DRIVE



REF NUM	REV	TITLE
44686977	D	PLATE ASSY RIBBON DRIVE

FND NUM	U/M	PART NUM	DESCRIPTION	NUM REQ
001	PC	44692547	ASSY-RIB PLATE + PIN	1
004	PC	44690385	GEAR RIBBON DRIVE	1
005	PC	44689594	MOTOR RIBBON	1
006	PC	44687141	SCR 10-24 X .75	3
007	PC	95360425	SCREW SOC SET 6-32X.25 C.P.	1
008	PC	51906207	CONTACT SOCKET 24-18GA	2
009	PC	51906000	CONNECTOR HOUSING	1

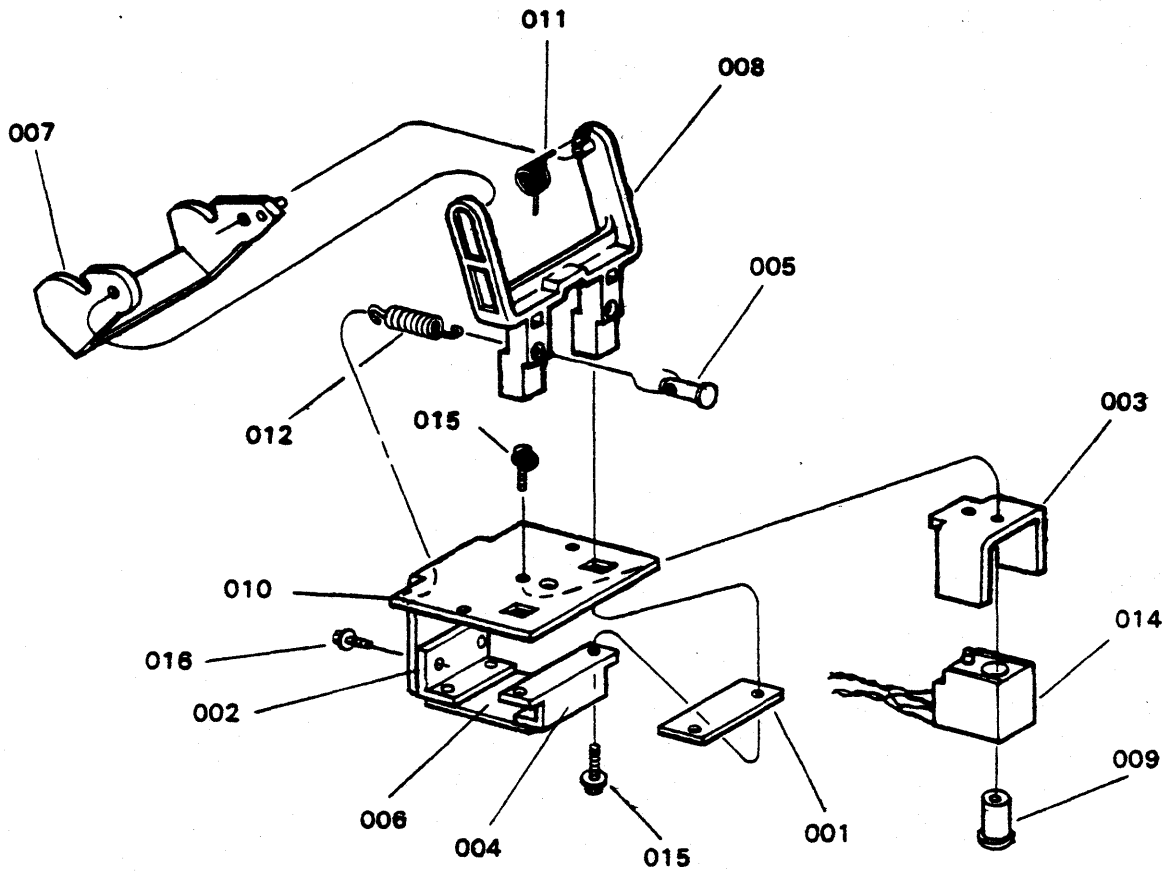
INTERLOCK ASSEMBLY



REF NUM	REV	TITLE
44688276	B	ASSEMBLY-INTERLOCK

FND	NUM	U/M	PART NUM	DESCRIPTION	NUM REQ
	001	PC	44688271	BRACKET INTERLOCK MTG	1
	002	PC	44688272	ARM-SLIDE INTERLOCK	1
	003	PC	44688273	SPRING SLIDE ARM	1
	004	PC	44688436	SPRING EXTENSION	1
	005	PC	44686093	SWITCH	1
	006	PC	44692456	SPACER SWITCH	1

RESONATOR ASSEMBLY (INACTIVE)

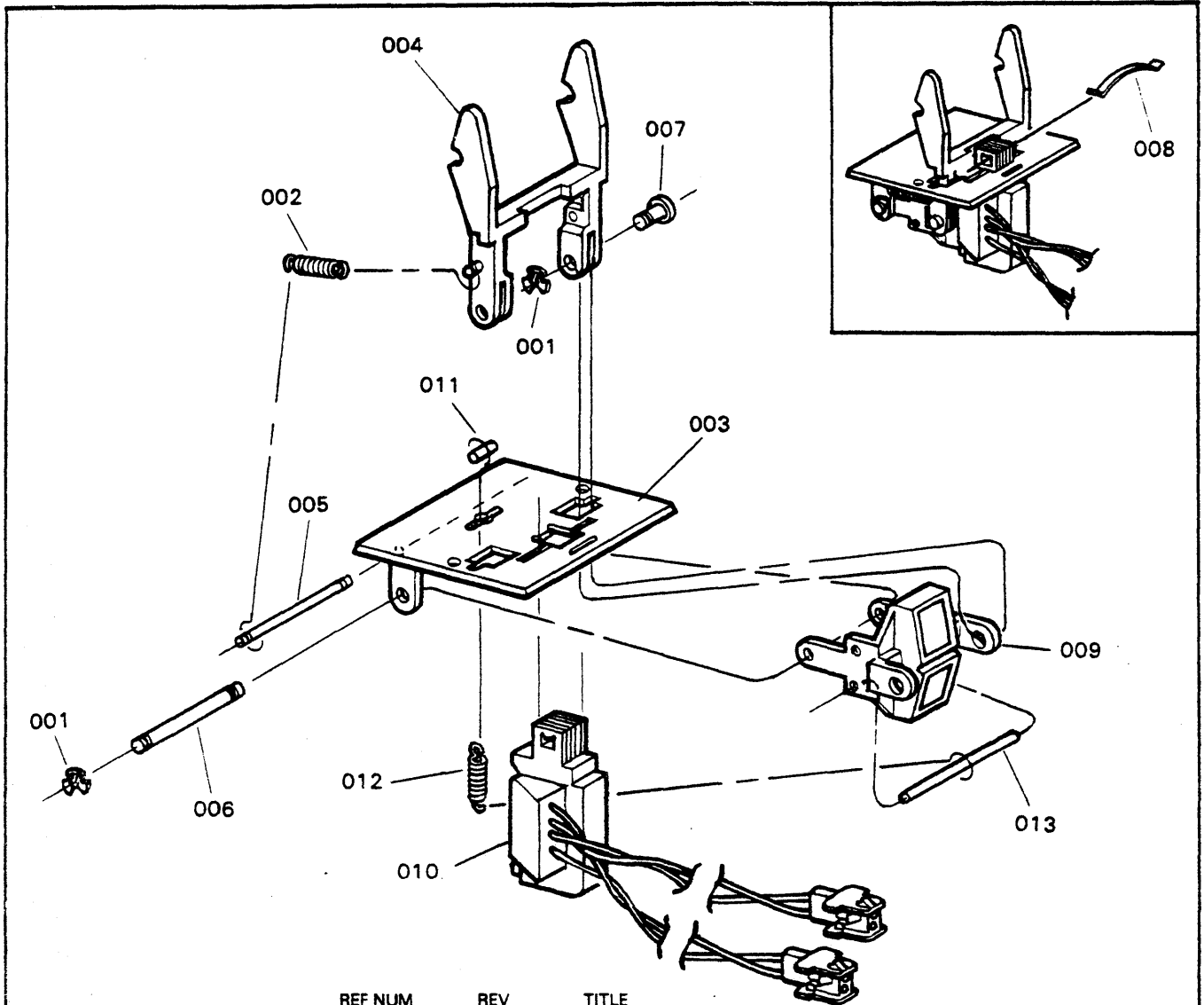


REF NUM 44688299 REV G TITLE RESONATOR ASSY (INACTIVE)

FND NUM	U/M	PART NUM	DESCRIPTION	NUM REQ
001	PC	44688287	ARMATURE	1
002	PC	44688288	ANGLE SPRING	1
003	PC	44688289	BASE RESONATOR	1
004	PC	44688290	BRACKET ARMATURE	1
005	PC	44688291	CLEVIS PIN	2
006	PC	44691230	SPRING LEAF	1
007	PC	44690306	CRADLE CASS RESON.	1
008	PC	44688294	YOKE RESONATOR	1
009	PC	44688662	CORE RESONATOR TAPPED	1
010	PC	44690397	SUPPORT RESONATOR	1
011	PC	44688298	SPRING TORSION	1
012	PC	44691239	SPRING EXTENSION	2
013	PC	44687672	RIVET .125 POP TYPE	4
014	PC	44689582	CZ ASSY COIL - RESONATOR	1
015	PC	44687121	SCR 6-32X1/2 HX HD	5
016	PC	44687120	SCR 6-32x.38 HX HD	2

LW400 USE THIS ASSEMBLY FOR SERIAL NUMBERS 4767 AND LESS
 LW800 USE THIS ASSEMBLY FOR SERIAL NUMBERS 841 AND LESS

RESONATOR ASSEMBLY

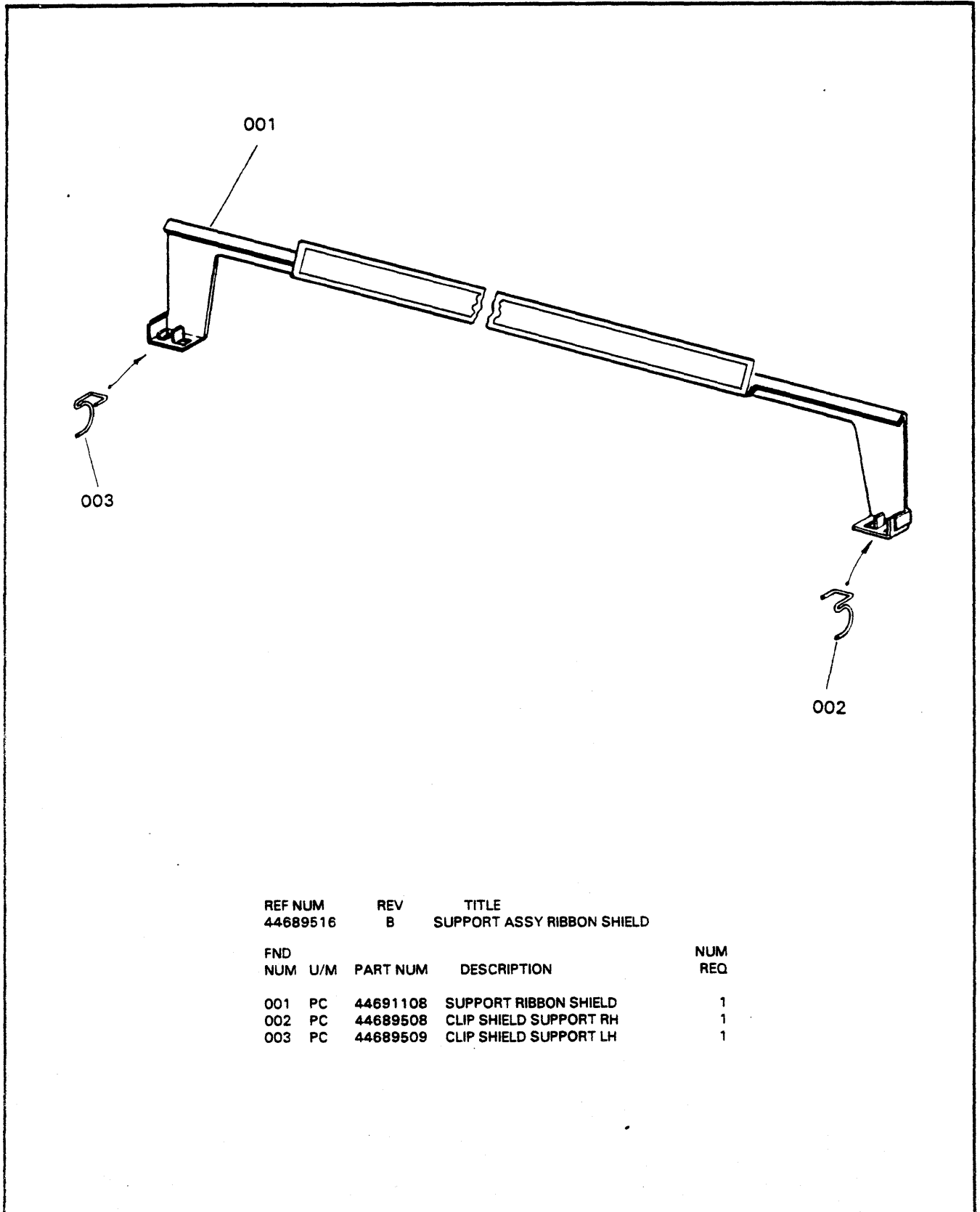


REF NUM REV TITLE
 44691776 A RESONATOR ASSY

FND NUM	U/M	PART NUM	DESCRIPTION	NUM REQ
001	PC	15187001	RETAINING RING	4
002	PC	44692097	SPRING EXTENTION	2
003	PC	44691556	PLATE RESONATOR MNTG	1
004	PC	44691562	YOKE ASSY-RESONATOR	1
005	PC	44691563	PIN-SPRING MOUNTING	1
006	PC	44691564	SHAFT-RESONATOR	1
007	PC	44691565	PIN-PIVOT.	1
008	PC	44691566	CLIP-RETAINER	1
009	PC	44691772	LEVER ASSY-RESONATOR	1
010	PC	44691777	STATOR ASSY-RESONATOR	1
011	PC	44691797	PIN-SST	1
012	PC	44691830	SPRING EXTENSION	1
013	PC	44692076	PIN-RESONATOR	4

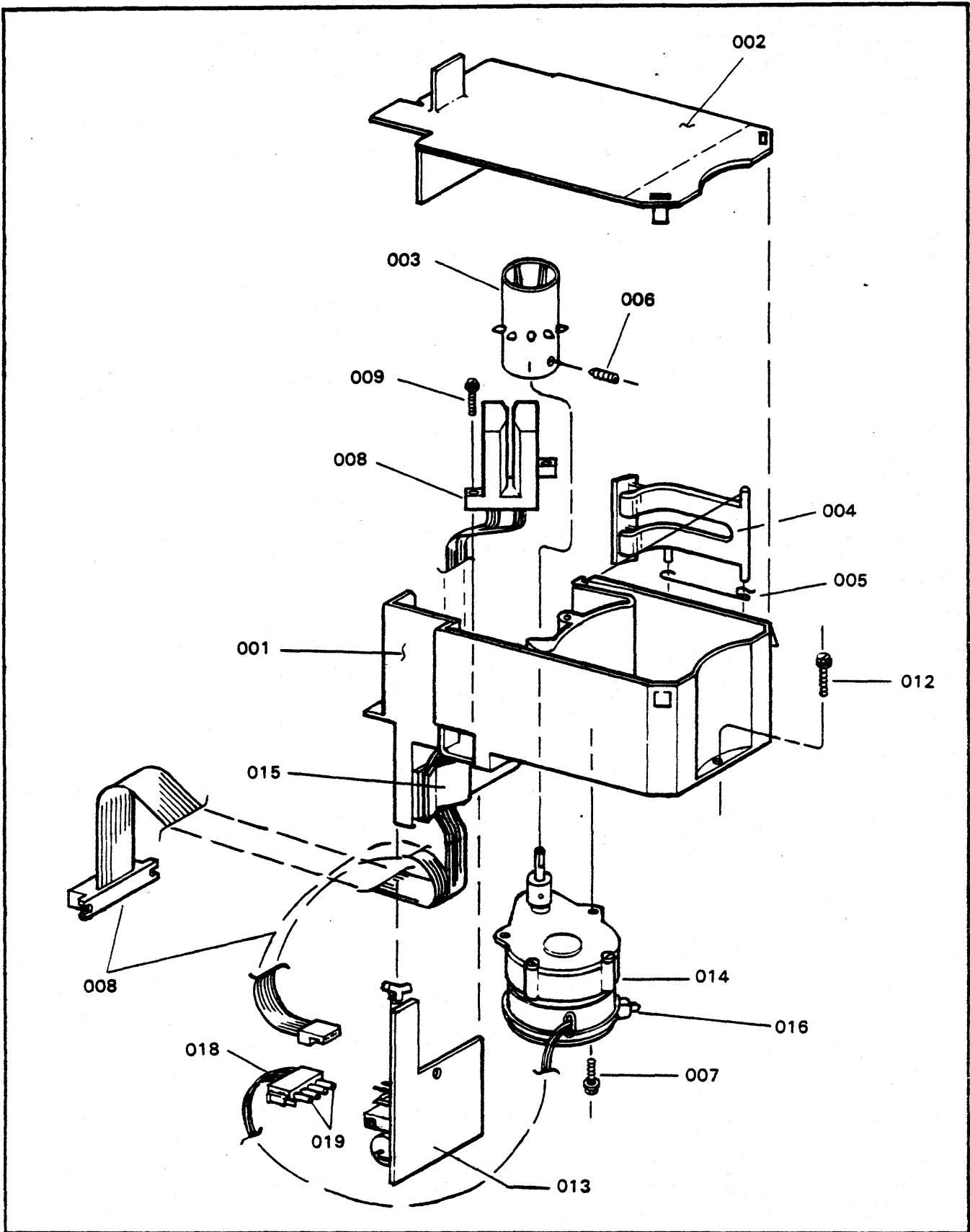
LW400 USE THIS ASSEMBLY FOR SERIAL NUMBERS 4768 AND GREATER
 LW800 USE THIS ASSEMBLY FOR SERIAL NUMBERS 842 AND GREATER

SUPPORT ASSEMBLY RIBBON SHIELD



REF NUM	REV	TITLE			
44689516	B	SUPPORT ASSY RIBBON SHIELD			
FND NUM	U/M	PART NUM	DESCRIPTION	NUM REQ	
001	PC	44691108	SUPPORT RIBBON SHIELD	1	
002	PC	44689508	CLIP SHIELD SUPPORT RH	1	
003	PC	44689509	CLIP SHIELD SUPPORT LH	1	

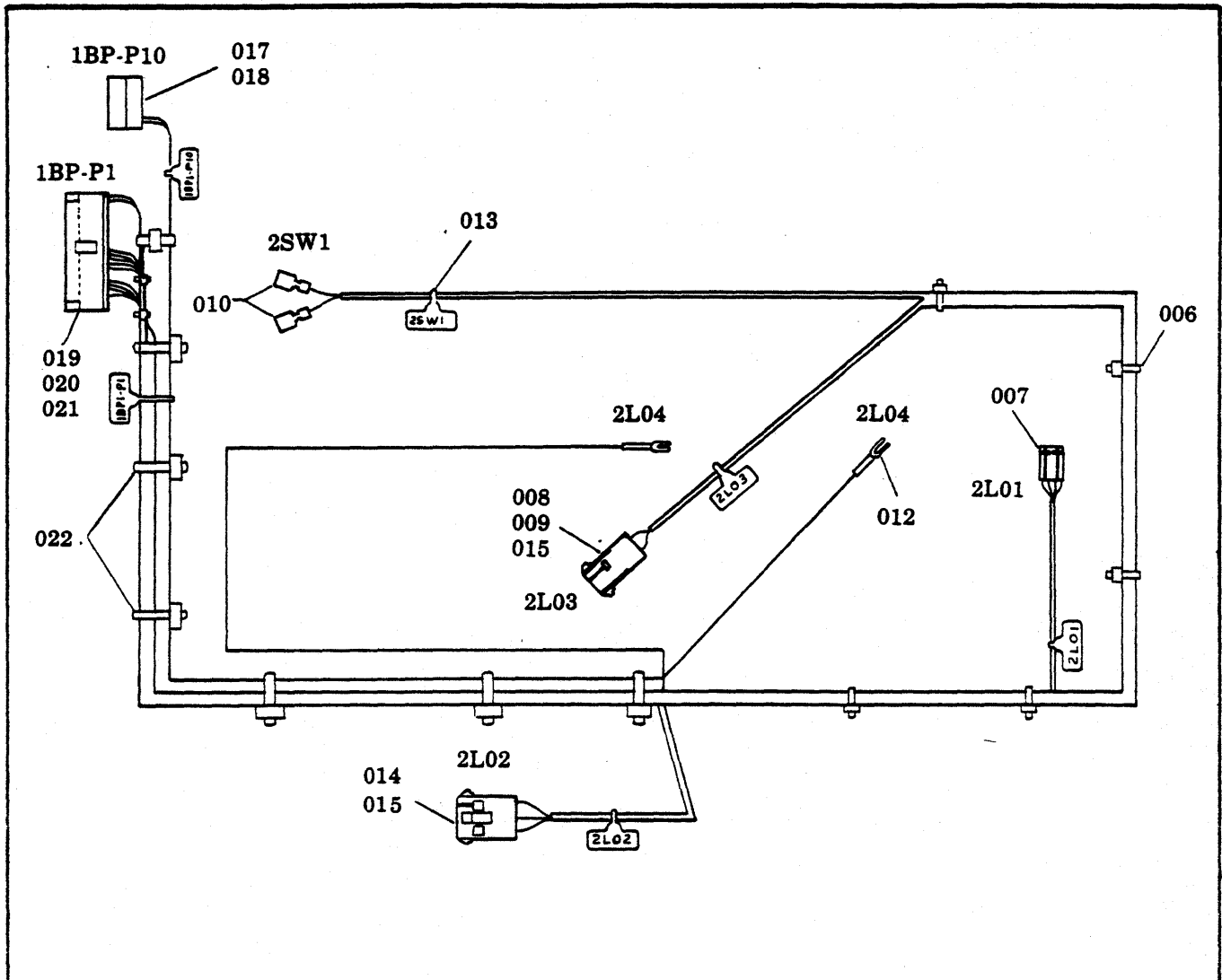
EVFU READER ASSEMBLY



REF NUM	REV	TITLE
44689565	B	EVFU READER ASSEMBLY

FND NUM	U/M	PART NUM	DESCRIPTION	NUM REQ
001	PC	44691094	HOUSING VERTICAL FORMAT	1
002	PC	44692338	COVER-FORMAT HOUSING	1
003	PC	44675606	SPROCKET VERTICAL FORMAT	1
004	PC	44689552	GUIDE-FORMAT TAPE	1
005	PC	44691080	SPRING-EXTENSION	1
006	PC	93071165	SOC SET SCREW	1
007	PC	44687110	SCR THD FRM 4-40 x.375	2
008	PC	91806008	READER PAPER TAPE	1
009	PC	44682722	SCR SLT HX WSHR HS 6-19 x .50	2
012	PC	44687120	SCREW HX SLT 6-32 x .38	1
013	PC	44688580	EVFU BOARD ASSY	1
014	PC	44689566	CZ MTR & SHAFT EXT	1
015	PC	95440600	PLASTIC CLIP	1
016	PC	94277401	TYRAP	1
018	PC	51906002	CONNECTOR 4 POS	1
019	PC	51906207	CONTACT SOC .24-18 G.A.	4

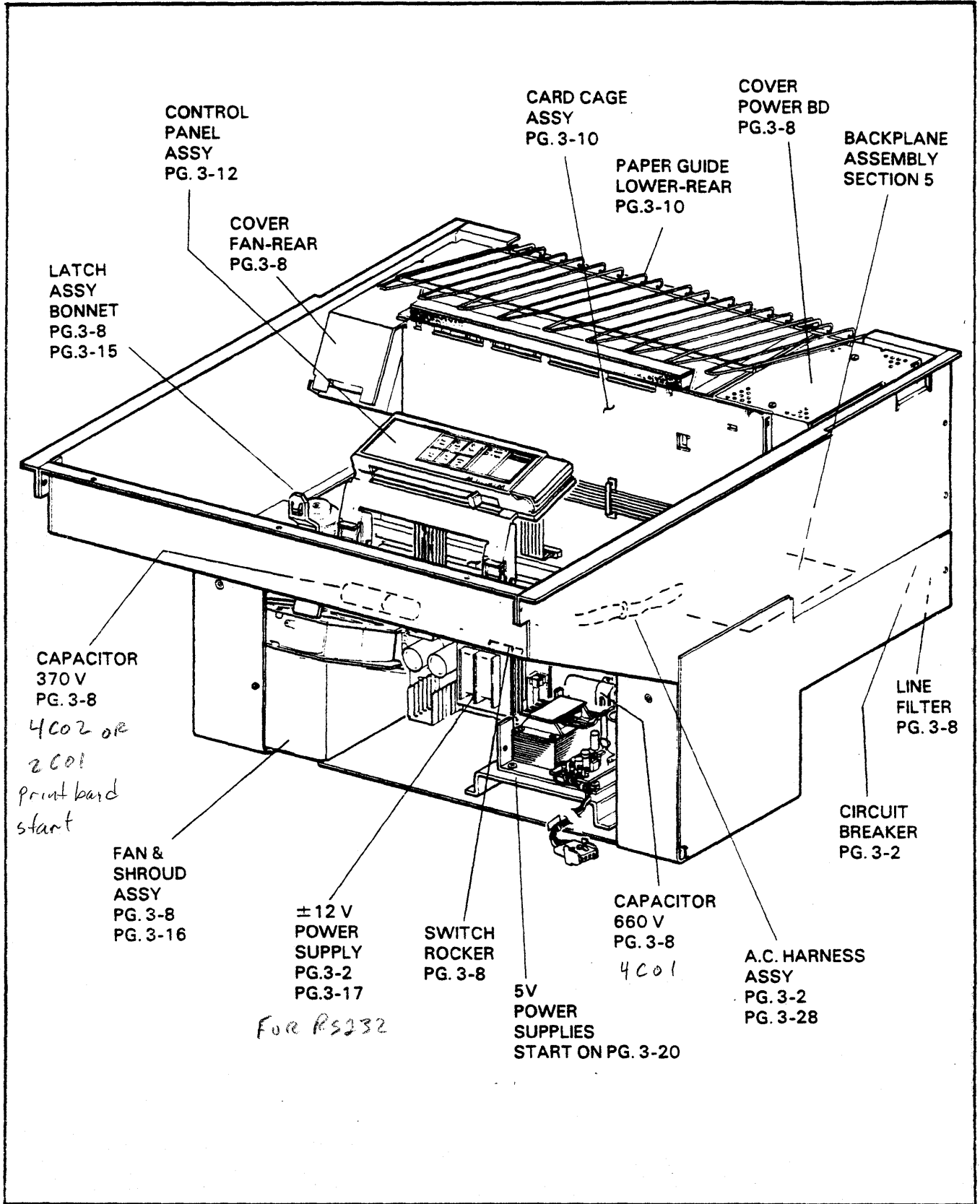
LOGIC HARNESS



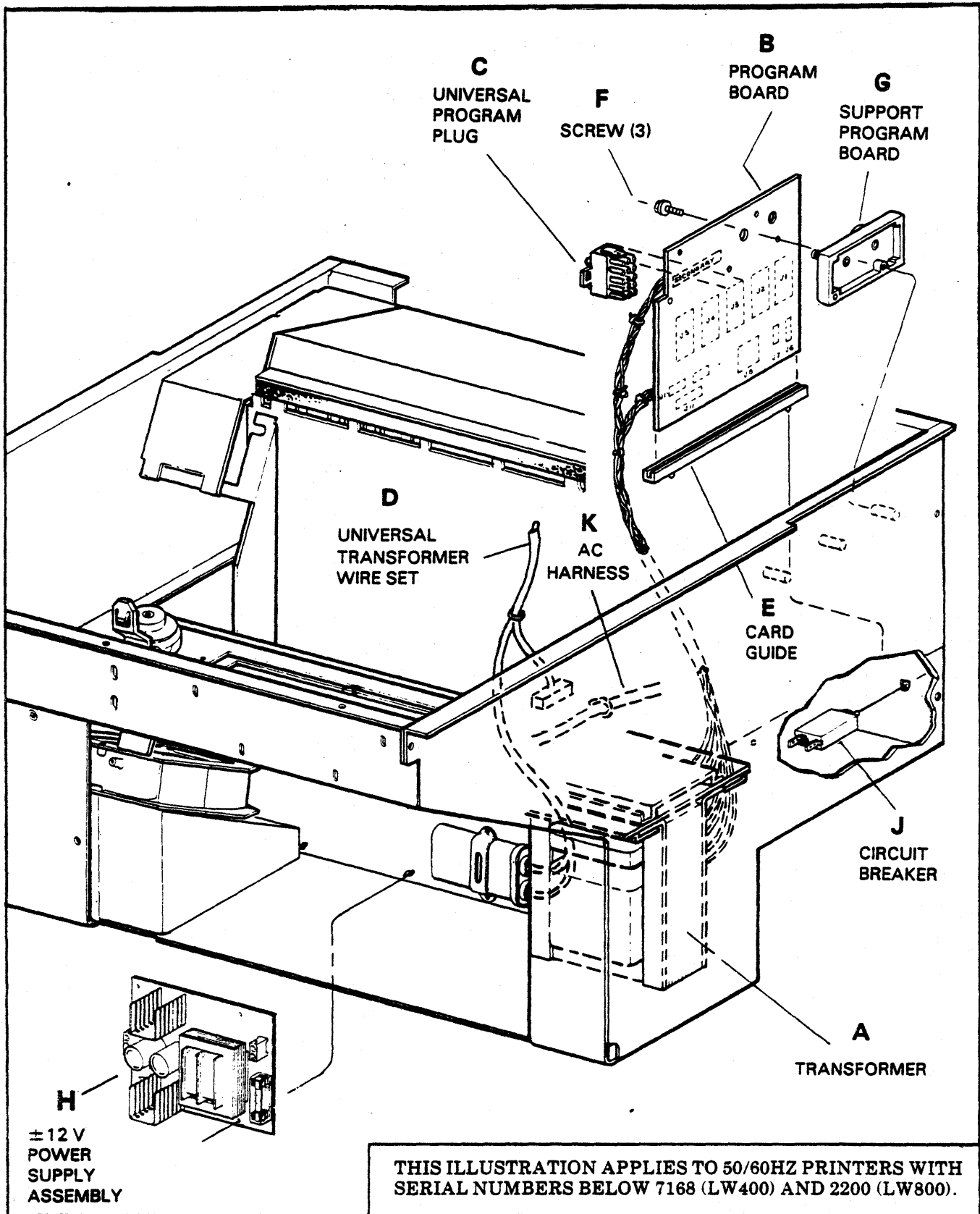
REF NUM REV TITLE
 44882826 01 CZ LOGIC HARNESS PBS 360X

FND NUM	U/M	PART NUM	DESCRIPTION	NUM REQ
006	PC	94277400	TY-RAP	7
007	PC	44687524	CONN HOUSING 4 POS	1
008	PC	51905900	HOUSING 2 POS	1
009	PC	94801600	TUBING-HEAT SHRINKABLE	1
010	PC	95447908	FASTON .187	2
012	PC	44685775	POKE IN TERM	2
013	PC	94277409	TYRAPS	6
014	PC	51905901	CONN PLUG 3 POS	1
015	PC	51908207	CONTACT, SOCKET, 24-18GA	5
017	PC	77613586	CONNECTOR	1
018	PC	77613624	KEYING PLUG	1
019	PC	15180049	CONNECTOR 34 POS	1
020	PC	15180117	CONN COVER BACK	1
021	PC	15180182	CONN COVER FRONT	1
022	PC	95347100	CABLE TIE	7

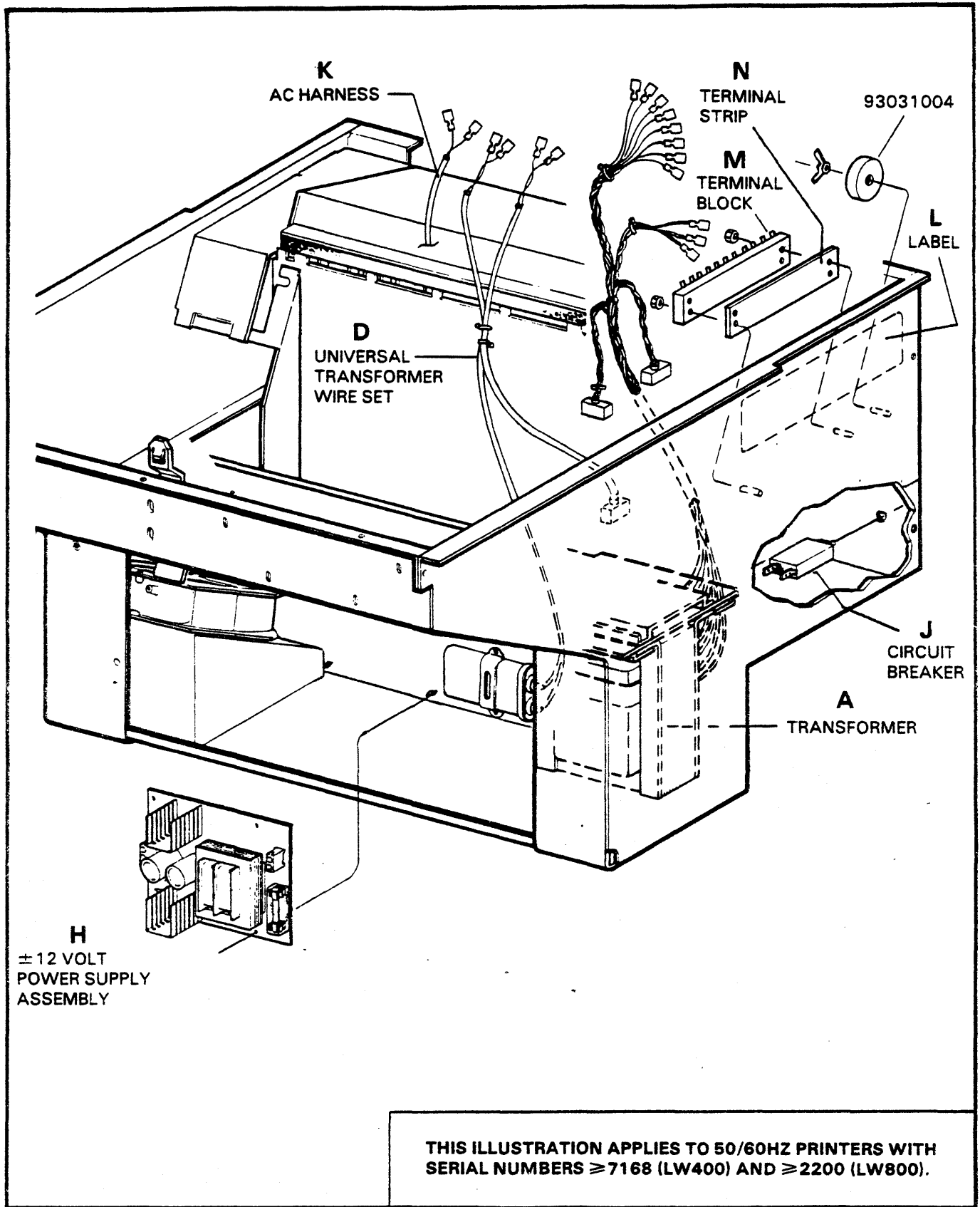
SECTION 3 CHASSIS ASSEMBLY



CHASSIS ASSEMBLIES




CHASSIS ASSEMBLIES



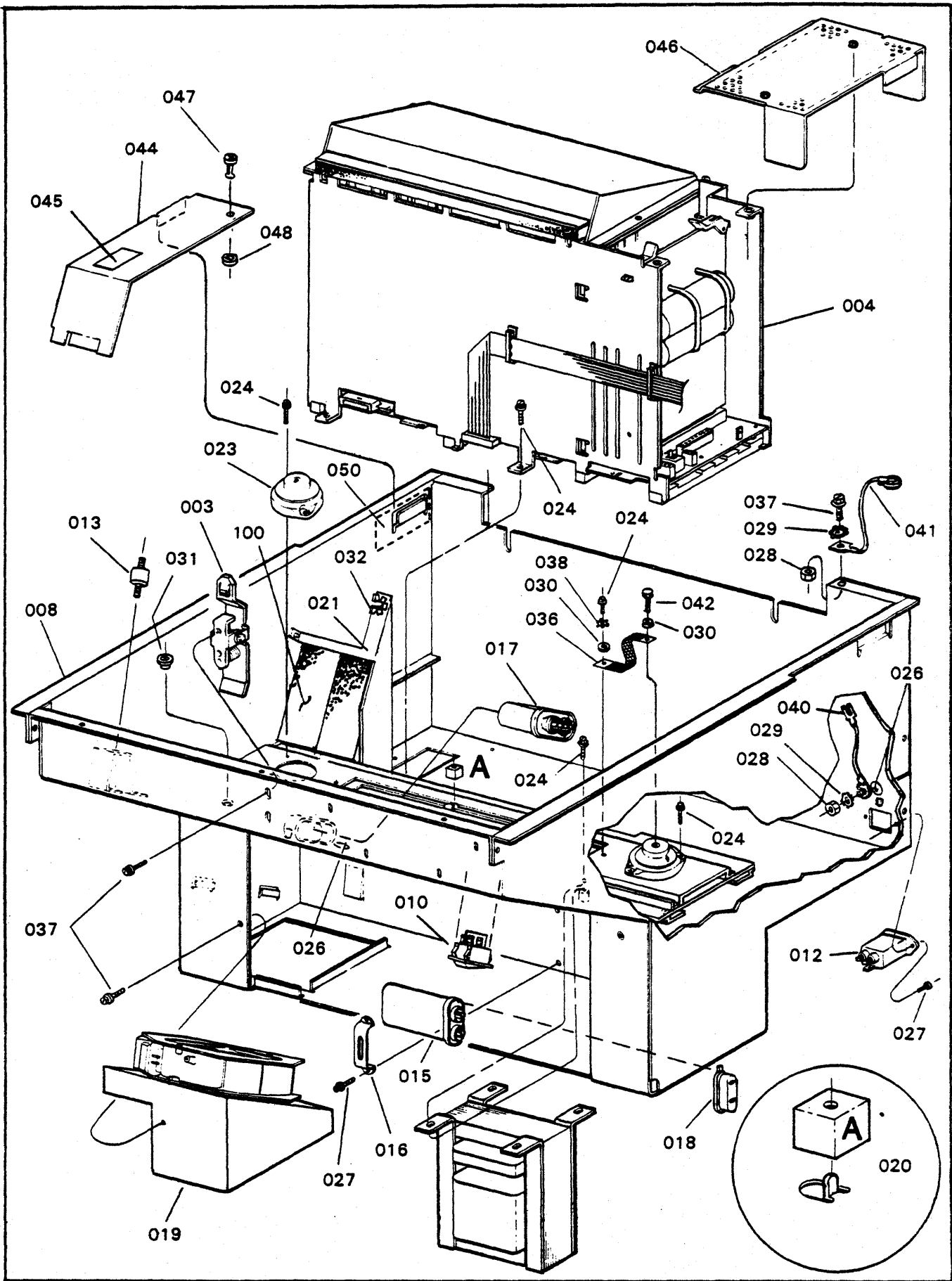
THIS ILLUSTRATION APPLIES TO 50/60HZ PRINTERS WITH SERIAL NUMBERS ≥ 7168 (LW400) AND ≥ 2200 (LW800).

CHASSIS ASSEMBLIES

	CHASSIS ASSY LW800	59833640 60 HZ	59833641 50 HZ	59833642 50/60 HZ 	59833643 50 HZ ICL		
	CHASSIS ASSY COMMON	59833649	59833649	59833649	44687542 50 HZ		
A	TRANSFORMER	44687541 60 HZ	44687542 50 HZ	44687543 50/60 HZ			
B	PROGRAM BD ASSY 50/60 HZ			44690425			
C	UNIVERSAL PRGM PLUG			44687577			
D	UNIVERSAL XFMR WIRE SET			44687578			
E	CARD GUIDE			44686692			
F	SCREWS			44687122			
G	SUPPORT PROGRAM BD						
H	± 12 V POWER SUPPLY ASSY						
J	CIRCUIT BREAKER	51683723	51683723	51683723	15185531		
K	AC HARNESS			44682824			

 PARTS IN THIS COLUMN APPLY TO PRINTERS WITH SERIAL NUMBERS BELOW 2200 (LW800).

CHASSIS ASSEMBLY - COMMON



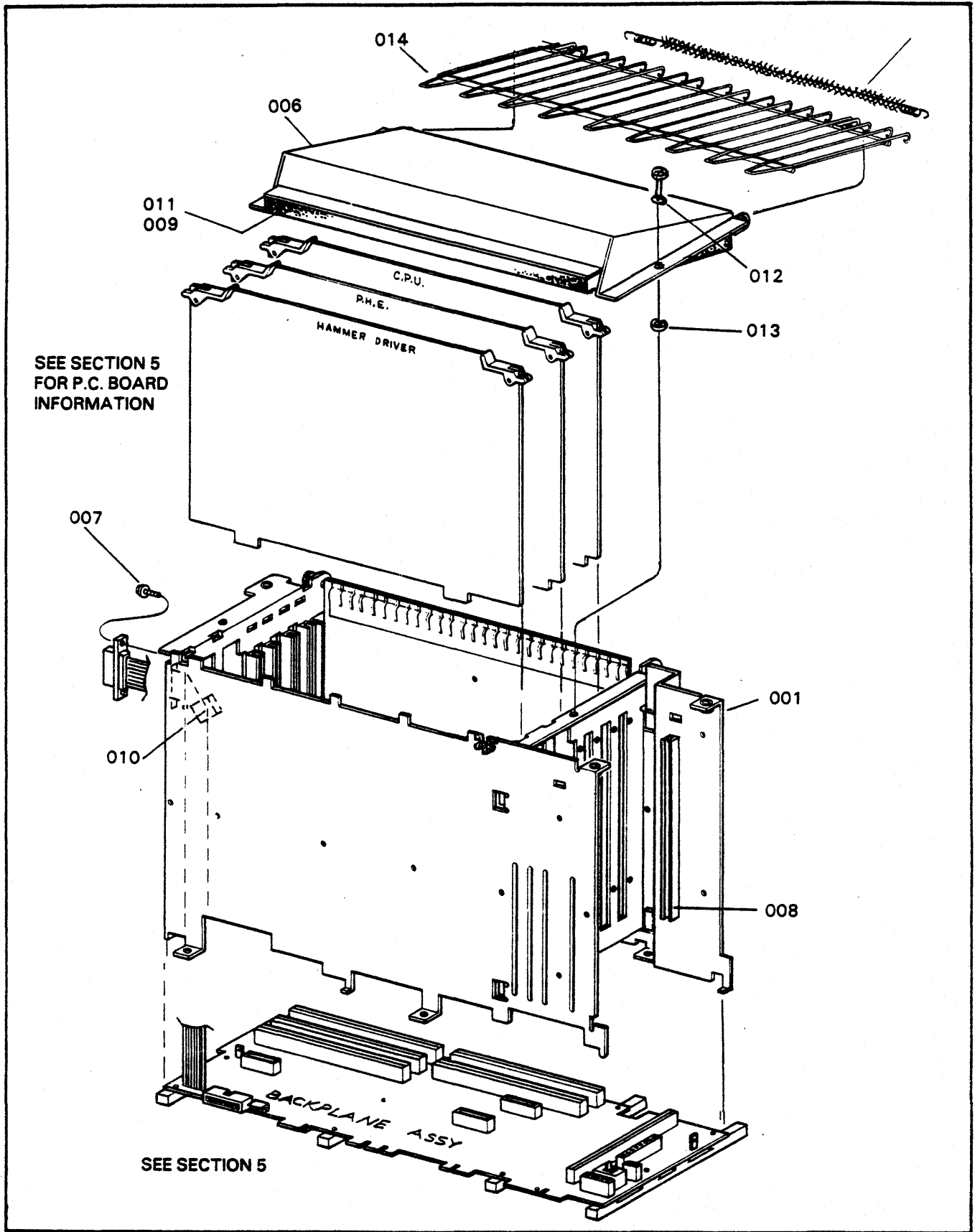
REF NUM REV TITLE
59819749 Y CHASSIS ASSY COMP COMM-400

REF NUM REV TITLE
59833649 T CHASSIS ASSY COMP COMM-800

FND NUM	U/M	PART NUM	DESCRIPTION	NUM REQ	FND NUM	U/M	PART NUM	DESCRIPTION	NUM REQ
003	PC	44685773	LATCH ASSY BONNET	1	003	PC	44685773	LATCH ASSY BONNET	1
004	PC	44691413	CARD CAGE ASSY	1	004	PC	44691414	CARD CAGE ASSY	1
008	PC	44692449	CHASSIS ASSY	1	008	PC	44692499	CHASSIS ASSY	1
010	PC	44688520	SWITCH, ROCKER	1	010	PC	44688520	SWITCH, ROCKER	1
012	PC	44682257	LINE FILTER	1	012	PC	44682257	LINE FILTER	1
013	PC	44682153	SHOCKMOUNT	2	013	PC	44682153	SHOCKMOUNT	2
015	PC	44682868	AC CAP BUF 660V	1	015	PC	44682868	AC CAP BUF 660V	1
016	PC	92826001	BRACKET CAPACITOR	1	016	PC	92826001	BRACKET CAPACITOR	1
017	PC	95359936	CAP 5MFD 370 VOLT NON PCB	1	017	PC	95359936	CAP 5MFD 370 VOLT NON PCB	1
018	PC	95582501	BOOT CAP	1	018	PC	95582501	BOOT CAP	1
019	PC	44688229	FAN + SHROUD ASSY	1	019	PC	44688229	FAN + SHROUD ASSY	1
020	PC	44686983	BLOCK-MOTHER BOARD	3	020	PC	44686983	BLOCK-MOTHER BOARD	3
023	PC	44688247	DAMPER-VIBRATION	2	023	PC	44688247	DAMPER-VIBRATION	2
024	PC	44687141	SCR 10-24X1/2 THD ROLL	18	024	PC	44687141	SCR 10-24X1/2 THD ROLL	18
026	PC	94224667	LABEL GROUND	2	026	PC	94224667	LABEL GROUND	2
027	PC	44687121	SCR 6-32X1 1/2 HX HD	4	027	PC	44687121	SCR 6-32X1 1/2 HX HD	4
028	PC	44685207	KEMP NUT	3	028	PC	44685207	KEMP NUT	3
029	PC	10126401	WASHER EXT TOOTH LK #6	2	029	PC	10126401	WASHER EXT TOOTH LK #6	2
030	PC	44687608	BELLVILLE FLAT WASHER	4	030	PC	44687608	BELLVILLE FLAT WASHER	4
031	PC	15012406	SNAP BUSHING	1	031	PC	15012406	SNAP BUSHING	1
032	IN	92413000	RUBBER CHANNEL	3	032	IN	92413000	RUBBER CHANNEL	3
036	PC	44674674	6" GROUND STRAP	2	036	PC	44684674	6" GROUND STRAP	1
037	PC	44687120	SCREW	4	037	PC	44687120	SCREW	4
038	PC	10126403	EXT. LK. WASHER	4	038	PC	10126403	EXT. LK. WASHER	4
039	PC	94827907	BEARING NYLINER	1	039	PC	94827907	BEARING NYLINER	1
040	PC	44682206	GND OPTION KIT ASSY	1	040	PC	44682206	GND OPTION KIT ASSY	1
041	PC	44692013	GROUND WIRE ASSY	1	041	PC	44692013	GROUND WIRE ASSY	1
042	PC	44682653	SCR 1/4-20x.75 THD FRM	2	042	PC	44682653	SCR 1/4-20x.75 THD FRM	2
044	PC	44688650	COVER FAN-REAR	1	044	PC	44688650	COVER FAN-REAR	1
045	PC	44688665	LABEL-HAMM SENSOR WARN.	1	045	PC	44688665	LABEL-HAMM SENSOR WARN.	1
046	PC	44688649	COVER-POWER BD	1	046	PC	44688649	COVER-POWER BD	1
047	PC	94311718	FASTENER 1/4 TURN	4	047	PC	94311718	FASTENER 1/4 TURN	4
048	PC	94317901	RETAINER SPLIT RING	4	048	PC	94317901	RETAINER SPLIT RING	4
049	FT	44692307	TAPE, ALUMINUM FOIL	AR	049	FT	44692307	TAPE, ALUMINUM FOIL	AR
050	FT	44692308	TAPE, ALUMINUM FOIL	AR	050	FT	44692308	TAPE, ALUMINUM FOIL	AR
*100	PC	44690574	FOAM BLOCK	1	*100	PC	44690574	FOAM BLOCK	1

1 LW400, S/N ≥ 7168 AND LW800 S/N ≥ 2200
USE 44692499 CHASSIS ASSEMBLY. SERIAL
NUMBERS BELOW THESE USE 44692397
CHASSIS ASSEMBLY

CARD CAGE ASSEMBLY

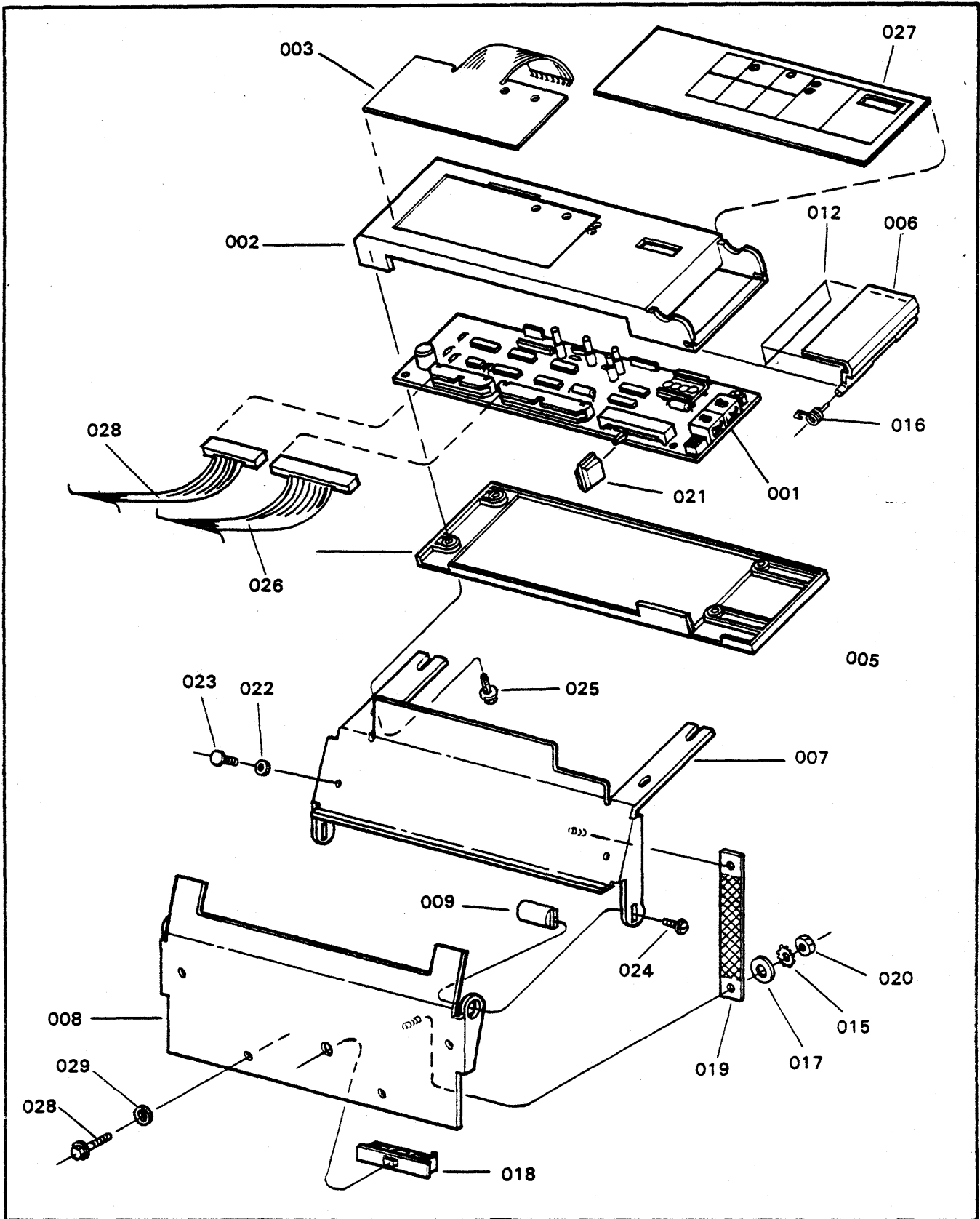


REF NUM REV TITLE
 44688279 G CARD CAGE ASSY-400

REF NUM REV TITLE
 44690347 D CARD CAGE ASSY-800

FND NUM	U/M	PART NUM	DESCRIPTION	NUM REQ	FND NUM	U/M	PART NUM	DESCRIPTION	NUM REQ
001	PC	44688228	CARD RACK ASSY	1	001	PC	44688228	CARD RACK ASSY	1
006	PC	44688230	COVER + SEAL CARD CGE ASSY	1	006	PC	44688230	COVER + SEAL CARD CGE ASSY	1
007	PC	44687110	SCR THD FRM 4-40X.375	2	007	PC	44687110	SCR THD FRM 4-40X.375	2
008	PC	44686692	CARD GUIDE	14	008	PC	44686692	CARD GUIDE	14
009	PC	59136109	FILAMMENT TAPE	A/R	009	PC	59136109	FILAMENT TAPE	A/R
010	PC	44688664	CLIP-FLT CONT PNL CABLE	1	010	PC	44688664	CLIP-FLT CONT PNL CABLE	1
011	PC	94791803	TAPE-CLOSED CELL	.250	011	PC	94791803	TAPE-CLOSED CELL	.250
012	PC	94317718	FASTENER 1/4 TURN	2	012	PC	94317718	FASTENER 1/4 TURN	2
013	PC	94317901	RETAINER SPLET RING	2	013	PC	94317901	RETAINER SPLET RING	2
014	PC	44688220	GUIDE LOWER REAR PAPER	1	014	PC	44688220	GUIDE LOWER REAR PAPER	1
015	PC	94788100	STATIC ELIMINATOR	1	015	PC	94788100	STATIC ELIMINATOR	1

CONTROL PANEL ASSEMBLY



REF NUM REV TITLE
 44691461 C CONTROL PNL COMP-6 SWITCH

DATE 11/05/10

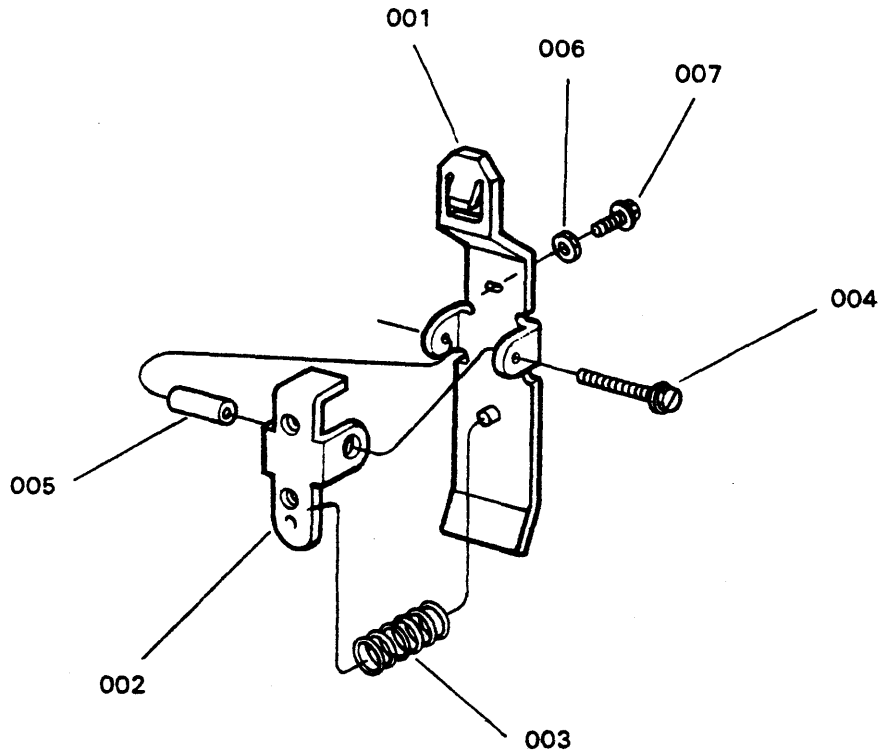
FND NUM	U/M	PART NUM	DESCRIPTION	NUM REQ
001	PC	44688511	ASSY CONT PANEL BASIC PCB	1
002	PC	44690920	HOUSING-CONTROL PANEL	1
003	PC	44680023	SWITCH PANEL 2X5	1
005	PC	44690916	COVER-CONTROL PAN LOWER	1
006	PC	44690919	COVER-CONTL PAN HSNB	1
007	PC	44690918	BRACKET-CONT PAN UPPER	1
008	PC	44690917	BRACKET-CONT PAN LOWER	1
009	PC	44688679	PIN-CONTROL PAN PIVOT	2
012	PC	44687572	LABEL-FUNCTION IDENT	1
015	PC	10126403	WSHR EXT TH LK #10	2
016	PC	44691293	SPRING-CONT PNL COVER	1
017	PC	44687608	BELLEVILLE WSHR	2
018	PC	44688664	CLIP-FLT WIRE CONT PNL	1
019	PC	44674672	GROUND STRAP BRAIDED	1
020	PC	10125107	NUT HX MACH 10-24	2
021	PC	44688054	KNOB CONT PNL PCB	1
022	PC	10125105	NUT HX HD 6-32	2
023	PC	10125017	SCR HX HD 6-32 X .500	2
024	PC	44682721	SCR SLTD HD WSHR 6-19 X .38	2
025	PC	94376919	SCREW 6-19 X .625 PLASTIC	4
026	PC	44682828	FLAT CABLE-CONTROL PANEL	1
027	PC	44682241	LABEL-CONTROL PANEL	1
029	PC	44682641	SCR 10-24x1/2 THD FRM	4
030	PC	10125607	WASHER PLAIN #10	4

REF NUM REV TITLE
 44691462 C CONTROL PANEL COMP (OPT)-10-SWITCH

(299 32)

FND NUM	U/M	PART NUM	DESCRIPTION	NUM REQ
001	PC	44688512	ASSY CONT PANEL BASIC PCB	1
002	PC	44690920	HOUSING-CONTROL PANEL	1
003	PC	44680023	SWITCH PANEL 2X5	1
005	PC	44690916	COVER-CONTROL PAN LOWER	1
006	PC	44690919	COVER-CONTL PAN HSNB	1
007	PC	44690918	BRACKET-CONT PAN UPPER	1
008	PC	44690917	BRACKET-CONT PAN LOWER	1
009	PC	44688679	PIN-CONTROL PAN PIVOT	2
012	PC	44687572	LABEL-FUNCTION IDENT	1
015	PC	10126403	WSHR EXT TH LK #10	2
016	PC	44691293	SPRING-CONT PNL COVER	1
017	PC	44687608	BELLEVILLE WSHR	2
018	PC	44688664	CLIP-FLT WIRE CONT PNL	1
019	PC	44674672	GROUND STRAP BRAIDED	1
020	PC	10125107	NUT HX MACH 10-24	2
021	PC	44688054	KNOB CONT PNL PCB	1
022	PC	10125105	NUT HX HD 6-32	2
023	PC	10125017	SCR HX HD 6-32 X .500	2
024	PC	44682721	SCR SLTD HD WSHR 6-19 X .38	2
025	PC	94376919	SCREW 6-19 X .625 PLASTIC	4
026	PC	44682828	FLAT CABLE-CONTROL PANEL	1
027	PC	44682242	LABEL-CONTROL PANEL	1
028	PC	44689710	CABLE-CONTROL PANEL	1
029	PC	44682641	SCR 10-24x1/2 THD FRM	4
030	PC	10125607	WASHER PLAIN #10	4

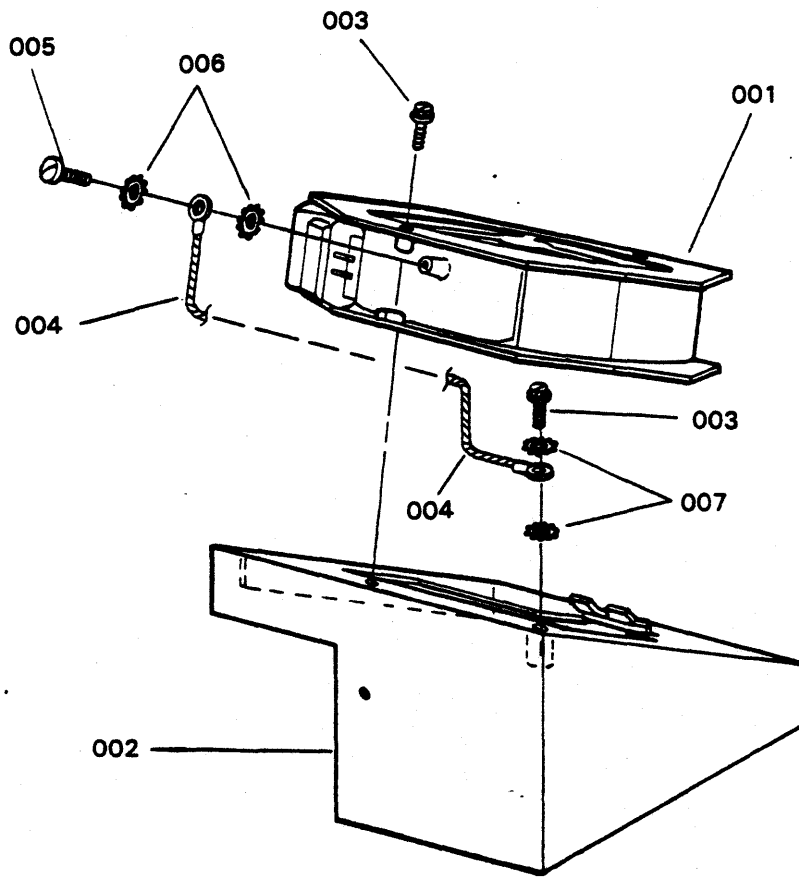
44685773 LATCH ASSEMBLY BONNET



REF NUM 44685773
 REV B
 TITLE LATCH ASSY BONNET

FND NUM	U/M	PART NUM	DESCRIPTION	NUM REQ
001	PC	44692431	LEVER BONNET LATCH	1
002	PC	44689519	BRACKET BONNET LATCH	1
003	PC	94790700	SPRING COMPRESSION	1
004	PC	44682626	SCREW SLT HX HD 8-31x1.25	1
005	PC	44688280	SLEEVE LATCH PIVOT	1
006	PC	44685209	NUT KEP 10-24	1
007	PC	10125051	SCREW 10-24x1.25	1

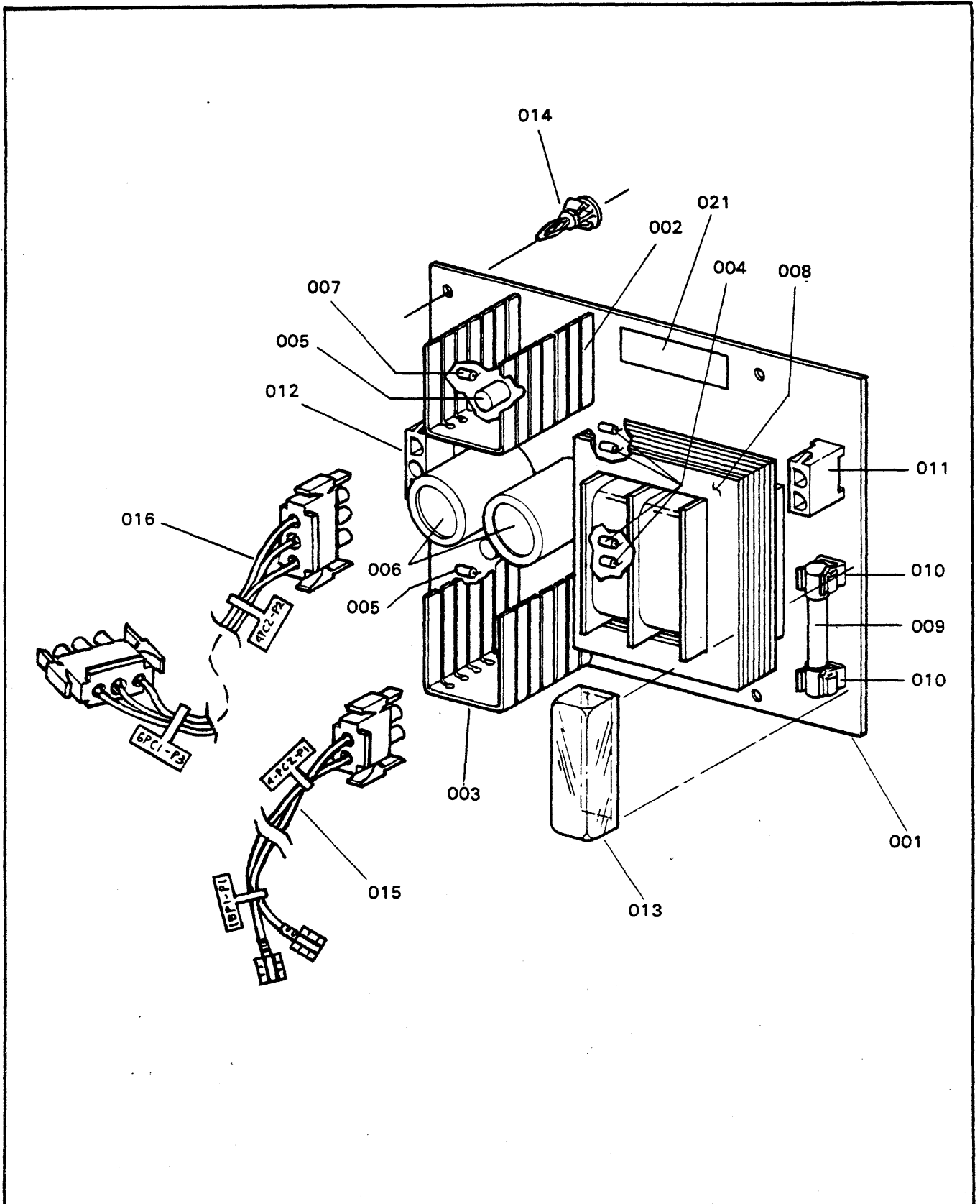
44688229 FAN & SHROUD ASSEMBLY



REF NUM REV TITLE
 44688229 8 FAN + SHROUD ASSY

FND NUM	U/M	PART NUM	DESCRIPTION	NUM REQ
001	PC	15005633	FAN ASSY	1
002	PC	44689906	SHROUD-FAN INNER	1
003	PC	44687121	SCR 6-32X1/2 HX HD	2
004	PC	44682816	GROUND-SAFETY ASSY	1
005	PC	10127141	SCR 10-32X 1/2 PN SLTD	1
006	PC	10126403	WSHR EXT LK 10	2
007	PC	10126401	WSHR EXT LK 6	2

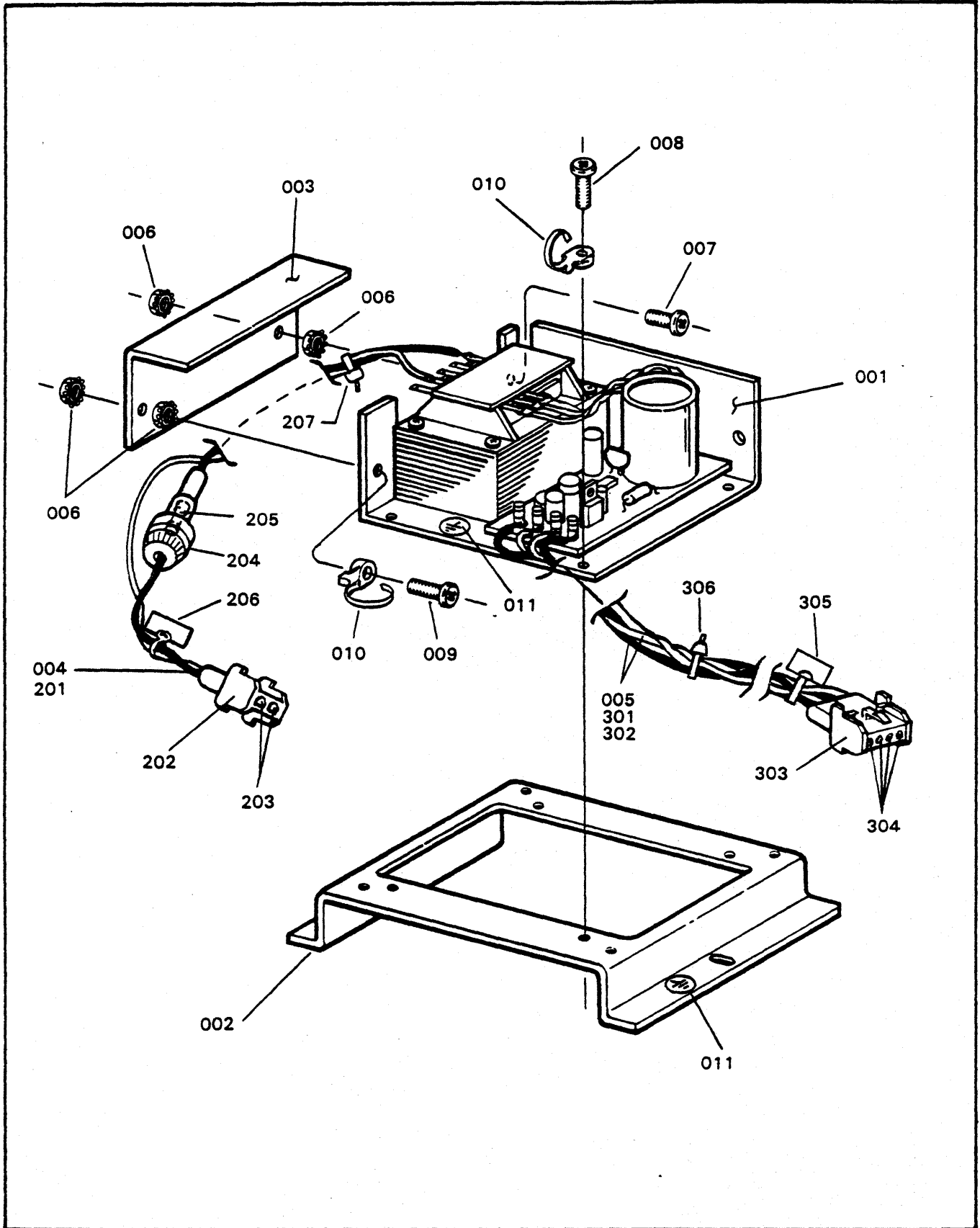
±12 VOLT POWER SUPPLY



REF NUM REV TITLE
 44692084 D ± 12 VOLT POWER SUPPLY ASSEMBLY

FND NUM	U/M	PART NUM	DESCRIPTION	NUM REQ
001	PC	44690460	BD DUAL POWER SUPPLY	1
002	PC	44690457	+12 VOLT REGULATOR ASSY	1
003	PC	44690458	-12 VOLT REGULATOR ASSY	1
004	PC	95637302	DIODE IN4002	4
005	PC	94395513	CAPACITOR 47UF 16 V	2
006	PC	15002224	CAPACITOR 2200 UF 35V	2
007	PC	94402163	RES.CAR.FILM 2K 1/4 W5	2
008	PC	44690490	PCB TRANSFORMER	1
009	PC	93419317	FUSE .5 AMP	1
010	PC	95588400	FUSE CLIP	2
011	PC	51906100	CONNECTOR 2 PIN	1
012	PC	51906101	CONN 3 PIN PC MOUNT	1
013	PC	44680017	FUSE COVER	1
014	PC	44678557	STANDOFF-PC BOARD	4
015	PC	44682820	A C HARNESS ASSY	1
016	PC	44690794	POWER HARNESS	1
017	PC	44673530	LABEL-FUSE	1
018	PC	44673524	LABEL-MULTI LANGUAGE	1
019	PC	44690466	SPEC & ± 12 V PWR SUPPLY	REF
020	PC	44690463	± 12 V PWR SUPPLY LOGIC	REF
021	PC	44691793	LABEL PWB SERIALIZATION	1
901	PC	44690465	ASSY DWG DUAL PWR SUPPLY	REF
902	PC	00000070	HUDSON MATERIAL	REF

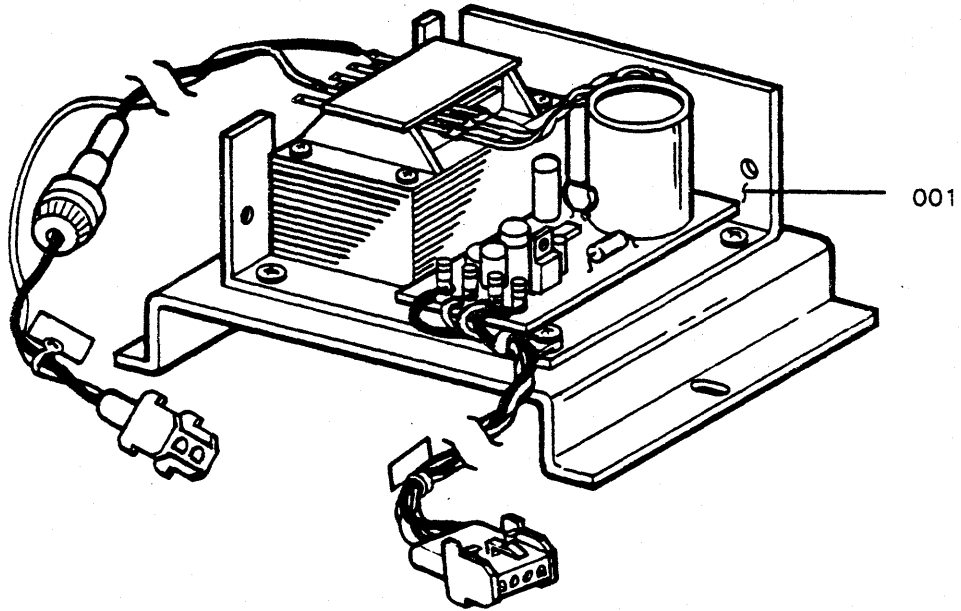
44691798 POWER SUPPLY 5 VOLT-3 AMP



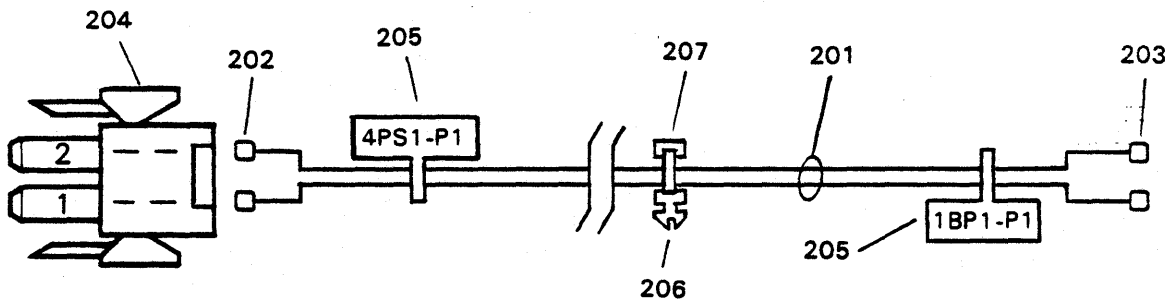
REF NUM	REV	TITLE
44691798	A	POWER SUPPLY 5-V/3-AMP

FND NUM	U/M	PART NUM	DESCRIPTION	NUM REQ
001	PC	72207401	POWER SUPPLY 5 VOLT 3 AMP	1
002	PC	44691784	POWER SUPPLY MOUNTNG BRKT	1
003	PC	44691796	POWER SUPPLY COVER	1
004	PC	44691769	A C HARNESS-4PS1	1
201	FT	91847429	WIRE-20 GA-TW PR 1+6	1.00
202	PC	51905900	CONTACT HOUSING 2 POS	1
203	PC	51905807	CONTACT PIN 24-18 GA	2
204	PC	94881400	FUSEHOLDER	1
205	PC	24521701	FUSE MDL 1/2 AMP	1
206	PC	94277409	TY-RAP LABEL	1
207	PC	94277400	TY-RAP	2
005	PC	44692124	D C HARNESS-4PS1	1
301	FT	91847122	WIREFP 14 GA 0-92	.500
302	FT	91847422	WIRE TP 20 GA 0-92	.500
303	PC	51905902	CONTACT HOUSING 4 POS	1
304	PC	51905809	CONTACT 14-20 GA MALE	4
305	PC	94277409	TY-RAP LABEL	1
306	PC	94277400	TY-RAP	1
006	PC	44685208	CAPTURE NUT # 8-32	4
007	PC	10127123	PAN HD # 8-32 x.500 L	4
008	PC	10127124	PAN HD # 8-32 x.625 L	1
009	PC	10127125	PAN HD # 8-32 x.750 L	1
010	PC	94277421	TY-RAPS MOUNTED	2
011	PC	94224667	LABEL GROUND (BLACK/WHITE)	2

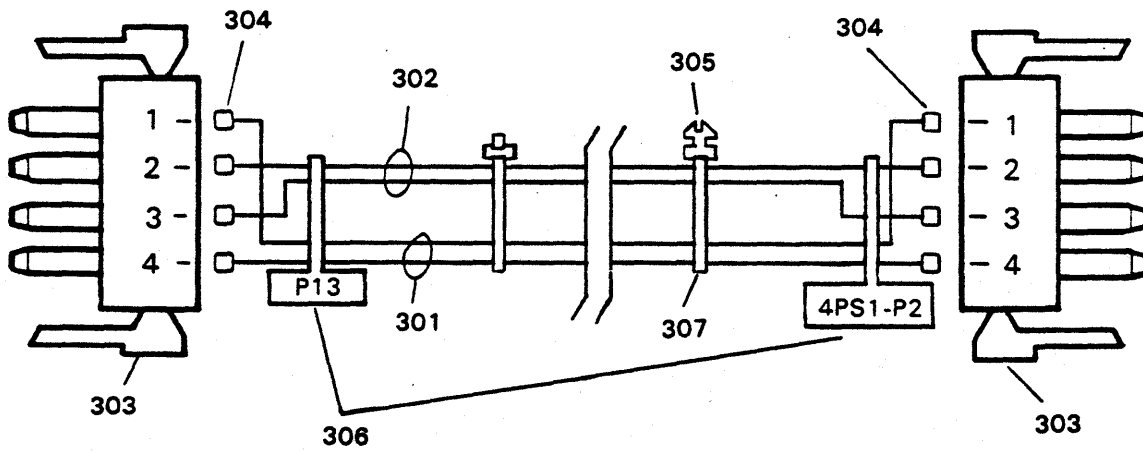
44691799 POWER SUPPLY 5 VOLT-3 AMP(OPTION)



002 A.C. HARNESS



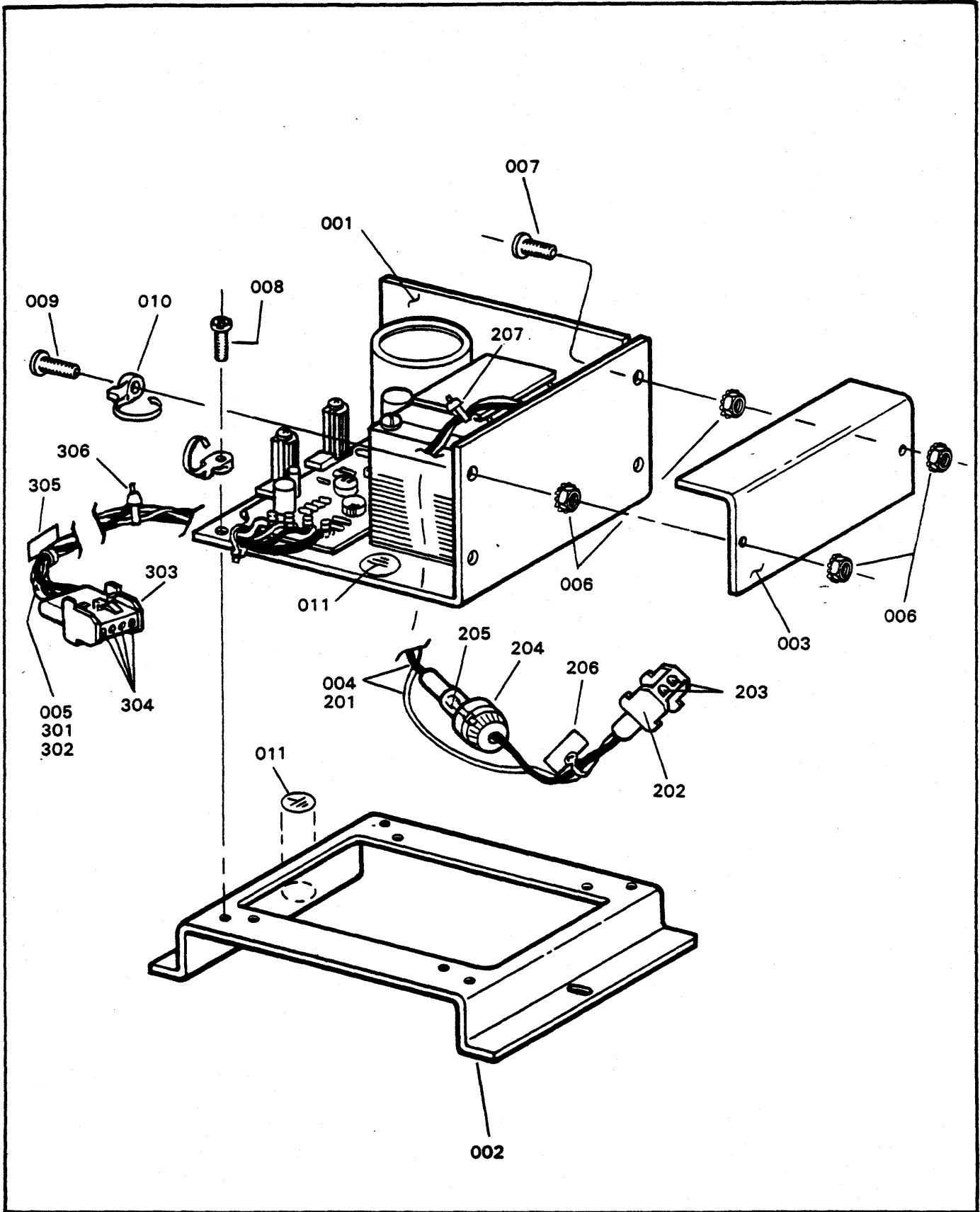
003 D.C. HARNESS



REF NUM	REV	TITLE
44691799	A	POWER SUPPLY 5-V/3-AMP(OPTION)

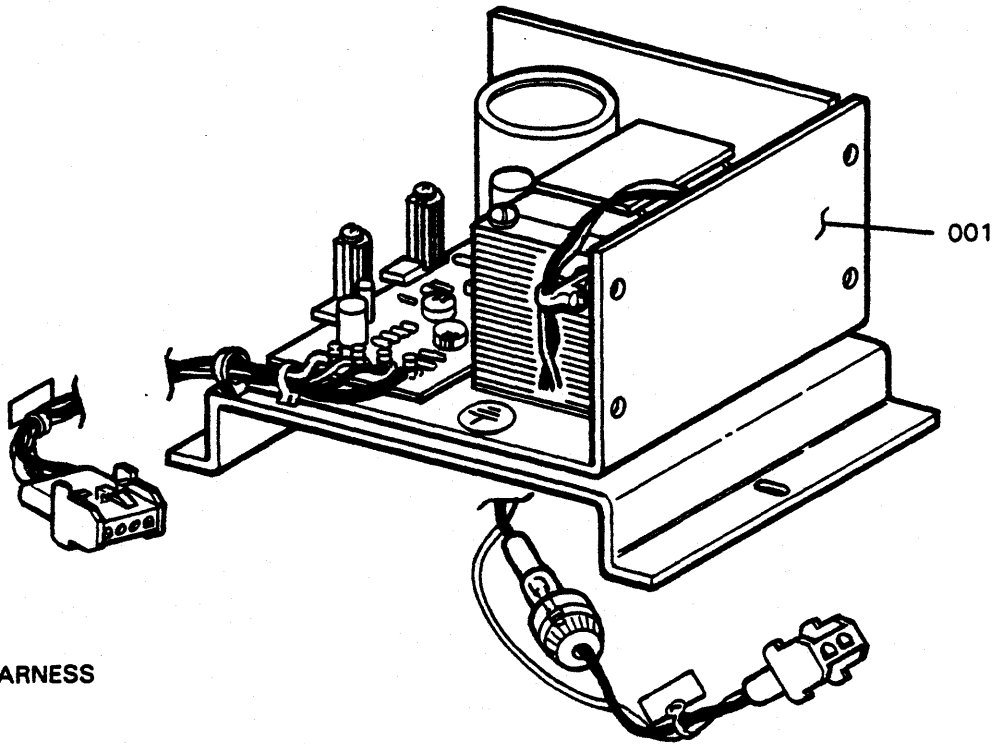
FND	NUM	U/M	PART NUM	DESCRIPTION	NUM
					REQ
	001	PC	44691798	POWER SUPPLY ASSY 5V/3 AMP	1
	002	PC	44691768	A C HARNESS OPTION	1
	201	PC	91847429	WIRE TW PR 1+6 20 GA	1.50
	202	PC	51906207	CONTACT SOCKET 24-18GA	2
	203	PC	96833301	CONTACT P.C. BOARD	2
	204	PC	51906000	CONNECTOR HOUSING	2
	205	PC	94277409	TY-RAP LABEL	2
	206	PC	94277400	TY-RAP	1
	207	PC	44688668	CLIP CABEL TIE	1
	003	PC	44692121	D C HARNESS OPTION 6 AMP	1
	301	PC	91847122	WIRE TP 14 GA 0-92	.900
	302	PC	91847122	WIRE TP 20 GA 0-92	.900
	303	PC	51906002	CONTACT HOUSING 4 POS	2
	304	PC	51906200	CONTACT 14-20 GA FEMALE	8
	305	PC	44688668	CLIP CABLE TIE	1
	306	PC	94277409	TY-RAP LABEL	2
	307	PC	94277400	TY-RAP	2
	004	PC	44685209	CAPTURE NUT #10	2
	005	PC	94277400	TY-RAP	4

44692120 POWER SUPPLY 5 VOLT-6 AMP

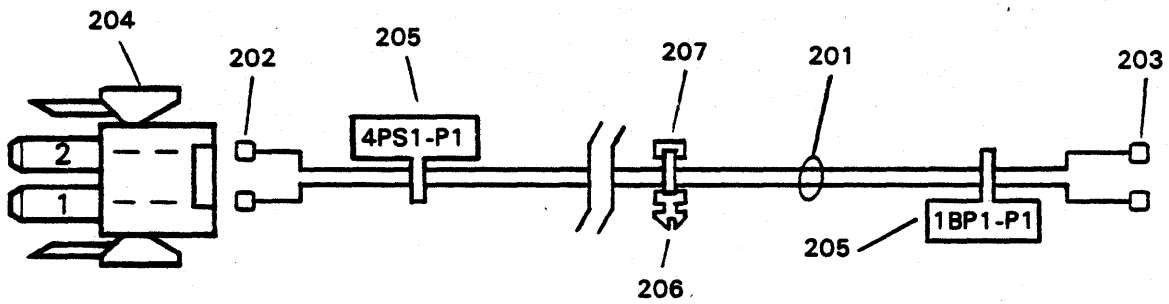


REF NUM REV TITLE
 44692120 B POWER SUPPLY 5-V/6-AMP

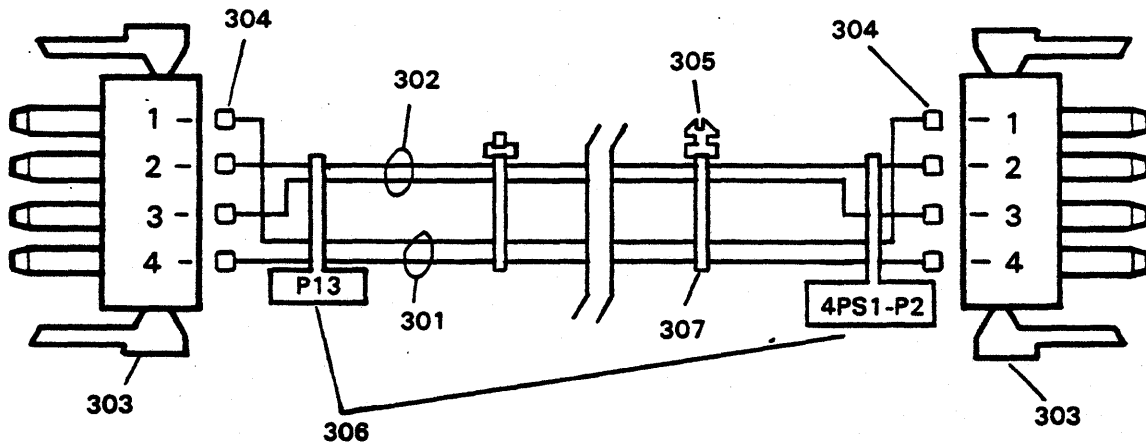
FND NUM	U/M	PART NUM	DESCRIPTION	NUM REQ
001	PC	44692422	POWER SUPPLY 5 VOLT 3 AMP	1
002	PC	44691784	POWER SUPPLY MOUNTNG BRKT	1
003	PC	44692122	POWER SUPPLY COVER	1
004	PC	44692123	A C HARNESS-4PS1	1
201	FT	91847429	WIRE-20 GA-TW PR 1+6	1.00
202	PC	51905900	CONTACT HOUSING 2 POS	1
203	PC	51905807	CONTACT PIN 24-18 GA	2
204	PC	94881400	FUSEHOLDER	1
205	PC	24521719	FUSE MDL 1/2 AMP	1
206	PC	94277409	TY-RAP LABEL	1
207	PC	94277400	TY-RAP	2
005	PC	44692124	D C HARNESS-4PS1	1
301	FT	91847122	WIRETP 14 GA 0-92	.500
302	FT	91847422	WIRE TP 20 GA 0-92	.500
303	PC	51905902	CONTACT HOUSING 4 POS	1
304	PC	51905809	CONTACT 14-20 GA MALE	4
305	PC	94277409	TY-RAP LABEL	1
306	PC	94277400	TY-RAP	1
006	PC	44685208	CAPTURE NUT # 8-32	4
007	PC	10127123	PAN HD # 8-32 x.500 L	4
008	PC	10127124	PAN HD # 8-32 x.625 L	1
009	PC	10127125	PAN HD # 8-32 x.750 L	1
010	PC	94277421	TY-RAPS MOUNTED	2
011	PC	94224667	LABEL GROUND (BLACK/WHITE)	2



002 A.C. HARNESS



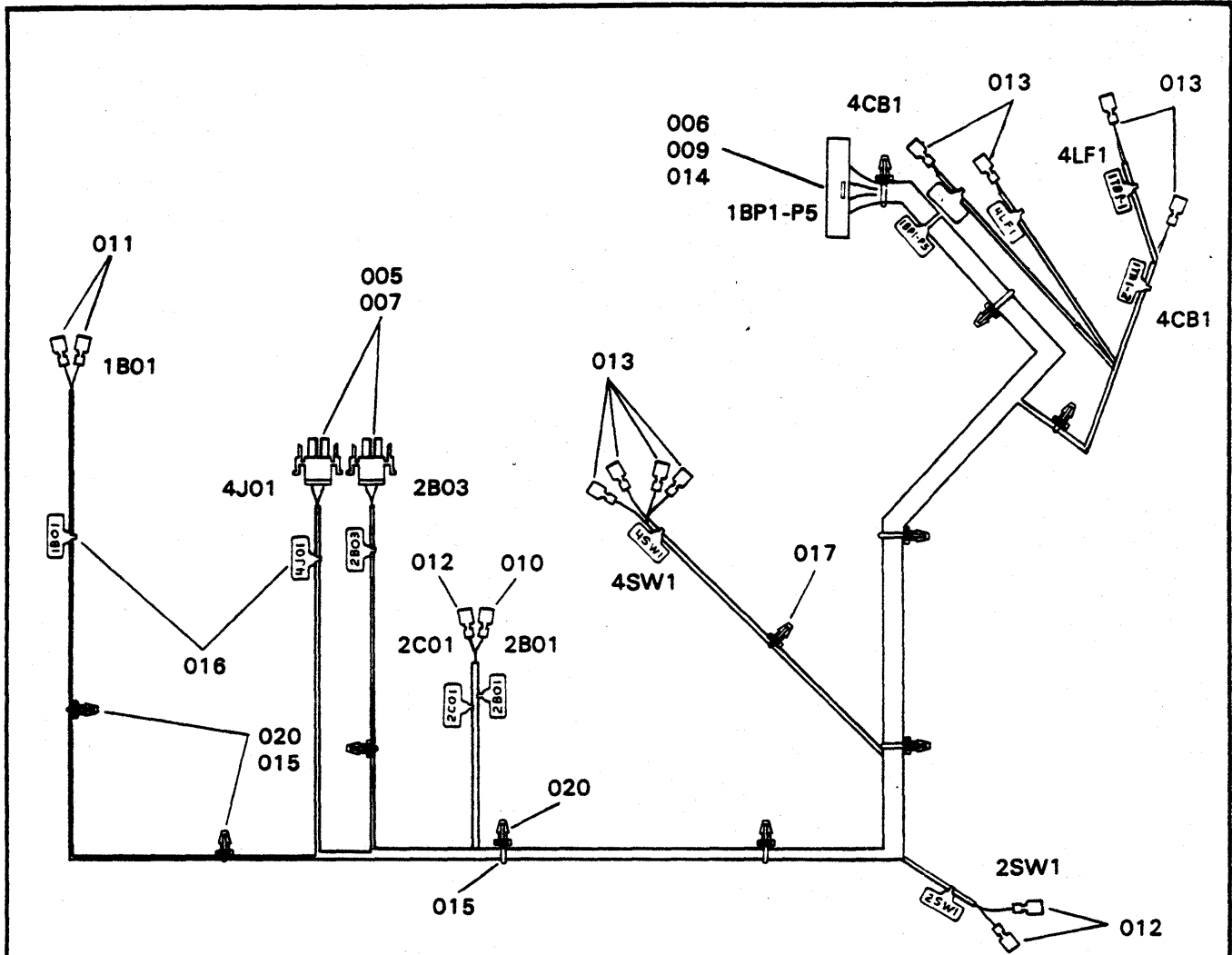
003 D.C. HARNESS



REF NUM	REV	TITLE
44692119	A	POWER SUPPLY 5-V/6-AMP(OPTION)

FND NUM	U/M	PART NUM	DESCRIPTION	NUM REQ
001	PC	44692120	POWER SUPPLY ASSY 5V/3 AMP	1
002	PC	44691768	A C HARNESS OPTION	1
201	PC	91847429	WIRE TW PR 1+6 20 GA	1.50
202	PC	51906207	CONTACT SOCKET 24-18GA	2
203	PC	96833301	CONTACT P.C. BOARD	2
204	PC	51906000	CONNECTOR HOUSING	2
205	PC	94277409	TY-RAP LABEL	2
206	PC	94277400	TY-RAP	1
207	PC	44688668	CLIP CABEL TIE	1
003	PC	44692121	D C HARNESS OPTION 6 AMP	1
301	PC	91847122	WIRE TP 14 GA 0-92	.900
302	PC	91847122	WIRE TP 20 GA 0-92	.900
303	PC	51906002	CONTACT HOUSING 4 POS	2
304	PC	51906200	CONTACT 14-20 GA FEMALE	8
305	PC	44688668	CLIP CABLE TIE	1
306	PC	94277409	TY-RAP LABEL	2
307	PC	94277400	TY-RAP	2
004	PC	44685209	CAPTURE NUT #10	2
005	PC	94277400	TY-RAP	4

A.C. HARNESS ASSEMBLY



REF NUM REV TITLE
 44692447 A CZ AC HARNESS (LW400/800)

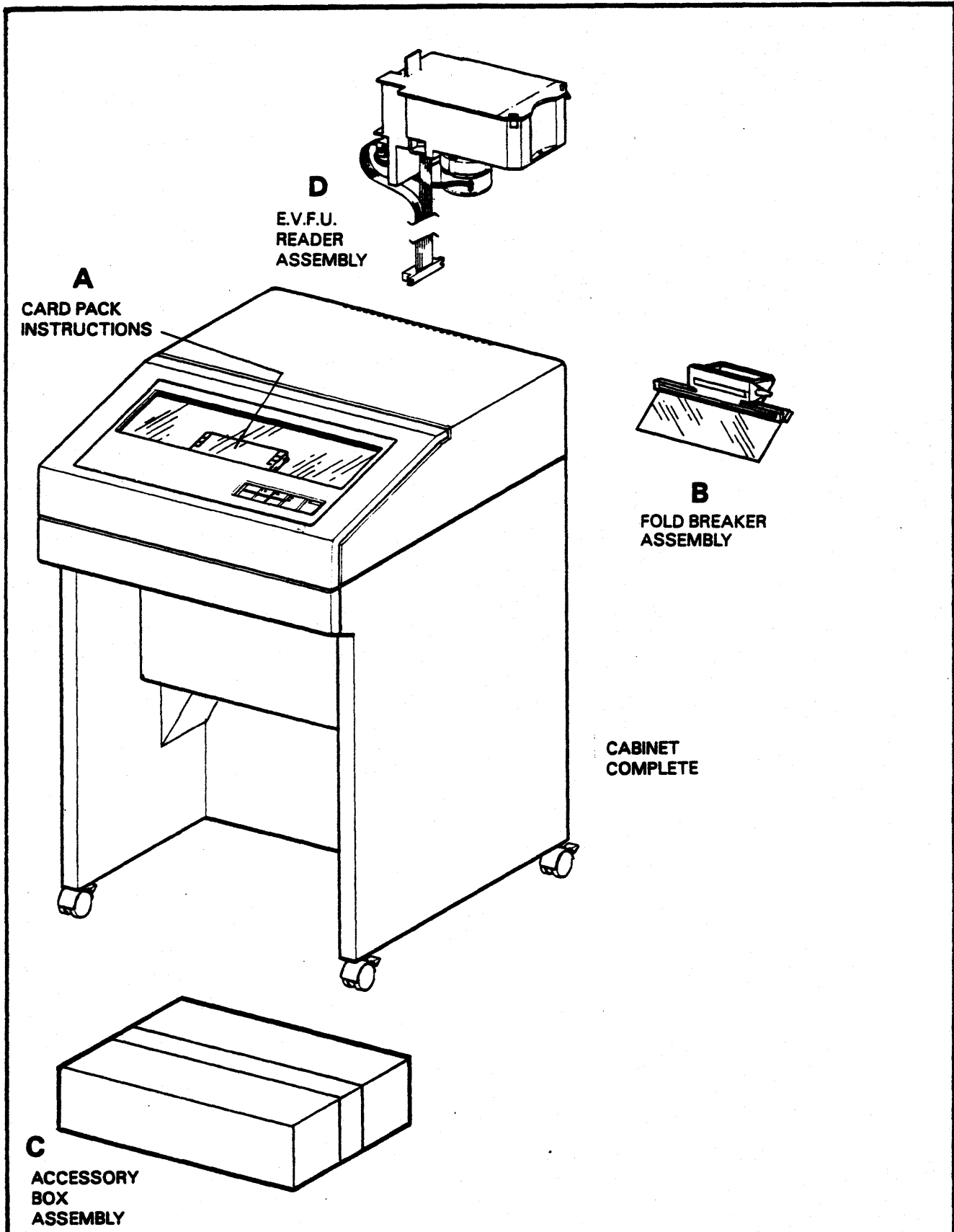
FND NUM	U/M	PART NUM	DESCRIPTION	NUM REQ
005	PC	51906000	CONNECTOR HSG	2
006	PC	44671478	P.C. EDGE CONNECTOR	1
007	PC	51906207	CONTACT, SOCKET, 24-18GA	4
009	PC	95683301	CONTACT P.C. BD	8
010	PC	44682409	MALE FASTON	1
011	PC	95447906	FASTON-110	2
012	PC	95447910	FASTON .250 INSULATED	3
013	PC	95447916	.250 FASTON, INSULATED	8
014	PC	44678579	KEYING PLUG-PC CONN	1
015	PC	94277400	TY-RAP	13
016	PC	94277409	TYRAPS	13
017	PC	76643500	MOUNT-TIE RAP	6
018	PC	94818103	MARKER NO. 3	1
019	PC	94818103	MARKER NO. 4	1
020	PC	44688668	CLIP CABLE TIE	6

THIS ILLUSTRATION APPLIES TO PRINTERS WITH SERIAL NUMBERS \geq 7169 (LW400) AND \geq 2200 (LW800).

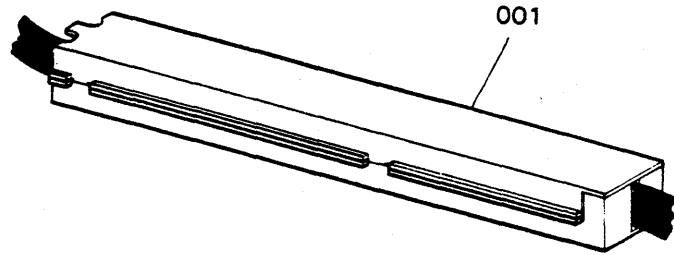
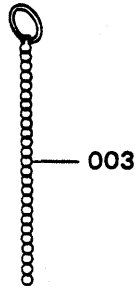
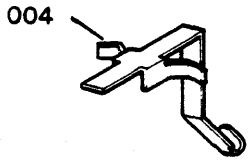
SECTION 4 TOP LEVEL ASSEMBLIES (TLA's) 400/800

● TLA'S - LW 400	4-2
● TLA'S - LW 800	4-7
● ACCESSORY BOX ASSEMBLIES	4-12
● CABINET COMPLETE SKINNING & PEDESTAL FINAL ASSEMBLIES	4-15
● CABINET COMPLETE SKINNING & PEDESTAL FINAL ASSEMBLIES QUIET CABINET - LW 400	4-17
● CABINET COMPLETE SKINNING & PEDESTAL FINAL ASSEMBLIES QUIET CABINET - LW 800	4-20
● CABINET COMPLETE ACOUSTICS	4-22
● CABINET COMPLETE - COMMON	4-26
● PRINTER FINAL ASSEMBLIES - LW 400	4-28
● PRINTER FINAL ASSEMBLIES - LW 800	4-33
● BASKET - PAPER ASSEMBLY COMPLETE	4-36
● CABINET COLOR CHART	4-38
● FOLD BREAKER COMPLETE	4-40

TOP LEVEL ASSEMBLIES (TLA's)



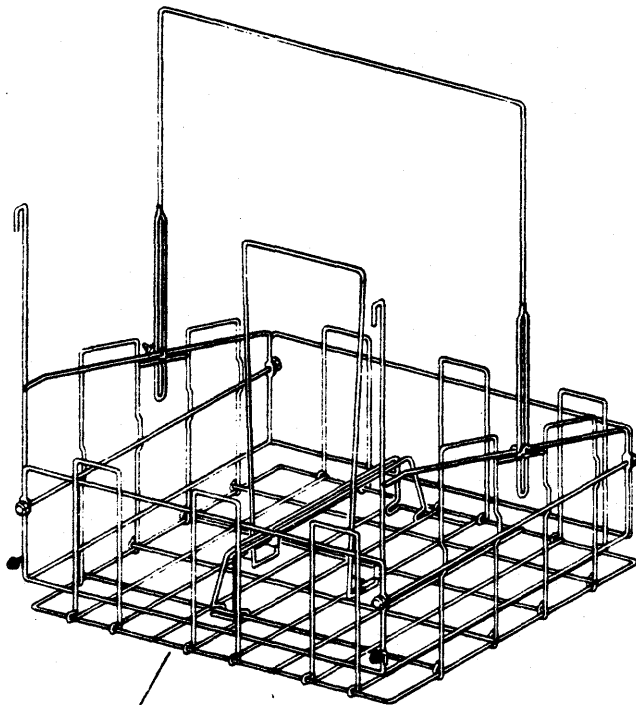
ACCESSORY BOX ASSEMBLIES



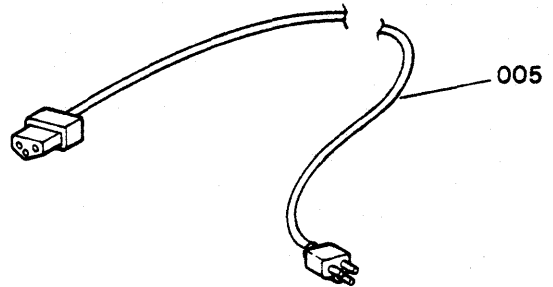
016

KIT - FIRST LINE

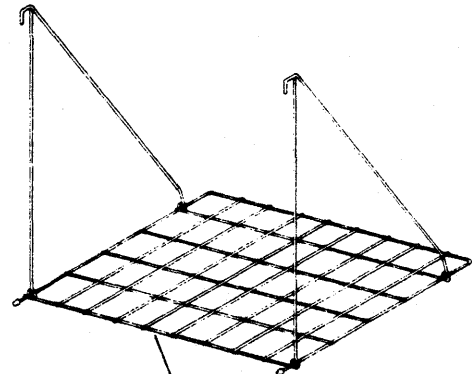
PART NUM	DESCRIPTION	QTY
24521729	FUSE 4A	2
24521730	FUSE 5A	2
24521732	FUSE 8A	2
24521733	FUSE 10A	2



002

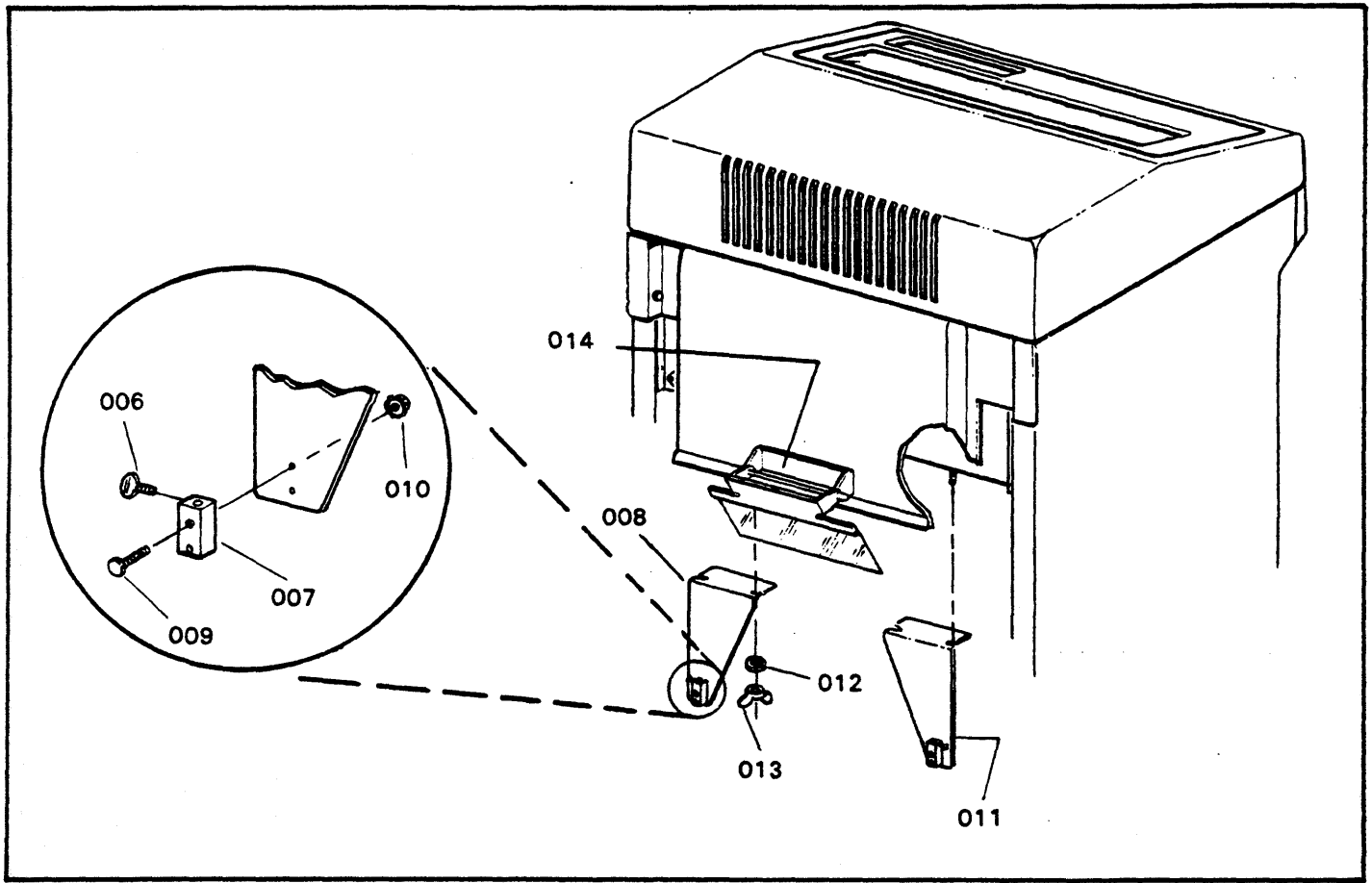


005



015

ACCESSORY BOX ASSEMBLIES



REF NUM 44691738 REV E TITLE ACCESSORY BOX (INACTIVE)

FND NUM	U/M	PART NUM	DESCRIPTION	NUM REQ
001	PC	44688116	RIBBON CASSETTE ASSY	1
002	PC	44692037	PAPER BASKET ASSY	1
003	PC	44689560	CHAIN-PAPER STACKING	2
004	PC	44690309	HOOK PAPER CHAIN	2
005	PC	76628704	E+D POWER-CORD (3 COND.)	1
006	PC	44673178	THUMB SCREW	2
007	PC	44675270	BLOCK BASKET MTNG	2
008	PC	44692039	BRACKET BASKET SUPPORT-LH	1
009	PC	10125020	SCR HEX HD 6-32x.875	4
010	PC	44685207	NUT 6-32 KEP	4
011	PC	44692038	BRACKET BASKET SUPPORT-RH	1
012	PC	10125609	WASHER PLAIN 5/16	2
013	PC	93031003	WING NUT	2
014	PC	44692022	ASSY-FOLD BREAKER	1

REF NUM 44692092 REV B TITLE ACCESSORY BOX

FND NUM	U/M	PART NUM	DESCRIPTION	NUM REQ
001	PC	44688116	RIBBON CASSETTE ASSY	1
002	PC	44692037	PAPER BASKET ASSY	1
003	PC	44689560	CHAIN PAPER STACKING	2
004	PC	44690309	HOOK PAPER CHAIN	2
005	PC	76628704	E+D POWER-CORD (3 COND.)	1

REF NUM 44692093 REV B TITLE ACCESSORY BOX

FND NUM	U/M	PART NUM	DESCRIPTION	NUM REQ
001	PC	44688116	RIBBON CASSETTE ASSY	1
002	PC	44692037	PAPER BASKET ASSY	1
005	PC	76628704	CORD-POWER (3 CONDUCTOR)	1

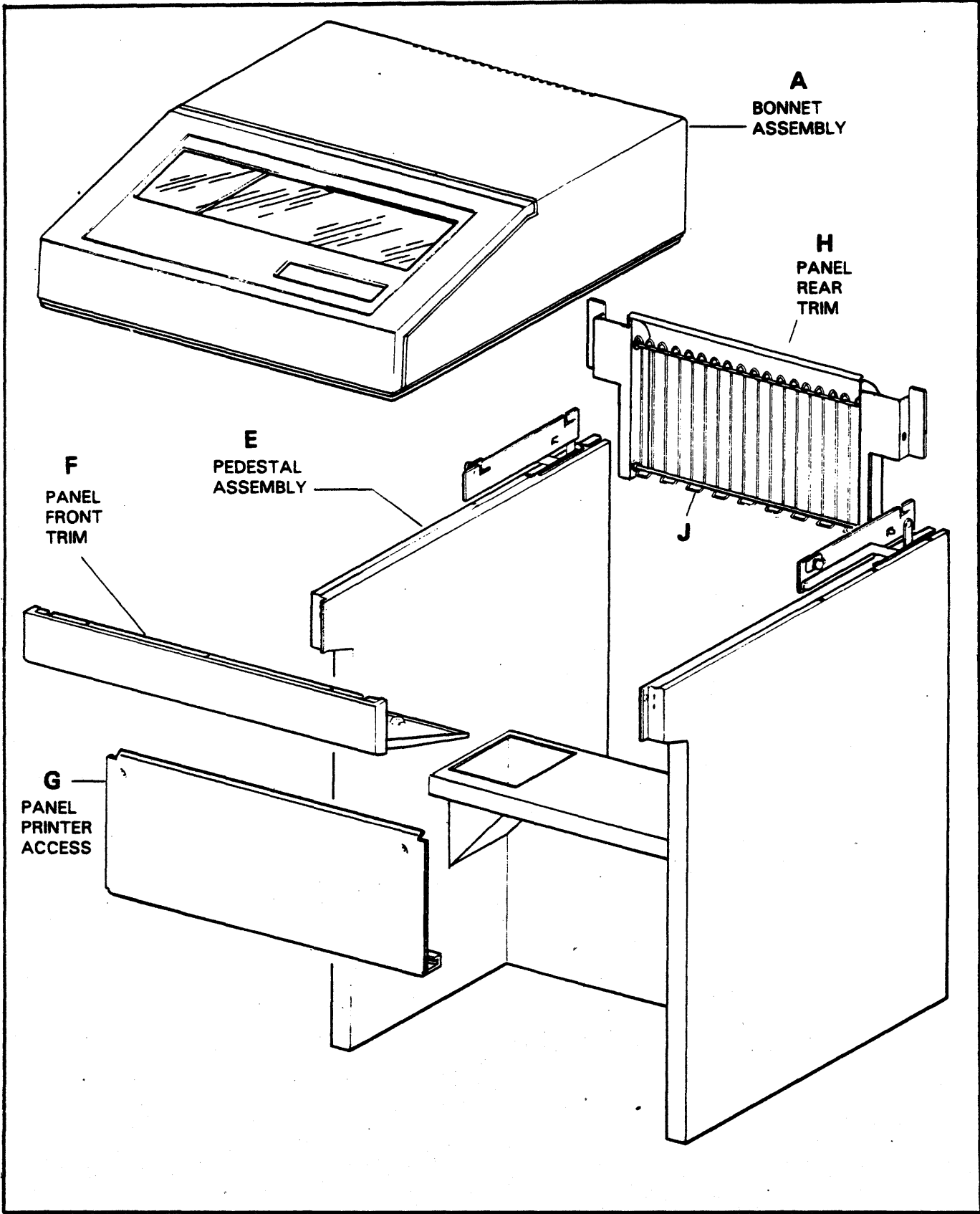
REF NUM 44692094 REV A TITLE ACCESSORY BOX

FND NUM	U/M	PART NUM	DESCRIPTION	NUM REQ
001	PC	44688116	RIBBON CASSETTE ASSY	1
005	PC	76628704	CORD POWER-3 CONDUCTORS	1
015	PC	44690358	PLATFORM ASSY-PAPER	1

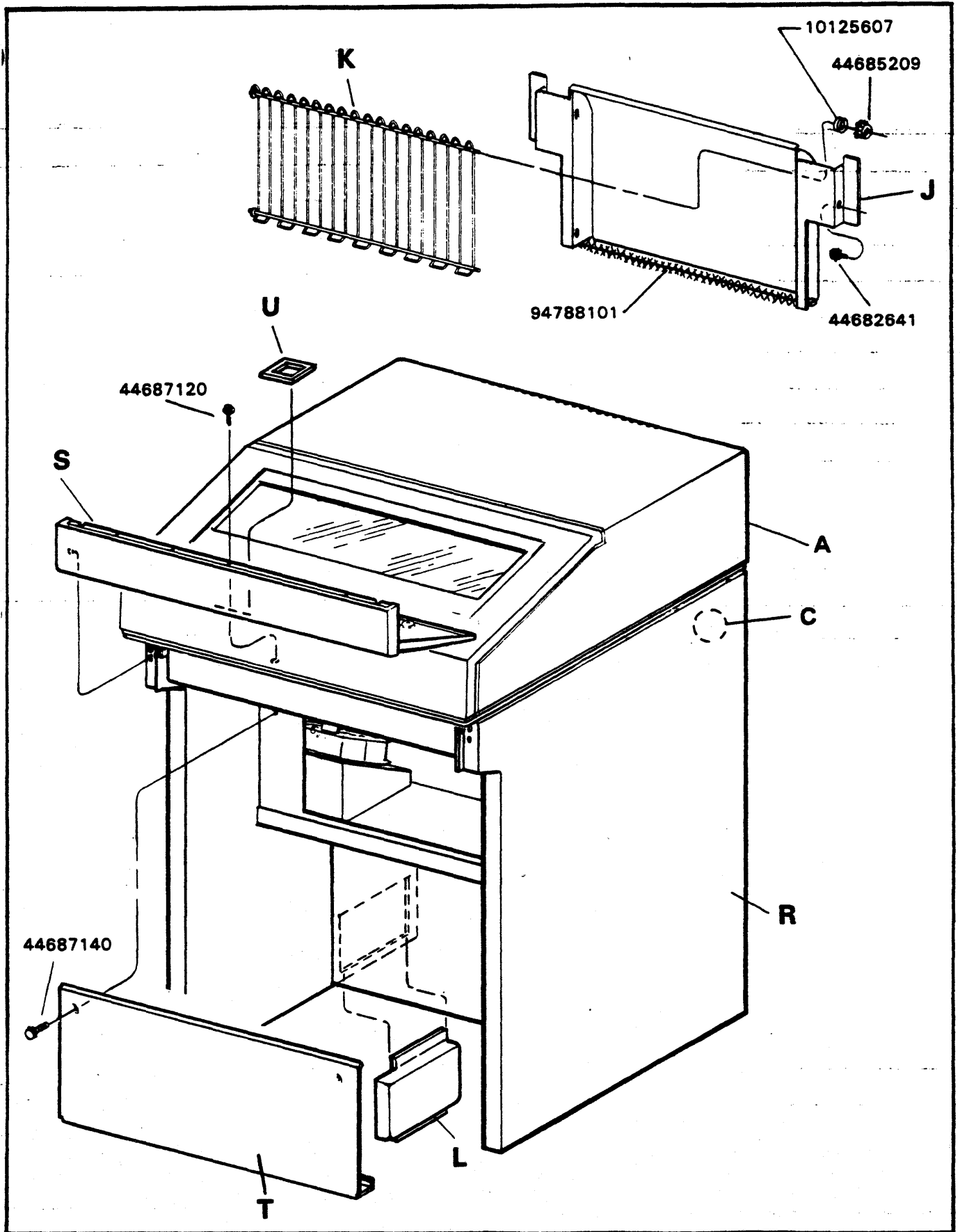
REF NUM 44692095 REV B TITLE ACCESSORY BOX

FND NUM	U/M	PART NUM	DESCRIPTION	NUM REQ
001	PC	44688116	RIBBON CASSETTE ASSY	1
002	PC	44688646	BASKET-PAPER ASSY	1
016	PC	44690310	KIT-FIRST LINE	1

**CABINET COMPLETE SKINNING &
PEDESTAL FINAL ASSEMBLIES**



CABINET COMPLETE SKINNING &
PEDESTAL FINAL ASSEMBLIES
(QUIET CABINET)



**CABINET COMPLETE SKINNING &
PEDESTAL FINAL ASSEMBLIES
(QUIET CABINET)-LW400**

				59819404 ICL	59819405 ICL	59819406 OEM	59819407 CDC	59819408 CDC	59819409 OEM	59819410 OEM
A	CABINET COMPLETE SKINNING LW400									
	BONNET ASSY COMPLETE			44691314	59819594	44691313	44691316	59819577	59819552	59819552
	CABINET COMP. COMMON			59819499	59819499	59819499	59819499	59819499	59819499	59819499
	CHECKOUT & REF. DOCUMENTS			44688689	44690313	44690314	44688677	44690359	44685782	44690364
C	LABEL POWER ID				44688142			44688142	44688142	44688142
J	REAR PANEL TRIM			44691273	44691273	44691273	44691273			
K	GUIDE PAPER EXIT			44691065		44691065	44691065			
L	COVER AIR INLET									
M										
N	LOGO			44690316	44690313					
O	LABEL			44671857	44671857					
P	LABEL			44671858	44671858					
Q	LABEL			44674224	44674224					
U	GUARD SEAL						51918373			
	PEDESTAL FINAL ASSY			59832513	59832503	59832510	59832511	59832501	59832500	59832500



PEDESTAL FINAL ASSEMBLY-400

				59832513 ICL	59832503 ICL	59832510 OEM	59832511 CDC	59832501 CDC	59832500 OEM	59832500 OEM
R	PEDESTAL FINAL ASSY LW400									
	PEDESTAL ASSY COMPLETE			59835496	59835496	59835451	59835475	59831175	59835451	59831151
S	PANEL-FRONT TRIM			59832196	59832196	59832151	59832175	59832175	59832151	59832151
T	PANEL-PNTR ACCESS			59833396	59833396	59833351	59833375	59833375	59833351	59833351

**CABINET COMPLETE SKINNING &
PEDESTAL FINAL ASSEMBLIES
(QUIET CABINET)-LW400**

	CABINET COMPLETE SKINNING LW400	59819411 OEM	59819412 BRAEGEN	59830900 NCR							
A	BONNET ASSY COMPLETE	59819552	44691309	44691391							
	CABINET COMP. COMMON	59819499	59819499	59819499							
	CHECKOUT & REF. DOCUMENTS	44690365		44689547							
C	LABEL POWER ID	44688142									
J	REAR PANEL TRIM	44691273	44691273	44691273							
K	GUIDE PAPER EXIT COVER	44691065	44691065	44691065							
	AIR INLET			44692015							
M											
N	LOGO		44691299	44692140							
O	LABEL			44676561							
P	LABEL										
Q	LABEL										
U	GUARD SEAL			44691834							
	PEDESTAL FINAL ASSY	59832500	59832515	59832520							



PEDESTAL FINAL ASSEMBLY - 400

	PEDESTAL FINAL ASSY LW400	59832500 OEM	59832515 BRAEGEN	59832520 NCR							
R	PEDESTAL ASSY COMPLETE	59831151	59835428	59835402							
S	PANEL-FRONT TRIM	59832151	59832128	59833403							
T	PANEL-PRNTR ACCESS	59833351	59833328	59833302							

**CABINET COMPLETE SKINNING
PEDESTAL FINAL ASSEMBLY - 800**

		59833501 CDC	59833502 OEM	59833503 ICL	59833504 NCR	59833505 OEM				
A	CABINET COMPLETE SKINNING LW800									
	BONNET ASSY COMPLETE	44691316	44691313	44691314	44691391	44691313				
	CABINET COMP. COMMON	59833599	59835599	59835599	59835599	59833599				
	CHECKOUT & REF. DOCUMENTS									
C	LABEL POWER ID									
J	REAR PANEL TRIM	44691273	44691273	44691273	44691273	44691273				
K	GUIDE PAPER EXIT	44691065	44691065	44691065	44691065					
M										
N	LOGO			44690316	44692140					
O	LABEL	22213400		44671857						
P	LABEL			44671858						
Q	LABEL			44674224						
U	GUARD SEAL	51918373								
	COVER AIR INLET									
	PEDESTAL FINAL ASSY	59832511	59832510	59832513	59832520	59832510				



PEDESTAL FINAL ASSEMBLIES - LW800

		59832511 CDC	59832510 OEM	59832513 ICL	59832520 NCR	59832510 OEM				
R	PEDESTAL FINAL ASSY LW800									
	PEDESTAL ASSY COMPLETE	59835475	59835451	59835496	59835402					
S	PANEL-FRONT TRIM	59832175	59832151	59832196	59833402					
T	PANEL-PRNTR ACCESS	59833375	59833351	59833396	59833302					

**CABINET COMPLETE SKINNING
PEDESTAL FINAL ASSEMBLY - 800**

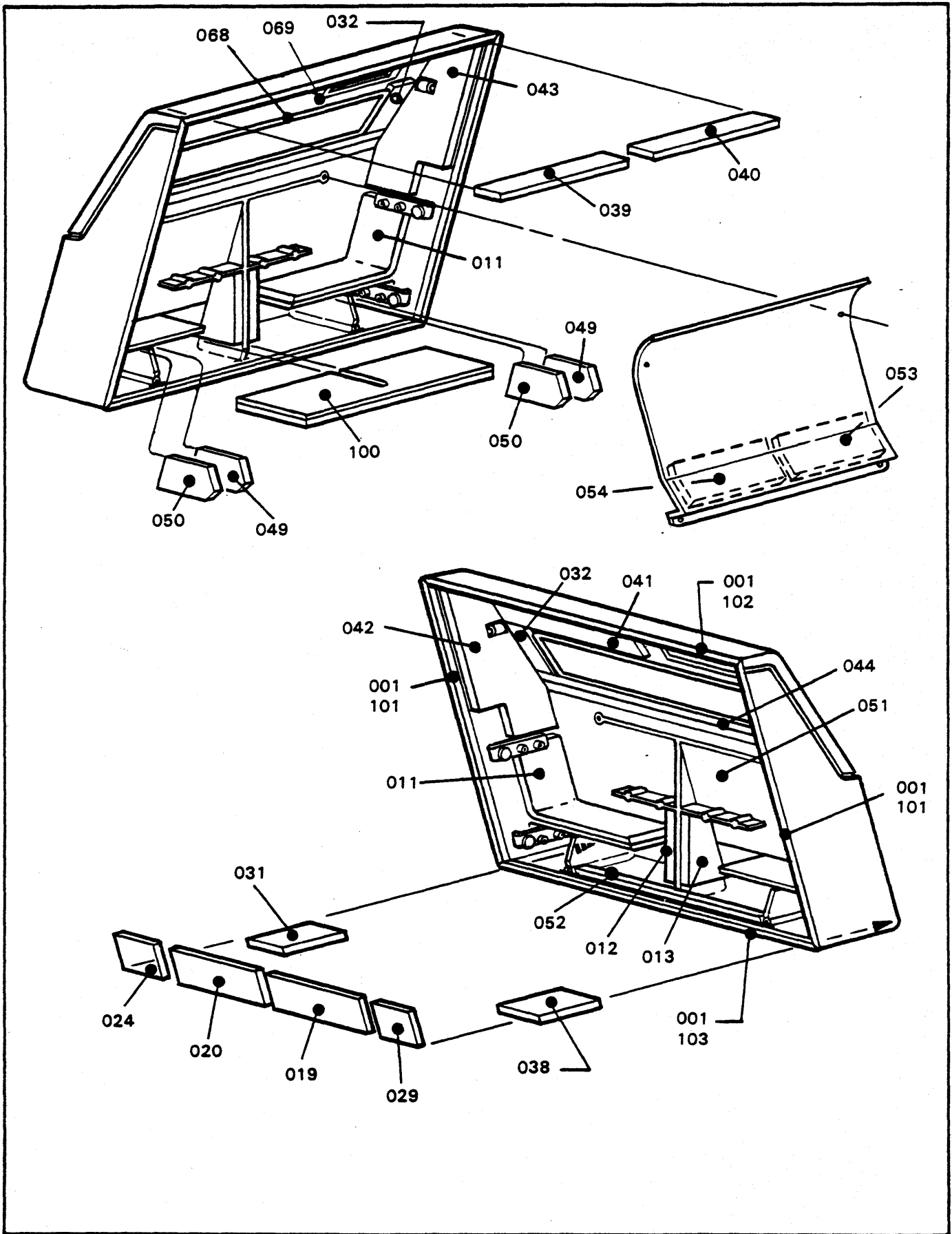
	CABINET COMPLETE SKINNING LW800																			
A	BONNET ASSY COMPLETE																			
	CABINET COMP. COMMON																			
	CHECKOUT & REF. DOCUMENTS																			
C	LABEL POWER ID																			
J	REAR PANEL TRIM																			
K	GUIDE PAPER EXIT COVER																			
L	AIR INLET																			
N	LOGO																			
O	LABEL																			
P	LABEL																			
Q	LABEL																			
U	GUARD SEAL																			
	PEDESTAL FINAL ASSY																			



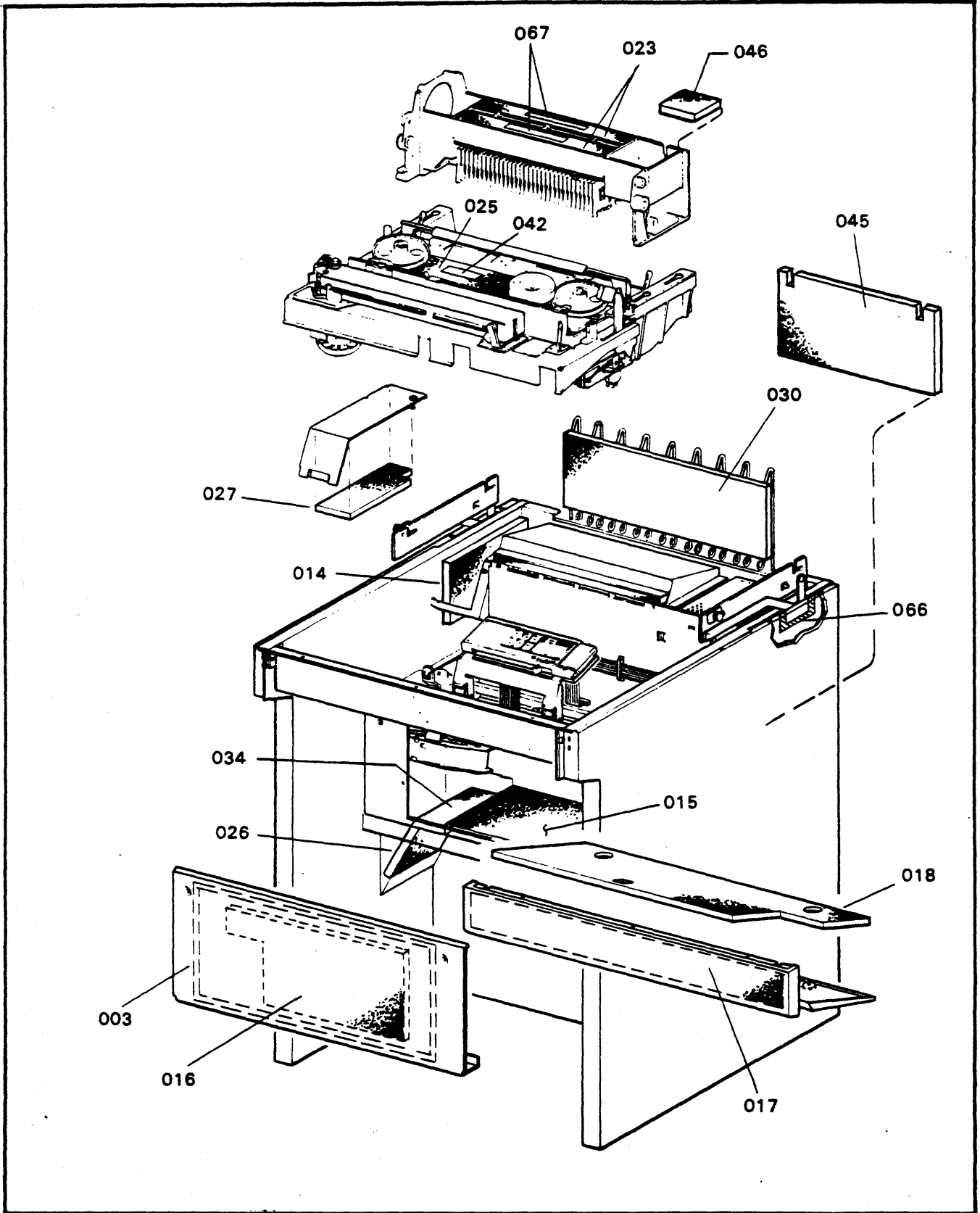
PEDESTAL FINAL ASSEMBLIES - LW800

	PEDESTAL FINAL ASSY LW800																			
R	PEDESTAL ASSY COMPLETE																			
S	PANEL-FRONT TRIM																			
	PANEL-PRNTR ACCESS																			

ACOUSTIC FOAM

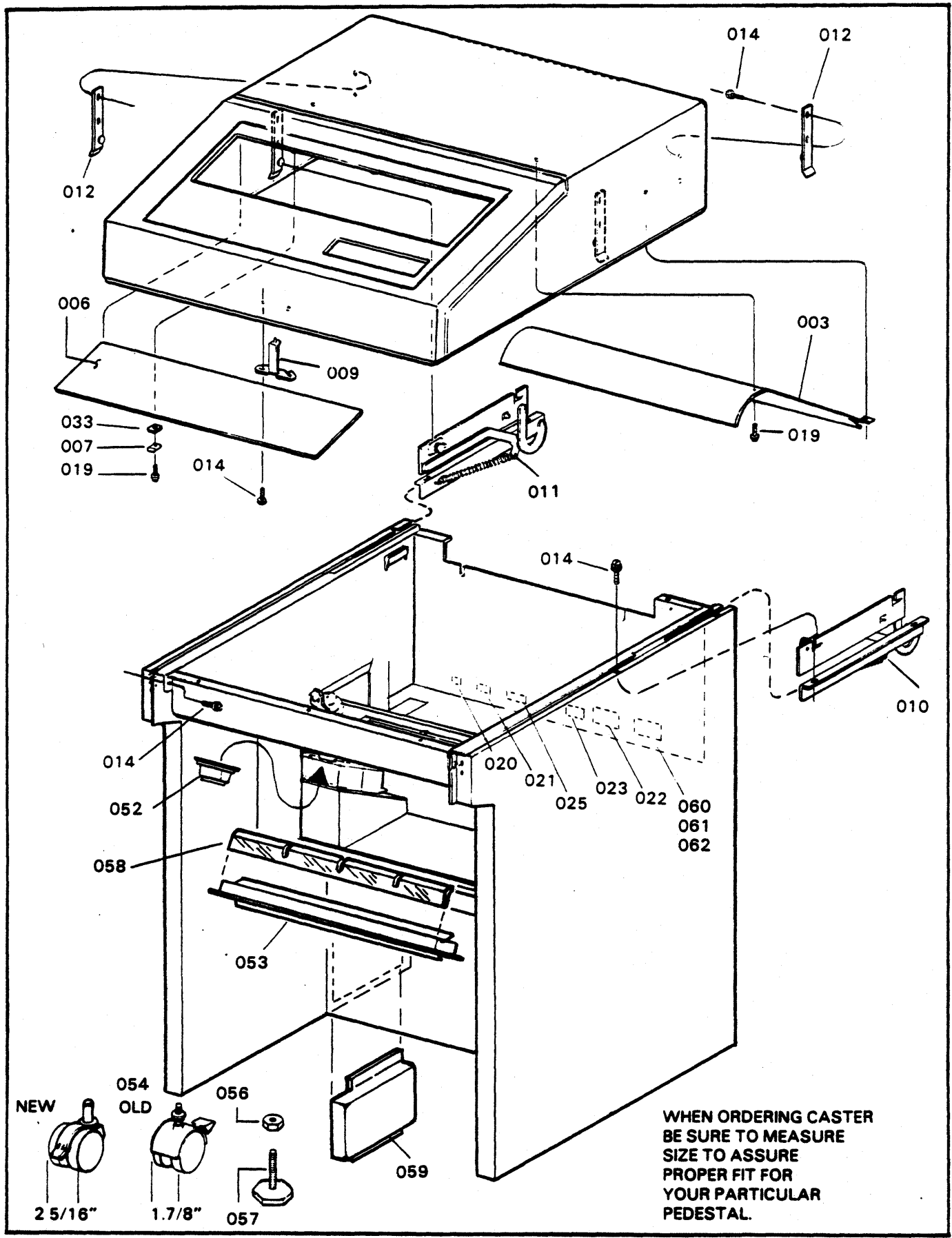


ACOUSTIC FOAM



REF NUM REV TITLE
ACOUSTIC FOAM

FND NUM	U/M	PART NUM	DESCRIPTION	NUM REQ
001	OZ	44690907	SILICONE ADHESIVE	AR
002	PC	44691953	ADHESIVE-PRESSURE SENSITIVE	AR
003	FT	44689781	SEAL-CLAD FOAM	5
006	PC	44692206	ACOUSTIC FOAM BONNET TOP R	1
007	PC	44692207	ACOUSTIC FOAM BONNET TOP LS	1
008	PC	44692208	ACOUSTIC FOAM BONNET LEFT FRONT	1
009	PC	44692209	ACOUSTIC FOAM BONNET FRONT	1
010	PC	44692210	ACOUSTIC FOAM BON L TOP FR	1
011	PC	44692211	ACOUSTIC FOAM BAFFLE	2
012	PC	44692212	ACOUSTIC FOAM VERT L CENTER	1
013	PC	44692213	ACOUSTIC FOAM VERT R CENTER	1
014	PC	44692214	ACOUSTIC FOAM CHASSIS L REAR	1
015	PC	44692215	ACOUSTIC FOAM CHASSIS BOTTOM	1
016	PC	44692216	ACOUSTIC FOAM ACCESS PANEL	1
017	PC	44692217	ACOUSTIC FOAM FRONT TRIM UP	1
018	PC	44692218	ACOUSTIC FOAM FRONT TRIM LOW	1
019	PC	44692219	ACOUSTIC FOAM TOP R REAR IN	1
020	PC	44692220	ACOUSTIC FOAM TOP L REAR IN	1
023	PC	44692223	ACOUSTIC FOAM HAM BANK	2
024	PC	44692224	ACOUSTIC FOAM TOP L REAR OUT	2
025	PC	44692225	ACOUSTIC FOAM BAS CASTING	1
026	PC	44692226	ACOUSTIC FOAM FAN CHUTE	1
027	PC	44692227	ACOUSTIC FOAM REAR FAN COVER	1
029	PC	44692229	ACOUSTIC FOAM TOP R REAR OUT	1
030	PC	44692230	ACOUSTIC FOAM LOW R PAP GUIDE	1
031	PC	44692231	ACOUSTIC FOAM BONNET BACK LEFT	1
032	PC	44692232	ACOUSTIC FOAM BON TOP L+R	2
033	PC	44692233	ACOUSTIC FOAM BONNET TOP L	1
034	PC	44692234	ACOUSTIC FOAM PAN CHUTE	1
035	PC	44692235	ACOUSTIC FOAM BONNET RT FRONT	1
038	PC	44692238	ACOUSTIC FOAM BONNET BACK RT	1
041	PC	44676681	TAPE TEFLON	1
042	PC	44692242	ACOUSTIC FOAM BONNET LEFT SIDE	1
043	PC	44692243	ACOUSTIC FOAM BONNET RT SIDE	1
044	PC	44692244	ACOUSTIC FOAM BONNET TOP	1
045	PC	44692245	ACOUSTIC FOAM-REAR CHASSIS	1
046	PC	44692246	ACOUSTIC FOAM-HAMMER SHIFT MOTOR	1
049	PC	44692249	ACOUSTIC FOAM EAR MUFF	2
050	PC	44692250	ACOUSTIC FOAM EAR MUFF	2
051	PC	44692251	ACOUSTIC FOAM UP PAPER GUIDE	2
052	PC	44692252	ACOUSTIC FOAM UP PAPER GUIDE REAR	2
053	PC	44692253	ACOUSTIC FOAM RT REAR BAFFLE	2
054	PC	44692254	ACOUSTIC FOAM LT REAR BAFFLE	2
066	PC	44676681	TAPE TEFLON	1
067	PC	44690336	LABEL-LOOSE PART	3
068	FT	44689782	SEAL-CLAD FOAM	6
069	PC	44692318	FOAM SEAL-CONTROL PANEL	1
100	PC	44692059	BAFFLE EXHAUST	1
101	FT	44691992	SEAL BONNET	2
102	FT	44691993	SEAL BONNET FRONT	1
103	FT	44691994	SEAL BONNET REAR	1



REF NUM REV TITLE
59819499 Y CABINET COMP COMMON-LW400

REF NUM REV TITLE
59833599 L CABINET COMP COMMON-LW800

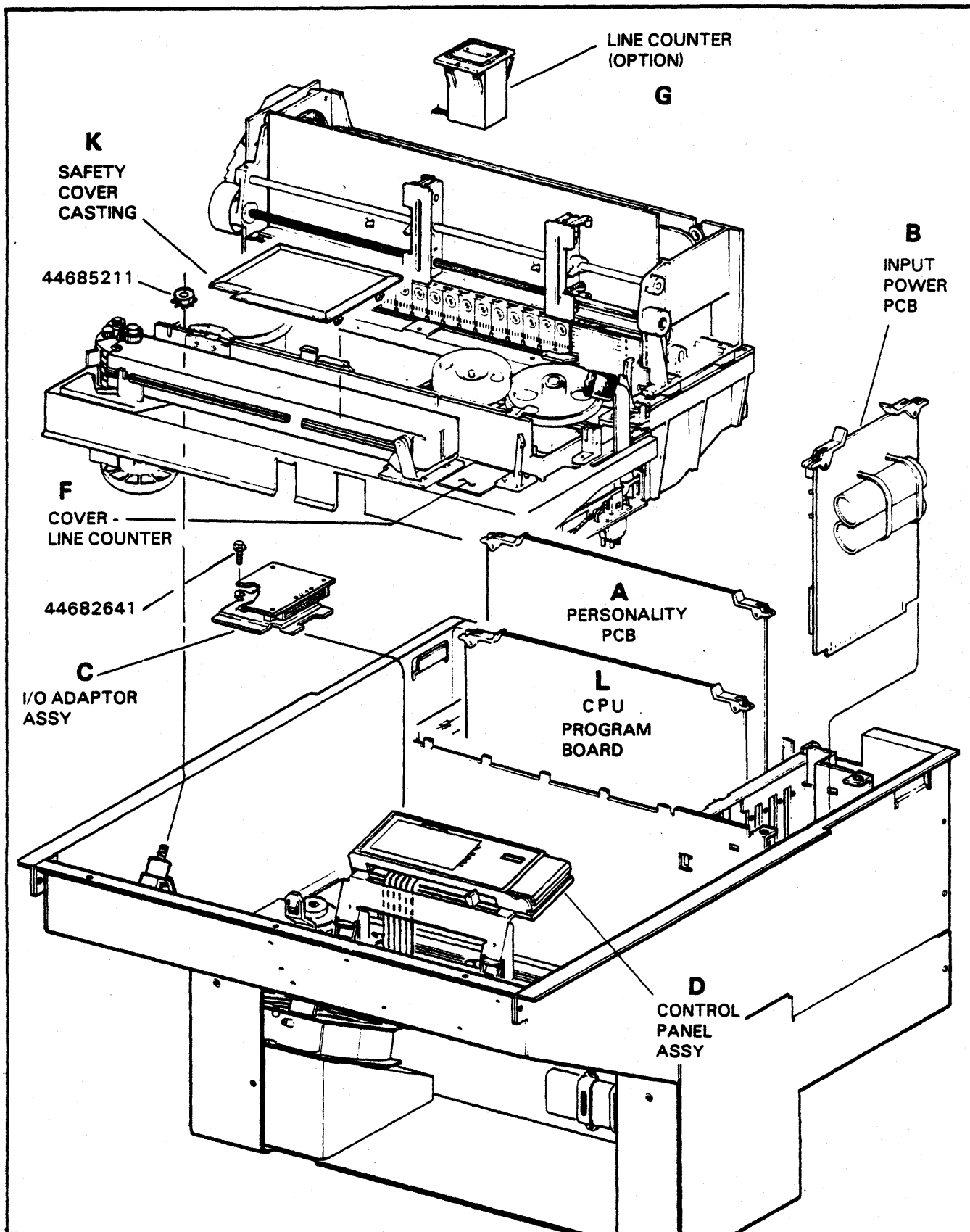
FND NUM	NUM U/M	PART NUM	DESCRIPTION	REQ	FND NUM	NUM U/M	PART NUM	DESCRIPTION	REQ
003	PC	44691443	GUIDE-UPPER FRONT PAPER	1	003	PC	44691443	GUIDE-UPPER FRONT PAPER	1
006	PC	44670205	WINDOW ACCESS	1	006	PC	44670205	WINDOW ACCESS	1
007	PC	44689535	CLAMP-GLASS	6	007	PC	44689535	CLAMP-GLASS	6
009	PC	44688614	CATCH-ASSY BONNET	1	009	PC	44688614	CATCH-ASSY BONNET	1
010	PC	44691095*	COUNTER BALANCE ASSY R.H.	1	010	PC	44691095*	COUNTER BALANCE ASSY R.H.	1
011	PC	44691096*	COUNTER BALANCE ASSY L.H.	1	011	PC	44691096*	COUNTER BALANCE ASSY L.H.	1
012	PC	44688607	PLATE-BONNET MOUNTING	4	012	PC	44688607	PLATE-BONNET MOUNTING	4
014	PC	44687140	SCREW 10-24X.38 THD FORM	28	014	PC	44687140	SCREW 10-24X.38 THD FORM	28
019	PC	44687120	SCREW 6-32X.38 HX SLTD	19	019	PC	44687120	SCREW 6-32X.38 HX SLTD	24
020	PC	44689490	LABEL UL LISTING	1	020	PC	44689490	LABEL UL LISTING	1
021	PC	44689491	LABEL CSA RE-EXAMINATION	1	021	PC	44689491	LABEL CSA RE-EXAMINATION	1
022	PC	44689374	LABEL POWER	1	022	PC	44689374	LABEL POWER	1
023	PC	44689376	LABEL EQUIPMENT I.D.	1	023	PC	44689376	LABEL EQUIPMENT	1
025	PC	21987646	LABEL FCC COMPLIANCE	1	025	PC	21987646	LABEL FCC COMPLIANCE	1
028	PC	10126401	WSHR EXT LK 6	5	028	PC	10126401	WSHR EXT LK 6	5
048	PC	44672273	FCO LOG-SMALL	1	048	PC	44672273	FCO LOG-SMALL	1
052	PC	44690322	SEAL-LATCH LEVER	1	051	PC	44685209	NUT KEPS #10-24	6
053	PC	44691865	DOOR THROAT ASSY	1	052	PC	44690322	SEAL-LATCH LEVER	1
054	PC	10128713	CASTER (OLD)	4	053	PC	44691865	DOOR THROAT ASSY	1
055	PC	10128717	CASTER (NEW)	4	054	PC	10128713	CASTER (OLD)	4
056	PC	10125303	NUT-LEVELER	4	055	PC	10128717	CASTER (NEW)	4
057	PC	93697016	LEVELER	4	056	PC	10125303	NUT-LEVELER	4
058	PC	44691944	SHIELD-MYLAR	1	057	PC	93697016	LEVELER	4
059	PC	44692015	COVER-AIR INLET	1	058	PC	44691944	SHIELD-MYLAR	1
060	PC	44692372	LABEL POWER IDENT	AR	059	PC	44692015	COVER-AIR INLET	1
061	PC	44692373	LABEL POWER IDENT	AR	060	PC	44692372	LABEL POWER IDENT	AR
062	PC	44692374	LABEL POWER IDENT	AR	061	PC	44692373	LABEL POWER IDENT	AR
					062	PC	44692374	LABEL POWER IDENT	AR

*IT IS RECOMMENDED THAT THESE BE REPLACED IN PAIRS.



LW-400 USES 10128717 FROM SERIAL NUMBER 1773 AND ABOVE
LW-800 USES 10128717 FROM SERIAL NUMBER 136 AND ABOVE
ALL SERIAL NUMBERS BELOW THESE USE 10128713 CASTER

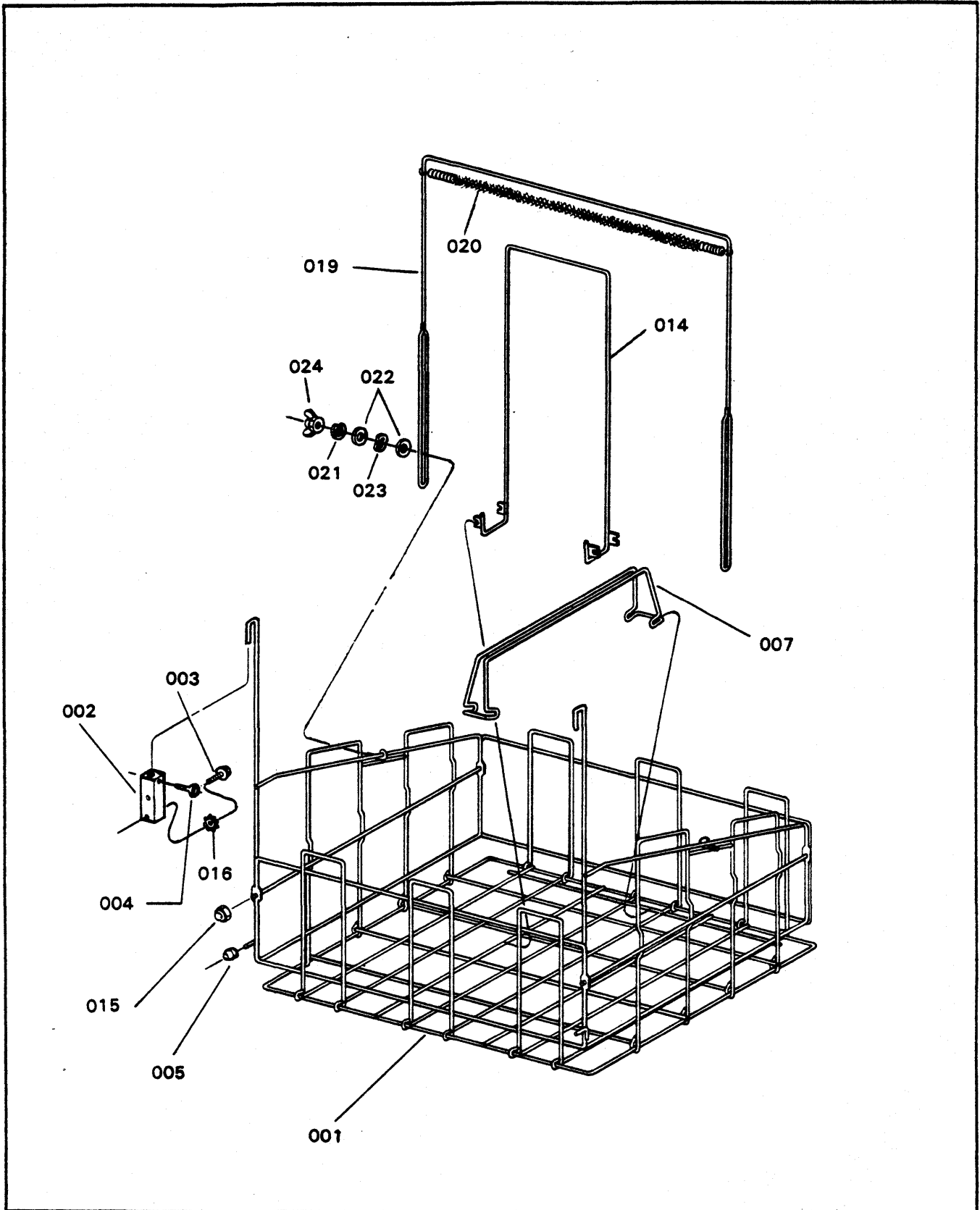
PRINTER FINAL ASSEMBLIES



PRINTER FINAL ASSEMBLIES - LW400

	59819623 60HZ CENT	59819624 50HZ D P(I/O)	59819625 50HZ RS232	59819626 50HZ CENT	59819630 50/60 HZ LW4-LW8	59819635 50/60 HZ CDC				
	PRINTER ASSY COMMON	59819699	59819699	59819699	59819699	59819699				
A	PERSONALITY PCB	44691973	44682848	44692049	44691973	44692049	44692049			
B	INPUT POWER PCB	44690410	44690411	44690411	44690411	44690413	44690419			
C	I/O ADAPTOR ASSY	44692029	44687574	44691259	44692029	44691259	44691259			
D	CONTROL PANEL ASSY	44691461	44691461	44691462 (OPTION)	44691461	44691462 (OPTION)	44691462 (OPTION)			
E										
F	COVER LINE COUNTER	44688672	44688672	44688672	44688672	44688672				
G	LINE COUNTER ASSY (OPT)						44688690			
H										
I	LOCK CONTROL PNL COVER									
J	ADHESIVE TRANSFER									
K	COVER CASTING-SAFETY	44689522	44689522	44689522	44689522	44689522	44689522			
L	CPU PROGRAM BOARD	44692061	44691632	44691632	44692061	44691632	44691632			
	CHASSIS & BASE ASSY	59819704	59819705	59819705	59819705	59833626	59819706			
	PRINthead ASSY-132	59819730	59819730	59819730	59819730	59819730				
	PRINthead ASSY-136						59819731			
	UNIQUE RS-232 COMP			44689912		44689912	44689912			
	UNIQUE SERIES-1									
	UNIQUE CENT COMP	44690622			44690622					

BASKET - PAPER ASSEMBLIES COMPLETE



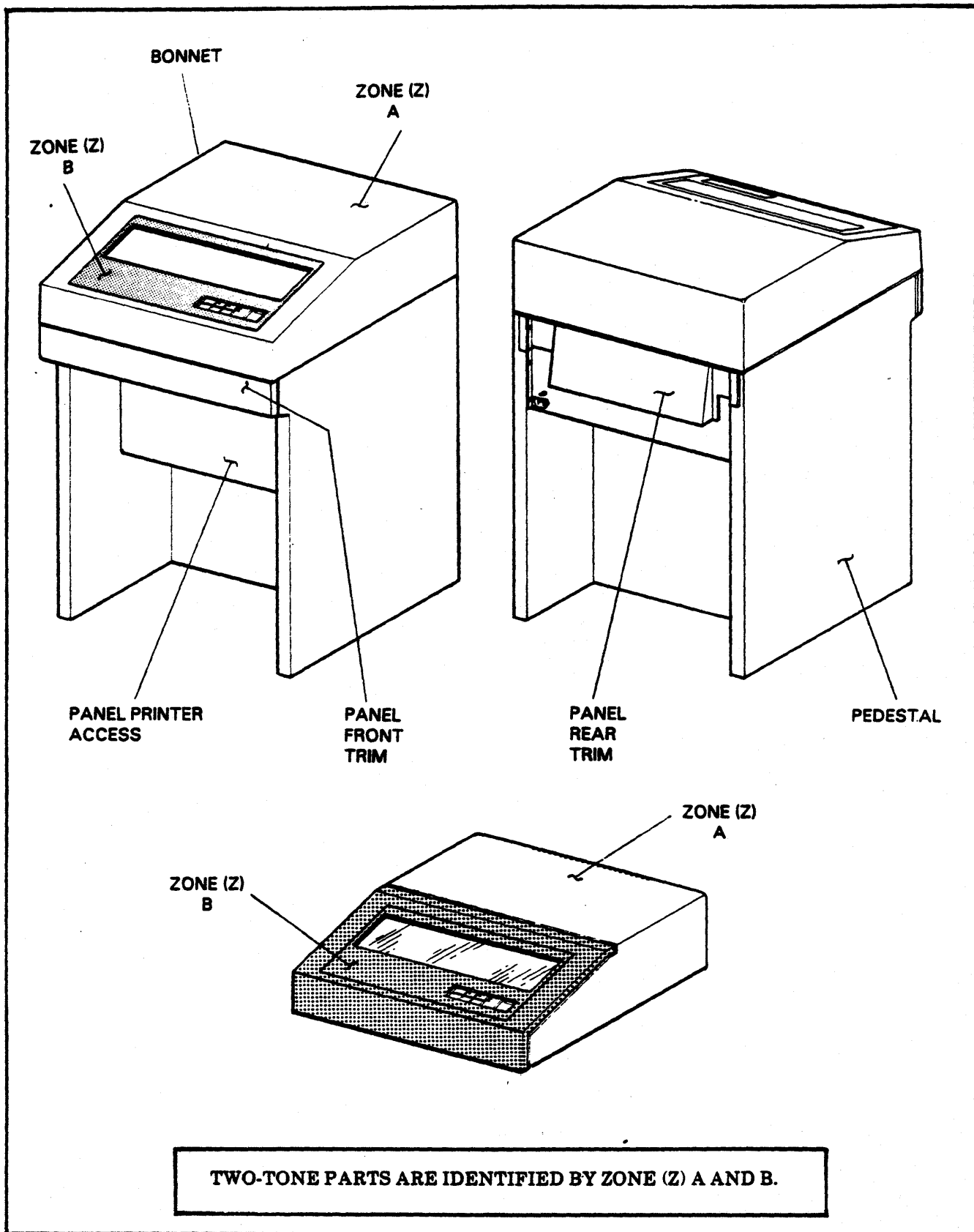
REF NUM REV TITLE
 44688646 D BASKET-PAPER ASSY COMP

FND NUM	U/M	PART NUM	DESCRIPTION	NUM REQ
001	PC	44689549	BASKET-PAPER	1
002	PC	44675270	BLOCK-BASKET MTG	2
003	PC	10125020	SCREW HEX 6-32x.75	4
004	PC	44673178	THUMB SCREW	2
005	PC	94782700	RUBBER TIP	2
007	PC	44688692	SUPPORT-PAPER BASKET	1
014	PC	44677567	ADJUSTABLE PAPER STOP	2
015	PC	92650003	49 SPA ACORN NUT	4
016	PC	10126401	WASHER EXT TH LK6	6

REF NUM REV TITLE
 44692037 A BASKET-PAPER ASSY COMP

FND NUM	U/M	PART NUM	DESCRIPTION	NUM REQ
001	PC	44689549	BASKET-PAPER	1
002	PC	44675270	BLOCK-BASKET MTG	2
003	PC	01125020	SCREW HEX 6-32x.75	4
004	PC	44673178	THUMB SCREW	2
005	PC	94782700	RUBBER TIP	2
007	PC	44688692	SUPPORT-PAPER BASKET	1
014	PC	44677567	ADJUSTABLE PAPER STOP	2
015	PC	92650003	49 SPA ACORN NUT	4
016	PC	10126401	WASHER EXT TH LK6	6
019	PC	44689531	BAR-PAPER ASSEMBLY	1
020	PC	94788101	STATIC ELIMINATOR	1
021	PC	10125806	WASHER-SPRING LOCK	2
022	PC	44674746	WASHER-SPECIAL	4
023	PC	44674774	WASHER-CURVED SPRING	2
024	PC	93031004	NUT-WING	2

CABINET COLOR PART NUMBER BARS

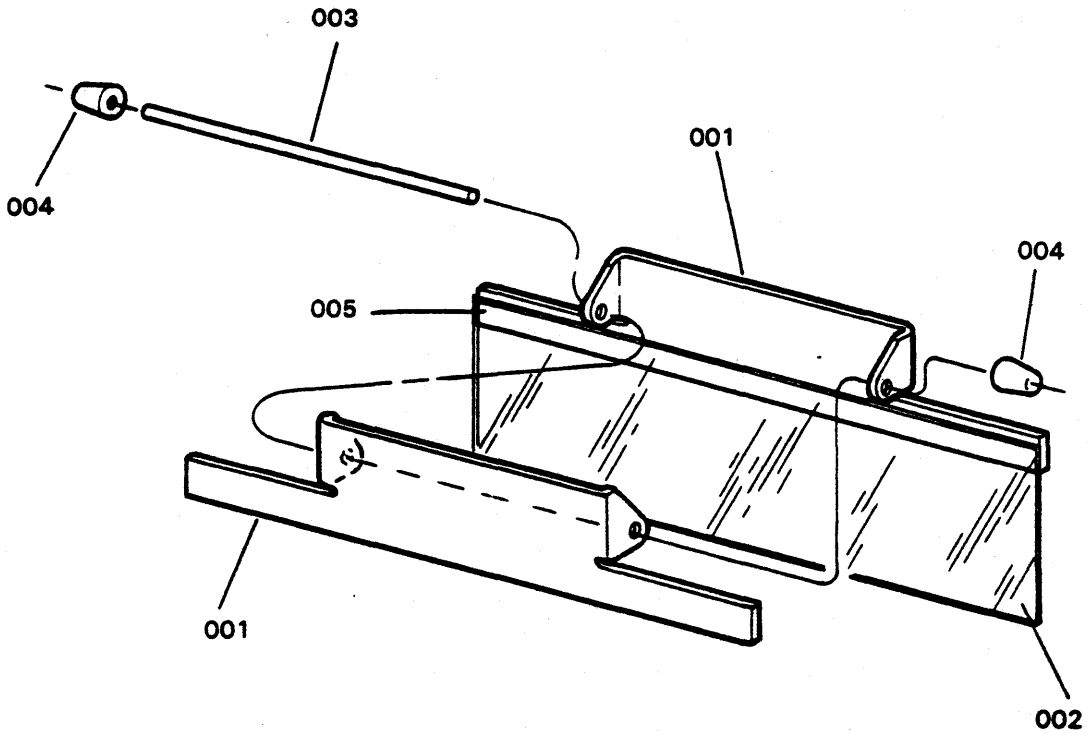


CABINET COLOR PART NUMBER TABS

CABINET COLOR TAB CHART

<u>TAB NO.</u>	<u>PAINT COLOR</u>	<u>TAB NO.</u>	<u>PAINT COLOR</u>
1	Z "A" GRAY #1, Z "B" GRAY #4 (NCR)	51	OFF WHITE (CENTRONICS)
2	GRAY #1 (NCR)	52	Z "A" OFF WHITE, Z "B" BROWN (CENTRONICS)
3	GRAY #4 (NCR)	53	
4		54	
5		55	
6		56	
7		57	
8		58	
9		59	
10	LT. GRAY (CDC)	60	
11		61	
12		62	
13		63	
14		64	
15		65	
16		66	
17		67	
18		68	
19		69	
20		70	
21		71	
22		72	
23		73	
24		74	
25		75	SEAFOAM WHITE (CDC)
26		76	
27		77	Z "A" SEAFOAM WHT, Z "B" HARV GOLD (CDC)
28		78	
29		79	Z "A" LT GRAY, Z "B" IMP BLUE (CDC)
30		80	
31		81	
32		82	
33		83	
34		84	
35		85	
36		86	
37		87	
38		88	
39		89	
40		90	
41		91	
42		92	
43		93	
44	BROWN (CENTRONICS)	94	Z "A" BEIGE, Z "B" CHOCOLATE (ICL)
45		95	
46		96	
47		97	
48		98	
49		99	
50			

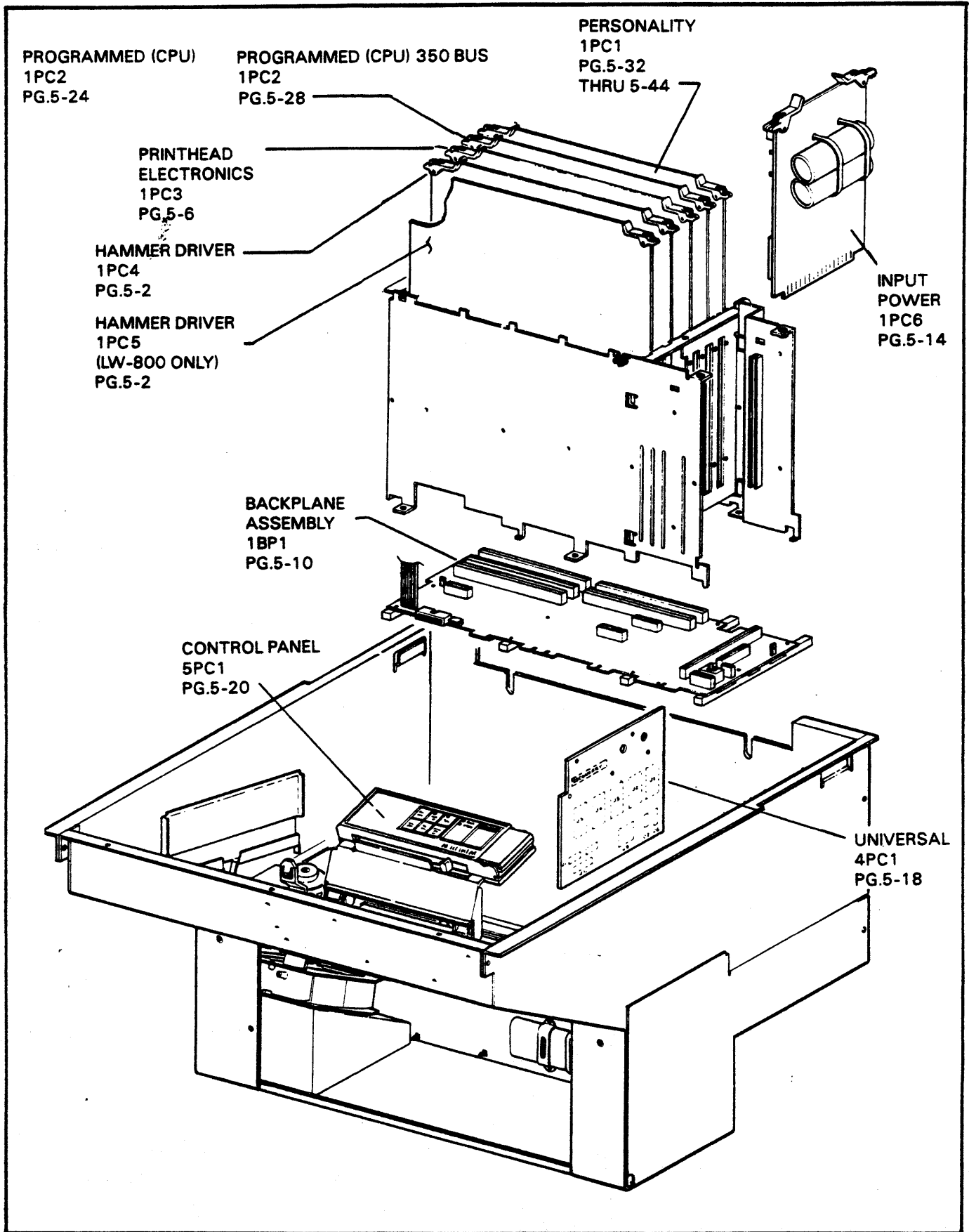
FOLD BREAKER ASSEMBLY



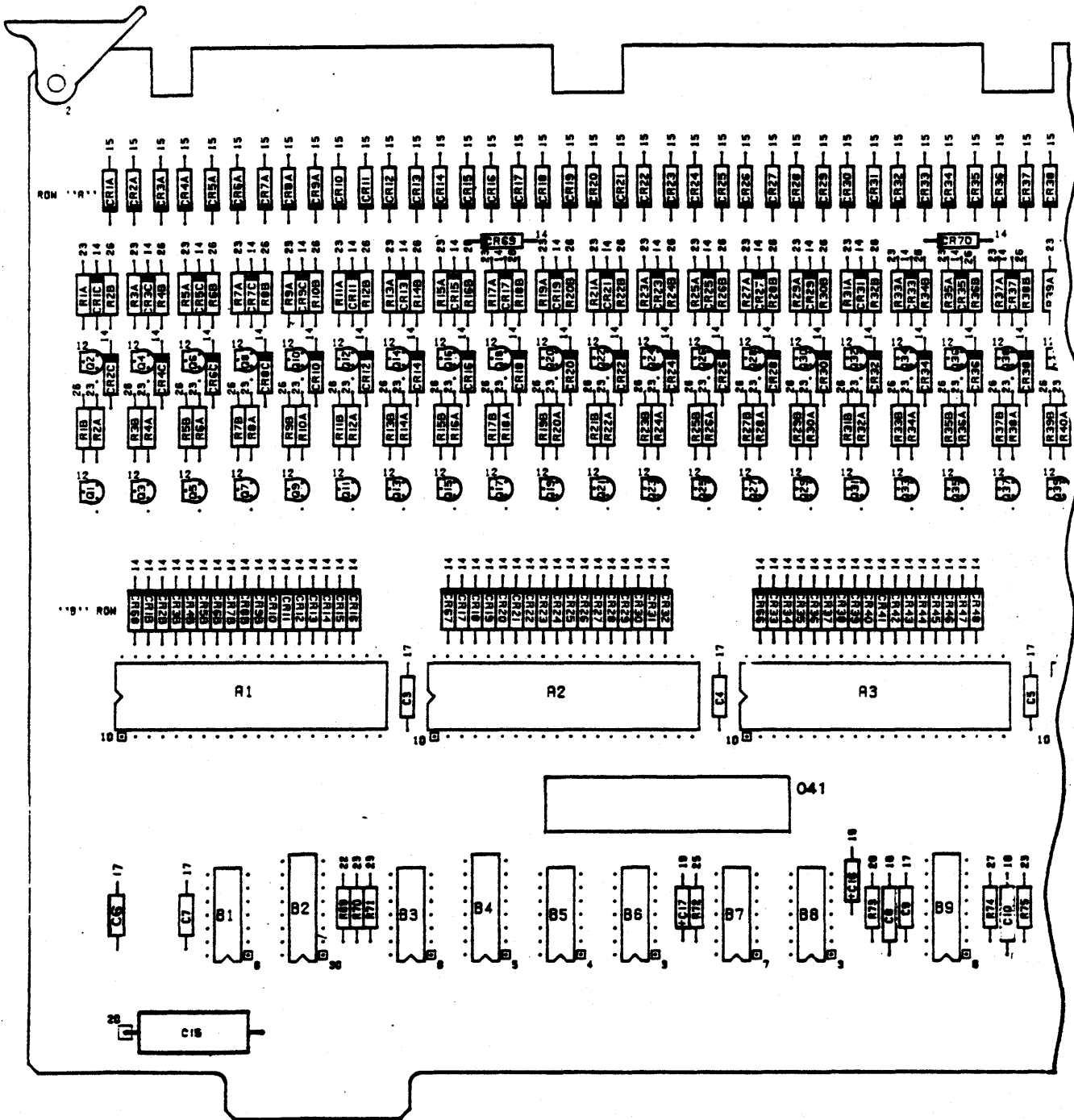
REF NUM REV TITLE
 44692022 A FOLD BREAKER ASSEMBLY

FND NUM	U/M	PART NUM	DESCRIPTION	NUM REQ
001	PC	44692021	SUPPORT-FOLD BREAKER	2
002	PC	44692019	DEFLECTOR-FOLD BREAKER	1
003	PC	44692020	SHAFT-FOLD BREAKER	1
004	PC	94782700	RUBBER TIP	2
005	PC	51941567	TAPE-ADHESIVE TRANSFER	2

SECTION 5 PRINTED CIRCUIT BOARD ASSEMBLIES



HAMMER DRIVER ASSEMBLY

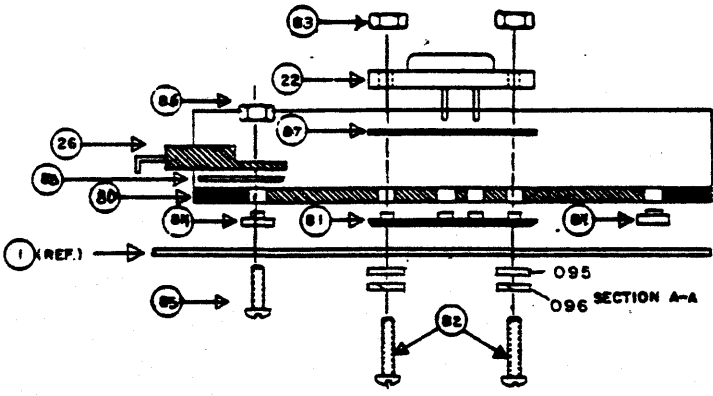
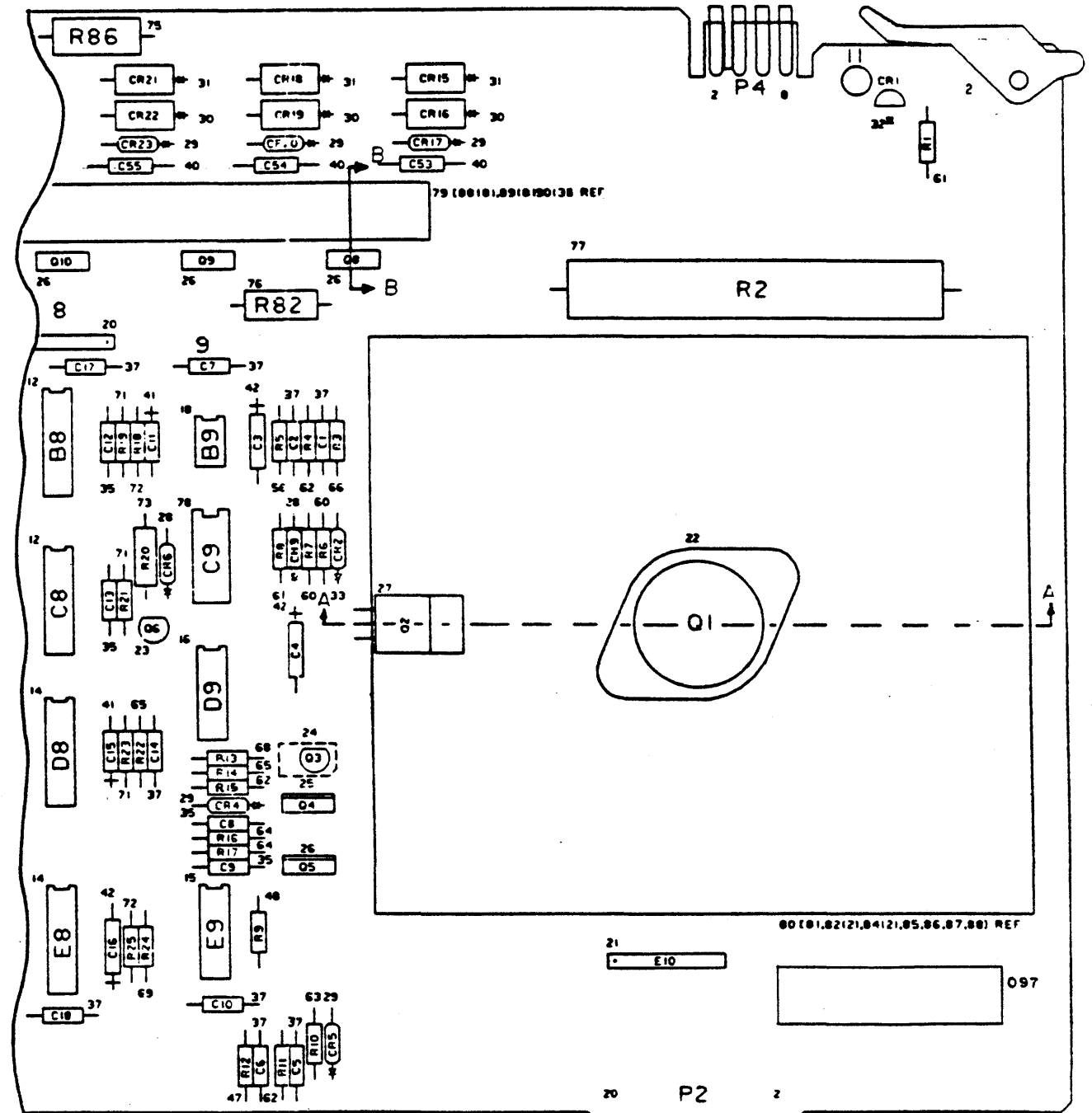


44685850 HAMMER DRIVER (INACTIVE)
 44685855 HAMMER DRIVER

REF NUM REV TITLE
 44685855 E ASSEMBLY HAMMER DRIVER

FND NUM	U/M	PART NUM	DESCRIPTION	NUM REQ
001	PC	44685846	BD HAMMER DRIVER	1
002	PC	95324613	CARD EJECTOR	2
003	PC	15144900	IC 74LS00	2
004	PC	15145100	74LS04	1
005	PC	15163806	IC 74LS75	1
006	PC	15163607	IC 96LS02	1
007	PC	96744155	IC 7406	1
008	PC	88883200	IC 7407	2
009	PC	95794600	IC LM339	1
010	PC	44680025	IC TIMER 17 POS	4
011	PC	44680026	36V REGULATOR HYBRID	1
012	PC	44682255	TRANSISTOR DARLINGTON	68
013	PC	94795300	SEMI-COND. DEV. TRAN NPN	1
014	PC	11803000	DIODE SILICON	141
015	PC	95637302	DIODE IN4002	68
016	PC	44687592	DIODE-ZENER	1
017	PC	19115400	CAP .01UF -20+80% Z5U 50v	11
018	PC	94240448	CAP .1UF	2
019	PC	24505225	CAP .47 MFD	2
020	PC	94400632	CAP 100UF 16v	1
021	PC	44687750	CAPACITOR, 750 MFD	1
022	PC	94402140	RES CAR FILM 220 1/4W, 5	1
023	PC	94402163	RES CAR FILM, 2K 1/4W, 5	72
025	PC	94402172	RES CAR FILM, 4.7K 1/4W 5	1
026	PC	94402194	RES CAR FILM, 39K 1/4W, 5	68
027	PC	94402199	RES CAR FILM, 62K 1/4W, 5	1
028	PC	94402208	RES CAR FILM, 150K 1/4W,5	1
029	PC	94402228	RES CAR FILM, 1.0M 1/4W,5	2
030	PC	95903818	RES NET 22K DIP	1
031	PC	44682819	RESISTOR NETWORK	1
032	PC	44682215	HEATSINK	1
033	PC	44670256	INSULATOR TRANSISTOR	1
034	PC	44682227	INSULATOR HEATSINK	1
035	PC	10127114	SCR PAN HD PHL 6-32x.500	2
036	PC	44685207	NUT 6-32 KEP	2
037	PC	17886202	WASHER NYLON	2
038	PC	95343002	ADHESIVE, CLEAR	AR
039	PC	10125606	WASHER PLAIN	2
040	PC	10125803	WASHER SPRING LOCK	2
041	PC	44691793	LABEL PWB SERIALIZATION	1

PRINT HEAD ELECTRONICS ASSEMBLY



5-7/5-8

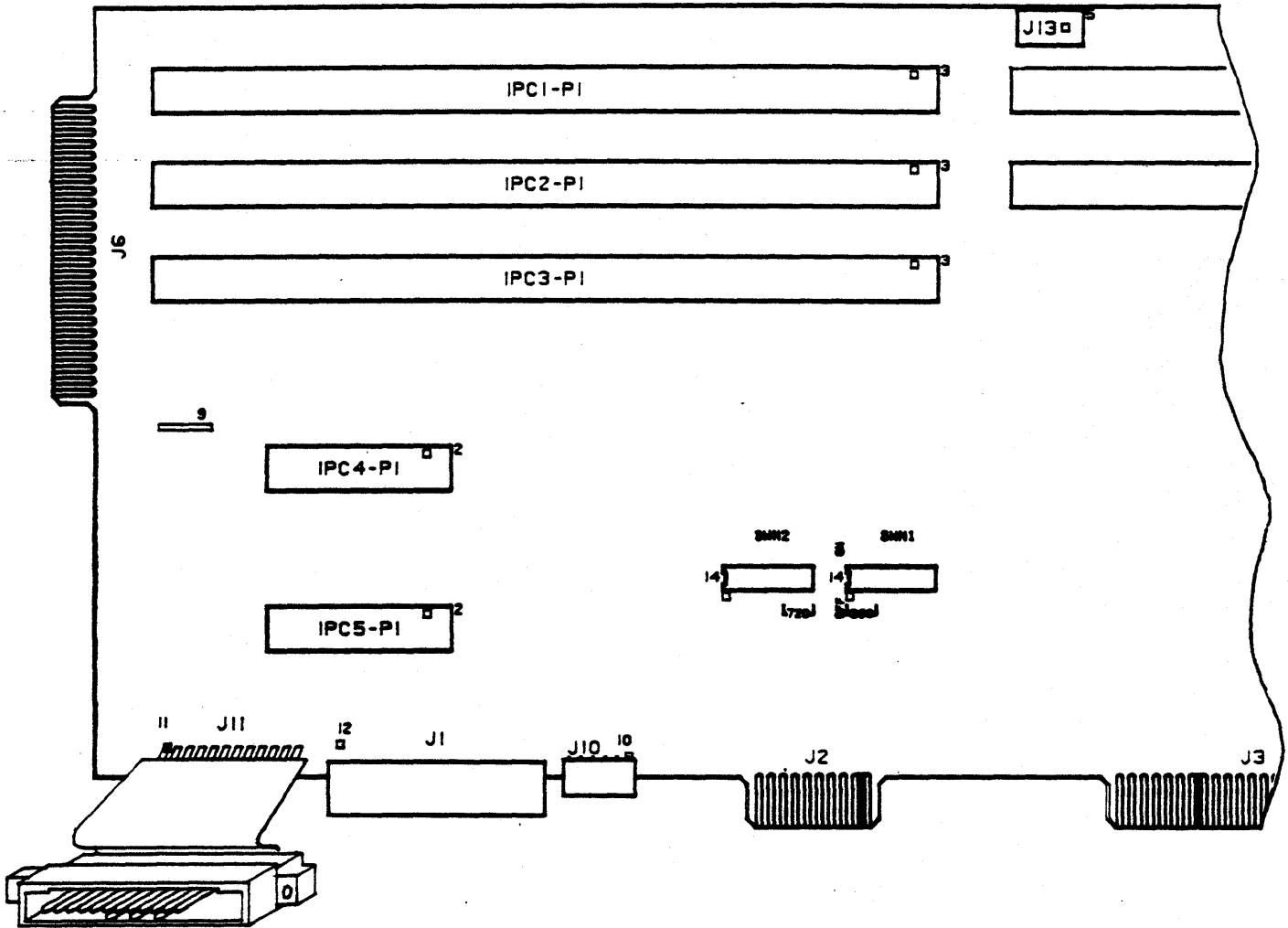
JAN., '85

44685830 PRINT HEAD ELECTRONICS (INACTIVE)
 44685835 PRINT HEAD ELECTRONICS (INACTIVE)
 44685836 PRINT HEAD ELECTRONICS (INACTIVE)
 44685837 PRINT HEAD ELECTRONICS (INACTIVE)
 44685838 PRINT HEAD ELECTRONICS

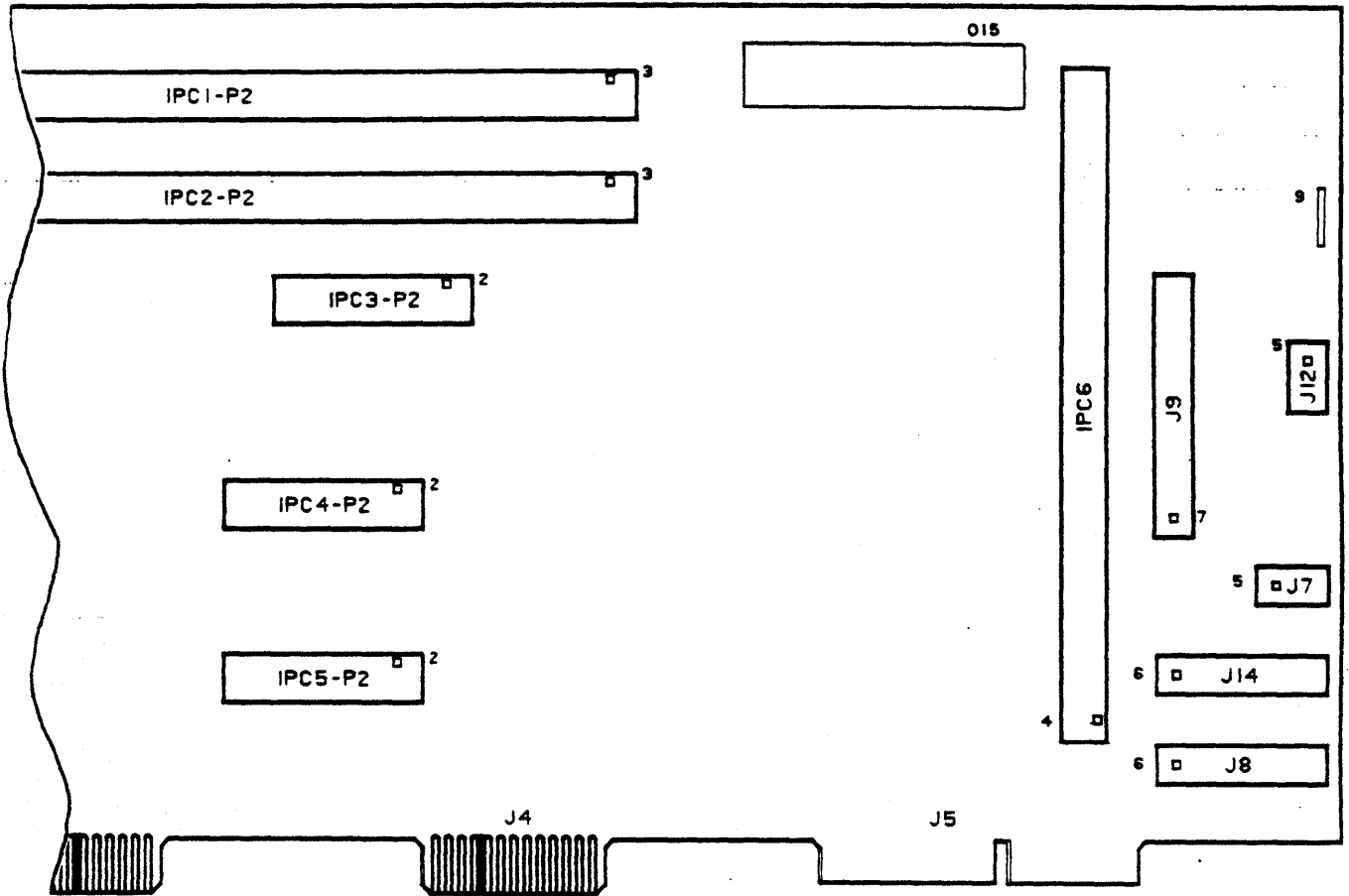
REF NUM REV TITLE
 44685838 C PHE ASSEMBLY

FND NUM	U/M	PART NUM	DESCRIPTION	NUM REQ	FND NUM	U/M	PART NUM	DESCRIPTION	NUM REQ
001	PC	44685826	BD PRINT HEAD	1	049	PC	94360329	RES 2K 1%	1
002	PC	51894406	INJECTOR - EJECTOR	2	050	PC	94360346	RES 3.01K 1%	1
003	PC	15144900	IC 74LS00	2	051	PC	94360404	RES 11K 1%	1
004	PC	15145000	IC 74LS02	2	052	PC	94360442	RES 27.4K 1%	1
005	PC	15145200	IC 74LS03	1	053	PC	94360456	RES 38.3K 1%	1
006	PC	15145100	IC 74LS04	2	054	PC	94360458	RES 40.2K 1%	1
007	PC	15145400	IC 74LS08	2	055	PC	94360468	RES 51.1K 1%	1
008	PC	15148500	IC 74LS14	1	056	PC	94360480	RES 68.1K 1%	1
009	PC	15146000	IC 74LS27	3	057	PC	94360503	RES 107K 1%	1
010	PC	15146200	IC 74LS32	3	058	PC	94360538	RES 249K 1%	1
011	PC	15146300	IC 74LS74	2	059	PC	94360567	RES 499K 1%	1
012	PC	15147900	IC 74LS221	4	060	PC	94402128	RES CAR FILM 68 1/4W 5	2
013	PC	95967150	IC 74LS390	1	061	PC	94402148	RES CAR FILM 470 1/4W 5	6
014	PC	15163607	IC 96LS02	3	062	PC	94402156	RES CAR FILM 1K 1/4W 5	3
015	PC	96744155	IC 7406	3	063	PC	94402163	RES CAR FILM 2K 1/4W 5	6
016	PC	88883200	IC 7407	1	064	PC	94402167	RES CAR FILM 3K 1/4W 5	2
017	PC	44682225	IC DS8867	1	065	PC	94402172	RES CAR FILM 4.7K 1/4W 5	12
018	PC	15112100	IC 555	1	066	PC	94402175	RES CAR FILM 6.2K 1/4W 5	1
019	PC	95794600	IC LM339	1	067	PC	94402177	RES CAR FILM 7.5K 1/4W 5	1
020	PC	44680031	HYBRID SMCC	1	068	PC	94402180	RES CAR FILM 10K 1/4W 5	3
021	PC	44680032	HYBRID +5 REG	1	069	PC	94402188	RES CAR FILM 22K 1/4W 5	12
022	PC	44680028	TRANSISTOR POWER NPN	1	071	PC	94402201	RES CAR FILM 75K 1/4W 5	6
023	PC	95333200	TRANSISTOR 2N4126	1	072	PC	94402212	RES CAR FILM 220K 1/4W 5	5
024	PC	44682255	TRANSISTOR DARLINGTON	2	073	PC	24500139	RES 100 OHMS 1/2W 5	2
025	PC	95421100	TRANSISTOR PNP 8203A	1	074	PC	24507108	RES 20 OHMS 1W 5%	1
026	PC	95359402	DARLINGTON 85v/WITH SPACER	9	075	PC	24507170	RES 2K 1W 5%	2
027	PC	44682809	SCR	1	076	PC	15014700	RES .07 OHM 1% 3W	4
028	PC	11803000	DIODE SILICON	10	077	PC	95444045	RES .25 OHM 22W 5%	1
029	PC	95637302	DIODE 1N4002	10	078	PC	94717900	RELAY INTEGRATED DRIREED	1
030	PC	44682226	DIODE 1N5401	8	079	PC	44682213	HEATSINK	1
031	PC	95894600	DIODE MR851	8	080	PC	44682215	HEATSINK	1
032	PC	44682295	DIODE LED	1	081	PC	44682227	INSULATOR HEATSINK	1
033	PC	15101104	DIODE 1N747A	1	082	PC	10127116	SCR PAN HD PHL 6-32x.750	2
034	PC	44682262	THERMISTOR	2	083	PC	44685207	NUT 6-32 KEP	2
035	PC	94240401	CAP .001 UF 10% X7R	10	084	PC	17886202	WASHER NYLON	2
036	PC	95305003	CAP .0033 UF 1%	1	085	PC	10127105	SCR PAN HD PHL 4-40x.500	1
037	PC	19115400	CAP .01 UF -20+80% 25U 50V	32	086	PC	44685206	NUT 4-40 KEP	1
038	PC	44675450	CAP .039 UF 5% MYLAR	1	087	PC	44670256	INSULATOR TRANSISTOR	1
040	PC	75890977	CAPACITOR .1 UF 100V	10	088	PC	44670257	INSULATOR TO-220	9
041	PC	15164155	CAP .47 UF 10% TANT	6	089	PC	44687110	SCR THD FRM 4-40x.375	8
042	PC	15164112	CAP 10 UF 10% TANT	5	090	PC	44687120	SCR THD FRM 6-32x.38	3
043	PC	96752403	RES NET SIP 560	1	091	PC	94402108	RES CAR FILM 10 OHM 1/4W 5	4
044	PC	96752411	RES NET SIP 2K	1	092	PC	95343002	ADHESIVE CLEAR	AR
045	PC	95903818	RES NET 22K DIP	1	093	FT	95393500	WIRE HI TEMP SOLID WHT	.100
046	PC	94360236	RES 237 OHM 1%	1	094	PC	44682266	THERMISTOR	1
047	PC	94360300	RES 1K 1%	1	095	PC	10125606	WASHER PLAIN	2
048	PC	94360325	RES 1.82K 1%	1	096	PC	10125803	WASHER SPRING LOCK	2
					097	PC	44691793	LABEL PWB SERIALIZATION	1

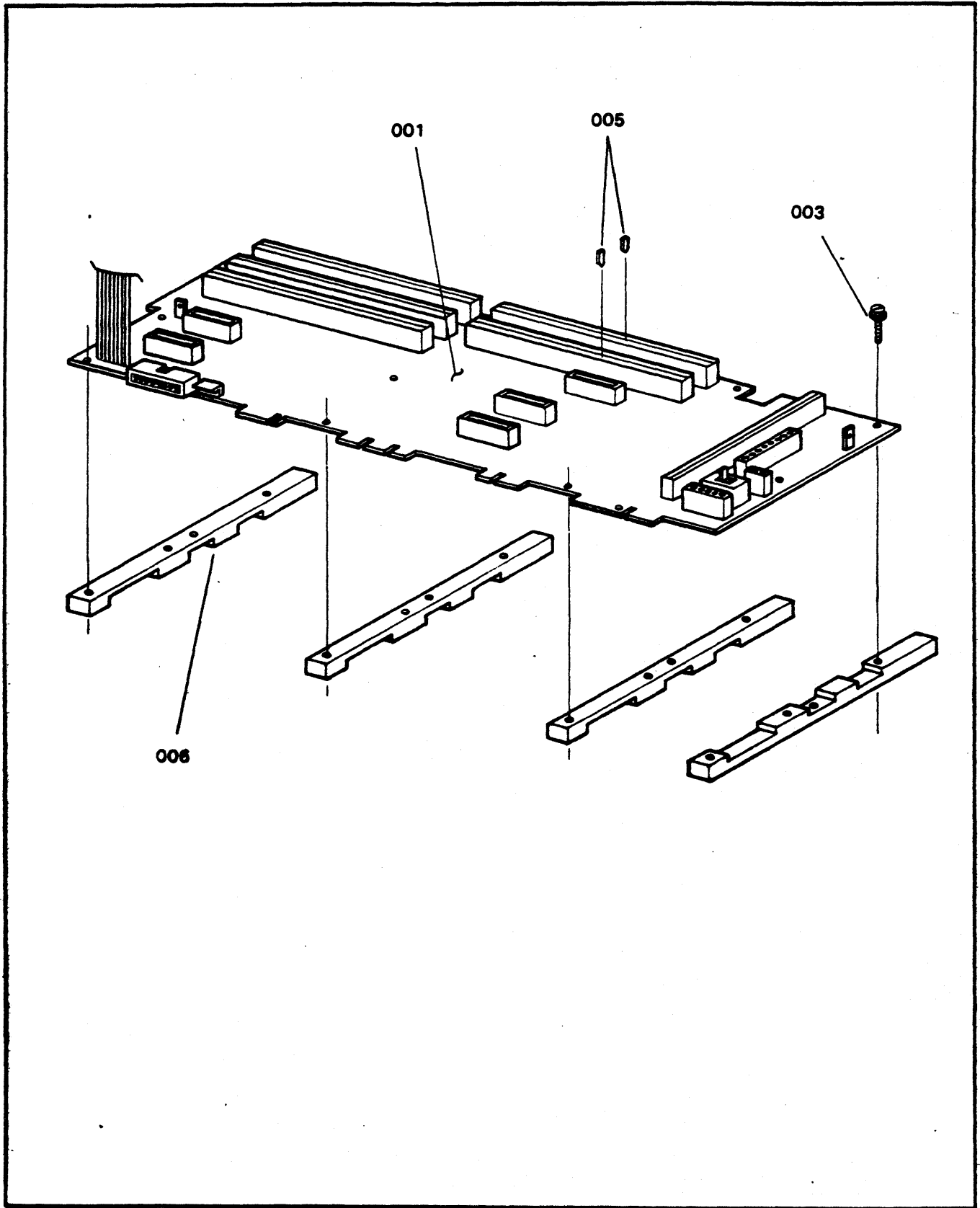
BACKPLANE ASSEMBLY



BACKPLANE ASSEMBLY



BACKPLANE ASSEMBLY



44685777 BACKPLANE (INACTIVE)
 44685897 BACKPLANE LW400 (INACTIVE)
 44685898 BACKPLANE LW400 AND/OR 800 (INACTIVE)
 44685893 BACKPLANE COMPLETE LW400
 44685894 BACKPLANE COMPLETE INTERCHANGABLE

REF NUM REV TITLE
 44685893 A BACKPLANE COMP-LW400

REF NUM REV TITLE
 44685894 A BACKPLANE COMP INTERCHANGABLE

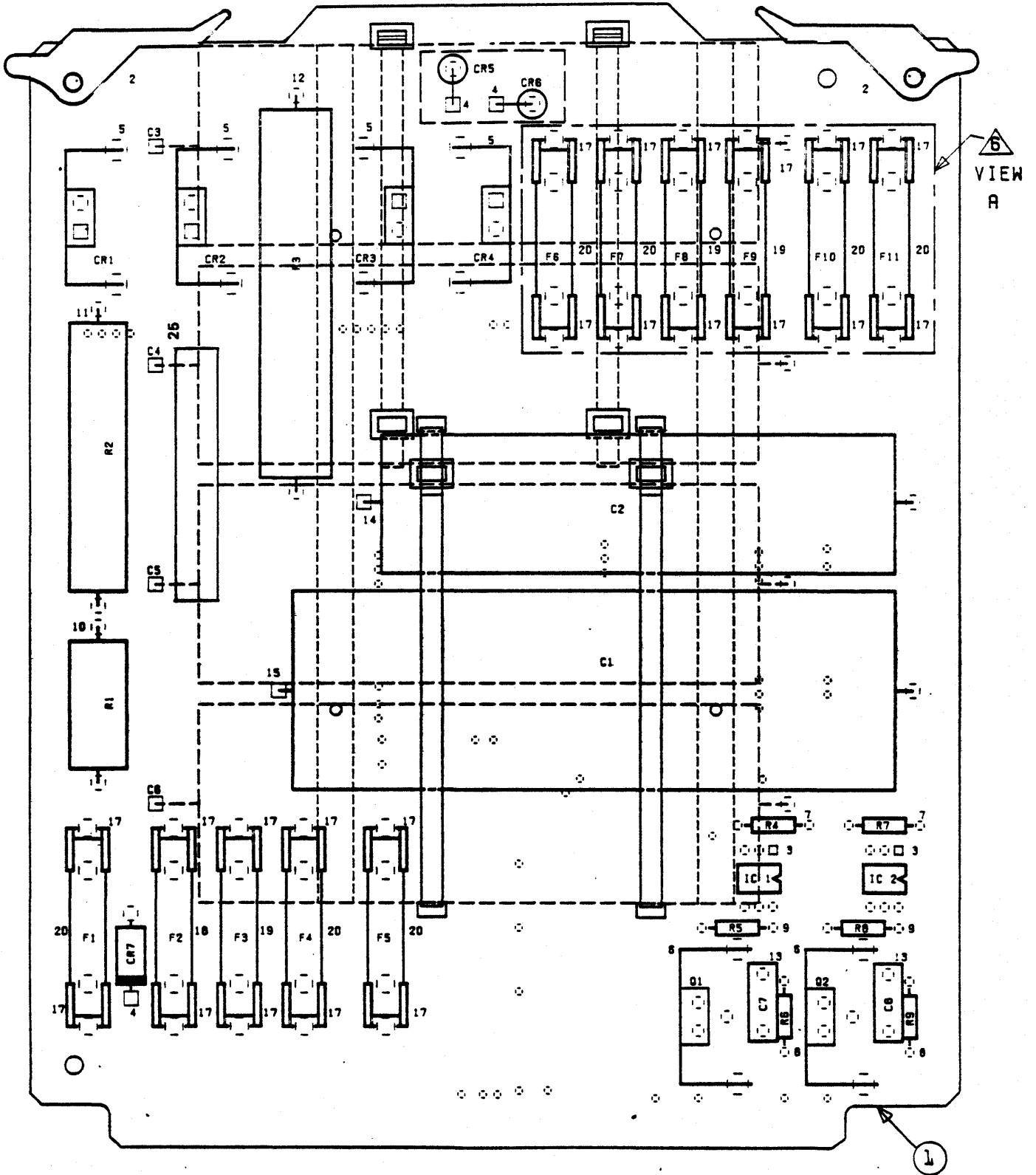
FND NUM	U/M	PART NUM	DESCRIPTION	NUM REQ	FND NUM	U/M	PART NUM	DESCRIPTION	NUM REQ
001	PC	44685879	ASSY BACKPLANE 400	1	001	PC	44685880	ASSY BACKPLANE 400/800	1
003	PC	44682721	SCR SLT HEX WSHR 6-19x.38	10	003	PC	44682721	SCR SLT HEX WSHR 6-19x.38	10
005	PC	44682817	KEYING PLUG INTER-CONTACT	2	005	PC	44682817	KEYING PLUG INTER-CONTACT	2
006	PC	44688211	BLOCK MOTHER BOARD	4	006	PC	44688211	BLOCK MOTHER BOARD	4

REF NUM REV TITLE
 44685879 B ASSY BACKPLANE-LW400 BASIC

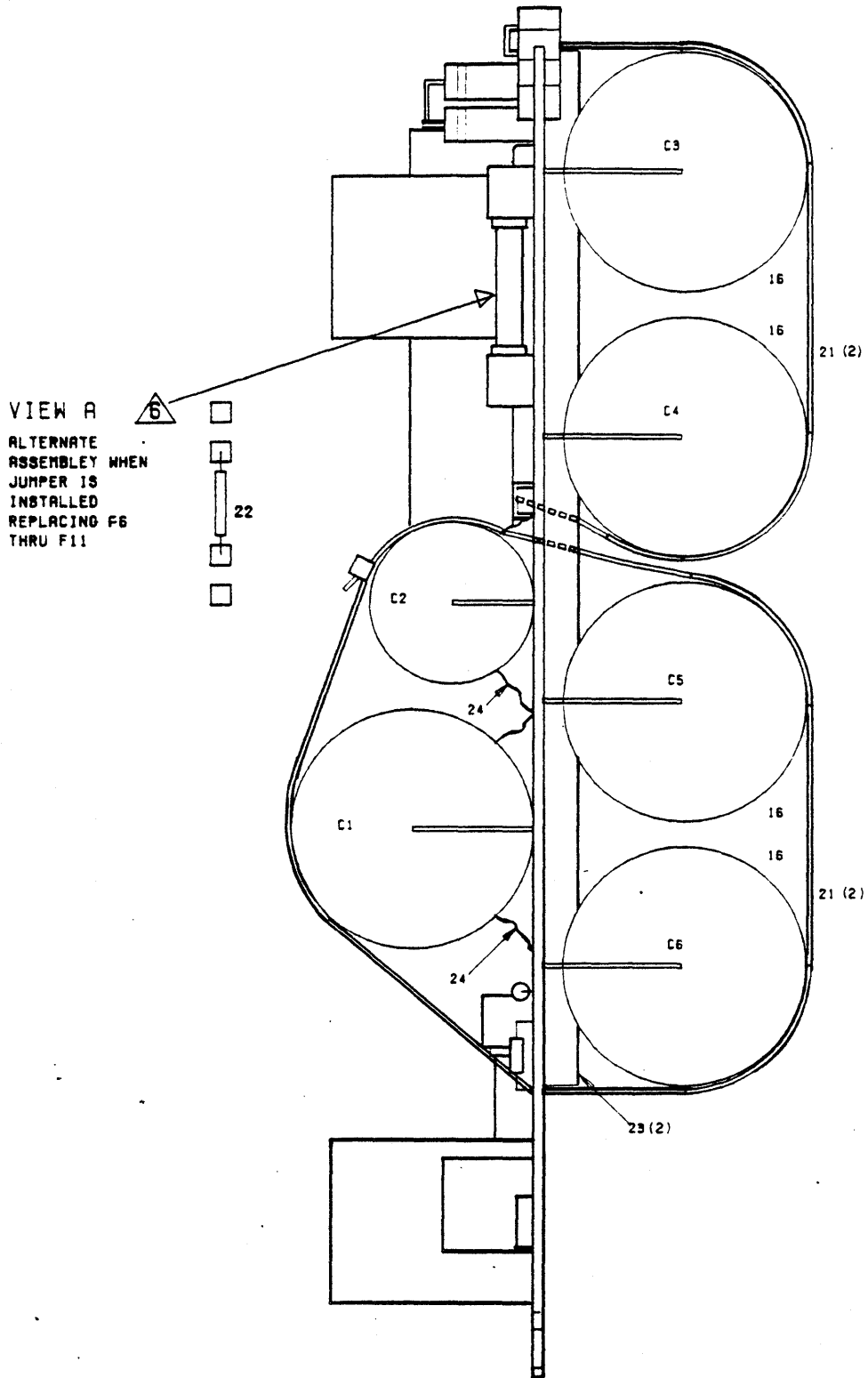
REF NUM REV TITLE
 44685880 B ASSY BACKPLANE-LW800 BASIC

FND NUM	U/M	PART NUM	DESCRIPTION	NUM REQ	FND NUM	U/M	PART NUM	DESCRIPTION	NUM REQ
001	PC	44685887	FAB DWG BACKPLANE	1	001	PC	44685887	FAB DWG BACKPLANE	1
002	PC	44677762	CONN 20 PIN (DUAL 10)	3	002	PC	44677762	CONN 20 PIN (DUAL 10)	5
003	PC	44677772	CONN 100 PIN (DUAL 50)	5	003	PC	44677772	CONN 100 PIN (DUAL 50)	5
004	PC	44684567	CONN 100 PIN .100 CL	1	004	PC	44684567	CONN 100 PIN .100 CL	1
005	PC	51906100	CONNECTOR 2 PIN	1	005	PC	51906100	CONNECTOR 2 PIN	1
006	PC	83435458	PC CONN 5 PIN	2	006	PC	83435458	PC CONN 5 PIN	2
007	PC	51906115	PC CONN 8 PIN	1	007	PC	51906115	PC CONN 8 PIN	1
008	PC	44682834	SWITCH PWR DPDT	1	008	PC	44682834	SWITCH PWR DPDT	1
009	PC	44682219	FASTON TAB	2	009	PC	44682219	FASTON TAB	2
010	PC	10129273	CONN CARD HDR 6-CONTACT	1	010	PC	10129273	CONN CARD HDR 6-CONTACT	1
011	PC	44682229	ASSY-FLAT FLEX CABLE	1	011	PC	44682229	ASSY-FLAT FLEX CABLE	1
012	PC	95437439	CONN 34 PIN	1	012	PC	95437439	CONN 34 PIN	1
014	PC	83452205	SWITCG NET 8 POS	1	014	PC	83452205	SWITCG NET 8 POS	2
015	PC	44691793	LABEL PWB SERIALIZATION	1	015	PC	44691793	LABEL PWB SERIALIZATION	1
901	PC	44685878	ASSY DRAWING BACKPLANE	REF	901	PC	44685878	ASSY DRAWING BACKPLANE	REF
902	PC	00000070	HUDSON MATERIAL	REF	902	PC	00000070	HUDSON MATERIAL	REF

INPUT POWER ASSEMBLY



INPUT POWER ASSEMBLY



44685868 INPUT POWER (INACTIVE)
 44685869 INPUT POWER - 50/60 HZ (INACTIVE)
 44685871 INPUT POWER (OBSOLETE)
 44685872 INPUT POWER - 50/60 HZ (OBSOLETE)
 44690410 INPUT POWER - 50/60 HZ LW-400 BASIC
 44690411 INPUT POWER - 50/60 HZ LW-400 OPTIONAL
 44690412 INPUT POWER - 50/60 HZ LW-800 BASIC
 44690413 INPUT POWER - 50/60 HZ LW-800 OPTIONAL

REF NUM	REV	TITLE	REF NUM	REV	TITLE								
44690410	B	ASSY INPUT PWR BD LW400 BASIC	44690411	B	ASSY INPUT PWR BD LW400 OPT								
FND	NUM	U/M	PART NUM	DESCRIPTION	NUM	REQ	FND	NUM	U/M	PART NUM	DESCRIPTION	NUM	REQ
001	PC		44690406	BD INPUT POWER	1		001	PC		44690406	BD INPUT POWER	1	
002	PC		51894400	INJECTOR-EJECTOR	2		002	PC		51894400	INJECTOR-EJECTOR	2	
003	PC		15110508	IC 641 OPTO-COUPLER	2		003	PC		15110508	IC 641 OPTO-COUPLER	2	
004	PC		44682226	DIODE IN5401	3		004	PC		44682226	DIODE IN5401	3	
005	PC		44682806	HEATSINK ASSY	4		005	PC		44682806	HEATSINK ASSY	4	
006	PC		44682279	TRIAC HEATSINK ASSY	2		006	PC		44682279	TRIAC HEATSINK ASSY	2	
007	PC		94360192	RES 90.9 1%	2		007	PC		94360192	RES 90.9 1%	2	
008	PC		94402132	RES CAR FILM 100 1/4W, 5	2		008	PC		94402132	RES CAR FILM 100 1/4W, 5	2	
009	PC		94402143	RES CAR FILM 300 1/4W, 5	2		009	PC		94402143	RES CAR FILM 300 1/4W, 5	2	
010	PC		95596515	RES 150 OHM 5W	1		010	PC		95596515	RES 150 OHM 5W	1	
011	PC		95594117	RES 240 OHM 10W	1		011	PC		95594117	RES 240 OHM 10W	1	
012	PC		95444081	RES 390 OHM 22W	1		012	PC		95444081	RES 390 OHM 22W	1	
013	PC		44675447	CAP .022 UF 5%	2		013	PC		44675447	CAP .022 UF 5%	2	
014	PC		44687752	CAP 6800 UF 35v	1		014	PC		44687752	CAP 6800 UF 35V	1	
015	PC		44687751	CAP 39000 UF 15v	1		015	PC		44687751	CAP 39000 UF 15V	1	
016	PC		44687753	CAP 6800 UF 60v	2		016	PC		44687753	CAP 6800 UF 60V	2	
017	PC		95588400	FUSE CLIP	8		017	PC		95588400	FUSE CLIP	20	
018	PC		24521729	FUSE 4 AMP	1		018	PC		24521729	FUSE 4 AMP	1	
019	PC		24521730	FUSE 5 AMP SLO-BLO	1		019	PC		24521730	FUSE 5 AMP SLO-BLO	3	
020	PC		24521732	FUSE 8 AMP SLO-BLO	2		020	PC		24521732	FUSE 8 AMP SLO-BLO	6	
021	PC		94277403	TYRAP	2		021	PC		94277403	TYRAP	2	
022	PC		94149000	WIRE SOLID 18 GA BLK	1		023	PC		44687585	CRADLE CAP BANK	2	
023	PC		44687585	CRADLE CAP BANK	2		024	PC		95343000	ADHESIVE	AR	
024	PC		95343000	ADHESIVE	AR		025	PC		44691793	LABEL PWB SERIALIZATION	1	
025	PC		44691793	LABEL PWB SERIALIZATION	1		901	PC		44690409	ASSY DWG INPUT PWR BD	REF	
901	PC		44690409	ASSY DWG INPUT PWR BD	REF								

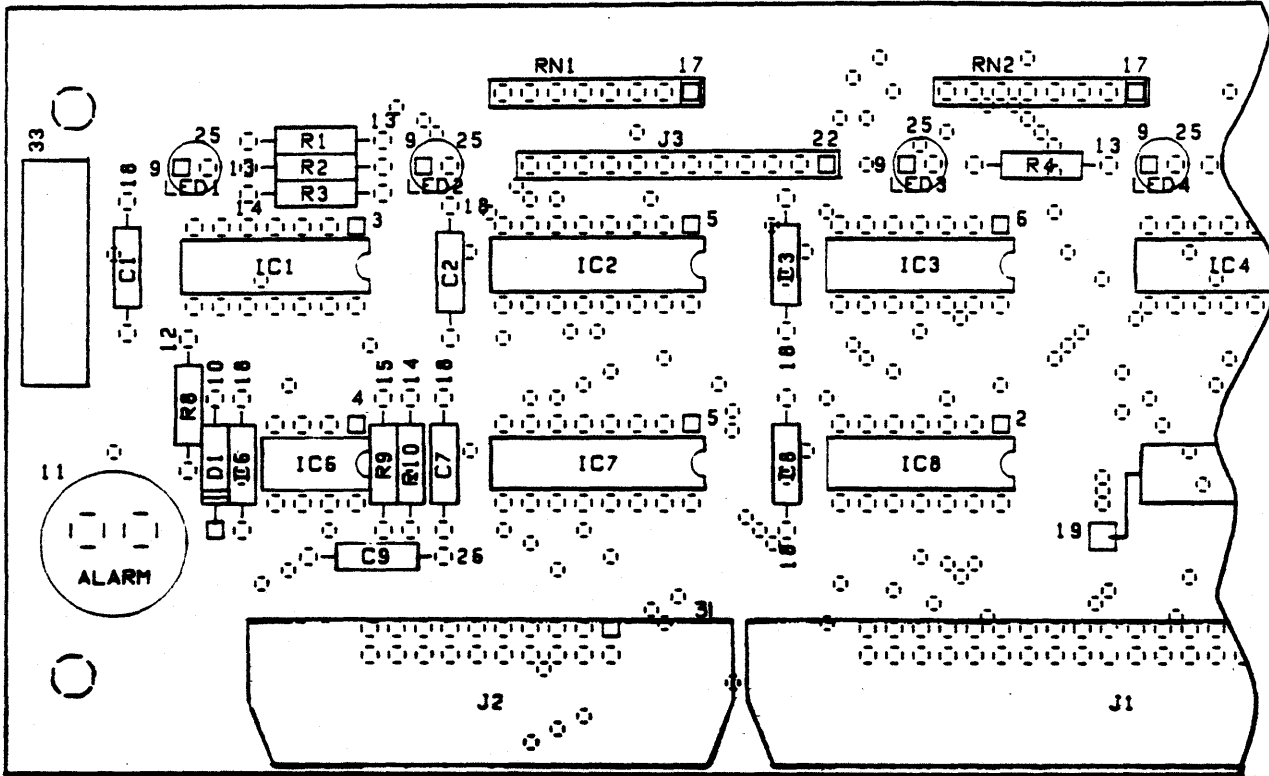
REF NUM	REV	TITLE	REF NUM	REV	TITLE								
44690412	B	ASSY INPUT PWR BD LW800 BASIC	44690413	B	ASSY INPUT PWR BD LW800 OPT								
FND	NUM	U/M	PART NUM	DESCRIPTION	NUM	REQ	FND	NUM	U/M	PART NUM	DESCRIPTION	NUM	REQ
001	PC		44690406	BD INPUT POWER	1		001	PC		44690406	BD INPUT POWER	1	
002	PC		51894400	INJECTOR-EJECTOR	2		002	PC		51894400	INJECTOR-EJECTOR	2	
003	PC		15110508	IC 641 OPTO-COUPLER	2		003	PC		15110508	IC 641 OPTO-COUPLER	2	
004	PC		44682226	DIODE IN5401	3		004	PC		44682226	DIODE IN5401	3	
005	PC		44682806	HEATSINK ASSY	4		005	PC		44682806	HEATSINK ASSY	4	
006	PC		44682279	TRIAC HEATSINK ASSY	2		006	PC		44682279	TRIAC HEATSINK ASSY	2	
007	PC		94360192	RES 90.9 1%	2		007	PC		94360192	RES 90.9 1%	2	
008	PC		94402132	RES CAR FILM 100 1/4W, 5	2		008	PC		94402132	RES CAR FILM 100 1/4W, 5	2	
009	PC		94402143	RES CAR FILM 300 1/4W, 5	2		009	PC		94402143	RES CAR FILM 300 1/4W, 5	2	
010	PC		95596515	RES 150 OHM 5W	1		010	PC		95596515	RES 150 OHM 5W	1	
011	PC		95594117	RES 240 OHM 10W	1		011	PC		95594117	RES 240 OHM 10W	1	
012	PC		95444081	RES 390 OHM 22W	1		012	PC		95444081	RES 390 OHM 22W	1	
013	PC		44675447	CAP .022 UF 5%	2		013	PC		44675447	CAP .022 UF 5%	2	
014	PC		44687752	CAP 6800 UF 35v	1		014	PC		44687752	CAP 6800 UF 35V	1	
015	PC		44687751	CAP 39000 UF 15v	1		015	PC		44687751	CAP 39000 UF 15V	1	
016	PC		44687753	CAP 6800 UF 60v	4		016	PC		44687753	CAP 6800 UF 60V	4	
017	PC		95588400	FUSE CLIP	10		017	PC		95588400	FUSE CLIP	22	
018	PC		24521729	FUSE 4 AMP	1		018	PC		24521729	FUSE 4 AMP	1	
019	PC		24521730	FUSE 5 AMP SLO-BLO	1		019	PC		24521730	FUSE 5 AMP SLO-BLO	3	
020	PC		24521732	FUSE 8 AMP SLO-BLO	3		020	PC		24521732	FUSE 8 AMP SLO-BLO	7	
021	PC		94277403	TYRAP	6		021	PC		94277403	TYRAP	6	
022	PC		94149000	WIRE SOLID 18 GA BLK	1		023	PC		44687585	CRADLE CAP BANK	2	
023	PC		44687585	CRADLE CAP BANK	2		024	PC		95343000	ADHESIVE	AR	
024	PC		95343000	ADHESIVE	AR		025	PC		44691793	LABEL PWB SERIALIZATION	1	
025	PC		44691793	LABEL PWB SERIALIZATION	1		901	PC		44690409	ASSY DWG INPUT PWR BD	REF	
901	PC		44690409	ASSY DWG INPUT PWR BD	REF								

44690425 UNIVERSAL PROGRAMMING

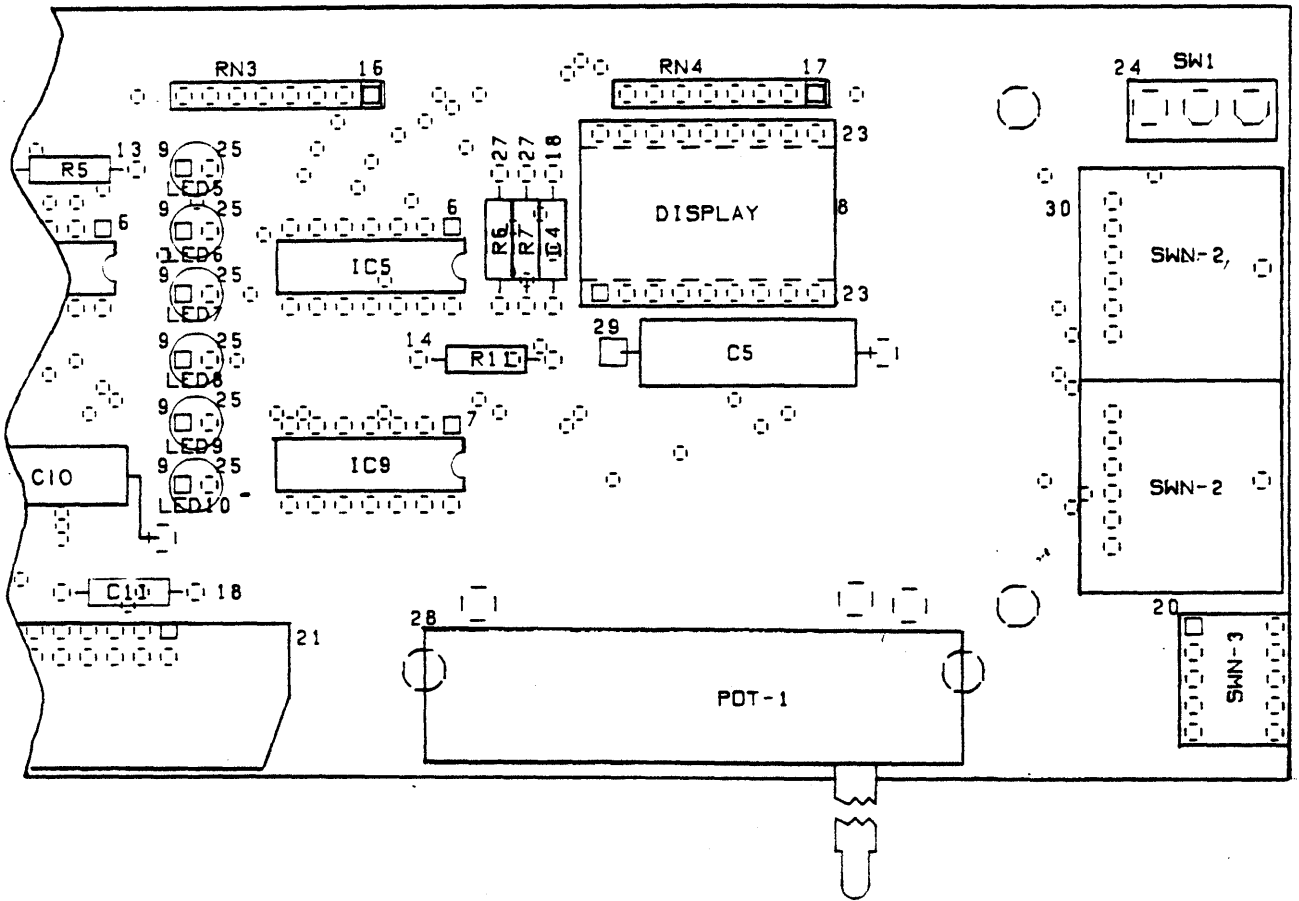
REF NUM REV TITLE
44690425 C ASSY UNIVERSAL PROG BD (INACTIVE)

FND NUM	U/M	PART NUM	DESCRIPTION	NUM REQ
001	PC	44687536	FAB DWG 360X PROG BD	1
002	PC	51906100	CONNECTOR 2 PIN	1
003	PC	51906101	CONN 3 PIN PC MOUNT	3
004	PC	83435458	PC CONN 5 PIN	1
005	PC	51906105	12 POS CONN	1
006	PC	51906106	CONN 15 PIN	5
007	PC	51906115	PC CONN 8 PIN	1
008	PC	44690353	SUPPORT PROGRAM BD	1
009	PC	10126103	WASHER INTL TOOTH LK 6	1
010	PC	10127111	SCR PAN HD PHL 6-32x.250	1
011	PC	10126106	WASHER INTL TOOTH LK 1/4	1
012	PC	93031004	NUT, WING	1
013	PC	44691973	LABEL PWB SERIALIZATION	1

CONTROL PANEL ASSEMBLY



CONTROL PANEL ASSEMBLY



**44688511 CONTROL PANEL BASIC
44688512 CONTROL PANEL OPTIONAL**

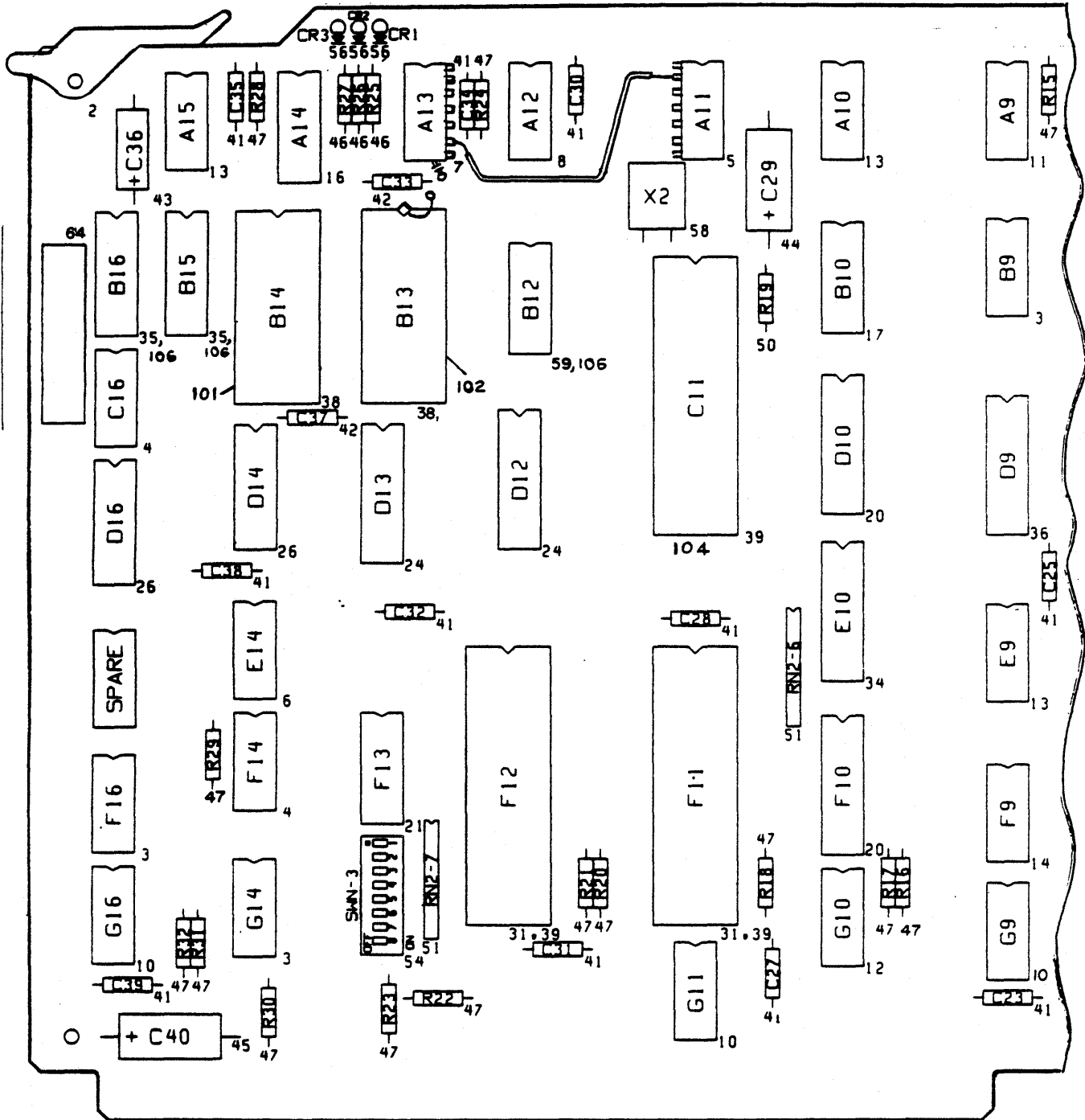
REF NUM REV TITLE
44688511 C CONTROL PANEL BASIC (6 SWITCH)

REF NUM REV TITLE
44688512 C CONTROL PANEL OPTION (10 SWITCH)

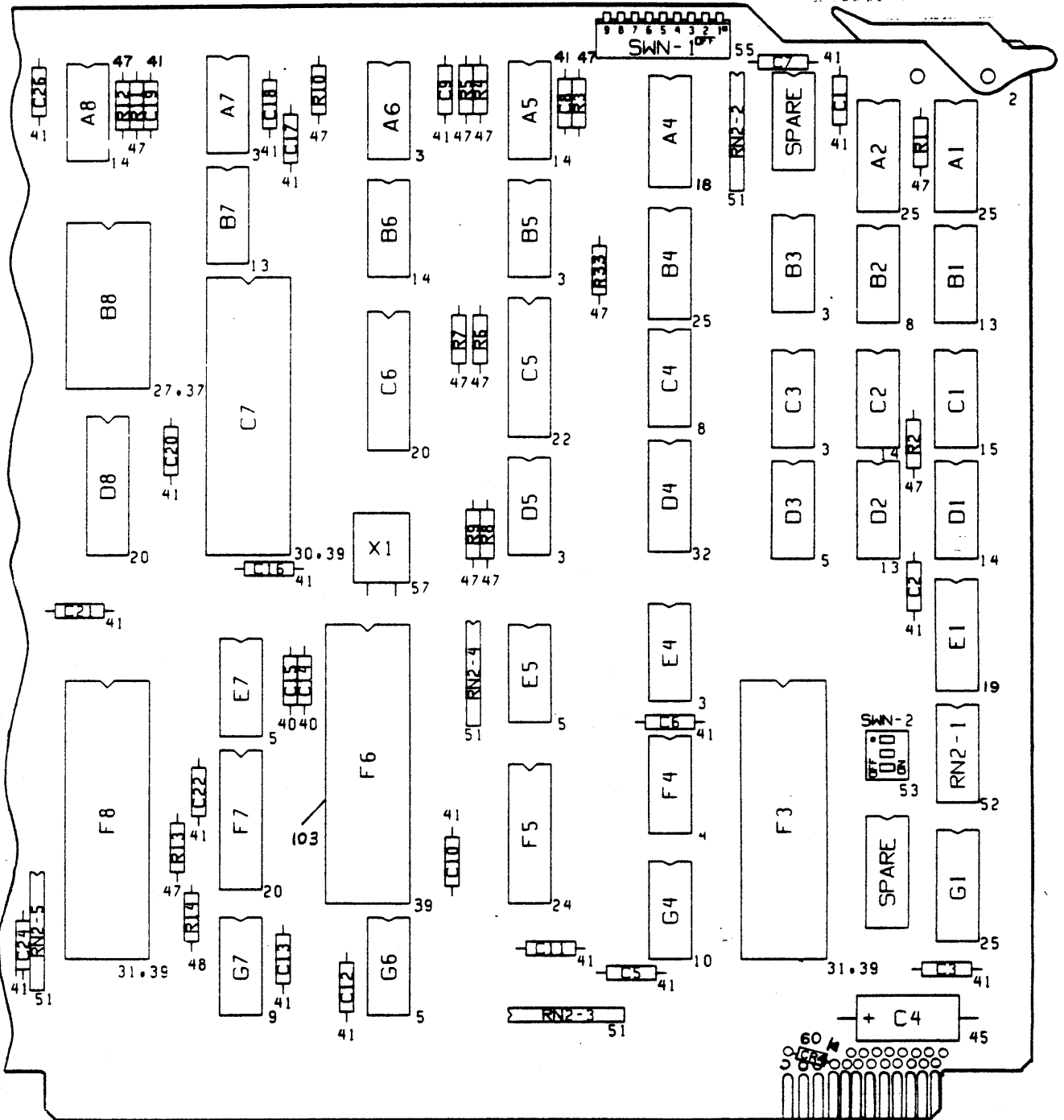
FND NUM	U/M	PART NUM	DESCRIPTION	NUM REQ
001	PC	44688506	FAB DWG CONTROL PANEL TWSW	1
002	PC	15146100	IC 74LS30	1
003	PC	15158300	IC-7438	1
004	PC	15112100	IC 555	1
005	PC	15136400	IC MC 14490VP	1
006	PC	17183900	IC 7417	3
007	PC	15145100	74LS04	1
008	PC	44680860	DISPLAY DL2416	1
009	PC	95362401	L.E.D. RED	4
010	PC	11803000	DIODE SILICON	1
011	PC	44677742	AUDIO INDICATOR	1
012	PC	94402132	RES CAR FILM, 100 1/4W, 5	1
013	PC	94402136	RES CAR FILM, 150 1/4W, 5	2
014	PC	94402180	RES CAR FILM, 10K 1/4W, 5	3
015	PC	94402188	RES CAR FILM, 22K 1/4W, 5	1
016	PC	91938516	SIP NET 150 8 PINS	1
017	PC	94375105	RESISTOR NETWORK 10K	3
018	PC	19115400	CAP .01UF -20+80% Z5U 50V	8
019	PC	94400622	CAP 47UF 16V	1
020	PC	83452202	SWITCH-DIP 5 POS	1
021	PC	95419304	SOLDER TAIL HEADER	1
022	PC	44681573	SOCKET 12 PIN STRIP	1
023	PC	44681570	SOCKET 9 PINS STRIP	2
024	PC	44685983	SWITCH-SLIDE	1
025	PC	44682067	LED SPACER .225	4
026	PC	94240411	CAP .01UF 10% X7R	1
027	PC	94402140	RES CAR FILM, 220 1/4W, 5	2
028	PC	44687730	POT-SLIDE 2DK	1
029	PC	94400609	CAP 10UF 35V AL ELECT	1
030	PC	44687591	SWITCH-PCB THUMBWHEEL	1
033	PC	44691793	LABEL PWB SERIALIZATION	1
901	PC	44688510	ASSY DWG CONT. PNL TWSW	REF

FND NUM	U/M	PART NUM	DESCRIPTION	NUM REQ
001	PC	44688506	FAB DWG CONTROL PANEL TWSW	1
002	PC	15146100	IC 74LS30	1
003	PC	15158300	IC-7438	1
004	PC	44675329	IC 555	1
005	PC	15136400	IC MC 14490VP	2
006	PC	17183900	IC 7417	3
007	PC	15145100	74LS04	1
008	PC	44680860	DISPLAY DL2416	1
009	PC	95362401	L.E.D. RED	10
010	PC	11803000	DIODE SILICON	1
011	PC	44677742	AUDIO INDICATOR	1
012	PC	94402132	RES CAR FILM, 100 1/4W, 5	1
013	PC	94402136	RES CAR FILM, 150 1/4W, 5	4
014	PC	94402180	RES CAR FILM, 10K 1/4W, 5	3
015	PC	94402188	RES CAR FILM, 22K 1/4W, 5	1
016	PC	91938516	SIP NET 150 8 PINS	1
017	PC	94375105	RESISTOR NETWORK 10K	3
018	PC	19115400	CAP .01UF -20+80% Z5U 50V	8
019	PC	94400622	CAP 47UF 16V	1
020	PC	83452202	SWITCH-DIP 5 POS	1
021	PC	95419304	SOLDER TAIL HEADER	1
022	PC	44681573	SOCKET 12 PIN STRIP	1
023	PC	44681570	SOCKET 9 PINS STRIP	2
024	PC	44685983	SWITCH-SLIDE	1
025	PC	44682067	LED SPACER .225	10
026	PC	94240411	CAP .01UF 10% X7R	1
027	PC	94402140	RES CAR FILM, 220 1/4W, 5	2
028	PC	44687730	POT-SLIDE 2DK	1
029	PC	94400609	CAP 10UF 35V AL ELECT	1
030	PC	44687591	SWITCH-PCB THUMBWHEEL	1
031	PC	95419301	HEADER 20 PINS RET ANGLE	1
033	PC	44691793	LABEL PWB SERIALIZATION	1
901	PC	44688510	ASSY DWG CONT. PNL TWSW	REF

BOARD PROGRAMMED-CPU



BOARD PROGRAMMED - CPU



THIS ASSEMBLY IS FOR REFERENCE ONLY AND MAY OR MAY NOT REFLECT YOUR EQUIPMENT, SPECIFIC COMPONENTS MAY OR MAY NOT BE INSTALLED.

44678585/77/78, 44691630/31 BOARD PROGRAMMED-CPU COMMON LW400 (INACTIVE)
 44678581, 44691452/1862/2157/2060 BOARD PROGRAMMED-CPU CENTRONICS LW400 (INACTIVE)
 44690430/31 BOARD PROGRAMMED-CPU COMMON LW800 (INACTIVE)
 44698582/2160/2066 BOARD PROGRAMMED-CPU CENTRONICS LW800 (INACTIVE)

44691632 BOARD PROGRAMMED-CPU COMMON LW400
 44692061 BOARD PROGRAMMED-CPU CENTRONICS LW400
 44690432 BOARD PROGRAMMED-CPU COMMON LW800
 44692067 BOARD PROGRAMMED-CPU CENTRONICS LW800

REF NUM	REV	TITLE	REF NUM	REV	TITLE
44691632	A	BD PROGRAMMED CPU COMMON-LW400	44692061	A	BD PROGRAMMED CPU CENTRONICS-LW400

FND NUM	U/M	PART NUM	DESCRIPTION	NUM REQ	FND NUM	U/M	PART NUM	DESCRIPTION	NUM REQ
100	PC	44678586	CPU PCB ASSY REWORK	1	100	PC	44678586	CPU PCB ASSY REWORK	1
101	PC	59837762	360X PROGRAM ROM STD	1	101	PC	59837758	360X PROM ASSY (#1)	1
102	PC	59837763	360X PROGRAM ROM OPTIONAL	1	102	PC	59837759	360X PROM ASSY (#2)	1
103	PC	95458855	ASSY MICROPROCESSOR	1	103	PC	95458855	ASSY MICROPROCESSOR	1
104	PC	44680047	IC 8085 A-2	1	104	PC	44680047	IC 8085 A-2	1
150	PC	44688595	PBS 360X FLOW CHARTS	REF	901	PC	44692512	ISIS ASSY LISTING CPU	REF
151	PC	44692517	PBS 360X PROGRAM LISTING	REF	902	PC	44690795	FLOW CHARTS CPU CENT	REF
152	PC	44687558	BAND TRACKING FLOW CHARTS	REF					

REF NUM	REV	TITLE	REF NUM	REV	TITLE
44690432	A	BD PROGRAMMED CPU COMMON-LW800	44692067	A	BD PROGRAMMED CPU CENTRONICS-LW800

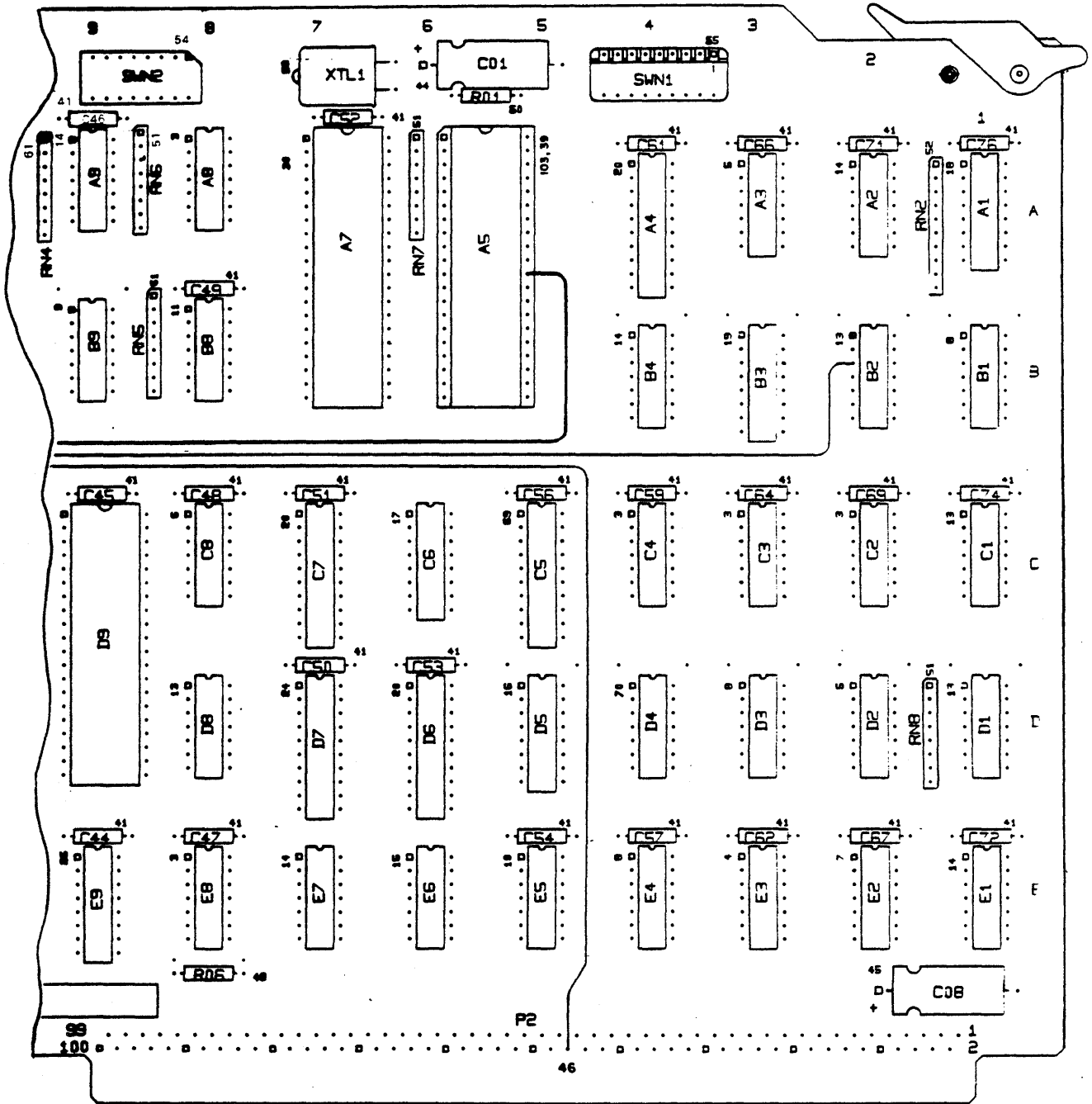
FND NUM	U/M	PART NUM	DESCRIPTION	NUM REQ	FND NUM	U/M	PART NUM	DESCRIPTION	NUM REQ
100	PC	44678586	CPU PCB ASSY REWORK	1	100	PC	44678586	CPU PCB ASSY REWORK	1
101	PC	59837764	720X PROM ASSY(STD)	1	101	PC	59837760	360X PROM ASSY(#1)	1
102	PC	59837765	720X PROM ASSY (OPT)	1	102	PC	59837761	360X PROM ASSY (#2)	1
103	PC	95458857	ASSY MICROPROCESSOR	1	103	PC	95458857	ASSY MICROPROCESSOR	1
104	PC	44680047	IC 8085 A-2	1	104	PC	44680047	IC 8085 A-2	1
901	PC	44672518	LISTING	REF	901	PC	44692513	ASSY LISTING LW800 CENT	REF
902	PC	44688596	FLOWCHART	REF	902	PC	44690797	360X FLOW CHARTS	REF

REF NUM	REV	TITLE	REF NUM	REV	TITLE
44678586	D	* CPU REWORK ASSEMBLY			

FND NUM	U/M	PART NUM	DESCRIPTION	NUM REQ	FND NUM	U/M	PART NUM	DESCRIPTION	NUM REQ
001	PC	44678584	BD CPU	1	036	PC	51848416	SOCKET 20 PIN	1
002	PC	51894405	INJECTOR EJECTOR	2	038	PC	51848405	DUAL IN-LINE RECEPTACLE	2
003	PC	15144900	IC 74LS00	10	039	PC	51848406	40 PIN SOCKET	2
004	PC	15145000	IC 74LS02	3	040	PC	15164238	CAP 20 PF	2
005	PC	15145100	74LS04	5	041	PC	19115400	CAP .01UF -20+80% Z5U 50V	32
006	PC	88883200	IC 7407	1	042	PC	19115401	CAP .1UF -20+80% Z5U 50V	2
007	PC	15163600	IC 74S08	1	043	PC	94400605	CAP 4.7UF 50V	1
008	PC	15145400	IC 74LS08	3	044	PC	12089270	CAP 25 UF 25V	1
009	PC	88896100	IC 7414	1	045	PC	94400632	CAP 100UF 16V	2
010	PC	15148500	IC 74LS14	4	046	PC	94402144	RES CAR FILM, 330 1/4W, 5	3
011	PC	15125400	IC 74S30	1	047	PC	94402168	RES CAR FILM, 3.3K 1/4W, 5	28
012	PC	15146100	IC 74LS30	1	048	PC	94402197	RES. CAR FILM, 51K 1/4W, 5	1
013	PC	15146200	IC 74LS32	6	050	PC	94402187	RES. CAR FILM, 20K 1/4W, 5	1
014	PC	15146300	IC 74LS74	6	051	PC	44670458	S.I.P. 3.3K 1/4W	6
015	PC	88885700	IC 7486	1	052	PC	75009906	RESISTOR	1
016	PC	15142500	IC 74S138	1	053	PC	83452211	SWITCH NET 3 POS	1
017	PC	15147400	IC 74LS138	1	054	PC	93452205	SWITCH NET 8 POS	1
018	PC	15163304	IC 74LS151	1	055	PC	83452231	SW RT ANGLE 9 POS	1
019	PC	15148700	IC 74LS153	1	056	PC	44682295	DIODE LED	3
020	PC	15163324	IC 74LS245	5	057	PC	95352002	CRYSTAL 6 MHZ	1
021	PC	15164402	74 LS 257A	1	058	PC	95352005	XTAL 10.000 MHZ	1
022	PC	15163435	IC 74276	1	059	PC	51848401	SOCKET-IC	1
024	PC	15163434	IC 74LS373	3	060	PC	11803000	DIODE SILICON	1
025	PC	15162625	IC 9316	4	061	PC	44687550	360XROM PROGRAM SET	1
026	PC	15163400	IC 2114	2	062	PC	44677512	LABEL-MOS	1
027	PC	44680046	IC 8253-5	1	063	FT	95393500	WIRE HI TEMP SLD 30 WT	200
030	PC	44682207	IC 8155-2	1	064	PC	44691793	LABEL PWB SERIALIZATION	1
031	PC	44675327	IC 8255A5	4	099	PC	44688592	ASSY DWG CPU REWORK	REF
032	PC	15110502	IC MC 14521 B	1					
034	PC	15163431	IC 25LS2521	1					

* THIS ASSEMBLY DOES NOT INCLUDE MICROPROCESSORS OR PROGRAM ROMS. TO ORDER COMPLETE ASSEMBLED BOARD WITH ALL COMPONENTS INSTALLED, USE THE NUMBER AT THE TOP OF THIS PAGE.

BOARD PROGRAMMED-CPU-350 BUS



REF NUM REV TITLE
44691725 A BD PROGRAMMED CPU-350 BUS

REF NUM REV TITLE
44691726 A BD PROGRAMMED CPU-350 BUS

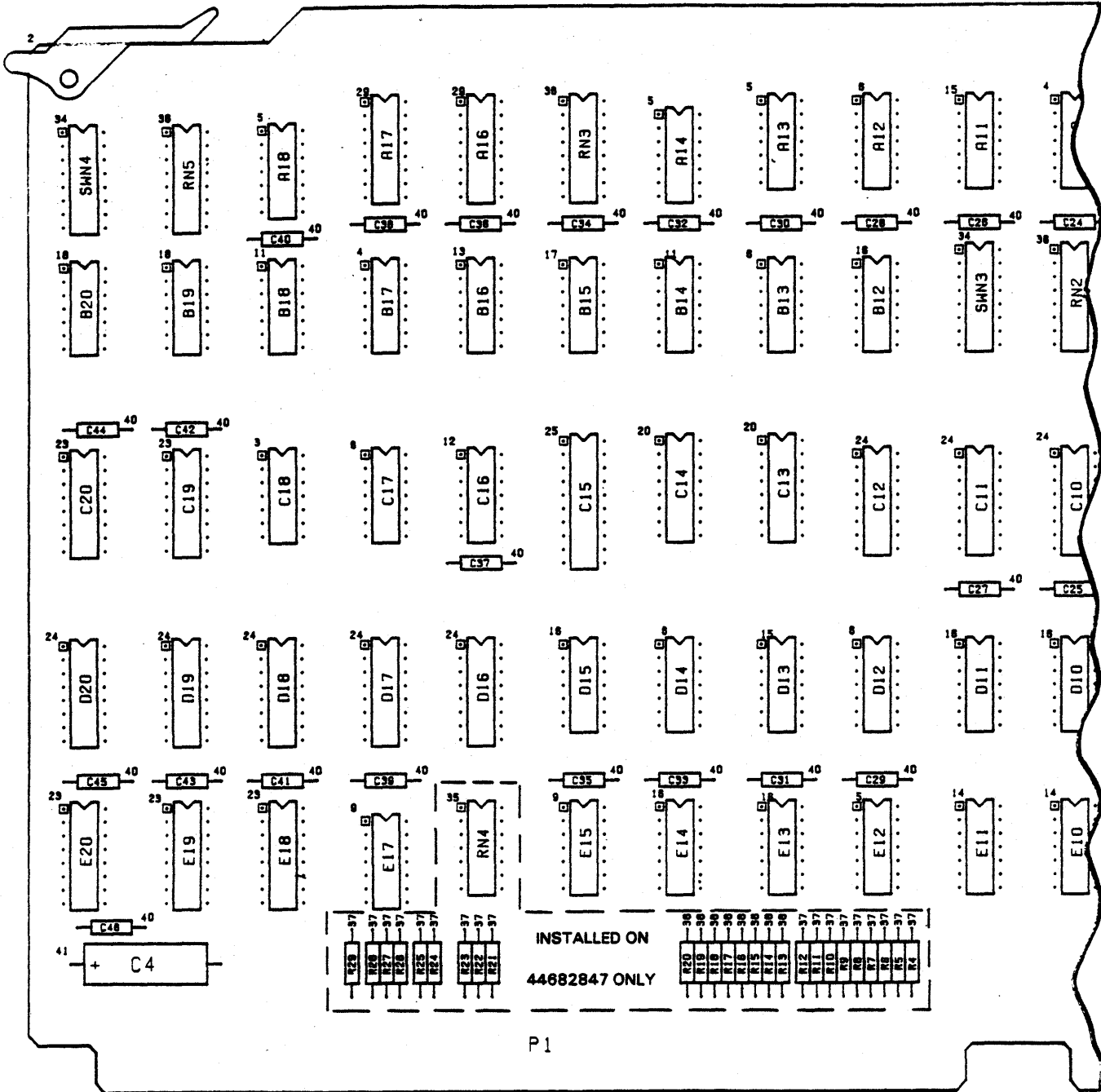
FND NUM	U/M	PART NUM	DESCRIPTION	NUM REQ	FND NUM	U/M	PART NUM	DESCRIPTION	NUM REQ
101	PC	44691720	CPU ASSEMBLY 350 BASIC	1	101	PC	44691720	CPU ASSEMBLY 350 BASIC	1
102	PC	59458855	ASSY MICROPROCESSOR	1	102	PC	59458857	ASSY MICROPROCESSOR	1
103	PC	44680047	8085-2	1	103	PC	44680047	8085A-2	1
104	PC	59836051	PROM ASSY 350 LW 400	1	104	PC	59836052	PROM ASSY 350 LW 400	1
901	PC	44691709	LOGIC SET 350 CPU	REF	901	PC	44691709	LOGIC SET 350 CPU	REF
902	PC	44691712	ISIS LISTING ASSY	REF	902	PC	44691713	ISIS LISTING ASSY	REF
903	PC	44691717	FLOW CHARTS	REF	903	PC	44691718	FLOW CHARTS	REF
904	PC	44691714	DETACHED NOTES	REF	904	PC	44691714	DETACHED NOTES	REF

REF NUM REV TITLE
44691720 A CPU ASSEMBLY 350 BUS BASIC

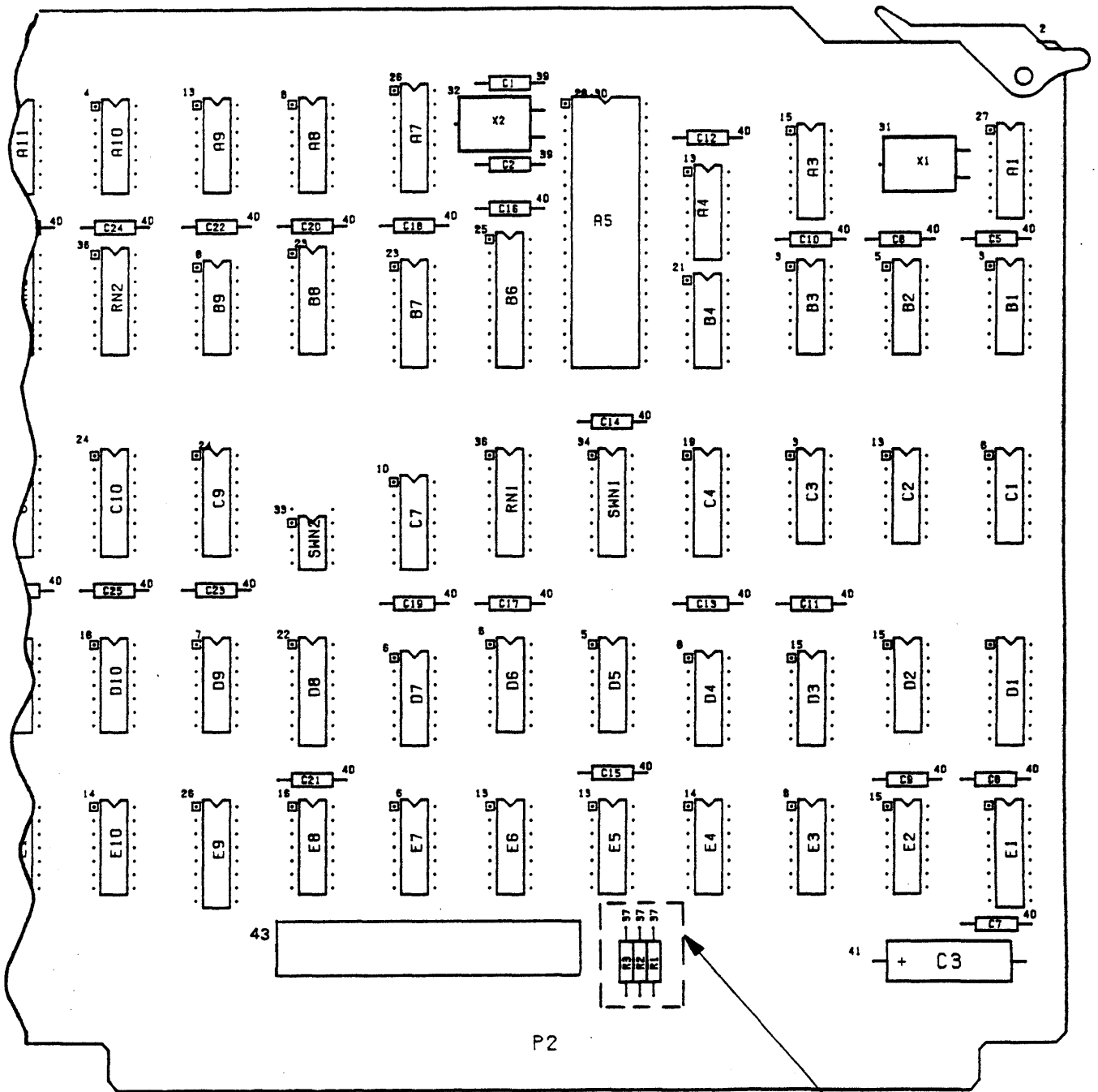
FND NUM	U/M	PART NUM	DESCRIPTION	NUM REQ	FND NUM	U/M	PART NUM	DESCRIPTION	NUM REQ
001	PC	44691715	BD CPU 350 BUS	1	036	PC	77619017	SOCKET 20 PIN	1
002	PC	51894405	INJECTOR EJECTOR	2	038	PC	77619020	28 PIN SOCKET	1
003	PC	15144900	IC 74LS00	8	039	PC	77619021	40 PIN SOCKET	2
004	PC	15145000	IC 74LS02	1	040	PC	15164238	CAP 20 PF	2
005	PC	15145100	74LS04	4	041	PC	19115400	CAP .01UF -20+80% Z5U 50V	44
006	PC	88883200	IC 7407	1	042	PC	19115401	CAP .1UF -20+80% Z5U 50V	1
007	PC	15163600	IC 74S08	1	043	PC	94400605	CAP 4.7UF 50V	1
008	PC	15145400	IC 74LS08	3	044	PC	12089270	CAP 25 UF 25V	1
009	PC	88896100	IC 7414	1	045	PC	94400632	CAP 100UF 16V	2
010	PC	15148500	IC 74LS14	2	047	PC	94402168	RES CAR FILM, 3.3K 1/4W, 5	2
011	PC	15125400	IC 74S30	1	048	PC	94402197	RES. CAR FILM, 51K 1/4W, 5	1
012	PC	15146100	IC 74LS30	1	050	PC	94402187	RES. CAR FILM, 20K 1/4W, 5	1
013	PC	15146200	IC 74LS32	5	051	PC	44670458	S.I.P. 3.3K 1/4W	8
014	PC	15146300	IC 74LS74	7	052	PC	96752414	S.I.P 3.3K 10 PIN	1
015	PC	88885700	IC 7486	1	054	PC	93452205	SWITCH NET 8 POS	1
016	PC	15142500	IC 74S138	1	055	PC	83452231	SW RT ANGLE 9 POS	1
017	PC	15147400	IC 74LS138	1	057	PC	95352002	CRYSTAL 6 MHZ	1
018	PC	15163304	IC 74LS151	1	058	PC	95352005	XTAL 10.000 MHZ	1
019	PC	15148700	IC 74LS153	1	059	PC	77619015	16 PIN SOCKET	1
020	PC	15163324	IC 74LS245	8	062	PC	44677512	LABEL-MOS	1
021	PC	15164402	74 LS 257A	1	063	FT	44691793	PWB SERIALIZATION LABEL	1
022	PC	15163435	IC 74276	1	067	PC	15117680	HM 6116P-2	1
024	PC	15163434	IC 74LS373	3	068	PC	44691710	PAL ASSY 350 BUS	1
025	PC	15162625	IC 9316	4	069	PC	15163414	74LS244	1
027	PC	44680046	IC 8253-5	1	070	PC	15154800	74S32	1
030	PC	44682207	IC 8155-2	1	075	FT	52629950	WIRE HI TEMP GA GRN	1.2
031	PC	44675327	IC 8255A5	3	901	PC	44691724	CPU ASSY DWG BASIC	REF
032	PC	15110502	IC MC 14521 B	1					
034	PC	15163431	IC 25LS2521	1					

* THIS ASSEMBLY DOES NOT INCLUDE MICROPROCESSORS OR PROGRAM ROMS. TO ORDER COMPLETE ASSEMBLED BOARD WITH ALL COMPONENTS INSTALLED. USE THE NUMBER AT THE TOP OF THIS PAGE.

PERSONALITY MODULE ASSEMBLY



PERSONALITY MODULE ASSEMBLY

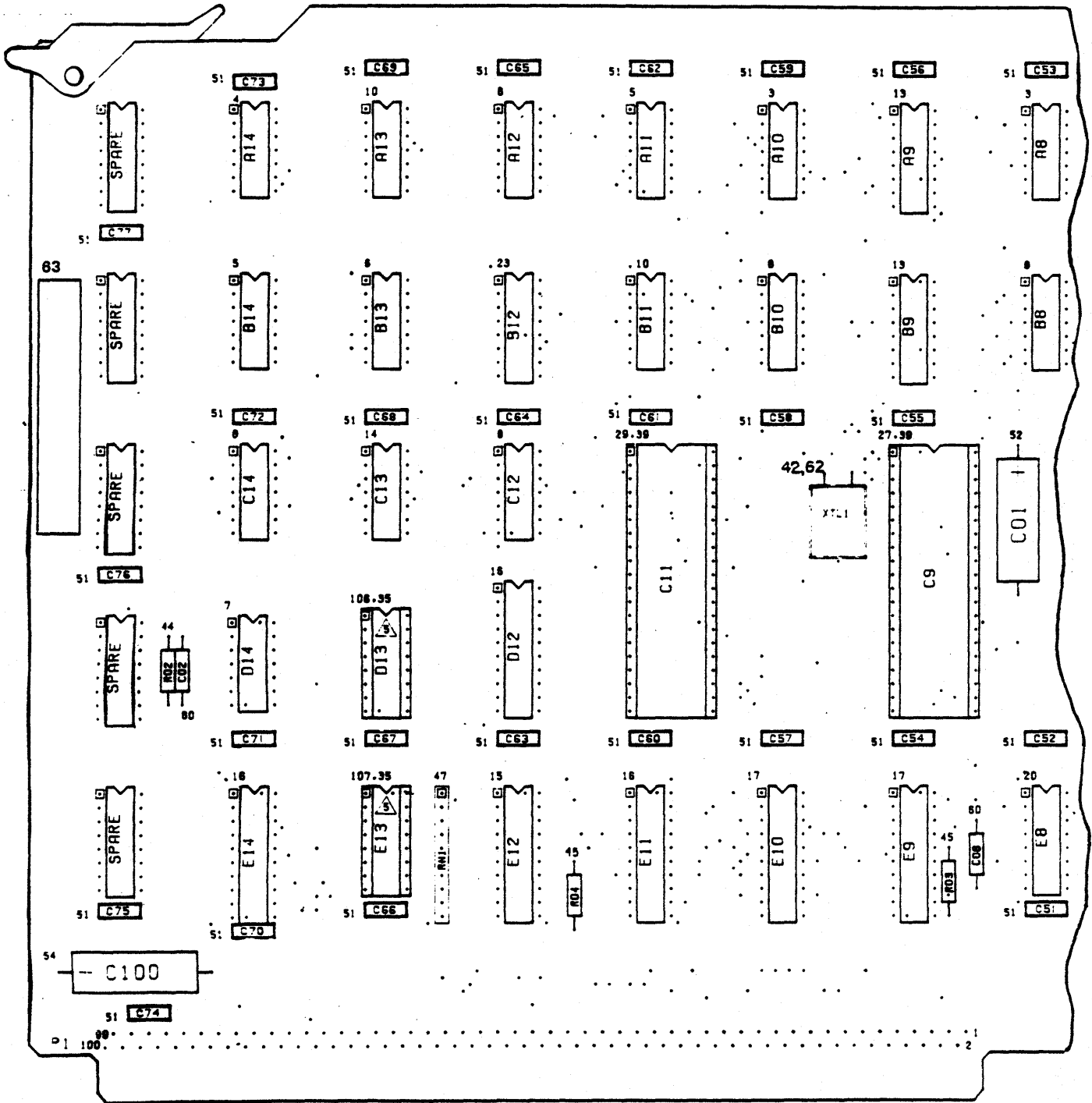


INSTALLED ON 44682847 ONLY

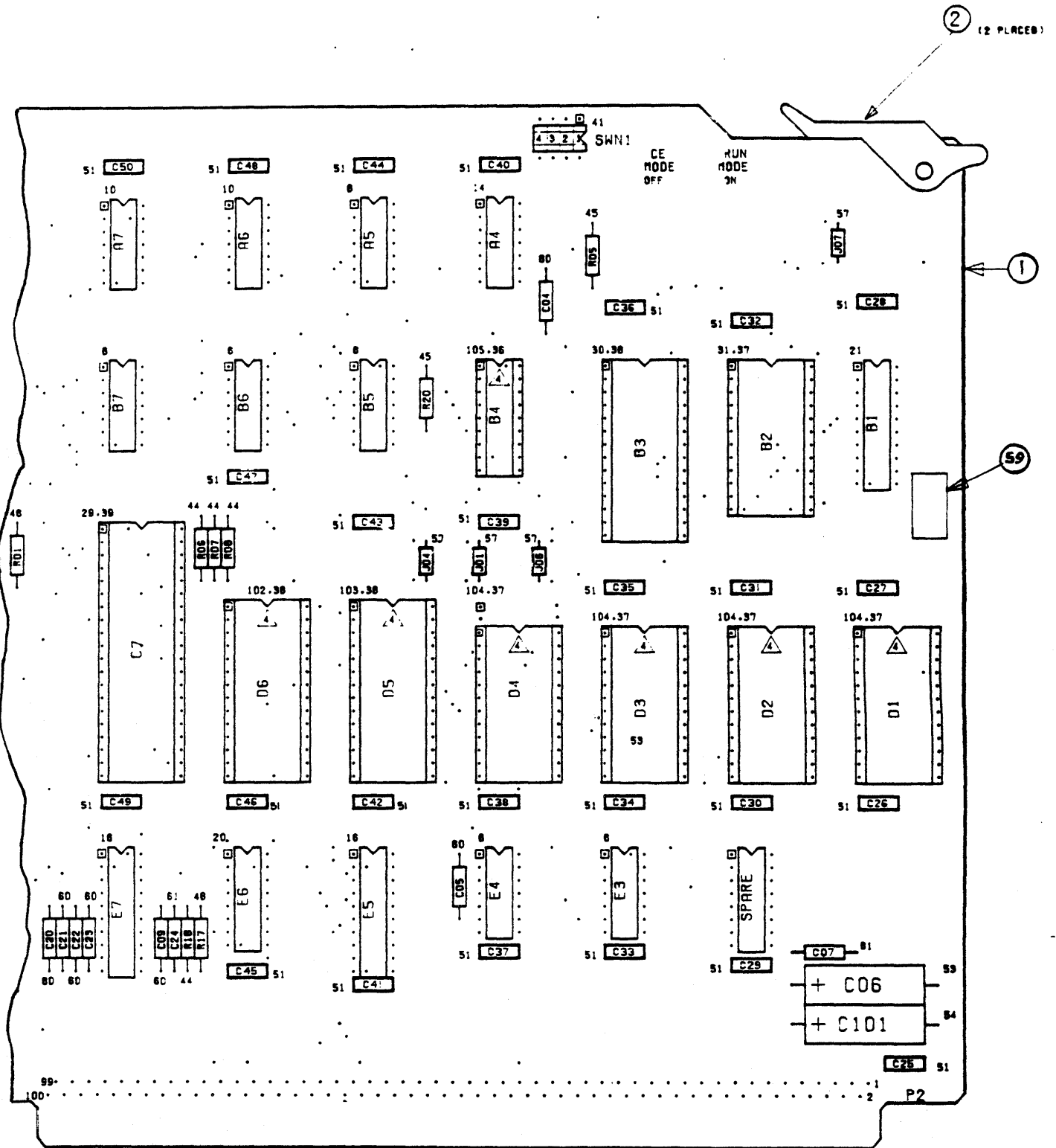
44682846 PERSONALITY DATA PRODUCTS COMP (INACTIVE)
 44682847 PERSONALITY-WITH TERMINATING RESISTORS
 44682848 PERSONALITY-WITHOUT TERMINATING RESISTORS

REF NUM 44682847				REF NUM 44682848					
REV C				REV C					
TITLE PERSONALITY D/P ASSY (WITH TERMINATING RESISTORS)				TITLE PERSONALITY D/P ASSY (WITHOUT TERMINATING RESISTORS)					
FND NUM	U/M	PART NUM	DESCRIPTION	NUM REQ	FND NUM	U/M	PART NUM	DESCRIPTION	NUM REQ
001	PC	44682842	BD DATA PROD PERSONALITY	1	001	PC	44682842	BD DATA PROD PERSONALITY	1
002	PC	51894400	INJECTOR-EJECTOR	2	002	PC	51894400	INJECTOR-EJECTOR	2
003	PC	15144900	IC 74LS00	4	003	PC	15144900	IC 74LS00	4
004	PC	15145000	IC 74LS02	2	004	PC	15145000	IC 74LS02	2
005	PC	15145100	74LS04	6	005	PC	15145100	74LS04	6
006	PC	15145400	IC 74LS08	11	006	PC	15145400	IC 74LS08	11
007	PC	15145600	IC 74LS10	1	007	PC	15145600	IC 74LS10	1
008	PC	15145700	IC 74LS11	2	008	PC	15145700	IC 74LS11	2
009	PC	15148500	IC 74LS14	2	009	PC	15148500	IC 74LS14	2
010	PC	15145900	IC 74LS20	1	010	PC	15145900	IC 74LS20	1
011	PC	95954100	IC 7425	2	011	PC	95954100	IC 7425	2
012	PC	15146100	IC 74LS30	1	012	PC	15146100	IC 74LS30	1
013	PC	15146200	IC 74LS32	6	013	PC	15146200	IC 74LS32	6
014	PC	15158300	IC 7438	3	014	PC	15158300	IC 7438	3
015	PC	15146300	IC 74LS74	6	015	PC	15146300	IC 74LS74	6
016	PC	15146400	IC 74LS86	7	016	PC	15146400	IC 74LS86	7
017	PC	15163401	IC 74LS280	1	017	PC	15163401	IC 74LS280	1
018	PC	95956320	IC 74135	2	018	PC	95956320	IC 74135	2
019	PC	15146600	IC 74LS139	1	019	PC	15146600	IC 74LS139	1
020	PC	15146700	IC 74 LS 157	2	020	PC	15146700	IC 74 LS 157	2
021	PC	15163303	IC 74LS164	1	021	PC	15163303	IC 74LS164	1
022	PC	15146900	IC 74LS 175	1	022	PC	15146900	IC 74LS 175	1
023	PC	15147000	IC 74LS193	7	023	PC	15147000	IC 74LS193	7
024	PC	15147300	IC 74LS253	9	024	PC	15147300	IC 74LS253	9
025	PC	15163420	IC 74LS 273	2	025	PC	15163420	IC 74LS 273	2
026	PC	15148300	74 LS279	2	026	PC	15148300	74 LS279	2
027	PC	15105700	IC MC 4024	1	027	PC	15105700	IC MC 4024	1
028	PC	95458856	MICROPROCESSOR ASSY	1	028	PC	95458856	MICROPROCESSOR ASSY	1
029	PC	51848401	SOCKET-IC	2	029	PC	77619015	16 PIN TIN SOCKET	1
030	PC	51848406	40 PIN SOCKET	1	030	PC	77619021	40 PIN TIN SOCKET	1
031	PC	95352000	CRYSTAL 4 MHZ	1	031	PC	95352000	CRYSTAL 4 MHZ	1
032	PC	95352002	CRYSTAL 6 MHZ	1	032	PC	95352002	CRYSTAL 6 MHZ	1
033	PC	83452201	DIP SWITCH	1	033	PC	83452201	DIP SWITCH	1
034	PC	83452205	SWITCH NET 8 POS	3	034	PC	83452205	SWITCH NET 8 POS	3
035	PC	75009913	RES NETWORK 220	1	035	PC	75009913	RES NETWORK 220	1
036	PC	95903812	DIP RESISTOR NETWORK 3.3K	4	036	PC	95903812	DIP RESISTOR NETWORK 3.3K	4
037	PC	94402140	RES CAR FILM 220 1/4W, 5	21	037	PC	94402140	RES CAR FILM 220 1/4W, 5	21
038	PC	94402180	RES CAR FILM 10K 1/4W, 5	9	038	PC	94402180	RES CAR FILM 10K 1/4W, 5	9
039	PC	15164238	CAP 20 PF	2	039	PC	15164238	CAP 20 PF	2
040	PC	19115400	CAP .01UF -20+80% Z5U 50V	42	040	PC	19115400	CAP .01UF -20+80% Z5U 50V	42
041	PC	94400632	CAP 100UF 16V	2	041	PC	94400632	CAP 100UF 16V	2
042	FT	95393500	WIRE HI TEMP SLD 30 WHT	.500	042	FT	95393500	WIRE HI TEMP SLD 30 WHT	.500
043	PC	44691793	LABEL PWB SERIALIZATION	1	043	PC	44691793	LABEL PWB SERIALIZATION	1
901	PC	44682844	ASSY DRAWING	REF	901	PC	44682844	ASSY DRAWING	REF
					903	PC	44687560	FLOWCHARTS	REF

RS-232 PERSONALITY MODULE ASSEMBLY
 SERIES 1 PERSONALITY MODULE ASSEMBLY



RS-232 PERSONALITY MODULE ASSEMBLY
 SERIES 1 PERSONALITY MODULE ASSEMBLY



44689890 PERSONALITY (RS-232) (INACTIVE)
 44689891 PERSONALITY (RS-232) (INACTIVE)
 44689892 PERSONALITY (RS-232) (INACTIVE)
 44689893 PERSONALITY (RS-232) (INACTIVE)
 44692048 PERSONALITY (RS-232) (INACTIVE)
 44692049 PERSONALITY (RS-232)
 44691027 PERSONALITY (SERIES 1)

REF NUM REV TITLE
 44692049 A PERSONALITY PROGRAMMED

REF NUM REV TITLE
 44691027 A PERSONALITY PRGMD SERIES 1

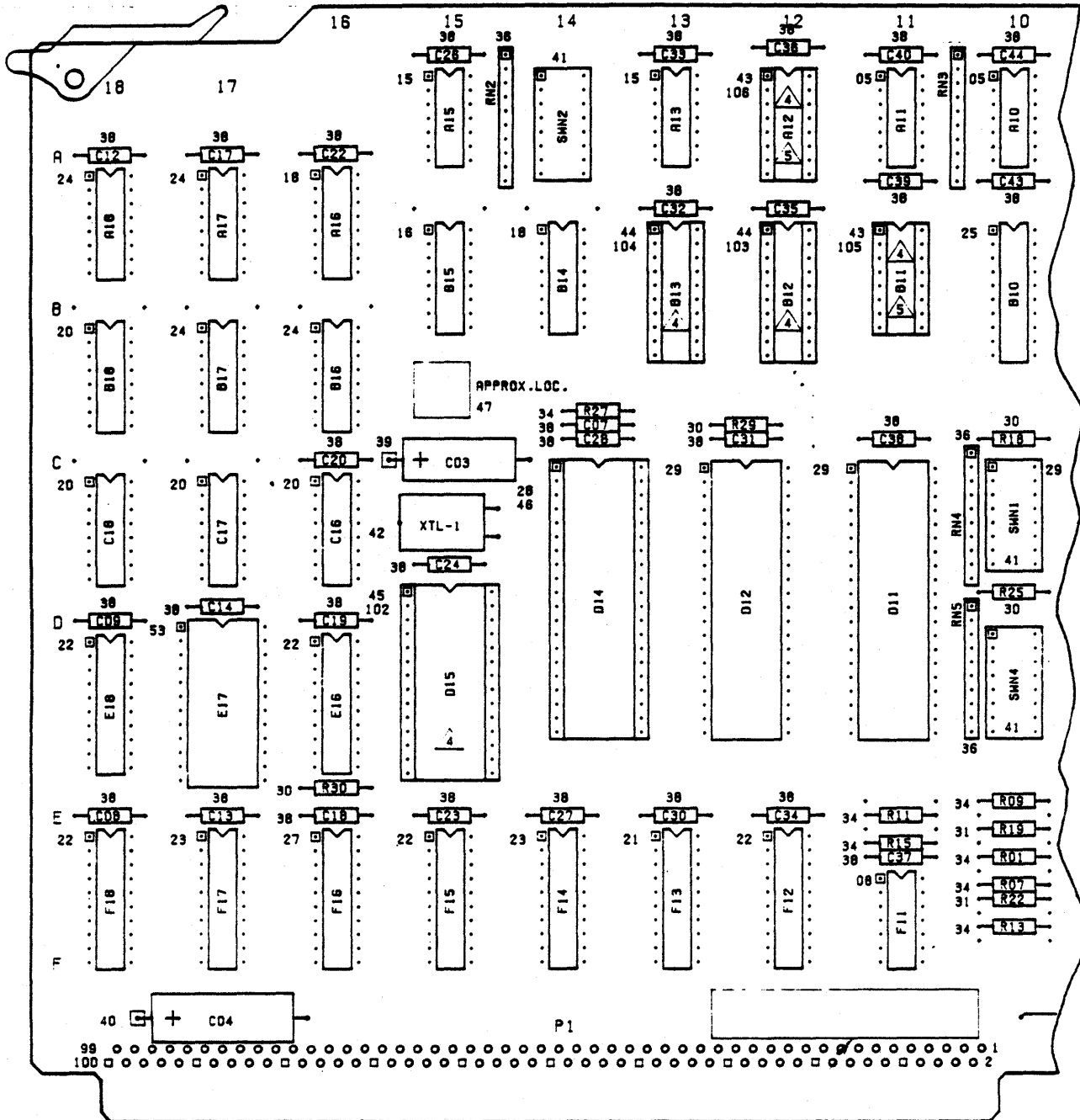
FND NUM	U/M	PART NUM	DESCRIPTION	NUM REQ	FND NUM	U/M	PART NUM	DESCRIPTION	NUM REQ
101	PC	44690786	ASSY-RS232 ADAPTOR	1	101	PC	44690786	RS-232 BASIC ASSY	1
102	PC	59837766	EROM ASSY RS232 NO-1	1	102	PC	59829967	PROM ASSY SERIES 1	1
103	PC	59837767	EROM ASSY RS232 NO-2	1	901	REF	44690707	ISIS ASSY LISTING	1
104	PC	15117680	IC-HM6166 P-2	2	902	REF	44690816	SCHEM PERSONALITY RS-232	REF
105	PC	15114410	IC-2210 64X4 NVRAM	1	903	REF	44690817	SIG IND PERSONALITY RS-232	REF
901	PC	44692519	ASSEMBLY LISTING 232	REF					
902	PC	44690816	LOGIC SET SERIAL I/O	REF					
903	PC	44690817	SIGNAL INDICATOR SERIAL I/O	REF					
904	PC	44691287	RS-232 FLOWCHARTS	REF					

REF NUM REV TITLE
 44690786 B * ASSY-RS232 ADAPTOR

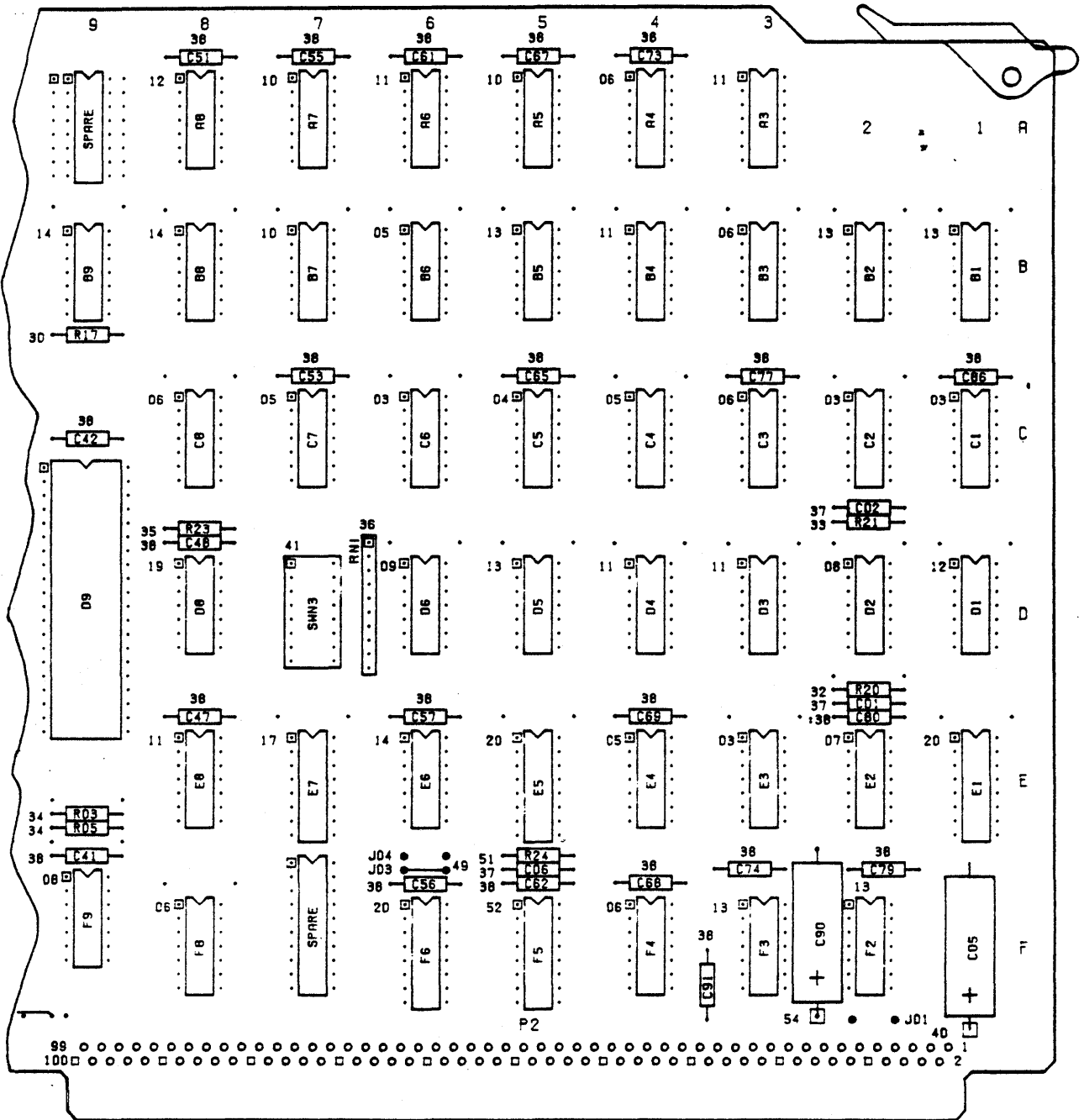
FND NUM	U/M	PART NUM	DESCRIPTION	NUM REQ	FND NUM	U/M	PART NUM	DESCRIPTION	NUM REQ
001	PC	44690785	BD 360X RS-232 BASIC	1	035	PC	77619015	16 PIN (TIN) SOCKET	2
002	PC	51894400	INJECTOR-EJECTOR	2	036	PC	77619016	18 PIN (TIN) SOCKET IC	1
003	PC	15144900	IC 74LS00	2	037	PC	77619019	24 PIN (TIN) SOCKET	5
004	PC	15145000	IC 74LS02	2	038	PC	77619020	28 PIN (TIN) SOCKET	3
005	PC	15145100	74LS04	2	039	PC	77619021	40 PIN (TIN) SOCKET	3
006	PC	15145400	IC 74LS08	5	041	PC	83452226	DIP SWITCH SIDE 4 POS	1
007	PC	15148500	IC 74LS14	1	042	PC	95352007	CRYSTAL 6.144 MHZ	1
008	PC	15146200	IC 74LS32	7	044	PC	94402156	RES. CAR. FILM, 1K 1/4W, 5	5
010	PC	15146300	IC 74LS74	4	045	PC	94402172	RES. CAR. FILM 4.7K V4W 5	4
013	PC	15147400	IC 74LS138	2	046	PC	94402187	RES. CAR. FILM, 20K 1/4W, 5	1
014	PC	15163303	IC 74LS164	2	047	PC	90752401	RES 330 OHM 1/4W	1
015	PC	15163433	IC 74LS240	1	048	PC	94402167	RES CAR FILM 3K 1/4 W	1
016	PC	15163414	IC 74S244	5	051	PC	94390601	CAP .01UF 20+80% Z5U 50V	53
017	PC	15163324	IC 74LS245	2	052	PC	12089270	CAP 25 UF 25V	1
020	PC	15164401	IC 74LS259	2	053	PC	94400624	CAP 47 MFD 50V	1
021	PC	15163434	IC 74LS373	1	054	PC	94400632	CAP 100MFD 16V	2
023	PC	15110502	IC MC14521B	1	057	PC	44670482	JUMPE P.C.B.	4
027	PC	44675313	IC 8085A MICROPROCESSOR	1	059	PC	44677512	LABEL-MOS	1
029	PC	44675306	IC 8155 RAM W/I/O	2	060	PC	19115400	CAP.01MFD	9
030	PC	15163228	8251A	1	061	PC	19115401	CAP .1UF 20 + Z5U 50V	2
031	PC	44680046	IC 8253-5	1	062	PC	44689434	INSULATOR CRYSTAL	1
					063	PC	44691793	LABEL PWB SERIALIZATION	1
					901	PC	44690790	ASSEMBLY DWG PERSONALITY	REF

* THIS ASSEMBLY DOES NOT INCLUDE PROGRAMMED PARTS. TO ORDER COMPLETE ASSEMBLY WITH ALL COMPONENTS INSTALLED, USE THE NUMBER AT THE TOP OF THIS PAGE.

PERSONALITY CENTRONICS COMPATIBLE



PERSONALITY CENTRONICS COMAPTIBLE



44690618 PERSONALITY-CENTRONICS COMPLETE (INACTIVE)
 44691446 PERSONALITY-CENTRONICS COMPLETE (INACTIVE)
 44691861 PERSONALITY-CENTRONICS COMPLETE (INACTIVE)
 44691973 PERSONALITY-CENTRONICS COMPLETE

REF NUM REV TITLE
 44691973 A PERSONALITY PROGRAMMED CENTRON-
 ICS

FND NUM	U/M	PART NUM	DESCRIPTION	NUM REQ
101	PC	44691963	ASSY CENTRONICS BASIC	1
102	PC	59829988	PROM ASSY #1-2764	1
103	PC	59833850	512x8 PROM CENT #1	1
104	PC	59833856	ASSY MEMORY 512 X 8	1
901	PC	44691971	ASSEMBLY LISTING	REF
902	PC	44691969	SCHEMATIC CENTRONICS	REF
903	PC	44691970	DETACHED LIST CENTROMICS	REF
904	PC	44691972	FLOWCHARTS PERSONALTY	REF

REF NUM REV TITLE
 44691963 A *CENTRONICS BASIC ASSEMBLY

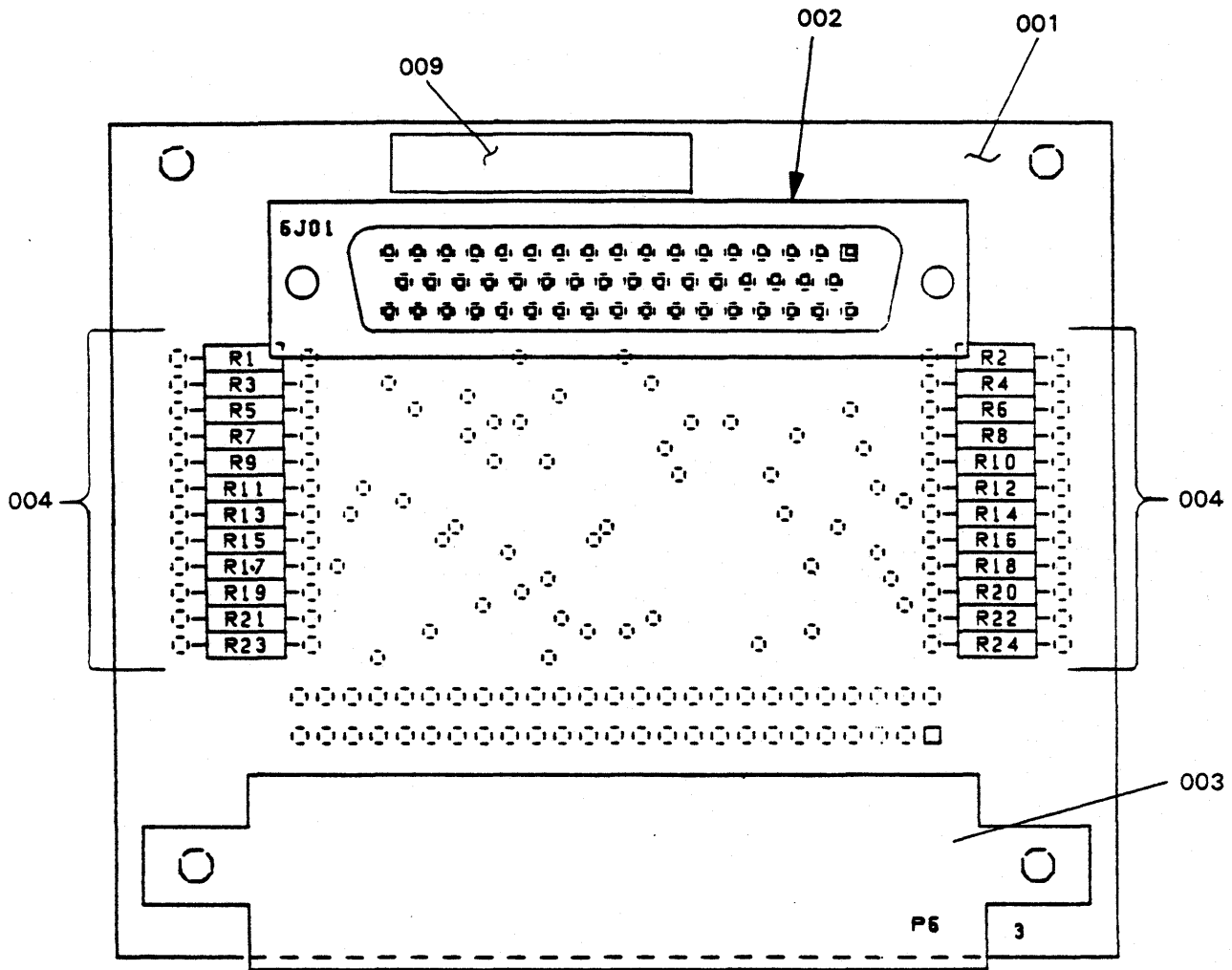
FND NUM	U/M	PART NUM	DESCRIPTION	NUM REQ	FND NUM	U/M	PART NUM	DESCRIPTION	NUM REQ
001	PC	44691962	BOARD CENTRONICS BASIC	1	027	PC	15163434	IC 74LS373	1
002	PC	51894400	INJECTOR-EJECTOR	2	028	PC	44675313	IC 8085A MICROPROSSOR	1
003	PC	15144900	IC 74LS00	4	029	PC	44675306	IC 8155 RAM W/IO	3
004	PC	15145000	IC 74LS02	1	030	PC	94402168	RES CAR FILM 3.3K 1/4W, 5	5
005	PC	15145100	IC LS04	6	031	PC	94402148	RES CAR FILM, 470 1/4W 5	2
006	PC	15145400	IC 74LS08	6	032	PC	94402150	RES CAR FILM,560 1/4W,5	1
007	PC	15145700	IC 74LS11	1	033	PC	94402153	RES CAR FILM 750 1/4W 5	1
008	PC	88896100	IC 7414	3	034	PC	94402156	RES CAR FILM,1K 1/4W,5	9
009	PC	15145900	IC LS20	1	035	PC	94402187	RES CAR FILM,20K 1/4W,5	1
010	PC	15146000	IC 74LS27	3	036	PC	96752414	RES NETWORK 3.3K	4
011	PC	15146200	IC 74LS32	6	037	PC	94240401	CAP .001 UF 10% x 7R	3
012	PC	15163417	IC 74LS38	2	038	PC	19115400	CAP .01 UF 20+80% Z5U 50V	51
013	PC	15146300	IC 74LS74	6	039	PC	12089270	CAP 25 UF 25V	1
014	PC	15146400	IC 74LS86	3	040	PC	94400632	CAP 100 MFD 16V	2
015	PC	44681278	IC 74LS136	2	041	PC	83452205	SWITCH NET 8 POS	4
016	PC	15147400	IC 74LS138	1	042	PC	95352006	6.25 MHZ CRYSTAL	1
017	PC	15146600	IC 74LS139	1	043	PC	77619015	16 PIN (TIN) SOCKET	2
018	PC	15146700	IC 74LS157	2	044	PC	77619017	20 PIN (TIN) SOCKET	2
019	PC	15163303	IC74LS164	1	045	PC	77619020	28 PIN (TIN) SOCKET	1
020	PC	15147000	IC 74LS193	7	046	PC	77619021	40 PIN (TIN) SOCKET	1
021	PC	15163433	IC 74LS240	1	047	PC	44677512	LABEL-MOS	1
022	PC	15163414	IC 74LS244	5	048	PC	96752401	RES NETWORK 330 (10 PIN)	1
023	PC	15163324	IC 74LS245	2	049	PC	44670482	JUMPER P.C.B.	1
024	PC	15147300	IC 74LS253	4	050	FT	52629950	WIRE 30 AWG GREEN KYNAR	150
025	PC	15163420	IC 74LS273	1	051	PC	94402160	RES CAR FILM 1.5K	1
					052	PC	95951800	IC 74221	1
					053	PC	15117680	IC-6116-2	1
					054	PC	94400624	CAP 47 MFD 50V	1
					055	PC	44691793	LABEL PWB SERIALIZATION	1
					901	PC	44690615	ASSEMBLY DRAWING	REF

* THIS ASSEMBLY DOES NOT INCLUDE PROGRAMMED PARTS. TO ORDER COMPLETE ASSEMBLY WITH ALL COMPONENTS INSTALLED, USE THE NUMBER AT THE TOP OF THE PAGE.

SECTION 6 I/O ADAPTOR ASSEMBLIES

<u>ASSEMBLY NUMBER</u>	<u>TITLE</u>	<u>PAGE</u>
44686927	D TYPE - SHORT LINE W/O TERMINATING RESISTORS.....	6-2
44687574	D TYPE - SHORT LINE WITH TERMINATING RESISTORS	6-2
44689546	D TYPE - LONG LINE.....	6-4
44688556	WINCHESTER TYPE - SHORT LINE W/O TERMINATING RES.....	6-6
44688557	WINCHESTER TYPE - SHORT LINE WITH TERMINATING RES.	6-6
44691455	WINCHESTER TYPE - SHORT LINE PARADYNE	6-8
44688569	WINCHESTER TYPE - LONG LINE	6-10
44691259	RS-232 I/O ADAPT BD VERSION-2 WITH EXT 12V POWER SUPPLY (NON STANDARD DRIVERS)	6-12
44689769	RS422 I/O ADAPTOR BOARD(STANDARD)	6-14
44689770	RS423 I/O ADAPTOR BOARD(STANDARD)	6-16
44689771	SERIES - 1 ADAPTOR BOARD	6-18
44692029	CENTRONICS I/O ADAPTOR BOARD	6-20
44691958	ETHERNET I/O BOARD.....	6-22

I/O ADAPTOR D TYPE-SHORT LINE

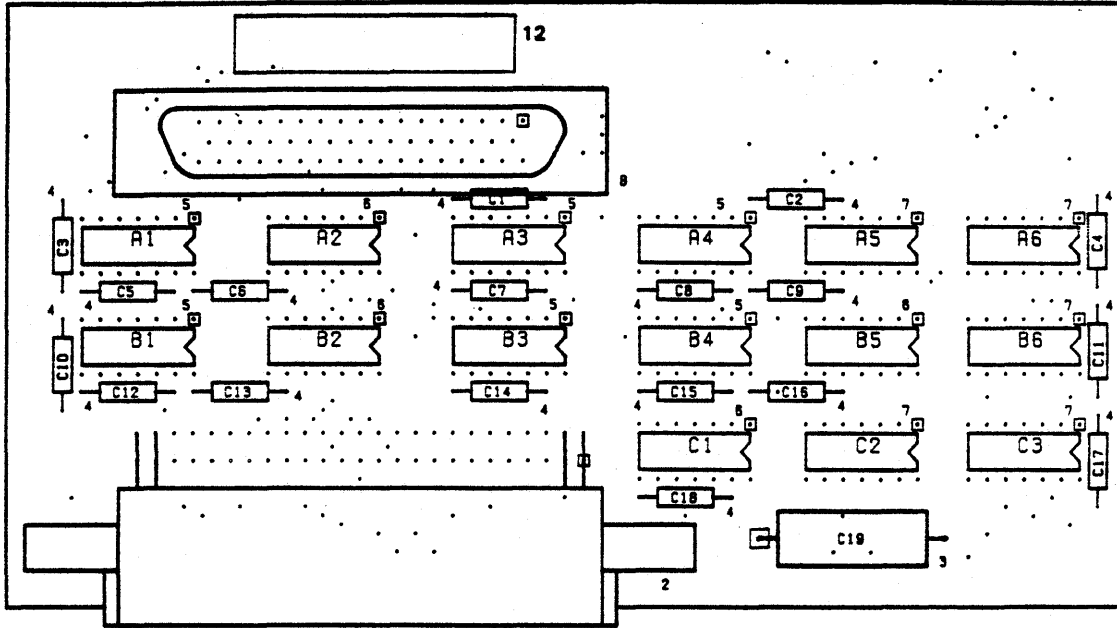


REF NUM REV TITLE
 44686927 C I/O ADAPTOR ASSY DP SHORT LINE (W/O
 TERMINATING RESISTORS)

REF NUM REV TITLE
 44687574 C I/O ADAPTOR ASSY DP SHORT LINE (W/
 TERMINATING RESISTORS)

FND NUM	U/M	PART NUM	DESCRIPTION	NUM REQ	FND NUM	U/M	PART NUM	DESCRIPTION	NUM REQ
001	PC	44687506	BOARD I/O CONNECTOR	1	001	PC	44687506	BOARD I/O CONNECTOR	1
002	PC	83465804	CONNECTOR I/O 50 POSITION	1	002	PC	83465804	CONNECTOR I/O 50 POSITION	1
003	PC	44687718	CONNECTOR RIGHT ANGLE	1	003	PC	44687718	CONNECTOR RIGHT ANGLE	1
006	PC	44688212	PLATE I/O CONN MTG D.P.	1	004	PC	94402140	RES CAR FILM 220 1/4W .5%	24
007	PC	44682610	SCREW SEMS THD FRM	2	006	PC	44688212	PLATE I/O CONN MTG D.P.	1
008	PC	44686989	CATCH I/O CONNECTOR	2	007	PC	44682610	SCREW SEMS THD FRM	2
009	PC	44691793	LABELPWB SERIALIZATION	1	008	PC	44686989	CATCH I/O CONNECTOR	2
901	PC	44687510	DWG I/O CONNECTOR ASSY	REF	009	PC	44691793	LABELPWB SERIALIZATION	1
					901	PC	44687510	DWG I/O CONNECTOR ASSY	REF

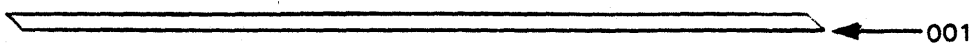
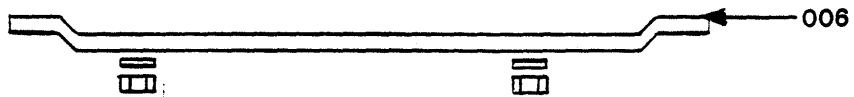
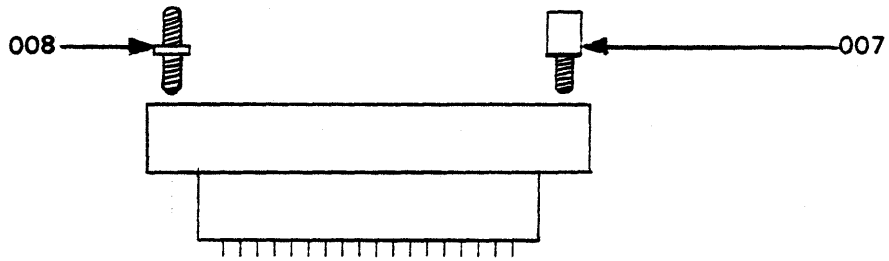
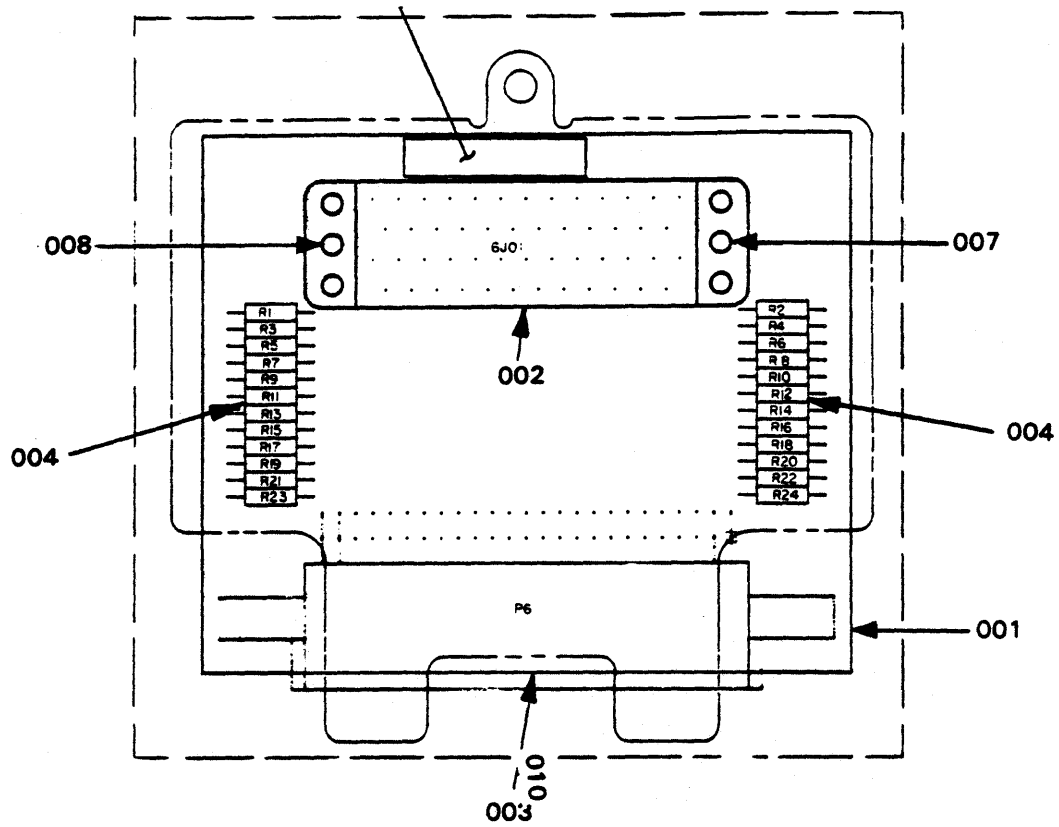
I/O ADAPTOR D TYPE-LONG LINE



REF NUM REV TITLE
44689546 C I/O ADAPTOR D TYPE-LONG LINE

FND NUM	U/M	PART NUM	DESCRIPTION	NUM REQ
001	PC	44688525	PCB O I/O	1
002	PC	44687718	CONN, 50 POS, RIGHT ANGLE	1
003	PC	94400622	CAPACITOR, 47 MFD	1
004	PC	19115400	CAPACITOR .01 MFD-20+80% Z5U	18
005	PC	95337600	IC, 8820	6
006	PC	88885600	IC, 7437	4
007	PC	95337700	IC, 8830	5
008	PC	83465804	CONN, 50 POS, D TYPE	1
009	PC	44688212	PLATE I/O CONN MTG D.P.	1
010	PC	44682610	SCREW SEMS THD FRM	2
011	PC	44686989	CATCH I/O CONNECTOR	1
012	PC	44691793	LABELPWB SERIALIZATION	1

I/O ADAPTOR WINCHESTER TYPE-SHORT LINE



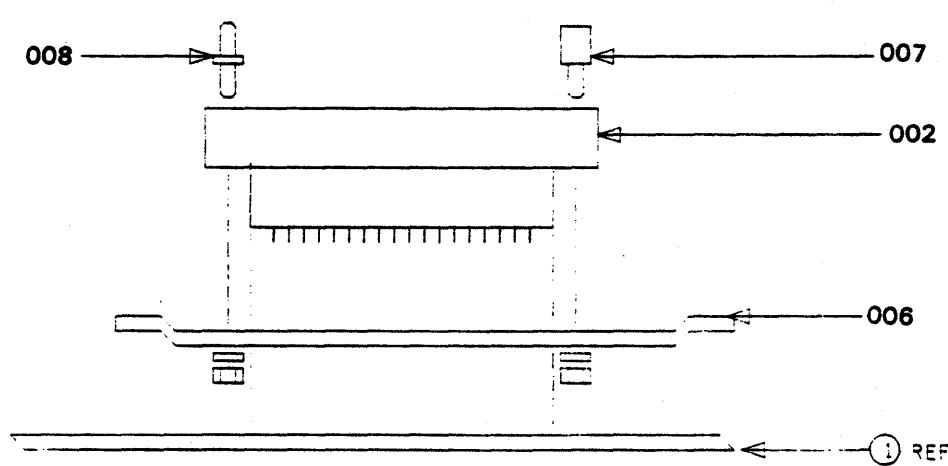
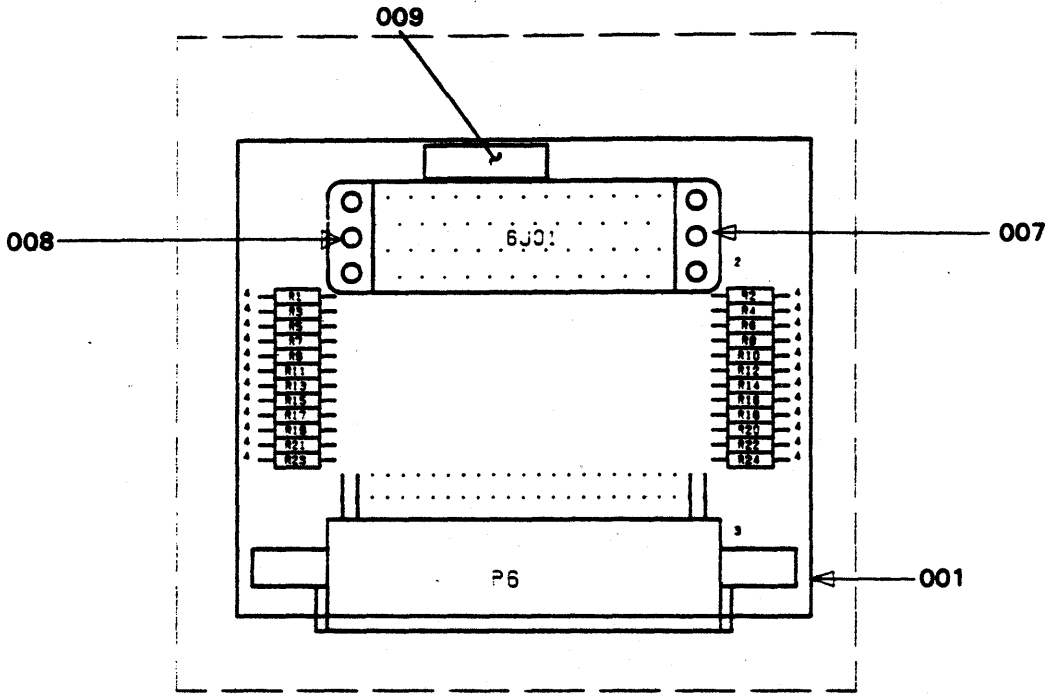
REF NUM REV TITLE
 44688556 C ASSY I/O ADAPTOR OPT WSL

FND NUM	U/M	PART NUM	DESCRIPTION	NUM REQ
001	PC	44688560	PCB I/O ADAPTOR OPTIONAL SL	1
002	PC	94845900	CONNECTOR AUTO WIREABLE	1
003	PC	44687718	CONNECTOR RIGHT ANGLE	1
006	PC	44688213	PLATE I/O MOUNTING	1
007	PC	94288108	JACKSCREW F	1
008	PC	94288109	JACKSCREW M	1
010	PC	44691793	LABELPWB SERIALIZATION	1
901	PC	44688567	ASSY DWG I/O ADAPTOR WSL	REF

REF NUM REV TITLE
 44688557 C ASSY I/O ADAPTOR OPTIONAL WSL

FND NUM	U/M	PART NUM	DESCRIPTION	NUM REQ
001	PC	44688560	PCB I/O ADAPTOR OPTIONAL SL	1
002	PC	94845900	CONNECTOR AUTO WIREABLE	1
003	PC	44687718	CONNECTOR RIGHT ANGLE	1
004	PC	94402140	RES CAR FILM 220 1/4W,5	24
006	PC	44688213	PLATE I/O MOUNTING	1
007	PC	94288108	JACKSCREW F	1
008	PC	94288109	JACKSCREW M	1
010	PC	44691793	LABELPWB SERIALIZATION	1
901	PC	44688567	ASSY DWG I/O ADAPTOR WSL	REF

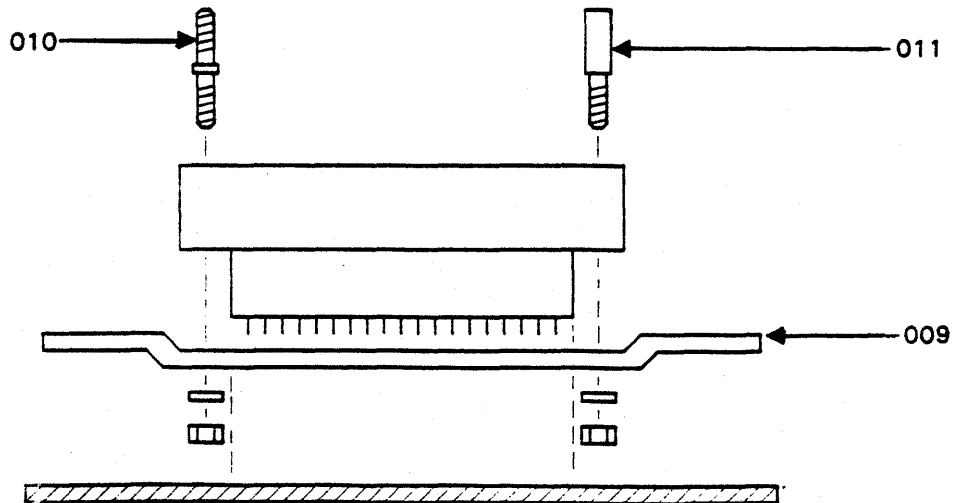
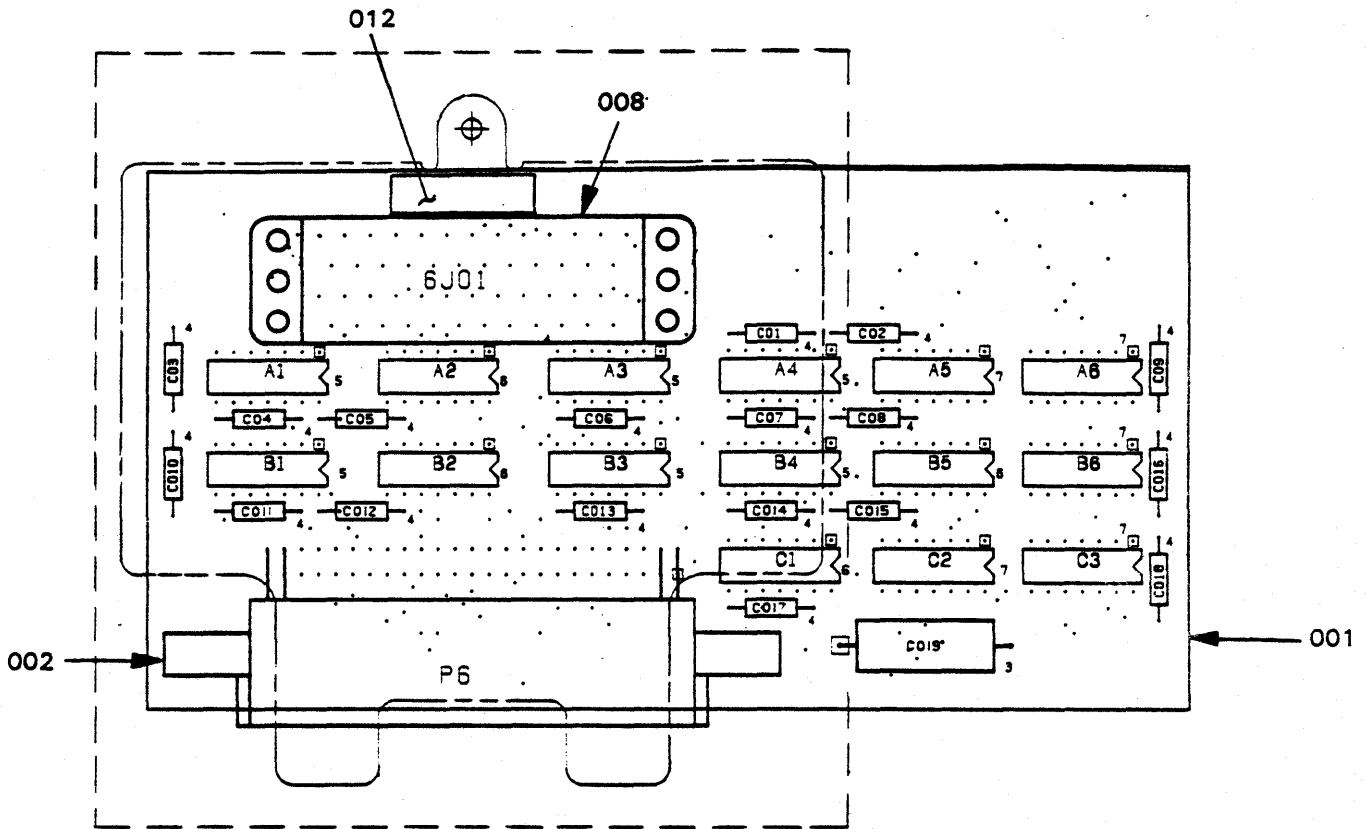
WINCHESTER TYPE-SHORT LINE PARADYNE



REF NUM	REV	TITLE
44691455	D	ASSY I/O ADPT PARADYNE WSL

FND NUM	U/M	PART NUM	DESCRIPTION	NUM REQ
001	PC	44691454	PCB I/O ADAPTOR OPTIONAL WSL	1
002	PC	94845900	CONNECTOR AUTO WIREABLE	1
003	PC	44687718	CONNECTOR RIGHT ANGLE	1
004	PC	94402140	RES.CAR.FILM.220 1/4W,5	24
006	PC	44688213	PLATE I/O CONN MNTG	1
007	PC	94288108	JACKSCREW F	1
008	PC	94288109	JACKSCREW M	1
009	PC	44691793	LABELPWB SERIALIZATION	1
901	PC	44691456	SCHEMATIC DWG I/O WSL	REF
902	PC	44691457	DETACHED LIST WSL	REF

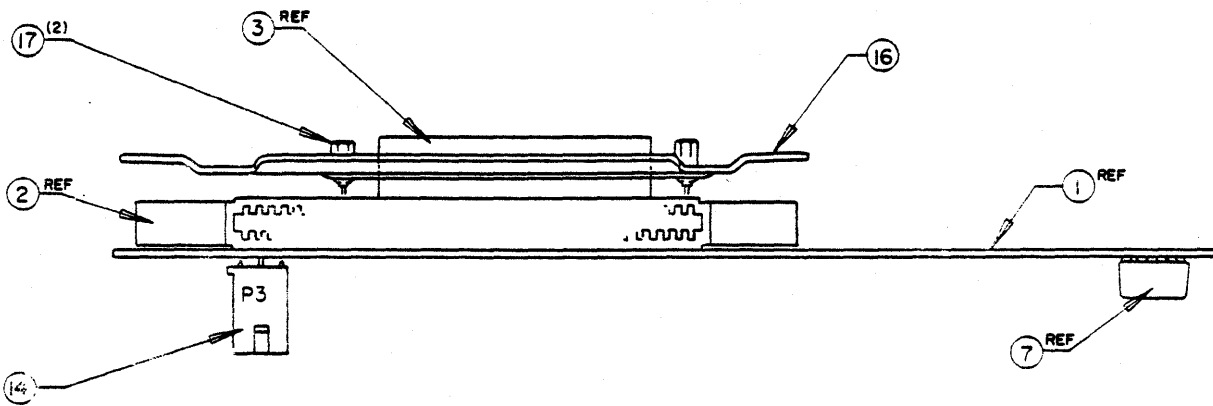
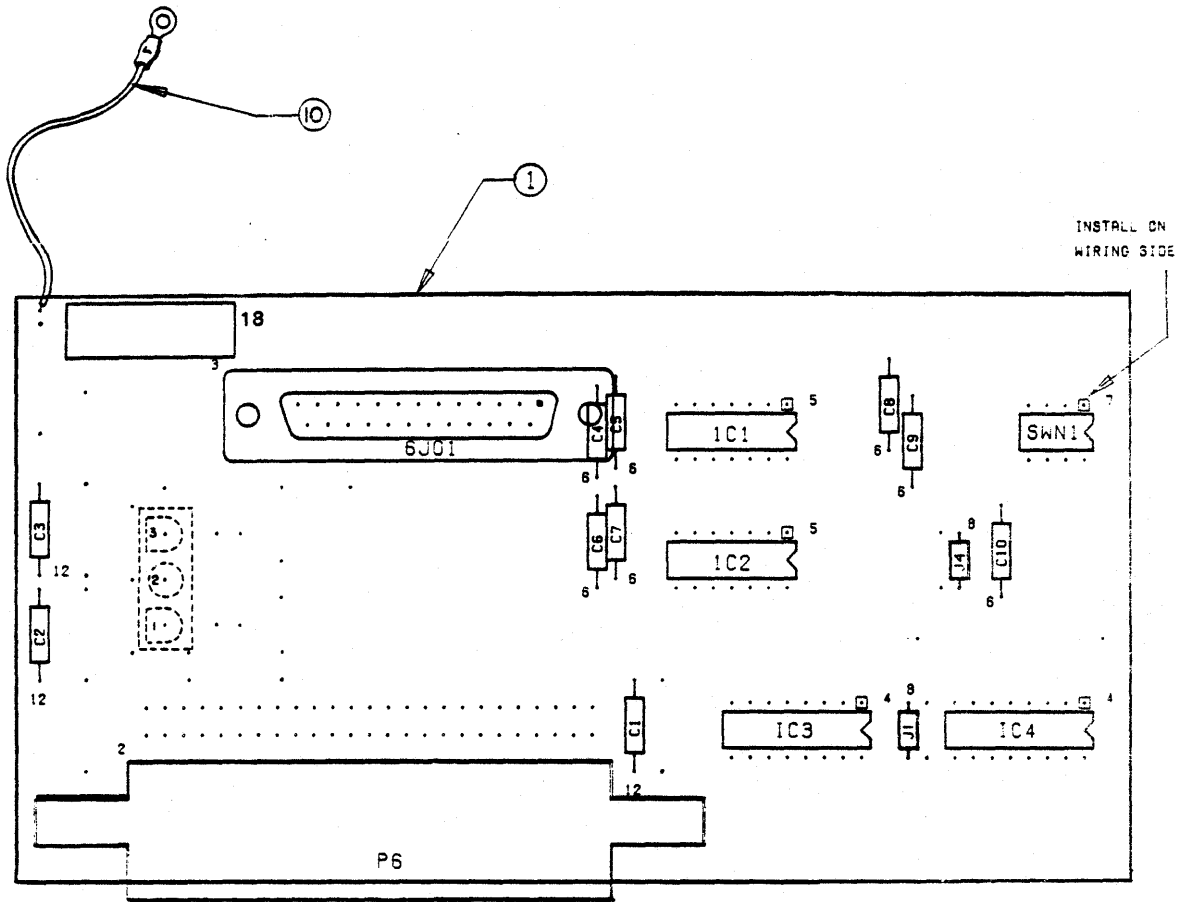
I/O ADAPTOR WINCHESTER TYPE-LONG LINE



REF NUM REV TITLE
44688569 C I/O ADAPTER OPTIONAL WLL

FND NUM	U/M	PART NUM	DESCRIPTION	NUM REQ
001	PC	44688565	PCB I/O ADAPTER WLL	1
002	PC	44687718	CONN, 50 POS, RIGHT ANGLE	1
003	PC	94400622	CAPACITOR, 47 MFD	1
004	PC	19115400	CAPACITOR, .01 MFD - 20 + 80%	18
005	PC	95337800	IC, 7437	4
006	PC	88885600	IC, 7437	4
007	PC	95337700	IC, 8830	5
008	PC	94845900	CONNECTOR AUTO WIREABLE	1
009	PC	44688213	PLATE I/O MOUNTING	1
010	PC	94288109	JACKSCREW M	1
011	PC	94288108	JACKSCRW F	1
012	PC	44691793	LABELPWB SERIALIZATION	1

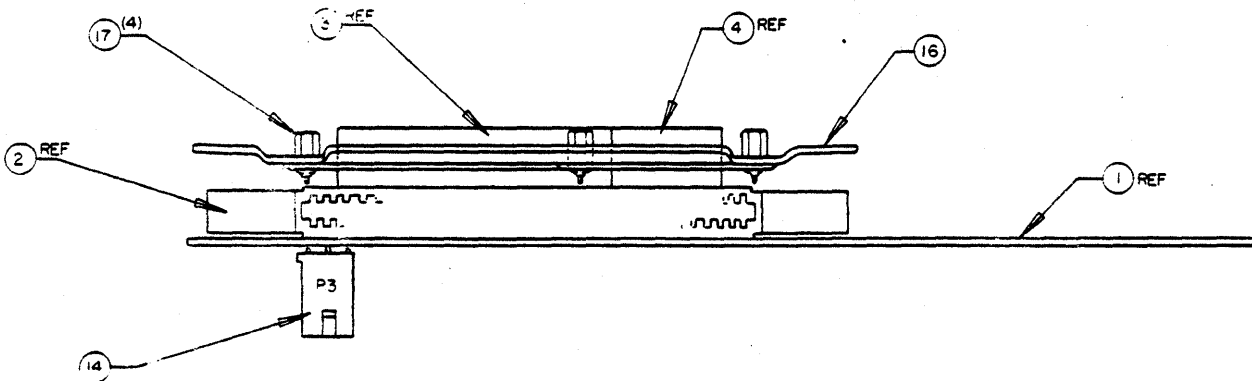
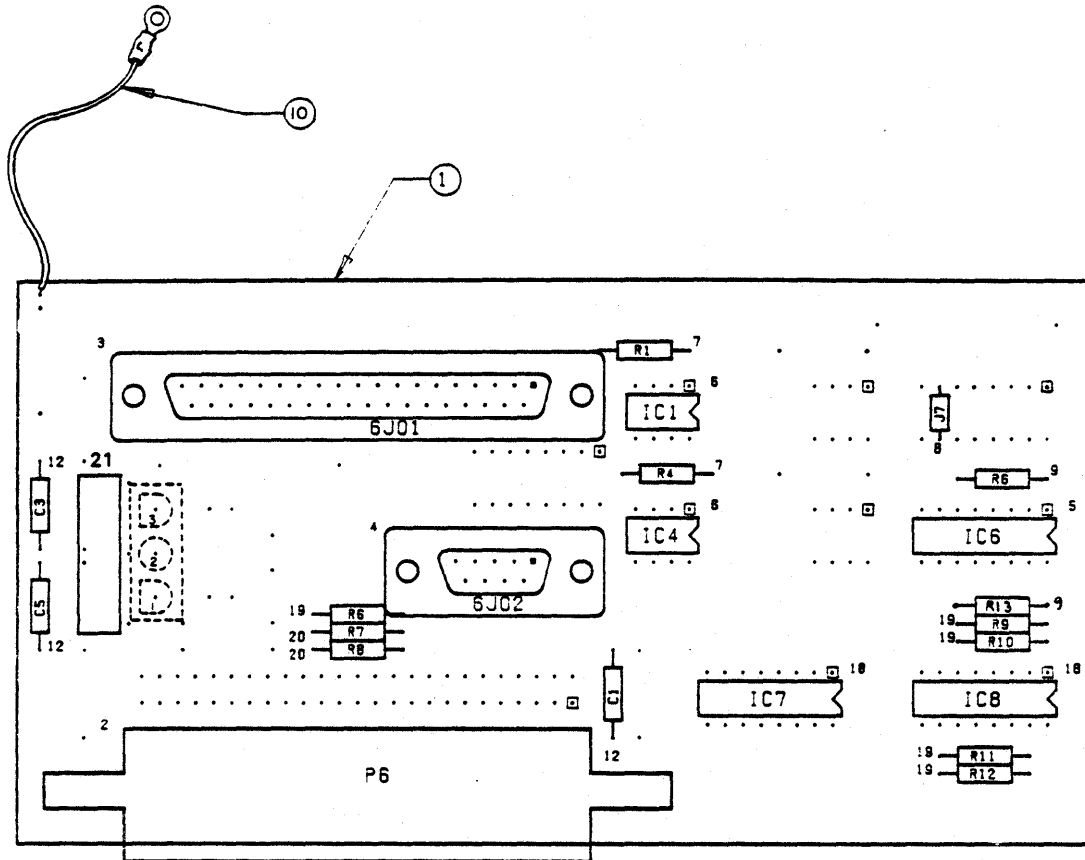
RS232 I/O ADAPTOR BOARD VERSION-2



REF NUM	REV	TITLE
44691259	C	RS-232 I/O BOARD VERSION-2

FND NUM	U/M	PART NUM	DESCRIPTION	NUM REQ
001	PC	44691258	BD-RS-232 I/O BOARD	1
002	PC	44687718	CONNECTOR RIGHT ANGLE	1
003	PC	15183954	CONN SUB MINIATURE D25	1
004	PC	50254500	IC-75154	2
005	PC	15163463	IC-MC1488L	2
006	PC	94240426	CAP 330 PF	7
007	PC	83452201	DIP SWITCH	1
008	PC	44670482	JUMPER P.C.B.	2
010	PC	44690665	I/O FRAME GND HARNESS	1
012	PC	19115401	CAP .1 MFD Z5U	3
014	PC	51906101	CONN. PC MOUNTED # POS	1
016	PC	44689792	I/O CONNECTOR MTG PLATE	1
017	PC	94288024	CONNECTOR HARDWARE	2
018	PC	44691793	LABELPWB SERIALIZATION	1
902	PC	00000070	HUDSON MATERIAL	1
998	PC	44691261	DETACHED LIST RS-232	REF
999	PC	44691260	RS-232 REC/TRANS LOGIC	REF

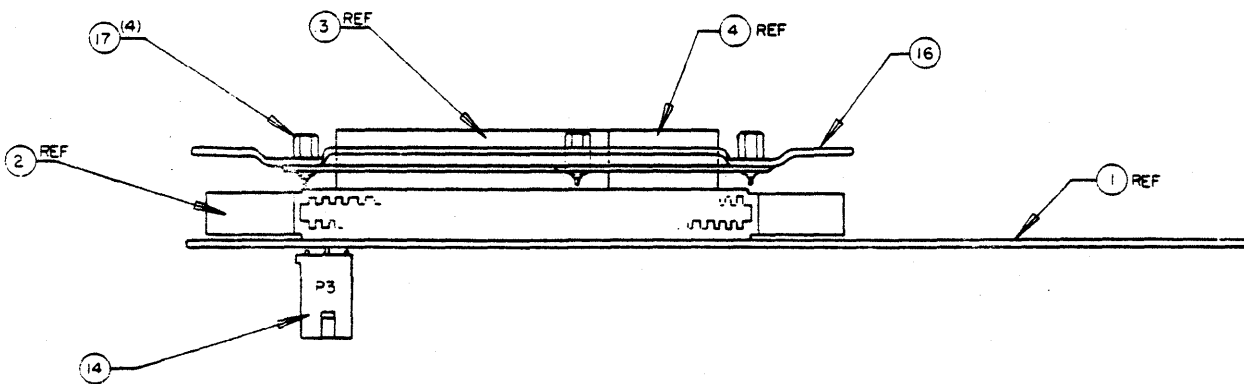
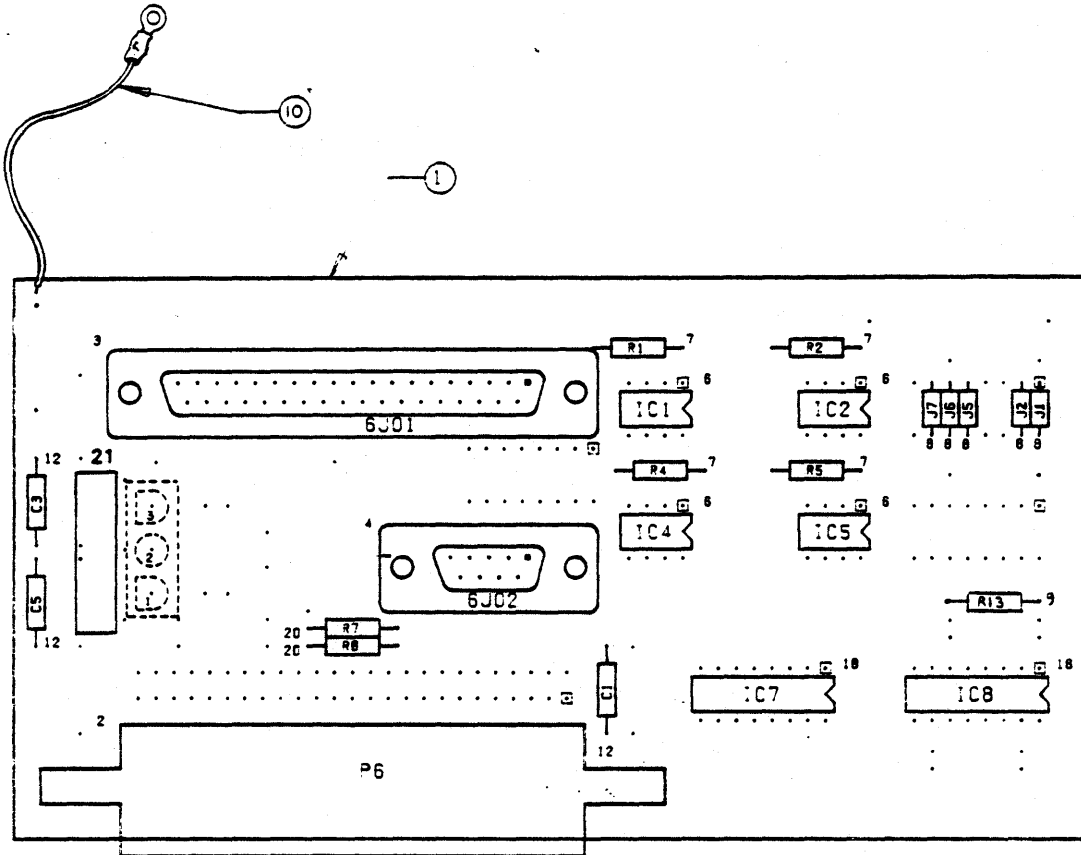
RS422 I/O ADAPTOR BOARD



REF NUM	REV	TITLE
44689769	B	RS-422 I/O ADAPTOR BOARD ASSY

FND NUM	U/M	PART NUM	DESCRIPTION	NUM REQ
001	PC	44689767	RS-449-423 BOARD	1
002	PC	44687718	CONNECTOR RIGHT ANGLE	1
003	PC	15183955	CONN SUB MINITURE D 37	1
004	PC	15183952	CONN SUB MINITURE D 9	1
005	PC	15163320	IC-26LS31	1
006	PC	15163205	I-C9636A	2
007	PC	94402204	RES CAR FILM,4.7 1/4W,5	2
008	PC	44670482	JUMPER P.C.B.	1
009	PC	94402172	RES CAR FILM,4.7K 1/4W,5	2
010	PC	44690665	I/O FRAME GND HARNESS	1
012	PC	19115401	CAP .1UF- 20+80% Z5U 50V	3
014	PC	51906101	CONN PC MOUNTED 3 POS	1
016	PC	44689791	I/O CONNECTOR MTG PLATE	1
017	PC	94288024	CONNECTOR HARDWARE	4
018	PC	15163321	IC-26LS32	2
019	PC	94402134	RES CAR FILM,120 1.4W,5	5
020	PC	94402156	RES CAR FILM,1K 1/4W,5	2
021	PC	44691793	LABELPWB SERIALIZATION	1
998	PC	44689774	SIGNAL INDEX RS-449	REF
999	PC	44689773	RS449 REC/TRANS LOGIC	REF

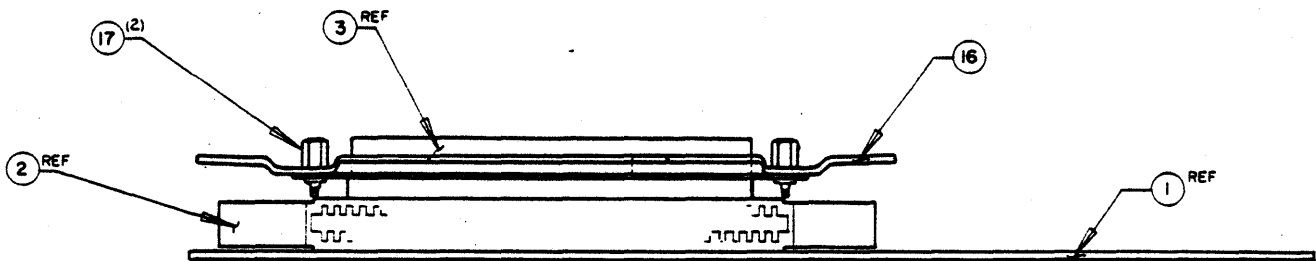
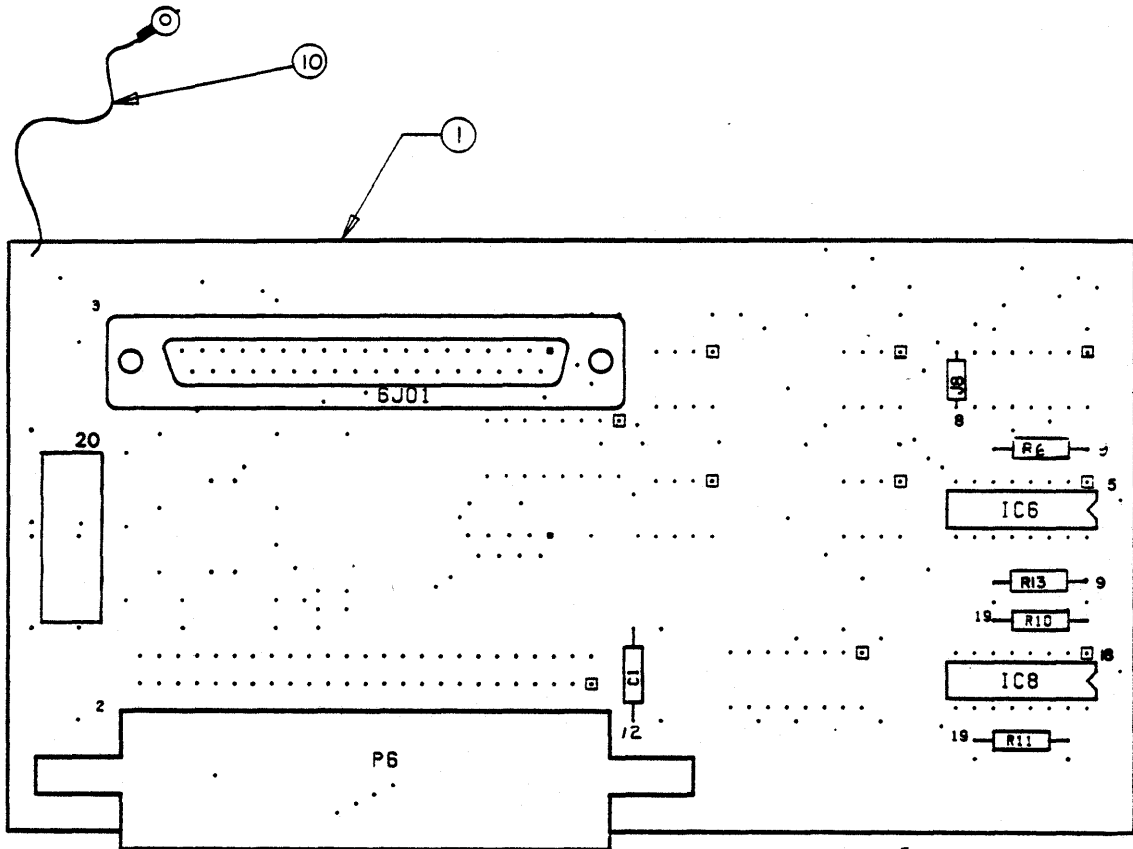
RS423 I/O ADAPTOR BOARD



REF NUM	REV	TITLE
44689770	B	RS-423 I/O ADAPTOR BOARD

FND NUM	U/M	PART NUM	DESCRIPTION	NUM REQ
001	PC	44689767	BD-RS449 -423 I/O BOARD	1
002	PC	44687718	CONNECTOR RIGHT ANGLE	1
003	PC	15183955	CONN SUB MINITURE D 37	1
004	PC	15183952	CONN SUB MINITURE D9	1
006	PC	15163205	IC-963A	4
007	PC	94402204	RES CAR FILM,100K 1/4W,5	4
008	PC	44670482	JUMPER P.C.B.	5
009	PC	94402172	RES CAR FILM 4.7K 1/4W	1
010	PC	44690665	I/O FRAME GND HARNESS	1
014	PC	51906101	CONN PC MOUNTED 3 POS	1
016	PC	44689791	I/O CONNECTOR MTG PLATE	1
017	PC	94288024	CONNECTOR HARDWARE	4
018	PC	15163321	.IC-26LS32	2
020	PC	94402156	RES CAR FILM,1K 1/4W,5	2
021	PC	44691793	LABELPWB SERIALIZATION	1
998	PC	44689774	SIGNAL INDEX RS-449	REF
999	PC	44689773	RS449 REC/TRANS LOGIC	REF

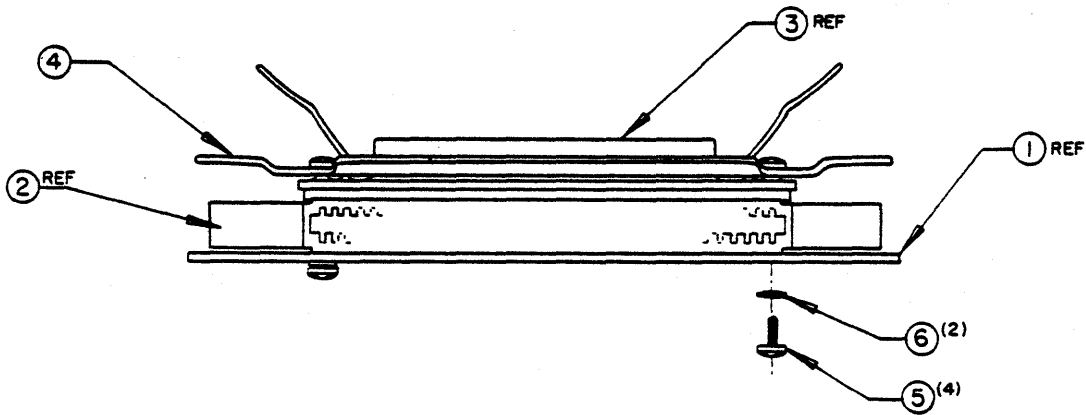
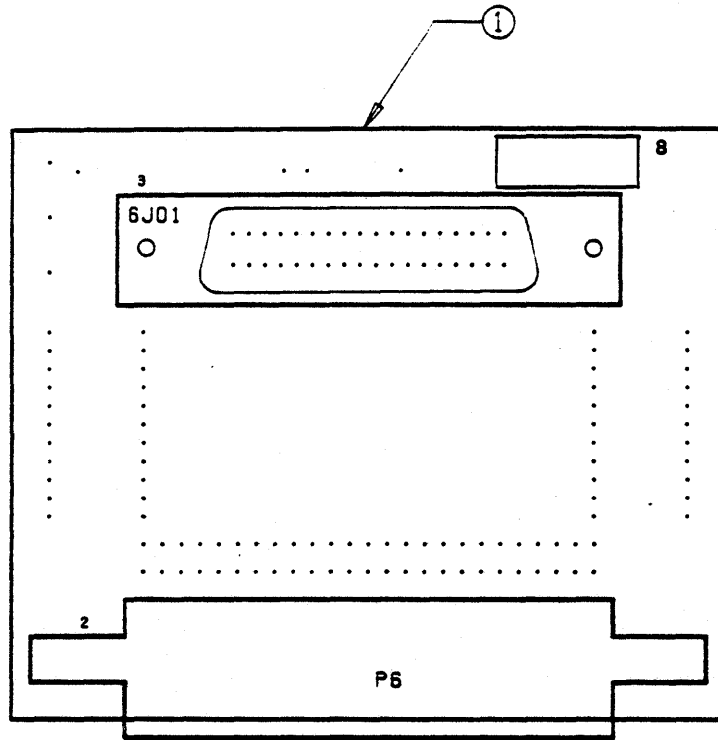
SERIES 1-I/O ADAPTOR BOARD



REF NUM	REV	TITLE
44689771	.C	SERIES -1 I/O BOARD

FND NUM	U/M	PART NUM	DESCRIPTION	NUM REQ
001	PC	44689767	BD-RS-449-423	1
002	PC	44687718	CONNECTOR RIGHT ANGLE	1
003	PC	15183955	CONN.SUB MINITURE D 37	100
005	PC	15163320	IC-26LS 31	1
008	PC	44670482	JUMPER P.C.B.	1
009	PC	94402172	RES CAR FILM,4.7K 1/4W,5	2
010	PC	44690665	I/O FRAME GND HARNESS	1
012	PC	19115401	CAP .1UF - 20+80% Z5U 50V	1
016	PC	44689793	I/O CONN MTG PLATE	1
017	PC	94288024	CONNECTOR HARDWARE	2
018	PC	15163321	IC-26LS 32	1
019	PC	94402140	RES CAR FILM 220 1.4W,5	2
020	PC	44691793	LABELPWB SERIALIZATION	1
901	PC	44690624	SERIES 1 DETACHED LIST	REF
902	PC	44690623	LOGIC SERIES 1 I/O	REF

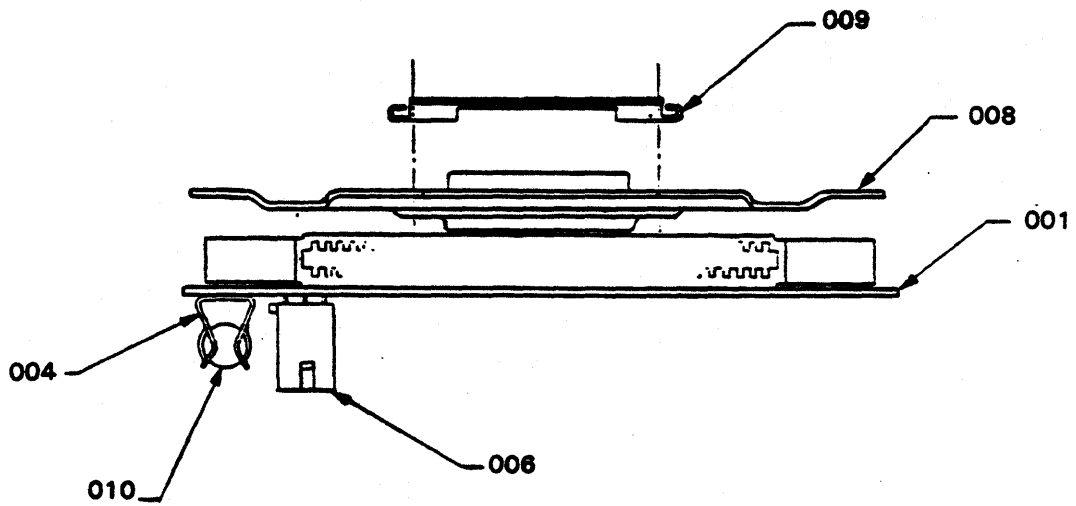
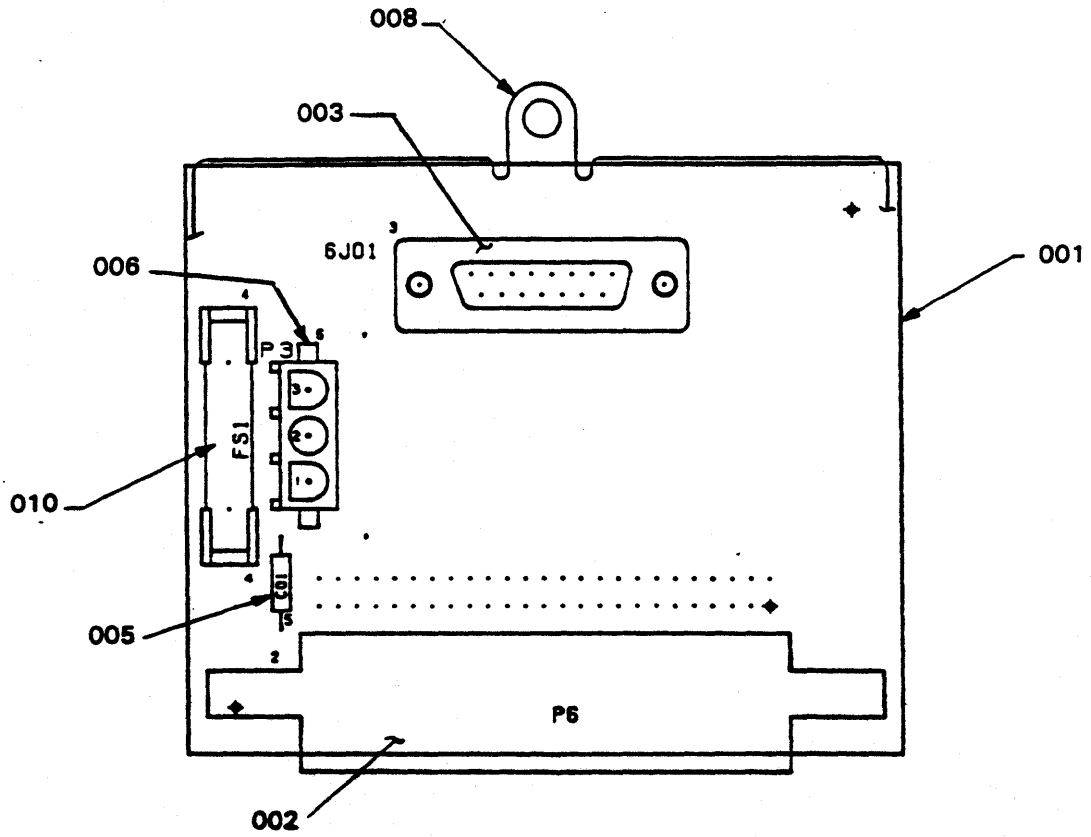
CENTRONICS I/O ADAPTOR BOARD



REF NUM REV TITLE
44692029 B I/O BOARD CENTRONICS

FND NUM	U/M	PART NUM	DESCRIPTION	NUM REQ
001	PC	44690606	I/O BOARD CENTRONICS	1
002	PC	44687718	CONNECTOR RIGHT ANGLE	1
003	PC	15186576	CONNECTOR RECP. 36 POSITION	1
004	PC	44689795	I/O MOUNTING PLATE	1
005	PC	10127111	SCR PAN HD PHL 6-32 x .250	4
006	PC	10126103	WASHER INTL TOOTH LK 6	2
007	PC	10125103	NUT HEX MACH 4-40	2
008	PC	44691793	LABELPWB SERIALIZATION	1
901	PC	44690608	SCHEMATIC I/O CENTRONICS	REF
902	PC	44690609	DETACHED LIST CENTRONICS	REF

ETHERNET I/O BOARD



REF NUM	REV	TITLE
44691958	A	ETHERNET I/O ASSEMBLY

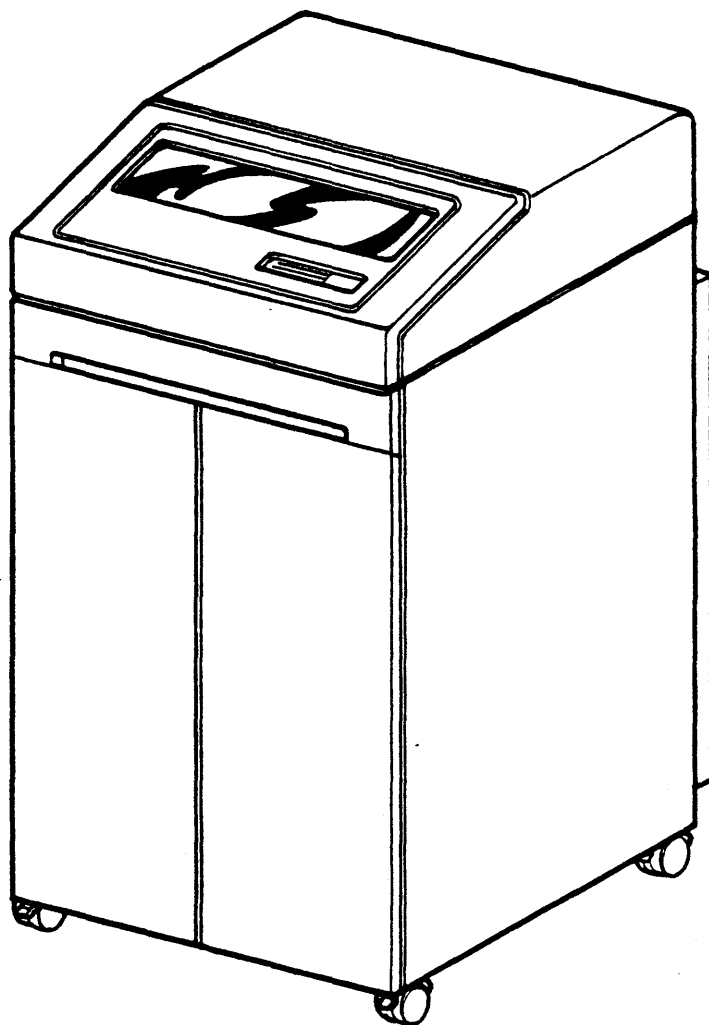
FND NUM	U/M	PART NUM	DESCRIPTION	NUM REQ
001	PC	44691957	I/O BOARD ETHERNET	1
002	PC	44687718	CONNECTOR RIGHT ANGLE	1
003	PC	15183953	CONN SUB MINITURE D15	1
004	PC	95599400	FUSE CLIP	2
005	PC	19115401	CAP .1UF-20+80% Z5U 50V	1
006	PC	51906101	CONN 3 PIN PC MOUNT	1
008	PC	44689796	I/O CONN MOUNTING PLATE	1
009	PC	44691982	SLIDE-LOCK 15 SUB D	1
010	PC	24512920	FUSE TYPE 1 AMP	1
901	PC	44691951	SCHEMATIC I/O ETHERNET	REF
902	PC	44691960	DETACHED LIST ETHERNET	REF

6-23/6-24

SECTION 7
LW 455/855 ASSEMBLIES
(PRINTERS WITH FRONT DOORS)

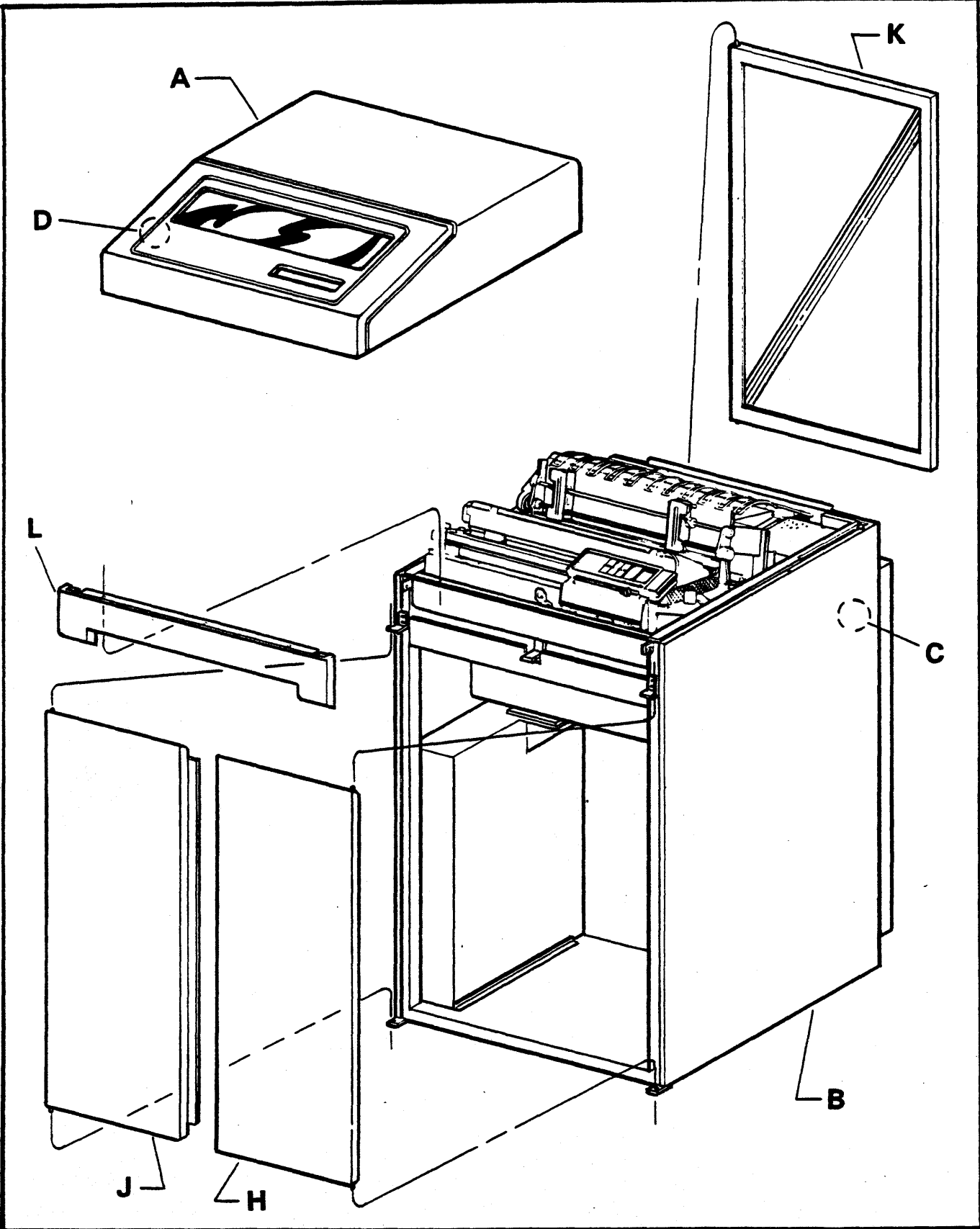
**NOTE: THIS SECTION CONTAINS PARTS DATA UNIQUE TO
LW 455/855 ONLY**

- TLA'S - LW 455..... 7-4
- TLA'S - LW 855..... 7-6
- CABINET COMPLETE &
PEDESTAL FINAL ASSEMBLIES LW 455/855..... 7-9
- ACCESSORY BOX ASSEMBLY 7-13
- CABINET COMPLETE - COMMON..... 7-14
- ACOUSTIC PACKAGE 7-18
- PRINTER FINAL ASSEMBLIES..... 7-23
- CHASSIS ASSEMBLIES..... 7-30
- A.C. HARNESS 7-37
- PLATE-PAPER CHASSIS ASSEMBLY 7-38
- CONTROL PANEL REAR ASSEMBLY 7-40
- SENSING ROLLER IDLER ASSEMBLY 7-42
- PRINTED CIRCUIT BOARD DIAGRAM..... 7-43
- REAR CONTROL PANEL BOARD 7-44
- EXIT ROLLER SENSOR & BACK CONTROL PANEL BOARD..... 7-45



LW 455/855 LINEWRITER

CABINET ASSEMBLY -COMPLETE



CABINET COMPLETE ASSEMBLY-LW 855

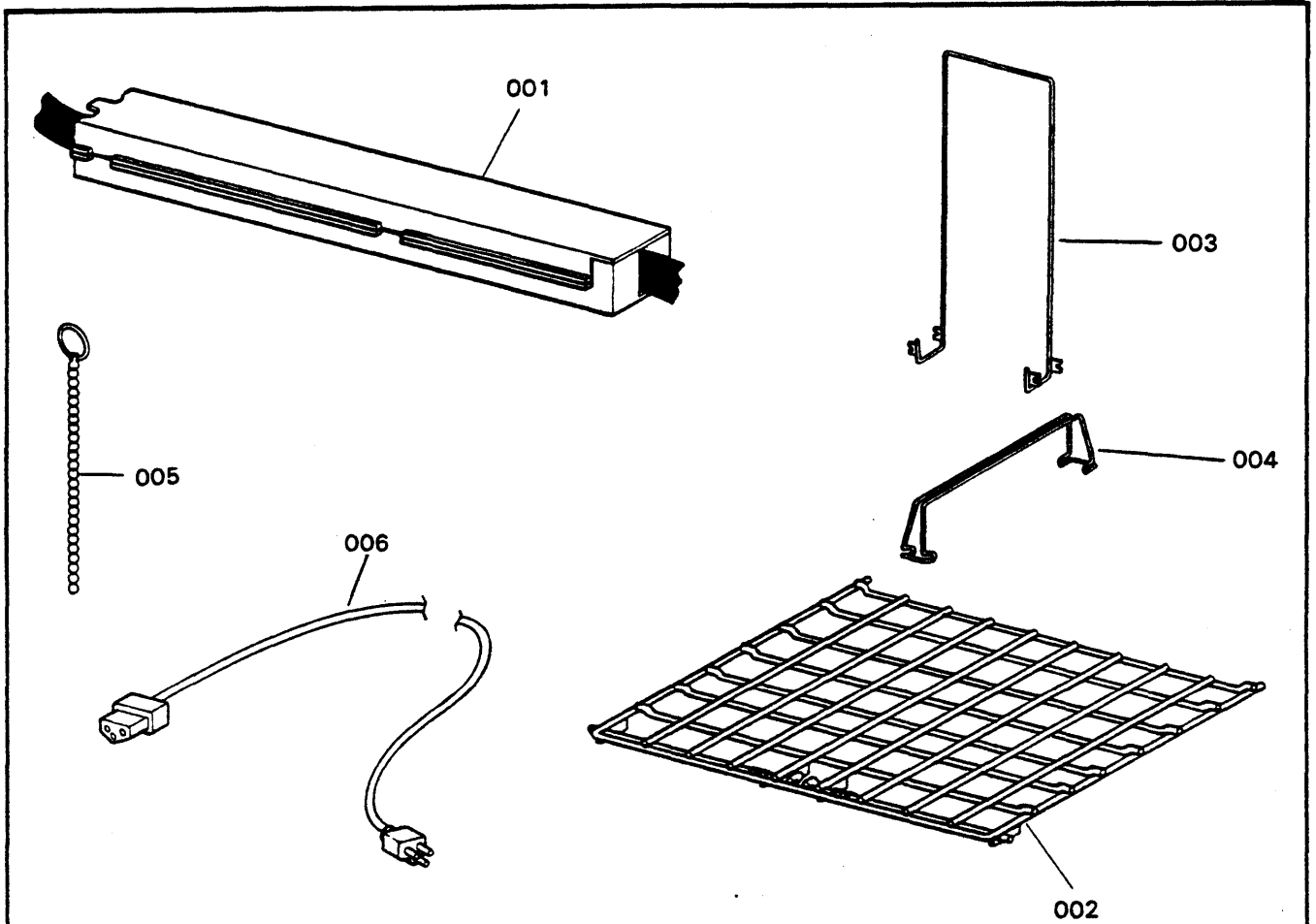
	CABINET COMPLETE	59833510 OEM	59833511 INT	59833512 NCR	59833513	59833514	59833515			
A	BONNET ASSY COMPLETE	44691313	44691314	44691391						
B	CABINET COMP. COMMON	59833589	59833589	59833589						
	CHECKOUT & REF. DOCUMENTS									
C	LABEL POWER ID									
D	LOGO		44690316	44692140						
	PEDESTAL FINAL ASSY	59832531	59832529	59832530						



PEDESTAL FINAL ASSEMBLIES - LW855

	PEDESTAL FINAL ASSY LW 855	59832531 OEM	59832529 INT	59832530 NCR						
	PEDESTAL ASSY COMPLETE	59836851	59836896	59836802						
H	DOOR-FRONT RIGHT HAND	59838551	59838596	59838502						
J	DOOR-FRONT LEFT HAND	59838651	59838696	59838602						
K	DOOR REAR	59838751	59838796	59838702						
L	PANEL-FRONT TRIM	59837251	59837296	59837202						

ACCESSORY BOX ASSEMBLIES



REF NUM 44692339 REV C TITLE ACCESSORY BOX

FND NUM	U/M	PART NUM	DESCRIPTION	NUM REQ
001	PC	44688116	RIBBON CASSETTE ASSY	1
002	PC	44692494	PLATFORM-PAPER	1
003	PC	44688692	PAPER SUPPORT-BASKET	1
004	PC	44677567	ADJUSTMENT PAPER STOP	1
005	PC	44692145	CHAIN PAPER GUIDE	2
006	PC	44690310	KIT-FIRST LINE	1

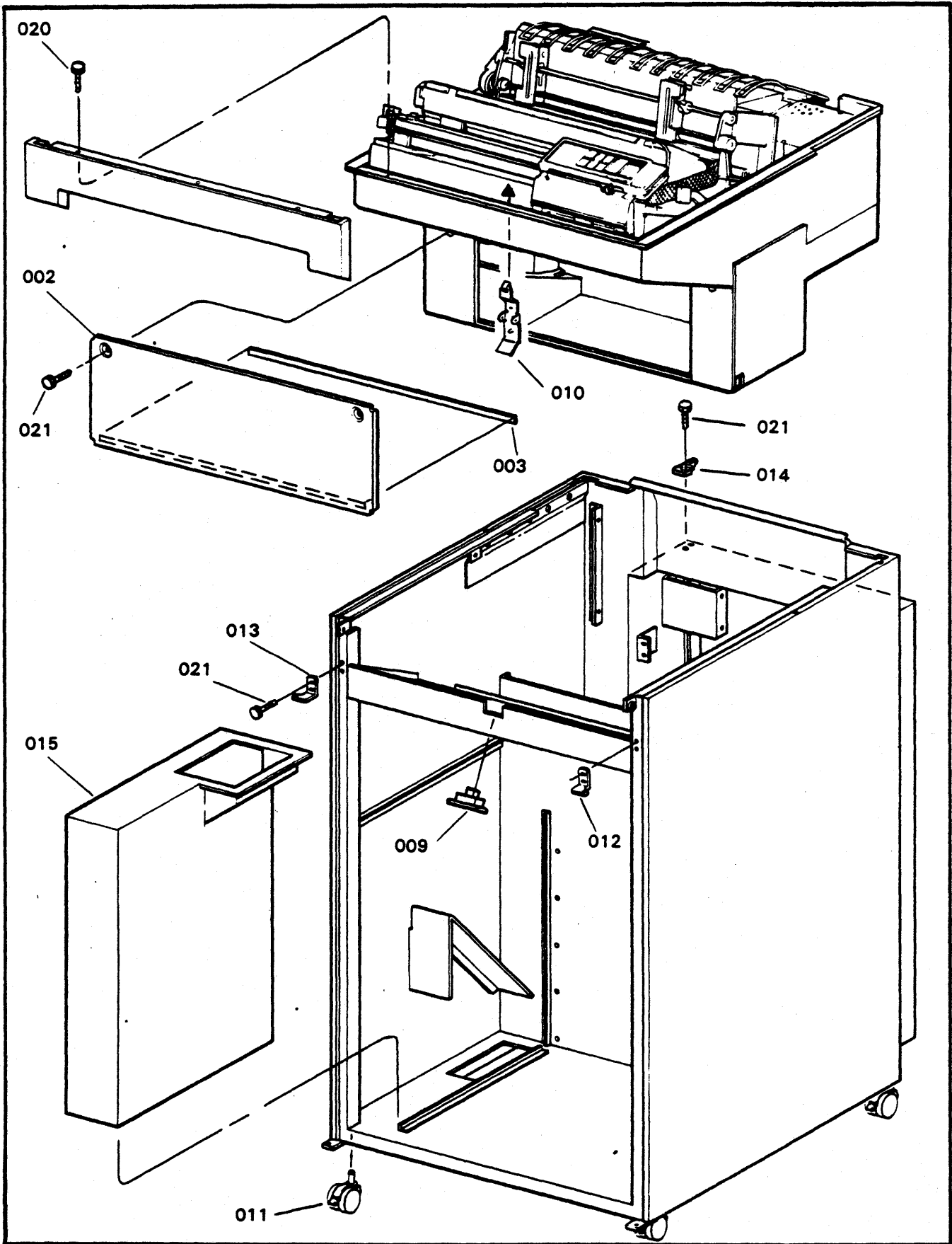
REF NUM 44692096 REV E TITLE ACCESSORY BOX

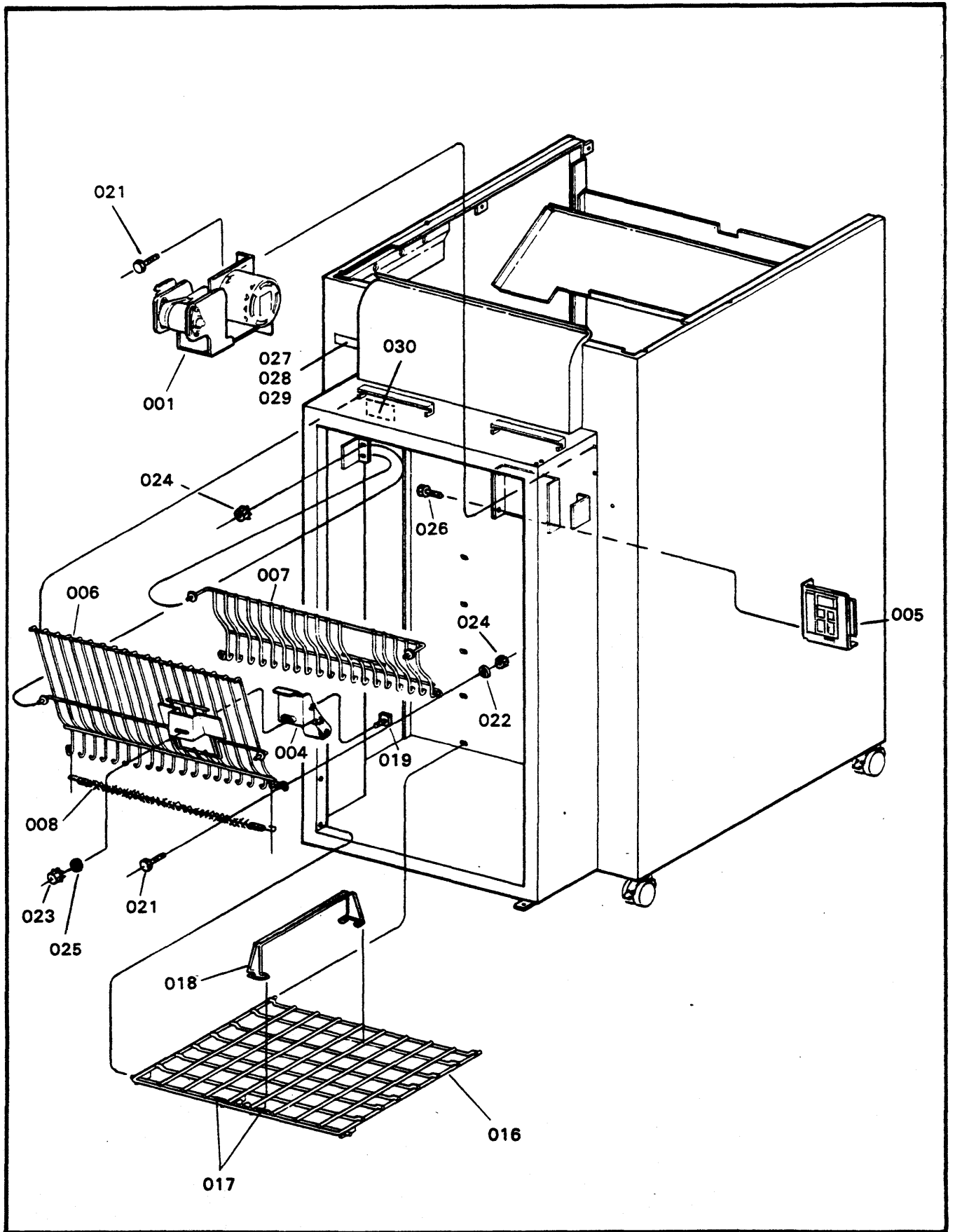
FND NUM	U/M	PART NUM	DESCRIPTION	NUM REQ
001	PC	44688116	RIBBON CASSETTE ASSY	1
002	PC	44692494	PLATFORM-PAPER	1
003	PC	44688692	PAPER SUPPORT-BASKET	1
004	PC	44677567	ADJUSTMENT PAPER STOP	1
005	PC	44692145	CHAIN PAPER GUIDE	2

REF NUM 44692156 REV F TITLE ACCESSORY BOX (55 dB(A))

FND NUM	U/M	PART NUM	DESCRIPTION	NUM REQ
001	PC	44688116	RIBBON CASSETTE ASSY	1
002	PC	44692494	PLATFORM-PAPER	1
003	PC	44688692	PAPER SUPPORT-BASKET	1
004	PC	44677567	ADJUSTMENT PAPER STOP	1
005	PC	44692145	CHAIN PAPER GUIDE	2
006	PC	76628704	CORD-POWER 3 COND.	1

CABINET COMPLETE-COMMON





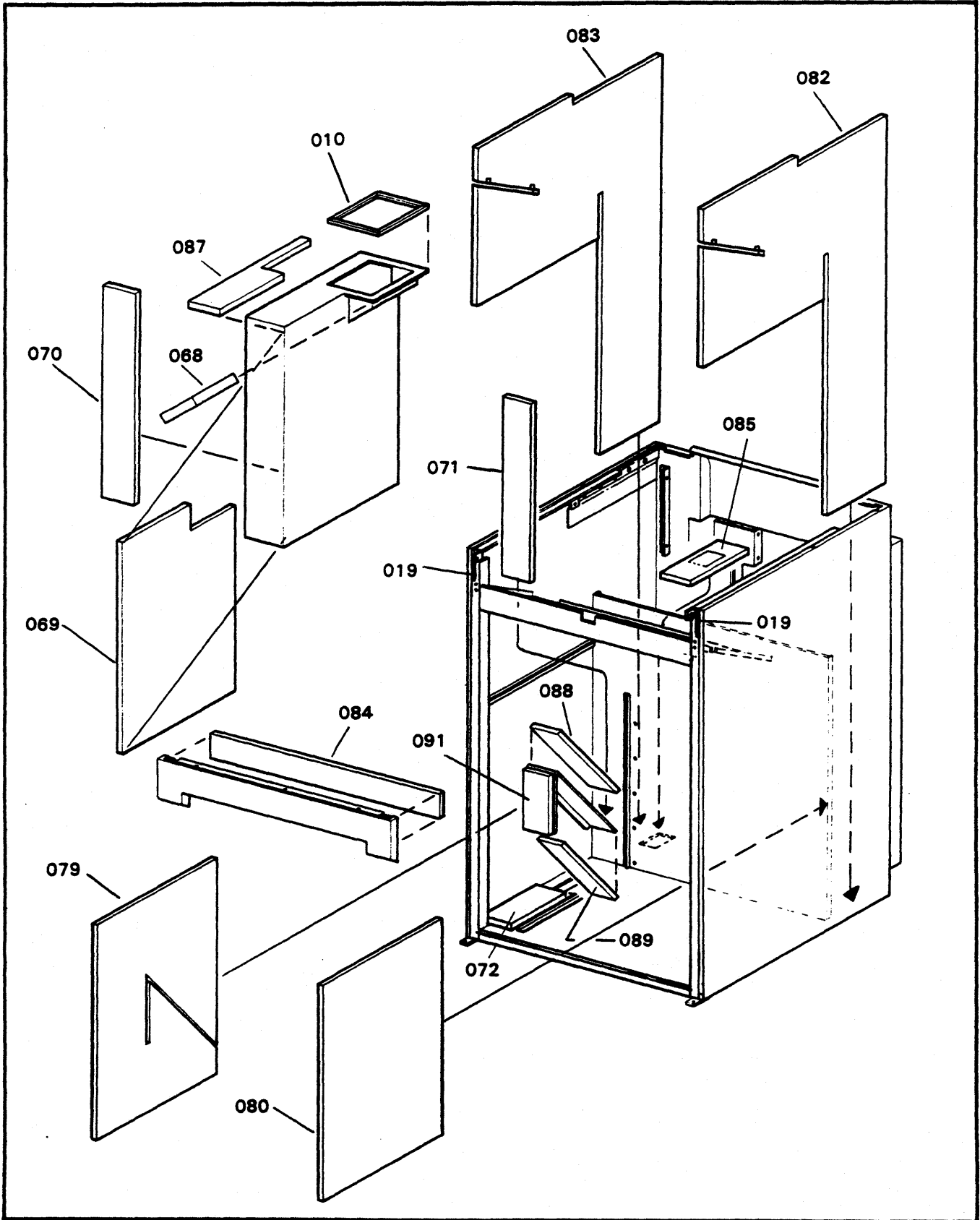
REF NUM REV TITLE
 59819489 K CABINET ASSEMBLY-COMMON (LW455)

FND NUM	U/M	PART NUM	DESCRIPTION	NUM REQ
001	PC	44691758	PLATE ASSY-PAPER CHASSIS	1
002	PC	44692535	PANEL PRINTER ACCESS	1
003	PC	44691418	SEAL-ACCESS PANEL	2
004	PC	44691762	SENSOR-ROLLER IDLER ASSY	1
005	PC	44691760	CONTROL PANEL	1
006	PC	44692006	OUTER THROAT PAPER	1
007	PC	44691998	INNER THROAT PAPER	1
008	PC	94788103	STATIC ELIMINATOR	2
009	PC	44690322	SEAL-LATCH LEVER	1
010	PC	44691427	LEVER-BONNET LATCH	1
011	PC	10128717	CASTOR-LOCKING	4
012	PC	44691946	BRACKET R.H. HINGE	1
013	PC	44691947	BRACKET L.H. HINGE	1
014	PC	44691948	BRACKET-REAR HINGE	1
015	PC	44692023	AIR INLET ASSY	1
016	PC	44692012	PLATFORM-PAPER	1
017	PC	94895500	SPRING-COMPRESSION	2
018	PC	44688692	SUPPORT-PAPER PLATFORM	1
019	PC	44866500	STUD	1
020	PC	44687120	SCREW 6-32x.38 HX HD	5
021	PC	44687140	SCREW 10-24x.38 HX HD SLTD	14
022	PC	10125607	WASHER PLAIN # 10	2
023	PC	44685207	NUT KEMP	1
024	PC	44685209	NUT KEMP #10-24	2
025	PC	10125605	WASHER PLAIN #6	4
026	PC	44697142	SCREW #10-24x.62 HX HD SLTD	2
027	PC	44692372	LABEL POWER IDENT	AR
028	PC	44692373	LABEL POWER IDENT	AR
029	PC	44692374	LABEL POWER IDENT	AR
030	PC	44689374	LABEL POWER	1

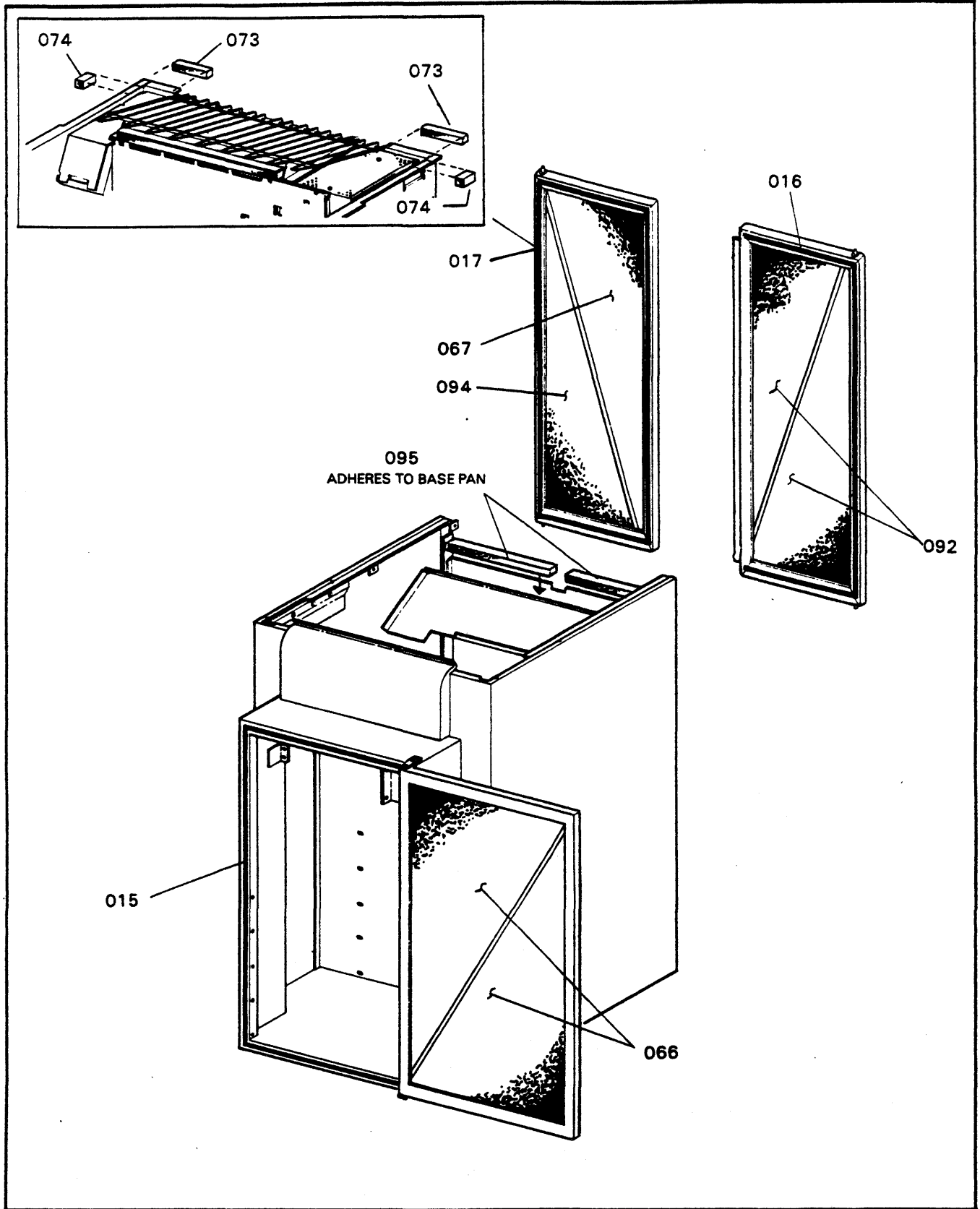
REF NUM REV TITLE
 59833589 L CABINET ASSEMBLY-COMMON (LW855)

FND NUM	U/M	PART NUM	DESCRIPTION	NUM REQ
001	PC	44691758	PLATE ASSY-PAPER CHASSIS	1
002	PC	44692535	PANEL PRINTER ACCESS	1
003	PC	44691418	SEAL-ACCESS PANEL	2
004	PC	44691762	SENSOR-ROLLER IDLER ASSY	1
005	PC	44691760	CONTROL PANEL	1
006	PC	44692186	OUTER THROAT PAPER	1
007	PC	44691998	INNER THROAT PAPER	1
008	PC	94788103	STATIC ELIMINATOR	2
009	PC	44690322	SEAL-LATCH LEVER	1
010	PC	44691426	LATCH ASSY BONNET	1
011	PC	10128717	CASTOR-LOCKING	4
012	PC	44691946	BRACKET R.H. HINGE	1
013	PC	44691947	BRACKET L.H. HINGE	1
014	PC	44691948	BRACKET-REAR HINGE	1
015	PC	44692023	AIR INLET ASSY	1
016	PC	44692494	PLATFORM-PAPER	1
017	PC	94895500	SPRING-COMPRESSION	2
018	PC	44688692	SUPPORT-PAPER PLATFORM	1
019	PC	44866500	STUD	1
020	PC	44687120	SCREW 6-32x.38 HX HD	5
021	PC	44687140	SCREW 10-24x.38 HX HD SLTD	14
022	PC	10125607	WASHER PLAIN # 10	2
023	PC	44685207	NUT KEMP	1
024	PC	44685209	NUT KEMP #10-24	2
025	PC	10125605	WASHER PLAIN #6	4
026	PC	44697142	SCREW #10-24x.62 HX HD SLTD	2
027	PC	44692372	LABEL POWER IDENT	AR
028	PC	44692373	LABEL POWER IDENT	AR
029	PC	44692374	LABEL POWER IDENT	AR
030	PC	44689374	LABEL POWER	1

ACOUSTIC PACKAGE



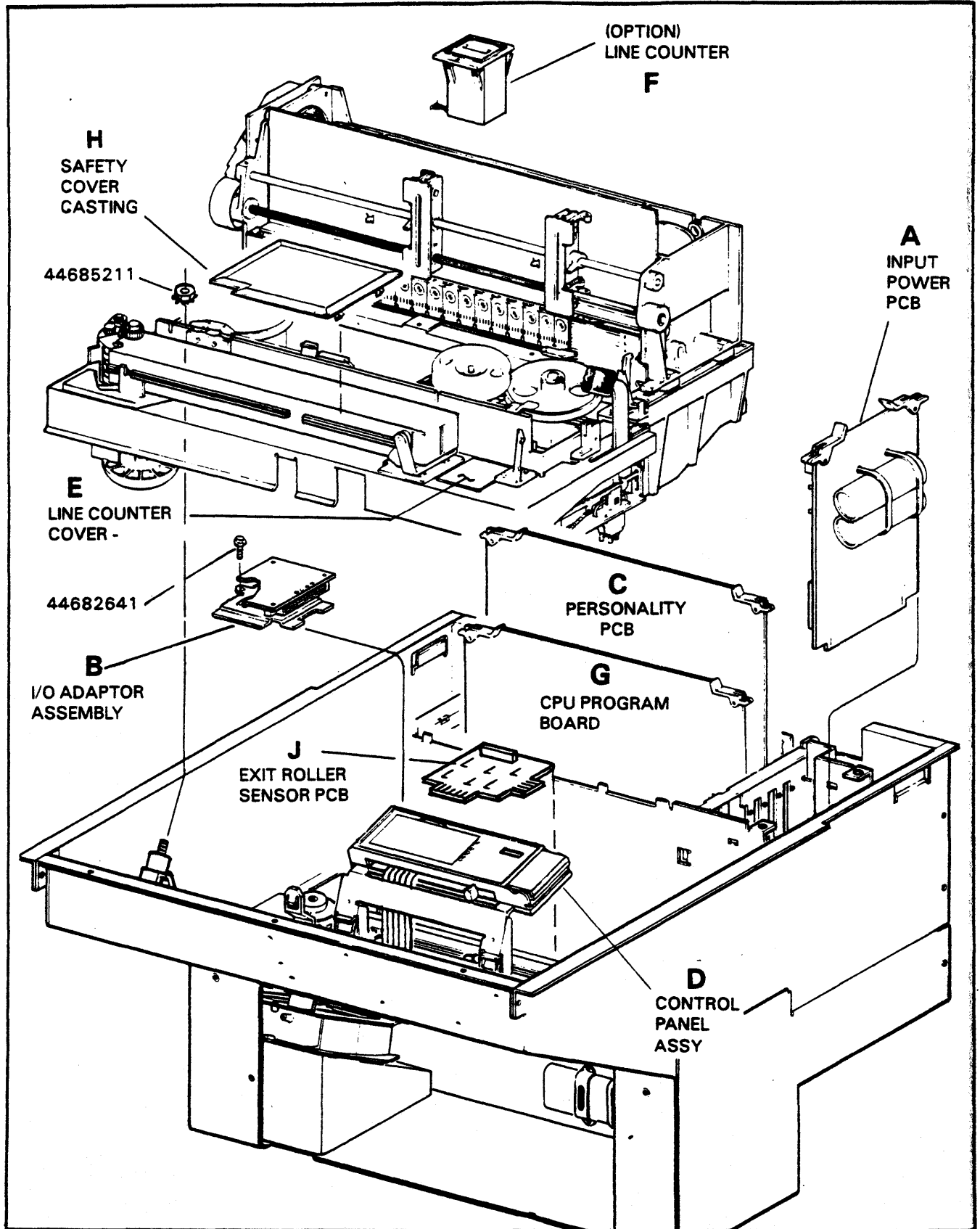
ACOUSTIC PACKAGE



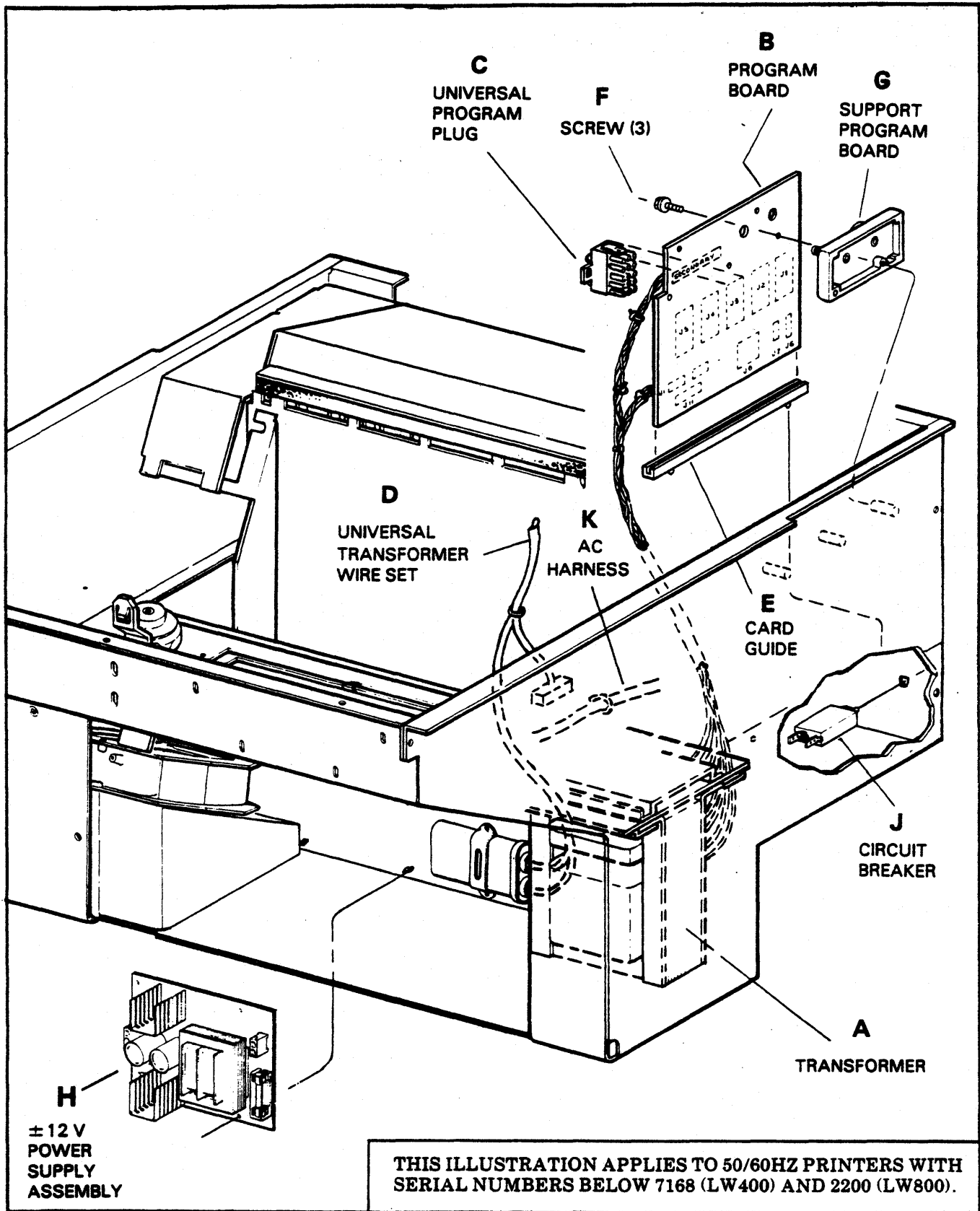
REF NUM REV TITLE
ACOUSTIC PACKAGE

FND NUM	U/M	PART NUM	DESCRIPTION	NUM REQ
010	PC	44689781	SEAL BAFFLE TOP	1
015	PC	44692360	SEAL-DOOR REAR	1
016	PC	44692359	SEAL-DOOR L.H.	1
017	PC	44692358	SEAL-DOOR R.H.	1
018	PC	94276600	FOAM TAPE	1
019	PC	44681419	SEAL-FRONT PANEL	2
023	PC	44690523	FOAM-HAMMER BANK	2
025	PC	44690525	FOAM-BASE CASTING	1
030	PC	44690530	FOAM-LWR R.R. PAPER GUIDE	1
066	PC	44692266	ACOUSTIC REAR DOOR	2
067	PC	44692267	ACOUSTIC FOAM FRT DOOR-RIGHT	1
068	PC	44692268	ACOUSTIC FOAM FAN INTAKE TOP	1
069	PC	44692269	ACOUSTIC FOAM FAN INTAKE BOT	1
070	PC	44692270	ACOUSTIC FOAM INTAKE BAFFLE	1
071	PC	44692271	ACOUSTIC FOAM INTAKE SIDE	1
072	PC	44692272	ACOUSTIC FOAM INTAKE BELOW	1
073	PC	44692473	FOAM-CHASSIS	2
074	PC	44692474	FOAM-CHASSIS	2
079	PC	44692279	ACOUSTIC FOAM LWR FRT LEFT	1
080	PC	44692280	ACOUSTIC FOAM LWR FRT RIGHT	1
082	PC	44692282	ACOUSTIC FOAM UPPER R. SIDE	1
083	PC	44692283	ACOUSTIC FOAM UPPER L. SIDE	1
084	PC	44692284	ACOUSTIC FOAM FRT TRIM END	1
085	PC	44692285	ACOUSTIC FOAM I/O COVER	1
087	PC	44692287	ACOUSTIC FOAM INLET REAR BOTT	1
088	PC	44692288	ACOUSTIC FOAM BAFFLE BOTTOM	1
089	PC	44692289	ACOUSTIC FOAM BAFFLE TOP	1
091	PC	44692291	ACOUSTIC FOAM BAFFLE FRONT	1
092	PC	44692292	ACOUSTIC FOAM FRT DOOR-LEFT	2
094	PC	44692294	ACOUSTIC FOAM FRT DOOR-RIGHT	1
095	PC	44692295	ACOUSTIC FOAM	2

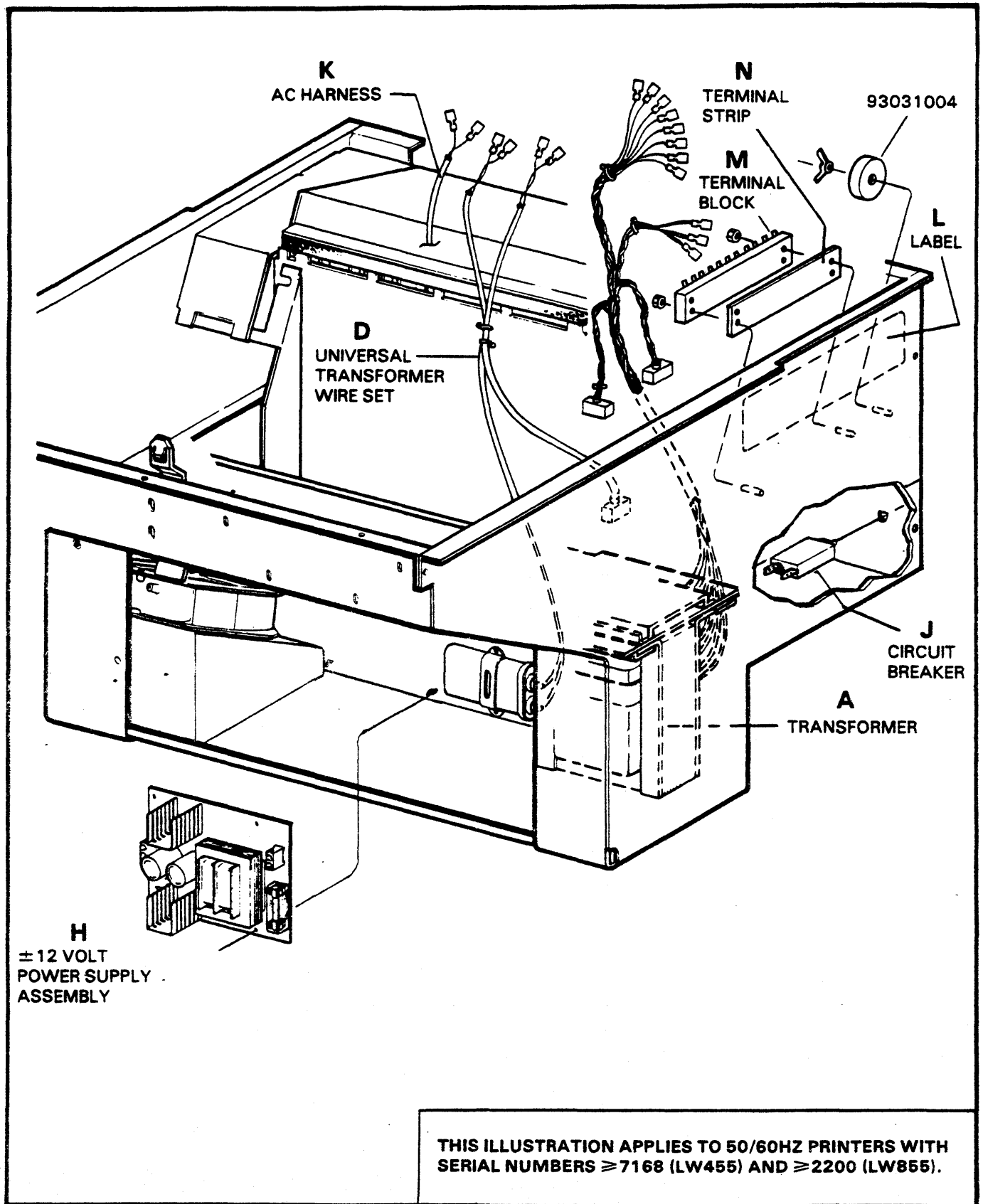
PRINTER FINAL ASSEMBLIES



CHASSIS ASSEMBLIES




CHASSIS ASSEMBLIES




THIS ILLUSTRATION APPLIES TO 50/60HZ PRINTERS WITH SERIAL NUMBERS ≥ 7168 (LW455) AND ≥ 2200 (LW855).

CHASSIS ASSEMBLIES - LW 455

	CHASSIS ASSY LW455	59819744  50/60 HZ	59819746 60 HZ				
A	CHASSIS ASSY COMMON	59819749	59819749				
B	TRANSFORMER	44687540	44687538 60 HZ				
C	PROGRAM BD ASSY 50/60 HZ	44690425					
D	UNIVERSAL PRGM PLUG	44687577					
E	UNIVERSAL XFMR WIRE SET	44687578					
F	CARD GUIDE	44686692					
G	SCREWS	44687122					
H	SUPPORT PROGRAM BD	44690353					
J	± 12 V POWER SUPPLY ASSY						
K	CIRCUIT BREAKER	76641301	76641301				
	AC HARNESS	44691652	44691652				


 PARTS IN THIS COLUMN APPLY TO PRINTERS WITH SERIAL NUMBERS BELOW 7168 (LW455).

CHASSIS ASSEMBLIES - LW 455

	CHASSIS ASSY LW455	59819744  50/60 HZ					
A	CHASSIS ASSY COMMON	59819749					
	TRANSFORMER	44687544					
D	UNIVERSAL XFMR WIRE SET	44692449					
H	± 12 V POWER SUPPLY ASSY						
J	CIRCUIT BREAKER	76641301					
K	AC HARNESS	44692448					
L	LABEL	44692506					
M	TERMINAL BLOCK	94835071					
N	TERMINAL STRIP	94831811					

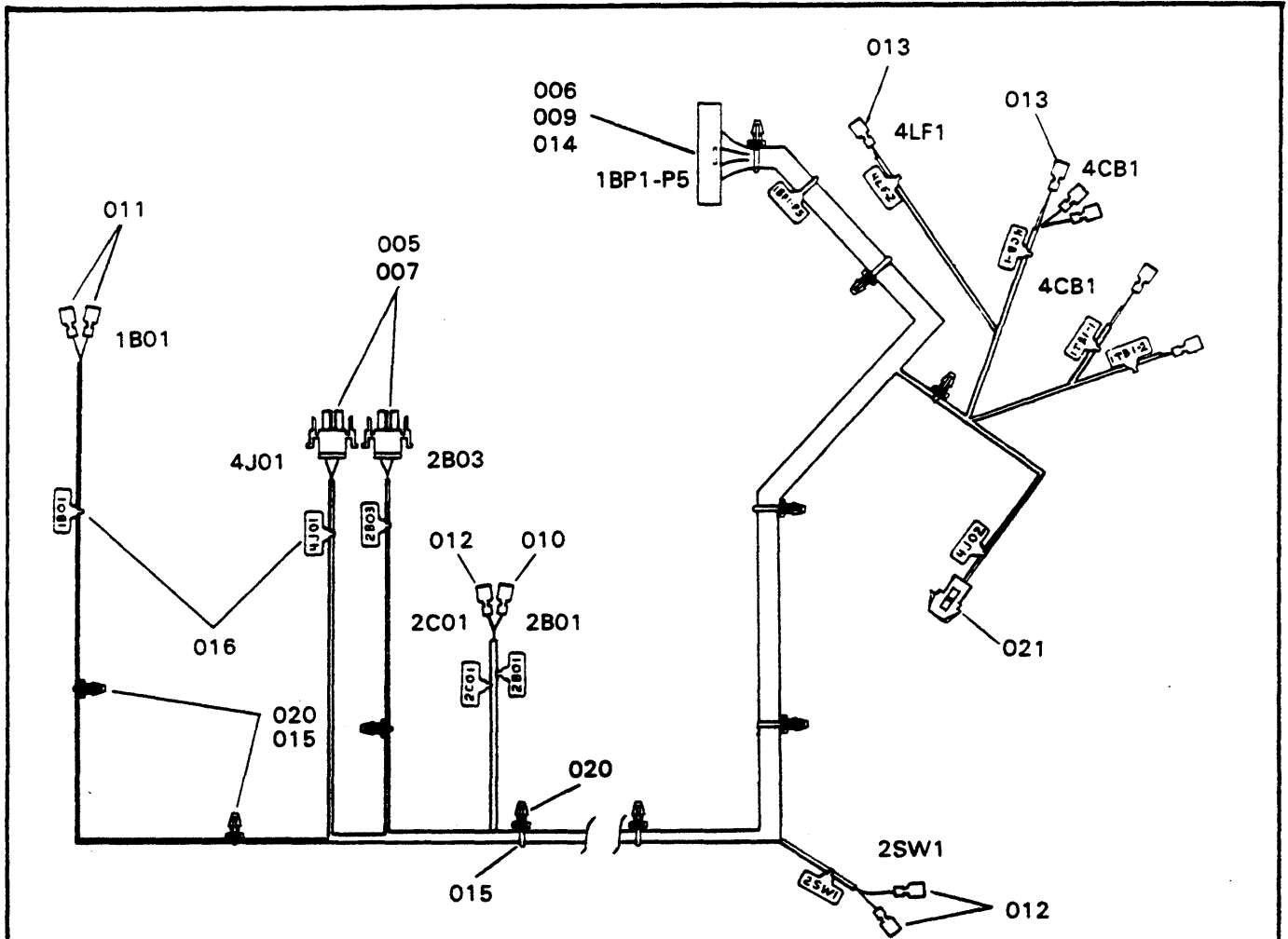
 PARTS IN THIS COLUMN APPLY TO PRINTERS
WITH SERIAL NUMBERS ≥ 7168 (LW455).

CHASSIS ASSEMBLIES - LW 855

A	CHASSIS ASSY LW855	59833644  50/60 HZ				
	CHASSIS ASSY COMMON	59833649				
	TRANSFORMER	44687545 50/60 HZ				
D	UNIVERSAL XFMR WIRE SET	44692449				
H	± 12 V POWER SUPPLY ASSY					
	CIRCUIT BREAKER	76641301				
J						
K	AC HARNESS	44692448				
L	LABEL	44692506				
M	TERMINAL BLOCK	94835071				
	TERMINAL STRIP	94831811				
N						

 PARTS IN THIS COLUMN APPLY TO PRINTERS
WITH SERIAL NUMBERS ≥ 2200 (LW855).

A.C. HARNESS ASSEMBLY

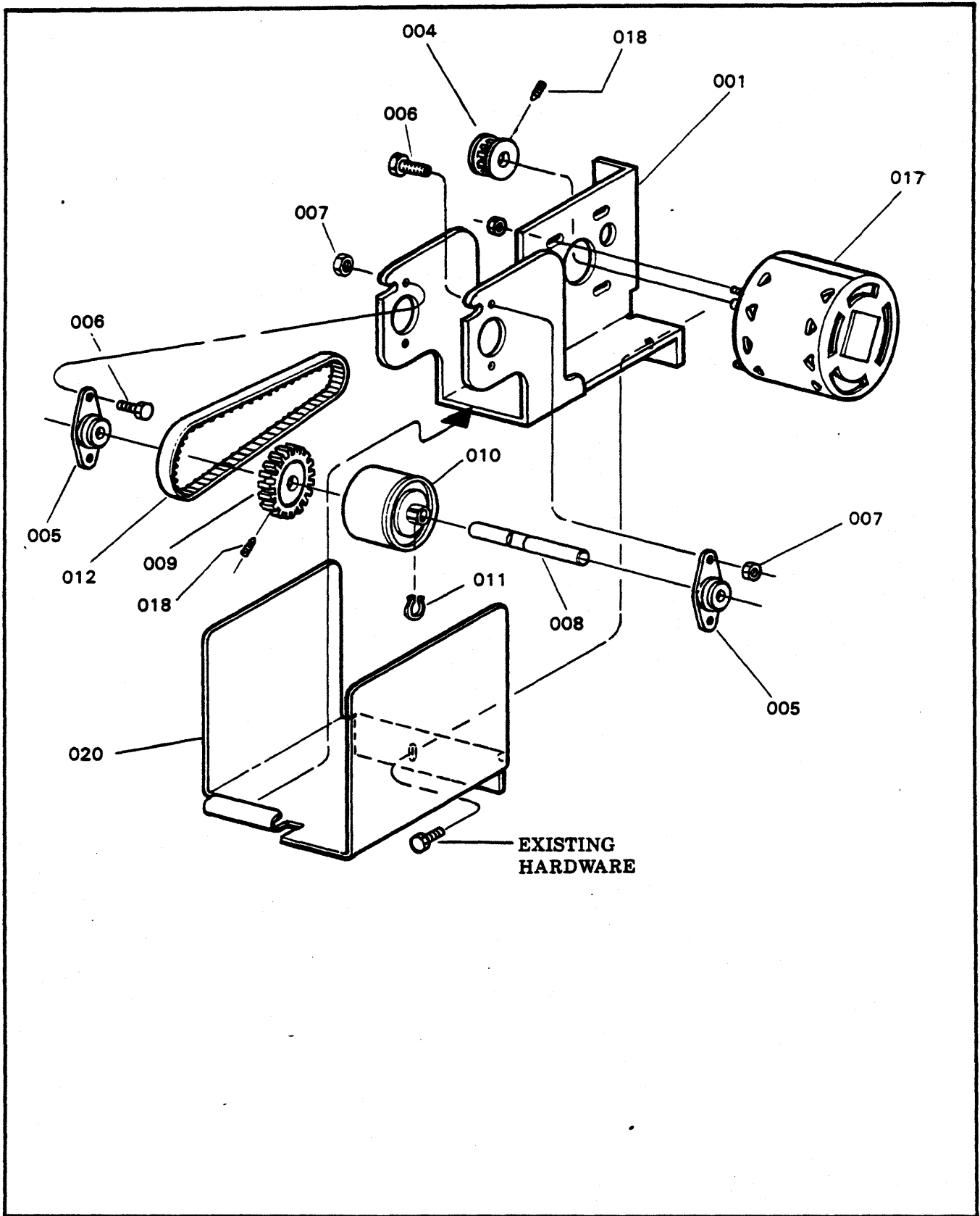


REF NUM 44692448 REV A TITLE CZ AC HARNESS (LW455/855)

FND NUM	U/M	PART NUM	DESCRIPTION	NUM REQ
005	PC	51906000	CONNECTOR HSG	2
006	PC	44671478	P.C. EDGE CONNECTOR	1
007	PC	51906207	CONTACT, SOCKET, 24-18GA	6
009	PC	95683301	CONTACT P.C. BD	10
010	PC	44682409	MALE FASTON	1
011	PC	95447906	FASTON-110	2
012	PC	95447910	FASTON .250 INSULATED	3
013	PC	95447916	.250 FASTON, INSULATED	8
014	PC	44678579	KEYING PLUG-PC CONN	1
015	PC	94277400	TY-RAP	13
016	PC	94277409	TYRAPS	13
017	PC	94818102	MARKER NO.2	1
018	PC	94818103	MARKER NO. 3	1
019	PC	94818104	MARKER NO. 4	1
020	PC	44688668	CLIP CABLE TIE	6
021	PC	51905900	HOUSING 2 POSITION	1

THIS ILLUSTRATION APPLIES TO PRINTERS WITH SERIAL NUMBERS ≥ 7168 (LW455) AND ≥ 2200 (LW855).

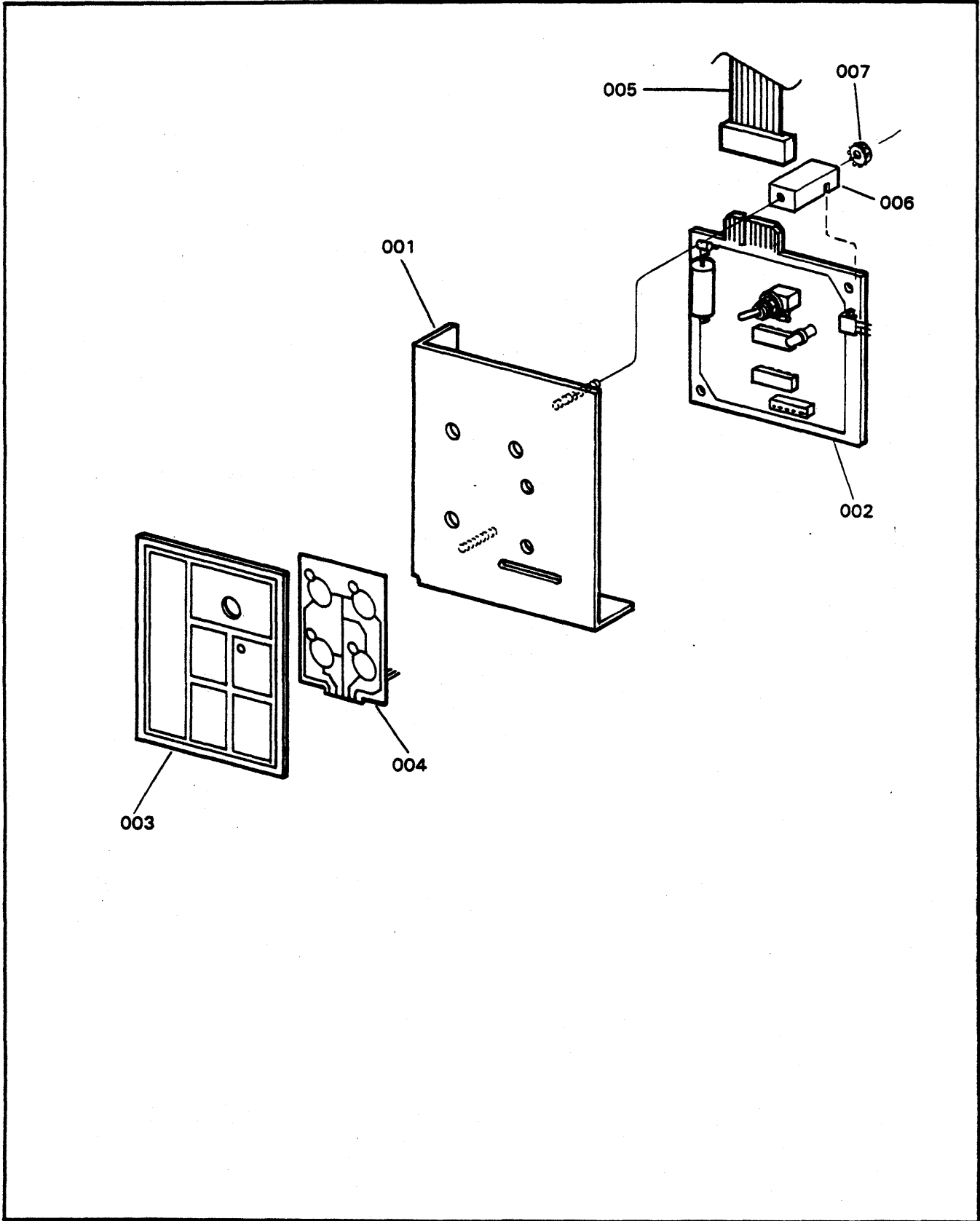
PLATE ASSEMBLY-PAPER CHASSIS



REF NUM REV TITLE
44691758 F PLATE ASSY-PAPER CHASSIS

FND NUM	U/M	PART NUM	DESCRIPTION	NUM REQ
001	PC	44692138	BRACKET PAPER PULLER MTG	1
003	PC	92376012	NUT SELF LOCKING 8-32	1
004	PC	95341716	PULLEY TIMING 10 TH	1
005	PC	95350706	BEARING FLANGETTE	2
006	PC	10125061	SCR HX HD 10-32x.375	4
007	PC	92376014	NUT-SELF LOCKING	4
008	PC	44691988	SHAFT-EXIT DRIVE	1
009	PC	44691952	PULLEY-28 TOOTH	1
010	PC	44689216	ROLLER DRIVE ASSY	1
011	PC	92033235	GRIP RING	1
012	PC	94791713	BELT TIMING 140 XL	1
017	PC	44691650	MOTOR	1
018	PC	93090438	SCREW SOC HD 8-32	4
020	PC	44692117	COVER-PAPER PLATE ASSY	1

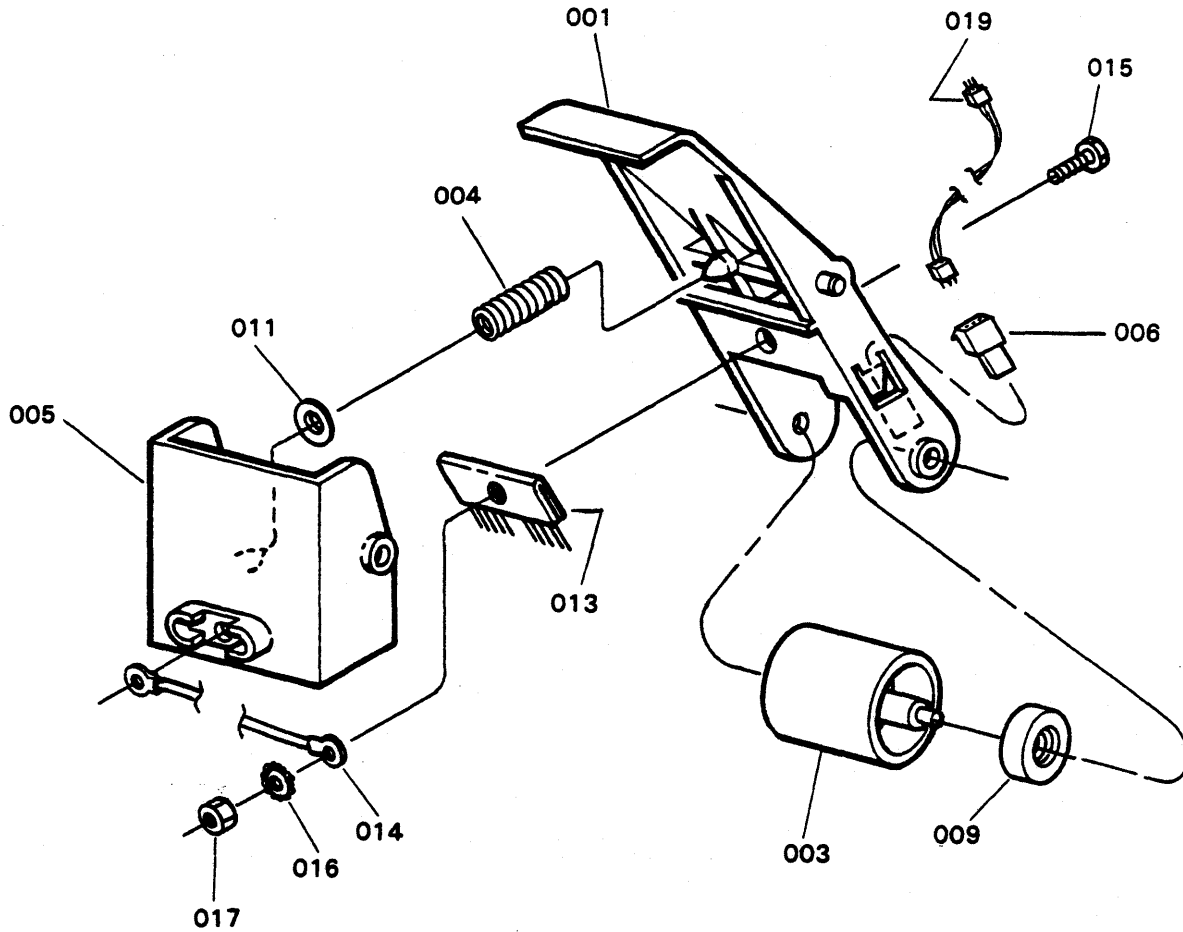
CONTROL PANEL ASSEMBLY-REAR



REF NUM REV TITLE
44691760 B CONTROL PANEL ASSY-REAR

FND NUM	U/M	PART NUM	DESCRIPTION	NUM REQ
001	PC	44692189	PANEL-PAPER PULL CONTROL	1
002	PC	44691610	BOARD-REAR CONTROL PNL	1
003	PC	44691620	LABEL	1
004	PC	44680019	SWITCH-PANEL	1
005	PC	44691651	CABLE-REAR CONTROL PANEL	1
006	PC	44692188	BLOCK PC CARD MTG	2
007	PC	44685207	NUT 6-32 KEP	2

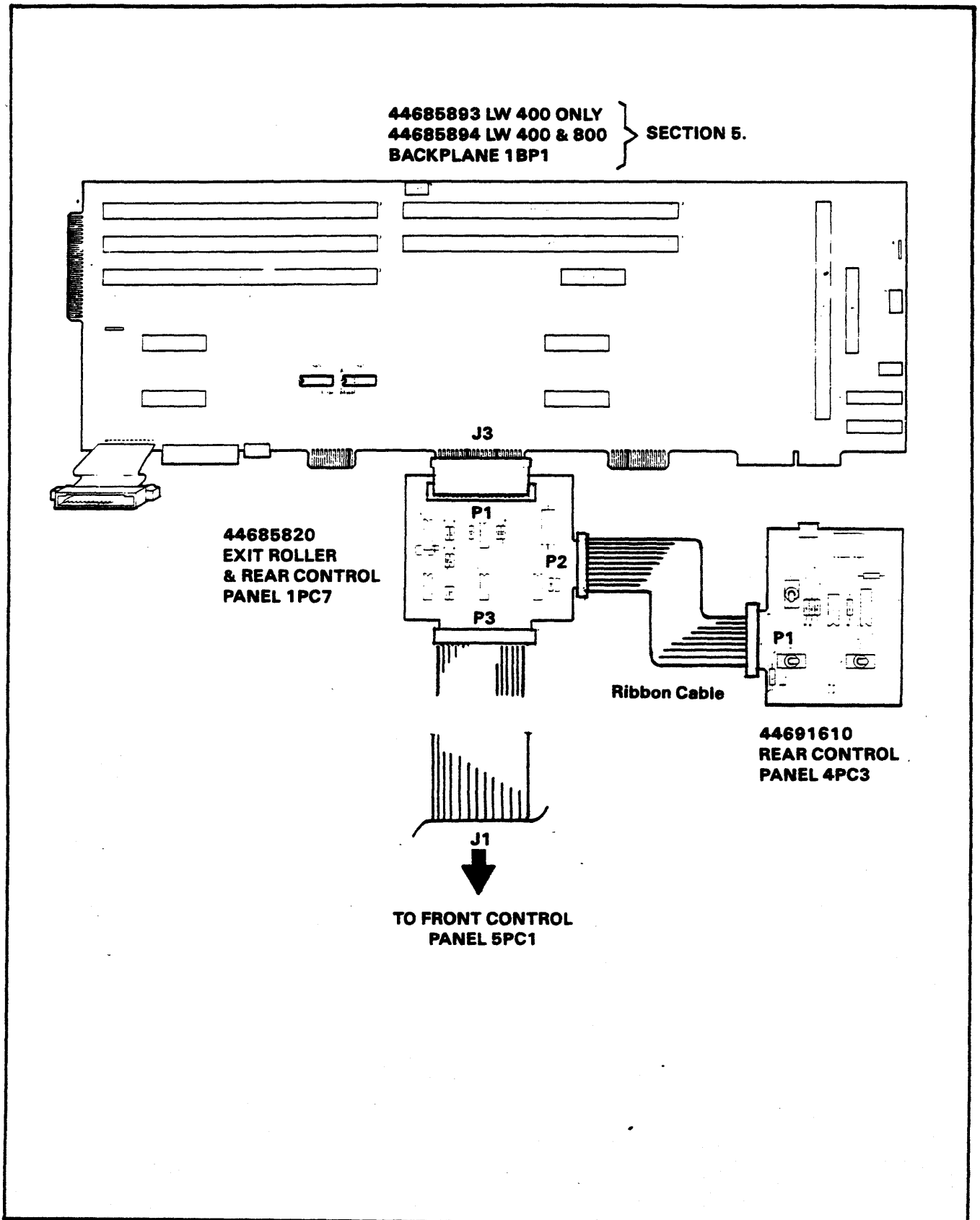
SENSING ROLLER IDLER ASSEMBLY



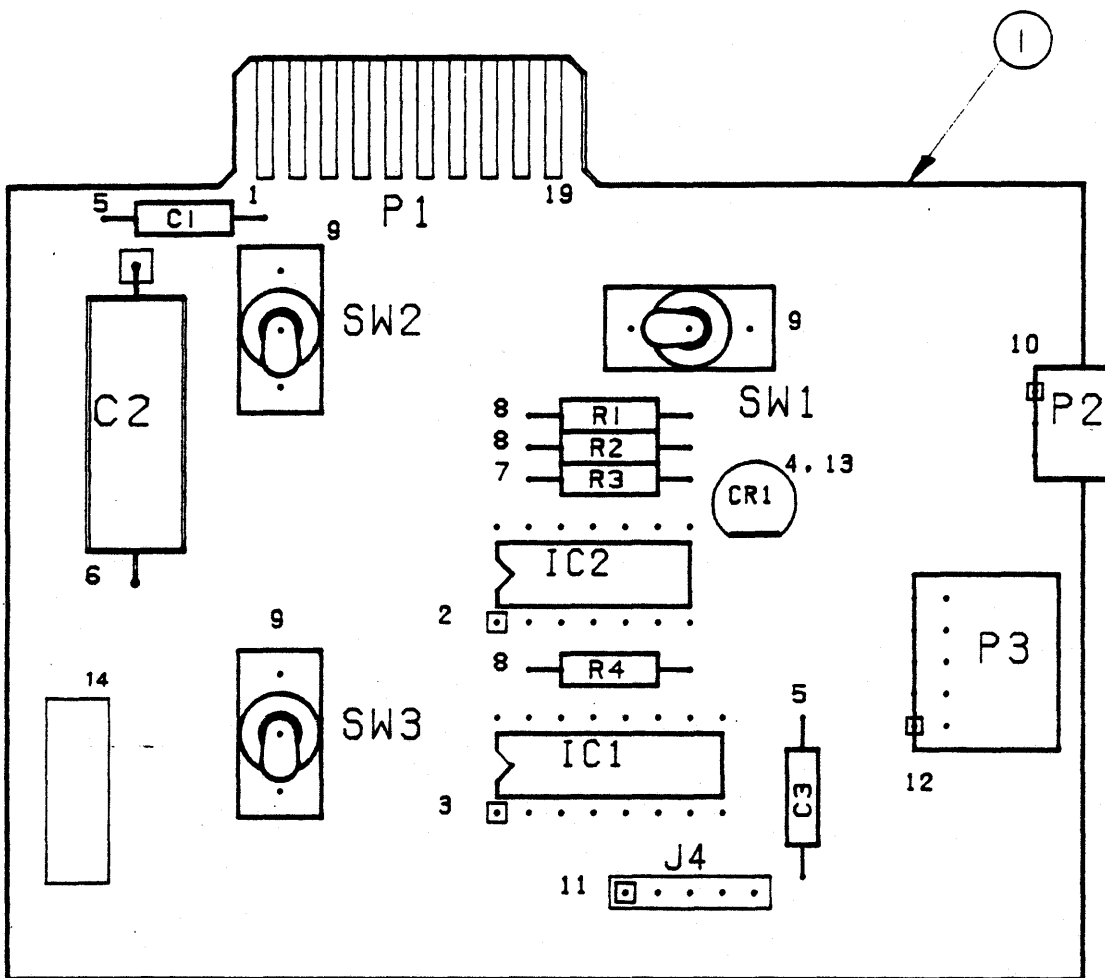
REF NUM	REV	TITLE
44691762	D	SENSING-ROLLER IDLER ASSEMBLY

FND NUM	U/M	PART NUM	DESCRIPTION	NUM REQ
001	PC	44691421	BRACKET ROLLER PIVOT ASSY	1
003	PC	44692155	ROLLER EXIT SENSOR	1
004	PC	44689616	SPRING COMPRESSION	1
005	PC	44691991	BRKT EXIT SENSOR ROLLER	1
006	PC	44682195	SENSOR-HALL DIGITAL	1
009	PC	44689545	MAGNET-PAPER MOTION	1
011	PC	44691288	WASHER NYLON	1
013	PC	44691999	BRUSH-EXIT ROLLER STATIC	1
014	PC	44692127	GROUND WIRE ASSY	1
015	PC	44687140	SCR SLTD HX 10-24x.38	1
016	PC	10126403	WASHER EXT TH LK #10	1
017	PC	44685209	NUT KEMP	1
018	OZ	94780809	LOCTITE 495	AR
019	PC	44691649	CABLE-SENSOR ASSY	1

PRINTED CIRCUIT BOARD DIAGRAM



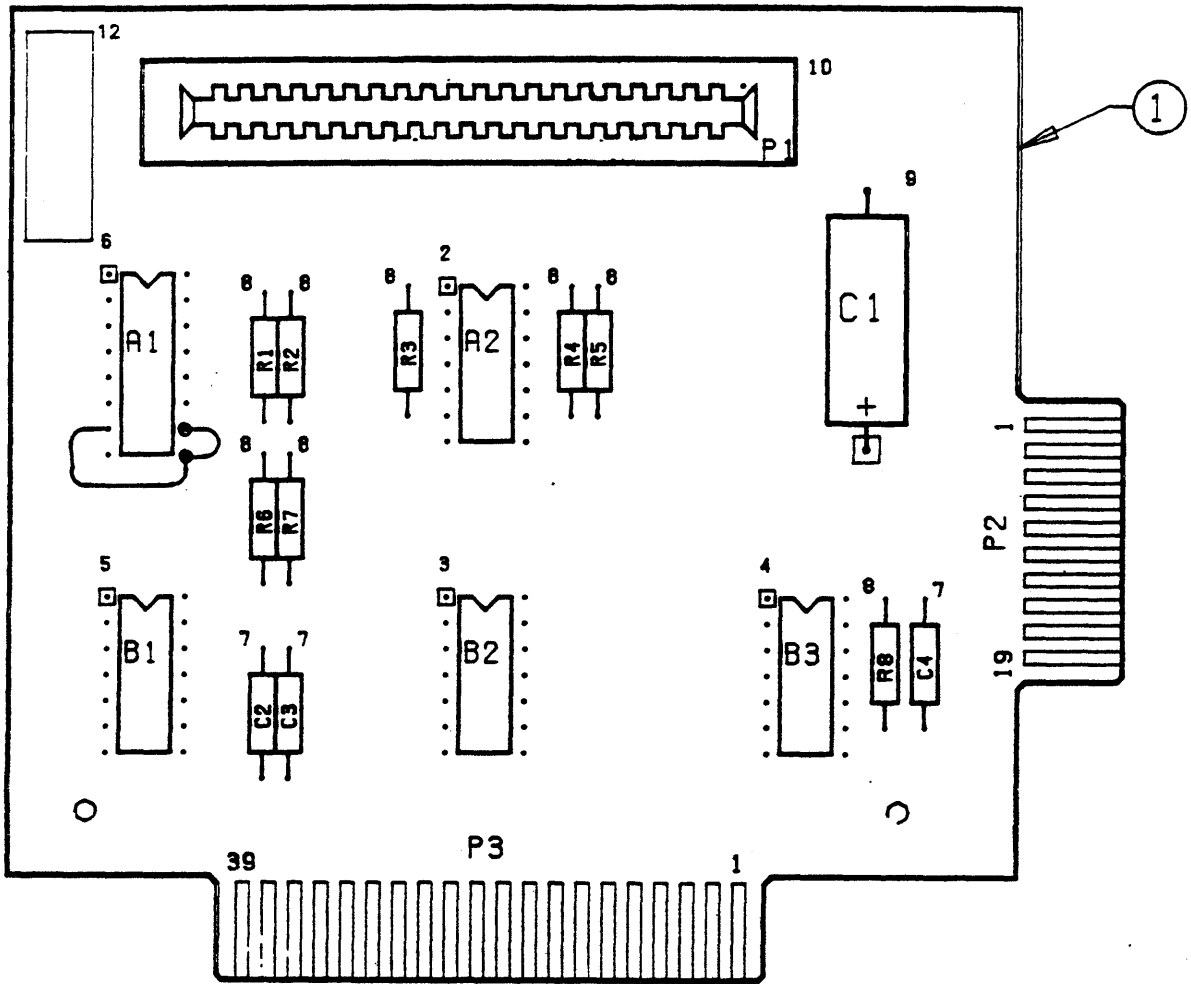
44691610 REAR CONTROL PANEL BOARD



REF NUM 44691610 REV B TITLE REAR CONTROL PANEL BOARD

FND NUM	U/M	PART NUM	DESCRIPTION	NUM REQ
001	PC	44691606	FAB DWG REAR CONTROL PNL	1
002	PC	88883200	IC 7407	1
003	PC	44675329	IC MC 14490 VP	1
004	PC	95362401	L.E.D. RED	2
005	PC	19115400	CAP .01UF-20+80% Z5U 50V	2
006	PC	94400832	CAP 100UF 16V	1
007	PC	94402136	RES CAR FILM, 150 1/4W,5V	1
008	PC	94402180	RES CAR FILM 10K 1/4W,5V	3
009	PC	94263901	SWITCH	1
010	PC	10129270	CONN 3 POSITION	1
011	PC	44681566	SOCKET 5 PIN STRIP	1
013	PC	44682067	LED SPACER .225	1
014	PC	44691793	LABEL PWB SERIALIZATION	1
901	PC	44691609	ASSY DWG-REAR CONT PNL	REF
902	PC	44691629	55 DBA LOGIC SET	REF

44685820 EXIT ROLLER SENSOR BOARD



REF NUM 44685820 REV B TITLE EXIT ROLLER SENSOR BOARD

FND NUM	U/M	PART NUM	DESCRIPTION	NUM REQ
001	PC	44685818	FAB DWG ROLLER SENSOR	1
002	PC	15144900	IC 74LS00	1
003	PC	96744155	IC 7406	1
004	PC	15145400	IC 74LS08	1
005	PC	15148500	IC 74LS14	1
006	PC	15146800	IC 74LS161	1
007	PC	19115400	CAP .01UF -20+80% Z5U 50V	3
008	PC	94402172	RES CAR FILM 4.7K 1/4 W,5V	8
009	PC	94400632	CAP 100UF 16V	1
010	PC	44684559	CONN 40 POS .100 CL	1
011	FT	95393500	WIRE HI TEMP SOLID 30 WHT	.400
012	PC	44691793	LABEL PWB SERIALIZATION	1
901	PC	44691629	55 DBA LOGIG SET	REF

