

**TD015/TD016**

**KEYBOARD UNIT  
ASSEMBLY**

**KEYBOARD UNIT ASSEMBLY A1**

**Burroughs**

**FIELD TEST  
AND  
REFERENCE DOCUMENT**



PROPERTY OF AND TO BE RETURNED TO

**Burroughs**

PRINTED JUNE 1976

KEYBOARD UNIT ASSEMBLY A1

CONTENTS

Contents applicable to following System:

ED820, TD830, B 9348-30

Subassembly Reference Designations

MOS Encoder Device (all keyboards)  
1699 7066 (G), 3 sheets

Input Codes to MOS Keyboard Encoders - Pin Chart (all keyboards)  
2552 9355 (A), 3 sheets

Keyboard Indicator Schematic (without paging option)  
1696 2623 (B)

Keyboard Indicator Printed Wiring Board Assembly  
2551 9141 (C)

(Data Preparation/Typewriter Keyboard Assembly Schematic) - all  
keyboards) Micro Switch 64SW5-2

(Numeric Key Pad Assembly Schematic)  
(Not Available - To be supplied later.)

AIW1 Keyboard PC Board to LED Board Harness Assembly (all keyboards)  
1696 4603 (C)

W2 Keyboard DC Wiring Harness Cable Assembly (all keyboards)  
1696 3571 (M)

W3 Keyboard DC Wiring Harness Cable Assembly (all keyboards)  
2554 2259 (A)

Installation procedures ( 2 sheets)

KEYBOARD UNIT ASSEMBLY A1

SUBASSEMBLY REFERENCE DESIGNATIONS

A1A1 Housing Assembly (Chassis and Cover)  
A1A2 Keyboard Chassis Assembly  
A1A3 Keyboard Indicator Assembly  
A1W1 Internal Harness Assembly (from A1A2 to A1A3)  
W2 External Harness Cable Assembly  
W3 Interconnecting Harness Cable Assembly




MOS ENCODER DEVICE NUMBER	VENDOR PART NO.	STYLE	NATIONALITY	MOS CODE DEFINITION (KEYBOARD ASSEMBLY NO.)
2551 1445	SW20266	TYPENRITER	B9348 OOT	2551 1452
2551 2542	SW20264	TYPENRITER	KATAKANA, TYPE 1	2551 1510
2551 1239	SW20267	TYPENRITER	UNITED STATES UPPER/LOWER CASE	2551 1221
2551 1239	SW20267	TYPENRITER	ISRAELI	2551 1528
2552 4505	SW20285	TYPENRITER	LATIN/CYRILLIC	2551 1536
2551 9182	SW20279	NUMERIC	UNITED STATES	1699 5342
2552 4406	SW20284	TYPENRITER	KATAKANA, TYPE 2	2552 4414
1627 2882	SW20246	DATA PREP	UNITED STATES, TYPE 1 (MODIFIED)	2551 3862
2551 1239	SW20267	TYPENRITER	UNITED STATES, TD820	2553 5147
1699 6043	SW20251	TYPENRITER	UNITED KINGDOM	2553 9230
1699 6043	SW20251	TYPENRITER	SPAIN/LATIN AMERICA	2553 9230
1699 6043	SW20251	TYPENRITER	ITALY	2553 9230
1699 6043	SW20251	TYPENRITER	FRANCE/BELGIUM	2553 7101
1699 6076	SW20252	TYPENRITER	SOUTH AFRICA	2553 9288
1699 6076	SW20252	TYPENRITER	BRAZIL/PORTUGAL	2553 9283
1699 6050	SW20253	TYPENRITER	FRANCE/BELGIUM (OPTIONAL)	2553 9248
1699 6068	SW20254	TYPENRITER	GERMANY/AUSTRIA/SWITZERLAND	2553 9255
1699 6084	SW20255	TYPENRITER	SWEDEN/FINLAND	2553 9271
1699 6092	SW20256	TYPENRITER	NORWAY/DENMARK	2553 9280
1699 6100	SW20257	DATA PREP	UNITED KINGDOM	2553 9297
1699 6100	SW20257	DATA PREP	SPAIN/LATIN AMERICA	2553 9297
1699 6100	SW20257	DATA PREP	ITALY	2553 9297
1699 6100	SW20257	DATA PREP	FRANCE/BELGIUM	2553 7119
1699 6134	SW20258	DATA PREP	SOUTH AFRICA	2553 9321

LTR	REVISION
	ECN 4647
C	THIS SHEET ADDED GK FEB 5-22-74 5/24/74
D	ECN #4897 (1), (2) ADDED GK RFN 1-8-75 1-10-75
E	ECN # 4999 (2) ADDED 1699 6043 THRU 1699 6134 JMC RFN 3-12-75 3-15-75
G	ECN #5134 REVISED RK FEB 8-28-75 9-4-75

D1  
D2

E2

-GEN. QVAL. SPECS. H48-3643 APPLY-		DRAWN GP	DATE 10 24 72	CLASS CODE	DO NOT SCALE DWG
TOLERANCES, UNLESS OTHERWISE SPECIFIED .XX2 — .XXX6 — ANGLES: °	FUNCTION	 <b>Burroughs Corporation</b> ELECTRONIC COMPONENTS DIVISION PLAINFIELD, NEW JERSEY 07061 U.S. AMERICA			
MATERIAL	STEP 5 & 6				
HEAT TREATMENT	DATE				
SURFACE TREATMENT	APPROVAL				
<small>PROPRIETARY TO BURROUGHS CORPORATION; NOT TO BE REPRODUCED, NOR USED FOR MANUFACTURING PURPOSES EXCEPT BY BURROUGHS SHOW OR PRINT WITHIN CONSENT.</small>		SCALE B	SHEET 2 OF 3	DWG. NO. 1699 7066	TITLE MOS ENCODER DEVICE



**Burroughs Corporation**  
 ELECTRONIC COMPONENTS DIVISION  
 PLAINFIELD, NEW JERSEY 07061 U.S. AMERICA



DWG. NO. 25529355

DATE 5-17-74

TITLE INPUT CODES TO MOS KEYBOARD ENCODERS,  
 TD700/TD800/P0348

SHEET 1 OF 3

REVISION		STATUS OF SHEETS																DESCRIPTION	DRAFTSMAN	CHECKER	
LTR	NUMBER	1	2	3	4	5	6	7	8	9	10	11	12	13	14	15	16				
A		A	A	A														RELEASED MAY 23 1974			

CLASS CODE  
 2-9520

**Burroughs Corporation**  
 ELECTRONIC COMPONENTS DIVISION  
 PLAINFIELD, NEW JERSEY 07061 U. S. AMERICA



SHEET 2 of 3	END NO. 2552 9353	REV 1
CLASS CODE 2.9520	TITLE INPUT CODES TO MOS KEYBOARD TD700/TD500/89348	
DRAWN BY C.T	CHK STD & RES MR	CHECK FF & F MR
DATE 5.17.74	DATE 5.17.74	DATE 5.17.74
	DATE 5.23.74	DATE 5.23.74

PROPRIETARY TO BURROUGHS CORPORATION—NOT TO BE REPRODUCED, NOR USED FOR MANUFACTURING PURPOSES EXCEPT ON BURROUGHS ORDER OR PRIOR WRITTEN CONSENT.

LTR	REVISION
-----	----------

NUMERIC, INPUT CODES TO MOS CHIP

<u>KEY NUMBER</u>	<u>MOS PIN NUMBER</u>
1	6, 7
2	7, 8
3	6, 8
4	6, 9
5	5, 9
6	1, 2
7	1, 3
8	1, 4
9	1, 5
10	1, 6
11	1, 7
12	FUNCTION 1
13	1, 8
14	2, 3
15	2, 4
16	2, 5
17	2, 6
18	2, 7
19	2, 8
20	2, 9
21	8, 9
22	3, 4
23	3, 5
24	3, 6
25	3, 7
26	SHIFT
27	3, 8
28	3, 9
29	5, 8
30	4, 5
31	4, 6
32	4, 7
33	4, 8
34	4, 9
35	FUNCTION 2
36	5, 6
37	5, 7



**Surrenths Corporation**  
 ELECTRONIC COMPONENTS DIVISION  
 PLAINFIELD, NEW JERSEY 07061 U.S. AMERICA

SHEET	2 OF 3	DWG NO.	2552 9555	REV.	1
CLASS CODE	TITLE INPUT CODES TO MOS KEYBOARD				
DRAWN BY	CHK STD & REC	CHECK P.P.F.	DSGN	APPROVED	
DATE	DATE	DATE	DATE	DATE	

PROPRIETARY TO SURRENTHS CORPORATION - NOT TO BE REPRODUCED, NOR USED FOR MANUFACTURING PURPOSES EXCEPT ON SURRENTHS ORDER OR PRIOR WRITTEN CONSENT

LTR REVISION

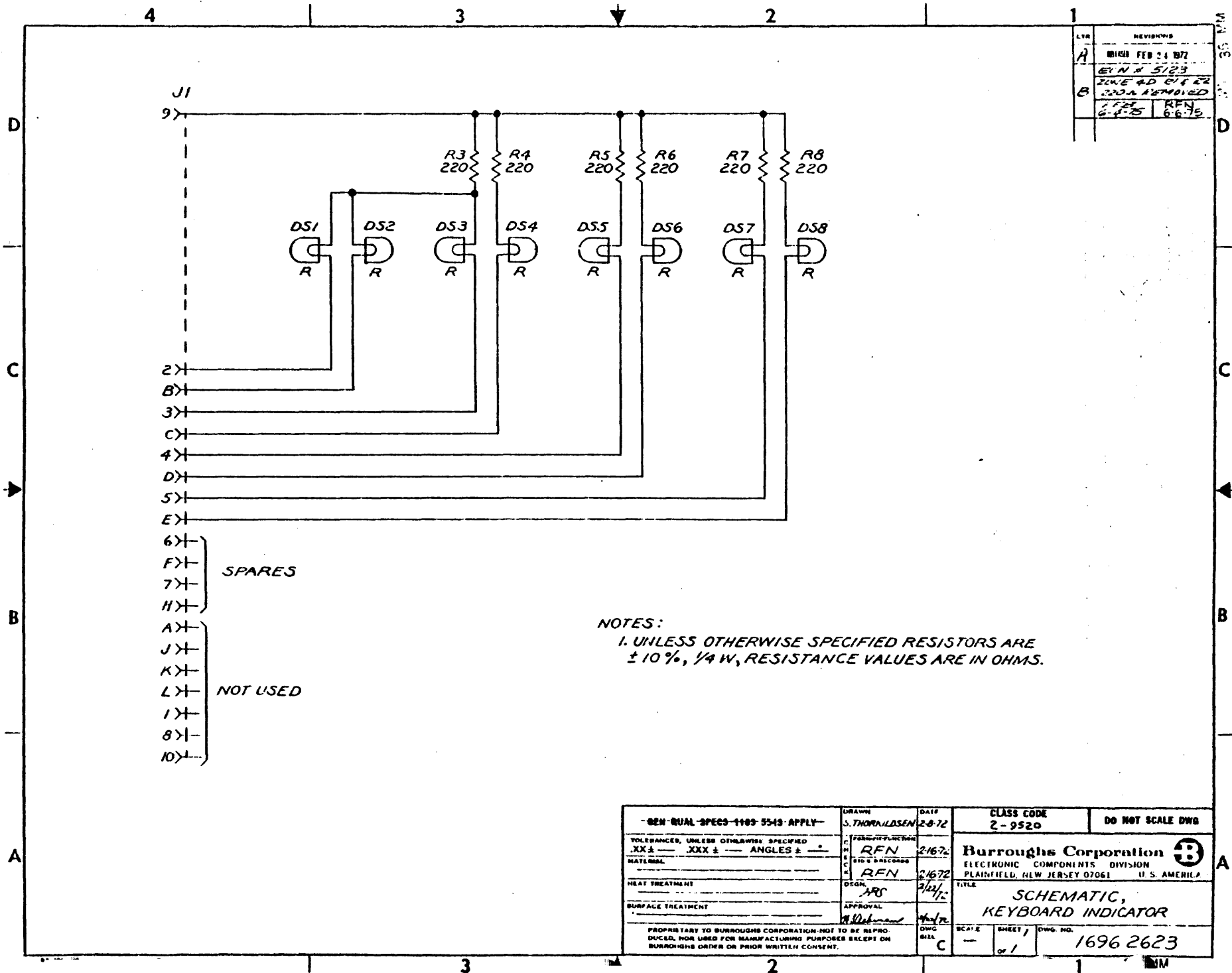
TYPEWRITER and DATA PREPARATION

INPUT CODES TO MOS CHIP

<u>KEY NUMBER</u>	<u>MOS PIN NUMBER</u>	<u>KEY NUMBER</u>	<u>MOS PIN NUMBER</u>
1	7,12	41	3,9
2	8,12	42	3,10
3	9,12	43	3,11
4	10,12	44	3,12
5	11,12	45	5,12
6	5,7	46	5,11
7	1,4	47	5,10
8	1,3	48	SHIFT
9	1,2	49	5,6
10	1,5	50	4,5
11	1,6	51	4,6
12	1,7	52	4,7
13	1,8	53	4,8
14	1,9	54	4,9
15	1,10	55	4,10
16	1,11	56	4,11
17	1,12	57	4,12
18	6,12	58	8,9
19	10,11	59	8,11
20	FUNCTION 2	60	8,10
21	2,4	61	SHIFT
22	2,3	62	6,8
23	2,5	63	FUNCTION 1
24	2,6	64	6,7
25	2,7	65	5,9
26	2,8	66	—
27	2,9	67	—
28	2,10	68	9,10
29	2,11	69	—
30	2,12	70	—
31	6,9	71	—
32	6,11	72	9,11
33	6,10	73	7,9
34	7,8	74	7,11
35	—	75	7,10
36	3,4		
37	3,5		
38	3,6		
39	3,7		
40	3,8		

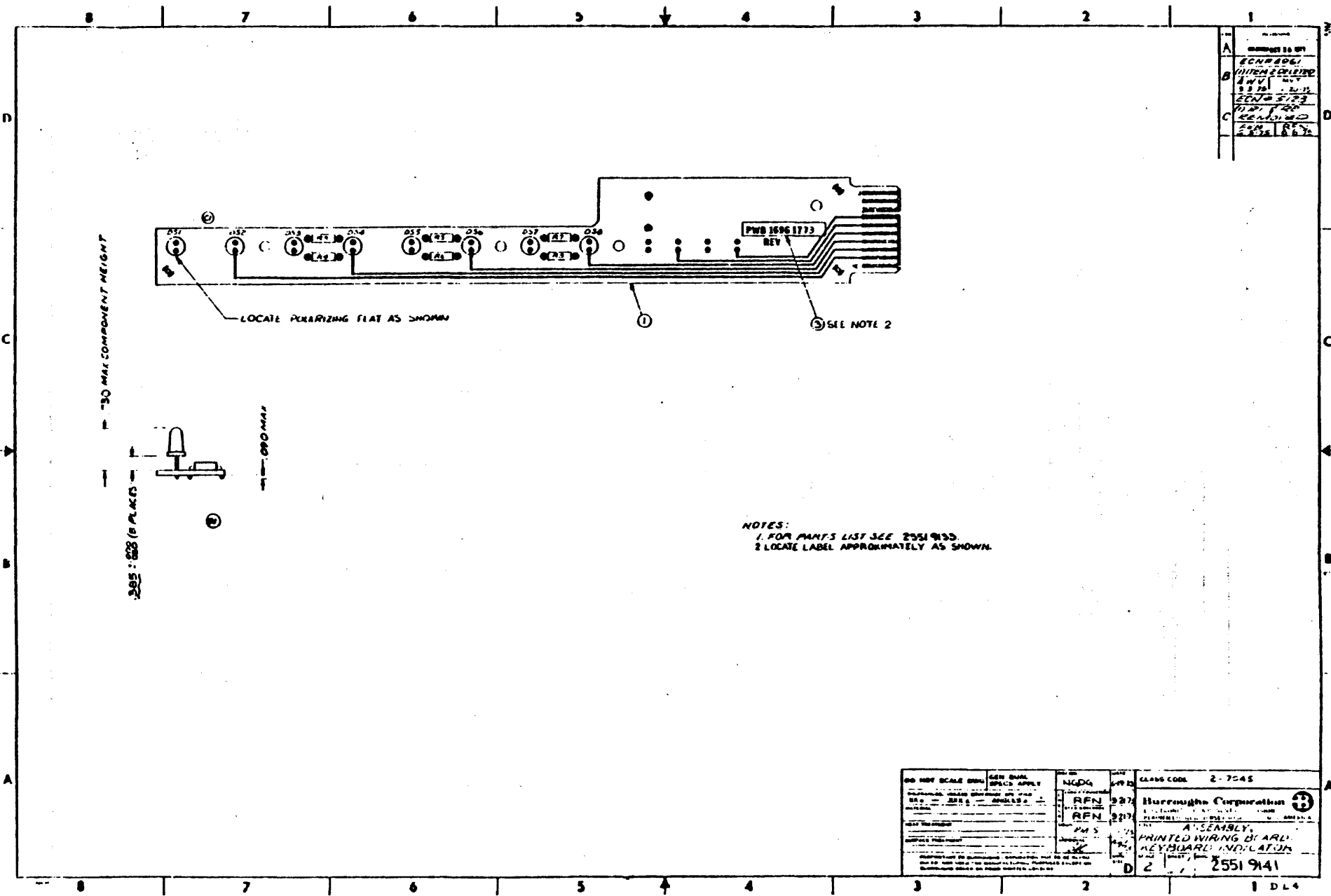
NOTE 1: VENDOR FOR KEYBOARD ENCODERS IS MICROSWITCH

REV	REVISIONS
A	ISSUED FEB 24 1972
	BY N. S. 5/23
B	JUNE 4 D. C. 1972
	220Ω REMOVED
	RFN 6-6-75
	RFN 6-6-75



NOTES:  
 1. UNLESS OTHERWISE SPECIFIED RESISTORS ARE  $\pm 10\%$ ,  $1/4 W$ , RESISTANCE VALUES ARE IN OHMS.

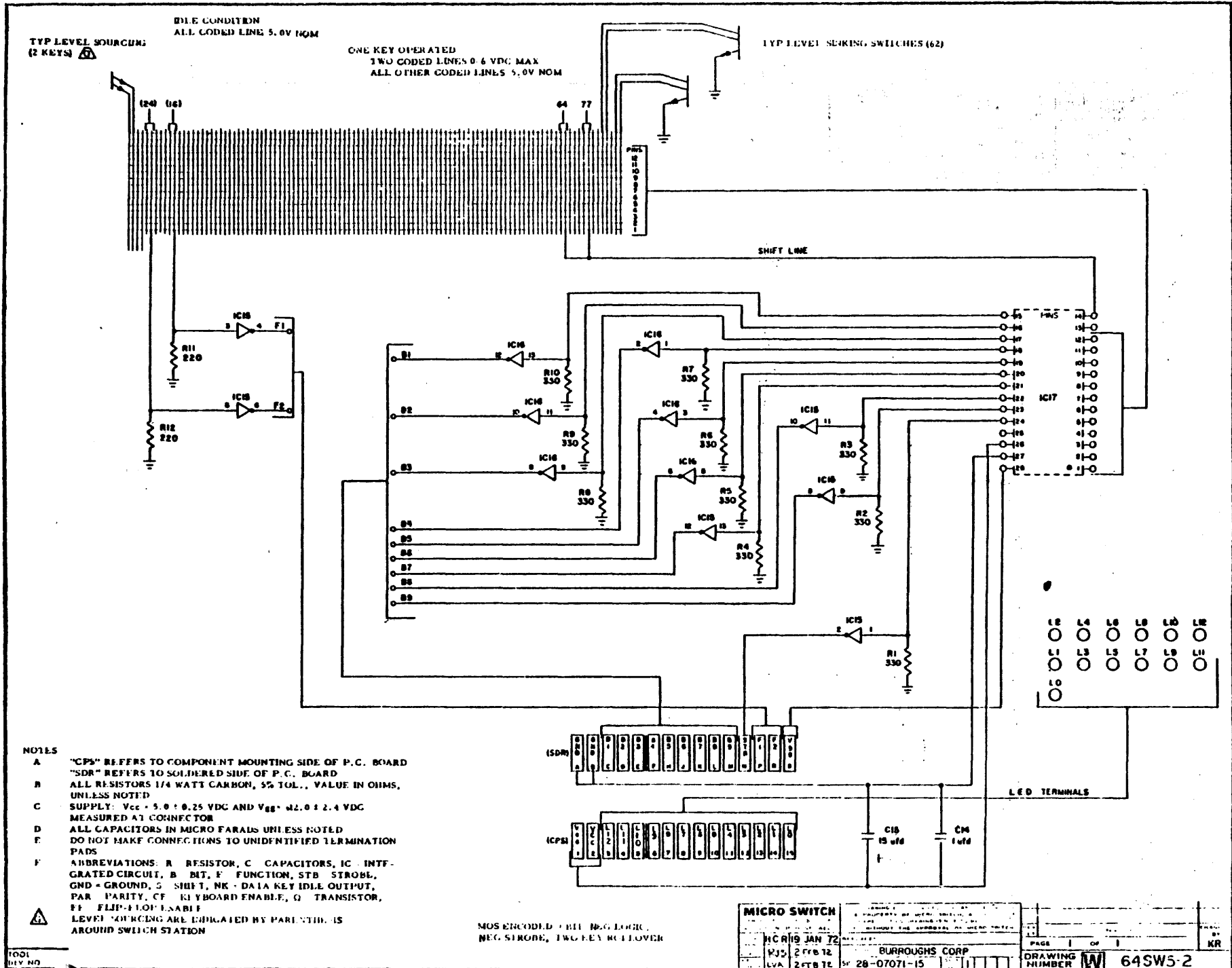
- GEN. QUAL. SPECS. 1103-5543 APPLY -		DRAWN S. THORALDSEN	DATE 2-8-72	CLASS CODE 2-9520	DO NOT SCALE DWG
TOLERANCES, UNLESS OTHERWISE SPECIFIED XX ± — XXX ± — ANGLES ± —	C. FABRICATION RFN	DATE 2-16-72	<b>Burroughs Corporation</b> ELECTRONIC COMPONENTS DIVISION PLAINFIELD, NEW JERSEY 07061 U.S.A.		
MATERIAL	C. STD. & RECORDS RFN	DATE 2-16-72			
HEAT TREATMENT	DESIGN ARS	DATE 2/22/72	TITLE SCHEMATIC, KEYBOARD INDICATOR		
SURFACE TREATMENT	APPROVAL A. DeLeonardis	DATE 4-2-72	DWG. NO. C	SHEET 1	DWG. NO. 1696 2623
<small>PROPRIETARY TO BURROUGHS CORPORATION NOT TO BE REPRODUCED, NOR USED FOR MANUFACTURING PURPOSES EXCEPT ON BURROUGHS ORDER OR PRIOR WRITTEN CONSENT.</small>					



A	REVISIONS TO DWG
B	ECN 1006
C	WHICH IS COVERED BY DWG 1006
D	ECN 1006
	REVISED
	DATE

NOTES:  
 1. FOR PARTS LIST SEE 25519133.  
 2. LOCATE LABEL APPROXIMATELY AS SHOWN.

DO NOT SCALE DIMS	SEE DWG. SPEC'S APPLY	NGDG	DATE	CLASS CODE	2-7545
DATE	BY	CHKD	APP'D	Burrhead Corporation	
				A ASSEMBLY	
				PRINTED WIRING BY: ARJ	
				KEYBOARD INDICATION	
				25519141	

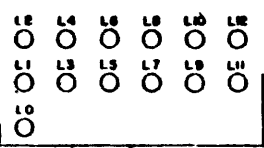


IDLE CONDITION  
 ALL CODED LINE 5.0V NOM  
 TYP LEVEL SOURCING  
 (2 KEYS)

ONE KEY OPERATED  
 TWO CODED LINES 0.6 VDC MAX  
 ALL OTHER CODED LINES 5.0V NOM

TYP LEVEL SINKING SWITCHES (62)

SHIFT LINE



- NOTES**
- A "CPS" REFERS TO COMPONENT MOUNTING SIDE OF P.C. BOARD
  - "SDR" REFERS TO SOLDERED SIDE OF P.C. BOARD
  - B ALL RESISTORS 1/4 WATT CARBON, 5% TOL., VALUE IN OHMS, UNLESS NOTED
  - C SUPPLY:  $V_{cc} = 5.0 \pm 0.25$  VDC AND  $V_{EE} = 42.0 \pm 2.4$  VDC MEASURED AT CONNECTOR
  - D ALL CAPACITORS IN MICRO FARADS UNLESS NOTED
  - E DO NOT MAKE CONNECTIONS TO UNIDENTIFIED TERMINATION PADS
  - F ABBREVIATIONS: R RESISTOR, C CAPACITORS, IC INTF-GRATED CIRCUIT, B BIT, F FUNCTION, STB STROBE, GND - GROUND, S SHIFT, NK - DATA KEY IDLE OUTPUT, PAR PARITY, CE KEYBOARD ENABLE, Q TRANSISTOR, FF FLIP-FLOP ENABLE
- LEVEL SOURCING ARE INDICATED BY PARENTHESES AROUND SWITCH STATION

MOS ENCODED FULL NEG LOGIC  
 NEG STROBE, TWO KEY RECOVER

<b>MICRO SWITCH</b> JAN 72 RJS 2 FEB 72 LVA 2 FEB 72		BURROUGHS CORP 28-07071-15	PAGE 1 of 1 DRAWING NUMBER <b>W 64SW5-2</b> KR
---	--	-------------------------------	--

1001  
REV NO

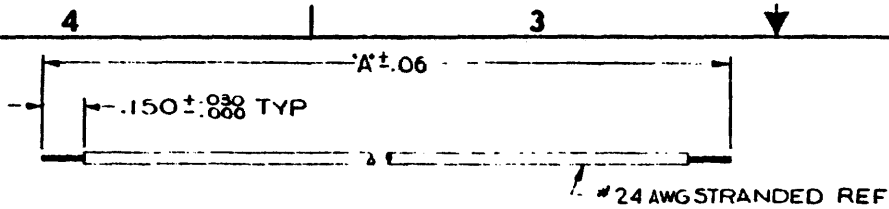


FIG. 1

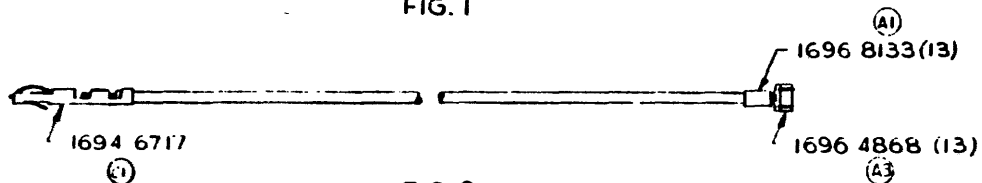
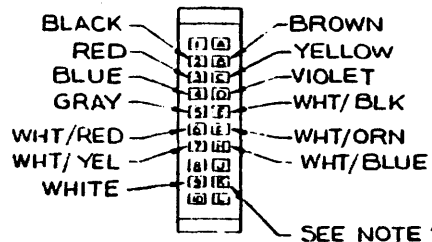
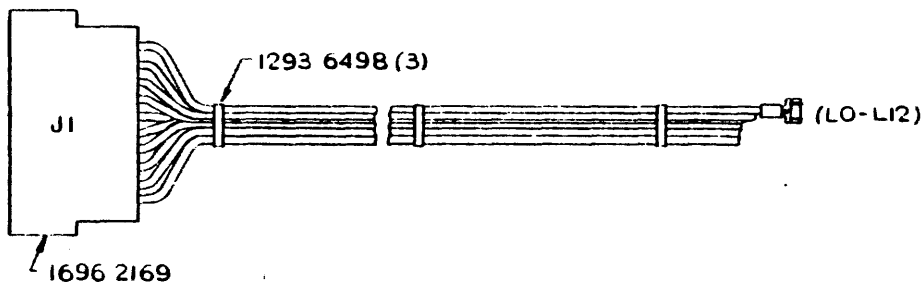


FIG. 2



VIEW SHOWING LEAD LOCATIONS  
(RECEPTACLE SHOWN FROM LEAD END)

REVISIONS	
A	ESR # 9985 (1)(2) ADDED (3) WAS 1696 7002
	APZ RFN 5-24-72 5-30-72
B	E: JUN 06 1972 1 CN # 4065
	(1)(2) W/M 6717 WAS 1694 6733
C	GFB RFN 11-18-72 11-22-72

WIRE MATL NO.	WIRE PT NO FIG. 1	WIRE COLOR	DIM. 'A'	TERMINATED WIRE NO FIG 2	CIRCUIT MNEMONIC
1295 2719	1696 4355	WHITE	9.50	1696 4470	xP5V__0
1295 2727	1696 4363	BLACK		1696 4488	/XMTM_0
1295 2776	1696 4371	BROWN		1696 4496	VRCVM_0
1295 2735	1696 4389	RED		1696 4504	VLCLM_0
1295 2784	1696 4397	YELLOW		1696 4512	CFORM_0
1295 2768	1696 4405	LT BLUE		1696 4520	KPNT_00
1295 2792	1696 4413	VIOLET		1696 4538	VERR__0
1295 2800	1696 4421	GREY		1696 4546	VENQ__0
1295 2818	1696 4439	WHT/BLK		1696 4553	ALTA1_0
1295 2826	1696 4447	WHT/RED		1696 4561	EPG4__0
1299 5833	1696 4454	WHT/YEL		1696 4579	EPG3__0
1299 5841	1696 4462	WHT/BLUE		1696 4587	EPG2__0
1295 2842	1696 4140	WHT/ORN	9.50	1696 4595	EPG1__0

NOTES:

1. POLARIZING KEY, PT NO 1696 2342, INSERTED BETWEEN PINS 7 & 8 ON CONNECTOR, PT NO. 1696 2169.
2. INSERT BLANK CONTACT 1694 6711 WITH (A2) (A3) INSULATION AND WIRE AREA FLATTENED.

GEN QUAL SPECS 1183 5543 APPLY		DATE	CLASS CODE	DO NOT SCALE DWG
TOLERANCES, UNLESS OTHERWISE SPECIFIED .XX ± .XXX ± - ANGLES ± °		APZ 3-11-72	2-1522	
MATERIAL		DESIGN FUNCTION	<b>Burrhoughs Corporation</b> ELECTRONIC COMPONENTS DIVISION PLAINFIELD, NEW JERSEY 07061 U.S. AMERICA	
HEAT TREATMENT		REV'S & RECORDS		
SURFACE TREATMENT		APZ 4-12-72	TITLE: HARNESS ASSEMBLY, DETAIL OF KEYBOARD PCB BOARD TO EL BOARD	
APPROVAL		APZ 4-12-72		
PROPRIETARY TO BURROUGHS CORPORATION NOT TO BE REPRODUCED, NOR USED FOR MANUFACTURING PURPOSES EXCEPT ON BURROUGHS ORDER OR PRIOR WRITTEN CONSENT		DATE	SCALE	DWG NO
		3-11-72	C	1696 4603

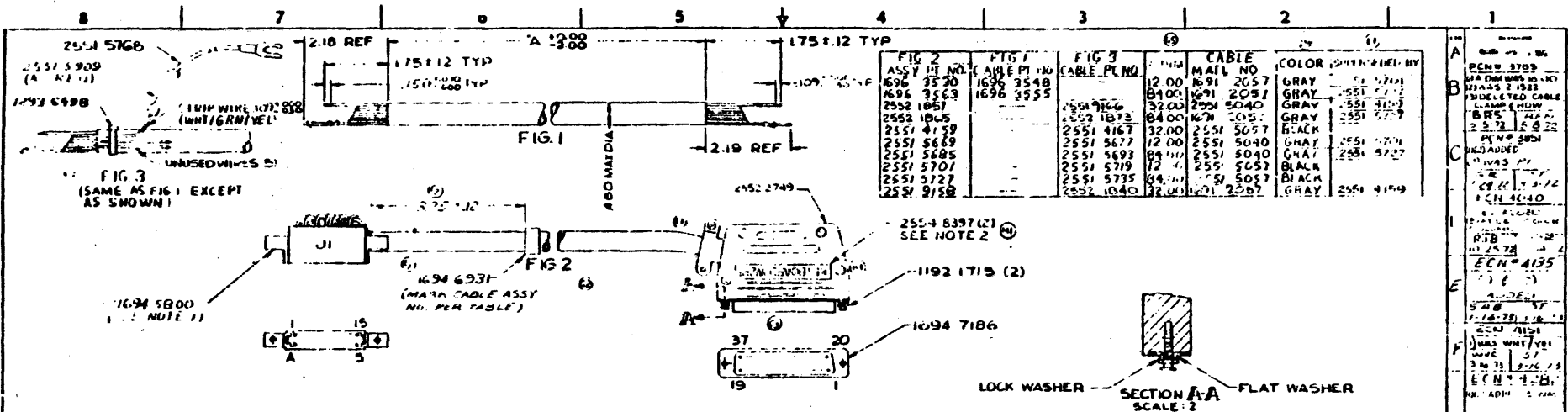


FIG. 2 ASSY. PT. NO.	CABLE PT. NO.	FIG. 3 CABLE PT. NO.	MAIL NO.	CABLE MAIL NO.	COLOR	QUANTITY
1694 3520	1694 3548	1694 3555	12 00	1691 2057	GRAY	5
1694 3563	1694 3555	1694 3555	84 00	1691 2057	GRAY	5
2552 1045			32 00	2551 5040	GRAY	5
2551 4159			64 00	1691 2057	GRAY	5
2551 5689			12 00	2551 5040	GRAY	5
2551 5685			12 00	2551 5040	GRAY	5
2551 5701			12 00	2551 5040	GRAY	5
2551 5727			12 00	2551 5040	GRAY	5
2551 5752			12 00	2551 5040	GRAY	5
2551 5758			12 00	2551 5040	GRAY	5

FIG. 2 ASSY. PT. NO.	CABLE PT. NO.	FIG. 3 CABLE PT. NO.	MAIL NO.	CABLE MAIL NO.	COLOR	QUANTITY
1694 3520	1694 3548	1694 3555	12 00	1691 2057	GRAY	5
1694 3563	1694 3555	1694 3555	84 00	1691 2057	GRAY	5
2552 1045			32 00	2551 5040	GRAY	5
2551 4159			64 00	1691 2057	GRAY	5
2551 5689			12 00	2551 5040	GRAY	5
2551 5685			12 00	2551 5040	GRAY	5
2551 5701			12 00	2551 5040	GRAY	5
2551 5727			12 00	2551 5040	GRAY	5
2551 5752			12 00	2551 5040	GRAY	5
2551 5758			12 00	2551 5040	GRAY	5

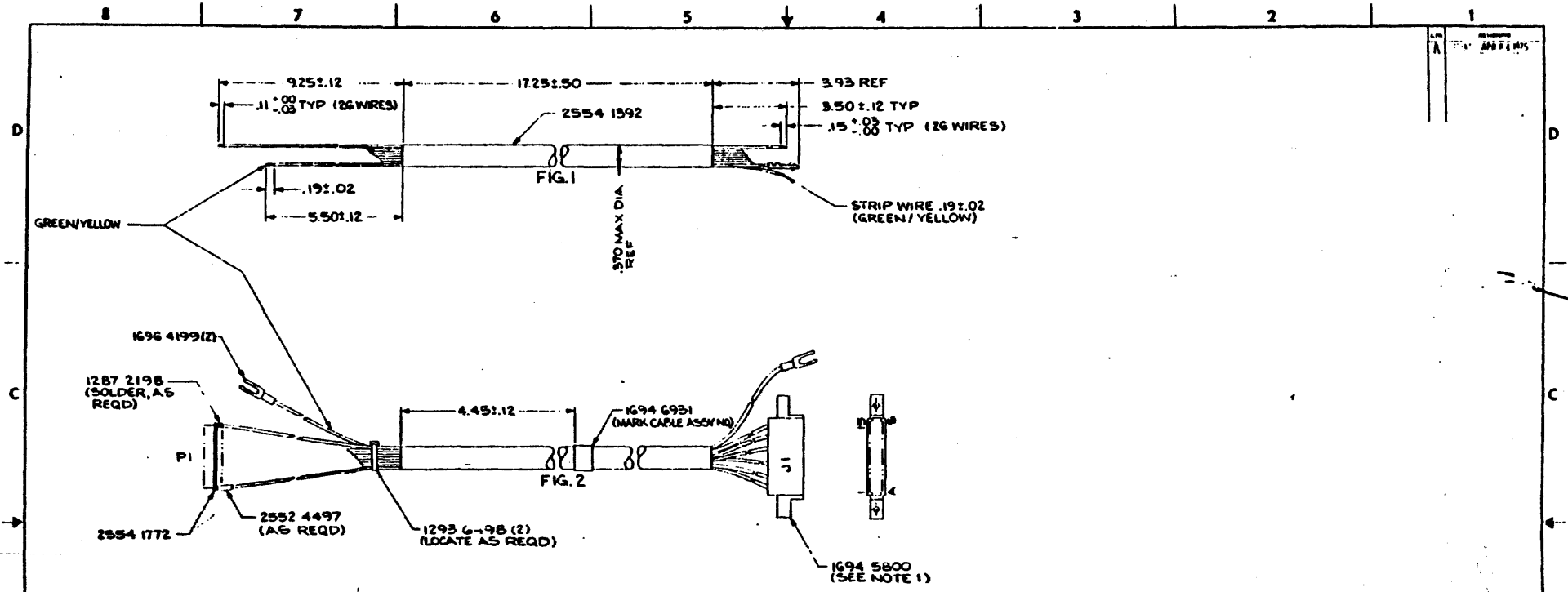
WIRE COLOR	WIRE SIZE (REF)	WIRE LIST #1 PIN CONTACT PART NO.	PIN LOCATION	CIRCUIT MEMORIC
BLU/WHI	20	1694 6717	1	XPV
WHT/RED/GRY	TP 28	1694 6717	2	XPV
WHT/ORG/GRN	TP 28	1694 6733	3	YXMTM
WHT/RED/WHI	TP 28	1694 6733	4	XGRD
WHT/RED/BLU	TP 28	1694 6733	5	XGRD
WHT/RED/GRN	TP 28	1694 6733	6	XGRD
WHT/GRN/GRY	TP 28	1694 6733	7	XGRD
WHT/RED/YEL	TP 28	1694 6733	8	XGRD
WHT/GRN/BLK	TP 28	1694 6733	9	XGRD
WHT/GRN/GRN	TP 28	1694 6733	10	XGRD
WHT/RED/BRN	TP 28	1694 6733	11	XGRD
WHT/BLK/YEL	TP 28	1694 6733	12	XGRD
WHT/GRN/ORG	TP 28	1694 6733	13	XGRD
WHT/BLK/RED	TP 28	1694 6733	14	XGRD
WHT/GRN/BRN	TP 28	1694 6733	15	XGRD
WHT/BLK/BLK	TP 28	1694 6733	16	XGRD
WHT/GRN/BLK	TP 28	1694 6733	17	XGRD
WHT/BLK/BRN	TP 24	1694 6733	18	XGRD
WHT/GRN/YEL	TP 28	1694 6733	19	XGRD
GRN/YEL	20	1694 6816	20	XDP
GRN/WHI	20	1694 6816	21	XDP
WHT/BLK	20	1694 6816	22	XDP
WHT/BRN	20	1694 6816	23	XDP
WHT/RED	20	1694 6816	24	XDP
WHT/ORG	20	1694 6816	25	XDP
WHT/YEL	20	1694 6816	26	XDP
WHT/GRN	20	1694 6816	27	XDP
WHT/BLU	20	1694 6816	28	XDP
WHT/BLK/GRN	TP 28	1694 6816	29	XDP
WHT/BLK/BLU	TP 28	1694 6816	30	XDP
WHT/GRN/RED	TP 28	1694 6733	31	XDP
WHT/GRN/BLU	TP 28	1694 6733	32	XDP
WHT/GRN/WHI	TP 28	1694 6733	33	XDP
WHT/RED/GRN	TP 28	1694 6733	34	XDP
WHT/RED/BLU	TP 28	1694 6733	35	XDP
WHT/RED/WHI	TP 28	1694 6733	36	XDP
WHT/RED/GRN	TP 28	1694 6733	37	XDP
WHT/RED/BLU	TP 28	1694 6733	38	XDP
WHT/RED/WHI	TP 28	1694 6733	39	XDP
GRN/RED	20	1694 6717	40	XDP

WIRE COLOR	WIRE SIZE (REF)	WIRE LIST #1 PIN CONTACT PART NO.	PIN LOCATION	CIRCUIT MEMORIC
BLU	20	1694 6824	1	XPV
GRN/YEL	20	1694 6824	2	XPV
GRN/WHI	20	1694 6824	3	YXMTM
WHT/BLK	20	1694 6816	4	XGRD
WHT/BRN	20	1694 6816	5	XGRD
WHT/RED	20	1694 6816	6	XGRD
WHT/ORG	20	1694 6816	7	XGRD
WHT/BLK/BRN	TP 24	1694 6816	8	XGRD
WHT/GRN/YEL	TP 28	1694 6816	9	XGRD
WHT/BLK/BLK	TP 28	1694 6816	10	XGRD
WHT/RED/BLK	TP 28	1694 6816	11	XGRD
WHT/GRN/RED	TP 28	1694 6824	12	XGRD
WHT/GRN/GRN	TP 28	1694 6824	13	XGRD
WHT/RED/BRN	TP 28	1694 6816	14	XGRD
WHT/RED/RED	TP 28	1694 6816	15	XGRD
WHT/GRN/BLU	TP 28	1694 6824	16	XGRD
WHT/GRN/WHI	TP 28	1694 6816	17	XGRD
WHT/RED/ORG	TP 28	1694 6816	18	XGRD
GRN/RED	20	1694 6824	19	XDP
WHT/WHI	20	1694 6816	20	XDP
WHT/YEL	20	1694 6816	21	XDP
WHT/GRN	20	1694 6816	22	XDP
WHT/BLU	20	1694 6816	23	XDP
WHT/BRN	20	1694 6816	24	XDP
WHT/RED	20	1694 6816	25	XDP
WHT/ORG	20	1694 6816	26	XDP
WHT/YEL	20	1694 6816	27	XDP
WHT/GRN	20	1694 6816	28	XDP
WHT/BLU	20	1694 6816	29	XDP
WHT/BLK/GRN	TP 28	1694 6816	30	XDP
WHT/BLK/BLU	TP 28	1694 6816	31	XDP
WHT/GRN/RED	TP 28	1694 6816	32	XDP
WHT/GRN/BLU	TP 28	1694 6816	33	XDP
WHT/GRN/WHI	TP 28	1694 6816	34	XDP
WHT/RED/GRN	TP 28	1694 6816	35	XDP
WHT/RED/BLU	TP 28	1694 6816	36	XDP
WHT/RED/WHI	TP 28	1694 6816	37	XDP
WHT/RED/GRN	TP 28	1694 6816	38	XDP
WHT/RED/BLU	TP 28	1694 6816	39	XDP
WHT/RED/WHI	TP 28	1694 6816	40	XDP
GRN/RED	20	1694 6717	41	XDP

NOTES:  
1. POLARIZING KEY, PART NO. 1696 2342, INSERTED BETWEEN PINS 5 & 6 ON CONNECTOR PART NO. 1694 5800.  
2. LOCATE LABELS, NO. 2554 8397 APPROX AS SHOWN, NEAR SIDE & FAR SIDE.

GEN. ORAL SPECS. 1103 0043 APPLY	BRD	CLASS CODE 2-1531	DO NOT SCALE DIMS
Burrhoughs Corporation			
CABLE ASSEMBLY, KEYBOARD DC WIRING HARNESS, W 2			
1696 3571			

TP: TWISTED PAIR



WIRE COLOR	WIRE SIZE (REF)	PIN LOCATION	FUNCTION
BROWN	26	1	PIN 1
RED		2	PIN 2
ORANGE		3	PIN 3
YELLOW		4	PIN 4
BLUE		5	PIN 5
VIOLET		6	PIN 6
GRAY		7	PIN 7
WHITE/BLACK		8	PIN 8
WHITE/BROWN		9	PIN 9
WHITE/RED		10	PIN 10
WHITE/ORANGE		11	PIN 11
WHITE/YELLOW		12	PIN 12
WHITE/GREEN		13	PIN 14
WHITE/GRAY		14	B1
WHT/BLK/BLK		15	B2
WHT/BLK/BRN		16	B3
WHT/BLK/RED		17	B4
WHT/BLK/ORN		18	B5
WHT/BLK/YEL		19	B6
WHT/BLK/GRN		20	B7
WHT/BLK/BLU		21	B8
WHITE		22	B9
WHITE/VIOLET	26	23	B10
WHT/BLK/GRAY	26	24	STROBE
WHT/BRN/BLK	24	25	+5V
WHT/BLK/VIO	24	26	GND
GREEN/YELLOW	24		-12V
			CHASSIS FRAME GND

WIRE COLOR	WIRE SIZE (REF)	CONTACT PART NO.	PIN LOCATION	FUNCTION
WHT/BLK/GRAY	24	1694 6733	1	+5V
BROWN	26		5	PIN 1
RED			4	PIN 2
ORANGE			3	PIN 3
YELLOW			6	PIN 4
BLUE			7	PIN 5
VIOLET			8	PIN 6
GRAY			9	PIN 7
WHITE/BLACK			10	PIN 8
WHITE/BROWN			11	PIN 9
WHITE/RED			12	PIN 10
WHITE/ORANGE			13	PIN 11
WHITE/YELLOW			14	PIN 12
WHITE/GREEN	26		15	PIN 14
WHT/BRN/BLK	24	1694 6733	A	GND
WHITE/GRAY	26	1694 6733	C	B1
WHT/BLK/BLK			D	B2
WHT/BLK/BRN			E	B3
WHT/BLK/RED			F	B4
WHT/BLK/ORN			G	B5
WHT/BLK/YEL			H	B6
WHT/BLK/GRN			J	B7
WHT/BLK/BLU			K	B8
WHITE			L	B9
WHITE/VIOLET	26		M	B10
WHT/BLK/VIO	24	1694 6733	S	STROBE
GREEN/YELLOW	24	1694 4199		-12V
				CHASSIS FRAME GND

NOTES:  
 1. POLARIZING KEY PART NO. 1696 2542, INSERTED BETWEEN PINS 5 & 6 ON CONNECTOR (J1).

QDD 8042 8783 1163 8843 APPLY 25 0 378 4 ANGLES 0 GREAT TREATMENT SOURCE INSTITUTE	PASZKO JHP WLD 1/20/50 1/20/50	CLEAN ROOM 2-1531 DO NOT SCALE DIMS	Barrington Corporation ELECTRONIC COMPONENTS DIVISION PLAINFIELD, NEW JERSEY 07061 U.S.A. CABLE ASSEMBLY, KEYBOARD DC WIRING HARNESS, N3 2554 2713
---	--	---	--

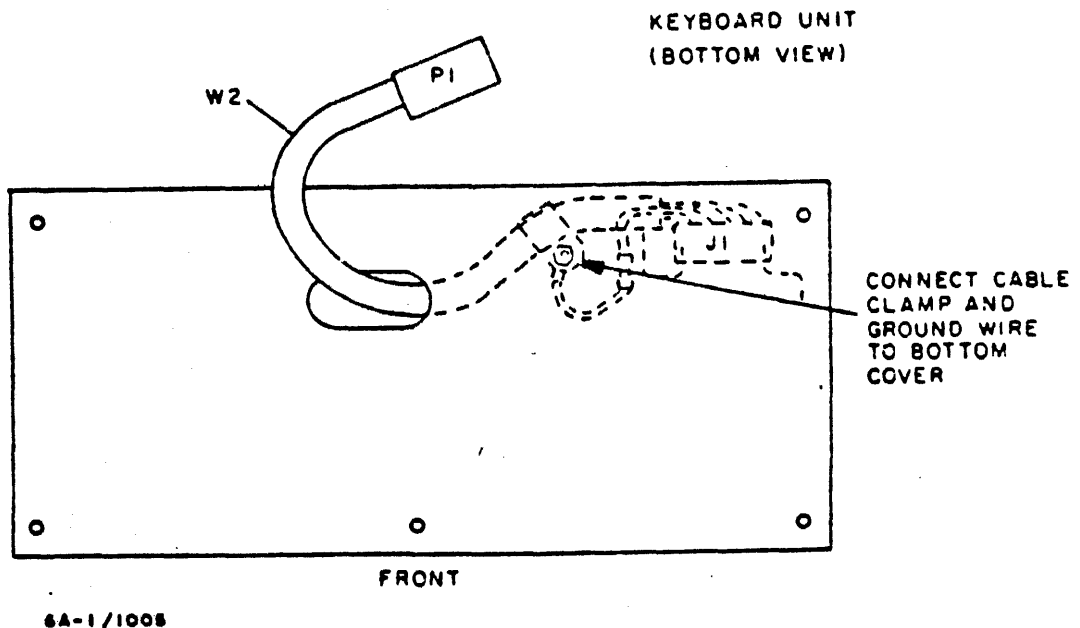
## INSTALLATION

### KEYBOARD SETUP WITHOUT NUMERIC KEYPAD OPTION

If cable W2 is packed separately from keyboard unit, remove bottom cover of keyboard unit and slide J1 end of cable W2 thru the entrance hole in bottom cover. Install cable and cable clamp as shown in figure 2.1. Replace bottom cover.

### KEYBOARD SETUP WITH NUMERIC KEYPAD OPTION

Remove bottom cover from keyboard and keypad unit. Remove encoder module from socket XA17 in keyboard and insert module in socket XA1 in keypad. Connect cables as shown in figure 2.2. Replace bottom covers.



6A-1/1008

Fig. 2.1. KEYBOARD CABLING WITHOUT KEYPAD OPTION



P.2

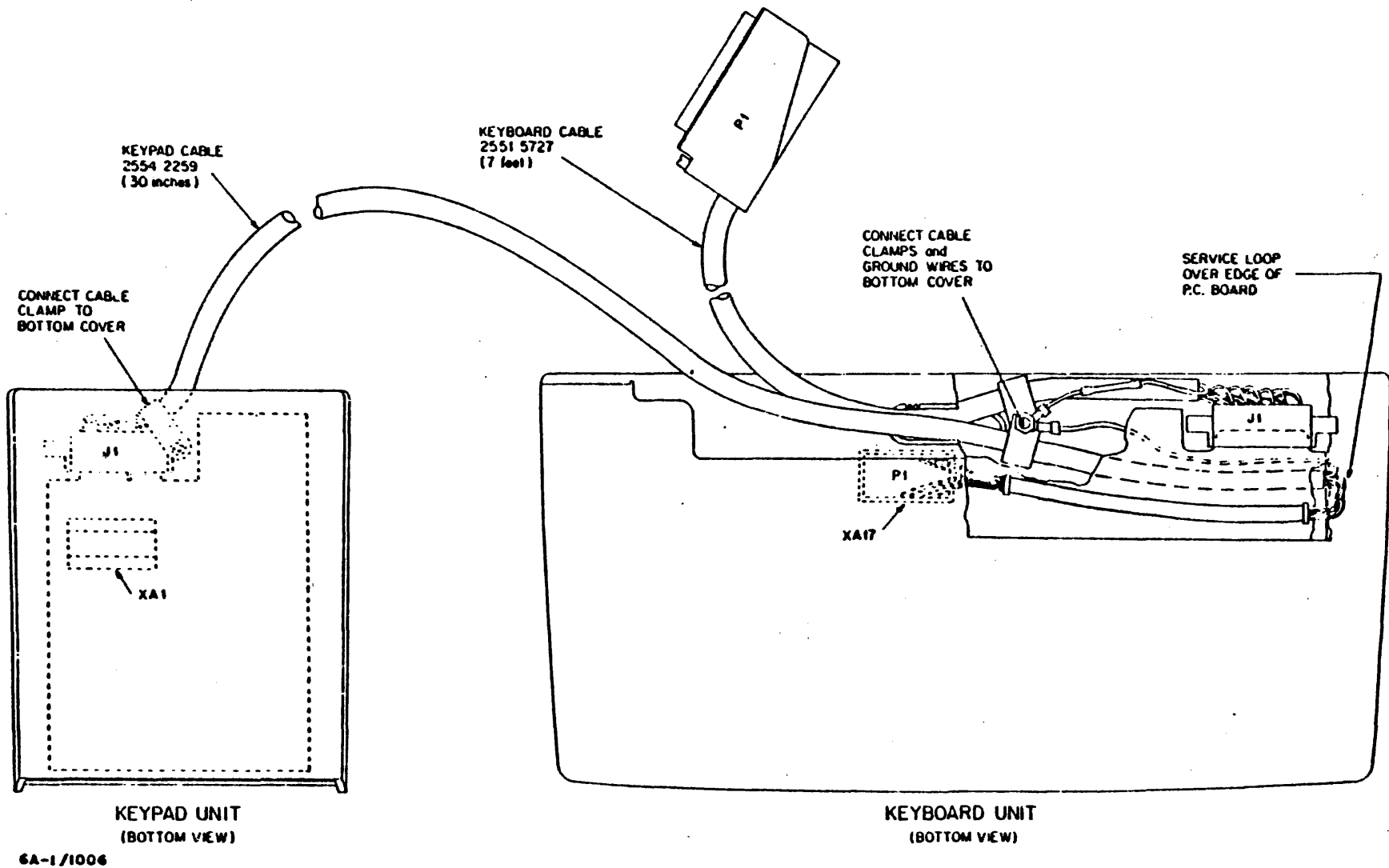



Fig. 2.2. NUMERIC KEYPAD OPTION



MOS ENCODER DEVICE NUMBER	VENDOR PART NO.	STYLE	NATIONALITY	MOS CODE DEFINITION (KEYBOARD ASSEMBLY NO.)
2551 1445	SW20266	TYPEWRITER	89348 ODT	2551 1452
2551 2542	SW20264	TYPEWRITER	KATAKANA, TYPE 1	2551 1510
2551 1239	SW20267	TYPEWRITER	UNITED STATES UPPER/LOWER CASE	2551 1221
2551 1239	SW20267	TYPEWRITER	ISRAELI	2551 1528
2552 4505	SW20285	TYPEWRITER	LATIN/CYRILLIC	2551 1536
2551 9182	SW20279	NUMERIC	UNITED STATES	1699 5342
2552 4406	SW20284	TYPEWRITER	KATAKANA, TYPE 2	2552 4414
1627 2882	SW20246	DATA PREP	UNITED STATES, TYPE 1 (MODIFIED)	2551 3862
2551 1239	SW20267	TYPEWRITER	UNITED STATES, TD820	2553 5147
1699 6043	SW20251	TYPEWRITER	UNITED KINGDOM	2553 9230
1699 6043	SW20251	TYPEWRITER	SPAIN/LATIN AMERICA	2553 9230
1699 6043	SW20251	TYPEWRITER	ITALY	2553 9230
1699 6043	SW20251	TYPEWRITER	FRANCE/BELGIUM	2553 7101
1699 6076	SW20252	TYPEWRITER	SOUTH AFRICA	2553 9263
1699 6076	SW20252	TYPEWRITER	BRAZIL/PORTUGAL	2553 9263
1699 6050	SW20253	TYPEWRITER	FRANCE/BELGIUM (OPTIONAL)	2553 9248
1699 6058	SW20254	TYPEWRITER	GERMANY/AUSTRIA/SWITZERLAND	2553 9255
1699 6084	SW20255	TYPEWRITER	SWEDEN/FINLAND	2553 9271
1699 6092	SW20256	TYPEWRITER	NORWAY/DENMARK	2553 9289
1699 6100	SW20257	DATA PREP	UNITED KINGDOM	2553 9297
1699 6100	SW20257	DATA PREP	SPAIN/LATIN AMERICA	2553 9297
1699 6100	SW20257	DATA PREP	ITALY	2553 9297
1699 6100	SW20257	DATA PREP	FRANCE/BELGIUM	2553 7119
1699 6134	SW20258	DATA PREP	SOUTH AFRICA	2553 9321


LTR:	REVISION
	ECN 4647
C	THIS SHEET ADDED GK FEB 5-22-74 5/24/74
D	ECN #4897 (1), (2) ADDED GK RFN 1-8-75 1-10-75
E	ECN #4999 ADDED 1699 6043 THRU 1699 6134 JMC RFN 3-12-75 3-15-75
G	ECN #5134 REVISED RF FEB 8-29-75 9-4-75
J	ECN 6018 "SHEET 2 OF 5" WAS "SHEET 2 OF 3" NGDS 10-14-77

<b>-GEN-QUAL-SPECS-H83-5543 APPLY-</b>		DRAWN GP	DATE 10-24-72	CLASS CODE	DO NOT SCALE DWG
TOLERANCES, UNLESS OTHERWISE SPECIFIED .XX± .XXX± ANGLE± °		C FORM/FIT-FUNCTION		<b>Burroughs Corporation</b>  ELECTRONIC COMPONENTS DIVISION PLAINFIELD, NEW JERSEY 07061 U. S. AMERICA	
MATERIAL		C STD'S. & RECORDS			
HEAT TREATMENT		DS:			
SURFACE TREATMENT		APPROVAL			
<small>PROPRIETARY TO BURROUGHS CORPORATION-NOT TO BE REPRODUCED, NOR USED FOR MANUFACTURING PURPOSES EXCEPT ON BURROUGHS ORDER OR PRIOR WRITTEN CONSENT.</small>		DWG. SIZE B	SCALE	SHEET 2 OF 5	DWG. NO. 1699 7066

MOUSE ENCODER DEVICE NUMBER	VENDOR PART NO.	STYLE	NATIONALITY	MOS CODE DEFINITION (KEYBOARD ASSEMBLY NO.)
1699 6134	SW20258	DATA PREP	BRAZIL/PORTUGAL	2553 9321
1699 6118	SW20259	DATA PREP	FRANCE/BELGIUM (OPTIONAL)	2553 9305
1699 6126	SW20260	DATA PREP	GERMANY/AUSTRIA/SWITZERLAND	2553 9313
1699 6142	SW20261	DATA PREP	SWEDEN/FINLAND	2553 9339
1699 6159	SW20262	DATA PREP	NORWAY/DENMARK	2553 9347
1627 2882	SW20246	DATA PREP	UNITED STATES, FULLY FEATURED	2553 9123
2552 4436	SW20284	TYPEWRITER	KATAKANA (JAPAN)	2554 1855
2552 4505	SW20285	TYPEWRITER	LATIN/CYRILLIC (RUSSIAN)	2554 1848
2554 3075	SW20321	TYPEWRITER	U.S. ASCII	2554 3067
2554 2531	SW20322	DATA PREP	FRANCE (CBQ1007)	2554 2549
2554 2515	SW20323	DATA PREP	SWITZERLAND (CBQ1006)	2554 2523
2554 3091	SW20446	TYPEWRITER	U.S. ASCII (CER3060)	2554 3083
2638 3141	SW20357	TYPEWRITER	SWEDEN/FINLAND U/L CASE	2638 3133
2638 3141	SW20357	TYPEWRITER	SWEDEN/FINLAND U/L CASE	2638 4289
1699 6043	SW20251	TYPEWRITER	FRANCE/BELGIUM	2639 3165
1699 6043	SW20251	TYPEWRITER	FRANCE/BELGIUM	2639 3512
1699 6050	SW20253	TYPEWRITER	FRANCE/BELGIUM (OPT)	2639 3116
1699 6050	SW20253	TYPEWRITER	FRANCE/BELGIUM (OPT)	2639 3520
1699 6043	SW20251	TYPEWRITER	ITALY	2639 3108
1699 6043	SW20251	TYPEWRITER	ITALY	2639 3538
1699 6043	SW20251	TYPEWRITER	SPAIN/LATIN AMERICA	2639 3090
1699 6043	SW20251	TYPEWRITER	SPAIN/LATIN AMERICA	2639 3546
1699 6043	SW20251	TYPEWRITER	UNITED KINGDOM	2639 3025
1699 6043	SW20251	TYPEWRITER	UNITED KINGDOM	2639 3553
1699 6068	SW20254	TYPEWRITER	GERMANY/AUSTRIA/SWITZERLAND	2639 3272


E	ECN # 4999
	(3) SHEET 2 ADDED, \$1669 6151 THRU 2552-1505
	JMC RFN 3-12-75 3-13-75
F	ECN # 5035
	(1) ADDED
	GK RFN 4-4-75 5-2-75
G	ECN # 5134
	REVISED
	RK FEB 8-28-75 9-4-75
H	ECN # 5573
	(1) ADDED
	RK MR 9-3-76 9-15-76
J	ECN 6018
	(1) SHEET 3 OF 5 WAS "SHEET 3 OF 3"
	(2) ADDED
	NGES 10-14-77

(F)  
(H)  
(J)

GEN QUAL SPECS 1182-5543 APPLY-		DRAWN JMC	DATE 3-12-75	CLASS CODE	DO NOT SCALE DWG
TOLERANCES, UNLESS OTHERWISE SPECIFIED .XX± .XXX± ANGLES± °		C FORM-FIT-FUNCTION		<b>Burroughs Corporation</b>  ELECTRONIC COMPONENTS DIVISION PLAINFIELD, NEW JERSEY 07061 U.S. AMERICA	
MATERIAL		C STP'S & RECORDS			
HEAT TREATMENT	DSGN.	TITLE		MOS ENCODER DEVICE	
SURFACE TREATMENT	APPROVAL				
PROPRIETARY TO BURROUGHS CORPORATION-NOT TO BE REPRODUCED, NOR USED FOR MANUFACTURING PURPOSES EXCEPT ON BURROUGHS ORDER OR PRIOR WRITTEN CONSENT.		DWG. SIZE B	SCALE -	SHEET 3 OF 5	DWG. NO. 1699 7066

DEVICE NUMBER	VENDOR PART NO.	STYLE	NATIONALITY	FIG. CODE IDENTIFICATION (KEYBOARD ASSEMBLY NO.)
1699 6068	SW20254	TYPEWRITER	GERMANY/AUSTRIA/SWITZERLAND	2639 3561
1699 6076	SW20252	TYPEWRITER	PORTUGAL/BRAZIL	2639 3249
1699 6076	SW20252	TYPEWRITER	PORTUGAL/BRAZIL	2639 3579
1699 6076	SW20252	TYPEWRITER	SOUTH AFRICA	2639 3256
1699 6076	SW20252	TYPEWRITER	SOUTH AFRICA	2639 3587
1699 6084	SW20255	TYPEWRITER	SWEDEN/FINLAND	2639 3231
1699 6084	SW20255	TYPEWRITER	SWEDEN/F INLAND	2639 3595
1699 6092	SW20256	TYPEWRITER	NORWAY/DENMARK	2639 3264
1699 6092	SW20256	TYPEWRITER	NORWAY/DENMARK	2639 3603
2554 3075	SW20321	TYPEWRITER	U.S. UPPER & LOWER CASE ASC II	2639 3058
2554 3075	SW20321	TYPEWRITER	U.S. UPPER & LOWER CASE ASC II	2639 3611
2551 1239	SW20267	TYPEWRITER	U.S. UPPER & LOWER CASE	2639 3074
2551 1239	SW20267	TYPEWRITER	U.S. UPPER & LOWER CASE	2639 3629
2552 4406	SW20284	TYPEWRITER	KATAKANA (JAPAN)	2639 3223
2552 4406	SW20284	TYPEWRITER	KATAKANA (JAPAN)	2639 3637
2552 4505	SW20285	TYPEWRITER	LATIN/CYRILLIC (RUSSIAN)	2639 3082
2552 4505	SW20285	TYPEWRITER	LATIN/CYRILLIC (RUSSIAN)	2639 3645
1699 6100	SW20257	DATA PREPARATION	FRANCE/BELGIUM	2639 3173
1699 6100	SW20257	DATA PREPARATION	FRANCE/BELGIUM	2639 3652
1699 6118	SW20259	DATA PREPARATION	FRANCE/BELGIUM (OPT)	2639 3157
1699 6118	SW20259	DATA PREPARATION	FRANCE/BELGIUM (OPT)	2639 3660
1699 6100	SW20257	DATA PREPARATION	ITALY	2639 3140
1699 6100	SW20257	DATA PREPARATION	ITALY	2639 3678
1699 6100	SW20257	DATA PREPARATION	SPAIN/LATIN AMERICA	2639 3132
1699 6100	SW20257	DATA PREPARATION	SPAIN/LATIN AMERICA	2639 3686


J	ECN 6018
	ADDED THIS SHEET
	NGDG
	10-14-77

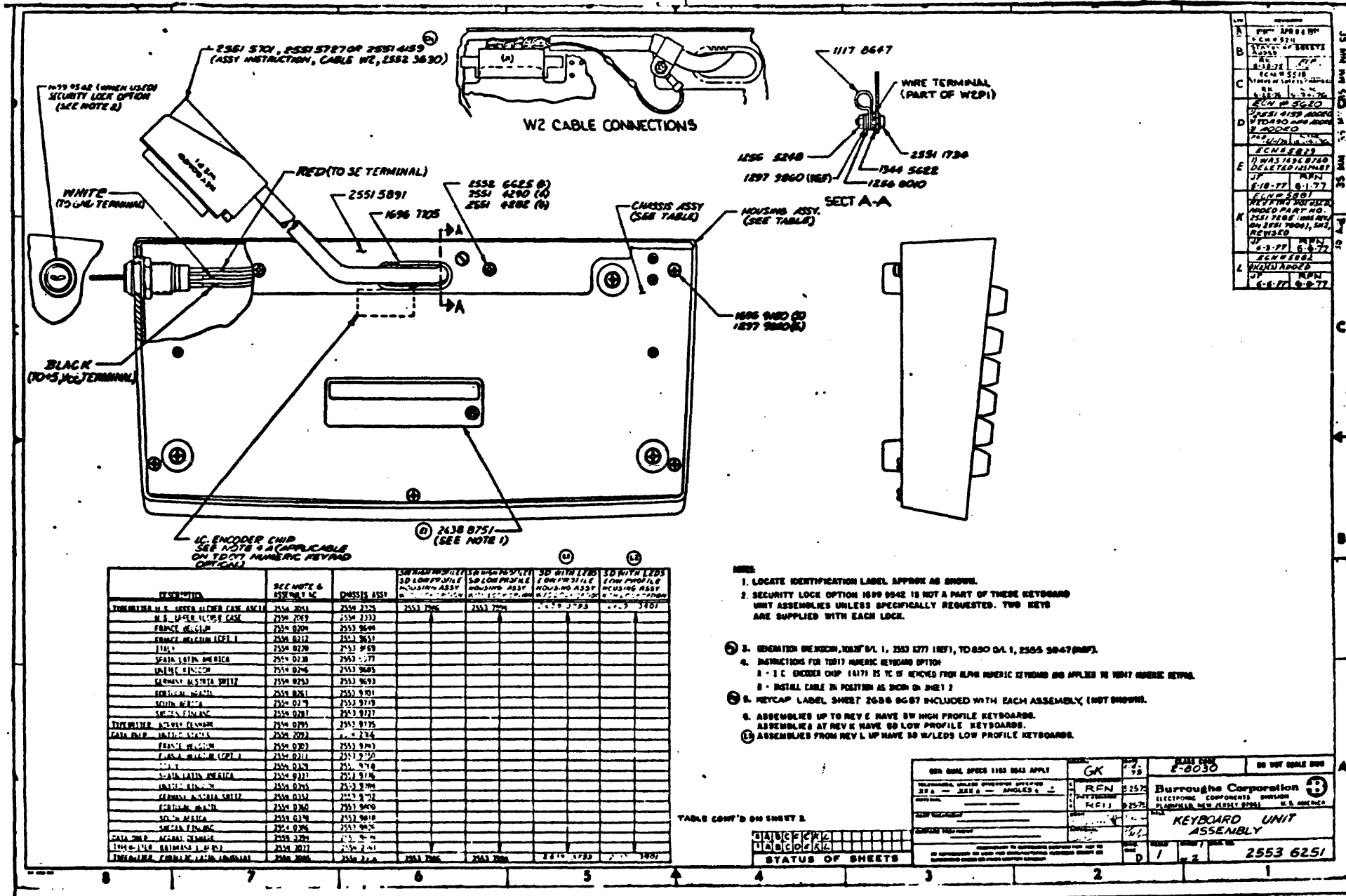
<b>GEN. QUAL. SPECS 1182-5543 APPLY.</b>		DRAWN NGDG	DATE 10-14-77	<b>Burroughs Corporation</b> 	
TOLERANCES, UNLESS OTHERWISE SPECIFIED .XX ± .XXX ± ANGLES ±		FORM-FIT-FUNCTION		TERMINAL SYSTEMS GROUP - PLAINFIELD PLAINFIELD, NEW JERSEY 07061 U.S. AMERICA	
MATERIAL		STD'S. & RECORDS		CLASS CODE	DOCTYPE DSGN CONT
HEAT TREATMENT		DSGN.		053	DO NOT SCALE DWG
SURFACE TREATMENT		APPROVAL		TITLE <b>MOS ENCODER DEVISE</b>	
PROPRIETARY TO BURROUGHS. NOT TO BE REPRODUCED OR USED FOR MANUFACTURING PURPOSES EXCEPT ON BURROUGHS ORDER OR PRIOR WRITTEN CONSENT.			DWG. SIZE B	SCALE ~	SHEET 4 OF 5 DWG. NO. 1699 7066

92 PLANS 1000

DEVICE NUMBER	VENDOR PART NO.	STYLE	NATIONALITY	PART CODE DEFINITION (KEYBOARD ASSEMBLY NO.)
1699 6100	SW20257	DATA PREPARATION	UNITED KINGDOM	2639 3124
1699 6100	SW20257	DATA PREPARATION	UNITED KINGDOM	2639 3694
1699 6126	SW20260	DATA PREPARATION	GERMANY/AUSTRIA/SWITZERLAND	2639 3181
1699 6126	SW20260	DATA PREPARATION	GERMANY/AUSTRIA/SWITZERLAND	2639 3702
1699 6134	SW20258	DATA PREPARATION	PORTUGAL/BRAZIL	2639 3207
1699 6134	SW20258	DATA PREPARATION	PORTUGAL/BRAZIL	2639 3710
1699 6134	SW20258	DATA PREPARATION	SOUTH AFRICA	2639 3298
1699 6134	SW20258	DATA PREPARATION	SOUTH AFRICA	2639 3728
1699 6142	SW20261	DATA PREPARATION	SWEDEN/FINLAND	2639 3280
1699 6142	SW20261	DATA PREPARATION	SWEDEN/FINLAND	2639 3736
1699 6159	SW20262	DATA PREPARATION	NORWAY/DENMARK	2639 3199
1699 6159	SW20262	DATA PREPARATION	NORWAY/DENMARK	2639 3744
1627 2882	SW20246	DATA PREPARATION	UNITED STATES	2639 3041
1627 2882	SW20246	DATA PREPARATION	UNITED STATES	2639 3751
2554 2515	SW20323	DATA PREPARATION	SWITZERLAND, CBQ1006	2639 3056
2554 2515	SW20323	DATA PREPARATION	SWITZERLAND, CBQ1006	2639 3769
2554 2515	SW20323	DATA PREPARATION	SWITZERLAND, CBQ1006, TYPE 2	2639 1813
2554 2515	SW20323	DATA PREPARATION	SWITZERLAND, CBQ1006, TYPE 2	2639 4122
2638 3141	SW20357	TYPEWRITER	SWEDEN/FINLAND, UPPER/LOWER CASE	2639 3215
2638 3141	SW20357	TYPEWRITER	SWEDEN/FINLAND, UPPER/LOWER CASE	2639 3777
1699 6043	SW20251	TYPEWRITER	UNITED STATES TYPE 2	2639 3033
1699 6043	SW20251	TYPEWRITER	UNITED STATES TYPE 2	2639 3785

ECN 6018	
ADDED THIS SHEET	
J	NG06 10-14-77

<del>GEN QUAL SPECS 4183-5543 APPLY</del>		DRAWN <b>NG06</b>	DATE 10-14-77	<b>Burroughs Corporation</b>  TERMINAL SYSTEMS GROUP - PLAINFIELD PLAINFIELD, NEW JERSEY 07061 U.S. AMERICA
TOLERANCES, UNLESS OTHERWISE SPECIFIED .XX ± .XXX ± ANGLES ±	FORM/FIT-FUNCTION	CLASS CODE DOC TYPE DESIG CONT		
MATERIAL	STPS. & RECORDS	053		DO NOT SCALE DWG
HEAT TREATMENT	DSGN.	TITLE		
SURFACE TREATMENT	APPROVAL	<b>MOS ENCODER DEVISE</b>		
PROPRIETARY TO BURROUGHS. NOT TO BE REPRODUCED OR USED FOR MANUFACTURING PURPOSES EXCEPT ON BURROUGHS ORDER OR PRIOR WRITTEN CONSENT.		DWG. SIZE <b>B</b>	SCALE ~	SHEET 5 of 5
		DWG. NO. 1699 7066		



REV	DATE	BY	REASON
A	10-1-77	...	...
B	10-1-77	...	...
C	10-1-77	...	...
D	10-1-77	...	...
E	10-1-77	...	...
F	10-1-77	...	...
G	10-1-77	...	...
H	10-1-77	...	...
I	10-1-77	...	...
J	10-1-77	...	...
K	10-1-77	...	...
L	10-1-77	...	...

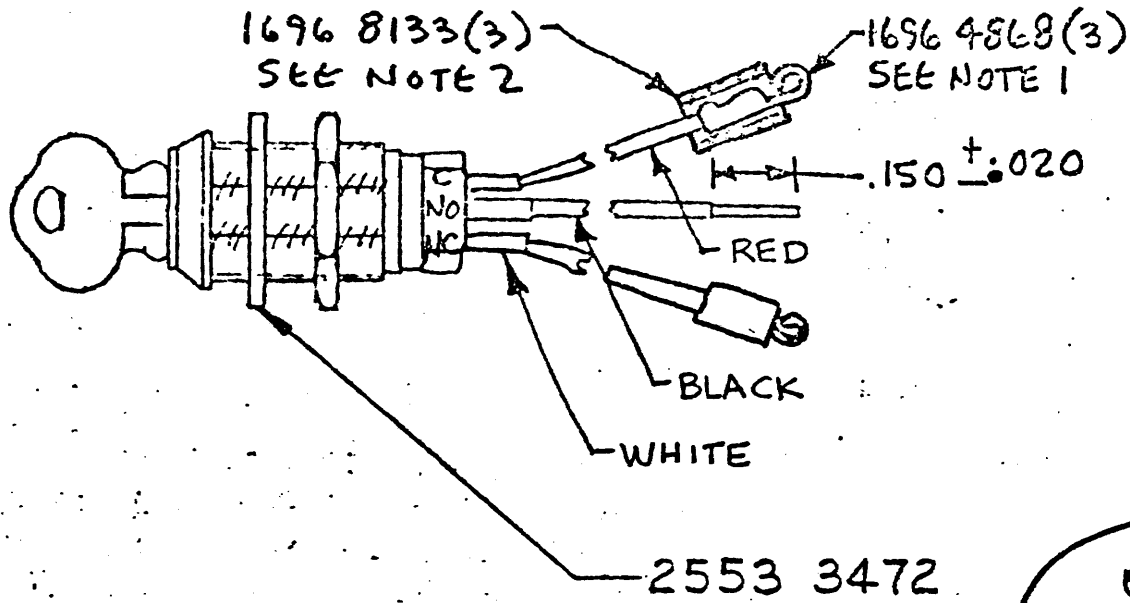
DESCRIPTION	SEC NOTE 6 REV L UP	CHASSIS ASSY	SD WITH W/LED SD LOW PROFILE	SD WITH W/LED SD LOW PROFILE	SD WITH W/LED SD LOW PROFILE	SD WITH W/LED SD LOW PROFILE
INTERMEDIATE UPPER ALPHABET CASE ASSEMBLY	2554 2051	2554 2325	2553 1266	2553 1266	2553 1266	2553 1266
U.S. UPPER ALPHABET CASE	2554 2059	2554 2333				
FRANCE KEYCAP	2554 2074	2553 9604				
FRANCE KEYCAP (OPT. 1)	2554 2112	2553 9651				
FRANCE KEYCAP (OPT. 2)	2554 2120	2553 9659				
FRANCE KEYCAP (OPT. 3)	2554 2128	2553 9667				
FRANCE KEYCAP (OPT. 4)	2554 2136	2553 9675				
FRANCE KEYCAP (OPT. 5)	2554 2144	2553 9683				
FRANCE KEYCAP (OPT. 6)	2554 2152	2553 9691				
FRANCE KEYCAP (OPT. 7)	2554 2160	2553 9699				
FRANCE KEYCAP (OPT. 8)	2554 2168	2553 9707				
FRANCE KEYCAP (OPT. 9)	2554 2176	2553 9715				
FRANCE KEYCAP (OPT. 10)	2554 2184	2553 9723				
FRANCE KEYCAP (OPT. 11)	2554 2192	2553 9731				
FRANCE KEYCAP (OPT. 12)	2554 2200	2553 9739				
FRANCE KEYCAP (OPT. 13)	2554 2208	2553 9747				
FRANCE KEYCAP (OPT. 14)	2554 2216	2553 9755				
FRANCE KEYCAP (OPT. 15)	2554 2224	2553 9763				
FRANCE KEYCAP (OPT. 16)	2554 2232	2553 9771				
FRANCE KEYCAP (OPT. 17)	2554 2240	2553 9779				
FRANCE KEYCAP (OPT. 18)	2554 2248	2553 9787				
FRANCE KEYCAP (OPT. 19)	2554 2256	2553 9795				
FRANCE KEYCAP (OPT. 20)	2554 2264	2553 9803				
FRANCE KEYCAP (OPT. 21)	2554 2272	2553 9811				
FRANCE KEYCAP (OPT. 22)	2554 2280	2553 9819				
FRANCE KEYCAP (OPT. 23)	2554 2288	2553 9827				
FRANCE KEYCAP (OPT. 24)	2554 2296	2553 9835				
FRANCE KEYCAP (OPT. 25)	2554 2304	2553 9843				
FRANCE KEYCAP (OPT. 26)	2554 2312	2553 9851				
FRANCE KEYCAP (OPT. 27)	2554 2320	2553 9859				
FRANCE KEYCAP (OPT. 28)	2554 2328	2553 9867				
FRANCE KEYCAP (OPT. 29)	2554 2336	2553 9875				
FRANCE KEYCAP (OPT. 30)	2554 2344	2553 9883				
FRANCE KEYCAP (OPT. 31)	2554 2352	2553 9891				
FRANCE KEYCAP (OPT. 32)	2554 2360	2553 9899				
FRANCE KEYCAP (OPT. 33)	2554 2368	2553 9907				
FRANCE KEYCAP (OPT. 34)	2554 2376	2553 9915				
FRANCE KEYCAP (OPT. 35)	2554 2384	2553 9923				
FRANCE KEYCAP (OPT. 36)	2554 2392	2553 9931				
FRANCE KEYCAP (OPT. 37)	2554 2400	2553 9939				
FRANCE KEYCAP (OPT. 38)	2554 2408	2553 9947				
FRANCE KEYCAP (OPT. 39)	2554 2416	2553 9955				
FRANCE KEYCAP (OPT. 40)	2554 2424	2553 9963				
FRANCE KEYCAP (OPT. 41)	2554 2432	2553 9971				
FRANCE KEYCAP (OPT. 42)	2554 2440	2553 9979				
FRANCE KEYCAP (OPT. 43)	2554 2448	2553 9987				
FRANCE KEYCAP (OPT. 44)	2554 2456	2553 9995				
FRANCE KEYCAP (OPT. 45)	2554 2464	2553 1003				
FRANCE KEYCAP (OPT. 46)	2554 2472	2553 1011				
FRANCE KEYCAP (OPT. 47)	2554 2480	2553 1019				
FRANCE KEYCAP (OPT. 48)	2554 2488	2553 1027				
FRANCE KEYCAP (OPT. 49)	2554 2496	2553 1035				
FRANCE KEYCAP (OPT. 50)	2554 2504	2553 1043				
FRANCE KEYCAP (OPT. 51)	2554 2512	2553 1051				
FRANCE KEYCAP (OPT. 52)	2554 2520	2553 1059				
FRANCE KEYCAP (OPT. 53)	2554 2528	2553 1067				
FRANCE KEYCAP (OPT. 54)	2554 2536	2553 1075				
FRANCE KEYCAP (OPT. 55)	2554 2544	2553 1083				
FRANCE KEYCAP (OPT. 56)	2554 2552	2553 1091				
FRANCE KEYCAP (OPT. 57)	2554 2560	2553 1099				
FRANCE KEYCAP (OPT. 58)	2554 2568	2553 1107				
FRANCE KEYCAP (OPT. 59)	2554 2576	2553 1115				
FRANCE KEYCAP (OPT. 60)	2554 2584	2553 1123				
FRANCE KEYCAP (OPT. 61)	2554 2592	2553 1131				
FRANCE KEYCAP (OPT. 62)	2554 2600	2553 1139				
FRANCE KEYCAP (OPT. 63)	2554 2608	2553 1147				
FRANCE KEYCAP (OPT. 64)	2554 2616	2553 1155				
FRANCE KEYCAP (OPT. 65)	2554 2624	2553 1163				
FRANCE KEYCAP (OPT. 66)	2554 2632	2553 1171				
FRANCE KEYCAP (OPT. 67)	2554 2640	2553 1179				
FRANCE KEYCAP (OPT. 68)	2554 2648	2553 1187				
FRANCE KEYCAP (OPT. 69)	2554 2656	2553 1195				
FRANCE KEYCAP (OPT. 70)	2554 2664	2553 1203				
FRANCE KEYCAP (OPT. 71)	2554 2672	2553 1211				
FRANCE KEYCAP (OPT. 72)	2554 2680	2553 1219				
FRANCE KEYCAP (OPT. 73)	2554 2688	2553 1227				
FRANCE KEYCAP (OPT. 74)	2554 2696	2553 1235				
FRANCE KEYCAP (OPT. 75)	2554 2704	2553 1243				
FRANCE KEYCAP (OPT. 76)	2554 2712	2553 1251				
FRANCE KEYCAP (OPT. 77)	2554 2720	2553 1259				
FRANCE KEYCAP (OPT. 78)	2554 2728	2553 1267				
FRANCE KEYCAP (OPT. 79)	2554 2736	2553 1275				
FRANCE KEYCAP (OPT. 80)	2554 2744	2553 1283				
FRANCE KEYCAP (OPT. 81)	2554 2752	2553 1291				
FRANCE KEYCAP (OPT. 82)	2554 2760	2553 1299				
FRANCE KEYCAP (OPT. 83)	2554 2768	2553 1307				
FRANCE KEYCAP (OPT. 84)	2554 2776	2553 1315				
FRANCE KEYCAP (OPT. 85)	2554 2784	2553 1323				
FRANCE KEYCAP (OPT. 86)	2554 2792	2553 1331				
FRANCE KEYCAP (OPT. 87)	2554 2800	2553 1339				
FRANCE KEYCAP (OPT. 88)	2554 2808	2553 1347				
FRANCE KEYCAP (OPT. 89)	2554 2816	2553 1355				
FRANCE KEYCAP (OPT. 90)	2554 2824	2553 1363				
FRANCE KEYCAP (OPT. 91)	2554 2832	2553 1371				
FRANCE KEYCAP (OPT. 92)	2554 2840	2553 1379				
FRANCE KEYCAP (OPT. 93)	2554 2848	2553 1387				
FRANCE KEYCAP (OPT. 94)	2554 2856	2553 1395				
FRANCE KEYCAP (OPT. 95)	2554 2864	2553 1403				
FRANCE KEYCAP (OPT. 96)	2554 2872	2553 1411				
FRANCE KEYCAP (OPT. 97)	2554 2880	2553 1419				
FRANCE KEYCAP (OPT. 98)	2554 2888	2553 1427				
FRANCE KEYCAP (OPT. 99)	2554 2896	2553 1435				
FRANCE KEYCAP (OPT. 100)	2554 2904	2553 1443				

- NOTE:
- LOCATE IDENTIFICATION LABEL APPROX AS SHOWN.
  - SECURITY LOCK OPTION 1699 9542 IS NOT A PART OF THESE KEYBOARD UNIT ASSEMBLIES UNLESS SPECIFICALLY REQUESTED. TWO KEYS ARE SUPPLIED WITH EACH LOCK.
  - OPERATION MANUAL, TDR/D/L 1, 2553 1277 (REF), TD 850 DA 1, 2555 5047 (IMP).
  - INSTRUCTIONS FOR TDR/D/L AMERIC KEYBOARD OPTION:
    - I.C. ENCODER CHIP (1417) IS TO BE REMOVED FROM ALPHABETIC KEYBOARD AND APPLIED TO UNIT AMERIC KEYBOARD.
    - INSTALL CABLE IN POSITION AS SHOWN ON SHEET 2.
  - KEYCAP LABEL SHEET 2638 8687 INCLUDED WITH EACH ASSEMBLY (NOT SHOWN).
  - ASSEMBLIES UP TO REV E HAVE 50 HIGH PROFILE KEYBOARDS. ASSEMBLIES AT REV K HAVE 50 LOW PROFILE KEYBOARDS.
  - ASSEMBLIES FROM REV L UP HAVE 50 W/LED LOW PROFILE KEYBOARDS.

TABLE CONT'D ON SHEET 2

STATUS OF SHEETS	REV	DATE	BY
	D	1	2

OWN MODEL SPEC 1152 8543 APPL	REV	DATE	BY
	GK	78	...
REVISIONS	REV	DATE	BY
1	REN	8-25-78	...
2	REN	8-25-78	...
Barrington Corporation ELECTRONIC COMPONENTS DIVISION PLANNED NEW ASSEMBLY			
KEYBOARD UNIT ASSEMBLY			
2553 6251			



DWG NO 1699 9542	
ECN # 4840	
REVISED	
J.M.C. 1-7-75	NVT 1-13-75

ECN# 6040  
PAGE 2 OF 2  
T. Jasso  
9-15-77

- NOTES:
1. CRIMP IN PLACE
  2. HEAT SHRINK IN PLACE

MODIFIED  
COMMERCIAL ITEM

<del>GENERAL SPECS 7183 5543 APPLY</del>	DRAWN E.L.	DATE 12-1974	CLASS CODE 2-0109	DO NOT SCALE
TOLERANCES UNLESS OTHERWISE SPECIFIED .XXX ± — .XXX ± — ANGLES ± 0°	REF 62673	Burroughs Corporation		
MATERIAL MAKE FROM 2553 4991	REF 60673	ELECTRONIC COMPONENTS DIVISION PLANT 100, NEW JERSEY 07094		
PLAT TREATMENT	QMS 12/75	LOCK, SWITCH, KEY		
SURFACE TREATMENT	AMS 1/75	1699 9542		
FOR THE BUYER TO SPECIFY TO THE MANUFACTURER THE PART NUMBER TO BE USED FOR MANUFACTURING PURPOSES IN THE EVENT OF ANY CHANGES TO THIS DRAWING.	A	1	1	



## INSTRUCTIONS

1. Locate key position for function using appropriate column on Table I identified under notes. Refer to keyboard FT & R for type of keyboard and character set information. Blank indicates position is the same as the first column.
2. Remove keycaps by pulling upward, one at a time.
3. Peel off appropriate label from sheet and position on upper front of keycap.
4. Replace keycap with label facing operator on keypost and press downward.
5. Use only those labels which apply to your operation.
6. Blanks may be used to identify special applications.

- Note:
1. Keyposition for function on US typewriter keyboard; Spain/Latin America typewriter keyboard; France/Belgium optional keyboard; Spain/Latin America data prep keyboard; Sweden/Finland typewriter keyboard.
  2. Norway/Denmark data prep typewriter keyboard.
  3. Portugal/Brazil data prep keyboard; South Africa data prep keyboard.
  4. Austria/Germany/Switzerland typewriter keyboard and data prep keyboard.
  5. Italy data prep keyboard; France/Belgium optional keyboard; U.K. data prep keyboard; Spain/Latin America typewriter keyboard; France/Belgium data prep keyboard.
  6. France/Belgium typewriter keyboard; Italy typewriter keyboard; U.K. typewriter keyboard; South Africa typewriter keyboard; U.S. upper/lower typewriter keyboard.
  7. U.S. data prep keyboard
  8. Katakana keyboard
  9. Sweden/Finland data prep keyboard.
  10. Latin/Crylic typewriter keyboard.
  11. Brazil/Portugal typewriter keyboard.

KEYBOARD LABEL PLACEMENT

The following instructions provide information for locating function keys and their associated labels.

Key Position  
(Refer to Keyboard Layout)

Label	Note 1	Note 2	Note 3	Note 4	Note 5	Note 6	Note 7	Note 8	Note 9	Note 10	Note 11
Read Page	9	45	23		23		23	33	23	10	
Read Record	10	31						31		11	
Read Page and Xmt	11		24		24		24	17	24	12	
Read File and Xmt	12							9		13	
Write to Tape	13							23		14	
Tape Mark	59	17	18	45	18	18	18	31	45	46	18
File Search 2	8							51		9	
File Search 1	7							19		8	
Backspace Mark	15		26		26		26	11	26	16	
Rewind Tape	19				47	47	32	7		51	
Lower Case On	25							25		55	
Forms On	22							22		38	
Search On	36							36		39	
Negative Video On	27							27		23	
Lower Case Off	26							26		37	
Forms Off	21							21		50	
Search Off	37							37		52	
Negative Video Off	28							28		54	
Cassette Test	40							40		27	
Set/Reset Tab Stop	30							30		40	
Print Page	45	32		32				40	32	7	
Print Form	46	47		47				25	47	32	
Move Up	53							53		45	
Move Down	54							54		57	
Roll Up	55							55		26	
Roll Down	56							56		53	
Scroll Up	64							64			
Page Back	65							65			
Page Advance	72							72			
Scroll Down	73							73			
Clear Tab Stop	29							29		42	
600 bps	41							41		31	
1200 bps	42							42		21	
1800 bps	43							43		24	
2400 bps	43							43		24	
Write Form	14				25		25	10	25	15	
Terminal Test	38							38		44	
Printer Test	39							39		36	

KEY LOCATION	SWITCH OR SUPPORT MODULE	SPRING PART NO.	CHIP REQD	BUTTON		LEGEND		
				PART NO.	COLOR	COLOR	NORMAL POSITION	SHIFT POSITION
1	2639 0484	—	YES	2553 4868	BLUE	WHITE	CTRL	—
2	↑	↑	↑	2553 4850	↑	↑	SPCFY	—
3	↓	↓	↓	1696 5766	↓	↓	LOCAL	—
4	↑	↑	↑	5774	↓	↓	RCV	—
5	2639 0484	—	—	5782	BLUE	WHITE	XMT	—
6	2639 0476	—	—	5790	GRAY	BLACK	HOME	CLEAR
7	↑	↑	↑	5808	↑	↑	1	↑
8	—	—	—	1696 5816	—	—	2	↑↑
9	—	—	—	1699 2513	—	—	3	,
10	—	—	—	1696 5832	—	—	4	\$
11	—	—	—	1699 2521	—	—	5	.
12	—	—	—	1696 5857	—	—	6	&
13	—	—	—	1696 5865	—	—	7	/
14	—	—	—	1699 2539	—	—	8	-
15	—	—	—	1699 2547	—	—	9	0
16	—	—	—	1696 5899	—	—	0	—
17	—	—	—	1696 5907	—	—	-	—
18	↓	↓	↓	1696 9347	—	—	~	—
19	2639 0476	—	—	1699 2554	—	—	.	,
20	2639 0492	—	—	2553 4843	—	—	RTAB	—
21	2639 0476	—	—	1699 2562	—	—	Q	<
22	↑	↑	↑	2570	—	—	W	>
23	—	—	—	2588	—	—	E	#
24	—	—	—	2596	—	—	R	%
25	—	—	—	2604	—	—	T	(
26	—	—	—	2612	—	—	Y	)
27	—	—	—	2620	—	—	U	1
28	—	—	—	2638	—	—	I	2
29	—	—	—	1699 2646	—	—	O	3
30	—	—	—	1696 6038	—	—	P	—
31	—	—	—	1696 6046	—	—	@	—
32	—	—	—	2553 6434	—	—	[	IRS
33	↓	↓	↓	2553 4892	—	—	▽	RET
34	2639 0476	—	—	2553 4918	—	—	TAB	SKIP
35	2639 0500	—	—	1699 2661	—	—	LOCK	SHIFT
36	2639 0476	—	—	1696 6079	—	—	A	—
37	↑	↑	↑	6087	—	—	S	—
38	—	—	—	6095	—	—	D	—
39	—	—	—	6103	—	—	F	—
40	—	—	—	6111	—	—	G	—
41	—	—	—	1696 6129	—	—	H	—
42	—	—	—	1699 2679	—	—	J	4
43	—	—	—	1699 2687	—	—	K	5
44	—	—	—	1699 2695	—	—	L	6
45	—	—	—	1696 6160	—	—	]	+
46	—	—	—	1696 6178	—	—	:	*
47	↓	↓	↓	2553 6442	—	—	]	US
48	2639 0476	—	—	2551 2401	—	—	SHIFT	—
49	2639 0518	—	—	2553 4983	—	—	ETX	GSA
50	2639 0476	—	—	1696 6186	—	—	Z	—
51	↑	↑	↑	6194	—	—	X	—
52	—	—	—	6202	—	—	C	—
53	—	—	—	6210	—	—	V	—
54	—	—	—	6228	—	—	B	—
55	—	—	—	1696 6236	—	—	N	—
56	—	—	—	1699 2703	—	—	M	7
57	—	—	—	1699 2711	—	—	?	8
58	↓	↓	↓	1699 2729	—	—	.	9
59	2639 0476	—	YES	1696 6277	—	—	/	?
60	2639 0518	—	NO	—	—	—	SHIFT	—
61	2639 0468	—	YES	1696 5683	—	—	—	—
62	2639 0476	—	—	2553 4876	—	—	EOL CLR EOP	—
63	2639 0492	—	—	1696 5915	—	—	INS	CHAR
64	2639 0476	—	—	1696 6285	—	—	↑	—
65	2639 0476	—	YES	1696 6285	GRAY	BLACK	←	—

KEY LOCATION	SWITCH OR SUPPORT MODULE	SPRING PART NO.	CHIP REQD	BUTTON		LEGEND		
				PART NO.	COLOR	COLOR	NORMAL POSITION	SHIFT POSITION
65	---	---	NO					
67	---	↑	---					
68	2639 0476	↑	YES	2639 1201	GRAY		---	---
69	---	↑	---					
70	---	↑	---					
71	---	↑	NO					
72	2639 0476	↑	YES	1696 6285	GRAY	BLACK	→	---
73	↑	↓	YES	1696 6285	↑	↑	↓	---
74	↓	↓	YES	1696 5923	↑	↑	DEL	CHAR
75	2639 0476	---	YES	2553 4884	GRAY	BLACK	INS	LINE DEL

LTR	REVISIONS
A	EDISI JUN 10 1977

MOS KEYBOARD CODE DEFINITION														
DATA OUTPUT NO. KEY NO.	MODE 2		MODE 1		DATA OUTPUT NO. KEY NO.	MODE 2		MODE 1		DATA OUTPUT NO. KEY NO.	MODE 2		MODE 1	
	UNSHIFTED	SHIFTED	UNSHIFTED	SHIFTED		UNSHIFTED	SHIFTED	UNSHIFTED	SHIFTED		UNSHIFTED	SHIFTED		
1	011000001	1111000001	26	000011001	000101001	51	000011000	000011000	27	000010101	000110001	52	000000011	000000011
2	011010000	010100000	28	000010001	000110010	53	000010110	000010110	29	000010010	000110010	54	000000010	000000010
3	011000100	0110000100	30	000010000	000010000	55	000001110	000001110	31	000000000	000000000	56	000001101	000110111
4	011000010	011000010	32	000011011	000011110	57	000101100	000111100	33	011010000	001101000	58	000101110	000111100
5	011000001	011000001	34	011000010	111000010	59	000101111	000111111	35	SHIFT LOCK		60	110001000	101001000
6	011001000	0110001000	36	000000001	000000001	61	SHIFT		37	000010011	000010011	62	110000001	101000001
7	000110001	000110001	38	000000100	000000100	63	FUNCTION 1		39	000000110	000000110	64	001000100	001000100
8	000110010	000110010	40	000000111	000000111	65	001000010	001000010	41	000001000	000001000	66		
9	000110011	000110011	42	000001010	000110100	67			43	000001011	000110101	68	000100000	000100000
10	000110100	000110100	44	000001100	000110110	69			45	000111011	000110111	70		
11	000110110	000110110	46	000111010	000110110	71			47	000111101	000111101	72	001000001	001000001
12	000110111	000110111	48	SHIFT		73	001001000	001001000	49	110000010	101000010	74	001100000	001100000
13	000110111	000110111	50	000011010	000011010	75	110100000	110000000						

REPLACEMENT PARTS LIST			
DESIGNATION	PART NO.	DESCRIPTION	QTY
R6 THRU R15	1265 4331	RESISTOR, 330Ω, 5%, 1/4W	10
R16 THRU R24	1265 4216	RESISTOR, 220Ω, 5%, 1/4W	9
C5	1267 9197	CAPACITOR, 15UF, 35V	1
C4	1322 0009	CAPACITOR, 1UF, 200V	1
A2, A3	1741 0143	TTL IC HEX INVERTER	2
A1	1627 2882	IC, ENCODER	1
XA1	2554 4883	SOCKET, 28 PIN	1
L5 THRU L12	1691 2768	LAMP, RED, SOLID STATE	8

- NOTES:
1. MICRO SWITCH PT NO. 695D5-8-1 OR ENGINEERING APPROVED EQUIVALENT.
  2. FOR GENERAL KEYBOARD SPECIFICATION SEE 2639 4007.
  3. FOR OUTLINE DWG AND KEY PAD DESIGNATIONS SEE GENERAL KEYBOARD SPECIFICATION.

11	
10	
9	
8	
7	
6	
5	
4	
3	
2	
1	A
STATUS OF SHEETS	

GEN QUAL SPECS 1183 8543 APPLY		DRAWN	J TOUROYAN	DATE	6-8-77	CLASS CODE	Z-8030	DO NOT SCALE DWG
TOLERANCES, UNLESS OTHERWISE SPECIFIED XX ± — ANGLES ± —		CHECKED	RFN	DATE	6-8-77	<b>Burroughs Corporation</b> ELECTRONIC COMPONENTS DIVISION PLAINFIELD, NEW JERSEY 07061 U.S.A. <b>TITLE: KEYBOARD ASSEMBLY (LED), DATA PREPARATION, U.S., FULLY FEATURED</b>		
MATERIAL		CHECKED	RFN	DATE	6-8-77			
HEAT TREATMENT		APPROVED	J.P.	DATE	6-8-77	SCALE	1	DWG. NO.
SURFACE TREATMENT		<small>PROPRIETARY TO BURROUGHS CORPORATION - NOT TO BE REPRODUCED, NOR USED FOR MANUFACTURING PURPOSES EXCEPT BY BURROUGHS OR UNDER PRIOR WRITTEN CONSENT.</small>		DWG. SIZE	D	SCALE	1	DWG. NO.
								2639 3751