

# BDIO-30/40 CONSOLE

## CONTENTS

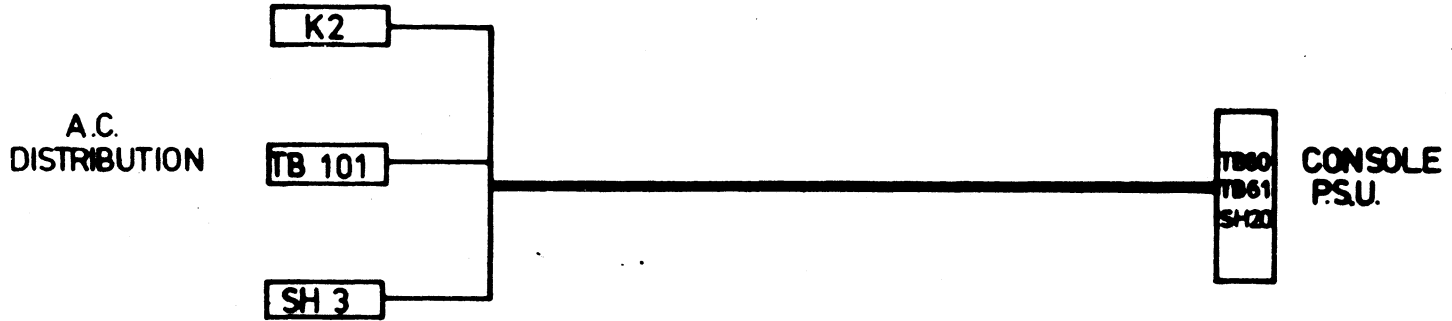
2797 2397	4	10-07-77	EI	HARNESS, CONSOLE AC
	2	10-08-77		
2797 3536	4	05-27-77		HARNESS, CONSOLE AC
2798 0796	6	12-02-77		HARNESS, PRINT DC (180)
2571 0443	1	03-18-76		SCHEMATIC, KEYBOARD
2571 0393	1	07-03-74		SCHEMATIC, IND PKG
2797 2066	1	01-31-77	EI	SCHEMATIC, PRINT/DISK PS
	1	09-28-77		
2798 0770	8	07-07-78		HARNESS, PCF180 CONT
2797 5390	4	12-02-77		HARNESS, PCF180 HEAD
2797 4021	4	09-26-77	EI	SCHEMATIC, PCF180 HD SOL
	3	11-28-77		
2797 4054	3	08-15-78		SCHEMATIC, 180 DFMD
2797 4096	2	11-11-77		SCHEMATIC, FM & PJ PCF180
2797 4120	3	12-02-77	EDA	SCHEMATIC, PCF180 CARR
	1	09-27-78		
2797 4906	4	12-02-77		HARNESS, PAPER JAM (DR 1)
2797 4922	4	12-02-77		HARNESS, PAPER JAM (DR 2)
2798 0788	4	06-02-78	EDA	HARNESS, REED SWITCH
	2	10-19-78		

PAGE	1	CHANGE TYPE ECN 01803	ER DATE 6-2-78	TITLE SYSTEM DWG. NO. <b>2797 6109PL</b>
	1			
<b>Burroughs Corporation</b>				
SYSTEMS M & E GROUP PLYMOUTH, MICHIGAN 48170		PLYMOUTH PLANT U.S. AMERICA		
PROPRIETARY TO BURROUGHS CORP - NOT TO BE REPRODUCED, NOR USED FOR MANUFACTURING PURPOSES EXCEPT ON BURROUGHS ORDER OR PRIOR WRITTEN CONSENT				
		DRAWN <i>M.N. 1-5-78</i>	CHECKED <i>1-17-78</i>	DWG. NO. <b>2797 6109PL</b>
		APPROVED <i>[Signature]</i>	RELEASED <i>10-14-77</i>	REV LETTER PAGE 1

BURROUGHS MACHINES LTD GLASGOW SCOTLAND		PROPRIETARY TO BURROUGHS - NOT TO BE REPRODUCED OR USED FOR MANUFACTURING PURPOSES EXCEPT ON BURROUGHS ORDER OR FROM WRITTEN AGREEMENT.				DESIGN CONTROL 308	DWG No. 2797 2397	REV. C
DESIGN ORIGIN D.G.	DATE MAR-3-77	DRAWN C.S.	DATE MAR-3-77	APPROVED	DATE 3/17/77	TITLE:- CONSOLE A.C.		
CHECKED BY Jordan	DATE MAR-3-77	COMPONENTS Duker	DATE 4/1/77	CLASS CODE 2-1522	DWG. SIZE A	DWG. TYPE WL.	SHEET 1 OF 4	RELEASED:- APR.15-77
							ECN 00760	
							ECN 00846	B
							P.B. MAY 6-77	
							SHEETS 2&4 ALTERED	
							ECN 01220	C
							A.R. OCT. 7,77	
							SHT. 4 ALTERED	

BURROUGHS MACHINES LTD GLASGOW SCOTLAND		PROPRIETARY TO BURROUGHS - NOT TO BE REPRODUCED OR USED FOR MANUFACTURING PURPOSES EXCEPT ON BURROUGHS ORDER OR FROM WRITTEN AGREEMENT.				DESIGN CONTROL 308	DWG No. 2797 2397	REV. C
DESIGN ORIGIN D.G.	DATE MAR-3-77	DRAWN C.S.	DATE MAR-3-77	APPROVED	DATE 3/17/77	TITLE:- CONSOLE A.C.		
CHECKED BY Jordan	DATE MAR-3-77	COMPONENTS Duker	DATE 4/1/77	CLASS CODE 2-1522	DWG. SIZE A	DWG. TYPE WL.	SHEET 2 OF 4	RELEASED:- APR. 15-77
<pre> graph TD     subgraph Console         B[BD1-20 PROCESSOR]         C[CONSOLE]     end     subgraph Base         BP[BASE P.S.U.]         CP[CONSOLE P.S.U.]         K[KEYBOARD]     end     B --- C     BP --- C     CP --- C     K --- C     </pre>						<p>NOTE:- TERMINATIONS MUST MEET SPEC. DWG. 81F</p> <p>WIRE MUST BE UL AND C.S.A. LABELED REFER TO APPLICATION GUIDE D65 01 FOR STYLE AND TYPE REQUIREMENTS.</p>		

BURROUGHS MACHINES LTD CUMBERNALL SCOTLAND		PROPRIETARY TO BURROUGHS - NOT TO BE REPRODUCED OR USED FOR MANUFACTURING PURPOSES EXCEPT ON BURROUGHS ORDER OR PRIOR WRITTEN CONSENT				DESIGN CONTROL 308	DWG NO. 2797 2397	REV. C
DESIGNED BY D.G.	DATE MAR-3-77	DRAWN C.S.	DATE MAR-3-77	APPROVED <i>[Signature]</i>	DATE 3 MARCH 77	TITLE:- CONSOLE A.C.		
CHECKED BY <i>[Signature]</i>	DATE MAR-3-77	COMPONENTS <i>[Signature]</i>	DATE 4 MAR 77	CLASS CODE 2-1522	DWG. SIZE A	DWG. TYPE WL.	SHEET 3 OF 4	RELEASED:- APR. 15-77



BURROUGHS MACHINES LTD CUMBERNALL SCOTLAND		PROPRIETARY TO BURROUGHS - NOT TO BE REPRODUCED OR USED FOR MANUFACTURING PURPOSES EXCEPT ON BURROUGHS ORDER OR PRIOR WRITTEN CONSENT				DESIGN CONTROL 308	DWG NO. 2797 2397	REV. C
DESIGNED BY D.G.	DATE MAR-3-77	DRAWN C.S.	DATE MAR-3-77	APPROVED <i>[Signature]</i>	DATE 3 MARCH 77	TITLE:- CONSOLE A.C.		
CHECKED BY <i>[Signature]</i>	DATE MAR-3-77	COMPONENTS <i>[Signature]</i>	DATE 4 MAR 77	CLASS CODE 2-1522	DWG. SIZE	DWG. TYPE WL.	SHEET 4 OF 4	RELEASED:- APR. 15-77
SIGNAL NAME	FROM			TO			WIRE	
	CONNECTOR	CODE	TERMINAL	CONNECTOR	CODE	TERMINAL		
CONSOLE-L	2797 0797 REF.	K2-1	2470 0527	2166 2286 REF.	TB60-6Y	1527 0192	2206 8274	
CONSOLE-N	2576 2162 REF.	TB101-B4X	1527 0192	" " "	TB61-1Y	" " "	" " "	
GND.	STUD	SH 3	1515 0527	STUD	SH20	1515 0527	2206 8282	
DISK-L	2106 2286 REF.	TB61-52X	1471 9884	" " "	TB101-A4X	1471 9884	1940 9598	
* NOTE:- THESE CONNECTIONS ARE FOR 240V 50HZ MACHINES								
FOR OTHER VOLTAGES OR FREQUENCIES REFER TO 25% 2826								
VOLTAGE SETTING CHART FOR 830-30, 830-30, 840-10 CONSOLES.								

ORIGINAL

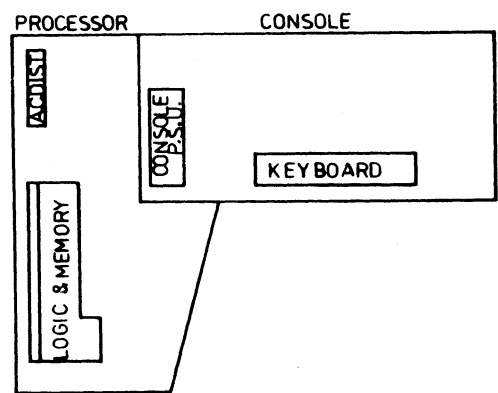
BURROUGHS MACHINES LTD SCOTLAND PROPRIETARY TO BURROUGHS - NOT TO BE REPRODUCED OR USED FOR MANUFACTURING PURPOSES EXCEPT ON BURROUGHS ORDER OR PRIOR WRITTEN CONSENT.						DESIGN CONTROL 308	DWG No. 2797 2397	REV. C								
DESIGNED BY D.G.	DATE MAR-3-77	DRAWN C.S.	DATE MAR-3-77	APPROVED	DATE	TITLE:- CONSOLE A.C.										
CHECKED BY	DATE	COMPONENTS	DATE	CLASS CODE 2-1522	DWG. SIZE A	DWG. TYPE WL.	SHEET 1 OF 4	RELEASED:- APR.15-77 MFG								
							ECN 00760									
							ECN 00846	B								
							P.B. MAY 6-77 MFG									
							SHEETS 2&4 ALTERED									
							ECN 01220	C								
							A.R. OCT. 7,77									
							SHT. 4 ALTERED	MFG								
EI61995 SUPP# 2							EI 61995									
<table border="1"> <tr> <td>★ PLYMOUTH ENGINEERING INSTRUCTION JK</td> </tr> <tr> <td>PROJECT 56702</td> </tr> <tr> <td>GROUP 1339</td> </tr> <tr> <td>DATE 10-8-77</td> </tr> </table>							★ PLYMOUTH ENGINEERING INSTRUCTION JK	PROJECT 56702	GROUP 1339	DATE 10-8-77	<table border="1"> <tr> <td>★ PLYMOUTH ENGINEERING INSTRUCTION JK</td> </tr> <tr> <td>PROJECT 56702</td> </tr> <tr> <td>GROUP 1339</td> </tr> <tr> <td>DATE 9-28-77</td> </tr> </table>		★ PLYMOUTH ENGINEERING INSTRUCTION JK	PROJECT 56702	GROUP 1339	DATE 9-28-77
★ PLYMOUTH ENGINEERING INSTRUCTION JK																
PROJECT 56702																
GROUP 1339																
DATE 10-8-77																
★ PLYMOUTH ENGINEERING INSTRUCTION JK																
PROJECT 56702																
GROUP 1339																
DATE 9-28-77																
SHEET 4 AFFECTED							SHEET 4 AFFECTED									

BURROUGHS MACHINES LTD SCOTLAND PROPRIETARY TO BURROUGHS - NOT TO BE REPRODUCED OR USED FOR MANUFACTURING PURPOSES EXCEPT ON BURROUGHS ORDER OR PRIOR WRITTEN CONSENT.						DESIGN CONTROL 308	DWG No. 2797 2397	REV. C
DESIGNED BY D.G.	DATE MAR-3-77	DRAWN C.S.	DATE MAR-3-77	APPROVED	DATE	TITLE:- CONSOLE A.C.		
CHECKED BY	DATE	COMPONENTS	DATE	CLASS CODE 2-1522	DWG. SIZE	DWG. TYPE WL.	SHEET 4 OF 4	RELEASED:- APR.15-77 MFG
SIGNAL NAME	FROM			TO			WIRE	
	CONNECTOR	CODE	TERMINAL	CONNECTOR	CODE	TERMINAL		
CONSOLE- <del>L</del>	2797 0797 REF.	K2-1	2470 <del>8527</del>	2166 2285 REF.	<del>TB60-BX</del>	1527 0192	2206 8274	
CONSOLE-N	2576 2162 REF.	TB101-BX	1527 0192	" " "	<del>TB61-BX</del>	" "	" "	
N- PTR	STUD	SH3	1515 0527	STUD	SH20	1515 0527	2206 8282	
GND.	2106 2286 REF.	<del>TB61-BX</del>	1471 9884		TB101-A.X	1471 9884	1940 9598	
<del>DISK-X</del>		TB61-B3Y						
120-L								
<p>NOTE: FOR VOLTAGES OR FREQUENCIES REFER TO 2574 2826 VOLTAGE SETTING CHART FOR B20-20, B30-30, + B40-40 CONSOLES</p>								
<p>NOTE: THESE CONNECTIONS ARE FOR 240V 50HZ MACHINES FOR OTHER VOLTAGES OR FREQUENCIES REFER TO 2574 2826 VOLTAGE SETTING CHART FOR B20-20, B30-30, B40-40 CONSOLES.</p>								

EI 61995	EI 61995 SUPP# 2								
<table border="1"> <tr> <td>★ PLYMOUTH ENGINEERING INSTRUCTION JK</td> </tr> <tr> <td>PROJECT 56702</td> </tr> <tr> <td>GROUP 1339</td> </tr> <tr> <td>DATE 9-28-77</td> </tr> </table>	★ PLYMOUTH ENGINEERING INSTRUCTION JK	PROJECT 56702	GROUP 1339	DATE 9-28-77	<table border="1"> <tr> <td>★ PLYMOUTH JK ENGINEERING INSTRUCTION</td> </tr> <tr> <td>PROJECT 56702</td> </tr> <tr> <td>GROUP 1339</td> </tr> <tr> <td>DATE 10-8-77</td> </tr> </table>	★ PLYMOUTH JK ENGINEERING INSTRUCTION	PROJECT 56702	GROUP 1339	DATE 10-8-77
★ PLYMOUTH ENGINEERING INSTRUCTION JK									
PROJECT 56702									
GROUP 1339									
DATE 9-28-77									
★ PLYMOUTH JK ENGINEERING INSTRUCTION									
PROJECT 56702									
GROUP 1339									
DATE 10-8-77									

<small>PROPERTY TO BUREAU OF THE ARMY TO BE RETURNED TO THE OFFICE OF THE ASSISTANT CHIEF OF STAFF FOR PERSONNEL AND TRAINING ON APPROVED FORMS OF THE BUREAU OF THE ARMY</small>		DESIGN CONTROL 308	DWG No 2797 3536	REV A
D.G.	C.S.	P.D. 150477 2-1522 A	TITLE - CONSOLE A.C.	
			SHEET 1 OF 4	RELEASED -MAY 27-77 ECN 00867

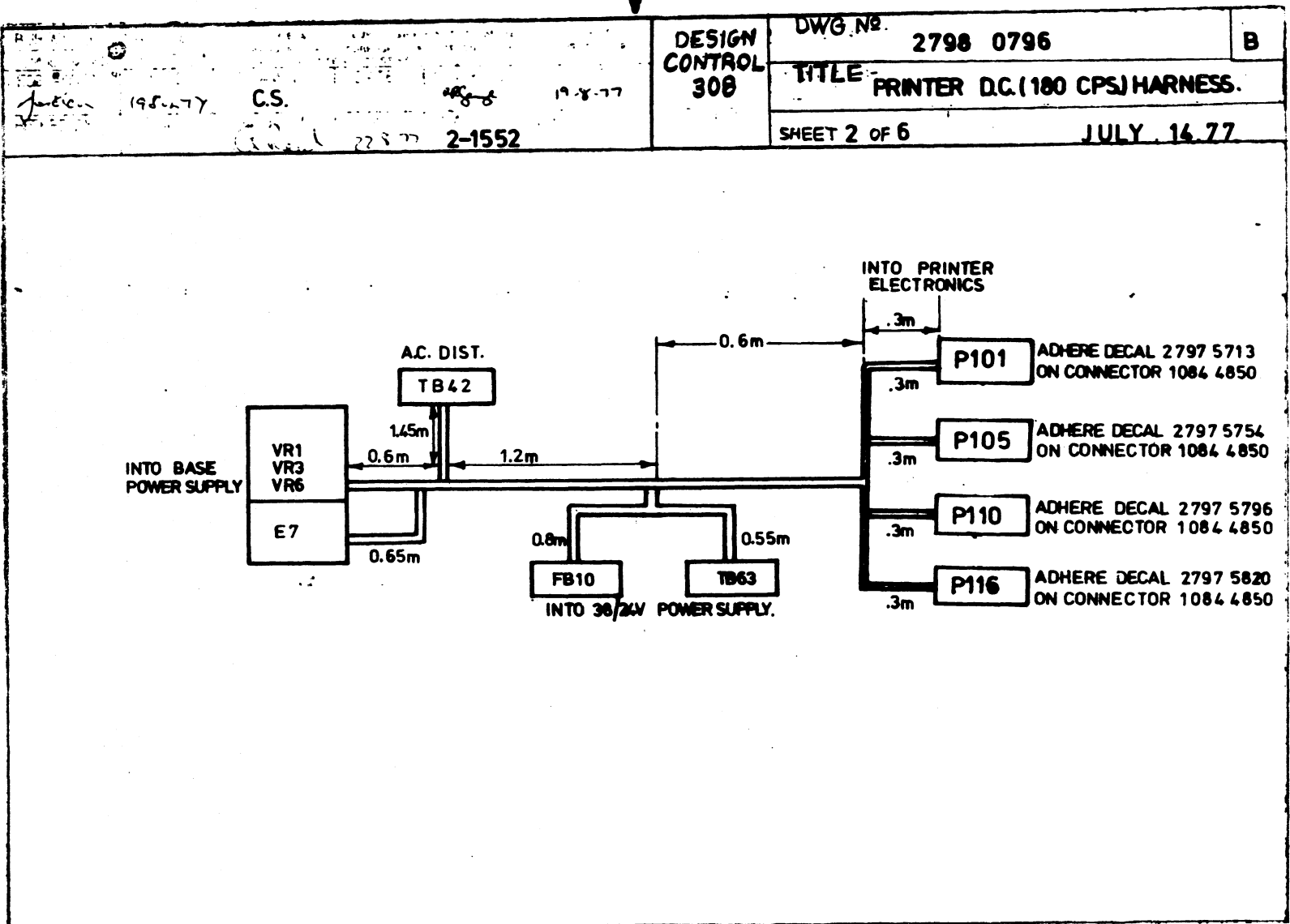
D.G.	C.S.	P.D. 150477 2-1522 A	DWG No 2797 3536	REV A
			TITLE CONSOLE A.C.	
			SHEET 2 OF 4	MAY 27-77



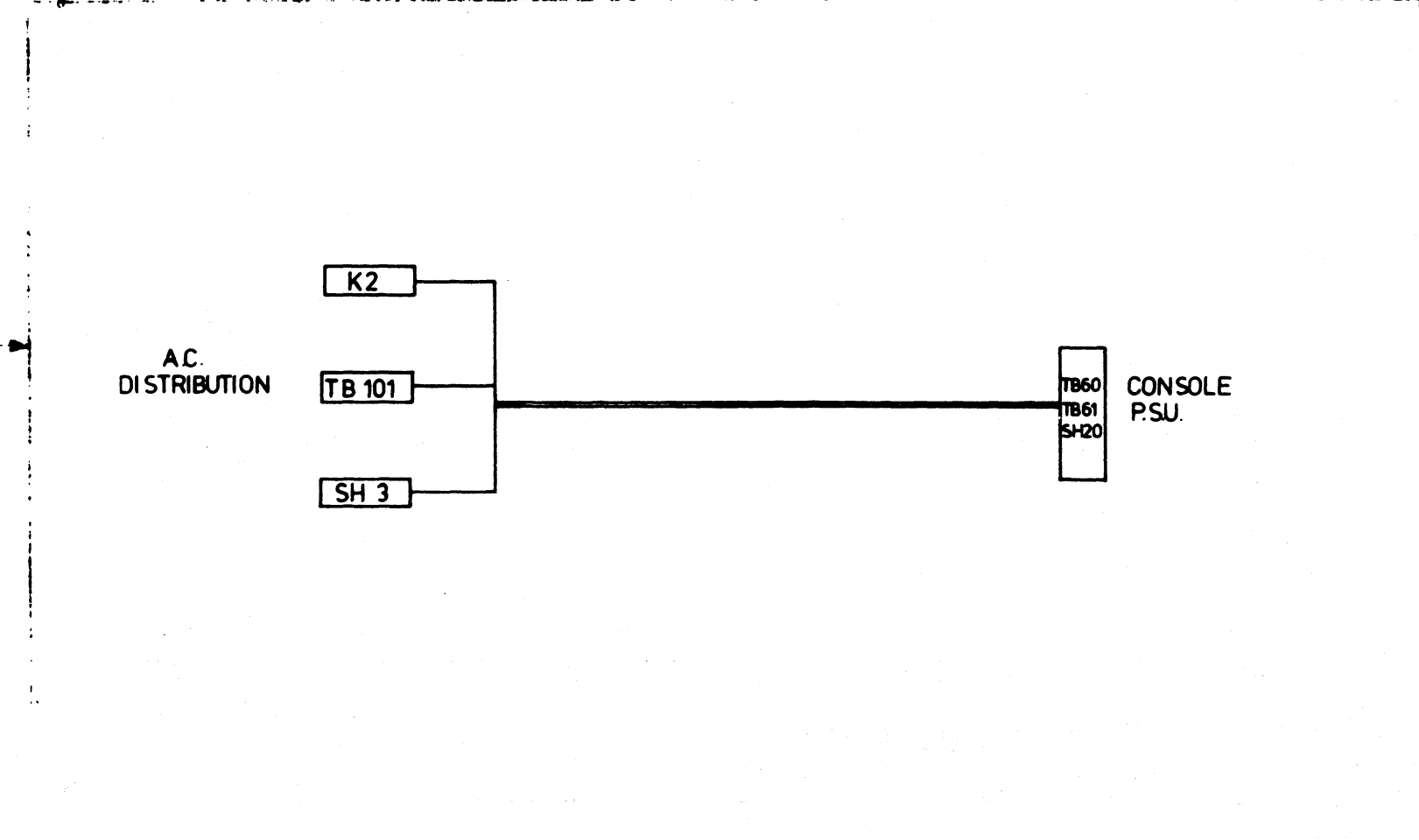
NOTE:-  
 TERMINATIONS MUST MEET  
 SPEC. DWG. 81F

WIRE MUST BE UL AND CSA.  
 LABELED REFER TO APPLICATION  
 GUIDE D65-01 FOR STYE AND  
 TYPE REQUIREMENTS.

BURROUGHS MACHINES LTD GLASGOW SCOTLAND						DESIGN CONTROL 308		DWG No. 2798 0796		REV B	
PROPRIETARY TO BURROUGHS - NOT TO BE REPRODUCED OR USED FOR MANUFACTURING PURPOSES EXCEPT IN BURROUGHS ORDER OR PRIOR WRITTEN CONSENT.						DATE 19-8-77		TITLE PRINTER D.C. (180 CPS) HARNESS			
DESIGN OR ENG Andon	DATE 19 JUL 77	DRAWN CS	DATE	APPROVED CS	DATE	DWG TYPE W.L.	SHEET 1 OF 6		RELEASED JULY 14 77		
CHECKED BY	DATE	COMMENTS	DATE 22 8 77	CLASS CODE 2-1552	DWG SIZE			ER 01020			
							ECN 01371 RM DEC. 2.77 SHTS 35&6 ALT.D. SWNg				



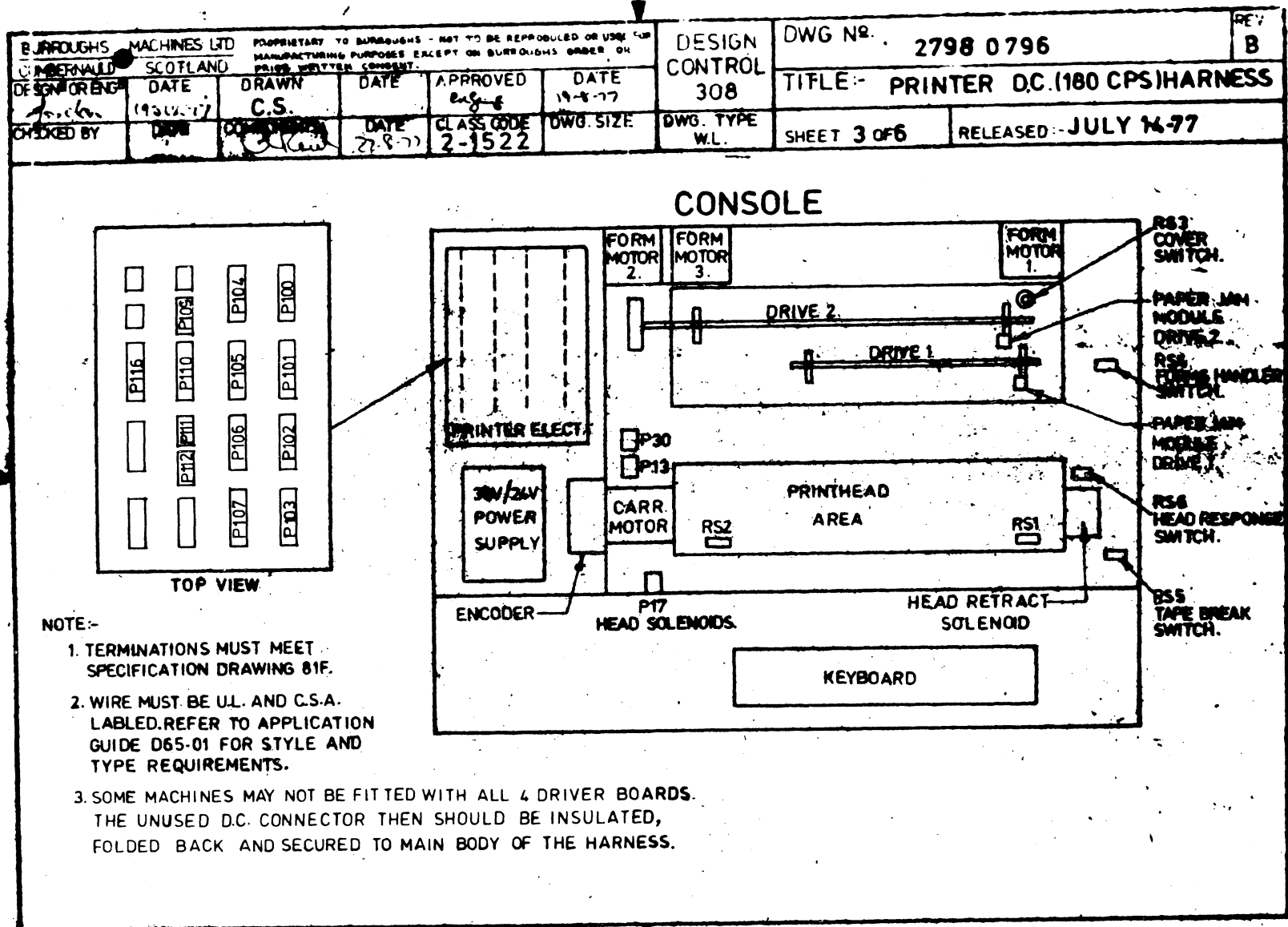
DESIGNED BY D.G. CHECKED BY <i>fcdm</i>	DRAWN BY C.S. DATE 15/04/77	PROJECT NO. 2-1522	REV. A	DWG NO. 2797 3536	TITLE CONSOLE A.C.
		SHEET 3 OF 4			
		RELEASED - MAY 27-77			



DESIGNED BY G. CHECKED BY <i>fcdm</i>	DRAWN BY C.S. DATE 15/04/77	PROJECT NO. 2-1522	REV. A	DWG NO. 2797 3536	TITLE CONSOLE A.C.
		SHEET 4 OF 4			
		RELEASED - MAY 27-77			

SIGNAL NAME	FROM		TO			WIRE
	CONNECTOR	CODE	TERMINAL	WIRE	WIRE	
CONSOLE -L	2797 0797 REF	K2-1	1515 0527	2106 2286 REF.	TB60-6Y*	1527 0192 2206 8274
CONSOLE -N	2576 2162 REF	TB101-A7Y	1527 0192	" " "	TB61-1Y*	" " "
GND	STUD	SH3	1515 0527	STUD	SH20	1515 0527 1940 9697
DISK-L		FS102-1X	1471 9884	2106 2286 REF	TB61-5Z*	1471 9884 1940 9598

NOTE: THESE CONNECTIONS ARE FOR 240V 50HZ MACHINES  
 FOR OTHER VOLTAGES OR FREQUENCIES REFER TO 2574 2626  
 VOLTAGE SETTING CHART FOR B20-20, B30-30, B40-40 CONSOLES.



BURROUGHS MACHINES LTD GLASGOW SCOTLAND				PROPRIETARY TO BURROUGHS - NOT TO BE REPRODUCED OR USED FOR MANUFACTURING PURPOSES EXCEPT ON BURROUGHS ORDER OR PRIOR WRITTEN CONSENT.		DESIGN CONTROL 308	DWG No. 2798 0796	REV B
DESIGN OR ENG <i>Asda</i>	DATE 19.4.77	DRAWN C.S.	DATE 27.8.77	APPROVED <i>Ref g</i>	DATE 19.4.77	TITLE:- PRINTER D.C. (180 CPS) HARNESS	SHEET 4 OF 6	
CHECKED BY	DATE	COMPONENTS	DATE	CLASS CODE 2-1522	DWG. SIZE	DWG. TYPE W.L.	RELEASED:- JULY 14-77	

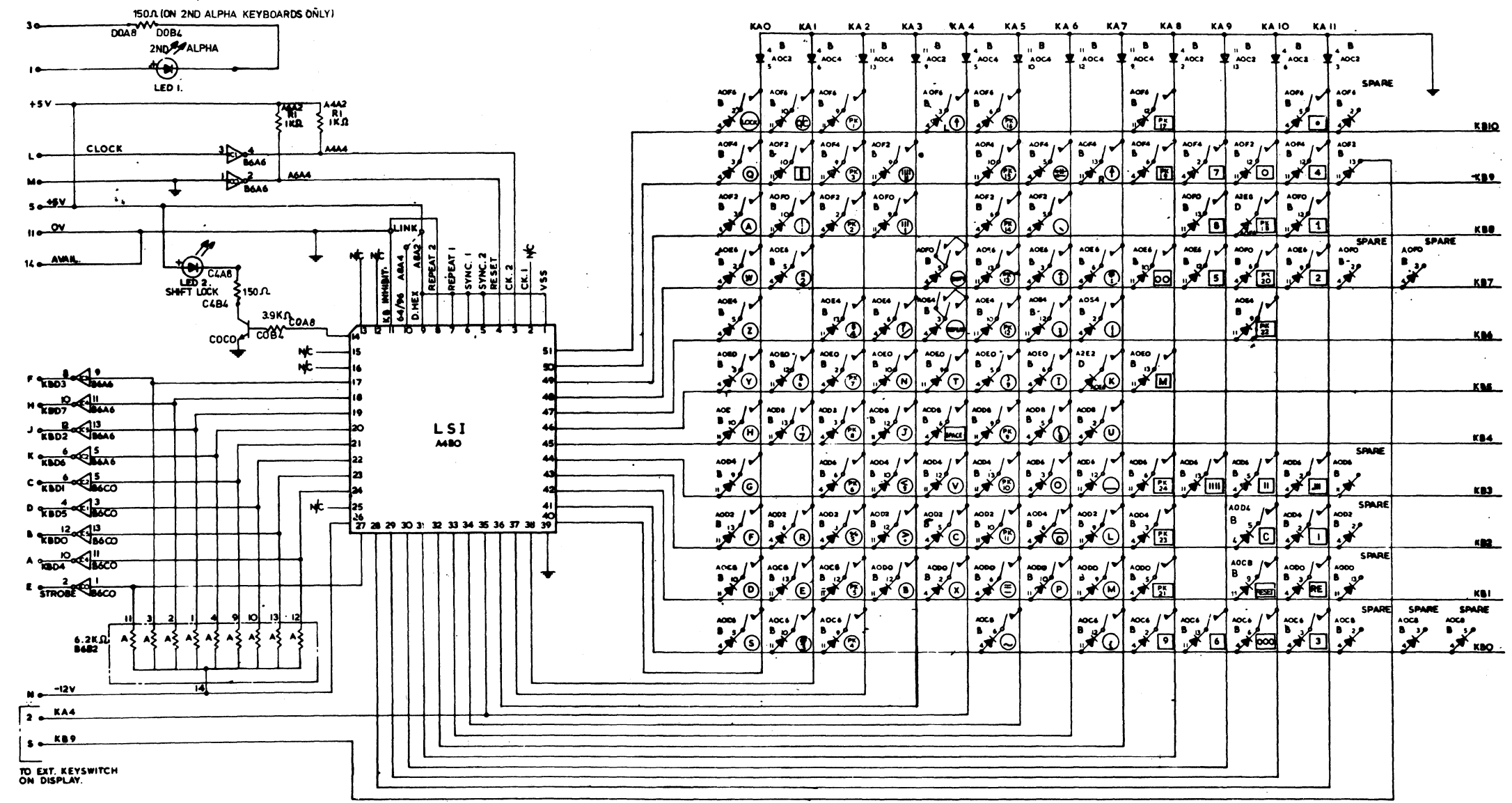
  

SIGNAL NAME	FROM			TO			WIRE
	CONNECTOR	CODE	TERMINAL	CONNECTOR	CODE	TERMINAL	
+12V	1084 4850	P116-1	1532 8040	2795 0344 REF	VR1-TB4	1472 8109	1940 9192
+12V	" "	P116-1	" "	1084 4850	P110-1	1532 8040	" "
+12V	" "	P105-1	" "	" "	P110-1	" "	" "
+12V	" "	P105-1	" "	" "	P101-1	1532 8040	" "
+12V	2795 0344 REF	VR1-TB4	1471 9892	" "	P101-1	" "	" "
-12V	1084 4850	P116-2	1532 8040	2795 0410 REF	VR3-TB2	1472 8109	" "
-12V	" "	P116-2	" "	1084 4850	P110-2	1532 8040	" "
-12V	" "	P105-2	" "	" "	P110-2	" "	" "
-12V	" "	P105-2	" "	" "	P101-2	1532 8040	" "
-12V	2795 0410 REF	VR3-TB2	1472 8109	" "	P101-2	" "	" "
+5V	1084 4850	P116-3	1532 8040	2795 0377 REF	VR6-TB3	1471 9892	" "
+5V	" "	P116-3	" "	1084 4850	P110-3	1532 8040	" "
+5V	" "	P105-3	1532 8040	" "	P110-3	" "	" "
+5V	" "	P105-3	" "	" "	P101-3	1532 8040	" "
+5V	2795 0377 REF	VR6-TB3	1471 9892	" "	P101-3	" "	" "
INHIB	1084 4850	P116-4	1532 8040	" "	P110-4	1532 8040	" "
INHIB	" "	P105-4	" "	" "	P110-4	" "	" "
INHIB	" "	P105-4	" "	" "	P101-4	1532 8040	" "



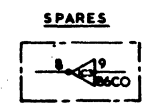
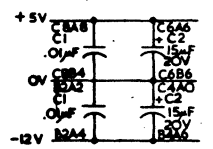


1 of 1  
2571 0443



- NOTES:
1. FOR ASSEMBLY SEE 2577 5750, 2577 5776 PL & REF DWG.
  2. CODE USED FOR COMPONENT PART NUMBERS IS AS FOLLOWS:  

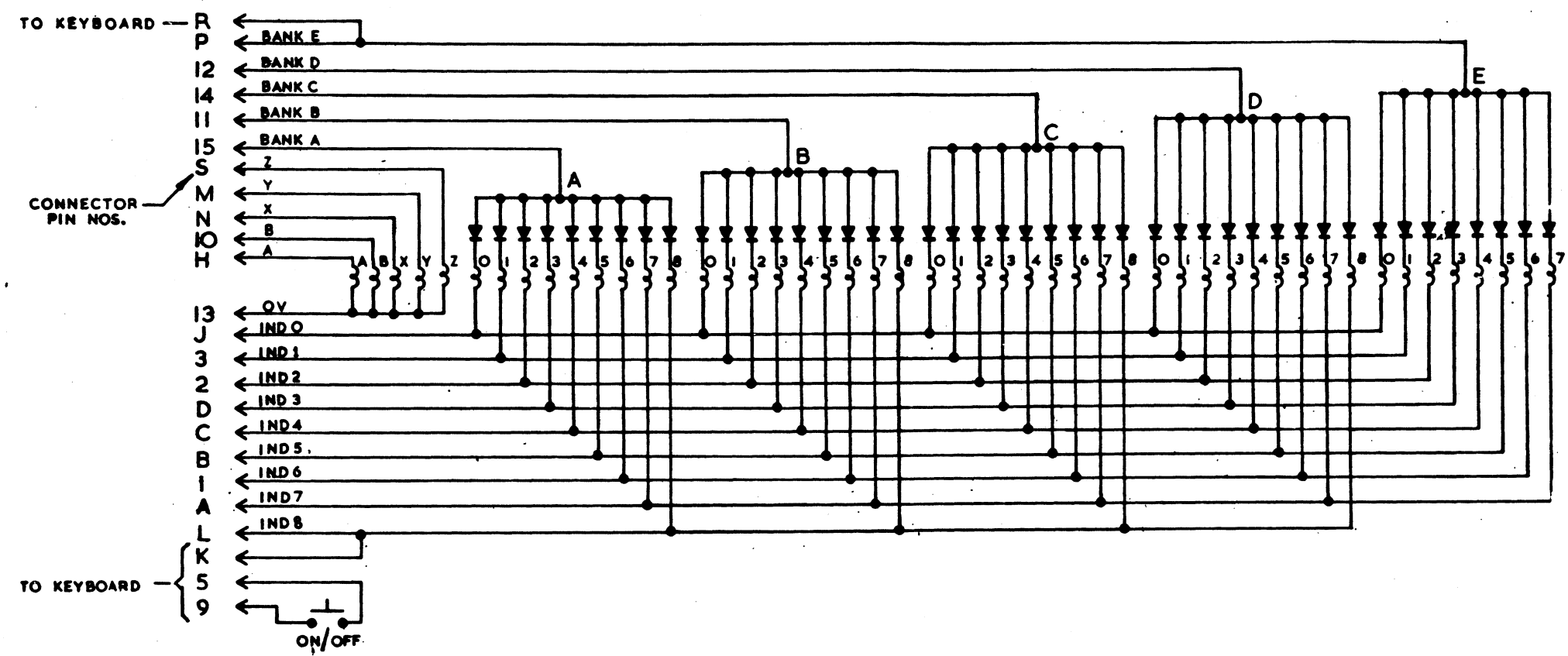
RESISTOR PACKAGE	A	-2571 0252
DIODE PACKAGE	B	-1527 5290
IC PACKAGE	IC	-1674 4963
L.S.I. PACKAGE	LSI	-2571 0278
TRANSISTOR	T	-1479 7989
LED	LED	182 - 2472 7356
DIODE	D	-1471 4703
RESISTOR	RL	-1268 2324
	R2	-1268 2126
	R3	-1268 2464
CAPACITOR	CL	-1472 7713
	C2	-1267 9189
  3. LAST DIGIT OF IC CODE NUMBER INDICATES THE ELEMENT NUMBER.
  4. ○ INDICATES KEY IN ALPHA SECTION.  
□ INDICATES KEY IN NUMERIC SECTION
  5. ABOVE LEGENDS ARE FOR REF ONLY AND CORRESPOND TO KEYBOARD VERSION 1 (USA DOMESTIC)



Burroughs  
 SCHEMATIC 64 CHARACTER KEYBOARD B.D.S.  
 2571 0443

DS


DWG. NO. 2571 0393 REV C  
 RELEASED JAN. 30, 74  
 MAY 1 74  
 UP TO DATE  
 MFG. RNC JULY 3 74  
 LAMPS A. B. ADDED



GENL. QUAL. SPECS 1183 5543 APPLY  
 PROPRIETARY TO BURROUGHS. NOT TO BE REPRODUCED  
 NOR USED FOR MANUFACTURING PURPOSES EXCEPT  
 ON BURROUGHS ORDER OR PRIOR WRITTEN CONSENT.

CLASSIFICATION CODE  
**2-9520**  
 LAYOUT No.

TECHNICAL SERVICES		TOLERANCES, UNLESS OTHERWISE SPECIFIED		DRAWN <b>RNC</b>	DATE <b>JULY 3, 74</b>
MATERIAL & SURFACE TREATMENT		INCHES .XX ± .01 .XXX ± .005 ANGLES 0° 30'			
APP'VD.	DATE	MATERIAL		CHECKED	DATE
MATERIAL & HEAT TREATMENT		HEAT TREATMENT		DSGN/ENGR	DATE
COMPONENTS		SURFACE TREATMENT		APPROVED	DATE
APP'VD.	DATE				

**Burroughs**   
 BURROUGHS MACHINES LIMITED,  
 CUMBERNAULD, SCOTLAND, U.K.

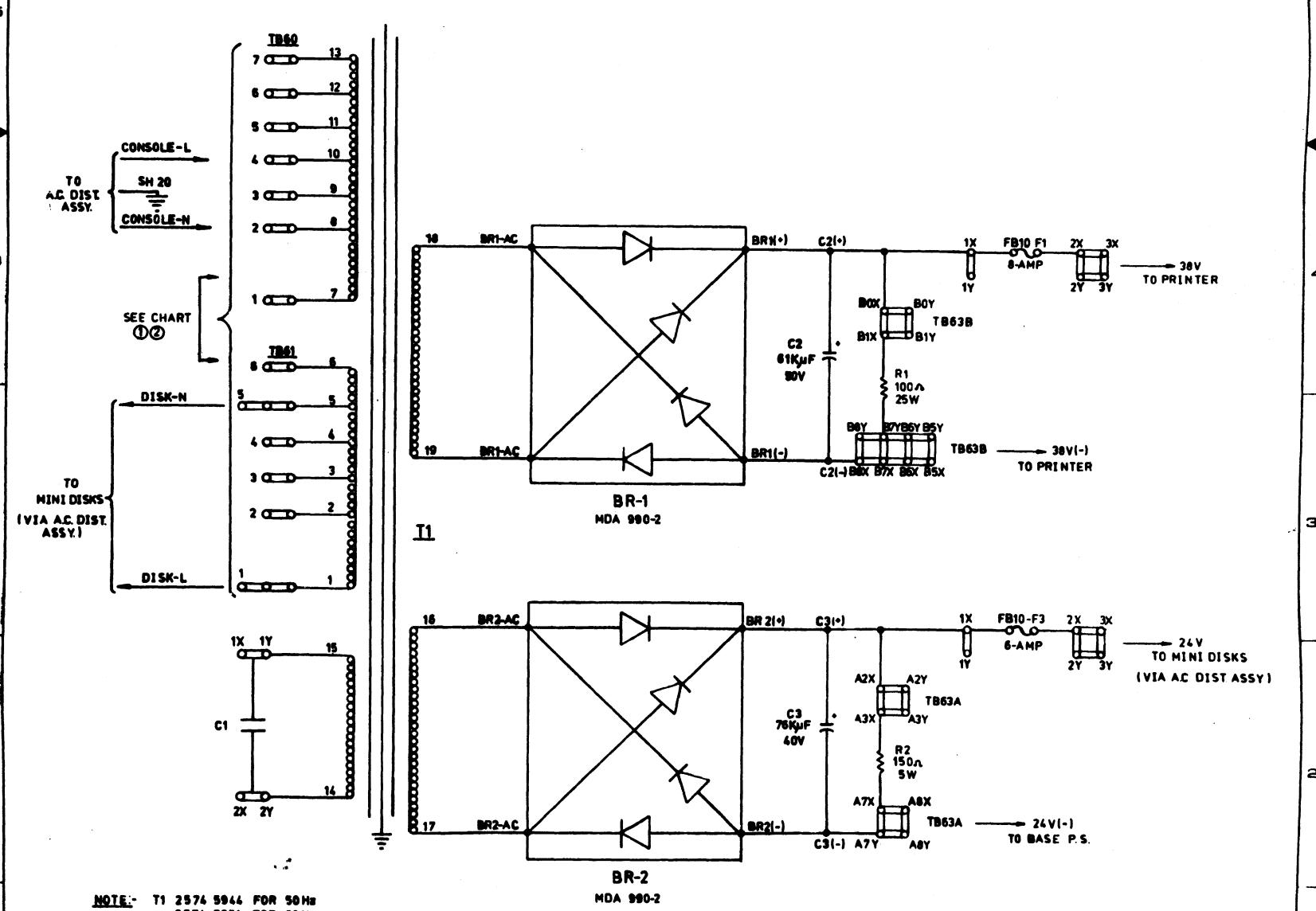
TITLE: **INDICATOR PACKAGE SCHEMATIC**

SCALE: **A2** DWG. NO.: **2571 0393** REV: **C**

5

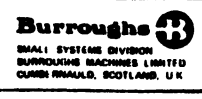
A.C. CONNECTION CHART

	CONSOLE N	CONSOLE L	FROM ①		TO		FROM ②		TO	
			TB61-1	TB60-2	TB61-1	TB60-1	TB61-2	TB60-2	TB61-1	TB60-2
100	TB61-1	TB60-2								
110	" -1	" -4	" -1	" -1	" -3	" -4				
115	" -1	" -5	" -1	" -1	" -4	" -5				
120	" -1	" -6	" -1	" -1	" -5	" -6				
127	" -1	" -7	" -1	" -1	" -6	" -7				
200	" -1	" -2	" -2	" -1	" -8	" -8				
208	" -1	" -3	" -2	" -1	" -8	" -8				
220	" -1	" -4	" -3	" -1	" -8	" -8				
230	" -1	" -5	" -4	" -1	" -8	" -8				
240	" -1	" -6	" -5	" -1	" -8	" -8				



NOTE: T1 2574 5944 FOR 50Hz  
2574 5951 FOR 60Hz

DRAWING NO. <b>2797 2066</b>	DATE <b>DEC 22 76</b>	DRAWN <b>R.M.</b>	DATE <b>DEC 23 76</b>	DRAWING NO. <b>2797 2066</b>				
					DESIGNED <b>M.H.</b>	CHECKED <b>P.H.</b>	DATE <b>DEC 23 76</b>	CLASS CODE <b>4-0205</b>
					APPROVED 	DATE 	DWG. SIZE 	REV <b>A</b>
					ENG. COMP 	DATE 	DWG. SIZE 	PAGE <b>1 of 1</b>



BURROUGHS  
 SMALL SYSTEMS DIVISION  
 BURROUGHS MACHINES LIMITED  
 CLERMONT, SCOTLAND, U.K.

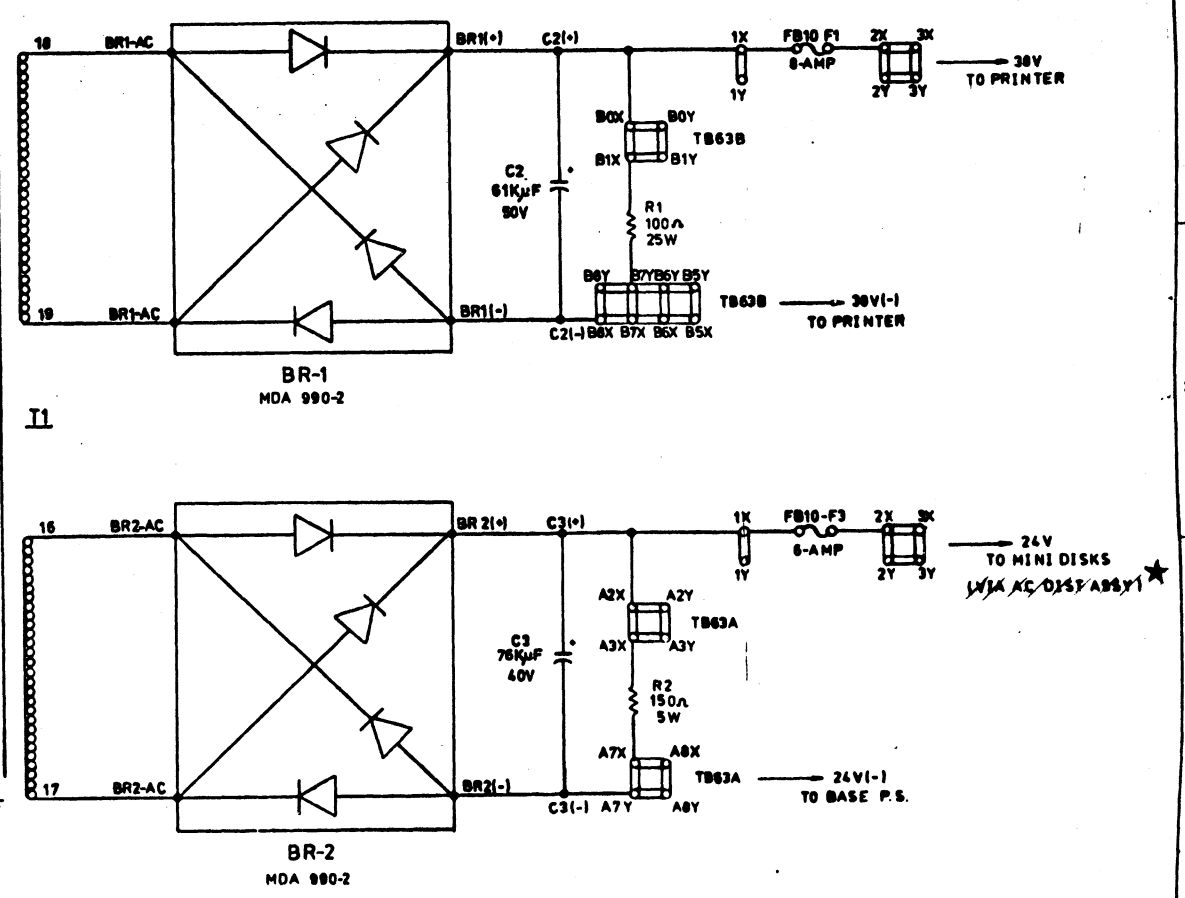
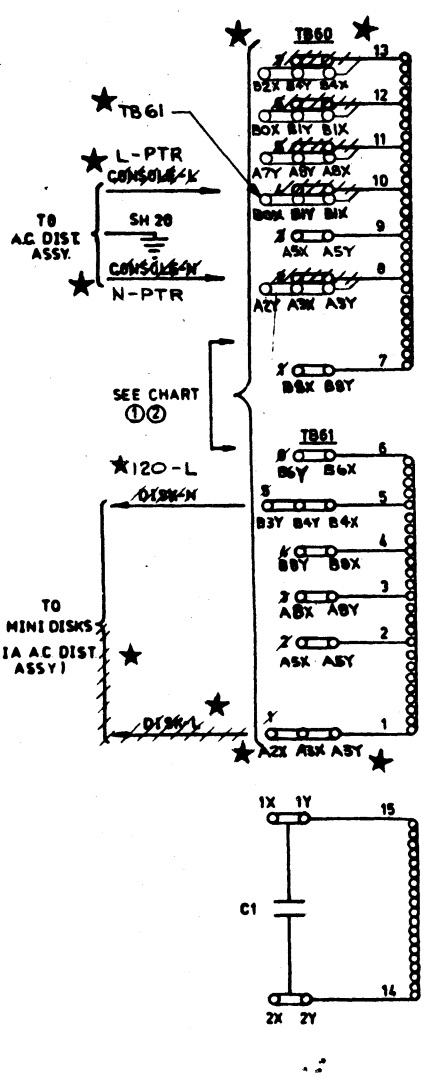
A.C. CONNECTION CHART

CONSOLE NO	CONSOLE	FROM ①		TO	
		FROM	TO	FROM	TO
100	TB61-2	TP60-2	TP61-1	TP60-1	TP61-2
110	"-1	"-4	"-1	"-3	"-4
115	"-1	"-5	"-1	"-5	"-5
120	"-1	"-6	"-1	"-6	"-6
127	"-1	"-7	"-1	"-7	"-7
200	"-1	"-2	"-2	"-8	"-8
208	"-1	"-3	"-2	"-8	"-8
220	"-1	"-1	"-3	"-8	"-8
230	"-1	"-5	"-4	"-8	"-8
240	"-1	"-8	"-8	"-8	"-8

A.C. CONNECTION CHART

CONSOLE NO	N-PTR		L-PTR		FROM ①		TO	
	FROM	TO	FROM	TO	FROM	TO	FROM	TO
100	TB61-A2X	TB60-A2Y	TB61-A3X	TB60-B3X	TB61-A5X	TB60-A3X		
110	"	TB61-B3X	"	"	"	TB61-B1Y	TB60-B1Y	
115	"	TB60-A7Y	"	"	"	TB61-B3Y	TB60-B3Y	
120	"	"-B0X	"	"	"	"-B4Y	"-B1Y	
127	"	"-B3X	"	"	"	"-B6Y	"-B4Y	
200	"	"-A2Y	"-A5X	"	"	"-A0Y	"-A0Y	
208	"	"-A5X	"-A5X	"	"	"	"	
220	"	TB61-B0X	"-A5X	"	"	"	"	
230	"	TB60-A7Y	"-B6Y	"	"	"	"	
240	"	"-B0X	"-B4Y	"	"	"	"	

EI 61995  
 PLYMOUTH  
 ENGINEERING  
 INSTRUCTION  
 PROJECT 5G702  
 GROUP 1339  
 DATE 9-28-77



NOTE - T1 2574 5044 FOR 50Hz  
 2574 5051 FOR 60Hz

2797 2066 1 of 1	I 3 R 00552 A	Burroughs SMALL SYSTEMS DIVISION BURROUGHS MACHINES LIMITED CUMBERNAULD SCOTLAND U.K.		TITLE PRINTER / DISK POWER SUPPLY SCHEMATIC			
		DESIGNED M.H.	DATE DEC 22 76	DRAWN R.M.	DATE DEC 22 76	DRAWING NO. 2797 2066	
		APPROVED DATE	CHECKED DATE	ENGINEER DATE	CLASS. CODE 4.0205	REV A	PAGE 1 of 1
		E.I. 61995					

EI

2798 0770

E

PCF 180 CONTROLLER HARNESS.

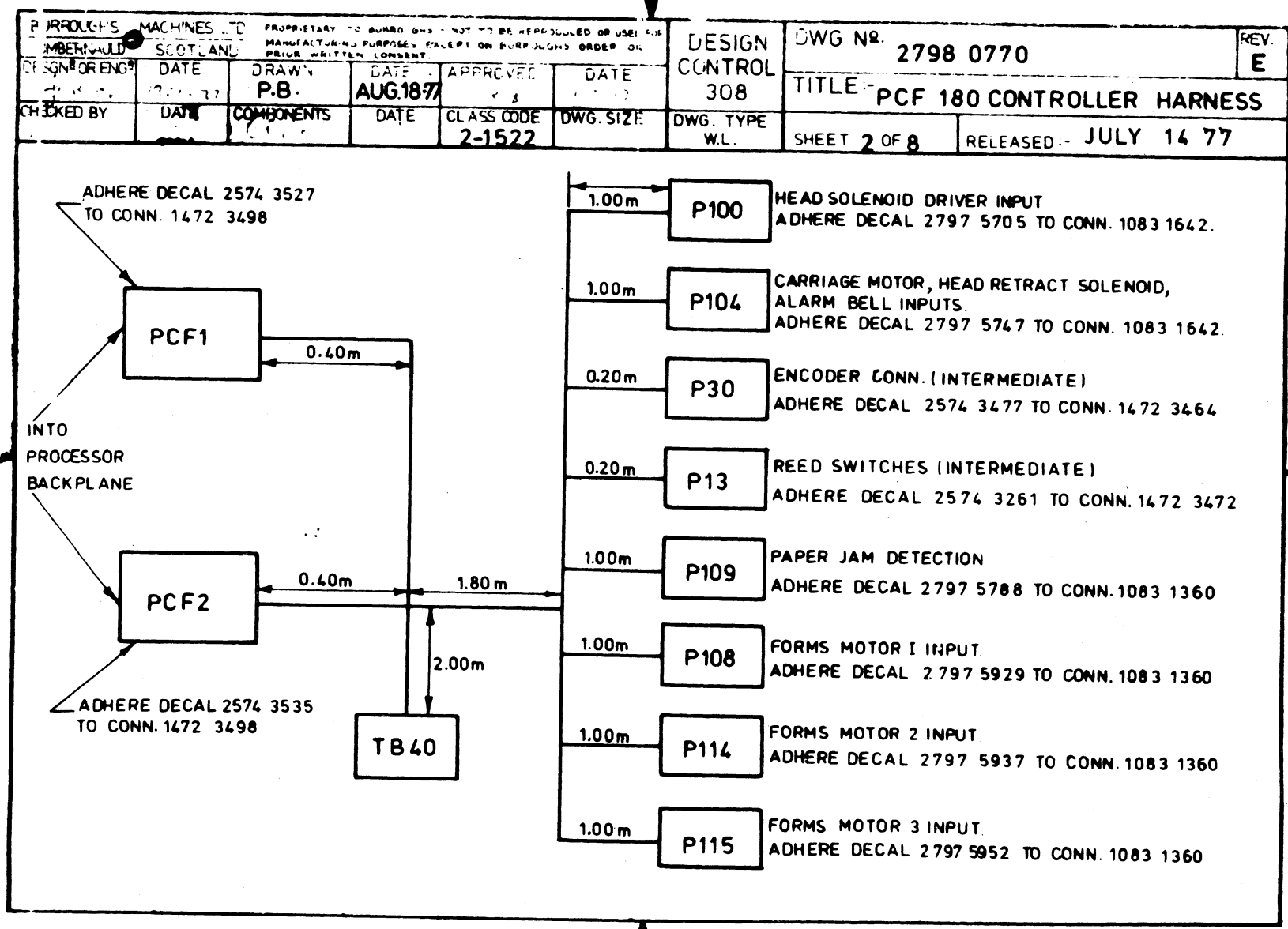
1 8

JULY 14 77

C.S.

2-1522

ER 01020
ECN 01371 <span style="float:right">B</span>
RM DEC. 2.77
SHTS. 3 & 8 ALT. <i>Swing</i>
ECN 01803 <span style="float:right">C</span>
C.MACL. JUNE 2, 78
SHEET 8 ALTERED
ECN 01971 <span style="float:right">D</span>
C.B. JUNE 30 78
SHEET 7 ALTERED
EMERGENCY
ECN 01995 <span style="float:right">E</span>
C.B. JULY 7 78
SHEET 7 ALTERED
EMERGENCY





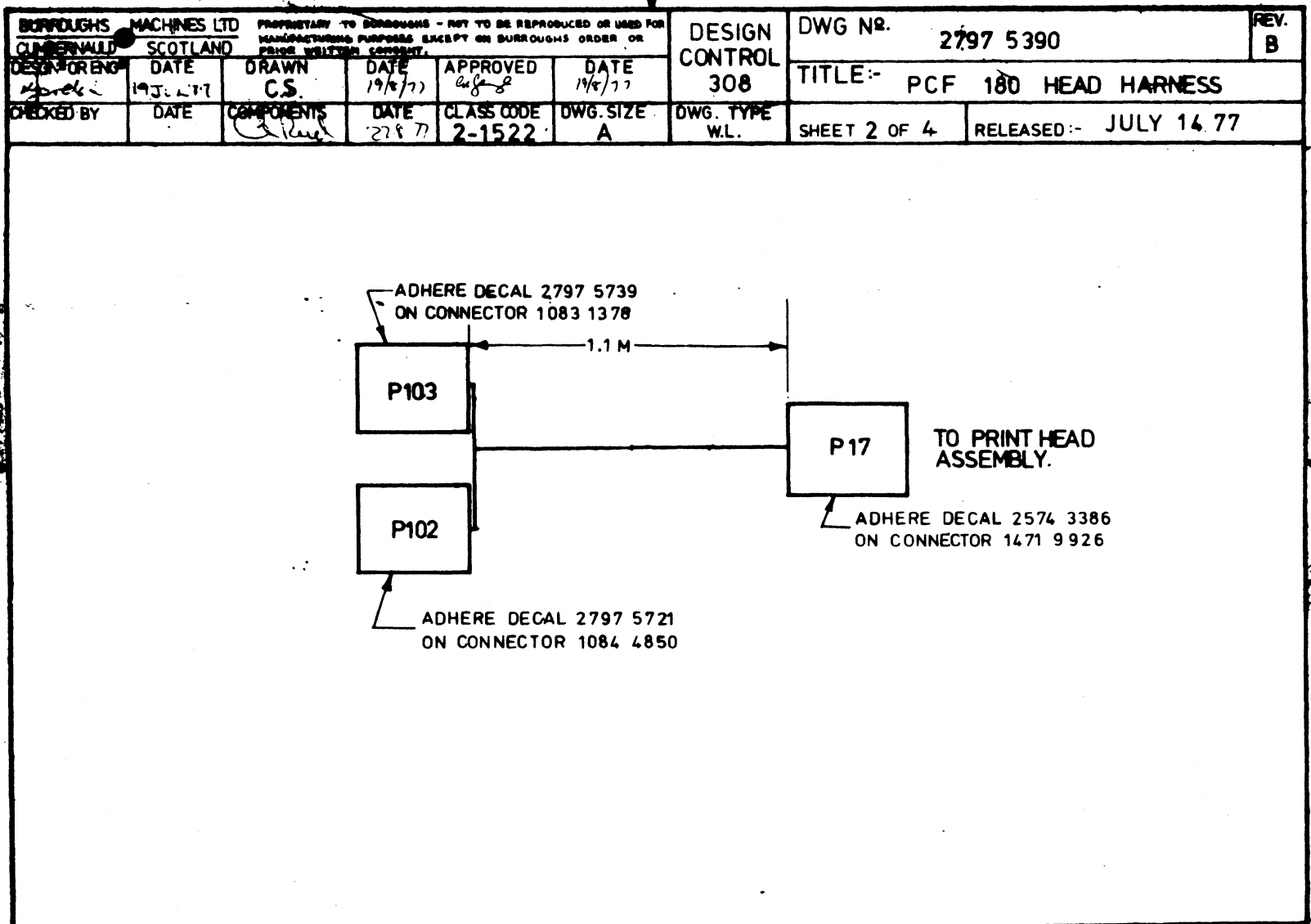




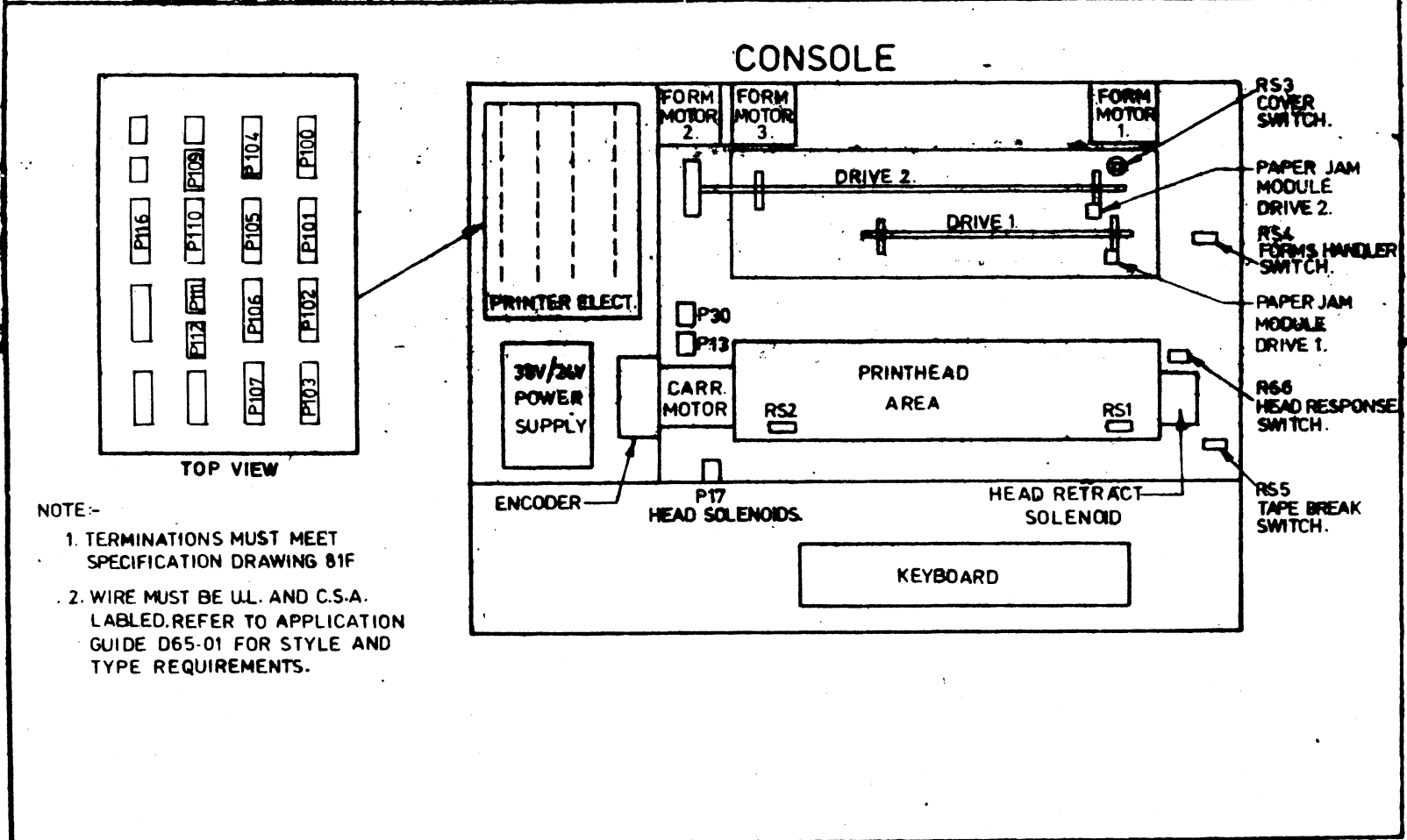
BURROUGHS MACHINES LTD CUMBERNAULD SCOTLAND		PROPRIETARY TO BURROUGHS - NOT TO BE REPRODUCED OR USED FOR MANUFACTURING PURPOSES EXCEPT ON BURROUGHS ORDER OR PRIOR WRITTEN CONSENT.				DESIGN CONTROL 308	DWG NO. 2798 0770	REV. E
DESIGN OR ENG. 4.11.77	DATE 19 JUL 77	DRAWN C.S.	DATE	APPROVED 2.8.77	DATE 13 17	TITLE: PCF 180 CONTROLLER HARNESS.		
CHECKED BY	DATE	COMPONENTS	DATE	CLASS CODE 2-1522	DWG SIZE	DWG. TYPE W.L.	SHEET 7 OF 8 RELEASED:- JULY 14 77	
SIGNAL NAME	FROM			TO			WIRE	
	CONNECTOR	CODE	TERMINAL	CONNECTOR	CODE	TERMINAL		
TAPE BRK	1472 3498	PCF2 39	1472 0726	1472 3472	P13-C	1472 0726	2572 7066	
GND	TP " "	PCF2-47	" "	" "	P13-F	" "	" "	
H. RESP	" "	PCF2-25	" "	" "	P13-H	" "	" "	
GND	TP " "	PCF2-10	" "	" "	P13-L	" "	" "	
CUSWOP/	" "	PCF2-35	" "	" "	P13-A	" "	" "	
GND	TP " "	PCF2-8	" "	" "	P13-D	" "	" "	
PHSWOP	" "	PCF2-49	" "	" "	P13-B	" "	" "	
GND	TP " "	PCF2-50	" "	" "	P13-E	" "	" "	
RDO	" "	PCF1-30	" "	" "	P13-J	" "	" "	
GND	TP " "	PCF1-25	" "	" "	P13-M	" "	" "	
R60	" "	PCF1-29	" "	" "	P13-K	" "	" "	
GND	TP " "	PCF1-40	" "	" "	P13-N	" "	" "	
MP	" "	PCF2-32	" "	" "	P13-P	" "	1944 3191	
MP1	1847 1532 REF	TB40 ROW5	1473 2911	" "	P13-R	" "	" "	
MP2	" "	TB40 ROW4	" "	" "	P13-S	" "	" "	

BURROUGHS MACHINES LTD CUMBERNAULD SCOTLAND		PROPRIETARY TO BURROUGHS - NOT TO BE REPRODUCED OR USED FOR MANUFACTURING PURPOSES EXCEPT ON BURROUGHS ORDER OR PRIOR WRITTEN CONSENT.				DESIGN CONTROL 308	DWG NO. 2798 0770	REV. E
DESIGN OR ENG. 4.11.77	DATE 19 JUL 77	DRAWN C.S.	DATE	APPROVED 2.8.77	DATE 13 17	TITLE: PCF 180 CONTROLLER HARNESS		
CHECKED BY	DATE	COMPONENTS	DATE	CLASS CODE 2-1522	DWG SIZE	DWG. TYPE W.L.	SHEET 8 OF 8 RELEASED:- JULY 14 77	
SIGNAL NAME	FROM			TO			WIRE	
	CONNECTOR	CODE	TERMINAL	CONNECTOR	CODE	TERMINAL		
DIEN/	1472 3498	PCF2-37	1472 0726	1847 1532 REF.	TB40 ROW5	1473 2911	1944 3191	
D2EN/	" "	PCF2-41	" "	" "	TB40 ROW4	" "	" "	
GND	" "	PCF2-4	" "	" "	TB40 ROW8	" "	" "	

BURROUGHS MACHINES LTD CLYDEBANK SCOTLAND		PROPRIETARY TO BURROUGHS - NOT TO BE REPRODUCED OR USED FOR MANUFACTURING PURPOSES EXCEPT ON BURROUGHS ORDER OR PRIOR WRITTEN CONSENT.				DESIGN CONTROL 308	DWG No. 2797 5390	REV. B
DESIGN ENG <i>McNair</i>	DATE 19 JUL 77	DRAWN C.S.	DATE 19 8 77	APPROVED <i>W.G.S.</i>	DATE 19/8-77	TITLE:- PCF 180 HEAD HARNESS		
CHECKED BY	DATE	COMPONENTS <i>C.S.</i>	DATE 22 8 77	CLASS CODE 2-1522	DWG. SIZE A	DWG. TYPE W.L.	SHEET 1 OF 4	RELEASED:- JULY 14 77
							ER 01022	
							ECN.01371 RM DEC. 2.77 SHT.3 ALTERED <i>Swing</i>	B



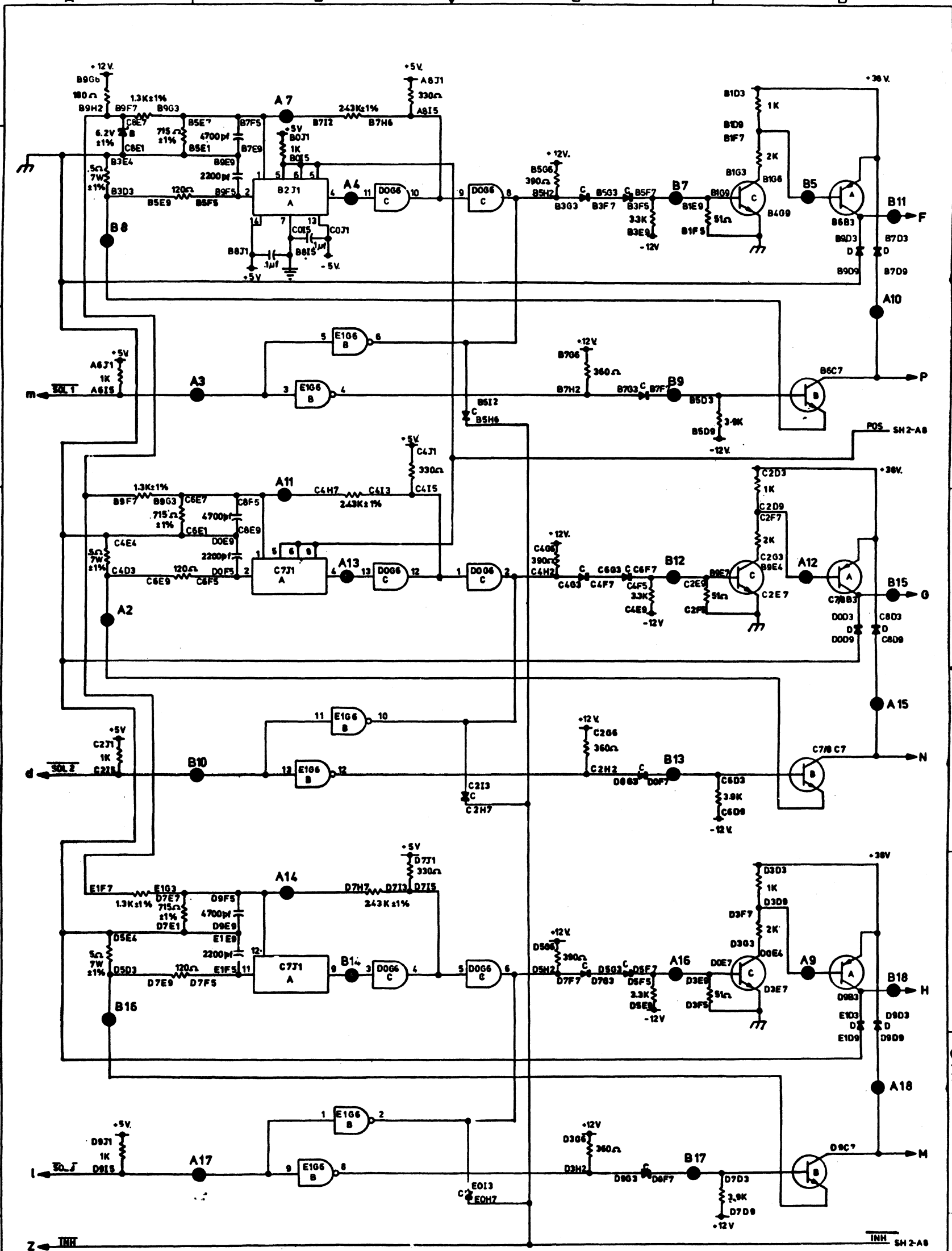
BURROUGHS MACHINES LTD GLASGOW SCOTLAND				PROPRIETARY TO BURROUGHS - NOT TO BE REPRODUCED OR USED FOR MANUFACTURING PURPOSES EXCEPT ON BURROUGHS ORDER OR PRIOR WRITTEN CONSENT.		DESIGN CONTROL 308	DWG No. 2797 5390	B
DESIGNED BY <i>John</i>	DATE 19/8/77	DRAWN C.S.	DATE 22/8/77	APPROVED <i>CAF</i>	DATE 19/8/77	TITLE:- P.C.F. 180 HEAD HARNESS		
CHECKED BY	DATE	COMPONENTS	DATE	CLASS CODE 2-1522	DWG. SIZE	DWG. TYPE W.L.	SHEET 3 OF 4	RELEASED:- JULY 14 77



BURROUGHS MACHINES LTD GLASGOW SCOTLAND				PROPRIETARY TO BURROUGHS - NOT TO BE REPRODUCED OR USED FOR MANUFACTURING PURPOSES EXCEPT ON BURROUGHS ORDER OR PRIOR WRITTEN CONSENT.		DESIGN CONTROL 308	DWG No. 2797 5390	REV. B
DESIGNED BY <i>John</i>	DATE 19/8/77	DRAWN C.S.	DATE 22/8/77	APPROVED <i>CAF</i>	DATE 19/8/77	TITLE:- PCF 180 HEAD HARNESS		
CHECKED BY	DATE	COMPONENTS <i>CAF</i>	DATE	CLASS CODE 2-1522	DWG. SIZE A	DWG. TYPE W.L.	SHEET 4 OF 4	RELEASED:- JULY 14 77.
SIGNAL NAME	FROM			TO			WIRE	
	CONNECTOR	CODE	TERMINAL	CONNECTOR	CODE	TERMINAL		
SOL3+	1083 1378	P103-1	1532 8040	1471 9926	P17-A	1071 8864	1940 9192	
SOL2+	" "	P103-2	" "	" "	P17-U	" "	" "	
SOL1+	" "	P103-3	" "	" "	P17-d	" "	" "	
SOL9+	" "	P103-4	" "	" "	P17-W	" "	" "	
SOL8+	" "	P103-5	" "	" "	P17-P	" "	" "	
SOL7+	" "	P103-6	" "	" "	P17-Z	" "	" "	
SOL5+	" "	P103-7	" "	" "	P17-Y	" "	" "	
SOL6+	" "	P103-8	" "	" "	P17-S	" "	" "	
SOL4+	1084 4850	P102-1	" "	" "	P17-V	" "	" "	
SOL9-	" "	P102-2	" "	" "	P17-H	" "	" "	
SOL8-	" "	P102-3	" "	" "	P17-B	" "	" "	
SOL1-	" "	P102-4	" "	" "	P17-R	" "	" "	
SOL2-	" "	P102-5	" "	" "	P17-E	" "	" "	
SOL3-	" "	P102-6	" "	" "	P17-M	" "	" "	
SOL4-	" "	P102-7	" "	" "	P17-F	" "	" "	
SOL5-	" "	P102-8	" "	" "	P17-K	" "	" "	
SOL6-	" "	P102-9	" "	" "	P17-C	" "	" "	
SOL7-	" "	P102-10	" "	" "	P17-L	" "	" "	

INPUTS

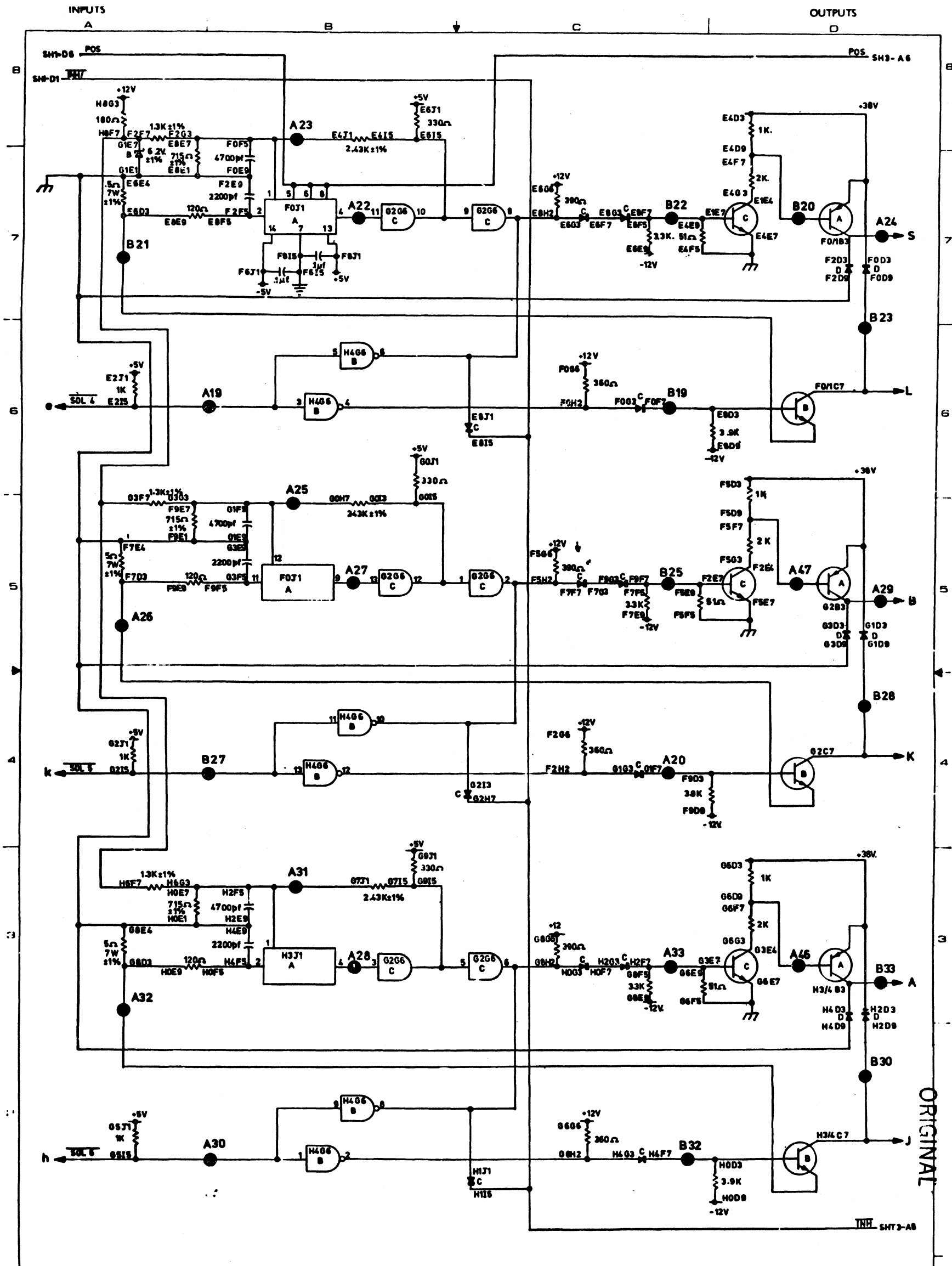
OUTPUTS



ORIGINAL

2797 4021 1207 1201		ECN 01022 1-4 SEP 77		<b>Burroughs</b> SMALL SYSTEMS DIVISION BURROUGHS MACHINES LIMITED CUMBERNAULD, SCOTLAND, U.K.		DESIGN CONTROL 300		TITLE <b>PCF 100 HEAD SOLENOID DRIVERS</b>		C.T. PROGRAMME DR 19 Aug 77	
DATE 19-77		DATE 19-77		DATE MAY .31.77		DATE 19-77		DATE 19-77		DRAWING No 2797 4021	
DESIGNED S. W. Mc		CHECKED S. W. Mc		DATE 19-77		DATE 19-77		DATE 19-77		REV B	
APPROVED S. W. Mc		DATE 19-77		DATE 19-77		DATE 19-77		DATE 19-77		CLASS CODE 2-9520	
ENG COMP		DATE		DATE		DATE		DATE		PAGE 1 OF 4	

PROPRIETARY TO BURROUGHS NOT TO BE REPRODUCED NOR USED FOR MANUFACTURING PURPOSES EXCEPT ON BURROUGHS ORDN OR PRIOR WRITTEN COMMENT

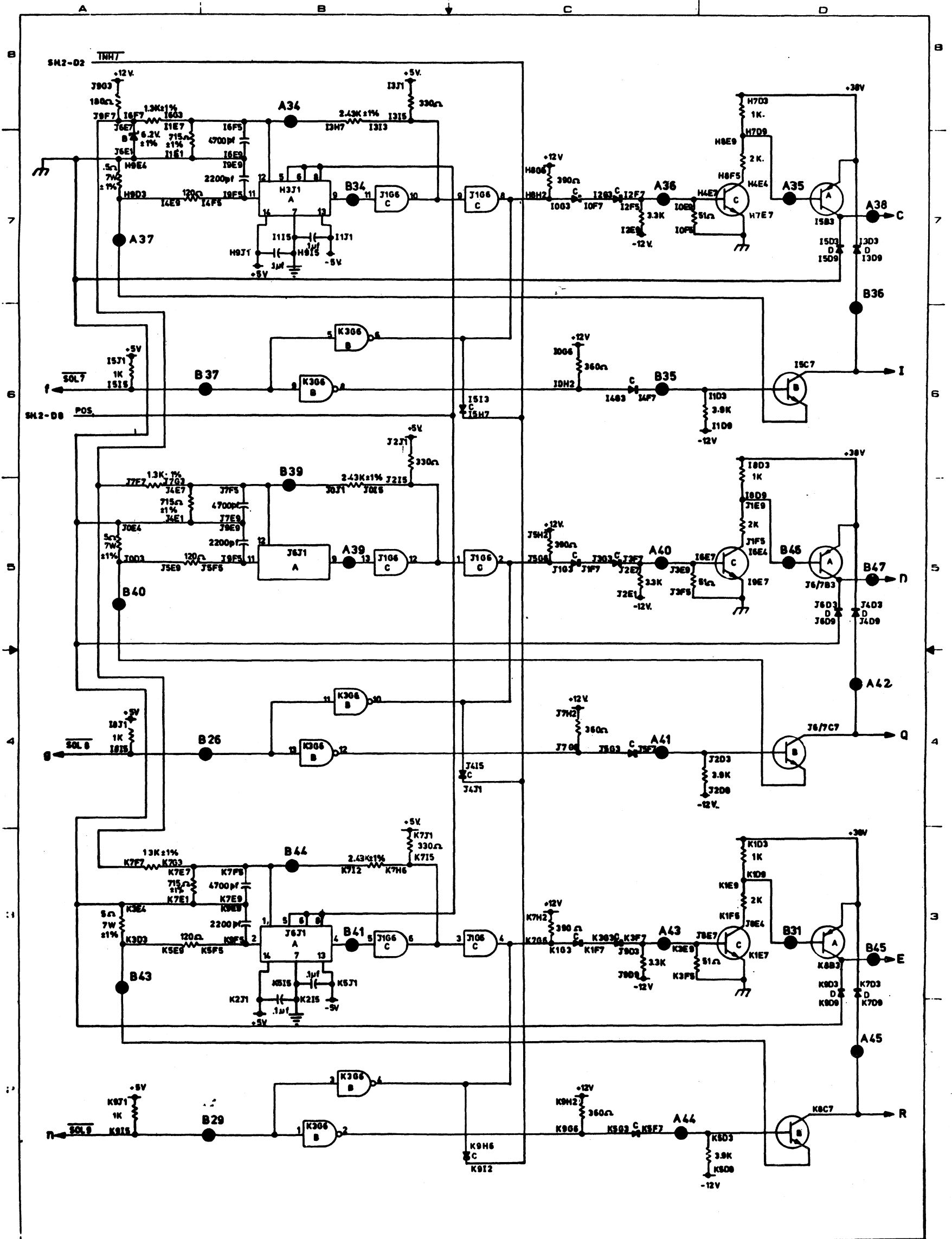


ORIGINAL

2797 4021		ER01022		Burroughs		C.T. PROGRAMME	
2797 4021		1-4-SEP-77		PCF 80 HEAD SOLENOID DRIVERS		MAY .31.77	
2797 4021		2-05-20		A1		B 2 OF 4	

INPUTS

OUTPUTS

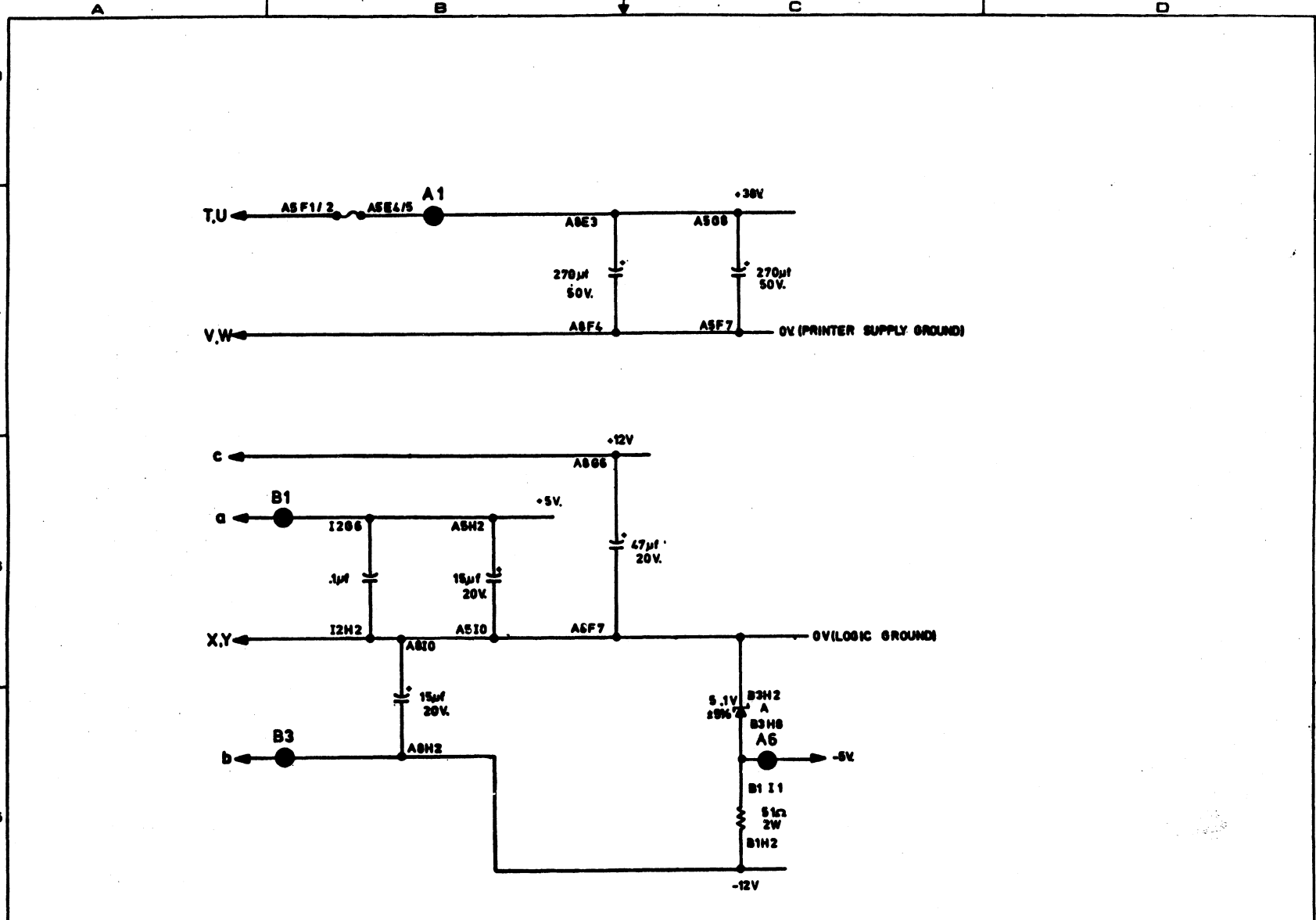


C.T. PROGRAMME. M 12 1977

3 OF 4	2797 4021	PCF 180 HEAD SOLENOID DRIVERS	C. McLEOD MAY 31. 77		2797 4021
			C. McLEOD MAY 31. 77		
			C. McLEOD MAY 31. 77		
			C. McLEOD MAY 31. 77		
Burrhoughs			PCF 180 HEAD SOLENOID DRIVERS		2797 4021
PCF 180 HEAD SOLENOID DRIVERS			C. McLEOD MAY 31. 77		
PCF 180 HEAD SOLENOID DRIVERS			C. McLEOD MAY 31. 77		
PCF 180 HEAD SOLENOID DRIVERS			C. McLEOD MAY 31. 77		
PCF 180 HEAD SOLENOID DRIVERS			C. McLEOD MAY 31. 77		2 OF 4

INPUTS

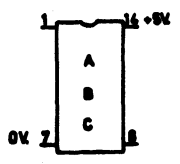
OUTPUTS



NOTE:-  
 1/ ALL RESISTORS 1/2W 5% UNLESS OTHERWISE SPEC'D  
 2/ DENOTES LOGIC GROUND  
 3/ DENOTES PRINTER SUPPLY GROUND  
 4/ FOR ASSY. SEE 2787 4019  
 5/ CODES USED FOR COMPONENT PART NOS. ARE AS FOLLOWS:-

**TRANSISTORS**  
 A - 2574 9045  
 B - 2574 9052  
 C - 1785 2846

**DIODES**  
 A - 1288 9025  
 B - 1479 7997  
 C - 1471 4702  
 D - 1848 3338



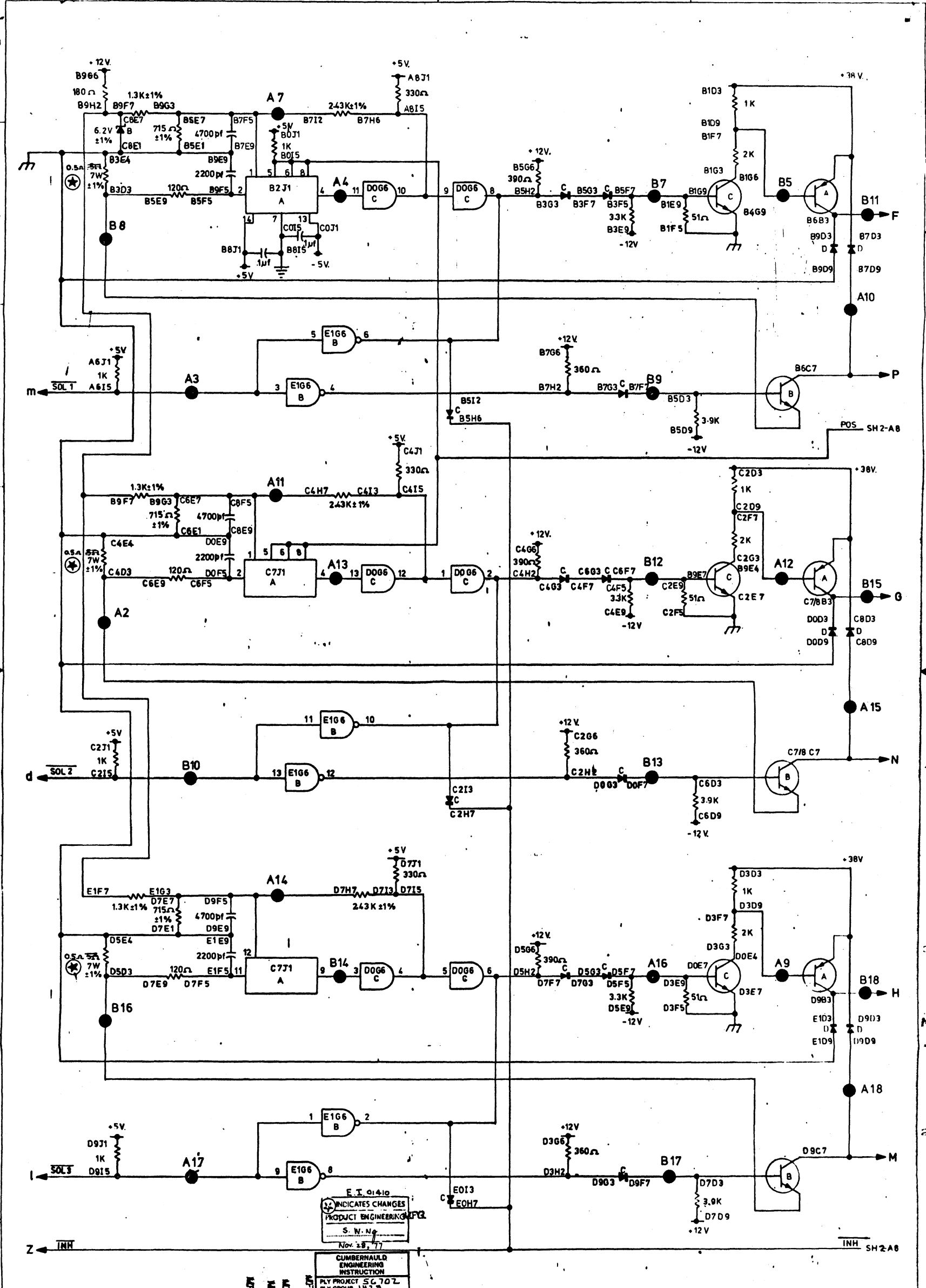
**IC**  
 A - (SN 78107A) 1675 828  
 B - (SN 7406) 1674 4863  
 C - (SN 7417) 2600 1688

		TITLE: PCF 180 HEAD SOLENOID DRIVERS DRAWN: C. MURLEED DATE: JUNE 2 77 CHECKED: [Signature] DATE: 17-77 CLASS CODE: 2 9520	
PROJECT: 2787 4021 DRAWING NO: 2787-4021	REVISION: 1-4 SEP 77 ECN: 01208 DATE: JULY 14-77	DESIGNER: [Signature] DATE: 17-77	DRAWING NO: 2787-4021 DATE: JUNE 2 77 CHECKED: [Signature] DATE: 17-77 CLASS CODE: 2 9520

ORIGINAL

INPUTS

OUTPUTS



E.I. 01410  
INDICATES CHANGES  
PRODUCT ENGINEERING  
S. W. N.  
Nov 28, 77

CUMBERNAULD  
ENGINEERING  
INSTRUCTION  
PCF PROJECT SC 702  
PCF GROUP 1413  
DATE 11.23.77

CT PROGRAMME DPC 1975.77

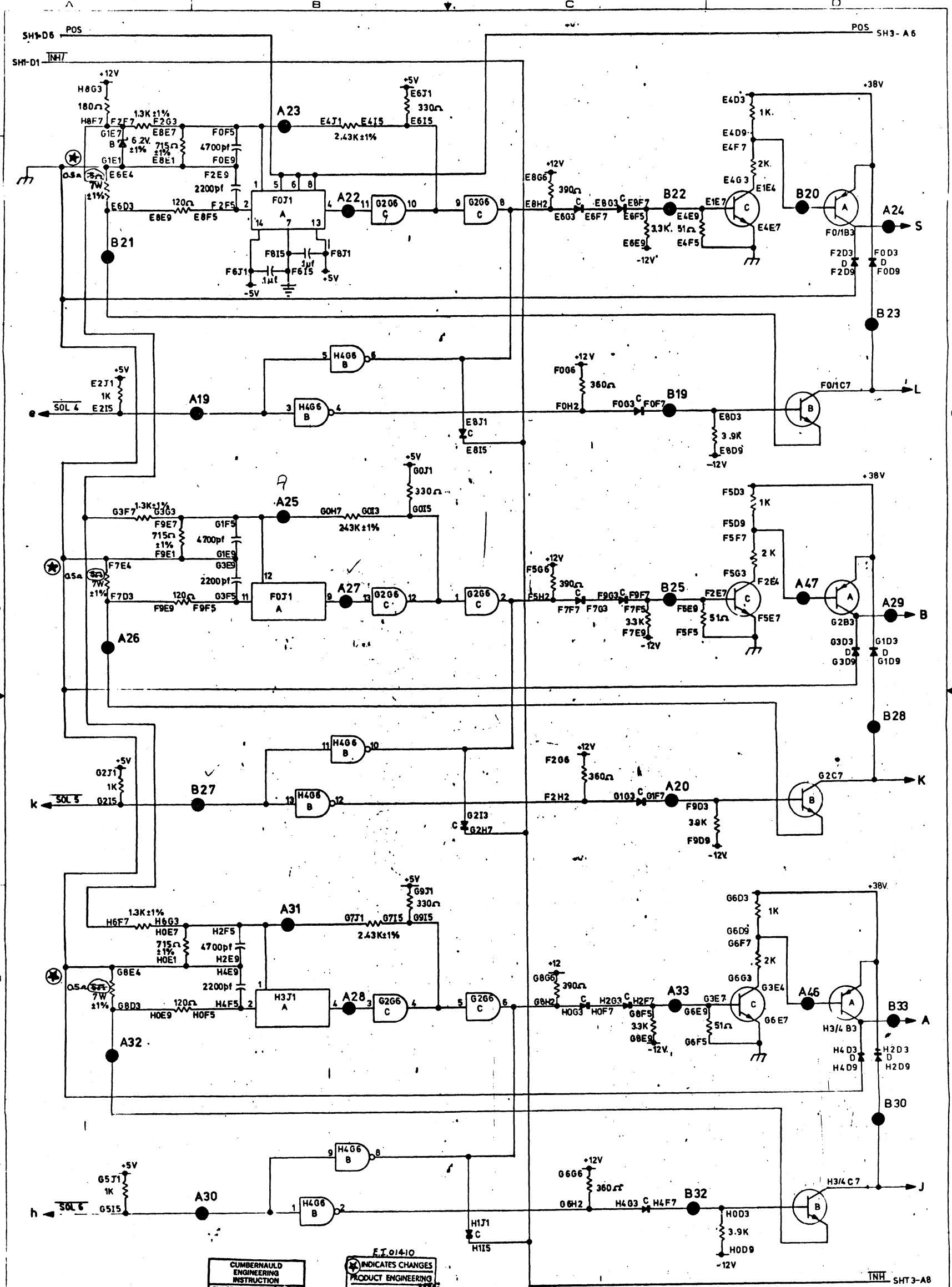
2797 4021		<p>Burroughs SMALL SYSTEMS DIVISION BURROUGHS MACHINE LIMITED CUMBERNAULD, SCOTLAND, U.K.</p>	<p>DESIGN CONTROL DATE DESIGNED BY S. W. N. APPROVED DATE H-8-77</p>	PCF 180 HEAD SOLENOID DRIVERS		DATE MAY . 31 . 77	QTY 2797 4021
2797 4021				DATE 2-9520	REV B	PAGE 1 OF 4	
2797 4021				DATE MAY 31 1977	REV A1	PAGE 1 OF 4	
2797 4021				DATE MAY 31 1977	REV A1	PAGE 1 OF 4	

EF



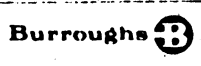
INPUTS

OUTPUTS



CUMBERNAULD  
ENGINEERING  
INSTRUCTION  
PLY PROJECT 5670L  
PLY GROUP 1479  
DATE 11 18 77

E.T. 014-10  
INDICATES CHANGES  
PRODUCT ENGINEERING  
S.W. No.  
Nov. 28, 77



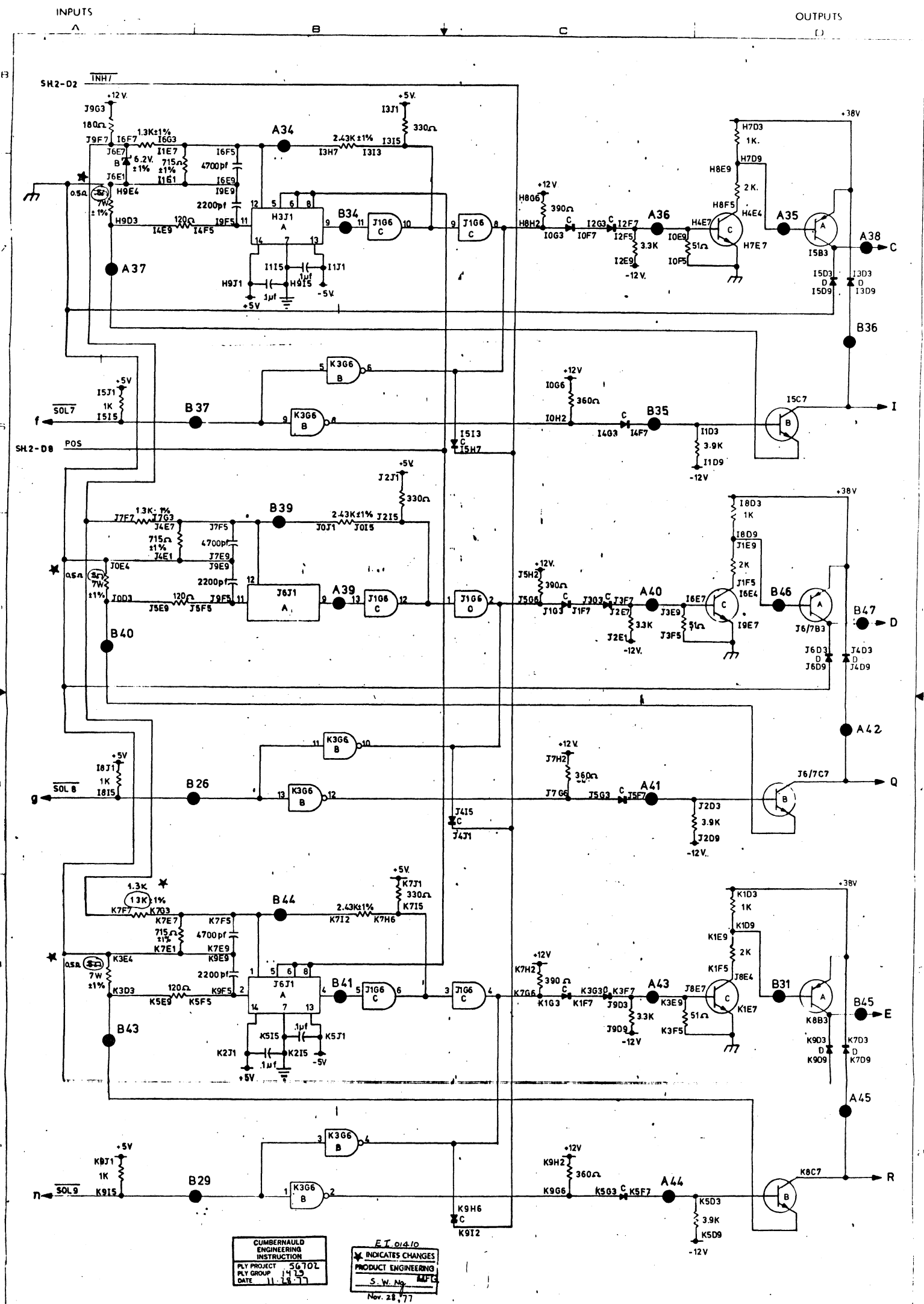
PCF 180 HEAD SOLENOID DRIVERS

Sim Wai Ng	C.MAC LEOD	MAY .31.77	2797 4021
11-77	Sim Wai Ng	2-9520	B 2 of 4

2797 4021  
2 of 4 B

ER 0102  
1-4 SEP 77  
JULY 14-77

EI



CUMBERNAULD  
ENGINEERING  
INSTRUCTION  
PLY PROJECT 56702  
PLY GROUP 1475  
DATE 11-18-77

ET 014-10  
INDICATES CHANGES  
PRODUCT ENGINEERING  
S. W. No. MFG  
Nov. 21, 77

C.T. PROGRAMME DT 15-2-77

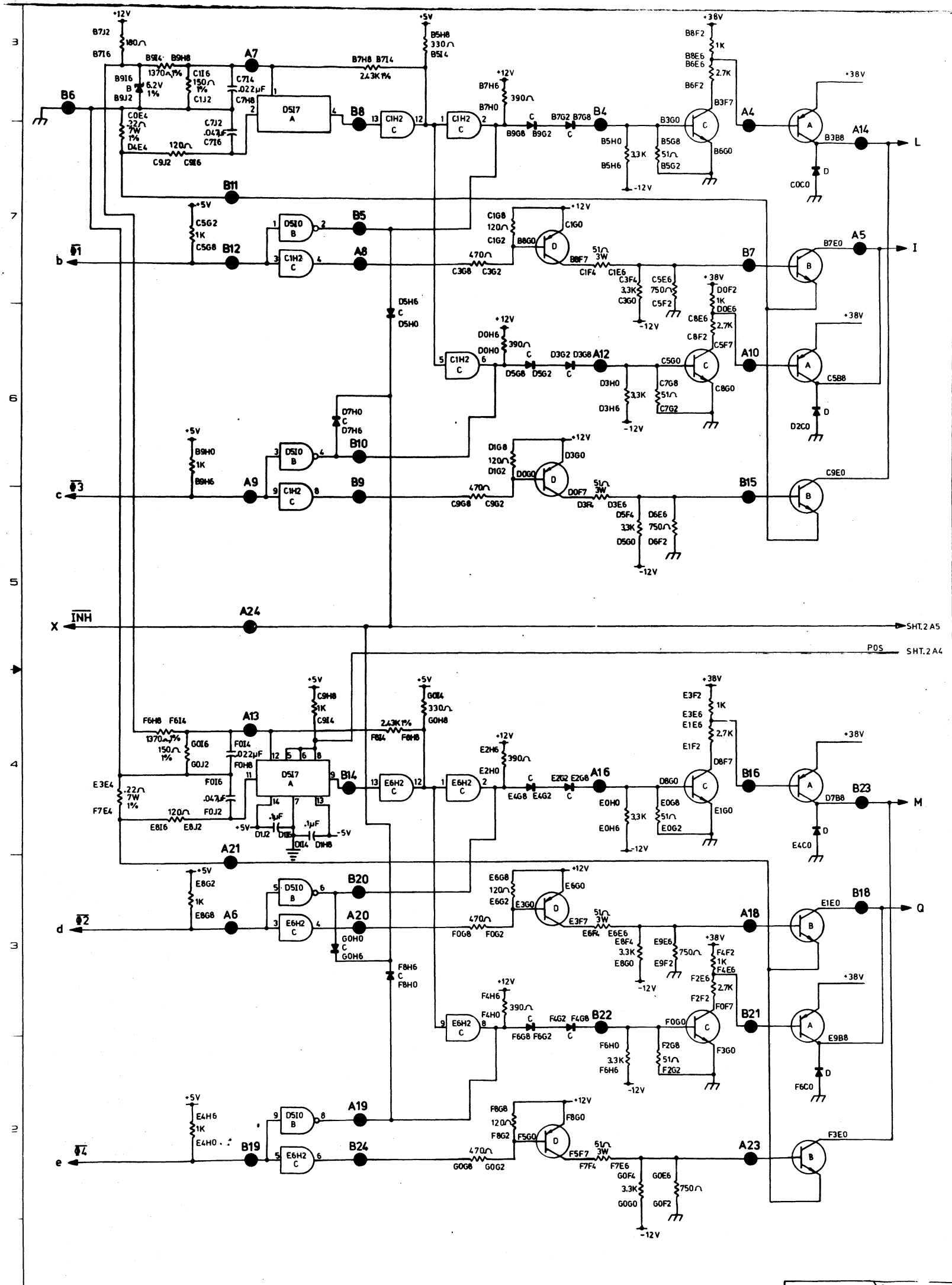


PCF 180 HEAD SOLENOID DRIVERS			
DESIGNED BY	C. M. LEED	DATE	MAY 31 77
DESIGNED BY	Sim Wei Ng	DATE	17-8-77
REVISED BY	Sim Wei Ng	DATE	2-9-80
REVISED BY	A1	DATE	2-9-80
REVISED BY	B	DATE	3 OF 4


2797 4021

JUN 14 77  
ER 01 022 MFG  
EN 07 009 MFG  
1-LSPT 287 B  
ET 014-10 MFG

EI



C.T. PROGRAMME. DR. 19 Aug 77

2797-4054 1 of 3	ER 011 27 ER 011 27 EN 0388 37 M EN 12 DEC 27 77 EN 102001 3 AUG 85 M.C EMERGENCY	 SMALL SYSTEMS DIVISION BURROUGHS MALVERN LIMITED MALVERN, WORMSLEY, GLOS.			PCF180 DOUBLE FORMS MOTOR DRIVER		
		REV. C	REV. D	REV. E	REV. F	REV. G	REV. H
		APP. 8/77	APP. 8/77	APP. 8/77	APP. 8/77	APP. 8/77	APP. 8/77
						AUG 12 77	
				2797-4054			
				J. DE J.			

PROPRIETARY. ALL RIGHTS RESERVED. NOT TO BE REPRODUCED WITHOUT PERMISSION.

2798 0788

P.C.F. 180 REED SWITCH HARNESS.

JULY 14 77

ER 01044  
 ECN 01514 [B]  
 CMACL. FEB. 3. 78  
 SHT. 3 ALTERED SWNG  
 ECN 01803 [C]  
 P.B. JUNE 2-78  
 SHEET 4 ALTERED

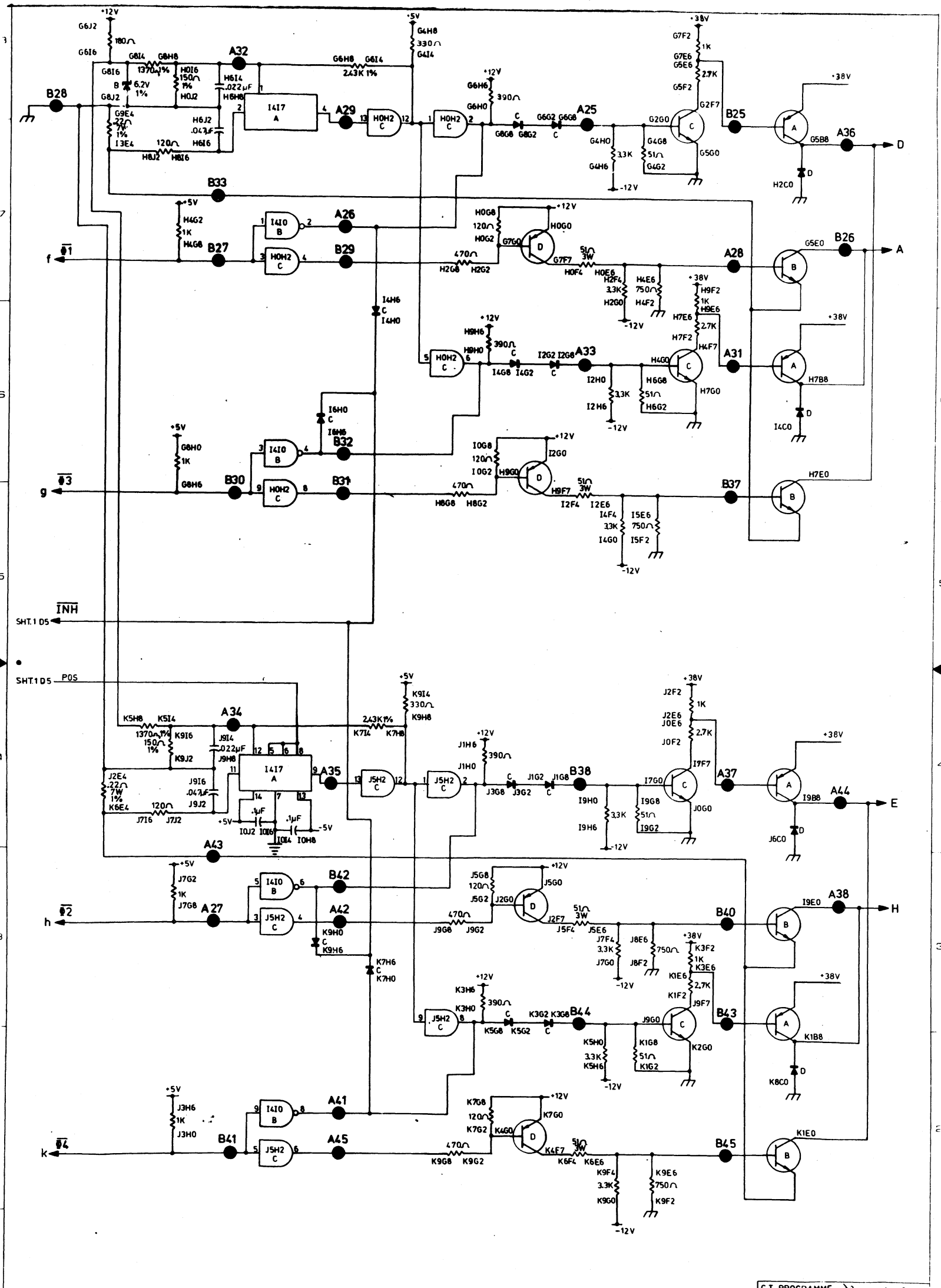
2-1522

EDA # 62359  
 PLYMOUTH  
 ENGINEERING DEVIATION  
 AUTHORIZATION  
 PROJECT 56702  
 GROUP 1617 A.T.  
 DATE 10-19-78  
 PAGE 4 AFFECTED

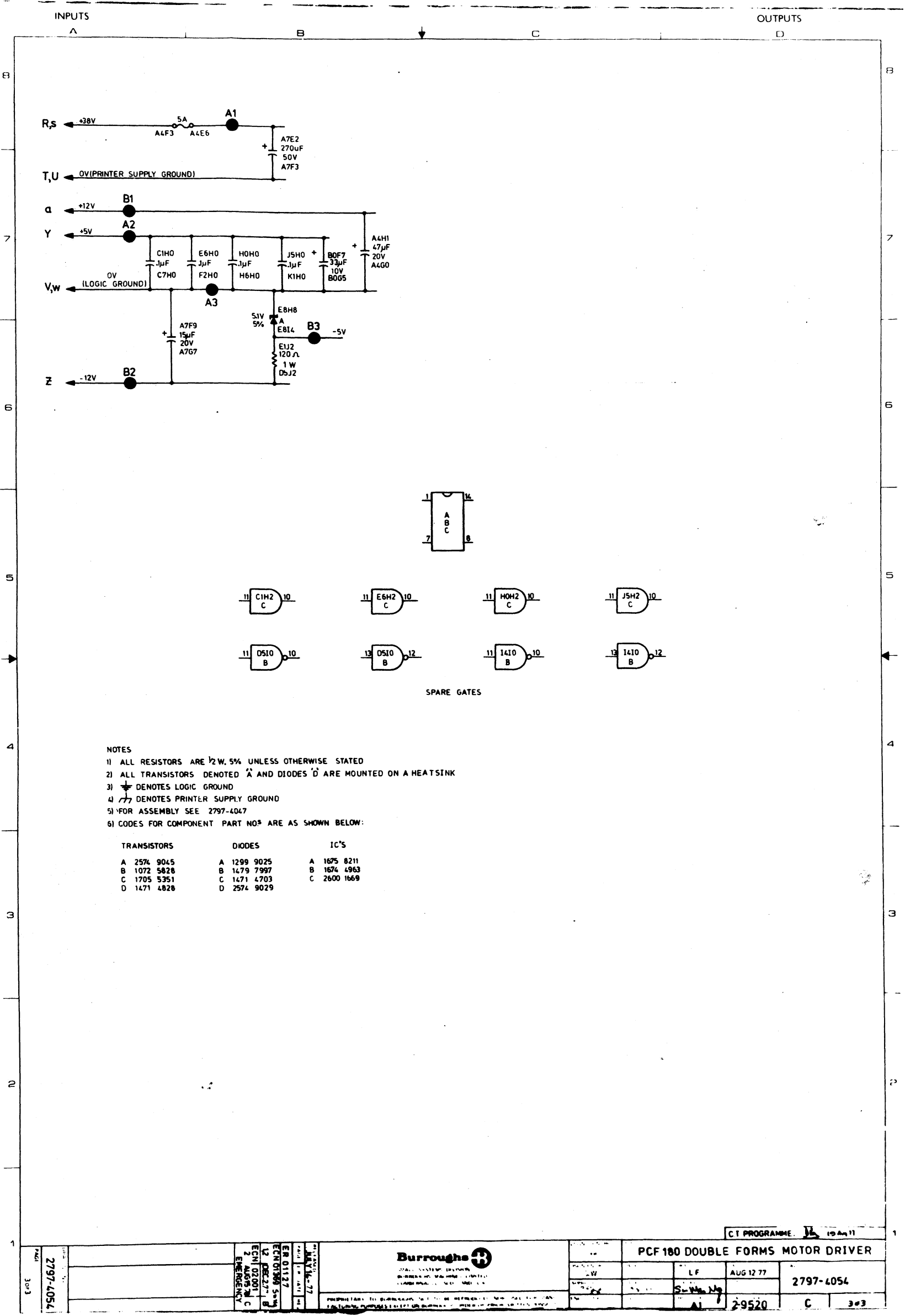
ORIGINAL

BURROUGHS MACHINES LTD SCOTLAND						DESIGN CONTROL 308		DWG NR. 2798 0788		REV. C
PROPERTY TO BURROUGHS - NOT TO BE REPRODUCED OR USED FOR MANUFACTURING PURPOSES EXCEPT ON BURROUGHS ORDER OR PRIOR WRITTEN CONSENT.						TITLE:- P.C.F. 180 REED SWITCH HARNESS.		SHEET 4 OF 4		RELEASED:- JULY 14 77
DESIGN OR ENG	DATE	DRAWN	DATE	APPROVED	DATE	DWG. TYPE	W.L.			
C.S.	19.7.77	C.S.								
CHECKED BY	DATE	COMPONENTS	DATE	CLASS CODE	DWG SIZE					
				2-1522						
SIGNAL NAME	FROM			TO			WIRE			
	CONNECTOR	CODE	TERMINAL	CONNECTOR	CODE	TERMINAL				
CVSWOP	1471 9934	J13-A	1472 0734	COVER SWITCH	RS3/PIN1	1472 0809 1113834	OR 2572 7066			
GND	TP	"	J13-D	"	RS3/PIN2	1472 0809 1113834	WH " "			
FHSW/	"	"	J13-B	FORMS HADLER SW	RS4/PIN1	SOLDER 1472 0809 1113834	OR " "			
GND	TP	"	J13-E	"	RS4/PIN2	1472 0809 1113834	WH " "			
TAPE BREAK	"	"	J13-C	TAPE BREAK SW	RS5/PIN1	1111 3834 1473 2911	OR " "			
GND	TP	"	J13-F	"	RS5/PIN2	"	WH " "			
H.RESP	"	"	J13-H	RIIS RESPONSE SW	RS6/PIN1	"	OR " "			
GND	TP	"	J13-L	"	RS6/PIN 2	"	WH " "			
R1Q	"	"	J13-J	RIIS REED SW	RS1/PIN1	"	OR " "			
GND	TP	"	J13-M	"	RS1/PIN2	"	WH " "			
RCO	"	"	J13-K	LHS REED SW	RS2/PIN1	"	OR " "			
GND	TP	"	J13-N	"	RS2/PIN2	"	WH " "			
MP1	"	"	J13-R	MEDIA PRESENT SW1	RS7/PIN1	SOLDER	1944 3191			
MP	"	"	J13-P	"	RS7/PIN2	"	"			
MP2	"	"	J13-S	" SW2	RS8/PIN1	"	"			
A CHOICE OF PINS 1 AND 2 ON REED SWITCHES IS ARBITRARY						PLYMOUTH ENGINEERING DEVIATION AUTHORIZATION				
PROJECT 56702 GROUP 1617 A.T.						DATE 10-19-78				

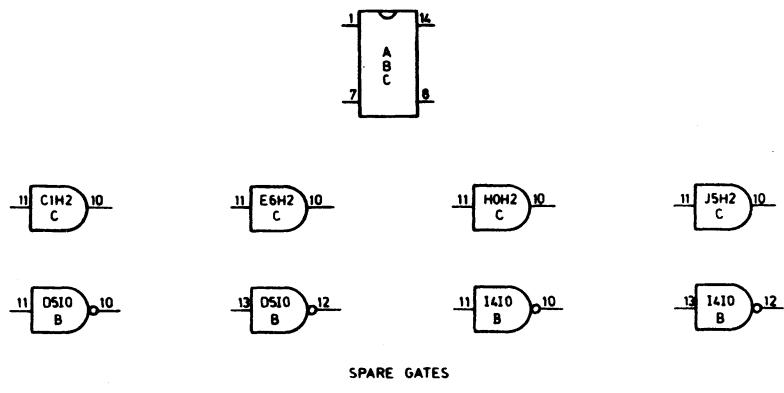
EDA # 62359



2797-4054 2 of 3	ER 01127 ECH 01368 ECN 102001 12 DEC 277 2 AUG 15 78 2 DERRIDGE NY	BURROUGHS CORPORATION 4800 UNIVERSITY AVENUE RICHMOND, CALIF. 94683	C.T. PROGRAMME. DR. (12/277)	
			PCF 180 DOUBLE FORMS MOTOR DRIVER	
			S.W.	LF
			AUG. 12. 77	2797-4054



- NOTES
- 1) ALL RESISTORS ARE 1/2W, 5% UNLESS OTHERWISE STATED
  - 2) ALL TRANSISTORS DENOTED 'A' AND DIODES 'D' ARE MOUNTED ON A HEATSINK
  - 3) ⚡ DENOTES LOGIC GROUND
  - 4) ⚡ DENOTES PRINTER SUPPLY GROUND
  - 5) FOR ASSEMBLY SEE 2797-4047
  - 6) CODES FOR COMPONENT PART NOS ARE AS SHOWN BELOW:
- | TRANSISTORS | DIODES      | IC'S        |
|-------------|-------------|-------------|
| A 2574 9045 | A 1299 9025 | A 1675 8211 |
| B 1072 5828 | B 1479 7997 | B 1674 4963 |
| C 1705 5351 | C 1471 4703 | C 2600 1669 |
| D 1471 4828 | D 2574 9029 |             |

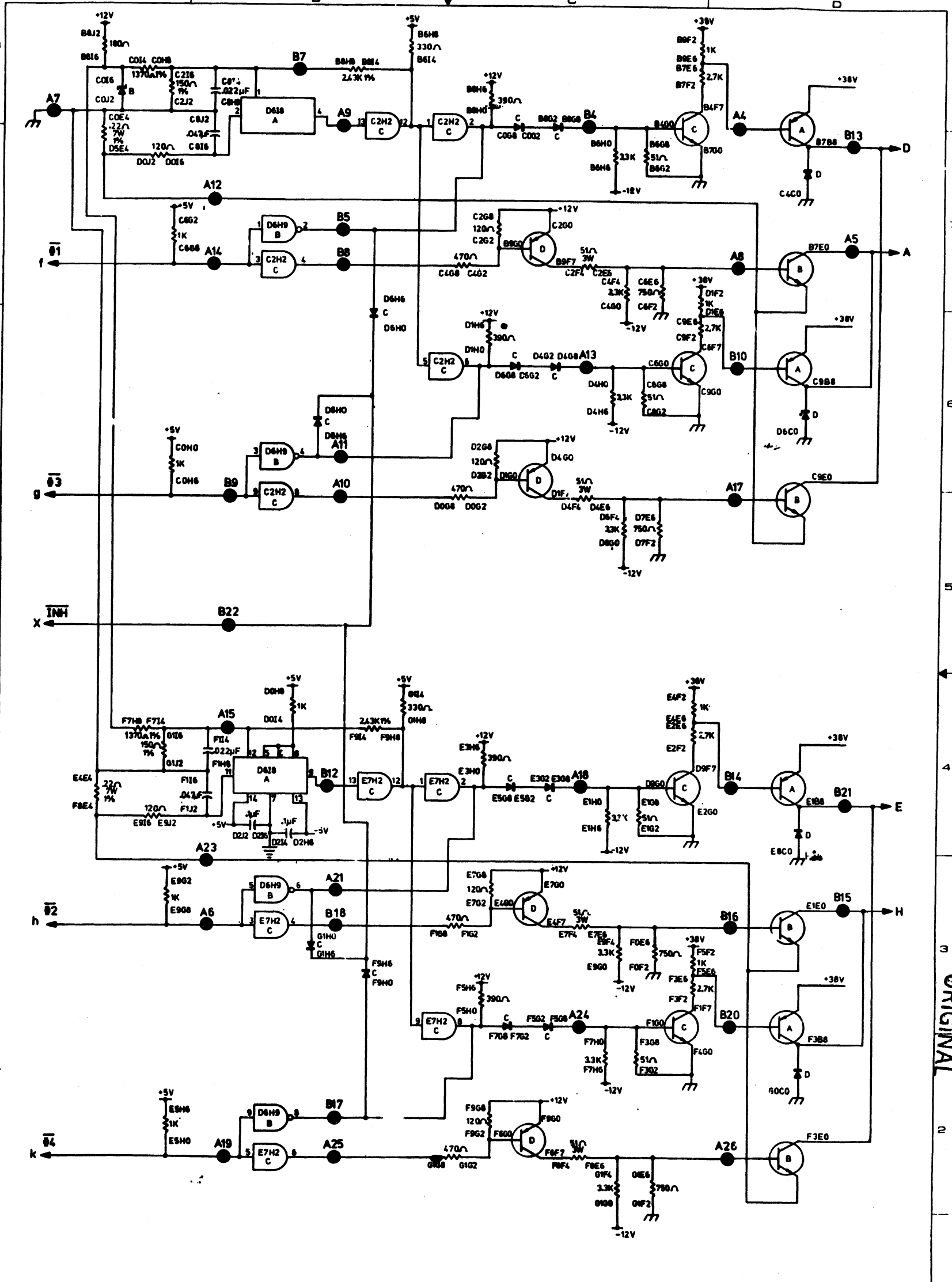


CI PROGRAMME. 19 Aug 77

2797-4054	303	ER 01137 ECN 01368 5/77 L2 082277 ECN 02001 2 AUG 77 EMERGENCY	<b>Burroughs</b>		PCF180 DOUBLE FORMS MOTOR DRIVER	
			AUG 12 77		2797-4054	
			S. W. H. J.		2-9520	
			A1		C 303	

INPUTS

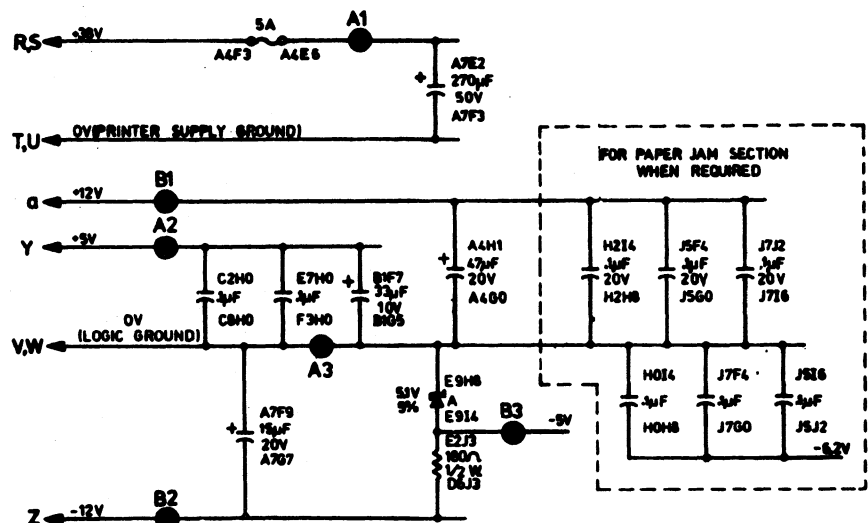
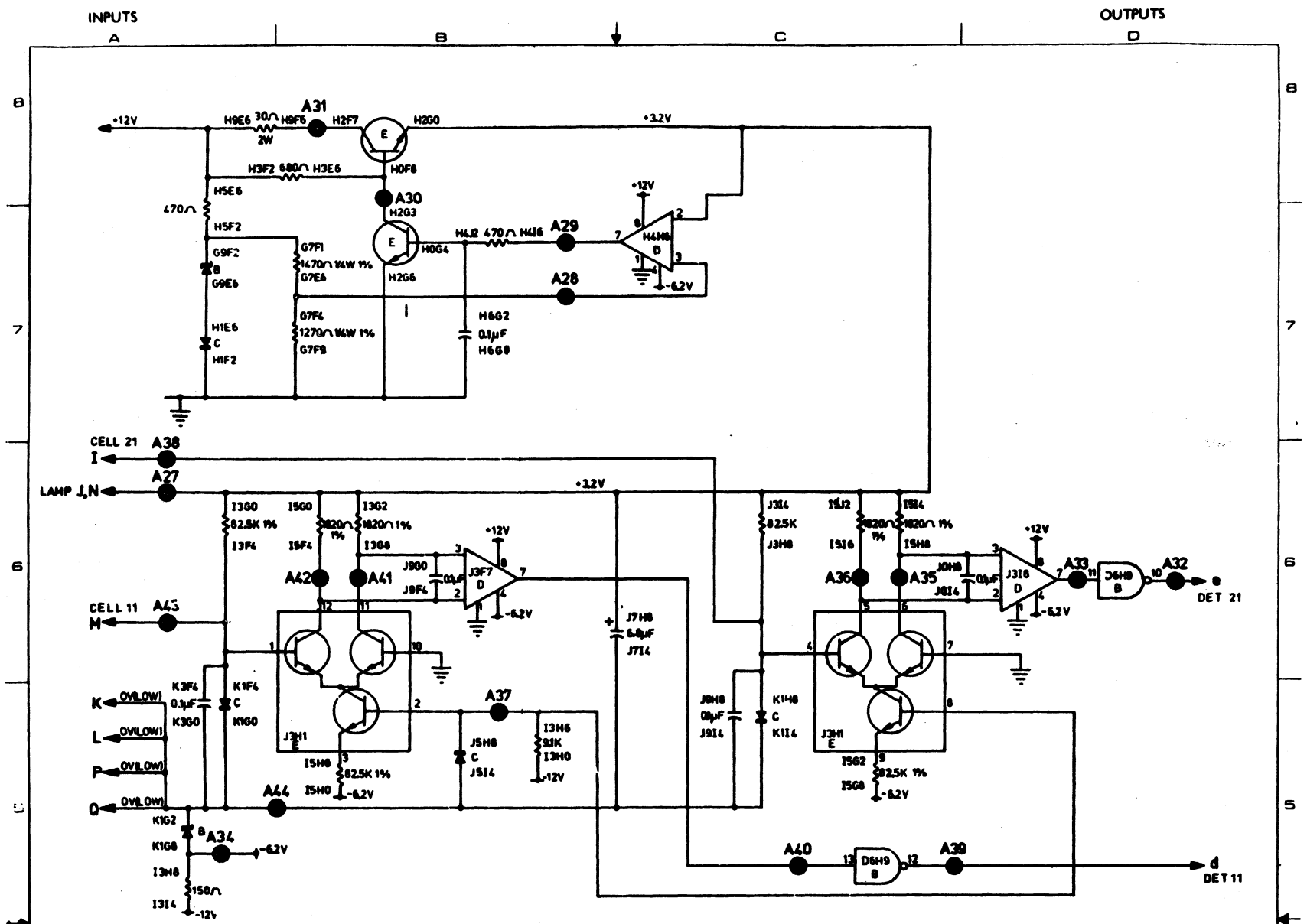
OUTPUTS



ORIGINAL

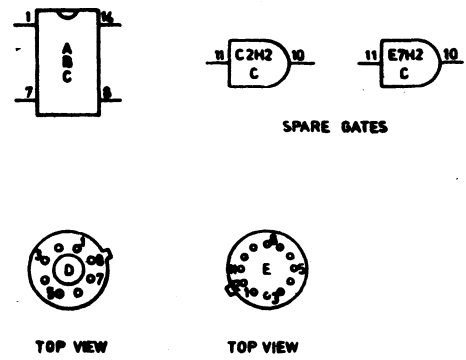
ORIGINAL

2797 4096 1 of 2		C.T. PROGRAMME. DR. 19 Aug 77	
<b>Burroughs</b> SMALL SYSTEMS DIVISION BURROUGHS MACHINES LIMITED GERRARD ROAD, SCOTLAND, U.K.		<b>SCHEMATIC FORMS MOTOR &amp; PAPER JAM (PCF 180)</b>	
DESIGNED BY S.W.	DATE 19-8-77	DRAWN BY L.F.	DATE AUG. 12. 77
APPROVED BY S.W.	DATE 19-8-77	CHECKED BY S.W.	DATE AUG. 12. 77
ENG. COMP.	DATE	ENG. S/L A1	CLASS. NO. 2-9520
PROPRIETARY TO BURROUGHS NOT TO BE REPRODUCED NOR USED FOR MANUFACTURING PURPOSES EXCEPT ON BURROUGHS MACHINES OR PRIOR WRITTEN CONSENT		DRAWING NO. 2797 4096	REV. C
1 of 2		PAGE 1 of 2	1 of 2



- NOTES:-
- 1) ALL RESISTORS ARE 1/2W 5% UNLESS OTHERWISE STATED.
  - 2) TRANSISTORS DENOTED 'A' ON SHEET 1 ARE MOUNTED ON A HEATSINK.
  - 3) ⏏ DENOTES LOGIC GROUND.
  - 4) ⏏ DENOTES PRINTER SUPPLY GROUND
  - 5) FOR ASSEMBLY SEE 2797-4000.(FORMS MOTOR & PAPER JAM) REV.D
  - 6) FOR ASSEMBLY SEE 2797-4500.(SINGLE FORMS MOTOR) REV.D
  - 6) CODES FOR COMPONENT PART NOS ARE SHOWN BELOW.

TRANSISTORS	DIODES	IC'S
A 2574 9045	A 1299 9025	A 1675 821
B 1872 5828	B 1478 7997	B 1874 4863
C 1788 2846	C 1471 4703	C 2600 1658
D 1471 4828	D 2574 9028	D 1471 4408
E 1471 4786		E 1477 3262



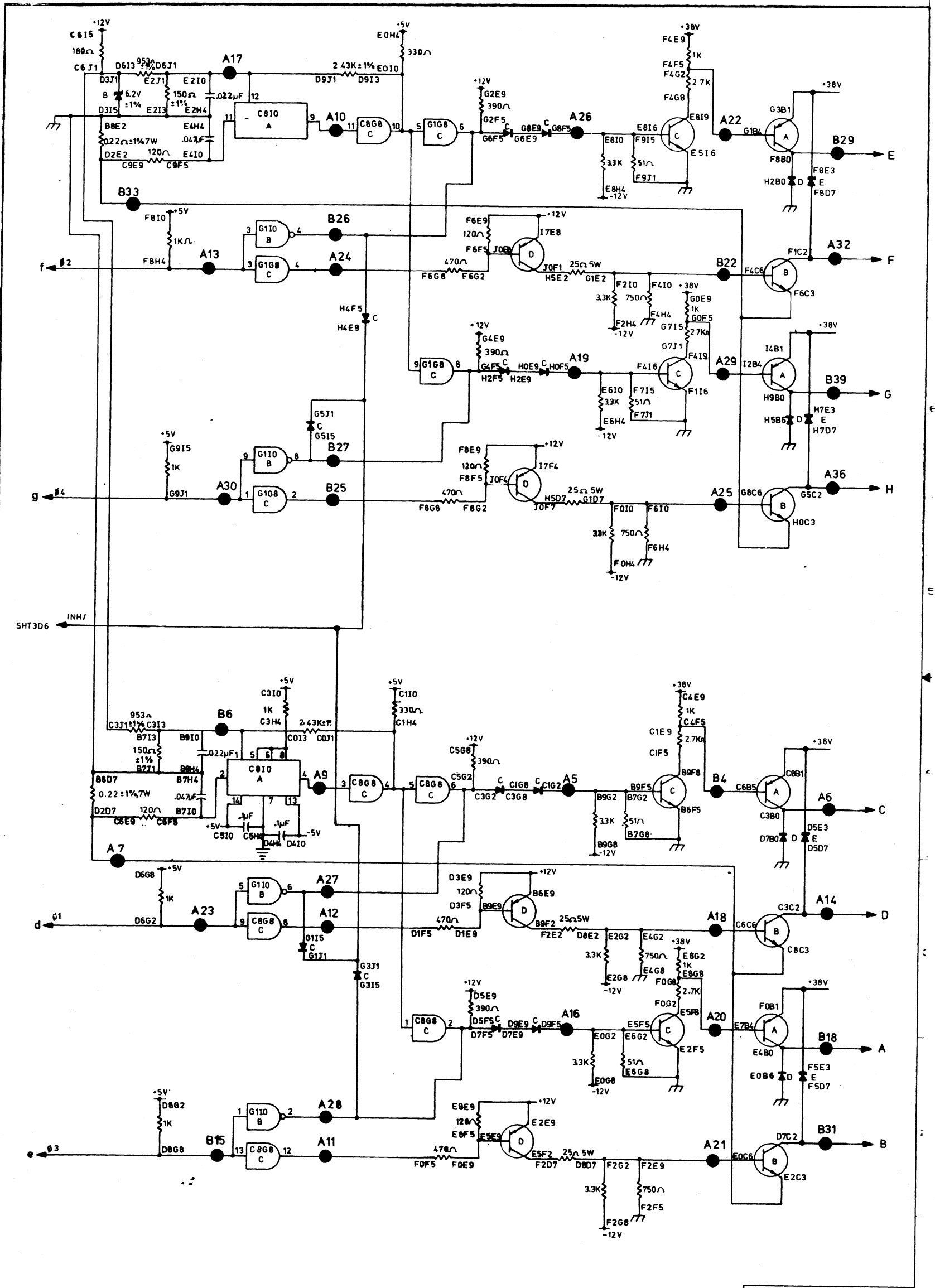
NOTE: ABOVE SECTION (EXCEPT FORMS POWER SUPPLIES) IS FOR PAPER JAM DETECT OPTION. IT IS THEREFORE LEFT OUT ON SOME MACHINES.

<b>Burroughs</b> SMALL SYSTEMS DIVISION BURROUGHS MACHINES LIMITED CUMBERNAULD, SCOTLAND, U.K. PROPRIETARY TO BURROUGHS NOT TO BE REPRODUCED NOR USED FOR MANUFACTURING PURPOSES EXCEPT ON BURROUGHS ORDER OR PRIOR WRITTEN CONSENT.		C.T. PROGRAMME. <i>[Signature]</i> 17 Aug 77 <b>SCHEMATIC FORMS MOTOR &amp; PAPER JAM (PCF 180)</b> DATE: 14-8-77 DRAWN: LF CHECKED: S.W. APPROVED: [Signature] DATE: 14-8-77 ENG. COMP: [Signature]	
DRAWING NO. 2797 4096 PART 2 OF 2	DATE: 14-8-77 CLASS. 29520 HV C PA 2 OF 2	DATE: 14-8-77 CLASS. 29520 HV C PA 2 OF 2	DATE: 14-8-77 CLASS. 29520 HV C PA 2 OF 2

ORIGINAL

ORIGINAL

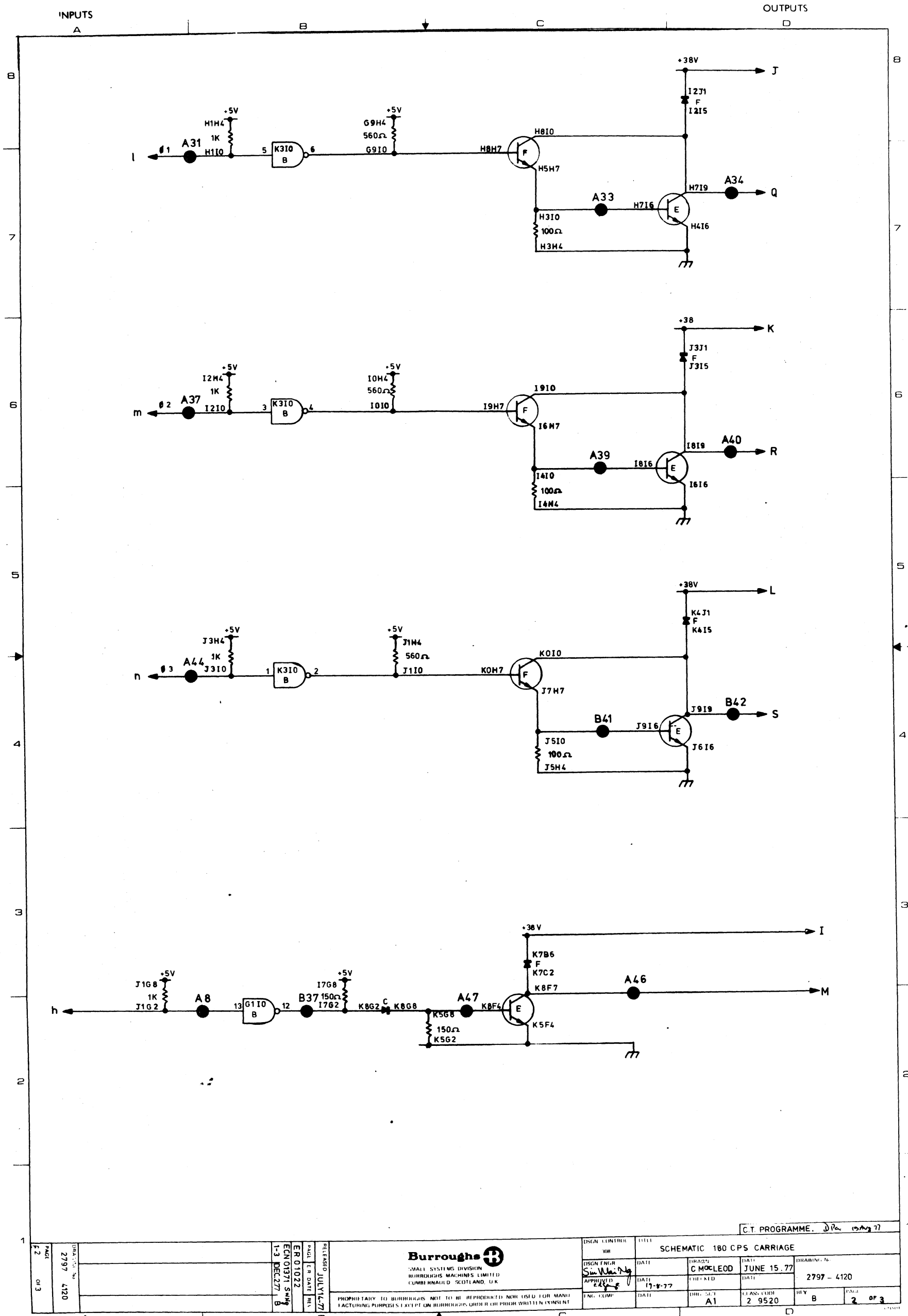




2797 4120		JULY 14 77		C.T. PROGRAMME. DR 12277	
ER 01022		ER 01022		SCHEMATIC 180 CPS CARRIAGE	
ED 01022		ED 01022		C.MAC LEOD JUNE 17 77	
1-3 FEB 27 77		1-3 FEB 27 77		2797-4120	
A1		2 9520		B 1 OF 3	

**Burroughs**  
 TOTAL SYSTEMS DIVISION  
 BURROUGHS MANUFACTURING COMPANY  
 BURROUGHS, MASSACHUSETTS, U.S.A.

PROPRIETARY TO BURROUGHS. NOT TO BE REPRODUCED NOR USED FOR MANUFACTURING PURPOSES EXCEPT BY BURROUGHS OR ITS AUTHORIZED AGENTS.

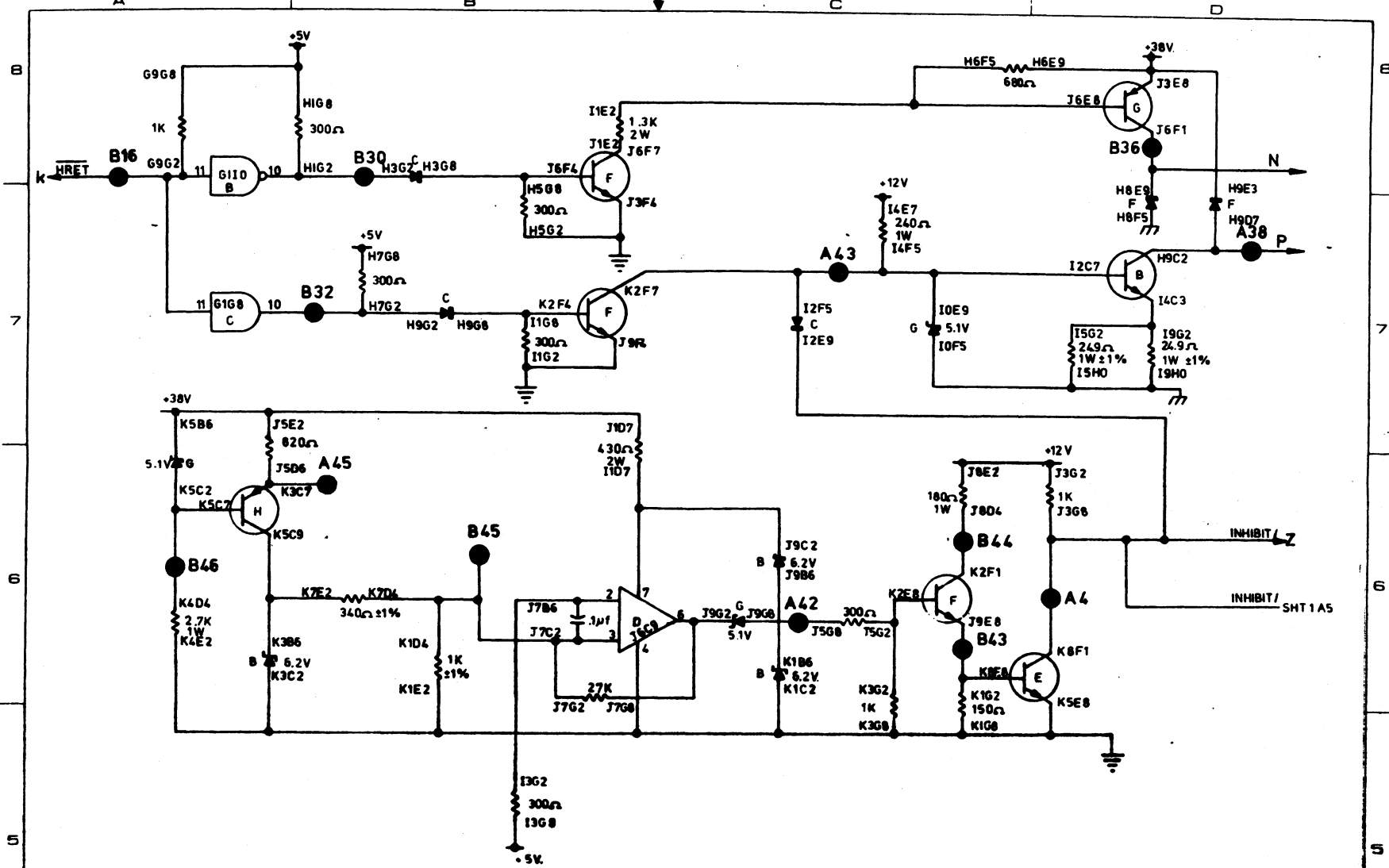


C.T. PROGRAMME. J.P. 15/77

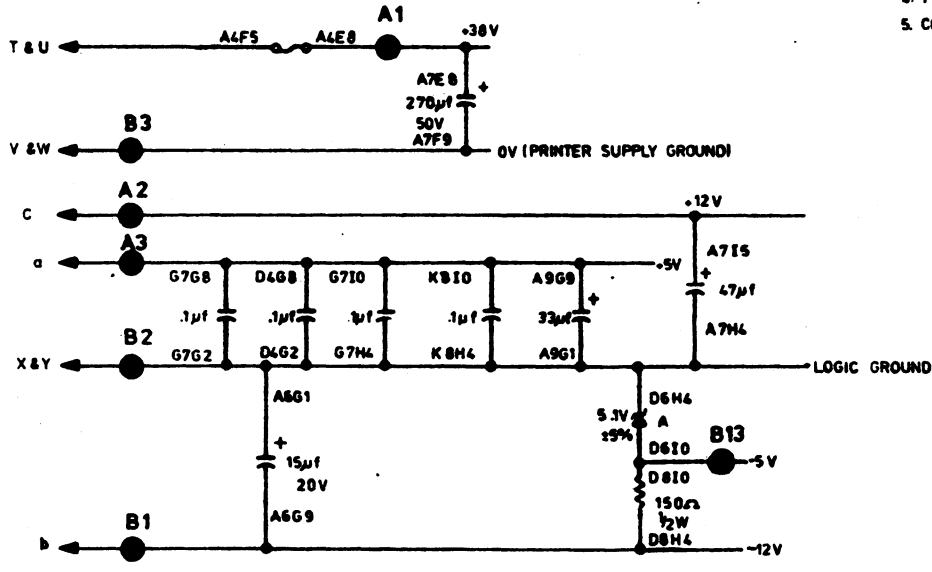
12 2797 4120	2797 4120	ER 01022 ECN 0371 SMG 1-3 DEC 27 77	RELEASED JULY 14 77	<b>Burroughs</b> <small>SMALL SYSTEMS DIVISION          BURROUGHS MACHINES LIMITED          CUMBERNAULD, SCOTLAND, U.K.</small>	DSGN CONTROL ORR	TITLE SCHEMATIC 180 CPS CARRIAGE				
					DSGN ENGR SIMON M. G.	DATE 17-8-77	DRAWN C. MACLEOD	DATE JUNE 15 77	DRAWING NO. 2797 - 4120	
12 2797 4120	2797 4120	ER 01022 ECN 0371 SMG 1-3 DEC 27 77	RELEASED JULY 14 77	<b>Burroughs</b> <small>SMALL SYSTEMS DIVISION          BURROUGHS MACHINES LIMITED          CUMBERNAULD, SCOTLAND, U.K.</small>	DSGN CONTROL ORR	DSGN ENGR SIMON M. G.	DATE 17-8-77	DRAWN C. MACLEOD	DATE JUNE 15 77	DRAWING NO. 2797 - 4120
PROPRIETARY TO BURROUGHS. NOT TO BE REPRODUCED NOR USED FOR MANUFACTURING PURPOSES EXCEPT ON BURROUGHS ORDER OR PRIOR WRITTEN CONSENT					ENG. COMP.	DATE	DRG. SET A1	CLASS. CODE 2 9520	REV B	PAGE 2 OF 3

INPUTS

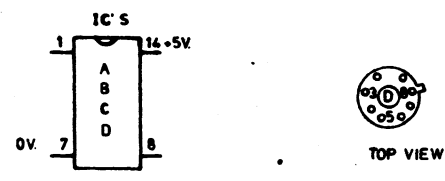
OUTPUTS



- NOTES:
1. ALL RESISTORS 1/2W 5% UNLESS OTHERWISE SPECIFIED
  2. DENOTES LOGIC GROUND
  3. DENOTES PRINTER SUPPLY GROUND
  4. FOR ASSEMBLY SEE 2797 4112
  5. CODES FOR COMPONENT PART NOS. ARE SHOWN BELOW

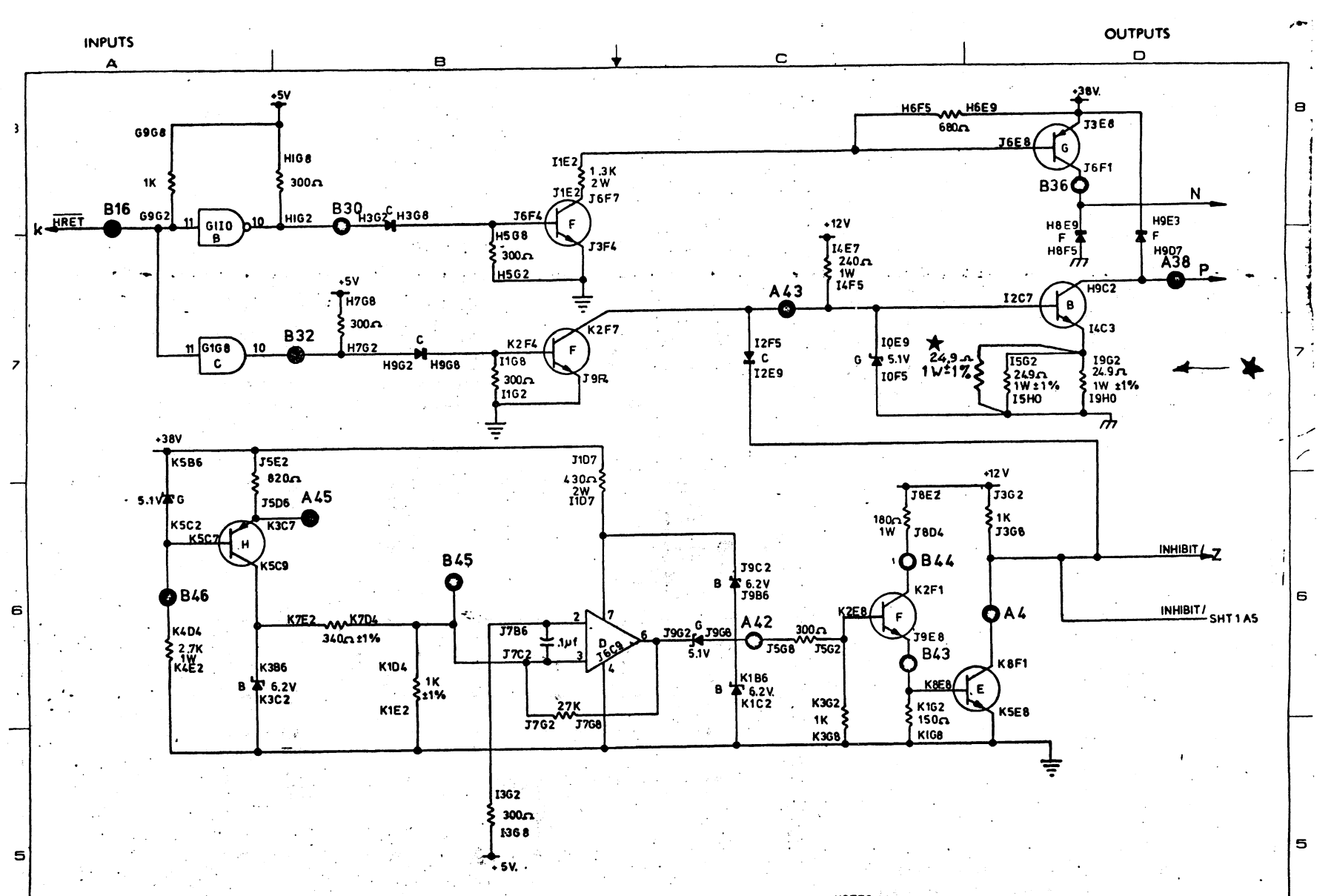


TRANSISTORS	DIODES	IC'S
A. 2574 9045	A. 1299 9025	A. (SN 75107A) 1675 8211
B. 1072 5828	B. 1479 7997	B. (SN 7406) 1674 4963
C. 1785 3946	C. 1471 4703	C. (SN 7417) 2600 1669
D. 1471 4828	D. 2574 9029	D. 1479 0273
E. 1847 0252	E. 1848 3339	
F. 1473 4255	F. 1471 4737	
G. 1785 3938	G. 2571 1029	
H. 1477 3451		

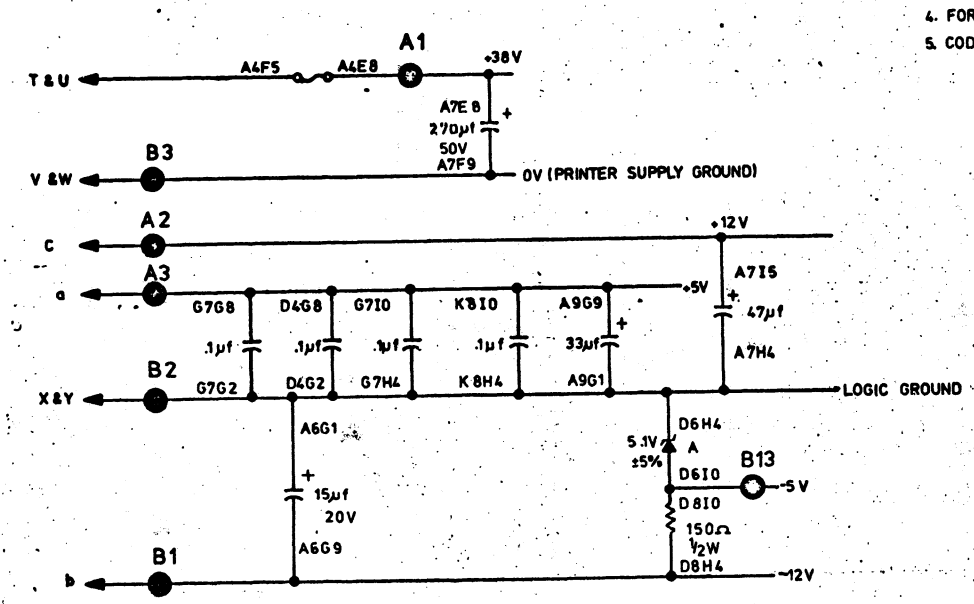


C.T. PROGRAMME. 02 (1977)

2797 4120 1-3 DEC 27 77	RELEASED JULY 14 77 E R O I O 2 2 ER 01022 1-3 DEC 27 77	<b>Burroughs</b> SMALL SYSTEMS DIVISION BURROUGHS MACHINES LIMITED CUMBERNAULD, SCOTLAND, U.K.		DSGN CONTRL JOB DATE	TITLE SCHEMATIC 180 CPS CARRIAGE DATE
		DSGN ENGR DATE	DRAWN C M C L E O D DATE	CHECKED DATE	DRAWING NO. 2797 4120
		APPRVD DATE	DIR: S/I A1	CLASS CODE 2 9520	REV B PAGE 3 of 3



- NOTES:
1. ALL RESISTORS 1/2W 5% UNLESS OTHERWISE SPECIFIED
  2. DENOTES LOGIC GROUND
  3. DENOTES PRINTER SUPPLY GROUND
  4. FOR ASSEMBLY SEE 2797 4112
  5. CODES FOR COMPONENT PART NOS. ARE SHOWN BELOW



EDA # 62323  
 ★ ENGINEERING  
 DEVIATION  
 AUTHORIZATION  
 PROJ 55251  
 GRP 25  
 DATE 7-27-78

TRANSISTORS

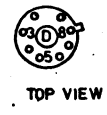
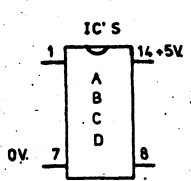
A.	2574	9045
B.	1072	5828
C.	1785	3946
D.	1471	4828
E.	1847	0252
F.	1473	4255
G.	1785	3938
H.	1477	3451

DIODES

A.	1299	9025
B.	1479	7997
C.	1471	4703
D.	2574	9029
E.	1848	3339
F.	1471	4737
G.	2571	1029

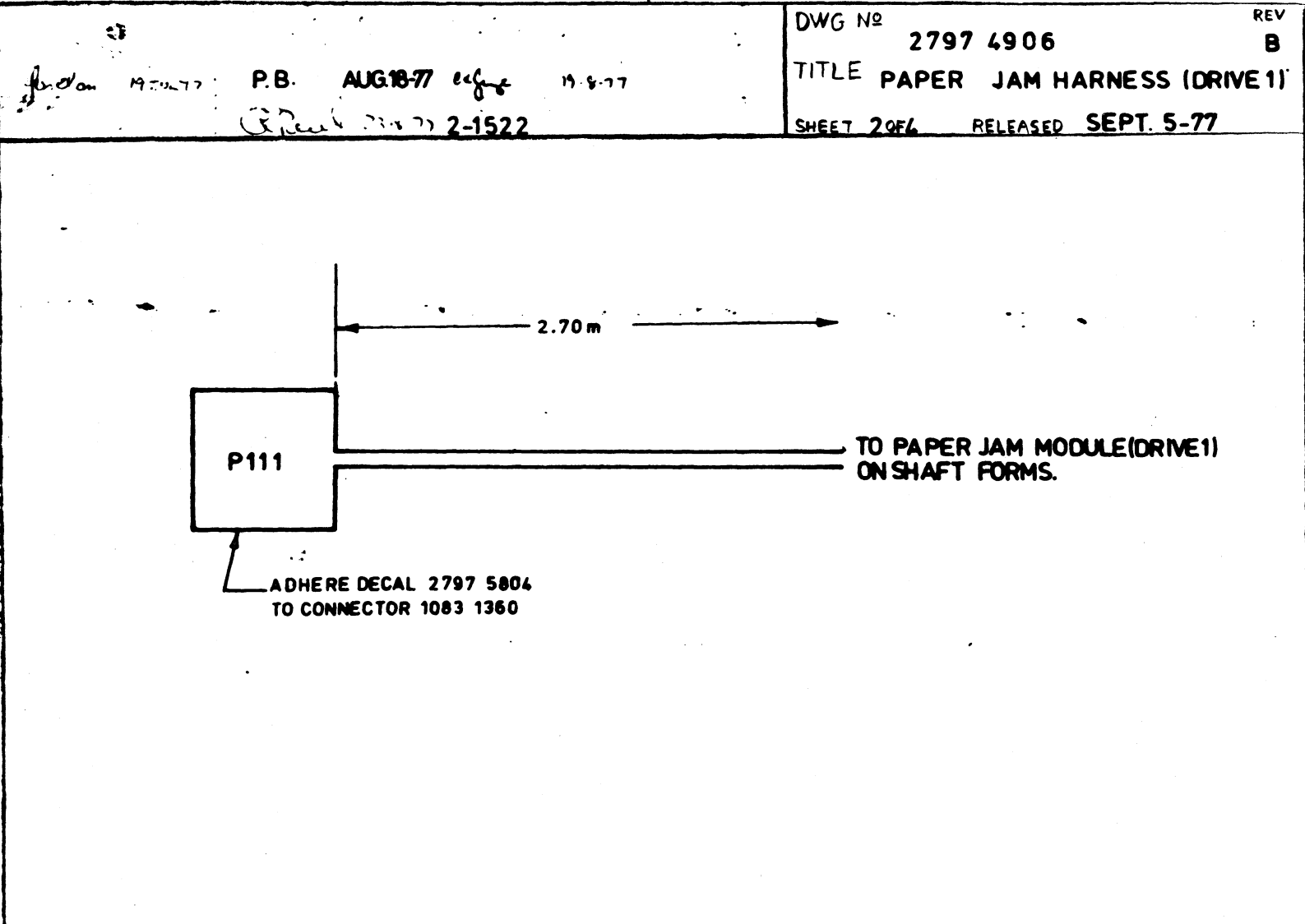
IC'S

A.	(SN 75107A)	1675	8211
B.	(SN 7406)	1674	4963
C.	(SN 7417)	2600	1669
D.	1479	0273	

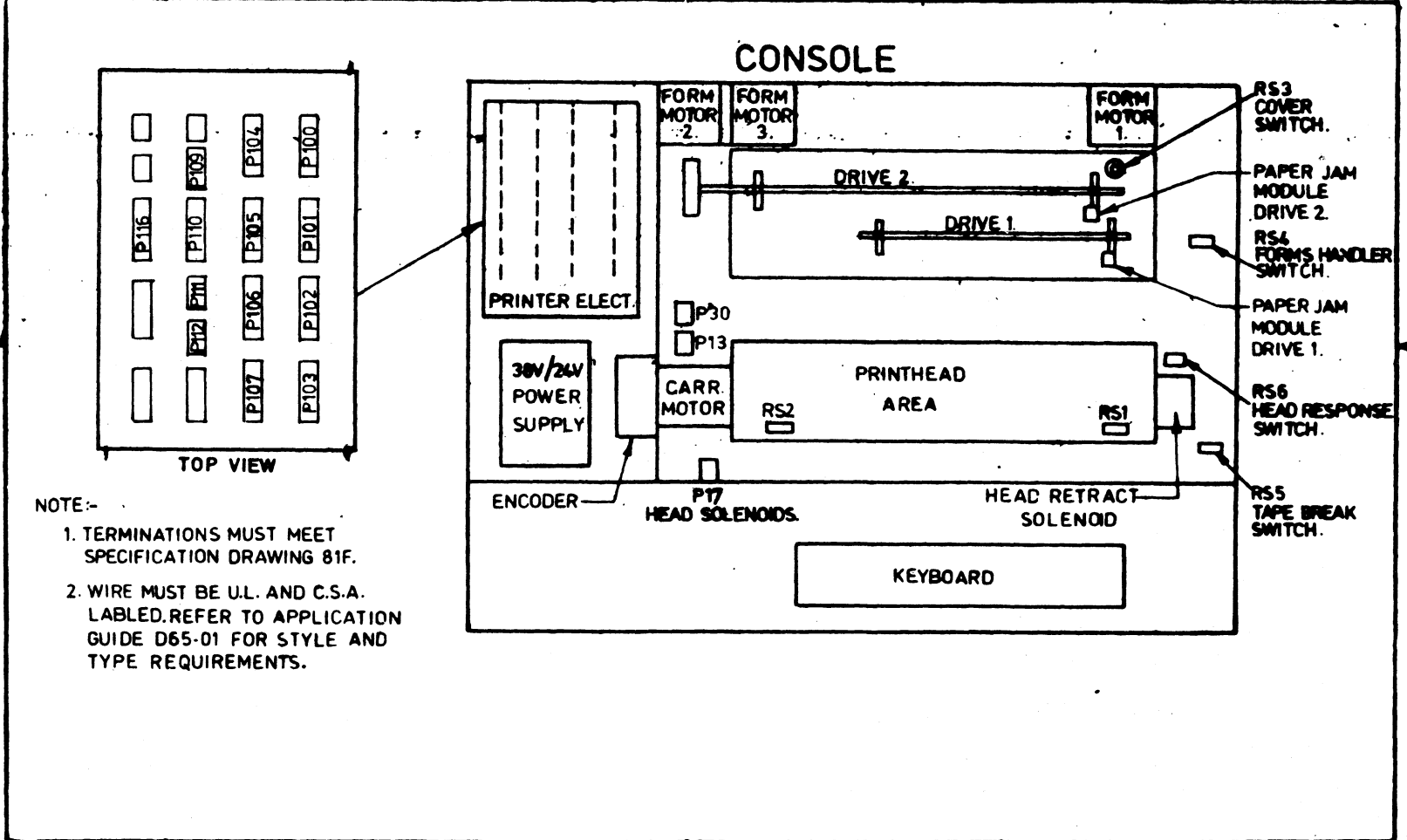


DRAWING No. 2797 4120	PAGE 3 OF 3	MFG. ER 01022	MFG. ENC 01371	MFG. 1-3 DEC 27 71	OSGN. CONTROL	TITLE	C.T. PROGRAMME. Dr. 11/11	
					DATE	DATE	DATE	DRAWING No.
					DATE	CHECKED	DATE	2797 4120
					DATE	DATE	DATE	REV. B
SMALL SYSTEMS DIVISION BURROUGHS MACHINES LIMITED CUMBERNAULD, SCOTLAND, U.K.					SCHEMATIC 180 CPS CARRIAGE DRAWN C MACLEOD DATE JUNE 30 77	CLASS CODE Z 9520	REV. B	PAGE 3 OF 3

DWG No 2797 4906		REV. B
TITLE PAPER JAM HARNESS (DRIVE1)		
P.B. AUG 18-77 19-8-77 2-1522	SHEET 1 OF 4	RELEASED SEPT. 5-77
		ECN 01175 ECN 01371 RM. DEC. 2.77 SHT. 3 ALTERED <i>Swng</i>



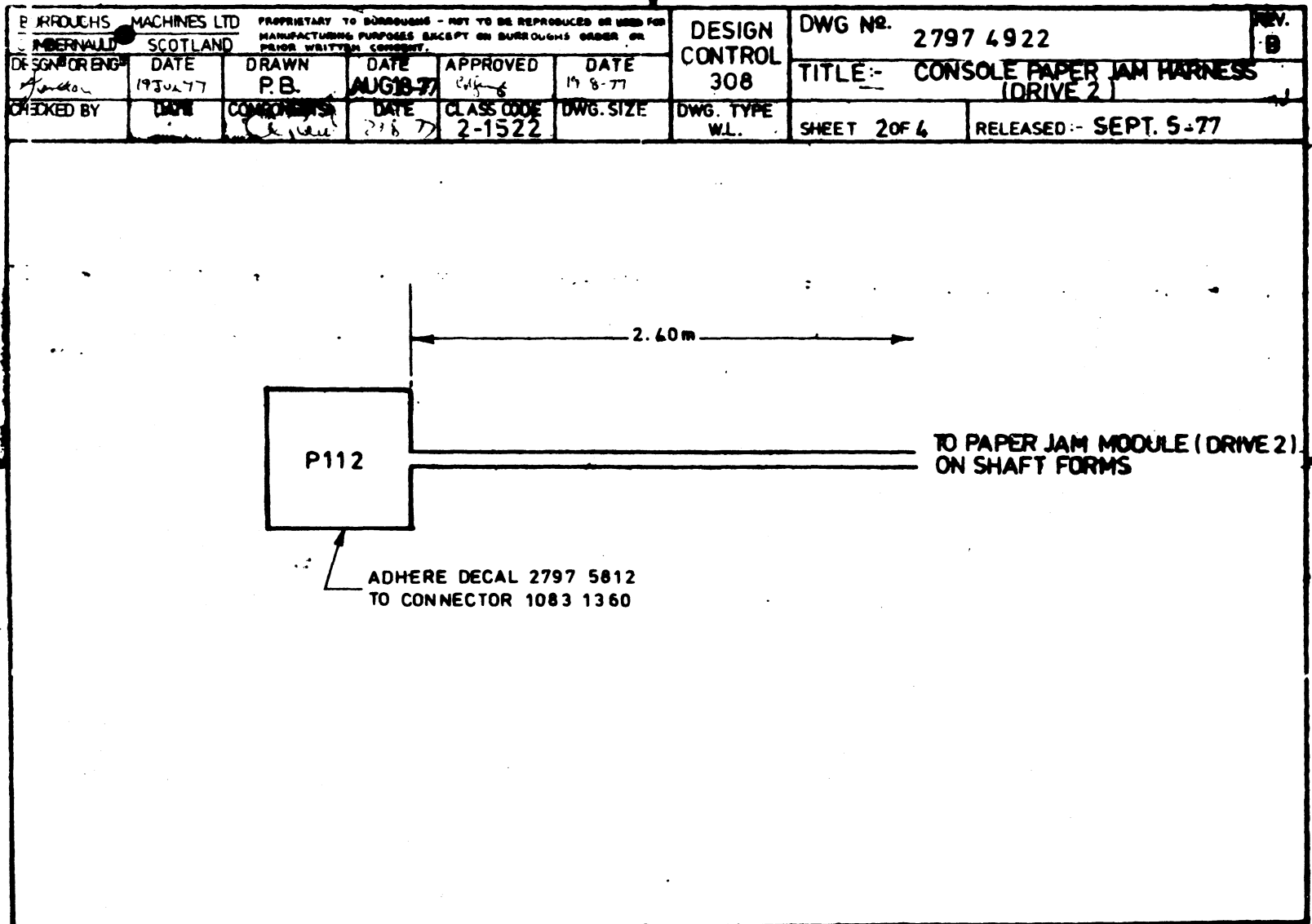
B. BURROUGHS MACHINES LTD CLUMBERNALD SCOTLAND					PROPRIETARY TO BURROUGHS - NOT TO BE REPRODUCED OR USED FOR MANUFACTURING PURPOSES EXCEPT ON BURROUGHS ORDER OR PRIOR WRITTEN CONSENT.					DESIGN CONTROL 308	DWG NO. 2797 4906	REV B
DESIGN OR ENG London	DATE 19.8.77	DRAWN P.B.	DATE AUG 18-77	APPROVED [Signature]	DATE 19.8.77	TITLE PAPER JAM HARNESS (DRIVE 1)		SHEET 3 OF 4		RELEASED SEPT 5-77		
CHECKED BY	DATE	COMPONENTS	DATE	CLASS CODE 2-1522	DWG. SIZE	DWG. TYPE W.L.						



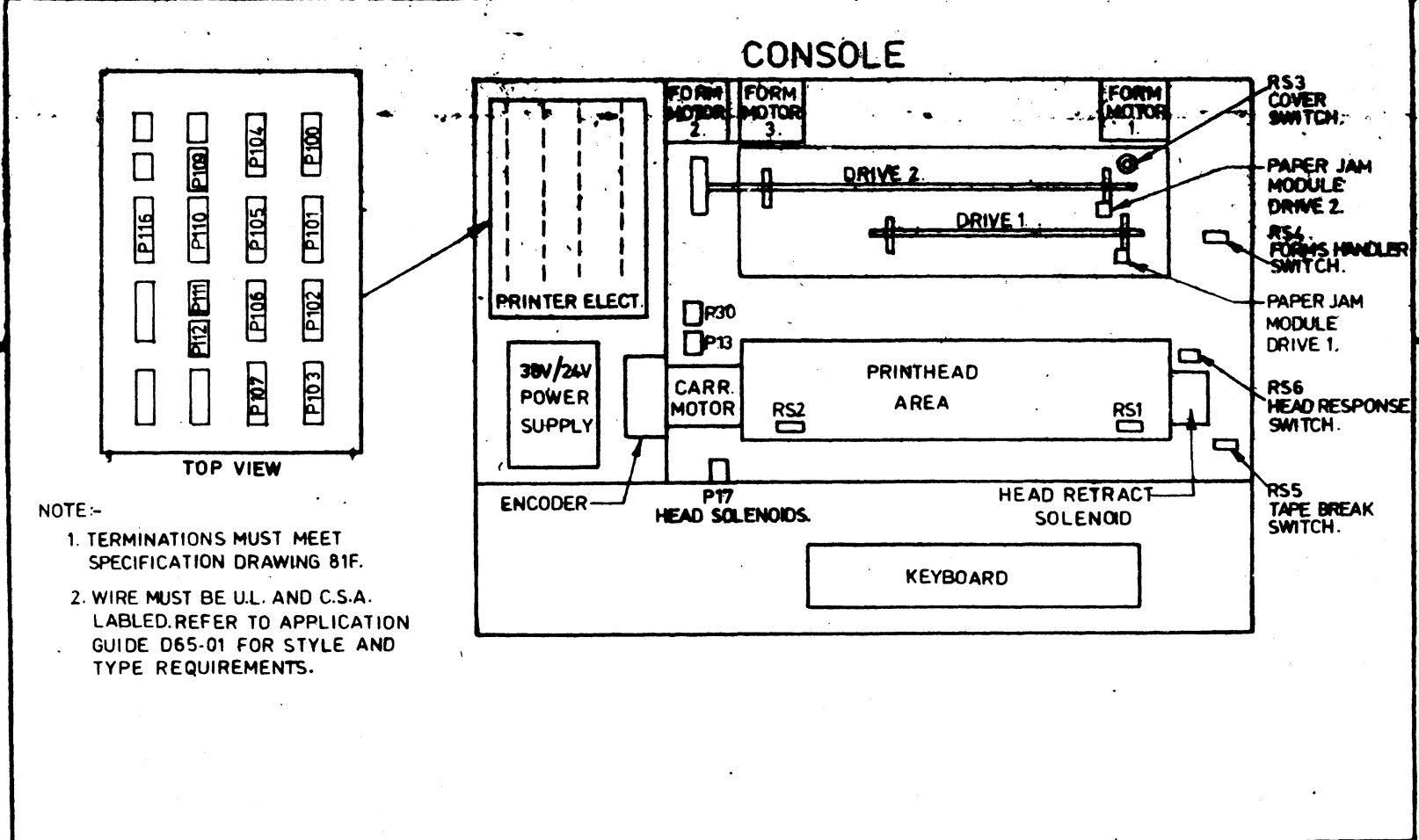
BURROUGHS MACHINES LTD CLUMBERNALD SCOTLAND					PROPRIETARY TO BURROUGHS - NOT TO BE REPRODUCED OR USED FOR MANUFACTURING PURPOSES EXCEPT ON BURROUGHS ORDER OR PRIOR WRITTEN CONSENT.					DESIGN CONTROL 308	DWG NO. 2797 4906	REV. B
DESIGN OR ENG London	DATE 19.8.77	DRAWN C.S.	DATE 19.8.77	APPROVED [Signature]	DATE 19.8.77	TITLE:- PAPER JAM HARNESS (DRIVE 1)		SHEET 4 OF 4		RELEASED:- SEPT. 5-77		
CHECKED BY	DATE	COMPONENTS	DATE	CLASS CODE 2-1522	DWG. SIZE A	DWG. TYPE W.L.						

SIGNAL NAME	FROM			TO			WIRE
	CONNECTOR	CODE	TERMINAL	CONNECTOR	CODE	TERMINAL	
CELL 11	1083 1360	P111-4	1532 8040	SENSOR UNIT DRIVE 1 1845 2219 REF	UPPERMOST PIN	SOLDER	OR 2572 7066
GROUND	TP " "	P111-2	" "	" "	MIDDLE PIN	"	WH " "
3.2V	" "	P111-3	" "	LAMP UNIT DRIVE 1 2795 3652 REF	LAMP PIN1	"	OR " "
GROUND	TP " "	P111-1	" "	"	LAMP PIN2	"	WH " "
NOTE 1	TP = TWISTED PAIR						
NOTE 2	CHOICE OF PIN ON LAMPS IS	ARBITRARY					

BURROUGHS MACHINES LTD GLASGOW SCOTLAND						PROPRIETARY TO BURROUGHS - NOT TO BE REPRODUCED OR USED FOR MANUFACTURING PURPOSES EXCEPT ON BURROUGHS ORDER OR PRIOR WRITTEN CONSENT.		DESIGN CONTROL 308	DWG NO. 2797 4922	REV. B
DESIGN OR ENG <i>London</i>	DATE 19 JUL 77	DRAWN P.B.	DATE AUG 18 77	APPROVED <i>648-8</i>	DATE 19 8-77	CHECKED BY <i>London</i>	DATE 23 8 77	CLASS CODE 2-1522	DWG. SIZE	DWG. TYPE W.L.
SHEET 1 OF 4									RELEASED:- SEPT. 5-77	
									ECN 01175	
									ECN 01371	
									RM. DEC. 2.77	
									SHT. 3 ALTERED <i>Swing</i>	



BURROUGHS MACHINES LTD GLASGOW SCOTLAND		PROPRIETARY TO BURROUGHS - NOT TO BE REPRODUCED OR USED FOR MANUFACTURING PURPOSES EXCEPT ON BURROUGHS ORDER OR PRIOR WRITTEN CONSENT.				DESIGN CONTROL 308	DWG No. 2797 4922	REV. B
DESIGNED BY <i>Anderson</i>	DATE 19.5.77	DRAWN P.B.	DATE AUG 1977	APPROVED <i>Anderson</i>	DATE 19.8.77	TITLE - CONSOLE PAPER JAM HARNESS (DRIVE 2)		
CHECKED BY	DATE	COMPONENTS	DATE	CLASS CODE 2-1522	DWG. SIZE	DWG. TYPE W.L.	SHEET 3 OF 4	RELEASED - SEPT. 5-77



BURROUGHS MACHINES LTD GLASGOW SCOTLAND		PROPRIETARY TO BURROUGHS - NOT TO BE REPRODUCED OR USED FOR MANUFACTURING PURPOSES EXCEPT ON BURROUGHS ORDER OR PRIOR WRITTEN CONSENT.				DESIGN CONTROL 308	DWG No. 2797 4922	REV. B
DESIGNED BY <i>Anderson</i>	DATE 19.5.77	DRAWN P.B.	DATE JUN 23 77	APPROVED <i>Anderson</i>	DATE 19.8.77	TITLE - CONSOLE PAPER JAM HARNESS (DRIVE 2)		
CHECKED BY	DATE	COMPONENTS	DATE	CLASS CODE 2-1522	DWG. SIZE	DWG. TYPE W.L.	SHEET 4 OF 4	RELEASED - SEPT. 5-77
SIGNAL NAME	FROM			TO			WIRE	
	CONNECTOR	CODE	TERMINAL	CONNECTOR	CODE	TERMINAL		
CELL 21	TP 1083 1360	P112-4	1532 8040	SENSOR UNIT DRIVE 2 REF	UPPERMOST PIN	SOLDER	OR 2572 7066	
GROUND	" "	P112-2	" "	1845 2219	MIDDLE PIN	"	WH " "	
3.2V	TP " "	P112-3	" "	LAMP UNIT DRIVE 2 2795 3652 REF	LAMP PIN1	"	OR " "	
GROUND	" "	P112-1	" "	" " "	LAMP PIN2	"	WH " "	
NOTE:- 1. TP = TWISTED PAIR.								
2. CHOICE OF PIN ON LAMPS IS ARBITRARY.								



finder 1950-77 C.S. 2-1522

2798 0788

C

P.C.F. 180 REED SWITCH HARNESS.

1 of 4

JULY 14 77

ER 01044	MFG.	
ECN 01514	MFG.	B
CMACL. FEB. 3.78		
SHT. 3 ALTERED	SWNG	
ECN 01803	MFG.	C
P.B. JUNE 2-78		
SHEET 4 ALTERED		

ORIGINAL

finder 1950-77 C.S. 2-1522

2798 0788

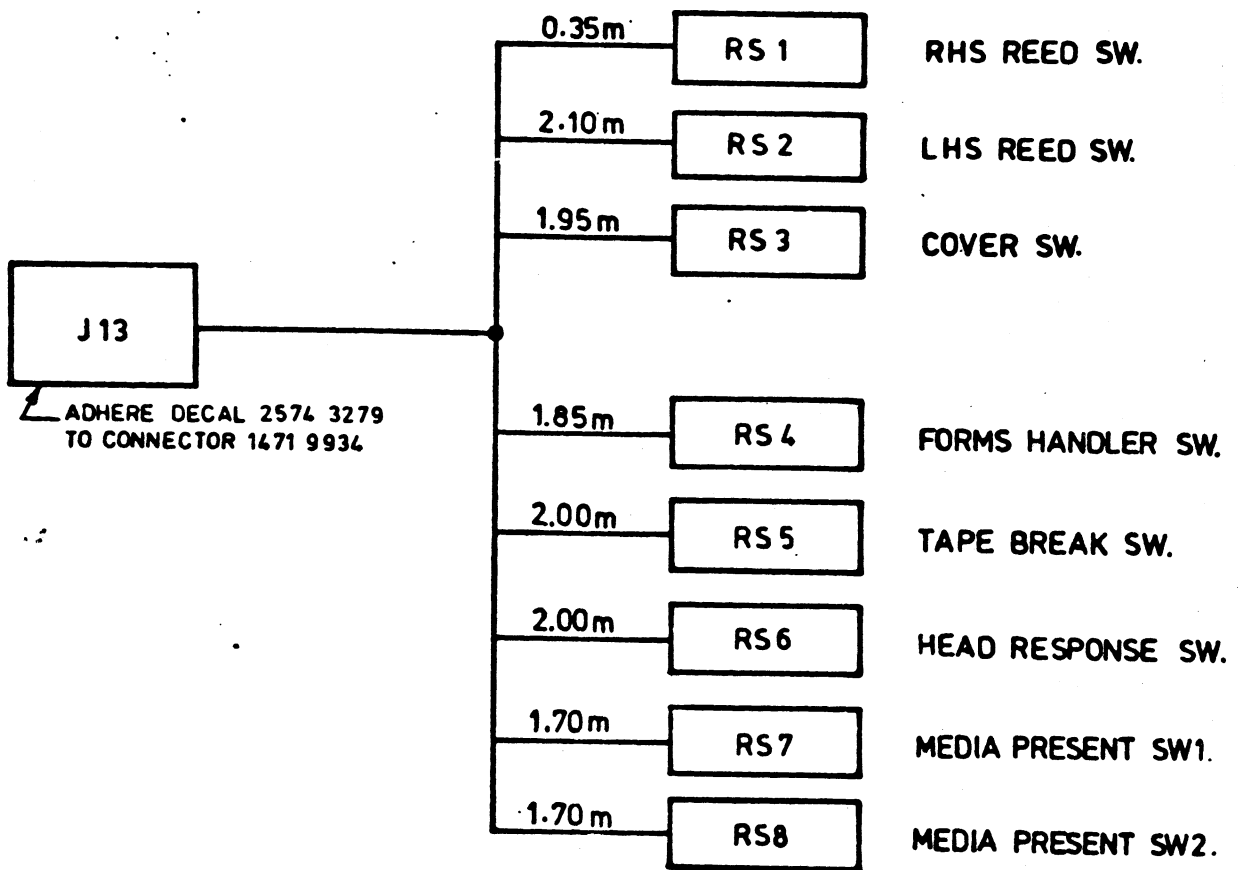
MFG.

C

P.C.F. 180 REED SWITCH HARNESS.

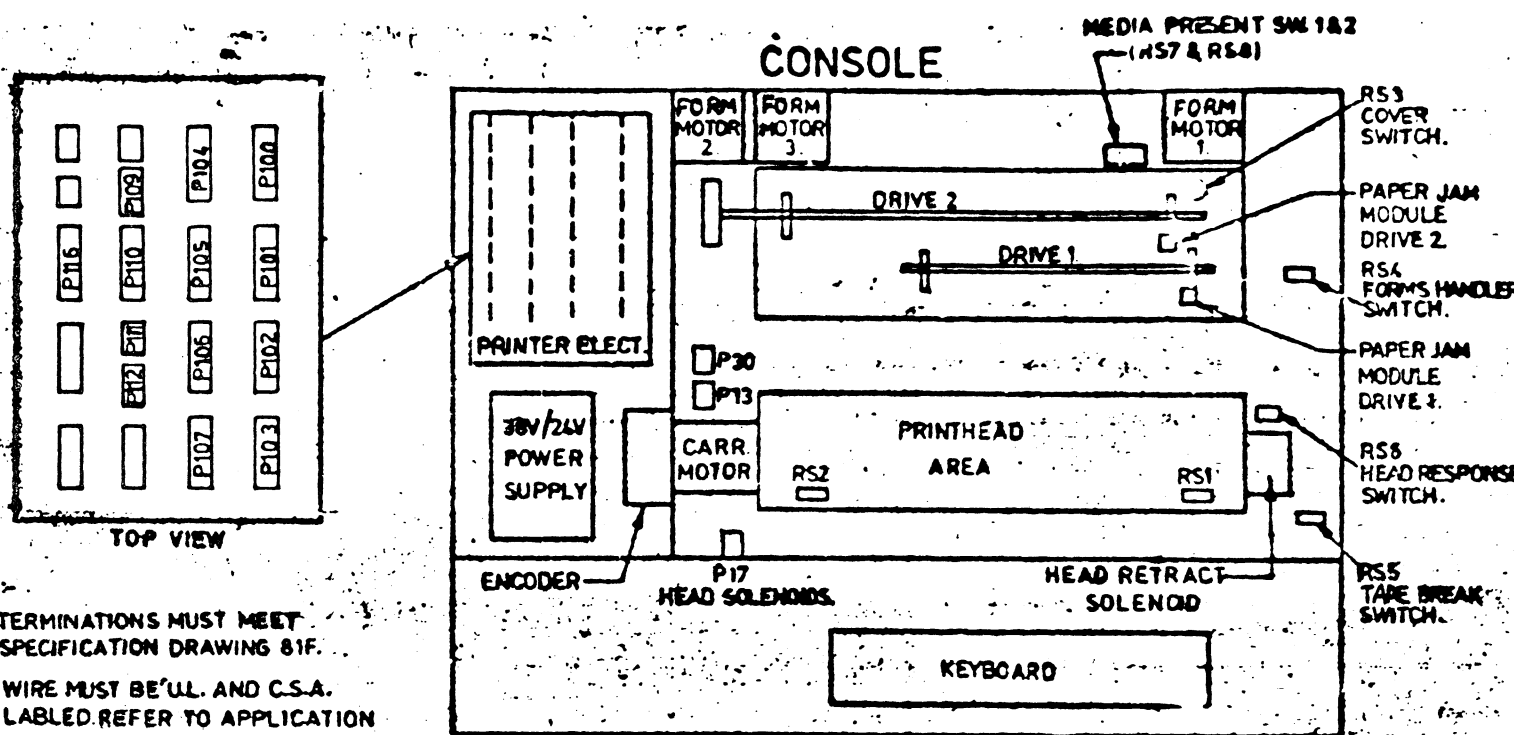
2 of 4

JULY 14 77



ORIGINAL

BURROUGHS MACHINES LTD SCOTLAND		PROPERTY TO BURROUGHS - NOT TO BE REPRODUCED OR USED FOR MANUFACTURING PURPOSES EXCEPT BY BURROUGHS ORDER OR BY WRITTEN CONSENT.			DESIGN CONTROL 308	DWG NR 2798 0788	REV. C
DATE 19.2.77	DRAWN C.S.	DATE 19.2.77	APPROVED C.S.	DATE 19.2.77	TITLE P.C.F. 180 REED SWITCH HARNESS		
DATE 22.8.77	CLASS CODE 2-1522	DWG. SIZE WL.	DWG. TYPE WL.	SHEET 3 OF 4		RELEASED: JULY 14 77	



- NOTE:-**
1. TERMINATIONS MUST MEET SPECIFICATION DRAWING 81F.
  2. WIRE MUST BE U.L. AND C.S.A. LABELED. REFER TO APPLICATION GUIDE D65-01 FOR STYLE AND TYPE REQUIREMENTS.
  3. SOME MACHINES MAY NOT BE FITTED WITH MEDIA PRESENT SWITCHES. THE UNUSED WIRES THEN SHOULD BE INSULATED, FOLDED BACK - AND SECURED TO MAIN BODY OF THE HARNESS.

BURROUGHS MACHINES LTD SCOTLAND		PROPERTY TO BURROUGHS - NOT TO BE REPRODUCED OR USED FOR MANUFACTURING PURPOSES EXCEPT BY BURROUGHS ORDER OR BY WRITTEN CONSENT.			DESIGN CONTROL 308	DWG NR 2798 0788	REV. C
DATE 19.2.77	DRAWN C.S.	DATE 19.2.77	APPROVED C.S.	DATE 19.2.77	TITLE P.C.F. 180 REED SWITCH HARNESS		
DATE 22.8.77	CLASS CODE 2-1522	DWG. SIZE WL.	DWG. TYPE WL.	SHEET 4 OF 4		RELEASED: JULY 14 77	

SIGNAL NAME	FROM			TO			WIRE
	CONNECTOR	CODE	TERMINAL	CONNECTOR	CODE	TERMINAL	
CVSWOP	1471 9934	J13-A	1472 0734	COVER SWITCH	RS3/PIN1	1472 0809	OR 2572 7066
GND	TP	J13-D	"	"	RS3/PIN2	"	WH " "
FHSW/	"	J13-B	"	FORMS HADLER SW	RS4/PIN1	SOLDER	OR " "
GND	TP	J13-E	"	"	RS4/PIN2	"	WH " "
TAPE BREAK	"	J13-C	"	TAPE BREAK SW	RS5/PIN1	1111 3834 1473 2911	OR " "
GND	TP	J13-F	"	"	RS5/PIN2	"	WH " "
H.RESP	"	J13-H	"	RHS RESPONSE SW	RS6/PIN1	"	OR " "
GND	TP	J13-L	"	"	RS6/PIN2	"	WH " "
RDO	"	J13-J	"	RHS REED SW	RS1/PIN1	"	OR " "
GND	TP	J13-M	"	"	RS1/PIN2	"	WH " "
ROD	"	J13-K	"	LHS REED SW	RS2/PIN1	"	OR " "
GND	TP	J13-N	"	"	RS2/PIN2	"	WH " "
MP1	"	J13-R	"	MEDIA PRESENT SW1	RS7/PIN1	SOLDER	1944 3191
MP	"	J13-P	"	"	RS7/PIN2	"	"
MP2	"	J13-S	"	"	RS8/PIN1	"	"
* CHOICE OF PINS 1 AND 2 ON REED SWITCHES IS ARBITRARY							
TP TRUSTED PAIR							