

MEMORANDUM

Bendix
Computer

• DIVISION OF BENDIX AVIATION CORPORATION

TO: All Customer Engineers

FROM: Malcolm S. Thomson

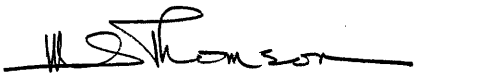
SUBJECT: The OUTPUT "link"

DATE: March 23, 1960

Attached is a simplified version of what we in TRAINING believe is the link between OUTPUT LOGIC circuits and the OUTPUT DEVICES themselves.

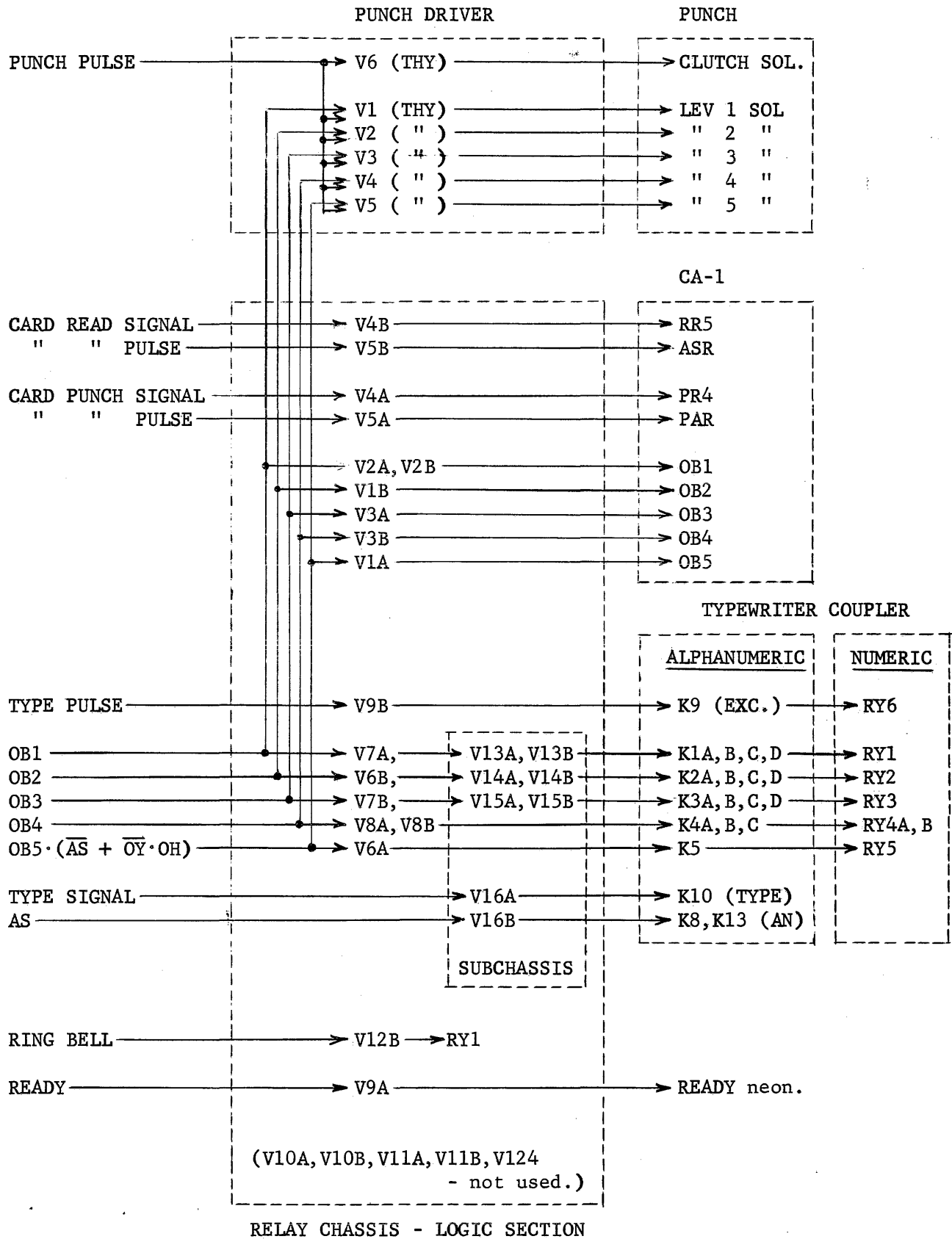
One item that may not be apparent from the drawing is: when more than one driver tube section is shown on the same line in the RELAY CHASSIS - LOGIC SECTION, it means the grid circuits are paralleled and the plate circuits are paralleled. Likewise, the relay loads presented to such paralleled drivers consist of relay coils in parallel.

At a later date we hope to provide you with a more detailed version including terminal block connections, plug connections, logic component and cathode-follower locations, etc.



M. S. THOMSON

mc
encl.



THE OUTPUT "LINK"
ALPHANUMERIC G-15's