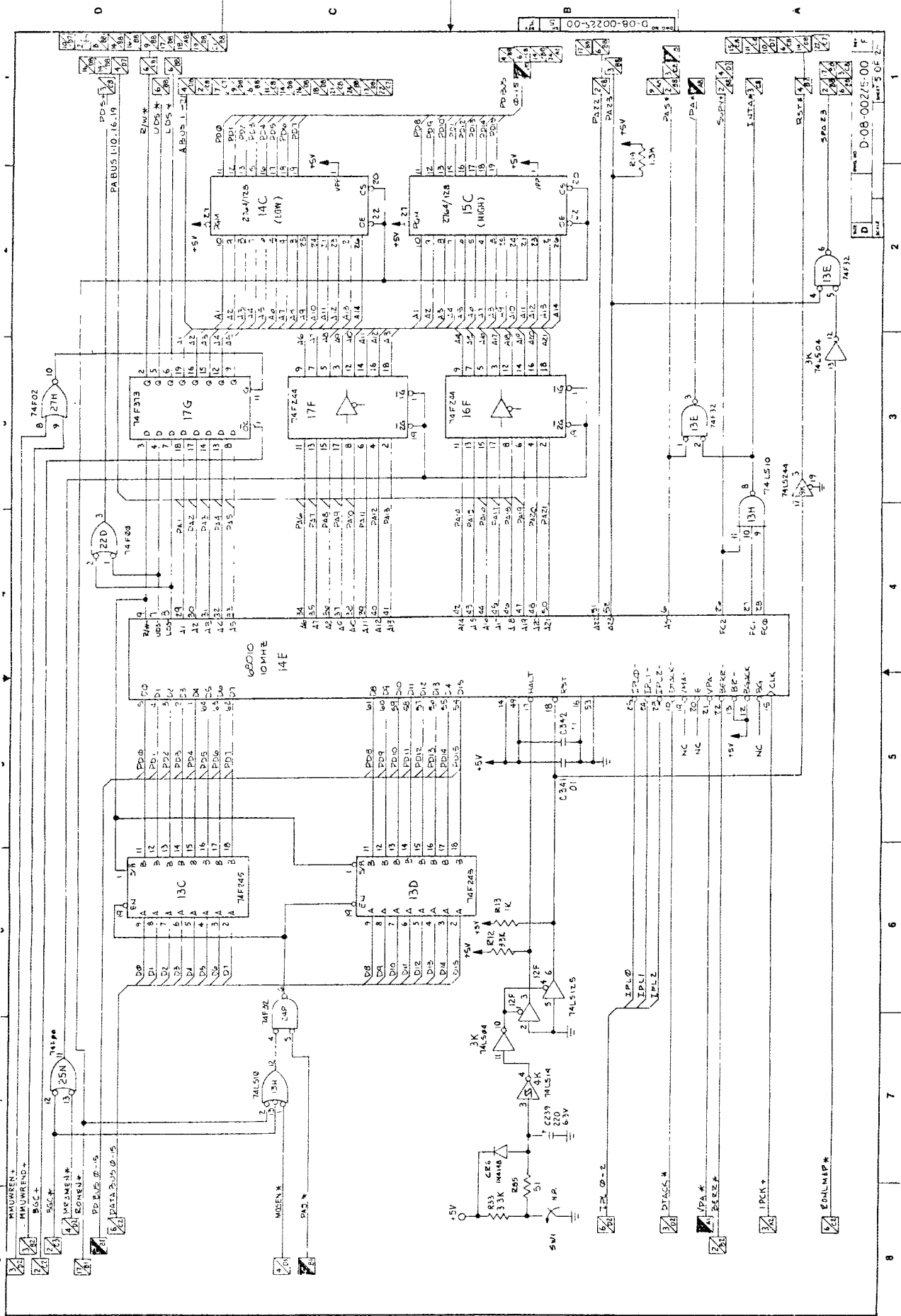


1 2 3 4 5 6 7 8





D-08-0025-00

D-08-0027E-00

1 2 3 4 5 6 7 8

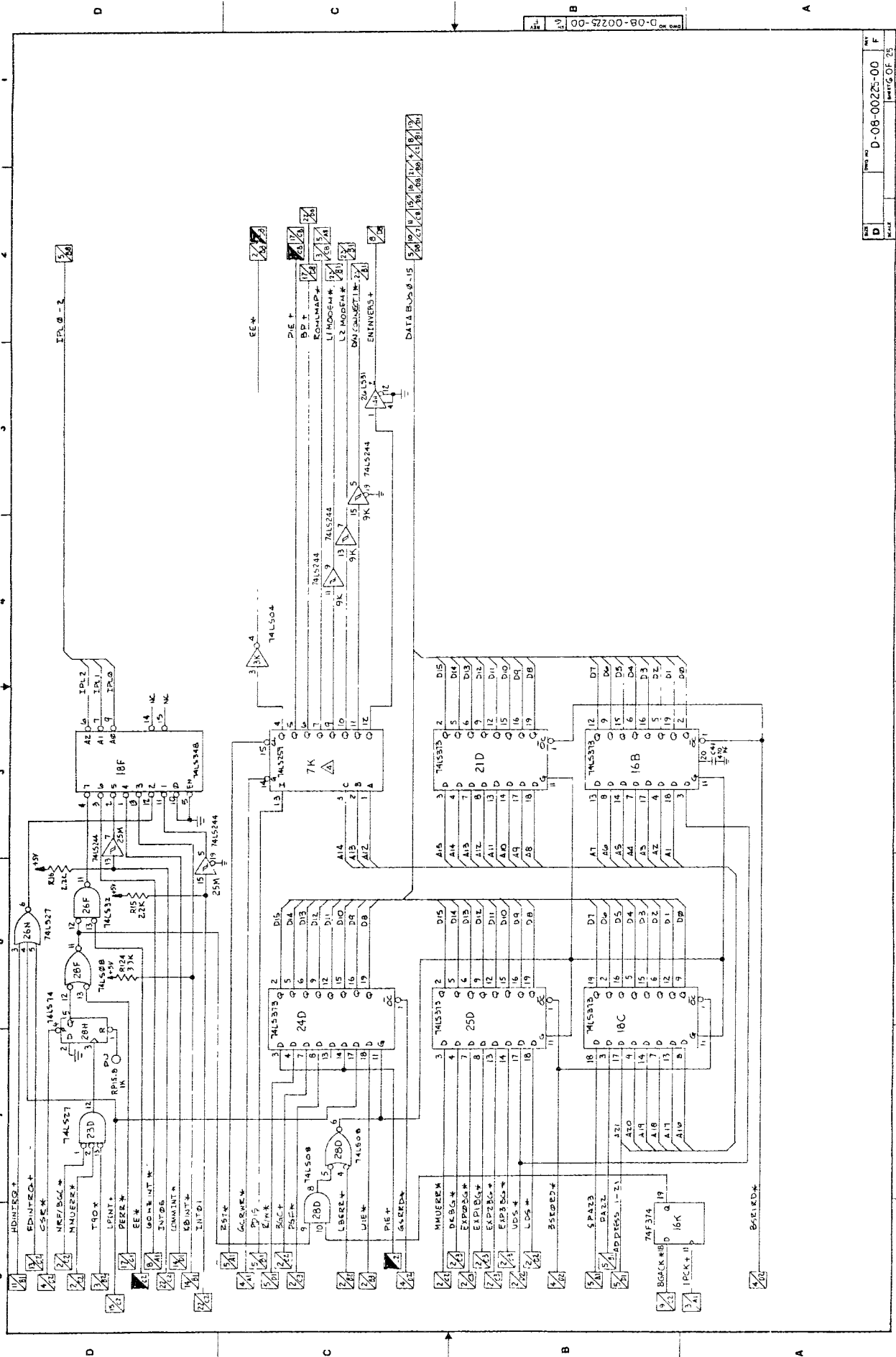
9 10 11 12 13 14 15 16 17 18 19 20 21 22 23 24 25 26 27 28 29 30 31 32 33 34 35 36 37 38 39 40 41 42 43 44 45 46 47 48 49 50 51 52 53 54 55 56 57 58 59 60 61 62 63 64 65 66 67 68 69 70 71 72 73 74 75 76 77 78 79 80 81 82 83 84 85 86 87 88 89 90 91 92 93 94 95 96 97 98 99 100

101 102 103 104 105 106 107 108 109 110 111 112 113 114 115 116 117 118 119 120 121 122 123 124 125 126 127 128 129 130 131 132 133 134 135 136 137 138 139 140 141 142 143 144 145 146 147 148 149 150 151 152 153 154 155 156 157 158 159 160 161 162 163 164 165 166 167 168 169 170 171 172 173 174 175 176 177 178 179 180 181 182 183 184 185 186 187 188 189 190 191 192 193 194 195 196 197 198 199 200

201 202 203 204 205 206 207 208 209 210 211 212 213 214 215 216 217 218 219 220 221 222 223 224 225 226 227 228 229 230 231 232 233 234 235 236 237 238 239 240 241 242 243 244 245 246 247 248 249 250 251 252 253 254 255 256 257 258 259 260 261 262 263 264 265 266 267 268 269 270 271 272 273 274 275 276 277 278 279 280 281 282 283 284 285 286 287 288 289 290 291 292 293 294 295 296 297 298 299 300

301 302 303 304 305 306 307 308 309 310 311 312 313 314 315 316 317 318 319 320 321 322 323 324 325 326 327 328 329 330 331 332 333 334 335 336 337 338 339 340 341 342 343 344 345 346 347 348 349 350 351 352 353 354 355 356 357 358 359 360 361 362 363 364 365 366 367 368 369 370 371 372 373 374 375 376 377 378 379 380 381 382 383 384 385 386 387 388 389 390 391 392 393 394 395 396 397 398 399 400

401 402 403 404 405 406 407 408 409 410 411 412 413 414 415 416 417 418 419 420 421 422 423 424 425 426 427 428 429 430 431 432 433 434 435 436 437 438 439 440 441 442 443 444 445 446 447 448 449 450 451 452 453 454 455 456 457 458 459 460 461 462 463 464 465 466 467 468 469 470 471 472 473 474 475 476 477 478 479 480 481 482 483 484 485 486 487 488 489 490 491 492 493 494 495 496 497 498 499 500



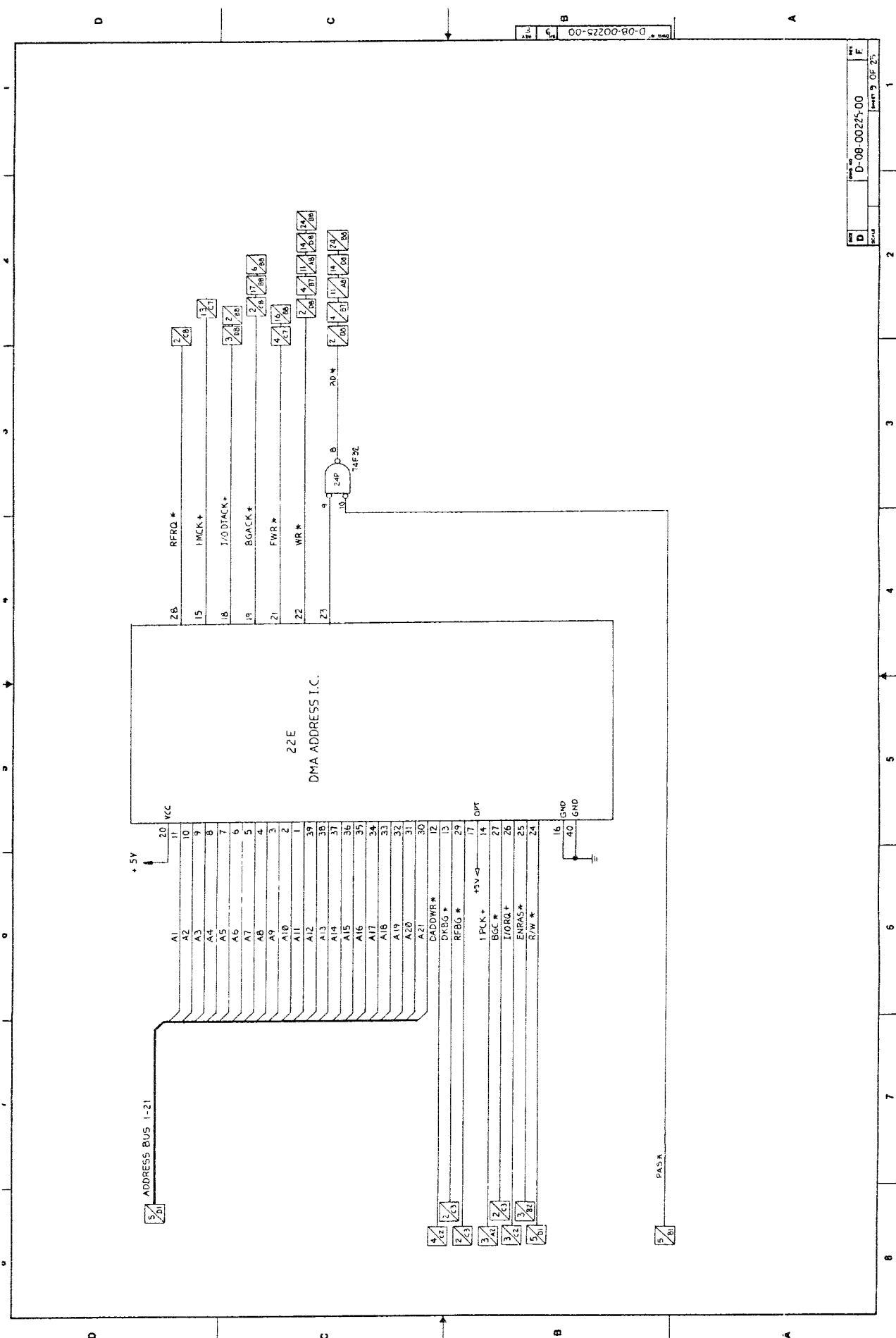
1  
 2  
 3  
 4  
 5  
 6  
 7  
 8  
 9  
 10  
 11  
 12  
 13  
 14  
 15  
 16  
 17  
 18  
 19  
 20  
 21  
 22  
 23  
 24  
 25











D-08-00225-00

D-08-00225-00

REV. 1

REV. 2

REV. 3

REV. 4

REV. 5

REV. 6

REV. 7

REV. 8

REV. 9

REV. 10

REV. 1

REV. 2

REV. 3

REV. 4

REV. 5

REV. 6

REV. 7

REV. 8

REV. 9

REV. 10

REV. 11

REV. 12

REV. 13

REV. 14

REV. 15

REV. 16

REV. 17

REV. 18

REV. 19

REV. 20

REV. 21

REV. 22

REV. 23

REV. 24

REV. 25

REV. 26

REV. 27

REV. 28

REV. 29

REV. 30

REV. 31

REV. 32

REV. 33

REV. 34

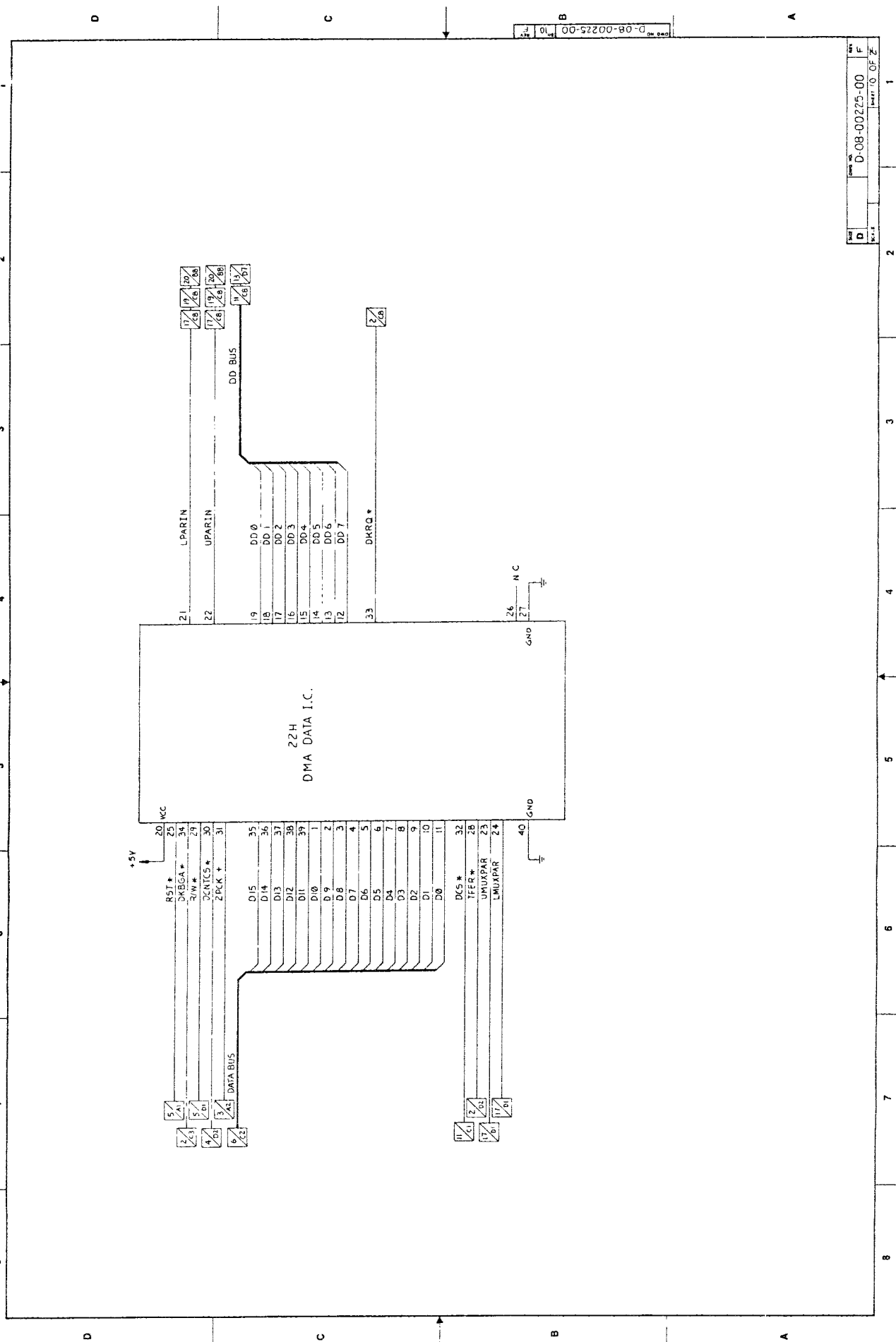
REV. 35

REV. 36

REV. 37

REV. 38

REV. 39



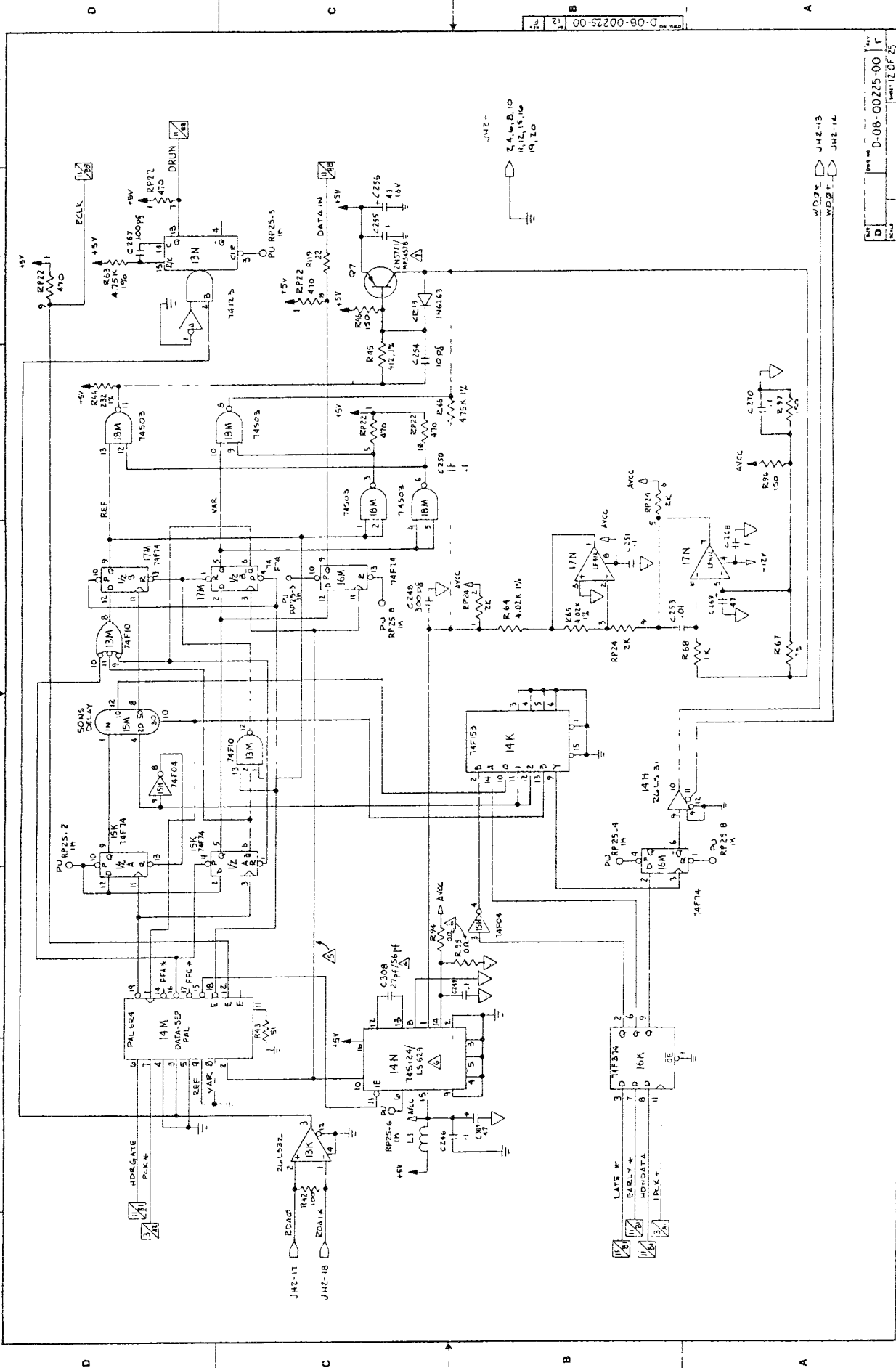
Doc No. D-08-00225-00  
Rev. 10

Doc No. D-08-00225-00  
Rev. 10

1 2 3 4 5 6 7 8

U

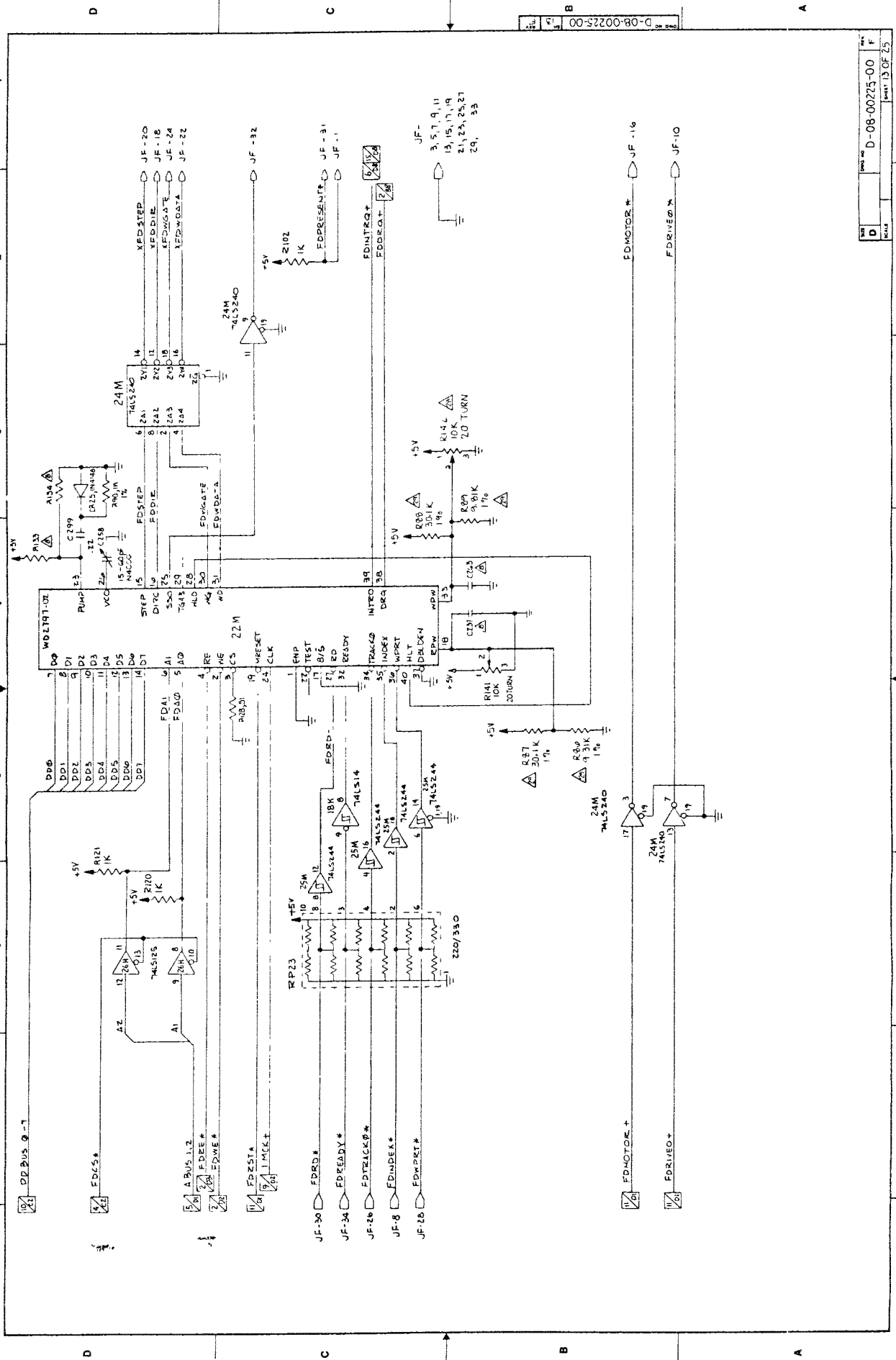


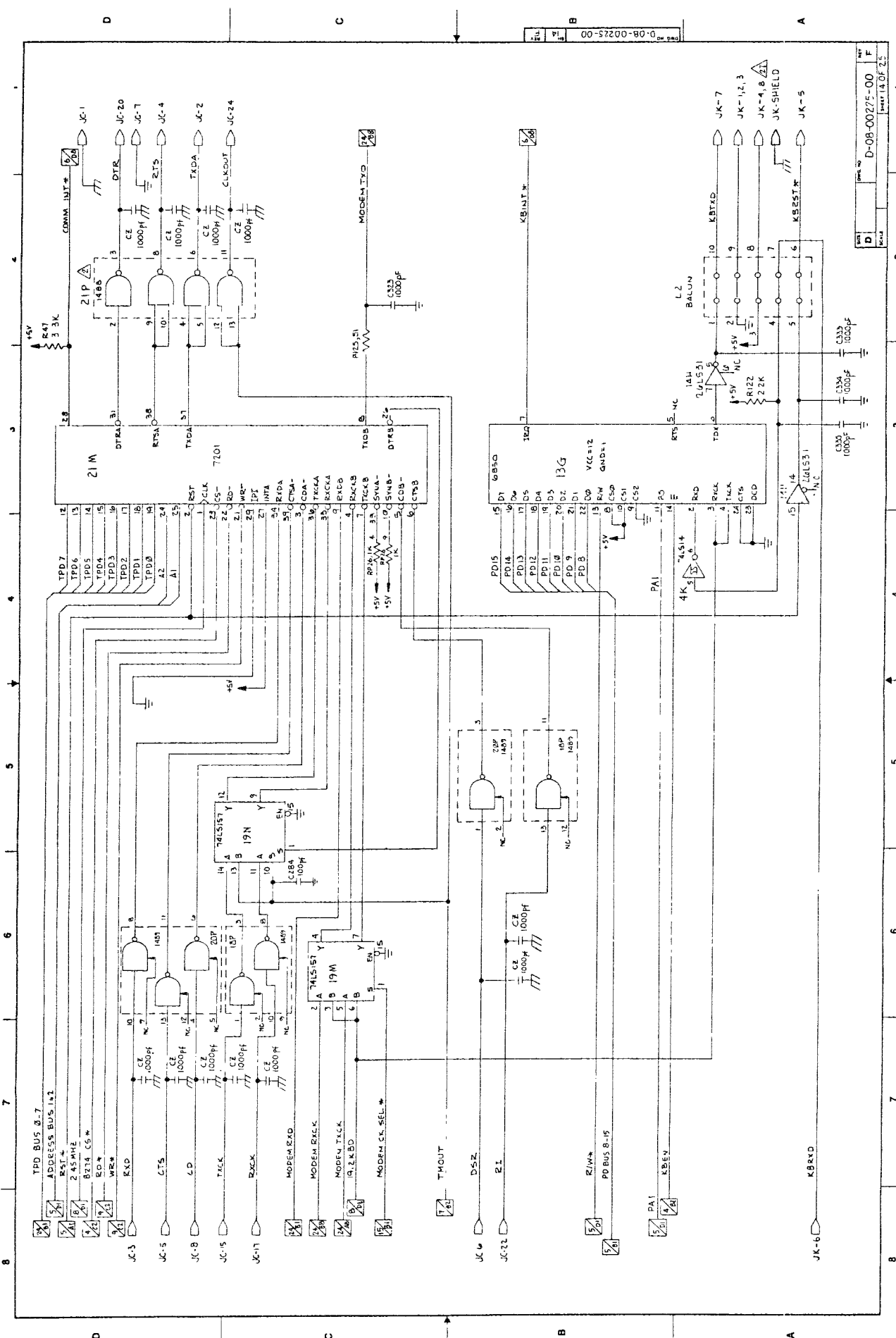


D-08-00225-00 F  
REV. 12 OF 25

JH2-11 JH2-12 JH2-13 JH2-14







D-08-00275-00  
 Rev. 14 OF 25

D-08-00275-00  
 Rev. 14 OF 25

D-08-00275-00  
 Rev. 14 OF 25

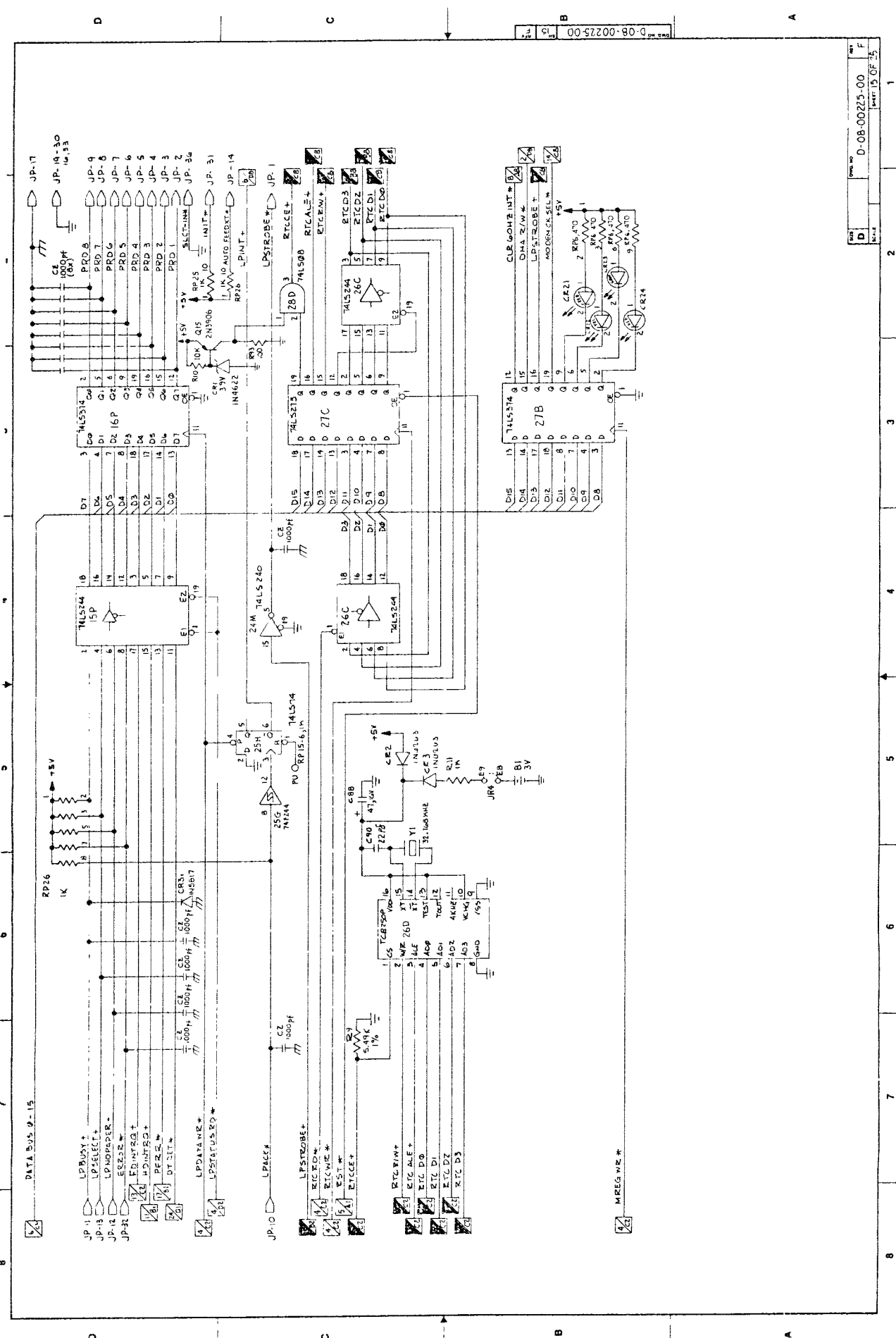
D-08-00275-00  
 Rev. 14 OF 25

D-08-00275-00  
 Rev. 14 OF 25

D-08-00275-00  
 Rev. 14 OF 25

D-08-00275-00  
 Rev. 14 OF 25





D-08-00225-00

REV. 15 OF 25

D-08-00225-00

REV. 15 OF 25

D-08-00225-00

REV. 15 OF 25

D-08-00225-00

REV. 15 OF 25

D-08-00225-00

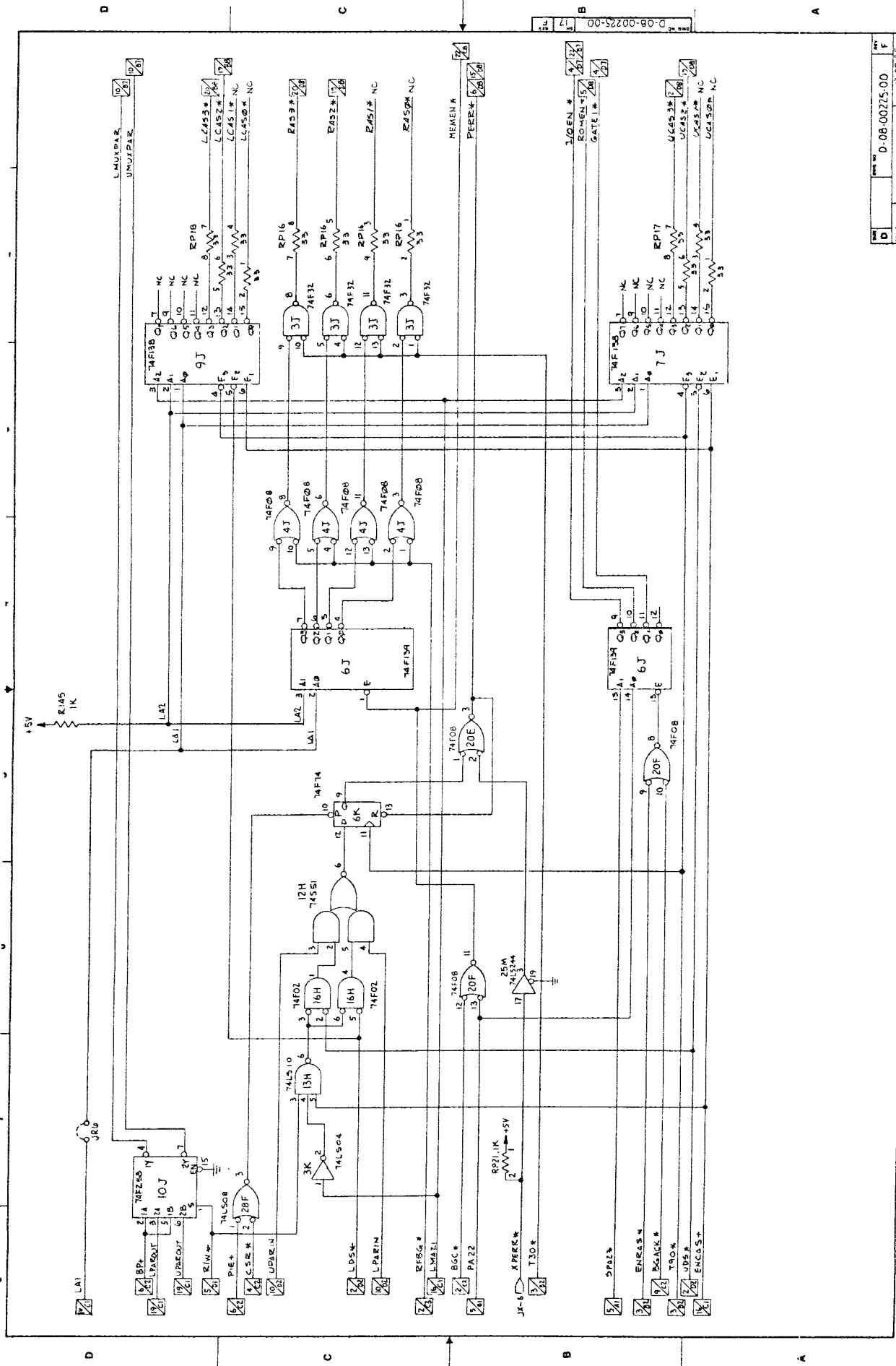
REV. 15 OF 25

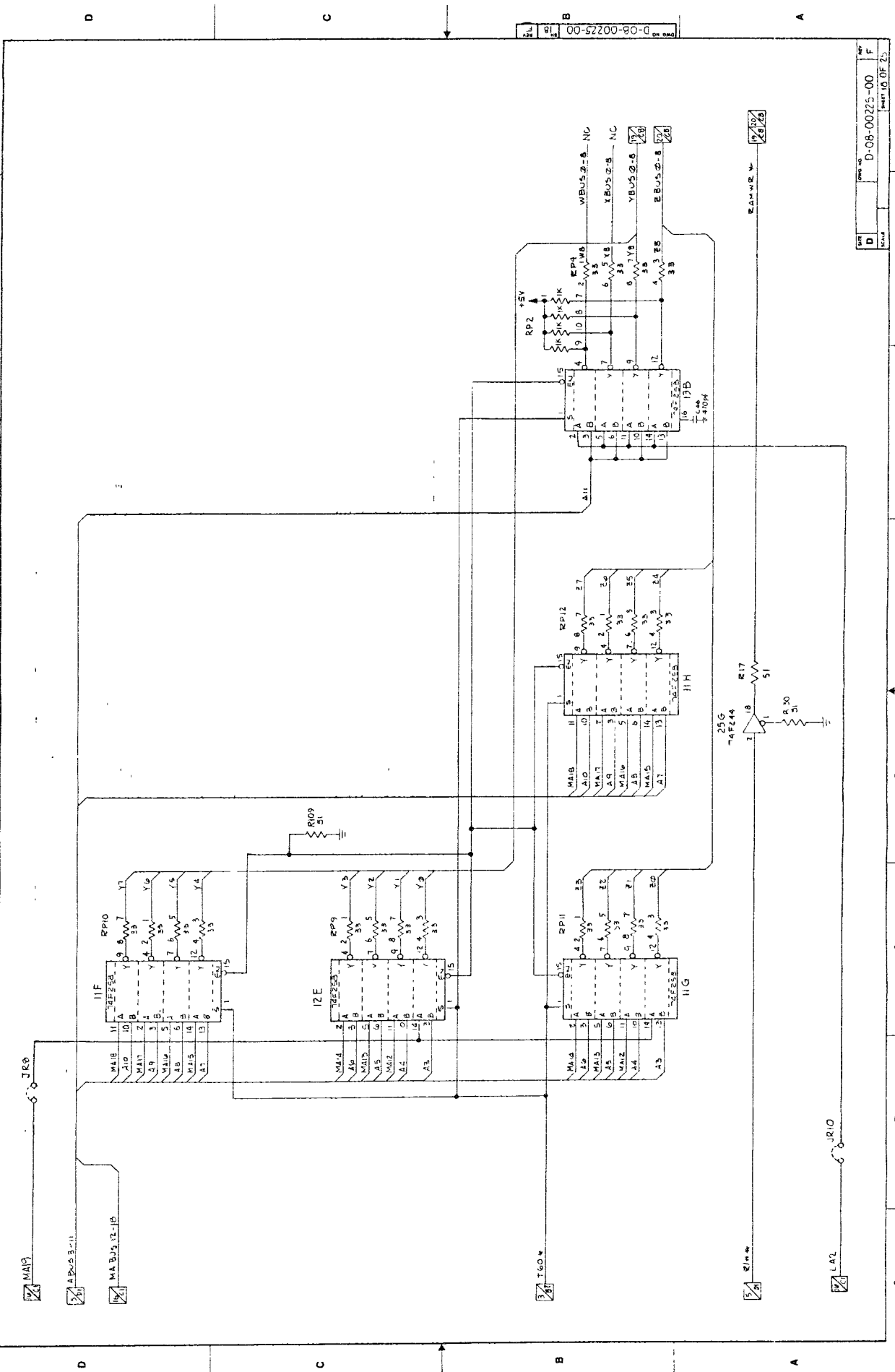
D-08-00225-00

REV. 15 OF 25



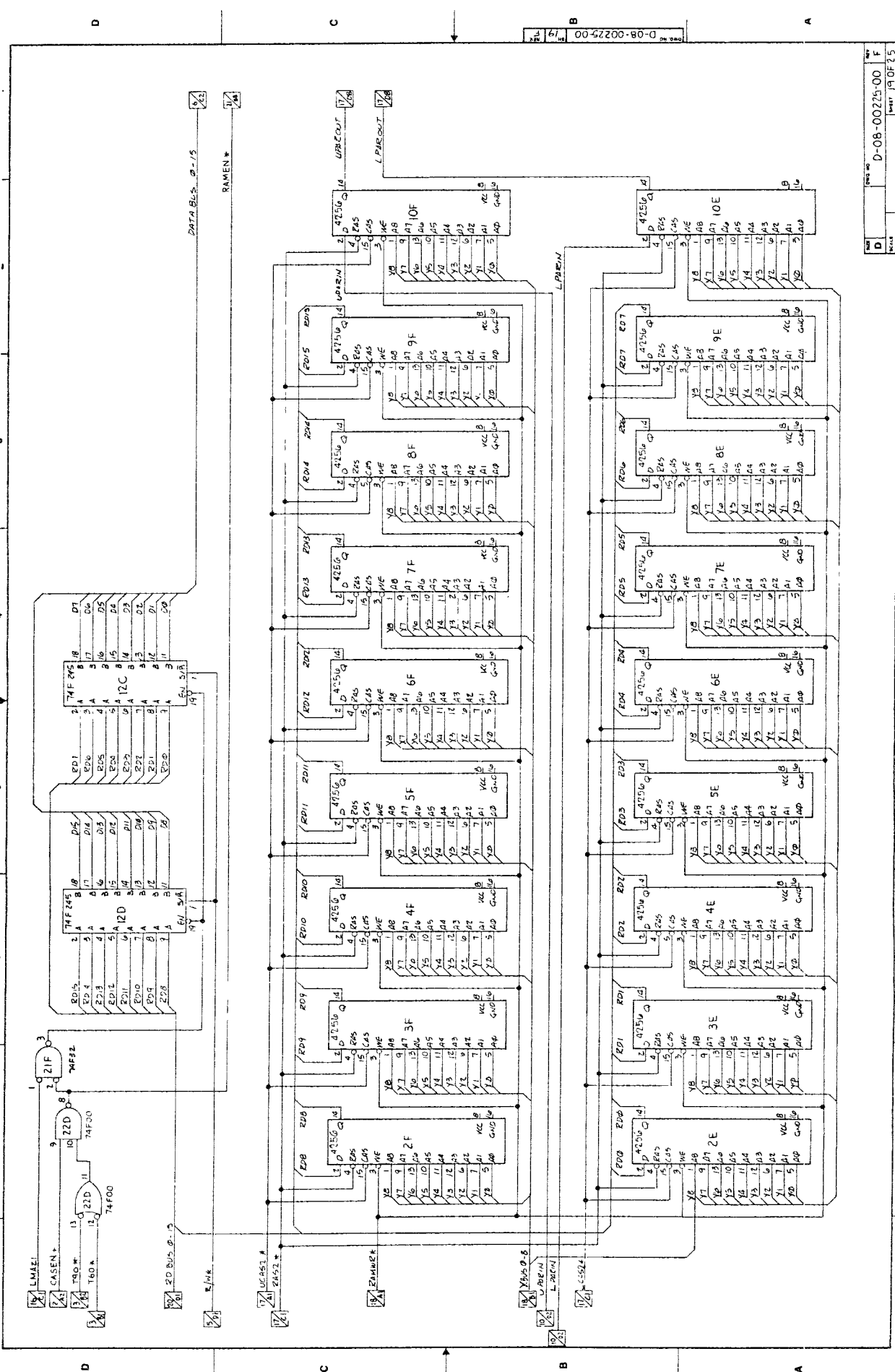


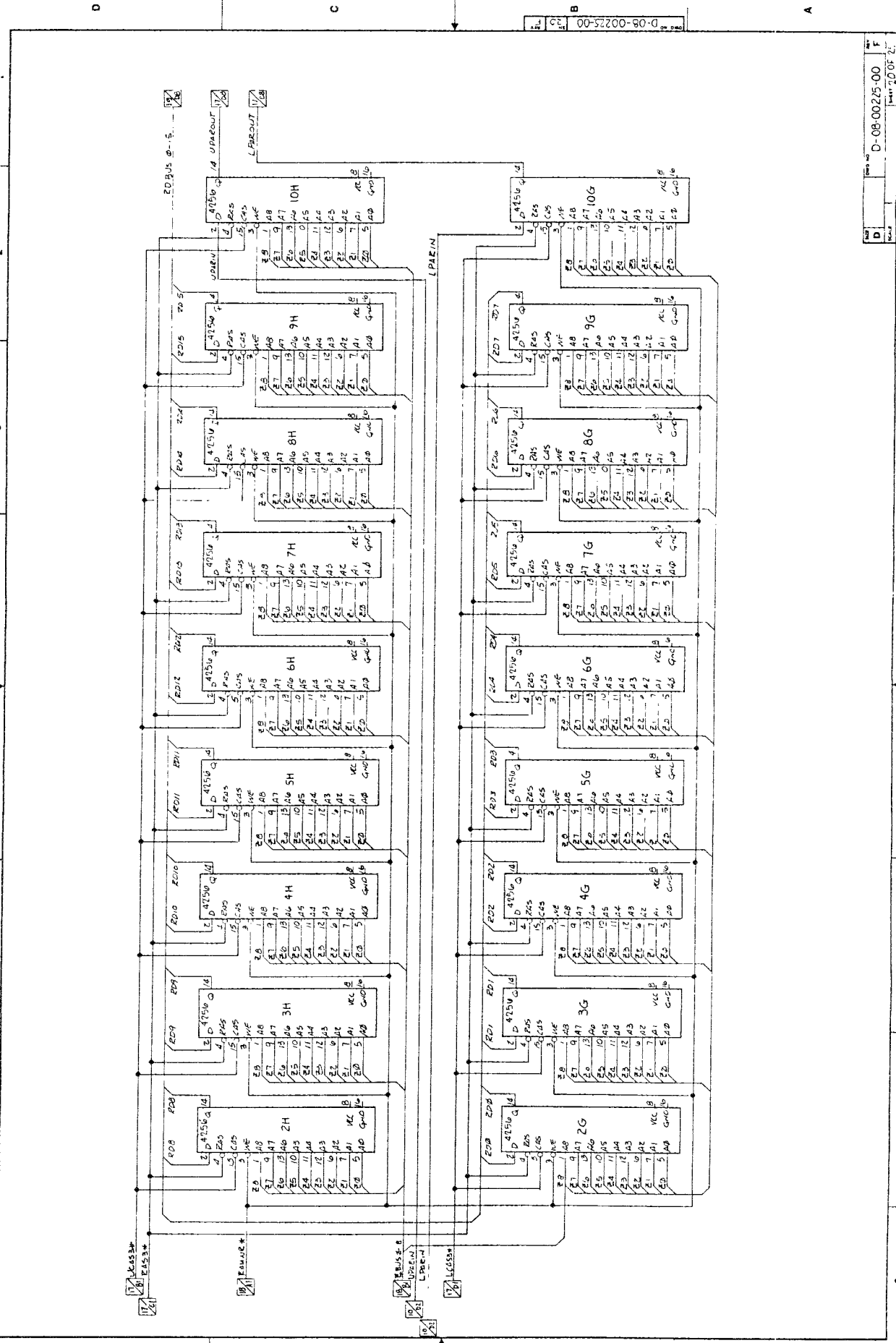




1 2 3 4 5 6 7 8



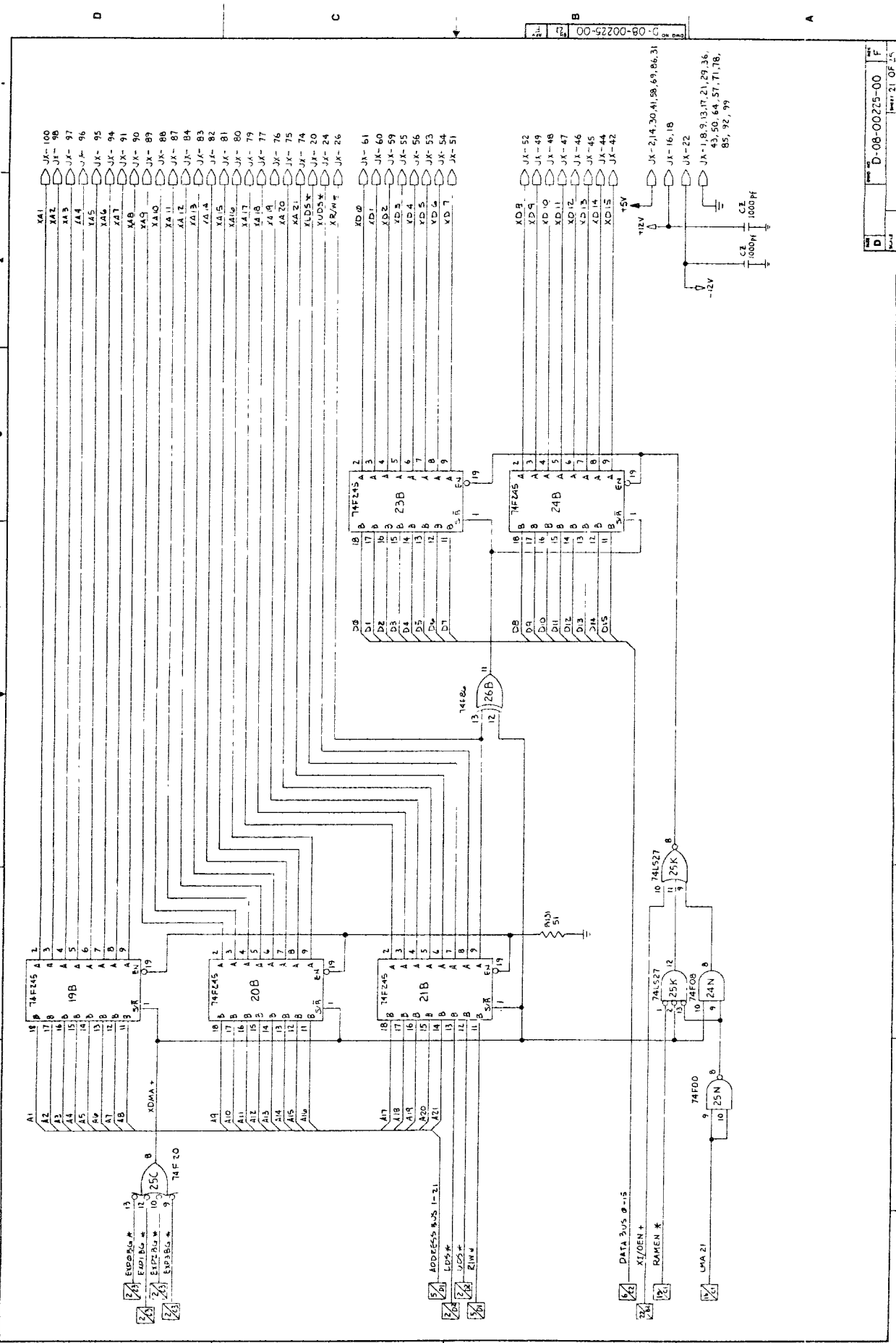




D-08-0025-00  
REV. 1  
DATE: 7/01/21

1 2 3 4 5 6 7 8





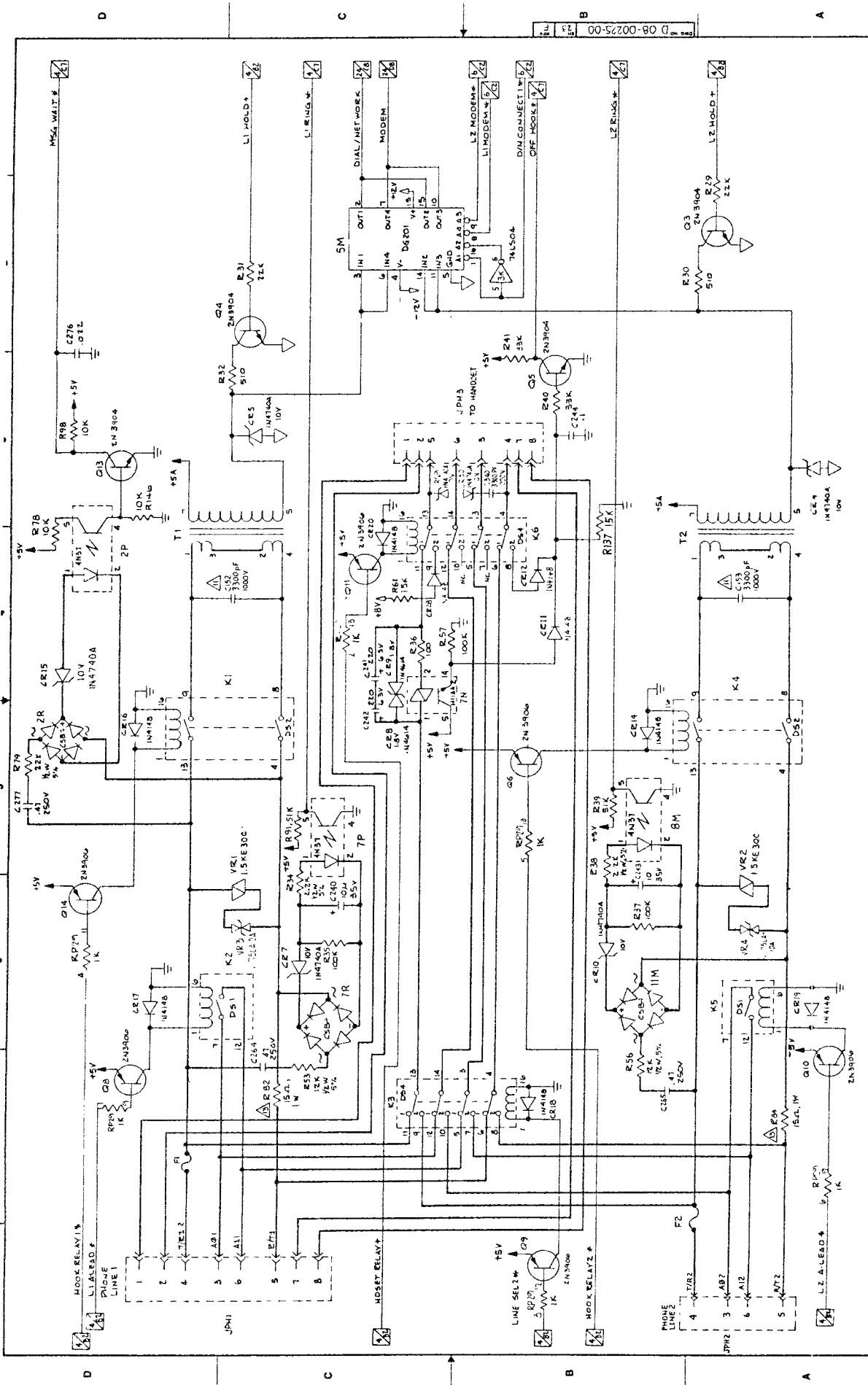
00-92200-80

D-08-00225-00

1 2 3 4 5 6 7 8

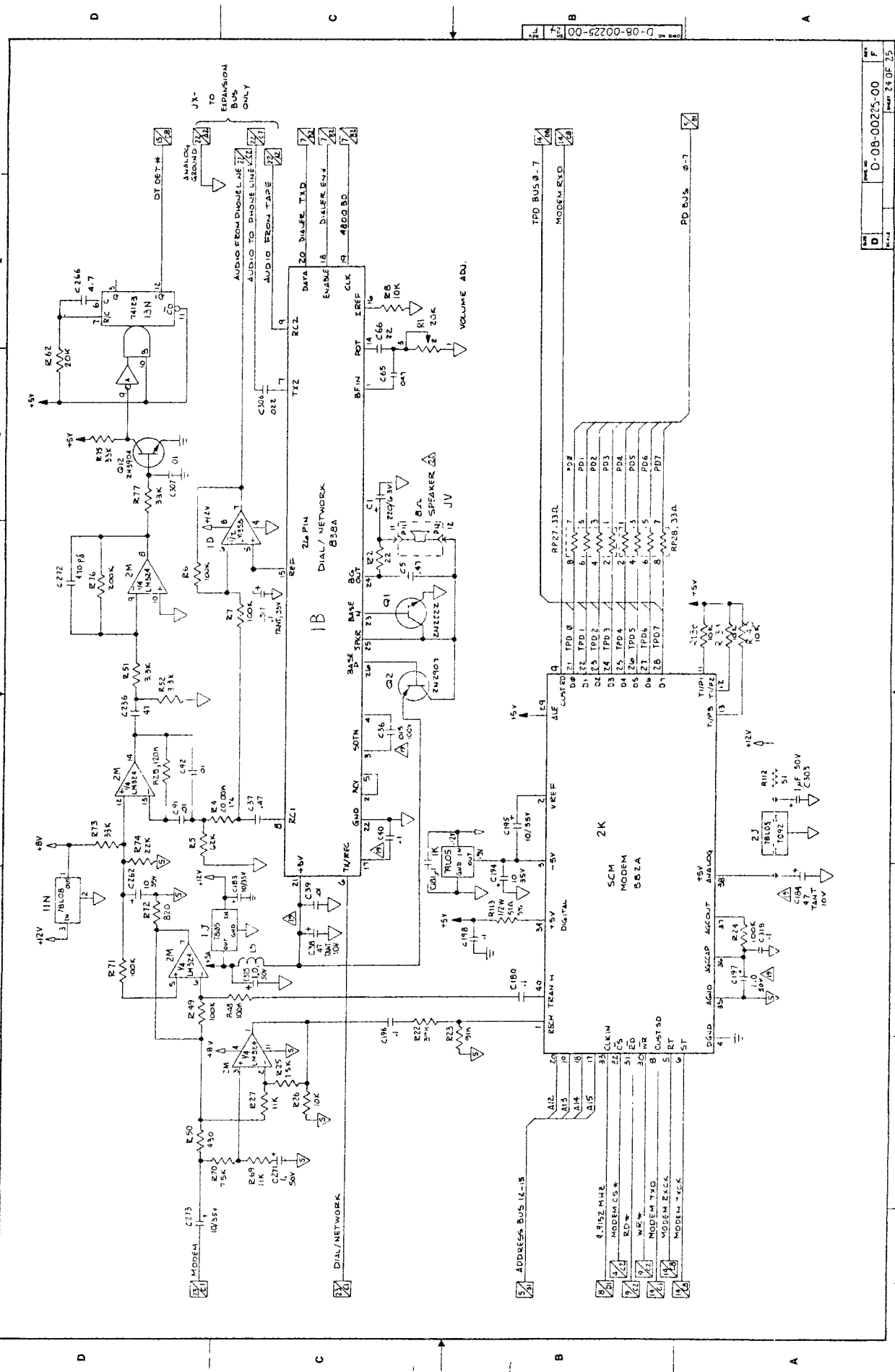
D-08-00225-00





1  
2  
3  
4  
5  
6  
7  
8

D-08-00225-00



D-08-00225-00  
 Rev. 1  
 Part 24 of 25

D-08-00225-00  
 Rev. 1  
 Part 24 of 25

D-08-00225-00  
 Rev. 1  
 Part 24 of 25

D-08-00225-00  
 Rev. 1  
 Part 24 of 25

D-08-00225-00  
 Rev. 1  
 Part 24 of 25

D-08-00225-00  
 Rev. 1  
 Part 24 of 25

D-08-00225-00  
 Rev. 1  
 Part 24 of 25

D-08-00225-00  
 Rev. 1  
 Part 24 of 25

D-08-00225-00  
 Rev. 1  
 Part 24 of 25

D-08-00225-00  
 Rev. 1  
 Part 24 of 25

D-08-00225-00  
 Rev. 1  
 Part 24 of 25

D-08-00225-00  
 Rev. 1  
 Part 24 of 25

D-08-00225-00  
 Rev. 1  
 Part 24 of 25

D-08-00225-00  
 Rev. 1  
 Part 24 of 25

D-08-00225-00  
 Rev. 1  
 Part 24 of 25

D-08-00225-00  
 Rev. 1  
 Part 24 of 25

D-08-00225-00  
 Rev. 1  
 Part 24 of 25

D-08-00225-00  
 Rev. 1  
 Part 24 of 25

D-08-00225-00  
 Rev. 1  
 Part 24 of 25

D-08-00225-00  
 Rev. 1  
 Part 24 of 25



I. C. VOLTAGE CHART

DEVICE	REFERENCE DESIGNATION	V5V	DGND	PAGE NO.
74F03	22D, 25N	14	7	2, 4, 5, 16, 19, 21
74F02	10H, 27H	14	7	3, 4, 5, 16, 17, 22
74S03	15M	14	7	12
74LS04	3K	14	7	3, 5, 6, 17, 23
74F04	15H, 19F	14	7	2, 4, 12, 16
74F08	40, 20E, 28F, 28N	14	7	2, 7, 16, 17, 21, 22
74LS23	28D, 28F	14	7	3, 4, 5, 6, 11, 15, 17
74LS28	24H	14	7	5, 17
74F10	13M	14	7	12
74F11	21F	14	7	2, 4
74LS14	40, 10M	14	7	4, 5, 11, 13, 14
74F20	23C	14	7	2, 21
74LS27	23D, 25N, 24N	14	7	2, 6, 9, 16, 21
74F32	33, 23E, 21F, 24F, 24P, 24M	14	7	2, 3, 4, 5, 9, 11, 14, 17, 22
74S51	12H, 19M	14	7	3, 17
74F64	10G	14	7	3
74LS14	25, 14, 27M, 20H	14	6	2, 6, 7, 10, 11, 15
74F74	50, 15M, 44M, 11M	14	7	4, 12, 17
74F06	24D	14	7	6, 21, 22
74S12	21E, 20G	14	6	5
74123	12N	14	6	12, 24
74S124	14N	14	7	12
74LS130	24G, 21G, 20G	14	6	4
74F130	13, 9J	14	6	17
74LS125	28F, 24H	14	6	5, 11, 13, 16
74F139	24J	14	6	6
74F153	18M	14	6	12
74LS157	19M, 11N	14	6	14
74F175	10D, 10P	14	6	3, 8
74LS240	17M, 24M	20	10	11, 13, 15
74LS244	9M, 15P, 14G, 24F, 25M, 24C	20	10	2, 4, 5, 6, 13, 15, 16, 17, 22
74F244	16, 17F, 19G, 27E, 23G	20	10	2, 3, 7, 9, 10, 22
74F245	15G, 10D, 13A, 15C, 13D, 17B, 19D, 24G, 21D, 23B, 23C, 24B, 24C	20	10	5, 6, 16, 19, 21
74F255	10J, 11F, 11G, 11H, 11E, 11D	14	6	17, 18
74LS259	17M, 18M	14	6	4, 6
74LS268	27N	14	7	5
74LS273	17H, 27C	20	10	11, 15
74S279	14B, 15D	14	7	6
74LS340	10F	14	6	6
74LS333	10D, 10E, 21D, 24D, 23D	20	10	6
74F373	17G, 22F	20	10	5, 14
74F374	16M	20	10	2, 3, 6, 12
74LS374	16P, 27D	20	10	15
74LS393	16E, 20D	14	7	7
74LS32	24G	14	7	4, 5, 8

I. C. VOLTAGE CHART

DEVICE	REFERENCE DESIGNATION	V5V	DGND	PAGE NO.
74LS31	14H	14	6	6, 12, 14
74LS32	13M	14	6	12
74S0	D1P, A			
74S1	D1P, 20P	14	7	14
74S2	9G, 28C, 11C, 22C	14	7	14
74LS105	14C, 15C	20	14	5
74S10	15G	12	1	14
74S11	14A, 15A, 14A, 17A	9	10	6
74S12		8	14	17, 20
74S13	7E, 3E, 4E, 5E, 6E, 7E, 8E, 9E, 10E, 11E, 12E, 13E, 14E, 15E, 16E, 17E, 18E, 19E, 20E, 21E, 22E, 23E, 24E, 25E, 26E, 27E, 28E, 29E, 30E, 31E, 32E, 33E, 34E, 35E, 36E, 37E, 38E, 39E, 40E	14, 19	16, 23	5
74S14	18			
74S15	2A			
74S16	21M	40	20	14
74S17	28, 19, 11M			
74S18	5M			
74S19	7N			
74S20	2M			
74S21	1D			
74S22	7N			
74S23	2P, 1P, 9M			
74S24	24G	20	10	2
74S25	14M	20	10	12
74S26	24H	20	10	2
74S27	25D	20	10	2
74S28	24D	N.A	8	15
74S29	71H	40	20	11
74S30	22M	21	20	12
74S31	14			
74S32	13			
74S33	11N			
74S34	21			
74S35	17C	40	20	7
74S36	22H	20	40	10
74S37	23E	25	25	7

D C B A

1 2 3 4 5 6 7 8

D C B A

1 2 3 4 5 6 7 8

D C B A

1 2 3 4 5 6 7 8

D C B A

1 2 3 4 5 6 7 8

D C B A

1 2 3 4 5 6 7 8

D C B A

1 2 3 4 5 6 7 8

D C B A

1 2 3 4 5 6 7 8

D C B A

1 2 3 4 5 6 7 8

D C B A

1 2 3 4 5 6 7 8

D C B A

1 2 3 4 5 6 7 8

D C B A

1 2 3 4 5 6 7 8

D C B A

1 2 3 4 5 6 7 8

D C B A

1 2 3 4 5 6 7 8

D C B A

1 2 3 4 5 6 7 8

D C B A

1 2 3 4 5 6 7 8

D C B A

1 2 3 4 5 6 7 8

D C B A

1 2 3 4 5 6 7 8

D C B A

1 2 3 4 5 6 7 8

D C B A

1 2 3 4 5 6 7 8

D C B A

1 2 3 4 5 6 7 8

D C B A

1 2 3 4 5 6 7 8

D C B A

1 2 3 4 5 6 7 8

D C B A

1 2 3 4 5 6 7 8

D C B A

1 2 3 4 5 6 7 8

D C B A

1 2 3 4 5 6 7 8

D C B A

1 2 3 4 5 6 7 8

D C B A

1 2 3 4 5 6 7 8

D C B A

1 2 3 4 5 6 7 8

D C B A

1 2 3 4 5 6 7 8

D C B A

1 2 3 4 5 6 7 8