

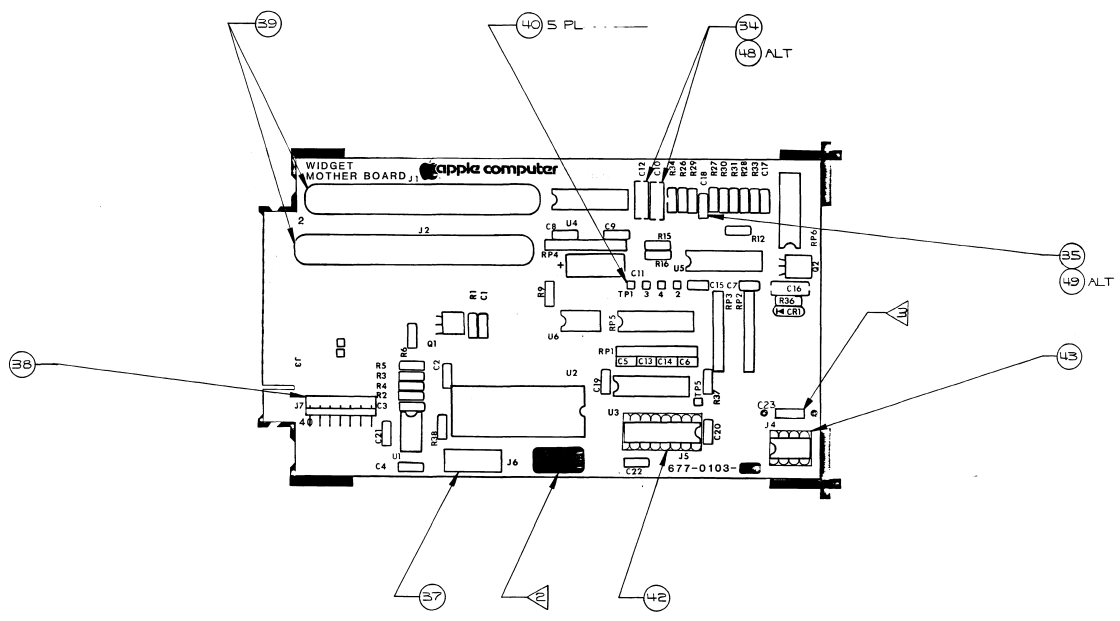
NOTE: UNLESS OTHERWISE SPECIFIED

1. REFERENCE SCHEMATIC: 050-5024.

▽ STAMP DATE TESTED GOOD.

▽ NO CAPACITOR REQUIRED FOR C23  
LEAVE EMPTY (DO NOT LOAD);

REV	ZONE	ECO	REVISION	APPRO	DATE
C	2B	FG33	REVISED & REDRAWN WITH CHANGE, ADDED ITEM 50, ADDED NOTE 3		



PRODUCTION RELEASE  
This drawing is the property of Apple Computer, Inc. and is to be used only for the production of the product identified herein. It is not to be used for any other purpose without the written consent of Apple Computer, Inc.

SEE SEPARATE BILL OF MATERIAL: 677-0103



ITEM	QTY	PART NUMBER	DESCRIPTION															
<table border="1"> <tr> <td>TOLERANCES UNLESS OTHERWISE SPECIFIED DIMENSIONS ARE IN INCHES</td> <td>DRAWN BY W-FA</td> <td>DATE 0-83</td> </tr> <tr> <td>DECIMALS .5 = .500</td> <td>CHECKED BY</td> <td>DATE</td> </tr> <tr> <td>ANGLES XX.1 = .100</td> <td>APPROVED BY</td> <td>DATE</td> </tr> <tr> <td>FRACTIONS XX.1/2 = .125</td> <td>IN CHARGE</td> <td>DATE</td> </tr> <tr> <td>DIMENSIONS IN PARENTHESES ARE IN MILLIMETERS</td> <td>RELEASED BY</td> <td>DATE</td> </tr> </table>				TOLERANCES UNLESS OTHERWISE SPECIFIED DIMENSIONS ARE IN INCHES	DRAWN BY W-FA	DATE 0-83	DECIMALS .5 = .500	CHECKED BY	DATE	ANGLES XX.1 = .100	APPROVED BY	DATE	FRACTIONS XX.1/2 = .125	IN CHARGE	DATE	DIMENSIONS IN PARENTHESES ARE IN MILLIMETERS	RELEASED BY	DATE
TOLERANCES UNLESS OTHERWISE SPECIFIED DIMENSIONS ARE IN INCHES	DRAWN BY W-FA	DATE 0-83																
DECIMALS .5 = .500	CHECKED BY	DATE																
ANGLES XX.1 = .100	APPROVED BY	DATE																
FRACTIONS XX.1/2 = .125	IN CHARGE	DATE																
DIMENSIONS IN PARENTHESES ARE IN MILLIMETERS	RELEASED BY	DATE																
MATERIAL			FINISH															
NEXT ASSY			FINISH															
SCALE 2:1			SHEET 1 OF 1															

677-0103-100

apple computer inc.  
TITLE  
ASSY, PCB UNTESTED  
MOTHER BOARD, WIDGET  
DRAWING NUMBER  
677-0103-C