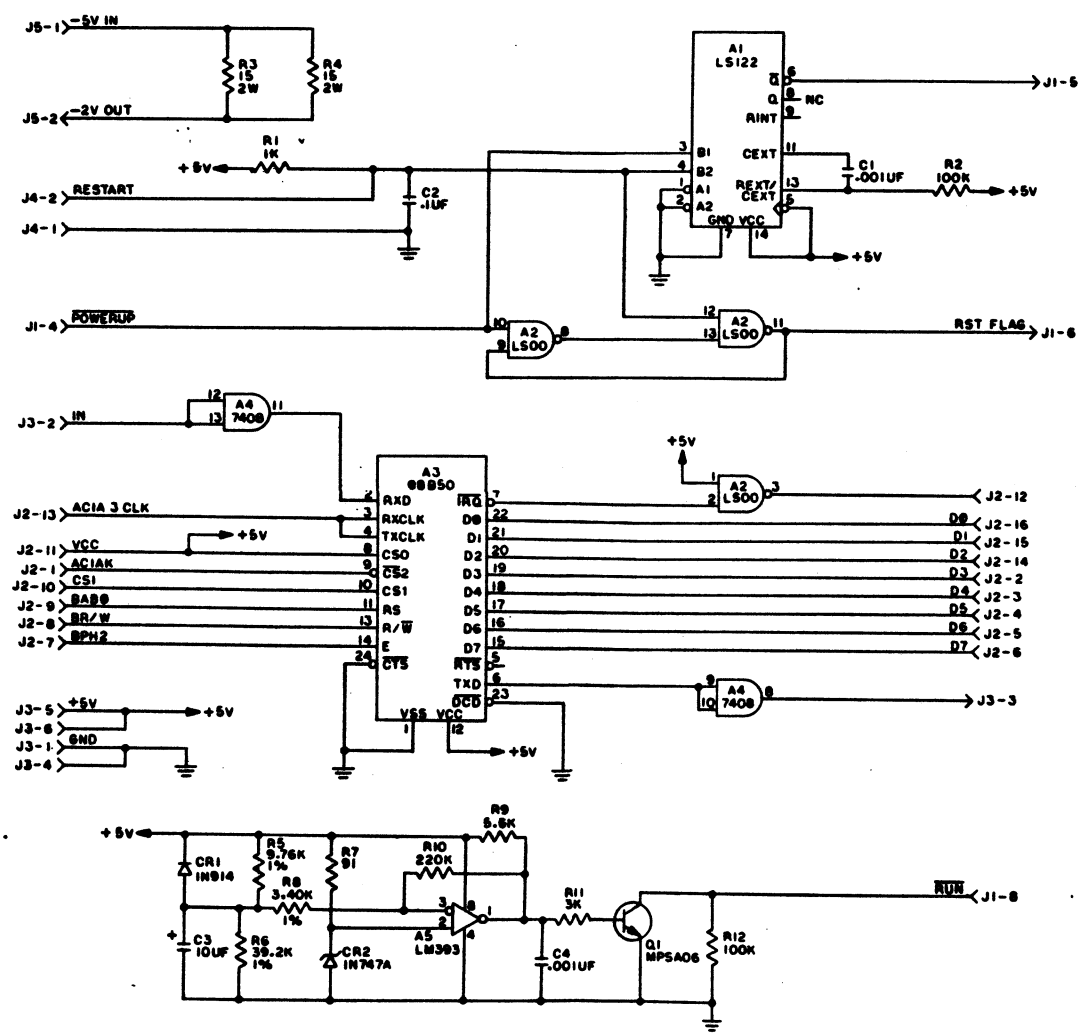


| REVISES | | | | |
|---------|-------------------|---------|----------|--|
| ISSUE | DESCRIPTION | DATE | APPROVED | |
| A | PROD REL ECO 2309 | 5/1/67 | U | |
| B | ECO 2346 | 2/11/68 | | |
| C | ECO 2364 | 7/6/68 | K | |



NOTES: UNLESS OTHERWISE SPECIFIED
 1. RESISTORS ARE IN OHMS AND ARE 1/4W, 5%.

| 120194-01 | | | 120195-XX | | |
|-----------|-------|---------|-----------|----|----|
| FROM | TO | TO | FROM | TO | TO |
| J1-4 | P1-4 | A381-8 | | | |
| J1-5 | P1-5 | A262-40 | | | |
| J1-6 | P1-6 | A339-13 | | | |
| J2-1 | P2-1 | A285-10 | | | |
| J2-2 | P2-2 | A335-19 | | | |
| J2-3 | P2-3 | A335-18 | | | |
| J2-4 | P2-4 | A336-17 | | | |
| J2-5 | P2-5 | A336-16 | | | |
| J2-6 | P2-6 | A335-15 | | | |
| J2-7 | P2-7 | A336-14 | | | |
| J2-8 | P2-8 | A335-13 | | | |
| J2-9 | P2-9 | A335-11 | | | |
| J2-10 | P2-10 | A335-10 | | | |
| J2-11 | P2-11 | A336-8 | | | |
| J2-12 | P2-12 | A337-40 | | | |
| J2-13 | P2-13 | A331-4 | | | |
| J2-14 | P2-14 | A336-20 | | | |
| J2-15 | P2-15 | A335-21 | | | |
| J2-16 | P2-16 | A335-22 | | | |
| J1-8 | P1-8 | J4-9 | | | |

Q1 120194-01 i024

| QTY | PART NUMBER | ISSUE | DESCRIPTION | ITEM NO. |
|-----|-------------|-------|-------------|----------|
| | | | | |
| | | | | |
| | | | | |
| | | | | |
| | | | | |
| | | | | |
| | | | | |
| | | | | |
| | | | | |
| | | | | |
| | | | | |

SCHEMATIC, KEYBOARD INTERFACE BOARD (i024)

ADVANCED ELECTRONIC SYSTEMS, INC. BOSTON, MASS. 02118

120195-001 REV C

SHEET 1 OF 1