



# **Apollo PLE133 Chipset**

## **VT8601A North Bridge**

**Single-Chip Socket-370 PCI North Bridge  
with 133 / 100 / 66 MHz Front Side Bus,  
Integrated AGP 2D / 3D Graphics Accelerator  
and Advanced Memory Controller  
supporting PC133 / PC100 SDRAM  
for Desktop PC Systems**

Revision 1.82  
October 22, 2001

**VIA TECHNOLOGIES, INC.**

## Copyright Notice:

Copyright © 1998, 1999, 2000, 2001 VIA Technologies Incorporated. Printed in the United States. ALL RIGHTS RESERVED.

No part of this document may be reproduced, transmitted, transcribed, stored in a retrieval system, or translated into any language, in any form or by any means, electronic, mechanical, magnetic, optical, chemical, manual or otherwise without the prior written permission of VIA Technologies Incorporated.

VT82C586B, VT82C596B, VT82C686A, VT82C686B, VT82C598, VT82C598MVP, VT8501, VT82C691, VT82C692, VT82C693, VT82C693A, VT82C694, VT82C694A, VT82C694X, VT8601, VT8601A, VT8602, Mobile South, Super South, Apollo MVP3, Apollo MVP4, Apollo Pro, Apollo ProPlus, Apollo Pro133, Apollo Pro133A, Apollo PM601, and Apollo PLE133 may only be used to identify products of VIA Technologies.

VIA C3™ is a registered trademark of VIA Technologies, Inc.

PS/2™ is a registered trademark of International Business Machines Corp.

Celeron, Pentium™, Pentium-II™, Pentium-III™, MMX™, and Intel are registered trademarks of Intel Corp.

AMD6,86™, AMD-K6™, and AMD-K6-2™ are registered trademarks of Advanced Micro Devices Corp.

Windows 95™, Windows 98™, and Plug and Play™ are registered trademarks of Microsoft Corp.

PCI™ is a registered trademark of the PCI Special Interest Group.

All trademarks are the properties of their respective owners.

## Disclaimer Notice:

No license is granted, implied or otherwise, under any patent or patent rights of VIA Technologies. VIA Technologies makes no warranties, implied or otherwise, in regard to this document and to the products described in this document. The information provided by this document is believed to be accurate and reliable to the publication date of this document. However, VIA Technologies assumes no responsibility for any errors in this document. Furthermore, VIA Technologies assumes no responsibility for the use or misuse of the information in this document and for any patent infringements that may arise from the use of this document. The information and product specifications within this document are subject to change at any time, without notice and without obligation to notify any person of such change.

## Offices:

### USA Office:

440 Mission Court, Suite 220

Fremont, CA 94539

USA

Tel: (510) 683-3300

Fax: (510) 683-3301 or 687-4654

### Taipei Office:

8<sup>th</sup> Floor, No. 533

Chung-Cheng Road, Hsin-Tien

Taipei, Taiwan ROC

Tel: (886-2) 218-5452

Fax: (886-2) 218-5453

## Online Services:

Home Page: <http://www.via.com.tw> (Taiwan) –or- <http://www.viatech.com> (USA)

FTP Server: <ftp.via.com.tw> (Taiwan)

BBS: 886-2-2185208

## REVISION HISTORY

Document Release	Date	Revision	Initials
0.92	12/9/98	Initial internal release	DH
0.93	12/16/98	Updated pinouts to match engineering rev 0.5 document dated 12/1/98	DH
0.94	1/20/99	Updated pinouts to match engineering rev 0.8 document dated 12/22/98	DH
1.0	6/4/99	Added 133 MHz Support to Feature Bullets Updated / Fixed Pin Descriptions: Fixed description of strap options on MA2, MA8, and MA11-14; Removed Auxiliary Memory Port; Added REQ/GNT[4-7]#; Added GND & VCC3 pins to increase pin count to 510 (updated mech spec); Fixed definitions of RESET# & CRSTI# and changed CRSTI# to CPURSTD#; Removed PWRGD function from SERR#; Fixed definitions of SRAS#, SCAS#, and SWE#; Added note to PLLTST description Updated Device 0 Rx50-53, 68[4], 69, 6B[5-1], 6C[7-4], 70[3,0], 72[0], 76[7], 79[1-0], 7A (added); Device 1 Rx41[0], 42[0]	DH
1.1	6/23/99	Updated feature bullets & overview and fixed misc formatting problems Fixed REQ/GNT4# pinouts and CKE & DQM naming polarity Device 0 Bus 0 updated Rx2-3 Device ID, 69[7-6], 6D[6-5], 76[6] Device 0 Bus 0 added Rx2C-D, 2E-F, 50[1], 51[5], 53[2], removed 6E-6F Device 0 Bus 1 updated Rx0-3 Vendor & Device ID, Rx7-6[7] Removed AC timing specs	DH
1.11	7/8/99	Fixed pin descriptions of CPURSTD# and SUSP	DH
1.2	8/23/99	Fixed typo in device 0 Rx50[7] description; added comment about default state Fixed system freq divider settings (MA pin descriptions, Dev 0 Rx68[1-0])	DH
1.3	9/8/99	Fixed strap options on MA2-6 and MA13 pin descriptions Fixed Device 0 Rx52[7] strap option and removed (reserved) Device 0 Rx52[5] Removed "VIA Confidential" watermark	DH
1.4	2/2/00	Added DSTN modes to intro/overview panel interface section Removed incorrect notes under CPU interface pin descriptions Fixed MA11 strapping and VCC3/VSUS3 pin descriptions Fixed Device 0 Bus 0 Rx50[1] and Rx51[1] defaults Fixed Electrical Specs absolute max temp ratings	DH
1.5	10/24/00	Changed product name to Apollo PLE133; Fixed typos in pinout table Changed temp specs to be based on case instead of ambient; added power table Changed orientation of pin 1 in mech diagram to match part marking	DH
1.6	11/1/00	Fixed product name on cover page; Fixed strap descriptions Fixed Rx50[7], Rx68[1-0], 6B[4], 6C[4], D0Bus1 Rx4[9], Graphics CR39[0]	DH
1.7	12/1/00	Removed EDO, FP, VCM and PC66 DRAM support (no longer fully tested) Added VIA Cyrix III CPU to supported CPUs list and changed 686A to 686B Added PLLTST pin I/O type Fixed table formatting errors introduced as a result of Word 2000 upgrade Fixed Rx6B[4] and 6C[4]; Fixed spelling errors in Functional Description	DH
1.71	4/26/01	Fixed various typographical and formatting errors	DH
1.8	7/3/01	Updated company address; updated processors list Removed LVDS and direct panel drive support; removed MA3-6 straps Fixed SUSP pin description; Fixed Device 0 Rx6A; moved VGA regs intro	DH
1.81	10/8/01	Clarified the difference between chipset name and north bridge part number Changed "VIA Cyrix III" to "VIA C3"; Fixed max memory to be 1.5GB Updated Device 0 Rx68[4], 69[7-6, 1], 6B[1]; Updated chip marking specs	DH
1.82	10/22/01	Fixed strap pin definitions for MA14,12,11 & updated Rx50[7], 68[1-0] to match	DH

# TABLE OF CONTENTS

<b>REVISION HISTORY</b> .....	<b>I</b>
<b>TABLE OF CONTENTS</b> .....	<b>II</b>
<b>LIST OF FIGURES</b> .....	<b>IV</b>
<b>LIST OF TABLES</b> .....	<b>IV</b>
<b>PRODUCT FEATURES</b> .....	<b>1</b>
<b>SYSTEM OVERVIEW</b> .....	<b>6</b>
<b>APOLLO PLE133 CORE LOGIC OVERVIEW</b> .....	<b>7</b>
<b>APOLLO PLE133 GRAPHICS CONTROLLER OVERVIEW</b> .....	<b>8</b>
<b>Capability Overview</b> .....	<b>8</b>
<b>System Capabilities</b> .....	<b>9</b>
<b>High Performance 64-bit 2D GUI</b> .....	<b>9</b>
<b>Highly Integrated RAMDAC™ &amp; Clock Synthesizer</b> .....	<b>9</b>
<b>Full Feature High Performance 3D Engine</b> .....	<b>9</b>
<b>Video Processor</b> .....	<b>10</b>
<b>Video Capture and DVD</b> .....	<b>10</b>
<b>Versatile Frame Buffer Interface</b> .....	<b>10</b>
<b>Hi-Res and Hi-Ref Display Support</b> .....	<b>10</b>
<b>CRT Power Management (VESA DPMS)</b> .....	<b>11</b>
<b>Flat Panel Monitor Interface</b> .....	<b>11</b>
<b>Video Capture Interface</b> .....	<b>11</b>
<b>Complete Hardware Compatibility</b> .....	<b>11</b>
<b>PINOUTS</b> .....	<b>12</b>
<b>PIN DESCRIPTIONS</b> .....	<b>15</b>
<b>REGISTERS</b> .....	<b>23</b>
<b>REGISTER OVERVIEW</b> .....	<b>23</b>
<b>REGISTER SUMMARY TABLES</b> .....	<b>23</b>
<b>MISCELLANEOUS I/O</b> .....	<b>33</b>
<b>CONFIGURATION SPACE I/O</b> .....	<b>33</b>
<b>REGISTER DESCRIPTIONS</b> .....	<b>34</b>
<b>Device 0 Bus 0 Header Registers - Host Bridge</b> .....	<b>34</b>
<b>Device 0 Bus 0 Host Bridge Registers</b> .....	<b>36</b>
CPU Interface Control .....	36
DRAM Control .....	39
PCI Bus Control .....	44
GART / Graphics Aperture Control.....	48
AGP Control .....	50
<b>Device 1 Bus 0 Header Registers - PCI-to-AGP Bridge</b> .....	<b>52</b>
<b>Device 1 Bus 0 PCI-to-AGP Bridge Registers</b> .....	<b>54</b>
AGP Bus Control .....	54
<b>Device 0 Bus 1 Header Registers - Graphics Accelerator</b> .....	<b>55</b>
<b>Device 0 Bus 1 Graphics Accelerator Registers</b> .....	<b>58</b>
Graphics Accelerator PCI Bus Master Registers .....	59
Capture / ZV Port Registers.....	64
DVD Registers .....	65
<b>VGA Registers</b> .....	<b>68</b>
VGA Standard Registers - Introduction .....	68

Attribute Controller Registers (AR).....	69
VGA Status / Enable Registers.....	69
VGA Sequencer Registers (SR).....	70
VGA RAMDAC Registers.....	70
VGA Graphics Controller Registers (GR).....	71
VGA CRT Controller Registers (CR).....	72
<b>VGA Extended Registers.....</b>	<b>73</b>
VGA Extended Registers – Non-Indexed I/O Ports.....	73
VGA Extended Registers – Sequencer Indexed.....	74
VGA Extended Registers – Graphics Controller Indexed.....	84
VGA Extended Registers – CRT Controller Indexed.....	90
VGA Extended Registers – CRT Shadow.....	104
<b>3D Graphics Engine Registers.....</b>	<b>105</b>
Operational Concept.....	105
Drawing.....	106
Geometry Primitives.....	107
Synchronization.....	110
Functional Blocks.....	110
Bus Interface.....	110
<b>Span Engine.....</b>	<b>111</b>
<b>Graphics Engine Core.....</b>	<b>112</b>
Graphics Engine Organization.....	115
Setup Engine Registers.....	116
Vertex Registers.....	117
Rasterization Engine Registers.....	118
Pixel Engine Registers.....	125
Texture Engine Registers.....	131
Memory Interface Registers.....	133
Data Port Area.....	133
<b>FUNCTIONAL DESCRIPTIONS.....</b>	<b>134</b>
<b>GRAPHICS CONTROLLER POWER MANAGEMENT.....</b>	<b>134</b>
<b>Power Management States.....</b>	<b>134</b>
<b>Power Management Clock Control.....</b>	<b>134</b>
<b>Power Management Registers.....</b>	<b>134</b>
<b>ELECTRICAL SPECIFICATIONS.....</b>	<b>135</b>
<b>ABSOLUTE MAXIMUM RATINGS.....</b>	<b>135</b>
<b>DC CHARACTERISTICS.....</b>	<b>135</b>
<b>POWER CHARACTERISTICS.....</b>	<b>136</b>
<b>AC TIMING SPECIFICATIONS.....</b>	<b>136</b>
<b>MECHANICAL SPECIFICATIONS.....</b>	<b>137</b>

## LIST OF FIGURES

<b>FIGURE 1. <u>VT8601A</u> BALL DIAGRAM (TOP VIEW).....</b>	<b>12</b>
<b>FIGURE 2. <u>VT8601A</u> PIN LIST (<u>NUMERICAL ORDER</u>) .....</b>	<b>13</b>
<b>FIGURE 3. <u>VT8601A</u> PIN LIST (<u>ALPHABETICAL ORDER</u>) .....</b>	<b>14</b>
<b>FIGURE 4. GRAPHICS APERTURE ADDRESS TRANSLATION.....</b>	<b>48</b>
<b>FIGURE 5. PHYSICAL REGION DESCRIPTOR TABLE FORMAT .....</b>	<b>60</b>
<b>FIGURE 6. PCI BUS MASTER ADDRESS TRANSLATION .....</b>	<b>60</b>
<b>FIGURE 7. FRAME BUFFER PARAMETERS .....</b>	<b>97</b>
<b>FIGURE 8. LIVE VIDEO DISPLAY PARAMETERS .....</b>	<b>97</b>
<b>FIGURE 9. MECHANICAL SPECIFICATIONS - 510-PIN BALL GRID ARRAY PACKAGE.....</b>	<b>137</b>

## LIST OF TABLES

<b>TABLE 1. VT8601A PIN DESCRIPTIONS.....</b>	<b>15</b>
<b>TABLE 2. REGISTER SUMMARY .....</b>	<b>23</b>
<b>TABLE 3. SYSTEM MEMORY MAP .....</b>	<b>39</b>
<b>TABLE 4. MEMORY ADDRESS MAPPING TABLE .....</b>	<b>39</b>
<b>TABLE 5. VGA/MDA MEMORY/IO REDIRECTION.....</b>	<b>54</b>
<b>TABLE 6. SUPPORTED PCI COMMAND CODES.....</b>	<b>55</b>
<b>TABLE 7. INTERRUPT SOURCES AND CONTROLS .....</b>	<b>57</b>
<b>TABLE 8. GRAPHICS CLOCK FREQUENCIES – 14.31818 MHZ REFERENCE.....</b>	<b>76</b>
<b>TABLE 9. DPMS SEQUENCE - HARDWARE TIMER MODE .....</b>	<b>87</b>
<b>TABLE 10. DPMS SEQUENCE - HARDWARE MODE IN SIMULTANEOUS DISPLAY MODE .....</b>	<b>87</b>
<b>TABLE 11. HARDWARE CURSOR PIXEL OPERATION .....</b>	<b>94</b>
<b>TABLE 12. PCI POWER MANAGEMENT STATES .....</b>	<b>134</b>
<b>TABLE 13. ABSOLUTE MAXIMUM RATINGS .....</b>	<b>135</b>
<b>TABLE 14. DC CHARACTERISTICS .....</b>	<b>135</b>
<b>TABLE 15. DC CHARACTERISTICS .....</b>	<b>136</b>
<b>TABLE 16. AC TIMING MIN / MAX CONDITIONS .....</b>	<b>136</b>

# VIA VT8601A Apollo PLE133

133 / 100 / 66 MHz

Single-Chip Socket-370 PCI North Bridge,  
With Integrated AGP 2D / 3D Graphics Accelerator  
and Advanced Memory Controller  
supporting PC133 / PC100 SDRAM  
For Desktop PC Systems

## PRODUCT FEATURES

### • General

- 510 BGA Package (35mm x 35mm )
- 2.5 Volt core with 3.3V CMOS I/O
- Supports GTL+ I/O buffer Host interface
- Supports separately powered 5.0V tolerant interface to PCI bus and Video interface
- 2.5V, 0.25um, high speed / low power CMOS process
- PC98 / 99 compatible using VIA VT82C686B (352-pin BGA) south bridge chip for Desktop and Mobile applications
- 133 / 100 / 66 MHz CPU Front Side Bus (FSB) Operation

### • High Integration

- Single chip implementation for 64-bit Slot-1 and Socket-370 CPUs, 64-bit system memory, 32-bit PCI with integrated 2D / 3D GUI accelerator
- **Apollo PLE133** Chipset: **VT8601A** system controller and **VT82C686B** PCI to ISA bridge
- Chipset includes dual UltraDMA-100 / 66 / 33 EIDE, AC-97 link, 4 USB ports, integrated Super-I/O, hardware monitoring, keyboard / mouse interfaces, and RTC / CMOS

### • High Performance CPU Interface

- Supports VIA C3 and Intel Celeron™ and Pentium III™ processors
- 133 / 100 / 66 MHz CPU Front Side Bus (FSB)
- Built-in PLL (Phase Lock Loop) circuitry for optimal skew control within and between clocking regions
- Five outstanding transactions (four In-Order Queue (IOQ) plus one input latch)
- Supports WC (Write Combining) cycles
- Dynamic deferred transaction support
- Sleep mode support
- System management interrupt, memory remap and STPCLK mechanism

CPU	DRAM	GUI Core	Internal AGP	PCI	Comments
133 MHz	133 MHz	100 MHz	66 MHz	33 MHz	Synchronous (DRAM uses CPU clock)
133 MHz	100 MHz	100 MHz	66 MHz	33 MHz	Pseudo-synchronous (DRAM uses GUI clock)
100 MHz	133 MHz	100 MHz	66 MHz	33 MHz	Pseudo-synchronous (DRAM uses GUI clock)
100 MHz	100 MHz	100 MHz	66 MHz	33 MHz	Synchronous (DRAM uses CPU clock)
100 MHz	66 MHz	66 MHz	66 MHz	33 MHz	Pseudo-synchronous (DRAM uses GUI clock)
66 MHz	100 MHz	100 MHz	66 MHz	33 MHz	Pseudo-synchronous (DRAM uses GUI clock)
66 MHz	66 MHz	66 MHz	66 MHz	33 MHz	Synchronous (DRAM uses CPU clock)

**• Internal Accelerated Graphics Port (AGP) Controller**

- AGP v1.0 compliant
- Pipelined split-transaction long-burst transfers up to 533 MB/sec
- Eight level read request queue
- Four level posted-write request queue
- Thirty-two level (quadwords) read data FIFO (128 bytes)
- Sixteen level (quadwords) write data FIFO (64 bytes)
- Intelligent request reordering for maximum AGP bus utilization
- Supports Flush/Fence commands
- Graphics Address Relocation Table (GART)
- One level TLB structure
- Sixteen entry fully associative page table
- LRU replacement scheme
- Independent GART lookup control for host / AGP / PCI master accesses
- Windows 95 OSR-2 VXD and integrated Windows 98 / NT5 miniport driver support

**• Concurrent PCI Bus Controller**

- PCI bus is synchronous / pseudo-synchronous to host CPU bus
- 33 MHz operation on the primary PCI bus
- Supports up to five PCI masters
- Peer concurrency
- Concurrent multiple PCI master transactions; i.e., allow PCI masters from both PCI buses active at the same time
- Zero wait state PCI master and slave burst transfer rate
- PCI to system memory data streaming up to 132Mbyte/sec
- PCI master snoop ahead and snoop filtering
- Six levels (double-words) of CPU to PCI posted write buffers
- Byte merging in the write buffers to reduce the number of PCI cycles and to create further PCI bursting possibilities
- Enhanced PCI command optimization (MRL, MRM, MWI, etc.)
- Forty-eight levels (double-words) of post write buffers from PCI masters to DRAM
- Sixteen levels (double-words) of prefetch buffers from DRAM for access by PCI masters
- Supports L1/L2 write-back forward to PCI master read to minimize PCI read latency
- Supports L1/L2 write-back merged with PCI master post-write to minimize DRAM utilization
- Delay transaction from PCI master reading DRAM
- Read caching for PCI master reading DRAM
- Transaction timer for fair arbitration between PCI masters (granularity of two PCI clocks)
- Symmetric arbitration between Host/PCI bus for optimized system performance
- Complete steerable PCI interrupts
- PCI-2.2 compliant, 32 bit 3.3V PCI interface with 5V tolerant inputs



• **Advanced High-Performance DRAM Controller**

- DRAM interface synchronous or pseudosynchronous with CPU FSB speed of 133 / 100 / 66 MHz
- DRAM interface may be faster than CPU by 33 MHz to allow use of PC100 with 66 MHz Celeron CPU or use of PC133 with 100 MHz VIA C3 or Intel Pentium II or Pentium III CPU
- DRAM interface may be slower than CPU by 33 MHz to allow use of older memory modules with a newer CPU
- Concurrent CPU, AGP, and PCI access
- Different DRAM timing for each bank
- Dynamic Clock Enable (CKE) control for SDRAM power reduction in high speed systems
- Mixed 1M / 2M / 4M / 8M / 16M / 32MxN DRAMs
- 6 banks DRAMs supported up to 1.5GB (256Mb DRAM technology)
- Flexible row and column addresses
- 64-bit data width only
- 3.3V DRAM interface with 5V-tolerant inputs
- Programmable I/O drive capability for MA, command, and MD signals
- Two-bank interleaving for 16Mbit SDRAM support
- Two-bank and four bank interleaving for 64Mbit SDRAM support
- Supports maximum 8-bank interleave (i.e., 8 pages open simultaneously); banks are allocated based on LRU
- Independent SDRAM control for each bank
- Seamless DRAM command scheduling for maximum DRAM bus utilization (e.g., precharge other banks while accessing the current bank)
- Four cache lines (16 quadwords) of CPU to DRAM write buffers
- Four cache lines of CPU to DRAM read prefetch buffers
- Read around write capability for non-stalled CPU read
- Speculative DRAM read before snoop result
- Burst read and write operation
- x-1-1-1-1-1-1 back-to-back accesses for SDRAM from CPU or from DRAM controller
- BIOS shadow at 16KB increment
- Decoupled and burst DRAM refresh with staggered RAS timing
- CAS before RAS or self refresh

- **General Graphic Capabilities**

- 64-bit Single Cycle 2D/3D Graphics Engine
- Supports 2 to 8 Mbytes of Frame Buffer
- Real Time DVD MPEG-2 and AC-3 Playback
- Video Processor
- I<sup>2</sup>C Serial Interface
- Integrated 24-bit 230MHz True Color DAC
- Extended Screen Resolutions up to 1600x1200
- Extended Text Modes 80 or 132 columns by 25/30/43/60 rows
- DirectX 6 and OpenGL ICD API

- **Graphics Performance**

- Sustained 1M polygons/second and 100M pixels/second
- 30fps DVD playback of 9.8Mbps MPEG-2 video with 30% headroom
- Host Based AC-3 decode at only 8% utilization

- **High Performance rCADE3D™ Accelerator**

- 32 entry command queue, 32 entry data queue
- 4Kbyte texture cache with over 90% hit rates
- Pipelined Single Cycle Setup/Texturing/Rendering Engines
- DirectDraw™ acceleration
- Multiple buffering and page flipping

- **Setup Engine**

- 32-bit IEEE floating point input data
  - Slope and vertex calculations
  - Back facing triangle culling
  - 1/16 sub-pixel positioning

- **Rendering Engine**

- High performance single pass execution
  - Diffused and specula lighting
  - Gouraud and flat shading
  - Anti-aliasing including edge, scene, and super-sampling
  - OpenGL compliant blending for fog and depth-cueing
  - 16-bit Z-buffer
  - 8/16/32 bit per pixel color formats

- **Texturing Engine**

- 1/2/4/8-bits per pixel compact palletized textures
  - 16/32-bits per pixel quality non-palletized textures
  - Pallet formats in ARGB 565, 1555, or 444
  - Tri-linear, bi-linear, and point-sampled filtering
  - Mip-mapping with multiple Level-Of-Detail (LOD) calculations and perspective correction
  - Color keying for translucency

- **2D GUI Engine**

- 8/15/16/24/32-bits per pixel color formats
  - 256 Raster Operations (ROPs)
  - Accelerated drawing: BitBLTs, lines, polygons, fills, patterns, clipping, bit masking
  - Panning, scrolling, clipping, color expansion, sprites
  - 32x32 and 64x64 Hardware Cursor
  - DOS graphics and text modes

- **DVD**

- Hardware-Assisted MPEG-2 Architecture for DVD with AC-3
- Simultaneous motion compensation and front-end processing (parsing, decryption and decode)
- Supports full DVD 1.0, VCD 2.0 and CD-Karaoke
- Microsoft DirectShow 3.0 native support, backward compatible to MCI
- No additional frame buffer requirements
- Sub-picture hardware eliminates Run-Length-Decoder and Alpha Blending overhead
- Dynamic frame and field de-interlace filtering for high quality playback on VGA monitors (Bob and Weave)
- Tamper-proof software CSS implementation
- Freeze, Fast-Forward, Slow Motion, Reverse
- Pan-and-Scan support for 16:9 sequence

- **Video Processor**

- On-chip Color Space Converter (CSC)
- Anti-tearing via two frame buffer based capture surfaces
- Minifier for video stream compression and filtering
- Horizontal/vertical interpolation with edge recovery
- Dual frame buffer apertures for independent memory access for graphics and video
- YUV 4:2:2/4:1:1/4:2:0 and RGB formats
- Video Module Interface (VMI) to MPEG and video decoder
- Vertical Blank Interval for Intercast™
- Overlay differing video and graphic color depths
- Minifier Video Module Interface (VMI) to MPEG and video decode
- Display two simultaneous video streams from both internal AGP and VMI
- Two scalers and Color Space Converters (CSC) for independent windows

- **Digital Flat Panel (DFP) Interface**

- 85 MHz Flat Panel Monitor interface supports 1024x768 panels
- Uses external TMDS transmitters for advanced panel interfaces

- **Power Management Support**

- Dynamic power down of SDRAM (CKE)
- Independent clock stop controls for CPU / SDRAM, AGP, and PCI bus
- PCI and AGP bus clock run and clock generator control
- VTT suspend power plane preserves memory data
- Suspend-to-DRAM and Self-Refresh operation
- EDO self-refresh and SDRAM self-refresh power down
- 8 bytes of BIOS scratch registers
- Low-leakage I/O pads

- **Testability**

- Build-in NAND-tree pin scan test capability

## SYSTEM OVERVIEW

The **Apollo PLE133** chipset consists of the **VT8601A North Bridge** (described by this document) and the **VT82C686B South Bridge** (described in a separate data sheet). The VT8601A is a PC system logic North Bridge for Socket-370 CPUs with integrated 2D/3D Graphics accelerator. The core logic portion of the chip is based on the VIA Apollo Pro133 with integrated graphics accelerator provided by an industry leading Graphics supplier. The combination of the two leading edge technologies provides a stable, cost-effective, and high performance solution to both the Desktop and Mobile personal computer markets. As shown in Figure 1 below, the Apollo PLE133 will interface to:

- Socket-370 Front-Side Bus (133, 100 and 66 MHz)
- PC133 / PC100 SDRAM Memory Interface
- PCI Bus (33 MHz)
- Analog RGB Monitor with DDC
- Digital Monitor Transmitters (TMDS)
- Video Capture / Playback CODECs

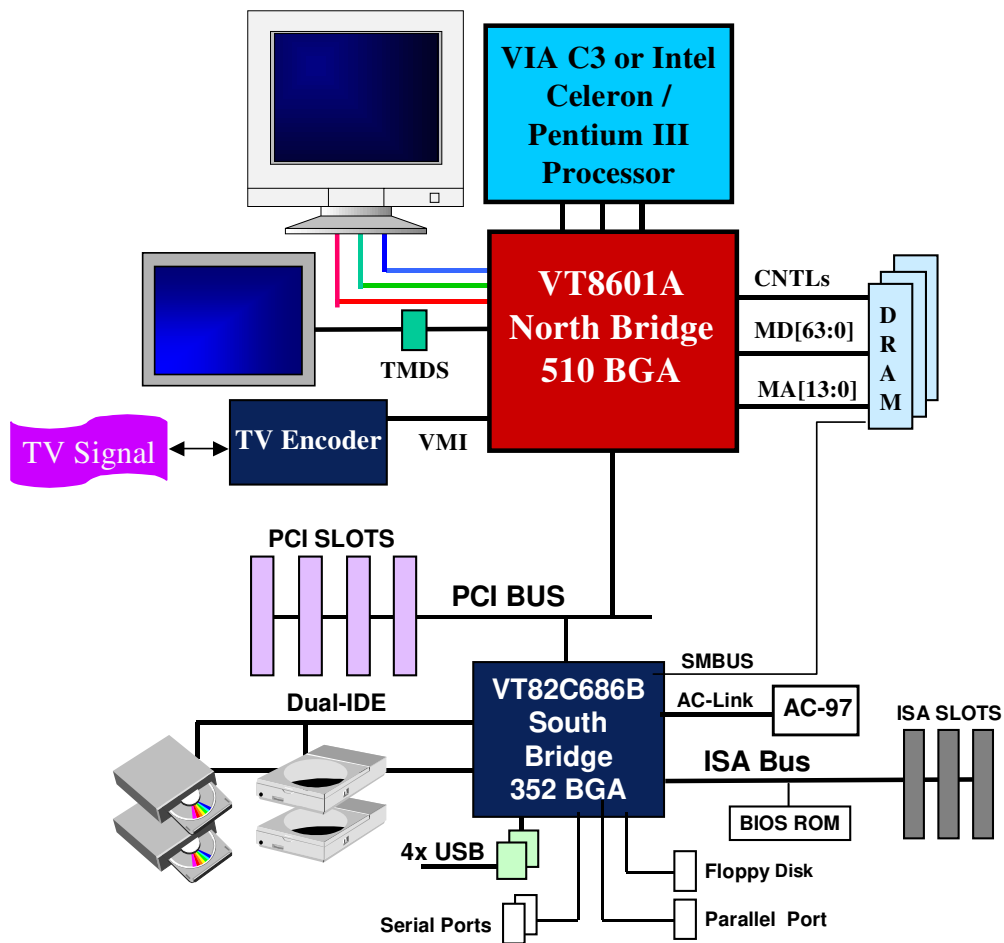


Figure 1: Apollo PLE133 High Level System Diagram

## **Apollo PLE133 Core Logic Overview**

The Apollo PLE133 chipset is a high performance, cost-effective and energy efficient solution for the implementation of Integrated 2D / 3D Graphics - PCI - ISA desktop and notebook personal computer systems from 66 MHz to 133 MHz based on 64-bit Socket-370 VIA C3 / Intel Celeron and Pentium III processors. The complete solution consists of the VT8601A “System Media Accelerator” (SMA) north bridge (510 BGA) and either the VT82C596B (324 BGA) or the VT82C686B (352 BGA) PCI-to-ISA south bridge. Both south bridges are PC98 / PC99 compliant with integrated UltraDMA-66 / 33 IDE, 4 USB ports, and a complete power management feature set. The VT82C686B also integrates HW monitoring, Super-I/O functions (floppy disk drive interface and serial / parallel ports), and AC-97 link supporting digital audio and HSP modem functions.

Apollo PLE133 supports six banks of DRAMs up to 1.5GB. The DRAM controller supports PC133 and PC100 Synchronous DRAM (SDRAM). The Synchronous DRAM interface allows zero wait state bursting between the DRAM and the data buffers at 100 or 133 MHz. The six banks of DRAM can be composed of an arbitrary mixture of 1M / 2M / 4M / 8M / 16M / 32MxN DRAMs. The DRAM Controller is optimized to run synchronous with the CPU Front Side Bus (FSB) frequency of 100 or 133 MHz or pseudosynchronous to the Front Side Bus with the SDRAM and FSB frequencies differing by 33 MHz.

Apollo PLE133 also supports full AGP v1.0 capability with the internal 2D/3D Graphics Engine for maximum software compatibility. An eight level request queue plus a four level post-write request queue with thirty-two and sixteen quadwords of read and write data FIFO's respectively are included for deep pipelined and split AGP transactions. A single-level GART TLB with 16 full associative entries and flexible CPU/AGP/PCI remapping control is also provided for operation under protected mode operating environments. Both Windows-95 VXD and Windows-98 / NT5 miniport drivers are supported.

Apollo PLE133 supports one 32-bit 3.3 / 5V system bus (PCI) that is synchronous to the CPU bus. The chip also contains a built-in AGP bus-to-PCI bus bridge to allow simultaneous concurrent operations on each bus. Five levels (doublewords) of post write buffers are included to allow for concurrent CPU and PCI operation. For PCI master operation, forty-eight levels (doublewords) of post write buffers and sixteen levels (doublewords) of prefetch buffers are included for concurrent PCI bus and DRAM/cache accesses. The chip also supports enhanced PCI bus commands such as Memory-Read-Line, Memory-Read-Multiple and Memory-Write-Invalid commands to minimize snoop overhead. In addition, advanced features are supported such as snoop ahead, snoop filtering, L1 / L2 write-back forward to PCI master, and L1 / L2 write-back merged with PCI post write buffers to minimize PCI master read latency and DRAM utilization. Delay transaction and read caching mechanisms are also implemented for further improvement of overall system performance.

For sophisticated notebook implementations, the Apollo PLE133 north bridge provides independent clock stop control for the CPU / SDRAM, PCI, and AGP buses and Dynamic CKE control for powering down of the SDRAM. A separate suspend-well plane is implemented for the SDRAM control signals for Suspend-to-DRAM operation. Coupled with the 324-pin Ball Grid Array VIA VT82C596B south bridge chip, a complete notebook PC main board can be implemented with no external TTLs.

## **Apollo PLE133 Graphics Controller Overview**

The Apollo PLE133 Graphics Controller is a highly integrated display control device that incorporates a 64-bit 3D/2D graphic engine and video accelerator with advanced DVD video and optional TV output capability. It provides a flexible and high performance solution for graphics and video playback acceleration for various color depth and resolution modes.

The Apollo PLE133 Graphics Controller supports a video capture port to import captured live MPEG 1 or MPEG 2 video streams, or DVD decompressed video streams to be overlaid with a graphics stream of mixed color depth displays. In supporting dual live videos, the Apollo PLE133 Graphics Controller offers independent dual video windows ready for videoconferencing and with linear scaling capability.

Integrating the programmable phase lock loop with high speed LUT DACs, the Apollo PLE133 Graphics Controller is a true price/performance solution for the modern multimedia based entertainment PC.

### **Capability Overview**

The Apollo PLE133 Graphics Controller is a fully integrated CRT and TV 64-bit 2D/3D Accelerator. The high performance graphics engine offers high speed 3D image processing in full compliance and compatibility with IBM® VGA and VESA™ extended VGA. As an integrated controller, it allows unprecedented cost and performance advantages by eliminating the need for an external frame buffer while at the same time gaining local access to a larger amount of memory. Many functions can now be eliminated that previously consumed large amounts of bandwidth.

The Apollo PLE133 Graphics Controller, equipped with a single-cycle 3D GUI Engine, pipelines 3D rendering process architecture in hardware, providing real-time interactions with solid 3D models in CAD/CAM, 3D modeling, and 3D games. It supports all key 3D rendering operations, including: Gouraud shading for smooth object surfaces, texture mapping for realistic object textures, 16-bit hardware Z-buffering for fast 3D depth calculations, and Alpha Blending for transparency effects.

The Apollo PLE133 Graphics Controller's highly innovative design, a full 64-bit memory interface with a high performance graphics engine which can support a RAMDAC™ running up to 230MHz, dramatically improves GUI functions and significantly promotes overall system operation.

The Apollo PLE133 Graphics Controller supports a full AGP implementation internally to remain compatible with existing software and programming models. However, since the engine is integrated it enjoys a higher bandwidth and lower latency than is possible with discrete solutions. AGP operations can include direct access of the system memory by the 2D/3D engine to provide increased texture memory.

To meet the requirements of a PC99 graphics adapter in a multimedia PC, the Apollo PLE133 Graphics Controller supports planar video format for MPEG-1, MPEG-2, and DVD-video playback. The dual video playback is capable of overlaying windows for videoconferencing and multimedia displays. Advanced features of the Apollo PLE133 Graphics Controller, such as color space conversion, video scaling, dual video windows, dual-view display, Video Module Interface (VMI), Vertical Blanking Interleave (VBI), a 24-bit True Color DAC, and triple clock synthesizers allow performance at peak levels.

By using an extended 16-bit VMI port the Apollo PLE133 Graphics Controller can support DTV resolution. This port can operate as either an input for Video Capture or as an output for Video display. The Apollo PLE133 Graphics Controller is capable of supporting three simultaneous displays: CRT, Flat Panel Monitor & Video, each with a different "window" or desktop.

The Apollo PLE133 integrated Graphics Controller supports a rich featured flat panel monitor interface that can be used with external TMDS transmitters to support the latest DVI displays.

## **System Capabilities**

The Apollo PLE133 Graphics Controller's main system features include:

- High Performance single cycle GUI
- Highly Integrated RAMDAC™ and Triple Clock Synthesizer
- Full Feature High Performance 3D Graphics Engine
- High speed internal AGP Bus Mastering data bus supporting DVD video playback & 3D
- Hardware implementation of motion compensation
- Dual Video Windows for Videoconferencing
- TrueVideo® Processor
- DirectDraw™ and DirectVideo™ Hardware Support
- Versatile Motion Video Capture/Overlay/Playback Support
- Flexible Frame Buffer Memory Interface
- Advanced Mobile Power Management
- CRT Power Management (VESA™ DPMS)
- PC99 Hardware Support

### **High Performance 64-bit 2D GUI**

The 64-bit graphics engine of the Apollo PLE133 Graphics Controller significantly improves graphics performance through specialized hardware that accelerates the most frequently used GUI operations and matches the high-speed requirements of CPUs. Functions directly supported in hardware include: BitBLTs, image and text transfer, line draw, short stroke vector draw, rectangle fills, and clipping. The graphics engine supports 256 Raster Operations (ROPs) for up to 32-bit packed pixel graphic modes. The ROP3 Processor in the Apollo PLE133 Graphics Controller is able to perform Boolean functions which allow many additional operations, including transparency, pattern masking, color expansion alignment, and pattern enhancement. Additionally, the graphics engine features linear display memory addressing (up to 4GB memory space), accelerated color expansion modes for graphics text procession, and memory-mapped I/O registers on the graphics engine for faster access time.

Graphic functions are optimized by a 64-bit internal data bus and a four-color hardware cursor/pop-up icon, operating up to a 128x128x2 pixel image, which offloads the CPU. The hardware cursor mechanism can also be used to display patterns stored in the system memory. This pop-up icon is very useful to display user friendly information instantly through simple hot key operations. This advanced function combination allows significant performance increases over standard Super VGA designs and provides outstanding graphics acceleration on GUIs, such as Microsoft® Windows 98®.

### **Highly Integrated RAMDAC™ & Clock Synthesizer**

The highly integrated design of the Apollo PLE133 Graphics Controller offers a “no TTL” solution for cost-effective, high-performance multimedia subsystem designs for the PC and compatible notebooks. The 64-bit memory data bus supporting SDRAM and SGRAM memory provides faster data transfer rates for improved system throughput. The Apollo PLE133 Graphics Controller has a built-in, high speed RAMDAC™. The RAMDAC™ is composed of one 256x24 and one 256x18 color lookup table and a triple loop frequency synthesizer, providing the read/write timing control for the Frame Buffer Memory and the refresh of the TV/CRT display.

The integrated frequency synthesizer provides a 125MHz memory clock for high speed DRAM access and a 230MHz video clock which supports various refresh rates up to 85Hz at 1280x1024.

### **Full Feature High Performance 3D Engine**

The Apollo PLE133 Graphics Controller is equipped with an advanced Graphics Drawing, Single Cycle 3D Graphics Engine that performs premium 3D functions at a high level of more than 1M triangles per second. The 3D engine supports Microsoft® Direct3D. The 3D Engine is set up to off-load the CPU from major 3D tasks including slope calculation, sub-pixel positioning, and Tri-stripping. By balancing the 3D pipeline and reducing parameter passing, the Apollo PLE133 Graphics Controller provides very high levels of performance. The 3D engine is integrated with a triangle set-up engine that sets up triangles according to vertex input data and accomplishes various functions for 3D rendering. Gouraud shading provides smooth shading for colors across surfaces, perspective correction texture mapping to correct texture data based on the perspective, bi-linear texture filtering for interpolating, alpha blending to compensate colors for the opacity of two colors blended, Z-buffering (16-bit/24-bit), video texturing to overlay 2D video play-back onto 3D images, fogging to simulate weather effects, palletized texture mapping (1-, 4-, or 8-bit) for memory and bandwidth reduction, and anti-aliasing to reduce or eliminate jaggies resulted from alias rendering. The 3D engine also works with the APM system, conserving power while 3D operations are suspended.

## **Video Processor**

Video processor features include: on-chip hardware Color Space Conversion (CSC) for faster data conversion on the fly, Horizontal/Vertical (H/V) scaling with interpolation, edge recovery algorithm logic, gamma correction, and overlay control with different color depths from graphics. The Apollo PLE133 Graphics Controller also includes a fully integrated GUI accelerator, read cache, and command FIFO that optimize memory bandwidth and maximize graphics performance.

The Apollo PLE133 Graphics Controller, with an integrated Video Display and a Capture Engine, supports dual apertures on the PCI bus which enables independent graphic and video data to be transported simultaneously to and from different memory areas and greatly accelerates the performance of both DirectDraw™ and DirectVideo™. The Apollo PLE133 Graphics Controller can provide dual video windows that display different images from different video sources (from the PCI bus and from the capture port) on the same screen. The video image is stored in off-screen memory and is retrieved by the Video Display Processing block for video processing. With the help of DirectDraw™ acceleration for sprites, page flipping, double buffering, and color keying, video processing is performed by utilizing a proprietary edge recovery algorithm for sharper line visibility, de-interlacing, anti-tearing, multitap horizontal filtering, dithering, and scaling operations with bilinear interpolation in both horizontal and vertical directions. Linear scaling permits zoom in/out to any size without any restrictions. In addition, the on-chip hardware Color Space Conversion (CSC) accelerates conversion for 16 bit YUV pixels into linear true color 32 bit RGB pixels on the fly. The additional X and Y minifiers are capable of shrinking video images to any linear fractions, which saves bus bandwidth and memory space. The YUV planar logic of the Apollo PLE133 Graphics Controller supports a YUV 420 format that can eliminate redundant video stream decoding procedures. The load of the CPU is reduced while performing software MPEG or software video conferencing. The color and luminance control provided by the Apollo PLE133 Graphics Controller offers color compensations to prevent color distortion for display devices such as a CRT or TV with Gamma correction and hue adjustment control.

The Video Conferencing feature allows remote and local video images to be displayed simultaneously on the same screen.

## **Video Capture and DVD**

The Apollo PLE133 Graphics Controller has a Video Module Interface (VMI) and advanced hardware interface logic allowing it to be directly connected to many MPEG and video decoders such as the C-Cube CL450/480, SGS 3400/3500, Philips 7110/1 and Brooktree BT819/817/827/829.

The Apollo PLE133 Graphics Controller, integrated with a DVD video hardware block for motion compensation, gives existing PCs the ability to play DVD video in MPEG-2 format at high bandwidths with very good video quality.

A new industry standard is being set for transmission of non-video data over a TV broadcast signal during vertical blanking dead time. This technology is referred to as Intercast. The Apollo PLE133 Graphics Controller has the ability to take the entire video stream over the video port, sending the visible video stream to the display memory for display in a window, stripping the VBI data from the stream, and then sending this data to the CPU for processing using PCI Bus Mastering.

## **Versatile Frame Buffer Interface**

The Apollo PLE133 Graphics Controller features a versatile frame buffer interface aperture into main system memory. Optimized performance can be achieved with the single cycle memory bus interface using programmable DRAM timing. The display queue has been increased to reduce the frequency of memory bus requests, optimizing memory bus efficiency for the graphic controller.

With the support of the internal AGP aperture, the Apollo PLE133 Graphics Controller has access to system memory through the GART. In the execute mode, the Apollo PLE133 Graphics Controller is able to use both the dedicated graphics portion and the general portion of system memory for graphics operations. As a result, DVD and 3D rendering performance and quality are greatly enhanced.

## **Hi-Res and Hi-Ref Display Support**

Apollo PLE133 Graphics Controller display enhancements dramatically improve CRT resolution. These enhancements include support of non-interlaced 1280x1024x64K, 1024x768x16M, 800x600x16M, and 640x480x16M colors for “full spectrum” color. Extended text modes of 80 or 132 columns by 25, 30, 43, or 60 rows provide an extended graphics area frequently used in many spreadsheet and database applications. Extended graphics and text modes are supported by software drivers that provide a “ready-to-go” solution, minimizing the need for additional driver development.

A virtual screen can be created with the Apollo PLE133 Graphics Controller. When this function is enabled, a selected portion of a large image can be shown on a smaller display. The image can also be moved across the whole screen, either up or down.

The Apollo PLE133 Graphics Controller is able to automatically detect DDC monitors with I<sup>2</sup>C signaling.



**CRT Power Management (VESA DPMS)**

The Apollo PLE133 Graphics Controller conforms to the standard power management schemes defined by VESA™ for CRTs. The Apollo PLE133 Graphics Controller supports four states of VESA™ Display Power Management Signaling (DPMS), which decrease monitor power consumption after timeout periods. VESA™ DPMS power down states (ready, standby, suspend, and off) specify HSYNC and VSYNC signals to control the monitor power down state.

**Flat Panel Monitor Interface**

The Apollo PLE133 Flat Panel Monitor interface is designed to support industry standard TFT panel based Flat Panel Monitors via external TMDS transmitters. The interface supports both 18-bit and 24-bit display modes. Optionally, an 18+18 panel can be supported utilizing external latches.

<b>Pin</b>	<b>24 Bit TFT</b>	<b>18 Bit TFT</b>	<b>Notes</b>
PD[23]	B0	S2	S2 used for external 18+18
PD[22]	B1	S1	S1 used for external 18+18
PD[21]	G0		
PD[20]	G1		
PD[19]	R0		
PD[18]	R1		
PD[17]	B2	B0	
PD[16]	B3	B1	
PD[15]	G2	G0	
PD[14]	G3	G1	
PD[13]	R2	R0	
PD[12]	R3	R1	
PD[11]	B4	B2	
PD[10]	B5	B3	
PD[9]	B6	B4	
PD[8]	B7	B5	
PD[7]	G4	G2	
PD[6]	G5	G3	
PD[5]	G6	G4	
PD[4]	G7	G5	
PD[3]	R4	R2	
PD[2]	R5	R3	
PD[1]	R6	R4	
PD[0]	R7	R5	

**Video Capture Interface**

The Video Module Interface (VMI) is supported for video devices such as MPEG1 and MPEG2. Additionally, the zero-wait state host write buffer, read cache, and memory mapped I/O increase operating speeds and contribute to peak performance levels. All I/O interfaces are 5V tolerant, capable of interfacing with external devices operating at 5V, even though the Apollo PLE133 Graphics Controller runs at 2.5V. Graphics system throughput is further enhanced by a command FIFO, allowing maximum bus transfer speed for applications such as Windows™ or AutoCAD™ that directly access video memory.

**Complete Hardware Compatibility**

The Apollo PLE133 Graphics Controller is fully compliant with the VESA™ DDC and VAFC standards. The Apollo PLE133 Graphics Controller is 100% VGA compatible at both the BIOS and Driver level, allowing full compatibility with virtually any VGA application software. The Apollo PLE133 Graphics Controller provides hardware support to DirectDraw™, offering high speed game graphics on Windows 98®. The Apollo PLE133 Graphics Controller meets the requirements of PC99 as well, supporting a unique ID for each customer and a unique ID for each model.

PINOUTS

Figure 1. VT8601A Ball Diagram (Top View)

Key	1	2	3	4	5	6	7	8	9	10	11	12	13	14	15	16	17	18	19	20	21	22	23	24	25	26				
A	GND RGB	NC	NC	NC	NC	HD62	HD57	HD63	GND	HD45	HD38	HD34	HD31	HD16	HD13	HD3	HD12	GND	CPU RST#	HA18	HA20	HA22	HA10	HA28	HA3	GND				
B	GND S	GND	NC	NC	NC	HD50	HD59	HD48	HD51	HD44	HD22	HD32	HD33	HD19	HD24	HD2	HD10	HD1	HA26	HA29	HA23	HA25	HA21	HA13	HA5	HA6				
C	VCC S	RED	NC	NC	NC	HD60	HD55	GND	HD41	HD49	HD43	HD28	HD26	GND	HD20	HD9	HD5	HD4	GND	HA27	HA31	HA19	HA16	HA9	HA11	HA8				
D	VCC R	BLUE	GRN	GND	HD61	HD53	HD54	HD47	HD42	HD37	HD36	HD29	HD25	HD23	HD7	HD11	HD8	HD6	HD15	HA30	HA17	HA12	GND	HA4	HA14	BNR#				
E	VSYNC	HSYNC	IRSET	COMP	HD56	HD58	HD46	HD40	HD27	HD39	VTT	GTL REF	HD35	HD21	HD30	HD14	HD18	HD17	HD0	HA24	GTL REF	CPU RSTD#	HA7	HREQ 0#	HREQ 4#	BPRI#				
F	EVDD	SDA	SCL	ETST#	SUSP	GND	VCC3	HD52	VCCI	VCC3		VCC3	GND	GND		GND	VCC3	VCCI	VTT	VCC3	GND	HA15	HREQ 1#	HREQ 2#	HREQ 3#	DE-FER#				
G	EBLT	PD0	FLM	SCLK	LP	VCC3	G7	8	9	10	11	12	13	14	15	16	17	18	19	G20	VCC3	HCLK	H LOCK#	HIT#	H TRDY#	HITM#				
H	PD2	PD1	DE	PD5	EVEE	VCC3	H	CPU Pins							H	VCCA	VCCA	RS0#	GND	RS2#	DBSY#									
J	PD4	PD3	PD8	PD7	PD11	VCCI	J	Pins							J	VCCI	MCLK 0	DRDY#	ADS#	BREQ 0#	GND									
K	PD12	PD10	PD13	PD20	PD16	PD6	K	K10							K	VCC3	MCLK 1	RS1#	PLLTST	MD1	MD32									
L	PD17	PD15	PD18	VCC3	PD9	PD14	L	Panel Pins							L	GND	VCC3	GND	VCC3	GND	L	GND	VCC3	GND	L	GND	VCC3	GND		
M	PD23	IMIO	IMIIN	PD21	PD22	PD19	M	Pins							M	VCC3	GND	GND	GND	GND	VCC3	M	GND	MD34	MD0	MD5	MD36	MD4		
N	VD14	VD13	GND	VD15	VD12	GND	N	N							N	GND	GND	GND	GND	GND	GND	N	GND	MD39	MD37	MD7	MD38	MD6		
P	GND	VD9	VD10	VD11	VD8	GND	P	Video Pins							P	GND	GND	GND	GND	GND	GND	P	GND	MD12	MD8	MD41	MD9	MD40		
R	VD6	VD4	VD7	VD5	VD3	VD0	R	R							R	VCC3	GND	GND	GND	GND	VCC3	R		MD44	MD10	MD43	MD11	MD42		
T	VD2	VD1	VHS	VCC3	TVD4	TVD6	T	T							T	GND	VCC3	GND	GND	VCC3	GND	T	GND	MD15	MD13	MD46	MD14	MD45		
U	VVS	TVD7	VCLK	TVD5	TVD2	VCC5	U	U10							U							Mem Pins	U	VCC3	SCAS A#	MD47	SWEA#	SWEB#	SWEC#	CKE0
V	TVD0	TVD1	TVD3	TVCK	TVHS	VCCI	V	V							V	VCCI	VSUS3	DQM 0	SCASB#	CKE1	SCASB#	CKE3	GND							
W	VCC D	VCC V1	TVVS	XTLO	INTA#	VCC3	W	PCI Pins							W	CS5#	VSUS3	DQM 1	GND	DQM 5	DQM 4									
Y	GND V1	VCC V2	VLF1	XTLI	NC	VCC3	Y7	8	9	10	11	12	13	14	15	16	17	18	19	Y20	VCC3	CS4#	CS3#	CS2#	CS1#	CS0#				
AA	GND V2	VLF2	NC	NC	NC	GND	VCC3	AD16	VCCI	VCC3		GND	GND	GND		VCC3	VCCI	MD58	VCC3	GND	VSUS2	MA0	SRAS A#	SRASB#	SRASC#	CKE4				
AB	NC	NC	NC	NC	GNT 0#	AD30	AD25	AD21	DEV SEL#	PAR	CBE1#	AD10	AD7	AD5	PCLK	MD63	MD29	MD56	MD54	MD20	MD18	VSUS3	MA1	MA4	MA3	MA2				
AC	NC	REQ 5#	REQ 6#	GND	REQ 0#	AD29	AD24	AD23	AD17	IRDY#	AD15	AD11	AD6	AD4	PREQ#	MD31	MD60	MD25	MD23	MD52	MD49	SUST#	GND	MA7	MA6	MA5				
AD	REQ 7#	GNT 5#	GNT 6#	REQ 3#	REQ 1#	AD28	CBE3#	GND	CBE2#	TRDY#	AD14	AD9	GND	PWR OK	PGNT#	MD61	MD27	MD57	GND	MD21	MD50	MD16	DQM 6	MA11	MA9	MA8				
AE	GNT 7#	GNT 4#	GNT 3#	REQ 2#	LOCK#	AD27	AD20	AD19	FRM#	STOP#	AD13	AD8	AD2	AD1	PCI RST#	MD30	MD59	MD26	MD55	MD22	MD19	MD48	DQM 3	MA12	MA13	BA0	MA10			
AF	GND	REQ 4#	GNT 2#	GNT 1#	AD31	AD26	AD22	AD18	GND	SERR#	AD12	CBE0#	AD3	AD0	PCK RUN#	MD62	MD28	GND	MD24	MD53	MD51	MD17	DQM 7	DQM 2	MA14	BA1	GND			

**Figure 2. VT8601A Pin List (Numerical Order)**

Pin #	Pin Name	Pin #	Pin Name	Pin #	Pin Name	Pin #	Pin Name	Pin #	Pin Name	Pin #	Pin Name
A01	P GNDRGB	D02	A BLUE	G05	O LP	N26	IO MD06	Y22	O CS4#	AC26	O MA05
A02	IO NC	D03	A GRN	G06	P VCC3	P01	P GND	Y23	O CS3#	AD01	IO REQ7#
A03	IO NC	D04	P GND	G21	P VCC3	P02	IO VD09	Y24	O CS2#	AD02	IO GNT5#
A04	IO NC	D05	IO HD61	G22	I HCLK	P03	IO VD10	Y25	O CS1#	AD03	IO GNT6#
A05	IO NC	D06	IO HD53	G23	I HLOCK#	P04	IO VD11	Y26	O CS0#	AD04	I REQ3#
A06	IO HD62	D07	IO HD54	G24	IO HIT#	P05	IO VD08	AA01	P GNDV2	AD05	I REQ1#
A07	IO HD57	D08	IO HD47	G25	IO HTRDY#	P06	P GND	AA02	A VLF2	AD06	IO AD28
A08	IO HD63	D09	IO HD42	G26	I HITM#	P21	P GND	AA03	IO NC	AD07	IO CBE3#
A09	P GND	D10	IO HD37	H01	O PD02	P22	IO MD12	AA04	IO NC	AD08	P GND
A10	IO HD45	D11	IO HD36	H02	O PD01	P23	IO MD08	AA05	IO NC	AD09	IO CBE2#
A11	IO HD38	D12	IO HD29	H03	O DE	P24	IO MD41	AA06	P GND	AD10	IO TRDY#
A12	IO HD34	D13	IO HD25	H04	O PD05	P25	IO MD09	AA07	P VCC3	AD11	IO AD14
A13	IO HD31	D14	IO HD23	H05	O EVEE /	P26	IO MD40	AA08	IO AD16	AD12	IO AD09
A14	IO HD16	D15	IO HD07	H06	P VCC3	R01	IO VD06	AA09	P VCCI	AD13	P GND
A15	IO HD13	D16	IO HD11	H21	P VCCA	R02	IO VD04	AA10	P VCC3	AD14	I PWROK
A16	IO HD03	D17	IO HD08	H22	P VCCA	R03	IO VD07	AA13	P GND	AD15	O PGNT#
A17	IO HD12	D18	IO HD06	H23	IO RS0#	R04	IO VD05	AA14	P GND	AD16	IO MD61
A18	P GND	D19	IO HD15	H24	P GND	R05	IO VD03	AA15	P GND	AD17	IO MD27
A19	O CPURST#	D20	IO HA30	H25	IO RS2#	R06	IO VD00	AA17	P VCC3	AD18	IO MD57
A20	IO HA18	D21	IO HA17	H26	IO DBSY#	R22	IO MD44	AA18	P VCCI	AD19	P GND
A21	IO HA20	D22	IO HA12	J01	O PD04	R23	IO MD10	AA19	IO MD58	AD20	IO MD21
A22	IO HA22	D23	P GND	J02	O PD03	R24	IO MD43	AA20	P VCC3	AD21	IO MD50
A23	IO HA10	D24	IO HA04	J03	O PD08	R25	IO MD11	AA21	P GND	AD22	IO MD16
A24	IO HA28	D25	IO HA14	J04	O PD07	R26	IO MD42	AA22	P VSUS2	AD23	O DQM6
A25	IO HA03	D26	IO BNR#	J05	O PD11	T01	IO VD02	AA23	O MA00 / strap	AD24	O MA11 / strap
A26	P GND	E01	O VSYNC	J06	P VCCI	T02	IO VD01	AA24	O SRASA#	AD25	O MA09 / strap
B01	P GNDS	E02	O HSYNC	J21	P VCCI	T03	IO VHS	AA25	O SRASB# / CKE5	AD26	O MA08 / strap
B02	P GND	E03	A IRSET	J22	O MCLKO	T04	P VCC3	AA26	O SRASC# / CKE4	AE01	IO GNT7#
B03	IO NC	E04	A COMP	J23	IO DRDY#	T05	O TVD4	AB01	IO NC	AE02	O GNT4#
B04	IO NC	E05	IO HD56	J24	IO ADS#	T06	O TVD6	AB02	IO NC	AE03	O GNT3#
B05	IO NC	E06	IO HD58	J25	O BREQ0#	T21	P GND	AB03	IO NC	AE04	I REQ2#
B06	IO HD50	E07	IO HD46	J26	P GND	T22	IO MD15	AB04	IO NC	AE05	IO LOCK#
B07	IO HD59	E08	IO HD40	K01	O PD12	T23	IO MD13	AB05	O GNT0#	AE06	IO AD27
B08	IO HD48	E09	IO HD27	K02	O PD10	T24	IO MD46	AB06	IO AD30	AE07	IO AD20
B09	IO HD51	E10	IO HD39	K03	O PD13	T25	IO MD14	AB07	IO AD25	AE08	IO AD19
B10	IO HD44	E11	P VTT	K04	O PD20	T26	IO MD45	AB08	IO AD21	AE09	IO FRAME#
B11	IO HD22	E12	P GTLREF	K05	O PD16	U01	IO VVS	AB09	IO DEVSEL#	AE10	IO STOP#
B12	IO HD32	E13	IO HD35	K06	O PD06	U02	O TVD7	AB10	IO PAR	AE11	IO AD13
B13	IO HD33	E14	IO HD21	K21	P VCC3	U03	IO VCLK	AB11	IO CBE1#	AE12	IO AD08
B14	IO HD19	E15	IO HD30	K22	I MCLKI	U04	O TVD5	AB12	IO AD10	AE13	IO AD02
B15	IO HD24	E16	IO HD14	K23	IO RS1#	U05	O TVD2	AB13	IO AD07	AE14	IO AD01
B16	IO HD02	E17	IO HD18	K24	I PLLTST	U06	P VCC5	AB14	IO AD05	AE15	I RESET#
B17	IO HD10	E18	IO HD17	K25	IO MD01	U21	P VCC5	AB15	I PCLK	AE16	IO MD30
B18	IO HD01	E19	IO HD00	K26	IO MD32	U22	O SCASA#	AB16	IO MD63	AE17	IO MD59
B19	IO HA26	E20	IO HA24	L01	O PD17	U23	IO MD47	AB17	IO MD29	AE18	IO MD26
B20	IO HA29	E21	P GTLREF	L02	O PD15	U24	O SWEA# /	AB18	IO MD56	AE19	IO MD55
B21	IO HA23	E22	O CPURSTD#	L03	O PD18	U25	O SWEB# / CKE2	AB19	IO MD54	AE20	IO MD22
B22	IO HA25	E23	IO HA07	L04	P VCC3	U26	O SWEC# / CKE0	AB20	IO MD20	AE21	IO MD19
B23	IO HA21	E24	IO HREQ0#	L05	O PD09	V01	O TVD0	AB21	IO MD18	AE22	IO MD48
B24	IO HA13	E25	IO HREQ4#	L06	O PD14	V02	O TVD1	AB22	P VSUS3	AE23	O DQM3
B25	IO HA05	E26	IO BPRI#	L21	P GNDA	V03	O TVD3	AB23	O MA01 / strap	AE24	O MA12 / strap
B26	IO HA06	F01	O EVDD	L22	P GNDA	V04	O TVCLK	AB24	O MA04	AE25	O MA13 / strap
C01	P VCCS	F02	IO SDA	L23	IO MD33	V05	O TVHS	AB25	O MA03	AE26	O MA10 / strap
C02	A RED	F03	IO SCL	L24	IO MD35	V06	P VCCI	AB26	O MA02 / strap	AF01	P GND
C03	IO NC	F04	I ETST#	L25	IO MD03	V21	P VCCI	AC01	IO NC	AF02	I REQ4#
C04	IO NC	F05	I SUSP	L26	IO MD02	V22	P VSUS3	AC02	IO REQ5#	AF03	O GNT2#
C05	IO NC	F06	P GND	M01	O PD23	V23	O DQM0	AC03	IO REQ6#	AF04	O GNT1#
C06	IO HD60	F07	P VCC3	M02	O IMIO	V24	O SCASC# / CKE1	AC04	P GND	AF05	IO AD31
C07	IO HD55	F08	IO HD52	M03	I IMIIN	V25	O SCASB# / CKE3	AC05	I REQ0#	AF06	IO AD26
C08	P GND	F09	P VCCI	M04	O PD21	V26	P GND	AC06	IO AD29	AF07	IO AD22
C09	IO HD41	F10	P VCC3	M05	O PD22	W01	P VCCD	AC07	IO AD24	AF08	IO AD18
C10	IO HD49	F12	P VCC3	M06	O PD19	W02	P VCCV1	AC08	IO AD23	AF09	P GND
C11	IO HD43	F13	P GND	M21	P GND	W03	O TVVS	AC09	IO AD17	AF10	IO SERR#
C12	IO HD28	F14	P GND	M22	IO MD34	W04	O XLTO	AC10	IO IRDY#	AF11	IO AD12
C13	IO HD26	F16	P GND	M23	IO MD00	W05	O INTA#	AC11	IO AD15	AF12	IO CBE0#
C14	P GND	F17	P VCC3	M24	IO MD05	W06	P VCC3	AC12	IO AD11	AF13	IO AD03
C15	IO HD20	F18	P VCCI	M25	IO MD36	W21	O CSS#	AC13	IO AD06	AF14	IO AD00
C16	IO HD09	F19	P VTT	M26	IO MD04	W22	P VSUS3	AC14	IO AD04	AF15	IO PCKRUN#
C17	IO HD05	F20	P VCC3	N01	IO VD14	W23	O DQM1	AC15	I PREQ#	AF16	IO MD62
C18	IO HD04	F21	P GND	N02	IO VD13	W24	P GND	AC16	IO MD31	AF17	IO MD28
C19	P GND	F22	IO HA15	N03	P GND	W25	O DQM5	AC17	IO MD60	AF18	P GND
C20	IO HA27	F23	IO HREQ1#	N04	IO VD15	W26	O DQM4	AC18	IO MD25	AF19	IO MD24
C21	IO HA31	F24	IO HREQ2#	N05	IO VD12	Y01	P GNDV1	AC19	IO MD23	AF20	IO MD53
C22	IO HA19	F25	IO HREQ3#	N06	P GND	Y02	P VCCV2	AC20	IO MD52	AF21	IO MD51
C23	IO HA16	F26	IO DEFER#	N01	P GND	Y03	A VLF1	AC21	IO MD49	AF22	IO MD17
C24	IO HA09	G01	O EBLT	N22	IO MD39	Y04	I XLTI	AC22	I SUST#	AF23	O DQM7
C25	IO HA11	G02	O PD00	N23	IO MD37	Y05	IO NC	AC23	P GND	AF24	O DQM2
C26	IO HA08	G03	O FLM	N24	IO MD07	Y06	P VCC3	AC24	O MA07 / strap	AF25	O MA14 / strap
D01	P VCCR	G04	O SCLK	N25	IO MD38	Y21	P VCC3	AC25	O MA06	AF26	P GND

Center GND Pins (28 pins): L11, L13-14, L16, M12-15, N11-16, P11-16, R12-15, T11, T13-14, T16  
 Center VCC3 Pins (8 pins): L12, L15, M11, M16, R11, R16, T12, T15

Figure 3. VT8601A Pin List (Alphabetical Order)

Pin #	Pin Name	Pin #	Pin Name	Pin #	Pin Name	Pin #	Pin Name	Pin #	Pin Names	Pin #	Pin Name
AF14	IO AD00	F13	P GND	B16	IO HD02	AA23	O MA00 / strap	AF16	IO MD62	U25	O SWEB# / CKE2
AE14	IO AD01	F14	P GND	A16	IO HD03	AB23	O MA01 / strap	AB16	IO MD63	U26	O SWEC# / CKE0
AE13	IO AD02	F16	P GND	C18	IO HD04	AB26	O MA02 / strap	A02	- NC	AD10	IO TRDY#
AF13	IO AD03	F21	P GND	C17	IO HD05	AB25	O MA03	A03	- NC	V04	O TVCLK
AC14	IO AD04	H24	P GND	D18	IO HD06	AB24	O MA04	A04	- NC	V01	O TVD0
AB14	IO AD05	J26	P GND	D15	IO HD07	AC26	O MA05	A05	- NC	V02	O TVD1
AC13	IO AD06	M21	P GND	D17	IO HD08	AC25	O MA06	B03	- NC	U05	O TVD2
AB13	IO AD07	N03	P GND	C16	IO HD09	AC24	O MA07 / strap	B04	- NC	V03	O TVD3
AE12	IO AD08	N06	P GND	B17	IO HD10	AD26	O MA08 / strap	B05	- NC	T05	O TVD4
AD12	IO AD09	N21	P GND	D16	IO HD11	AD25	O MA09 / strap	C03	- NC	U04	O TVD5
AB12	IO AD10	P01	P GND	A17	IO HD12	AE26	O MA10 / strap	C04	- NC	T06	O TVD6
AC12	IO AD11	P06	P GND	A15	IO HD13	AD24	O MA11 / strap	C05	- NC	U02	O TVD7
AF11	IO AD12	P21	P GND	E16	IO HD14	AE24	O MA12 / strap	Y05	- NC	W05	O TVHS
AE11	IO AD13	T21	P GND	D19	IO HD15	AE25	O MA13 / strap	AA03	- NC	W03	O TVVS
AD11	IO AD14	V26	P GND	A14	IO HD16	AF25	O MA14 / strap	AA04	- NC	F07	P VCC3
AC11	IO AD15	W24	P GND	E18	IO HD17	K22	I MCLKI	AA05	- NC	F10	P VCC3
AA08	IO AD16	AA06	P GND	E17	IO HD18	J22	O MCLKO	AB01	- NC	F12	P VCC3
AC09	IO AD17	AA13	P GND	B14	IO HD19	M23	IO MD00	AB02	- NC	F17	P VCC3
AF08	IO AD18	AA14	P GND	C15	IO HD20	K25	IO MD01	AB03	- NC	F20	P VCC3
AE08	IO AD19	AA15	P GND	E14	IO HD21	L26	IO MD02	AB04	- NC	G06	P VCC3
AE07	IO AD20	AA21	P GND	B11	IO HD22	L25	IO MD03	AC01	- NC	G21	P VCC3
AB08	IO AD21	AC04	P GND	D14	IO HD23	M26	IO MD04	AB10	IO PAR	H06	P VCC3
AF07	IO AD22	AC23	P GND	B15	IO HD24	M24	IO MD05	AF15	IO PCKRUN#	K21	P VCC3
AC08	IO AD23	AD08	P GND	D13	IO HD25	N26	IO MD06	AB15	I PCLK	L04	P VCC3
AC07	IO AD24	AD13	P GND	C13	IO HD26	N24	IO MD07	G02	O PD00	T04	P VCC3
AB07	IO AD25	AD19	P GND	E09	IO HD27	P23	IO MD08	H02	O PD01	U21	P VCC3
AF06	IO AD26	AF01	P GND	C12	IO HD28	P25	IO MD09	H01	O PD02	W06	P VCC3
AE06	IO AD27	AF09	P GND	D12	IO HD29	R23	IO MD10	J02	O PD03	Y06	P VCC3
AD06	IO AD28	AF18	P GND	E15	IO HD30	R25	IO MD11	J01	O PD04	Y21	P VCC3
AC06	IO AD29	AF26	P GND	A13	IO HD31	P22	IO MD12	H04	O PD05	AA07	P VCC3
AB06	IO AD30	L21	P GNDA	B12	IO HD32	T23	IO MD13	K06	O PD06	AA10	P VCC3
AF05	IO AD31	L22	P GNDA	B13	IO HD33	T25	IO MD14	J04	O PD07	AA17	P VCC3
J24	IO ADS#	A01	P GNDRGB	A12	IO HD34	T22	IO MD15	J03	O PD08	AA20	P VCC3
D02	A BLUE	B01	P GNDS	E13	IO HD35	AD22	IO MD16	L05	O PD09	U06	P VCC5
D26	IO BNR#	Y01	P GNDV1	D11	IO HD36	AF22	IO MD17	K02	O PD10	H21	P VCCA
E26	IO BPR1#	AA01	P GNDV2	D10	IO HD37	AB21	IO MD18	J05	O PD11	H22	P VCCA
J25	O BREQ0#	AB05	O GNT0#	A11	IO HD38	AE21	IO MD19	K01	O PD12	W01	P VCCD
AF12	IO CBE0#	AF04	O GNT1#	E10	IO HD39	AB20	IO MD20	K03	O PD13	F09	P VCCI
AB11	IO CBE1#	AF03	O GNT2#	E08	IO HD40	AD20	IO MD21	L06	O PD14	F18	P VCCI
AD09	IO CBE2#	AE03	O GNT3#	C09	IO HD41	AE20	IO MD22	L02	O PD15	J06	P VCCI
AD07	IO CBE3#	AE02	O GNT4#	D09	IO HD42	AC19	IO MD23	K05	O PD16	J21	P VCCI
E04	A COMP	AD02	O GNT5#	C11	IO HD43	AF19	IO MD24	L01	O PD17	V06	P VCCI
A19	O CPURST#	AD03	O GNT6#	B10	IO HD44	AC18	IO MD25	L03	O PD18	V21	P VCCI
E22	O CPURSTD#	AE01	O GNT7#	A10	IO HD45	AE18	IO MD26	M06	O PD19	AA09	P VCCI
Y26	O CS0#	D03	A GRN	E07	IO HD46	AD17	IO MD27	K04	O PD20	AA18	P VCCI
Y25	O CS1#	E12	P GTLREF	D08	IO HD47	AF17	IO MD28	M04	O PD21	D01	P VCCR
Y24	O CS2#	E21	P GTLREF	B08	IO HD48	AB17	IO MD29	M05	O PD22	C01	P VCCS
Y23	O CS3#	A25	IO HA03	C10	IO HD49	AE16	IO MD30	M01	O PD23	W02	P VCCV1
Y22	O CS4#	D24	IO HA04	B06	IO HD50	AC16	IO MD31	AD15	O PGNT#	Y02	P VCCV2
W21	O CS5#	B25	IO HA05	B09	IO HD51	K26	IO MD32	K24	I PLLTST	U03	IO VLCK
H26	IO DBSY#	B26	IO HA06	F08	IO HD52	L23	IO MD33	AC15	I PREQ#	R06	IO VD00
H03	O DE	E23	IO HA07	D06	IO HD53	M22	IO MD34	AD14	I PWROK	T02	IO VD01
F26	IO DEFER#	C26	IO HA08	D07	IO HD54	L24	IO MD35	C02	A RED	T01	IO VD02
AB09	IO DEVSEL#	C24	IO HA09	C07	IO HD55	M25	IO MD36	AC05	I REQ0#	R05	IO VD03
V23	O DQM0	A23	IO HA10	E05	IO HD56	N23	IO MD37	AD05	I REQ1#	R02	IO VD04
W23	O DQM1	C25	IO HA11	A07	IO HD57	N25	IO MD38	AE04	I REQ2#	R04	IO VD05
AF24	O DQM2	D22	IO HA12	E06	IO HD58	N22	IO MD39	AD04	I REQ3#	R01	IO VD06
AE23	O DQM3	B24	IO HA13	B07	IO HD59	P26	IO MD40	AF02	I REQ4#	R03	IO VD07
W26	O DQM4	D25	IO HA14	C06	IO HD60	P24	IO MD41	AC02	I REQ5#	P05	IO VD08
W25	O DQM5	F22	IO HA15	D05	IO HD61	R26	IO MD42	AC03	I REQ6#	P02	IO VD09
AD23	O DQM6	C23	IO HA16	A06	IO HD62	R24	IO MD43	AD01	I REQ7#	P03	IO VD10
AF23	O DQM7	D21	IO HA17	A08	IO HD63	R22	IO MD44	AE15	I RESET#	P04	IO VD11
J23	IO DRDY#	A20	IO HA18	G24	IO HIT#	T26	IO MD45	H23	IO RS0#	N05	IO VD12
G01	O EBLT	C22	IO HA19	G26	I HITM#	T24	IO MD46	K23	IO RS1#	N02	IO VD13
F04	I ETST#	A21	IO HA20	G23	I HLOCK#	U23	IO MD47	H25	IO RS2#	N01	IO VD14
F01	O EVDD	B23	IO HA21	E24	IO HREQ0#	AE22	IO MD48	U22	O SCASA#	N04	IO VD15
H05	O EVEE	A22	IO HA22	F23	IO HREQ1#	AC21	IO MD49	V25	O SCASB# / CKE3	T03	IO VHS
G03	O FLM	B21	IO HA23	F24	IO HREQ2#	AD21	IO MD50	V24	O SCASC# / CKE1	Y03	A VLF1
AE09	IO FRAME#	E20	IO HA24	F25	IO HREQ3#	AF21	IO MD51	G04	O SCLK	AA02	A VLF2
A09	P GND	B22	IO HA25	E25	IO HREQ4#	AC20	IO MD52	F03	IO SCL	AA22	P VSUS2
A18	P GND	B19	IO HA26	E02	O HSYNC	AF20	IO MD53	F02	IO SDA	V22	P VSUS3
A26	P GND	C20	IO HA27	G25	IO HTRDY#	AB19	IO MD54	AF10	IO SERR#	W22	P VSUS3
B02	P GND	A24	IO HA28	M02	O IMIO	AE19	IO MD55	AA24	O SRASA#	AB22	P VSUS3
C08	P GND	B20	IO HA29	M03	I IMIIN	AB18	IO MD56	AA25	O SRASB# / CKE5	E01	O VSYNCS
C14	P GND	D20	IO HA30	W05	O INTA#	AD18	IO MD57	AA26	O SRASC# / CKE4	E11	P VTT
C19	P GND	C21	IO HA31	AC10	IO IRDY#	AA19	IO MD58	AE10	IO STOP#	F19	P VTT
D04	P GND	G22	I HCLK	E03	A IRSET	AE17	IO MD59	F05	I SUSP	U01	IO VVS
D23	P GND	E19	IO HD00	AE05	IO LOCK#	AC17	IO MD60	AC22	I XLST#	Y04	I XLTI
F06	P GND	B18	IO HD01	G05	O LP	AD16	IO MD61	U24	O SWEA#	W04	O XLTO

Center GND Pins (28 pins): L11, L13-14, L16, M12-15, N11-16, P11-16, R12-15, T11, T13-14, T16

Center VCC3 Pins (8 pins): L12, L15, M11, M16, R11, R16, T12, T15

## PIN DESCRIPTIONS

Table 1. VT8601A Pin Descriptions

CPU Interface																					
Signal Name	Pin #	I/O	Signal Description																		
HA[31:3]#	see pin list	IO	<b>Host Address Bus.</b> Connect to the address bus of the host CPU. These pins are inputs during CPU cycles, but are driven by the VT8601A during cache snooping operations.																		
HD[63:0]#	see pin list	IO	<b>Host CPU Data.</b> These signals are connected to the CPU data bus.																		
ADS#	J24	IO	<b>Address Strobe.</b> The CPU asserts ADS# in T1 of the CPU bus cycle.																		
BNR#	D26	IO	<b>Block Next Request.</b> Used to block the current request bus owner from issuing new requests. This signal is used to dynamically control the processor bus pipeline depth.																		
BPRI#	E26	IO	<b>Priority Agent Bus Request.</b> The owner of this signal will always be the next bus owner. This signal has priority over symmetric bus requests and causes the current symmetric owner to stop issuing new transactions unless the HLOCK# signal is asserted. The VT82C693 drives this signal to gain control of the processor bus.																		
DBSY#	H26	IO	<b>Data Bus Busy.</b> Used by the data bus owner to hold the data bus for transfers requiring more than one cycle.																		
DEFER#	F26	IO	<b>Defer.</b> The VT8601A uses a dynamic deferring policy to optimize system performance. The VT8601A also uses the DEFER# signal to indicate a processor retry response.																		
DRDY#	J23	IO	<b>Data Ready.</b> Asserted for each cycle that data is transferred.																		
HIT#	G24	IO	<b>Hit.</b> Indicates that a cacheing agent holds an unmodified version of the requested line. Also driven in conjunction with HITM# by the target to extend the snoop window.																		
HITM#	G26	I	<b>Hit Modified.</b> Asserted by the CPU to indicate that the address presented with the last assertion of EADS# is modified in the L1 cache and needs to be written back.																		
HLOCK#	G23	I	<b>Host Lock.</b> All CPU cycles sampled with the assertion of HLOCK# and ADS# until the negation of HLOCK# must be atomic.																		
BREQ0#	J25	O	<b>Bus Request 0.</b> Bus request output to CPU.																		
HREQ[4:0]#	E25, F25, F24, F23, E24	IO	<b>Request Command.</b> Asserted during both clocks of the request phase. In the first clock, the signals define the transaction type to a level of detail that is sufficient to begin a snoop request. In the second clock, the signals carry additional information to define the complete transaction type.																		
HTRDY#	G25	IO	<b>Host Target Ready.</b> Indicates that the target of the processor transaction is able to enter the data transfer phase.																		
RS[2:0]#	H25, K23, H23	IO	<b>Response Signals.</b> Indicates the type of response per the table below:  <table border="0"> <tr> <td><b>RS[2:0]#</b></td> <td><b>Response type</b></td> </tr> <tr> <td>000</td> <td>Idle State</td> </tr> <tr> <td>001</td> <td>Retry Response</td> </tr> <tr> <td>010</td> <td>Defer Response</td> </tr> <tr> <td>011</td> <td>Reserved</td> </tr> <tr> <td>100</td> <td>Hard Failure</td> </tr> <tr> <td>101</td> <td>Normal Without Data</td> </tr> <tr> <td>110</td> <td>Implicit Writeback</td> </tr> <tr> <td>111</td> <td>Normal With Data</td> </tr> </table>	<b>RS[2:0]#</b>	<b>Response type</b>	000	Idle State	001	Retry Response	010	Defer Response	011	Reserved	100	Hard Failure	101	Normal Without Data	110	Implicit Writeback	111	Normal With Data
<b>RS[2:0]#</b>	<b>Response type</b>																				
000	Idle State																				
001	Retry Response																				
010	Defer Response																				
011	Reserved																				
100	Hard Failure																				
101	Normal Without Data																				
110	Implicit Writeback																				
111	Normal With Data																				
CPURST#	A19	O	<b>CPU Reset.</b> Reset output to CPU																		
CPURSTD#	E22	O	<b>CPU Reset Delayed.</b> CPU Reset output delayed by 2T.																		

<b>DRAM Interface</b>			
<b>Signal Name</b>	<b>Pin #</b>	<b>I/O</b>	<b>Signal Description</b>
<b>MD[63:0]</b>	see pin list	IO	<b>Memory Data.</b>
<b>MA[14:0] / Strap Options</b>	AF25, AE25, AE24, AD24, AE26, AD25, AD26, AC24, AC25, AC26, AB24, AB25, AB26, AB23, AA23	O / I	<b>Memory Address.</b> DRAM address lines. These pins are also used for power-up strapping options (sampled on the rising edge of RESET#): MA14,12 Rx68[1-0] CPU FSB Freq (0=66, 1=100, 2=rsvd, 3=133) MA13 Rx52[7] GTL I/O Buffer Pullup (L=Enable, H=Disable) MA11 Rx50[7] In-Order Queue Depth (L=4-level, H=1-level) MA10-9 North Bridge Clock Delay (0-3 Clocks) MA8, 2 Graphics Clock Select (0=Normal, 1-3=Test) MA7 Graphics Test Mode (L=Normal, H=Test) MA1-0 Graphics Clock Delay (0-3 Clocks) All pins have internal pull-downs for default low (L). Strap high (H) using 4.7KΩ TO VCC3.
<b>CKE5# / SRASB#, CKE4# / SRASC#, CKE3# / SCASB#, CKE2# / SWEB#, CKE1# / SCASC#, CKE0# / SWEC#</b>	AA25, AA26, V25, U25, V24, U26	IO	<b>SDRAM Clock Enable.</b> Clock enables 5-0 may be connected to the DRAM modules in any order. Each DRAM module requires 2 clock enables. <u>Note: These pins are powered by VSUS</u>
<b>CS[5-0]#</b>	W21, Y22, Y23, Y24, Y25, Y26	O	<b>Chip Select.</b> One per bank (powered by VSUS)
<b>DQM[7:0]</b>	AF23, AD23, W25, W26, AE23, AF24, W23, V23	O	<b>Data Mask.</b> One per byte lane (powered by VSUS)
<b>SRASA#, SRASB# / CKE5, SRASC# / CKE4</b>	AA24, AA25, AA26	O	<b>Row Address Command Indicator.</b> For support of up to three Synchronous DRAM DIMM slots (these are copies of the same logical signal). “A” controls banks 0-1 (module 0), “B” controls banks 2-3 (module 1), and “C” controls banks 4-5 (module 2).
<b>SCASA#, SCASB# / CKE3 SCASC# / CKE1</b>	U22, V25, V24	O	<b>Column Address Command Indicator.</b> For support of up to three Synchronous DRAM DIMM slots (these are copies of the same logical signal). “A” controls banks 0-1 (module 0), “B” controls banks 2-3 (module 1), and “C” controls banks 4-5 (module 2).
<b>SWEA#, SWEB# / CKE2, SWEC# / CKE0</b>	U24, U25, U26	O	<b>Write Enable Command Indicator.</b> For support of up to three Synchronous DRAM DIMM slots (these are copies of the same logical signal). “A” controls banks 0-1 (module 0), “B” controls banks 2-3 (module 1), and “C” controls banks 4-5 (module 2). <u>Note: These pins are powered by VSUS.</u>

Note: Clocking of the memory subsystem uses memory clock (MCLK); see the clock pin group at the end of the pin descriptions section for descriptions of the clock pins.

Note: Connect all memory interface pins except MD to the DRAM modules through 22Ω series resistors (see the Apollo PLE133 Design Guide” for more specific connection details and PCB layout recommendations).

<b>PCI Bus Interface</b>			
<b>Signal Name</b>	<b>Pin #</b>	<b>I/O</b>	<b>Signal Description</b>
<b>AD[31:0]</b>	see pin list	IO	<b>Address/Data Bus.</b> The standard PCI address and data lines. The address is driven with FRAME# assertion and data is driven or received in following cycles.
<b>CBE[3:0]#</b>	AD7, AD9, AB11, AF12	IO	<b>Command/Byte Enables.</b> Commands are driven with FRAME# assertion. Byte enables corresponding to supplied or requested data are driven on following clocks.
<b>PAR</b>	AB10	IO	<b>Parity.</b> A single parity bit is provided over AD[31:0] and C/BE[3:0].
<b>FRAME#</b>	AE9	IO	<b>Frame.</b> Assertion indicates the address phase of a PCI transfer. Negation indicates that one more data transfer is desired by the cycle initiator. 10K $\Omega$ pullup to VCC3.
<b>IRDY#</b>	AC10	IO	<b>Initiator Ready.</b> Asserted when initiator is ready for data transfer. 10K $\Omega$ pullup to VCC3.
<b>TRDY#</b>	AD10	IO	<b>Target Ready.</b> Asserted when target is ready for data transfer. 10K $\Omega$ pullup to VCC3.
<b>STOP#</b>	AE10	IO	<b>Stop.</b> Asserted by the target to request the master to stop the current transaction. 10K $\Omega$ pullup to VCC3.
<b>DEVSEL#</b>	AB9	IO	<b>Device Select.</b> This signal is driven by the PLE133 when a PCI initiator is attempting to access main memory. It is an input when the PLE133 is acting as a PCI initiator. 10K $\Omega$ pullup to VCC3.
<b>LOCK#</b>	AE5	IO	<b>Lock.</b> Used to establish, maintain, and release resource lock. 10K $\Omega$ pullup to VCC3.
<b>SERR#</b>	AF10	IO	<b>System Error.</b> The PLE133 will pulse this signal when it detects a system error condition (10K $\Omega$ pullup to VCC3).
<b>PREQ#</b>	AC15	I	<b>South Bridge Request.</b> This signal comes from the South Bridge. PREQ# is the South Bridge request for the PCI bus. 10K $\Omega$ pullup to VCC3.
<b>PGNT#</b>	AD15	O	<b>South Bridge Grant.</b> This signal driven by the PLE133 to grant PCI access to the South Bridge. 10K $\Omega$ pullup to VCC3.
<b>REQ[7:0]#</b>	AD1, AC3, AC2, AF2, AD4, AE4, AD5, AC5	I	<b>PCI Master Request.</b> PCI master requests for use of the PCI bus. 2.2K $\Omega$ pullup to VCC5.
<b>GNT[7:0]#</b>	AE1, AD3, AD2, AE2, AE3, AF3, AF4, AB5	O	<b>PCI Master Grant.</b> Permission is given to the master to use the PCI bus. 2.2K $\Omega$ pullup to VCC3.
<b>INTA#</b>	W5	O	<b>PCI Interrupt Out.</b> INTA# is an asynchronous active low output used to signal an event that requires handling. It is driven by the integrated graphics controller.

Note: Clocking of the PCI interface is performed with PCLK; see the clock pin group at the end of the pin descriptions section for descriptions of the clock input pins.

<b>Clock / Reset Control</b>			
<u>Signal Name</u>	<u>Pin #</u>	<u>I/O</u>	<u>Signal Description</u>
<b>HCLK</b>	G22	I	<b>Host Clock.</b> This pin receives the host CPU clock. This clock is used by all logic in the host CPU domain. It is driven by the external clock synthesizer.
<b>MCLKI</b>	K22	I	<b>Memory Clock In.</b> This clock is used by internal clock logic to maintain the proper phase relationship with MCLKO. It is driven by the external clock synthesizer.
<b>MCLKO</b>	J22	O	<b>Memory Clock Out.</b> Created on-chip from MCLKI and used by the memory controller as a timing reference for creation of all memory timing sequences. It is connected to the external clock chip for use in maintaining proper phase relationships.
<b>PCLK</b>	AB15	I	<b>PCI Clock.</b> This clock is used by all on-chip logic in the PCI clock domain. This input must be 33 MHz maximum to comply with PCI specification requirements and must be synchronous with the host CPU clock (HCLK) with an HCLK:PCLK frequency ratio of 2:1 (66MHz CPU clock) or 3:1 (100 MHz CPU clock). The PCI clock needs to be controlled to within $1.5 \pm 0.5$ nsec relative to the host CPU clock (CPU leads).
<b>PCKRUN#</b>	AF15	IO	<b>PCI Clock Run.</b> For implementation of PCI bus clock control for low-power PCI bus operation. Refer to the "PCI Mobile Design Guidelines" and "Apollo PLE133 Design Guide" documents for additional information.
<b>XLTI</b>	Y4	I	<b>Crystal Input.</b> 14.31818 MHz for the video clock synthesizer reference. Connect to a 14.31818 MHz clock source if a crystal not used. Connect to main ground plane GND with 10Pf if using a crystal.
<b>XLTO</b>	W4	O	<b>Crystal Output.</b> 14.31818 MHz for the video clock synthesizer reference. Leave open if a clock source is used instead of a crystal. Connect to main ground plane GND with 10Pf if using a crystal.
<b>RESET#</b>	AE15	I	<b>Reset.</b> Driven from the South Bridge PCIRST# signal. When asserted (low), this signal resets the PLE133 and sets all register bits to the default value. This signal also connects to the PCI bus (South Bridge RESET drives the ISA bus if implemented). The rising edge of this signal is used to sample all power-up strap options (see memory interface MA pins).
<b>CPURST#</b>	A19	O	<b>CPU Reset.</b> CPU Reset output to the host CPU.
<b>CPURSTD#</b>	E22	O	<b>CPU Reset Delayed 2T.</b> Alternate CPU Reset output to the host CPU
<b>PWROK</b>	AD14	I	<b>Power OK.</b> Connect to South Bridge and Power Good circuitry.
<b>SUST#</b>	AC22	I	<b>Suspend Status.</b> For implementation of the Suspend-to-DRAM feature. <u>Input logic for this pin is powered by VSUS.</u> Connect to the South Bridge SUST# pin or to a 10K $\Omega$ pullup to VSUS if not used.
<b>SUSP</b>	F5	I	<b>Suspend.</b> Used to put the integrated graphics controller into suspend state. <u>Input logic for this pin is powered by VCC3.</u> Connect to South Bridge GPO pin or to a 10K $\Omega$ pullup to VCC3 if not used.

<b>Miscellaneous</b>			
<u>Signal Name</u>	<u>Pin #</u>	<u>I/O</u>	<u>Signal Description</u>
<b>ETST#</b>	F4	I	<b>Test Mode Enable.</b> 4.7K $\Omega$ pullup to VCC3 for normal operation.
<b>IMIO</b>	M2	O	<b>IMI Out.</b> Leave open.
<b>IMIIN</b>	M3	I	<b>IMI In.</b> 4.7K $\Omega$ pullup to VCC3.



<b>CRT Interface</b>			
<b>Signal Name</b>	<b>Pin #</b>	<b>I/O</b>	<b>Signal Description</b>
<b>RED</b>	C2	A	<b>Red.</b> Red analog output to the CRT. Connect 75Ω load resistor to GNDR (RGB Return) and connect to VGA connector through a series ferrite bead and 10pF capacitors to GNDR on both input and output sides of the bead (see “Apollo PLE133 Design Guide”).
<b>GRN</b>	D3	A	<b>Green.</b> Green analog output to the CRT. Connect same as RED.
<b>BLUE</b>	D2	A	<b>Blue.</b> Blue analog output to the CRT. Connect same as RED.
<b>HSYNC</b>	E2	O	<b>Horizontal Sync.</b> Digital horizontal sync output to the CRT. Also used (with VSYNC) to signal power management state information to the CRT per the VESA™ DPMS™ standard. Connect to VGA connector through a series 47Ω resistor and 120pF capacitor to ground (see “Apollo PLE133 Design Guide”).
<b>VSYNC</b>	E1	O	<b>Vertical Sync.</b> Digital vertical sync output to the CRT. Also used (with HSYNC) to signal power management state information to the CRT per the VESA™ DPMS™ standard. Connect to VGA connector through a series 47Ω resistor and 120pF capacitor to ground (see “Apollo PLE133 Design Guide”).
<b>SDA</b>	F2	IO	<b>DDC Data/Address.</b> Serial I <sup>2</sup> C protocol for VESA™ DDC2B signaling to the CRT. Connect this pin to VCC5 through a 4.7KΩ pullup. Connect to the VGA connector only (pin 12 of the connector). Connect through a ferrite bead and 120pF capacitor to ground (on the output side of the bead). Refer to the “Apollo PLE133 Design Guide” for additional information.
<b>SCL</b>	F3	IO	<b>DDC Clock.</b> Serial I <sup>2</sup> C protocol for VESA™ DDC2B signaling to the CRT. Connect this pin to VCC5 through a 4.7KΩ pullup. Connect to the VGA connector only (pin 15 of the VGA connector). Connect through a ferrite bead and 120pF capacitor to ground (on the output side of the bead). Refer to the “Apollo PLE133 Design Guide” for additional information.

<b>DFP Interface</b>			
<b>Signal Name</b>	<b>Pin #</b>	<b>I/O</b>	<b>Signal Description</b>
<b>PD[23-0]</b>	(see pin list)	O	<b>Panel Data.</b> Digital pixel data outputs to the panel.
<b>SCLK</b>	G4	O	<b>Shift Clock.</b> Clock for transferring digital pixel data.
<b>DE</b>	H3	O	<b>Data Enable.</b> Indicates valid data on PD[23-0].
<b>LP</b>	G5	O	<b>Line Pulse.</b> Digital monitor equivalent of HSYNC.
<b>FLM</b>	G3	O	<b>First Line Marker.</b> Digital monitor equivalent of VSYNC.
<b>EVDD</b>	F1	O	<b>Enable Panel VDD Power.</b>
<b>EVEE</b>	H5	O	<b>Enable Panel VEE Power.</b>
<b>EBLT</b>	G1	O	<b>Enable Panel Backlight.</b>

Note: Connect SHFCLK, DE, LP, and FLM to external TMDS transmitters through series 22Ω resistors. See the “Apollo PLE133 Design Guide” for DFP interface design examples and additional information.

<b>TV Input / Video Interface</b>			
<u>Signal Name</u>	<u>Pin #</u>	<u>I/O</u>	<u>Signal Description</u>
<b>VD[15-0]</b>	N4, N1, N2, N5, P4, P3, P2, P5, R3, R1, R4, R2, R5, T1, T2, R6	IO	<b>Video Capture / Playback Data.</b>
<b>VHS</b>	T3	IO	<b>Video Horizontal Sync.</b> Connect to TV decoder if used.
<b>VVS</b>	U1	IO	<b>Video Vertical Sync.</b> Connect to TV decoder if used.
<b>VCLK</b>	U3	IO	<b>Video Clock.</b> Connect to TV decoder through a series 22Ω resistor.

Note: Refer to the “Apollo PLE133 Design Guide” for video interface design examples.

<b>TV Output Interface</b>			
<u>Signal Name</u>	<u>Pin #</u>	<u>I/O</u>	<u>Signal Description</u>
<b>TVD[7-0]</b>	U2, T6, U4, T5, V3, U5, V2, V1	O	<b>TV Output Data.</b> Connect to TV encoder if used.
<b>TVHS</b>	V5	O	<b>TV Horizontal Sync.</b> Connect to TV encoder if used.
<b>TVVS</b>	W3	O	<b>TV Vertical Sync.</b> Connect to TV encoder if used.
<b>TVCLK</b>	V4	O	<b>TV Clock.</b> Connect to TV encoder through a series 22Ω resistor.

Note: Refer to the “Apollo PLE133 Design Guide” for TV interface design examples.

<b>Clock Power / Ground and Filtering</b>			
<u>Signal Name</u>	<u>Pin #</u>	<u>I/O</u>	<u>Signal Description</u>
VCCA	H21, H22	P	<b>Power for North Bridge Clock Circuitry</b> (2.5V ±5%). Connect to VCCI through a ferrite bead and decouple to GNDA with 0.001Uf and 0.1Uf ceramic and 10Uf tantalum capacitors (see “Apollo PLE133 Design Guide”).
GNDA	L21, L22	P	<b>Ground for North Bridge Clock Circuitry.</b> Connect to main ground plane GND through a ferrite bead. (see “Apollo PLE133 Design Guide”).
VCCV1	W2	P	<b>Power for Video Clock Synthesizer 1 Analog Circuitry</b> (2.5V ±5%). Connect to VCCI through a ferrite bead and decouple to GNDV1 with 0.001Uf and 0.1Uf ceramic and 10Uf tantalum capacitors (see “Apollo PLE133 Design Guide”).
GNDV1	Y1	P	<b>Ground for Video Clock Synthesizer 1.</b> Connect to main ground plane through a ferrite bead.
VLF1	Y3	A	<b>Low Pass Filter Capacitor for Video Clock Synthesizer 1.</b> Connect to GNDV1 through a 560Pf capacitor.
VCCV2	Y2	P	<b>Power for Video Clock Synthesizer 2 Analog Circuitry</b> (2.5V ±5%). Connect to VCCI through a ferrite bead and decouple to GNDV2 with 0.001Uf and 0.1Uf ceramic and 10Uf tantalum capacitors (see “Apollo PLE133 Design Guide”).
GNDV2	AA1	P	<b>Ground for Video Clock Synthesizer 2.</b> Connect to main ground plane through a ferrite bead.
VLF2	AA2	A	<b>Low Pass Filter Capacitor for Video Clock Synthesizer 2.</b> Connect to GNDV2 through a 560Pf capacitor.
PLLTST	K24	I	<b>PLL Test.</b> Pull down with 4.7K resistor for normal operation.

<b>RAMDAC Output Power / Ground and Analog Control</b>			
<u>Signal Name</u>	<u>Pin #</u>	<u>I/O</u>	<u>Signal Description</u>
VCCS	C1	P	<b>Power for RAMDAC Current Source Circuitry</b> (2.5V ±5%). Connect to VCCI through a ferrite bead and decouple to GNDS with 0.001uF and 0.1uF ceramic and 10uF tantalum capacitors (see “Apollo PLE133 Design Guide”).
GNDS	B1	P	<b>Ground for RAMDAC Current Source Circuitry.</b> Connect to main ground plane through a ferrite bead.
COMP	E4	A	<b>Compensation Capacitor.</b> RAMDAC analog control. Connect to VCCS using a 0.1 uF capacitor.
IRSET	E3	A	<b>RAMDAC Current Set Point Resistor.</b> RAMDAC analog control. Connect to GNDS through a 360Ω 1% resistor.
GNDRGB	A1	P	<b>RGB Video Output Return.</b> Connection point for the RGB load resistors. Also used as a shield for the RGB video output traces to the VGA display connector. Connects to RGB return pins 6, 7, and 8 of the VGA connector. Connect to main ground plane through a ferrite bead. Refer to the “Apollo PLE133 Design Guide” for more specific connection and PCB layout details.

Commonly Used Prefix / Suffix Letters in Signal Names:

I = Internal Logic	A = North Bridge Clock Synthesizer
M = Memory (SDRAM) Interface	V1 = Video Clock Synthesizer PLL1
H = Host CPU Interface	V2 = Video Clock Synthesizer PLL2
P = PCI Bus Interface	D = Video Clocks Digital Data Path
G = AGP Bus (internal in PLE133)	R = RAMDAC Digital Data Path
GM = Graphics Memory Interface	S = RAMDAC Current Source
U (or USB) = USB (Universal Serial Bus)	RGB = Analog Video Out Return
H (or HWM) = Hardware Monitoring	TV = TV Out
SUS = Suspend Power	V = TV In / Video Capture

<b>Digital Power and Ground</b>			
<u>Signal Name</u>	<u>Pin #</u>	<u>I/O</u>	<u>Signal Description</u>
VCC5	U6	P	<b>Power for Display / Video Interfaces (5V ±5%).</b> Power for CRT H/VSYNC, DFP interface, video interface, and TV interface. Used to provide adequate output voltage swing for driving external video devices. Also used to provide 5V input tolerance from those interfaces.
VCC3	F7, F10, F12, F17, F20, G6, G21, H6, K21, L4, <b>L12, L15, M11, M16, R11, R16, T4, T12, T15,</b> U21, W6, Y6, Y21, AA7, AA10, AA17, AA20	P	<b>Power for On-Board Interfaces (3.3V ±5%).</b> Power for host CPU / L2 Cache interface, PCI bus interface, and memory interface (except pins listed below under VSUS).
VSUS3	V22, W22, AB22	P	<b>Suspend Power (3.3V ±5%).</b> Power for memory interface signals SRASC#, SCASC#, SWEC#, SWEB#, RAS[5-0]#, CAS[7-0]#, and SUST#. Connect to VCC3 if suspend functions are not implemented.
VSUS2	AA22	P	<b>Suspend Power (2.5V ±5%).</b> Connect to VCCI if suspend functions are not implemented.
VCCI	F9, F18, J6, J21, V6, V21, AA9, AA18	P	<b>Power for On-Chip Internal Logic (2.5V ±5%).</b>
VCCD	W1	P	<b>Power for Video Clock Synthesizer Digital Logic (2.5V ±5%).</b> Connect to VCCI through a ferrite bead and decouple to main ground plane GND with 0.001uF and 0.1uF ceramic and 10uF tantalum capacitors (see "Apollo PLE133 Design Guide").
VCCR	D1	P	<b>Power for RAMDAC Video Output Digital Logic (2.5V ±5%).</b> Connect to VCCI through a ferrite bead and decouple to main ground plane GND with 0.001uF and 0.1uF ceramic and 10uF tantalum capacitors (see "Apollo PLE133 Design Guide").
VTT	E11, F19	P	<b>CPU Interface Termination Voltage (1.5V ±10%).</b>
GTLREF	E12, E21	P	<b>CPU Interface GTL+ Voltage Reference. 2/3 VTT ±2%.</b> Derived from the termination voltage to the pullup resistors. Determines the noise margin for the host CPU interface signals. Internally connects to the GTL <sup>+</sup> sense amp on each GTL <sup>+</sup> input or I/O pin.
GND	A9, A18, A26, B2, C8, C14, C19, D4, D23, F6, F13-F14, F16, F21, H24, J26, <b>L11, L13, L14, L16, M12-M15, M21, N3, N6, N11-N16, N21, P1, P6, P11-P16, P21, R12-R15, T11, T13, T14, T16, T21, V26, W24, AA6, AA13-AA15, AA21, AC4, AC23, AD8, AD13, AD19, AF1, AF9, AF18, AF26</b>	P	<b>Ground.</b> Connect to primary PCB ground plane.
NC	A2-A5, B3-B5, C3-C5, Y5, AA3-AA5, AB1-AB4, AC1	-	<b>No Connect.</b>

## REGISTERS

### Register Overview

The following tables summarize the configuration and I/O registers of the PLE133. These tables also document the power-on default value (“Default”) and access type (“Acc”) for each register. Access type definitions used are RW (Read/Write), RO (Read/Only), “—” for reserved / used (essentially the same as RO), and RWC (or just WC) (Read / Write 1’s to Clear individual bits). Registers indicated as RW may have some read/only bits that always read back a fixed value (usually 0 if unused); registers designated as RWC or WC may have some read-only or read write bits (see individual register descriptions following these tables for details). All offset and default values are shown in hexadecimal unless otherwise indicated.

### Register Summary Tables

**Table 2. Register Summary**

#### I/O Ports

<b>Port #</b>	<b>I/O Port</b>	<b>Default</b>	<b>Acc</b>
22	PCI / AGP Arbiter Disable	00	RW
CFB-8	Configuration Address	0000 0000	RW
CFE-C	Configuration Data	0000 0000	RW

**Device 0 Bus 0 Registers - Host Bridge**

**PCI Configuration Registers**

Offset	Configuration Header	Default	Acc
1-0	Vendor ID	<b>1106</b>	RO
3-2	Device ID	<b>0601</b>	RO
5-4	Command	<b>0006</b>	RW
7-6	Status	<b>0290</b>	WC
8	Revision ID	<b>nn</b>	RO
9	Program Interface	00	RO
A	Sub Class Code	00	RO
B	Base Class Code	<b>06</b>	RO
C	-reserved- (cache line size)	00	—
D	Latency Timer	00	RW
E	Header Type	00	RO
F	Built In Self Test (BIST)	00	RO
13-10	Graphics Aperture Base	<b>0000 0008</b>	RW
14-27	-reserved- (base address registers)	00	—
28-2B	-reserved- (unassigned)	00	—
2D-2C	Subsystem Vendor ID	0000	RW
2F-2E	Subsystem ID	0000	RW
33-30	-reserved- (expand ROM base addr)	00	—
37-34	Capability Pointer	<b>0000 00A0</b>	RO
34-3B	-reserved- (unassigned)	00	—
3C-3D	-reserved- (interrupt line & pin)	00	—
3E-3F	-reserved- (min gnt and max latency)	00	—

**Device-Specific Configuration Registers**

Offset	CPU Interface Control	Default	Acc
50	Request Phase Control	<b>02</b>	RW
51	Response Phase Control	<b>02</b>	RW
52	Dynamic Defer Timer	<b>10</b>	RW
53	Miscellaneous	00	RW
55-54	Non-Cacheable Region #1	0000	RW
57-56	Non-Cacheable Region #2	0000	RW

Offset	DRAM Control	Default	Acc
59-58	MA Map Type	0000	RW
5A-5F	DRAM Row Ending Address:		
5A	Bank 0 Ending (HA[29:22])	<b>01</b>	RW
5B	Bank 1 Ending (HA[29:22])	<b>01</b>	RW
5C	Bank 2 Ending (HA[29:22])	<b>01</b>	RW
5D	Bank 3 Ending (HA[29:22])	<b>01</b>	RW
5E	Bank 4 Ending (HA[29:22])	<b>01</b>	RW
5F	Bank 5 Ending (HA[29:22])	<b>01</b>	RW
60	DRAM Type	00	RW
61	ROM Shadow Control C0000-CFFFF	00	RW
62	ROM Shadow Control D0000-DFFFF	00	RW
63	ROM Shadow Control E0000-FFFFF	00	RW
64	DRAM Timing for Banks 0.1	<b>EC</b>	RW
65	DRAM Timing for Banks 2.3	<b>EC</b>	RW
66	DRAM Timing for Banks 4.5	<b>EC</b>	RW
67	-reserved- (unassigned)	00	RW
68	DRAM Control	00	RW
69	DRAM Clock Select	00	RW
6A	DRAM Refresh Counter	00	RW
6B	DRAM Arbitration Control	<b>01</b>	RW
6C	SDRAM Control	00	RW
6D	DRAM Control Drive Strength	00	RW
6E-6F	-reserved- (unassigned)	00	—

**Device-Specific Configuration Registers (continued)**

Offset	PCI Bus Control	Default	Acc
70	PCI Buffer Control	00	RW
71	CPU to PCI Flow Control 1	00	RW
72	CPU to PCI Flow Control 2	00	RW
73	PCI Master Control 1	00	RW
74	PCI Master Control 2	00	RW
75	PCI Arbitration 1	00	RW
76	PCI Arbitration 2	00	RW
77	Chip Test (do not program)	00	RW
78	PMU Control 1	00	RW
79	PMU Control 2	00	RW
7A	Miscellaneous Control	00	RW
7B-7D	-reserved-	00	—
7E-7F	DLL Test Mode (do not program)	00	RW
80-FF	-reserved-	00	—

Offset	GART/TLB Control	Default	Acc
83-80	GART/TLB Control	0000 0000	RW
84	Graphics Aperture Size	00	RW
85-87	-reserved- (unassigned)	00	—
8B-88	Gr. Aperture Translation Table Base	0000 0000	RW
8C-8F	-reserved- (unassigned)	00	—

Offset	AGP Control	Default	Acc
A0	AGP ID	<b>02</b>	RO
A1	AGP Next Item Pointer	00	RO
A2	AGP Specification Revision	10	RO
A3	-reserved- (unassigned)	00	—
A7-A4	AGP Status	<b>0700 0203</b>	RO
AB-A8	AGP Command	0000 0000	RW
AC	AGP Control	00	RW
AD	AGP Latency	00	RW
AC-EF	-reserved- (unassigned)	00	—

Offset	BIOS Scratch	Default	Acc
F0-F7	BIOS Scratch	00	RW

Offset	Miscellaneous Control	Default	Acc
F8	DRAM Arbitration Timer 1	00	RW
F9	DRAM Arbitration Timer 9	00	RW
FA	CPU Direct Access FB Base Address	00	RW
FB	Frame Buffer Control	00	RW

Offset	Back Door Control	Default	Acc
FC	Back Door Control 1	00	RW
FD	Back Door Control 2	00	RW
FF-FE	Back Door Device ID	0000 0000	RW

**Device 1 Bus 0 Registers - PCI-to-AGP Bridge**
**PCI Configuration Registers**

<b>Offset</b>	<b>Configuration Header</b>	<b>Default</b>	<b>Acc</b>
1-0	Vendor ID	<b>1106</b>	RO
3-2	Device ID	<b>8601</b>	RO
5-4	Command	<b>0007</b>	<b>RW</b>
7-6	Status	<b>0220</b>	<b>WC</b>
8	Revision ID	<b>nn</b>	RO
9	Program Interface	00	RO
A	Sub Class Code	<b>04</b>	RO
B	Base Class Code	<b>06</b>	RO
C	-reserved- (cache line size)	00	—
D	Latency Timer	00	<b>RW</b>
E	Header Type	<b>01</b>	RO
F	Built In Self Test (BIST)	00	RO
10-17	-reserved- (base address registers)	00	—
18	Primary Bus Number	00	<b>RW</b>
19	Secondary Bus Number	00	<b>RW</b>
1A	Subordinate Bus Number	00	<b>RW</b>
1B	-reserved- (secondary latency timer)	00	—
1C	I/O Base	<b>F0</b>	<b>RW</b>
1D	I/O Limit	00	<b>RW</b>
1F-1E	Secondary Status	0000	RO
21-20	Memory Base	<b>FFF0</b>	<b>RW</b>
23-22	Memory Limit (Inclusive)	0000	<b>RW</b>
25-24	Prefetchable Memory Base	<b>FFF0</b>	<b>RW</b>
27-26	Prefetchable Memory Limit	0000	<b>RW</b>
28-3D	-reserved- (unassigned)	00	—
3F-3E	PCI-to-AGP Bridge Control	00	<b>RW</b>

**Device-Specific Configuration Registers**

<b>Offset</b>	<b>AGP Control</b>	<b>Default</b>	<b>Acc</b>
40	CPU-to-AGP Flow Control 1	00	<b>RW</b>
41	CPU-to-AGP Flow Control 2	00	<b>RW</b>
42	AGP Master Control	00	<b>RW</b>
43-4F	-reserved- (unassigned)	00	—

**Device 0 Bus 1 Registers - 2D / 3D Graphics Accelerator**

**PCI Configuration Registers**

Offset	Configuration Header	Default	Acc
1-0	Vendor ID	1023	R
3-2	Device ID	8500	R
5-4	PCI Command	0003	RW
7-6	PCI Status	0220	RW
8	Revision ID	nn	R
9	Register Level	00	R
A	Sub Class Code	00	R
B	Base Class Code	03	R
F-C	-reserved-	—	—
13-10	Memory Base 0 (8MB display mem)	E000 0000	RW
17-14	Memory Base 1 (128K mem map IO)	E080 0000	RW
1B-18	Memory Base 2 (8MB video overlay)	E040 0000	RW
2B-1C	-reserved-	—	—
2D-2C	Subsystem Vendor ID	0000	RW
2F-2E	Subsystem ID	0000	RW
33-30	Expansion ROM Base	0000 0001	RW
3B-34	-reserved-	—	—
3C	Interrupt Line	0B	RW
3D	Interrupt Pin	01	R
3E-3F	-reserved-	—	—
Offset	Device-Specific Configuration	Default	Acc
40-8F	-reserved-	—	—
93-90	Power Management 1	—	RW
97-94	Power Management 2	—	RW
98-FF	-reserved-	—	—

**PCI Bus Master Registers (2204, 2300, 231x, 232x)**

I/O Port	PCI Bus Master Registers	Default	Acc
2207-2204	Master Status	—	R
2303-2300	Master Control	—	RW
2313-2310	System Side Start Address	—	RW
2315-2314	Master Height	—	RW
2317-2316	Master Width	—	RW
231B-2318	FB Start Address & Pitch	—	RW
231D-231C	System Side Pitch	—	RW
231F-231E	-reserved-	—	—
2323-2320	Clear Data	—	RW

**AGP Registers (2300-23FF)**

I/O Port	AGP Configuration Regs	Default	Acc
2303-2300	(See PCI Bus Master Regs)	—	—
2307-2304	Capability List	—	RW
230F-2308	-reserved-	—	—
2323-2310	(See PCI Bus Master Regs)	—	—
2333-2324	-reserved-	—	—
2337-2334	Capability List Address	—	RW
233F-2338	-reserved-	—	—
I/O Port	AGP Operation Registers	Default	Acc
2343-2340	FB Command List Start Addr	—	RW
2347-2344	FB Command List Size	—	RW
234B-2348	Ch 1 FB Start Addr / Pitch	—	RW
234F-234C	Ch 1 Frame Buffer Size	—	RW
2353-2350	Ch 1 System Start Address	—	RW
2357-2354	Ch 1 & 2 System Side Pitch	—	RW
235B-2358	Ch 2 System Start Address	—	RW
235F-235C	Ch 2 FB Start Addr / Pitch	—	RW
2363-2360	Ch 2 FB Size	—	RW
2367-2364	Ch Arb Counter Threshold	—	RW
236B-2368	Channel 1/0 Control	—	RW
236F-236C	Global & Channel 2 Control	—	RW
2373-2370	Cmd List / Ch 0/1/2 Op Status	—	RW
237F-2374	-reserved-	—	—
I/O Port	AGP Configuration Regs	Default	Acc
2383-2380	Capability Identifier	—	RW
2387-2384	AGP Status	—	RW
238B-2388	AGP Command	—	RW
23AF-238C	-reserved-	—	—
I/O Port	AGP Command Buffer Regs	Default	Acc
23B3-23B0	Command Buffer Start Addr	—	RW
23B7-23B4	Command Buffer End Addr	—	RW
23FF-23B8	-reserved-	—	—



**Capture Registers (2200)**

I/O Port	Capture Registers	Default	Acc
2203-2200	Capture Command	—	RW

**DVD Registers (2280-22FF)**

I/O Port	DVD Registers	Default	Acc
2280	MC ID	—	R
2281	MC Control	—	RW
2282	MC Frame Buffer Config	—	RW
2283	-reserved-	—	—
2285-2284	MC Status	—	RW
2287-2284	MC Command Queue	—	RW
228B-2288	MC Y-Reference Address	—	RW
228F-228C	MC U-Reference Address	—	RW
2293-2290	MC V-Reference Address	—	RW
2297-2294	MC Display Y-Addr Offset	—	RW
229B-2298	MC Display U-Addr Offset	—	RW
229F-229C	MC Display V-Addr Offset	—	RW
22A0	MC H Macroblock Count	—	RW
22A1	-reserved-	—	—
22A2	MC V Macroblock Count	—	RW
22A3	-reserved-	—	—
22A5-22A4	MC Frame Buffer Y-Length	—	RW
22A7-22A6	-reserved-	—	—
22AB-22A8	Color Palette Entries	—	RW
22AF-22AC	-reserved-	—	—
22B3-22B0	SP BUF0 Pixel Start Address	—	RW
22B7-22B4	SP BUF1 Pixel Start Address	—	RW
22BB-22B8	SP BUF0 Cmd Start Address	—	RW
22BF-22BC	SP BUF1 Cmd Start Address	—	RW
22C1-22C0	SP Y Display Offset	—	RW
22CF-22C2	-reserved-	—	—
22D0	Digital TV Encoder Control	—	RW
22D3-22D1	Digital TV Encoder CFC	—	RW
22FF-22D4	-reserved-	—	—

**Extended Registers – Non-Indexed I/O Ports**

I/O Port	Extended Non-Indexed Regs	Default	Acc
3D8	Alt Destination Segment Addr	00	RW
3D9	Alt Source Segment Address	—	RW
3xB	Alt Clock Select	—	RW

Note: 3xB notation indicates that these registers are accessible at either 3BB or 3DB depending on the setting of the color / mono bit.

**Standard VGA Registers**

Port	Index	VGA Registers	Default	Acc
3B4/5	0-18	CRT Controller (Mono Mode)	—	RW
3BA	—	Input Status 1 (Mono Mode)	—	R
3C0/1	0-14	Attribute Controller	—	RW
3C2	—	Input Status 0	—	R
3C2	—	Miscellaneous Output (Write)	—	W
3C3	—	Video Subsystem Enable	—	RW
3C4/5	0-4	Sequencer	—	RW
3C6	—	RAMDAC Pixel Mask	—	RW
3C7	—	RAMDAC Read Index	—	W
3C8	—	RAMDAC Write Index	—	W
3C8	—	RAMDAC Index Readback	—	R
3C9	0-FF	RAMDAC Palette Data	—	RW
3CC	—	Miscellaneous Output (Read)	—	R
3CE/F	0-8	Graphics Controller	—	RW
3D4/5	0-18	CRT Controller (Color Mode)	—	RW
3DA	—	Input Status 1 (Color Mode)	—	R
46E8	—	Display Adapter Enable	—	RW

Note: CRTC registers are accessible at either 3B4 / 3B5 or 3D4 / 3D5 (shorthand notation 3x4 / 3x5) depending on the setting of the color / mono bit.

**Standard VGA Registers – Attribute Controller (AR)**

Port	Index	Attribute Controller Regs	Default	Acc
3C0	—	Index	—	RW
3C0/1	0-F	Color Palette	—	RW
3C0/1	10	Attribute Mode Control	—	RW
3C0/1	11	Overscan Color	—	RW
3C0/1	12	Color Plane Enable	—	RW
3C0/1	13	Horizontal Pixel Panning	—	RW
3C0/1	14	Color Select	—	RW

**Standard VGA Registers – Sequencer (SR)**

Port	Index	Sequencer Registers	Default	Acc
3C4	—	Index	—	RW
3C5	0	Reset	—	RW
3C5	1	Clocking Mode	—	RW
3C5	2	Map Mask	—	RW
3C5	3	Character Map Select	—	RW
3C5	4	Memory Mode	—	RW

**Standard VGA Registers – Graphics Controller (GR)**

Port	Index	Graphics Controller Regs	Default	Acc
3CE	—	Index	—	RW
3CF	0	Set / Reset	—	RW
3CF	1	Enable Set / Reset	—	RW
3CF	2	Color Compare	—	RW
3CF	3	Data Rotate	—	RW
3CF	4	Read Map Select	—	RW
3CF	5	Graphics Mode	00	RW
3CF	6	Miscellaneous	—	RW
3CF	7	Color Don't Care	—	RW
3CF	8	Bit Mask	—	RW

**Standard VGA Registers – CRT Controller (CR)**

Port	Index	CRT Controller Registers	Default	Acc
3x4	—	Index	—	RW
3x5	0	Horizontal Total	00	RW
3x5	1	Horizontal Display Ena End	00	RW
3x5	2	Horizontal Blanking Start	00	RW
3x5	3	Horizontal Blanking End	00	RW
3x5	4	Horizontal Retrace Start	FF	RW
3x5	5	Horizontal Retrace End	00	RW
3x5	6	Vertical Total	00	RW
3x5	7	Overflow	00	RW
3x5	8	Preset Row Scan	00	RW
3x5	9	Maximum Scan Line	00	RW
3x5	A	Cursor Start	00	RW
3x5	B	Cursor End	00	RW
3x5	C	Start Address High	00	RW
3x5	D	Start Address Low	00	RW
3x5	E	Cursor Location High	00	RW
3x5	F	Cursor Location Low	00	RW
3x5	10	Vertical Retrace Start	00	RW
3x5	11	Vertical Retrace End	00	RW
3x5	12	Vertical Display Enable End	00	RW
3x5	13	Offset	00	RW
3x5	14	Underline Location	00	RW
3x5	15	Vertical Blanking Start	00	RW
3x5	16	Vertical Blanking End	00	RW
3x5	17	CRTC Mode Control	00	RW
3x5	18	Line Compare	00	RW

Note: CRTC registers are accessible at either 3B4 / 3B5 or 3D4 / 3D5 (shorthand notation 3x4 / 3x5) depending on the setting of the color / mono bit.

**Extended Registers – VGA Sequencer Indexed**

Port	Index	Extended Sequencer Regs	Default	Acc
3C5	8	Old-New Status	00	R
3C5	9	Graphics Controller Version	58	R
3C5	A	-reserved-	—	—
3C5	B	Version/Old-New Mode Ctrl	F3	RW
3C5	C	Configuration Port 1	B7	RW
3C5	C	Configuration Port 2	—	RW
3C5	D	Old Mode Control 2	20	RW
3C5	D	New Mode Control 2	10	RW
3C5	E	Old Mode Control 1	A8	RW
3C5	E	New Mode Control 1	40	RW
3C5	F	Power-up Mode 2	BF	RW
3C5	10	VESA™ Big BIOS Control	00	RW
3C5	11	Protection	00	RW
3C5	12	Threshold	21	RW
3C5	13-17	-reserved-	—	—
3C5	18	VCLK1 Frequency Control 0	00	RW
3C5	19	VCLK1 Frequency Control 1	00	RW
3C5	1A	VCLK2 Frequency Control 0	00	RW
3C5	1B	VCLK2 Frequency Control 1	00	RW
3C5	1C-1F	-reserved-	—	—
3C5	20	Clk Syn / RAMDAC Setup	00	RW
3C5	21	Signature Control	00	RW
3C5	23-22	Signature Data	—	R
3C5	24	Power Management Ctrl	0E	RW
3C5	25	Monitor Sense	—	R
3C5	26-36	-reserved-	—	—
3C5	37	Video Key Mode	00	RW
3C5	38	Feature Connector Control	00	RW
3C5	39-4F	-reserved-	—	—
3C5	52-50	Playback Color Key Data	—	RW
3C5	53	-reserved-	—	—
3C5	56-54	Playback Color Key Mask	—	RW
3C5	57	Playback Vid Key Mode Fun	—	RW
3C5	58-59	-reserved-	—	—
3C5	5A-5F	Scratch Pad 0-5	—	RW
3C5	62-60	2 <sup>nd</sup> Playback Color Key Data	—	RW
3C5	63	-reserved-	—	—
3C5	66-64	2 <sup>nd</sup> Playback ColorKey Mask	—	RW
3C5	67-7F	-reserved-	—	—

Port	Index	New Video Display Regs	Default	Acc
3C5	82-80	W1 U FB Start Address	—	RW
3C5	85-83	W1 V FB Start Address	—	RW
3C5	88-86	W2 FB Start Address	—	RW
3C5	8A-89	W2 H Scaling Factor	—	RW
3C5	8C-8B	W2 V Scaling Factor	—	RW
3C5	90-8D	W2 Live Video Start	—	RW
3C5	94-91	W2 Live Video End	—	RW
3C5	95	W2 Live Vid Line Buf Level	—	RW
3C5	96	New Live Video Win Ctrl 0	00	RW
3C5	97	New Live Video Win Ctrl 1	00	RW
3C5	98	New Live Video Win Ctrl 2	00	RW
3C5	99	New Live Video Win Ctrl 3	00	RW
3C5	9B-9A	Vid Row Byte Off. (W1-UV)	—	RW
3C5	9D-9C	Vid Row Byte Offset(W2-Y)	—	RW
3C5	9E	Line Buf Req Threshold	00	RW
3C5	9F	VBI Control	—	RW
3C5	A3-A0	VBI Frame Buffer Address	—	RW
3C5	A7-A4	VBI Capture Start	—	RW
3C5	AB-A8	VBI Capture End	—	RW
3C5	AD-AC	VBI V Interrupt Position	—	RW
3C5	AF-AE	Capture Row Byte Offset	—	RW
3C5	B1-B0	Window 1 HSB Control	—	RW
3C5	B3-B2	Window 2 HSB Control	—	RW
3C5	B6-B4	2 <sup>nd</sup> Display Addr Select	—	RW
3C5	B7	Video Sharpness	—	RW
3C5	BA-B8	2 <sup>nd</sup> Capture Addr Select	—	RW
3C5	BB	-reserved-	—	—
3C5	BC	Contrast Control	—	RW
3C5	BD	Dual View MUX Control	—	RW
3C5	BE	Miscellaneous Control Bits	00	RW
3C5	BF-CD	-reserved-	—	—
3C5	CE	Window 2 Live Video Ctrl	00	RW
3C5	CF	-reserved-	—	—
3C5	D1-D0	Row Byte Offset (W2-UV)	—	RW
3C5	D4-D2	W2 U-Frame Start Address	—	RW
3C5	D7-D5	W2 V-Frame Start Address	—	RW
3C5	D9-D8	Digital TV Interface Control	—	RW
3C5	DB-DA	W2 V Count Status	—	R
3C5	DD-DC	Dual View Control	—	RW
3C5	DF-DE	W1 V Count Status	—	R

Port	Index	Reserved Registers	Default	Acc
3C5	E0-FF	-reserved-	—	RW

**Extended Registers – VGA Graphics Controller Indexed**

<b>Port</b>	<b>Index</b>	<b>Extd Graphics Ctrlr Regs</b>	<b>Default</b>	<b>Acc</b>
3CE/F	E	Old / New Src Segment Addr	00	RW
3CE/F	F	Misc Extended Function Ctrl	00	RW
3CE/F	10-1F	-reserved-	—	—
3CE/F	20-2F	<b>Power Management Regs</b>		
	20	Standby Timer Control	0xxx0000b	RW
	21	Power Management Control 1	00	RW
	22	Power Management Control 2	00	RW
	23	Power Status	—	RW
	24	Soft Power Control	<b>E0</b>	RW
	25	Power Control Select	<b>FF</b>	RW
	26	DPMS Control	00	RW
	28-27	GPIO Control	0000	RW
	29	-reserved-	—	—
	2A	Suspend Pin Timer	00	RW
	2B	-reserved-	—	—
	2C	Miscellaneous Pin Control	00	RW
	2D-2E	-reserved-	—	—
	2F	Miscellaneous Internal Ctrl	00	RW
3CE/F	30-5A	-reserved-	—	—
3CE/F	5A-5F	Scratch Pad 0-5	—	RW
3CE/F	60-7F	-reserved-	—	—

**Extended Registers – VGA CRT Controller Indexed**

Port	Index	Extended CRTC Registers	Default	Acc
3x5	0E	CRT Module Test	00	RW
3x5	19	CRT Interlace Control	—	RW
3x5	1A	Arbitration Control 1	00	RW
3x5	1B	Arbitration Control 2	00	RW
3x5	1C	Arbitration Control 3	00	RW
3x5	1D-1E	-reserved-	—	—
3x5	1F	Software Programming	—	RW
3x5	20	Command FIFO	00	RW
3x5	21	Linear Addressing	00	RW
3x5	22	CPU Latch Readback	—	RO
3x5	23	-reserved-	—	—
3x5	24	VGA Attribute State	—	RO
3x5	25	RAMDAC RW Timing	0F	RW
3x5	26	-reserved-	—	—
3x5	27	CRT High Order Start	00	RW
3x5	28	-reserved-	—	—
3x5	29	RAMDAC Mode	00	RW
3x5	2A	In terface Select	10	RW
3x5	2B	Horiz. Parameter Overflow	00	RW
3x5	2C	-reserved-	—	—
3x5	2D	GE Timing Control	00	RW
3x5	2E	-reserved-	—	—
3x5	2F	Performance Tuning	03	RW
3x5	30-33	-reserved-	—	—
3x5	35-34	GE IO Linear Address Base	0000	RW
3x5	36	Graphics / Video Engine Ctrl	00	RW
3x5	37	I <sup>2</sup> C Control	82	RW
3x5	38	Pixel Bus Mode	00	RW
3x5	39	PCI Interface Control	0000000nb	RW
3x5	3A	Physical Address Control	00	RW
3x5	3B	Clock and Tuning	0n000001b	RW
3x5	3C	Misc Control	00	RW
3x5	3D-3F	-reserved-	—	—
<b>3x5</b>	<b>40-50</b>	<b>Hardware Cursor Registers</b>		
	43-40	HW Cursor Position	—	RW
	45-44	HW Cursor Pattern Location	—	RW
	47-46	HW Cursor Offset	—	RW
	4F-48	HW Cursor Color	—	RW
	50	HW Cursor Control	—	RW
3x5	51	Bus Grant Termination Ctrl	—	RW
3x5	52	Shared Frame Buffer Ctrl	000x0010b	RW
3x5	53-54	-reserved-	—	—
3x5	55	PCI Retrv Control	0F	RW
3x5	56	Display Pre-end Control	00	RW
3x5	57	Display Pre-end Fetch Param.	—	RW
3x5	58-5D	-reserved-	—	—
3x5	5E	Capture / ZV Port Control	x0000000b	RW
3x5	5F	Test Control	00	RW
3x5	60-61	-reserved-	—	—
3x5	62	Enhancement 0	04	RW
3x5	63	Enhancement 1	00	RW
3x5	64	DPA Extra	—	RW
3x5	65-7F	-reserved-	—	—

Port	Index	Extended CRTC Registers	Default	Acc
<b>3x5</b>	<b>80-BF</b>	<b>Video / Capture Engine</b>		
	81-80	Horiz Scaling Factor (W1)	—	RW
	83-82	Vert Scaling Factor (W1)	—	RW
	85-84	-reserved-	—	—
	89-86	Video Window Start (W1)	—	RW
	8D-8A	Video Window End	—	RW
	8F-8E	Video Display Engine Flag	—	RW
	91-90	Row Byte Offset (W1, W1-Y)	—	RW
	94-92	Vid Start Addr (W1-Y or W1)	—	RW
	95	Vid Win Line Buffer Thresh	—	RW
	96	Line Buf Lev Ctl (W1-Y, W1)	—	RW
	97	Video Displav Engine Flag	—	RW
	9A-98	Capture Video Start Address	—	RW
	9B	Video Displav Status	—	RW
	9C	Capture Control 1	—	RW
	9D	Capture Control 2	—	RW
	9E	Capture Control 3	—	RW
	9F	Capture Control 4	—	RW
	A1-A0	Capture Vertical Total	—	RW
	A3-A2	Capture Horizontal Total	—	RW
	A5-A4	Capture Vertical Start	—	RW
	A7-A6	Capture Vertical End	—	RW
	A9-A8	Capture Horizontal Start	—	RW
	AB-	Capture Horizontal End	—	RW
	AC	Capture Vert Sync Pulse	—	RW
	AD	Capture Horiz Sync Pulse	—	RW
	AE	Capture CRTC Control	—	RW
	AF	Capture CRTC Control	—	RW
	B1-B0	Capture Horiz Minify Factor	—	RW
	B3-B2	Capture Vert Minify Factor	—	RW
	B5-B4	DST Pixel Width Count	—	RW
	B7-B6	DST Pixel Height Count	—	RW
	B8	Capture FIFO Control 1	—	RW
	B9	Capture FIFO Control 2	—	RW
	BB-	Chromakey Comp Data 0 Lo	—	RW
	BD-	Chromakey Comp Data 0 Hi	—	RW
	BE	Capture Control	—	RW
	BF	Display Engine Flag 4	—	RW
3x5	C0-CF	-reserved-	—	—
3x5	D3-D0	VGA / Digital TV Sync Ctrl 1	—	RW
3x5	D4-FF	-reserved-	—	—

**Extended Registers – CRTC Shadow**

Port	Index	CRTC Shadow Registers	Default	Acc
3x5	00	Horizontal Total	—	RW
3x5	03	Horizontal Blanking End	—	RW
3x5	04	Horizontal Retrace Start	—	RW
3x5	05	Horizontal Retrace End	—	RW
3x5	06	Vertical Total	—	RW
3x5	07	Overflow	—	RW
3x5	10	Vertical Retrace Start	—	RW
3x5	11	Vertical Retrace End	—	RW
3x5	16	Vertical Blanking End	—	RW

**3D Graphics Engine Registers**

These registers are addressed at offsets from the Graphics Engine Base Address (GEbase). All registers are 32-bit.

<b>Offset</b>	<b>Span Engine Registers</b>	<b>Default</b>	<b>Acc</b>
3-0	Parameter Source 1	—	RW
7-4	Parameter Source 2	—	RW
B-8	Parameter Destination 1	—	RW
F-C	Parameter Destination 2	—	RW
<b>Offset</b>	<b>VGA Core Registers</b>	<b>Default</b>	<b>Acc</b>
13-10	Right View Display Base Addresses	—	RW
17-14	Left View Display Base Addresses	—	RW
1B-18	Block Write Start Address	—	RW
1F-1C	Block Write Area / End Address	—	RW
23-20	GE Status	—	R
27-24	GE Control	—	W
2B-28	GE Debug	—	R
2F-2C	Wait Mask	—	RW
<b>Offset</b>	<b>Rasterization &amp; Setup Engine Regs</b>	<b>Default</b>	<b>Acc</b>
33-30	Primitive Attribute	—	RW
37-34	-reserved-	—	—
3B-38	-reserved-	—	—
3F-3C	Primitive Type	—	W
3F-3C	Setup Engine Status	—	R
<b>Offset</b>	<b>Pixel Engine Registers</b>	<b>Default</b>	<b>Acc</b>
43-40	-reserved-	—	—
47-44	Drawing Command	—	RW
4B-48	Raster Operation (ROP)	—	RW
4F-4C	Z-Function	—	RW
53-50	Texture Function	—	RW
57-54	Clipping Window 0	—	RW
5B-58	Clipping Window 1	—	RW
5F-5C	-reserved-	—	—
63-60	Color 0	—	RW
67-64	Color 1	—	RW
6B-68	Color Key	—	RW
6F-6C	Pattern and Style	—	RW
73-70	Pattern Color	—	RW
77-74	Pattern Foreground Color	—	RW
7B-78	Pattern Background Color	—	RW
7F-7C	Alpha	—	RW
83-80	Alpha Function	—	RW
87-84	Bit Mask	—	RW
8B-88	-reserved-	—	—
8F-8C	-reserved-	—	—
93-90	-reserved-	—	—
97-94	-reserved-	—	—
9B-98	-reserved-	—	—
9F-9C	-reserved-	—	—

<b>Offset</b>	<b>Texture Engine Registers</b>	<b>Default</b>	<b>Acc</b>
A3-A0	Texture Control	—	RW
A7-A4	Texture Color	—	RW
AB-A8	Palette Data	—	W
AF-AC	Texture Boundary	—	RW
<b>Offset</b>	<b>Command List Control Registers</b>	<b>Default</b>	<b>Acc</b>
B3-B0	-reserved-	—	—
B7-B4	-reserved-	—	—
<b>Offset</b>	<b>Memory Interface Registers</b>	<b>Default</b>	<b>Acc</b>
BB-B8	Destination Stride & Buffer 0	—	RW
BF-BC	Destination Stride & Buffer 1	—	RW
C3-C0	Destination Stride & Buffer 2	—	RW
C7-C4	Destination Stride & Buffer 3	—	RW
CB-C8	Source Stride & Buffer 0	—	RW
CF-CC	Source Stride & Buffer 1	—	RW
D3-D0	Source Stride & Buffer 2	—	RW
D7-D4	Source Stride & Buffer 3	—	RW
DB-D8	Z Depth & Buffer	—	RW
DF-DC	Texture Base Level 0 (1:1 Map)	—	RW
E3-E0	Texture Base Level 1	—	RW
E7-E4	Texture Base Level 2	—	RW
EB-E8	Texture Base Level 3	—	RW
EF-EC	Texture Base Level 4	—	RW
F3-F0	Texture Base Level 5	—	RW
F7-F4	Texture Base Level 6	—	RW
FB-F8	Texture Base Level 7	—	RW
FF-FC	Texture Base Level 8 (mallest)	—	RW
<b>Offset</b>	<b>Data Port Area</b>	<b>Default</b>	<b>Acc</b>
1xxxx	Data Port Area	—	—

**Miscellaneous I/O**

One I/O port is defined in the PLE133: Port 22.

**Port 22 – PCI /AGP Arbiter Disable.....RW**

- 7-2 **Reserved** .....always reads 0
- 1 **AGP Arbiter Disable**
  - 0 Respond to GREQ# signal..... default
  - 1 Do not respond to GREQ# signal
- 0 **PCI Arbiter Disable**
  - 0 Respond to all REQ# signals ..... default
  - 1 Do not respond to any REQ# signals, including PREQ#

This port can be enabled for read/write access by setting bit-7 of Device 0 Configuration Register 78.

**Configuration Space I/O**

All registers in the PLE133 (listed above) are addressed via the following configuration mechanism:

**Mechanism #1**

These ports respond only to double-word accesses. Byte or word accesses will be passed on unchanged.

**Port CFB-CF8 - Configuration Address.....RW**

- 31 **Configuration Space Enable**
  - 0 Disabled .....default
  - 1 Convert configuration data port writes to configuration cycles on the PCI bus
- 30-24 **Reserved** ..... always reads 0
- 23-16 **PCI Bus Number**  
Used to choose a specific PCI bus in the system
- 15-11 **Device Number**  
Used to choose a specific device in the system (devices 0 and 1 are defined)
- 10-8 **Function Number**  
Used to choose a specific function if the selected device supports multiple functions (only function 0 is defined).
- 7-2 **Register Number (also called the "Offset")**  
Used to select a specific DWORD in the configuration space
- 1-0 **Fixed** ..... always reads 0

**Port CFF-CFC - Configuration Data.....RW**

Refer to PCI Bus Specification Version 2.2 for further details on operation of the above configuration registers.

**Register Descriptions**

**Device 0 Bus 0 Header Registers - Host Bridge**

All registers are located in PCI configuration space. They should be programmed using PCI configuration mechanism 1 through CF8 / CFC with bus number, function number, and device number equal to zero.

**Device 0 Offset 1-0 - Vendor ID..... RO**

15-0 ID Code (reads 1106h to identify VIA Technologies)

**Device 0 Offset 3-2 - Device ID..... RO**

15-0 ID Code (reads 0601h to identify the VT8601A)

**Device 0 Offset 5-4 - Command .....RW**

- 15-10 Reserved .....always reads 0
- 9 **Fast Back-to-Back Cycle Enable** .....RO
  - 0 Fast back-to-back transactions only allowed to the same agent..... default
  - 1 Fast back-to-back transactions allowed to different agents
- 8 **SERR# Enable**.....RO
  - 0 SERR# driver disabled..... default
  - 1 SERR# driver enabled
 (SERR# is used to report parity errors if bit-6 is set).
- 7 **Address / Data Stepping**.....RO
  - 0 Device never does stepping ..... default
  - 1 Device always does stepping
- 6 **Parity Error Response**.....RW
  - 0 Ignore parity errors & continue ..... default
  - 1 Take normal action on detected parity errors
- 5 **VGA Palette Snoop** .....RO
  - 0 Treat palette accesses normally ..... default
  - 1 Don't respond to palette accesses on PCI bus
- 4 **Memory Write and Invalidate Command**.....RO
  - 0 Bus masters must use Mem Write ..... default
  - 1 Bus masters may generate Mem Write & Inval
- 3 **Special Cycle Monitoring** .....RO
  - 0 Does not monitor special cycles ..... default
  - 1 Monitors special cycles
- 2 **Bus Master** .....RO
  - 0 Never behaves as a bus master
  - 1 Can behave as a bus master ..... default
- 1 **Memory Space**.....RO
  - 0 Does not respond to memory space
  - 1 Responds to memory space..... default
- 0 **I/O Space** .....RO
  - 0 Does not respond to I/O space ..... default
  - 1 Responds to I/O space

**Device 0 Offset 7-6 - Status .....RWC**

- 15 **Detected Parity Error**
  - 0 No parity error detected .....default
  - 1 Error detected in either address or data phase. This bit is set even if error response is disabled (command register bit-6). .....write one to clear
- 14 **Signaled System Error (SERR# Asserted)**
  - ..... always reads 0
- 13 **Signaled Master Abort**
  - 0 No abort received.....default
  - 1 Transaction aborted by the master ..... write one to clear
- 12 **Received Target Abort**
  - 0 No abort received.....default
  - 1 Transaction aborted by the target ..... write 1 to clear
- 11 **Signaled Target Abort**..... always reads 0
  - 0 Target Abort never signaled
- 10-9 **DEVSEL# Timing**
  - 00 Fast
  - 01 Medium..... always reads 01
  - 10 Slow
  - 11 Reserved
- 8 **Data Parity Error Detected**
  - 0 No data parity error detected .....default
  - 1 Error detected in data phase. Set only if error response enabled via command bit-6 = 1 and VT8601A was initiator of the operation in which the error occurred. ....write one to clear
- 7 **Fast Back-to-Back Capable** ..... always reads 1
- 6 **Reserved** ..... always reads 0
- 5 **66MHz Capable** ..... always reads 0
- 4 **Supports New Capability list**..... always reads 1
- 3-0 **Reserved** ..... always reads 0

**Device 0 Offset 8 - Revision ID .....RO**

7-0 VT8601A Chip Revision Code

**Device 0 Offset 9 - Programming Interface.....RO**

7-0 Interface Identifier ..... always reads 00

**Device 0 Offset A - Sub Class Code.....RO**

7-0 Sub Class Code.....reads 00 to indicate Host Bridge

**Device 0 Offset B - Base Class Code.....RO**

7-0 Base Class Code ..reads 06 to indicate Bridge Device

**Device 0 Offset D - Latency Timer .....RW**

Specifies the latency timer value in PCI bus clocks.

- 7-3 **Guaranteed Time Slice for CPU** ..... default=0
- 2-0 **Reserved** (fixed granularity of 8 clks) ...always read 0
  - Bits 2-1 are writeable but read 0 for PCI specification compatibility. The programmed value may be read back in Offset 75 bits 5-4 (PCI Arbitration 1).



**Device 0 Offset E - Header Type..... RO**

**7-0 Header Type Code** .....reads 00: single function

**Device 0 Offset F - Built In Self Test (BIST) ..... RO**

**7 BIST Supported** .....reads 0: no supported functions

**6-0 Reserved** .....always reads 0

**Device 0 Offset 13-10 - Graphics Aperture Base.....RW**

**31-28 Upper Programmable Base Address Bits**..... def=0

**27-20 Lower Programmable Base Address Bits**..... def=0

These bits behave as if hardwired to 0 if the corresponding Graphics Aperture Size register bit (Device 1 Offset 84h) is 0.

27	26	25	24	23	22	21	20	(This Register)
<u>7</u>	<u>6</u>	<u>5</u>	<u>4</u>	<u>3</u>	<u>2</u>	<u>1</u>	<u>0</u>	(Gr Aper Size)
RW	RW	RW	RW	RW	RW	RW	RW	1M
RW	RW	RW	RW	RW	RW	RW	0	2M
RW	RW	RW	RW	RW	RW	0	0	4M
RW	RW	RW	RW	RW	0	0	0	8M
RW	RW	RW	RW	0	0	0	0	16M
RW	RW	RW	0	0	0	0	0	32M
RW	RW	0	0	0	0	0	0	64M
RW	0	0	0	0	0	0	0	128M
0	0	0	0	0	0	0	0	256M

**19-0 Reserved** .....always reads 00008

Note: The locations in the address range defined by this register are prefetchable.

**Device 0 Offset 2D-2C – Subsystem Vendor ID.....RW**

**15-0 Subsystem Vendor ID**..... default = 0000

**Device 0 Offset 2F-2E – Subsystem ID.....RW**

**15-0 Subsystem ID**..... default = 0000

**Device 0 Offset 37-34 - Capability Pointer .....RO**

Contains an offset from the start of configuration space.

**31-0 AGP Capability List Pointer** ..... always reads A0h

**Device 0 Bus 0 Host Bridge Registers**

**CPU Interface Control**

**Device 0 Offset 50 – Request Phase Control (02h).....RW**

- 7 CPU Hardwired IOQ (In Order Queue) Size**  
Default per the strap on pin MA11 during reset. This register bit can be written to 1 to restrict the chip to one level of IOQ.  
0 4-Level ..... default if no external strap resistor  
1 1-Level
- 6 Read-Around-Write**  
0 Disable ..... default  
1 Enable
- 5 Reserved** .....always reads 0
- 4 Defer Retry When HLOCK Active**  
0 Disable ..... default  
1 Enable  
Note: always set this bit to 1
- 3-2 Reserved** .....always reads 0
- 1 Fast Speculative Read**  
0 Disable  
1 Enable ..... default
- 0 CPU / PCI Master Read DRAM Timing**  
0 Start DRAM read after snoop complete ..... def  
1 Start DRAM read before snoop complete

**Device 0 Offset 51 – Response Phase Control (02h) .....RW**

- 7 CPU Read DRAM 0WS for Back-to-Back Read Transactions**  
0 Disable .....default  
1 Enable  
Setting this bit enables maximum read performance by allowing continuous 0-wait-state reads for pipelined line reads. If this bit is not set, there will be at least 1T idle time between read transactions.
- 6 CPU Write DRAM 0WS for Back-to-Back Write Transactions**  
0 Disable .....default  
1 Enable  
Setting this bit enables maximum write performance by allowing continuous 0-wait-state writes for pipelined line writes and sustained 3T single writes. If this bit is not set, there will be at least 1T idle time between write transactions.
- 5 DRAM Read Request Rate**  
0 3T .....default  
1 2T
- 4 Fast Response (HIT/HITM Sampled 1T Earlier)**  
0 Disable .....default  
1 Enable
- 3 Non-Posted IOW**  
0 Disable .....default  
1 Enable
- 2 CPU Read DRAM Prefetch Buffer Depth**  
0 1-level prefetch buffer .....default  
1 4-level prefetch buffer
- 1 CPU-to-DRAM Post-Write Buffer Depth**  
0 1-level post-write buffer  
1 4-level post-write buffer .....default
- 0 Concurrent PCI Master / Host Operation**  
0 Disable – the CPU bus will be occupied (BPRI asserted) during the entire PCI operation .....def  
1 Enable – the CPU bus is only requested before ADS# assertion

**Device 0 Offset 52 – Dynamic Defer Timer (10h) .....RW**

- 7 GTL I/O Buffer Pullup**..... default = MA13 Strap
  - 0 Disable
  - 1 Enable
 The default value of this bit is determined by a strap on the MA13 pin during reset.
- 6 RAW Write Retire After 2 Writes**
  - 0 Disable ..... default
  - 1 Enable
- 5 Reserved** .....always reads 0
- 4-0 Snoop Stall Count**
  - 00 Disable dynamic defer
  - 01-1F Snoop stall count ..... default = 10h

**Device 0 Offset 53 – Miscellaneous (00h).....RW**

- 7 HREQ Function**
  - 0 Disable .....default
  - 1 Enable
- 6 DRAM Frequency Higher Than CPU FSB**
  - 0 Disable .....default
  - 1 Enable
 Setting this bit enables the DRAM subsystem to run at a higher frequency than the CPU FSB frequency. When setting this bit, register bit Rx69[6] must also be set and only SDRAM memory type DIMM modules may be installed. An EDO / SDRAM mix in the DRAM subsystem is not supported in this case.
- 5 AGP/PCI-to-CPU Master / CPU-to-PCI Slave Concurrency**
  - 0 Disable .....default
  - 1 Enable
- 4 HPRI Function**
  - 0 Disable .....default
  - 1 Enable
- 3 P6Lock Function**
  - 0 Disable .....default
  - 1 Enable
- 2 P6Lock**
  - 0 Disable .....default
  - 1 Enable
- 1-0 Reserved** ..... always reads 0

**Device 0 Offset 55-54 - Non-Cacheable Region #1.....RW**

- 15-3 Base Address - A<28:16>.....default=0**  
 As noted below, the base address must be a multiple of the region size.
- 2-0 Range (Region Size)**
  - 000 Disable ..... default
  - 001 64K
  - 010 128K (Base Address A16 must be 0)
  - 011 256K (Base Address A16-17 must be 0)
  - 100 512K (Base Address A16-18 must be 0)
  - 101 1M (Base Address A16-19 must be 0)
  - 110 2M (Base Address A16-20 must be 0)
  - 111 4M (Base Address A16-21 must be 0)

**Device 0 Offset 57-56 - Non-Cacheable Region #2.....RW**

- 15-3 Base Address MSBs - A<28:16> ..... default=0**  
 As noted below, the base address must be a multiple of the region size.
- 2-0 Range (Region Size)**
  - 000 Disable .....default
  - 001 64K
  - 010 128K (Base Address A16 must be 0)
  - 011 256K (Base Address A16-17 must be 0)
  - 100 512K (Base Address A16-18 must be 0)
  - 101 1M (Base Address A16-19 must be 0)
  - 110 2M (Base Address A16-20 must be 0)
  - 111 4M (Base Address A16-21 must be 0)

**DRAM Control**

These registers are normally set at system initialization time and not accessed after that during normal system operation. Some of these registers, however, may need to be programmed using specific sequences during power-up initialization to properly detect the type and size of installed memory (refer to the VIA Technologies VT8601A BIOS porting guide for details).

**Table 3. System Memory Map**

Space	Start	Size	Address Range	Comment
DOS	0	640K	00000000-0009FFFF	Cacheable
VGA	640K	128K	000A0000-000BFFFF	Used for SMM
BIOS	768K	16K	000C0000-000C3FFF	Shadow Ctrl 1
BIOS	784K	16K	000C4000-000C7FFF	Shadow Ctrl 1
BIOS	800K	16K	000C8000-000CBFFF	Shadow Ctrl 1
BIOS	816K	16K	000CC000-000CFFFF	Shadow Ctrl 1
BIOS	832K	16K	000D0000-000D3FFF	Shadow Ctrl 2
BIOS	848K	16K	000D4000-000D7FFF	Shadow Ctrl 2
BIOS	864K	16K	000D8000-000DBFFF	Shadow Ctrl 2
BIOS	880K	16K	000DC000-000DFFFF	Shadow Ctrl 2
BIOS	896K	64K	000E0000-000EFFFF	Shadow Ctrl 3
BIOS	960K	64K	000F0000-000FFFFF	Shadow Ctrl 3
Sys	1MB	—	00100000-DRAM Top	Can have hole
Bus	D Top		DRAM Top-FFFEFFFF	
Init	4G-64K	64K	FFFEFFFF-FFFFFFFF	000Fxxxx alias

**Device 0 Offset 59-58 - DRAM MA Map Type .....RW**

- 15-13 Bank 5/4 MA Map Type**
  - 0xx 16Mb SDRAM..... default
  - 100 64/128Mb SDRAM (x4, x8, x16, 4-bank x32)
  - 101 Reserved (Do Not Program)
  - 110 Reserved (Do Not Program)
  - 111 Reserved (Do Not Program)
- 12 Reserved (Do Not Program) ..... default=0**
- 11-8 Reserved ..... always reads 0**
- 7-5 Bank 1/0 MA Map Type (see above)**
  - 4 Reserved (Do Not Program) ..... default=0**
- 3-1 Bank 3/2 MA Map Type (see above)**
  - 0 Reserved (Do Not Program) ..... default=0**

**Device 0 Offset 5A-5F – DRAM Row Ending Address:**

All of the registers in this group default to 01h:

- Offset 5A – Bank 0 Ending (HA[30:23]).....RW**
- Offset 5B – Bank 1 Ending (HA[30:23]).....RW**
- Offset 5C – Bank 2 Ending (HA[30:23]).....RW**
- Offset 5D – Bank 3 Ending (HA[30:23]).....RW**
- Offset 5E – Bank 4 Ending (HA[30:23]).....RW**
- Offset 5F – Bank 5 Ending (HA[30:23]) .....RW**

Note: BIOS is required to fill the ending address registers for all banks even if no memory is populated. The endings have to be in incremental order.

**Device 0 Offset 60 – DRAM Type.....RW**

- 7-6 Reserved ..... always reads 0**
- 5-4 DRAM Type for Bank 5/4**
  - 00 Reserved.....default
  - 01 Reserved
  - 10 Reserved
  - 11 SDRAM
- 3-2 DRAM Type for Bank 3/2..... default=0**
- 1-0 DRAM Type for Bank 1/0..... default=0**

**Table 4. Memory Address Mapping Table**

MA:	13	12	11	10	9	8	7	6	5	4	3	2	1	0	
16Mb (0xx)			11	22	21	20	19	18	17	16	15	14	13	12	Row Bits
			11	PC	24	23	10	9	8	7	6	5	4	3	Col Bits
64Mb (100)	24	13	12	22	21	20	19	18	17	16	15	14	11	23	x4: 10 col
2/4 bank	24	13	12	PC	26	25	10	9	8	7	6	5	4	3	x8: 9 col
x4, x8, x16;															x16: 8 col
4-bank x32															x32: 8 col

"PC" = "Precharge Control" (refer to SDRAM specifications)

16Mb 11x10, 11x9, and 11x8 configurations supported

64Mb x4: 12x10 4bank, 13x10 2bank

x8: 12x9 4bank, 13x9 2bank

x16: 12x8 4bank, 13x8 2bank

x32: 11x8 4bank

128Mb same as 64Mb

**Device 0 Offset 61 - Shadow RAM Control 1.....RW**

- 7-6 CC000h-CFFFFh**
  - 00 Read/write disable..... default
  - 01 Write enable
  - 10 Read enable
  - 11 Read/write enable
- 5-4 C8000h-CBFFFh**
  - 00 Read/write disable..... default
  - 01 Write enable
  - 10 Read enable
  - 11 Read/write enable
- 3-2 C4000h-C7FFFh**
  - 00 Read/write disable..... default
  - 01 Write enable
  - 10 Read enable
  - 11 Read/write enable
- 1-0 C0000h-C3FFFh**
  - 00 Read/write disable..... default
  - 01 Write enable
  - 10 Read enable
  - 11 Read/write enable

**Device 0 Offset 62 - Shadow RAM Control 2.....RW**

- 7-6 DC000h-DFFFFh**
  - 00 Read/write disable..... default
  - 01 Write enable
  - 10 Read enable
  - 11 Read/write enable
- 5-4 D8000h-DBFFFh**
  - 00 Read/write disable..... default
  - 01 Write enable
  - 10 Read enable
  - 11 Read/write enable
- 3-2 D4000h-D7FFFh**
  - 00 Read/write disable..... default
  - 01 Write enable
  - 10 Read enable
  - 11 Read/write enable
- 1-0 D0000h-D3FFFh**
  - 00 Read/write disable..... default
  - 01 Write enable
  - 10 Read enable
  - 11 Read/write enable

**Device 0 Offset 63 - Shadow RAM Control 3.....RW**

- 7-6 E0000h-EFFFFh**
  - 00 Read/write disable .....default
  - 01 Write enable
  - 10 Read enable
  - 11 Read/write enable
- 5-4 F0000h-FFFFFh**
  - 00 Read/write disable .....default
  - 01 Write enable
  - 10 Read enable
  - 11 Read/write enable
- 3-2 Memory Hole**
  - 00 None .....default
  - 01 512K-640K
  - 10 15M-16M (1M)
  - 11 14M-16M (2M)
- 1-0 SMI Mapping Control**
  - 00 Disable SMI Address Redirection.....default
  - 01 Allow access to DRAM Axxxx-Bxxxx for both normal and SMI cycles
  - 10 Reserved
  - 11 Allow SMI Axxxx-Bxxxx DRAM access

Note: The A0000-BFFFF address range is reserved for use by VGA controllers for system access to the VGA frame buffer. Since frame buffer accesses are normally directed to the system VGA controller (with its separate memory subsystem), system DRAM locations in the A0000-BFFFF range would normally be unused. Setting the above bits appropriately allows this block of system memory to be used by directing Axxxx-Bxxxx accesses to corresponding memory addresses in system DRAM instead of directing those accesses to the PCI bus for VGA frame buffer access.

**Device 0 Offset 64 - DRAM Timing for Banks 0,1.....RW**

**Device 0 Offset 65 - DRAM Timing for Banks 2,3.....RW**

**Device 0 Offset 66 - DRAM Timing for Banks 4,5.....RW**

**Settings for Registers 64-66**

- 7 Precharge Command to Active Command Period**
  - 0 TRP = 2T
  - 1 TRP = 3T ..... default
- 6 Active Command to Precharge Command Period**
  - 0 TRAS = 5T
  - 1 TRAS = 6T ..... default
- 5-4 CAS Latency**
  - 00 1T
  - 01 2T
  - 10 3T ..... default
  - 11 Reserved
- 3 Reserved (Do Not Program) ..... default = 0**
- 2 ACTIVE Command to CMD Command Period**
  - 0 2T
  - 1 3T ..... default
- 1-0 Bank Interleave**
  - 00 No Interleave..... default
  - 01 2-way
  - 10 4-way
  - 11 Reserved

**Device 0 Offset 68 - DRAM Control..... RW**

- 7 Reserved (Do Not Program) ..... default = 0**
- 6 Bank Page Control**
  - 0 Allow only pages of the same bank active ...def
  - 1 Allow pages of different banks to be active
- 5 Reserved (Do Not Program) ..... default = 0**
- 4 Internal Graphics Controller Frequency**
  - 0 66 / 100 MHz .....default
  - 1 133 MHz

This bit must be set to 1 if the DRAM frequency is 133 MHz. If the DRAM frequency is set to 100 or 66 MHz this bit is ignored. (see also table under Rx69[7-6]).
- 3 Reserved (Do Not Program) ..... default = 0**
- 2 Burst Refresh**
  - 0 Disable .....default
  - 1 Enable (burst 4 times)
- 1-0 System Frequency Divider..... RO**
  - 00 CPU / PCI Frequency Ratio = 2x (66 MHz)
  - 01 CPU / PCI Frequency Ratio = 3x (100 MHz)
  - 10 -reserved-
  - 11 CPU / PCI Frequency Ratio = 4x (133 MHz)

These bits are latched from MA[14, 12] at the rising edge of RESET#. Without external strapping resistors, the default setting of these bits is 00 (66 MHz).

**Device 0 Offset 69 – DRAM Clock Select (00h).....RW**

**7-6 DRAM Operating Frequency Select ..... RW**

Rx68[1-0]	Rx69[7-6]	Rx68[4]	CPU/DRAM/VGA
00	00	x	66/66/66 (default)
00	01	x	66/100/100
01	00	x	100/100/100
01	10	x	100/66/66
01	01	1	100/133/133
10	00	1	133/133/133
10	10	x	133/100/100

All other combinations are reserved. The internal graphics controller runs synchronous to the DRAM and at the same frequency (if the DRAM controller frequency is set to 133, Rx68[4] must also be set to 1).

- 5 256M bit DRAM Support**
  - 0 Disable ..... default
  - 1 Enable (DCLKRD becomes output)
- 4 DRAM Controller Command Register Output**
  - 0 Disable ..... default
  - 1 Enable
- 3 Fast DRAM Precharge for Different Bank**
  - 0 Disable ..... default
  - 1 Enable
- 2 DRAM 4K Pages (for 64Mbit DRAM)**
  - 0 Disable ..... default
  - 1 Enable
- 1 Reserved (Do Not Program) ..... default = 0**
- 0 Reserved ..... always reads 0**

**Device 0 Offset 6A - Refresh Counter .....RW**

**7-0 Refresh Counter (in units of 16 MCLKs)**

- 00 DRAM Refresh Disabled.....default
- 01 32 MCLKs
- 02 48 MCLKs
- 03 64 MCLKs
- 04 80 MCLKs
- 05 96 MCLKs
- ... ..

The programmed value is the desired number of 16-MCLK units minus one.

**Device 0 Offset 6B - DRAM Arbitration Control (01h).RW**

**7-6 Arbitration Parking Policy**

- 00 Park at last bus owner.....default
- 01 Park at CPU side
- 10 Park at AGP side
- 11 Reserved

**5 Fast Read to Write Turnaround**

- 0 Disable .....default
- 1 Enable

**4 Reserved ..... always reads 0**

**3 MD Bus Second Level Strength Control**

- 0 Normal slew rate control .....default
- 1 More slew rate control

**2 CAS Second Level Strength Control**

- 0 Normal slew rate control .....default
- 1 More slew rate control

**1 Reserved (Do Not Program) ..... default = 0**

**0 Multi-Page Open**

- 0 Disable (page registers marked invalid and no page register update which causes non page-mode operation)
- 1 Enable .....default



**Device 0 Offset 6C - SDRAM Control.....RW**

- 7-5 **Reserved** .....always reads 0
- 4 **CKE Configuration**
  - 0 RASA = CSA, RASB = CSB,  
CKE0=CKE0, CKE1 = CKE1
  - 1 RASA = CSA, RASB = CSB,  
CKE3-2 = CSA7-6  
CKE5-4 = CSB7-6  
CKE1 = GCKE (Global CKE)  
CKE0 = FENA (FET Enable)
- 3 **Fast AGP TLB lookup**
  - 0 Disable ..... default
  - 1 Reduce the lookup time from 4T to 2T
- 2-0 **SDRAM Operation Mode Select**
  - 000 Normal SDRAM Mode..... default
  - 001 NOP Command Enable
  - 010 All-Banks-Precharge Command Enable  
(CPU-to-DRAM cycles are converted  
to All-Banks-Precharge commands).
  - 011 MSR Enable  
CPU-to-DRAM cycles are converted to  
commands and the commands are driven on  
MA[13:0]. The BIOS selects an appropriate  
host address for each row of memory such that  
the right commands are generated on  
MA[13:0].
  - 100 CBR Cycle Enable (if this code is selected,  
CAS-before-RAS refresh is used; if it is not  
selected, RAS-Only refresh is used)
  - 101 Reserved
  - 11x Reserved

**Device 0 Offset 6D - DRAM Drive Strength .....RW**

- 7 **Reserved** .....always reads 0
- 6-5 **Delay DRAM Read Latch**
  - 00 Disable .....default
  - 01 0.5 ns
  - 10 1.0 ns
  - 11 1.5 ns
- 4 **MD Drive**
  - 0 6 mA .....default
  - 1 8 mA
- 3 **SDRAM Command Drive Strength**  
(SRAS#, SCAS#, SWE#)
  - 0 16mA .....default
  - 1 24mA
- 2 **MA[2:13] / WE# Drive Strength**
  - 0 16mA .....default
  - 1 24mA
- 1 **CAS# Drive Strength**
  - 0 8 mA .....default
  - 1 12 mA
- 0 **RAS# Drive Strength**
  - 0 16mA .....default
  - 1 24mA

Rx6B[0]	Rx64-66[1-0]	Rx68[7-6]	Remark
0	00	00	Non-page mode, every access starts from precharge-active cmd
1	00	00	Only one page active at a time (recommended setting)
1	01 or 10	00	Only allow sub-bank of a SDRAM bank active at a time, # of subbank depends on Rx64-66<1:0>
1	01 or 10	01	Allow mutiple sub-banks across different SDRAM banks active, but if EDO is accessed, all SDRAM pages will be closed
1	01 or 10	11	Allow maximum 8 pages of SDRAM, EDO opened

**PCI Bus Control**

These registers are normally programmed once at system initialization time.

**Device 0 Offset 70 - PCI Buffer Control .....RW**

- 7 CPU to PCI Post-Write**
  - 0 Disable ..... default
  - 1 Enable
- 6 PCI Master to DRAM Post-Write**
  - 0 Disable ..... default
  - 1 Enable
- 5 Reserved**
- 4 PCI Master to DRAM Prefetch Disable**
  - 0 Enable..... default
  - 1 Disable
- 3 CPU-to-PCI Buffer Available Cycle Reduction**
  - 0 Normal operation ..... default
  - 1 Reduce 1 cycle when the CPU-to-PCI buffer becomes available after being full (PCI and AGP buses)
- 2 PCI Master Read Caching**
  - 0 Disable ..... default
  - 1 Enable
- 1 Delay Transaction**
  - 0 Disable ..... default
  - 1 Enable
- 0 Slave Device Stopped Idle Cycle Reduction**
  - 0 Normal Operation ..... default
  - 1 Reduce 1 PCI idle cycle when stopped by a slave device (PCI and AGP buses)

**Device 0 Offset 71 - CPU to PCI Flow Control 1.....RW**

- 7 Dynamic Burst**
  - 0 Disable .....default
  - 1 Enable (see note under bit-3 below)
- 6 Byte Merge**
  - 0 Disable .....default
  - 1 Enable
- 5 Reserved (do not program)..... default = 0**
- 4 PCI I/O Cycle Post Write**
  - 0 Disable .....default
  - 1 Enable
- 3 PCI Burst**
  - 0 Disable .....default
  - 1 Enable (bit7=1 will override this option)
- bit-7 bit-3 Operation**
  - 0 0 Every write goes into the write buffer and no PCI burst operations occur.
  - 0 1 If the write transaction is a burst transaction, the information goes into the write buffer and burst transfers are later performed on the PCI bus. If the transaction is not a burst, PCI write occurs immediately (after a write buffer flush).
  - 1 x Every write transaction goes to the write buffer; burstable transactions will then burst on the PCI bus and non-burstable won't. This is the normal setting.
- 2 PCI Fast Back-to-Back Write**
  - 0 Disable .....default
  - 1 Enable
- 1 Quick Frame Generation**
  - 0 Disable .....default
  - 1 Enable
- 0 1 Wait State PCI Cycles**
  - 0 Disable .....default
  - 1 Enable

**Device 0 Offset 72 - CPU to PCI Flow Control 2 .....RWC**

- 7 Retry Status**
  - 0 Retry occurred less than retry limit..... default
  - 1 Retry occurred more than x times (where x is defined by bits 5-4) .....**write 1 to clear**
- 6 Retry Timeout Action**
  - 0 Retry Forever (record status only) ..... default
  - 1 Flush buffer for write or return all 1s for read
- 5-4 Retry Limit**
  - 00 Retry 2 times ..... default
  - 01 Retry 16 times
  - 10 Retry 4 times
  - 11 Retry 64 times
- 3 Clear Failed Data and Continue Retry**
  - 0 Flush the entire post-write buffer..... default
  - 1 When data is posting and master (or target) abort fails, pop the failed data if any, and keep posting
- 2 CPU Backoff on PCI Read Retry Failure**
  - 0 Disable ..... default
  - 1 Backoff CPU when reading data from PCI and retry fails
- 1 Reduce 1T for FRAME# Generation**
  - 0 Disable ..... default
  - 1 Enable
- 0 Reduce 1T for CPU Read of PCI Slave**
  - 0 Disable ..... Default
  - 1 Enable

**Device 0 Offset 73 - PCI Master Control 1.....RW**

- 7 Reserved** ..... always reads 0
- 6 PCI Master 1-Wait-State Write**
  - 0 Zero wait state TRDY# response.....default
  - 1 One wait state TRDY# response
- 5 PCI Master 1-Wait-State Read**
  - 0 Zero wait state TRDY# response.....default
  - 1 One wait state TRDY# response
- 4 Disable Prefetch when Doing Delay Transaction**
  - 0 Enable .....default
  - 1 Disable
- 3 Assert STOP# after PCI Master Write Timeout**
  - 0 Disable .....default
  - 1 Enable
- 2 Assert STOP# after PCI Master Read Timeout**
  - 0 Disable .....default
  - 1 Enable
- 1 LOCK# Function**
  - 0 Disable .....default
  - 1 Enable
- 0 PCI Master Broken Timer Enable**
  - 0 Disable .....default
  - 1 Enable. Force into arbitration when there is no FRAME# 16 PCICLK's after the grant. Does not apply to south bridge PREQ# input

**Device 0 Offset 74 - PCI Master Control 2.....RW**

- 7 PCI Master Read Prefetch by Enhance Command**
  - 0 Always Prefetch.....default
  - 1 Prefetch only if Enhance command
- 6 PCI Master Write Merge**
  - 0 Disable .....default
  - 1 Enable
- 5 Reserved** ..... always reads 0
- 4 Dummy Request Handling.....**Should be set to 1
  - 0 As VP3 .....default
  - 1 Complete Fix
- 3 PCI Delay Transaction Time-Out**
  - 0 Disable .....default
  - 1 Enable
- 2 Backoff CPU Immediately on CPU to AGP Retry**
  - 0 Disable .....default
  - 1 Enable
- 1-0 CPU/PCI Master Latency Timer Control**
  - 00 AGP Master Reloads MLT timer .....default
  - 01 Falling edge of AGP Master Request reloads MLT timer
  - 10 Rising Edge of AGP Master Request clears MLT timer and falling edge reloads the timer
  - 11 Reserved (illegal setting)

**Device 0 Offset 75 - PCI Arbitration 1.....RW**

- 7 Arbitration Mechanism**
  - 0 PCI has priority ..... default
  - 1 Fair arbitration between PCI and CPU
- 6 Arbitration Mode**
  - 0 REQ-based (arbitrate at end of REQ#) .. default
  - 1 Frame-based (arbitrate at FRAME# assertion)
- 5-4 Latency Timer** ..... read only, reads Rx0D bits 2:1
- 3-0 PCI Master Bus Time-Out**  
(force into arbitration after a period of time)
  - 0000 Disable ..... default
  - 0001 1x32 PCLKs
  - 0010 2x32 PCLKs
  - 0011 3x32 PCLKs
  - 0100 4x32 PCLKs
  - ... ..
  - 1111 15x32 PCLKs

**Device 0 Offset 76 - PCI Arbitration 2.....RW**

- 7 CPU-to-PCI Post-Write Retry Failed**
  - 0 Continue retry attempt .....default
  - 1 Go to arbitration
- 6 CPU Latency Timer Bit-0** ..... RO
  - 0 CPU has at least 1 PCLK time slot when CPU has PCI bus .....default
  - 1 CPU has no time slot
- 5-4 Master Priority Rotation Control**
  - 00 Disabled (arbitration per Rx75 bit-7) .....default
  - 01 Grant to CPU after every PCI master grant
  - 10 Grant to CPU after every 2 PCI master grants
  - 11 Grant to CPU after every 3 PCI master grants

With setting 01, the CPU will always be granted access after the current bus master completes, no matter how many PCI masters are requesting. With setting 10, if other PCI masters are requesting during the current PCI master grant, the highest priority master will get the bus after the current master completes, but the CPU will be guaranteed to get the bus after that master completes. With setting 11, if other PCI masters are requesting, the highest priority will get the bus next, then the next highest priority will get the bus, then the CPU will get the bus. In other words, with the above settings, even if multiple PCI masters are continuously requesting the bus, the CPU is guaranteed to get access after every master grant (01), after every other master grant (10) or after every third master grant (11).
- 3-2 High Priority REQ Select**
  - 00 REQ4 .....default
  - 01 REQ0
  - 10 REQ1
  - 11 REQ2
- 1 CPU-to-PCI QW High DW Read Access to PCI Slave Allow Backoff**
  - 0 Disable .....default
  - 1 Enable
- 0 High Priority Request Support**
  - 0 Disable .....default
  - 1 Enable

**Device 0 Offset 77 - Chip Test Mode.....RW**

- 7-6 Reserved (no function)** ..... always reads 0
- 5-0 Reserved (do not use)** ..... default=0

**Device 0 Offset 78 - PMU Control 1 .....RW**

- 7 I/O Port 22 Access**
  - 0 CPU access to I/O address 22h is passed on to the PCI bus ..... default
  - 1 CPU access to I/O address 22h is processed internally
- 6 Suspend Refresh Type**
  - 0 CBR Refresh ..... default
  - 1 Self Refresh
- 5 Reserved** .....always reads 0
- 4 Dynamic Clock Control**
  - 0 Normal (clock is always running)..... default
  - 1 Clock to various internal functional blocks is disabled when those blocks are not being used
- 3 Reserved** .....always reads 0
- 2 AGPSTP# Control**
  - 0 Disable ..... default
  - 1 Enable
- 1 Reserved** .....always reads 0
- 0 Memory Clock Enable (CKE) Function**
  - 0 CKE Disable (pins used as MECC[2-0])..... def
  - 1 CKE Enable (pins used for CKE[2-0]#)

**Device 0 Offset 79 – PMU Control 2.....RW**

- 7 CPU Interface Controller Dynamic Clock Stopping**
  - 0 Disable ..... default
  - 1 Enable
- 6 DRAM Controller Dynamic Clock Stopping**
  - 0 Disable ..... default
  - 1 Enable
- 5 AGP Controller Dynamic Clock Stopping**
  - 0 Disable ..... default
  - 1 Enable
- 4 PCI Interface Controller Dynamic Clock Stopping**
  - 0 Disable ..... default
  - 1 Enable
- 3 Pseudo Power Good**
  - 0 Disable ..... default
  - 1 Enable
- 2 South Bridge has High Priority**
  - 0 Disable ..... default
  - 1 Enable
- 1-0 Reserved** .....always reads 0

**Device 0 Offset 7A – Miscellaneous Control .....RW**

- 7 No Time-Out Arbitration for Consecutive Frame Accesses**
  - 0 Enable .....default
  - 1 Disable
- 6-4 Reserved** ..... always reads 0
- 3 Background PCI-to-PCI Write Cycle Mode**
  - 0 Enable .....default
  - 1 Disable
- 2-1 Reserved** ..... always reads 0
- 0 South Bridge PCI Master Force Timeout When PCI Master Occupancy Timer Is Up**
  - 0 Disable .....default
  - 1 Enable

**Device 0 Offset 7E – PLL Test Mode .....RW**

- 7-6 Reserved (status)**..... RO
- 5-0 Reserved (do not use)** ..... default=0

**Device 0 Offset 7F – PLL Test Mode .....RW**

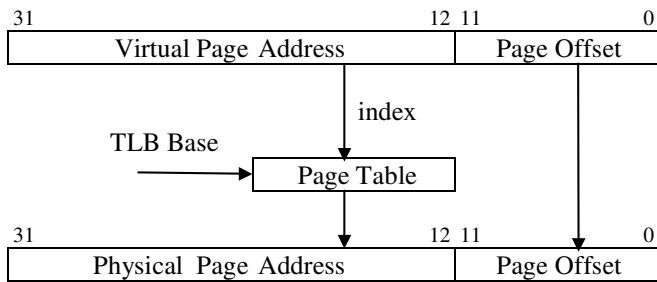
- 7-0 Reserved (do not use)** ..... default=0

**GART / Graphics Aperture Control**

The function of the Graphics Address Relocation Table (GART) is to translate virtual 32-bit addresses issued by an AGP device into 4K-page based physical addresses for system memory access. In this translation, the upper 20 bits (A31-A12) are remapped, while the lower 12 address bits (A11-A0) are used unchanged.

A one-level fully associative lookup scheme is used to implement the address translation. In this scheme, the upper 20 bits of the virtual address are used to point to an entry in a page table located in system memory. Each page table entry contains the upper 20 bits of a physical address (a "physical page" address). For simplicity, each page table entry is 4 bytes. The total size of the page table depends on the GART range (called the "aperture size") which is programmable in the VT8601A.

This scheme is shown in the figure below.



**Figure 4. Graphics Aperture Address Translation**

Since address translation using the above scheme requires an access to system memory, an on-chip cache (called a "Translation Lookaside Buffer" or TLB) is utilized to enhance performance. The TLB in the 82C501 contains 16 entries. Address "misses" in the TLB require an access of system memory to retrieve translation data. Entries in the TLB are replaced using an LRU (Least Recently Used) algorithm.

Addresses are translated only for accesses within the "Graphics Aperture" (GA). The Graphics Aperture can be any power of two in size from 1MB to 256MB (i.e., 1MB, 2MB, 4MB, 8MB, etc). The base of the Graphics Aperture can be anywhere in the system virtual address space on an address boundary determined by the aperture size (e.g., if the aperture size is 4MB, the base must be on a 4MB address boundary). The Graphics Aperture Base is defined in register offset 10 of device 0. The Graphics Aperture Size and TLB Table Base are defined in the following register group (offsets 84 and 88 respectively) along with various control bits.

**Device 0 Offset 83-80 - GART/TLB Control .....RW**

- 31-16 Reserved** .....always reads 0
- 15-8 Reserved (test mode status)**.....RO
  
- 7 Flush Page TLB**
  - 0 Disable ..... default
  - 1 Enable
  
- 6-4 Reserved (always program to 0)**.....RW
  
- 3 PCI Master Address Translation for GA Access**
  - 0 Addresses generated by PCI Master accesses of the Graphics Aperture will not be translated default
  - 1 PCI Master GA addresses will be translated
- 2 AGP Master Address Translation for GA Access**
  - 0 Addresses generated by AGP Master accesses of the Graphics Aperture will not be translated default
  - 1 AGP Master GA addresses will be translated
- 1 CPU Address Translation for GA Access**
  - 0 Addresses generated by CPU accesses of the Graphics Aperture will not be translated..... def
  - 1 CPU GA addresses will be translated
- 0 AGP Address Translation for GA Access**
  - 0 Addresses generated by AGP accesses of the Graphics Aperture will not be translated..... def
  - 1 AGP GA addresses will be translated

Note: For any master access to the Graphics Aperture range, snoop will not be performed.

**Device 0 Offset 84 - Graphics Aperture Size.....RW**

- 7-0 Graphics Aperture Size**
  - 11111111 1M
  - 11111110 2M
  - 11111100 4M
  - 11111000 8M
  - 11110000 16M
  - 11100000 32M
  - 11000000 64M
  - 10000000 128M
  - 00000000 256M

**Offset 8B-88 - GA Translation Table Base.....RW**

- 31-12 Graphics Aperture Translation Table Base**  
Pointer to the base of the translation table in system memory used to map addresses in the aperture range (the pointer to the base of the "Directory" table).
- 11-3 Reserved** ..... always reads 0
- 2 One Cycle TLB Flush Command**
  - 0 Disable .....default
  - 1 Enable .....should be set to 1
- 1 Graphics Aperture Enable**
  - 0 Disable .....default
  - 1 Enable Graphics Aperture Address [31:28]

Note: To disable the Graphics Aperture, set this bit to 0 and set all bits of the Graphics Aperture Size to 0. To enable the Graphics Aperture, set this bit to 1 and program the Graphics Aperture Size to the desired aperture size.
- 0 Reserved** ..... always reads 0

Note: If TLB miss, the TLB table is fetched by the address:

Gr Ap Trans Table Base [31:12] + A[27:22], A[21:12], 2'b00

**AGP Control**

**Device 0 Offset A3-A0 - AGP Capability Identifier..... RO**

- 31-24 Reserved** .....always reads 00
- 23-20 Major Specification Revision** .....always reads 0001  
Major revision # of AGP spec device conforms to
- 19-16 Minor Specification Revision** .....always reads 0000  
Minor revision # of AGP spec device conforms to
- 15-8 Pointer to Next Item** ..... always reads 00 (last item)
- 7-0 AGP ID** ..(always reads 02 to indicate it is AGP)

**Device 0 Offset A7-A4 - AGP Status ..... RO**

- 31-24 Maximum AGP Requests**.....always reads 07  
Max # of AGP requests the device can manage (8)
- 23-10 Reserved** .....always reads 0s
- 9 Supports SideBand Addressing**.....always reads 1
- 8-2 Reserved** .....always reads 0s
- 1 2X Rate Supported**  
Value returned can be programmed by writing to RxAC[3] .....always reads 1
- 0 1X Rate Supported**.....always reads 1

**Device 0 Offset AB-A8 - AGP Command .....RW**

- 31-24 Request Depth** (reserved for target) .. always reads 0s
- 23-10 Reserved** .....always reads 0s
- 9 SideBand Addressing Enable**  
0 Disable ..... default  
1 Enable
- 8 AGP Enable**  
0 Disable ..... default  
1 Enable
- 7-2 Reserved** .....always reads 0s
- 1 2X Mode Enable**  
0 Disable ..... default  
1 Enable
- 0 1X Mode Enable**  
0 Disable ..... default  
1 Enable

**Device 0 Offset AC - AGP Control.....RW**

- 7 Reserved** ..... always reads 0s
- 6 AGP Read Synchronization**  
0 Disable .....default  
1 Enable (the CPU to AGP cycle will be delayed if the CMFIFO contains a GART access)
- 5 AGP Read Snoop CMFIFO**  
0 Disable .....default  
1 Enable (AGP read address will snoop the CMFIFO; if hit, AGP read will be started after the write is retired)
- 4 AGP Master Request has Higher Priority if AGP Controller is Parking at AGP Master**  
0 Disable .....default  
1 Enable
- 3 2X Rate Supported** (read also at RxA4[1])  
0 Not supported.....default  
1 Supported
- 2 LPR In-Order Access (Force Fence)**  
0 Fence/Flush functions not guaranteed. AGP read requests (low/normal priority and high priority) may be executed before previously issued write requests. ....default  
1 Force all requests to be executed in order (automatically enables Fence/Flush functions). Low (i.e., normal) priority AGP read requests will never be executed before previously issued writes. High priority AGP read requests may still be executed prior to previously issued write requests as required.
- 1 AGP Arbitration Parking**  
0 Disable .....default  
1 Enable (GGNT# remains asserted until either GREQ# de-asserts or data phase ready)
- 0 2T AGP to DRAM Request Generation**  
0 Disable .....default  
1 Enable

**Device 0 Offset AD – AGP Latency Register .....RW**

- 7-4 Reserved** ..... always reads 0s
- 3-0 AGP Latency Timer(units of 16 GCLKs)**  
0000 Free Run.....default



**Device 0 Offset F7-F0 – BIOS Scratch Register.....RW**

7-0 No Hardware Function

**Device 0 Offset F8 – DRAM Arbitration Timer 1 .....RW**

7-4 AGP Timer (units of 4 DRAM Clocks)

3-0 Host Timer (units of 4 DRAM Clocks)

**Device 0 Offset F9 – DRAM Arbitration Timer 2 .....RW**

7-4 VGA High Priority Timer (units of 16 DRAM Clocks)

3-0 VGA Timer (units of 16 DRAM Clocks)

**Device 0 Offset FA – CPU Direct Access Frame Buffer**

**Base Address A[28:21].....RW**

7-0 A[28:21]

**Device 0 Offset FB – Frame Buffer Control.....RW**

7 VGA Enable

0 Disable ..... default

1 Enable

6 VGA Reset .....(Write 1 to Reset)

5-4 Frame Buffer Size

00 None ..... default

01 2M

10 4M

11 8M

3 CPU Direct Access Frame Buffer

0 Disable ..... default

1 Enable

2-0 CPU Direct Access Frame Buffer Base Address  
<31:29>

**Device 0 Offset FC – Back Door Control 1.....RW**

7-2 Reserved .....always reads 0

1 Back-Door Max # of AGP Requests Allowed

0 Read RxA7 will return 7.....default

1 Read RxA7 will have number programmed at RxFD

0 Back-Door Device ID Enable

0 Use Rx3-2's value for Rx3-2 read.....default

1 Use the value in RxFE-FF

**Device 0 Offset FD – Back Door Control 2.....RW**

7-3 Reserved

2-0 Back-Door Max # of AGP Requests the Device can Handle

000 1-Request .....default

001 2-Requests

... ..

111 8-Requests

**Device 0 Offset FF-FE – Back Door Device ID.....RW**

15-0 Back-Door Device ID..... default = 0

**Device 1 Bus 0 Header Registers - PCI-to-AGP Bridge**

All registers are located in PCI configuration space. They should be programmed using PCI configuration mechanism 1 through CF8 / CFC with bus number and function number equal to zero and device number equal to one.

**Device 1 Offset 1-0 - Vendor ID..... RO**

15-0 ID Code (reads 1106h to identify VIA Technologies)

**Device 1 Offset 3-2 - Device ID..... RO**

15-0 ID Code (reads 8601h to identify the VT8601A PCI-to-PCI Bridge device)

**Device 1 Offset 5-4 - Command.....RW**

- 15-10 Reserved .....always reads 0
- 9 Fast Back-to-Back Cycle Enable .....RO
  - 0 Fast back-to-back transactions only allowed to the same agent..... default
  - 1 Fast back-to-back transactions allowed to different agents
- 8 SERR# Enable.....RO
  - 0 SERR# driver disabled..... default
  - 1 SERR# driver enabled
 (SERR# is used to report parity errors if bit-6 is set).
- 7 Address / Data Stepping.....RO
  - 0 Device never does stepping ..... default
  - 1 Device always does stepping
- 6 Parity Error Response.....RW
  - 0 Ignore parity errors & continue ..... default
  - 1 Take normal action on detected parity errors
- 5 VGA Palette Snoop .....RO
  - 0 Treat palette accesses normally ..... default
  - 1 Don't respond to palette writes on PCI bus (10-bit decode of I/O addresses 3C6-3C9 hex)
- 4 Memory Write and Invalidate Command.....RO
  - 0 Bus masters must use Mem Write ..... default
  - 1 Bus masters may generate Mem Write & Inval
- 3 Special Cycle Monitoring.....RO
  - 0 Does not monitor special cycles ..... default
  - 1 Monitors special cycles
- 2 Bus Master .....RW
  - 0 Never behaves as a bus master
  - 1 Enable to operate as a bus master on the primary interface on behalf of a master on the secondary interface ..... default
- 1 Memory Space.....RW
  - 0 Does not respond to memory space
  - 1 Enable memory space access ..... default
- 0 I/O Space .....RW
  - 0 Does not respond to I/O space
  - 1 Enable I/O space access ..... default

**Device 1 Offset 7-6 - Status (Primary Bus).....RWC**

- 15 Detected Parity Error.....always reads 0
- 14 Signaled System Error (SERR#).....always reads 0
- 13 Signaled Master Abort
  - 0 No abort received.....default
  - 1 Transaction aborted by the master with Master-Abort (except Special Cycles)..... write 1 to clear
- 12 Received Target Abort
  - 0 No abort received.....default
  - 1 Transaction aborted by the target with Target-Abort ..... write 1 to clear
- 11 Signaled Target Abort.....always reads 0
- 10-9 DEVSEL# Timing
  - 00 Fast
  - 01 Medium.....always reads 01
  - 10 Slow
  - 11 Reserved
- 8 Data Parity Error Detected .....always reads 0
- 7 Fast Back-to-Back Capable .....always reads 0
- 6 User Definable Features.....always reads 0
- 5 66MHz Capable .....always reads 1
- 4 Supports New Capability list.....always reads 0
- 3-0 Reserved .....always reads 0

**Device 1 Offset 8 - Revision ID.....RO**

7-0 VT8601A Chip Revision Code (00=First Silicon)

**Device 1 Offset 9 - Programming Interface.....RO**

This register is defined in different ways for each Base/Sub-Class Code value and is undefined for this type of device.

7-0 Interface Identifier .....always reads 00

**Device 1 Offset A - Sub Class Code.....RO**

7-0 Sub Class Code. reads 04 to indicate PCI-PCI Bridge

**Device 1 Offset B - Base Class Code.....RO**

7-0 Base Class Code ..reads 06 to indicate Bridge Device

**Device 1 Offset D - Latency Timer.....RO**

7-0 Reserved .....always reads 0

**Device 1 Offset E - Header Type.....RO**

7-0 Header Type Code..... reads 01: PCI-PCI Bridge

**Device 1 Offset F - Built In Self Test (BIST).....RO**

- 7 BIST Supported ..... reads 0: no supported functions
- 6 Start Test ..... write 1 to start but writes ignored
- 5-4 Reserved .....always reads 0
- 3-0 Response Code ..... 0 = test completed successfully

**Device 1 Offset 18 - Primary Bus Number .....RW**

**7-0 Primary Bus Number** ..... default = 0  
This register is read write, but internally the chip always uses bus 0 as the primary.

**Device 1 Offset 19 - Secondary Bus Number.....RW**

**7-0 Secondary Bus Number**..... default = 0  
Note: PCI#2 must use these bits to convert Type 1 to Type 0.

**Device 1 Offset 1A - Subordinate Bus Number.....RW**

**7-0 Primary Bus Number** ..... default = 0  
Note: PCI#2 must use these bits to decide if Type 1 to Type 1 command passing is allowed.

**Device 1 Offset 1C - I/O Base.....RW**

**7-4 I/O Base AD[15:12]**..... default = 1111b  
**3-0 I/O Addressing Capability** ..... default = 0

**Device 1 Offset 1D - I/O Limit .....RW**

**7-4 I/O Limit AD[15:12]** ..... default = 0  
**3-0 I/O Addressing Capability** ..... default = 0

**Device 1 Offset 1F-1E - Secondary Status ..... RO**

**15-0 Reserved** .....always reads 0000

**Device 1 Offset 21-20 - Memory Base.....RW**

**15-4 Memory Base AD[31:20]**..... default = 0FFFh  
**3-0 Reserved** .....always reads 0

**Device 1 Offset 23-22 - Memory Limit (Inclusive).....RW**

**15-4 Memory Limit AD[31:20]** ..... default = 0  
**3-0 Reserved** .....always reads 0

**Device 1 Offset 25-24 - Prefetchable Memory Base.....RW**

**15-4 Prefetchable Memory Base AD[31:20]** def = 0FFFh  
**3-0 Reserved** .....always reads 0

**Device 1 Offset 27-26 - Prefetchable Memory Limit .....RW**

**15-4 Prefetchable Memory Limit AD[31:20]**..... default = 0  
**3-0 Reserved** .....always reads 0

**Device 1 Offset 3F-3E – PCI-to-PCI Bridge Control .....RW**

**15-4 Reserved** .....always reads 0  
**3 VGA-Present on AGP**

- 0 Forward VGA accesses to PCI Bus.....default
- 1 Forward VGA accesses to AGP Bus

Note: VGA addresses are memory A0000-BFFFFh and I/O addresses 3B0-3BBh, 3C0-3CFh and 3D0-3DFh (10-bit decode). "Mono" text mode uses B0000-B7FFFh and "Color" Text Mode uses B8000-BFFFFh. Graphics modes use Axxxxh. Mono VGA uses I/O addresses 3Bx-3Cxh and Color VGA uses 3Cx-3Dxh. If an MDA is present, a VGA will not use the 3Bxh I/O addresses and B0000-B7FFFh memory space; if not, the VGA will use those addresses to emulate MDA modes.

**2 Block / Forward ISA I/O Addresses**

- 0 Forward all I/O accesses to the AGP bus if they are in the range defined by the I/O Base and I/O Limit registers (device 1 offset 1C-1D) .....default
- 1 Do not forward I/O accesses to the AGP bus that are in the 100-3FFh address range even if they are in the range defined by the I/O Base and I/O Limit registers.

**1-0 Reserved** .....always reads 0

**Device 1 Bus 0 PCI-to-AGP Bridge Registers**

**AGP Bus Control**

**Device 1 Offset 40 - CPU-to-AGP Flow Control 1.....RW**

- 7 CPU-AGP Post Write**
  - 0 Disable ..... default
  - 1 Enable
- 6 CPU-AGP Dynamic Burst**
  - 0 Disable ..... default
  - 1 Enable
- 5 CPU-AGP One Wait State Burst Write**
  - 0 Disable ..... default
  - 1 Enable
- 4 AGP to DRAM Prefetch**
  - 0 Disable ..... default
  - 1 Enable
- 3 AGP Master Allowed Before CPU-to-AGP Post Write Buffer is Not Flushed**
  - 0 Disable ..... default
  - 1 Enable

This option is always enabled for PCI
- 2 MDA Present on AGP**
  - 0 Forward MDA accesses to AGP ..... default
  - 1 Forward MDA accesses to PCI

Note: Forward despite IO / Memory Base / Limit  
 Note: MDA (Monochrome Display Adapter) addresses are memory addresses B0000h-B7FFFh and I/O addresses 3B4-3B5h, 3B8-3BAh, and 3BFh (10-bit decode). 3BC-3BE are reserved for printers.  
 Note: If Rx3E bit-3 is 0, this bit is a don't care (MDA accesses are forwarded to the PCI bus).
- 1 AGP Master Read Caching**
  - 0 Disable ..... default
  - 1 Enable
- 0 AGP Delay Transaction**
  - 0 Disable ..... default
  - 1 Enable

**Table 5. VGA/MDA Memory/IO Redirection**

<u>3E[3]</u>	<u>40[2]</u>	<u>VGA</u>	<u>MDA</u>	<u>Axxxx,</u>	<u>B0000</u>	<u>3Cx,</u>	
<u>VGA</u>	<u>MDA</u>	<u>is</u>	<u>is</u>	<u>B8xxx</u>	<u>-B7FFF</u>	<u>3Dx</u>	<u>3Bx</u>
<u>Pres.</u>	<u>Pres.</u>	<u>on</u>	<u>on</u>	<u>Access</u>	<u>Access</u>	<u>I/O</u>	<u>I/O</u>
0	-	PCI	PCI	PCI	PCI	PCI	PCI
1	0	AGP	AGP	AGP	AGP	AGP	AGP
1	1	AGP	PCI	AGP	PCI	AGP	PCI

**Device 1 Offset 41 - CPU-to-AGP Flow Control 2.....RWC**

- 7 Retry Status**
  - 0 No retry occurred .....default
  - 1 Retry Occurred..... **write 1 to clear**
- 6 Retry Timeout Action**
  - 0 No action taken except to record status .....def
  - 1 Flush buffer for write or return all 1s for read
- 5-4 Retry Count**
  - 00 Retry 2, backoff CPU .....default
  - 01 Retry 4, backoff CPU
  - 10 Retry 16, backoff CPU
  - 11 Retry 64, backoff CPU
- 3 Post Write Data on Abort**
  - 0 Flush entire post-write buffer on target-abort or master abort .....default
  - 1 Pop one data output on target-abort or master-abort
- 2 CPU Backoff on AGP Read Retry Timeout**
  - 0 Disable .....default
  - 1 Enable
- 1-0 Reserved** ..... always reads 0

**Device 1 Offset 42 - AGP Master Control .....RW**

- 7 Read Prefetch for Enhance Command**
  - 0 Always Perform Prefetch.....default
  - 1 Prefetch only if Enhance Command
- 6 AGP Master One Wait State Write**
  - 0 Disable .....default
  - 1 Enable
- 5 AGP Master One Wait State Read**
  - 0 Disable .....default
  - 1 Enable
- 4 Extend AGP Internal Master for Efficient Handling of Dummy Request Cycles**
  - 0 Disable .....default
  - 1 Enable

This bit is normally set to 1.
- 3 AGP Delay Transaction Timeout**
  - 0 Disable .....default
  - 1 Enable
- 2 Prefetch During Delay Transaction**
  - 0 Enable .....default
  - 1 Disable
- 1 Reserved** ..... always reads 0
- 0 Reserved (do not use)** ..... default = 0

**Device 0 Bus 1 Header Registers - Graphics Accelerator**

The Apollo PLE133 2D / 3D Graphics Accelerator is fully compliant with PCI bus interface protocol revision 2.2. The controller implements slave functions of PCI to accept cycles initiated by PCI masters targeted for its internal registers, RAMDAC™, frame buffer, and/or BIOS. It will accept only one data transaction for non-memory type transfers; however burst read/write transfers for frame buffer accesses are also implemented for performance enhancement. Bursting is disabled when accessing memory mapped I/O. Data parity will be generated for read cycles.

To support the PC AT architecture, palette snooping is supported. There are two different palette snooping modes: (1) snooping due to PCI retry, and (2) snooping due to master abort. Both modes are supported. The video BIOS will automatically determine the correct snooping mode in a PCI based system during power up. The PLE133 follows the PCI 2.2 specification running at 33 MHz or lower system clock frequencies. For packed pixel modes, if the first data TRDY is not generated within 16 clocks, a retry will be issued. During bursting, if successful data is not generated within 8 clocks, a retry will also be issued.

The table below lists the commands implemented by the PLE133 graphics controller PCI interface. Note that codes not listed (0000 interrupt acknowledge, 0001 special cycle, 0100, 0101, 1000, 1001 reserved, and 1101 dual address cycle) are not decoded and DEVSEL# is not generated. No action takes place inside the chip for these codes.

**Table 6. Supported PCI Command Codes**

<b>Command Code</b>	<b>Command</b>
<b>0010</b>	<b>I/O Read</b>
<b>0011</b>	<b>I/O Write</b>
<b>0110</b>	<b>Memory Read</b>
<b>0111</b>	<b>Memory Write</b>
<b>1010</b>	<b>Configuration Read</b>
<b>1011</b>	<b>Configuration Write</b>
<b>1100</b>	<b>Memory Read Multiple</b> (treated as simple memory read)
<b>1110</b>	<b>Memory Read Line</b> (treated as simple memory read)
<b>1111</b>	<b>Memory Write and Invalid</b> (treated as simple memory write)

The PCI configuration space is fully implemented. Due to the second memory base register, all I/O registers can be memory mapped; which allows more than one graphics controller to be installed within a system by mapping memory and I/O to different locations.

All configuration registers are located in PCI configuration space and should be programmed using PCI configuration mechanism 1 through CF8 / CFC with bus number equal to one and function number and device number equal to zero.

There are three memory base registers. The first defines the memory base location for the graphics frame buffer. The second defines the memory base for the memory mapped I/O locations. The third defines the memory base for the second video aperture. With this second aperture, graphics data and video data can be sent to the PLE133 simultaneously.

The PLE133 supports the PCI Bus Master mode which can send captured video data directly to system memory for processing. The registers to control the PCI Bus Master are defined in following sections (they are all in PCI configuration space).

**Offset 1-0 - Vendor ID (1023h).....RO**

**15-0 ID Code** .....always reads 1023h

**Offset 3-2 - Device ID (8500h).....RO**

**15-0 ID Code** .....always reads 8500h

**Offset 5-4 - Command.....RW**

- 15-10 Reserved** .....always reads 0
- 9 Fast Back-to-Back Cycle Enable** .....RO
  - 0 Fast back-to-back transactions only allowed to the same agent
  - 1 Fast back-to-back transactions allowed to different agents
- 8 SERR# Enable**.....RO
  - 0 SERR# driver disabled..... default
  - 1 SERR# driver enabled
 (SERR# is used to report parity errors if bit-6 is set).
- 7 Address / Data Stepping**.....RO
  - 0 Device never does stepping ..... default
  - 1 Device always does stepping
- 6 Parity Error Response**.....RO
  - 0 Ignore parity errors & continue ..... default
  - 1 Take normal action on detected parity errors
- 5 VGA Palette Snoop** .....RW
  - 0 Treat palette accesses normally ..... default
  - 1 Don't respond to palette accesses on PCI bus
- 4 Memory Write and Invalidate Command**.....RO
  - 0 Bus masters must use Mem Write ..... default
  - 1 Bus masters may generate Mem Write & Inval
- 3 Special Cycle Monitoring** .....RO
  - 0 Does not monitor special cycles ..... default
  - 1 Monitors special cycles
- 2 Bus Master** .....RW
  - 0 Never behaves as a bus master ..... default
  - 1 Can behave as a bus master
- 1 Memory Space**.....RW
  - 0 Does not respond to memory space
  - 1 Responds to memory space..... default
- 0 I/O Space** .....RW
  - 0 Does not respond to I/O space
  - 1 Responds to I/O space ..... default

**Offset 7-6 - Status.....RWC**

- 15 Detected Parity Error**
  - 0 No parity error detected .....default
  - 1 Error detected in either address or data phase. This bit is set even if error response is disabled (command register bit-6). .....write one to clear
- 14 Signaled System Error (SERR# Asserted)** .....always reads 0
- 13 Signaled Master Abort (Bus Master Only)**
  - 0 No abort received.....default
  - 1 Transaction aborted by the master ..... write one to clear
- 12 Received Target Abort (Bus Master Only)**
  - 0 No abort received.....default
  - 1 Transaction aborted by the target ..... write 1 to clear
- 11 Signaled Target Abort**.....always reads 0
  - 0 Target Abort never signaled
- 10-9 DEVSEL# Timing**
  - 00 Fast
  - 01 Medium..... always reads 01
  - 10 Slow
  - 11 Reserved
- 8 Data Parity Error Detected (Bus Master Only)**
  - 0 No data parity error detected .....always reads 0
  - 1 Error detected in data phase
- 7 Fast Back-to-Back Capable**
  - 0 Not capable .....default
  - 1 Capable
- 6 Reserved** .....always reads 0
- 5 66MHz Capable** .....always reads 1
- 4 Supports New Capability list**.....always reads 0
- 3-0 Reserved** .....always reads 0

**Offset 8 - Revision ID ..... RO**

8-0 VT8601A Graphics Controller Revision Code

**Offset 9 - Programming Interface ..... RO**

7-0 Interface Identifier .....always reads 00

**Offset A - Sub Class Code..... RO**

7-0 Sub Class Code .....always reads 00

**Offset B - Base Class Code ..... RO**

7-0 Base Class Code  
Reads 03 to indicate Graphics Controller

**Offset 13-10 - Graphics Memory Base 0 .....RW**

31-0 Graphics Memory Base 0 ..... default = E000 0000  
Defines an 8MB space for display memory

**Offset 17-14 - Graphics Memory Base 1 .....RW**

31-0 Graphics Memory Base 0 ..... default = E080 0000  
Defines a 128KB space for memory mapped I/O

**Offset 1B-18 - Graphics Memory Base 2 .....RW**

31-0 Graphics Memory Base 0 ..... default = E040 0000  
Defines an 8MB space for off-screen video overlay

**Offset 2D-2C – Subsystem Vendor ID.....RW**

15-0 Subsystem Vendor ID ..... default = 00

**Offset 2F-2E - Subsystem ID .....RW**

15-0 Subsystem ID ..... default = 00

**Offset 33-30 –Graphics ROM Base .....RW**

31-0 Graphics ROM Base .....default = 0000 0001

**Offset 3C – Interrupt Line .....RW**

7-0 Interrupt Line .....default = 0Bh

**Offset 3D – Interrupt Pin .....RO**

7-0 Interrupt Pin .....always reads 01h (INTA#)

**Interrupts**

There are several interrupt sources and their corresponding controls in the PLE133 as shown in the following table:

**Table 7. Interrupt Sources and Controls**

Source	Mask	Clear	Status
Capture <sup>3</sup>	CR9B[7]	CR9B[6] <sup>1</sup>	CR9B[4]
Capture VSYNC	<sup>2</sup>		
Capture Even Field	<sup>2</sup>		
Capture Odd Field	<sup>2</sup>		
Capture Blank	<sup>2</sup>		
GE <sup>4</sup>	2122[7]	2122[7]	2120[4]
VGA <sup>5</sup>	CR11[5]	CR11[4]	

- 1) Write 0 to clear.
- 2) Selected by CR9E[7:6]
- 3) Video capture logic can generate an interrupt which is selected from one of four sources determined by CR9E.[7:6]. This interrupt is enabled by CR9B[7]. To clear this bit write 0 to CR9B[6]. Whether an interrupt is generated can be determined from CR9B[4].
- 4) The GE interrupt is similar to the capture interrupt.
- 5) The VGA interrupt is similar to the capture interrupt except that there is no status bit.

**Device 0 Bus 1 Graphics Accelerator Registers**

**Offset 93-90 – Power Management 1..... RO**

- 31-27 Reserved** .....always reads 0  
PME# not supported
- 26 D2 State (Suspend) Supported**.....always reads 1  
The D2 state is supported
- 25 D1 State (Standby) Supported**.....always reads 1  
The D1 state is supported
- 24-22 Reserved** .....always reads 0
- 21 Device Specific Initialization**.....always reads 1  
Special DSI is required from the video BIOS
- 20 Reserved** .....always reads 0  
Auxiliary power source not supported
- 19 Reserved** .....always reads 0  
PME# generation not supported
- 18-16 PCI PM Version #**.....always reads 001b
- 15-8 Next Item Pointer**.....always reads 0
- 7-0 PCI PM Capable**.....always reads 01h  
This device is PCI PM capable

**Offset 97-94 – Power Management 2 .....RW**

- 31-24 Reserved** .....always reads 0  
Power dissipation reporting not supported
- 23-16 Reserved** .....always reads 0
- 15 D3 Cold Supported**.....always reads 0  
D3 cold not supported
- 14-13 Data Scale** .....always reads 0  
Power dissipation reporting not supported
- 12-9 Power Consumed / Dissipated** .....always reads 0  
Power dissipation reporting not supported
- 8 Reserved** .....always reads 0  
PME# for D3 cold not supported
- 7-2 Reserved** .....always reads 0
- 1-0 Power State**
  - 00 Fully On .....default
  - 01 Standby
  - 10 Suspend
  - 11 D3hot, similar to suspend



**Graphics Accelerator PCI Bus Master Registers**

The PLE133 PCI Bus Master controller supports both read/write and scatter/gather. Software can take advantage of this feature to transfer data between system memory and the frame buffer. After software sets the proper registers and commands, the PCI master begins to transfer data automatically between system memory and the frame buffer. This allows the CPU to do other jobs at the same time, thus increasing performance.

Software should use the PCI Bus Master functionality to transfer big chunks of data such as video capture data for video conferencing applications or texture data for 3-D applications. For small chunks of data, direct CPU access to the Frame Buffer is the preferred method.

The software sequence used to control bus master operation is as follows: Software first sets registers such as the system memory starting address, page table starting address / height / width, and frame buffer starting address and line offset. Software finally sets the bus master control register where either bit 1 (for reads) or bit 2 (for writes) is set as the command bit. After the command bit is set, the hardware will begin to transfer data automatically based on the parameters specified. After the transfer is finished, the hardware will issue an interrupt. Software can then poll the status bit to get the transfer status. The hardware will clear the command bit after the transfer is finished. Software cannot issue new commands until the previous command is completed.

All Registers are memory mapped. The memory address base is defined in PCI configuration register "Memory Base 1" (offset 17h-14h).

**Port 2204 – Graphics Bus Master Status..... RO**

- 31-3 Reserved** .....always reads 0
- 2 Bus Master Interrupt Status**
- 1 End of Transfer**
  - 0 Still processing..... default
  - 1 End of Transfer (Idle)
- 0 Bus Master Error Status**
  - 0 Normal ..... default
  - 1 Error Detected

This error is usually detected because the total page table size is less than the size defined in the "Graphics Bus Master Height" register at index 2314h.

**Port 2300 – Graphics Bus Master Control.....RW**

- 31-16 Reserved** .....always reads 0
- 15 PCI Master Read Data to GE SRCQ**
  - 0 Disable .....default
  - 1 Enable
- 14-11 Bytes in DW to be Cleared**  
When enabling block transfer with clear, one bits define which byte(s) in the DW will be cleared
- 10 Enable Bit with Clear**
  - 0 Disable .....default
  - 1 Enable
- 9 Invert C / Z Position**
  - 0 Hardware assumes C is located in bits 15:0 and Z in bits 31:16 .....default
  - 1 Hardware assumes C is located in bits 31:16 and Z in bits 15:0
- 8 Enable Z Stripping**
  - 0 Disable .....default
  - 1 Enable
- 7-5 Reserved** .....always reads 0
- 4 Bus Master Interrupt**
  - 0 Disable .....default
  - 1 Enable
- 3 Master Latency**
  - 0 Disable .....default
  - 1 Enable
- 2 Write Command** ..... default =0  
Writing this bit to 1 will trigger the hardware to begin a write operation. After finishing the operation, hardware will automatically clear this bit.
- 1 Read Command** ..... default =0  
Writing this bit to 1 will trigger the hardware to begin a read operation. After finishing the operation, hardware will automatically clear this bit.
- 0 Scatter / Gather**
  - 0 Disable .....default
  - 1 Enable

**Port 2310 – Graphics Bus Master System Start Addr ...RW**

**31-0 System Start Address**

If scatter / gather is enabled, bits 31:12 point to the physical region translation table (the page starting address must be aligned on 4KB address boundaries) and bits 11:0 are the offset within a page.

**Physical Region Descriptor Table**

While system memory is allocated in a non-contiguous space, software needs to provide a physical region description table in system memory and pass the table's starting address to hardware.

The table size must less than or equal to 4K bytes and the table cannot cross the 4K boundary.

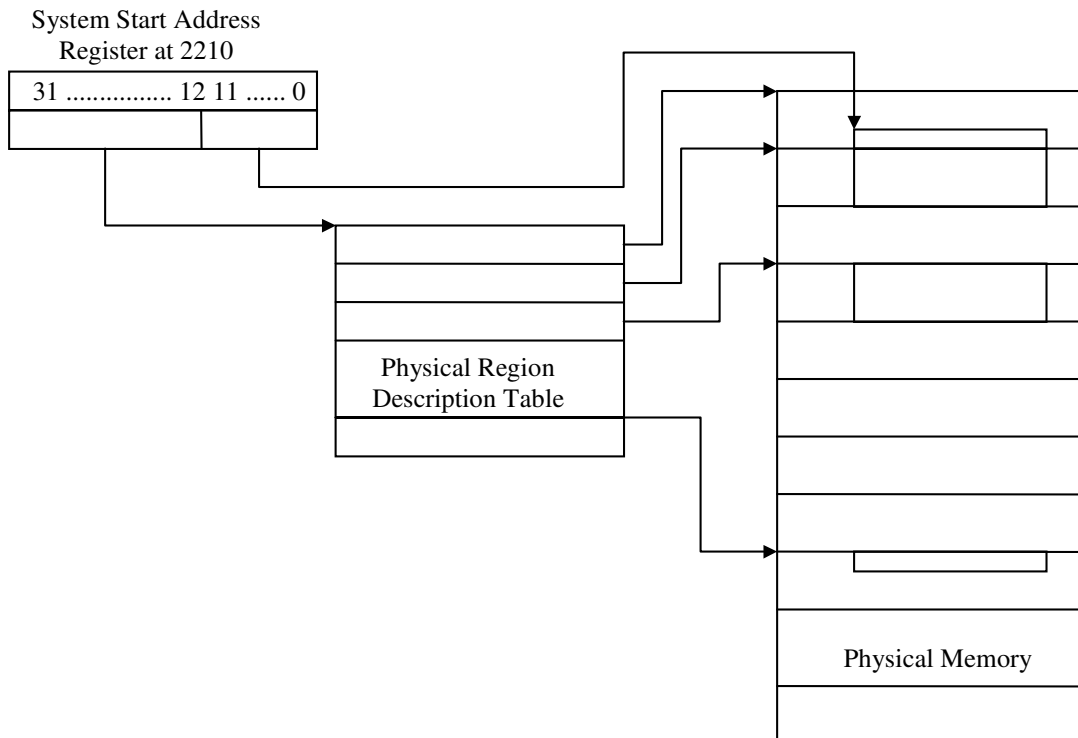
**Figure 5. Physical Region Descriptor Table Format**

BYTE3	BYTE2	BYTE1	BYTE0
Page 0 physical address			EOT
Page 1 physical address			EOT
.....			
Page n physical address			EOT

EOT = End of Table

Each table entry is 4 bytes in length. Hardware assumes that the physical page is always 4K. Bits 31:2 indicate the physical page starting address. Bit 0 of the first byte indicates the end of the table. Bus Master operation terminates when the last descriptor has been retired.

**Figure 6. PCI Bus Master Address Translation**



**Port 2314 – Graphics Bus Master Height.....RW**

- 15-10 Reserved .....always reads 0
- 9-0 Source Data Height

**Port 2316 – Graphics Bus Master Width.....RW**

- 15-12 Reserved .....always reads 0
- 11-0 Source Data Width (in bytes)

**Port 2318 – Graphics Bus Master FB Start Addr/Pitch RW**

- 31-22 Frame Buffer Line Offset (FB pitch) in quadwords
- 21-20 Reserved .....always reads 0
- 19-0 Frame Buffer Start Address (quadword aligned)

**Port 231C – Graphics Bus Master System Pitch .....RW**

- 15-12 Reserved .....always reads 0
- 11-0 System Row Byte Offset (pitch) in bytes

**Port 2320 – Graphics Bus Master Clear Data.....RW**

- 31-0 Clear Data Value  
Used as the “clear” value for “block transfer with clear”

**Graphics Accelerator AGP Registers**

The default base I/O address for the AGP registers is 2300h.

The AGP control unit has 3 channels. These channels can work independently and in parallel. Each channel has its own capabilities:

- Channel 0: Execution mode texture access.
- Channel 1: Command List Operation. Executes command lists from AGP memory.
- Channel 2: Data Move. Moves data from AGP memory to frame buffer or to the Capture/MPEG2 FIFO. Also moves data from the frame buffer to AGP memory.

**Graphics AGP Configuration Registers**

**Port 2304 – Graphics AGP Capability List.....RW**  
31-0 xx

**Port 2334 – Graphics AGP Capability List Address.....RW**  
31-0 xx

**Graphics AGP Operation Registers**

**Port 2340 – Graphics AGP FB Command List Start.....RW**  
31-19 Reserved .....always reads 0  
18-0 Frame Buffer Command List Start Address

**Port 2344 – Graphics AGP FB Command List Size.....RW**  
31-19 Reserved .....always reads 0  
18-3 Frame Buffer Command List Size (in quadwords)  
Value programmed is the desired size minus one  
2-0 Reserved .....always reads 0

**Command List Format**

The command list is stored in AGP memory in groups. Each group has the following format:

	Bit			Bit		
<u>QuadWord</u>	<u>63</u>	<u>48</u>	<u>32</u>	<u>31</u>	<u>16</u>	<u>0</u>
0	Data 0			Header		
1	Data 2			Data 1		
2	Data 4			Data 3		
...	...			...		
n / 2 + 1	Pad/Data n-1			Data n – 1/2		

The header is a 32-bit word that contains information about this group, such as the amount of useful data in the group. A group is always padded to a quadword boundary. Padding DWORDs are discarded by the channel. The format of the header is as follows:

- 31 Consecutive Addressing**
  - 0 Disabled (all data in this group will be written to the register with the destination address specified in the “ADDR” field in bits 29-8)
  - 1 Enabled (All data in this group will be written to registers ADDR, ADDR+4, ... ADDR+4 \* (LEN-1) sequentially)
- 30 Wait**
  - 0 Don’t Wait (send data to the Graphics Engine as long as it can receive it)
  - 1 Wait (until the GE is idle, then send data)
- 29-8 Register Address of the First Data (ADDR)**
- 15-0 Number of DWORDs of Data in this Group (LEN)**

**Port 2348 – Graphics AGP Channel 1 FB Start/Pitch ...RW**

- 31-22 Frame Buffer Line Offset (in quadwords)
- 21-19 Reserved .....always reads 0
- 18-0 Frame Buffer Starting Address

**Port 234C – Graphics AGP Channel 1 FB Size .....RW**

- 31-13 X Direction (in quadwords minus one)
- 12-10 Reserved .....always reads 0
- 9-0 Y Direction (in pixels minus one)

**Port 2350 – Graphics AGP Channel 1 System Start .....RW**

- 31-3 Channel 1 System Memory Start Address  
(quadword aligned)
- 2-1 Reserved .....always reads 0
- 0 Command List Operation Trigger  
This bit is the same as bit-19 of register 2368h (Channel 1 Read Enable). It is used to trigger command list operation and force bit-17 of register 2368h (Channel 1 Destination Select) to 1 (to select the GE Command FIFO).

**Port 2354 – Graphics AGP Chan 1/2 System Pitch .....RW**

- 31-27 Reserved .....always reads 0
- 26-16 Ch 2 System Memory Line Offset (in quadwords)
- 15-11 Reserved .....always reads 0
- 10-0 Ch 1 System Memory Line Offset (in quadwords)

**Port 2358 – Graphics AGP Channel 2 System Start .....RW**

- 31-3 Channel 2 System Memory Start Address  
(quadword aligned)
- 2-0 Reserved .....always reads 0

**Port 235C – Graphics AGP Channel 2 FB Start/Pitch ..RW**

- 31-22 Frame Buffer Line Offset (in quadwords)
- 21-19 Reserved .....always reads 0
- 18-0 Frame Buffer Starting Address

**Port 2360 – Graphics AGP Channel 2 FB Size .....RW**

- 31-27 Reserved .....always reads 0
- 26-16 Ch 2 System Memory Line Offset (in quadwords)
- 15-11 Reserved .....always reads 0
- 10-0 Ch 1 System Memory Line Offset (in quadwords)

**Port 2364 –Channel Arbitration Counter Threshold.....RW**

- 31-28 Reserved .....always reads 0
- 26-24 Channel 2 System Arbitration Threshold
- 23-20 Channel 2 System Arbitration Threshold
- 19-16 Channel 2 System Arbitration Threshold
- 15-12 Reserved .....always reads 0
- 11-8 ??
- 7-0 ??

**Port 2368 – Graphics AGP Channel I/O Control.....RW**

- 31-27 Reserved .....always reads 0
- 26 Reserved (Do not Program)..... must be 0
- 25 Reserved .....always reads 0
- 24 Reserved (Do not Program)..... must be 0
- 23-22 Reserved .....always reads 0
- 21-20 Reserved (Do not Program)..... must be 01
- 19 Channel 1 Read Enable
  - 0 Disable .....default
  - 1 Enable
- 18 Channel 1 Interrupt Enable
  - 0 Disable .....default
  - 1 Enable
- 17 Channel 1 Destination Select
  - 0 Frame Buffer.....default
  - 1 GE Command FIFO
- 16 Channel 1 Enable
  - 0 Disable .....default
  - 1 Enable
- 15-1 Reserved .....always reads 0
- 0 Channel 0 Enable
  - 0 Disable .....default
  - 1 Enable

**Port 236C – Graphics AGP Global & Chan 2 Control ..RW**

- 31-26 **Reserved** .....always reads 0
- 25-24 **Sideband Address (SBA) Standby Latency Timer**
- 23 **High Priority Command Enable**
  - 0 Disable ..... default
  - 1 Enable
- 22 **Long Read Command Enable**
  - 0 Disable ..... default
  - 1 Enable
- 21 **System Side Channel 2 Priority**
- 20 **System Side Channel 1 Priority**
- 19 **System Side Channel 0 Priority**
- 18 **Reserved** .....always reads 0
- 17 **Frame Buffer Channel 2 Priority**
- 16 **Frame Buffer Channel 1 Priority**
- 15-5 **Reserved** .....always reads 0
- 4-3 **Channel 2 Read Operation Select**
  - 00 Disabled ..... default
  - 01 Read from Frame Buffer to AGP
  - 10 Write from AGP to Capture / MPEG / FB
  - 11 -reserved-
- 2 **Channel 2 Interrupt Enable**
  - 0 Disable ..... default
  - 1 Enable
- 1-0 **Channel 2 Write Target Select**
  - 00 Write to Frame Buffer..... default
  - 01 Write to Capture / MPEG / FB
  - 1x -reserved-

**Port 2370 –AGP Status.....RW**

- 31-18 **Reserved** .....always reads 0
- 17 **Channel 2 Interrupt Status**
  - 0 No interrupt pending.....default
  - 1 Interrupt Pending
- 16 **Channel 2 Busy Status**
  - 0 Idle .....default
  - 1 Busy
- 15-10 **Reserved** .....always reads 0
- 9 **Channel 1 Interrupt Status**
  - 0 No interrupt pending.....default
  - 1 Interrupt Pending
- 8 **Channel 1 Busy Status**
  - 0 Idle .....default
  - 1 Busy
- 7-2 **Reserved** .....always reads 0
- 1 **Channel 0 Interrupt Status**
  - 0 No interrupt pending.....default
  - 1 Interrupt Pending
- 0 **Channel 0 Busy Status**
  - 0 Idle .....default
  - 1 Busy

**Graphics AGP Configuration Registers**

**Port 2380 – Graphics AGP Capability Identifier ..... RW**

31-0 xx

**Port 2384 – Graphics AGP Status.....RW**

31-0 xx

**Port 2388 – Graphics AGP Command.....RW**

31-0 xx

**Command List Operation**

The PLE133 implements an internal block called the “Command List Control Unit” to process command lists. Command list operation is invisible to software. After initialization of the Command List Control Unit, software can set registers as if there is no Command List Control Unit. If an engine is idle and there are no pending commands in the command buffer, data will be passed to the corresponding register directly. Otherwise, address and data will be stored into the command buffer to be processed later. When the engine is idle, the Command List Control Unit will fetch commands from the command buffer which is located in video memory and send it to the engine. There are two registers that determine the lower and upper bounds of the command buffer, the Command Buffer Start and Command Buffer End registers. The Command List Control Unit uses the command buffer in a round robin fashion, i.e., the address is wrapped around when it passes the end of the buffer.

Registers in the Setup Engine, Rasterization Engine, Pixel Engine, Memory Interface, and data from the host CPU and the drawing environment can be buffered by the Command List Control Unit. Command List Control registers and VGA extension registers cannot be buffered. Every entry in the command buffer is 64-bit with the lower 32 bits for the register address and the higher 32 bits for register data. In order to optimize memory bandwidth usage, the Command List Control Unit maintains one read and one write FIFO in its interface to memory in order to burst information from the read/write command list.

**Port 23B0 –Command Buffer Start Address.....RW**

**31-30 Command List Mode**

- 00 Disable Command Buffer ..... default
- 01 Enable Command Buffer
- 10 Flush Command Buffer Then Disable (after first completing any commands in the existing command buffer)
- 11 -reserved-

**29-24 Reserved** .....always reads 0

**23-0 Command Buffer Start Address**

Starting address of the command buffer in bytes (quadword aligned). Writing to this register will set the internal buffer start and end pointers to this address.

**Port 23B0 –Command Buffer End Address .....RW**

**31-24 Reserved** .....always reads 0

**23-0 Command Buffer End Address**

End address of the command buffer in bytes (quadword aligned). This address should be programmed to one more than the address of the last byte of the command buffer.

**Capture / ZV Port Registers**

**Port 2200 – Capture / ZV Port Command .....RW**

- 31-28 Reserved** .....always reads 0
- 27-24 Address 1**
- 23-20 Reserved** .....always reads 0
- 19-16 Address 0**
- 15-8 Data 1**
- 7-0 Data 0**

**DVD Registers**

**Port 2280 – MC Version ID..... RO**

7-0 Version ID

**Port 2281 – MC Control.....RW**

**7 Debug Mode**

0 Disable ..... default  
 1 Enable

**6 MC Completion Interrupt**

0 Disable ..... default  
 1 Enable

**5 VO Completion Interrupt**

0 Disable ..... default  
 1 Enable

**4 Host Bus Identification**

0 AGP ..... default  
 1 PCI

**3 Decode Overwrite**

0 Enable..... default  
 1 Disable

**2-1 IDCT Data Format**

00 -reserved- ..... default  
 01 9 bits  
 10 8 bits  
 11 16 bits

**0 MC Mode**

0 Disable ..... default  
 1 Enable

**Port 2282 – MC Frame Buffer Configuration.....RW**

**7 Interlaced Display**

**6 TV Flicker Filter Bypass**

0 Use TV CRTC .....default  
 1 Use VGA CRTC

**5 Request Threshold of Display Command Queue**

**4 Request Threshold of PBF**

**3 Request Threshold of PFF**

**2 Hardware SP RL-Decode Disable**

0 Enable .....default  
 1 Disable

**1-0 Frame Buffer Configuration**

00 4-frame.....default  
 01 3.5-frame  
 10 3.5-frame HHR  
 11 3-frame

**Port 2287-2284 – MC Command Queue .....RW**

**31-12 Page Table Address**

**11 SP Command Present**

- 0 SP Command is Absent ..... default
- 1 SP Command is Present

**10-9 Video Output Display Fields**

- 00 -reserved- ..... default
- 01 Top
- 10 Bottom
- 11 Both

**8-6 Video Output Display Buffer**

- 000 F0 ..... default
- 001 F1
- 010 F2
- 011 F3
- 100 H0
- 101 H1
- 110 H2
- 111 -reserved-

**5-4 MC Buffer 2**

- |    | <u>Bit-1 = 1</u> | <u>Bit-1 = 0</u> |
|----|------------------|------------------|
| 00 | H0               | top              |
| 01 | H1               | bottom           |
| 10 | H2               | both             |
| 11 | No Buf 2         | n/a              |

**3-2 MC Buffer 1**

- |    | <u>Bit-1 = 1</u> | <u>Bit-1 = 0</u> |
|----|------------------|------------------|
| 00 | H0               | F0               |
| 01 | H1               | F1               |
| 10 | H2               | F2               |
| 11 | n/a              | F3               |

**1 MC Buffer is Field**

- 0 Not Field ..... default
- 1 Field

**0 MC Command in Queue**

- 0 Disable ..... default
- 1 Enable

This register changes definition when written with bit-0 = 1. This address then becomes “MC Status” with the definition of the bits matching the following bit definitions until MC-Status bit-0 is cleared by hardware.

**Port 2285-2284 – MC Status .....RW**

**15 Task Pop Out Done Status**

**14-12 FIFO Status**

**11 MC Decode Done Status**

**10-9 Video Output Display Fields**

- 00 -reserved- .....default
- 01 Top
- 10 Bottom
- 11 Both

**8-6 Video Output Display Buffer**

- 000 F0 .....default
- 001 F1
- 010 F2
- 011 F3
- 100 H0
- 101 H1
- 110 H2
- 111 -reserved-

**5-4 MC Buffer 2**

- |    | <u>Bit-1 = 1</u> | <u>Bit-1 = 0</u> |
|----|------------------|------------------|
| 00 | H0               | top              |
| 01 | H1               | bottom           |
| 10 | H2               | both             |
| 11 | No Buf 2         | n/a              |

**3-2 MC Buffer 1**

- |    | <u>Bit-1 = 1</u> | <u>Bit-1 = 0</u> |
|----|------------------|------------------|
| 00 | H0               | F0               |
| 01 | H1               | F1               |
| 10 | H2               | F2               |
| 11 | n/a              | F3               |

**1 MC Buffer is Field**

- 0 Not Field .....default
- 1 Field

**0 MC Status**

- 0 Not in progress.....default
- 1 In Progress

The bit definitions above are valid only when bit-0 is equal to 1. When hardware clears bit-0, bit definitions revert to those defined by the “MC Command Queue” register defined in the left hand column of this page.



**Port 228B-2288 – MC Y-Reference Address .....RW**

31-20 Reserved .....always reads 0  
19-0 Y-Reference Start Address (quadword aligned)

**Port 228F-228C – MC U-Reference Address .....RW**

31-20 Reserved .....always reads 0  
19-0 U-Reference Start Address (quadword aligned)

**Port 2293-2290 – MC V-Reference Address.....RW**

31-20 Reserved .....always reads 0  
19-0 V-Reference Start Address (quadword aligned)

**Port 2297-2294 – MC Display Y-Address Offset .....RW**

31-20 Reserved .....always reads 0  
19-0 Y Address Offset  
Y address offset (quadword aligned) of first display pixel relative to the first pixel (top left hand corner) of the picture.

**Port 229B-2298 – MC Display U-Address Offset.....RW**

31-20 Reserved .....always reads 0  
19-0 U Address Offset  
U address offset (quadword aligned) of first display pixel relative to the first pixel (top left hand corner) of the picture.

**Port 229F-229C – MC Display V-Address Offset .....RW**

31-20 Reserved .....always reads 0  
19-0 V Address Offset  
V address offset (quadword aligned) of first display pixel relative to the first pixel (top left hand corner) of the picture.

**Port 22A0 – MC H Macroblock Count .....RW**

7-0 Number of Horizontal Macroblocks

**Port 22A2 – MC V Macroblock Count .....RW**

7-0 Number of Vertical Macroblocks

**Port 22A5-22A4 – MC Frame Buffer Y Length.....RW**

15-0 Number of Pixels in a Y Frame

**Port 22AB-22A8 – Color Palette Entries .....RW**

**Port 22B3-22B0 – SP BUF0 Pixel Start Address .....RW**

**Port 22B7-22B4 – SP BUF1 Pixel Start Address .....RW**

**Port 22BB-22B8 – SP BUF0 Command Start Address..RW**

**Port 22BF-22BC – SP BUF1 Command Start Address .RW**

**Port 22C1-22C0 – SP Y Display Offset.....RW**

**Port 22D0 – Digital TV Encoder Control .....RW**

**Port 22D3-22D1 – Digital TV Encoder CFC .....RW**

**VGA Registers**

**VGA Standard Registers - Introduction**

The standard VGA register set consists of five sets of indexed registers plus several individually addressed registers. All VGA registers are addressed at specific I/O port addresses defined by the VGA legacy standard.

The non-indexed registers (also called the “Status / Enable” registers) are:

Input Status Register 0	Read at 3C2
Input Status Register 1	Read at 3BA or 3DA
Miscellaneous Register	Read at 3CC, Write at 3C2
Video Subsystem Enable	Read/Write at 3C3
Display Adapter Enable	Read/Write at 46E8

The indexed register sets each control different functional blocks inside the hardware VGA logic. These register sets are:

Attribute Controller	21 registers (0-14h) at 3C0/1
Sequencer	5 registers (0-4h) at 3C4/5
Graphics Controller	9 registers (0-8h) at 3CE/F
CRT Controller	25 registers (0-18h) at 3x4/5
RAMDAC	256 24-bit registers at 3C7-3C9

Indexed registers typically require two sequential port addresses, the first of which is the index and the second of which is the data. In other words, the index is written to the first port address and then the data corresponding to that indexed register is read from or written to the second port address. The exceptions to this are the Attribute Controller and the RAMDAC. For the Attribute Controller, the index is written at 3C0 as expected. Data reads (but not writes) can be performed from port 3C1 in the standard way. However, generally most data read and all data write operations use the same 3C0 port as used for the index. Data and address are accessed on alternate operations to 3C0 with an internal flag to keep track of where the next operation is to be performed (reads from 3BA or 3DA reset the flag to point at the index register). The other exception to the 2-port index/data structure is the RAMDAC which uses three port addresses. In this case, there are two locations provided for the index, 3C7 and 3C8, with the data at 3C9. There is actually only one index register, but automatic pre / post incrementation is performed differently depending on whether the index is written at the “Read” address (3C7) or the “Write” address (3C8). The current index value may be read at 3C8. Refer to the RAMDAC register group for further explanation of the operation of the index registers and sequential access to the three data bytes of each indexed data location.

The number of registers listed above for each indexed register group is the number of registers defined by the VGA standard. The operation of these “base” registers will always be exactly the same from one vendor’s implementation of the VGA to another. Typically, however, there are additional non-standard / extended functions implemented in higher numbered index values. That is the case for this chip as well, where extended functions are provided in all indexed register

groups except the Attribute Controller (due to the unusual nature of Attribute Controller indexing using a single I/O port which makes access to this register group more cumbersome). This document will detail the functions of all the standard VGA registers first. All extended functions will then be separately documented in following sections.

Regarding notation used in this document, indexed registers (including extended registers) may be referenced using a 2-letter mnemonic from the following table followed by the index number:

Attribute Controller	AR
Graphics Controller	GR
CRT Controller	CR
Sequencer	SR

For example, index register 26h of the 3CE / 3CFh indexed register group could also be referred to as GR26. Bit-7 if this register, using this notation, would be GR26[7].

Register groups, for the most part, are included in this document in order by I/O port address. Some registers are included out of order with other registers in the same functional block. Refer to the table of contents and the register summary tables at the beginning of the register section of this document for further information and help in finding descriptive information for a specific register.

For standard VGA registers, primarily only the bit definitions are provided here. Since the operation of these bits was standardized long ago, full explanation of the operation of these bits is not provided in this document. Detailed explanation of these bits is provided by many fine industry publications (check your local computer book store or the internet for further information).

**Attribute Controller Registers (AR)**

For this indexed register group, the index is accessed at 3C0 as expected. However, although data operations can be performed using port 3C1 in the standard way, data is generally accessed at 3C0 as well. In other words, data and address are accessed on alternate operations to 3C0 with an internal flag to keep track of where the next operation is to be performed. The state of the internal flag may be read back in the extended registers (see CR24). To set the internal flag to select the index (i.e., to set the flag so that the next access to port 3C0h points to the index register), read port 3BAh or 3DAh (depending on the state of the color / mono bit in the Miscellaneous Output Register at 3C2[0]). Attribute Controller register data may be read at 3C1 (the internal flag is not toggled) but must be written at 3C0.

**Port 3C0 – VGA Attribute Controller Index.....RW**

- 7-6 Reserved .....always reads 0
- 5 Palette Address Source
- 4-0 Attribute Controller Index  
Only the lower 5 bits are implemented to allow access to Attribute Controller registers 0-14h.

**Port 3C0/3C1 Index 0-F – Attr Ctrlr Color Palette.....RW**

- 7-6 Reserved .....always reads 0
- 5-0 Color Value

**Port 3C0/3C1 Index 10 – Attr Ctrlr Mode Control.....RW**

- 7 P5 / P4 Select
- 6 Pixel Width
- 5 Pixel Panning Compatibility
- 4 Reserved .....always reads 0
- 3 Select Background Intensity or Enable Blink
- 2 Enable Line Graphics Character Mode
- 1 Display Type
- 0 Graphics / Text Mode

**Port 3C0/3C1 Index 11 – Attr Ctrlr Overscan Color .....RW**

- 7-0 Overscan Color

**Port 3C0/3C1 Index 12 – Attr Ctrlr Color Plane Ena....RW**

- 7-6 Reserved .....always reads 0
- 5-4 Video Status Mux
- 3-0 Color Plane Enable for Color Planes 3-0

**Port 3C0/3C1 Index 13 – Attr Ctrlr H Pixel Panning ....RW**

- 7-4 Reserved .....always reads 0
- 3-0 Horizontal Pixel Pan

**Port 3C0/3C1 Index 14 – Attr Ctrlr Color Select .....RW**

- 7-4 Reserved .....always reads 0
- 3-0 Color Select Bits 7-4

**VGA Status / Enable Registers**

**Port 3C2 – VGA Input Status 0.....RO**

- 7 Vertical Retrace Interrupt Pending
- 6-5 Reserved .....always reads 0
- 4 Switch Sense
- 3-0 Reserved .....always reads 0

**Port 3xA – VGA Input Status 1.....RO**

This register is accessible at either 3BA or 3DA (shorthand notation 3xA) depending on the setting of Miscellaneous Output Register at 3C2[0].

- 7-6 Reserved .....always reads 0
- 5-4 Diagnostic
- 3 Vertical Retrace
- 2-1 Reserved .....always reads 0
- 0 Display Enable (Inverted)

**Port 3C2 – VGA Miscellaneous Output Register (Write)WO**

**Port 3CC – VGA Miscellaneous Output Register (Read)RO**

- 7 Vertical Sync Polarity
- 6 Horizontal Sync Polarity
- 5 Page Bit for Odd / Even
- 4 Reserved .....always reads 0
- 3-2 Clock Select
- 1 Enable RAM
- 0 I/O Address Select
  - 0 CRTC registers at 3Bx, Input Status 1 at 3BA
  - 1 CRTC registers at 3Dx, Input Status 1 at 3DA

**Port 3C3 – VGA Video Subsystem Enable.....RW**

- 7-1 Reserved .....always reads 0
- 0 Video Subsystem Enable

**Port 46E8h – VGA Display Adapter Enable.....RW**

- 7-4 Reserved .....always reads 0
- 3 Display Adapter Enable
- 2-0 Reserved .....always reads 0

**VGA Sequencer Registers (SR)**

**Port 3C4 – VGA Sequencer Index.....RW**

- 7-0 Sequencer Index**  
Only the lower 3 bits are implemented in a standard VGA to point to Sequencer registers 0-4. However, all 8 bits are implemented here to allow for extended registers up to index FF.

**Port 3C5 Index 0 – Sequencer Reset .....RW**

- 7-2 Reserved** .....always reads 0
- 1 Synchronous Reset**
- 0 Asynchronous Reset**

**Port 3C5 Index 1 – Sequencer Clocking Mode .....RW**

- 7-6 Reserved** .....always reads 0
- 5 Screen Off**
- 4 Shift 4**
- 3 Dot Clock**
- 2 Shift Load**
- 1 Reserved** .....always reads 0
- 0 8/9 Dot Clocks**

**Port 3C5 Index 2 – Sequencer Map Mask.....RW**

- 7-4 Reserved** .....always reads 0
- 3 Enable Map 3**
- 2 Enable Map 2**
- 1 Enable Map 1**
- 0 Enable Map 0**

**Port 3C5 Index 3 – Sequencer Character Map Select....RW**

- 7-6 Reserved** .....always reads 0
- 5 Character Map Select A**
- 4 Character Map Select B**
- 3-2 Character Map Select A**
- 1-0 Character Map Select B**

**Port 3C5 Index 4 – Sequencer Memory Mode .....RW**

- 7-4 Reserved** .....always reads 0
- 3 Chain 4**
- 2 Odd / Even**
- 1 Extended Memory**
- 0 Reserved** .....always reads 0

**VGA RAMDAC Registers**

**Port 3C6 – VGA RAMDAC Pixel Mask.....RW**

- 7-0 Palette Address Mask**

**Port 3C6 – VGA RAMDAC Command.....RW**

This register is a non-standard VGA register (“extension register”) located at the same port address as the VGA RAMDAC Pixel Mask register. In order to maintain compatibility with standard VGA operations, access to this register is restricted: access is enabled by performing four successive accesses to the Pixel Mask register at 3C6 (i.e., read 3C6 four times).

- 7-4 Color Mode Select**
  - 0000 Pseudo-Color Mode .....default
  - 0001 Hi-Color Mode (15-bit direct interface)
  - 0010 Muxed Pseudo-Color Mode (16-bit pixel bus)
  - 0011 XGA Color Mode (16-bit direct interface)
  - 01xx -reserved-
  - 10xx -reserved-
  - 1100 -reserved-
  - 1101 True Color Mode (24-bit direct interface)
  - 111x -reserved-
- 3 Reserved** .....always reads 0
- 2 DAC Disable**
  - 0 DAC On (if SR20[0] = 1).....default
  - 1 DAC Off
- 1 Reserved** .....always reads 0
- 0 RAMDAC Enable**
  - 0 Disable (Bypass) RAMDAC .....default
  - 1 Enable RAMDAC

**Port 3C7 – VGA RAMDAC Read Index .....WO**

**Port 3C8 – VGA RAMDAC Write Index.....WO**

**Port 3C8 – VGA RAMDAC Index Readback.....RO**

- 7-0 RAMDAC Index**

**Port 3C9 Index 0-FF – RAMDAC Color Palette .....RW**

- 7-0 RAMDAC Color Data**

There are 768 data entries in the palette consisting of 256 three-byte entries. R, G, and B 8-bit values are accessed on successive operations to this port with the index autoincremented after every 3 accesses. Refer to a VGA programmers guide for further information.

**VGA Graphics Controller Registers (GR)**

**Port 3CE – VGA Graphics Controller Index .....RW**

- 7 **Reserved** .....always reads 0
- 6-0 **Graphics Controller Index**  
Only the lower 4 bits are implemented in a standard VGA to allow access to Graphics Controller registers 0-8. However, 7 bits are implemented here to allow for extended registers up to index 7F.

**Port 3CF Index 0 – Graphics Controller Set / Reset .....RW**

- 7-4 **Reserved** .....always reads 0
- 3-0 **Set / Reset Planes 3-0**

**Port 3CF Index 1 – Graphics Controller Set / Reset EnaRW**

- 7-4 **Reserved** .....always reads 0
- 3-0 **Enable Set / Reset Planes 3-0**

**Port 3CF Index 2 – Graphics Controller Color CompareRW**

- 7-4 **Reserved** .....always reads 0
- 3-0 **Color Compare Planes 3-0**

**Port 3CF Index 3 – Graphics Controller Data Rotate....RW**

- 7-4 **Reserved** .....always reads 0
- 3 **Function Select**
- 2-0 **Rotate Count**

**Port 3CF Index 4 – Graphics Ctrlr Read Map Select ....RW**

- 7-2 **Reserved** .....always reads 0
- 1-0 **Map Select**

**Port 3CF Index 5 – Graphics Controller Mode .....RW**

- 7 **Reserved** .....always reads 0
- 6 **256 Color Mode**..... default = 0
- 5 **Shift Register**..... default = 0
- 4 **Odd / Even** ..... default = 0
- 3 **Read Mode** ..... default = 0
- 2 **Reserved** .....always reads 0
- 1-0 **Write Mode** ..... default = 0

**Port 3CF Index 6 – Graphics Controller Miscellaneous RW**

- 7-4 **Reserved** .....always reads 0
- 3-2 **Memory Map**
- 1 **Chain Odd Maps to Even**
- 0 **Graphics Mode**

**Port 3CF Index 7 – Graphics Ctrlr Color Don't Care...RW**

- 7-4 **Reserved** .....always reads 0
- 3-0 **Color Don't Care Planes 3-0**

**Port 3CF Index 8 – Graphics Controller Bit Mask .....RW**

- 7-0 **Bit Mask**

**VGA CRT Controller Registers (CR)**

CRTC registers are accessible at either 3B4 / 3B5 or 3D4 / 3D5 (shorthand notation 3x4 / 3x5) depending on the setting of Miscellaneous Output Register 3C2 bit-0

**Port 3x4 – VGA CRT Controller Index.....RW**

- 7-0 CRT Controller Index**  
Only the lower 5 bits are implemented in a standard VGA to allow access to CRTC registers 0-18h. However, all 8 bits are implemented here to allow for extended registers up to index FF.

**Port 3x5 Index 0 – VGA CRTC – H Total.....RW**

- 7-0 Horizontal Total** ..... default = 0

**Port 3x5 Index 1 – VGA CRTC – H Display Ena End...RW**

- 7-0 Horizontal Display Enable End** ..... default = 0

**Port 3x5 Index 2 – VGA CRTC – H Blank Start.....RW**

- 7-0 Horizontal Blanking Start** ..... default = 0

**Port 3x5 Index 3 – VGA CRTC – H Blank End.....RW**

- 7 Reserved** ..... always reads 0
- 6-5 Display Enable Skew** ..... default = 0
- 4-0 Horizontal Blanking End** ..... default = 0

**Port 3x5 Index 4 – VGA CRTC – H Retrace Start.....RW**

- 7-0 Horizontal Retrace Pulse Start** ..... default = 0FFh

**Port 3x5 Index 5 – VGA CRTC – H Retrace End .....RW**

- 7 Horizontal Blanking End** ..... default = 0
- 6-5 Horizontal Retrace Delay** ..... default = 0
- 4-0 Horizontal Retrace Pulse End** ..... default = 0

**Port 3x5 Index 6 – VGA CRTC – V Total.....RW**

- 7-0 Vertical Total** ..... default = 0

**Port 3x5 Index 7 – VGA CRTC – Overflow .....RW**

- 7 Vertical Retrace Start Bit-9** ..... default = 0
- 6 Vertical Display Enable End Bit-9** ..... default = 0
- 5 Vertical Total Bit-9** ..... default = 0
- 4 Line Compare Bit-8** ..... default = 0
- 3 Vertical Blank Start Bit-8** ..... default = 0
- 2 Vertical Retrace Start Bit-8** ..... default = 0
- 1 Vertical Display Enable End Bit-8** ..... default = 0
- 0 Vertical Total Bit-8** ..... default = 0

**Port 3x5 Index 8 – VGA CRTC – Preset Row Scan .....RW**

- 7 Reserved** ..... always reads 0
- 6-5 Byte Panning** ..... default = 0
- 4-0 Preset Row Scan** ..... default = 0

**Port 3x5 Index 9 – VGA CRTC – Max Scan Line .....RW**

- 7 200 to 400 Line Conversion** ..... default = 0
- 6 Line Compare Bit-9** ..... default = 0
- 5 Vertical Blank Start Bit-9** ..... default = 0
- 4-0 Maximum Scan Line** ..... default = 0

**Port 3x5 Index A – VGA CRTC – Cursor Start .....RW**

- 7-6 Reserved** ..... always reads 0
- 5 Cursor On/Off** ..... default = 0
- 4-0 Cursor Row Scan Start** ..... default = 0

**Port 3x5 Index B – VGA CRTC – Cursor End.....RW**

- 7 Reserved** ..... always reads 0
- 6-5 Cursor Skew** ..... default = 0
- 4-0 Cursor Row Scan End** ..... default = 0

**Port 3x5 Index C / D – VGA CRTC Start Addr Hi/Lo..RW**

..... default = 0

**Port 3x5 Index E / F – VGA CRTC Cursor Loc Hi/Lo..RW**

..... default = 0

**Port 3x5 Index 10 – VGA CRTC – V Retrace Start.....RW**

- 7-0 Vertical Retrace Pulse Start** ..... default = 0

**Port 3x5 Index 11 – VGA CRTC – V Retrace End .....RW**

- 7 CR0-7 Write Protect** ..... default = 0
- 6 Reserved** ..... always reads 0
- 5 Vertical Interrupt Enable** ..... default = 0
- 4 Vertical Interrupt Clear** ..... default = 0
- 3-0 Vertical Retrace Pulse End** ..... default = 0

**Port 3x5 Index 12 – VGA CRTC – V Display Ena End.RW**

- 7-0 Vertical Display Enable End** ..... default = 0

**Port 3x5 Index 13 – VGA CRTC – Offset .....RW**

- 7-0 Display Screen Logical Line Width** ..... default = 0

**Port 3x5 Index 14 – VGA CRTC – Underline Location RW**

- 7 Reserved** ..... always reads 0
- 6 Double Word Mode** ..... default = 0
- 5 Count By 4** ..... default = 0
- 4-0 Underline Location** ..... default = 0

**Port 3x5 Index 15 – VGA CRTC – V Blank Start.....RW**

- 7-0 Vertical Blanking Start** ..... default = 0

**Port 3x5 Index 16 – VGA CRTC – V Blank End.....RW**

- 7-0 Vertical Blanking End** ..... default = 0

**Port 3x5 Index 17 – VGA CRTC – Mode Control.....RW**

- 7 Hardware Rese** ..... default = 0
- 6 Word / Byte Mode** ..... default = 0
- 5 Address Wrap** ..... default = 0
- 4 VSYNC Update Select (VGA Extended Capability)**
  - 0 Base may only be updated during Vsync .....def
  - 1 Base address may be updated during Hsync
- 3 Count By 2** ..... default = 0
- 2 Horizontal Retrace Select** ..... default = 0
- 1 Select Row Scan Counter** ..... default = 0
- 0 Compatibility Mode Support** ..... default = 0

**Port 3x5 Index 18 – VGA CRTC – Line Compare.....RW**

- 7-0 Line Compare** ..... default = 0

**VGA Extended Registers**

**VGA Extended Registers – Non-Indexed I/O Ports**

**Port 3D8 – Alternate Destination Segment Addr.....RW**

7 **Reserved** .....always reads 0  
 6-0 **Alternative Destination Segment Address**...def = 00  
 Read / write of this register is enabled by GRF[2].  
 This register becomes active when GR6[3-2] are not 00.

**Port 3D9 – Alternate Source Segment Address.....RW**

7 **Reserved** .....always reads 0  
 6-0 **Alternative Source Segment Address** .....def = 00  
 Read / write of this register is enabled by GRF[2].  
 This register becomes active when GR6[3-2] are not 00.

**Port 3xB – Alternate Clock Select .....RW**

3xB notation indicates that this register is accessible at either 3BB or 3DB depending on the setting of the color / mono bit.

7-5 **New Mode Control Register Bits 3-1** ..... def = 00  
 These bits have the same function as SRD[3-1]  
 4-2 **Reserved** .....always reads 0  
 1-0 **Video Clock Select** ..... def = 00

**VGA Extended Registers – Sequencer Indexed**

**SR8 – Old / New Status..... RO**

- 7 Old / New Status** (see SRB, SRC, SRD, SRE, GRE)
  - 0 Old ..... default
  - 1 New
- 6 Interlace Scan Field**
  - 0 Odd ..... default
  - 1 Even
- 5 Reserved** ..... always reads 0
- 4 Command FIFO Empty**
  - 0 Empty ..... default
  - 1 Not Empty
- 3-0 Reserved** ..... always reads 0

**SR9 – Graphics Controller Version..... RO**

- 7-0 Version Number** ..... always reads 58h

**SRB – Version / Old-New Mode Control.....RW**

**7-0 Graphics Controller Version #** ..... always reads F3h  
 A write to this register will change the Old / New Mode Control registers (SRD, SRE, and GRE) to the “old” definition. A read from this register will change the Old / New Mode Control registers to the “new” definition.

**SRC – Configuration Port 1.....RW**

Access to this register is enabled by SRE\_Old[5] = 1 (“Select Configuration Port 1”) and writes are enabled by SRE\_New[7] = 1 (“Configuration Port Write Enable”).

- 7 Reserved** ..... always reads 1
- 6 Memory Bus Width**
  - 0 32-bit Memory Bus ..... default
  - 1 64-bit Memory Bus

Note: Although the PLE133 integrated graphics controller does not control memory directly (the system memory controller is used to access graphics memory as a portion of system memory), some functional blocks in the graphics controller (such as video) use this bit to manage their data bus widths.
- 5 Reserved** ..... always reads 1
- 4 Video Subsystem Enable**
  - 0 46E8
  - 1 3C3 ..... default
- 3 Video BIOS Size**
  - 0 64K ..... default
  - 1 32K
- 2-0 Reserved** ..... always reads 111b

**SRC – Configuration Port 2.....RW**

Access to this register is enabled by SRE\_Old[5] = 0 (“Select Configuration Port 2”) and writes are enabled by SRE\_New[7] = 1 (“Configuration Port Write Enable”).

- 7-0 Reserved for BIOS**

**SRD – Mode Control 2 (Old).....RW**

- 7-6 Reserved** ..... always reads 0
- 5 Reserved** ..... always reads 1
- 4 Reserved** ..... always reads 0
- 3 CPU Bandwidth Select**
  - 0 Normal ..... default
  - 1 Non-interrupted CPU access during VBLANK
- 2-0 Reserved** ..... always reads 0

**SRD – Mode Control 2 (New).....RW**

- 7-4 Display FIFO Memory Request Threshold Ctrl**
  - 0000 Empty 0 level
  - 0001 Empty 4 level ..... default
  - 0010 Empty 8 level
  - 0011 Empty 12 level
  - 0100 Empty 16 level
  - 0101 Empty 20 level
  - 0110 Empty 24 level
  - 0111 Empty 28 level
  - 1000 Empty 32 level
  - 1001 Empty 36 level
  - 1010 Empty 40 level
  - 1011 Empty 44 level
  - 1100 Empty 48 level
  - 1101 Empty 52 level
  - 1110 Empty 56 level
  - 1111 Empty 60 level
- 3 Reserved** ..... always reads 0
- 2-1 Video Clock Divide**
  - 00 Divide by 1 ..... default
  - 01 Divide by 2
  - 10 Divide by 4
  - 11 Divide by 1.5
- 0 Reserved** ..... always reads 0



**SRE – Mode Control 1 (Old).....RW**

- 7 **Reserved** ..... always reads 1
- 6 **IRQ Polarity Select**
  - 0 Active High ..... default
  - 1 Active Low
- 5 **Configuration Port (SR0C) Select**
  - 0 Select Port 2
  - 1 Select Port 1 ..... default
- 4 **Reserved** ..... always reads 0
- 3 **Memory Bus** ..... RO
  - 0 8-bit
  - 1 16-bit ..... always reads 1
- 2-1 **256K Bank Select**
  - 00 Bank 0 ..... default
  - 01 Bank 1
  - 10 Bank 2
  - 11 Bank 3

Note: an inverted value will be written to bit-1  
These bits (and 3C2[5]) are write enabled when  
GR06[3-2] = 00. 3C2[5] is used as a page select to  
select one of the two 64KB pages.

- 0 **RAMDAC Pixel Clock Invert**
  - 0 Normal ..... default
  - 1 Invert pixel clock to RAMDAC

**SRE – Mode Control 1 (New).....RW**

- 7 **Configuration Port Write Enable** ..... default = 0
  - 0 Write Protect
  - 1 Write Enable

Ports effected: SRC, SRF, CR28-2A, SRE\_New[6-4]  
(this register), and SR10[0]
- 6 **CPU Bandwidth Select for Text Mode**
  - 0 132-Column Text
  - 1 Other Text ..... default
- 5-0 **64K Bank Select** ..... default = 0

Bit-1 should be inverted when performing writes  
These bits are enabled when GR06[3-2] are written  
with any value other than 00.

**SRF – Power-up Mode 2.....RW**

- This register is write protected by SRE\_New[7].
- 7 **Reserved** ..... always reads 1
  - 6 **BIOS Control**
    - 0 Disabled ..... default
    - 1 Enabled
  - 5 **Palette Mode**
    - 0 Master Abort Mode
    - 1 Intel Retry Mode.....default
  - 4 **Linear / Bank Addressing Control**
    - 0 Linear Only
    - 1 Linear / Bank .....default
  - 3-0 **Reserved for BIOS**..... default = 1111

**SR10 – VESA™ Big BIOS Control.....RW**

- 7 **Extended VESA™ Big BIOS Enable**
  - 0 Disabled ..... default
  - 1 Enabled
- 6-5 **Video Address Select** .....RO
  - 00 A0000-A7FFF.....default
  - 01 -reserved-
  - 10 B0000-B7FFF
  - 11 B8000-BFFFF

These bits are decoded from GR6[3-2]

- 4-1 **Reserved** ..... always reads 0
- 0 **Page Select**
  - 0 Select the original C0000-C7FFF access .....def
  - 1 Select extended access defined by bits 6-5

Bit-0 of this register is write protected by SRE\_New[7].

**SR11 – Protection .....RW**

- 7-0 **Register Protection Enable** ..... default = 00
  - 87 Unprotect all extended registers except those  
which may still be protected by SRE\_New[7]
  - 92 Unprotect all extended registers independent  
of SRE\_New[7]

If any value other than the ones listed above is  
programmed into this register, all extended registers  
will be write protected.

**SR12 – Threshold .....RW**

- 7-4 **Queue Threshold Playback and Capture**..... def = 2  
Threshold of the display queue when both playback  
and capture are enabled (for definition see SRD.new).
- 3-0 **Queue Threshold Playback or Capture**..... def = 1  
Threshold of the display queue when either playback  
or capture are enabled (for definition see SRD.new)

The old threshold is used when neither playback nor capture is  
enabled. All three thresholds cannot be set to 0. Other  
definitions are the same as the original.

**Graphics Clock Synthesizer Control**

**SR18 – VCLK1 Frequency Control 0 .....RW**

7-0 VCLK1 Frequency Generator Numerator..... def=0

**SR19 – VCLK1 Frequency Control 1 .....RW**

7-6 VCLK1 Frequency Generator K-Factor..... def=0

5-0 VCLK1 Frequency Generator Denominator . def=0

**SR1A – VCLK2 Frequency Control 0.....RW**

7-0 VCLK2 Frequency Generator Numerator..... def=0

**SR1B – VCLK2 Frequency Control 1.....RW**

7-6 VCLK2 Frequency Generator K-Factor..... def=0

5-0 VCLK2 Frequency Generator Denominator . def=0

**SR20 – Clock Synthesizer / RAMDAC Setup .....RW**

7 **Reserved** ..... always reads 0

6 **Multiplex Mode Sync Mechanism**

0 Normal Mode.....default

1 Enable synchronization in multiplexed mode for high VCLK tracking

5 **Simultaneous VAFC and Playback**

0 Simultaneous VAFC / playback display.default

1 Playback only

4 **VAFC and Playback Display Overlay**

0 VAFC is on top.....default

1 Playback is on top

3 **DAC Test Mode**

0 Disable .....default

1 Enable

2 **Video Mode**

0 Disable .....default

1 Enable

1-0 **Video Mode Select**

x0 5-5-5 Hi-color ..... default = 0

x1 5-6-5 XGA-color

0x Video Playback, True-color

1x Video Playback, 256-color

**Table 8. Graphics Clock Frequencies – 14.31818 MHz Reference**

<u>Denominator Value</u>	<u>Numerator Value</u>	<u>N</u>	<u>M</u>	<u>K</u>	<u>Actual Frequency</u>	<u>Expected Frequency</u>	<u>Frequency Error %</u>
88	3E	62	8	2	25.057	25.175	-0.0047
89	4F	79	9	2	28.311	28.322	-0.0004
88	5D	93	8	2	36.153	36.000	0.0043
83	30	48	3	2	40.091	40.000	0.0023
85	4A	74	5	2	41.932	42.000	-0.0016
84	42	66	4	2	44.148	44.000	0.0034
84	43	67	4	2	44.744	44.900	-0.0035
84	48	72	4	2	47.727	48.000	-0.0057
43	1B	27	3	1	50.114	50.350	-0.0047
46	33	51	6	1	52.798	52.800	0.0000
42	18	24	2	1	57.273	57.270	0.0000
43	21	33	3	1	58.705	58.800	-0.0016
43	23	35	3	1	61.568	61.600	-0.0005
4A	63	99	10	1	63.835	64.000	-0.0026
48	53	83	8	1	65.148	65.000	0.0023
46	43	67	6	1	67.116	67.200	-0.0012
44	33	51	4	1	70.398	70.400	0.0000
44	34	52	4	1	71.591	72.000	-0.0057
42	22	34	2	1	75.170	75.000	0.0023
44	39	57	4	1	77.557	77.000	0.0072
44	3B	59	4	1	79.943	80.000	-0.0007
44	42	66	4	1	88.295	88.000	0.0034
44	44	68	4	1	90.682	90.000	0.0076
44	4A	74	4	1	97.841	98.000	-0.0016
04	22	34	4	0	100.227	100.000	0.0023
07	3C	60	7	0	108.182	108.000	0.0017
02	19	25	2	0	118.125	118.000	0.0011
03	22	34	3	0	120.273	120.000	0.0023
05	3A	58	5	0	135.000	135.000	0.0000
05	4B	75	5	0	169.773	170.000	-0.0013
05	5A	90	5	0	200.455	200.000	0.0023

The clock frequency can be derived by multiplying the reference frequency times  $(N+8) / [(M+2) \times 2^K]$

**Graphics Signature Analyzer Registers**

**SR21 – Signature Control.....RW**

- 7 Signature Generator Enable**
  - 0 Disable (readback 0 indicates done) ..... default
  - 1 Enable (readback 1 indicates busy)
- 6 Signature Source Select**
  - 0 TV / CRT ..... default
  - 1 LCD
- 5-0 Bit Select** ..... default = 0

**SR23-22 – Signature Data..... RO**

- 15-0 Signature Data**

**Graphics Power Management Control Registers**

**SR24 – Power Management Control.....RW**

- 7 RAMDAC Clock During RAMDAC Powerdown**
  - 0 14.318 MHz ..... default
  - 1 14.31818 MHz divided by 2
- 6 Enable VCLK2 VCO Directly**  
(without warmup sequence)
  - 0 Enable
  - 1 Don't Enable ..... default
- 5-4 Clock Input Divisor**  
Divisor for 14.318 MHz clock input to MCLK to drive DRAM refresh cycles in power managed modes.
  - 00 1 ..... default
  - 01 2
  - 10 4
  - 11 8
- 3 Power Management Slow MCLK**
  - 0 Use divided MCLK during standby & suspend
  - 1 Use MCLK during standby & suspend..... def
- 2 Enable MCLK VCO Directly**  
(without warmup sequence)
  - 0 Enable
  - 1 Don't Enable ..... default
- 1 Enable MCLK VCO Directly**  
(without warmup sequence)
  - 0 Enable
  - 1 Don't Enable ..... default
- 0 DAC Power**
  - 0 Off ..... default
  - 1 On

**Graphics Connector Control Registers**

**SR25 – Monitor Sense.....RO**

- 7-3 Reserved** ..... always reads 0
- 2-0 Monitor Sense Result: [red, green, blue]**

**SR37 – Video Key Mode.....RW**

- 7 Feature Connector Input Clock Polarity**
  - 0 Normal .....default
  - 1 Inverted
- 6 Signal Output (AFC Processing)**
  - 0 Signal output is sent before AFC processingdef
  - 1 Signal output is sent after AFC processing
- 5-4 Feature Connector Input Pixel Clock Tuning**
  - 00 0 ns .....default
  - 01 4 ns
  - 10 8 ns
  - 11 12 ns delay of pixel clock with respect to data
- 3-0 Overlay Key Type**
  - 0000 VGA Port Only .....default
  - 0001 Color Key & Video Key
  - 0010 Color Key & not Video Key
  - 0011 Color Key
  - 0100 Not Color Key & Video Key
  - 0101 Video Key
  - 0110 Color Key XOR Video Key
  - 0111 Color Key | Video Key
  - 1000 Not Color Key & Not Video Key
  - 1001 Color Key XNOR Video Key
  - 1010 Not Video Key
  - 1011 Color Key | Not Video Key
  - 1100 Not Color Key
  - 1101 Not Color Key | Video Key
  - 1110 Not Color Key | Not Video Key
  - 1111 Video Port Only

**SR38 – Advanced Feature Connector (AFC) Control ...RW**

- 7 Reserved** ..... always reads 0
- 6 DCLK Rate** (set after other bits for synchronization)
  - 0 PCLK .....default
  - 1 PCLK / 2
- 5 DCLK Phase Select** (if bit-6 = 1)
  - 0 180 degree phase shift .....default
  - 1 In phase
- 4 DCLK Output Polarity**
  - 0 Normal when bit-6 = 0.....default
  - 1 Inverted
- 3 VCLK Input Polarity**
  - 0 Normal .....default
  - 1 Inverted
- 2-1 Reserved** ..... always reads 0
- 0 Pixel Data Bus Output Enable Control**
  - 0 Disable Output Drive.....default
  - 1 Disable drive only when EVIDEO# is low

**Graphics Playback Control Registers**

**SR52-50 – Playback Color Key Data.....RW**

- 23-16 Playback Color Key for True Color Mode
- 15-8 Playback Color Key for High Color Mode
- 7-0 Playback Color Key for 256 Color Mode

**SR56-54 – Playback Color Key Mask .....RW**

- 23-16 Playback Color Key Mask for True Color Mode
- 15-8 Playback Color Key Mask for High Color Mode
- 7-0 Playback Color Key Mask for 256 Color Mode

**SR57 – Playback Video Key Mode Function.....RW**

**7-0 Overlay Key Type**

Defines all 256 different types of mixing among VGA Color Key, Playback Window Key, and Video Chroma Key (very similar to ROP3 code). Below are some common combinations:

- 00 VGA Port Only
- F0 Color Key Only
- CC Playback Key Only
- AA Chromakey Only
- 88 Playback Key & Chromakey
- C0 Colorkey & Playback Key
- 80 Colorkey & Playback key & Chromakey
- FF Video Port Only

**Graphics BIOS Scratch Pad Registers**

**SR5A – Scratch Pad 0 .....RW**

**SR5B – Scratch Pad 1 .....RW**

**SR5C – Scratch Pad 2 .....RW**

**SR5D – Scratch Pad 3 .....RW**

**SR5E – Scratch Pad 4 .....RW**

**SR5F – Scratch Pad 5.....RW**

**Graphics Second Playback Control Registers**

**SR62-60 – 2<sup>nd</sup> Playback Color Key Data .....RW**

- 23-16 Playback Color Key for True Color Mode
- 15-8 Playback Color Key for High Color Mode
- 7-0 Playback Color Key for 256 Color Mode

**SR66-64 – 2<sup>nd</sup> Playback Color Key Mask .....RW**

- 23-16 Playback Color Key Mask for True Color Mode
- 15-8 Playback Color Key Mask for High Color Mode
- 7-0 Playback Color Key Mask for 256 Color Mode

**Graphics Video Display Registers**

**SR82-80 – Window 1 U-Plane FB Start Address .....RW**

- 23-20 **Reserved** .....always reads 0
- 19-0 **W1 U-Plane FB Start Address**  
When operating in planar mode, this field defines the frame buffer starting address for the U-plane for the first live video window

**SR85-83 – Window 1 V-Plane FB Start Address .....RW**

- 23-20 **Reserved** .....always reads 0
- 19-0 **W1 V-Plane FB Start Address**  
When operating in planar mode, this field defines the frame buffer starting address for the V-plane for the first live video window

**SR88-86 – Window 2 Frame Buffer Start Address.....RW**

- 23-20 **Reserved** .....always reads 0
- 19-0 **Window 2 Frame Buffer Start Address**  
Frame buffer starting address for the second live video window (packed YUV format only)

**SR8A-89 – Window 2 Horizontal Scaling Factor.....RW**

- 15 **W2 Horizontal Minify / Zoom Select**  
0 Zoom ..... default  
1 Minify
- Zoom Selected (Bit-15 = 0)**
- 14 **Reserved**
- 13-0 **W2 Horizontal Zoom Factor**  
Same format as for the first live video window as defined in CR80 and CR81
- Minify Selected (Bit-15 = 1)**
- 14-13 **W2 Tap**
- 12-10 **W2 Horizontal Minify Integer (Inverter)**
- 9-0 **W2 Horizontal Minify Factor**

**SR8C-8B – Window 2 Vertical Scaling Factor .....RW**

- 15 **W2 Vertical Minify / Zoom Select**  
0 Zoom .....default  
1 Minify
- 14 **W2 Vertical Filtering**  
0 Off .....default  
1 On
- Zoom Selected (Bit-15 = 0)**
- 13-0 **W2 Vertical Zoom Factor**  
Same format as for the first live video window as defined in CR82 and CR83
- Minify Selected (Bit-15 = 1)**
- 13-10 **Reserved**
- 9-0 **W2 Vertical Minify Factor**

**SR90-8D – Window 2 Live Video Start .....RW**

- 31-28 **Reserved** ..... always reads 0
- 27-16 **W2 Vertical Starting Point**
- 15-12 **Reserved** ..... always reads 0
- 11-0 **W2 Horizontal Starting Point**

**SR94-91 – Window 2 Live Video End.....RW**

- 31-30 **W2 Line Buffer Level Bits 8-7** (see SR95)
- 29-28 **Reserved** ..... always reads 0
- 27-16 **W2 Vertical Ending Point**
- 15-12 **Reserved** ..... always reads 0
- 11-0 **W2 Horizontal Ending Point**

**SR95 – Window 2 Live Video Line Buffer Level.....RW**

- 7 **Reserved** ..... always reads 0
- 6-0 **W2 Line Buffer Level Bits 6-0** (see SR91[31-30])

**SR96 – New Live Video Window Control 0.....RW**

- 7 **W2 Horizontal Interpolation**
  - 0 Interpolation ..... default
  - 1 Duplication
- 6 **W1 Vertical Interpolation U and V Components**
  - 0 Enable..... default
  - 1 Disable

This bit is effective only if window 1 vertical Y interpolation is enabled (CR8E[12] = 1)
- 5 **Reserved** .....always reads 0
- 4 **656**
  - 0 Disable ..... default
  - 1 Enable
- 3 **W2 Color Space Converter (CSC) Bypass**
  - 0 Disable ..... default
  - 1 Enable
- 2 **Reserved** .....always reads 0
- 1 **MC Even / Odd Inverter**
  - 0 Disable ..... default
  - 1 Enable
- 0 **MC Interlace Display**
  - 0 Disable ..... default
  - 1 Enable

**SR97 – New Live Video Window Control 1.....RW**

- 7 **Reserved** .....always reads 0
- 6 **Planar Mode X (Horizontal) Y/UV Ratio**
  - 0 2x ..... default
  - 1 4x
- 5-4 **Planar Mode Y (Vertical) Y/UV Ratio**
  - 00 2x (Yp420) ..... default
  - 01 4x (Yp410)
  - 1x 1x (Yp422)
- 3 **Reserved** .....always reads 0
- 2-0 **Window Mode** ..... default = 000b
 

Format	Interpolation	Line Buffers
000 YUV422	H-V	(96+48) x 64
001 Planar	H-V	(96+48) x 64
01x YUV	FIFO H	96 x 64
100 MPEG2 YUV422	H-V	2x(96+48)x64
101 MPEG2 Planar	H-V	2x(96+48)x64
11x YUV422	H-V (V-YUV)	2x(96+48)x64

For 1xx, only one h/w overlay window is supported

**SR98 – New Live Video Window Control 2 .....RW**

- 7-6 **Two Live Window Chroma Key Select**
  - 00 Chroma key only .....default
  - 01 Window 1 & chroma key
  - 10 Window 2 & chroma key
  - 11 (Window 1 | Window 2) & chroma key
- 5-4 **W1 Anti-Flicker Removal**
  - 00 Disable .....default
  - 01 One field is shifted up 1 line
  - 10 One field is shifted up 2 lines
  - 11 One field is shifted up 3 lines
- 3 **W1 Anti-Flicker Removal Field Selection**
  - 0 Odd field is shifted up .....default
  - 1 Even field is shifted up
- 2-1 **W2 Anti-Flicker Removal**
  - 00 Disable .....default
  - 01 One field is shifted up 1 line
  - 10 One field is shifted up 2 lines
  - 11 One field is shifted up 3 lines
- 0 **W2 Anti-Flicker Removal Field Selection**
  - 0 Odd field is shifted up .....default
  - 1 Even field is shifted up

**SR99 – New Live Video Window Control 3 .....RW**

- 7 **Reserved** .....always reads 0
- 6 **Capture Address Swap Enable**
  - 0 Disable .....default
  - 1 Enable
- 5 **Capture Address Swap**
  - 0 No swap .....default
  - 1 Swap
- 4-2 **W2 HDE Delay Adjust** ..... default = 0
- 1-0 **Reserved** .....always reads 0

**SR9B-9A – Window 1 UV Video Row Byte Offset.....RW**

- 15-14 **Reserved** .....always reads 0
- 13-0 **W1 UV Plane Video Row Byte Offset** (the bytes in a row)

**SR9D-9C – Window 2 Y Video Row Byte Offset.....RW**

- 15-14 **Reserved** .....always reads 0
- 13-0 **W2 Y Plane Video Row Byte Offset** (the bytes in a row)

**SR9E – Line Buffer Request Threshold .....RW**

- 7 **Reserved** .....always reads 0
- 6-0 **Line Buffer Request Threshold Level** ..... def = 0

**SR9F – VBI Control .....RW**

- 7 VBI Interrupt Status ..... RO**
- 6 Reserved .....always reads 0**
- 5 VBI Bit-8**
- 4 VBI IV Bit-8**
- 3 VBI Interrupt**
  - 0 Disable ..... default
  - 1 Enable
- 2 VBI Enable**
  - 0 Disable ..... default
  - 1 Enable
- 1-0 VBI Data Format in Frame Buffer**
  - 00 Every field data overwrite..... default
  - 01 Data in even/odd format
  - 10 Every two field data write contiguous
  - 11 -reserved-

**SRAD-AC – VBI Vertical Interrupt Position .....RW**

- 15 Reserved ..... always reads 0**
- 14-12 Dithering Mode**
  - 000 Bypass dithering .....default
  - 001 -reserved-
  - 010 24 bpp dither to 16 bpp
  - 011 24 bpp chop to 16 bpp
  - 100 24 bpp dither to 15 bpp
  - 101 24 bpp chop to 15 bpp
  - 110 24 bpp dither to RGB8
  - 111 24 bpp chop to RGB8
- 11 Capture CSC**
  - 0 Disable .....default
  - 1 Enable
- 10-0 VINST[10-0]**

**SRA3-A0 - VBI Frame Buffer Address.....RW**

- 31-20 VBI Row Byte Offset**
- 19-0 VBI Start Address**

**SRA7-A4 – VBI Capture Start.....RW**

- 31-27 Reserved .....always reads 0**
- 26-16 VBI Vertical Start**
- 15-11 Reserved .....always reads 0**
- 10-0 VBI Horizontal Start**

**SRAB-A8 – VBI Capture End .....RW**

- 31-27 Reserved .....always reads 0**
- 26-16 VBI Vertical End**
- 15-11 Reserved .....always reads 0**
- 10-0 VBI Horizontal End**

**SRAF-AE – Capture Row Byte Offset .....RW**

- 15 **Reserved** .....always reads 0
- 14 **Capture Address Initial Control**
- 13-0 **Capture Row Byte**

**SRB1-B0 – Window 1 HSB Control .....RW**

- 15-10 **Brightness**
  - 9-5 **Sin(Hue) \* Saturation \* 8** (bit-9 is the sign bit)
  - 4-0 **Cos(Hue) \* Saturation \* 8** (bit-4 is the sign bit)
- Hue range is 0-360 degrees (default = 0)  
Saturation range is 0-1.875 (default = 1)

**SRB3-B2 – Window 2 HSB Control .....RW**

- 15-10 **Brightness**
  - 9-5 **Sin(Hue) \* Saturation \* 8** (bit-9 is the sign bit)
  - 4-0 **Cos(Hue) \* Saturation \* 8** (bit-4 is the sign bit)
- Hue range is 0-360 degrees (default = 0)  
Saturation range is 0-1.875 (default = 1)

**SRB6-B4 – Second Display Address Select.....RW**

- 23-20 **Reserved** .....always reads 0
- 19-0 **Second Display Address for Double Buffering**  
Second display address for double buffering instead of capture address

**SRB7 – Video Sharpness.....RW**

- 7-0 **Video Sharpness Factor**

**SRBA-B8 – Second Capture Address Select.....RW**

- 23-20 **Reserved** .....always reads 0
- 19-0 **Second Capture Address for Double Buffering**  
Second capture address for double buffering instead of display address

**SRBC – Contrast Control.....RW**

- 7-4 **Window 2 Contrast**
- 3-0 **Window 1 Contrast**

**SRBD – Dual View Mux Control.....RW**

- 7-3 **Reserved** .....always reads 0
- 2-0 **CRT / TV View Multiplexing Control**
  - 00x Color key 1 determines top window (1=W1)def
  - 010 Video window 1 overlay
  - 011 Video window 2 overlay
  - 10x Window key defines window 1 on top
  - 11x Window key defines window 2 on top

**SRBE – Miscellaneous Control Bits .....RW**

- 7 **Planar Capture**
  - 0 Off .....default
  - 1 On
- 6-5 **Capture Start Address W/R Control (CR98[19-0])**
  - 0x W/R Y address .....default
  - 10 W/R U address
  - 11 W/R V address
- 4 **Video Engine Power Saving Mode**
  - 0 On .....default
  - 1 On
- 3 **Reserved** .....always reads 0
- 2 **Interpolation Bypass**
  - 0 Interpolation.....default
  - 1 Bypass
- 1 **Window 2 HSCB Enable**
  - 0 Bypass.....default
  - 1 Enable
- 0 **Window 1 HSCB Enable**
  - 0 Bypass.....default
  - 1 Enable

**SRCE – Window 2 Live Video Control .....RW**

- 7 **Reserved** .....always reads 0
- 6 **W2 Vertical Interpolation**
  - 0 Disable .....default
  - 1 Enable
- 5 **Planar Mode X (Horizontal) Y/UV Ratio**
  - 0 2x .....default
  - 1 4x
- 4-3 **Planar Mode Y (Vertical) Y/UV Ratio**
  - 00 2x (Yp420).....default
  - 01 4x (Yp410)
  - 1x 1x (Yp422)
- 2-0 **Window Mode**..... default = 000b
 

Format	Interpolation	Line Buffers
000 YUV422	H-V	(96+48) x 64
001 Planar	H-V	(96+48) x 64
01x YUV	FIFO H	96 x 64
100 MPEG2 YUV422	H-V	2x(96+48)x64
101 MPEG2 Planar	H-V	2x(96+48)x64
11x YUV422	H-V (V-YUV)	2x(96+48)x64

For 1xx, only one h/w overlay window is supported



**SRD1-D0 – Window 2 UV Row Byte Offset.....RW**

- 15-14 Reserved .....always reads 0
- 13-0 W2 UV Plane Video Row Byte Offset (the bytes in a row)

**SRD4-D2 – Window 2 U-Frame Start Address.....RW**

- 23-20 Reserved .....always reads 0
- 19-0 W2 U-Frame Start Address

**SRD7-D5 – Window 2 V-Frame Start Address.....RW**

- 23-20 Reserved .....always reads 0
- 19-0 W2 V-Frame Start Address

**SRD9-D8 – Digital TV Interface Control .....RW**

(see also CRD0, VGA / Digital TV Sync Control)

- 15-14 Reserved .....always reads 0
- 13 DIVS I/O Control
- 12 DTVI Signal Output Control, except DIVS (Vsync)
- 11 Dual View Clock Inversion Control
- 10 Dual View Clock Control for DTVI
- 9 DICLK Inversion Control
- 8 DIVS Inversion Control
- 7 DIHS Inversion Control
- 6-5 YUV Order Inversion Control
- 4, 1 Data Out Control
  - 00 VGA / Video Overlay Data
  - x1 TV Data
  - 10 Data Direct from Video Engine
- 3-0 HS / VS / CLK Control
  - 0000 VGAHS, VGAVS, and PCLK
  - x100 VGAHS, VGAVS, and SPKTV
  - 1000 VGAHS, VGAVS, and PCLK x 2
  - xxx1 DVHS, DVVS, and LCDCLK
  - xx10 TVHS, TVVS, and TVCLK

**SRDB-DA – Window 2 V-Count Status.....RO**

- 15-0 W2 V Count Status

**SRDD-DC – Dual View Control .....RW**

- 15-11 Reserved .....always reads 0
- 10-9 Dual View Control - SHIF
  - 8 Dual View Control – G Window Enable
  - 7 Dual View Control – W2 Double Buffer Enable
  - 6 Dual View Control – W1 Double Buffer Enable
  - 5 Dual View Control – W2 Address Trans Enable
  - 4 Dual View Control – W1 Address Trans Enable
  - 3 Dual View Control – Digital TV Enable
  - 2 Dual View Control – Digital Video LUT Write
  - 1 Dual View Control – Digital Video LUT Read
  - 0 Dual View Control – Digital Video CRT

**SRDF-DE – Window 1 V-Count Status.....RO**

- 15-13 Reserved .....always reads 0
- 12 DVV Sync
- 11-0 W1 V Count Status

**VGA Extended Registers – Graphics Controller Indexed**

**GRE – Old Source Segment Address .....RW**

- 7-3 **Reserved** .....always reads 0
- 2-1 **Source Segment Address Select**..... default = 0
- 0 **Reserved** .....always reads 0

**GRE – New Source Segment Address .....RW**

- 7 **Reserved** .....always reads 0
- 6-0 **Source Segment Address Select**..... default = 0  
Bit-1 is written inverted

**GRF – Miscellaneous Extended Function Control.....RW**

- 7 **Reserved** ..... always reads 0
- 6 **Character Clock Division Control Bit-1** (see bit-3)
  - 00 No division.....default
  - 01 Divide by 2
  - 10 Divide by 3
  - 11 -reserved-
- 5 **Symmetric / Asymmetric DRAM Address**
  - 0 Symmetric.....default
  - 1 Asymmetric
- 4 **Compressed Chain 4 Mode for CPU Path**
  - 0 Disable .....default
  - 1 Enable
- 3 **Character Clock Division Control Bit-0** (see bit-6)
- 2 **Alternate Bank & Clock Select**
  - 0 Disable 3D8, 3D9, and 3xB.....default
  - 1 Enable 3D8, 3D9, and 3xB
- 1 **Compressed Chain 4 Mode Display Path**
  - 0 Disable .....default
  - 1 Enable
- 0 **Source Segment Address Register Enable**
  - 0 Disable GRE .....default
  - 1 Enable GRE

All bits except 2 and 0 are write protected by SRE\_New[7]

**Power Management Registers**

**GR20 – Standby Timer Control.....RW**

- 7 **Timer Initialize & Enable**
  - 0 Enable Timer ..... default
  - 1 Initialize and hold standby and DPMS timer
- 6-4 **Timer Testing ..... RO**
- 3-0 **Reserved** .....always reads 0

**GR21 – Power Management Control 1.....RW**

- 7 **Power Management Pin Polarity**
  - 0 Active High ..... default
  - 1 Active Low
- 6 **PCI Power Management**
  - 0 Disable ..... default
  - 1 Enable
- 5 **Suspend Mode**
  - 0 Normal mode ..... default
  - 1 Enter Suspend Mode
- 4 **Suspend Input Pin**
  - 0 Disable ..... default
  - 1 Enable
- 3 **D3 to D0 Reset**
  - 0 Disable ..... default
  - 1 Enable
- 2 **Standby Input Pin**
  - 0 Disable ..... default
  - 1 Enable
- 1 **CLKRUN# Mechanism**
  - 0 Disable ..... default
  - 1 Enable
- 0 **Consistent Standby / Suspend**
  - 0 The bits in the PCI PM configuration registers will be OR'ed with bits 5 and 3 of this register for connection to the internal PM state machine ..... default
  - 1 The bits in the PCI PM configuration registers will be the same as bits 5 and 3 of this register to allow software coherency

**GR22 – Power Management Control 2.....RW**

- 7 **Timer Test Mode**
  - 0 Disable .....default
  - 1 Enable
- 6 **Refresh Clock Select**
  - 0 Crystal input or external clock (XMCLK) provides refresh clock during suspend ...default
  - 1 REFCLK is used as refresh clock during suspend for 64ms refresh (ignore “Suspend DRAM Refresh Mode” bits 5-4 below)
- 5-4 **Suspend DRAM Refresh Mode**
  - 00 No refresh .....default
  - 01 Self refresh
  - 10 Crystal clock provides rate for 8ms refresh
  - 11 Crystal clock provides rate for 64ms refresh
- 3 **Disable GPIO**
  - 0 Allow GPIO 7-0 pins to drive data in.....default
  - 1 Disable GPIO 7-0 pins (and their shared functions) from driving data. Tristates input buffers on pins so no power is consumed if GPIO pins are set to input mode.
- 2 **Reserved** ..... always reads 0
- 1 **Hardware / Software Oscillator Select**
  - 0 Software controls oscillator off with bit-0 (prevents automatic oscillator shutdown without direct software control of the “Oscillator Disable” bit) .....def
  - 1 Hardware controls oscillator off (allow oscillator shutdown when power states are entered using hardware mechanisms)
- 0 **Oscillator Disable**
  - 0 Enable normal function .....default
  - 1 Disable (oscillator off)

**GR23 – Power Status .....RW**

- 7 **Power Management Pin Polarity** (see GR21[7])
- 6-5 **Chip Power Status**
  - 00 Ready
  - 01 Standby
  - 10 Suspend
  - 11 -reserved-
- 4 **LCD Power Sequence Status**
  - 0 LCD power sequencing is not occurring at this time
  - 1 LCD power sequencing is occurring at this time
- 3-2 **Panel Power Sequencing**
  - 00 Fast panel power sequencing ..... default
  - 01 -reserved-
  - 10 -reserved-
  - 11 Slow panel power sequencing
- 1-0 **DPMS Power Status**
  - 00 On Mode (CRT interface is active and RAMDAC is full on) ..... default
  - 01 Standby Mode (Hsync disabled, Vsync active, DAC off, RAMDAC color palette lookup table (LUT) video data path is off but LUT I/O is allowed)
  - 10 Suspend Mode (Vsync disabled, Hsync active, RAMDAC is off but contents are retained)
  - 11 Off Mode (Hsync and Vsync disabled, DAC LUT is full off)

In hardware mode, these bits indicate the status of CRT Hsync and Vsync as well as the internal RAMDAC power state (the “off” mode state can be read only in CRT only mode). In software mode, these bits control the state of the CRT Hsync and Vsync signals but not the power state of the internal RAMDAC. In simultaneous display modes, the power state of the RAMDAC is not controlled by the DPMS Power State (bits 1-0), but by the Chip Power State (bits 6-5).

**GR24 – Software Power Control.....RW**

- 7 **VCLK**
  - 0 Disable
  - 1 Enable .....default
- 6 **MCLK**
  - 0 Disable
  - 1 Enable .....default
- 5 **CPU & DRAM Data Bus**
  - 0 Disable
  - 1 Enable .....default
- 4 **Reserved** ..... always reads 0
- 3 **ENPBLT (Panel and/or Backlight Enable) Control**
  - Software Power Control
    - 0 Drive ENPBLT Low.....default
    - 1 Drive ENPBLT High
  - Hardware Power Control (timers, pin, register bit)
    - 0 ENPBLT is active low .....default
    - 1 ENPBLT is active high
- 2 **Panel VDD**
  - 0 Disable .....default
  - 1 Enable
- 1 **Panel Interface Signals**
  - 0 Disable .....default
  - 1 Enable
- 0 **Panel VEE**
  - 0 Disable .....default
  - 1 Enable

**GR25 – Power Control Select .....RW**

When any of bits 7-6 or 3-0 are set to 1, the corresponding power control bit reads back the logic state of the internal power management engine. For all bits below, 0 selects hardware power control and 1 selects software power control.

- 7 **Power Control for VCLK** ..... def = 1
- 6 **Power Control for MCLK** ..... def = 1
- 5 **Power Control for the Data Bus** ..... def = 1
- 4 **Power Control for the RAMDAC** ..... def = 1  
The RAMDAC is software enabled in GR26[7-6]
- 3 **Power Control for Panel Enable / Backlight** def = 1  
(see GR24[3])
- 2 **Power Control for Panel VDD** ..... def = 1
- 1 **Power Control for Panel Interface Signals** . def = 1
- 0 **Power Control for Panel VEE** ..... def = 1

**GR26 – DPMS Control .....RW**

- 7-6 RAMDAC Internal Power Control**
  - 00 Normal ..... default
  - 01 DAC off (used in LCD only mode)
  - 10 Standby (DAC off, LUT in low power mode, I/O allowed to LUT). May be used in LUT bypass mode.
  - 11 Suspend (DAC off, LUT access disallowed but LUT contents are preserved)
- 5-4 Reserved** .....always reads 0
- 3 DPMS Control**
  - 0 Software Control Mode: DPMS controlled by GR23[1-0] in simultaneous display and CRT-only modes (may be used to decouple the power modes of the CRT and LCD during simultaneous display) ..... default
  - 1 Hardware Control Mode: DPMS controlled by internal power states.
- 2-0 Reserved** .....always reads 0

**DPMS Control Modes**

DPMS Software Control Mode

In simultaneous display mode, the software control mode can be used to control DPMS low power states independent of the chip power states. In CRT display mode, software mode gives total DPMS control to software. Pseudo-standby may be controlled by bits 7 and 6, as well as BLANK# timing.

DPMS Hardware Control Mode

**Table 9. DPMS Sequence - Hardware Timer Mode**

Power Level	DPMS Mode
High - Activity detected	On
Moderate - 16 min inactivity	Standby
Low - 32 min inactivity	Suspend
Lowest - 64 min inactivity	Off

DPMS hardware timer mode is defined as CRT only mode with the DPMS control mode bit set to hardware (bit 3 =1). Activity detection is set by register GR21[2:0]. Status is indicated in bits 1 and 0. The timer may be controlled by software from GR20[7].

**Table 10. DPMS Sequence - Hardware Mode in Simultaneous Display Mode**

Power Level	DPMS Mode
High - Chip on state	On
Moderate - Chip standby	Off
Low - Chip suspend	Off
Lowest - Chip off state	Off

In simultaneous display mode with hardware DPMS set, DPMS states are sequenced by the timer, pin, and register bits that control the chip power states.

**GR28-27 – GPIO Control.....RW**

- 15-8 GPIO Direction 7-0**
  - 0 Read ..... default
  - 1 Write
- 7-0 GPIO Data 7-0..... default = 0**

**GR2A – Suspend Pin Timer .....RW**

- 7 Motion Video Port Suspend**
  - 0 Disable ..... default
  - 1 Enable
- 6-0 Reserved** ..... always reads 0

**GR2C – Miscellaneous Pin Control.....RW**

- 7 Reserved** ..... always reads 0
- 6 Use PDINV pin as GPIO5**
  - 0 Disable ..... default
  - 1 Enable
- 5-4 Reserved** ..... always reads 0
- 3 Use INT# pin as PSTATUS**
  - 0 Disable ..... default
  - 1 Enable
- 2 Tristate P35-0, DE, SFCLK, LP, FLM**
  - 0 Tristate ..... default
  - 1 Enable
- 1 Tristate ENPVEE, ENPVDD, ENPBLT**
  - 0 Tristate ..... default
  - 1 Enable
- 0 Reserved** ..... always reads 0

**GR2F – Miscellaneous Internal Control.....RW**

- 7 PCLK Control**
  - 0 VGA Compatible ..... default
  - 1 PCLK equals VCLK
- 6 Reserved** ..... always reads 0
- 5 Hsync Skew Control**
  - 0 One skew in graphics, two skew in text .default
  - 1 No skew
- 4-3 Reserved** ..... always reads 0
- 2 Double Logical Line Width**
  - 0 Disable ..... default
  - 1 Enable
- 1 Text Mode Display FIFO Prefetch Cycles Select**
  - 0 Multiple of 8 ..... default
  - 1 Multiple of 4
- 0 Enable Display FIFO Threshold Control**
  - 0 Disable ..... default
  - 1 Enable (can also be enabled by AR10[0])

**Scratch Pad Registers**

These registers are reserved for use by software.

**GR5A – Scratch Pad 0 .....RW**

**GR5B – Scratch Pad 1 .....RW**

**GR5C – Scratch Pad 2 .....RW**

**GR5D – Scratch Pad 3 .....RW**

**GR5E – Scratch Pad 4 .....RW**

**GR5F – Scratch Pad 5.....RW**

**VGA Extended Registers – CRT Controller Indexed**

**CRE – CRT Module Test.....RW**

- 7 Extended Memory Access Above 256KB**
  - 0 Disable ..... default
  - 1 Enable
- 6 VGA Misc Output Register (3C2) Write Protect**
  - 0 Writes to 3C2 Allowed ..... default
  - 1 Write Protect 3C2
- 5 CRT Start Address Bit-16**
- 4-3 Reserved** .....alwatys reads 0
- 2 Interlaced Mode**
  - 0 Disable ..... default
  - 1 Enable
- 1-0 Reserved for Test (Do Not Program)..... default = 0**

**CR19 – CRT Interlace Control.....RW**

- 7-0 Interlaced Vsync Adjust Value**

**CR1A – Arbitration Control 1.....RW**

- 7-0 Display Queue Kill Counter** ..... default = 0  
 Controls how many requests can be accepted by the arbiter before changing the owner to another agent (00 disables the counter).

**CR1B – Arbitration Control 2.....RW**

- 7-0 High Priority Arbiter Kill Counter** ..... default = 0  
 Controls how many requests can be accepted by the arbiter before changing the owner to another agent (00 disables the counter).

**CR1C – Arbitration Control 3.....RW**

- 7-0 Low Priority Arbiter Kill Counter** ..... default = 0  
 Controls how many requests can be accepted by the arbiter before changing the owner to another agent (00 disables the counter).



**CR1F – Software Programming .....RW**

- 7-4 **Reserved** .....always reads 0
- 3-0 **Display Memory Size**
  - 0011 1MB
  - 0111 2MB
  - 1111 4MB
  - 0100 8MB

All other codes are reserved

Memory size is automatically detected during system setup.

**CR20 – Command FIFO.....RW**

- 7-6 **Reserved** .....always reads 0
- 5 **Write Buffer**
  - 0 Disable ..... default
  - 1 Enable
- 4 **16-Bit Planar Mode**
  - 0 Disable ..... default
  - 1 Enable
- 3-0 **Reserved** .....always reads 0

**CR21 – Linear Addressing .....RW**

- 7-6 **Reserved** .....always reads 0
- 5 **Linear Memory Access**
  - 0 Disable ..... default
  - 1 Enable
- 4-0 **Reserved** .....always reads 0

This register is write protected by SRE\_New[7].

**CR22 – CPU Latch Readback..... RO**

- 7-0 **Latched Data**  
Pointed to by GR4 (VGA Read Map Select Register )

**CR24 – VGA Attribute State ..... RO**

- 7 **VGA Attribute State**
  - 0 Index ..... default
  - 1 Data
- 6-0 **Reserved** .....always reads 0

**CR25 – RAMDAC Read/Write Timing .....RW**

- 7 **PCLK / P[7-0] BufferTristate Control**
  - 0 Enable..... default
  - 1 Disable
- 6-4 **Reserved** .....always reads 0
- 3-0 **RAMDAC Read / Write Wait States** ..... def =1111b

**CR27 – CRT High Order Start Address.....RW**

- 7 **Vertical Total Bit-10** ..... default = 0
- 6 **Vertical Blanking Start Bit-10** ..... default = 0
- 5 **Vertical Retrace Start Bit-10** ..... default = 0
- 4 **Vertical Display Enable End Bit-10** ..... default = 0
- 3 **Line Compare Bit-10** ..... default = 0
- 2-0 **Start Address Bits 19-17** ..... default = 0

**CR29 – RAMDAC Mode.....RW**

- 7 **External DAC**
  - 0 Disable .....default
  - 1 Enable
- 6 **Reserved** ..... always reads 0
- 5-4 **CRTC Offset[9:8] for High or True Color Modes**
- 3 **GE I/O Decode**
  - 0 Disable .....default
  - 1 Enable
- 2 **RAMDAC**
  - 0 External.....default
  - 1 Internal
- 1-0 **RS[3-2] for RAMDAC** (if register access definition is selected)

This register is write protected by SRE\_New[7]

**CR2A – Interface Select .....RW**

- 7 **Reserved** ..... always reads 0
- 6 **Internal Data Path Width**
  - 0 8/16-bit.....default
  - 1 32-bit
- 5 **Reserved** .....always reads 1
- 4 **Power Down Mode Using ROMCS#**
  - 0 Enable .....default
  - 1 Disable
- 3-0 **Reserved** ..... always reads 0

This register is write protected by SRE\_New[7]

**CR2B – Horizontal Parameter Overflow.....RW**

- 7-5 **Reserved** .....always reads 0
- 4 **Horizontal Blank Start Bit-8**..... default = 0
- 3 **Horizontal Retrace Start Bit-8** ..... default = 0
- 2 **Horizontal Interlace Parameter Bit-8** .... default = 0
- 1 **Horizontal Display Enable Bit-8** ..... default = 0
- 0 **Horizontal Total Bit-8** ..... default = 0

**CR2D – GE Timing Control.....RW**

- 7-5 **Reserved** .....always reads 0
- 4-3 **GE Sample Clock Delay Selection**..... default = 0
- 2-0 **GE Frame Buffer Read Delay Cycles** ..... default = 0

**CR2F – Performance Tuning.....RW**

- 7 **Reserved** .....always reads 0
- 6 **DRAM Refresh Cycle Control Bit-1**  
(Bit-0 is CR11[6])
  - 00 3 refresh cycles per horizontal line
  - 01 5 refresh cycles per horizontal line
  - 10 1 refresh cycles per horizontal line
  - 11 2 refresh cycles per horizontal line
- 5 **Blank TimingSelect**
  - 0 Normal blank..... default
  - 1 Blank is the inverse of display enable
- 4 **Display FIFO Depth Control**
  - 0 32 deep ..... default
  - 1 8 deep
- 3-2 **Memory Read Ready Control**
  - 00 -reserved..... default
  - 01 Fast read cycle (same as 10)
  - 10 Fast read cycle (same as 01)
  - 11 Normal read cycle
- 1 **Clock Source**
  - 0 VCLK2
  - 1 VCLK1 ..... default
- 0 **Pin Scan (Test Only)**..... default = 1

**CR35-34 – Graphics Engine I/O Linear Address Base..RW**

- 15-0 **Graphics Engine Linear Address Base**... default = 0

**CR36 – Graphics Engine / Video Engine Control .....RW**

- 7 **Graphics Engine**
  - 0 Disable .....default
  - 1 Enable
- 6 **PCI Video Minifier**
  - 0 Bypass.....default
  - 1 Go through minifier
- 5 **Video Aperture**
  - 0 Disable .....default
  - 1 Enable
- 4 **Graphics Engine Software Reset**  
Writing a one to this bit resets the graphics engine
- 3 **Graphics Engine I/O**
  - 0 Disable .....default
  - 1 Enable
- 2 **String Write**
  - 0 Disable .....default
  - 1 Enable
- 1-0 **Graphics Engine Register Mapping**
  - 00 I/O mapped at 21xxh .....default
  - 01 Memory mapped at B7Fxxh
  - 10 Memory mapped at BFFxxh
  - 11 Memory mapped using the GE base register

**CR37 – I<sup>2</sup>C / SMB Control.....RW**

- 7 **SMBCLK Buffer is Open Drain**..... always reads 1
- 6 **I<sup>2</sup>C SMBCLK Status** ..... RO
- 5-4 **Reserved** ..... always reads 0
- 3 **I<sup>2</sup>C Operation**
  - 0 Read .....default
  - 1 Write
- 2 **Reserved** ..... always reads 0
- 1 **I<sup>2</sup>C SMBCLK Signal**
  - 0 Low
  - 1 High .....default
- 0 **I<sup>2</sup>C SMBDAT Signal**
  - 0 Low .....default
  - 1 High

**CR38 – Pixel Bus Mode .....RW**

- 7-6 **Reserved** .....always reads 0
- 5 **Packed 24-Bit True-Color Mode**
  - 0 Disable ..... default
  - 1 Enable
- 4 **Standard VGA Mode in 64-Bit Configuration**
  - 0 Disable ..... default
  - 1 Enable
- 3 **True Color Mode**
  - 0 Disable ..... default
  - 1 Enable
- 2 **High Color Mode**
  - 0 Disable ..... default
  - 1 Enable
- 1 **Reserved** .....always reads 0
- 0 **16-Bit Pixel Bus**
  - 0 Disable ..... default
  - 1 Enable

This register is protected by SRE\_New[7]

**CR39 – PCI Interface Control .....RW**

- 7 **Pixel Data Format**
  - 0 Little Endian ..... default
  - 1 Big Endian
- 6-5 **Memory Data with Big Endian Format**
  - 00 Pass Through (PT) ..... default
  - 01 Word Swap (WS)
  - 10 Half Swap (HS)
  - 11 Full Swap (FS)
- 4-3 **BE[3-0]# With Big Endian Format**
  - 00 Pass Through (PT) ..... default
  - 01 Word Swap (WS)
  - 10 Half Swap (HS)
  - 11 Full Swap (FS)
- 2 **PCI Burst Write**
  - 0 Disable ..... default
  - 1 Enable
- 1 **PCI Burst Read**
  - 0 Disable ..... default
  - 1 Enable
- 0 **MMIO Control**
  - 0 Disable ..... default
  - 1 Enable (64KB VGA I/O space can be memory mapped within the 4GB memory space)

This register is protected by SRE\_New[7]

**CR3A – Physical Address Control .....RW**

- 7 **Reserved** .....always reads 0
- 6 **AGP / PCI Select**
  - 0 PCI .....default
  - 1 AGP
- 5 **Both IO**
  - 0 Disable .....default
  - 1 Enable
- 4 **Memory Address Linearization**
  - 0 Disable .....default
  - 1 Enable
- 3 **Reserved** .....always reads 0
- 2 **AGP Software Reset**
  - 0 Normal .....default
  - 1 Reset
- 1 **PCI Configuration Subsystem ID Write**
  - 0 Disable .....default
  - 1 Enable
- 0 **Enhanced Register I/O Scheme**
  - 0 Disable .....default
  - 1 Enable

**CR3B – Clock and Tuning .....RW**

- 7 **Observe Clock Source**
  - 0 VCLK1 .....default
  - 1 VCLK2
- 6-4 **Clock Source Mode Select**
  - 0xx Internal Clock Chip
    - 000 V/MCLK test mode, observe MCLK
    - 001 V/MCLK test mode, observe VCLK1
    - 010 V/MCLK test mode, observe VCLK2
    - 011 Normal operation
  - 1xx External Clock Chip

Bit 6 default is set from MA7  
Bits 5-4 default is set from MA8,2 inverted
- 3 **Clock Control**
  - 0 When bits 6-4 = 00x, clock is normal ....default
  - 1 When bits 6-4 = 00x, clock is divided by 2
- 2-1 **Reserved** .....always reads 0
- 0 **Vertical Retrace Memory Refresh**
  - 0 Disable
  - 1 Enable .....default

This register is protected by SRE\_New[7]

**CR3C – Miscellaneous Control .....RW**

- 7-3 **Same Definition as GRF[7-3]..... default = 0**
- 2 **Reserved** .....always reads 0
- 1 **Same Definition as GRF[1]..... default = 0**
- 0 **Mode Select 1** ..... default = 0
  - 0 This register has no function .....default  
The original GRF[7-0] bits are used
  - 1 GRF[7-3, 1] accessed via this register only  
GRF[2, 0] accessed at original register only  
Original GRF[3] is R/W but has no function

This register is protected by SRE\_New[7]

**Hardware Cursor Registers**

The PLE133 supports a Windows® compatible hardware cursor. The hardware cursor operates only in extended planar and packed pixel modes. The cursor size can be selected between 32x32 and 64x64. Two 2-bits-per-pixel images define the cursor shape. The table below shows how these two bits operate on each pixel. The hardware cursor pattern is stored in off-screen memory.

**Table 11. Hardware Cursor Pixel Operation**

Plane 0 (AND)	Plane 1 (XOR)	Pixel Operation (Windows®)	Pixel Operation (X11)
1	0	Transparent	Cursor BG Color
1	1	VGA Data Inversion	Cursor FG Color
0	1	Cursor FG Color	Transparent
0	0	Cursor BG Color	Transparent

**CR43-40 – Hardware Cursor Position .....RW**

- 31-28 **Reserved** .....always reads 0
- 27-16 **Hardware Cursor Position Y Dimension**
- 15-12 **Reserved** .....always reads 0
- 11-0 **Hardware Cursor Position X Dimension**

**CR45-44 – Hardware Cursor Pattern Location.....RW**

- 15-12 **Reserved** .....always reads 0
- 11-0 **Hardware Cursor Map Mask Storage Location**  
1KB aligned in the frame buffer

**CR47-46 – Hardware Cursor Offset .....RW**

- 15 **Reserved** .....always reads 0
- 14-8 **Hardware Cursor Position Y-Offset**
- 7 **Reserved** .....always reads 0
- 6-0 **Hardware Cursor Position X-Offset**

**CR4F-48 – Hardware Cursor Color.....RW**

- 63-56 **Reserved** .....always reads 0
- 55-32 **Hardware Cursor Background Color**
- 31-24 **Reserved** .....always reads 0
- 23-0 **Hardware Cursor Foreground Color**

**CR50 – Hardware Cursor Control.....RW**

- 7 **Hardware Cursor Enable**
  - 0 Disable .....default
  - 1 Enable
- 6 **Hardware Cursor Mode**
  - 0 MS Windows™ Compatible .....default
  - 1 X11 Compatible
- 5 **Hardware Cursor Color Control 3**
  - 0 Disable .....default
  - 1 Enable
- 4 **Hardware Cursor Color Control 2**
  - 0 Disable .....default
  - 1 Enable
- 3-2 **Reserved** .....always reads 0
- 1-0 **Hardware Cursor Size**
  - 00 128x128 .....default
  - 01 64x64
  - 10 32x32
  - 11 -reserved-

**Additional CRTC Extended Registers**

**CR51 – Bus Grant Termination Control .....RW**

- 7-0 Bus Grant Termination Position**  
This register is active if CR52[6] = 1

**CR52 – Shared Frame Buffer Control.....RW**

- 7, 5 Shared Frame Buffer (SFB)**
  - 00 Disable ..... default
  - 01 Enable SFB slave mode 1 (8ma I/O buffer)
  - 10 Enable SFB master mode
  - 11 Enable SFB slave mode 2 (16ma I/O buffer)
- 6 Bus Grant Termination Position Control**
  - 0 Disable ..... default
  - 1 Enable
- 4 Reserved** ..... always reads 0
- 3-0 Bus Grant Low Pulse (MCLKs) ..... def = 0010b**

**CR55 – PCI Retry Control .....RW**

- 7 PCI Retry in Memory Write Command**
  - 0 Disable ..... default
  - 1 Enable
- 6 PCI Retry in Memory Read Command**
  - 0 Disable ..... default
  - 1 Enable
- 5-0 Number of PCICLKs \* 2 for STOP# ..... def = 0Fh**  
Number of PCICLKs, multiplied by 2, for generating STOP# during the first data phase

**CR56 – Display Pre-end Fetch Control.....RW**

- 7-2 Reserved** ..... always reads 0
- 1 Display Queue Pre-end Fetch**
  - 0 Disable ..... default
  - 1 Enable
- 0 Display Queue Pre-end Fetch Parameter Bit-8**  
Used with CR57 ..... default = 0

**CR57 – Display Pre-end Fetch Parameter.....RW**

- 7-0 Display Queue Pre-end Fetch Parameter Bit-8**  
Used with CR56[0] ..... default n/a

**CR5E – Capture / ZV Port Control .....RW**

- 7 Capture Idle .....RO**
- 6 Capture Command Port**
  - 0 Disable .....default
  - 1 Enable new command port (2203-2200h)
- 5-3 Reserved** ..... always reads 0
- 2 PCI I/O Write Retry**
  - 0 Disable .....default
  - 1 Enable
- 1 PCI I/O Read Retry**
  - 0 Disable .....default
  - 1 Enable
- 0 Capture Interface**
  - 0 Disable .....default
  - 1 Enable

This bit is protected by SRE\_New[7]

**CR5F – Test Control.....RW**

- 7 Internal Control Test Output**
  - 0 Normal .....default
  - 1 Internal control signals are output to P15-0
    - P15 GEREQ
    - P14 GEBUSY
    - P13 CMDIN
    - P12 GEWAIT
    - P11 CMATCH
    - P10 KGECYC
    - P9 WBMT
    - P8 GERTRY
    - P7 BLANKTV
    - P6 WRSTY
    - P5 WRSTU
    - P4 WRSTV
    - P3 WRST1
    - P2 YOEN
    - P1 UEN
    - P0 YUVEN
- 6 Capture Input Interrupt Polarity Select**
  - 0 Normal .....default
  - 1 Test data is output to pixel bus P15-0
- 5-1 Reserved** ..... always reads 0
- 0 Stop DISPQ REQ Test**
  - 0 Normal .....default
  - 1 Stop DISPQ REQ

**CR62 – Enhancement 0.....RW**

- 7 Pause GE Operation (GEPAUSE)**
  - 0 Normal GE Operation ..... default
  - 1 Pause GE Operation
- 6 PCI Retry for GE (ENGERTRY)**
  - 0 Disable ..... default
  - 1 Enable
- 5 Short Command (ENSHRT)**
  - 0 Disable ..... default
  - 1 Enable
- 4 Direct Read Even if GE is Busy (ENDIRRD)**
  - 0 Disable ..... default
  - 1 Enable
- 3 Reserved** .....always reads 0
- 2 Low Priority Arbitration Policy**
  - 0 Fixed Priority
  - 1 Round Robin ..... default
- 1 High Priority Arbitration Policy**
  - 0 Fixed Priority ..... default
  - 1 Round Robin
- 0 Frame Buffer Memory Size Select**
  - 0 8MB ..... default
  - 1 4MB

**CR63 – Enhancement 1 .....RW**

- 7-6 Reserved** ..... always reads 0
- 5-4 Memory Folding Control**
  - 00 Normal .....default
  - 01 FOLD6
  - 10 FOLD7
  - 11 -reserved-
- 3-2 Reserved** ..... always reads 0
- 1-0 Extended FIFO Latency Control (LATV[5-4])**  
Combined with CR30

**CR64 – DPA Extra .....RW**

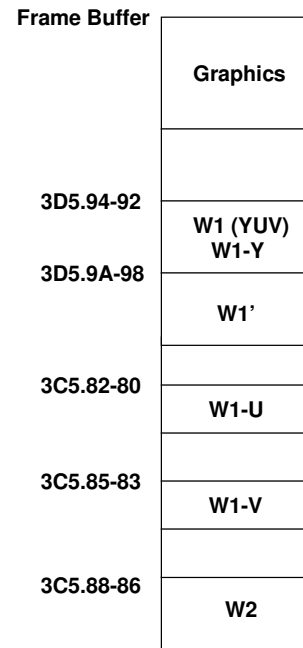
- 7 DPA On/Off**
  - 0 On .....default
  - 1 Off
- 6 DPA Bypass**
  - 0 Normal .....default
  - 1 Bypass
- 5-3 Reference Feedback Clock Delay**  
Maximum 2ns ..... default = 0
- 2-0 Reference Internal Clock Delay**  
Maximum 2ns ..... default = 0

**Video Display and Capture Engine Registers**

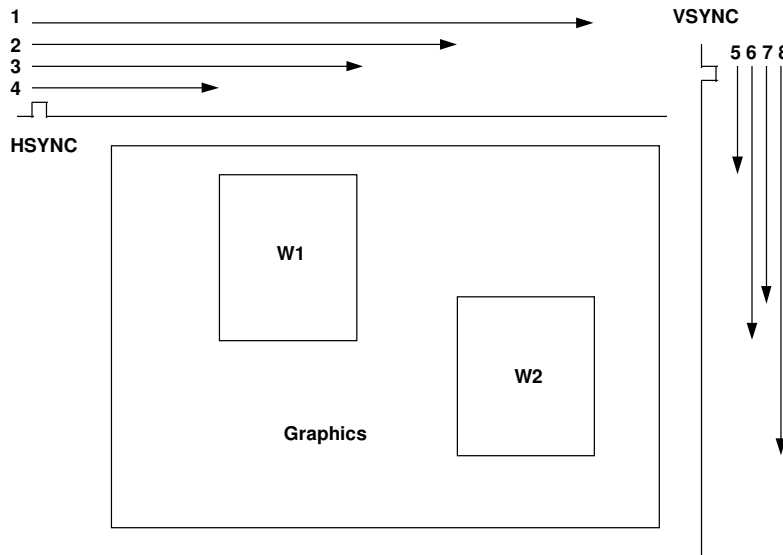
The PLE133 integrates video display and capture engines, which support YUV 4:2:2, YUV12 (planar) or YUV 4:1:1 data formats to accelerate software playback and video capture functions. Video images can be captured through a special video capture port or the PCI bus. Dual apertures on the PCI bus enable graphics and video data to be transported simultaneously without any software involvement. The video image can be smoothed through a programmable multi-tap filter to reduce the jig-jag effect after minification. The video data can be minified to save bus bandwidth or memory space and written into offscreen memory. The video display engine fetches YUV 4:2:2 or planar video data from offscreen memory and can be scaled up with linear interpolation in both X and Y directions. The video data stream is converted into a True Color RGB24 data stream and multiplexed with the graphics data. Two live video windows can be supported. The graphics data and video data can be handled smoothly in different color depths with color key support. A hardware anti-tear mechanism prevents the tearing effect due to frame buffer update and eases the burden of software to flip the page. Since the hardware synchronizes the capture or PCI video address pointer with the playback VSYNC, the built-in algorithm ensures the playback frame buffer is free from the frame update. For the parameters defined here, refer to the following figures.

Note that W1' is defined for the anti-tearing function. W1 is the first live video storage area and W2 is the second live video storage area. W1 could be in either packed pixel or planar format, while W2 can only be packed pixel mode. If W1 is in packed pixel mode, then W1-U and W1-V are not used. If W1 is in planar mode, then W1-Y is the first live

video Y-component storage area, and W1-U (V) is the first live video U (V) -component storage area. In the following register definitions, a register with W1 (W2) indicates that this parameter is applicable to the first (second) live video window only.



**Figure 7. Frame Buffer Parameters**



1: CR92-CR91, 2: 3X58E-CR8D, 3: CR8B-CR8A, 4: CR87-CR86, 5: CR89-CR88, 6: CR8D-CR8C, 7: SR90-SR8F, 8: SR94-SR93

**Figure 8. Live Video Display Parameters**

**CR81-80 – Window 1 Horizontal Scaling Factor.....RW**

- 15 Horizontal Minify / Zoom Enable**
  - 0 Horizontal Zoom Enable..... default
  - 1 Horizontal Minify Enable

Minify Enabled:

- 14-13 Tap 1**
- 12-10 Horizontal Minify Integer** (Inverter), Hsrc/Hdst – 1
- 9-0 Horizontal Minify Factor**, (Hdst/Hsrc) \* 1024

Zoom Enabled:

- 13-0 Horizontal Zoom Factor**, (Hdst/(Hsrc-2)-1) \* 1024

**CR83-82 – Window 1 Vertical Scaling Factor .....RW**

- 15 Vertical Minify / Zoom Enable**
  - 0 Vertical Zoom Enable..... default
  - 1 Vertical Minify Enable
- 14 Vertical Filtering**
  - 0 Disable ..... default
  - 1 Enable
- 13-10 Reserved** .....always reads 0
- 9-0 Vertical Minify / Zoom Factor** (Vdst/Vsrc) \* 1024

**CR89-86 – Window 1 Video Window Start.....RW**

- 31-28 Reserved** ..... always reads 0
- 27-16 Video Window Vertical Start**  
In pixel delays from the edge of VSYNC
- 15-12 Reserved** ..... always reads 0
- 11-0 Video Window Horizontal Start**  
In pixel delays from the rising edge of HSYNC

**CR8D-8A – Video Window End.....RW**

- 31-28 Reserved** ..... always reads 0
- 27-16 Video Window Vertical End**  
In pixel delays from the edge of VSYNC
- 15-12 Reserved** ..... always reads 0
- 11-0 Video Window Horizontal End**  
In pixel delays from the rising edge of HSYNC



**CR8F-8E – Video Display Engine Flags .....RW**

- 15 Planar Capture Mode**
  - 0 Planar 420 Capture..... default
  - 1 Planar 422 Capture
- 14 VSYNC Test / Graphics Engine Reset**
  - 0 Disable ..... default
  - 1 Enable
- 13 Edge Recovery Algorithm Control**
  - 0 Disable ..... default
  - 1 Enable
- 12 Window 1 Vertical Interpolation**
  - 0 Disable ..... default
  - 1 Enable
- 11 Window 1 Horizontal Interpolation**
  - 0 Disable ..... default
  - 1 Enable
- 10 CSC / Bypass Select**
  - 0 CSC ..... default
  - 1 Bypass
- 9 Line Toggle for Line Buffer**
  - 0 Normal ..... default
  - 1 Toggle (Reversed)
- 8 Reserved** .....always reads 0
- 7-5 Window 1 HDEO Delay Adjust..... default = 4**
- 4 Video Window 1**
  - 0 Disable ..... default
  - 1 Enable
- 3 CCIR-/ DTV Input Video Data Control**
  - 0 CCIR Format..... default
  - 1 DTV Format
- 2-1 W1 / W2 Line Buffer Page Break Level Control**
  - 00 8 levels ..... default
  - 01 16 levels
  - 1x 32 levels
- 0 Video Window 2**
  - 0 Disable ..... default
  - 1 Enable

**CR91-90 – Window 1 / W1-Y Row Byte Offset.....RW**

- 15-14 Reserved** .....always reads 0
- 13-0 Video Row Byte Offset**  
Programmed with the number of bytes in a row

**CR94-92 – Window 1 / W1-Y Video Start Address.....RW**

- 23-21 Reserved** .....always reads 0
- 20 Used with CR97 bit-7**
- 19-0 Video Start Address (in bytes)**

**CR95 – Video Window Line Buffer Threshold.....RW**

- 7 Line Buffer Level Bit-8** (used with CR96)
- 6-0 W1 / W2 Line Buffer Request Threshold Value**  
When the line buffer is less than this value, a memory request will be issued. The value programmed in this register must be less than the line buffer level (see bit-7 and CR96).

**CR96 – Window 1 / W1-Y Line Buffer Level Control ...RW**

- 7-0 Line Buffer Levels** (bit-8 is in CR95[7])  
RGB8: (pixel # + 2) / 8 rounded up  
YUV 4:2:2: (Pixel # + 2) / 4 rounded up  
For W1-U or W1-V, the level is this value divided by 4 or 16, depending on the panar format (YUV12 or YUV9)

**CR97 – Video Display Engine Flags.....RW**

- 7 Start Address Reload Control**
  - 0 CR94[4]=0 address can be reloaded any time
  - 1 CR94[4]=0 only reloaded during Vsync
  - x CR94[4]=1 address not reloaded
- 6 Video Start Reference Select**
  - 0 HSYNC / VSYNC .....default
  - 1 Use fixed signals (fixed relationship with HDE and VDE) as video start reference
- 5 Address Point Invert**
  - 0 Normal .....default
  - 1 Invert
- 4 Odd / Even Invert (Anti-tearing)**
  - 0 Normal .....default
  - 1 Invert
- 3 Playback Test Mode Select (RGB Data Select)**
- 2 Playback Test Mode**
  - 0 Disable .....default
  - 1 Enable
- 1 Anti-tearing Sync Select**
  - 0 VGA Vsync.....default
  - 1 Playback Vsync
- 0 Anti-tearing**
  - 0 Disable .....default
  - 1 Enable

This bit is automatically disabled if there is only one video stream and dual live video mode is enabled. In this mode, the even field is used for one live video stream and the odd field is used for the other live video stream.

**CR9A-98 – Capture Video Start Address.....RW**

- 23-20 Reserved** .....always reads 0
- 19-0 Capture Video Start Address**  
Controlled by SRBE (3C5 index BE).

**CR9B – Video Display Status.....RWC**

- 7 Capture Interrupt**
  - 0 Disable ..... default
  - 1 Enable
- 6 Capture Interrupt Clear** ..... Write 1 to Clear
- 5 VGA Vertical Blank**.....RO
- 4 Capture Interrupt Status** .....RO
- 3 Display Double Buffer Status** .....RO
- 2 VDQ (Capture FIFO) Empty** .....RO
- 1 Capture VSYNC Status**.....RO
- 0 Capture Video Display Enable (VDE) Status** ....RO

**CR9C – Capture Control 1 .....RW**

- 7-6 Frame Capture Control**
  - 00 Interlace Capture.....default
  - 01 Even/odd 60fps capture
  - 10 Even field 30fps capture
  - 11 Odd field 30fps capture
- 5 External HDE Select**
  - 0 Use Internal HDE .....default
  - 1 Use External HDE
- 4 Capture Enable**
  - 0 Disable .....default
  - 1 Enable
- 3 Genlock Enable**
  - 0 Disable .....default
  - 1 Enable
- 2 Motion Effect Algorithm**
  - 0 Skip 2 lines.....default
  - 1 Skip 1 line
- 1 Capture Hsync Polarity**
  - 0 Normal .....default
  - 1 Invert
- 0 Capture Vsync Polarity**
  - 0 Normal .....default
  - 1 Invert

**CR9D – Capture Control 2.....RW**

- 7 Capture DTV / CCIR Format Select**
  - 0 CCIR ..... default
  - 1 DTV
- 6-4 Horizontal Filter Tap**
  - 0xx Bypass ..... default
  - 100 2 Tap
  - 101 3Tap
  - 110 5 Tap
  - 111 9 Tap
- 3 UV Swap**
  - 0 Normal ..... default
  - 1 Swap
- 2 YUV Swap**
  - 0 Normal ..... default
  - 1 Swap
- 1 Philips 9051 Format Select**
  - 0 Normal ..... default
  - 1 UV9051 Format
- 0 TV 8-Bit Control**
  - 0 16-bit capture input ..... default
  - 1 8-bit capture input

**CR9E – Capture Control 3.....RW**

- 7-6 Capture Input Data Mode**
  - 00 YUV 4:2:2 ..... default
  - 01 YUV 4:1:1
  - 10 RGB 565
  - 11 -reserved-
- 5 CGS Clock Double**
  - 0 Normal ..... default
  - 1 Double
- 4 Capture Clock Polarity**
  - 0 Normal ..... default
  - 1 Invert
- 3-2 Capture Clock Delay Select**
  - 00 No delay ..... default
  - 01 3 ns
  - 10 6 ns
  - 11 9 ns
- 1 Hsync Delay**
  - 0 Normal ..... default
  - 1 Delay
- 0 PCI Frame Start and Busy**
  - 0 PCI Video Not Busy ..... default
  - 1 PCI Video Busy

**CR9F – Capture Control 4.....RW**

- 7-6 Capture Interrupt Source**
  - 00 Capture vsync .....default
  - 01 Capture even field
  - 10 Capture odd field
  - 11 Capture blank
- 5 IBM MPEG2 Mode Enable**
  - 0 Normal .....default
  - 1 IBM MPEG2 Mode
- 4 Production Test Mode for Capture**
  - 0 Normal .....default
  - 1 For test purposes, the ESYNC# pin is used instead of capture Vsync and EDCLK# is used instead of external CLK
- 3-1 Capture Clock Divide Factor Select**  
 Capture clock divide factor when the internal pixel clock is source:
  - 000 Divide by 1 .....default
  - 001 Divide by 2
  - 010 Divide by 3
  - 011 Divide by 4
  - 100 Divide by 5
  - 101 Divide by 6
  - 110 Select 14.318 MHz Clock
  - 111 Select 28.636 MHz Clock
- 0 Capture Clock Select**
  - 0 Use external capture clock .....default
  - 1 Use internal pixel clock divided by the factor above

**CRA1-A0 – Capture Vertical Total.....RW**

- 15-11 Reserved .....always reads 0
- 10-0 Capture Vertical Total

**CRA3-A2 – Capture Horizontal Total.....RW**

- 15-9 Reserved .....always reads 0
- 8-0 Capture Horizontal Total

**CRA5-A4 – Capture Vertical Start.....RW**

- 15-11 Reserved .....always reads 0
- 10-0 Capture Vertical Start

**CRA7-A6 – Capture Vertical End.....RW**

- 15-11 Reserved .....always reads 0
- 10-0 Capture Vertical End

**CRA9-A8 – Capture Horizontal Start.....RW**

- 15-10 Reserved .....always reads 0
- 9-0 Capture Horizontal Start

**CRAB-AA – Capture Horizontal End.....RW**

- 15-10 Reserved .....always reads 0
- 9-0 Capture Horizontal End

**CRAC – Capture Vertical Sync Pulse Width.....RW**

- 7-4 Reserved .....always reads 0
- 3-0 Capture Vertical Sync Pulse Width

**CRAD – Capture Horizontal Sync Pulse Width.....RW**

- 7-6 Reserved .....always reads 0
- 5-0 Capture Horizontal Sync Pulse Width

**CRAE – Capture CRTC Control.....RW**

- 7 **Time Base**
  - 0 One Time Base .....default
  - 1 Two Time Base
- 6 **Frame Reset**
  - 0 Field reset.....default
  - 1 Frame reset
- 5 **Capture Clock Divide by 2**
  - 0 Select original capture clock.....default
  - 1 Select inverted capture clock before divide by two
- 4 **Odd / Even Field Invert**
  - 0 Normal .....default
  - 1 Invert
- 3 **CRTC Hsync Load**
  - 0 Enable .....default
  - 1 Disable
- 2 **CRTC Vsync Load**
  - 0 Enable .....default
  - 1 Disable
- 1 **CRTC Horizontal Reset**
  - 0 Enable .....default
  - 1 Disable
- 0 **CRTC Vertical Reset**
  - 0 Enable .....default
  - 1 Disable

**CRAF – Capture CRTC Control.....RW**

- 7 **Video Exist Select**
  - 0 Video exist capture .....default
  - 1 Always capture
- 6 **Capture Sync and Direct**
  - 0 Input .....default
  - 1 Output
- 5 **Reserved** .....always reads 0
- 4 **Capture CRTC Input Clock Mode**
  - 0 Normal .....default
  - 1 Clock divided by 2 when in 8-bit pixel bus mode
- 3 **External CRTC Input Clock Mode**
  - 0 Clock divided by 1 .....default
  - 1 Clock divided by 2
- 2 **External Pixel Clock Mode**
  - 0 Clock divided by 1 .....default
  - 1 Clock divided by 2
- 1 **CRTC Mode**
  - 0 Targa Mode.....default
  - 1 XPCV Mode
- 0 **MPEG2 Vsync Select**
  - 0 Original Vsync.....default
  - 1 Field ID

**CRB1-B0 – Capture Horizontal Minify Factor.....RW**

- 15 Reserved .....always reads 0
- 14-10 Planar Capture FIFO Level (for both U and V)
- 9-0 Capture Horizontal Minify Factor

**CRB3-B2 – Capture Vertical Minify Factor .....RW**

- 15 Reserved .....always reads 0
- 14-10 Planar Capture FIFO Threshold (for both U & V)
- 9-0 Capture Vertical Minify Factor

**CRB5-B4 – DST Pixel Width Count .....RW**

- 15-12 Reserved .....always reads 0
- 11-0 DST Pixel Width Count

**CRB7-B6 – DST Pixel Height Count.....RW**

- 15-11 Reserved .....always reads 0
- 10-0 DST Pixel Height Count

**CRB8 – Capture FIFO Control 1 .....RW**

- 7-6 Capture FIFO Page Break
  - 00 8 level default
  - 01 16 level
  - 1x 32 level
- 5 Interlace Double Buffering
  - 0 Disable ..... default
  - 1 Enable
- 4-0 Capture FIFO Level Control
  - 0 Targa Mode ..... default
  - 1 XPCV Mode

**CRB9 – Capture FIFO Control 2 .....RW**

- 7 ENNENZOOM
- 6 Planar 422 Display
  - 0 Disable ..... default
  - 1 Enable
- 5 Planar Mode Window Indicator  
Indicate which window is in planar mode
- 4-0 Capture FIFO Request Threshold Control
  - 0 Targa Mode ..... default
  - 1 XPCV Mode

**CRBB-BA – Chromakey Comp Data 0 Low .....RW**

- 15-0 Chromakey Compare Data 0 (Lower Threshold)

**CRBD-BC – Chromakey Comp Data 0 High .....RW**

- 15-0 Chromakey Compare Data 0 (Higher Threshold)

**CRBE – Capture Control .....RW**

- 7-6 Reserved .....always reads 0
- 5 Video WBUF Status .....RO
  - 0 Empty .....default
  - 1 Not empty
- 4 Second Aperture Direct Access (bypass video capture)
- 3 Interpolation Control
- 2 Video Engine Clock Enable
  - 0 Off .....default
  - 1 On
- 1 Flicker-Free Function
  - 0 Disable .....default
  - 1 Flicker-free when input is in interlace mode
- 0 Reserved .....always reads 0

**CRBF – Display Engine Flags 4.....RW**

- 7 Video Line Buffer Read Reset Select ..... default = 0
- 6-4 Window 2 Video Data Format
  - 000 YUV 422 .....default
  - 001 -reserved-
  - 010 RGB 16
  - 011 -reserved-
  - 1xx -reserved-
- 3 Interpolation Bypass 1 ..... default = 0
- 2-0 Window 1 Video Data Format
  - 000 YUV 422 .....default
  - 001 -reserved-
  - 010 RGB 16
  - 011 -reserved-
  - 1xx -reserved-

**Digital TV Control Registers**

**CRD3-D0 – VGA / Digital TV Sync Control 1.....RW**

**31-27 Reserved** .....always reads 0

**26-16 Vertical Data Load**

**15 VGA Slave Mode for DTV**

        0 Disable ..... default

        1 Enable

**14 H/V Data Load**

        0 Disable ..... default

        1 Enable

**13 Digital Hsync Direction**

        0 Input ..... default

        1 Output

**12-9 Reserved** .....always reads 0

**8-0 Horizontal Data Load**

(see also CRD8, Digital TV Interface Control)

**VGA Extended Registers – CRTC Shadow**

Read/Write of Shadow registers is controlled by extended register GR30[6] (port 3CE/3CF index 30h). If GR30[6]=1, read/write operations to CRTC indices 0, 3-7, 10-11, and 16 are performed to the shadow registers instead of to the normal registers. Bit definitions for these registers are identical to the standard CRTC register set.

**CR00 – Shadow Horizontal Total.....RW**

**CR03 – Shadow Horizontal Blank End.....RW**

**CR04 – Shadow Horizontal Retrace Start.....RW**

**CR05 – Shadow Horizontal Retrace End.....RW**

**CR06 – Shadow Vertical Total.....RW**

**CR07 – Shadow Overflow.....RW**

**CR10 – Shadow Vertical Retrace Start.....RW**

**CR11 – Shadow Vertical Retrace End.....RW**

**CR16 – Shadow Vertical Blanking End.....RW**

### **3D Graphics Engine Registers**

This section describes how to program the PLE133 graphics engine for different operations. When the Setup Engine is to be used, the following steps should be taken to perform the drawing functions:

- Software sets up the drawing environment.
- Software issues a drawing command.
- Software continuously sends triangles to Setup engine.
- Software sends a triangle with last flag set or a null triangle to Setup engine to signal end of operation.

### **Operational Concept**

From a programmer's point of view, operations that can be applied to the PLE133 fall into the following categories:

- **Reset:** This operation resets the GE to default status.
- **Status:** This operation returns the GE status.
- **Drawing Environment:** The operations set environment for drawing.
- **Frame Buffer Control:** The operations set control for the frame buffer.
- **Drawing:** Draw an object.
- **Geometry Primitives:** Describe a geometry primitive.

Drawing Environment defines a set of conditions that decide the operations to be applied to each pixel. Drawing Environment operations are straight-forward. There is a group of registers that defines the drawing environment. By directly setting these registers, a program can control the drawing environment.

Frame Buffer Control decides how to access the frame buffer. Like the Drawing Environment, there is a group of registers that define the frame buffer access. By directly setting these registers, a program can control frame buffer access.

**Drawing**

**Bitblt - Frame Buffer to Frame Buffer**

Blt operation may involve a pattern. If it does, and the pattern is stored in the frame buffer, the pattern parameters (P1, P2, P3) must also be set. The following registers must be set to provide the source and destination rectangles of blt: Ps1, Pd1, Ps2, and Pd2. These registers can be set in any order. If a register is set several times, only the last one is effective. After all the registers are set, the program starts blting by writing a blt command to Command Register.

**Bitblt - CPU to Frame Buffer**

The operation for blting from the CPU is similar to the blting from the frame buffer except that Ps1 and Ps2 are not needed and the data from the CPU must immediately follow the setting of the Command Register.

For all commands that require data from the CPU, the command and data are considered atomic; i.e., the data should follow the command immediately and no other command or parameter can be placed in between. The data can be written to Data Register III and IV. Alternatively, it can be written to a memory-mapped space designated by PLE133 apertures. The same rule applies to drawing text from the CPU to the frame buffer.

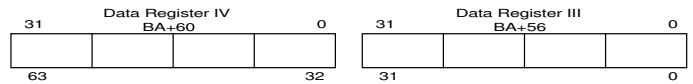
**Text**

Text glyph can be from the CPU or the frame buffer. When the glyph is from the CPU, the registers to be set are Pd1 and Pd2 for text location. When the glyph is stored in the frame buffer, the registers to be set are Ps1, Ps2, Pd1, and Pd2 to provide both the glyph and text locations. These registers can be set in any order. If a register is set several times, only the last one is effective. After all the registers are set, the program starts blting by writing a text command to Command Register.

The major difference between text and Blt is that a text source data is 8-bit aligned while the bitblt is 64-bit aligned. That is, for text, each new line starts at the byte boundary, while for a bitblt, at the 64-bit boundary.

**A Note on CPU as the Source of Operation**

Any operation that uses the CPU as the source of operation (such as the Blt shown in section x) requires the host CPU to feed data into data registers III and IV (BA+56 and 60). Since the PLE133 is using the 64-bit internal data path, any data (32-bit) from the CPU will be packed into 64-bit before use. Therefore, there are two registers for the CPU to write. These two registers are arranged as shown in the following diagram.



Writing to Data Register IV triggers data in both registers to be sent to the engine for processing. However, the hardware may expose the two registers as a mapped space to save software from toggling between the two registers.

**Geometry Primitive**

To draw a geometry primitive, the host must issue a drawing command by writing to the Command Register first and then set up the geometry as described in later in this document.



**Geometry Primitives**

The PLE133 supports the following geometry primitives: line, and polygon. Each geometry primitive can be further modified for 3D, shading, and texture mapping. A different mechanism, called sequential loading, performs the geometry primitive set up operation.

**Loading Mechanism**

There are two ways to set up a geometry primitive, random loading and sequential loading. Like the random access, the order is not important in random loading, but the address is. Writing to a certain address in the register space causes a certain pre-determined action. On the other hand, like sequential access, the order decides the data semantics in sequential loading. The PLE133 uses sequential loading in the Rasterization Engine and the Setup Engine.

In the PLE133, parameters don't have to be the fixed addresses. PLE133 parameters are treated as a data stream and interpreted based on the type of primitive. Parameters must be set in a stream as follows:

Stream Bytes	0	4	4+P1	4+P2	.....	4+Pn
Data	Stream Head	Parameter 1	Parameter 2	Parameter 3	.....	Parameter n+1

P1 is the number of bytes for parameter 1, P2-P1 for parameter 2, etc.

For the Rasterization Engine, there are 9 kinds of parameters: Bresenham Edge, DDA Edge, Z, Texture, Perspective, Color, Specular/fog Start, Specular, and Fog. Parameters must appear in the following order:

*Edge(Major), Texture, Perspective, Color, Specular/fog Start, Specular, Fog, Z, Edge(Minor)*

There are two kinds of edges and only one kind can appear in a parameter stream. Bresenham Edge can only appear in 2D primitives (without values for iterators).

For the Setup Engine, there is only one kind of parameter: vertex. However, each primitive could have one or three vertices. The size of each vertex is variable depending on triangle attribute.

Only polygon and line primitives can use this sequential loading feature. In the following sections, each primitive is addressed in detail.

**Polygon**

General polygons can only be drawn by directly using the Rasterization Engine. In the PLE133, all polygons must be Y-monolithic, meaning, when walking from the vertex with minimal Y to the vertex with maximum Y, the Y coordinates of the vertices are monolithically increased. A polygon is drawn by drawing a series of segments:

Sequence	Content
0	Drawing Command (Polygon)
1	Full Polygon Segment
2	Polygon Segment (Full or Partial)
3	Polygon Segment (Full or Partial)
....	....
n	Polygon Segment (Full or Partial) or a Null Primitive

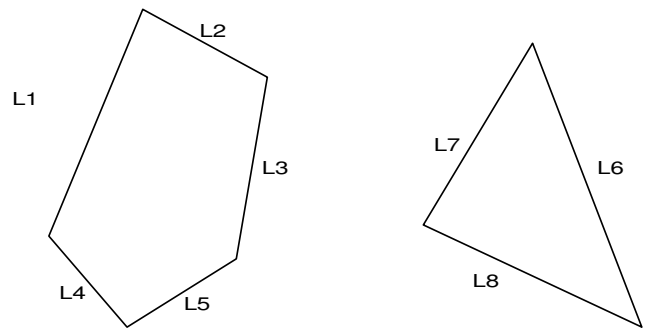
A partial segment consists of only one primitive type and one minor edge parameter. A full segment consists of one primitive type, edge parameter(s), and interpolation parameters (Z, color, texture, etc.). The rule is whenever a new major edge is in the segment a full segment must be used, otherwise a partial segment has to be used.

Most bit fields in primitive type define the data to be loaded to Rasterization Engine. If the "Re-load" bit is set, they also define the data set to be passed to Pixel Engine. The primitive type of the first and only the first segment must have the "Re-load" bit set to signal Rasterization Engine the data set to be passed to Pixel Engine. The primitive type of the last and only the last segment must have the "Last" bit set to signal the end of the sequence. The last of the primitive can be a Null primitive (others must be polygon). Null primitive has no parameter.

This mechanism can be used to draw a single polygon, as well as multiple polygons with the same attributes (e.g. 3D texture mapped). All that is required is that somewhere in the sequence we pass a full segment with starting edges of a new polygon.

The following example shows how to draw two shaded polygons.

Sequence	Content
0	Drawing Command
1	Full Segment including Primitive Type: Re-loading, Major & minor edge, color Major edge L1 Color Parameter for L1 Minor edge L2
2	Partial Segment including Primitive Type: minor edge Minor Edge L3
3	Full Segment including Primitive Type: Major edge, color Major Edge L4 Color for L4
4	Partial Segment including Primitive Type: Minor edge Minor Edge L5
5	Full Segment including: Primitive Type: Major & minor edge, color, negative scan direction Major edge L6 Color Parameter for L6 Minor edge L7
6	Partial Segment including: Primitive Type: Minor edge, "Last" Minor Edge L8



The following sections are about complete segments (a full segment with both major and minor edges) with different attributes. A normal full segment may not have the minor edge parameter. A partial segment has no other parameters except the minor edge.

**2-D**

Sequence	Content
0	Primitive Type
1	Major Edge Parameter
2	Minor Edge Parameter

**3-D**

Sequence	Content
0	Primitive Type
1	Major Edge Parameter
2	Minor Edge Parameter

**Texture Mapped**

Without perspective correction:

Sequence	Content
0	Primitive Type
1	Major Edge Parameter
2	Texture Coordinate Parameter
3	Optional Auxiliary Texture Data Parameter for linear interpolation
4	Minor Edge Parameter

With perspective correction:

Sequence	Content
0	Primitive Type
1	Major Edge Parameter
2	Texture Coordinate Parameter
3	Auxiliary Texture Data Parameter
4	Perspective Factor Parameter
5	Minor Edge Parameter

**Shaded**

Sequence	Content
0	Primitive Type
1	Major Edge Parameter
2	Color Parameter
3	Alpha Parameter
4	Minor Edge Parameter

**3-D Texture Mapped**

Without perspective correction:

Sequence	Content
0	Primitive Type
1	Major Edge Parameter
2	Z Parameter
3	Texture Coordinate Parameter
4	Optional Auxiliary Texture Data Parameter for linear interpolation
5	Minor Edge Parameter

With perspective correction:

Sequence	Content
0	Primitive Type
1	Major Edge Parameter
2	Z Parameter
3	Texture Coordinate Parameter
4	Auxiliary Texture Data Parameter
5	Minor Edge Parameter

**3-D Shaded**

Sequence	Content
0	Primitive Type
1	Major Edge Parameter
2	Z Parameter
3	Color Parameter
4	Alpha Parameter (optional)
5	Minor Edge Parameter

**Texture Mapped Shaded**

Without perspective correction:

Sequence	Content
0	Primitive Type
1	Major Edge Parameter
2	Texture Coordinate Parameter
3	Optional Auxiliary Texture Data Parameter for linear interpolation
4	Color Parameter
5	Minor Edge Parameter

With perspective correction:

Sequence	Content
0	Primitive Type
1	Major Edge Parameter
2	Texture Coordinate Parameter
3	Auxiliary Texture Data Parameter
4	Perspective Factor Parameter
5	Color Parameter
6	Alpha Parameter (optional)
7	Minor Edge Parameter

**3-D Texture Mapped Shaded**

Without perspective correction:

Sequence	Content
0	Primitive Type
1	Major Edge Parameter
2	Z Parameter
3	Texture Coordinate Parameter
4	Optional Auxiliary Texture Data Parameter for linear interpolation
5	Color Parameter
6	Alpha Parameter (optional)
7	Minor Edge Parameter

With perspective correction:

Sequence	Content
0	Primitive Type
1	Major Edge Parameter
2	Z Parameter
3	Texture Coordinate Parameter
4	Auxiliary Texture Data Parameter
5	Perspective Factor Parameter
6	Color Parameter
7	Alpha Parameter (optional)

**Triangle**

Triangles can be drawn using the Polygon Mechanism described above. Additionally, triangles can also be drawn by using the Setup Engine if they meet certain criteria. Triangles and polygons can also be freely mixed in a drawing sequence. The PLE133 supports stand-alone triangles as well as a triangle list in a sequence as follows:

Sequence	Content
0	Drawing Command (Polygon)
1	Triangle primitive
2	Triangle primitive
3	Triangle primitive
...	...
1	Triangle primitive

Each primitive consists of a triangle attribute and one or three vertices. The order of the data in each primitive is: Triangle Attribute, Vertex 0, Vertex 1 (optional), Vertex 2 (optional). Whether vertices 1 and 2 are to be loaded depends on the Triangle Attribute. Writing to BA+192 triggers a loading sequence in the Setup Engine. The order of the data in a vertex is: Z, RGBA, UV, W, XY. Not every one has to appear in every vertex. Whether a particular item is present in a vertex is decided by the Triangle Attribute. For example, the Data in a stream for a texture mapped triangle strip may look like: Triangle Attribute, U0V0, X0Y0.

Due to the limited precision of the setup engine, only triangles smaller than a certain size will be passed. Software will only pass triangles smaller than 64x128 or 128x64 to the hardware. Also, delta values of RGBAUVZ across a triangle will be less than 128. There is no limitation on the delta of W since it is impossible to exceed 1.

**Line**

Parameters for line primitives are very similar to their polygon counter-parts. The differences are as follows:

There are only major edge parameters.

All the dXm values (dRm, dUm, etc.) are ignored.

The following example shows these differences for a texture mapped primitive:

Sequence	Polygon Content	Line Content
0	Drawing Command	Drawing Command
1	Primitive Type	Primitive Type
2	Major Edge	Major Edge
3	Texture Parameter	Texture Parameter
4	Minor Edge	

Using the same mechanism for multiple polygons, multiple lines can also be drawn by issuing one drawing command.

**Synchronization**

Reset and status operations can be performed in any order and at any time including in the middle of another operation. However, be aware of the consequence (reset) and what to expect (status).

Generally, Drawing Environment and Frame Buffer Control operations should be performed before the drawing operation to take effect.

The primitive operation is considered atomic; i.e., no other operation (except for status and reset) can be performed inside a Geometry Primitive operation.

**Functional Blocks**

The PLE133 hardware is divided into 6 major functional blocks. They are:

- Bus Interface (BI)
- VGA core (VGA)
- Setup Engine (SE)
- Rasterization Engine (RE)
- Pixel Engine (PE)
- Memory Interface (MI)

Each functional block conceptually works independently of other blocks. The term "Graphics Engine (GE)" indicates the combination of the Setup Engine, the Rasterization Engine, and the Pixel Engine.

**Bus Interface**

The bus interface block connects the AGP bus on one side and the GE and VGA on the other side.

**Span Engine**

PS1, PS2, PD1, and PD2 are used in blt and text operations to define source and destination rectangles.

**GEbase + 0 - Parameter Source 1.....RW**

- 31-28 Reserved** .....always reads 0
- 27-16 Y-coordinate Parameter Source 1 Start**  
 High 12 bits of parameter source 1 starting address in Y coordinate
- 15-12 Reserved** .....always reads 0
- 11-0 X-coordinate Parameter Source 1 Start**  
 Low 12 bits of parameter source 1 starting address in X coordinate

**GEbase + 4 - Parameter Source 2.....RW**

- 31-28 Reserved** .....always reads 0
- 27-16 Y-coordinate Parameter Source 2 Start**  
 High 12 bits of parameter source 2 starting address in Y coordinate
- 15-12 Reserved** .....always reads 0
- 11-0 X-coordinate Parameter Source 2 Start**  
 Low 12 bits of parameter source 2 starting address in X coordinate

**GEbase + 8 - Parameter Destination 1.....RW**

- 31-28 Reserved** .....always reads 0
- 27-16 Y-coordinate Parameter Destination 1 Start**  
 High 12 bits of parameter destination 1 starting address in Y coordinate
- 15-12 Reserved** .....always reads 0
- 11-0 X-coordinate Parameter Destination 1 Start**  
 Low 12 bits of parameter destination 1 starting address in X coordinate

**GEbase + C - Parameter Destination 2.....RW**

- 31-28 Reserved** .....always reads 0
- 27-16 Y-coordinate Parameter Destination 2 Start**  
 High 12 bits of parameter destination 2 starting address in Y coordinate
- 15-12 Reserved** .....always reads 0
- 11-0 X-coordinate Parameter Destination 2 Start**  
 Low 12 bits of parameter destination 2 starting address in X coordinate

**Graphics Engine Core**

**GEbase + 10 - Right View Display Base Address .....RW**

- 31 Right View Active**
  - 0 Inactive (use VGA style for display start address) ..... default
  - 1 Active (use the base register address in this register for the display starting address)
- 30-24 Reserved** .....always reads 0

**23-0 Right View Display Starting Address**

Writing to this register sets Status Register bit-21 to 0. Later when the address is used to display a frame, the status bit is changed to 1.

**GEbase + 14 - Left View Display Base Address .....RW**

- 31 Left View Active**
  - 0 Disable (only Right View Display Starting Address is used) ..... default
  - 1 Enable (Right View Display Starting Address is used for the right view and this register for the left view; hardware will use these two addresses alternately)
- 30-24 Reserved** .....always reads 0

**23-0 Left View Display Starting Address**

Writing to this register sets Status Register bit-20 to 0. Later when the address is used to display a frame, the status bit is changed to 1.

**GEbase + 18 – Block Write Start Address .....RW**

- 31 Linear Mode**
  - 0 Fill a rectangle area.....default
  - 1 Fill a linear area
- 30-24 Reserved** .....always reads 0
- 23-0 Starting Address** (in multiples of 64 bytes)

**GEbase + 1C – Block Write Area / End Address .....RW**

**Rectangle Area Fill Mode**

- 31-28 Reserved** .....always reads 0
- 27-16 Height of the Area**
- 15-12 Reserved** .....always reads 0
- 11-0 Width of the Area** (in bytes)  
 Stride is Destination Stride in port 21C0h

**Linear Area Fill Mode**

- 31-0 End Address** (in multiples of 64 bytes inclusive)

Writing to this register triggers a Memory Set operation. Color for this operation is specified in the Foreground register.

**GEbase + 20 – Graphics Engine Status..... RO**

Writing to this register resets the GE.

- 31 Bresenham Engine Status**
  - 0 Idle
  - 1 Busy
- 30 Setup Engine Status**
  - 0 Idle
  - 1 Busy
- 29 SP / DPE Status**
  - 0 Idle
  - 1 Busy
- 28 Memory Interface Status**
  - 0 Idle
  - 1 Busy (access for screen refresh doesn't count)
- 27 Command List Processing Status**
  - 0 Idle
  - 1 Busy
- 26 Block Write Status**
  - 0 Idle
  - 1 Busy
- 25 Command Buffer Status**
  - 0 Not full
  - 1 Full
- 24 Reserved** .....always reads 0
- 23 PCI Write Buffer Status**
  - 0 Empty
  - 1 Not empty
- 22 Z Check Status**
  - 0 Engine busy: All Z tests performed so far have failed in the command being executed.  
Engine idle: All Z tests performed in the last command have failed.
  - 1 Otherwise

Logically, this bit is the OR of all Z test results performed in the latest command
- 21 Effective Status**
  - 0 Current display base register is not yet effective (the frame is not displayed)
  - 1 It is effective
- 20 Left View Status**
  - 0 Current display base register is not yet effective (the frame is not displayed)
  - 1 It is effective
- 19 Last View Displayed / Being Displayed**
  - 0 Right View
  - 1 Left View
- 18-11 Reserved** .....always reads 0
- 10-0 Scan Line Currently Being Displayed**

There are two input FIFOs to buffer data and commands from the host, the Command FIFO (8 levels deep) and the Bresenham FIFO (2 levels deep). Drawing commands, Drawing Environment, and Frame Buffer Control are routed through the Command FIFO. Primitive Type and Geometry Primitives are routed through the Bresenham FIFO. Commands in the Command FIFO don't take effect until a prior command is executed or the task in progress is finished. Parameters in the Bresenham FIFO don't take effect until a prior parameter is phased out (reaches the end of an edge).

**GEbase + 24 – Graphics Engine Control ..... WO**

- 7 Reset**
  - 0 Normal operation ..... default
  - 1 Reset all internal registers and pointers. Reset is performed by setting this bit to 1 and then back to 0.
- 6-4 Reserved** .....always reads 0
- 3-0 Debug Module Select** ..... default = 0
 

<u>Module to Debug</u>	<u>GE Register 28</u>
000 None	undefined
001 Setup Engine	SE Status
010 Rasterization Engine	RE Status
011 Pixel Engine	PE Status
100 Memory Interface	MI Status
101 Cmd List Ctrl Unit	Cmd List Start Address
110 Cmd List Ctrl Unit	Cmd List End Address
111 -reserved-	n/a

**GEbase + 28 – Graphics Engine Debug ..... RO**

- 31-0 Engine Module Status**  
 (See register 24 bits 3-0 above)

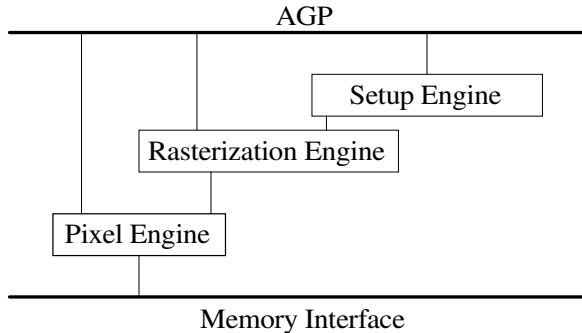
**GEbase + 2C – Graphics Engine Wait Mask .....RW**

- 31-0 Wait Mask**  
 When writing to this register, hardware will monitor the value of M (Wait Mask & Status). If M is not 0, the Graphics Engine (including the RE, SE, PE, and MI) will not accept new registers from the host CPU or AGP bus. This register is cleared by the hardware when M = 0. Only bits 31-28, 26, 23, and 21-20 are effective (all other bits are ignored).



**Graphics Engine Organization**

The PLE133 Graphics Engine consists of the following units: Setup Engine, Rasterization Engine, and Pixel Engine. These units are organized as follows:



The interfaces among the components are:

- AGP to Pixel Engine: Set drawing environment registers.
- AGP to Rasterization Engine: Set primitives: edge walking, slopes.
- AGP or Setup Engine: Set vertices, culling info.
- Setup Engine to Rasterization Engine: Set primitives: edge walking, slopes.
- Rasterization Engine to Pixel Engine: Pixel Data, addresses and coordinates.
- Pixel Engine to Memory Interface: Addresses and coordinates, pixel data.

Each unit performs the following functions:

- Setup Engine: Back face culling, slope calculation.
- Rasterization Engine: Edge walking, color interpolation, Z, texture coordinates, perform perspective correction.
- Pixel Engine: Generate addresses and coordinate for all memory accesses: read/write Z, read texture, read source/destination, write destination (draw buffer), 2-D functions, bi/tri-linear interpolation, blending and modulation, ROP, Z test, alpha test, transparency, etc.

When the Setup Engine is to be used, the following steps should be taken to perform drawing functions:

- S/W sets up the drawing environment.
- S/W issues a drawing command.
- S/W continuously sends triangles to the Setup Engine (or primitives to the Rasterization Engine).
- S/W sends a triangle with last flag set or a null triangle to the Setup Engine to signal the end of the operation (or its equivalent to the Rasterization Engine).

Triangles sent to the Setup Engine can be interleaved with primitives sent to the Rasterization Engine in step 3 above.

The Setup Engine uses the same sequential loading mechanism as in the Rasterization Engine. The order of loading is: Triangle Attribute, Vertex 0, Vertex 1 (optional), Vertex 2 (optional). Whether vertex 1 and 2 are to be loaded depends on the Primitive Type. Writing to BA+4Ch triggers a loading sequence to the Setup Engine. The order of data in a vertex is: RGBA, SrgbF, W, UV, Z, XY. Not every one will appear in every vertex. Whether a particular item will be present in a vertex is decided by the Triangle Attribute. For example, the data in a stream for a texture mapped triangle strip may look like: Triangle Attribute, U0V0, X0Y0.

**GEbase + 2C – Setup Engine Status.....RO**

**31-0 Overflow Status**

This register records setup engine overflow status. For every triangle, the entire register is shifted left one bit with bit-0 then set to reflect whether the triangle has slope overflow. This register is useful for debugging purposes. This register resides in the VGA address space and is not decoded by the setup engine.

**Setup Engine Registers**

**GEbase + 30 – Setup Engine Primitive Attribute .....RW**

- |   |   |
|---|---|
| <p><b>31 Z Parameter</b><br/>             0 Absent ..... default<br/>             1 Present (Setup Engine calculates Z slope)</p> <p><b>30 Texture Parameter</b><br/>             0 Absent ..... default<br/>             1 Present (SE calculates Z slope)</p> <p><b>29 Perspective Factor Parameter</b><br/>             0 Absent ..... default<br/>             1 Present (SE calculates W slope)</p> <p><b>28 Color Parameter</b><br/>             0 Absent ..... default<br/>             1 Present (SE calculates color slope)</p> <p><b>27 Specular Color Parameter</b><br/>             0 Absent ..... default<br/>             1 Present (SE calculates specular slope)</p> <p><b>26 Fog Parameter</b><br/>             0 Absent ..... default<br/>             1 Present (SE calculates fog slope)</p> <p><b>25 Step Mode</b><br/>             0 Disable ..... default<br/>             1 Enable (SE will process the next primitive only when it finishes the current primitive. There is no parallelism between primitives)</p> <p><b>24-20 Reserved</b> .....always reads 0</p> <p><b>19-15 LOD Adjust</b> .....default = 0<br/>             3.2 signed # to be added to calculate the LOD value</p> <p><b>14-7 Reserved</b> .....always reads 0</p> | <p><b>6 Z Normalization (Setup Engine Only)</b><br/>             0 Disable .....default<br/>             1 Enable</p> <p><b>5 Flat Mode</b> (applies to diffuse color, alpha, specular color, and fog)<br/>             0 Smooth color or no color .....default<br/>             1 Flat color. SE sends only starting values to RE</p> <p><b>4 Full Vertex Info</b><br/>             0 Disable .....default<br/>             1 Enable. Indicates that all vertex data are needed for the triangle. Software still needs to set bits 31-25. However in this case, the data order in a vertex is: X, Y, Z, W, RGBA, SrgbF, U, V. Even though the vertex actually contains all the data, software doesn't necessarily set this bit. When this bit is not set, hardware decodes vertex data as described in the Vertex Register descriptions.</p> <p><b>3 Sub-Pixel Precision (Rasterization Engine Only)</b><br/>             0 Disable .....default<br/>             1 Enable</p> <p><b>2 Anti-Aliasing (RE Only)</b><br/>             0 Disable (walk at pixel precision) .....default<br/>             1 Enable (walk at sub-pixel precision)</p> <p><b>1 Auto Direction for Scan Line Ends (RE Only)</b><br/>             0 Disable .....default<br/>             1 Enable. Bits 31-2 must be 0. Scan order is passed to the Pixel Engine based on the comparison result of two end points instead of the bit in the Primitive Type register. Software should only use this bit for 2D polygons with Bresenham edge walking.</p> <p><b>0 Bresenham Edge Walking (RE Only)</b><br/>             0 Use DDA to walk through edges .....default<br/>             1 Use Bresenham algorithm to walk through edges</p> |
|---|---|

This register is decoded by the Setup Engine and passed to the Rasterization Engine by the Setup Engine. This register and its equivalent part in the Rasterization Engine are “partially” pipelined in the sense that there are only two levels of pipe for this register in both engines while there are many levels for other data. The two levels are the decoding level and the execution level. Both the Rasterization Engine and the Setup Engine use this register to decide what kind of operation to perform and what kind of data stream to expect. It must be set before any parameter can be loaded.

**GEbase + 3C –Setup Engine Primitive Type..... WO**

Writing to this register signals the Graphics Engine to begin sequential loading. The engine will interpret the contents of this register and the Primitive Attribute register to decide the amount and types of parameters to expect. Like vertices, there is a FIFO for Triangle Attributes. The queue has three entries. Writing to this register adds it to the queue. The Setup Engine starts working whenever a triangle attribute is received and stops after it is finished processing a triangle with L = 1.

**31-30 Loading Target**

- 00 Rasterization Engine. Send bits 19-0 to the RE. Sequential loading data will also be sent to the RE..... default
- 01 Setup Engine. Send bits 29-0 to the SE. Sequential loading data will also be sent to the SE. Internally, a flag is set to prevent the SE from decoding the data and sending it to the RE. The SE will clear this flag when it is idle.
- 1x -reserved-

**29 Null Primitive**

- 0 Regular Primitive ..... default
- 1 Null Primitive

**28 Last Primitive**

- 0 Regular Primitive ..... default
- 1 Last Primitive

**27-26 Culling Attribute (Setup Engine Target Only)**

- 00 No culling ..... default
- 01 Clockwise culling
- 10 Counter-clockwise culling
- 11 No culling

**25 Reserved** .....always reads 0

**24 (V2, V0) Edge Anti-Aliasing Flag** ..... default = 0

**23 (V1, V2) Edge Anti-Aliasing Flag** ..... default = 0

**22 (V1, V1) Edge Anti-Aliasing Flag** ..... default = 0

**21 Full Vertices Information**

- 0 Partial Vertices Information. Two of the vertices are from the previous triangle. Only one vertex is to be loaded from the vertex queue to the working registers. .... default
- 1 All vertices are new. All three working registers are to be loaded from the vertex queue.

**20-19 Working Vertex Index**

Index of the working vertex that is to be replaced. This field is always 0 if F = 1.

**18-3 Reserved** .....always reads 0

**2 Debug Control**

- 0 Discard triangle on overflow ..... default
- 1 Draw triangle on overflow

**1-0 Flat Color Vertex Index**

Vertex index for flat color (Index of vertex whose color is passed to the RE as the starting color)

**Vertex Registers**

Inside the setup engine, one set of registers is provided to store the three vertices is currently working on and an additional set is provided to store three pending vertices. Note that it doesn't always require 3 vertices to define a triangle (depending on the Triangle Attribute Register, it may be either 1 or 3 vertices).

Vertex information includes coordinate, texture, color, and depth. Some may be absent in a data stream. If any appear in a vertex, they must be present in the following order: Color, Specular Color, W, U, V, Z, X, Y. The formats are shown below:

**Vertex Register 1 - Color Value**

- 31-24 Alpha Value**
- 23-16 Red Value**
- 15-8 Green Value**
- 7-0 Blue Value**

**Vertex Register 2 - Specular Color Value**

- 31-24 Fog Value**
- 23-16 Specular Red Value**
- 15-8 Specular Green Value**
- 7-0 Specular Blue Value**

**Vertex Register 3 - W Value**

- 31-0 Texture W Coordinate.** 32-bit floating # in (0, 1.0)

**Vertex Register 4 - U Value**

- 31-0 Texture U Coordinate.** 32-bit floating number

**Vertex Register 5 - V Value**

- 31-0 Texture V Coordinate.** 32-bit floating number

**Vertex Register 6 - Z Value**

- 31-0 Z Coordinate.** 32-bit floating number

**Vertex Register 7 - X Value**

- 31-0 X Coordinate.** 32-bit floating number

**Vertex Register 8 - Y Value**

- 31-0 Y Coordinate.** 32-bit floating number

**Floating Point Number Format**

All floating point numbers are converted by on-chip hardware into internal fixed point integer format. All floating point numbers are specified in IEEE 32-bit floating point number format (shown below):

- 31 Sign**
- 30-23 Exponent** (excess-127 format)
- 22-0 Mantissa** (fractional part of a number in "1.nn" format where the integer part is always 1)

**Rasterization Engine Registers**

The major responsibilities of the Rasterization Engine are:

- Receive data from host: Set registers, sequential loading of parameters.
- Edge walking: Generate end points of polygon edges or pixels on a line.
- Interpolation: Calculate values such as texture coordinates on a polygon / line.
- Perspective correction: Perform perspective correction.

In the PLE133, the Rasterization Engine performs color (including alpha) interpolation, texture coordinate (perspective corrected) generation, Z coordinate interpolation, and texture gradient (perspective corrected) calculations.

Host access to the Rasterization Engine is by sequential writes to minimize AGP bandwidth requirements. This is not needed for the Setup Engine to access the Rasterization Engine. In addition, if sequential parameters were used to interface between the Setup Engine and the Rasterization Engine, it would incur extra cost for the Setup Engine to pack data and would also reduce performance. Therefore, the Setup Engine accesses working registers in the Rasterization Engine directly. To synchronize operation, hardware must wait until the Setup Engine becomes idle to accept data from the host to the Rasterization Engine.

Both Rasterization and Setup Engines share one interface to the AGP Write Buffer. The first reason is that both Rasterization Engine and Setup Engine use stream decoding to receive data from the host. Once they are inside a stream, they must act quickly to grab data to prevent other components from taking the data. Having two stream decoders in the graphics engine is a potential source for problems. The second reason is that both the Rasterization Engine and Setup Engine handle the same types of data. Coupling them tightly makes the design easier and reduces problems that arise from synchronization. The third reason is for better synchronization between the two engines.

The engine interfaces to the host through both random access registers and sequential loading. There are two random access registers: Primitive Attribute and Primitive Type. The Primitive Attribute register consists of most parameter information from the Rasterization Engine's Primitive Type and the Setup Engine's Triangle Attribute register.

The address space that can be used by sequential loading parameters is from Base Address + 40h to Base Address + FFh. Software should not use addresses outside this space for parameters. **Sequential loading must use the address in this space starting at 0x40H in ascending order.** For example, the first address must be 40h, the next must be 44h, etc. In order to give time to notify the other component to stop decoding, **address 40h is exclusively reserved for sequential loading.**

**GEbase + 30 – RE Primitive Attribute.....RW**

- 31 Z Parameter**
  - 0 Absent ..... default
  - 1 Present (Rasterization Engine calculates Z slope)
- 30 Texture Parameter**
  - 0 Absent ..... default
  - 1 Present (RE calculates texture info)
- 29 Perspective Factor Parameter**
  - 0 Absent ..... default
  - 1 Present (RE performs perspective correction)
- 28 Color Parameter**
  - 0 Absent ..... default
  - 1 Present (RE calculates Gouraud color (RGBA))
- 27 Specular Color Parameter**
  - 0 Absent ..... default
  - 1 Present (RE calculates specular color)
- 26 Fog Parameter**
  - 0 Absent ..... default
  - 1 Present (RE calculates fog)
- 25 Step Mode**
  - 0 Disable ..... default
  - 1 Enable (RE will process the next primitive only when it finishes the current primitive. No parallelism exists between primitives)
- 24-20 Reserved** .....always reads 0
- 19-15 LOD Adjust** .....default = 0  
3.2 signed # to be added to calculate the LOD value
- 14-7 Reserved** .....always reads 0
- 6 Z Normalization (Setup Engine Only)**
  - 0 Disable .....default
  - 1 Enable
- 5 Flat Mode** (applies to diffuse color, alpha, specular color, and fog)
  - 0 Smooth color or no color .....default
  - 1 Flat color. RE forces deltas to 0.
- 4 Full Vertex Info**
  - 0 Disable .....default
  - 1 Enable. Indicates that all vertex data are needed for the triangle. Software still needs to set bits 31-25. However in this case, the data order in a vertex is: X, Y, Z, W, RGBA, SrgbF, U, V. Even though the vertex actually contains all the data, software doesn't necessarily set this bit. When this bit is not set, hardware decodes vertex data as described in the Vertex Register descriptions.
- 3 Sub-Pixel Precision (Rasterization Engine Only)**
  - 0 Disable .....default
  - 1 Enable
- 2 Anti-Aliasing (RE Only)**
  - 0 Disable (walk at pixel precision).....default
  - 1 Enable (walk at sub-pixel precision)
- 1 Auto Direction for Scan Line Ends (RE Only)**
  - 0 Disable .....default
  - 1 Enable. Bits 31-2 must be 0. Scan order is passed to the Pixel Engine based on the comparison result of two end points instead of the bit in the Primitive Type register. Software should only use this bit for 2D polygons with Bresenham edge walking.
- 0 Bresenham Edge Walking (RE Only)**
  - 0 Use DDA to walk through edges .....default
  - 1 Use Bresenham algorithm to walk through edges

This register is decoded by the Setup Engine and passed to the Rasterization Engine by the Setup Engine. This register and its equivalent part in the Rasterization Engine are “partially” pipelined in the sense that there are only two levels of pipe for this register in both engines while there are many levels for other data. The two levels are the decoding level and the execution level. Both the Rasterization Engine and the Setup Engine use this register to decide what kind of operation to perform and what kind of data stream to expect. It must be set before any parameter can be loaded.

**GEbase + 3C – RE Primitive Type..... WO**

Writing to this register signals the Graphics Engine to begin sequential loading, but doesn't cause anything to be drawn.. The engine will interpret the contents of this register and decide the amount and types of parameters to expect.

**31-30 Loading Target**

- 00 Rasterization Engine. Send bits 19-0 to the RE. Sequential loading data will also be sent to the RE..... default
- 01 Setup Engine. Send bits 29-0 to the SE. Sequential loading data will also be sent to the SE. Internally, a flag is set to prevent the SE from decoding the data and sending it to the RE. The SE will clear this flag when it is idle.
- 1x -reserved-

**29 Null Primitive**

- 0 Regular Primitive ..... default
- 1 Null Primitive

**28 Last Primitive**

- 0 Regular Primitive ..... default
- 1 Last Primitive

**27-26 Operation Code (RE Target Only)**

- 00 Line ..... default
- 01 Polygon
- 1x -reserved-

**25 Major Edge Parameter**

- 0 Parameter is Absent (parameter stream doesn't include values for the iterators) ..... default
- 1 Parameter is Present (parameter stream also includes values for the iterators)

**24 Major Edge Anti-Aliasing**

- 0 Don't anti-alias major edge..... default
- 1 Anti-alias major edge (effective only if E = 1)

**23 Minor Edge Parameter**

- 0 Absent ..... default
- 1 Present

**22 Minor Edge Anti-Aliasing**

- 0 Don't anti-alias minor edge ..... default
- 1 Anti-alias minor edge (effective only if M = 1)

**21 Scan Direction**

- 0 Positive (Major edge = left edge). ..... default
- 1 Negative (Major edge = right edge)

**20-16 Reserved** .....always reads 0

**15-0 End Coordinate** .....default = 0

End coordinate of the primitive (inclusive). 12.4 signed integer.

**Bresenham Edge Parameters**

Bresenham Edge parameters describe an edge of a primitive or a line.

**DoubleWord 0 – Start Coordinates**

**31-16 Start YS1**

Starting coordinate of the line in the Y direction (signed 12.4 number). The fractional part must be 0. This parameter is ignored in minor edges.

**15-0 Start XS1**

Starting coordinate of the line in the X direction (signed 12.4 number). The fractional part must be 0.

**DoubleWord 1 – Drawing Direction / Bresenham Constant**

**31 YS Drawing Direction**

- 0 Positive
- 1 Negative

**30 XS Drawing Direction**

- 0 Positive
- 1 Negative

**29 Swap**

- 0 Normal (X / Y not swapped)
- 1 X / Y swapped

**28-16 Bresenham (or Modified) Constant**

**15-13 Reserved** ..... ignored

**12-0 Bresenham (or Modified) Constant**

**DoubleWord 2 – Error Term / Strip Length**

**31-29 Reserved** ..... must be written as zero

**28-16 Initial Error Term**

**15-12 Reserved** ..... must be written as zero

**11-0 Strip Length**

Strip length of modified Bresenham line.

**DDA Edge Parameters**

DDA Edge parameters describe an edge of a primitive or a line.

**DoubleWord 0 – Start Coordinates**

**31-16 Start YS1**

Starting coordinate of the line in the Y direction (signed 12.4 number). The fractional part must be 0. This parameter is ignored in minor edges.

**15-0 Start XS1**

Starting coordinate of the line in the X direction (signed 12.4 number). The fractional part must be 0.

**DoubleWord 1 – Drawing Direction / Edge Slope**

**31 YS Drawing Direction**

- 0 Positive
- 1 Negative

**30 XS Drawing Direction**

- 0 Positive
- 1 Negative

**29 Swap**

- 0 Normal (X / Y not swapped)
- 1 X / Y swapped

**28-26 Reserved** ..... ignored

**25-0 Edge Slope**

12.14 signed number

When a DDA edge is used as a polygon boundary, the fractional bits should round up to the next integer. Interpolation values should be adjusted accordingly. DDA edge walking shares the same logic as Bresenham edge walking by using an error advance method. In DDA walking, fractional bits should be rounded up to the next integer. Rounding up is performed by changing drawing convention according to whether the fractional parts are 0 as follows:

- Left fractional is 0: Left inclusive.
- Left fractional is not 0: Left exclusive.
- Right fractional is 0: Right exclusive.
- Right fractional is not 0: Right inclusive.

Because the error advance method is used for DDA walking, the fractional part is always one step ahead of the coordinate. For the starting point of a line, the fractional part is assumed to be 0.

**Color Parameters**

Color parameters are used for Gouraud shading. They consist of starting values, incremental along the X and Y axis. **In flat color mode, this parameter only has the starting value.**

**DoubleWord 0 – Initial Values**

**31-24 Initial Alpha Value**

Initial Alpha value on main edge (left edge of trapezoid or long edge of triangle). Unsigned integer.

**23-16 Initial Red Value**

Initial Red value on main edge (left edge of trapezoid or long edge of triangle). Unsigned integer.

**15-8 Initial Green Value**

Initial Green value on main edge (left edge of trapezoid or long edge of triangle). Unsigned integer.

**7-0 Initial Blue Value**

Initial Blue value on main edge (left edge of trapezoid or long edge of triangle). Unsigned integer.

**DoubleWord 1 – X-Axis Blue Gradient**

**31-0 X-Axis Blue Gradient**

Gradient of Blue along the X axis over the primitive surface. Signed 20.12 number.

**DoubleWord 2 – Y-Axis Blue Gradient**

**31-0 Y-Axis Blue Gradient**

Gradient of Blue along the Y axis over the primitive surface. Signed 20.12 number.

**DoubleWord 3 – X-Axis Green Gradient**

**31-0 X-Axis Green Gradient**

Gradient of Green along the X axis over the primitive surface. Signed 20.12 number.

**DoubleWord 4 – Y-Axis Green Gradient**

**31-0 Y-Axis Green Gradient**

Gradient of Green along the Y axis over the primitive surface. Signed 20.12 number.

**DoubleWord 5 – X-Axis Red Gradient**

**31-0 X-Axis Red Gradient**

Gradient of Red along the X axis over the primitive surface. Signed 20.12 number.

**DoubleWord 6 – Y-Axis Red Gradient**

**31-0 Y-Axis Red Gradient**

Gradient of Red along the Y axis over the primitive surface. Signed 20.12 number.

**DoubleWord 7 – X-Axis Alpha Gradient**

**31-0 X-Axis Alpha Gradient**

Gradient of Alpha along the X axis over the primitive surface. Signed 20.12 number.

**DoubleWord 8 – Y-Axis Alpha Gradient**

**31-0 Y-Axis Alpha Gradient**

Gradient of Alpha along the Y axis over the primitive surface. Signed 20.12 number.

**Z Value Parameters**

To the Rasterization Engine, the Z value is always a 25.8 signed integer internally regardless of Z buffer depth. It always passes a 24-bit unsigned integer to the Pixel Engine. It is the Pixel Engine's responsibility to scale Z to the depth of the Z buffer. Z parameters are used to calculate depth information. Z values consist of starting values, incremental along the X and Y axis.

**DoubleWord 0 – Initial Z Value**

**31-0 Initial Z Value**

Initial Z value on main edge (left edge of trapezoid or long edge of triangle). Signed 25.7 integer.

**DoubleWord 1 – X-Axis Z Gradient**

**31-0 X-Axis Z Gradient**

Gradient of Z along the X axis over the primitive surface. Signed 25.7 number.

**DoubleWord 2 – Y-Axis Z Gradient**

**31-0 Y-Axis Z Gradient**

Gradient of Z along the Y axis over the primitive surface. Signed 25.7 number.

**DoubleWord 3 – Minimum Z Threshold**

**31-24 Reserved** ..... ignored

**23-0 Minimum Z Threshold**

Minimum of Z threshold. Unsigned 24-bit integer.

**DoubleWord 4 – Maximum Z Threshold**

**31-24 Reserved** ..... ignored

**23-0 Maximum Z Threshold**

Maximum of Z threshold. Unsigned 24-bit integer.



**Texture Coordinate Parameters**

Texture parameters are used for texture mapping. They consist of starting values, incremental along the X and Y axis.

**DoubleWord 0 – Initial U Value**

**31-0 Initial U Value**

Initial U value on main edge (left edge of trapezoid or long edge of triangle). Signed 16.16 integer.

**DoubleWord 1 – Initial U Value**

**31-0 Initial U Value**

Initial U value on main edge (left edge of trapezoid or long edge of triangle). Signed 16.16 integer.

**DoubleWord 2 – X-Axis U Gradient**

**31-0 X-Axis U Gradient**

Gradient of U along the X axis over the primitive surface. Signed 16.16 number.

**DoubleWord 3 – Y-Axis U Gradient**

**31-0 Y-Axis U Gradient**

Gradient of U along the Y axis over the primitive surface. Signed 16.16 number.

**DoubleWord 4 – X-Axis V Gradient**

**31-0 X-Axis V Gradient**

Gradient of V along the X axis over the primitive surface. Signed 16.16 number.

**DoubleWord 5 – Y-Axis V Gradient**

**31-0 Y-Axis V Gradient**

Gradient of V along the Y axis over the primitive surface. Signed 16.16 number.

**Perspective Factor Parameters**

Perspective factor parameters are used for perspective corrected texture mapping. They consist of W starting values incremental along the X and Y axis.

**DoubleWord 0 – Initial W Value**

**31-0 Initial W Value**

Initial W value on main edge (left edge of trapezoid or long edge of triangle). Signed 4.28 integer.

**DoubleWord 1 – X-Axis W Gradient**

**31-0 X-Axis W Gradient**

Gradient of W along the X axis over the primitive surface. Signed 4.28 number.

**DoubleWord 2 – Y-Axis W Gradient**

**31-0 Y-Axis W Gradient**

Gradient of W along the Y axis over the primitive surface. Signed 4.28 number.

**Specular / Fog Start Value**

The specular / fog start value is used for specular shading or fogging.

**DoubleWord 0 – Start Value**

**31-24 Initial Fog Value**

Initial Fog value on main edge (left edge of trapezoid or long edge of triangle). Unsigned integer.

**23-16 Initial Red Value**

Initial Red value on main edge (left edge of trapezoid or long edge of triangle). Unsigned integer.

**15-8 Initial Green Value**

Initial Green value on main edge (left edge of trapezoid or long edge of triangle). Unsigned integer.

**7-0 Initial Blue Value**

Initial Blue value on main edge (left edge of trapezoid or long edge of triangle). Unsigned integer.

**Specular Parameters**

Specular parameters are used for specular shading. These parameters are not present in flat color mode and consist of starting values incremental along the main direction ((dx, dy) = (M1, 1)), and incremental along the X axis.

**DoubleWord 0 – X-Axis Blue Gradient**

**31-0 X-Axis Blue Gradient**

Gradient of Blue along the X axis over the primitive surface. Signed 20.12 number.

**DoubleWord 1 – Y-Axis Blue Gradient**

**31-0 Y-Axis Blue Gradient**

Gradient of Blue along the Y axis over the primitive surface. Signed 20.12 number.

**DoubleWord 2 – X-Axis Green Gradient**

**31-0 X-Axis Green Gradient**

Gradient of Green along the X axis over the primitive surface. Signed 20.12 number.

**DoubleWord 3 – Y-Axis Green Gradient**

**31-0 Y-Axis Green Gradient**

Gradient of Green along the Y axis over the primitive surface. Signed 20.12 number.

**DoubleWord 4 – X-Axis Red Gradient**

**31-0 X-Axis Red Gradient**

Gradient of Red along the X axis over the primitive surface. Signed 20.12 number.

**DoubleWord 5 – Y-Axis Red Gradient**

**31-0 Y-Axis Red Gradient**

Gradient of Red along the Y axis over the primitive surface. Signed 20.12 number.

**Fog Parameters**

Fog parameters are used for fogging. These parameters are not present in flat color mode and consist of starting values incremental along the X and Y axis.

**DoubleWord 0 – X-Axis Fog Gradient**

**31-0 X-Axis Fog Gradient**

Gradient of Fog along the X axis over the primitive surface. Signed 20.12 number.

**DoubleWord 1 – Y-Axis Fog Gradient**

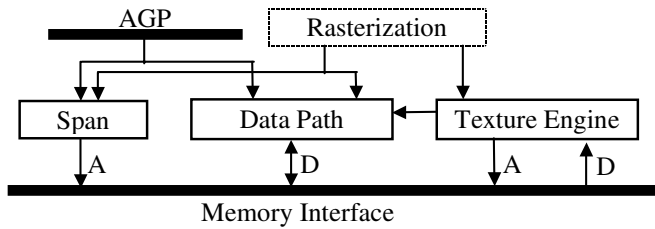
**31-0 Y-Axis Fog Gradient**

Gradient of Fog along the Y axis over the primitive surface. Signed 20.12 number.

**Pixel Engine Registers**

The major responsibilities of the Pixel Engine are to perform per-pixel operations and to control data flow and its sequence.

The Pixel engine interfaces to the Rasterization Engine and the host to accept data. It also interfaces to the Memory Interface to access video memory. Inside the Pixel Engine, there are several blocks: the Span Engine, the Data Path, and the Texture Engine. Operation of the Data Path and the Texture Engine are under control of the Span Engine. The Memory Interface accepts memory access requests from the Pixel Engine, translates the address into a linear address, and executes the requests.



The 0 - FFh “Engine” register address space is partitioned into six sections:

- 0 - 0Fh Span Engine
- 10 - 2Fh VGA core
- 30 - 3Fh Unified Rasterization and Setup Engines
- 44 - 9Fh Pixel Engine
- A0 - AFh Texture Engine
- B0 - BFh Command List Control Unit
- C0 - FFh Memory Interface

Addresses 40h - FFh are also used for sequential loading overlapping with other registers in this space. Addresses 10000 - 1FFFFh are used as a data port area.

**Data from the Host**

The Pixel Engine can accept data from the host through either the 32-bit data port register at 9Ch or data in the 1xxxh address space. **Software passes only enough DWORDs to hardware. Software doesn't pack data to 64-bit boundaries. It only packs to 32-bit boundaries.** For bitblts, packing is done per-scanline. I.e., for every scanline, the host will send just enough DWORDs to the engine. For text, packing is done per-command. I.e., the scanline may be broken inside a DWORD. For a string of texts, the number of DWORDs of data passed to the Graphic Engine can be odd numbers except for the last character. For the last character, software should pass either an even number of DWORDs (by padding a garbage DWORD as necessary) or by setting a drawing environment register after all data is sent.

**GEbase + 44 – Drawing Command .....RW**

Writing to the Drawing Command register starts a drawing operation. When this register is set, the drawing environment registers and memory interface registers are locked in. Any change to these registers will not affect this drawing operation. Furthermore, the Pixel Engine will not accept any data from the host or from the Rasterization Engine without a drawing command. After a drawing command is issued, the Pixel Engine will selectively accept data from the host or Rasterization Engine depending on the command. Specifically, the Pixel Engine only accepts data from the host if the command is text or blt and the BS field indicates the source is from the host. The Pixel Engine only accepts data (scanlines, Z, color, etc.) from the Rasterization Engine if the command is line or polygon.

**31-28 Operation Code**

- 0000 Null Command..... default
- 0001 -reserved-
- 0010 Line
- 0011 -reserved-
- 01xx -reserved-
- 1000 Bit-Blt (see note below)
- 1001 Text (see note below)
- 1010 (See BitBlt)
- 1011 Trapezoid / Polygon
- 1100 (See Bit Blt)
- 1101 (See Text)
- 1110 Trapezoid / Polygon
- 1111 -reserved-

Note: for Text and BitBlt opcodes, bit 29 indicates whether the PE can accept data from the host while bit-30 indicates whether the PE can accept data from the RE.

- 27 Line Style**
  - 0 No style, solid line, or other operation (blt, polygon, text)
  - 1 Style line
- 26 Z Operations**
  - 0 Disable Z operations (must be 0 for text, blt)
  - 1 Enable Z operations
- 25 Alpha Test**
  - 0 Disable (must be 0 for text)
  - 1 Enable
- 24 Texture Function**
  - 0 Disable (must be 0 for blt, text)
  - 1 Enable
- 23 Alpha Blending**
  - 0 Disable (must be 0 for text)
  - 1 Enable
- 22 Specular Color**
  - 0 Disable (must be 0 for blt, text)
  - 1 Enable
- 21 Fog**
  - 0 Disable (must be 0 for blt, text)
  - 1 Enable

- 20 Source Color Expansion**
  - 0 Disable
  - 1 Enable (bits 26-21 must be 0)
- 19 Source Color**
  - 0 Transparent (applies to mono source and constant color line)
  - 1 Opaque (should be enabled for any operation with a “solid Source”, such as Gouraud shading, constant color fill, color to screen blt, texture mapping, etc.)
- 18-17 Source Surface ID**
- 16-15 Destination Surface ID**
- 14-12 Source Offset**  
Mono source pixel offset. Bit-19 must be 1.
- 11 Double Specular Color**
  - 0 Disable
  - 1 Enable. Specular color (RGB) is doubled before being added to diffuse color.
- 10 Texture Transparency**
  - 0 Disable texture color key
  - 1 Enable texture color key
- 9 Lit-Texture**
  - 0 Disable
  - 1 Enable
- 8 Dither**
  - 0 Disable
  - 1 Enable. Use 4x4 dither matrix (including fog and alpha)
- 7 Source Color Key**
  - 0 Disable
  - 1 Enable (Key is FG)
- 6 Destination Color Key**
  - 0 Disable
  - 1 Enable
- 5 Bit Mask**
  - 0 Disable
  - 1 Enable
- 4 ROP**
  - 0 Disable
  - 1 Enable
- 3-2 Blt Source or Constant Color Line or Polygon**
  - 00 Source from host (bits 26-20 must be 0 for blt)
  - 01 Source from frame buffer
  - 10 Source is constant (FG). Includes constant line and constant polygon.
  - 11 Block write fill

This field must be set to 00 for text / line / polygon.
- 1 Blt Direction (BLT Only)**
  - 0 Positive direction in X and Y
  - 1 Negative direction in X and Y

Must be set to 0 for polygons, lines, and text.
- 0 Clipping**
  - 0 Disable
  - 1 Enable

**GEbase + 48 – Raster Operation (ROP).....RW**

- 31-8 Reserved** .....always reads 0
- 7-0 ROP3 Code**

**GEbase + 4C – Z Function .....RW**

- 31 Z-Bias**
  - 0 Disable
  - 1 Enable
- 30-17 Reserved** .....always reads 0
- 16-7 Z-Bias Value**
- 6 Test Alpha**
  - 0 Disable
  - 1 Enable
- 5 Z-Buffer Write**
  - 0 Disable
  - 1 Enable
- 4-3 Reserved** .....always reads 0
- 2-0 Z-Buffer Compare**
  - 000 Compare False. Z and RGB values will not be written to memory.
  - 001 Compare Less Than. Z and RGB values will be written to memory if the current Z value is less than the Z value in memory.
  - 010 Compare Equal. Z and RGB values will be written to memory if the current Z value is equal to the Z value in memory.
  - 011 Compare Less Than or Equal. Z and RGB values will be written to memory if the current Z value is less than the Z value in memory.
  - 100 Compare Greater Than. Z and RGB values will be written to memory if the current Z value is greater than the Z value in memory.
  - 101 Compare Not Equal. Z and RGB values will be written to memory if the current Z value is not equal to the Z value in memory.
  - 110 Compare Greater Than or Equal. Z and RGB values will be written to memory if the current Z value is greater than or equal to the Z value in memory.
  - 111 Compare True. Z and RGB values will be written to memory.

**GEbase + 50 – Texture Function .....RW**

- 31-22 Maximum U**
- 21-12 Minimum U**
- 11-5 Reserved** .....always reads 0
- 4 Mask**
  - 0 Disable
  - 1 Enable
- 3-2 Texture Alpha**
  - 00 Texel alpha
  - 01 Source alpha
  - 10 Modulated alpha: texel alpha x source alpha
  - 11 -reserved-
- 1-0 Texture Color**
  - 00 Texel color
  - 01 Source color
  - 10 Modulated color: texel color x source color
  - 11 -reserved-

**GEbase + 54 – Clipping Window 0.....RW**

- 31-28 Reserved** .....always reads 0
- 27-16 Clipping Window Top** ..... default = 0
- 15-12 Reserved** .....always reads 0
- 11-0 Clipping Window Left** ..... default = 0

**GEbase + 58 – Clipping Window 1.....RW**

- 31-28 Reserved** .....always reads 0
- 27-16 Clipping Window Bottom** ..... default = 0
- 15-12 Reserved** .....always reads 0
- 11-0 Clipping Window Right** ..... default = 0

**GEbase + 60 – Color 0 (Foreground).....RW**

- 31-0 Foreground Color Value**

**GEbase + 64 – Color 1 (Background) .....RW**

- 31-0 Background Color Value**

Note: In 16- and 8- bit modes, the color must be duplicated to fill an entire 32-bit word. 32-bit color is in ARGB format (i.e., Alpha, Red, Green, and Blue in bytes 3-0 respectively) and 16-bit color is in RGB 565 format (5 bits of Red, 6 bits of Green, and 5 bits of Blue).

**GEbase + 68 – Color Key .....RW**

- 31-26 Reserved** .....always reads 0
- 25 Destination Polarity**
  - 0 Draw on Equal
  - 1
- 24 Source Polarity**
  - 0 Draw on Equal
  - 1
- 23-0 Destination Color Key Color**  
Unlike foreground and background, the color is not replicated in 16-bit or 8-bit modes.

**GEbase + 6C – Pattern and Style .....RW**

- 31 Pattern Color Expansion**
  - 0 Disable ..... default
  - 1 Enable
- 30 Pattern Transparency**
  - 0 Opaque ..... default
  - 1 Transparent
- 29 Pattern Size**
  - 0 8 x 8 pixels ..... default
  - 1 32 x 32 pixels (mono only)
- 28 Pattern Register Segment**
  - 0 Low Segment ..... default
  - 1 High Segment

Note: The pattern cache is divided into two segments for double pattern purposes. This bit serves two purposes: First as the starting segment for loading a pattern into the pattern cache, the corresponding address is latched into an internal register which will automatically increase by one when data is loaded. Second as the segment base of the current pattern when applying a pattern.

**27-24 Reserved** .....always reads 0

**23-16 Pattern Style Step**

The # of pixels each mask bit should be mapped to:

- 00 1 Pixel per mask bit..... default
- 01 2 pixels per mask bit
- 02 3 pixels per mask bit
- ... ..
- FF 256 pixels per mask bit

**15-0 Pattern Style Mask**

Determines the line drawing style (e.g., dotted line). Bit-0 maps to the first pixel. Writing to the low byte of this register (GEbase + 6C) causes the internal style count to be reset to 0. When 3D operations are enabled (smooth shading, texture, Z), style line must be transparent and style applies to color as well as Z.

**GEbase + 70 – Pattern Color.....RW**

**31-0 Pattern Color Value**

Must follow the command. The pattern data could be repeated up to 64 times to fill out the pattern register file.

**GEbase + 74 – Pattern Foreground Color.....RW**

**31-0 Foreground Color Value** ..... default = 0

**GEbase + 78 – Pattern Background Color.....RW**

**31-0 Background Color Value** ..... default = 0

Note: In 16- and 8- bit modes, the color must be duplicated to fill an entire 32-bit word. 32-bit color is in ARGB format (i.e., Alpha, Red, Green, and Blue in bytes 3-0 respectively) and 16-bit color is in RGB 565 format (5 bits of Red, 6 bits of Green, and 5 bits of Blue).

**GEbase + 7C – Alpha.....RW**

- 31-16 **Reserved** .....always reads 0
- 15-8 **Source Constant Alpha**
- 7-0 **Destination Constant Alpha**

**GEbase + 84 – Bit Mask.....RW**

- 31-0 **Bit Mask**  
One bits indicate that the corresponding color bit will not be written to the frame buffer.

**GEbase + 80 – Alpha Function.....RW**

- 31-24 **Reserved** .....always reads 0
- 23 **Alpha Write**
  - 0 Disable .....default
  - 1 Enable. Draw each pixel with a blended alpha value if alpha blending is enabled. Otherwise draw with source alpha (the upper byte of the Foreground Color register if not available).  
This bit should be set in 8-bit and 16-bit color modes.
- 22 **Constant Source Alpha**
  - 0 Disable .....default
  - 1 Enable
- 21 **Constant Destination Alpha**
  - 0 Disable .....default
  - 1 Enable
- 20 **Result Alpha**
  - 0 The result of blending .....default
  - 1 Source alpha
- 19-16 **Alpha Test Function**
  - 0000 Never accept the pixel
  - 0001 Accept if alpha < reference alpha
  - 0010 Accept if alpha == reference alpha
  - 0011 Accept if alpha <= reference alpha
  - 0100 Accept if alpha > reference alpha
  - 0101 Accept if alpha != reference alpha
  - 0110 Accept if alpha >= reference alpha
  - 0111 Always accept the pixel
  - 1xxx -reserved-
- 15-8 **Reference Alpha Value**
- 7-4 **Destination Blending Factor**
  - 0000 (0,0,0,0)
  - 0001 (1,1,1,1)
  - 0010 (RS,GS,BS,AS)
  - 0011 (1,1,1,1) - (RS,GS,BS,AS)
  - 0100 (AS,AS,AS,AS)
  - 0101 (1,1,1,1) – (AS,AS,AS,AS)
  - 0110 (AD,AD,AD,AD)
  - 0111 (1,1,1,1) – (AD,AD,AD,AD)
  - 1xxx -reserved-
- 3-0 **Source Blending Factor**
  - 0000 (0,0,0,0)
  - 0001 (1,1,1,1)
  - 001x -reserved-
  - 0100 (AS,AS,AS,AS)
  - 0101 (1,1,1,1) – (AS,AS,AS,AS)
  - 0110 (AD,AD,AD,AD)
  - 0111 (1,1,1,1) – (AD,AD,AD,AD)
  - 1000 (RD,GD,BD,AD)
  - 1001 (1,1,1,1) - (RD,GD,BD,AD)
  - 1010 (F,F,F,1); F = min (AS, 1-AD)
  - 1011 -reserved-
  - 11xx -reserved-



**Texture Engine Registers**

The texture Engine handles texture access and filtering. It is controlled by the Span Engine. It accepts texture coordinates from the Rasterization Engine, generates and passes addresses to the Memory Interface, accepts raw texel data from the Memory Interface, does filtering, and passes the results to the Data Path.

**GEbase + A0 – Texture Control .....RW**

Textures are aligned to 64-bit boundaries on a scanline basis.

- 31 Texture Access Control**
  - 0 Disable (use cache)
  - 1 Enable (bypass cache)
- 30 Filtering Control**
  - 0 Filter with color key. Treat alpha value for keyed texels as 0
  - 1 Downgrade filtering function based on fractional bits of UV and key test result. Set alpha to 0 for keyed texels.
- 29-28 Texture U Boundary Checking Function**
  - 00 Texture U wraparound
  - 01 Texture U mirroring
  - 10 Texture U clamping
  - 11 -reserved-
- 27-26 Texture V Boundary**
  - 00 Texture V wraparound
  - 01 Texture V mirroring
  - 10 Texture V clamping
  - 11 -reserved-
- 25 Texture in System Memory**
  - 0 Texture is stored in graphics memory
  - 1 Texture is stored in system memory
- 24 Reserved (must be 0)**
- 23 MipMap**
  - 0 Disable
  - 1 Enable
- 22 Intra-map Filter**
  - 0 Disable
  - 1 Enable (do filtering inside a LOD level)
- 21 Inter-map Filter**
  - 0 Disable
  - 1 Enable (do filtering inside a LOD level)  
M must be 1.
- 20 Magnify Filter (when LOD < 0)**
  - 0 Point Sample
  - 1 Bi-linear

**19 Tiling**

- 0 Texture is not tiled
- 1 Texture is tiled.

Tile size is determined by texel depth:

Texel Depth (bpp)	Tile Size
1	16 x 16
2	8 x 16
4	8 x 8
8	4 x 8
16	4 x 4
32	2 x 4

Inside each tile, texels are organized into 2x2 subtiles in row major

**18 Texture Color Key**

- 0 Disable
- 1 Enable

**17 Texture Anisotropy**

- 0 Disable
- 1 Enable

**16-15 Palette Data Format**

- 00 565 RGB
- 01 1555 ARGB
- 10 4444 ARGB
- 11 -reserved-

**14-12 Texel Depth**

- 000 1-bpp palettized
- 001 2-bpp palettized
- 010 4-bpp palettized
- 011 8-bpp palettized
- 100 16-bpp 565 RGB
- 101 16-bpp 1555 ARGB
- 110 16-bpp 4444 ARGB
- 111 32-bpp ARGB

**11-8 Texture Map Levels (TML) (Range 0-8)**

The number of maps in the MipMap (0 = 1 map)

**7-4 Y-Axis Texture Memory Size (TRY) (Range 0-8)**

This field determines the number of lsb's (2\*\*TRY) of parameter V to be used in the Y axis. Any bit higher than this will be ignored (wraparound).

**3-0 X-Axis Texture Memory Size (TRX) (Range 0-8)**

This field determines the number of lsb's (2\*\*TRX) of parameter U to be used in the X axis. Any bit higher than this will be ignored (wraparound).

Note: For MipMap textures, TRX/TRY is the size of the original texture (1:1 map)

**GEbase + A4 – Texture Color .....RW**

**31-24 Alpha**

Constant alpha value when there is no alpha in the texture format

**23-0 Texture Color Key**

Texture transparency color (888 RGB)

**GEbase + A8 – Texture Palette Data..... WO**

**31-16 Texel n+1**

**15-0 Texel n**

An internal counter is used in loading the texture palette. Writing to the Texture register (GEbase+A0) resets the counter to 0. Writing to the Texture Palette Data register writes the data to the place pointed to by the counter then increments the counter by 1. Each write writes two entries into the palette.

**GEbase + AC – Texture Boundary .....RW**

**31-22 Maximum V**

**21-12 Minimum V**

**11-8 Reserved** .....always reads 0

**7 Reverse Texture Format**

- 0 Disable
- 1 Enable

**6 Texture Cache**

- 0 Disable
- 1 Enable

**5 Texture Map Shift**

- 0 Disable
- 1 Enable

**4-3 Compressed Texture Format**

- 00 No compression
- 01 DXT1 format
- 10 DXT2 format
- 11 -reserved-

**2-0 Dither Shift**

- 000 Disable LOD dithering
- 001 100% LOD dithering
- 010 80% LOD dithering
- 011 60% LOD dithering
- 100 40% LOD dithering
- 101 20% LOD dithering
- 11x -reserved-

**Texture Filtering**

Texture data read back from the Memory Interface first goes through palette translation if the texture is palettized. The texture is then converted into common internal 8888 ARGB format. If the texture doesn't have alpha data, then a constant alpha value is used. If the texture color key is enabled and the texture color matches the key, set alpha to 0. Bi-linear or tri-linear filtering is then performed on RGB and alpha. If the color key is enabled and the result alpha is 0, the corresponding pixel should be discarded. This is done by attaching a validity bit with texture data passed from the Texture Engine to the Data Path. It should be noted that filtering depends on the LOD value. When  $LOD < 0$ , a different filter may be applied. In bi-linear filtering, if the texel nearest to the texture coordinate is masked by the color key, then the texel is considered as masked. Otherwise, the texel is considered not masked.

**Memory Interface Registers**

The registers in this group include stride and buffer base address registers for frame buffer control. There are three base addresses: source base address (added to blt source), destination base address (added to color destination), and Z base address (added to Z addresses).

**GEbase + B8 – Destination Stride / Buffer Base 0.....RW**

**GEbase + BC – Destination Stride / Buffer Base 1 .....RW**

**GEbase + C0 – Destination Stride / Buffer Base 2.....RW**

**GEbase + C4 – Destination Stride / Buffer Base 3.....RW**

**GEbase + C8 – Source Stride / Buffer Base 0.....RW**

**GEbase + CC – Source Stride / Buffer Base 1.....RW**

**GEbase + D0 – Source Stride / Buffer Base 2.....RW**

**GEbase + D4 – Source Stride / Buffer Base 3.....RW**

All eight of the above registers have the same bit definitions:

**31-29 Bits Per Pixel**

- 000 8 bits per pixel
- 001 16 bits per pixel (565 format)
- 010 32 bits per pixel
- 011 -reserved-
- 100 -reserved-
- 101 16 bits per pixel (555 format)
- 11x -reserved-

**28-20 Stride** (pixels divided by 8)

**19-0 Buffer Base Address** (in quadwords)

**GEbase + D8 – Z Depth / Z Buffer Base .....RW**

**31-30 Z Depth**

- 00 16 bits
- 01 24 bits (32 bits are allocated in the frame buffer with the MSB not used)
- 1x -reserved-

**29 Reserved** .....always reads 0

**28-20 Z Stride**

**19-0 Z Buffer Base Address** (in quadwords)

There are 9 texture base registers for up to 9 levels of MipMaps: level 0 (1:1 map) up to level 8 (smallest). The texture may be in the frame buffer or in system memory.

**GEbase+DC – Texture Base MipMap Level 0 (1:1 Map)RW**

**GEbase + E0 – Texture Base MipMap Level 1 .....RW**

**GEbase + E4 – Texture Base MipMap Level 2 .....RW**

**GEbase + E8 – Texture Base MipMap Level 3 .....RW**

**GEbase + EC – Texture Base MipMap Level 4 .....RW**

**GEbase + F0 – Texture Base MipMap Level 5 .....RW**

**GEbase + F4 – Texture Base MipMap Level 6 .....RW**

**GEbase + F8 – Texture Base MipMap Level 7 .....RW**

**GEbase+FC – Texture Base MipMap Level 8 (Smallest)RW**

All nine of the above registers have the same bit definitions:

**31-0 Texture Base Address** (in bytes)

Base addresses always start on QWORD boundaries so bits 2-0 are always 0.

**Data Port Area**

**GEbase + 10000-1FFFFh – Data Port Area .....RW**

## FUNCTIONAL DESCRIPTIONS

### Graphics Controller Power Management

The PLE133 Graphics Controller power management feature set complies with AGP and PCI power management requirements.

#### Power Management States

Power management states (D0-D3) for both ACPI and PCI Bus Power Management (PCI PM) refer to the same states described in the Device Class PM Reference Specification for Display Devices, which are equivalent to the VESA™ DPMS power states. System software should access the PLE133's configuration registers to perform PCI PM state transitions.

### Power Management Registers

Power management control for the PLE133 Graphics Controller is provided by extended registers SR24 (Power Management Control), GR20 (Standby Timer Control), GR21 (Power Management Control 1), GR22 (Power Management Control 2), GR23 (Power Status), GR24 (Soft Power Control), GR25 (Power Control Select), GR26 (DPMS Control), GR27-28 (GPIO Control), GR2A (Suspend Pin Timer), GR2C (Miscellaneous Pin Control), GR2F (Miscellaneous Internal Control), and Graphics Controller PCI Configuration Indices 90-97 (PCI Power Management Registers 1 and 2).

**Table 12. PCI Power Management States**

<b>PCI PM State</b>	<b>Desktop Graphics</b>	<b>Notebook Graphics</b>
State 0 (D0)	DPMS State 0 <b>Fully On</b>	Proprietary State 0 <b>Fully On</b>
State 1 (D1)	DPMS State 1 <b>Standby</b> (Hsync Off)	Proprietary State 1 <b>Standby</b> (VCLK Off)
State 2 (D2)	DPMS State 2 <b>Suspend</b> (Vsync Off)	Proprietary State 2 <b>Suspend</b> (MCLK/VCLK Both Off)
State 3 (D3)	DPMS State 3 <b>Off</b> (H/Vsync Both Off)	Same as State 2

### Power Management Clock Control

If the system "South Bridge" sends a request to the PLE133 to power down the memory controller, the PLE133 first uses PCKRUN# (the same signal appearing external to the PLE133) to check to see if the internal graphics controller needs to access main memory. The graphics controller logic will detect PCKRUN# high for 2 or 3 PCICLK's and check if there are any:

- Internal buffers not emptied
- PCI Master or AGP Master actions pending

If either condition exists, the graphics controller logic will assert PCKRUN# low for 2 PCICLK's to signal the clock generator to keep PCICLK running.

PME# is not implemented since there are no wake-up conditions.

## ELECTRICAL SPECIFICATIONS

### Absolute Maximum Ratings

**Table 13. Absolute Maximum Ratings**

Symbol	Parameter	Min	Max	Unit	Notes
T <sub>C</sub>	Case operating temperature	0	85	°C	1
T <sub>S</sub>	Storage temperature	-55	125	°C	1
V <sub>IN</sub>	Input voltage	-0.5	V <sub>RAIL</sub> + 10%	Volts	1, 2
V <sub>OUT</sub>	Output voltage	-0.5	V <sub>RAIL</sub> + 10%	Volts	1, 2

Note 1: Stress above the conditions listed may cause permanent damage to the device. Functional operation of this device should be restricted to the conditions described under operating conditions.

Note 2. V<sub>RAIL</sub> is defined as the V<sub>CC</sub> level of the respective rail. The CPU interface can be 3.3V or 2.5V. Memory can be 3.3V only. PCI can be 3.3V or 5.0V. Video can be 3.3V or 5.0V. Flat Panel can be 3.3V only.

### DC Characteristics

T<sub>C</sub> = 0-85°C, V<sub>RAIL</sub> = V<sub>CC</sub> +/- 5%, V<sub>CORE</sub> = 2.5V +/- 5%, GND=0V

**Table 14. DC Characteristics**

Symbol	Parameter	Min	Max	Unit	Condition
V <sub>IL</sub>	Input Low Voltage	-0.50	0.8	V	
V <sub>IH</sub>	Input High Voltage	2.0	V <sub>CC</sub> +0.5	V	
V <sub>OL</sub>	Output Low Voltage	-	0.55	V	I <sub>OL</sub> =4.0mA
V <sub>OH</sub>	Output High Voltage	2.4	-	V	I <sub>OH</sub> =-1.0mA
I <sub>IL</sub>	Input Leakage Current	-	+/-10	uA	0<V <sub>IN</sub> <V <sub>CC</sub>
I <sub>OZ</sub>	Tristate Leakage Current	-	+/-20	uA	0.55<V <sub>OUT</sub> <V <sub>CC</sub>

## **Power Characteristics**

$T_C = 0-85^{\circ}\text{C}$ ,  $V_{\text{RAIL}} = V_{\text{CC}} \pm 5\%$ ,  $V_{\text{CORE}} = 2.5\text{V} \pm 5\%$ ,  $\text{GND}=0\text{V}$

**Table 15. DC Characteristics**

<b>Symbol</b>	<b>Parameter</b>	<b>Typ</b>	<b>Max</b>	<b>Unit</b>	<b>Condition</b>
$I_{\text{CC5}}$	Power Supply Current – VCC5			mA	Max operating frequency
$I_{\text{CC3}}$	Power Supply Current – VCC3			mA	Max operating frequency
$I_{\text{SUS3}}$	Power Supply Current – VSUS3			mA	Max operating frequency
$I_{\text{SUS2}}$	Power Supply Current – VSUS2			mA	Max operating frequency
$I_{\text{CC1}}$	Power Supply Current – VCCI			mA	Max operating frequency
$I_{\text{CCD}}$	Power Supply Current – VCCD			mA	Max operating frequency
$I_{\text{CCR}}$	Power Supply Current – VCCR			mA	Max operating frequency
$I_{\text{TT}}$	Power Supply Current – VTT			mA	Max operating frequency
$I_{\text{REF}}$	Power Supply Current – GTLREF			mA	Max operating frequency
$P_D$	Power Dissipation		3.5	W	Max operating frequency

## **AC Timing Specifications**

AC timing specifications provided are based on external zero-pf capacitance load. Min/max cases are based on the following table:

**Table 16. AC Timing Min / Max Conditions**

<b>Parameter</b>	<b>Min</b>	<b>Max</b>	<b>Unit</b>
5.0V Power	4.75	5.25	Volts
3.3V Power	3.135	3.465	Volts
2.5V Power	2.375	2.625	Volts
Case Operating Temperature	0	85	$^{\circ}\text{C}$

Drive strength for selected output pins is programmable. See Rx6D for details.

# MECHANICAL SPECIFICATIONS

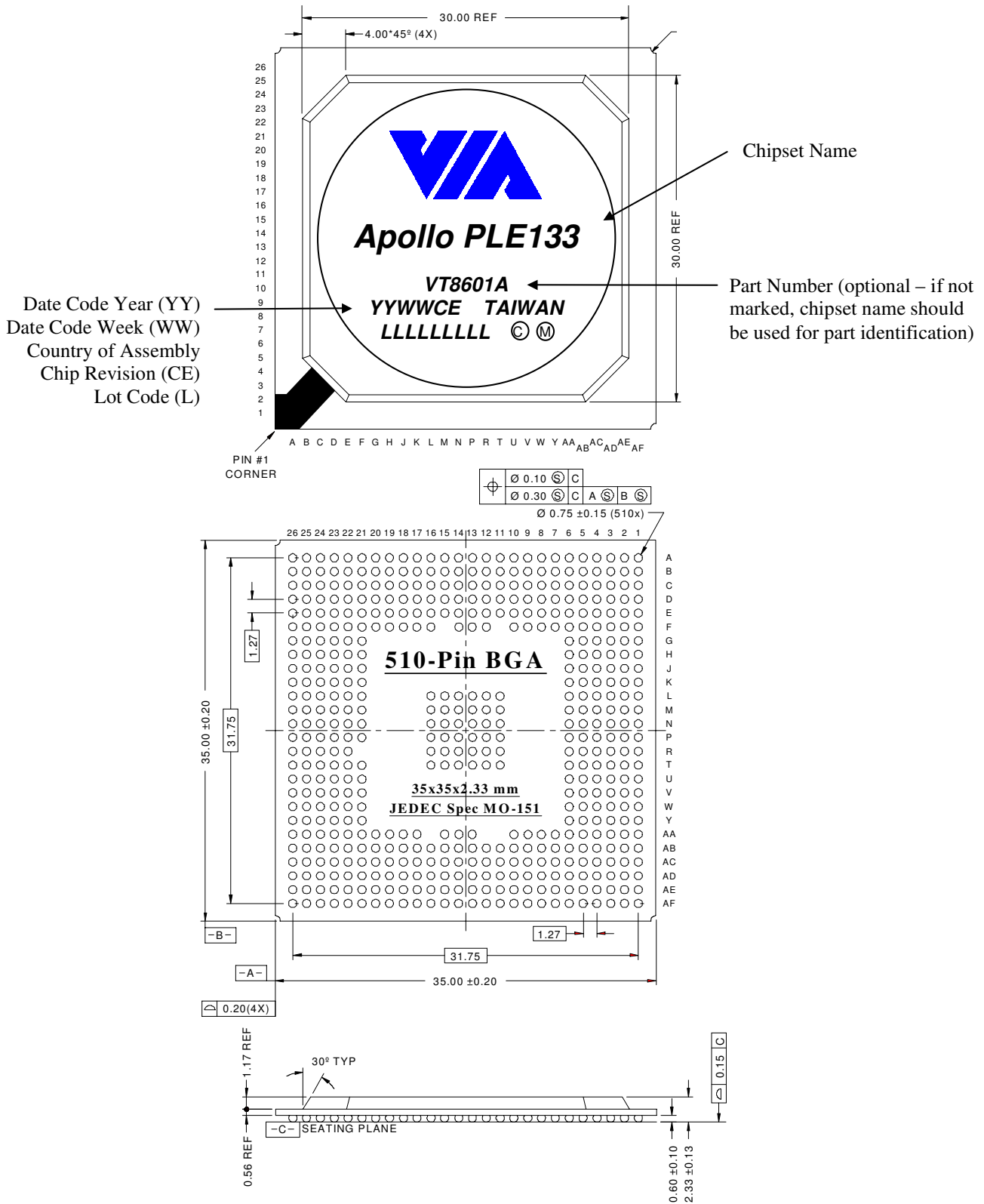


Figure 9. Mechanical Specifications - 510-Pin Ball Grid Array Package