

Programmable Logic

Data Book

Data Book

Programmable Logic

1989

1989

General Information

1

Data Sheets

2

Application Reports

3

Mechanical Data

4

The Programmable Logic Data Book



IMPORTANT NOTICE

Texas Instruments (TI) reserves the right to make changes to or to discontinue any semiconductor product or service identified in this publication without notice. TI advises its customers to obtain the latest version of the relevant information to verify, before placing orders, that the information being relied upon is current.

TI warrants performance of its semiconductor products to current specifications in accordance with TI's standard warranty. Testing and other quality control techniques are utilized to the extent TI deems necessary to support this warranty. Unless mandated by government requirements, specific testing of all parameters of each device is not necessarily performed.

TI assumes no liability for TI applications assistance, customer product design, software performance, or infringement of patents or services described herein. Nor does TI warrant or represent that any license, either express or implied, is granted under any patent right, copyright, mask work right, or other intellectual property right of TI covering or relating to any combination, machine, or process in which such semiconductor products or services might be or are used.

INTRODUCTION

In this volume, Texas Instruments presents technical information on TI's broad line of programmable logic devices (PLDs), including 10-ns, 20-pin PAL[®] circuits.

TI's programmable logic products include high-speed leadership circuits, as well as standard 20- and 24-pin PAL devices in a variety of speed/power versions. This data book includes specifications on existing and future products, including:

- High-performance, low-power IMPACT™ and IMPACT-X™ 20- and 24-pin standard PAL circuits
- High-complexity Latched- and Registered-input PAL ICs and Exclusive-OR arrays
- Flexible, '22V10-architecture macrocell PAL ICs, including TI's enhanced, 20-ns version, the TIBPAL22VP10-20
- High-speed 6- and 3-ns, 10KH and 100K ECL IMPACT™ and ExCL™ PAL circuits
- Ultra-low-power UV-erasable and one-time programmable CMOS PAL ICs, including 20-pin, '22V10, and generic architectures
- Fast, 50-MHz programmable state machines, including enhanced versions of '82S105B/167B sequencers and the TIBPSG507 Programmable Sequence Generator

Texas Instruments high-speed programmable bipolar devices utilize TI's advanced IMPACT™ and new IMPACT-X™ technologies. IMPACT-X™ uses trench isolation and polysilicon emitters to increase performance and reduce power dissipation compared to traditional processes. IMPACT-X™ provides 1.5- μ m feature sizes and 7- μ m pitch.

Based on IMPACT-X™, TI's new ECL process, ExCL™, offers even greater speed and density for high-performance ECL circuits.

This volume contains design and specification data for 78 device types. Package dimensions are given in the Mechanical Data section in metric measurement (and parenthetically in inches).

Four programmable logic application reports have been incorporated into this data book as a reference tool. They are: *Designing with Texas Instruments Field Programmable Logic*; *Hard Array Logic*; *A Designer's Guide to the PSG507*; and *Systems Solutions for Static Column Decode*.

Complete technical data for any Texas Instruments semiconductor product is available from your nearest TI field sales office, local authorized TI distributor, or by calling Texas Instruments at 1-800-232-3200.

PAL is a registered trademark of Monolithic Memories Inc.
IMPACT and IMPACT-X are trademarks of Texas Instruments Incorporated.
ExCL is a trademark of Texas Instruments Incorporated.

General Information

1

Data Sheets

2

Application Reports

3

Mechanical Data

4

Contents

| | <i>Page</i> |
|--|-------------|
| Alphanumeric Index | 1-3 |
| Glossary | 1-5 |
| Explanation of Function Tables | 1-9 |
| Parameter Measurement Information | 1-11 |
| Ordering Information | 1-12 |
| Hardware/Software Manufacturers | 1-13 |
| TI IMPACT™ Design and Service Centers | 1-14 |

| | | Page | | | Page |
|-----------------|-----------------|-------|------------------|------------------|-------|
| PAL16L8AC | PAL16L8AM | 2-3 | TIBPAL20L10-30C | | 2-127 |
| PAL16L8A-2C | PAL16L8A-2M | 2-3 | TIBPAL20SP8-20C | TIBPAL20SP8-30M | 2-139 |
| PAL16R4AC | PAL16R4AM | 2-3 | TIBPAL20X4-20C | TIBPAL20X4-25M | 2-115 |
| PAL16R4A-2C | PAL16R4A-2M | 2-3 | TIBPAL20X4-30C | | 2-127 |
| PAL16R6AC | PAL16R6AM | 2-3 | TIBPAL20X8-20C | TIBPAL20X8-25M | 2-115 |
| PAL16R6A-2C | PAL16R6A-2M | 2-3 | TIBPAL20X8-30C | | 2-127 |
| PAL16R8AC | PAL16R8AM | 2-3 | TIBPAL20X10-20C | TIBPAL20X10-25M | 2-115 |
| PAL16R8A-2C | PAL16R8A-2M | 2-3 | TIBPAL20X10-30C | | 2-127 |
| PAL20L8AC | PAL20L8AM | 2-15 | TIBPAL22V10C | TIBPAL22V10M | 2-145 |
| PAL20R4AC | PAL20R4AM | 2-15 | TIBPAL22V10AC | TIBPAL22V10AM | 2-145 |
| PAL20R6AC | PAL20R6AM | 2-15 | TIBPAL22VP10-20C | TIBPAL22VP10-25M | 2-157 |
| PAL20R8AC | PAL20R8AM | 2-15 | TIBPALR19L8C | TIBPALR19L8M | 2-169 |
| TIBPAD16N8-7C | | 2-27 | TIBPALR19R4C | TIBPALR19R4M | 2-169 |
| TIBPAD18N8-6C | | 2-35 | TIBPALR19R6C | TIBPALR19R6M | 2-169 |
| TIBPAL16L8-10C | TIBPAL16L8-12M | 2-41 | TIBPALR19R8C | TIBPALR19R8M | 2-169 |
| TIBPAL16L8-12C | TIBPAL16L8-15M | 2-57 | TIBPALT19L8C | TIBPALT19L8M | 2-181 |
| TIBPAL16L8-15C | TIBPAL16L8-20M | 2-67 | TIBPALT19R4C | TIBPALT19R4M | 2-181 |
| TIBPAL16L8-25C | TIBPAL16L8-30M | 2-77 | TIBPALT19R6C | TIBPALT19R6M | 2-181 |
| TIBPAL16R4-10C | TIBPAL16R4-12M | 2-41 | TIBPALT19R8C | TIBPALT19R8M | 2-181 |
| TIBPAL16R4-12C | TIBPAL16R4-15M | 2-57 | TIBPLS506C | TIBPLS506M | 2-193 |
| TIBPAL16R4-15C | TIBPAL16R4-20M | 2-67 | TIBPSG507C | TIBPSG507M | 2-201 |
| TIBPAL16R4-25C | TIBPAL16R4-30M | 2-77 | TIB82S105BC | TIB82S105BM | 2-209 |
| TIBPAL16R6-10C | TIBPAL16R6-12M | 2-41 | TIB82S167BC | TIB82S167BM | 2-219 |
| TIBPAL16R6-12C | TIBPAL16R6-15M | 2-57 | TICHAL16L8-35C | | 2-229 |
| TIBPAL16R6-15C | TIBPAL16R6-20M | 2-67 | TICHAL16R4-35C | | 2-229 |
| TIBPAL16R6-25C | TIBPAL16R6-30M | 2-77 | TICHAL16R6-35C | | 2-229 |
| TIBPAL16R8-10C | TIBPAL16R8-12M | 2-41 | TICHAL16R8-35C | | 2-229 |
| TIBPAL16R8-12C | TIBPAL16R8-15M | 2-57 | TICPAL16L8-55C | | 2-243 |
| TIBPAL16R8-15C | TIBPAL16R8-20M | 2-67 | TICPAL16R4-55C | | 2-243 |
| TIBPAL16R8-25C | TIBPAL16R8-30M | 2-77 | TICPAL16R6-55C | | 2-243 |
| TIBPAL20L8-15C | TIBPAL20L8-20M | 2-87 | TICPAL16R8-55C | | 2-243 |
| TIBPAL20L8-25C | TIBPAL20L8-30M | 2-101 | TICPAL18V8-25C | TICPAL18V8-30M | 2-257 |
| TIBPAL20R4-15C | TIBPAL20R4-20M | 2-87 | TICPAL22V10C | TICPAL22V10M | 2-271 |
| TIBPAL20R4-25C | TIBPAL20R4-30M | 2-101 | TIEPAL10H16P8-3C | | 2-285 |
| TIBPAL20R6-15C | TIBPAL20R6-20M | 2-87 | TIEPAL10H16P8-6C | | 2-291 |
| TIBPAL20R6-25C | TIBPAL20R6-30M | 2-101 | TIEPAL10016P8-3C | | 2-297 |
| TIBPAL20R8-15C | TIBPAL20R8-20M | 2-87 | TIEPAL10016P8-6C | | 2-303 |
| TIBPAL20R8-25C | TIBPAL20R8-30M | 2-101 | TIFPLA839C | TIFPLA839M | 2-309 |
| TIBPAL20L10-20C | TIBPAL20L10-25M | 2-115 | TIFPLA840C | TIFPLA840M | 2-309 |

INTRODUCTION

These symbols, terms, and definitions are in accordance with those currently agreed upon by the JEDEC Council of the Electronic Industries Association (EIA) for use in the USA and by the International Electrotechnical Commission (IEC) for international use.

PART 1 — GENERAL CONCEPTS AND CLASSIFICATIONS OF CIRCUIT COMPLEXITY

Chip-Enable Input

A control input that when active permits operation of the integrated circuit for input, internal transfer, manipulation, refreshing, and/or output of data and when inactive causes the integrated circuit to be in reduced-power standby mode.

NOTE: See "chip-select input."

Chip-Select Input

A gating input that when inactive prevents input or output of data to or from an integrated circuit.

NOTE: See "chip-enable input."

Field-Programmable Logic Array (FPLA)

A user-programmable integrated circuit whose basic logic structure consists of a programmable AND array and whose outputs feed a programmable OR array.

Gate Equivalent Circuit

A basic unit-of-measure of relative digital-circuit complexity. The number of gate equivalent circuits is that number of individual logic gates that would have to be interconnected to perform the same function.

Large-Scale Integration (LSI)

A concept whereby a complete major subsystem or system function is fabricated as a single microcircuit. In this context a major subsystem or system, whether digital or linear, is considered to be one that contains 100 or more equivalent gates or circuitry of similar complexity.

Mask-Programmed Read-Only Memory

A read-only memory in which the data content of each cell is determined during manufacture by the use of a mask, the data content thereafter being unalterable.

Medium-Scale Integration (MSI)

A concept whereby a complete subsystem or system function is fabricated as a single microcircuit. The subsystem or system is smaller than for LSI, but whether digital or linear, is considered to be one that contains 12 or more equivalent gates or circuitry of similar complexity.

Memory Cell

The smallest subdivision of a memory into which a unit of data has been or can be entered, in which it is or can be stored, and from which it can be retrieved.

Memory Integrated Circuit

An integrated circuit consisting of memory cells and usually including associated circuits such as those for address selection, amplifiers, etc.

GLOSSARY

Output-Enable Input

A gating input that when active permits the integrated circuit to output data and when inactive causes the integrated circuit output(s) to be at a high impedance (off).

Programmable Array Logic (PAL®)

A user-programmable integrated circuit which utilizes proven fuse link technology to implement logic functions. Implements sum of products logic by using a programmable AND array whose outputs feed a fixed OR array.

Programmable Read-Only Memory (PROM)

A read-only memory that after being manufactured can have the data content of each memory cell altered once only.

Random-Access Memory (RAM)

A memory that permits access to any of its address locations in any desired sequence with similar access time for each location.

NOTE: The term RAM, as commonly used, denotes a read/write memory.

Read/Write Memory

A memory in which each cell may be selected by applying appropriate electronic input signals and the stored data may be either (a) sensed at appropriate output terminals, or (b) changed in response to other similar electronic input signals.

Small-Scale Integration (SSI)

Integrated circuits of less complexity than medium-scale integration (MSI).

Typical (TYP)

A calculated value representative of the specified parameter at nominal operating conditions ($V_{CC} = 5\text{ V}$, $T_A = 25^\circ\text{C}$), based on the measured value of devices processed, to emulate the process distribution.

Very-Large-Scale Integration (VLSI)

A concept whereby a complete system function is fabricated as a single microcircuit. In this context, a system, whether digital or linear, is considered to be one that contains 3000 or more gates or circuitry of similar complexity.

Volatile Memory

A memory the data content of which is lost when power is removed.

PAL is a registered trademark of Monolithic Memories Inc.

PART 2 — OPERATING CONDITIONS AND CHARACTERISTICS (IN SEQUENCE BY LETTER SYMBOLS)

- f_{max}** **Maximum clock frequency**
The highest rate at which the clock input of a bistable circuit can be driven through its required sequence while maintaining stable transitions of logic level at the output with input conditions established that should cause changes of output logic level in accordance with the specification.
- I_{CC}** **Supply current**
The current into* the V_{CC} supply terminal of an integrated circuit.
- I_{CC}H** **Supply current, outputs high**
The current into* the V_{CC} supply terminal of an integrated circuit when all (or a specified number) of the outputs are at the high level.
- I_{CC}L** **Supply current, outputs low**
The current into* the V_{CC} supply terminal of an integrated circuit when all (or a specified number) of the outputs are at the low level.
- I_IH** **High-level input current**
The current into* an input when a high-level voltage is applied to that input.
- I_IL** **Low-level input current**
The current into* an input when a low-level voltage is applied to that input.
- I_OH** **High-level output current**
The current into* an output with input conditions applied that, according to the product specification, will establish a high level at the output.
- I_OL** **Low-level output current**
The current into* an output with input conditions applied that, according to the product specification, will establish a low level at the output.
- I_{OS} (I_O)** **Short-circuit output current**
The current into* an output when that output is short-circuited to ground (or other specified potential) with input conditions applied to establish the output logic level farthest from ground potential (or other specified potential).
- I_OZH** **Off-state (high-impedance-state) output current (of a three-state output) with high-level voltage applied**
The current flowing into* an output having three-state capability with input conditions established that, according to the production specification, will establish the high-impedance state at the output and with a high-level voltage applied to the output.
NOTE: This parameter is measured with other input conditions established that would cause the output to be at a low level if it were enabled.
- I_OZL** **Off-state (high-impedance-state) output current (of a three-state output) with low-level voltage applied**
The current flowing into* an output having three-state capability with input conditions established that, according to the product specification, will establish the high-impedance state at the output and with a low-level voltage applied to the output.
NOTE: This parameter is measured with other input conditions established that would cause the output to be at a high level if it were enabled.

*Current out of a terminal is given as a negative value.




GLOSSARY

| | |
|------------------------|--|
| V_{IH} | High-level input voltage An input voltage within the more positive (less negative) of the two ranges of values used to represent the binary variables. NOTE: A minimum is specified that is the least-positive value of high-level input voltage for which operation of the logic element within specification limits is guaranteed. |
| V_{IK} | Input clamp voltage An input voltage in a region of relatively low differential resistance that serves to limit the input voltage swing. |
| V_{IL} | Low-level input voltage An input voltage level within the less positive (more negative) of the two ranges of values used to represent the binary variables. NOTE: A minimum is specified that is the most-positive value of low-level input voltage for which operation of the logic element within specification limits is guaranteed. |
| V_{OH} | High-level output voltage The voltage at an output terminal with input conditions applied that, according to the product specification, will establish a high level at the output. |
| V_{OL} | Low-level output voltage The voltage at an output terminal with input conditions applied that, according to the product specification, will establish a low level at the output. |
| t_a | Access time The time interval between the application of a specific input pulse and the availability of valid signals at an output. |
| t_{dis} | Disable time (of a three-state output) The time interval between the specified reference points on the input and output voltage waveforms, with the three-state output changing from either of the defined active levels (high or low) to a high-impedance (off) state. (t _{dis} = t _{PHZ} or t _{PLZ}). |
| t_{en} | Enable time (of a three-state output) The time interval between the specified reference points on the input and output voltage waveforms, with the three-state output changing from a high-impedance (off) state to either of the defined active levels (high or low). (t _{en} = t _{PZH} or t _{PZL}). |
| t_h | Hold time The time interval during which a signal is retained at a specified input terminal after an active transition occurs at another specified input terminal. NOTES: 1. The hold time is the actual time interval between two signal events and is determined by the system in which the digital circuit operates. A minimum value is specified that is the shortest interval for which correct operation of the digital circuit is guaranteed. 2. The hold time may have a negative value in which case the minimum limit defines the longest interval (between the release of the signal and the active transition) for which correct operation of the digital circuit is guaranteed. |
| t_{pd} | Propagation delay time The time between the specified reference points on the input and output voltage waveforms with the output changing from one defined level (high or low) to the other defined level. (t _{pd} = t _{PHL} or t _{PLH}). |



| | |
|------------------------|--|
| t_{PHL} | Propagation delay time, high-to-low level output The time between the specified reference points on the input and output voltage waveforms with the output changing from the defined high level to the defined low level. |
| t_{PHZ} | Disable time (of a three-state output) from high level The time interval between the specified reference points on the input and the output voltage waveforms with the three-state output changing from the defined high level to a high-impedance (off) state. |
| t_{PLH} | Propagation delay time, low-to-high-level output The time between the specified reference points on the input and output voltage waveforms with the output changing from the defined low level to the defined high level. |
| t_{PLZ} | Disable time (of a three-state output) from low level The time interval between the specified reference points on the input and output voltage waveforms with the three-state output changing from the defined low level to a high-impedance (off) state. |
| t_{PZH} | Enable time (of a three-state output) to high level The time interval between the specified reference points on the input and output voltage waveforms with the three-state output changing from a high-impedance (off) state to the defined high level. |
| t_{PZL} | Enable time (of a three-state output) to low level The time interval between the specified reference points on the input and output voltage waveforms with the three-state output changing from a high-impedance (off) state to the defined low level. |
| t_{sr} | Sense recovery time The time interval needed to switch a memory from a write mode to a read mode and to obtain valid data signals at the output. |
| t_{su} | Setup time The time interval between the application of a signal at a specified input terminal and a subsequent active transition at another specified input terminal. NOTES: 1. The setup time is the actual time interval between two signal events and is determined by the system in which the digital circuit operates. A minimum value is specified that is the shortest interval for which correct operation of the digital circuit is guaranteed. 2. The setup time may have a negative value in which case the minimum limit defines the longest interval (between the active transition and the application of the other signal) for which correct operation of the digital circuit is guaranteed. |
| t_w | Pulse duration (width) The time interval between specified reference points on the leading and trailing edges of the pulse waveform. |

EXPLANATION OF FUNCTION TABLES

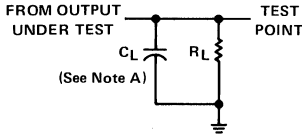
The following symbols are used in function tables on TI data sheets.

| | |
|---|---|
| H | = high level (steady state) |
| L | = low level (steady state) |
| ↑ | = transition from low to high level |
| ↓ | = transition from high to low level |
| → | = value/level or resulting value/level is routed to indicated destination |
|  | = value/level is reentered |
| X | = irrelevant (any input, including transitions) |
| Z | = off (high impedance) state of a 3-state output |
| a ... h | = the level of steady-state inputs A through H respectively |
| Q_0 | = the level of Q before the indicated steady-state input conditions were established |
| \bar{Q}_0 | = complement of Q_0 or level of \bar{Q} before the indicated steady-state input conditions were established |
| Q_n | = level of Q before the most recent active transition indicated by ↓ or ↑ |
|  | = one high-level pulse |
|  | = one low-level pulse |
| TOGGLE | = each output changes to the complement of its previous level on each transition indicated by ↓ or ↑. |

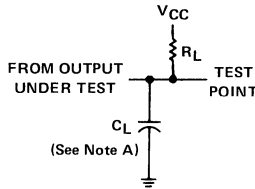
If, in the input columns, a row contains only the symbols H, L, and/or X, this means the indicated output is valid whenever the input configuration is achieved and regardless of the sequence in which it is achieved. The output persists so long as the input configuration is maintained.

If, in the input columns, a row contains H, L, and/or X together with ↑ and/or ↓, this means the output is valid whenever the input configuration is achieved but the transition(s) must occur following the achievement of the steady-state levels. If the output is shown as a level (H, L, Q_0 , or \bar{Q}_0), it persists so long as the steady-state input levels and the levels that terminate indicated transitions are maintained. Unless otherwise indicated, input transitions in the opposite direction to those shown have no effect at the output. (If the output is shown as a pulse,  or , the pulse follows the indicated input transition and persists for an interval dependent on the circuit.)

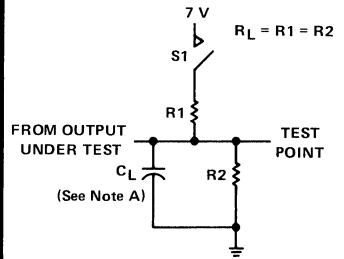
PARAMETER MEASUREMENT INFORMATION



LOAD CIRCUIT FOR BI-STATE TOTEM-POLE OUTPUTS

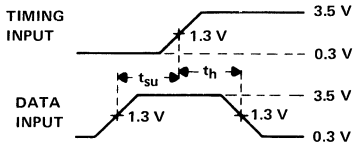


LOAD CIRCUIT FOR OPEN-COLLECTOR OUTPUTS

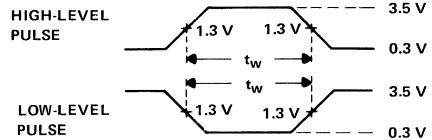


LOAD CIRCUIT FOR THREE-STATE OUTPUTS

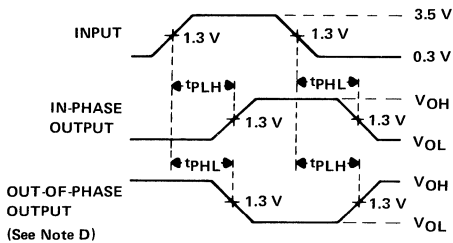
NOTE A: C_L includes probe and jig capacitance.



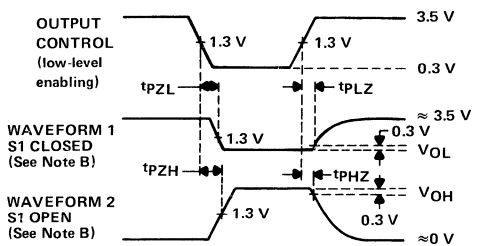
VOLTAGE WAVEFORMS SETUP AND HOLD TIMES



VOLTAGE WAVEFORMS PULSE WIDTHS



VOLTAGE WAVEFORMS PROPAGATION DELAY TIMES



VOLTAGE WAVEFORMS ENABLE AND DISABLE TIMES, THREE-STATE OUTPUTS

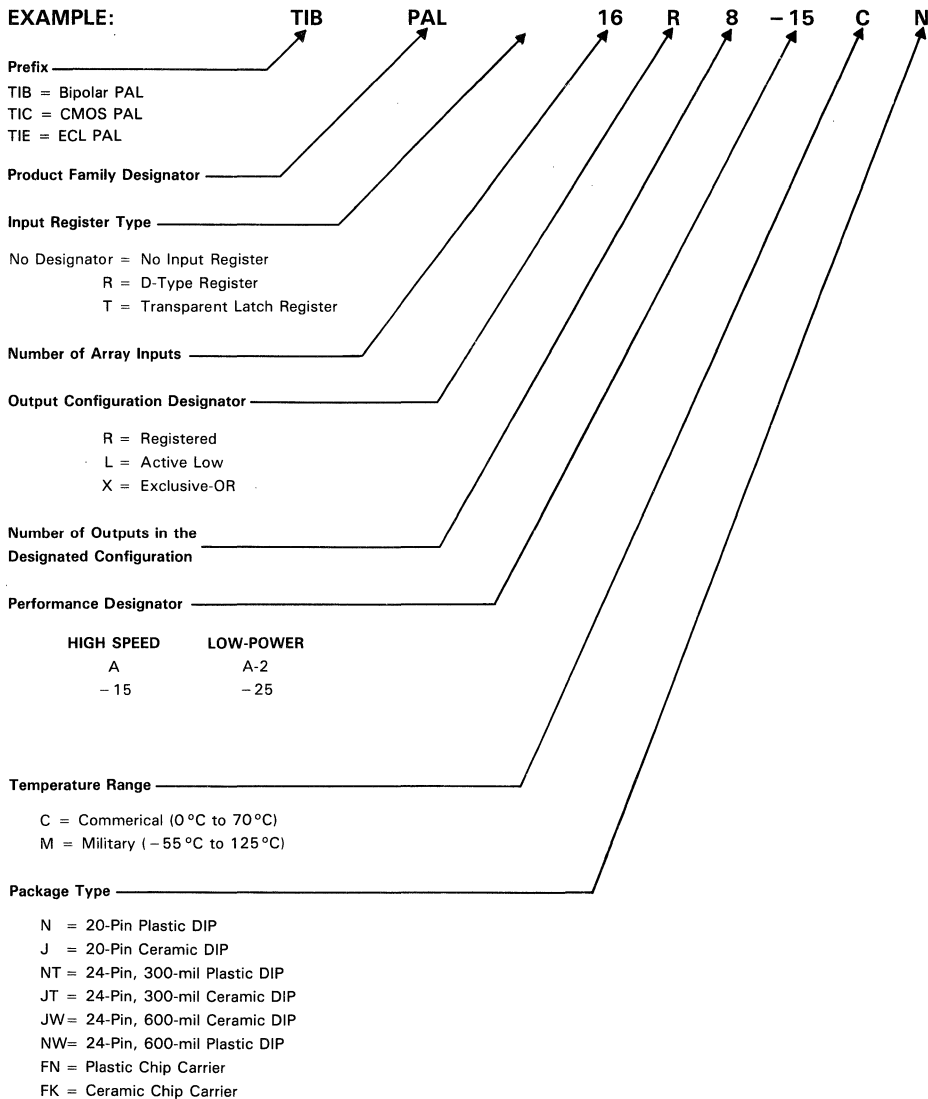
- NOTES: B. Waveform 1 is for an output with internal conditions such that the output is low except when disabled by the output control. Waveform 2 is for an output with internal conditions such that the output is high except when disabled by the output control.
 C. All input pulses have the following characteristics: $PRR \leq 1$ MHz, $t_r = t_f = 2$ ns, duty cycle = 50%.
 D. When measuring propagation delay times of 3-state outputs, switch S1 is open.

ORDERING INFORMATION

PAL® NUMBERING SYSTEM AND ORDERING INSTRUCTIONS

1
General Information

Factory orders for leadership PAL® circuits described in this catalog should include a nine-part type number as explained in the example below. Exclude the prefix when ordering standard PALs.



PAL is a registered trademark of Monolithic Memories Inc.



POST OFFICE BOX 655012 • DALLAS, TEXAS 75265

ADDRESSES FOR PAL AND FPLA PROGRAMMING AND SOFTWARE MANUFACTURERS†

HARDWARE MANUFACTURERS

DATA I/O
10525 WILLOWS ROAD
REDMOND, WA 98073-9746
(800) 247-5700

DIGITAL MEDIA, INC
11770 WARNER AVE, UNIT 225
FOUNTAIN VALLEY, CA 92708
(714) 751-1373

STAG MICRO SYSTEMS
1600 WYATT DRIVE
SANTA CLARA, CA 95054
(800) 227-8836

SOFTWARE MANUFACTURERS

DATA I/O (ABEL)
10525 WILLOWS ROAD
REDMOND, WA 98073-9746
(800) 247-5700

PERSONAL CAD SYSTEMS (CUPL)
1290 PARKMOOR AVE
SAN JOSE, CA 95126
(408) 971-1300

†Texas Instruments does not endorse or warrant the suppliers referenced. Presently, Texas Instruments has certified DATA I/O, Sunrise, Structured Design and Digital Media. Other programmers are now in the certification process. For a current list of certified programmers, please contact your local TI sales representative.

TI *IMPACT*™ DESIGN AND SERVICE CENTERS

TI *IMPACT*™ DESIGN AND SERVICE CENTERS

Design and programming assistance is offered by Texas Instruments *IMPACT*™ Design and Service Centers. The centers are equipped with the latest in software and hardware tools for design, debugging, prototyping, and production on a local basis. Supported by a professional engineering staff, the centers provide complete code development, device programming, symbolization, functional and DC parametric testing.

1 General Information

NORTHERN CALIFORNIA

MARSHALL IMPACT CENTER
336 LOS COCHES STREET
MILPITAS, CA 95035
(408) 942-4600

SOUTHERN CALIFORNIA

WYLE IMPACT CENTER
17872 COWAN AVENUE
IRVINE, CA 92714
(714) 863-9953

BOSTON

HALL-MARK IMPACT CENTER
6 COOK STREET, PINEHURST PARK
BILLERICA, MA 01821
(617) 935-9777



General Information

1

Data Sheets

2

Application Reports

3

Mechanical Data

4

2

Data Sheets

PAL16L8A, PAL16L8A-2, PAL16R4A, PAL16R4A-2 PAL16R6A, PAL16R6A-2, PAL16R8A, PAL16R8A-2 STANDARD HIGH-SPEED PAL[®] CIRCUITS

FEBRUARY 1984—REVISED DECEMBER 1987

- Standard High-Speed (25 ns) PAL Family
- Choice of Operating Speeds
HIGH SPEED, A Devices . . . 35 MHz
HALF POWER, A-2 Devices . . . 18 MHz
- Choice of Input/Output Configuration
- Package Options Include Both Plastic and Ceramic Chip Carriers in Addition to Plastic and Ceramic DIPs

| DEVICE | INPUTS | 3-STATE O OUTPUTS | REGISTERED Q OUTPUTS | I/O PORTS |
|---------|--------|----------------------|-------------------------|-----------|
| PAL16L8 | 10 | 2 | 0 | 6 |
| PAL16R4 | 8 | 0 | 4 (3-state) | 4 |
| PAL16R6 | 8 | 0 | 6 (3-state) | 2 |
| PAL16R8 | 8 | 0 | 8 (3-state) | 0 |

description

These programmable array logic devices feature high speed and a choice of either standard or half-power devices. They combine Advanced Low-Power Schottky[†] technology with proven titanium-tungsten fuses. These devices will provide reliable, high-performance substitutes for conventional TTL logic. Their easy programmability allows for quick design of "custom" functions and typically result in a more compact circuit board. In addition, chip carriers are available for further reduction in board space.

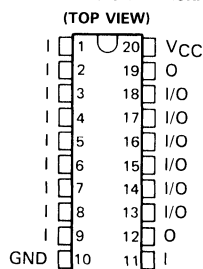
The Half-Power versions offer a choice of operating frequency, switching speeds, and power dissipation. In many cases, these Half-Power devices can result in significant power reduction from an overall system level.

The PAL16' M series is characterized for operation over the full military temperature range of -55°C to 125°C. The PAL16' C series is characterized for operation from 0°C to 70°C.

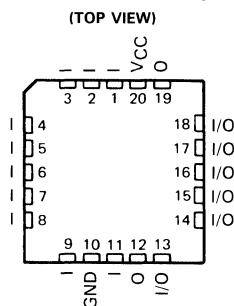
[†]Integrated Schottky-Barrier diode-clamped transistor is patented by Texas Instruments, U.S. Patent Number 3,463,975.

PAL is a registered trademark of Monolithic Memories Inc.

PAL16L8'
M SUFFIX . . . J PACKAGE
C SUFFIX . . . J OR N PACKAGE



PAL16L8'
M SUFFIX . . . FH OR FK PACKAGE
C SUFFIX . . . FN PACKAGE



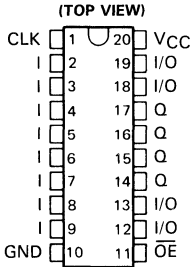
PRODUCTION DATA documents contain information current as of publication date. Products conform to specifications per the terms of Texas Instruments standard warranty. Production processing does not necessarily include testing of all parameters.



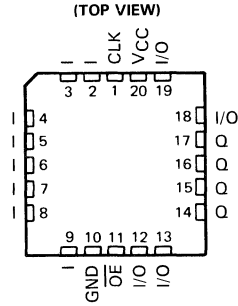
Copyright © 1984, Texas Instruments Incorporated

PAL16R4A, PAL16R4A-2, PAL16R6A, PAL16R6A-2, PAL16R8A, PAL16R8A-2
STANDARD HIGH-SPEED PAL® CIRCUITS

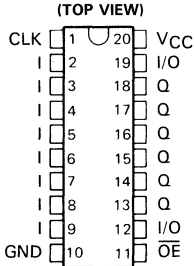
PAL16R4'
M SUFFIX . . . J PACKAGE
C SUFFIX . . . J OR N PACKAGE



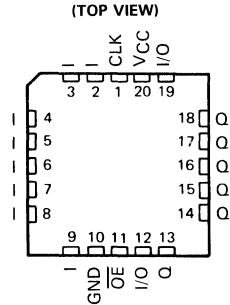
PAL16R4'
M SUFFIX . . . FH OR FK PACKAGE
C SUFFIX . . . FN PACKAGE



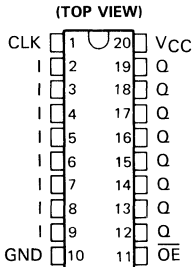
PAL16R6'
M SUFFIX . . . J PACKAGE
C SUFFIX . . . J OR N PACKAGE



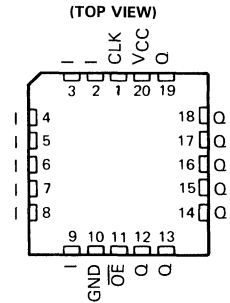
PAL16R6'
M SUFFIX . . . FH OR FK PACKAGE
C SUFFIX . . . FN PACKAGE



PAL16R8'
M SUFFIX . . . J PACKAGE
C SUFFIX . . . J OR N PACKAGE

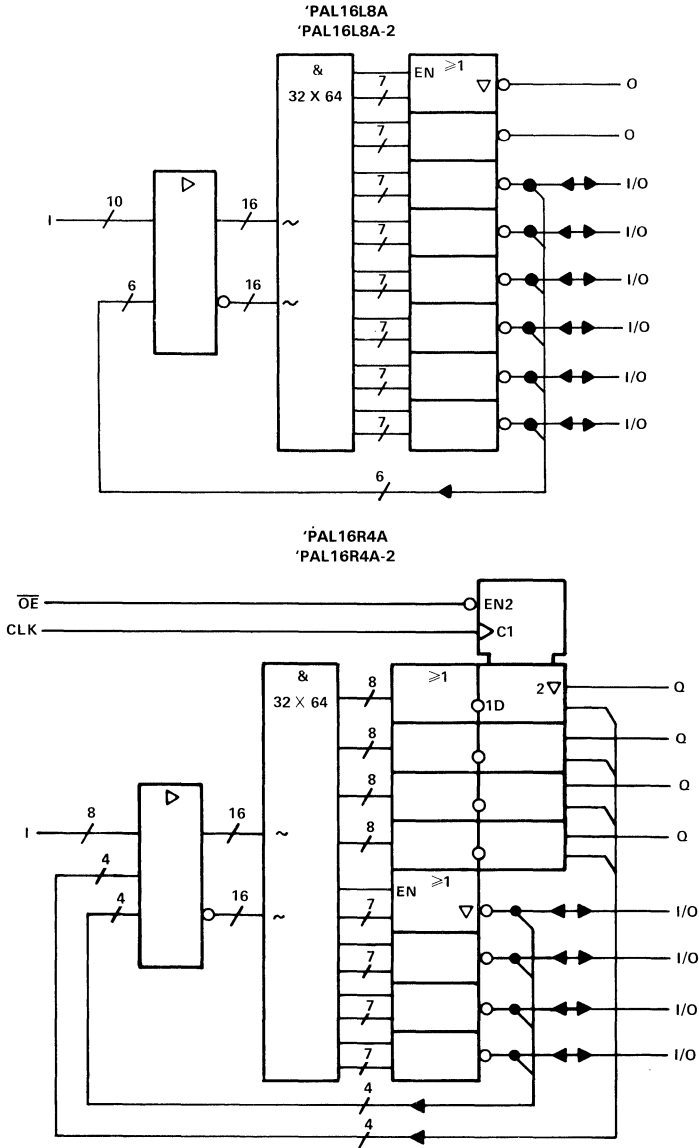


PAL16R8'
M SUFFIX . . . FH OR FK PACKAGE
C SUFFIX FN PACKAGE



PAL16L8A, PAL16L8A-2, PAL16R4A, PAL16R4A-2
STANDARD HIGH-SPEED PAL® CIRCUITS

functional block diagrams (positive logic)

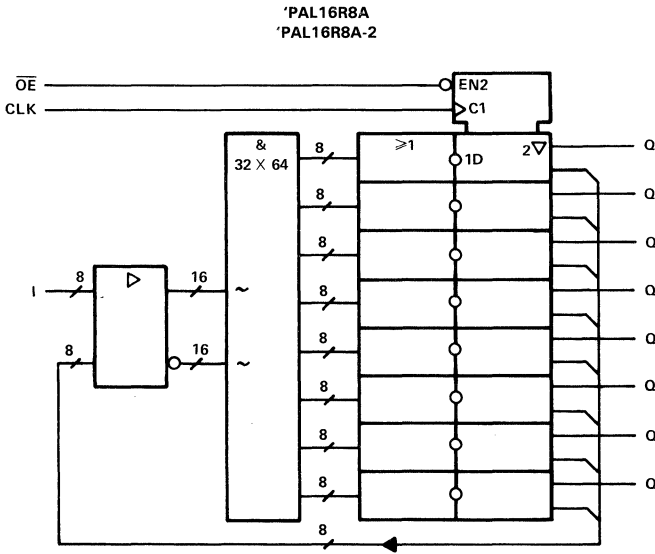
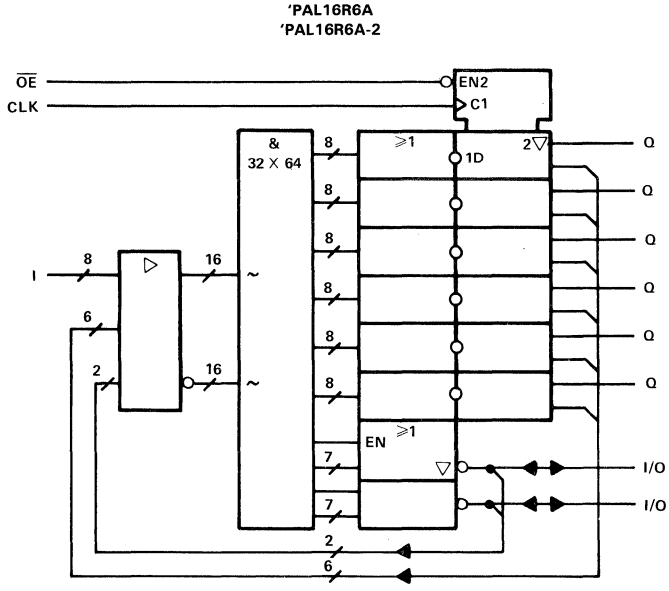


~ denotes fused inputs

PAL16R6A, PAL16R6A-2, PAL16R8A, PAL16R8A-2
STANDARD HIGH-SPEED PAL® CIRCUITS

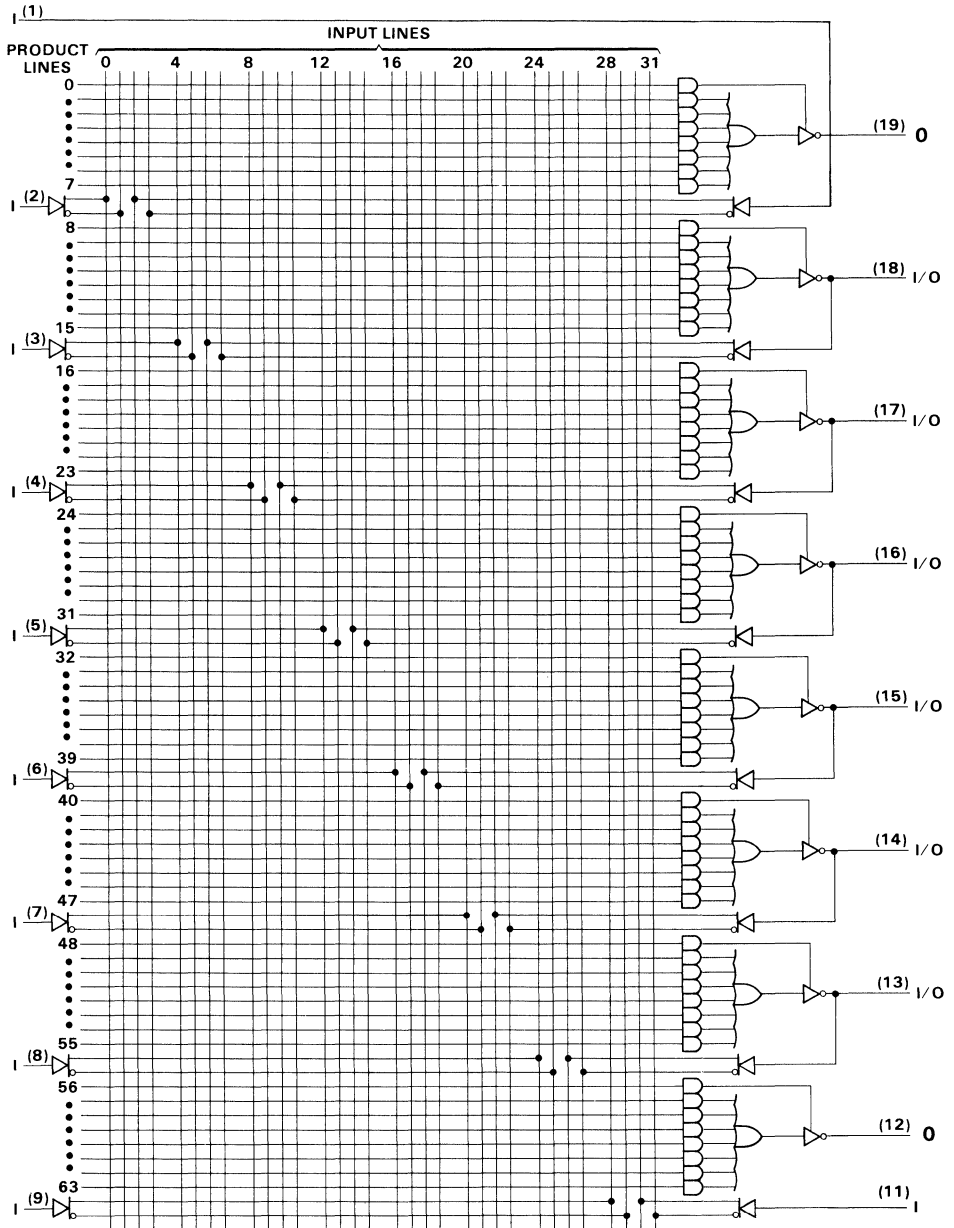
functional block diagrams (positive logic)

2
Data Sheets



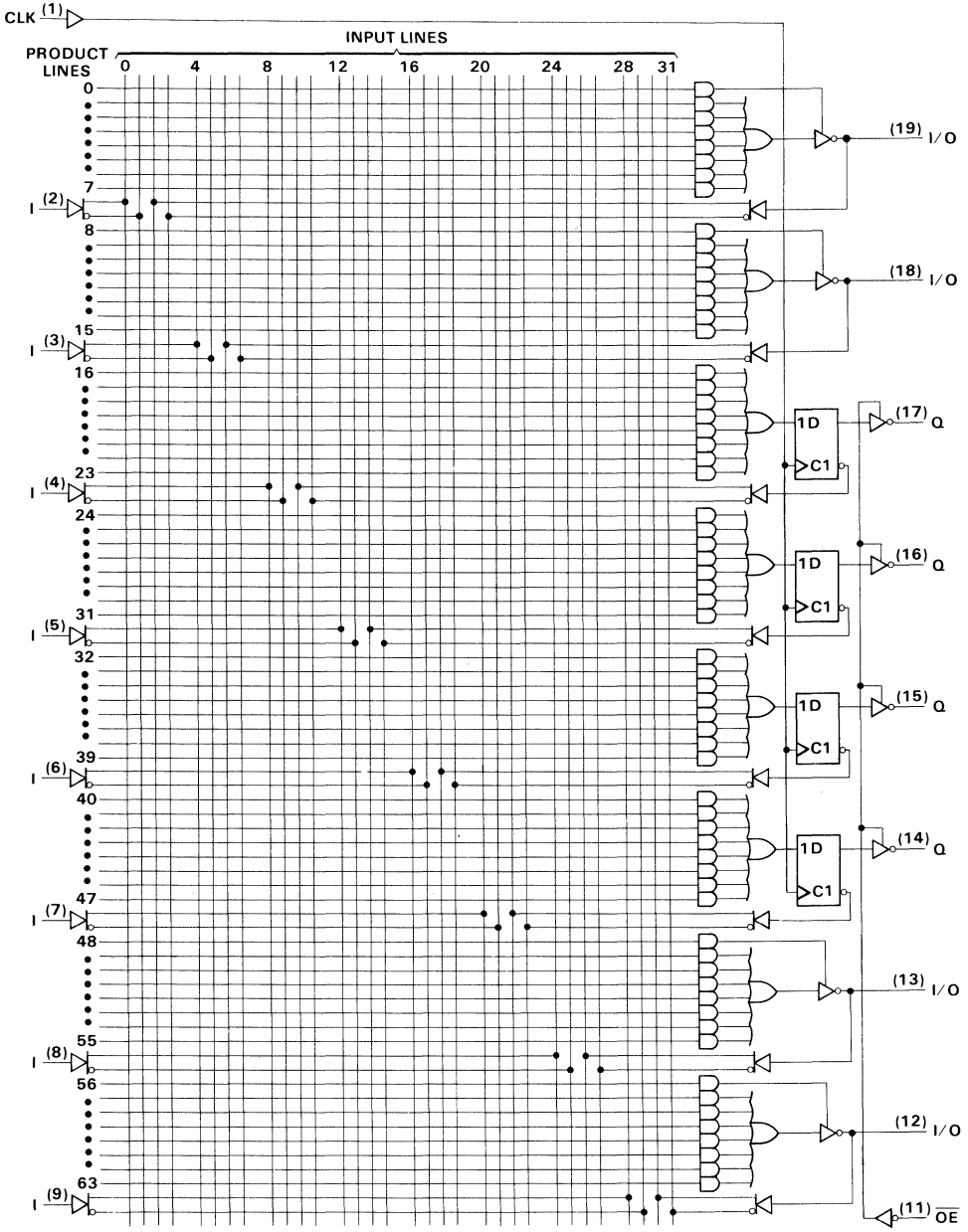
~ denotes fused inputs

logic diagram



PAL16R4A, PAL16R4A-2
STANDARD HIGH-SPEED PAL® CIRCUITS

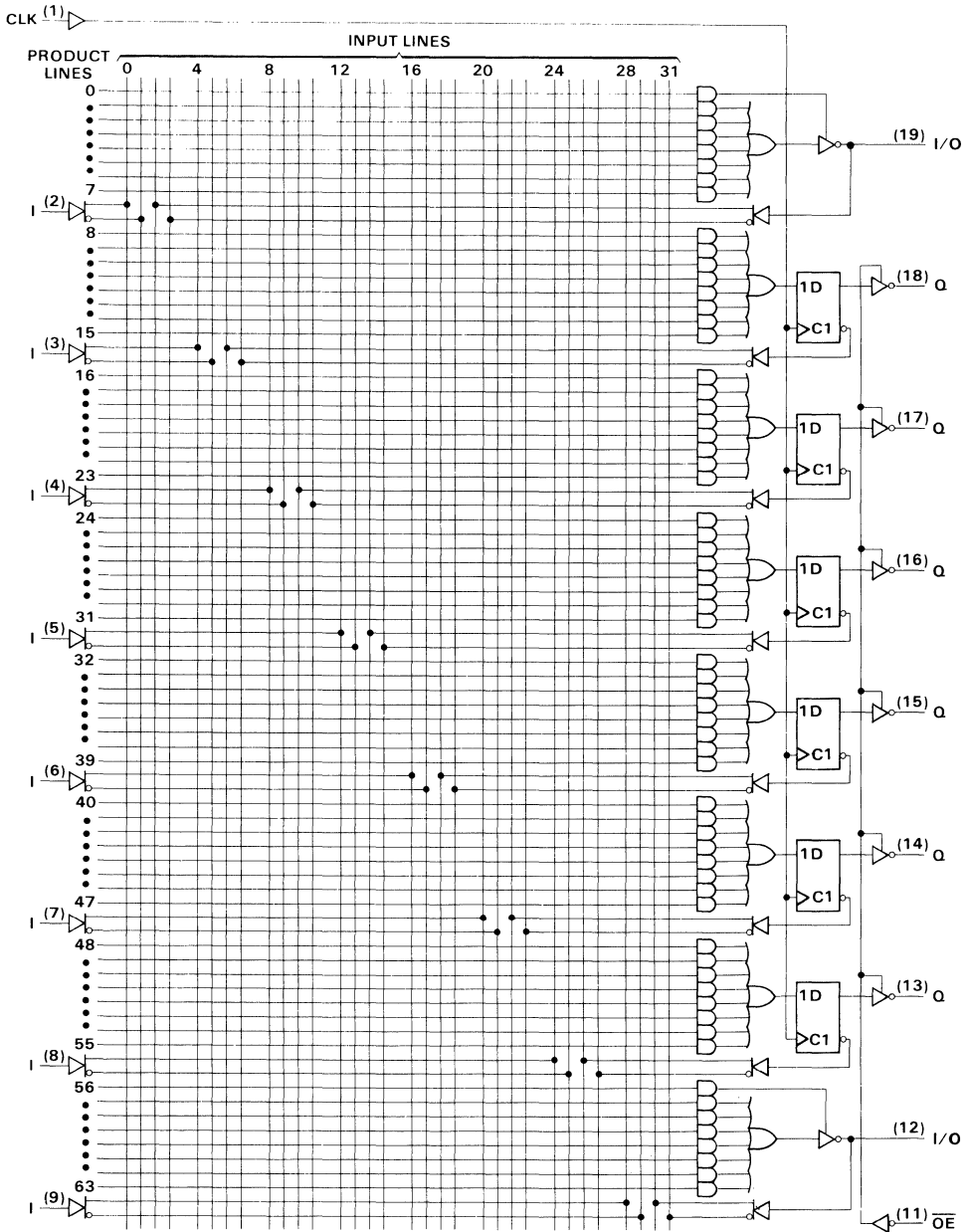
logic diagram



2
Data Sheets

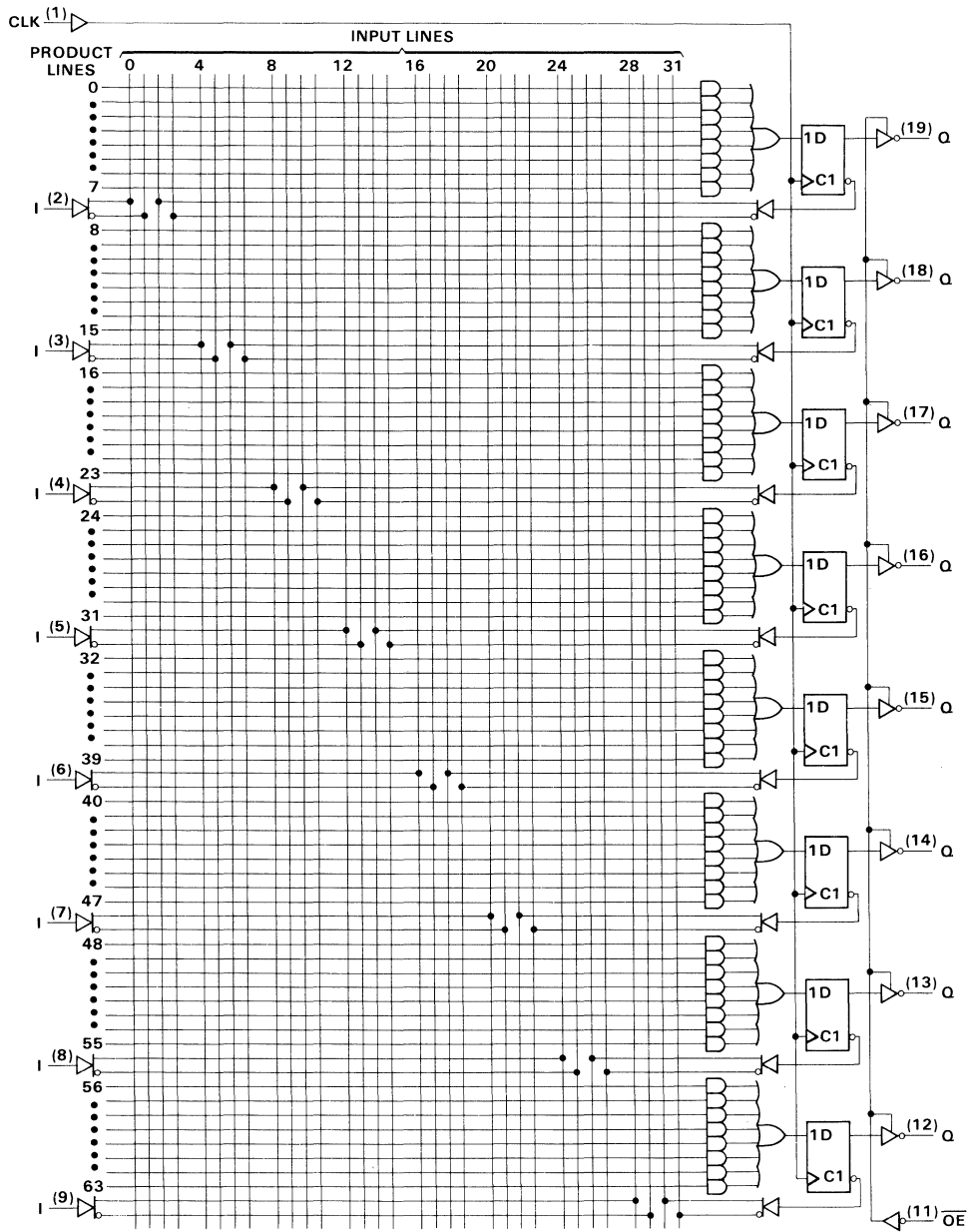
PAL16R6A, PAL16R6A-2
STANDARD HIGH-SPEED PAL® CIRCUITS

logic diagram



PAL16R8A, PAL16R8A-2
STANDARD HIGH-SPEED PAL® CIRCUITS

logic diagram



2

Data Sheets

PAL16L8A, PAL16R4A, PAL16R6A, PAL16R8A

STANDARD HIGH-SPEED PAL® CIRCUITS

recommended operating conditions

| | | M SUFFIX | | | C SUFFIX | | | UNIT |
|--------------------|---|------------|-----|-----|----------|-----|-----|------|
| | | MIN | TYP | MAX | MIN | TYP | MAX | |
| f_{clock} | Clock frequency | 0 | | 25 | 0 | | 35 | MHz |
| t_w | Pulse duration, see Note 2 | Clock high | | | 12 | | | ns |
| | | Clock low | | | 16 | | | |
| t_{su} | Setup time, input or feedback before CLK \uparrow | 25 | | | 20 | | | ns |
| t_h | Hold time, input or feedback after CLK \uparrow | 0 | | | 0 | | | ns |

NOTE 2: The total clock period of clock high and clock low must not exceed clock frequency, f_{clock} . The minimum pulse durations specified are only for clock high or clock low, but not for both simultaneously.

electrical characteristics over recommended operating free-air temperature range

| PARAMETER | TEST CONDITIONS [†] | M SUFFIX | | | C SUFFIX | | | UNIT |
|---------------------|--|--|------------------|------|----------|------------------|------|---------------|
| | | MIN | TYP [‡] | MAX | MIN | TYP [‡] | MAX | |
| V_{IK} | $V_{\text{CC}} = \text{MIN}, I_{\text{I}} = -18 \text{ mA}$ | -1.5 | | | -1.5 | | | V |
| V_{OH} | $V_{\text{CC}} = \text{MIN}, I_{\text{OH}} = \text{MAX}$ | 2.4 | 3.2 | | 2.4 | 3.3 | | V |
| V_{OL} | $V_{\text{CC}} = \text{MIN}, I_{\text{OL}} = \text{MAX}$ | 0.25 0.4 | | | 0.35 0.5 | | | V |
| I_{OZH} | Outputs | $V_{\text{CC}} = \text{MAX}, V_{\text{O}} = 2.7 \text{ V}$ | | | 20 | | | μA |
| | I/O ports | | | | | | | |
| I_{OZL} | Outputs | $V_{\text{CC}} = \text{MAX}, V_{\text{O}} = 0.4 \text{ V}$ | | | -20 | | | μA |
| | I/O ports | | | | | | | |
| I_{I} | $V_{\text{CC}} = \text{MAX}, V_{\text{I}} = 5.5 \text{ V}$ | 0.2 | | | 0.1 | | | mA |
| I_{IH} | $V_{\text{CC}} = \text{MAX}, V_{\text{I}} = 2.7 \text{ V}$ | 25 | | | 20 | | | μA |
| I_{IL} | $V_{\text{CC}} = \text{MAX}, V_{\text{I}} = 0.4 \text{ V}$ | OE INPUT | | | -0.25 | | | -0.4 |
| | | All others | | | -0.2 | | | -0.2 |
| I_{O}^{\S} | $V_{\text{CC}} = \text{MAX}, V_{\text{O}} = 2.25 \text{ V}$ | -30 | | -125 | -30 | | -125 | mA |
| I_{CC} | $V_{\text{CC}} = \text{MAX}, V_{\text{I}} = 0 \text{ V}$ Outputs Open | 140 185 | | | 140 180 | | | mA |

[†]For conditions shown as MIN or MAX, use the appropriate value specified under recommended operating conditions.

[‡]All typical values are at $V_{\text{CC}} = 5 \text{ V}, T_{\text{A}} = 25^\circ\text{C}$.

^{\S}The output conditions have been chosen to produce a current that closely approximates one half of the true short-circuit output current, I_{OS} .

switching characteristics over recommended supply voltage and operating free-air temperature ranges (unless otherwise noted)

| PARAMETER | FROM | TO | TEST CONDITIONS | M SUFFIX | | | C SUFFIX | | | UNIT |
|------------------|-----------------|--------|---|----------|------------------|-----|----------|------------------|-----|------|
| | | | | MIN | TYP [‡] | MAX | MIN | TYP [‡] | MAX | |
| f_{max} | | | $R_{\text{L}} = 500 \Omega,$ $C_{\text{L}} = 50 \text{ pF},$ See Note 3 | 25 | 45 | | 35 | 45 | | MHz |
| t_{pd} | I, I/O, | O, I/O | | 15 | 30 | | 15 | 25 | | ns |
| t_{pd} | CLK \uparrow | Q | | 10 | 20 | | 10 | 15 | | ns |
| t_{en} | OE \downarrow | Q | | 15 | 25 | | 15 | 22 | | ns |
| t_{dis} | OE \uparrow | Q | | 10 | 25 | | 10 | 15 | | ns |
| t_{en} | I, I/O | O, I/O | | 14 | 30 | | 14 | 25 | | ns |
| t_{dis} | I, I/O | O, I/O | | 13 | 30 | | 13 | 25 | | ns |

[‡]All typical values are at $V_{\text{CC}} = 5 \text{ V}, T_{\text{A}} = 25^\circ\text{C}$.

NOTE 3: Load circuits and voltage waveforms are shown in Section 1.

PAL16L8A-2, PAL16R4A-2, PAL16R6A-2, PAL16R8A-2 STANDARD HIGH-SPEED PAL® CIRCUITS

recommended operating conditions

| | | M SUFFIX | | | C SUFFIX | | | UNIT |
|-------------|---|------------|-----|-----|----------|-----|-----|------|
| | | MIN | TYP | MAX | MIN | TYP | MAX | |
| f_{clock} | Clock frequency | 0 | | 16 | 0 | | 18 | MHz |
| t_w | Pulse duration, see Note 2 | Clock high | | | 25 | | | ns |
| | | Clock low | | | 25 | | | |
| t_{su} | Setup time, input or feedback before CLK↑ | 35 | | | 28 | | | ns |
| t_h | Hold time, input or feedback after CLK↑ | 0 | | | 0 | | | ns |

NOTE 2: The total clock period of clock high and clock low must not exceed clock frequency, f_{clock} . The minimum pulse durations specified are only for clock high or clock low, but not for both simultaneously.

electrical characteristics over recommended operating free-air temperature range

| PARAMETER | TEST CONDITIONS † | M SUFFIX | | | C SUFFIX | | | UNIT |
|------------|---|---|------|------|----------|------|-----|---------------|
| | | MIN | TYP‡ | MAX | MIN | TYP‡ | MAX | |
| V_{IK} | $V_{CC} = \text{MIN}$, $I_I = -18 \text{ mA}$ | -1.5 | | | -1.5 | | | V |
| V_{OH} | $V_{CC} = \text{MIN}$, $I_{OH} = \text{MAX}$ | 2.4 | 3.2 | | 2.4 | 3.3 | | V |
| V_{OL} | $V_{CC} = \text{MIN}$, $I_{OL} = \text{MAX}$ | 0.25 | | 0.4 | 0.35 | | 0.5 | V |
| I_{OZH} | Outputs I/O ports | $V_{CC} = \text{MAX}$, $V_O = 2.7 \text{ V}$ | | 20 | | | 20 | μA |
| | | | | 100 | | | 100 | |
| I_{OZL} | Outputs I/O ports | $V_{CC} = \text{MAX}$, $V_O = 0.4 \text{ V}$ | | -20 | | -20 | | μA |
| | | | | -250 | | -250 | | |
| I_I | $V_{CC} = \text{MAX}$, $V_I = 5.5 \text{ V}$ | | | 0.2 | | | 0.1 | mA |
| I_{IH} | $V_{CC} = \text{MAX}$, $V_I = 2.7 \text{ V}$ | | | 25 | | | 20 | μA |
| I_{IL} | $V_{CC} = \text{MAX}$, $V_I = 0.4 \text{ V}$ | OE INPUT | | -0.2 | | -0.2 | | mA |
| | | All others | | -0.1 | | -0.1 | | |
| I_O^{\S} | $V_{CC} = \text{MAX}$, $V_O = 2.25 \text{ V}$ | -30 | -125 | | -30 | -125 | | mA |
| I_{CC} | $V_{CC} = \text{MAX}$, $V_I = 0 \text{ V}$, Outputs Open | 75 | | 95 | 70 | | 90 | mA |

†For conditions shown as MIN or MAX, use the appropriate value specified under recommended operating conditions.

‡All typical values are at $V_{CC} = 5 \text{ V}$, $T_A = 25^\circ\text{C}$.

§The output conditions have been chosen to produce a current that closely approximates one half of the true short-circuit output current, I_{OS} .

switching characteristics over recommended supply voltage and operating free-air temperature ranges (unless otherwise noted)

| PARAMETER | FROM | TO | TEST CONDITIONS | M SUFFIX | | | C SUFFIX | | | UNIT |
|-----------|--------|--------|---|----------|------|-----|----------|------|-----|------|
| | | | | MIN | TYP‡ | MAX | MIN | TYP‡ | MAX | |
| f_{max} | | | $R_L = 500 \Omega$, $C_L = 50 \text{ pF}$, See Note 3 | 16 | 25 | | 18 | 25 | | MHz |
| t_{pd} | I, I/O | O, I/O | | 25 | 40 | | 25 | 35 | | ns |
| t_{pd} | CLK↑ | Q | | 11 | 35 | | 11 | 25 | | ns |
| t_{en} | OE↓ | Q | | 20 | 35 | | 20 | 25 | | ns |
| t_{dis} | OE↑ | Q | | 11 | 30 | | 11 | 20 | | ns |
| t_{en} | I, I/O | O, I/O | | 25 | 40 | | 25 | 35 | | ns |
| t_{dis} | I, I/O | O, I/O | | 25 | 35 | | 25 | 30 | | ns |

‡All typical values are at $V_{CC} = 5 \text{ V}$, $T_A = 25^\circ\text{C}$.

NOTE 3: Load circuits and voltage waveforms are shown in Section 1.

2

Data Sheets

2

Data Sheets

PAL20L8A, PAL20R4A, PAL20R6A, PAL20R8A STANDARD HIGH-SPEED PAL® CIRCUITS

D2706, DECEMBER 1982—REVISED DECEMBER 1987

- Standard High Speed (25 ns) PAL Family
- Choice of Input/Output Configuration
- Preload Capability on Output Registers
- DIP Options Include Both 300-mil Plastic and 600-mil Ceramic

| DEVICE | I INPUTS | 3-STATE O OUTPUTS | REGISTERED Q OUTPUTS | I/O PORTS |
|-----------|----------|----------------------|-------------------------|--------------|
| 'PAL20L8A | 14 | 2 | 0 | 6 |
| 'PAL20R4A | 12 | 0 | 4 (3-state buffers) | 4 |
| 'PAL20R6A | 12 | 0 | 6 (3-state buffers) | 2 |
| 'PAL20R8A | 12 | 0 | 8 (3-state buffers) | 0 |

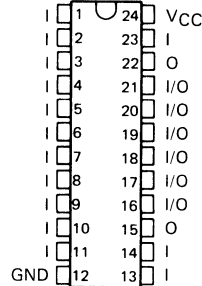
description

These programmable array logic devices feature high speed and a choice of either standard or half-power speeds. They combine Advanced Low-Power Schottky† technology with proven titanium-tungsten fuses. These devices will provide reliable, high performance substitutes over conventional TTL logic. Their easy programmability allows for quick design of "custom" functions and typically result in a more compact circuit board. In addition, chip carriers are also available for further reduction in board space.

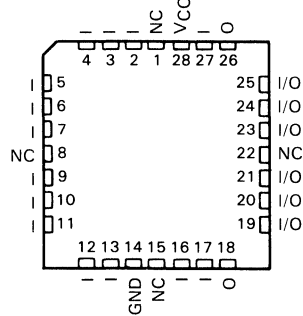
In addition, extra circuitry has been provided to allow loading of each register asynchronously to either a high or low state. This feature simplifies testing because the registers can be set to an initial state prior to executing the test sequence.

The PAL20' series is characterized for operation over the full military temperature range of -55°C to 125°C. The commercial range is characterized from 0°C to 70°C.

PAL20L8'
M SUFFIX . . . JW PACKAGE
C SUFFIX . . . JW OR NT PACKAGE
(TOP VIEW)



PAL20L8'
M SUFFIX . . . FH OR FK PACKAGE
C SUFFIX . . . FN PACKAGE
(TOP VIEW)



2

Data Sheets

PRODUCTION DATA documents contain information current as of publication date. Products conform to specifications per the terms of Texas Instruments standard warranty. Production processing does not necessarily include testing of all parameters.



POST OFFICE BOX 655012 • DALLAS, TEXAS 75265

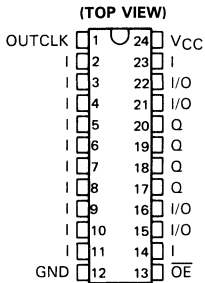
Copyright © 1982, Texas Instruments Incorporated

PAL20R4A, PAL20R6A, PAL20R8A STANDARD HIGH-SPEED PAL® CIRCUITS

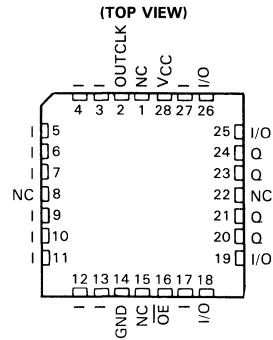
2

Data Sheets

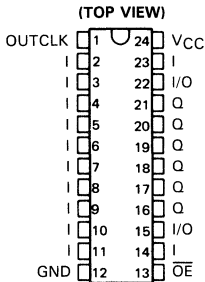
PAL20R4*
M SUFFIX . . . JW PACKAGE
C SUFFIX . . . JW OR NT PACKAGE



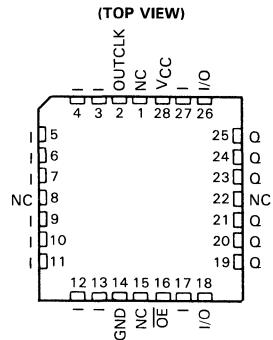
PAL20R4*
M SUFFIX . . . FH OR FK PACKAGE
C SUFFIX . . . FN PACKAGE



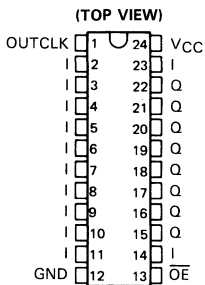
PAL20R6*
M SUFFIX . . . JW PACKAGE
C SUFFIX . . . JW OR NT PACKAGE



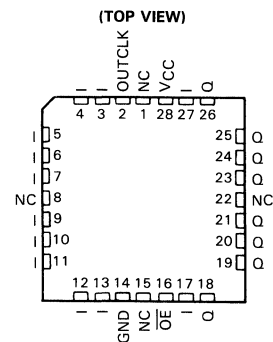
PAL20R6*
M SUFFIX . . . FH OR FK PACKAGE
C SUFFIX . . . FN PACKAGE



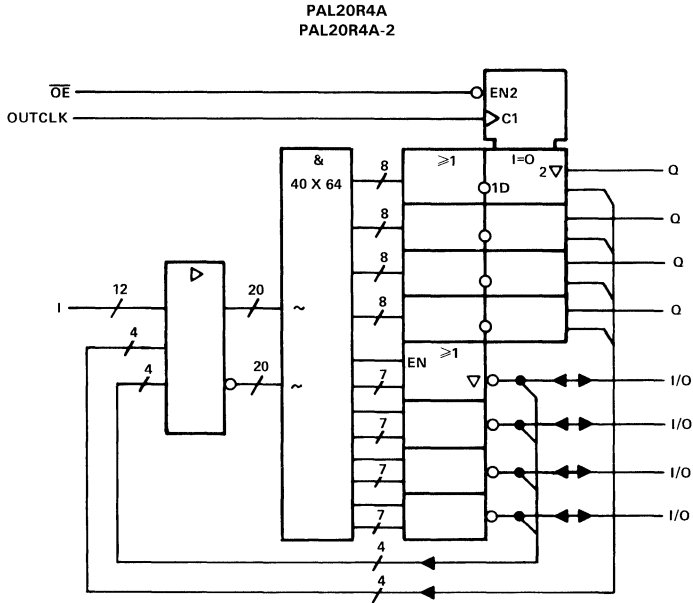
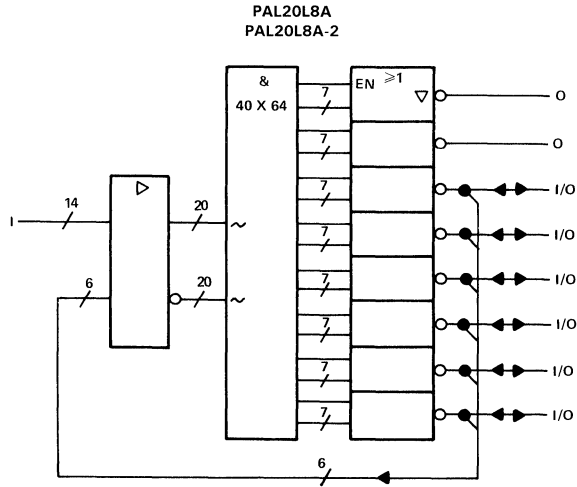
PAL20R8*
M SUFFIX . . . JW PACKAGE
C SUFFIX . . . JW OR NT PACKAGE



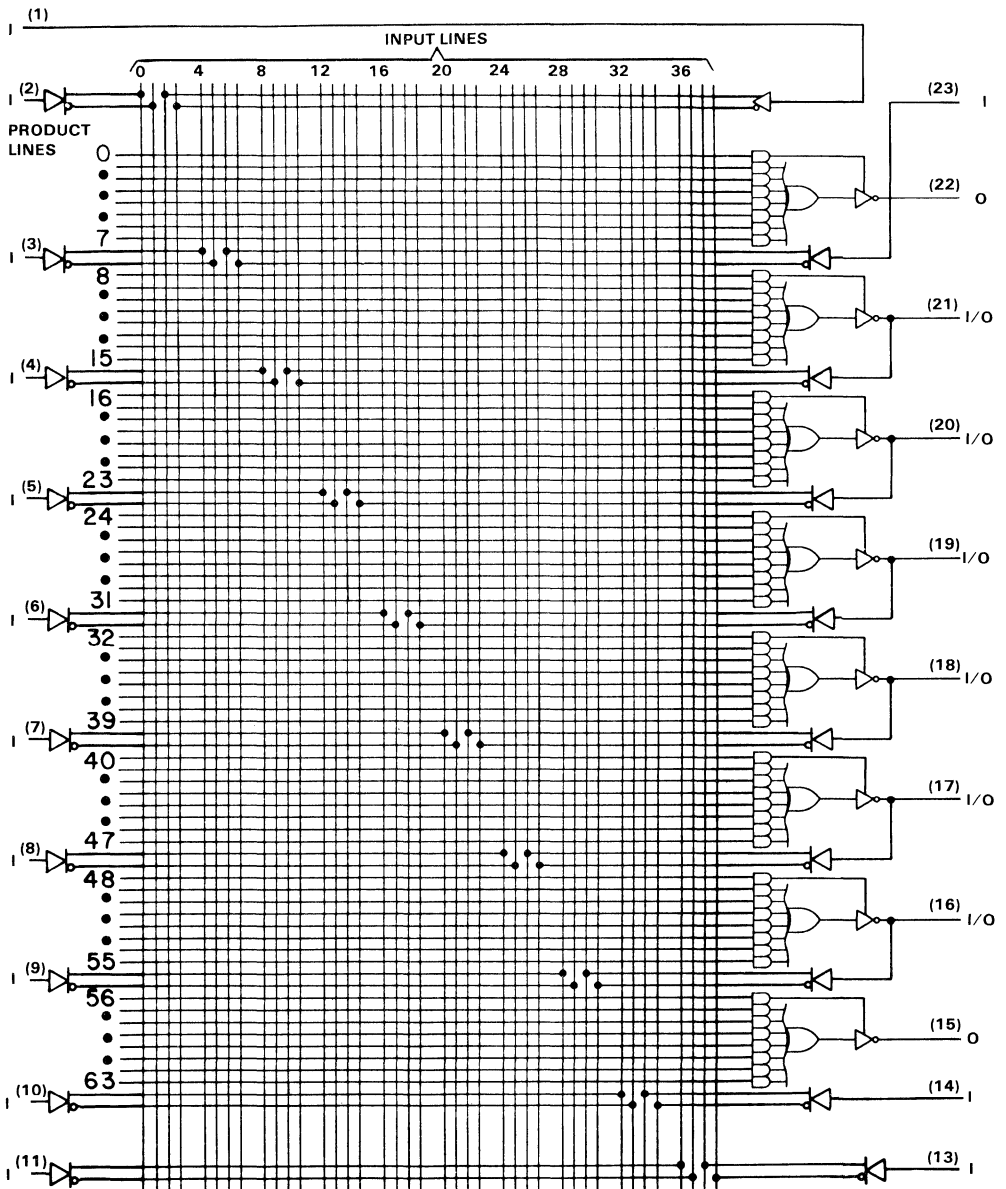
PAL20R8*
M SUFFIX . . . FH OR FK PACKAGE
C SUFFIX . . . FN PACKAGE



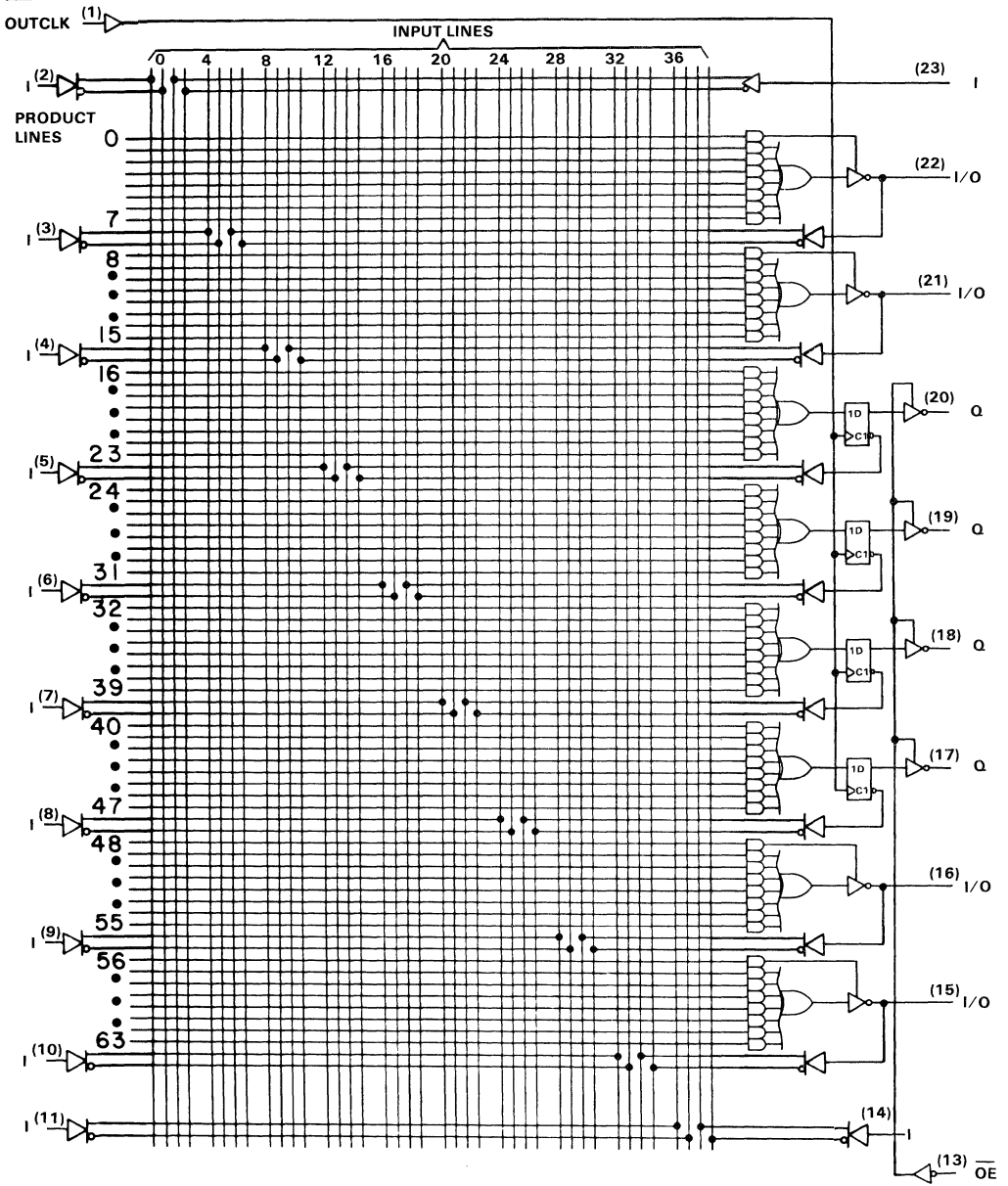
functional block diagrams (positive logic)



PAL20L8A
STANDARD HIGH-SPEED PAL® CIRCUITS



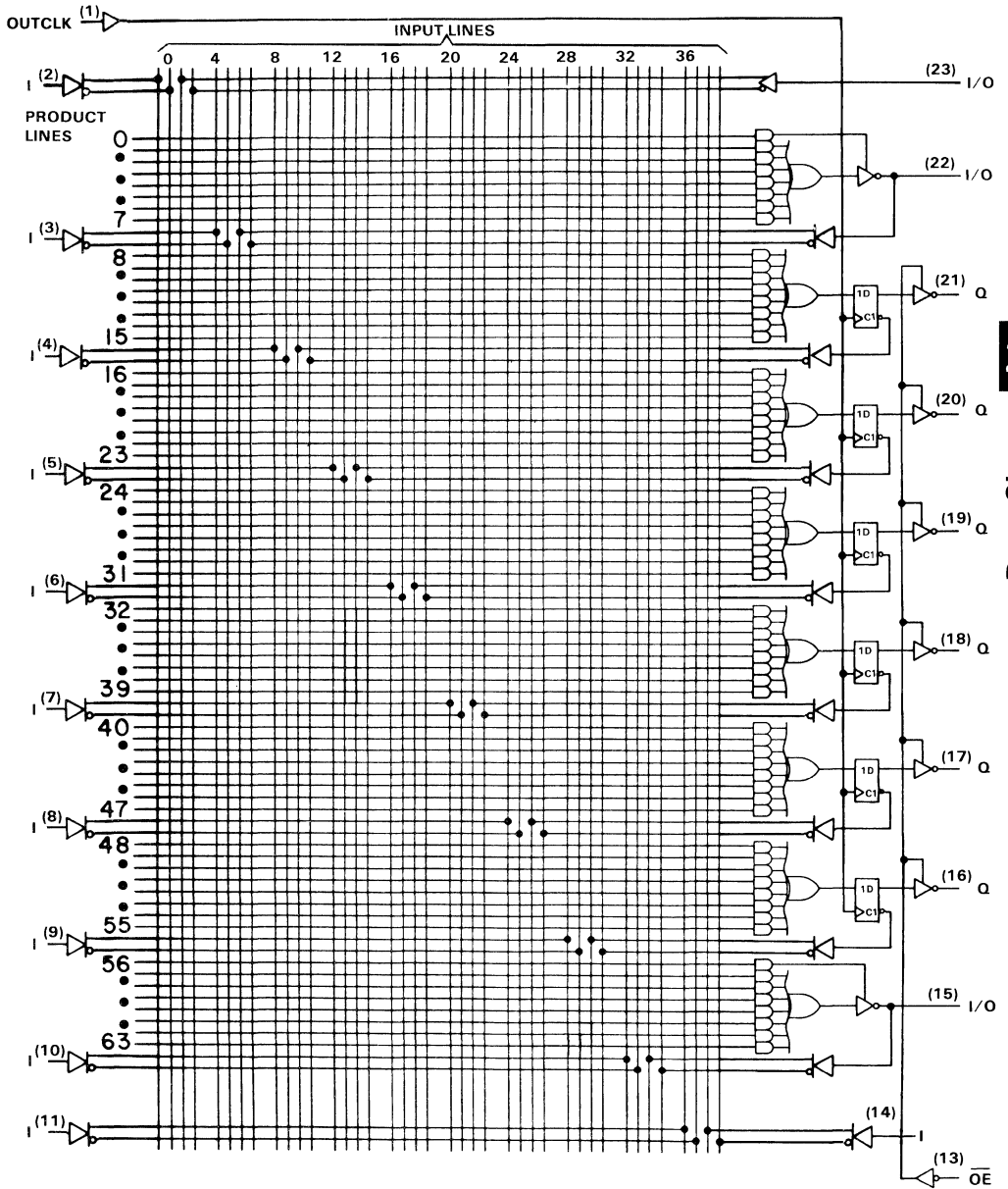
PAL20R4A
STANDARD HIGH-SPEED PAL® CIRCUITS



2

Data Sheets

PAL20R6A
STANDARD HIGH-SPEED PAL® CIRCUITS

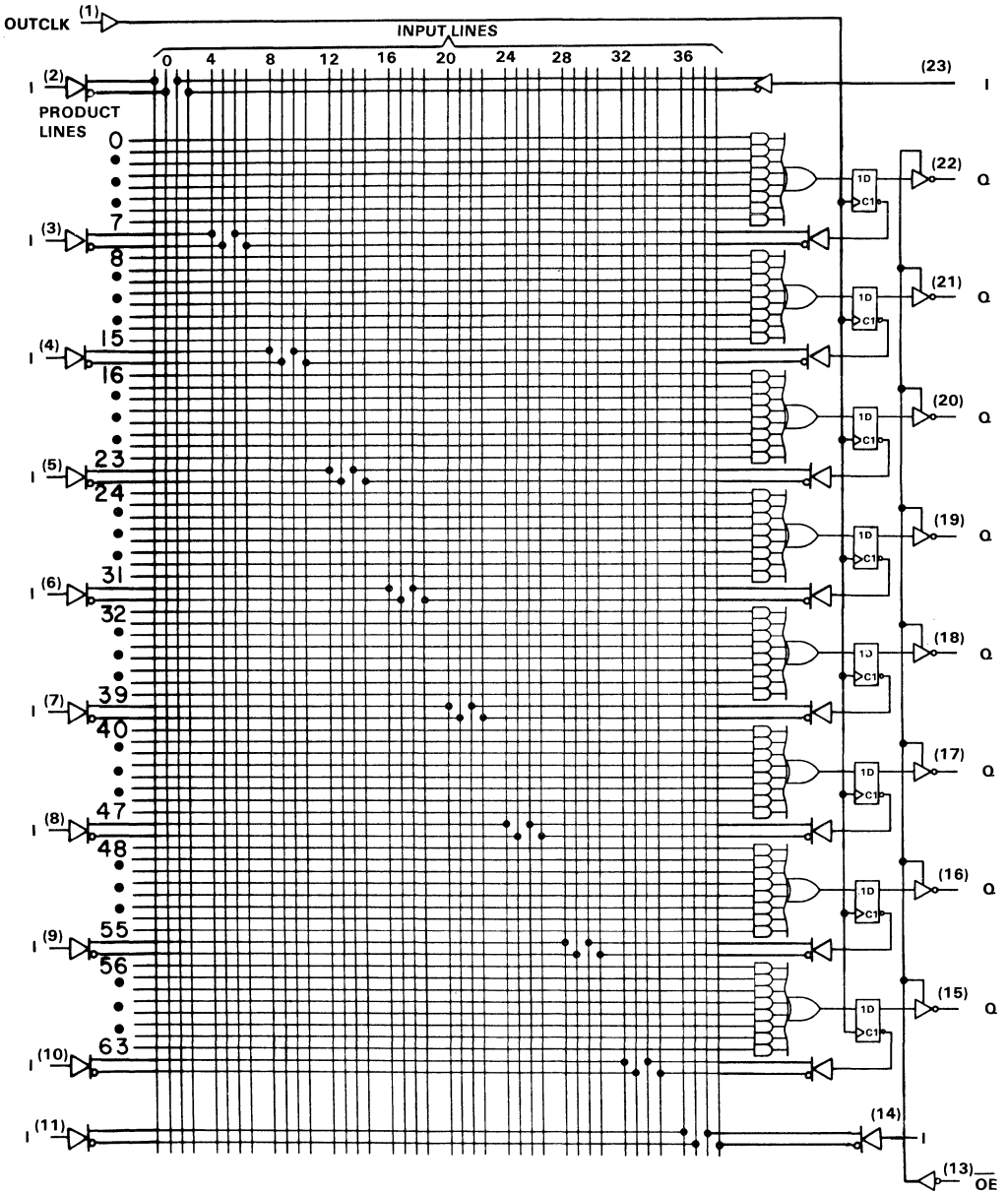


2
Data Sheets

PAL20R8A
STANDARD HIGH-SPEED PAL® CIRCUITS

2

Data Sheets



PAL20L8A, PAL20R4A, PAL20R6A, PAL20R8A STANDARD HIGH-SPEED PAL® CIRCUITS

absolute maximum ratings over operating free-air temperature range (unless otherwise noted)

| | |
|---|----------------|
| Supply voltage, V_{CC} (see Note 1) | 7 V |
| Input voltage (see Note 1) | 5.5 V |
| Voltage applied to a disabled output (see Note 1) | 5.5 V |
| Operating free-air temperature range: M SUFFIX | –55°C to 125°C |
| C SUFFIX | 0°C to 70°C |
| Storage temperature range | –65°C to 150°C |

NOTE 1: These ratings apply except for programming pins during a programming cycle.

recommended operating conditions

| PARAMETER | | M SUFFIX | | | C SUFFIX | | | UNIT | |
|-------------|--|----------|------|-----|----------|-----|------|------|----|
| | | MIN | NOM | MAX | MIN | NOM | MAX | | |
| V_{CC} | Supply voltage | 4.5 | 5 | 5.5 | 4.75 | 5 | 5.25 | V | |
| V_{IH} | High-level input voltage | 2 | | 5.5 | 2 | | 5.5 | V | |
| V_{IL} | Low-level input voltage | | | 0.8 | | | 0.8 | V | |
| I_{OH} | High-level output current | | | –2 | | | –3.2 | mA | |
| I_{OL} | Low-level output current | | | 12 | | | 24 | mA | |
| f_{clock} | Clock frequency | | | 20 | | | 30 | MHz | |
| t_w | Pulse duration, clock | | High | 20 | | | 15 | ns | |
| | | | Low | 20 | | | 15 | ns | |
| t_{su} | Setup time, input or feedback before OUTCLK† | | | 30 | | | 25 | ns | |
| t_h | Hold time, input or feedback after OUTCLK† | | | 0 | | | 0 | ns | |
| T_A | Operating free-air temperature | | | –55 | | 125 | 0 | 70 | °C |

programming information

Texas Instruments Programmable Logic Devices can be programmed using widely available software and inexpensive device programmers.

Complete programming specifications, algorithms, and the latest information on hardware, software, and firmware are available upon request. Information on programmers capable of programming Texas Instruments Programmable Logic is also available, upon request, from the nearest TI field sales office, local authorized TI distributor, or by calling Texas Instruments at (214) 997-5762.

2
Data Sheets

PAL20L8A, PAL20R4A, PAL20R6A, PAL20R8A
STANDARD HIGH-SPEED PAL® CIRCUITS

electrical characteristics over recommended free-air operating temperature range

| PARAMETER | TEST CONDITIONS† | M SUFFIX | | | C SUFFIX | | | UNIT |
|------------------|--|--|------|------|----------|------|------|------|
| | | MIN | TYP‡ | MAX | MIN | TYP‡ | MAX | |
| V _{IK} | V _{CC} = MIN, I _I = -18 mA | | | -1.5 | | | -1.5 | V |
| V _{OH} | V _{CC} = MIN, I _{OH} = MAX | 2.4 | 3.2 | | 2.4 | 3.3 | | V |
| V _{OL} | V _{CC} = MIN, I _{OL} = MAX | | 0.25 | 0.4 | | 0.35 | 0.5 | V |
| I _{OZH} | O, Q outputs | V _{CC} = MAX, V _{IH} = 2.7 V | | | 20 | | | μA |
| | I/O ports | | | | 100 | | | |
| I _{OZL} | O, Q outputs | V _{CC} = MAX, V _{IH} = 0.4 V | | | -20 | | | μA |
| | I/O ports | | | | -250 | | | |
| I _I | \overline{OE} Input | V _{CC} = MAX, V _I = 5.5 V | | | 0.2 | | | mA |
| | All others | | | | 0.1 | | | |
| I _{IH} | \overline{OE} Input | V _{CC} = MAX, V _I = 2.7 V | | | 40 | | | μA |
| | All others | | | | 20 | | | |
| I _{IL} | \overline{OE} Input | V _{CC} = MAX, V _I = 0.4 V | | | -0.4 | | | mA |
| | All others | | | | -0.2 | | | |
| I _O ‡ | V _{CC} = MAX, V _O = 2.25 V | -30 | | -125 | -30 | | -125 | mA |
| I _{CC} | V _{CC} = MAX, V _I = 0 V, Outputs open, \overline{OE} at V _{IH} | | 150 | 210 | | 150 | 210 | mA |

†For conditions shown as MIN or MAX, use the appropriate value specified under recommended operating conditions.

‡All typical values are V_{CC} = 5 V, T_A = 25°C.

§The output conditions have been chosen to produce a current that closely approximates one half the true short-circuit current, I_O§.

switching characteristics over recommended operating free-air temperature range (unless otherwise noted)

| PARAMETER | FROM | TO | TEST CONDITIONS | M SUFFIX | | | C SUFFIX | | | UNIT |
|------------------|-------------------|--------|---|----------|------|-----|----------|------|-----|------|
| | | | | MIN | TYP‡ | MAX | MIN | TYP‡ | MAX | |
| f _{max} | | | R _L = 500 Ω, C _L = 50 pF See Note 2 | 20 | | | 30 | | | MHz |
| t _{pd} | I, I/O | O, I/O | | 15 30 | | | 15 25 | | | ns |
| t _{pd} | OUTCLK† | Q | | 10 20 | | | 10 15 | | | ns |
| t _{en} | \overline{OE} | Q | | 10 25 | | | 10 20 | | | ns |
| t _{dis} | \overline{OE} † | Q | | 11 25 | | | 11 20 | | | ns |
| t _{en} | I, I/O | O, I/O | | 14 30 | | | 14 25 | | | ns |
| t _{dis} | I, I/O | O, I/O | | 12 30 | | | 12 25 | | | ns |

†All typical values are at V_{CC} = 5 V, T_A = 25°C.

NOTE 2: Load circuits and voltage waveforms are shown in Section 1.

PRELOAD PROCEDURES

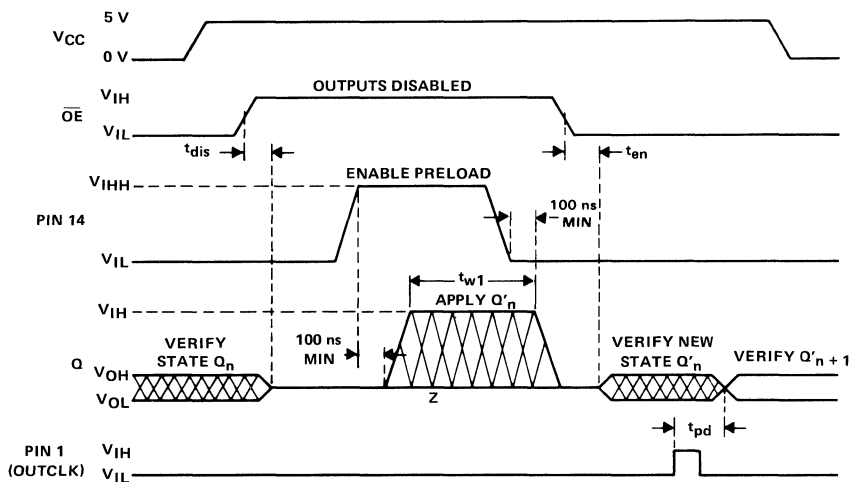


FIGURE 1. PRELOAD WAVEFORMS

preload procedure for registered outputs

- Step 1 Pin 13 to V_{IH} , Pin 1 to V_{IL} , and V_{CC} to 5 volts.
- Step 2 Pin 14 to V_{IHH} for 10 to 50 microseconds.
- Step 3 Apply V_{IL} for a low and V_{IH} for a high at the Q outputs.
- Step 4 Pin 14 to V_{IL} .
- Step 5 Remove the voltages applied to the outputs.
- Step 6 Pin 13 to V_{IL} .
- Step 7 Check the output states to verify preload.

2

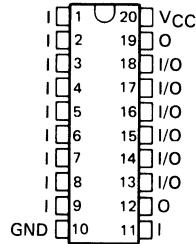
Data Sheets

TIBPAD16N8-7C HIGH-PERFORMANCE PROGRAMMABLE ADDRESS DECODER

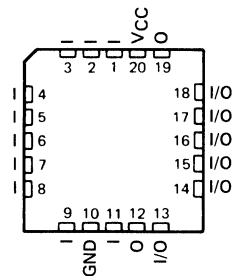
D3085, JANUARY 1988

- Very-High-Speed Address Decoder (Ideal for Use with High Speed Processors)
- I/O Propagation Delay: 7 ns Max
- Field Programmable on Standard PLD Programmable
- Fully TTL Compatible
- Security Fuse Prevents Unauthorized Duplication
- Dependable Texas Instruments Quality and Reliability
- Potential Applications
 - Address Decoders
 - Code Detectors
 - Peripheral Selectors
 - Fault Monitors
 - Machine State Decoders

J OR N PACKAGE
(TOP VIEW)



FN PACKAGE
(TOP VIEW)



description

The TIBPAD16N8 is a very-high-speed Programmable Address Decoder featuring 7 ns maximum propagation delay, the highest speed in the TTL programmable logic family. The TIBPAD16N8 utilizes the IMPACT-X™ process and proven titanium-tungsten fuse technology to provide reliable, high performance substitutes for conventional TTL logic.

The TIBPAD16N8 contains 10 dedicated inputs and 8 outputs. Each output has two product terms, one of which is used to enable the inverting buffer associated with the respective output. Six of the outputs are I/O ports, the remaining two are dedicated outputs. Each of the six I/O ports can be individually programmed as an input or an output; this allows the device to be used for functions requiring up to 16 inputs and 2 outputs or 10 inputs and 8 outputs.

The TIBPAD16N8 is supplied with all six I/O ports in the input configuration (output buffers in the high-impedance state). If an I/O port is selected to be an output, it must be programmed accordingly. It is recommended that all unused outputs on this device remain in the three-state condition for better noise immunity.

The TIBPAD16N8-7C is characterized for operation from 0°C to 75°C.

IMPACT-X is a trademark of Texas Instruments Incorporated.

PRODUCTION DATA documents contain information current as of publication date. Products conform to specifications per the terms of Texas Instruments standard warranty. Production processing does not necessarily include testing of all parameters.

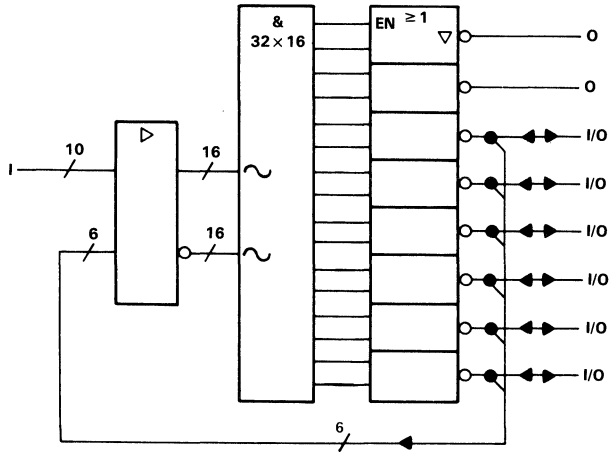


POST OFFICE BOX 655012 • DALLAS, TEXAS 75265

Copyright © 1988, Texas Instruments Incorporated

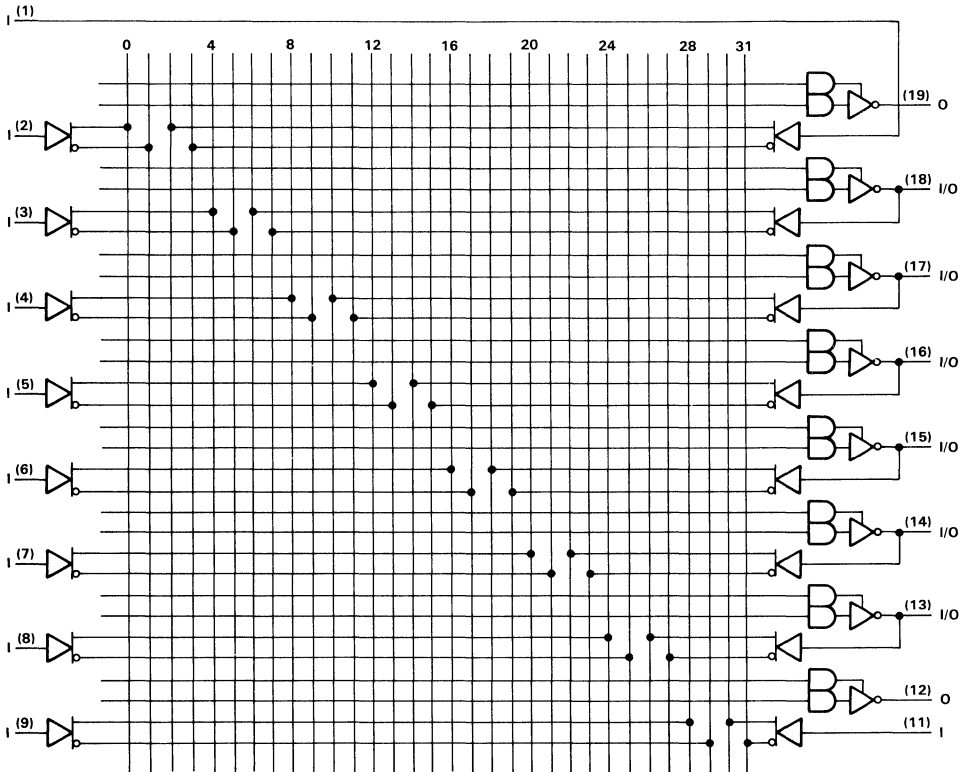
TIBPAD16N8-7C
HIGH-PERFORMANCE PROGRAMMABLE ADDRESS DECODER

functional block diagram (positive logic)



TIBPAD16N8-7C
HIGH-PERFORMANCE PROGRAMMABLE ADDRESS DECODER

logic diagram (positive logic)



TIBPAD16N8-7C

HIGH-PERFORMANCE PROGRAMMABLE ADDRESS DECODER

absolute maximum ratings over operating free-air temperature range (unless otherwise noted)

| | |
|---|----------------|
| Supply voltage, V_{CC} (see Note 1) | 7 V |
| Input voltage (see Note 1) | 5.5 V |
| Voltage applied to a disabled output (see Note 1) | 5.5 V |
| Operating free-air temperature range | 0°C to 75°C |
| Storage temperature range | -65°C to 150°C |

NOTE 1: These ratings apply except for programming pins during programming cycle.

recommended operating conditions

| | MIN | NOM | MAX | UNIT |
|--------------------------------------|------|-----|------|------|
| V_{CC} Supply voltage | 4.75 | 5 | 5.25 | V |
| V_{IH} High-level input voltage | 2 | | | V |
| V_{IL} Low-level input voltage | | | 0.8 | V |
| I_{OH} High-level output current | | | -3.2 | mA |
| I_{OL} Low-level output current | | | 24 | mA |
| T_A Operating free-air temperature | 0 | | 75 | °C |

electrical characteristics over recommended operating free-air temperature range (unless otherwise noted)

| PARAMETER | TEST CONDITIONS | MIN | TYP† | MAX | UNIT |
|--------------------|--|-----|------|-------|------|
| V_{IK} | $V_{CC} = 4.75\text{ V}$, $I_I = -18\text{ mA}$ | | | -1.5 | V |
| V_{OH} | $V_{CC} = 4.75\text{ V}$, $I_{OH} = -3.2\text{ mA}$ | 2.4 | 3 | | V |
| V_{OL} | $V_{CC} = 4.75\text{ V}$, $I_{OL} = 24\text{ mA}$ | | 0.3 | 0.5 | V |
| I_I | $V_{CC} = 5.25\text{ V}$, $V_I = 5.5\text{ V}$ | | | 0.2 | mA |
| I_{OZH}^\ddagger | $V_{CC} = 5.25\text{ V}$, $V_O = 2.7\text{ V}$ | | | 0.1 | mA |
| I_{OZL}^\ddagger | $V_{CC} = 5.25\text{ V}$, $V_O = 0.4\text{ V}$ | | | -0.1 | mA |
| I_{IH}^\ddagger | $V_{CC} = 5.25\text{ V}$, $V_I = 2.7\text{ V}$ | | | 25 | μA |
| I_{IL}^\ddagger | $V_{CC} = 5.25\text{ V}$, $V_I = 0.4\text{ V}$ | | | -0.25 | mA |
| I_O^\S | $V_{CC} = 5\text{ V}$, $V_O = 0.5\text{ V}$ | -30 | -70 | -130 | mA |
| I_{CC} | $V_{CC} = 5.25\text{ V}$, $V_I = 0$, Outputs open | | 120 | 180 | mA |
| C_I | $V_I = 2\text{ V}$ | | 5 | | pF |
| C_O | $V_O = 2\text{ V}$ | | 6 | | pF |

† All typical values are at $V_{CC} = 5\text{ V}$, $T_A = 25^\circ\text{C}$.

‡ I/O leakage is the worst case of I_{OZL} and I_{IL} or I_{OZH} and I_{IH} .

§ This parameter approximates I_{OS} . The condition $V_O = 0.5\text{ V}$ takes tester noise into account. Not more than one output should be shorted at a time and duration of the short-circuit should not exceed one second.

switching characteristics with two outputs switching (typical PAD mode) over recommended ranges of supply voltage and operating free-air temperature (unless otherwise noted)

| PARAMETER | FROM | TO | TEST CONDITIONS | MIN | TYP† | MAX | UNIT |
|-----------|--------|-------------------------------|---------------------------|-----|------|-----|------|
| t_{pd} | I, I/O | O, I/O 2 outputs switching | R1 = 200 Ω, R2 = 390 Ω | 2 | 5 | 7 | ns |
| t_{en} | I, I/O | O, I/O | | 3 | 8 | 10 | ns |
| t_{dis} | I, I/O | O, I/O | | 3 | 8 | 10 | ns |

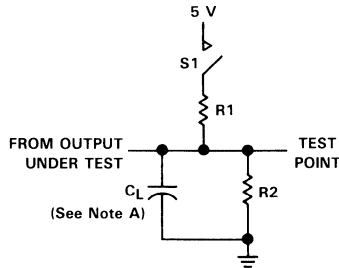
† All typical values are at $V_{CC} = 5\text{ V}$, $T_A = 25^\circ\text{C}$

programming information

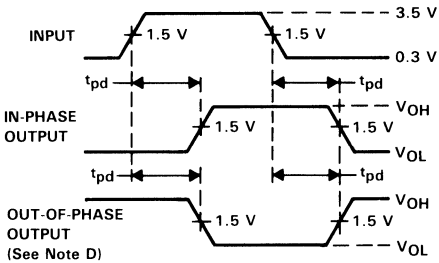
Texas Instruments Programmable Logic Devices can be programmed using widely available software and inexpensive device programmers.

Complete programming specifications, algorithms, and the latest information on hardware, software, and firmware are available upon request. Information on programmers capable of programming Texas Instruments Programmable Logic is also available, upon request, from the nearest TI field sales office, local authorized TI distributor, or by calling Texas Instruments at (214) 997-5762.

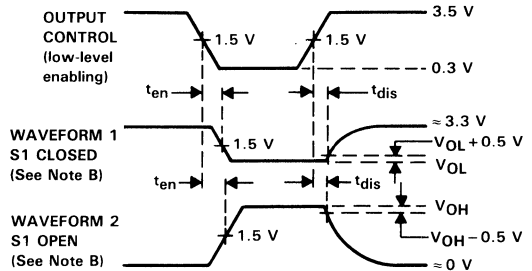
PARAMETER MEASUREMENT INFORMATION



LOAD CIRCUIT FOR
THREE-STATE OUTPUTS



VOLTAGE WAVEFORMS
PROPAGATION DELAY TIMES



VOLTAGE WAVEFORMS
ENABLE AND DISABLE TIMES, THREE-STATE OUTPUTS

- NOTES: A. C_L includes probe and jig capacitance and is 50 pF for t_{pd} and t_{en} , 5 pF for t_{dis} .
 B. Waveform 1 is for an output with internal conditions such that the output is low except when disabled by the output control. Waveform 2 is for an output with internal conditions such that the output is high except when disabled by the output control.
 C. All input pulses have the following characteristics: $PRR \leq 1$ MHz, $t_r = t_f = 2$ ns, duty cycle = 50%
 D. When measuring propagation delay times of 3-state outputs, switch S1 is closed.

FIGURE 1

WORST CASE MULTIPLE OUTPUT SWITCHING CHARACTERISTICS

WORST CASE PROPAGATION DELAY TIME
vs
NUMBER OF OUTPUTS SWITCHING

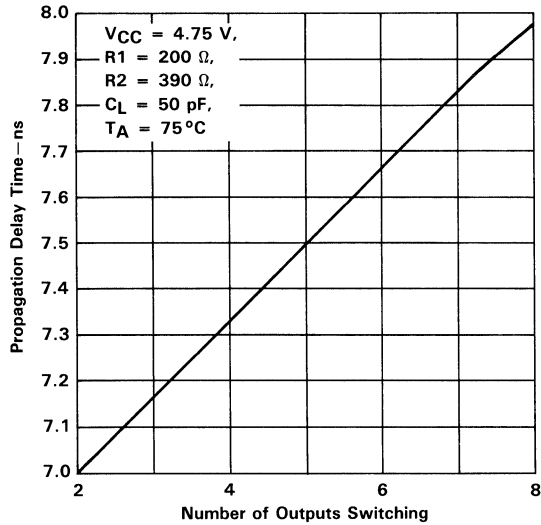
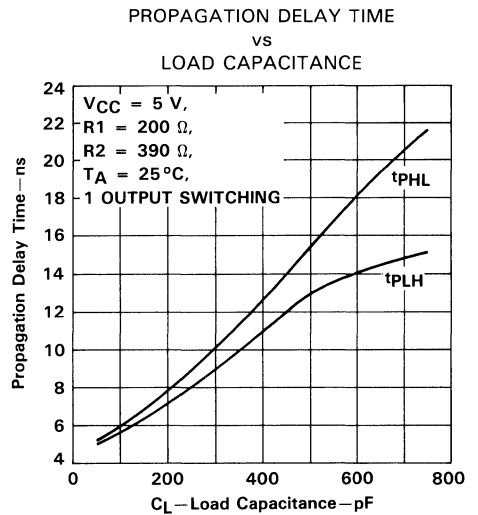
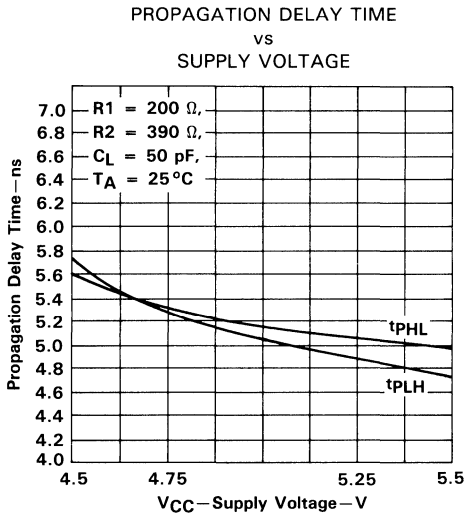
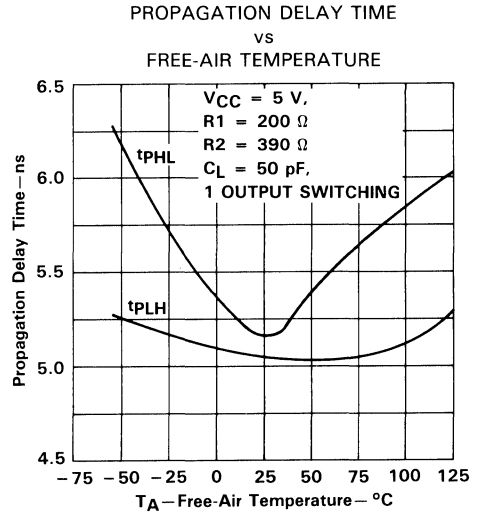
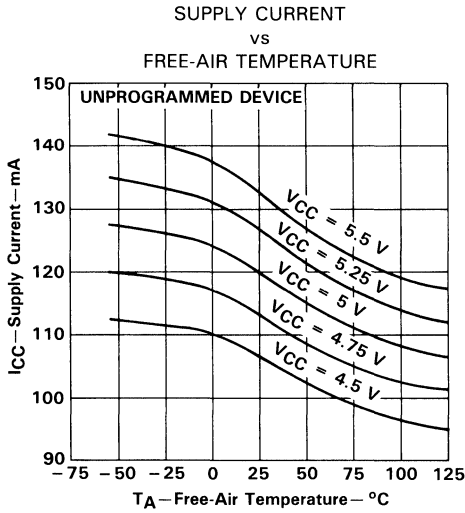


FIGURE 2

TYPICAL CHARACTERISTICS



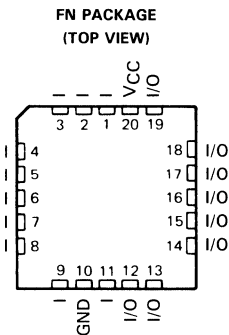
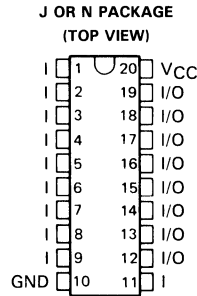
2

Data Sheets

TIBPAD18N8-6C HIGH-PERFORMANCE PROGRAMMABLE ADDRESS DECODER/NAND ARRAY

D3086, DECEMBER 1987

- Very High Speed Address Decoder (Ideal for Use with High Speed Processors)
- I/O Propagation Delay: 6 ns Max
- Suitable for High Speed NAND-NAND Logic Implementation
- Field Programmable on Standard PLD Programmers
- Fully TTL Compatible
- Security Fuse Prevents Unauthorized Duplication
- Dependable Texas Instruments Quality and Reliability
- Potential Applications
 - Address Decoders
 - Random Logic (NAND-NAND)
 - Code Detectors
 - Peripheral Selectors
 - Fault Monitors
 - Machine State Decoders



description

The TIBPAD18N8-6C is a very-high-speed Programmable Address Decoder featuring 6-ns maximum propagation delay, the highest speed in the TTL programmable logic family. The TIBPAD18N8 uses the IMPACT-X™ process and proven titanium-tungsten fuse technology to provide reliable, high-performance substitutes for conventional TTL logic.

The TIBPAD18N8-6C contains 10 dedicated inputs and 8 product terms, each followed by an inverting buffer leading to an I/O port. Each of the eight I/O ports can be individually programmed as an input or an output, depending on the state of the fuse controlling the output buffer, as indicated by Table 1. This allows the device to be used for functions ranging from 17 inputs and a single output to 10 inputs and 8 outputs.

A high-speed feedback path, which does not go through the output buffer, is provided to offer higher performance operation in designs where feedback is required. The architectural fuse on the I/O multiplexer is used for the selection of this path (see Table 2). This makes the TIBPAD18N8-6C ideal for the implementation of a very fast NAND-NAND logic.

The TIBPAD18N8 is supplied with all eight I/O ports in the input configuration (output buffers in the high-impedance state). If an I/O port is selected to be an output, it must be programmed accordingly. It is recommended that all unused outputs on this device remain in the high-impedance state for better noise immunity.

The TIBPAD18N8-6C is characterized for operation from 0°C to 75°C.

IMPACT-X is a trademark of Texas Instruments Incorporated.

PRODUCT PREVIEW documents contain information on products in the formative or design phase of development. Characteristic data and other specifications are design goals. Texas Instruments reserves the right to change or discontinue these products without notice.



POST OFFICE BOX 655012 • DALLAS, TEXAS 75265

Copyright © 1987, Texas Instruments Incorporated

TIBPAD18N8-6C
HIGH-PERFORMANCE PROGRAMMABLE ADDRESS DECODER/NAND ARRAY

functional block diagram (positive logic)

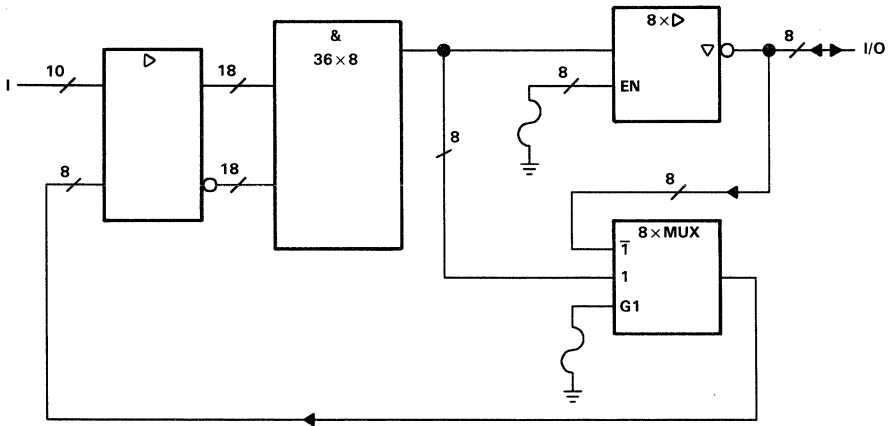


Table 1. Output Buffer Programming

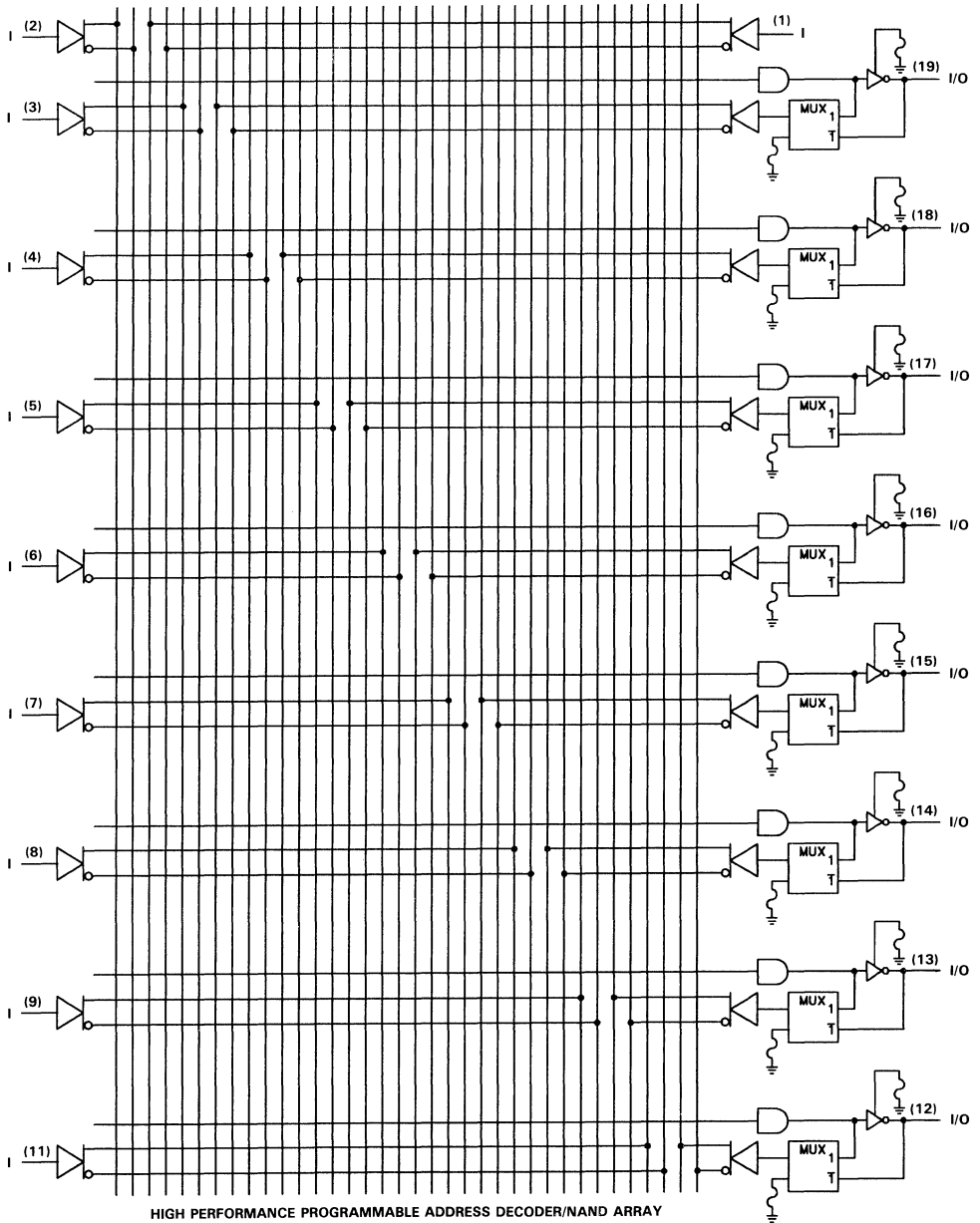
| ARCHITECTURAL FUSE | OPERATION |
|--------------------|--|
| Intact | Input (Output Buffer in Hi-Z State) |
| Blown | Output |

Table 2. I/O Multiplexer Programming

| ARCHITECTURAL FUSE | OPERATION |
|--------------------|---------------------|
| Intact | I/O Feedback |
| Blown | High-Speed Feedback |

TIBPAD18N8-6C HIGH-PERFORMANCE PROGRAMMABLE ADDRESS DECODER/NAND ARRAY

logic diagram (positive logic)



HIGH PERFORMANCE PROGRAMMABLE ADDRESS DECODER/NAND ARRAY

TIBPAD18N8-6C HIGH-PERFORMANCE PROGRAMMABLE ADDRESS DECODER/NAND ARRAY

absolute maximum ratings over operating free-air temperature range (unless otherwise noted)

| | |
|---|----------------|
| Supply voltage, V_{CC} (see Note 1) | 7 V |
| Input voltage (see Note 1) | 5.5 V |
| Voltage applied to a disabled output (see Note 1) | 5.5 V |
| Operating free-air temperature range | 0°C to 75°C |
| Storage temperature range | -65°C to 150°C |

NOTE 1: These ratings apply except for programming pins during a programming cycle.

recommended operating conditions

| | MIN | NOM | MAX | UNIT |
|--|------|-----|------|------|
| V_{CC} Supply voltage | 4.75 | 5 | 5.25 | V |
| V_{IH} High-level input voltage (see Note 2) | 2 | | | V |
| V_{IL} Low-level input voltage (see Note 2) | | | 0.8 | V |
| I_{OH} High-level output current | | | -3.2 | mA |
| I_{OL} Low-level output current | | | 24 | mA |
| T_A Operating free-air temperature | 0 | | 75 | °C |

NOTE 2: These are absolute voltage levels with respect to the ground pin of the device and include all overshoots due to system and/or tester noise. Testing these parameters should not be attempted without suitable equipment.

electrical characteristics over recommended operating free-air temperature range (unless otherwise noted)

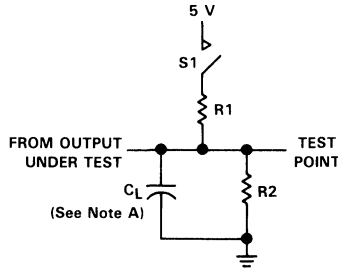
| PARAMETER | TEST CONDITIONS | MIN | TYP† | MAX | UNIT |
|-----------|--|-----|------|-------|------|
| V_{IK} | $V_{CC} = 4.75$ V, $I_I = -18$ mA | | | -1.2 | V |
| V_{OH} | $V_{CC} = 4.75$ V, $I_{OH} = \text{MAX}$ | 2.4 | 3 | | V |
| V_{OL} | $V_{CC} = 4.75$ V, $I_{OL} = \text{MAX}$ | | 0.37 | 0.5 | V |
| I_{OZH} | $V_{CC} = 5.25$ V, $V_O = 2.7$ V | | | 20 | μA |
| I_{OZL} | $V_{CC} = 5.25$ V, $V_O = 0.4$ V | | | -20 | μA |
| I_I | $V_{CC} = 5.25$ V, $V_I = 5.5$ V | | | 0.2 | μA |
| I_{IH} | $V_{CC} = 5.25$ V, $V_I = 2.7$ V | | | 20 | μA |
| I_{IL} | $V_{CC} = 5.25$ V, $V_I = 0.4$ V | | | -0.25 | mA |
| I_{OS} | $V_{CC} = 5.25$ V, $V_O = 0$ V | | | | mA |
| I_{CC} | $V_{CC} = 5.25$ V, $V_I = 4.5$ V | | 140 | 180 | mA |

switching characteristics over recommended ranges of supply voltage and operating free-air temperature (unless otherwise noted)

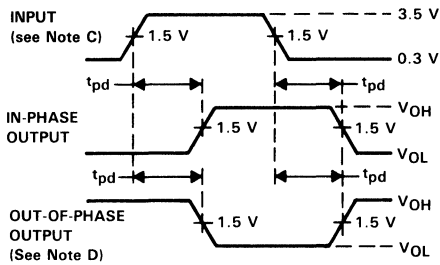
| PARAMETER | FROM | TO | TEST CONDITIONS | MIN | TYP† | MAX | UNIT |
|-----------|------|---|--|-----|------|-----|------|
| t_{pd} | I | I/O (no feedback) | R1 = 200 Ω, R2 = 390 Ω, C _L = 50 pF | 4 | 6 | | ns |
| | | I/O (with 1 feedback path – I/O MUX fuse blown) | | 8 | 10 | | ns |
| | | I/O (with 2 feedback paths – I/O MUX fuse blown) | | 12 | 14 | | ns |
| | | I/O (with 3 feedback paths – I/O MUX fuse blown) | | 16 | 18 | | ns |

†All typical values are at $V_{CC} = 5$ V, $T_A = 25$ °C.

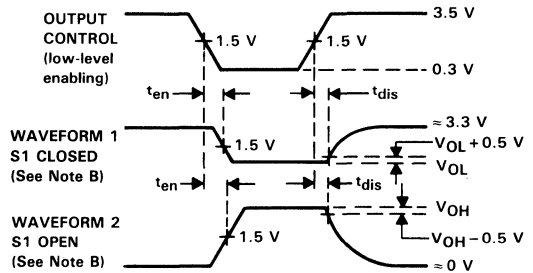
PARAMETER MEASUREMENT INFORMATION



LOAD CIRCUIT FOR THREE-STATE OUTPUTS



VOLTAGE WAVEFORMS
PROPAGATION DELAY TIMES



VOLTAGE WAVEFORMS
ENABLE AND DISABLE TIMES, THREE-STATE OUTPUTS

- NOTES: A. C_L includes probe and jig capacitance and is 50 pF for t_{pd} and t_{en} , 5 pF for t_{dis} .
 B. Waveform 1 is for an output with internal conditions such that the output is low except when disabled by the output control. Waveform 2 is for an output with internal conditions such that the output is high except when disabled by the output control.
 C. All input pulses have the following characteristics: $PRR \leq 1$ MHz, $t_r = t_f = 2$ ns, duty cycle = 50%
 D. When measuring propagation delay times of 3-state outputs, switch S1 is closed.

FIGURE 1

2

Data Sheets

**TIBPAL16L8-12M, TIBPAL16R4-12M, TIBPAL16R6-12M, TIBPAL16R8-12M
TIBPAL16L8-10C, TIBPAL16R4-10C, TIBPAL16R6-10C, TIBPAL16R8-10C
HIGH-PERFORMANCE IMPACT™ PAL® CIRCUITS**

D3023, MAY 1987—JANUARY 1988

- **High-Performance Operation:**
 - f_{max} (w/o feedback)
 - TIBPAL16R'-10C Series . . . 62.5 MHz
 - TIBPAL16R'-12M Series . . . 56 MHz
 - f_{max} (with feedback)
 - TIBPAL16R'-10C Series . . . 55.5 MHz
 - TIBPAL16R'-12M Series . . . 48 MHz
 - Propagation Delay
 - TIBPAL16L-10C . . . 10 ns Max
 - TIBPAL16L-12M . . . 12 ns Max
- **Functionally Equivalent, but Faster than Existing 20-Pin PALs**
- **Preload Capability on Output Registers Simplifies Testing**
- **Power-Up Clear on Registered Devices (All Register Outputs are Set Low, but Voltage Levels at the Output Pins Remain High)**
- **Package Options Include Both Plastic and Ceramic Chip Carriers in Addition to Plastic and Ceramic DIPs**
- **Security Fuse Prevents Duplication**
- **Dependable Texas Instruments Quality and Reliability**

| DEVICE | INPUTS | 3-STATE O OUTPUTS | REGISTERED Q OUTPUTS | I/O PORTS |
|---------|--------|----------------------|-------------------------|--------------|
| PAL16L8 | 10 | 2 | 0 | 6 |
| PAL16R4 | 8 | 0 | 4 (3-state) | 4 |
| PAL16R6 | 8 | 0 | 6 (3-state) | 2 |
| PAL16R8 | 8 | 0 | 8 (3-state) | 0 |

description

These programmable array logic devices feature high speed and functional equivalency when compared with currently available devices. These IMPACT™ circuits combine the latest Advanced Low-Power Schottky† technology with proven titanium-tungsten fuses to provide reliable, high-performance substitutes for conventional TTL logic. Their easy programmability allows for quick design of custom-functions and typically results in a more compact circuit board. In addition, chip carriers are available for further reduction in board space.

All of the register outputs are set to a low level during power-up. Extra circuitry has been provided to allow loading of each register asynchronously to either a high or low state. This feature simplifies testing because the registers can be set to an initial state prior to executing the test sequence.

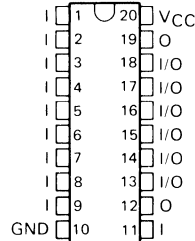
The TIBPAL16' M series is characterized for operation over the full military temperature range of -55 °C to 125 °C. The TIBPAL16' C series is characterized for operation from 0 °C to 75 °C.

IMPACT™ is a trademark of Texas Instruments Incorporated.

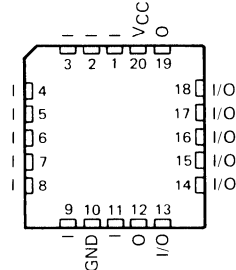
PAL® is a registered trademark of Monolithic Memories Inc.

†Integrated Schottky-Barrier diode-clamped transistor is patented by Texas Instruments, U.S. Patent Number 3,463,975.

TIBPAL16L8'
M SUFFIX . . . J PACKAGE
C SUFFIX . . . J OR N PACKAGE
(TOP VIEW)



TIBPAL16L8'
M SUFFIX . . . FK PACKAGE
C SUFFIX . . . FN PACKAGE
(TOP VIEW)



Pin assignments in operating mode

PRODUCTION DATA documents contain information current as of publication date. Products conform to specifications per the terms of Texas Instruments standard warranty. Production processing does not necessarily include testing of all parameters.



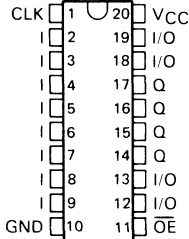
POST OFFICE BOX 655012 • DALLAS, TEXAS 75265

Copyright © 1987, Texas Instruments Incorporated

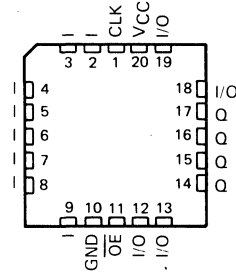
**TIBPAL16R4-12M, TIBPAL16R6-12M, TIBPAL16R8-12M
TIBPAL16R4-10C, TIBPAL16R6-10C, TIBPAL16R8-10C
HIGH-PERFORMANCE *IMPACT*™ *PAL*® CIRCUITS**

2
Data Sheets

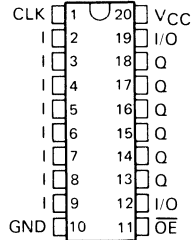
TIBPAL16R4'
M SUFFIX . . . J PACKAGE
C SUFFIX . . . J OR N PACKAGE
(TOP VIEW)



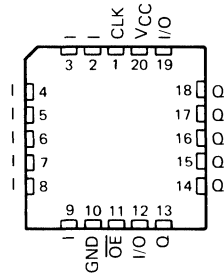
TIBPAL16R4'
M SUFFIX . . . FK PACKAGE
C SUFFIX . . . FN PACKAGE
(TOP VIEW)



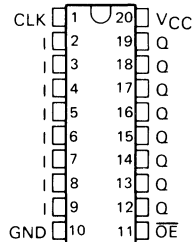
TIBPAL16R6'
M SUFFIX . . . J PACKAGE
C SUFFIX . . . J OR N PACKAGE
(TOP VIEW)



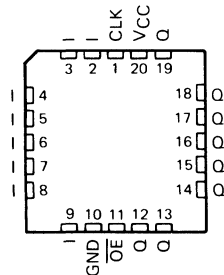
TIBPAL16R6'
M SUFFIX . . . FK PACKAGE
C SUFFIX . . . FN PACKAGE
(TOP VIEW)



TIBPAL16R8'
M SUFFIX . . . J PACKAGE
C SUFFIX . . . J OR N PACKAGE
(TOP VIEW)



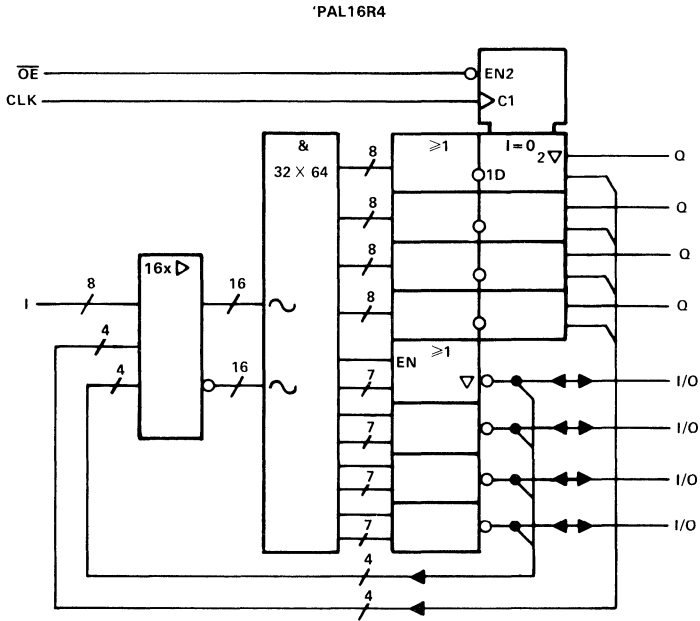
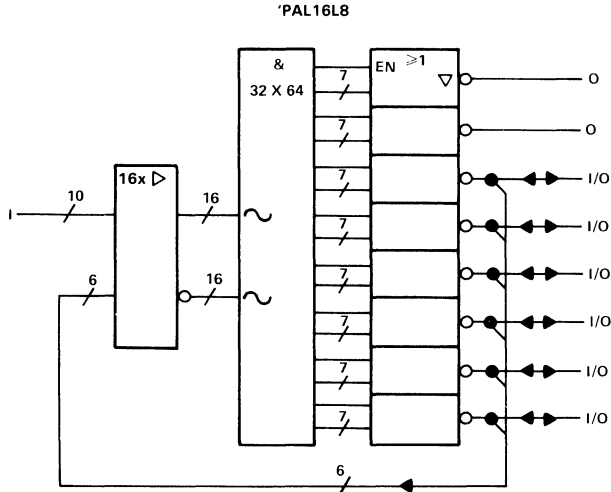
TIBPAL16R8'
M SUFFIX . . . FK PACKAGE
C SUFFIX . . . FN PACKAGE
(TOP VIEW)



Pin assignments in operating mode

TIBPAL16L8-12M, TIBPAL16L8-10C, TIBPAL16R4-12M, TIBPAL16R4-10M
 HIGH-PERFORMANCE *IMPACT™* PAL® CIRCUITS

functional block diagrams (positive logic)

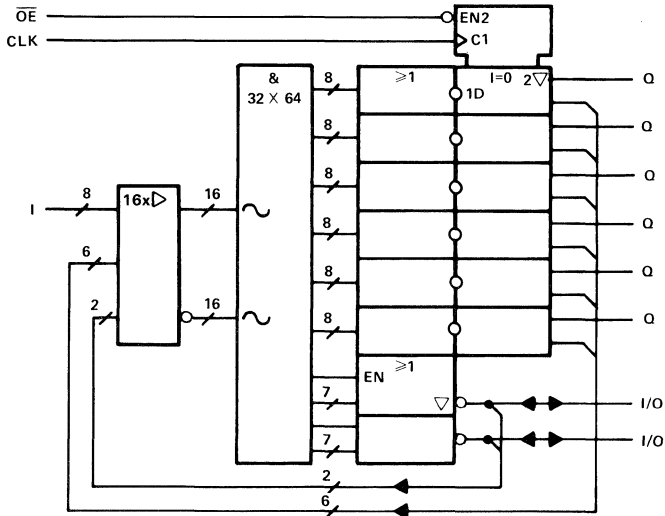


~ denotes fused inputs

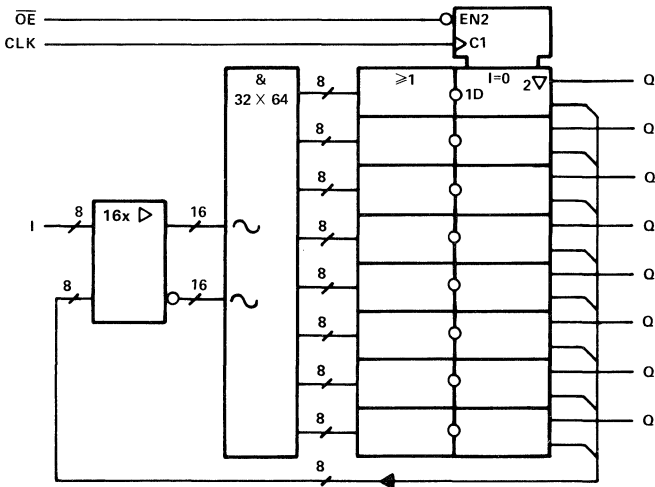
TIBPAL16R6-12M, TIBPAL16R6-10C, TIBPAL16R8-12M, TIBPAL16R8-10C
HIGH-PERFORMANCE *IMPACT*™ *PAL*® CIRCUITS

functional block diagrams (positive logic)

'PAL16R6

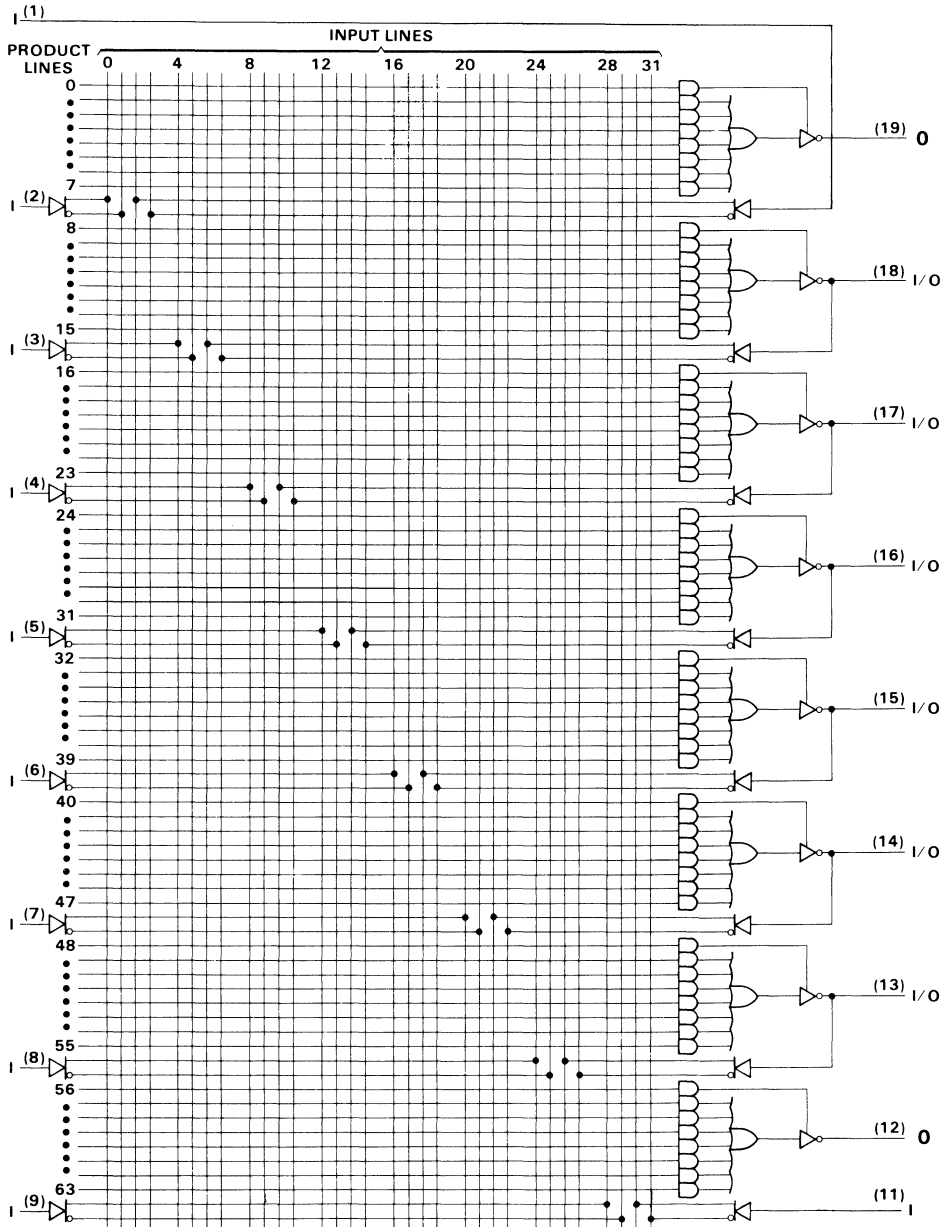


'PAL16R8



~ denotes fused inputs

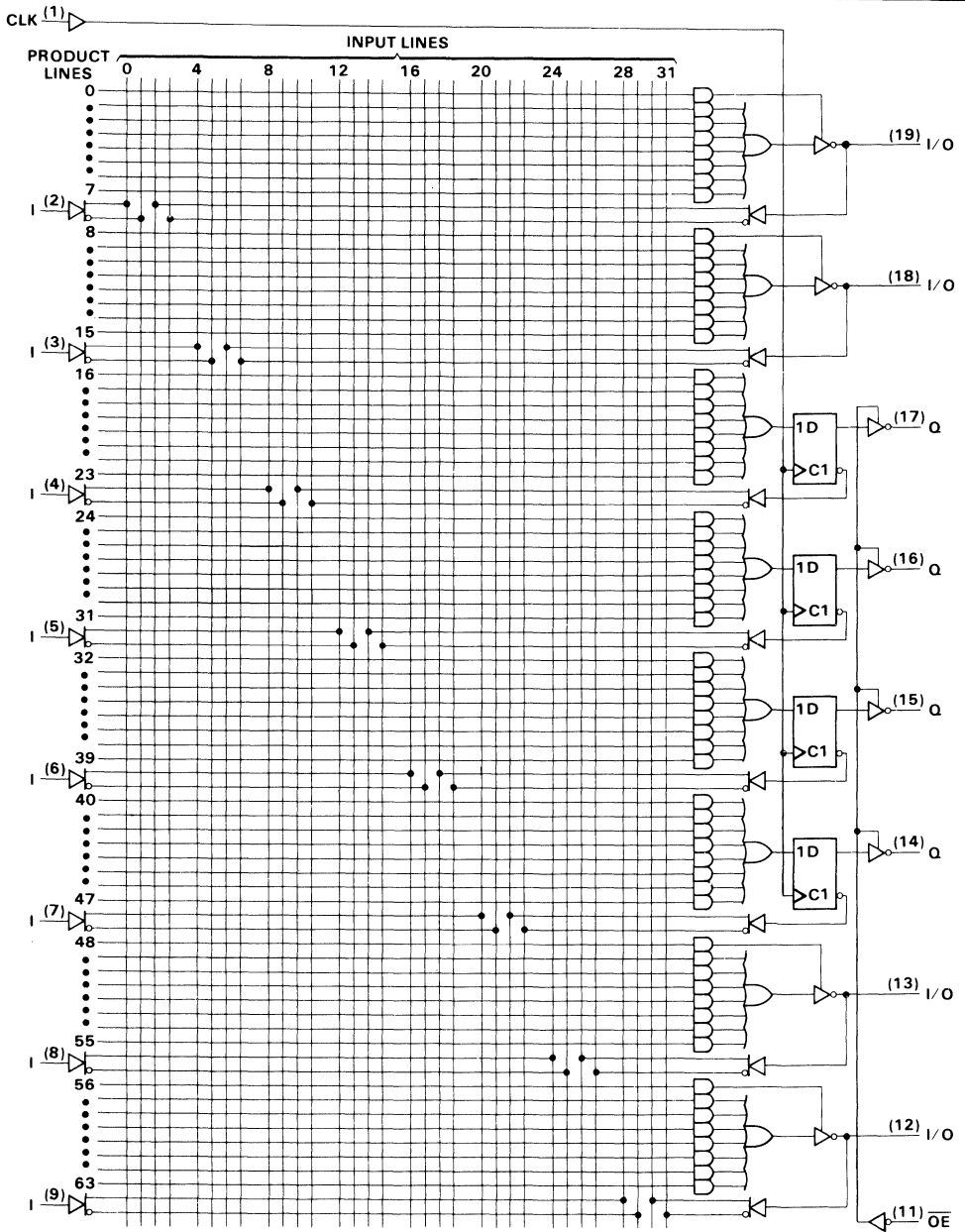
TIBPAL16L8-12M, TIBPAL16L8-10C
 HIGH-PERFORMANCE *IMPACT*™ *PAL*® CIRCUITS



2

Data Sheets

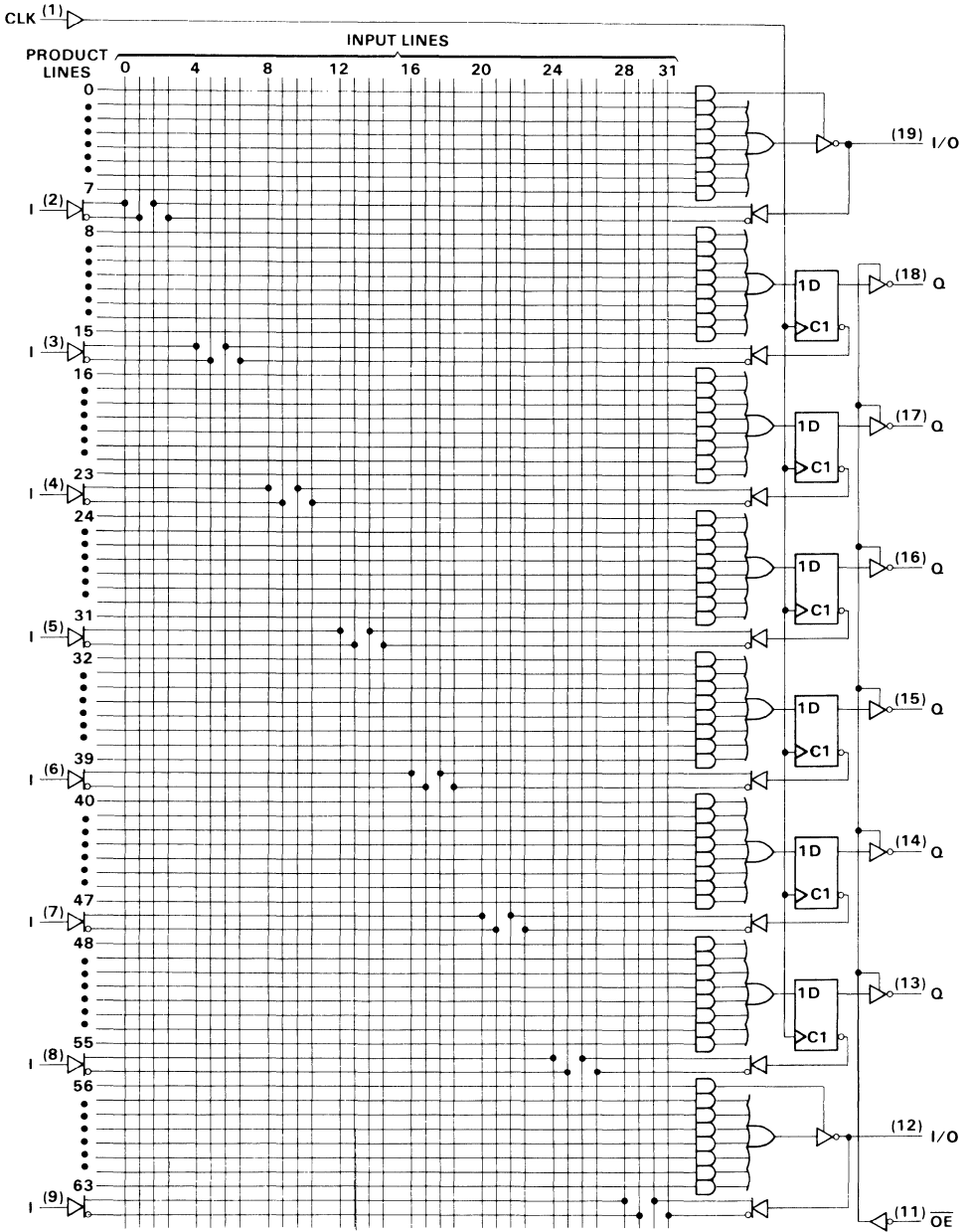
TIBPAL16R4-12M, TIBPAL16R4-10C
HIGH-PERFORMANCE *IMPACT*™ PAL® CIRCUITS



2

Data Sheets

TIBPAL16R6-12M, TIBPAL16R6-10C
HIGH-PERFORMANCE *IMPACT™* PAL® CIRCUITS

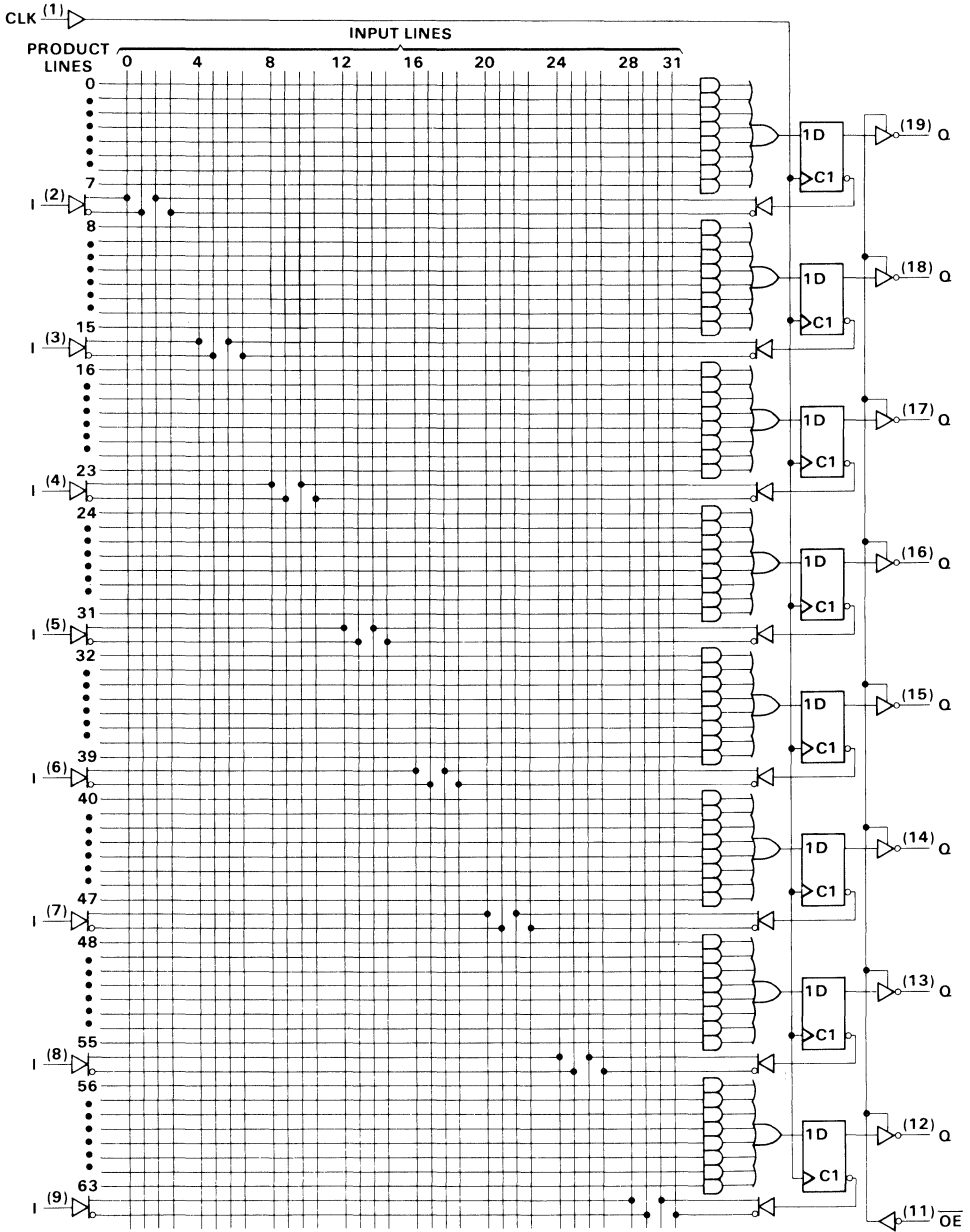


2
Data Sheets

TIBPAL16R8-12M, TIBPAL16R8-10C
HIGH-PERFORMANCE *IMPACT*™ PAL® CIRCUITS

2

Data Sheets



TIBPAL16L8-12M, TIBPAL16R4-12M, TIBPAL16R6-12M, TIBPAL16R8-12M TIBPAL16L8-10C, TIBPAL16R4-10C, TIBPAL16R6-10C, TIBPAL16R8-10C HIGH-PERFORMANCE *IMPACT™* *PAL®* CIRCUITS

absolute maximum ratings over operating free-air temperature range (unless otherwise noted)

| | |
|---|------------------|
| Supply voltage, V _{CC} (see Note 1) | 7 V |
| Input voltage (see Note 1) | 5.5 V |
| Voltage applied to a disabled output (see Note 1) | 5.5 V |
| Operating free-air temperature range: M suffix | -55 °C to 125 °C |
| C suffix | 0 °C to 75 °C |
| Storage temperature range | -65 °C to 150 °C |

NOTE 1: These ratings apply except for programming pins during a programming cycle.

recommended operating conditions

| PARAMETER | | -12M | | | -10C | | | UNIT |
|--------------------|---|------|-----|-----|------|-----|------|------|
| | | MIN | NOM | MAX | MIN | NOM | MAX | |
| V _{CC} | Supply voltage | 4.5 | 5 | 5.5 | 4.75 | 5 | 5.25 | V |
| V _{IH} | High-level input voltage (see Note 2) | 2 | | 5.5 | 2 | | 5.5 | V |
| V _{IL} | Low-level input voltage (see Note 2) | | | 0.8 | | | 0.8 | V |
| I _{OH} | High-level output current | | | -2 | | | -3.2 | mA |
| I _{OL} | Low-level output current | | | 12 | | | 24 | mA |
| f _{clock} | Clock frequency | 0 | | 56 | 0 | | 62.5 | MHz |
| t _w | Pulse duration, clock (see Note2) | High | | 9 | | | 8 | ns |
| | | Low | | 9 | | | 8 | |
| t _{SU} | Setup time, input or feedback before CLK↑ | | | 11 | | | 10 | ns |
| t _H | Hold time, input or feedback after CLK↑ | | | 0 | | | 0 | ns |
| T _A | Operating free-air temperature | -55 | 25 | 125 | 0 | 25 | 75 | °C |

NOTE 2: These are absolute voltage levels with respect to the ground pin of the device and include all overshoots due to system and/or tester noise. Testing these parameters should not be attempted without suitable equipment.

electrical characteristics, over recommended operating free-air temperature range

| PARAMETER | TEST CONDITIONS† | | -12M | | | -10C | | | UNIT |
|--------------------|---|-------------------------|------|------|-------|------|------|-------|------|
| | | | MIN | TYP‡ | MAX | MIN | TYP‡ | MAX | |
| V _{IK} | V _{CC} = MIN, | I _I = -18 mA | -0.8 | | -1.5 | -0.8 | | -1.5 | V |
| V _{OH} | V _{CC} = MIN, | I _{OH} = MAX | 2.4 | | 3.2 | 2.4 | | 3.2 | V |
| V _{OL} | V _{CC} = MIN, | I _{OL} = MAX | | | 0.3 | | | 0.5 | V |
| I _{OZH} § | V _{CC} = MAX, | V _O = 2.4 V | | | 100 | | | 100 | µA |
| I _{OZL} § | V _{CC} = MAX, | V _O = 0.4 V | | | -100 | | | -100 | µA |
| I _I | V _{CC} = MAX, | V _I = 5.5 V | | | 0.2 | | | 0.2 | mA |
| I _{IH} § | V _{CC} = MAX, | V _I = 2.4 V | | | 25 | | | 25 | µA |
| I _{IL} § | V _{CC} = MAX, | V _I = 0.4 V | | | -0.08 | | | -0.25 | mA |
| I _{OS} ¶ | V _{CC} = 5 V, | V _O = 0 | -30 | -70 | -130 | -30 | -70 | -130 | mA |
| I _{CC} | V _{CC} = MAX, V _I = 0 V, | Outputs Open | | | 140 | | | 180 | mA |
| C _{in} | f = 1 MHz, | V _I = 2 V | | | 5 | | | 5 | pF |
| C _{out} | f = 1 MHz, | V _O = 2 V | | | 6 | | | 6 | pF |
| C _{CLK} | f = 1 MHz, | V _{CLK} = 2 V | | | 6 | | | 6 | pF |

† For conditions shown as MIN or MAX use the appropriate value specified under recommended operating conditions.

‡ All typical values are at V_{CC} = 5 V, T_A = 25 °C.

§ I/O leakage is the worst case of I_{OZL} and I_{IL} or I_{OZH} and I_{IH}, respectively.

¶ Not more than one output should be shorted at a time and duration of the short-circuit should not exceed one second.

**TIBPAL16L8-12M, TIBPAL16R4-12M, TIBPAL16R6-12M, TIBPAL16R8-12M
TIBPAL16L8-10C, TIBPAL16R4-10C, TIBPAL16R6-10C, TIBPAL16R8-10C
HIGH-PERFORMANCE *IMPACT™* *PAL®* CIRCUITS**

switching characteristics over recommended supply voltage and operating free-air temperature ranges (unless otherwise noted)

| PARAMETER | FROM | TO | TEST CONDITIONS | -12M | | | -10C | | | UNIT |
|--------------------|------------------|--------|--|------|------|-----|------|------|-----|------|
| | | | | MIN | TYP† | MAX | MIN | TYP† | MAX | |
| f _{max} ‡ | With Feedback | | R1 = 200 Ω, R2 = 390 Ω, See Figure 1 | 48 | 80 | | 55.5 | 80 | | MHz |
| | Without Feedback | | | 56 | 85 | | 62.5 | 85 | | |
| t _{pd} | I, I/O | O, I/O | | 3 | 7 | 12 | 3 | 7 | 10 | ns |
| t _{pd} | CLK↑ | Q | | 2 | 5 | 10 | 2 | 5 | 8 | ns |
| t _{en} | OE↓ | Q | | 1 | 4 | 10 | 1 | 4 | 10 | ns |
| t _{dis} | OE↑ | Q | | 1 | 4 | 10 | 1 | 4 | 10 | ns |
| t _{en} | I, I/O | O, I/O | | 3 | 8 | 12 | 3 | 8 | 10 | ns |
| t _{dis} | I, I/O | O, I/O | | 3 | 8 | 12 | 3 | 8 | 10 | ns |

† All typical values are at V_{CC} = 5 V, T_A = 25 °C.

$$‡ f_{\max} \text{ (with feedback)} = \frac{1}{t_{su} + t_{pd} \text{ (CLK to Q)}}; f_{\max} \text{ (without feedback)} = \frac{1}{t_{w \text{ high}} + t_{w \text{ low}}}$$

programming information

Texas Instruments Programmable Logic Devices can be programmed using widely available software and inexpensive device programmers.

Complete programming specifications, algorithms, and the latest information on hardware, software, and firmware are available upon request. Information on programmers capable of programming Texas Instruments Programmable Logic is also available, upon request, from the nearest TI field sales office, local authorized TI distributor, or by calling Texas Instruments at (214) 997-5762.

2

Data Sheets

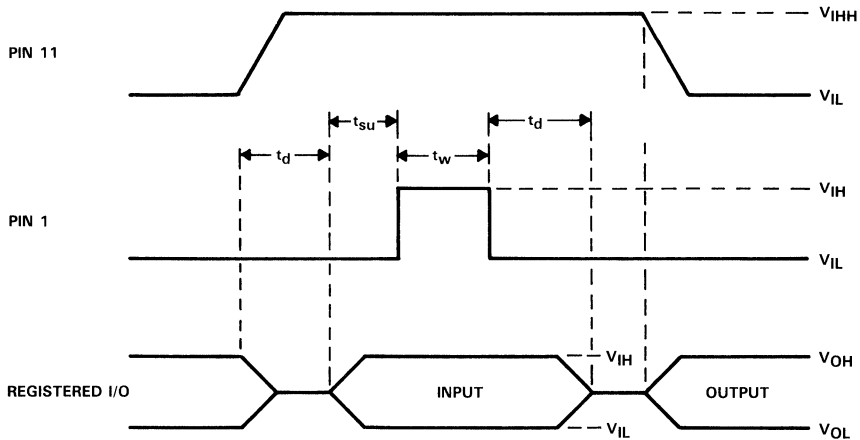
**TIBPAL16L8-12M, TIBPAL16R4-12M, TIBPAL16R6-12M, TIBPAL16R8-12M
TIBPAL16L8-10C, TIBPAL16R4-10C, TIBPAL16R6-10C, TIBPAL16R8-10C
HIGH-PERFORMANCE *IMPACT*™ *PAL*® CIRCUITS**

preload procedure for registered outputs (see Note 3)

The output registers can be preloaded to any desired state during device testing. This permits any state to be tested without having to step through the entire state-machine sequence. Each register is preloaded individually by following the steps given below.

- Step 1. With V_{CC} at 5 volts and Pin 1 at V_{IL} , raise Pin 11 to V_{IHH} .
- Step 2. Apply either V_{IL} or V_{IH} to the output corresponding to the register to be preloaded.
- Step 3. Pulse Pin 1, clocking in preload data.
- Step 4. Remove output voltage, then lower Pin 11 to V_{IL} . Preload can be verified by observing the voltage level at the output pin.

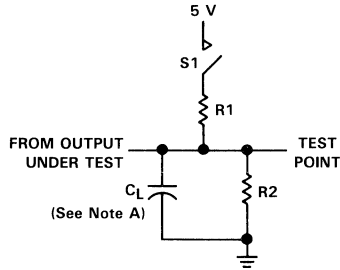
preload waveforms (see Note 3)



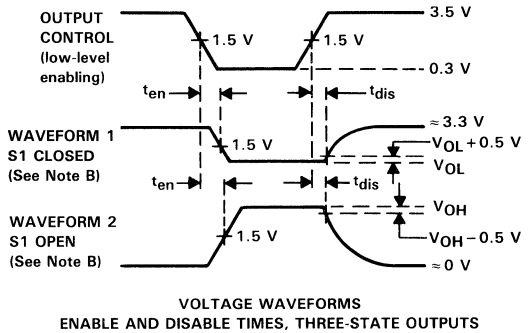
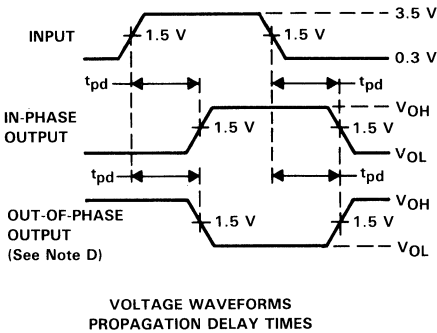
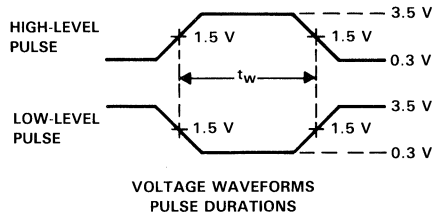
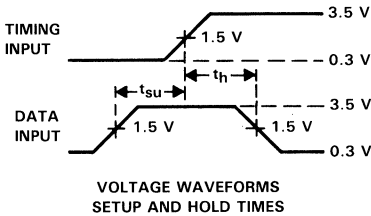
NOTE 3: $t_d = t_{SU} = t_W = 100$ ns to 1000 ns.
 $V_{IHH} = 10.25$ V to 10.75 V.

**TIBPAL16L8-12M, TIBPAL16R4-12M, TIBPAL16R6-12M, TIBPAL16R8-12M
TIBPAL16L8-10C, TIBPAL16R4-10C, TIBPAL16R6-10C, TIBPAL16R8-10C
HIGH-PERFORMANCE *IMPACT*™ *PAL*® CIRCUITS**

PARAMETER MEASUREMENT INFORMATION



**LOAD CIRCUIT FOR
THREE-STATE OUTPUTS**



- NOTES: A. C_L includes probe and jig capacitance and is 50 pF for t_{pd} and t_{en} , 5 pF for t_{dis} .
B. Waveform 1 is for an output with internal conditions such that the output is low except when disabled by the output control. Waveform 2 is for an output with internal conditions such that the output is high except when disabled by the output control.
C. All input pulses have the following characteristics: $PRR \leq 1$ MHz, $t_r = t_f = 2$ ns, duty cycle = 50%.
D. When measuring propagation delay times of 3-state outputs, switch S1 is closed.

FIGURE 1

metastable characteristics for TIBPAL16R4-10C, TIBPAL16R6-10C, and TIBPAL16R8-10C

At some point in every system designer's career, he or she is faced with the problem of synchronizing two digital signals operating at two different frequencies. This problem is typically overcome by synchronizing one of the signals to the local clock through use of a flip-flop. However, this solution presents an awkward dilemma since the setup and hold time specifications associated with the flip-flop are sure to be violated. The metastable characteristics of the flip-flop can influence overall system reliability.

Whenever the setup and hold times of a flip-flop are violated, its output response becomes uncertain and is said to be in the metastable state if the output hangs up in the region between V_{IL} and V_{IH} . This metastable condition lasts until the flip-flop falls into one of its two stable states, which takes longer than the specified maximum propagation delay time (CLK to Q max).

From a system engineering standpoint, a designer cannot use the specified data sheet maximum for propagation delay time when using the flip-flop as a data synchronizer — how long to wait after the specified data sheet maximum must be known before using the data in order to guarantee reliable system operation.

The circuit shown in Figure 2 can be used to evaluate MTBF (Mean Time Between Failure) and Δt for a selected flip-flop. Whenever the Q output of the DUT is between 0.8 V and 2 V, the comparators are in opposite states. When the Q output of the DUT is higher than 2 V or lower than 0.8 V, the comparators are at the same logic level. The outputs of the two comparators are sampled a selected time (Δt) after SCLK. The exclusive OR gate detects the occurrence of a failure and increments the failure counter.

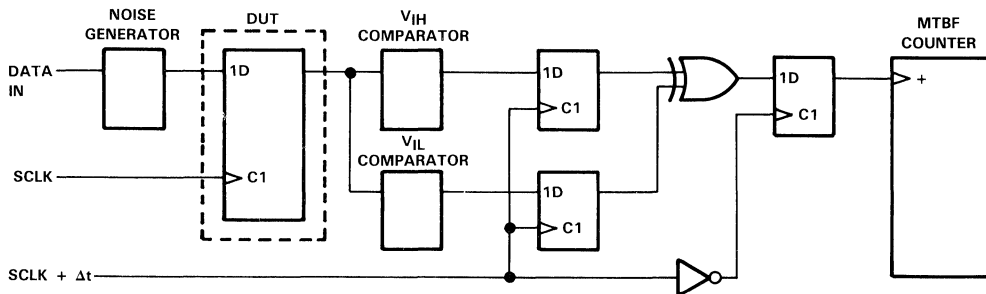


FIGURE 2. METASTABLE EVALUATION TEST CIRCUIT

In order to maximize the possibility of forcing the DUT into a metastable state, the input data signal is applied so that it always violates the setup and hold time. This condition is illustrated in the timing diagram in Figure 3. Any other relationship of SCLK to data will provide less chance for the device to enter into the metastable state.

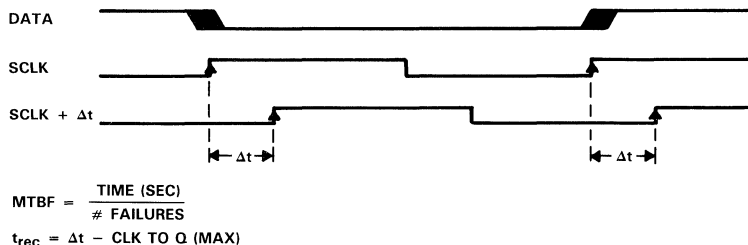


FIGURE 3. TIMING DIAGRAM

TIBPAL16R4-10C, TIBPAL16R6-10C, TIBPAL16R8-10C
HIGH-PERFORMANCE *IMPACT*™ *PAL*® CIRCUITS

By using the described test circuit, MTBF can be determined for several different values of Δt (see Figure 2). Plotting this information on semilog paper demonstrates the metastable characteristics of the selected flip-flop. Figure 4 shows the results for the TIBPAL16'-10 operating at 1 MHz.

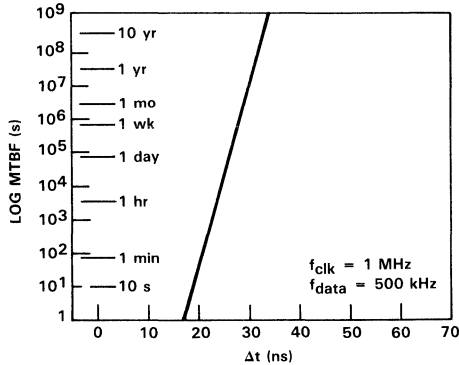


FIGURE 4. METASTABLE CHARACTERISTICS

From the data taken in the above experiment, an equation can be derived for the metastable characteristics at other clock frequencies.

The metastable equation:
$$\frac{1}{MTBF} = f_{SCLK} \times f_{data} \times C1 e^{(-C2 \times \Delta t)}$$

The constants C1 and C2 describe the metastable characteristics of the device. From the experimental data, these constants can be solved for: C1 = 9.15×10^{-7} and C2 = 0.959

Therefore

$$\frac{1}{MTBF} = f_{SCLK} \times f_{data} \times 9.159 \times 10^{-7} e^{(-0.959 \times \Delta t)}$$

definition of variables

DUT (Device Under Test): The DUT is a 10-ns registered PAL programmed with the equation $Q := D$.

MTBF (Mean Time Between Failures): The average time (s) between metastable occurrences that cause a violation of the device specifications.

f_{SCLK} (system clock frequency): Actual clock frequency for the DUT.

f_{data} (data frequency): Actual data frequency for a specified input to the DUT.

C1: Calculated constant that defines the magnitude of the curve.

C2: Calculated constant that defines the slope of the curve.

t_{rec} (metastability recovery time): Minimum time required to guarantee recovery from metastability, at a given MTBF failure rate. $t_{rec} = \Delta t - t_{pd}$ (CLK to Q, max)

Δt : The time difference (ns) from when the synchronizing flip-flop is clocked to when its output is sampled.

The test described above has shown the metastable characteristics of the TIBPAL16R4/R6/R8-10 series. For additional information on metastable characteristics of Texas Instruments logic circuits, please refer to TI Applications publication #SDAA004, "Metastable Characteristics, Design Considerations for ALS, AS, and LS Circuits."

TYPICAL CHARACTERISTICS

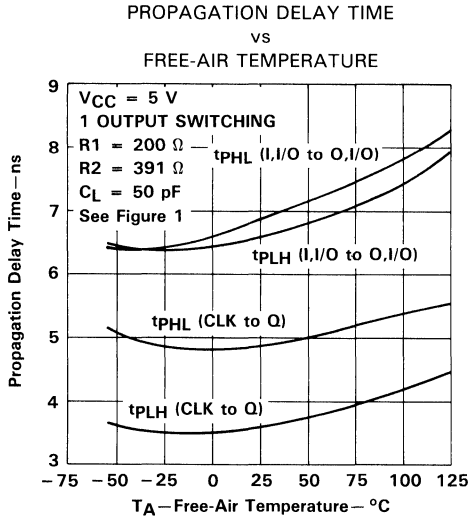


FIGURE 5

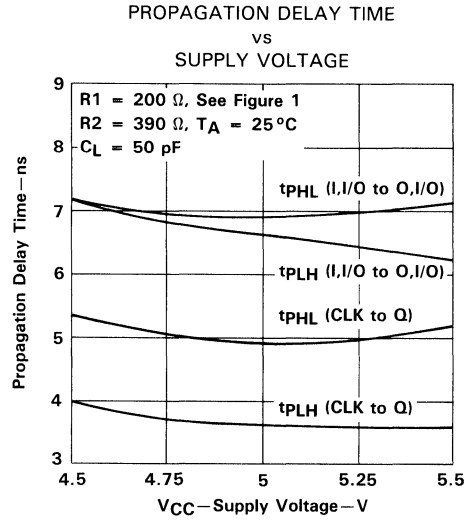


FIGURE 6

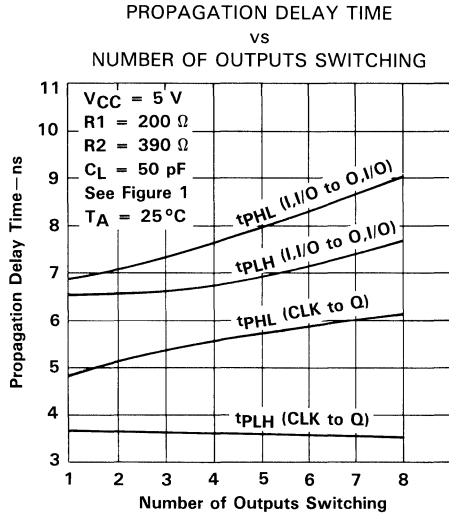


FIGURE 7

TYPICAL CHARACTERISTICS

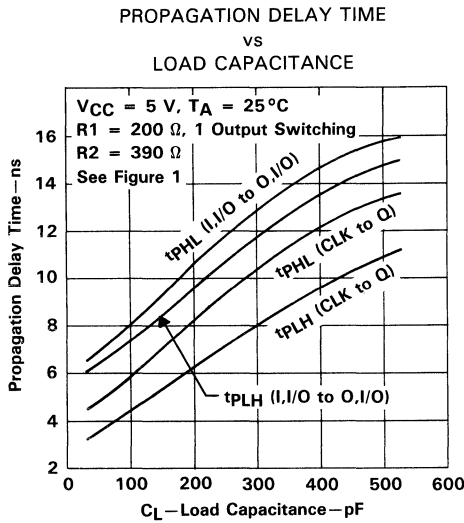


FIGURE 8

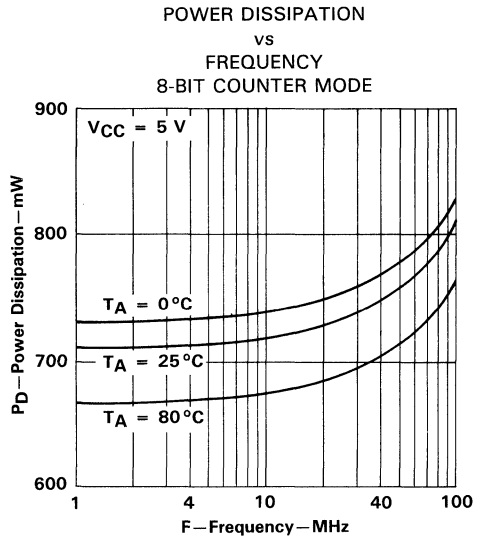


FIGURE 9

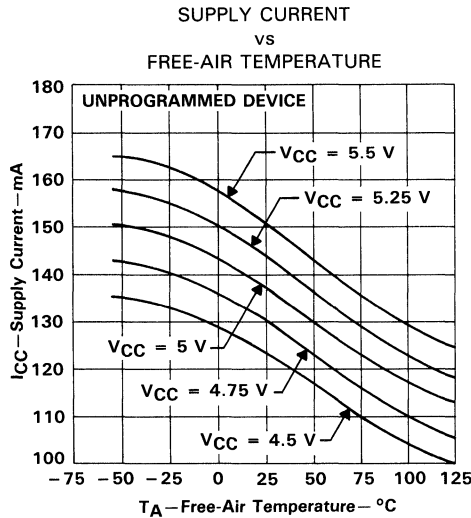


FIGURE 10

TIBPAL16L8-15M, TIBPAL16R4-15M, TIBPAL16R6-15M, TIBPAL16R8-15M
TIBPAL16L8-12C, TIBPAL16R4-12C, TIBPAL16R6-12C, TIBPAL16R8-12C
HIGH-PERFORMANCE *IMPACT*™ *PAL*® CIRCUITS

JANUARY 1986—REVISED DECEMBER 1987

- **High-Performance Operation**
Propagation Delay
M Suffix . . . 12 ns Max
C Suffix . . . 15 ns Max
- **Functionally Equivalent, but Faster than PAL16L8B, PAL16R4B, PAL16R6B, and PAL16R8B**
- **Power-Up Clear on Registered Devices (All Registered Outputs are Set Low)**
- **Package Options Include Both Plastic and Ceramic Chip Carriers in Addition to Plastic and Ceramic DIPs**
- **Dependable Texas Instruments Quality and Reliability**

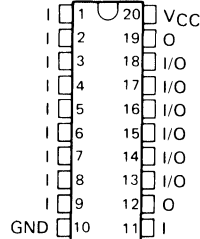
| DEVICE | INPUTS | 3-STATE O OUTPUTS | REGISTERED Q OUTPUTS | I/O PORTS |
|---------|--------|----------------------|-------------------------|-----------|
| PAL16L8 | 10 | 2 | 0 | 6 |
| PAL16R4 | 8 | 0 | 4 (3-state) | 4 |
| PAL16R6 | 8 | 0 | 6 (3-state) | 2 |
| PAL16R8 | 8 | 0 | 8 (3-state) | 0 |

description

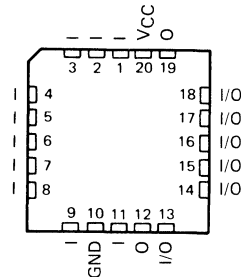
These programmable array logic devices feature high speed and functional equivalency when compared with currently available devices. These *IMPACT*™ circuits combine the latest Advanced Low-Power Schottky† technology with proven titanium-tungsten fuses to provide reliable, high-performance substitutes for conventional TTL logic. Their easy programmability allows for quick design of "custom" functions and typically results in a more compact circuit board. In addition, chip carriers are available for further reduction in board space.

The TIBPAL16' M series is characterized for operation over the full military temperature range of -55°C to 125°C. The TIBPAL16' C series is characterized for operation from 0°C to 75°C.

TIBPAL16L8'
M SUFFIX . . . J PACKAGE
C SUFFIX . . . J OR N PACKAGE
(TOP VIEW)



TIBPAL16L8'
M SUFFIX . . . FK PACKAGE
C SUFFIX . . . FN PACKAGE
(TOP VIEW)



Pin assignments in operating mode

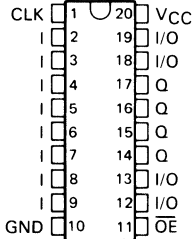
IMPACT™ is a trademark of Texas Instruments Incorporated.
PAL® is a registered trademark of Monolithic Memories Inc.
 †Integrated Schottky-Barrier diode-clamped transistor is patented by Texas Instruments, U.S. Patent Number 3,463,975.

PRODUCTION DATA documents contain information current as of publication date. Products conform to specifications per the terms of Texas Instruments standard warranty. Production processing does not necessarily include testing of all parameters.

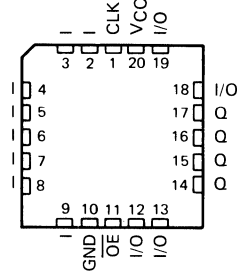


**TIBPAL16R4-15M, TIBPAL16R6-15M, TIBPAL16R8-15M
TIBPAL16R4-12C, TIBPAL16R6-12C, TIBPAL16R8-12C
HIGH-PERFORMANCE *IMPACT™* PAL® CIRCUITS**

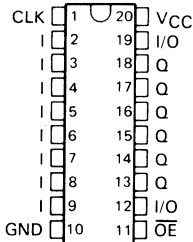
TIBPAL16R4*
M SUFFIX . . . J PACKAGE
C SUFFIX . . . J OR N PACKAGE
(TOP VIEW)



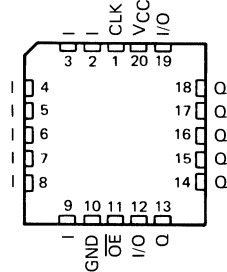
TIBPAL16R4*
M SUFFIX . . . FK PACKAGE
C SUFFIX . . . FN PACKAGE
(TOP VIEW)



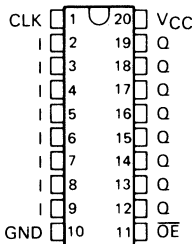
TIBPAL16R6*
M SUFFIX . . . J PACKAGE
C SUFFIX . . . J OR N PACKAGE
(TOP VIEW)



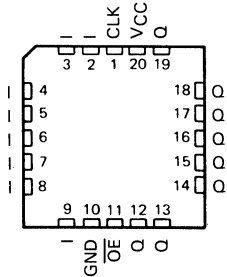
TIBPAL16R6*
M SUFFIX . . . FK PACKAGE
C SUFFIX . . . FN PACKAGE
(TOP VIEW)



TIBPAL16R8*
M SUFFIX . . . J PACKAGE
C SUFFIX . . . J OR N PACKAGE
(TOP VIEW)



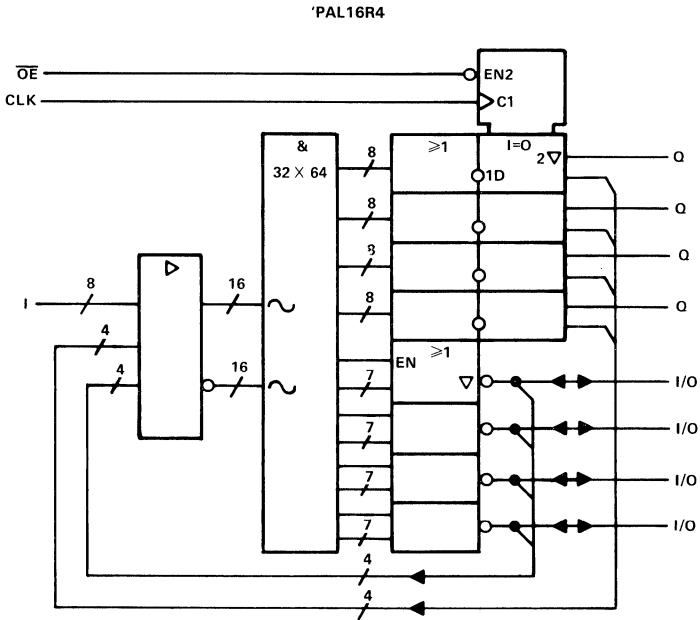
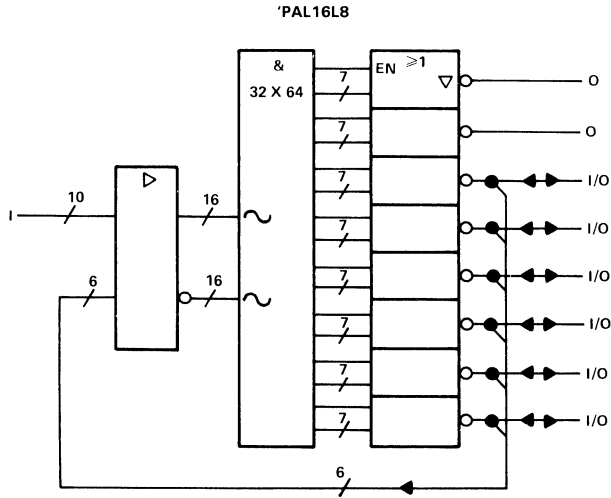
TIBPAL16R8*
M SUFFIX . . . FK PACKAGE
C SUFFIX . . . FN PACKAGE
(TOP VIEW)



Pin assignments in operating mode

TIBPAL16L8-15M, TIBPAL16L8-12C, TIBPAL16R4-15M, TIBPAL16R4-12C
HIGH-PERFORMANCE *IMPACT™* PAL® CIRCUITS

functional block diagrams (positive logic)

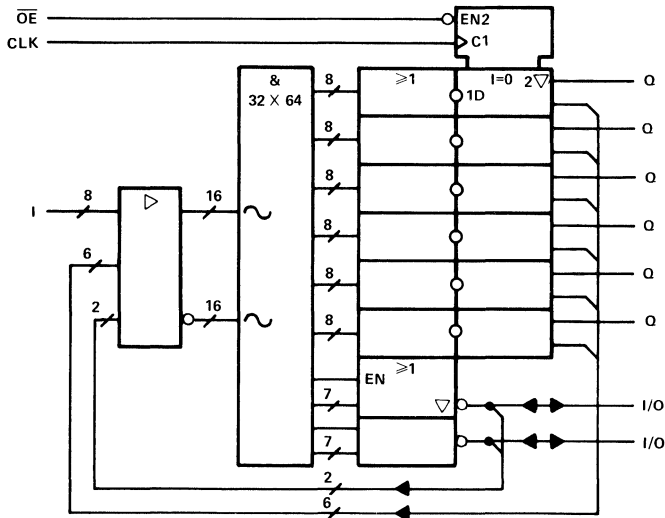


~ denotes fused inputs

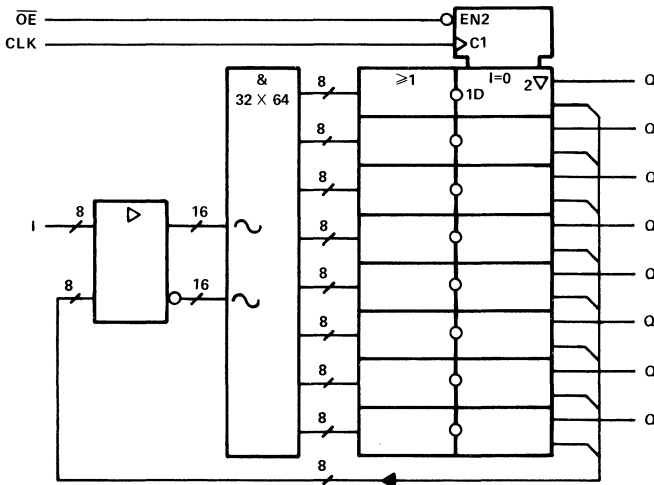
TIBPAL16R6-15M, TIBPAL16R6-12C, TIBPAL16R8-15M, TIBPAL16R8-12C
HIGH-PERFORMANCE *IMPACT*™ PAL® CIRCUITS

functional block diagrams (positive logic)

'PAL16R6

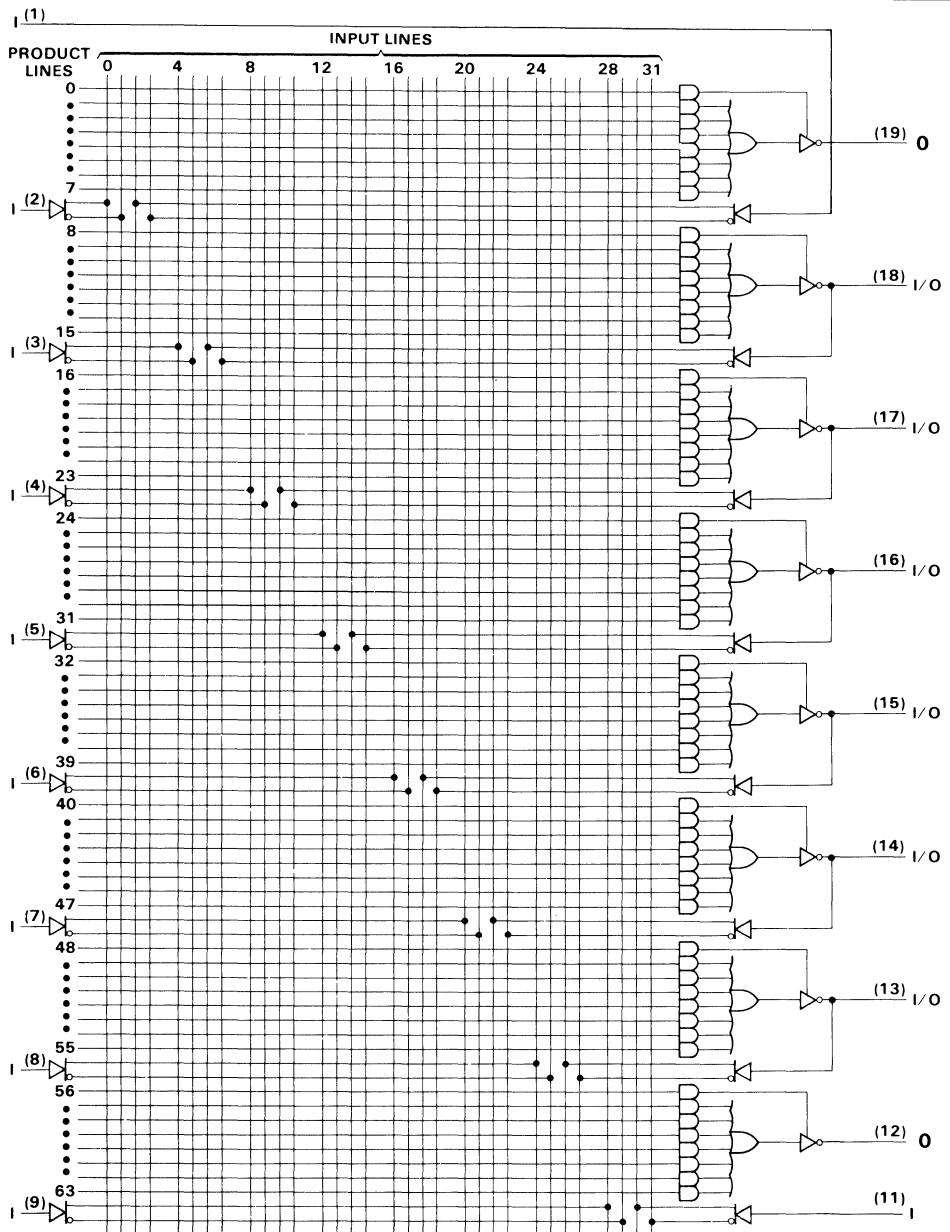


'PAL16R8



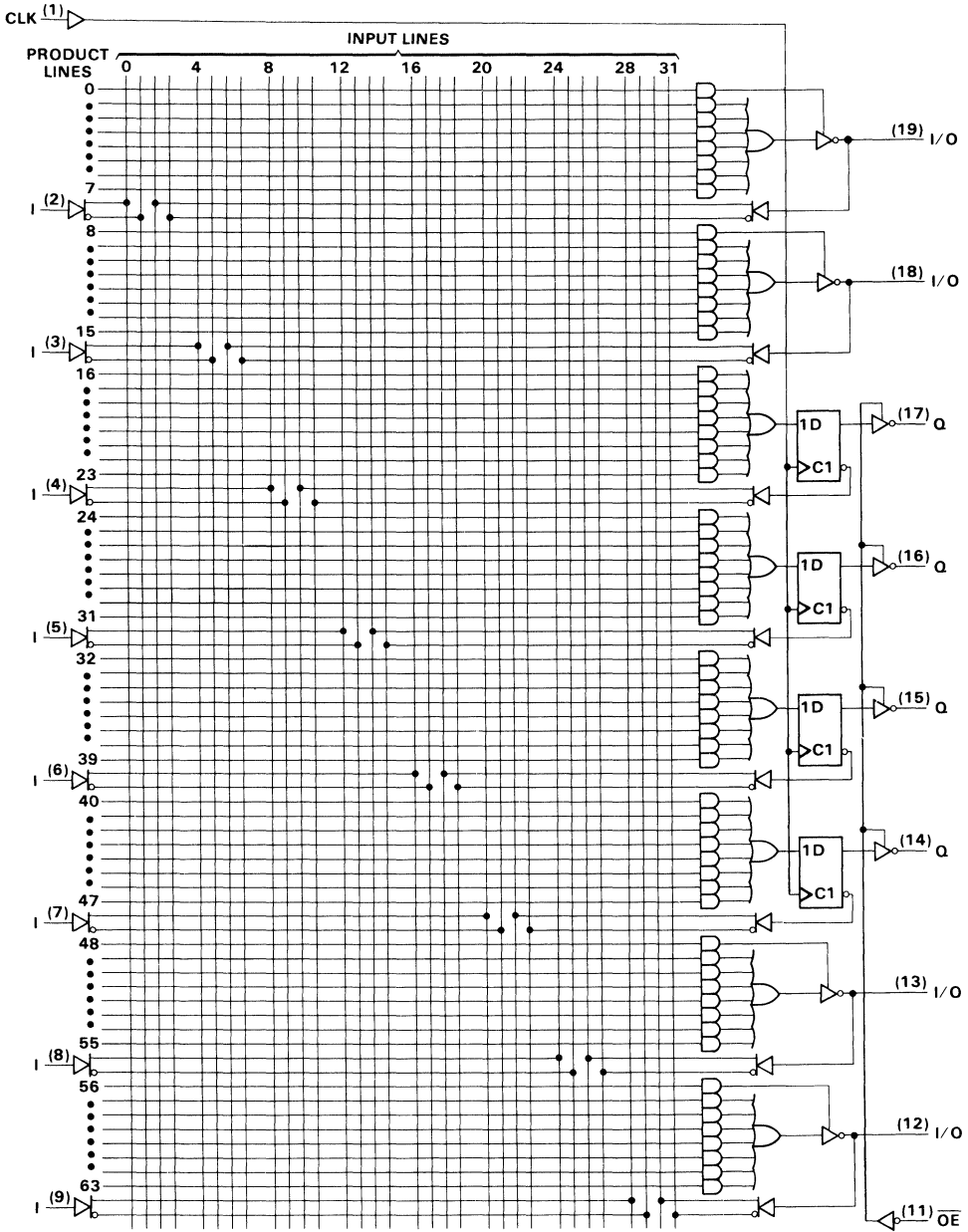
~ denotes fused inputs

TIBPAL16L8-15M, TIBPAL16R8-12C
 HIGH-PERFORMANCE *IMPACT*™ *PAL*® CIRCUITS

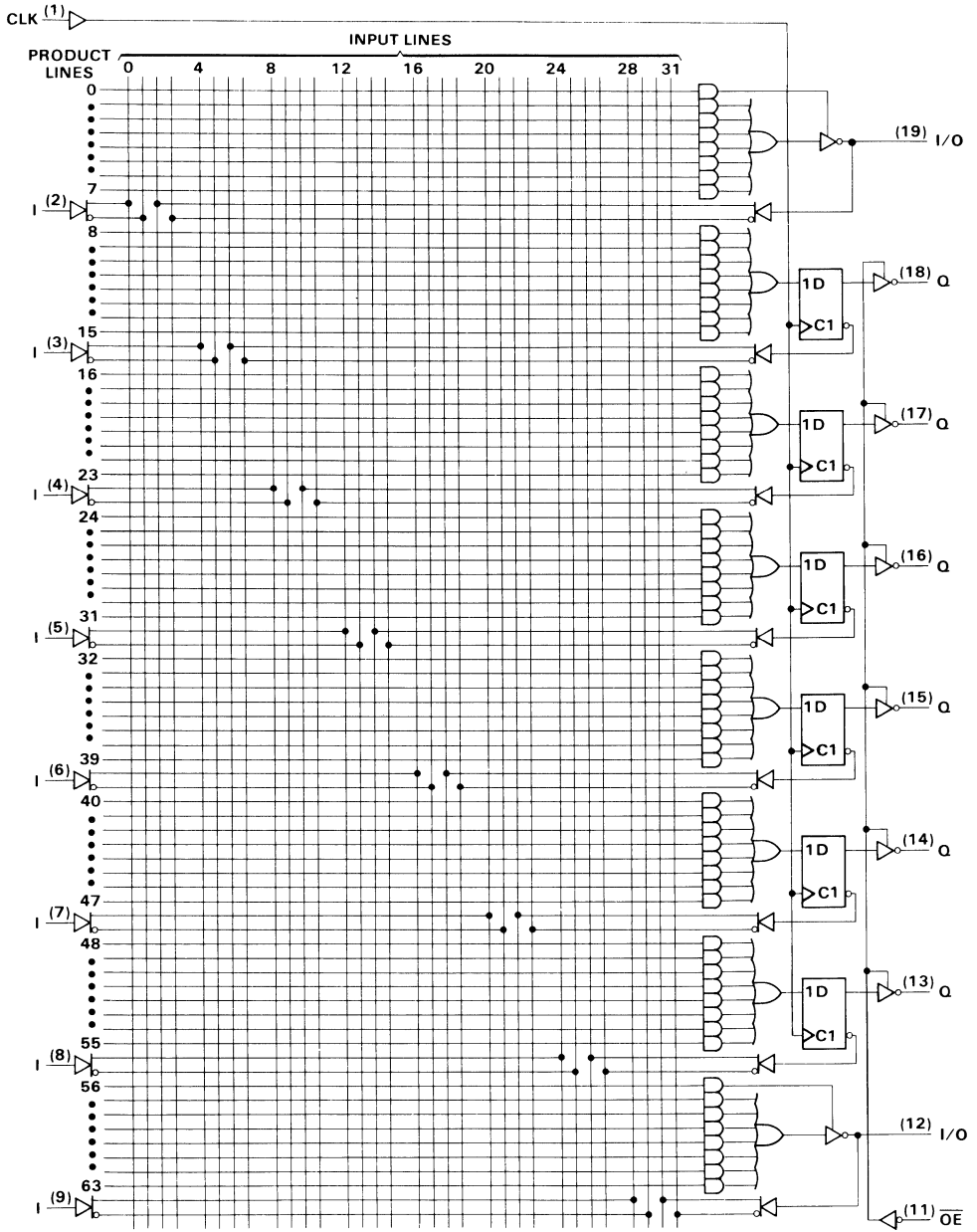


TIBPAL16R4-15M, TIBPAL16R4-12C
HIGH-PERFORMANCE *IMPACT*™ *PAL*® CIRCUITS

2
Data Sheets



TIBPAL16R6-15M, TIBPAL16R6-12C
 HIGH-PERFORMANCE *IMPACT*™ *PAL*® CIRCUITS



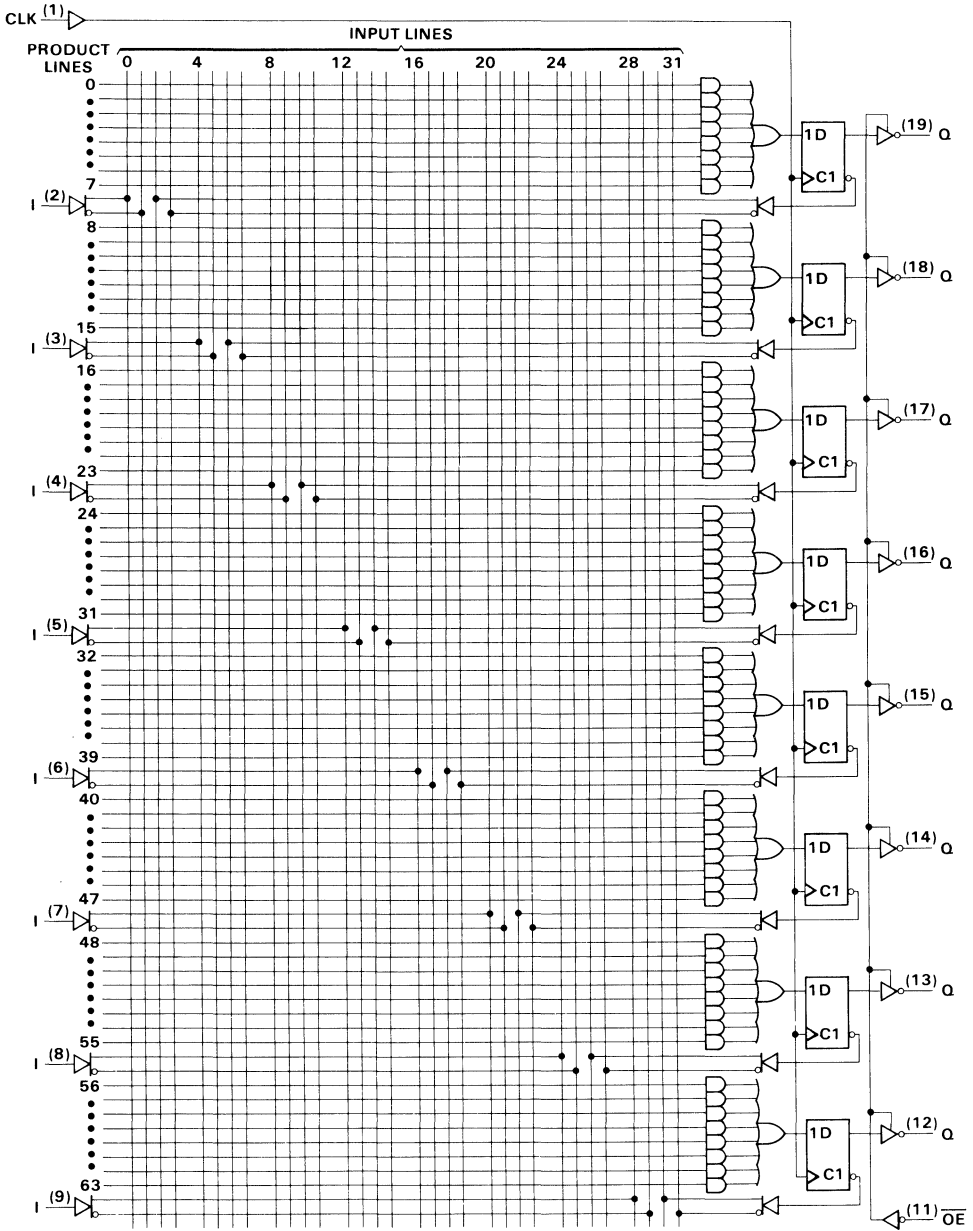
2
 Data Sheets



TIBPAL16R8-15M, TIBPAL16R8-12C
HIGH-PERFORMANCE *IMPACT*™ *PAL*® CIRCUITS

2

Data Sheets



**TIBPAL16L8-15M, TIBPAL16R4-15M, TIBPAL16R6-15M, TIBPAL16R8-15M
TIBPAL16L8-12C, TIBPAL16R4-12C, TIBPAL16R6-12C, TIBPAL16R8-12C
HIGH-PERFORMANCE *IMPACT™* *PAL®* CIRCUITS**

absolute maximum ratings over operating free-air temperature range (unless otherwise noted)

| | |
|---|----------------|
| Supply voltage, V_{CC} (see Note 1) | 7 V |
| Input voltage (see Note 1) | 5.5 V |
| Voltage applied to a disabled output (see Note 1) | 5.5 V |
| Operating free-air temperature range: M suffix | –55°C to 125°C |
| C suffix | 0°C to 75°C |
| Storage temperature range | –65°C to 150°C |

NOTE 1: These ratings apply except for programming pins during a programming cycle.

recommended operating conditions (see Note 2)

| PARAMETER | | – 15M | | | – 12C | | | UNIT |
|-------------|---|-------|-----|-----|-------|-----|------|------|
| | | MIN | NOM | MAX | MIN | NOM | MAX | |
| V_{CC} | Supply voltage | 4.5 | 5 | 5.5 | 4.5 | 5 | 5.25 | V |
| V_{IH} | High-level input voltage | 2 | | 5.5 | 2 | | 5.5 | V |
| V_{IL} | Low-level input voltage | | | 0.8 | | | 0.8 | V |
| I_{OH} | High-level output current | | | –2 | | | –3.2 | mA |
| I_{OL} | Low-level output current | | | 12 | | | 24 | mA |
| f_{clock} | Clock frequency | 0 | | 50 | 0 | | 62 | MHz |
| t_w | Pulse duration, clock (see Note2) | High | | 9 | | | 7 | ns |
| | | Low | | 10 | | | 8 | |
| t_{su} | Setup time, input or feedback before CLK† | | | 15 | | | 10 | ns |
| t_h | Hold time, input or feedback after CLK† | | | 0 | | | 0 | ns |
| T_A | Operating free-air temperature | –55 | | 125 | 0 | | 75 | °C |

NOTE 2: The total clock period of CLK high and CLK low must not exceed clock frequency, f_{clock} . Minimum pulse durations specified are only for CLK high or CLK low, but not for both simultaneously.

electrical characteristics, over recommended operating free-air temperature range

| PARAMETER | | TEST CONDITIONS† | | – 15M | | | – 12C | | | UNIT |
|------------|-----------|-------------------------|---------------------------------------|------------|------|------|-------|------|------|---------------|
| | | | | MIN | TYP‡ | MAX | MIN | TYP‡ | MAX | |
| V_{IK} | | $V_{CC} = \text{MIN}$, | $I_I = -18 \text{ mA}$ | | | –1.5 | | | –1.5 | V |
| V_{OH} | | $V_{CC} = \text{MIN}$, | $I_{OH} = \text{MAX}$ | 2.4 | 3.3 | | 2.4 | 3.3 | | V |
| V_{OL} | | $V_{CC} = \text{MIN}$, | $I_{OL} = \text{MAX}$ | | 0.35 | 0.5 | | 0.35 | 0.5 | V |
| I_{OZH} | Outputs | $V_{CC} = \text{MAX}$, | $V_O = 2.7 \text{ V}$ | | | 20 | | | 20 | μA |
| | I/O ports | | | | | 100 | | | 100 | |
| I_{OZL} | Outputs | $V_{CC} = \text{MAX}$, | $V_O = 0.4 \text{ V}$ | | | –20 | | | –20 | μA |
| | I/O ports | | | | | –250 | | | –250 | |
| I_I | | $V_{CC} = \text{MAX}$, | $V_I = 5.5 \text{ V}$ | Pin 1, 11 | | 0.2 | | | 0.1 | mA |
| | | | | All others | | 0.1 | | 0.1 | | |
| I_{IH} | | $V_{CC} = \text{MAX}$, | $V_I = 2.7 \text{ V}$ | Pin 1, 11 | | 50 | | | 20 | μA |
| | | | | All others | | 20 | | 20 | | |
| I_{IL} | | $V_{CC} = \text{MAX}$, | $V_I = 0.4 \text{ V}$ | | | –0.2 | | | –0.2 | mA |
| I_O^{\S} | | $V_{CC} = \text{MAX}$, | $V_O = 2.25 \text{ V}$ | –30 | | –125 | –30 | | –125 | mA |
| I_{CC} | | $V_{CC} = \text{MAX}$, | Outputs Open $V_I = 0 \text{ V}$, | | 170 | 220 | | 170 | 200 | mA |

†For conditions shown as MIN or MAX use the appropriate value specified under recommended operating conditions.

‡All typical values are at $V_{CC} = 5 \text{ V}$, $T_A = 25^\circ\text{C}$.

§The output conditions have been chosen to produce a current that closely approximates one half of the true short-circuit output current, I_{OS} .

**TIBPAL16L8-15M, TIBPAL16R4-15M, TIBPAL16R6-15M, TIBPAL16R8-15M
TIBPAL16L8-12C, TIBPAL16R4-12C, TIBPAL16R6-12C, TIBPAL16R8-12C
HIGH-PERFORMANCE *IMPACT*™ *PAL*® CIRCUITS**

switching characteristics over recommended supply voltage and operating free-air temperature ranges (unless otherwise noted)

| PARAMETER | FROM | TO | TEST CONDITIONS | - 15M | | | - 12C | | | UNIT |
|----------------------|--------|--------|---|-------|------|-----|-------|------|-----|------|
| | | | | MIN | TYP† | MAX | MIN | TYP† | MAX | |
| f_{max}^{\ddagger} | | | $R_L = 500 \Omega$, $C_L = 50 \text{ pF}$ See Note 3 | 50 | | | 62 | | | MHz |
| t_{pd}^{\ddagger} | I, I/O | O, I/O | | 8 | 15 | | 8 | 12 | ns | |
| t_{pd} | CLK↑ | Q | | 7 | 12 | | 7 | 10 | ns | |
| t_{en} | OE↓ | Q | | 8 | 12 | | 8 | 10 | ns | |
| t_{djs} | OE↑ | Q | | 7 | 12 | | 7 | 10 | ns | |
| t_{en} | I, I/O | O, I/O | | 8 | 15 | | 8 | 12 | ns | |
| t_{djs} | I, I/O | O, I/O | | 8 | 15 | | 8 | 12 | ns | |

† All typical values are at $V_{CC} = 5 \text{ V}$, $T_A = 25^\circ\text{C}$.

‡ Maximum operating frequency and propagation delay are specified for the basic building block. When using feedback, limits must be calculated accordingly.

NOTE 3: Load circuits and voltage waveforms are shown in Section 1.

2

Data Sheets

programming information

Texas Instruments Programmable Logic Devices can be programmed using widely available software and inexpensive device programmers.

Complete programming specifications, algorithms, and the latest information on hardware, software, and firmware are available upon request. Information on programmers capable of programming Texas Instruments Programmable Logic is also available, upon request, from the nearest TI field sales office, local authorized TI distributor, or by calling Texas Instruments at (214) 997-5762.

TIBPAL16L8-20M, TIBPAL16R4-20M, TIBPAL16R6-20M, TIBPAL16R8-20M TIBPAL16L8-15C, TIBPAL16R4-15C, TIBPAL16R6-15C, TIBPAL16R8-15C HIGH-PERFORMANCE **IMPACT™** PAL® CIRCUITS

FEBRUARY 1984—REVISED DECEMBER 1987

- **High-Performance Operation**
Propagation Delay
M Suffix . . . 20 ns Max
C Suffix . . . 15 ns Max
- **Functionally Equivalent, but Faster than**
PAL16L8A, PAL16R4A, PAL16R6A, and
PAL16R8A
- **Power-Up Clear on Registered Devices**
(All Registered Outputs are Set Low)
- **Package Options Include Both Plastic and
Ceramic Chip Carriers in Addition to Plastic
and Ceramic DIPs**

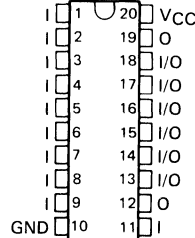
| DEVICE | INPUTS | 3-STATE O OUTPUTS | REGISTERED Q OUTPUTS | I/O PORTS |
|---------|--------|----------------------|-------------------------|-----------|
| PAL16L8 | 10 | 2 | 0 | 6 |
| PAL16R4 | 8 | 0 | 4 (3-state) | 4 |
| PAL16R6 | 8 | 0 | 6 (3-state) | 2 |
| PAL16R8 | 8 | 0 | 8 (3-state) | 0 |

description

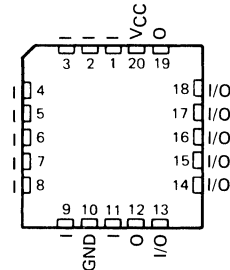
These programmable array logic devices feature high speed and a choice of either standard or half-power devices. They combine Advanced Low-Power Schottky[†] technology with proven titanium-tungsten fuses. These devices will provide reliable, high-performance substitutes for conventional TTL logic. Their easy programmability allows for quick design of "custom" functions and typically result in a more compact circuit board. In addition, chip carriers are available for further reduction in board space.

The PAL16' M series is characterized for operation over the full military temperature range of -55°C to 125°C. The PAL16' C series is characterized for operation from 0°C to 70°C.

TIBPAL16L8'
M SUFFIX . . . J PACKAGE
C SUFFIX . . . J OR N PACKAGE
(TOP VIEW)



TIBPAL16L8'
M SUFFIX . . . FH OR FK PACKAGE
C SUFFIX . . . FN PACKAGE
(TOP VIEW)



2

Data Sheets

[†]Integrated Schottky-Barrier diode-clamped transistor is patented by Texas Instruments, U.S. Patent Number 3,463,975. IMPACT is a trademark of Texas Instruments Incorporated.

PAL is a registered trademark of Monolithic Memories Inc.

PRODUCTION DATA documents contain information current as of publication date. Products conform to specifications per the terms of Texas Instruments standard warranty. Production processing does not necessarily include testing of all parameters.

**TEXAS
INSTRUMENTS**

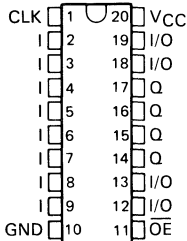
POST OFFICE BOX 655012 • DALLAS, TEXAS 75265

Copyright © 1984, Texas Instruments Incorporated

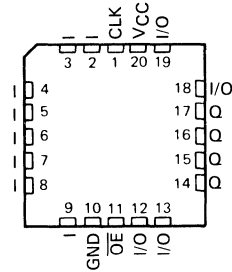
2-67

**TIBPAL16R4-20M, TIBPAL16R6-20M, TIBPAL16R8-20M
TIBPAL16R4-15C, TIBPAL16R6-15C, TIBPAL16R8-15C
HIGH-PERFORMANCE *IMPACT*™ *PAL*® CIRCUITS**

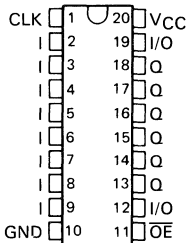
TIBPAL16R4'
M SUFFIX . . . J PACKAGE
C SUFFIX . . . J OR N PACKAGE
(TOP VIEW)



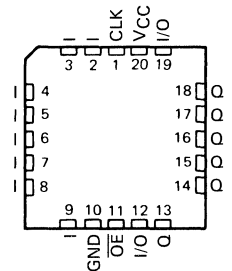
TIBPAL16R4'
M SUFFIX . . . FH OR FK PACKAGE
C SUFFIX . . . FN PACKAGE
(TOP VIEW)



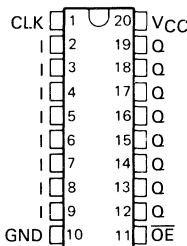
TIBPAL16R6'
M SUFFIX . . . J PACKAGE
C SUFFIX . . . J OR N PACKAGE
(TOP VIEW)



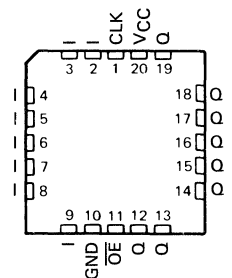
TIBPAL16R6'
M SUFFIX . . . FH OR FK PACKAGE
C SUFFIX . . . FN PACKAGE
(TOP VIEW)



TIBPAL16R8'
M SUFFIX . . . J PACKAGE
C SUFFIX . . . J OR N PACKAGE
(TOP VIEW)

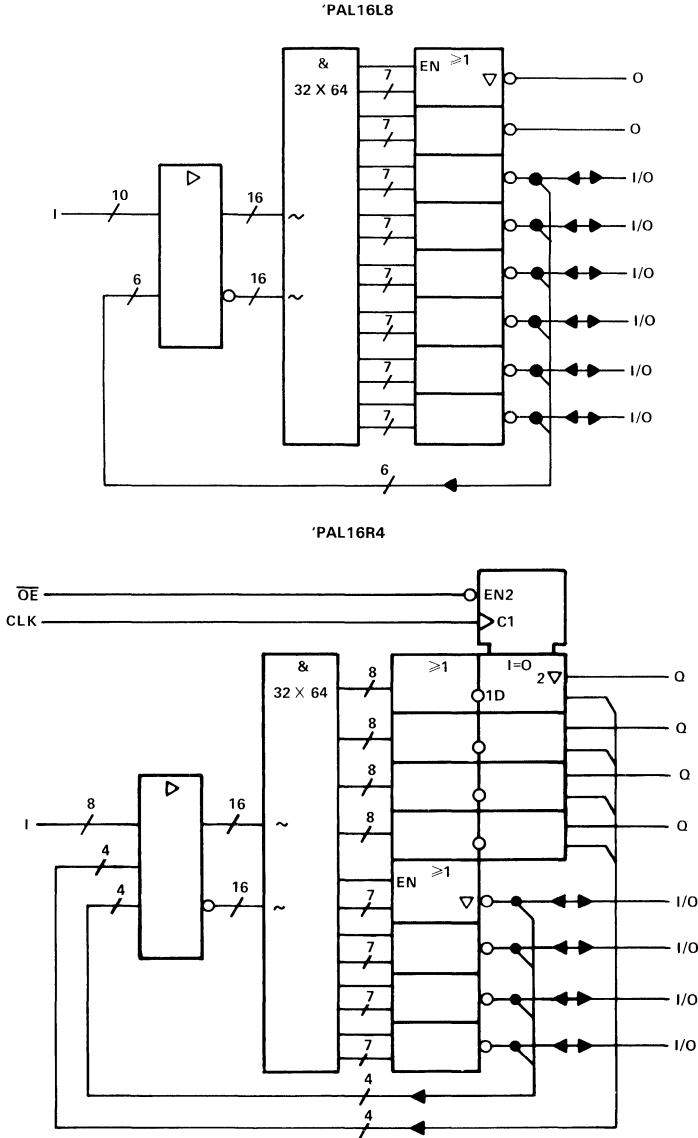


TIBPAL16R8'
M SUFFIX . . . FH OR FK PACKAGE
C SUFFIX . . . FN PACKAGE
(TOP VIEW)



TIBPAL16L8-20M, TIBPAL16L8-15C, TIBPAL16R4-20M, TIBPAL16R4-15C
 HIGH-PERFORMANCE *IMPACT*™ PAL® CIRCUITS

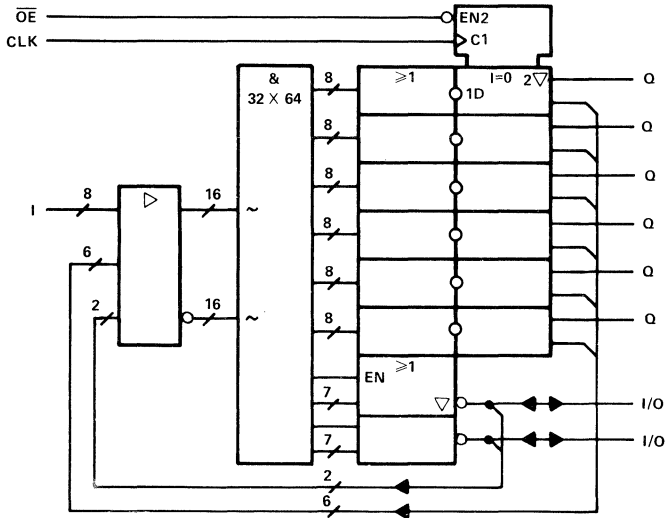
functional block diagrams (positive logic)



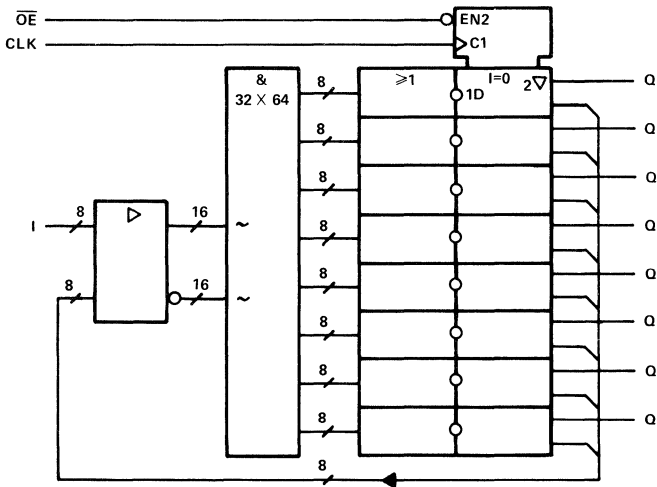
TIBPAL16R6-20M, TIBPAL16R6-15C, TIBPAL16R8-20M, TIBPAL16R8-15C
HIGH-PERFORMANCE *IMPACT*™ *PAL*® CIRCUITS

functional block diagrams (positive logic)

'PAL16R6

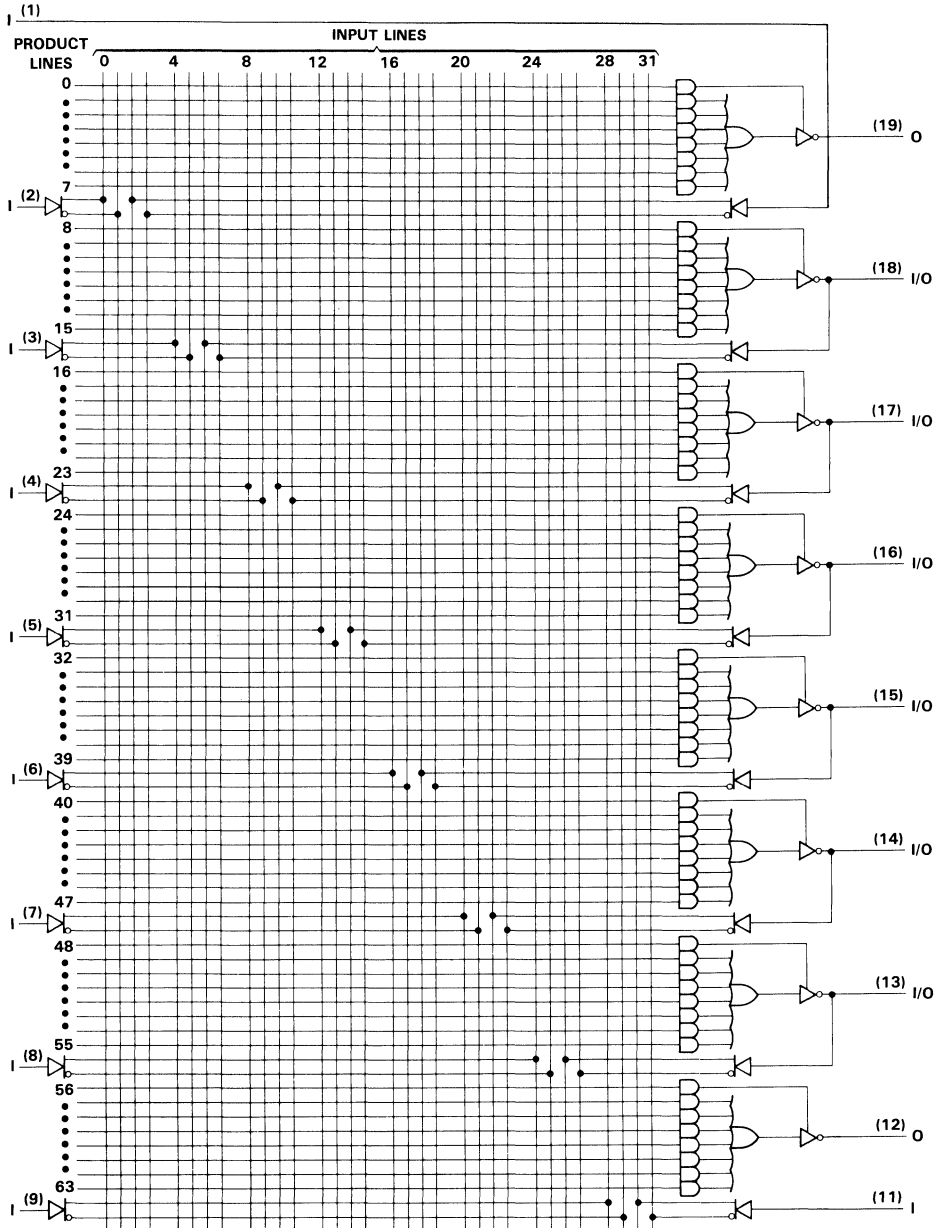


'PAL16R8



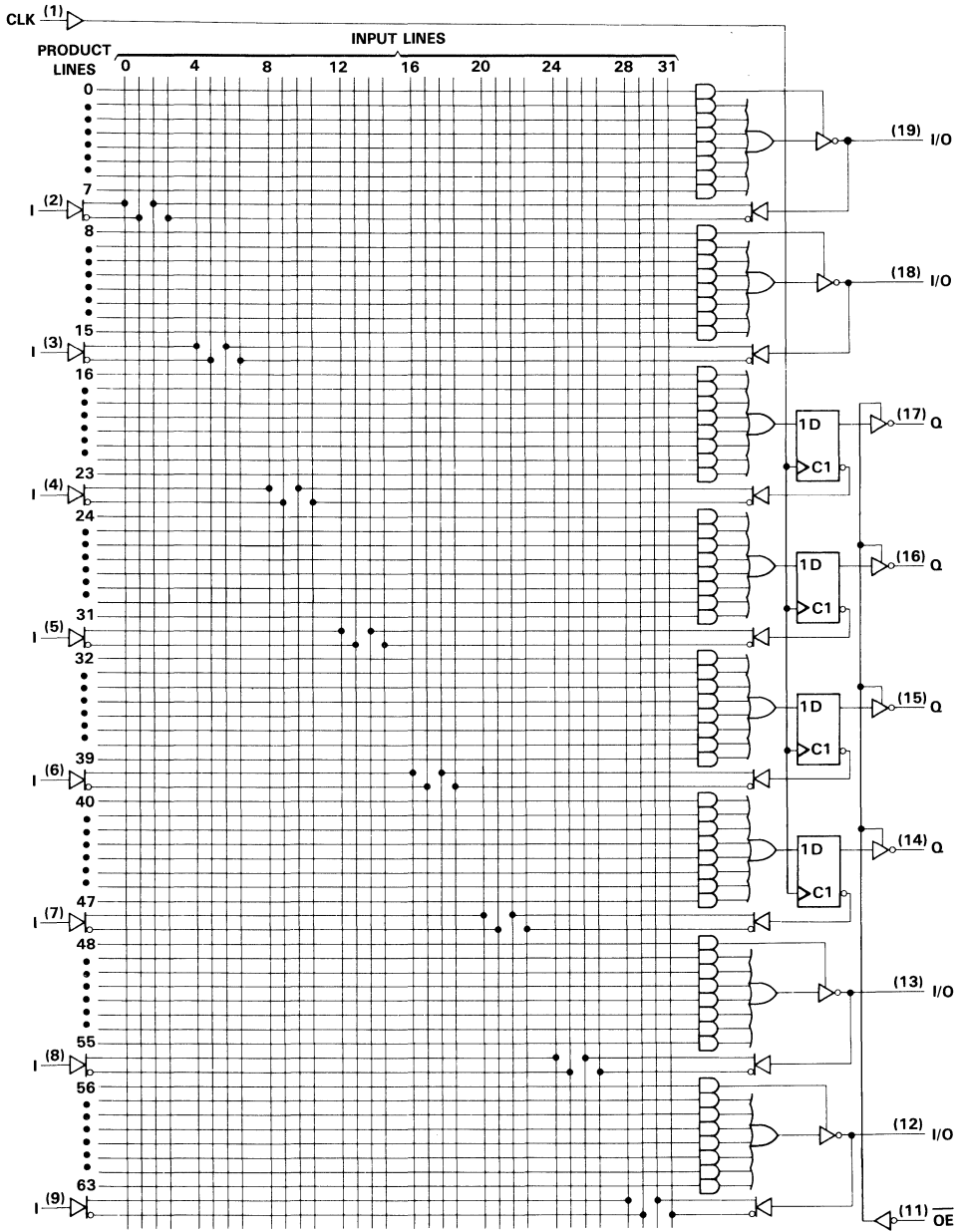
~ denotes fused inputs

TIBPAL16L8-20M, TIBPAL16L8-15C
 HIGH-PERFORMANCE *IMPACT*™ PAL® CIRCUITS

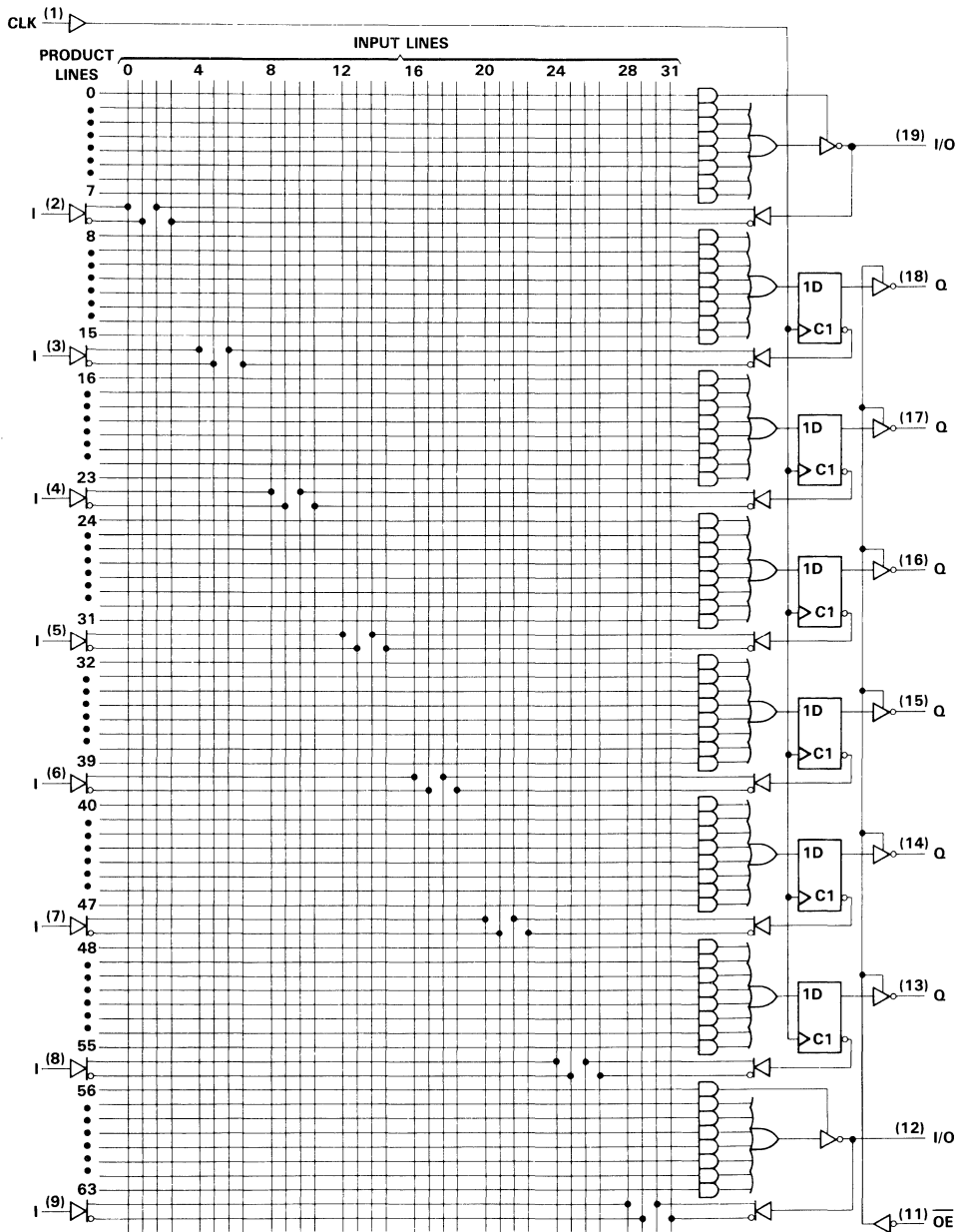


TIBPAL16R4-20M, TIBPAL16R4-15C
HIGH-PERFORMANCE *IMPACT*™ PAL® CIRCUITS

2
Data Sheets

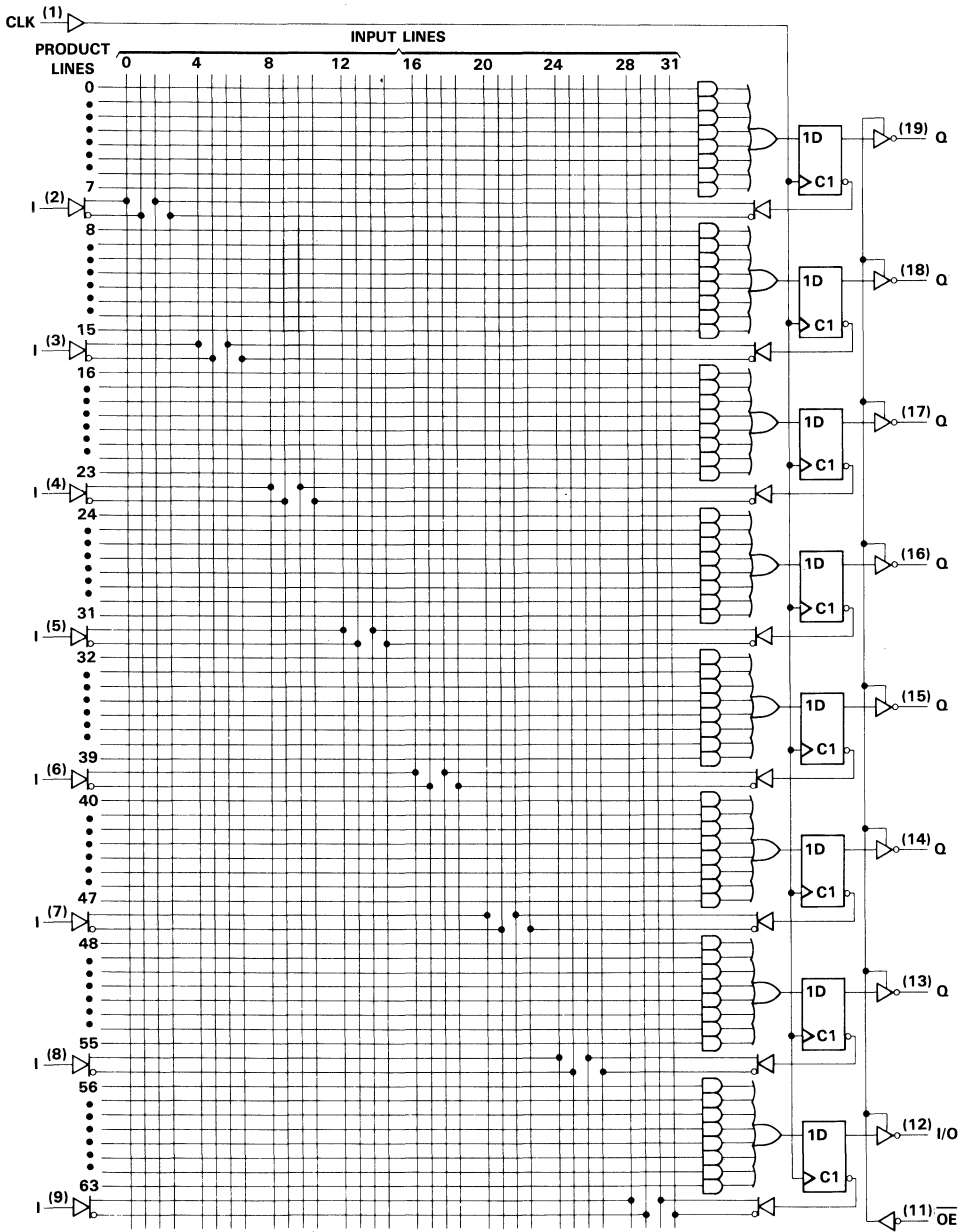


**TIBPAL16R6-20M, TIBPAL16R6-15C
HIGH-PERFORMANCE *IMPACT*™ PAL® CIRCUITS**



2
Data Sheets

TIBPAL16R8-20M, TIBPAL16R8-15C
 HIGH-PERFORMANCE *IMPACT*™ PAL® CIRCUITS



2

Data Sheets

**TIBPAL16L8-20M, TIBPAL16R4-20M, TIBPAL16R6-20M, TIBPAL16R8-20M
TIBPAL16L8-15C, TIBPAL16R4-15C, TIBPAL16R6-15C, TIBPAL16R8-15C
HIGH-PERFORMANCE *IMPACT*[™] *PAL*[®] CIRCUITS**

absolute maximum ratings over operating free-air temperature range (unless otherwise noted)

| | |
|---|------------------|
| Supply voltage, V_{CC} (see Note 1) | 7 V |
| Input voltage (see Note 1) | 5.5 V |
| Voltage applied to a disabled output (see Note 1) | 5.5 V |
| Operating free-air temperature range: M suffix | -55 °C to 125 °C |
| C suffix | 0 °C to 75 °C |
| Storage temperature range | -65 °C to 150 °C |

NOTE 1: These ratings apply except for programming pins during a programming cycle.

recommended operating conditions

| PARAMETER | | 20M | | | 15C | | | UNIT |
|-------------|---|------|-----|-----|-----|-----|------|------|
| | | MIN | NOM | MAX | MIN | NOM | MAX | |
| V_{CC} | Supply voltage | 4.5 | 5 | 5.5 | 4.5 | 5 | 5.25 | V |
| V_{IH} | High-level input voltage | 2 | | 5.5 | 2 | | 5.5 | V |
| V_{IL} | Low-level input voltage | | | 0.8 | | | 0.8 | V |
| I_{QH} | High-level output current | | | -2 | | | -3.2 | mA |
| I_{OL} | Low-level output current | | | 12 | | | 24 | mA |
| f_{clock} | Clock frequency | 0 | | 40 | 0 | | 50 | MHz |
| t_w | Pulse duration, clock (see Note 2) | High | | 10 | | | 8 | ns |
| | | Low | | 11 | | | 9 | |
| t_{su} | Setup time, input or feedback before CLK↑ | | | 20 | | | 15 | ns |
| t_h | Hold time, input or feedback after CLK↑ | | | 0 | | | 0 | ns |
| T_A | Operating free-air temperature | | | -55 | | | 125 | °C |

NOTE: 2. The total clock period of CLK high and CLK low must not exceed clock frequency, f_{clock} . Minimum pulse durations specified are only for CLK high or CLK low, but not for both simultaneously.

programming information

Texas Instruments Programmable Logic Devices can be programmed using widely available software and inexpensive device programmers.

Complete programming specifications, algorithms, and the latest information on hardware, software, and firmware are available upon request. Information on programmers capable of programming Texas Instruments Programmable Logic is also available, upon request, from the nearest TI field sales office, local authorized TI distributor, or by calling Texas Instruments at (214) 995-5762.

**TIBPAL16L8-20M, TIBPAL16R4-20M, TIBPAL16R6-20M, TIBPAL16R8-20M
TIBPAL16L8-15C, TIBPAL16R4-15C, TIBPAL16R6-15C, TIBPAL16R8-15C
HIGH-PERFORMANCE *IMPACT*™ *PAL*® CIRCUITS**

electrical characteristics over recommended operating free-air temperature range

| PARAMETER | TEST CONDITIONS† | | 20M | | 15C | | UNIT |
|-----------------------------|--|---|------|------|------|------|------|
| | | | MIN | TYP‡ | MAX | MIN | |
| V _{IK} | V _{CC} = MIN, I _I = -18 mA | | -1.5 | | -1.5 | | V |
| V _{OH} | V _{CC} = MIN, I _{OH} = MAX | | 2.4 | 3.2 | 2.4 | 3.3 | V |
| V _{OL} | V _{CC} = MIN, I _{OL} = MAX | | 0.25 | 0.4 | 0.35 | 0.5 | V |
| I _{OZH} | Outputs | V _{CC} = MAX, V _O = 2.7 V | 20 | | 20 | | μA |
| | I/O ports | | 100 | | 100 | | |
| I _{OZL} | Outputs | V _{CC} = MAX, V _O = 0.4 V | -20 | | -20 | | μA |
| | I/O ports | | -250 | | -250 | | |
| I _I | V _{CC} = MAX, V _I = 5.5 V | Pin 1, 11 | 0.2 | | 0.1 | | mA |
| | | All others | 0.1 | | 0.1 | | |
| I _{IH} | V _{CC} = MAX, V _I = 2.7 V | Pin 1, 11 | 50 | | 20 | | μA |
| | | All others | 20 | | 20 | | |
| I _{IL} | V _{CC} = MAX, V _I = 0.4 V | | -0.2 | | -0.2 | | mA |
| I _O [§] | V _{CC} = MAX, V _O = 2.25 V | | -30 | -125 | -30 | -125 | mA |
| I _{CC} | V _{CC} = MAX, V _I = 0 V | Outputs Open | 140 | 190 | 140 | 180 | mA |

†For conditions shown as MIN or MAX, use the appropriate value specified under recommended operating conditions.

‡All typical values are at V_{CC} = 5 V, T_A = 25°C.

§The output conditions have been chosen to produce a current that closely approximates one half of the true short-circuit output current, I_{OS}.

switching characteristics over recommended supply voltage and operating free-air temperature ranges (unless otherwise noted)

| PARAMETER | FROM | TO | TEST CONDITIONS | 20M | | | 15C | | | UNIT |
|------------------|--------|--------|--|-----|------|-----|-----|------|-----|------|
| | | | | MIN | TYP‡ | MAX | MIN | TYP‡ | MAX | |
| f _{max} | | | R _L = 500 Ω, C _L = 50 pF, See Note 3 | 40 | | | 50 | | | MHz |
| t _{pd} | I, I/O | O, I/O | | 10 | 20 | 10 | 15 | ns | | |
| t _{pd} | CLK↑ | Q | | 8 | 15 | 8 | 12 | ns | | |
| t _{en} | OE↓ | Q | | 8 | 15 | 8 | 12 | ns | | |
| t _{djs} | OE↑ | Q | | 7 | 15 | 7 | 10 | ns | | |
| t _{en} | I, I/O | O, I/O | | 10 | 20 | 10 | 15 | ns | | |
| t _{djs} | I, I/O | O, I/O | | 10 | 20 | 10 | 15 | ns | | |

‡ All typical values are at V_{CC} = 5 V, T_A 25°C.

Note 3: Load circuits and voltage waveforms are shown in Section 1.

**TIBPAL16L8-30M, TIBPAL16R4-30M, TIBPAL16R6-30M, TIBPAL16R8-30M
TIBPAL16L8-25C, TIBPAL16R4-25C, TIBPAL16R6-25C, TIBPAL16R8-25C
LOW-POWER HIGH-PERFORMANCE IMPACT™ PAL® CIRCUITS**

FEBRUARY 1984—REVISED MARCH 1989

- **High-Performance Operation**
Propagation Delay
M Suffix . . . 20 ns Max
C Suffix . . . 15 ns Max
- **Functionally Equivalent, but Faster than PAL16L8A, PAL16R4A, PAL16R6A, and PAL16R8A**
- **Power-Up Clear on Registered Devices (All Registered Outputs are Set Low)**
- **Package Options Include Both Plastic and Ceramic Chip Carriers in Addition to Plastic and Ceramic DIPs**

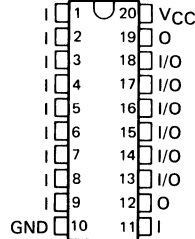
| DEVICE | INPUTS | 3-STATE O OUTPUTS | REGISTERED O OUTPUTS | I/O PORTS |
|---------|--------|----------------------|-------------------------|-----------|
| PAL16L8 | 10 | 2 | 0 | 6 |
| PAL16R4 | 8 | 0 | 4 (3-state) | 4 |
| PAL16R6 | 8 | 0 | 6 (3-state) | 2 |
| PAL16R8 | 8 | 0 | 8 (3-state) | 0 |

description

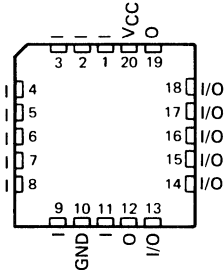
These programmable array logic devices feature high speed and a choice of either standard or half-power devices. They combine Advanced Low-Power Schottky† technology with proven titanium-tungsten fuses. These devices will provide reliable, high-performance substitutes for conventional TTL logic. Their easy programmability allows for quick design of "custom" functions and typically result in a more compact circuit board. In addition, chip carriers are available for further reduction in board space.

The PAL16' M series is characterized for operation over the full military temperature range of -55°C to 125°C. The PAL16' C series is characterized for operation from 0°C to 70°C.

TIBPAL16L8'
M SUFFIX . . . J PACKAGE
C SUFFIX . . . J OR N PACKAGE
(TOP VIEW)



TIBPAL16L8'
M SUFFIX . . . FH OR FK PACKAGE
C SUFFIX . . . FN PACKAGE
(TOP VIEW)



†Integrated Schottky-Barrier diode-clamped transistor is patented by Texas Instruments, U.S. Patent Number 3,463,975. IMPACT is a trademark of Texas Instruments Incorporated. PAL is a registered trademark of Monolithic Memories Inc.

PRODUCTION DATA documents contain information current as of publication date. Products conform to specifications per the terms of Texas Instruments standard warranty. Production processing does not necessarily include testing of all parameters.

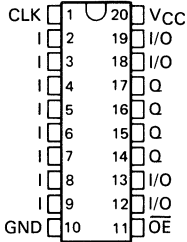


POST OFFICE BOX 655012 • DALLAS, TEXAS 75265

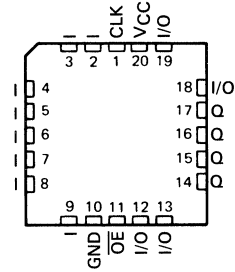
Copyright © 1984, Texas Instruments Incorporated

**TIBPAL16R4-30M, TIBPAL16R6-30M, TIBPAL16R8-30M
TIBPAL16R4-25C, TIBPAL16R6-25C, TIBPAL16R8-25C
LOW-POWER HIGH-PERFORMANCE *IMPACT™* PAL® CIRCUITS**

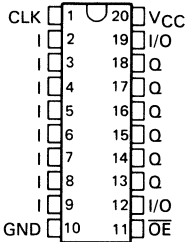
TIBPAL16R4'
M SUFFIX . . . J PACKAGE
C SUFFIX . . . J OR N PACKAGE
(TOP VIEW)



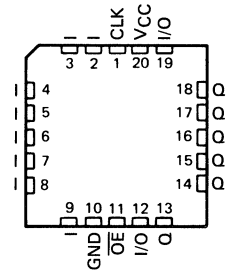
TIBPAL16R4'
M SUFFIX . . . FH OR FK PACKAGE
C SUFFIX . . . FN PACKAGE
(TOP VIEW)



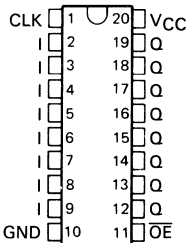
TIBPAL16R6'
M SUFFIX . . . J PACKAGE
C SUFFIX . . . J OR N PACKAGE
(TOP VIEW)



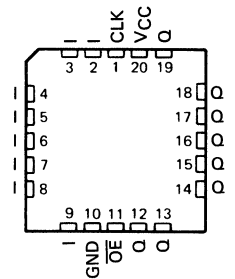
TIBPAL16R6'
M SUFFIX . . . FH OR FK PACKAGE
C SUFFIX . . . FN PACKAGE
(TOP VIEW)



TIBPAL16R8'
M SUFFIX . . . J PACKAGE
C SUFFIX . . . J OR N PACKAGE
(TOP VIEW)

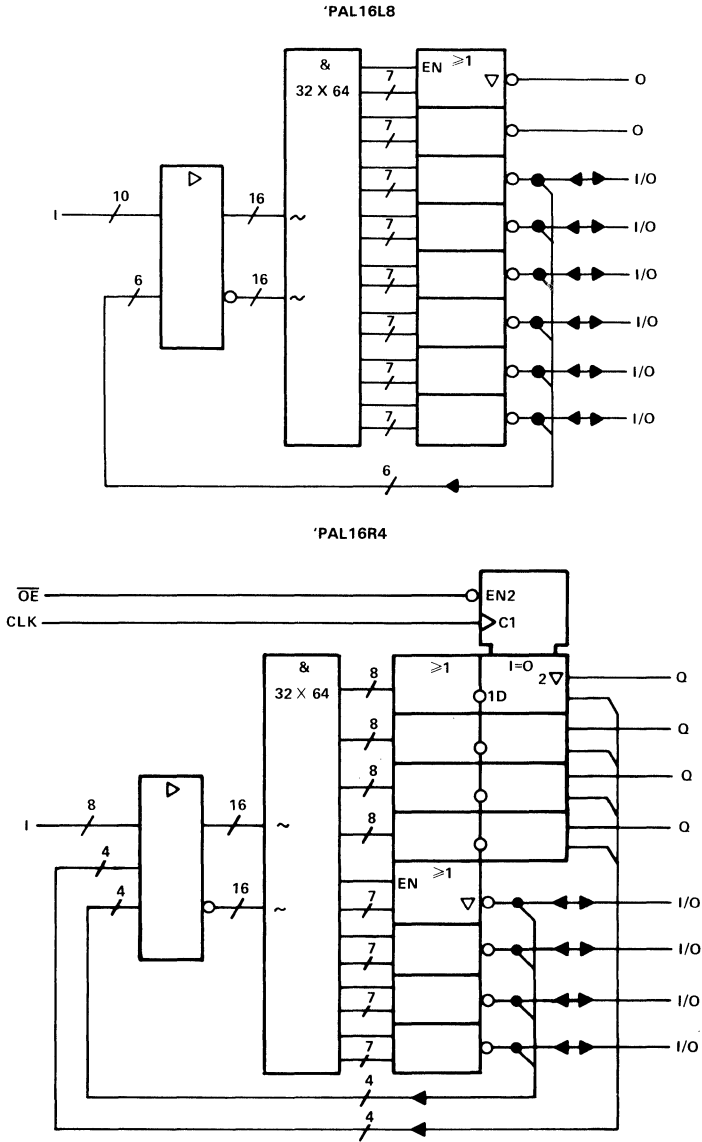


TIBPAL16R8'
M SUFFIX . . . FH OR FK PACKAGE
C SUFFIX . . . FN PACKAGE
(TOP VIEW)



**TIBPAL16L8-30M, TIBPAL16R4-30M
TIBPAL16L8-25C, TIBPAL16R4-25C
LOW-POWER HIGH-PERFORMANCE *IMPACT*™ PAL® CIRCUITS**

functional block diagrams (positive logic)



~ denotes fused inputs

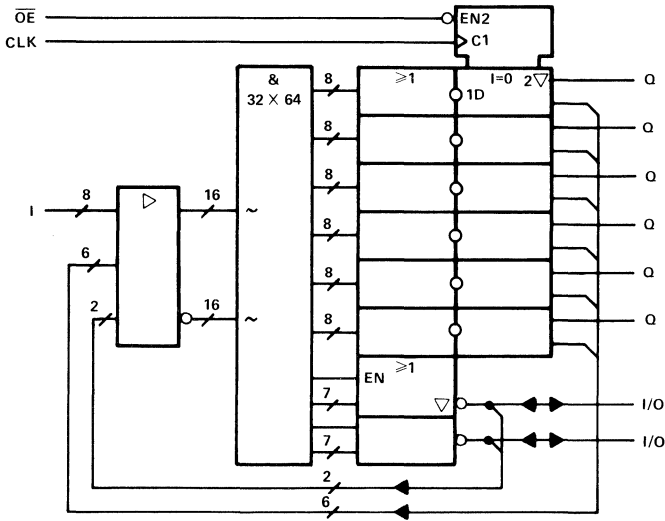
2
Data Sheets

**TIBPAL16R6-30M, TIBPAL16R8-30M
TIBPAL16R6-25C, TIBPAL16R8-25C
LOW-POWER HIGH-PERFORMANCE *IMPACT™* PAL® CIRCUITS**

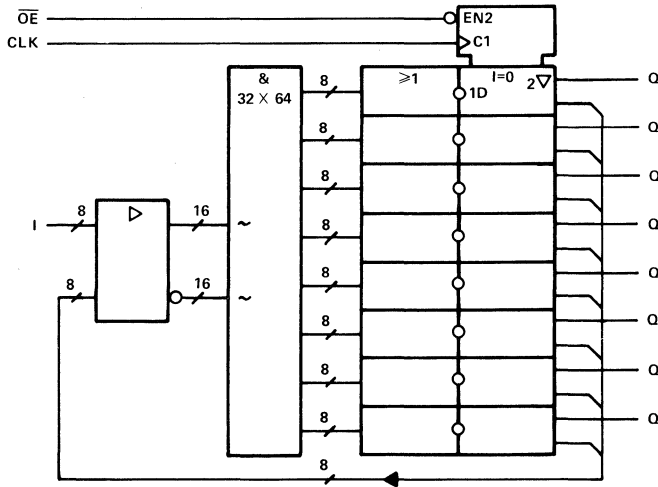
functional block diagrams (positive logic)

2
Data Sheets

'PAL16R6

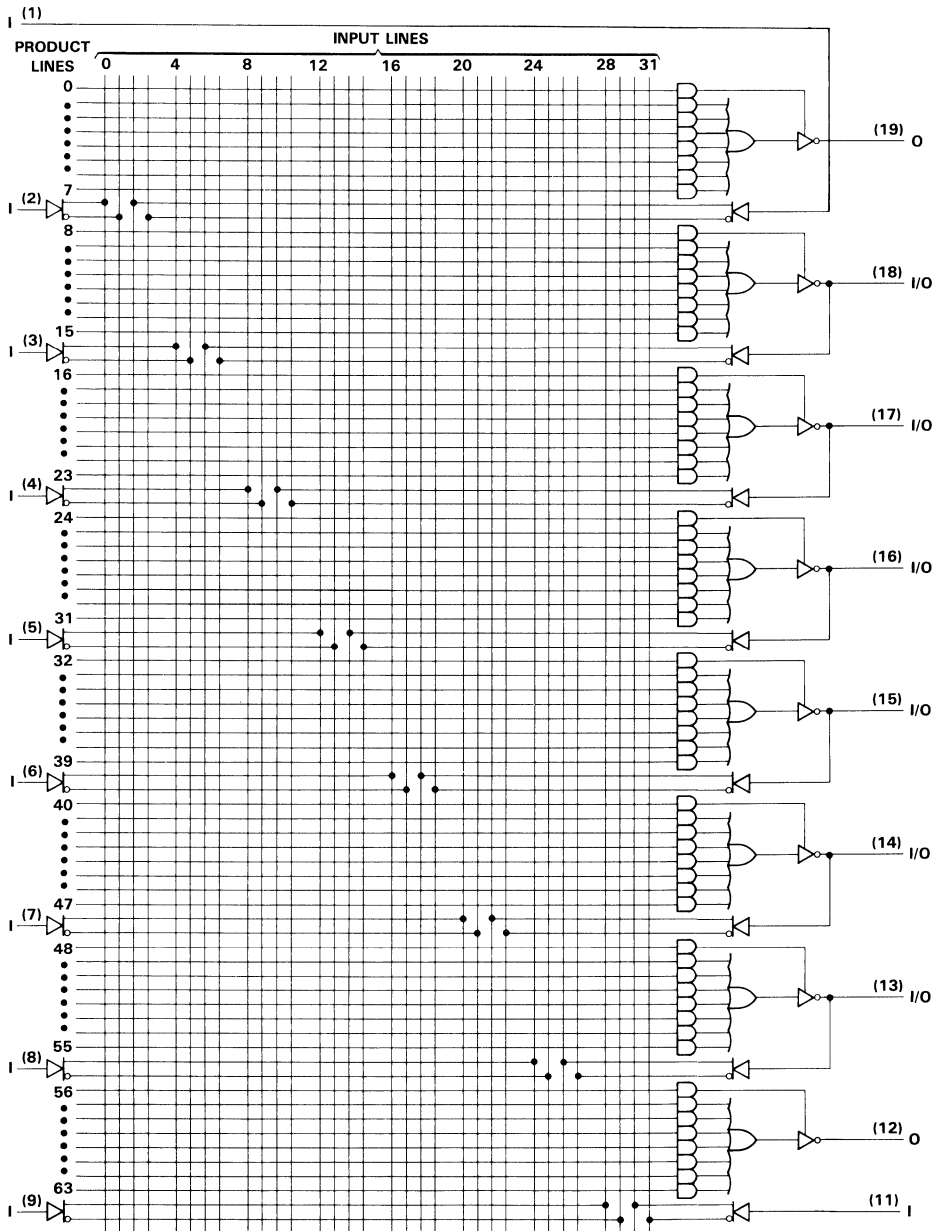


'PAL16R8



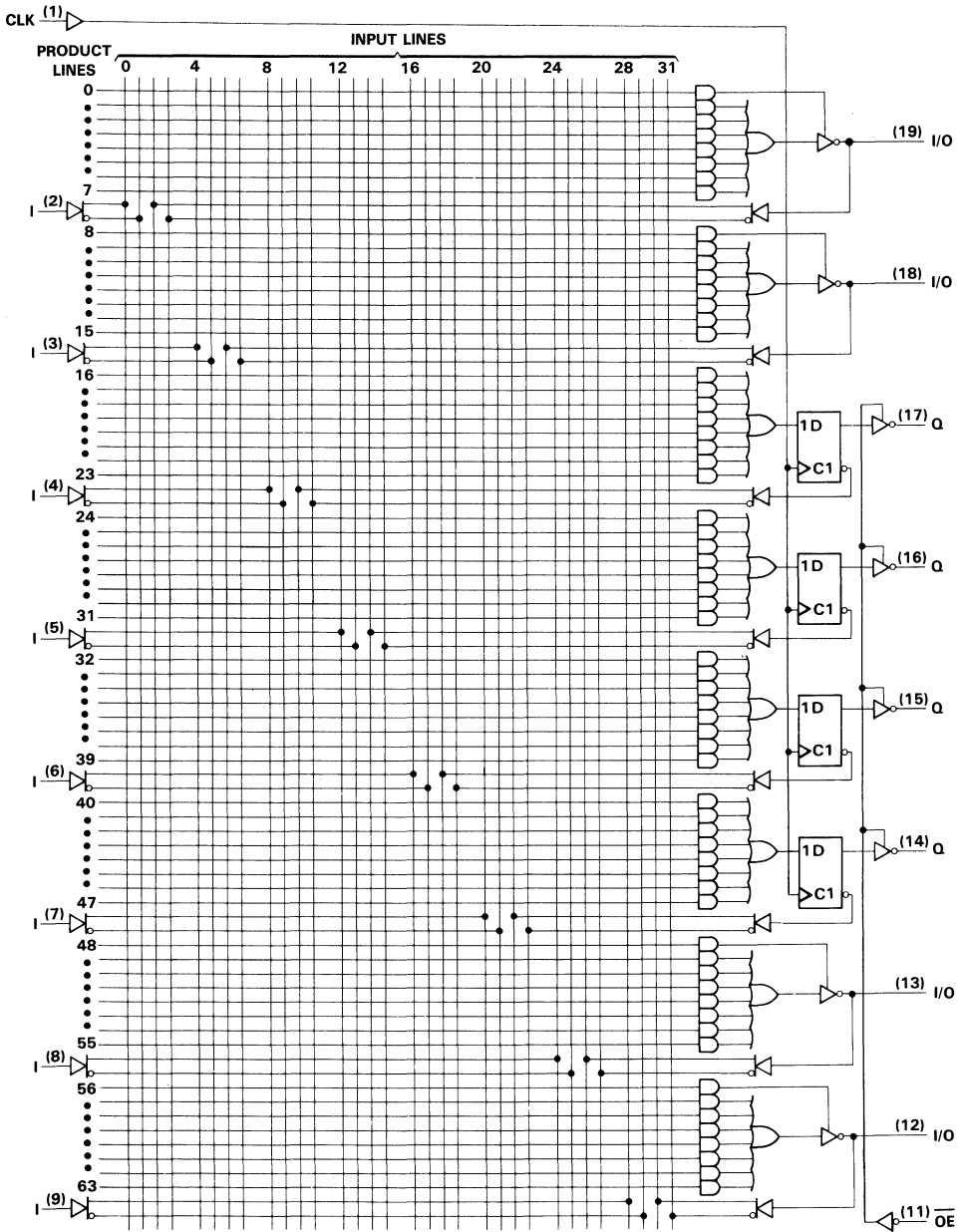
~ denotes fused inputs

TIBPAL16L8-30M, TIBPAL16L8-25C
 LOW-POWER HIGH-PERFORMANCE *IMPACT*™ *PAL*® CIRCUITS

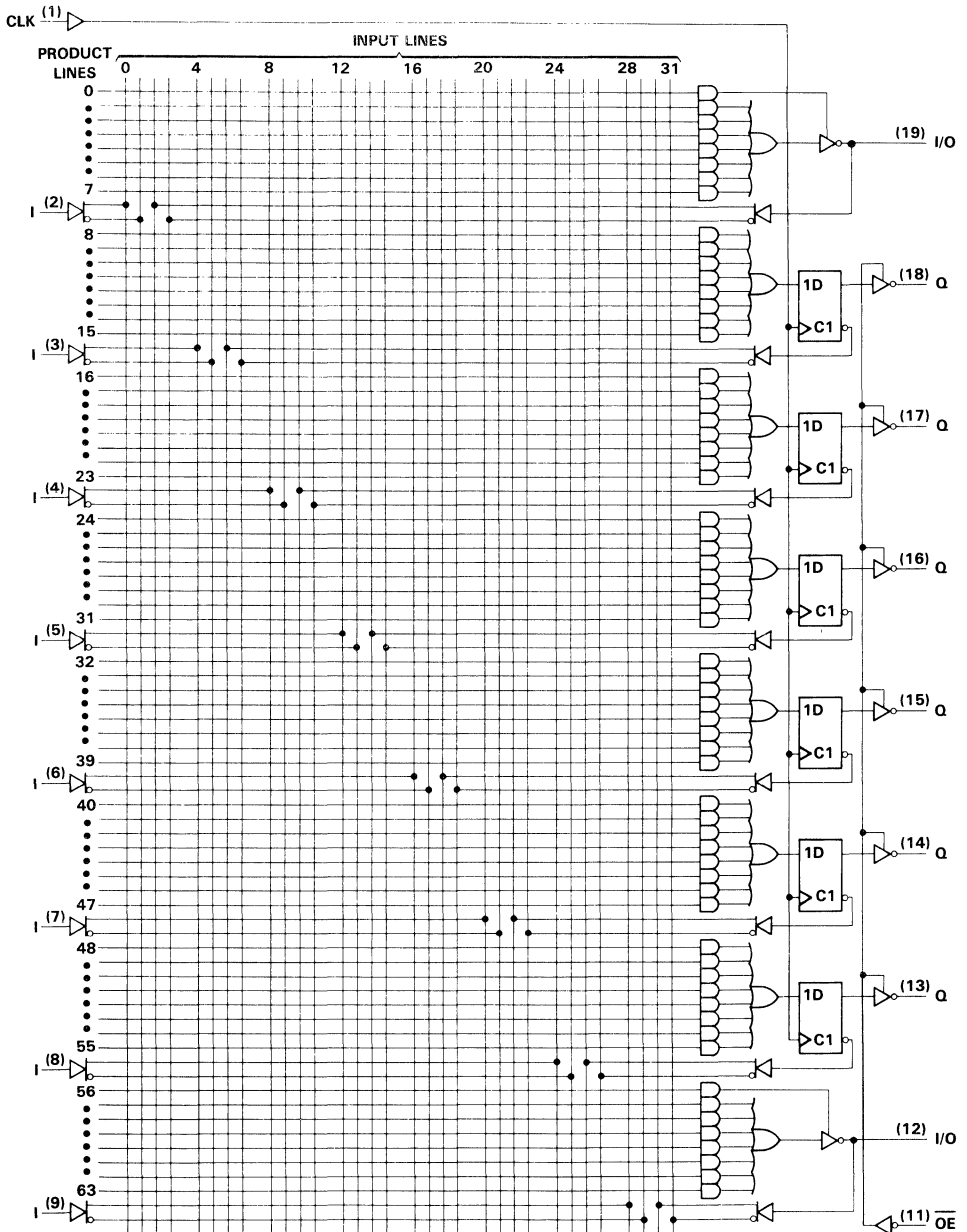


TIBPAL16R4-30M, TIBPAL16R4-25C
LOW-POWER HIGH-PERFORMANCE *IMPACT™* PAL® CIRCUITS

2
Data Sheets



TIBPAL16R6-30M, TIBPAL16R6-25C
 LOW-POWER HIGH-PERFORMANCE *IMPACT*™ *PAL*® CIRCUITS



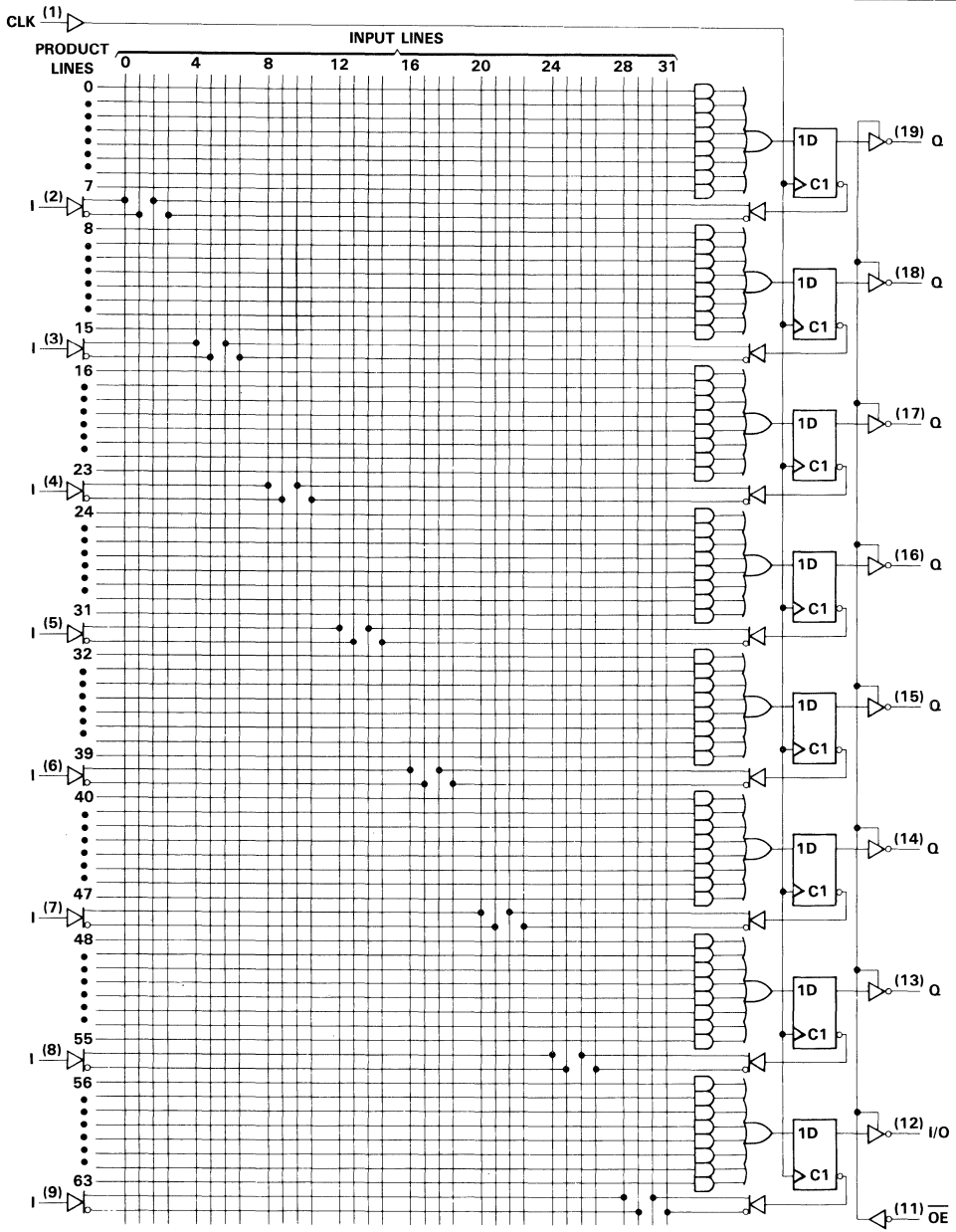
2
 Data Sheets



POST OFFICE BOX 655012 • DALLAS, TEXAS 75265

TIBPAL16R8-30M, TIBPAL16R8-25C
LOW-POWER HIGH-PERFORMANCE *IMPACT™* PAL® CIRCUITS

2
Data Sheets



TIBPAL16L8-30M, TIBPAL16R4-30M, TIBPAL16R6-30M, TIBPAL16R8-30M TIBPAL16L8-25C, TIBPAL16R4-25C, TIBPAL16R6-25C, TIBPAL16R8-25C LOW-POWER HIGH-PERFORMANCE *IMPACT*[™] *PAI*[®] CIRCUITS

absolute maximum ratings over operating free-air temperature range (unless otherwise noted)

| | |
|---|------------------|
| Supply voltage, V _{CC} (see Note 1) | 7 V |
| Input voltage (see Note 1) | 5.5 V |
| Voltage applied to a disabled output (see Note 1) | 5.5 V |
| Operating free-air temperature range: M suffix | -55 °C to 125 °C |
| C suffix | 0 °C to 75 °C |
| Storage temperature range | -65 °C to 150 °C |

NOTE 1: These ratings apply except for programming pins during a programming cycle.

recommended operating conditions

| PARAMETER | 30M | | | 25C | | | UNIT |
|---|------|-----|-----|------|-----|------|-------|
| | MIN | NOM | MAX | MIN | NOM | MAX | |
| V _{CC} Supply voltage | 4.5 | 5 | 5.5 | 4.75 | 5 | 5.25 | V |
| V _{IH} High-level input voltage | 2 | | 5.5 | 2 | | 5.5 | V |
| V _{IL} Low-level input voltage | | | 0.8 | | | 0.8 | V |
| I _{OH} High-level output current | | | -2 | | | -3.2 | mA |
| I _{OL} Low-level output current | | | 12 | | | 24 | mA |
| f _{clock} Clock frequency | 0 | | 25 | 0 | | 30 | MHz |
| t _w Pulse duration, clock (see Note 3) | | | | | | | ns |
| | High | | | 15 | | | |
| | Low | | | 20 | | | |
| t _{su} Setup time, input or feedback before CLK↑ | | | 25 | | | 20 | ns |
| t _h Hold time, input or feedback after CLK↑ | | | 0 | | | 0 | ns |
| T _A Operating free-air temperature | | | -55 | | | 125 | 70 °C |

NOTE 2: The total clock period of CLK high and CLK low must not exceed clock frequency, f_{clock}. Minimum pulse durations specified are only for CLK high or CLK low, but not for both simultaneously.

programming information

Texas Instruments Programmable Logic Devices can be programmed using widely available software and inexpensive device programmers.

Complete programming specifications, algorithms, and the latest information on hardware, software, and firmware are available upon request. Information on programmers capable of programming Texas Instruments Programmable Logic is also available, upon request, from the nearest TI field sales office, local authorized TI distributor, or by calling Texas Instruments at (214) 995-5762.

2

Data Sheets

**TIBPAL16L8-30M, TIBPAL16R4-30M, TIBPAL16R6-30M, TIBPAL16R8-30M
TIBPAL16L8-25C, TIBPAL16R4-25C, TIBPAL16R6-25C, TIBPAL16R8-25C
LOW-POWER HIGH-PERFORMANCE *IMPACT™* *PAL®* CIRCUITS**

electrical characteristics over recommended operating free-air temperature range

| PARAMETER | TEST CONDITIONS [†] | | -30M | | | -25C | | | UNIT | |
|-----------------------------|--|---|------|------------------|------|------|------------------|------|------|----|
| | | | MIN | TYP [‡] | MAX | MIN | TYP [‡] | MAX | | |
| V _{IK} | V _{CC} = MIN, | I _I = -18 mA | | | -1.5 | | | | V | |
| V _{OH} | V _{CC} = MIN, | I _{OH} = MAX | 2.4 | 3.2 | | 2.4 | 3.3 | | V | |
| V _{OL} | V _{CC} = MIN, | I _{OL} = MAX | | 0.25 | 0.4 | | 0.35 | 0.5 | V | |
| I _{OZH} | Outputs I/O ports | V _{CC} = MAX, V _O = 2.7 V | | | 20 | | | 20 | μA | |
| | | | | | 100 | | | 100 | | |
| I _{OZL} | Outputs I/O ports | V _{CC} = MAX, V _O = 0.4 V | | | -20 | | | -20 | μA | |
| | | | | | -250 | | | -250 | | |
| I _I | V _{CC} = MAX, V _I = 5.5 V | Pin 1, 11 | | | 0.2 | | | 0.1 | mA | |
| | | All others | | | 0.1 | | | 0.1 | | |
| I _{IH} | V _{CC} = MAX, V _I = 2.7 V | Pin 1, 11 | | | 50 | | | 20 | μA | |
| | | All others | | | 20 | | | 20 | | |
| I _{IL} | V _{CC} = MAX, V _I = 0.4 V | | | | -0.2 | | | -0.2 | mA | |
| I _O [§] | V _{CC} = MAX, V _O = 2.25 V | | | | -30 | -125 | | -30 | -125 | mA |
| I _{CC} | V _{CC} = MAX, V _I = 0 V | Outputs Open | | | 75 | 105 | | 75 | 100 | mA |

[†]For conditions shown as MIN or MAX, use the appropriate value specified under recommended operating conditions.

[‡]All typical values are at V_{CC} = 5 V, T_A = 25°C.

[§]The output conditions have been chosen to produce a current that closely approximates one half of the true short-circuit output current, I_{O5}.

switching characteristics over recommended supply voltage and operating free-air temperature ranges (unless otherwise noted)

| PARAMETER | FROM | TO | TEST CONDITIONS | -30M | | | -25C | | | UNIT |
|------------------|--------|--------|--|------|------------------|-----|------|------------------|-----|------|
| | | | | MIN | TYP [‡] | MAX | MIN | TYP [‡] | MAX | |
| f _{max} | | | R _L = 500 Ω, C _L = 50 pF, See Note 3 | 25 | | | 30 | | | MHz |
| t _{pd} | I, I/O | O, I/O | | | 15 | 30 | | 15 | 25 | ns |
| t _{pd} | CLK↑ | Q | | | 10 | 20 | | 10 | 15 | ns |
| t _{en} | OE↓ | Q | | | 15 | 25 | | 15 | 20 | ns |
| t _{dis} | OE↑ | Q | | | 10 | 25 | | 10 | 20 | ns |
| t _{en} | I, I/O | O, I/O | | | 14 | 30 | | 14 | 25 | ns |
| t _{dis} | I, I/O | O, I/O | | | 13 | 30 | | 13 | 25 | ns |

[‡]All typical values are at V_{CC} = 5 V, T_A 25°C.

NOTE 3: Load circuits and voltage waveforms are shown in Section 1.

2 Data Sheets

TIBPAL20L8-20M, TIBPAL20R4-20M, TIBPAL20R6-20M, TIBPAL20R8-20M TIBPAL20L8-15C, TIBPAL20R4-15C, TIBPAL20R6-15C, TIBPAL20R8-15C HIGH PERFORMANCE **IMPACT™** PAL® CIRCUITS

D2920, JUNE 1986—REVISED DECEMBER 1987

- High Performance: f_{max} (w/o feedback)
TIBPAL20R' C series . . . 45 MHz
TIBPAL20R' M series . . . 41.5 MHz
- High Performance . . . 45 MHz Min
- Functionally Equivalent to, but Faster than,
PAL20L8, PAL20R4, PAL20R6, PAL20R8
- Preload Capability on Output Registers
Simplifies Testing
- Package Options Include Plastic and
Ceramic Chip Carriers in Addition to Plastic
and Ceramic DIPs
- Reduced I_{CC} of 180 mA Max

| DEVICE | I INPUTS | 3-STATE O OUTPUTS | REGISTERED Q OUTPUTS | I/O PORTS |
|----------|----------|----------------------|-------------------------|--------------|
| *PAL20L8 | 14 | 2 | 0 | 6 |
| *PAL20R4 | 12 | 0 | 4 (3-state buffers) | 4 |
| *PAL20R6 | 12 | 0 | 6 (3-state buffers) | 2 |
| *PAL20R8 | 12 | 0 | 8 (3-state buffers) | 0 |

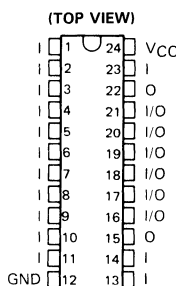
description

These programmable array logic devices feature high speed and functional equivalency when compared with currently available devices. These **IMPACT™** circuits combine the latest Advanced Low-Power Schottky[†] technology with proven titanium-tungsten fuses to provide reliable, high performance substitutes for conventional TTL logic. Their easy programmability allows for quick design of custom functions and typically results in a more compact circuit board. In addition, chip carriers are also available for further reduction in board space.

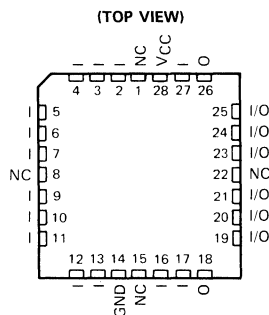
Extra circuitry has been provided to allow loading of each register asynchronously to either a high or low state. This feature simplifies testing because the registers can be set to an initial state prior to executing the test sequence.

The TIBPAL20'M series is characterized for operation over the full military temperature range of -55°C to 125°C . The TIBPAL20'C is characterized from 0°C to 75°C .

TIBPAL20L8'
M SUFFIX . . . JT PACKAGE
C SUFFIX . . . JT OR NT PACKAGE



TIBPAL20L8'
M SUFFIX . . . FK PACKAGE
C SUFFIX . . . FN PACKAGE



NC—No internal connection

Pin assignments in operating mode

2

Data Sheets

IMPACT is a trademark of Texas Instruments Incorporated
PAL is a registered trademark of Monolithic Memories Inc.
[†]Integrated Schottky-Barrier diode-clamped transistor is patented
by Texas Instruments, U.S. Patent Number 3,463,975.

PRODUCTION DATA documents contain information
current as of publication date. Products conform to
specifications per the terms of Texas Instruments
standard warranty. Production processing does not
necessarily include testing of all parameters.

TEXAS
INSTRUMENTS

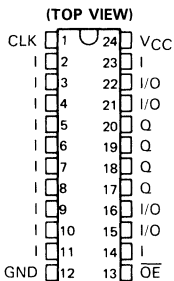
POST OFFICE BOX 655012 • DALLAS, TEXAS 75265

Copyright © 1986, Texas Instruments Incorporated

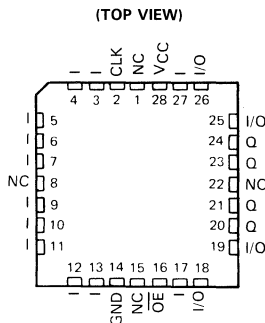
2-87

**TIBPAL20R4-20M, TIBPAL20R6-20M, TIBPAL20R8-20M
TIBPAL20R4-15C, TIBPAL20R6-15C, TIBPAL20R8-15C
HIGH-PERFORMANCE *IMPACT™* PAL® CIRCUITS**

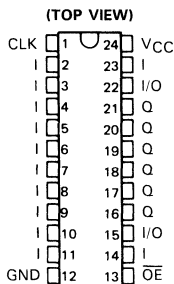
TIBPAL20R4'
M SUFFIX . . . JT PACKAGE
C SUFFIX . . . JT OR NT PACKAGE



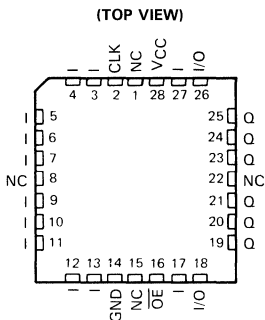
TIBPAL20R4'
M SUFFIX . . . FK PACKAGE
C SUFFIX . . . FN PACKAGE



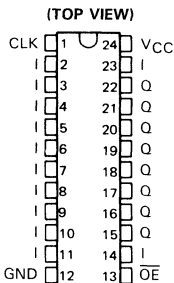
TIBPAL20R6'
M SUFFIX . . . JT PACKAGE
C SUFFIX . . . JT OR NT PACKAGE



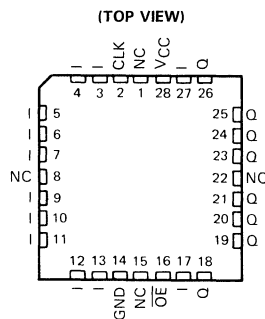
TIBPAL20R6'
M SUFFIX . . . FK PACKAGE
C SUFFIX . . . FN PACKAGE



TIBPAL20R8'
M SUFFIX . . . JT PACKAGE
C SUFFIX . . . JT OR NT PACKAGE



TIBPAL20R8'
M SUFFIX . . . FK PACKAGE
C SUFFIX . . . FN PACKAGE



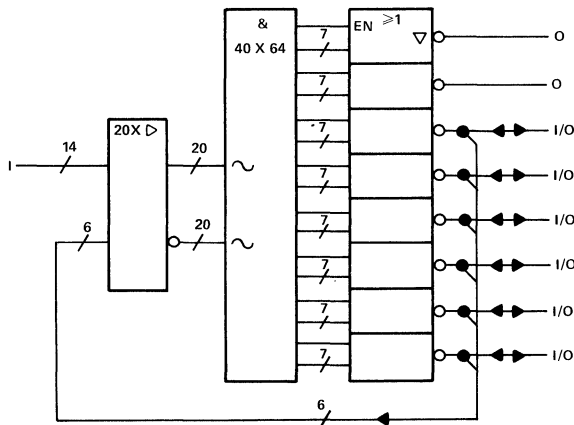
Pin assignments in operating mode

NC—No internal connection

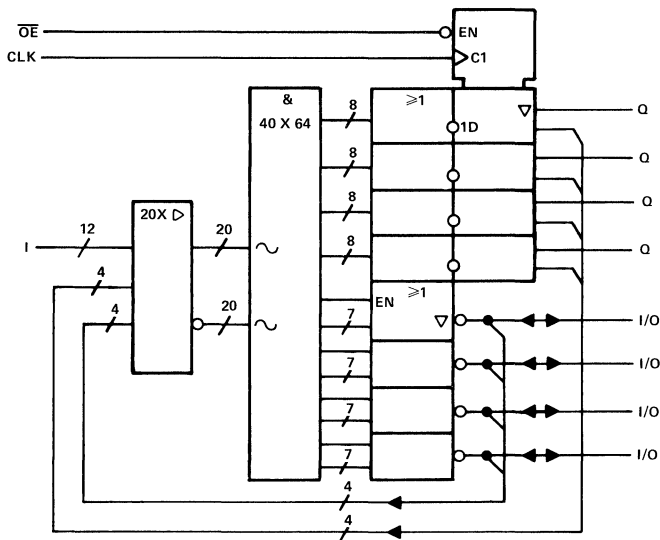
**TIBPAL20L8-20M, TIBPAL20R4-20M
TIBPAL20L8-15C, TIBPAL20R4-15C
HIGH-PERFORMANCE *IMPACT*™ *PAL*® CIRCUITS**

functional block diagrams (positive logic)

TIBPAL20L8'



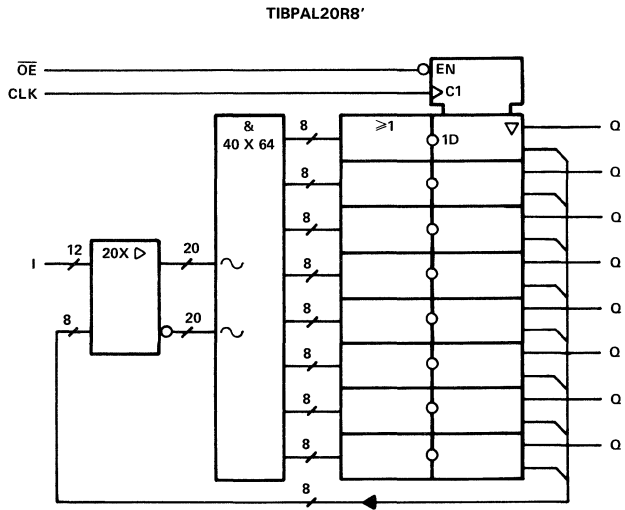
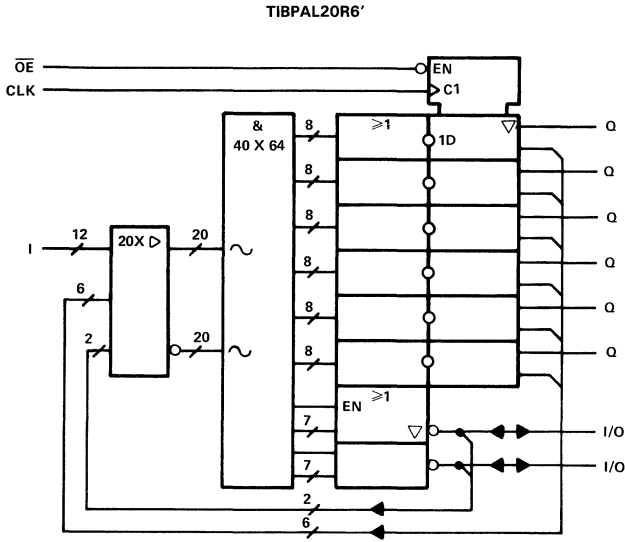
TIBPAL20R4'



~ denotes fused inputs

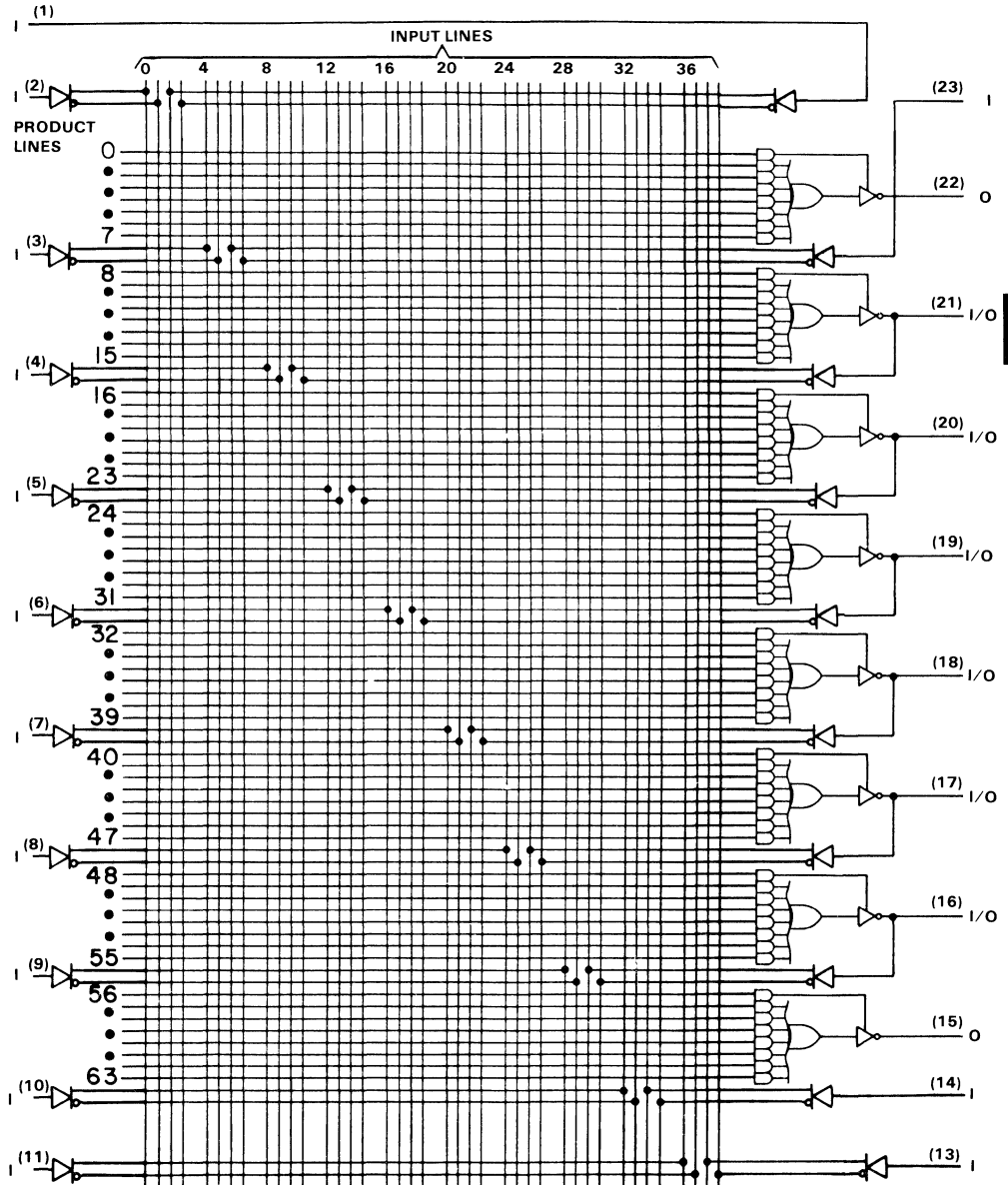
**TIBPAL20R6-20M, TIBPAL20R8-20M
TIBPAL20R6-15C, TIBPAL20R8-15C
HIGH-PERFORMANCE *IMPACT*™ *PAL*® CIRCUITS**

functional block diagrams (positive logic)



~ denotes fused inputs

logic diagram (positive logic)

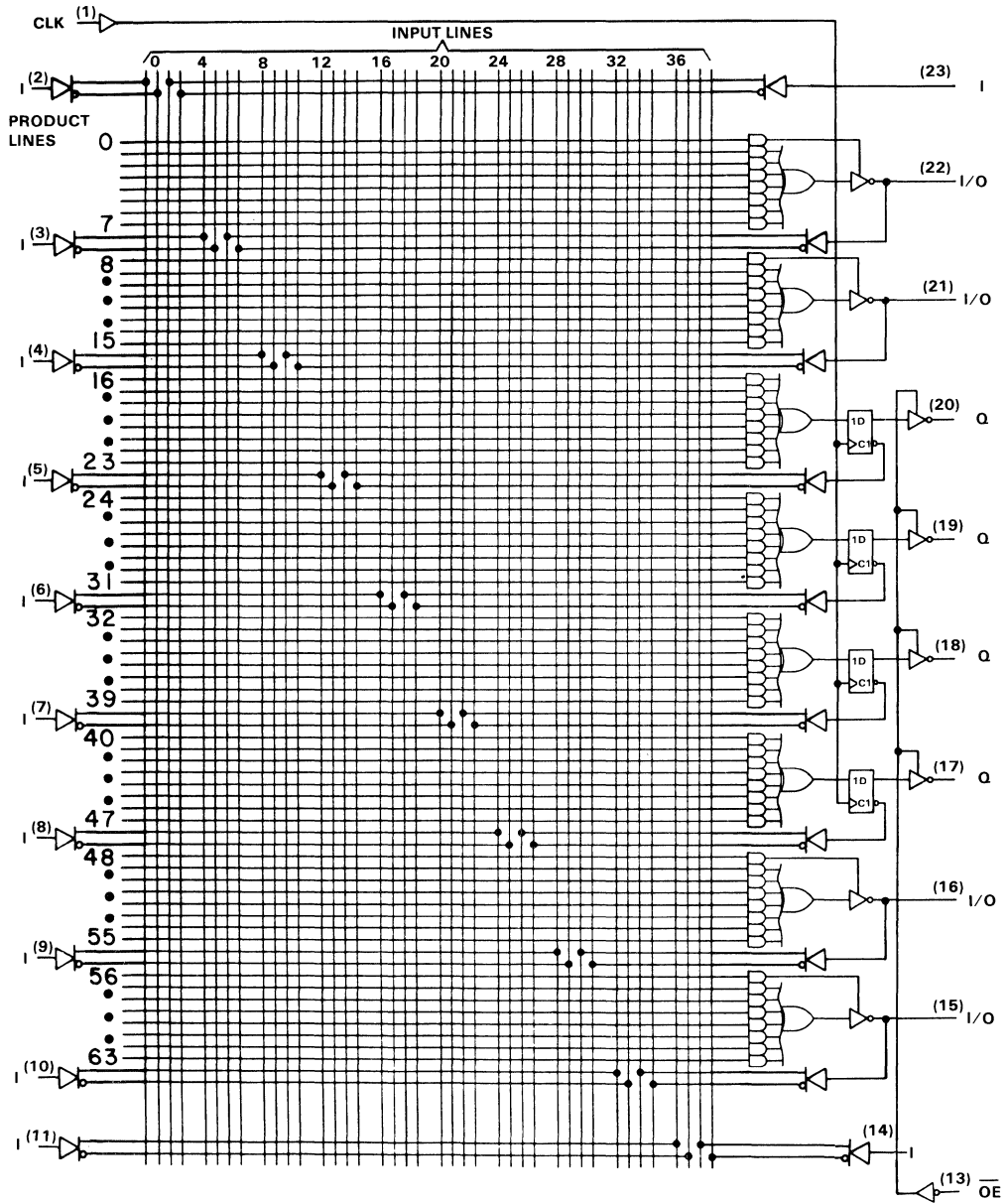


2
Data Sheets

Pin numbers shown are for JT and NT packages.

TIBPAL20R4-20M
TIBPAL20R4-15C
HIGH-PERFORMANCE *IMPACT*™ *PAL*® CIRCUITS

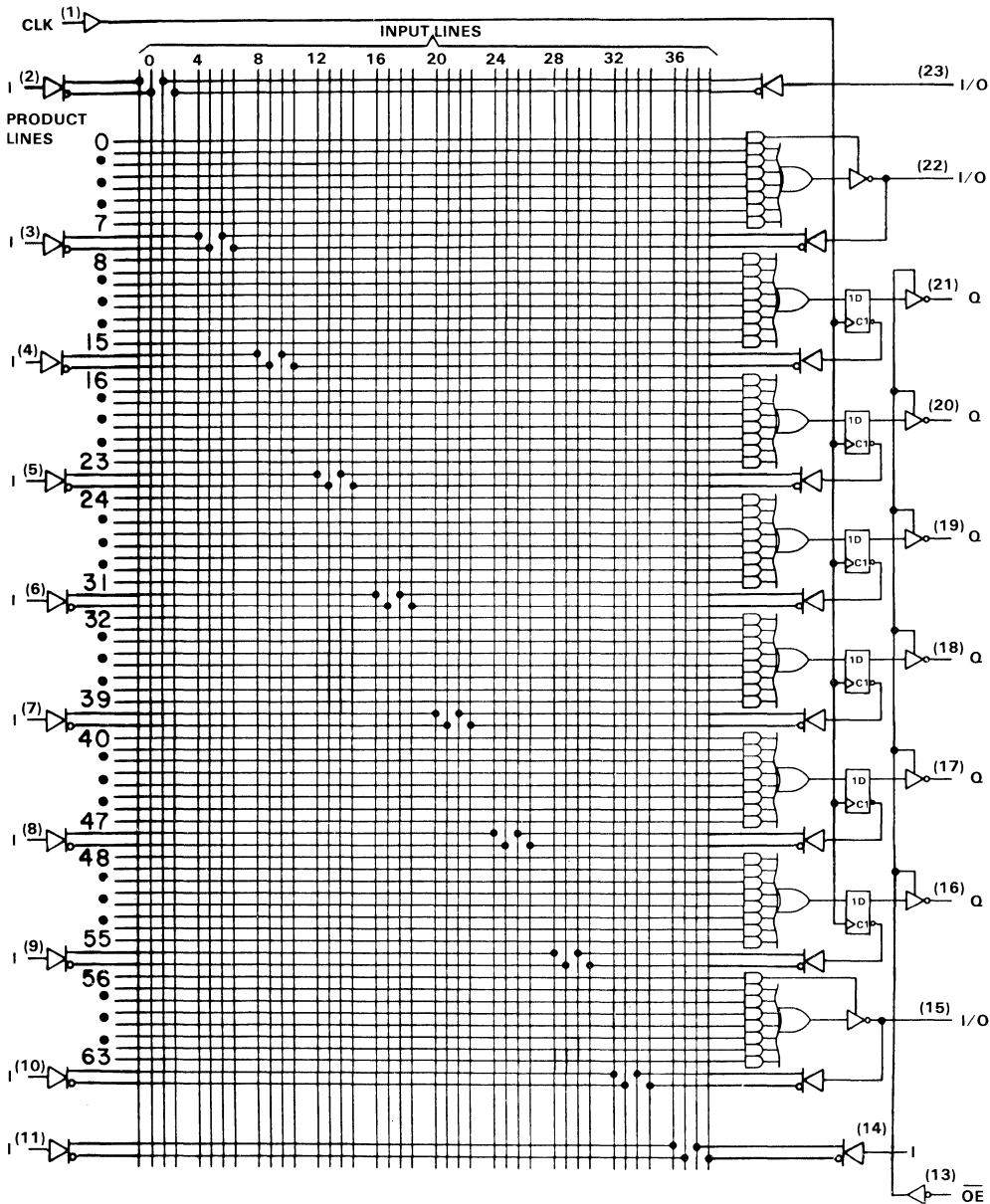
logic diagram (positive logic)



Pin numbers shown are for JT and NT packages.

TIBPAL20R6-20M
TIBPAL20R6-15C
HIGH-PERFORMANCE IMPACT™ PAL® CIRCUITS

logic diagram (positive logic)

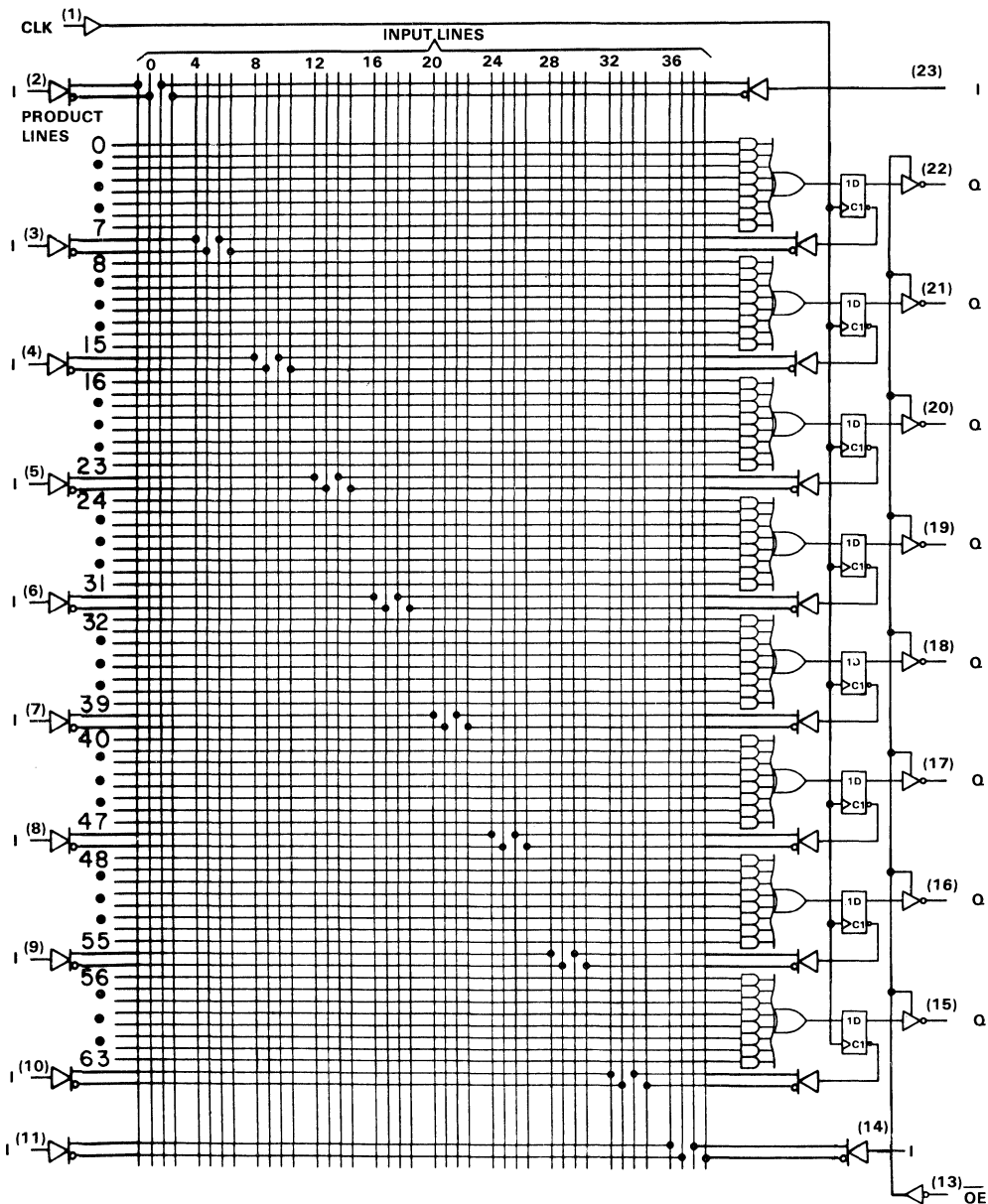


2
Data Sheets

Pin numbers shown are for JT and NT packages.

TIBPAL20R8-20M
TIBPAL20R8-15C
HIGH-PERFORMANCE *IMPACT*™ *PAL*® CIRCUITS

logic diagram (positive logic)



Pin numbers shown are for JT and NT packages.

2

Data Sheets

**TIBPAL20L8-20M, TIBPAL20R4-20M, TIBPAL20R6-20M, TIBPAL20R8-20M
TIBPAL20L8-15C, TIBPAL20R4-15C, TIBPAL20R6-15C, TIBPAL20R8-15C
HIGH-PERFORMANCE *IMPACT*™ *PAL*® CIRCUITS**

absolute maximum ratings over operating free-air temperature range (unless otherwise noted)

| | |
|---|----------------|
| Supply voltage, V_{CC} (see Note 1) | 7 V |
| Input voltage (see Note 1) | 5.5 V |
| Voltage applied to a disabled output (see Note 1) | 5.5 V |
| Operating free-air temperature range: M suffix | –55°C to 125°C |
| C suffix | 0°C to 75°C |
| Storage temperature range | –65°C to 150°C |

NOTE 1: These ratings apply except for programming pins during a programming cycle.

recommended operating conditions

| PARAMETER | | –20M | | | –15C | | | UNIT |
|-------------|---|------|-----|------|------|-----|------|------|
| | | MIN | NOM | MAX | MIN | NOM | MAX | |
| V_{CC} | Supply voltage | 4.5 | 5 | 5.5 | 4.75 | 5 | 5.25 | V |
| V_{IH} | High-level input voltage | 2 | | 5.5 | 2 | | 5.5 | V |
| V_{IL} | Low-level input voltage | | | 0.8 | | | 0.8 | V |
| I_{OH} | High-level output current | | | –2 | | | –3.2 | mA |
| I_{OL} | Low-level output current | | | 12 | | | 24 | mA |
| f_{clock} | Clock frequency | 0 | | 41.5 | 0 | | 45 | MHz |
| t_w | Pulse duration, clock | High | | 12 | | | 10 | ns |
| | | Low | | 12 | | | 12 | ns |
| t_{su} | Setup time, input or feedback before CLK† | 20 | 10 | | 15 | 10 | | ns |
| t_h | Hold time, input or feedback after CLK† | 0 | | | 0 | | | ns |
| T_A | Operating free-air temperature | –55 | | 125 | 0 | | 75 | °C |

f_{clock} , t_w , t_{su} , and t_h do not apply for TIBPAL20L8'.

2
Data Sheets

TIBPAL20L8-15C, TIBPAL20R4-15C, TIBPAL20R6-15C, TIBPAL20R8-15C HIGH-PERFORMANCE *IMPACT*™ *PAL*® CIRCUITS

electrical characteristics over recommended free-air operating temperature range

| PARAMETER | TEST CONDITIONS | -15C | | | UNIT |
|-------------------|---|------|------|-------|------|
| | | MIN | TYP† | MAX | |
| V _{IK} | V _{CC} = 4.75 V, I _I = -18 mA | -0.8 | -1.5 | | V |
| V _{OH} | V _{CC} = 4.75 V, I _{OH} = -3.2 mA | 2.4 | | | V |
| V _{OL} | V _{CC} = 4.75 V, I _{OL} = 24 mA | | 0.3 | 0.5 | V |
| I _{OZH} | O, Q outputs | | | 20 | μA |
| | I/O ports | | | 100 | |
| I _{OZL} | O, Q outputs | | | -20 | μA |
| | I/O ports | | | -0.25 | |
| I _I | V _{CC} = 5.25 V, V _I = 5.5 V | | | 1 | mA |
| I _{IH} ‡ | V _{CC} = 5.25 V, V _I = 2.7 V | | | 25 | μA |
| I _{IL} ‡ | V _{CC} = 5.25 V, V _I = 0.4 V | | | -0.25 | mA |
| I _{OS} § | V _{CC} = 5.25 V, V _O = 0 | -30 | -70 | -130 | mA |
| I _{CC} | V _{CC} = 5.25 V, V _I = 0, Outputs open, \overline{OE} at V _{IH} | | 120 | 180 | mA |

† All typical values are V_{CC} = 5 V, T_A = 25 °C.

‡ For I/O ports, the parameters I_{IH} and I_{IL} include the off-state output current.

§ Not more than one output should be shorted at a time, and duration of the short-circuit should not exceed one second.

switching characteristics over recommended operating free-air temperature range (unless otherwise noted)

| PARAMETER | FROM | TO | TEST CONDITIONS | -15C | | | UNIT |
|--------------------|-------------------|--------|---|------|------|-----|------|
| | | | | MIN | TYP† | MAX | |
| f _{max} † | with feedback | | R ₁ = 200 Ω, R ₂ = 390 Ω, C _L = 50 pF, See Figure 1 | 37 | 40 | | MHz |
| | without feedback | | | 45 | 50 | | |
| t _{pd} | I, I/O | O, I/O | | | 12 | 15 | ns |
| t _{pd} | CLK↑ | Q | | | 8 | 12 | ns |
| t _{en} | \overline{OE} | Q | | | 10 | 15 | ns |
| t _{dis} | \overline{OE} ↑ | Q | | | 8 | 12 | ns |
| t _{en} | I, I/O | O, I/O | | 12 | 18 | ns | |
| t _{dis} | I, I/O | O, I/O | | 12 | 15 | ns | |

† All typical values are at V_{CC} = 5 V, T_A = 25 °C.

$$f_{\text{max}}^{\dagger} (\text{with feedback}) = \frac{1}{t_{\text{su}} + t_{\text{pd}} (\text{CLK to Q})}, \quad f_{\text{max}}^{\dagger} (\text{without feedback}) = \frac{1}{t_{\text{w high}} + t_{\text{w low}}}$$

f_{max} does not apply for TIBPAL20L8'

2

Data Sheets

TIBPAL20L8-20M, TIBPAL20R4-20M, TIBPAL20R6-20M, TIBPAL20R8-20M
HIGH-PERFORMANCE *IMPACT*™ *PAL*® CIRCUITS

electrical characteristics over recommended free-air operating temperature range

| PARAMETER | TEST CONDITIONS | -20M | | UNIT |
|-------------------|---|------|------|-------|
| | | MIN | TYP† | |
| V _{IK} | V _{CC} = 4.5 V, I _I = -18 mA | -0.8 | -1.5 | V |
| V _{OH} | V _{CC} = 4.5 V, I _{OH} = -2 mA | 2.4 | 3.2 | V |
| V _{OL} | V _{CC} = 4.5 V, I _{OL} = 12 mA | 0.25 | 0.5 | V |
| I _{OZH} | O, Q outputs | | | 20 |
| | I/O ports | | | 100 |
| I _{OZL} | O, Q outputs | | | -20 |
| | I/O ports | | | -0.25 |
| I _I | V _{CC} = 5.5 V, V _I = 5.5 V | | | 1 |
| I _{IH} ‡ | V _{CC} = 5.5 V, V _I = 2.7 V | | | 25 |
| I _{IL} ‡ | V _{CC} = 5.5 V, V _I = 0.4 V | | | -0.25 |
| I _{OS} § | V _{CC} = 5.5 V, V _O = 0 | -30 | -70 | -130 |
| I _{CC} | V _{CC} = 5.5 V, V _I = 0, Outputs open, \overline{OE} at V _{IH} | 120 | 180 | mA |

† All typical values are V_{CC} = 5 V, T_A = 25 °C.

‡ For I/O ports, the parameters I_{IH} and I_{IL} include the off-state output current.

§ Not more than one output should be shorted at a time, and duration of the short-circuit should not exceed one second.

switching characteristics over recommended operating free-air temperature range (unless otherwise noted)

| PARAMETER | FROM | TO | TEST CONDITIONS | -20M | | UNIT |
|--------------------|-------------------|--------|---|------|------|------|
| | | | | MIN | TYP† | |
| f _{max} ¶ | with feedback | | R ₁ = 390 Ω, R ₂ = 750 Ω, C _L = 50 pF, See Figure 1 | 28.5 | 40 | MHz |
| | without feedback | | | 41.5 | 50 | |
| t _{pd} | I, I/O | O, I/O | | 12 | 20 | ns |
| t _{pd} | CLK† | Q | | 8 | 15 | ns |
| t _{en} | \overline{OE} | Q | | 10 | 20 | ns |
| t _{dis} | \overline{OE} † | Q | | 8 | 20 | ns |
| t _{en} | I, I/O | O, I/O | | 12 | 25 | ns |
| t _{dis} | I, I/O | O, I/O | | 12 | 20 | ns |

† All typical values are at V_{CC} = 5 V, T_A = 25 °C.

$$f_{\max} \text{ (with feedback)} = \frac{1}{t_{su} + t_{pd} \text{ (CLK to Q)}}, \quad f_{\max} \text{ (without feedback)} = \frac{1}{t_w \text{ high} + t_w \text{ low}}$$

f_{max} does not apply for TIBPAL20L8'

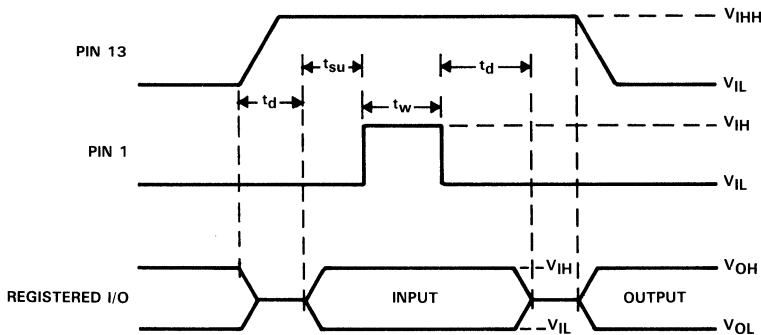
**TIBPAL20L8-20M, TIBPAL20R4-20M, TIBPAL20R6-20M, TIBPAL20R8-20M
TIBPAL20L8-15C, TIBPAL20R4-15C, TIBPAL20R6-15C, TIBPAL20R8-15C
HIGH-PERFORMANCE *IMPACT*™ *PAL*® CIRCUITS**

preload procedure for registered outputs (see Note 2)

The output registers of the TIBPAL20R' can be preloaded to any desired state during device testing. This permits any state to be tested without having to step through the entire state-machine sequence. Each register is preloaded individually by following the steps given below.

- Step 1. With V_{CC} at 5 V and pin 1 at V_{IL} , raise pin 13 to V_{IHH} .
- Step 2. Apply either V_{IL} or V_{IH} to the output corresponding to the register to be preloaded.
- Step 3. Pulse pin 1, clocking in preload data.
- Step 4. Remove output voltage, then lower pin 13 to V_{IL} . Preload can be verified by observing the voltage level at the output pin.

preload waveforms (see Notes 2 and 3)



- NOTES: 2. Pin numbers shown are for JT and NT packages only. If chip carrier socket adapter is not used, pin numbers must be changed accordingly.
3. $t_d = t_{su} = t_w = 100$ ns to 1000 ns.
 $V_{IHH} = 10.25$ V to 10.75 V.

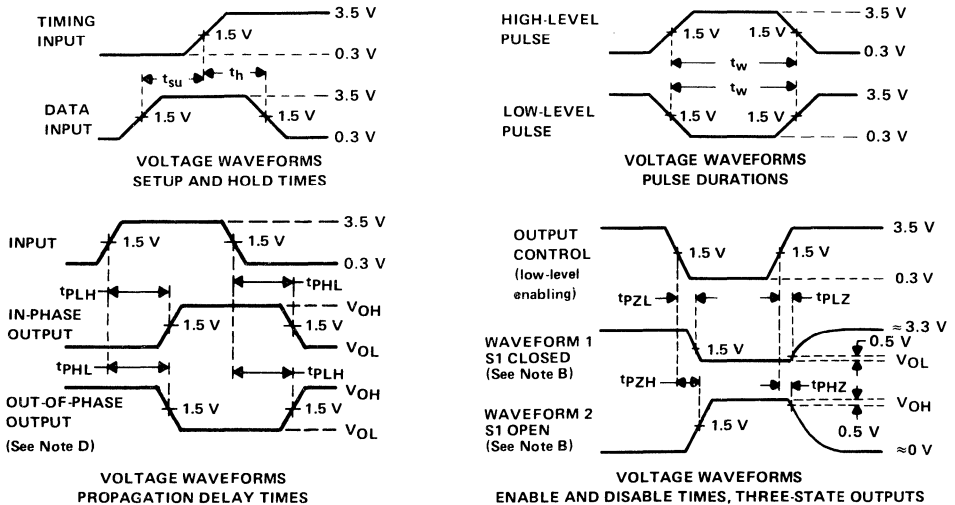
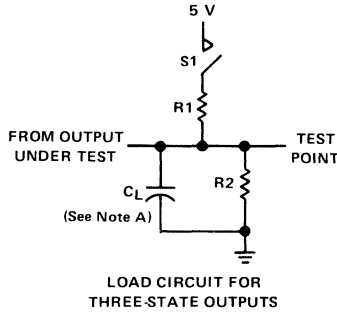
**TIBPAL20L8-20M, TIBPAL20R4-20M, TIBPAL20R6-20M, TIBPAL20R8-20M
TIBPAL20L8-15C, TIBPAL20R4-15C, TIBPAL20R6-15C, TIBPAL20R8-15C
HIGH-PERFORMANCE *IMPACT*™ *PAL*® CIRCUITS**

programming information

Texas Instruments Programmable Logic Devices can be programmed using widely available software and inexpensive device programmers.

Complete programming specifications, algorithms, and the latest information on hardware, software, and firmware are available upon request. Information on programmers capable of programming Texas Instruments Programmable Logic is also available, upon request, from the nearest TI field sales office, local authorized TI distributor, or by calling Texas Instruments at (214) 997-5762.

PARAMETER MEASUREMENT INFORMATION



- NOTES: A. C_L includes probe and jig capacitance.
 B. Waveform 1 is for an output with internal conditions such that the output is low except when disabled by the output control. Waveform 2 is for an output with internal conditions such that the output is high except when disabled by the output control.
 C. All input pulses have the following characteristics: $PRR \leq 1$ MHz, $t_r = t_f = 2$ ns, duty cycle = 50%.
 D. When measuring propagation delay times of 3-state outputs, switch S1 is closed.

FIGURE 1

2

Data Sheets

TIBPAL20L8-30M, TIBPAL20R4-30M, TIBPAL20R6-30M, TIBPAL20R8-30M TIBPAL20L8-25C, TIBPAL20R4-25C, TIBPAL20R6-25C, TIBPAL20R8-25C LOW-POWER HIGH PERFORMANCE **IMPACT™** PAL® CIRCUITS

D2920, MAY 1987—REVISED DECEMBER 1987

- **Low-Power, High Performance**
Reduced I_{CC} of 105 mA Max
 f_{max} (TIBPAL20R'-25C Series):
Without Feedback . . . 33 MHz Min
With Feedback . . . 25 MHz Min
 t_{pd} (TIBPAL20'-25C Series) . . . 25 ns Max
- **Direct Replacement for PAL20L8A, PAL20R4A, PAL20R6A, and PAL20R8A with at Least 50% Reduction in Power**
- **Preload Capability on Output Registers Simplifies Testing**
- **Power-Up Clear on Registered Devices**
- **Package Options Include Plastic and Ceramic Chip Carriers in Addition to Plastic and Ceramic DIPs**
- **Dependable Texas Instruments Quality and Reliability**

| DEVICE | I INPUTS | 3-STATE O OUTPUTS | REGISTERED Q OUTPUTS | I/O PORTS |
|----------|----------|-------------------|----------------------|-----------|
| *PAL20L8 | 14 | 2 | 0 | 6 |
| *PAL20R4 | 12 | 0 | 4 (3-state buffers) | 4 |
| *PAL20R6 | 12 | 0 | 6 (3-state buffers) | 2 |
| *PAL20R8 | 12 | 0 | 8 (3-state buffers) | 0 |

description

These programmable array logic devices feature high speed and functional equivalency when compared with currently available devices. These **IMPACT™** circuits combine the latest Advanced Low-Power Schottky† technology with proven titanium-tungsten fuses to provide reliable, high-performance substitutes for conventional TTL logic. Their easy programmability allows for quick design of custom functions and typically results in a more compact circuit board. In addition, chip carriers are also available for further reduction in board space.

In many cases, these low-power devices are fast enough to be used where the high-speed or "A" devices are used. From an overall system level, this can amount to a significant reduction in power consumption, with no sacrifice in speed.

All of the output registers are set to a low level during power-up, but the voltage levels at the output pins stay high. Extra circuitry has been provided to allow loading of each register asynchronously to either a high or low state. This feature simplifies testing because the registers can be set to an initial state prior to executing the test sequence.

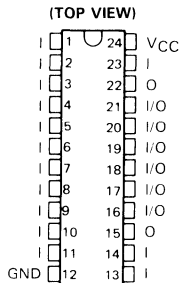
The TIBPAL20'M series is characterized for operation over the full military temperature range of -55°C to 125°C. The TIBPAL20'C is characterized from 0°C to 75°C.

IMPACT is a trademark of Texas Instruments Incorporated

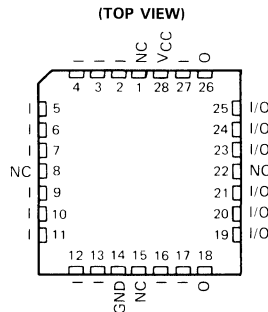
PAL is a registered trademark of Monolithic Memories Inc.

†Integrated Schottky-Barrier diode-clamped transistor is patented by Texas Instruments, U.S. Patent Number 3,463,975.

TIBPAL20L8'
M SUFFIX . . . JT PACKAGE
C SUFFIX . . . JT OR NT PACKAGE



TIBPAL20L8'
M SUFFIX . . . FK PACKAGE
C SUFFIX . . . FN PACKAGE



NC—No internal connection

Pin assignments in operating mode

2
Data Sheets

This document contains information on products in more than one phase of development. The status of each device is indicated on the page(s) specifying its electrical characteristics.

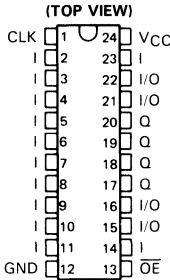


POST OFFICE BOX 655012 • DALLAS, TEXAS 75265

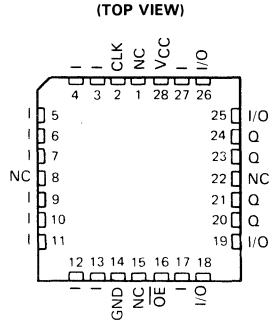
Copyright © 1987, Texas Instruments Incorporated

TIBPAL20R4-30M, TIBPAL20R6-30M, TIBPAL20R8-30M
TIBPAL20R4-25C, TIBPAL20R6-25C, TIBPAL20R8-25C
LOW-POWER HIGH-PERFORMANCE *IMPACT*™ *PAL*® CIRCUITS

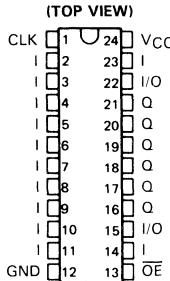
TIBPAL20R4'
M SUFFIX . . . JT PACKAGE
C SUFFIX . . . JT OR NT PACKAGE



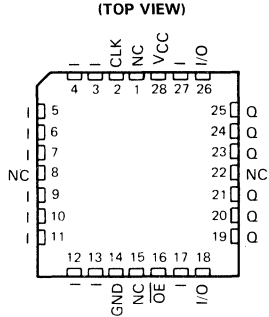
TIBPAL20R4'
M SUFFIX . . . FK PACKAGE
C SUFFIX . . . FN PACKAGE



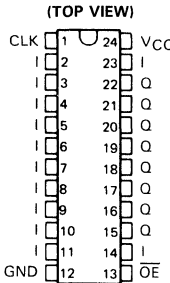
TIBPAL20R6'
M SUFFIX . . . JT PACKAGE
C SUFFIX . . . JT OR NT PACKAGE



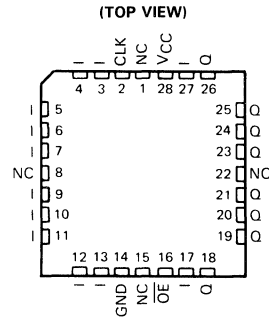
TIBPAL20R6'
M SUFFIX . . . FK PACKAGE
C SUFFIX . . . FN PACKAGE



TIBPAL20R8'
M SUFFIX . . . JT PACKAGE
C SUFFIX . . . JT OR NT PACKAGE



TIBPAL20R8'
M SUFFIX . . . FK PACKAGE
C SUFFIX . . . FN PACKAGE



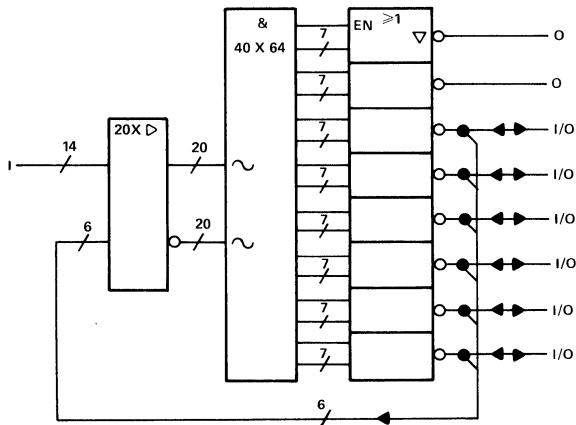
Pin assignments in operating mode

NC—No internal connection

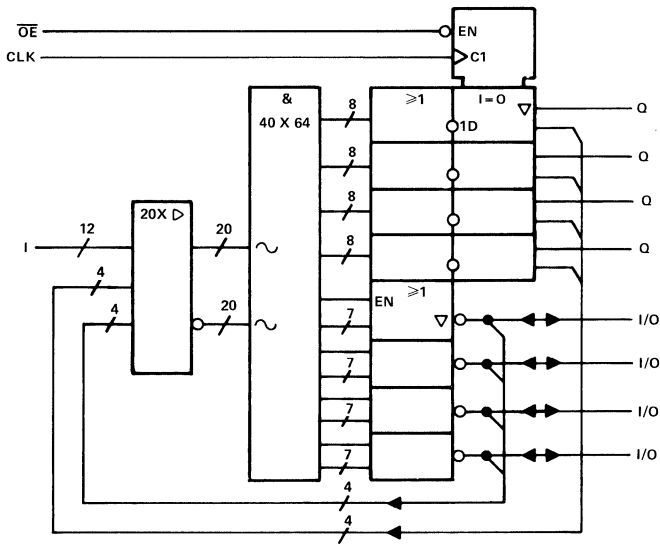
**TIBPAL20L8-30M, TIBPAL20R4-30M
TIBPAL20L8-25C, TIBPAL20R4-25C
LOW-POWER HIGH-PERFORMANCE *IMPACT*™ PAL® CIRCUITS**

functional block diagrams (positive logic)

TIBPAL20L8'



TIBPAL20R4'

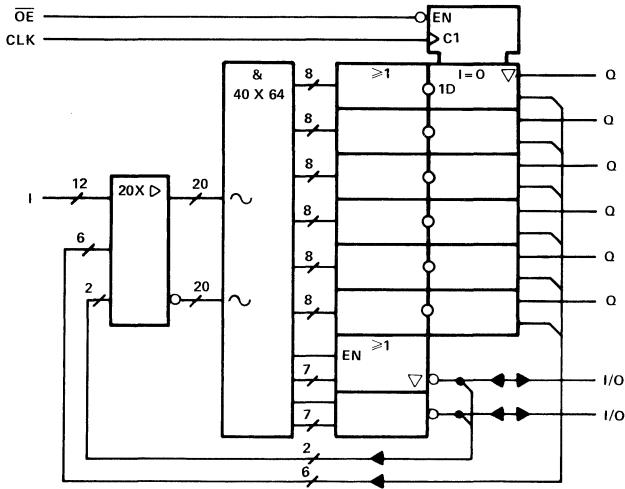


~ denotes fused inputs

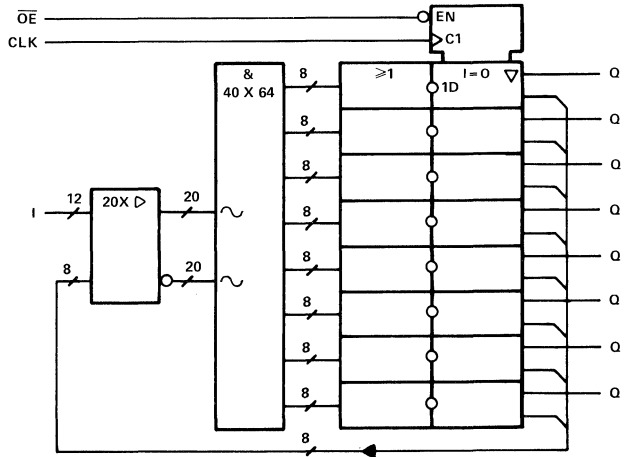
TIBPAL20R6-30M, TIBPAL20R8-30M
TIBPAL20R6-25C, TIBPAL20R8-25C
LOW-POWER HIGH-PERFORMANCE *IMPACT*™ PAL® CIRCUITS

functional block diagrams (positive logic)

TIBPAL20R6'



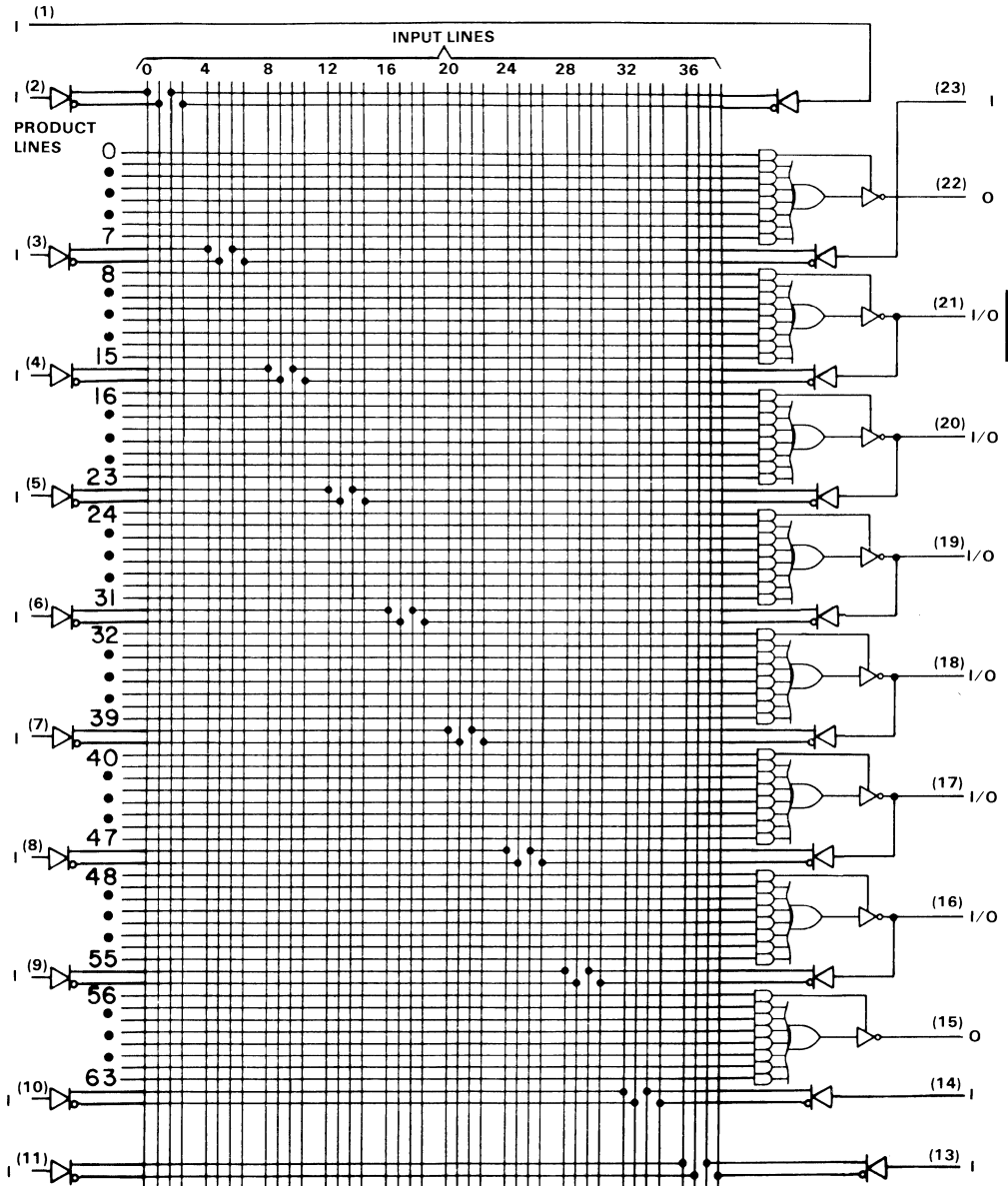
TIBPAL20R8'



~ denotes fused inputs

TIBPAL20L8-30M
TIBPAL20L8-25C
LOW-POWER HIGH-PERFORMANCE *IMPACT*™ PAL® CIRCUITS

logic diagram (positive logic)

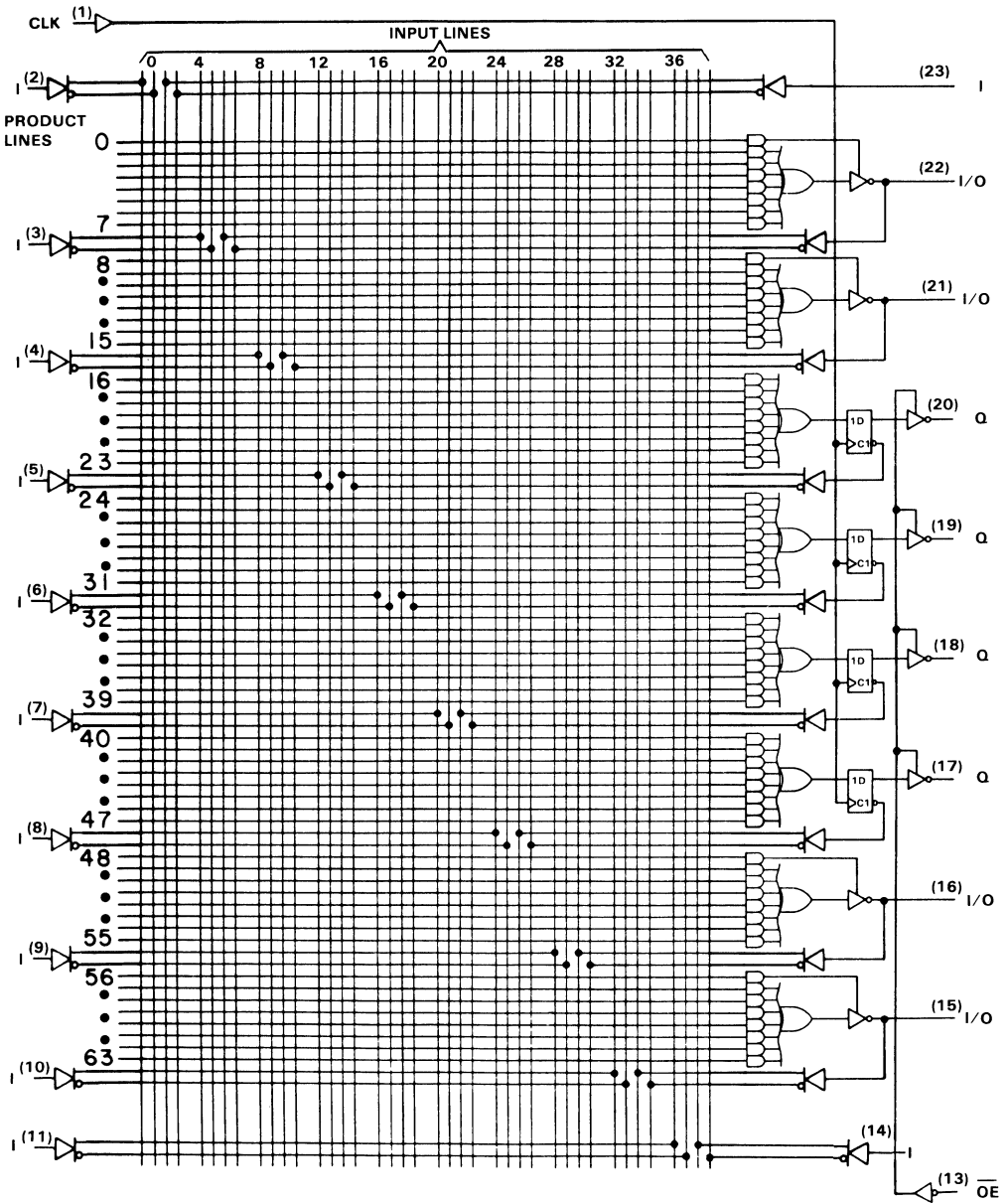


Pin numbers shown are for JT and NT packages.

2
Data Sheets

TIBPAL20R4-30M
TIBPAL20R4-25C
LOW-POWER HIGH-PERFORMANCE *IMPACT*™ *PAL*® CIRCUITS

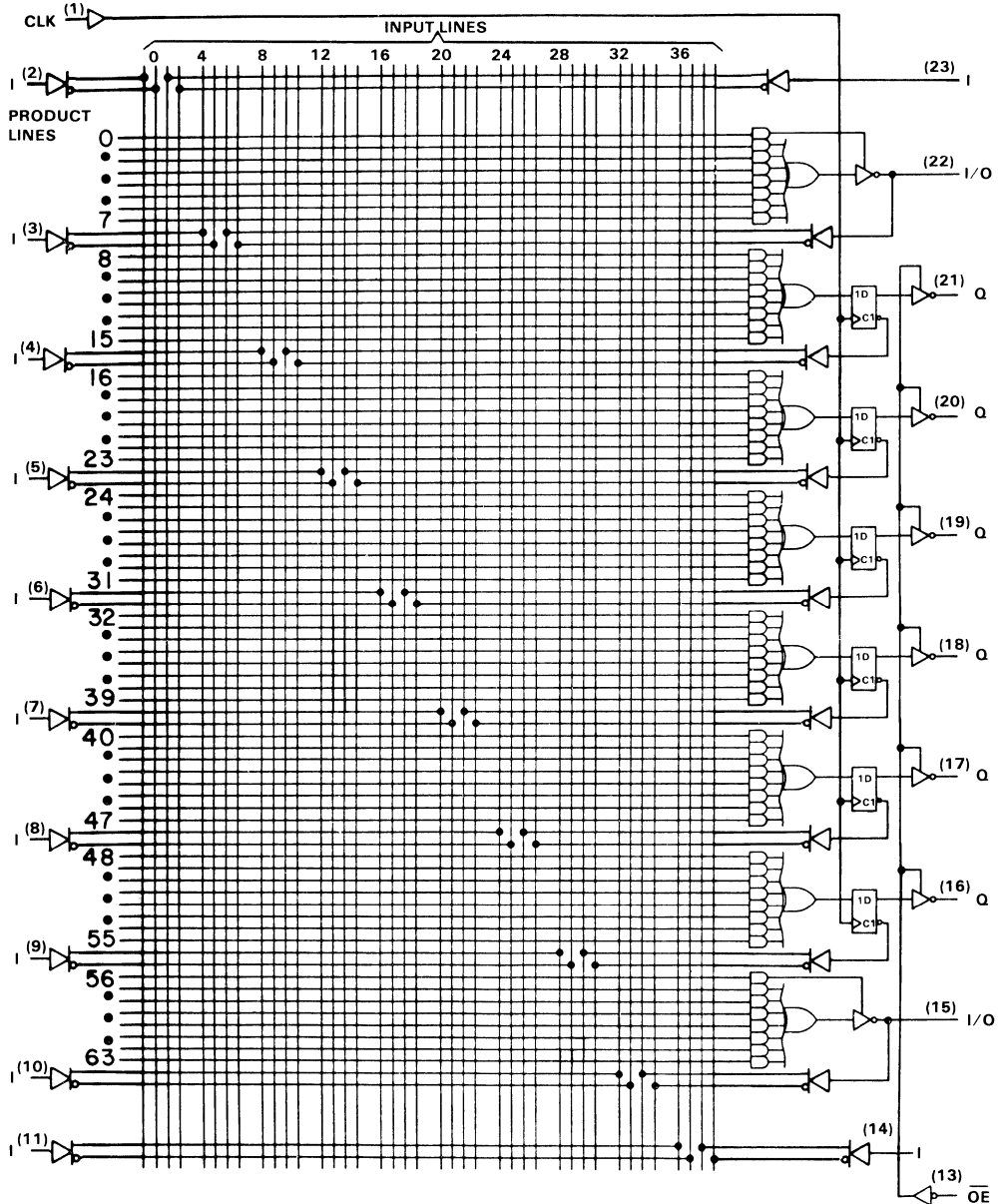
logic diagram (positive logic)



Pin numbers shown are for JT and NT packages.

TIBPAL20R6-30M
TIBPAL20R6-25C
LOW-POWER HIGH-PERFORMANCE *IMPACT*™ PAL® CIRCUITS

logic diagram (positive logic)

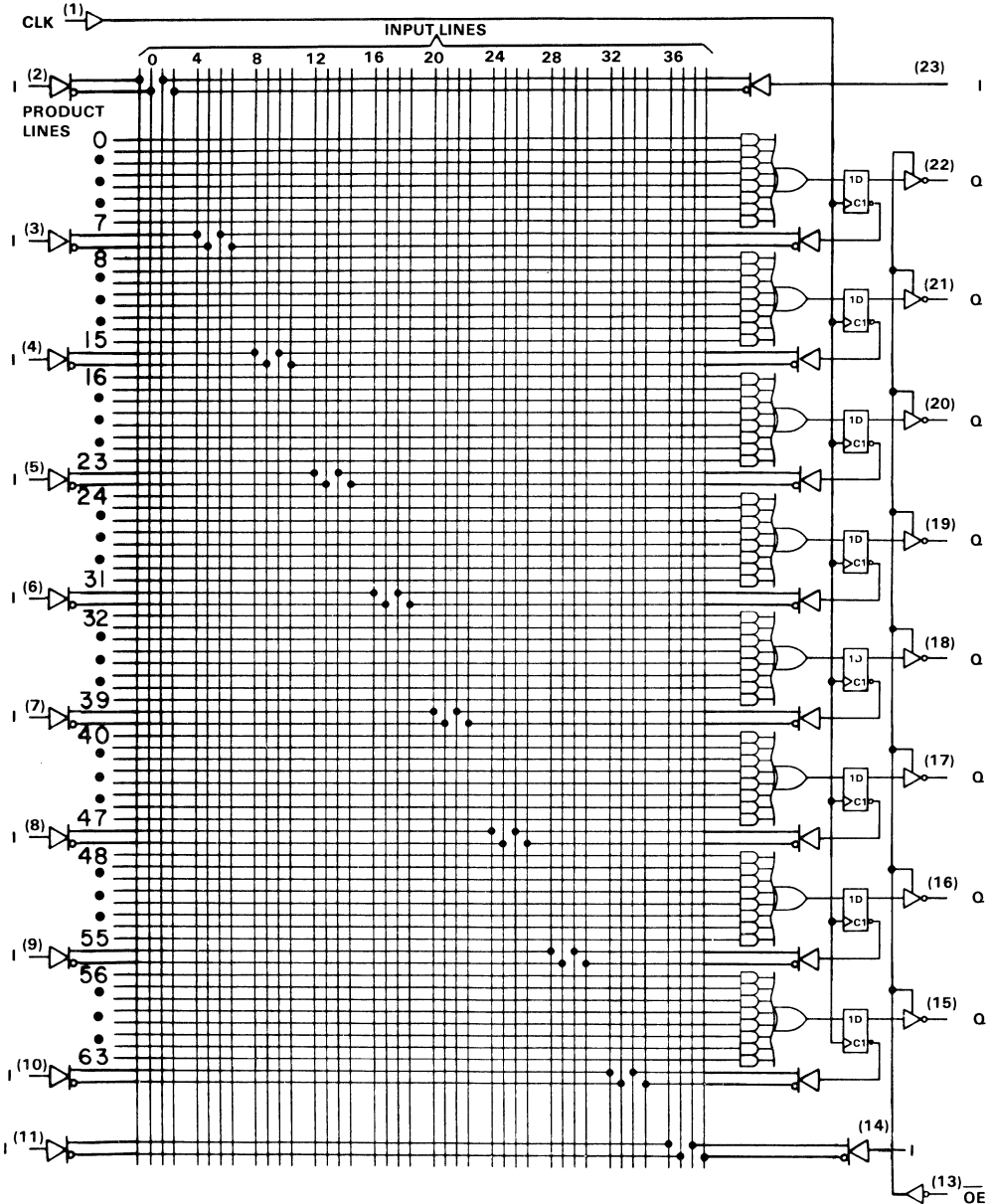


Pin numbers shown are for JT and NT packages.

2
Data Sheets

TIBPAL20R8-30M
TIBPAL20R8-25C
LOW-POWER HIGH-PERFORMANCE *IMPACT*™ *PAL*® CIRCUITS

logic diagram (positive logic)



2
Data Sheets

**TIBPAL20L8-30M, TIBPAL20R4-30M, TIBPAL20R6-30M, TIBPAL20R8-30M
TIBPAL20L8-25C, TIBPAL20R4-25C, TIBPAL20R6-25C, TIBPAL20R8-25C
LOW-POWER HIGH-PERFORMANCE *IMPACT*[™] *PAL*[®] CIRCUITS**

absolute maximum ratings over operating free-air temperature range (unless otherwise noted)

| | |
|---|-----------------|
| Supply voltage, V_{CC} (see Note 1) | 7 V |
| Input voltage (see Note 1) | 5.5 V |
| Voltage applied to a disabled output (see Note 1) | 5.5 V |
| Operating free-air temperature range: M suffix | – 55°C to 125°C |
| C suffix | 0°C to 75°C |
| Storage temperature range | – 65°C to 150°C |

NOTE 1: These ratings apply except for programming pins during a programming cycle.

recommended operating conditions

| PARAMETER | | -30M | | | -25C | | | UNIT |
|-------------|---|------|-----|-----|------|-----|-------|------|
| | | MIN | NOM | MAX | MIN | NOM | MAX | |
| V_{CC} | Supply voltage | 4.5 | 5 | 5.5 | 4.75 | 5 | 5.25 | V |
| V_{IH} | High-level input voltage | 2 | | 5.5 | 2 | | 5.5 | V |
| V_{IL} | Low-level input voltage | | | 0.8 | | | 0.8 | V |
| I_{OH} | High-level output current | | | – 2 | | | – 3.2 | mA |
| I_{OL} | Low-level output current | | | 12 | | | 24 | mA |
| f_{clock} | Clock frequency | 0 | | 25 | 0 | | 33 | MHz |
| t_w | Pulse duration, clock | High | | | 15 | | | ns |
| | | Low | | | 15 | | | ns |
| t_{su} | Setup time, input or feedback before CLK↑ | | | | 25 | | | ns |
| t_h | Hold time, input or feedback after CLK↑ | | | | 0 | | | ns |
| T_A | Operating free-air temperature | – 55 | | 125 | 0 | | 75 | °C |

f_{clock} , t_w , t_{su} , and t_h do not apply for TIBPAL20L8'.

2
Data Sheets

TIBPAL20L8-30M, TIBPAL20R4-30M, TIBPAL20R6-30M, TIBPAL20R8-30M
LOW-POWER HIGH-PERFORMANCE *IMPACT™* PAL® CIRCUITS

electrical characteristics over recommended free-air operating temperature range

| PARAMETER | TEST CONDITIONS | -30M | | | UNIT |
|-------------------|---|---|------|-------|------|
| | | MIN | TYP† | MAX | |
| V _{IK} | V _{CC} = 4.5 V, I _I = -18 mA | | -0.8 | -1.5 | V |
| V _{OH} | V _{CC} = 4.5 V, I _{OH} = -2 mA | 2.4 | 3.3 | | V |
| V _{OL} | V _{CC} = 4.5 V, I _{OL} = 12 mA | 0.25 | 0.5 | | V |
| I _{OZH} | O, Q outputs | | | 20 | μA |
| | I/O ports | V _{CC} = 5.5 V, V _O = 2.7 V | | 100 | |
| I _{OZL} | O, Q outputs | | | -20 | μA |
| | I/O ports | V _{CC} = 5.5 V, V _O = 0.4 V | | -0.25 | |
| I _I | V _{CC} = 5.5 V, V _I = 5.5 V | | | 0.1 | mA |
| I _{IH} ‡ | V _{CC} = 5.5 V, V _I = 2.7 V | | | 20 | μA |
| I _{IL} ‡ | V _{CC} = 5.5 V, V _I = 0.4 V | | | -0.2 | mA |
| I _{OS} § | V _{CC} = 5.5 V, V _O = 0 | -30 | -70 | -130 | mA |
| I _{CC} | V _{CC} = 5.5 V, V _I = 0, Outputs open, \overline{OE} at V _{IH} | | 75 | | mA |

† All typical values are at V_{CC} = 5 V, T_A = 25°C.

‡ For I/O ports, the parameters I_{IH} and I_{IL} include the off-state output current.

§ Not more than one output should be shorted at a time, and duration of the short-circuit should not exceed 1 second.

switching characteristics over recommended operating free-air temperature range (unless otherwise noted)

| PARAMETER | FROM | TO | TEST CONDITIONS | -30M | | | UNIT |
|--------------------|-------------------|----------|---|------|------|-----|------|
| | | | | MIN | TYP† | MAX | |
| f _{max} † | with feedback | | R ₁ = 390 Ω, R ₂ = 750 Ω, C _L = 50 pF, See Figure 1 | | | | MHz |
| | without feedback | | | 25 | | | |
| t _{pd} | I, I/O | O, I/O | | | | 30 | ns |
| t _{pd} | CLK† | Q | | | | | ns |
| t _{en} | \overline{OE} | Q | | | | | ns |
| t _{dis} | \overline{OE} † | Q | | | | | ns |
| t _{en} | I, I/O | O, I/O25 | | | | | ns |
| t _{dis} | I, I/O | O, I/O | | | | | ns |

† All typical values are at V_{CC} = 5 V, T_A = 25°C.

$$f_{\text{max}} (\text{with feedback}) = \frac{1}{t_{\text{su}} + t_{\text{pd}} (\text{CLK to Q})}, \quad f_{\text{max}} (\text{without feedback}) = \frac{1}{t_{\text{w high}} + t_{\text{w low}}}$$

f_{max} does not apply for TIBPAL20L8'

2 Data Sheets

PRODUCT PREVIEW

PRODUCT PREVIEW information concerns products in the formative or design phase of development. Characteristic data and other specifications are design goals. Texas Instruments reserves the right to change or discontinue these products without notice.



POST OFFICE BOX 655012 • DALLAS, TEXAS 75265

TIBPAL20L8-25C, TIBPAL20R4-25C, TIBPAL20R6-25C, TIBPAL20R8-25C LOW-POWER HIGH-PERFORMANCE *IMPACT™* *PAL®* CIRCUITS

electrical characteristics over recommended free-air operating temperature range

| PARAMETER | | TEST CONDITIONS | -25C | | | UNIT | | |
|-------------------|--------------|---|------|------|------|-------|-----|----|
| | | | MIN | TYP† | MAX | | | |
| V _{IK} | | V _{CC} = 4.75 V, I _I = -18 mA | -0.8 | -1.5 | | V | | |
| V _{OH} | | V _{CC} = 4.75 V, I _{OH} = -3.2 mA | 2.4 | 3.3 | | V | | |
| V _{OL} | | V _{CC} = 4.75 V, I _{OL} = 24 mA | | 0.3 | 0.5 | V | | |
| I _{OZH} | O, Q outputs | V _{CC} = 5.25 V, V _O = 2.7 V | | | | 20 | μA | |
| | I/O ports | | | | | 100 | | |
| I _{OZL} | O, Q outputs | V _{CC} = 5.25 V, V _O = 0.4 V | | | | -20 | μA | |
| | I/O ports | | | | | -0.25 | | |
| I _I | | V _{CC} = 5.25 V, V _I = 5.5 V | | | | 0.1 | mA | |
| I _{IH} ‡ | | V _{CC} = 5.25 V, V _I = 2.7 V | | | | 20 | μA | |
| I _{IL} ‡ | | V _{CC} = 5.25 V, V _I = 0.4 V | | | | -0.2 | mA | |
| I _{OS} § | | V _{CC} = 5.25 V, V _O = 0 | -30 | -70 | -130 | | mA | |
| I _{CC} | | V _{CC} = 5.25 V, V _I = 0, Outputs open, \overline{OE} at V _{IH} | | | | 75 | 105 | mA |

† All typical values are at V_{CC} = 5 V, T_A = 25°C.

‡ For I/O ports, the parameters I_{IH} and I_{IL} include the off-state output current.

§ Not more than one output should be shorted at a time, and duration of the short-circuit should not exceed 1 second.

switching characteristics over recommended operating free-air temperature range (unless otherwise noted)

| PARAMETER | FROM | TO | TEST CONDITIONS | -25C | | | UNIT |
|--------------------|-------------------|--------|---|------|------|-----|------|
| | | | | MIN | TYP† | MAX | |
| f _{max} † | with feedback | | R ₁ = 200 Ω, R ₂ = 390 Ω, C _L = 50 pF, See Figure 1 | 25 | 40 | | MHz |
| | without feedback | | | 33 | 50 | | |
| t _{pd} | I, I/O | O, I/O | | 3 | 14 | 25 | ns |
| t _{pd} | CLK† | Q | | 2 | 10 | 15 | ns |
| t _{en} | \overline{OE} | Q | | 2 | 8 | 15 | ns |
| t _{dis} | \overline{OE} † | Q | | 2 | 8 | 15 | ns |
| t _{en} | I, I/O | O, I/O | | 3 | 15 | 25 | ns |
| t _{dis} | I, I/O | O, I/O | | 3 | 15 | 25 | ns |

† All typical values are at V_{CC} = 5 V, T_A = 25°C.

$$f_{\text{max}} (\text{with feedback}) = \frac{1}{t_{\text{su}} + t_{\text{pd}} (\text{CLK to Q})} ; f_{\text{max}} (\text{without feedback}) = \frac{1}{t_{\text{w high}} + t_{\text{w low}}}$$

f_{max} does not apply for TIBPAL20L8'

PRODUCTION DATA documents contain information current as of publication date. Products conform to specifications per the terms of Texas Instruments standard warranty. Production processing does not necessarily include testing of all parameters.



POST OFFICE BOX 655012 • DALLAS, TEXAS 75265

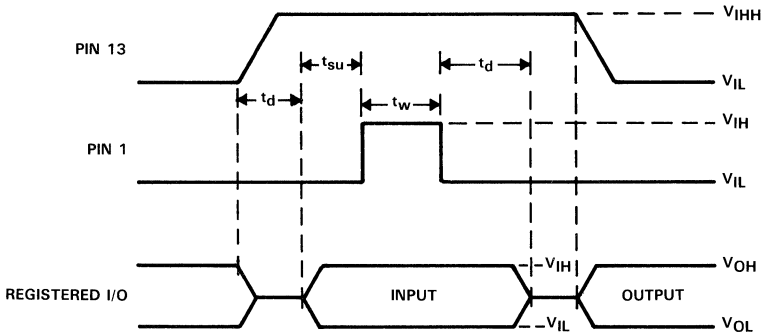
**TIBPAL20L8-30M, TIBPAL20R4-30M, TIBPAL20R6-30M, TIBPAL20R8-30M
TIBPAL20L8-25C, TIBPAL20R4-25C, TIBPAL20R6-25C, TIBPAL20R8-25C
LOW-POWER HIGH-PERFORMANCE *IMPACT*™ *PAL*® CIRCUITS**

preload procedure for registered outputs (see Note 2)

The output registers of the TIBPAL20R' can be preloaded to any desired state during device testing. This permits any state to be tested without having to step through the entire state-machine sequence. Each register is preloaded individually by following the steps given below.

- Step 1. With V_{CC} at 5 V and pin 1 at V_{IL} , raise pin 13 to V_{IH} .
- Step 2. Apply either V_{IL} or V_{IH} to the output corresponding to the register to be preloaded.
- Step 3. Pulse pin 1, clocking in preload data.
- Step 4. Remove output voltage, then lower pin 13 to V_{IL} . Preload can be verified by observing the voltage level at the output pin.

preload waveforms (see Notes 2 and 3)



- NOTES: 2. Pin numbers shown are for JT and NT packages only. If chip carrier socket adapter is not used, pin numbers must be changed accordingly.
3. $t_d = t_{su} = t_w = 100$ ns to 1000 ns.
 $V_{IH} = 10.25$ V to 10.75 V.

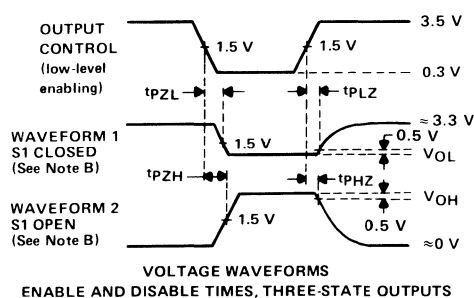
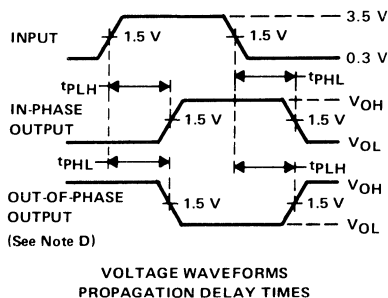
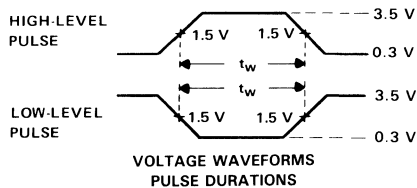
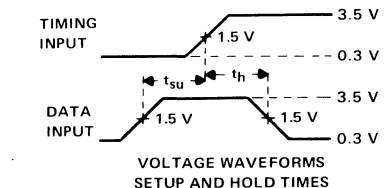
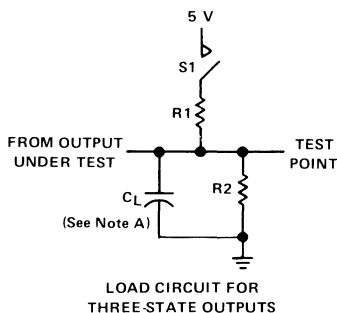
TIBPAL20L8-30M, TIBPAL20R4-30M, TIBPAL20R6-30M, TIBPAL20R8-30M TIBPAL20L8-25C, TIBPAL20R4-25C, TIBPAL20R6-25C, TIBPAL20R8-25C LOW-POWER HIGH-PERFORMANCE *IMPACT*™ *PAL*® CIRCUITS

programming information

Texas Instruments Programmable Logic Devices can be programmed using widely available software and inexpensive device programmers.

Complete programming specifications, algorithms, and the latest information on hardware, software, and firmware are available upon request. Information on programmers capable of programming Texas Instruments Programmable Logic is also available, upon request, from the nearest TI field sales office, local authorized TI distributor, or by calling Texas Instruments at (214) 997-5762.

PARAMETER MEASUREMENT INFORMATION



- NOTES: A. C_L includes probe and jig capacitance.
 B. Waveform 1 is for an output with internal conditions such that the output is low except when disabled by the output control. Waveform 2 is for an output with internal conditions such that the output is high except when disabled by the output control.
 C. All input pulses have the following characteristics: PRR \leq 1 MHz, $t_r = t_f = 2$ ns, duty cycle = 50%.
 D. When measuring propagation delay times of 3-state outputs, switch S1 is closed.

FIGURE 1

**TIBPAL20L10-25M, TIBPAL20X4-25M, TIBPAL20X8-25M, TIBPAL20X10-25M
TIBPAL20L10-20C, TIBPAL20X4-20C, TIBPAL20X8-20C, TIBPAL20X10-20C
HIGH-PERFORMANCE EXCLUSIVE-OR *IMPACT*™ *PAL*® CIRCUITS**

D2920, OCTOBER 1985—REVISED DECEMBER 1987

- High Performance . . . 35 MHz Min
- Preload Capability on Output Registers Simplifies Testing
- Power-Up Clear on Registered Devices
- Package Options Include Both Plastic and Ceramic Chip Carriers in Addition to Plastic and Ceramic DIPs

| DEVICE | I INPUTS | 3-STATE O OUTPUTS | REGISTERED Q OUTPUTS | I/O PORTS |
|-----------|----------|----------------------|-------------------------|--------------|
| *PAL20L10 | 12 | 2 | 0 | 8 |
| *PAL20X4 | 10 | 0 | 4 (3-state buffers) | 6 |
| *PAL20X8 | 10 | 0 | 8 (3-state buffers) | 2 |
| *PAL20X10 | 10 | 0 | 10 (3-state buffers) | 0 |

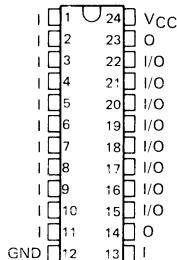
description

These programmable array logic devices feature high speed and functional equivalency when compared with currently available devices. These *IMPACT*™ circuits combine the latest Advanced Low-Power Schottky† technology with proven titanium-tungsten fuses to provide reliable, high-performance substitutes for conventional TTL logic. Their easy programmability allows for quick design of custom functions and typically results in a more compact circuit board. In addition, chip carriers are available for further reduction in board space.

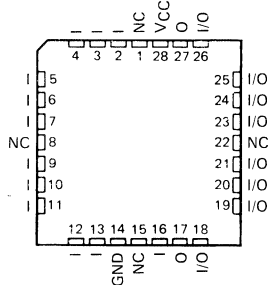
All of the registered outputs are set to a low level during power-up. In addition, extra circuitry has been provided to allow loading of each register asynchronously to either a high or low state. This feature simplifies testing because the registers can be set to an initial state prior to executing the test sequence.

The PAL20' M series is characterized for operation over the full military temperature range of -55°C to 125°C. The PAL20' C series is characterized for operation from 0°C to 75°C.

TIBPAL20L10'
M SUFFIX . . . JT PACKAGE
C SUFFIX . . . JT OR NT PACKAGE
(TOP VIEW)



TIBPAL20L10'
M SUFFIX . . . FK PACKAGE
C SUFFIX . . . FN PACKAGE
(TOP VIEW)



NC—No internal connection

Pin assignments in operating mode

IMPACT is a trademark of Texas Instruments Incorporated.

PAL is a registered trademark of Monolithic Memories Inc.

†Integrated Schottky-Barrier diode-clamped transistor is patented by Texas Instruments, U.S. Patent Number 3,463,975.

PRODUCTION DATA documents contain information current as of publication date. Products conform to specifications per the terms of Texas Instruments standard warranty. Production processing does not necessarily include testing of all parameters.



POST OFFICE BOX 655012 • DALLAS, TEXAS 75265

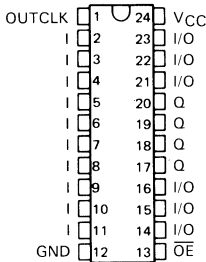
Copyright © 1984, Texas Instruments Incorporated

**TIBPAL20X4-25M, TIBPAL20X8-25M, TIBPAL20X10-25M
TIBPAL20X4-20C, TIBPAL20X8-20C, TIBPAL20X10-20C
HIGH-PERFORMANCE EXCLUSIVE-OR *IMPACT™* PAL® CIRCUITS**

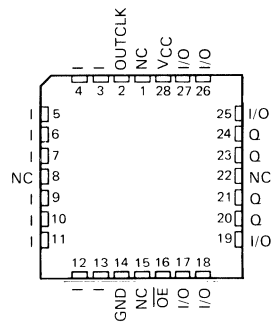
2

Data Sheets

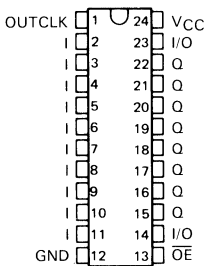
TIBPAL20X4'
M SUFFIX . . . JT PACKAGE
C SUFFIX . . . JT OR NT PACKAGE
(TOP VIEW)



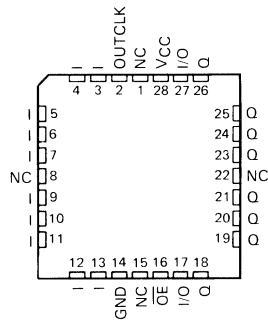
TIBPAL20X4'
M SUFFIX . . . FK PACKAGE
C SUFFIX . . . FN PACKAGE
(TOP VIEW)



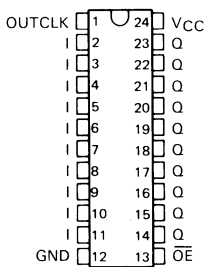
TIBPAL20X8'
M SUFFIX . . . JT PACKAGE
C SUFFIX . . . JT OR NT PACKAGE
(TOP VIEW)



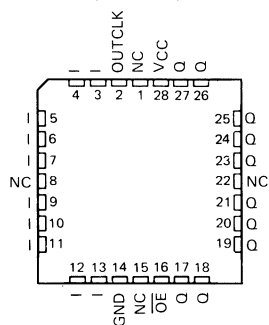
TIBPAL20X8'
M SUFFIX . . . FK PACKAGE
C SUFFIX . . . FN PACKAGE
(TOP VIEW)



TIBPAL20X10'
M SUFFIX . . . JT PACKAGE
C SUFFIX . . . JT OR NT PACKAGE
(TOP VIEW)



TIBPAL20X10'
M SUFFIX . . . FK PACKAGE
C SUFFIX . . . FN PACKAGE
(TOP VIEW)

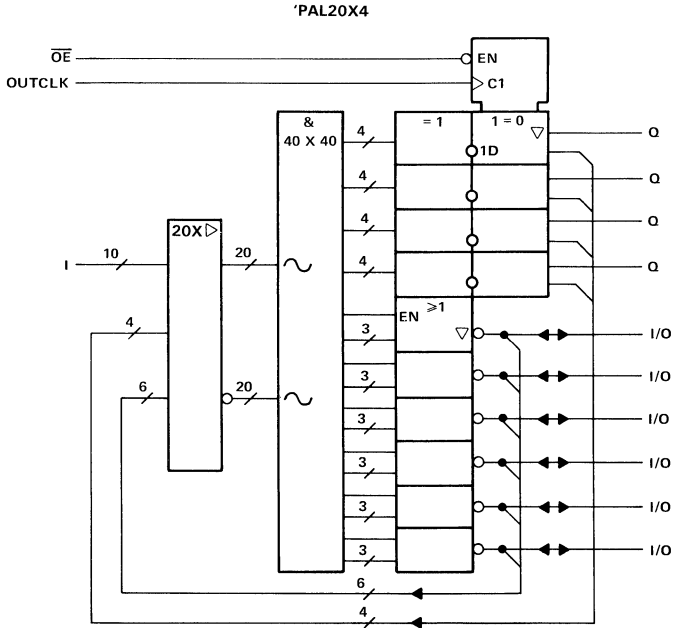
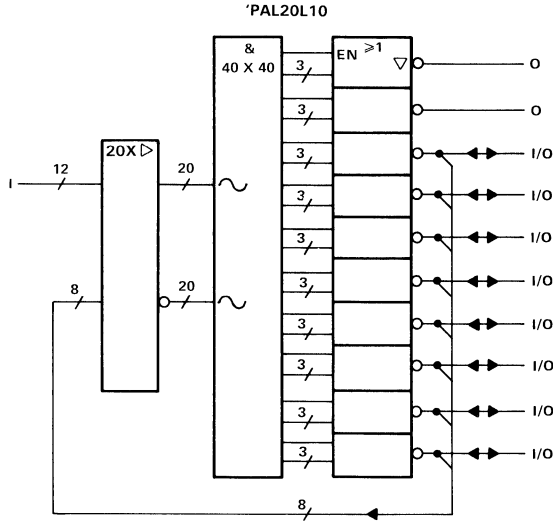


NC—No internal connection

Pin assignments in operating mode

**TIBPAL20L10-25M, TIBPAL20X4-25M
TIBPAL20L10-20C, TIBPAL20X4-20C
HIGH-PERFORMANCE EXCLUSIVE-OR *IMPACT*™ PAL® CIRCUITS**

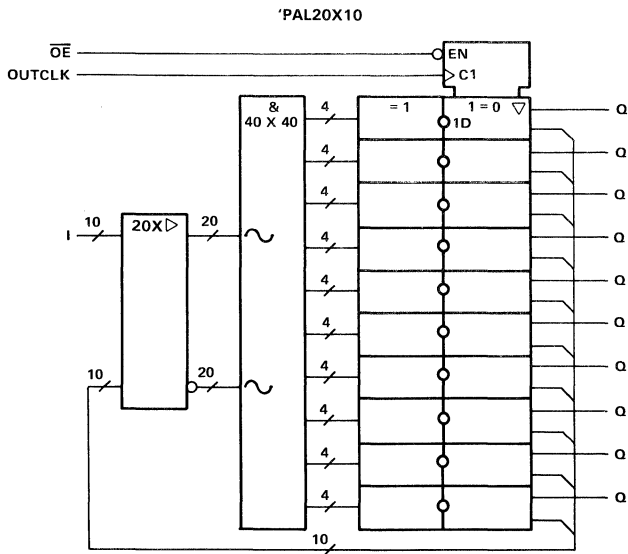
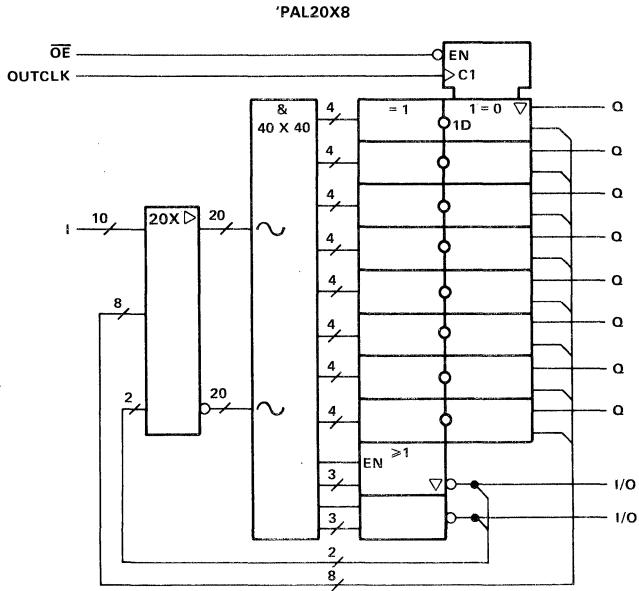
functional block diagrams (positive logic)



~ denotes fused inputs

**TIBPAL20X8-25M, TIBPAL20X10-25M
TIBPAL20X8-20C, TIBPAL20X10-20C
HIGH-PERFORMANCE EXCLUSIVE-OR *IMPACT*™ *PAL*® CIRCUITS**

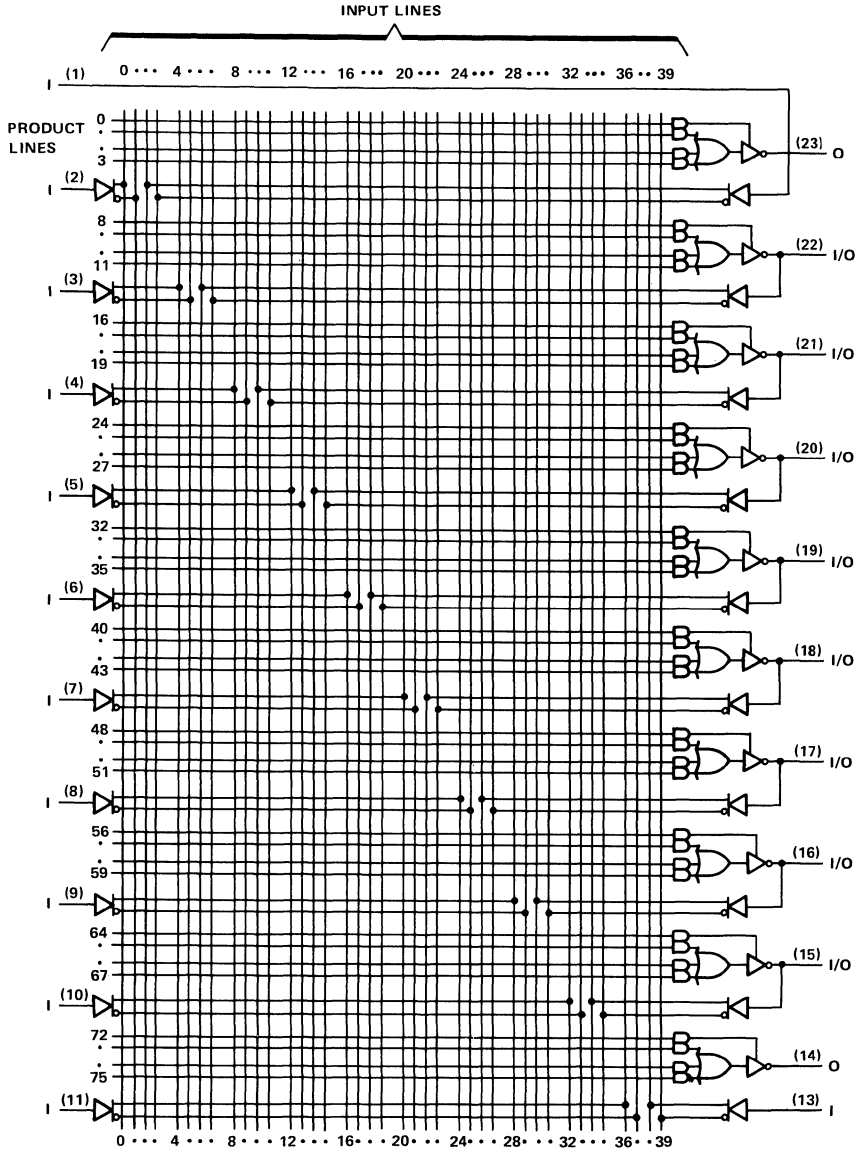
functional block diagrams (positive logic)



~ denotes fused inputs

TIBPAL20L10-25M
TIBPAL20L10-20C
HIGH-PERFORMANCE EXCLUSIVE-OR *IMPACT*™ *PAL*® CIRCUITS

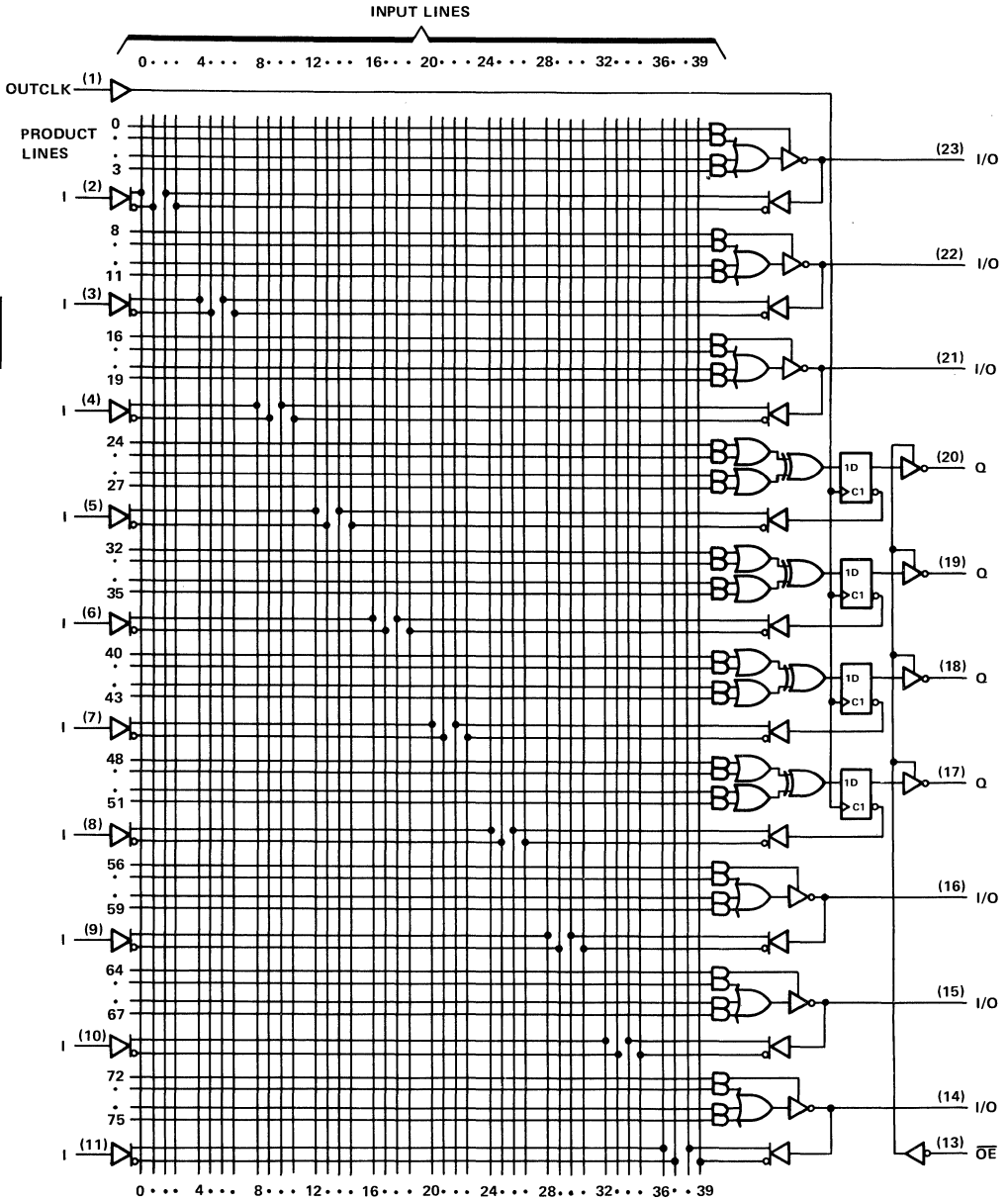
logic diagram (positive logic)



Pin numbers shown are for JT and NT packages.

TIBPAL20X4-25M
TIBPAL20X4-20C
HIGH-PERFORMANCE EXCLUSIVE-OR IMPACT™ PAL® CIRCUITS

logic diagram (positive logic)

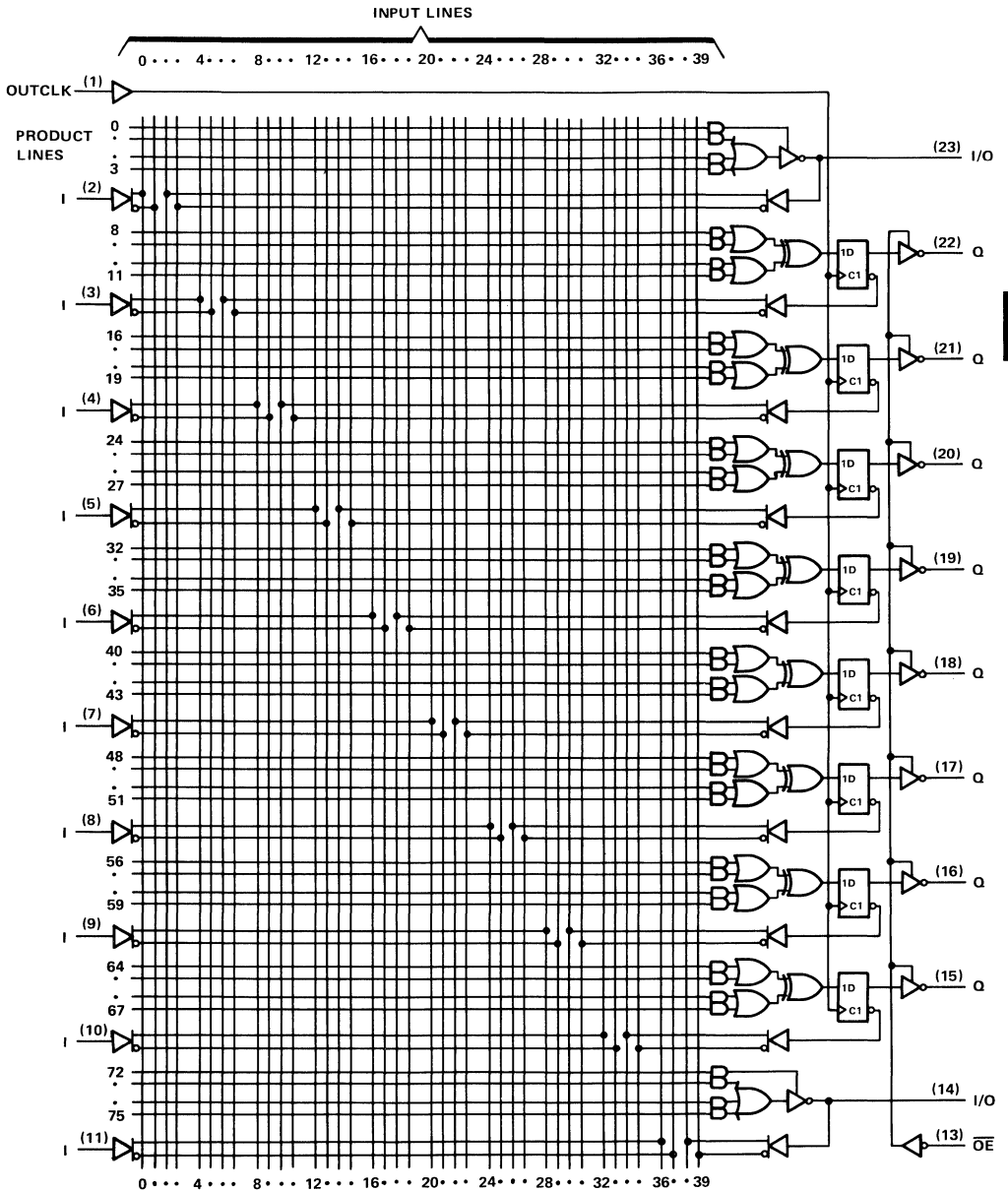


Pin numbers shown are for JT and NT packages.

2 Data Sheets

TIBPAL20X8-25M
TIBPAL20X8-20C
HIGH-PERFORMANCE EXCLUSIVE-OR IMPACT™ PAL® CIRCUITS

logic diagram (positive logic)

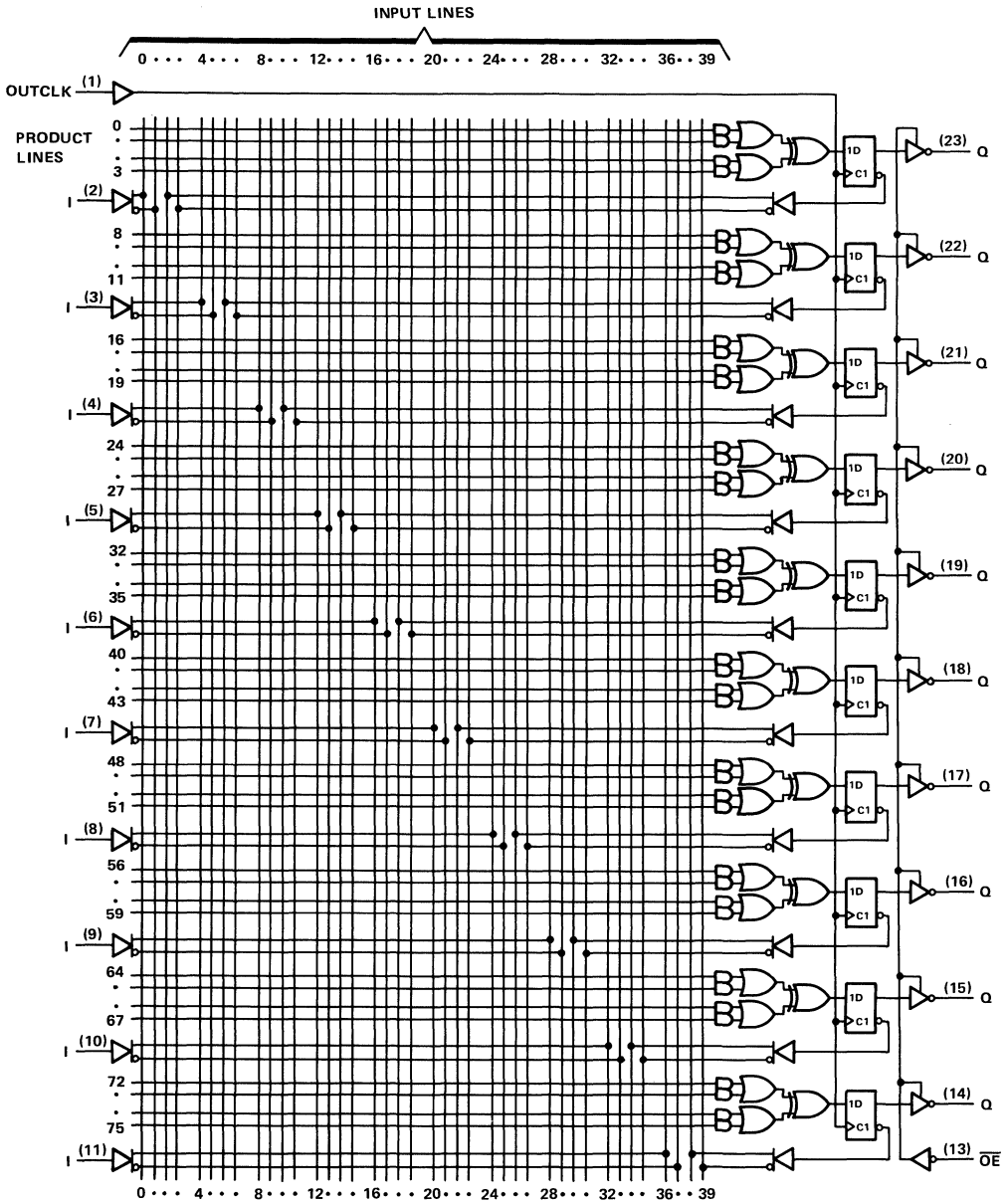


2
Data Sheets

Pin numbers shown are for JT and NT packages.

TIBPAL20X10-25M
TIBPAL20X10-20C
HIGH-PERFORMANCE EXCLUSIVE-OR *IMPACT*™ PAL® CIRCUITS

logic diagram (positive logic)



Pin numbers shown are for JT and NT packages.

2

Data Sheets

**TIBPAL20L10-25M, TIBPAL20X4-25M, TIBPAL20X8-25M, TIBPAL20X10-25M
TIBPAL20L10-20C, TIBPAL20X4-20C, TIBPAL20X8-20C, TIBPAL20X10-20C
HIGH-PERFORMANCE EXCLUSIVE-OR *IMPACT™* *PAL®* CIRCUITS**

absolute maximum ratings over operating free-air temperature range (unless otherwise noted)

| | |
|---|----------------|
| Supply voltage, V_{CC} (see Note 1) | 7 V |
| Input voltage (see Note 1) | 5.5 V |
| Voltage applied to a disabled output (see Note 1) | 5.5 V |
| Operating free-air temperature range: M suffix | -55°C to 125°C |
| C suffix | 0°C to 75°C |
| Storage temperature range | -65°C to 150°C |

NOTE 1: These ratings apply except for programming pins during a programming cycle.

recommended operating conditions

| PARAMETER | | -25M | | | -20C | | | UNIT |
|-------------|--|------|-----|-----|------|-----|------|------|
| | | MIN | NOM | MAX | MIN | NOM | MAX | |
| V_{CC} | Supply voltage | 4.5 | 5 | 5.5 | 4.75 | 5 | 5.25 | V |
| V_{IH} | High-level input voltage | 2 | | 5.5 | 2 | | 5.5 | V |
| V_{IL} | Low-level input voltage | | | 0.8 | | | 0.8 | V |
| I_{OH} | High-level output current | | | -2 | | | -3.2 | mA |
| I_{OL} | Low-level output current | | | 12 | | | 24 | mA |
| f_{clock} | Clock frequency | | | 0 | | | 25 | MHz |
| t_w | Pulse duration, clock, see Note 2 | High | | 15 | | | 10 | ns |
| | | Low | | 20 | | | 14 | ns |
| t_{su} | Setup time, input or feedback before OUTCLK↑ | | | 25 | | | 20 | ns |
| t_h | Hold time, input or feedback after OUTCLK↑ | | | 0 | | | 0 | ns |
| T_A | Operating free-air temperature | | | -55 | | | 125 | °C |

NOTE 2: The high and low clock pulse durations cannot both be at the minimum values specified. Their sum must be equal to or greater than the minimum clock period, which is the reciprocal of the maximum recommended clock frequency.

electrical characteristics over recommended free-air operating temperature range

| PARAMETER | | TEST CONDITIONS† | -25M | | -20C | | UNIT | | |
|---------------|----------------------|---|------|------|-------|-----|-------|---------------|-----|
| | | | MIN | TYP‡ | MAX | MIN | | TYP‡ | MAX |
| V_{IK} | | $V_{CC} = \text{MIN}, I_I = -18 \text{ mA}$ | | | -1.2 | | -1.2 | V | |
| V_{OH} | | $V_{CC} = \text{MIN}, I_{OH} = \text{MAX}$ | 2.4 | 3.2 | | 2.4 | 3.3 | V | |
| V_{OL} | | $V_{CC} = \text{MIN}, I_{OL} = \text{MAX}$ | | 0.25 | 0.4 | | 0.35 | 0.5 | V |
| I_{OZH} | Outputs | $V_{CC} = \text{MAX}, V_O = 2.7 \text{ V}$ | | | 20 | | 20 | μA | |
| | I/O ports | | | | 100 | | 100 | | |
| I_{OZL} | Outputs | $V_{CC} = \text{MAX}, V_O = 0.4 \text{ V}$ | | | -20 | | -20 | μA | |
| | I/O ports | | | | -250 | | -250 | | |
| I_I | | $V_{CC} = \text{MAX}, V_I = 5.5 \text{ V}$ | | | 0.1 | | 0.1 | mA | |
| I_{IH} | | $V_{CC} = \text{MAX}, V_I = 2.7 \text{ V}$ | | | 20 | | 20 | μA | |
| I_{IL} | | $V_{CC} = \text{MAX}, V_I = 0.4 \text{ V}$ | | | -0.25 | | -0.25 | mA | |
| I_{OS}^{\S} | | $V_{CC} = 5 \text{ V}, V_O = 0$ | | -30 | -130 | | -30 | -130 | mA |
| I_{CC} | '20X4, '20X8, '20X10 | $V_{CC} = \text{MAX}, V_I = 0$ | | 120 | 180 | | 120 | 180 | mA |
| | '20L10 | | | 120 | 165 | | 120 | 165 | |

† For conditions shown as MIN or MAX, use the appropriate value specified under recommended operating conditions.

‡ All typical values are $V_{CC} = 5 \text{ V}, T_A = 25^\circ\text{C}$.

§ Not more than one output should be shorted at a time and duration of the short-circuit should not exceed one second.

**TIBPAL20L10-25M, TIBPAL20X4-25M, TIBPAL20X8-25M, TIBPAL20X10-25M
TIBPAL20L10-20C, TIBPAL20X4-20C, TIBPAL20X8-20C, TIBPAL20X10-20C
HIGH-PERFORMANCE EXCLUSIVE-OR *IMPACT™* PAL® CIRCUITS**

switching characteristics over recommended operating free-air temperature range (unless otherwise noted)

| PARAMETER | FROM | TO | TEST CONDITIONS | -25M | | -20C | | UNIT |
|-----------|------------------------|--------|--|------|------|------|-----|------|
| | | | | MIN | TYP† | MAX | MIN | |
| f_{max} | | | R1 = 200 Ω , R2 = 390 Ω , C _L = 50 pF | 25 | | 35 | | MHz |
| t_{pd} | I, I/O | O, I/O | | 12 | 25 | 12 | 20 | ns |
| t_{pd} | OUTCLK† | Q | | 10 | 20 | 10 | 15 | ns |
| t_{en} | \overline{OE} | Q | | 7 | 20 | 7 | 15 | ns |
| t_{dis} | $\overline{OE}\dagger$ | Q | | 7 | 20 | 7 | 15 | ns |
| t_{en} | I, I/O | O, I/O | | 15 | 25 | 15 | 20 | ns |
| t_{dis} | I, I/O | O, I/O | | 15 | 25 | 15 | 20 | ns |

†All typical values are at $V_{CC} = 5\text{ V}$, $T_A = 25^\circ\text{C}$.

2

Data Sheets

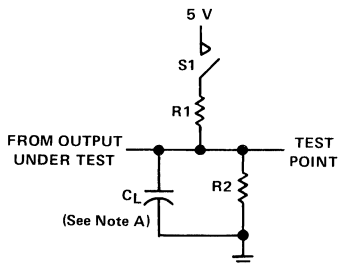
programming information

Texas Instruments Programmable Logic Devices can be programmed using widely available software and inexpensive device programmers.

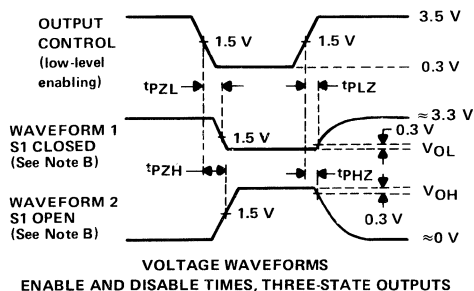
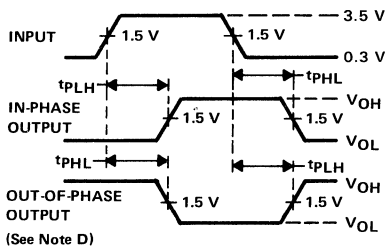
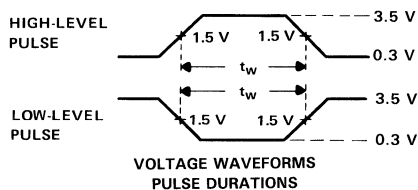
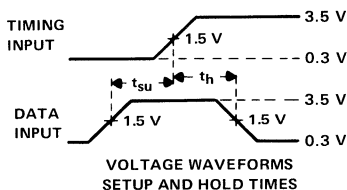
Complete programming specifications, algorithms, and the latest information on hardware, software, and firmware are available upon request. Information on programmers capable of programming Texas Instruments Programmable Logic is also available, upon request, from the nearest TI field sales office, local authorized TI distributor, or by calling Texas Instruments at (214) 995-5762.

**TIBPAL20L10-25M, TIBPAL20X4-25M, TIBPAL20X8-25M, TIBPAL20X10-25M
TIBPAL20L10-20C, TIBPAL20X4-20C, TIBPAL20X8-20C, TIBPAL20X10-20C
HIGH-PERFORMANCE EXCLUSIVE-OR *IMPACT*™ *PAL*® CIRCUITS**

PARAMETER MEASUREMENT INFORMATION



**LOAD CIRCUIT FOR
THREE-STATE OUTPUTS**



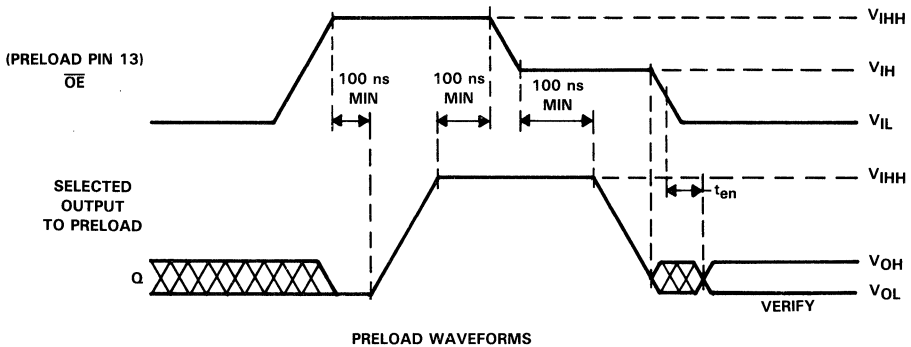
- NOTES: A. C_L includes probe and jig capacitance.
 B. Waveform 1 is for an output with internal conditions such that the output is low except when disabled by the output control. Waveform 2 is for an output with internal conditions such that the output is high except when disabled by the output control.
 C. All input pulses have the following characteristics: $PRR \leq 1$ MHz, $t_r = t_f = 2$ ns, duty cycle = 50%.
 D. When measuring propagation delay times of 3-state outputs, switch S1 is closed.

**TIBPAL20L10-25M, TIBPAL20X4-25M, TIBPAL20X8-25M, TIBPAL20X10-25M
TIBPAL20L10-20C, TIBPAL20X4-20C, TIBPAL20X8-20C, TIBPAL20X10-20C
HIGH-PERFORMANCE EXCLUSIVE-OR *IMPACT*™ *PAL*® CIRCUITS**

preload procedures

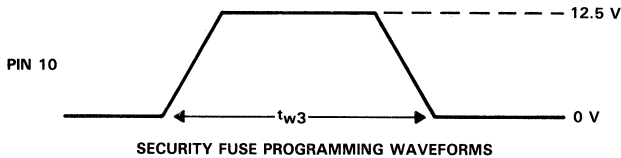
preload procedure for registered outputs

- Step 1 With V_{CC} at 5 volts, raise Pin 13 (\overline{OE}) to V_{IH} to disable the outputs and clear the registers (output goes low). Since the outputs are low, only high levels need be preloaded.
- Step 2 Raise the selected output to be preloaded high to V_{IH} .
- Step 3 Lower Pin 13 to V_{IH} .
- Step 4 Remove the voltages applied to the outputs. (At least a 100-ns wait is required between step 3 and step 4)
- Step 5 Lower Pin 13 to V_{IL} to verify preload.



PRELOAD WAVEFORMS

security fuse programming



SECURITY FUSE PROGRAMMING WAVEFORMS

NOTE: Pin numbers shown apply only for the DIP package. If a chip carrier socket adaptor is not used, pin numbers must be changed accordingly.

TIBPAL20L10-30C, TIBPAL20X4-30C, TIBPAL20X8-30C, TIBPAL20X10-30C HIGH-PERFORMANCE EXCLUSIVE-OR *IMPACT*[™] *PAL*[®] CIRCUITS

D2920, DECEMBER 1987

- Functionally Equivalent to MMI PAL[®] Series 24XA
- Preload Capability on Output Registers Simplifies Testing
- Power-Up Clear on Registered Devices
- Package Options Include Both Plastic and Ceramic Chip Carriers in Addition to Plastic and Ceramic DIPs

| DEVICE | I INPUTS | 3-STATE O OUTPUTS | REGISTERED Q OUTPUTS | I/O PORTS |
|-----------|-------------|----------------------|-------------------------|--------------|
| 'PAL20L10 | 12 | 2 | 0 | 8 |
| 'PAL20X4 | 10 | 0 | 4 (3-state buffers) | 6 |
| 'PAL20X8 | 10 | 0 | 8 (3-state buffers) | 2 |
| 'PAL20X10 | 10 | 0 | 10 (3-state buffers) | 0 |

description

These programmable array logic devices feature high speed and functional equivalency when compared with currently available devices. These *IMPACT*[™] circuits combine the latest Advanced Low-Power Schottky[†] technology with proven titanium-tungsten fuses to provide reliable, high-performance substitutes for conventional TTL logic. Their easy programmability allows for quick design of custom functions and typically results in a more compact circuit board. In addition, chip carriers are available for further reduction in board space.

All of the registered outputs are set to a low level during power-up. In addition, extra circuitry has been provided to allow loading of each register asynchronously to either a high or low state. This feature simplifies testing because the registers can be set to an initial state prior to executing the test sequence.

The TIBPAL20' C suffix devices are characterized for operation from 0°C to 75°C.

IMPACT is a trademark of Texas Instruments Incorporated.

PAL is a registered trademark of Monolithic Memories Inc.

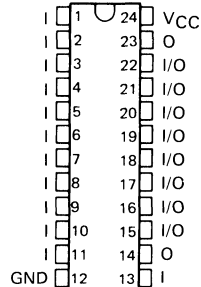
[†]Integrated Schottky-Barrier diode-clamped transistor is patented by Texas Instruments, U.S. Patent Number 3,463,975.

PRODUCTION DATA documents contain information current as of publication date. Products conform to specifications per the terms of Texas Instruments standard warranty. Production processing does not necessarily include testing of all parameters.

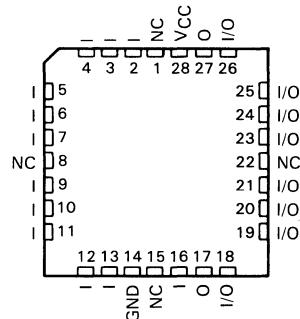
**TEXAS
INSTRUMENTS**

POST OFFICE BOX 655012 • DALLAS, TEXAS 75265

TIBPAL20L10'
C SUFFIX . . . JT OR NT PACKAGE
(TOP VIEW)



TIBPAL20L10'
C SUFFIX . . . FN PACKAGE
(TOP VIEW)



NC—No internal connection

Pin assignments in operating mode

2

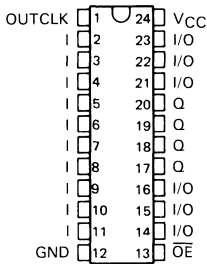
Data Sheets

Copyright © 1987, Texas Instruments Incorporated

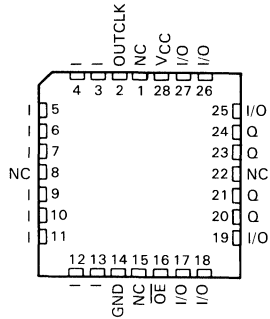
2-127

TIBPAL20X4-30C, TIBPAL20X8-30C, TIBPAL20X10-30C
HIGH-PERFORMANCE EXCLUSIVE-OR *IMPACT™* PAL® CIRCUITS

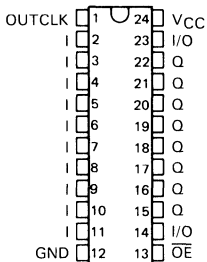
TIBPAL20X4'
C SUFFIX . . . JT OR NT PACKAGE
(TOP VIEW)



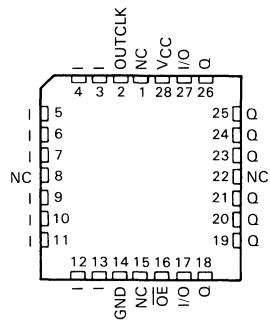
TIBPAL20X4'
C SUFFIX . . . FN PACKAGE
(TOP VIEW)



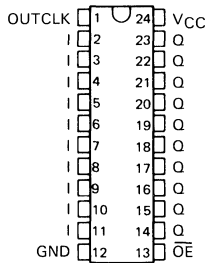
TIBPAL20X8'
C SUFFIX . . . JT OR NT PACKAGE
(TOP VIEW)



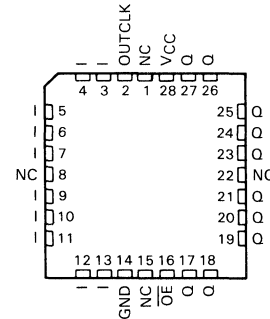
TIBPAL20X8'
C SUFFIX . . . FN PACKAGE
(TOP VIEW)



TIBPAL20X10'
C SUFFIX . . . JT OR NT PACKAGE
(TOP VIEW)



TIBPAL20X10'
C SUFFIX . . . FN PACKAGE
(TOP VIEW)

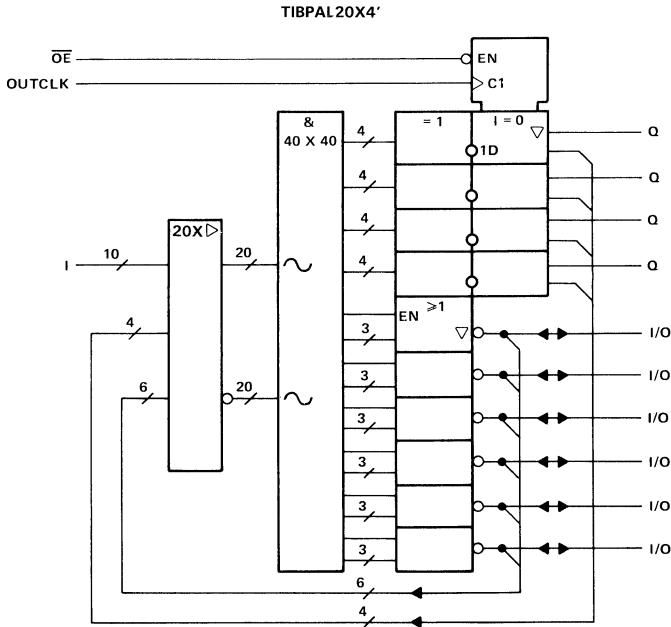
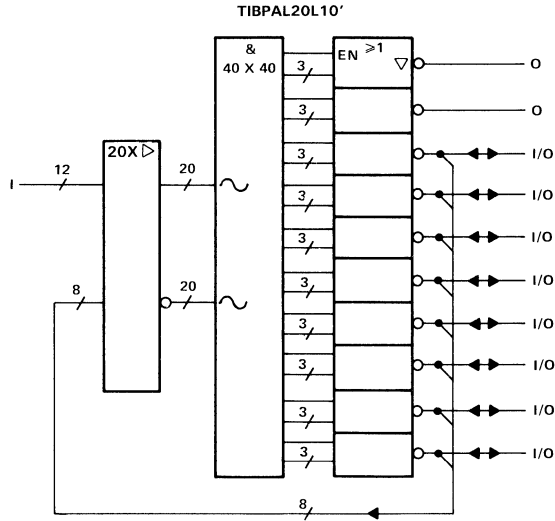


Pin assignments in operating mode

NC—No internal connection

TIBPAL20L10-30C, TIBPAL20X4-30C
HIGH-PERFORMANCE EXCLUSIVE-OR *IMPACT*™ PAL® CIRCUITS

functional block diagrams (positive logic)

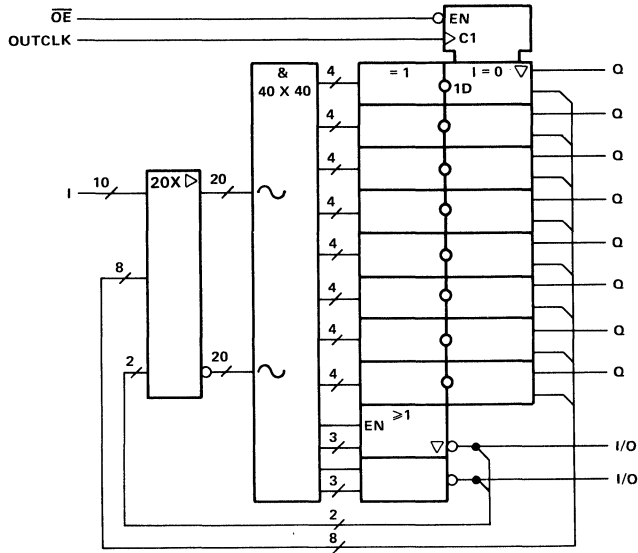


~ denotes fused inputs

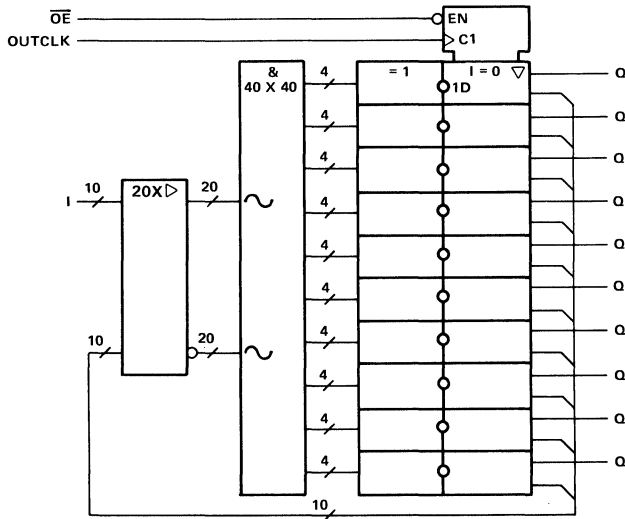
TIBPAL20X8-30C, TIBPAL20X10-30C
HIGH-PERFORMANCE EXCLUSIVE-OR *IMPACT™* PAL® CIRCUITS

functional block diagrams (positive logic)

TIBPAL20X8'



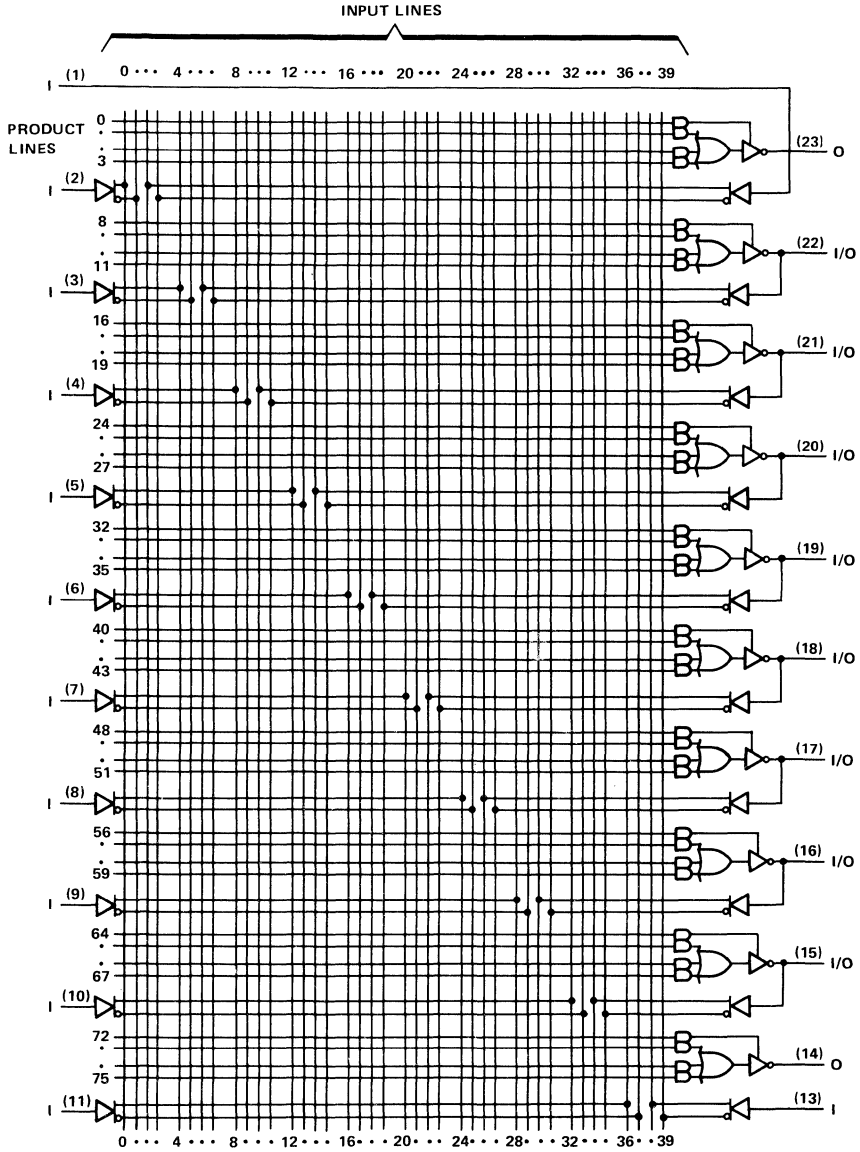
TIBPAL20X10'



~ denotes fused inputs

TIBPAL20L10-30C
HIGH-PERFORMANCE EXCLUSIVE-OR *IMPACT*™ PAL® CIRCUITS

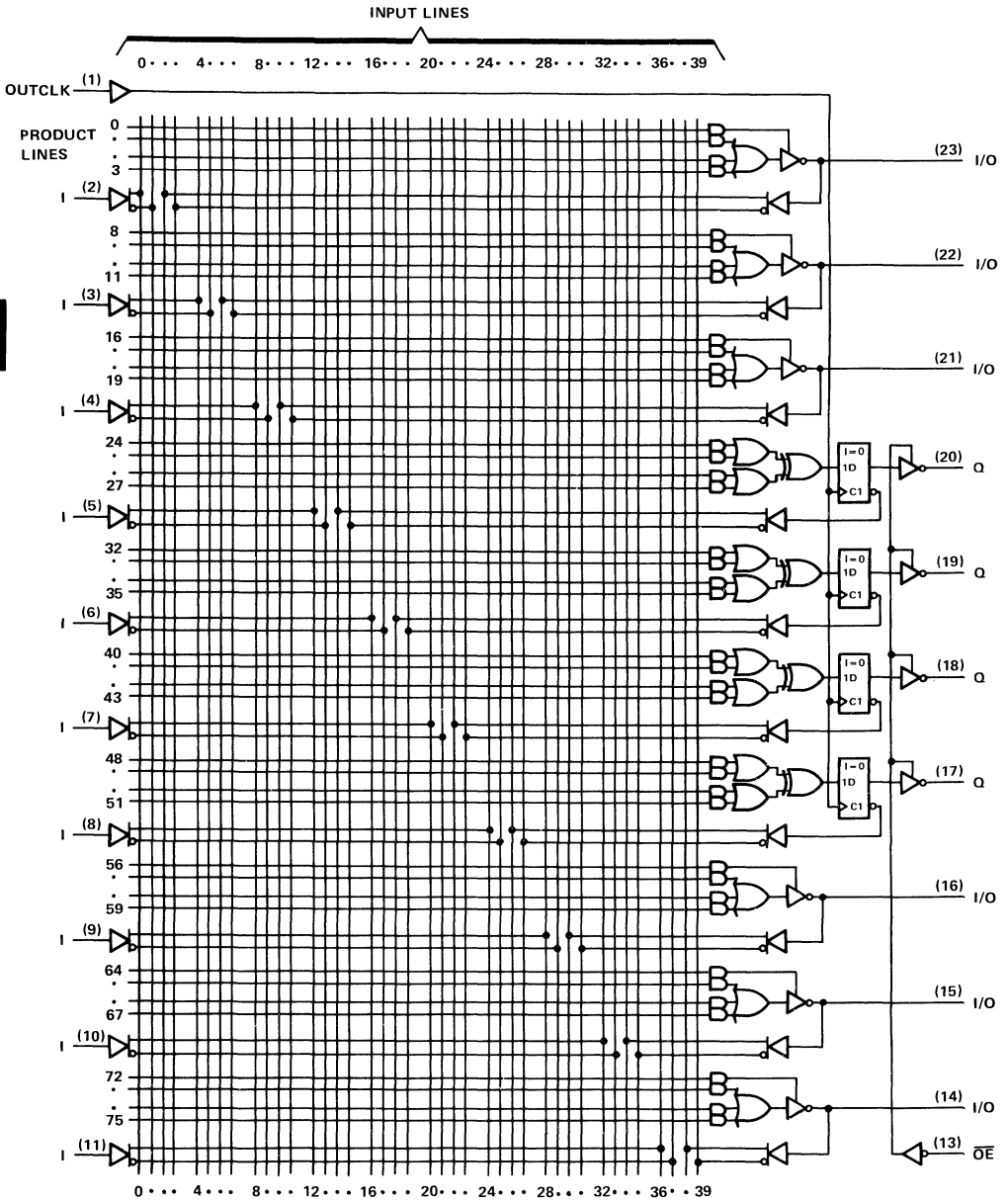
logic diagram (positive logic)



Pin numbers shown are for JT and NT packages.

TIBPAL20X4-30C
HIGH-PERFORMANCE EXCLUSIVE-OR IMPACT™ PAL® CIRCUITS

logic diagram (positive logic)

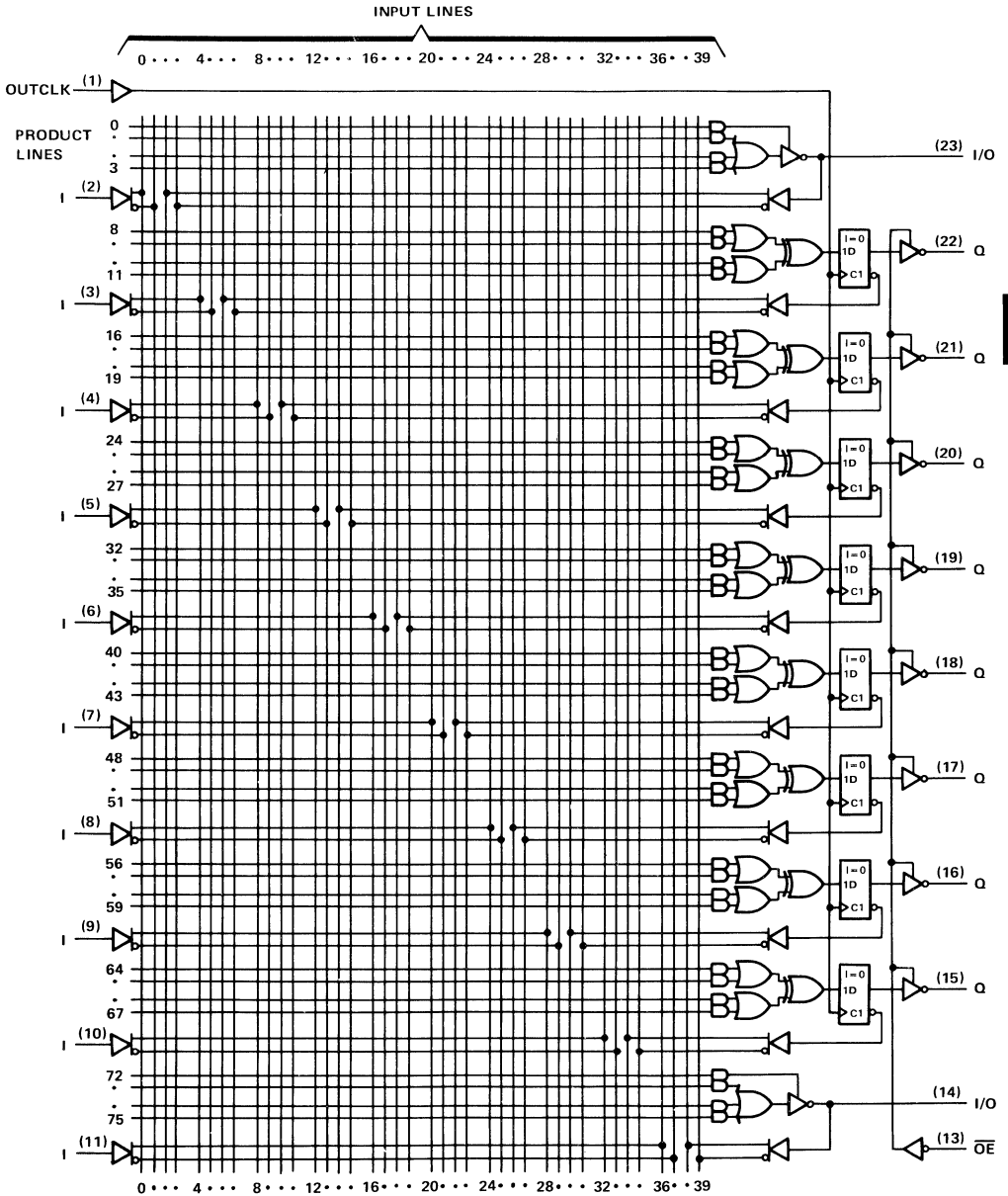


Pin numbers shown are for JT and NT packages.

2
Data Sheets

TIBPAL20X8-30C
HIGH-PERFORMANCE EXCLUSIVE-OR *IMPACT*™ PAL® CIRCUITS

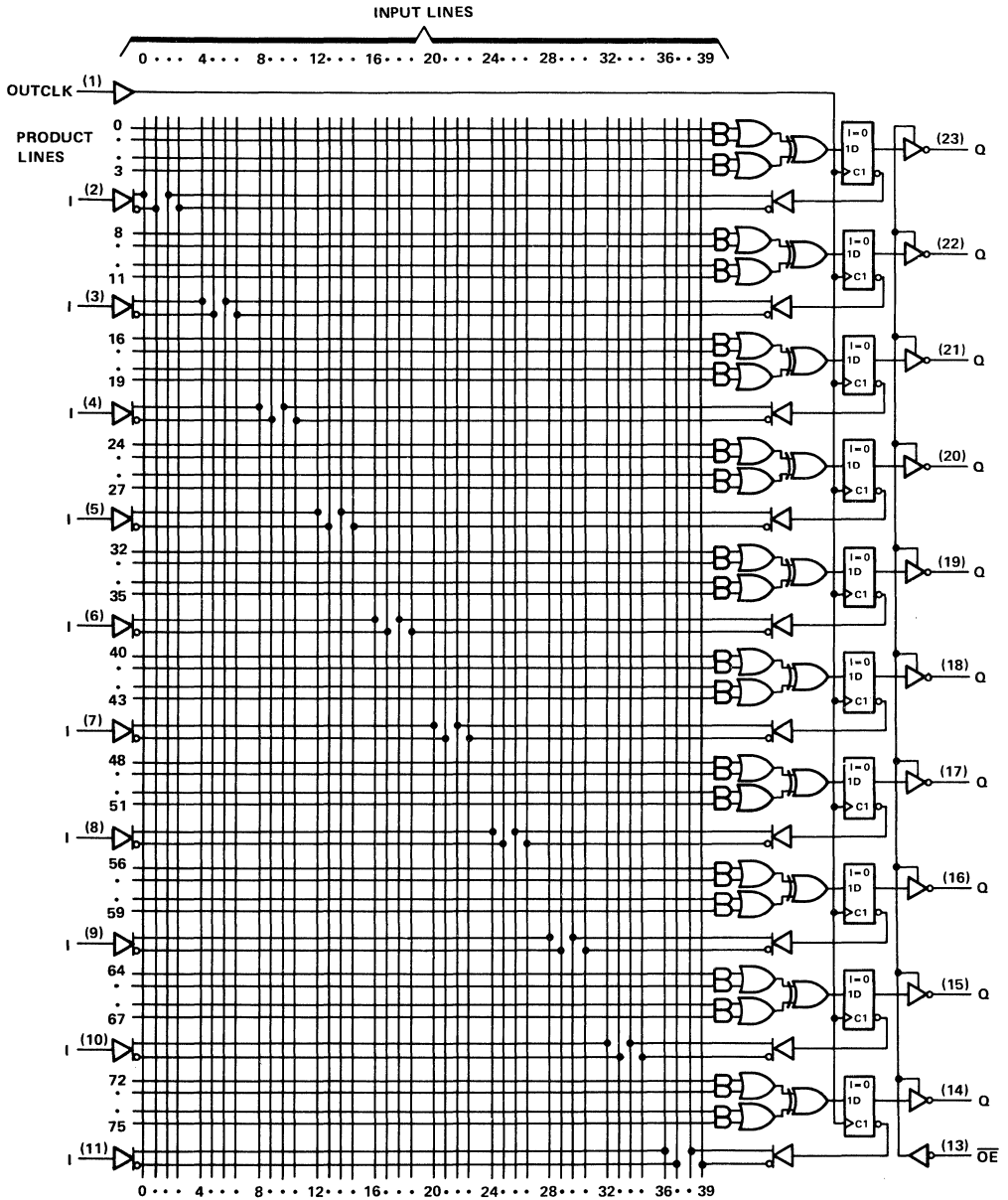
logic diagram (positive logic)



Pin numbers shown are for JT and NT packages.

TIBPAL20X10-30C
HIGH-PERFORMANCE EXCLUSIVE-OR IMPACT™ PAL® CIRCUITS

logic diagram (positive logic)



2
Data Sheets

TIBPAL20L10-30C, TIBPAL20X4-30C, TIBPAL20X8-30C, TIBPAL20X10-30C HIGH-PERFORMANCE EXCLUSIVE-OR *IMPACT™* PAL® CIRCUITS

absolute maximum ratings over operating free-air temperature range (unless otherwise noted)

| | |
|---|----------------|
| Supply voltage, V_{CC} (see Note 1) | 7 V |
| Input voltage (see Note 1) | 5.5 V |
| Voltage applied to a disabled output (see Note 1) | 5.5 V |
| Operating free-air temperature range: C suffix | 0°C to 75°C |
| Storage temperature range | –65°C to 150°C |

NOTE 1: These ratings apply except for programming pins during a programming cycle.

recommended operating conditions

| PARAMETER | | –30C | | | UNIT |
|-------------|--|------|-----|------|-------|
| | | MIN | NOM | MAX | |
| V_{CC} | Supply voltage | 4.75 | 5 | 5.25 | V |
| V_{IH} | High-level input voltage | 2 | | 5.5 | V |
| V_{IL} | Low-level input voltage | | | 0.8 | V |
| I_{OH} | High-level output current | | | –3.2 | mA |
| I_{OL} | Low-level output current | | | 24 | mA |
| f_{clock} | Clock frequency | 0 | | 22.2 | MHz |
| t_w | Pulse duration, clock, see Note 2 | High | | 15 | ns |
| | | Low | | 25 | |
| t_{su} | Setup time, input or feedback before OUTCLK† | | | 30 | ns |
| t_h | Hold time, input or feedback after OUTCLK† | | | 0 | ns |
| T_A | Operating free-air temperature | | | 0 | 75 °C |

NOTE 2: The high and low clock pulse durations cannot both be at the minimum values specified. Their sum must be equal to or greater than the minimum clock period, which is the reciprocal of the maximum recommended clock frequency.

electrical characteristics over recommended free-air operating temperature range

| PARAMETER | | TEST CONDITIONS† | | –30C | | UNIT |
|---------------|----------------------|--------------------------|------------------------|------|------|-------------|
| | | | | MIN | TYP‡ | |
| V_{IK} | | $V_{CC} = \text{MIN}$, | $I_I = -18 \text{ mA}$ | | | –1.2 V |
| V_{OH} | | $V_{CC} = \text{MIN}$, | $I_{OH} = \text{MAX}$ | 2.4 | 3.3 | V |
| V_{OL} | | $V_{CC} = \text{MIN}$, | $I_{OL} = \text{MAX}$ | | 0.35 | 0.5 V |
| I_{OZH} | Outputs | $V_{CC} = \text{MAX}$, | $V_O = 2.7 \text{ V}$ | | | 20 |
| | I/O ports | | | | | 100 |
| I_{OZL} | Outputs | $V_{CC} = \text{MAX}$, | $V_O = 0.4 \text{ V}$ | | | –20 |
| | I/O ports | | | | | –250 |
| I_I | | $V_{CC} = \text{MAX}$, | $V_I = 5.5 \text{ V}$ | | | 0.1 mA |
| I_{IH} | | $V_{CC} = \text{MAX}$, | $V_I = 2.7 \text{ V}$ | | | 20 μA |
| I_{IL} | | $V_{CC} = \text{MAX}$, | $V_I = 0.4 \text{ V}$ | | | –0.25 mA |
| I_{OS}^{\S} | | $V_{CC} = 5 \text{ V}$, | $V_O = 0$ | | | –30 –130 mA |
| I_{CC} | '20X4, '20X8, '20X10 | $V_{CC} = \text{MAX}$, | $V_I = 0$ | | | 120 180 |
| | '20L10 | | | | | 120 165 |

† For conditions shown as MIN or MAX, use the appropriate value specified under recommended operating conditions.

‡ All typical values are $V_{CC} = 5 \text{ V}$, $T_A = 25^\circ\text{C}$.

§ Not more than one output should be shorted at a time and duration of the short-circuit should not exceed one second.

2

Data Sheets

TIBPAL20L10-30C, TIBPAL20X4-30C, TIBPAL20X8-30C, TIBPAL20X10-30C HIGH-PERFORMANCE EXCLUSIVE-OR *IMPACT™* PAL® CIRCUITS

switching characteristics over recommended operating free-air temperature range (unless otherwise noted)

| PARAMETER | FROM | TO | TEST CONDITIONS | -30C | | | UNIT |
|-----------------------|---------------------------|--------|--|------|------|-----|------|
| | | | | MIN | TYP† | MAX | |
| f_{\max}^{\ddagger} | With Feedback | | R1 = 200 Ω , R2 = 390 Ω , C _L = 50 pF | 22.2 | | | MHz |
| t_{pd} | I, I/O | O, I/O | | 23 | 30 | | ns |
| t_{pd} | OUTCLK† | Q | | 10 | 15 | | ns |
| t_{en} | \overline{OE} | Q | | 11 | 20 | | ns |
| t_{dis} | \overline{OE}^{\dagger} | Q | | 10 | 20 | | ns |
| t_{en} | I, I/O | O, I/O | | 19 | 30 | | ns |
| t_{dis} | I, I/O | O, I/O | | 15 | 30 | | ns |

†All typical values are at V_{CC} = 5 V, T_A = 25 °C.

‡ f_{\max} (with feedback) = $\frac{1}{t_{su} + t_{pd}(\text{CLK to Q})}$, f_{\max} without feedback can be calculated as f_{\max} (without feedback) = $\frac{1}{t_{whigh} + t_{wlow}}$

2

Data Sheets

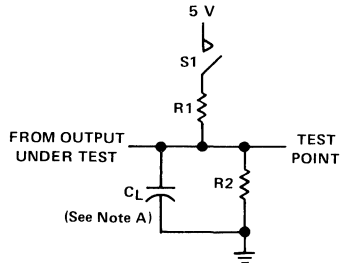
programming information

Texas Instruments Programmable Logic Devices can be programmed using widely available software and inexpensive device programmers.

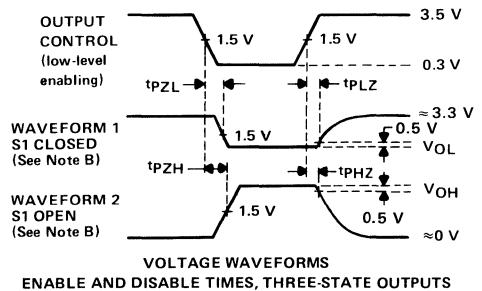
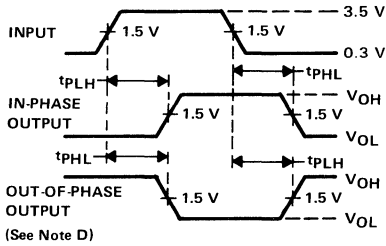
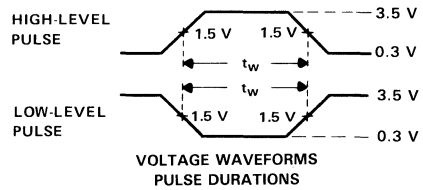
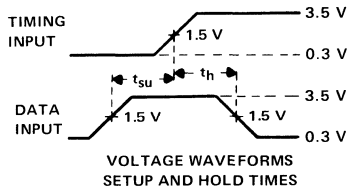
Complete programming specifications, algorithms, and the latest information on hardware, software, and firmware are available upon request. Information on programmers capable of programming Texas Instruments Programmable Logic is also available, upon request, from the nearest TI field sales office, local authorized TI distributor, or by calling Texas Instruments at (214) 997-5762.

TIBPAL20L10-30C, TIBPAL20X4-30C, TIBPAL20X8-30C, TIBPAL20X10-30C
HIGH-PERFORMANCE EXCLUSIVE-OR *IMPACT*™ *PAL*® CIRCUITS

PARAMETER MEASUREMENT INFORMATION



**LOAD CIRCUIT FOR
THREE-STATE OUTPUTS**



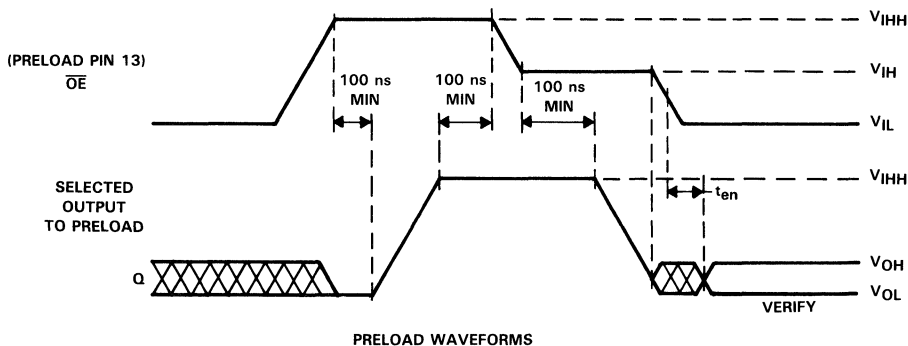
- NOTES: A. C_L includes probe and jig capacitance.
 B. Waveform 1 is for an output with internal conditions such that the output is low except when disabled by the output control. Waveform 2 is for an output with internal conditions such that the output is high except when disabled by the output control.
 C. All input pulses have the following characteristics: $PRR \leq 1$ MHz, $t_r = t_f = 2$ ns, duty cycle = 50%.
 D. When measuring propagation delay times of 3-state outputs, switch S1 is closed.

TIBPAL20L10-30C, TIBPAL20X4-30C, TIBPAL20X8-30C, TIBPAL20X10-30C
HIGH-PERFORMANCE EXCLUSIVE-OR *IMPACT™* PAL® CIRCUITS

preload procedures

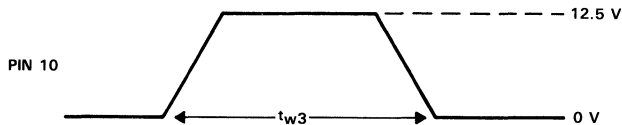
preload procedure for registered outputs

- Step 1 With V_{CC} at 5 volts, raise Pin 13 (\overline{OE}) to V_{IH} to disable the outputs and clear the registers (output goes low). Since the outputs are low, only high levels need be preloaded.
- Step 2 Raise the selected output to be preloaded high to V_{IH} .
- Step 3 Lower Pin 13 to V_{IH} .
- Step 4 Remove the voltages applied to the outputs. (At least a 100-ns wait is required between step 3 and step 4)
- Step 5 Lower Pin 13 to V_{IL} to verify preload.



PRELOAD WAVEFORMS

security fuse programming



SECURITY FUSE PROGRAMMING WAVEFORMS

NOTE: Pin numbers shown apply only for the DIP package. If a chip carrier socket adaptor is not used, pin numbers must be changed accordingly.

2
Data Sheets

TIBPAL20SP8-30M, TIBPAL20SP8-20C HIGH-PERFORMANCE *IMPACT™* PAL® CIRCUITS WITH PRODUCT-TERM SHARING

D3088, DECEMBER 1987

- True Product-Term Sharing Option
- High-Performance Operation:
TIBPAL20SP8-20C tpd . . . 20 ns
TIBPAL20SP8-30M tpd . . . 30 ns
- Choice of Output Polarity
- Package Options Include Both Plastic and Ceramic Chip Carriers in Addition to Plastic and Ceramic DIPs
- Dependable Texas Instruments Quality and Reliability

| DEVICE | I INPUT | 3-STATE O OUTPUTS | REGISTERED Q OUTPUTS | I/O PORTS |
|-----------|---------|----------------------|-------------------------|--------------|
| 'PAL20SP8 | 14 | 2 | 0 | 6 |

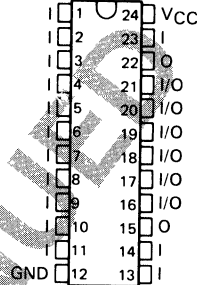
description

These programmable array logic devices feature high-speed product-term sharing. They combine the Advanced Low-Power Schottky technology with proven titanium-tungsten fuses. These devices will provide reliable, high-performance substitutes for conventional TTL logic. Their easy programmability allows for quick design of custom functions and typically result in a more compact circuit board. In addition, chip carriers are available for further reduction in board space.

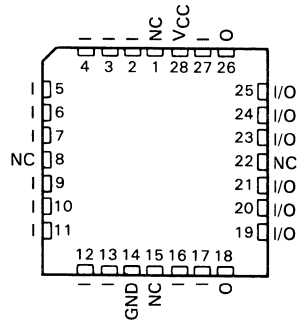
Product-term sharing allows a choice of one or two outputs for any product term. The 56 product terms are grouped in multiples of 14 per output pair, not counting the 8 enable terms (1 per output). Any number of product terms (from 0 to 16) can be associated with one output. In addition, a product term may be common to two outputs. In addition to the product term sharing, these devices feature a polarity option for each output.

The TIBPAL20SP8-30M is characterized for operation over the full military temperature range of -55°C to 125°C. The TIBPAL20SP8-20C is characterized for operation from 0°C to 75°C.

TIBPAL20SP8
M SUFFIX . . . JT PACKAGE
C SUFFIX . . . JT OR NT PACKAGE
(TOP VIEW)



TIBPAL20SP8
M SUFFIX . . . FK PACKAGE
C SUFFIX . . . FN PACKAGE
(TOP VIEW)



NC—No internal connection

Pin assignments in operating mode

2

Data Sheets

PRODUCT PREVIEW

IMPACT is a trademark of Texas Instruments Incorporated.
PAL is a registered trademark of Monolithic Memories Inc.

PRODUCT PREVIEW documents contain information on products in the formative or design phase of development. Characteristic data and other specifications are design goals. Texas Instruments reserves the right to change or discontinue these products without notice.



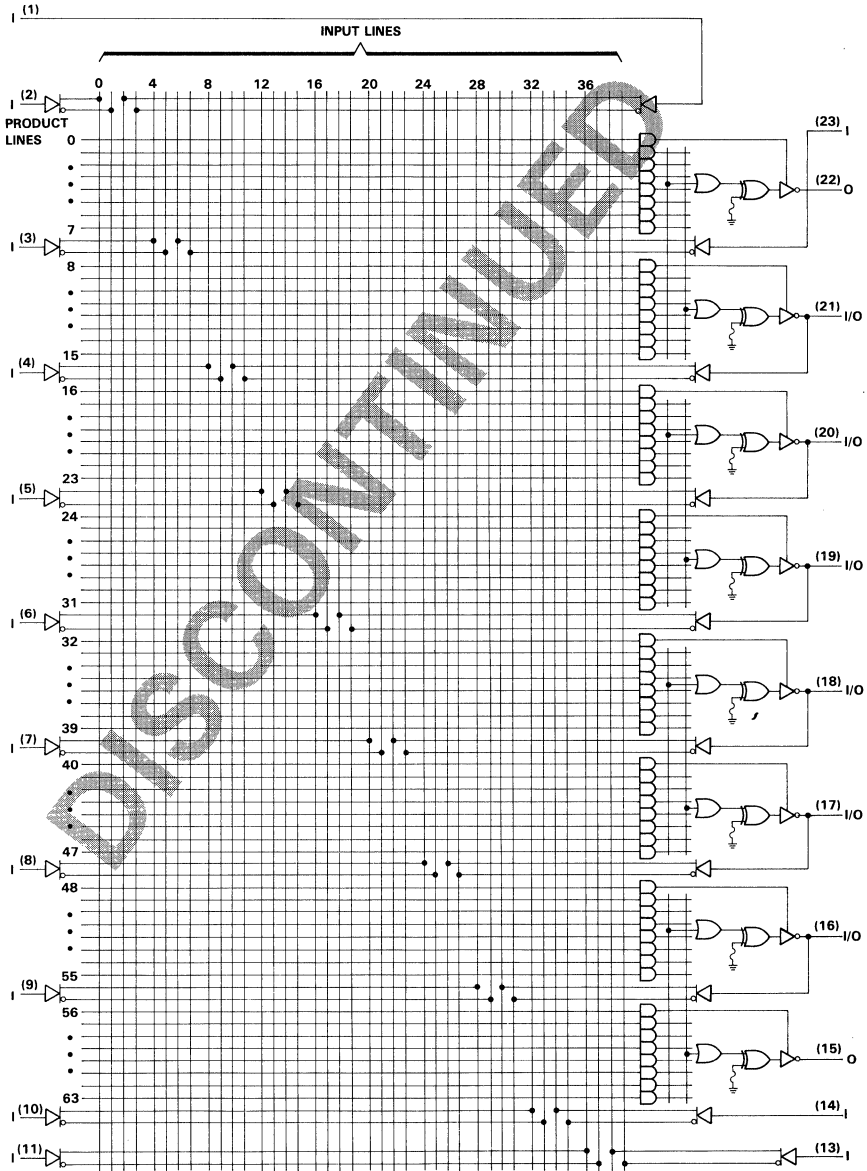
POST OFFICE BOX 655012 • DALLAS, TEXAS 75265

Copyright © 1987, Texas Instruments Incorporated

2-139

TIBPAL20SP8-30M, TIBPAL20SP8-20C
HIGH-PERFORMANCE *IMPACT*™ PAL® CIRCUITS WITH PRODUCT-TERM SHARING

logic diagram (positive logic)



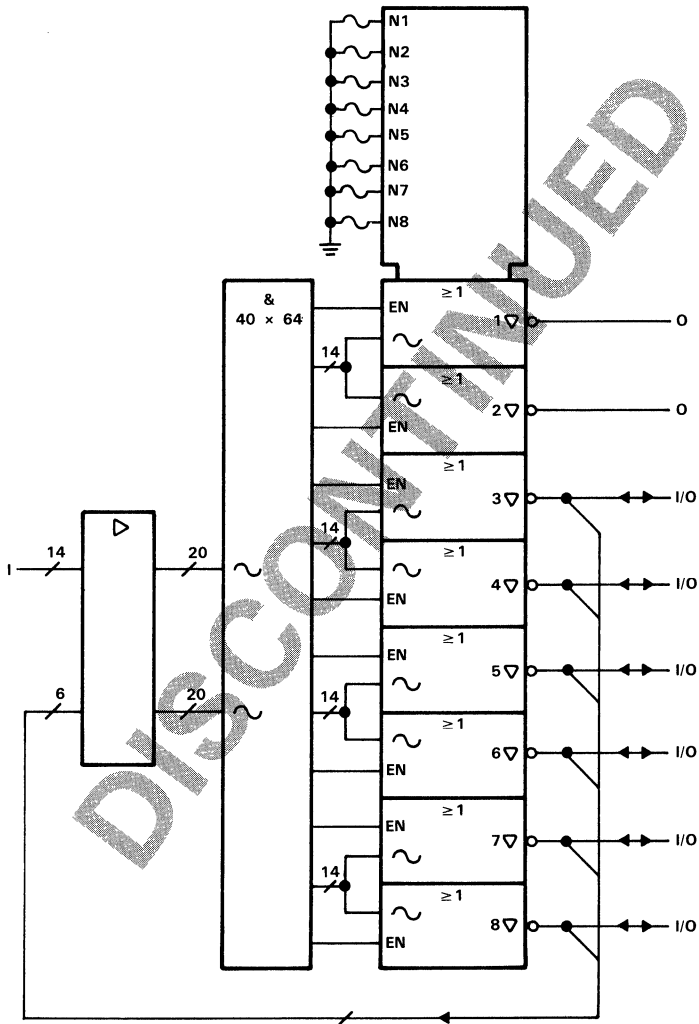
2

Data Sheets

PRODUCT PREVIEW

TIBPAL20SP8-30M, TIBPAL20SP8-20C
 HIGH-PERFORMANCE *IMPACT™* PAL® CIRCUITS WITH PRODUCT-TERM SHARING

functional block diagram (positive logic)



TIBPAL20SP8-30M, TIBPAL20SP8-20C

HIGH-PERFORMANCE *IMPACT™* PAL® CIRCUITS WITH PRODUCT-TERM SHARING

absolute maximum ratings over operating free-air temperature range (unless otherwise noted)

| | |
|---|----------------|
| Supply voltage, V_{CC} (see Note 1) | 7 V |
| Input voltage (see Note 1) | 5.5 V |
| Voltage applied to a disabled output (see Note 1) | 5.5 V |
| Operating free-air temperature range: -30M suffix | -55°C to 125°C |
| -20C suffix | 0°C to 75°C |
| Storage temperature range | -65°C to 150°C |

NOTE 1: These ratings apply except for programming pins during a programming cycle.

recommended operating conditions

| | -30M | | | -20C | | | UNIT |
|--------------------------------------|------|-----|-----|------|-----|------|------|
| | MIN | NOM | MAX | MIN | NOM | MAX | |
| V_{CC} Supply voltage | 4.5 | 5 | 5.5 | 4.75 | 5 | 5.25 | V |
| V_{IH} High-level input voltage | 2 | | | 2 | | | V |
| V_{IL} Low-level input voltage | | | 0.8 | | | 0.8 | V |
| I_{OH} High-level output current | | | -2 | | | -3.2 | mA |
| I_{OL} Low-level output current | | | 12 | | | 24 | mA |
| T_A Operating free-air temperature | -55 | | 125 | 0 | | 75 | °C |

electrical characteristics over recommended operating free-air temperature range

| PARAMETER | TEST CONDITIONS [†] | -30M | | | -20C | | | UNIT |
|----------------------|---|-------|------------------|-------|-------|------------------|-------|---------------|
| | | MIN | TYP [‡] | MAX | MIN | TYP [‡] | MAX | |
| V_{IK} | $V_{CC} = \text{MIN}$, $I_I = -18 \text{ mA}$ | -0.8 | | -1.5 | -0.8 | | -1.5 | V |
| V_{OH} | $V_{CC} = \text{MIN}$, $I_{OH} = \text{MAX}$ | 2.4 | 3.2 | | 2.4 | 3.2 | | V |
| V_{OL} | $V_{CC} = \text{MIN}$, $I_{OL} = \text{MAX}$ | | 0.3 | 0.5 | | 0.3 | 0.5 | V |
| I_{OZH}^{\S} | $V_{CC} = \text{MAX}$, $V_O = 2.7 \text{ V}$ | | | 100 | | | 100 | μA |
| I_{OZL}^{\S} | $V_{CC} = \text{MAX}$, $V_O = 0.4 \text{ V}$ | | | -100 | | | -100 | μA |
| I_I | $V_{CC} = \text{MAX}$, $V_I = 5.5 \text{ V}$ | | | 0.2 | | | 0.2 | mA |
| I_{IH}^{\S} | $V_{CC} = \text{MAX}$, $V_I = 2.7 \text{ V}$ | | | 25 | | | 25 | μA |
| I_{IL}^{\S} | $V_{CC} = \text{MAX}$, $V_I = 0.4 \text{ V}$ | -0.08 | | -0.25 | -0.08 | | -0.25 | mA |
| I_{OS}^{\parallel} | $V_{CC} = \text{MAX}$, $V_O = 0$ | -30 | -70 | -130 | -30 | -70 | -130 | mA |
| I_{CC} | $V_{CC} = \text{MAX}$, $V_I = 0$ | | 140 | 180 | | 140 | 180 | mA |
| C_i | $f = 1 \text{ MHz}$, $V_I = 2 \text{ V}$ | | 5 | | | 5 | | pF |
| C_o | $f = 1 \text{ MHz}$, $V_O = 2 \text{ V}$ | | 6 | | | 6 | | pF |

[†]For conditions shown as MIN or MAX use the appropriate value specified under recommended operating conditions.

[‡]All typical values are at $V_{CC} = 5 \text{ V}$, $T_A = 25^\circ\text{C}$.

^{\S}I/O leakage is the worst case of I_{OZL} and I_{IL} or I_{OZH} and I_{IH} , respectively.

^{\parallel}Not more than one output should be shorted at a time and duration of the short-circuit should not exceed one second.

TIBPAL20SP8-30M, TIBPAL20SP8-20C
HIGH-PERFORMANCE *IMPACT™* PAL® CIRCUITS WITH PRODUCT-TERM SHARING

switching characteristics over recommended operating free-air temperature range (unless otherwise noted)

| PARAMETER | FROM | TO | TEST CONDITIONS | -30M | | | -20C | | | UNIT |
|------------------|-----------|-----------|--|------|-----|-----|------|-----|-----|------|
| | | | | MIN | TYP | MAX | MIN | TYP | MAX | |
| t _{pd} | I, I/O | O, I/O | R1 = 200 Ω, R2 = 390 Ω, See Figure 1 | 15 | 30 | | 15 | 20 | ns | |
| t _{en} | I, I/O | O, I/O | | 16 | 30 | | 16 | 20 | ns | |
| t _{dis} | I, I/O | O, I/O | | 16 | 30 | | 16 | 20 | ns | |

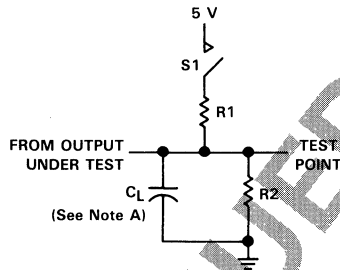
programming information

Texas Instruments Programmable Logic Devices can be programmed using widely available software and inexpensive device programmers.

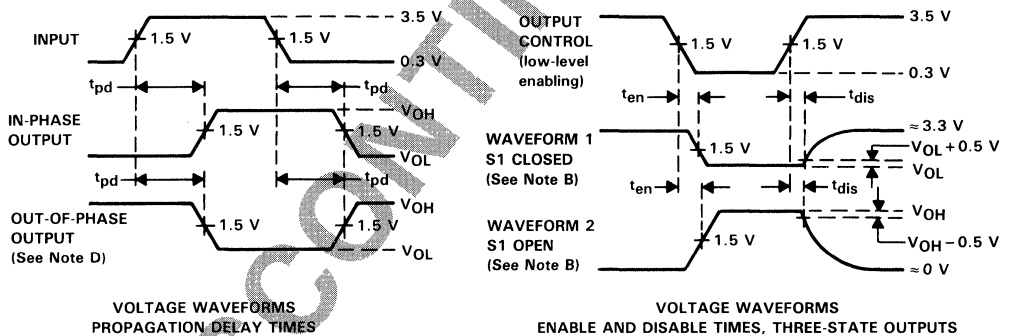
Complete programming specifications, algorithms, and the latest information on hardware, software, and firmware are available upon request. Information on programmers capable of programming Texas Instruments Programmable Logic is also available, upon request, from the nearest TI field sales office, local authorized TI distributor, or by calling Texas Instruments at (214) 997-5762.

DISCONTINUED

PARAMETER MEASUREMENT INFORMATION



LOAD CIRCUIT FOR THREE-STATE OUTPUTS



- NOTES: A. C_L includes probe and jig capacitance and is 50 pF for t_{pd} and t_{en} , 5 pF for t_{dis} .
 B. Waveform 1 is for an output with internal conditions such that the output is low except when disabled by the output control. Waveform 2 is for an output with internal conditions such that the output is high except when disabled by the output control.
 C. All input pulses have the following characteristics: $PRR \leq 1$ MHz, $t_r = t_f = 2$ ns, duty cycle = 50%.
 D. When measuring propagation delay times of 3-state outputs, switch S1 is closed.

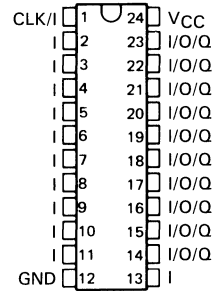
FIGURE 1

TIBPAL22V10M TIBPAL22V10AM TIBPAL22V10C, TIBPAL22V10AC HIGH-PERFORMANCE *IMPACT*[™] PROGRAMMABLE ARRAY LOGIC

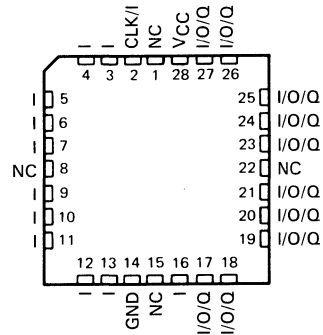
D2943, OCTOBER 1986—REVISED DECEMBER 1987

- Second Generation PAL Architecture
- Choice of Operating Speeds
 TIBPAL22V10AC . . . 25 ns Max
 TIBPAL22V10AM . . . 30 ns Max
 TIBPAL22V10C . . . 35 ns Max
 TIBPAL22V10M . . . 40 ns Max
- Increased Logic Power — Up to 22 Inputs and 10 Outputs
- Increased Product Terms — Average of 12 per Output
- Variable Product Term Distribution Allows More Complex Functions to be Implemented
- Each Output is User Programmable for Registered or Combinatorial Operation, Polarity, and Output Enable Control
- TTL-Level Preload for Improved Testability
- Extra Terms Provide Logical Synchronous Set and Asynchronous Reset Capability
- Fast Programming, High Programming Yield, and Unsurpassed Reliability Ensured Using Ti-W Fuses
- AC and DC Testing Done at the Factory Utilizing Special Designed-In Test Features
- Dependable Texas Instruments Quality and Reliability
- Package Options Include Plastic and Ceramic Dual-In-Line Packages and Chip Carriers
- Functionally Equivalent to AMD
 AMPAL22V10 and AMPAL22V10A

M SUFFIX . . . JT PACKAGE
 C SUFFIX . . . NT PACKAGE
 (TOP VIEW)



M SUFFIX . . . FK PACKAGE
 C SUFFIX . . . FN PACKAGE
 (TOP VIEW)



NC—No internal connection
 Pin assignments in operating mode

description

The TIBPAL22V10 and TIBPAL22V10A are programmable array logic devices featuring high speed and functional equivalency when compared to presently available devices. They are implemented with the familiar sum-of-products (AND-OR) logic structure featuring the new concept "Programmable Output Logic Macrocell". These *IMPACT*[™] circuits combine the latest Advanced Low-Power Schottky technology with proven titanium-tungsten fuses to provide reliable high-performance substitutes for conventional TTL logic.

These devices contain up to 22 inputs and 10 outputs. They incorporate the unique capability of defining and programming the architecture of each output on an individual basis. Outputs may be registered or nonregistered and inverting or noninverting as shown in the output logic macrocell diagram. The ten potential outputs are enabled through the use of individual product terms.

IMPACT is a trademark of Texas Instruments Incorporated.

PRODUCTION DATA documents contain information current as of publication date. Products conform to specifications per the terms of Texas Instruments standard warranty. Production processing does not necessarily include testing of all parameters.



POST OFFICE BOX 655012 • DALLAS, TEXAS 75265

Copyright © 1986, Texas Instruments Incorporated

**TIBPAL22V10M TIBPAL22V10AM
TIBPAL22V10C, TIBPAL22V10AC
HIGH-PERFORMANCE *IMPACT*[™] PROGRAMMABLE ARRAY LOGIC**

Further advantages can be seen in the introduction of variable product term distribution. This technique allocates from 8 to 16 logical product terms to each output for an average of 12 product terms per output. This variable allocation of terms allows far more complex functions to be implemented than in previously available devices.

Circuit design is enhanced by the addition of a synchronous set and an asynchronous reset product term. These functions are common to all registers. When the synchronous set product term is a logic 1, the output registers are loaded with a logic 1 on the next low-to-high clock transition. When the asynchronous reset product term is a logic 1, the output registers are loaded with a logic 0. The output logic level after set or reset depends on the polarity selected during programming. Output registers can be preloaded to any desired state during testing. Preloading permits full logical verification during product testing.

With features such as programmable output logic macrocells and variable product term distribution, the TIBPAL22V10 and TIBPAL22V10A offer quick design and development of custom LSI functions with complexities of 500 to 800 equivalent gates. Since each of the ten output pins may be individually configured as inputs on either a temporary or permanent basis, functions requiring up to 21 inputs and a single output or down to 12 inputs and 10 outputs are possible.

A power-up clear function is supplied that forces all registered outputs to a predetermined state after power is applied to the device. Registered outputs selected as active-low power-up with their outputs high. Registered outputs selected as active-high power-up with their outputs low.

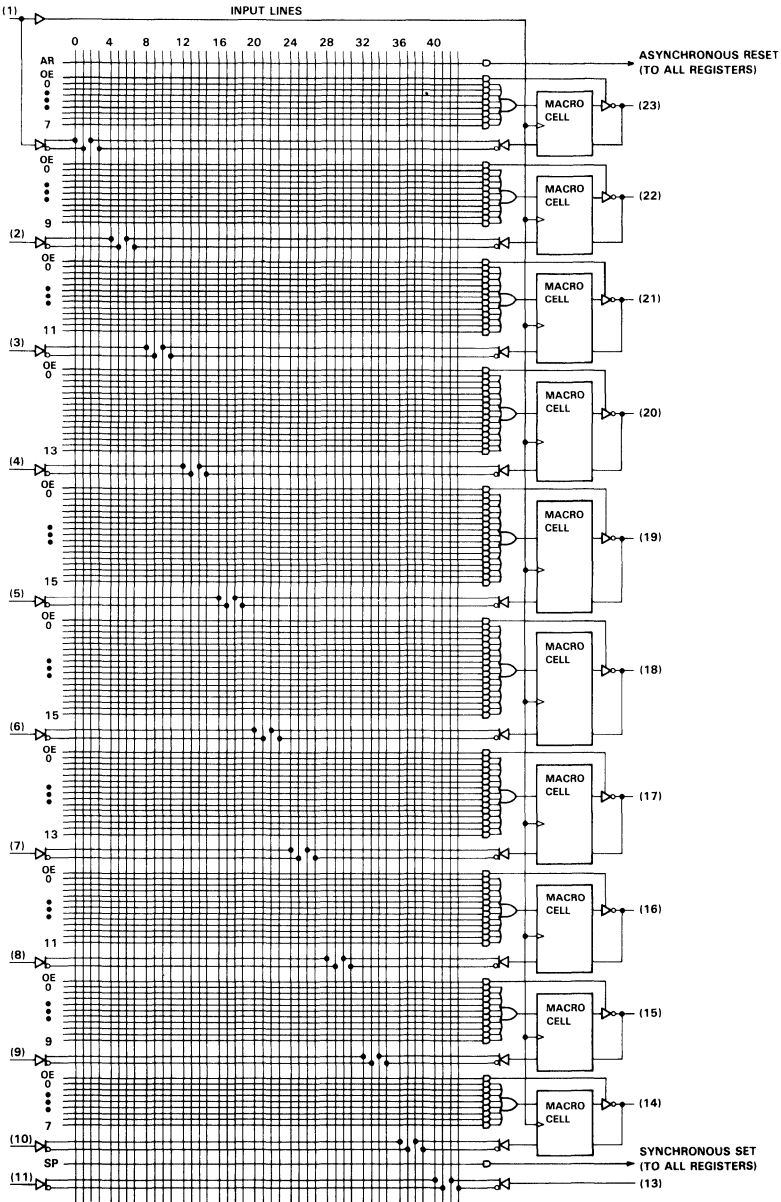
A single security fuse is provided on each device to discourage unauthorized copying of fuse patterns. Once blown, the verification circuitry is disabled and all other fuses will appear to be open.

The M suffix devices are characterized for operation over the full military temperature range of -55°C to 125°C . The C suffix devices are characterized for operation from 0°C to 75°C .



TIBPAL22V10M TIBPAL22V10AM
TIBPAL22V10C, TIBPAL22V10AC
HIGH-PERFORMANCE *IMPACT*™ PROGRAMMABLE ARRAY LOGIC

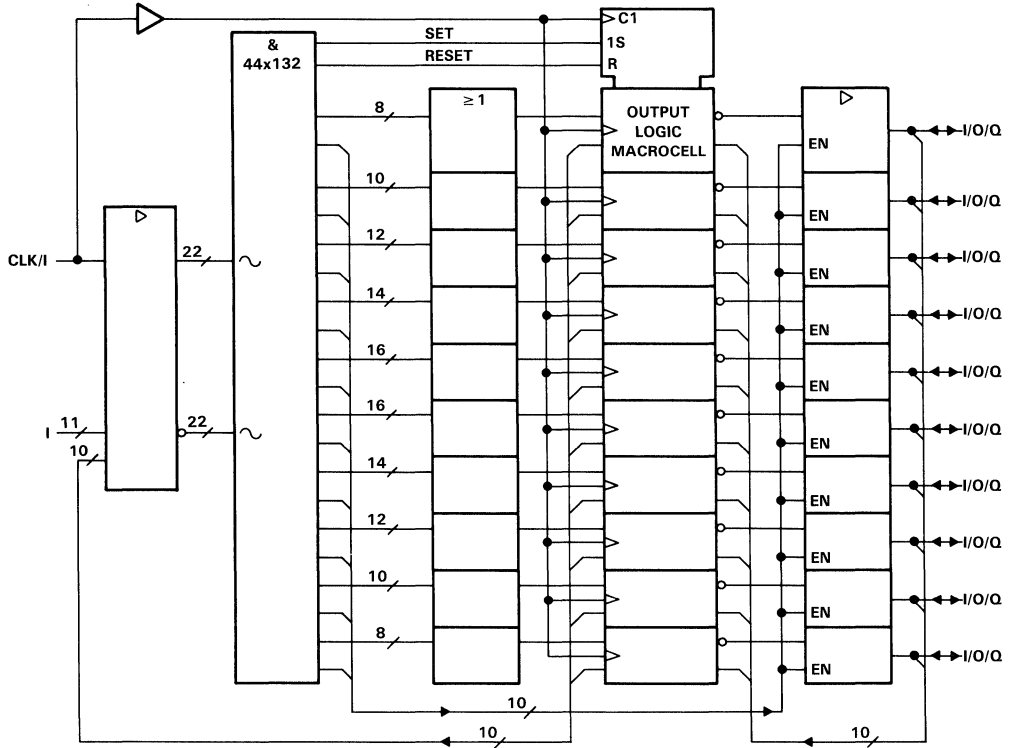
logic diagram (positive logic)



2
Data Sheets

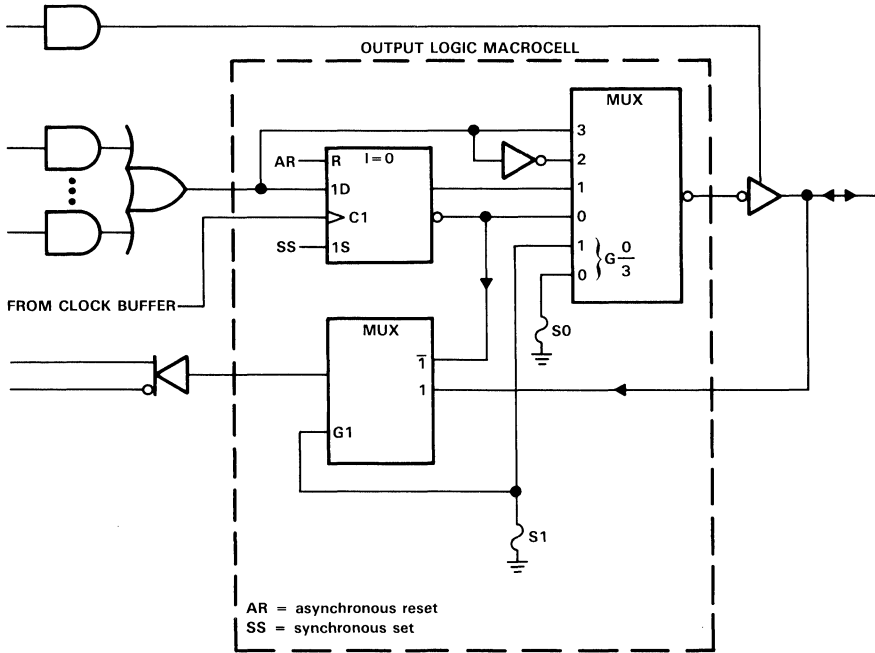
**TIBPAL22V10M TIBPAL22V10AM
TIBPAL22V10C, TIBPAL22V10AC
HIGH-PERFORMANCE *IMPACT*™ PROGRAMMABLE ARRAY LOGIC**

functional block diagram (positive logic)



~ denotes fused inputs

output logic macrocell diagram



TIBPAL22V10M, TIBPAL22V10C HIGH-PERFORMANCE *IMPACT*[™] PROGRAMMABLE ARRAY LOGIC

recommended operating conditions

| | | TIBPAL22V10M | | | TIBPAL22V10C | | | UNIT |
|--------------------|---|-----------------------------------|-----|------|--------------|-----|------|------|
| | | MIN | NOM | MAX | MIN | NOM | MAX | |
| V _{CC} | Supply voltage | 4.5 | 5 | 5.5 | 4.75 | 5 | 5.25 | V |
| V _{IH} | High-level input voltage | 2 | | 5.5 | 2 | | 5.5 | V |
| V _{IL} | Low-level input voltage | | | 0.8 | | | 0.8 | V |
| I _{OH} | High-level output current | | | -2 | | | -3.2 | mA |
| I _{OL} | Low-level output current | | | 12 | | | 16 | mA |
| f _{clock} | Clock frequency [†] | | | 16.5 | | | 18 | MHz |
| t _w | Pulse duration | Clock high or low | | 30 | | 25 | | ns |
| | | Asynchronous Reset high or low | | 40 | | 35 | | |
| t _{su} | Setup time before clock [†] | Input | | 35 | | 30 | | ns |
| | | Feedback | | 35 | | 30 | | |
| | | Synchronous Set | | 35 | | 30 | | |
| | | Asynchronous Reset low (inactive) | | 40 | | 35 | | |
| t _h | Hold time, input, set, or feedback after clock [†] | 0 | | 0 | | 0 | | ns |
| T _A | Operating free-air temperature | -55 | | 125 | 0 | | 75 | °C |

electrical characteristics over recommended operating free-air temperature range

| PARAMETER | TEST CONDITIONS [‡] | TIBPAL22V10M | | | TIBPAL22V10C | | | UNIT |
|------------------------------|---|---|------------------|-------|--------------|------------------|-------|------|
| | | MIN | TYP [§] | MAX | MIN | TYP [§] | MAX | |
| V _{IK} | V _{CC} = MIN, I _I = -18 mA | | | -1.2 | | | -1.2 | V |
| V _{OH} | V _{CC} = MIN, I _{OH} = MAX | 2.4 | 3.5 | | 2.4 | 3.5 | | V |
| V _{OL} | V _{CC} = MIN, I _{OL} = MAX | | 0.25 | 0.5 | | 0.35 | 0.5 | V |
| I _{OZH} | V _{CC} = MAX, V _O = 2.7 V | | | 0.1 | | | 0.1 | mA |
| I _{OZL} | Any output | V _{CC} = MAX, V _O = 0.4 V | | -100 | | -100 | | μA |
| | Any I/O | | | -250 | | -250 | | |
| I _I | V _{CC} = MAX, V _I = 5.5 V | | | 1 | | | 1 | mA |
| I _{IH} | V _{CC} = MAX, V _I = 2.7 V | | | 25 | | | 25 | μA |
| I _{IL} | V _{CC} = MAX, V _I = 0.4 V | | | -0.25 | | | -0.25 | mA |
| I _{OS} [¶] | V _{CC} = MAX, V _O = 0.5 V | -30 | | -90 | -30 | | -90 | mA |
| I _{CC} | V _{CC} = MAX, V _I = GND, Outputs open | | 120 | 180 | | 120 | 180 | mA |

switching characteristics over recommended ranges of supply voltage and operating free-air temperature (unless otherwise noted)

| PARAMETER | FROM | TO | TEST CONDITIONS | TIBPAL22V10M | | | TIBPAL22V10C | | | UNIT |
|-------------------------------|----------------|--------|--|--------------|------------------|-----|--------------|------------------|-----|------|
| | | | | MIN | TYP [§] | MAX | MIN | TYP [§] | MAX | |
| f _{max} [†] | With feedback | | C _L = 50 pF R1 = 300 Ω for C suffix, R1 = 390 Ω for M suffix, R2 = 390 Ω for C suffix, R2 = 750 Ω for M suffix, See Figure 2 | 16.5 | | | 18 | | | MHz |
| t _{pd} | I, I/O | I/O | | | 15 | 40 | | 15 | 35 | ns |
| t _{pd} | I, I/O (reset) | Q | | | 15 | 45 | | 15 | 40 | ns |
| t _{pd} | Clock | Q | | | 10 | 25 | | 10 | 25 | ns |
| t _{en} | I, I/O | I/O, Q | | | 15 | 40 | | 15 | 35 | ns |
| t _{dis} | I, I/O | I/O, Q | | | 15 | 40 | | 15 | 35 | ns |

[†] f_{max} and f_{clock} (with feedback) = $\frac{1}{t_{su} + t_{pd}(\text{CLK to Q})}$. f_{max} and f_{clock} without feedback can be calculated as f_{max} and

$$f_{\text{clock}} \text{ (without feedback)} = \frac{1}{t_w \text{ high} + t_w \text{ low}}$$

[‡] For conditions shown as MIN or MAX, use the appropriate value specified under recommended operating conditions.

[§] All typical values are at V_{CC} = 5 V, T_A = 25°C.

[¶] Not more than one output should be shorted at a time and the duration of the short circuit should not exceed one second. Set V_O at 0.5 V to avoid test problems caused by test equipment ground degradation.

2

Data Sheets

TIBPAL22V10AM, TIBPAL22V10AC HIGH-PERFORMANCE *IMPACT™* PROGRAMMABLE ARRAY LOGIC

recommended operating conditions

| | | TIBPAL22V10AM | | | TIBPAL22V10AC | | | UNIT |
|--------------------|---|-----------------------------------|-----|-----|---------------|-----|------|------|
| | | MIN | NOM | MAX | MIN | NOM | MAX | |
| V _{CC} | Supply voltage | 4.5 | 5 | 5.5 | 4.75 | 5 | 5.25 | V |
| V _{IH} | High-level input voltage | 2 | | 5.5 | 2 | | 5.5 | V |
| V _{IL} | Low-level input voltage | | | 0.8 | | | 0.8 | V |
| I _{OH} | High-level output current | | | -2 | | | -3.2 | mA |
| I _{OL} | Low-level output current | | | 12 | | | 16 | mA |
| f _{clock} | Clock frequency [†] | | | 22 | | | 28.5 | MHz |
| t _w | Pulse duration | Clock high or low | | 20 | 15 | | ns | |
| | | Asynchronous Reset high or low | | 30 | 25 | | | |
| t _{su} | Setup time before clock [‡] | Input | | 25 | 20 | | ns | |
| | | Feedback | | 25 | 20 | | | |
| | | Synchronous Set | | 25 | 20 | | | |
| | | Asynchronous Reset low (inactive) | | 30 | 25 | | | |
| t _h | Hold time, input, set, or feedback after clock [‡] | 0 | | 0 | 0 | | ns | |
| T _A | Operating free-air temperature | -55 | | 125 | 0 | | 75 | °C |

electrical characteristics over recommended operating free-air temperature range

| PARAMETER | | TEST CONDITIONS [‡] | | TIBPAL22V10AM | | TIBPAL22V10AC | | UNIT |
|------------------------------|------------|---|--|---------------|------------------|---------------|-----|------|
| | | | | MIN | TYP [§] | MAX | MIN | |
| V _{IK} | | V _{CC} = MIN, I _I = -18 mA | | -1.2 | | -1.2 | | V |
| V _{OH} | | V _{CC} = MIN, I _{OH} = MAX | | 2.4 | 3.5 | 2.4 | 3.5 | V |
| V _{OL} | | V _{CC} = MIN, I _{OL} = MAX | | 0.25 | | 0.35 | 0.5 | V |
| I _{OZH} | | V _{CC} = MAX, V _O = 2.7 V | | 0.1 | | 0.1 | | mA |
| I _{OZL} | Any output | V _{CC} = MAX, V _O = 0.4 V | | -100 | | -100 | | μA |
| | Any I/O | | | -250 | | -250 | | |
| I _I | | V _{CC} = MAX, V _I = 5.5 V | | 1 | | 1 | | mA |
| I _{IH} | | V _{CC} = MAX, V _I = 2.7 V | | 25 | | 25 | | μA |
| I _{IL} | | V _{CC} = MAX, V _I = 0.4 V | | -0.25 | | -0.25 | | mA |
| I _{OS} [§] | | V _{CC} = MAX, V _O = 0.5 V | | -30 | -90 | -30 | -90 | mA |
| I _{CC} | | V _{CC} = MAX, V _I = GND, Outputs open | | 120 | 180 | 120 | 180 | mA |

switching characteristics over recommended ranges of supply voltage and operating free-air temperature (unless otherwise noted)

| PARAMETER | FROM | TO | TEST CONDITIONS | TIBPAL22V10AM | | | TIBPAL22V10AC | | | UNIT |
|-------------------------------|----------------|-----|--|---------------|------------------|-----|---------------|------------------|-----|------|
| | | | | MIN | TYP [§] | MAX | MIN | TYP [§] | MAX | |
| f _{max} [†] | With feedback | | C _L = 50 pF R1 = 300 Ω for C suffix, R2 = 390 Ω for M suffix, R2 = 750 Ω for M suffix, See Figure 2 | 22 | | | 28.5 | | | MHz |
| t _{pd} | I, I/O | I/O | | 15 | 30 | 15 | 25 | ns | | |
| t _{pd} | I, I/O (reset) | Q | | 15 | 35 | 15 | 30 | ns | | |
| t _{pd} | Clock | Q | | 10 | 20 | 10 | 15 | ns | | |
| t _{en} | I, I/O | Q | | 15 | 30 | 15 | 25 | ns | | |
| t _{dis} | I, I/O | Q | | 15 | 30 | 15 | 25 | ns | | |

[†] f_{max} and f_{clock} (with feedback) = $\frac{1}{t_{su} + t_{pd}(\text{CLK to Q})}$. f_{max} and f_{clock} without feedback can be calculated as f_{max} and f_{clock} (without feedback) = $\frac{1}{t_w \text{ high} + t_w \text{ low}}$.

[‡] For conditions shown as MIN or MAX, use the appropriate value specified under recommended operating conditions.

[§] All typical values are at V_{CC} = 5 V, T_A = 25 °C.

[†] Not more than one output should be shorted at a time and the duration of the short circuit should not exceed one second. Set V_O at 0.5 V to avoid test problems caused by test equipment ground degradation.

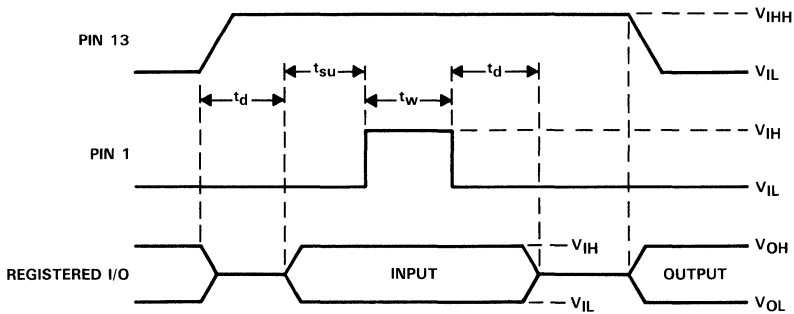
TIBPAL22V10M TIBPAL22V10AM
TIBPAL22V10C, TIBPAL22V10AC
HIGH-PERFORMANCE *IMPACT*™ PROGRAMMABLE ARRAY LOGIC

preload procedure for registered outputs (see Note 2)

The output registers can be preloaded to any desired state during device testing. This permits any state to be tested without having to step through the entire state-machine sequence. Each register is preloaded individually by following the steps given below.

- Step 1. With V_{CC} at 5 volts and pin 1 at V_{IL} , raise pin 13 to V_{IH} .
- Step 2. Apply either V_{IL} or V_{IH} to the output corresponding to the register to be preloaded.
- Step 3. Pulse pin 1, clocking in preload data.
- Step 4. Remove output voltage, then lower pin 13 to V_{IL} . Preload can be verified by observing the voltage level at the output pin.

preload waveforms (see Notes 2 and 3)



- NOTES: 2. Pin numbers shown are for JT and NT packages only. If chip carrier socket adapter is not used, pin numbers must be changed accordingly.
3. $t_d = t_{su} = t_w = 100$ ns to 1000 ns. $V_{IH} = 10.25$ V to 10.75 V.

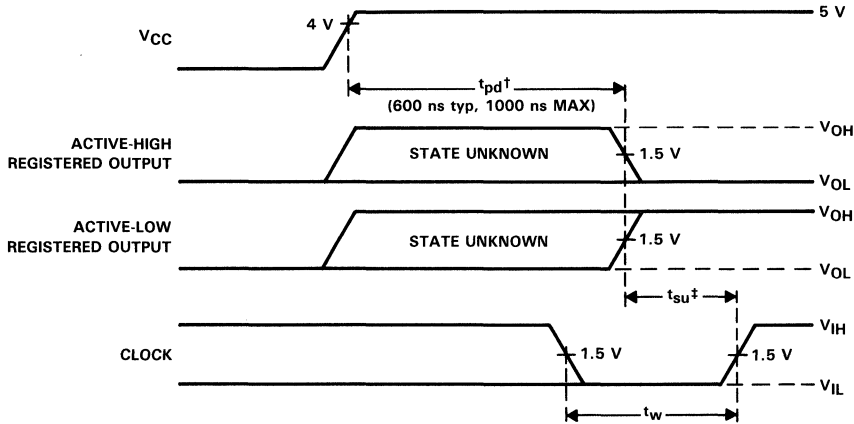
2
Data Sheets

**TIBPAL22V10M TIBPAL22V10AM
TIBPAL22V10C, TIBPAL22V10AC
HIGH-PERFORMANCE *IMPACT*™ PROGRAMMABLE ARRAY LOGIC**

power-up reset

Following power-up, all registers are reset to zero. The output level depends on the polarity selected during programming. This feature provides extra flexibility to the system designer and is especially valuable in simplifying state-machine initialization. To ensure a valid power-up reset, it is important that the V_{CC} 's rise be monotonic. Following power-up reset, a low-to-high clock transition must not occur until all applicable input and feedback setup times are met.

power-up reset waveforms



[†] This is the power-up reset time and applies to registered outputs only. The values shown are from characterization data.

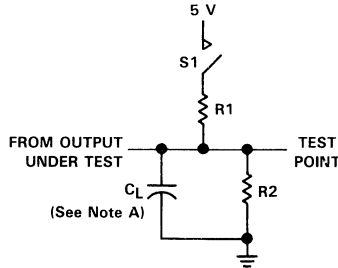
[‡] This is the setup time for input or feedback.

programming information

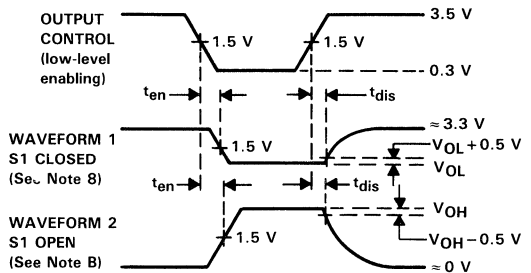
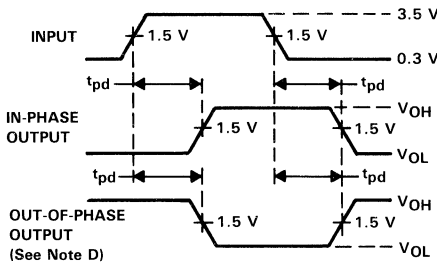
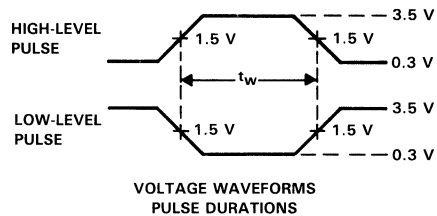
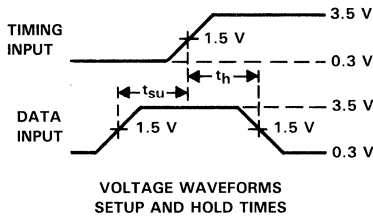
Texas Instruments Programmable Logic Devices can be programmed using widely available software and inexpensive device programmers.

Complete programming specifications, algorithms, and the latest information on hardware, software, and firmware are available upon request. Information on programmers capable of programming Texas Instruments Programmable Logic is also available, upon request, from the nearest TI field sales office, local authorized TI distributor, or by calling Texas Instruments at (214) 997-5762.

PARAMETER MEASUREMENT INFORMATION



**LOAD CIRCUIT FOR
THREE-STATE OUTPUTS**



- NOTES: A. C_L includes probe and jig capacitance.
 B. Waveform 1 is for an output with internal conditions such that the output is low except when disabled by the output control. Waveform 2 is for an output with internal conditions such that the output is high except when disabled by the output control.
 C. All input pulses have the following characteristics: $PRR \leq 1$ MHz, $t_r = t_f = 2$ ns, duty cycle = 50%.
 D. When measuring propagation delay times of 3-state outputs, switch S1 is open.

FIGURE 2

- Functionally Equivalent to the TIBPAL22V10/10A, with Additional Feedback Paths in the Output Logic Macrocell
- Choice of Operating Speeds:
TIBPAL22VP10-20C . . . 20 ns Max
TIBPAL22VP10-25M . . . 25 ns Max
- Variable Product Term Distribution Allows More Complex Functions to be Implemented
- Polarity of Each Output is Programmable
- TTL-Level Preload for Improved Testability
- Extra Terms Provide Logical Synchronous Set and Asynchronous Reset Capability
- Fast Programming, High Programming Yield, and Unsurpassed Reliability Ensured Using Ti-W Fuses
- AC and DC Testing Done at the Factory Utilizing Special Designed-In Test Features
- Dependable Texas Instruments Quality and Reliability
- Package Options Include Plastic and Ceramic Dual-In-Line Packages and Chip Carriers

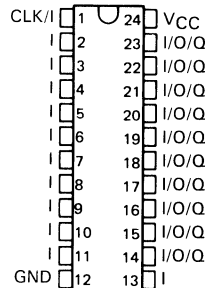
description

The TIBPAL22VP10 is equivalent to the TIBPAL22V10A but offers additional flexibility in the output structure. The improved output macrocell uses the registered outputs as inputs when in a high-impedance condition. This provides two additional output configurations for a total of six possible macrocell configurations all of which are shown in Figure 1.

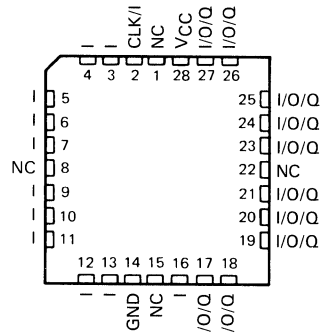
The device contains up to twenty-two inputs and ten outputs. It defines and programs the architecture of each output on an individual basis. Outputs may be registered or nonregistered and inverting or noninverting. In addition, the data may be fed back into the array from either the register or the I/O port. The ten potential outputs are enabled through the use of individual product terms.

Further advantages can be seen in the introduction of variable product term distribution. This technique allocates from 8 to 16 logical product terms to each output for an average of 12 product terms per output. This variable allocation of terms allows far more complex functions to be implemented than in previously available devices.

M SUFFIX . . . JT PACKAGE
C SUFFIX . . . NT PACKAGE
(TOP VIEW)



M SUFFIX . . . FK PACKAGE
C SUFFIX . . . FN PACKAGE
(TOP VIEW)



NC—No internal connection
Pin assignments in operating mode

TIBPAL22VP10-25M
TIBPAL22VP10-20C
HIGH-PERFORMANCE *IMPACT*™ PROGRAMMABLE ARRAY LOGIC

Circuit design is enhanced by the addition of a synchronous set and an asynchronous reset product term. These functions are common to all registers. When the synchronous set product term is a logic 1, the output registers are loaded with a logic 1 on the next low-to-high clock transition. When the asynchronous reset product term is a logic 1, the output registers are loaded with a logic 0. The output logic level after set or reset depends on the polarity selected during programming. Output registers can be preloaded to any desired state during testing. Preloading permits full logical verification during product testing.

With features such as programmable output logic macrocells and variable product terms, the TIBPAL22VP10 offers quick design and development of custom LSI functions with complexities of 500 to 800 equivalent gates. Since each of the ten output pins may be individually configured as inputs on either a temporary or permanent basis, functions requiring up to 21 inputs and a single output or down to 12 inputs and 10 outputs are possible.

A power-up clear function is supplied that forces all registered outputs to a predetermined state after power is applied to the device. Registered outputs selected as active-low power-up with their outputs high. Registered outputs selected as active-high power-up with their outputs low.

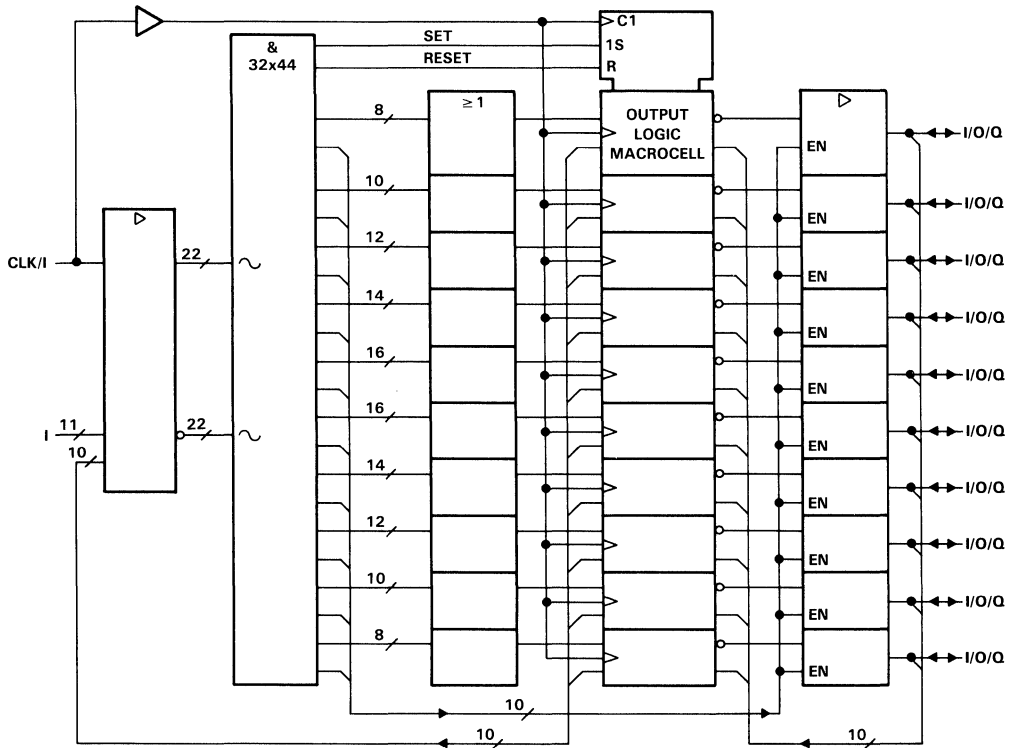
A single security fuse is provided on each device to discourage unauthorized copying of fuse patterns. Once blown, the verification circuitry is disabled and all other fuses will appear to be open.

The TIBPAL22VP10-25M is characterized for operation over the full military temperature range of -55°C to 125°C . The TIBPAL22VP10-20C is characterized for operation from 0°C to 75°C .



TIBPAL22VP10-25M
TIBPAL22VP10-20C
HIGH-PERFORMANCE *IMPACT*™ PROGRAMMABLE ARRAY LOGIC

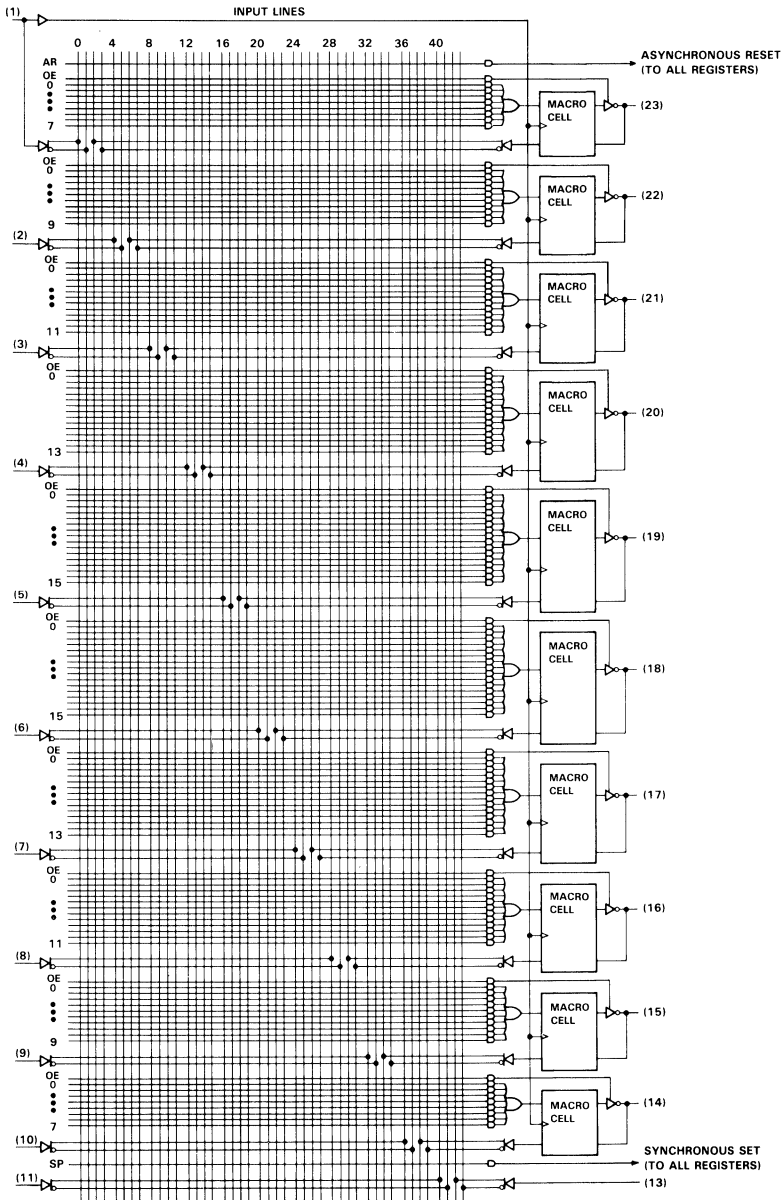
functional block diagram (positive logic)



~ denotes fused inputs

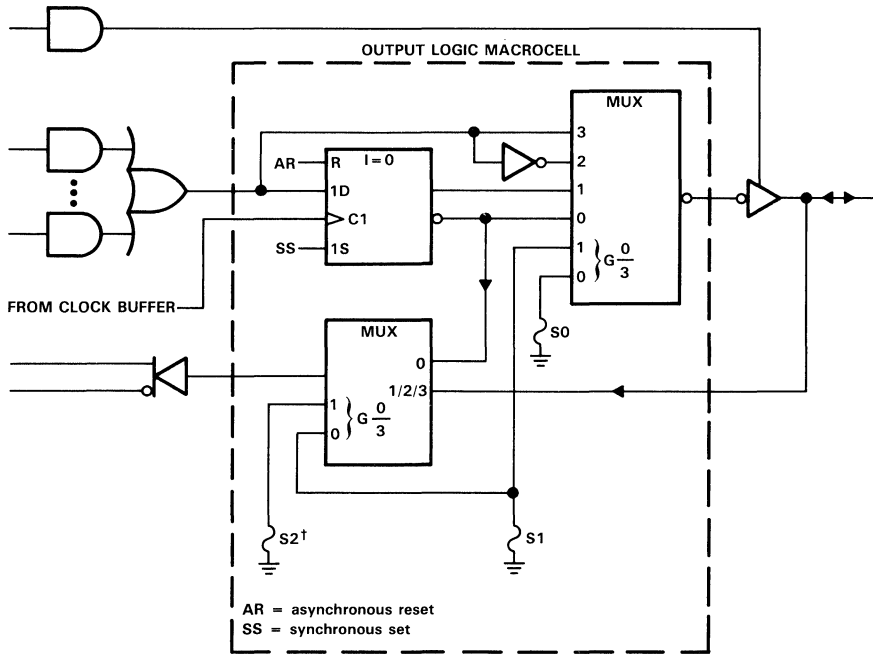
TIBPAL22VP10-25M
TIBPAL22VP10-20C
HIGH-PERFORMANCE *IMPACT*™ PROGRAMMABLE ARRAY LOGIC

logic diagram (positive logic)



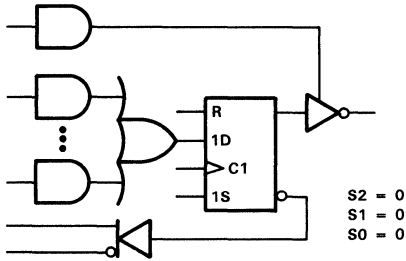
TIBPAL22VP10-25M
TIBPAL22VP10-20C
HIGH-PERFORMANCE *IMPACT*™ PROGRAMMABLE ARRAY LOGIC

output logic macrocell diagram

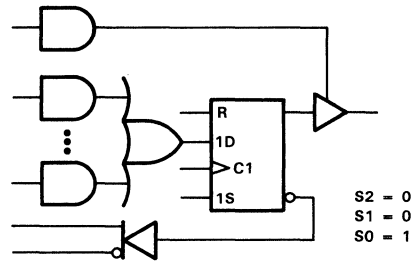


† This fuse is unique to the Texas Instruments TIBPAL22VP10. It allows feedback from the I/O port using registered outputs as shown in the macrocell fusing logic function table.

TIBPAL22VP10-25M
TIBPAL22VP10-20C
HIGH-PERFORMANCE *IMPACT*™ PROGRAMMABLE ARRAY LOGIC



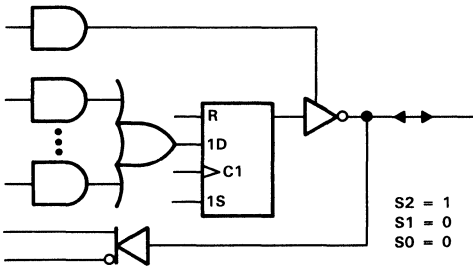
REGISTER FEEDBACK, REGISTERED, ACTIVE-LOW OUTPUT



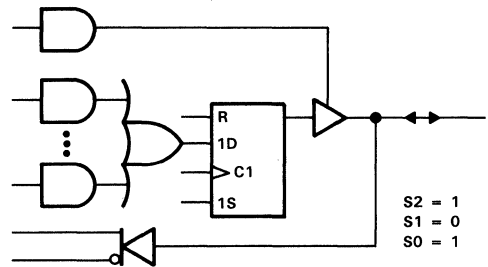
REGISTER FEEDBACK, REGISTERED, ACTIVE-HIGH OUTPUT

2

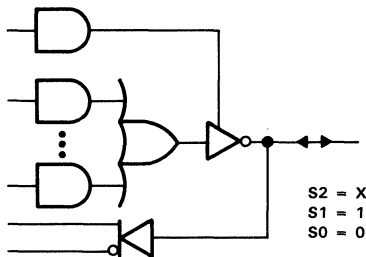
Data Sheets



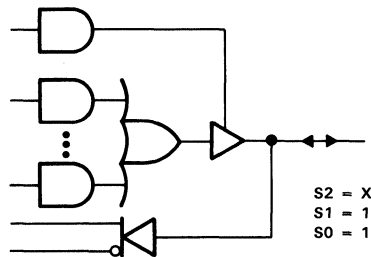
I/O FEEDBACK, REGISTERED, ACTIVE-LOW OUTPUT†



I/O FEEDBACK, REGISTERED, ACTIVE-HIGH OUTPUT†



I/O FEEDBACK, COMBINATIONAL, ACTIVE-LOW OUTPUT



I/O FEEDBACK, COMBINATIONAL, ACTIVE-HIGH OUTPUT

†These configurations are unique to the TIBPAL22VP10 and provide added flexibility when comparing it to the TIBPAL22V10 or TIBPAL22V10A.

FIGURE 1. RESULTANT MACROCELL FEEDBACK AND OUTPUT LOGIC AFTER PROGRAMMING

HIGH-PERFORMANCE *IMPACT*™ PROGRAMMABLE ARRAY LOGIC

MACROCELL FEEDBACK AND OUTPUT FUNCTION TABLE

| PROGRAM-FUSE SELECT | | | FEEDBACK AND OUTPUT CONFIGURATION | | |
|---------------------|----|----|-----------------------------------|---------------|-------------|
| S2 | S1 | S0 | | | |
| 0 | 0 | 0 | Register feedback | Registered | Active low |
| 0 | 0 | 1 | Register feedback | Registered | Active high |
| 1 | 0 | 0 | I/O feedback | Registered | Active low |
| 1 | 0 | 1 | I/O feedback | Registered | Active high |
| X | 1 | 0 | I/O feedback | Combinational | Active low |
| X | 1 | 1 | I/O feedback | Combinational | Active high |

0 = unblown fuse, 1 = blown fuse, X = unblown or blown fuse
S2, S1, and S0 are select-function fuses as shown in the output logic macrocell diagram.

absolute maximum ratings over operating free-air temperature range (unless otherwise noted)

| | |
|--|----------------|
| Supply voltage, V _{CC} (see Note 1) | 7 V |
| Input voltage (see Note 1) | 5.5 V |
| Voltage applied to a disabled output (see Note 1) | 5.5 V |
| Operating free-air temperature range: TIBPAL22VP10-25M | -55°C to 125°C |
| TIBPAL22VP10-20C | 0°C to 75°C |
| Storage temperature range | -65°C to 150°C |

NOTE 1: These ratings apply except for programming pins during a programming cycle or during a pre-load cycle.

recommended operating conditions

| | | TIBPAL22VP10-25M | | | TIBPAL22VP10-20C | | | UNIT |
|--------------------|--|----------------------|-----|-----|------------------|-----|------|------|
| | | MIN | NOM | MAX | MIN | NOM | MAX | |
| V _{CC} | Supply voltage | 4.5 | 5 | 5.5 | 4.75 | 5 | 5.25 | V |
| V _{IH} | High-level input voltage | 2 | | 5.5 | 2 | | 5.5 | V |
| V _{IL} | Low-level input voltage | | | 0.8 | | | 0.8 | V |
| I _{OH} | High-level output current | | | -2 | | | -3.2 | mA |
| I _{OL} | Low-level output current | | | 12 | | | 16 | mA |
| f _{clock} | Clock frequency† | | | 25 | | | 37 | MHz |
| t _w | Pulse duration | Clock high or low | | 20 | 10 | | ns | |
| | | Reset high | | 30 | 20 | | | |
| t _{su} | Setup time before clock‡ | Input | | 25 | 15 | | ns | |
| | | Feedback | | 25 | 15 | | | |
| | | Preset | | 25 | 15 | | | |
| | | Reset low (inactive) | | 30 | 20 | | | |
| t _h | Hold time, input, preset, or feedback after clock‡ | | | 0 | 0 | | ns | |
| T _A | Operating free-air temperature | -55 | | 125 | 0 | | 75 | °C |

$$f_{\text{clock}} (\text{with feedback}) = \frac{1}{t_{\text{su}} + t_{\text{pd}} (\text{CLK to Q})} \cdot f_{\text{clock}} \text{ without feedback can be calculated as}$$

$$f_{\text{clock}} (\text{without feedback}) = \frac{1}{t_{\text{w high}} + t_{\text{w low}}}$$

TIBPAL22VP10-25M
TIBPAL22VP10-20C
HIGH-PERFORMANCE *IMPACT*™ PROGRAMMABLE ARRAY LOGIC

electrical characteristics over recommended operating free-air temperature range

| PARAMETER | TEST CONDITIONS† | TIBPAL22VP10-25M | | | TIBPAL22VP10-20C | | | UNIT | |
|-------------------|---|------------------|------|-------|------------------|------|-------|------|----|
| | | MIN | TYP‡ | MAX | MIN | TYP‡ | MAX | | |
| V _{IK} | V _{CC} = MIN, I _I = -18 mA | | | -1.2 | | | -1.2 | V | |
| V _{OH} | V _{CC} = MIN, I _{OH} = MAX | 2.4 | 3.5 | | 2.4 | 3.5 | | V | |
| V _{OL} | V _{CC} = MIN, I _{OL} = MAX | | 0.25 | 0.5 | | 0.35 | 0.5 | V | |
| I _{OZH} | V _{CC} = MAX, V _O = 2.7 V | | | 0.1 | | | 0.1 | mA | |
| I _{OZL} | V _{CC} = MAX, V _O = 0.4 V | Any output | | | -100 | | | -100 | μA |
| | | Any I/O | | | -250 | | | -250 | |
| I _I | V _{CC} = MAX, V _I = 5.5 V | | | 1 | | | 1 | mA | |
| I _{IH} | V _{CC} = MAX, V _I = 2.7 V | | | 25 | | | 25 | μA | |
| I _{IL} | V _{CC} = MAX, V _I = 0.4 V | | | -0.25 | | | -0.25 | mA | |
| I _{OS} § | V _{CC} = MAX, V _O = 0.5 V | -30 | | -90 | -30 | | -90 | mA | |
| I _{CC} | V _{CC} = MAX, V _I = GND, Outputs open | | 140 | 220 | | 140 | 210 | mA | |

switching characteristics over recommended ranges of supply voltage and operating free-air temperature (unless otherwise noted)¶

| PARAMETER | FROM | TO | TEST CONDITIONS | TIBPAL22VP10-25M | | | TIBPAL22VP10-20C | | | UNIT |
|--------------------|----------------|-----|--------------------------|------------------|------|-----|------------------|------|-----|------|
| | | | | MIN | TYP‡ | MAX | MIN | TYP‡ | MAX | |
| f _{max} ¶ | | | C _L = 50 pF, | 25 | 50 | | 37 | 50 | | MHz |
| t _{pd} | I, I/O | I/O | R1 = 300 Ω for C suffix, | | 12 | 25 | | 12 | 20 | ns |
| t _{pd} | I, I/O (reset) | Q | R1 = 390 Ω for M suffix, | | 12 | 25 | | 12 | 20 | ns |
| t _{pd} | Clock | Q | R2 = 390 Ω for C suffix, | | 8 | 15 | | 8 | 12 | ns |
| t _{en} | I, I/O | Q | R2 = 750 Ω for M suffix, | | 12 | 25 | | 12 | 20 | ns |
| t _{dis} | I, I/O | Q | See Figure 2 | | 12 | 25 | | 12 | 20 | ns |

† For conditions shown as MIN or MAX, use the appropriate value specified under recommended operating conditions.

‡ All typical values are at V_{CC} = 5 V, T_A = 25°C.

§ Not more than one output should be shorted at a time and the duration of the short circuit should not exceed one second. Set V_O at 0.5 V to avoid test problems caused by test equipment ground degradation.

$$f_{\max} \text{ (with feedback)} = \frac{1}{t_{su} + t_{pd} \text{ (CLK to Q)}} \cdot f_{\max} \text{ without feedback can be calculated as}$$

$$f_{\max} \text{ (without feedback)} = \frac{1}{t_{w \text{ high}} + t_{w \text{ low}}}$$

2

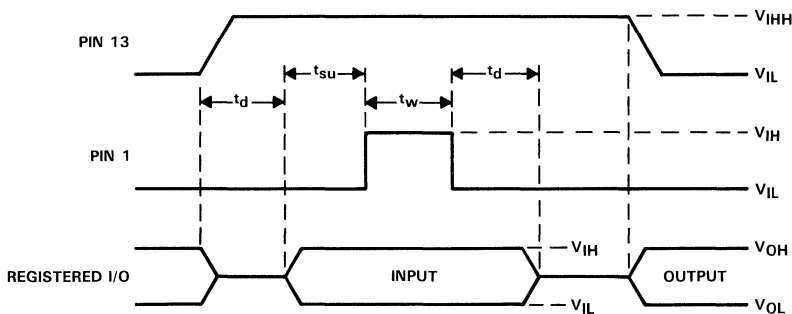
Data Sheets

preload procedure for registered outputs (see Note 2)

The output registers of the TIBPAL22VP10 can be preloaded to any desired state during device testing. This permits any state to be tested without having to step through the entire state-machine sequence. Each register is preloaded individually by following the steps given below.

- Step 1. With V_{CC} at 5 volts and pin 1 at V_{IL} , raise pin 13 to V_{IHH} .
- Step 2. Apply either V_{IL} or V_{IH} to the output corresponding to the register to be preloaded.
- Step 3. Pulse pin 1, clocking in preload data.
- Step 4. Remove output voltage, then lower pin 13 to V_{IL} . Preload can be verified by observing the voltage level at the output pin.

preload waveforms (see Notes 2 and 3)



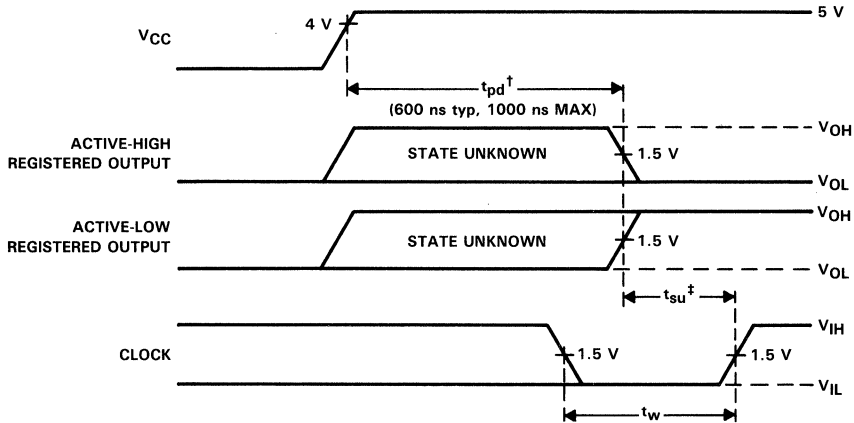
- NOTES: 2. Pin numbers shown are for JT and NT packages only. If chip carrier socket adapter is not used, pin numbers must be changed accordingly.
3. $t_d = t_{su} = t_w = 100$ ns to 1000 ns. $V_{IHH} = 10.25$ V to 10.75 V.

TIBPAL22VP10-25M
TIBPAL22VP10-20C
HIGH-PERFORMANCE *IMPACT*™ PROGRAMMABLE ARRAY LOGIC

power-up reset

Following power-up, all registers of the TIBPAL22VP10 are reset to zero. The output level depends on the polarity selected during programming. This feature provides extra flexibility to the system designer and is especially valuable in simplifying state-machine initialization. To ensure a valid power-up reset, it is important that the V_{CC} 's rise be monotonic. Following power-up reset, a low-to-high clock transition must not occur until all applicable input and feedback setup times are met.

power-up reset waveforms



[†]This is the power-up reset time and applies to registered outputs only. The values shown are from characterization data.

[‡]This is the setup time for input or feedback.

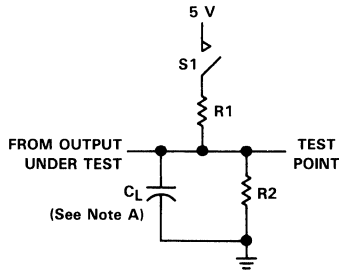
programming information

Texas Instruments Programmable Logic Devices can be programmed using widely available software and inexpensive device programmers.

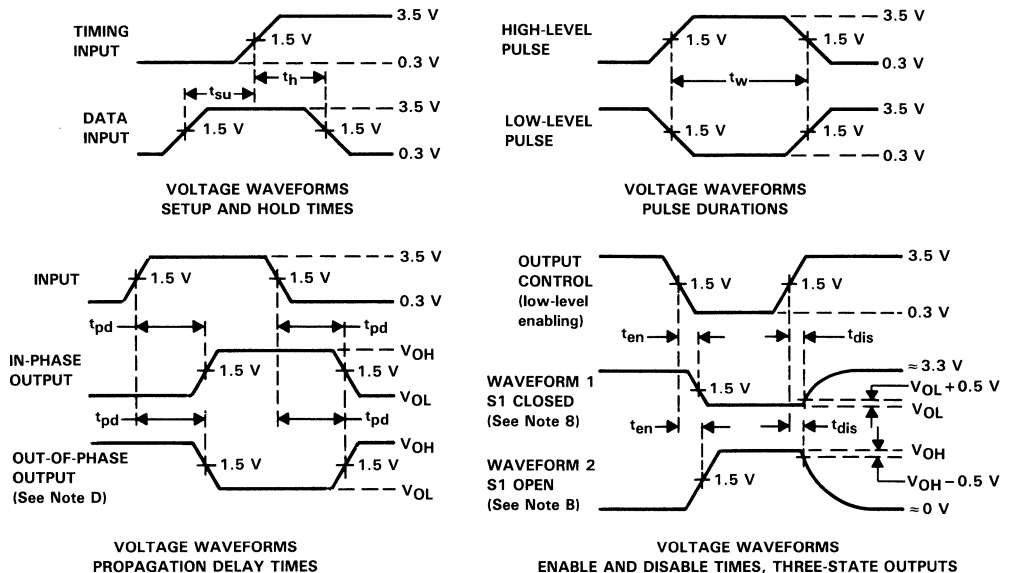
When the additional fuses are not being used, the TIBPAL22VP10 can be programmed using the TIBPAL22V10/10A programming algorithm. The fuse configuration data can either be from a JEDEC file (format per JEDEC Standard No. 3-A) or a TIBPAL22V10/10A master.

Complete programming specifications, algorithms, and the latest information on hardware, software, and firmware are available upon request. Information on programmers capable of programming Texas Instruments Programmable Logic is also available, upon request, from the nearest TI field sales office, local authorized TI distributor, or by calling Texas Instruments at (214) 995-5762.

PARAMETER MEASUREMENT INFORMATION



**LOAD CIRCUIT FOR
THREE-STATE OUTPUTS**



- NOTES: A. C_L includes probe and jig capacitance.
 B. Waveform 1 is for an output with internal conditions such that the output is low except when disabled by the output control. Waveform 2 is for an output with internal conditions such that the output is high except when disabled by the output control.
 C. All input pulses have the following characteristics: $PRR \leq 1$ MHz, $t_r = t_f = 2$ ns, duty cycle = 50%.
 D. When measuring propagation delay times of 3-state outputs, switch S1 is closed.

FIGURE 2

2

Data Sheets

TIBPALR19L8M, TIBPALR19R4M, TIBPALR19R6M, TIBPALR19R8M TIBPALR19L8C, TIBPALR19R4C, TIBPALR19R6C, TIBPALR19R8C HIGH-PERFORMANCE LATCHED-INPUT PAL® CIRCUITS

D2709, DECEMBER 1982—REVISED DECEMBER 1987

- High-Performance Operation . . . 30 MHz
- Preload Capability on Output Registers
- DIP Options Include Both 300-mil Plastic and 600-mil Ceramic
- Dependable Texas Instruments Quality and Reliability

| DEVICE | I/D INPUTS | I INPUTS | 3-STATE O OUTPUTS | REGISTERED Q OUTPUTS | I/O PORTS |
|-----------|------------|----------|----------------------|-------------------------|-----------|
| 'PALR19L8 | 11 | 2 | 2 | 0 | 6 |
| 'PALR19R4 | 11 | 0 | 0 | 4 (3-state buffers) | 4 |
| 'PALR19R6 | 11 | 0 | 0 | 6 (3-state buffers) | 2 |
| 'PALR19R8 | 11 | 0 | 0 | 8 (3-state buffers) | 0 |

description

These programmable array logic devices feature high speed and functionality similar to the TIBPAL16L8, 16R4, 16R6, 16R8 series, but with the added advantage of D-type input registers. If any input register is not desired, it can be converted to an input buffer by simply programming the architectural fuse.

Combining Advanced Low-Power Schottky† technology, with proven titanium-tungsten fuses, these devices will provide reliable high performance substitutes over conventional TTL logic. Their easy programmability allows for quick design of custom functions and typically result in a more compact circuit board. In addition, chip carriers are available for further reduction in board space.

Extra circuitry has been provided to allow loading of each register asynchronously to either a high or low state. This feature simplifies testing because the registers can be set to an initial state prior to executing the test sequence.

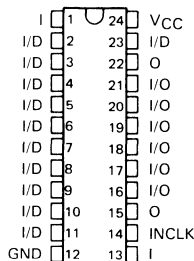
An M suffix designates full-temperature circuits that are characterized for operation over the full military temperature range of -55°C to 125°C. A C suffix designates commercial-temperature circuits that are characterized for operation from 0°C to 70°C.

INPUT REGISTER FUNCTION TABLE

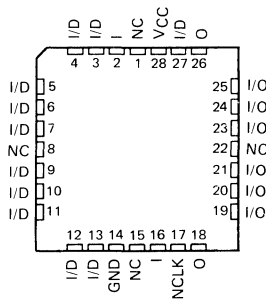
| INPUT | | OUTPUT OF INPUT REGISTER |
|-------|---|-----------------------------|
| INCLK | D | |
| ↑ | H | H |
| ↑ | L | L |
| L | X | Q ₀ |

† Integrated Schottky-Barrier diode-clamped transistor is patented by Texas Instruments, U.S. Patent Number 3,463,975. PAL is a registered trademark of Monolithic Memories Inc.

TIBPALR19L8'
M SUFFIX . . . JW PACKAGE
C SUFFIX . . . JW OR NT PACKAGE
(TOP VIEW)



TIBPALR19L8'
M SUFFIX . . . FK PACKAGE
C SUFFIX . . . FN PACKAGE
(TOP VIEW)



NC—No internal connection

Pin assignments in operating mode

PRODUCTION DATA documents contain information current as of publication date. Products conform to specifications per the terms of Texas Instruments standard warranty. Production processing does not necessarily include testing of all parameters.

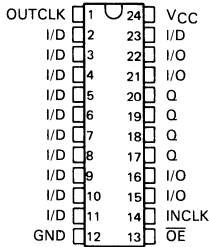


POST OFFICE BOX 655012 • DALLAS, TEXAS 75265

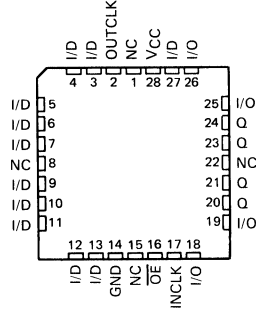
Copyright © 1985, Texas Instruments Incorporated

**TIBPALR19R4M, TIBPALR19R6M, TIBPALR19R8M
TIBPALR19R4C, TIBPALR19R6C, TIBPALR19R8C
HIGH-PERFORMANCE REGISTERED-INPUT PAL® CIRCUITS**

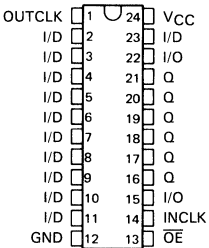
TIBPALR19R4'
M SUFFIX . . . JW PACKAGE
C SUFFIX . . . JW OR NT PACKAGE
(TOP VIEW)



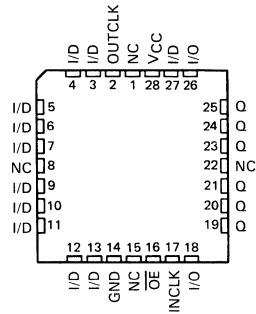
TIBPALR19R4'
M SUFFIX . . . FK PACKAGE
C SUFFIX . . . FN PACKAGE
(TOP VIEW)



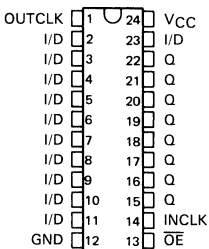
TIBPALR19R6'
M SUFFIX . . . JW PACKAGE
C SUFFIX . . . JW OR NT PACKAGE
(TOP VIEW)



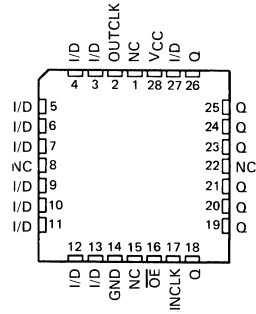
TIBPALR19R6'
M SUFFIX . . . FK PACKAGE
C SUFFIX . . . FN PACKAGE
(TOP VIEW)



TIBPALR19R8'
M SUFFIX . . . JW PACKAGE
C SUFFIX . . . JW OR NT PACKAGE
(TOP VIEW)



TIBPALR19R8'
M SUFFIX . . . FK PACKAGE
C SUFFIX . . . FN PACKAGE
(TOP VIEW)

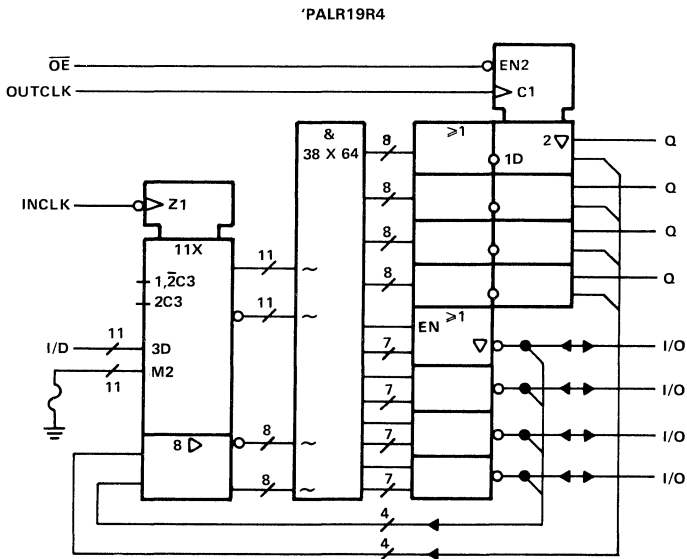
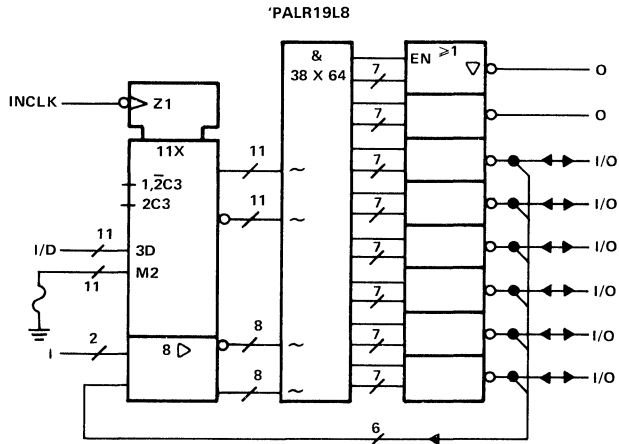


Pin assignments in operating mode

NC—No internal connection

**TIBPALR19L8M, TIBPALR19R4M
TIBPALR19L8C, TIBPALR19R4C
HIGH-PERFORMANCE REGISTERED-INPUT PAL® CIRCUITS**

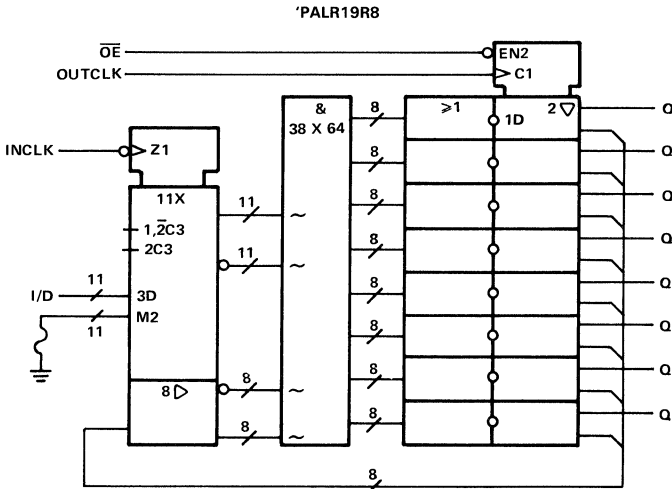
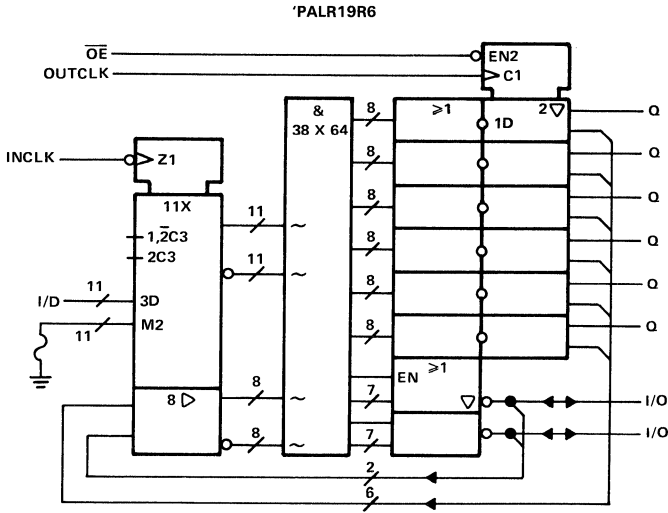
functional block diagrams (positive logic)



**TIBPALR19R6M, TIBPALR19R8M
TIBPALR19R6C, TIBPALR19R8C
HIGH-PERFORMANCE REGISTERED-INPUT PAL® CIRCUITS**

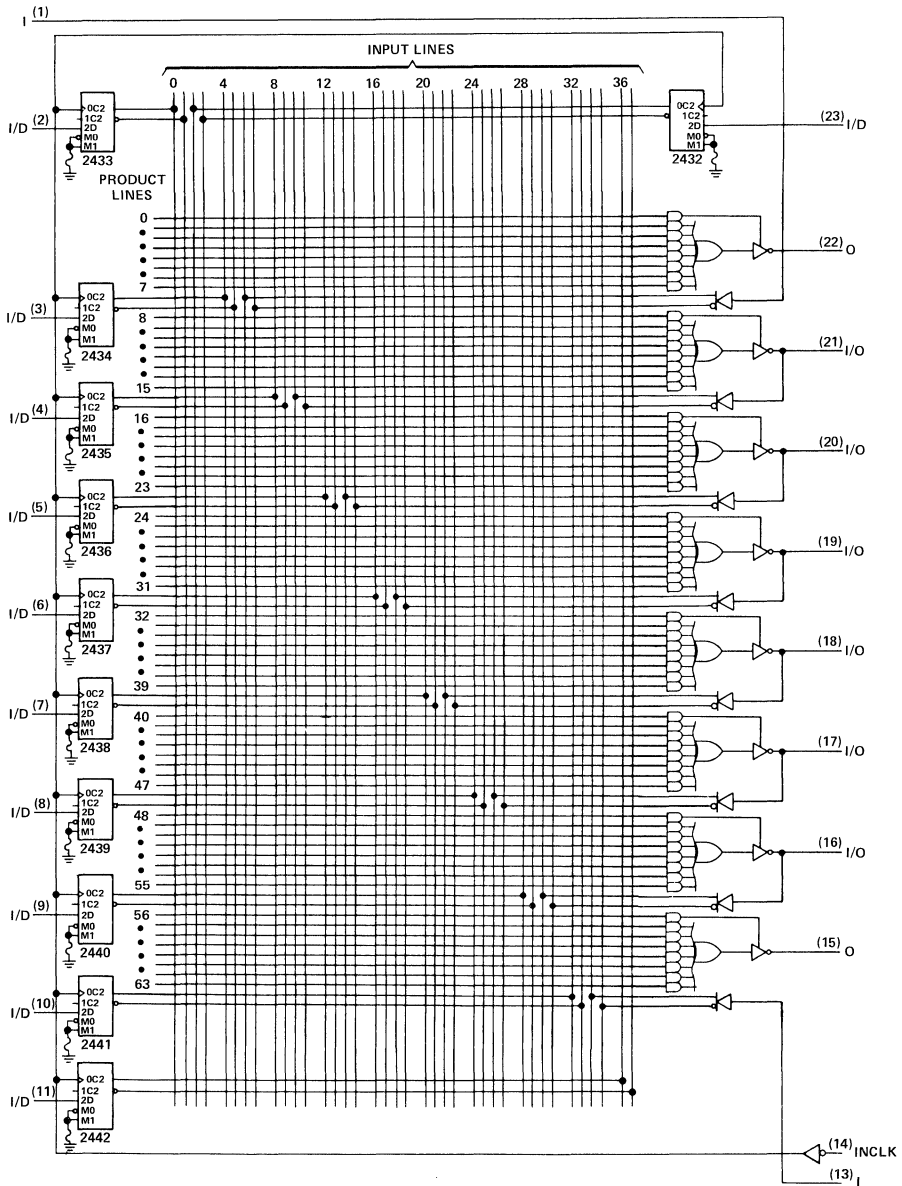
functional block diagrams (positive logic)

2
Data Sheets



TIBPALR19L8M, TIBPALR19L8C HIGH-PERFORMANCE REGISTERED-INPUT PAL® CIRCUITS

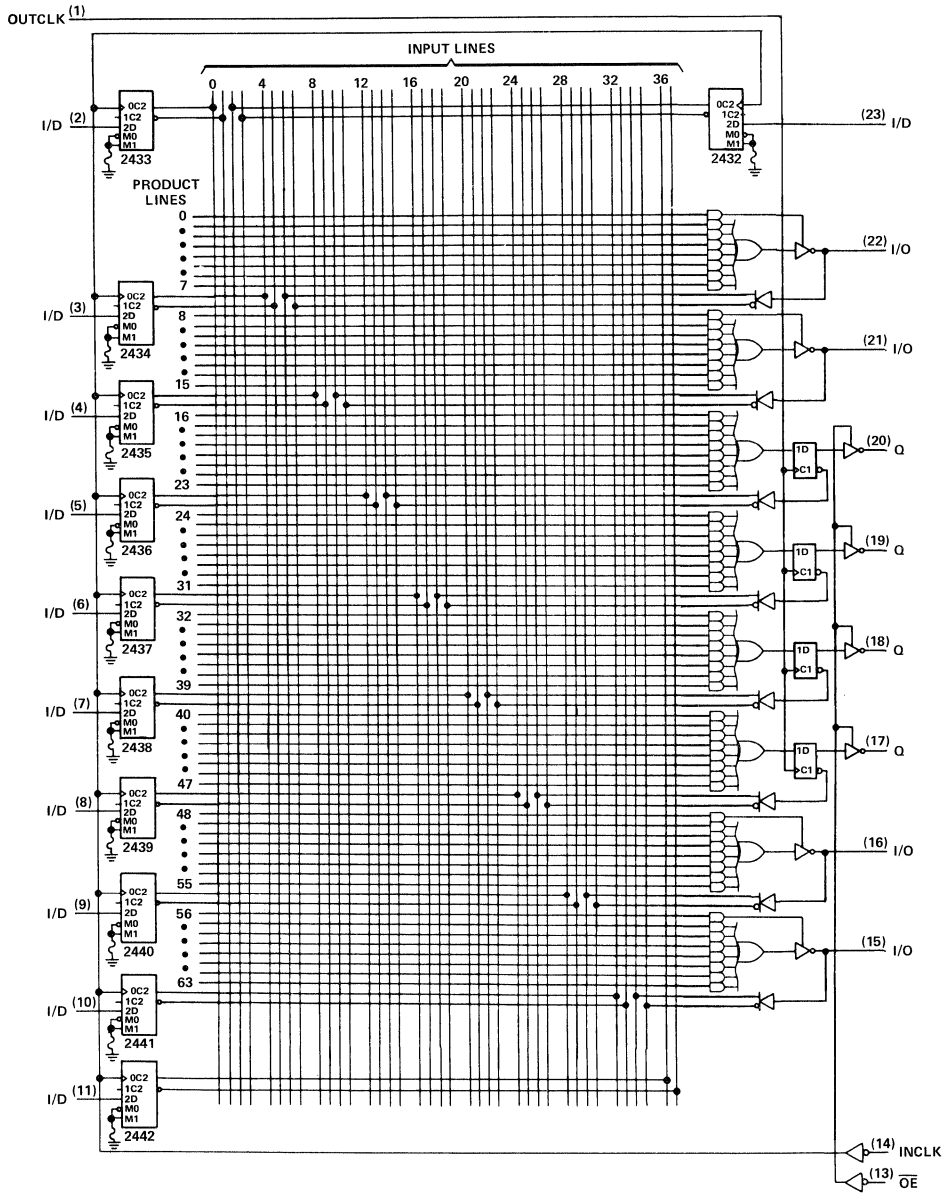
logic diagram (positive logic)



Pin numbers shown are for JW and NT packages.

TIBPALR19R4M, TIBPALR19R4C HIGH-PERFORMANCE REGISTERED-INPUT PAL® CIRCUITS

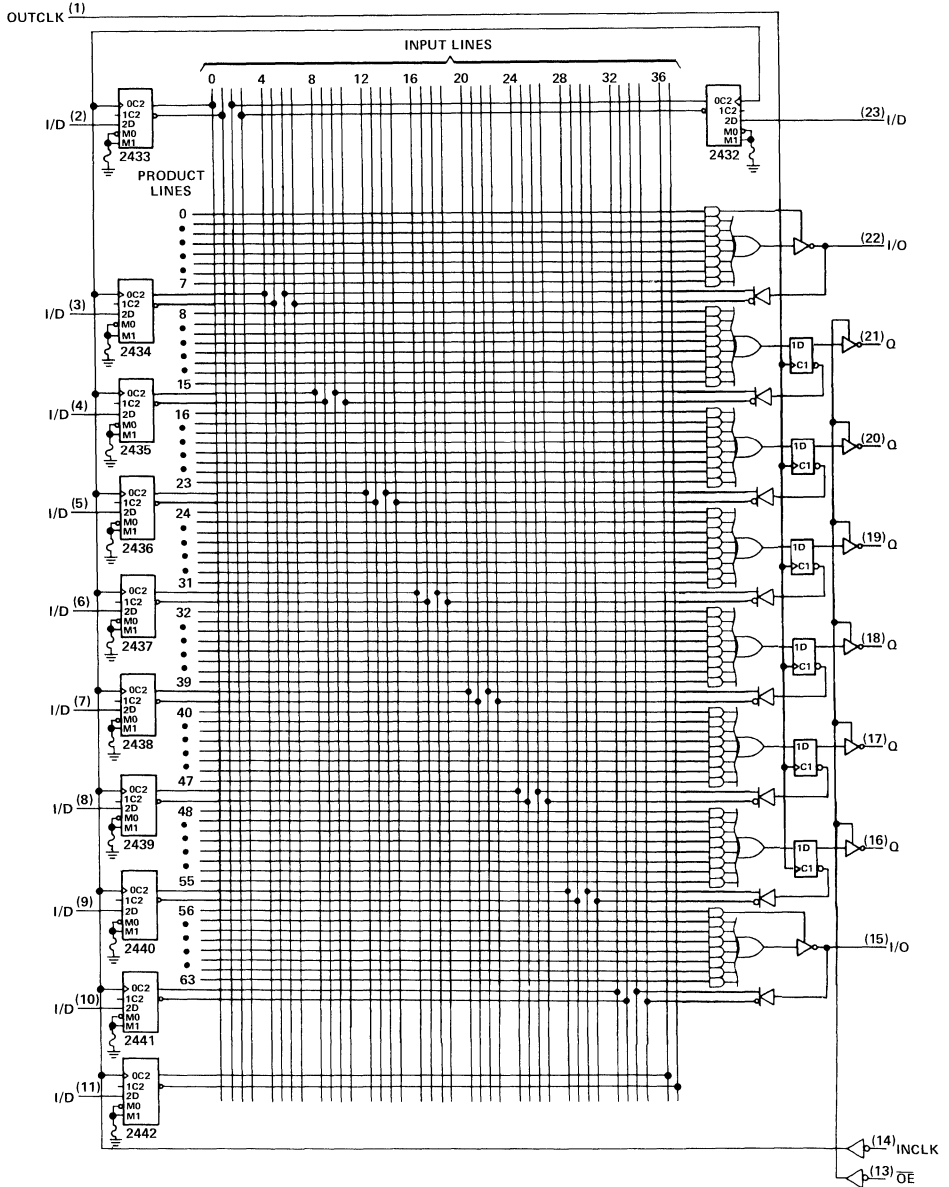
logic diagram (positive logic)



Pin numbers shown are for JW and NT packages.

TIBPALR19R6M, TIBPALR19R6C HIGH-PERFORMANCE REGISTERED-INPUT PAL® CIRCUITS

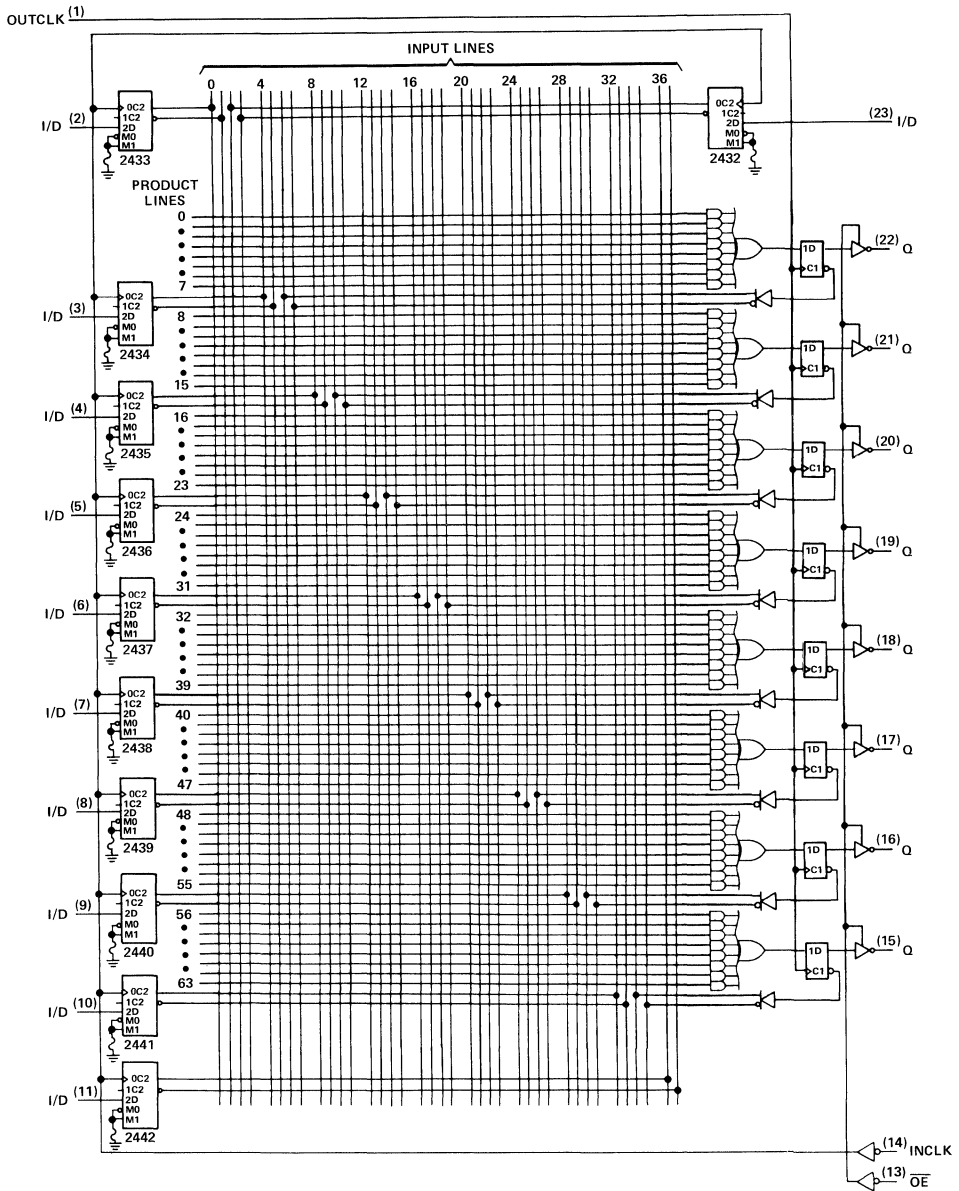
logic diagram (positive logic)



Pin numbers shown are for JW and NT packages.

TIBPALR19R8M, TIBPALR19R8C HIGH-PERFORMANCE REGISTERED-INPUT PAL® CIRCUITS

logic diagram (positive logic)



Pin numbers shown are for JW and NT packages.

**TIBPALR19L8M, TIBPALR19R4M, TIBPALR19R6M, TIBPALR19R8M
TIBPALR19L8C, TIBPALR19R4C, TIBPALR19R6C, TIBPALR19R8C
HIGH-PERFORMANCE REGISTERED-INPUT PAL® CIRCUITS**

absolute maximum ratings over operating free-air temperature range (unless otherwise noted)

| | |
|---|------------------|
| Supply voltage, V_{CC} (see Note 1) | 7 V |
| Input voltage (see Note 1) | 5.5 V |
| Voltage applied to a disabled output (see Note 1) | 5.5 V |
| Operating free-air temperature range: M suffix | -55 °C to 125 °C |
| C suffix | 0 °C to 70 °C |
| Storage temperature range | -65 °C to 150 °C |

NOTE 1: These ratings apply except for programming pins during a programming cycle or during preload cycle.

recommended operating conditions

| | | M SUFFIX | | | C SUFFIX | | | UNIT |
|-------------|--------------------------------|------------------------------------|-----|-----|----------|-----|------|------|
| | | MIN | NOM | MAX | MIN | NOM | MAX | |
| V_{CC} | Supply voltage | 4.5 | 5 | 5.5 | 4.75 | 5 | 5.25 | V |
| V_{IH} | High-level input voltage | 2 | | 5.5 | 2 | | 5.5 | V |
| V_{IL} | Low-level input voltage | | | 0.8 | | | 0.8 | V |
| I_{OH} | High-level output current | | | -2 | | | -3.2 | mA |
| I_{OL} | Low-level output current | | | 12 | | | 24 | mA |
| f_{clock} | Clock frequency | INCLK | 0 | 20 | 0 | | 30 | MHz |
| | | OUTCLK | 0 | 20 | 0 | | 30 | |
| t_w | Pulse duration, clock | INCLK high | 20 | | 15 | | | ns |
| | | INCLK low | 20 | | 15 | | | |
| | | OUTCLK high | 20 | | 15 | | | |
| | | OUTCLK low | 20 | | 15 | | | |
| t_{su} | Setup time | Data before INCLK↑ | 15 | | 10 | | | ns |
| | | Data before OUTCLK↑ | 30 | | 25 | | | |
| | | INCLK↑ before OUTCLK↑ (See Note 2) | 30 | | 25 | | | |
| t_h | Hold time | Data after INCLK↑ | 5 | | 5 | | | ns |
| | | Data after OUTCLK↑ | 0 | | 0 | | | |
| T_A | Operating free-air temperature | -55 | | 125 | 0 | | 70 | °C |

NOTE 2: This setup time ensures the output registers will see stable data from the input registers.

**TIBPALR19L8M, TIBPALR19R4M, TIBPALR19R6M, TIBPALR19R8M
TIBPALR19L8C, TIBPALR19R4C, TIBPALR19R6C, TIBPALR19R8C
HIGH-PERFORMANCE REGISTERED-INPUT PAL® CIRCUITS**

electrical characteristics over recommended free-air operating temperature range

| PARAMETER | TEST CONDITIONS† | M SUFFIX | | | C SUFFIX | | | UNIT |
|-----------------------------|--|--|------|------|----------|------|------|------|
| | | MIN | TYP‡ | MAX | MIN | TYP‡ | MAX | |
| V _{IK} | V _{CC} = MIN, I _I = -18 mA | -1.5 | | | -1.5 | | | V |
| V _{OH} | V _{CC} = MIN, I _{OH} = MAX | 2.4 | 3.2 | | 2.4 | 3.3 | V | |
| V _{OL} | V _{CC} = MIN, I _{OL} = MAX | 0.25 0.4 | | | 0.35 0.5 | | | V |
| I _{OZH} | Outputs I/O ports | V _{CC} = MAX, V _{IH} = 2.7 V | | | 20 | | | μA |
| | | | | | 100 | | | |
| I _{OZL} | Outputs I/O ports | V _{CC} = MAX, V _{IH} = 0.4 V | | | -20 | | | μA |
| | | | | | -250 | | | |
| I _I | OE Input | V _{CC} = MAX, V _I = 5.5 V | | | 0.2 | | | mA |
| | I/D Inputs | | | | 0.1 | | | |
| | All others | | | | 0.1 | | | |
| I _{IH} | OE Input | V _{CC} = MAX, V _I = 2.7 V | | | 40 | | | μA |
| | I/D Inputs | | | | 20 | | | |
| | All others | | | | 20 | | | |
| I _{IL} | OE Input | V _{CC} = MAX, V _I = 0.4 V | | | -0.4 | | | mA |
| | I/D Inputs | | | | -0.6 | | | |
| | All others | | | | -0.2 | | | |
| I _O [§] | V _{CC} = MAX, V _O = 2.25 V | -30 | | -125 | -30 | | -125 | mA |
| I _{CC} | V _{CC} = MAX, Outputs open | | 150 | 210 | | 150 | 210 | mA |

switching characteristics over recommended operating free-air temperature range (unless otherwise noted)

| PARAMETER | FROM | TO | TEST CONDITIONS | M SUFFIX | | | C SUFFIX | | | UNIT |
|------------------|---------|--------|--|----------|------|-----|----------|------|-----|------|
| | | | | MIN | TYP‡ | MAX | MIN | TYP‡ | MAX | |
| f _{max} | INCLK↑ | I/O, 0 | R _L = 500 Ω, C _L = 50 pF, See Note 3 | 20 | | | 30 | | | MHz |
| t _{pd} | I, I/O | I/O, 0 | | 15 30 | | | 15 25 | | | ns |
| t _{pd} | I/D¶ | I/O, 0 | | 20 40 | | | 20 35 | | | ns |
| t _{pd} | INCLK↑ | I/O, 0 | | 20 40 | | | 20 35 | | | ns |
| t _{pd} | OUTCLK↑ | Q | | 10 25 | | | 10 20 | | | ns |
| t _{en} | OE↓ | Q | | 10 25 | | | 10 20 | | | ns |
| t _{en} | I, I/O | I/O, 0 | | 14 30 | | | 14 25 | | | ns |
| t _{en} | I/D¶ | I/O, 0 | | 27 45 | | | 27 40 | | | ns |
| t _{en} | INCLK↑ | I/O, 0 | | 27 45 | | | 27 40 | | | ns |
| t _{dis} | OE↑ | Q | | 11 25 | | | 11 20 | | | ns |
| t _{dis} | I, I/O | I/O, 0 | | 12 30 | | | 12 25 | | | ns |
| t _{dis} | I/D¶ | I/O, 0 | | 13 30 | | | 13 30 | | | ns |
| t _{dis} | INCLK↑ | I/O, 0 | | 13 30 | | | 13 25 | | | ns |

† For conditions shown as MIN or MAX, use the appropriate value specified under recommended operating conditions.

‡ All typical values are V_{CC} = 5 V, T_A = 25°C.

§ The output conditions have been chosen to produce a current that closely approximates one half the true short-circuit current, I_{O5}.

¶ Input configured as an input buffer.

NOTE 3: Load circuits and voltage waveforms are shown in Section 1.

TIBPALR19L8M, TIBPALR19R4M, TIBPALR19R6M, TIBPALR19R8M TIBPALR19L8C, TIBPALR19R4C, TIBPALR19R6C, TIBPALR19R8C HIGH-PERFORMANCE REGISTERED-INPUT PAL® CIRCUITS

programming information

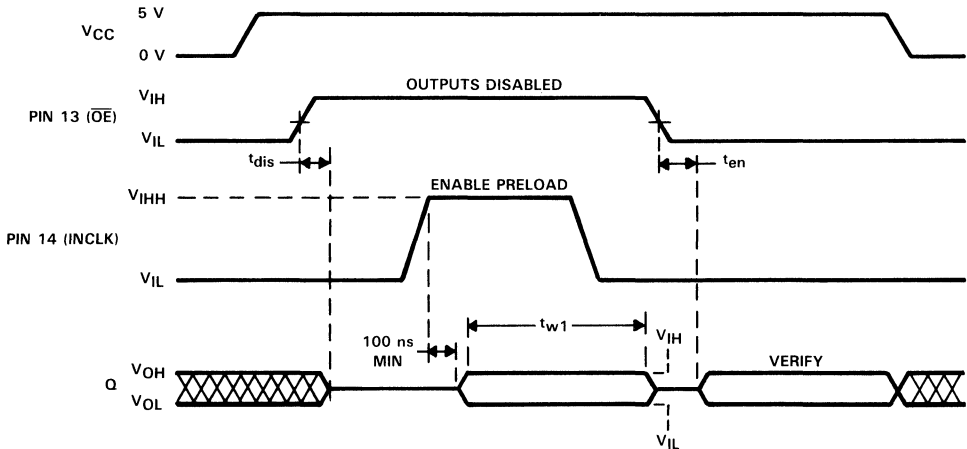
Texas Instruments Programmable Logic Devices can be programmed using widely available software and inexpensive device programmers.

Complete programming specifications, algorithms, and the latest information on hardware, software, and firmware are available upon request. Information on programmers capable of programming Texas Instruments Programmable Logic is also available, upon request, from the nearest TI field sales office, local authorized TI distributor, or by calling Texas Instruments at (214) 997-5762.

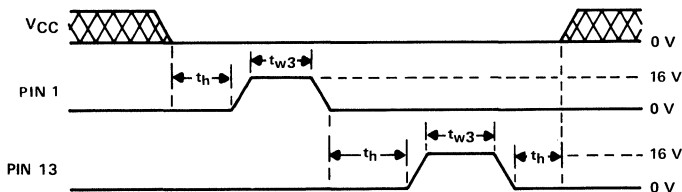
preload procedure for registered outputs (see Note 4)

- Step 1 Pin 13 to V_{IH} , Pin 1 to V_{IL} , and V_{CC} to 5 volts.
- Step 2 Pin 14 to V_{IHH}
- Step 3 At Q outputs, apply V_{IL} to preload a low and V_{IH} to preload a high.
- Step 4 Pin 14 to V_{IL} .
- Step 5 Remove the voltages applied to the outputs.
- Step 6 Pin 13 to V_{IL}
- Step 7 Check the output states to verify preload.

preload waveforms (see Note 4)



security fuse programming (see Note 4)



NOTE 4: Pin numbers shown are for JW and NT packages only. If chip carrier socket adapter is not used, pin numbers must be changed accordingly.

2

Data Sheets

TIBPALT19L8M, TIBPALT19R4M, TIBPALT19R6M, TIBPALT19R8M TIBPALT19L8C, TIBPALT19R4C, TIBPALT19R6C, TIBPALT19R8C HIGH-PERFORMANCE REGISTERED-INPUT PAL® CIRCUITS

D2709, DECEMBER 1982—REVISED DECEMBER 1987

- High-Performance Operation . . . 30 MHz
- Preload Capability on Output Registers
- DIP Options Include Both 300-mil Plastic and 600-mil Ceramic
- Dependable Texas Instruments Quality and Reliability

| DEVICE | I/D INPUTS | I INPUTS | 3-STATE O OUTPUTS | REGISTERED Q OUTPUTS | I/O PORTS |
|-----------|------------|----------|----------------------|-------------------------|-----------|
| 'PALT19L8 | 11 | 2 | 2 | 0 | 6 |
| 'PALT19R4 | 11 | 0 | 0 | 4 (3-state buffers) | 4 |
| 'PALT19R6 | 11 | 0 | 0 | 6 (3-state buffers) | 2 |
| 'PALT19R8 | 11 | 0 | 0 | 8 (3-state buffers) | 0 |

description

These programmable array logic devices feature high speed and functionality similar to the TIBPAL16L8, 16R4, 16R6, 16R8 series, but with the added advantage of D-type transparent latches on the inputs. If any input register is not desired, it can be converted to an input buffer by simply programming the architectural fuse.

Combining Advanced Low-Power Schottky† technology, with proven titanium-tungsten fuses, these devices will provide reliable high performance substitutes over conventional TTL logic. Their easy programmability allows for quick design of custom functions and typically result in a more compact circuit board. In addition, chip carriers are available for further reduction in board space.

Extra circuitry has been provided to allow loading of each register asynchronously to either a high or low state. This feature simplifies testing because the registers can be set to an initial state prior to executing the test sequence.

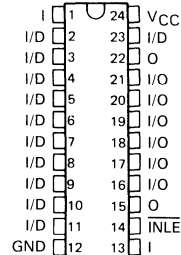
An M suffix designates full-temperature circuits that are characterized for operation over the full military temperature range of -55°C to 125°C . A C suffix designates commercial-temperature circuits that are characterized for operation from 0°C to 70°C .

INPUT LATCH FUNCTION TABLE

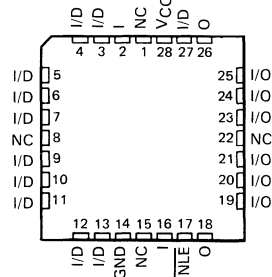
| INLE | D | LATCH OUTPUT |
|------|---|--------------|
| L | L | L |
| L | H | H |
| H | X | Q_0 |

†Integrated Schottky-Barrier diode-clamped transistor is patented by Texas Instruments, U.S. Patent Number 3,463,975.
PAL is a trademark of Monolithic Memories Inc.

TIBPALT19L8'
M SUFFIX . . . JW PACKAGE
C SUFFIX . . . JW OR NT PACKAGE
(TOP VIEW)



TIBPALT19L8'
M SUFFIX . . . FK PACKAGE
C SUFFIX . . . FN PACKAGE
(TOP VIEW)



NC—No internal connection

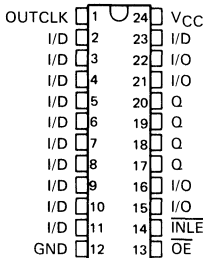
Pin assignments in operating mode

**TIBPALT19R4M, TIBPALT19R6M, TIBPALT19R8M
TIBPALT19R4C, TIBPALT19R6C, TIBPALT19R8C
HIGH-PERFORMANCE LATCHED-INPUT PAL® CIRCUITS**

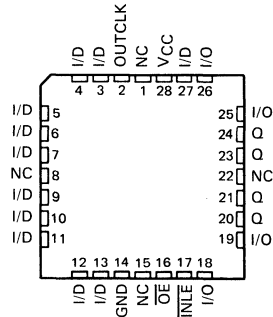
2

Data Sheets

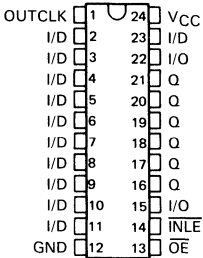
TIBPALT19R4'
M SUFFIX . . . JW PACKAGE
C SUFFIX . . . JW OR NT PACKAGE
(TOP VIEW)



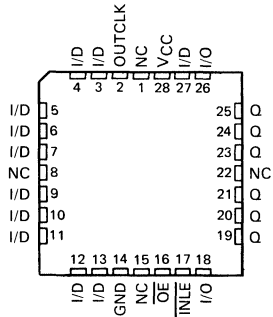
TIBPALT19R4'
M SUFFIX . . . FK PACKAGE
C SUFFIX . . . FN PACKAGE
(TOP VIEW)



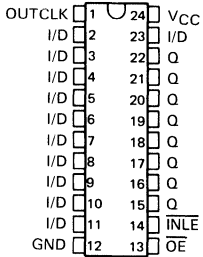
TIBPALT19R6'
M SUFFIX . . . JW PACKAGE
C SUFFIX . . . JW OR NT PACKAGE
(TOP VIEW)



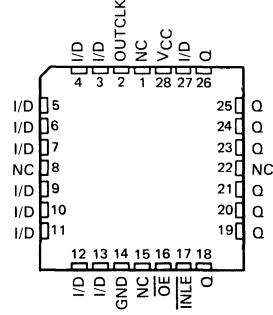
TIBPALT19R6'
M SUFFIX . . . FK PACKAGE
C SUFFIX . . . FN PACKAGE
(TOP VIEW)



TIBPALT19R8'
M SUFFIX . . . JW PACKAGE
C SUFFIX . . . JW OR NT PACKAGE
(TOP VIEW)



TIBPALT19R8'
M SUFFIX . . . FK PACKAGE
C SUFFIX . . . FN PACKAGE
(TOP VIEW)

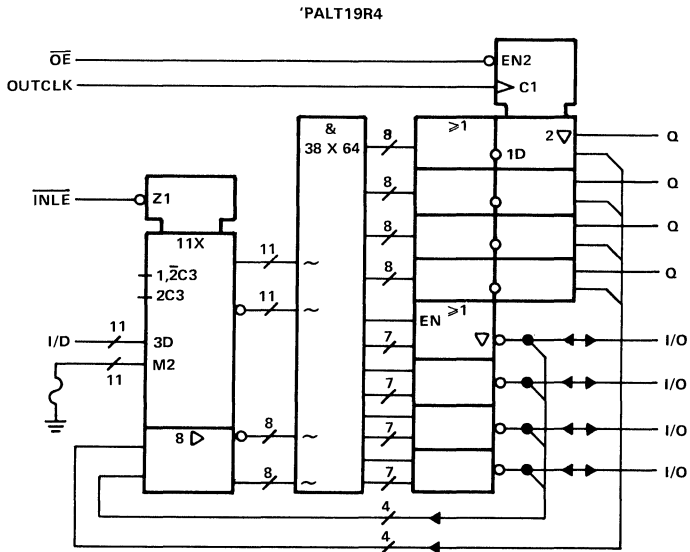
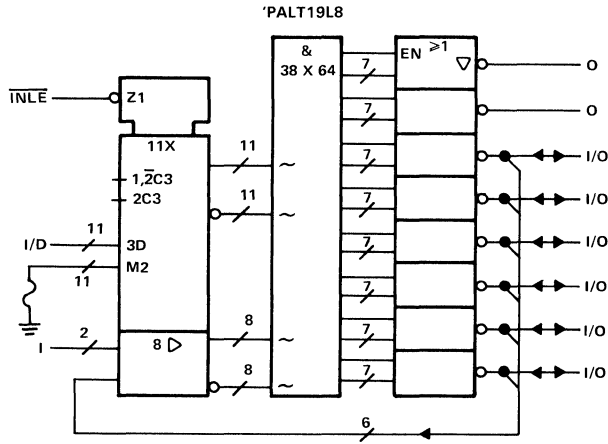


Pin assignments in operating mode

NC—No internal connection

**TIBPALT19L8M, TIBPALT19R4M
TIBPALT19L8C, TIBPALT19R4C
HIGH-PERFORMANCE LATCHED-INPUT PAL® CIRCUITS**

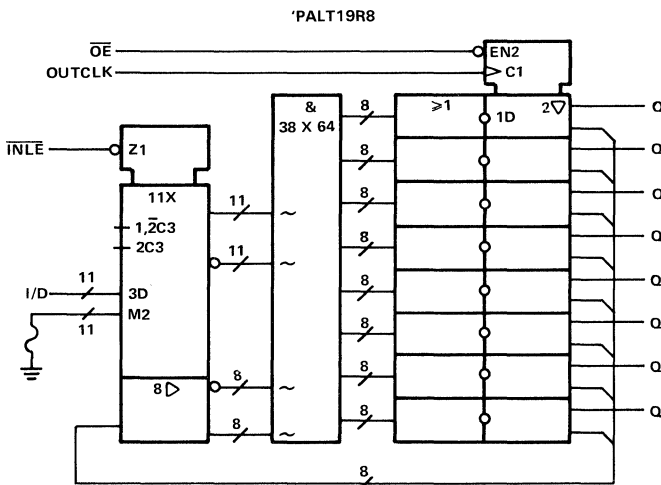
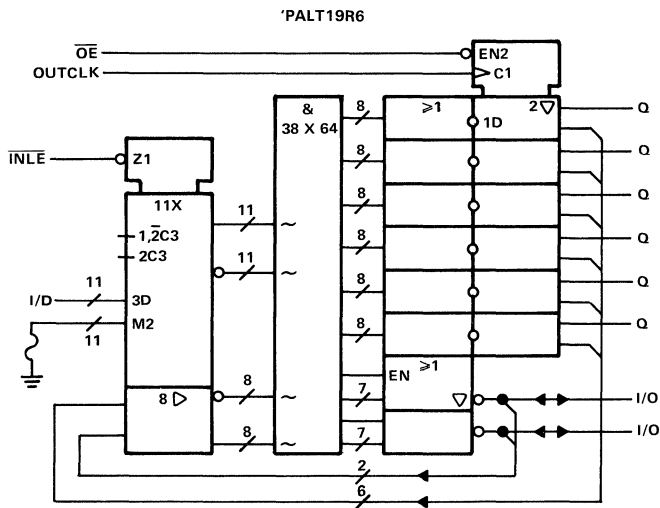
functional block diagrams (positive logic)



**TIBPALT19R6M, TIBPALT19R8M
TIBPALT19R6C, TIBPALT19R8C
HIGH-PERFORMANCE LATCHED-INPUT PAL® CIRCUITS**

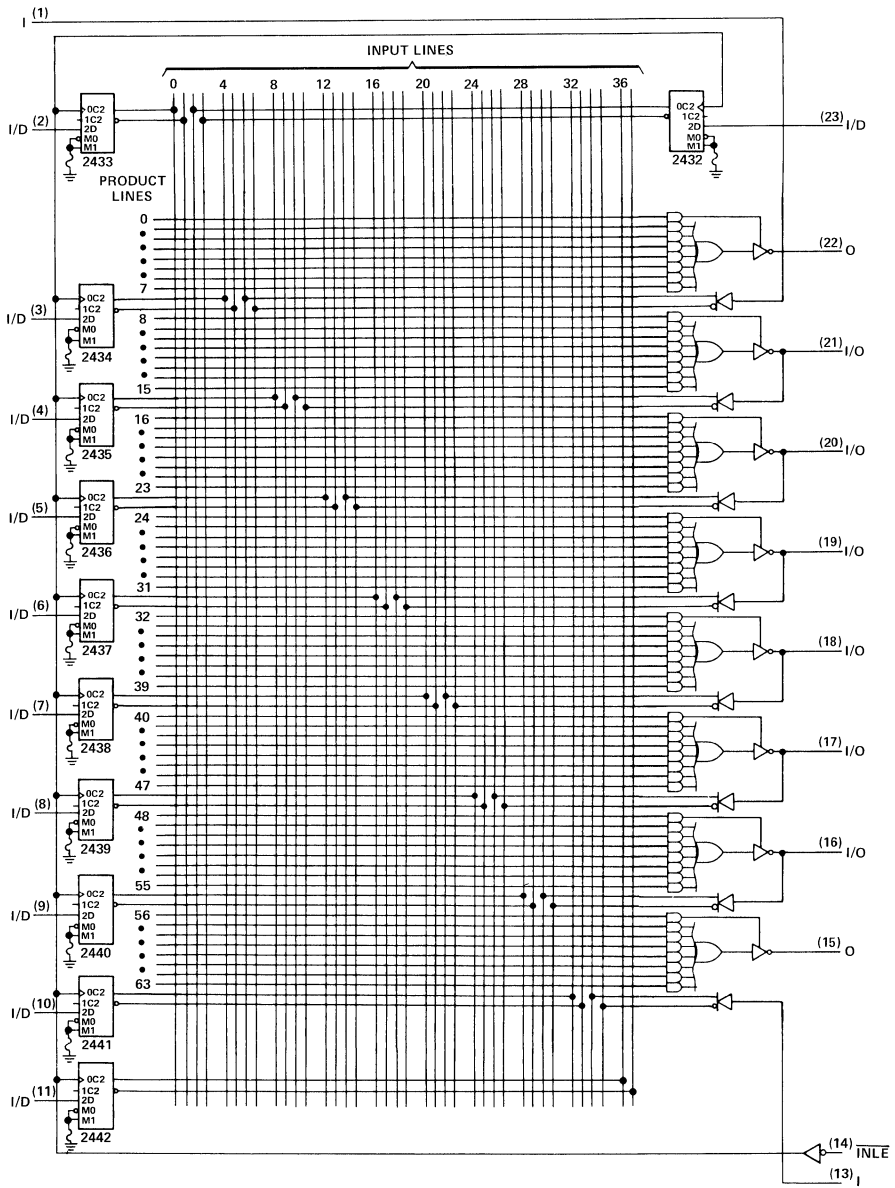
functional block diagrams (positive logic)

2 Data Sheets



TIBPALT19L8M, TIBPALT19L8C HIGH-PERFORMANCE LATCHED-INPUT PAL® CIRCUITS

logic diagram (positive logic)

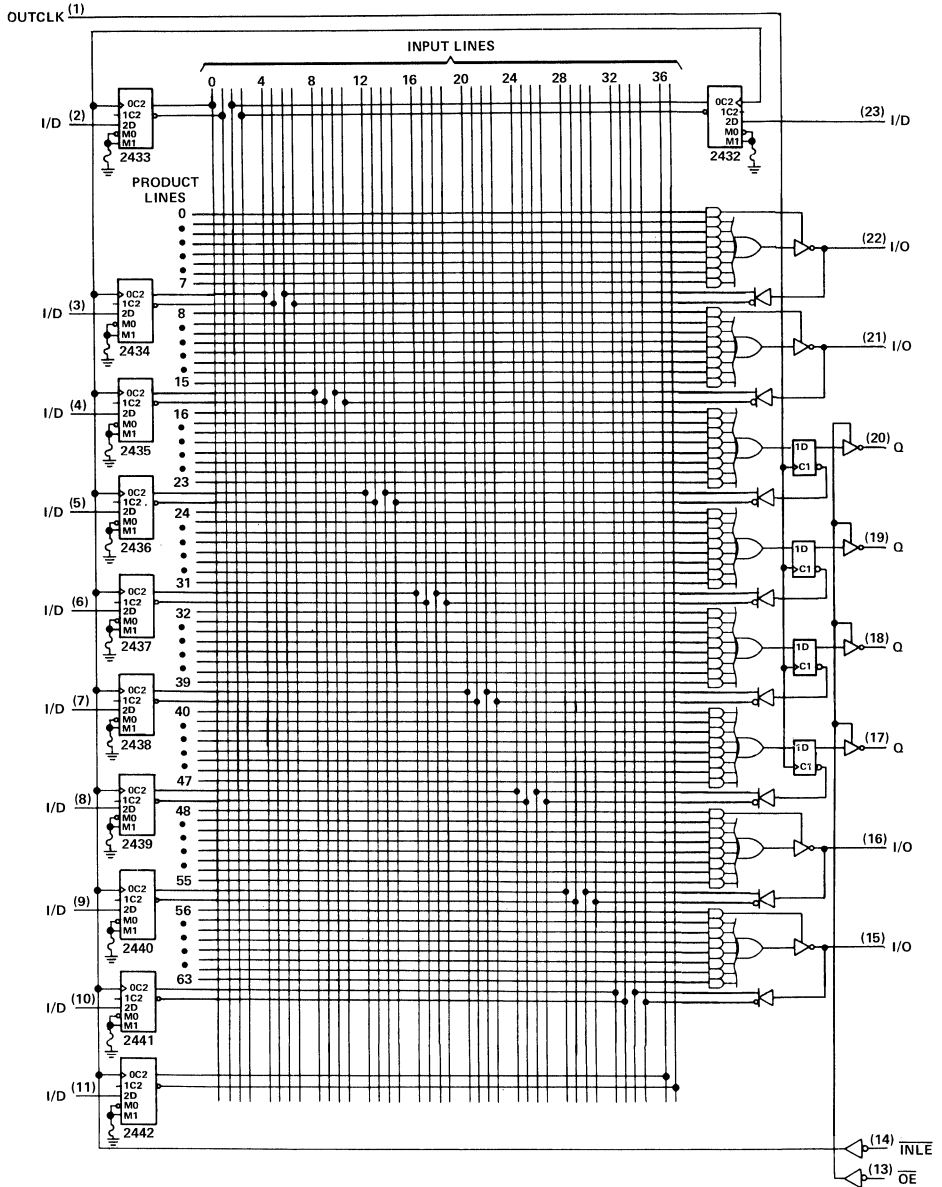


Pin numbers shown are for JW and NT packages.

2
Data Sheets

TIBPALT19R4M, TIBPALT19R4C HIGH-PERFORMANCE LATCHED-INPUT PAL® CIRCUITS

logic diagram (positive logic)



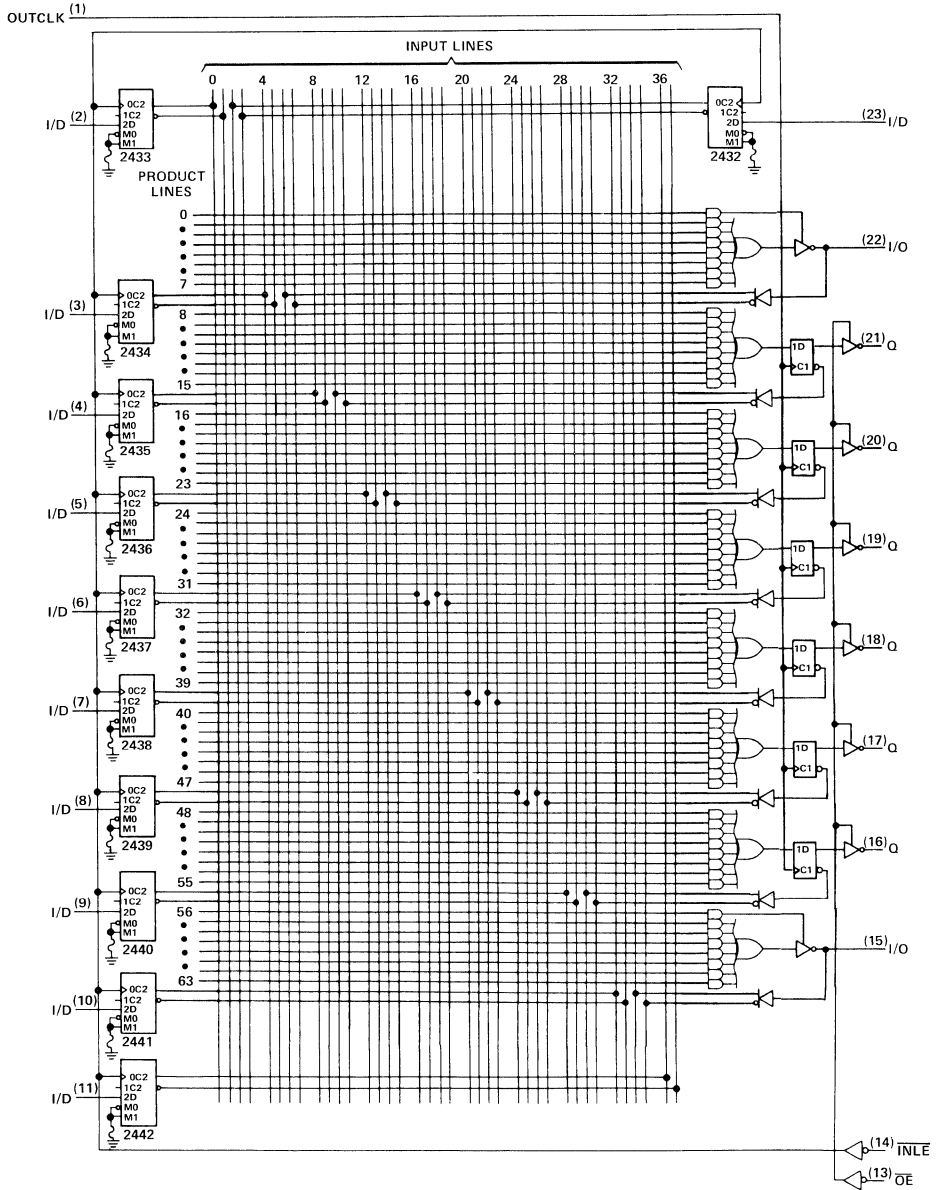
Pin numbers shown are for JW and NT packages.

2

Data Sheets

TIBPALT19R6M, TIBPALT19R6C HIGH-PERFORMANCE LATCHED-INPUT PAL® CIRCUITS

logic diagram (positive logic)

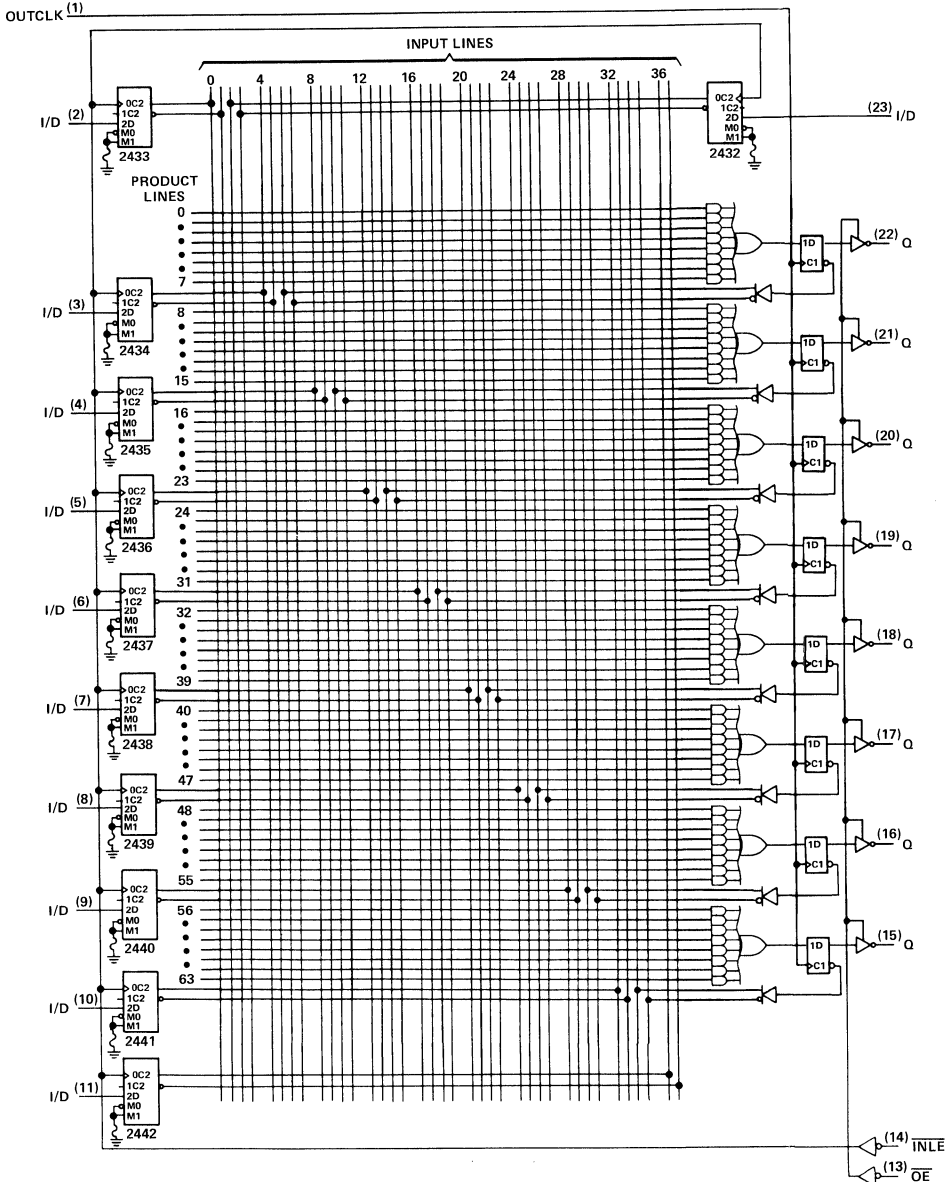


Pin numbers shown are for JW and NT packages.

2
Data Sheets

TIBPALT19R8M, TIBPALT19R8C
HIGH-PERFORMANCE LATCHED-INPUT PAL® CIRCUITS

logic diagram (positive logic)



Pin numbers shown are for JW and NT packages.

2 Data Sheets

TIBPALT19L8M, TIBPALT19R4M, TIBPALT19R6M, TIBPALT19R8M TIBPALT19L8C, TIBPALT19R4C, TIBPALT19R6C, TIBPALT19R8C HIGH-PERFORMANCE LATCHED-INPUT PAL® CIRCUITS

absolute maximum ratings over operating free-air temperature range (unless otherwise noted)

| | |
|---|----------------|
| Supply voltage, V_{CC} (see Note 1) | 7 V |
| Input voltage (see Note 1) | 5.5 V |
| Voltage applied to a disabled output (see Note 1) | 5.5 V |
| Operating free-air temperature range: M suffix | -55°C to 125°C |
| C suffix | 0°C to 70°C |
| Storage temperature range | -65°C to 150°C |

NOTE 1: These ratings apply except for programming pins during a programming cycle or during preload cycle.

recommended operating conditions

| | | M SUFFIX | | | C SUFFIX | | | UNIT |
|-------------|--------------------------------|----------|--------------------------------------|-----|----------|-----|------|------|
| | | MIN | NOM | MAX | MIN | NOM | MAX | |
| V_{CC} | Supply voltage | 4.5 | 5 | 5.5 | 4.75 | 5 | 5.25 | V |
| V_{IH} | High-level input voltage | 2 | | 5.5 | 2 | | 5.5 | V |
| V_{IL} | Low-level input voltage | | | 0.8 | | | 0.8 | V |
| I_{OH} | High-level output current | | | -2 | | | -3.2 | mA |
| I_{OL} | Low-level output current | | | 12 | | | 24 | mA |
| f_{clock} | Clock frequency | | 0 | 20 | | 0 | 30 | MHz |
| t_w | Pulse duration | | OUTCLK | | | | | |
| | | | INLE low | | | 15 | | ns |
| | | | OUTCLK high | | | 15 | | |
| t_{su} | Setup time | | OUTCLK low | | | 15 | | ns |
| | | | Data before INLE ↑ | | | 10 | | |
| | | | Data before OUTCLK↑ | | | 25 | | |
| | | | INLE low before OUTCLK↑ (See Note 2) | | | 30 | | |
| t_h | Hold time | | Data after INLE ↑ | | | 5 | | |
| | | | Data after OUTCLK↑ | | | 0 | | ns |
| T_A | Operating free-air temperature | | -55 | 125 | | 0 | 70 | °C |

NOTE 2: This setup time ensures the output registers will see stable data from the input latches.

Data Sheets 2

**TIBPALT19L8M, TIBPALT19R4M, TIBPALT19R6M, TIBPALT19R8M
TIBPALT19L8C, TIBPALT19R4C, TIBPALT19R6C, TIBPALT19R8C
HIGH-PERFORMANCE LATCHED-INPUT PAL® CIRCUITS**

electrical characteristics over recommended free-air operating temperature range

| PARAMETER | TEST CONDITIONS† | M SUFFIX | | | C SUFFIX | | | UNIT |
|------------------|---|--|------|------|----------|------|------|------|
| | | MIN | TYP‡ | MAX | MIN | TYP‡ | MAX | |
| V _{IK} | V _{CC} = MIN, I _I = -18 mA | | | -1.5 | | | -1.5 | V |
| V _{OH} | V _{CC} = MIN, I _{OH} = MAX | 2.4 | 3.2 | | 2.4 | 3.3 | | V |
| V _{OL} | V _{CC} = MIN, I _{OL} = MAX | | 0.25 | 0.4 | | 0.35 | 0.5 | V |
| I _{OZH} | Outputs | V _{CC} = MAX, V _{IH} = 2.7 V | | | 20 | | | 20 |
| | I/O ports | | | | | | | |
| I _{OZL} | Outputs | V _{CC} = MAX, V _{IH} = 0.4 V | | | -20 | | | -20 |
| | I/O ports | | | | | | | |
| I _I | OE Input | V _{CC} = MAX, V _I = 5.5 V | | | 0.2 | | | 0.2 |
| | All others | | | | | | | |
| I _{IH} | OE Input | V _{CC} = MAX, V _I = 2.7 V | | | 40 | | | 40 |
| | All others | | | | | | | |
| I _{IL} | OE Input | V _{CC} = MAX, V _I = 0.4 V | | | -0.4 | | | -0.4 |
| | All others | | | | | | | |
| I _O § | V _{CC} = MAX, V _O = 2.25 V | -30 | | -125 | -30 | | -125 | mA |
| I _{CC} | V _{CC} = MAX, V _I = 0 V, Outputs open | | 150 | 210 | | 150 | 210 | mA |

switching characteristics over recommended operating free-air temperature range (unless otherwise noted)

| PARAMETER | FROM | TO | TEST CONDITIONS | M SUFFIX | | | C SUFFIX | | | UNIT |
|------------------|---------|--------|--|----------|------|-----|----------|------|-----|------|
| | | | | MIN | TYP‡ | MAX | MIN | TYP‡ | MAX | |
| f _{max} | OUTCLK↑ | Q | R _L = 500 Ω, C _L = 50 pF, See Note 3 | 20 | | | 30 | | | MHz |
| t _{pd} | I, I/O | I/O, O | | 15 | 30 | | 15 | 25 | | ns |
| t _{pd} | I/D↑ | I/O, O | | 25 | 45 | | 25 | 40 | | ns |
| t _{pd} | INLE↓ | I/O, O | | 28 | 45 | | 28 | 40 | | ns |
| t _{pd} | OUTCLK↑ | Q | | 10 | 25 | | 10 | 20 | | ns |
| t _{en} | OE↓ | Q | | 10 | 25 | | 10 | 20 | | ns |
| t _{en} | I, I/O | I/O, O | | 14 | 30 | | 14 | 25 | | ns |
| t _{en} | I/D↑ | I/O, O | | 30 | 45 | | 30 | 40 | | ns |
| t _{en} | INLE↓ | I/O, O | | 30 | 45 | | 30 | 40 | | ns |
| t _{dis} | OE↑ | Q | | 11 | 25 | | 11 | 20 | | ns |
| t _{dis} | I, I/O | I/O, O | | 12 | 30 | | 12 | 25 | | ns |
| t _{dis} | I/D↑ | I/O, O | | 14 | 30 | | 14 | 25 | | ns |
| t _{dis} | INLE↓ | I/O, O | | 14 | 30 | | 14 | 25 | | ns |

† For conditions shown as MIN or MAX, use the appropriate value specified under recommended operating conditions.

‡ All typical values are V_{CC} = 5 V, T_A = 25°C.

§ The output conditions have been chosen to produce a current that closely approximates one half the true short-circuit current, I_{OS}.

¶ Input configured as an input buffer or INLE low.

NOTE 3: Load circuits and voltage waveforms are shown in Section 1.

**TIBPALT19L8M, TIBPALT19R4M, TIBPALT19R6M, TIBPALT19R8M
TIBPALT19L8C, TIBPALT19R4C, TIBPALT19R6C, TIBPALT19R8C
HIGH-PERFORMANCE LATCHED-INPUT PAL® CIRCUITS**

programming information

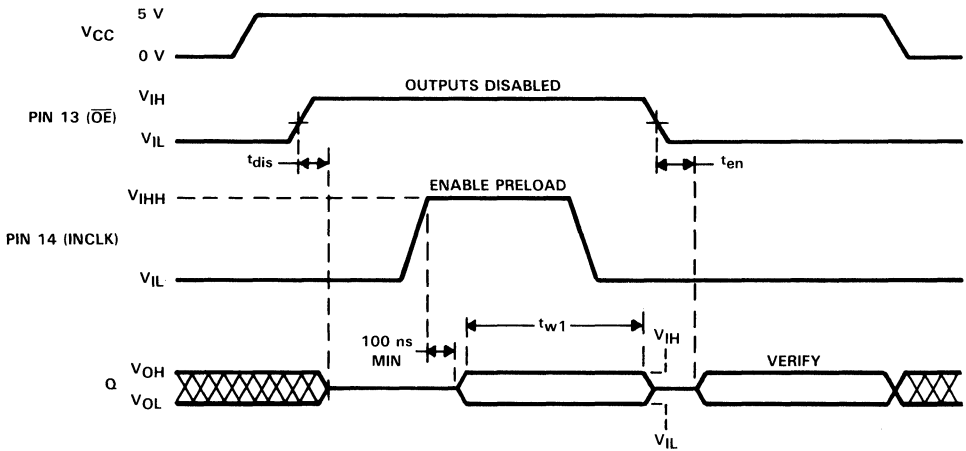
Texas Instruments Programmable Logic Devices can be programmed using widely available software and inexpensive device programmers.

Complete programming specifications, algorithms, and the latest information on hardware, software, and firmware are available upon request. Information on programmers capable of programming Texas Instruments Programmable Logic is also available, upon request, from the nearest TI field sales office, local authorized TI distributor, or by calling Texas Instruments at (214) 997-5762.

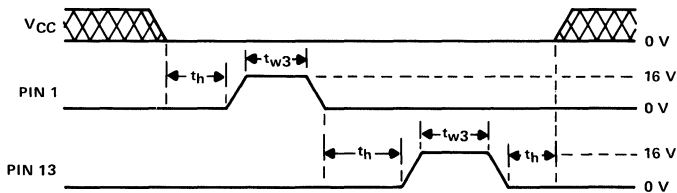
preload procedure for registered outputs (see Note 4)

- Step 1 Pin 13 to V_{IH} , Pin 1 to V_{IL} , and V_{CC} to 5 volts.
- Step 2 Pin 14 to V_{IHH}
- Step 3 At Q outputs, apply V_{IL} to preload a low and V_{IH} to preload a high.
- Step 4 Pin 14 to V_{IL} .
- Step 5 Remove the voltages applied to the outputs.
- Step 6 Pin 13 to V_{IL} .
- Step 7 Check the output states to verify preload.

preload waveforms (see Note 4)



security fuse programming (see Note 4)



NOTE 4: Pin numbers shown are for JW and NT packages only. If chip carrier socket adapter is not used, pin numbers must be changed accordingly.

2

Data Sheets

TIBPLS506M, TIBPLS506C 13 × 97 × 8 FIELD-PROGRAMMABLE LOGIC SEQUENCER

D3090, DECEMBER 1987

- 50-MHz Clock Rate
- Power-On Reset of All Registers
- 16-Bit Internal State Registers
- 8-Bit Output Registers
- Outputs Programmable for Registered or Combinational Operation
- Ideal for Waveform and State Machine Applications

description

The TIBPLS506 is a TTL field-programmable state machine of the Mealy type. This state machine (logic sequencer) contains 97 product terms (AND terms) and 24 pairs of sum terms (OR terms). The product and sum terms are used to control the 16-bit internal state registers and the 8-bit output registers.

The outputs of the internal state registers (P0-P15) are fed back and combined with the 13 inputs (I0-I12) to form the AND array. In addition, two sum terms are complemented and fed back to the AND array, which allows any product terms to be summed, complemented, and used as inputs to the AND array.

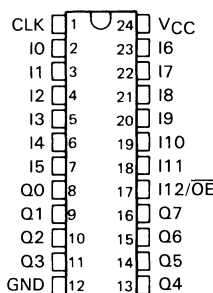
The eight output cells can be individually programmed for registered or combinational operation. Nonregistered operation is selected by blowing the output multiplexer fuse. Each combinational output must also have all fuses blown from the reset term. Registered output operation is selected by leaving the output multiplexer fuse intact.

Pin 17 can be programmed to function as an input and/or an output enable. Blowing the output enable fuse lets pin 17 function as an output enable but does not disconnect pin 17 from the input array. When the output enable fuse is intact, pin 17 functions only as an input with the outputs being permanently enabled.

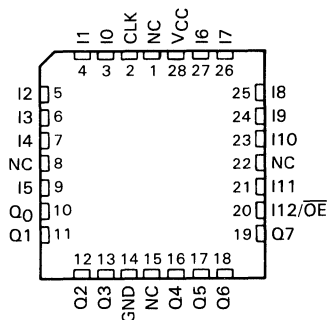
The state and output registers are synchronously clocked by the fuse programmable clock input. The clock polarity fuse selects either positive- or negative-edge triggering. Negative-edge triggering is selected by blowing the clock polarity fuse. Leaving this fuse intact selects positive-edge triggering. The state and output registers are unconditionally reset low on power-up.

The eight outputs can be individually programmed for combinational operation by blowing the output multiplexer fuse. Each combinational output must also have all fuses blown from its associated reset term. When the output multiplexer fuse is left intact, registered operation is selected.

M SUFFIX . . . JT PACKAGE
C SUFFIX . . . JT OR NT PACKAGE
(TOP VIEW)



M SUFFIX . . . FK PACKAGE
C SUFFIX . . . FK OR FN PACKAGE
(TOP VIEW)



NC—No Internal Connection

2

Data Sheets

PRODUCT PREVIEW

PRODUCT PREVIEW documents contain information on products in the formative or design phase of development. Characteristic data and other specifications are design goals. Texas Instruments reserves the right to change or discontinue these products without notice.



POST OFFICE BOX 655012 • DALLAS, TEXAS 75265

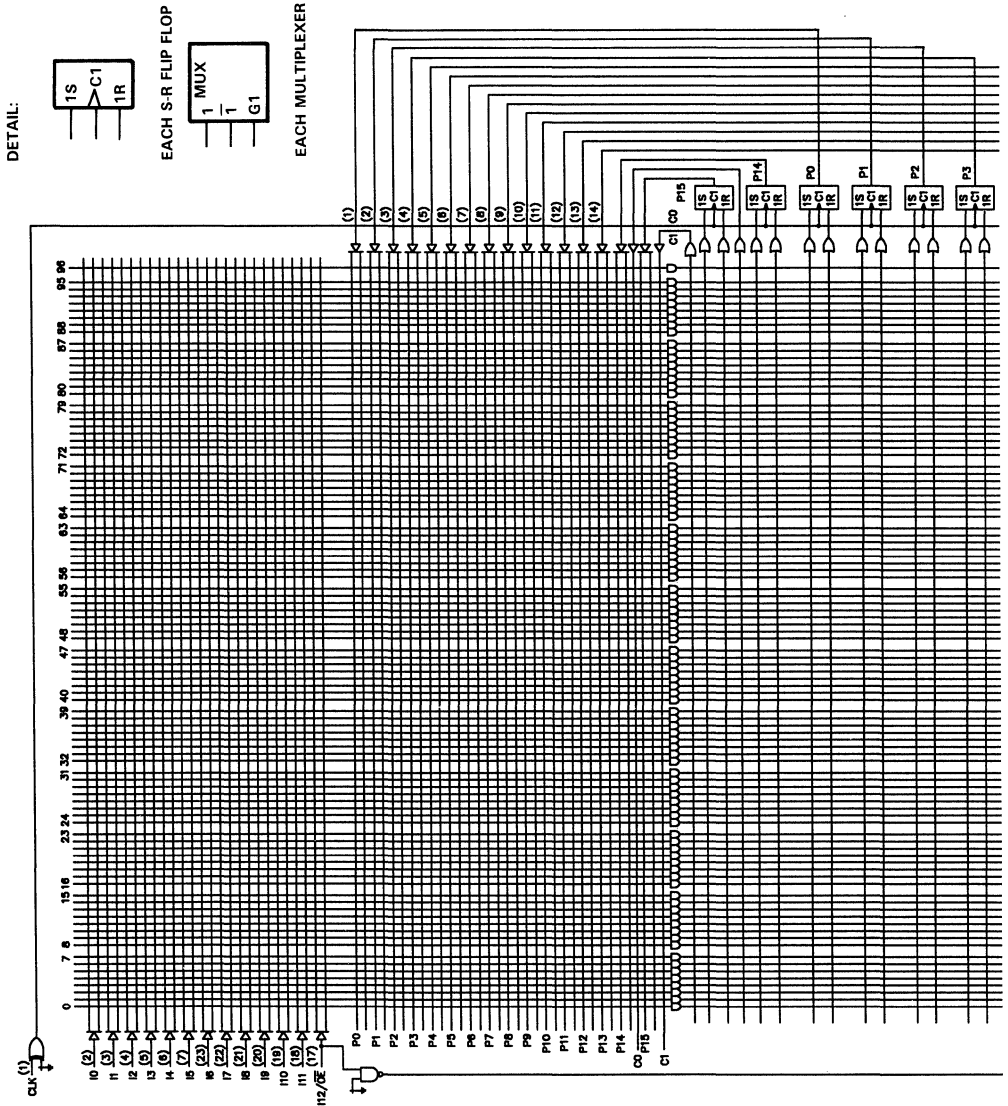
Copyright © 1987, Texas Instruments Incorporated

2-193

TIBPLS506M, TIBPLS506C

13 × 97 × 8 FIELD-PROGRAMMABLE LOGIC SEQUENCER

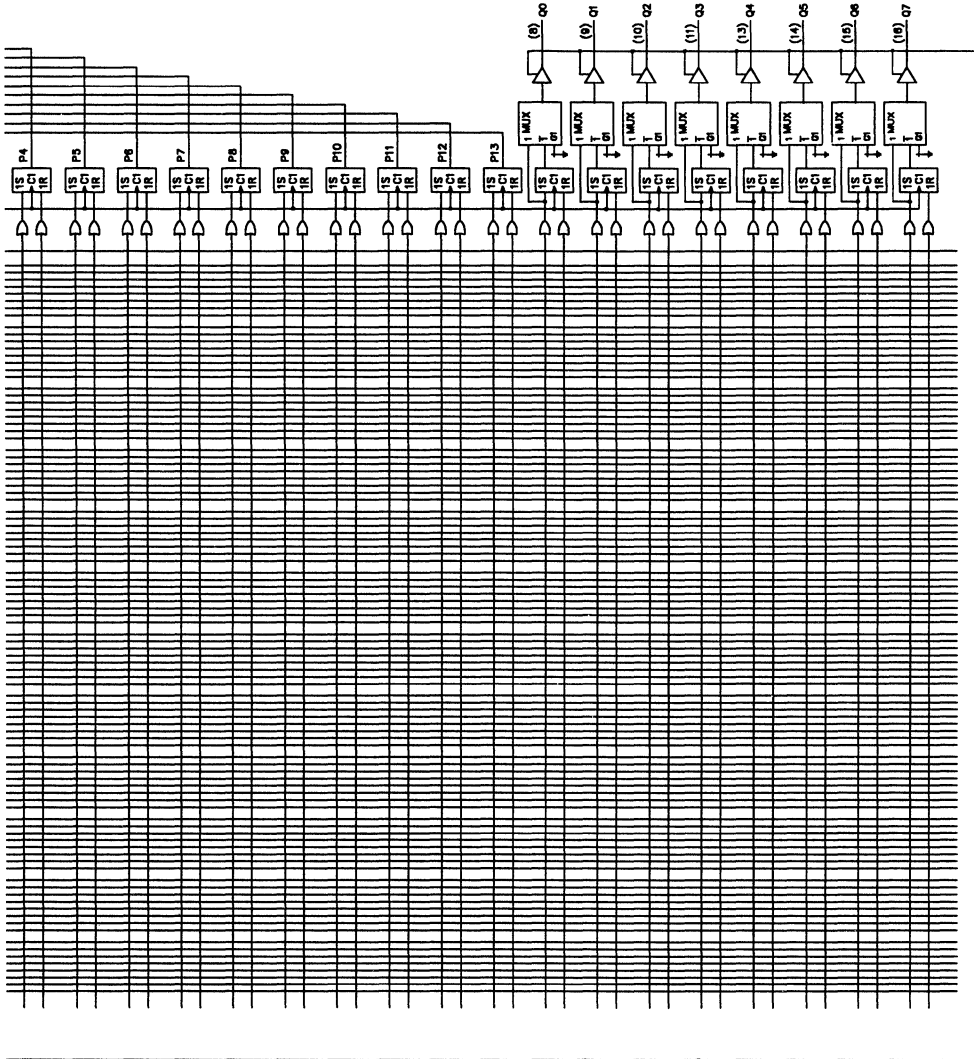
logic diagram (positive logic)



NOTES: A. All AND gate inputs with a blown link assume the logic-1 state
 B. All OR gate inputs with a blown link assume the logic-0 state.

TIBPLS506M, TIBPLS506C
 13 × 97 × 8 FIELD-PROGRAMMABLE LOGIC SEQUENCER

logic diagram (continued)



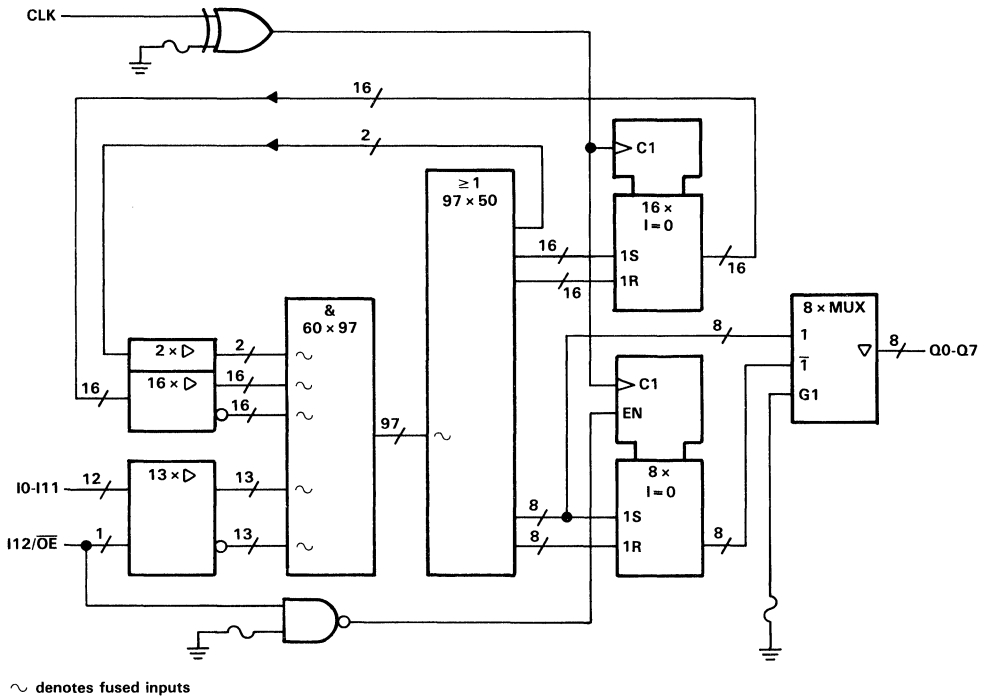
TIBPLS506M, TIBPLS506C
13 × 97 × 8 FIELD-PROGRAMMABLE LOGIC SEQUENCER

S-R FUNCTION TABLE (see Note 1)

| CLK POLARITY FUSE | CLK | S | R | STATE REGISTER |
|-------------------|-----|---|---|----------------|
| INTACT | ↑ | L | L | Q ₀ |
| INTACT | ↑ | L | H | L |
| INTACT | ↑ | H | L | H |
| INTACT | ↑ | H | H | INDETERMINATE |
| BLOWN | ↓ | L | L | Q ₀ |
| BLOWN | ↓ | L | H | L |
| BLOWN | ↓ | H | L | H |
| BLOWN | ↓ | H | H | INDETERMINATE |

NOTE 1: The S-R registers clear at power-up. Q₀ is the state of the S-R registers before the active clock edge.

functional block diagram (positive logic)



2

Data Sheets

PRODUCT PREVIEW

TIBPLS506M, TIBPLS506C

13 × 97 × 8 FIELD-PROGRAMMABLE LOGIC SEQUENCER

absolute maximum ratings over operating free-air temperature range (unless otherwise noted)

| | |
|--|----------------|
| Supply voltage, V_{CC} (see Note 2) | 7 V |
| Input voltage (see Note 2) | 5.5 V |
| Voltage applied to disabled output (see Note 2) | 5.5 V |
| Operating free-air temperature range: TIBPLS506M | 55°C to 125°C |
| TIBPLS506C | 0°C to 70°C |
| Storage temperature range | -65°C to 150°C |

NOTE 2: These ratings apply except when programming pins during a programming cycle.

recommended operating conditions

| | | TIBPLS506M | | | TIBPLS506C | | | UNIT |
|----------|--|---------------------------------|-----|-----|------------|-----|------|------|
| | | MIN | NOM | MAX | MIN | NOM | MAX | |
| V_{CC} | Supply voltage | 4.5 | 5 | 5.5 | 4.75 | 5 | 5.25 | V |
| V_{IH} | High-level input voltage | 2 | | 5.5 | 2 | | 5.5 | V |
| V_{IL} | Low-level input voltage | | | 0.8 | | | 0.8 | V |
| I_{OH} | High-level output current | | | -2 | | | -3.2 | mA |
| I_{OL} | Low-level output current | | | | | | 24 | mA |
| t_w | Pulse duration | Clock high | | | | | | ns |
| | | Clock low | | | | | | |
| t_{su} | Setup time before CLK [†] input or feedback to S-R inputs | Without C-array | | | | | | ns |
| | | With C-array | | | | | | |
| t_h | Hold time after CLK | Input or feedback at S-R inputs | | | | | | ns |
| T_A | Operating free-air temperature | -55 | | 125 | 0 | | 75 | °C |

[†]The active edge of CLK is determined by the programmed state of CLK polarity fuse.

electrical characteristics over recommended operating free-air temperature range (unless otherwise noted)

| PARAMETER | TEST CONDITIONS [‡] | TIBPLS506M | | | TIBPLS506C | | | UNIT |
|-----------|---|------------|------------------|-------|------------|------------------|-------|------|
| | | MIN | TYP [§] | MAX | MIN | TYP [§] | MAX | |
| V_{IK} | $V_{CC} = \text{MIN}$, $I_I = -18 \text{ mA}$ | | | -1.2 | | | -1.2 | V |
| V_{OH} | $V_{CC} = \text{MIN}$, $I_{OH} = \text{MAX}$ | 2.4 | 3.2 | | 2.4 | 3 | | V |
| V_{OL} | $V_{CC} = \text{MIN}$, $I_{OL} = \text{MAX}$ | | 0.25 | 0.4 | | 0.37 | 0.5 | V |
| I_I | $V_{CC} = \text{MAX}$, $V_I = 5.5 \text{ V}$ | | | 25 | | | 25 | μA |
| I_H | $V_{CC} = \text{MAX}$, $V_I = 2.7 \text{ V}$ | | | 20 | | | 20 | μA |
| I_{IL} | $V_{CC} = \text{MAX}$, $V_I = 0.4 \text{ V}$ | | | -0.25 | | | -0.25 | mA |
| I_{OS} | $V_{CC} = \text{MAX}$, $V_O = 2.25 \text{ V}$ | -15 | | -65 | -15 | | -65 | mA |
| I_{OZH} | $V_{CC} = \text{MAX}$, $V_O = 2.7 \text{ V}$ | | | 20 | | | 20 | μA |
| I_{OZL} | $V_{CC} = \text{MAX}$, $V_O = 0.4 \text{ V}$ | | | -20 | | | -20 | μA |
| I_{CC} | $V_{CC} = \text{MAX}$, $V_I = 4.5 \text{ V}$, Outputs open | | 140 | | | 140 | | mA |

[‡]For conditions shown as MIN or MAX, use the appropriate value specified under recommended operating conditions.

[§]All typical values are at $V_{CC} = 5 \text{ V}$, $T_A = 25^\circ\text{C}$.

2

Data Sheets

PRODUCT PREVIEW

TIBPLS506M, TIBPLS506C

13 × 97 × 8 FIELD-PROGRAMMABLE LOGIC SEQUENCER

switching characteristics over recommended ranges of supply voltage and operating free-air temperature (unless otherwise noted), (see Note 3)

| PARAMETER | FROM (INPUT) | TO (OUTPUT) | TEST CONDITIONS | TIBPLS506M | | | TIBPLS506C | | | UNIT |
|-------------|----------------------------|-------------------|--|------------|------|-----|------------|------|-----|------|
| | | | | MIN | TYP† | MAX | MIN | TYP† | MAX | |
| $f_{max} ‡$ | Without C-array | | $R_L = 500 \Omega,$ $C_L = 50 \text{ pF}$ | 60 | | | 60 | | | MHz |
| | With C-Array | | | 40 | | | 40 | | | |
| t_{pd} | CLK § | Q (nonregistered) | | 20 | | | 20 | | | ns |
| | CLK | Q (registered) | | 9 | | | 9 | | | |
| | I | Q (nonregistered) | | 15 | | | 15 | | | |
| t_{en} | $\overline{OE} \downarrow$ | Q | | 6 | | | 6 | | | ns |
| t_{dis} | $\overline{OE} \uparrow$ | Q | 6 | | | 6 | | | ns | |

†All typical values are at $V_{CC} = 5 \text{ V}$, $T_A = 25^\circ\text{C}$.

‡ f_{max} is independent of the internal programmed configuration and the number of product terms used.

§The active edge of CLK is determined by the programmed state of the CLK polarity fuse.

NOTE 3: Load circuits and voltage waveforms are shown in Section 1.

2

Data Sheets

diagnostics

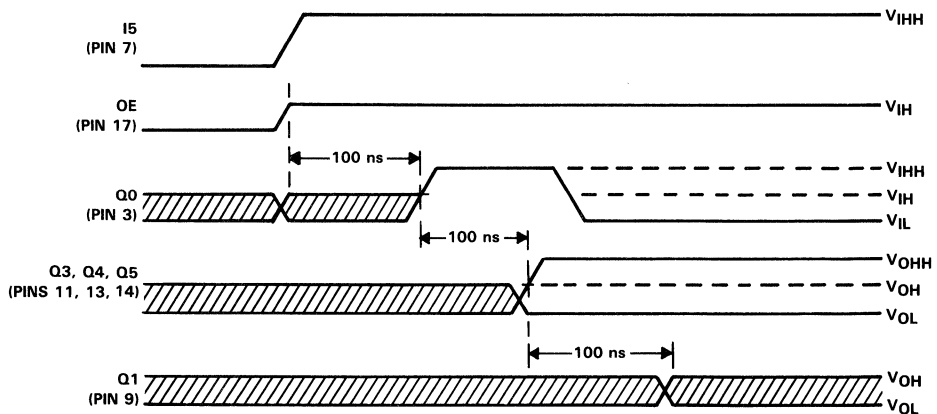
A diagnostic mode is provided with these devices that allows the user to inspect the contents of the state registers. The step-by-step procedures required to use the diagnostics follow.

1. Disable all outputs by taking pin 17 (\overline{OE}) high (see Note 4).
2. Take pin 8 (Q0) double high to enable the diagnostics test sequence.
3. Apply appropriate levels of voltage to pins 11 (Q3), 13 (Q4), and 14 (Q5) to select the desired state register (see Table 1).

The voltage level monitored on pin 9 will indicate the state of the selected state register.

NOTE 4: If pin 17 is being used as an input to the array, then pin 7 (I5) must be taken double high before pin 17 is taken high.

diagnostics waveforms



PRODUCT PREVIEW

**TABLE 1. ADDRESSING STATE REGISTERS
 DURING DIAGNOSTICS**

| REGISTER BINARY ADDRESS | | | BURIED REGISTER SELECTED |
|-------------------------|--------|--------|-----------------------------|
| PIN 11 | PIN 13 | PIN 14 | |
| L | L | L | C1 |
| L | L | H | P15 |
| L | L | HH | C0 |
| L | H | L | P14 |
| L | H | H | P0 |
| L | H | HH | P1 |
| L | HH | L | P2 |
| L | HH | H | P3 |
| L | HH | HH | P4 |
| H | L | L | P5 |
| H | L | H | P6 |
| H | L | HH | P7 |
| H | H | L | P8 |
| H | H | H | P9 |
| H | H | HH | P10 |
| H | HH | L | P11 |
| H | HH | H | P12 |
| H | HH | HH | P13 |

PROGRAMMING INFORMATION

Texas Instruments programmable logic devices can be programmed using widely available software and reasonably priced device programmers.

Complete programming specifications, algorithms, and the latest information on firmware, software, and hardware updates are available upon request. Information on programmers that are capable of programming Texas Instruments programmable logic is also available, upon request, from the nearest TI sales office, local authorized Texas Instruments distributor, or by calling Texas Instruments at (214) 997-5762.

2

Data Sheets

TIBPSG507M, TIBPSG507C 13 × 80 × 8 PROGRAMMABLE SEQUENCE GENERATOR

D3029, MAY 1987—REVISED DECEMBER 1987

- 50 MHz Clock Rate
- Ideal for Waveform and State Machine Applications
- 6-Bit Internal Binary Counter
- 8-Bit Internal State Register
- Programmable Clock Polarity
- Outputs Programmable for Registered or Combinatorial Operation
- 6-Bit Counter Simplifies Logic Equation Development in State Machine Designs
- Dependable Texas Instruments Quality and Reliability

description

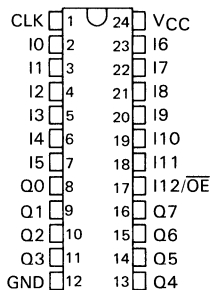
The TIBPSG507 is a 13 × 80 × 8 Programmable Sequence Generator (PSG) that offers the system designer unprecedented flexibility in a high-performance field-programmable logic device. Applications such as waveform generators, state machines, dividers, timers, and simple logic reduction are all possible with a PSG. By utilizing the built-in binary counter, the PSG is capable of generating complex timing controllers. The binary counter also simplifies logic equation development in state machine and waveform generator applications.

The PSG507 contains 80 product (AND) terms, a 6-bit binary counter with control logic, eight S/R state holding registers, and eight outputs. The eight outputs can be individually programmed for either registered or combinatorial operation. The clock input is fuse programmable for either positive- or negative-edge operation.

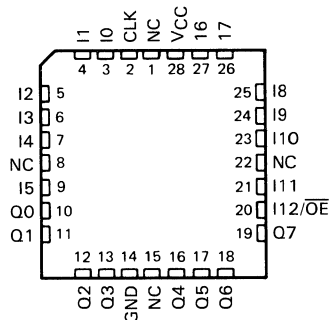
The 6-bit binary counter is controlled by a synchronous-clear and a count/hold function. Each control function has a nonregistered and registered option. When either SCLR0 or SCLR1 is taken high, the counter resets to zero on the next active clock edge. When either CNT/HLD0 or CNT/HLD1 is taken high, the counter is held at the present count and is not allowed to advance on the active clock edge. The SCLR function overrides the CNT/HLD feature when both lines are simultaneously high.

Clock polarity is programmable through the clock polarity fuse. Leaving this fuse intact selects positive-edge triggering. Negative-edge triggering is selected by blowing this fuse. Pin 17 functions as an input and/or an output enable. When the output enable fuse is intact, all outputs are always enabled allowing pin 17 to be used strictly as an input. Blowing the output enable fuse lets pin 17 function as an output enable and an input. In this mode, the outputs are enabled when pin 17 is low and are in a high-impedance state when pin 17 is high.

M SUFFIX JT PACKAGE
C SUFFIX JT OR NT PACKAGE
(TOP VIEW)



M SUFFIX FK PACKAGE
C SUFFIX FK OR FN PACKAGE
(TOP VIEW)



NC — No internal connection

TIBPSG507M, TIBPSG507C

13 × 80 × 8 PROGRAMMABLE SEQUENCE GENERATOR

description (continued)

The eight outputs can be individually programmed for combinational operation by blowing the output multiplexer fuse. Each combinational output must also have all fuses blown from its associated reset term. When the output multiplexer fuse is left intact, registered operation is selected.

The M suffix devices are characterized for operation over the full military temperature range of -55°C to 125°C . The C suffix devices are characterized for operation from 0°C to 75°C .

6-BIT COUNTER CONTROL FUNCTION TABLE (see Note 1)

| CNT/HLD1 | CNT/HLD0 | SCLR1 | SCLR0 | OPERATION |
|----------|----------|-------|-------|-------------------|
| L | L | L | L | counter active |
| X | X | X | H | synchronous clear |
| X | X | H | X | synchronous clear |
| X | H | L | L | hold counter |
| H | X | L | L | hold counter |

NOTE 1: The 6-Bit counter and the S/R control registers are clear upon power-up. Devices with the fuses intact will power-up in the counter-active mode. When all fuses are blown on a product line (AND), its output will be high. When all fuses are blown on a sum line (OR), its outputs will be low. All product and sum terms are low on devices with fuses intact.

S/R FUNCTION TABLE (see Note 2)

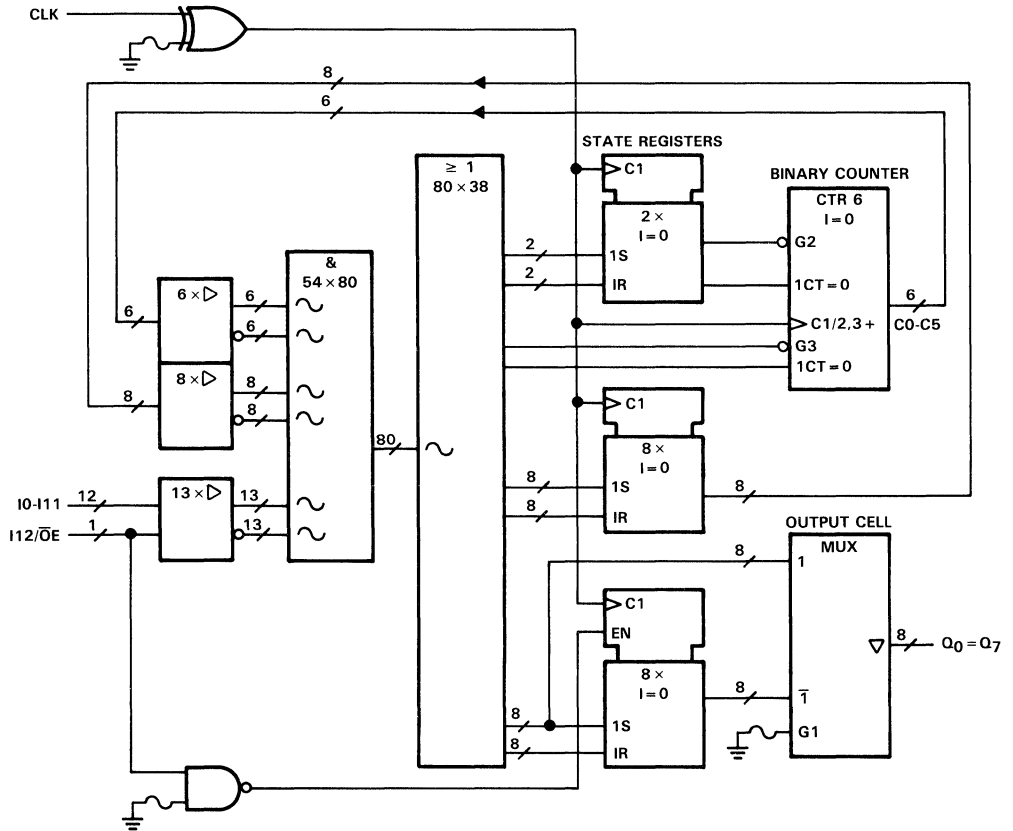
| CLK POLARITY FUSE | CLK | S | R | STATE REGISTER |
|-------------------|-----|---|---|--------------------|
| INTACT | ↑ | L | L | Q_0 |
| INTACT | ↑ | L | H | L |
| INTACT | ↑ | H | L | H |
| INTACT | ↑ | H | H | INDET [†] |
| BLOWN | ↑ | L | L | Q_0 |
| BLOWN | ↑ | L | H | L |
| BLOWN | ↑ | H | L | H |
| BLOWN | ↑ | H | H | INDET [†] |

[†]Output state is indeterminate

NOTE 2: S/R registers are clear upon power up. Q_0 is the state of the S/R register before the active clock edge.

TIBPSG507M, TIBPSG507C
13 × 80 × 8 PROGRAMMABLE SEQUENCE GENERATOR

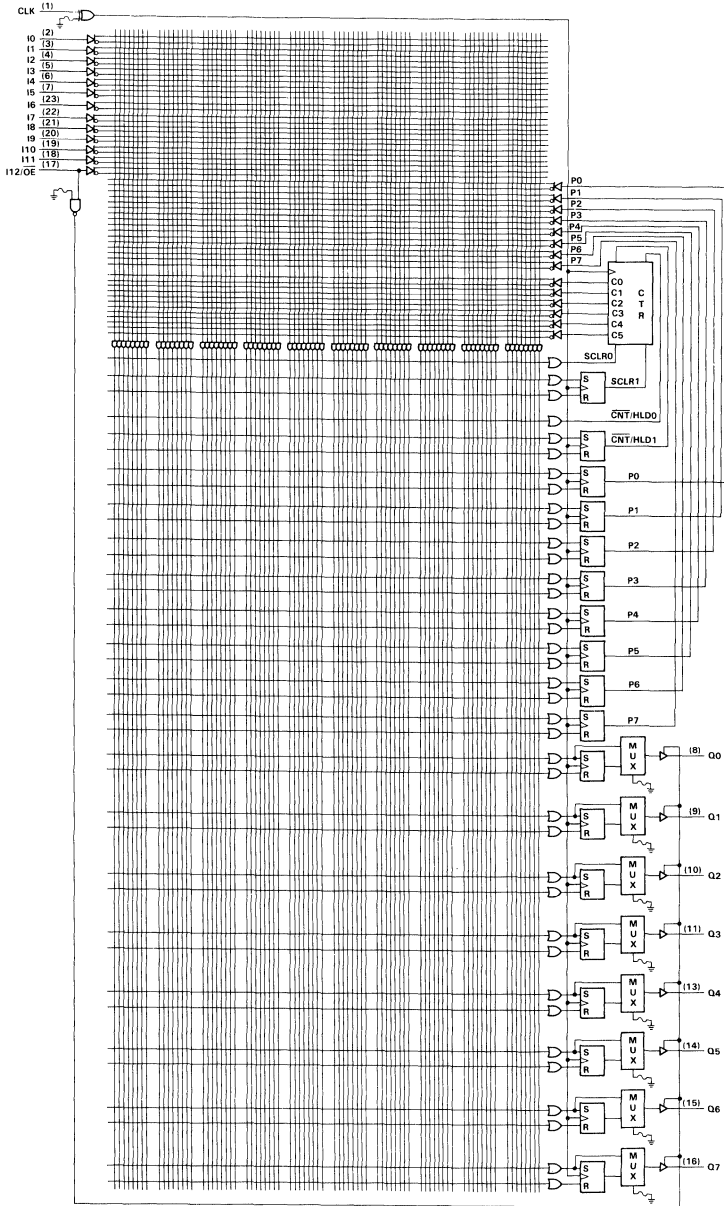
functional block diagram



~ denotes fused inputs

TIBPSG507M, TIBPSG507C
13 × 80 × 8 PROGRAMMABLE SEQUENCE GENERATOR

logic diagram (positive logic)



2

Data Sheets

PRODUCT PREVIEW

TIBPSG507M, TIBPSG507C

13 × 80 × 8 PROGRAMMABLE SEQUENCE GENERATOR

absolute maximum ratings

| | |
|---|------------------|
| Supply voltage, V _{CC} (see Note 3) | 7 V |
| Input voltage, V _I (see Note 3) | 5.5 V |
| Voltage applied to a disabled output (see Note 3) | 5.5 V |
| Operating free-air temperature range: TIBPSG507M | –55 °C to 125 °C |
| TIBPSG507C | 0 °C to 75 °C |
| Storage temperature range | –65 °C to 150 °C |

NOTE 3: These ratings apply except for programming pins during a programming cycle.

recommended operating conditions

| PARAMETER | | M SUFFIX | | | C SUFFIX | | | UNIT |
|-----------------|--|---|-----|-----|----------|-----|------|------|
| | | MIN | NOM | MAX | MIN | NOM | MAX | |
| V _{CC} | Supply voltage | 4.5 | 5 | 5.5 | 4.75 | 5 | 5.25 | V |
| V _{IH} | High-level input voltage | 2 | | 5.5 | 2 | | 5.5 | V |
| V _{IL} | Low-level input voltage | | | 0.8 | | | 0.8 | V |
| I _{OH} | High-level output current | | | –2 | | | –3.2 | mA |
| I _{OL} | Low-level output current | | | 12 | | | 24 | mA |
| t _w | Pulse duration | Clock high | | | | | | ns |
| | | Clock low | | | | | | |
| t _{su} | Setup time [†] before CLK active transition | Input or feedback to S/R inputs | | | 15 | | | ns |
| | | Input or feedback to SCLRO | | | 25 | | | |
| | | Input or feedback to $\overline{\text{CNT}}/\text{HLD0}$ | | | 25 | | | |
| t _h | Hold time [†] after CLK active transition | Input or feedback at S/R inputs | | | 0 | | | ns |
| | | Input or feedback at SCL0 | | | 0 | | | |
| | | Input or feedback at $\overline{\text{CNT}}/\text{HLD0}$ | | | 0 | | | |
| T _A | Operating free-air temperature | –55 | | 125 | 0 | | 75 | °C |

[†]Internal setup and hold times, t_{su} feedback to SCLR1, feedback to $\overline{\text{CNT}}/\text{HLD1}$; t_h feedback at SCLR1 and feedback at $\overline{\text{CNT}}/\text{HLD1}$, are guaranteed by f_{max} specifications. The active transition of CLK is determined by the programmed state of the CLK polarity fuse.

2
Data Sheets

PRODUCT PREVIEW

TIBPSG507M, TIBPSG507C

13 × 80 × 8 PROGRAMMABLE SEQUENCE GENERATOR

electrical characteristics over recommended operating free-air temperature range (unless otherwise noted)

| PARAMETER | TEST CONDITIONS | M SUFFIX | | | C SUFFIX | | | UNIT |
|------------------|--|----------|------|-------|----------|------|-------|------|
| | | MIN | TYP† | MAX | MIN | TYP† | MAX | |
| V _{IK} | V _{CC} = MIN, I _I = -18 mA | | | -1.2 | | | -1.2 | V |
| V _{OH} | V _{CC} = MIN, I _{OH} = MAX | 2.4 | 3.2 | | 2.4 | 3 | | V |
| V _{OL} | V _{CC} = MIN, I _{OL} = MAX | | 0.25 | 0.4 | | 0.37 | 0.5 | V |
| I _I | V _{CC} = MAX, V _I = 5.5 V | | | 25 | | | 25 | μA |
| I _{IH} | V _{CC} = MAX, V _I = 2.7 V | | | 20 | | | 20 | μA |
| I _{IL} | V _{CC} = MAX, V _I = 0.4 V | | | -0.25 | | | -0.25 | mA |
| I _{OS} | V _{CC} = MAX, V _O = 2.25 V | -15 | | -65 | -15 | | -65 | mA |
| I _{OZH} | V _{CC} = MAX, V _O = 2.7 V | | | 20 | | | 20 | μA |
| I _{OZL} | V _{CC} = MAX, V _O = 0.4 V | | | -20 | | | -20 | μA |
| I _{CC} | V _I = 4.5 V, Outputs open V _{CC} = MAX | | 140 | | | 140 | | mA |

switching characteristics over recommended supply voltage and operating free-air temperature range (unless otherwise noted) (see Note 4)

| PARAMETER | FROM | TO | TEST CONDITIONS | M SUFFIX | | | C SUFFIX | | | UNIT |
|--------------------|---|----------------------|---|----------|------|-----|----------|------|-----|------|
| | | | | MIN | TYP† | MAX | MIN | TYP† | MAX | |
| f _{max} ‡ | 6-Bit counter | | R _L = 500 Ω, C _L = 50 pF | | | | | | | MHz |
| | 6-Bit counter with SCLR1 or $\overline{\text{CNT}}/\text{HLD1}$ | | | | | | 50 | | | |
| | 6-Bit counter with SCLRO or $\overline{\text{CNT}}/\text{HLD0}$ | | | | | | 35 | | | |
| | S/R registers | | | | | | 50 | | | |
| t _{pd} | CLK § | Q (non-registered) ¶ | | | | | | | 20 | ns |
| | CLK § | Q (registered) | | | | | | | 12 | ns |
| | I | Q (non-registered) | | | | | | | 18 | ns |
| t _{en} | $\overline{\text{OE}}\downarrow$ | Q | | | | | | | 12 | ns |
| t _{dis} | $\overline{\text{OE}}\uparrow$ | Q | | | | | | | 12 | ns |

NOTE 4: Load circuits and voltage waveforms are shown in Section 1 of the TTL Data Book, Volume 4.

† All typical values are at V_{CC} = 5 V, T_A = 25 °C.

‡ f_{max} is independent of the number of product terms used.

§ The active edge of CLK is determined by the programmed state of the CLK polarity fuse.

¶ t_{pd} CLK to Q (nonregistered) is the same for data clocked from the counter or state registers.

PRINCIPLES OF OPERATION

PSG DESIGN THEORY

Most state machine and waveform generator designs can be simplified with the PSG by referencing all or part of each sequence to a binary count. The internal state registers can then be used to keep track of which binary count sequence is in operation, to store input data and keep track of internally generated status bits, or as output registers when connected to a nonregistered output cell. State registers can also be used to expand the binary counter when a larger counter is needed.

Through the use of the binary counter, the number of product lines and state registers required for a design is usually reduced. In addition, the designer does not have to be concerned about generating wait states where the outputs are unaffected because these can be timed from the binary counter. For detailed information and examples using this design concept, see the "DESIGNER'S GUIDE TO THE PSG507" applications report (literature number SPDA003).



TIBPSG507M, TIBPSG507C 13 × 80 × 8 PROGRAMMABLE SEQUENCE GENERATOR

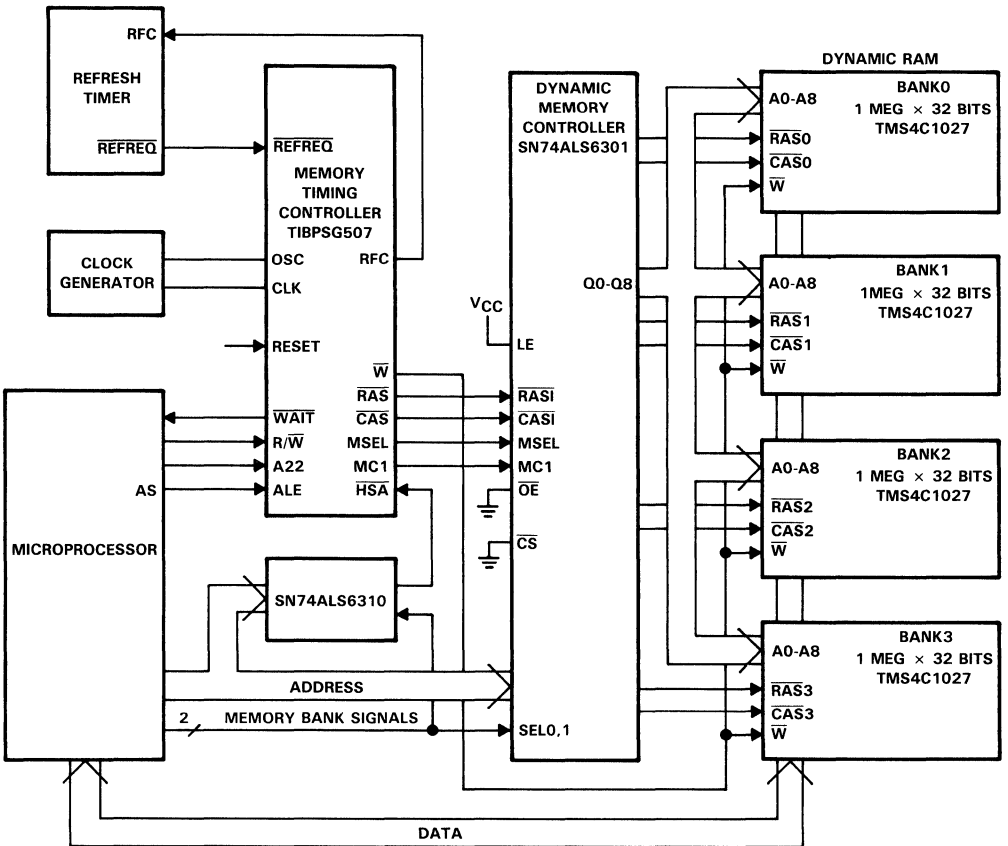
PRINCIPLES OF OPERATION

PROGRAMMING INFORMATION

Texas Instruments Programmable Logic Devices can be programmed using widely available software and inexpensive device programmers.

Complete programming specifications, algorithms, and the latest information on firmware, software, and hardware updates are available upon request. Information on persons capable of programming Texas Instruments Programmable Logic is also available upon request from the nearest TI sales office or local authorized TI distributor; information may also be obtained by calling or writing Texas Instruments at (214) 997-5762, Texas Instruments, Post Office Box 655803, Dallas, Texas 75265.

TYPICAL APPLICATION



For detailed information, please see the "SYSTEMS SOLUTION FOR STATIC COLUMN DECODE" Application Report.

TIBPSG507M, TIBPSG507C

13 × 80 × 8 PROGRAMMABLE SEQUENCE GENERATOR

diagnostics

A diagnostics mode is provided with these devices that allows the user to inspect the contents of the state registers. The following are the step-by-step procedures required for the diagnostics.

1. Disable all outputs by taking \overline{OE} (pin 17) high. (Note: If pin 17 is being used as an input to the array, then pin 15 or pin 7 must be taken to double high first before pin 17 is taken high.)
2. Take Q0 (pin 8) double high to enable the diagnostics test sequence.
3. Apply appropriate levels of voltage to pins 11, 13 and 14 to select the desired state register, (see Table 1)
4. The voltage level monitored on pin 9 will indicate the state of the selected state register.

diagnostics waveforms

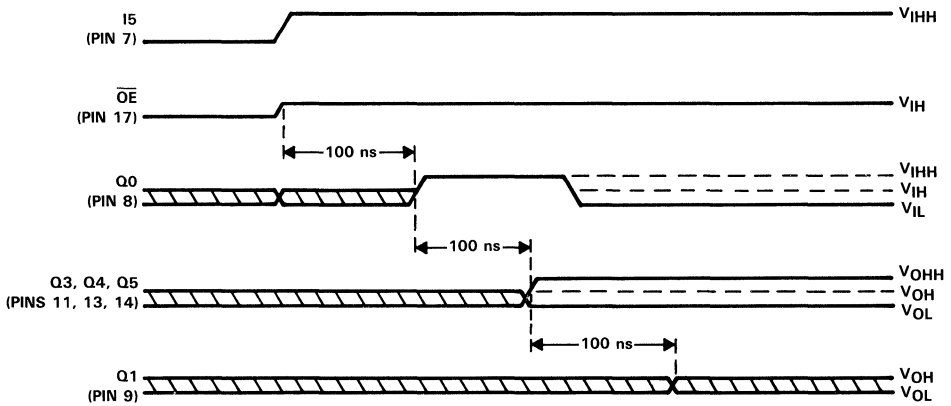


TABLE 1. ADDRESSING STATE REGISTERS DURING DIAGNOSTICS

| REGISTER BINARY ADDRESS | | | BURRIED REGISTER SELECTED |
|-------------------------|--------|--------|---------------------------|
| PIN 11 | PIN 13 | PIN 14 | |
| L | L | L | SCLR0 |
| L | L | H | SCLR1 |
| L | L | HH | CNT/HLD0 |
| L | H | L | CNT/HLD1 |
| L | H | H | P0 |
| L | H | HH | P1 |
| L | HH | L | P2 |
| L | HH | H | P3 |
| L | HH | HH | P4 |
| H | L | L | P5 |
| H | L | H | P6 |
| H | L | HH | P7 |
| H | H | L | C0 |
| H | H | H | C1 |
| H | H | HH | C2 |
| H | HH | L | C3 |
| H | HH | H | C4 |
| H | HH | HH | C5 |

TIB82S105BM, TIB82S105BC 16 × 48 × 8 FIELD-PROGRAMMABLE LOGIC SEQUENCER WITH 3-STATE OUTPUTS OR PRESET

D2897, SEPTEMBER 1985—REVISED DECEMBER 1987

- 50-MHz Clock Rate
- Power-On Preset of All Flip-Flops
- 6-Bit Internal State Register with 8-Bit Output Register
- Power Dissipation . . . 600 mW Typical
- Programmable Asynchronous Preset or Output Control
- Functionally Equivalent to, but Faster than 82S105A†

description

The TIB82S105B is a TTL field-programmable state machine of the Mealy type. This state machine (logic sequencer) contains 48 product terms (AND terms) and 14 pairs of sum terms (OR terms). The product and sum terms are used to control the 6-bit internal state register and the 8-bit output register.

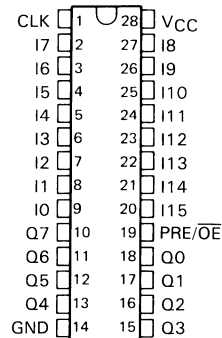
The outputs of the internal state register (PO—P5) are fed back and combined with the 16 inputs (I0—I15) to form the AND array. In addition a single sum term is complemented and fed back to the AND array, which allows any of the product terms to be summed, complemented, and used as an input to the AND array.

The state and output registers are positive-edge-triggered S/R flip-flops. These registers are unconditionally preset high on power-up. Pin 19 can be used to preset both registers or, by blowing the proper fuse, be converted to an output control function.

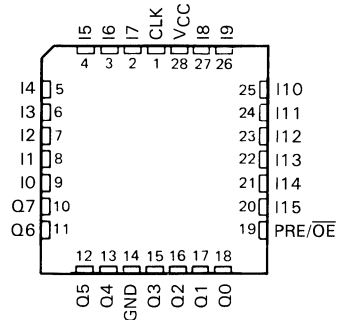
The TIB82S105BM is characterized for operation over the full military temperature range of -55°C to 125°C. The TIB82S105BC is characterized for operation from 0°C to 75°C.

† Power-up preset and asynchronous preset functions are not identical to 82S105A. See Recommended Operating Conditions.

M SUFFIX . . . JD PACKAGE
C SUFFIX . . . JD OR N PACKAGE
(TOP VIEW)

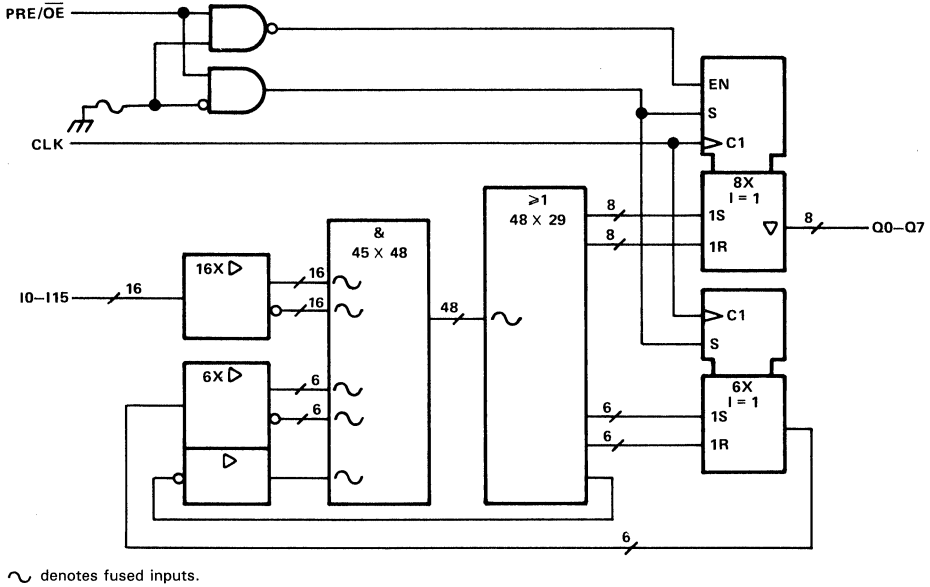


M SUFFIX . . . FK PACKAGE
C SUFFIX . . . FK OR FN PACKAGE
(TOP VIEW)

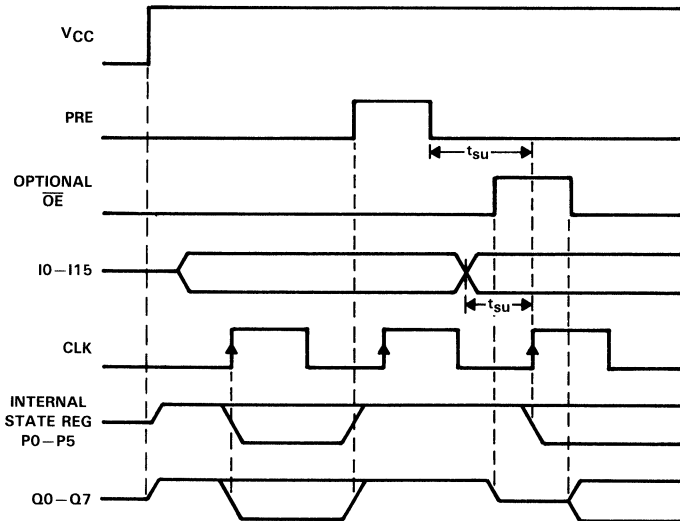


TIB82S105BM, TIB82S105BC
16 × 48 × 8 FIELD-PROGRAMMABLE LOGIC SEQUENCER
WITH 3-STATE OUTPUTS OR PRESET

functional block diagram (positive logic)

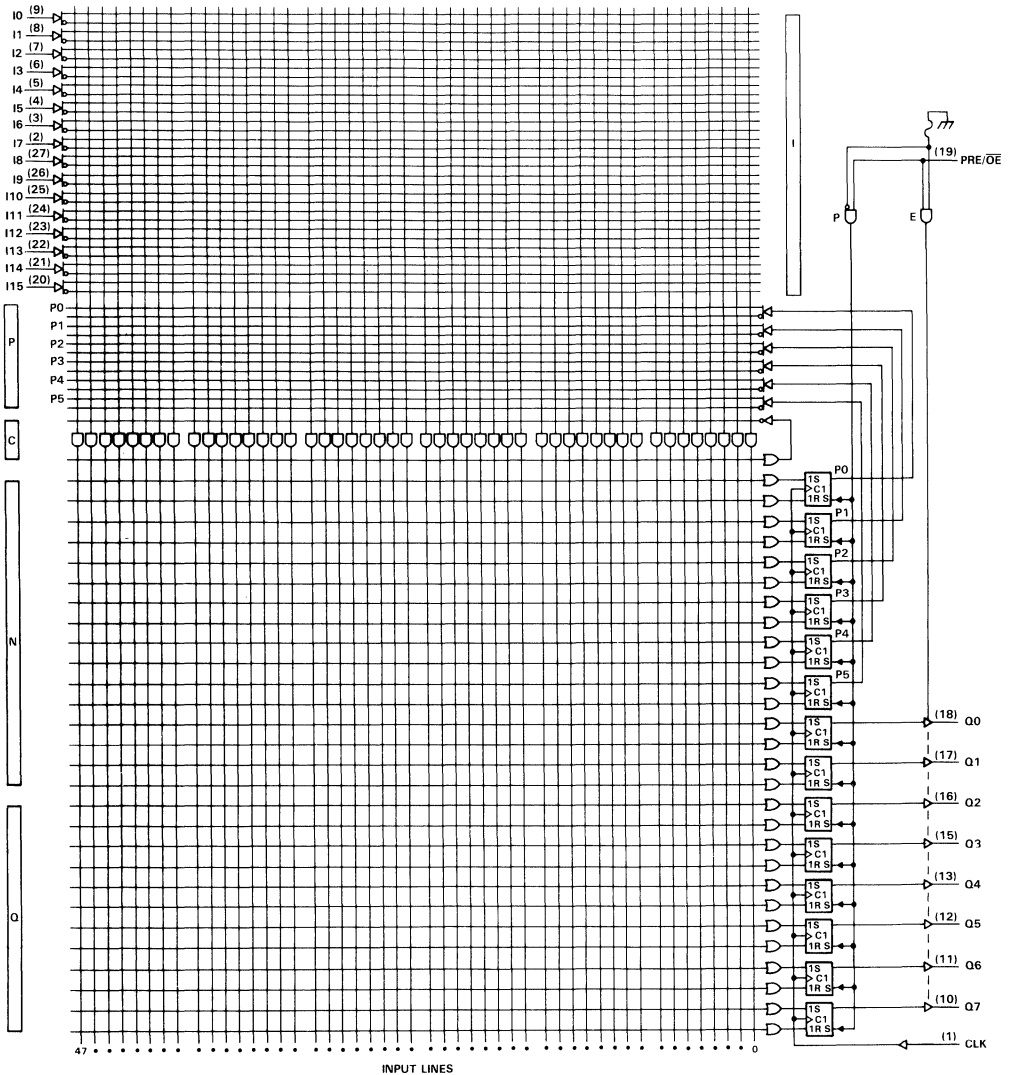


timing diagram



TIB82S105BM, TIB82S105BC
16 × 48 × 8 FIELD-PROGRAMMABLE LOGIC SEQUENCER
WITH 3-STATE OUTPUTS OR PRESET

logic diagram (positive logic)



- NOTES: 1. All AND gate inputs with a blown link float to a logic 1.
 2. All OR gate inputs with a blown link float to a logic 0.

2
Data Sheets

TIB82S105BM, TIB82S105BC

16 × 48 × 8 FIELD-PROGRAMMABLE LOGIC SEQUENCER WITH 3-STATE OUTPUTS OR PRESET

absolute maximum ratings over operating free-air temperature range (unless otherwise noted)

| | |
|---|------------------|
| Supply voltage, V_{CC} (see Note 3) | 7 V |
| Input voltage (see Note 3) | 5.5 V |
| Voltage applied to a disabled output (see Note 3) | 5.5 V |
| Operating free-air temperature range: TIB82S105BM | -55 °C to 125 °C |
| TIB82S105BC | 0 °C to 75 °C |
| Storage temperature range | -65 °C to 150 °C |

NOTE 3: These ratings apply except for programming pins during a programming cycle.

recommended operating conditions

| PARAMETER | | M SUFFIX | | | C SUFFIX | | | UNIT |
|-------------|--|--|-----|-----|----------|-----|------|-------|
| | | MIN | NOM | MAX | MIN | NOM | MAX | |
| V_{CC} | Supply voltage | 4.5 | 5 | 5.5 | 4.75 | 5 | 5.25 | V |
| V_{IH} | High-level input voltage | 2 | | | 5.5 | | | V |
| V_{IL} | Low-level input voltage | | | | 0.8 | | | V |
| I_{OH} | High-level output current | | | | -2 | | | mA |
| I_{OL} | Low-level output current | | | | 12 | | | mA |
| f_{clock} | Clock frequency [†] | 1 thru 48 product terms without C-array [‡] | | 0 | 40 | 0 | 50 | MHz |
| | | 1 thru 48 product terms with C-array | | 0 | 25 | 0 | 30 | |
| t_w | Pulse duration | Clock high or low | | 12 | | 10 | | ns |
| | | Preset | | 18 | | 15 | | |
| t_{su} | Setup time before CLK \uparrow , 1 thru 48 product terms | Without C-array | | 20 | | 15 | | ns |
| | | With C-array | | 35 | | 30 | | |
| t_{su} | Setup time, Preset low (inactive) before CLK \uparrow [§] | 10 | | 8 | | ns | | |
| t_h | Hold time, input after CLK \uparrow | 0 | | 0 | | ns | | |
| T_A | Operating free-air temperature | -55 | | 125 | | 0 | | 75 °C |

[†] The maximum clock frequency is independent of the internal programmed configuration. If an output is fed back externally to an input, the maximum clock frequency must be calculated.

[‡] The C-array is the single sum term that is complemented and fed back to the AND array.

[§] After Preset goes inactive, normal clocking resumes on the first low-to-high clock transition.

T1B82S105BM, T1B82S105BC

16 × 48 × 8 FIELD-PROGRAMMABLE LOGIC SEQUENCER WITH 3-STATE OUTPUTS OR PRESET

electrical characteristics over recommended operating free-air temperature range (unless otherwise noted)

| PARAMETER | TEST CONDITIONS [†] | M SUFFIX | | | C SUFFIX | | | UNIT |
|-----------------------------|--|----------|------------------|-------|----------|------------------|-------|------|
| | | MIN | TYP [‡] | MAX | MIN | TYP [‡] | MAX | |
| V _{IK} | V _{CC} = MIN, I _I = -18 mA | | | -1.2 | | | -1.2 | V |
| V _{OH} | V _{CC} = MIN, I _{OH} = MAX | 2.4 | 3.2 | | 2.4 | 3 | | V |
| V _{OL} | V _{CC} = MIN, I _{OL} = MAX | 0.25 | 0.4 | | 0.37 | 0.5 | | V |
| I _I | V _{CC} = MAX, V _I = 5.5 V | | | 25 | | | 25 | μA |
| I _{IH} | V _{CC} = MAX, V _I = 2.7 V | | | 20 | | | 20 | μA |
| I _{IL} | V _{CC} = MAX, V _I = 0.4 V | | | -0.25 | | | -0.25 | mA |
| I _O [§] | V _{CC} = MAX, V _O = 2.25 V | -30 | | -112 | -30 | | -112 | mA |
| I _{OZH} | V _{CC} = MAX, V _O = 2.7 V | | | 20 | | | 20 | μA |
| I _{OZL} | V _{CC} = MAX, V _O = 0.4 V | | | -20 | | | -20 | μA |
| I _{CC} | V _{CC} = MAX, V _I = 4.5 V, PRE/OE input at GND, Outputs open | | 120 | 180 | | 120 | 180 | mA |

switching characteristics over recommended supply voltage and operating free-air temperature ranges (unless otherwise noted)

| PARAMETER | FROM | TO | TEST CONDITIONS | M SUFFIX | | | C SUFFIX | | | UNIT |
|-------------------------------|-------------------|----|---|----------|------------------|-----|----------|------------------|-----|------|
| | | | | MIN | TYP [‡] | MAX | MIN | TYP [‡] | MAX | |
| f _{max} [¶] | Without C-array | | R _L = 500 Ω, C _L = 50 pF | 40 | 70 | | 50 | 70 | | MHz |
| | With C-array | | | 25 | 45 | | 30 | 45 | | |
| t _{pd} | CLK↑ | Q | | 8 | 20 | | 8 | 15 | | ns |
| t _{pd} | PRE↑ | Q | | 12 | 25 | | 12 | 20 | | ns |
| t _{pd} | V _{CC} ↑ | Q | | 0 | 10 | | 0 | 10 | | ns |
| t _{en} | OE↓ | Q | | 10 | 25 | | 10 | 20 | | ns |
| t _{dis} | OE↑ | Q | 5 | 15 | | 5 | 10 | | ns | |

[†] For conditions shown as MIN or MAX, use the appropriate value specified under recommended operating conditions.

[‡] All typical values are at V_{CC} = 5 V, T_A = 25°C.

[§] The output conditions have been chosen to produce a current that closely approximates one half of the true short-circuit current, I_{OS}.

[¶] f_{max} is independent of the internal programmed configuration and the number of product terms used.

programming information

Texas Instruments Programmable Logic Devices can be programmed using widely available software and inexpensive device programmers.

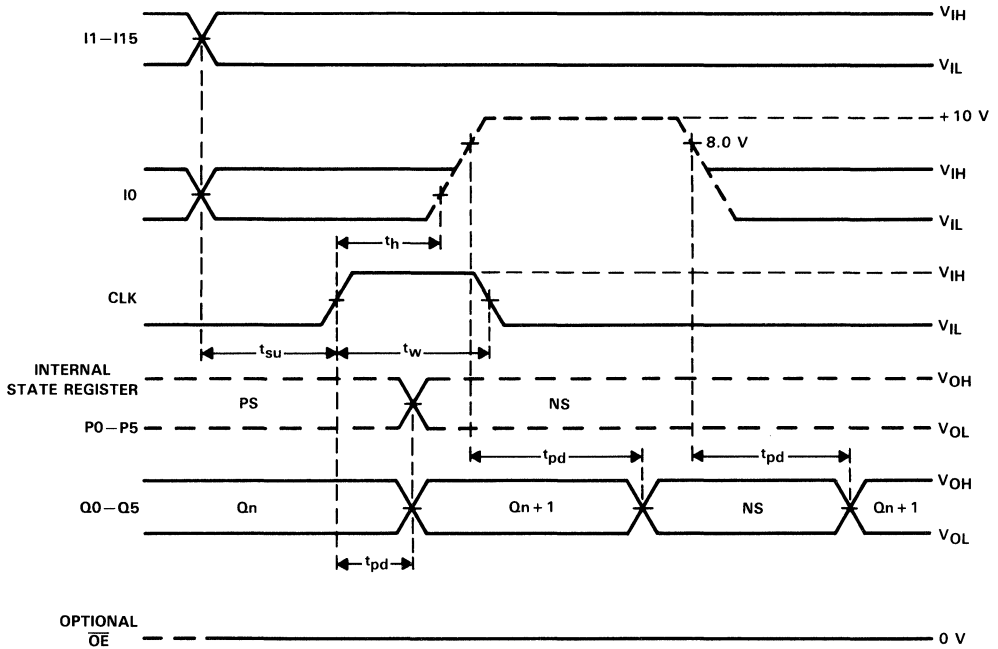
Complete programming specifications, algorithms, and the latest information on hardware, software, and firmware are available upon request. Information on programmers capable of programming Texas Instruments Programmable Logic is also available, upon request, from the nearest TI field sales office, local authorized TI distributor, or by calling Texas Instruments at (214) 997-5762.

TIB82S105BM, TIB82S105BC
16 × 48 × 8 FIELD-PROGRAMMABLE LOGIC SEQUENCER
WITH 3-STATE OUTPUTS OR PRESET

diagnostics

A diagnostics mode is provided with these devices that allows the user to inspect the contents of the state register. When I0 (pin 9) is held at 10 V, the state register bits P0—P5 will appear at the Q0—Q5 outputs and Q6—Q7 will be high. The contents of the output register will remain unchanged.

diagnostics waveforms



PS = Present state, NS = Next state

TIB82S105BM, TIB82S105BC
16 × 48 × 8 FIELD-PROGRAMMABLE LOGIC SEQUENCER
WITH 3-STATE OUTPUTS OR PRESET

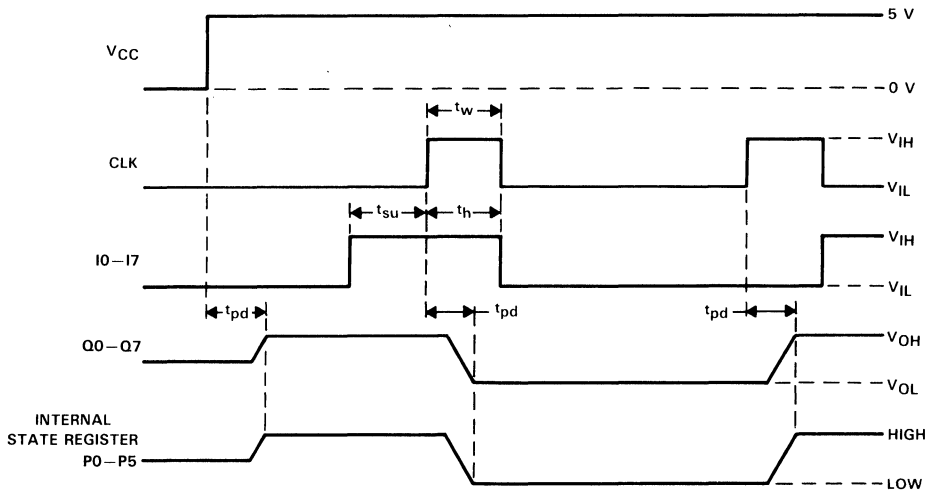
test array

A test array that consists of product lines 48 and 49 has been added to these devices to allow testing prior to programming. The test array is factory programmed as shown below. Testing is accomplished by connecting Q0–Q7 to I8–I15, PRE/ÖE to GND, and applying the proper input signals as shown in the timing diagram. Product lines 48 and 49 MUST be deleted during user programming to avoid interference with the programmed logic function.

TEST ARRAY PROGRAM

| PRODUCT LINE | AND | | | | | | | | | | | | | | | OPTION PRE/ÖE | | | | | | | | | | | | | | | H | | | | | | | | | | | | | | | | |
|--------------|-----|----|------------|---|---|---|---|---|---|---|---|---|--------------------|---|---|---------------|---|-----------------|---|---|---|---|----------|---|---|---|---|---|---|---|---|---|---|---|---|---|---|---|---|---|---|---|---|---|---|---|---|
| | C | C̄ | INPUT (In) | | | | | | | | | | PRESENT STATE (PS) | | | | | NEXT STATE (NS) | | | | | OUT (Qn) | | | | | | | | | | | | | | | | | | | | | | | | |
| | | | 5 | 4 | 3 | 2 | 1 | 0 | 9 | 8 | 7 | 6 | 5 | 4 | 3 | 2 | 1 | 0 | 5 | 4 | 3 | 2 | 1 | 0 | 5 | 4 | 3 | 2 | 1 | 0 | | 7 | 6 | 5 | 4 | 3 | 2 | 1 | 0 | | | | | | | | |
| 48 | X | – | H | H | H | H | H | H | H | H | H | H | H | H | H | H | H | H | H | H | H | H | H | L | L | L | L | L | L | L | L | L | L | L | L | L | L | L | L | L | L | L | L | L | | | |
| 49 | – | X | L | L | L | L | L | L | L | L | L | L | L | L | L | L | L | L | L | L | L | L | L | L | L | L | L | L | L | L | L | L | L | L | L | L | L | L | L | L | L | L | L | L | L | L | L |

test array waveforms



TEST ARRAY DELETED

| PRODUCT LINE | AND | | | | | | | | | | | | | | | OPTION PRE/ÖE | | | | | | | | | | | | | | | H | | | | | | | | | | | | | | | | | |
|--------------|-----|----|------------|---|---|---|---|---|---|---|---|---|--------------------|---|---|---------------|---|-----------------|---|---|---|---|----------|---|---|---|---|---|---|---|---|---|---|---|---|---|---|---|---|---|---|---|---|---|---|---|---|---|
| | C | C̄ | INPUT (In) | | | | | | | | | | PRESENT STATE (PS) | | | | | NEXT STATE (NS) | | | | | OUT (Qn) | | | | | | | | | | | | | | | | | | | | | | | | | |
| | | | 5 | 4 | 3 | 2 | 1 | 0 | 9 | 8 | 7 | 6 | 5 | 4 | 3 | 2 | 1 | 0 | 5 | 4 | 3 | 2 | 1 | 0 | 5 | 4 | 3 | 2 | 1 | 0 | | 7 | 6 | 5 | 4 | 3 | 2 | 1 | 0 | | | | | | | | | |
| 48 | – | – | H | H | H | H | H | H | H | H | H | H | H | H | H | H | H | H | H | H | H | H | – | – | – | – | – | – | – | – | – | – | – | – | – | – | – | – | – | – | – | – | – | – | – | – | | |
| 49 | – | X | L | L | L | L | L | L | L | L | L | L | L | L | L | L | L | L | L | L | L | L | L | L | L | L | L | L | L | L | L | L | L | L | L | L | L | L | L | L | L | L | L | L | L | L | L | L |

X = Fuse intact, – = Fuse blown

2
Data Sheets

TIB82S105BM, TIB82S105BC
16 × 48 × 8 FIELD-PROGRAMMABLE LOGIC SEQUENCER
WITH 3-STATE OUTPUTS OR PRESET

TIB82S105B, 82S105A COMPARISON

The Texas Instruments TIB82S105B is a 16 × 48 × 8 Field-Programmable Logic Sequencer that is functionally equivalent to the Signetics 82S105A. However, the TIB82S105B is designed for a maximum speed of 50 MHz with the preset function being made conventional. As a result the TIB82S105B differs from the 82S105A in speed and in the preset recovery function.

The TIB82S105B is a high-speed version of the original 82S105A. The TIB82S105B features increased switching speeds with no increase in power. The maximum operating frequency is increased from 20 MHz to 50 MHz and does not decrease as more product terms are connected to each sum (OR) line. For instance, if all 48 product terms were connected to a sum line on the original 82S105A, the f_{max} would be about 15 MHz. The f_{max} for the TIB82S105B remains at 50 MHz regardless of the programmed configuration. In addition, the preset recovery sequence was changed to a conventional recovery sequence, providing quicker clock recovery times. This is explained in the following paragraph.

The TIB82S105B and the 82S105A are equipped with power-up preset and asynchronous preset functions. The power-up preset causes the registers to go high during power-up. The asynchronous preset inhibits clocking and causes the registers to go high whenever the preset pin is taken high. After a power-up preset occurs, the minimum setup time from power-up to the first clock pulse must be met in order to assure that clocking is not inhibited. In a similar manner after an asynchronous preset, the preset input must return low (inactive) for a given time, t_{su} , before clocking.

The Signetics 82S105A was designed in such a way that after both power-up preset and asynchronous preset it requires that a high-to-low clock transition occur before a clocking transition (low-to-high) will be recognized. This is shown in Figure 1. The Texas Instruments TIB82S105B does not require a high-to-low clock transition before clocking can be resumed, it only requires that the preset be inactive 8 ns (preset inactive-state setup time) before the clock rising edge. See Figure 2.

The TIB82S105B, with an f_{max} of 50 MHz, is ideal for systems in which the state machine must run several times faster than the system clock. It is recommended that the TIB82S105B be used in new designs. **However, if the TIB82S105B is used to replace the 82S105A, then the customer must understand that clocking will begin with the first clock rising edge after preset.**

TABLE 3. SPEED DIFFERENCES

| PARAMETER | 82S105A SIGNETICS | TIB82S105B TI ONLY |
|---------------------|----------------------|-----------------------|
| f_{max} | 20 MHz | 50 MHz |
| t_{pd} , CLK to Q | 20 ns | 15 ns |

TIB82S105BM, TIB82S105BC
16 × 48 × 8 FIELD-PROGRAMMABLE LOGIC SEQUENCER
WITH 3-STATE OUTPUTS OR PRESET

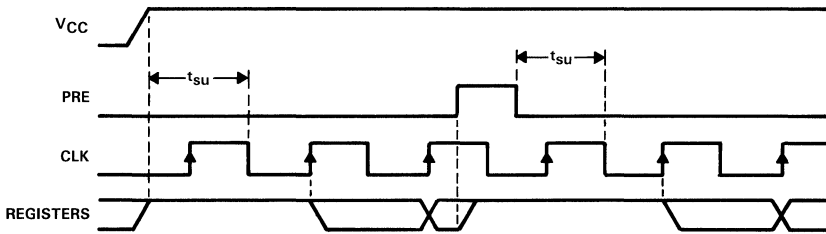


FIGURE 1. 82S105A PRESET RECOVERY OPERATION

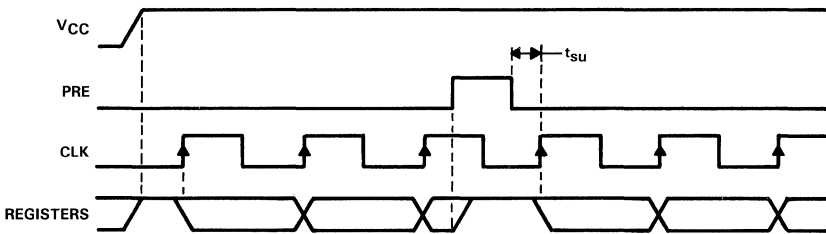


FIGURE 2. TIB82S105B PRESET RECOVERY OPERATION

2

Data Sheets

TIB82S167BM, TIB82S167BC 14 × 48 × 6 FIELD-PROGRAMMABLE LOGIC SEQUENCER WITH 3-STATE OUTPUTS OR PRESET

D2896, JANUARY 1985—REVISED DECEMBER 1987

- Programmable Asynchronous Preset or Output Control
- Power-On Preset of All Flip-Flops
- 8-Bit Internal State Register with 4-Bit Output Register
- Power Dissipation . . . 600 mW Typical
- Functionally Equivalent to,[†] but Faster than 82S167A

description

The TIB82S167B is a TTL field-programmable state machine of the Mealy type. This state machine (logic sequencer) contains 48 product terms (AND terms) and 12 pairs of sum terms (OR terms). The product and sum terms are used to control the 8-bit internal state register and the 4-bit output register.

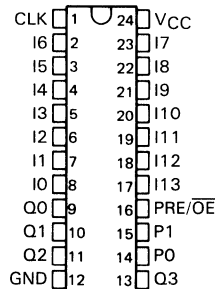
The outputs of the internal state register (P0-P7) are fed back and combined with the 14 inputs (I0-I13) to form the AND array. In addition the first two bits of the internal state register (P0-P1) are brought off-chip to allow the output register to be extended to 6 bits if desired. A single sum term is complemented and fed back to the AND array, which allows any of the product terms to be summed, complemented, and used as inputs to the AND array.

The state and output registers are positive-edge-triggered S/R flip-flops. These registers are unconditionally preset high on power-up. PRE/ \overline{OE} can be used as PRE to preset both registers or, by blowing the proper fuse, be converted to an output control function, \overline{OE} .

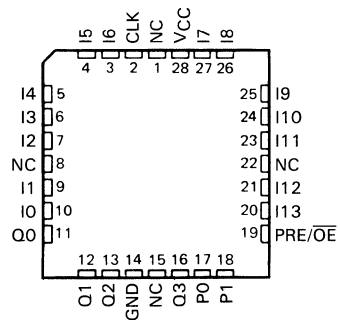
The TIB82S167BM is characterized for operation over the full military temperature range of -55°C to 125°C. The TIB82S167BC is characterized for operation from 0°C to 75°C.

[†]Power up preset and asynchronous preset functions are not identical to 82S167A.

M SUFFIX . . . JT PACKAGE
C SUFFIX . . . JT OR NT PACKAGE
(TOP VIEW)



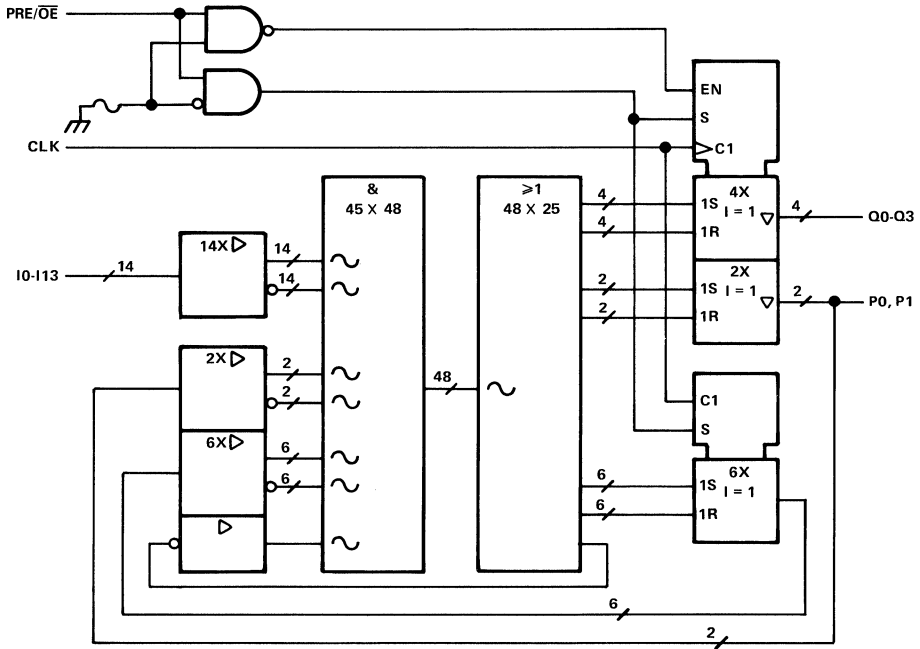
M SUFFIX . . . FK PACKAGE
C SUFFIX . . . FK OR FN PACKAGE
(TOP VIEW)



NC—No internal connection

TIB82S167BM, TIB82S167BC
14 × 48 × 6 FIELD-PROGRAMMABLE LOGIC SEQUENCER
WITH 3-STATE OUTPUTS OR PRESET

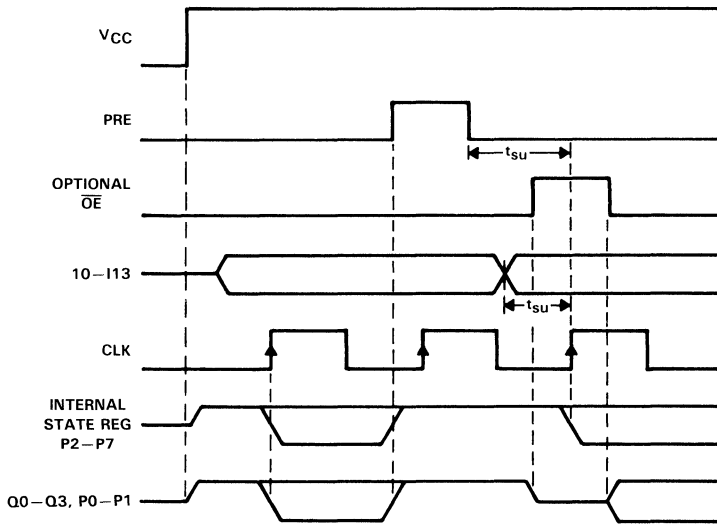
functional block diagram (positive logic)



~ denotes fused inputs

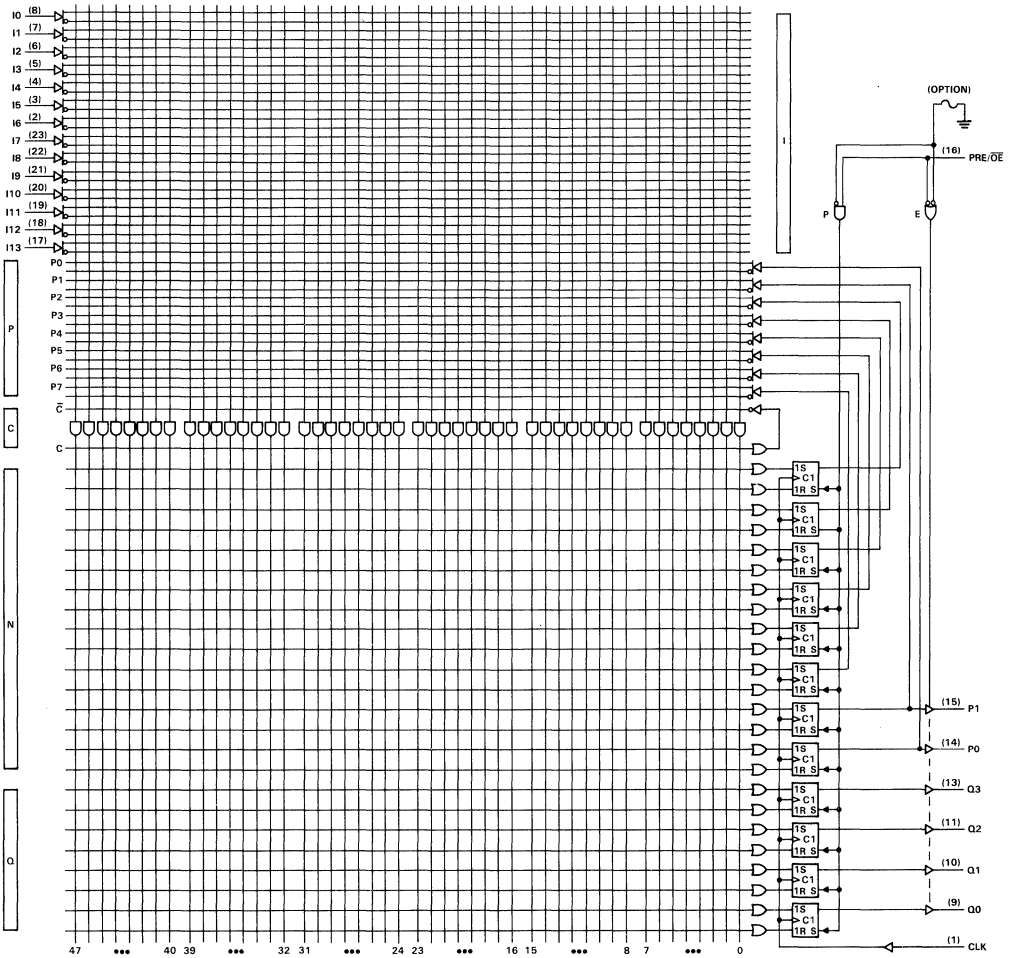
TIB82S167BM, TIB82S167BC
14 × 48 × 6 FIELD-PROGRAMMABLE LOGIC SEQUENCER
WITH 3-STATE OUTPUTS OR PRESET

timing diagram



TIB82S167BM, TIB82S167BC
14 × 48 × 6 FIELD-PROGRAMMABLE LOGIC SEQUENCER
WITH 3-STATE OUTPUTS OR PRESET

LOGIC DIAGRAM



- NOTES: 1. All AND gate inputs with a blown link float to the high level.
 2. All OR gate inputs with a blown link float to the low level.

TIB82S167BM, TIB82S167BC

14 × 48 × 6 FIELD-PROGRAMMABLE LOGIC SEQUENCER WITH 3-STATE OUTPUTS OR PRESET

absolute maximum ratings over operating free-air temperature range (unless otherwise noted)

| | |
|---|------------------|
| Supply voltage, V _{CC} (see Note 3) | 7 V |
| Input voltage (see Note 3) | 5.5 V |
| Voltage applied to a disabled output (see Note 3) | 5.5 V |
| Operating free-air temperature range: TIB82S167BM | -55 °C to 125 °C |
| TIB82S167BC | 0 °C to 75 °C |
| Storage temperature range | -65 °C to 150 °C |

NOTE 3: These ratings apply except for programming pins during a programming cycle.

recommended operating conditions

| PARAMETER | | M SUFFIX | | | C SUFFIX | | | UNIT |
|--------------------|---|--|-----|-----|----------|-----|------|------|
| | | MIN | NOM | MAX | MIN | NOM | MAX | |
| V _{CC} | Supply voltage | 4.5 | 5 | 5.5 | 4.75 | 5 | 5.25 | V |
| V _{IH} | High-level input voltage | 2 | | 5.5 | 2 | | 5.5 | V |
| V _{IL} | Low-level input voltage | | | 0.8 | | | 0.8 | V |
| I _{OH} | High-level output current | | | -2 | | | -3.2 | mA |
| I _{OL} | Low-level output current | | | 12 | | | 24 | mA |
| f _{clock} | Clock frequency [†] | 1 thru 48 product terms without C-array [‡] | | 0 | 40 | 0 | 50 | MHz |
| | | 1 thru 48 product terms with C-array | | 0 | 25 | 0 | 30 | |
| t _w | Pulse duration | Clock high or low | | 12 | | 10 | | ns |
| | | Preset | | 18 | | 15 | | |
| t _{su} | Setup time before CLK [†] , 1 thru 48 product terms | Without C-array | | 20 | | 15 | | ns |
| | | With C-array | | 35 | | 30 | | |
| t _{su} | Setup time, Preset low (inactive) before CLK [†] § | | | 10 | | 8 | | ns |
| t _h | Hold time, input after CLK [†] | | | 0 | | 0 | | ns |
| T _A | Operating free-air temperature | | | -55 | 125 | 0 | 75 | °C |

[†] The maximum clock frequency is independent of the internal programmed configuration. If an output is fed back externally to an input, the maximum clock frequency must be calculated.

[‡] The C-array is the single sum term that is complemented and fed back to the AND array.

[§] After Preset goes inactive, normal clocking resumes on the first low-to-high clock transition.

TIB82S167BM, TIB82S167BC
14 × 48 × 6 FIELD-PROGRAMMABLE LOGIC SEQUENCER
WITH 3-STATE OUTPUTS OR PRESET

electrical characteristics over recommended operating free-air temperature range (unless otherwise noted)

| PARAMETER | TEST CONDITIONS† | M SUFFIX | | | C SUFFIX | | | UNIT |
|------------------|--|----------|------|-------|----------|------|-------|------|
| | | MIN | TYP‡ | MAX | MIN | TYP‡ | MAX | |
| V _{IJK} | V _{CC} = MIN, I _I = -18 mA | | | -1.2 | | | -1.2 | V |
| V _{OH} | V _{CC} = MIN, I _{OH} = MAX | 2.4 | 3.2 | | 2.4 | 3 | | V |
| V _{OL} | V _{CC} = MIN, I _{OL} = MAX | | 0.25 | 0.4 | | 0.37 | 0.5 | V |
| I _I | V _{CC} = MAX, V _I = 5.5 V | | | 25 | | | 25 | μA |
| I _{IH} | V _{CC} = MAX, V _I = 2.7 V | | | 20 | | | 20 | μA |
| I _{IL} | V _{CC} = MAX, V _I = 0.4 V | | | -0.25 | | | -0.25 | mA |
| I _O § | V _{CC} = MAX, V _O = 2.25 V | -30 | | -112 | -30 | | -112 | mA |
| I _{OZH} | V _{CC} = MAX, V _O = 2.7 V | | | 20 | | | 20 | μA |
| I _{OZL} | V _{CC} = MAX, V _O = 0.4 V | | | -20 | | | -20 | μA |
| I _{CC} | V _{CC} = MAX, PRE/ÖE input at GND, Outputs open | | 90 | 160 | | 90 | 160 | mA |

switching characteristics over recommended supply voltage and operating free-air temperature ranges (unless otherwise noted)

| PARAMETER | FROM | TO | TEST CONDITIONS | M SUFFIX | | | C SUFFIX | | | UNIT |
|--------------------|-------------------|----|---|----------|------|-----|----------|------|-----|------|
| | | | | MIN | TYP‡ | MAX | MIN | TYP‡ | MAX | |
| f _{max} ¶ | Without C-array | | R _L = 500 Ω, C _L = 50 pF | 40 | 70 | | 50 | 70 | MHz | |
| | With C-array | | | 25 | 45 | | 30 | 45 | | |
| t _{pd} | CLK↑ | Q | | 10 | 20 | | 10 | 15 | ns | |
| t _{pd} | PRE↑ | Q | | 8 | 25 | | 8 | 20 | ns | |
| t _{pd} | V _{CC} ↑ | Q | | 0 | 10 | | 0 | 10 | ns | |
| t _{en} | ÖE↓ | Q | | 10 | 25 | | 10 | 20 | ns | |
| t _{dis} | ÖE↑ | Q | 5 | 15 | | 5 | 10 | ns | | |

† For conditions shown as MIN or MAX, use the appropriate value specified under recommended operating conditions.

‡ All typical values are at V_{CC} = 5 V, T_A = 25 °C.

§ The output conditions have been chosen to produce a current that closely approximates one half of the true short-circuit current, I_{O5}.

¶ f_{max} is independent of the internal programmed configuration and the number of product terms used.

programming information

Texas Instruments Programmable Logic Devices can be programmed using widely available software and inexpensive device programmers.

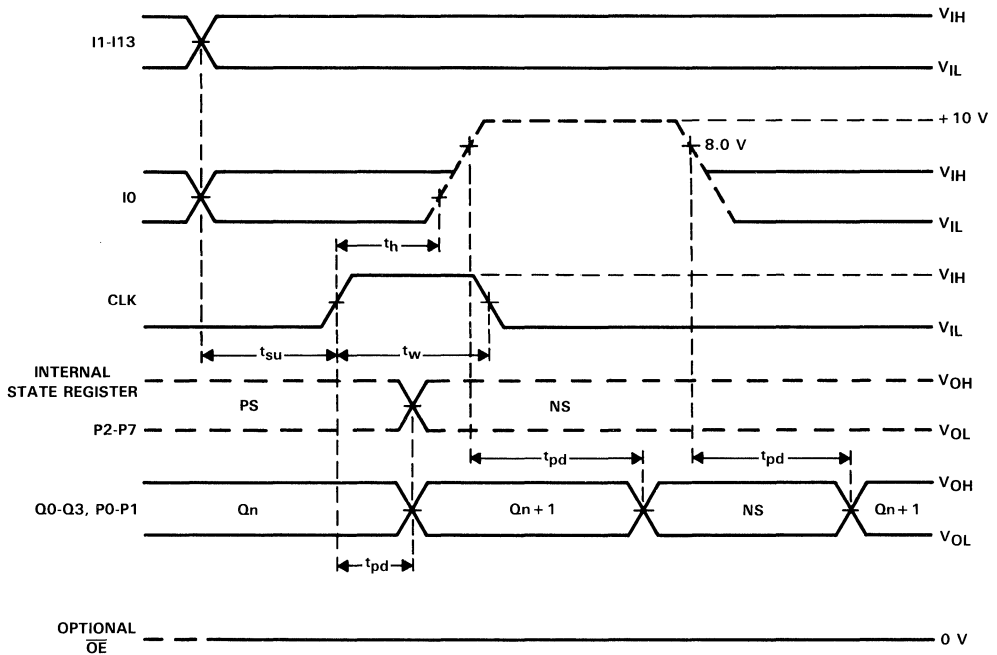
Complete programming specifications, algorithms, and the latest information on hardware, software, and firmware are available upon request. Information on programmers capable of programming Texas Instruments Programmable Logic is also available, upon request, from the nearest TI field sales office, local authorized TI distributor, or by calling Texas Instruments at (214) 997-5762.

TIB82S167BM, TIB82S167BC
14 × 48 × 6 FIELD-PROGRAMMABLE LOGIC SEQUENCER
WITH 3-STATE OUTPUTS OR PRESET

diagnostics

A diagnostics mode is provided with these devices that allows the user to inspect the contents of the state register. When I0 (pin 9) is held at 10 V, the state register bits P2-P7 will appear at the Q0-Q3 and P0-P1 outputs. The contents of the registers, Q0-Q3, and P0-P1 remain unchanged.

diagnostics waveforms



PS = Present State
 NS = Next State

TIB82S167BM, TIB82S167BC
14 × 48 × 6 FIELD-PROGRAMMABLE LOGIC SEQUENCER
WITH 3-STATE OUTPUTS OR PRESET

TIB82S167B, 82S167A COMPARISON

The Texas Instruments TIB82S167B is a 14 × 48 × 6 Field-Programmable Logic Sequencer that is functionally equivalent to the Signetics 82S167A. However, the TIB82S167B is designed for a maximum speed of 50 MHz with the preset function being made conventional. As a result the TIB82S167B differs from the 82S167A in speed and in the preset recovery function.

The TIB82S167B is a high-speed version of the original 82S167A. The TIB82S167B features increased switching speeds with no increase in power. The maximum operating frequency is increased from 20 MHz to 50 MHz and does not decrease as more product terms are connected to each sum (OR) line. For instance, if all 48 product terms were connected to a sum line on the original 82S167A, the f_{max} would be about 15 MHz. The f_{max} for the TIB82S167B remains at 50 MHz regardless of the programmed configuration. In addition, the preset recovery sequence was changed to a conventional recovery sequence, providing quicker clock recovery times. This is explained in the following paragraphs.

The TIB82S167B and the 82S167A are equipped with power-up preset and asynchronous preset functions. The power-up preset causes the registers to go high during power-up. The asynchronous preset inhibits clocking and causes the registers to go high whenever the preset pin is taken high. After a power-up preset occurs, the minimum setup time from power-up to the first clock pulse must be met in order to assure that clocking is not inhibited. In a similar manner after an asynchronous preset, the preset input must return low (inactive) for a given time, t_{SU} , before clocking.

The Signetics 82S167A was designed in such a way that after both power-up preset and asynchronous preset it requires that a high-to-low clock transition occur before a clocking transition (low-to-high) will be recognized. This is shown in Figure 1. The Texas Instruments TIB82S167B does not require a high-to-low clock transition before clocking can be resumed, it only requires that the preset be inactive 8 ns (preset inactive-state setup time) before the clock rising edge. See Figure 2.

The TIB82S167B, with an f_{max} of 50 MHz, is ideal for systems in which the state machine must run several times faster than the system clock. It is recommended that the TIB82S167B be used in new designs. **However, if the TIB82S167B is used to replace the 82S167A, then the customer must understand that clocking will begin with the first clock rising edge after preset.**

TABLE 3. SPEED DIFFERENCES

| PARAMETER | 82S167A SIGNETICS | TIB82S167B TI ONLY |
|---------------------|----------------------|-----------------------|
| f_{max} | 20 MHz | 50 MHz |
| t_{pd} , CLK to Q | 20 ns | 15 ns |

TIB82S167BM, TIB82S167BC
14 × 48 × 6 FIELD-PROGRAMMABLE LOGIC SEQUENCER
WITH 3-STATE OUTPUTS OR PRESET

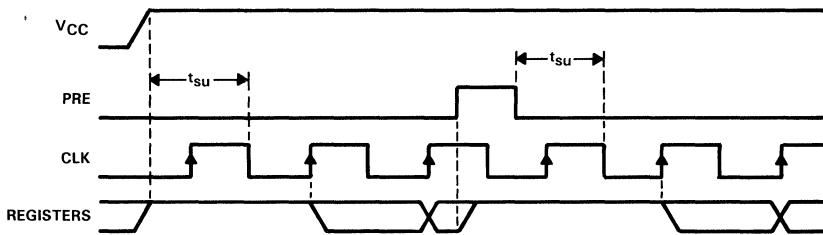


FIGURE 1. 82S167A PRESET RECOVERY OPERATION

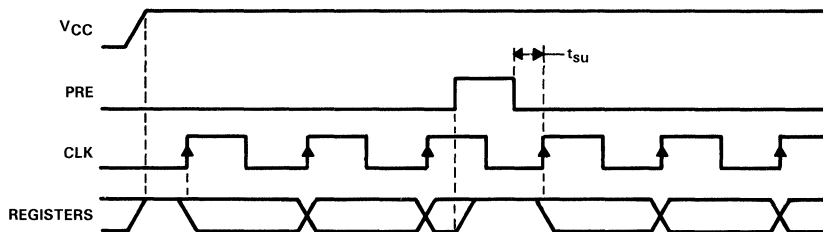


FIGURE 2. TIB82S167B PRESET RECOVERY OPERATION

TICHAL16L8-35C, TICHAL16R4-35C, TICHAL16R6-35C, TICHAL16R8-35C HIGH-SPEED HAL® CIRCUITS

D2972, MARCH 1987—REVISED DECEMBER 1987

- Mask-Programmed Version of 20-Pin PAL® Family
- Virtually Zero Standby Power
- 35-ns Maximum Propagation Delay
- HC, HCT, and TTL Compatible
- Choice of 20-Pin DIP, 20-Pin SO (Small Outline) or 20-Pin PLCC Packages
- Low-Power Replacement for 20-Pin 'A' PAL® Devices
- Dependable Texas Instruments Quality and Reliability

| DEVICE | INPUTS | 3-STATE Q OUTPUTS | REGISTERED OUTPUTS | I/O PORTS |
|----------|--------|----------------------|-----------------------|--------------|
| 'HAL16L8 | 10 | 2 | 0 | 6 |
| 'HAL16R4 | 8 | 0 | 4 (3-state) | 4 |
| 'HAL16R6 | 8 | 0 | 6 (3-state) | 2 |
| 'HAL16R8 | 8 | 0 | 8 (3-state) | 0 |

description

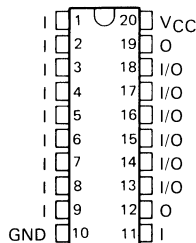
These high-speed CMOS Hard Array Logic (HAL®) circuits are mask-programmed versions of the 20-pin PAL® devices. They provide reliable, high-speed, low-power substitutes for conventional TTL and HCT logic. They are also compatible with HC logic over V_{CC} range of 4.5 volts to 5.5 volts.

This family of CMOS HAL® circuits provide the flexibility of using integrated circuits with virtually zero standby power and lower operating power than those currently achieved by bipolar PALs. Prototyping can be done using standard PAL® devices before converting to CMOS HAL® circuits for production.

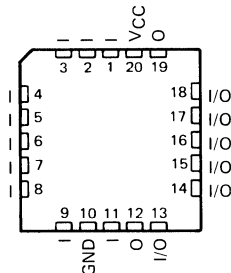
The TICHAL16' circuits have internal electrostatic discharge (ESD) protection circuits and have been classified with a 2000-volt ESD rating tested under MIL-STD-883B, Method 3015.1. However, care should be exercised in handling these devices as exposure to ESD may result in a degradation of the device parametric performance.

The C suffix designates commercial-temperature circuits that are characterized for operation from 0°C to 75°C.

TICHAL16L8
C SUFFIX . . . DW OR N PACKAGE
(TOP VIEW)



TICHAL16L8
C SUFFIX . . . FN PACKAGE
(TOP VIEW)



PAL and HAL are registered trademarks of Monolithic Memories Inc.

PRODUCTION DATA documents contain information current as of publication date. Products conform to specifications per the terms of Texas Instruments standard warranty. Production processing does not necessarily include testing of all parameters.



POST OFFICE BOX 655012 • DALLAS, TEXAS 75265

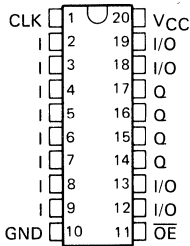
Copyright © 1987, Texas Instruments Incorporated

**TICHAL16R4-35C, TICHAL16R6-35C, TICHAL16R8-35C
HIGH-SPEED CMOS HAL® CIRCUITS**

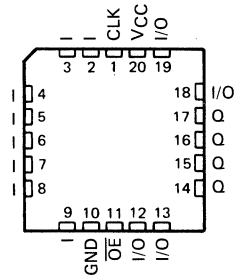
2

Data Sheets

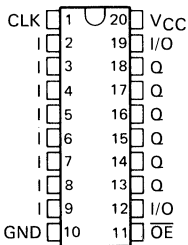
TICHAL16R4
C SUFFIX . . . DW OR N PACKAGE
(TOP VIEW)



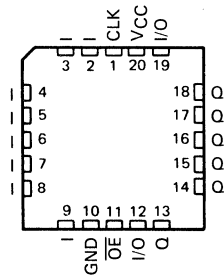
TICHAL16R4
C SUFFIX . . . FN PACKAGE
(TOP VIEW)



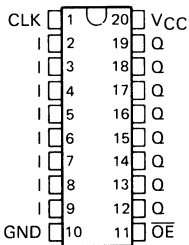
TICHAL16R6
C SUFFIX . . . DW OR N PACKAGE
(TOP VIEW)



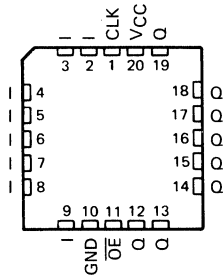
TICHAL16R6
C SUFFIX . . . FN PACKAGE
(TOP VIEW)



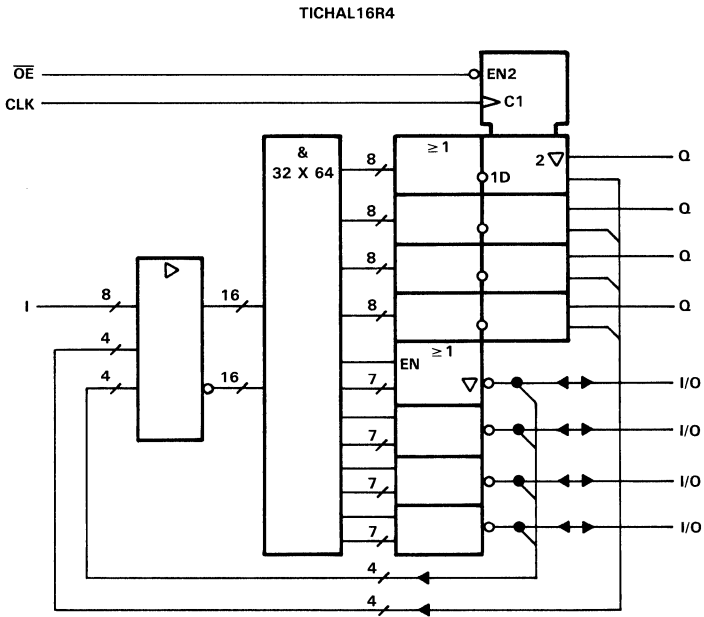
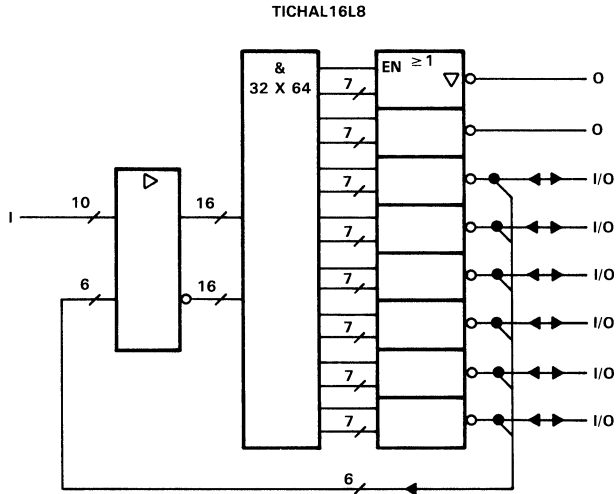
TICHAL16R8
C SUFFIX . . . DW OR N PACKAGE
(TOP VIEW)



TICHAL16R8
C SUFFIX . . . FN PACKAGE
(TOP VIEW)



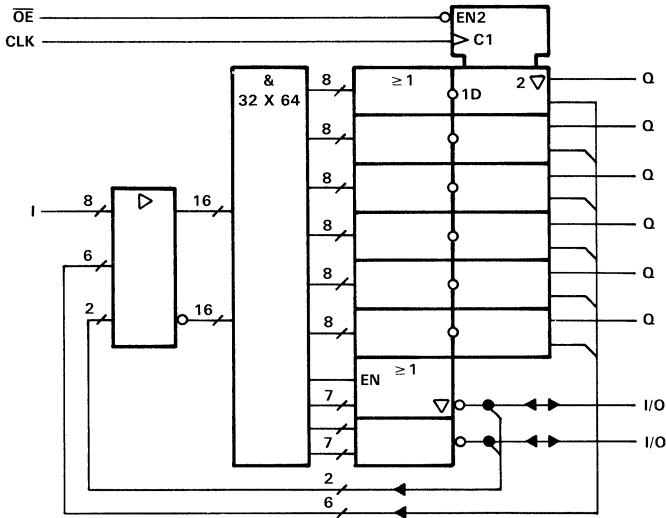
functional block diagrams (positive logic)



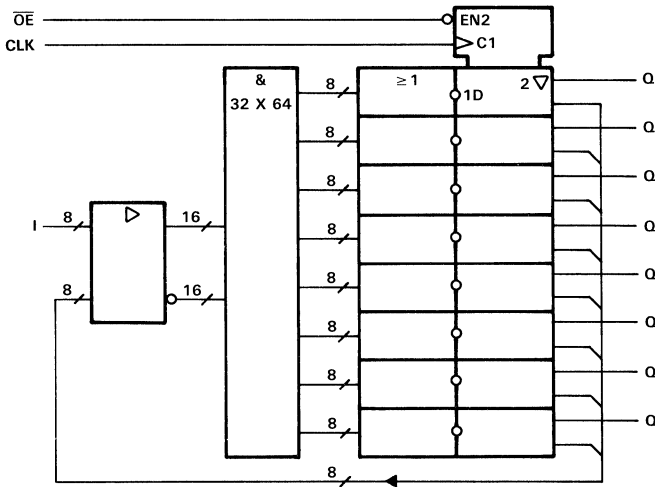
TICHAL16R6-35C, TICHAL16R8-35C
HIGH-SPEED CMOS HAL® CIRCUITS

functional block diagrams (positive logic)

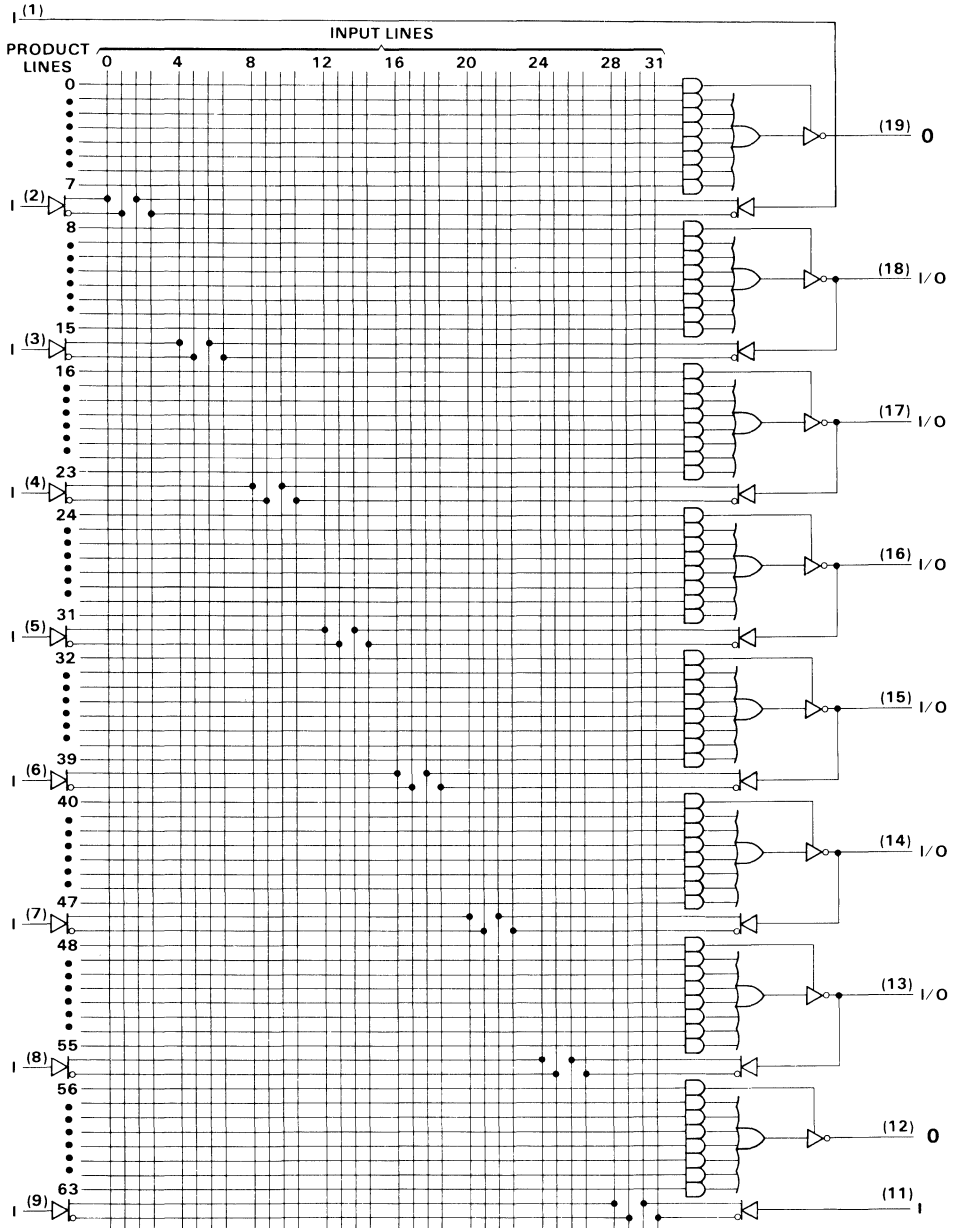
TICHAL16R6



TICHAL16R8

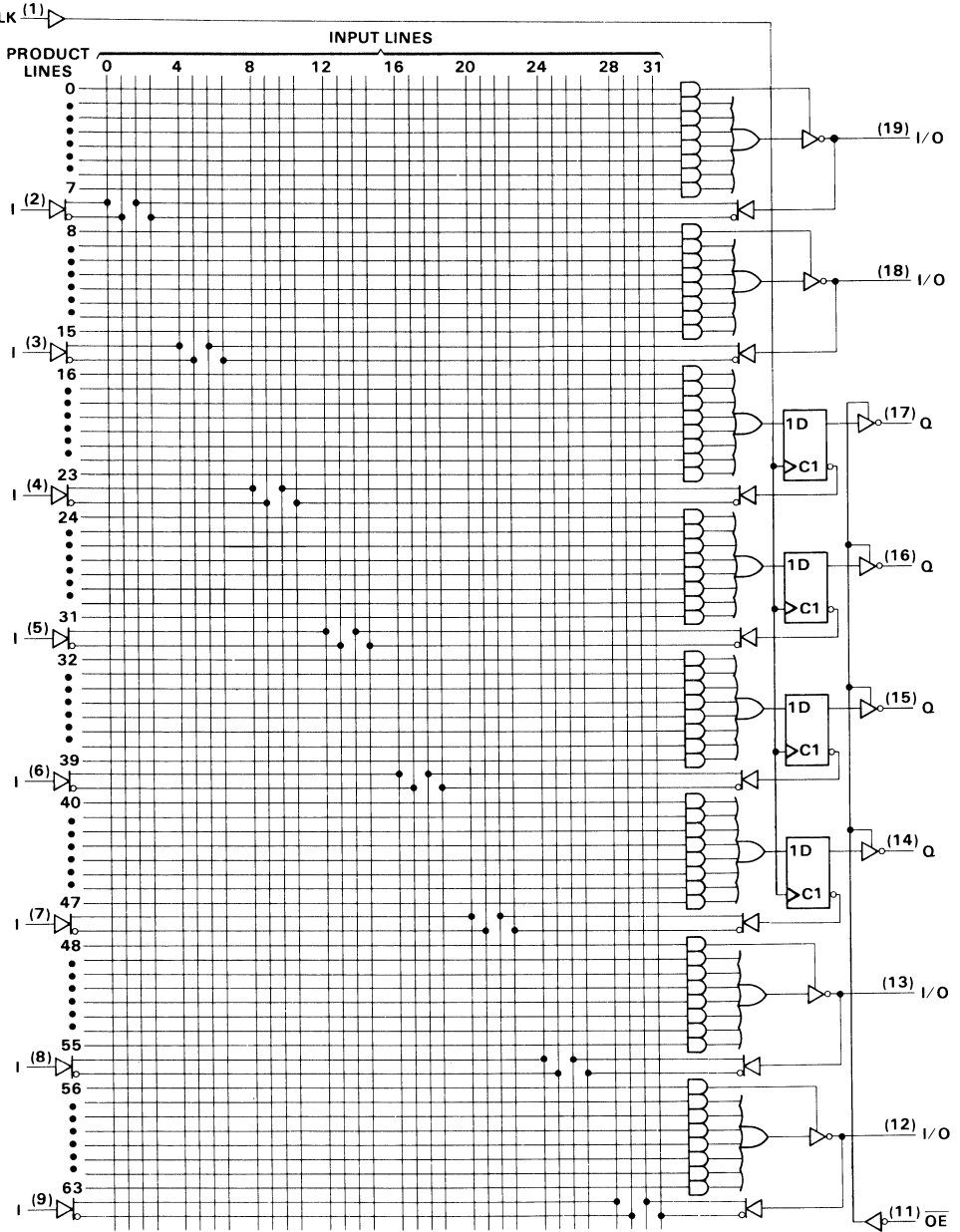


logic diagram (positive logic)



TICHAL16R4-35C
HIGH-SPEED CMOS HAL® CIRCUITS

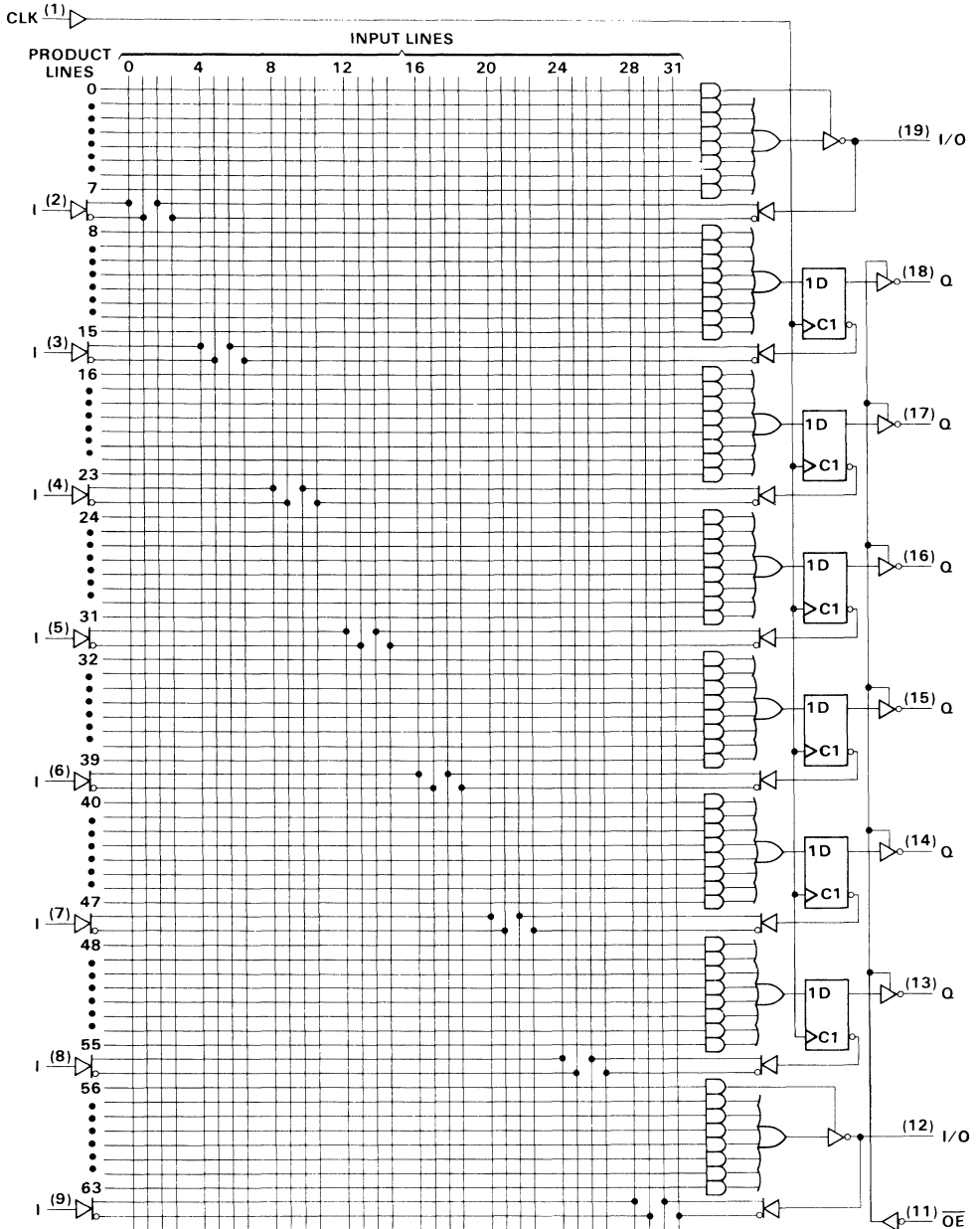
logic diagram (positive logic)



2

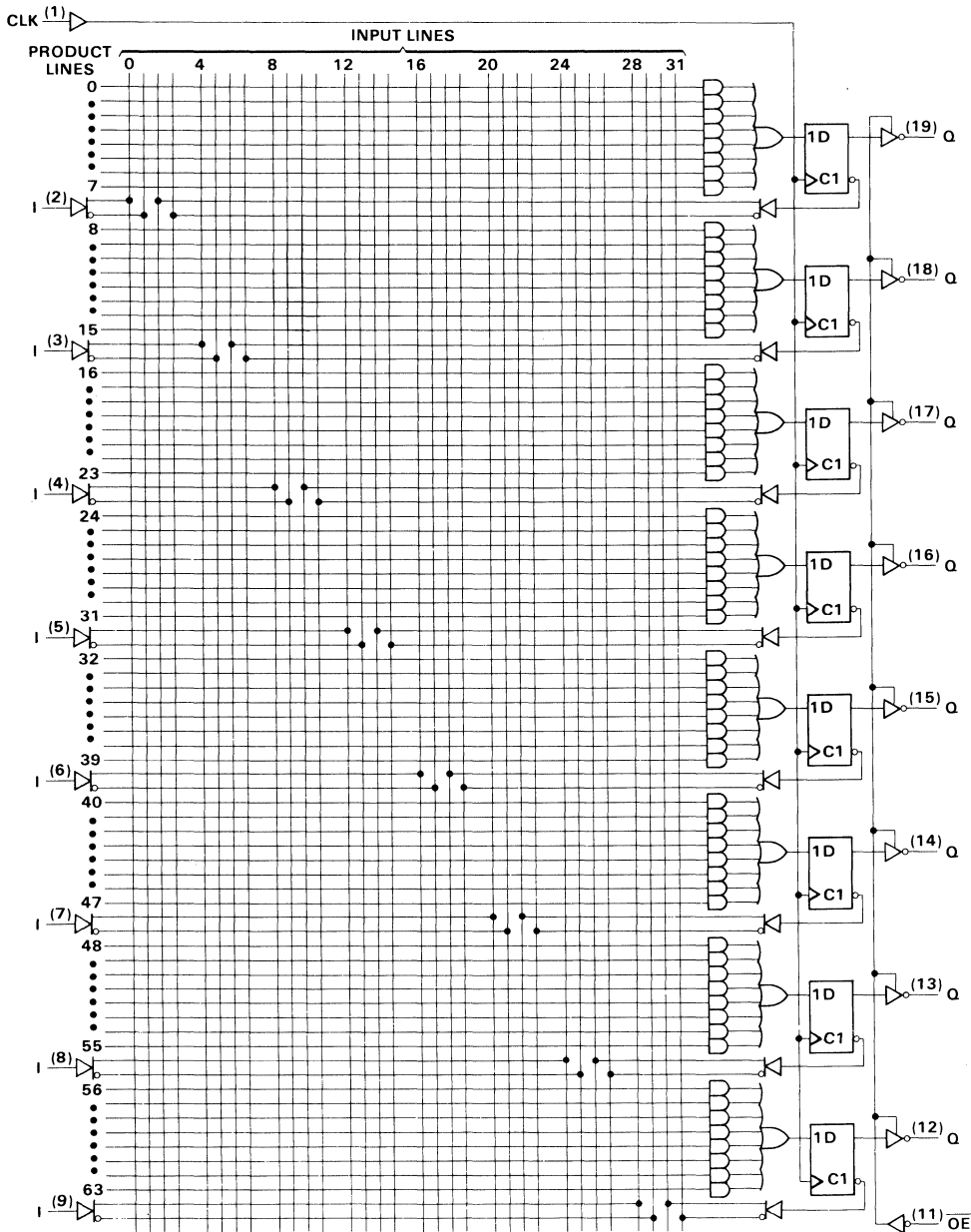
Data Sheets

logic diagram (positive logic)



TICHAL16R8-35C
HIGH-SPEED CMOS HAL® CIRCUITS

logic diagram (positive logic)



2
Data Sheets

**TICHAL16L8-35C, TICHAL16R4-35C, TICHAL16R6-35C, TICHAL16R8-35C
HIGH-SPEED CMOS HAL® CIRCUITS**

absolute maximum ratings over operating free-air temperature range (unless otherwise noted)

| | |
|--|--------------------------|
| Supply voltage range, V_{CC} | -0.5 V to 7 V |
| Input voltage range, V_I | -0.5 V to $V_{CC}+0.5$ V |
| Input clamp current, I_{IK} ($V_I < 0$ or $V_I > V_{CC}$) | ± 20 mA |
| Output clamp current, I_{OK} ($V_O < 0$ or $V_O > V_{CC}$) | ± 20 mA |
| Continuous output current, I_O ($V_O = 0$ to V_{CC}) | ± 35 mA |
| Continuous current through V_{CC} pin | 70 mA |
| Continuous current through GND pin | -200 mA |
| Lead temperature 1,6 mm (1/16 inch) from case for 10 seconds | 260 °C |
| Operating free-air temperature range | 0 °C to 75 °C |
| Storage temperature range | -65 °C to 150 °C |

recommended operating conditions

| | | C-SUFFIX | | | UNIT |
|----------|---|----------|------------|-----|------|
| | | MIN | NOM | MAX | |
| V_{CC} | Supply voltage | 4.5 | | 5.5 | V |
| V_{IH} | High-level input voltage | 2 | | | V |
| V_{IL} | Low-level input voltage | | | 0.8 | V |
| t_w | Pulse duration | | Clock high | 20 | ns |
| | | | Clock low | 20 | |
| t_{su} | Setup time, input or feedback before CLK† | 30 | | | ns |
| t_h | Hold time, input or feedback after CLK† | 0 | | | ns |
| T_A | Operating free-air temperature range | 0 | | 75 | °C |

TICHAL16L8-35C, TICHAL16R4-35C, TICHAL16R6-35C, TICHAL16R8-35C HIGH-SPEED CMOS HAL® CIRCUITS

electrical characteristics over recommended operating free-air temperature range (unless otherwise noted)

| PARAMETER | TEST CONDITIONS | C-SUFFIX | | | UNIT |
|---|--|----------|------|-----|--------|
| | | MIN | TYP† | MAX | |
| V _{OH} High-level output voltage | V _{CC} = 4.5 V, I _{OH} = -6 mA | 3.76 | | | V |
| V _{OL} Low-level output voltage | V _{CC} = 4.5 V, I _{OL} = 24 mA | | | 0.4 | V |
| I _{OZH} Off-state output current with high-level voltage applied | V _{CC} = 5.5 V, V _O = V _{CC} | | | 10 | μA |
| I _{OZL} Off-state output current with low-level voltage applied | V _{CC} = 5.5 V, V _O = 0 | | | -10 | μA |
| I _{IH} High-level input current | V _{CC} = 5.5 V, V _I = V _{CC} | | | 1 | μA |
| I _{IL} Low-level input current | V _{CC} = 5.5 V, V _I = 0 | | | -1 | μA |
| I _{CC} Standby supply current | V _{CC} = 5.5 V, V _I = 0 or V _{CC} , I _O = 0 | | | 100 | μA |
| I _{CC} Operating supply current | V _{CC} = 5.5 V, f ≥ 1 MHz, I _O = 0 | | 2 | | mA/MHz |
| ΔI _{CC} ‡ Change in supply current | V _{CC} = 5.5 V, V _I = 0.5 V or 2.4 V, Other inputs at 0 or V _{CC} | | 1.4 | 3 | mA |
| C _I Input capacitance | T _A = 25°C, f = 1 MHz | | | 10 | pF |
| C _O Output capacitance | T _A = 25°C, f = 1 MHz | | | 10 | pF |

switching characteristics over recommended ranges of supply voltage and operating free-air temperature (unless otherwise noted)

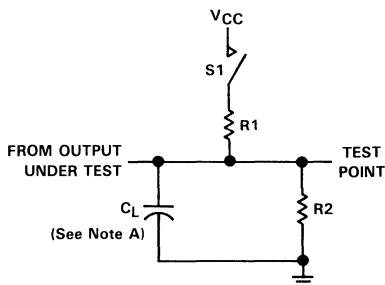
| PARAMETER | FROM (INPUT) | TO (OUTPUT) | TEST CONDITIONS | C-SUFFIX | | | UNIT |
|--------------------|---------------------|------------------|--|----------|------|-----|------|
| | | | | MIN | TYP† | MAX | |
| f _{max} § | | with feedback | R ₁ = 200 Ω, R ₂ = 390 Ω, C _L = 50 pF | 18 | | | MHz |
| | | without feedback | | 25 | | | |
| t _{pd} | I, I/O, or feedback | O or I/O | | | 18 | 35 | ns |
| t _{pd} | CLK↑ | Q | | | 10 | 25 | ns |
| t _{en} | OE↓ | Q | | | 12 | 25 | ns |
| t _{dis} | OE↑ | Q | | | 12 | 25 | ns |
| t _{en} | I or I/O | O or I/O | | | 14 | 35 | ns |
| t _{dis} | I or I/O | O or I/O | | | 16 | 35 | ns |

† All typical values are V_{CC} = 5 V, T_A = 25°C.

‡ This is the increase in supply current for each input that is at one of the specified TTL voltage levels rather than 0 or V_{CC}.

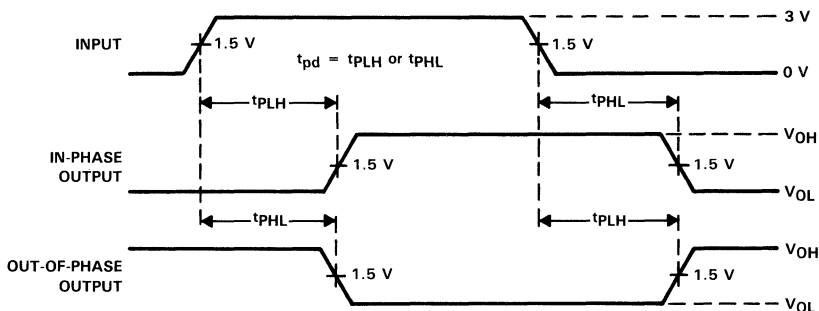
$$§ f_{\max} (\text{with feedback}) = \frac{1}{t_{\text{su}} + t_{\text{pd}} (\text{CLK to Q})}; f_{\max} (\text{without feedback}) = \frac{1}{t_{\text{w}}(\text{high}) + t_{\text{w}}(\text{low})}$$

PARAMETER MEASUREMENT INFORMATION



- NOTES: A. C_L = includes probe and jig capacitance.
B. When measuring propagation times of 3-state outputs, S1 is closed.

FIGURE 1. LOAD CIRCUIT FOR THREE-STATE OUTPUTS



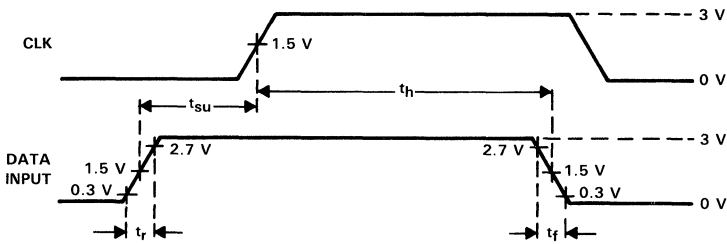
VOLTAGE WAVEFORMS

- NOTES: A. When measuring propagation times of 3-state outputs, S1 is closed.
B. All input pulses are supplied by generators having the following characteristics: $PRR \leq 1$ MHz, $Z_0 = 50 \Omega$, $t_r = 6$ ns.

FIGURE 2. PROPAGATION DELAY TIMES, OUTPUT RISE AND FALL TIMES

TICHAL16L8-35C, TICHAL16R4-35C, TICHAL16R6-35C, TICHAL16R8-35C
HIGH-SPEED CMOS HAL® CIRCUITS

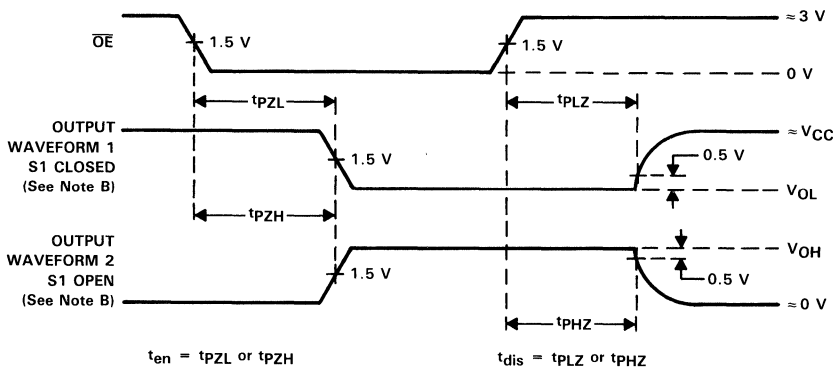
PARAMETER MEASUREMENT INFORMATION



VOLTAGE WAVEFORMS

NOTE: Phase relationship between waveforms was chosen arbitrarily. All input pulses are supplied by generators having the following characteristics: $PRR \leq 1$ MHz, $Z_o = t_r = 6$ ns, $t_f = 6$ ns.

FIGURE 3. SETUP AND HOLD TIMES, AND INPUT RISE AND FALL TIMES



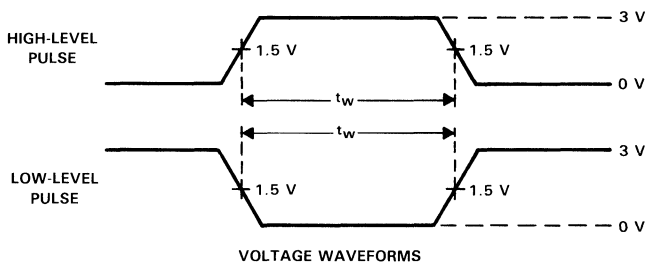
VOLTAGE WAVEFORMS

NOTES: A. All input pulses are supplied by generators having the following characteristics: $PRR \leq 1$ MHz, $Z_o = 50 \Omega$, $t_r = 6$ ns, $t_f = 6$ ns.
 B. Waveform 1 is for an output with internal conditions such that the output is low except when disabled by the output control. Waveform 2 is for an output with internal conditions such that the output is high except when disabled by the output control.

FIGURE 4. ENABLE AND DISABLE TIMES FOR 3-STATE OUTPUTS

TICHAL16L8-35C, TICHAL16R4-35C, TICHAL16R6-35C, TICHAL16R8-35C
HIGH-SPEED CMOS HAL® CIRCUITS

PARAMETER MEASUREMENT INFORMATION



NOTES: A. All input pulses are supplied by generators having the following characteristics: $PRR \leq 1$ MHz, $Z_o = 50 \Omega$, $t_r = 6$ ns.
B. For clock inputs, f_{max} is measured with input duty cycle = 50%.

FIGURE 5. PULSE DURATIONS

2

Data Sheets

TICPAL16L8-55C, TICPAL16R4-55C TICPAL16R6-55C, TICPAL16R8-55C STANDARD CMOS PAL® CIRCUITS

D3062, NOVEMBER, 1987

- Standard 20-Pin PAL Family
- Virtually Zero Standby Power
- Propagation Delay . . . 55 ns Max
- TTL- and HC-Compatible Inputs and Outputs
- Preload Capability to Aid Testing
- Fully Tested for High Programming Yield Before Packaging
- Greater than 2000-V Input Protection for Electrostatic Discharge
- Devices in the 'JL' Package Can Be Erased and Reprogrammed More Than Once

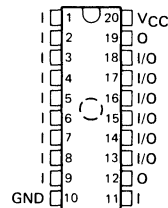
| DEVICE | INPUTS | 3-STATE O OUTPUTS | REGISTERED Q OUTPUTS | I/O PORTS |
|---------|--------|----------------------|-------------------------|--------------|
| PAL16L8 | 10 | 2 | 0 | 6 |
| PAL16R4 | 8 | 0 | 4 (3-state) | 4 |
| PAL16R6 | 8 | 0 | 6 (3-state) | 2 |
| PAL16R8 | 8 | 0 | 8 (3-state) | 0 |

description

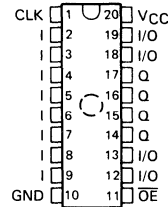
These PAL devices provide reliable, high-performance substitutes for conventional TTL and HCT logic. They are also compatible with HC logic over the V_{CC} range of 4.75 V to 5.25 V. Their easy programmability allows for quick design of "custom" functions and typically result in a more compact circuit board. Static power dissipation for these devices is negligible.

The output registers of these devices are D-type flip-flops that store data on the low-to-high transition of the clock input. The registered outputs may be disabled by taking \overline{OE} high, whereas the nonregistered outputs may be disabled through the use of individual product terms. Unused inputs must always be connected to an appropriate logic level, preferably either V_{CC} or ground.

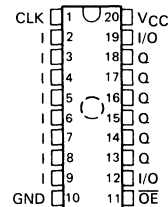
TICPAL16L8'
C SUFFIX . . . JL OR N PACKAGE
(TOP VIEW)



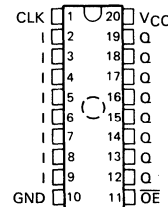
TICPAL16R4'
C SUFFIX . . . JL OR N PACKAGE
(TOP VIEW)



TICPAL16R6'
C SUFFIX . . . JL OR N PACKAGE
(TOP VIEW)



TICPAL16R8'
C SUFFIX . . . JL OR N PACKAGE
(TOP VIEW)



The dotted circles represent windows found only on the JL package.

PAL® is a registered trademark of Monolithic Memories Inc.

PRODUCTION DATA documents contain information current as of publication date. Products conform to specifications per the terms of Texas Instruments standard warranty. Production processing does not necessarily include testing of all parameters.



POST OFFICE BOX 655012 • DALLAS, TEXAS 75265

Copyright © 1987, Texas Instruments Incorporated

TICPAL16L8-55C, TICPAL16R4-55C TICPAL16R6-55C, TICPAL16R8-55C STANDARD CMOS PAL® CIRCUITS

description (continued)

The programming cell consists of a floating-gate device like those used in EPROMs. All terms are initially connected. The unwanted terms are programmed out to provide the desired function. The output of a given AND gate is low if both the true and complement cells of a term are connected, and high if all related cells are programmed. Programming can be done manually but is usually achieved through the use of commercially available programming equipment.

This TICPAL16' series has internal electrostatic discharge (ESD) protection circuits and has been classified with a 2000-V ESD rating tested under MIL-STD-883B, Method 3015.1. However, care should be exercised in handling these devices, as exposure to ESD may result in a degradation of the device parametric performance.

The floating gate programmable cells allow these PALs to be fully programmed and tested before assembly to assure high field programming yield and functionality. They are then erased by ultraviolet light before packaging.

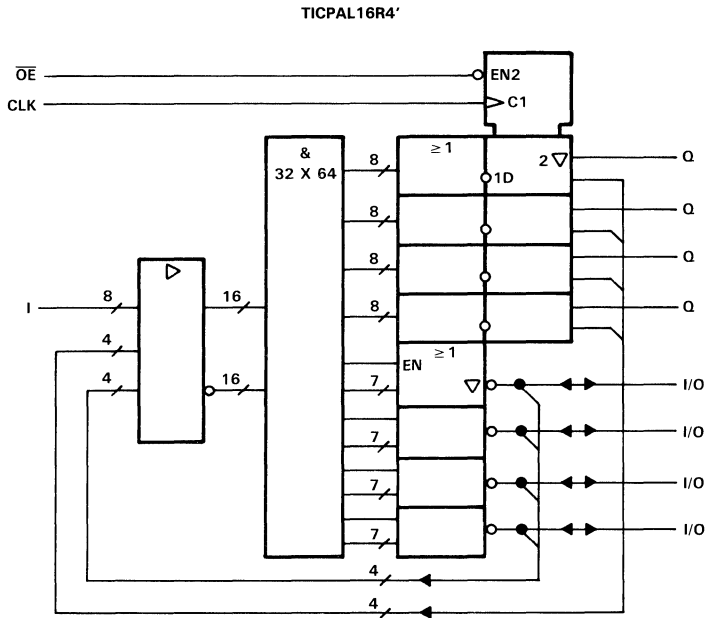
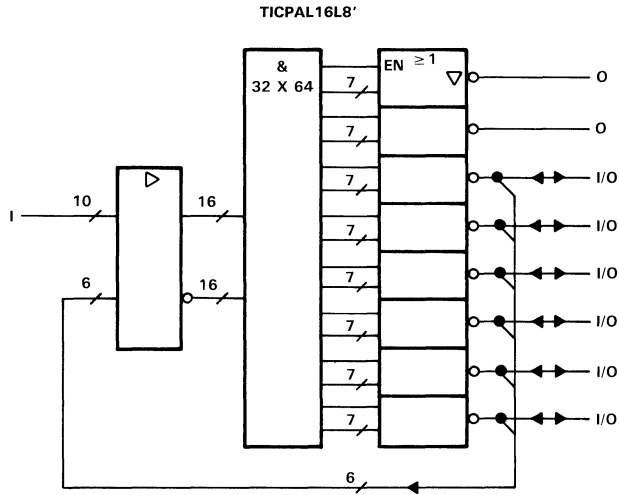
All devices in this series contain a security feature. Once the security cell is programmed, additional programming and verification cannot be performed. This prevents easy duplication of a design.

The TICPAL16'C series is characterized for operation from 0°C to 75°C.

erasure

The TICPAL16' (JL package) series can be erased after programming by exposure to ultraviolet light that has a wavelength of 253.7 nm (2537 Å). The recommended minimum exposure dose (UV intensity \times exposure time) is fifteen $\text{w}\cdot\text{s}\cdot\text{cm}^{-2}$. The lamp should be located about 2.5 cm (1 inch) above the chip during erasure. It should be noted that normal ambient light contains the correct wavelength for erasure. Therefore, when using the TICPAL16' series (JL package), the window should be covered with an opaque label.

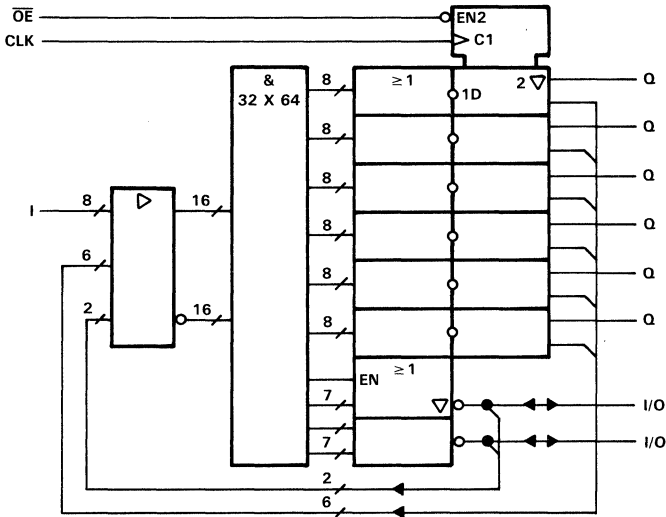
functional block diagrams (positive logic)



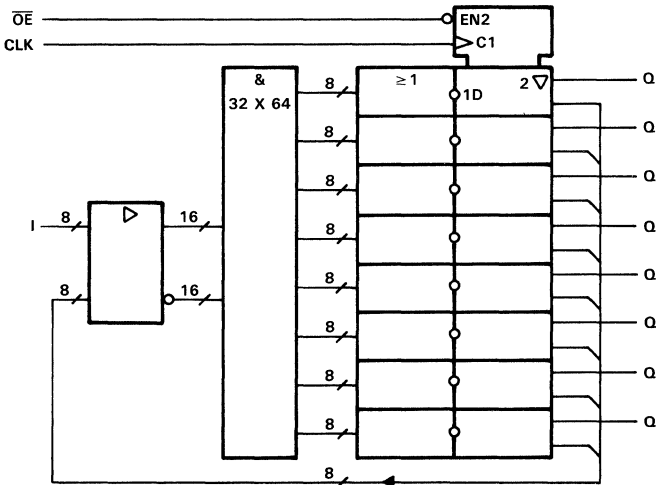
TICPAL16R6-55C, TICPAL16R8-55C
STANDARD CMOS PAL® CIRCUITS

functional block diagrams (positive logic)

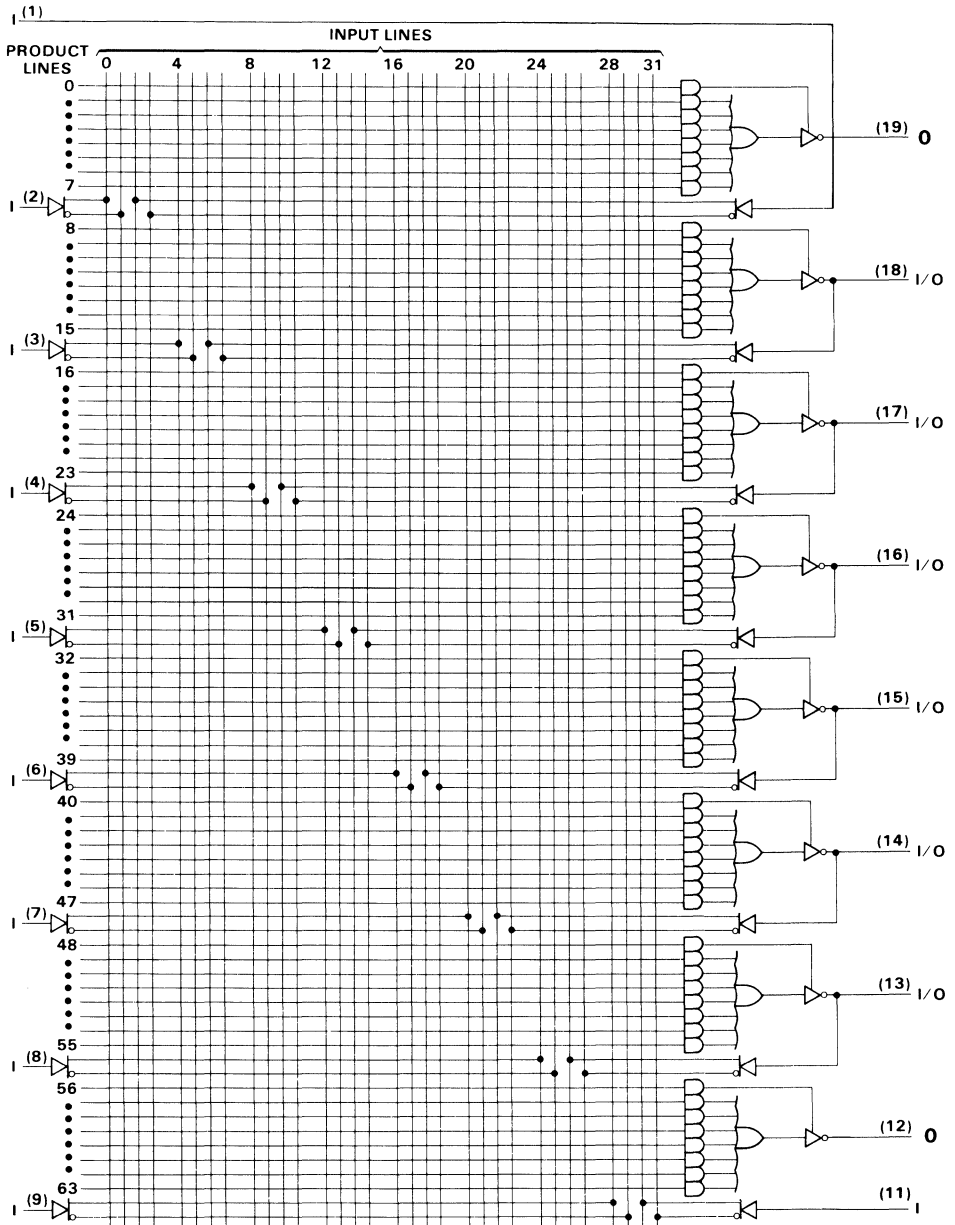
TICPAL16R6



TICPAL16R8

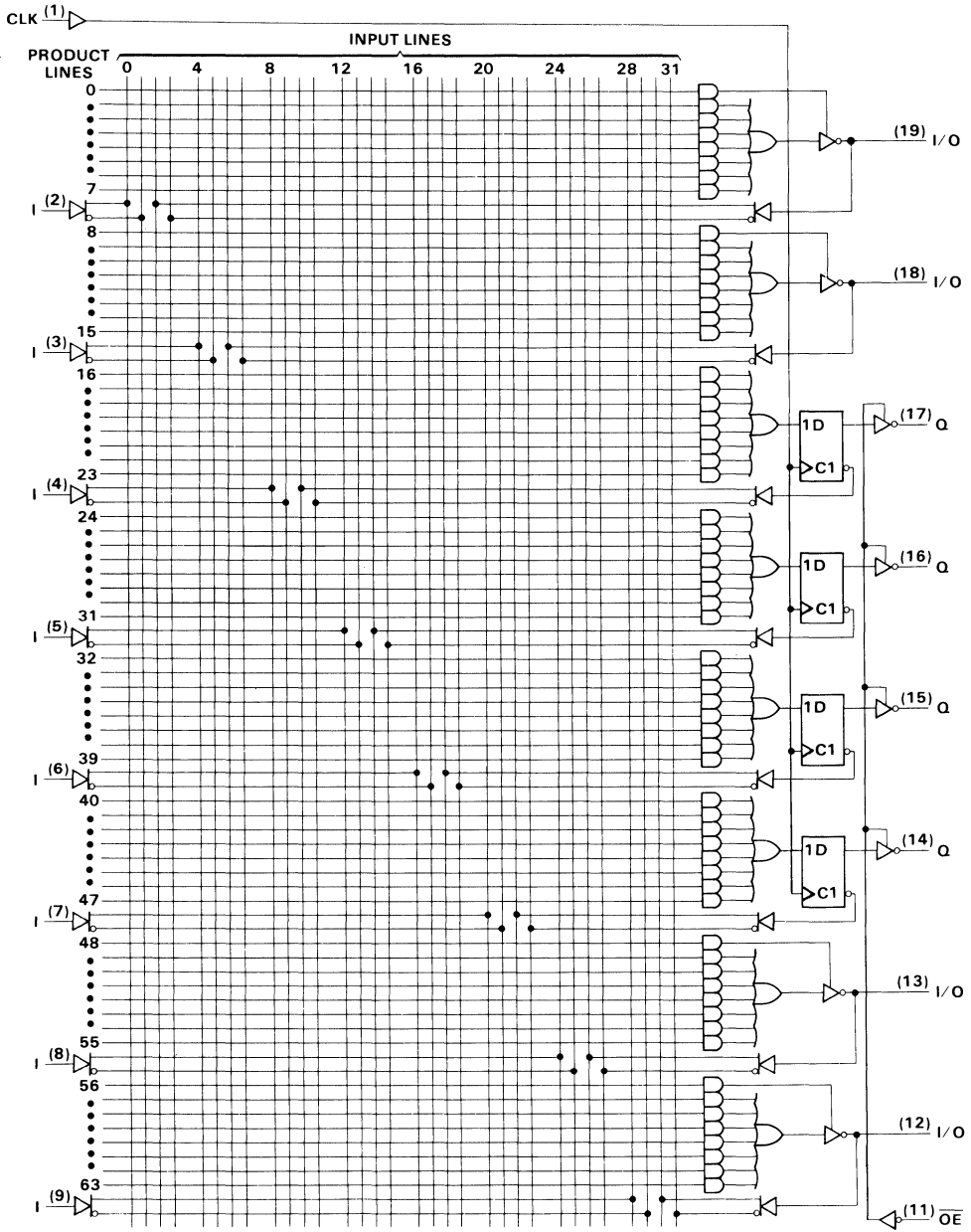


logic diagram (positive logic)



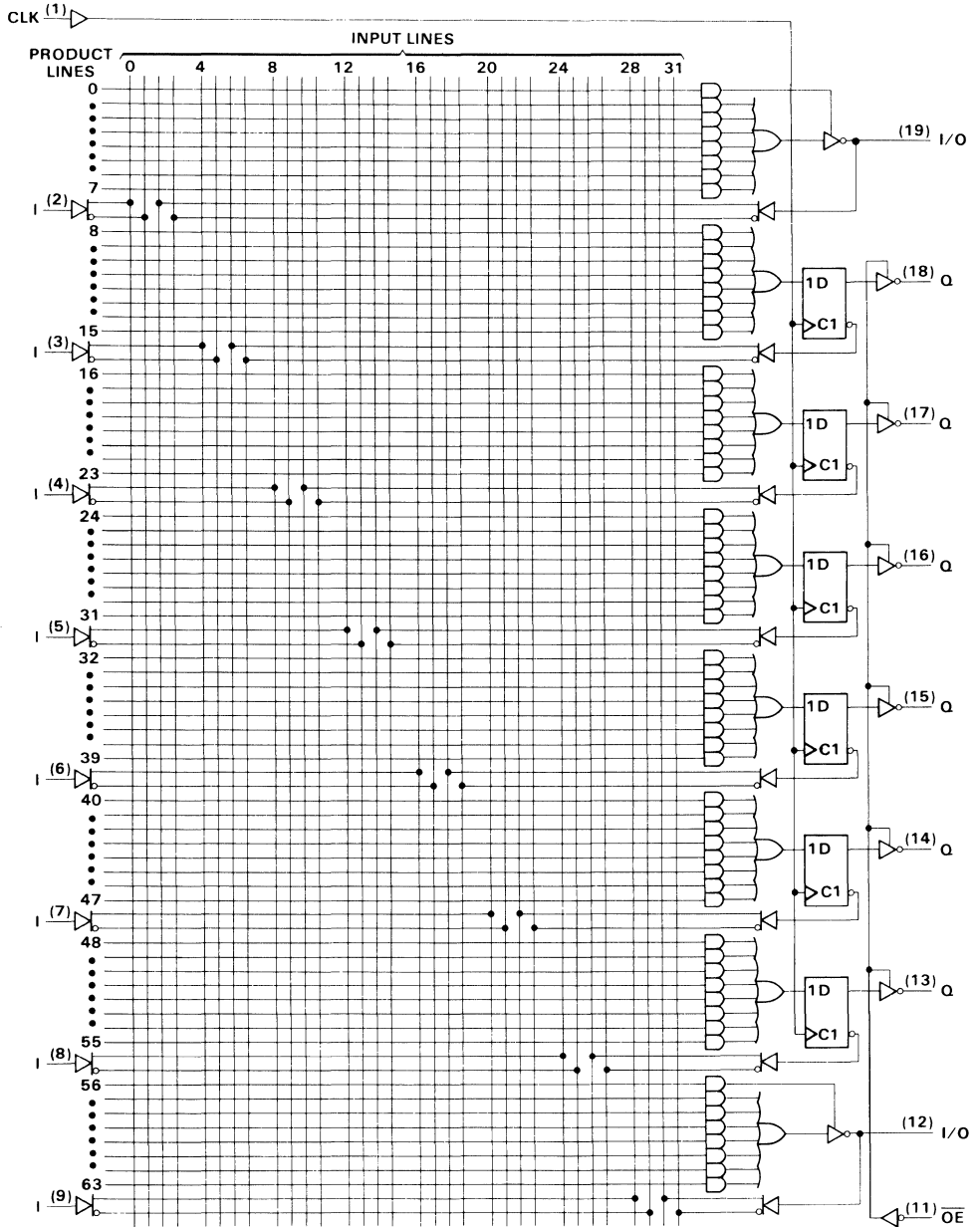
TICPAL16R4-55C
STANDARD CMOS PAL® CIRCUITS

logic diagram (positive logic)



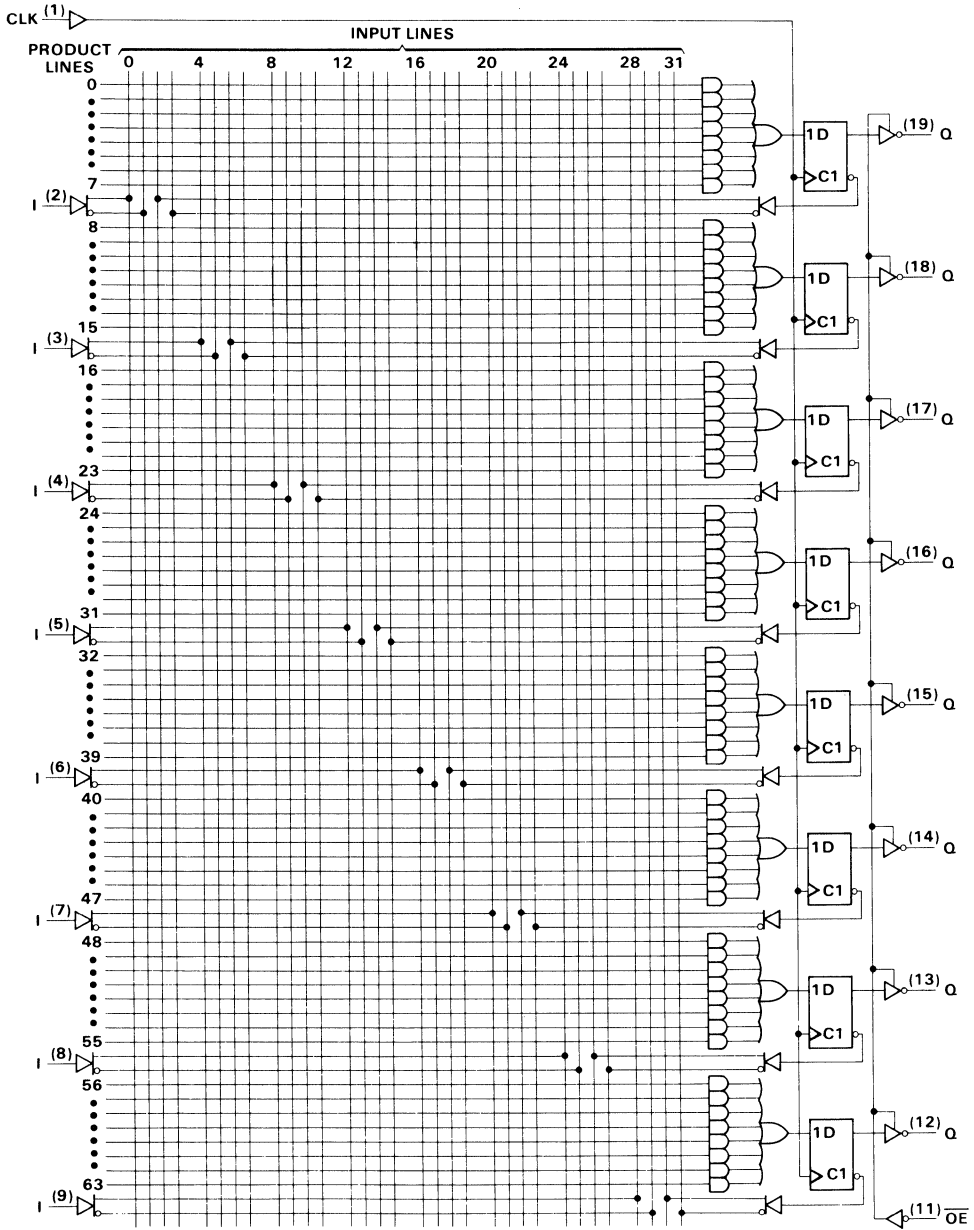
2
Data Sheets

logic diagram (positive logic)



TICPAL16R8-55C
STANDARD CMOS PAL® CIRCUITS

logic diagram (positive logic)



**TICPAL16L8-55C, TICPAL16R4-55C
TICPAL16R6-55C, TICPAL16R8-55C
STANDARD CMOS PAL® CIRCUITS**

absolute maximum ratings over operating free-air temperature range (unless otherwise noted)

| | |
|---|----------------------------|
| Supply voltage range, V_{CC} | -0.5 V to 7 V |
| Input voltage range, V_I | -0.5 V to $V_{CC} + 0.5$ V |
| Input clamp current, I_{IK} ($V_I < 0$ or $V_I > V_{CC}$) | ± 20 mA |
| Output clamp current, I_{OK} ($V_O < 0$ or $V_O > V_{CC}$) | ± 20 mA |
| Continuous output current, I_O ($V_O = 0$ to V_{CC}) | ± 35 mA |
| Continuous current through V_{CC} pin | 70 mA |
| Continuous current through GND pin | -200 mA |
| Operating free-air temperature range | 0°C to 75°C |
| Storage temperature range | -65°C to 150°C |
| Lead temperature 1,6 mm (1/16 inch) from case for 60 seconds (JL package) | 300°C |
| Lead temperature 1,6 mm (1/16 inch) from case for 10 seconds (N package) | 260°C |

recommended operating conditions

| | | C-SUFFIX | | | UNIT | |
|----------|---|------------|------|-----|------|----|
| | | MIN | NOM | MAX | | |
| V_{CC} | Supply voltage | 4.75 | 5.25 | | V | |
| V_{IH} | High-level input voltage | 2 | | | V | |
| V_{IL} | Low-level input voltage | 0.8 | | | V | |
| t_w | Pulse duration | Clock high | | 20 | ns | |
| | | Clock low | | 20 | | |
| t_{su} | Setup time, input or feedback before CLK1 | 40 | | | ns | |
| t_h | Hold time, input or feedback after CLK1 | 0 | | | ns | |
| T_A | Operating free-air temperature range | 0 | | | 75 | °C |

**TICPAL16L8-55C, TICPAL16R4-55C
TICPAL16R6-55C, TICPAL16R8-55C
STANDARD CMOS PAL® CIRCUITS**

electrical characteristics over recommended operating free-air temperature range (unless otherwise noted)

| PARAMETER | TEST CONDITIONS | | MIN | TYP† | MAX | UNIT |
|---------------------|----------------------|--|------|------|-----|-----------|
| VOH | VCC = 4.75 V, | IOH = 3.2 mA (for TTL) | | 4 | | V |
| | VCC = 4.75 V, | IOH = -4 mA (for CMOS) | 3.86 | | | |
| VOL | VCC = 4.75 V, | IOL = 24 mA (for TTL) | 0.5 | | | V |
| | VCC = 4.75 V, | IOL = 4 mA (for CMOS) | 0.4 | | | |
| IOZH | VCC = 5.25 V, | VO = 2.4 V | | | 10 | µA |
| IOZL | VCC = 5.25 V, | VO = 0.4 V | | | -10 | µA |
| IiH | VCC = 5.25 V, | VI = VCC | | | 10 | µA |
| IiL | VCC = 5.25 V, | VI = 0 | | | -10 | µA |
| ICC(standby) | VCC = 5.25 V, | VI = 0 or VCC, | | | 100 | µA |
| ICC(operating) f | VCC = 5.25 V, | VI = 0 to VCC, | | | 2 | mA MHz |
| | f = 1 MHz to 25 MHz | | | | | |
| ΔICC | VCC 5.25 V, | VI = 0.5 V or 2.4 V, Other inputs at 0 V or VCC | | 1.4 | 3 | mA |
| Ci | TA = 25°C, f = 1 MHz | | | | 6 | pf |

2

Data Sheets

switching characteristics over recommended ranges of supply voltage and operating free-air temperature (unless otherwise noted) R1 = 200 Ω, R2 = 390 Ω, CL = 50 pf

| PARAMETER | FROM (INPUT) | TO (OUTPUT) | MIN | TYP† | MAX | UNIT |
|-------------------|---------------------|---------------|-----|------|-----|------|
| fmax [§] | | with feedback | 16 | | | MHz |
| | | w/o feedback | 25 | | | |
| t _{pd} | I, I/O, or feedback | Q or I/O | | 35 | 55 | ns |
| t _{pd} | CLK↑ | Q | | 15 | 22 | ns |
| t _{en} | OE↓ | Q | | 15 | 25 | ns |
| t _{dis} | OE↑ | Q | | 15 | 25 | ns |
| t _{en} | I or I/O | Q or I/O | | 35 | 55 | ns |
| t _{dis} | I or I/O | Q or I/O | | 35 | 55 | ns |

†All typical values are at VCC = 5 V, TA = 25°C.

‡This is the increase in supply current for each input that is at one of the specified TTL voltage levels rather than 0 or VCC.

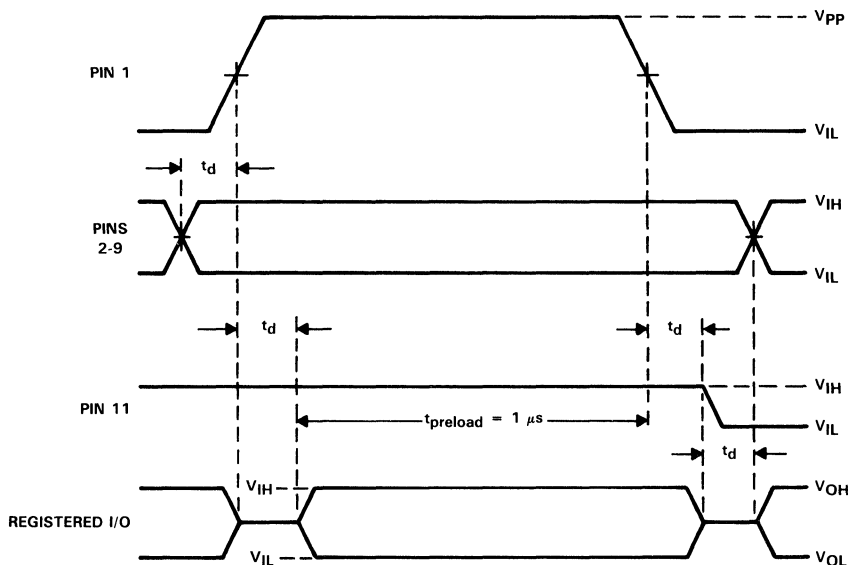
$$§f_{\max}(\text{with feedback}) = \frac{1}{t_{\text{su}} + t_{\text{pd}}(\text{CLK to Q})} ; f_{\max}(\text{without feedback}) = \frac{1}{t_{\text{su}}}$$

preload procedure for registered outputs

The output registers can be preloaded to any desired state during device testing. This permits any state to be tested without having to step through the entire state-machine sequence. All of the registers may be preloaded simultaneously by following the steps below.

- Step 1. With V_{CC} at 5 V and Pin 11 at V_{IH} , raise Pin 1 to V_{IH} .
- Step 2. Apply either V_{IL} or V_{IH} to the output corresponding to the register to be preloaded.
- Step 3. Lower Pin 1 to V_{IL} , then remove the output voltage. Preload can be verified by lowering Pin 1 to V_{IL} and observing the voltage level at the output pins.

preload waveforms

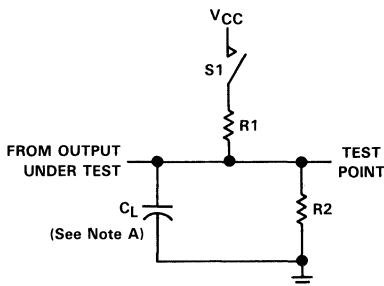


preload parameters, $T_A = 25^\circ\text{C}$

| PARAMETER† | | MIN | NOM | MAX | UNIT |
|---------------------|--------------------------------|------|-----|------|------------------|
| V_{IH} | Preload voltage on pin 1 | 12.5 | 13 | 13.5 | V |
| I_{IH} | Preload input current at pin 1 | 3.2 | 4 | 4.8 | mA |
| $\Delta v/\Delta t$ | Voltage ramping (V_{IH}) | 50 | | | V/ μs |
| t_d | Setup and hold times | 2 | | | μs |

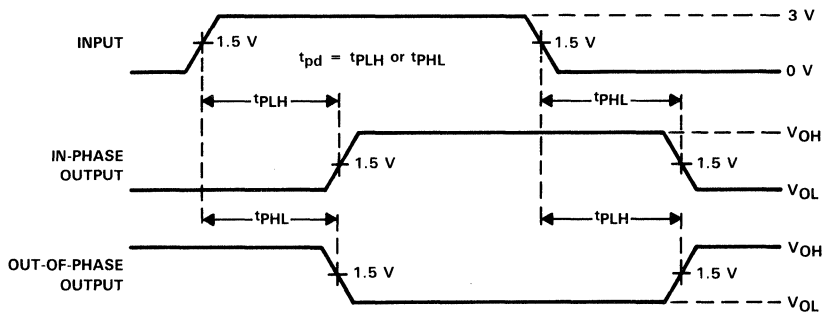
†Other test parameters and conditions are shown in recommended operating conditions and electrical characteristics tables.

PARAMETER MEASUREMENT INFORMATION



- NOTES: A. C_L = includes probe and jig capacitance.
 B. When measuring propagation times of 3-state outputs, S1 is closed.

FIGURE 1. LOAD CIRCUIT FOR THREE-STATE OUTPUTS

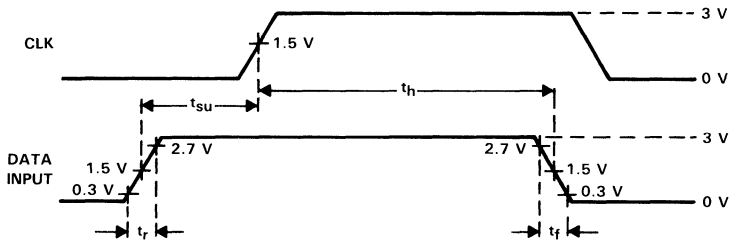


VOLTAGE WAVEFORMS

- NOTES: A. When measuring propagation times of 3-state outputs, S1 is closed.
 B. All input pulses are supplied by generators having the following characteristics: $PRR \leq 1$ MHz, $Z_o = 50 \Omega$, $t_r = 6$ ns.

FIGURE 2. PROPAGATION DELAY TIMES, OUTPUT RISE AND FALL TIMES

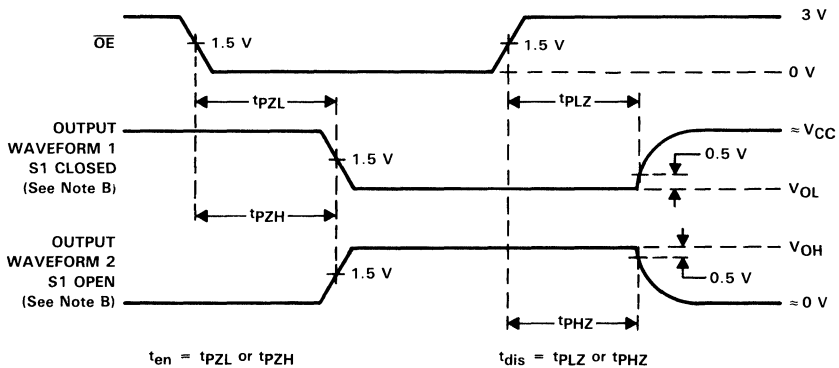
PARAMETER MEASUREMENT INFORMATION



VOLTAGE WAVEFORMS

NOTE: Phase relationship between waveforms was chosen arbitrarily. All input pulses are supplied by generators having the following characteristics: PRR ≤ 1 MHz, Z₀ = t_r = 6 ns, t_f = 6 ns.

FIGURE 3. SETUP AND HOLD TIMES, AND INPUT RISE AND FALL TIMES



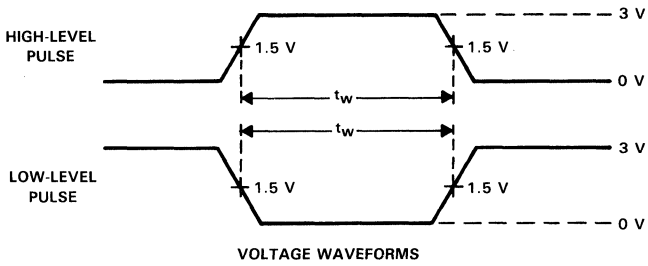
VOLTAGE WAVEFORMS

NOTES: A. All input pulses are supplied by generators having the following characteristics: PRR ≤ 1 MHz, Z₀ = 50 Ω, t_r = 6 ns, t_f = 6 ns.
 B. Waveform 1 is for an output with internal conditions such that the output is low except when disabled by the output control. Waveform 2 is for an output with internal conditions such that the output is high except when disabled by the output control.

FIGURE 4. ENABLE AND DISABLE TIMES FOR 3-STATE OUTPUTS

**TICPAL16L8-55C, TICPAL16R4-55C
TICPAL16R6-55C, TICPAL16R8-55C
STANDARD CMOS PAL® CIRCUITS**

PARAMETER MEASUREMENT INFORMATION



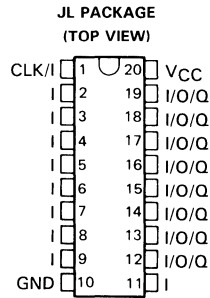
VOLTAGE WAVEFORMS

NOTES: A. All input pulses are supplied by generators having the following characteristics: $PRR \leq 1 \text{ MHz}$, $Z_o = 50 \Omega$, $t_r = 6 \text{ ns}$.
B. For clock inputs, f_{max} is measured with input duty cycle = 50%.

FIGURE 5. PULSE DURATIONS



- 20-Pin Advanced CMOS Generic PAL
- Virtually Zero Standby Power
- 25-ns Maximum Propagation Delay
- Eight Output Logic Macrocells
 - Each OLM Is User-Programmable for Registered or Combinational Operation, Polarity, and Output Enable Control
- UV-Light-Erasable Cell Technology Allows for:
 - Reconfigurable Logic
 - Reprogrammable Cells
 - Full Factory Testing for Guaranteed 100% Yields
- Preload Capability on All Registered Outputs Allows for 100% Functional Testing
- Power-Up Clear
- Programmable Design Security Bit Prevents Copying of Logic Stored in Device
- The TICPAL18V8 Replaces the PAL Functions in Table 1



Pin assignments in operating mode

description

This PAL device features advanced CMOS speed and virtually zero standby power. It combines TI's EPIC™ (Enhanced Processed Implanted CMOS) process with ultraviolet-light-erasable EPROM technology. Each output has an Output Logic Macrocell (OLM) configuration allowing for user definition of the output type. This PAL provides reliable, low-power substitutes for numerous high-performance TTL PALs.

TABLE 1. PAL FUNCTIONS

| | | | | | | | | | | | | | | |
|-------|---|---|------|------|------|------|-------|-------|-------|------|-------|------|-----|-----|
| CLK/I | — | — | VCC | VCC | VCC | VCC | VCC | VCC | VCC | VCC | VCC | VCC | VCC | VCC |
| I | — | — | O | I | I | I | Q | I/O | I/O | O | O | I/O | O | I/O |
| I | — | — | O | O | I | I | Q | Q | I/O | I/O | O | I/O | O | I/O |
| I | — | — | O | O | O | I | Q | Q | Q | I/O | O | I/O | O | I/O |
| I | — | — | O | O | O | O | Q | Q | Q | I/O | O | I/O | O | I/O |
| I | — | — | O | O | O | O | Q | Q | Q | I/O | O | I/O | O | I/O |
| I | — | — | O | O | O | I | Q | Q | Q | I/O | O | I/O | O | I/O |
| I | — | — | O | O | I | I | Q | Q | I/O | I/O | O | I/O | O | I/O |
| I | — | — | O | I | I | I | Q | I/O | I/O | O | O | I/O | O | I/O |
| GND | — | — | I | I | I | I | OE | OE | OE | I | I | I | I | I |
| | | | 10L8 | 12L6 | 14L4 | 16L2 | 16R8 | 16R6 | 16R4 | 16L8 | 16LD8 | 18P8 | | |
| | | | 10H8 | 12H6 | 14H4 | 16H2 | 16RP8 | 16RP6 | 16RP4 | 16H8 | 16HD8 | | | |
| | | | 10P8 | 12P6 | 14P4 | 16P2 | | | | 16P8 | | | | |

EPIC is a trademark of Texas Instruments Incorporated.
 PAL is a registered trademark of Monolithic Memories Inc.

PRODUCT PREVIEW documents contain information on products in the formative or design phase of development. Characteristic data and other specifications are design goals. Texas Instruments reserves the right to change or discontinue these products without notice.



POST OFFICE BOX 655012 • DALLAS, TEXAS 75265

Copyright © 1987, Texas Instruments Incorporated

description (continued)

architecture

The 'PAL18V8 architecture is a generic version of the 20-pin family of PALs. This generic flexibility is achieved by the implementation of each output function with an Output Logic Macrocell (OLM). The OLM contains architectural options configured through programming. These options include the user selection of combinatorial or registered outputs with a choice of active-high or active-low logic.

The 'PAL18V8 has 74 product terms in the AND array, 64 of which are OR-function product terms, 8 product terms that are used as bidirectional output controls, and 1 product term each as asynchronous reset and synchronous set control, respectively. Each of the 8 outputs has 8 product terms per OR function and a dedicated product term for the bidirectional control of that output. The bidirectional control allows for individual outputs to be forced into the high-impedance state for bidirectional operations or for dedicated input usage.

The circuit design is enhanced by the addition of synchronous set and asynchronous reset product terms. These two functions are common to all the OLMs. When the synchronous set product term is a logic 1, the output registers are loaded with a logic 1 on the next low-to-high clock transition. When the asynchronous reset product term is a logic 1, the output registers are loaded with a logic 0 independently of the clock. The output logic level after set or reset depends on the polarity selected during programming. An asynchronous reset always overrides synchronous set.

A clock function is routed to all the OLMs. It is used with the registered macrocell options. The clock function shares a pin with an array input. The sharing provides an additional input pin when registered options are not exercised.

The registers in the '18V8 have been designed to reset after power-up. During power-up, all registers will reset to the 0-state following a transition of any input or any I/O. The output voltage level for any output will depend on the polarity selected for that output. This feature is especially valuable in simplifying state machine initialization.

All output registers can be preloaded to any desired state during testing. Preloading permits full logical verification during device testing.

The TICPAL18V8 has internal electrostatic discharge (ESD) protection circuits and has been classified with a 2000-V ESD rating tested under MIL-STD-883B, Method 3015.1. However, care should be exercised in handling these devices, as exposure to ESD may result in a degradation of the device parametric performance.

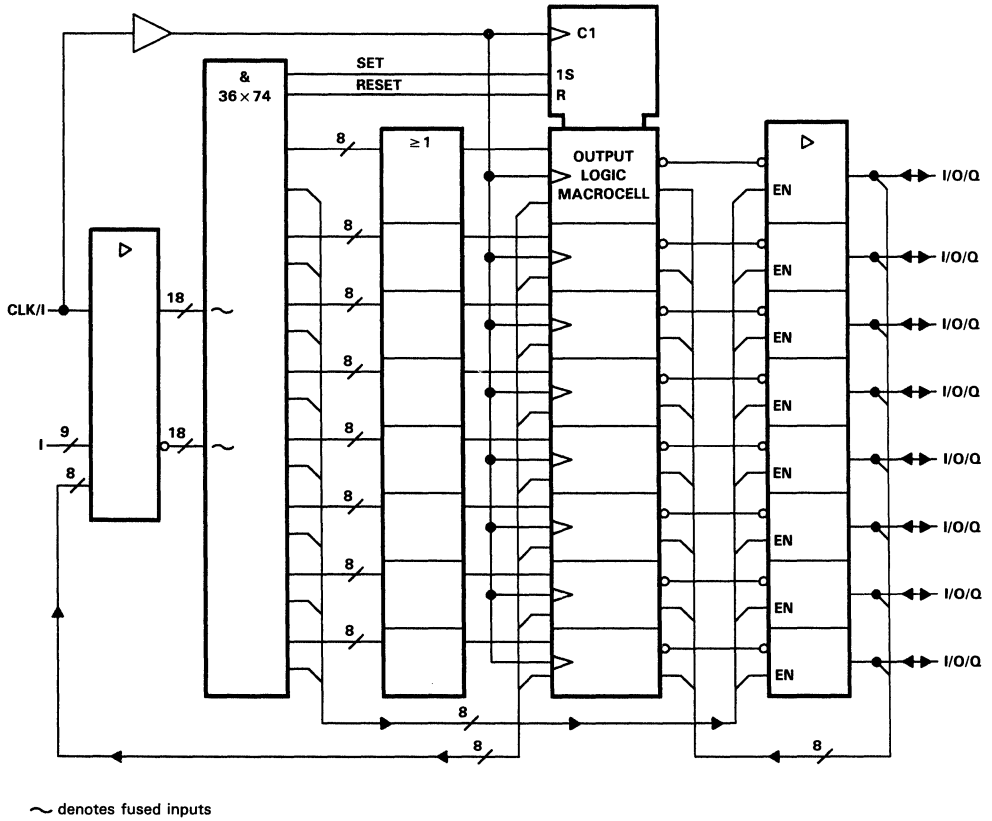
The floating gate programmable cells allow these PALs to be fully programmed and tested before assembly to assure high field programming yield and functionality. They are then erased by ultraviolet light before packaging.

The M-suffix devices are characterized for operation over the full military temperature range of -55°C to 125°C . The C-suffix devices are characterized for operation from 0°C to 75°C .

design security

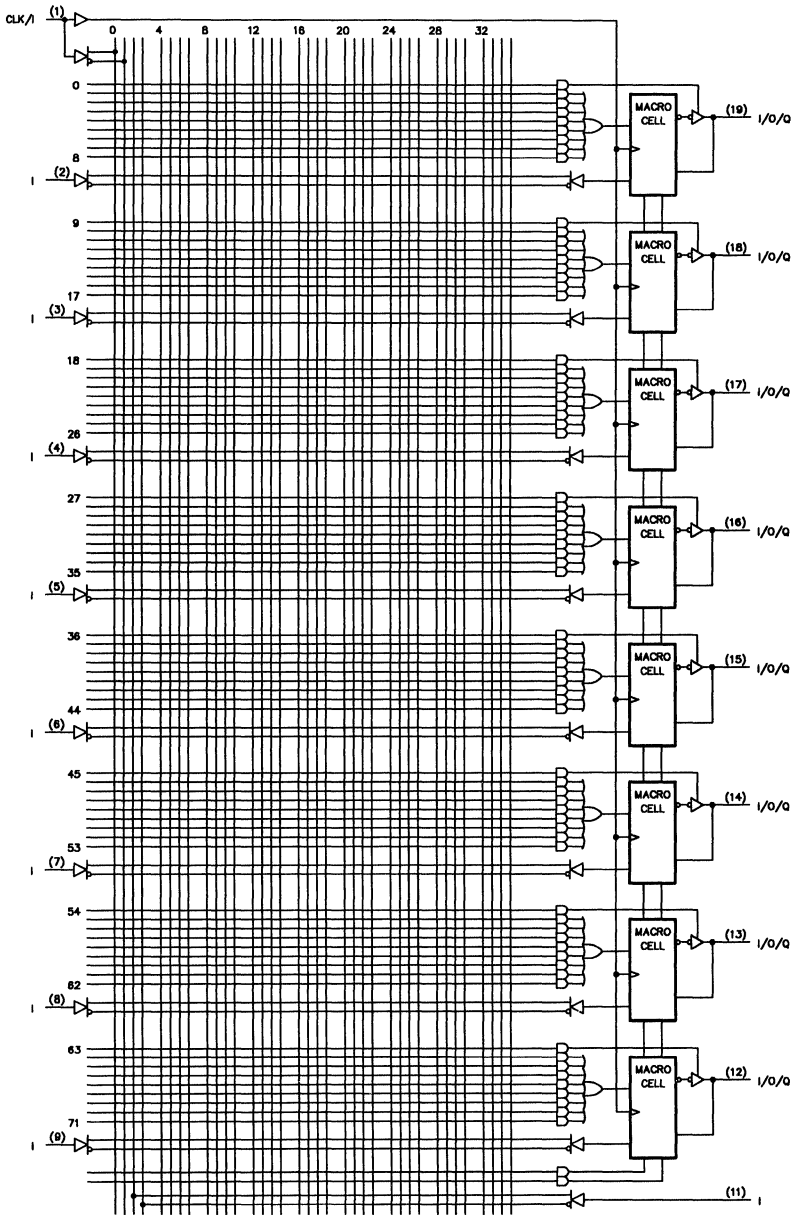
The 'PAL18V8 contains a programmable design security bit. Programming this bit will disable the read verify and programming circuitry, protecting the design from being copied. The security bit is usually programmed after the design is finalized and released to production. A secured device will verify as if every location in the device is programmed. Because programming is accomplished by storing an invisible charge instead of opening a metal link, the '18V8 cannot be copied by visual inspection. Once a secured device is fully erased, it can be reprogrammed to any desired configuration.

functional block diagram (positive logic)



TICPAL18V8-30M, TICPAL18V8-25C
 ADVANCED EPIC™ CMOS GENERIC PAL®

logic diagram (positive logic)



2

Data Sheets

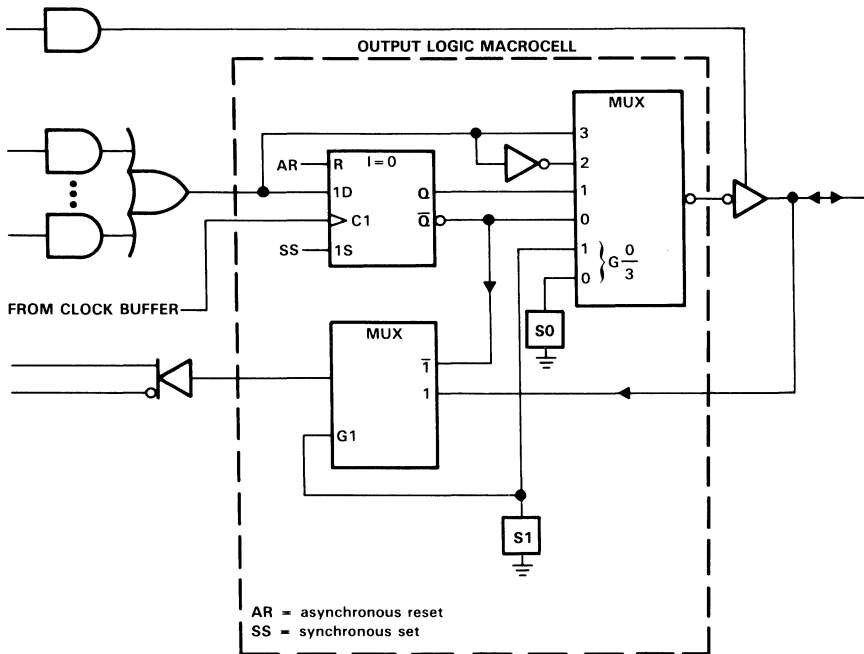
PRODUCT PREVIEW

output logic macrocell (OLM) description

A great amount of architectural flexibility is provided by the user-configurable macrocell output options. The macrocell consists of a D-type flip-flop and two select multiplexers. The D-type flip-flop operates like a standard TTL D-type flip-flop. The input data is latched on the low-to-high transition of the clock input. The Q and \bar{Q} outputs are made available to the output select multiplexer. The asynchronous reset and synchronous set controls are available in all flip-flops.

The select multiplexers are controlled by programmable bits. The combination of these programmable bits will determine which macrocell functions are implemented. It is this user control of the architectural structure that provides the generic flexibility of this device.

output logic macrocell diagram



output logic macrocell options

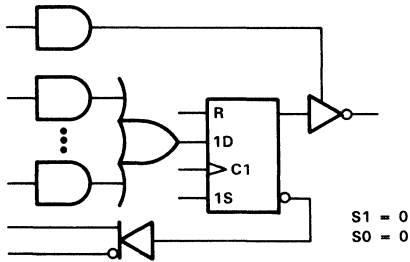
MACROCELL FEEDBACK AND OUTPUT FUNCTION TABLE

| CELL SELECT | | FEEDBACK AND OUTPUT CONFIGURATION | | |
|-------------|----|-----------------------------------|---------------|-------------|
| S1 | S0 | | | |
| 0 | 0 | Register feedback | Registered | Active low |
| 0 | 1 | Register feedback | Registered | Active high |
| 1 | 0 | I/O feedback | Combinational | Active low |
| 1 | 1 | I/O feedback | Combinational | Active high |

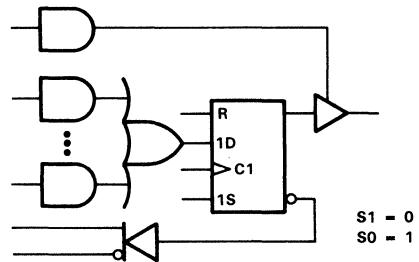
0 = erased cell, 1 = programmed cell
 S1 and S0 are select-function cells as shown in the output logic macrocell diagram.

2

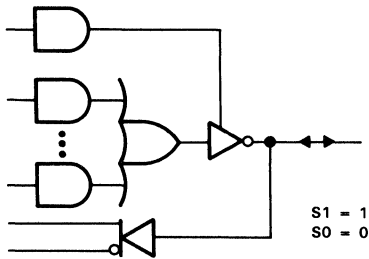
Data Sheets



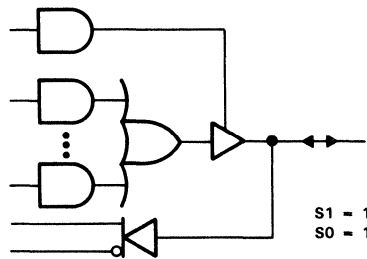
REGISTER FEEDBACK, REGISTERED, ACTIVE-LOW OUTPUT



REGISTER FEEDBACK, REGISTERED, ACTIVE-HIGH OUTPUT



I/O FEEDBACK, COMBINATIONAL, ACTIVE-LOW OUTPUT



I/O FEEDBACK, COMBINATIONAL, ACTIVE-HIGH OUTPUT

PRODUCT PREVIEW

absolute maximum ratings over operating free-air temperature range (unless otherwise noted)

| | |
|--|--------------------------|
| Supply voltage, V_{CC} | -0.5 V to 7 V |
| Input voltage, V_I (see Note 1) | -0.5 V to $V_{CC}+0.5$ V |
| Input diode current, I_{IK} ($V_I < 0$ or $V_I > V_{CC}$) | ± 20 mA |
| Output diode current, I_{OK} ($V_O < 0$ or $V_O > V_{CC}$) | ± 20 mA |
| Continuous output current, I_O ($V_O = 0$ to V_{CC}) | ± 40 mA |
| Lead temperature 1,6 mm (1/16 inch) from case for 10 seconds | 300°C |
| Operating free-air temperature range: M suffix | -55°C to 125°C |
| C suffix | 0°C to 75°C |
| Storage temperature range | -65°C to 150°C |

NOTE 1: These ratings apply except during programming and preload cycles. Stresses beyond those listed under "absolute maximum ratings" may cause permanent damage to the device. These are stress ratings only and functional operation of the device at these or any other conditions beyond those indicated under "recommended operating conditions" is not implied. Exposure to absolute-maximum-rated conditions for extended periods may affect device reliability.

recommended operating conditions

| | | -30M | | | -25C | | | UNIT |
|-----------|--------------------------------|----------------------|--------------|-----|------|--------------|------|------|
| | | MIN | NOM | MAX | MIN | NOM | MAX | |
| V_{CC} | Supply voltage | 4.5 | 5 | 5.5 | 4.75 | 5 | 5.25 | V |
| V_{IH} | High-level input voltage | 2 | $V_{CC}+0.5$ | | 2 | $V_{CC}+0.5$ | | V |
| V_{IL} | Low-level input voltage | 0.8 | | | 0.8 | | | V |
| I_{OH} | High-level output current | Driving TTL | | -2 | -3.2 | | mA | |
| | | Driving CMOS | | -2 | | -4 | | |
| I_{OL} | Low-level output current | Driving TTL | | 12 | 24 | | mA | |
| | | Driving CMOS | | 2 | 4 | | | |
| f_{clk} | Clock frequency | | | | | | | MHz |
| t_w | Pulse duration | CLK high | | 10 | 8 | | ns | |
| | | CLK low | | 11 | 9 | | | |
| | | Asynchronous reset | | 30 | 25 | | | |
| t_{su} | Setup time | Input or feedback | | 25 | 20 | | ns | |
| | | Reset inactive state | | 30 | 25 | | | |
| t_h | Hold time | Input or feedback | | 0 | 0 | | ns | |
| T_A | Operating free-air temperature | -55 | 125 | | 0 | 75 | | °C |

TICPAL18V8-30M, TICPAL18V8-25C
ADVANCED EPIC™ CMOS GENERIC PAL®

electrical characteristics over recommended operating free-air temperature range (unless otherwise noted)

| PARAMETER | TEST CONDITIONS† | | | -30M | | | -25C | | | UNIT |
|-----------|--|----------------|---------------|------|------|-----|------|------|-----|--------------|
| | | | | MIN | TYP‡ | MAX | MIN | TYP‡ | MAX | |
| VOH | VCC = MIN, | IOH = MAX | TTL | 4 | | | 4 | | | V |
| | VCC = MIN, | IOH = MAX | CMOS | 3.86 | | | 3.86 | | | V |
| VOL | VCC = MIN, | IOL = MAX | TTL | 0.5 | | | 0.5 | | | V |
| | VCC = MIN, | IOL = MAX | CMOS | 0.4 | | | 0.4 | | | V |
| IOZH | VCC = MAX, | VO = 2.7 V | | | | | 10 | | | µA |
| IOZL | VCC = MAX, | VO = 0.5 V | | | | | -10 | | | µA |
| IiH | VCC = MAX, | VI = 5.25 V | | | | | 10 | | | µA |
| IiL | VCC = MAX, | VI = 0.5 V | | | | | -10 | | | µA |
| IO§ | VCC = MAX, | VO = 0.5 V | | -30 | -130 | | -30 | -130 | | mA |
| ICC | VCC = MAX, | VI = 0 or VCC, | Outputs open¶ | 100 | | | 100 | | | µA |
| ICC/f | VCC = MAX, | VI = 0 to 3 V, | f ≥ 1 MHz | 2 | | | 2 | | | mA/MHz |
| ΔICC# | VCC = MAX, One input at 0.5 V or 2.4 V, Other inputs at 0 V or VCC | | Pin 1 | 4 | | | 4 | | | mA/ Input |
| | | | Others | 2 | | | 2 | | | |
| Ci | VI = 2 V, f = 1 MHz, TA = 25°C | | Pin 2 | 15 | | | 15 | | | pF |
| | | | Clock Pin | 12 | | | 12 | | | |
| | | | All I/O Pins | 15 | | | 15 | | | |
| | | | Other inputs | 10 | | | 10 | | | |

switching characteristics over recommended ranges of supply voltage and operating free-air temperature (unless otherwise noted)

| PARAMETER | FROM (INPUT) | TO (OUTPUT) | TEST CONDITIONS | -30M | | | -25C | | | UNIT |
|------------------|---------------|-------------|--|------|------|-----|------|------|-----|------|
| | | | | MIN | TYP‡ | MAX | MIN | TYP‡ | MAX | |
| fmax | W/O feedback | | C suffix: R1 = 200 Ω, R2 = 390 Ω, CL = 50 pF M suffix: R1 = 390 Ω, R2 = 750 Ω, CL = 50 pF See Figure 4 | 50 | | | 50 | | | MHz |
| | With feedback | | | 35 | | | 35 | | | |
| t _{pd} | I, I/O | O, I/O | | 15 | | | 15 | | | ns |
| t _{pd} | CLK↑ | Q | | 12 | | | 12 | | | |
| t _{pd} | Reset | Q | | 20 | | | 10 | | | ns |
| t _{en} | I, I/O | I,Q, I/O | | 15 | | | 15 | | | |
| t _{dis} | I, I/O | I,Q, I/O | 15 | | | 15 | | | ns | |

†For conditions shown as MIN or MAX, use the appropriate value specified under recommended operating conditions.

‡ All typical values are at VCC = 5 V, TA = 25°C.

§ This parameter approximates IOQ. The condition VO = 0.5 V takes tester noise into account.

¶ Disabled outputs tied to GND or VCC.

This is the increase in supply current for each input that is at one of the specified TTL voltage levels rather than at 0 V or VCC.

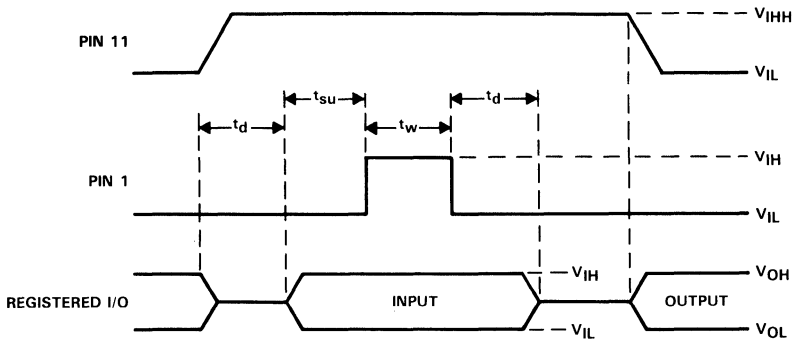
$$||f_{\max}(\text{with feedback}) = \frac{1}{t_{su} + t_{pd}(\text{CLK to Q})}; f_{\max}(\text{without feedback}) = \frac{1}{t_w(\text{high}) + t_w(\text{low})}$$

preload procedure for registered outputs

The output registers can be preloaded to any desired state during device testing. This permits any state to be tested without having to step through the entire state-machine sequence. Each register is preloaded individually by following the steps given below. The output level depends on the polarity selected during programming.

- Step 1. With VCC at 5 volts and Pin 1 at V_{IL}, raise Pin 11 to V_{IHH}.
- Step 2. Apply either V_{IL} or V_{IH} to the output corresponding to the register to be preloaded.
- Step 3. Pulse Pin 1, clocking in preload data.
- Step 4. Remove output voltage, then lower Pin 11 to V_{IL}. Preload can be verified by observing the voltage level at the output pin.

preload waveforms (see Note 2)

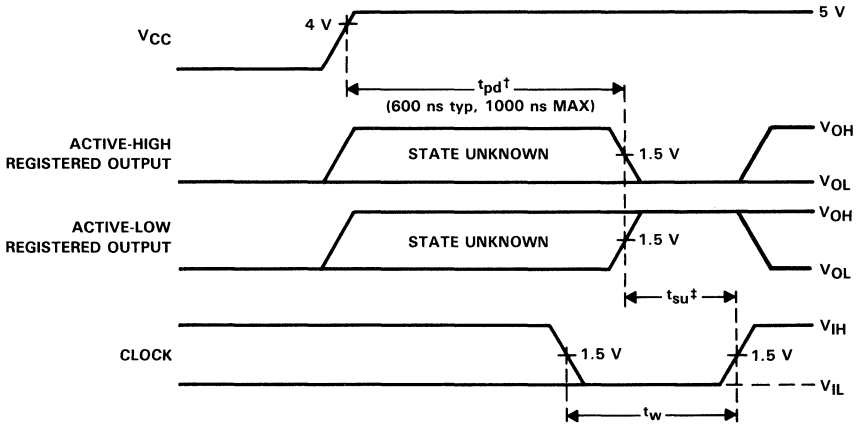


NOTE 2: t_d = t_{su} = t_w = 100 ns to 1000 ns.
 V_{IHH} = 10.25 V to 10.75 V.

power-up reset

Following power-up, all registers are reset to zero. The output level depends on the polarity selected during programming. This feature provides extra flexibility to the system designer and is especially valuable in simplifying state-machine initialization. To ensure a valid power-up reset, it is important that the V_{CC} 's rise be monotonic. Following power-up reset, a low-to-high clock transition must not occur until all applicable input and feedback setup times are met.

power-up reset waveforms



[†]This is the power-up reset time and applies to registered outputs only. The values shown are from characterization data.

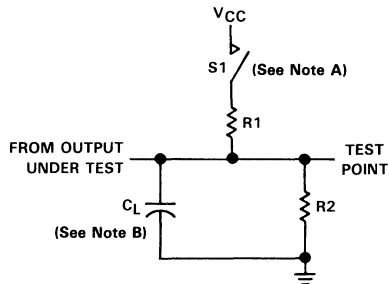
[‡]This is the setup time for input or feedback.

programming information

Texas Instruments Programmable Logic Devices can be programmed using widely available software and inexpensive device programmers.

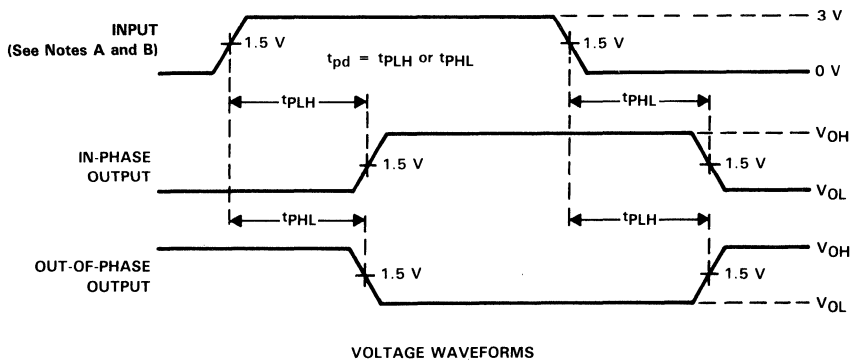
Complete programming specifications, algorithms, and the latest information on hardware, software, and firmware are available upon request. Information on programmers capable of programming Texas Instruments Programmable Logic is also available, upon request, from the nearest TI field sales office, local authorized TI distributor, or by calling Texas Instruments at (214) 997-5762.

PARAMETER MEASUREMENT INFORMATION



- NOTES: A. When measuring propagation times of 3-state outputs, S1 is closed.
 B. C_L = includes probe and jig capacitance.

FIGURE 1. LOAD CIRCUIT FOR THREE-STATE OUTPUTS



VOLTAGE WAVEFORMS

- NOTES: A. When measuring propagation times of 3-state outputs, S1 is closed.
 B. All input pulses are supplied by generators having the following characteristics: $PRR \leq 1$ MHz, $Z_o = 50 \Omega$, $t_r = 3$ ns.

FIGURE 2. PROPAGATION DELAY TIMES, OUTPUT RISE AND FALL TIMES

PARAMETER MEASUREMENT INFORMATION

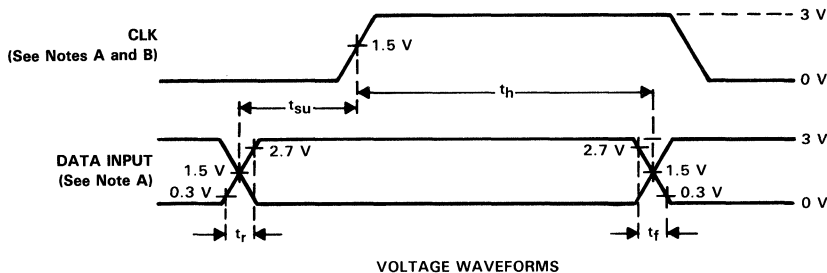


FIGURE 3. SETUP AND HOLD TIMES, AND INPUT RISE AND FALL TIMES

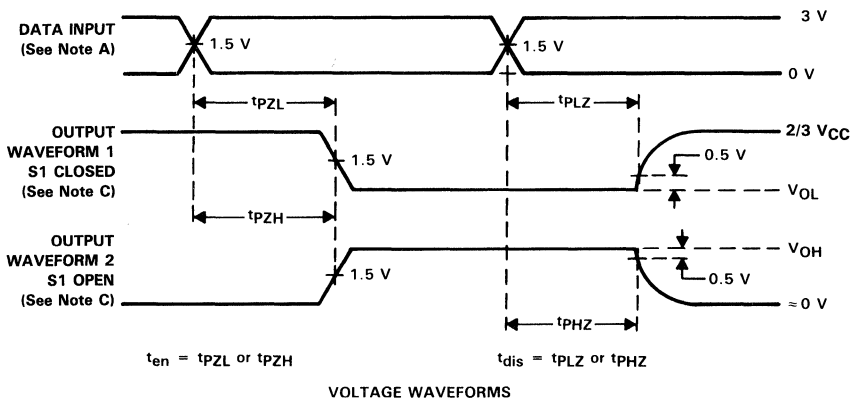


FIGURE 4. ENABLE AND DISABLE TIMES FOR 3-STATE OUTPUTS

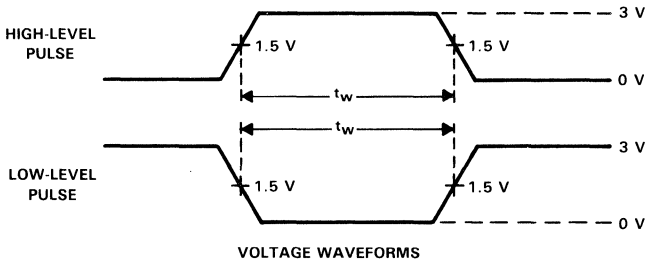


FIGURE 5. PULSE DURATIONS

- NOTES: A. All input pulses are supplied by generators having the following characteristics: PRR ≤ 1 MHz, Z₀ = 50 Ω, t_r = 3 ns.
 B. For clock inputs, t_{max} is measured with input duty cycle = 50%.
 C. Waveform 1 is for an output with internal conditions such that the output is low except when disabled by the output control. Waveform 2 is for an output with internal conditions such that the output is high except when disabled by the output control.

special design features

True CMOS Outputs: Each '18V8 output is designed with a P-channel pull-up transistor and an N-channel pull-down transistor, a true CMOS output with rail-to-rail output switching. This provides direct interface to CMOS logic, memory, or ASIC devices without the need for a pull-up resistor. The CMOS output has 24-mA drive capability, which makes the '18V8 an ideal substitute for bipolar PALs. The electrical characteristics of this device show the output under both CMOS and TTL conditions.

Simultaneous Switching: High-performance CMOS devices often have output glitches on nonswitched outputs when a large number of outputs are switched simultaneously. This glitch is commonly referred to as "ground bounce" and is most noticeable on outputs held at V_{OL} (low-level output voltage). Ground bounce is caused by the voltage drop across the inductance in the package lead when current is switched ($dv \propto I \times di/dt$).

One solution is to restrict the number of outputs that can switch simultaneously. Another solution is to change the device pinout such that the ground is located on a low-inductance package pin. TI opted for a third option in order to maintain pinout compatibility and eliminate functional constraints. This option controls the output transistor turn-on characteristics and puts a limit on the instantaneous current available to the load, much like the I_{QS} resistor in a TTL circuit.

Wake-Up Features: The '18V8 employs input signal transition detection techniques to power-up the device from the standby-power mode. The transition detector monitors all inputs, I/Os, and feedback paths. Whenever a transition is sensed, the detector activates the power-up mode. The device will remain in the power-up mode until the detector senses that the inputs and outputs have been static for about 40 ns; thereafter, the device returns to the standby mode.

Electronic Signature Word: The '18V8 has a 72-bit word available for the user to store device information, such as ID codes, revision numbers, or inventory control. The signature cannot be programmed or altered once the device is secured.

Power Dissipation: Power dissipation of the '18V8 is defined by three contributing factors, and the total power dissipation is the sum of all three.

Standby Power: The product of V_{CC} and the standby I_{CC} . The standby current is the reverse current through the diodes that are reversed biased. This current is very small, and for circuits that remain in static condition for a long time, this low amount of current can become a major performance advantage.

Dynamic Power: The product of V_{CC} and the dynamic current. This current flows through the device only when the transistors are switching from one logic level to the other. The total dynamic current for the '18V8 is dependent upon the users' configuration of the PAL and the operating frequency. Output loading can be a source of additional power dissipation.

Interface Power: The product of ΔI_{CC} (operating) and V_{CC} . The total interface power is dependent on the number of inputs at the TTL V_{OH} level. The interface power can be eliminated by the addition of a pull-up resistor.

Even though power dissipation is a function of the user's device configuration and the operating frequency, the '18V8 is a lower-powered solution than either the quarter-powered or half-powered bipolar devices. The virtually zero standby power feature makes the '18V8 the device of choice for low duty cycle and battery-powered applications.



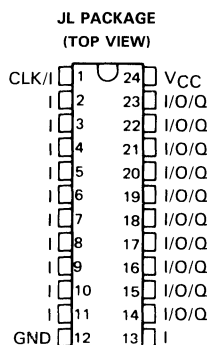
special design features (continued)

Programming and Eraseability: Programming of the '18V8 is achieved through floating-gate avalanche injection techniques. The charge trapped on the floating gate remains after power has been removed, allowing for the nonvolatility of the programmed data. The charge can be removed by exposure to light with wavelengths of less than 400 nm (4000 Å). The recommended erasure wavelength is 253.7 nm (2537 Å), with erasure time of 20 to 30 minutes, using a light source with a power rating of 12000 μW/cm placed within 2.5 cm (1 inch) from the device.

The '18V8 is designed for programming endurance of 1000 write/erase cycles with a data retention of ten years. A few precautions will guarantee maximum data retention. Continuous exposure to high-intensity UV light can cause permanent damage. The maximum exposure intensity is 7000 W•s/cm (The equivalent of leaving the unit in a UV eraser for a week). The window on the device should be covered by an opaque label, as the fluorescent light in a room can erase a unit in three years or, in the case of a direct sunlight, erasure can be complete in one week.



- 24-Pin Advanced CMOS PAL
- Virtually Zero Standby Power
- Propagation Delay Time . . . 20 ns Typ
- Variable Product Term Distribution Allows More Complex Functions to be Implemented
- Each Output is User-Programmable for Registered or Combinatorial Operation, Polarity, and Output Enable Control
- Extra Terms Provide Logical Synchronous Set and Asynchronous Reset Capability
- Preload Capability on All Registered Outputs Allow for Improved Device Testing
- Power-Up Clear on Registered Outputs
- UV Light Erasable Cell Technology Allows for:
 - Reconfigurable Logic
 - Reprogrammable Cells
 - Full Factory Testing for Guaranteed 100% Yields
- Programmable Design Security Bit Prevents Copying of Logic Stored in Device
- Package Options Include Plastic and Ceramic Dual-In-Line Packages and Chip Carriers



description

This PAL device features high-speed performance, increased and variable product terms, flexible outputs, and virtually zero standby power. It combines TI's EPIC™ (Enhanced Processed Implanted CMOS) process with ultraviolet-light-erasable EPROM technology. Each output has an OLM (Output Logic Macrocell) configuration allowing for user definition of the output type. This PAL provides reliable, low-power substitutes for numerous high-performance TTL PALs with gate complexities between 300 and 800 gates.

The PAL22V10 has 12 dedicated inputs and ten user-definable outputs. Individual outputs can be programmed as registered or combinational and inverting or noninverting as shown in the Output Logic Macrocell (OLM) diagram. These ten outputs are enabled through the use of individual product terms.

The variable product-term distribution on this device removes rigid limitation to a maximum of eight product terms per output. This technique allocates from 8 to 16 logical product terms to each output for an average of 12 product terms per output. The variable allocation of product terms allows for far more complex functions to be implemented in this device than in previously available devices.

With features such as the programmable OLMs and the variable product-term distribution, the TICPAL22V10-25 offers quick design and development of custom LSI functions. Since each of the ten output pins may be individually configured as inputs on either a temporary or permanent basis, functions requiring up to 21 inputs and a single output or down to 12 inputs and 10 outputs can be implemented with this device.

EPIC is a trademark of Texas Instruments Incorporated.

Copyright © 1987, Texas Instruments Incorporated

PRODUCT PREVIEW documents contain information on products in the formative or design phase of development. Characteristic data and other specifications are design goals. Texas Instruments reserves the right to change or discontinue these products without notice.



POST OFFICE BOX 655012 • DALLAS, TEXAS 75265

TICPAL22V10M, TICPAL22V10C

EPIC™ CMOS PROGRAMMABLE ARRAY LOGIC

description (continued)

Design complexity is enhanced by the addition of synchronous set and asynchronous reset product terms. These functions are common to all registers. When the synchronous set product term is a logic 1, the output registers are loaded with a logic 1 on the next low-to-high clock transition. When the asynchronous reset product term is a logic 1, the output registers are loaded with a logic 0 independently of the clock. The output logic level after set or reset will depend on the polarity selected during programming.

Output registers of this device can be preloaded to any desired state during testing, thus allowing for full logical verification during product testing.

The TICPAL22V10 has internal electrostatic discharge (ESD) protection circuits and has been classified with a 2000-V ESD rating tested under MIL-STD-883B, Method 3015.1. However, care should be exercised in handling these devices, as exposure to ESD may result in a degradation of the device parametric performance.

The floating gate programmable cells allow these PALs to be fully programmed and tested before assembly to assure high field programming yield and functionality. They are then erased by ultraviolet light before packaging.

The TICPAL22V10-25 has a power-up clear function, which forces all registered outputs to a predetermined state after power is applied to the device. Registered outputs selected as active low will power up with their outputs high while registered outputs selected as active high power up with their outputs low.

The M-suffix devices are characterized for operation over the full military temperature range of -55°C to 125°C . The C-suffix devices are characterized for operation from 0°C to 75°C .

design security

The 'PAL22V10 contains a programmable design security bit. Programming this bit will disable the read verify and programming circuitry protecting the design from being copied. The security bit is usually programmed after the design is finalized and released to production. A secured device will verify as if every location in the device is programmed. Because programming is accomplished by storing an invisible charge instead of opening a metal link, the '22V10 cannot be copied by visual inspection. Once a secured device is fully erased, it can be reprogrammed to any desired configuration.

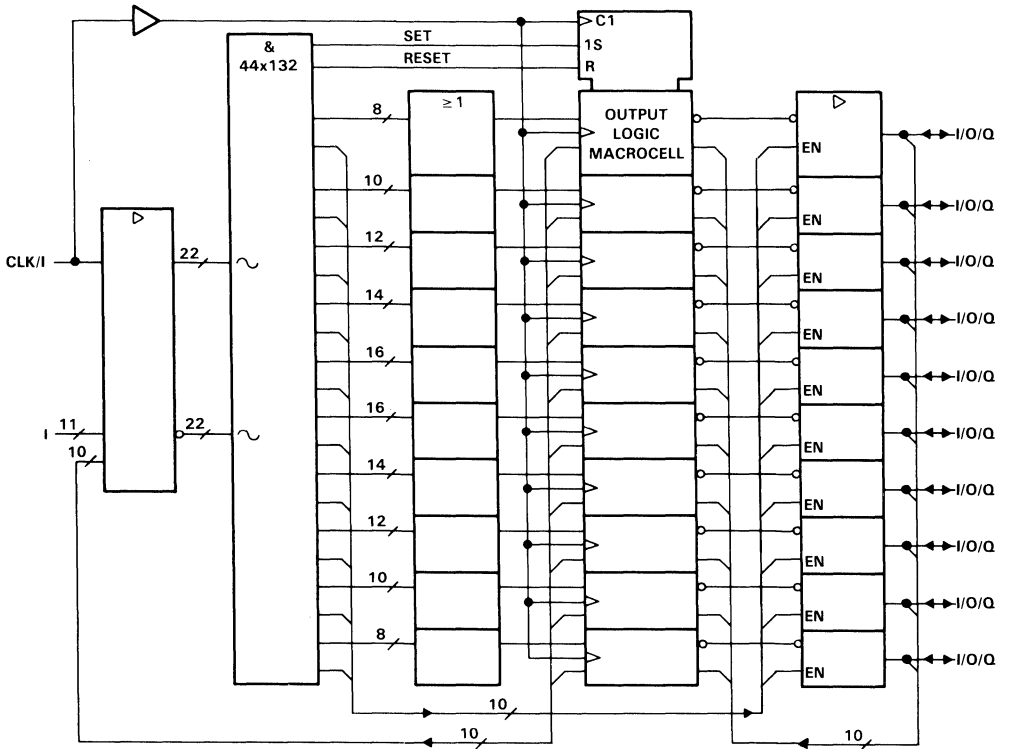
2

Data Sheets

PRODUCT PREVIEW



functional block diagram (positive logic)



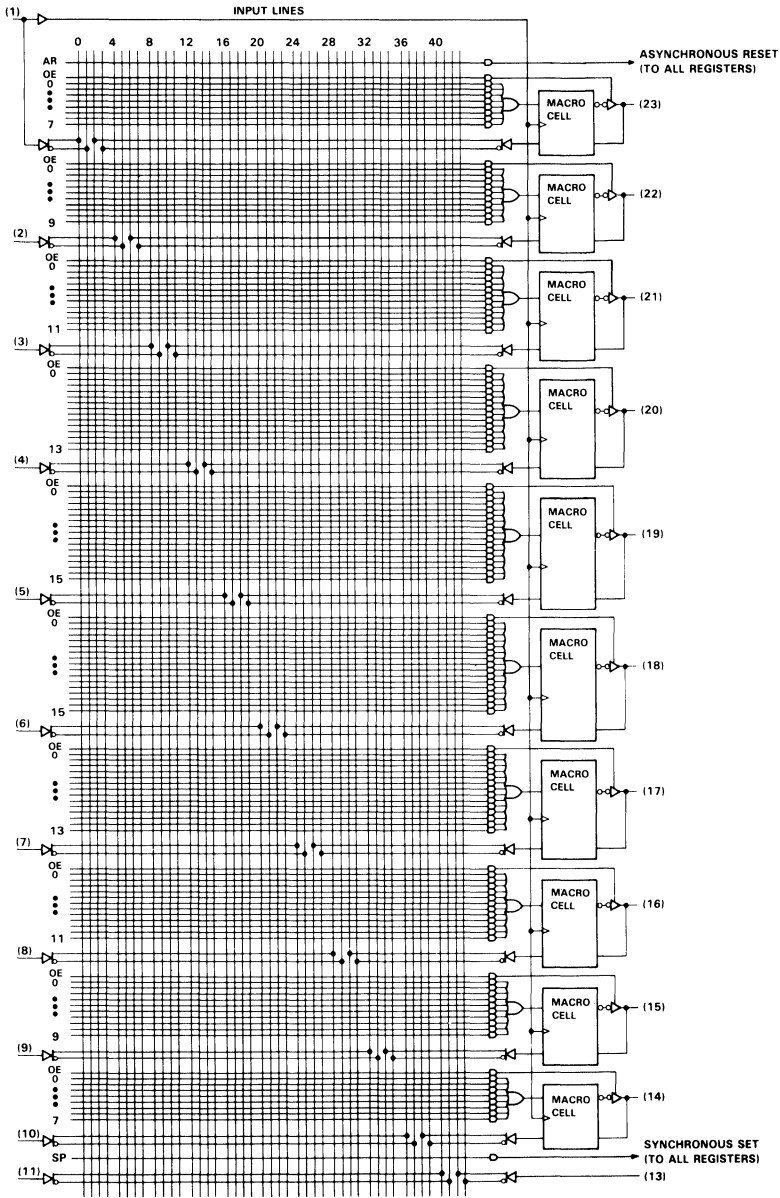
~ denotes fused inputs

2
 Data Sheets

PRODUCT PREVIEW

TICPAL22V10M, TICPAL22V10C
EPIC™ CMOS PROGRAMMABLE ARRAY LOGIC

logic diagram (positive logic)



2 Data Sheets

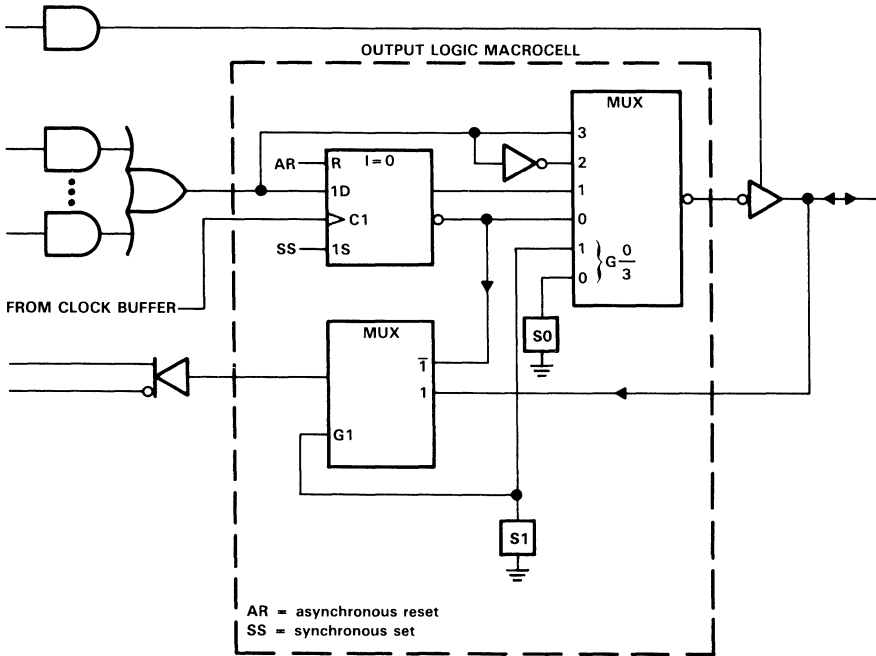
PRODUCT PREVIEW

output logic macrocell (OLM) description

A great amount of architectural flexibility is provided by the user-configurable macrocell output options. The macrocell consists of a D-type flip-flop and two select multiplexers. The D-type flip-flop operates like a standard TTL D-type flip-flop. The input data is latched on the low-to-high transition of the clock input. The Q and \bar{Q} outputs are made available to the output select multiplexer. The asynchronous reset and synchronous set controls are available in all flip-flops.

The select multiplexers are controlled by programmable bits. The combination of these programmable bits will determine which macrocell functions are implemented. It is this user control of the architectural structure that provides the generic flexibility of this device.

output logic macrocell diagram



TICPAL22V10M, TICPAL22V10C
EPIC™ CMOS PROGRAMMABLE ARRAY LOGIC

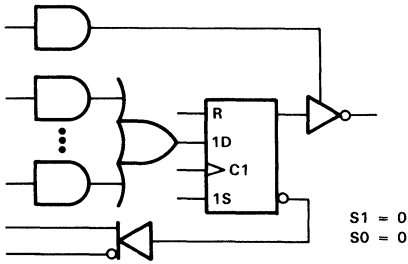
output logic macrocell options

MACROCELL FEEDBACK AND OUTPUT FUNCTION TABLE

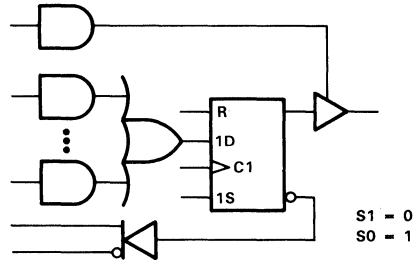
| CELL SELECT | | FEEDBACK AND OUTPUT CONFIGURATION | | |
|-------------|----|-----------------------------------|---------------|-------------|
| S1 | S0 | | | |
| 0 | 0 | Register feedback | Registered | Active low |
| 0 | 1 | Register feedback | Registered | Active high |
| 1 | 0 | I/O feedback | Combinational | Active low |
| 1 | 1 | I/O feedback | Combinational | Active high |

0 = erased cell 1 = programmed cell
 S1 and S0 are select-function cells as shown in the output logic macrocell diagram.

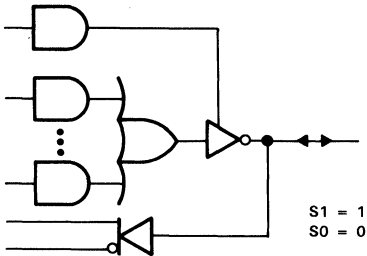
2 Data Sheets



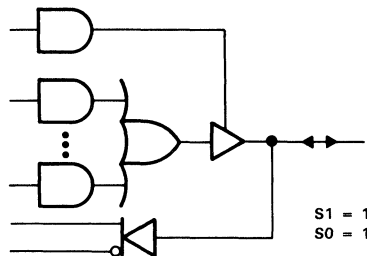
REGISTER FEEDBACK, REGISTERED, ACTIVE-LOW OUTPUT



REGISTER FEEDBACK, REGISTERED, ACTIVE-HIGH OUTPUT



I/O FEEDBACK, COMBINATIONAL, ACTIVE-LOW OUTPUT



I/O FEEDBACK, COMBINATIONAL, ACTIVE-HIGH OUTPUT

PRODUCT PREVIEW

TICPAL22V10M, TICPAL22V10C
EPIC™ CMOS PROGRAMMABLE ARRAY LOGIC

absolute maximum ratings over operating free-air temperature range (unless otherwise noted)†

| | |
|---|--------------------------|
| Supply voltage range, V_{CC} | -0.5 to 7 V |
| Input voltage range, V_I (see Note 1) | -0.5 to $V_{CC} + 0.5$ V |
| Input diode current, I_{IK} ($V_I < 0$ or $V_I > V_{CC}$) | ± 20 mA |
| Output diode current, I_{OK} ($V_O < 0$ or $V_O > V_{CC}$) | ± 20 mA |
| Continuous output current, I_O ($V_O = 0$ to V_{CC}) | ± 40 mA |
| Lead temperature 1,6 mm (1/16 in) from case for 10 seconds: FN or N package | 260°C |
| Lead temperature 1,6 mm (1/16 in) from case for 10 seconds: FH or J package | 300°C |
| Operating free-air temperature range: M suffix | -55°C to 125°C |
| C suffix | 0°C to 75°C |
| Storage temperature range | -65°C to 150°C |

Note 1: This rating applies except during programming and preload cycles.

† Stresses beyond those listed under "absolute maximum ratings" may cause permanent damage to the device. These are stress ratings only and functional operation of the device at these or any other conditions beyond those indicated under "recommended operating conditions" is not implied. Exposure to absolute-maximum-rated conditions for extended periods may affect device reliability.

recommended operating conditions

| | | M SUFFIX | | | C SUFFIX | | | UNIT |
|-------------|--------------------------------|----------------------|-----|--------------|----------|-----|--------------|------|
| | | MIN | NOM | MAX | MIN | NOM | MAX | |
| V_{CC} | Supply voltage | 4.5 | 5 | 5.5 | 4.75 | 5 | 5.25 | V |
| V_{IH} | High-level input voltage | 2 | | $V_{CC}+0.5$ | 2 | | $V_{CC}+0.5$ | V |
| V_{IL} | Low-level input voltage | | | 0.8 | | | 0.8 | V |
| I_{OH} | High-level output current | Driving TTL | | -2 | -3.2 | | mA | |
| | | Driving CMOS | | -2 | -4 | | | |
| I_{OL} | Low-level output current | Driving TTL | | 12 | 16 | | mA | |
| | | Driving CMOS | | 2 | 4 | | | |
| f_{clock} | Clock frequency | 0 | | | 0 | | | MHz |
| t_w | Pulse duration | CLK high | | 10 | 8 | | ns | |
| | | CLK low | | 11 | 9 | | | |
| | | Asynchronous reset | | 30 | 25 | | | |
| t_{su} | Setup time | Input or feedback | | 25 | 20 | | ns | |
| | | Reset inactive state | | 30 | 25 | | | |
| t_h | Hold time | Input or feedback | | 0 | 0 | | ns | |
| T_A | Operating free-air temperature | -55 | | 125 | 0 | | 75 | °C |

TICPAL22V10M, TICPAL22V10C

EPIC™ CMOS PROGRAMMABLE ARRAY LOGIC

electrical characteristics over recommended operating free-air temperature range (unless otherwise noted)

| PARAMETER | TEST CONDITIONS† | | M SUFFIX | | | C SUFFIX | | | UNIT |
|------------------------------|--|---|----------|------|------|----------|------|------|--------|
| | | | MIN | TYP‡ | MAX | MIN | TYP‡ | MAX | |
| V _{OH} | V _{CC} = MIN, | I _{OH} = MAX for TTL | 4 | | | 4 | | | V |
| | V _{CC} = MIN, | I _{OH} = MAX for CMOS | 3.86 | | | 3.86 | | | V |
| V _{OL} | V _{CC} = MIN, | I _{OL} = MAX for TTL | 0.5 | | | 0.5 | | | V |
| | V _{CC} = MIN, | I _{OL} = MAX for CMOS | 0.4 | | | 0.4 | | | V |
| I _{OZH} | V _{CC} = MAX, | V _O = 2.7 V | | | | 10 | | | μA |
| I _{OZL} | V _{CC} = MAX, | V _O = 0.5 V | | | | -10 | | | μA |
| I _{IH} | V _{CC} = MAX, | V _I = 5.25 V | | | | 10 | | | μA |
| I _{IL} | V _{CC} = MAX, | V _I = 0.5 V | | | | -10 | | | μA |
| I _O § | V _{CC} = MAX, | V _O = 0.5 V | -30 | | -130 | -30 | | -130 | mA |
| I _{CC} | V _{CC} = MAX, | V _I = 0 or V _{CC} , | 100 | | | 100 | | | μA |
| I _{CC} _f | V _{CC} = MAX, | V _I = 0 to 3 V, | 2 | | | 2 | | | mA/MHz |
| ΔI _{CC} # | V _{CC} = MAX, One input at 0.5 V or 2.4 V, Other inputs at 0 V or V _{CC} | Pin 1 | 4 | | | 4 | | | mA |
| | | Others | 2 | | | 2 | | | |
| C _i | V _I = 2 V, f = 1 MHz, T _A = 25°C | Clock pin | 12 | | | 12 | | | pF |
| | | All inputs | 10 | | | 10 | | | |
| | | All I/O pins | 15 | | | 15 | | | |

switching characteristics over recommended ranges of supply voltage and operating free-air temperature (unless otherwise noted)

| PARAMETER | FROM (INPUT) | TO (OUTPUT) | TEST CONDITIONS | M SUFFIX | | | C SUFFIX | | | UNIT |
|--------------------|------------------|-------------|-------------------------------------|----------|------|-----|----------|------|-----|------|
| | | | | MIN | TYP‡ | MAX | MIN | TYP‡ | MAX | |
| f _{max} ‡ | Without feedback | | C suffix: | 45 | | | 45 | | | MHz |
| | With feedback | | R1 = 200 Ω, R2 = 390 Ω, | 30 | | | 30 | | | |
| t _{pd} | I, I/O | O, I/O | C _L = 50 pF | 20 | | | 20 | | | ns |
| t _{pd} | CLK† | Q | M suffix: | 15 | | | 15 | | | ns |
| t _{pd} | RESET | Q | R1 = 390 Ω, R2 = 750 Ω, | 25 | | | 25 | | | ns |
| t _{en} | I, I/O | I, Q, I/O | C _L = 50 pF | 20 | | | 20 | | | ns |
| t _{dis} | I, I/O | I, Q, I/O | C _L = 5 pF, See Figure 4 | 20 | | | 20 | | | ns |

†For conditions shown as MIN or MAX, use the appropriate value specified under recommended operating conditions.

‡All typical values are at V_{CC} = 5 V, T_A = 25°C.

§This parameter approximates I_{OS}. The condition V_O = 0.5 V takes tester noise into account.

¶Disabled outputs are tied to GND or V_{CC}.

#This is the increase in supply current for each input that is at one of the specified TTL voltage levels rather than at 0 V or V_{CC}.

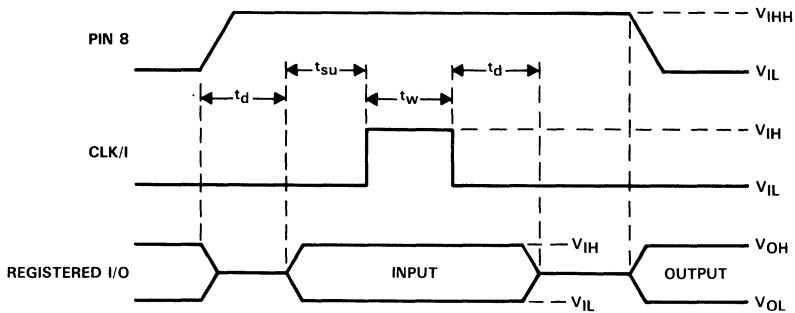
$$f_{\max}(\text{with feedback}) = \frac{1}{t_{\text{su}} + t_{\text{pd}}} \quad (\text{CLK to Q}); \quad f_{\max}(\text{without feedback}) = \frac{1}{t_{\text{w}}(\text{hi}) + t_{\text{w}}(\text{low})}$$

preload procedure for registered outputs

The output registers can be preloaded to any desired state during device testing. This permits any state to be tested without having to step through the entire state-machine sequence. Each register is preloaded individually by following the steps given below. The output level depends on the polarity selected during programming.

- Step 1. With V_{CC} at 5 volts and pin 1 at V_{IL} , raise pin 8 to V_{IHH} .
- Step 2. Apply either V_{IL} or V_{IH} to the output corresponding to the register to be preloaded.
- Step 3. Pulse pin 1, clocking in preload data.
- Step 4. Remove output voltage, then lower pin 8 to V_{IL} . Preload can be verified by observing the voltage level at the output pin.

preload waveforms (see Note 2)



NOTE 2: $t_d = t_{su} = t_w = 100$ ns to 1000 ns. $V_{IHH} = 10.25$ V to 10.75 V.

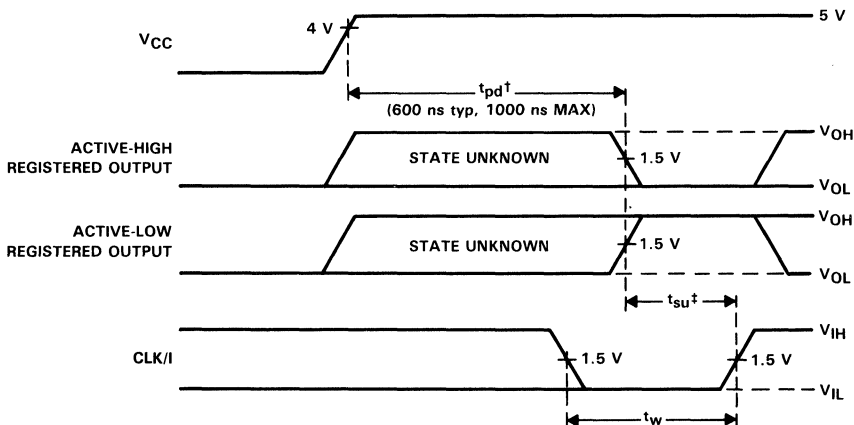
TICPAL22V10M, TICPAL22V10C

EPIC™ CMOS PROGRAMMABLE ARRAY LOGIC

power-up reset

Following power-up, all registers are reset to zero. The output level depends on the polarity selected during programming. This feature provides extra flexibility to the system designer and is especially valuable in simplifying state-machine initialization. To ensure a valid power-up reset, it is important that the V_{CC} 's rise be monotonic. Following power-up reset, a low-to-high clock transition must not occur until all applicable input and feedback setup times are met.

power-up reset waveforms



[†]This is the power-up reset time and applies to registered outputs only. The values shown are from characterization data.

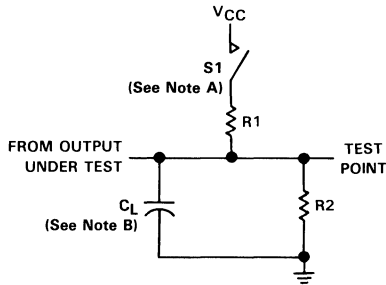
[‡]This is the setup time for input or feedback.

programming information

Texas Instruments Programmable Logic Devices can be programmed using widely available software and inexpensive device programmers.

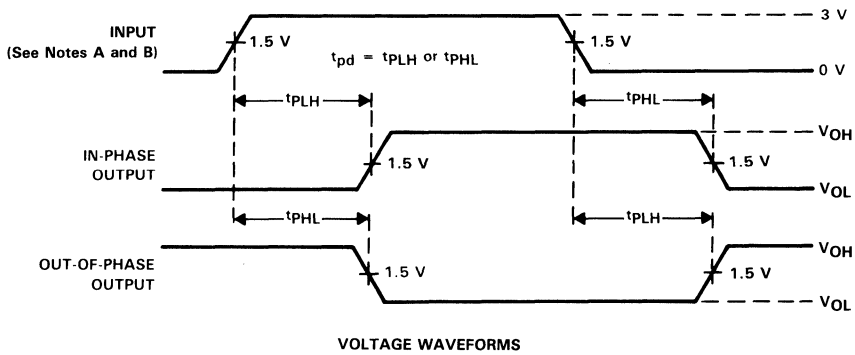
Complete programming specification, algorithms, and the latest information on hardware, software, and firmware are available upon request. Information on programmers capable of programming Texas Instruments Programmable Logic is also available, upon request, from the nearest TI field sales office, local authorized TI distributor, or by calling Texas Instruments at (214) 997-5762.

PARAMETER MEASUREMENT INFORMATION



- NOTES: A. When measuring propagation times of 3-state outputs, S1 is closed.
 B. C_L = includes probe and jig capacitance.

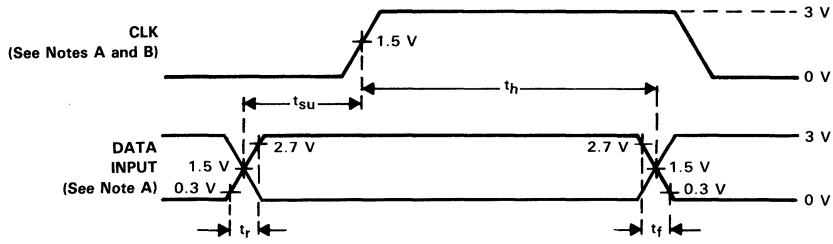
FIGURE 1. LOAD CIRCUIT FOR THREE-STATE OUTPUTS



- NOTES: A. When measuring propagation times of 3-state outputs, S1 is closed.
 B. All input pulses are supplied by generators having the following characteristics: $PRR \leq 1 \text{ MHz}$, $Z_o = 50 \Omega$, $t_r = 3 \text{ ns}$.

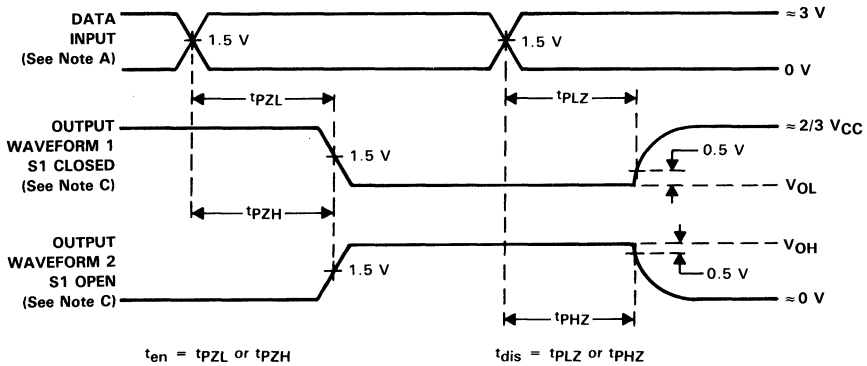
FIGURE 2. PROPAGATION DELAY TIMES, OUTPUT RISE AND FALL TIMES

PARAMETER MEASUREMENT INFORMATION



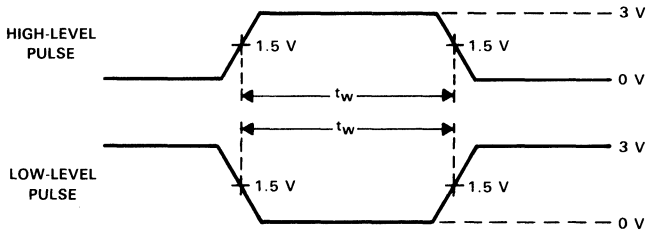
VOLTAGE WAVEFORMS

FIGURE 3. SETUP AND HOLD TIMES, AND INPUT RISE AND FALL TIMES



VOLTAGE WAVEFORMS

FIGURE 4. ENABLE AND DISABLE TIMES FOR 3-STATE OUTPUTS



VOLTAGE WAVEFORMS

FIGURE 5. PULSE DURATIONS

- NOTES: A. All input pulses are supplied by generators having the following characteristics: PRR ≤ 1 MHz, $Z_0 = 50 \Omega$, $t_r = 3$ ns.
 B. For clock inputs, f_{max} is measured with input duty cycle = 50%
 C. Waveform 1 is for an output with internal conditions such that the output is low except when disabled by the output control. Waveform 2 is for an output with internal conditions such that the output is high except when disabled by the output control.

special design features

True CMOS Outputs: Each '22V10 output is designed with a P-channel pull-up transistor and an N-channel pull-down transistor, a true CMOS output with rail-to-rail output switching. This provides direct interface to CMOS logic, memory, or ASIC devices without the need for a pull-up resistor. The CMOS output has 16-mA drive capability, which makes the '22V10 an ideal substitute for bipolar PALs. The electrical characteristics of this device show the output under both CMOS and TTL conditions.

Simultaneous Switching: High-performance CMOS devices often have output glitches on nonswitched outputs when a large number of outputs are switched simultaneously. This glitch is commonly referred to as "ground bounce" and is most noticeable on outputs held at V_{OL} (low-level output voltage). Ground bounce is caused by the voltage drop across the inductance in the package lead when current is switched ($dv \propto I \times di/dt$).

One solution is to restrict the number of outputs that can switch simultaneously. Another solution is to change the device pinout such that the ground is located on a low-inductance package pin. TI opted for a third option in order to maintain pinout compatibility and eliminate functional constraints. This option controls the output transistor turn-on characteristics and puts a limit on the instantaneous current available to the load, much like the I_{OS} resistor in a TTL circuit.

Wake-Up Features: The '22V10 employs input signal transition detection techniques to power-up the device from the standby-power mode. The transition detector monitors all inputs, I/Os, and feedback paths. Whenever a transition is sensed, the detector activates the power-up mode. The device will remain in the power-up mode until the detector senses that the inputs and outputs have been static for about 40 ns; thereafter, the device returns to the standby mode.

Power Dissipation: Power dissipation of the '22V10 is defined by three contributing factors, and the total power dissipation is the sum of all three.

Standby Power: The product of V_{CC} and the standby I_{CC} . The standby current is the reverse current through the diodes that are reversed biased. This current is very small, and for circuits that remain in static condition for a long time, this low amount of current can become a major performance advantage.

Dynamic Power: The product of V_{CC} and the dynamic current. This dynamic current flows through the device only when the transistors are switching from one logic level to the other. The total dynamic current for the '22V10 is dependent upon the users' configuration of the PAL and the operating frequency. Output loading can be a source of additional power dissipation.

Interface Power: The product of I_{CC} (operating) and V_{CC} . The total interface power is dependent on the number of inputs at the TTL V_{OH} level. The interface power can be eliminated by the addition of a pull-up resistor.

Even though power dissipation is a function of the user's device configuration and the operating frequency, the '22V10 is a lower powered solution than either the quarter-powered or half-powered bipolar devices. The virtually zero standby power feature makes the '22V10 the device of choice for low-duty-cycle and battery-powered applications.

Programming and Eraseability

Programming of the '22V10 is achieved through floating-gate avalanche injection techniques. The charge trapped on the floating gate remains after power has been removed, allowing for the nonvolatility of the programmed data. The charge can be removed by exposure to light with wavelengths of less than 400 nm (4000 Å). The recommended erasure wavelength is 253.7 nm (2537 Å), with erasure time of 20 to 30 minutes, using a light source with a power rating of 12000 $\mu\text{W}/\text{cm}$ placed within 2.5 cm (1 inch) of the device.

TICPAL22V10M, TICPAL22V10C
EPIC™ CMOS PROGRAMMABLE ARRAY LOGIC

Programming and Eraseability (continued)

The '22V10 is designed for programming endurance of 1000 write/erase cycles with a data retention of ten years. A few precautions will guarantee maximum data retention. Continuous exposure to high-intensity UV light can cause permanent damage. The maximum exposure intensity is 7000 W•s/cm (The equivalent of leaving the unit in a UV eraser for a week). The window on the device should be covered by an opaque label, as the fluorescent light in a room can erase a unit in three years or, in the case of a direct sunlight, erasure can be complete in one week.

2

Data Sheets

PRODUCT PREVIEW

- ECL 10KH PAL
- High-Performance Operation
Propagation Delay . . . 3 ns Max
- Replacement for Conventional ECL Logic
- 24-Pin, 300-Mil Package
- Reliable Titanium-Tungsten Fuses

description

This ECL PAL device combines the ExCL™ (Double Polysilicon Self-Aligned) process with the proven titanium-tungsten fuses to provide reliable, high-performance substitutes for conventional ECL logic. Its easy programmability allows for quick design of "custom" functions and typically results in a more compact board. In addition, chip carriers are available for further reduction in board space.

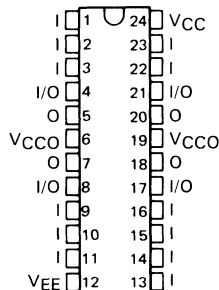
The TIEPAL10H16P8-3 is provided with output polarity fuses. Each output remains active-high when the fuse is intact and is active-low when the fuse is blown.

The TIEPAL10H16P8-3 has 12 dedicated inputs, four standard outputs, and four I/O ports. It should be noted that with emitter-coupled outputs, a high level overrides a low level. Therefore, in order to use an I/O port as an input, the related output must be forced to a low level either through satisfying preprogrammed equations or permanently by programming.

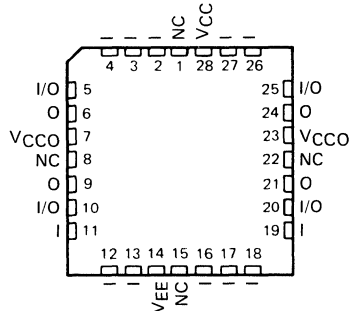
The TIEPAL10H16P8-3 is equipped with a security fuse. Once the security fuse is blown, additional programming and verification cannot be performed. This prevents easy duplication of a design.

This device is characterized for operation from 0°C to 75°C; this temperature range is designated by a "C" suffix in the part number (TIEPAL10H16P8-3CJT).

JT PACKAGE
(TOP VIEW)



FK PACKAGE
(TOP VIEW)



NC—No internal connection

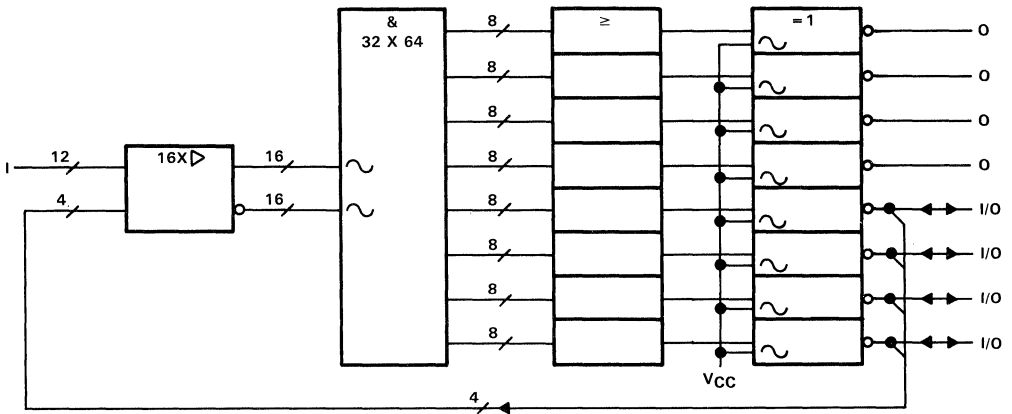
ExCL is a trademark of Texas Instruments Incorporated.
PAL is a registered trademark of Monolithic Memories Inc.

PRODUCT PREVIEW documents contain information on products in the formative or design phase of development. Characteristic data and other specifications are design goals. Texas Instruments reserves the right to change or discontinue these products without notice.



TIEPAL10H16P8-3C
HIGH-PERFORMANCE ExCL™ PAL® CIRCUIT

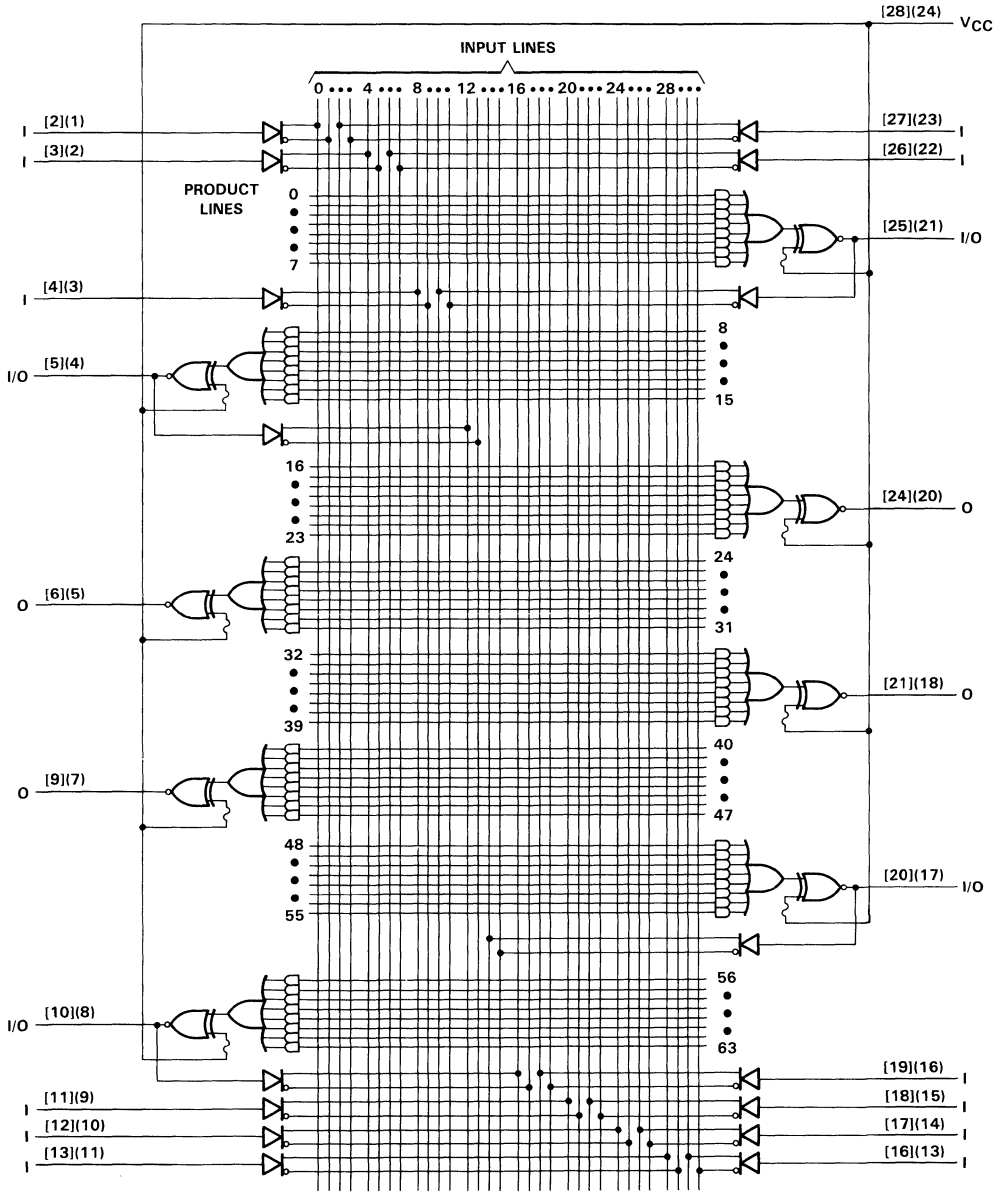
functional block diagram (positive logic)



2 Data Sheets

PRODUCT PREVIEW

logic diagram (positive logic)



NOTE: Pin numbers in [] are for the FK package; pin numbers in () are for JT package.

TIEPAL10H16P8-3C

HIGH-PERFORMANCE *ExCL*™ *PAL*® CIRCUIT

absolute maximum ratings over operating free-air temperature range (unless otherwise noted)
(see Note 1)

| | |
|--|-----------------|
| Supply voltage, V_{EE} (see Note 2) | 0 V to -6.5 V |
| Input voltage, V_I (see Note 3) | 0 V to V_{EE} |
| Output current | -50 mA |
| Operating free-air temperature range: C suffix | 0°C to 75°C |
| Storage temperature range | -65°C to 150°C |

- NOTES: 1. These ratings apply except for programming pins during a programming cycle.
 2. All voltage values are with respect to V_{CC} and V_{CCO} , i.e., these pins are all assumed to be at 0 volts.
 3. V_I should never be more negative than V_{EE} .

recommended operating conditions (see Note 4)

| | | C-SUFFIX | | | UNIT |
|----------|--------------------------------|--------------------------|-------|--------|------|
| | | MIN | NOM | MAX | |
| V_{EE} | Supply voltage | -4.94 | -5.2 | -5.46 | V |
| V_{IH} | High-level input voltage | $T_A = 0^\circ\text{C}$ | -1.17 | -0.84 | V |
| | | $T_A = 25^\circ\text{C}$ | -1.13 | -0.81 | |
| | | $T_A = 75^\circ\text{C}$ | -1.07 | -0.735 | |
| V_{IL} | Low-level input voltage | $T_A = 0^\circ\text{C}$ | -1.95 | -1.48 | V |
| | | $T_A = 25^\circ\text{C}$ | -1.95 | -1.48 | |
| | | $T_A = 75^\circ\text{C}$ | -1.95 | -1.45 | |
| T_A | Operating free-air temperature | 0 | 75 | °C | |

NOTE 4: The algebraic convention, in which the more negative limit is designated as minimum and the less negative limit is designated as maximum, is used in this data sheet for logic voltage levels only. For other quantities, e.g., supply voltages and currents, the normal magnitude convention is used.

electrical characteristics over recommended supply voltage range at specified free-air temperature
(see Notes 4 and 5)

| PARAMETER | TEST CONDITIONS | | C-SUFFIX | | | UNIT |
|-----------|----------------------------------|-------------|----------|--------|--------|------|
| | | | MIN | TYP | MAX | |
| V_{OH} | $V_I = V_{IHmin}$ or V_{ILmax} | 0°C | -1.02 | | -0.84 | V |
| | | 25°C | -0.98 | -0.895 | -0.81 | |
| | | 75°C | -0.92 | | -0.735 | |
| V_{OL} | $V_I = V_{IHmin}$ or V_{ILmax} | 0°C | -1.95 | | -1.63 | V |
| | | 25°C | -1.95 | | -1.63 | |
| | | 75°C | -1.95 | -1.79 | -1.60 | |
| I_{IH} | $V_I = V_{IHmax}$ | 0°C | | | 220 | μA |
| | | 25°C | | | 220 | |
| | | 75°C | | | 220 | |
| I_{IL} | $V_I = V_{ILmin}$ | 0°C | 0.5 | | | μA |
| | | 25°C | 0.5 | | | |
| | | 75°C | 0.3 | | | |
| I_{EE} | All inputs open | 0°C to 75°C | | | -220 | mA |

- NOTES: 4. The algebraic convention, in which the more negative limit is designated as minimum and the less negative limit is designated as maximum, is used in this data sheet for logic voltage levels only. For other quantities, e.g., supply voltages and currents, the normal magnitude convention is used.
 5. Each 10KH PAL has been designed to meet these specifications after thermal equilibrium has been established. The circuit is in a test socket or mounted on a printed circuit board and transverse air flow greater than 150 meters (500 feet) per minute is maintained. Outputs are terminated through a 50-ohm resistor to -2 V.

switching characteristics over recommended ranges of supply voltage and operating free-air temperature (see Note 5)

| PARAMETER | FROM (INPUT) | TO (OUTPUT) | TEST CONDITIONS | C-SUFFIX | | | UNIT |
|-----------|---------------------|----------------|---------------------|----------|-----|-----|------|
| | | | | MIN | TYP | MAX | |
| t_{pd} | I, I/O, or feedback | O, I/O | See Figures 1 and 2 | 1 | 3 | 3 | ns |
| t_r | | | | 0.7 | 1.5 | 1.5 | ns |
| t_f | | | | 0.7 | 1.5 | 1.5 | ns |

NOTE 5: Each 10KH PAL has been designed to meet these specifications after thermal equilibrium has been established. The circuit is in a test socket or mounted on a printed circuit board and transverse air flow greater than 150 meters (500 feet) per minute is maintained. Outputs are terminated through a 50-ohm resistor to -2 V.

PROGRAMMING INFORMATION

Complete programming specifications, algorithms, and the latest information on hardware, software, and firmware are available upon request. Information on programmers capable of programming Texas Instruments Programmable Logic is also available, upon request, from the nearest TI field sales office, local authorized TI distributor, or by calling Texas Instruments at (214) 997-5762.

2

Data Sheets

PARAMETER MEASUREMENT INFORMATION

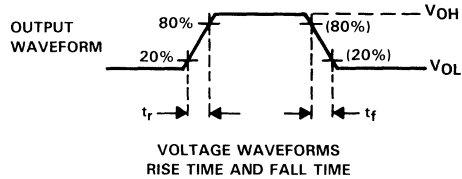
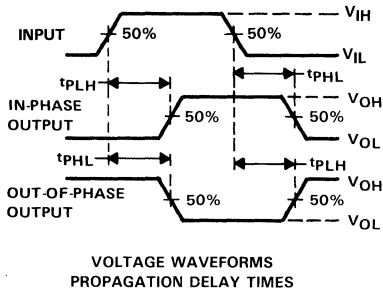
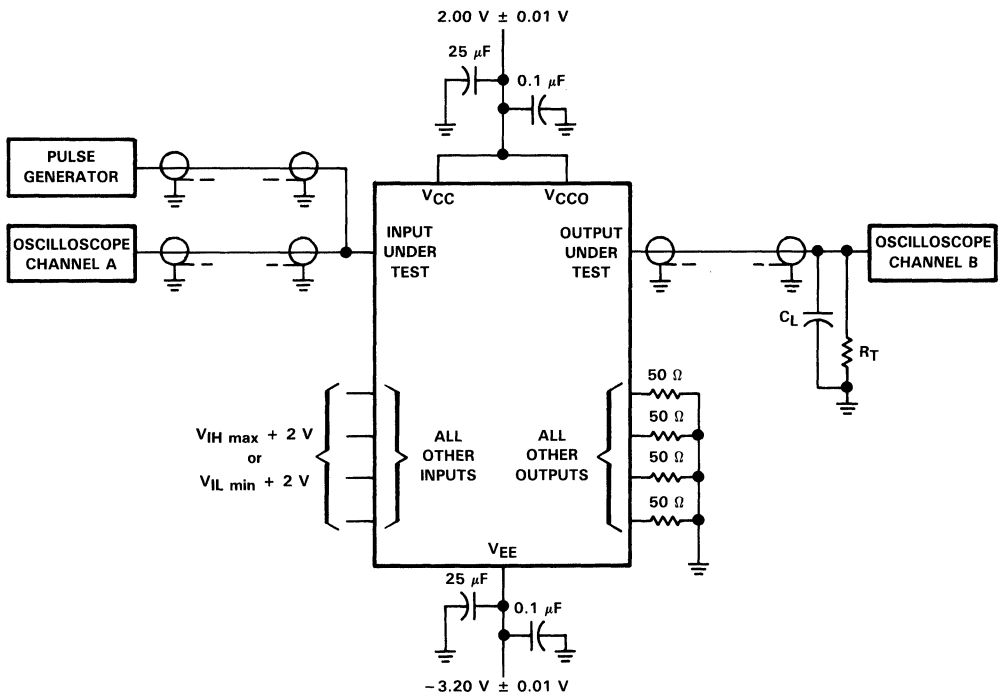


FIGURE 1. VOLTAGE WAVEFORMS

PRODUCT PREVIEW

PARAMETER MEASUREMENT INFORMATION



- NOTES: A. The offset voltage generator has the following characteristics: Pulse amplitude = 800 mV P-P, PRR \leq 1 MHz, $t_W = 500$ ns, $t_r = t_f = 1$ ns.
 B. R_T is a 50- Ω terminator internal to the oscilloscope.
 C. $C_L \leq 3$ pF, includes fixture and stray capacitance.
 D. Coax has 50- Ω impedance and the coax to oscilloscope channel A and to channel B must be of equal lengths.
 E. All unused outputs are loaded with 50- $\Omega \pm 1\%$ resistors to ground.
 F. All unused inputs should be connected to either high or low levels consistent with the logic function required.
 G. All fixture wire lengths or unterminated stubs should not exceed 6 mm (1/4 inch).

FIGURE 2. LOAD CIRCUIT

TIEPAL10H16P8-6C HIGH-PERFORMANCE *IMPACT*™ ECL PAL® CIRCUIT

D2916, MAY 1987—REVISED DECEMBER 1987

- ECL 10KH PAL
- High-Performance Operation
Propagation Delay . . . 6 ns Max
- Replacement for Conventional ECL Logic
- 24-Pin, 300-Mil Package
- Reliable Titanium-Tungsten Fuses

description

This *IMPACT*™ ECL PAL device uses proven titanium-tungsten fuses to provide reliable, high-performance substitutes for conventional ECL logic. Its easy programmability allows for quick design of "custom" functions and typically results in a more compact board. In addition, chip carriers are available for further reduction in board space.

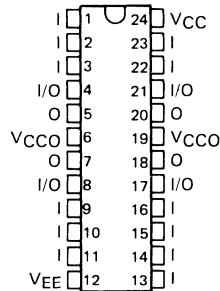
The TIEPAL10H16P8-6 is provided with output polarity fuses. Each output remains active-high when the fuse is intact and is active-low when the fuse is blown.

The TIEPAL10H16P8-6 has 12 dedicated inputs, four standard outputs, and four I/O ports. It should be noted that with emitter-coupled outputs, a high level overrides a low level. Therefore, in order to use an I/O port as an input, the related output must be forced to a low level either through satisfying preprogrammed equations or permanently by programming.

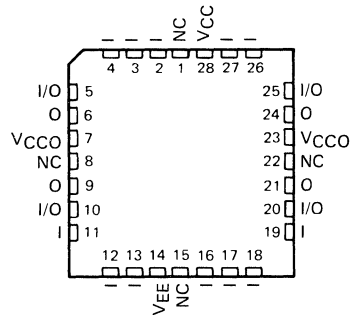
The TIEPAL10H16P8-6 is equipped with a security fuse. Once the security fuse is blown, additional programming and verification cannot be performed. This prevents easy duplication of a design.

This device is characterized for operation from 0°C to 75°C; this temperature range is designated by a "C" suffix in the part number (TIEPAL10H16P8-6CJT).

TIEPAL10H16P8-6 . . . JT PACKAGE
(TOP VIEW)



TIEPAL10H16P8-6 . . . FK PACKAGE
(TOP VIEW)



NC—No internal connection

IMPACT is a trademark of Texas Instruments Incorporated
PAL is a registered trademark of Monolithic Memories Inc.

PRODUCTION DATA documents contain information current as of publication date. Products conform to specifications per the terms of Texas Instruments standard warranty. Production processing does not necessarily include testing of all parameters.

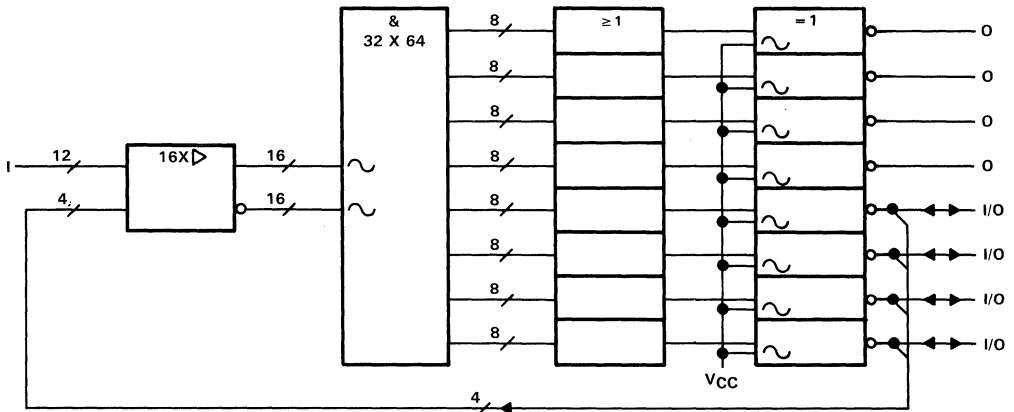


POST OFFICE BOX 655012 • DALLAS, TEXAS 75265

Copyright © 1987, Texas Instruments Incorporated

TIEPAL10H16P8-6C
HIGH-PERFORMANCE *IMPACT*™ ECL PAL® CIRCUIT

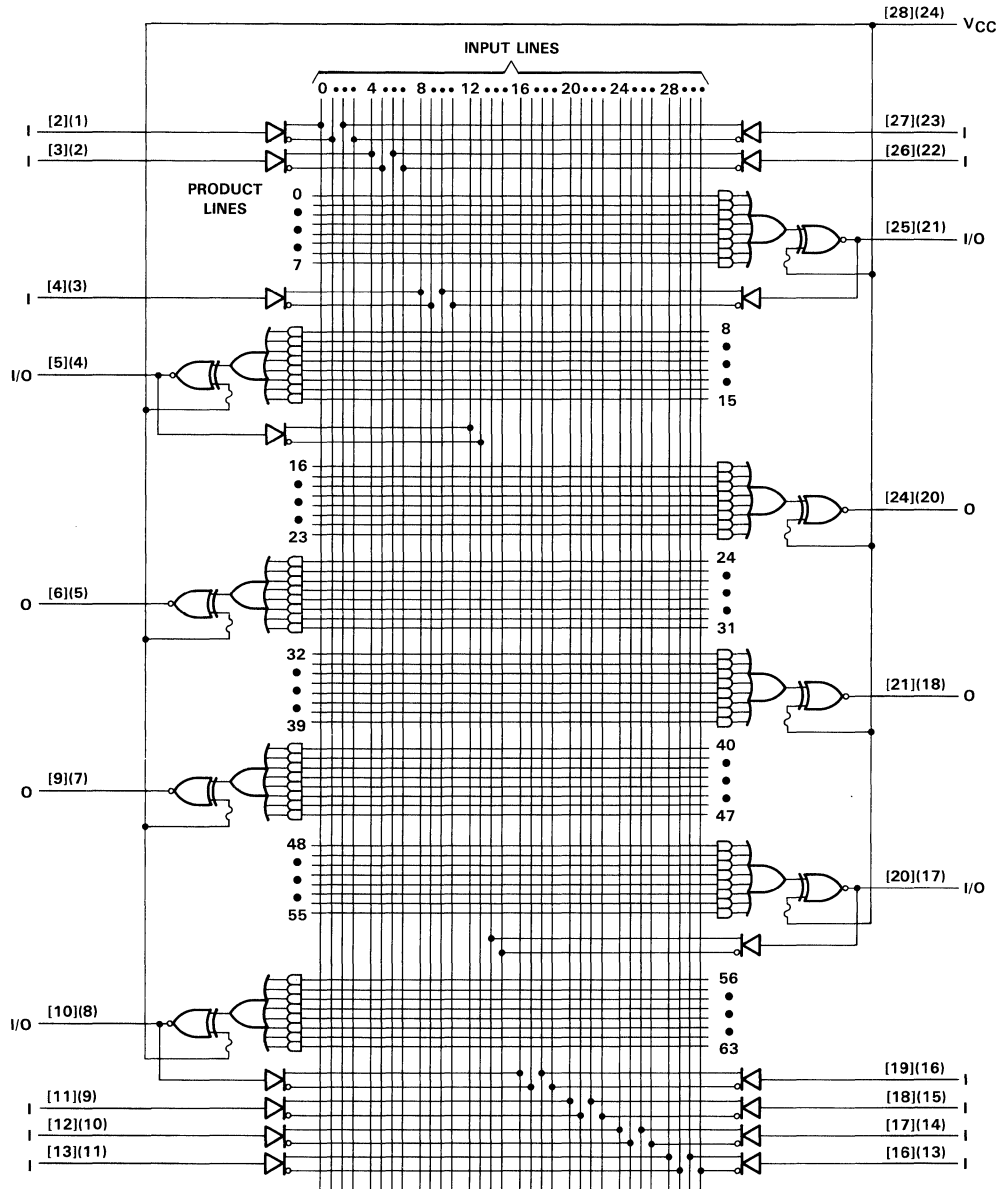
functional block diagram (positive logic)



2

Data Sheets

logic diagram (positive logic)



NOTE: Pin numbers in [] are for the FK package; pin numbers in () are for JT package.

TIEPAL10H16P8-6C
HIGH-PERFORMANCE IMPACT™ ECL PAL® CIRCUIT

absolute maximum ratings over operating free-air temperature range (unless otherwise noted)
(see Note 1)

| | |
|--|--|
| Supply voltage, V_{EE} (see Note 2) | 0 V to -6.5 V |
| Input voltage, V_I (see Notes 2 and 3) | 0 V to V_{EE} |
| Output current | -50 mA |
| Operating free-air temperature range: C suffix | 0°C to 75°C |
| Storage temperature range | -65°C to 150°C |

- NOTES: 1. These ratings apply except for programming pins during a programming cycle.
2. All voltage values are with respect to V_{CC} and V_{CC0} , i.e., these pins are all assumed to be at 0 volts.
3. V_I should never be more negative than V_{EE} .

recommended operating conditions (see Note 4)

| | | C-SUFFIX | | | UNIT |
|----------|--------------------------------|--------------------------|----------|------------------|------|
| | | MIN | NOM | MAX | |
| V_{EE} | Supply voltage | -4.94 | -5.2 | -5.46 | V |
| V_{IH} | High-level input voltage | $T_A = 0^\circ\text{C}$ | -1.170 | -0.840 | V |
| | | $T_A = 25^\circ\text{C}$ | -1.130 | -0.810 | |
| | | $T_A = 75^\circ\text{C}$ | -1.070 | -0.735 | |
| V_{IL} | Low-level input voltage | $T_A = 0^\circ\text{C}$ | -1.950 | -1.480 | V |
| | | $T_A = 25^\circ\text{C}$ | -1.950 | -1.480 | |
| | | $T_A = 75^\circ\text{C}$ | -1.950 | -1.450 | |
| T_A | Operating free-air temperature | 0 | 75 | $^\circ\text{C}$ | |

NOTE 4: The algebraic convention, in which the more negative limit is designated as minimum and the less negative limit is designated as maximum, is used in this data sheet for logic voltage levels only. For other quantities, e.g., supply voltages and currents, the normal magnitude convention is used.

electrical characteristics over recommended supply voltage range at specified free-air temperature,
 $V_{CC} = V_{CC0} = 0$ (see Notes 4 and 5)

| PARAMETER | TEST CONDITIONS | T_A | C-SUFFIX | | UNIT |
|-----------|----------------------------------|---|----------|----------|---------------|
| | | | MIN | MAX | |
| V_{OH} | $V_I = V_{IHmin}$ or V_{ILmax} | 0°C | -1.020 | -0.840 | V |
| | | 25°C | -0.980 | -0.810 | |
| | | 75°C | -0.920 | -0.735 | |
| V_{OL} | $V_I = V_{IHmin}$ or V_{ILmax} | 0°C | -1.950 | -1.630 | V |
| | | 25°C | -1.950 | -1.630 | |
| | | 75°C | -1.950 | -1.600 | |
| I_{IH} | $V_I = V_{IHmax}$ | 0°C | | 220 | μA |
| | | 25°C | | 220 | |
| | | 75°C | | 220 | |
| I_{IL} | $V_I = V_{ILmin}$ | 0°C | 0.5 | | μA |
| | | 25°C | 0.5 | | |
| | | 75°C | 0.3 | | |
| I_{EE} | All inputs open | 0°C to 75°C | | -240 | mA |

- NOTES: 4. The algebraic convention, in which the more negative limit is designated as minimum and the less negative limit is designated as maximum, is used in this data sheet for logic voltage levels only. For other quantities, e.g., supply voltages and currents, the normal magnitude convention is used.
5. Each 10KH PAL® has been designed to meet these specifications after thermal equilibrium has been established. The circuit is in a test socket or mounted on a printed circuit board and transverse air flow greater than 150 meters (500 feet) per minute is maintained. Outputs are terminated through a 50-ohm resistor to -2 V.

2 Data Sheets

switching characteristics over recommended ranges of supply voltage and operating free-air temperature (see Notes 4 and 5)

| PARAMETER | FROM (INPUT) | TO (OUTPUT) | TEST CONDITIONS | C-SUFFIX | | | UNIT |
|-----------|---------------------|-------------|---------------------|----------|-----|-----|------|
| | | | | MIN | TYP | MAX | |
| t_{pd} | I, I/O, or feedback | Q | See Figures 1 and 2 | 2 | 4 | 6 | ns |
| t_r | | | | 0.7 | 1 | 2.2 | ns |
| t_f | | | | 0.7 | 1 | 2.2 | ns |

- NOTES: 4. The algebraic convention, in which the more negative limit is designated as minimum and the less negative limit is designated as maximum, is used in this data sheet for logic voltage levels only. For other quantities, e.g., supply voltages and currents, the normal magnitude convention is used.
5. Each 10KH PAL® has been designed to meet these specifications after thermal equilibrium has been established. The circuit is in a test socket or mounted on a printed circuit board and transverse air flow greater than 150 meters (500 feet) per minute is maintained. Outputs are terminated through a 50-ohm resistor to -2 V.

programming information

Texas Instruments Programmable Logic Devices can be programmed using widely available software and inexpensive programmers.

Complete programming specifications, algorithms, and the latest information on hardware, software, and firmware are available upon request. Information on programmers capable of programming Texas Instruments Programmable Logic is also available, upon request, from the nearest TI field sales office, local authorized TI distributor, or by calling Texas Instruments at (214) 997-5762.

PARAMETER MEASUREMENT INFORMATION

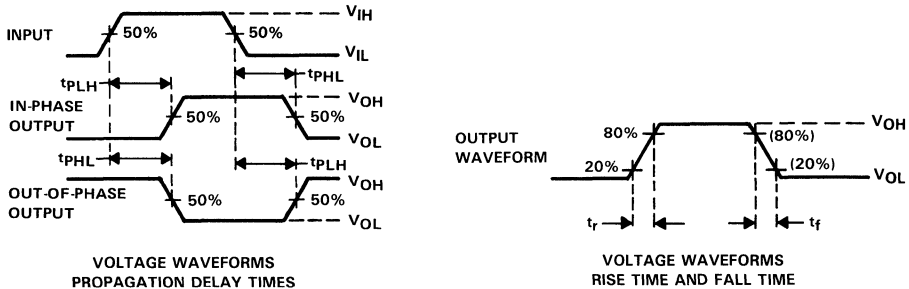
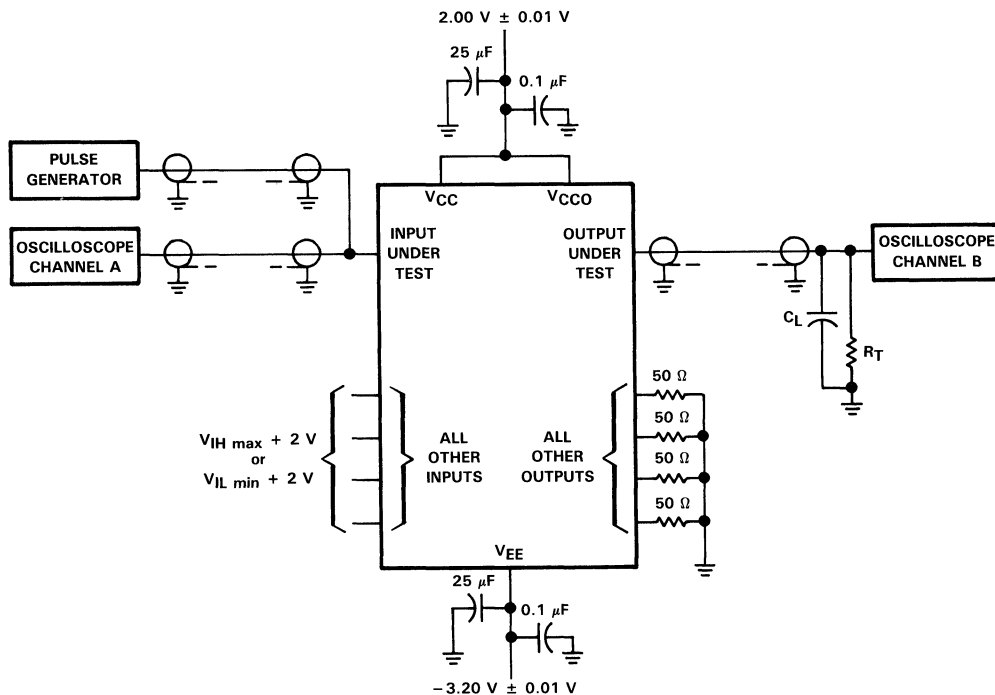


FIGURE 1. VOLTAGE WAVEFORMS

TIEPAL10H16P8-6C
HIGH-PERFORMANCE *IMPACT*™ ECL *PAI*® CIRCUIT

PARAMETER MEASUREMENT INFORMATION



- NOTES: A. The offset voltage generator has the following characteristics: Pulse amplitude = 800 mV P-P, PRR \leq 1 MHz, $t_w = 500$ ns, $t_r = t_f = 1$ ns.
 B. R_T is a 50- Ω terminator internal to the oscilloscope.
 C. $C_L \leq 3$ pF, includes fixture and stray capacitance.
 D. Coax has 50- Ω impedance and the coax to oscilloscope channel A and to channel B must be of equal lengths.
 E. All unused outputs are loaded with 50- $\Omega \pm 1\%$ resistors to ground.
 F. All unused inputs should be connected to either high or low levels consistent with the logic function required.
 G. All fixture wire lengths or unterminated stubs should not exceed 6 mm (1/4 inch).

FIGURE 2. LOAD CIRCUIT

2 Data Sheets

- ECL 100K PAL
- High-Performance Operation
 Propagation Delay . . . 3 ns Max
- I_{EE} . . . -220 mA Max
- Replacement for 100K ECL Logic
- 24-Pin, 300-Mil Package
- Reliable Titanium-Tungsten Fuses

description

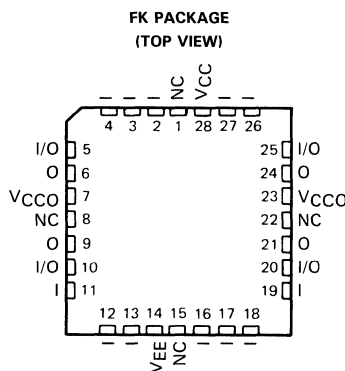
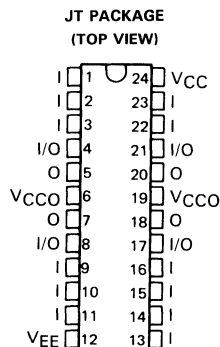
This ECL PAL device combines the ExCL™ (Double Polysilicon Self-Aligned) process with the proven titanium-tungsten fuses to provide reliable, high-performance substitutes for conventional ECL logic. Its easy programmability allows for quick design of "custom" functions with increased logic density. In addition, chip carriers are available for further reduction in board space.

The TIEPAL10016P8-3 is provided with output polarity fuses. Each output remains active-high when the fuse is intact and is active-low when the fuse is blown.

The TIEPAL10016P8-3 has 12 dedicated inputs, four standard outputs, and four I/O ports. It should be noted that with emitter-coupled outputs, a high level overrides a low level. Therefore, in order to use an I/O port as an input, the related output must be forced to a low level either through satisfying preprogrammed equations or permanently by programming.

The TIEPAL10016P8-3 is equipped with a security fuse. Once the security fuse is blown, additional programming and verification cannot be performed. This prevents easy duplication of a design.

This device is characterized for operation from 0°C to 85°C; this temperature range is designated by a "C" suffix in the part number (TIEPAL10016P8-3CJT).



NC—No internal connection

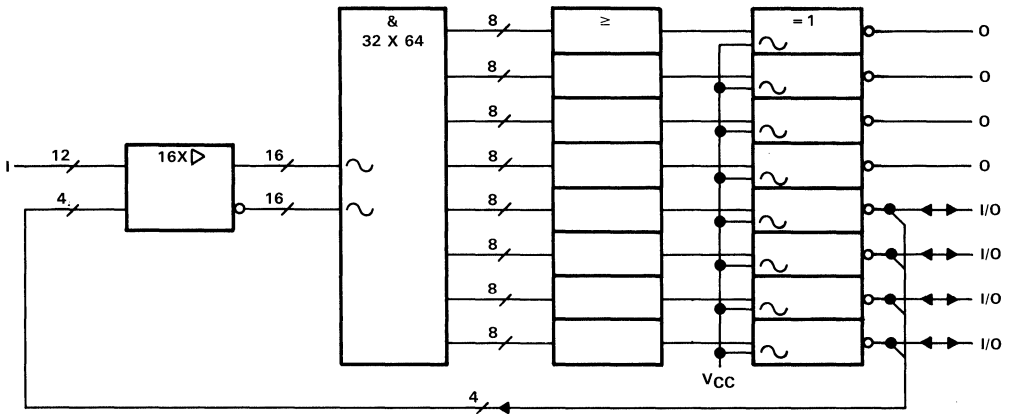
ExCL is a trademark of Texas Instruments Incorporated.
 PAL is a registered trademark of Monolithic Memories Inc.

PRODUCT PREVIEW documents contain information on products in the formative or design phase of development. Characteristic data and other specifications are design goals. Texas Instruments reserves the right to change or discontinue these products without notice.



TIEPAL10016P8-3C
HIGH-PERFORMANCE ExCL™ PAL® CIRCUIT

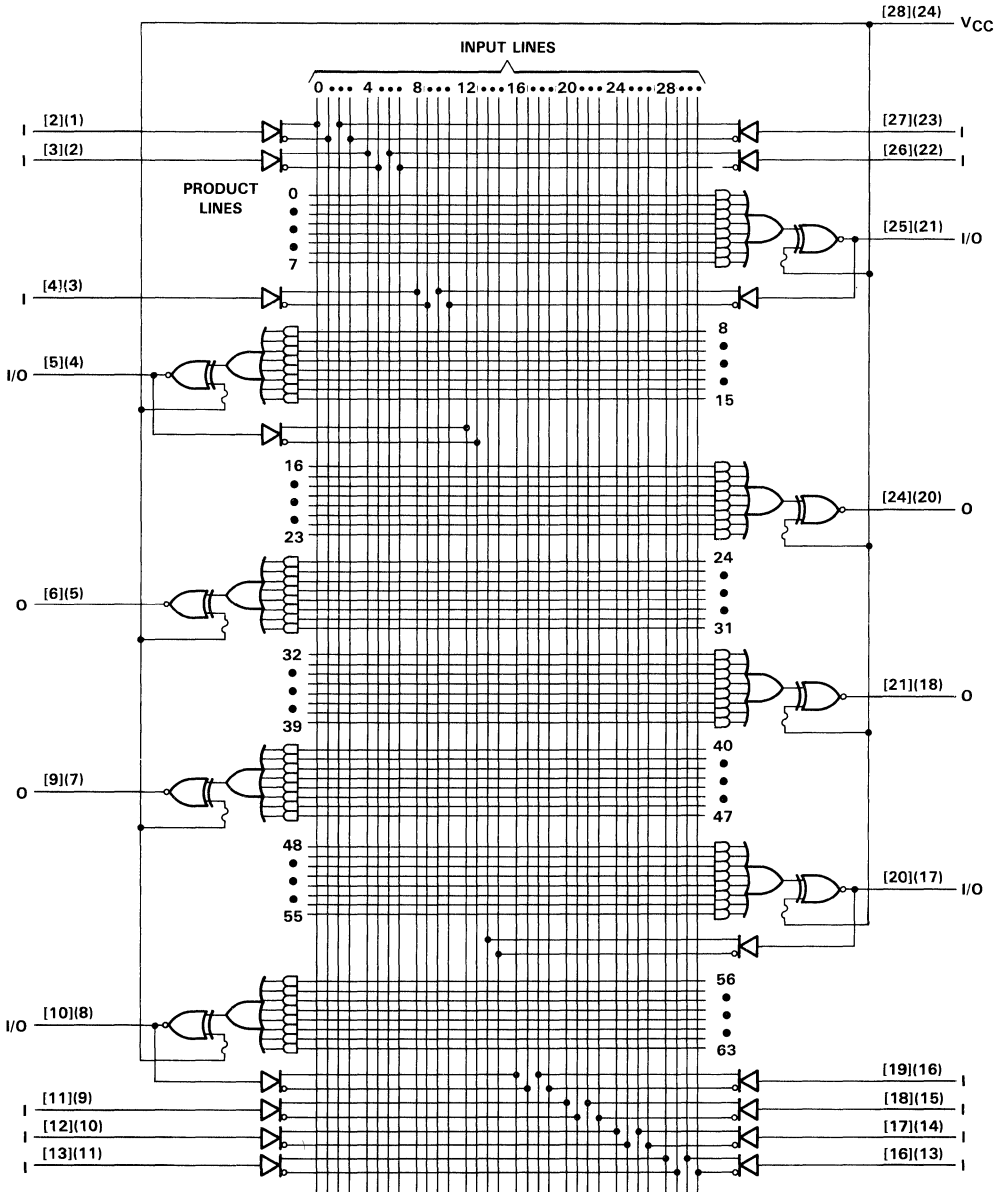
functional block diagram (positive logic)



2 Data Sheets

PRODUCT PREVIEW

logic diagram (positive logic)



NOTE: Pin numbers in [] are for the FK package; pin numbers in () are for JT package.

TIEPAL10016P8-3C
HIGH-PERFORMANCE ExCL™ PAL® CIRCUIT

absolute maximum ratings over operating free-air temperature range (unless otherwise noted)
 (see Note 1)

| | |
|---------------------------------------|--|
| Supply voltage, V_{EE} (see Note 2) | 0 V to -6.5 V |
| Input voltage, V_I (see Note 3) | 0 V to V_{EE} |
| Output current | -50 mA |
| Operating free-air temperature range | 0°C to 85°C |
| Storage temperature range | -65°C to 150°C |

- NOTES: 1. These ratings apply except for programming pins during a programming cycle.
 2. All voltage values are with respect to V_{CC} and V_{CCO} , i.e., these pins are all assumed to be at 0 volts.
 3. V_I should never be more negative than V_{EE} .

recommended operating conditions (see Note 4)

| | | MIN | NOM | MAX | UNIT |
|----------|--------------------------------|-------------------|--------|----------|------------------|
| V_{EE} | Supply voltage | -4.2 | -4.5 | -4.8 | V |
| V_{IH} | High-level input voltage | $V_{EE} = -4.2$ V | | -1.15 | -0.88 |
| | | $V_{EE} = -4.5$ V | | -1.165 | -0.88 |
| | | $V_{EE} = -4.8$ V | | -1.165 | -0.88 |
| V_{IL} | Low-level input voltage | $V_{EE} = -4.2$ V | | -1.81 | -1.475 |
| | | $V_{EE} = -4.5$ V | | -1.81 | -1.475 |
| | | $V_{EE} = -4.8$ V | | -1.81 | -1.49 |
| T_A | Operating free-air temperature | | 0 | | 85 |
| | | | | | $^\circ\text{C}$ |

electrical characteristics over recommended supply voltage range, $T_A = 0^\circ\text{C}$ to 85°C (unless otherwise noted) (see Notes 4 and 5)

| PARAMETER | TEST CONDITIONS | MIN | TYP† | MAX | UNIT |
|-----------|----------------------------------|-------------------|------|----------|---------------|
| V_{OH} | $V_I = V_{IHmin}$ or V_{ILmax} | $V_{EE} = -4.2$ V | | -1.03 | -0.87 |
| | | $V_{EE} = -4.5$ V | | -1.035 | -0.955 |
| | | $V_{EE} = -4.8$ V | | -1.045 | -0.88 |
| V_{OL} | $V_I = V_{IHmin}$ or V_{ILmax} | $V_{EE} = -4.2$ V | | -1.81 | -1.595 |
| | | $V_{EE} = -4.5$ V | | -1.81 | -1.700 |
| | | $V_{EE} = -4.8$ V | | -1.81 | -1.61 |
| I_{IH} | $V_I = V_{IHmax}$ | | | 220 | μA |
| I_{IL} | $V_I = V_{ILmin}$ | | 0.5 | | μA |
| I_{EE} | All inputs open | | | -220 | mA |

†Typical values are at $V_{CC} = 4.5$ V, $T_A = 25^\circ\text{C}$.

- NOTES: 4. The algebraic convention, in which the more negative limit is designated as minimum and the less negative limit is designated as maximum, is used in this data sheet for logic voltage levels only. For other quantities, e.g., supply voltages and currents, the normal magnitude convention is used.
 5. Each 100KH PAL has been designed to meet these specifications after thermal equilibrium has been established. The circuit is in a test socket or mounted on a printed circuit board and transverse air flow greater than 150 meters (500 feet) per minute is maintained. Outputs are terminated through a 50-ohm resistor to -2 V.

switching characteristics over recommended ranges of supply voltage and operating free-air temperature (see Note 5)

| PARAMETER | FROM (INPUT) | TO (OUTPUT) | TEST CONDITIONS | MIN | MAX | UNIT |
|-----------|---------------------|-------------|---------------------|-----|-----|------|
| t_{pd} | I, I/O, or feedback | O, I/O | See Figures 1 and 2 | 1 | 3 | ns |
| t_r | | | | 0.7 | 1.5 | ns |
| t_f | | | | 0.7 | 1.5 | ns |

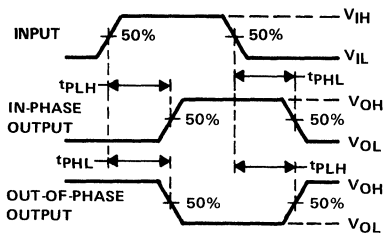
NOTE 5: Each 100KH PAL has been designed to meet these specifications after thermal equilibrium has been established. The circuit is in a test socket or mounted on a printed circuit board and transverse air flow greater than 150 meters (500 feet) per minute is maintained. Outputs are terminated through a 50-ohm resistor to -2 V.

PROGRAMMING INFORMATION

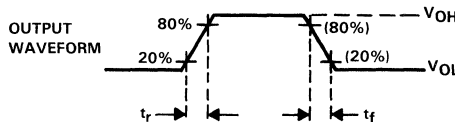
Complete programming specifications, algorithms, and the latest information on hardware, software, and firmware are available upon request. Information on programmers capable of programming Texas Instruments Programmable Logic is also available, upon request, from the nearest TI field sales office, local authorized TI distributor, or by calling Texas Instruments at (214) 997-5762.

2
Data Sheets

PARAMETER MEASUREMENT INFORMATION



VOLTAGE WAVEFORMS
PROPAGATION DELAY TIMES

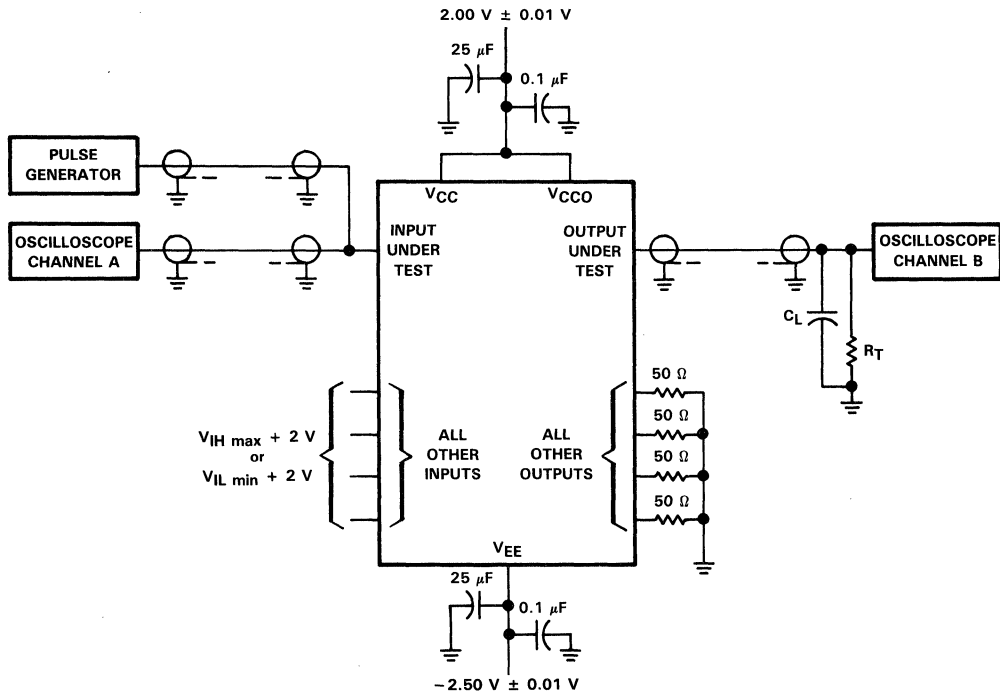


VOLTAGE WAVEFORMS
RISE TIME AND FALL TIME

FIGURE 1. VOLTAGE WAVEFORMS

PRODUCT PREVIEW

PARAMETER MEASUREMENT INFORMATION



- NOTES: A. The offset voltage generator has the following characteristics: Pulse amplitude = 800 mV P-P, PRR \leq 1 MHz, $t_w = 500$ ns, $t_r = t_f = 1$ ns.
 B. R_T is a 50- Ω terminator internal to the oscilloscope.
 C. $C_L \leq 3$ pF, includes fixture and stray capacitance.
 D. Coax has 50- Ω impedance and the coax to oscilloscope channel A and to channel B must be of equal lengths.
 E. All unused outputs are loaded with 50- $\Omega \pm 1\%$ resistors to ground.
 F. All unused inputs should be connected to either high or low levels consistent with the logic function required.
 G. All fixture wire lengths or unterminated stubs should not exceed 6 mm (1/4 inch).

FIGURE 2. LOAD CIRCUIT

2
Data Sheets

PRODUCT PREVIEW

TIEPAL10016P8-6C HIGH-PERFORMANCE *IMPACT*™ ECL PAL® CIRCUIT

D3082, DECEMBER 1987

- ECL 100K PAL
- High-Performance Operation
Propagation Delay . . . 6 ns Max
- IEE . . . -240 mA Max
- Replacement for 100K ECL Logic
- 24-Pin, 300-Mil Package
- Reliable Titanium-Tungsten Fuses

description

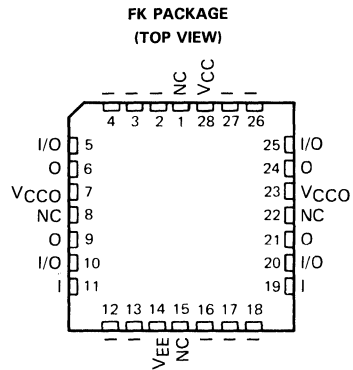
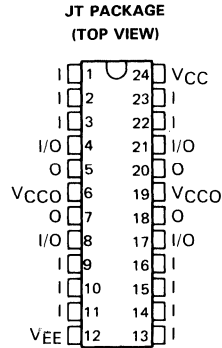
This *IMPACT*™ ECL PAL device uses proven titanium-tungsten fuses to provide reliable, high-performance substitutes for conventional ECL logic. Its easy programmability allows for quick design of "custom" functions and typically results in a more compact board. Additionally, chip carriers are available for further reduction in board space.

The TIEPAL10016P8-6 is provided with output polarity fuses. Each output remains active-high when the fuse is intact and is active-low when the fuse is blown.

The TIEPAL10016P8-6 has 12 dedicated inputs, four standard outputs, and four I/O ports. It should be noted that with emitter-coupled outputs, a high level overrides a low level. Therefore, to use an I/O port as an input, the related output must be forced to a low level either by satisfying preprogrammed equations or by permanent programming.

The TIEPAL10016P8-6 is equipped with a security fuse. Once the security fuse is blown, additional programming and verification cannot be performed. This prevents easy duplication of a design.

This device is characterized for operation from 0°C to 85°C.



NC—No internal connection

2
Data Sheets

PRODUCT PREVIEW

IMPACT is a trademark of Texas Instruments Incorporated.
PAL is a registered trademark of Monolithic Memories Inc.

PRODUCT PREVIEW documents contain information on products in the formative or design phase of development. Characteristic data and other specifications are design goals. Texas Instruments reserves the right to change or discontinue these products without notice.



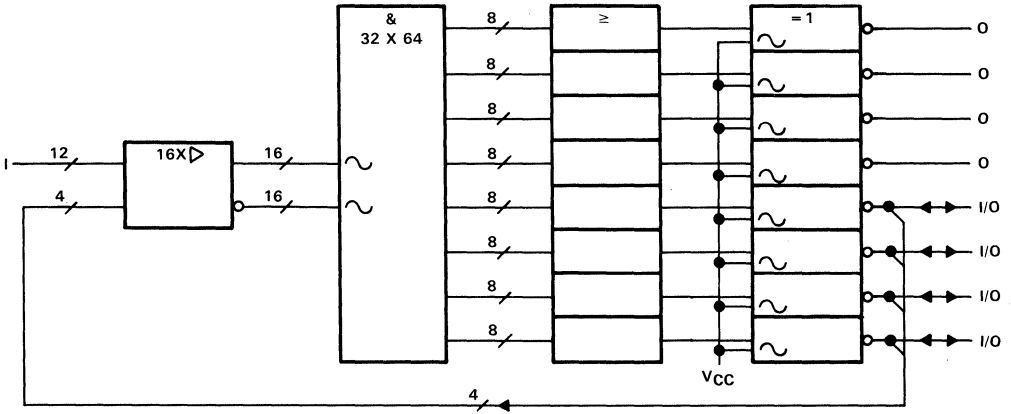
POST OFFICE BOX 655012 • DALLAS, TEXAS 75265

Copyright © 1987, Texas Instruments Incorporated

2-303

TIEPAL10016P8-6C
HIGH-PERFORMANCE *IMPACT*™ ECL *PAL*® CIRCUIT

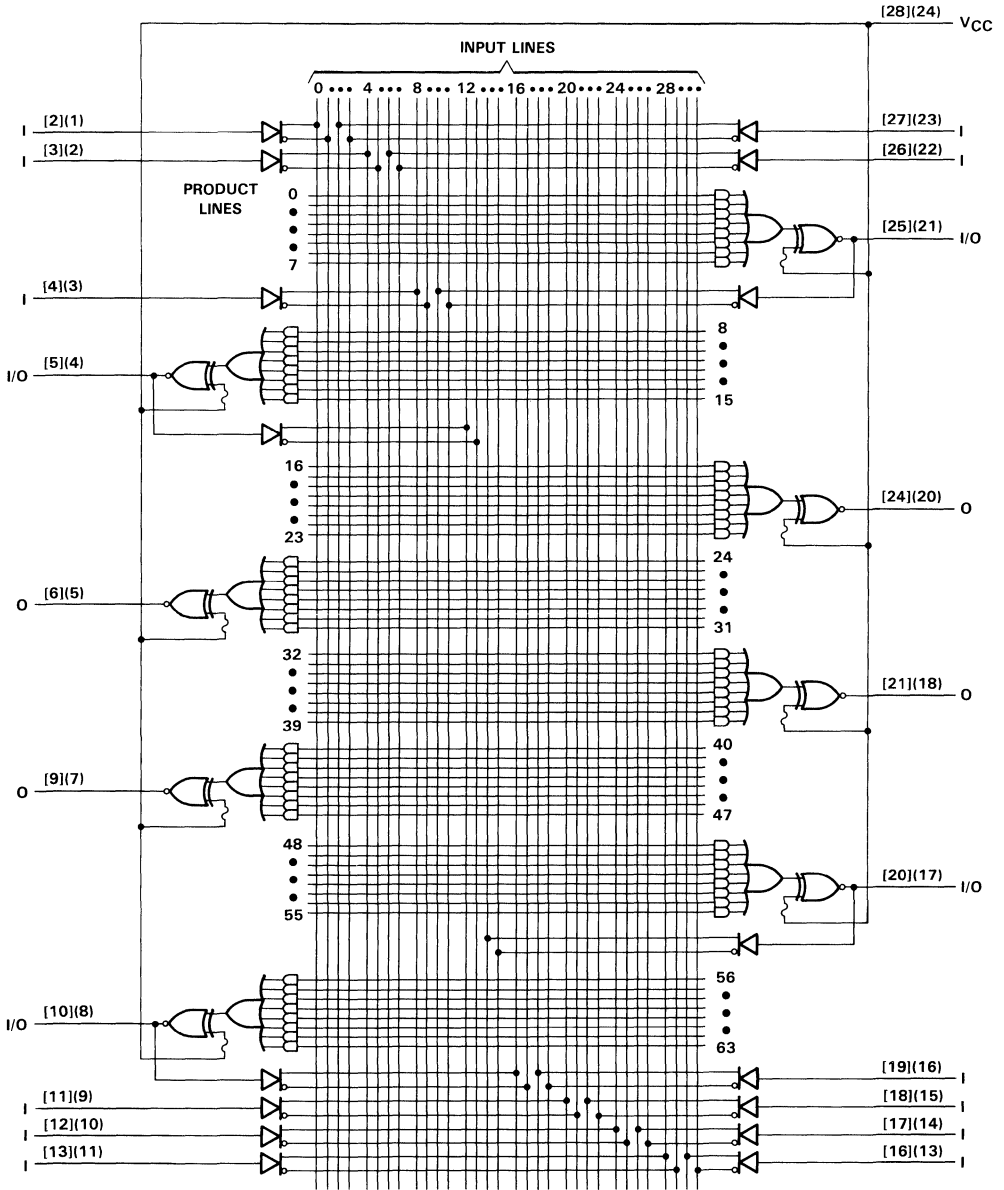
functional block diagram (positive logic)



2 Data Sheets

PRODUCT PREVIEW

logic diagram (positive logic)



NOTE: Pin numbers in () are for the FK package; pin numbers in [] are for JT package.

TIEPAL10016P8-6C

HIGH-PERFORMANCE *IMPACT*™ ECL PAL® CIRCUIT

absolute maximum ratings over operating free-air temperature range (unless otherwise noted) (see Note 1)

| | |
|---------------------------------------|-----------------|
| Supply voltage, V_{EE} (see Note 2) | 0 V to -6.5 V |
| Input voltage, V_I (see Note 3) | 0 V to V_{EE} |
| Output current | -50 mA |
| Operating free-air temperature range | 0°C to 85°C |
| Storage temperature range | -65°C to 150°C |

- NOTES: 1. These ratings apply except for programming pins during a programming cycle.
 2. All voltage values are with respect to V_{CC} and V_{CCO} , i.e., these pins are all assumed to be at 0 volts.
 3. V_I should never be more negative than V_{EE} .

recommended operating conditions (see Note 4)

| | | MIN | NOM | MAX | UNIT |
|----------|--------------------------------|-------------------|--------|--------|------|
| V_{EE} | Supply voltage | -4.2 | -4.5 | -4.8 | V |
| V_{IH} | High-level input voltage | $V_{EE} = -4.2$ V | -1.15 | -0.88 | V |
| | | $V_{EE} = -4.5$ V | -1.165 | -0.88 | |
| | | $V_{EE} = -4.8$ V | -1.165 | -0.88 | |
| V_{IL} | Low-level input voltage | $V_{EE} = -4.2$ V | -1.81 | -1.475 | V |
| | | $V_{EE} = -4.5$ V | -1.81 | -1.475 | |
| | | $V_{EE} = -4.8$ V | -1.81 | -1.49 | |
| T_A | Operating free-air temperature | 0 | | 85 | °C |

electrical characteristics over recommended supply voltage range at 0°C to 85°C (see Notes 4 and 5)

| PARAMETER | TEST CONDITIONS | V_{EE} | MIN | TYP | MAX | UNIT |
|-----------|----------------------------------|----------|--------|--------|--------|---------|
| V_{OH} | $V_I = V_{IHmin}$ or V_{ILmax} | -4.2 V | -1.03 | | -0.87 | V |
| | | -4.5 V | -1.035 | -0.955 | -0.88 | |
| | | -4.8 V | -1.045 | | -0.88 | |
| V_{OL} | $V_I = V_{IHmin}$ or V_{ILmax} | -4.2 V | -1.81 | | -1.595 | V |
| | | -4.5 V | -1.81 | -1.700 | -1.61 | |
| | | -4.8 V | -1.81 | | -1.61 | |
| I_{IH} | $V_I = V_{IHmax}$ | | | | 220 | μ A |
| I_{IL} | $V_I = V_{ILmin}$ | | 0.5 | | | μ A |
| I_{EE} | All inputs open | | | | -240 | mA |

switching characteristics over recommended ranges of supply voltage and operating free-air temperature (see Note 5)

| PARAMETER | FROM (INPUT) | TO (OUTPUT) | TEST CONDITIONS | MIN | TYP | MAX | UNIT |
|-----------|---------------------|-------------|---------------------|-----|-----|-----|------|
| t_{pd} | I, I/O, or feedback | O, I/O | See Figures 1 and 2 | 2 | 4 | 6 | ns |
| t_r | | | | 0.7 | 1 | 1.5 | ns |
| t_f | | | | 0.7 | 1 | 1.5 | ns |

- NOTES: 4. The algebraic convention, in which the more negative limit is designated as minimum and the less negative limit is designated as maximum, is used in this data sheet for logic voltage levels only. For other quantities, e.g., supply voltages and currents, the normal magnitude convention is used.
 5. Each 100KH PAL has been designed to meet these specifications after thermal equilibrium has been established. The circuit is in a test socket or mounted on a printed circuit board and transverse air flow greater than 150 meters (500 feet) per minute is maintained. Outputs are terminated through a 50-ohm resistor to -2 V.

2 Data Sheets

PRODUCT PREVIEW

PROGRAMMING INFORMATION

Texas Instruments Programmable Logic Devices can be programmed using widely available software and reasonably priced device programmers.

Complete programming specifications, algorithms and the latest information on firmware, software, and hardware updates are available upon request. Information on programmers that are capable of programming Texas Instruments programmable logic is also available, upon request, from the nearest TI sales office, local authorized Texas Instruments distributor, or by calling Texas Instruments at (214) 997-5762.

PARAMETER MEASUREMENT INFORMATION

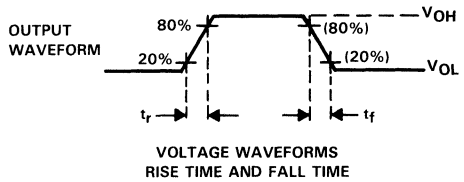
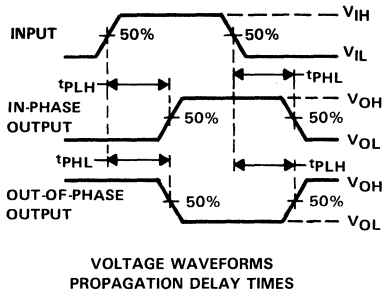
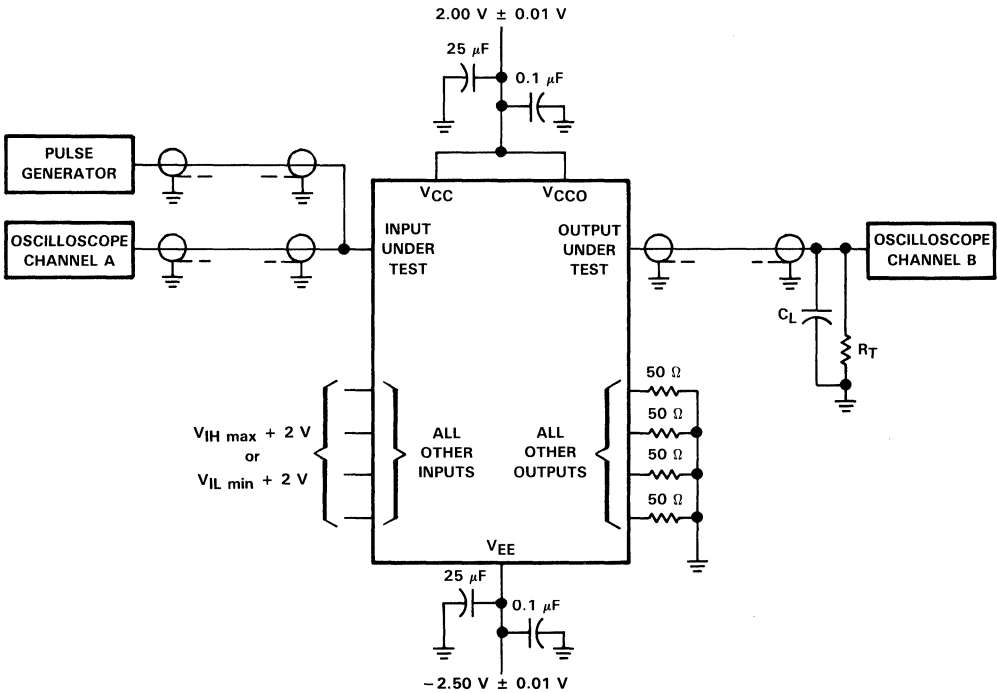


FIGURE 1. VOLTAGE WAVEFORMS

PARAMETER MEASUREMENT INFORMATION



- NOTES: A. The offset voltage generator has the following characteristics: Pulse amplitude = 800 mV P-P, PRR ≤ 1 MHz, $t_w = 500$ ns, $t_r = t_f = 1$ ns.
 B. R_T is a 50-Ω terminator internal to the oscilloscope.
 C. $C_L \leq 3$ pF, includes fixture and stray capacitance.
 D. Coax has 50-Ω impedance and the coax to oscilloscope channel A and to channel B must be of equal lengths.
 E. All unused outputs are loaded with 50-Ω ± 1% resistors to ground.
 F. All unused input should be connected to either high or low levels consistent with the logic function required.
 G. All fixture wire lengths or unterminated stubs should not exceed 6 mm (1/4 inch).

FIGURE 2. LOAD CIRCUIT

TIFPLA839M, TIFPLA839C TIFPLA840M, TIFPLA840C

14 × 32 × 6 FIELD-PROGRAMMABLE LOGIC ARRAYS

JUNE 1984—REVISED DECEMBER 1987

- Input-to-Output Propagation Delay . . . 10 ns Typical
- 24-Pin, 300-mil Slim Line Packages
- Power Dissipation . . . 650 mW Typical
- Programmable Output Polarity

description

The 'FPLA839 (3-state outputs) and the 'FPLA840 (open-collector outputs) are TTL field-programmable logic arrays containing 32 product terms (AND terms) and six sum terms (OR terms). Each of the sum-of-products output functions can be programmed either high true or low true. The true condition of each output function is activated by the programmed logical minterms of 14 input variables. The outputs are controlled by two chip-enable pins to allow output inhibit and expansion of terms.

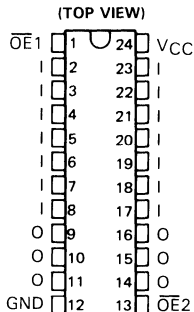
These devices provide high-speed data-path logic replacement where several conventional SSI functions can be designed into a single package.

The 'FPLA839M and 'FPLA840M are characterized for operation over the full military temperature range of -55°C to 125°C. The 'FPLA839C and 'FPLA840C are characterized for operation from 0°C to 70°C.

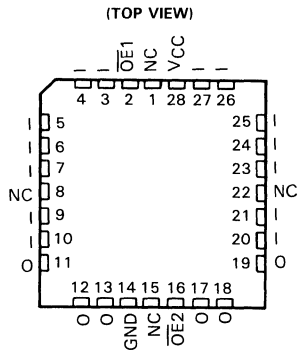
LOGIC FUNCTION

$f(i) = P_0 + P_1 \dots P_{31}$ for polarity link intact
 $f(i) = \overline{P_0} \cdot \overline{P_1} \dots \overline{P_{31}}$ for polarity link open
 where P_0 through P_{31} are product terms

TIFPLA839M, TIFPLA840M . . . JT PACKAGE
 TIFPLA839C, TIFPLA840C . . . JT OR NT PACKAGE



TIFPLA839M, TIFPLA840M . . . FH OR FK PACKAGE
 TIFPLA839C, TIFPLA840C . . . FN PACKAGE



Pin assignments in operating mode (pin 1 is less positive than V_{IH})

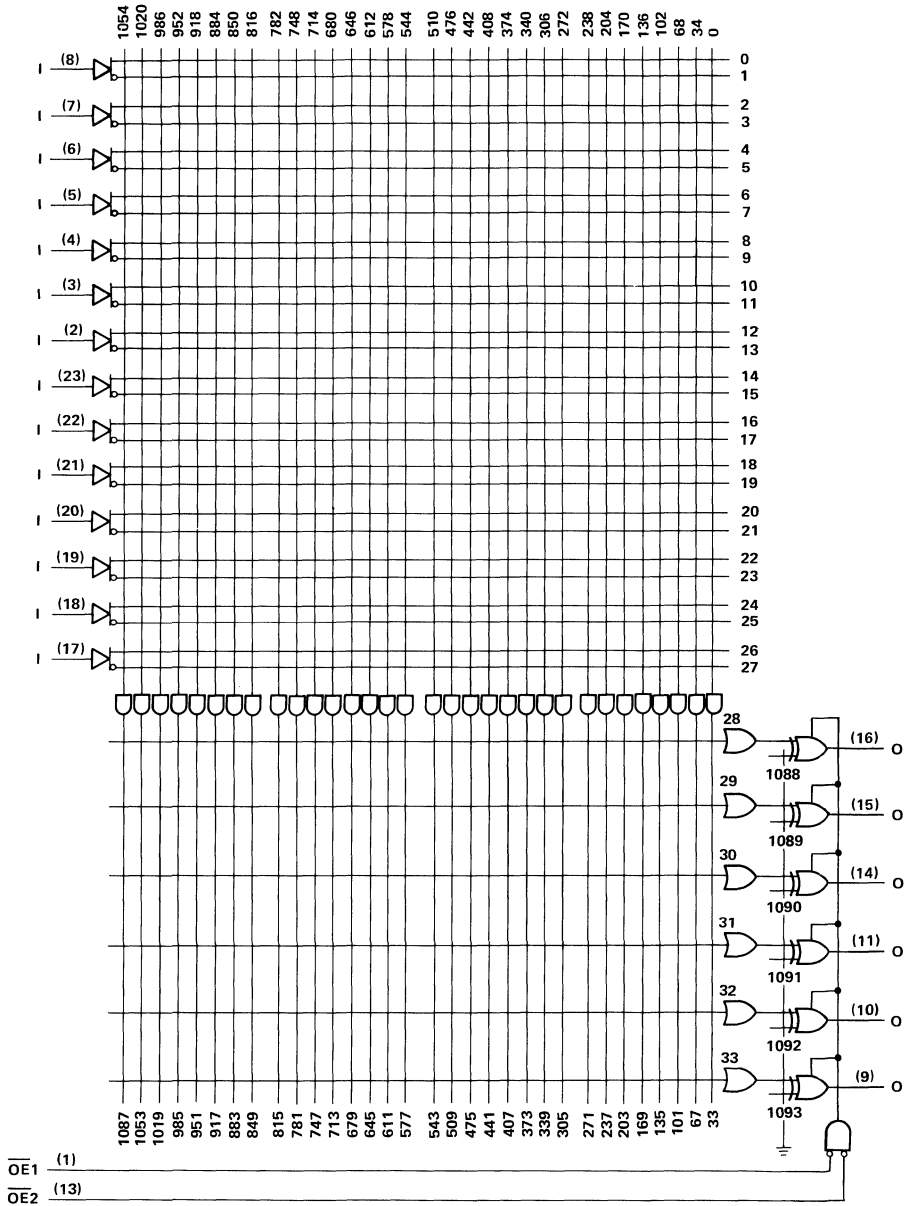
PRODUCTION DATA documents contain information current as of publication date. Products conform to specifications per the terms of Texas Instruments standard warranty. Production processing does not necessarily include testing of all parameters.



POST OFFICE BOX 655012 • DALLAS, TEXAS 75265

Copyright © 1984, Texas Instruments Incorporated

LOGIC DIAGRAM



TIFPLA839M, TIFPLA839C
TIFPLA840M, TIFPLA840C
14 × 32 × 6 FIELD-PROGRAMMABLE LOGIC ARRAYS

recommended operating conditions

| | M SUFFIX | | | C SUFFIX | | | UNIT |
|---------------------------------------|----------|-----|-----|----------|-----|------|---------|
| | MIN | NOM | MAX | MIN | NOM | MAX | |
| Supply voltage, V_{CC} | 4.5 | 5 | 5.5 | 4.75 | 5 | 5.25 | V |
| High-level input voltage, V_{IH} | 2 | | | 2 | | | V |
| Low-level input voltage, V_{IL} | | | | 0.8 | | | V |
| High-level output voltage, V_{OH} | 'FPLA840 | | | 5.5 | | | 5.5 V |
| High-level output current, I_{OH} | 'FPLA839 | | | -2 | | | -3.2 mA |
| Low-level output current, I_{OL} | | | | 12 | | | 24 mA |
| Operating free-air temperature, T_A | -55 | | | 125 | | | 0 70 °C |

electrical characteristics over recommended operating free-air temperature range (unless otherwise noted)

| PARAMETER | TEST CONDITIONS [†] | M SUFFIX | | | C SUFFIX | | | UNIT |
|-------------------|--|----------|------------------|----------|----------|------------------|------|---------------|
| | | MIN | TYP [‡] | MAX | MIN | TYP [‡] | MAX | |
| V_{IK} | $V_{CC} = \text{MIN}, I_I = -18 \text{ mA}$ | -1.5 | | | -1.5 | | | V |
| I_{OH} 'FPLA840 | $V_{CC} = \text{MIN}, V_{OH} = 5.5 \text{ V}$ | 0.1 | | | 0.1 | | | mA |
| V_{OH} 'FPLA839 | $V_{CC} = \text{MIN}, I_{OH} = \text{MAX}$ | 2.4 | 3.2 | | 2.4 | 3 | | V |
| V_{OL} | $V_{CC} = \text{MIN}, I_{OL} = \text{MAX}$ | 0.25 0.5 | | 0.37 0.5 | | | V | |
| I_I | $V_{CC} = \text{MAX}, V_I = 5.5 \text{ V}$ | 0.1 | | | 0.1 | | | mA |
| I_{IH} | $V_{CC} = \text{MAX}, V_I = 2.7 \text{ V}$ | 20 | | | 20 | | | μA |
| I_{IL} | $V_{CC} = \text{MAX}, V_I = 0.4 \text{ V}$ | -0.5 | | | -0.5 | | | mA |
| I_{O5} | $V_{CC} = \text{MAX}, V_O = 2.25 \text{ V}$ | -30 | | -112 | -30 | | -112 | mA |
| I_{OZH} | $V_{CC} = \text{MAX}, V_O = 2.7 \text{ V}$ | 20 | | | 20 | | | μA |
| I_{OZL} | $V_{CC} = \text{MAX}, V_O = 0.4 \text{ V}$ | -20 | | | -20 | | | μA |
| I_{CC} | $V_{CC} = \text{MAX}, \overline{OE}$ inputs at $V_{IH}, V_I = 0 \text{ V}$, | 130 190 | | | 130 180 | | | mA |

'FPLA839 switching characteristics

| PARAMETER | FROM | TO | TEST CONDITIONS | M SUFFIX | | | C SUFFIX | | | UNIT |
|-----------|-------------|--------|--|----------|------------------|-----|----------|------------------|-----|------|
| | | | | MIN | TYP [‡] | MAX | MIN | TYP [‡] | MAX | |
| t_{pd} | Input | Output | $R_L = 500 \text{ to GND}, C_L = 50 \text{ pF to GND}$ | 10 | | 25 | 10 | | 20 | ns |
| t_{en} | Pin 1 or | Output | $R_{L1} = 500 \text{ to } 7 \text{ V}, R_L = 500 \text{ to GND}, C_L = 50 \text{ pF to GND}$ | 10 | | 25 | 10 | | 20 | ns |
| t_{dis} | Pin 13 | | | 8 | | 20 | 8 | | 15 | |

'FPLA840 switching characteristics

| PARAMETER | FROM | TO | TEST CONDITIONS | M SUFFIX | | | C SUFFIX | | | UNIT |
|-----------|-------------|--------|--|----------|------------------|-----|----------|------------------|-----|------|
| | | | | MIN | TYP [‡] | MAX | MIN | TYP [‡] | MAX | |
| t_{pd} | Input | Output | $R_L = 500 \text{ to } V_{CC}, C_L = 50 \text{ pF to GND}$ | 10 | | 30 | 10 | | 25 | ns |
| t_{en} | Pin 1 or | Output | $R_{L1} = 500 \text{ to } 7 \text{ V}, R_L = 500 \text{ to GND}, C_L = 50 \text{ pF to GND}$ | 10 | | 25 | 10 | | 20 | ns |
| t_{dis} | Pin 13 | | | 8 | | 20 | 8 | | 15 | |

[†]For conditions shown as MIN or MAX, use the appropriate value specified under recommended operating conditions.

[‡]All typical values are at $V_{CC} = 5 \text{ V}, T_A = 25^\circ\text{C}$.

[§]The output conditions have been chosen to produce a current that closely approximates one half of the true short-circuit current, I_{OS} .

2 Data Sheets

TIFPLA839M, TIFPLA839C
TIFPLA840M, TIFPLA840C
14 × 32 × 6 FIELD-PROGRAMMABLE LOGIC ARRAYS

programming information

Texas Instruments Programmable Logic Devices can be programmed using widely available software and inexpensive device programmers.

Complete programming specifications, algorithms, and the latest information on hardware, software, and firmware are available upon request. Information on programmers capable of programming Texas Instruments Programmable Logic is also available, upon request, from the nearest TI field sales office, local authorized TI distributor, or by calling Texas Instruments at (214) 997-5762.

2

Data Sheets

General Information

1

Data Sheets

2

Application Reports

3

Mechanical Data

4

Contents

| | <i>Page</i> |
|--|-------------|
| Designing with TI Field-Programmable Logic | 3-3 |
| Hard Array Logic (HAL®) | 3-25 |
| A Designer's Guide to the TIBPSG507 | 3-31 |
| System Solutions for Static Column Decode | 3-81 |

Designing with Texas Instruments Field-Programmable Logic

Robert K. Breuninger and Loren E. Schiele

Contributors

Bob Gruebel, Renee Tanaka, Jim Ptasinski



IMPORTANT NOTICE

Texas Instruments (TI) reserves the right to make changes in the devices or the device specifications identified in this publication without notice. TI advises its customers to obtain the latest version of device specifications to verify, before placing orders, that the information being relied upon by the customer is current.

TI warrants performance of its semiconductor products, including SNJ and SMJ devices, to current specifications in accordance with TI's standard warranty. Testing and other quality control techniques are utilized to the extent TI deems such testing necessary to support this warranty. Unless mandated by government requirements, specific testing of all parameters of each device is not necessarily performed.

In the absence of written agreement to the contrary, TI assumes no liability for TI applications assistance, customer's product design, or infringement of patents or copyrights of third parties by or arising from use of semiconductor devices described herein. Nor does TI warrant or represent that any license, either express or implied, is granted under any patent right, copyright, or other intellectual property right of TI covering or relating to any combination, machine, or process in which such semiconductor devices might be or are used.

Copyright © 1984, Texas Instruments Incorporated

Contents

| | <i>Title</i> | <i>Page</i> |
|--|--------------|-------------|
| INTRODUCTION | | 3-7 |
| FIELD-PROGRAMMABLE LOGIC ADVANTAGES | | 3-7 |
| PAL® AND FPLA SYMBOLOGY | | 3-7 |
| FAMILY ARCHITECTURES | | 3-8 |
| PAL OPTIONS | | 3-9 |
| Polarity Fuse | | 3-9 |
| Input Registers | | 3-9 |
| Input Latches | | 3-9 |
| PROGRAMMING | | 3-12 |
| DESIGN EXAMPLE | | 3-12 |
| EXAMPLE REQUIREMENTS | | 3-13 |
| PAL IMPLEMENTATION | | 3-13 |
| PAL SELECTION | | 3-14 |
| CLOCK SELECTOR DETAILS | | 3-14 |
| 4-BIT BINARY COUNTER DETAILS | | 3-16 |
| BINARY/DECADE COUNT DETAILS | | 3-16 |
| FUSE MAP DETAILS | | 3-17 |
| ADVANCED SOFTWARE | | 3-21 |
| PERFORMANCE | | 3-21 |
| ADDRESSES FOR PROGRAMMING AND SOFTWARE MANUFACTURERS | | 6-24 |
| Hardware Manufacturers | | 6-24 |
| Software Manufacturers | | 6-24 |

PAL is a registered trademark of Monolithic Memories Inc.

List of Illustrations

| <i>Figure</i> | <i>Title</i> | <i>Page</i> |
|---------------|--|-------------|
| 1 | Basic Symbology | 3-7 |
| 2 | Basic Symbology Example | 3-7 |
| 3 | PROM Architecture | 3-8 |
| 4 | PAL Architecture | 3-8 |
| 5 | FPLA Architecture | 3-9 |
| 6 | TIBPLA16L8 Logic Diagram | 3-10 |
| 7 | TIBPAL16R8 Logic Diagram | 3-11 |
| 8 | Polarity Selection | 3-12 |
| 9 | Input Register Selection | 3-12 |
| 10 | Input Latch Selection | 3-13 |
| 11 | PAL Process Flow Diagram | 3-13 |
| 12 | Counter Implementation with Standard Logic | 3-14 |
| 13 | TIBPAL16R4 Logic Diagram | 3-15 |
| 14 | Karnaugh Map for <u>CLKOUT</u> | 3-16 |
| 15 | Karnaugh Map for <u>CLKOUT</u> | 3-16 |
| 16 | Karnaugh Maps | 3-17 |
| 17 | Programmed TIBPAL16R4 | 3-18 |
| 18 | Pin ID and Logic Equations | 3-19 |
| 19 | Fuse Map | 3-20 |
| 20 | Source File for ABEL | 3-22 |
| 21 | ABEL Output Documentation | 3-23 |

List of Tables

| <i>Table</i> | <i>Title</i> | <i>Page</i> |
|--------------|-----------------------|-------------|
| 1 | Clock Selection | 3-13 |
| 2 | Function Table | 3-14 |
| 3 | Truth Table | 3-16 |
| 4 | Truth Table | 3-17 |

INTRODUCTION

The purpose of this application report is to provide the first time user of field-programmable logic with a basic understanding of this new and powerful technology. The term "Field-Programmable Logic" refers to any device supplied with an uncommitted logic array, which the user programs to his own specific function. The most common, and widely known field-programmable logic family is the PROM, or Programmable Read-Only Memory. Relatively new entries into this expanding family of devices are the PAL[®] and FPLA. This report will primarily concentrate on the PAL family of programmable logic.

FIELD-PROGRAMMABLE LOGIC ADVANTAGES

Field-programmable logic offers many advantages to the system designer who presently is using several standard catalog SSI and MSI functions. Listed below are just a few of the benefits which are achievable when using programmable logic.

1. Package Count Reduction: typically, 3 to 6 MSI/SSI functions can be replaced with one PAL or FPLA.
2. PC Board Area Reduced: Fewer devices consume less PC board space. This results in lower PC board cost.
3. Circuit Flexibility: Programmability allows for minor circuit changes without changing PC boards.
4. Improved Reliability: With fewer PC interconnects, overall system reliability increases.
5. Shorter Design Cycle: When compared with standard-cell or gate-array approaches, custom functions can be implemented much more quickly.

The PAL and FPLA, will fill the gap between standard logic and large scale integration. The versatility of these devices provide a very powerful tool for the system designer.

PAL AND FPLA SYMBOLOGY

In order to keep PAL and FPLA logic easy to understand and use, a special convention has been adopted. Figure 1 is the representation for a 3-input AND gate. Note that only one line is shown as the input to the AND gate. This line is commonly referred to as the product line. The inputs are shown as vertical lines, and at the intersection of these lines are the programmable fuses.

An X represents an intact fuse. This makes that input, part of the product term. No X represents a blown fuse. This means that input will not be part of the product term (in Figure 1, input B is not part of the product term). A dot at the intersection of any line represents a hard wire connection.

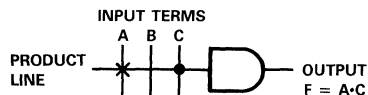


Figure 1. Basic Symbology

In Figure 2, we will extend the symbology to develop a simple 2-input programmable AND array feeding an OR gate. Notice that buffers have been added to the inputs, which provide both true and complement outputs to the product lines. The intersection of the input terms form a 4×3 programmable AND array. From the above symbology, we can see that the output of the OR gate is programmed to the following equation, $A\bar{B} + \bar{A}B$. Note that the bottom AND gate has an X marked inside the gate symbol. This means that all fuses are left intact, which results in that product line not having any effect on the sum term. In other words, the output of the AND gate will be a logic 0. **When all the fuses are blown on a product line, the output of the AND gate will always be a logic 1. This has the effect of locking up the output of the OR gate to a logic level 1.**

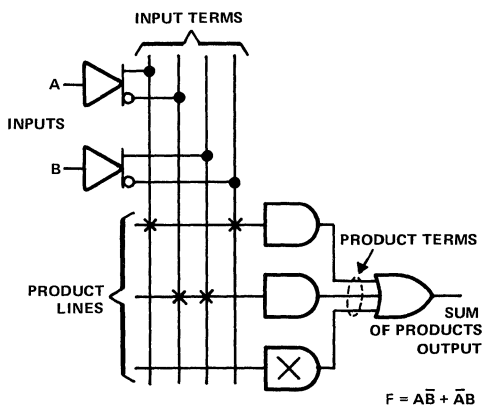


Figure 2. Basic Symbology Example

[®]PAL is a Registered Trademark of Monolithic Memories Inc.

FAMILY ARCHITECTURES

As stated before, the PROM was the first widely used programmable logic family. Its basic architecture is an input decoder configured from AND gates, combined with a programmable OR matrix on the outputs. As shown in Figure 3, this allows every output to be programmed individually from every possible input combination. In this example, a PROM with 4 inputs has 2^4 , or 16 possible input combinations. With the output word width being 4 bits, each of the 16×4 bit words can be

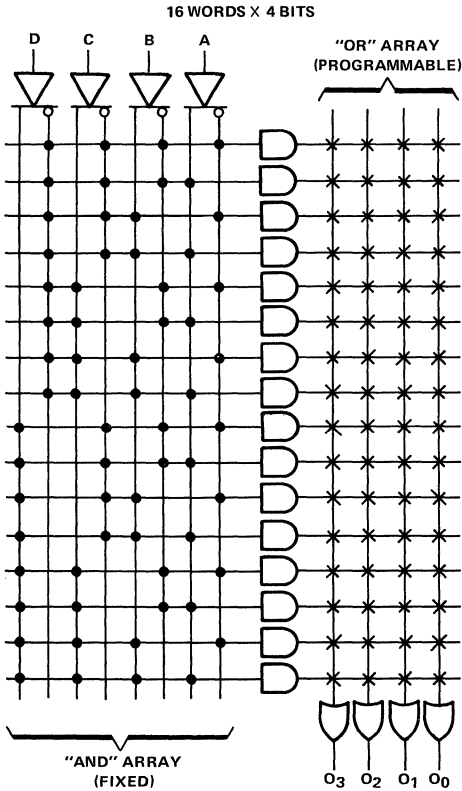


Figure 3. PROM Architecture

programmed individually. Applications such as data storage tables, character generators, and code converters, are just a few design examples which are ideally suited for the PROM. In general, any application which requires every input combination to be programmable, is a good candidate for a PROM. However, PROMs have difficulty accommodating large numbers of input variables. Eventually, the size of the fuse matrix will become prohibitive because for each input variable added, the size of the fuse matrix doubles. Currently, manufacturers are not producing PROMs with over 13 inputs.

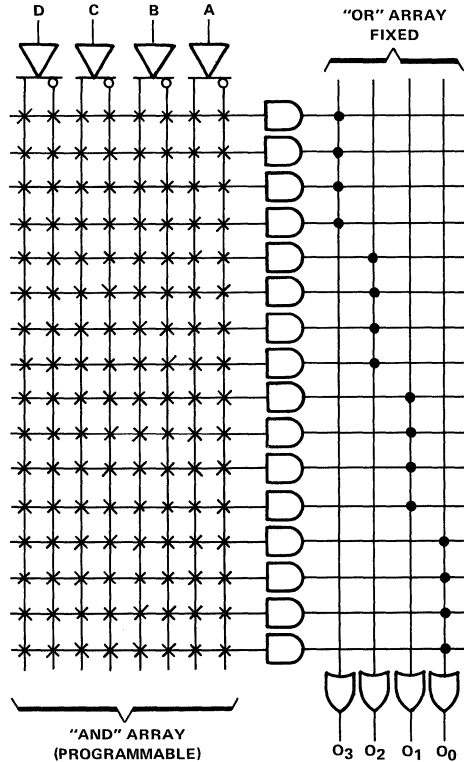


Figure 4. PAL Architecture

To overcome the limitation of a restricted number of inputs, the PAL utilizes a slightly different architecture as shown in Figure 4. The same AND-OR implementation is used as with PROMs, but now the input AND array is programmable instead of the output OR array. This has the effect of restricting the output OR array to a fixed number of input AND terms. The trade-off is that now, every output is not programmable from every input combination, but more inputs can be added without doubling the size of the fuse matrix. For example, if we were to expand the inputs on the PAL shown in Figure 4, to 10, and on the PROM in Figure 3, to 10. We would see that the fuse matrix required for the PAL would be 20×16 (320 fuses) vs 4×1024 (4096 fuses for the PROM). **It is important to realize that not every application requires every output be programmable from every input combination. This is what makes the PAL a viable product family.**

The FPLA goes one step further in offering both a programmable AND array, and a programmable OR array (Figure 5). This feature makes the FPLA the most

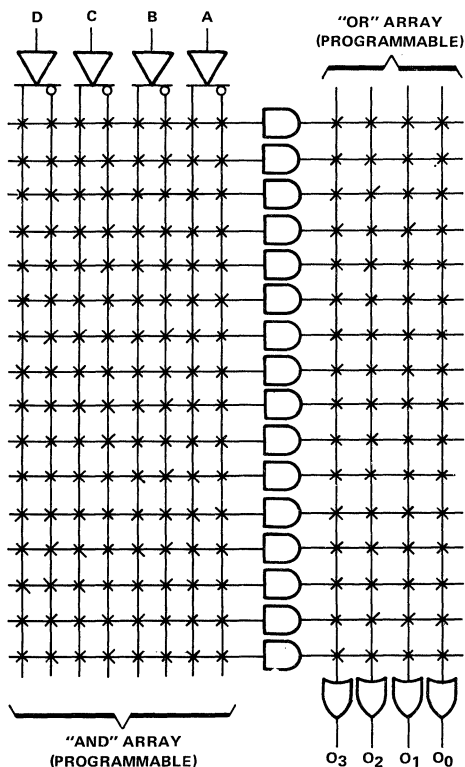


Figure 5. FPLA Architecture

versatile device of the three, but usually impractical in most low complexity applications.

All three field-programmable logic approaches discussed have their own unique advantages and limitations. The best choice depends on the complexity of the function being implemented and the current cost of the devices themselves. It is important to realize, that a circuit solution may exist from more than one of these logic families.

PAL OPTIONS

Figure 6 shows the logic diagram of the popular TIBPAL16L8. Its basic architecture is the same as discussed in the previous section, but with the addition of some special circuit features. First notice that the PAL has 10 simple inputs. In addition, 6 of the outputs operate as I/O ports. This allows feedback into the AND array. One AND gate in each product term controls each 3-state output. The architecture used in this PAL makes it very useful in generating all sorts of combinational logic.

Another important feature about the logic diagram, and all other block diagrams supplied from individual datasheets, are that there are no X's marked at every fuse location. From the previous convention, we stated that everywhere there was an intact fuse, there was an X. However, in order to make the logic diagram useful when generating specific functions, it is supplied with no X's. This allows the user to insert the X's wherever an intact fuse is desired.

The basic concept of the TIBPAL16L8 can be expanded further to include D-type flip-flops on the outputs. An example of this is shown in Figure 7 with the TIBPAL16R8. This added feature allows the device to be configured as a counter, simple storage register, or similar clocked function.

Circuit variations which are available on other members of the TI PAL and FPLA family are explained below.

Polarity Fuse

The polarity of the output can be selected via the fuse shown in Figure 8.

Input Registers

On PALs equipped with this special feature, the option of having D-type input registers is fuse programmable. Figure 9 shows an example of this type of input. If the fuse is left intact, data enters on a low-high transition of the clock. If the fuse is blown, the register becomes permanently transparent and is equivalent to a normal input buffer.

Input Latches

On PALs equipped with this special feature, the option of having input latches is fuse programmable.

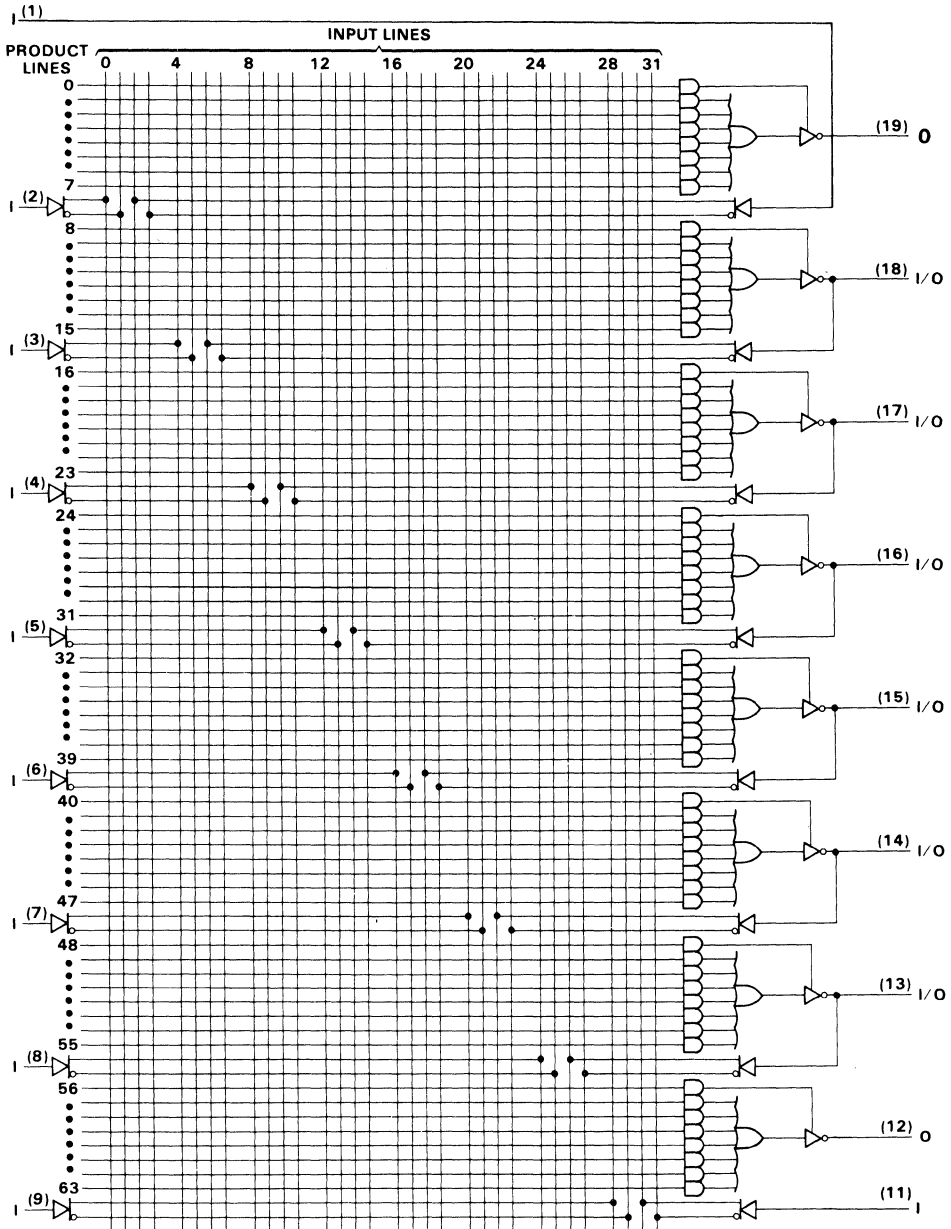


Figure 6. TIBPAL16L8 Logic Diagram

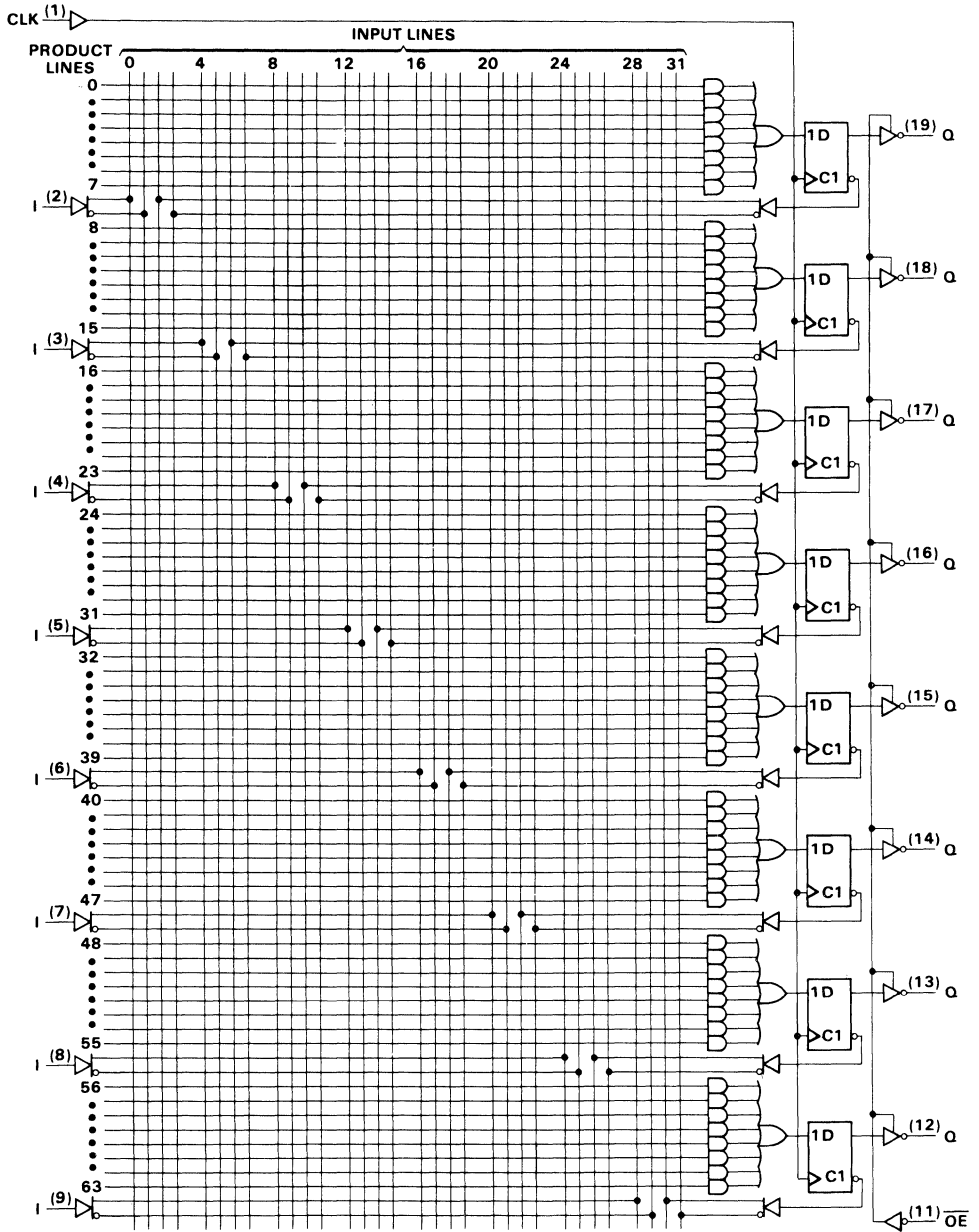
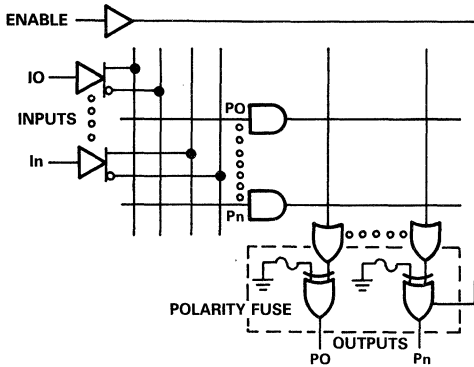


Figure 7. TIBPAL16R8 Logic Diagram



INTACT: OUTPUT = PO + P1 + ... + Pn
 BLOWN: OUTPUT = PO · P1 · ... · Pn

Figure 8. Polarity Selection

Figure 10 shows an example of this type of input. If the fuse is left intact, data enters while the control input is high. When the control input is low, the data that was present when the control input went low will be saved. If the fuse is blown, the latch becomes permanently transparent, and is equivalent to a normal input buffer.

PROGRAMMING

Notice in Figure 7, that the product and input lines are numbered. This allows any specific fuse to be located anywhere in the fuse matrix. When the device is in the programming mode (as defined in the device data sheet), the individual product and input lines can be selected. The fuse at the intersection of these lines, can then be blown (programmed) with the defined programming pulse. Fortunately, the user seldom has to get involved with these actual details of programming, because there exist several commercially available programmers which handle this

function. Listed below are some of the manufacturers of this programming equipment.*

- | | |
|--------------------|---------------------|
| Citel | Storey Systems |
| DATA I/O | Structured Design |
| Digelec | Sunrise Electronics |
| Kontron | Valley Data Science |
| Wavetec | Varix |
| Stag Micro Systems | |

At Texas Instruments, we have coordinated with DATA I/O using their Model 19 for device characterization. Currently, DATA I/O, Sunrise, and Structured Design have been certified by Texas Instruments. Other programmers are now in the certification process. For a current list of certified programmers, please contact your local TI sales representative.

It should now be obvious to the reader, that the actual blowing of the fuses is not a problem. Instead, the real question is what fuses need to be blown to generate a particular function. Fortunately, this problem has also been greatly simplified by recent advances in computer software.

DATA I/O has developed a software package called ABEL™. Also available is CUPL™, from Assisted Technology. Both have been designed to be compatible with several different types of programmers. Both of these software packages greatly extend the capabilities of the original PALASM™ program, and both can be run on most professional computers.

Before proceeding to a design example, it would be instructive to look at the simplified process flow of a PAL (Figure 11). This should help give the reader a better understanding of the basic steps necessary to generate a working device.

DESIGN EXAMPLE

The easiest way to demonstrate the unique capabilities of the PAL is through a design example. It is

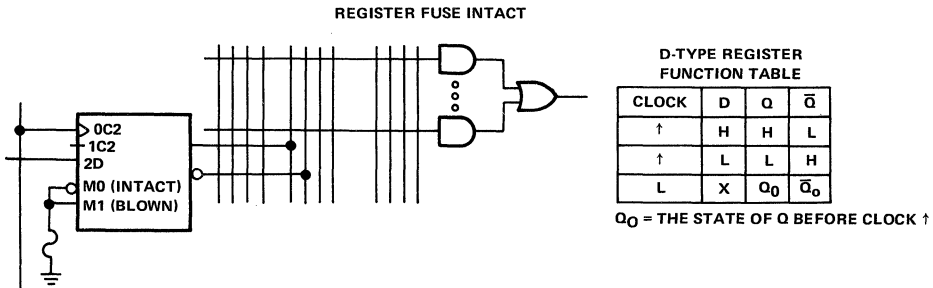


Figure 9. Input Register Selection

ABEL™ is a trademark of DATA I/O.
 CUPL™ is a trademark of Assisted Technology, Inc.
 PALASM™ is a trademark of Monolithic Memories Inc.

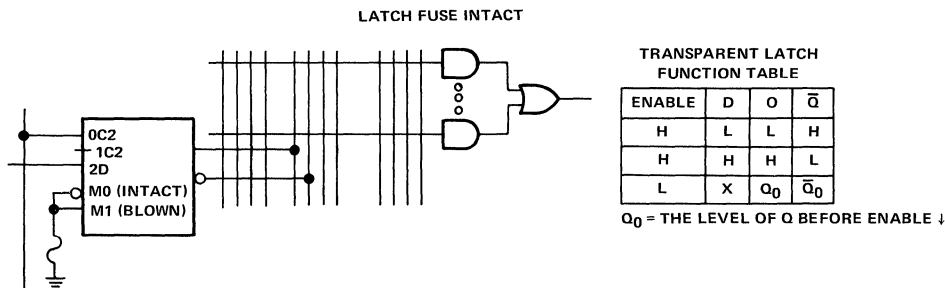


Figure 10. Input Latch Selection

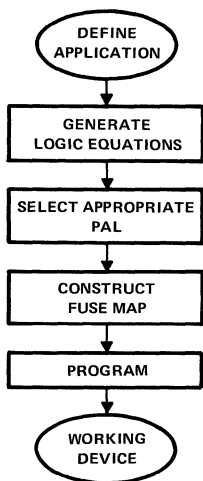


Figure 11. PAL Process Flow Diagram

hoped that through this example the reader will gain the basic understanding needed when applying the PAL in his own application. In some cases, this goal may only be to reduce existing logic, but the overall approach will be the same.

EXAMPLE REQUIREMENTS

It is desired to generate a 4-bit binary counter which is fed by one of four clocks. There are two lines available for selecting the clocks, SEL1 and SEL0. Table 1 shows the required input for the selection of the clocks. In addition, it is desired that the counter be able to switch from binary to decade count. This feature is controlled by an input called BD. When BD is high, the counter should count in binary. When low, the counter should count in decade.

Figure 12 shows how this example could be implemented if standard data book functions were used.

Table 1. Clock Selection

| SEL1 | SEL0 | OUTPUT |
|------|------|--------|
| 0 | 0 | CLKA |
| 0 | 1 | CLKB |
| 1 | 0 | CLKC |
| 1 | 1 | CLKD |

As can be seen, three MSI functions are required. The 'LS162 is used to generate the 4-bit counter while the clock selection is handled by the 'LS253. The 'LS688 is an 8-bit comparator which is used for selecting either the binary or decade count. In this example, only five of the eight comparator inputs are used. Four are used for comparing the counter outputs, while the other is used for the BD input. The comparator is hard-wired to go low whenever the BD input is low and the counter output is "9". The $P=Q$ output is then fed back to the synchronous clear input on the 'LS162. This will reset the counter to zero whenever this condition occurs.

PAL IMPLEMENTATION

As stated before, the problem in programming a PAL is not in blowing the fuses, but rather what fuses need to be blown to generate a particular function. Fortunately, this problem has been greatly simplified by computer software, but before we examine these techniques, it is beneficial to explore the methods used in generating the logic equations. This will help develop an understanding, and appreciation for these advanced software packages.

From digital logic theory, we know that most any type of logic can be implemented in either AND-OR-INVERT or AND-NOR form. This is the basic concept used in the PAL and FPLA. This allows classical techniques, such as Karnaugh Maps¹ to be used in generating specific logic functions. As with the separate component example above, it is easier to break it into separate functions. The first one that we will look at is the clock selector, but remember that the overall goal will be to reduce this design example into one PAL.

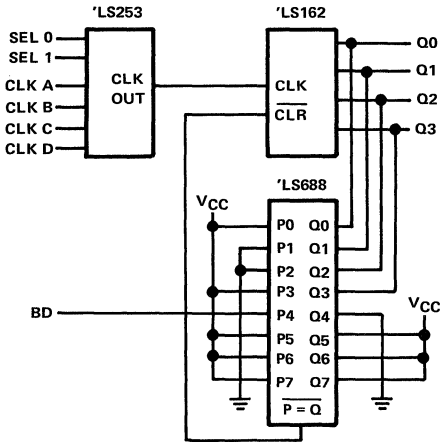


Figure 12. Counter Implementation with Standard Logic

PAL SELECTION

Before proceeding with the design for the clock selector, the first question which needs to be addressed is which PAL to use. As discussed earlier, there are several different types of output architectures. Looking at our example, we can see that four flip-flops with feedback will be required in the 4-bit counter, plus input clock and clear lines. In addition, seven inputs plus two simple outputs will be required in the clock selector and comparator. With this information in hand, we can see that the TIBPAL16R4 (Figure 13) will handle our application.

CLOCK SELECTOR DETAILS

The first step in determining the logic equation for the clock selector is to generate a function table with all the possible input combinations. This is shown in Table 2. From this table, the Karnaugh map can be generated and is shown in Figure 14. The minimized equation for CLKOUT comes directly from this.

Table 2. Function Table

| SEL1 | SEL0 | CLKA | CLKB | CLKC | CLKD | CLKOUT | SEL1 | SEL0 | CLKA | CLKB | CLKC | CLKD | CLKOUT |
|------|------|------|------|------|------|--------|------|------|------|------|------|------|--------|
| 0 | 0 | 0 | 0 | 0 | 0 | 0 | 1 | 0 | 0 | 0 | 0 | 0 | 0 |
| 0 | 0 | 0 | 0 | 0 | 1 | 0 | 1 | 0 | 0 | 0 | 0 | 1 | 0 |
| 0 | 0 | 0 | 0 | 1 | 0 | 0 | 1 | 0 | 0 | 0 | 1 | 0 | 1 |
| 0 | 0 | 0 | 0 | 1 | 1 | 0 | 1 | 0 | 0 | 0 | 1 | 1 | 1 |
| 0 | 0 | 0 | 1 | 0 | 0 | 0 | 1 | 0 | 0 | 1 | 0 | 0 | 0 |
| 0 | 0 | 0 | 1 | 0 | 1 | 0 | 1 | 0 | 0 | 1 | 0 | 1 | 0 |
| 0 | 0 | 0 | 1 | 1 | 0 | 0 | 1 | 0 | 0 | 1 | 1 | 0 | 1 |
| 0 | 0 | 0 | 1 | 1 | 1 | 0 | 1 | 0 | 0 | 1 | 1 | 1 | 1 |
| 0 | 0 | 1 | 0 | 0 | 0 | 1 | 1 | 0 | 1 | 0 | 0 | 0 | 0 |
| 0 | 0 | 1 | 0 | 0 | 1 | 1 | 1 | 0 | 1 | 0 | 0 | 1 | 0 |
| 0 | 0 | 1 | 0 | 1 | 0 | 1 | 1 | 0 | 1 | 0 | 1 | 1 | 1 |
| 0 | 0 | 1 | 0 | 1 | 1 | 1 | 1 | 0 | 1 | 0 | 1 | 1 | 1 |
| 0 | 0 | 1 | 1 | 0 | 0 | 1 | 1 | 0 | 1 | 1 | 0 | 0 | 0 |
| 0 | 0 | 1 | 1 | 0 | 1 | 1 | 1 | 0 | 1 | 1 | 0 | 1 | 1 |
| 0 | 0 | 1 | 1 | 1 | 0 | 1 | 1 | 0 | 1 | 1 | 1 | 0 | 1 |
| 0 | 0 | 1 | 1 | 1 | 1 | 1 | 1 | 0 | 1 | 1 | 1 | 1 | 1 |
| 0 | 1 | 0 | 0 | 0 | 0 | 1 | 1 | 1 | 0 | 0 | 0 | 0 | 0 |
| 0 | 1 | 0 | 0 | 0 | 1 | 0 | 1 | 1 | 0 | 0 | 0 | 1 | 1 |
| 0 | 1 | 0 | 0 | 1 | 0 | 0 | 1 | 1 | 0 | 0 | 1 | 0 | 0 |
| 0 | 1 | 0 | 0 | 1 | 1 | 0 | 1 | 1 | 0 | 0 | 1 | 1 | 1 |
| 0 | 1 | 0 | 1 | 0 | 0 | 1 | 1 | 0 | 0 | 0 | 0 | 0 | 0 |
| 0 | 1 | 0 | 1 | 0 | 1 | 0 | 1 | 1 | 0 | 0 | 0 | 1 | 1 |
| 0 | 1 | 0 | 1 | 1 | 0 | 1 | 1 | 0 | 0 | 0 | 0 | 0 | 0 |
| 0 | 1 | 0 | 1 | 1 | 1 | 0 | 1 | 1 | 0 | 0 | 0 | 1 | 1 |
| 0 | 1 | 1 | 0 | 0 | 0 | 1 | 1 | 1 | 1 | 0 | 0 | 0 | 0 |
| 0 | 1 | 1 | 0 | 0 | 1 | 0 | 1 | 1 | 1 | 0 | 0 | 1 | 1 |
| 0 | 1 | 1 | 0 | 1 | 0 | 0 | 1 | 1 | 1 | 0 | 1 | 0 | 0 |
| 0 | 1 | 1 | 0 | 1 | 1 | 0 | 1 | 1 | 1 | 1 | 1 | 0 | 0 |
| 0 | 1 | 1 | 1 | 0 | 0 | 1 | 1 | 1 | 1 | 1 | 1 | 1 | 1 |
| 0 | 1 | 1 | 1 | 0 | 1 | 0 | 1 | 1 | 1 | 1 | 1 | 0 | 0 |
| 0 | 1 | 1 | 1 | 1 | 0 | 1 | 1 | 1 | 1 | 1 | 1 | 0 | 0 |
| 0 | 1 | 1 | 1 | 1 | 1 | 1 | 1 | 1 | 1 | 1 | 1 | 1 | 1 |

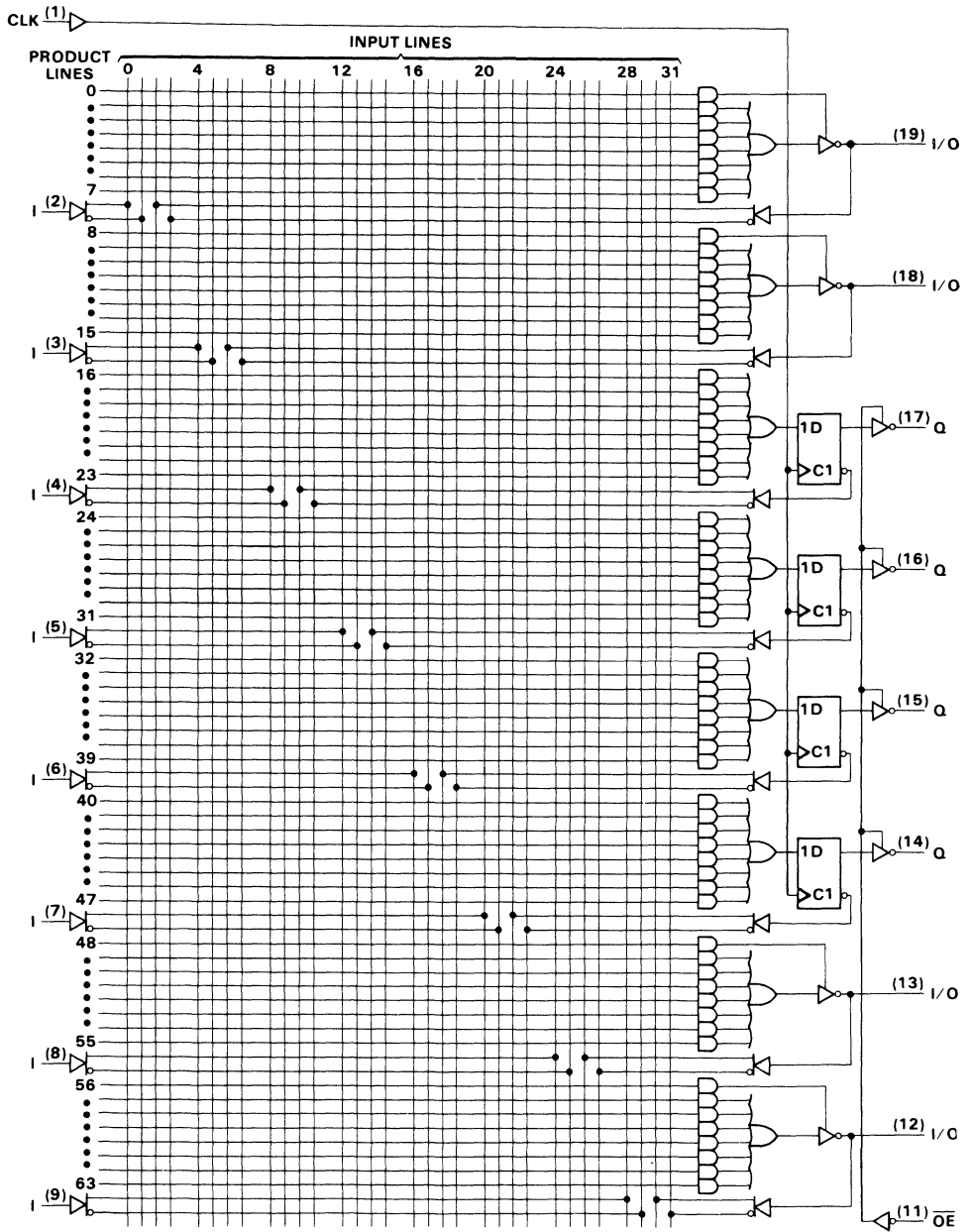


Figure 13. TIBPAL16R4 Logic Diagram

It is important to notice that the equation derived from the Karnaugh map is stated in AND-OR notation. The PAL that we have selected is implemented in AND-NOR logic. This means we either have to do DeMorgan's theorem on the equation, or solve the inverse of the Karnaugh map. Figure 15 shows the inverse of the Karnaugh map and the resulting equation. This equation can be easily implemented in the TIBPAL16R4.

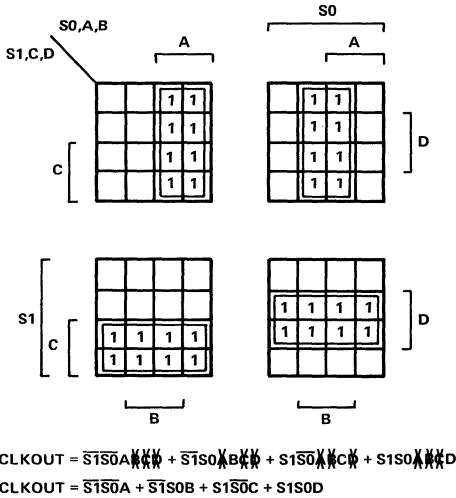


Figure 14. Karnaugh Map for CLKOUT

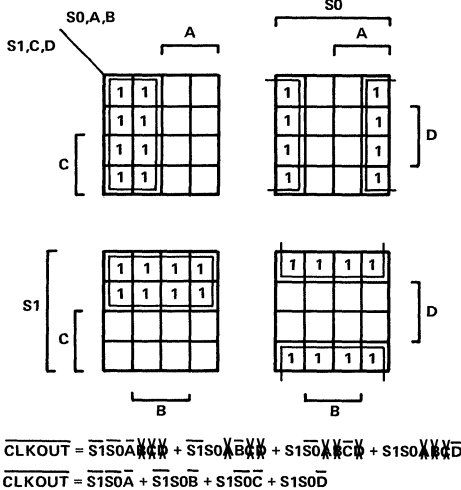


Figure 15. Karnaugh Map for $\overline{\text{CLKOUT}}$

4-BIT BINARY COUNTER DETAILS

The same basic procedure used in determining the equations for the clock selector, is used in determining the equations for the 4-bit counter. The only difference is that now we are dealing with a present state, next state situation. This means a D-type flip-flop will be required in actual circuit implementation. As before, the truth table is generated first, and is shown in Table 3.

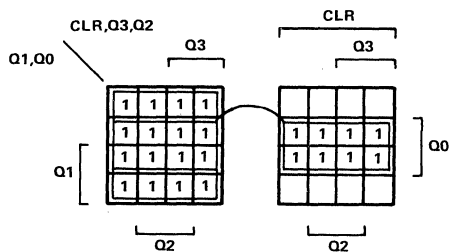
Table 3. Truth Table

| CLR | PRESENT STATE | | | | NEXT STATE | | | |
|-----|---------------|----|----|----|------------|----|----|----|
| | Q3 | Q2 | Q1 | Q0 | Q3 | Q2 | Q1 | Q0 |
| 0 | X | X | X | X | 0 | 0 | 0 | 0 |
| 1 | 0 | 0 | 0 | 0 | 0 | 0 | 0 | 1 |
| 1 | 0 | 0 | 0 | 1 | 0 | 0 | 1 | 0 |
| 1 | 0 | 0 | 1 | 0 | 0 | 0 | 1 | 1 |
| 1 | 0 | 0 | 1 | 1 | 0 | 1 | 0 | 0 |
| 1 | 0 | 1 | 0 | 0 | 0 | 1 | 0 | 1 |
| 1 | 0 | 1 | 0 | 1 | 0 | 1 | 1 | 0 |
| 1 | 0 | 1 | 1 | 0 | 0 | 1 | 1 | 1 |
| 1 | 0 | 1 | 1 | 1 | 1 | 0 | 0 | 0 |
| 1 | 1 | 0 | 0 | 0 | 1 | 0 | 0 | 1 |
| 1 | 1 | 0 | 0 | 1 | 1 | 0 | 1 | 0 |
| 1 | 1 | 0 | 1 | 0 | 1 | 0 | 1 | 1 |
| 1 | 1 | 0 | 1 | 1 | 1 | 1 | 0 | 0 |
| 1 | 1 | 1 | 0 | 0 | 1 | 1 | 0 | 1 |
| 1 | 1 | 1 | 0 | 1 | 1 | 1 | 1 | 0 |
| 1 | 1 | 1 | 1 | 0 | 1 | 1 | 1 | 1 |
| 1 | 1 | 1 | 1 | 1 | 0 | 0 | 0 | 0 |

From the truth table, the equations for each output can be derived from the Karnaugh map. This is shown in Figure 16. Note that the inverse of the truth table is being solved so that the equation will come out in AND-NOR logic form.

BINARY/DECADE COUNT DETAILS

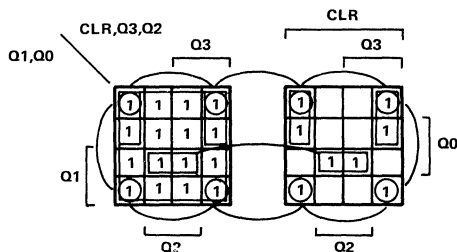
Recalling from the example requirements that the counter should count in decade whenever the BD input is low, we can again generate a truth table for this function (Table 4). Since the counter is already designed to count in binary, we can use this feature to simplify our design. What we desire is a circuit whose output goes low, whenever the BD input is equal to a logic level "0", and the counter output is equal to "9". This output can then be fed back to the CLR input of the counter so that it will reset whenever the BD input is low. Whenever the BD input is high, the output of the circuit should be a high since the counter will automatically count in binary. Notice that \overline{Q} shown in the truth table is the function we desire.



$$\overline{Q_0} = \overline{CLR} \overline{Q_3} \overline{Q_2} \overline{Q_1} \overline{Q_0} + \overline{CLR} \overline{Q_3} \overline{Q_2} Q_1 \overline{Q_0} + \overline{CLR} \overline{Q_3} Q_2 \overline{Q_1} \overline{Q_0} + \overline{CLR} \overline{Q_3} Q_2 Q_1 \overline{Q_0}$$

$$\overline{Q_0} = \overline{CLR} + Q_0$$

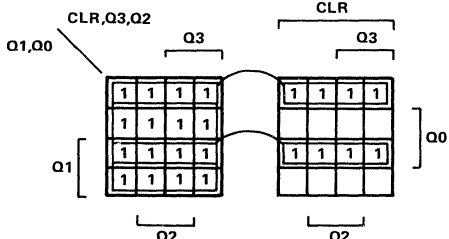
(a) KARNAUGH MAP FOR $\overline{Q_0}$



$$\overline{Q_2} = \overline{CLR} \overline{Q_3} \overline{Q_2} \overline{Q_1} \overline{Q_0} + \overline{CLR} \overline{Q_3} \overline{Q_2} Q_1 \overline{Q_0} + \overline{CLR} \overline{Q_3} Q_2 \overline{Q_1} \overline{Q_0} + \overline{CLR} \overline{Q_3} Q_2 Q_1 \overline{Q_0}$$

$$\overline{Q_2} = \overline{CLR} + \overline{Q_2} \overline{Q_1} + Q_2 Q_1 \overline{Q_0} + \overline{Q_2} \overline{Q_0}$$

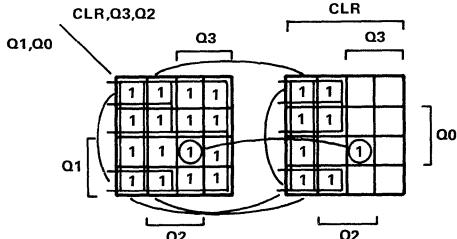
(c) KARNAUGH MAP FOR $\overline{Q_2}$



$$\overline{Q_1} = \overline{CLR} \overline{Q_3} \overline{Q_2} \overline{Q_1} \overline{Q_0} + \overline{CLR} \overline{Q_3} \overline{Q_2} Q_1 \overline{Q_0} + \overline{CLR} \overline{Q_3} Q_2 \overline{Q_1} \overline{Q_0}$$

$$\overline{Q_1} = \overline{CLR} + \overline{Q_1} \overline{Q_0} + Q_1 \overline{Q_0}$$

(b) KARNAUGH MAP FOR $\overline{Q_1}$



$$\overline{Q_3} = \overline{CLR} \overline{Q_3} \overline{Q_2} \overline{Q_1} \overline{Q_0} + \overline{CLR} \overline{Q_3} \overline{Q_2} Q_1 \overline{Q_0} + \overline{CLR} \overline{Q_3} Q_2 \overline{Q_1} \overline{Q_0} + \overline{CLR} \overline{Q_3} Q_2 Q_1 \overline{Q_0}$$

$$\overline{Q_3} = \overline{CLR} + \overline{Q_3} \overline{Q_2} + \overline{Q_3} \overline{Q_1} + \overline{Q_3} \overline{Q_0} + Q_3 Q_2 Q_1 \overline{Q_0}$$

(d) KARNAUGH MAP FOR $\overline{Q_3}$

Figure 16. Karnaugh Maps

In this particular example, a Karnaugh map is not required because the equation cannot be further simplified. The resulting equation is given below.

$$\overline{BD\ OUT} = \overline{BD} \overline{Q_3} \overline{Q_2} \overline{Q_1} \overline{Q_0}$$

Table 4. Truth Table

| BD | Q3 | Q2 | Q1 | Q0 | Q | \overline{Q} | BD | Q3 | Q2 | Q1 | Q0 | Q | \overline{Q} |
|----|----|----|----|----|---|----------------|----|----|----|----|----|---|----------------|
| 0 | 0 | 0 | 0 | 0 | 0 | 1 | 1 | 0 | 0 | 0 | 0 | 0 | 1 |
| 0 | 0 | 0 | 0 | 1 | 0 | 1 | 1 | 0 | 0 | 0 | 1 | 0 | 1 |
| 0 | 0 | 0 | 1 | 0 | 0 | 1 | 1 | 0 | 0 | 1 | 0 | 0 | 1 |
| 0 | 0 | 0 | 1 | 1 | 0 | 1 | 1 | 0 | 0 | 1 | 1 | 0 | 1 |
| 0 | 0 | 1 | 0 | 0 | 0 | 1 | 1 | 0 | 1 | 0 | 0 | 0 | 1 |
| 0 | 0 | 1 | 0 | 1 | 0 | 1 | 1 | 0 | 1 | 0 | 1 | 0 | 1 |
| 0 | 0 | 1 | 1 | 0 | 0 | 1 | 1 | 0 | 1 | 1 | 0 | 0 | 1 |
| 0 | 0 | 1 | 1 | 1 | 0 | 1 | 1 | 0 | 1 | 1 | 1 | 0 | 1 |
| 0 | 1 | 0 | 0 | 0 | 0 | 1 | 1 | 1 | 0 | 0 | 0 | 0 | 1 |
| 0 | 1 | 0 | 0 | 1 | 1 | 0 | 1 | 1 | 0 | 0 | 1 | 0 | 1 |
| 0 | 1 | 0 | 1 | 0 | 0 | 1 | 1 | 1 | 0 | 1 | 0 | 0 | 1 |
| 0 | 1 | 0 | 1 | 1 | 0 | 1 | 1 | 1 | 0 | 1 | 1 | 0 | 1 |
| 0 | 1 | 1 | 0 | 0 | 0 | 1 | 1 | 1 | 1 | 0 | 0 | 0 | 1 |
| 0 | 1 | 1 | 0 | 1 | 0 | 1 | 1 | 1 | 1 | 0 | 1 | 0 | 1 |
| 0 | 1 | 1 | 1 | 0 | 0 | 1 | 1 | 1 | 1 | 1 | 0 | 0 | 1 |
| 0 | 1 | 1 | 1 | 1 | 0 | 1 | 1 | 1 | 1 | 1 | 1 | 0 | 1 |

FUSE MAP DETAILS

Now that the logic equations have been defined, the next step will be to specify which fuses need to be blown. Before we do this however, we first need to label the input and output pins on the TIBPAL16R4. By using Figure 12 as a guide, we can make the following pin assignments in Figure 17.

PIN

| | |
|--------|-----------|
| 1 CLK | 20 VCC |
| 2 SEL0 | 19 CLKOUT |
| 3 SEL1 | 18 NC |
| 4 CLKA | 17 Q0 |
| 5 CLKB | 16 Q1 |
| 6 CLKC | 15 Q2 |
| 7 CLKD | 14 Q3 |
| 8 CLR | 13 NC |
| 9 BD | 12 BD OUT |
| 10 GND | 11 OE |

With this information defined, we now need to insert the logic equations into the logic diagram as shown in Figure 17.

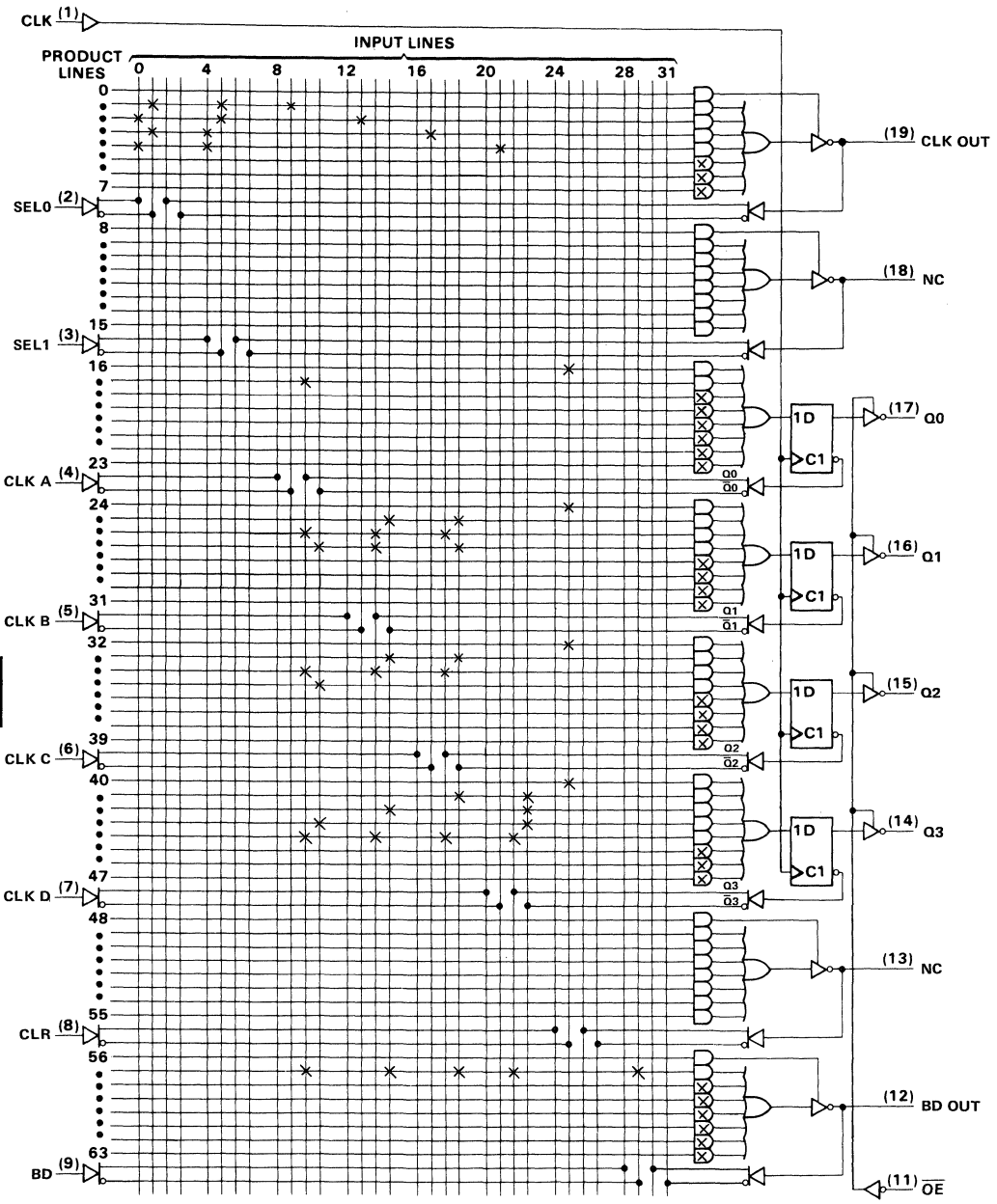


Figure 17. Programmed TIBPAL16R4

It is now probably obvious to the reader, that inserting the logic equations into the logic diagram is a tedious operation. Fortunately, a computer program called PALASM will perform this task automatically. All that is required is telling the program which device has been selected, and defining the input and output pins with

their appropriate logic equations (Figure 18). The program will then generate a fuse map (Figure 19) for the device selected. Notice that the fuse map looks very similar to the block diagram (Figure 17) which we have just completed by hand. In addition, this information can now be down loaded into the selected device programmer.

```

DEVICE TYPE 16R4

PIN LIST NAMES =
PIN NUMBER = 1      PIN NAME = CLK
PIN NUMBER = 2      PIN NAME = SELO
PIN NUMBER = 3      PIN NAME = SEL1
PIN NUMBER = 4      PIN NAME = CLKA
PIN NUMBER = 5      PIN NAME = CLKB
PIN NUMBER = 6      PIN NAME = CLKC
PIN NUMBER = 7      PIN NAME = CLKD
PIN NUMBER = 8      PIN NAME = CLR
PIN NUMBER = 9      PIN NAME = /OE
PIN NUMBER = 10     PIN NAME = BD
PIN NUMBER = 11     PIN NAME = BDOU
PIN NUMBER = 12     PIN NAME = NC
PIN NUMBER = 13     PIN NAME = Q3
PIN NUMBER = 14     PIN NAME = Q2
PIN NUMBER = 15     PIN NAME = Q1
PIN NUMBER = 16     PIN NAME = Q0
PIN NUMBER = 17     PIN NAME = NC
PIN NUMBER = 18     PIN NAME = CLKOUT
PIN NUMBER = 19     PIN NAME = VCC
PIN NUMBER = 20     PIN NAME = VCC

EXPRESSIONS AND DESCRIPTION =
EXPRESSION[ 1 ] =
/CLKOUT=/SEL1*/SELO*/CLKA +/SEL1*/SELO*/CLKB +SEL1*/SELO*/CLKC +SEL1*/SELO*/CLKD

EXPRESSION[ 2 ] =
/OE=/CLR +Q0

EXPRESSION[ 3 ] =
/Q1=/CLR +/Q1*/Q0 +Q1*Q0

EXPRESSION[ 4 ] =
/Q2=/CLR +/Q2*/Q1 +Q2*Q1*Q0 +/Q2*/Q0

EXPRESSION[ 5 ] =
/Q3=/CLR +/Q3*/Q2 +/Q3*/Q1 +/Q3*/Q0 +Q3*Q2*Q1*Q0

EXPRESSION[ 6 ] =
/BDOU=-/BD*Q3*/Q2*/Q1*Q0

```

Figure 18. Pin ID and Logic Equations

```

0000 0000 0011 1111 1111 2222 2222 2233
0123 4567 8901 2345 6789 0123 4567 8901
/CLKOUT =
-----
-X-- -X-- -X-- ----- 0 -
X--- -X--- ----- 1 - /SEL1*/SELO*/CLKA+
-X-- -X-- ----- 2 - /SEL1*SELO*/CLKB+
X--- X--- ----- 3 - SEL1*/SELO*/CLKC+
XXXX XXXX XXXX XXXX XXXX XXXX XXXX XXXX 4 - SEL1*SELO*/CLKD
XXXX XXXX XXXX XXXX XXXX XXXX XXXX XXXX 5 -
XXXX XXXX XXXX XXXX XXXX XXXX XXXX XXXX 6 -
XXXX XXXX XXXX XXXX XXXX XXXX XXXX XXXX 7 -
=
XXXX XXXX XXXX XXXX XXXX XXXX XXXX XXXX 8 -
XXXX XXXX XXXX XXXX XXXX XXXX XXXX XXXX 9 -
XXXX XXXX XXXX XXXX XXXX XXXX XXXX XXXX 10 -
XXXX XXXX XXXX XXXX XXXX XXXX XXXX XXXX 11 -
XXXX XXXX XXXX XXXX XXXX XXXX XXXX XXXX 12 -
XXXX XXXX XXXX XXXX XXXX XXXX XXXX XXXX 13 -
XXXX XXXX XXXX XXXX XXXX XXXX XXXX XXXX 14 -
XXXX XXXX XXXX XXXX XXXX XXXX XXXX XXXX 15 -
/00 =
-----
----- -X-- ----- 16 - /CLR+
----- -X- ----- 17 - 00
XXXX XXXX XXXX XXXX XXXX XXXX XXXX XXXX 18 -
XXXX XXXX XXXX XXXX XXXX XXXX XXXX XXXX 19 -
XXXX XXXX XXXX XXXX XXXX XXXX XXXX XXXX 20 -
XXXX XXXX XXXX XXXX XXXX XXXX XXXX XXXX 21 -
XXXX XXXX XXXX XXXX XXXX XXXX XXXX XXXX 22 -
XXXX XXXX XXXX XXXX XXXX XXXX XXXX XXXX 23 -
/01 =
-----
----- -X-- ----- 24 - /CLR+
----- -X- -X- ----- 25 - /01*/00+
----- -X- -X- ----- 26 - 01*00
XXXX XXXX XXXX XXXX XXXX XXXX XXXX XXXX 27 -
XXXX XXXX XXXX XXXX XXXX XXXX XXXX XXXX 28 -
XXXX XXXX XXXX XXXX XXXX XXXX XXXX XXXX 29 -
XXXX XXXX XXXX XXXX XXXX XXXX XXXX XXXX 30 -
XXXX XXXX XXXX XXXX XXXX XXXX XXXX XXXX 31 -
/02 =
-----
----- -X-- ----- 32 - /CLR+
----- -X- -X- ----- 33 - /02*/01+
----- -X- -X- ----- 34 - 02*01*00+
----- -X- -X- ----- 35 - /02*/00
XXXX XXXX XXXX XXXX XXXX XXXX XXXX XXXX 36 -
XXXX XXXX XXXX XXXX XXXX XXXX XXXX XXXX 37 -
XXXX XXXX XXXX XXXX XXXX XXXX XXXX XXXX 38 -
XXXX XXXX XXXX XXXX XXXX XXXX XXXX XXXX 39 -
/03 =
-----
----- -X-- ----- 40 - /CLR+
----- -X- -X- ----- 41 - /03*/02+
----- -X- -X- ----- 42 - /03*/01+
----- -X- -X- ----- 43 - /03*/00+
----- -X- -X- -X- -X- ----- 44 - 03*02*01*00
XXXX XXXX XXXX XXXX XXXX XXXX XXXX XXXX 45 -
XXXX XXXX XXXX XXXX XXXX XXXX XXXX XXXX 46 -
XXXX XXXX XXXX XXXX XXXX XXXX XXXX XXXX 47 -
=
XXXX XXXX XXXX XXXX XXXX XXXX XXXX XXXX 48 -
XXXX XXXX XXXX XXXX XXXX XXXX XXXX XXXX 49 -
XXXX XXXX XXXX XXXX XXXX XXXX XXXX XXXX 50 -
XXXX XXXX XXXX XXXX XXXX XXXX XXXX XXXX 51 -
XXXX XXXX XXXX XXXX XXXX XXXX XXXX XXXX 52 -
XXXX XXXX XXXX XXXX XXXX XXXX XXXX XXXX 53 -
XXXX XXXX XXXX XXXX XXXX XXXX XXXX XXXX 54 -
XXXX XXXX XXXX XXXX XXXX XXXX XXXX XXXX 55 -
/BDOUT =
-----
----- -X- -X- -X- -X- ----- 56 -
----- -X- -X- -X- -X- ----- 57 - /BD*03*/02*/01*00
XXXX XXXX XXXX XXXX XXXX XXXX XXXX XXXX 58 -
XXXX XXXX XXXX XXXX XXXX XXXX XXXX XXXX 59 -
XXXX XXXX XXXX XXXX XXXX XXXX XXXX XXXX 60 -
XXXX XXXX XXXX XXXX XXXX XXXX XXXX XXXX 61 -
XXXX XXXX XXXX XXXX XXXX XXXX XXXX XXXX 62 -
XXXX XXXX XXXX XXXX XXXX XXXX XXXX XXXX 63 -

```

Figure 19. Fuse Map

ADVANCED SOFTWARE

PALASM, while extremely useful in generating the fuse map, does little to help formulate the logic equations. This is what the new software packages such as ABEL and CUPL address. They not only generate the fuse map, but they also help in developing the logic equations. In most cases, they can generate the logic equations from simply providing the program with either a truth table or state diagram. In addition, they can test the logic equations against a set of test vectors. This helps ensure the designer gets the desired function.

These are only a few of the features available on these new advanced software packages. We recommend that the reader contact the specific manufacturers themselves to obtain the latest information available. For your convenience, at the end of this application note we have included the addresses and phone numbers for many of these programming and software companies.

As an example, we will approach our previous design utilizing DATA I/O's ABEL package. The purpose here is not to teach the reader how to use ABEL, but rather to give them a basic overview of this powerful software package. Figure 20 shows the source file required by ABEL. Note that the 4-bit counter has been described with a state diagram table. When the ABEL program is compiled, the logic equations will be generated from this. The equations for CLK OUT and BD OUT have been

given in their final form to demonstrate how ABEL would handle these. Also notice that test vectors are included for checking the logic equations. This is especially important when only the logic equations has been given.

Figure 21 shows some of the output documentation generated by the program. Notice that the equations generated for the counter, match the the ones generated by the Karnaugh maps. A pinout for the device has also been generated and displayed. The fuse map for the device has not been shown, but looks very similar to the one in Figure 19. As with the PALASM program, this information can be down loaded into the device programmer.

PERFORMANCE

Up to this point, nothing has been said about the performance of these devices. The Standard High Speed PAL (indicated by an "A" after the device number) offered by TI has a maximum propagation of 25 ns from input to output, and 35 MHz f_{max} . Also available is a new, higher speed family of devices called TIBPALs. These devices are functionally equivalent with the current family and offer a maximum propagation delay of 15 ns from input to output. They are also rated at 50 MHz f_{max} . The higher speeds on these devices make them compatible with most high-speed logic families. This allows them to be designed into more critical speed path applications.

```

module BD_COUNT flao /-r2/
title /4-bit binary/decade counter

    ICI device 'P16R4';

" pin assignments and constant declarations
    CLK_IN,SEL0,SEL1,CLKA pin 1,2,3,4;
    CLKB,CLKC,CLKD pin 5,6,7;
    CLR,BD_IN,OE pin 8,9,11;
    BD_OUT,CLK_OUT pin 12,19;
    Q3,Q2,Q1,Q0 pin 14,15,16,17;
    CK, L, H, X, Z = .C, .0, .1, .X, .Z.;
    OUTPUT = [Q3,Q2,Q1,Q0];

" counter states
    S0=^b0000; S4=^b0100; S8=^b1000; S12=^b1100;
    S1=^b0001; S5=^b0101; S9=^b1001; S13=^b1101;
    S2=^b0010; S6=^b0110; S10=^b1010; S14=^b1110;
    S3=^b0011; S7=^b0111; S11=^b1011; S15=^b1111;

equations
" clock selector
    CLK_OUT = CLKA & 'SEL0 & 'SEL1 # CLKB & 'SEL1 & SEL0
              # CLKC & SEL1 & 'SEL0 # CLKD & SEL1 & SEL0;

" count nine indicator for decade counting
    BD_OUT = !('BD_IN & Q3 & 'Q2 & 'Q1 & Q0);

state_diagram [Q3,Q2,Q1,Q0]
    State S0: IF CLR == 0 THEN S0 ELSE S1;
    State S1: IF CLR == 0 THEN S0 ELSE S2;
    State S2: IF CLR == 0 THEN S0 ELSE S3;
    State S3: IF CLR == 0 THEN S0 ELSE S4;
    State S4: IF CLR == 0 THEN S0 ELSE S5;
    State S5: IF CLR == 0 THEN S0 ELSE S6;
    State S6: IF CLR == 0 THEN S0 ELSE S7;
    State S7: IF CLR == 0 THEN S0 ELSE S8;
    State S8: IF CLR == 0 THEN S0 ELSE S9;
    State S9: IF CLR == 0 THEN S0 ELSE S10;
    State S10: IF CLR == 0 THEN S0 ELSE S11;
    State S11: IF CLR == 0 THEN S0 ELSE S12;
    State S12: IF CLR == 0 THEN S0 ELSE S13;
    State S13: IF CLR == 0 THEN S0 ELSE S14;
    State S14: IF CLR == 0 THEN S0 ELSE S15;
    State S15: IF CLR == 0 THEN S0 ELSE S0;

test_vectors /clock selector/
((CLKA, CLKB, CLKC, CLKD, SEL1, SEL0) -> CLK_OUT)
[ L , X , X , X , L , L ] -> L;
[ H , X , X , X , L , L ] -> H;
[ X , L , X , X , L , H ] -> L;
[ X , H , X , X , L , H ] -> H;
[ X , X , L , X , H , L ] -> L;
[ X , X , H , X , H , L ] -> H;
[ X , X , X , L , H , H ] -> L;
[ X , X , X , H , H , H ] -> H;

test_vectors /counter/
((CLK_IN, OE, CLR, BD_IN) -> (OUTPUT, BD_OUT))
[ CK, L , L , X ] -> [ S0, H ];
[ CK, L , H , X ] -> [ S1, H ];
[ CK, L , H , X ] -> [ S2, H ];
[ CK, L , H , X ] -> [ S3, H ];
[ CK, L , H , X ] -> [ S4, H ];
[ CK, L , H , X ] -> [ S5, H ];
[ CK, L , H , X ] -> [ S6, H ];
[ CK, L , H , X ] -> [ S7, H ];
[ CK, L , H , X ] -> [ S8, H ];
[ CK, L , H , L ] -> [ S9, L ];
[ CK, L , H , X ] -> [ S10, H ];
[ CK, L , H , X ] -> [ S11, H ];
[ CK, L , H , X ] -> [ S12, H ];
[ CK, L , H , X ] -> [ S13, H ];
[ CK, L , H , X ] -> [ S14, H ];
[ CK, L , H , H ] -> [ S15, H ];
[ CK, L , H , X ] -> [ S0, H ];
[ X , H , X , X ] -> [ Z , H ];
end BD_COUNT

```

Figure 20. Source File for ABEL

ABEL(tm) Version 1.00 - Document Generator
4-bit binary/decade counter

Equations for Module BD_COUNT

Device IC1

Reduced Equations:

```
CLK_OUT = !((SEL1 & SELO & !CLKD
            # (SEL1 & !SELO & !CLKC
            # (!SEL1 & SELO & !CLKB
            # !SEL1 & !SELO & !CLKA)))));
```

```
BD_OUT = !(Q3 & !Q2 & !Q1 & Q0 & !BD_IN);
```

```
Q3 := !((Q3 & Q2 & Q1 & Q0
        # (!Q3 & !Q2
        # (!Q3 & !Q1
        # (!Q3 & !Q0
        # !CLR)))));
```

```
Q2 := !((Q2 & Q1 & Q0 # (!Q2 & !Q1 # (!Q2 & !Q0 # !CLR))););
```

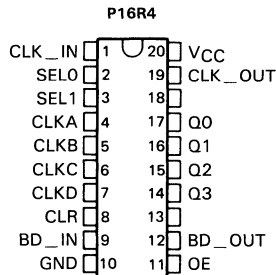
```
Q1 := !((Q1 & Q0 # (!Q1 & !Q0 # !CLR)));;
```

```
Q0 := !((Q0 # !CLR));;
```

ABEL(tm) Version 1.00 - Document Generator
4-bit binary/decade counter

Chip diagram for Module BD_COUNT

Device IC1



end of module BD_COUNT

Figure 21. ABEL Output Documentation

ADDRESSES FOR PROGRAMMING AND SOFTWARE MANUFACTURERS*

HARDWARE MANUFACTURERS

Citel
3060 Raymond St.
Santa Clara, CA 95050
(408) 727-6562

DATA I/O
10525 Willows Rd.
Redmond, WA 98052
(206) 881-6444

DIGITAL MEDIA
3178 Gibraltar Ave.
Costa Mesa, CA 92626
(714) 751-1373

Kontron Electronics
630 Price Avenue
Redwood City, CA 94063
(415) 361-1012

Stag Micro Systems
528-5 Weddell Drive
Sunnyvale, CA 94086
(408) 745-1991

Storey Systems
3201 N. Hwy 67, Suite H
Mesquite, Tx 75150
(214) 270-4135

Structured Design
1700 Wyatt Dr., Suite 7
Santa Clara, CA 95054
(408) 988-0725

Sunrise Electronics
524 S. Vermont Avenue
Glendora, CA 91740
(213) 914-1926

Valley Data Sciences
2426 Charleston Rd.
Mountain View, CA 94043
(415) 968-2900

Varix
1210 Campbell Rd.
Richardson, TX 75081
(214) 437-0777

Wavetec/Digelec
586 Weddel Dr., Suite 1
Sunnyvale, CA 94089
(408) 745-0722

SOFTWARE MANUFACTURERS

Assisted Technologies (CUPL)
2381 Zanker Road, Suite 150
Santa Clara, CA 95050
(408) 942-8787

DATA I/O (ABEL)
10525 Willows Rd.
Redmond, WA 98052
(206) 881-6444

*Texas Instruments does not endorse or warrant the suppliers referenced.

Reference

1. H. Troy Nagle, Jr., B.D. Carroll, and David Irwin, *An Introduction to Computer Logic*. New Jersey: Prentice-Hall, Inc., 1975.

Hard Array Logic (HAL[®])



IMPORTANT NOTICE

Texas Instruments (TI) reserves the right to make changes in the devices or the device specifications identified in this publication without notice. TI advises its customers to obtain the latest version of device specifications to verify, before placing orders, that the information being relied upon by the customer is current.

TI warrants performance of its semiconductor products to current specifications in accordance with TI's standard warranty. Testing and other quality control techniques are utilized to the extent TI deems such testing necessary to support this warranty. Unless mandated by government requirements, specific testing of all parameters of each device is not necessarily performed.

In the absence of written agreement to the contrary, TI assumes no liability for TI applications assistance, customer's product design, or infringement of patents or copyrights of third parties by or arising from use of semiconductor devices described herein. Nor does TI warrant or represent that any license, either express or implied, is granted under any patent right, copyright, or other intellectual property right of TI covering or relating to any combination, machine, or process in which such semiconductor devices might be or are used.

Copyright © 1985, Texas Instruments Incorporated

INTRODUCTION

The purpose of this document is to provide the design and component engineer with a better understanding of Hard Array Logic (HAL®). [It details both the advantages and disadvantages of HAL and Programmable Array Logic (PAL®) designs as a means of aiding the design and component engineer in deciding whether to go to a HAL device or to remain with the (PAL) product.] More importantly, this document also defines the procedures to be used by the customer when ordering HALs from Texas Instruments.

PRODUCT DESCRIPTION

Programmable Array Logic (PAL) technology constitutes one of the fastest growing areas in the semiconductor industry today. This growth exists because PALs offer circuit flexibility and package count reduction, an advantage which design and component engineers find over standard catalog devices. Another advantage PALs offer is shorter design cycle times when compared to semicustom design approaches. However, once a PAL design has been proven and is to be phased into full production, the flexibility advantage inherently becomes costly since each PAL device must be individually programmed. Therefore, programming cost may be appreciable where a design requirement calls for a high total volume level. This is where a HAL design can become cost effective. HAL circuits are fixed and do not require individual programming.

PALs and HALs are fabricated in the same manner except for their final two metallization layers. In PALs the programmable titanium-tungsten fuse array is provided which gives the PAL its circuit flexibility. However, in a HAL, a custom metallization mask is used, which places solid metal links in the fuse locations to match the unblown fuse locations of the equivalent programmed PAL. The end result is a custom logic device that does not require programming by the customer.

HAL USER BENEFITS

Short Leadtime

HALs offer shorter leadtimes as compared with semicustom devices such as standard cell and gate array devices because the metallization photomasks are

automatically generated from the equivalent PAL logic equations. This gives the design engineer an alternative approach through the use of the equivalent programmed PAL.

Lower Device Cost

HAL device cost can typically be 25% to 30% less on high volume levels when compared to an equivalent PAL.

Improved Testability

HALs allow TI to functionally test to a higher level and provide more specific ac testing because the device function is defined. Improved testability, means a HAL can be considered a true Ship-to-Stock component resulting in additional cost savings because incoming test is now optional for the customer.

Less Power Consumption

HALs consume less power than the equivalent PAL device because power consumption of the programming circuitry has been eliminated.

No Programming-Yield Losses

HALs do not have programming-yield losses because there is no individual programming.

HAL CONVERSION CONSIDERATIONS AND REQUIREMENTS

Remembering that a HAL's logic function is permanent and once fabricated cannot be altered, the following questions should be carefully considered by the design engineer before attempting to convert a PAL design into a HAL:

1. Is the PAL design code proven and not likely to change?
2. What is the total volume requirement?

As a general rule, Texas Instruments will accept orders on HALs if the total volume level for 1 year equals or exceeds 10,000 units per code. In addition, individual shipment quantities must be at least 2,000 units per code. Total volume levels of less than 10,000 units per code usually do not justify the tooling costs involved in generating the final two metallization photomasks. If your total volume level is marginal, please contact your local TI field sales representative for assistance.

HAL is a registered trademark of Monolithic Memories Inc.
PAL is a registered trademark of Monolithic Memories Inc.

INFORMATION REQUIRED BY TI TO START THE HAL DESIGN PROCESS

The information Texas Instruments needs to start a HAL design is fairly minimal and is a direct result of a PAL design. At the end of this document is a copy of the TI HAL Product Specification Form. For the customer's convenience, the HAL Product Specification Form may be removed. Additional copies of the HAL Product Specification Forms can be obtained from the local TI field sales representative. When completed, the form should be turned over to the local TI field sales representative for processing. This form will provide TI with all the information necessary to start the first phase of the HAL design process.

The HAL Product Specification Form is divided into two parts, Part A and Part B. When filled out and completed, Part A will contain general information and Part B will define the actual HAL design. For Part B, printouts of a PAL design generated by ABEL™, CUPL™, or PALASM™, with an equivalent diskette or 800/1600 BPI magnetic tape can be used as a satisfactory replacement for the required information. Additionally, a programmed PAL can also be used as a satisfactory replacement for the information required in Part B.

Once the completed HAL Product Specification Form is received, TI will assign a unique "SN" number to the request and then generate a design data base from the information. From this design data base, custom metallization photomasks can be generated. However, before TI actually generates the custom photomasks, an equivalent PAL is programmed from the design data base and returned to the customer for functional verification.

In addition to sending a programmed equivalent PAL, TI will also send a Print Evaluation and Acceptance Form which finalizes product specifications and testing procedures.

Once the signed Print Evaluation and Acceptance Form and the customer's guaranteed purchase order is returned, TI will then generate the custom metallization photomasks.

Texas Instruments will treat all information submitted by the customer as confidential and if required, enter into a Non-Disclosure Agreement.

SWITCHING HAZARD ANALYSIS REPORT

As a service to our customers, TI has a systematic computer simulation program that can analyze any sum-of-product design for potential switching hazards. This program is also capable of generating a hazard-free equivalent circuit if possible. Due to product term limitations, some hazards cannot be eliminated. In these cases, the analysis will identify the hazards and issue a warning.

ABEL is a trademark of Data I/O
 CUPL is a trademark of Assisted Technology, Incorporated
 PALASM is a trademark of Monolithic Memories Incorporated

The hazard analysis report is automatically generated from the customer's design data base and a copy is sent to the customer along with the programmed equivalent PAL and Print Evaluation and Acceptance Form.

HAL PRODUCT TESTING

Due to similar architectures, HALs are tested to the same dc and ac test specifications as PALs. However, since the functionality of a HAL is known, a more specific functional and ac test is performed.

Functional test patterns are automatically generated from the customer's design data base. These patterns are then graded for completeness and incorporated in the final test program.

Since HALs are comparable to standard catalog devices, they are tested to the same rigorous process flows. This ensures that when ordering HALs, the customer will receive the same high quality that they are accustomed to when ordering standard catalog devices. Flows typically include 1) 100% functional and parametric dc testing at 25 °C and 80 °C, 2) 100% ac testing at 25 °C guardbanded for 80 °C, and 3) QA sampling for 1) and 2) above. Custom flow or PEP3/PEP4 flows may be accommodated.

TI SUPPORTED HALS

The following list of PALs is presently being supported by HALs. As new PALs are introduced by TI, such as the recently announced 15 ns IMPACT™ PAL, the HAL equivalent devices will be available shortly thereafter.

To obtain the latest list of TI supported HALs, please contact your local TI field sales representative.

| SUPPORTED HAL | PAL EQUIVALENT | HAL AVAILABILITY |
|---------------|----------------|------------------|
| HAL16L8A | PAL16L8A | NOW |
| HAL16R4A | PAL16R4A | NOW |
| HAL16R6A | PAL16R6A | NOW |
| HAL16R8A | PAL16R8A | NOW |
| HAL16L8A-2 | PAL16L8A-2 | NOW |
| HAL16R4A-2 | PAL16R4A-2 | NOW |
| HAL16R6A-2 | PAL16R6A-2 | NOW |
| HAL16R8A-2 | PAL16R8A-2 | NOW |
| HAL16L8-15 | TIBPAL16L8-15 | NOW |
| HAL16R4-15 | TIBPAL16R4-15 | NOW |
| HAL16R6-15 | TIBPAL16R6-15 | NOW |
| HAL16R8-15 | TIBPAL16R8-15 | NOW |
| HAL16L8-25 | TIBPAL16L8-25 | NOW |
| HAL16R4-25 | TIBPAL16R4-25 | NOW |
| HAL16R6-25 | TIBPAL16R6-25 | NOW |
| HAL16R8-25 | TIBPAL16R8-25 | NOW |

IMPACT is a trademark of Texas Instruments Incorporated

HAL PRODUCT SPECIFICATION FORM

Part A — General Information

Company Name: _____

Engineer's Name: _____

Title: _____

Company Address: _____

Phone Number: () _____

Local TI FSE:
(or TI sales office) _____

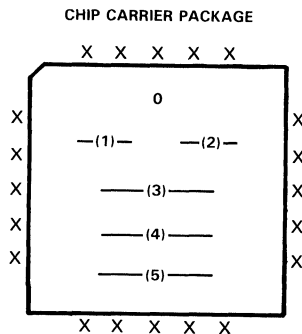
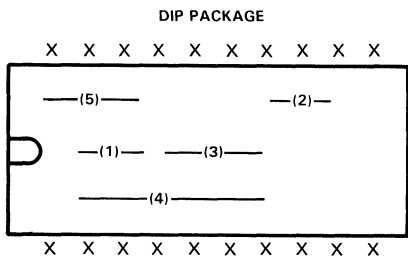
HAL Device Type:
(HAL16L8, HAL16R8, etc.): _____

Volume Level Req'd: _____

Package Type: Plastic DIP Plastic Chip Carrier

Glitch Analysis Req'd.: Yes No

HAL Symbolization Format



- (1) = TI Logo
- (2) = Manufacturing Data Code
- (3) = TI Custom Part Number (SNXXXXX)
- (4) = Customer Part Number (including any revisions)
 Ten Characters maximum for DIP package
 Eight characters maximum for chip carrier
- (5) = Country of Origin

Customer Part Number
 [Refer to item (4) above] _____

A Designer's Guide to the TIBPSG507

Robert K. Breuninger and Loren E. Schiele
with Contributions by
Joshua K. Peprah



TEXAS
INSTRUMENTS

IMPORTANT NOTICE

Texas Instruments (TI) reserves the right to make changes in the devices or the device specifications identified in this publication without notice. TI advises its customers to obtain the latest version of device specifications to verify, before placing orders, that the information being relied upon by the customer is current.

TI warrants performance of its semiconductor products to current specifications in accordance with TI's standard warranty. Testing and other quality control techniques are utilized to the extent TI deems such testing necessary to support this warranty. Unless mandated by government requirements, specific testing of all parameters of each device is not necessarily performed.

In the absence of written agreement to the contrary, TI assumes no liability for TI applications assistance, customer's product design, or infringement of patents or copyrights of third parties by or arising from use of semiconductor devices described herein. Nor does TI warrant or represent that any license, either express or implied, is granted under any patent right, copyright, or other intellectual property right of TI covering or relating to any combination, machine, or process in which such semiconductor devices might be or are used.

Copyright © 1987, Texas Instruments Incorporated

Contents

| | <i>Title</i> | <i>Page</i> |
|---|--------------|-------------|
| INTRODUCTION | | 3-37 |
| FUNCTIONAL DESCRIPTION | | 3-37 |
| THEORY OF OPERATION | | 3-37 |
| Example 1: Waveform Generator | | 3-39 |
| Example 2: Refresh Timer | | 3-42 |
| Example 3: Dynamic Memory Timing Controller | | 3-45 |
| DESIGNER NOTES | | 3-51 |
| Obtaining Maximum Counter Performance | | 3-51 |
| Expanding the 6-Bit Counter | | 3-51 |
| Software Support | | 3-51 |

Appendixes

| | | |
|---|----------------------------|------|
| A | ABEL Files | 3-57 |
| B | CUPL Files | 3-67 |
| C | 'PSG507 Fuse Numbers | 3-79 |

List of Illustrations

| <i>Figure</i> | <i>Title</i> | <i>Page</i> |
|---------------|--|-------------|
| 1 | PSG Architecture | 3-38 |
| 2 | Clock Generator Timing Requirements | 3-39 |
| 3 | SCLR at COUNT 11 | 3-40 |
| 4 | Waveform Generator | 3-41 |
| 5 | Refresh Timer Requirements | 3-42 |
| 6 | Expanding to 7-Bit Binary Counter | 3-43 |
| 7 | Refresh Timer | 3-44 |
| 8 | Memory Timing Controller | 3-45 |
| 9 | Flow Chart: Dynamic Memory Timing Controller | 3-46 |
| 10 | Access Cycle | 3-47 |
| 11 | Refresh/Access Grant Cycle | 3-48 |
| 12 | Counter Control Logic | 3-49 |
| 13 | Memory Timing Controller | 3-50 |
| 14 | Registered SCLR Example | 3-52 |
| 15 | Expanding the 9-Bit Counter | 3-53 |
| 16 | Resetting after COUNT 383 | 3-54 |
| 17 | Holding the 9-Bit Counter at COUNT 383 | 3-55 |



Application Reports

INTRODUCTION

The term PSG stands for Programmable Sequence Generator. The PSG is the newest member of the programmable logic family. It combines the powerful benefits of programmable array logic (PALs) with the specialized world of Field Programmable Logic Sequencers (FPLSs).

Applications such as waveform generators, state machines, timers, and simple logic reduction are all possible with a PSG. By utilizing the built-in binary counter, the PSG is capable of generating complex timing controllers. In short, the PSG offers the system designer an extremely powerful building block.

The purpose of this application report is to describe the functional operation of the PSG507 and demonstrate how it can be applied in real-world applications. Three design examples that highlight the features and flexibility of the PSG will be discussed.

FUNCTIONAL DESCRIPTION

Figure 1 shows the architecture of the PSG507. Major features include 13 inputs, eight programmable registered or nonregistered outputs, eight S/R state registers, and a 6-bit binary counter with control logic. The clock input is fuse-programmable for selection of positive or negative edge triggering.

The binary counter, state registers, and output cells are synchronously clocked by the fuse-programmable clock input. The clock polarity fuse selects either positive or negative edge triggering. Negative edge triggering is selected by blowing the clock polarity fuse. Leaving this fuse intact selects positive edge triggering.

Each output cell on the PSG can be configured for registered or nonregistered operation through the output multiplexer fuse. Nonregistered operation is selected by blowing the output multiplexer fuse. Leaving this fuse intact selects registered operation.

The PSG507 has 13 inputs, each providing a true and complement input to the AND array. Pin 17 functions as either an input and/or an output enable. Blowing the output enable fuse lets pin 17 function as an output enable but does not disconnect pin 17 from the input array. When the output enable fuse is intact, pin 17 functions only as an input with the outputs being permanently enabled.

The 6-bit binary counter is controlled by a synchronous clear and a count/hold function. Each control function has a nonregistered and registered option. When either SCLR0 or SCLR1 is taken active high, the counter resets to zero

on the next active clock edge. When either $\overline{\text{CNT}}/\text{HLD0}$ or $\overline{\text{CNT}}/\text{HLD1}$ is taken active high, the counter is held at the present count and is not allowed to advance on each active clock edge. The SCLR feature overrides the $\overline{\text{CNT}}/\text{HLD}$ feature when both functions are simultaneously active high. The functional benefit of both these features will be further clarified in the examples shown later in this application report.

The eight internal state registers feed back into the AND array. These registers can be used to store input data, to keep track of binary count sequences, or they can be used as output registers when connected to a nonregistered output cell. The state registers differ from the output registers in that they feed back into the input array. They can also be used to override an operating sequence such as demonstrated in the designer notes located at the end of this application report. By using extra state registers, the 6-bit counter can be expanded as shown in the second example. Other uses of the internal state registers will become apparent upon reading the examples shown.

THEORY OF OPERATION

The PSG architecture is capable of operating in many different modes. When comparing the operation of a PSG to a PAL, the outputs in both devices can be configured as an AND/OR function of the inputs. One major difference between a PSG and a PAL is that a programmable OR array is used in the PSG. This allows a selected number of AND terms to be connected to each output as compared to a fixed number of AND terms assigned to each output on a PAL. The programmable OR array is the more efficient in that it lets the user assign the exact number of AND terms to each output as required by the application.

Another major difference between the PAL architecture and that of a PSG is that the output cells on a PSG are not fed back into the input array. Typically, output feedback is used for building a counter or for holding state information. Since the architecture of the PSG already includes state registers and a binary counter, the requirement for output feedback is eliminated in most applications. This is a benefit to the user because valuable output cells and AND terms are not wasted when generating these functions.

When a Field Programmable Logic Sequencer is compared to a PSG, the most obvious difference is the addition of a binary counter. Most state machine designs can be simplified by referencing all or part of each sequence to a binary count. This technique is highlighted in the third example shown in this application note. A comparison will also reveal that the output cells on a PSG can be configured

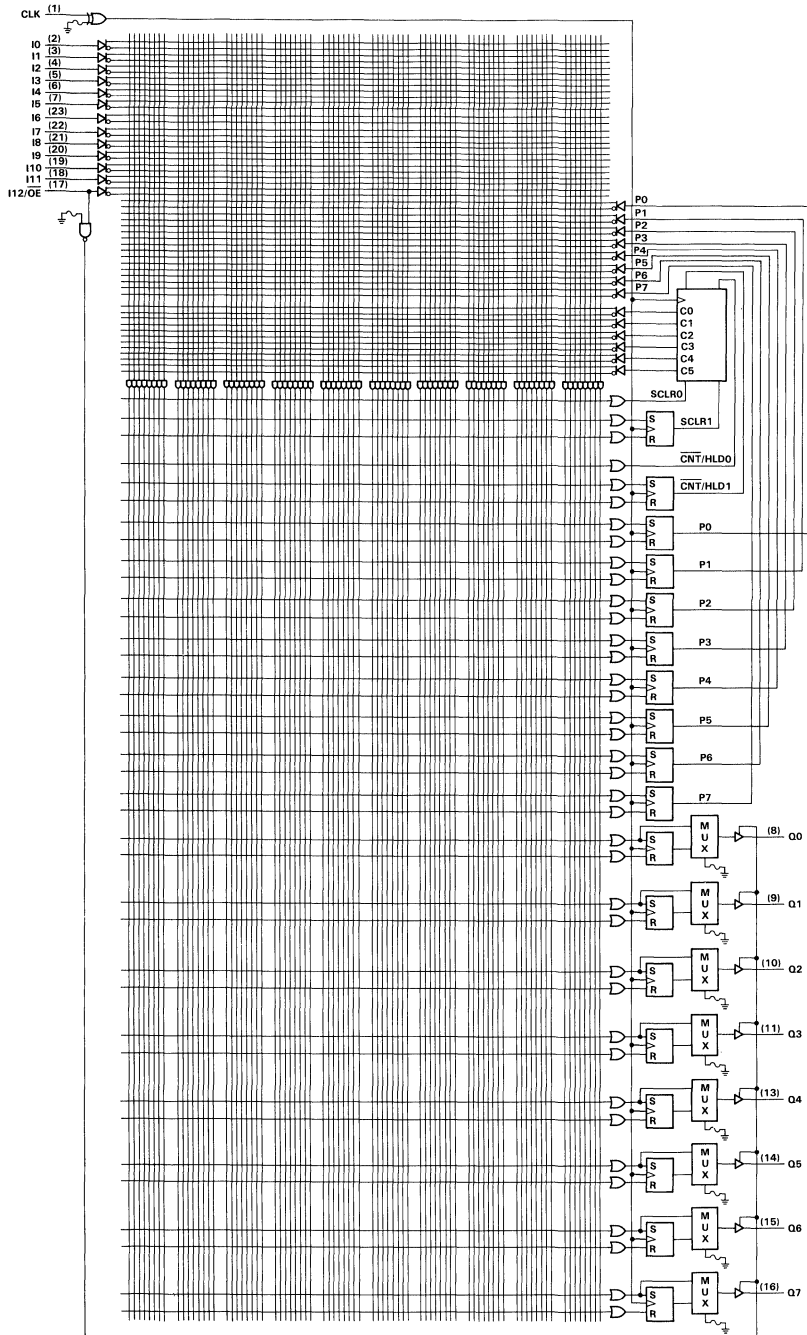


Figure 1. PSG507 Architecture

for nonregistered operation. This permits the outputs to be directly fed from the counter, AND/OR array, or state registers. Example 1 highlights this feature.

In short, the outputs of a PSG can be controlled by any or all of the following conditions:

- Present state of the inputs
- Present state of the binary counter
- Present state of the state holding registers

The key to understanding state machine design when using a PSG is to realize that different states can be assigned for each sequence. In other words, the assigned state determines which sequence is in operation. The length of each sequence is controlled by the SCLR function. Once the count sequence has been programmed to the desired length, each output can be easily decoded from the present state of the binary counter. The user will soon discover that complex state machines are easily developed when using this technique. This technique is demonstrated in Example 3.

Example 1: Waveform Generator

The first example demonstrates a design for a simple clock generator used for driving a microprocessor operating at 5 MHz (required duty cycle of 33.5% high, 66.5% low). In addition to the 5 MHz system clock (SYS CLK), a reference clock (REF CLK) operating at 15 MHz (50% duty cycle) and a peripheral clock (PCLK) operating at 2.5 MHz (50% duty cycle) are required for other timing controllers and peripherals throughout the system. Both clocks must be in close phase with the SYS CLK to guarantee synchronous operation within the system.

The above example demonstrates one of the many uses of the binary counter in the PSG. State registers are not used in this particular application, only the binary counter and three outputs. A 30 MHz clock, typically generated from a crystal, is used for driving the binary counter of the PSG. The three generated clock signals are decoded from the binary count. The unused inputs and outputs are still available for other sequential or combinational applications.

Figure 2 shows the timing diagram for the above application. For reference, a decimal count has been assigned

to the master clock (PSG CLK) of the PSG. As shown in the timing diagram, at count 11 (1011₂) the sequence is repeated. By using the SCLR0 function, a logic equation can be defined to reset the counter at count 11. This concept is demonstrated in Figure 3.

With the binary counter programmed to clear at 11, it is a simple matter to decode the outputs from the binary count. With the REF CLK equal to the inverse of binary count zero (C0), REF CLK can be directly generated from the binary counter. A product term is required to connect C0 to the output cell. The output register is bypassed by blowing the output multiplexer fuse. Figure 4 shows how C0 can be connected.

SYS CLK and PCLK are decoded from the present state of the binary counter through the S/R outputs. Since the S/R register holds its present state until changed, product terms have to be used only during output transitions. For example, when the binary counter reaches one, a product term is used to reset the SYS CLK on the next clock transition. Below is a summary of the product terms required to control SYS CLK and PCLK. Note that the output transitions are set up in the previous clock cycle. Also note that only one product term is used regardless of how many output terms switch. This is demonstrated at count 5 and count 11. Figure 4 also shows how SYS CLK and PCLK are connected.

| | |
|---------|-------------------------|
| CNT 1: | Reset SYS CLK |
| CNT 5: | Set SYS CLK, reset PCLK |
| CNT 7: | Reset SYS CLK |
| CNT 11: | Set SYS CLK, set PCLK |

This simple application demonstrates the basic concept of building a waveform generator using the PSG. This concept will be expanded further in Example 3 when a memory timing controller is developed. The basic rules for building a waveform generator are summarized below.

- Program the counter to reset to zero after the desired count length is reached.
- Generate the logic equations to control the outputs from the present state of the binary counter.

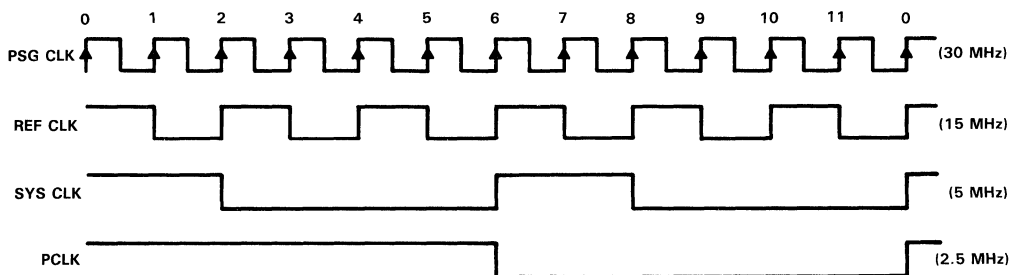


Figure 2. Clock Generator Timing Requirements (Example 1 — Waveform Generator)

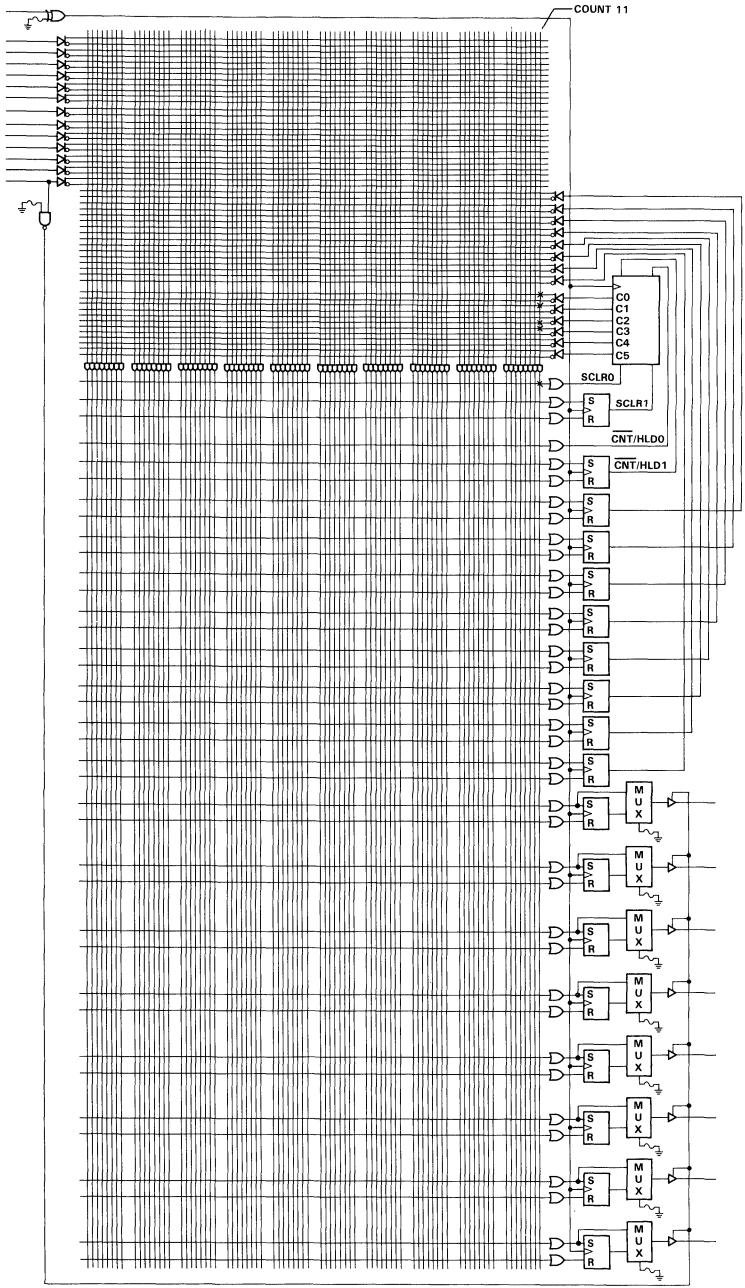


Figure 3. SCLR at COUNT 11
(Example 1 — Waveform Generator)

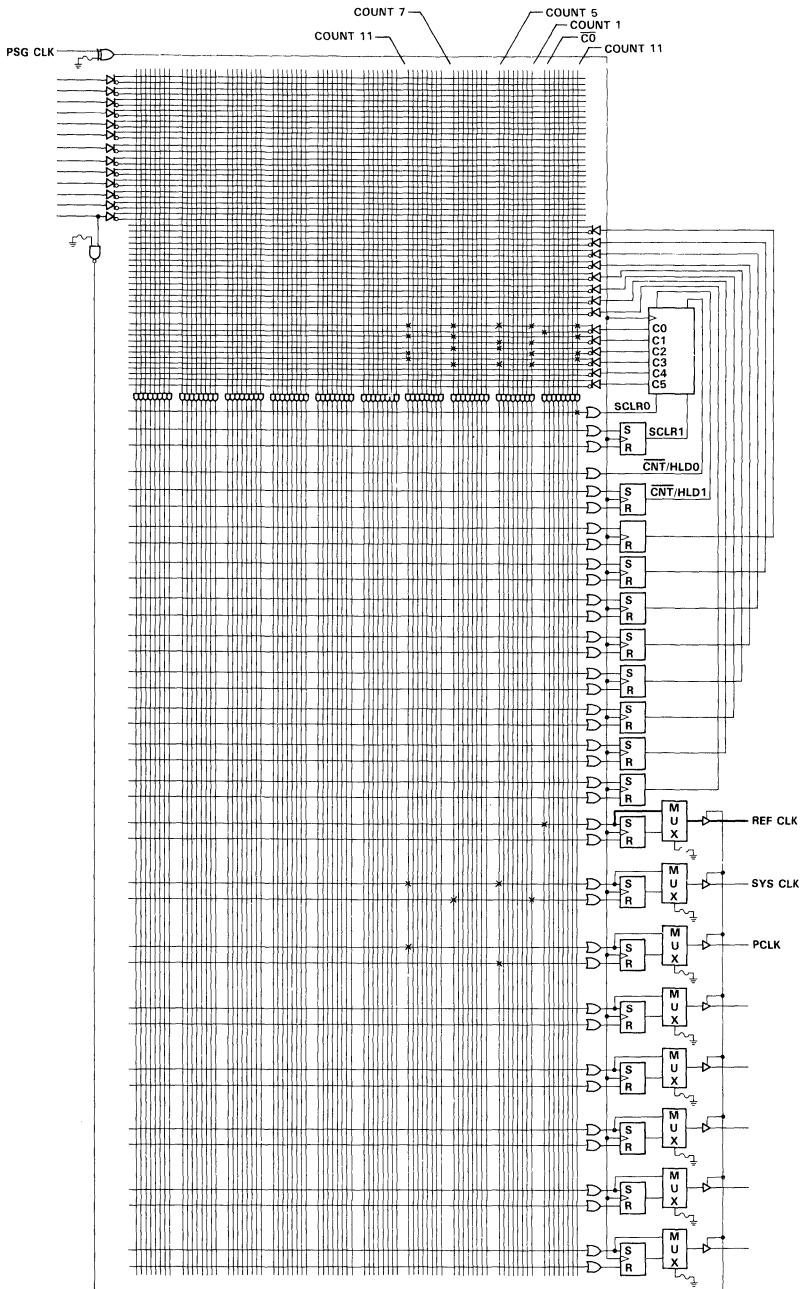


Figure 4. Waveform Generator
(Example 1)

Example 2: Refresh Timer

The second example demonstrates a design for a refresh timer used for signaling to a memory controller that it should execute a refresh cycle. As required by the dynamic memory, every row (256 on TMS4256) must be addressed once every 4 ms. One method used to guarantee that this requirement is met is to refresh one row at least once every 15.6 μ s. With a 5 MHz system clock, the timer should be set for a division rate of approximately 77 clock cycles. This condition will generate a refresh request every 15.4 μ s.

The memory controller executes the refresh request ($\overline{\text{REFREQ}}$) immediately if it is not involved in an access cycle. If the memory controller is executing an access cycle, then the refresh request will not be honored until the access cycle is completed. A refresh complete input (RFC) is required on the refresh timer to acknowledge when the refresh cycle has been completed by the memory controller. It is important that the timer does not stop, even though a refresh complete signal has not been received. This guarantees the refresh requirement is not violated. This also assumes the memory controller will complete the refresh request sometime in the next 77 clock cycles.

Figure 5 shows the timing diagram for the above application. A decimal count has been assigned to the PSG's master clock (PSG CLK) for reference. The counter is held at zero until the reset input is taken inactive low. Once the counter reaches 76 (equal to 77 clock cycles) the $\overline{\text{REFREQ}}$ output is driven active (low). The $\overline{\text{REFREQ}}$ output returns inactive high on the first positive clock edge after RFC goes

active high. RFC is the signal from the memory controller that tells the refresh timer when the refresh operation has been completed. The $\overline{\text{REFREQ}}$ output remains low until the RFC signal has been received.

In order to generate a refresh request every 77 clock cycles, a 7-bit counter is required. Since the internal counter of the PSG is 6 bits, one of the state holding registers is required to expand the counter to 7 bits. As shown in Figure 6, only two product terms are required to expand to 7 bits; one product term to set the register when the 6-bit counter reaches its full count (63), and one product term to reset the register after count 76. Since both the binary counter and the added register need to be reset after count 76, a single product line can be used for both. (For additional details on expanding the 6-bit counter of the PSG, see the designer notes at the end of this application report.)

Figure 7 shows the fuse map for the entire refresh timer. The refresh timer is initialized by taking the RESET input high. When RESET is taken high, a single product line is activated and all other product lines are disabled. On the next active clock edge, the binary counter and C6 are cleared and the $\overline{\text{REFREQ}}$ output is set high. The refresh timer will begin counting when RESET returns low. When the 7-bit counter reaches 76, a product line goes active (high) and on the next clock edge forces C6 and the 6-bit counter to zero. Note that the output register holding $\overline{\text{REFREQ}}$ is also reset to zero. The RFC input is connected to a product line which in turn is connected to the set input of the $\overline{\text{REFREQ}}$ output register. On the next active clock edge after RFC is taken high the $\overline{\text{REFREQ}}$ output will return high.

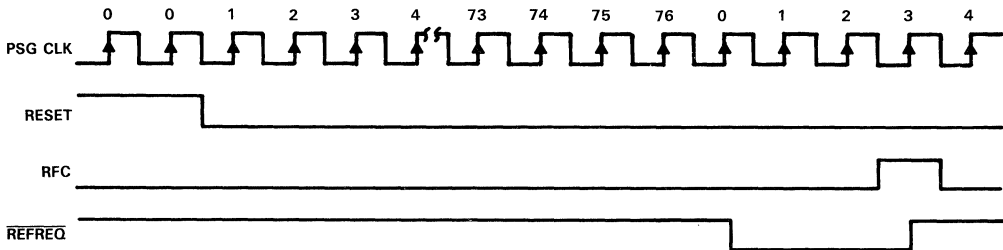


Figure 5. Refresh Timer Requirements
(Example 2 — Refresh Timer)

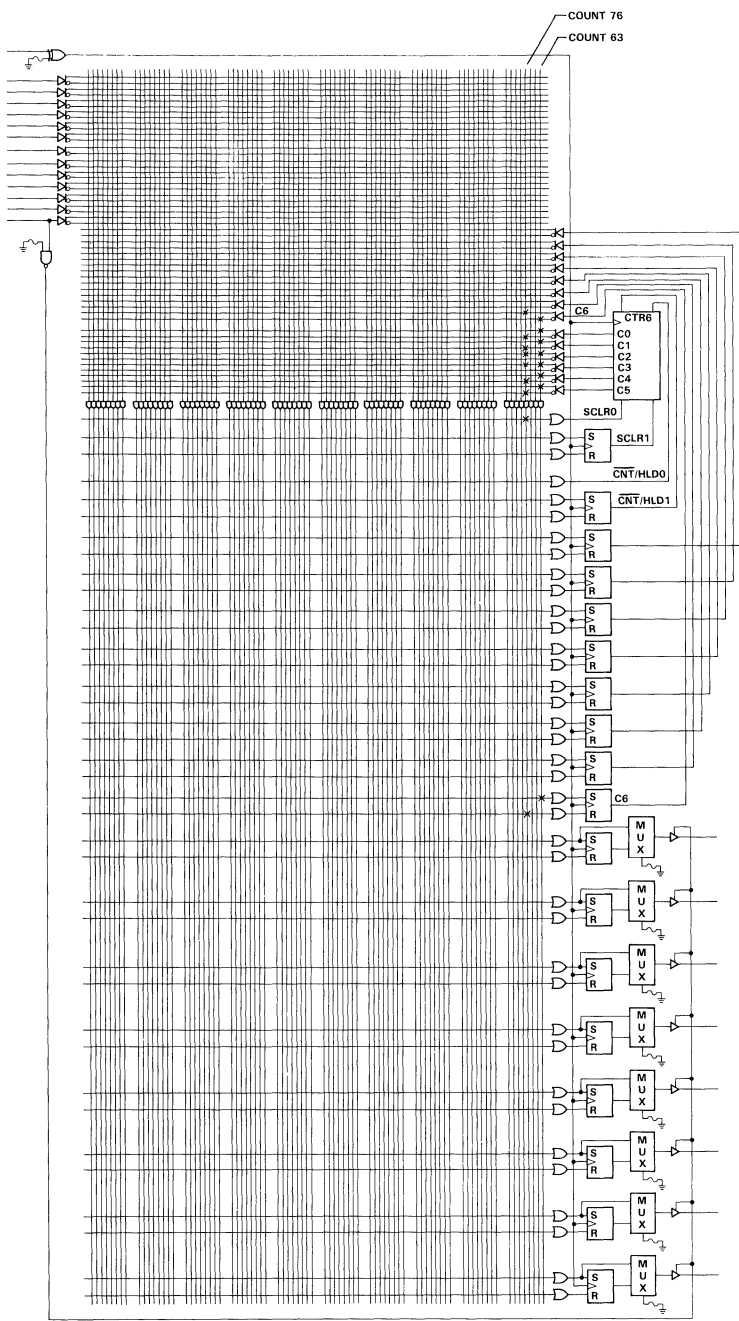


Figure 6. Expanding to 7-Bit Binary Counter
(Example 2 — Refresh Timer)

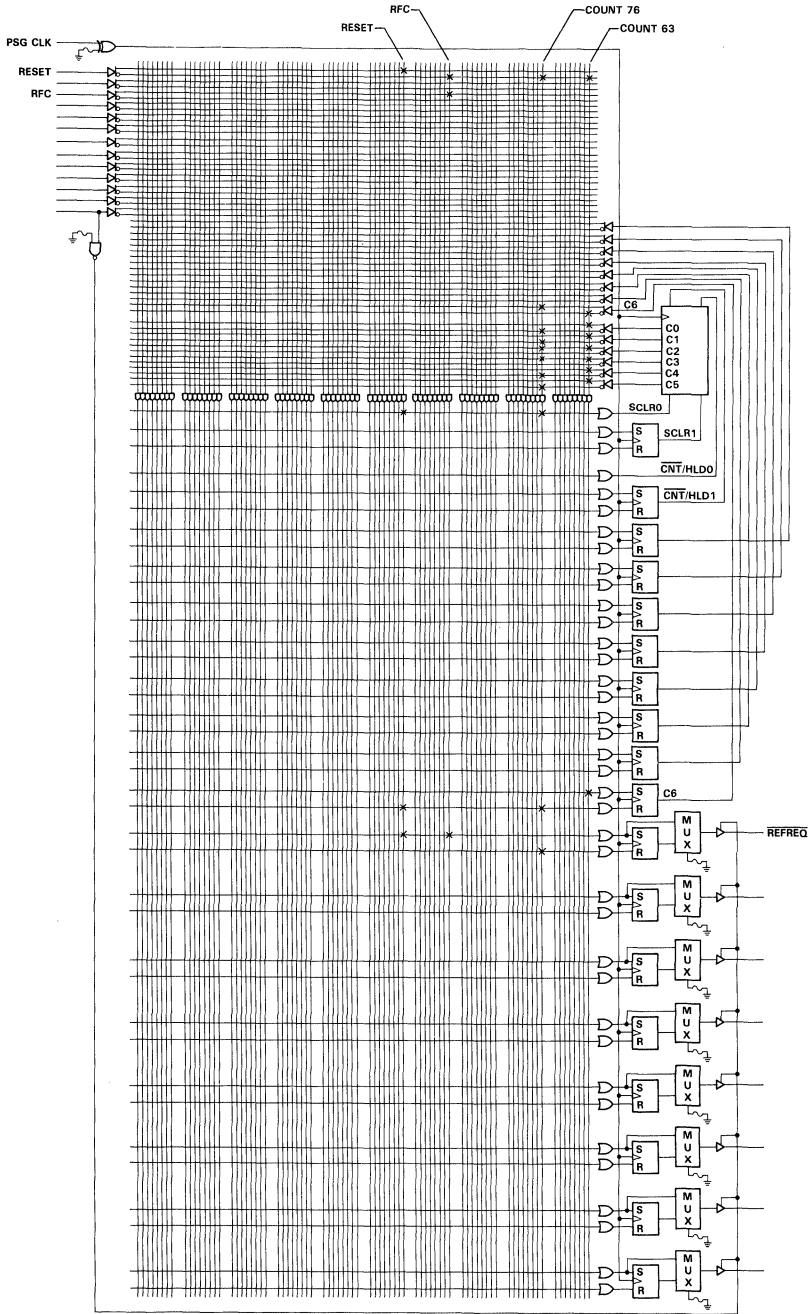


Figure 7. Refresh Timer
(Example 2)

Example 3: Dynamic Memory Timing Controller

The third and last example will demonstrate a state machine design using the PSG507. Figure 8 shows the circuit requirement for a memory timing controller used for interfacing an Intel 8086 to an 'ALS2967 dynamic memory controller. Note that the clock generator and refresh timer, developed in Examples 1 and 2, can be used in this circuit.

The dynamic memory timing controller generates the control signals (RAS, CAS, MSEL, etc.) needed for

accessing and refreshing the dynamic memory. The memory timing controller must also be capable of arbitrating between refresh and access cycles. In other words, if a refresh request (REFREQ) occurs while the timing controller is performing an access cycle, the controller must finish the access cycle before granting the refresh request. Likewise, if an access cycle is requested during a refresh cycle, the controller must hold the processor while completing the refresh cycle. After the refresh cycle has been completed, the access cycle can be performed.

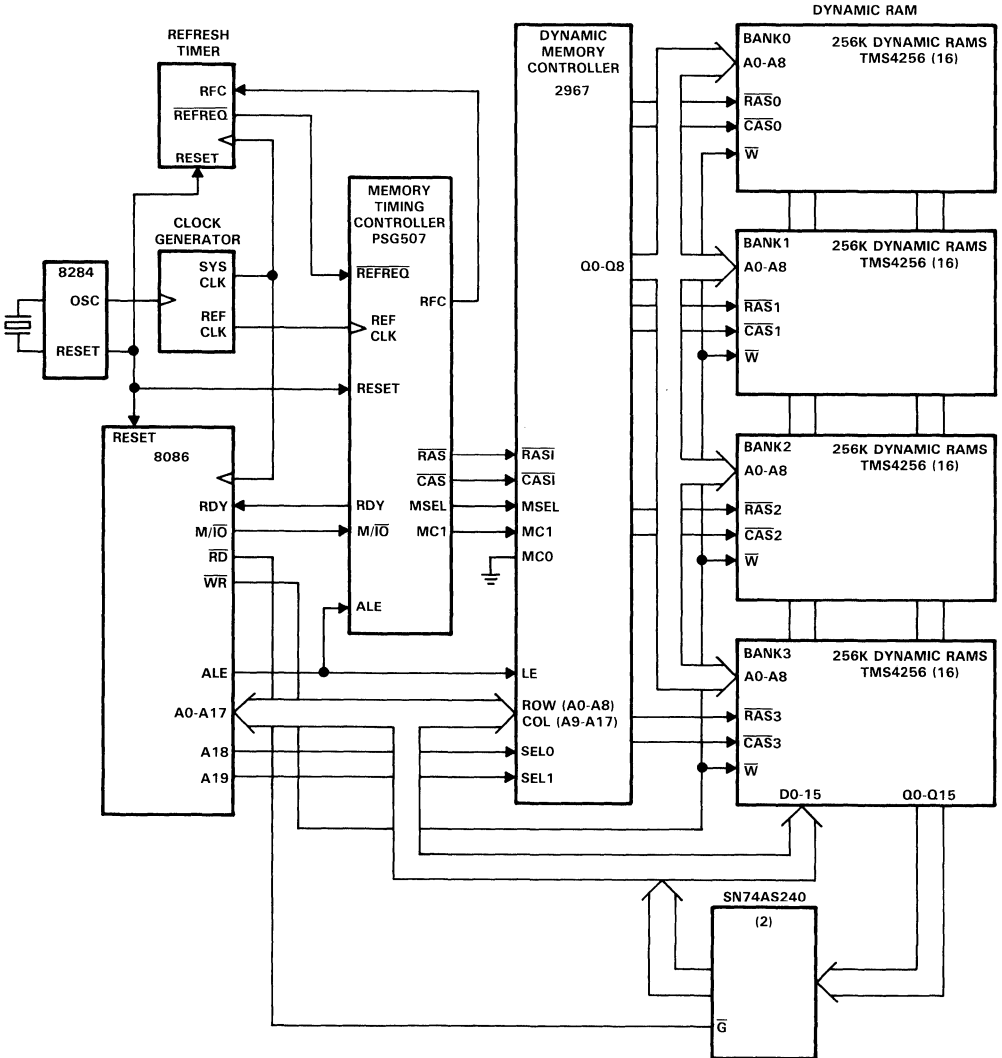


Figure 8. Memory Timing Controller (Example 3)

Figure 9 shows a detailed flow chart for the intended application. Note that two sequences are executed and three states are used. State 0 (ST0) provides an initialization and holding state, while state 1 (ST1) is assigned to the access sequence. The access sequence consists of 10 clock cycles as shown in Figure 10. State 2 (ST2) is assigned to the

refresh/access grant sequence (Figure 11). This particular sequence takes 20 clock cycles, with a logical decision being made between count 9 and count 10. If at count 9 RDY is low, the counter will continue on and execute the access grant sequence. If RDY is high, the controller will clear the counter and return to state 0.

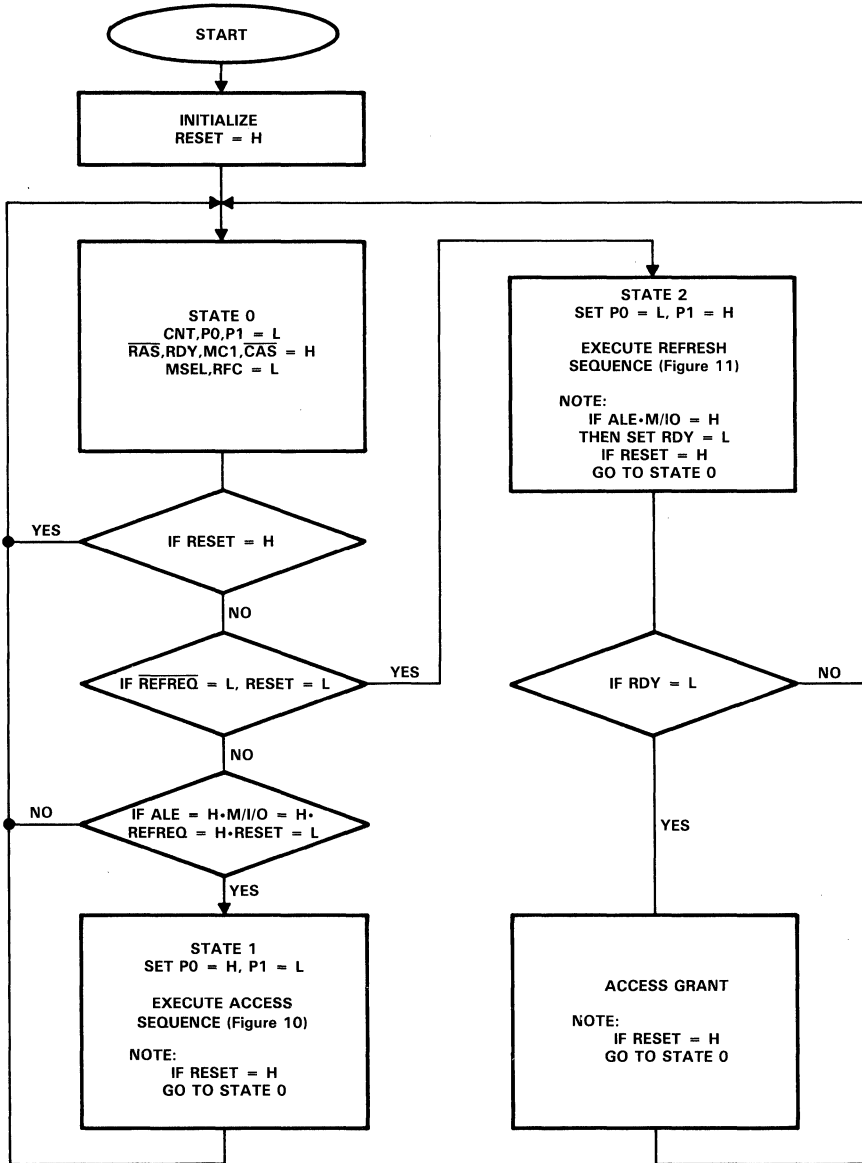


Figure 9. Flow Chart: Dynamic Memory Timing Controller

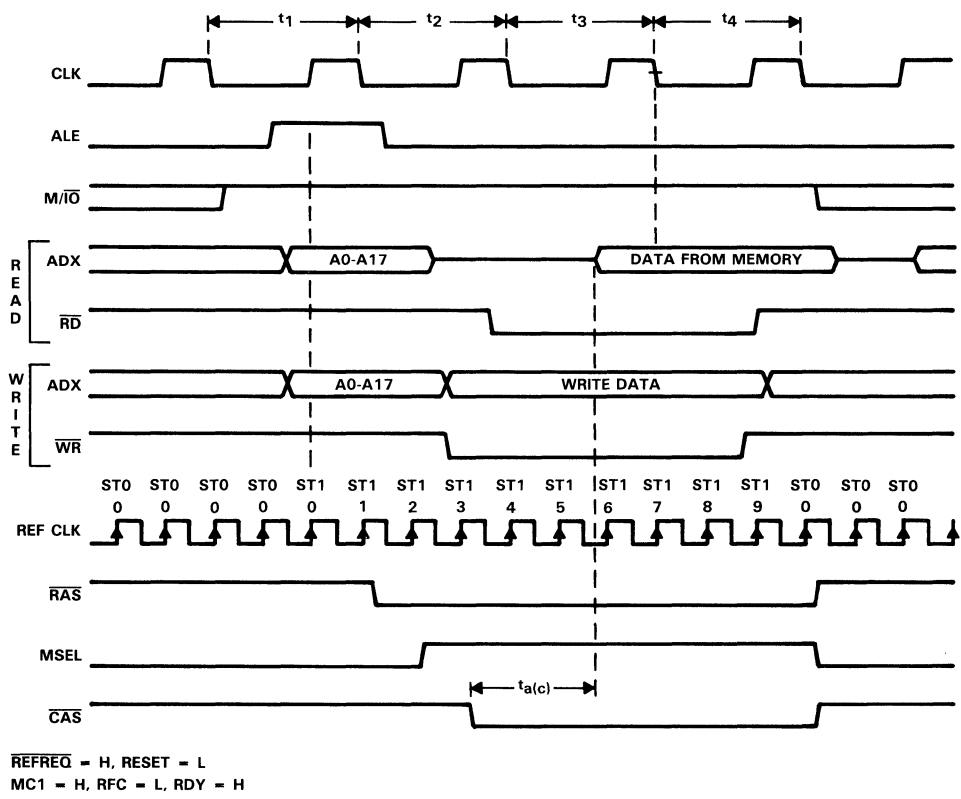


Figure 10. Access Cycle

Developing the logic equations for this application becomes a simple matter when referencing the sequences to a decimal count (Figures 10 and 11). It is important to realize that each sequence has been referenced to a state. This allows the same binary counter to be used for each sequence, even though each sequence is of a different length.

The first step in implementing the above application is to define the logic equations which will make the binary counter perform as described in the flow chart of Figure 9. As will become evident, these equations fall directly from the flow chart. After the counter has been made to perform as described, the outputs can be easily decoded from the binary count and the present state of the state holding registers.

Figure 12 shows a fuse map for step 1 as described above. Initialization is performed by taking the reset input high. When this condition occurs, all product lines except the reset product line are forced inactive. When the reset product line is active, the counter and state holding registers (P0 and P1) are reset to zero on the first active clock edge.

The $\overline{\text{CNT}}/\text{HLD1}$ register is set high, which places the counter in the hold mode. The RDY , MC1 , $\overline{\text{RAS}}$, and $\overline{\text{CAS}}$ outputs are driven high on the same active clock edge. Since the RDY output does not feed back to the AND array, a buried state register, BRDY , is used to monitor the RDY output and is also set high. MSEL and RFC are driven low.

Controlling the binary counter is a simple matter and normally takes only a couple of logic equations. For each sequence, a start and stop condition must be defined. In the case of ST1 , when the condition $\text{RESET} = \text{L}$, $\text{ALE} = \text{H}$, $\text{M}/\overline{\text{IO}} = \text{H}$, $\overline{\text{REFREQ}} = \text{H}$, $\text{P0} = \text{L}$, and $\text{P1} = \text{L}$ occurs, ST0 ($\text{P1} = \text{L}$, $\text{P0} = \text{L}$) changes to ST1 ($\text{P1} = \text{L}$, $\text{P0} = \text{H}$), and the $\overline{\text{CNT}}/\text{HLD1}$ register is driven low to let the counter advance on the next active clock edge. When the counter reaches nine, ST1 returns to ST0 and the counter is cleared and put back into the hold condition.

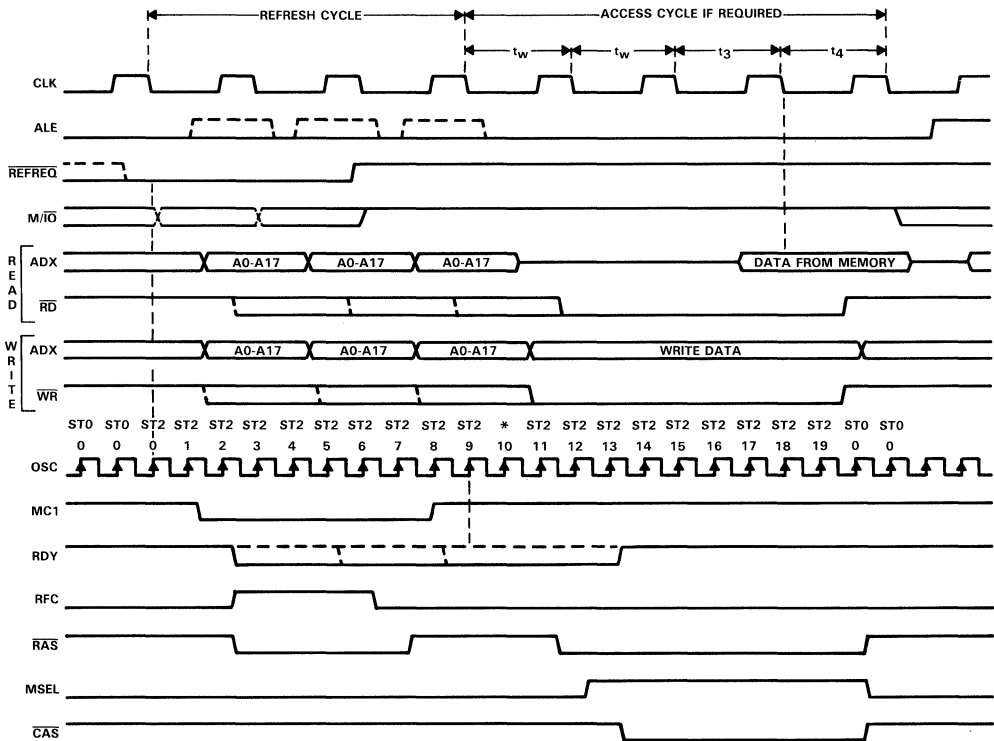
In the case of ST2 , when the condition $\text{RESET} = \text{L}$, $\overline{\text{REFREQ}} = \text{L}$, $\text{P0} = \text{L}$, and $\text{P1} = \text{L}$ occurs, ST0 changes to ST2 ($\text{P1} = \text{H}$, $\text{P0} = \text{L}$) and the $\overline{\text{CNT}}/\text{HLD1}$ register is driven low to let the counter advance on the next active clock

edge. As shown in the flow chart, if M/I/O and ALE go high while in state 2, RDY and BRDY will be reset low on the next active clock edge. When the counter reaches nine, if RDY (BRDY) is high the state registers are returned to ST0 and the counter is cleared and placed back into the hold condition. If RDY (BRDY) is low, the counter advances on until it reaches 19. ST2 then returns to ST0 with the counter being cleared and placed back into the hold condition.

With the binary counter programmed to execute the flow chart in Figure 9, it is now a simple matter of decoding the outputs to perform as required in Figures 10 and 11. This is the same technique used in Example 1, except now a state has been assigned to each sequence. Below is a summary of the switching requirements for both the access (ST1) and the refresh sequence (ST2).

| Access Sequence | | Refresh Sequence | |
|-----------------|--|------------------|---|
| ST1 CNT 0: | Reset \overline{RAS} | ST2 CNT 0: | Reset MC1 |
| ST1 CNT 1: | Set \overline{MSEL} | ST2 CNT 1: | Set \overline{RFC} , Reset \overline{RAS} |
| ST1 CNT 2: | Reset \overline{CAS} | ST2 CNT 5: | Reset \overline{RFC} |
| ST1 CNT 9: | Set \overline{RAS} , Reset \overline{MSEL} , Set \overline{CAS} | ST2 CNT 6: | Set \overline{RAS} |
| | | ST2 CNT 7: | Set $\overline{MC1}$ |
| | | ST2 CNT 10: | Reset \overline{RAS} |
| | | ST2 CNT 11: | Set \overline{MSEL} |
| | | ST2 CNT 12: | Set \overline{CAS} , Set \overline{RDY} , Set \overline{BRDY} |
| | | ST2 CNT 19: | Set \overline{RAS} , Reset \overline{MSEL} , Set \overline{CAS} |

Note that the transition changes are set up in the previous clock cycle, just as in Example 1. Figure 13 shows a complete fuse map for the memory controller.



*IF RDY = H, RETURN ST0

Figure 11. Refresh/Access Grant Cycle

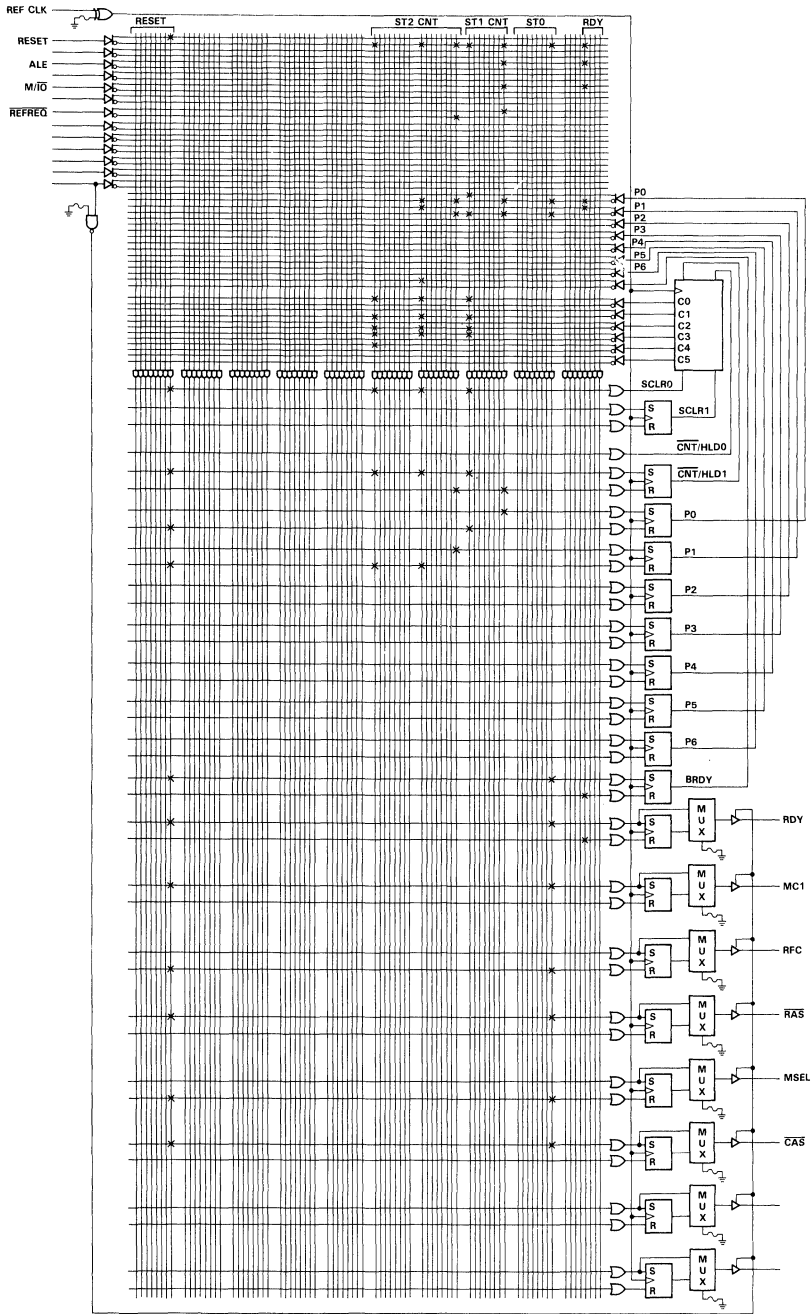


Figure 12. Counter Control Logic
(Example 3 — Dynamic Memory Timing Controller)

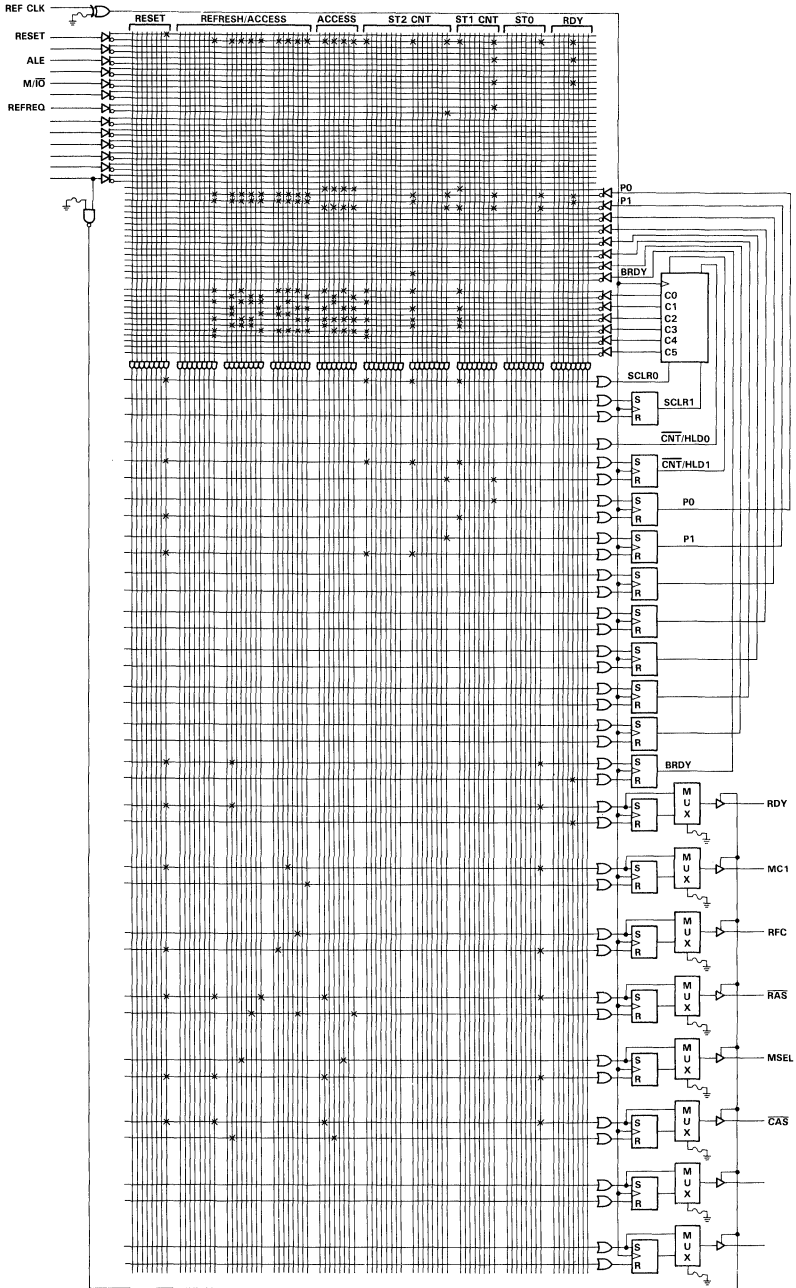


Figure 13. Memory Timing Controller (Example 3)

DESIGNER NOTES

Obtaining Maximum Counter Performance

As with any programmable logic device, there are usually several different methods for implementing any one application. In some cases, device performance is affected. On the PSG, maximum counter frequency is affected by how the designer controls the 6-bit counter.

For example, in the waveform generator example shown at the beginning of this application note, the counter was reset to zero after reaching count 11 by using the nonregistered SCLR0 function. By using the registered SCLR1 function, a higher operating frequency is obtainable.

This method requires an additional “AND” term as shown in Figure 14, but does provide maximum performance. Note that during the 10th clock cycle the set input on the SCLR1 register is high. On the next active clock edge, the counter advances to 11 and the SCLR1 register is set high. This causes the counter to be reset on the next active clock edge. At the same time, the SCLR1 register is reset low to allow the counter to advance past zero.

In effect, the setup time requirement for SCLR1 is performed in the previous clock cycle. When using the SCLR0 method, the setup time must be added to the f_{max} equation. This results in a lower f_{max} . The same tradeoffs apply with the \overline{CNT}/HLD function. The PSG507 data sheet specifies f_{max} for both methods.

Expanding the 6-Bit Counter

In Example 2, the six bit counter had to be expanded to 7 bits. This was accomplished by adding one of the state registers to the most significant bit of the counter. It should be noted that the synchronous clear and count hold functions must be controlled through the set and reset inputs of the added bits. The designer must be aware of certain limitations when trying to perform this function. Figure 15 shows three additional bits being added to the 6-bit counter. Note that every bit added requires two additional “AND” terms.

A problem can arise on certain counts when trying to generate a synchronous clear before reaching the full binary count (all outputs high). The designer must ensure that both S and R are not high simultaneously. For example, let's say we want the 9-bit counter to return to zero at count 383 (10111111₂). At count 383, the S/R register used for C7 is being told to set. Therefore, any reset command would result in both S and R being high simultaneously.

This problem, only seen on a few data words, can be solved by using another state register to control the counter reset. This method is similar to that used above to obtain maximum operating frequency. Figure 16 shows the 9-bit counter returning to zero after count 383. Notice that at count 382 the extra S/R register is being told to reset on the

next active clock edge. At count 383 the six product lines controlling C6, C7, and C8 are disabled by the feedback from the extra register, in particular the S input on C7. At count 383, the 9-bit counter will return to zero and the extra register is set high.

An extra register may also be needed to achieve the count/hold function when using an expanded counter. During certain counts the added bits will change state, even though the 6-bit counter is programmed to hold. For example, let's say we want the 9-bit counter to hold at count 383. Even though the 6-bit counter can be held at 111111, C6 and C7 will advance on the next active clock edge. In order to hold C6 and C7 where they are, an extra register is used to disable the product lines responsible for the transition from count 383 to 384. Since the counter is on hold, the extra hold register can only be reset from an input pin or a state register(s) transition (not on the next count). In this example, an input pin is used to reset the extra register and the $\overline{CNT}/HOLD$ register. When the CONTINUE input is taken low, the counter will continue to advance. The system must guarantee that the continue input will not be low during count 382 to avoid the indeterminate set = H, reset = H state. Figure 17 shows this 9-bit counter.

It is also important to note that when using extra registers a reset input may be necessary to set the extra registers high after powerup, since all S/R registers power-up clear. This requirement would not be necessary if the phase of the extra register was reversed. This is easily accomplished by using the inverted feedback from the extra register. However, it is good state machine design practice to include a reset input that forces all S/R registers to a known state.

Software Support

The PSG507 is supported by two software packages; CUPL, which was created by and is supported by Assisted Technologies, a division of Personal CAD Systems Incorporated, and ABEL, which was created by and is supported by FutureNet, a division of Data I/O Corporation. Each of these software packages can be used to reduce equations and to generate a fuse map necessary to program the PSG507. Appendices A and B show the ABEL and CUPL files for Examples 1, 2, and 3. In addition, a PSG507 template is shown for each software package. These templates provide software information that will make it easier for the designer to create the source files.

Test vectors are included with the ABEL and CUPL source files so software simulation can be performed on the computer. If the proper instruction is provided, the software will attach the test vectors to the end of the fuse map. This allows programming equipment to run a functional test on each device immediately after programming.

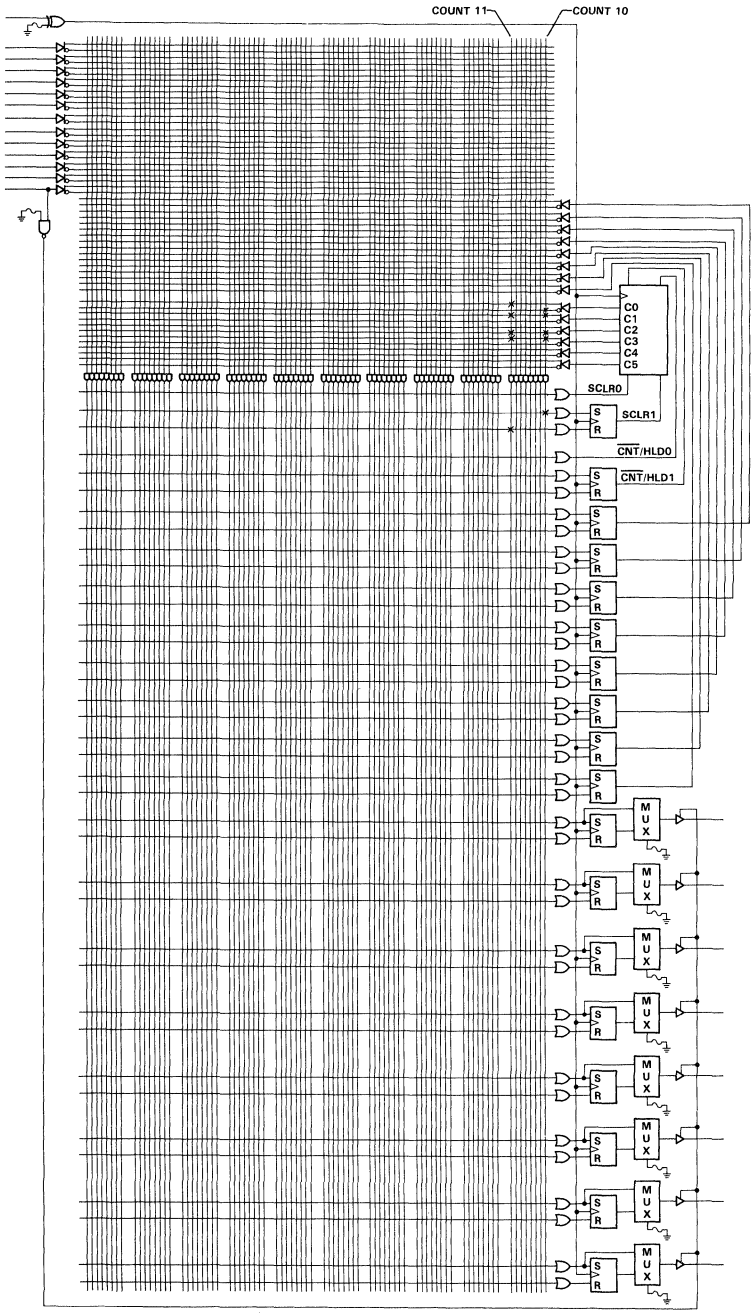


Figure 14. Registered SCLR Example
(Designer Notes)

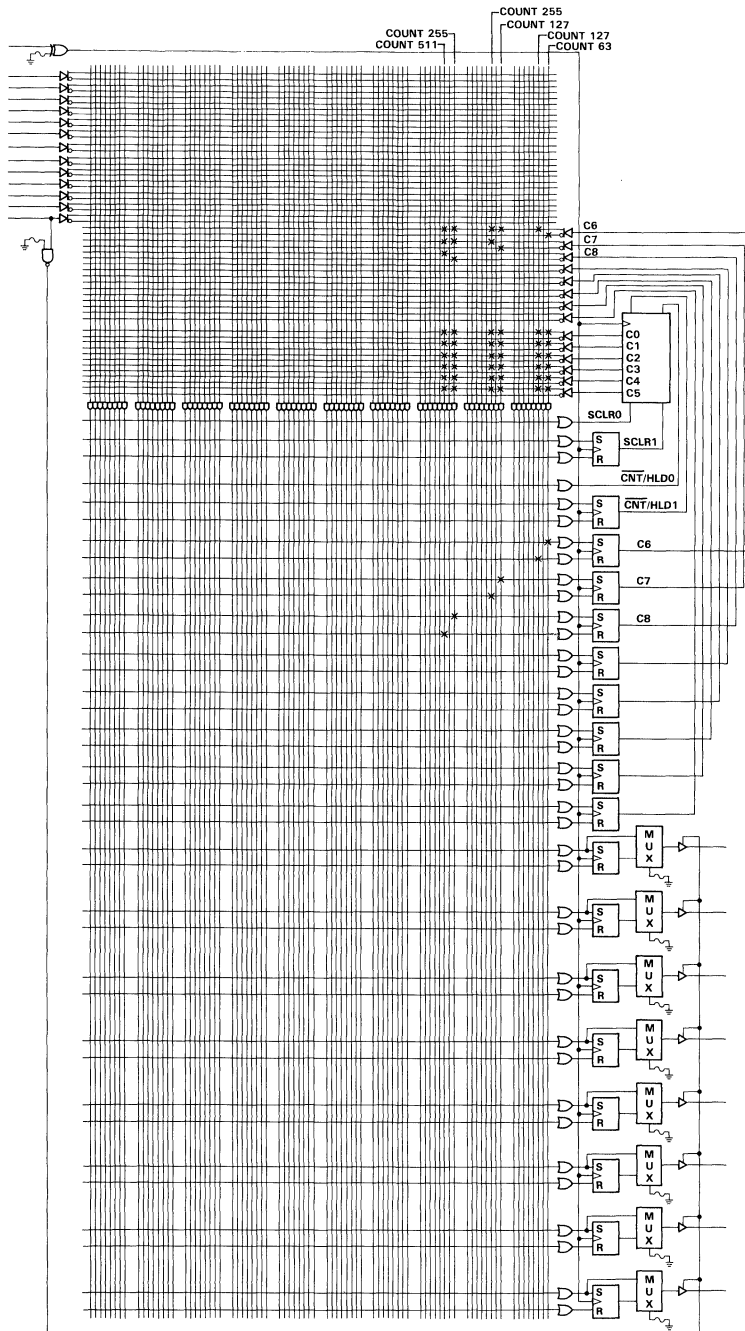


Figure 15. Expanding to 9-Bit Counter

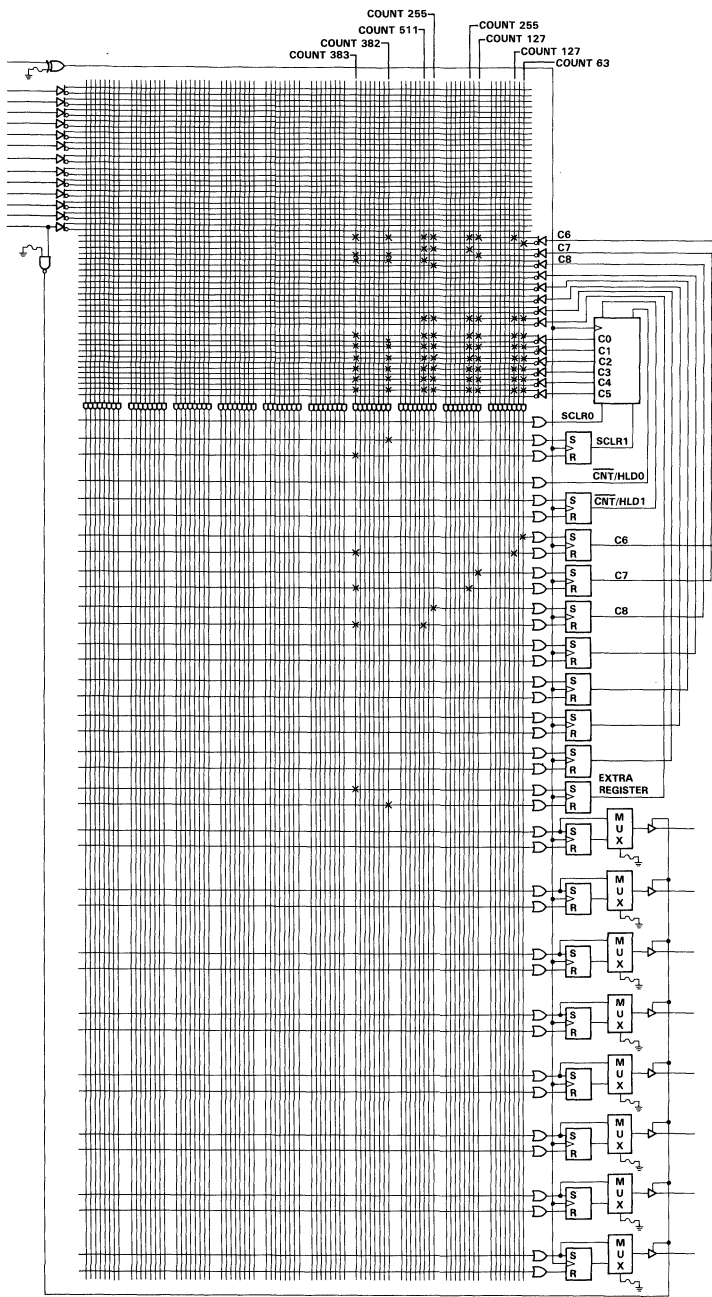


Figure 16. Resetting after Count 383
(Expanding the 6-Bit Counter)

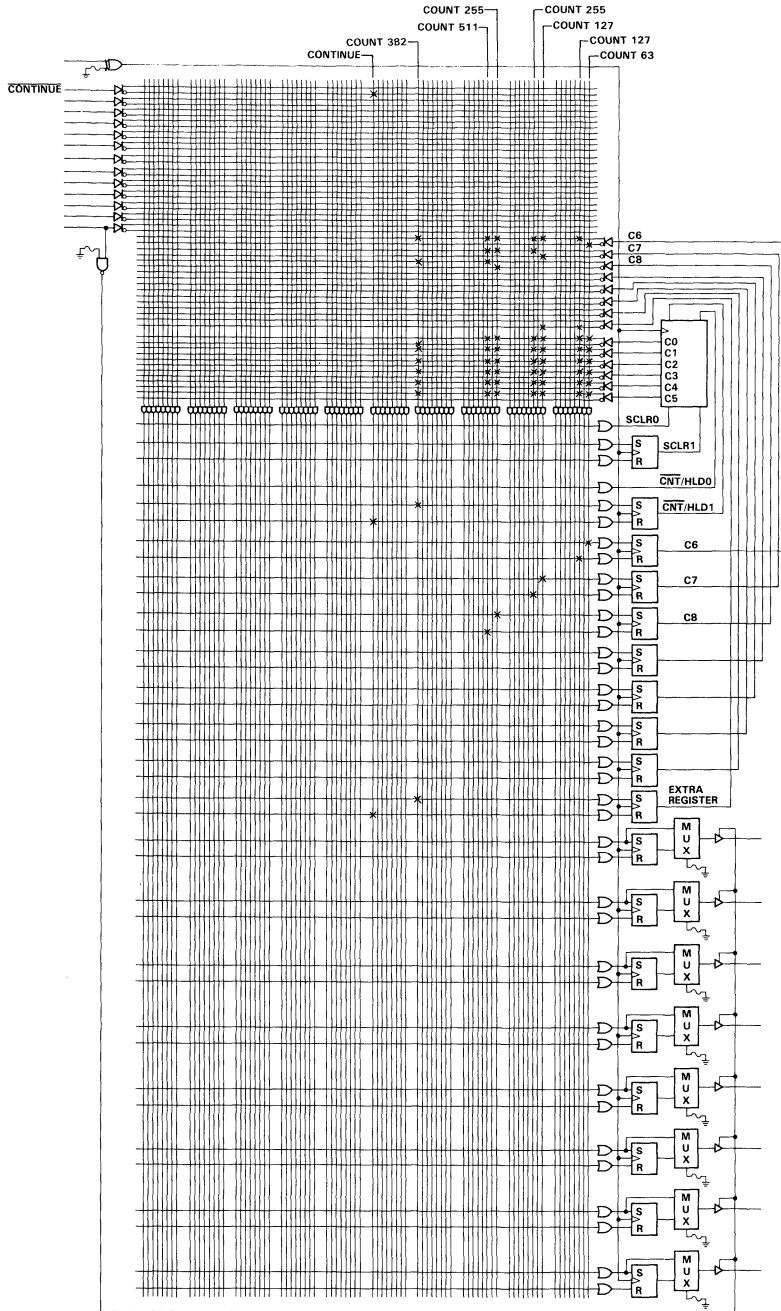


Figure 17. Holding the 9-Bit Counter at Count 383
(Expanding the 6-Bit Counter)



Application Reports

Module PSGFILE
title 'ABEL TEMPLATE FILE FOR THE TEXAS INSTRUMENTS PSG507'

PSG device 'F507';

" Input pin assignments

| | | | | |
|--------|-----|-----|---|----------|
| CLK | pin | 1; | " | comments |
| I0 | pin | 7; | " | |
| I1 | pin | 6; | " | |
| I2 | pin | 5; | " | |
| I3 | pin | 4; | " | |
| I4 | pin | 3; | " | |
| I5 | pin | 2; | " | |
| I6 | pin | 23; | " | |
| I7 | pin | 22; | " | |
| I8 | pin | 21; | " | |
| I9 | pin | 20; | " | |
| I10 | pin | 19; | " | |
| I11 | pin | 18; | " | |
| I12_OE | pin | 17; | " | |

" Output pin and node assignments

| | | | | | | | |
|----|-----|-----|------|------|-----|---|----------|
| Q0 | pin | 8; | Q0_r | node | 47; | " | comments |
| Q1 | pin | 9; | Q1_r | node | 48; | " | |
| Q2 | pin | 10; | Q2_r | node | 49; | " | |
| Q3 | pin | 11; | Q3_r | node | 50; | " | |
| Q4 | pin | 13; | Q4_r | node | 51; | " | |
| Q5 | pin | 14; | Q5_r | node | 52; | " | |
| Q6 | pin | 15; | Q6_r | node | 53; | " | |
| Q7 | pin | 16; | Q7_r | node | 54; | " | |

" Internal counter bits & control - node declarations

C0,C1,C2,C3,C4,C5 node 55,56,57,58,59,60;

SCLR0 node 25; " nonregistered counter clear control

SCLR1 node 26; SCLR1_r node 27; " registered counter clear control

CNTHOLD0 node 28; " nonregistered count/hold control

CNTHOLD1 node 29; CNTHOLD1_r node 30; " registered count/hold control

" Buried state registers - node declarations

P0 node 31; P0_r node 39; " buried state register

P1 node 32; P1_r node 40; " buried state register

P2 node 33; P2_r node 41; " buried state register

P3 node 34; P3_r node 42; " buried state register

P4 node 35; P4_r node 43; " buried state register

P5 node 36; P5_r node 44; " buried state register

P6 node 37; P6_r node 45; " buried state register

P7 node 38; P7_r node 46; " buried state register

@page

```

Q0_ = [Q0, Q0_r];
Q1_ = [Q1, Q1_r];
Q2_ = [Q2, Q2_r];
Q3_ = [Q3, Q3_r];
Q4_ = [Q4, Q4_r];
Q5_ = [Q5, Q5_r];
Q6_ = [Q6, Q6_r];
Q7_ = [Q7, Q7_r];
SCLR1_ = [SCLR1, SCLR1_r];
CNTHOLD1_ = [CNTHOLD1, CNTHOLD1_r];

" Intermediate declarations for simplification
INPUTS   = [I12 OE, I11, I10, I9, I8, I7, I6, I5, I4, I3, I2, I1, I0];
OUTPUTS  = [Q7, Q6, Q5, Q4, Q3, Q2, Q1, Q0];
STATE_   = [P7, P6, P5, P4, P3, P2, P1, P0];
COUNT_  = [C5, C4, C3, C2, C1, C0];
H,L,X,Z  = 1, 0, .X., .Z.;
high     = [ 1, 0];
low      = [ 0, 1];
ck       = .C.; " Use .K. for falling edge, .C. for rising edge clock.

" DEVICE FUNCTION can be specified using state diagrams, equations,
" and truth tables.

test_vectors ' optional header
((CLK, INPUTS ] -> [OUTPUTS, STATE_]
[ ck,          ] -> [          ,          ]; "count xx
[ ck,          ] -> [          ,          ]; "count xx
[ ck,          ] -> [          ,          ]; "count xx
end PSGFILE

```

```

Module PSG_EX1
title 'ABEL EXAMPLE #1 (Waveform Generator) for the
PSG507 DESIGNERS GUIDE, Texas Instruments, August 26, 1987'

    PSG1 device 'F507';

" Input pin assignments
PSG_CLK pin 1;

" Output pin and node assignments
REF_CLK pin 8;
SYS_CLK pin 9;   SYS_CLK_r node 48;
PCLK pin 10;    PCLK_r node 49;

REF_CLK IsType 'com'; " REF_CLK is combinational

" Internal counter bits & control - node declarations
C0 node 55;  C1 node 56;
C2 node 57;  C3 node 58;
SCLR0 node 25;

" Intermediate declarations for simplification
COUNT = [C3,C2,C1,C0];
H,L,clk = 1, 0, .C.;

equations
REF_CLK = !C0;
SYS_CLK := (COUNT==5) # (COUNT==11); " High on cnt 5 and 11
SYS_CLK_r := (COUNT==1) # (COUNT==7); " Low on cnt 1 and 7
PCLK := (COUNT==11); " High on cnt 11
PCLK_r := (COUNT==5); " Low on cnt 5
SCLR0 = (COUNT==11); " Counter cleared after cnt 11

" The PSG507 has powerup clear of counter and registers. Six clocks
" are required after powerup for this design to initialize. This
" design could be initialized after one clock by setting SYS_CLK and
" PCLK high at COUNT0. i.e. SYS_CLK := COUNT0 # COUNT5 # COUNT11; and
" PCLK := COUNT0 # COUNT11;

```

```

test_vectors
([PSG_CLK , COUNT] -> [REF_CLK, SYS_CLK, PCLK])
[ clk , 0 ] -> [ L , L , L ];
[ clk , 1 ] -> [ H , L , L ];
[ clk , 2 ] -> [ L , L , L ];
[ clk , 3 ] -> [ H , L , L ];
[ clk , 4 ] -> [ L , L , L ];
[ clk , 5 ] -> [ H , H , L ];
[ clk , 6 ] -> [ L , H , L ];
[ clk , 7 ] -> [ H , L , L ];
[ clk , 8 ] -> [ L , L , L ];
[ clk , 9 ] -> [ H , L , L ];
[ clk , 10 ] -> [ L , L , L ];
[ clk , 11 ] -> [ H , H , H ];
[ clk , 0 ] -> [ L , H , H ];
[ clk , 1 ] -> [ H , L , H ];
[ clk , 2 ] -> [ L , L , H ];
[ clk , 3 ] -> [ H , L , H ];
[ clk , 4 ] -> [ L , L , H ];
[ clk , 5 ] -> [ H , H , L ];
[ clk , 6 ] -> [ L , H , L ];
[ clk , 7 ] -> [ H , L , L ];
[ clk , 8 ] -> [ L , L , L ];
[ clk , 9 ] -> [ H , L , L ];
[ clk , 10 ] -> [ L , L , L ];
[ clk , 11 ] -> [ H , H , H ];
[ clk , 0 ] -> [ L , H , H ];

end PSG_EX1

```

```

Module PSG_EX2
title 'ABEL EXAMPLE #2 (Refresh Timer) for the
PSG507 DESIGNERS GUIDE, Texas Instruments, August 26, 1987'

```

```

    PSG2 device 'F507';

```

```

    " Input pin assignments

```

```

PSG_CLK pin 1;
RESET   pin 2;
RFC     pin 3;

```

```

    " Output pin and node assignments

```

```

REFREQ pin 8; REFREQ_r node 47;

```

```

    " Internal counter bits & control - node declarations

```

```

C0 node 55; C1 node 56; C2 node 57;
C3 node 58; C4 node 59; C5 node 60;
SCLR0 node 25;

```

```

    " Buried register

```

```

C6 node 31; C6_r node 39; " 7th counter bit

```

```

    " Intermediate declarations for simplification

```

```

COUNT = [C6,C5,C4,C3,C2,C1,C0];
H,L,clk,X = 1, 0, .C., .X.;

```

```

equations

```

```

REFREQ := RFC # RESET;           " set input
REFREQ_r := (COUNT==76) & !RESET; " reset input
C6 := (COUNT==63) & !RESET;     " set input
C6_r := (COUNT==76) & !RESET # RESET; " reset input
SCLR0 = (COUNT==76) & !RESET # RESET; " synchronous nonregistered

```

```

clear

```

```

test_vectors (([PSG_CLK,RESET,RFC] -> REFREQ )
[ clk , H , X ] -> H ; "CNT0
@REPEAT 76 { [ clk , L , L ] -> H ; } "CNT1-76
[ clk , L , L ] -> L ; "CNT0
@REPEAT 20 { [ clk , L , L ] -> L ; } "CNT1-20
[ clk , L , H ] -> H ; "CNT21
[ clk , L , L ] -> H ; "CNT22
[ clk , H , X ] -> H ; "CNT0

```

```

end PSG_EX2

```

```

Module PSG_EX3
title 'ABEL EXAMPLE #3 (Dynamic Memory Timing Controller)
for the PSG507 DESIGNERS GUIDE, Texas Instruments, August 26, 1987'

```

```

PSG3 device 'F507';

```

```

" Input pin assignments
OSC      pin  1;          " OSCILLATOR
RESET    pin  2;          " RESET - INITIALIZES WHEN HIGH
ALE      pin  3;          " ADDRESS LATCH ENABLE
MIO      pin  4;          " MEMORY I/O
REFREQ   pin  5;          " REFRESH REQUEST

```

```

" Output pin and node assignments
RDY      pin  8; RDY_r    node 47; " READY
MC1      pin  9; MC1_r    node 48; " MODE CONTROL
RFC      pin 10; RFC_r    node 49; " REFRESH COMPLETE
RAS      pin 11; RAS_r    node 50; " ROW ADDRESS STROBE
MSEL     pin 13; MSEL_r   node 51; " MULTIPLEXER SELECT
CAS      pin 14; CAS_r    node 52; " COLUMN ADDRESS STROBE

```

```

" Internal counter bits & control, and state reg - node declarations
C0       node 55; C1 node 56; C2 node 57;
C3       node 58; C4 node 59;
SCLRO    node 25;
CNTHOLD1 node 29; CNTHOLD1_r node 30; " COUNT/HOLD CONTROL REGISTER
P0       node 31; P0_r     node 39; " BURIED STATE REGISTER
P1       node 32; P1_r     node 40; " BURIED STATE REGISTER
BRDY     node 33; BRDY_r   node 41; " BURIED READY SIGNAL

```

```

" Set notation is used to represent control, buried state, and output
" registers. This is done to simplify the equations. The following
" sets are in the form; register name = [set input, reset input]. Note
" that the ouput register pin name specifies the set input.

```

```

RDY_     = [RDY, RDY_r];
MC1_     = [MC1, MC1_r];
RFC_     = [RFC, RFC_r];
RAS_     = [RAS, RAS_r];
MSEL_    = [MSEL, MSEL_r];
CAS_     = [CAS, CAS_r];
BRDY_    = [BRDY, BRDY_r];

```

```

" Intermediate declarations for simplification.
" The sets 'high' and 'low' are used to set or reset the S/R
" registers. Example: MC1_ := high & RESET; will cause pin 9
" to go high on the next clock edge if input pin 2 is high.
high     = [ 1, 0];
low      = [ 0, 1];
COUNT  = [C4,C3,C2,C1,C0];
STATE_   = [P1,P0];          " STATE REGISTER SET DEFINED
H,L,clk,X = 1, 0, .C., .X.;
@page

```

equations

```
enable MC1 = 1; "outputs always enabled, pin 12 is only an input
```

```
" Initialization when RESET is high
```

```
[ BRDY,RDY,MC1,RAS,CAS] := RESET;  
[ P0_r,P1_r,MSEL_r,RFC_r] := RESET;
```

```
" Counter controls defined
```

```
SCLR0 = RESET  
# (STATE==1) & (COUNT==9)  
# (STATE==2) & (COUNT==9) & BRDY  
# (STATE==2) & (COUNT==19);
```

```
CNTHOLD1 = RESET
```

```
# (STATE==1) & (COUNT==9)  
# (STATE==2) & (COUNT==9) & BRDY  
# (STATE==2) & (COUNT==19);
```

```
CNTHOLD1_r = (STATE==0) & ALE & MIO & REFREQ & !RESET  
# (STATE==0) & !REFREQ & !RESET;
```

```
" Execution of access and refresh sequences
```

```
state_diagram STATE_ " NEXT  
State 0: case " STATE  
RESET==H : 0;  
ALE & MIO & REFREQ & !RESET : 1;  
!REFREQ & !RESET : 2;  
REFREQ & (!ALE # !MIO) : 0;  
endcase;
```

```
" ACCESS CYCLE
```

```
State 1: RAS_ := (COUNT==0) & low & !RESET;  
MSEL_ := (COUNT==1) & high & !RESET;  
CAS_ := (COUNT==2) & low & !RESET;  
RAS_ := (COUNT==9) & high;  
MSEL_ := (COUNT==9) & low;  
CAS_ := (COUNT==9) & high;  
if (COUNT==9) # RESET then 0 else 1;
```

```
" REFRESH CYCLE WITH ACCESS GRANT
```

```
State 2: RDY_ := low & ALE & MIO & !RESET;  
BRDY_ := low & ALE & MIO & !RESET;  
MC1_ := (COUNT==0) & low & !RESET;  
RFC_ := (COUNT==1) & high & !RESET;  
RAS_ := (COUNT==1) & low & !RESET;  
MC1_ := (COUNT==3) & high;  
RFC_ := (COUNT==5) & low;  
RAS_ := (COUNT==6) & high;  
RAS_ := (COUNT==10) & low & !RESET;  
RDY_ := (COUNT==11) & high;  
BRDY_ := (COUNT==11) & high;  
MSEL_ := (COUNT==11) & high & !RESET;  
CAS_ := (COUNT==12) & low & !RESET;  
RAS_ := (COUNT==19) & high;  
MSEL_ := (COUNT==19) & low;  
CAS_ := (COUNT==19) & high;  
if (COUNT==9) & BRDY then 0 else 2;  
if (COUNT==19) # RESET then 0 else 2;
```

@page

```

test_vectors ' ACCESS SEQUENCE '
([OSC,RESET,ALE,MIO,REFREQ,COUNT] -> [RDY,MC1,RFC,RAS,MSEL,CAS,STATE_])
[clk, H , X , X , X , X ] -> [ H , H , L , H , L , H , 0 ];
[clk, L , L , H , H , 0 ] -> [ H , H , L , H , L , H , 0 ];
[clk, L , H , H , H , 0 ] -> [ H , H , L , H , L , H , 1 ];
[clk, L , X , X , X , 0 ] -> [ H , H , L , L , L , H , 1 ];
[clk, L , X , X , X , 1 ] -> [ H , H , L , L , L , H , 1 ];
[clk, L , X , X , X , 2 ] -> [ H , H , L , L , H , L , 1 ];
@CONST cnt = 3; @REPEAT 6 {
[clk, L , X , X , X , cnt ] -> [ H , H , L , L , H , L , 1 ];
@CONST cnt = cnt + 1;}
[clk, L , X , X , X , 9 ] -> [ H , H , L , H , L , H , 0 ];
[clk, L , L , L , H , 0 ] -> [ H , H , L , H , L , H , 0 ];

```

```

test_vectors ' REFRESH WITH ACCESS FOLLOWING'
([OSC,RESET,ALE,MIO,REFREQ,COUNT] -> [RDY,MC1,RFC,RAS,MSEL,CAS,STATE_])
[clk, H , X , X , X , X ] -> [ H , H , L , H , L , H , 0 ];
[clk, L , X , X , L , 0 ] -> [ H , H , L , H , L , H , 2 ];
[clk, L , L , L , X , 0 ] -> [ H , L , L , H , L , H , 2 ];
[clk, L , L , L , X , 1 ] -> [ H , L , H , L , L , H , 2 ];
[clk, L , L , L , X , 2 ] -> [ H , L , H , L , L , H , 2 ];
[clk, L , L , L , X , 3 ] -> [ H , H , H , L , L , H , 2 ];
[clk, L , H , H , X , 4 ] -> [ L , H , H , L , L , H , 2 ];
[clk, L , X , X , X , 5 ] -> [ L , H , L , L , L , H , 2 ];
[clk, L , X , X , X , 6 ] -> [ L , H , L , H , L , H , 2 ];
[clk, L , X , X , X , 7 ] -> [ L , H , L , H , L , H , 2 ];
[clk, L , X , X , X , 8 ] -> [ L , H , L , H , L , H , 2 ];
[clk, L , X , X , X , 9 ] -> [ L , H , L , H , L , H , 2 ];
[clk, L , X , X , X , 10 ] -> [ L , H , L , L , L , H , 2 ];
[clk, L , X , X , X , 11 ] -> [ H , H , L , L , H , H , 2 ];
[clk, L , X , X , X , 12 ] -> [ H , H , L , L , H , L , 2 ];
@CONST cnt =13; @REPEAT 6 {
[clk, L , X , X , X , cnt ] -> [ H , H , L , L , H , L , 2 ];
@CONST cnt = cnt + 1;}
[clk, L , X , X , X , 19 ] -> [ H , H , L , H , L , H , 0 ];

```

```

test_vectors ' REFRESH WITHOUT ACCESS FOLLOWING'
([OSC,RESET,ALE,MIO,REFREQ,COUNT] -> [RDY,MC1,RFC,RAS,MSEL,CAS,STATE_])
[clk, H , X , X , X , X ] -> [ H , H , L , H , L , H , 0 ];
[clk, L , X , X , L , 0 ] -> [ H , H , L , H , L , H , 2 ];
[clk, L , L , L , X , 0 ] -> [ H , L , L , H , L , H , 2 ];
[clk, L , L , L , X , 1 ] -> [ H , L , H , L , L , H , 2 ];
[clk, L , L , L , X , 2 ] -> [ H , L , H , L , L , H , 2 ];
[clk, L , L , L , X , 3 ] -> [ H , H , H , L , L , H , 2 ];
[clk, L , L , H , X , 4 ] -> [ H , H , H , L , L , H , 2 ];
[clk, L , H , L , X , 5 ] -> [ H , H , L , L , L , H , 2 ];
[clk, L , H , L , X , 6 ] -> [ H , H , L , H , L , H , 2 ];
[clk, L , H , L , X , 7 ] -> [ H , H , L , H , L , H , 2 ];
[clk, L , H , L , X , 8 ] -> [ H , H , L , H , L , H , 2 ];
[clk, L , H , L , X , 9 ] -> [ H , H , L , H , L , H , 0 ];
@page

```



```

test_vectors ' RESET DURING REFRESH '
({OSC,RESET,ALE,MIO,REFREQ,COUNT} -> [RDY,MCI,RFC,RAS,MSEL,CAS,STATE_])
[clk, H , X , X , X , X ] -> [ H , H , L , H , L , H , 0 ];
[clk, L , X , X , L , 0 ] -> [ H , H , L , H , L , H , 2 ];
[clk, L , L , L , X , 0 ] -> [ H , L , L , H , L , H , 2 ];
[clk, L , L , L , X , 1 ] -> [ H , L , H , L , L , H , 2 ];
[clk, L , L , L , X , 2 ] -> [ H , L , H , L , L , H , 2 ];
[clk, H , X , X , X , 3 ] -> [ H , H , L , H , L , H , 0 ];

end PSG_EX3

```

Appendix B. CUPL™ Source and Simulation Files

```
/******  
/* CUPL (tm) TEMPLATE FOR THE TI PSG507 */  
/*  
/* This file provides the PSG507 designer quick access to the information */  
/* needed to write a CUPL source file. By copying this file and deleting */  
/* this box from the new file a fill-in-the-blanks template will be left */  
/* for use in creating a source file. */  
/*  
/* 6-BIT COUNTER: The 6-bit counter is accessed through use of the PINNODE */  
/* statement. The pinnode statement is used to assign */  
/* variables to the internal node numbers. i.e. pinnode */  
/* [33..38] = [C0..C5].CNT. These variables can then */  
/* be used in the same manner as input pins.Using the */  
/* field statement, i.e. field COUNTER = [C0..C5].CNT; */  
/* allows an equation like Q0 = COUNTER'd'3 # COUNTER'd'7; */  
/* This equation causes the nonregistered output Q0 to be */  
/* high only during counts 3 and 7. */  
/*  
/* COUNTER CONTROLS: Clear and hold functions SCLR0, SCLR1, CNTHOLD0, */  
/* and CNTHOLD1 are specified using the PINNODE */  
/* statement. Any valid variable can be used as a node */  
/* name, i.e. pinnode [39..42] = [CLR0,CLR1,HLD0,HLD1]; */  
/* These variables can then be used in the same manner */  
/* as an output pin. */  
/*  
/* STATE REGISTERS: Buried registers are assigned using the NODE state- */  
/* ment, i.e. node [P0..P7];. The actual registers */  
/* used are chosen by software in the order specified. */  
/*  
/* OUTPUT STRUCTURE: Each output can be defined as either registered or */  
/* nonregistered. The structure assignment is automatic */  
/* and is determined by usage. Q0.s = COUNTER'd'77; */  
/* causes the Q0 output to remain registered while */  
/* Q0 = COUNTER'd'77; causes the Q0 output to be non- */  
/* registered. When using nonregistered outputs CUPL */  
/* will automatically program the associated reset fuse */  
/* for each product term used as required in the PSG507 */  
/* data sheet. */  
/*  
/******
```

```

/*****/
/*
/*
/* CLOCK POLARITY: The default clock polarity is active on the rising
/* edge. The equation OUTPUT.ckmux = !CLK; will cause
/* the clock to be active on the falling edge. The
/* default can be specified by OUTPUT.ckmux = CLK;
/*
/*
/* OUTPUT ENABLE: The default condition is outputs always enabled. The
/* output enable fuse at pin 17 can be blown using the
/* .oe extension. If pin 17 = EN; the fuse will be blown
/* by the equation OUTPUTS.oe = EN; where OUTPUTS is a
/* defined set of outputs. A single output can also be
/* used to blow the fuse, Q0.oe = EN;
/*
/*
/* SIMULATION: During simulation of a PSG design the CUPL 2.15a
/* simulator will advance the counter on each clock
/* depending on the state of the counter hold and clear
/* functions. The powerup condition (counter bits and
/* all registers low) is recognized by the simulator.
/*
/*
/* CUPL is a trade mark of Personal CAD Systems, Inc.
/*
/*****/

```

```

NAME      XXXXX ;
PARTNO    XXXXX ;
DATE      XX/XX/XX ;
REV       XX ;
DESIGNER  XXXXX ;
COMPANY   XXXXX ;
ASSEMBLY  XXXXX ;
LOCATION    XXXXX ;

```

```

/*****/
/*                                           */
/*                                           */
/*                                           */
/*****/
/* Allowable Target Device Types : TEXAS INSTRUMENTS PSG507 */
/*****/

```

```

/** Inputs **/
pin 1      = CLK      ;           /* PSG's clock input      */
pin 2      =          ;           /*                          */
pin 3      =          ;           /*                          */
pin 4      =          ;           /*                          */
pin 5      =          ;           /*                          */
pin 6      =          ;           /*                          */
pin 7      =          ;           /*                          */
pin 17     =          ;           /* input and/or output enable */
pin 18     =          ;           /*                          */
pin 19     =          ;           /*                          */
pin 20     =          ;           /*                          */
pin 21     =          ;           /*                          */
pin 22     =          ;           /*                          */
pin 23     =          ;           /*                          */

```

```

/** Outputs **/
pin 8      =          ;           /*                          */
pin 9      =          ;           /*                          */
pin 10     =          ;           /*                          */
pin 11     =          ;           /*                          */
pin 13     =          ;           /*                          */
pin 14     =          ;           /*                          */
pin 15     =          ;           /*                          */
pin 16     =          ;           /*                          */

```

```

/** Node Declarations **/
pinnode [33..38] = [C0..5] ;      /* BUILT-IN 6-BIT COUNTER */
pinnode 39      = SCLR0 ;         /* COUNTER CLEAR - non registered */
pinnode 40      = SCLR1 ;         /* COUNTER CLEAR - registered */
pinnode 41      = CNTHOLD0 ;      /* COUNTER HOLD - non registered */
pinnode 42      = CNTHOLD1 ;      /* COUNTER HOLD - registered */
node           [P0..P7] ;        /* BURIED STATE REGISTERS */

```

```

/** Declarations and Intermediate Variable Definitions **/
field COUNTER = [C5..0] ;        /* 6-BIT COUNTER */

```

```

/** Logic Equations **/

```

```

/** End of File **/

```

```

Name      PSG_EX1;
Partno    TI0001;
Date      08/26/87;
Rev       02;
Designer  Schiele/Woolhiser;
Company   Texas Instruments/Personnal CAD Systems;
Assembly  None;
Location  None;

```

```

/*****
/* Waveform Generator */
/*
/* This is the first example from "A Designer's Guide to the */
/* PSG507", by R. Breuninger. In this example a waveform generator */
/* which generates three clocks, running at 15, 5, and 2.5MHz, is */
/* implemented for the PSG507 using CUPL. In this implementation */
/* the built-in counter feature of the PSG507 is utilized to divide */
/* a 30MHz master clock to generate the three output waveforms. The */
/* built-in counter is accessed by defining the variable list */
/* [CO..5] as PINNODE's and then using the list where ever the */
/* counter values are needed. The synchronous clear function, SCLR0 */
/* is also accessed through use of the pinnode statement. */
/*****
/* Allowable Target Device Types : TI PSG507 */
/*****

/** Inputs **/

pin 1          = PSG_CLK;      /* 30MHz MASTER CLOCK */

/** Outputs **/

pin 8          = REF_CLK;      /* 15MHz REFERENCE CLOCK */
pin 9          = SYS_CLK;      /* 5MHz SYSTEM CLOCK */
pin 10         = PCLK;         /* 2.5MHz PERIPHERAL CLOCK */

pinnode [33..36] = [CO..3];    /* BUILT-IN COUNTER */
pinnode 39      = SCLR0;       /* COUNTER SYNCHRONOUS CLEAR */

/** Declarations and Intermediate Variable Definitions **/

field COUNTER   = [C3..0].CNT;

/**[SYS_CLK, PCLK, CO..3].CKMUX = !PSG_CLK;

/** Logic Equations **/

REF_CLK         = !C0.CNT;
SYS_CLK.r       = COUNTER:'d'1 # COUNTER:'d'7;
SYS_CLK.s       = COUNTER:'d'5 # COUNTER:'d'11;
PCLK.r          = COUNTER:'d'5;
PCLK.s          = COUNTER:'d'11;
SCLR0           = COUNTER:'d'11;

/* The PSG507 has powerup clear of counter and registers. Six clocks */
/* are required after powerup for this design to initialize. This */
/* design could be initialized after one clock by setting SYS_CLK and */
/* PCLK high at COUNT 0. i.e. SYS_CLK.s = COUNTER:'d'0 # COUNTER:'d'5 */
/* # COUNTER:'d'11; and PCLK.s = COUNTER:'d'0 # COUNTER:'d'11; */

/** End of file **/

```

```

Name      PSG_EX1;
Partno    TI0001;
Date      08/26/87;
Rev       02;
Designer  Schiele/Woolhiser;
Company   Texas Instruments/Personnal CAD Systems;
Assembly  None;
Location  None;

```

```

/*****/
/*                                           */
/* Waveform Generator                       */
/*                                           */
/* CUPL simulation file for Example 1 from  "A Designer's Guide to */
/* the PSG507".                             */
/*****/
/* Allowable Target Device Types :  TI PSG507 */
/*****/

```

```
ORDER: PSG_CLK, %7, REF_CLK, %9, SYS_CLK, %6, PCLK;
```

```
BASE: DECIMAL;
```

```
VECTORS:
```

```

$msg " ";
$msg " PSG_CLK REF_CLK SYS_CLK PCLK ";
$msg " ----- ";

```

| | | | | |
|---|---|---|---|----------|
| P | X | 0 | 0 | |
| 0 | H | H | H | /* 0 */ |
| C | L | H | H | /* 1 */ |
| C | H | L | H | /* 2 */ |
| C | L | L | H | /* 3 */ |
| C | H | L | H | /* 4 */ |
| C | L | L | H | /* 5 */ |
| C | H | H | L | /* 6 */ |
| C | L | H | L | /* 7 */ |
| C | H | L | L | /* 8 */ |
| C | L | L | L | /* 9 */ |
| C | H | L | L | /* 10 */ |
| C | L | L | L | /* 11 */ |
| C | H | H | H | /* 0 */ |

```

Name      PSG_EX2;
Partno    TI0002;
Date      08/26/87;
Rev       02;
Designer  Schiele/Woolhiser;
Company   Texas Instruments/Personal CAD Systems;
Assembly  None;
Location  None;

```

```

/*****
/*
/* Refresh Timer
/*
/* This is the second example from "A Designer's Guide to the PSG507", by
/* R. Breuninger. In this example a dynamic memory refresh timer, which
/* generates a refresh request every 15.4 uS, is implemented for the TI
/* PSG507 using CUPL. In this implementation the built-in 6-bit counter
/* is extended by using one of the buried state registers as the 7th bit.
/*
/*
/*****
/* Allowable Target Device Types : TI PSG507
/*****

/** Inputs **/
pin 1      = PSG_CLK;          /* 5MHz SYSTEM CLOCK          */
pin 2      = RESET;           /* SYNCHRONOUS RESET OR INITIALIZE */
pin 4      = RFC;             /* REFRESH COMPLETE          */

/** Outputs **/
pin 8      = REFREQ;          /* REFRESH REQUEST           */

/** Node Declarations **/
pinnode [33..38] = [C0..5];  /* BUILT-IN 6-BIT COUNTER     */
pinnode 39      = SCLR0;      /* COUNTER CLEAR CONTROLS    */
node          C6;            /* EXTENSION TO 6-BIT COUNTER */

/** Declarations and Intermediate Variable Definitions **/
field 6BIT      = [C0..5].CNT; /* 6 BIT COUNTER              */
field COUNTER   = [6BIT,C6];  /* FULL 7-BIT COUNTER        */

/** Logic Equations **/

REFREQ.s       = RFC # RESET;
REFREQ.r       = COUNTER:'d'76 & !RESET;

/* EXTEND BUILT-IN 6-BIT COUNTER BY ADDING A BURIED STATE REGISTER */

C6.s           = COUNTER:'d'63 & !RESET;
C6.r           = COUNTER:'d'76 # RESET;

/* BUILT-IN COUNTER CONTROL */

SCLR0          = COUNTER:'d'76 # RESET;

/** End of file **/

```

```
Name      PSG EX2;
Partno    TI0002;
Date      08/26/87;
Rev       02;
Designer  Schiele/Woolhiser;
Company   Texas Instruments/Personal CAD Systems;
Assembly  None;
Location  None;
```

```
/* Refresh Timer */
/*
/* CUPL simulation file for example 2 from "A Designer's Guide to the
/* PSG507". This simulation file uses the $REPEAT directive to generate
/* many of the test vectors in the counter sequence.
/*
/* Allowable Target Device Types : TI PSG507
/*
```

```
ORDER: PSG_CLK,%6,RESET,%4,RFC,%4,C6,%5,REFREQ;
```

```
BASE: DECIMAL;
```

```
VECTORS:
```

```
$msg " ";
$msg " NORMAL REFRESH CYCLE WITH REFRESH COMPLETE SIGNAL";
$msg " ";
$msg " -----INPUTS----- -OUTPUT-";
$msg " PSG_CLK RESET RFC C6 REFREQ ";
$msg " -----"; /*COUNT*/
C 1 X L H /* 0 */
C 0 X L H /* 1 */
$repeat 74;
C 0 X * * /*2-75 */
$msg "end repeat";
C 0 0 H H /* 76 */
C 0 0 L L /* 0 */
C 0 0 L L /* 1 */
C 0 0 L L /* 2 */
C 0 1 L H /* 3 */
C 0 0 L H /* 4 */
```

```
$msg " ";
$msg " CHECK RESET FUNCTION AFTER REFREQ=L ";
$msg " ";
$msg " -----INPUTS----- -OUTPUT-";
$msg " PSG_CLK RESET RFC C6 REFREQ ";
$msg " -----"; /*COUNT*/
C 1 X L H /* 0 */
C 0 X L H /* 1 */
$repeat 74;
C 0 X * * /*2-75 */
$msg "end repeat";
C 0 0 H H /* 76 */
C 0 0 L L /* 0 */
$repeat 29;
C 0 0 * * /*1-30 */
$msg "end repeat";
C 0 0 L L /* 31 */
C 1 0 L H /* 0 */
```



```

Name      PSG EX3;
Partno    TI0003;
Date      08/26/87;
Rev       02;
Designer  Schiele/Woolhiser;
Company   Texas Instruments/Personnal CAD Systems;
Assembly  None;
Location  None;

```

```

/*****
*/
/* Dynamic Memory Timing Controller                               */
/* This is the third example from "A Designer's Guide to the PSG507", by */
/* R. Breuninger. In this example a dynamic memory timing controller, */
/* which generates the control signals (RDY, MCL, RFC, RAS, CAS, MSEL) */
/* necessary for accessing and refreshing dynamic memory, is implemented */
/* for the TI PSG507 using CUPL.                                     */
/*****
/* Allowable Target Device Types : TI PSG507                       */
/*****

```

```

/** Inputs **/

```

```

PIN 1      = REF_CLK;      /* OSCILLATOR                */
PIN 2      = RESET;       /* RESET - INITIALIZE       */
PIN 3      = ALE;         /* ADDRESS LATCH ENABLE     */
PIN 4      = MIO;         /* MEMORY I/O               */
PIN 5      = REFREQ;      /* REFRESH REQUEST          */

```

```

/** Outputs **/

```

```

PIN 8      = RDY;        /* READY                     */
PIN 9      = MCL;        /* MODE CONTROL              */
PIN 10     = RFC;        /* REFRESH COMPLETE         */
PIN 11     = RAS;        /* ROW ADDRESS STROBE       */
PIN 13     = MSEL;       /* MULTIPLEXER SELECT       */
PIN 14     = CAS;        /* COLUMN ADDRESS STROBE    */

```

```

/** Node Declarations **/

```

```

pinnode [33..37] = [C0..4]; /* BUILT-IN COUNTER         */
pinnode 39       = SCLR0;   /* COUNTER HOLD non-registered */
pinnode 40       = SCLR1;   /* COUNTER HOLD registered   */
pinnode 41       = CNTHOLD0; /* COUNTER HOLD non-registered */
pinnode 42       = CNTHOLD1; /* COUNTER HOLD registered   */
node             [P0..1];   /* BURIED STATE REGISTERS    */
node             BRDY;      /* BURIED READY SIGNAL       */

```

```

/** Declarations and Intermediate Variable Definitions **/

```

```

field COUNTER = [C0..4].CNT;
field STATE   = [P1..0];
#define ST0    'b'00
#define ST1    'b'01
#define ST2    'b'10

```

```

sequence STATE {
present ST0:
    /* INITIALIZE AND HOLD */
    if(RESET)                next ST0;
    if(ALE & MIO & REFREQ & !RESET) next ST1;
    if(!REFREQ & !RESET)      next ST2;
    default                  next ST0;

present ST1:
    /* ACCESS CYCLE */
    if(RESET)                next ST0;
    if(COUNTER:'d'0) & !RESET next ST1 out !RAS;
    if(COUNTER:'d'1) & !RESET next ST1 out MSEL;
    if(COUNTER:'d'2) & !RESET next ST1 out !CAS;
    if(COUNTER:'d'9) & !RESET next ST0 out [RAS,!MSEL,CAS];
    default                  next ST1;

present ST2:
    /* REFRESH/ACCESS GRANT CYCLE */
    if(RESET)                next ST0;
    if(COUNTER:'d'0) & !RESET next ST2 out !MCL;
    if(COUNTER:'d'1) & !RESET next ST2 out [RFC,!RAS];
    if(COUNTER:'d'3) & !RESET next ST2 out MCL;
    if(COUNTER:'d'5) & !RESET next ST2 out !RFC;
    if(COUNTER:'d'6) & !RESET next ST2 out RAS;
    if(COUNTER:'d'9) & BRDY  next ST0;
    if(COUNTER:'d'10) & !RESET next ST2 out !RAS;
    if(COUNTER:'d'11) & !RESET next ST2 out [BRDY,MSEL];
    if(COUNTER:'d'12) & !RESET next ST2 out [RDY,!CAS];
    if(COUNTER:'d'19)         next ST0 out [RAS,!MSEL,CAS];
    default                  next ST2; }

append BRDY.r = STATE:ST2 & ALE & MIO & !RESET;
append RDY.r  = STATE:ST2 & ALE & MIO & !RESET;

/* BUILT-IN COUNTER CONTROL EQUATIONS, WRITTEN */
/* OUTSIDE THE STATE MACHINE FOR CLARITY.    */
SCLR0      = RESET                /* Clear counter on RESET */
           # STATE:ST1 & COUNTER:'d'9 /* and transitions to ST0.*/
           # STATE:ST2 & COUNTER:'d'9 & BRDY
           # STATE:ST2 & COUNTER:'d'19;

CNTHOLD1.s = RESET                /* Set count hold while */
           # STATE:ST1 & COUNTER:'d'9 /* clearing the counter. */
           # STATE:ST2 & COUNTER:'d'9 & BRDY
           # STATE:ST2 & COUNTER:'d'19;

CNTHOLD1.r = STATE:ST0 & ALE & MIO
           & REFREQ & !RESET /* Reset count hold */
           # STATE:ST0 & !REFREQ & !RESET; /* on transition to ST1,2 */

APPEND BRDY.s = RESET; APPEND RAS.s = RESET; APPEND P1.r = RESET;
APPEND RDY.s  = RESET; APPEND CAS.s = RESET; APPEND MSEL.r = RESET;
APPEND MCL.s  = RESET; APPEND P0.r  = RESET; APPEND RFC.r  = RESET;

/** End of file **/

```

```
Name      PSG EX3;
Partno    TI0003;
Date      08/26/87;
Rev       02;
Designer  Schiele/Woolhiser;
Company   Texas Instruments/Personnal CAD Systems;
Assembly  None;
Location  None;
```

```
/*
/* Dynamic Memory Timing Controller
/*
/* CUPL simulation file for Example 3 from "A Designer's Guide to the
/* PSG507".
/*
/* Allowable Target Device Types : TI PSG507
/*
*/
```

```
ORDER: REF_CLK,%4,RESET,%4,ALE,%3,MIO,%4,REFREQ,%9,RDY,%3,
MC1,%3,RFC,%3,RAS,%3,MSEL,%4,CAS,%3,STATE;
```

```
BASE: DECIMAL;
```

```
VECTORS:
```

```
$msg" ";
$msg" ";
$msg"ACCESS TIMING CYCLE ";
$msg" ";
$msg" ----- INPUT ----- ----- OUTPUT ----- ";
$msg" CLK RESET ALE MIO REFREQ RDY MC1 RFC RAS MSEL CAS STATE ";
/*RESET*/
C 1 X X X H H L H L H "0"
C 0 0 1 1 H H L H L H "0"
C 0 1 1 1 H H L H L H "1"
C 0 X X X H H L L L H "1"
C 0 X X X H H L L L H "1"
C 0 X X X H H L L L H "1"
C 0 X X X H H L L L H "1"
C 0 X X X H H L L L H "1"
C 0 X X X H H L L L H "1"
C 0 X X X H H L L L H "1"
C 0 X X X H H L L L H "1"
C 0 X X X H H L L L H "1"
C 0 X X X H H L L L H "1"
C 0 X X X H H L L L H "1"
C 0 X X X H H L L L H "1"
C 0 X X X H H L L L H "1"
C 0 X X X H H L L L H "1"
C 0 X X X H H L L L H "1"
C 0 0 0 1 H H L H L H "0"
```

```
$msg" ";
$msg" ";
$msg"REFRESH WITH ACCESS FOLLOWING ";
$msg" ";
$msg" ----- INPUT ----- ----- OUTPUT ----- ";
$msg" CLK RESET ALE MIO REFREQ RDY MC1 RFC RAS MSEL CAS STATE ";
/*RESET*/
C 1 X X X H H L H L H "0"
C 0 X X 0 H H L H L H "2"
C 0 0 0 X H L L H L H "2"
C 0 0 0 X H L H L L H "2"
C 0 0 0 X H L H L L H "2"
C 0 0 0 X H H H L L H "2"
```

```

C 0 1 1 X L H H L L H "2"
C 0 X X X L H L L L H "2"
C 0 X X X L H L H L H "2"
C 0 X X X L H L H L H "2"
C 0 X X X L H L H L H "2"
C 0 X X X L H L L L H "2"
C 0 X X X L H L L L H "2"
C 0 X X X L H L L L H "2"
C 0 0 X X H H L L H L "2"
C 0 0 X X H H L L H L "2"
C 0 0 X X H H L L H L "2"
C 0 0 X X H H L L H L "2"
C 0 0 X X H H L L H L "2"
C 0 0 X X H H L L H L "2"
C 0 0 X X H H L L H L "2"
C 0 0 X X H H L L H L "2"
C 0 0 X X H H L L H L "2"
C 0 0 X X H H L L H L "2"

```

```

$msg" ";
$msg" ";
$msg" REFRESH WITHOUT ACCESS FOLLOWING ";
$msg" ";
$msg" ----- INPUT ----- OUTPUT ----- ";
$msg" CLK RESET ALE MIO REFREQ RDY MC1 RFC RAS MSEL CAS STATE ";
$msg" -----";
/*RESET*/ C 1 X X X H H L H L H "0"
C 0 X X 0 H H L H L H "2"
C 0 0 0 X H L L H L H "2"
C 0 0 0 X H L H L L H "2"
C 0 0 0 X H H H L L H "2"
C 0 0 1 X H H H L L H "2"
C 0 1 0 X H H L L L H "2"
C 0 1 0 X H H L H L H "2"
C 0 1 0 X H H L H L H "2"
C 0 1 0 X H H L H L H "2"
C 0 1 0 X H H L H L H "2"

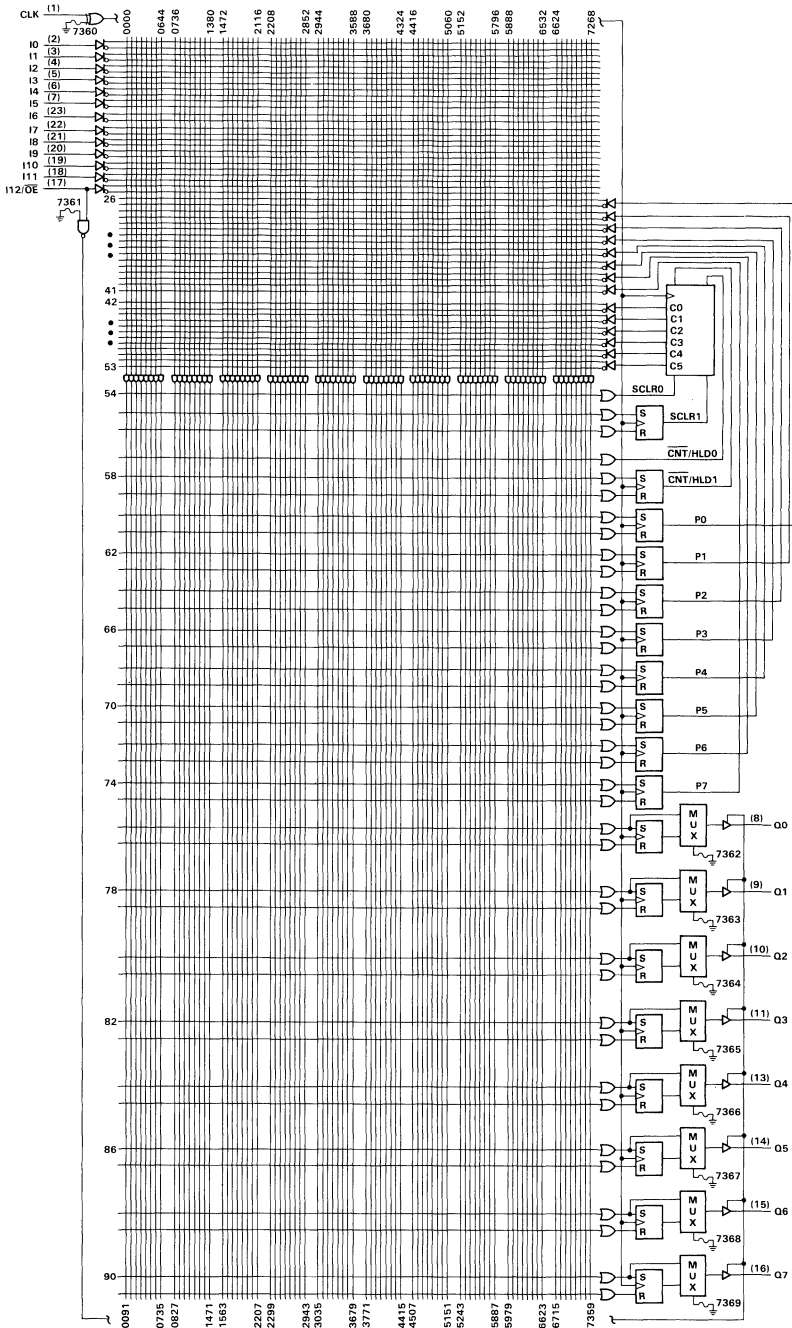
```

```

$msg" ";
$msg" ";
$msg" RESET DURING REFRESH";
$msg" ";
$msg" ----- INPUT ----- OUTPUT ----- ";
$msg" CLK RESET ALE MIO REFREQ RDY MC1 RFC RAS MSEL CAS STATE ";
$msg" -----";
/*RESET*/ C 1 X X X H H L H L H "0"
C 0 X X 0 H H L H L H "2"
C 0 0 0 X H L L H L H "2"
C 0 0 0 X H L H L L H "2"
C 0 0 0 X H L H L L H "2"
C 1 X X X H H L H L H "0"

```


Appendix C. PSG507 Fuse Numbers





Application Reports

System Solutions for Static Column Decode

Robert K. Breuninger, Loren Schiele,
and Joshua K. Peprah



IMPORTANT NOTICE

Texas Instruments (TI) reserves the right to make changes in the devices or the device specifications identified in this publication without notice. TI advises its customers to obtain the latest version of device specifications to verify, before placing orders, that the information being relied upon by the customer is current.

TI warrants performance of its semiconductor products to current specifications in accordance with TI's standard warranty. Testing and other quality control techniques are utilized to the extent TI deems such testing necessary to support this warranty. Unless mandated by government requirements, specific testing of all parameters of each device is not necessarily performed.

In the absence of written agreement to the contrary, TI assumes no liability for TI applications assistance, customer's product design, or infringement of patents or copyrights of third parties by or arising from use of semiconductor devices described herein. Nor does TI warrant or represent that any license, either express or implied, is granted under any patent right, copyright, or other intellectual property right of TI covering or relating to any combination, machine, or process in which such semiconductor devices might be or are used.

Copyright © 1987, Texas Instruments Incorporated

Contents

| | <i>Title</i> | <i>Page</i> |
|---|--------------|-------------|
| INTRODUCTION | | 3-85 |
| STATIC COLUMN DECODE | | 3-85 |
| TYPICAL MEMORY CONTROLLER | | 3-87 |
| TIMING CONTROLLER DETAILS | | 3-87 |
| NORMAL ACCESS SEQUENCE | | 3-89 |
| HIGH-SPEED ACCESS SEQUENCE | | 3-89 |
| EXTENDED ACCESS SEQUENCE | | 3-90 |
| NORMAL/EXTENDED REFRESH SEQUENCES | | 3-90 |
| SOFTWARE SUPPORT | | 3-94 |
| SUMMARY | | 3-94 |

Appendixes

| | | |
|---|-------------------|-------|
| A | ABEL™ Files | 3-95 |
| B | CUPL™ Files | 3-101 |

ABEL is a trademark of DATA I/O
CUPL is a trademark of Personal CAD Systems, Inc.

List of Illustrations

| <i>Figure</i> | <i>Title</i> | <i>Page</i> |
|---------------|---|-------------|
| 1 | Static Column Decode Mode Read Cycle Timing | 3-85 |
| 2 | 68020/6301 Static Column Memory Controller | 3-86 |
| 3 | ALS6310 Static Column/Page Mode Access Detector | 3-87 |
| 4 | Timing Controller Flowchart | 3-88 |
| 5 | Normal Access Cycle | 3-89 |
| 6 | High-Speed Access Cycle | 3-90 |
| 7 | Extended Access Cycle | 3-91 |
| 8 | Normal Refresh/Access Grant Cycle | 3-92 |
| 9 | Extended Refresh Cycle | 3-93 |

INTRODUCTION

The new 32-bit microprocessors are capable of addressing 4G bytes of physical memory and typically feature clock frequencies greater than 16 Mhz. However, clock speed alone does not guarantee increased system performance; if the processor must wait for data, then memory bandwidth will be the limiting factor.

This situation exists between today's microprocessors and the access times of affordable DRAMs. One solution to optimizing system performance is to mix and match memory, using lower cost dynamic RAM in conjunction with fast, more expensive static RAM caches. However, this approach is only attractive to high end systems where cost and board space is a less significant factor.

Another approach to improving system performance is to utilize the new accessing modes available on certain 1 meg DRAMs, such as static column decode. This method does not improve system performance as much as caches, but it does involve less hardware, resulting in lower system cost. This approach can also be used in systems already using caches, further improving system performance.

This application note describes the theory of using static column decode and also describes how it might be implemented in a typical system. In addition, it highlights three new products from Texas Instruments. The

SN74ALS6300 "Selectable Refresh Timer", the SN74ALS6310 "Static Column Access Detector", and the TIBPSG507 "Programmable Sequence Generator".

STATIC COLUMN DECODE

The TMS4C1027 is a 1,048,576-bit \times 1 dynamic RAM featuring static column decode. Static column decode allows high-speed read and write operations by reducing the number of required signal setup, hold, and transition timings. This is achieved by first strobing the row and column addresses in the normal manner by taking $\overline{\text{RAS}}$ and $\overline{\text{CAS}}$ low. If $\overline{\text{RAS}}$ and $\overline{\text{CAS}}$ are kept low, new data can be accessed by simply changing the column addresses, assuming the new address is in the same row. If the new address is not in the same row, then a normal access cycle must be performed.

Figure 1 is a timing diagram taken from the TMS4C1027 datasheet showing static column decode mode read cycle timing.

If the assumption is made that the majority of memory references tend to be sequential, which is a similar assumption made when using caches, then it is logical to assume that a large percentage of memory accesses will be within the same row. The trick is how to implement a timing controller which will take full advantage of the static column decode mode of operation.

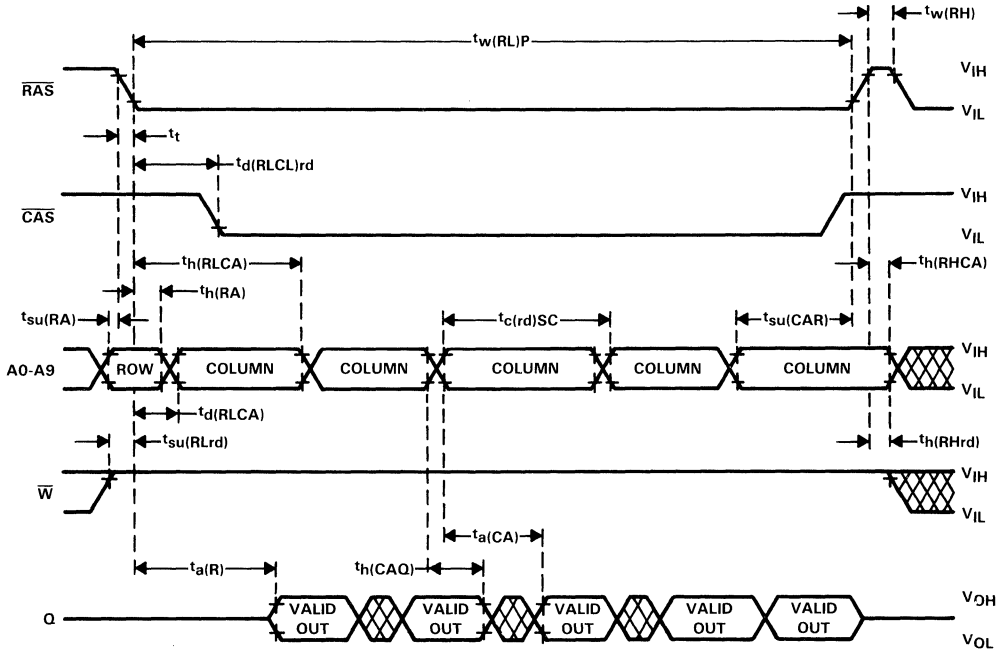


Figure 1. Static Column Decode Mode Read Cycle Timing

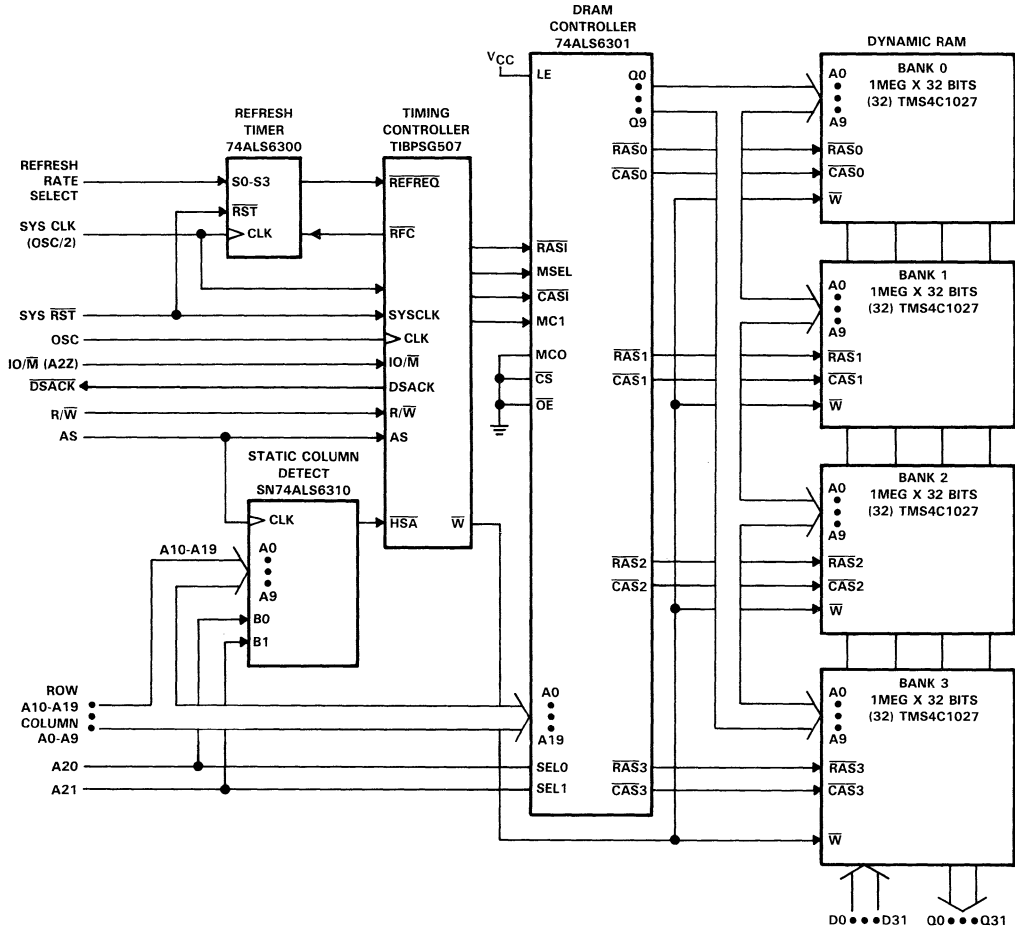


Figure 2. 68020 Static Column Memory Controller

TYPICAL MEMORY CONTROLLER

Figure 2 shows a block diagram of a memory system utilizing static column decode. The ALS6310 is a new circuit offered by Texas Instruments which detects if the present row being accessed is the same as last row accessed. This is the fundamental requirement for implementing static column decode. Note that the row addresses from the 68020 are used as the most significant bits (A10-A19) and the column addresses are used as the least significant bits (A0-A9). Figure 3 shows a block diagram of the ALS6310.

In circuit operation, when address strobe (AS) from the 68020 is taken low, the present row (A10-A19) and bank address (B0, B1) is clocked into the first register of the ALS6310. The previous bank and row address, stored in the first register, is clocked into the second register at the same time. The two addresses are then compared to see if they are equal. If they are equal, the high speed access output (HSA) will be logically low. If not, HSA will be high.

The function of the PSG507 is to generate the required memory timing control signals (RAS, CAS, etc.) for the ALS6301 dynamic memory controller. The ALS6301 is responsible for multiplexing row and column addresses into DRAM. The ALS6301 is also capable of driving 4 banks of 1M-byte memory.

Supporting the PSG507 is the ALS6300 refresh timer. This device is responsible for generating a refresh request signal (REFREQ) every 15.5 μ s. The input select lines are hardwired to match the microprocessor clock frequency. The refresh complete input (RFC), resets the REFREQ signal after the timing controller completes the refresh cycle.

TIMING CONTROLLER DETAILS

Figure 4 shows a typical flow chart for implementing static column decode. As stated before, the PSG507 is responsible for implementing the flow chart shown in Figure 4. A breakdown of this flow chart reveals 9 states (ST0-ST8), associated with 5 different sequences. States ST0, ST1, ST3, and ST4 are holding and transition states, leading into the various sequences. The five possible sequences are listed below.

- ST2 Normal Access Sequence
- ST5 Extended Access Sequence
- ST6 High-Speed Access Sequence
- ST7 Normal Refresh Sequence
- ST8 Extended Refresh Sequence

Notice that the HSA signal from the ALS6310 decides if the timing controller will execute ST5, the Extended Access Sequence, or ST6, the High-Speed Access Sequence. A brief description of each sequence follows.

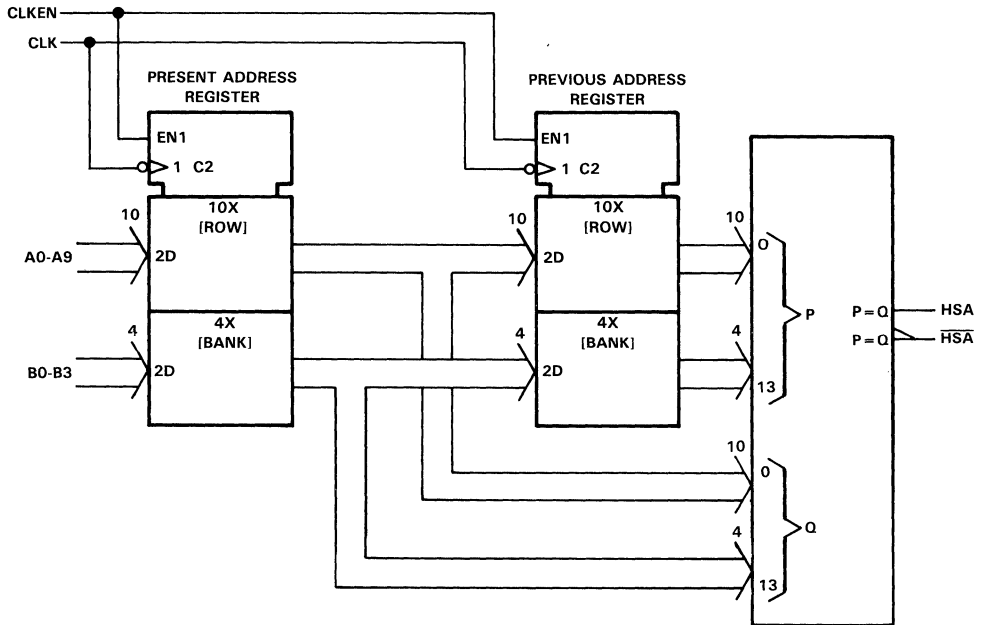


Figure 3. ALS6310 Static Column Page Mode Access Detector

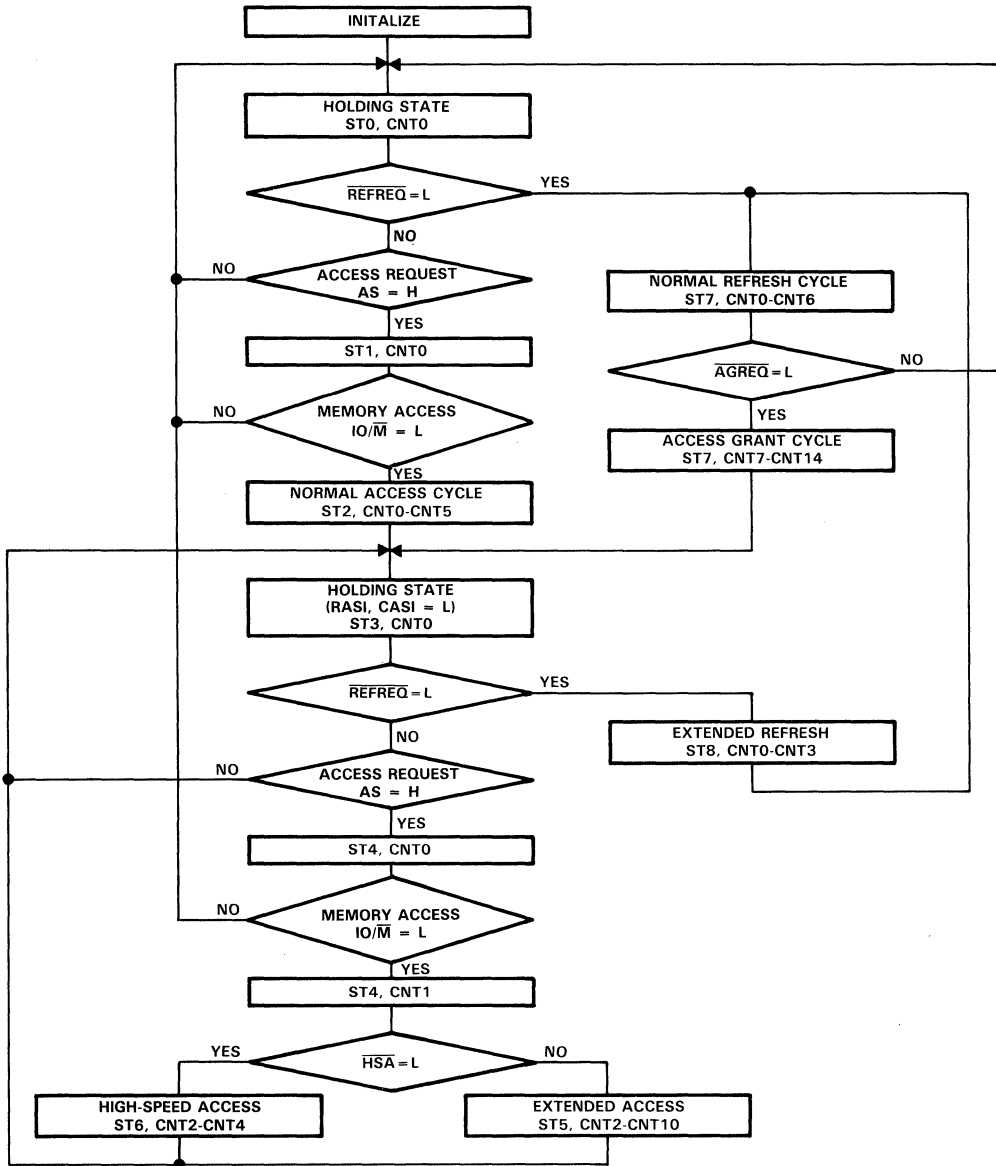


Figure 4. Timing Controller Flowchart

NORMAL ACCESS SEQUENCE

The normal access sequence is shown in Figure 5. This sequence begins by executing a normal RAS/CAS cycle. Notice that a wait state of one clock cycle is needed to guarantee that data is valid for the 68020. This is the problem mentioned in the introduction; if all access cycles had to be performed in this manner, then the processor would face a wait state every access cycle. As will be shown later, this wait state can be eliminated if the next address is from the same row.

Notice also, at the end of this sequence, the $\overline{\text{RAS}}$ and $\overline{\text{CAS}}$ output signals are left active low. Here we are making the assumption that the next access cycle will be a high-speed access. We will not know if this assumption is true until the next address is presented by the 68020. At that time, the ALS6310 will signal the timing controller if it can execute a high-speed access.

HIGH-SPEED ACCESS SEQUENCE

For a high-speed access sequence to be executed, two conditions must be met. The $\overline{\text{RAS}}$ and $\overline{\text{CAS}}$ inputs must already be low, and secondly, the static column access detector must be indicating the present row is the same as the last row ($\overline{\text{HSA}} = \text{L}$). The bank addresses must also be unchanged as detected by the ALS6310.

Figure 6 shows the timing diagram for the high-speed access sequence. Notice that no wait states are required. If the assumption is made that the majority of memory references are sequential, then this sequence will be the one typically used. In other words, this sequence is similar to accessing data from a static RAM, or just like taking data from cache.

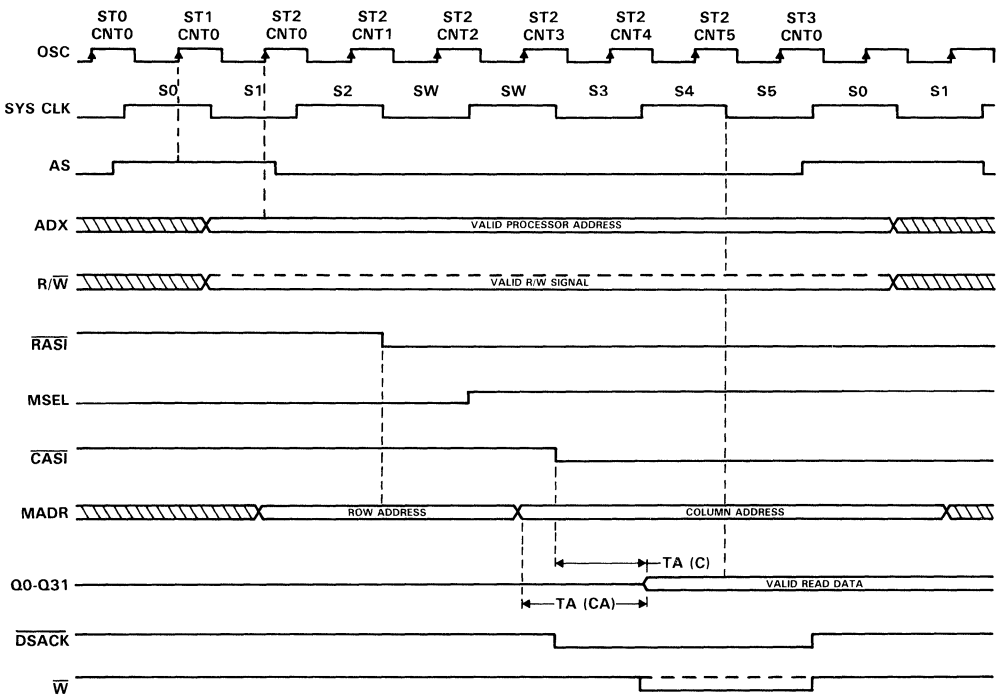


Figure 5. Normal Access Cycle

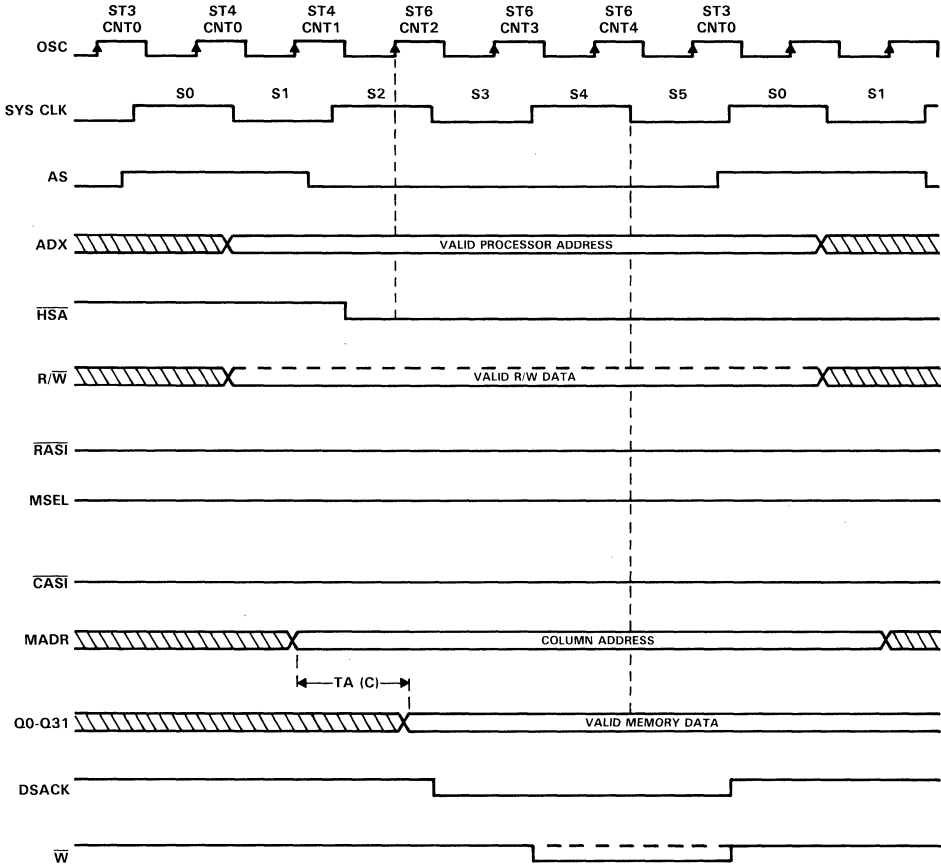


Figure 6. High-Speed Access Cycle

EXTENDED ACCESS SEQUENCE

The extended access sequence is executed if the ALS6310 detects a difference between the present, and last row addresses. This cycle is called extended because $\overline{\text{RAS}}$ and $\overline{\text{CAS}}$ are presently low and both must be brought high to strobe in the new row and column addresses. The precharge time of the DRAM has to be met before taking $\overline{\text{RAS}}$ and $\overline{\text{CAS}}$ low. From the timing diagram in Figure 7, it can be seen that wait states of three clock cycles are generated when executing this timing sequence.

In systems where sequential data is not the general rule, it would be more efficient to execute only normal access sequences, since this generates fewer wait states. The system designer must understand what type of memory accesses will be used. For example, the designer may want only to enter the high-speed access portion of the flow chart when the system is performing DMA access cycles.

NORMAL/EXTENDED REFRESH SEQUENCES

Figures 8 and 9 show the timing diagrams for the normal and extended refresh sequences. The refresh sequence selected is a function of the present condition of $\overline{\text{RAS}}$ and $\overline{\text{CAS}}$. If $\overline{\text{RAS}}$ and $\overline{\text{CAS}}$ are presently low, an extended refresh cycle is performed. If $\overline{\text{RAS}}$ and $\overline{\text{CAS}}$ are presently high, a normal refresh cycle is executed. At the end of each refresh sequence, the controller checks to see if an access request has been generated. If there has been an access request, the controller will perform an access grant sequence at the end of the refresh cycle before returning to normal process flow.

Referring back to Figure 1, there is a maximum time that $\overline{\text{RAS}}$ and $\overline{\text{CAS}}$ can be held low, $t_{w(\text{RL})P}$. For the TMS4C1027, $t_{w(\text{RL})P}$ must not exceed 100 μs . Since our refresh timer forces a refresh cycle every 15.5 μs , $t_{w(\text{RL})P}$ cannot be violated. If the designer chooses to use a different refresh scheme, then $t_{w(\text{RL})P}$ must be considered.

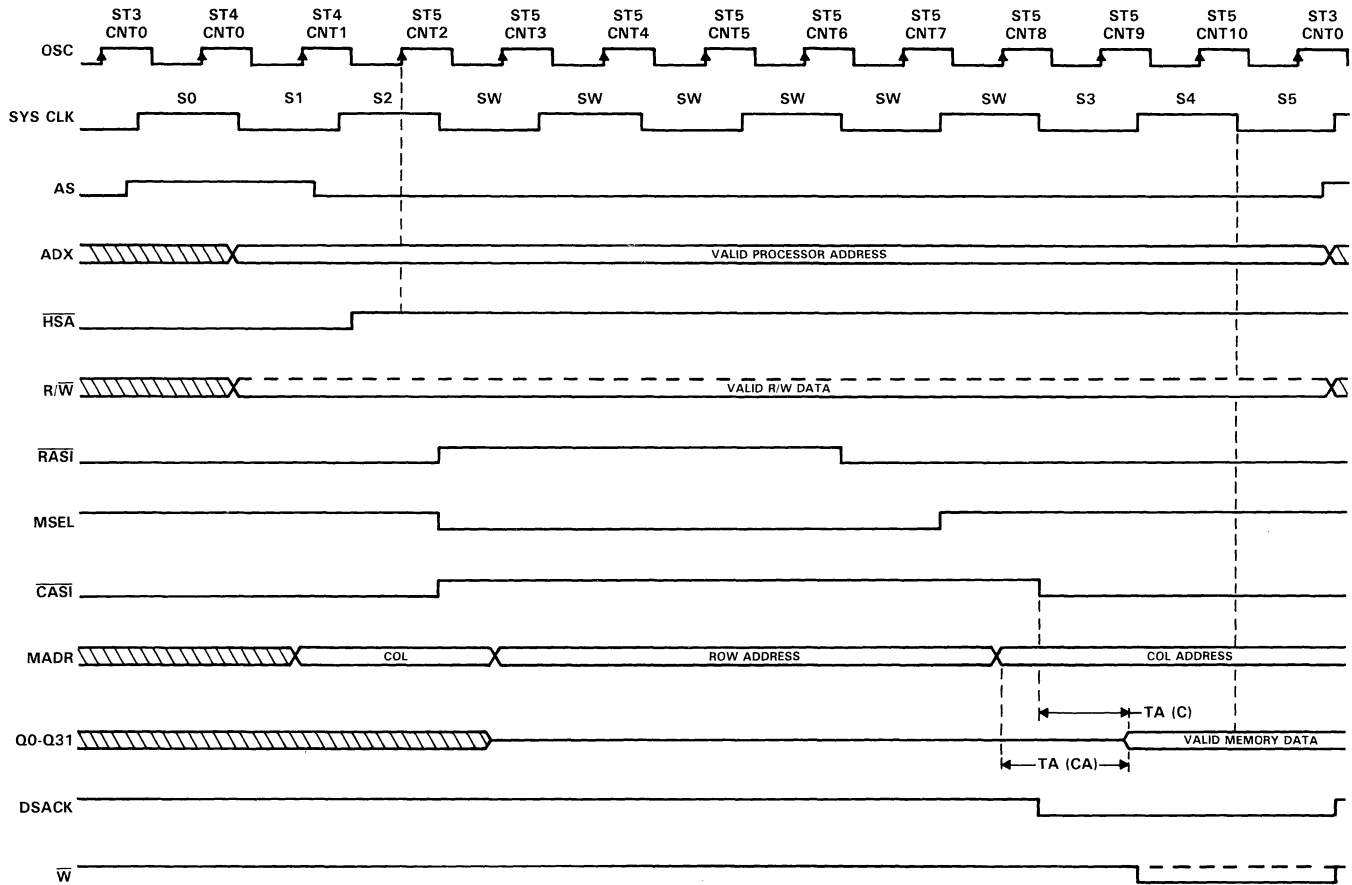


Figure 7. Extended Access Cycle



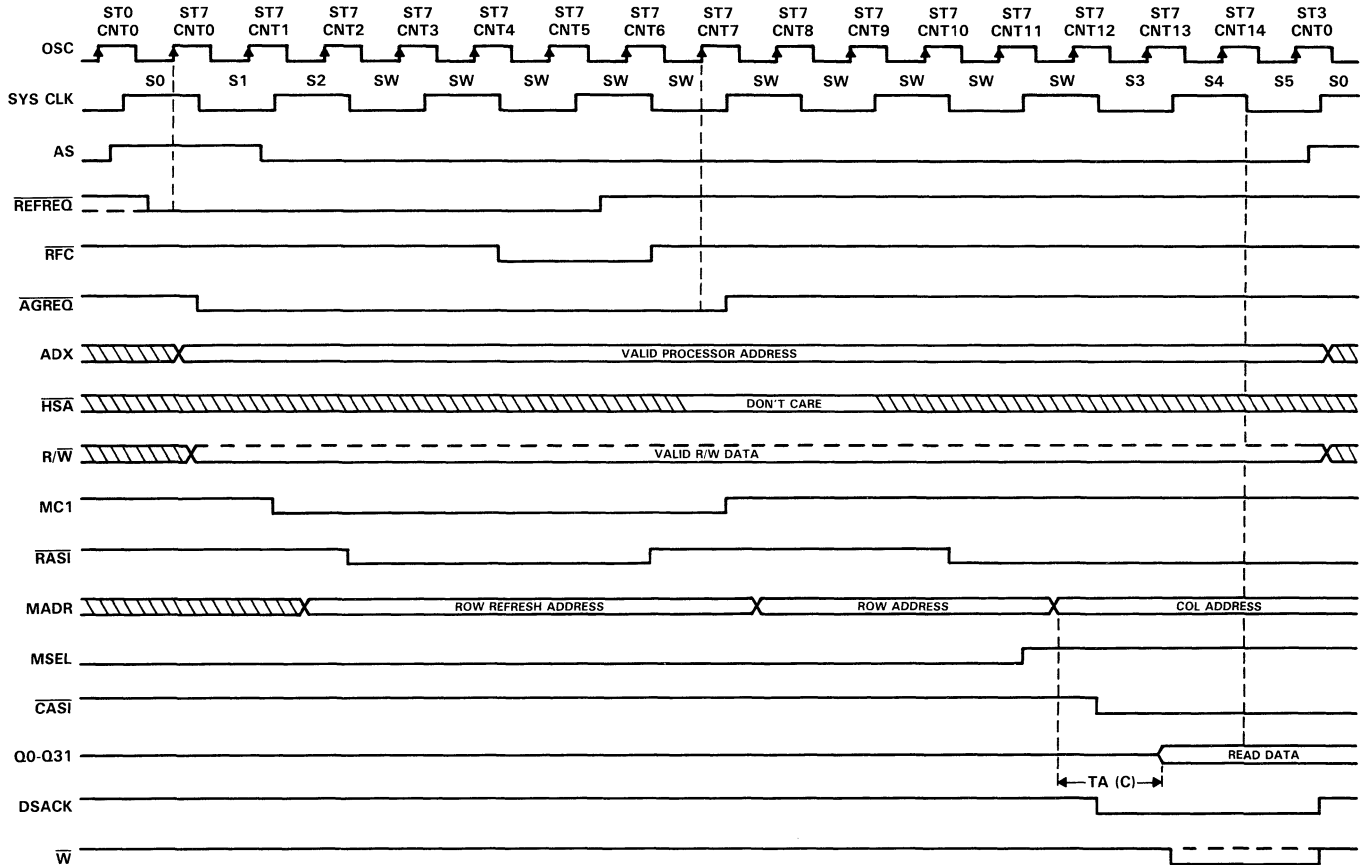


Figure 8. Normal Refresh/Access Grant Cycle

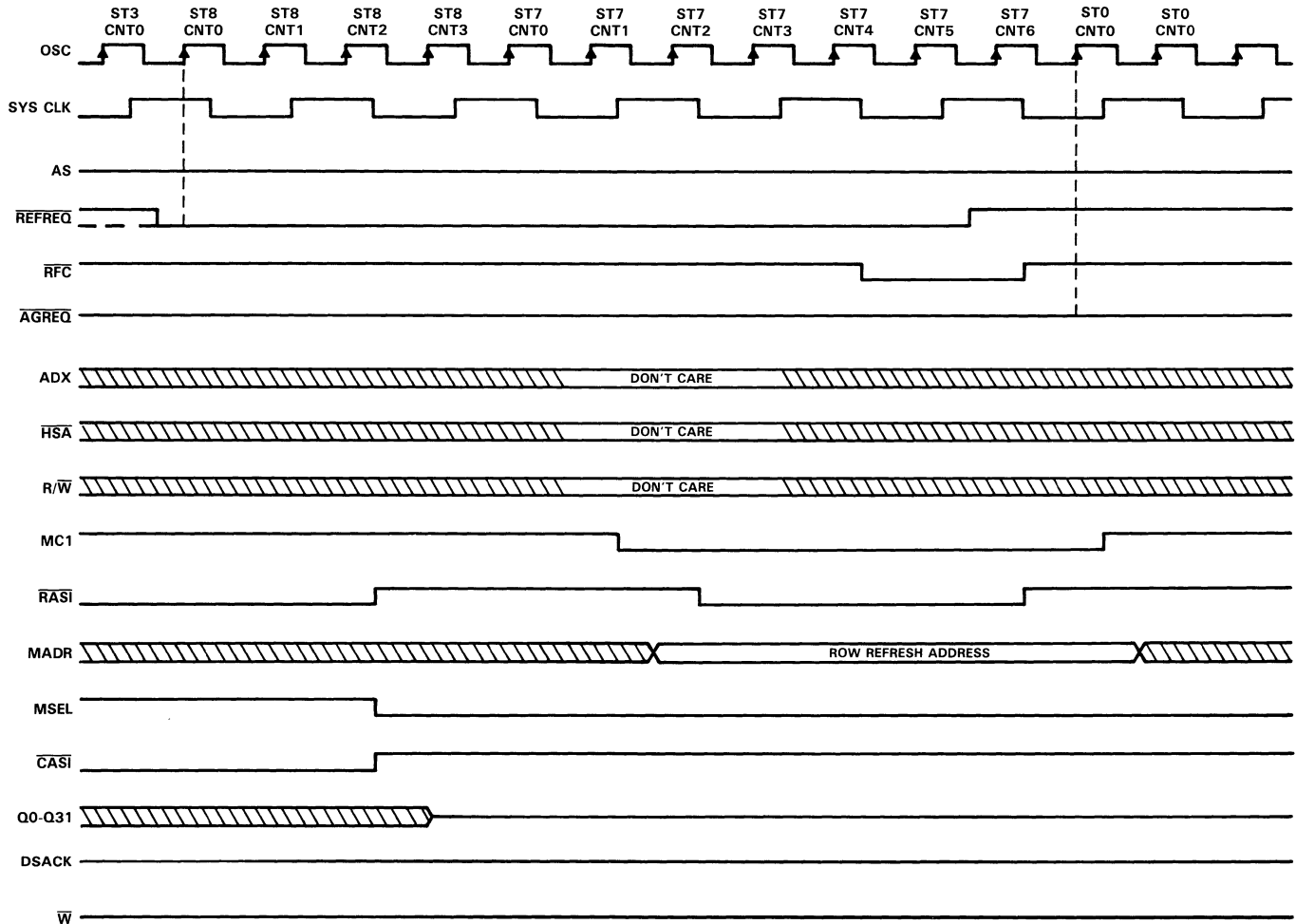


Figure 9. Extended Refresh Cycle

SOFTWARE SUPPORT

The PSG507 is supported by two software packages. CUPL which was created by and is supported by Assisted Technologies, a division of Personal CAD Systems Inc. and ABEL which was created by and is supported by FutureNet a division of Data I/O Corp. Both of these software packages have been used to reduce equations and to generate the fusemap necessary to program the PSG507. Appendices A and B show the ABEL™ and CUPL™ source files for the described static column memory timing controller are attached to assist the designer in programming the PSG507.

Since only 54% (43 out of 80) of the PG507's product terms were used in this design, it will be easy to modify or add to the sequences used to meet specific system requirements. For detailed information on designing with the PSG507 see "A Designer's Guide to the PSG507" application report.

SUMMARY

Static column decode offers the system designer a method for improving system performance in applications where the microprocessor can outperform conventional DRAM access times. By utilizing the ALS6310 "Static Column Access Detector", the ALS6300 "Refresh Timer", and the TIBPSG507 "Programmable Sequence Generator" a high performance memory timing controller can be easily developed to take full advantage of static column decode.

APPENDIX A

```

module SCDECODE
title 'ABEL EXAMPLE FOR THE STATIC COLUMN DECODER
      JOSH PEPRAH, TEXAS INSTRUMENTS, OCT 29, 1987'

      DECODE device 'F507';

" Input pin assignments
OSC      pin 1;           " OSCILLATOR
RESET    pin 2;           " SYSTEM RESET - WHEN LOW
A22      pin 3;           " IO/MEMORY - MEMORY ACCESS
RW       pin 4;           " READ / WRITE ENABLE
REFREQ   pin 5;           " REFRESH REQUEST
AS       pin 6;           " ADDR STROBE - ACCESS REQ
HSA      pin 7;           " HIGH SPEED ACCESS
SYSCLK   pin 17;         " SYSTEM CLOCK - (OSC/2)

" Output pin and node assignments
RFC      pin 8; RFC_r    node 47; " REFRESH COMPLETE
RASI     pin 9; RASI_r   node 48; " ROW ADDRESS STROBE
MSEL     pin 10; MSEL_r  node 49; " MULTIPLEXER SELECT
CASI     pin 11; CASI_r  node 50; " COLUMN ADDRESS STROBE
MCl      pin 13; MCl_r   node 51; " MODE CONTROL
W        pin 14; W_r     node 52; " WRITE
DSACK    pin 15; DSACK_r node 53; " DATA STROBE ACKNOWLEDGE

" Internal counter bits & control, and state reg - node declarations
C0,C1,C2,C3,C4,C5 node 55,56,57,58,59,60;
SCLRO     node 25;
CNTHOLD0 node 28;
CNTHOLD1 node 29; CNTHOLD1_r node 30; " COUNT/HOLD CONTROL REGISTER

" Buried state registers - node declarations
P0  node 31; P0_r    node 39;   " STATE REGISTER
P1  node 32; P1_r    node 40;   " STATE REGISTER
P2  node 33; P2_r    node 41;   " STATE REGISTER
P3  node 34; P3_r    node 42;   " STATE REGISTER
AGREQ node 35; AGREQ_r node 43;  " ACCESS GRANT REQUEST STATUS REGISTER

" Set notation is used to represent control, buried state, and output
" registers. This is done to simplify the equations. The following
" sets are in the form; register name_ = [set input, reset input]. Note
" that the ouput register pin name specifies the set input.

RFC_      = [RFC, RFC_r];
RASI_     = [RASI, RASI_r];
MSEL_     = [MSEL, MSEL_r];
CASI_     = [CASI, CASI_r];
MCl_      = [MCl, MCl_r];
W_        = [W, W_r];
DSACK_    = [DSACK, DSACK_r];
AGREQ_    = [AGREQ, AGREQ_r];

```

```

" Intermediate declarations for simplification.
" The sets 'high' and 'low' are used to set or reset the S/R
" registers. Example: RASI_ := high & RESET; will cause pin 9
" to go high on the next clock edge if input pin 6 is high.

high           = [ 1, 0];
low            = [ 0, 1];
COUNT        = [C3,C2,C1,C0];
STATE_        = [P3,P2,P1,P0];           " STATE REGISTER SET DEFINED
H,L,clk,X     = 1, 0, .C., .X.;

```

equations

```
enable RFC = 1; "outputs always enabled, pin 17 is only an input
```

```

" Initialization when RESET is low
[RASI,CASI,RFC,W,AGREQ,DSACK,MCl,SCLR0] := !RESET;
[MSEL_r,P0_r,P1_r,P2_r,P3_r]           := !RESET;

```

" Counter controls defined

```

SCLR0           = !RESET
                # (STATE_==2) & (COUNT==5)
                # (STATE_==4) & (COUNT==0) & A22
                # (STATE_==5) & (COUNT==10)
                # (STATE_==6) & (COUNT==4)
                # (STATE_==7) & (COUNT==6) & (A22 # AGREQ)
                # (STATE_==7) & (COUNT==14)
                # (STATE_==8) & (COUNT==3);

```

```

CNTHOLD1       := !RESET
                # (STATE_==2) & (COUNT==5)
                # (STATE_==4) & (COUNT==0) & A22
                # (STATE_==5) & (COUNT==10)
                # (STATE_==6) & (COUNT==4)
                # (STATE_==7) & (COUNT==6) & (A22 # AGREQ)
                # (STATE_==7) & (COUNT==14)
                # (STATE_==8) & (COUNT==3);

```

```

CNTHOLD1_r := (STATE_==0) & !REFREQ & RESET
            # (STATE_==1) & !A22 & RESET
            # (STATE_==3) & !REFREQ & RESET
            # (STATE_==3) & REFREQ & AS & SYSCLK & RESET;

```

" Execution of access and refresh sequences

```

state_diagram STATE_
  State 0:
    case
      !RESET
      REFREQ & (!AS # !SYSCLK)           : 0;
      REFREQ & AS & SYSCLK & RESET      : 1;
      !REFREQ & RESET                    : 7;
    endcase;

```

" NORMAL ACCESS CYCLE

```

State 1:
case
(COUNT==0) & !A22
(COUNT==0) & A22
endcase;
" NEXT
" STATE
: 2;
: 0;

```

```

State 2:
RASI_ := (COUNT==0) & low & RESET;
MSEL_ := (COUNT==1) & high;
CASI_ := (COUNT==2) & low & RESET;
DSACK_ := (COUNT==2) & low & RESET;
W_ := (COUNT==3) & low & RESET;
W_ := (COUNT==5) & high;
DSACK_ := (COUNT==5) & high;
if (COUNT==5) then 3 else 2;

```

"HOLDING STATE

```

State 3:
case
(!AS # !SYSCLK) & REFREQ & RESET
REFREQ & AS & SYSCLK & RESET
!REFREQ & RESET
endcase;
" NEXT
" STATE
: 3;
: 4;
: 8;

```

State 4:

```

CASI_ := (COUNT==0) & high & A22;
RASI_ := (COUNT==0) & high & A22;
MSEL_ := (COUNT==0) & low & A22;
RASI_ := (COUNT==1) & high & HSA;
DSACK_ := (COUNT==1) & low & !HSA;
MSEL_ := (COUNT==1) & low & HSA;
CASI_ := (COUNT==1) & high & HSA;

```

```

case
(COUNT==0) & A22 & RESET
(COUNT==0) & !A22 & RESET
(COUNT==1) & HSA & RESET
(COUNT==1) & !HSA & RESET
endcase;
" STATE
" NEXT
: 0;
: 4;
: 5;
: 6;

```

"EXTENDED ACCESS CYCLE

```

State 5:
RASI_ := (COUNT==5) & low & RESET;
MSEL_ := (COUNT==6) & high & RESET;
CASI_ := (COUNT==7) & low & RESET;
DSACK_ := (COUNT==7) & low & RESET;
W_ := (COUNT==8) & low & RESET;
W_ := (COUNT==10) & high;
DSACK_ := (COUNT==10) & high;
if (COUNT==10) & RESET then 3 else 5;

```


"HIGH SPEED ACCESS

State 6:

```

W_ := (COUNT==2) & low & RESET;
W_ := (COUNT==4) & high;
DSACK_ := (COUNT==4) & high;
if (COUNT==4) then 3 else 6;

```

"NORMAL REFRESH CYCLE

State 7:

```

AGREQ_ := AS & low & RESET;
MC1_ := (COUNT==0) & low & RESET;
RASI_ := (COUNT==1) & low & RESET;
RFC_ := (COUNT==3) & low & RESET;
RFC_ := (COUNT==5) & high;
RASI_ := (COUNT==5) & high;
MC1_ := (COUNT==6) & high;
RASI_ := (COUNT==9) & low & RESET;
MSEL_ := (COUNT==10) & high & RESET;
CASI_ := (COUNT==11) & low & RESET;
DSACK_ := (COUNT==11) & low & RESET;
W_ := (COUNT==12) & low & RESET;
W_ := (COUNT==14) & high;
DSACK_ := (COUNT==14) & high;
if (COUNT==6) & (A22 # AGREQ) then 0 else 7;
if (COUNT==14) then 3 else 7;

```

"EXTENDED REFRESH CYCLE

State 8:

```

RASI_ := (COUNT==1) & high;
MSEL_ := (COUNT==1) & low ;
CASI_ := (COUNT==1) & high;
if (COUNT==3) then 7 else 8;

```

test_vectors 'NORMAL ACCESS CYCLE'

```

([OSC, RESET, A22, RW, REFREQ, AS, HSA, SYSCLK, COUNT] -> [RFC, RASI, MSEL, CASI, MC1, W, DSACK, STATE_])
[clk, L, X, X, X, X, X, X, X, X, X] -> [H, H, L, H, H, H, H, H, 0];
[clk, H, X, X, H, L, X, X, X, 0] -> [H, H, L, H, H, H, H, H, 0];
[clk, H, X, X, H, H, X, H, 0] -> [H, H, L, H, H, H, H, H, 1];
[clk, H, L, X, X, X, X, X, X, 0] -> [H, H, L, H, H, H, H, H, 2];
[clk, H, X, X, X, X, X, X, X, 0] -> [H, L, L, H, H, H, H, H, 2];
[clk, H, X, X, X, X, X, X, X, 1] -> [H, L, H, H, H, H, H, H, 2];
[clk, H, X, X, X, X, X, X, X, 2] -> [H, L, H, L, H, H, L, L, 2];
[clk, H, X, X, X, X, X, X, X, 3] -> [H, L, H, L, H, L, L, L, 2];
[clk, H, X, X, X, X, X, X, X, 4] -> [H, L, H, L, H, L, L, L, 2];
[clk, H, X, X, X, X, X, X, X, 5] -> [H, L, H, L, H, H, H, H, 3];

```

test_vectors 'HOLDING STATE 4 WITH EXTENDED ACCESS REQUEST'

```

([OSC, RESET, A22, RW, REFREQ, AS, HSA, SYSCLK, COUNT] -> [RFC, RASI, MSEL, CASI, MC1, W, DSACK, STATE_])
[clk, H, H, X, H, H, X, H, H, 0] -> [H, L, H, L, H, H, H, H, 4];
[clk, H, L, X, X, X, X, X, X, 0] -> [H, L, H, L, H, H, H, H, 4];
[clk, H, X, X, X, X, X, H, X, 1] -> [H, H, L, H, H, H, H, H, 5];

```

```

test_vectors 'EXTENDED ACCESS'
([OSC,RESET,A22,RW,REFREQ,AS,HSA,SYSClk,COUNT] -> [RFC,RASI,MSEL,CASI,MC1,W,DSACK,STATE_])
[clk,      H , X , X, X           , X, X , X , 2 ] -> [ H , H , L , H , H,H, H , 5 ] ;
[clk,      H , X , X, X           , X, X , X , 3 ] -> [ H , H , L , H , H,H, H , 5 ] ;
[clk,      H , X , X, X           , X, X , X , 4 ] -> [ H , H , L , H , H,H, H , 5 ] ;
[clk,      H , X , X, X           , X, X , X , 5 ] -> [ H , L , L , H , H,H, H , 5 ] ;
[clk,      H , X , X, X           , X, X , X , 6 ] -> [ H , L , H , H , H,H, H , 5 ] ;
[clk,      H , X , X, X           , X, X , X , 7 ] -> [ H , L , H , L , H,H, L , 5 ] ;
[clk,      H , X , X, X           , X, X , X , 8 ] -> [ H , L , H , L , H,L, L , 5 ] ;
[clk,      H , X , X, X           , X, X , X , 9 ] -> [ H , L , H , L , H,L, L , 5 ] ;
[clk,      H , X , X, X           , X, X , X ,10 ] -> [ H , L , H , L , H,H, H , 3 ] ;

```

```

test_vectors 'HOLDING STATE 4 WITH HIGH SPEED ACCESS REQUEST'
([OSC,RESET,A22,RW,REFREQ,AS,HSA,SYSClk,COUNT] -> [RFC,RASI,MSEL,CASI,MC1,W,DSACK,STATE_])
[clk,      H , H , X, H           , H, X , H , 0 ] -> [ H , L , H , L , H,H, H , 4 ] ;
[clk,      H , L , X, X           , X, X , X , 0 ] -> [ H , L , H , L , H,H, H , 4 ] ;
[clk,      H , L , X, X           , X, L , X , 1 ] -> [ H , L , H , L , H,H, L , 6 ] ;

```

```

test_vectors 'HIGH SPEED ACCESS'
([OSC,RESET,A22,RW,REFREQ,AS,HSA,SYSClk,COUNT] -> [RFC,RASI,MSEL,CASI,MC1,W,DSACK,STATE_])
[clk,      H , X , X, X           , X, X , X , 2 ] -> [ H , L , H , L , H,L, L , 6 ] ;
[clk,      H , X , X, X           , X, X , X , 3 ] -> [ H , L , H , L , H,L, L , 6 ] ;
[clk,      H , X , X, X           , X, X , X , 4 ] -> [ H , L , H , L , H,H, H , 3 ] ;

```

```

test_vectors 'NON-MEMORY ACCESS FOLLOWED BY REFRESH REQUEST'
([OSC,RESET,A22,RW,REFREQ,AS,HSA,SYSClk,COUNT] -> [RFC,RASI,MSEL,CASI,MC1,W,DSACK,STATE_])
[clk,      H , H , X, H           , H, X , H , 0 ] -> [ H , L , H , L , H,H, H , 4 ] ;
[clk,      H , H , X, X           , X, X , X , 0 ] -> [ H , H , L , H , H,H, H , 0 ] ;
[clk,      H , X , X, H           , L, X , X , 0 ] -> [ H , H , L , H , H,H, H , 0 ] ;
[clk,      H , X , X, H           , X, X , L , 0 ] -> [ H , H , L , H , H,H, H , 0 ] ;
[clk,      H , X , X, L           , X, X , X , 0 ] -> [ H , H , L , H , H,H, H , 7 ] ;

```

```

test_vectors 'NORMAL REFRESH CYCLE'
([OSC,RESET,A22,RW,REFREQ,AS,HSA,SYSClk,COUNT] -> [RFC,RASI,MSEL,CASI,MC1,W,DSACK,STATE_])
[clk,      H , X , X, X           , L, X , X , 0 ] -> [ H , H , L , H , L,H, H , 7 ] ;
[clk,      H , X , X, X           , L, X , X , 1 ] -> [ H , L , L , H , L,H, H , 7 ] ;
[clk,      H , X , X, X           , L, X , X , 2 ] -> [ H , L , L , H , L,H, H , 7 ] ;
[clk,      H , X , X, X           , L, X , X , 3 ] -> [ L , L , L , H , L,H, H , 7 ] ;
[clk,      H , X , X, X           , L, X , X , 4 ] -> [ L , L , L , H , L,H, H , 7 ] ;
[clk,      H , X , X, H           , L, X , X , 5 ] -> [ H , H , L , H , L,H, H , 7 ] ;
[clk,      H , X , X, X           , L, X , X , 6 ] -> [ H , H , L , H , H,H, H , 0 ] ;

```

```

test vectors 'NORMAL REFRESH CYCLE FOLLOWED BY ACCESS GRANT REQUEST'
((OSC,RESET,A22,RW,REFREQ,AS,HSA,SYSCLK,COUNT) -> [RFC,RASI,MSEL,CASI,MCI,W,DSACK,STATE ])
[clk, H , X , X, L , , X, X , X , 0 ] -> [ H , , H , L , H , H , H, H , , 7 ] ;
[clk, H , X , X, X , , L, X , X , 0 ] -> [ H , , H , L , H , L , H, H , , 7 ] ;
[clk, H , X , X, X , , L, X , X , 1 ] -> [ H , , L , L , H , L , H, H , , 7 ] ;
[clk, H , X , X, X , , H, X , X , 2 ] -> [ H , , L , L , H , L , H, H , , 7 ] ;
[clk, H , X , X, X , , H, X , X , 3 ] -> [ L , , L , L , H , L , H, H , , 7 ] ;
[clk, H , X , X, X , , L, X , X , 4 ] -> [ L , , L , L , H , L , H, H , , 7 ] ;
[clk, H , L , X, H , , L, X , X , 5 ] -> [ H , , H , L , H , L , H, H , , 7 ] ;
[clk, H , L , X, X , , L, X , X , 6 ] -> [ H , , H , L , H , H , H, H , , 7 ] ;
[clk, H , L , X, X , , L, X , X , 7 ] -> [ H , , H , L , H , H , H, H , , 7 ] ;
[clk, H , L , X, X , , L, X , X , 8 ] -> [ H , , H , L , H , H , H, H , , 7 ] ;
[clk, H , L , X, X , , L, X , X , 9 ] -> [ H , , L , L , H , H , H, H , , 7 ] ;
[clk, H , L , X, X , , L, X , X , 10 ] -> [ H , , L , H , H , H , H, H , , 7 ] ;
[clk, H , L , X, X , , L, X , X , 11 ] -> [ H , , L , H , L , H , H, L , , 7 ] ;
[clk, H , L , X, X , , L, X , X , 12 ] -> [ H , , L , H , L , H , L, L , , 7 ] ;
[clk, H , L , X, X , , L, X , X , 13 ] -> [ H , , L , H , L , H , L, L , , 7 ] ;
[clk, H , L , X, X , , L, X , X , 14 ] -> [ H , , L , H , L , H , H, H , , 3 ] ;

```

```

test vectors 'HOLDING STATE 3 WITH EXTENDED REFRESH REQUEST'
((OSC,RESET,A22,RW,REFREQ,AS,HSA,SYSCLK,COUNT) -> [RFC,RASI,MSEL,CASI,MCI,W,DSACK,STATE ])
[clk, H , X , X, H , , X, X , L , 0 ] -> [ H , L , H , L , H , H, H , , 3 ] ;
[clk, H , X , X, H , , L, X , X , 0 ] -> [ H , L , H , L , H , H, H , , 3 ] ;
[clk, H , X , X, L , , X, X , X , 0 ] -> [ H , L , H , L , H , H, H , , 8 ] ;

```

```

test vectors 'EXTENDED REFRESH CYCLE'
((OSC,RESET,A22,RW,REFREQ,AS,HSA,SYSCLK,COUNT) -> [RFC,RASI,MSEL,CASI,MCI,W,DSACK,STATE ])
[clk, H , X , X, X , , X, X , X , 0 ] -> [ H , L , H , L , H , H, H , , 8 ] ;
[clk, H , X , X, X , , X, X , X , 1 ] -> [ H , H , L , H , H , H, H , , 8 ] ;
[clk, H , X , X, X , , X, X , X , 2 ] -> [ H , H , L , H , H , H, H , , 8 ] ;
[clk, H , X , X, X , , X, X , X , 3 ] -> [ H , H , L , H , H , H, H , , 7 ] ;

```

```
end SCDECODE
```

APPENDIX B

```

NAME      SCDECODE;
PARTNO    T10004;
DATE      05/07/87 ;
REV       01 ;
DESIGNER  Breuninger/Peprah;
COMPANY   Texas Instruments;
ASSEMBLY  None ;
LOCATON   Dallas;

/*****
/* Static Column Decode */
/* */
/* This is an example of how the PSG507 can be used to generate the */
/* required memory timing control signals (RAS, CAS, MSEL etc) for static */
/* column decode implementation using the ALS6301, ALS6310 and the ALS630 */
/* ALS6300, in a system environment. */
/* */
/* */
*****/
/* Allowable Target Device Types : TEXAS INSTRUMENTS PSG507 */
*****/

/** Inputs **/

pin 1      = OSC      ;      /* Oscillator */
pin 2      = RESET    ;      /* System Reset - when low */
pin 3      = A22      ;      /* IO/M - Memory access */
pin 4      = RW       ;      /* Read / Write Enable */
pin 5      = REFREQ   ;      /* Refresh Request */
pin 6      = AS       ;      /* Addr Strobe - access request */
pin 7      = HSA      ;      /* High Speed Access */
pin 18     = SYSCLK   ;      /* System Clock - (OSC/2) */

/** Outputs **/

pin 8      = RFC      ;      /* Refresh Complete */
pin 9      = RAS1     ;      /* Row Address Strobe */
pin 10     = MSEL     ;      /* Multiplexer Select */
pin 11     = CAS1     ;      /* Column Address Strobe */
pin 13     = MC1_     ;      /* Mode Control */
pin 14     = W        ;      /* Write */
pin 15     = DSACK    ;      /* Data Strobe Acknowledge */

/** Node Declarations **/
pinnode [33..38] = [C0..5] ; /* Built-in 6-Bit counter */
pinnode 39      = SCLRO ;    /* Counter Cclear- non registered */
pinnode 41      = CNTHOLD0 ; /* Counter Hold - non registered */
pinnode 42      = CNTHOLD1 ; /* Counter Hold - registered */
node            [P3..0] ;    /* Buried State Registers */
node            AGREQ ;      /* Access Grant Request */

```

```

/** Declarations and Intermediate Variable Definition */
field COUNT      = [C5..0] ;
field STATE      = [P3..0] ;
#define ST0      'b'0000
#define ST1      'b'0001
#define ST2      'b'0010
#define ST3      'b'0011
#define ST4      'b'0100
#define ST5      'b'0101
#define ST6      'b'0110
#define ST7      'b'0111
#define ST8      'b'1000

/* BUILT-IN COUNTER CONTROL EQUATIONS */

SCLR0           = !RESET                      /* Clear counter when RESET is low */
                # ST2 & COUNT:'d'5          /* and during transitions at the end */
                # ST4 & COUNT:'d'0          /* the indicated states and counts. */
                # ST5 & COUNT:'d'10         /* */
                # ST6 & COUNT:'d'4          /* */
                # ST7 & COUNT:'d'6 & (A22 & AGREQ) /* */
                # ST7 & COUNT:'d'14         /* */
                # ST8 & COUNT:'d'3;         /* */

CNTHOLD1.s     = !RESET                      /* Set count hold while clearing */
                # ST2 & COUNT:'d'5          /* the counters accordingly. */
                # ST4 & COUNT:'d'0          /* */
                # ST5 & COUNT:'d'10         /* */
                # ST6 & COUNT:'d'4          /* */
                # ST7 & COUNT:'d'6 & (A22 & AGREQ) /* */
                # ST7 & COUNT:'d'14         /* */
                # ST8 & COUNT:'d'3;         /* */

CNTHOLD1.r     = ST0 & !REFREQ & RESET       /* Reset count hold on transition to ST7 */
                # ST1 & !A22 & RESET        /* Reset count hold on transition to ST2 */
                # ST3 & !REFREQ & RESET     /* Reset count hold on transition to ST8 */
                # ST3 & REFREQ & AS        /* Reset count hold on transition to ST4 */
                & SYSCLK & RESET;

/** State Machine Equations */
sequence STATE (
present ST0:
    if(REFREQ & (!AS # !SYSCLK)) next ST0;
    if(REFREQ & AS & SYSCLK & RESET) next ST1;
    if(!REFREQ & RESET) next ST7;
    default next ST0;

present ST1:
    if(COUNT:'d'0 & !A22) next ST2;
    if(COUNT:'d'0 & A22) next ST0;
    default next ST1;

present ST2:
    /* NORMAL ACCESS CYCLE */
    if(COUNT:'d'0) & RESET next ST2 out !RAS1;
    if(COUNT:'d'1) next ST2 out MSEL;
    if(COUNT:'d'2) & RESET next ST2 out [!CAS1,!DSACK];
    if(COUNT:'d'3) & RESET next ST2 out !W;
    if(COUNT:'d'5) next ST3 out [W,DSACK];
    default next ST2;

```

```

present ST3:
/* HOLDING STATE */
if(!AS # !SYSCLK) & REFREQ & RESET next ST3;
if(REFREQ & AS & SYSCLK & RESET) next ST4;
if(!REFREQ & RESET) next ST8;
default next ST3;

present ST4:
if(COUNT:'d'0) & A22 & RESET next ST0 out [RASI,!MSEL,CASI];
if(COUNT:'d'0) & !A22 & RESET next ST4;
if(COUNT:'d'1) & HSA & RESET next ST5 out [RASI,!MSEL,CASI];
if(COUNT:'d'1) & !HSA & RESET next ST6 out !DSACK;
default next ST4;

present ST5:
/* EXTENDED ACCESS CYCLE */
if(COUNT:'d'5) & RESET next ST5 out !RASI;
if(COUNT:'d'6) & RESET next ST5 out MSEL;
if(COUNT:'d'7) & RESET next ST5 out [!CASI,!DSACK];
if(COUNT:'d'8) & RESET next ST5 out !W;
if(COUNT:'d'10) & RESET next ST3 out [W,DSACK];
default next ST5;

present ST6:
/* HIGH SPEED ACCESS */
if(COUNT:'d'2) & RESET next ST6 out !W;
if(COUNT:'d'4) next ST3 out [W,DSACK];
default next ST6;

present ST7:
/* NORMAL REFRESH CYCLE */
if AS next ST7 out !AGREQ;
if(COUNT:'d'0) & RESET next ST7 out !MCI_;
if(COUNT:'d'1) & RESET next ST7 out !RASI;
if(COUNT:'d'3) & RESET next ST7 out !RFC;
if(COUNT:'d'5) next ST7 out [RFC,RASI];
if(COUNT:'d'6) & (A22 # AGREQ) next ST0 out MCI_;
if(COUNT:'d'6) & !A22 & !AGREQ next ST7 out MCI_;
if(COUNT:'d'9) & RESET next ST7 out !RASI;
if(COUNT:'d'10) & RESET next ST7 out MSEL;
if(COUNT:'d'11) & RESET next ST7 out [!CASI,!DSACK];
if(COUNT:'d'12) & RESET next ST7 out !W;
if(COUNT:'d'14) next ST3 out [W,DSACK];
default next ST7;

present ST8:
/* EXTENDED REFRESH CYCLE */
if(COUNT:'d'1) next ST8 out [RASI,!MSEL,CASI];
if(COUNT:'d'3) next ST7;
default next ST8; ]

APPEND RASI.s = !RESET; APPEND CASI.s = !RESET; APPEND RFC.s = !RESET;
APPEND W.s = !RESET; APPEND AGREQ.s = !RESET; APPEND DSACK.s = !RESET;
APPEND MCI_.s = !RESET; APPEND SCLRO = !RESET; APPEND MSEL.r = !RESET;
APPEND P0_.r = !RESET; APPEND P1_.r = !RESET; APPEND P2_.r = !RESET;
APPEND P3_.r = !RESET;

```

```

NAME      SCDECODE;
PARTNO    T10004;
DATE      05/07/87 ;
REV       01 ;
DESIGNER  Breuninger/Peprah;
COMPANY   Texas Instruments;
ASSEMBLY  None ;
LOCATION    Dallas;

```

```

/*****
/* Static Column Decode                                     */
/*                                                         */
/*      CUPL simulation file for the Static Column Decode Application      */
/*                                                         */
/*****
/* Allowable Target Device Types :  TEXAS INSTRUMENTS  PSG507          */
/*****

```

```

ORDER: OSC,%4,RESET,%4,A22,%3,RW,%3,REFREQ,%5,AS,%2,HSA,%5,SYSCLK,%3,COUNT,
      %2,RFC,%4,RASI,%4,MSEL,%4,CASI,%3,MC1,%2,W,%3,DSACK,%4,STATE;

```

```

BASE: DECIMAL;

```

```

VECTORS:

```

```

$msg " ";
$msg " ";
$msg "NORMAL ACCESS CYCLE";
$msg " ";
$msg " ----- INPUT ----- OUTPUT ----- ";
$msg " OSC,RESET,A22,RW,REFREQ,AS,HSA,SYSCLK,COUNT RFC,RASI,MSEL,CASI,MC1,W,DSACK,STATE ";
$msg " ----- ";

```

| | | | | | | | | | | | | | | | | |
|---|---|---|---|---|---|---|---|-----|---|---|---|---|---|---|---|-----|
| C | 0 | X | X | X | X | X | X | 'X' | H | H | L | H | H | H | H | "0" |
| C | 1 | X | X | 1 | 0 | X | X | '0' | H | H | L | H | H | H | H | "0" |
| C | 1 | X | X | 1 | 1 | X | 1 | '0' | H | H | L | H | H | H | H | "1" |
| C | 1 | 0 | X | X | X | X | X | '0' | H | H | L | H | H | H | H | "2" |
| C | 1 | X | X | X | X | X | X | '0' | H | L | L | H | H | H | H | "2" |
| C | 1 | X | X | X | X | X | X | '1' | H | L | H | H | H | H | H | "2" |
| C | 1 | X | X | X | X | X | X | '2' | H | L | H | L | H | H | L | "2" |
| C | 1 | X | X | X | X | X | X | '3' | H | L | H | L | H | L | L | "2" |
| C | 1 | X | X | X | X | X | X | '4' | H | L | H | L | H | L | L | "2" |
| C | 1 | X | X | X | X | X | X | '5' | H | L | H | L | H | H | H | "3" |

```

$msg " ";
$msg " ";
$msg "HOLDING STATE 4 WITH EXTENDED ACCESS REQUEST";
$msg " ";
$msg " ----- INPUT ----- OUTPUT ----- ";
$msg " OSC,RESET,A22,RW,REFREQ,AS,HSA,SYSCLK,COUNT RFC,RASI,MSEL,CASI,MC1,W,DSACK,STATE ";
$msg " ----- ";

```

| | | | | | | | | | | | | | | | | |
|---|---|---|---|---|---|---|---|-----|---|---|---|---|---|---|---|-----|
| C | 1 | 1 | X | 1 | 1 | X | 1 | '0' | H | L | H | L | H | H | H | "4" |
| C | 1 | 0 | X | X | X | X | X | '0' | H | L | H | L | H | H | H | "4" |
| C | 1 | X | X | X | X | 1 | X | '1' | H | H | L | H | H | H | H | "5" |

```

$msg " ";
$msg " ";
$msg "EXTENDED ACCESS";
$msg " ";
$msg " ----- INPUT ----- OUTPUT ----- ";
$msg " OSC,RESET,A22,RW,REFREQ,AS,HSA,SYSCLK,COUNT RFC,RASI,MSEL,CASI,MC1,W,DSACK,STATE ";
$msg " ----- ";
C 1 X X X X X X X '2' H H L H H H H "5"
C 1 X X X X X X X '3' H H L H H H H "5"
C 1 X X X X X X X '4' H H L H H H H "5"
C 1 X X X X X X X '5' H L L H H H H "5"
C 1 X X X X X X X '6' H L H H H H H "5"
C 1 X X X X X X X '7' H L H L H H L "5"
C 1 X X X X X X X '8' H L H L H L L "5"
C 1 X X X X X X X '9' H L H L H L L "5"
C 1 X X X X X X X '10' H L H L H H H "3"

```

```

$msg " ";
$msg " ";
$msg "HOLDING STATE 4 WITH HIGH SPEED ACCESS REQUEST";
$msg " ";
$msg " ----- INPUT ----- OUTPUT ----- ";
$msg " OSC,RESET,A22,RW,REFREQ,AS,HSA,SYSCLK,COUNT RFC,RASI,MSEL,CASI,MC1,W,DSACK,STATE ";
$msg " ----- ";
C 1 1 X 1 1 X 1 '0' H L H L H H H "4"
C 1 0 X X X X X '0' H L H L H H H "4"
C 1 0 X X X 0 X '1' H L H L H H L "6"

```

```

$msg " ";
$msg " ";
$msg "HIGH SPEED ACCESS";
$msg " ";
$msg " ----- INPUT ----- OUTPUT ----- ";
$msg " OSC,RESET,A22,RW,REFREQ,AS,HSA,SYSCLK,COUNT RFC,RASI,MSEL,CASI,MC1,W,DSACK,STATE ";
$msg " ----- ";
C 1 X X X X X X X '2' H L H L H L L "6"
C 1 X X X X X X X '3' H L H L H L L "6"
C 1 X X X X X X X '4' H L H L H H H "3"

```

```

$msg " ";
$msg " ";
$msg "NON-MEMORY ACCESS FOLLOWED BY REFRESH REQUEST";
$msg " ";
$msg " ----- INPUT ----- OUTPUT ----- ";
$msg " OSC,RESET,A22,RW,REFREQ,AS,HSA,SYSCLK,COUNT RFC,RASI,MSEL,CASI,MC1,W,DSACK,STATE ";
$msg " ----- ";
C 1 1 X 1 1 X 1 '0' H L H L H H H "4"
C 1 1 X X X X X X '0' H H L H H H H "0"
C 1 X X 1 0 X X '0' H H L H H H H "0"
C 1 X X 1 X X 0 '0' H H L H H H H "0"
C 1 X X 0 X X X '0' H H L H H H H "7"

```



```

$msg" ";
$msg" ";
$msg"NORMAL REFRESH CYCLE";
$msg" ";
$msg" ----- INPUT ----- OUTPUT ----- ";
$msg" OSC,RESET,A22,RW,REFREQ,AS,HSA,SYSCLK,COUNT RFC,RASI,MSEL,CASI,MC1,W,DSACK,STATE ";
$msg" ----- ";
C 1 X X X 0 X X '0' H H L H L H H '7"
C 1 X X X 0 X X '1' H L L H L H H '7"
C 1 X X X 0 X X '2' H L L H L H H '7"
C 1 X X X 0 X X '3' L L L H L H H '7"
C 1 X X X 0 X X '4' L L L H L H H '7"
C 1 X X 1 0 X X '5' H H L H L H H '7"
C 1 X X X 0 X X '6' H H L H H H H '0"

```

```

$msg" ";
$msg" ";
$msg"NORMAL REFRESH CYCLE FOLLOWED BY ACCESS GRANT REQUEST";
$msg" ";
$msg" ----- INPUT ----- OUTPUT ----- ";
$msg" OSC,RESET,A22,RW,REFREQ,AS,HSA,SYSCLK,COUNT RFC,RASI,MSEL,CASI,MC1,W,DSACK,STATE ";
$msg" ----- ";
C 1 X X 0 X X X '0' H H L H H H H '7"
C 1 X X X 0 X X '0' H H L H L H H '7"
C 1 X X X 0 X X '1' H L L H L H H '7"
C 1 X X X 1 X X '2' H L L H L H H '7"
C 1 X X X 1 X X '3' L L L H L H H '7"
C 1 X X X 0 X X '4' L L L H L H H '7"
C 1 0 X X 0 X X '5' H H L H L H H '7"
C 1 0 X X 0 X X '6' H H L H H H H '7"
C 1 0 X X 0 X X '7' H H L H H H H '7"
C 1 0 X X 0 X X '8' H H L H H H H '7"
C 1 0 X X 0 X X '9' H L L H H H H '7"
C 1 0 X X 0 X X '10' H L H H H H H '7"
C 1 0 X X 0 X X '11' H L H L H H L '7"
C 1 0 X X 0 X X '12' H L H L H L L '7"
C 1 0 X X 0 X X '13' H L H L H L L '7"
C 1 0 X X 0 X X '14' H L H L H H H '3"

```

```

$msg" ";
$msg" ";
$msg"HOLDING STATE 3 WITH EXTENDED REFRESH REQUEST";
$msg" ";
$msg" ----- INPUT ----- OUTPUT ----- ";
$msg" OSC,RESET,A22,RW,REFREQ,AS,HSA,SYSCLK,COUNT RFC,RASI,MSEL,CASI,MC1,W,DSACK,STATE ";
$msg" ----- ";
C 1 X X 1 X X 0 '0' H L H L H H H '3"
C 1 X X 1 0 X X '0' H L H L H H H '3"
C 1 X X 0 X X X '0' H L H L H H H '8"

```

```

$msg" ";
$msg" ";
$msg"EXTENDED REFRESH CYCLE";
$msg" ";
$msg"
----- INPUT ----- OUTPUT -----";
$msg" OSC,RESET,A22,RW,REFREQ,AS,HSA,SYSCLK,COUNT RFC,RASI,MSEL,CASI,NC1,W,DSACK,STATE ";
$msg"
C 1 X X X X X X X '0' H L H L H H H "8"
C 1 X X X X X X X '1' H H L H H H H "8"
C 1 X X X X X X X '2' H H L H H H H "8"
C 1 X X X X X X X '3' H H L H H H H "7"

```

3

Application Reports

General Information

1

Data Sheets

2

Application Reports

3

Mechanical Data

4

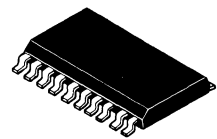
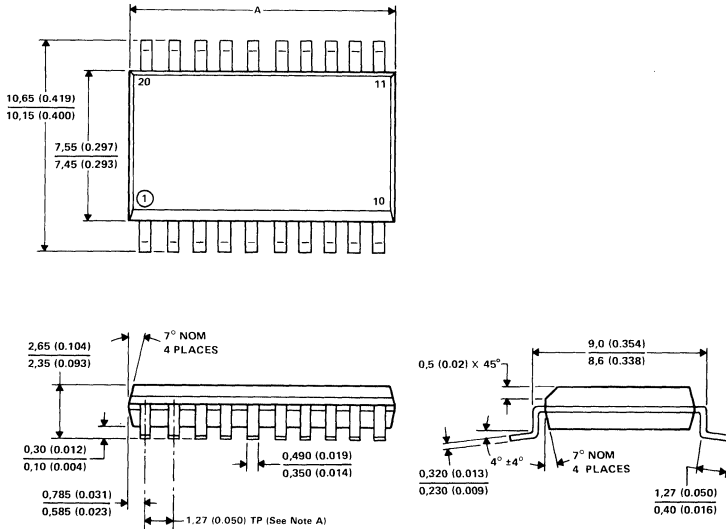
Contents

| | <i>Page</i> |
|-----------------------|-------------|
| Packages | 4-3 |
| Sockets | 4-25 |

DW plastic "small outline" packages

Each of these "small outline" packages consists of a circuit mounted on a lead frame and encapsulated within a plastic compound. The compound will withstand soldering temperature with no deformation, and circuit performance characteristics will remain stable when operated in high-humidity conditions. Leads require no additional cleaning or processing when used in soldered assembly.

DW PLASTIC PACKAGE
(20-pin package used for illustration)



| DIM \ PINS | PINS | | | |
|------------|------------------|------------------|------------------|------------------|
| | 16 | 20 | 24 | 28† |
| A MIN | 10,16 (0.400) | 12,70 (0.500) | 15,29 (0.602) | 17,68 (0.696) |
| A MAX | 10,36 (0.408) | 12,90 (0.508) | 15,49 (0.610) | 17,88 (0.704) |

ALL LINEAR DIMENSIONS ARE IN MILLIMETERS AND PARENTHETICALLY IN INCHES

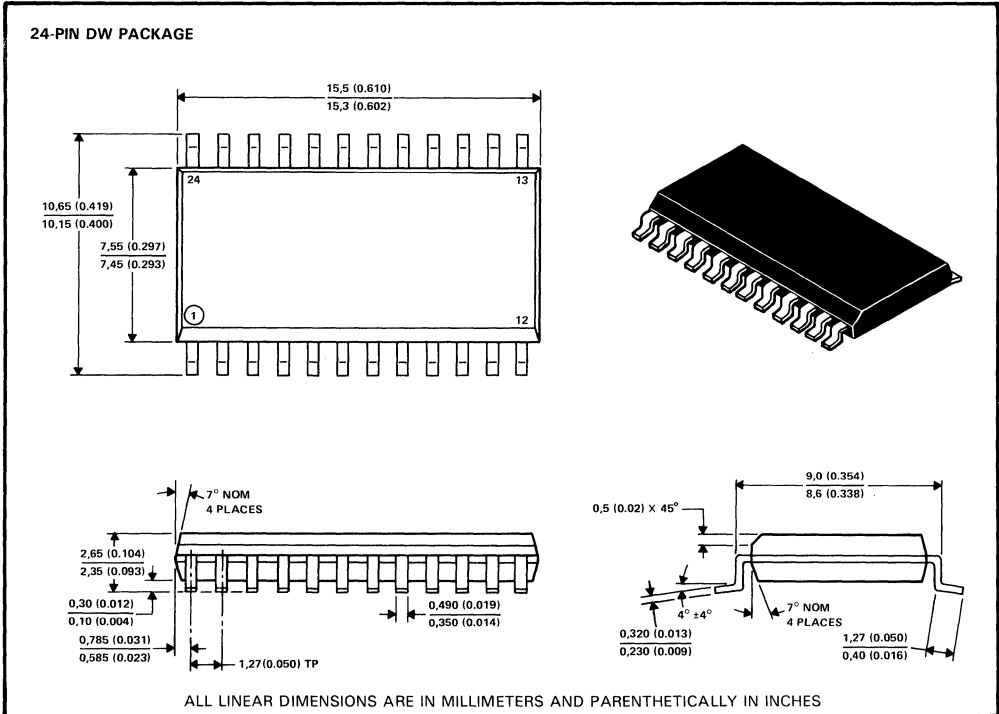
†The 28-pin package drawing is presently classified as Advance Information.

- NOTES:
- A. Leads are within 0,25 (0,010) radius of true position at maximum material dimension.
 - B. Body dimensions do not include mold flash or protrusion.
 - C. Mold flash or protrusion shall not exceed 0,15 (0,006).
 - D. Lead tips to be planar within ±0,051 (0,002) exclusive of solder.

MECHANICAL DATA

DW plastic "small outline" packages

Each of these "small outline" packages consists of a circuit mounted on a lead frame and encapsulated within a plastic compound. The compound will withstand soldering temperature with no deformation, and circuit performance characteristics will remain stable when operated in high-humidity conditions. Leads require no additional cleaning or processing when used in soldered assembly.



- NOTES: A. Body dimensions do not include mold flash or protrusion.
 B. Mold flash or protrusion shall not exceed 0,15 (0.006).
 C. Leads are within 0,25 (0.010) radius of true position at maximum material dimension.
 D. Lead tips to be planar within ±0,051 (0.002) exclusive of solder.

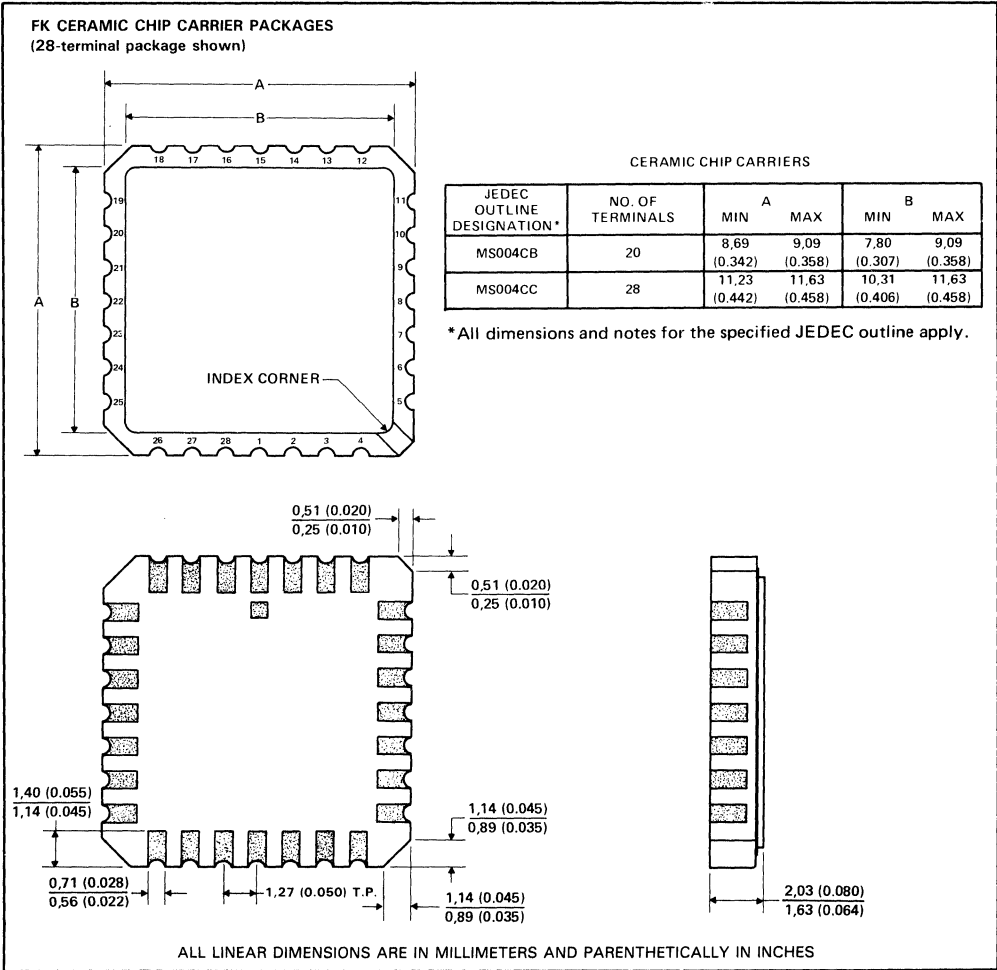
4

Mechanical Data

FK ceramic chip carrier packages

Each of these hermetically sealed chip carrier packages has a three-layer ceramic base with a metal lid and braze seal. The packages are intended for surface mounting on solder lands on 1,27 (0.050-inch) centers. terminals require no additional cleaning or processing when used in soldered assembly.

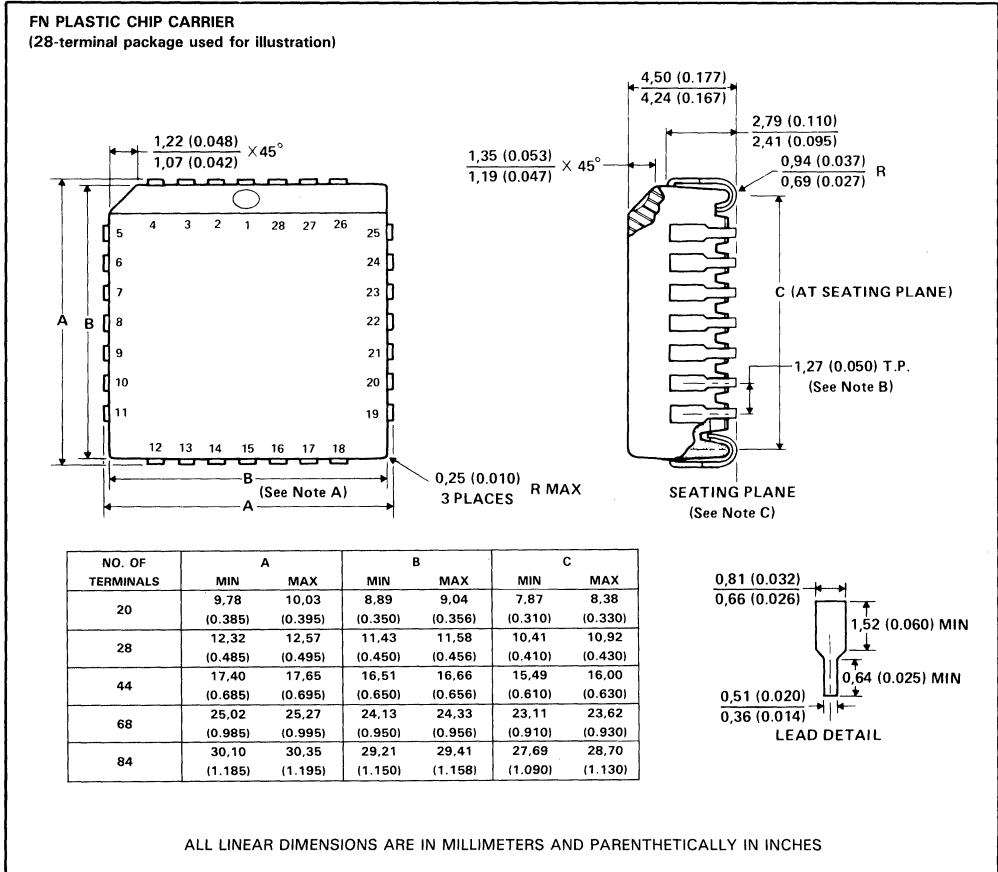
FK package terminal assignments conform to JEDEC Standards 1 and 2.



MECHANICAL DATA

FN plastic chip carrier package

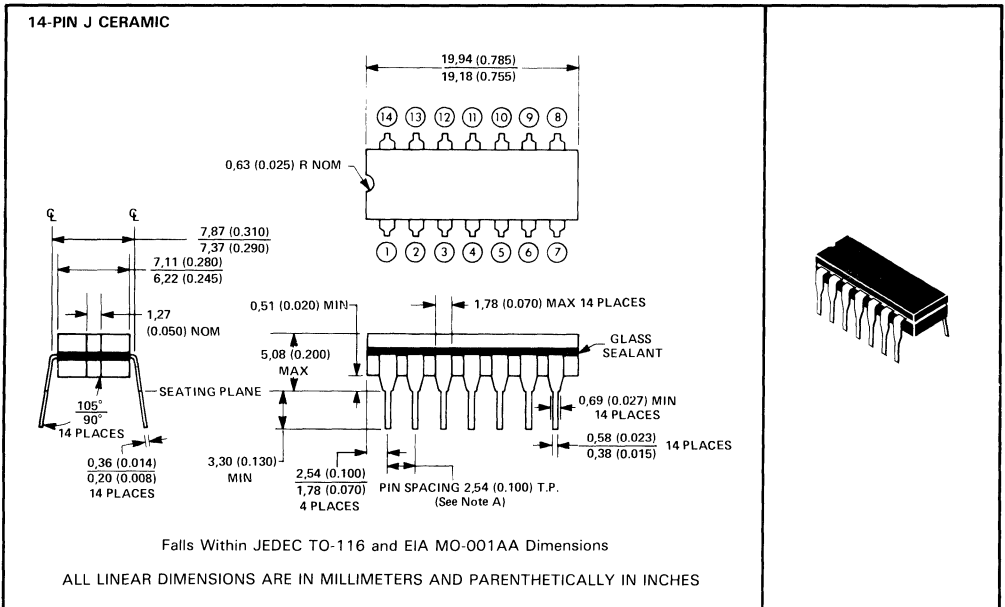
Each of these chip carrier packages consists of a circuit mounted on a lead frame and encapsulated within an electrically nonconductive plastic compound. The compound withstands soldering temperatures with no deformation, and circuit performance characteristics remain stable when the devices are operated in high-humidity conditions. The packages are intended for surface mounting on solder lands on 1,27 (0.050) centers. Leads require no additional cleaning or processing when used in soldered assembly.



- NOTES: A. Centerline of center pin each side is within 0,10 (0.004) of package centerline as determined by dimension B.
 B. Location of each pin is within 0,127 (0.005) of true position with respect to center pin on each side.
 C. The lead contact points are planar within 0,10 (0.004).

J ceramic dual-in-line package

This hermetically sealed dual-in-line package consists of a ceramic base, ceramic cap, and a lead frame. Hermetic sealing is accomplished with glass. The package is intended for insertion in mounting-hole rows on 7,62 (0.300) centers. Once the leads are compressed and inserted, sufficient tension is provided to secure the package in the board during soldering. Tin-plated ("bright-dipped") leads require no additional cleaning or processing when used in soldered assembly.

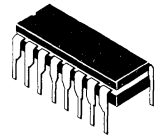
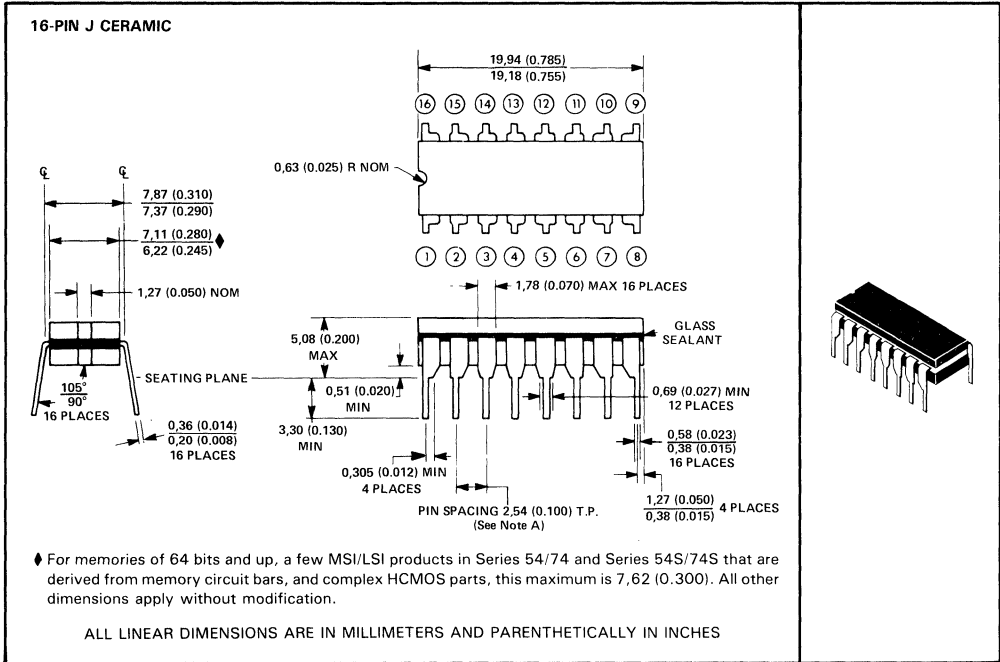


NOTE A: Each pin centerline is located within 0,25 (0.010) of its true longitudinal position.

MECHANICAL DATA

J ceramic dual-in-line package

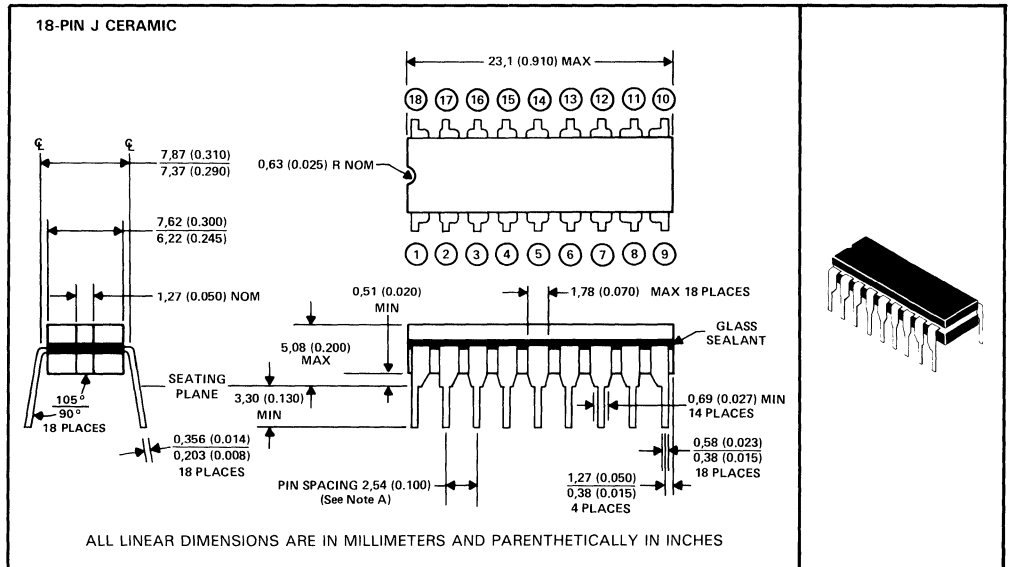
This hermetically sealed dual-in-line package consists of a ceramic base, ceramic cap, and a lead frame. Hermetic sealing is accomplished with glass. The package is intended for insertion in mounting-hole rows on 7,62 (0.300) centers. Once the leads are compressed and inserted, sufficient tension is provided to secure the package in the board during soldering. Tin-plated ("bright-dipped") leads require no additional cleaning or processing when used in soldered assembly.



NOTE A: Each pin centerline is located within 0,25 (0.010) of its true longitudinal position.

J ceramic dual-in-line package

This hermetically sealed dual-in-line package consists of a ceramic base, ceramic cap, and a lead frame. Hermetic sealing is accomplished with glass. The package is intended for insertion in mounting-hole rows on 7,62 (0.300) centers. Once the leads are compressed and inserted, sufficient tension is provided to secure the package in the board during soldering. Tin-plated ("bright-dipped") leads require no additional cleaning or processing when used in soldered assembly.

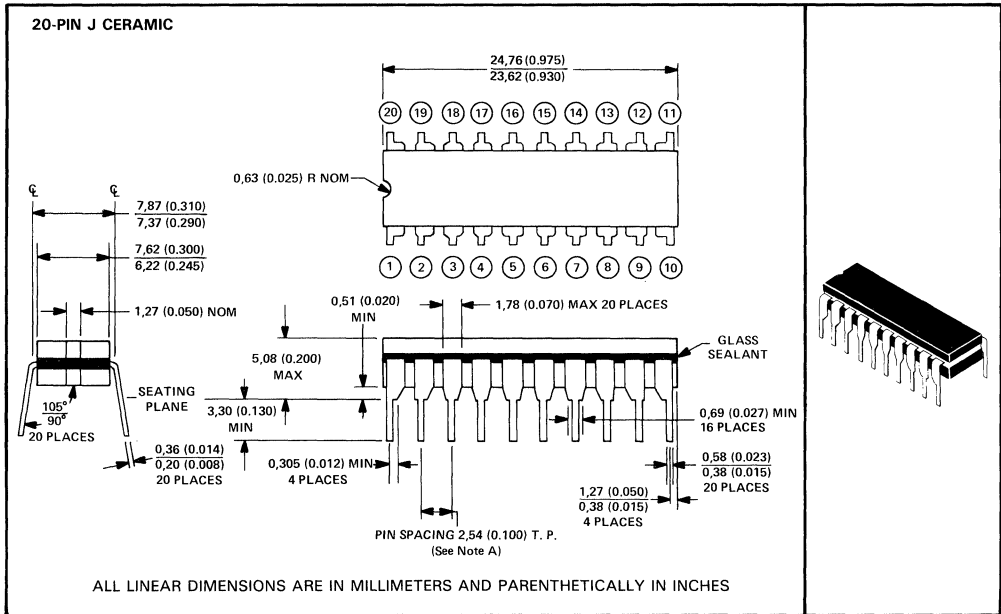


NOTE A: Each pin centerline is located within 0,25 (0.010) of its true longitudinal position.

MECHANICAL DATA

J ceramic dual-in-line package

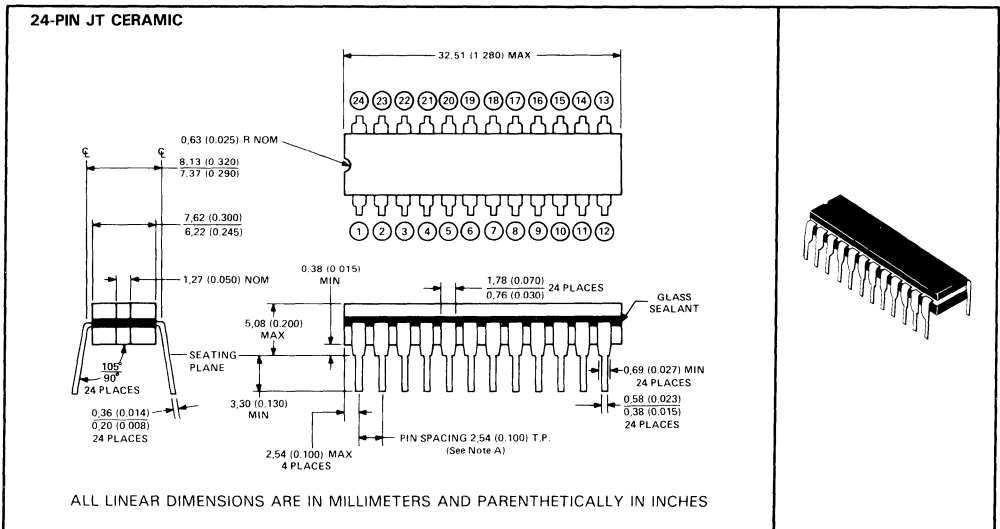
This hermetically sealed dual-in-line package consists of a ceramic base, ceramic cap, and a lead frame. Hermetic sealing is accomplished with glass. The package is intended for insertion in mounting-hole rows on 7,62 (0.300) centers. Once the leads are compressed and inserted, sufficient tension is provided to secure the package in the board during soldering. Tin-plated ("bright-dipped") leads require no additional cleaning or processing when used in soldered assembly.



NOTE A: Each pin centerline is located within 0,25 (0.010) of its true longitudinal position.

JT ceramic dual-in-line package

This hermetically sealed dual-in-line package consists of a ceramic base, ceramic cap, and a lead frame. Hermetic sealing is accomplished with glass. The package is intended for insertion in mounting-hole rows on 7,62 (0.300) centers. Once the pins are compressed and inserted, sufficient tension is provided to secure the package in the board during soldering. Tin-plated ("bright-dipped") pins require no additional cleaning or processing when used in soldered assembly.

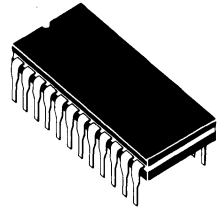
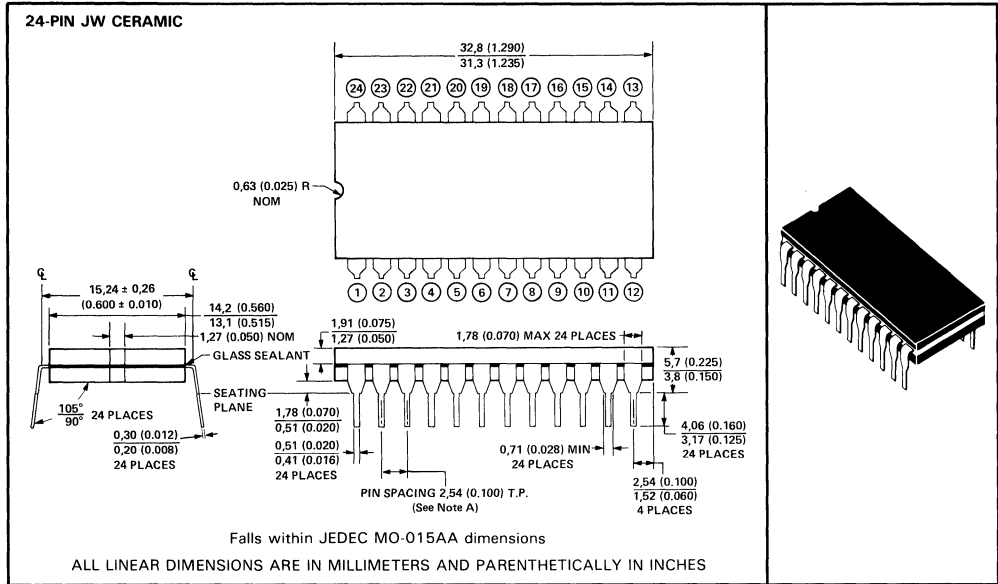


NOTE A: Each pin centerline is located within 0,25 (0.010) of its true longitudinal position.

MECHANICAL DATA

J ceramic dual-in-line package

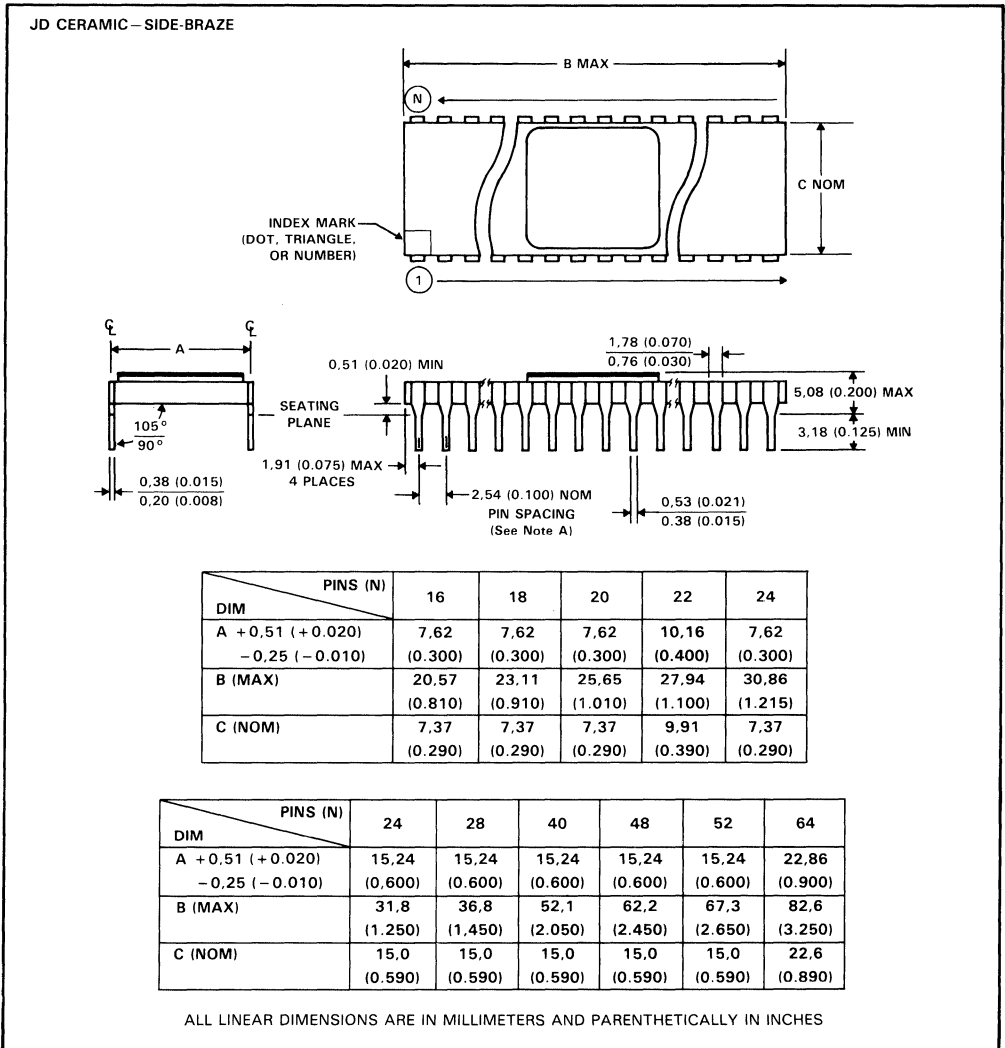
This hermetically sealed dual-in-line package consists of a ceramic base, ceramic cap, and a lead frame. Hermetic sealing is accomplished with glass. The package is intended for insertion in mounting-hole rows on 15,24 (0.600) centers. Once the pins are compressed and inserted, sufficient tension is provided to secure the package in the board during soldering. Tin-plated ("bright-dipped") pins require no additional cleaning or processing when used in soldered assembly.



NOTE A: Each pin centerline is located within 0,25 (0.010) of its true longitudinal position.

JD ceramic side-braze dual-in-line packages

This is a hermetically sealed ceramic package with a metal cap and side-brazed tin-plated leads.

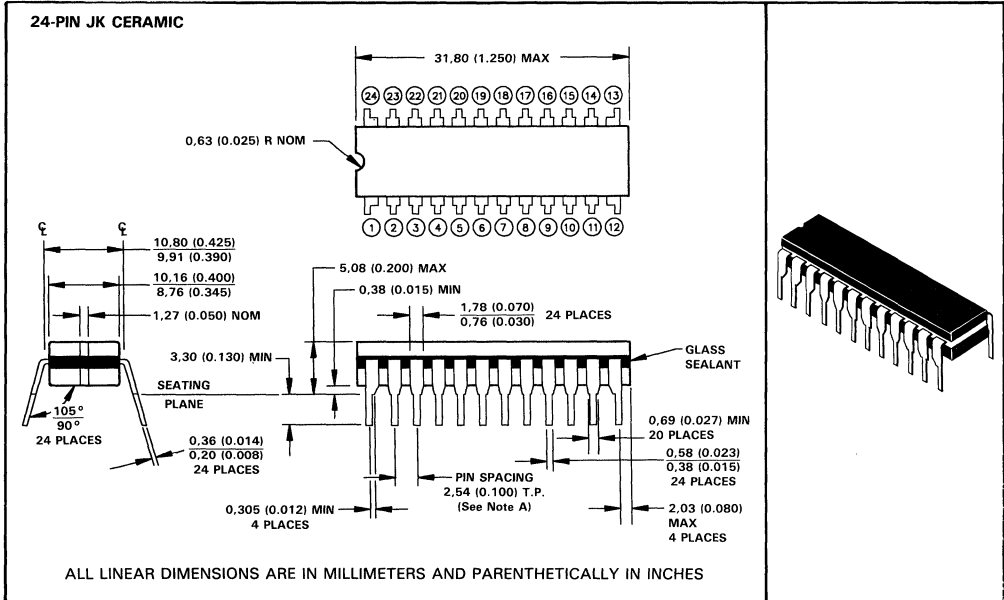


NOTE A: Each pin centerline is located within 0,25 (0.010) of its true longitudinal position.

MECHANICAL DATA

JK ceramic dual-in-line package

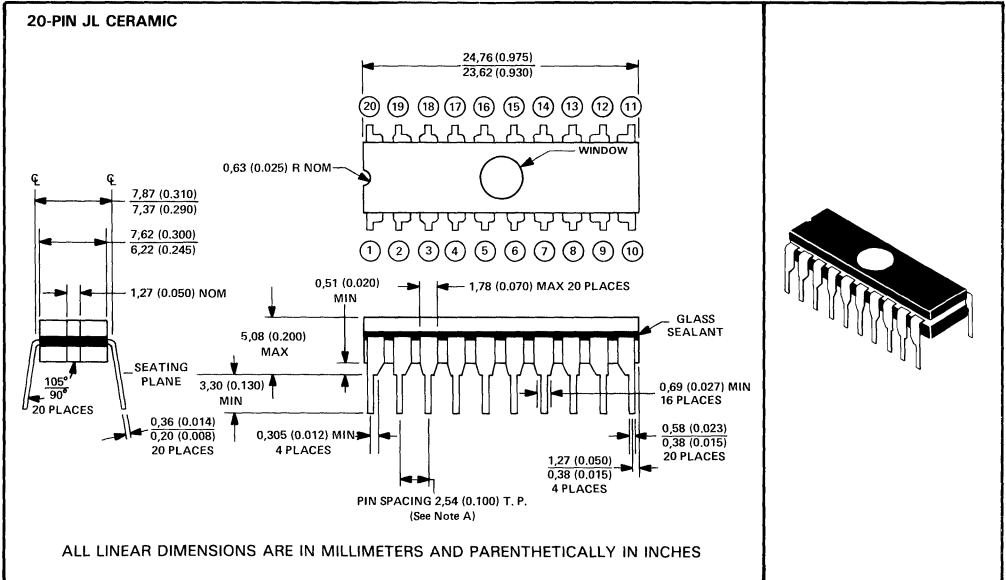
This hermetically sealed dual-in-line package consists of a ceramic base, ceramic cap, and a lead frame. Hermetic sealing is accomplished with glass. The package is intended for insertion in mounting-hole rows on 10,16 (0.400) centers. Once the leads are compressed and inserted, sufficient tension is provided to secure the package in the board during soldering. Tin-plated ("bright-dipped") leads require no additional cleaning or processing when used in soldered assembly.



NOTE A: Each pin centerline is located within 0,25 (0.010) of its true longitudinal position.

JL ceramic dual-in-line package

This hermetically sealed dual-in-line package consists of a ceramic base, ceramic cap with a window, and a lead frame. Hermetic sealing is accomplished with glass. The package is intended for insertion in mounting-hole rows on 7,62 (0.300) centers. Once the leads are compressed and inserted, sufficient tension is provided to secure the package in the board during soldering. Tin-plated ("bright-dipped") leads require no additional cleaning or processing when used in soldered assembly.

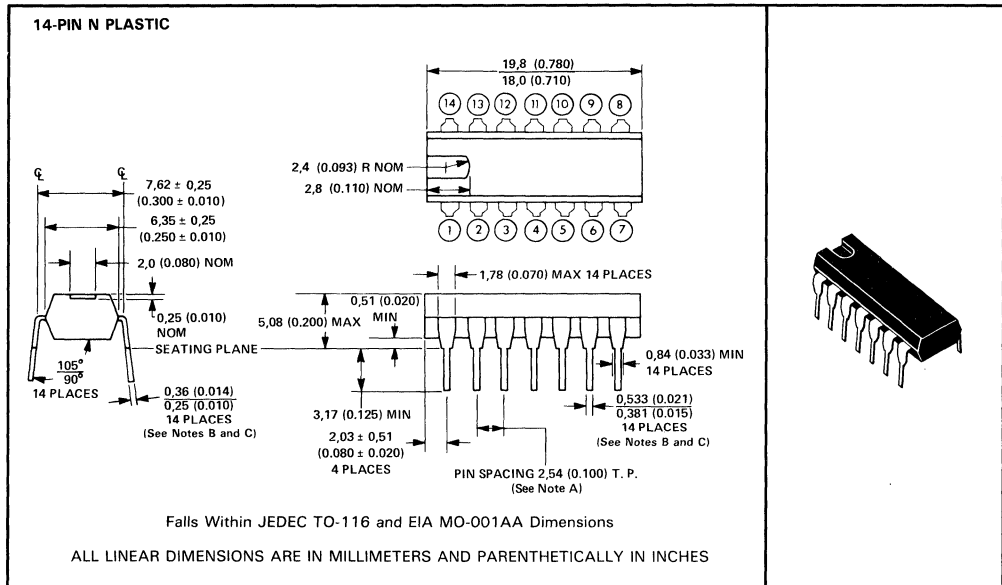


NOTE A: Each pin centerline is located within 0,25 (0.010) of its true longitudinal position.

MECHANICAL DATA

N plastic dual-in-line package

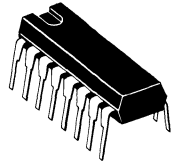
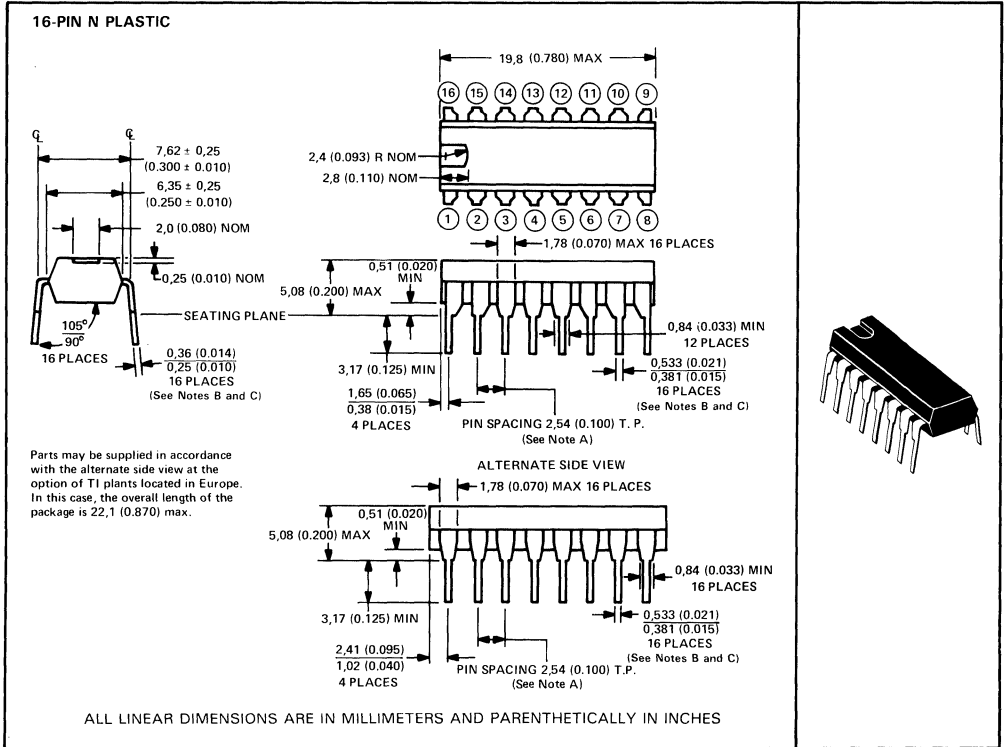
This dual-in-line package consists of a circuit mounted on a lead frame and encapsulated within an electrically nonconductive plastic compound. The compound will withstand soldering temperature with no deformation, and circuit performance characteristics will remain stable when operated in high-humidity conditions. The package is intended for insertion in mounting-hole rows on 7,62 (0.300) centers. Once the leads are compressed and inserted, sufficient tension is provided to secure the package in the board during soldering. Leads require no additional cleaning or processing when used in soldered assembly.



- NOTES: A. Each pin centerline is located within 0,25 (0.010) of its true longitudinal position.
 B. This dimension does not apply for solder-dipped leads.
 C. When solder-dipped leads are specified, dipped area of the lead extends from the lead tip to at least 0,51 (0.020) above seating plane.

N plastic dual-in-line package

This dual-in-line package consists of a circuit mounted on a lead frame and encapsulated within an electrically nonconductive plastic compound. The compound will withstand soldering temperature with no deformation, and circuit performance characteristics will remain stable when operated in high-humidity conditions. The package is intended for insertion in mounting-hole rows on 7,62 (0.300) centers. Once the leads are compressed and inserted, sufficient tension is provided to secure the package in the board during soldering. Leads require no additional cleaning or processing when used in soldered assembly.



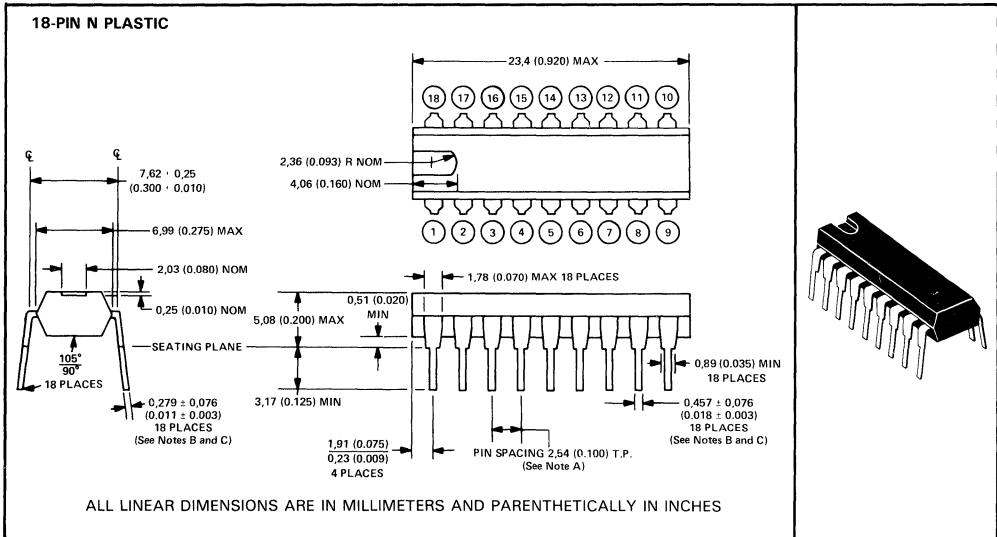
Parts may be supplied in accordance with the alternate side view at the option of T1 plants located in Europe. In this case, the overall length of the package is 22,1 (0.870) max.

- NOTES:
- A. Each pin centerline is located within 0,25 (0.010) of its true longitudinal position.
 - B. This dimension does not apply for solder-dipped leads.
 - C. When solder-dipped leads are specified, dipped area of the lead extends from the lead tip to at least 0,51 (0.020) above seating plane.

MECHANICAL DATA

N plastic dual-in-line package

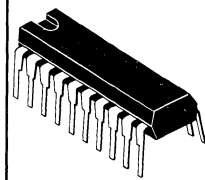
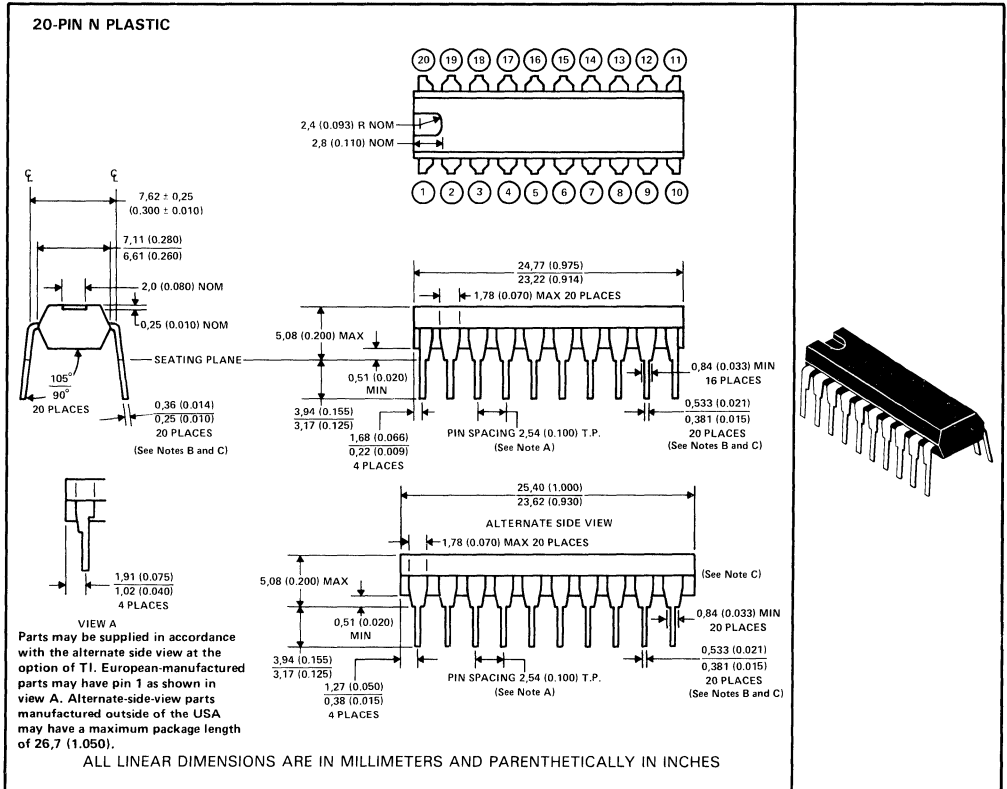
This dual-in-line package consists of a circuit mounted on a lead frame and encapsulated within an electrically nonconductive plastic compound. The compound will withstand soldering temperature with no deformation, and circuit performance characteristics will remain stable when operated in high-humidity conditions. The package is intended for insertion in mounting-hole rows on 7,62 (0.300) centers. Once the leads are compressed and inserted, sufficient tension is provided to secure the package in the board during soldering. Leads require no additional cleaning or processing when used in soldered assembly.



- NOTES: A. Each pin centerline is located within 0.25 (0.010) of its true longitudinal position.
 B. This dimension does not apply for solder-dipped leads.
 C. When solder-dipped leads are specified, dipped area of the lead extends from the lead tip to at least 0.51 (0.020) above seating plane.

N plastic dual-in-line package

This dual-in-line package consists of a circuit mounted on a lead frame and encapsulated within an electrically nonconductive plastic compound. The compound will withstand soldering temperature with no deformation, and circuit performance characteristics will remain stable when operated in high-humidity conditions. The package is intended for insertion in mounting-hole rows on 7,62 (0.300) centers. Once the leads are compressed and inserted, sufficient tension is provided to secure the package in the board during soldering. Leads require no additional cleaning or processing when used in soldered assembly.

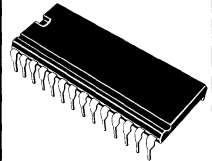
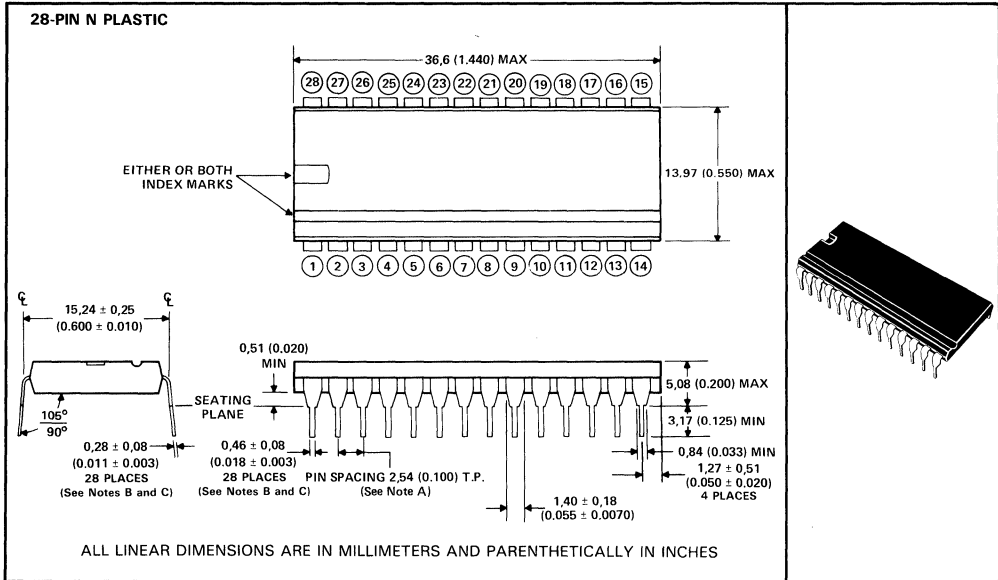


- NOTES:
- A. Each pin centerline is located within 0,25 (0.010) of its true longitudinal position.
 - B. This dimension does not apply for solder-dipped leads.
 - C. When solder-dipped leads are specified, dipped area of the lead extends from the lead tip to at least 0,51 (0.020) above seating plane.

MECHANICAL DATA

N plastic dual-in-line package

This dual-in-line package consists of a circuit mounted on a lead frame and encapsulated within an electrically nonconductive plastic compound. The compound will withstand soldering temperature with no deformation, and circuit performance characteristics will remain stable when operated in high-humidity conditions. The package is intended for insertion in mounting-hole rows on 15,24 (0.600) centers. Once the leads are compressed and inserted, sufficient tension is provided to secure the package in the board during soldering. Leads require no additional cleaning or processing when used in soldered assembly.



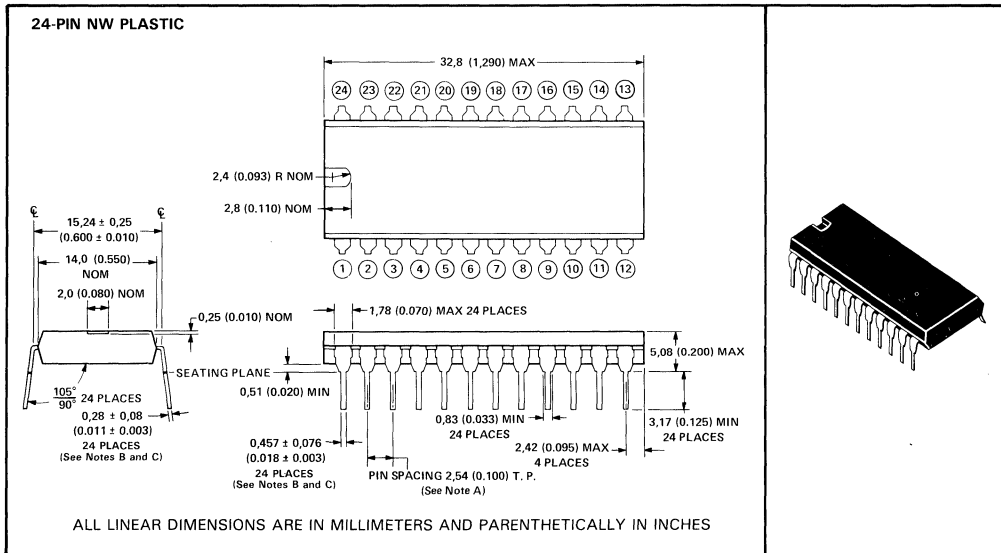
- NOTES:
- A. Each pin centerline is located within 0,25 (0.010) of its true longitudinal position.
 - B. This dimension does not apply for solder-dipped leads.
 - C. When solder-dipped leads are specified, dipped area of the lead extends from the lead tip to at least 0,51 (0.020) above seating plane.

MECHANICAL DATA

NW plastic dual-in-line package

This dual-in-line package consists of a circuit mounted on a lead frame and encapsulated within an electrically nonconductive plastic compound. The compound will withstand soldering temperature with no deformation, and circuit performance characteristics will remain stable when operated in high-humidity conditions. The package is intended for insertion in mounting-hole rows on 15,24 (0.600) centers. Once the leads are compressed and inserted, sufficient tension is provided to secure the package in the board during soldering. Leads require no additional cleaning or processing when used in soldered assembly.

NOTE: For all except 24-pin packages, the letter N is used by itself since only the 24-pin package is available in more than one row-spacing. For the 24-pin package, the 7,62 (0.300) version is designated NT; the 15,24 (0.600) version is designated NW. If no second letter or row-spacing is specified, the package is assumed to have 15,24 (0.600) row-spacing.



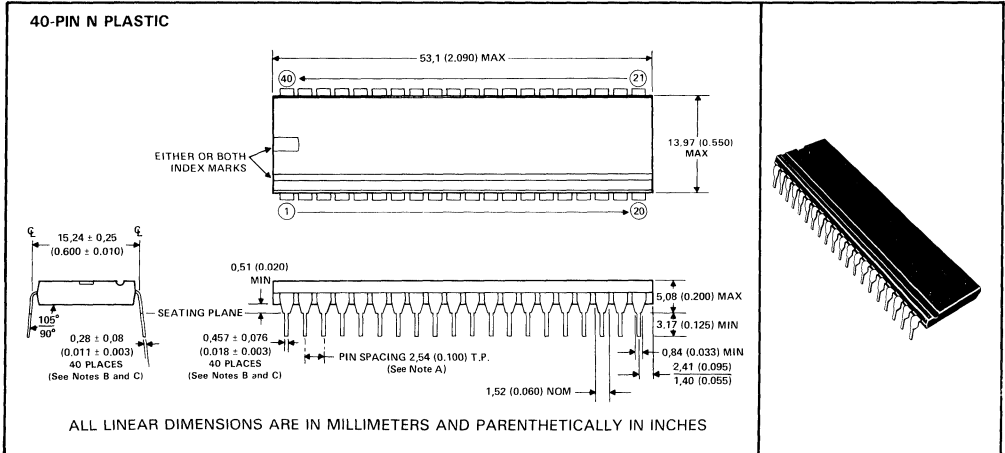
- NOTES: A. Each pin centerline is located within 0,25 (0.010) of its true longitudinal position.
B. This dimension does not apply for solder-dipped leads.
C. When solder-dipped leads are specified, dipped area of the lead extends from the lead tip to at least 0,51 (0.020) above seating plane.

4

Mechanical Data

N plastic dual-in-line package

This dual-in-line package consists of a circuit mounted on a lead frame and encapsulated within an electrically nonconductive plastic compound. The compound will withstand soldering temperature with no deformation, and circuit performance characteristics will remain stable when operated in high-humidity conditions. The package is intended for insertion in mounting-hole rows on 15,24 (0.600) centers. Once the leads are compressed and inserted, sufficient tension is provided to secure the package in the board during soldering. Leads require no additional cleaning or processing when used in soldered assembly.

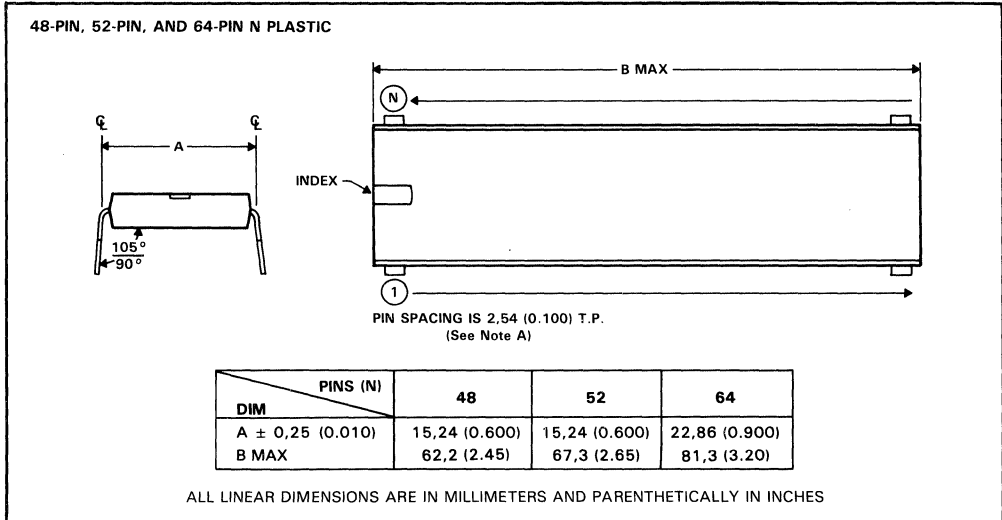


- NOTES: A. Each pin centerline is located within 0,25 (0.010) of its true longitudinal position.
 B. This dimension does not apply for solder-dipped leads.
 C. When solder-dipped leads are specified, dipped area of the lead extends from the lead tip to at least 0,51 (0.020) above seating plane.

MECHANICAL DATA

N plastic dual-in-line package

These dual-in-line packages consist of a circuit mounted on a lead frame and encapsulated within an electrically nonconductive plastic compound. The compound will withstand soldering temperature with no deformation, and circuit performance characteristics will remain stable when operated in high-humidity conditions. Once the leads are compressed and inserted, sufficient tension is provided to secure the package in the board during soldering. Leads require no additional cleaning or processing when used in soldered assembly.



NOTES: A. Each pin centerline is located within 0,25 (0.010) of its true longitudinal position.

INTRODUCTION

Texas Instruments has developed solutions for today's high density packaging needs. The TI facility at Attleboro, Massachusetts (one of the world's largest suppliers of multimetal systems) provides leading-edge technology which, combined with reliable, high-volume, off-the-shelf interconnection products, allows TI to quickly meet volume commercial applications.

During the last decade, TI has produced one of the largest IC socket families. TI's sockets include every type and size socket in common use today and are available in a wide choice of contact materials and designs.

Our sockets are designed for:

- easy and efficient hand assembly
- compatibility with automatic assembly equipment
- maximum performance and board density

This section provides information on the following types of IC socket products.

| | |
|---------------------------------|-------------|
| PRODUCTION SOCKETS | TYPE |
| Plastic Leaded Chip Carrier | PLCC |
| Single-in-Line Packages | SIP |
| Pin-Grid Arrays | PGA |
| Dual In-Line | DIP |
| Dual In-Line 0.070-inch spacing | Shrink Pack |
| Quad In-Line | QUIP |
| BURN-IN/TEST SOCKETS | TYPE |
| Plastic Leaded Chip Carrier | PLCC |
| Pin Grid Array | PGA |
| Small Outline | J Lead |
| Dual In-Line | DIP |
| Dual In-Line 0.070-inch spacing | Shrink Pack |
| Small Outline | Flat Pack |
| Quad | Flat Pack |

Specially formulated alloys give the TI contact springs:

- Low Contact Resistance
- High Contact Strength (to stand up to repetitive insertions and withdrawals)
- High normal forces assure gas-tight reliability

A full line of reliable, readily available, low-cost interconnection systems means premium performance at an economical price.

Additional information on these and other TI products, including pricing and delivery quotations, may be obtained from your nearest authorized TI Distributor, TI Sales Representative or:

| | |
|---------------------------------------|--------------------------------|
| Texas Instruments Incorporated | Telephone: (617) 699-5242/5375 |
| Connector Systems Department, MS 14-3 | TELEX: 92-7708 |
| Attleboro, Massachusetts 02703 | |

IC SOCKETS

PLASTIC LEADED CHIP CARRIER

PERFORMANCE SPECIFICATIONS

Mechanical

Recommended PCB thickness range: 0.062 in to 0.092 in
 Recommended PCB hole size range: 0.032 in to 0.042 in
 Vibration: 15 G max
 Shock: 100 G max
 Insertion force: 0.59 lbs per position typ
 Withdrawal force: 0.25 lbs per position typ
 Normal force: 200 g min, 450 g typ
 Wipe: 0.075 in min
 Durability: 5 cycles min
 Contact retention: 1.5 lbs min

Electrical

Current carrying capacity: 1 A per contact
 Insulation resistance: 5000 MΩ min
 Dielectric withstanding voltage: 1000 V ac rms min
 Capacitance: 1 pF max

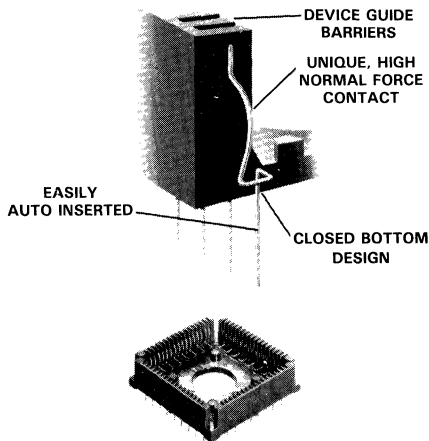
Environmental

Operating temperature:
 Operating: - 40°C to 85°C
 Storage: - 40°C to 95°C
 Temperature cycling with humidity: will conform to final EIA specifications

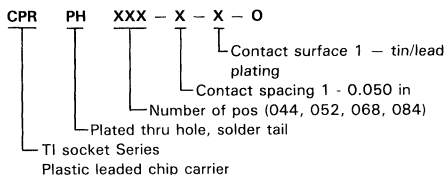
MATERIALS

Body - Rytan R-4 (40% glass) UL 94 V-0 rating
 Contacts - CDA 510 spring temper
 Contact finish - 90/10 tin/lead (200 μin - 400 μin) over 40 μin copper

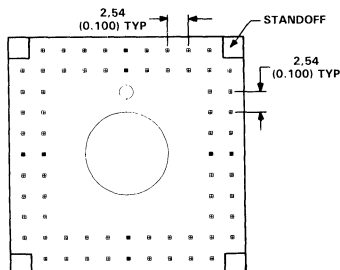
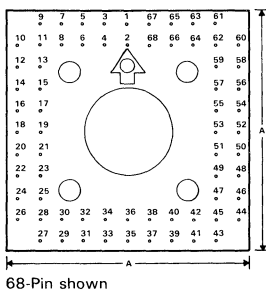
Extraction tool available, consult factory
 Contact factory for detailed information



PART NUMBER SYSTEM



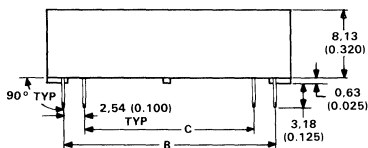
PLASTIC LEADED CHIP CARRIER CPR SERIES



NOTE: Socket electrical pin-out pattern represents component side of P.C.B. layout. (TYP. counter clockwise numbering pin-out system.)

| Pos | A | B | C |
|-----|------------------|------------------|------------------|
| 44 | 21,43 (0.844) | 17,78 (0.700) | 12,70 (0.500) |
| 52 | 23,98 (0.944) | 20,32 (0.800) | 15,24 (0.600) |
| 68 | 29,06 (1.144) | 25,40 (1.000) | 20,32 (0.800) |
| 84 | 34,14 (1.344) | 30,48 (1.200) | 25,40 (1.000) |

Dimensions in parentheses are in inches



PRODUCTION DATA documents contain information current as of publication date. Products conform to specifications per the terms of Texas Instruments standard warranty. Production processing does not necessarily include testing of all parameters.



34 Forest Street • Attleboro, Massachusetts 02703

PRODUCT FEATURES

- Can be loaded by top actuated insertion or press-in insertion, either manually or automatically
- High reliability due to high pressure contact point
- Open body and high stand-off design provide high efficiency in heat dissipation
- High durability up to 10,000 cycles
- Compact design

PERFORMANCE SPECIFICATIONS

Mechanical

- Accommodates IC leads per specific IC device
- Recommended PCB thickness range: 0.062 in to 0.092 in
- Recommended PCB hole size range: 0.032 in to 0.042 in
- Durability: 10,000 cycles 10 mΩ max contact resistance change

- Insertion force: Zero g
- Withdrawal force: Zero g[†]

Electrical

- Contact rating: 1 A per contact
- Contact resistance: 20 mΩ max initial
- Insulation resistance: 1000 MΩ per MIL-STD 202, Method 302, Condition B
- Dielectric withstanding voltage: 500 V ac rms per MIL-STD 202, Method 301

Environmental

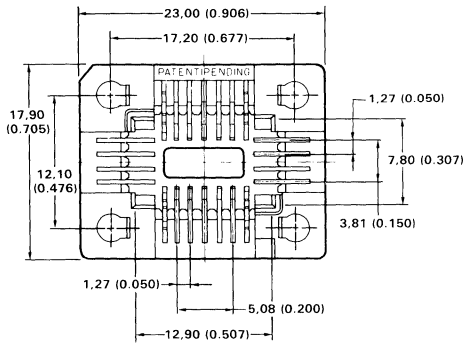
- Thermal shock: 100 cycles, -25°C to +150°C
- Temperature soak: 150°C for 48 hours
- Operating temperature: -40°C to +150°C

MATERIALS

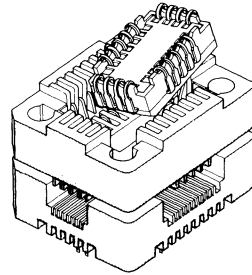
- Body — ULTEM glass filled (UL 94 V-0)
- Contact — copper alloy
- Plating[‡] — overall gold plate 4 μin over min 70 μin nickel plating

- [†]After IC is unlocked from the socket
- [‡]For additional plating options contact factory
- For complete test report contact the factory

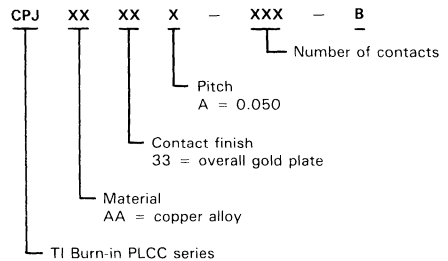
PLCC BURN-IN/TEST SOCKETS CPJ SERIES



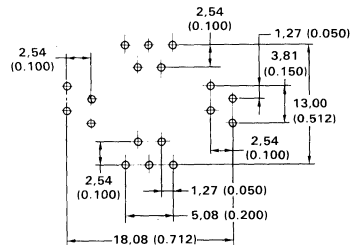
Dimensions in parentheses are inches
Contact factory for detailed information



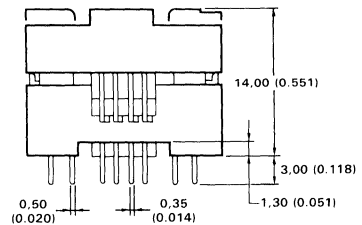
PART NUMBER SYSTEM



18 PIN FOOTPRINT SHOWN



SIZES: 18 PIN
22 PIN



PRODUCTION DATA documents contain information current as of publication date. Products conform to specifications per the terms of Texas Instruments standard warranty. Production processing does not necessarily include testing of all parameters.

IC SOCKETS

SINGLE-IN-LINE PACKAGE SOCKETS

PERFORMANCE SPECIFICATIONS†

Mechanical

Vibration: MIL-STD-202
 Durability: 30 cycles
 Insertion force: Zero g
 Withdrawal force: Zero g‡
 Contact (normal) force: 200 g min
 Contact retention force: 2 lbs per circuit min

Electrical

Contact rating: 1 A
 Contact resistance: 30 mΩ max initial
 Insulation resistance: 1000 MΩ at 500 dc
 Dielectric strength: 1500 V ac rms
 Capacitance: 2 pF max

† Values may vary due to test sequence and SIP module configuration

‡ After module is unlocked from the receptacle
 For a complete test report, please contact factory

Environmental

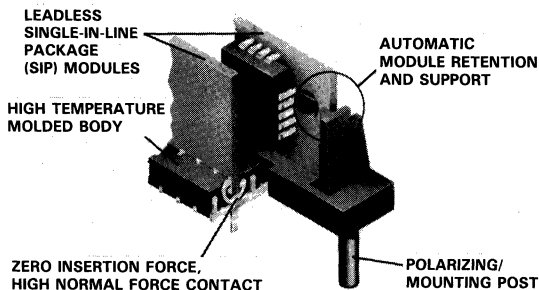
(20 mΩ max contact resistance change after all tests)
 Operating and storage temperature: -40°C to 100°C
 Humidity: MIL-STD 202, Method 106D, 10 days
 Temperature soak: 85°C for 160 hours
 Thermal Shock: 5 cycles, -40°C to 85°C per MIL-STD 202, Method 107E

MATERIALS

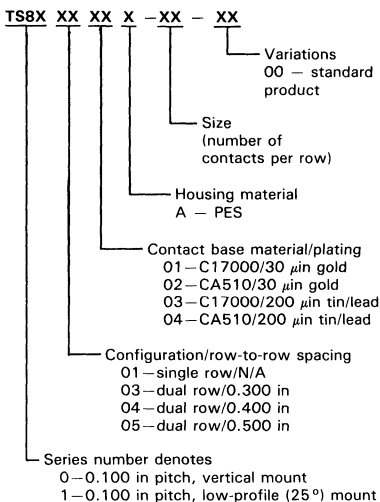
Body — PES polyether sulfone, glass filled, UL 94 V-0
 Contact — Beryllium copper C17000; phosphor bronze alloy CA510

Contact finishes — Post plate min 200 μin tin/lead over min 50 μin nickel overall
 Post plate min 30 μin hard gold over min 75 μin nickel overall

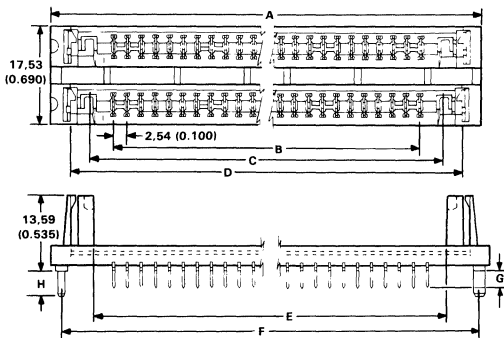
For additional plating options contact the factory.



PART NUMBER SYSTEM

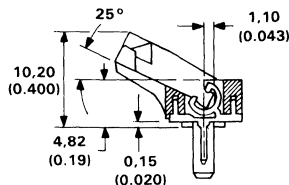


DUAL ROW VERTICAL



Consult factory for availability of configurations, materials, and sizes.

SINGLE ROW LOW PROFILE



| Ckt. Size | A | B | C | D | E | F | G | H |
|-----------|------------------|------------------|------------------|------------------|------------------|------------------|-----------------|-----------------|
| 30 | 96.52 (3.800) | 73.66 (2.900) | 82.14 (3.234) | 89.28 (3.515) | 80.52 (3.170) | 92.71 (3.650) | 2.79 (0.110) | 3.86 (0.152) |

Dimensions in parentheses are in inches

Contact factory for detailed information

PRODUCTION DATA documents contain information current as of publication date. Products conform to specifications per the terms of Texas Instruments standard warranty. Production processing does not necessarily include testing of all parameters.



34 Forest Street • Attleboro, Massachusetts 02703

IC SOCKETS HIGH DENSITY PIN GRID ARRAY

PERFORMANCE SPECIFICATIONS

Mechanical

Accommodates IC leads 0.015 in to 0.021 in diameter
 Recommended PCB thickness range: 0.062 in to 0.092 in
 Recommended PCB hole size range: 0.032 in to 0.042 in
 Recommended hole grid pattern: 0.100 in \pm 0.002 in each direction

Vibration: 15 G, 10-2000 Hz per MIL-STD 1344A, Method 2005.1 Test Condition III

Shock: 100 G, sawtooth waveform, 2 shocks each direction per MIL-STD 202, Method 213, Test Condition I

Durability: 5 cycles, 10 m Ω max contact resistance change per MIL-STD 1344, Method 2016

Insertion force: 3.6 oz (102 g) per pin typ using 0.018 in diameter test pin

Withdrawal force: 0.5 oz (14 g) per pin min using 0.018 in diameter test pin

Electrical

Contact rating: 1 A per contact

Contact resistance: 20 m Ω max initial

Insulation resistance: 1000 M Ω at 500 V dc per MIL-STD 1344, Method 3003.1

Dielectric withstanding voltage: 1000 V ac rms per MIL-STD 1344, Method 3001.1

Capacitance: 1 pF max per MIL-STD 202, Method 305

Environmental

Operating temperature: -65°C to 125°C, gold; -40°C to 100°C, tin/lead

Corrosive atmosphere: 10 m Ω max contact resistance change when exposed to 22% ammonium sulfide for 4 hours

Gas tight: 10 m Ω max contact resistance change when exposed to nitric acid vapor for 1 hour

Temperature soak: 10 m Ω max contact resistance change when exposed to 105°C temperature for 48 hours

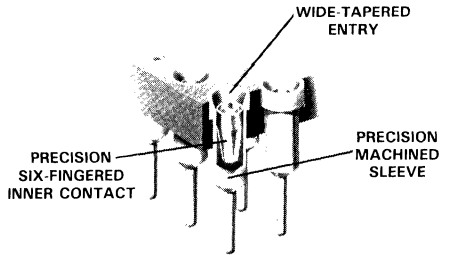
MATERIALS

Body - PBT polyester UL 94 V-0

On request, G10/FR4 or Mylar film

Outer sleeve - Machined Brass (QQ-B-626)

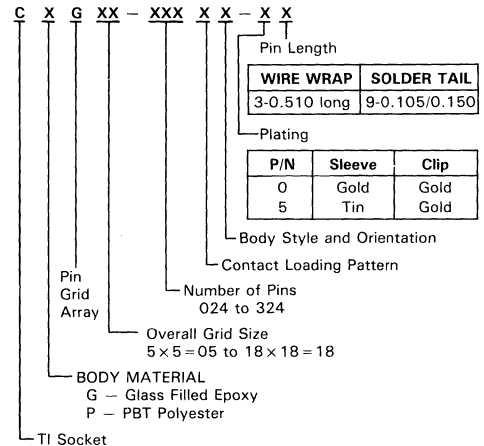
Inner contact - Beryllium copper (QQ-C-530) heat treated
 Plating: (specified by part number)



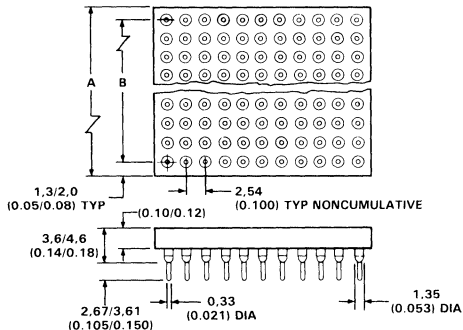
Inner contact - 30 μ m gold over 50 μ m nickel or 100 μ m tin/lead over 50 μ m nickel

Outer sleeve - 10 μ m gold over 50 μ m nickel or 50 μ m tin/lead over 50 μ m nickel

PART NUMBER SYSTEM



PIN GRID ARRAY



| Insulator Size | A | | B | |
|----------------|-------------|-------|---------------------|-------|
| | ± 0.010 | | $\pm 0.005^\dagger$ | |
| 9x9 | (0.950) | 24,13 | (0.800) | 20,32 |
| 10x10 | (1.050) | 26,67 | (0.900) | 22,86 |
| 11x11 | (1.150) | 29,21 | (1.000) | 25,40 |
| 12x12 | (1.250) | 31,75 | (1.100) | 27,94 |
| 13x13 | (1.350) | 34,29 | (1.200) | 30,48 |
| 14x14 | (1.450) | 36,83 | (1.300) | 33,02 |
| 15x15 | (1.550) | 39,37 | (1.400) | 35,56 |
| 16x16 | (1.650) | 41,91 | (1.500) | 38,10 |
| 17x17 | (1.750) | 44,45 | (1.600) | 40,64 |
| 18x18 | (1.850) | 46,99 | (1.700) | 43,18 |

[†]Noncumulative
 Dimensions in parentheses are inches
 Consult factory for detailed information

PRODUCTION DATA documents contain information current as of publication date. Products conform to specifications per the terms of Texas Instruments standard warranty. Production processing does not necessarily include testing of all parameters.



34 Forest Street • Attleboro, Massachusetts 02703

4
Mechanical Data

IC SOCKETS SOJ BURN-IN/TEST

PERFORMANCE SPECIFICATIONS

Mechanical

Accommodates IC leads per specific IC device
 Recommended PCB thickness range: 0.062 in to 0.092 in
 Recommended PCB hole size range: 0.032 in to 0.042 in
 Durability: 10,000 cycles, 20 mΩ max contact resistance change

Insertion force: 1.3 oz per position max
 Withdrawal force: 8.8 grams per position min

Electrical

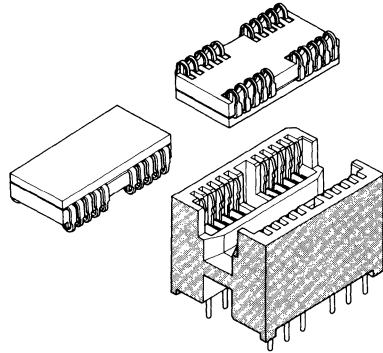
Contact rating: 1.0 A per contact
 Contact resistance: 20 mΩ max initial
 Insulation resistance: 1000 MΩ per MIL-STD 202, Method 302, Condition B
 Dielectric withstanding voltage: 700 V ac rms per MIL-STD 202, Method 301

Environmental

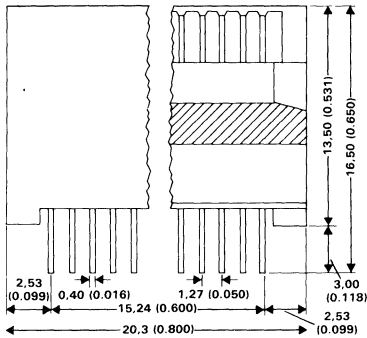
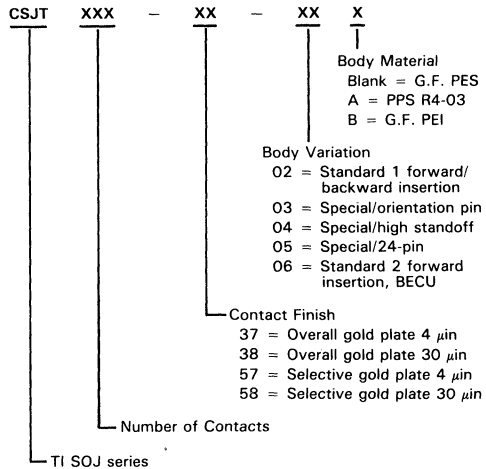
Thermal shock: 100 cycles, -25°C to +180°C, 1 hour
 Temperature soak: 180°C for 1000 hours, 80 mΩ max change
 Operating temperature: -65°C to +180°C

MATERIALS

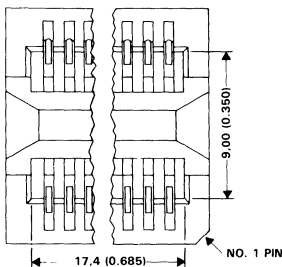
Body — PES glass filled UL 94 V-0
 Contact — copper alloy
 Plating — overall gold plate min 4 μin over min 70 μin nickel plating



PART NUMBER SYSTEM



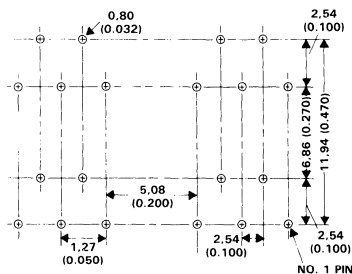
02 VERSION SHOWN



Dimensions in parentheses are inches
 Contact factory for detailed information

SIZES: 20 pin
 26 pin

20-PIN (02 VERSION) FOOTPRINT SHOWN



4

Mechanical Data

PRODUCTION DATA documents contain information current as of publication date. Products conform to specifications per the terms of Texas Instruments standard warranty. Production processing does not necessarily include testing of all parameters.

4-30



34 Forest Street • Attleboro, Massachusetts 02703

PERFORMANCE SPECIFICATIONS

Mechanical

Accommodates IC leads 0.011 ± 0.003 in by 0.018 ± 0.003
 Recommended PCB thickness range: 0.062 in to 0.092 in
 Recommended PCB hole size range: 0.032 in to 0.042 in
 Recommended hole grid pattern: 0.100 in \pm 0.003 in each direction
 Vibration: 15 G, 10-2000 Hz per MIL-STD 1344A, Method 2005.1 Test Condition III.
 Shock: 100 G, sawtooth waveform, 2 shocks each direction per MIL-STD 202, Method 213, Test Condition I
 Durability: 5 cycles, 10 m Ω max contact resistance change per MIL-STD 1344, Method 2016
 Insertion force (C7X and C86): 16 oz (454 g) per pin max
 Withdrawal force: (40 g) per pin min

Electrical

Contact rating: 1 A per contact
 Contact resistance: 20 m Ω max initial
 Insulation resistance: 1000 M Ω at 500 V dc per MIL-STD 1344, Method 3003
 Dielectric withstanding voltage: 1000 V ac rms per MIL-STD 1344, Method 3001.1
 Capacitance: 1 pF max per MIL-STD 202, Method 305

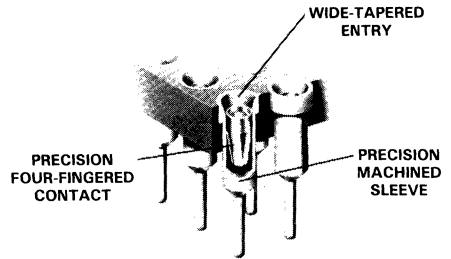
Environmental

Operating temperature: -55°C to 125°C, gold; -40°C to 100°C, tin
 Corrosive atmosphere: 10 m Ω max contact resistance change when exposed to 22% ammonium sulfide for 4 hours
 Gas tight: 10 m Ω max contact resistance change when exposed to nitric acid vapor for 1 hour
 Temperature soak: 10 m Ω max contact resistance change when exposed to 105°C temperature for 48 hours

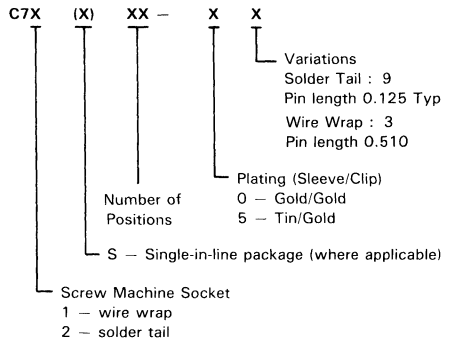
Materials (C7X and C86)

Body - PBT polyester UL 94 V-0
 C7X Contacts - Outer sleeve: brass
 Clip: BECU
 Contact finish - clip 30 μ in gold over 50 μ in nickel or 50 μ in tin/lead over 50 μ in nickel
 Specified by Part Number - sleeve 10 μ in gold over 50 μ in nickel or 50 μ in tin/lead over 50 μ in nickel
 C86 Contacts - Phosphor bronze base metal
 C86 Contact-finish - Tin plate 200 μ in over copper flash

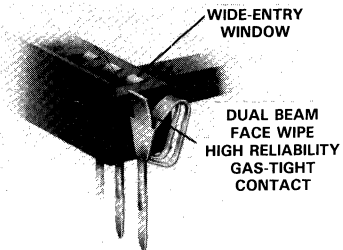
C7X SERIES - SCREW MACHINE



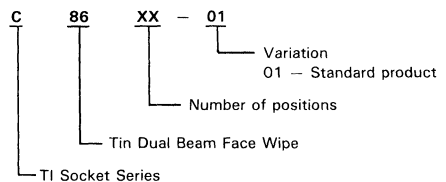
C7X SERIES - SCREW MACHINE PART NUMBER SYSTEM



C86 SERIES - STAMPED AND FORMED



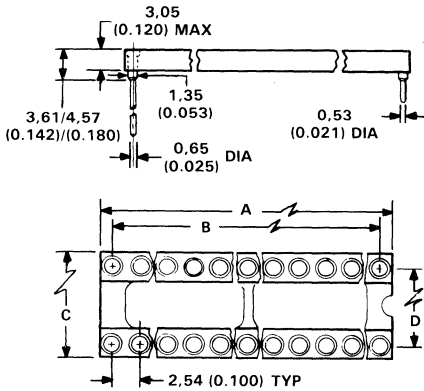
C86 SERIES PART NUMBER SYSTEM



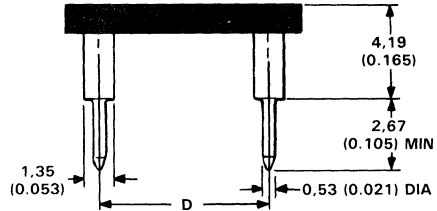
PRODUCTION DATA documents contain information current as of publication date. Products conform to specifications per the terms of Texas Instruments standard warranty. Production processing does not necessarily include testing of all parameters.

IC SOCKETS DUAL-IN-LINE

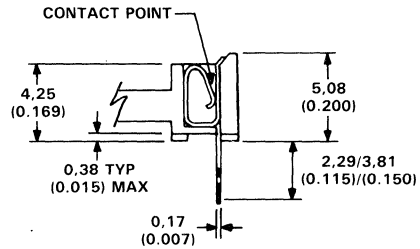
DUAL-IN-LINE C7X AND C86 SERIES



C7X SERIES



C86 SERIES



DIPS

| Positions | DIP A Max | | | | Positions | DIP B ±0.005 | | | |
|-----------|---------------|---------------|---------------|---------------|-----------|---------------|---------------|---------------|---------------|
| | Dim A Max | Dim B ±0.005 | Dim C Max | Dim D ±0.005 | | Dim A Max | Dim B ±0.005 | Dim C Max | Dim D ±0.005 |
| 6 | 7.62 (0.300) | 5.08 (0.200) | 10.16 (0.400) | 7.62 (0.300) | †24 | 30.48 (1.200) | 27.94 (1.100) | 12.76 (0.500) | 10.16 (0.400) |
| 8 | 10.16 (0.400) | 7.62 (0.300) | 10.16 (0.400) | 7.62 (0.300) | 28 | 35.56 (1.400) | 33.02 (1.300) | 17.78 (0.700) | 15.24 (0.600) |
| 14 | 17.78 (0.700) | 15.24 (0.600) | 10.16 (0.400) | 7.62 (0.300) | 32 | 40.64 (1.600) | 38.10 (1.500) | 17.78 (0.700) | 15.24 (0.600) |
| 16 | 20.32 (0.800) | 17.78 (0.700) | 10.16 (0.400) | 7.62 (0.300) | 34 | 45.72 (1.800) | 43.18 (1.700) | 17.78 (0.700) | 15.24 (0.600) |
| 18 | 22.86 (0.900) | 20.32 (0.800) | 10.16 (0.400) | 7.62 (0.300) | 40 | 50.80 (2.000) | 48.26 (1.900) | 17.78 (0.700) | 15.24 (0.600) |
| 20 | 25.40 (1.000) | 22.86 (0.900) | 10.16 (0.400) | 7.62 (0.300) | 48 | 60.96 (2.400) | 58.42 (2.300) | 17.78 (0.700) | 15.24 (0.600) |
| 22 | 27.94 (1.100) | 25.40 (1.000) | 12.76 (0.500) | 10.16 (0.400) | 50 | 63.50 (2.500) | 60.96 (2.400) | 25.40 (1.000) | 7.62 (0.900) |
| 24 | 30.48 (1.200) | 27.94 (1.100) | 17.78 (0.700) | 15.24 (0.600) | 64 | 81.28 (3.200) | 78.74 (3.100) | 25.40 (1.000) | 22.86 (0.900) |
| †24 | 30.48 (1.200) | 27.94 (1.100) | 10.16 (0.400) | 7.62 (0.300) | | | | | |

† Nonstandard sizes

Not all sizes available in each series

Dimensions apply to all series

Dimensions in parentheses are inches
Contact factory for detailed information

PRODUCTION DATA documents contain information current as of publication date. Products conform to specifications per the terms of Texas Instruments standard warranty. Production processing does not necessarily include testing of all parameters.

**TEXAS
INSTRUMENTS**

34 Forest Street • Attleboro, Massachusetts 02703

PERFORMANCE SPECIFICATIONS

Mechanical

Accommodates IC leads 0.011 in by 0.018 in
 Recommended PCB thickness range: 0.062 in to 0.092 in
 Recommended PCB hold size range: 0.032 in to 0.042 in
 Durability: 10K cycles — CM Series, 5K cycles — CP/CQ

Electrical

Contact rating: 1 A per contact
 Contact resistance: 20 mΩ max initial
 Insulation resistance: 1000 MΩ at 500 V dc
 Dielectric withstanding voltage: 1000 V ac rms
 Capacitance: 1 pF max per MIL-STD 202, Method 305

Environmental

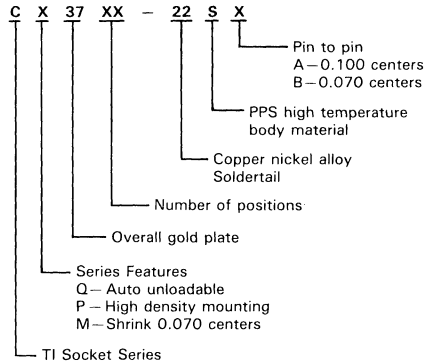
Operating temperature: -65°C to 170°C — CP/CM Series,
 -65°C to 150°C — CQ Series
 Humidity: 10 mΩ max contact resistance
 Temperature Soak: 10 mΩ max contact resistance change

MATERIALS

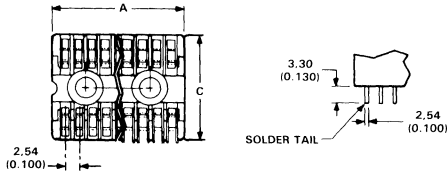
Body — PPS (polyphenylen sulfide) UL 94 V-0
 Contacts — Higher performance copper nickel alloy
 Plating: † 4 μin of gold min over 100 μin of nickel min

†For additional plating options consult the factory

PART NUMBER SYSTEM



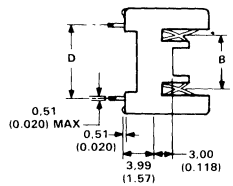
BURN-IN/TEST DIP SOCKETS



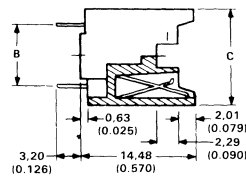
CQ37 SERIES

| Number of Positions | A ±0.01 Length | D ±0.02 | C ±0.01 Width | B ±0.01 Contact |
|---------------------|----------------|---------------|---------------|-----------------|
| 14 | 20,32 (0.800) | | | |
| 16 | 22,35 (0.880) | 12,70 (0.500) | 15,24 (0.600) | 7,62 (0.300) |
| 18 | 24,89 (0.980) | | | |
| 20 | 27,43 (1.080) | | | |
| 24 | 32,51 (1.280) | | | |
| 28 | 37,59 (1.480) | 19,05 (0.750) | 22,86 (0.900) | 15,24 (0.600) |
| 40 | 52,83 (2.080) | | | |
| 42 | 55,37 (2.180) | | | |

CQ37 SERIES



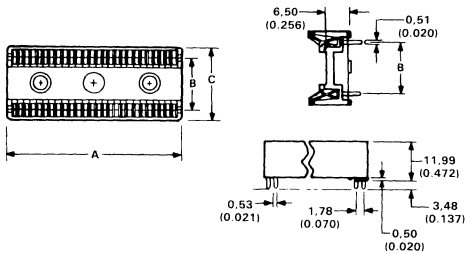
CP37 SERIES



CP37 SERIES

| Number of Positions | A max Length | B ±0.02 | C max Width |
|---------------------|---------------|---------------|---------------|
| 8 | 11,68 (0.460) | | |
| 14 | 17,78 (0.700) | | |
| 16 | 20,32 (0.800) | 7,62 (0.300) | 12,70 (0.500) |
| 18 | 22,86 (0.900) | | |
| 20 | 25,40 (1.000) | | |
| 24 | 30,48 (1.200) | | |
| 28 | 35,56 (1.400) | 15,24 (0.600) | 20,32 (0.800) |
| 40 | 50,80 (2.000) | | |

CM37 SERIES



CM37 SERIES

| Number of Positions | A ±0.016 Length | B ±0.02 | C ±0.016 Width |
|---------------------|-----------------|---------------|----------------|
| 28 | 27,18 (1.070) | 10,67 (0.420) | 17,20 (0.677) |
| 40 | 37,85 (1.490) | | |
| 42 | 39,62 (1.560) | 16,51 (0.650) | 23,11 (0.910) |
| 54 | 50,29 (1.980) | | |
| 64 | 59,18 (2.330) | 20,32 (0.800) | 26,92 (1.060) |

Dimensions in parentheses are inches
 Contact factory for detailed information

PRODUCTION DATA documents contain information current as of publication date. Products conform to specifications per the terms of Texas Instruments standard warranty. Production processing does not necessarily include testing of all parameters.



34 Forest Street • Attleboro, Massachusetts 02703

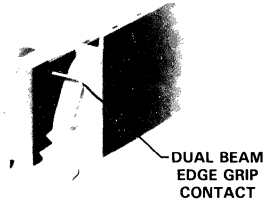
IC SOCKETS QUAD-IN-LINE/SHRINK PACK

PERFORMANCE SPECIFICATIONS

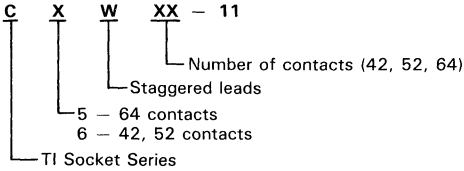
Insertion force: 16 oz (454 g) per pin max
 Withdrawal force: 1.5 oz (42 g) per pin min
 Operating temperature: -40°C to 100°C, tin/lead
 Accommodates IC leads 0.011 ± 0.0003 in by
 0.018 ± 0.003 in
 Contact rating: 1 A per contact

MATERIALS

Body - PBT polyester UL 94 V-0
 C4S & CxW Contacts - Copper alloy
 Contact finish - Reflow tin plating, 40 µm min



PART NUMBER SYSTEM FOR CxW SERIES

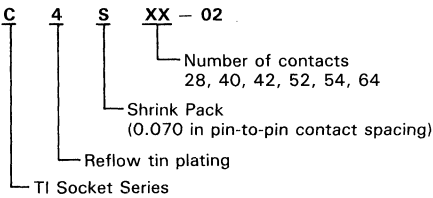


QUAD-IN-LINE (CxW SERIES)

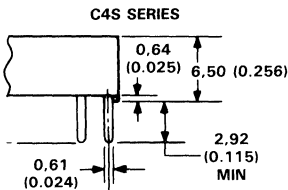
| Product Number | A Max Length | B Row to Row | C Max Row to Row |
|----------------|-----------------|------------------|------------------|
| C5W64-11 | 41,90 (1.65) | 22,90 (0.950) | 19,05 (0.750) |
| C6W42-11 | 27,90 (1.10) | 22,90 (0.900) | 17,80 (0.700) |
| C6W52-11 | 34,30 (1.35) | 22,90 (0.900) | 17,80 (0.700) |

Dimensions in parentheses are inches
 Contact factory for detailed information

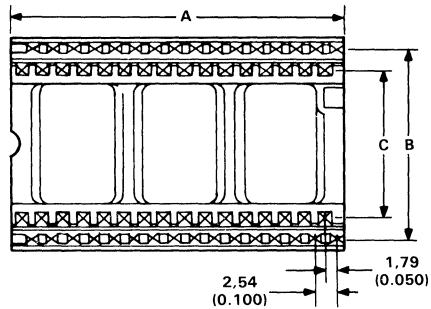
PART NUMBER SYSTEM† FOR C4S SERIES



†Also available in screw machine contacts



QUAD-IN-LINE (CxW SERIES)

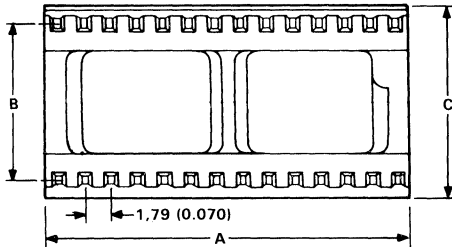


C4S SERIES

| Positions | A Max Length | B Row to Row | C Max Width |
|-----------|------------------|------------------|------------------|
| 28 | 25,02 (0.985) | 10,16 (0.400) | 13,00 (0.512) |
| 40 | 35,69 (1.405) | 15,24 (0.600) | 17,98 (0.708) |
| 64 | 57,07 (2.247) | 19,05 (0.750) | 21,62 (0.851) |

Dimensions in parentheses are inches

SHRINK PACK DIP (C4S SERIES)



PERFORMANCE SPECIFICATIONS

Mechanical

Accommodates IC leads per specific IC device
 Recommended PCB thickness range: 0.062 in to 0.092 in
 Recommended PCB hole size range: 0.032 in to 0.042 in
 Durability: 5000 cycles, 10 mΩ max contact resistance change per MIL-STD 1344, Method 2016

Electrical

Contact rating: 1 A per contact
 Contact resistance: 20 mΩ max initial
 Insulation resistance: 1 MΩ at 500 V dc per MIL-STD 1344, Method 3003.1
 Dielectric withstanding voltage: 700 V ac rms per MIL-STD 1344, Method 3001.1
 Capacitance: 1 pF max per MIL-STD 202, Method 305

Environmental

Operating temperature: -65°C to 170°C
 Humidity: 10 mΩ max contact resistance change when tested per MIL-STD 202, Method 103B
 Temperature soak: 10 mΩ max contact resistance change when exposed to 105°C temperature for 48 hours

MATERIALS

Body — CFP Series — PES (polyether sulfone) glass filled UL 94 V-0

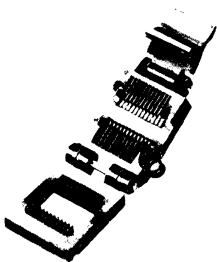
Temperature: -65°C to 170°C

Contact — Beryllium copper

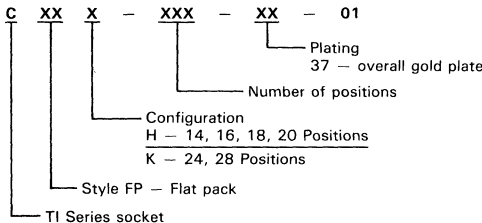
Plating: † Overall gold plate min 4 μin over min 70 μin nickel plating

†For additional plating option consult the factory.
 Dimensional drawings available from factory.

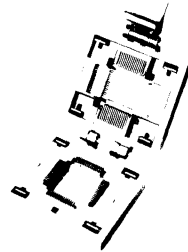
SMALL OUTLINE FLAT PACK (CFPH/K SERIES)



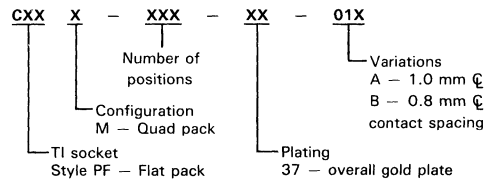
PART NUMBER SYSTEM



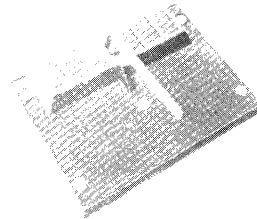
QUAD FLAT PACK (CFPM SERIES)



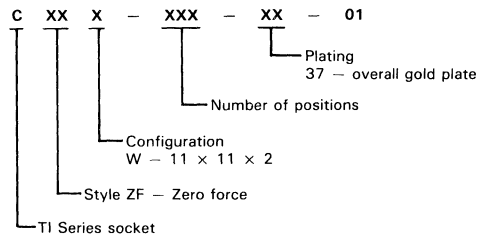
PART NUMBER SYSTEM



PIN GRID ARRAY (CZFW SERIES)



PART NUMBER SYSTEM



AVAILABLE SIZES

| | |
|----------------------------|-------------------------|
| CFPH Series 14, 16, 18, 20 | Small Outline Flat Pack |
| CFPK Series 24, 28 | Flat Pack |
| CFPM Series 64, 80 | Quad Flat Pack |
| CZFW Series 11 x 11 x 2 | Pin Grid Array |

Contact factory for detailed information

PRODUCTION DATA documents contain information current as of publication date. Products conform to specifications per the terms of Texas Instruments standard warranty. Production processing does not necessarily include testing of all parameters.



For more information contact your
local distributor or contact TI directly:

Texas Instruments Incorporated
CSD Marketing, MS 14-1
Attleboro, MA 02703

(617) 699-5242/5269

Field Sales Offices

| Field Sales Offices | | |
|--|--|---|
| <p>UNITED STATES</p> <p>California Irvine 91714 17891 Cartwright Road Phone: (714) 660-8111</p> <p>San Diego 92123 4333 View Ridge Ave., Suite B Phone (619) 278-9600/9603</p> <p>Torrance 90502 9505 Hamilton St. Bldg. A, Suite One Phone: (213) 217-7000</p> <p>Georgia Norcross 30092 5515 Spaulding Drive Phone: (404) 662-7861/7931</p> <p>Massachusetts Attleboro 02703 34 Forest Street, MS 10-6/MS 14-3 Phone: (617) 699-5206/1278/5213</p> <p>North Carolina Charlotte 28210 8 Woodlawn Green Suite 100 Phone: (704) 527-0930</p> <p>Texas Dallas 75265 7800 Banner Drive, MS 3936 Phone: (214) 995-7550/7547/7548</p> <p><i>Texas Instruments provides customer assistance in varied technical areas. Since TI does not possess full access to data concerning all of the uses and applications of customers' products, responsibility is assumed by TI neither for customer product design nor for any infringement of patents or rights of others, which may result from TI assistance.</i></p> | <p>INTERNATIONAL</p> <p>Australia Texas Instruments Australia, Ltd. P.O. Box 63 Elizabeth, South Australia 5112 Phone: 61-8-255-2066</p> <p>England Texas Instruments, Ltd. Beffordia House Prebend Stsreet Bedford MK41 7PA Phone: (0234) 63211, Ext. 1</p> <p>France Texas Instruments, Ltd. . Metallurgical Materials Division 8-10 Avenue Morane Saulnier 78140 Velizy-Villacoublay, Paris Phone: 333. 946. 9712</p> <p>Hong Kong Texas Instruments Asia, Ltd. Asia Pacific Division 8th Floor, World Shipping Centre Harbor City 7, Canton Road Kowloon, Hong Kong Phone: 852-3-722-1223</p> <p>Italy Texas Instruments Italia SPA Viale Europa, 40 I-20093 Cologno Monzese Milano Phone: 011-39-2-25.300.1</p> | <p>Japan Texas Instruments Japan, Ltd. 305 Tanagasnira Oyama-Cho Suntoh-Gun, Shizuoka-Ken Japan 410-13 Phone: (81) 550-81211</p> <p>Mexico Texas Instruments de Mexico, SA Av. Reforma No. 450-10 Piso Col. Juarez Delegacion: Cuauhtemoc Mexico City, D.F. Mexico 06600 Phone: 52-5-514-3583</p> <p>Singapore Texas Instruments Asia # 02-08, 12 Lorong Bakar Batu Kolam Ayer Industrial Estate Singapore 1334 Republic of Singapore Phone: 65-747-2255</p> <p>Taiwan Texas Instruments Supply Co. Taiwan Branch Bank Tower Room 903, 205 Tun Hwa N. Road Taipei, Taiwan Phone: 886-2-713-9311</p> <p>West Germany Texas Instruments Deutschland GMBH Metallurgical Materials Div. Rosenkavallerplatz 15 D-8000 Muenchen 81 Phone: 011-49-89-915081</p> |

TI Sales Offices

ALABAMA: Huntsville (205) 837-7530.
ARIZONA: Phoenix (602) 995-1007; Tucson (602) 292-2640.
CALIFORNIA: Irvine (714) 660-1200; Roseville (916) 786-9208; San Diego (619) 278-9801; Santa Clara (408) 980-9000; Torrance (213) 217-7010; Woodland Hills (818) 704-7759.
COLORADO: Aurora (303) 368-8000.
CONNECTICUT: Wallingford (203) 269-0074.
FLORIDA: Altamonte Springs (305) 260-2116; Ft. Lauderdale (305) 973-6502; Tampa (813) 885-7411.
GEORGIA: Norcross (404) 662-7900.
ILLINOIS: Arlington Heights (312) 640-2925.
INDIANA: Carmel (317) 573-6400; Ft. Wayne (219) 424-5174.
IOWA: Cedar Rapids (319) 395-9550.
KANSAS: Overland Park (913) 451-4511.
MARYLAND: Columbia (301) 964-2003.
MASSACHUSETTS: Waltham (617) 895-9100.
MICHIGAN: Farmington Hills (313) 553-1569; Grand Rapids (616) 957-4200.
MINNESOTA: Eden Prairie (612) 828-9300.
MISSOURI: St. Louis (314) 569-7600.
NEW JERSEY: Iselin (201) 750-1050.
NEW MEXICO: Albuquerque (505) 345-2555.
NEW YORK: East Syracuse (315) 463-9291; Melville (516) 454-6600; Pittsford (716) 385-6770; Poughkeepsie (914) 473-2900.
NORTH CAROLINA: Charlotte (704) 527-0933; Raleigh (919) 876-2725.
OHIO: Beachwood (216) 464-6100; Beaver Creek (513) 427-6200.
OREGON: Beaverton (503) 643-6758.
PENNSYLVANIA: Blue Bell (215) 825-9500.
PUERTO RICO: Hato Rey (809) 753-8700.
TENNESSEE: Johnson City (615) 461-2192.
TEXAS: Austin (512) 250-7655; Houston (713) 778-6592; Richardson (214) 680-5082; San Antonio (512) 496-1779.
UTAH: Murray (801) 266-8972.
WASHINGTON: Redmond (206) 881-3080.
WISCONSIN: Brookfield (414) 782-2899.
CANADA: Nepean, Ontario (613) 726-1970; Richmond Hill, Ontario (416) 884-9181; St. Laurent, Quebec (514) 336-1860.

TI Regional Technology Centers

CALIFORNIA: Irvine (714) 660-8105; Santa Clara (408) 748-2220;
GEORGIA: Norcross (404) 662-7945.
ILLINOIS: Arlington Heights (312) 640-2909.
MASSACHUSETTS: Waltham (617) 895-9196.
TEXAS: Richardson (214) 680-5066.
CANADA: Nepean, Ontario (613) 726-1970.

TI Distributors

TI AUTHORIZED DISTRIBUTORS
Arrow/Kierulf Electronics Group
Arrow (Canada)
Future Electronics (Canada)
GRS Electronics Co., Inc.
Hall-Mark Electronics
Marshall Industries
Newark Electronics
Schweber Electronics
Time Electronics
Wyle Laboratories
Zeus Components

— OBSOLETE PRODUCT ONLY —
Rochester Electronics, Inc.
Newburyport, Massachusetts
(508) 462-9332

ALABAMA: Arrow/Kierulf (205) 837-6955; Hall-Mark (205) 837-8700; Marshall (205) 881-9235; Schweber (205) 895-0480.
ARIZONA: Arrow/Kierulf (602) 437-0750; Hall-Mark (602) 437-1200; Marshall (602) 496-0290; Schweber (602) 431-0030; Wyle (602) 866-2888.
CALIFORNIA: Los Angeles/Orange County: Arrow/Kierulf (818) 701-7500, (714) 838-5422; Hall-Mark (818) 773-4500, (714) 669-4100; Marshall (618) 407-0101, (818) 459-5500, (714) 458-5395; Schweber (818) 880-9666; (714) 863-0200, (213) 320-8090; Wyle (818) 880-9000, (714) 863-9953; Zeus (714) 921-9000; (818) 889-3838; Sacramento: Hall-Mark (916) 624-9781; Marshall (916) 635-9700; Schweber (916) 364-0222; Wyle (916) 638-5282; San Diego: Arrow/Kierulf (619) 565-4800; Hall-Mark (619) 268-1201; Marshall (619) 579-9600; Schweber (619) 450-0454; Wyle (619) 565-9171; San Francisco Bay Area: Arrow/Kierulf (408) 745-6600; Hall-Mark (408) 432-0900; Marshall (408) 942-4600; Sacramento: Hall-Mark (916) 624-9781; Zeus (408) 998-5121.
COLORADO: Arrow/Kierulf (303) 790-4444; Hall-Mark (303) 790-1662; Marshall (303) 451-8383; Schweber (303) 799-0258; Wyle (303) 457-9953.
CONNECTICUT: Arrow/Kierulf (203) 265-7741; Hall-Mark (203) 271-2844; Marshall (203) 265-3822; Schweber (203) 264-4700.
FLORIDA: Ft. Lauderdale: Arrow/Kierulf (305) 429-3200; Hall-Mark (305) 971-9280; Marshall (305) 977-4880; Schweber (305) 977-7511; Orlando: Arrow/Kierulf (407) 323-0252; Hall-Mark (407) 830-5855; Marshall (407) 767-8585; Schweber (407) 331-7555; Zeus (407) 365-3000; Tampa: Hall-Mark (813) 530-4543; Marshall (813) 576-1399; Schweber (813) 541-5100.
GEORGIA: Arrow/Kierulf (404) 449-8252; Hall-Mark (404) 447-8000; Marshall (404) 923-5750; Schweber (404) 449-9170.
ILLINOIS: Arrow/Kierulf (312) 250-0500; Hall-Mark (312) 860-3800; Marshall (312) 490-0155; Newark (312) 784-5100; Schweber (312) 364-3750.
INDIANA: Indianapolis: Arrow/Kierulf (317) 243-9353; Hall-Mark (317) 872-8875; Marshall (317) 297-0483; Schweber (317) 843-1050.
IOWA: Arrow/Kierulf (319) 395-7230; Schweber (319) 373-1417.
KANSAS: Kansas City: Arrow/Kierulf (913) 541-9542; Hall-Mark (913) 888-4747; Marshall (913) 492-3121; Schweber (913) 492-2922.

MARYLAND: Arrow/Kierulf (301) 995-6002; Hall-Mark (301) 988-9800; Marshall (301) 235-9464; Schweber (301) 840-5900; Zeus (301) 997-1118.
MASSACHUSETTS: Arrow/Kierulf (608) 658-0900; Hall-Mark (508) 667-0902; Marshall (508) 658-0810; Schweber (617) 275-5100; Time (617) 532-6200; Wyle (617) 273-7300; Zeus (617) 863-8800.
MICHIGAN: Detroit: Arrow/Kierulf (313) 462-2290; Hall-Mark (313) 462-1205; Marshall (313) 525-5850; Newark (313) 967-0600; Schweber (313) 525-8100; Grand Rapids: Arrow/Kierulf (616) 243-9912.
MINNESOTA: Arrow/Kierulf (612) 830-1800; Hall-Mark (612) 941-2500; Marshall (612) 559-2211; Schweber (612) 941-5280.
MISSOURI: St. Louis: Arrow/Kierulf (314) 567-6888; Hall-Mark (314) 291-5350; Marshall (314) 291-4650; Schw. ber (314) 739-0526.
NEW HAMPSHIRE: Arrow/Kierulf (603) 668-6968; Schweber (603) 625-2250.
NEW JERSEY: Arrow/Kierulf (201) 538-0900, (609) 596-8000; GRS Electronics (609) 964-8560; Hall-Mark (201) 575-4415, (201) 882-9773, (609) 235-1900; Marshall (201) 882-0320, (609) 234-9100; Schweber (201) 227-7880.
NEW MEXICO: Arrow/Kierulf (505) 243-4566.
NEW YORK: Long Island: Arrow/Kierulf (516) 231-1009; Hall-Mark (516) 737-0600; Marshall (516) 273-2424; Schweber (516) 334-7474; Zeus (914) 937-7400; Rochester: Arrow/Kierulf (716) 427-0300; Hall-Mark (716) 425-3300; Marshall (716) 235-7620; Schweber (716) 424-2222; Syracuse: Marshall (607) 798-1611.
NORTH CAROLINA: Arrow/Kierulf (919) 876-3132, (919) 725-8711; Hall-Mark (919) 872-0712; Marshall (919) 878-9892; Schweber (919) 876-0000.
OHIO: Cleveland: Arrow/Kierulf (216) 248-3990; Hall-Mark (216) 348-4632; Marshall (216) 248-1788; Schweber (216) 464-2970; Columbus: Hall-Mark (614) 888-3313; Dayton: Arrow/Kierulf (513) 435-5563; Marshall (513) 898-4480; Schweber (513) 439-1800.
OKLAHOMA: Arrow/Kierulf (918) 252-7537; Schweber (918) 622-8003.
OREGON: Arrow/Kierulf (503) 645-6456; Marshall (503) 644-5050; Wyle (503) 640-6000.
PENNSYLVANIA: Arrow/Kierulf (412) 856-7000, (215) 928-1800; GRS Electronics (215) 922-7037; Marshall (412) 963-0441; Schweber (215) 441-0600, (412) 963-6804.
TEXAS: Austin: Arrow/Kierulf (512) 835-4180; Hall-Mark (512) 258-8848; Marshall (512) 837-1991; Schweber (512) 339-0088; Wyle (512) 854-9957; Dallas: Arrow/Kierulf (214) 380-6464; Hall-Mark (214) 553-4300; Marshall (214) 233-5200; Schweber (214) 661-5010; Wyle (214) 235-9953; Zeus (214) 783-7010; El Paso: Marshall (915) 593-0706; Houston: Arrow/Kierulf (713) 530-4700; Hall-Mark (713) 781-6100; Marshall (713) 895-9200; Schweber (713) 784-3600; Wyle (713) 878-9953.
UTAH: Arrow/Kierulf (801) 973-6913; Hall-Mark (801) 872-1006; Marshall (801) 485-1551; Wyle (801) 974-9953.
WASHINGTON: Arrow/Kierulf (206) 575-4420; Marshall (206) 486-5747; Wyle (206) 881-1150.
WISCONSIN: Arrow/Kierulf (414) 792-0150; Hall-Mark (414) 797-7844; Marshall (414) 797-8400; Schweber (414) 784-9020.
CANADA: Calgary: Future (403) 235-5325; Edmonton: Future (403) 438-2858; Montreal: Arrow Canada (514) 735-5511; Future (514) 964-7710; Ottawa: Arrow Canada (613) 226-6903; Future (613) 820-8313; Quebec City: Arrow Canada (418) 871-7500; Toronto: Arrow Canada (616) 672-7769; Future (416) 638-4771; Marshall (416) 674-2161; Vancouver: Arrow Canada (604) 291-2986; Future (604) 294-1166.

Customer Response Center

TOLL FREE: (800) 232-3200
 OUTSIDE USA: (214) 995-6611
 (8:00 a.m. — 5:00 p.m. CST)



TI Worldwide Sales Offices

ALABAMA: Huntsville: 500 Wynn Drive, Suite 514, Huntsville, AL 35805, (205) 837-7530.

ARIZONA: Phoenix: 8825 N. 23rd Ave., Phoenix, AZ 85021, (602) 995-1007; **TUCSON:** 818 W. Miracle Mile, Suite 43, Tucson, AZ 85705, (602) 292-2640.

CALIFORNIA: Irvine: 17891 Cartwright Dr., Irvine, CA 92714, (714) 860-1200; **Roseville:** 1 Sierra Gate Plaza, Roseville, CA 95678, (916) 786-9208; **San Diego:** 4333 View Ridge Ave., Suite 100, San Diego, CA 92123, (619) 278-9601; **Santa Clara:** 5353 Betsy Ross Dr., Santa Clara, CA 95054, (408) 980-3000; **Torrance:** 690 Knox St., Torrance, CA 90502, (213) 217-7010; **Woodland Hills:** 21220 Erwin St., Woodland Hills, CA 91367, (818) 704-7759.

COLORADO: Aurora: 1400 S. Potomac Ave., Suite 101, Aurora, CO 80012, (303) 368-8000.

CONNECTICUT: Wallingford: 9 Barnes Industrial Park Rd., Barnes Industrial Park, Wallingford, CT 06492, (203) 269-0074.

FLORIDA: Altamonte Springs: 370 S. North Lake Blvd., Altamonte Springs, FL 32701, (305) 260-2116; **Ft. Lauderdale:** 2950 N.W. 62nd St., Ft. Lauderdale, FL 33309, (305) 973-8502; **Tampa:** 4803 George Rd., Suite 390, Tampa, FL 33634, (813) 885-7411.

GEORGIA: Norcross: 5515 Spalding Drive, Norcross, GA 30092, (404) 662-7900.

ILLINOIS: Arlington Heights: 515 W. Algonquin, Arlington Heights, IL 60005, (312) 640-2925.

INDIANA: Ft. Wayne: 2020 Inwood Dr., Ft. Wayne, IN 46815, (219) 424-5174; **Carmel:** 550 Congressional Dr., Carmel, IN 46032, (317) 573-6400.

IOWA: Cedar Rapids: 373 Collins Rd. NE, Suite 201, Cedar Rapids, IA 52402, (319) 395-9550.

KANSAS: Overland Park: 7300 College Blvd., Lighton Plaza, Overland Park, KS 66210, (913) 451-4511.

MARYLAND: Columbia: 8815 Centre Park Dr., Columbia MD 21045, (301) 964-2003.

MASSACHUSETTS: Waltham: 950 Winter St., Waltham, MA 02154, (617) 895-9100.

MICHIGAN: Farmington Hills: 33737 W. 12 Mile Rd., Farmington Hills, MI 48018, (313) 553-1569; **Grand Rapids:** 3075 Orchard Vista Dr. S.E., Grand Rapids, MI 49506, (616) 957-4200.

MINNESOTA: Eden Prairie: 11000 W. 78th St., Eden Prairie, MN 55344 (612) 828-9300.

MISSOURI: St. Louis: 11816 Borman Drive, St. Louis, MO 63146, (314) 569-7600.

NEW JERSEY: Iselin: 485E U.S. Route 1 South, Parkway Towers, Iselin, NJ 08830 (201) 750-1050.

NEW MEXICO: Albuquerque: 2820-D Broadbent Pkwy NE, Albuquerque, NM 87107, (505) 345-2555.

NEW YORK: East Syracuse: 6365 Collamer Dr., East Syracuse, NY 13057, (315) 463-9291; **Melville:** 1895 Walt Whitman Rd., P.O. Box 2936, Melville, NY 11747, (516) 454-6600; **Pittsford:** 2851 Clover St., Pittsford, NY 14534, (716) 385-6770; **Poughkeepsie:** 385 South Rd., Poughkeepsie, NY 12601, (914) 473-2900.

NORTH CAROLINA: Charlotte: 8 Woodlawn Green, Woodlawn Rd., Charlotte, NC 28210, (704) 527-0933; **Raleigh:** 2809 Highwoods Blvd., Suite 100, Raleigh, NC 27625, (919) 876-2725.

OHIO: Beachwood: 23775 Commerce Park Rd., Beachwood, OH 44122, (216) 464-6100; **Beavercreek:** 4200 Colonel Glenn Hwy., Beavercreek, OH 45431, (513) 427-6200.

OREGON: Beaverton: 6700 SW 105th St., Suite 110, Beaverton, OR 97005, (503) 643-6758.

PENNSYLVANIA: Blue Bell: 670 Sentry Pkwy, Blue Bell, PA 19422, (215) 825-9500.

PUERTO RICO: Hato Rey: Mercantil Plaza Bldg., Suite 505, Hato Rey, PR 00918, (809) 753-6700.

TENNESSEE: Johnson City: Erwin Hwy, P.O. Drawer 1255, Johnson City, TN 37605 (615) 461-2192.

TEXAS: Austin: 12501 Research Blvd., Austin, TX 78759, (512) 250-7655; **Richardson:** 1001 E. Campbell Rd., Richardson, TX 75081.

(214) 680-5082; **Houston:** 9100 Southwest Frwy., Suite 250, Houston, TX 77074, (713) 778-6592; **San Antonio:** 1000 Central Parkway South, San Antonio, TX 78232, (512) 496-1779.

UTAH: Murray: 5201 South Green St., Suite 200, Murray, UT 84123, (801) 266-8972.

WASHINGTON: Redmond: 5010 148th NE, Bldg B, Suite 107, Redmond, WA 98052, (206) 881-3080.

WISCONSIN: Brookfield: 450 N. Sunny Slope, Suite 150, Brookfield, WI 53005, (414) 782-2899.

CANADA: Nepean: 301 Moodie Drive, Mallon Centre, Nepean, Ontario, Canada, K2H8C4; **Richmond Hill:** 280 Centre St. E., Richmond Hill L4C1B1, Ontario, Canada (416) 884-9181; **St. Laurent:** Ville St. Laurent Quebec, 9450 Trans Canada Hwy., St. Laurent, Quebec, Canada H4S1R7, (514) 336-1850.

ARGENTINA: Texas Instruments Argentina Viamonte 1119, 1053 Capital Federal, Buenos Aires, Argentina, 541/748-3699

AUSTRALIA (& NEW ZEALAND): Texas Instruments Australia Ltd.: 6-10 Talavera Rd., North Ryde (Sydney), New South Wales, Australia 2113, 2 + 887-1122; 5th Floor, 418 St. Kilda Road, Melbourne, Victoria, Australia 3004, 3 + 267-4677; 171 Philip Highway, Elizabeth, South Australia 5112, 8 + 255-2066.

AUSTRIA: Texas Instruments Ges.m.b.H.: Industriestrasse B/16, A-2345 Brunn/Gebrige, 2236-846210.

BELGIUM: Texas Instruments N.V. Belgium S.A.: 11, Avenue Jules Bondelaan 11, 1140 Brussels, Belgium, (02) 242-3080.

BRAZIL: Texas Instruments Electronicos do Brasil Ltda.: Rua Paes Leme, 524-7 Andar Pinheiros, 05424 Sao Paulo, Brazil, 0815-6166.

DENMARK: Texas Instruments A/S, Mairelundevej 4E, 2730 Herlev, Denmark, 2 - 91 74 00.

FINLAND: Texas Instruments Finland Oy: Ahertantie 3, P.O. Box 81, ESPOO, Finland, (90) 0-461-422.

FRANCE: Texas Instruments France: Paris Office, BP 67 8-10 Avenue Morane-Saulnier, 78141 Velizy-Villacoublay cedex (1) 30 70 1003.

GERMANY (Fed. Republic of Germany): Texas Instruments Deutschland GmbH: Haggertystrasse 1, 8050 Freising, 8161 + 80-4591; Kurtuerstendamm 195/196, 1000 Berlin 15, 30 + 882-7365; III, Hagen 43/Kibbelstrasse, 19, 4300 Essen, 201-24250; Kirchhorststrasse 2, 3000 Hannover 51, 511 + 648021; Maybachstrasse 11, 7302 Ostfildern 2-Neilingen, 711 + 34030.

HONG KONG: Texas Instruments Hong Kong Ltd., 8th Floor, World Shipping Ctr., 7 Canton Rd., Kowloon, Hong Kong, (852) 3-7351223.

IRELAND: Texas Instruments (Ireland) Limited: 7/8 Harcourt Street, Stillorgan, County Dublin, Eire, 1 781677.

ITALY: Texas Instruments Italia S.p.A. Divisione Semiconduttori: Viale Europa, 40, 20093 Cologne Monzese (Milano), (02) 253001; Via Castello della Magliana, 39, 00148 Roma, (06) 5222651; Via Amendola, 17, 40100 Bologna, (051) 554004.

JAPAN: Tokyo Marketing/Sales (Headquarters): Texas Instruments Japan Ltd., MS Shibaura Bldg., 9F, 4-13-23 Shibaura, Minato-ku, Tokyo 108, Japan, 03-769-8700; **Texas Instruments Japan Ltd.:** Nishiohwa Bldg, 5F, 30 Imabashi 3-chome, Higashi-ku, Osaka 541, Japan, 06-294-1881; **Daini Toyota West Bldg:** 7F, 10-27, Meieki 4-chome, Nakamura-ku, Nagoya 450, 052-583-8691; **Daichi Seimei Bldg:** 6F, 3-10 Oyama-cho, Kanazawa 920, Ishikawa-ken, 07623-5471; **Daichi Olympic Tachikawa Bldg:** 6F, 1-25-12 Akebono-cho, Tachikawa 190, Tokyo 0425-27-5426; **Matsumoto Showa Bldg:** 6F, 2-11 Fukushi 1-chome, Matsumoto 390, Nagano-ken, 0283-33-1060; **Yokohama Nishiguchi KN Bldg:** 6F, 2-8-4 Kita-Saiwai-cho, Nishi-ku, Yokohama 220, 045-322-6741; **Nihon Seimei Kyoto Yaska Bldg:** 5F, 843-2 Higashi Shokohidori, Nishinoto-in Higashi-iru, Shikokuji, Shimogyo-ku, Kyoto 600, 075-341-7713; 2597-1, Aza Harada, Oaza Yaska, Kitatsuki 873, Oita-ken, 09786-3-2211; **Miho Plant:** 2350 Kihara Mihoru, Inashiki-gun 300-04, Ibaragi-ken, 0298-85-2541.

KOREA: Texas Instruments Korea Ltd., 28th Fl., Trade Tower, #159, Samsung-Dong, Kangnam-ku, Seoul, Korea 2 + 551-2810.

MEXICO: Texas Instruments de Mexico S.A.: Alfonso Reyes - 115, Col. Hipodromo, Xoneda, Mexico, D.F., Mexico 06120, 525-55-3680.

MIDDLE EAST: Texas Instruments No. 13, 1st Floor Mannal Bldg., Diplomatic Area, P.O. Box 28335, Manama Bahrain, Arabian Gulf, 973 + 274681.

NETHERLANDS: Texas Instruments Holland B.V., 19 Hogehilweg, 1100 AZ Amsterdam - Zuidooft, Holland 20 + 5602911.

NORWAY: Texas Instruments Norway A/S: PB106, Refstad 0585, Oslo 5, Norway, (2) 155090.

PEOPLES REPUBLIC OF CHINA: Texas Instruments China Inc., Beijing Representative Office, 7-05 Citic Bldg., 19 Jianguomenwai Dajie, Beijing, China, (86) 51002255, Ext. 3750.

PHILIPPINES: Texas Instruments Asia Ltd.: 14th Floor, Ba- Lepanto Bldg., Paseo de Roxas, Makati, Metro Manila, Philippines, 817-60-31.

PORTUGAL: Texas Instruments Equipamento Electronico (Portugal), Lda.: Rua Eng. Frederico Ulrich, 2650 Moreira Da Maia, 4470 Maia, Portugal, 2-948-1003.

SINGAPORE (& INDIA, INDONESIA, MALAYSIA, THAILAND): Texas Instruments Singapore (ITE) Ltd., Asia Pacific Division, 101 Thompson Rd, #23.01, United Square, Singapore 1130, 350-8100.

SPAIN: Texas Instruments Espana, S.A.: C/Jose Laredo Galdiano No. 6, Madrid 28036, 1/458-14-58.

SWEDEN: Texas Instruments International Trade Corporation (Sverige/Italen): S-164-93, Stockholm, Sweden, 8 - 752-5800.

SWITZERLAND: Texas Instruments, Inc., Reidstrasse 6, CH-8953 Dietikon (Zuerich) Switzerland, 1-740 2220.

TAIWAN: Texas Instruments Supply Co., 9th Floor Bank Tower, 205 Tun Hwa N. Rd., Taipei, Taiwan, Republic of China, 2 + 713-9311.

UNITED KINGDOM: Texas Instruments Limited: Manton Lane, Bedford, MK41 7PA, England, 0234 270111.



TEXAS INSTRUMENTS

