

# TIA/EIA-422-B Overview

National Semiconductor  
Application Note 1031  
Michael R. Wilson  
January 2000



## ABSTRACT

This application note covers topics associated with concerns for implementing a balanced interface circuit utilizing the TIA/EIA-422-B (formerly RS-422-A) electrical interface standard. The items designated by bullets below indicate the topics covered within this application note.

- Cable Length and Data Rate
- Termination
- Failsafe
- Configuration
- ESD Protection
- Live Insertion
- By-Pass Capacitors
- Stub Lengths
- Receiver Power Off Characteristics
- Typical Cable Media

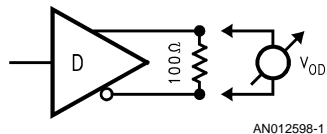
Each topic has an independent section. The sections are identified by bold all upper case titles. Subsection titles are bold only.

## INTRODUCTION/OVERVIEW

TIA/EIA-422-B (RS-422) is an industry standard specifying the electrical characteristics of a balanced interface circuit. Other prefixes are commonly used with the RS-422 standard. These include EIA, EIA/TIA, and RS; although previously correct, today TIA/EIA is the correct prefix. However, for simplicity, RS-422 will be used throughout the rest of this application note. Also, a suffix letter denotes the different revisions of the standard but various prefixes with the same suffix reference the same identical standard.

RS-422 was introduced to solve the limitation problems of single-ended standards like TIA/EIA-232-E. Single-ended interfaces lack common-mode noise rejection capability; ideal for noisy environments. Also, data rates are usually limited to less than 0.5 Mbps. A RS-422 interface may be implemented to overcome these limitations.

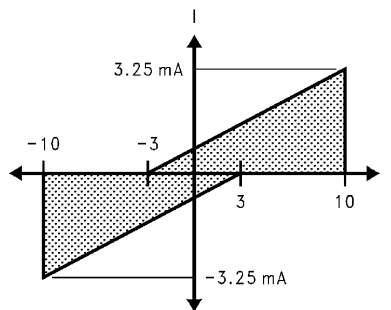
A RS-422 driver can drive up to ten unit loads (i.e., 4 k $\Omega$  to circuit common is one unit load). The driver is capable of transmitting data across 4000 feet (recommended limit) of cable; but not at maximum data rates (see *Figure 3*). Standard RS-422 drivers are guaranteed to source and sink a minimum 20 mA across a 100 $\Omega$  load. This corresponds to a minimum differential output voltage,  $V_{OD}$ , of 2V across the load (see *Figure 1*).



**FIGURE 1. Terminated Configuration**

The complement RS-422 receiver must be equal to or less than one unit load. This is represented by the slope of the

shaded region in *Figure 2*. The operating range of receiver is defined between  $\pm 10V$  and is represented by the shaded area in *Figure 2*.



**FIGURE 2. Receiver Operating Range**

Also, RS-422 receivers have a  $\pm 200$  mV threshold over the entire common mode range of  $\pm 7V$ . A differential noise margin  $\geq 1.8V$  is guaranteed between the driver's differential output swing and the receiver's threshold.

RS-422 drivers and receivers are designed for point-to-point and multi-drop configurations but not multi-point. For multi-drop configurations, a daisy chain is the recommended interface configuration.

Caution, at long distances or high data rates, termination is recommended to reduce reflections caused by a mismatch in the impedance of the cable and the impedance of the receiver's input. Refer to the section entitled "Termination" for further information.

Significantly, the RS-485 differential interface standard is very similar to RS-422. However, there are differences that distinguish the two standards from one another; which include the output stage of the driver, the common mode range of the interface, the input resistance of the receiver, and the drive capability of the driver. For more details concerning the comparison of RS-422 and RS-485, please reference National's application note AN-759.

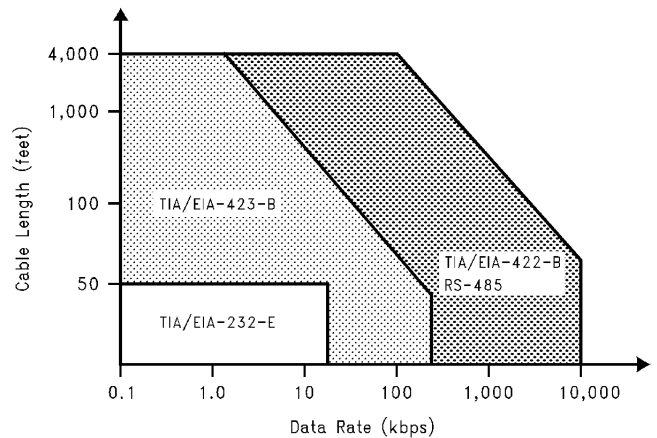
## CABLE LENGTH AND DATA RATE

Cable Length and Data Rate have an inverse affect on each other. When operating at either the recommended maximum cable length or data rate the other can not be obtained. For instance, it is not possible to operate at 4000 feet when operating at 10 Mb/s or vice-versa.

TRI-STATE® is a registered trademark of National Semiconductor Corporation.  
TransZorb® is a registered trademark of General Semiconductor Incorporated.

A chart displaying the recommended operational region of a typical RS-422 standard interface is shown in *Figure 3*. Other electrical interface standards operating regions are

also shown for comparison. The curves were obtained from empirical data using a 24 AWG, copper, 16 pF/ft, twisted-pair cable parallel terminated with a 100Ω load.



**FIGURE 3. Cable Length vs. Data Rate**

### TERMINATION

Termination is recommended for use when designing a RS-422 interface that is considered to be a transmission line. An interface is considered to be a transmission line if the propagation delay of the cable is greater than  $\frac{1}{8}$  the transition (rise or fall) time of the signal. This is a time-domain analysis. The same is also true in frequency-domain.

For clarification, the transition time for the time-domain analysis is measured from zero to one hundred percent of the transition. The rising or falling edge may be used for analysis, whichever edge is the fastest.

Transmission lines may restrict the use of a multi-drop configuration and limit the maximum data rate of the RS-422 interface.

Transmission line theory will not be discussed in this application note but is useful knowledge. For more details on transmission line theory, please refer to National application notes AN-806, AN-807, and AN-808.

### Parallel Termination

Parallel termination, a very popular form of termination, has the advantage of allowing higher data rates and longer cable lengths than an interface using some other termination schemes because transmission line effects are minimized. This is possible because the termination resistor ( $R_t$ ) is chosen to closely match the cable impedance ( $Z_0$ ) (see *Figure 4*). The cable impedance can be obtained from the cable manufacturer. The cable impedance may also be measured using TDR, time domain reflectometry, techniques. Additionally, because of the minimized affect of the transmission line, multi-drop configurations with good signal quality are also possible, as long as the stubs (discussed later) are not transmission lines themselves.

A disadvantage of parallel termination is the high power dissipation associated with the heavy termination load. This

also leads to a smaller differential output voltage and lower DC noise margins than with a series termination. Also, if the receiver has built-in failsafe circuitry, a known output can not be guaranteed with this type of termination scheme unless the receiver specifically says that it supports "terminated" failsafe. The cost associated with purchasing the one external component should also be considered.

Other schemes exist to choose from and each type has its advantages and disadvantages. Please refer to application note AN-903 for more detailed information on parallel and other termination schemes.

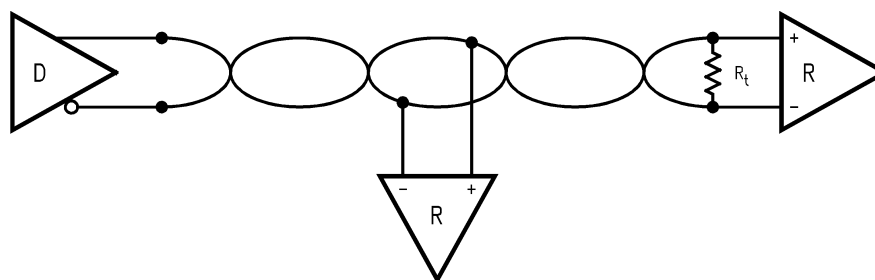
### FAILSAFE

For typical RS-422 interfaces, open, terminated, and shorted input are the three types of failsafe to consider as shown in *Figure 5*. A receiver with full failsafe protection guarantees a known receiver output for all three types failsafe conditions.

#### Open Input Failsafe

Open input failsafe is the condition when the receiver's output is known when its inputs are left open or floating. The driver is not connected but the receiver is powered. A receiver that provides failsafe for an open input condition, may provide failsafe for idle (driver's output idle) and TRI-STATE® (driver's output disabled) conditions if the bus is not parallel terminated. Therefore, the output state of the receiver may be known for both idle and TRI-STATE bus conditions in some instances.

A receiver is able to provide open input failsafe with internal pull-up and pull-down resistors, typically  $>50$  kΩ. Sometimes only one bias resistor is used on one input and the other input biased to a voltage reference point. Note that any receiver that does not have built-in failsafe, may use external pull-up and pull-down resistors to provide failsafe protection.



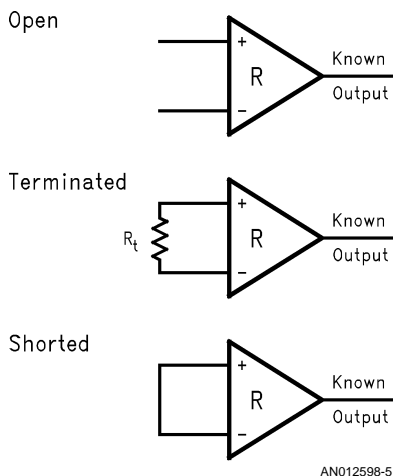
AN012598-4

$R_t = Z_0$   
 where:  
 $R_t$  = termination resistor  
 $Z_0$  = characteristic impedance of cable

**FIGURE 4. Multi-Drop Application with Parallel Termination**

### Terminated Input Failsafe

A receiver has terminated failsafe when its output can be determined while its inputs are under terminated conditions. This must be valid for various types of termination schemes; otherwise the receiver does not have terminated failsafe. Additionally, terminated idle line and terminated TRI-STATE line conditions should also be supported. For RS-422 receivers with built-in open input failsafe, the protection circuitry does not guarantee terminated failsafe operation. If a receiver does not have this feature, external bias resistors may be used to provide terminated failsafe protection. For more information please reference application note AN-847 that is devoted to this topic.



AN012598-5

**FIGURE 5. Types of Failsafe**

### Shorted Input Failsafe

Shorted failsafe is when the receiver output is known when the receiver inputs are shorted together. If a receiver does not have this type of failsafe, external pull-up and pull-down resistors alone may not help. However, using an alternate-failsafe termination technique will provide protection. Please refer to application note AN-903 for details about alternate-failsafe termination.

National's DS36276 and DS36277 are interface devices that provide all three forms of failsafe protection with no external components required. To accomplish this, the threshold point of the receiver was shifted, violating the RS-422  $\pm 200$  mV threshold specification.

### CONFIGURATION

For RS-422 interface devices, usually three types of configurations are commonly used.

#### Point-to-Point Configuration

First, point-to-point, is a one driver and one receiver system. Point-to-point applications may be thought of as using single-ended standards like TIA/EIA-232-E because this is the configuration single-ended standards are popular for. However, differential standards are not restricted from use in point-to-point applications. A typical point-to-point system is shown in *Figure 7*.

#### Multi-Drop Configuration

The second configuration, multi-drop, is one driver with two or more receivers normally connected in a daisy chain layout. For RS-422, the maximum number of receivers is 10 if the receiver's input impedance ( $R_{IN}$ ) is equal to  $4\text{ k}\Omega$  or one unit load. If a receiver's  $R_{IN}$  is equal to  $8\text{ k}\Omega$  then that receiver is equal to  $1/2$  a unit load. Therefore a RS-422 driver that can drive 10 unit loads can drive 20 receivers with a  $R_{IN} = 8\text{ k}\Omega$ . An example of a multi-drop application is shown in *Figure 4*.

#### Multi-Point

The last type of configuration is multi-point, which uses two or more drivers connected to one or more receivers (see *Figure 6*). RS-422 drivers are normally not designed into this type of configuration. However, a multi-point system can be accomplished if certain issues are addressed. The three issues are ground potential differences between drivers, contention between drivers, and the drive capability of the drivers. Therefore, RS-485 devices are recommended for multi-point applications.

For further details and illustrations concerning these issues please reference application note AN-759.

### ESD PROTECTION

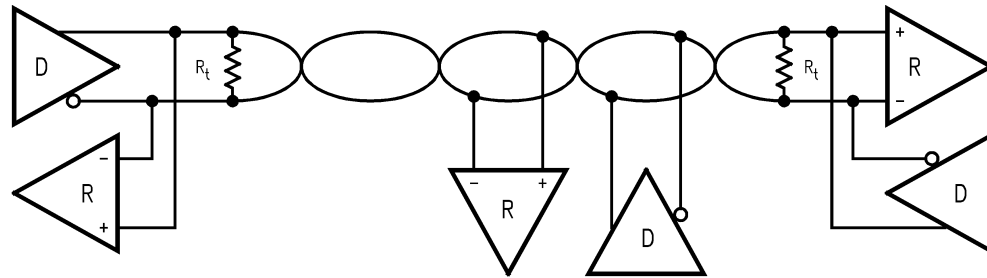
Electrostatic Discharge (ESD) is normally an event of very high potential for a short period of time. This may be damaging to some integrated circuits (IC). ESD is not limited to a one time occurrence in the life of an IC, unless it is fatal the very first time. It may be an ongoing transpiration that can wear down an IC until it eventually fails fatally.

The RS-422 standard does not specify requirements for ESD protection. However, the industry has developed a de-

facto minimum standard of 2,000V ESD protection under human body model (HBM) conditions. However, many systems today require much higher levels of ESD protection. Possibly as high as 10 kV or 15 kV.

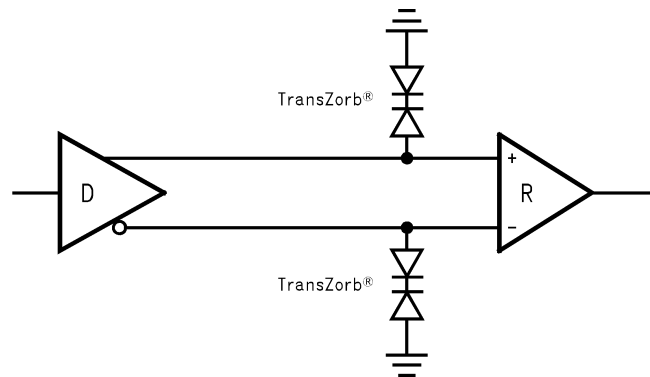
ESD protection may be enhanced in different ways. IC protection circuitry, TransZorbs®, and protected connectors are three possible solutions for increasing an IC's ESD protec-

tion. The first method is built-in IC protection circuitry that requires no external components. This type of protection is the result of the manufacturer's IC design. In the early years of IC manufacturing, ESD was not as well publicized or standardized as it is today. Today, IC designers strive to achieve five, ten, even fifteen thousand Volts of ESD protection.



AN012598-6

FIGURE 6. Example of Multi-Point Configuration



AN012598-7

FIGURE 7. A Point-to-Point RS-422 System with TransZorbs

The later two solutions, TransZorbs and protected connectors, are both external to the IC and usually implemented, by the system manufacturer, to provide additional protection, if needed, beyond that which is supplied by the IC itself.

### Integrated Circuits

IC protection circuitry is normally designed into the die at the input and output stages of the device. This is because these are the stages that connect to the outside world (via cables or other media). Thus, these are the locations damaged most often by ESD phenomenon. The purpose of the circuitry is to, one, be able to drain off very large amounts of current very quickly, and two, keep the high current away from sensitive areas of the IC. An analogy may be made with lightning rods that channel away large amounts of current, caused by a very large electric field (potential), from your house.

### TransZorb

TransZorbs are like back-to-back diodes. They are connected between the interface line that needs protection and ground. They act like voltage clamps, clamping voltages that are above the TransZorb's specified reverse stand-off voltage ( $V_{RS}$ ). Take care when selecting a TransZorb, if the  $V_{RS}$  is too high, the IC may become damaged before the TransZorb

ever turns on. One TransZorb should be used per interface line. This solution could become expensive as the number of interface lines requiring protection increases. *Figure 7* shows an example of a RS-422 point-to-point system with TransZorbs.

### Protected Connectors

Protected connectors, another solution for increasing ESD protection of an IC, provides the same type of clamping protection that TransZorbs do. However, only one device is needed per interface connector. Therefore, if you have a DB-25 pin connector, all 25 lines receive the same increase in ESD damage resistance. Additionally, designers do not need to worry about lack of additional PC board space, since the device is built into the connector. Also, the protected connector only adds an additional 5 pF or 6 pF of capacitance to the signal load. Designers will be able to find protected connectors in a variety of connector sizes. *Figure 8* shows a diagram of two connectors with built-in ESD protection.

In the later two solutions, the system manufacturer provides additional ESD protection. Ideally, system manufacturers would like the IC manufacturers to provide all the ESD protection required for their systems, internal to the device. National Semiconductor's Interface Group recognizes the im-

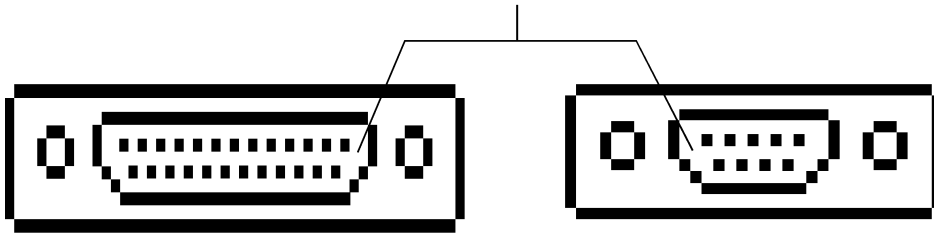
portance of ESD protection and has released the DS36276 and the DS36277 with ESD protection up to 7,500V. Future Interface products will trend toward higher ESD protection.

### LIVE INSERTION

RS-422 does not specify how to insert an IC (driver or receiver) into a live interface. The same is true for removing the IC. PC board connectors, cable connectors, and sockets are likely interface points. A device may be inserted live via one of these interfaces. Live insertion is a larger concern, since removing an IC, from a live interface, normally is less damaging to an IC. For live insertion, the device may not be powered up when being inserted. Thus, the RS-422 device may receive bus potentials that exceed the power supply

voltage ( $V_{CC}$ ). First, this may cause biasing of diodes and bus clamping, or result in large current faults that damage devices. Second, the potential difference between ICs connections and the interface connector may be large enough to cause ESD strikes which may be harmful to the IC. In addition, the IC may transmit signals when the supply voltage is below minimum operating level which may result in data transfer errors. On the other hand, when removing an IC from an active interface, the  $V_{CC}$  should be within normal operating levels with no device pins higher than the supply pin. Also, the potential difference at the instance of the disconnect is minimized since the potential is the equivalent just prior.

built-in protected connectors  
add  $\geq 15$  kV ESD protection



AN012598-8

FIGURE 8. Example of Protected Connectors

Recommendations for implementing a live interface are, one, use an IC that supports the feature. Look for this feature in the device's datasheet. However, it will not always appear there so be sure to ask the chip manufacturer's technical support group, to be certain. These ICs usually have specially designed input and output structures that prevent damage to the device even if bus voltages exceed  $V_{CC}$ . Two, since removal is less harmful than inserting, try to create similar conditions for inserting the chip that would exist when removing the chip. In other words, it is ideal to have the device powered and referenced to the same ground potential as the interface before the inputs and outputs make physical contact.

For a PC board, a staggered connection where the ground trace is the longest, so that it makes contact first, and the  $V_{CC}$  trace is the second longest followed by the input traces then the output traces last would suffice. Live insertion via cables or sockets may require special design but should make contact in the same pattern.

### BY-PASS CAPACITORS

By-pass capacitors help reduce transients on output signals. Therefore, by-pass capacitors are recommended for better signal quality. One 0.1  $\mu\text{F}$  capacitor is recommended for each powered IC in the system. If a device has more than one power supply (i.e.,  $V_{CC}$  and  $V_{EE}$ ) then use one capacitor for each supply. The capacitor should be placed between the power supply pin and ground. Place the capacitor as close to the  $V_{CC}$  pin of the device as possible. Additionally, a 10  $\mu\text{F}$  capacitor may be used near the main path where  $V_{CC}$  is delivered to the system for bulk charge storage. If a system is large, additional bulk capacitance may be distributed across the system.

### STUB LENGTH

Since RS-422 is a multi-drop standard, receivers may be connected to the bus via a stub. The length of the stub is important because of the affect it may have on the signal. As the stub length is increased, its characteristics begin to act as a transmission line. When is a stub considered to be a transmission line? A typical guideline for stubs and transmission lines is stated here:

Time Domain:

If the propagation delay of the stub (one way trip) is greater than  $\frac{1}{8}$  the transition time, measured from 0% to 100% of the signal transition, then the stub may be considered a transmission line.

The boundary conditions at which a stub begins to act as a transmission line are not precise. Therefore, designers may use slightly different ratios.

Furthermore, the maximum length of the stub depends on the transition time measured at the point of the stub interconnect. This is very important to remember because if the total length of the cable is 1,000 feet, a longer stub can be hung off the cable at 750 feet away from the driver than at 75 feet away from the driver. This is because the cable capacitance slows the transition time of the driver's output as it propagates down the cable and the transition time is longer.

The length of the stub may be increased by slowing down the transition edge at the stub interconnect. This can be done using a bulk capacitance load or a RS-422 driver with output wave shape control like National's DS3691, DS3692, or DS36C280.



To implement a RS-422 interface with stubs of equal length. Apply the stub guideline rule to the stub(s) closest to the driver's output and use this length for the maximum length for all stubs on the interface bus.

If a stub is too long and causes a noticeable reflection, it will be measured positive on the stub because the voltage reflection coefficient is positive since the load impedance  $Z_L$  is larger than the stub impedance  $Z_0$ . The formula for the reflection coefficient at the load is shown in equation 1.

$$\left\{ \Gamma = \frac{Z_L - Z_0}{Z_L + Z_0} \right\}$$

#### Eq. 1. Load Reflection Coefficient

Note, the load impedance is equivalent to the input impedance of the receiver which is equal to or greater than 4 k $\Omega$ . The stub impedance is typically about 100 $\Omega$ –130 $\Omega$ . The reflection created at the stub will propagate in both directions away from the stub (see Figure 9). Keep in mind that reflections are time dependent events.

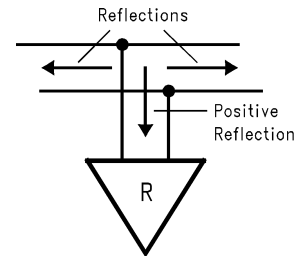
#### RECEIVER POWER OFF CHARACTERISTICS

The receiver characteristics powered down are similar to those when powered up (see Figure 10). Therefore, the receiver, when physically connected, may be powered up or down transparent to the RS-422 driver.

#### Receiver Input Impedance

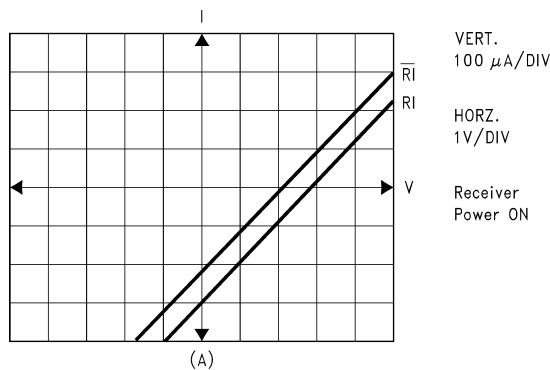
The receiver input impedance curve is identical for both inputs while the receiver is powered off. The characteristic curves also pass through the (0V, 0 mA) coordinate (see Figure 10). While the receiver is powered on, the impedance of both inputs are the same but the input impedance curves do not pass through the (0V, 0 mA) point. Additionally, the curves may or may not cross the x and y axis at the same points (see Figure 10). For receivers with built-in open input failsafe, the curves will differ by at least 200 mV over operating range.

The input impedance of a RS-422 receiver is guaranteed from –10V to +10V which is the operating range for RS-422 receivers. The 10V is equal to the 7V common mode voltage plus 3V offset voltage.

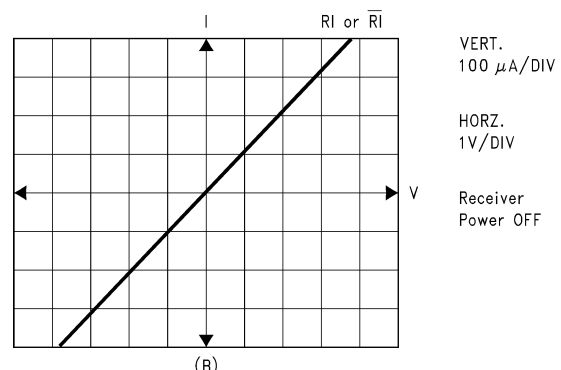


AN012598-9

FIGURE 9. Stub Reflections



AN012598-10



AN012598-11

FIGURE 10. Receiver ON/OFF Characteristics

#### Receiver Breakdown Voltage

The receiver breakdown voltage is guaranteed to be greater than  $\pm 10V$  whether the receiver is powered on or off. The breakdown point may be found by curve tracing the device out past  $\pm 10V$ . Breakdown voltages may be more than twice the maximum operating voltage.

#### TYPICAL CABLE MEDIA

##### Cable Type

Flat or round cables may be used when connecting a RS-422 driver and receiver(s). Twisted pair or non-twisted conductors may be used. Twisted pair cables have an advantage over non-twisted when transmitting differential signals. Twisted pair cables couple noise more symmetrically than non-twisted pair cables. This helps preserve the noise rejection limits of the RS-422 receiver ( $\pm 7V$ ).

##### Cable Size

The defacto standard gauge size is 24 AWG. A range of 22 AWG to 28 AWG is acceptable for most applications. For cable length see "Cable Length and Data Rate" section in this application note.

##### More on Cables

For more details on cable selections, including information concerning shields, insulation, and cable characteristics, refer to application note AN-916.

#### SUMMARY

RS-422 is a standardized differential electrical interface capable of transmitting data in point-to-point and multi-drop applications. When implementing a RS-422 interface, make sure design-in concerns are addressed at the early stages of

design to eliminate problems later in the application, which may be a lot more costly. Understanding RS-422 means understanding the issue associated with the interface.

RS-422 is a well-defined standard and has many applications. However, RS-422 has been superseded by RS-485 which builds onto the existing foundation and creates an even more rugged standard. For more information on RS-485, please reference AN-979.

#### REFERENCES

1. TIA/EIA-422-B, *Electrical Characteristics of Balanced Digital Interface Circuits*, Electronic Industries Association Engineering Department. Washington D.C. 1994.

2. *INTERFACE: Data Transmission Databook*. National Semiconductor Corporation. Santa Clara, CA 95052. 1994.

#### Referenced Application Notes:

AN-759	RS-422 vs. RS-485
AN-806	Transmission Lines
AN-807	Transmission Lines
AN-808	Transmission Lines
AN-847	Failsafe
AN-903	Termination
AN-916	Cables

#### LIFE SUPPORT POLICY

NATIONAL'S PRODUCTS ARE NOT AUTHORIZED FOR USE AS CRITICAL COMPONENTS IN LIFE SUPPORT DEVICES OR SYSTEMS WITHOUT THE EXPRESS WRITTEN APPROVAL OF THE PRESIDENT AND GENERAL COUNSEL OF NATIONAL SEMICONDUCTOR CORPORATION. As used herein:

1. Life support devices or systems are devices or systems which, (a) are intended for surgical implant into the body, or (b) support or sustain life, and whose failure to perform when properly used in accordance with instructions for use provided in the labeling, can be reasonably expected to result in a significant injury to the user.
2. A critical component is any component of a life support device or system whose failure to perform can be reasonably expected to cause the failure of the life support device or system, or to affect its safety or effectiveness.



**National Semiconductor Corporation**  
Americas  
Tel: 1-800-272-9959  
Fax: 1-800-737-7018  
Email: support@nsc.com  
www.national.com

**National Semiconductor Europe**  
Fax: +49 (0) 180-530 85 86  
Email: europe.support@nsc.com  
Deutsch Tel: +49 (0) 69 9508 6208  
English Tel: +44 (0) 870 24 0 2171  
Français Tel: +33 (0) 1 41 91 8790

**National Semiconductor Asia Pacific Customer Response Group**  
Tel: 65-2544466  
Fax: 65-2504466  
Email: ap.support@nsc.com

**National Semiconductor Japan Ltd.**  
Tel: 81-3-5639-7560  
Fax: 81-3-5639-7507