

Programming the NS32FX200 to Drive a Thermal Print Head Printer

National Semiconductor
Application Note 819
Ziv Azmanov
August 1992



1.0 INTRODUCTION

The NS32FX200 is a highly integrated system chip that is designed especially for fax systems based on National Semiconductor's NS32FX161, NS32FX164 or NS32FV16 embedded processors.

The NS32FX200 printer controller:

- Supports a direct interface to a variety of Thermal Print Head (TPH) printers.
- Enables adjustment of the duration of print strobos according to the TPH temperature.
- Provides a programmable strobe mode, strobe cycle, duty cycle and polarity.
- Provides on-chip TPH temperature sensing circuitry.
- Enables variable speeds of thermal paper movement.
- Provides an on-chip bitmap shifter.
- Supports a variety of document sizes.

This document describes how to program the NS32FX200 printer controller for generating Printing Strobos and Serial Bitmap Input for a TPH printer.

For a complete description and listing of the TPH printer handlers for the NS32FX200 based FAX system please refer to the National Semiconductor Series 32000 Embedded Processors NSFAX Software Reference Manual revision P4.0.

2.0 GENERAL DESCRIPTION OF A TPH PRINTER

A Thermal Print Head (TPH) printer has three main elements: a serial-in parallel-out shift register, a TPH and a stepper motor.

The shift register receives the bitmap lines serially from the external printer controller, and latches them inside the TPH printer. The TPH printer prints the image lines on the thermal paper, one at a time, using the print strobos generated by the external printer controller. The stepper motor moves the thermal paper over the printing element.

A TPH is comprised of heat-generating resistors formed on a ceramic substrate. It uses heat to record images by electrically energizing individual resistors on heat sensitive paper, thermal transfer ribbon or other heat sensitive media.

2.1 Print Strobe Control

The TPH printer has a printing head for each pixel. A print strobe heats those heads whose pixel is set to 1. Each heated head generates a black dot on the thermal paper. Several strobos are used to print one line. Each strobe heats pixels in a different part of the line (Note 1).

2.2 The Printer Data Path

The data path in a TPH printer is a pipeline consisting of the following stages:

1. Send a line to the TPH by transferring a bitmap line from the memory buffer, via the NS32FX200 Bitmap Shifter, to the TPH shift register.

If DMA channel 1 of the NS32FX200 is dedicated to the printer (Note 2), the DMA performs the transfer. Otherwise, the CPU should be used to move the data from external memory to the internal bitmap shifter of the NS32FX200.

2. Latch the line that is in the TPH by loading the data that is stored in the TPH shift register, into the latch register.
3. Print by using strobos to heat every TPH element whose corresponding bit in the TPH latch is set, so that it will print a black dot.

Note 1: This is done to reduce the current consumption. Driving all the pixels simultaneously would require a more expensive power supply.

Note 2: The NS32FX200 DMA channel 1 is originally designed to work as an internal channel dedicated to the printer bitman shifter. but the user can choose to use it for other tasks.

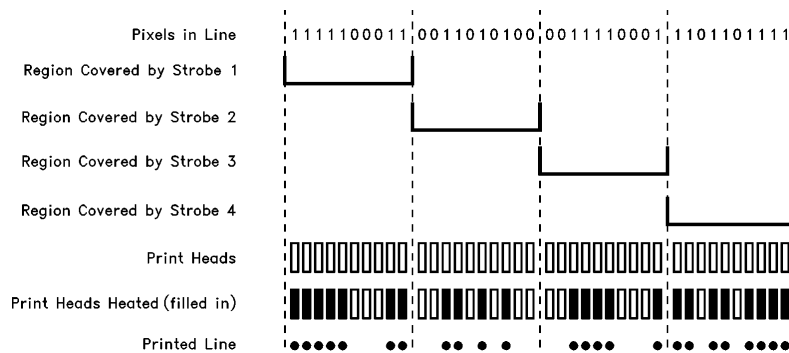


FIGURE 1. Printing a Line Using Four Strobos

TL/EE/11424-1

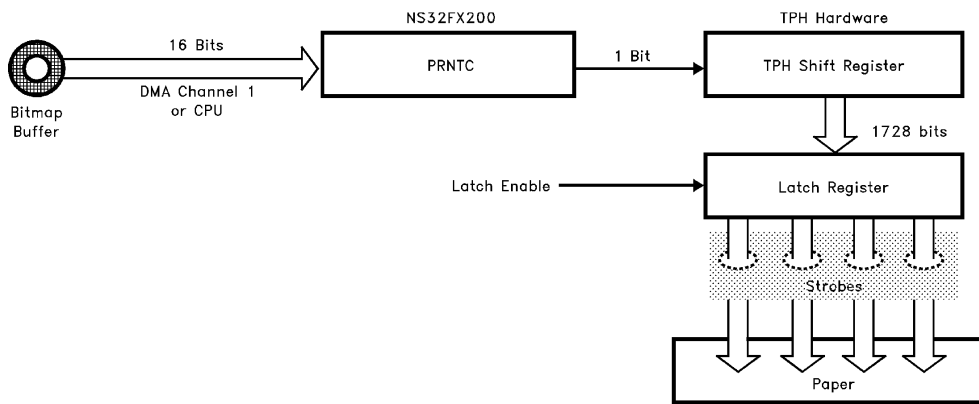


FIGURE 2. TPH Printer Data Path

TL/EE/11424-2

For example, *Figure 3* is a timing diagram of the signals required by the ROHM KF20 series TPH printer.

CP Clock—Used to time data transfer synchronously with the DI input.

DI Data In—Serial data input to accept image data.

LA Latch—Used to output the data contents of the shift register to the driver, in high-through or low-through polarity.

STRi Strobe—Used to allow split driving of drivers. Either active-high or active-low input may be selected.

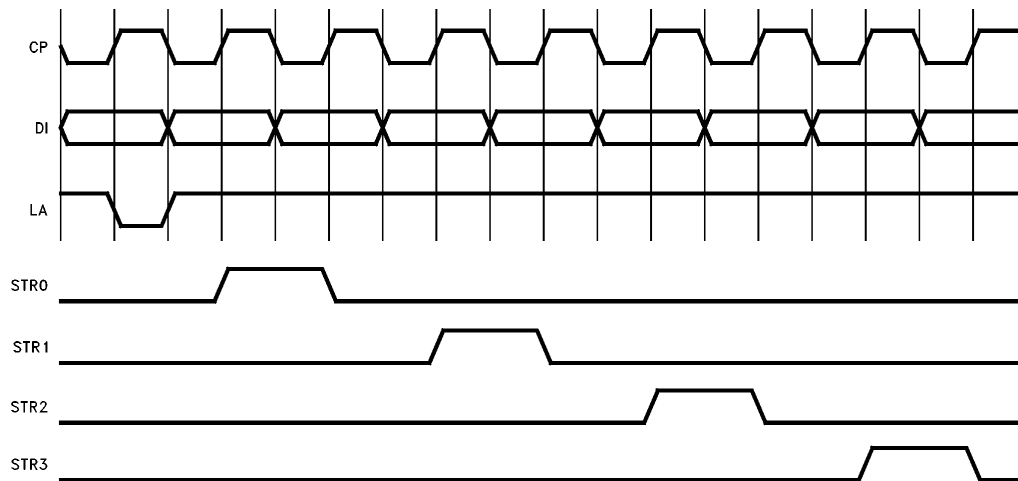


FIGURE 3. Timing Diagram of TPH Printer Signals (Four Strobe Mode)

TL/EE/11424-3

TABLE I. NS32FX200 Interface to a ROHM KF20 Series TPH Printer

NS32FX200 Pin	BITS	TPH Printer Pin	Description
PCLK	1	CP	Clock
PDO	1	DI	Bitmap Shifter Input Data
STB0	1	STR0	Printer Strobe 0
STB1	1	STR1	Printer Strobe 1
STB2	1	STR2	Printer Strobe 2
STB3	1	STR3	Printer Strobe 3
PTMP	1	PTMP	Printer Temperature
PIO0	1	LA	Latch Enable

2.3 The TPH Printing Session—Theory of Operation

A printing session may be performed during FAX reception, local copy, printing from memory or report printing operations. It consists of the following stages:

1. Idle stage.
2. Initialize the NS32FX200 and printer hardware.
3. Adjust the thermal paper backward to the printing element.
4. Advance the thermal paper and print the image lines, one after the other.
5. Eject the thermal paper from the printer.
6. Return to stage 3, if there are more pages to be printed.

Printing operations are performed by the printer handlers using the Printer Controller (PRNTC) module of the NS32FX200. The printer state is set by the printer interface routines, and is modified according to the status of the printer sensors.

The PRNTC module of the NS32FX200 contains the printer bitmap shifter and the control block of the TPH. Each block is individually enabled or disabled by the Module Configuration (MCFG) register.

The bitmap shifter can operate with either internal or external clocks. DMA channel 1 loads the data to the bitmap shifter.

The bitmap is serially shifted out using either an internal or an external asynchronous clock of 0.5 to 4 MHz. The 16-bit shifter has a buffer latch which is fed by DMA channel 1. This block issues two DMA requests to fill the buffer and the shifter when the block is enabled by the MCFG register.

Shift direction is controlled by the SLNR bit of the Printer Bitmap Configuration (PBCFG) register. The actual bitmap shift starts according to the ECLK bit of the PBCFG register, as follows:

1. If the clock is internal, i.e., $ECLK = 0$, data is shifted out when the shifter is not empty, on a falling edge of the clock. The clock frequency is selected by the printer bitmap shifter internal clock generator.

If the clock is external, i.e., $ECLK = 1$, data is shifted out on a falling edge of the clock. The external asynchronous clock must be frozen while this block is disabled ($MCFG.PBMS = 0$), and for at least four instructions after the block and the DMA channel are enabled. This prevents shifting of data while the bitmap shifter is disabled, and ensures that the first clock pulse shifts the first bit.

2. After 16 bits have been shifted out, the buffer loads the shifter, and a new DMA is requested (Note 3).

The control block of the TPH includes a stepper motor controller, a strobes generator, a printer interrupt generator and a temperature sensing circuit. The block is synchronized with the time slots (Note 4) of the TCU module. A TPH latch pulse can be generated by software using the Ports module.

The TPH control block is enabled by setting the TPHB and COUNT bits in the MCFG register. This generates the con-

trol signals (STB0, STB1, STB2 and STB3) for the TPH printer.

The train of strobe pulses starts at a predefined time slot which is selected by the Printer Strobes Start Time Slot (PSTSL) register. It starts with a strobe-on interval, and is followed by a sequence of strobe-off and strobe-on intervals. After the last strobe-on interval is completed, the strobes-done interrupt pulse is generated. The interrupt is periodic, occurring when the predefined time slot is reached, and the train of strobe pulses is completed. The duration of the strobe-on interval is controlled by the STBON register, and the duration of the strobe-off interval is controlled by the STBOFF register.

The temperature of the TPH may vary during a printing session, and cause irregularities in the printout. To ensure a uniform printout, the system must control the temperature of the elements in the print head, and keep it constant. The temperature of these elements is a direct function of the electric charge that gathers in them. The electric charge in the elements in the print head is a direct function of the length of the strobe-on interval. The longer the strobe-on interval, the greater will be the electric charge that gathers in the print elements, and raises their temperature.

To minimize temperature variations in the print elements, the duration of the strobe-on interval is defined based on the temperature of the TPH. The strobe-on and strobe-off intervals may be programmed as strobes are generated, to adjust the duration of each strobe based on the temperature of the print head. This control loop uses the on-chip temperature sensing circuit to detect the changes in the temperature of the print head, and modifies the duration of each strobe accordingly.

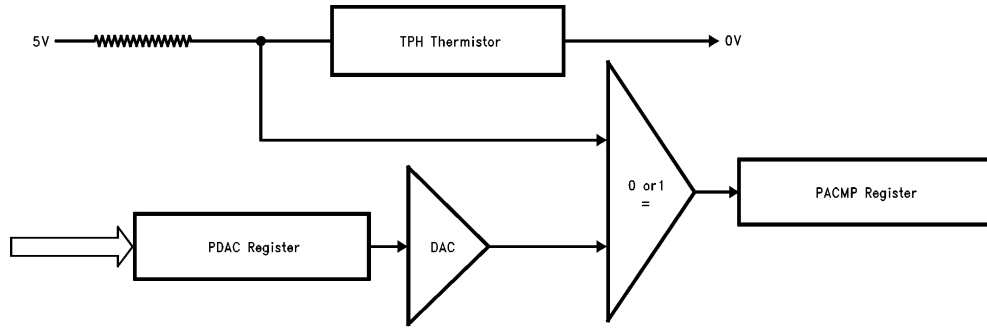
The temperature sensing circuit of the TPH operates in the following manner:

1. Digital values between 0 and 63 are written to the PDAC register of the on-chip temperature sensing circuit, and converted to analog voltages between 0V and 5V.
2. This voltage is compared to the voltage drop over the thermistor of the TPH.
3. Bit 0 in the PACMP register is set or reset, depending on the temperature of the TPH.

Note 3: The number of shifted bits must be a multiple of 16 to guarantee that all the bitmap data will be shifted out.

Note 4: The time slots are generated by the NS32FX200 Timing Control Unit (TCU) by using programmable dividers on the chip's CTTL input clock, to divide each 20 ms period into 256 time slots. The time slots are used to synchronize the various components of the fax system, e.g., the printer and scanner with their respective motors. For further details see the data sheet of the NS32FX200, Section 4.2.2.2.

As the temperature rises, the resistance decreases, and causes the voltage to drop over the thermistor. If the temperature of the TPH is higher than is expected, the supplied voltage is higher than the voltage of the thermistor of the TPH, and bit 0 in the PACMP register is set. If the temperature of the TPH is lower than expected, the supplied voltage is lower than the voltage of the thermistor of the TPH, and bit 0 in the PACMP register is reset.



TL/EE/11424-4

FIGURE 4. TPH Temperature Sensing Circuit

There are several ways to use the temperature sensing circuit of the TPH to measure its temperature. In the current implementation, seven digital values distinguish different TPH temperature zones (Note 5). Higher zones correspond to higher TPH temperatures, and to lower digital values. If the TPH temperature is higher than the range of the zone, i.e., if bit 0 in the PACMP register is set, a higher zone is used. Otherwise, i.e., if bit 0 of the PACMP register is 0, a lower zone is used.

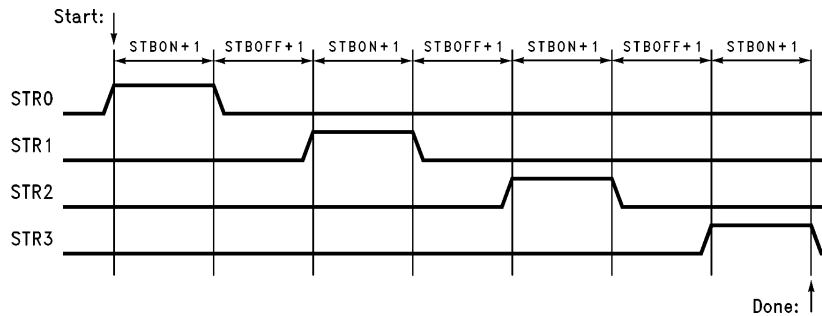
In the current implementation, each temperature zone has a corresponding strobe duration value. Before a line is printed, a new zone is selected based on the temperature of the TPH.

Strobe pulses that are enabled by the STBEN bit of the Thermal Print Head Control (TPHC) register, are generated on the STB0-3 output pins of the NS32FX200. After the last strobe-on interval is completed, the STBEN bit is automati-

cally cleared by hardware. To prevent the loss of strobe pulses, the software should verify that the bit is cleared before setting it to 1.

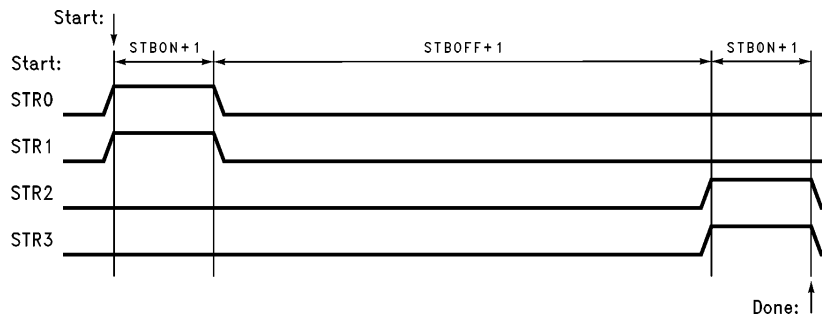
The strobe mode defines both the number of strobes in a train and the distribution of those strobes among the STB0-3 pins. Two strobe modes are supported: two-strobe mode and four-strobe mode. The Strobe Mode (STBM) field of the TPHC register selects the active strobe mode. The timing in these two strobe modes are illustrated in *Figure 5* and *Figure 6*, for an active-high polarity. Note that "Start" marks the beginning of the time slot and "Done" is the strobes-done event.

Note 5: The temperature zones are taken from the TPH Product Specification, which specifies the characteristics of the thermistor. For example, in the R0HM KF2008 - HA TPH, the thermistor operating temperatures are between -10°C and $+100^{\circ}\text{C}$. In the current implementation this range is divided into seven zones.



TL/EE/11424-5

FIGURE 5. Four-Strobe Mode (STBM = 00)



TL/EE/11424-6

FIGURE 6. Two-Strobe Mode (STBM = 01)

3.0 PROGRAMING THE TPH PRINTER CONTROLLER

To use the NS32FX200 Thermal Print Head (TPH) controller to generate printing strobos and serial input data for a TPH printer at 20 MHz, program the NS32FX200 registers as described in this section.

3.1 The Configuration Register (MCFG)

MCFG : $x7_{16}$

When the MCFG register is programmed as shown, it enables the TPH control block, the bit-map shifter and the TCU module.

3.2 The Printer Controller Registers

A TPH printer has a number of basic parameters that define and control the generation of the TPH control signals. The following names for these parameters are used in this section:

- Line time— The time in milliseconds that is required to print one line.
- Temperature zone— The current TPH temperature zone, ranging from very cold to very hot.
- Strobe mode— See previous section.
- Strobe duration— $(\text{line time}/4) * 0.5 \dots (\text{line time}/4) * 0.8$
- Start time— Usually $(\text{line time}/4) * 0.2$

3.2.1 The TPH Control Register

TPHC : $1x_{16}$

TPH Control register. When TPHC is programmed as shown, the STBEN field of this register enables the strobe pulse output signals. The remaining fields may be programmed as desired. The format of TPHC is illustrated below:

7	5	4	3	2	1	0
reserved	STBEN	PIS	SPOL	STBM		

STBEN Strokes Enable. Set by software to enable generation of pulses on strobe pins. Cleared by hardware after the last strobe-on interval is completed. Results are unpredictable if it is cleared by software.

PIS Printer Interrupt Source. Possible values are:

- 0 : Strokes-done interrupt pulse
- 1 : DMA channel 1 interrupt pulse

SPOL Strobe Polarity. Possible values are:

- 0 : Strobe-on active low
- 1 : Strobe-on active high

STBM Strobe Mode. See *Figure 5* and *Figure 6*. Possible values are:

- 00 : Four Strobos (fine resolution)
- 01 : Two Strobos (normal resolution)
- 10 : Reserved
- 11 : Reserved

PSTSL : $fa_{16}, 7a_{16} = 250, 122$

Printer Strobos Start Time Slot register. Bits 0-6 hold the time slot in which the train of strobe pulses starts, if it is enabled. Bit 7 is reserved. The train of strobos starts at the beginning of the specified time slot. For a line time of 10 ms, program PSTSL as shown.

STBON : $758_{16} = 1880$ —temperature zone 0, 2.45 ms, very cold

: $70d_{16} = 1805$ —temperature zone 1, 2.35 ms, cold

: $6b8_{16} = 1720$ —temperature zone 2, 2.24 ms, cool

: $668_{16} = 1640$ —temperature zone 3, 2.14 ms, normal

: $61f_{16} = 1567$ —temperature zone 4, 2.04 ms, warm

: $5d2_{16} = 1490$ —temperature zone 5, 1.94 ms, hot

: $585_{16} = 1413$ —temperature zone 6, 1.84 ms, very hot

: $523_{16} = 1315$ —temperature zone 7, 1.74 ms, dummy

Strobe-On Register. The values shown are for a line time of 10 ms, in four-strobe mode. This 16-bit register is used to define the strobe-on interval, which is $(\text{STBON} + 1)$ Master Clock (MCLK) cycles long. Strobe-on time is transformed from milliseconds to MCLK (1.2288 MHz) cycles. The highest value should be less than the strobos duration, which is:

$$\text{strobe duration} = (\text{line time}/\text{number of strobos})$$

STBOFF : $27_{16} = 39$ —temperature zone 0, 0.05 ms, very cold

: $72_{16} = 114$ —temperature zone 1, 0.15 ms, cold

: $c7_{16} = 199$ —temperature zone 2, 0.26 ms, cool

: $117_{16} = 279$ —temperature zone 3, 0.36 ms, normal

: $160_{16} = 352$ —temperature zone 4, 0.46 ms, warm

: $1ad_{16} = 429$ —temperature zone 5, 0.56 ms, hot

: $1fa_{16} = 506$ —temperature zone 6, 0.66 ms, very hot

: $25c_{16} = 604$ —temperature zone 7, 0.76 ms, dummy

Strobe-Off Register. The values shown are for a line time of 10 ms, in four-strobe mode. This 16-bit register is used to define the strobe-off interval, which is $(\text{STBOFF} + 1)$ MCLK cycles long.

PDAC : $1f_{16}$

Printer pulse width modulation DAC register. The value shown initializes the printer temperature sensing DAC, for use with a bitmap shifter with an internal clock, and a data shift to the right.

PBCFG : 0₁₆

Printer Bitmap shifter Configuration register. The format of the PBCFG is illustrated below:

7	2	1	0
Reserved	SLNR	ECLK	

ECLK External Clock. Possible values are:
0 : Shifter clock is internal
1 : Shifter clock is external

SLNR Shift direction. Possible values are:
0 : Shift to the right
1 : Shift to the left

PCLON Printer bitmap shifter internal Clock, high time register. PCLK is high for (PCLON + 1) CTTL cycles. PCLON may be modified only when MCFG.PBMS is 0.

PCLOFF Printer bitmap shifter internal Clock low time register. PCLK is low for (PCLOFF + 1) CTTL cycles. PCLOFF may be modified only when MCFG.PBMS is 0.

3.3 TCU Frequency Controller Registers

The MCLON register, together with the MCLOFF register, are used to generate a 1.2288 MHz MCLK Program them as shown to define a frequency of 19.6608 MHz.

MCLON : 7₁₆

MCLK On Register. Defines the on time.

MCLOFF : 7₁₆

MCLK Off Register. Defines the off time.

3.4 DMA Controller Registers

Program the DMA controller registers as shown to dedicate channel 1 to the printer bitmap shifter.

ADCA1 : Load the start address in the external memory of the bitmap block.

BLTC1 : Load the number of bytes to transfer.

MODE1 : 200₁₆

Mode Control Register. Set the fields as shown. The format of MODE1 is illustrated below.

15	10	9	8	4	3	2	1	0
Reserved	ADA	Reserved	DIR	NFBY	DEC	OT		

OT Operation Type.
0 : Do not automatically initialize.

DEC Decrement or increment ADCA.
0 : Increment.

DIR Transfer Direction.
0 : Implied I/O is the destination.

ADA Device Address control.
1 : Enable incrementation of ADCA.

STAT1 : 7₁₆

Status Register. Program this register as shown, to clear it.

CNTL1 : 1₁₆

7	2	1	0
Reserved	VLD	CHEN	

Control Register. Program the fields of the CNTL1 register as follows:

CHEN Channel Enable.
1 : Enable channel.

VLD Transfer Validity indicator.
0 : Sets single transfer operation mode.

3.5 I/O Ports Registers

PBMS Logical OR between PBMS and f₁₆. Bits 0, 1, 2 and 3 should be set to 1 to define the STB0-3 strobes as output signals from the Printer Controller module. Bit 5 should be set to 0 to define DMA channel 1 for used by the Printer Bitmap shifter.

PBEN 1₁₆
Enable the Strokes and Bitmap shifter as outputs.

PCMS Logical OR between PCMS and 8₁₆. Port C bit 3 is printer bit map shifter clock. In this case it is internal clock.

PCEN[3] 1
Enable the PCLK output signal.

LIFE SUPPORT POLICY

NATIONAL'S PRODUCTS ARE NOT AUTHORIZED FOR USE AS CRITICAL COMPONENTS IN LIFE SUPPORT DEVICES OR SYSTEMS WITHOUT THE EXPRESS WRITTEN APPROVAL OF THE PRESIDENT OF NATIONAL SEMICONDUCTOR CORPORATION. As used herein:

- Life support devices or systems are devices or systems which, (a) are intended for surgical implant into the body, or (b) support or sustain life, and whose failure to perform, when properly used in accordance with instructions for use provided in the labeling, can be reasonably expected to result in a significant injury to the user.
- A critical component is any component of a life support device or system whose failure to perform can be reasonably expected to cause the failure of the life support device or system, or to affect its safety or effectiveness.



National Semiconductor Corporation
2900 Semiconductor Drive
P.O. Box 58090
Santa Clara, CA 95052-8090
Tel: (1800) 272-9959
TWX: (910) 339-9240

National Semiconductor GmbH
Livny-Gargan-Str. 10
D-82256 Fürstenfeldbruck
Germany
Tel: (81-41) 35-0
Telex: 527849
Fax: (81-41) 35-1

National Semiconductor Japan Ltd.
Sumitomo Chemical
Engineering Center
Bldg, 7F
1-7-1, Nakase, Mihama-Ku
Chiba-City,
Chiba Prefecture 261
Tel: (043) 299-2300
Tel: (043) 299-2500
Fax: (043) 299-2500

National Semiconductor Hong Kong Ltd.
13th Floor, Straight Block,
Ocean Centre, 5 Canton Rd.
Tsimshatsui, Kowloon
Hong Kong
Tel: (852) 2737-1600
Fax: (852) 2736-9960

National Semicondutores Do Brazil Ltda.
Rue Deputado Lacorda Franco
120-3A
Sao Paulo-SP
Brazil 05418-000
Tel: (55-11) 212-5066
Telex: 391-1131931 NSBR BR
Fax: (55-11) 212-1181

National Semiconductor (Australia) Pty, Ltd.
Building 16
Business Park Drive
Monash Business Park
Nottingham, Melbourne
Victoria 3168 Australia
Tel: (3) 558-9999
Fax: (3) 558-9998