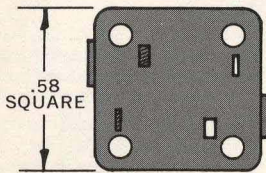


CHERRY electronic data entry KEYBOARDS

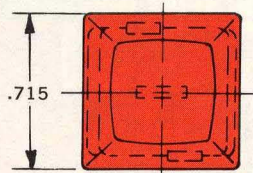
Key Module and Keyboard Specifications

A CHOICE OF TWO RELIABLE CHERRY KEY MODULES

LOW PROFILE KEY WITH GOLD "CROSSPOINT" CONTACTS



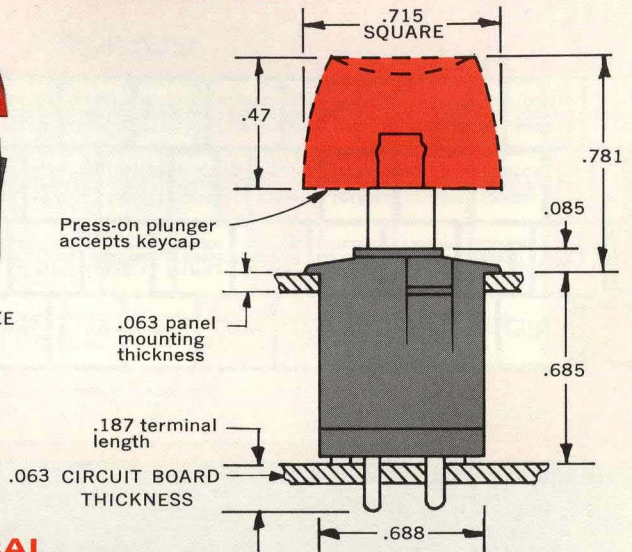
261-0100 (Single Form A)
uses two terminals
262-0100 (Double Form A)
uses all four terminals,
including shaded terminals.



Gray exterior with white legend.
Special colors readily available.
Order by commercial color
number.

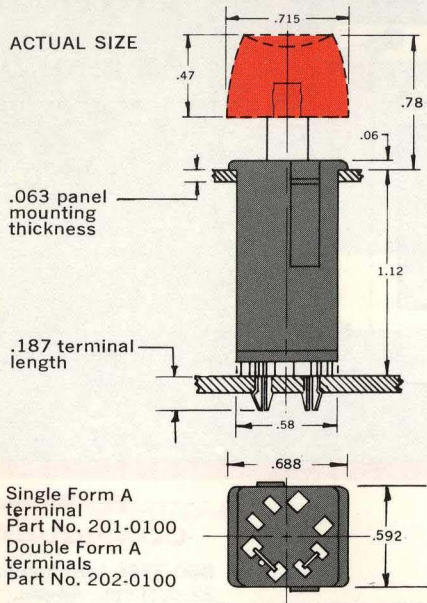


ACTUAL SIZE



TWO-SHOT MOLDED KEYCAP (OPTIONAL)

HERMETICALLY SEALED REED SWITCH KEY



Single Form A
terminal
Part No. 201-0100
Double Form A
terminals
Part No. 202-0100

MECHANICAL

SPECIFICATIONS for Gold "Crosspoint" and Reed Switch Key Modules

Operating Force.....	2½ oz. ± ½ oz.
Pretravel.....	.093 ± .031
Total Travel.....	.188 max.
Key Module Case Material.....	Thermoplastic (Nylon)
External Terminal.....	Tin Plated Brass Alloy
Temperature	
Operating.....	0°C/60°C
Storage.....	-35°C/65°C

ELECTRICAL SPECIFICATIONS

for Gold "Crosspoint" Key Module

Contact Rating (Form A contacts)	
DC Resistive.....	.3W max.
AC Resistive.....	.3VA max.
Current.....	0.125 amp. max. switching 0.5 amp. max. carry
Voltage.....	28V max.
Bounce.....	2 millisecc max. (typically 300 microseconds)
Initial Contact	
Resistance.....	200 milliohms max. (typically 25 milliohms)

for Reed Switch Key Module

Contact Rating (Form A contacts)	
DC Resistive.....	.7W max.
AC Resistive.....	12VA max.
Current.....	0.25 amp. max.
Voltage.....	28V max.
Bounce.....	1 millisecc max.
Initial Contact	
Resistance.....	250 milliohms max.

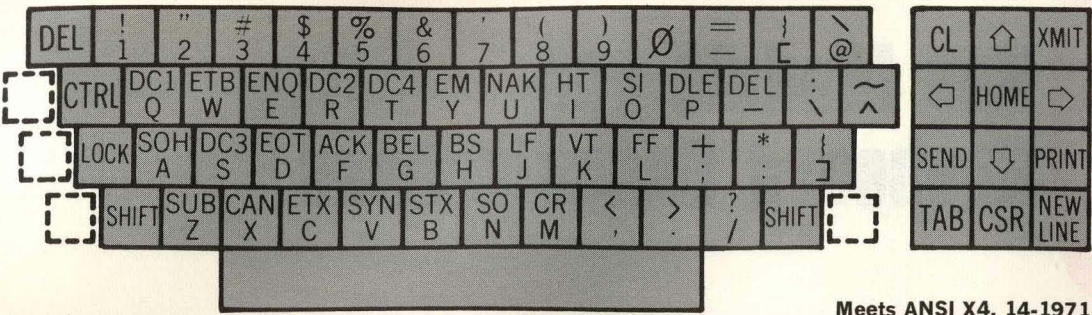


CHERRY ELECTRICAL PRODUCTS CORP.
3600 Sunset Avenue • Waukegan, Illinois 60085

Makers of patented Leverwheel/Thumbwheel Switches, Matrix Selector Switches, Snap-Action Switches and Keyboards.

B80-3766 CHERRY 66-KEY ASCII TRI MODE

LEGEND FORMAT



LEGEND FORMATS

B80-3766 with 66 keys, including 12 Function keys at right hand side. Provisions are made in cover plate for addition of up to four additional key modules (dotted lines). Generates full 128 symbol ASCII character set; can be modified for special applications.

B70-4753 with 53 keys is similar to ASR 33. Standard communications configuration generates ASCII. Can be modified for special applications.

B65-1712 with 12 keys generates straight output.

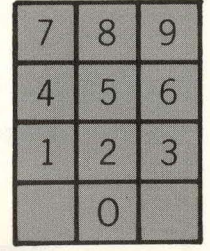
B70-4753 CHERRY 53-KEY ASCII QUAD MODE

LEGEND FORMAT



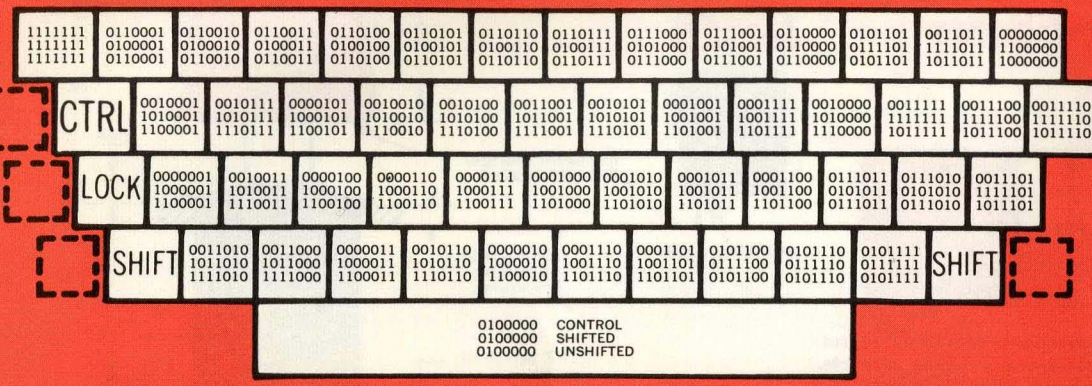
B65-1712 CHERRY 12-KEY NUMERIC

LEGEND FORMAT



B80-3766

OUTPUT



CODED OUTPUT

All 7-bit output codes shown are, reading from left to right, most significant to least significant (765 4321).

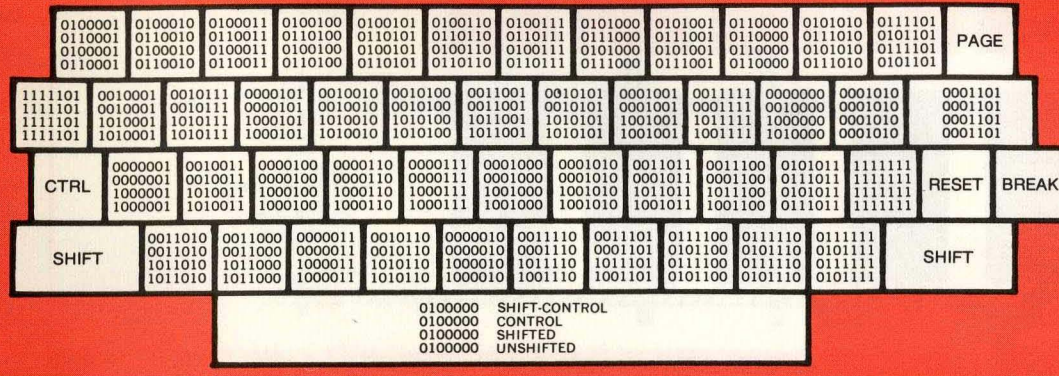
B80-3766—The Control key of this keyboard has precedence over the Shift key to produce tri-mode.

NOTE:
The 12-key Function section of the B80-3766 keyboard is not encoded and so is not included in the coding diagram at left.

The 12-key Function section has Normally Open switches that may be represented similarly to the diagram of the 12-key unit to the far right of this section.

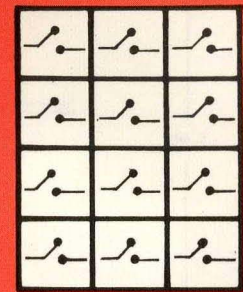
B70-4753

OUTPUT

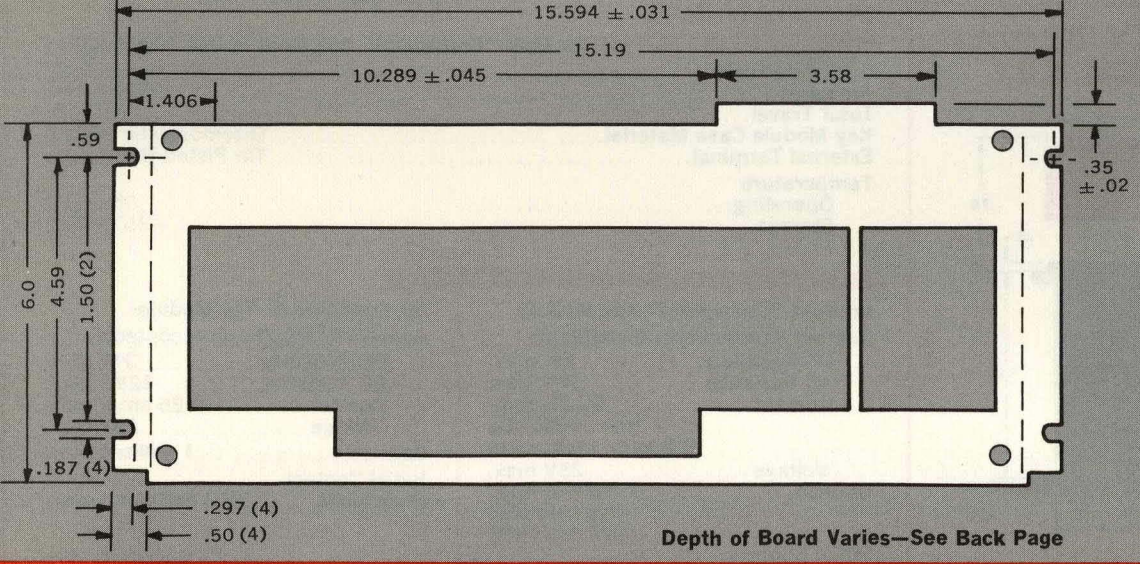


B65-1712

OUTPUT



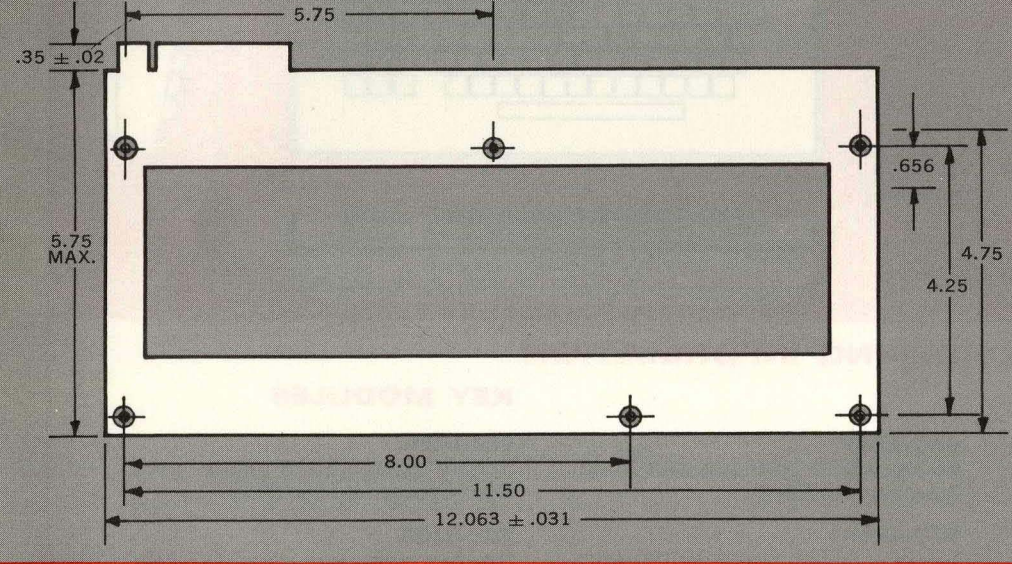
B80-3766



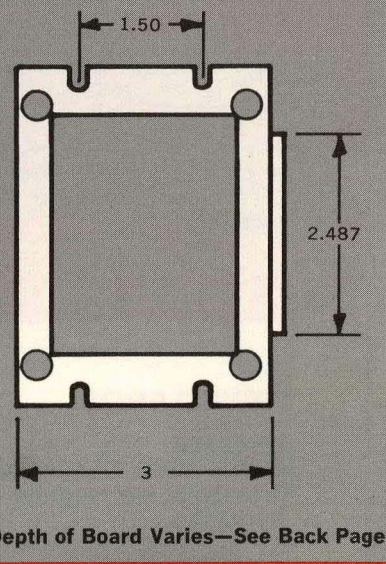
PANEL CUTOUT and PC BOARD SIZE

Depth from top of faceplate to bottom of printed circuit board varies for each keyboard, depending on the type of key module used. See last page of this brochure.

B70-4753

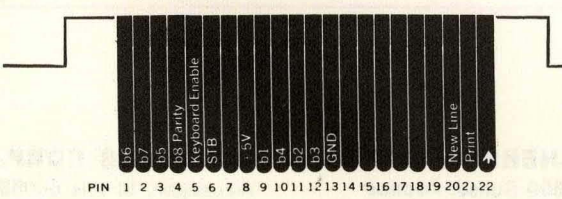


B65-1712



B80-3766 HAS TWO SIDED TERMINAL

VIEWS FROM TOP OF PRINTED CIRCUIT BOARD



- Reverse of Pin 1...b6
- Reverse of Pin 2...b7
- Reverse of Pin 3...b5
- Reverse of Pin 4...b8 PARITY
- Reverse of Pin 5...KYBD. ENABLE
- Reverse of Pin 6...STB
- Reverse of Pin 7...(blank)
- Reverse of Pin 8...+5V
- Reverse of Pin 9...b1
- Reverse of Pin 10...b4
- Reverse of Pin 11...b2
- Reverse of Pin 12...b3
- Reverse of Pin 13...GND
- Reverse of Pin 14...CL
- Reverse of Pin 15...HOME
- Reverse of Pin 16...SEND
- Reverse of Pin 17...TAB
- Reverse of Pin 18...HOME
- Reverse of Pin 19...HOME
- Reverse of Pin 20...CSR
- Reverse of Pin 21...CSR
- Reverse of Pin 22...XMIT

TERMINAL CONFIGURATION

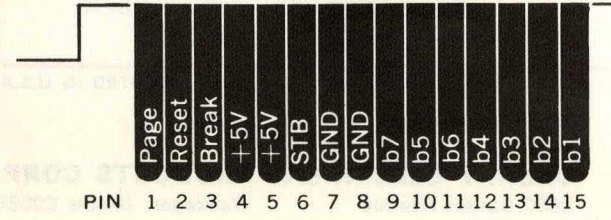
B80-3766 terminal has standard 22-position, 44-pin, 1/16" thick Card Edge Connector (Cinch #251-22-30-340 or #215-22-30-341; Continental #600-30-3PCDG22; Methode #84-7044).

B70-4753 terminal has standard 15-pin Card Edge Connector. Plated through for redundancy.

B65-1712 terminal has standard 15-pin Card Edge Connector (including two pins that represent blank keys at right and left hand side of bottom row of keys).

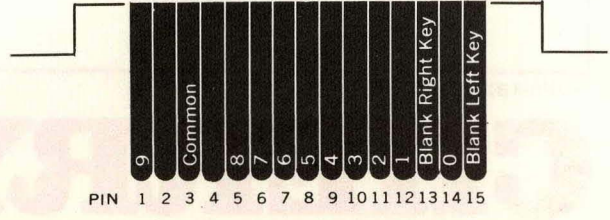
B70-4753 TERMINAL

VIEWS FROM TOP OF PRINTED CIRCUIT BOARD

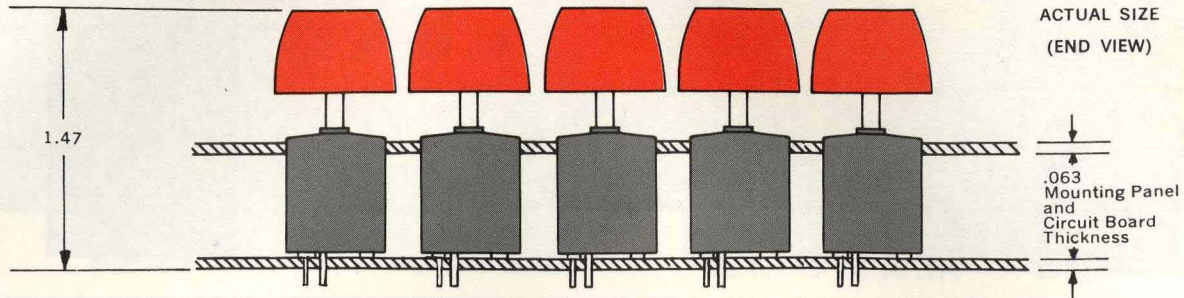


B65-1712 TERMINAL

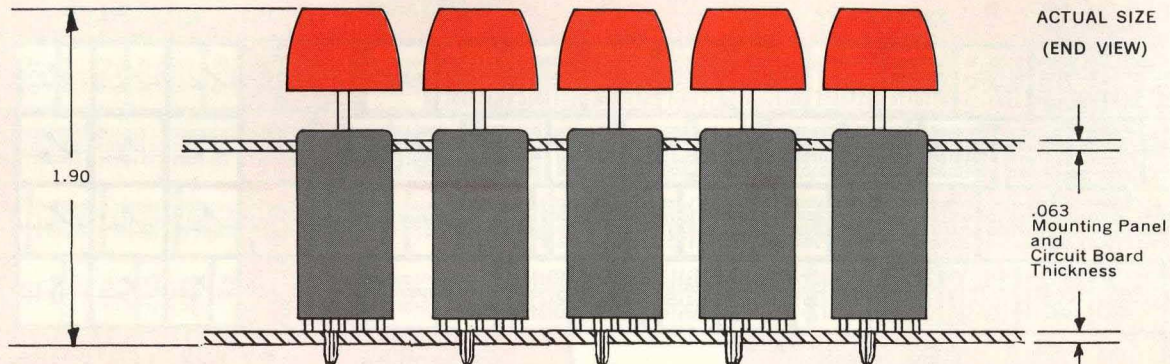
VIEWS FROM TOP OF PRINTED CIRCUIT BOARD



FOUR ROWS OF KEYS PLUS SPACER BAR WITH LOW PROFILE GOLD CROSSPOINT KEY MODULES



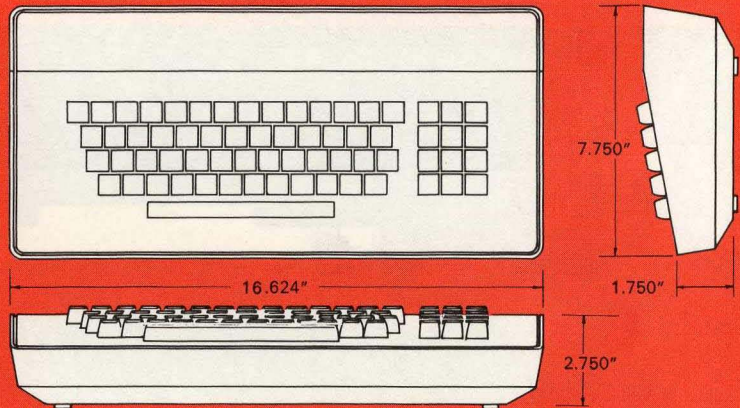
ALSO AVAILABLE WITH REED TYPE KEY MODULES



ENCLOSURE (optional)

A modern design enclosure in blue and white no glare finish is available for the Cherry B80-3766 and B70-4753 keyboards at nominal extra cost.

The enclosure has a cable strain relief and rubber base pads that protect desk tops against scratching. The cast enclosure base has ample weight for stability.



ORDERING INFORMATION

KEYBOARDS

B80-3766

66 key ASCII Tri-Mode with Gold Crosspoint key modules

B70-4753

53 key ASCII Quad-Mode with Gold Crosspoint key modules (Similar to ASR 33)

B65-1712

12 key non-encoded Numeric station with Gold Crosspoint key modules

B80-3366

66 key ASCII Tri-Mode with Reed type key modules

B70-4353

53 key ASCII Quad-Mode with Reed type key modules (Similar to ASR 33)

B65-1312

12 key non-encoded Numeric station with Reed type key modules

KEY MODULES

261-0100

Single pole key module with Gold Crosspoint contacts.

262-0100

Double pole key module with Gold Crosspoint contacts.

201-0100

Key module with Single Form A reed switch.

202-0100

Key module with Double Form A reed switch.

GCRS-KB1271

PRINTED IN U.S.A.

CHERRY

CHERRY ELECTRICAL PRODUCTS CORP.
3600 Sunset Avenue • Waukegan, Illinois 60085

Makers of patented Leverwheel/Thumbwheel Switches, Matrix Selector Switches, Snap-Action Switches and Keyboards.